

STR-A37/D309/D359

SERVICE MANUAL

AEP Model
STR-D309/D359

UK Model
STR-D359

Australian Model

E Model

PX Model

STR-A37



Photo is STR-D359

This set is the tuner and amplifier section in

STR-A37 : LBT-A37CDM
STR-D309 : LBT-D309CD
STR-D359 : LBT-D359CD

SPECIFICATIONS

• STR-A37

Tuner

| | |
|------------------------|---|
| System | FM stereo FM/AM superheterodyne tuner |
| FM tuner section | |
| Tuning range | 87.5 to 108 MHz |
| Antenna | 75 ohms unbalanced 300 ohms balanced |
| Intermediate frequency | 10.7 MHz |
| AM tuner section | |
| Tuning range | 531 to 1,602 kHz (at 9 kHz step) 530 to 1,710 kHz (at 10 kHz step) |
| Antenna | AM loop antenna External antenna terminal |
| Intermediate frequency | 450 kHz |

Amplifier

| | |
|-----------------------------|--|
| Peak music power output | 700 W (6 ohms, 4 speakers driven) |
| Continuous RMS power output | 55 W + 55 W (6 ohms, at 1 kHz, 5% THD) |

| Input | Jack type | Sensitivity | Impedance |
|----------|-----------|-------------|------------|
| VIDEO IN | Phono | 300 mV | 47 kohms |
| PHONO IN | Phono | 3 mV | 47 kohms |
| MIC | Phone | 1 mV | 10 kilohms |

| Output | Jack type | Impedance |
|------------------|-------------|--------------------------------------|
| SURROUND SPEAKER | Phono | Accepts speakers of 8 – 16 ohms |
| HEADPHONES | Stereophone | Accepts headphones of 8 ohms or more |

Frequency response VIDEO: 15 Hz to 50 kHz $^{+0}_{-3}$ dB

General

| | |
|--------------------|--|
| Power requirements | 110 – 120 V/220 – 240 V AC, adjustable with the VOLTAGE SELECTOR, 50/60 Hz |
| Power consumption | 155 W |
| Mass | Approx. 7.3 kg |
| Dimensions | Approx. 355 × 225 × 330 mm (w/h/d, including projections) |

• STR-D309/D359

Tuner

| | |
|------------------------|---|
| System | FM stereo FM/AM superheterodyne tuner |
| FM tuner section | 65.0 to 74.0 MHz (East European model) |
| Tuning range | 87.5 to 108 MHz |
| Antenna | 75 ohms unbalanced |
| Intermediate frequency | 10.7 MHz |
| AM tuner section | |
| Tuning range | (German model) 531 to 1,602 kHz (Italian model) 522 to 1,611 kHz (Other models) MW: 531 to 1,602 kHz LW: 153 to 279 kHz |
| Antenna | AM loop antenna External antenna terminal |
| Intermediate frequency | 450 kHz |

— Continued on next page —

STEREO FM-AM RECEIVER
SONY®



Amplifier

DIN power output 50 W + 50 W (6 ohms, at 1 kHz)
 Continuous RMS power output 60 W + 60 W (6 ohms, at 1 kHz, 5% THD)
 Music power output 90 W + 90 W (6 ohms)

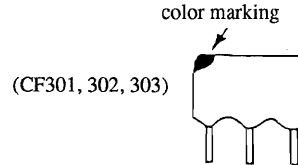
| Input | Jack type | Sensitivity | Impedance |
|----------|-----------|-------------|-----------|
| VIDEO IN | Phono | 300 mV | 47 kohms |
| PHONO IN | Phono | 3 mV | 47 kohms |

| Output | Jack type | Impedance |
|------------------|-------------|--------------------------------------|
| SURROUND SPEAKER | Phono | Accepts speakers of 16 ohms |
| HEADPHONES | Stereophone | Accepts headphones of 8 ohms or more |

Frequency response VIDEO: 15 Hz to 50 kHz $^{+0}_{-3}$ dB
 Power requirements 220 – 230 V AC, 50/60 Hz
 Power consumption 150 W
 Mass Approx. 7.3 kg
 Dimensions Approx. 355 × 225 × 330 mm (w/h/d, including projections)

Note on Ceramic Filter (CF301, ▲302, 303) Replacement. (PANEL BOARD : D609, D610)

This set employs two ceramic filters (CF301, ▲302, 303) which should have the same color marking to identify their center frequency. therefore FM IF offset adjustment by (*A, *B) connection is necessary to match the center frequency of the ceramic filters used with FM intermediate frequency.



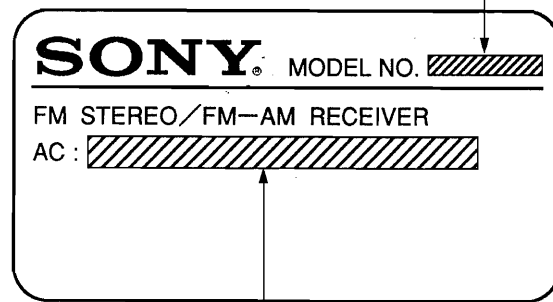
▲CF302 : G, IT model

○ : short
 X : open

| Ceramic filter | | Connection | | FM intermediate frequency (MHz) |
|----------------|------------------------|------------|-----------|---------------------------------|
| Color mark | Center frequency (MHz) | *A (D610) | *B (D609) | |
| White | 10.750 | X | ○ | 10.750 |
| Red | 10.700 | X | X | 10.700 |
| Black | 10.650 | ○ | X | 10.650 |

MODEL IDENTIFICATION

— Model Number Portion — STR-A37, D309, D359



AEP, G, IT, EE, CIS Model: 220-230V~50/60Hz 150W
 UK Model: 240V~50Hz
 E, AUS, PX Model: 110-120V/220-240V~50/60Hz 155W

Note:

G model : Germany model
 IT model : Italian model
 EE model : East European model
 AUS model : Australian model

SAFETY-RELATED COMPONENT WARNING!!

COMPONENTS IDENTIFIED BY MARK ▲ OR DOTTED LINE WITH MARK ▲ ON THE SCHEMATIC DIAGRAMS AND IN THE PARTS LIST ARE CRITICAL TO SAFE OPERATION. REPLACE THESE COMPONENTS WITH SONY PARTS WHOSE PART NUMBERS APPEAR AS SHOWN IN THIS MANUAL OR IN SUPPLEMENTS PUBLISHED BY SONY.

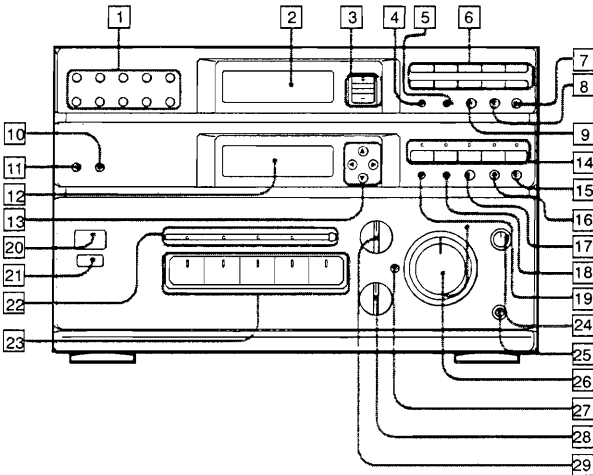
TABLE OF CONTENTS

| <u>Section</u> | <u>Title</u> | <u>Page</u> |
|---|--|-------------|
| SECTION 1 GENERAL | | |
| | Location of Controls | 4 |
| SECTION 2. ADJUSTMENTS | | |
| 5 | | |
| SECTION 3. DIAGRAMS | | |
| 3-1. | Circuit Boards Location | 6 |
| 3-2. | Block Diagram | 7 |
| 3-3. | Schematic Diagram | |
| | • TUNER Section | |
| | (STR-D309 : AEP, EE, CIS) (STR-D359 : AEP, UK) | 11 |
| 3-4. | Printed Wiring Board | |
| | • TUNER Section | |
| | (STR-D309 : AEP, EE, CIS) (STR-D359 : AEP, UK) | 13 |
| 3-5. | Schematic Diagram | |
| | • TUNER Section (STR-D309 : G, IT) (STR-D359 : IT) | 15 |
| 3-6. | Printed Wiring Board | |
| | • TUNER Section (STR-D309 : G, IT) (STR-D359 : IT) | 17 |
| 3-7. | Schematic Diagram | |
| | • TUNER Section (STR-A37) | 19 |
| 3-8. | Printed Wiring Board | |
| | • TUNER Section (STR-A37) | 21 |
| 3-9. | Printed Wiring Board | |
| | • MAIN Section (STR-D309/D359) | 23 |
| 3-10. | Schematic Diagram | |
| | • MAIN Section (STR-D309/D359) | 27 |
| 3-11. | Schematic Diagram | |
| | • MAIN Section (STR-A37) | 32 |
| 3-12. | Printed Wiring Board | |
| | • MAIN Section (STR-A37) | 37 |
| 3-13. | Semiconductor Lead Layouts | 41 |
| 3-14. | IC Block Diagrams | 42 |
| SECTION 4. EXPLODED VIEWS | | |
| 4-1. | Chassis Section | 44 |
| 4-2. | Cabinet Section | 45 |
| SECTION 5. ELECTRICAL PARTS LIST | | |
| 47 | | |

SECTION 1 GENERAL

LOCATION OF CONTROLS

(STR-D309/D359)



Tuner

- 1 Buttons for setting the clock and timer
- 2 Display window
- 3 DUAL MODE TUNING + / - buttons
- 4 MEMORY button
- 5 CHARACTER button
- 6 Numeric buttons
- 7 SHIFT button
- 8 BAND SELECT button
- 9 ST/MUTE button

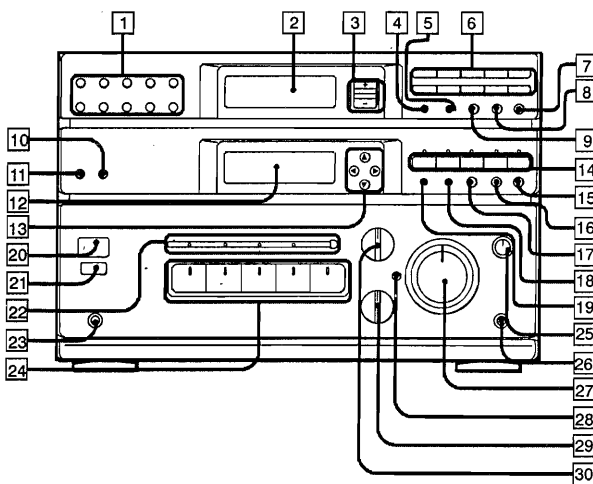
Graphic Equalizer

- 10 REVERSE button
- 11 FLAT button
- 12 Display window
- 13 CURSOR CONTROL buttons
- 14 Preset/numeric buttons and indicators
- 15 DISPLAY button
- 16 PERSONAL FILE button and indicator
- 17 MEMORY button and indicator
- 18 EQ REC (equalizer recording) button and indicator
- 19 EFFECT button and indicator

Amplifier

- 20 SYSTEM POWER button
- 21 Remote control sensor
- 22 SURROUND button and indicator
- 23 Function selectors and indicators (VIDEO/TAPE/CD/TUNER/PHONO)
- 24 BALANCE control
- 25 HEADPHONES jack
- 26 VOLUME control and indicator
- 27 DBS ON/OFF (Dynamic Bass System) button and indicator
- 28 DBS FREQUENCY control
- 29 DBS LEVEL control

(STR-A37)



Tuner

- 1 Buttons for setting the clock and timer
- 2 Display window
- 3 DUAL MODE TUNING + / - buttons
- 4 MEMORY button
- 5 CHARACTER button
- 6 Numeric buttons
- 7 SHIFT button
- 8 BAND SELECT button
- 9 ST/MUTE button

Graphic Equalizer

- 10 REVERSE button
- 11 FLAT button
- 12 Display window
- 13 CURSOR CONTROL buttons
- 14 Preset/numeric buttons and indicators
- 15 DISPLAY button
- 16 PERSONAL FILE button and indicator
- 17 MEMORY button and indicator
- 18 EQ REC (equalizer recording) button and indicator
- 19 EFFECT button and indicator

Amplifier

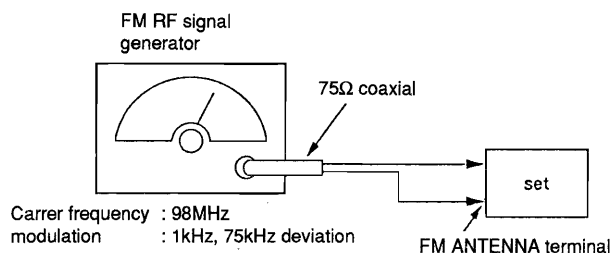
- 20 SYSTEM POWER button
- 21 Remote control sensor
- 22 SURROUND button and indicator
- 23 MICROPHONE jacks
- 24 Function selectors and indicators (VIDEO/TAPE/CD/TUNER/PHONO)
- 25 BALANCE control
- 26 HEADPHONES jack
- 27 VOLUME control and indicator
- 28 DBS ON/OFF (Dynamic Bass System) button and indicator
- 29 DBS FREQUENCY control
- 30 DBS LEVEL control

SECTION 2 ADJUSTMENTS

Note: As a front-end (FE301) is difficult to repair if faulty, replace it with new one.

FM SECTION

Setting:



• TUNER OUT CHECK POINT

SPEAKER out receive 98MHz (EXCEPT EE), 70MHz (EE) 60dB μ (1mV) and set the Speaker out to 10dBs by VOLUME.

Speaker load: 6 Ω both CH

FM NULL Adjustment

Procedure:

1. Supply a 60dB μ (1mV) 98MHz (EXCEPT EE), 70MHz (EE) signal from the ANTENNA terminal.
2. Tune the set to 98MHz. (EXCEPT EE), 70MHz (EE)
3. Adjust T301 for 0V reading on the measurement point.

FM Tuned Level Adjustment

Band: FM

ST/MUTE SW: OFF

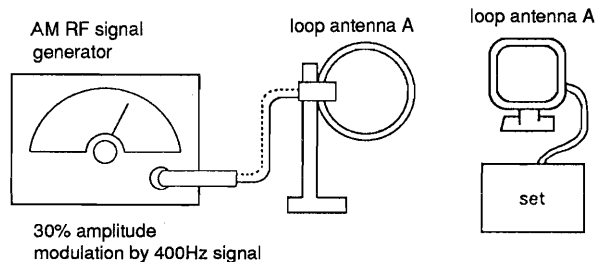
Procedure:

1. Supply a 20 \pm 4dB μ (EE), 25 \pm 4dB μ (EXCEPT EE) 98MHz (EXCEPT EE), 70MHz (EE) signal from the ANTENNA terminal.
2. Tune the set to 98MHz. (EXCEPT EE), 70MHz (EE)
3. Adjust RV302 so that the Voltage of IC301 ② pin is set to low.

Adjustment Location: ST MAIN BOARD

AM SECTION

Setting:



AM Tuned Level Adjustment

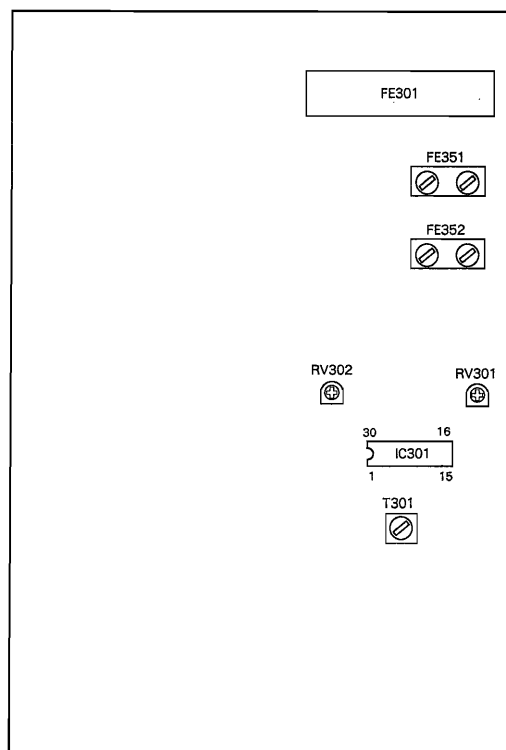
Band: AM

Procedure:

1. Set loop antenna input level to 94dB μ /m, 1050kHz and no signal tuned light should not on.
2. Tune the set to 1050kHz
3. Adjust RV301 so that the Voltage of IC301 ② pin is set to low.

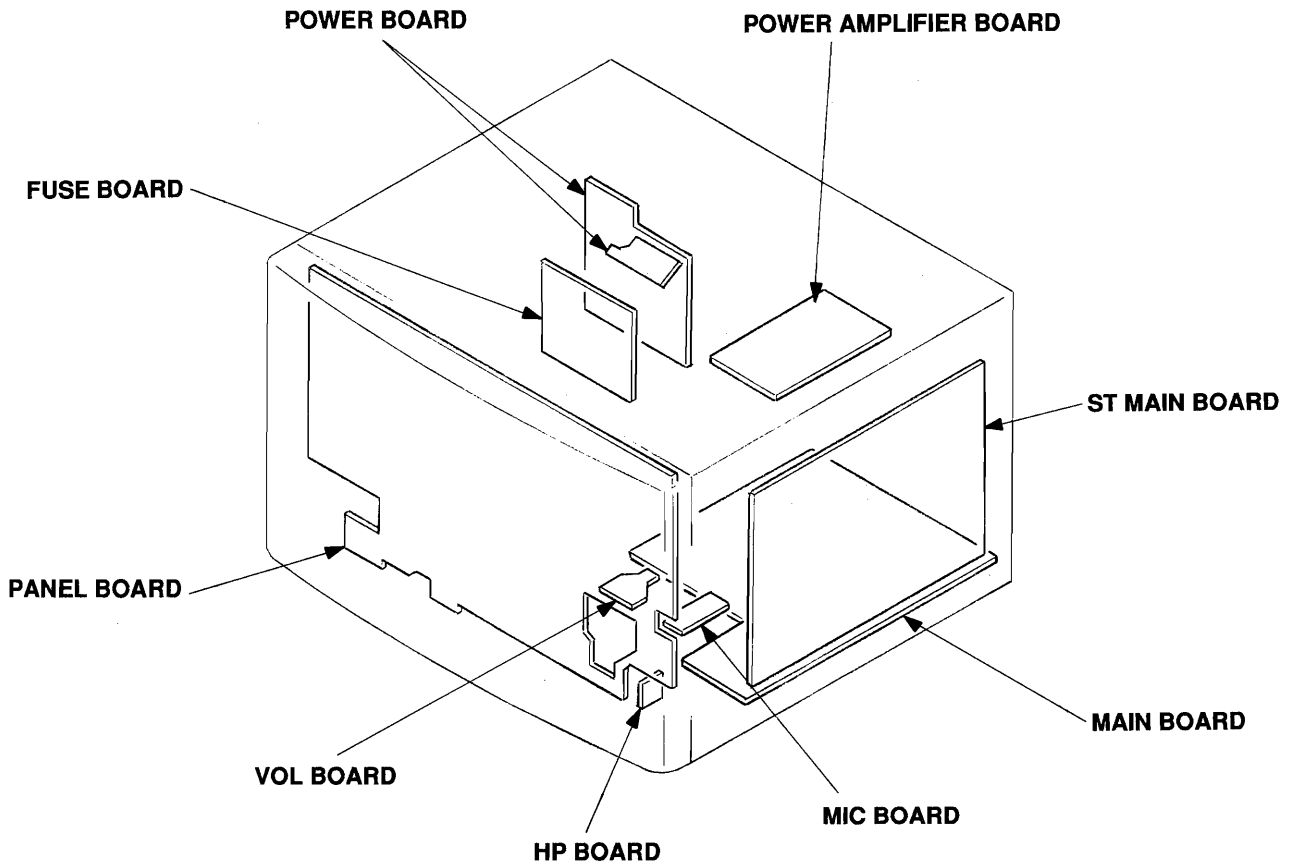
Adjustment Location: tuner board

[ST MAIN BOARD] (component side)

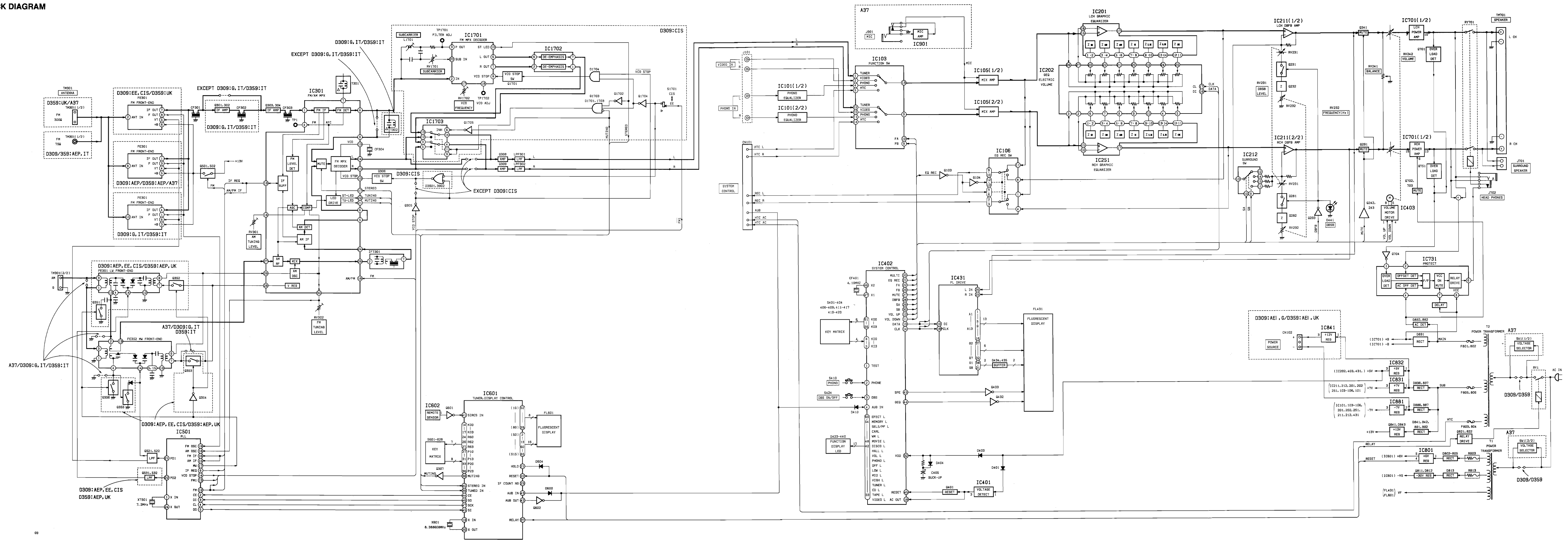


SECTION 3 DIAGRAMS

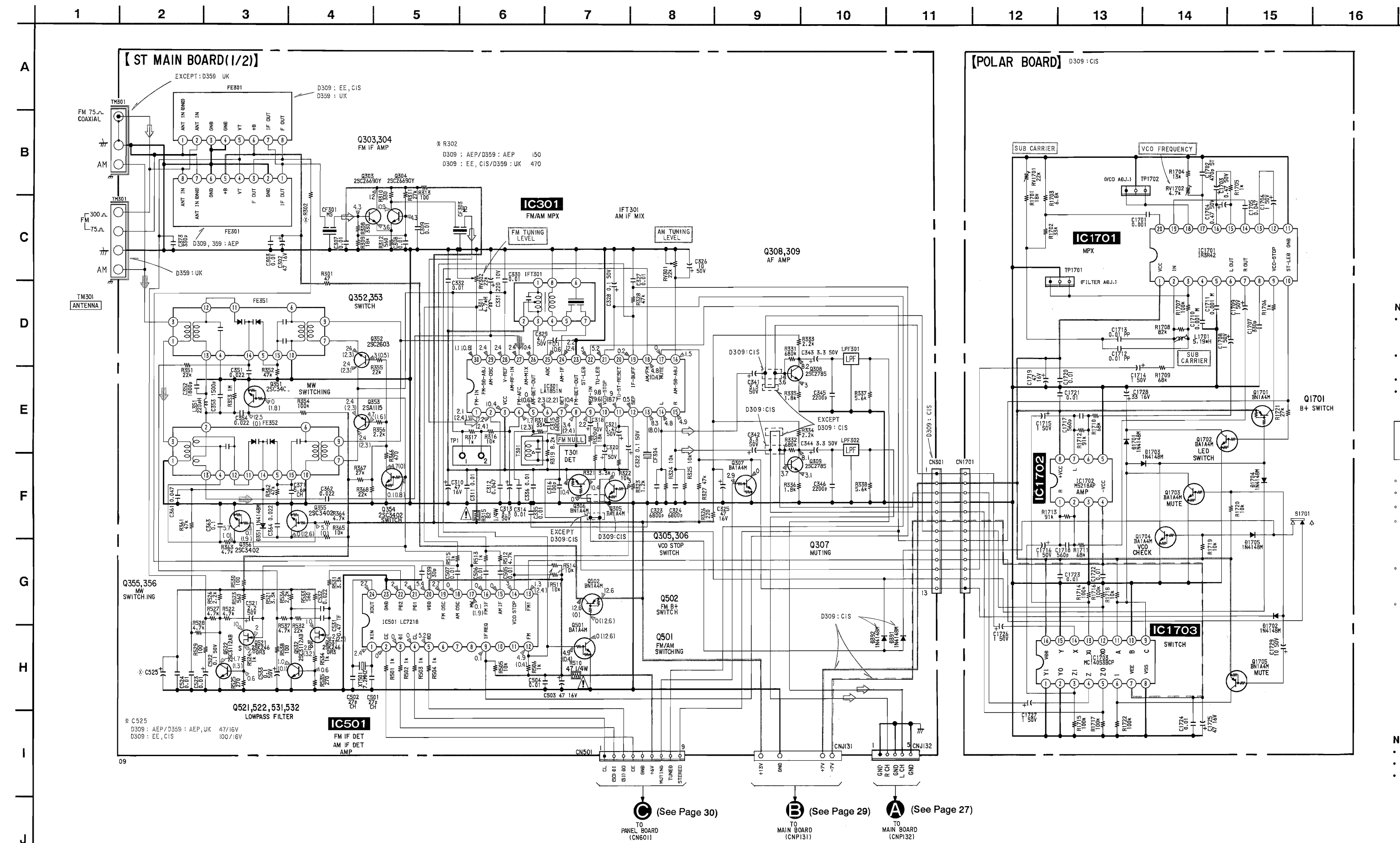
3-1. CIRCUIT BOARDS LOCATION



3-2. BLOCK DIAGRAM



3-3. SCHEMATIC DIAGRAM
 • TUNER SECTION (STR-D309 : AEP, EE, CIS) (STR-D359 : AEP, UK)
 • See page 41, 42 and 43 for Semiconductor Lead Layouts and IC Block Diagrams.



3-4. PRINTED WIRING BOARD
 • TUNER SECTION (STR-D309 : AEP, EE, CIS) (STR-D359 : AEP, UK)
 • See page 6 for Circuit Boards Location.

SEMICONDUCTOR LOCATION

| Ref. No. | Location |
|----------|----------|
| D351 | D-3 |
| D391 | I-4 |
| D392 | H-4 |
| IC201 | C-7 |
| IC202 | E-7 |
| IC251 | F-7 |
| IC301 | F-3 |
| IC501 | D-5 |
| Q303 | D-4 |
| Q304 | D-4 |
| Q305 | H-4 |
| Q306 | H-4 |
| Q307 | G-5 |
| Q308 | H-5 |
| Q309 | H-5 |
| Q351 | C-3 |
| Q352 | C-4 |
| Q353 | D-4 |
| Q354 | E-3 |
| Q355 | D-2 |
| Q356 | D-3 |
| Q501 | E-2 |
| Q502 | E-3 |
| Q521 | B-6 |
| Q522 | A-6 |
| Q531 | C-6 |
| Q532 | B-6 |

Note:

- All capacitors are in μF unless otherwise noted. pF , μF , mF or less are not indicated except for electrolytics and tantalums.
- All resistors are in Ω and $1/4\text{W}$ or less unless otherwise specified.
- \square : nonflammable resistor.
- Δ : internal component.

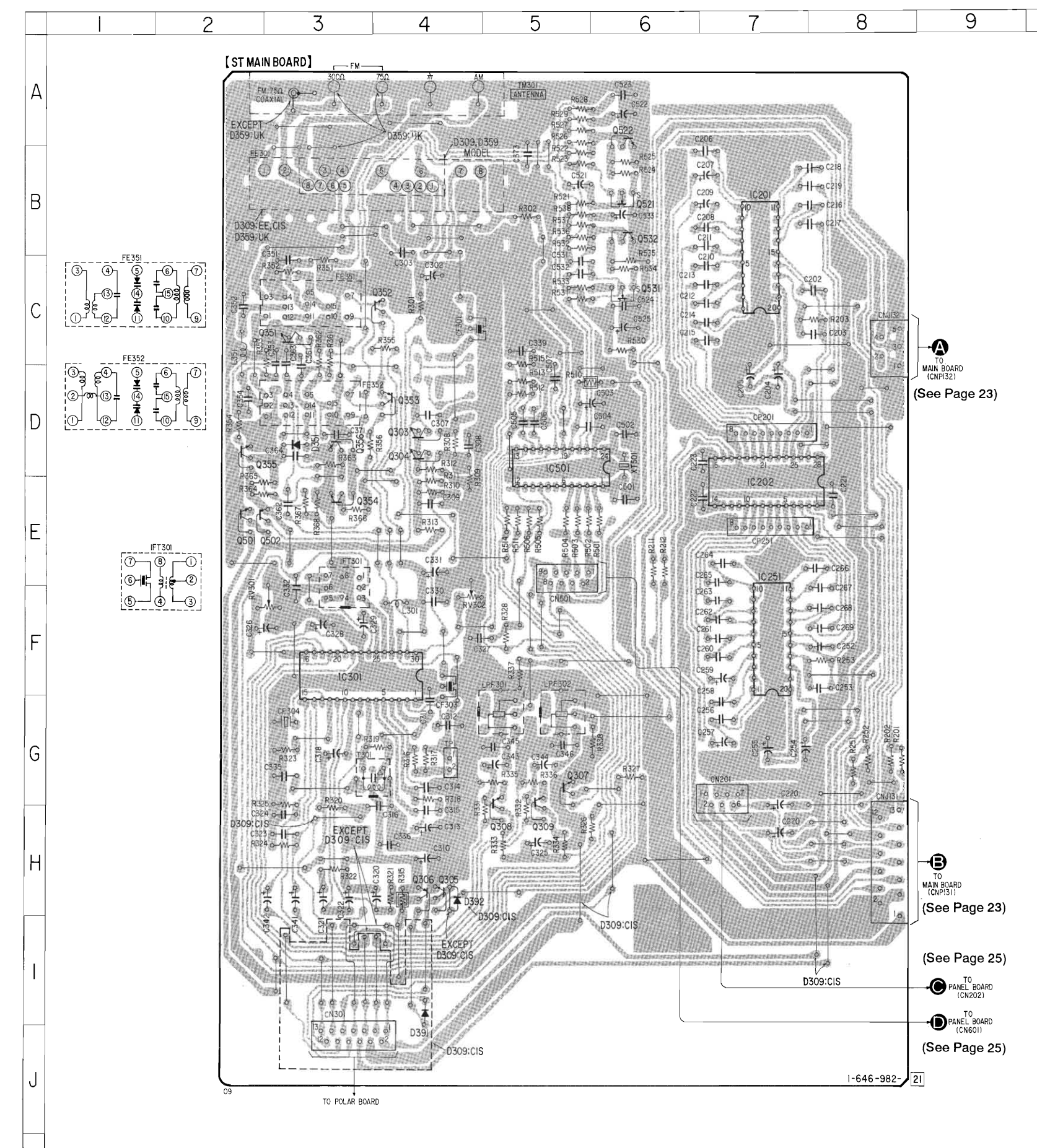
Note: The components identified by mark Δ or dotted line with mark Δ are critical for safety. Replace only with part number specified.

- --- : B+ Line
- --- : B- Line
- --- : adjustment for repair.
- Voltages are dc with respect to ground under no-signal (detuned) conditions.
- no mark: FM
- (): AM
- Voltages are taken with a VOM (Input Impedance $10\text{ M}\Omega$). Voltage variations may be noted due to normal production tolerances.
- Signal path.
- \square : FM
- \square : AM

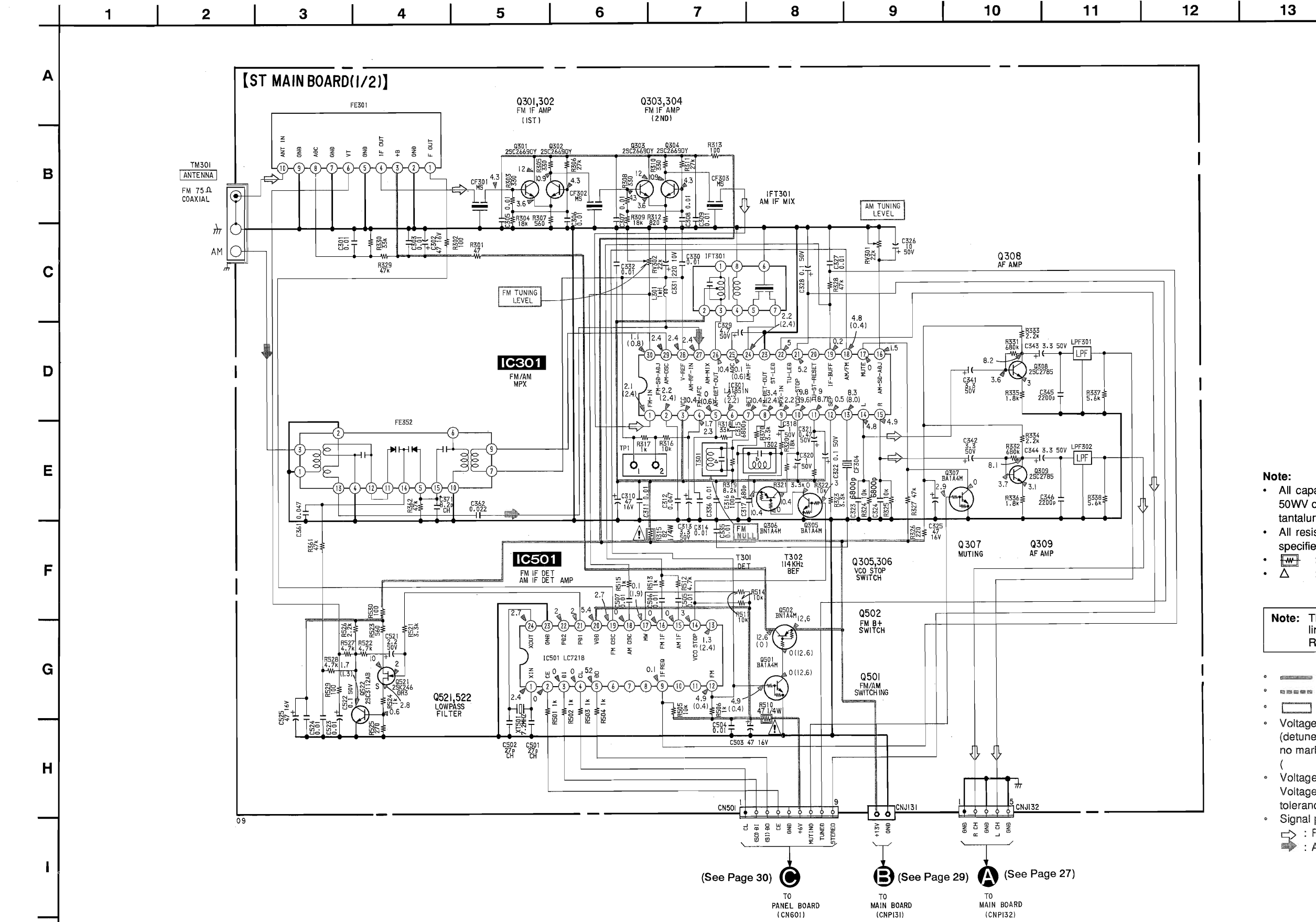
EE : East European

Note:

- --- : indicates side identified with part number.
- Δ : internal component.
- \circ : parts extracted from the components side.
- EE : East European



3-5. SCHEMATIC DIAGRAM
 • TUNER SECTION (STR-D309 : G, IT) (STR-D359 : IT)
 • See page 41, 42 and 43 for Semiconductor Lead Layouts and IC Block Diagrams.



3-6. PRINTED WIRING BOARD
 • TUNER SECTION (STR-D309 : G, IT) (STR-D359 : IT)
 • See page 6 for Circuit Boards Location.

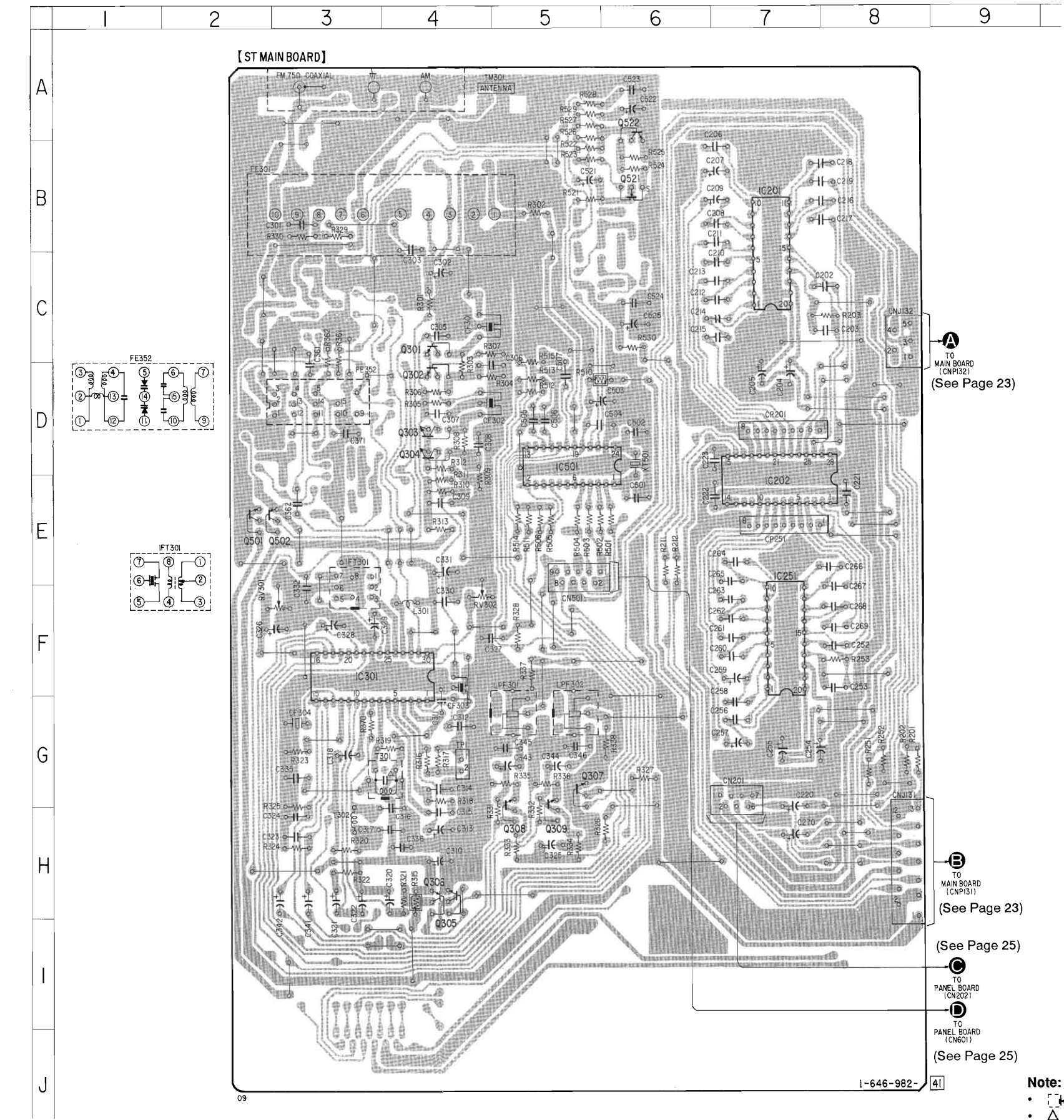
SEMICONDUCTOR LOCATION

| Ref. No. | Location |
|----------|----------|
| IC201 | C-7 |
| IC202 | E-7 |
| IC251 | F-7 |
| IC301 | F-3 |
| IC501 | D-5 |
| Q303 | D-4 |
| Q304 | D-4 |
| Q305 | H-4 |
| Q306 | H-4 |
| Q307 | G-5 |
| Q308 | H-5 |
| Q309 | H-5 |
| Q501 | E-2 |
| Q502 | E-3 |
| Q521 | B-6 |
| Q522 | A-6 |

- Note:**
- All capacitors are in μF unless otherwise noted. $\text{pF}:\mu\text{F}$ 50WV or less are not indicated except for electrolytics and tantalums.
 - All resistors are in Ω and 1/4W or less unless otherwise specified.
 - NF : nonflammable resistor.
 - Δ : internal component.

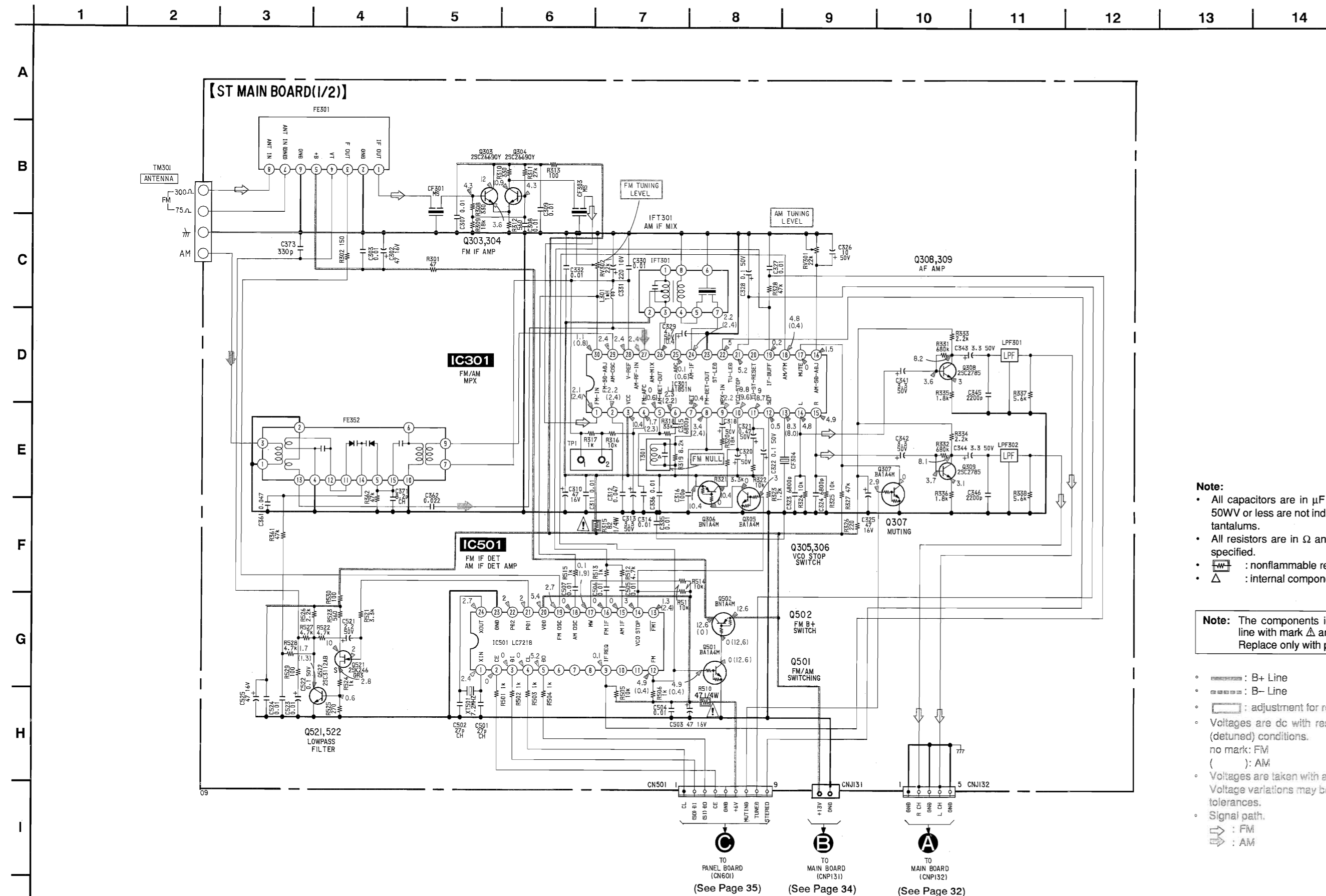
Note: The components identified by mark Δ or dotted line with mark Δ are critical for safety. Replace only with part number specified.

- : B+ Line
- - - -: B- Line
- : adjustment for repair.
- Voltagages are dc with respect to ground under no-signal (detuned) conditions.
no mark: FM
(): AM
- Voltagages are taken with a VOM (Input Impedance 10 M Ω). Voltage variations may be noted due to normal production tolerances.
- Signal path.
- : FM
- ⇨: AM



- Note:**
- : indicates side identified with part number.
 - Δ : internal component.
 - : parts extracted from the components side.

3-7. SCHEMATIC DIAGRAM
 • TUNER SECTION (STR-A37)
 • See page 41, 42 and 43 for Semiconductor Lead Layouts and IC Block Diagrams.



3-8. PRINTED WIRING BOARD
 • TUNER SECTION (STR-A37)
 • See page 6 for Circuit Boards Location.

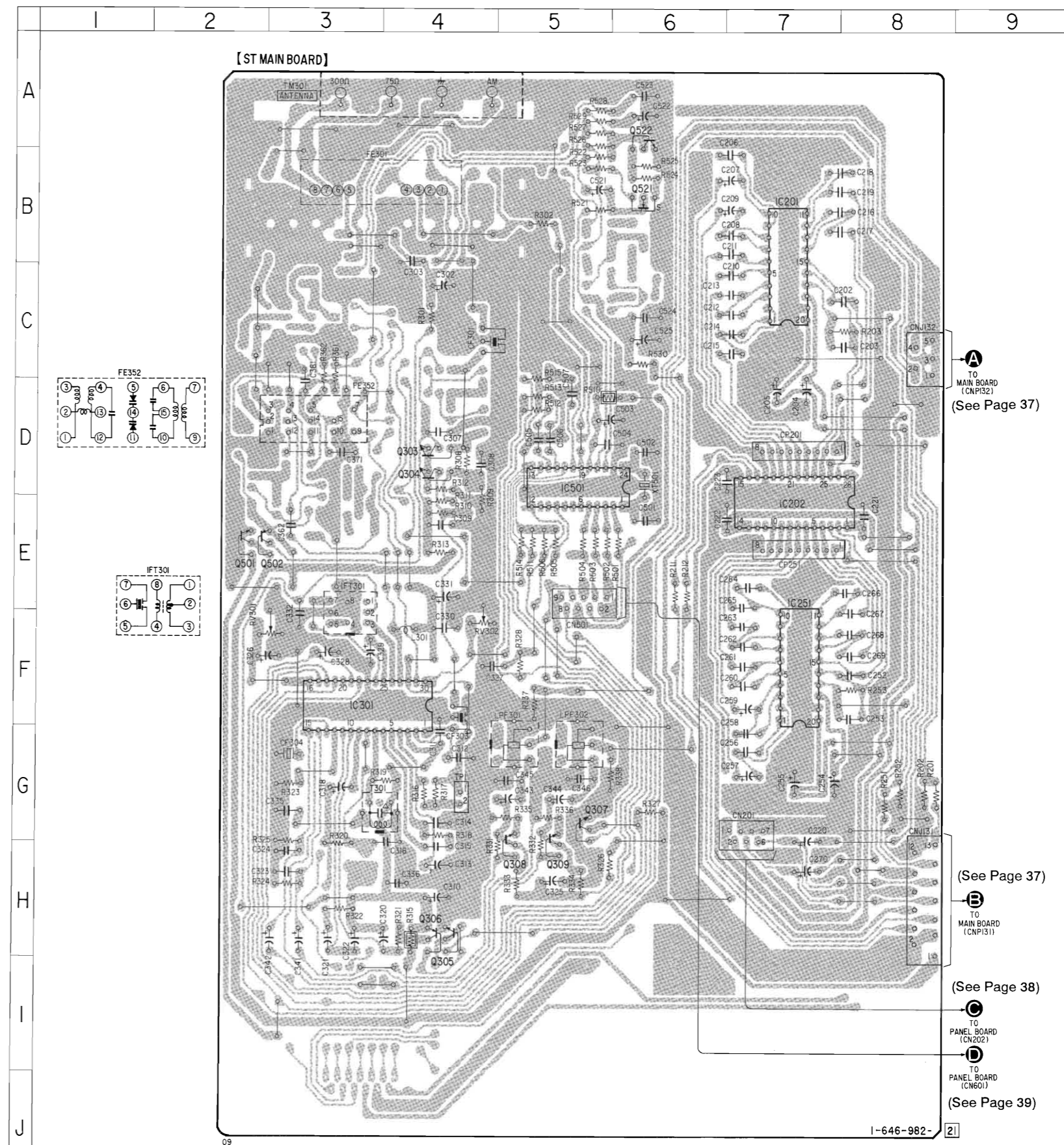
SEMICONDUCTOR LOCATION

| Ref. No. | Location |
|----------|----------|
| IC201 | C-7 |
| IC202 | E-7 |
| IC251 | F-3 |
| IC301 | F-3 |
| IC501 | D-5 |
| Q303 | D-4 |
| Q304 | D-4 |
| Q305 | H-4 |
| Q306 | H-4 |
| Q307 | G-5 |
| Q308 | H-5 |
| Q309 | H-5 |
| Q501 | E-2 |
| Q502 | E-3 |
| Q521 | B-6 |
| Q522 | A-6 |

- Note:**
- All capacitors are in μF unless otherwise noted. pF ; μF 50WV or less are not indicated except for electrolytics and tantalums.
 - All resistors are in Ω and 1/4W or less unless otherwise specified.
 - \square : nonflammable resistor.
 - Δ : internal component.

Note: The components identified by mark Δ or dotted line with mark Δ are critical for safety. Replace only with part number specified.

- --- : B+ Line
- --- : B- Line
- --- : adjustment for repair.
- Voltages are dc with respect to ground under no-signal (detuned) conditions.
- no mark: FM
- (): AM
- Voltages are taken with a VOM (input Impedance 10 M Ω). Voltage variations may be noted due to normal production tolerances.
- Signal path.
- --- : FM
- --- : AM



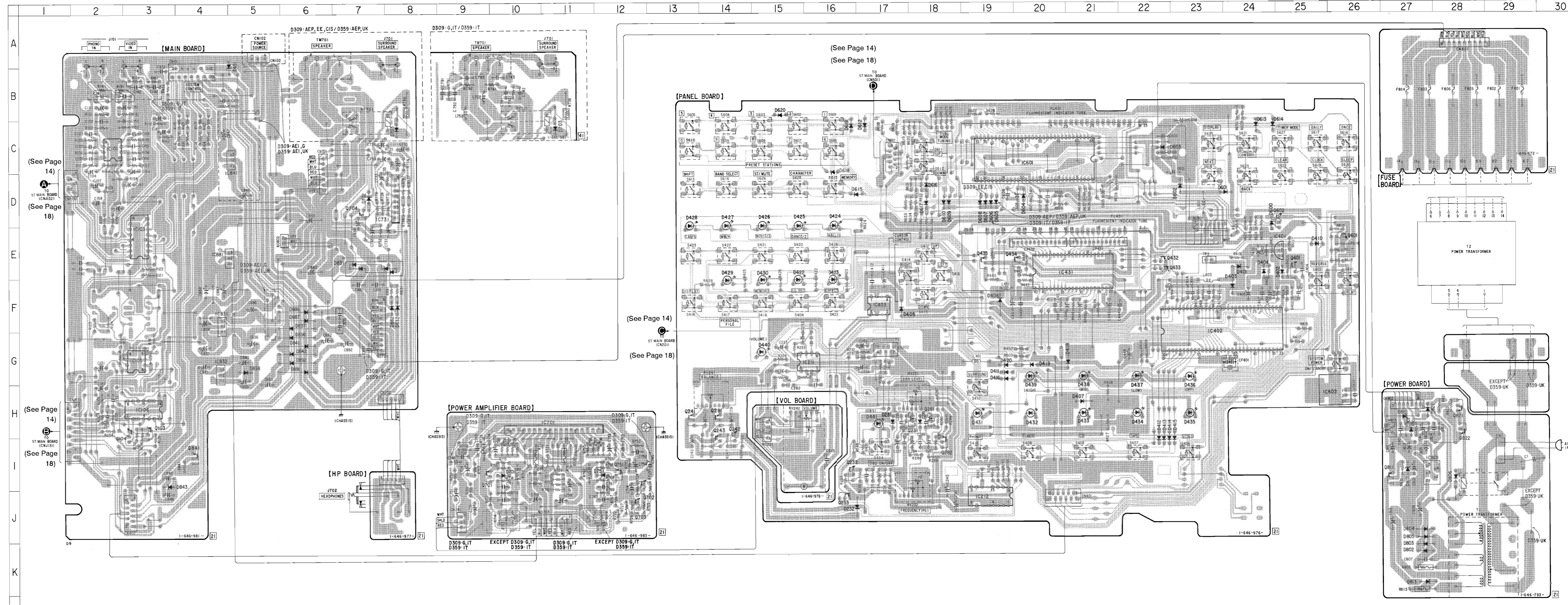
- Note:**
- \square : indicates side identified with part number.
 - Δ : internal component.
 - --- : parts extracted from the components side.

SEMICONDUCTOR LOCATION

| Ref. No. | Location | Ref. No. | Location |
|----------|----------|----------|----------|
| D231 | H-17 | D806 | I-28 |
| D232 | J-17 | D811 | H-27 |
| D281 | H-18 | D812 | I-27 |
| D401 | E-24 | D813 | K-27 |
| D402 | E-25 | D821 | H-27 |
| D403 | F-24 | D831 | E-7 |
| D404 | E-24 | D832 | F-8 |
| D405 | F-17 | D836 | G-6 |
| D406 | F-19 | D837 | F-6 |
| D407 | H-21 | D838 | G-5 |
| D410 | E-25 | D841 | G-6 |
| D411 | G-19 | D842 | G-6 |
| D412 | I-22 | D843 | I-3 |
| D413 | I-22 | D882 | F-8 |
| D414 | I-22 | D886 | F-6 |
| D415 | I-23 | D887 | F-6 |
| D416 | G-19 | D891 | G-6 |
| D418 | G-21 | D892 | G-6 |
| D419 | G-20 | | |
| D420 | G-19 | IC101 | C-2 |
| D422 | F-15 | IC103 | E-3 |
| D423 | F-16 | IC105 | G-3 |
| D424 | E-16 | IC106 | H-3 |
| D425 | E-15 | IC211 | G-16 |
| D426 | E-15 | IC212 | J-19 |
| D427 | E-14 | IC401 | E-25 |
| D428 | E-13 | IC402 | G-23 |
| D429 | F-14 | IC403 | F-17 |
| D430 | F-15 | IC431 | E-21 |
| D431 | H-19 | IC601 | C-20 |
| D432 | H-20 | IC602 | H-26 |
| D433 | H-21 | IC701 | H-11 |
| D434 | H-22 | IC731 | D-8 |
| D435 | H-23 | IC801 | I-27 |
| D436 | G-23 | IC831 | F-4 |
| D437 | G-22 | IC832 | G-4 |
| D438 | G-21 | IC881 | E-4 |
| D439 | G-20 | | |
| D440 | G-15 | Q103 | H-3 |
| D441 | H-17 | Q104 | H-3 |
| D451 | A-5 | Q231 | H-18 |
| D600 | D-24 | Q232 | I-16 |
| D601 | D-24 | Q233 | J-16 |
| D602 | D-23 | Q241 | H-13 |
| D603 | C-22 | Q242 | I-14 |
| D604 | D-20 | Q243 | I-14 |
| D605 | D-19 | Q281 | H-18 |
| D606 | D-19 | Q282 | I-18 |
| D607 | D-19 | Q291 | H-14 |
| D608 | D-19 | Q401 | E-25 |
| D609 | D-18 | Q432 | E-22 |
| D610 | D-18 | Q433 | E-22 |
| D612 | C-17 | Q434 | E-20 |
| D613 | C-24 | Q435 | E-19 |
| D614 | C-24 | Q601 | E-26 |
| D615 | D-17 | Q602 | D-25 |
| D616 | D-18 | Q701 | I-9 |
| D617 | D-18 | Q702 | I-12 |
| D619 | C-16 | Q703 | J-12 |
| D620 | B-15 | Q704 | D-7 |
| D701 | I-10 | Q751 | I-12 |
| D702 | D-7 | Q811 | I-27 |
| D703 | C-8 | Q821 | H-28 |
| D751 | I-12 | Q822 | H-28 |
| D801 | H-27 | Q841 | I-4 |
| D802 | K-27 | | |
| D803 | K-27 | | |
| D804 | J-27 | | |
| D805 | J-27 | | |

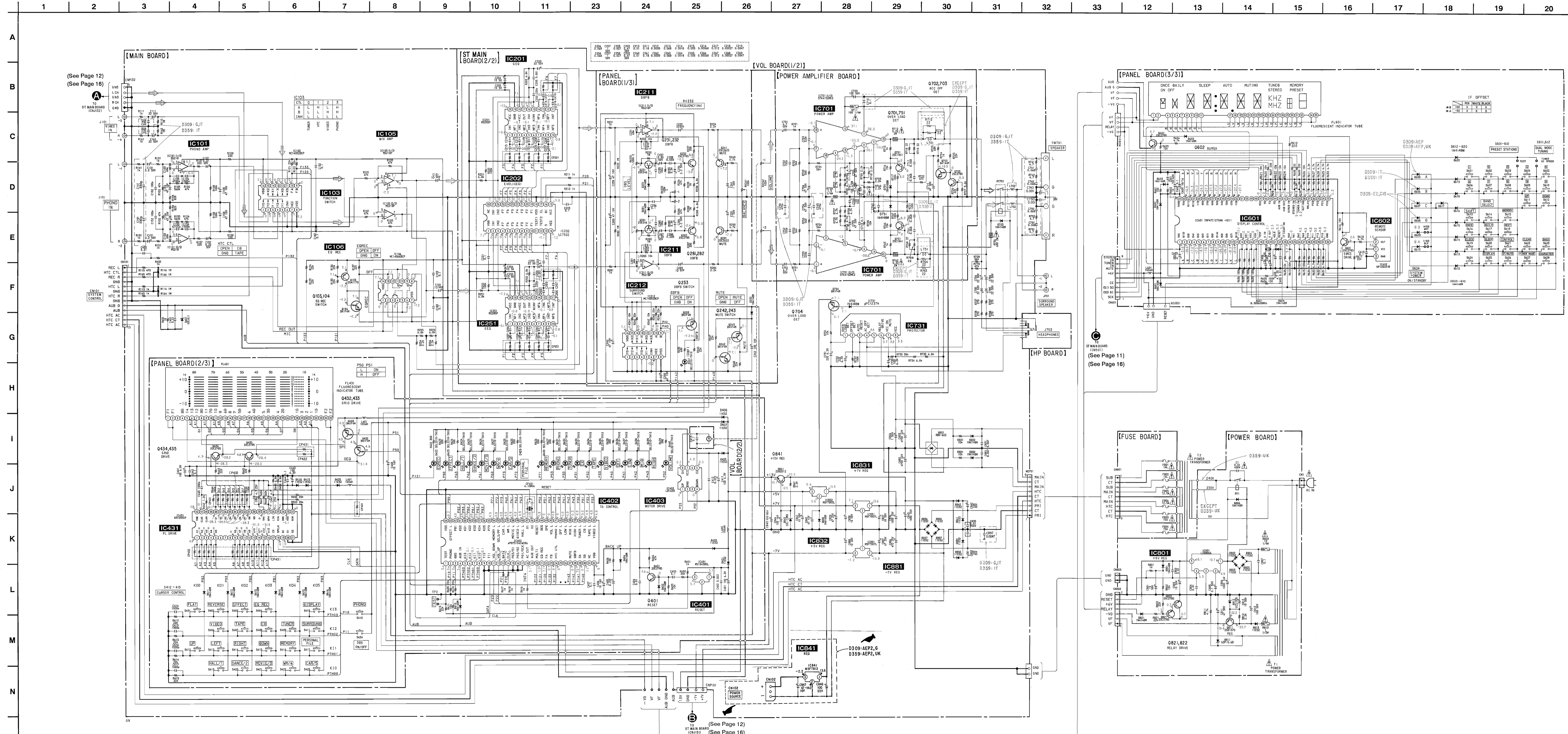
Note:
 • : indicates side identified with part number.
 • : internal component.
 • : parts extracted from the components side.
 G : Germany
 IT : Italian
 EE : East European

3-9. PRINTED WIRING BOARD
 • MAIN SECTION (STR-D309/D359)
 • See page 6 for Circuit Boards Location.



3-10. SCHEMATIC DIAGRAM
• MAIN SECTION (STR-D309/D359)
• See page 41, 42 and 43 for Semiconductor Lead Layouts and IC Block Diagrams.

REVISED

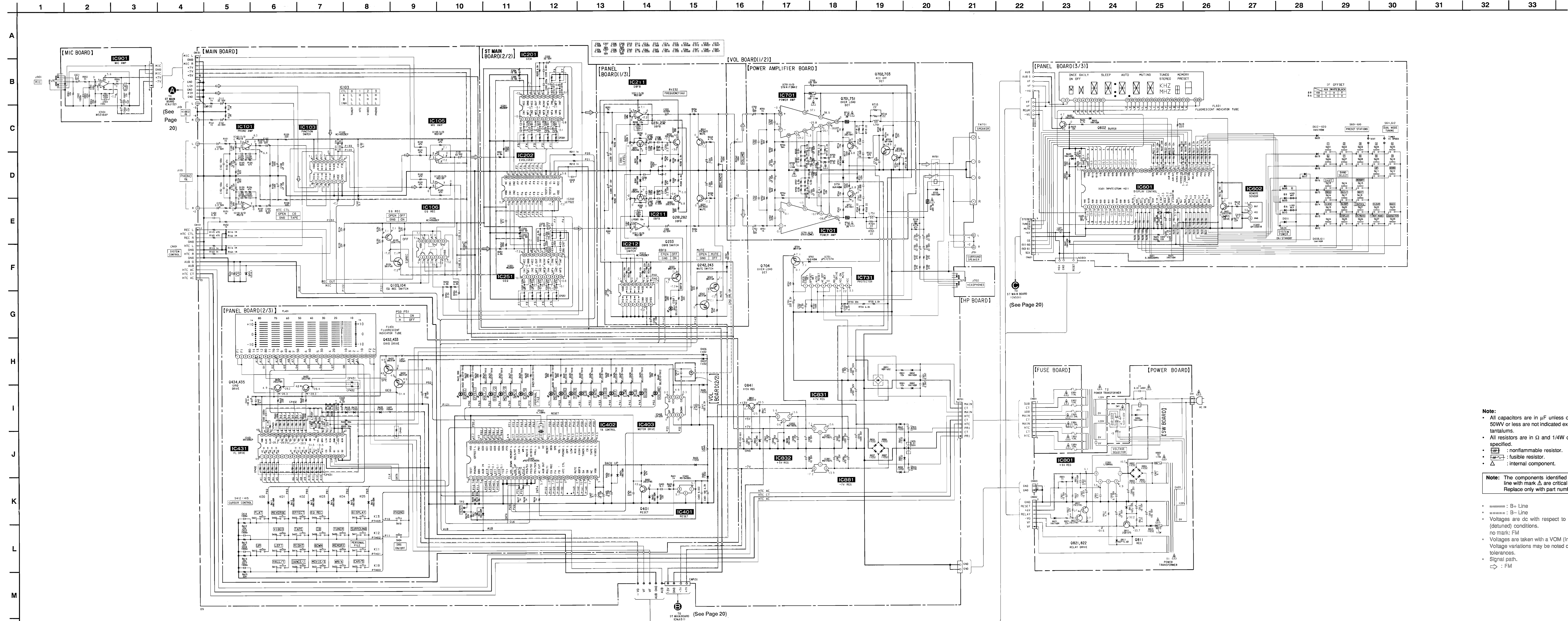


Note:
• All capacitors are in μF unless otherwise noted. pF μF 50WV or less are not indicated except for electrolytics and tantalums.
• All resistors are in Ω and 1/4W or less unless otherwise specified.
• \square : nonflammable resistor.
• \square : fusible resistor.
• \square : internal component.

Note: The components identified by mark Δ or dotted line with mark Δ are critical for safety. Replace only with part number specified.

• — : B+ Line
• - - - - : B- Line
• Voltages are dc with respect to ground under no-signal (detuned) conditions.
• Voltages are taken with a VOM (input impedance 10 M Ω). Voltage variations may be noted due to normal production tolerances.
• Signal path.
• \square : FM
G : Germany
IT : Italian
EE : East European

3-11. SCHEMATIC DIAGRAM
- MAIN SECTION (STR-A37)
- See page 41, 42 and 43 for Semiconductor Lead Layouts and IC Block Diagrams.

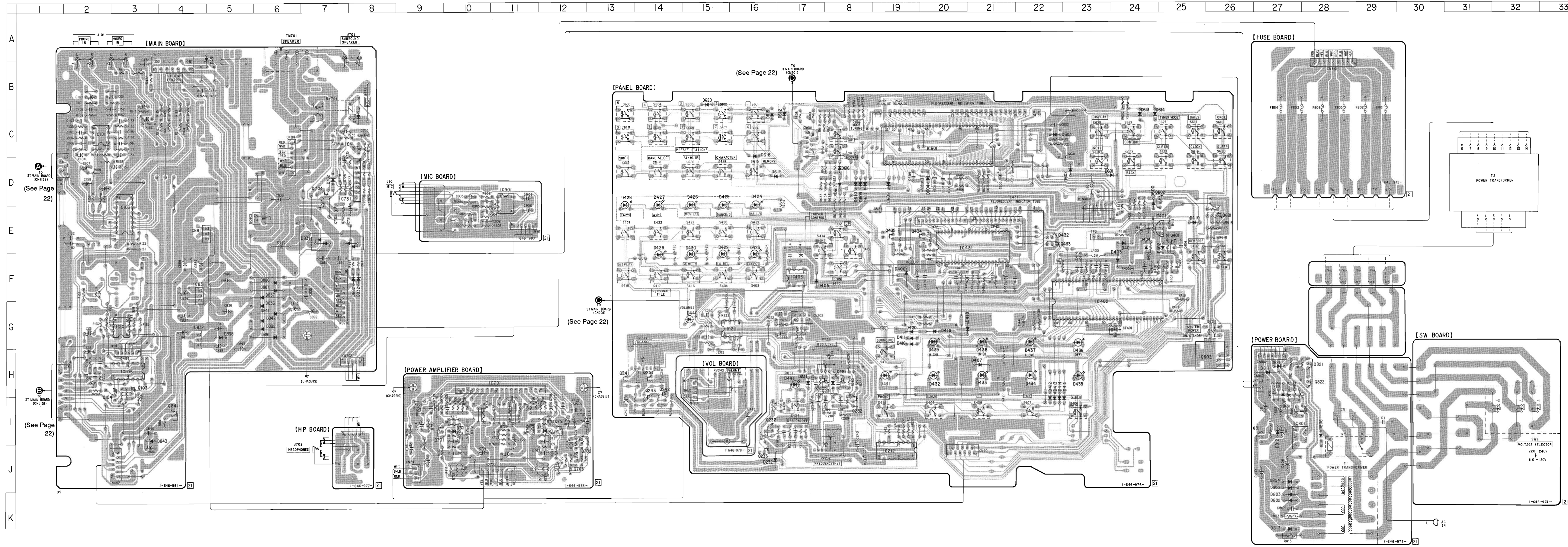


SEMICONDUCTOR LOCATION

| Ref. No. | Location | Ref. No. | Location |
|----------|----------|----------|----------|
| D231 | H-17 | D806 | I-28 |
| D232 | J-17 | D811 | H-27 |
| D281 | H-18 | D812 | J-27 |
| D401 | E-24 | D813 | K-27 |
| D402 | E-25 | D821 | H-27 |
| D403 | F-24 | D831 | E-7 |
| D404 | E-24 | D832 | F-8 |
| D405 | F-17 | D836 | G-6 |
| D406 | F-19 | D837 | F-6 |
| D407 | H-21 | D838 | G-5 |
| D410 | E-25 | D841 | G-6 |
| D411 | G-19 | D842 | G-6 |
| D412 | I-22 | D843 | I-3 |
| D413 | I-22 | D882 | F-8 |
| D414 | I-22 | D886 | F-6 |
| D415 | I-23 | D887 | F-6 |
| D416 | G-19 | | |
| D418 | G-21 | IC101 | C-2 |
| D419 | G-20 | IC103 | E-3 |
| D420 | G-19 | IC105 | G-3 |
| D422 | F-15 | IC106 | H-3 |
| D423 | F-16 | IC211 | G-16 |
| D424 | E-16 | IC212 | J-19 |
| D425 | E-15 | IC401 | E-25 |
| D426 | E-15 | IC402 | G-23 |
| D427 | E-14 | IC403 | F-17 |
| D428 | E-13 | IC431 | E-21 |
| D429 | F-14 | IC601 | C-20 |
| D430 | F-15 | IC602 | H-26 |
| D431 | H-19 | IC701 | H-11 |
| D432 | H-20 | IC731 | D-8 |
| D433 | H-21 | IC801 | I-28 |
| D434 | H-22 | IC831 | A-4 |
| D435 | H-23 | IC832 | G-4 |
| D436 | G-23 | IC881 | E-4 |
| D437 | G-22 | IC901 | D-11 |
| D438 | G-21 | | |
| D439 | G-20 | Q103 | H-3 |
| D440 | G-15 | Q104 | H-3 |
| D441 | H-17 | Q231 | H-18 |
| D451 | A-5 | Q232 | I-16 |
| D600 | D-24 | Q233 | J-16 |
| D601 | D-24 | Q241 | H-13 |
| D602 | D-23 | Q242 | I-14 |
| D603 | C-22 | Q243 | I-14 |
| D604 | D-20 | Q281 | H-18 |
| D608 | D-19 | Q282 | I-18 |
| D609 | D-18 | Q291 | H-14 |
| D610 | D-18 | Q401 | E-25 |
| D611 | D-18 | Q432 | E-22 |
| D612 | C-17 | Q433 | E-22 |
| D613 | C-24 | Q434 | E-20 |
| D614 | C-24 | Q435 | E-19 |
| D615 | D-17 | Q601 | E-26 |
| D616 | D-18 | Q602 | D-25 |
| D617 | D-18 | Q701 | I-9 |
| D619 | C-16 | Q702 | I-12 |
| D620 | B-15 | Q703 | J-12 |
| D701 | I-10 | Q704 | D-7 |
| D702 | D-7 | Q751 | I-12 |
| D703 | C-8 | Q811 | I-27 |
| D751 | I-12 | Q821 | H-28 |
| D801 | H-27 | Q822 | H-28 |
| D802 | K-27 | Q841 | I-4 |
| D803 | K-27 | | |
| D804 | J-27 | | |
| D805 | J-27 | | |

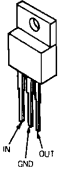
3-12. PRINTED WIRING BOARD
 • MAIN SECTION (STR-A37)
 • See page 6 for Circuit Boards Location.

Note:
 • [Symbol] : indicates side identified with part number.
 • [Symbol] : internal component.
 • [Symbol] : parts extracted from the components side.

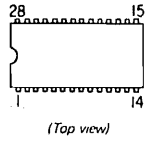


3-13. SEMICONDUCTOR LEAD LAYOUTS

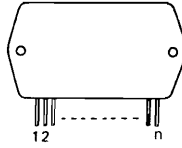
AN6291
M5F78M05L
M5F78M07L



LC7522
LC7522K



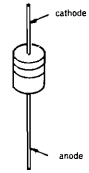
STK-4152MK2K
STK-4172MK2K



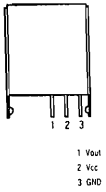
2SC1841-PAFAEA
2SC3112-B



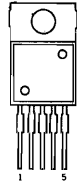
HZS6A1L
UZL-33L
11ES2



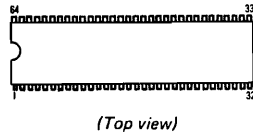
GP1U50XB



L78MR06



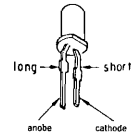
TMP47C1270AN-H211
uPD75104CW-286



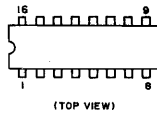
2SC2603-EF
2SC2669-0Y
2SC3622A-LK
DTA114ES
DTC114ES
DTC124ES



SEL2210S-CD
SEL3210S-CD



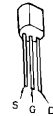
MC14052BCP
MC14053BCP



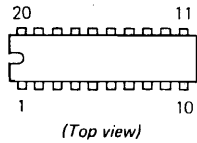
uPC1237HA



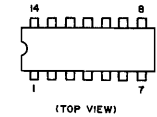
2SK246-GR3
2SK246-Y



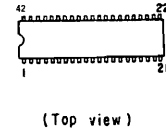
IR3R42
M5289P



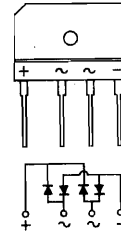
MC14066BCP



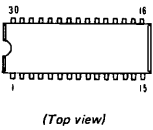
XR-1095



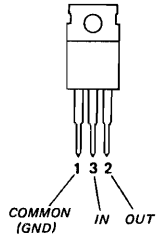
RBV-602-01



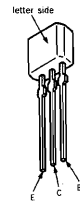
LA1851N



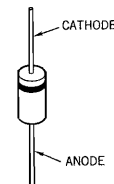
M5F79M07L



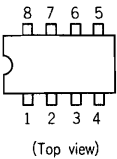
DTA124ES
2SA1175-HFE
2SC2785-HFE



1N4148M
UZL-12M3
UZP-5.6B



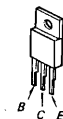
LB1639
M5218AP



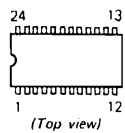
M51943BSL



2SB1094-LK
2SD2012

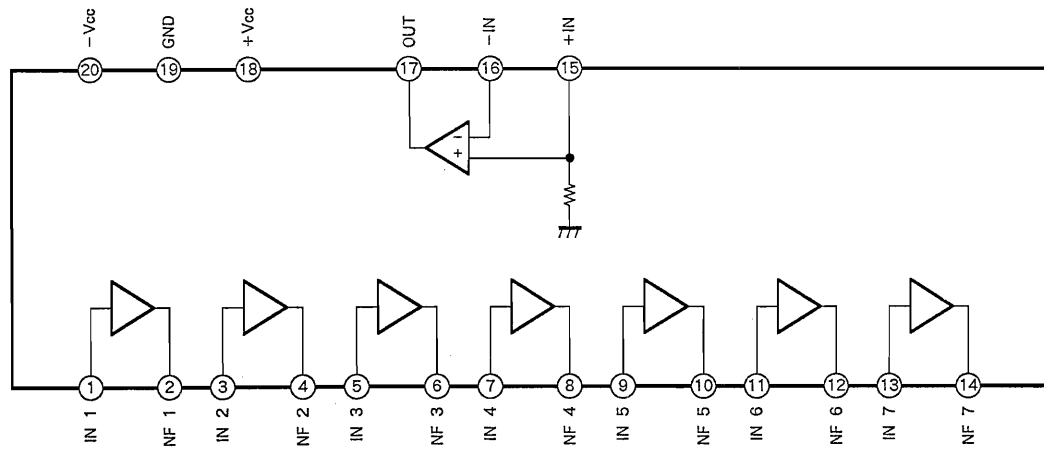


LC7218

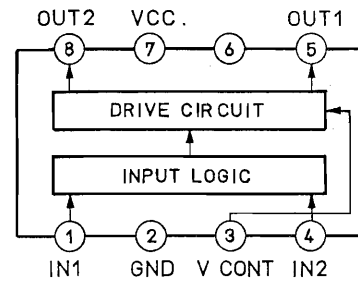


3-14. IC BLOCK DIAGRAMS

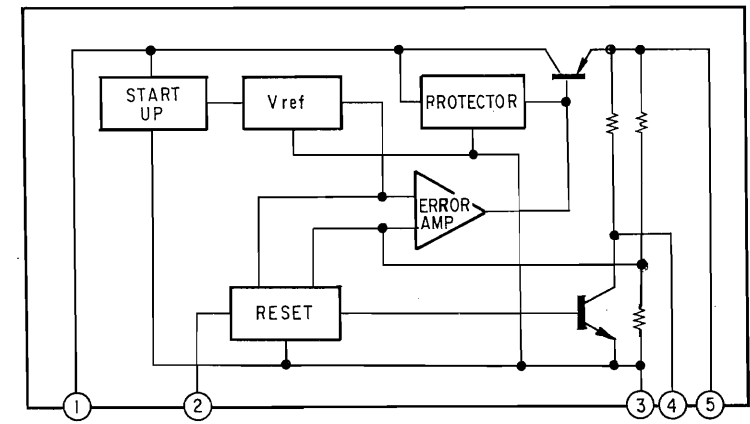
• IC201, 251 M5289P



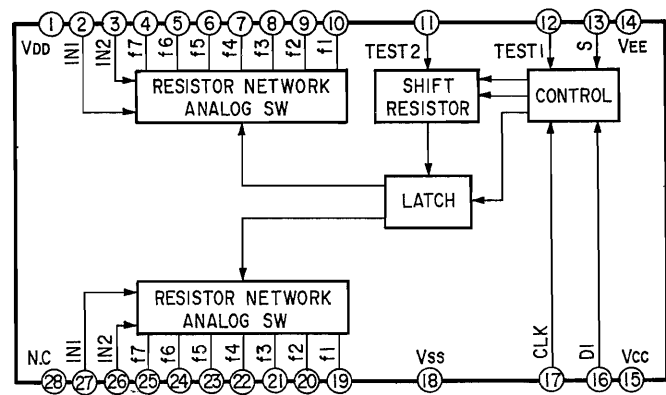
• IC403 LB1639



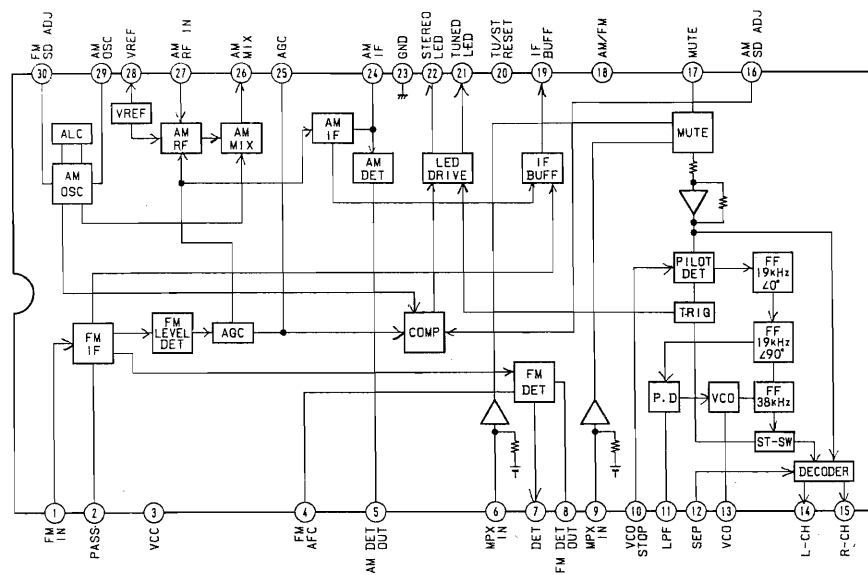
• IC801 L78MR06



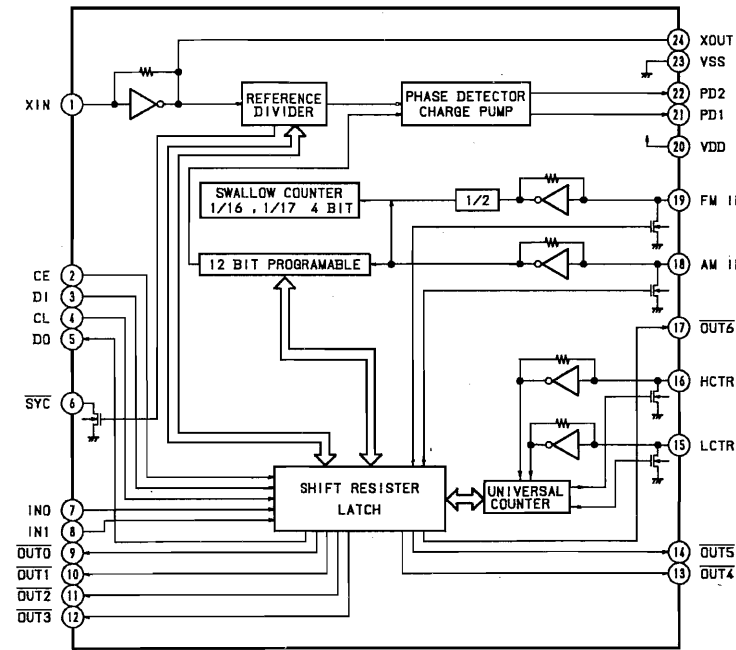
• IC202 LC7522



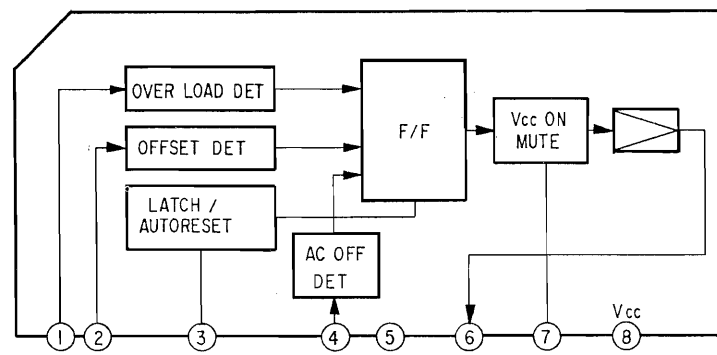
• IC301 LA1851N



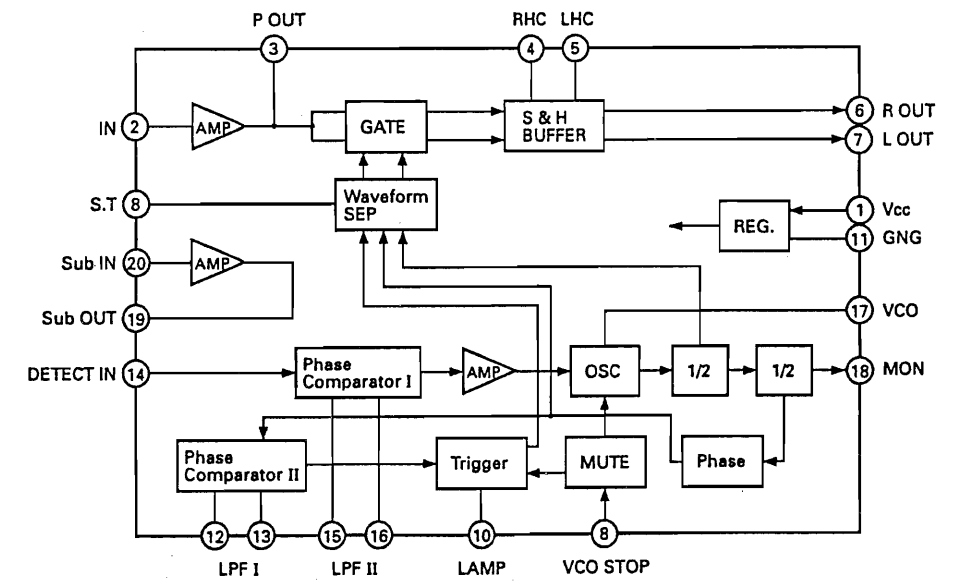
• IC501 LC7218



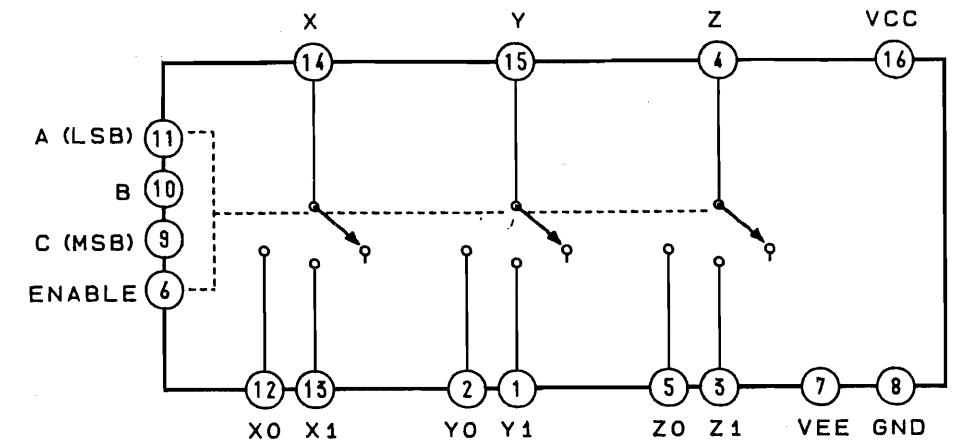
• IC731 uPC1237HA



• IC1701 IR3R42



• IC1703 MC14053BCP



SECTION 4 EXPLODED VIEWS

NOTE:

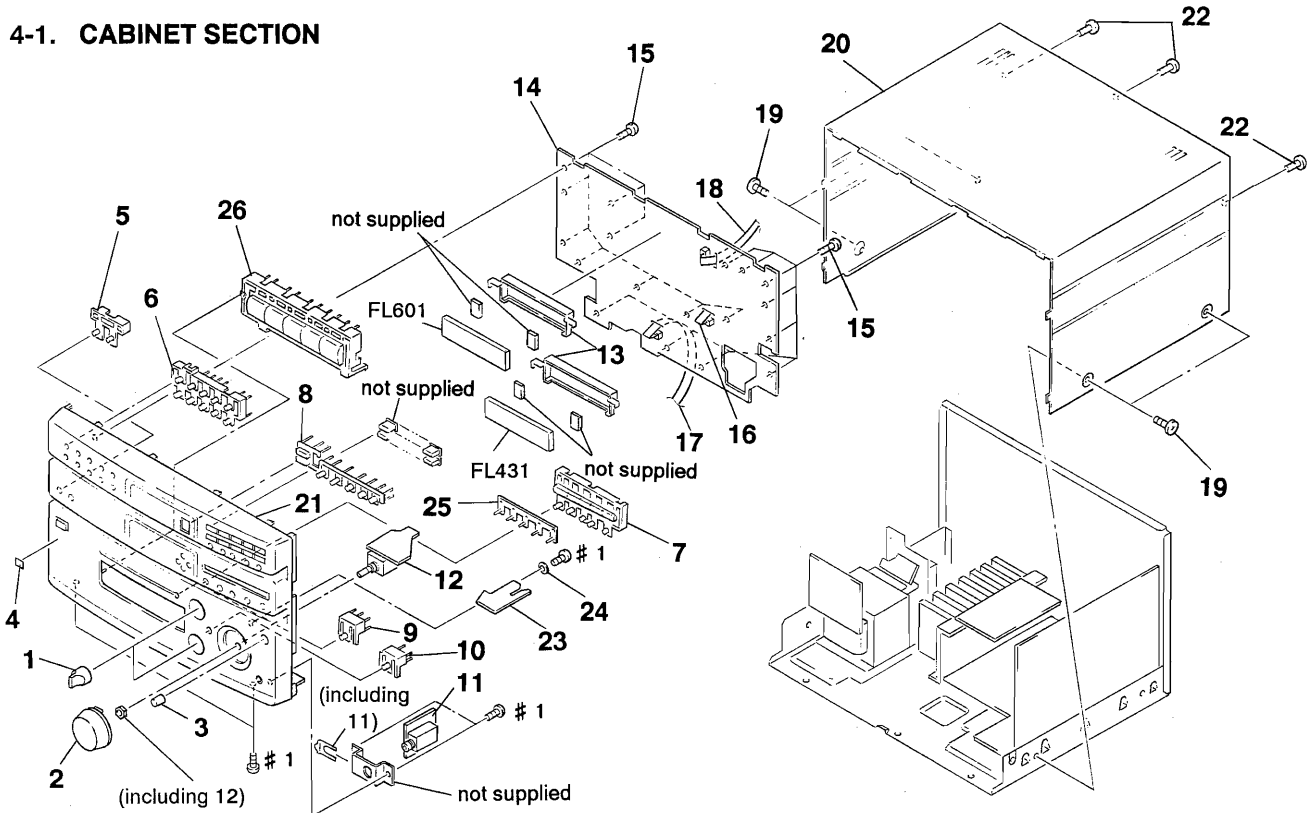
- -XX, -X mean standardized parts, so they may have some difference from the original one.
- The mechanical parts with no reference number in the exploded views are not supplied.
- Items marked " * " are not stocked since they are seldom required for routine service. Some delay should be anticipated when ordering these items.

- Color Indication of Appearance Parts
Example:
KNOB, BALANCE (WHITE) . . . (RED)
↑ ↑
Parts color Cabinet's color
- Hardware (# mark) list is given in the last of this parts list.

- G : Germany model
- IT : Italian model
- AUS : Australian model
- EE : East European model

The components identified by mark or dotted line with mark are critical for safety. Replace only with part number specified.

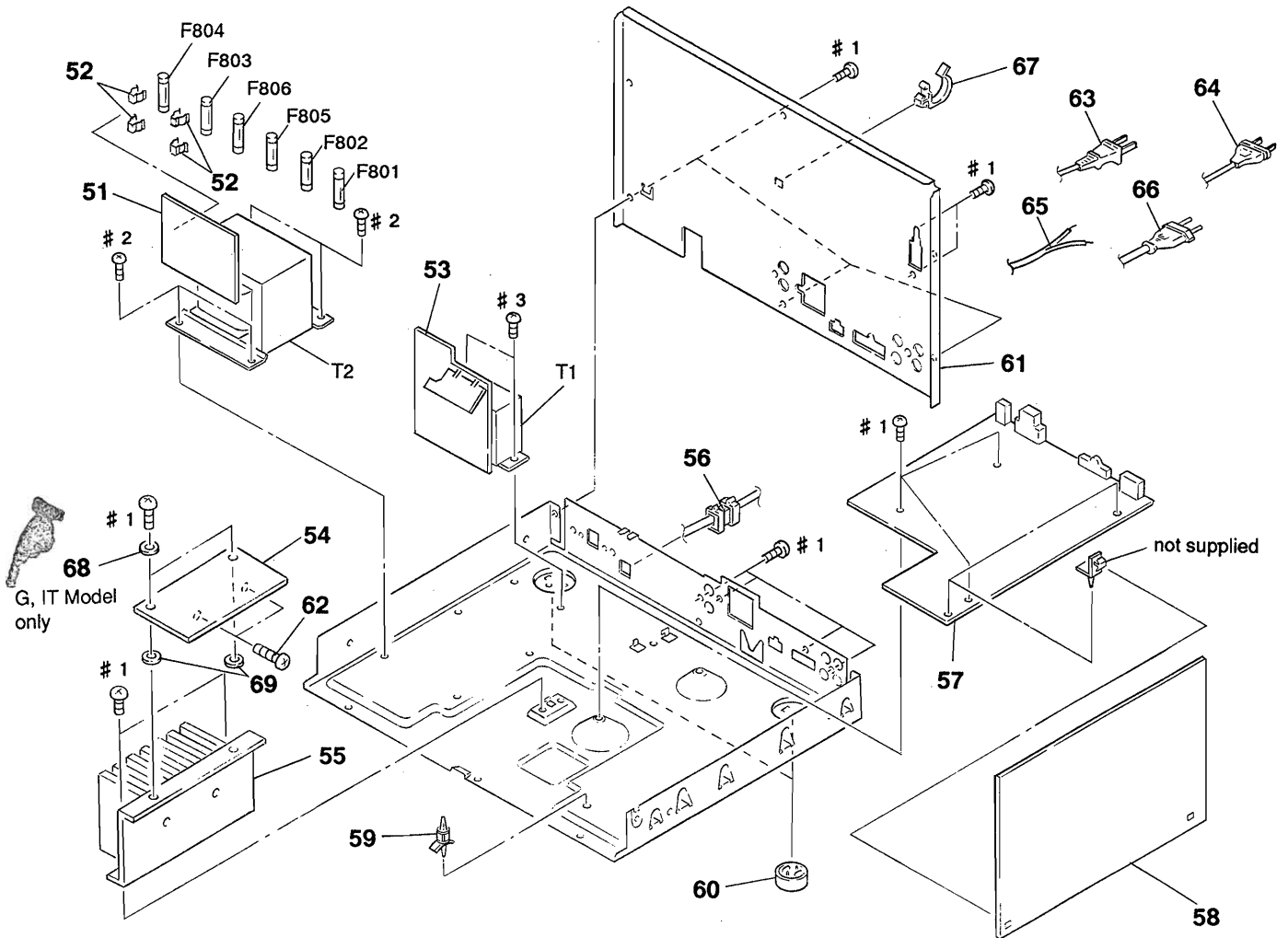
4-1. CABINET SECTION



| Ref. No. | Part No. | Description | Remark | Ref. No. | Part No. | Description | Remark |
|----------|--------------|--|--------|----------|--------------|--|-----------------------------|
| 1 | 4-955-636-01 | KNOB (DB) (D309) | | * 14 | A-4360-500-A | PANEL BOARD, COMPLETE (D359:IT) | |
| | 4-955-636-22 | KNOB (DB) (A37, D359) | | * 15 | A-4360-812-A | PANEL BOARD, COMPLETE (D309:EE, CIS) | |
| 2 | 4-955-635-01 | KNOB (V) (D309) | | * 16 | A-4360-917-A | PANEL BOARD, COMPLETE (D359:UK) | |
| | 4-955-635-21 | KNOB (V) (A37, D359) | | 17 | 4-951-620-01 | SCREW (2.6X8), +BVTP | |
| 3 | 4-955-744-01 | KNOB (BA) (D309) | | 18 | 1-696-986-31 | WIRE (FLAT TYPE) (7 CORE) | |
| | 4-955-744-21 | KNOB (BA) (A37, D359) | | 19 | 1-575-666-11 | WIRE, FLAT TYPE (11 CORE) | |
| * 4 | 3-703-713-41 | STICKER, SONY SYMBOL (10) | | | 1-751-025-11 | WIRE (FLAT TYPE) (9 CORE) (A37, D359) | |
| 5 | 4-955-741-01 | BUTTON (PR) (D309) | | | 1-751-025-31 | WIRE (FLAT TYPE) (9 CORE) (A37, D309, D359) | |
| | 4-955-741-21 | BUTTON (PR) (A37, D359) | | * 20 | 3-704-366-01 | SCREW (CASE) (M3X8) (A37, D309:AEP, G, IT, EE, CIS, D359) | |
| 6 | 4-955-765-01 | BUTTON (TIMER) (D309) | | | 4-955-759-11 | CASE (D309) | |
| | X-4943-302-1 | BUTTON (SELECT 5) ASSY (D309) | | * 21 | 4-955-759-51 | CASE (A37, D359) | |
| | X-4943-304-1 | BUTTON (SELECT 5) ASSY (A37, D359) | | | X-4943-296-1 | PANEL ASSY, FRONT (D309) | |
| 8 | X-4943-303-1 | BUTTON (DBFB) ASSY (A37, D359) | | | X-4943-299-1 | PANEL ASSY, FRONT (D359) | |
| 9 | 4-955-774-01 | BUTTON (SURROUND) (D309) | | | X-4943-300-1 | PANEL ASSY, FRONT (A37) | |
| 10 | 4-955-767-01 | BUTTON (EFFECT) (D309) | | 22 | 3-703-685-21 | SCREW (+BV 3X8) (A37, D359) | |
| * 11 | 1-646-977-11 | HP BOARD (D309) | | * 23 | 1-646-980-21 | MIC BOARD (A37) | |
| | 1-646-977-21 | HP BOARD (A37, D359) | | 24 | 3-330-034-01 | WASHER (A37, D359) | |
| * 12 | 1-646-978-11 | VOL BOARD (D309) | | | 3-564-542-00 | WASHER, FIBER (D309:AEP, G, IT, EE, CIS) | |
| | 1-646-978-21 | VOL BOARD (A37, D359) | | 25 | 4-955-771-01 | INDICATOR (SELECT 5) (D309) | |
| * 13 | 4-942-301-01 | HOLDER, FL TUBE | | 26 | X-4943-179-1 | BUTTON (FU) ASSY (D309) | |
| * 14 | A-4356-896-A | PANEL BOARD, COMPLETE (D309:AEP) | | | FL431 | 1-519-648-21 | INDICATOR TUBE, FLUORESCENT |
| | A-4356-977-A | PANEL BOARD, COMPLETE (D359:AEP) | | | FL601 | 1-519-711-11 | INDICATOR TUBE, FLUORESCENT |
| | A-4356-995-A | PANEL BOARD, COMPLETE (A37:E, AUS, PX) | | | | | |
| | A-4360-124-A | PANEL BOARD, COMPLETE (D309:G) | | | | | |
| | A-4360-183-A | PANEL BOARD, COMPLETE (D309:IT) | | | | | |

REVISED

4-2. CHASSIS SECTION



REVISED

| Ref. No. | Part No. | Description | Remark | Ref. No. | Part No. | Description | Remark |
|----------|--------------|--|--------|----------|--------------|---------------------------|--------|
| * 51 | 1-646-972-11 | FUSE BOARD (D309) | | △F803 | 1-532-299-00 | FUSE (5A) | |
| * | 1-646-972-21 | FUSE BOARD (D359) | | △F804 | 1-532-299-00 | FUSE (5A) | |
| 52 | 1-533-217-31 | HOLDER, FUSE (D309) | | △F805 | 1-532-286-00 | FUSE (2.5A) | |
| * | 1-533-213-11 | HOLDER, FUSE (A37/D359) | | △F806 | 1-532-286-00 | FUSE (2.5A) | |
| * 53 | A-4356-906-A | POWER BOARD, COMPLETE (D309:AEP, G, IT, EE, CIS) | | △T1 | 1-423-646-21 | TRANSFORMER, POWER (D359) | |
| * | A-4356-987-A | POWER BOARD, COMPLETE (D359:AEP, IT) | | △ | 1-423-646-31 | TRANSFORMER, POWER (D309) | |
| * | A-4356-993-A | POWER BOARD, COMPLETE (D359:UK) | | △ | 1-423-647-21 | TRANSFORMER, POWER (A37) | |
| * | A-4360-002-A | POWER BOARD, COMPLETE (A37) | | △T2 | 1-423-499-11 | TRANSFORMER, POWER (D309) | |
| * 54 | A-4356-905-A | POWER AMPLIFIER BOARD, COMPLETE (D309:AEP, EE, CIS) | | △ | 1-423-499-21 | TRANSFORMER, POWER (D359) | |
| * | A-4356-986-A | POWER AMPLIFIER BOARD, COMPLETE (D359:AEP) | | △ | 1-423-500-21 | TRANSFORMER, POWER (A37) | |
| * | A-4356-992-A | POWER AMPLIFIER BOARD, COMPLETE (D359:UK) | | | | | |
| * | A-4360-001-A | POWER AMPLIFIER BOARD, COMPLETE (A37) | | | | | |
| * | A-4360-132-A | POWER AMPLIFIER BOARD, COMPLETE (D309:G, IT) | | | | | |
| * | A-4360-506-A | POWER AMPLIFIER BOARD, COMPLETE (D359:IT) | | | | | |
| * 55 | 4-955-775-01 | HEAT SINK (L3-E) (D309:AEP, G, IT, EE, CIS) | | | | | |
| * 56 | 3-703-244-00 | BUSHING (2104), CORD (A37:AUS, D309, D359) | | | | | |
| * | 3-703-571-11 | BUSHING (S) (4516), CORD (A37:E, PX) | | | | | |
| * 57 | A-4356-904-A | MAIN BOARD, COMPLETE (D309:AEP) | | | | | |
| * | A-4356-985-A | MAIN BOARD, COMPLETE (D359:AEP) | | | | | |
| * | A-4356-991-A | MAIN BOARD, COMPLETE (D359:UK) | | | | | |
| * | A-4360-000-A | MAIN BOARD, COMPLETE (A37) | | | | | |
| * | A-4360-131-A | MAIN BOARD, COMPLETE (D309:G) | | | | | |
| * | A-4360-177-A | MAIN BOARD, COMPLETE (D309:AEP, EE, CIS) | | | | | |
| * | A-4360-185-A | MAIN BOARD, COMPLETE (D309:IT) | | | | | |
| * | A-4360-499-A | MAIN BOARD, COMPLETE (D359:AEP) | | | | | |
| * | A-4360-505-A | MAIN BOARD, COMPLETE (D359:IT) | | | | | |
| * 58 | A-4356-901-A | ST MAIN BOARD, COMPLETE (D309:AEP) | | | | | |
| * | A-4356-982-A | ST MAIN BOARD, COMPLETE (D359:AEP) | | | | | |
| * | A-4356-989-A | ST MAIN BOARD, COMPLETE (D359:UK) | | | | | |
| * | A-4356-998-A | ST MAIN BOARD, COMPLETE (A37) | | | | | |
| * | A-4360-123-A | ST MAIN BOARD, COMPLETE (D309:G, IT) | | | | | |
| * | A-4360-503-A | ST MAIN BOARD, COMPLETE (D359:IT) | | | | | |
| * | A-4360-814-A | ST MAIN BOARD, COMPLETE (D309:EE) | | | | | |
| * | A-4360-817-A | ST MAIN BOARD, COMPLETE (D309:CIS) | | | | | |
| 59 | 4-943-687-01 | HOLDER, PC BOARD | | | | | |
| 60 | 4-933-601-01 | FOOT (A37, D359) | | | | | |
| | X-4941-228-1 | FOOT ASSY (D309) | | | | | |
| * 61 | 4-955-769-11 | PANEL, BACK (D309:AEP) | | | | | |
| * | 4-955-769-21 | PANEL, BACK (D309:CIS) | | | | | |
| * | 4-955-769-31 | PANEL, BACK (D309:IT) | | | | | |
| * | 4-955-769-41 | PANEL, BACK (D309:G) | | | | | |
| * | 4-955-769-51 | PANEL, BACK (D309:AEP) | | | | | |
| * | 4-955-769-61 | PANEL, BACK (D309:AEP) | | | | | |
| * | 4-955-769-71 | PANEL, BACK (D309:EE) | | | | | |
| * | 4-955-828-11 | PANEL, BACK (D359:AEP) | | | | | |
| * | 4-955-828-21 | PANEL, BACK (D359:UK) | | | | | |
| * | 4-955-828-31 | PANEL, BACK (D359:IT) | | | | | |
| * | 4-955-828-51 | PANEL, BACK (D359:AEP) | | | | | |
| * | 4-955-828-61 | PANEL, BACK (A37:E, PX) | | | | | |
| * | 4-955-828-71 | PANEL, BACK (A37:AUS) | | | | | |
| 62 | 4-928-635-11 | SCREW, +BV (2.6X16) TAPPING | | | | | |
| △63 | 1-575-653-11 | CORD, POWER (A37:E, PX) | | | | | |
| △64 | 1-690-608-11 | CORD, POWER (A37:AUS) | | | | | |
| △65 | 1-696-570-21 | CORD, POWER (D359:UK) | | | | | |
| △66 | 1-575-651-11 | CORD, POWER (D309:AEP, G, IT, EE, CIS/D359:AEP, IT) | | | | | |
| 67 | 4-956-370-02 | BAND, PLUG FIXED (A37:AUS) | | | | | |
| 68 | 4-960-342-21 | WASHER (HEAT SINK) (G, IT) | | | | | |
| 69 | 4-960-342-31 | WASHER (HEAT SINK) | | | | | |
| △F801 | 1-532-078-00 | FUSE (1A) | | | | | |
| △F802 | 1-532-078-00 | FUSE (1A) | | | | | |

The components identified by mark △ or dotted line with mark △ are critical for safety. Replace only with part number specified.

REVISED

SECTION 5
ELECTRICAL PARTS LIST

FUSE HP MAIN

NOTE:

The components identified by mark Δ or dotted line with mark Δ are critical for safety. Replace only with part number specified.

When indicating parts by reference number, please include the board name.

- Due to standardization, replacements in the parts list may be different from the parts specified in the diagrams or the components used on the set.
-XX, -X mean standardized parts, so they may have some difference from the original one.
RESISTORS
All resistors are in ohms
METAL: Metal-film resistor
METAL OXIDE: Metal Oxide-film resistor
F : nonflammable
Color Indication of Appearance Parts Example:
KNOB, BALANCE (WHITE) . . . (RED)
Items marked "*" are not stocked since they are seldom required for routine service. Some delay should be anticipated when ordering these items.

- SEMICONDUCTORS
In each case, u: μ, for example:
uA...: μ A..., uPA...: μ PA...,
uPB...: μ PB..., uPC...: μ PC...,
uPD...: μ PD...
CAPACITORS
uF : μ F
COILS
uH : μ H
Hardware (# mark) list is given in the last of this parts list.
G : Germany model
IT : Italian model
EE : East European model
CIS : Common Independent States model
AUS: Australian model
AEP1: AEP with out POWER SOURCE
AEP2: AEP with POWER SOURCE

Table with columns: Ref. No., Part No., Description, Remark, Ref. No., Part No., Description, Remark. Contains parts list for FUSE BOARD, HP BOARD, MAIN BOARD, and various capacitors.

REVISED

MAIN

| Ref. No. | Part No. | Description | Remark | Ref. No. | Part No. | Description | Remark |
|----------------|--------------|--|--------|-----------|--------------|---|--------|
| C742 | 1-136-163-00 | FILM 0.068uF 5% 50V (D309:G, IT/D359:IT) | | * CN131 | 1-568-955-11 | PIN, CONNECTOR 6P (A37) | |
| C743 | 1-162-294-31 | CERAMIC 0.001uF 10% 50V (D309:G, IT/D359:IT) | | * CN402 | 1-568-830-11 | SOCKET, CONNECTOR 11P | |
| C784 | 1-124-916-11 | ELECT 22uF 20% 63V | | * CN701 | 1-564-510-11 | PLUG, CONNECTOR 7P | |
| C785 | 1-124-916-11 | ELECT 22uF 20% 63V | | * CN702 | 1-568-954-11 | PIN, CONNECTOR 5P | |
| C791 | 1-136-163-00 | FILM 0.068uF 5% 50V (D309:G, IT/D359:IT) | | CNP131 | 1-695-090-11 | PIN, CONNECTOR (PC BOARD) 13P | |
| C792 | 1-136-163-00 | FILM 0.068uF 5% 50V (D309:G, IT/D359:IT) | | CNP132 | 1-750-180-11 | PIN, CONNECTOR (PC BOARD) 5P | |
| C793 | 1-162-294-31 | CERAMIC 0.001uF 10% 50V (D309:G, IT/D359:IT) | | < DIODE > | | | |
| C831 | 1-136-161-00 | FILM 0.047uF 5% 50V | | D451 | 8-719-933-33 | DIODE HZS6A1L | |
| C833 | 1-126-138-11 | ELECT 4700uF 20% 50V (A37) | | D702 | 8-719-987-63 | DIODE 1N4148M | |
| C833 | 1-126-224-11 | ELECT 4700uF 20% 42V (D309/D359) | | D703 | 8-719-987-63 | DIODE 1N4148M | |
| C834 | 1-124-903-11 | ELECT 1uF 20% 50V | | D831 | 8-719-302-38 | DIODE RBV-602-01 | |
| C835 | 1-102-394-11 | CERAMIC 0.01uF 250V | | D832 | 8-719-987-63 | DIODE 1N4148M | |
| C836 | 1-124-557-11 | ELECT 1000uF 20% 25V | | D836 | 8-719-200-82 | DIODE 11ES2 | |
| C837 | 1-124-907-11 | ELECT 10uF 20% 50V | | D837 | 8-719-200-82 | DIODE 11ES2 | |
| C838 | 1-124-907-11 | ELECT 10uF 20% 50V | | D838 | 8-719-987-63 | DIODE 1N4148M | |
| C839 | 1-124-477-11 | ELECT 47uF 20% 25V | | D841 | 8-719-200-82 | DIODE 11ES2 | |
| C840 | 1-124-477-11 | ELECT 47uF 20% 25V (A37) | | D842 | 8-719-200-82 | DIODE 11ES2 | |
| C840 | 1-124-126-00 | ELECT 47uF 20% 10V (D309/D359) | | D843 | 8-719-001-76 | DIODE UZL-12M3 | |
| C841 | 1-124-907-11 | ELECT 10uF 20% 50V | | D882 | 8-719-987-63 | DIODE 1N4148M | |
| C842 | 1-124-122-11 | ELECT 100uF 20% 50V | | D886 | 8-719-200-82 | DIODE 11ES2 | |
| C843 | 1-126-105-11 | ELECT 1000uF 20% 35V | | D887 | 8-719-200-82 | DIODE 11ES2 | |
| C844 | 1-126-101-11 | ELECT 100uF 20% 16V | | D891 | 8-719-200-82 | DIODE 11ES2 | |
| C845 | 1-126-101-11 | ELECT 100uF 20% 16V | | D892 | 8-719-200-82 | DIODE 11ES2 | |
| C846 | 1-124-122-11 | ELECT 100uF 20% 50V (D309:AEP2, G/D359:AEP2, UK) | | < IC > | | | |
| C847 | 1-124-477-11 | ELECT 47uF 20% 25V (D359:AEP2, UK) | | IC101 | 8-759-634-51 | IC M5218AP | |
| C847 | 1-124-910-11 | ELECT 47uF 20% 50V (D309:AEP2, G) | | IC103 | 8-759-000-48 | IC MC14052BCP | |
| C881 | 1-136-161-00 | FILM 0.047uF 5% 50V | | IC105 | 8-759-634-51 | IC M5218AP | |
| C883 | 1-126-138-11 | ELECT 4700uF 20% 50V (A37) | | IC106 | 8-759-000-49 | IC MC14066BCP | |
| C883 | 1-126-224-11 | ELECT 4700uF 20% 42V (D309/D359) | | IC731 | 8-759-111-68 | IC uPC1237HA | |
| C886 | 1-124-480-11 | ELECT 470uF 20% 25V | | IC831 | 8-759-605-00 | IC M5F78M07L | |
| C887 | 1-124-477-11 | ELECT 47uF 20% 25V | | IC832 | 8-759-604-35 | IC M5F78M05L | |
| C888 | 1-124-907-11 | ELECT 10uF 20% 50V | | IC841 | 8-759-604-39 | IC AN6291 (D309:AEP2, G/D359:AEP2, UK) | |
| C892 | 1-124-122-11 | ELECT 100uF 20% 50V | | IC881 | 8-759-604-95 | IC M5F79M07L | |
| C897 | 1-161-377-00 | CERAMIC 0.0047uF 30% 25V (D309:G, IT/D359:IT) | | < JACK > | | | |
| < CONNECTOR > | | | | * J101 | 1-580-912-11 | JACK, PIN 4P (PHONO/VIDEO IN) (D309) | |
| * CN101 | 1-565-291-11 | SOCKET, CONNECTOR 13P (SYSTEM CONTROL) | | * J101 | 1-580-912-21 | JACK, PIN 4P (PHONO/VIDEO IN) (A37/D359) | |
| * CN102 | 1-566-210-11 | PIN, CONNECTOR 3P (POWER SOURCE) (D309:AEP2, G/D359:AEP2, UK) | | * J701 | 1-569-130-11 | JACK, PIN 2P (SURROUND SPEAKER) | |
| < TRANSISTOR > | | | | L702 | 1-420-872-00 | COIL, AIR CORE (D309:G, IT/D359:IT) | |
| Q103 | 8-729-119-76 | TRANSISTOR 2SA1175-HFE | | L752 | 1-420-872-00 | COIL, AIR CORE (D309:G, IT/D359:IT) | |

REVISED

R733 1-249-436-11 CARBON 39K 5% 1/4W (EXCEPT D359:AEP1)
R733 1-249-437-11 CARBON 47K 5% 1/4W (D359:AEP1)

MAIN MIC

Table with columns: Ref. No., Part No., Description, Remark, Ref. No., Part No., Description, Remark. Includes parts like Q104, R101, R102, R104, R105, R106, R107, R108, R109, R111, R112, R113, R114, R115, R116, R121, R122, R123, R124, R131, R132, R133, R135, R136, R137, R141, R151, R152, R154, R155, R156, R157, R158, R159, R161, R162, R163, R164, R165, R166, R181, R182, R183, R191, R204, R205, R254, R255, R431, R432, R728, R731, R732, R733, R734, R735, R736, R737, R738, R741, R742, R778, R787, R788, R791, R792, R831, R841, R881, RY701, TM701, and * 1-646-980-21 MIC BOARD (A37).

The components identified by mark Δ or dotted line with mark Δ are critical for safety. Replace only with part number specified.

MIC PANEL

| Ref. No. | Part No. | Description | Remark | Ref. No. | Part No. | Description | Remark |
|----------|--------------|--------------------------------------|--------|----------|--------------|-----------------------------|--------|
| C906 | 1-124-477-11 | ELECT 47uF 20% 25V | | C239 | 1-124-126-00 | ELECT 47uF 20% 10V | |
| C956 | 1-124-477-11 | ELECT 47uF 20% 25V | | C240 | 1-124-126-00 | ELECT 47uF 20% 10V | |
| | | < IC > | | C241 | 1-124-903-11 | ELECT 1uF 20% 50V | |
| IC901 | 8-759-634-51 | IC M5218AP | | C242 | 1-124-443-00 | ELECT 100uF 20% 10V | |
| | | < JACK > | | C281 | 1-164-066-11 | CERAMIC 68PF 5% 50V | |
| * J901 | 1-573-151-21 | JACK, LARGE TYPE (MIC) | | C282 | 1-164-070-11 | CERAMIC 100PF 5% 50V | |
| | | < RESISTOR > | | C283 | 1-124-907-11 | ELECT 10uF 20% 50V | |
| R901 | 1-249-429-11 | CARBON 10K 5% 1/4W | | C284 | 1-124-257-00 | ELECT 2.2uF 20% 50V | |
| R902 | 1-249-417-11 | CARBON 1K 5% 1/4W | | C285 | 1-162-282-31 | CERAMIC 100PF 10% 50V | |
| R903 | 1-249-441-11 | CARBON 100K 5% 1/4W | | C287 | 1-124-252-00 | ELECT 0.33uF 20% 50V | |
| R904 | 1-249-412-11 | CARBON 390 5% 1/4W | | C288 | 1-136-160-00 | FILM 0.039uF 5% 50V | |
| R905 | 1-249-441-11 | CARBON 100K 5% 1/4W | | C289 | 1-124-126-00 | ELECT 47uF 20% 10V | |
| R906 | 1-249-417-11 | CARBON 1K 5% 1/4W | | C290 | 1-124-126-00 | ELECT 47uF 20% 10V | |
| R907 | 1-249-429-11 | CARBON 10K 5% 1/4W | | C291 | 1-124-903-11 | ELECT 1uF 20% 50V | |
| ***** | | | | C401 | 1-126-177-11 | ELECT 100uF 20% 10V | |
| * | A-4356-896-A | PANEL BOARD, COMPLETE (D309:AEP) | | C402 | 1-161-494-00 | CERAMIC 0.022uF 25V | |
| | | ***** | | C403 | 1-136-165-00 | FILM 0.1uF 5% 50V | |
| * | A-4356-977-A | PANEL BOARD, COMPLETE (D359:AEP) | | C404 | 1-161-379-00 | CERAMIC 0.01uF 20% 25V | |
| | | ***** | | C405 | 1-125-486-11 | DOUBLE LAYERS 0.22F 5.5V | |
| * | A-4356-995-A | PANEL BOARD, COMPLETE (A37) | | C406 | 1-126-157-11 | ELECT 10uF 20% 16V | |
| | | ***** | | C407 | 1-164-159-11 | CERAMIC 0.1uF 50V | |
| * | A-4360-124-A | PANEL BOARD, COMPLETE (D309:G) | | C411 | 1-126-177-11 | ELECT 100uF 20% 10V | |
| | | ***** | | C412 | 1-161-494-00 | CERAMIC 0.022uF 25V | |
| * | A-4360-183-A | PANEL BOARD, COMPLETE (D309:IT) | | C414 | 1-162-294-31 | CERAMIC 0.001uF 10% 50V | |
| | | ***** | | C415 | 1-162-294-31 | CERAMIC 0.001uF 10% 50V | |
| * | A-4360-500-A | PANEL BOARD, COMPLETE (D359:IT) | | C416 | 1-162-294-31 | CERAMIC 0.001uF 10% 50V | |
| | | ***** | | C417 | 1-162-294-31 | CERAMIC 0.001uF 10% 50V | |
| * | A-4360-812-A | PANEL BOARD, COMPLETE (D309:EE, CIS) | | C441 | 1-126-177-11 | ELECT 100uF 20% 10V | |
| | | ***** | | C442 | 1-164-159-11 | CERAMIC 0.1uF 50V | |
| * | A-4360-917-A | PANEL BOARD, COMPLETE (D359:UK) | | C443 | 1-126-177-11 | ELECT 100uF 20% 10V | |
| | | ***** | | C444 | 1-164-159-11 | CERAMIC 0.1uF 50V | |
| | | < CAPACITOR > | | C445 | 1-130-471-00 | MYLAR 0.001uF 5% 50V | |
| C231 | 1-164-066-11 | CERAMIC 68PF 5% 50V | | C446 | 1-126-163-11 | ELECT 4.7uF 20% 50V | |
| C232 | 1-164-070-11 | CERAMIC 100PF 5% 50V | | C447 | 1-126-163-11 | ELECT 4.7uF 20% 50V | |
| C233 | 1-124-907-11 | ELECT 10uF 20% 50V | | C448 | 1-126-157-11 | ELECT 10uF 20% 16V | |
| C234 | 1-124-257-00 | ELECT 2.2uF 20% 50V | | C601 | 1-126-177-11 | ELECT 100uF 20% 10V | |
| C235 | 1-162-282-31 | CERAMIC 100PF 10% 50V | | C602 | 1-164-159-11 | CERAMIC 0.1uF 50V | |
| C236 | 1-164-159-11 | CERAMIC 0.1uF 50V | | C604 | 1-126-157-11 | ELECT 10uF 20% 16V | |
| C237 | 1-124-252-00 | ELECT 0.33uF 20% 50V | | C605 | 1-124-916-11 | ELECT 22uF 20% 63V | |
| C238 | 1-136-160-00 | FILM 0.039uF 5% 50V | | C606 | 1-162-202-31 | CERAMIC 13PF 5% 50V | |
| | | | | C607 | 1-162-202-31 | CERAMIC 13PF 5% 50V | |
| | | | | C608 | 1-126-163-11 | ELECT 4.7uF 20% 50V | |
| | | | | C609 | 1-136-153-00 | FILM 0.01uF 5% 50V | |
| | | | | C610 | 1-164-159-11 | CERAMIC 0.1uF 50V | |
| | | | | | | < FILTER > | |
| | | | | CF401 | 1-567-775-11 | VIBRATOR, CERAMIC (4.19MHz) | |

| Ref.No. | Part No. | Description | Remark | Ref.No. | Part No. | Description | Remark |
|-------------------------------|--------------|---------------------------|--------|---------------------------|--------------|----------------------------------|--------------------|
| < CONNECTOR > | | | | | | | |
| * CN202 | 1-568-826-11 | SOCKET, CONNECTOR 7P | | D600 | 8-719-987-63 | DIODE 1N4148M | |
| * CN401 | 1-568-830-11 | SOCKET, CONNECTOR 11P | | D601 | 8-719-987-63 | DIODE 1N4148M | |
| * CN601 | 1-568-828-11 | SOCKET, CONNECTOR 9P | | D602 | 8-719-987-63 | DIODE 1N4148M | |
| < COMPOSITION CIRCUIT BLOCK > | | | | | | | |
| CP431 | 1-239-054-11 | COMPOSITION CIRCUIT BLOCK | | D603 | 8-719-987-63 | DIODE 1N4148M | |
| CP432 | 1-239-054-11 | COMPOSITION CIRCUIT BLOCK | | D604 | 8-719-987-63 | DIODE 1N4148M | |
| < DIODE > | | | | | | | |
| D231 | 8-719-987-63 | DIODE 1N4148M | | D605 | 8-719-987-63 | DIODE 1N4148M | |
| D232 | 8-719-987-63 | DIODE 1N4148M | | | | (D309:AEP, D359:AEP, UK) | |
| D281 | 8-719-987-63 | DIODE 1N4148M | | D606 | 8-719-987-63 | DIODE 1N4148M | (D309:IT/D359:IT) |
| D401 | 8-719-200-82 | DIODE 11ES2 | | D607 | 8-719-987-63 | DIODE 1N4148M | (D309:EE, CIS) |
| D402 | 8-719-987-63 | DIODE 1N4148M | | D608 | 8-719-987-63 | DIODE 1N4148M | (A37/D309:EE, CIS) |
| D403 | 8-719-200-82 | DIODE 11ES2 | | D609 | 8-719-987-63 | DIODE 1N4148M | |
| D404 | 8-719-987-63 | DIODE 1N4148M | | D610 | 8-719-987-63 | DIODE 1N4148M | |
| D405 | 8-719-200-82 | DIODE 11ES2 | | D611 | 8-719-987-63 | DIODE 1N4148M | (A37) |
| D406 | 8-719-200-82 | DIODE 11ES2 | | D612 | 8-719-987-63 | DIODE 1N4148M | |
| D407 | 8-719-200-82 | DIODE 11ES2 | | D613 | 8-719-987-63 | DIODE 1N4148M | |
| D410 | 8-719-987-63 | DIODE 1N4148M | | D614 | 8-719-987-63 | DIODE 1N4148M | |
| D411 | 8-719-987-63 | DIODE 1N4148M | | D615 | 8-719-987-63 | DIODE 1N4148M | |
| D412 | 8-719-987-63 | DIODE 1N4148M | | D616 | 8-719-987-63 | DIODE 1N4148M | |
| D413 | 8-719-987-63 | DIODE 1N4148M | | D617 | 8-719-987-63 | DIODE 1N4148M | |
| D414 | 8-719-987-63 | DIODE 1N4148M | | D618 | 8-719-987-63 | DIODE 1N4148M | |
| D415 | 8-719-987-63 | DIODE 1N4148M | | D619 | 8-719-987-63 | DIODE 1N4148M | |
| D416 | 8-719-987-63 | DIODE 1N4148M | | D620 | 8-719-987-63 | DIODE 1N4148M | |
| D418 | 8-719-200-82 | DIODE 11ES2 | | < FLUORESCENT INDICATOR > | | | |
| D419 | 8-719-200-82 | DIODE 11ES2 | | FL431 | 1-519-648-21 | INDICATOR TUBE, FLUORESCENT | |
| D420 | 8-719-200-82 | DIODE 11ES2 | | FL601 | 1-519-732-11 | INDICATOR TUBE, FLUORESCENT | |
| D422 | 8-719-301-37 | LED SEL2210S-CD | | < IC > | | | |
| D423 | 8-719-301-37 | LED SEL2210S-CD | | IC211 | 8-759-634-51 | IC M5218AP | |
| D424 | 8-719-301-37 | LED SEL2210S-CD | | IC212 | 8-759-000-48 | IC MC14052BCP | |
| D425 | 8-719-301-37 | LED SEL2210S-CD | | IC401 | 8-759-635-63 | IC M51943BSL | |
| D426 | 8-719-301-37 | LED SEL2210S-CD | | IC402 | 8-759-160-26 | IC uPD75104CW-286 | |
| D427 | 8-719-301-37 | LED SEL2210S-CD | | IC403 | 8-759-820-62 | IC LB1639 | |
| D428 | 8-719-301-37 | LED SEL2210S-CD | | IC431 | 8-759-065-88 | IC XR-1095 | |
| D429 | 8-719-301-37 | LED SEL2210S-CD | | IC601 | 8-759-157-67 | IC TMP47C1270AN-H211 | |
| D430 | 8-719-301-37 | LED SEL2210S-CD | | IC602 | 8-749-922-36 | IC GPIU50XB | |
| D431 | 8-719-301-37 | LED SEL2210S-CD | | < COIL > | | | |
| D432 | 8-719-301-37 | LED SEL2210S-CD | | L401 | 1-408-080-00 | INDUCTOR 100uH | |
| D433 | 8-719-301-37 | LED SEL2210S-CD | | L403 | 1-410-521-11 | INDUCTOR 100uH | |
| D434 | 8-719-301-37 | LED SEL2210S-CD | | L451 | 1-408-080-00 | INDUCTOR 100uH | |
| D435 | 8-719-301-37 | LED SEL2210S-CD | | L601 | 1-410-521-11 | INDUCTOR 100uH | |
| D436 | 8-719-301-37 | LED SEL2210S-CD | | < TRANSISTOR > | | | |
| D437 | 8-719-301-37 | LED SEL2210S-CD | | Q231 | 8-729-224-61 | TRANSISTOR 2SK246-Y | |
| D438 | 8-719-301-37 | LED SEL2210S-CD | | Q232 | 8-729-119-78 | TRANSISTOR 2SC2785-HFE (D309) | |
| D439 | 8-719-301-37 | LED SEL2210S-CD | | Q232 | 8-729-620-05 | TRANSISTOR 2SC2603-EF (A37/D359) | |
| D440 | 8-719-313-69 | DIODE SEL3210S-CD | | Q233 | 8-729-900-63 | TRANSISTOR DTA124ES | |
| D441 | 8-719-301-37 | LED SEL2210S-CD | | Q241 | 8-729-141-26 | TRANSISTOR 2SC3622A-LK | |
| | | | | Q242 | 8-729-900-36 | TRANSISTOR DTC124ES | |

PANEL

| Ref. No. | Part No. | Description | Remark | Ref. No. | Part No. | Description | Remark |
|--------------|--------------|-------------|-----------------------|----------|--------------|-------------|--------------|
| Q243 | 8-729-900-63 | TRANSISTOR | DTA124ES | R402 | 1-249-435-11 | CARBON | 33K 5% 1/4W |
| Q281 | 8-729-224-61 | TRANSISTOR | 2SK246-Y | R403 | 1-249-429-11 | CARBON | 10K 5% 1/4W |
| Q282 | 8-729-119-78 | TRANSISTOR | 2SC2785-HFE (D309) | R404 | 1-249-437-11 | CARBON | 47K 5% 1/4W |
| Q282 | 8-729-620-05 | TRANSISTOR | 2SC2603-EF (A37/D359) | R406 | 1-249-405-11 | CARBON | 100 5% 1/4W |
| Q291 | 8-729-141-26 | TRANSISTOR | 2SC3622A-LK | R409 | 1-249-433-11 | CARBON | 22K 5% 1/4W |
| Q401 | 8-729-119-78 | TRANSISTOR | 2SC2785-HFE (D309) | R410 | 1-249-433-11 | CARBON | 22K 5% 1/4W |
| Q401 | 8-729-620-05 | TRANSISTOR | 2SC2603-EF (A37/D359) | R411 | 1-249-429-11 | CARBON | 10K 5% 1/4W |
| Q432 | 8-729-900-63 | TRANSISTOR | DTA124ES | R412 | 1-249-433-11 | CARBON | 22K 5% 1/4W |
| Q433 | 8-729-900-63 | TRANSISTOR | DTA124ES | R413 | 1-249-433-11 | CARBON | 22K 5% 1/4W |
| Q434 | 8-729-119-78 | TRANSISTOR | 2SC2785-HFE (D309) | R414 | 1-249-433-11 | CARBON | 22K 5% 1/4W |
| Q434 | 8-729-620-05 | TRANSISTOR | 2SC2603-EF (A37/D359) | R415 | 1-249-433-11 | CARBON | 22K 5% 1/4W |
| Q435 | 8-729-119-78 | TRANSISTOR | 2SC2785-HFE (D309) | R416 | 1-249-417-11 | CARBON | 1K 5% 1/4W |
| Q435 | 8-729-620-05 | TRANSISTOR | 2SC2603-EF (A37/D359) | R417 | 1-249-417-11 | CARBON | 1K 5% 1/4W |
| Q601 | 8-729-119-78 | TRANSISTOR | 2SC2785-HFE (D309) | R418 | 1-249-417-11 | CARBON | 1K 5% 1/4W |
| Q601 | 8-729-620-05 | TRANSISTOR | 2SC2603-EF (A37/D359) | R419 | 1-249-433-11 | CARBON | 22K 5% 1/4W |
| Q602 | 8-729-119-78 | TRANSISTOR | 2SC2785-HFE (D309) | R422 | 1-249-412-11 | CARBON | 390 5% 1/4W |
| Q602 | 8-729-620-05 | TRANSISTOR | 2SC2603-EF (A37/D359) | R423 | 1-249-412-11 | CARBON | 390 5% 1/4W |
| < RESISTOR > | | | | R424 | 1-249-412-11 | CARBON | 390 5% 1/4W |
| R230 | 1-247-903-00 | CARBON | 1M 5% 1/4W | R425 | 1-249-412-11 | CARBON | 390 5% 1/4W |
| R231 | 1-249-417-11 | CARBON | 1K 5% 1/4W | R426 | 1-249-412-11 | CARBON | 390 5% 1/4W |
| R232 | 1-247-903-00 | CARBON | 1M 5% 1/4W | R427 | 1-249-411-11 | CARBON | 330 5% 1/4W |
| R233 | 1-249-429-11 | CARBON | 10K 5% 1/4W | R428 | 1-249-412-11 | CARBON | 390 5% 1/4W |
| R234 | 1-249-421-11 | CARBON | 2.2K 5% 1/4W | R429 | 1-249-412-11 | CARBON | 390 5% 1/4W |
| R235 | 1-249-423-11 | CARBON | 3.3K 5% 1/4W | R430 | 1-249-415-11 | CARBON | 680 5% 1/4W |
| R236 | 1-249-437-11 | CARBON | 47K 5% 1/4W | R442 | 1-249-418-11 | CARBON | 1.2K 5% 1/4W |
| R237 | 1-249-412-11 | CARBON | 390 5% 1/4W | R443 | 1-249-409-11 | CARBON | 220 5% 1/4W |
| R238 | 1-249-427-11 | CARBON | 6.8K 5% 1/4W | R444 | 1-249-441-11 | CARBON | 100K 5% 1/4W |
| R239 | 1-247-903-00 | CARBON | 1M 5% 1/4W | R445 | 1-249-409-11 | CARBON | 220 5% 1/4W |
| R240 | 1-249-435-11 | CARBON | 33K 5% 1/4W | R446 | 1-249-441-11 | CARBON | 100K 5% 1/4W |
| R241 | 1-249-432-11 | CARBON | 18K 5% 1/4W | R447 | 1-247-897-11 | CARBON | 560K 5% 1/4W |
| R242 | 1-249-429-11 | CARBON | 10K 5% 1/4W | R448 | 1-247-897-11 | CARBON | 560K 5% 1/4W |
| R243 | 1-249-433-11 | CARBON | 22K 5% 1/4W | R449 | 1-249-427-11 | CARBON | 6.8K 5% 1/4W |
| R244 | 1-249-433-11 | CARBON | 22K 5% 1/4W | R450 | 1-249-436-11 | CARBON | 39K 5% 1/4W |
| R245 | 1-249-433-11 | CARBON | 22K 5% 1/4W | R499 | 1-249-427-11 | CARBON | 6.8K 5% 1/4W |
| R247 | 1-249-433-11 | CARBON | 22K 5% 1/4W | R500 | 1-249-436-11 | CARBON | 39K 5% 1/4W |
| R248 | 1-249-433-11 | CARBON | 22K 5% 1/4W | R601 | 1-249-405-11 | CARBON | 100 5% 1/4W |
| R249 | 1-249-425-11 | CARBON | 4.7K 5% 1/4W | R602 | 1-249-417-11 | CARBON | 1K 5% 1/4W |
| R280 | 1-247-903-00 | CARBON | 1M 5% 1/4W | R603 | 1-249-429-11 | CARBON | 10K 5% 1/4W |
| R281 | 1-249-417-11 | CARBON | 1K 5% 1/4W | R604 | 1-249-425-11 | CARBON | 4.7K 5% 1/4W |
| R282 | 1-247-903-00 | CARBON | 1M 5% 1/4W | R605 | 1-249-441-11 | CARBON | 100K 5% 1/4W |
| R283 | 1-249-429-11 | CARBON | 10K 5% 1/4W | R606 | 1-249-405-11 | CARBON | 100 5% 1/4W |
| R284 | 1-249-421-11 | CARBON | 2.2K 5% 1/4W | R607 | 1-249-409-11 | CARBON | 220 5% 1/4W |
| R285 | 1-249-423-11 | CARBON | 3.3K 5% 1/4W | R608 | 1-249-409-11 | CARBON | 220 5% 1/4W |
| R286 | 1-249-437-11 | CARBON | 47K 5% 1/4W | R609 | 1-249-409-11 | CARBON | 220 5% 1/4W |
| R287 | 1-249-412-11 | CARBON | 390 5% 1/4W | R610 | 1-249-409-11 | CARBON | 220 5% 1/4W |
| R288 | 1-249-427-11 | CARBON | 6.8K 5% 1/4W | R611 | 1-249-421-11 | CARBON | 2.2K 5% 1/4W |
| R289 | 1-247-903-00 | CARBON | 1M 5% 1/4W | R612 | 1-249-423-11 | CARBON | 3.3K 5% 1/4W |
| R299 | 1-249-425-11 | CARBON | 4.7K 5% 1/4W | R613 | 1-249-441-11 | CARBON | 100K 5% 1/4W |
| R401 | 1-249-417-11 | CARBON | 1K 5% 1/4W | R614 | 1-249-441-11 | CARBON | 100K 5% 1/4W |
| | | | | R615 | 1-249-441-11 | CARBON | 100K 5% 1/4W |

| Ref. No. | Part No. | Description | Remark | Ref. No. | Part No. | Description | Remark |
|-----------------------|--------------|---------------------------------|-------------------------------|---------------|--------------|----------------------------------|--------|
| R616 | 1-249-429-11 | CARBON | 10K 5% 1/4W | S419 | 1-554-303-21 | SWITCH, TACTILE (HALL/1) | |
| R617 | 1-249-433-11 | CARBON | 22K 5% 1/4W | S420 | 1-554-303-21 | SWITCH, TACTILE (DANCE/2) | |
| R618 | 1-249-425-11 | CARBON | 4.7K 5% 1/4W | S421 | 1-554-303-21 | SWITCH, TACTILE (MOVIE/3) | |
| R619 | 1-249-429-11 | CARBON | 10K 5% 1/4W | | | | |
| R620 | 1-249-429-11 | CARBON | 10K 5% 1/4W | S422 | 1-554-303-21 | SWITCH, TACTILE (WM/4) | |
| R621 | 1-249-429-11 | CARBON | 10K 5% 1/4W | S423 | 1-554-303-21 | SWITCH, TACTILE (CAR/5) | |
| R622 | 1-249-429-11 | CARBON | 10K 5% 1/4W | S424 | 1-554-303-21 | SWITCH, TACTILE (DBS ON/OFF) | |
| R623 | 1-249-429-11 | CARBON | 10K 5% 1/4W | S601 | 1-554-303-21 | SWITCH, TACTILE (1) | |
| R624 | 1-249-429-11 | CARBON | 10K 5% 1/4W | S602 | 1-554-303-21 | SWITCH, TACTILE (2) | |
| R625 | 1-249-429-11 | CARBON | 10K 5% 1/4W | S603 | 1-554-303-21 | SWITCH, TACTILE (3) | |
| R626 | 1-249-429-11 | CARBON | 10K 5% 1/4W | S604 | 1-554-303-21 | SWITCH, TACTILE (4) | |
| R627 | 1-249-425-11 | CARBON | 4.7K 5% 1/4W | S605 | 1-554-303-21 | SWITCH, TACTILE (5) | |
| R628 | 1-249-425-11 | CARBON | 4.7K 5% 1/4W | S606 | 1-554-303-21 | SWITCH, TACTILE (6) | |
| R629 | 1-249-425-11 | CARBON | 4.7K 5% 1/4W | S607 | 1-554-303-21 | SWITCH, TACTILE (7) | |
| R630 | 1-249-425-11 | CARBON | 4.7K 5% 1/4W | S608 | 1-554-303-21 | SWITCH, TACTILE (8) | |
| R631 | 1-249-425-11 | CARBON | 4.7K 5% 1/4W | S609 | 1-554-303-21 | SWITCH, TACTILE (9) | |
| R632 | 1-249-425-11 | CARBON | 4.7K 5% 1/4W | S610 | 1-554-303-21 | SWITCH, TACTILE (0) | |
| R633 | 1-249-425-11 | CARBON | 4.7K 5% 1/4W | S611 | 1-554-303-21 | SWITCH, TACTILE (UP) | |
| R634 | 1-249-425-11 | CARBON | 4.7K 5% 1/4W | S612 | 1-554-303-21 | SWITCH, TACTILE (DOWN) | |
| R635 | 1-249-429-11 | CARBON | 10K 5% 1/4W | S613 | 1-554-303-21 | SWITCH, TACTILE (SHIFT) | |
| R636 | 1-249-441-11 | CARBON | 100K 5% 1/4W | S614 | 1-554-303-21 | SWITCH, TACTILE (BAND SELECT) | |
| R637 | 1-249-441-11 | CARBON | 100K 5% 1/4W | S615 | 1-554-303-21 | SWITCH, TACTILE (MEMORY) | |
| R638 | 1-249-441-11 | CARBON | 100K 5% 1/4W | S616 | 1-554-303-21 | SWITCH, TACTILE (ONCE) | |
| R639 | 1-249-441-11 | CARBON | 100K 5% 1/4W | S617 | 1-554-303-21 | SWITCH, TACTILE (DAILY) | |
| < VARIABLE RESISTOR > | | | | S618 | 1-554-303-21 | SWITCH, TACTILE (NEXT) | |
| RV231 | 1-223-251-11 | RES, VAR, CARBON | 100K/100K (DBS LEVEL) | S619 | 1-554-303-21 | SWITCH, TACTILE (CLOCK) | |
| RV232 | 1-223-251-11 | RES, VAR, CARBON | 100K/100K (FREQUENCY (Hz)) | S620 | 1-554-303-21 | SWITCH, TACTILE (SLEEP) | |
| RV241 | 1-223-253-11 | RES, VAR, CARBON | 100K/100K (BALANCE) | S621 | 1-554-303-21 | SWITCH, TACTILE (CONTROL) | |
| < SWITCH > | | | | S622 | 1-554-303-21 | SWITCH, TACTILE (CLEAR) | |
| S401 | 1-554-303-21 | SWITCH, TACTILE (FLAT) | | S623 | 1-554-303-21 | SWITCH, TACTILE (BACK) | |
| S402 | 1-554-303-21 | SWITCH, TACTILE (REVERSE) | | S624 | 1-554-303-21 | SWITCH, TACTILE (SYSTEM POWER) | |
| S403 | 1-554-303-21 | SWITCH, TACTILE (EFFECT) | | S625 | 1-554-303-21 | SWITCH, TACTILE (DISPLAY) | |
| S404 | 1-554-303-21 | SWITCH, TACTILE (EQ REC) | | S626 | 1-554-303-21 | SWITCH, TACTILE (ST/MUTE) | |
| S406 | 1-554-303-21 | SWITCH, TACTILE (VIDEO) | | S627 | 1-554-303-21 | SWITCH, TACTILE (TIMER MODE) | |
| S407 | 1-554-303-21 | SWITCH, TACTILE (TAPE) | | S628 | 1-554-303-21 | SWITCH, TACTILE (CHARACTER) | |
| S408 | 1-554-303-21 | SWITCH, TACTILE (CD) | | < VIBRATOR > | | | |
| S409 | 1-554-303-21 | SWITCH, TACTILE (TUNER) | | X601 | 1-579-564-21 | VIBRATOR, CRYSTAL (8.388608MHz) | |
| S410 | 1-554-303-21 | SWITCH, TACTILE (PHONO) | | ***** | | | |
| S411 | 1-554-303-21 | SWITCH, TACTILE (SURROUND) | | * | A-4360-816-A | POLAR BOARD, COMPLETE (D309:CIS) | |
| S412 | 1-554-303-21 | SWITCH, TACTILE (UP) | | ***** | | | |
| S413 | 1-554-303-21 | SWITCH, TACTILE (LEFT) | | < CAPACITOR > | | | |
| S414 | 1-554-303-21 | SWITCH, TACTILE (RIGHT) | | C1701 | 1-162-294-31 | CERAMIC 0.001uF 10% 50V | |
| S415 | 1-554-303-21 | SWITCH, TACTILE (DOWN) | | C1702 | 1-104-294-11 | POLYSTYRENE 470PF 5% 50V | |
| S416 | 1-554-303-21 | SWITCH, TACTILE (MEMORY) | | C1703 | 1-124-902-00 | ELECT 0.47uF 20% 50V | |
| S417 | 1-554-303-21 | SWITCH, TACTILE (PERSONAL FILE) | | C1704 | 1-124-902-00 | ELECT 0.47uF 20% 50V | |
| S418 | 1-554-303-21 | SWITCH, TACTILE (DISPLAY) | | C1705 | 1-164-098-11 | CERAMIC 0.047uF 12V | |
| | | | | C1706 | 1-124-903-11 | ELECT 1uF 20% 50V | |

| Ref. No. | Part No. | Description | Remark |
|----------------|--------------|-----------------------|--------|
| C1707 | 1-162-288-31 | CERAMIC 330PF 10% | 50V |
| C1708 | 1-124-903-11 | ELECT 1uF 20% | 50V |
| C1709 | 1-124-903-11 | ELECT 1uF 20% | 50V |
| C1710 | 1-130-471-00 | MYLAR 0.001uF 5% | 50V |
| C1710 | 1-137-364-91 | FILM 0.001uF 5% | 50V |
| C1711 | 1-130-471-00 | MYLAR 0.001uF 5% | 50V |
| C1711 | 1-137-364-91 | FILM 0.001uF 5% | 50V |
| C1712 | 1-130-736-11 | FILM 0.01uF 5% | 50V |
| C1713 | 1-130-736-11 | FILM 0.01uF 5% | 50V |
| C1714 | 1-124-903-11 | ELECT 1uF 20% | 50V |
| C1715 | 1-124-903-11 | ELECT 1uF 20% | 50V |
| C1716 | 1-124-903-11 | ELECT 1uF 20% | 50V |
| C1717 | 1-162-291-31 | CERAMIC 560PF 10% | 50V |
| C1718 | 1-162-291-31 | CERAMIC 560PF 10% | 50V |
| C1719 | 1-124-477-11 | ELECT 47uF 20% | 25V |
| C1720 | 1-161-379-00 | CERAMIC 0.01uF 20% | 25V |
| C1721 | 1-161-379-00 | CERAMIC 0.01uF 20% | 25V |
| C1722 | 1-161-379-00 | CERAMIC 0.01uF 20% | 25V |
| C1723 | 1-161-379-00 | CERAMIC 0.01uF 20% | 25V |
| C1724 | 1-161-379-00 | CERAMIC 0.01uF 20% | 25V |
| C1725 | 1-124-477-11 | ELECT 47uF 20% | 25V |
| C1726 | 1-124-903-11 | ELECT 1uF 20% | 50V |
| C1727 | 1-124-903-11 | ELECT 1uF 20% | 50V |
| C1728 | 1-124-034-51 | ELECT 33uF 20% | 16V |
| C1729 | 1-124-907-11 | ELECT 10uF 20% | 50V |
| < CONNECTOR > | | | |
| * CN1701 | 1-568-832-11 | SOCKET, CONNECTOR 13P | |
| < DIODE > | | | |
| D1701 | 8-719-987-63 | DIODE 1N4148M | |
| D1702 | 8-719-987-63 | DIODE 1N4148M | |
| D1703 | 8-719-987-63 | DIODE 1N4148M | |
| D1704 | 8-719-987-63 | DIODE 1N4148M | |
| D1705 | 8-719-987-63 | DIODE 1N4148M | |
| < IC > | | | |
| IC1701 | 8-759-063-04 | IC IR3R42 | |
| IC1702 | 8-759-634-51 | IC M5218AP | |
| IC1703 | 8-759-140-53 | IC MC14053BCP | |
| < COIL > | | | |
| L1701 | 1-409-497-11 | COIL (FILTER) | |
| < TRANSISTOR > | | | |
| Q1701 | 8-729-900-61 | TRANSISTOR DTA114ES | |
| Q1702 | 8-729-900-80 | TRANSISTOR DTC114ES | |
| Q1703 | 8-729-900-80 | TRANSISTOR DTC114ES | |
| Q1704 | 8-729-900-80 | TRANSISTOR DTC114ES | |
| Q1705 | 8-729-900-61 | TRANSISTOR DTA114ES | |

| Ref. No. | Part No. | Description | Remark |
|-----------------------|--------------------------------------|-----------------------|--------|
| < RESISTOR > | | | |
| R1701 | 1-249-432-11 | CARBON 18K 5% | 1/4W |
| R1702 | 1-249-435-11 | CARBON 33K 5% | 1/4W |
| R1703 | 1-249-427-11 | CARBON 6.8K 5% | 1/4W |
| R1704 | 1-247-858-11 | CARBON 13K 5% | 1/4W |
| R1705 | 1-249-417-11 | CARBON 1K 5% | 1/4W |
| R1706 | 1-249-417-11 | CARBON 1K 5% | 1/4W |
| R1707 | 1-249-441-11 | CARBON 100K 5% | 1/4W |
| R1708 | 1-249-440-11 | CARBON 82K 5% | 1/4W |
| R1709 | 1-249-439-11 | CARBON 68K 5% | 1/4W |
| R1710 | 1-249-439-11 | CARBON 68K 5% | 1/4W |
| R1711 | 1-249-439-11 | CARBON 68K 5% | 1/4W |
| R1712 | 1-247-878-00 | CARBON 91K 5% | 1/4W |
| R1713 | 1-247-878-00 | CARBON 91K 5% | 1/4W |
| R1714 | 1-249-441-11 | CARBON 100K 5% | 1/4W |
| R1715 | 1-249-441-11 | CARBON 100K 5% | 1/4W |
| R1716 | 1-249-441-11 | CARBON 100K 5% | 1/4W |
| R1717 | 1-249-441-11 | CARBON 100K 5% | 1/4W |
| R1718 | 1-249-429-11 | CARBON 10K 5% | 1/4W |
| R1719 | 1-249-429-11 | CARBON 10K 5% | 1/4W |
| R1720 | 1-249-429-11 | CARBON 10K 5% | 1/4W |
| R1721 | 1-249-434-11 | CARBON 27K 5% | 1/4W |
| R1722 | 1-249-441-11 | CARBON 100K 5% | 1/4W |
| < VARIABLE RESISTOR > | | | |
| RV1701 | 1-238-601-11 | RES, ADJ, CARBON 22K | |
| RV1702 | 1-238-599-11 | RES, ADJ, CARBON 4.7K | |
| < SWITCH > | | | |
| S1701 | 1-571-303-11 | SWITCH, SLIDE | |
| < TEST PIN > | | | |
| * TP1701 | 1-560-061-00 | PIN, CONNECTOR 3P | |
| * TP1702 | 1-560-061-00 | PIN, CONNECTOR 3P | |
| ***** | | | |
| * A-4356-906-A | POWER BOARD, COMPLETE (D309) | | |
| ***** | | | |
| * A-4356-987-A | POWER BOARD, COMPLETE (D359:AEP, IT) | | |
| ***** | | | |
| * A-4356-993-A | POWER BOARD, COMPLETE (D359:UK) | | |
| ***** | | | |
| * A-4360-001-A | POWER BOARD, COMPLETE (A37) | | |
| ***** | | | |
| < CAPACITOR > | | | |
| △C1 | 1-161-744-00 | CERAMIC 0.01uF | 400V |

The components identified by mark △ or dotted line with mark △ are critical for safety. Replace only with part number specified.

POWER

POWER AMPLIFIER

| Ref. No. | Part No. | Description | Remark |
|----------------|--------------|----------------------------------|-----------------------|
| C801 | 1-124-907-11 | ELECT 10uF 20% 50V | |
| C802 | 1-162-306-11 | CERAMIC 0.01uF 20% 16V | |
| C803 | 1-124-907-11 | ELECT 10uF 20% 50V | |
| C804 | 1-162-306-11 | CERAMIC 0.01uF 20% 16V | |
| C805 | 1-124-463-00 | ELECT 0.1uF 20% 50V | |
| C806 | 1-124-360-00 | ELECT 1000uF 20% 16V | |
| C806 | 1-124-557-11 | ELECT 1000uF 20% 25V | (D309, D359) (A37) |
| C807 | 1-136-165-00 | FILM 0.1uF 5% 50V | |
| C811 | 1-124-910-11 | ELECT 47uF 20% 50V | |
| C812 | 1-124-907-11 | ELECT 10uF 20% 50V | |
| C813 | 1-124-122-11 | ELECT 100uF 20% 50V | |
| < CONNECTOR > | | | |
| * CN1 | 1-564-321-00 | PIN, CONNECTOR 2P | |
| * CN802 | 1-568-934-11 | PIN, CONNECTOR 7P | |
| * CN803 | 1-568-951-11 | PIN, CONNECTOR 2P | |
| < DIODE > | | | |
| D801 | 8-719-987-63 | DIODE 1N4148M | |
| D802 | 8-719-200-82 | DIODE 11ES2 | |
| D803 | 8-719-200-82 | DIODE 11ES2 | |
| D804 | 8-719-200-82 | DIODE 11ES2 | |
| D805 | 8-719-200-82 | DIODE 11ES2 | |
| D806 | 8-719-987-63 | DIODE 1N4148M | |
| D811 | 8-719-014-66 | DIODE UZP-5.6B | |
| D812 | 8-719-002-60 | DIODE UZL-33L | |
| D813 | 8-719-200-82 | DIODE 11ES2 | |
| D821 | 8-719-987-63 | DIODE 1N4148M | |
| < IC > | | | |
| IC801 | 8-759-820-13 | IC L78MR06 | |
| < TRANSISTOR > | | | |
| Q811 | 8-729-141-83 | TRANSISTOR 2SB1094-LK | |
| Q821 | 8-729-119-78 | TRANSISTOR 2SC2785-HFE (D309) | |
| Q821 | 8-729-620-05 | TRANSISTOR 2SC2603-EF (A37/D359) | |
| Q822 | 8-729-119-78 | TRANSISTOR 2SC2785-HFE (D309) | |
| Q822 | 8-729-620-05 | TRANSISTOR 2SC2603-EF (A37/D359) | |
| < RESISTOR > | | | |
| R801 | 1-249-417-11 | CARBON 1K 5% 1/4W | |
| R802 | 1-249-429-11 | CARBON 10K 5% 1/4W | |
| △R803 | 1-212-857-00 | FUSIBLE 10 5% 1/4W F | |
| R811 | 1-249-425-11 | CARBON 4.7K 5% 1/4W | |
| R812 | 1-249-421-11 | CARBON 2.2K 5% 1/4W | |
| △R813 | 1-212-934-00 | FUSIBLE 1 5% 1/2W F | |
| R821 | 1-249-433-11 | CARBON 22K 5% 1/4W | |
| R822 | 1-249-433-11 | CARBON 22K 5% 1/4W | |

| Ref. No. | Part No. | Description | Remark |
|---------------|--------------|---------------------------------------|------------------------------|
| | | < RELAY > | |
| RY1 | 1-515-738-11 | RELAY, POWER | |
| ***** | | | |
| * | A-4356-905-A | POWER AMPLIFIER BOARD, COMPLETE | ***** (D309:AEP, EE, CIS) |
| * | A-4356-986-A | POWER AMPLIFIER BOARD, COMPLETE | ***** (D359:AEP) |
| * | A-4360-002-A | POWER AMPLIFIER BOARD, COMPLETE (A37) | ***** |
| * | A-4360-132-A | POWER AMPLIFIER BOARD, COMPLETE | ***** (D309:G, IT) |
| * | A-4360-506-A | POWER AMPLIFIER BOARD, COMPLETE | ***** (D359:IT) |
| * | A-4360-992-A | POWER AMPLIFIER BOARD, COMPLETE | ***** (D359:UK) |
| < CAPACITOR > | | | |
| C701 | 1-124-927-11 | ELECT 4.7uF 20% 100V | |
| C702 | 1-110-337-51 | MYLAR 150PF 5% 50V | |
| C703 | 1-110-339-11 | MYLAR 220PF 5% 50V | |
| C704 | 1-124-910-11 | ELECT 47uF 20% 50V | |
| C705 | 1-124-910-11 | ELECT 47uF 20% 50V | |
| C706 | 1-124-916-11 | ELECT 22uF 20% 63V | |
| C709 | 1-124-122-11 | ELECT 100uF 20% 50V | |
| C710 | 1-136-165-00 | FILM 0.1uF 5% 50V | |
| C711 | 1-136-163-00 | FILM 0.068uF 5% 50V | |
| C712 | 1-136-163-00 | FILM 0.068uF 5% 50V | |
| C713 | 1-164-159-11 | CERAMIC 0.1uF 50V | |
| C714 | 1-124-910-11 | ELECT 47uF 20% 50V | |
| C745 | 1-164-081-11 | CERAMIC 470PF 10% 50V | (D309:G, IT/D359:IT) |
| C746 | 1-162-290-31 | CERAMIC 470PF 10% 50V | (D309:G, IT/D359:IT) |
| C751 | 1-124-927-11 | ELECT 4.7uF 20% 100V | |
| C752 | 1-110-337-51 | MYLAR 150PF 5% 50V | |
| C753 | 1-110-339-11 | MYLAR 220PF 5% 50V | |
| C754 | 1-124-910-11 | ELECT 47uF 20% 50V | |
| C755 | 1-124-910-11 | ELECT 47uF 20% 50V | |
| C759 | 1-124-122-11 | ELECT 100uF 20% 50V | |
| C760 | 1-136-165-00 | FILM 0.1uF 5% 50V | |
| C761 | 1-136-163-00 | FILM 0.068uF 5% 50V | |
| C762 | 1-136-163-00 | FILM 0.068uF 5% 50V | |

The components identified by mark △ or dotted line with mark △ are critical for safety.
Replace only with part number specified.

POWER AMPLIFIER

| Ref. No. | Part No. | Description | Remark | Ref. No. | Part No. | Description | Remark |
|----------|--------------|----------------------------------|-------------|----------|--------------|---------------------|-------------|
| | | < CONNECTOR > | | | | | |
| * CN241 | 1-564-518-11 | PLUG, CONNECTOR 3P | | R721 | 1-247-881-00 | CARBON 120K 5% 1/4W | |
| | | < DIODE > | | R722 | 1-249-437-11 | CARBON 47K 5% 1/4W | |
| D701 | 8-719-987-63 | DIODE 1N4148M | | R723 | 1-249-439-11 | CARBON 68K 5% 1/4W | |
| D751 | 8-719-987-63 | DIODE 1N4148M | | | | | |
| | | < IC > | | R724 | 1-249-417-11 | CARBON 1K 5% 1/4W | |
| IC701 | 8-749-920-22 | IC STK-4172MK2K (A37) | | R725 | 1-249-433-11 | CARBON 22K 5% 1/4W | |
| IC701 | 8-749-920-09 | IC STK-4152MK2K (D309/D359) | | R726 | 1-249-433-11 | CARBON 22K 5% 1/4W | |
| | | < COIL > | | R727 | 1-249-426-11 | CARBON 5.6K 5% 1/4W | |
| L701 | 1-420-872-00 | COIL, AIR CORE | | △R739 | 1-249-383-81 | CARBON 1.5 5% 1/4W | F |
| L751 | 1-420-872-00 | COIL, AIR CORE | | | | | |
| | | < TRANSISTOR > | | R751 | 1-249-417-11 | CARBON 1K 5% 1/4W | |
| Q701 | 8-729-140-84 | TRANSISTOR 2SC1841-PAFAEA | | R752 | 1-249-438-11 | CARBON 56K 5% 1/4W | |
| Q702 | 8-729-900-80 | TRANSISTOR DTC114ES | | R753 | 1-249-414-11 | CARBON 560 5% 1/4W | |
| Q703 | 8-729-119-78 | TRANSISTOR 2SC2785-HFE (D309) | | R754 | 1-249-438-11 | CARBON 56K 5% 1/4W | |
| Q703 | 8-729-620-05 | TRANSISTOR 2SC2603-EF (A37/D359) | | R755 | 1-249-425-11 | CARBON 4.7K 5% 1/4W | (D309/D359) |
| Q751 | 8-729-140-84 | TRANSISTOR 2SC1841-PAFAEA | | | | | |
| | | < RESISTOR > | | R755 | 1-249-427-11 | CARBON 6.8K 5% 1/4W | (A37) |
| R701 | 1-249-417-11 | CARBON 1K 5% 1/4W | | R756 | 1-249-425-11 | CARBON 4.7K 5% 1/4W | (D309/D359) |
| R702 | 1-249-438-11 | CARBON 56K 5% 1/4W | | | | | |
| R703 | 1-249-414-11 | CARBON 560 5% 1/4W | | R756 | 1-249-427-11 | CARBON 6.8K 5% 1/4W | (A37) |
| R704 | 1-249-438-11 | CARBON 56K 5% 1/4W | | R757 | 1-249-425-11 | CARBON 4.7K 5% 1/4W | (D309/D359) |
| R705 | 1-249-425-11 | CARBON 4.7K 5% 1/4W | (D309/D359) | | | | |
| | | | | R757 | 1-249-427-11 | CARBON 6.8K 5% 1/4W | (A37) |
| R705 | 1-249-427-11 | CARBON 6.8K 5% 1/4W | (A37) | | | | |
| R706 | 1-249-425-11 | CARBON 4.7K 5% 1/4W | (D309/D359) | R758 | 1-249-425-11 | CARBON 4.7K 5% 1/4W | (D309/D359) |
| | | | | | | | |
| R706 | 1-249-427-11 | CARBON 6.8K 5% 1/4W | (A37) | R758 | 1-249-427-11 | CARBON 6.8K 5% 1/4W | (A37) |
| R707 | 1-249-425-11 | CARBON 4.7K 5% 1/4W | (D309/D359) | R759 | 1-249-421-11 | CARBON 2.2K 5% 1/4W | |
| | | | | R760 | 1-249-421-11 | CARBON 2.2K 5% 1/4W | |
| R707 | 1-249-427-11 | CARBON 6.8K 5% 1/4W | (A37) | △R761 | 1-212-881-11 | FUSIBLE 100 5% 1/4W | F |
| R708 | 1-249-425-11 | CARBON 4.7K 5% 1/4W | (D309/D359) | | | | |
| | | | | △R762 | 1-217-151-00 | METAL PLATE 0.22 | 2W |
| R708 | 1-249-427-11 | CARBON 6.8K 5% 1/4W | (A37) | | | | |
| R709 | 1-249-421-11 | CARBON 2.2K 5% 1/4W | | R763 | 1-249-397-11 | CARBON 22 5% 1/4W | |
| R710 | 1-249-421-11 | CARBON 2.2K 5% 1/4W | | R764 | 1-249-397-11 | CARBON 22 5% 1/4W | |
| △R711 | 1-212-881-11 | FUSIBLE 100 5% 1/4W | F | R765 | 1-249-417-11 | CARBON 1K 5% 1/4W | |
| △R712 | 1-217-151-00 | METAL PLATE 0.22 | 2W | R766 | 1-249-431-11 | CARBON 15K 5% 1/4W | |
| R713 | 1-249-397-11 | CARBON 22 5% 1/4W | | | | | |
| | | | | R767 | 1-249-441-11 | CARBON 100K 5% 1/4W | |
| R714 | 1-249-397-11 | CARBON 22 5% 1/4W | | R768 | 1-249-397-11 | CARBON 22 5% 1/4W | |
| R715 | 1-249-417-11 | CARBON 1K 5% 1/4W | | R769 | 1-249-397-11 | CARBON 22 5% 1/4W | |
| R716 | 1-249-431-11 | CARBON 15K 5% 1/4W | | | | | |
| R717 | 1-249-441-11 | CARBON 100K 5% 1/4W | | | | | |
| R718 | 1-249-397-11 | CARBON 22 5% 1/4W | | | | | |
| | | | | | | | |
| R719 | 1-249-397-11 | CARBON 22 5% 1/4W | | | | | |
| R720 | 1-249-429-11 | CARBON 10K 5% 1/4W | | | | | |

The components identified by mark △ or dotted line with mark △ are critical for safety. Replace only with part number specified.

| Ref. No. | Part No. | Description | Remark | Ref. No. | Part No. | Description | Remark |
|----------|--------------|---|--------|----------|--------------|---|--------|
| * | A-4356-901-A | ST MAIN BOARD, COMPLETE (D309:AEP) ***** | | C259 | 1-124-902-00 | ELECT 0.47uF 20% 50V | |
| * | A-4356-982-A | ST MAIN BOARD, COMPLETE (D359:AEP) ***** | | C260 | 1-136-153-00 | FILM 0.01uF 5% 50V | |
| * | A-4356-989-A | ST MAIN BOARD, COMPLETE (D359:UK) ***** | | C261 | 1-136-168-00 | FILM 0.18uF 5% 50V | |
| * | A-4356-998-A | ST MAIN BOARD, COMPLETE (A37) ***** | | C262 | 1-130-478-00 | MYLAR 0.0039uF 5% 50V | |
| * | A-4360-123-A | ST MAIN BOARD, COMPLETE (D309:G, IT) ***** | | C263 | 1-136-163-00 | FILM 0.068uF 5% 50V | |
| * | A-4360-503-A | ST MAIN BOARD, COMPLETE (D359:IT) ***** | | C264 | 1-130-474-00 | MYLAR 0.0018uF 5% 50V | |
| * | A-4360-814-A | ST MAIN BOARD, COMPLETE (D309:EE) ***** | | C265 | 1-136-159-00 | FILM 0.033uF 5% 50V | |
| * | A-4360-817-A | ST MAIN BOARD, COMPLETE (D309:CIS) ***** | | C266 | 1-130-469-00 | MYLAR 680PF 5% 50V | |
| | | < CAPACITOR > | | C267 | 1-136-154-00 | FILM 0.012uF 5% 50V | |
| C202 | 1-110-339-11 | MYLAR 220PF 5% 50V | | C268 | 1-110-340-11 | MYLAR 270PF 5% 50V | |
| C203 | 1-130-471-00 | MYLAR 0.001uF 5% 50V | | C269 | 1-130-479-00 | MYLAR 0.0047uF 5% 50V | |
| C204 | 1-124-907-11 | ELECT 10uF 20% 50V | | C270 | 1-124-916-11 | ELECT 22uF 20% 63V | |
| C205 | 1-124-907-11 | ELECT 10uF 20% 50V | | C301 | 1-161-379-00 | CERAMIC 0.01uF 20% 25V (D309:G, IT/D359:IT) | |
| C206 | 1-136-163-00 | FILM 0.068uF 5% 50V | | C302 | 1-124-477-11 | ELECT 47uF 20% 25V | |
| C207 | 1-124-903-11 | ELECT 1uF 20% 50V | | C303 | 1-161-379-00 | CERAMIC 0.01uF 20% 25V | |
| C208 | 1-136-158-00 | FILM 0.027uF 5% 50V | | C305 | 1-161-379-00 | CERAMIC 0.01uF 20% 25V (D309:G, IT/D359:IT) | |
| C209 | 1-124-902-00 | ELECT 0.47uF 20% 50V | | C306 | 1-161-379-00 | CERAMIC 0.01uF 20% 25V (D309:G, IT/D359:IT) | |
| C210 | 1-136-153-00 | FILM 0.01uF 5% 50V | | C307 | 1-161-379-00 | CERAMIC 0.01uF 20% 25V | |
| C211 | 1-136-168-00 | FILM 0.18uF 5% 50V | | C308 | 1-161-379-00 | CERAMIC 0.01uF 20% 25V | |
| C212 | 1-130-478-00 | MYLAR 0.0039uF 5% 50V | | C309 | 1-161-379-00 | CERAMIC 0.01uF 20% 25V | |
| C213 | 1-136-163-00 | FILM 0.068uF 5% 50V | | C310 | 1-124-477-11 | ELECT 47uF 20% 25V | |
| C214 | 1-130-474-00 | MYLAR 0.0018uF 5% 50V | | C311 | 1-161-379-00 | CERAMIC 0.01uF 20% 25V | |
| C215 | 1-136-159-00 | FILM 0.033uF 5% 50V | | C312 | 1-101-006-00 | CERAMIC 0.047uF 50V | |
| C216 | 1-130-469-00 | MYLAR 680PF 5% 50V | | C313 | 1-123-382-00 | ELECT 3.3uF 20% 100V | |
| C217 | 1-136-154-00 | FILM 0.012uF 5% 50V | | C314 | 1-161-379-00 | CERAMIC 0.01uF 20% 25V | |
| C218 | 1-110-340-11 | MYLAR 270PF 5% 50V | | C315 | 1-161-329-00 | CERAMIC 0.0068uF 30% 16V | |
| C219 | 1-130-479-00 | MYLAR 0.0047uF 5% 50V | | C316 | 1-162-282-31 | CERAMIC 100PF 10% 50V | |
| C220 | 1-124-916-11 | ELECT 22uF 20% 63V | | C317 | 1-162-292-31 | CERAMIC 680PF 10% 50V (D309:G, IT/D359:IT) | |
| C221 | 1-164-159-11 | CERAMIC 0.1uF 50V | | C318 | 1-124-903-11 | ELECT 1uF 20% 50V | |
| C222 | 1-164-159-11 | CERAMIC 0.1uF 50V | | C320 | 1-124-903-11 | ELECT 1uF 20% 50V | |
| C223 | 1-164-159-11 | CERAMIC 0.1uF 50V | | C321 | 1-124-902-00 | ELECT 0.47uF 20% 50V | |
| C252 | 1-110-339-11 | MYLAR 220PF 5% 50V | | C322 | 1-124-463-00 | ELECT 0.1uF 20% 50V | |
| C253 | 1-130-471-00 | MYLAR 0.001uF 5% 50V | | C323 | 1-161-329-00 | CERAMIC 0.0068uF 20% 16V | |
| C254 | 1-124-907-11 | ELECT 10uF 20% 50V | | C324 | 1-161-329-00 | CERAMIC 0.0068uF 20% 16V | |
| C255 | 1-124-907-11 | ELECT 10uF 20% 50V | | C325 | 1-124-477-11 | ELECT 47uF 20% 25V | |
| C256 | 1-136-163-00 | FILM 0.068uF 5% 50V | | C326 | 1-124-907-11 | ELECT 10uF 20% 50V | |
| C257 | 1-124-903-11 | ELECT 1uF 20% 50V | | C327 | 1-161-379-00 | CERAMIC 0.01uF 20% 25V | |
| C258 | 1-136-158-00 | FILM 0.027uF 5% 50V | | C328 | 1-124-463-00 | ELECT 0.1uF 20% 50V | |
| | | | | C329 | 1-124-927-11 | ELECT 4.7uF 20% 100V | |
| | | | | C330 | 1-161-379-00 | CERAMIC 0.01uF 20% 25V | |
| | | | | C331 | 1-126-176-11 | ELECT 220uF 20% 10V | |
| | | | | C332 | 1-161-379-00 | CERAMIC 0.01uF 20% 25V | |
| | | | | C335 | 1-161-379-00 | CERAMIC 0.01uF 20% 25V | |
| | | | | C336 | 1-161-379-00 | CERAMIC 0.01uF 20% 25V | |
| | | | | C339 | 1-162-210-31 | CERAMIC 30PF 5% 50V (D309:AEP, EE, CIS/D359:AEP, UK) | |
| | | | | C341 | 1-123-382-00 | ELECT 3.3uF 20% 100V | |

ST MAIN

| Ref. No. | Part No. | Description | Remark | Ref. No. | Part No. | Description | Remark |
|----------|--------------|--|--------|----------|--------------|---|--------|
| C342 | 1-123-382-00 | ELECT 3. 3uF 20% 100V | | CF303 | 1-567-389-11 | FILTER, CERAMIC (D309:G, IT/D359:IT) | |
| C343 | 1-123-382-00 | ELECT 3. 3uF 20% 100V | | CF303 | 1-577-070-81 | FILTER, CERAMIC (A37/D309:AEP, EE, CIS/D359:AEP, UK) | |
| C344 | 1-123-382-00 | ELECT 3. 3uF 20% 100V | | CF304 | 1-577-075-11 | OSCILLATOR, CERAMIC | |
| C345 | 1-161-375-00 | CERAMIC 0. 0022uF 20% 50V | | | | < CONNECTOR > | |
| C346 | 1-161-375-00 | CERAMIC 0. 0022uF 20% 50V | | | | | |
| C351 | 1-161-494-00 | CERAMIC 0. 022uF 25V (D309:AEP, EE, CIS/D359:AEP, UK) | | * CN201 | 1-568-826-11 | SOCKET, CONNECTOR 7P | |
| C352 | 1-102-120-00 | CERAMIC 0. 0018uF 10% 50V (D309:AEP, EE, CIS/D359:AEP, UK) | | * CN301 | 1-568-832-11 | SOCKET, CONNECTOR 13P (D309:CIS) | |
| C353 | 1-161-374-11 | CERAMIC 0. 0015uF 20% 50V (D309:AEP, EE, CIS/D359:AEP, UK) | | * CN501 | 1-568-828-11 | SOCKET, CONNECTOR 9P | |
| C354 | 1-161-494-00 | CERAMIC 0. 022uF 25V (D309:AEP, EE, CIS/D359:AEP, UK) | | CNJ131 | 1-695-095-11 | SOCKET, CONNECTOR 13P | |
| C361 | 1-164-098-11 | CERAMIC 0. 047uF 12V | | CNJ132 | 1-750-179-11 | SOCKET, CONNECTOR 5P | |
| C362 | 1-161-494-00 | CERAMIC 0. 022uF 25V | | | | < COMPOSITION CIRCUIT BLOCK > | |
| C363 | 1-164-159-11 | CERAMIC 0. 1uF 50V (D309:AEP, EE, CIS/D359:AEP, UK) | | CP201 | 1-239-053-11 | COMPOSITION CIRCUIT BLOCK | |
| C364 | 1-161-494-00 | CERAMIC 0. 022uF 25V (D309:AEP, EE, CIS/D359:AEP, UK) | | CP251 | 1-239-053-11 | COMPOSITION CIRCUIT BLOCK | |
| C371 | 1-162-196-31 | CERAMIC 5. 6PF 10% 50V (D309:AEP, EE, CIS/D359:AEP, UK) | | | | < DIODE > | |
| C371 | 1-162-198-31 | CERAMIC 8. 2PF 10% 50V (A37/D309:G, IT/D359:IT) | | D351 | 8-719-987-63 | DIODE 1N4148M (D309:AEP, EE, CIS/D359:AEP, UK) | |
| C373 | 1-162-288-31 | CERAMIC 330PF 10% 50V (A37/D309:AEP, EE, CIS/D359:AEP, UK) | | D391 | 8-719-987-63 | DIODE 1N4148M (D309:CIS) | |
| C501 | 1-102-961-00 | CERAMIC 27PF 5% 50V | | D392 | 8-719-987-63 | DIODE 1N4148M (D309:CIS) | |
| C502 | 1-102-961-00 | CERAMIC 27PF 5% 50V | | | | < FRONT END > | |
| C503 | 1-124-477-11 | ELECT 47uF 20% 25V | | FE301 | 1-463-857-21 | FRONT END (FM) (D309:G, IT/D359:IT) | |
| C504 | 1-161-379-00 | CERAMIC 0. 01uF 20% 25V | | FE301 | 1-465-006-11 | FRONT END (FM) (2 GANG) (D359:UK) | |
| C505 | 1-161-379-00 | CERAMIC 0. 01uF 20% 25V | | FE301 | 1-465-396-11 | FRONT END (FM 3GANG) (D309:EE, CIS) | |
| C506 | 1-161-379-00 | CERAMIC 0. 01uF 20% 25V | | FE301 | 1-693-090-21 | FRONT END (FM) (2 GANG) (A37/D309:AEP/D359:AEP) | |
| C507 | 1-161-379-00 | CERAMIC 0. 01uF 20% 25V | | FE351 | 1-236-463-11 | ENCAPSULATED COMPONENT (D309:AEP, EE, CIS/D359:AEP, UK) | |
| C521 | 1-124-925-11 | ELECT 2. 2uF 20% 100V | | FE352 | 1-239-260-11 | ENCAPSULATED COMPONENT (A37/D309:G, IT/D359:IT) | |
| C522 | 1-124-463-00 | ELECT 0. 1uF 20% 50V | | FE352 | 1-239-261-12 | ENCAPSULATED COMPONENT (D309:AEP, EE, CIS/D359:AEP, UK) | |
| C523 | 1-161-379-00 | CERAMIC 0. 01uF 20% 25V | | | | < IC > | |
| C524 | 1-161-379-00 | CERAMIC 0. 01uF 20% 25V | | IC201 | 8-759-633-78 | IC M5289P | |
| C525 | 1-124-477-11 | ELECT 47uF 20% 25V (A37/D309:AEP, G, IT/D359) | | IC202 | 8-759-804-49 | IC LC7522 (A37/D359) | |
| C525 | 1-126-101-11 | ELECT 100uF 20% 16V (D309:EE, CIS) | | IC202 | 8-759-822-26 | IC LC7522K (D309) | |
| C531 | 1-136-173-00 | FILM 0. 47uF 5% 50V (D309:AEP, EE, CIS/D359:AEP, UK) | | IC251 | 8-759-633-78 | IC M5289P | |
| C532 | 1-161-494-00 | CERAMIC 0. 022uF 25V (D309:AEP, EE, CIS/D359:AEP, UK) | | IC301 | 8-759-821-45 | IC LA1851N | |
| C533 | 1-124-463-00 | ELECT 0. 1uF 20% 50V (D309:AEP, EE, CIS/D359:AEP, UK) | | IC501 | 8-759-820-91 | IC LC7218 | |
| | | < FILTER > | | | | < IFT > | |
| CF301 | 1-567-389-11 | FILTER, CERAMIC (D309:G, IT/D359:IT) | | IFT301 | 1-404-713-11 | TRANSFORMER, IF | |
| CF301 | 1-577-070-81 | FILTER, CERAMIC (A37/D309:AEP, EE, CIS/D359:AEP, UK) | | | | < COIL > | |
| CF302 | 1-567-389-11 | FILTER, CERAMIC (D309:G, IT/D359:IT) | | L301 | 1-410-686-11 | INDUCTOR 1mH (A37/D309:G, IT/D359:IT) | |
| | | | | L301 | 1-407-500-00 | INDUCTOR 4. 7mH (D309:AEP, EE, CIS/D359:AEP, UK) | |

| Ref. No. | Part No. | Description | Remark | Ref. No. | Part No. | Description | Remark |
|----------|--------------|--|--------|----------|--------------|---|--------|
| L351 | 1-410-525-11 | INDUCTOR 220uH (D309:AEP, EE, CIS/D359:AEP, UK) | | R253 | 1-249-427-11 | CARBON 6.8K 5% 1/4W | |
| | | < FILTER > | | R301 | 1-249-401-11 | CARBON 47 5% 1/4W | |
| LPF301 | 1-235-164-00 | FILTER, LOW PASS | | R302 | 1-249-405-11 | CARBON 100 5% 1/4W (D309:G, IT/D359:IT) | |
| LPF302 | 1-235-164-00 | FILTER, LOW PASS | | R302 | 1-249-407-11 | CARBON 150 5% 1/4W (A37/D309:AEP/D359:AEP) | |
| | | < TRANSISTOR > | | R302 | 1-249-413-11 | CARBON 470 5% 1/4W (D309:EE, CIS/D359:UK) | |
| Q301 | 8-729-230-99 | TRANSISTOR 2SC2669-OY (D309:G, IT/D359:IT) | | R303 | 1-249-411-11 | CARBON 330 5% 1/4W (D309:G, IT/D359:IT) | |
| Q302 | 8-729-230-99 | TRANSISTOR 2SC2669-OY (D309:G, IT/D359:IT) | | R304 | 1-249-432-11 | CARBON 18K 5% 1/4W (D309:G, IT/D359:IT) | |
| Q303 | 8-729-230-XX | TRANSISTOR 2SC2669-OY | | R305 | 1-249-411-11 | CARBON 330 5% 1/4W (D309:G, IT/D359:IT) | |
| Q304 | 8-729-230-XX | TRANSISTOR 2SC2669-OY | | R306 | 1-249-434-11 | CARBON 27K 5% 1/4W (D309:G, IT/D359:IT) | |
| Q305 | 8-729-900-80 | TRANSISTOR DTC114ES | | R307 | 1-249-414-11 | CARBON 560 5% 1/4W (D309:G, IT/D359:IT) | |
| Q306 | 8-729-900-61 | TRANSISTOR DTA114ES | | R308 | 1-249-411-11 | CARBON 330 5% 1/4W | |
| Q307 | 8-729-900-80 | TRANSISTOR DTC114ES | | R309 | 1-249-432-11 | CARBON 18K 5% 1/4W | |
| Q308 | 8-729-119-78 | TRANSISTOR 2SC2785-HFE (D309) | | R310 | 1-249-411-11 | CARBON 330 5% 1/4W | |
| Q308 | 8-729-620-05 | TRANSISTOR 2SC2603-EF (A37/D359) | | R311 | 1-249-434-11 | CARBON 27K 5% 1/4W | |
| Q309 | 8-729-119-78 | TRANSISTOR 2SC2785-HFE (D309) | | R312 | 1-249-414-11 | CARBON 560 5% 1/4W (A37/D309:AEP, EE, CIS/D359:AEP, UK) | |
| Q309 | 8-729-620-05 | TRANSISTOR 2SC2603-EF (A37/D359) | | R312 | 1-249-416-11 | CARBON 820 5% 1/4W (D309:G, IT/D359:IT) | |
| Q351 | 8-729-900-80 | TRANSISTOR DTC114ES (D309:AEP, EE, CIS/D359:AEP, UK) | | R313 | 1-249-405-11 | CARBON 100 5% 1/4W | |
| Q352 | 8-729-119-78 | TRANSISTOR 2SC2785-HFE (D309:AEP, EE, CIS) | | △R315 | 1-249-404-00 | CARBON 82 5% 1/4W | |
| Q352 | 8-729-620-05 | TRANSISTOR 2SC2603-EF (D359:AEP, UK) | | R316 | 1-249-429-11 | CARBON 10K 5% 1/4W | |
| Q353 | 8-729-119-76 | TRANSISTOR 2SA1175-HFE (D309:AEP, EE, CIS/D359:AEP, UK) | | R317 | 1-249-417-11 | CARBON 1K 5% 1/4W | |
| Q354 | 8-729-900-80 | TRANSISTOR DTC114ES (D309:AEP, EE, CIS/D359:AEP, UK) | | R318 | 1-249-435-11 | CARBON 33K 5% 1/4W | |
| Q355 | 8-729-900-80 | TRANSISTOR DTC114ES (D309:AEP, EE, CIS/D359:AEP, UK) | | R319 | 1-249-428-11 | CARBON 8.2K 5% 1/4W | |
| Q356 | 8-729-900-80 | TRANSISTOR DTC114ES (D309:AEP, EE, CIS/D359:AEP, UK) | | R320 | 1-249-432-11 | CARBON 18K 5% 1/4W | |
| Q501 | 8-729-900-80 | TRANSISTOR DTC114ES | | R321 | 1-249-423-11 | CARBON 3.3K 5% 1/4W | |
| Q502 | 8-729-900-61 | TRANSISTOR DTA114ES | | R322 | 1-249-429-11 | CARBON 10K 5% 1/4W | |
| Q521 | 8-729-202-67 | TRANSISTOR 2SK246-GR3 | | R323 | 1-249-418-11 | CARBON 1.2K 5% 1/4W (A37/D309:AEP, EE, CIS/D359:AEP, UK) | |
| Q522 | 8-729-201-84 | TRANSISTOR 2SC3112-B | | R323 | 1-249-423-11 | CARBON 3.3K 5% 1/4W (D309:G, IT/D359:IT) | |
| Q531 | 8-729-202-67 | TRANSISTOR 2SK246-GR3 (D309:AEP, EE, CIS/D359:AEP, UK) | | R324 | 1-249-429-11 | CARBON 10K 5% 1/4W | |
| Q532 | 8-729-201-84 | TRANSISTOR 2SC3112-B (D309:AEP, EE, CIS/D359:AEP, UK) | | R325 | 1-249-429-11 | CARBON 10K 5% 1/4W | |
| | | < RESISTOR > | | R326 | 1-249-409-11 | CARBON 220 5% 1/4W | |
| R201 | 1-249-427-11 | CARBON 6.8K 5% 1/4W | | R327 | 1-249-437-11 | CARBON 47K 5% 1/4W | |
| R202 | 1-249-441-11 | CARBON 100K 5% 1/4W | | R328 | 1-249-437-11 | CARBON 47K 5% 1/4W | |
| R203 | 1-249-427-11 | CARBON 6.8K 5% 1/4W | | R329 | 1-249-437-11 | CARBON 47K 5% 1/4W (D309:G, IT/D359:IT) | |
| R211 | 1-249-417-11 | CARBON 1K 5% 1/4W | | R330 | 1-249-435-11 | CARBON 33K 5% 1/4W (D309:G, IT/D359:IT) | |
| R212 | 1-249-417-11 | CARBON 1K 5% 1/4W | | R331 | 1-247-899-11 | CARBON 680K 5% 1/4W | |
| R251 | 1-249-427-11 | CARBON 6.8K 5% 1/4W | | R332 | 1-247-899-11 | CARBON 680K 5% 1/4W | |
| R252 | 1-249-441-11 | CARBON 100K 5% 1/4W | | R333 | 1-249-421-11 | CARBON 2.2K 5% 1/4W | |
| | | | | R334 | 1-249-421-11 | CARBON 2.2K 5% 1/4W | |
| | | | | R335 | 1-249-420-11 | CARBON 1.8K 5% 1/4W | |

The components identified by mark △ or dotted line with mark △ are critical for safety.
Replace only with part number specified.

ST MAIN**SW**

| Ref. No. | Part No. | Description | Remark | Ref. No. | Part No. | Description | Remark |
|----------|--------------|---|--------|----------|--------------|--|--------|
| R336 | 1-249-420-11 | CARBON 1.8K 5% 1/4W | | R531 | 1-249-423-11 | CARBON 3.3K 5% 1/4W (D309:AEP, EE, CIS/D359:AEP, UK) | |
| R337 | 1-249-426-11 | CARBON 5.6K 5% 1/4W | | R532 | 1-249-433-11 | CARBON 22K 5% 1/4W (D309:AEP, EE, CIS/D359:AEP, UK) | |
| R338 | 1-249-426-11 | CARBON 5.6K 5% 1/4W | | R533 | 1-249-414-11 | CARBON 560 5% 1/4W (D309:AEP, EE, CIS/D359:AEP, UK) | |
| R351 | 1-249-433-11 | CARBON 22K 5% 1/4W (D309:AEP, EE, CIS/D359:AEP, UK) | | R534 | 1-249-417-11 | CARBON 1K 5% 1/4W (D309:AEP, EE, CIS/D359:AEP, UK) | |
| R352 | 1-249-437-11 | CARBON 47K 5% 1/4W (D309:AEP, EE, CIS/D359:AEP, UK) | | R535 | 1-249-410-11 | CARBON 270 5% 1/4W (D309:AEP, EE, CIS/D359:AEP, UK) | |
| R353 | 1-247-903-00 | CARBON 1M 5% 1/4W (D309:AEP, EE, CIS/D359:AEP, UK) | | R536 | 1-249-421-11 | CARBON 2.2K 5% 1/4W (D309:AEP, EE, CIS/D359:AEP, UK) | |
| R354 | 1-249-441-11 | CARBON 100K 5% 1/4W (D309:AEP, EE, CIS/D359:AEP, UK) | | R537 | 1-249-425-11 | CARBON 4.7K 5% 1/4W (D309:AEP, EE, CIS/D359:AEP, UK) | |
| R355 | 1-249-433-11 | CARBON 22K 5% 1/4W (D309:AEP, EE, CIS/D359:AEP, UK) | | R538 | 1-249-405-11 | CARBON 100 5% 1/4W (D309:AEP, EE, CIS/D359:AEP, UK) | |
| R356 | 1-249-421-11 | CARBON 2.2K 5% 1/4W (D309:AEP, EE, CIS/D359:AEP, UK) | | | | < VARIABLE RESISTOR > | |
| R361 | 1-249-437-11 | CARBON 47K 5% 1/4W | | RV301 | 1-238-601-11 | RES, ADJ, CARBON 22K | |
| R362 | 1-249-437-11 | CARBON 47K 5% 1/4W | | RV302 | 1-238-601-11 | RES, ADJ, CARBON 22K | |
| R363 | 1-249-425-11 | CARBON 4.7K 5% 1/4W (D309:AEP, EE, CIS/D359:AEP, UK) | | | | < TRASFORMER > | |
| R364 | 1-249-425-11 | CARBON 4.7K 5% 1/4W (D309:AEP, EE, CIS/D359:AEP, UK) | | T301 | 1-404-807-11 | TRANSFORMER, DISCRIMINATOR | |
| R365 | 1-249-429-11 | CARBON 10K 5% 1/4W (D309:AEP, EE, CIS/D359:AEP, UK) | | T302 | 1-235-126-00 | ENCAPSULATED COMPONENT (D309:G, IT/D359:IT) | |
| R366 | 1-249-413-11 | CARBON 470 5% 1/4W (D309:AEP, EE, CIS/D359:AEP, UK) | | | | < TERMINAL > | |
| R367 | 1-249-434-11 | CARBON 27K 5% 1/4W (D309:AEP, EE, CIS/D359:AEP, UK) | | TM301 | 1-537-264-11 | TERMINAL BOARD (ANTENNA) (A37/D359:UK) | |
| R368 | 1-249-433-11 | CARBON 22K 5% 1/4W (D309:AEP, EE, CIS/D359:AEP, UK) | | * TM301 | 1-537-288-11 | TERMINAL BOARD, ANTENNA (PAL) (ANTENNA) (D309/D359:AEP, IT) | |
| R370 | 1-249-423-11 | CARBON 3.3K 5% 1/4W (D309:G, IT/D359:IT) | | | | < TEST PIN > | |
| R501 | 1-249-417-11 | CARBON 1K 5% 1/4W | | * TP1 | 1-560-060-00 | PIN, CONNECTOR 2P | |
| R502 | 1-249-417-11 | CARBON 1K 5% 1/4W | | | | < VIBRATOR > | |
| R503 | 1-249-417-11 | CARBON 1K 5% 1/4W | | XT501 | 1-577-126-21 | VIBRATOR, CRYSTAL (7.2MHz) | |
| R504 | 1-249-417-11 | CARBON 1K 5% 1/4W | | | | ***** | |
| R505 | 1-249-429-11 | CARBON 10K 5% 1/4W | | | | * 1-646-974-21 SW BOARD (A37) ***** | |
| R506 | 1-249-417-11 | CARBON 1K 5% 1/4W | | | | < SWITCH > | |
| △R510 | 1-249-401-11 | CARBON 47 5% 1/4W | | △SW1 | 1-572-266-11 | SWITCH, VOLTAGE SELECTION (VOLTAGE SELECTOR) | |
| R511 | 1-249-429-11 | CARBON 10K 5% 1/4W | | | | ***** | |
| R512 | 1-249-425-11 | CARBON 4.7K 5% 1/4W | | | | | |
| R513 | 1-249-417-11 | CARBON 1K 5% 1/4W | | | | | |
| R514 | 1-249-429-11 | CARBON 10K 5% 1/4W | | | | | |
| R515 | 1-249-417-11 | CARBON 1K 5% 1/4W | | | | | |
| R521 | 1-249-423-11 | CARBON 3.3K 5% 1/4W | | | | | |
| R522 | 1-249-425-11 | CARBON 4.7K 5% 1/4W | | | | | |
| R523 | 1-249-414-11 | CARBON 560 5% 1/4W | | | | | |
| R524 | 1-249-417-11 | CARBON 1K 5% 1/4W | | | | | |
| R525 | 1-249-410-11 | CARBON 270 5% 1/4W | | | | | |
| R526 | 1-249-421-11 | CARBON 2.2K 5% 1/4W | | | | | |
| R527 | 1-249-425-11 | CARBON 4.7K 5% 1/4W | | | | | |
| R528 | 1-249-425-11 | CARBON 4.7K 5% 1/4W | | | | | |
| R529 | 1-249-405-11 | CARBON 100 5% 1/4W | | | | | |
| R530 | 1-249-405-11 | CARBON 100 5% 1/4W | | | | | |

The components identified by mark
△ or dotted line with mark △ are
critical for safety.
Replace only with part number
specified.

REVISED

VOL

| Ref.No. | Part No. | Description | Remark | Ref.No. | Part No. | Description | Remark |
|------------------------|--------------|--|--------|---------------|--------------|--|--------|
| * | 1-646-978-11 | VOL BOARD (D309) ***** | | | | ACCESSORIES & PACKING MATERIALS ***** | |
| * | 1-646-978-21 | VOL BOARD (A37/D359) ***** < CAPACITOR > | | | | 1-466-982-11 COMMANDER, STANDARD (RM-S309) (D309) 1-466-982-21 COMMANDER, STANDARD (RM-S309) (A37, D359) 1-501-369-11 ANTENNA (D359:AEP, IT) 1-501-374-11 ANTENNA, LOOP (D309:AEP, IT, EE, CIS/D359:AEP, IT) | |
| C413 | 1-164-159-11 | CERAMIC 0.1uF 50V < VARIABLE RESISTOR > | | | | 1-501-536-11 ANTENNA (D309:AEP, IT, EE, CIS) 1-696-860-11 CORD, CONNECTION 13P (D309:AEP1, IT/D359:AEP1, IT) | |
| RV242 | 1-223-291-11 | RES, VAR, CARBON 100K/100K (VOLUME) | | * | | 3-703-713-41 STICKER, SONY SYMBOL (10) 3-707-584-01 COVER, BATTERY (A37, D359) 3-707-584-21 COVER, BATTERY (D309) 3-756-332-11 MANUAL, INSTRUCTION (ENGLISH, FRENCH, SPANISH, PORTUGUESE) (D309:AEP) | |
| ***** | | | | | | | |
| MISCELLANEOUS ***** | | | | | | | |
| 16 | 1-696-986-31 | WIRE (FLAT TYPE) (7 CORE) | | | | 3-756-332-41 MANUAL, INSTRUCTION (GERMAN, DUTCH, SWEDISH, ITALIAN) (D309:AEP, IT) | |
| 17 | 1-575-666-11 | WIRE, FLAT TYPE (11 CORE) | | | | 3-756-332-51 MANUAL, INSTRUCTION (GERMAN, DUTCH, SWEDISH, ITALIAN) (D359:IT) | |
| 18 | 1-751-025-11 | WIRE (FLAT TYPE) (9 CORE) (A37, D359) | | | | 3-756-334-41 MANUAL, INSTRUCTION (ENGLISH, FRENCH, SPANISH, PORTUGUESE) (D359:AEP) | |
| | 1-751-025-31 | WIRE (FLAT TYPE) (9 CORE) (A37, D309, D359) | | * | | 4-957-500-01 INDIVIDUAL CARTON (D309:AEP, IT) | |
| * 52 | 1-533-213-11 | HOLDER, FUSE (A37/D359) | | * | | 4-957-653-01 INDIVIDUAL CARTON (D309:EE, CIS) | |
| | 1-533-217-31 | HOLDER, FUSE (D309) | | * | | 4-958-606-01 CUSHION (D309:AEP, IT, EE, CIS) | |
| △63 | 1-575-653-11 | CORD, POWER (A37:E, PX) | | ***** | | | |
| △64 | 1-690-608-11 | CORD, POWER (A37:AUS) | | HARDWARE LIST | | | |
| △65 | 1-696-570-21 | CORD, POWER (D359:UK) | | ***** | | | |
| △66 | 1-575-651-11 | CORD, POWER | | #1 | 7-685-646-79 | SCREW +BVTP 3X8 TYPE2 N-S | |
| △F801 | 1-532-078-00 | FUSE (1A) | | #2 | 7-682-560-04 | SCREW +BVTT 4X6 (S) (A37, D309:AEP, G, IT, EE, CIS, D359) | |
| △F802 | 1-532-078-00 | FUSE (1A) | | #3 | 7-685-871-01 | SCREW +BVTT 3X6 (S) | |
| △F803 | 1-532-299-00 | FUSE (5A) | | ***** | | | |
| △F804 | 1-532-299-00 | FUSE (5A) | | ***** | | | |
| △F805 | 1-532-286-00 | FUSE (2.5A) | | ***** | | | |
| △F806 | 1-532-286-00 | FUSE (2.5A) | | ***** | | | |
| FL431 | 1-519-648-21 | INDICATOR TUBE, FLUORESCENT | | ***** | | | |
| FL601 | 1-519-711-11 | INDICATOR TUBE, FLUORESCENT | | ***** | | | |
| △T1 | 1-423-646-21 | TRANSFORMER, POWER (D359) | | ***** | | | |
| △ | 1-423-646-31 | TRANSFORMER, POWER (D309) | | ***** | | | |
| △ | 1-423-647-21 | TRANSFORMER, POWER (A37) | | ***** | | | |
| △T2 | 1-423-499-11 | TRANSFORMER, POWER (D309) | | ***** | | | |
| △ | 1-423-499-21 | TRANSFORMER, POWER (D359) | | ***** | | | |
| △ | 1-423-500-21 | TRANSFORMER, POWER (A37) | | ***** | | | |

The components identified by mark △ or dotted line with mark △ are critical for safety. Replace only with part number specified.

STR-A37/D309/D359

SONY® SERVICE MANUAL

AEP Model
STR-D309/D359

UK Model
STR-D359

Australian Model

E Model

PX Model
STR-A37

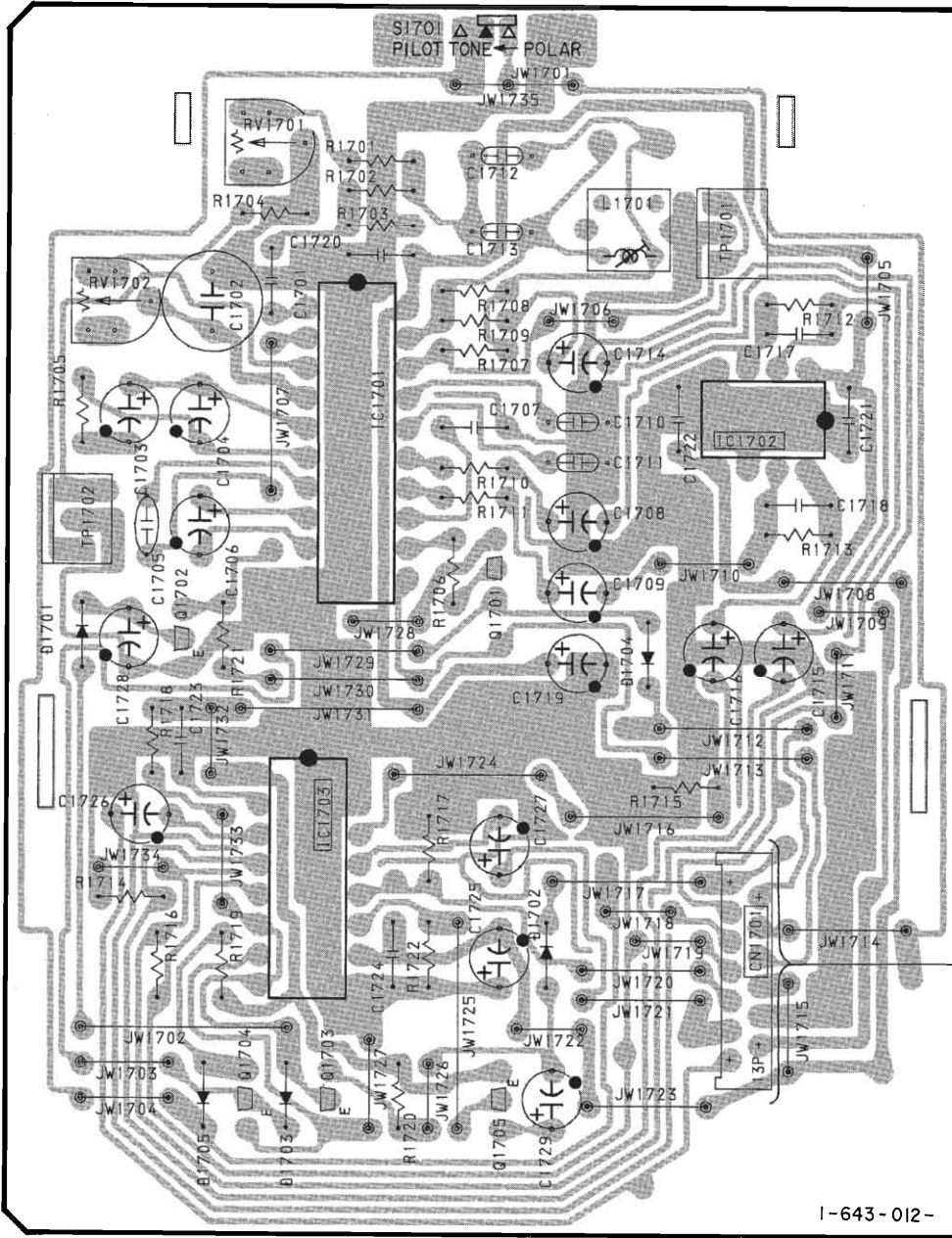
SUPPLEMENT-1

File this Supplement with the Service Manual.



Subject : POLAR BOARD
(PRINTED WIRING BOARD)
(CIS Model)
: ELECTRICAL ADJUSTMENTS
~~Correction~~

[POLAR BOARD] (CIS model)



09

13

ST MAIN BOARD
CN301

(Refer to page 14 for Service Manual)

ELECTRICAL ADJUSTMENTS

SUBCARRIER ADJUSTMENT (CIS Model only)

| SWITCH POSITION | | Function Selector: Radio Band Selector: FM FM mode: Mono | | | | | |
|-------------------------|------------|--|---------------------|------------|--|-------------------------|----------------------------------|
| SIGNAL GENERATOR | | 69 MHz, 60 dB, FM modulated | | | | | |
| STEP | TEST STAGE | FM TUNING FREQUENCY | SIGNAL GENERATOR | ADJUSTMENT | REMARKS | | |
| 1 | fo | 69 MHz | 1 kHz (10 kHz dev.) | L1701 | The value in this state should be 0 dB (Vo). | | |
| 2 | | | | | | 31.25 kHz (10 kHz dev.) | Adjust for maximal output. |
| 3 | Q | | | | | RV1701 | Indication is +14 dB against Vo. |

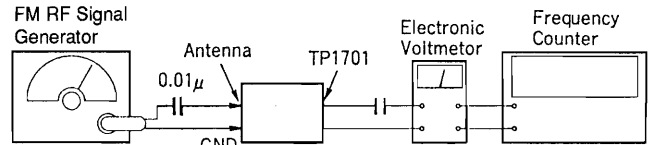


Fig. 1 SUBCARRIER

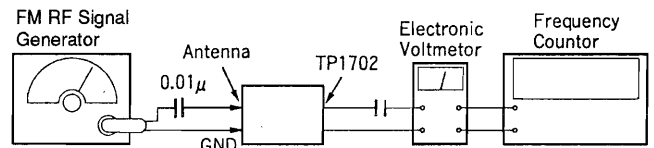
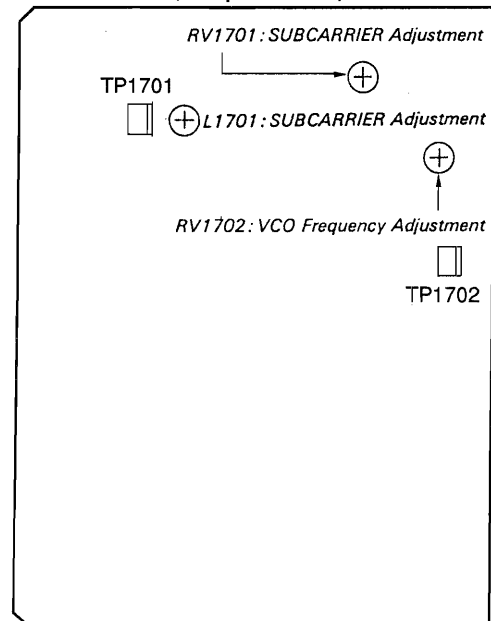


Fig. 2 VCO FREQUENCY

VCO FREQUENCY ADJUSTMENT

| SIGNAL GENERATOR | | 1kHz, 30%, FM modulated (mono signal) | | |
|-------------------------|---------------------|---------------------------------------|-------------------------------|--|
| FREQUENCY | FM TUNING FREQUENCY | ADJUSTMENT | REMARKS | |
| FM mono position | | FM stereo position (unmodulated) | | |
| 69 MHz at 60 dB | 69 MHz | RV1702 | Adjust for 31.25 kHz ± 50 Hz. | |

POLAR BOARD(Component side)



REVISED

• CORRECTION

SECTION 3 DIAGRAMS

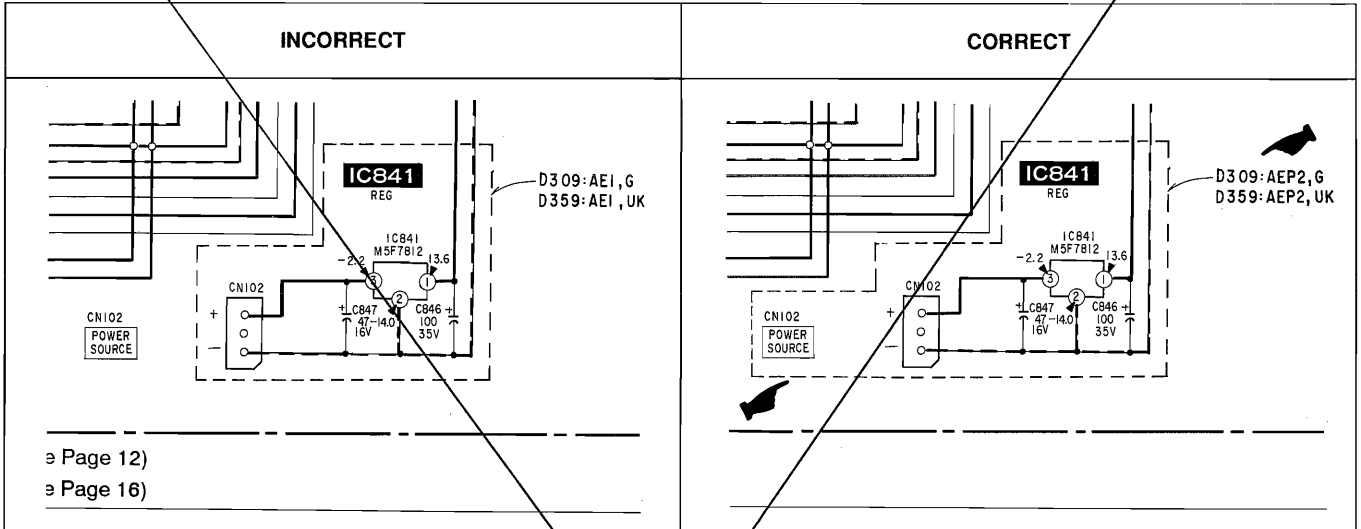
3-10. SCHEMATIC DIAGRAM

• **MAIN SECTION (STR-D309/D359) (Page 29)**

: Indicates corrected portion.

AEP2 : AEP with POWER SOURCE

G : German model.



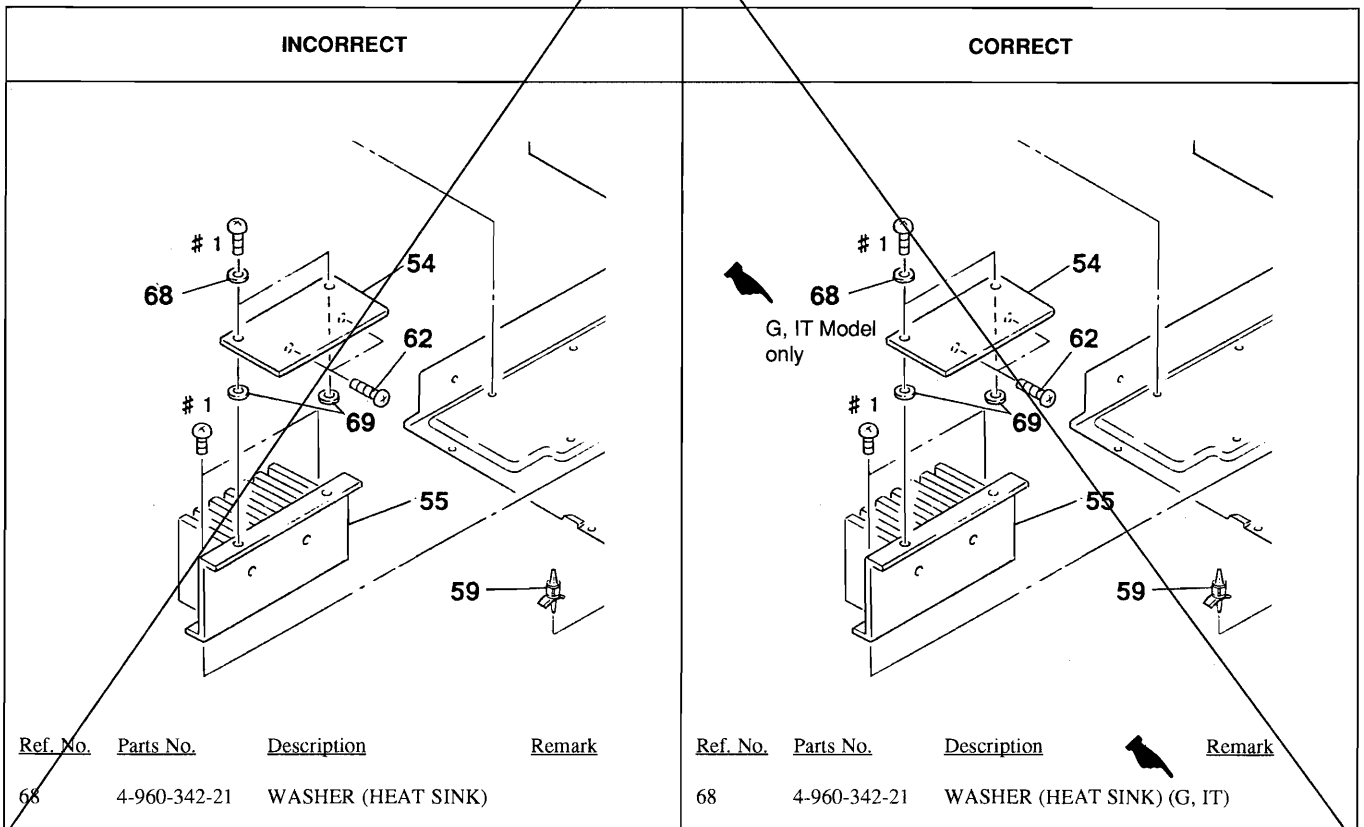
SECTION 4 EXPLODED VIEWS

4-2. CHASSIS SECTION (page 45)

: Indicates corrected portion.

G : German model.

IT : Italian model.



REVISED

SECTION 5 ELECTRICAL PARTS LIST

✶ : Indicated Corrected portion

AEP1: AEP with out POWER SOURCE
 AEP2: AEP with POWER SOURCE
 EE: East European model
 CIS: CIS model
 G: German model
 IT: Italian model

| PAGE | INCORRECT | | | | CORRECT | | | |
|------|--|--------------|--|--------|--|--------------|--|--------|
| | Ref. No. | Part No. | Description | Remark | Ref. No. | Part No. | Description | Remark |
| 47 | * | A-4356-904-A | MAIN BOARD, COMPLETE (D309:AEP) | | * | A-4356-904-A | MAIN BOARD, COMPLETE (D309:AEP2) | |
| | * | A-4360-174-A | MAIN BOARD, COMPLETE (D309:EE, CIS) | | * | A-4360-174-A | MAIN BOARD, COMPLETE (D309:AEP1, EE, CIS) | |
| | * | A-4356-985-A | MAIN BOARD, COMPLETE (D359:AEP) | | * | A-4356-985-A | MAIN BOARD, COMPLETE (D359:AEP2) | |
| | | | | | * | A-4360-499-A | MAIN BOARD, COMPLETE (D359:AEP1) | |
| | < CAPACITOR > | | | | < CAPACITOR > | | | |
| | C846 | 1-124-122-11 | ELECT 100uF 20% 50V (D309:AEP, G/D359:AEP, UK) | | C846 | 1-124-122-11 | ELECT 100uF 20% 25V (D309:AEP2, G/D359:AEP2, UK) | |
| | C847 | 1-124-477-11 | ELECT 47uF 20% 25V (D309:AEP, G/D359:AEP, UK) | | C847 | 1-124-477-11 | ELECT 47uF 20% 25V (D359:AEP2, UK) | |
| | | | | | C847 | 1-124-910-11 | ELECT 47uF 20% 50V (D309:AEP2, G) | |
| 48 | < CONNECTOR > | | | | < CONNECTOR > | | | |
| | * CN102 | 1-566-210-11 | PIN, CONNECTOR 3P (POWER SOURCE) (D309:AEP, G/D359:AEP, UK) | | * CN102 | 1-566-210-11 | PIN, CONNECTOR 3P (POWER SOURCE) (D309:AEP2, G/D359:AEP2, UK) | |
| | < IC > | | | | < IC > | | | |
| | IC841 | 8-759-604-39 | IC AN6291 (D309:AEP, G/D359:AEP, UK) | | IC841 | 8-759-604-39 | IC AN6291 (D309:AEP2, G/D359:AEP2, UK) | |
| | < RESISTOR > | | | | < RESISTOR > | | | |
| 49 | R733 | 1-249-436-11 | CARBON 39K 5% 1/4W | | R733 | 1-249-436-11 | CARBON 39K 5% 1/4W (EXCEPT D359:AEP1) | |
| | | | | | R733 | 1-249-437-11 | CARBON 47K 5% 1/4W (D359:AEP1) | |
| 61 | ACCESSORIES & PACKING MATERIALS ***** | | | | ACCESSORIES & PACKING MATERIALS ***** | | | |
| | | 1-696-860-11 | CORD, CONNECTION 13P (D309:AE2, IT, EE, CIS/D359:AE2, IT) | | | 1-696-860-11 | CORD, CONNECTION 13P (D309:AEP1, IT/D359:AEP1, IT) | |

