

STR-AV900/AV1000

SERVICE MANUAL

US Model
Canadian Model

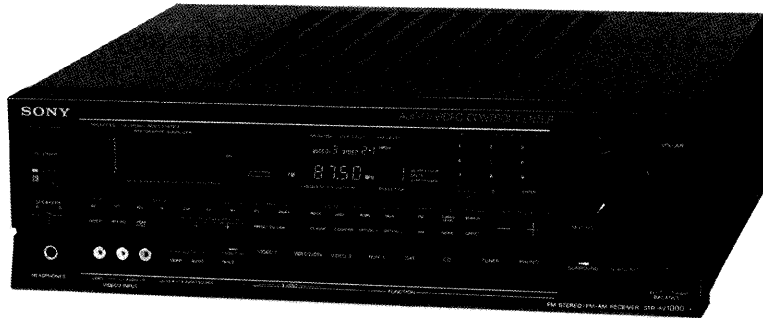


PHOTO: STR-AV1000

AUDIO POWER SPECIFICATIONS

POWER OUTPUT AND TOTAL HARMONIC DISTORTION:

With 8-ohm load, both channels driven, from 20-20,000 Hz, rated 120 watts (STR-AV1000) or 100 watts (STR-AV900) per channel minimum RMS power, with no more than 0.008% (STR-AV1000) or 0.03% (STR-AV900) total harmonic distortion from 250 milliwatts to rated output.

Other Specifications

Amplifier section

Dynamic power output

STR-AV1000

195 watts + 195 watts (8 ohms, at 1 kHz IHF)

250 watts + 250 watts (4 ohms, at 1 kHz IHF)

STR-AV900

140 watts + 140 watts (8 ohms, at 1 kHz IHF)

190 watts + 190 watts (4 ohms, at 1 kHz IHF)

Harmonic distortion

STR-AV1000: Less than 0.008 % at rated output

STR-AV900: Less than 0.03 % at rated output

Intermodulation (IM) distortion

STR-AV1000: Less than 0.008% at rated output

STR-AV900: Less than 0.03 % at rated output

Frequency response

PHONO:RIAA equalization curve ± 0.5 dB

CD, DAT, TAPE 1,2 } 5 Hz - 80 kHz ± 0 dB

VIDEO 1, 2/CDV, 3 } 5 Hz - 80 kHz ± 1 dB

Residual noise Less than 70 μ V (8 ohms, network A)

Damping factor 50 (8 ohms, 1 kHz)

Inputs

	Sensitivity	Impedance	S/N
PHONO MM	2.5 mV	50 kilohms	87 dB 79dB* (A, 2.5mV)
DAT, CD, VIDEO 1,2,3 TAPE 1,2	150 mV	50 kilohms	105dB 86 dB* (A,150mV)

*'78 IHF

Outputs

DAT OUT, REC OUT 1,2, VIDEO 1

Voltage 150 mV

Impedance 10 kilohms

SPEAKER A, B

Accepts speakers of 8-16 ohms.

HEADPHONES

Accepts high and low impedance headphones

Subsonic filter

6 dB/oct. attenuation below 15 Hz

Muting

-20 dB

Graphic Equalizer

± 10 dB at 63 Hz, 150 Hz, 400 Hz, 1 kHz, 2.4 kHz, 6 kHz, and 14 kHz

Video section

Inputs

VIDEO 1, 2, 3: 1Vp-p, 75 ohms

Outputs

VIDEO 1, MONITOR: 1Vp-p, 75 ohms

--Continued on page 2--

FM STEREO/FM-AM RECEIVER

SONY®



Refer to the additional documents.

FM tuner section

Frequency range 87.5 MHz – 107.9 MHz
 Antenna terminals 75 ohms, coaxial
 Sensitivity at 50 dB 18.3 dBf, 4.5 μ V (mono)
 38.8 dBf, 45 μ V (stereo)
 Usable sensitivity 11.2 dBf, 2 μ V (IHF)
 Single-to-noise ratio 82 dB (mono), 76 dB (stereo)
 Harmonic distortion 0.1% (mono), 0.2% (stereo) at 1 kHz
 IM distortion 0.1% (mono), 0.2% (stereo)
 Separation 45 dB at 1 kHz
 Frequency response 30 Hz – 15 kHz \pm 0.5 dB
 Selectivity 60 dB at 400 kHz
 Capture ratio 1.2 dB
 AM suppression ratio 54 dB
 Image response ratio 80 dB
 IF response ratio 90 dB
 Spurious response ratio 100 dB
 RF Intermodulation 65 dB (800 kHz)
 Auto tuning threshold LOW 30 dBf, HIGH 50 dBf

AM tuning section

Frequency range 530 – 1,610 kHz (with 10 kHz interval)
 531 – 1,602 kHz (with 9 kHz interval)
 Antenna Loop antenna
 Usable sensitivity 500 μ V (at 1,000 kHz or 999 kHz)
 Signal-to-noise ratio 54 dB (at 50 mV/m)
 Harmonic distortion 0.3% (50 mV/m, 400 Hz)
 Selectivity 35 dB (9 kHz), 40 dB (10 kHz)
 Auto tuning threshold 55 dB



General

System Tuner section: PLL quartz-locked digital synthesizer system
 Pre-amplifier section: low-noise NF type equalizer
 Power amplifier section: pure complementary SEPP
 Power requirements 120V AC, 60Hz
 Power consumption STR-AV1000: 210 watts
 STR-AV900: 170 watts
 AC outlets Two switched, total 100W
 Dimensions Approx. 430x130x356mm (w/h/d)
 (17x5 $\frac{1}{8}$ x14 $\frac{1}{8}$ inches)
 Including projecting parts and controls
 Weight
 STR-AV 1000 Approx. 8.3 kg (18 lb 5 oz) net
 STR-AV900 Approx. 7.3 kg (16 lb 2 oz) net
 Accessories supplied
 FM ribbon antenna (1)
 AM loop antenna (1)
 Remote Commander
 (1, RM-P101 for STR-AV1000,
 RM-U80 for STR-AV 900)
 External antenna connector (1)
 Sony Batteries SUM-3 (NS) (4 for RM-P101
 Remote Commander and 2 for RM-U80
 Remote Commander)


TABLE OF CONTENTS

<u>Section</u>	<u>Title</u>	<u>Page</u>
	Specifications	1–2
	Safety Check-out	3
	Servicing Note	3
SECTION 1. GENERAL		4–7
SECTION 2. DIAGRAMS		
2-1. Semiconductor Lead Layouts		8
Circuit Boards Location		8
2-2. Printed Wiring Boards		
(Main Section)		9–12
2-3. Schematic Diagram (Main Section)		13–15
2-4. Schematic Diagram		
(Display Section)		16–18
2-5. Printed Wiring Boards		
(Display Section)		19–21
FM Front End		22
Input & Output-Terminal Names		22
2-6. Voltages		23–27
SECTION 3. EXPLODED VIEWS		28–29
SECTION 4. ELECTRICAL PARTS LIST		30–39

SAFETY-RELATED COMPONENT WARNING!!

COMPONENTS IDENTIFIED BY MARK  OR DOTTED LINE WITH MARK  ON THE SCHEMATIC DIAGRAMS AND IN THE PARTS LIST ARE CRITICAL TO SAFE OPERATION. REPLACE THESE COMPONENTS WITH SONY PARTS WHOSE PART NUMBERS APPEAR AS SHOWN IN THIS MANUAL OR IN SUPPLEMENTS PUBLISHED BY SONY.

ATTENTION AU COMPOSANT AYANT RAPPORT À LA SÉCURITÉ!

LES COMPOSANTS IDENTIFIÉS PAR UNE MARQUE  SUR LES DIAGRAMMES SCHÉMATIQUES ET LA LISTE DES PIÈCES SONT CRITIQUES POUR LA SÉCURITÉ DE FONCTIONNEMENT. NE REMPLACER CES COMPOSANTS QUE PAR DES PIÈCES SONY DONT LES NUMÉROS SONT DONNÉS DANS CE MANUEL OU DANS LES SUPPLÉMENTS PUBLIÉS PAR SONY.

SAFETY CHECK-OUT

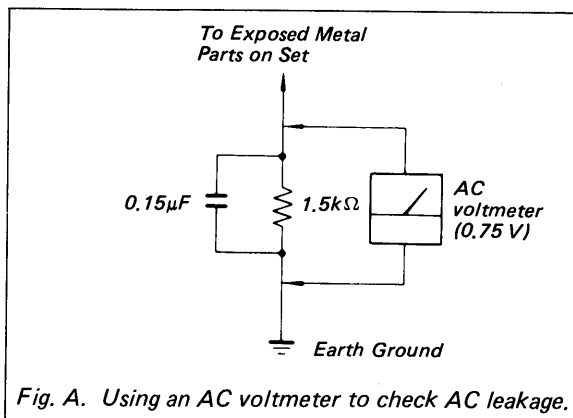
After correcting the original service problem, perform the following safety check before releasing the set to the customer:

Check the antenna terminals, metal trim, "metallized" knobs, screws, and all other exposed metal parts for AC leakage. Check leakage as described below.

LEAKAGE TEST

The AC leakage from any exposed metal part to earth ground and from all exposed metal parts to any exposed metal part having a return to chassis, must not exceed 0.5 mA (500 microamperes). Leakage current can be measured by any one of three methods.

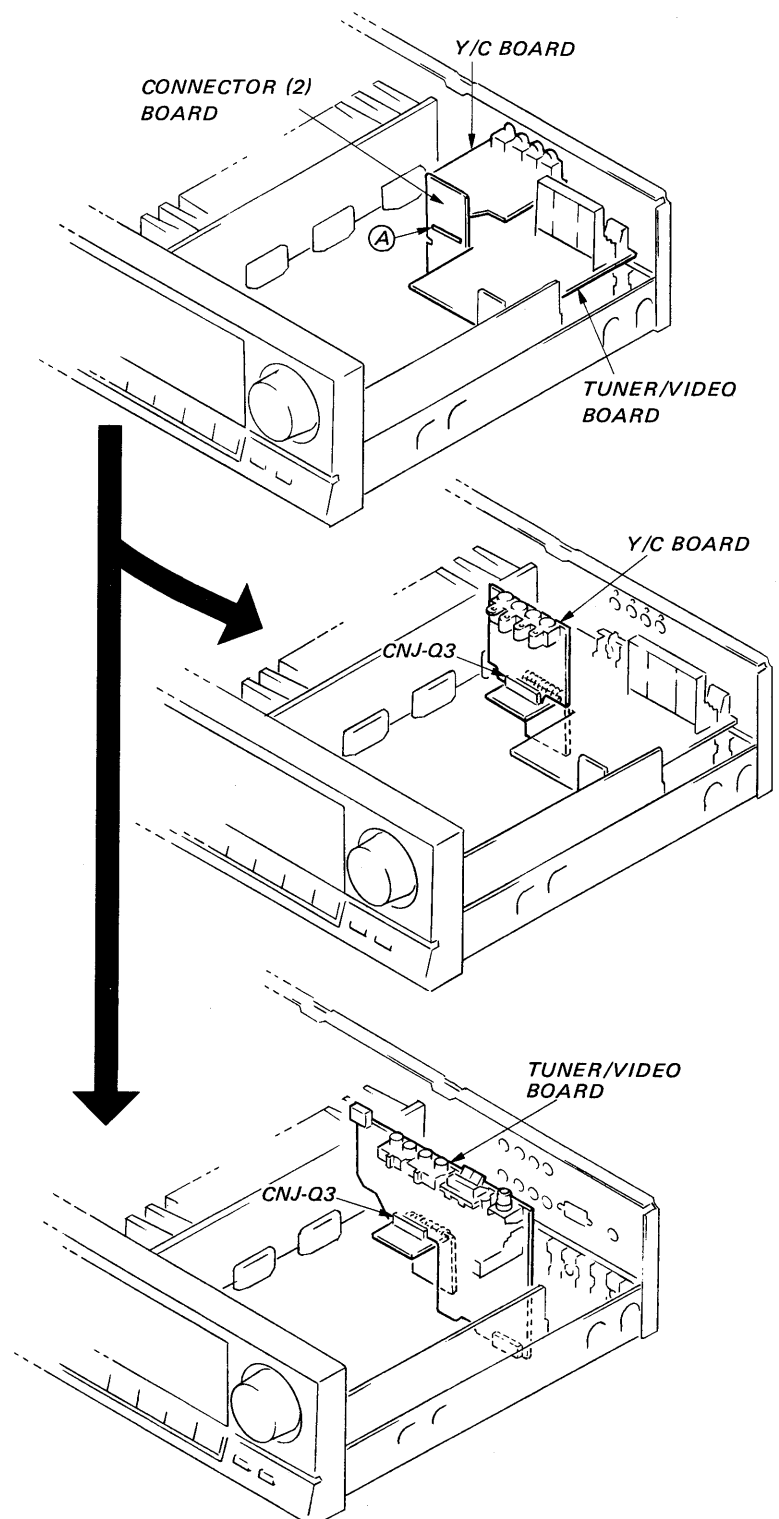
1. A commercial leakage tester, such as the Simpson 229 or RCA WT-540A. Follow the manufacturers' instructions to use these instruments.
2. A battery-operated AC milliammeter. The Data Precision 245 digital multimeter is suitable for this job.
3. Measuring the voltage drop across a resistor by means of a VOM or battery-operated AC voltmeter. The "limit" indication is 0.75 V, so analog meters must have an accurate low-voltage scale. The Simpson 250 and Sanwa SH-63Trd are examples of a passive VOM that is suitable. Nearly all battery operated digital multimeters that have a 2 V AC range are suitable. (See Fig. A)



SERVICING NOTE

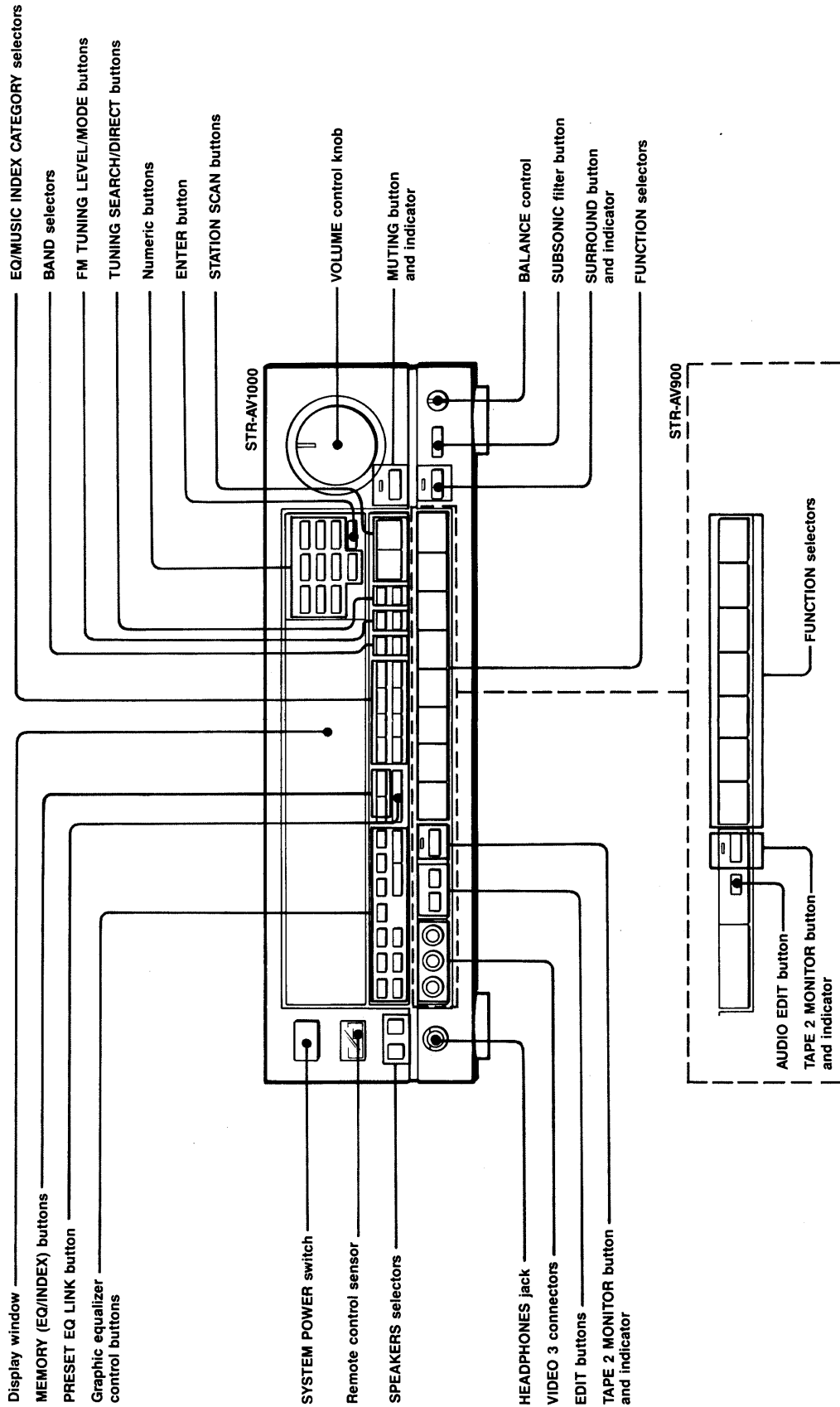
- When servicing TUNER/VIDEO BOARD and Y/C BOARD, pull the upper half of CONNECTOR (2) BOARD backward to bend at the portion (A), and connect one of the boards to CNJ-Q3.

After servicing return each board to normal state.



Parts Identification

Front Panel

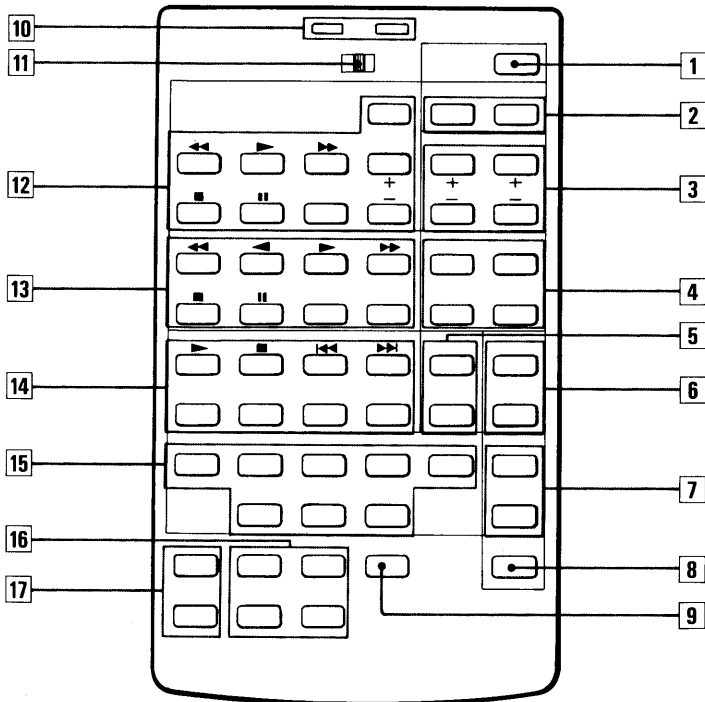


Parts Identification

Programmable System Commander RM-P101 (supplied with the STR-AV1000)

The Programmable System Commander RM-P101 supplied with the STR-AV1000 can learn various functions of other remote commanders emitting infrared rays.

When it is set to SONY STD (Sony Standard) by the mode selector, its buttons can be used to perform the functions below.



1 POWER ON/OFF button

Turns on/off the receiver.

2 POWER ON/OFF buttons

TV: Turns on/off the TV.

VTR: Turns on/off the VCR 1, 2 or 3.

3 TV operation buttons

TV CH: Channel select buttons

TV VOL: Volume control buttons

4 Spare buttons

Functions of other remote commanders can be learned on these buttons.

5 PHONO buttons

START: Starts record play.

STOP: Stops record play.

6 TUNER PRESET buttons

+: Selects a higher preset channel number.

-: Selects a lower preset channel number.

7 VOLUME control buttons

8 MUTING button

9 SURROUND ON/OFF button

10 LEARNED and READY indicators

LEARNED: Lights up when learning of a function of other commander is complete.

READY: Lights up when the commander is ready to learn a function of other commander.

11 Mode selector

LEARN: To perform learning function.

SONY STD.: To operate the commander on Sony Standard.

USER STD.: To use the learned functions.

12 VTR operation buttons

◀◀: Rewind

▶: Play

▶▶: Fast forward

TV/VTR: Select the output signal from the VCR, either a TV signal or VCR programs.

VTR CH: VCR channel select buttons

■: Stop

⏸: Pause

●: Recording (While you press ●, press ▶)

When the mode selector is set to USER STD., these buttons control a Sony 8mm VCR.

13 TAPE deck operation buttons

◀◀: Reverse fast winding

◀: Reverse play

▶: Forward play

▶▶: Forward fast winding

■: Stop

⏸: Pause

●: Recording (While you press ●, press ◀ or ▶.)

○: Record muting

When the mode selector is set to USER STD, these buttons control the tape in the "B" deck of a Sony double-deck uit.

14 CD player operation buttons

▶: Starts play.

■: Stops play.

◀◀/▶▶: AMS (Automatic Music Sensor)

DISC SELECT: Effective only when the connected CD player is equipped with a disc changer.

REPEAT: Repeat play

SHUFFLE: Shuffle play

PGM: Program play

15 Function selectors

16 GRAPHIC EQUALIZER control buttons

FREQ: Frequency select buttons

+: Selects a higher frequency.

-: Selects a lower frequency.

LEVEL: Level select button

17 Music Index select buttons

+: Each time you press this button, a different Music Index is selected in the following order:



-: A different Music Index is selected in the order reverse to "+".

Notes

• When the CONTROL S OUT connector is connected to the CONTROL S IN connector of each equipment, you can control the connected equipment using this remote commander.

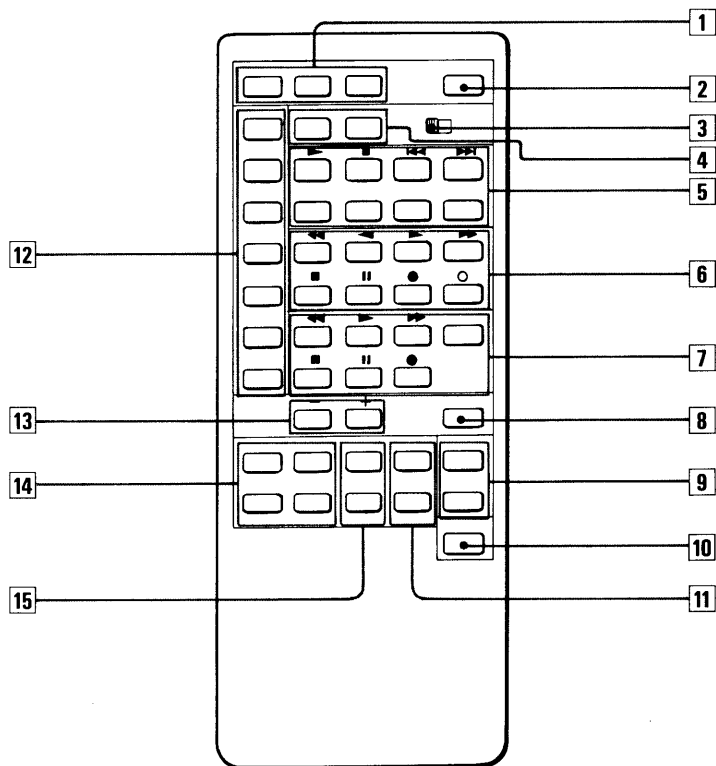
• SHUFFLE and PGM modes of some CD players cannot be cleared by this remote commander. In such case, clear the modes using the CD player itself or with the remote commander supplied with the CD player.

• When the system is in the LINK ON state, those index categories under which no broadcasting stations have been preset cannot be selected.

Note on the ● (recording) button under 12 VTR operation buttons

If your VCR is of such type as pressing ● puts it in REC PAUSE mode, first press ● on this commander and then ⏸.

Remote Commander RM-U80 (supplied with STR-AV900)



Notes

- When the CONTROL S OUT connector is connected to the CONTROL S IN connector of each equipment, you can control the connected equipment using this remote commander.
- SHUFFLE and PGM modes of some CD players cannot be cleared by this remote commander. In such case, clear the modes using the CD player itself or with the remote commander supplied with the CD player.
- When the system is in the LINK ON state, those index categories under which no broadcasting stations have been preset cannot be selected.

Note on the ● (recording) button under [7] VTR operation buttons

If your VCR is of such type as pressing ● puts it in REC PAUSE mode, first press ● on this commander and then II.

[1] POWER ON/OFF buttons

- TV: Turns on/off the TV.
- VTR: Turns on/off the VCR 1 or 2.
- AUDIO: Turns on/off the receiver.

[2] SYSTEM POWER OFF button

Turns off the receiver, TV, VCR 1 and 2.

[3] TAPE and VTR selector

- TAPE A: Selects the tape in a single-deck unit or the tape in the "A" deck of a double-deck unit.
- TAPE B: Selects the tape in the "B" deck of a double-deck unit.
- VTR1/2: If your VCR has a command mode selector, set this switch to the same position as that of the command mode selector. If not, set this switch to VTR1.

[4] PHONO buttons

- START: Starts record play.
- STOP: Stops record play.

[5] CD player operation buttons

- ▶: Starts play.
- : Stops play.
- ◀▶/▶▶: AMS (Automatic Music Sensor)
- D. SELECT: Effective only when the connected CD player is equipped with a disc changer.
- REPEAT: Repeat play
- SHUFFLE: Shuffle play
- PGM: Program play

[6] TAPE deck operation buttons

- ◀◀: Reverse fast winding
- ◀: Reverse play
- ▶: Forward play
- ▶▶: Forward fast winding
- : Stop
- II: Pause
- : Recording (While you press ●, press ◀ or ▶.)
- : Record muting

[7] VTR operation buttons

- ◀◀: Rewind
- ▶: Play
- ◀◀: Fast forward
- TV/VTR: Select the output signal from the VCR, either a TV signal or VCR programs.
- : Stop
- II: Pause
- : Recording (While you press ●, press ▶.)

[8] SURROUND ON/OFF button

[9] VOLUME control buttons

[10] MUTING button

[11] TUNER PRESET buttons

- +: Selects a higher preset channel number.
- : Selects a lower preset channel number.

[12] FUNCTION selectors

[13] Music Index select buttons

- +: Each time you press this button, a different Music Index is selected in the following order:
 OPTION 2 → ROCK → JAZZ → POPS
 OPTION 1 ← COUNTRY ← CLASSIC ← TALK ←
- : A different Music Index is selected in the order reverse to "+".

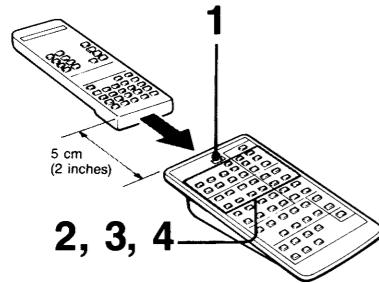
[14] TV operation buttons

- TV CH: Channel select buttons
- TV VOL: Volume control buttons

[15] VTR CH: VCR channel select buttons

**SECTION 2
DIAGRAMS**

Using the Learning Function of the Programmable System Commander RM-P101 (for STR-AV1000)

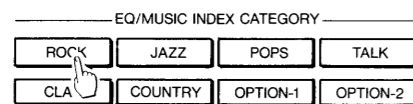


- 1** Set the mode selector to LEARN. The READY indicator lights up.
- 2** Turn this commander towards another commander and press any button in the programmable area on which you want a function of the other commander to be memorized. If the selected button is inoperative, the READY indicator flickers.
- 3** While keeping the button pressed, press the desired function button on the other commander. The function is memorized by this unit. When the memorization is complete, the READY indicator goes out and the LEARNED indicator lights up.
- 4** Release the button. The LEARNED indicator goes out and the READY indicator lights up to indicate that the next learning is ready to start.

Sound Quality Adjustment

Selecting a standard equalization curve for each music. You can readily enjoy a music with a standard equalization curve factory-preset for the category of that

music. If you are to listen to a rock music for example, press the EQ/MUSIC INDEX CATEGORY button marked "ROCK."



Note
This operation cannot be performed while the DEFEAT or the LINK indicator is lit. Press the DEFEAT or the PRESET EQ LINK button to make the indicator go out.

Creating and/or Memorizing a New Equalization Curve

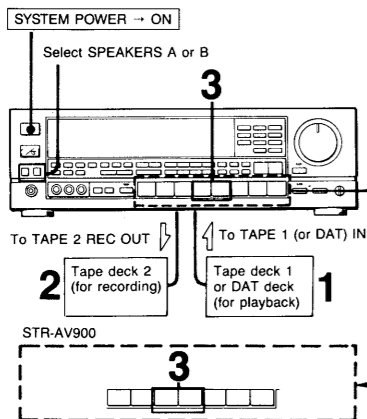
Enjoying the surround sound
Press SURROUND when listening to a stereo source. Press again to turn off the effect.



Reducing unwanted subsonic noise components created by warped records, etc.
Press SUBSONIC. Press again to disengage the subsonic filter.



Tape Dubbing



- 1** Insert the recorded tape into tape deck 1 (or the DAT deck).
- 2** Insert a blank tape into tape deck 2 and adjust the recording level.
- 3** Press TAPE 1 (or DAT).
- 4** Start the playback of the tape (or the DAT) in tape deck 1 (or the DAT deck), and set tape deck 2 in the recording mode. Dubbing will start.

Note on recording
The settings of the VOLUME, SURROUND, BALANCE, SOBSONIC, and graphic equalizer do not have any effect on recording.

Monitoring the recorded sound
If you have connected a tape deck having separate record and playback heads to the TAPE 2 jacks, you can monitor the recording results. While recording or dubbing, press the TAPE 2 MONITOR button. To listen to the source sound again, press the button again.

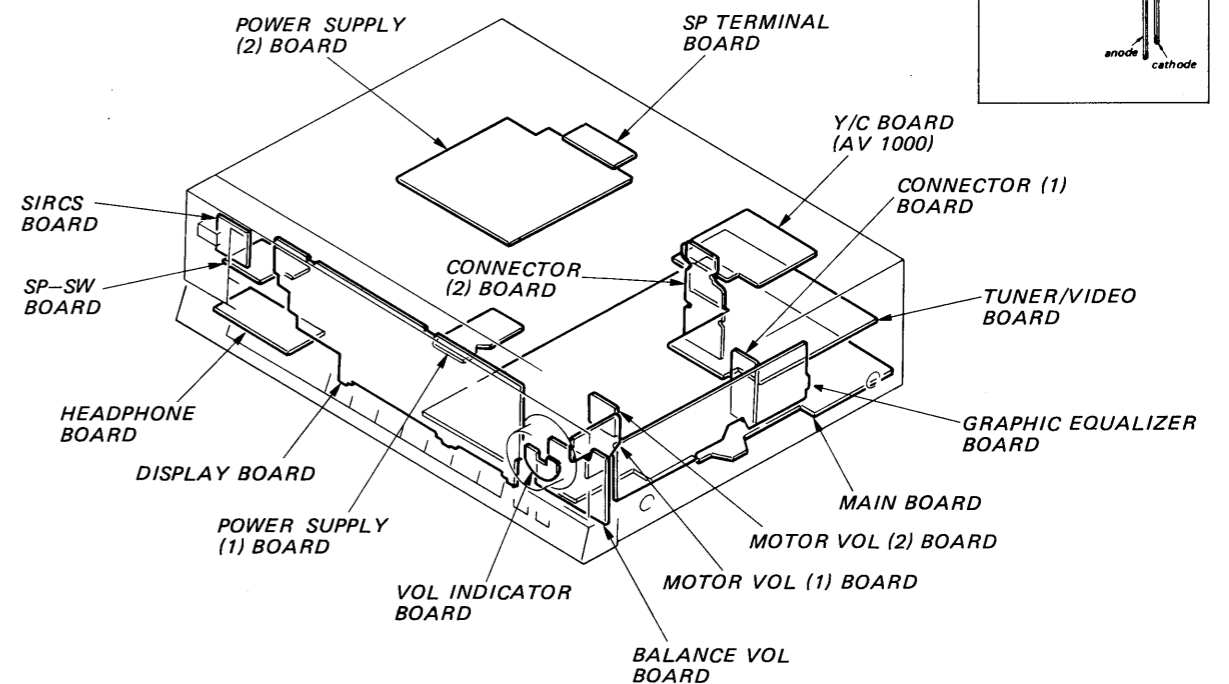
Note on tape dubbing
Tape dubbing is possible only in the following directions:

From (playback side)	To (recording side)	FUNCTION selector to be pressed
Tape deck connected to TAPE 1 IN	Tape deck connected to TAPE 2 REC OUT	TAPE 1
	DAT deck connected to DAT REC OUT	
DAT deck connected to DAT IN	Tape deck connected to TAPE 1 or 2 REC OUT	DAT

2-1. SEMICONDUCTOR LEAD LAYOUTS.

LB1639 M5219P μPC4570C 	LC7520 	HD614042FH46 μPD75216AGF-513-3BE 	BN1A3Q DTA124ES DTC124ES DTC144ES 2SC2724-C 2SC634SP 	2SA1142 2SC2682 	HZ4ALL RD7.5F-B US1060M 10E2N
CX-770 CX-7925R 	LC7822 	2SK30AGR33 	2SD2012 	2SA1215 2SC2921 	S1VB40
M4052BP M4053BP 	μPC4570HA 	2SK1841-PA 2SC3112B 2SC3622A-L 	2SA1684-Q 2SC4431-Q 	2SA1175 2SC2785-E 	MC921
LA3401 	M5F7815 M5F7915 	2SA988-F 	2SA1492 2SC3856 	HZS6C3L HZS7A1LT2 HZS9C2L HZS33-2L 	M5218L
			2SK389-GR 	RBV-602-01 	SEL1510W SEL1810W-C
					SEL2510W

• CIRCUIT BOARDS LOCATION



2-2. PRINTED WIRING BOARDS

—Main Section—

• See page 8 for semiconductor lead layouts.

STR-AV900/AV1000 STR-AV900/AV1000

SEE ADDITIONAL INFORMATION

SEE ADDITIONAL INFORMATION

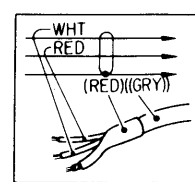
STR-AV900/AV1000 STR-AV900/AV1000

• Semiconductor Locations

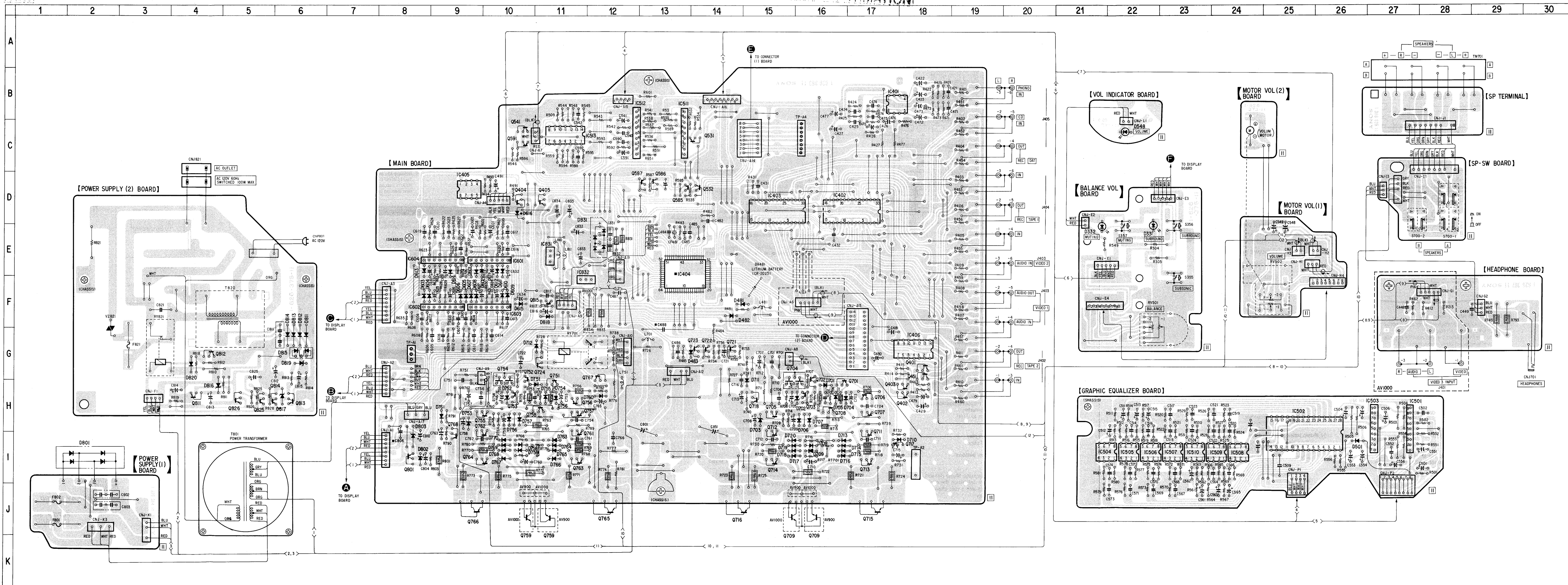
Ref. No.	Location	Ref. No.	Location	Ref. No.	Location	Ref. No.	Location
D331	E-22	D719	I-16	IC406	G-18	Q708	H-16
D332	E-21	D720	I-16	IC501	H-27	Q709	J-16
D481	F-15	D751	H-11	IC502	H-25	Q711	I-17
D482	F-14	D752	H-10	IC503	H-27	Q712	H-15
D483	G-14	D753	H-9	IC504	I-21	Q713	I-17
D501	I-26	D754	H-11	IC505	I-22	Q714	I-15
D548	C-22	D755	H-11	IC506	I-22	Q715	J-17
D601	E-9	D756	H-10	IC507	I-23	Q716	J-14
D602	E-10	D757	H-10	IC508	I-24	Q717	I-17
D603	F-8	D758	H-10	IC509	I-24	Q718	H-15
D604	F-8	D759	I-10	IC510	I-23	Q721	G-14
D605	F-9	D760	H-12	IC511	C-13	Q722	G-14
D606	F-9	D761	H-9	IC512	C-12	Q723	G-14
D607	F-9	D763	I-11	IC513	C-11	Q724	G-11
D608	F-9	D764	I-11	IC601	E-10	Q751	H-11
D609	F-10	D765	I-11	IC602	E-9	Q752	H-10
D610	F-10	D766	I-11	IC603	F-10	Q753	H-10
D611	E-10	D767	I-10	IC604	E-9	Q754	H-10
D612	E-10	D768	I-10	IC831	E-11	Q755	H-10
D613	E-8	D769	I-10	IC832	F-11	Q756	H-11
D614	E-9	D770	I-10			Q757	H-11
D615	F-10	D801	I-2	Q401	G-18	Q758	H-11
D616	D-10	D802	I-8	Q402	H-18	Q759	H-11
D701	H-16	D803	I-8	Q403	H-18	(AV 900)	J-11
D702	H-16	D811	G-6	Q404	D-10	(AV 1000)	J-10
D703	H-15	D812	G-6	Q405	D-11	Q761	I-11
D704	H-16	D813	G-6	Q451	G-18	Q762	I-10
D705	H-16	D814	G-6	Q531	C-14	Q763	I-11
D706	H-16	D815	G-6	Q532	D-14	Q764	I-10
D707	H-16	D816	H-4	Q541	C-10	Q765	J-12
D708	I-16	D817	H-6	Q585	D-13	Q766	J-9
D709	I-16	D818	F-11	Q586	D-13	Q767	G-12
D710	I-17	D819	G-6	Q587	D-13	Q768	I-9
D711	H-15	D820	G-4	Q591	C-10	Q769	I-8
D712	G-11	D831	E-12	Q701	H-16	Q811	H-4
D713	I-16			Q702	H-16	Q812	G-4
D714	I-16	IC401	B-17	Q703	H-16	Q813	H-6
D715	I-16	IC402	D-17	Q704	H-16	Q814	H-6
D716	I-16	IC403	D-15	Q705	H-15	Q815	F-11
D717	I-16	IC404	E-13	Q706	H-17	Q825	H-5
D718	I-16	IC405	D-9	Q707	H-17	Q826	H-5

Note on Printed Wiring Diagrams:

• Color code or sleeving over the end of the jacket.



- : parts extracted from the component side.
- : parts extracted from the conductor side.
- : parts mounted on the conductor side.



2.3. SCHEMATIC DIAGRAM

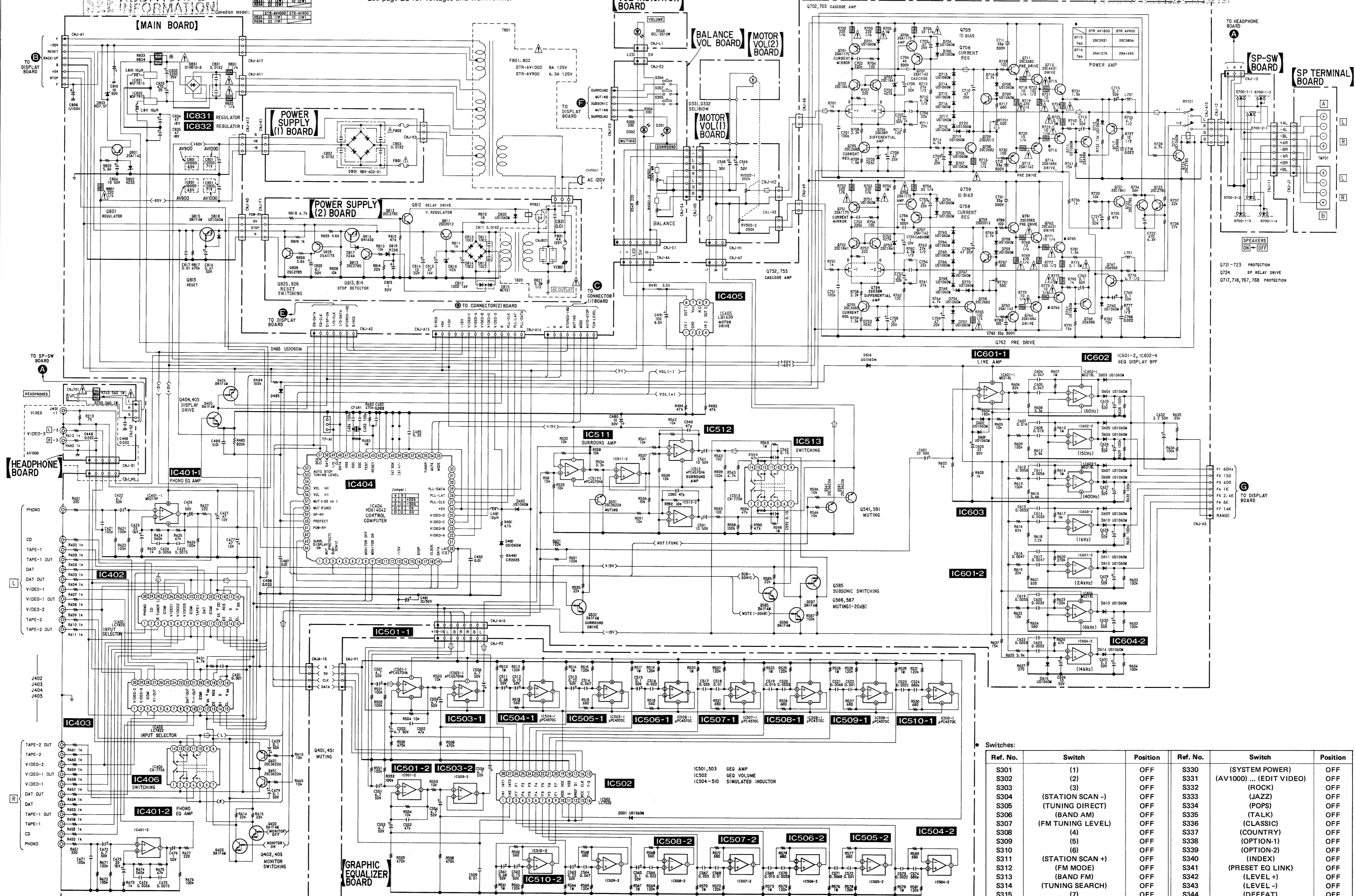
—Main Section—

SEE ADDITIONAL INFORMATION

US model: STR-AV1000 STR-AV900
 Condition model: STR-AV1000 STR-AV900
 STR-AV1000 STR-AV900

• See page 23 for voltages and waveforms.

SEE ADDITIONAL INFORMATION



• See page 22 for INPUT & OUTPUT-TERMINAL NAMES.

Note:
 The components identified by mark Δ or dotted line with mark Δ are critical for safety. Replace only with part number specified.

Note:
 Les composants identifiés par une marque Δ sont critiques pour la sécurité. Ne les remplacer que par une pièce portant le numéro spécifié.

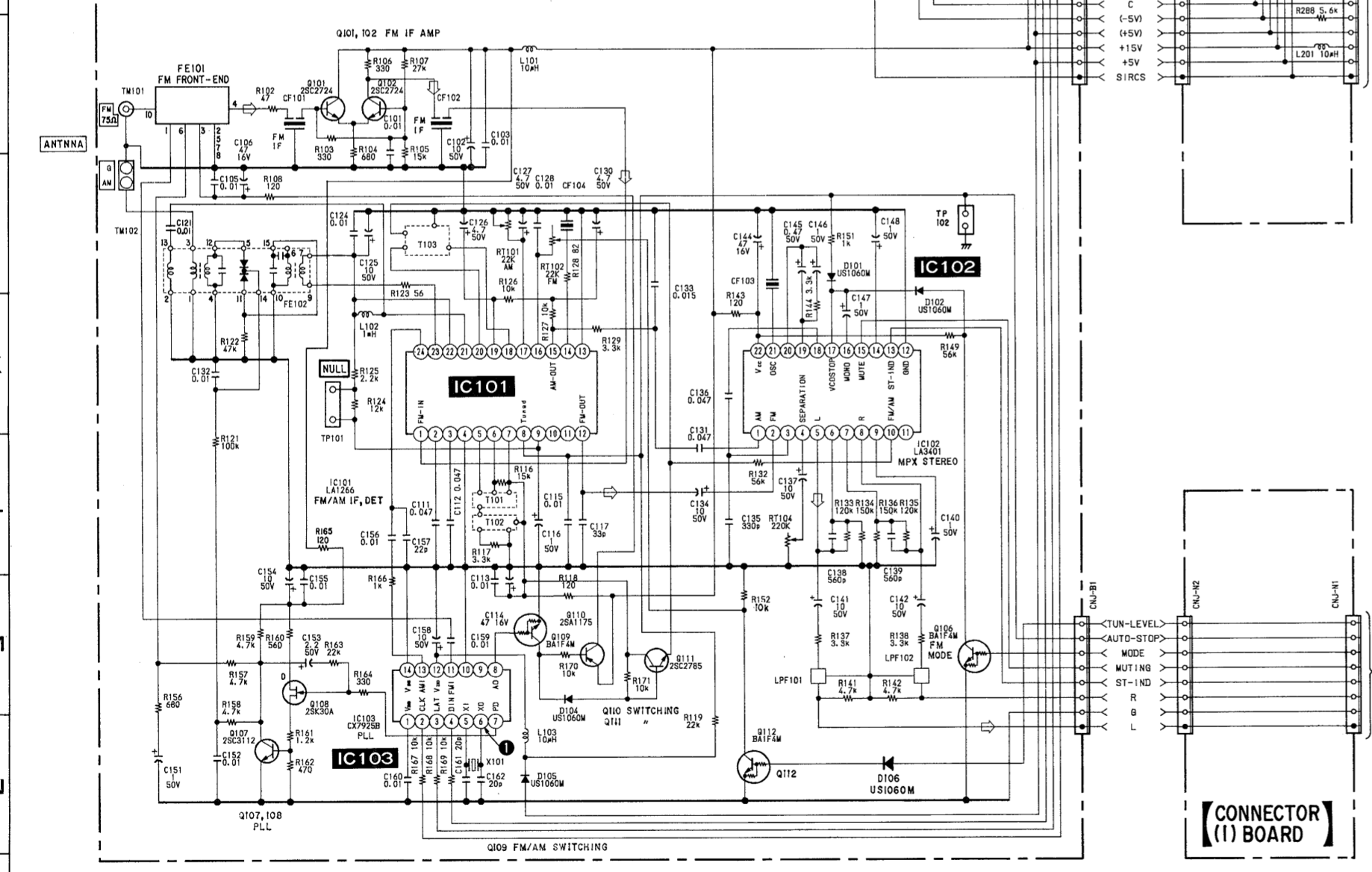
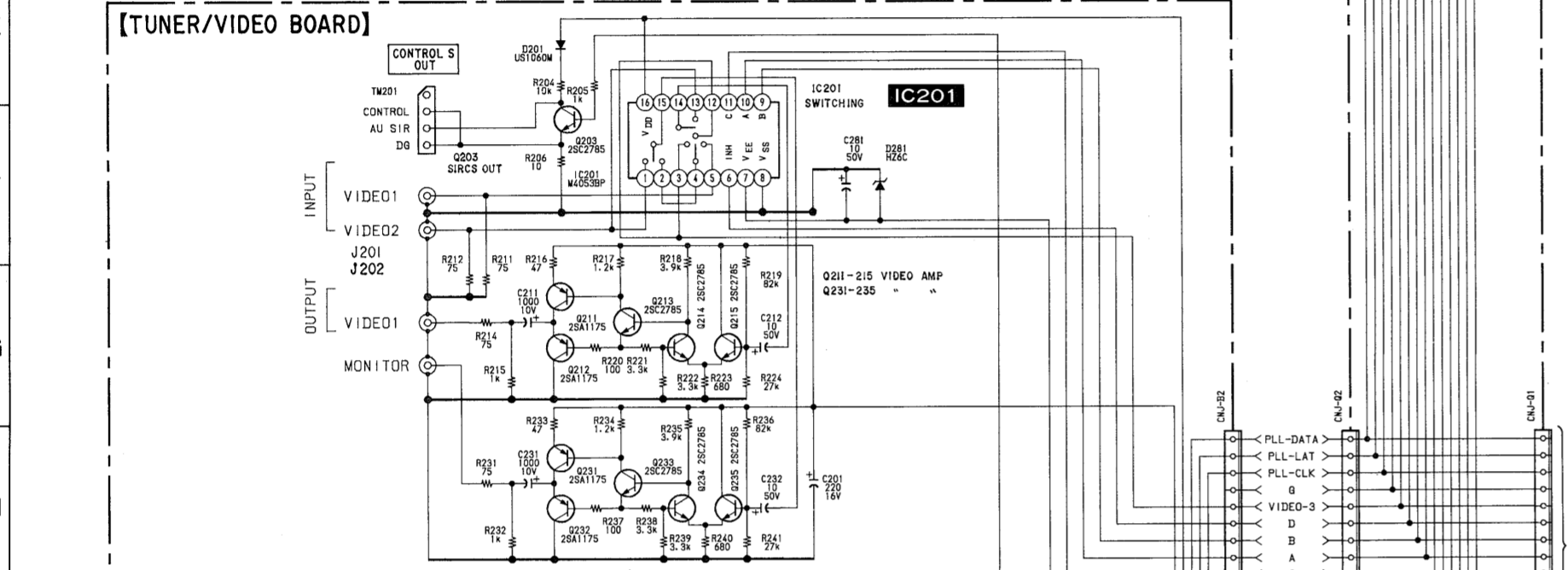
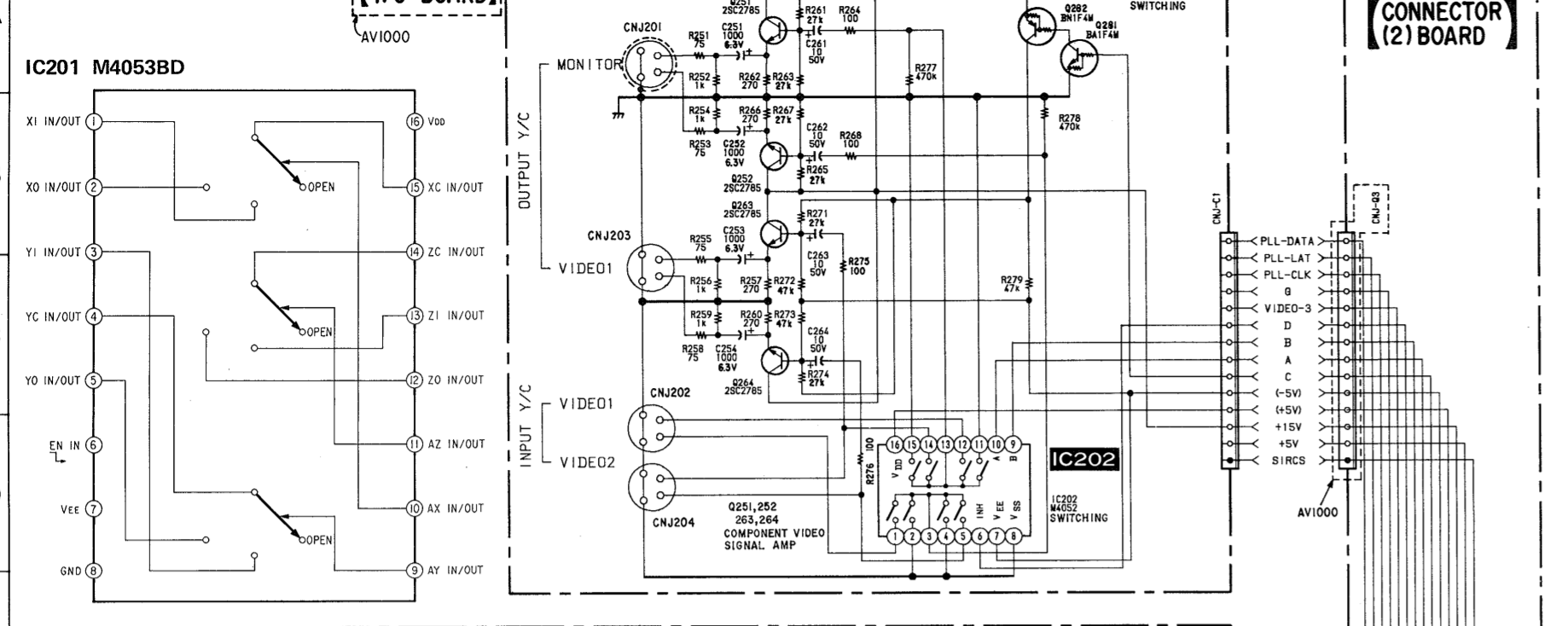
Note on Schematic Diagram:

- All capacitors are in μF unless otherwise noted. pF: μF 50WV or less are not indicated except for electrolytic and tantalum.
- All resistors are in Ω and $1/4W$ or less unless otherwise specified.
- Δ : internal component.
- \square : nonflammable resistor.
- Voltage and waveforms are dc with respect to ground under no-signal (detuned) conditions.
- no mark: FM

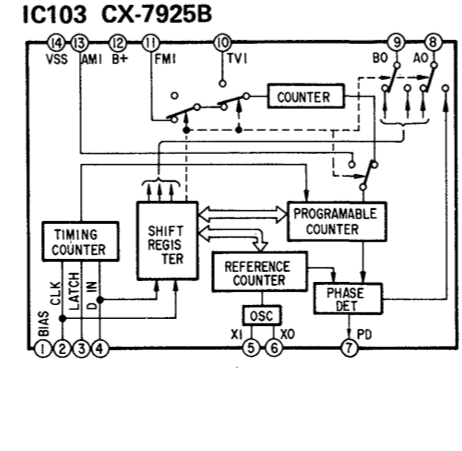
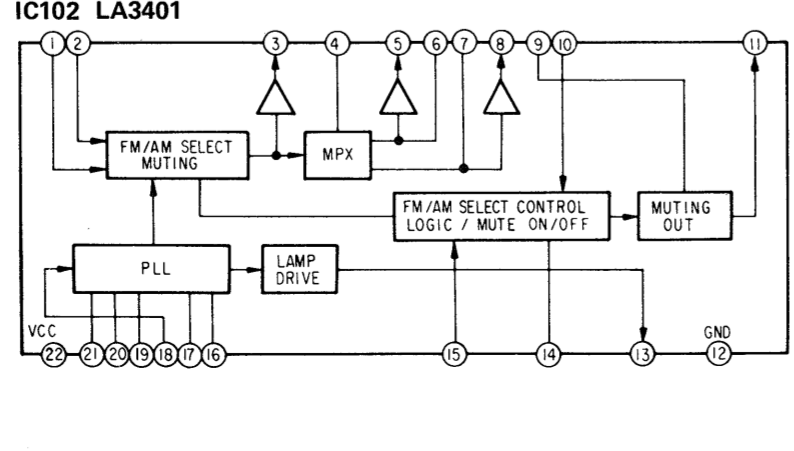
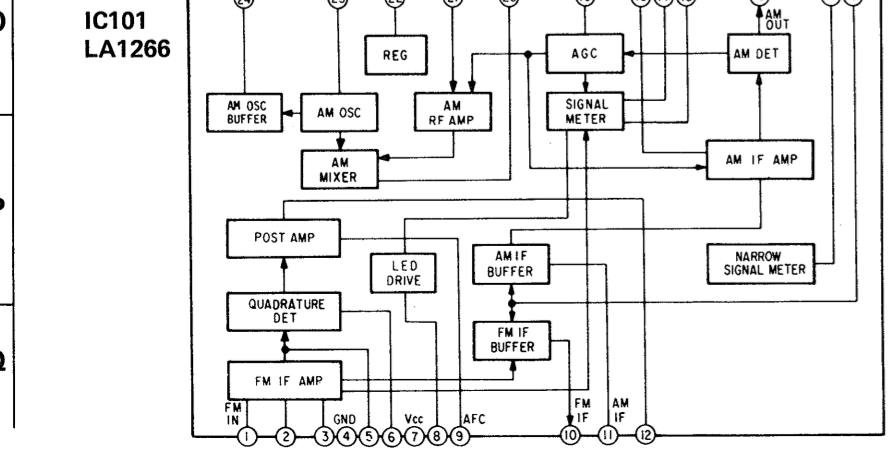
- Voltages are taken with a VOM (50 k Ω/V). Voltage variations may be noted due to normal production tolerances.
- Waveforms are taken with an oscilloscope.
- Circled numbers refer to waveforms.
- Signal path.
- \square : FM

Ref. No.	Switch	Position	Ref. No.	Switch	Position
S301	(1)	OFF	S330	(SYSTEM POWER)	OFF
S302	(2)	OFF	S331	(AV1000) ... (EDIT VIDEO)	OFF
S303	(3)	OFF	S332	(ROCK)	OFF
S304	(STATION SCAN -)	OFF	S333	(JAZZ)	OFF
S305	(TUNING DIRECT)	OFF	S334	(POPS)	OFF
S306	(BAND AM)	OFF	S335	(TALK)	OFF
S307	(FM TUNING LEVEL)	OFF	S336	(CLASSIC)	OFF
S308	(4)	OFF	S337	(COUNTRY)	OFF
S309	(5)	OFF	S338	(OPTION-1)	OFF
S310	(6)	OFF	S339	(OPTION-2)	OFF
S311	(STATION SCAN +)	OFF	S340	(INDEX)	OFF
S312	(FM MODE)	OFF	S341	(PRESET EQ LINK)	OFF
S313	(BAND FM)	OFF	S342	(LEVEL +)	OFF
S314	(TUNING SEARCH)	OFF	S343	(LEVEL -)	OFF
S315	(7)	OFF	S344	(DEFEAT)	OFF
S316	(8)	OFF	S345	(RI/A/EO)	OFF
S317	(9)	OFF	S346	(AV1000) ... (PEAK HOLD)	OFF
S318	(0)	OFF	S347	(EQ)	OFF
S319	(ENTER)	OFF	S348	(14 K)	OFF
S320	(TUNER)	OFF	S349	(6 K)	OFF
S321	(DAT)	OFF	S350	(2.4 K)	OFF
S322	(AV1000) ... (VIDEO 3)	OFF	S351	(1 K)	OFF
S323	(VIDEO 1)	OFF	S352	(400)	OFF
S324	(TAPE 2)	OFF	S353	(150)	OFF
S325	(EDIT AUDIO)	OFF	S354	(63)	OFF
S326	(PHONO)	OFF	S355	(SUBSONIC)	OFF
S327	(CD)	OFF	S356	(SURROUND)	OFF
S328	(AV1000) ... (TAPE 1)	OFF	S357	(MUTING)	OFF
S329	(VIDEO 2/CDV)	OFF	S700	(SPEAKER A/B)	OFF

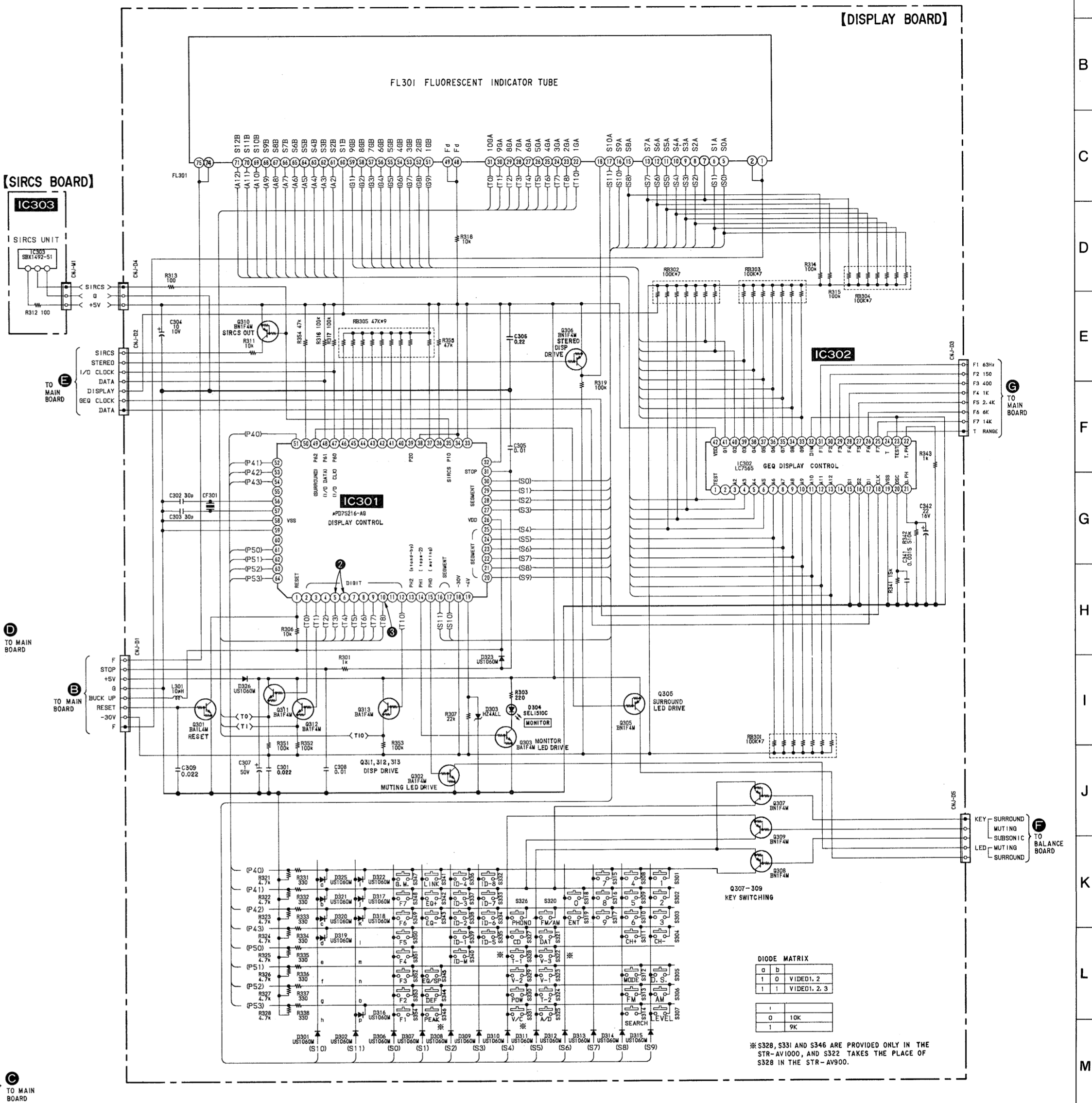
2.4. SCHEMATIC DIAGRAM
- Display Section -



• IC BLOCK DIAGRAM



• See page 23 for voltages and waveforms.



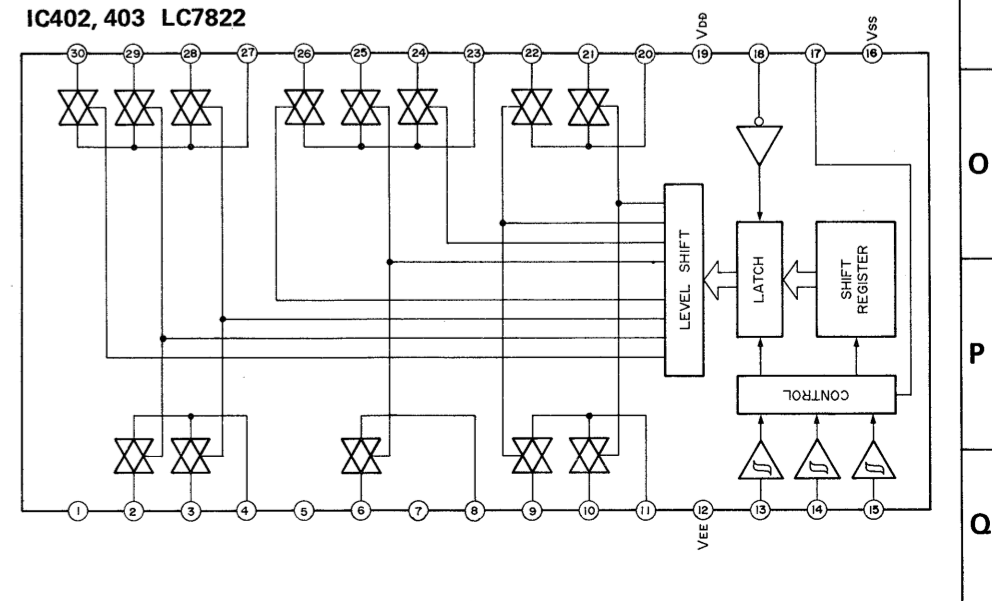
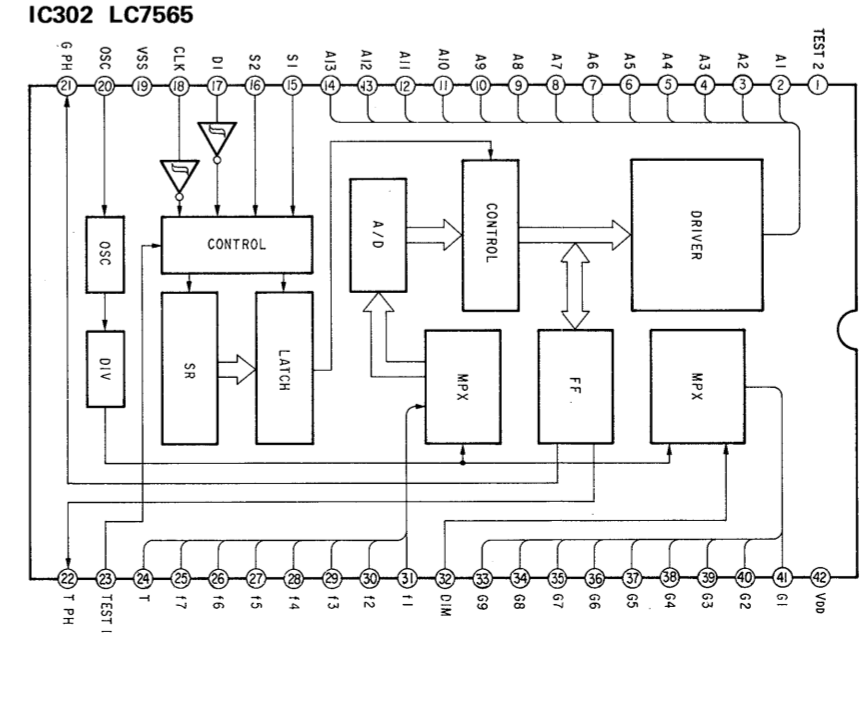
DIODE MATRIX

a	b
1	0
1	1

VIDE01, 2
VIDE01, 2, 3

* S328, S331 AND S346 ARE PROVIDED ONLY IN THE STR-AV1000, AND S322 TAKES THE PLACE OF S328 IN THE STR-AV900.

• See page 22 for INPUT & OUTPUT-TERMINAL NAMES.



2-5. PRINTED WIRING BOARDS

—Display Section—

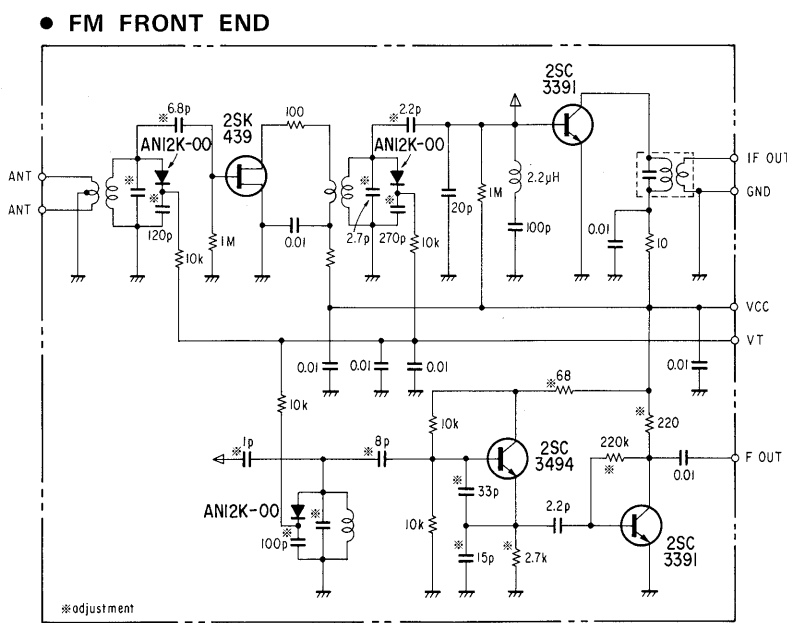
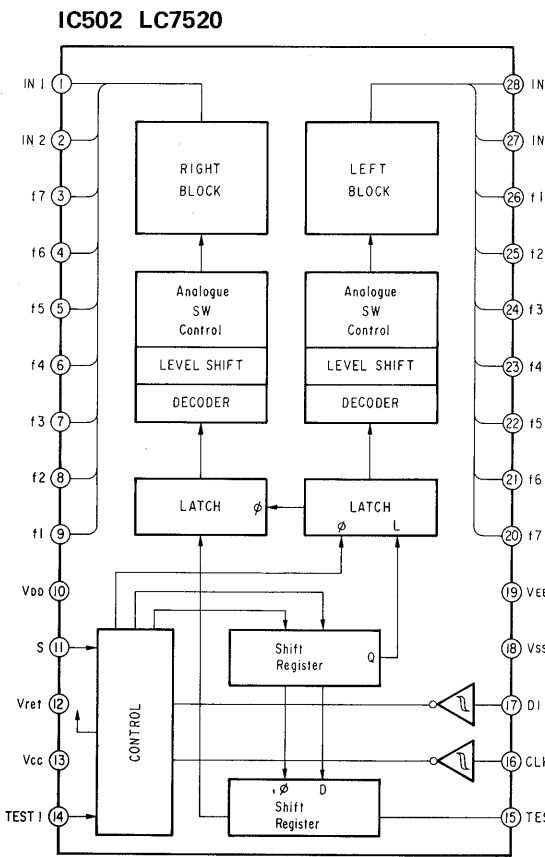
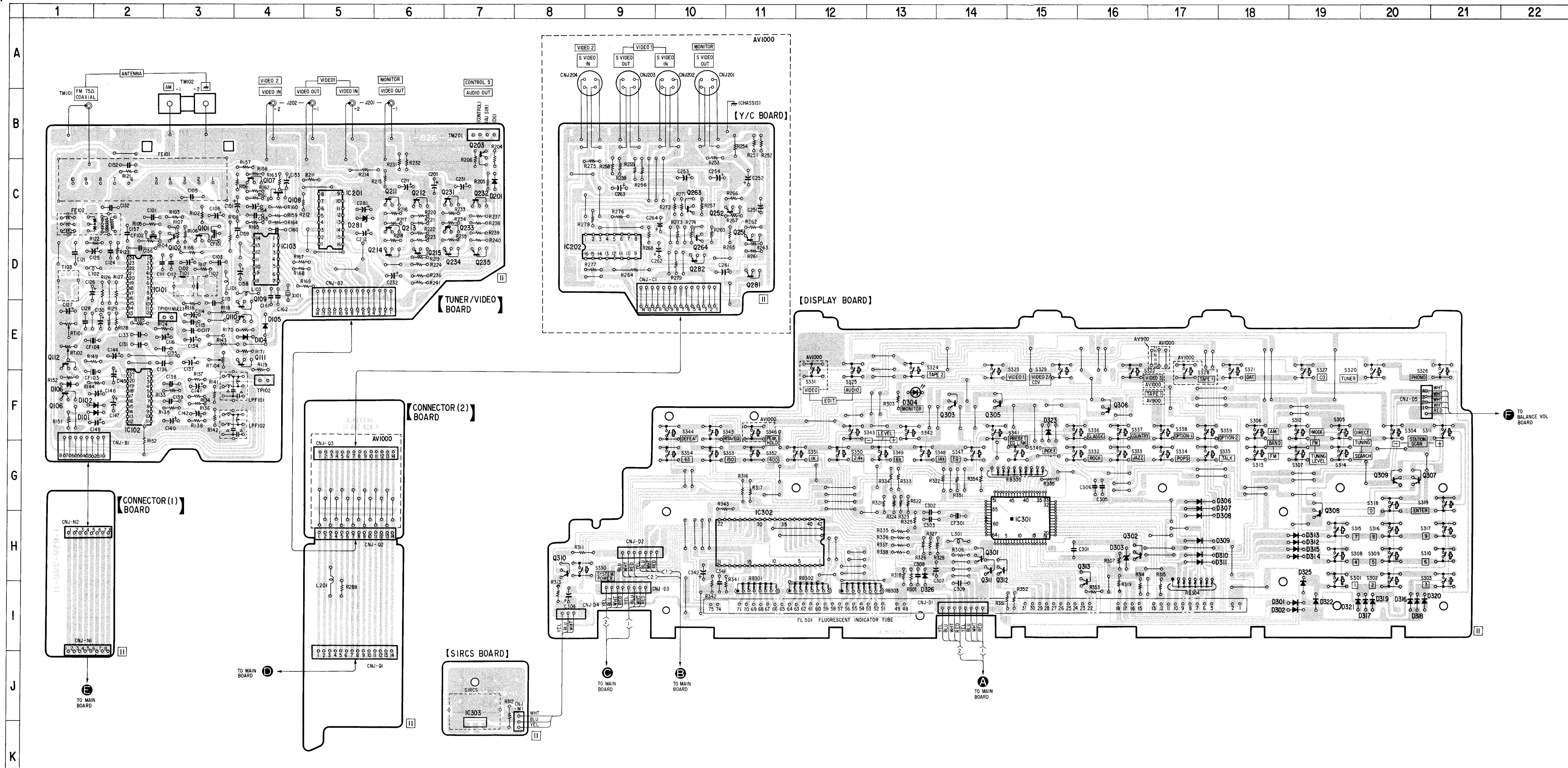
• See page 8 for semiconductor lead layouts.

STR-AV900/AV1000 STR-AV900/AV1000

STR-AV900/AV1000 STR-AV900/AV1000

• Semiconductor Locations

Ref. No.	Location	Ref. No.	Location
D101	F-2	Q101	D-3
D102	F-2	Q102	D-3
D104	E-4	Q106	F-1
D105	E-4	Q107	C-4
D106	F-1	Q108	C-4
D201	C-7	Q109	E-4
D281	C-5	Q110	E-4
D301	I-19	Q111	E-4
D302	I-19	Q112	E-1
D303	H-16	Q203	B-7
D304	F-13	Q211	C-6
D306	G-17	Q212	C-6
D307	G-17	Q213	D-6
D308	G-17	Q214	D-6
D309	H-17	Q215	D-6
D310	H-17	Q231	C-7
D311	H-17	Q232	C-7
D312	H-19	Q233	D-7
D313	H-19	Q234	D-7
D314	H-19	Q235	D-7
D315	H-19	Q251	D-11
D316	I-20	Q252	C-11
D317	I-20	Q263	C-10
D318	I-20	Q264	D-10
D319	I-20	Q281	D-11
D320	I-20	Q282	D-10
D321	I-20	Q301	H-14
D322	I-19	Q302	H-16
D323	F-15	Q303	H-16
D325	I-19	Q305	F-14
D326	H-13	Q306	F-14
IC101	D-2	Q308	H-19
IC102	F-2	Q309	G-20
IC103	D-4	Q310	H-8
IC201	C-5	Q311	H-14
IC202	D-9	Q312	H-14
IC301	H-15	Q313	H-16
IC302	H-11		
IC303	K-7		



INPUT & OUTPUT-TERMINAL NAMES

Ref. No.	Name	Ref. No.	Name
CNJ201	(AV1000) ... S VIDEO OUT, MONITOR	J403-4	R AUDIO IN, VIDEO 1
CNJ202	(AV1000) ... S VIDEO IN, VIDEO 1	J403-5	R AUDIO OUT, VIDEO 1
CNJ203	(AV1000) ... S VIDEO OUT, VIDEO 1	J403-6	R AUDIO IN, VIDEO 2
CNJ204	(AV1000) ... S VIDEO IN, VIDEO 2	J404-1	L IN, TAPE 1
CNJ701	HEADPHONES	J404-2	L REC OUT, TAPE 1
CNJ821	AC OUTLET, AC 120V 60Hz SWITCHED 100W MAX	J404-3	L IN, DAT
J201-1	VIDEO OUT, MONITOR	J404-4	R IN, TAPE 1
J201-2	VIDEO IN, VIDEO 1	J404-5	R REC OUT, TAPE 1
J202-1	VIDEO OUT, VIDEO 1	J404-6	R IN, DAT
J202-2	VIDEO IN, VIDEO 2	J405-1	L REC OUT, DAT
J401-1	(AV1000) ... VIDEO, VIDEO 3 INPUT	J405-2	L IN, CD
J401-2	(AV1000) ... L AUDIO, INPUT	J405-3	L IN, PHONO
J401-3	(AV1000) ... R AUDIO, INPUT	J405-4	R REC OUT DAT
J402-1	L IN, TAPE 2	J405-5	R IN, CD
J402-2	L REC OUT, TAPE 2	J405-6	R IN, PHONO
J402-3	R IN, TAPE 2	TM101	FM 75Ω COAXIAL, ANTENNA
J402-4	R REC OUT, TAPE 2	TM102-1	AM, ANTENNA
J403-1	L AUDIO IN, VIDEO 1	TM102-2	(GND), ANTENNA
J403-2	L AUDIO OUT, VIDEO 1	TM201	CONTROLS, AUDIO OUT
J403-3	L AUDIO IN, VIDEO 2	TM701	+/-, L/R, A/B, SPEAKERS

Ref.	B (G)	C (S)	E (D)
Q401	-14.5	0	0
Q402	-14.5	15.2	-15
Q403	4.8	-15	-15
Q404	0.12	5.8	5.8
Q405	5	0.12	0
Q451	-14.5	0	0

FL301			
Pin No.	VOLTAGE	Pin No.	VOLTAGE
5, 6	-27	49	-30
7	-37	59	-34
8, 9	-18	60	5.8
10	-11.5	61	-10
11	-14.5	62, 63	-15
12	-18	64	-18
13	-37	65	-27.5
15	-27.5	66	-25
16	-39	67-70	-37
17	-18	71	-29
18	-39	74-75	AC 8.5
22	-36	1-2	AC 8.5
23-31	-34		
47	-15.5		
48	-35		

Pin No.	CNJ-A13 CNJ-Q1
	VOLTAGE
1	0
2	5.8
3	15.2
4	5.1
5	-4.8
6	0
7	0
8	5.1
9	0
10	GND
11	0
12	5.1
13	0
14	5.1

FE101
FM 87.5 MHz: 1.05
107.9 MHz: 6.7
AM 530 kHz: 1.05
1650kHz : 7.8

CNJ-N1	
Pin No.	VOLTAGE
1	0
2	0
3	0
4	4.9
5	0 (0) Others: 5.1
6	0
7	FM (STEREO): 4.8 Others: 5.6
8	-5.4

BA481 (BATTERY)
3V

() : AM

Ref.	Q307			Q308			Q309		
	B	C	E	B	C	E	B	C	E
FM AM	2.05 (1.55)	1	2.5	2.05 (1.55)	1	2.5	1.8 (1.8)	1	2.1
PHONO	2.35			2.35			2.1		
CD	1.3			1.3			1		
DAT	1.55			1.55			1		
TAPE 1	1.55			1.55			1.85		
VIDEO-1	1.55			1.55			1.85		
VIDEO-2	1.3			1.3			2.1		
VIDEO-3	1.05			1.85			2.1		

SECTION 3 EXPLODED VIEWS

NOTE:

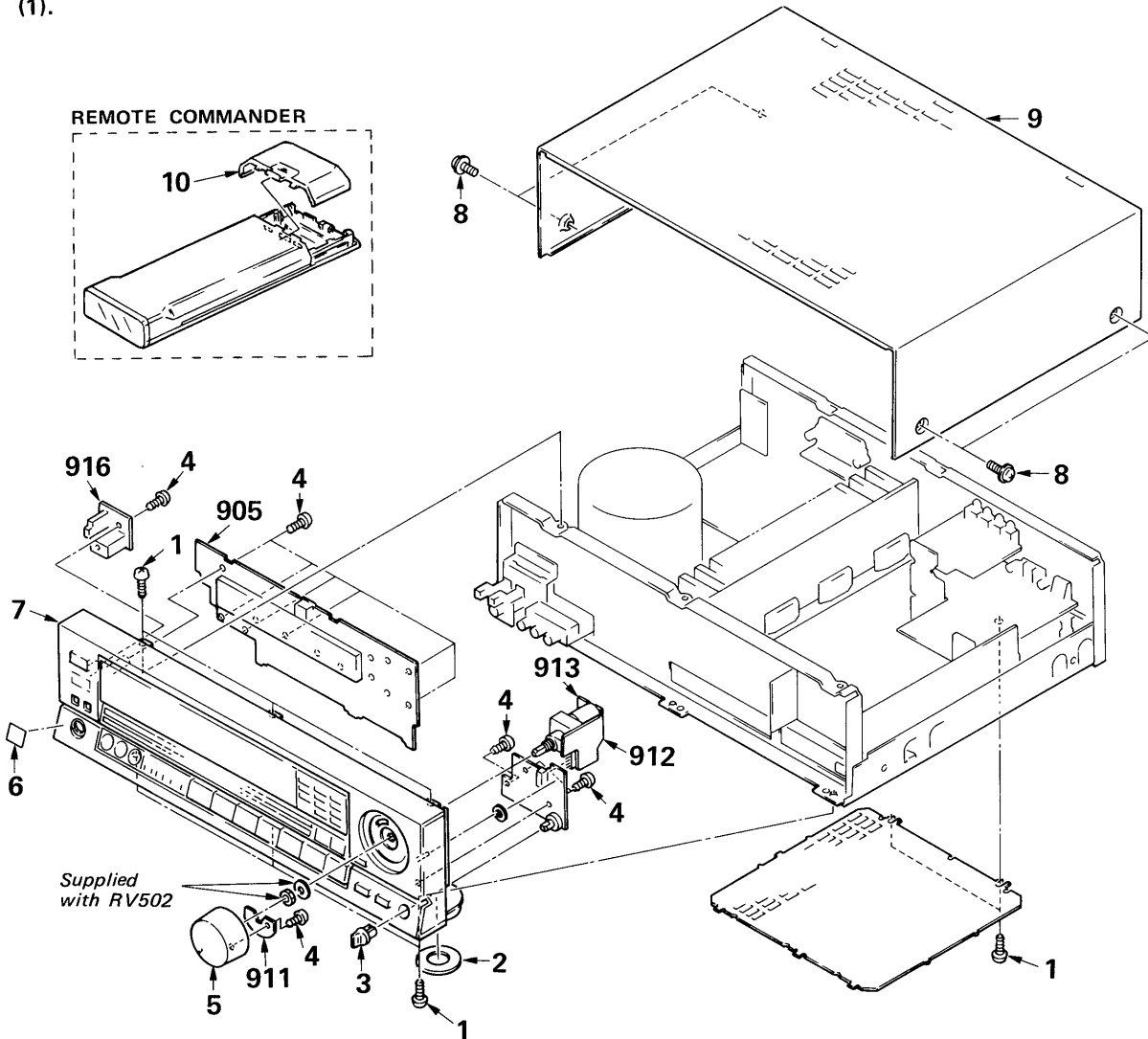
- The mechanical parts with no reference number in the exploded views are not supplied.
- The construction parts of an assembled part are indicated with a collation number in the remark column.
- Items marked "★" are not stocked since they are seldom required for routine service. Some delay should be anticipated when ordering these items.

- Due to standardization, parts with part number suffix -XX and -X may be different from the parts specified in the components used on the set.
- Color Indication of Appearance Parts
Example:
(RED) ... KNOB, BALANCE (WHITE)
 ↑ ↑
Cabinet's Color Parts' Color

The components identified by mark or dotted line with mark are critical for safety. Replace only with part number specified.

Les composants identifiés par une marque sont critiques pour la sécurité. Ne les remplacer que par une pièce portant le numéro spécifié.

(1).

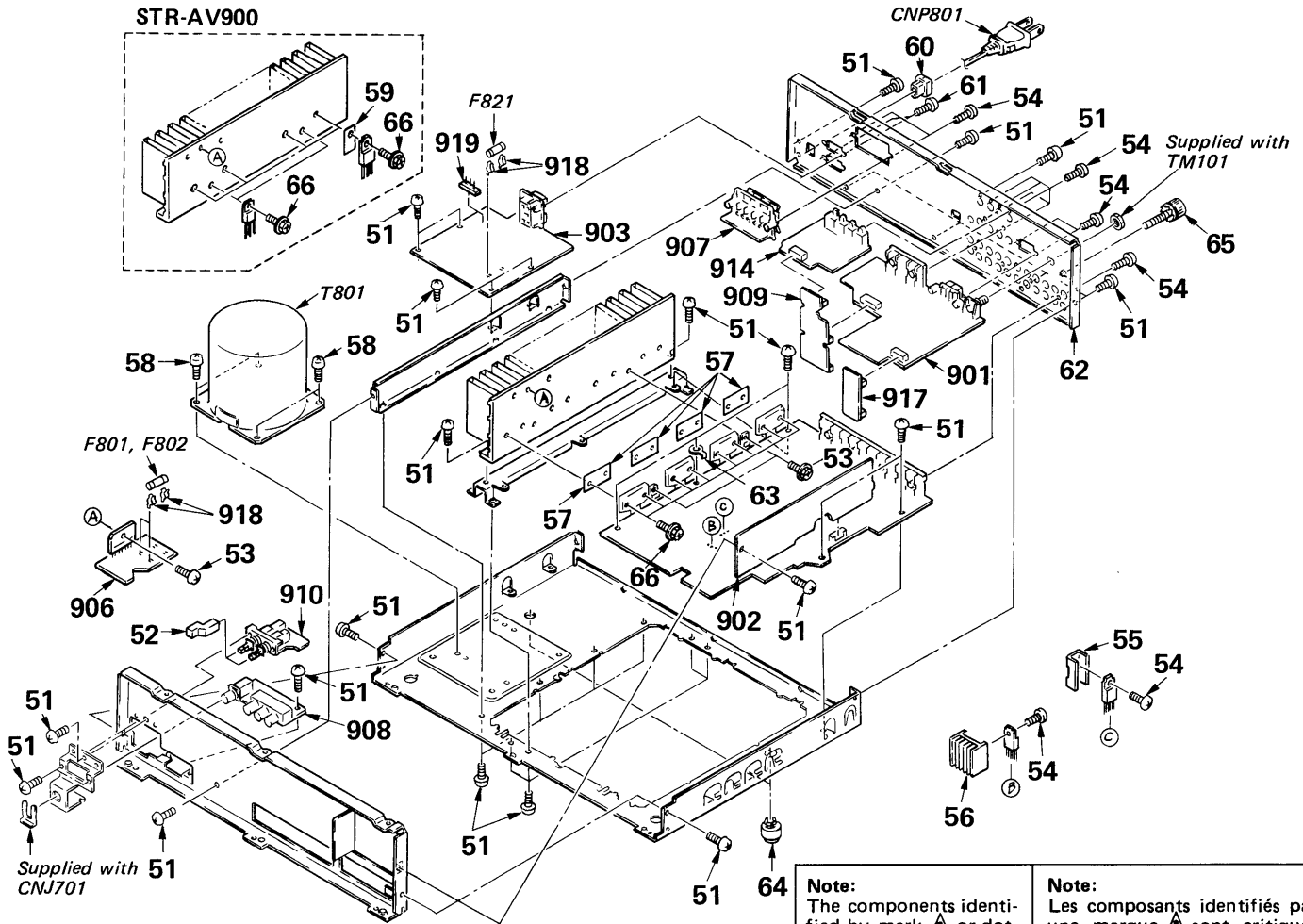


No.	Part No.	Description	Remarks	No.	Part No.	Description	Remarks
1	7-682-548-04	SCREW +BVTT 3X8 (S)		905	*A-4472-288-A	(AV1000)...MOUNTED PCB, DISPLAY	
2	3-337-121-01	FELT, ORNAMENTAL FOOT			*A-4472-289-A	(AV900)...MOUNTED PCB, DISPLAY	
3	4-925-014-01	KNOB (DIA.10)		911	*1-626-371-11	PC BOARD, VOL INDICATOR	
4	7-685-534-19	SCREW +BTP 2.6X8 TYPE2 N-S		912	*1-626-372-11	PC BOARD, MOTOR VOL (1)	
5	4-925-121-01	KNOB (V2)		913	*1-626-373-11	PC BOARD, MOTOR VOL (2)	
6	3-703-710-41	STICKER, SONY SYMBOL (12)		915	*1-626-376-11	PC BOARD, BALANCE VOL	
7	X-4906-817-1	(AV900)...PANEL ASSY, FRONT		916	*1-626-379-11	PC BOARD, SIRCS	
	X-4906-818-1	(AV1000)...PANEL ASSY, FRONT					
8	3-704-366-01	SCREW (CASE) (M3X8)					
9	4-925-039-11	CASE					
10	4-922-048-01	(AV1000)...LID BATTERY CASE					
	2-394-123-01	(AV900)...LID BATTERY CASE					

SEE ADDITIONAL
SEE INFORMATION

STR-AV900/AV1000

(2).



Note:
The components identified by mark \triangle or dotted line with mark \triangle are critical for safety. Replace only with part number specified.

Note:
Les composants identifiés par une marque \triangle sont critiques pour la sécurité. Ne les remplacer que par une pièce portant le numéro spécifié.

No.	Part No.	Description	Remarks	No.	Part No.	Description	Remarks
51	7-682-548-04	SCREW +BVTT 3X8 (S)		904	A-4410-703-A (AV1000:US).....MOUNTED PCB, MAIN		
52	4-906-872-01	KNOB, SQUARE			A-4410-704-A (AV1000:Cnadian)...MOUNTED PCB, MAIN		
53	7-682-550-04	SCREW (M3X12), TAPPING			A-4410-710-A (AV900:US).....MOUNTED PCB, MAIN		
54	7-685-646-79	SCREW +BVTP 3X8 TYPE2 N-S			A-4410-711-A (AV900:Cnadian)...MOUNTED PCB, MAIN		
55	*4-309-144-31	HEAT SINK, V.OUT		906	*1-626-364-11	PC BOARD, POWER SUPPLY (1)	
56	*3-309-144-21 (AV900)...HEAT SINK			907	*1-626-366-11	PC BOARD, SP TERMINAL	
	4-921-402-01 (AV1000)...HEAT SINK			908	*1-626-367-11	PC BOARD, HEADPHONE	
57	4-885-901-31 (AV1000)...SHEET, RADIATION			909	*1-626-368-11	PC BOARD, CONNECTOR (2)	
58	7-682-161-01	SCREW +BVTT 4X8 (S)		910	*1-626-369-11	PC BOARD, SP-SW	
59	4-911-232-01 (AV900)...SHEET, INSULATING			914	*1-626-375-11 (AV1000)...PC BOARD, Y/C		
60	*3-703-244-00	BUSHING (2104), CORD		917	*1-626-380-11	PC BOARD, CONNECTOR (1)	
61	7-685-646-79	SCREW +BTP 3X8 TYPE2 N-S		918	1-533-183-11	HOLDER, FUSE	
62	*4-925-023-01 (AV1000:US).....PANEL, BACK			919	*1-535-140-00	BASE POST 22MM (10MM PITCH) 3P	
	*4-925-023-11 (AV1000:Cnadian)...PANEL, BACK			CNP801.1-559-819-11	CORD, POWER		
	*4-925-023-31 (AV900:US).....PANEL, BACK			F801 \triangle .1-532-748-11 (AV900)...FUSE, GLASS TUBE (6.3A)			
	*4-925-023-41 (AV900:Cnadian)...PANEL, BACK			F801 \triangle .1-532-749-11 (AV1000)...FUSE, GLASS TUBE (8A)			
63	*4-904-446-01	PLATE, GROUND		F802 \triangle .1-532-748-11 (AV900)...FUSE, GLASS TUBE (6.3A)			
64	X-4921-901-1	FOOT ASSY		F802 \triangle .1-532-749-11 (AV1000)...FUSE, GLASS TUBE (8A)			
65	*3-706-165-00	SCREW		F821 \triangle .1-532-746-11	FUSE, GLASS TUBE (4A)		
66	7-682-550-09	SCREW +B 3X12		T801 \triangle .1-449-252-11 (AV1000)...TRANSFORMER, POWER			
901	*A-4351-651-A	MOUNTED PCB, TUNER VIDEO		T801 \triangle .1-449-254-11 (AV900)...TRANSFORMER, POWER			
902	*A-4375-369-A	MOUNTED PCB, GRAPHIC EQUALIZER					
903	*A-4394-457-A	MOUNTED PCB, POWER SUPPLY (2)					

SECTION 4

SEE ADDITIONAL
INFORMATION

ELECTRICAL PARTS LIST

NOTE:

- Due to standardization, replacements in the parts list may be different from the parts specified in the diagrams or the components used on the set.
- Items marked "*" are not stocked since they are seldom required for routine service. Some delay should be anticipated when ordering these items.
- If there are two or more same circuits in a set such as a stereophonic machine, only typical circuit parts may be indicated and capacitors and resistors in other same circuits may be omitted.

CAPACITORS:

MF: μ F, PF: μ PF.

RESISTORS

- All resistors are in ohms.
- F: nonflammable

COILS

- MMH: mH, UH: μ H

SEMICONDUCTORS

In each case, U: μ , for example:UA....: μ A...., UPA....: μ PA....,
UPC....: μ PC, UPD....: μ PD....

The components identified by mark Δ or dotted line with mark Δ are critical for safety. Replace only with part number specified.

Les composants identifiés par une marque Δ sont critiques pour la sécurité. Ne les remplacer que par une pièce portant le numéro spécifié.

Ref.No.	Part No.	Description	Ref.No.	Part No.	Description
901	*A-4351-651-A	MOUNTED PCB, TUNER VIDEO	C133	1-136-155-00	MYLAR 0.015MF 10% 50V
902	*A-4375-369-A	MOUNTED PCB, GRAPHIC EQUALIZER	C134	1-123-875-11	ELECT 10MF 20% 50V
903	*A-4394-457-A	MOUNTED PCB, POWER SUPPLY (2)	C135	1-162-288-31	CERAMIC 330PF 10% 50V
904	A-4410-703-A	(AV1000:US).....MOUNTED PCB, MAIN	C136	1-101-006-00	CERAMIC 0.047MF 50V
	A-4410-704-A	(AV1000:Cnadian)...MOUNTED PCB, MAIN	C137	1-123-875-11	ELECT 10MF 20% 50V
	A-4410-710-A	(AV900:US).....MOUNTED PCB, MAIN	C138	1-162-291-31	CERAMIC 560PF 10% 50V
	A-4410-711-A	(AV900:Cnadian)...MOUNTED PCB, MAIN			
905	*A-4472-288-A	(AV1000)...MOUNTED PCB, DISPLAY	C139	1-162-291-31	CERAMIC 560PF 10% 50V
	*A-4472-289-A	(AV900)...MOUNTED PCB, DISPLAY	C140	1-124-499-11	ELECT 1MF 20% 50V
			C141	1-123-875-11	ELECT 10MF 20% 50V
906	*1-626-364-11	PC BOARD, POWER SUPPLY (1)	C142	1-123-875-11	ELECT 10MF 20% 50V
907	*1-626-366-11	PC BOARD, SP TERMINAL	C144	1-124-477-11	ELECT 47MF 20% 16V
908	*1-626-367-11	PC BOARD, HEADPHONE	C145	1-124-902-00	ELECT 0.47MF 20% 50V
909	*1-626-368-11	PC BOARD, CONNECTOR (2)	C146	1-124-499-11	ELECT 1MF 20% 50V
910	*1-626-369-11	PC BOARD, SP-SW	C147	1-124-499-11	ELECT 1MF 20% 50V
911	*1-626-371-11	PC BOARD, VOL INDICATOR	C148	1-124-499-11	ELECT 1MF 20% 50V
912	*1-626-372-11	PC BOARD, MOTOR VOL (1)	C151	1-124-499-11	ELECT 1MF 20% 50V
913	*1-626-373-11	PC BOARD, MOTOR VOL (2)	C152	1-161-379-00	CERAMIC 0.01MF 30% 16V
914	*1-626-375-11	(AV1000)...PC BOARD, Y/C	C153	1-124-925-11	ELECT 2.2MF 20% 50V
915	*1-626-376-11	PC BOARD, BALANCE VOL	C154	1-123-875-11	ELECT 10MF 20% 50V
916	*1-626-379-11	PC BOARD, SIRCS	C155	1-161-379-00	CERAMIC 0.01MF 30% 16V
917	*1-626-380-11	PC BOARD, CONNECTOR (1)	C156	1-161-379-00	CERAMIC 0.01MF 30% 16V
918	1-533-183-11	HOLDER, FUSE	C157	1-162-207-31	CERAMIC 22PF 5% 50V
919	*1-535-140-00	BASE POST 22MM (10MM PITCH) 3P	C158	1-123-875-11	ELECT 10MF 20% 50V
			C159	1-161-379-00	CERAMIC 0.01MF 30% 16V
BA481	1-528-120-00	BATTERY, LITHIUM (CR-2025)	C160	1-161-379-00	CERAMIC 0.01MF 30% 16V
C101	1-161-379-00	CERAMIC 0.01MF 30% 16V	C161	1-162-206-31	CERAMIC 20PF 5% 50V
C102	1-123-875-11	ELECT 10MF 20% 50V	C162	1-162-206-31	CERAMIC 20PF 5% 50V
C103	1-161-379-00	CERAMIC 0.01MF 30% 16V			
C105	1-161-379-00	CERAMIC 0.01MF 30% 16V	C201	1-124-120-11	ELECT 220MF 20% 16V
C106	1-124-477-11	ELECT 47MF 20% 16V	C211	1-124-473-11	ELECT 1000MF 20% 10V
C111	1-101-006-00	CERAMIC 0.047MF 50V	C212	1-123-875-11	ELECT 10MF 20% 50V
C112	1-101-006-00	CERAMIC 0.047MF 50V			
C113	1-161-379-00	CERAMIC 0.01MF 30% 16V	C231	1-124-473-11	ELECT 1000MF 20% 10V
C114	1-124-477-11	ELECT 47MF 20% 16V	C232	1-123-875-11	ELECT 10MF 20% 50V
C115	1-161-379-00	CERAMIC 0.01MF 30% 16V	C251	1-124-471-00	(AV1000)...ELECT 1000MF 20% 6.3V
C116	1-124-499-11	ELECT 1MF 20% 50V			
C117	1-162-211-31	CERAMIC 33PF 5% 50V	C252	1-124-471-00	(AV1000)...ELECT 1000MF 20% 6.3V
			C253	1-124-471-00	(AV1000)...ELECT 1000MF 20% 6.3V
C121	1-161-379-00	CERAMIC 0.01MF 30% 16V	C254	1-124-471-00	(AV1000)...ELECT 1000MF 20% 6.3V
C124	1-161-379-00	CERAMIC 0.01MF 30% 16V			
C125	1-123-875-11	ELECT 10MF 20% 50V	C261	1-123-875-11	(AV1000)...ELECT 10MF 20% 50V
			C262	1-123-875-11	(AV1000)...ELECT 10MF 20% 50V
C126	1-124-927-11	ELECT 4.7MF 20% 50V	C263	1-123-875-11	(AV1000)...ELECT 10MF 20% 50V
C127	1-124-927-11	ELECT 4.7MF 20% 50V			
C128	1-161-379-00	CERAMIC 0.01MF 30% 16V	C264	1-123-875-11	(AV1000)...ELECT 10MF 20% 50V
			C281	1-123-875-11	ELECT 10MF 20% 50V
C130	1-124-927-11	ELECT 4.7MF 20% 50V	C301	1-101-005-00	CERAMIC 0.022MF 50V
C131	1-136-161-00	MYLAR 0.047MF 10% 50V			
C132	1-161-379-00	CERAMIC 0.01MF 30% 16V	C302	1-162-210-31	CERAMIC 30PF 5% 50V
			C303	1-162-210-31	CERAMIC 30PF 5% 50V
			C304	1-124-462-00	ELECT 10MF 20% 10V

Ref.No.	Part No.	Description				Ref.No.	Part No.	Description			
C305	1-101-005-00	CERAMIC	0.022MF		50V	C541	1-123-875-11	ELECT	10MF	20%	50V
C306	1-136-169-00	FILM	0.22MF	5%	50V	C542	1-130-497-00	MYLAR	0.15MF	5%	50V
C307	1-124-255-00	ELECT	1MF	20%	50V	C548	1-124-499-11	ELECT	1MF	20%	50V
C308	1-161-379-00	CERAMIC	0.01MF	30%	16V	C549	1-124-499-11	ELECT	1MF	20%	50V
C309	1-101-005-00	CERAMIC	0.022MF	30%	50V	C551	1-124-927-11	ELECT	4.7MF	20%	50V
C341	1-130-473-00	MYLAR	0.0015MF	5%	50V	C552	1-162-215-31	CERAMIC	47PF	5%	50V
C342	1-124-234-00	ELECT	22MF	20%	16V	C553	1-124-927-11	ELECT	4.7MF	20%	50V
C421	1-162-282-31	CERAMIC	100PF	10%	50V	C554	1-124-927-11	ELECT	4.7MF	20%	50V
C422	1-124-927-11	ELECT	4.7MF	20%	50V	C556	1-124-908-11	ELECT	22MF	20%	25V
C423	1-124-963-11	ELECT	33MF	20%	16V	C561	1-124-254-00	ELECT	0.68MF	20%	50V
C424	1-130-480-00	MYLAR	0.0056MF	5%	50V	C562	1-124-250-00	ELECT	0.15MF	20%	50V
C425	1-130-473-00	MYLAR	0.0015MF	5%	50V	C563	1-124-464-11	ELECT	0.22MF	20%	50V
C426	1-124-499-11	ELECT	1MF	20%	50V	C564	1-130-491-00	MYLAR	0.047MF	5%	50V
C427	1-124-477-11	ELECT	47MF	20%	16V	C565	1-124-463-00	ELECT	0.1MF	20%	50V
C429	1-124-463-00	ELECT	0.1MF	20%	50V	C566	1-130-487-00	MYLAR	0.022MF	5%	50V
C431	1-162-294-31	CERAMIC	0.001MF	10%	50V	C567	1-130-489-00	MYLAR	0.033MF	5%	50V
C432	1-162-294-31	CERAMIC	0.001MF	10%	50V	C568	1-130-483-00	MYLAR	0.01MF	5%	50V
C448	1-101-005-00	(AV1000)...CERAMIC	0.022MF		50V	C569	1-130-485-00	MYLAR	0.015MF	5%	50V
C449	1-101-005-00	CERAMIC	0.022MF		50V	C570	1-130-477-00	MYLAR	0.0033MF	5%	50V
C471	1-162-282-31	CERAMIC	100PF	10%	50V	C571	1-130-481-00	MYLAR	0.0068MF	5%	50V
C472	1-124-927-11	ELECT	4.7MF	20%	50V	C572	1-130-471-00	MYLAR	0.001MF	5%	50V
C473	1-124-963-11	ELECT	33MF	20%	16V	C573	1-130-475-00	MYLAR	0.0022MF	5%	50V
C474	1-130-480-00	MYLAR	0.0056MF	5%	50V	C574	1-130-469-00	MYLAR	680PF	5%	50V
C475	1-130-473-00	MYLAR	0.0015MF	5%	50V	C590	1-162-215-31	CERAMIC	47PF	5%	50V
C476	1-124-499-11	ELECT	1MF	20%	50V	C591	1-123-875-11	ELECT	10MF	20%	50V
C477	1-124-477-11	ELECT	47MF	20%	16V	C592	1-130-497-00	MYLAR	0.15MF	5%	50V
C479	1-124-463-00	ELECT	0.1MF	20%	50V	C601	1-124-908-11	ELECT	22MF	20%	50V
C480	1-123-875-11	ELECT	10MF	20%	50V	C603	1-124-908-11	ELECT	22MF	20%	50V
C481	1-123-875-11	ELECT	10MF	20%	50V	C604	1-130-491-00	MYLAR	0.047MF	5%	50V
C482	1-101-005-00	CERAMIC	0.022MF	30%	50V	C605	1-130-491-00	MYLAR	0.047MF	5%	50V
C483	1-162-282-31	CERAMIC	100PF	10%	50V	C607	1-130-486-00	MYLAR	0.018MF	5%	50V
C484	1-162-282-31	CERAMIC	100PF	10%	50V	C608	1-130-486-00	MYLAR	0.018MF	5%	50V
C485	1-136-169-00	FILM	0.22MF	5%	50V	C610	1-130-480-00	MYLAR	0.0056MF	5%	50V
C486	1-161-379-00	CERAMIC	0.01MF	30%	16V	C611	1-130-480-00	MYLAR	0.0056MF	5%	50V
C487	1-161-379-00	CERAMIC	0.01MF	30%	16V	C613	1-130-477-00	MYLAR	0.0033MF	5%	50V
C488	1-161-494-11	CERAMIC	0.022MF			C614	1-130-477-00	MYLAR	0.0033MF	5%	50V
C491	1-124-443-00	ELECT	100MF	20%	6.3V	C616	1-130-479-00	MYLAR	0.0047MF	5%	50V
C501	1-124-927-11	ELECT	4.7MF	20%	50V	C617	1-130-479-00	MYLAR	0.0047MF	5%	50V
C502	1-162-215-31	CERAMIC	47PF	5%	50V	C619	1-130-477-00	MYLAR	0.0033MF	5%	50V
C503	1-124-927-11	ELECT	4.7MF	20%	50V	C620	1-130-477-00	MYLAR	0.0033MF	5%	50V
C504	1-124-927-11	ELECT	4.7MF	20%	50V	C622	1-130-477-00	MYLAR	0.0033MF	5%	50V
C506	1-124-908-11	ELECT	22MF	20%	25V	C623	1-130-477-00	MYLAR	0.0033MF	5%	50V
C509	1-161-379-00	CERAMIC	0.01MF	30%	16V	C625	1-124-925-11	ELECT	2.2MF	20%	50V
C511	1-124-254-00	ELECT	0.68MF	20%	50V	C626	1-124-925-11	ELECT	2.2MF	20%	50V
C512	1-124-250-00	ELECT	0.15MF	20%	50V	C627	1-124-925-11	ELECT	2.2MF	20%	50V
C513	1-124-464-11	ELECT	0.22MF	20%	50V	C628	1-124-925-11	ELECT	2.2MF	20%	50V
C514	1-130-491-00	MYLAR	0.047MF	5%	50V	C629	1-124-925-11	ELECT	2.2MF	20%	50V
C515	1-124-463-00	ELECT	0.1MF	20%	50V	C630	1-124-925-11	ELECT	2.2MF	20%	50V
C516	1-130-487-00	MYLAR	0.022MF	5%	50V	C631	1-124-925-11	ELECT	2.2MF	20%	50V
C517	1-130-489-00	MYLAR	0.033MF	5%	50V	C632	1-124-925-11	ELECT	2.2MF	20%	50V
C518	1-130-483-00	MYLAR	0.01MF	5%	50V	C634	1-123-875-11	ELECT	10MF	20%	50V
C519	1-130-485-00	MYLAR	0.015MF	5%	50V	C701	1-102-973-00	CERAMIC	100PF	5%	50V
C520	1-130-477-00	MYLAR	0.0033MF	5%	50V	C702	1-102-978-00	CERAMIC	220PF	5%	50V
C521	1-130-481-00	MYLAR	0.0068MF	5%	50V	C703	1-124-477-11	ELECT	47MF	20%	25V
C522	1-130-471-00	MYLAR	0.001MF	5%	50V	C704	1-102-230-00	CERAMIC	4PF	0.25PF	500V
C523	1-130-475-00	MYLAR	0.0022MF	5%	50V	C705	1-124-499-11	ELECT	1MF	20%	50V
C524	1-130-469-00	MYLAR	680PF	5%	50V	C706	1-102-959-00	CERAMIC	22PF	5%	50V
C540	1-162-215-31	CERAMIC	47PF	5%	50V						

Ref.No.	Part No.	Description				
C707	1-124-908-11	ELECT	22MF	20%	50V	
C708	1-124-477-11	ELECT	47MF	20%	25V	
C709	1-124-477-11	ELECT	47MF	20%	25V	
C710	1-124-477-11	ELECT	47MF	20%	25V	
C711	1-102-233-00	CERAMIC	33PF	10%	500V	
C712	1-102-233-00	CERAMIC	33PF	10%	500V	
C713	1-124-463-00	ELECT	0.1MF	20%	50V	
C715	1-124-463-00	ELECT	0.1MF	20%	50V	
C716	1-130-487-00	MYLAR	0.022MF	5%	50V	
C721	1-124-463-00	ELECT	0.1MF	20%	50V	
C722	1-124-472-11	ELECT	47OMF	20%	6.3V	
C751	1-102-973-00	CERAMIC	100PF	5%	50V	
C752	1-102-978-00	CERAMIC	220PF	5%	50V	
C753	1-124-477-11	ELECT	47MF	20%	25V	
C754	1-102-230-00	CERAMIC	4PF	0.25PF	500V	
C755	1-124-499-11	ELECT	1MF	20%	50V	
C756	1-102-959-00	CERAMIC	22PF	5%	50V	
C757	1-124-908-11	ELECT	22MF	20%	50V	
C758	1-124-477-11	ELECT	47MF	20%	25V	
C759	1-124-477-11	ELECT	47MF	20%	25V	
C760	1-124-477-11	ELECT	47MF	20%	25V	
C761	1-102-233-00	CERAMIC	33PF	10%	500V	
C762	1-102-233-00	CERAMIC	33PF	10%	500V	
C763	1-124-463-00	ELECT	0.1MF	20%	50V	
C765	1-124-463-00	ELECT	0.1MF	20%	50V	
C766	1-130-487-00	MYLAR	0.022MF	5%	50V	
C801	1-125-416-11	(AV900)...ELECT	1000OMF	20%	63V	
C801	1-125-522-11	(AV1000)...ELECT	1200OMF	20%	71V	
C802	1-102-355-00	CERAMIC	0.01MF		250V	
C803	1-102-355-00	CERAMIC	0.01MF		250V	
C804	1-123-875-11	ELECT	10MF	20%	50V	
C806	1-124-924-11	ELECT	1MF		100V	
C810	1-123-875-11	ELECT	10MF	20%	50V	
C811	1-102-355-00	CERAMIC	0.01MF		250V	
C812	1-124-360-00	ELECT	100OMF	20%	16V	
C813	1-124-477-11	ELECT	47MF	20%	16V	
C814	1-123-875-11	ELECT	10MF	20%	50V	
C815	1-124-499-11	ELECT	1MF	20%	50V	
C816	1-124-902-00	ELECT	0.47MF	20%	50V	
C817	1-161-379-00	CERAMIC	0.01MF	30%	16V	
C821	1-161-744-00	CERAMIC	0.01MF		400V	
C825	1-124-463-00	ELECT	0.1MF	20%	50V	
C831	1-102-355-00	CERAMIC	0.01MF		250V	
C832	1-126-105-11	ELECT	100OMF	20%	35V	
C833	1-126-104-11	ELECT	47OMF	20%	35V	
C834	1-124-477-11	ELECT	47MF	20%	16V	
C835	1-124-477-11	ELECT	47MF	20%	16V	
C851	1-125-416-11	(AV900)...ELECT	1000OMF	20%	63V	
C851	1-125-522-11	(AV1000)...ELECT	1200OMF	20%	71V	
CF101	1-567-393-11	FILTER, CERAMIC				
CF102	1-567-393-11	FILTER, CERAMIC				
CF103	1-567-250-11	OSCILLATOR, CERAMIC				
CF104	1-527-981-00	FILTER, CERAMIC				
CF301	1-567-170-00	OSCILLATOR, CERAMIC (4.194MHz)				
CF481	1-527-822-00	OSCILLATOR, CERAMIC				
CNJ201	1-566-847-31	(AV1000)...CONNECTOR, (S) TERMINAL 4P (MONITOR)				
CNJ202	1-566-846-11	(AV1000)...CONNECTOR, (S) TERMINAL 4P (S VIDEO IN)				

Ref.No.	Part No.	Description
CNJ203	1-566-846-11	(AV1000)...CONNECTOR (S) TERMINAL 4P (S VIDEO OUT)
CNJ204	1-566-846-11	(AV1000)...CONNECTOR (S) TERMINAL 4P (VIDEO2 S VIDEO IN)
CNJ701	1-507-796-21	JACK (HEADPHONES)
△CNJ821	1-540-010-11	OUTLET, AC (2P)(AC OUTLET)
CNJ-A1*1-564-342-11		PIN, CONNECTOR 8P
CNJ-A2*1-564-341-21		PIN, CONNECTOR 7P
CNJ-A3*1-564-342-61		PIN, CONNECTOR 8P
CNJ-A4*1-564-339-21		PIN, CONNECTOR 5P
CNJ-A5*1-564-338-21		PIN, CONNECTOR 4P
CNJ-A6*1-564-707-11		(AV1000)...PIN, CONNECTOR(SMALL TYPE)5P
CNJ-A7*1-564-705-11		PIN, CONNECTOR (SMALL TYPE) 3P
CNJ-A8*1-564-704-11		PIN, CONNECTOR (SMALL TYPE) 2P
CNJ-A9*1-564-704-31		PIN, CONNECTOR (SMALL TYPE) 2P
CNJ-A10*1-564-338-21		PIN, CONNECTOR 4P
CNJ-A11*1-564-104-00		PIN, CONNECTOR 3P
CNJ-A12*1-564-104-00		PIN, CONNECTOR 3P
CNJ-A13*1-565-348-11		SOCKET, CONNECTOR(PC BOARD) 14P
CNJ-A14*1-565-347-11		SOCKET, CONNECTOR (PC BOARD) 8P
CNJ-A15*1-565-342-11		PIN, CONNECTOR (PC BOARD) 4P
CNJ-A16*1-565-344-11		PIN, CONNECTOR (PC BOARD) 8P
CNJ-A17*1-564-104-00		PIN, CONNECTOR 3P
CNJ-B1*1-565-347-11		SOCKET, CONNECTOR (PC BOARD) 8P
CNJ-B2*1-565-348-11		SOCKET, CONNECTOR(PC BOARD) 14P
CNJ-C1*1-565-348-11		(AV1000)..SOCKET, CONNECTOR(PC BOARD)14P
CNJ-D1*1-564-342-11		PIN, CONNECTOR 8P
CNJ-D2*1-564-341-21		PIN, CONNECTOR 7P
CNJ-D3*1-564-342-61		PIN, CONNECTOR 8P
CNJ-D4*1-564-104-00		PIN, CONNECTOR 3P
CNJ-D5*1-564-339-00		PIN, CONNECTOR 5P
CNJ-E1*1-564-341-21		PIN, CONNECTOR 7P
CNJ-E2*1-564-718-11		PIN, CONNECTOR (SMALL TYPE) 2P
CNJ-E3*1-564-339-00		PIN, CONNECTOR 5P
CNJ-E4*1-565-321-11		SOCKET, CONNECTOR (PC BOARD) 8P
CNJ-F1*1-564-338-21		PIN, CONNECTOR 4P
CNJ-G1*1-564-707-11		(AV1000)...PIN, CONNECTOR(SMALL TYPE)5P
CNJ-G2*1-564-104-00		PIN, CONNECTOR 3P
CNJ-H2*1-564-704-11		PIN, CONNECTOR (SMALL TYPE) 2P
CNJ-H3*1-564-704-11		PIN, CONNECTOR (SMALL TYPE) 2P
CNJ-H4*1-565-322-11		PIN, CONNECTOR (PC BOARD) 8P
CNJ-I1*1-564-342-11		PIN, CONNECTOR 8P
CNJ-I2*1-564-338-21		PIN, CONNECTOR 4P
CNJ-I3*1-564-104-00		PIN, CONNECTOR 3P
CNJ-J1*1-564-342-11		PIN, CONNECTOR 8P
CNJ-K1*1-564-104-00		PIN, CONNECTOR 3P
CNJ-K3*1-564-104-00		PIN, CONNECTOR 3P
CNJ-L1*1-564-704-11		PIN, CONNECTOR (SMALL TYPE) 2P
CNJ-N1*1-565-344-11		PIN, CONNECTOR (PC BOARD) 8P
CNJ-N2*1-565-344-11		PIN, CONNECTOR (PC BOARD) 8P
CNJ-P1*1-565-341-11		SOCKET, CONNECTOR (PC BOARD) 4P
CNJ-P2*1-565-347-11		SOCKET, CONNECTOR (PC BOARD) 8P

<p>Note: The components identified by mark △ or dotted line with mark △ are critical for safety. Replace only with part number specified.</p>	<p>Note: Les composants identifiés par une marque △ sont critiques pour la sécurité. Ne les remplacer que par une pièce portant le numéro spécifié.</p>
--	---

Ref.No.	Part No.	Description
CNJ-Q1	1-565-345-11	PIN, CONNECTOR (PC BOARD) 14P
CNJ-Q2	1-565-345-11	PIN, CONNECTOR (PC BOARD) 14P
CNJ-Q3	1-565-345-11	(AV1000)...PIN, CONNECTOR (PC BOARD) 14P
△CNP801.1	1-559-819-11	CORD, POWER
D101	8-719-000-26	DIODE US1060M
D102	8-719-000-26	DIODE US1060M
D104	8-719-000-26	DIODE US1060M
D105	8-719-000-26	DIODE US1060M
D106	8-719-000-26	DIODE US1060M
D201	8-719-000-26	DIODE US1060M
D281	8-719-933-60	DIODE HZS9C2L
D301	8-719-000-26	DIODE US1060M
D302	8-719-000-26	DIODE US1060M
D303	8-719-914-11	DIODE HZ4ALL
D304	8-719-303-69	DIODE SEL1510W
D306	8-719-000-26	DIODE US1060M
D307	8-719-000-26	DIODE US1060M
D308	8-719-000-26	DIODE US1060M
D309	8-719-000-26	DIODE US1060M
D310	8-719-000-26	DIODE US1060M
D311	8-719-000-26	DIODE US1060M
D312	8-719-000-26	DIODE US1060M
D313	8-719-000-26	DIODE US1060M
D314	8-719-000-26	DIODE US1060M
D315	8-719-000-26	DIODE US1060M
D316	8-719-000-26	DIODE US1060M
D317	8-719-000-26	DIODE US1060M
D318	8-719-000-26	DIODE US1060M
D319	8-719-000-26	DIODE US1060M
D320	8-719-000-26	DIODE US1060M
D321	8-719-000-26	DIODE US1060M
D322	8-719-000-26	DIODE US1060M
D323	8-719-000-26	DIODE US1060M
D325	8-719-000-26	DIODE US1060M
D326	8-719-000-26	DIODE US1060M
D331	8-719-310-78	DIODE SEL1810W (SURROUND)
D332	8-719-310-78	DIODE SEL1810W (MUTING)
D481	8-719-000-26	DIODE US1060M
D482	8-719-000-26	DIODE US1060M
D483	8-719-000-26	DIODE US1060M
D501	8-719-000-26	DIODE US1060M
D548	8-719-304-14	DIODE SEL2510W (VOLUME)
D601	8-719-000-26	DIODE US1060M
D602	8-719-000-26	DIODE US1060M
D603	8-719-000-26	DIODE US1060M
D604	8-719-000-26	DIODE US1060M
D605	8-719-000-26	DIODE US1060M
D606	8-719-000-26	DIODE US1060M
D607	8-719-000-26	DIODE US1060M
D608	8-719-000-26	DIODE US1060M
D609	8-719-000-26	DIODE US1060M
D610	8-719-000-26	DIODE US1060M
D611	8-719-000-26	DIODE US1060M
D612	8-719-000-26	DIODE US1060M
D613	8-719-000-26	DIODE US1060M
D614	8-719-000-26	DIODE US1060M
D615	8-719-000-26	DIODE US1060M
D616	8-719-000-26	DIODE US1060M
D701	8-719-000-26	DIODE US1060M
D702	8-719-933-43	DIODE HZS7A1L



Ref.No.	Part No.	Description
D703	8-719-933-41	DIODE HZS6C3L
D704	8-719-000-26	DIODE US1060M
D705	8-719-000-26	DIODE US1060M
D706	8-719-000-26	DIODE US1060M
D707	8-719-000-26	DIODE US1060M
D708	8-719-000-26	DIODE US1060M
D709	8-719-000-26	DIODE US1060M
D710	8-719-000-26	DIODE US1060M
D711	8-719-000-26	DIODE US1060M
D712	8-719-000-26	DIODE US1060M
D713	8-719-000-26	DIODE US1060M
D714	8-719-000-26	DIODE US1060M
D715	8-719-000-26	DIODE US1060M
D716	8-719-000-26	DIODE US1060M
D717	8-719-000-26	DIODE US1060M
D718	8-719-000-26	DIODE US1060M
D719	8-719-000-26	DIODE US1060M
D720	8-719-000-26	DIODE US1060M
D751	8-719-000-26	DIODE US1060M
D752	8-719-933-43	DIODE HZS7A1L
D753	8-719-933-41	DIODE HZS6C3L
D754	8-719-000-26	DIODE US1060M
D755	8-719-000-26	DIODE US1060M
D756	8-719-000-26	DIODE US1060M
D757	8-719-000-26	DIODE US1060M
D758	8-719-000-26	DIODE US1060M
D759	8-719-000-26	DIODE US1060M
D760	8-719-000-26	DIODE US1060M
D761	8-719-000-26	DIODE US1060M
D763	8-719-000-26	DIODE US1060M
D764	8-719-000-26	DIODE US1060M
D765	8-719-000-26	DIODE US1060M
D766	8-719-000-26	DIODE US1060M
D767	8-719-000-26	DIODE US1060M
D768	8-719-000-26	DIODE US1060M
D769	8-719-000-26	DIODE US1060M
D770	8-719-000-26	DIODE US1060M
D801	8-719-302-38	DIODE RBV-602-01
D802	8-719-934-26	DIODE HZS33-2L
D803	8-719-175-88	DIODE RD7.5F
D811	8-719-200-77	DIODE 10E2N
D812	8-719-200-77	DIODE 10E2N
D813	8-719-200-77	DIODE 10E2N
D814	8-719-200-77	DIODE 10E2N
D815	8-719-000-06	DIODE MC921
D816	8-719-933-41	DIODE HZS6C3L
D817	8-719-914-11	DIODE HZ4ALL
D818	8-719-000-26	DIODE US1060M
D819	8-719-000-26	DIODE US1060M
D820	8-719-000-26	DIODE US1060M
D831	8-719-511-40	DIODE S1VB40
F801	△.1-532-748-11	(AV900)...FUSE, GLASS TUBE (6.3A)
F801	△.1-532-749-11	(AV1000)...FUSE, GLASS TUBE (8A)
F802	△.1-532-748-11	(AV900)...FUSE, GLASS TUBE (6.3A)
F802	△.1-532-749-11	(AV1000)...FUSE, GLASS TUBE (8A)
F821	△.1-532-746-11	FUSE, GLASS TUBE (4A)


Note:
The components identified by mark △ or dotted line with mark △ are critical for safety. Replace only with part number specified.

Note:
Les composants identifiés par une marque △ sont critiques pour la sécurité. Ne les remplacer que par une pièce portant le numéro spécifié.

Ref.No.	Part No.	Description	Ref.No.	Part No.	Description
FE101	1-463-862-11	FRONT END, FM	Q107	8-729-201-84	TRANSISTOR 2SC3112B
FE102	1-235-936-11	ENCAPSULATED COMPONENT (AM)	Q108	8-729-203-05	TRANSISTOR 2SK30AGR33
FL301	1-519-461-11	INDICATOR TUBE, FLUORESCENT	Q109	8-729-900-36	TRANSISTOR DTC124ES
IC101	8-759-804-55	IC LA1266	Q110	8-729-117-54	TRANSISTOR 2SA1175
IC102	8-759-801-80	IC LA3401	Q111	8-729-178-55	TRANSISTOR 2SC2785
IC103	8-757-925-20	IC CX-7925B	Q112	8-729-900-36	TRANSISTOR DTC124ES
IC201	8-759-601-41	IC M4053BP	Q203	8-729-178-55	TRANSISTOR 2SC2785
IC202	8-759-601-40	(AV1000)...IC M4052BP	Q211	8-729-117-54	TRANSISTOR 2SA1175
IC301	8-759-141-94	IC UPD75216AGF-513-3BE	Q212	8-729-117-54	TRANSISTOR 2SA1175
IC302	8-759-820-59	IC LC7565	Q213	8-729-178-55	TRANSISTOR 2SC2785-E
IC303	8-749-901-49	IC SBX1492-51	Q214	8-729-178-55	TRANSISTOR 2SC2785-E
IC401	8-759-602-02	IC M5219P	Q215	8-729-178-55	TRANSISTOR 2SC2785-E
IC402	8-759-805-14	IC LC7822	Q231	8-729-117-54	TRANSISTOR 2SA1175
IC403	8-759-805-14	IC LC7822	Q232	8-729-117-54	TRANSISTOR 2SA1175
IC404	8-759-320-39	IC HD614042FH46	Q233	8-729-178-55	TRANSISTOR 2SC2785-E
IC405	8-759-820-62	IC LB1639	Q234	8-729-178-55	TRANSISTOR 2SC2785-E
IC406	8-757-700-00	IC CX-770	Q235	8-729-178-55	TRANSISTOR 2SC2785-E
IC501	8-759-106-61	IC UPC4570HA	Q251	8-729-600-27	(AV1000)...TRANSISTOR 2SC634SP
IC502	8-759-820-60	IC LC7520	Q252	8-729-600-27	(AV1000)...TRANSISTOR 2SC634SP
IC503	8-759-106-61	IC UPC4570HA	Q263	8-729-600-27	(AV1000)...TRANSISTOR 2SC634SP
IC504	8-759-106-41	IC UPC4570C	Q264	8-729-600-27	(AV1000)...TRANSISTOR 2SC634SP
IC505	8-759-106-41	IC UPC4570C	Q281	8-729-900-36	TRANSISTOR DTC124ES
IC506	8-759-106-41	IC UPC4570C	Q282	8-729-900-63	TRANSISTOR DTA124ES
IC507	8-759-106-41	IC UPC4570C	Q301	8-729-900-89	TRANSISTOR DTC144ES
IC508	8-759-106-41	IC UPC4570C	Q302	8-729-900-36	TRANSISTOR DTC124ES
IC509	8-759-106-41	IC UPC4570C	Q303	8-729-900-36	TRANSISTOR DTC124ES
IC510	8-759-106-41	IC UPC4570C	Q305	8-729-900-63	TRANSISTOR DTA124ES
IC511	8-759-106-61	IC UPC4570HA	Q306	8-729-900-63	TRANSISTOR DTA124ES
IC512	8-759-106-61	IC UPC4570HA	Q307	8-729-900-63	TRANSISTOR DTA124ES
IC513	8-757-700-00	IC CX-770	Q308	8-729-900-63	TRANSISTOR DTA124ES
IC601	8-759-600-02	IC M5218L	Q309	8-729-900-63	TRANSISTOR DTA124ES
IC602	8-759-600-02	IC M5218L	Q310	8-729-900-63	TRANSISTOR DTA124ES
IC603	8-759-600-02	IC M5218L	Q311	8-729-900-36	TRANSISTOR DTC124ES
IC604	8-759-600-02	IC M5218L	Q312	8-729-900-36	TRANSISTOR DTC124ES
IC831	8-759-604-34	IC M5F7815	Q313	8-729-900-36	TRANSISTOR DTC124ES
IC832	8-759-604-52	IC M5F7915	Q401	8-729-107-98	TRANSISTOR 2SC3622A-L
J201	1-565-319-11	JACK, PIN 2P(MONITOR/VIDEO 1 VIDEO IN)	Q402	8-729-900-36	TRANSISTOR DTC124ES
J202	1-565-319-11	JACK, PIN 2P(VIDEO 2/VIDEO 1 VIDEO OUT)	Q403	8-729-900-36	TRANSISTOR DTC124ES
J401	1-563-136-21	(AV1000)...JACK, PIN 3P (VIDEO 3 INPUT)	Q404	8-729-900-63	TRANSISTOR DTA124ES
J402	1-565-258-21	JACK, PIN 4P (TAPE 2)	Q405	8-729-900-36	TRANSISTOR DTC124ES
J403	1-565-320-11	JACK, PIN 6P(VIDEO 1/VIDEO 2)	Q451	8-729-107-98	TRANSISTOR 2SC3622A-L
J404	1-565-320-11	JACK, PIN 6P(TAPE 1/DAT IN)	Q531	8-729-107-98	TRANSISTOR 2SC3622A-L
J405	1-565-320-11	JACK, PIN 6P (PHONO/CD/DAT OUT)	Q532	8-729-900-36	TRANSISTOR DTC124ES
L101	1-410-328-11	INDUCTOR 10UH	Q541	8-729-107-98	TRANSISTOR 2SC3622A-L
L102	1-410-576-11	INDUCTOR 1MMH	Q585	8-729-900-36	TRANSISTOR DTC124ES
L103	1-410-328-11	INDUCTOR 10UH	Q586	8-729-900-36	TRANSISTOR DTC124ES
L201	1-410-328-11	INDUCTOR 10UH	Q587	8-729-900-63	TRANSISTOR DTA124ES
L301	1-410-328-11	INDUCTOR 10UH	Q591	8-729-107-98	TRANSISTOR 2SC3622A-L
L481	1-410-328-11	INDUCTOR 10UH	Q701	8-729-117-54	TRANSISTOR 2SA1175
L701	*1-420-872-00	COIL, AIR CORE	Q702	8-729-108-05	TRANSISTOR 2SC1841-PA
L751	*1-420-872-00	COIL, AIR CORE	Q703	8-729-108-05	TRANSISTOR 2SC1841-PA
L810	1-408-117-00	INDUCTOR 10UH	Q704	8-729-203-21	TRANSISTOR 2SK389-GR
L811	1-408-117-00	INDUCTOR 10UH	Q705	8-729-168-22	TRANSISTOR 2SC2682
LPF101	1-235-164-00	FILTER, LOW PASS	Q706	8-729-117-54	TRANSISTOR 2SA1175
LPF102	1-235-164-00	FILTER, LOW PASS	Q707	8-729-114-22	TRANSISTOR 2SA1142
Q101	8-729-672-42	TRANSISTOR 2SC2724-C	Q708	8-729-168-22	TRANSISTOR 2SC2682
Q102	8-729-672-42	TRANSISTOR 2SC2724-C	Q709	8-729-209-15	TRANSISTOR 2SD1012
Q106	8-729-900-36	TRANSISTOR DTC124ES			

Ref.No.	Part No.	Description
Q711	8-729-168-22	TRANSISTOR 2SC2682
Q712	8-729-114-22	TRANSISTOR 2SA1142
Q713	8-729-120-05	TRANSISTOR 2SC4431-Q
Q714	8-729-120-02	TRANSISTOR 2SA1684-Q
Q715	8-729-300-36	(AV1000)...TRANSISTOR 2SC2921
Q715	8-729-303-88	(AV900)...TRANSISTOR 2SC3856
Q716	8-729-300-22	(AV1000)...TRANSISTOR 2SA1215
Q716	8-729-303-85	(AV900)...TRANSISTOR 2SA1492
Q717	8-729-108-14	TRANSISTOR 2SA988-F
Q718	8-729-108-14	TRANSISTOR 2SA988-F
Q721	8-729-108-05	TRANSISTOR 2SC1841-PA
Q722	8-729-600-27	TRANSISTOR 2SC634SP
Q723	8-729-600-27	TRANSISTOR 2SC634SP
Q724	8-729-600-27	TRANSISTOR 2SC634SP
Q751	8-729-117-54	TRANSISTOR 2SA1175
Q752	8-729-108-05	TRANSISTOR 2SC1841-PA
Q753	8-729-108-05	TRANSISTOR 2SC1841-PA
Q754	8-729-203-21	TRANSISTOR 2SK389-GR
Q755	8-729-168-22	TRANSISTOR 2SC2682
Q756	8-729-117-54	TRANSISTOR 2SA1175
Q757	8-729-114-22	TRANSISTOR 2SA1142
Q758	8-729-168-22	TRANSISTOR 2SC2682
Q759	8-729-209-15	TRANSISTOR 2SD2012
Q761	8-729-168-22	TRANSISTOR 2SC2682
Q762	8-729-114-22	TRANSISTOR 2SA1142
Q763	8-729-120-05	TRANSISTOR 2SC4431-Q
Q764	8-729-120-02	TRANSISTOR 2SA1684-Q
Q765	8-729-300-36	(AV1000)...TRANSISTOR 2SC2921
Q765	8-729-303-88	(AV900)...TRANSISTOR 2SC3856
Q766	8-729-300-22	(AV1000)...TRANSISTOR 2SA1215
Q766	8-729-303-85	(AV900)...TRANSISTOR 2SA1492
Q767	8-729-108-14	TRANSISTOR 2SA988-F
Q768	8-729-108-14	TRANSISTOR 2SA988-F
Q801	8-729-114-22	TRANSISTOR 2SA1142
Q811	8-729-209-15	TRANSISTOR 2SD2012
Q812	8-729-600-27	TRANSISTOR 2SC634SP
Q813	8-729-600-27	TRANSISTOR 2SC634SP
Q814	8-729-115-22	TRANSISTOR BN1A3Q
Q815	8-729-900-63	TRANSISTOR DT1A24ES
Q825	8-729-117-54	TRANSISTOR 2SA1175
Q826	8-729-600-27	TRANSISTOR 2SC634SP
R102	1-249-401-11	CARBON 47 5% 1/4W
R103	1-249-411-11	CARBON 330 5% 1/4W
R104	1-249-415-11	CARBON 680 5% 1/4W
R105	1-249-431-11	CARBON 15K 5% 1/4W
R106	1-249-411-11	CARBON 330 5% 1/4W
R107	1-249-434-11	CARBON 27K 5% 1/4W
R108	1-249-406-11	CARBON 120 5% 1/4W
R116	1-249-431-11	CARBON 15K 5% 1/4W
R117	1-249-423-11	CARBON 3.3K 5% 1/4W
R118	1-249-406-11	CARBON 120 5% 1/4W
R119	1-249-433-11	CARBON 22K 5% 1/4W
R121	1-249-441-11	CARBON 100K 5% 1/4W

Note:
The components identified by mark  or dotted line with mark  are critical for safety. Replace only with part number specified.

Note:
Les composants identifiés par une marque  sont critiques pour la sécurité. Ne les remplacer que par une pièce portant le numéro spécifié.

Ref.No.	Part No.	Description
R122	1-249-437-11	CARBON 47K 5% 1/4W
R123	1-249-402-11	CARBON 56 5% 1/4W
R124	1-249-430-11	CARBON 12K 5% 1/4W
R125	1-249-421-11	CARBON 2.2K 5% 1/4W
R126	1-249-429-11	CARBON 10K 5% 1/4W
R127	1-249-429-11	CARBON 10K 5% 1/4W
R128	1-249-404-00	CARBON 82 5% 1/4W
R129	1-249-423-11	CARBON 3.3K 5% 1/4W
R132	1-249-438-11	CARBON 56K 5% 1/4W
R133	1-247-881-00	CARBON 120K 5% 1/4W
R134	1-247-883-00	CARBON 150K 5% 1/4W
R135	1-247-881-00	CARBON 120K 5% 1/4W
R136	1-247-883-00	CARBON 150K 5% 1/4W
R137	1-249-423-11	CARBON 3.3K 5% 1/4W
R138	1-249-423-11	CARBON 3.3K 5% 1/4W
R141	1-249-425-11	CARBON 4.7K 5% 1/4W
R142	1-249-425-11	CARBON 4.7K 5% 1/4W
R143	1-249-406-11	CARBON 120 5% 1/4W
R144	1-249-423-11	CARBON 3.3K 5% 1/4W
R149	1-249-438-11	CARBON 56K 5% 1/4W
R151	1-249-417-11	CARBON 1K 5% 1/4W
R152	1-249-429-11	CARBON 10K 5% 1/4W
R156	1-249-415-11	CARBON 680 5% 1/4W
R157	1-249-425-11	CARBON 4.7K 5% 1/4W
R158	1-249-425-11	CARBON 4.7K 5% 1/4W
R159	1-249-425-11	CARBON 4.7K 5% 1/4W
R160	1-249-414-11	CARBON 560 5% 1/4W
R161	1-249-418-11	CARBON 1.2K 5% 1/4W
R162	1-249-413-11	CARBON 470 5% 1/4W
R163	1-249-433-11	CARBON 22K 5% 1/4W
R164	1-249-411-11	CARBON 330 5% 1/4W
R165	1-249-406-11	CARBON 120 5% 1/4W
R166	1-249-417-11	CARBON 1K 5% 1/4W
R167	1-249-429-11	CARBON 10K 5% 1/4W
R168	1-249-429-11	CARBON 10K 5% 1/4W
R169	1-249-429-11	CARBON 10K 5% 1/4W
R170	1-249-429-11	CARBON 10K 5% 1/4W
R171	1-249-429-11	CARBON 10K 5% 1/4W
R204	1-249-429-11	CARBON 10K 5% 1/4W
R205	1-249-417-11	CARBON 1K 5% 1/4W
R206	1-249-393-11	CARBON 10 5% 1/4W
R211	1-215-394-00	CARBON 75 5% 1/4W
R212	1-215-394-00	CARBON 75 5% 1/4W
R213	1-215-394-00	(AV1000)...CARBON 75 5% 1/4W
R214	1-215-394-00	CARBON 75 5% 1/4W
R215	1-249-417-11	CARBON 1K 5% 1/4W
R216	1-249-401-11	CARBON 47 5% 1/4W
R217	1-249-418-11	CARBON 1.2K 5% 1/4W
R218	1-249-424-11	CARBON 3.9K 5% 1/4W
R219	1-249-440-11	CARBON 82K 5% 1/4W
R220	1-249-405-11	CARBON 100 5% 1/4W
R221	1-249-423-11	CARBON 3.3K 5% 1/4W
R222	1-249-423-11	CARBON 3.3K 5% 1/4W
R223	1-249-415-11	CARBON 680 5% 1/4W
R224	1-249-434-11	CARBON 27K 5% 1/4W
R231	1-215-394-00	CARBON 75 5% 1/4W
R232	1-249-417-11	CARBON 1K 5% 1/4W

STR-AV900/AV1000

Ref.No.	Part No.	Description			
R233	1-249-401-11	CARBON	47	5%	1/4W
R234	1-249-418-11	CARBON	1.2K	5%	1/4W
R235	1-249-424-11	CARBON	3.9K	5%	1/4W
R236	1-249-440-11	CARBON	82K	5%	1/4W
R237	1-249-405-11	CARBON	100	5%	1/4W
R238	1-249-423-11	CARBON	3.3K	5%	1/4W
R239	1-249-423-11	CARBON	3.3K	5%	1/4W
R240	1-249-415-11	CARBON	680	5%	1/4W
R241	1-249-434-11	CARBON	27K	5%	1/4W
R251	1-215-394-00	(AV1000)...CARBON	75	5%	1/4W
R252	1-249-417-11	(AV1000)...CARBON	1K	5%	1/4W
R253	1-215-394-00	(AV1000)...CARBON	75	5%	1/4W
R254	1-249-417-11	(AV1000)...CARBON	1K	5%	1/4W
R255	1-215-394-00	(AV1000)...CARBON	75	5%	1/4W
R256	1-249-417-11	(AV1000)...CARBON	1K	5%	1/4W
R257	1-249-410-11	(AV1000)...CARBON	270	5%	1/4W
R258	1-215-394-00	(AV1000)...CARBON	75	5%	1/4W
R259	1-249-417-11	(AV1000)...CARBON	1K	5%	1/4W
R260	1-249-410-11	(AV1000)...CARBON	270	5%	1/4W
R261	1-249-434-11	(AV1000)...CARBON	27K	5%	1/4W
R262	1-249-410-11	(AV1000)...CARBON	270	5%	1/4W
R263	1-249-434-11	(AV1000)...CARBON	27K	5%	1/4W
R264	1-249-405-11	(AV1000)...CARBON	100	5%	1/4W
R265	1-249-434-11	(AV1000)...CARBON	27K	5%	1/4W
R266	1-249-410-11	(AV1000)...CARBON	270	5%	1/4W
R267	1-249-434-11	(AV1000)...CARBON	27K	5%	1/4W
R268	1-249-405-11	(AV1000)...CARBON	100	5%	1/4W
R271	1-249-434-11	(AV1000)...CARBON	27K	5%	1/4W
R272	1-249-437-00	(AV1000)...CARBON	47K	5%	1/4W
R273	1-249-437-00	(AV1000)...CARBON	47K	5%	1/4W
R274	1-249-434-11	(AV1000)...CARBON	27K	5%	1/4W
R275	1-249-405-11	(AV1000)...CARBON	100	5%	1/4W
R276	1-249-405-11	(AV1000)...CARBON	100	5%	1/4W
R277	1-247-895-00	(AV1000)...CARBON	470K	5%	1/4W
R278	1-247-895-00	(AV1000)...CARBON	470K	5%	1/4W
R279	1-249-437-11	(AV1000)...CARBON	47K	5%	1/4W
R288	1-249-426-11	CARBON	5.6K	5%	1/4W
R301	1-249-417-11	CARBON	1K	5%	1/4W
R303	1-249-409-11	CARBON	220	5%	1/4W
R304	1-249-411-11	CARBON	330	5%	1/4W
R305	1-249-411-11	CARBON	330	5%	1/4W
R306	1-249-429-11	CARBON	10K	5%	1/4W
R307	1-249-433-11	CARBON	22K	5%	1/4W
R311	1-249-429-11	CARBON	10K	5%	1/4W
R312	1-249-405-11	CARBON	100	5%	1/4W
R313	1-249-405-11	CARBON	100	5%	1/4W
R314	1-249-441-11	CARBON	100K	5%	1/4W
R315	1-249-441-11	CARBON	100K	5%	1/4W
R316	1-249-441-11	CARBON	100K	5%	1/4W
R317	1-249-441-11	CARBON	100K	5%	1/4W
R318	1-249-429-11	CARBON	10K	5%	1/4W
R319	1-249-441-11	CARBON	100K	5%	1/4W
R321	1-249-425-11	CARBON	4.7K	5%	1/4W
R322	1-249-425-11	CARBON	4.7K	5%	1/4W
R323	1-249-425-11	CARBON	4.7K	5%	1/4W
R324	1-249-425-11	CARBON	4.7K	5%	1/4W
R325	1-249-425-11	CARBON	4.7K	5%	1/4W

Ref.No.	Part No.	Description			
R326	1-249-425-11	CARBON	4.7K	5%	1/4W
R327	1-249-425-11	CARBON	4.7K	5%	1/4W
R328	1-249-425-11	CARBON	4.7K	5%	1/4W
R331	1-249-411-11	CARBON	330	5%	1/4W
R332	1-249-411-11	CARBON	330	5%	1/4W
R333	1-249-411-11	CARBON	330	5%	1/4W
R334	1-249-411-11	CARBON	330	5%	1/4W
R335	1-249-411-11	CARBON	330	5%	1/4W
R336	1-249-411-11	CARBON	330	5%	1/4W
R337	1-249-411-11	CARBON	330	5%	1/4W
R338	1-249-411-11	CARBON	330	5%	1/4W
R341	1-249-431-11	CARBON	15K	5%	1/4W
R342	1-215-486-00	CARBON	510K	5%	1/4W
R343	1-249-417-11	CARBON	1K	5%	1/4W
R351	1-249-441-11	CARBON	100K	5%	1/4W
R352	1-249-441-11	CARBON	100K	5%	1/4W
R353	1-249-441-11	CARBON	100K	5%	1/4W
R354	1-249-437-11	CARBON	47K	5%	1/4W
R355	1-249-437-11	CARBON	47K	5%	1/4W
R401	1-249-411-11	CARBON	330	5%	1/4W
R402	1-249-417-11	CARBON	1K	5%	1/4W
R403	1-249-417-11	CARBON	1K	5%	1/4W
R404	1-249-417-11	CARBON	1K	5%	1/4W
R405	1-249-417-11	CARBON	1K	5%	1/4W
R406	1-249-417-11	CARBON	1K	5%	1/4W
R407	1-249-417-11	CARBON	1K	5%	1/4W
R408	1-249-417-11	CARBON	1K	5%	1/4W
R409	1-249-417-11	CARBON	1K	5%	1/4W
R410	1-249-417-11	CARBON	1K	5%	1/4W
R411	1-249-417-11	CARBON	1K	5%	1/4W
R412	1-249-417-11	(AV1000)...CARBON	1K	5%	1/4W
R413	1-249-429-11	CARBON	10K	5%	1/4W
R414	1-249-433-11	CARBON	22K	5%	1/4W
R415	1-249-433-11	CARBON	22K	5%	1/4W
R421	1-249-441-11	CARBON	100K	5%	1/4W
R422	1-249-441-11	CARBON	100K	5%	1/4W
R423	1-249-417-11	CARBON	1K	5%	1/4W
R424	1-215-487-00	CARBON	560K	5%	1/4W
R425	1-249-437-11	CARBON	47K	5%	1/4W
R426	1-249-441-11	CARBON	100K	5%	1/4W
R427	1-249-409-11	CARBON	220	5%	1/4W
R431	1-249-425-11	CARBON	4.7K	5%	1/4W
R451	1-249-411-11	CARBON	330	5%	1/4W
R452	1-249-417-11	CARBON	1K	5%	1/4W
R453	1-249-417-11	CARBON	1K	5%	1/4W
R454	1-249-417-11	CARBON	1K	5%	1/4W
R455	1-249-417-11	CARBON	1K	5%	1/4W
R456	1-249-417-11	CARBON	1K	5%	1/4W
R457	1-249-417-11	CARBON	1K	5%	1/4W
R458	1-249-417-11	CARBON	1K	5%	1/4W
R459	1-249-417-11	CARBON	1K	5%	1/4W
R460	1-249-417-11	CARBON	1K	5%	1/4W
R461	1-249-417-11	CARBON	1K	5%	1/4W
R462	1-249-417-11	(AV1000)...CARBON	1K	5%	1/4W
R463	1-249-429-11	CARBON	10K	5%	1/4W
R471	1-249-441-11	CARBON	100K	5%	1/4W
R472	1-249-441-11	CARBON	100K	5%	1/4W

Ref.No.	Part No.	Description						
R473	1-249-417-11	CARBON	1K	5%	1/4W			
R474	1-215-487-00	CARBON	560K	5%	1/4W			
R475	1-249-437-11	CARBON	47K	5%	1/4W			
R476	1-249-441-11	CARBON	100K	5%	1/4W			
R477	1-249-409-11	CARBON	220	5%	1/4W			
R481	1-249-425-11	CARBON	4.7K	5%	1/4W			
R482	1-247-895-00	CARBON	470K	5%	1/4W			
R483	1-247-903-00	CARBON	1M	5%	1/4W			
R484	1-249-441-11	CARBON	100K	5%	1/4W			
R485	1-215-491-00	CARBON	820K	5%	1/4W			
R491	1-249-387-11	CARBON	3.3	5%	1/4W			
R493	1-249-437-11	CARBON	47K	5%	1/4W			
R494	1-249-437-11	CARBON	47K	5%	1/4W			
R501	1-249-441-11	CARBON	100K	5%	1/4W			
R502	1-249-441-11	CARBON	100K	5%	1/4W			
R503	1-249-429-11	CARBON	10K	5%	1/4W			
R504	1-249-429-11	CARBON	10K	5%	1/4W			
R505	1-247-895-00	CARBON	470K	5%	1/4W			
R506	1-247-895-00	CARBON	470K	5%	1/4W			
R509	1-249-441-11	CARBON	100K	5%	1/4W			
R511	1-247-903-00	CARBON	1M	5%	1/4W			
R512	1-247-881-00	CARBON	120K	5%	1/4W			
R513	1-249-414-11	CARBON	560	5%	1/4W			
R514	1-247-903-00	CARBON	1M	5%	1/4W			
R515	1-249-415-11	CARBON	680	5%	1/4W			
R516	1-247-881-00	CARBON	120K	5%	1/4W			
R517	1-247-903-00	CARBON	1M	5%	1/4W			
R518	1-249-414-11	CARBON	560	5%	1/4W			
R519	1-247-881-00	CARBON	120K	5%	1/4W			
R520	1-247-903-00	CARBON	1M	5%	1/4W			
R521	1-249-415-11	CARBON	680	5%	1/4W			
R522	1-247-881-00	CARBON	120K	5%	1/4W			
R523	1-247-903-00	CARBON	1M	5%	1/4W			
R524	1-249-415-11	CARBON	680	5%	1/4W			
R525	1-247-881-00	CARBON	120K	5%	1/4W			
R526	1-247-903-00	CARBON	1M	5%	1/4W			
R527	1-249-415-11	CARBON	680	5%	1/4W			
R528	1-247-881-00	CARBON	120K	5%	1/4W			
R529	1-247-903-00	CARBON	1M	5%	1/4W			
R530	1-249-415-11	CARBON	680	5%	1/4W			
R531	1-247-881-00	CARBON	120K	5%	1/4W			
R532	1-249-429-11	CARBON	10K	5%	1/4W			
R533	1-249-429-11	CARBON	10K	5%	1/4W			
R534	1-249-423-11	CARBON	3.3K	5%	1/4W			
R535	1-249-433-11	CARBON	22K	5%	1/4W			
R536	1-249-429-11	CARBON	10K	5%	1/4W			
R537	1-249-429-11	CARBON	10K	5%	1/4W			
R538	1-249-429-11	CARBON	10K	5%	1/4W			
R539	1-249-429-11	CARBON	10K	5%	1/4W			
R541	1-249-429-11	CARBON	10K	5%	1/4W			
R542	1-249-429-11	CARBON	10K	5%	1/4W			
R543	1-249-405-11	CARBON	100	5%	1/4W			
R544	1-249-437-11	CARBON	47K	5%	1/4W			
R545	1-249-425-11	CARBON	4.7K	5%	1/4W			
R546	1-249-429-11	CARBON	10K	5%	1/4W			
R548	1-247-903-00	CARBON	1M	5%	1/4W			
R549	1-249-409-11	CARBON	220	5%	1/4W			
R551	1-249-441-11	CARBON	100K	5%	1/4W			
R552	1-249-441-11	CARBON	100K	5%	1/4W			
R553	1-249-429-11	CARBON	10K	5%	1/4W			
R554	1-249-429-11	CARBON	10K	5%	1/4W			
R555	1-247-895-00	CARBON	470K	5%	1/4W			
R556	1-247-895-00	CARBON	470K	5%	1/4W			
R559	1-249-441-11	CARBON	100K	5%	1/4W			
R561	1-247-903-00	CARBON	1M	5%	1/4W			
R562	1-249-414-11	CARBON	560	5%	1/4W			
R563	1-247-881-00	CARBON	120K	5%	1/4W			
R564	1-247-903-00	CARBON	1M	5%	1/4W			
R565	1-249-415-11	CARBON	680	5%	1/4W			
R566	1-247-881-00	CARBON	120K	5%	1/4W			
R567	1-247-903-00	CARBON	1M	5%	1/4W			
R568	1-249-414-11	CARBON	560	5%	1/4W			
R569	1-247-881-00	CARBON	120K	5%	1/4W			
R570	1-247-903-00	CARBON	1M	5%	1/4W			
R571	1-249-415-11	CARBON	680	5%	1/4W			
R572	1-247-881-00	CARBON	120K	5%	1/4W			
R573	1-247-903-00	CARBON	1M	5%	1/4W			
R574	1-249-415-11	CARBON	680	5%	1/4W			
R575	1-247-881-00	CARBON	120K	5%	1/4W			
R576	1-247-903-00	CARBON	1M	5%	1/4W			
R577	1-249-415-11	CARBON	680	5%	1/4W			
R578	1-247-881-00	CARBON	120K	5%	1/4W			
R579	1-247-903-00	CARBON	1M	5%	1/4W			
R580	1-249-415-11	CARBON	680	5%	1/4W			
R581	1-247-881-00	CARBON	120K	5%	1/4W			
R585	1-249-433-11	CARBON	22K	5%	1/4W			
R587	1-249-441-11	CARBON	100K	5%	1/4W			
R589	1-249-429-11	CARBON	10K	5%	1/4W			
R591	1-249-429-11	CARBON	10K	5%	1/4W			
R592	1-249-429-11	CARBON	10K	5%	1/4W			
R593	1-249-405-11	CARBON	100	5%	1/4W			
R594	1-249-437-11	CARBON	47K	5%	1/4W			
R595	1-249-425-11	CARBON	4.7K	5%	1/4W			
R596	1-249-429-11	CARBON	10K	5%	1/4W			
R598	1-247-903-00	CARBON	1M	5%	1/4W			
R601	1-249-441-11	CARBON	100K	5%	1/4W			
R602	1-249-417-11	CARBON	1K	5%	1/4W			
R603	1-249-411-11	CARBON	330	5%	1/4W			
R604	1-247-885-00	CARBON	180K	5%	1/4W			
R605	1-249-429-11	CARBON	10K	5%	1/4W			
R606	1-249-440-11	CARBON	82K	5%	1/4W			
R607	1-247-903-00	CARBON	1M	5%	1/4W			
R608	1-249-423-11	CARBON	3.3K	5%	1/4W			
R609	1-249-441-11	CARBON	100K	5%	1/4W			
R610	1-247-903-00	CARBON	1M	5%	1/4W			
R612	1-249-424-11	CARBON	3.9K	5%	1/4W			
R613	1-249-441-11	CARBON	100K	5%	1/4W			
R614	1-247-903-00	CARBON	1M	5%	1/4W			
R615	1-249-426-11	CARBON	5.6K	5%	1/4W			
R616	1-249-440-11	CARBON	82K	5%	1/4W			
R617	1-247-903-00	CARBON	1M	5%	1/4W			
R618	1-249-421-11	CARBON	2.2K	5%	1/4W			
R619	1-249-433-11	CARBON	22K	5%	1/4W			
R620	1-247-889-00	CARBON	270K	5%	1/4W			

SEE ADDITIONAL INFORMATION

STR-AV900/AV1000

Ref.No.	Part No.	Description	Ref.No.	Part No.	Description
R834	△.1-215-882-00	(AV1000:US)METAL OXIDE 22 5% 2W F	S339	1-554-303-21	SWITCH, KEY BOARD (OPTION-2)
R834	△.1-217-485-00	(AV1000:Canadian)RES,FUSE 22 5% 1W F	S340	1-554-303-21	SWITCH, KEY BOARD (INDEX)
RB301	1-233-081-11	COMPOSITION CIRCUIT BLOCK (100X7)	S341	1-554-303-21	SWITCH, KEY BOARD (PRESET EQ LINK)
RB302	1-233-081-11	COMPOSITION CIRCUIT BLOCK (100X7)	S342	1-554-303-21	SWITCH, KEY BOARD (LEVEL +)
RB303	1-233-081-11	COMPOSITION CIRCUIT BLOCK (100X7)	S343	1-554-303-21	SWITCH, KEY BOARD (LEVEL -)
RB304	1-233-081-11	COMPOSITION CIRCUIT BLOCK (100X7)	S344	1-554-303-21	SWITCH, KEY BOARD (DEFEAT)
RB305	1-233-005-11	COMPOSITION CIRCUIT BLOCK (47KX9)	S345	1-554-303-21	SWITCH, KEY BOARD (RTA/EQ)
RT101	1-228-995-00	RES, ADJ, CARBON 22K	S346	1-554-303-21	(AV1000)..SWITCH, KEY BOARD (PEAK HOLD)
RT102	1-228-995-00	RES, ADJ, CARBON 22K	S347	1-554-303-21	SWITCH, KEY BOARD (EQ)
RT104	1-228-998-00	RES, ADJ, CARBON 220K	S348	1-554-303-21	SWITCH, KEY BOARD (14k)
RT701	1-230-884-11	RES, ADJ, CARBON 500	S349	1-554-303-21	SWITCH, KEY BOARD (6k)
RT751	1-230-884-11	RES, ADJ, CARBON 500	S350	1-554-303-21	SWITCH, KEY BOARD (2.4k)
RV501	1-238-115-11	RES, VAR, CARBON 250K/250K (BALANCE)	S351	1-554-303-21	SWITCH, KEY BOARD (1k)
RV502	1-238-114-11	RES, VAR, CARBON 250K/250K (VOLUME)	S352	1-554-303-21	SWITCH, KEY BOARD (400)
RY701	1-515-356-00	RELAY	S353	1-554-303-21	SWITCH, KEY BOARD (150)
RY821	1-515-701-11	RELAY	S354	1-554-303-21	SWITCH, KEY BOARD (63)
S301	1-554-303-21	SWITCH, KEY BOARD (1)	S355	1-554-303-21	SWITCH, KEY BOARD (SUBSONIC)
S302	1-554-303-21	SWITCH, KEY BOARD (2)	S356	1-554-303-21	SWITCH, KEY BOARD (SURROUND)
S303	1-554-303-21	SWITCH, KEY BOARD (3)	S357	1-554-303-21	SWITCH, KEY BOARD (MUTING)
S304	1-554-303-21	SWITCH, KEY BOARD (STATION SCAN -)	S700	1-571-485-11	SWITCH, PUSH (2 KEY)(SPEAKER A/B)
S305	1-554-303-21	SWITCH, KEY BOARD (TUNING DIRECT)	T101	1-404-743-11	COIL, DISCRIMINATOR
S306	1-554-303-21	SWITCH, KEY BOARD (BAND AM)	T102	1-404-742-11	COIL, DISCRIMINATOR
S307	1-554-303-21	SWITCH, KEY BOARD (FM TUNING LABEL)	T103	1-404-713-11	TRANSFORMER, IF
S308	1-554-303-21	SWITCH, KEY BOARD (4)	T801	△.1-449-252-11	(AV1000)...TRANSFORMER, POWER
S309	1-554-303-21	SWITCH, KEY BOARD (5)	T801	△.1-449-254-11	(AV900)...TRANSFORMER, POWER
S310	1-554-303-21	SWITCH, KEY BOARD (6)	T820	△.1-448-517-21	TRANSFORMER, POWER
S311	1-554-303-21	SWITCH, KEY BOARD (STATION SCAN +)	TM101	*1-562-907-11	CONNECTOR, F-J (ANTENNA FM 75)
S312	1-554-303-21	SWITCH, KEY BOARD (FM MODE)	TM102	1-536-707-00	TERMINAL BOARD, PUSH 2P (ANTENNA AM)
S313	1-554-303-21	SWITCH, KEY BOARD (BAND FM)	TM201	1-564-980-11	PIN, CONNECTOR 4P (CONTROL S)
S314	1-554-303-21	SWITCH, KEY BOARD (TUNING SEARCH)	TM701	1-536-706-00	TERMINAL BOARD (SP)(SPEAKER)
S315	1-554-303-21	SWITCH, KEY BOARD (7)	TP101	*1-560-060-00	PIN, CONNECTOR 2P
S316	1-554-303-21	SWITCH, KEY BOARD (8)	TP102	*1-560-060-00	PIN, CONNECTOR 2P
S317	1-554-303-21	SWITCH, KEY BOARD (9)	TP-A1	*1-560-061-00	PIN, CONNECTOR 3P
S318	1-554-303-21	SWITCH, KEY BOARD (0)	TP-A2	*1-535-139-00	BASE POST 22MM (10MM PITCH) 2P
S319	1-554-303-21	SWITCH, KEY BOARD (ENTER)	TP-A3	*1-535-139-00	BASE POST 22MM (10MM PITCH) 2P
S320	1-554-303-21	SWITCH, KEY BOARD (TUNER)	TP-A4	*1-565-344-11	PIN, CONNECTOR (PC BOARD) 8P
S321	1-554-303-21	SWITCH, KEY BOARD (DAT)	VZ821	△.1-807-293-31	VARISTOR SNR-14A221U
S322	1-554-303-21	(AV1000)...SWITCH, KEY BOARD (VIDEO 3)	X101	1-567-826-11	VIBRATOR, CRYSTAL (7.2MHz)
S322	1-554-596-00	(AV900)...SWITCH, KEY BOARD (TAPE 1)			
S323	1-554-303-21	SWITCH, KEY BOARD (VIDEO 1)			
S324	1-554-303-21	SWITCH, KEY BOARD (TAPE 2)			
S325	1-554-303-21	SWITCH, KEY BOARD (EDIT AUDIO)			
S326	1-554-303-21	SWITCH, KEY BOARD (PHONO)			
S327	1-554-303-21	SWITCH, KEY BOARD (CD)			
S328	1-554-303-21	(AV1000)...SWITCH, KEY BOARD (TAPE 1)			
S329	1-554-303-21	SWITCH, KEY BOARD (VIDEO 2/CDV)			
S330	1-554-303-21	SWITCH, KEY BOARD (SYSTEM POWER)			
S331	1-554-303-21	(AV1000)..SWITCH, KEY BOARD (EDIT VIDEO)			
S332	1-554-303-21	SWITCH, KEY BOARD (ROCK)			
S333	1-554-303-21	SWITCH, KEY BOARD (JAZZ)			
S334	1-554-303-21	SWITCH, KEY BOARD (POPS)			
S335	1-554-303-21	SWITCH, KEY BOARD (TALK)			
S336	1-554-303-21	SWITCH, KEY BOARD (CLASSIC)			
S337	1-554-303-21	SWITCH, KEY BOARD (COUNTRY)			
S338	1-554-303-21	SWITCH, KEY BOARD (OPTION-1)			

ACCESSORY & PACKING MATERIAL

1-417-141-11	MATCHING TRANSFORMER, ANTENNA
1-463-984-11	(AV1000)...REMOTE COMMANDER RM-P101
1-463-986-11	(AV900)...REMOTE COMMANDER (RM-U80)
1-501-224-00	ANTENNA, FEEDER
1-501-349-11	ANTENNA, LOOP
2-394-123-01	(AV900)...COVER, BATTERY
3-703-390-01	(US).....INSTRUCTION
3-795-433-31	(Canadian)...INSTRUCTION
3-769-912-21	MANUAL, INSTRUCTION
3-769-912-31	(Canadian)...MANUAL, INSTRUCTION
*3-704-346-01	SHEET (STANDARD), PROTECTION
4-922-048-01	(AV1000)...COVER, BATTERY
*4-925-024-01	CUSHION
*4-925-025-01	(AV1000)...INDIVIDUAL CARTON
*4-925-026-01	(AV900)...INDIVIDUAL CARTON

Note:
The components identified by mark △ or dotted line with mark △ are critical for safety. Replace only with part number specified.

Note:
Les composants identifiés par une marque △ sont critiques pour la sécurité. Ne les remplacer que par une pièce portant le numéro spécifié.

STR-AV900/AV1000

SONY[®] SERVICE MANUAL

US Model
Canadian Model

SUPPLEMENT-1

File this supplement with the Service Manual.

Subject: Electrical Adjustments

ELECTRICAL ADJUSTMENTS

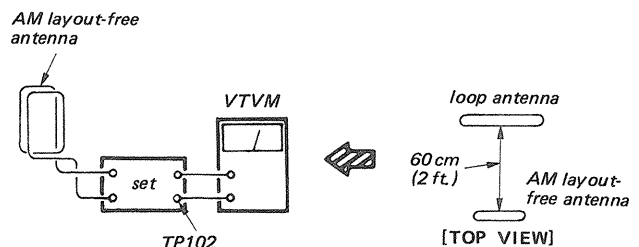
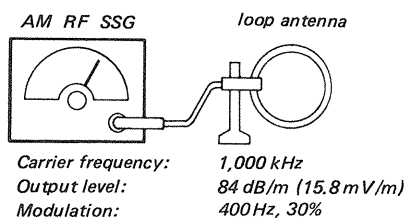
FE101 FM front-end and FE102 AM front-end are adjusted perfectly and are supplied as a unit for replacement.

AM SECTION

Tuned Level Adjustment

Setting:

FUNCTION selector: TUNER
BAND selector: AM

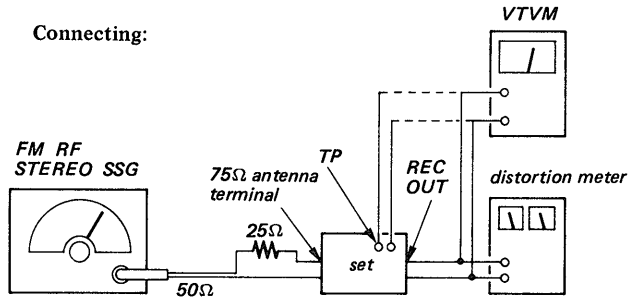


Procedure:

Adjust RT101 to the point where the voltage of TP102 turns from high level to low.

FM SECTION

Connecting:



	Null & Mono Distortion	Stereo Separation	Muting Level
Carrier frequency	98.1 MHz		
Output level	60 dB (1 mV)		45 dB/20 dB
Modulation	1 kHz, 75 kHz deviation	1 kHz, 33.75 kHz deviation sub carrier 38 kHz, 33.75 kHz deviation pilot 19 kHz, 7.5 kHz deviation	1 kHz, 75 kHz deviation
Adjustment Location	T101/T102	RT104	RT102
Test Point (TP) or Jack	TP101/REC OUT	REC OUT	TP102

Null and Mono Distortion Adjustment

Setting:

FUNCTION selector: TUNER
BAND selector: FM
FM MODE: MONO

Procedure:

1. Tune the set to 98.1 MHz.
2. Adjust T101 so that the voltage of TP101 (Null) becomes 0 V. (within $0 \pm 50\text{mV}$)
3. Adjust T102 so that the distortion at REC OUT becomes minimum. (Not more than 0.05%)
4. Repeat the procedures 2. and 3. several times.

FM Muting Level Adjustment

Setting:

FUNCTION selector: TUNER
BAND selector: FM
FM MODE: MONO

Procedure:

1. Set the SSG output level to 45dB and turn RT102 so that the voltage of TP102 becomes low level.
2. Decrease the SSG output level to 20dB ($10\mu\text{V}$) and adjust RT102 to the place where the voltage of TP102 turns from low level to high.

Stereo Separation Adjustment

- This adjustment should be performed after Mono Distortion Adjustment.

Setting:

FUNCTION selector: TUNER
BAND selector: FM
FM MODE: STEREO

Procedure:

Tune the set to 98.1 MHz.

FM stereo signal generator output channel	VTVM connection	VTVM reading (dB)
L-CH	L-CH	(A)
R-CH	L-CH	(B) Adjust RT104 for minimum reading.
R-CH	R-CH	(C)
L-CH	R-CH	(D) Adjust RT104 for minimum reading.

L-CH Stereo separation: (A) - (B) ($\geq 40\text{ dB}$)
R-CH Stereo separation: (C) - (D)

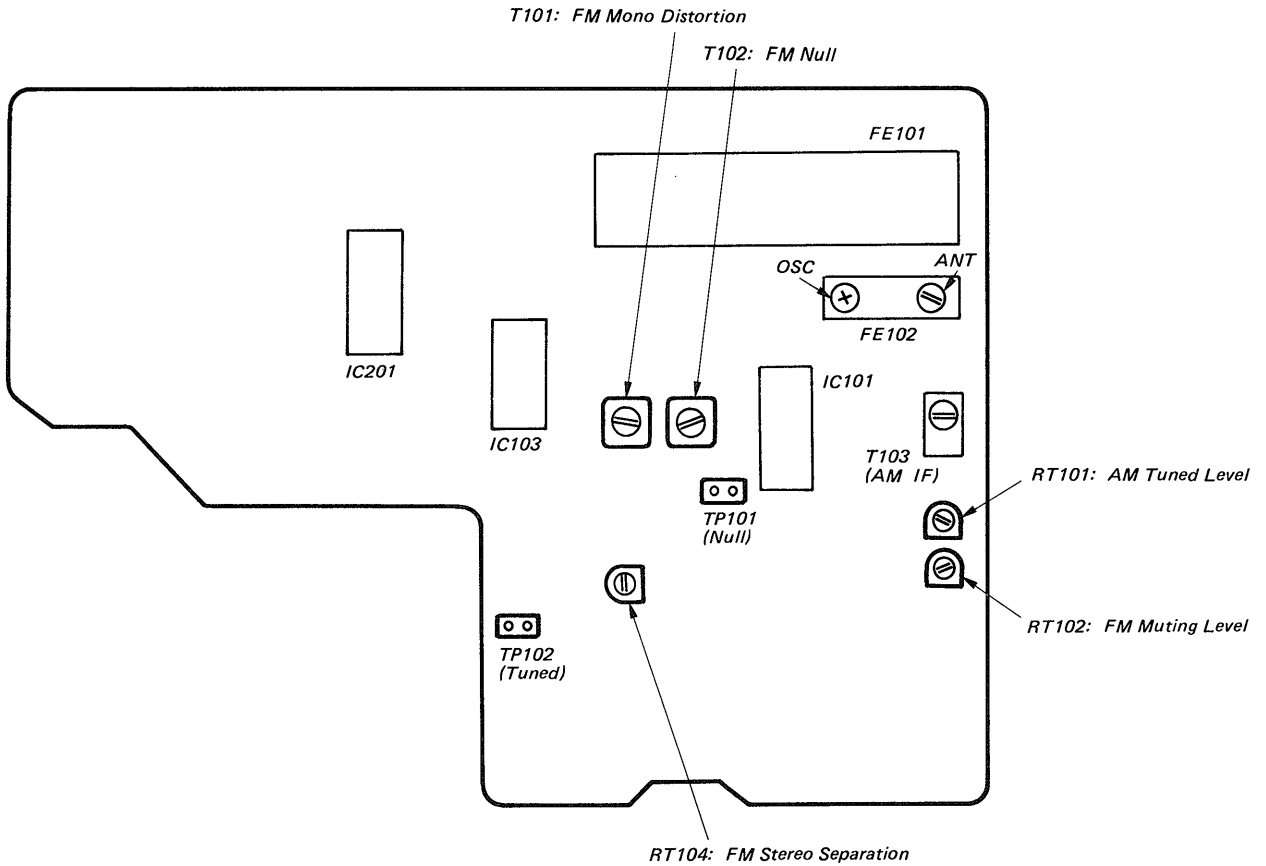
The separations of both channels should be equal.

Adjustment Location:

AM SECTION

FM SECTION

[TUNER BOARD] (Component side)



--Continued to page 4--

AMP SECTION

DC Bias Adjustment

- Perform this adjustment after replacement of power amp or drive circuit transistors.

Setting:

VOLUME: 0
SPEAKERS: OFF (no load)

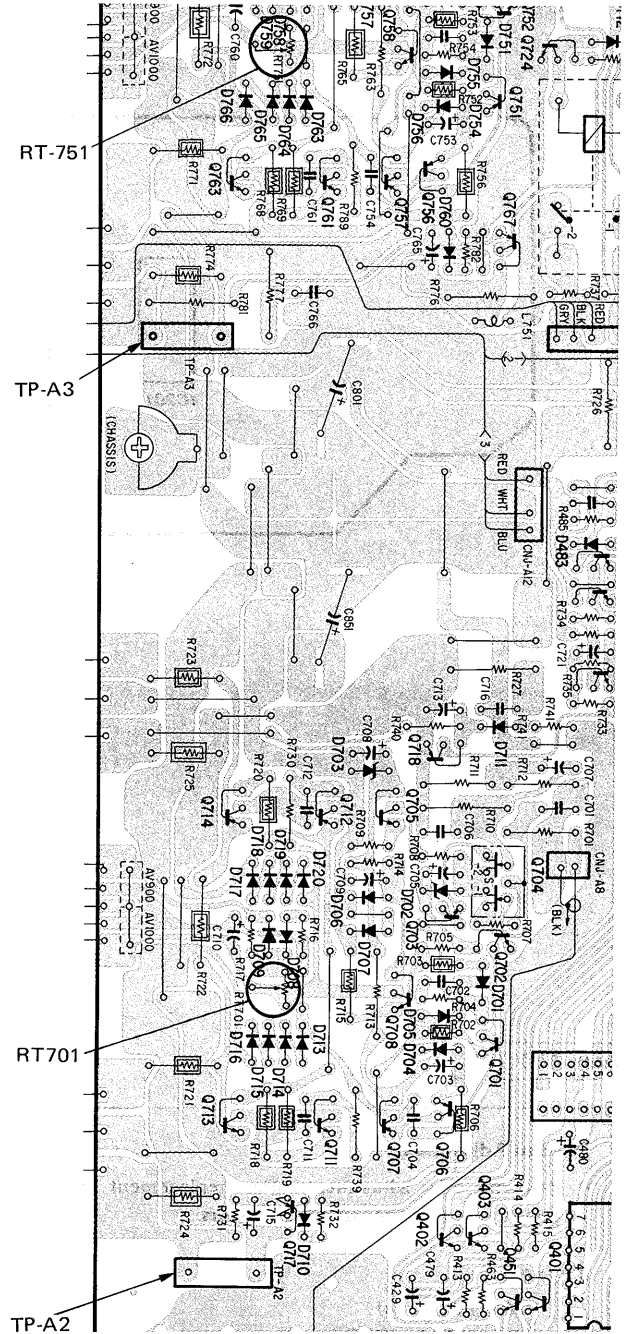
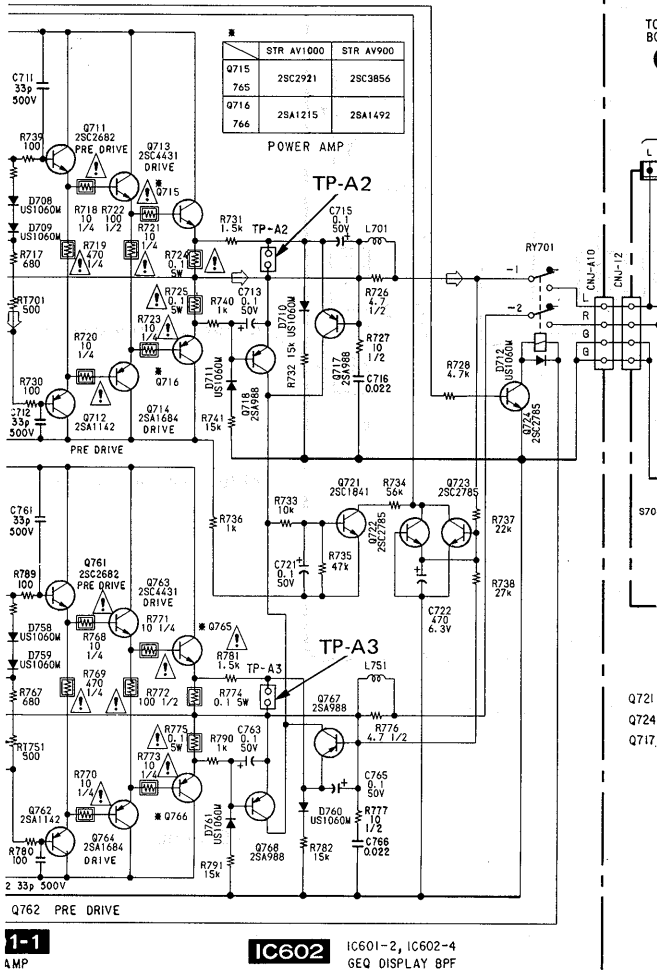
Procedures:

1. Connect the digital voltmeter to Bias Test Point (TP-A2: L-CH, TP-A3: R-CH)
2. Increase the AC power voltage gradually to 120V confirming that the voltmeter will not indicate an abnormal value.
3. Confirm that the display is normal.
4. Adjust RT701 (L-ch) or RT751 (R-ch) so that the reading on the voltmeter becomes 0.01mV within 30 seconds after the power turned on.
5. Turn the power off and remove the digital voltmeter.

Note: It is normal that the voltage will increase as time passes.

AMP SECTION

[MAIN BOARD] (Conductor side)



STR-AV900/AV1000

SONY SERVICE MANUAL

US Model
Canadian Model

SUPPLEMENT-2

File this supplement with the Service Manual.

- The STR-AV1000 PX model has been on sale additionally to the US, Canadian models.
- This Supplement only contains the differences between the PX and US models.
- Refer to the STR-AV900/AV1000 Service Manual previously issued for the related information not contained in this Supplement.

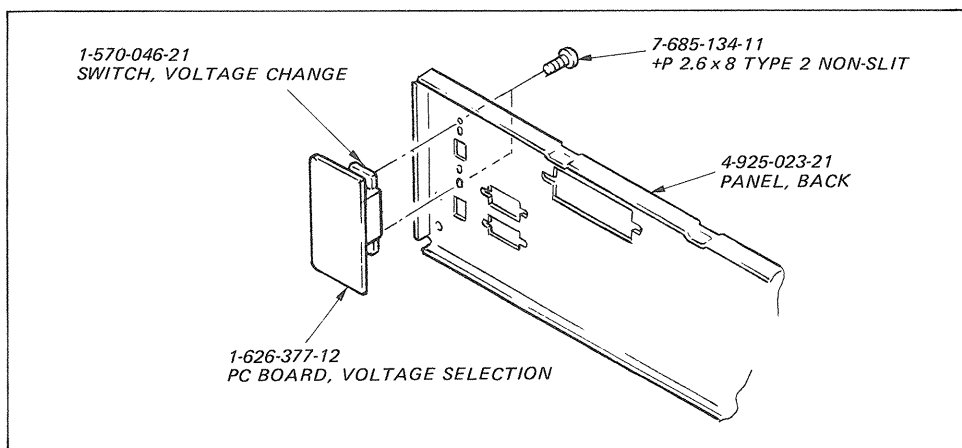
- Only following parts differ from those in STR-AV900/AV1000.

Page	Item/Ref.No.	Part No.	Description
29.30	903	A-4394-506-A	MOUNTED PCB, POWER SUPPLY (2)
29.30	919	1-535-141-00	BASE POST 22MM (10MM PITCH) 4P
29.30	CNP801	1-555-465-00	CORD, POWER
29.30	T801	1-449-253-11	TRANSFORMER, POWER
39	T820	1-448-523-11	TRANSFORMER, POWER
39	VZ821	1-807-180-11	VARISTOR SNR-14A300K
39	—	4-925-075-01	INSTRUCTION CARTON

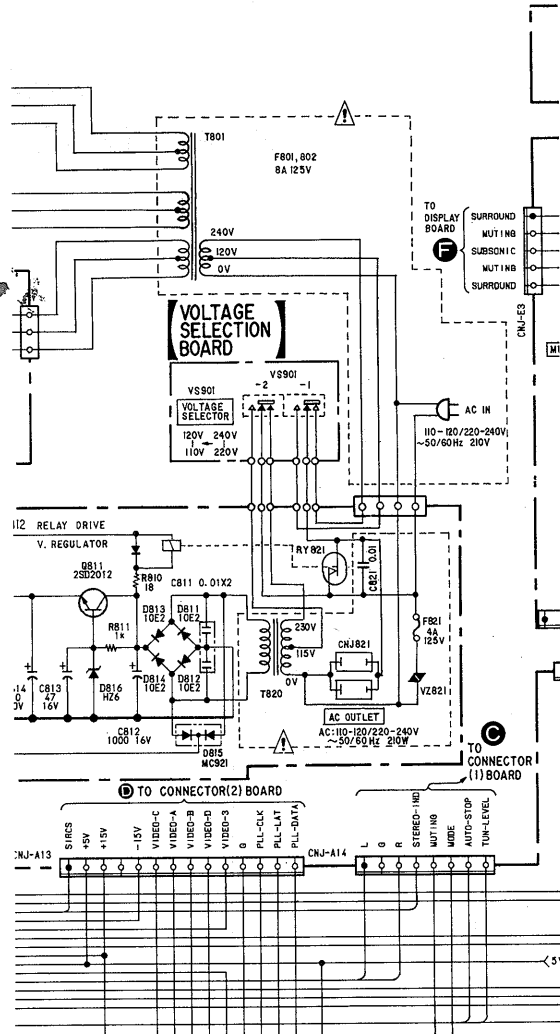
- The following parts are not used in STR-AV1000: PX model.

Page	No.	Part No.	Description
38	R821	1-202-725-91	RES SOLID 3.30M
39	—	4-925-069-01	INDIVIDUAL CARTON

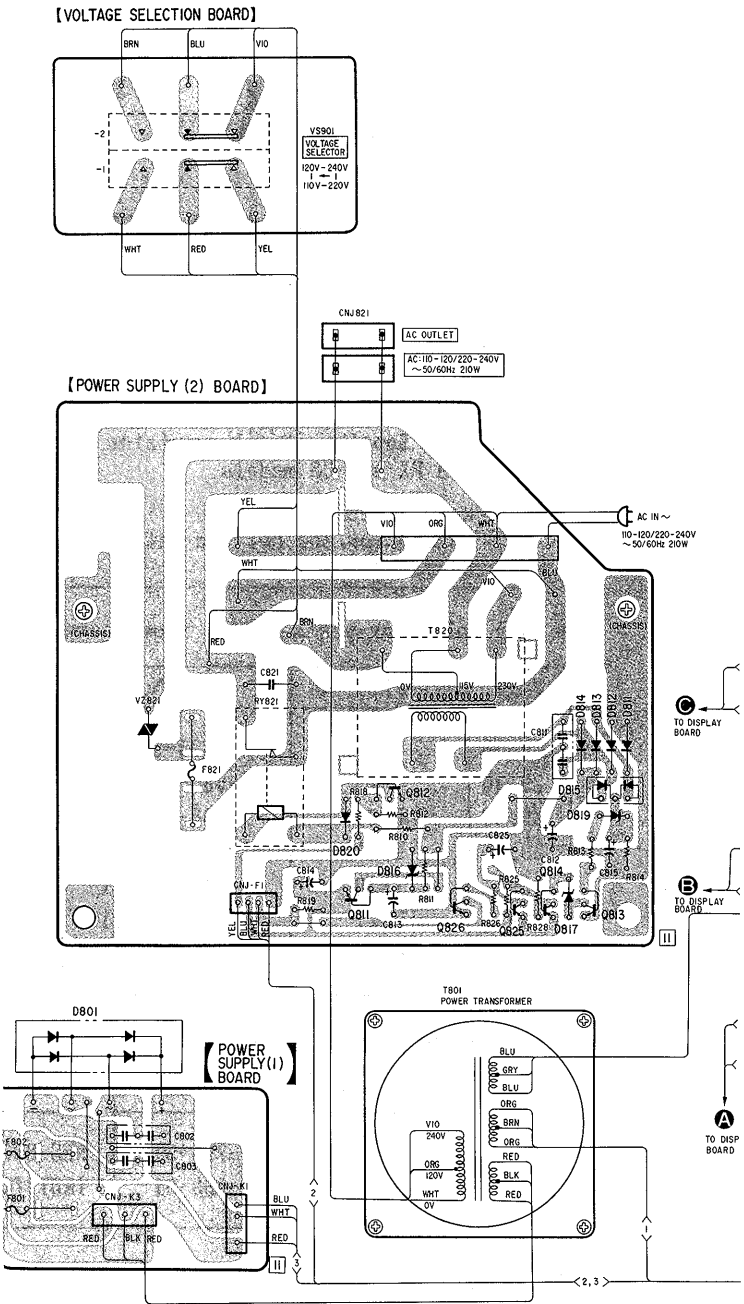
Page 29



[SCHEMATIC DIAGRAM]



[PRINTED WIRING BOARD]



STR-AV900/AV1000

SONY[®] SERVICE MANUAL

US Model
Canadian Model

SUPPLEMENT-3

File this supplement with the service manual.

Subject: The printed wiring boards have been changed.

- Display board and Tuner/Video board are changed.

- **DELETION**

R149 56K

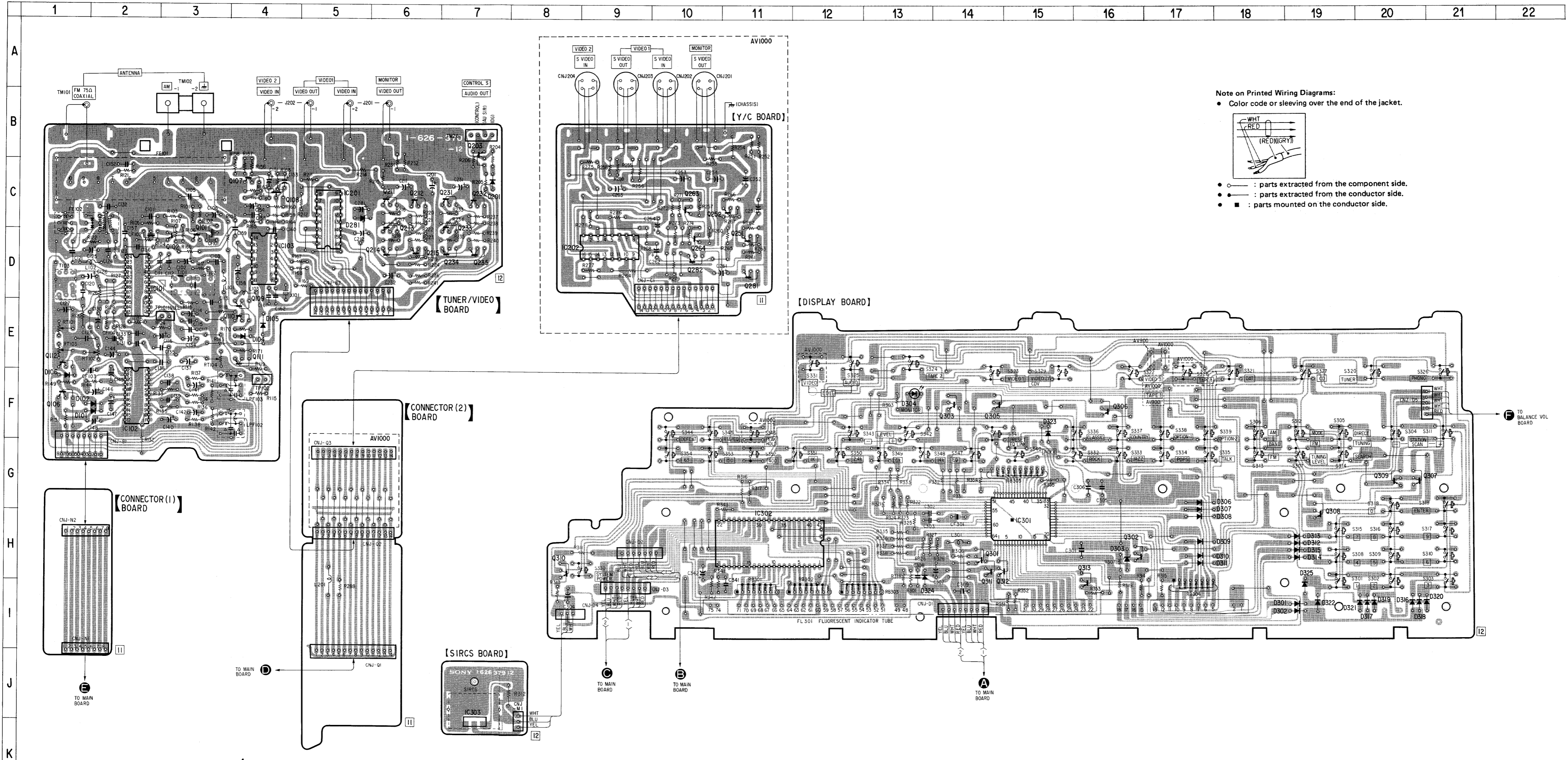
- **ADDED**

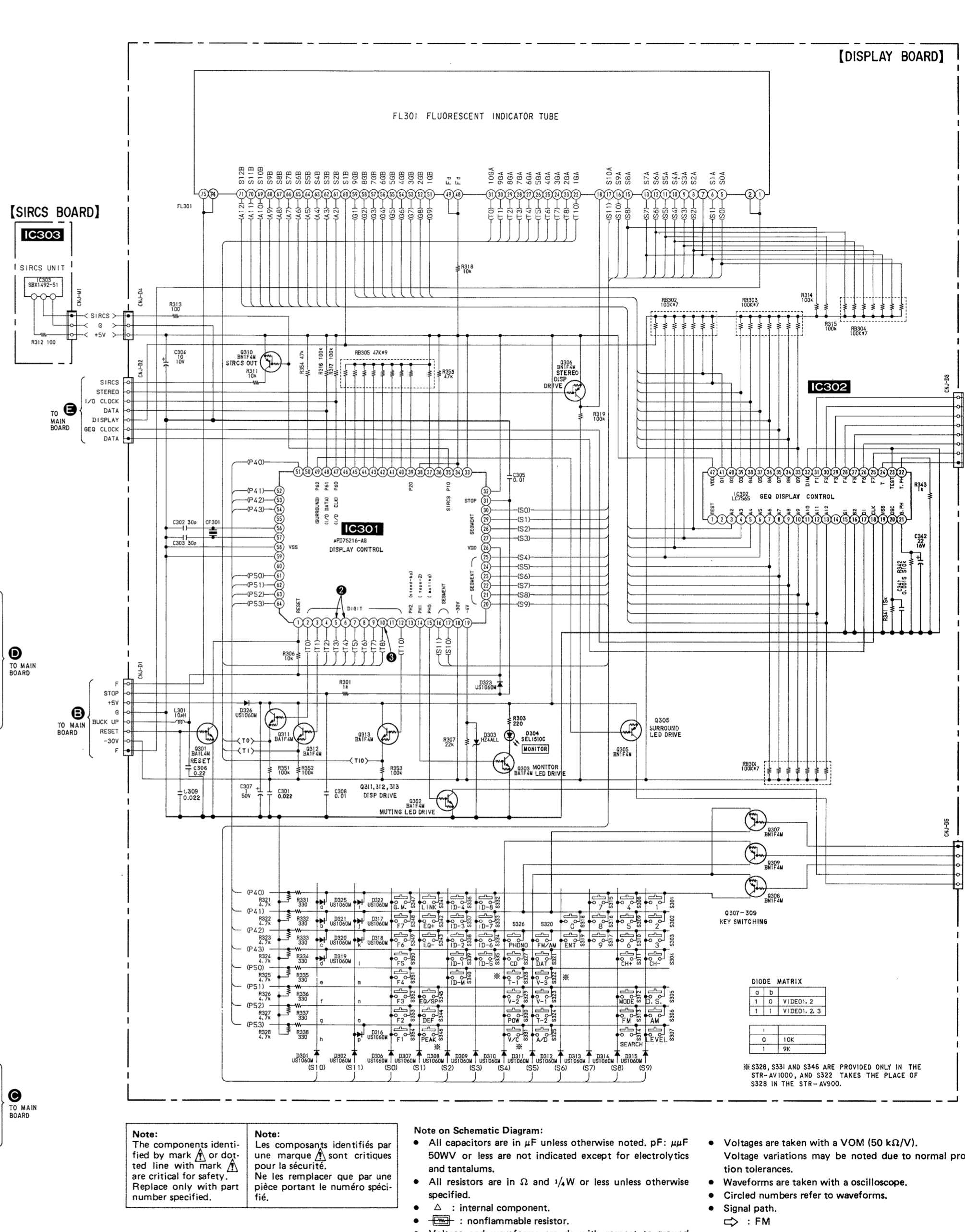
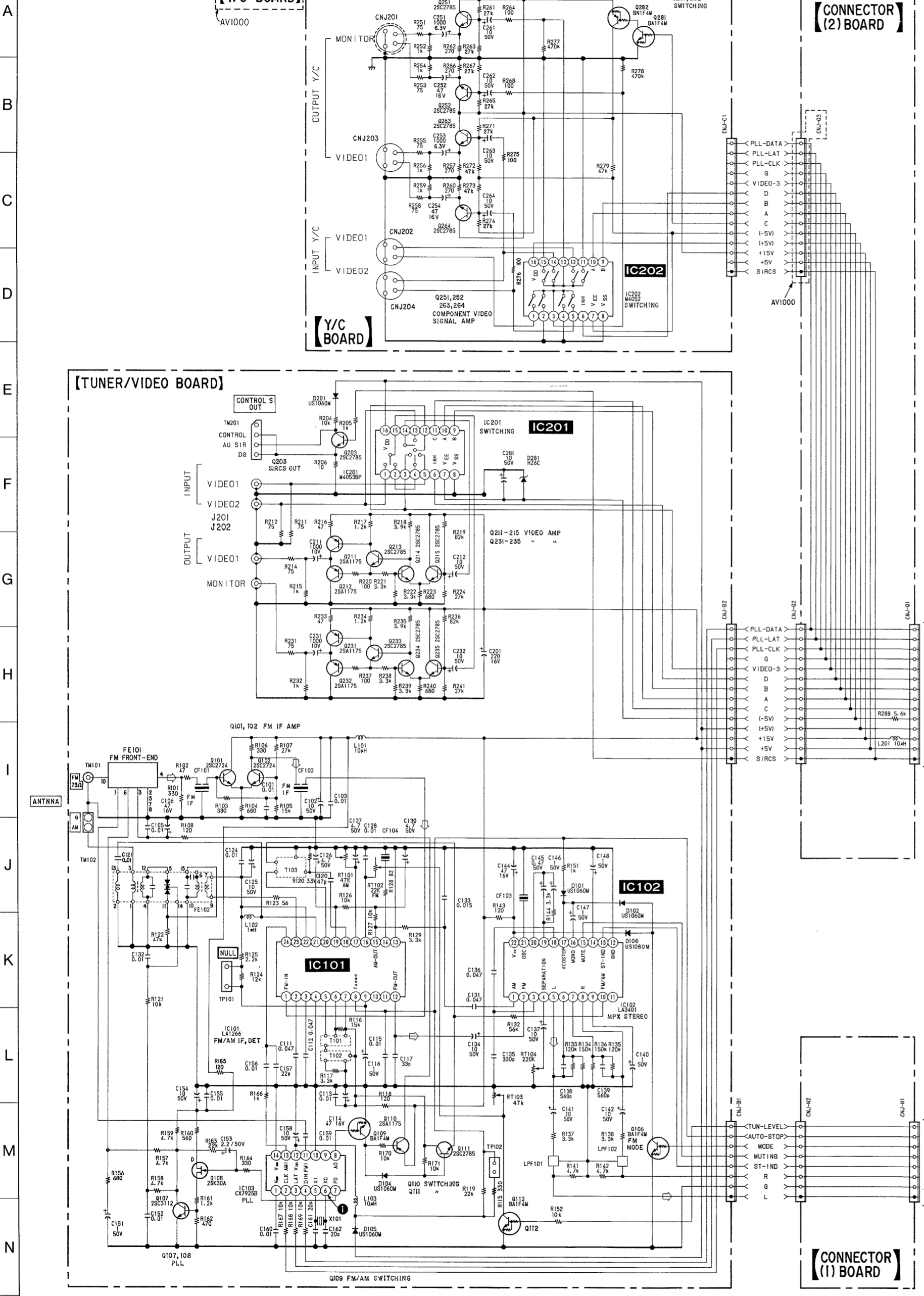
C120	1-162-215-31	CARBON	47PF	5%	50V
R101	1-249-411-11	CARBON	330	5%	1/4W
R115	1-249-411-11	CARBON	330	5%	1/4W
R120	1-249-423-11	CARBON	3.3K	5%	1/4W
RT103	1-230-633-11	RES, ADJ, CARBON	47K		

- **CHANGED**

FORMER				NEW			
C252	ELECT	1000MF	6.3V	1-124-477-11	ELECT	47MF	20% 16V
C254	ELECT	1000MF	6.3V	1-124-477-11	ELECT	47MF	20% 16V
R212		10K		1-249-429-11	CARBON	10K	5% 1/4W
RT101		22K		1-230-633-11	RES, ADJ, CARBON	47K	

PRINTED WIRING BOARDS





Note:
The components identified by mark **A** or dotted line with mark **A** are critical for safety. Replace only with part number specified.

Note:
Les composants identifiés par une marque **A** sont critiques pour la sécurité. Ne les remplacer que par une pièce portant le numéro spécifié.

Note on Schematic Diagram:

- All capacitors are in μF unless otherwise noted. pF : μF 50WV or less are not indicated except for electrolytics and tantalums.
- All resistors are in Ω and $1/4\text{W}$ or less unless otherwise specified.
- Δ : internal component.
- \square : nonflammable resistor.
- Voltage and waveforms are dc with respect to ground under no-signal (detuned) conditions. no mark: FM

Voltages are taken with a VOM (50 k Ω /V). Voltage variations may be noted due to normal production tolerances.

- Waveforms are taken with an oscilloscope.
- Circled numbers refer to waveforms.
- Signal path.
- \square : FM

DIODE MATRIX

a	b	
1	0	VIDE01, 2
1	1	VIDE01, 2, 3
0	10K	
1	9K	

* S328, S331 and S346 are provided only in the STR-AV1000, and S322 takes the place of S328 in the STR-AV900.