

STR-AV200E

SERVICE MANUAL

AEP Model



Free service manuals
Gratis schema's

Digitized by

www.freeservicemanuals.info

SPECIFICATIONS

Amplifier section

Continuous RMS power output

30 watts + 30 watts

(8 ohms, according to DIN 45500)

Harmonic distortion

Less than 0.8% at rated output

Frequency response

PHONO:RIAA equalization curve ± 0.5 dB

CD

VIDEO

TAPE

10 Hz - 50 kHz ± 0.5 dB

Inputs

	Sensitivity	Impedance	S/N (weighting network, input level)
PHONO	2.5 mV	50 kilohms	74 dB 72 dB* (A, 2.5 mV)
CD VIDEO TAPE	150 mV	50 kilohms	95 dB 80 dB* (A, 150 mV)

* '78 IHF

Outputs

REC OUT, VIDEO (AUDIO) OUT	Voltage 150 mV Impedance 10 kilohms
SPEAKER A, B	Accepts speakers of 8-16 ohms
HEADPHONES	Accepts low and high impedance headphones

Tone controls

BASS: ± 8 dB at 100 HzTREBLE: ± 8 dB at 10 kHz

Loudness

+8 dB at 100 Hz (att. 30 dB)

Muting level

-20 dB (STR-AV300E only)

	FM tuner	AM tuner
Tuning range	87.5 - 108 MHz	531 - 1,602 kHz
Antenna terminals	West Germany model: 75 ohms, unbalanced AEP model: 300 ohms, balanced 75 ohms, unbalanced	External antenna terminal
Sensitivity at 46 dB quieting	18.3 dBf, 4.5 μ V (mono) 38.3 dBf, 45 μ V (stereo)	—
Usable sensitivity	11.2 dBf, 2 μ V (IHF)	500 μ V (at 1,000 kHz)
Signal-to-noise ratio	70 dB (mono) 64 dB (stereo)	54 dB (at 50 mV/m)
Harmonic distortion	0.2% (mono), 0.4% (stereo) at 1 kHz	0.3% (at 50 mV/m, 400 Hz)
Selectivity	50/60 dB at 300/400 kHz	35 dB at 9 kHz
Separation	45 dB at 1 kHz	
Frequency response	40 Hz - 12.5 kHz ± 0.5 dB	

General

System

Tuner section: PLL quartz-locked digital synthesizer system

Preamplifier section: low-noise NF type equalizer amp

Power amplifier section: quasi-complementary SEPP

Power requirements

220 V AC, 50/60 Hz

Power consumption

90 watts

—Continued on next page—

FM STEREO/FM-A-M RECEIVER
SONY



AC outlets Two switched (Total 100 watts)
 Dimensions Approx. 430 x 105 x 300 mm (w/h/d)
 (17 x 4 1/4 x 11 7/8 inches)
 including projecting parts and controls
 Weight Approx. 5.4 kg (11 lb 15 oz) net
 Approx. 6.7 kg (14 lb 13 oz) in
 shipping carton

Accessories supplied
 FM ribbon antenna (1, not supplied with the
 West German model)
 AM layout-free antenna (1)

● IF OFFSET ADJUSTMENT (FM IF)

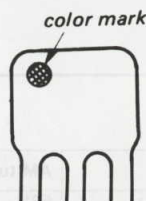
Diode Installations Depending on the Ceramic Filters (CF101, 102)

This set employs three ceramic filters (CF101, 102) which should have the same color marking to identify their center frequency. Therefore FM IF offset adjustment by diodes (D313,314) installation is necessary to match the center frequency of the ceramic filters used with FM intermediate frequency.

Ceramic filter		Diode installation		FM intermediate frequency (MHz)
Color mark	Center frequency (MHz)	* A D313	* B D314	
White	10.750	○	○	10.750
Red	10.700	x	x	10.700
Black	10.650	x	○	10.650

○ : installed
 x : not installed

FM intermediate frequency is determined by the three types as shown above. Ceramic filters of same center frequency, i.e., of same color coding should be used for CF101 through CF102.



WARNING !!

ADVARSEL!
 Lithiumbatteri – Eksplosionsfare
 Udskiftning må kun foretages
 af en sagkyndig, og som
 beskrevet i servicemanualen.

LITHIUM BATTERY

SHOULD ONLY BE CHANGED BY TECHNICAL PERSONNEL. THERE IS A RISK FOR EXPLOSION AT A WRONG HANDLING.

“Batteriet må kun udskiftes med et batteri af samme fabrikat og type”.

Because of the risk for explosion the battery must be replaced with the same type and manufacture.

FEATURES

The STR-AV200E is a combined receiver and audio/video control center.
 You can listen to various audio/video program sources through the amplifier of the receiver and the speakers connected to it.
 In the tuner section, a quartz-locked digital synthesizer system allows precise tuning. A total of 10 FM/AM stations can be preset.

SAFETY-RELATED COMPONENT WARNING!!

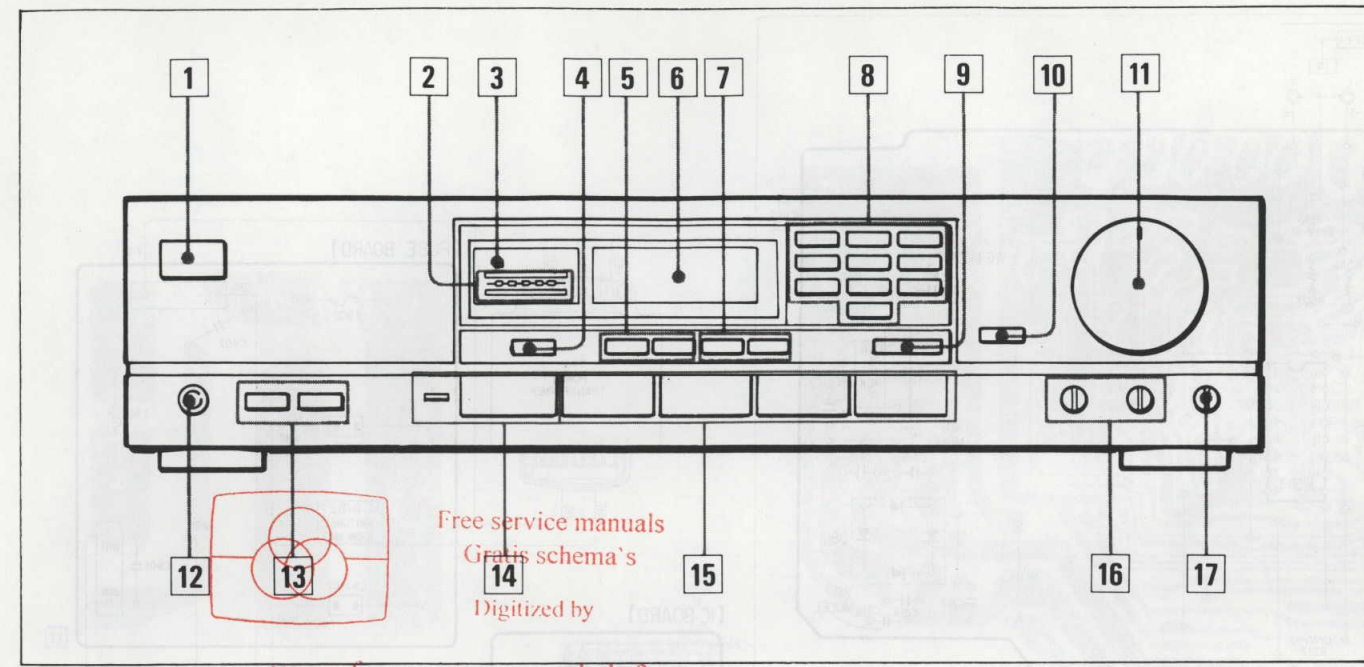
COMPONENTS IDENTIFIED BY MARK OR DOTTED LINE WITH MARK ON THE SCHEMATIC DIAGRAMS AND IN THE PARTS LIST ARE CRITICAL TO SAFE OPERATION. REPLACE THESE COMPONENTS WITH SONY PARTS WHOSE PART NUMBERS APPEAR AS SHOWN IN THIS MANUAL OR IN SUPPLEMENTS PUBLISHED BY SONY.

TABLE OF CONTENTS

<u>Section</u>	<u>Title</u>	<u>Page</u>
SECTION 1 GENERAL		3
1-1.	Location and Function of Controls	3
SECTION 2 ADJUSTMENTS		4
2-1.	FM Section Adjustments	4
2-2.	AM Section Adjustments	5
SECTION 3 DIAGRAMS		6
3-1.	Semiconductor Lead Layouts	6
3-2.	Printed Wiring Boards	7
3-3.	Schematic Diagram	11
SECTION 4 EXPLODED VIEWS		15
4-1.	Cabinet/Front Panel Section	15
4-2.	Chassis Section	16
SECTION 5 ELECTRICAL PARTS LIST		17

SECTION 1 GENERAL

1-1. LOCATION AND FUNCTION OF CONTROLS



- 1 POWER switch**
- 2 Signal strength indicator**
Shows the receiving signal strength.
- 3 FM STEREO indicator**
- 4 FM MODE button**
When an FM stereo program is noisy or hard to receive, press this button. The FM STEREO indicator goes out (the sound is heard in monaural, but the reception will be improved). To return to the stereo mode, press again or change the frequency.
- 5 BAND selectors**
- 6 Display window**
- 7 TUNING +/- buttons**
- 8 Numeric buttons**
For presetting a station or for tuning in a preset station.
- 9 MEMORY PRESET button**

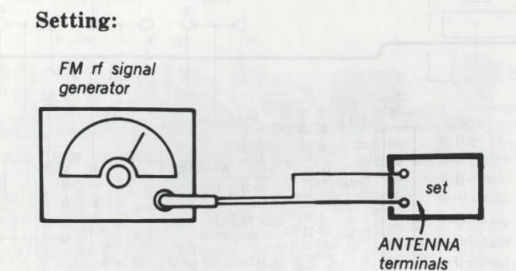
- 10 LOUDNESS switch**
Press when listening to a program source at a low volume. The low frequency sound is emphasized.
- 11 VOLUME control knob**
- 12 HEADPHONES jack (stereo phone jack)**
- 13 SPEAKERS selectors**
Depress to select which speaker system to drive. For both speaker systems, depress A and B.
- 14 TAPE MONITOR button and indicator**
- 15 Function selectors**
- 16 TONE controls**
- 17 BALANCE control**
Turn clockwise to decrease the left channel volume, and counterclockwise to decrease the right channel volume.

Free service manuals
Great schema's
Digitized by
www.freerivservicemanuals.info

SECTION 2 ADJUSTMENTS

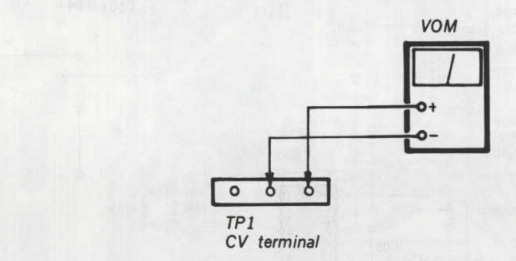
2-1. FM SECTION ADJUSTMENTS

FM FREQUENCY COVERAGE ADJUSTMENT

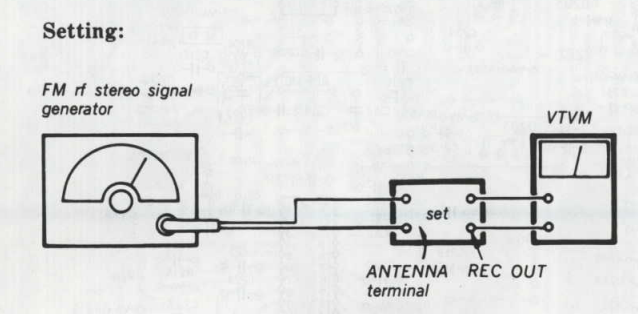


Carrier frequency: 108MHz
Modulation: 400Hz, 75kHz deviation (100%)
Output level: 1mV (60dB)

- 1 Adjust L106 so that VOM reads $8.5 \pm 0.2V$.
- 2 After the adjustment, set FM rf signal generator frequency to 87.5MHz.
Confirm that VOM reads $2.6V \pm 0.5V$.



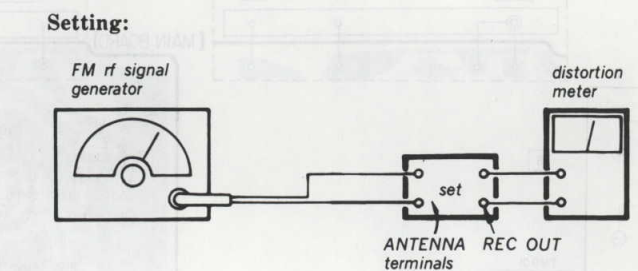
FM TRACKING ADJUSTMENT



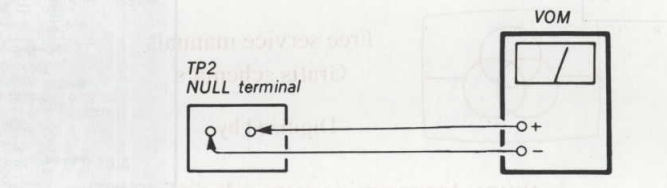
Carrier frequency: 98MHz
Modulation: 400Hz, 75kHz deviation (100%)
Output level: 3.2-5.3µV (10-15dB)

1. Adjust L101, 102: AEP model, L101, L103: West Germany model for maximum reading on VTVM.

FM DISCRIMINATOR ALIGNMENT



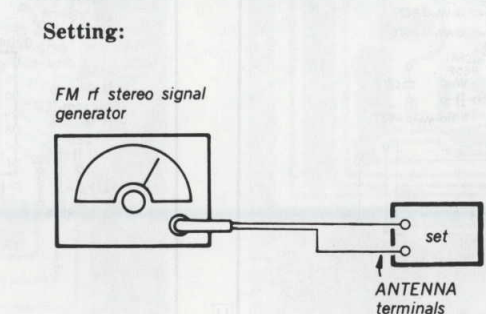
Carrier frequency: 98MHz
Modulation: 400Hz, 75kHz deviation (100%)
Output level: 1mV (60dB)



FM TUNING STOP ADJUSTMENT

- Procedure:**
1. Tune the set to 98MHz.
 2. Adjust the T201 for 0V reading on VOM.
 3. At this time, confirm distortion should be within 0.5%.

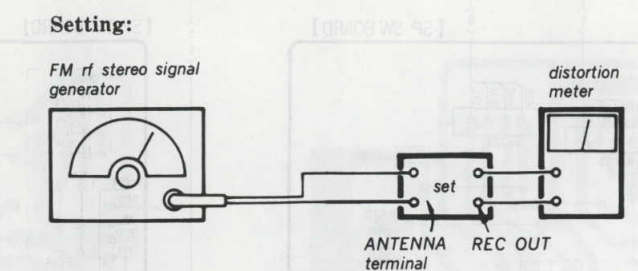
FM TUNING STOP ADJUSTMENT



Carrier frequency: 98MHz
Output level: 14.3µV (23dB)
Modulation: Audio 400Hz: 33.75kHz deviation (45%)
Sub channel 38kHz: 33.75kHz deviation (45%)
Pilot signal 19kHz: 7.5kHz deviation (10%)

- Procedure:**
1. Tune the set to 98MHz by pressing the TUNING buttons.
 2. Adjust RV201 so that the STEREO LED goes on.

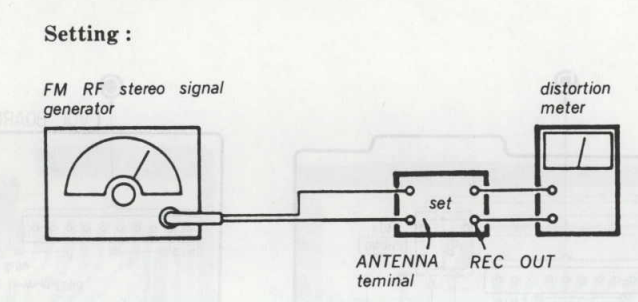
FM IF ADJUSTMENT



Carrier frequency: 98MHz
Output level: 1mV (60dB)
Modulation: Audio 400Hz: 33.75kHz deviation (45%)
Sub channel 38kHz: 33.75kHz deviation (45%)
Pilot signal 19kHz: 7.5kHz deviation (19%)

- Procedure:**
1. Adjust the black core of T101 for minimum distortion.

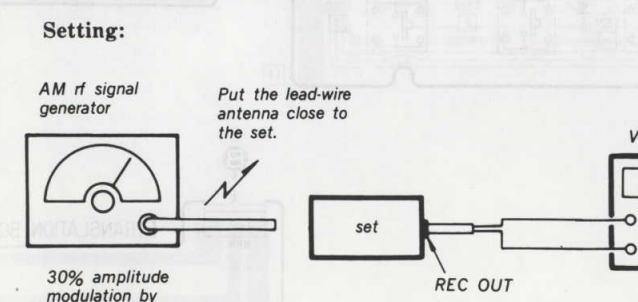
FM METER ADJUSTMENT



Carrier frequency: 98MHz
Output level: 50µV (45dB)
Modulation: Audio 400Hz: 33.75kHz deviation (45%)
Sub channel 38kHz: 33.75kHz deviation (45%)
Pilot signal 19kHz: 7.5kHz deviation (19%)

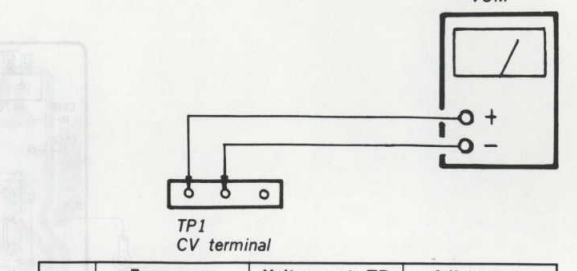
- procedure:**
- Adjust the RV202 so that the 5 point LED of the signal meter goes on.

2-2. AM SECTION ADJUSTMENTS



30% amplitude modulation by 400Hz signal

AM FREQUENCY COVERAGE ADJUSTMENT



Frequency display in set	Voltage at TP (CV)	Adjustment part
1. 1602kHz	8.0 ± 0.2V	T401

AM TRACKING ADJUSTMENT

- Procedure:**
1. Tune the set to the SG signal.
 2. Adjust for a maximum reading on VTVM.

SG and set frequency	Adjustment parts	Reading on VTVM
1. 603kHz	T401	Maximum

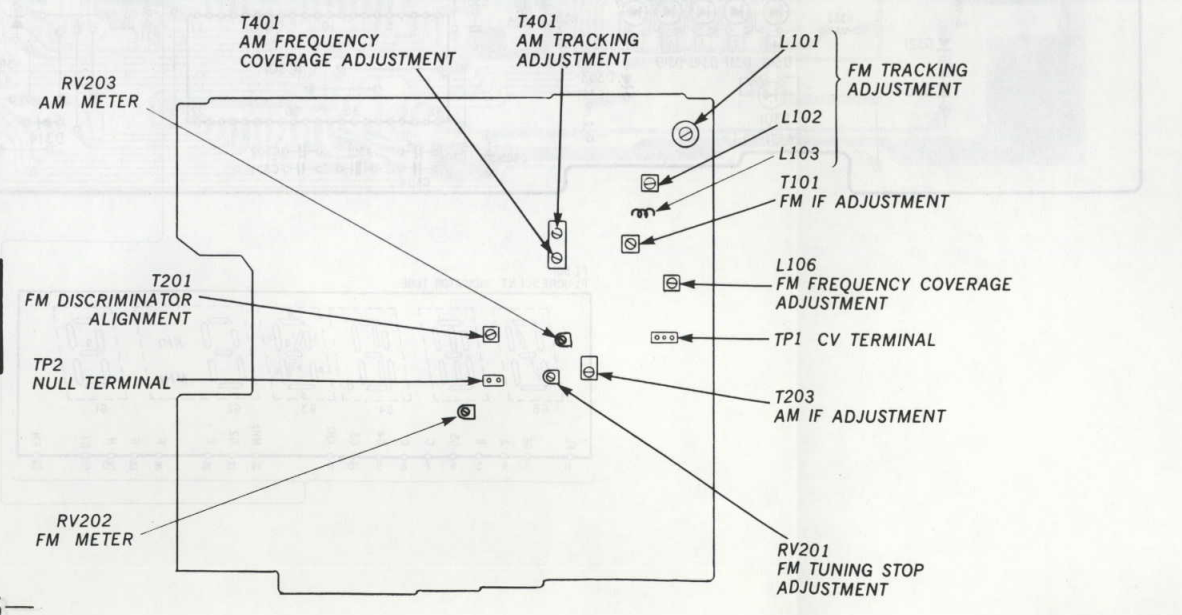
AF IF ADJUSTMENT

- Procedure:**
1. Tune the set to the SG signal.
 2. Adjust for a maximum reading on VTVM.

SG and set frequency	Adjustment parts	Reading on VTVM
1. 1404kHz	T203	Maximum

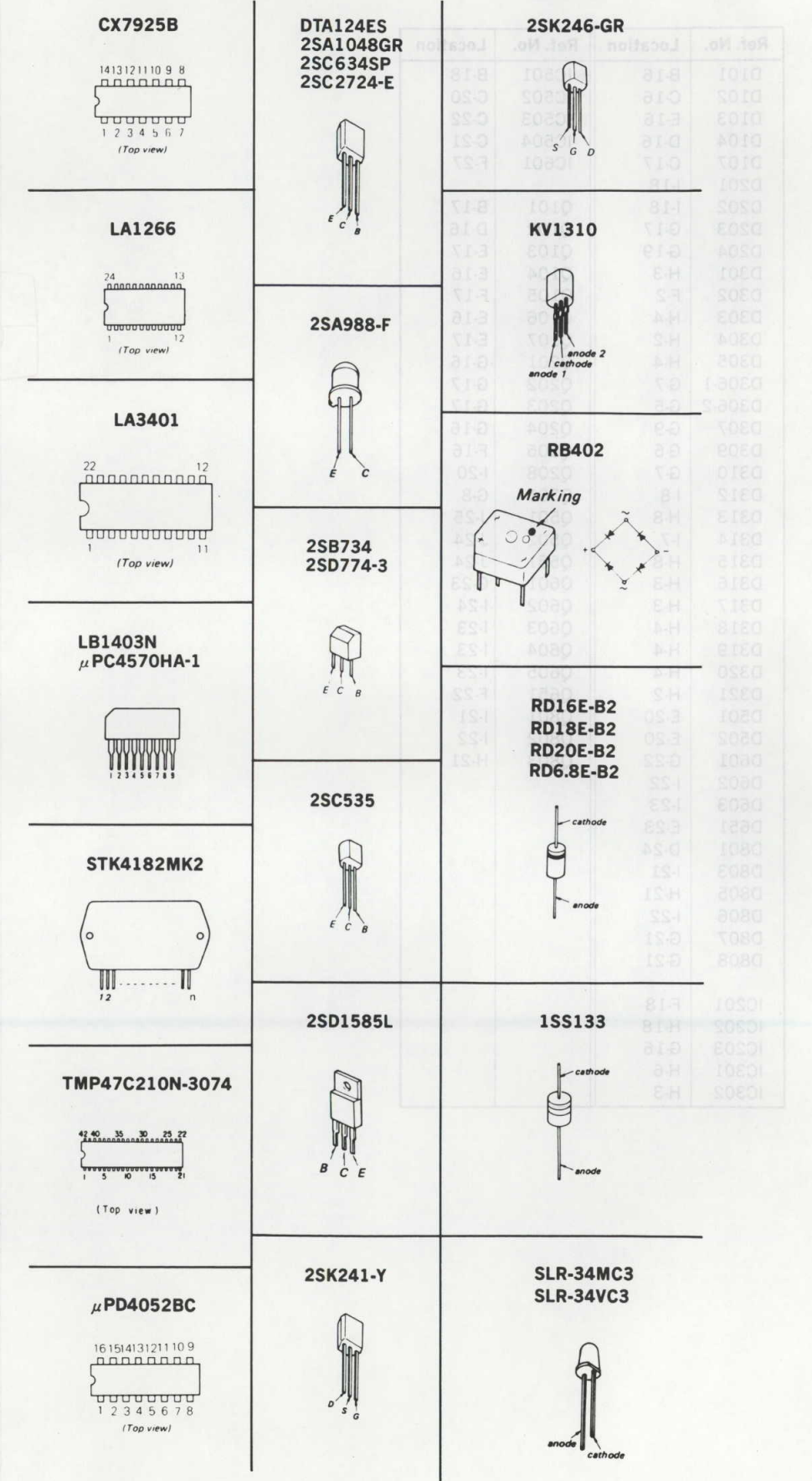
AM METER ADJUSTMENT

- Procedure:**
1. Tune the to 999kHz (70dB)
 2. Adjust the RV203 so that the 4 point LED of the signal meter goes on.



SECTION 3 DIAGRAMS

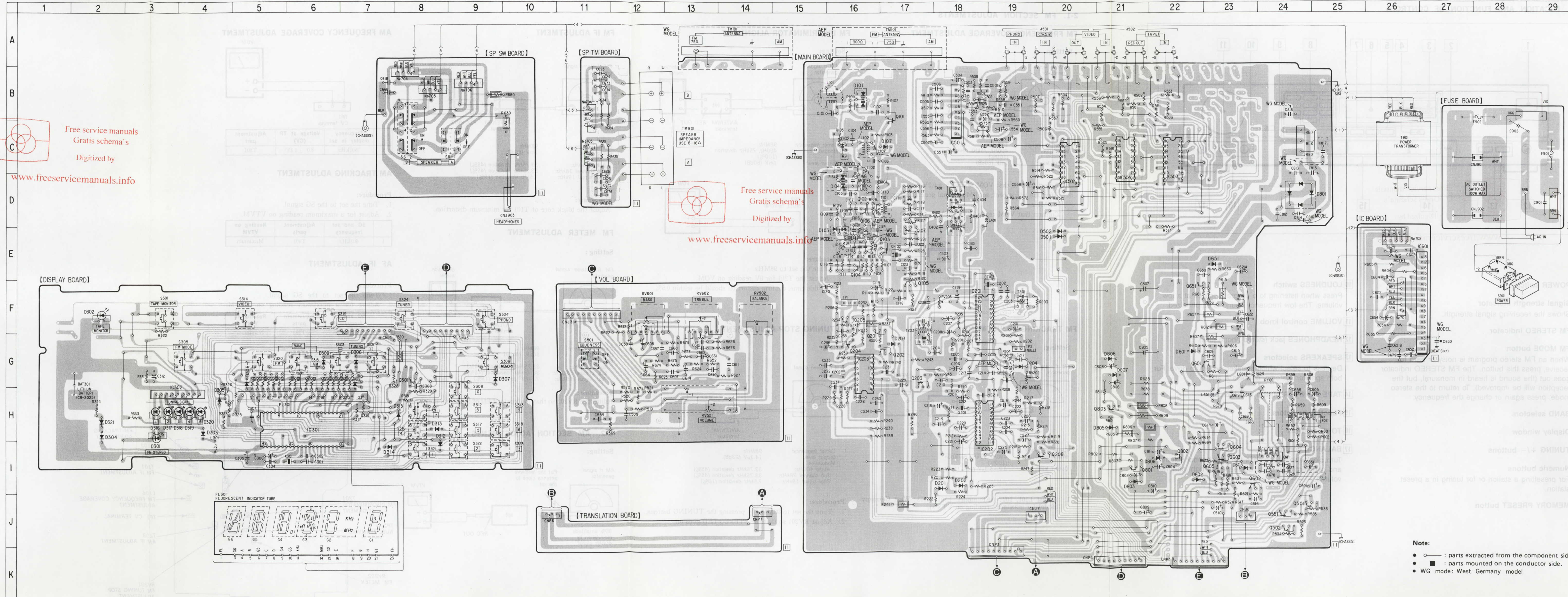
3-1. SEMICONDUCTOR LEAD LAYOUTS



● Semiconductor Location

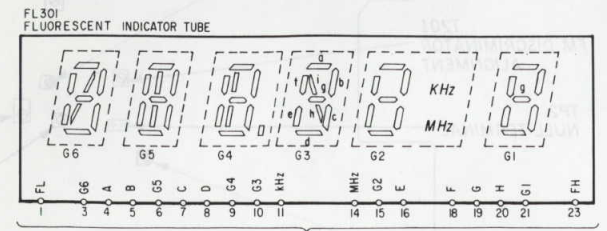
Ref. No.	Location	Ref. No.	Location
D101	B-16	IC501	B-18
D102	C-16	IC502	C-20
D103	E-16	IC503	C-22
D104	D-16	IC504	C-21
D107	C-17	IC601	F-27
D201	I-18		
D202	I-18	Q101	B-17
D203	G-17	Q102	D-16
D204	G-19	Q103	E-17
D301	H-3	Q104	E-16
D302	F-2	Q105	F-17
D303	H-4	Q106	E-16
D304	H-2	Q107	E-17
D305	H-4	Q201	G-16
D306-1	G-7	Q202	G-17
D306-2	G-5	Q203	G-17
D307	G-9	Q204	G-16
D309	G-6	Q205	F-16
D310	G-7	Q208	I-20
D312	I-8	Q301	G-8
D313	H-8	Q501	J-25
D314	I-7	Q502	J-24
D315	H-8	Q551	J-24
D316	H-3	Q601	G-23
D317	H-3	Q602	I-24
D318	H-4	Q603	I-23
D319	H-4	Q604	I-23
D320	H-4	Q605	I-23
D321	H-2	Q651	F-22
D501	E-20	Q801	I-21
D502	E-20	Q802	I-22
D601	G-22	Q803	H-21
D602	I-22		
D603	I-23		
D651	E-23		
D801	D-24		
D803	I-21		
D805	H-21		
D806	I-22		
D807	G-21		
D808	G-21		
IC201	F-18		
IC202	H-18		
IC203	G-16		
IC301	H-6		
IC302	H-3		

3-2. PRINTED WIRING BOARDS



Free service manuals
Gratis schema's
Digitized by
www.freeservicemanuals.info

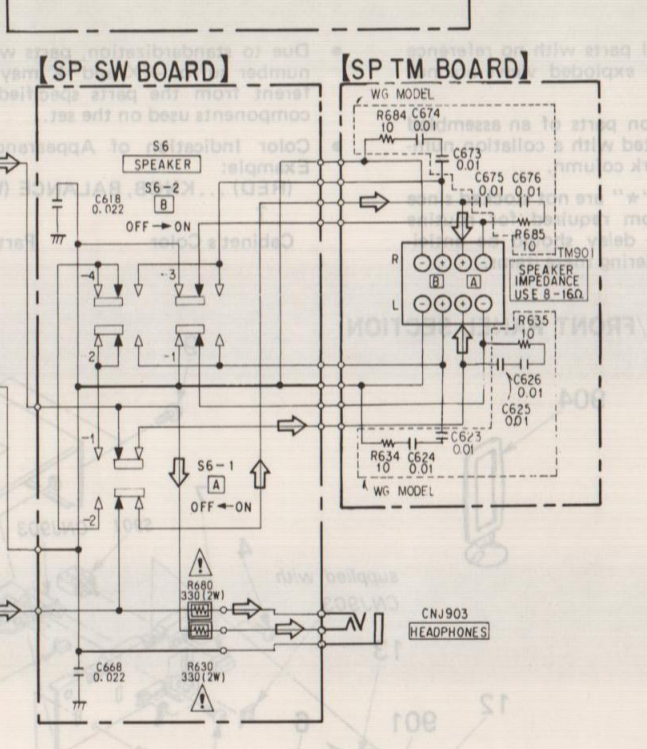
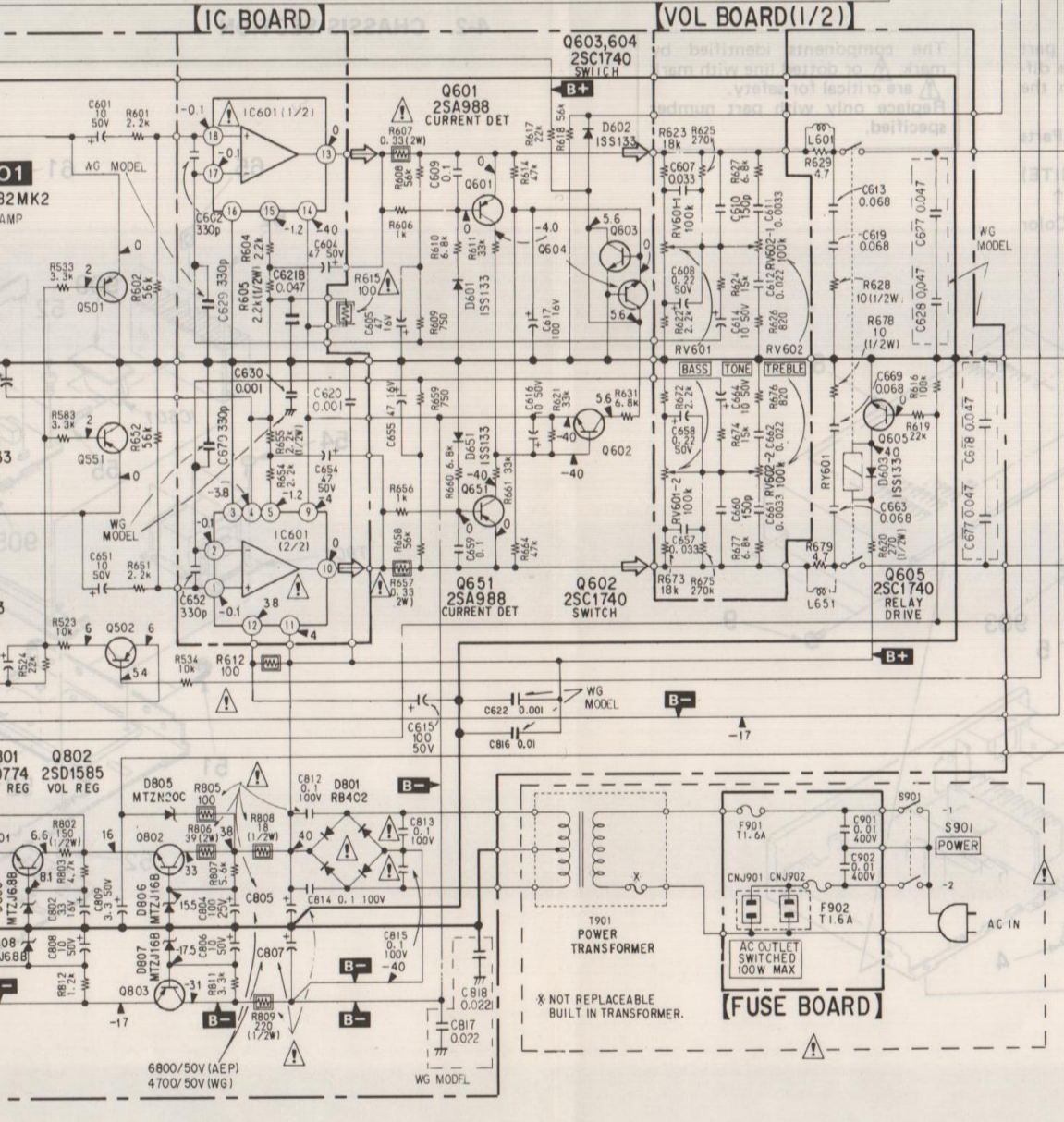
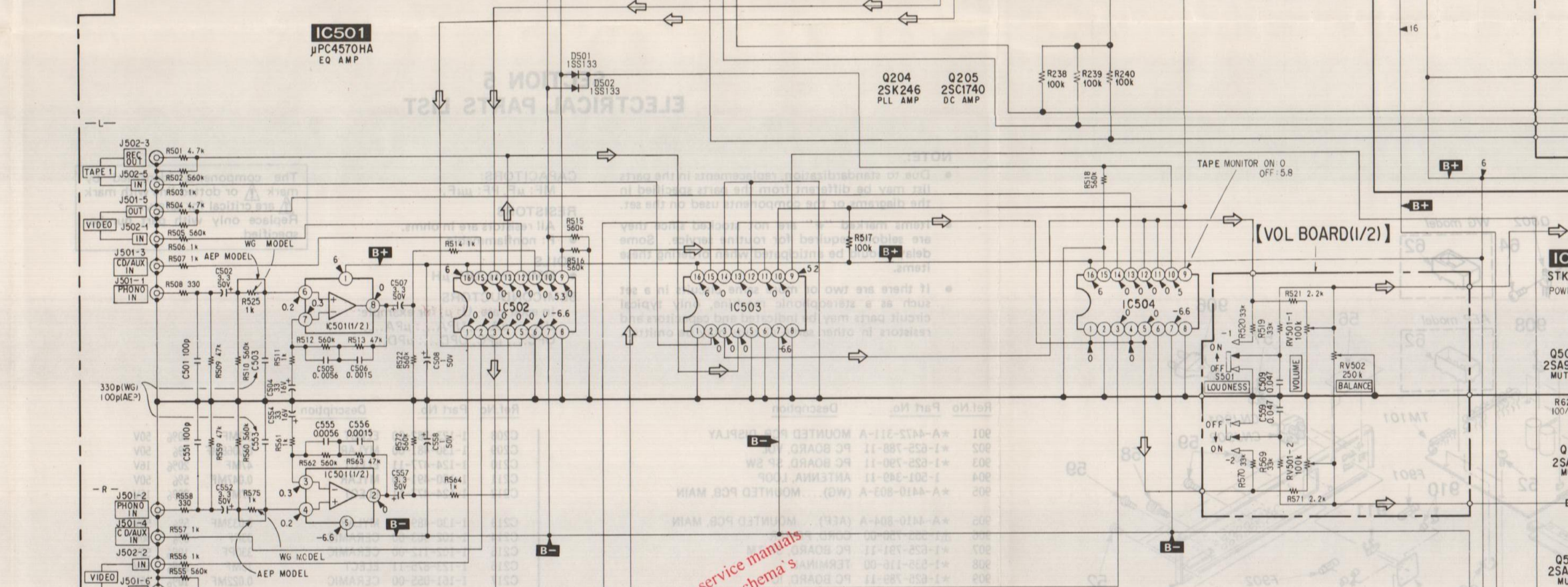
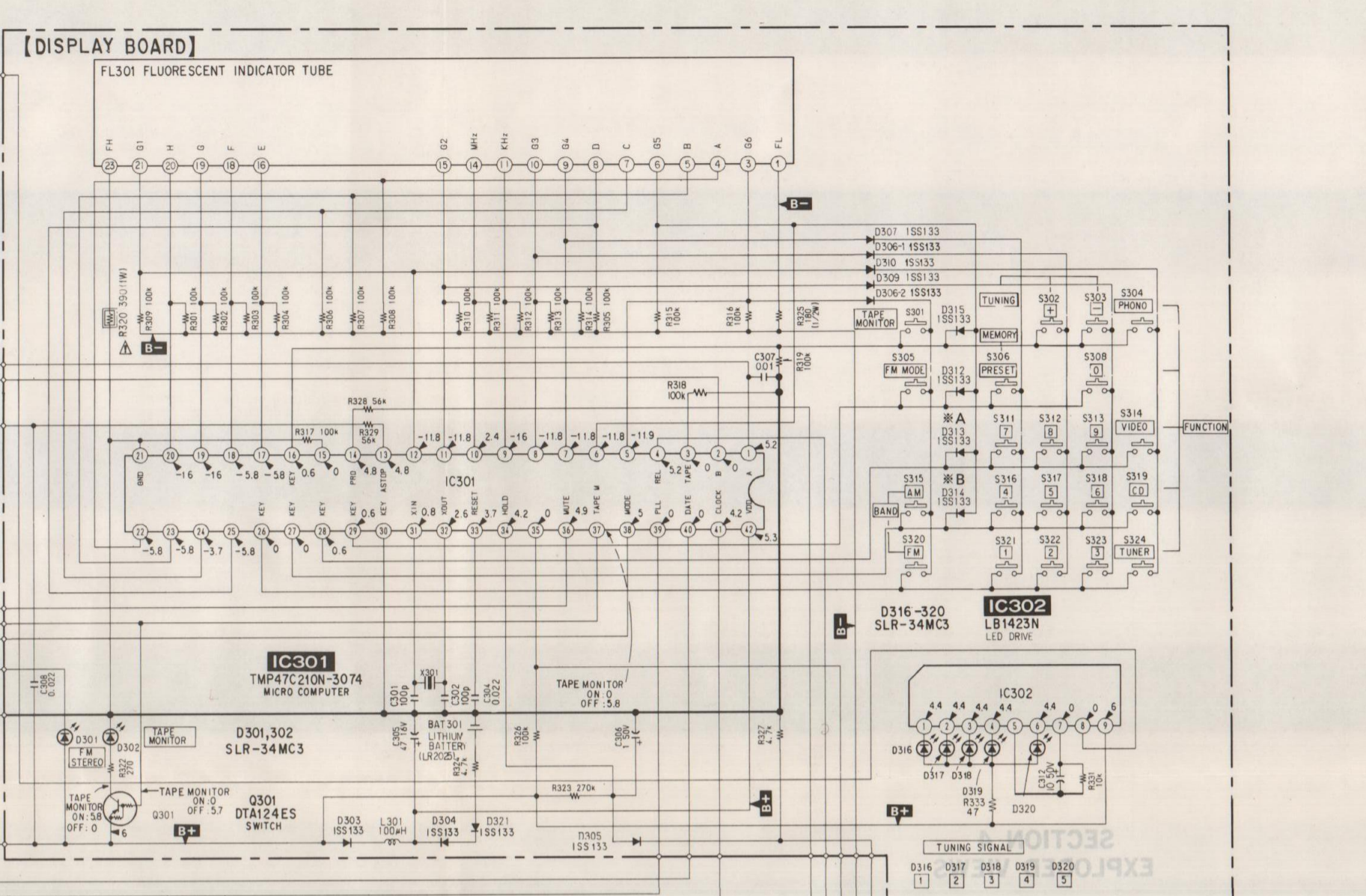
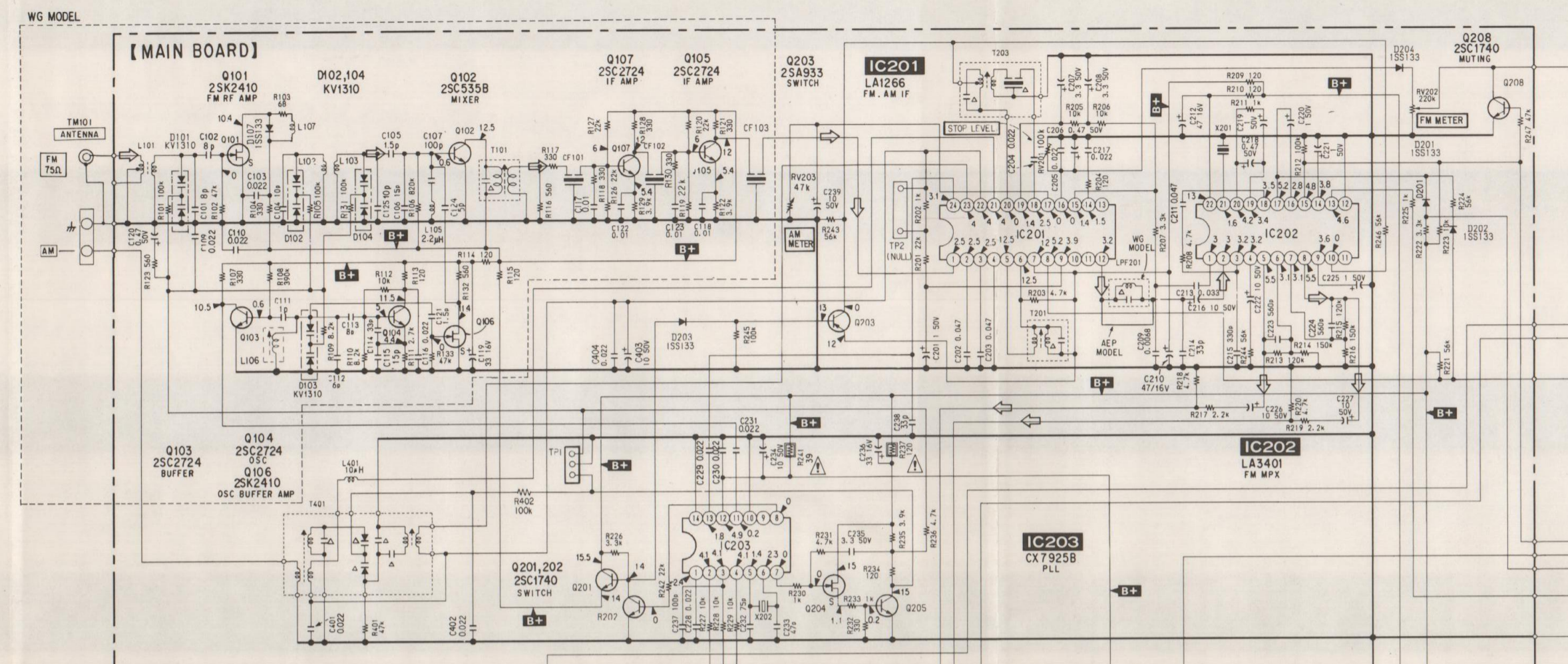
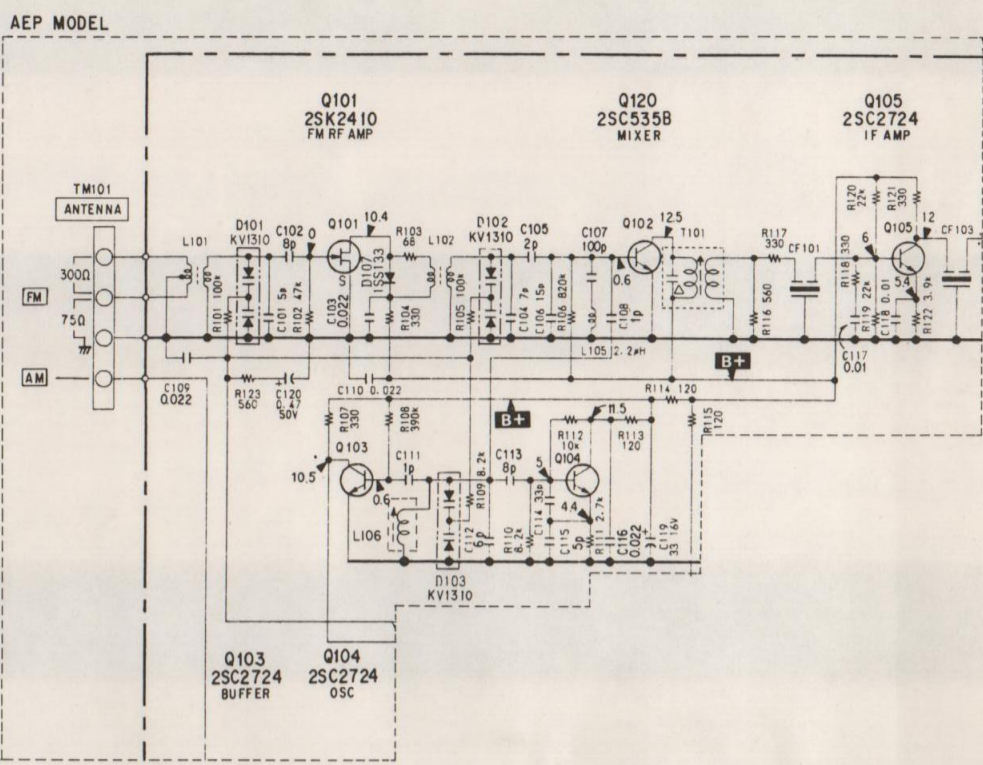
Free service manuals
Gratis schema's
Digitized by
www.freeservicemanuals.info



Note:
 ● ○ : parts extracted from the component side.
 ● ■ : parts mounted on the conductor side.
 ● WG mode: West Germany model

1 2 3 4 5 6 7 8 9 10 11 12 13 14 15 16 17 18 19 20 21 22 23 24 25 26 27 28 29

A B C D E F G H I J K L M N O P Q

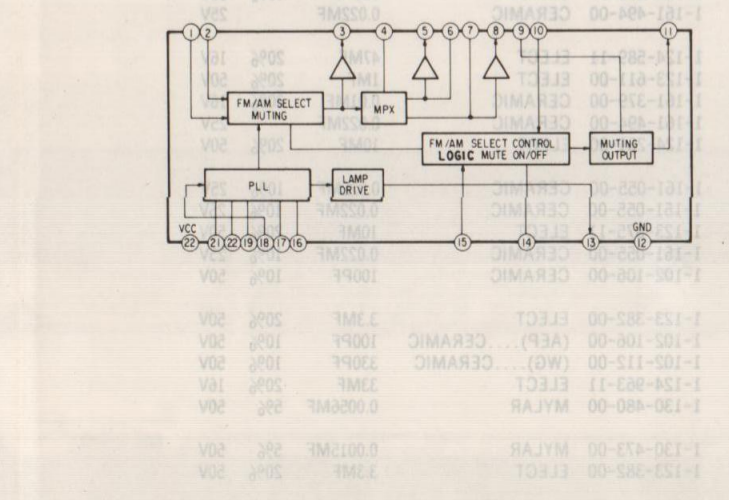


- Note:**
- All capacitors are in μF unless otherwise noted, pF : μF 50WV or less are not indicated except for electrolytics and tantalums.
 - All resistors are in Ω and $1/4 W$ or less unless otherwise specified.
 - Δ : internal component.
 - \square : nonflammable resistor.
 - Switch

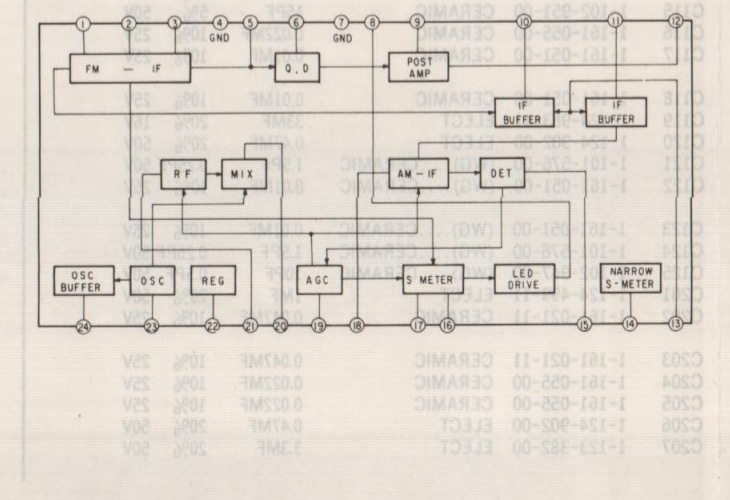
Ref. No.	Switch	Position
S6	SPEAKER	A
S301	TAPE MONITOR	OFF
S302	TUNING +	OFF
S303	TUNING -	OFF
S304	PHONO	OFF
S305	FM MODE	OFF
S306	PRESET	OFF
S308	0	OFF
S311	7	OFF
S312	8	OFF
S313	9	OFF
S314	VIDEO	OFF
S315	AM	OFF
S316	4	OFF
S317	5	OFF
S318	6	OFF
S319	CD	OFF
S320	FM	OFF
S321	1	OFF
S322	2	OFF
S323	3	OFF
S324	TUNER	OFF
S501	LOUDNESS	OFF
S901	POWER	OFF

- \square : adjustment for repair.
 - *A, B: See Page 2. Note on ceramic filter replacement and diode connection.
 - Voltage and waveforms are dc with respect to ground under no-signal (detuned) conditions.
 - no mark: FM
 - Voltages are taken with a VOM (50 Ω kV/V).
 - Voltage variations may be noted due to normal production tolerances.
 - Signal path.
 - \rightarrow : FM
 - WG: West Germany model
- Note:** The components identified with mark Δ or dotted line with mark Δ are critical for safety. Replace only with part number specified.

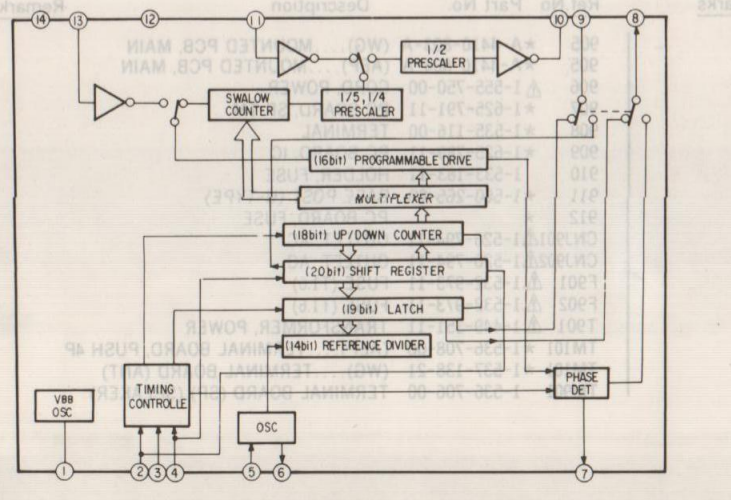
IC BLOCK DIAGRAMS IC202 LA3401



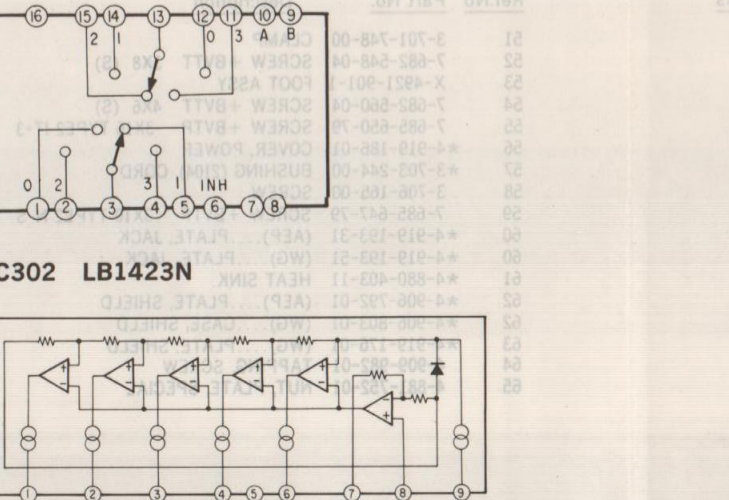
IC201 LA1266



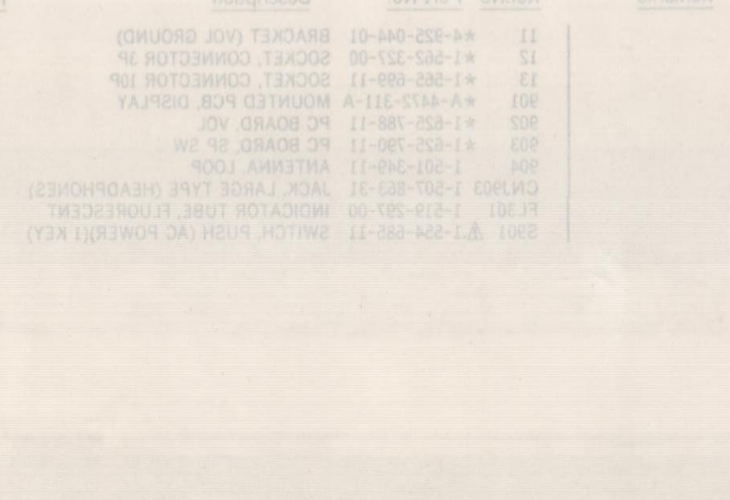
IC203 CX7925B



IC502-504 μ PC4052BC



IC302 LB1423N



Free service manuals
Gratis schema's
Digitized by
www.freeservicemanuals.info

Free service manuals
Gratis schema's
Digitized by
www.freeservicemanuals.info

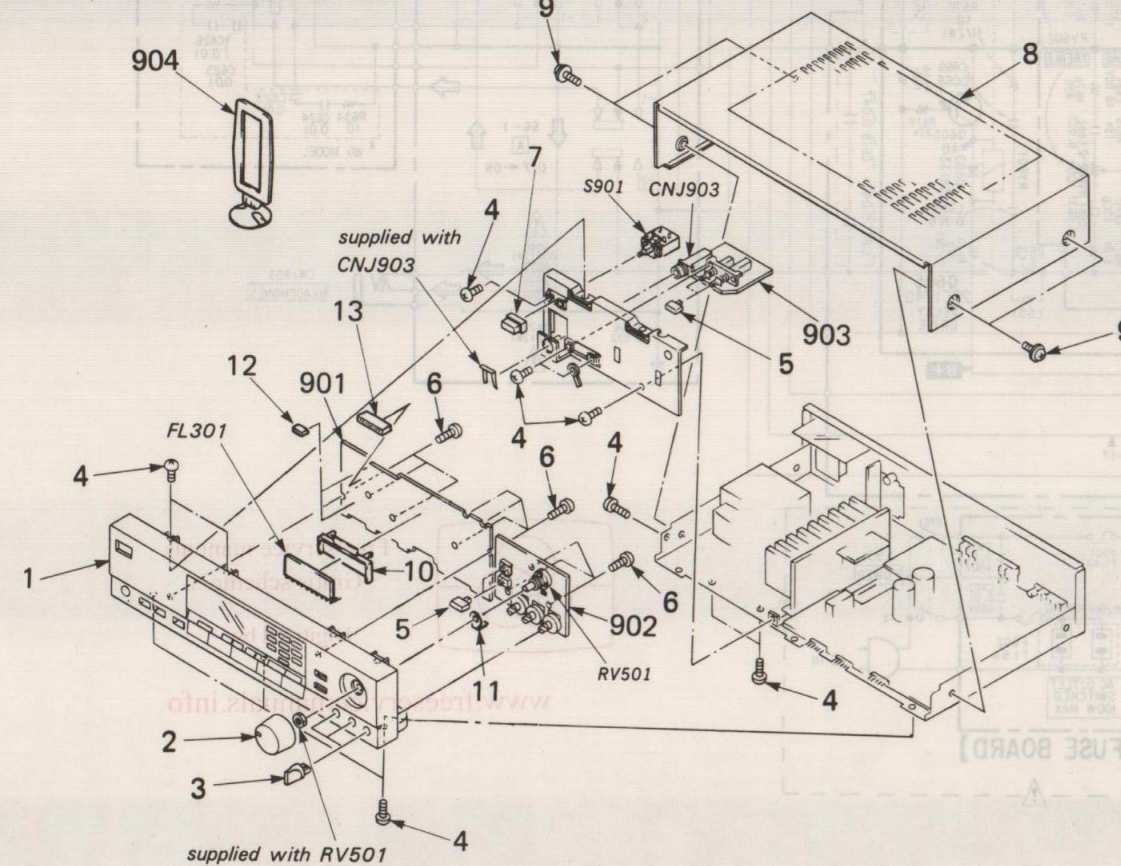
SECTION 4 EXPLODED VIEWS

NOTE:

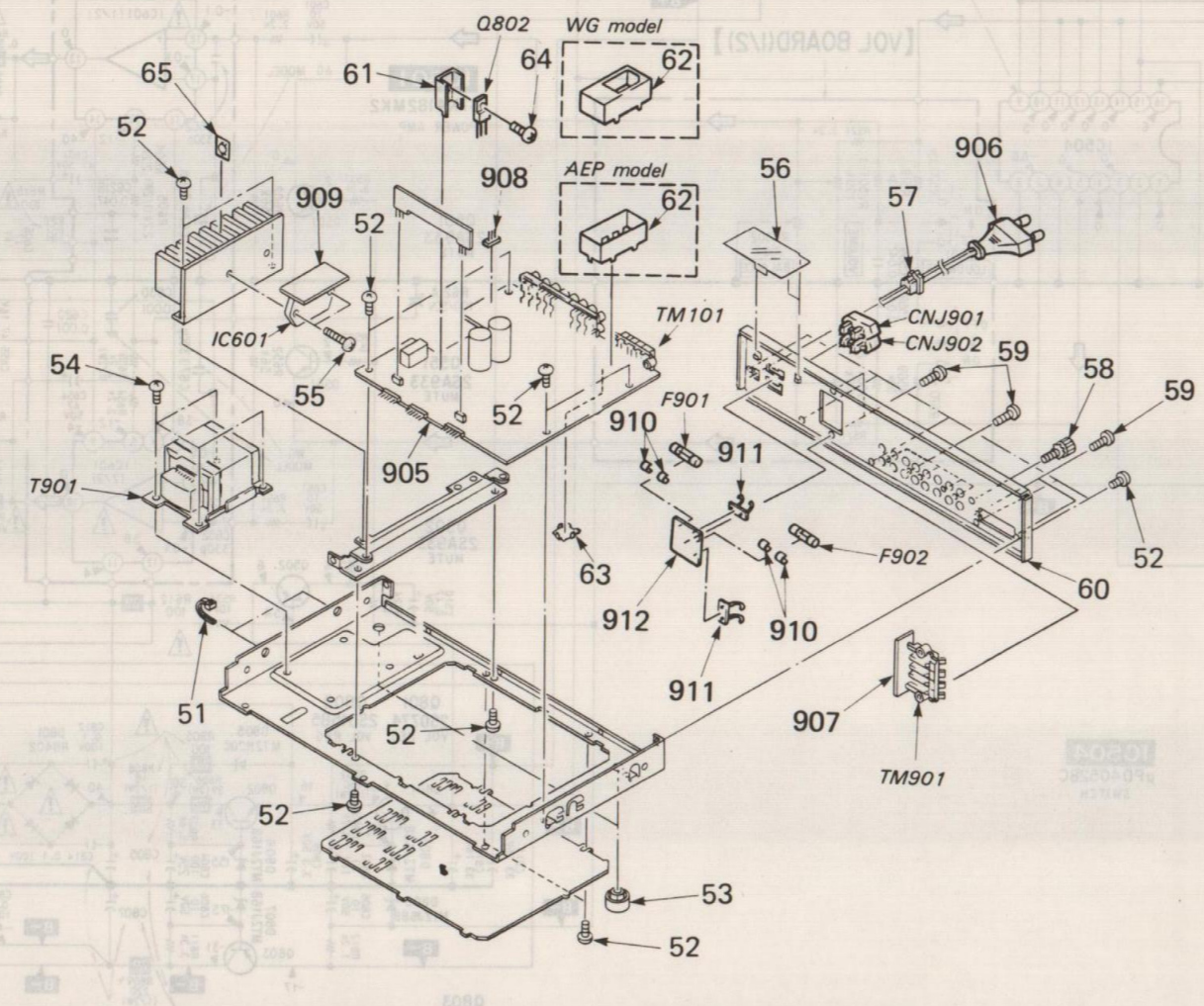
- The mechanical parts with no reference number in the exploded views are not supplied.
The construction parts of an assembled part are indicated with a collation number in the remark column.
Items marked "*" are not stocked since they are seldom required for routine service.

The components identified by mark A or dotted line with mark A are critical for safety. Replace only with part number specified.

4-1. CABINET/FRONT PANEL SECTION



4-2. CHASSIS SECTION



Notes: The components identified by mark A or dotted line with mark A are critical for safety. Replace only with part number specified.

SECTION 5 ELECTRICAL PARTS LIST

NOTE:

- Due to standardization, replacements in the parts list may be different from the parts specified in the diagrams or the components used on the set.
Items marked "*" are not stocked since they are seldom required for routine service.
If there are two or more same circuits in a set such as a stereophonic machine, only typical circuit parts may be indicated and capacitors and resistors in other same circuits may be omitted.

CAPACITORS: MF: μF, PF: μμF.

RESISTORS: All resistors are in ohms. F: nonflammable

COILS: MMH: mH, UH: μH

SEMICONDUCTORS: In each case, U: μ, for example: UA...: μA..., UPA...: μPA..., UPC...: μPC, UPD...: μPD...

The components identified by mark A or dotted line with mark A are critical for safety. Replace only with part number specified.

Table with 4 columns: Ref.No, Part No., Description, Remarks. Lists parts for the cabinet and front panel section.

Table with 4 columns: Ref.No, Part No., Description, Remarks. Lists parts for the chassis section.

Table with 4 columns: Ref.No, Part No., Description, Remarks. Lists parts for the chassis section.

Table with 4 columns: Ref.No, Part No., Description, Remarks. Lists parts for the chassis section.

Table with 4 columns: Ref.No, Part No., Description, Remarks. Lists parts for the chassis section.

Table with 4 columns: Ref.No, Part No., Description, Remarks. Lists parts for the chassis section.

Table with 4 columns: Ref.No, Part No., Description, Remarks. Lists parts for the chassis section.

Table with 4 columns: Ref.No, Part No., Description, Remarks. Lists parts for the chassis section.

Table with 4 columns: Ref.No, Part No., Description, Remarks. Lists parts for the chassis section.

Note: The components identified by mark A or dotted line with mark A are critical for safety. Replace only with part number specified.

Ref.No	Part No.	Description
D501	8-719-901-33	DIODE 1SS133
D502	8-719-901-33	DIODE 1SS133
D601	8-719-901-33	DIODE 1SS133
D602	8-719-901-33	DIODE 1SS133
D603	8-719-901-33	DIODE 1SS133
D651	8-719-901-33	DIODE 1SS133
D801	8-719-300-57	DIODE RB402
D803	8-719-100-41	DIODE RD6.8E-B2
D805	8-719-100-80	DIODE RD20E-B2
D806	8-719-100-74	DIODE RD16E-B2
D807	8-719-100-77	DIODE RD18E-B2
D808	8-719-100-41	DIODE RD6.8E-B2
F901	1-532-973-11	FUSE (T1.6A)
F902	1-532-973-11	FUSE (T1.6A)
FL301	1-519-297-00	INDICATOR TUBE, FLUORESCENT
IC201	8-759-804-55	IC LA1266
IC202	8-759-801-80	IC LA3401
IC203	8-757-925-20	IC CX7925B
IC301	8-759-230-18	IC TMP47C210N-3074
IC302	8-759-801-04	IC LB1403N
IC501	8-759-112-93	IC UPC4570HA-1
IC502	8-759-102-37	IC UPD4052BC
IC503	8-759-102-37	IC UPD4052BC
IC504	8-759-102-37	IC UPD4052BC
IC601	8-749-900-96	IC STK4142II
J501	1-565-320-11	JACK, PIN 6P (PHONO, CD/AUX, VIDEO)
J502	1-565-320-11	JACK, PIN 6P (VIDEO, TAPE)
L101	*1-402-258-11	COIL, ANT
L102	*1-422-077-00	(WG)...COIL, AIR-CORE
L102	1-426-304-11	(AEP)...COIL, RF (FM)
L103	*1-422-038-00	(WG)...COIL, AIR-CORE
L105	1-410-320-11	INDUCTOR 2.2UH
L106	*1-459-703-11	COIL (WITH CORE)
L107	*1-422-081-00	(WG)...COIL (WITH CORE)
L301	1-410-334-11	INDUCTOR 100UH
L401	1-410-328-11	INDUCTOR 10UH
L601	*1-420-872-00	COIL, AIR CORE
L651	*1-420-872-00	COIL, AIR CORE
LPF201	1-235-983-11	(WG)...FILTER
NO701	*1-562-251-00	SOCKET, CONNECTOR 6P
NO702	*1-562-250-00	SOCKET, CONNECTOR 5P
NO704	*1-562-249-00	SOCKET, CONNECTOR 4P
NO705	*1-562-249-00	SOCKET, CONNECTOR 4P
NO706	*1-562-249-00	SOCKET, CONNECTOR 4P
Q101	8-729-200-55	TRANSISTOR 2SK241-Y
Q102	8-729-353-52	TRANSISTOR 2SC535
Q103	8-729-672-44	TRANSISTOR 2SC2724-E
Q104	8-729-672-44	TRANSISTOR 2SC2724-E
Q105	8-729-672-44	TRANSISTOR 2SC2724-E
Q106	8-729-200-55	(WG)...TRANSISTOR 2SK241Y
Q107	8-729-672-44	(WG)...TRANSISTOR 2SC2724-E
Q201	8-729-600-27	TRANSISTOR 2SC634SP
Q202	8-729-600-27	TRANSISTOR 2SC634SP
Q203	8-729-204-83	TRANSISTOR 2SA1048GR
Q204	8-729-224-62	TRANSISTOR 2SK246-GR
Q205	8-729-600-27	TRANSISTOR 2SC634SP
Q208	8-729-600-27	TRANSISTOR 2SC634SP
Q301	8-729-900-63	TRANSISTOR DTA124ES
Q501	8-729-204-83	TRANSISTOR 2SA1048GR
Q502	8-729-204-83	TRANSISTOR 2SA1048GR

Ref.No	Part No.	Description
Q551	8-729-204-83	TRANSISTOR 2SA1048GR
Q601	8-729-108-14	TRANSISTOR 2SA988-F
Q602	8-729-600-27	TRANSISTOR 2SC634SP
Q603	8-729-600-27	TRANSISTOR 2SC634SP
Q604	8-729-600-27	TRANSISTOR 2SC634SP
Q605	8-729-600-27	TRANSISTOR 2SC634SP
Q651	8-729-108-14	TRANSISTOR 2SA988-F
Q801	8-729-177-42	TRANSISTOR 2SD774-3
Q802	8-729-107-25	TRANSISTOR 2SD1585
Q803	8-729-103-43	TRANSISTOR 2SB734
RESISTOR		
R101	1-249-441-11	CARBON 100K 5% 1/4W
R102	1-249-437-11	CARBON 47K 5% 1/4W
R103	1-249-403-11	CARBON 68 5% 1/4W
R104	1-249-411-11	CARBON 330 5% 1/4W
R105	1-249-441-11	CARBON 100K 5% 1/4W
R106	1-249-901-11	CARBON 820K 5% 1/4W
R107	1-249-411-11	CARBON 330 5% 1/4W
R108	1-247-893-11	CARBON 390K 5% 1/4W
R109	1-249-428-11	CARBON 8.2K 5% 1/4W
R110	1-249-428-11	CARBON 8.2K 5% 1/4W
R111	1-249-422-11	CARBON 2.7K 5% 1/4W
R112	1-249-429-11	CARBON 10K 5% 1/4W
R113	1-249-406-11	CARBON 120 5% 1/4W
R114	1-249-406-11	CARBON 120 5% 1/4W
R115	1-249-406-11	CARBON 120 5% 1/4W
R116	1-249-414-11	CARBON 560 5% 1/4W
R117	1-249-411-11	CARBON 330 5% 1/4W
R118	1-249-411-11	CARBON 330 5% 1/4W
R119	1-249-433-11	CARBON 22K 5% 1/4W
R120	1-249-433-11	CARBON 22K 5% 1/4W
R121	1-249-411-11	CARBON 330 5% 1/4W
R122	1-249-424-11	CARBON 3.9K 5% 1/4W
R123	1-249-414-11	CARBON 560 5% 1/4W
R126	1-249-433-11	(WG)...CARBON 22K 5% 1/4W
R127	1-249-433-11	(WG)...CARBON 22K 5% 1/4W
R128	1-249-411-11	(WG)...CARBON 330 5% 1/4W
R129	1-249-424-11	(WG)...CARBON 3.9K 5% 1/4W
R130	1-249-411-11	(WG)...CARBON 330 5% 1/4W
R131	1-249-441-11	(WG)...CARBON 100K 5% 1/4W
R132	1-249-414-11	CARBON 560 5% 1/4W
R133	1-249-437-11	(WG)...CARBON 47K 5% 1/4W
R201	1-249-433-11	CARBON 22K 5% 1/4W
R202	1-249-417-11	CARBON 1K 5% 1/4W
R203	1-249-425-11	CARBON 4.7K 5% 1/4W
R204	1-249-406-11	CARBON 120 5% 1/4W
R205	1-249-429-11	CARBON 10K 5% 1/4W
R206	1-249-429-11	CARBON 10K 5% 1/4W
R207	1-249-423-11	CARBON 3.3K 5% 1/4W
R208	1-249-425-11	CARBON 4.7K 5% 1/4W
R209	1-249-406-11	CARBON 120 5% 1/4W
R210	1-249-406-11	CARBON 120 5% 1/4W
R211	1-249-417-11	CARBON 1K 5% 1/4W
R212	1-249-441-11	CARBON 100K 5% 1/4W
R213	1-247-881-00	CARBON 120K 5% 1/4W
R214	1-247-883-00	CARBON 150K 5% 1/4W
R215	1-247-881-00	CARBON 120K 5% 1/4W
R216	1-247-883-00	CARBON 150K 5% 1/4W
R217	1-249-421-11	CARBON 2.2K 5% 1/4W
R218	1-249-425-11	CARBON 4.7K 5% 1/4W
R219	1-249-421-11	CARBON 2.2K 5% 1/4W
R220	1-249-425-11	CARBON 4.7K 5% 1/4W
R221	1-249-438-11	CARBON 56K 5% 1/4W
R222	1-249-423-11	CARBON 3.3K 5% 1/4W

Note: The components identified by mark **A** or dotted line with mark **A** are critical for safety. Replace only with part number specified.

STR-AV200E

Ref.No	Part No.	Description	Quantity	Unit	Material	Ref.No	Part No.	Description	Quantity	Unit	Material
R223	1-249-429-11	CARBON	10K	5%	1/4W	R509	1-249-437-11	CARBON	47K	5%	1/4W
R224	1-249-438-11	CARBON	56K	5%	1/4W	R510	1-247-897-11	CARBON	560K	5%	1/4W
R225	1-249-417-11	CARBON	1K	5%	1/4W	R511	1-249-417-11	CARBON	1K	5%	1/4W
R226	1-249-423-11	CARBON	3.3K	5%	1/4W	R512	1-247-897-11	CARBON	560K	5%	1/4W
R227	1-249-429-11	CARBON	10K	5%	1/4W	R513	1-249-437-11	CARBON	47K	5%	1/4W
R228	1-249-429-11	CARBON	10K	5%	1/4W	R514	1-249-417-11	CARBON	1K	5%	1/4W
R229	1-249-429-11	CARBON	10K	5%	1/4W	R515	1-247-897-11	CARBON	560K	5%	1/4W
R230	1-249-417-11	CARBON	1K	5%	1/4W	R516	1-247-897-11	CARBON	560K	5%	1/4W
R231	1-249-425-11	CARBON	4.7K	5%	1/4W	R517	1-249-441-11	CARBON	100K	5%	1/4W
R232	1-249-411-11	CARBON	330	5%	1/4W	R518	1-247-897-11	CARBON	560K	5%	1/4W
R233	1-249-417-11	CARBON	1K	5%	1/4W	R519	1-249-435-11	CARBON	33K	5%	1/4W
R234	1-249-406-11	CARBON	120	5%	1/4W	R520	1-249-435-11	CARBON	33K	5%	1/4W
R235	1-249-424-11	CARBON	3.9K	5%	1/4W	R521	1-249-421-11	CARBON	2.2K	5%	1/4W
R236	1-249-425-11	CARBON	4.7K	5%	1/4W	R522	1-247-897-11	CARBON	560K	5%	1/4W
R237	△ 1-247-701-11	CARBON	120	5%	1/4W	R523	1-249-429-11	CARBON	10K	5%	1/4W
R238	1-249-441-11	CARBON	100K	5%	1/4W	R524	1-249-433-11	CARBON	22K	5%	1/4W
R239	1-249-441-11	CARBON	100K	5%	1/4W	R525	1-249-417-11	(WG) ... CARBON	1K	5%	1/4W
R240	1-249-441-11	CARBON	100K	5%	1/4W	R533	1-249-423-11	CARBON	3.3K	5%	1/4W
R241	△ 1-247-695-11	CARBON	39	5%	1/4W	R534	1-249-429-11	CARBON	10K	5%	1/4W
R242	1-249-433-11	CARBON	22K	5%	1/4W	R551	1-249-425-11	CARBON	4.7K	5%	1/4W
R243	1-249-438-11	CARBON	56K	5%	1/4W	R552	1-247-897-11	CARBON	560K	5%	1/4W
R244	1-249-438-11	CARBON	56K	5%	1/4W	R553	1-249-417-11	CARBON	1K	5%	1/4W
R245	1-249-441-11	CARBON	100K	5%	1/4W	R554	1-249-425-11	CARBON	4.7K	5%	1/4W
R246	1-249-438-11	CARBON	56K	5%	1/4W	R555	1-247-897-11	CARBON	560K	5%	1/4W
R247	1-249-437-11	CARBON	47K	5%	1/4W	R556	1-249-417-11	CARBON	1K	5%	1/4W
R301	1-249-441-11	CARBON	100K	5%	1/4W	R557	1-249-417-11	CARBON	1K	5%	1/4W
R302	1-249-441-11	CARBON	100K	5%	1/4W	R558	1-249-411-11	CARBON	330	5%	1/4W
R303	1-249-441-11	CARBON	100K	5%	1/4W	R559	1-249-437-11	CARBON	47K	5%	1/4W
R304	1-249-441-11	CARBON	100K	5%	1/4W	R560	1-247-897-11	CARBON	560K	5%	1/4W
R305	1-249-441-11	CARBON	100K	5%	1/4W	R561	1-249-417-11	CARBON	1K	5%	1/4W
R306	1-249-441-11	CARBON	100K	5%	1/4W	R562	1-247-897-11	CARBON	560K	5%	1/4W
R307	1-249-441-11	CARBON	100K	5%	1/4W	R563	1-249-437-11	CARBON	47K	5%	1/4W
R308	1-249-441-11	CARBON	100K	5%	1/4W	R564	1-249-417-11	CARBON	1K	5%	1/4W
R309	1-249-441-11	CARBON	100K	5%	1/4W	R569	1-249-435-11	CARBON	33K	5%	1/4W
R310	1-249-441-11	CARBON	100K	5%	1/4W	R570	1-249-435-11	CARBON	33K	5%	1/4W
R311	1-249-441-11	CARBON	100K	5%	1/4W	R571	1-249-421-11	CARBON	2.2K	5%	1/4W
R312	1-249-441-11	CARBON	100K	5%	1/4W	R572	1-247-897-11	CARBON	560K	5%	1/4W
R313	1-249-441-11	CARBON	100K	5%	1/4W	R575	1-249-417-11	(WG) ... CARBON	1K	5%	1/4W
R314	1-249-441-11	CARBON	100K	5%	1/4W	R583	1-249-423-11	CARBON	3.3K	5%	1/4W
R315	1-249-441-11	CARBON	100K	5%	1/4W	R601	1-249-421-11	CARBON	2.2K	5%	1/4W
R316	1-249-441-11	CARBON	100K	5%	1/4W	R602	1-249-438-11	CARBON	56K	5%	1/4W
R317	1-249-441-11	CARBON	100K	5%	1/4W	R604	1-247-717-11	CARBON	2.2K	5%	1/4W
R318	1-249-441-11	CARBON	100K	5%	1/4W	R605	1-247-756-11	CARBON	2.2K	5%	1/2W
R319	1-249-441-11	CARBON	100K	5%	1/4W	R606	1-249-417-11	CARBON	1K	5%	1/4W
R320	△ 1-216-430-11	METAL OXIDE	390	5%	1W	R607	△ 1-217-152-00	METAL PLATE	0.33	2W	F
R322	1-249-410-11	CARBON	270	5%	1/4W	R608	1-249-438-11	CARBON	56K	5%	1/4W
R323	1-247-889-00	CARBON	270K	5%	1/4W	R609	1-247-828-11	CARBON	750	5%	1/4W
R324	1-249-425-11	CARBON	4.7K	5%	1/4W	R610	1-249-427-11	CARBON	6.8K	5%	1/4W
R325	1-247-742-11	CARBON	180	5%	1/2W	R611	1-249-435-11	CARBON	33K	5%	1/4W
R326	1-249-441-11	CARBON	100K	5%	1/4W	R612	△ 1-247-700-11	CARBON	100	5%	1/4W
R327	1-249-425-11	CARBON	4.7K	5%	1/4W	R614	1-249-437-11	CARBON	47K	5%	1/4W
R328	1-249-438-11	CARBON	56K	5%	1/4W	R615	△ 1-247-700-11	CARBON	100	5%	1/4W
R329	1-249-438-11	CARBON	56K	5%	1/4W	R616	1-249-441-11	CARBON	100K	5%	1/4W
R331	1-249-429-11	CARBON	10K	5%	1/4W	R617	1-249-433-11	CARBON	22K	5%	1/4W
R333	1-249-401-11	CARBON	47	5%	1/4W	R618	1-249-438-11	CARBON	56K	5%	1/4W
R401	1-249-437-11	CARBON	47K	5%	1/4W	R619	1-249-433-11	CARBON	22K	5%	1/4W
R402	1-249-441-11	CARBON	100K	5%	1/4W	R620	1-247-744-11	CARBON	270	5%	1/2W
R501	1-249-425-11	CARBON	4.7K	5%	1/4W	R621	1-249-435-11	CARBON	33K	5%	1/4W
R502	1-247-897-11	CARBON	560K	5%	1/4W	R622	1-249-421-11	CARBON	2.2K	5%	1/4W
R503	1-249-417-11	CARBON	1K	5%	1/4W	R623	1-249-432-11	CARBON	18K	5%	1/4W
R504	1-249-425-11	CARBON	4.7K	5%	1/4W	R624	1-249-431-11	CARBON	15K	5%	1/4W
R505	1-247-897-11	CARBON	560K	5%	1/4W	R625	1-247-889-00	CARBON	270K	5%	1/4W
R506	1-249-417-11	CARBON	1K	5%	1/4W	R626	1-249-416-11	CARBON	820	5%	1/4W
R507	1-249-417-11	CARBON	1K	5%	1/4W	R627	1-249-427-11	CARBON	6.8K	5%	1/4W
R508	1-249-411-11	CARBON	330	5%	1/4W	R628	1-247-727-11	CARBON	10	5%	1/2W

Note: The components identified by mark △ or dotted line with mark △ are critical for safety. Replace only with part number specified.

Ref.No	Part No.	Description				
R629	1-249-455-11	CARBON	4.7	5%	1/4W	
R630	△1-215-914-11	WIREWOUND	330	10%	2W	F
R631	1-249-427-11	CARBON	6.8K	5%	1/4W	
R634	1-247-688-11	(WG).... CARBON 10		5%	1/4W	
R635	1-247-688-11	(WG).... CARBON 10		5%	1/4W	
R651	1-249-421-11	CARBON	2.2K	5%	1/4W	
R652	1-249-438-11	CARBON	56K	5%	1/4W	
R654	1-247-717-11	CARBON	2.2K	5%	1/4W	
R655	1-247-756-11	CARBON	2.2K	5%	1/2W	
R656	1-249-417-11	CARBON	1K	5%	1/4W	
R657	△1-217-152-00	METAL PLATE	0.33		2W	F
R658	1-249-438-11	CARBON	56K	5%	1/4W	
R659	1-247-828-11	CARBON	750	5%	1/4W	
R660	1-249-427-11	CARBON	6.8K	5%	1/4W	
R661	1-249-435-11	CARBON	33K	5%	1/4W	
R664	1-249-437-11	CARBON	47K	5%	1/4W	
R672	1-249-421-11	CARBON	2.2K	5%	1/4W	
R673	1-249-432-11	CARBON	18K	5%	1/4W	
R674	1-249-431-11	CARBON	15K	5%	1/4W	
R675	1-247-889-00	CARBON	270K	5%	1/4W	
R676	1-249-416-11	CARBON	820	5%	1/4W	
R677	1-249-427-11	CARBON	6.8K	5%	1/4W	
R678	1-247-727-11	CARBON	10	5%	1/2W	
R679	△1-249-455-11	CARBON	4.7	5%	1/4W	
R680	1-215-914-11	WIREWOUND	330	10%	2W	F
R684	1-247-688-11	(WG).... CARBON 10		5%	1/4W	
R685	1-247-688-11	(WG).... CARBON 10		5%	1/4W	
R802	1-247-741-11	CARBON	150	5%	1/2W	
R803	1-249-425-11	CARBON	4.7K	5%	1/4W	
R805	△1-247-700-11	CARBON	100	5%	1/4W	F
R806	△1-216-448-11	METAL OXIDE	39	5%	2W	F
R807	1-249-426-11	CARBON	5.6K	5%	1/4W	
R808	△1-247-730-11	CARBON	18	5%	1/2W	F
R809	△1-247-743-11	CARBON	220	5%	1/2W	F
R811	1-249-423-11	CARBON	3.3K	5%	1/4W	
R812	1-249-418-11	CARBON	1.2K	5%	1/4W	
RV201	1-228-997-00	RES, ADJ, CARBON 100K				
RV202	1-228-998-00	RES, ADJ, CARBON 220K				
RV203	1-228-996-00	RES, ADJ, CARBON 47K				
RV501	1-238-074-11	RES, VAR, CARBON 100K/100K (VOLUME)				
RV502	1-238-073-11	RES, VAR, CARBON 250K (BALANCE)				
RV601	1-238-075-11	RES, VAR, CARBON 100K/100K				
RV602	1-238-075-11	RES, VAR, CARBON 100K/100K				
RY601	1-515-533-11	RELAY				
S6	1-571-033-11	SWITCH, PUSH (2 KEY) (SPEAKER)				
S301	1-554-303-21	SWITCH, KEY BOARD (TAPE MONITOR)				
S302	1-554-303-21	SWITCH, KEY BOARD (TUNING +)				
S303	1-554-303-21	SWITCH, KEY BOARD (TUNING -)				
S304	1-554-303-21	SWITCH, KEY BOARD (PHONO)				
S305	1-554-303-21	SWITCH, KEY BOARD (FM MODE)				
S306	1-554-303-21	SWITCH, KEY BOARD (PRESET)				
S308	1-554-303-21	SWITCH, KEY BOARD (0)				
S311	1-554-303-21	SWITCH, KEY BOARD (7)				
S312	1-554-303-21	SWITCH, KEY BOARD (8)				
S313	1-554-303-21	SWITCH, KEY BOARD (9)				
S314	1-554-303-21	SWITCH, KEY BOARD (VIDEO)				
S315	1-554-303-21	SWITCH, KEY BOARD (AM)				
S316	1-554-303-21	SWITCH, KEY BOARD (4)				
S317	1-554-303-21	SWITCH, KEY BOARD (5)				
S318	1-554-303-21	SWITCH, KEY BOARD (6)				
S319	1-554-303-21	SWITCH, KEY BOARD (CD)				
S320	1-554-303-21	SWITCH, KEY BOARD (FM)				
S321	1-554-303-21	SWITCH, KEY BOARD (1)				
S322	1-554-303-21	SWITCH, KEY BOARD (2)				

Ref.No	Part No.	Description
S323	1-554-303-21	SWITCH, KEY BOARD (3)
S324	1-554-303-21	SWITCH, KEY BOARD (TUNER)
S501	1-571-445-11	SWITCH, PUSH (1 KEY) (LOUDNESS)
S901	△1-554-685-11	SWITCH, PUSH (AC POWER) (1 KEY)
T101	1-404-363-00	TRANSFORMER, IF
T201	1-404-650-11	COIL, DISCRIMINATOR
T203	1-404-713-11	TRANSFORMER, IF
T401	1-235-936-11	ENCAPSULATED COMPONENT
T901	△1-449-351-11	TRANSFORMER, POWER
TM101	1-536-708-00	TERMINAL BOARD, PUSH 4P
TM101	*1-537-138-21	(WG).... TERMINAL BOARD (ANT)
TM901	1-536-706-00	TERMINAL BOARD (SP) (SPEAKER)
TP2	*1-560-060-00	PIN, CONNECTOR 2P
TP3	*1-560-061-00	PIN, CONNECTOR 3P
X201	1-567-250-11	OSCILLATOR, CERAMIC
X202	1-567-125-21	VIBRATOR, CRYSTAL
X301	1-527-822-00	OSCILLATOR, CERAMIC

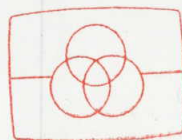
ACCESSORY & PACKING MATERIAL

Part No.	Description
1-501-224-00	(AEP).... ANTENNA, FEEDER
3-769-885-11	MANUAL, INSTRUCTION (ENGLISH, FRENCH, SPANISH : AEP)
3-769-885-41	MANUAL, INSTRUCTION (GERMAN, DUTCH, SWEDISH, ITALIAN)
*4-925-021-01	CUSHION, UPPER
*4-925-022-01	CUSHION, LOWER
*4-925-043-21	INDIVIDUAL CARTON

Note: The components identified by mark △ or dotted line with mark △ are critical for safety. Replace only with part number specified.

TROUBLESHOOTING GUIDE

Problem	Solution
FM STEREO indicator flickers or does not light up when FM stereo programs are received.	<ul style="list-style-type: none"> • Check the FM antenna connection, and adjust the antenna. • Press FM MODE to disengage the stereo mode.
The figures in the display window do not stop at the desired station during sweep tuning.	<ul style="list-style-type: none"> • Check the antenna connection, and adjust the antenna direction. • Tune in the station using the direct access tuning.
Stations cannot be tuned in correctly when the numeric button is pressed.	<ul style="list-style-type: none"> • Memorize the frequency correctly.
Audio is not heard.	<ul style="list-style-type: none"> • Check the speaker and program source connections. • Check that the appropriate FUNCTION selector or TAPE MONITOR button is depressed. • Check that the appropriate SPEAKERS selector is depressed. If the A and B selectors are both depressed, check that both speaker systems are properly connected.
One channel does not transmit audio, or the volume from the left and right speakers is unbalanced.	<ul style="list-style-type: none"> • Adjust the BALANCE control. • Check the speaker connections.
There is an abrupt loss of sound from one or both of the speakers.	<ul style="list-style-type: none"> • Turn off the receiver, and check the speaker terminals or speaker cord for a short. (This symptom may be caused when the protection circuit inside the unit activates.)
Sound transmitted from the speaker is reversed.	<ul style="list-style-type: none"> • Connect the speaker correctly.
Severe hum or noise is heard.	<ul style="list-style-type: none"> • Use shielded connecting cords. • Keep the audio components further away from the TV. • Connect the ground wire to the ANTENNA ground terminal. • Clean any dirty plugs and jacks with a cloth lightly moistened with alcohol.



Free service manuals

Gratis schema's

Digitized by

www.freeservicemanuals.info