

STR-AV23/AV270X/AV370X/AV570X

SERVICE MANUAL

US Model

STR-AV23/AV270X/AV570X

Canadian Model

STR-AV370X/AV570X



Photo: STR-AV570X

SPECIFICATIONS

Audio Power Specifications

POWER OUTPUT AND TOTAL HARMONIC DISTORTION
With 8-ohm load, both channels driven, from 40-20 kHz, rated 60 watts (STR-AV570X) or 40 watts (STR-AV23/AV270X/AV370X) per channel minimum RMS power, with less than 0.8% total harmonic distortion from 250 milliwatts to rated output.

Other Specifications

Amplifier section

Continuous RMS power output (8 ohms, at 1 kHz less than 0.8% total harmonic distortion)

STR-AV570X	60W+60W
STR-AV23 AV270X AV370X	40W+40W

Dynamic power (at 1 kHz IHF)

	8 ohms
STR-AV570X	75W+75W
STR-AV23 AV270X AV370X	55W+55W

Harmonic distortion

Less than 0.8% at rated output

Frequency response

PHONO: RIAA equalization curve ± 0.5 dB

CD

VIDEO

TAPE

10 Hz - 50 kHz ± 2 dB

Inputs

	Sensitivity	Impedance	S/N (weighting network, input level)
PHONO	2.5 mV	50 kilohms	74 dB 72 dB* (A, 2.5 mV)
CD VIDEO TAPE	150 mV	50 kilohms	95dB 80 dB* (A, 150 mV)

*78 IHF

Outputs

REC OUT, VIDEO (AUDIO) OUT	Voltage 150 mV Impedance 10 kilohms
SPEAKER A, B	Accepts speakers of 8 - 16 ohms
HEADPHONES	Accepts low and high impedance headphones

Tone controls

BASS: ± 10 dB at 100 Hz

TREBLE: ± 10 dB at 10 Hz

Muting

- 20 dB

DBFB

+12 dB at 70 Hz

Tuner section

	FM tuner section	AM tuner section
Tuning range	87.5 - 108 MHz	530 - 1710 kHz
Antenna terminals	300 ohms, balanced 75 ohms, unbalanced	External antenna terminal
Sensitivity at 50 dB quieting	18.3 dBf, 4.5 μ V (mono) 38.3 dBf, 45 μ V (stereo)	-
Usable sensitivity	11.2 dBf, 2 μ V (IHF)	Loop antenna: 500 μ V (at 1,000 kHz)
Signal-to-noise ratio	76 dB (mono) 70 dB (stereo)	54 dB (at 50 mV/m)
Harmonic distortion	0.3% (mono), 0.5% (stereo) at 1 kHz	0.5% (at 50 mV/m, 400Hz)
Selectivity	60 dB at 400 kHz	40 dB at 10 kHz
Separation	45 dB at 1 kHz	-
Frequency response	30 Hz - 15kHz ± 0.5 dB	-

FM STEREO FM-AM RECEIVER
SONY®



General System

Tuner section: PLL quartz-locked digital synthesizer system
 Preamplifier section: low-noise NF type equalizer amp
 Power amplifier section: quasi-complementary SEPP

Power requirements

120V AC, 60 Hz

Power consumption

	US model	Canadian model
STR-AV570X	105W	185W
STR-AV370X	—	155W
STR-AV23 AV270X	90W	—

STR-AV570X/AV23: In standby condition: 5W

AC outlets

One switched (120 W/1A Max)

Dimensions

Approx. 430 × 122.5 × 300mm (w/h/d)
 (17 × 4 7/8 × 11 7/8 inches)

including projecting parts and controls

Weight

STR-AV570X	Approx. 6.5 kg (14 lb 5 oz)
STR-AV23 AV270X AV370X	Approx. 6 kg (13 lb 4 oz)

Accessories supplied

- FM wire antenna (1)
- AM loop antenna (1)
- Remote Commander RM-S103 (1) (STR-AV23/AV370X/AV570X)
- Sony batteries SUM 3 (NS) (2) (STR-AV23/AV370X/AV570X)

Design and specifications subject to change without notice.

TABLE OF CONTENTS

<u>Section</u>	<u>Title</u>	<u>Page</u>
1.	GENERAL	
	Location and Function of Controls	3
	Receiving FM/AM Broadcasts	4
2.	ELECTRICAL ADJUSTMENTS	6
3.	DIAGRAMS	
3-1.	Block Diagram	7
3-2.	Printed Wiring Boards — Main Section —	11
3-3.	Schematic Diagram — Main Section —	15
3-4.	Printed Wiring Boards — Tuner Section —	19
3-5.	Schematic Diagram — Tuner Section —	20
3-6.	Explanation of IC301 (μ PD75206)	23
4.	EXPLODED VIEWS	25
5.	ELECTRICAL PARTS LIST	27

SAFETY CHECK-OUT

After correcting the original service problem, perform the following safety check before releasing the set to the customer:

Check the antenna terminals, metal trim, “metallized” knobs, screws, and all other exposed metal parts for AC leakage. Check leakage as described below.

LEAKAGE TEST

The AC leakage from any exposed metal part to earth ground and from all exposed metal parts to any exposed metal part having a return to chassis, must not exceed 0.5 mA (500 microamperes). Leakage current can be measured by any one of three methods.

1. A commercial leakage tester, such as the Simpson 229 or RCA WT-540A. Follow the manufacturers’ instructions to use these instruments.
2. A battery-operated AC milliammeter. The Data Precision 245 digital multimeter is suitable for this job.
3. Measuring the voltage drop across a resistor by means of a VOM or battery-operated AC voltmeter. The “limit” indication is 0.75 V, so analog meters must have an accurate low-voltage scale. The Simpson 250 and Sanwa SH-63Trd are examples of a passive VOM that is suitable. Nearly all battery operated digital multimeters that have a 2V AC range are suitable. (See Fig. A)

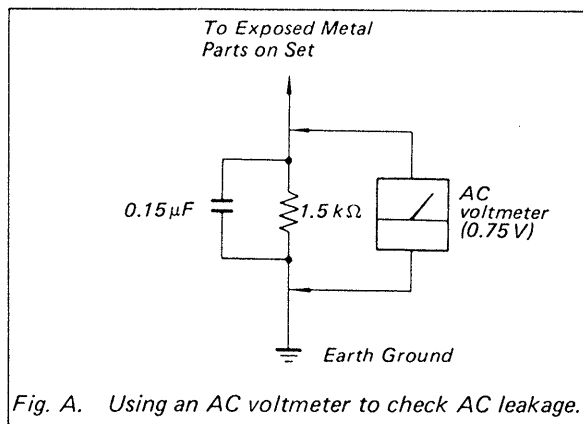
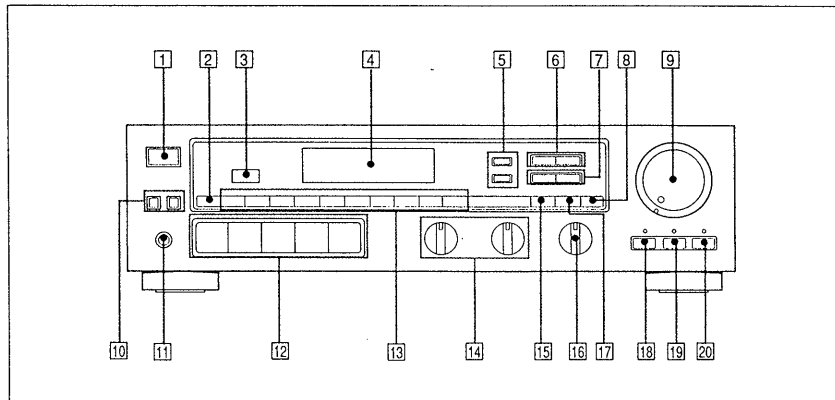


Fig. A. Using an AC voltmeter to check AC leakage.

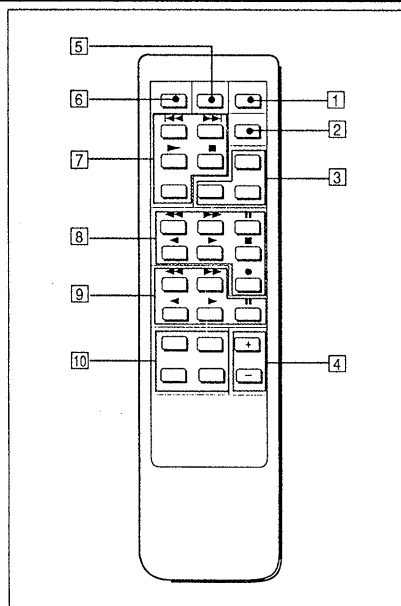
SECTION 1 GENERAL


Location and Function of Controls



- | | |
|--|--|
| <p>1 POWER switch</p> <p>2 SHIFT button</p> <p>3 Remote sensor (STR-AV23/AV370X/AV570X)</p> <p>4 Display window</p> <p>5 BAND selectors</p> <p>6 TUNING +/- buttons</p> <p>7 PRESET +/- buttons</p> <p>8 FM MODE button
When an FM stereo program is noisy or hard to receive, press this button. The STEREO indicator goes out (the sound is heard in monaural, but the reception will be improved). To return to the stereo mode, press again or change the frequency.</p> <p>9 VOLUME control and indicator (STR-AV23/AV370X/AV570X)</p> <p>10 SPEAKERS selectors
Depress to select which speaker system to drive. For both speaker systems, depress A and B.</p> <p>11 HEADPHONES jack (stereo phone jack)
Connect the headphones to this jack for private listening.</p> | <p>12 Function selectors</p> <p>13 Numeric buttons</p> <p>14 TONE controls
Turn the TREBLE control to adjust the high frequency sound. Turn BASS control to adjust the low frequency sound.</p> <p>15 MEMORY button</p> <p>16 BALANCE control
Adjust to correct stereo imaging, when the speaker position is not symmetrical.</p> <p>17 DIRECT TUNING button</p> <p>18 DBFB (Dynamic Bass Feed Back) button and indicator
To reinforce the bass frequency sound, press this button.</p> <p>19 MUTING button and indicator (STR-AV23/AV370X/AV570X)
Press to attenuate the sound level immediately (~20 dB attenuation). Pressing this button makes the indicator be lighted. To restore the sound level, press again.</p> <p>20 SURROUND button and indicator
To obtain the surround effect, press this button.</p> |
|--|--|

Remote Commander RM-S103 (STR-AV23/AV370X/AV570X)



- | | |
|---|---|
| <p>1 POWER button</p> <p>2 DBFB button</p> <p>3 TUNER PRESET +/- and SHIFT buttons</p> <p>4 VOLUME +/- buttons</p> <p>5 SURROUND button</p> <p>6 MUTING button</p> <p>7 CD player operation buttons
D, (disc) SKIP: When your CD player is equipped with a multi-disc changer, use this button to select loaded disc.
CD ►: Selects the CD function and starts CD playback.</p> <p>8 DECK B operation buttons (also for single tape deck)
DECK B ◀▶: Select tape function and start tape playback on deck B.</p> <p>9 DECK A operation buttons
DECK A ◀▶: Select tape function and start tape playback on deck A.</p> <p>10 Function select buttons</p> | <p>Notes on the remote commander
For the functions other than the receiver's own ones, the remote commander is effective only with Sony components having a remote sensor with a  mark.</p> |
|---|---|

Receiving FM/AM Broadcasts

How to receive a broadcast

When you know the frequency	See "Direct Access Tuning".
When you do not know the frequency	FM: See "Automatic Tuning". AM: See "Manual Tuning".
Tuning in a preset frequency	See "Preset Tuning".

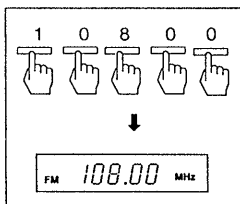
Direct Access Tuning

POWER → ON

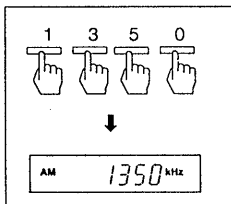
Select SPEAKERS A or B. 1

- 1 Press TUNER.
- 2 Select FM or AM.
- 3 Press TUNING DIRECT.
- 4 Press the appropriate numeric buttons to enter the frequency. (See examples below.)
- 5 Adjust the volume.

Example 1: FM 108.00 MHz



Example 2: AM 1350 kHz



For entering AM frequencies

You do not need to enter the last "0".

Correcting the entered frequency

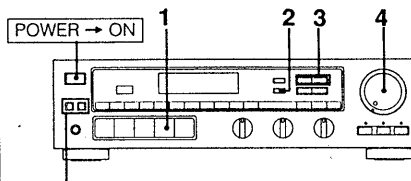
Repeat the above steps from the beginning.

If the frequency figures flash in the display window

The entered number is outside the receiver's frequency range (FM 87.5 to 108 MHz; AM 530 to 1710 kHz).

Enter the correct frequency.

Automatic Tuning (for FM reception)



- 1 Press TUNER.
- 2 Select FM.
- 3 Press + or - TUNING.

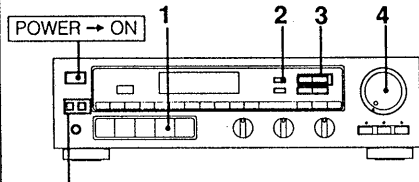
When a station is received, automatic tuning stops automatically. To change the station, press + or - again.

- 4 Adjust the volume.

When sweeping does not stop at the desired station

The signal strength is weak. Tune in the station as described in "Direct Access Tuning".

Manual Tuning (for AM reception)



Select SPEAKERS
A or B.

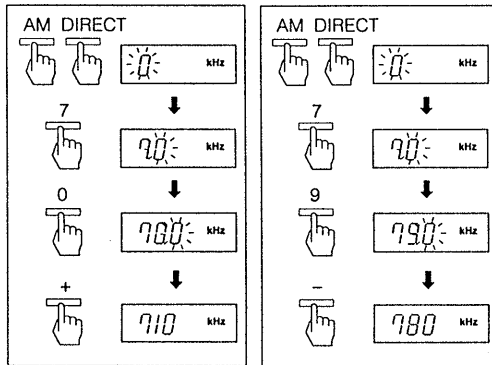
- 1 Press TUNER.
- 2 Select AM.
- 3 Press + or - TUNING.

Each time + or - is pressed, the frequency will change by 10 kHz. To change the frequency continuously, keep the button pressed.

- 4 Adjust the volume.

Quickly tuning in a roughly known frequency

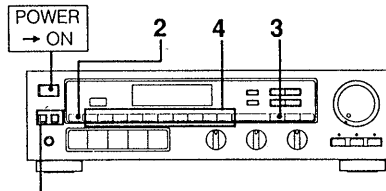
Proceed as the following example.
Example: The station between AM 700 and AM 800 kHz.



Preset Tuning

A total of 30 FM/AM stations can be memorized in any desired sequence.

Memorizing a Station



Select SPEAKERS A or B.

- 1 Tune in the desired station. (See "Automatic Tuning", "Manual Tuning" or "Direct Access Tuning".)
- 2 Press SHIFT to select the memory page (A, B or C).
- 3 Press MEMORY.
Memory indicator appears for a few seconds.
- 4 Press the desired numeric button (1 to 0), while the MEMORY indicator is displayed.

Repeat above steps for presetting other desired stations.

Use of memory pages

The memory pages (A, B and C) can be used to classify stations according to the music category, station band, etc.

Replacing a preset station

Preset another station on the number of the station to be replaced. The previously preset station will be erased.

Tuning in a Preset Station

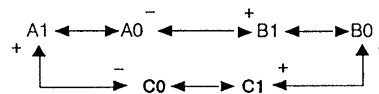
Method A: Direct

- 1 Press TUNER.
- 2 Press SHIFT to select memory page (A, B or C).
- 3 Press the preset numeric button.
- 4 Adjust the volume.

Method B: Scan

- 1 Press TUNER.
- 2 Press + or - PRESET.

Each time you press + or -, the preset station of the next higher or lower number is tuned in.



- If you keep pressing + or -, preset stations are successively tuned in. Release the button when the desired preset station is tuned in.

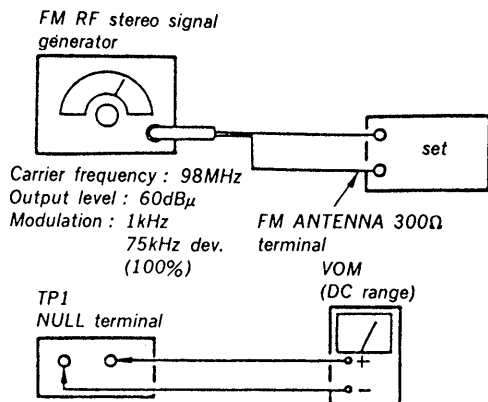
- 3 Adjust the volume.

SECTION 2 ELECTRICAL ADJUSTMENTS

FM SECTION

• FM Discriminator (NULL) Adjustment

Setting :



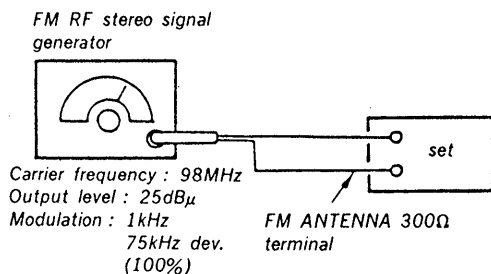
Procedure :

1. Tune the set to 98MHz.
2. Adjust T21 for 0V reading on the VOM.

Note : FM Tuning Level adjustment should be made after FM discriminator adjustment.

• FM Stereo Operation Level Adjustment

Setting :

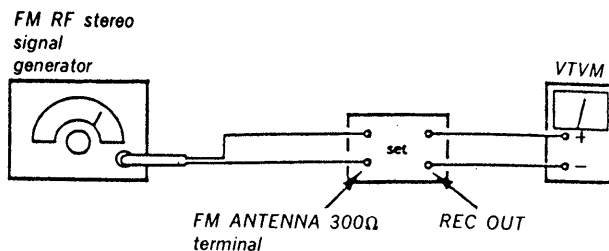


Procedure :

1. Tune the set to 98MHz.
2. Adjust RV24 so that the STEREO LED goes on.

• FM Stereo Separation Adjustment

Setting :



Procedure :

Tune the set to 98MHz.

FM stereo signal generator output channel	VTVM connection	VTVM reading (dB)
L-CH	L-CH	Ⓐ
R-CH	L-CH	Ⓑ [Ⓐ] Adjust RV21 for minimum reading.
R-CH	R-CH	Ⓒ
L-CH	R-CH	Ⓓ [Ⓒ] Adjust RV21 for minimum reading.

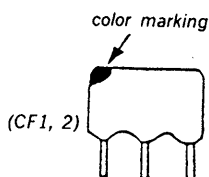
L-CH Stereo separation : Ⓐ - Ⓑ

R-CH Stereo separation : Ⓒ - Ⓓ

The separations of both channels should be equal.

Note on Ceramic Filter (CF1, 2) Replacement.

This set employs two ceramic filters (CF1, 2) which should have the same color marking to identify their center frequency. Therefore FM IF offset adjustment by (* A, * B) connection is necessary to match the center frequency of the ceramic filters used with FM intermediate frequency.

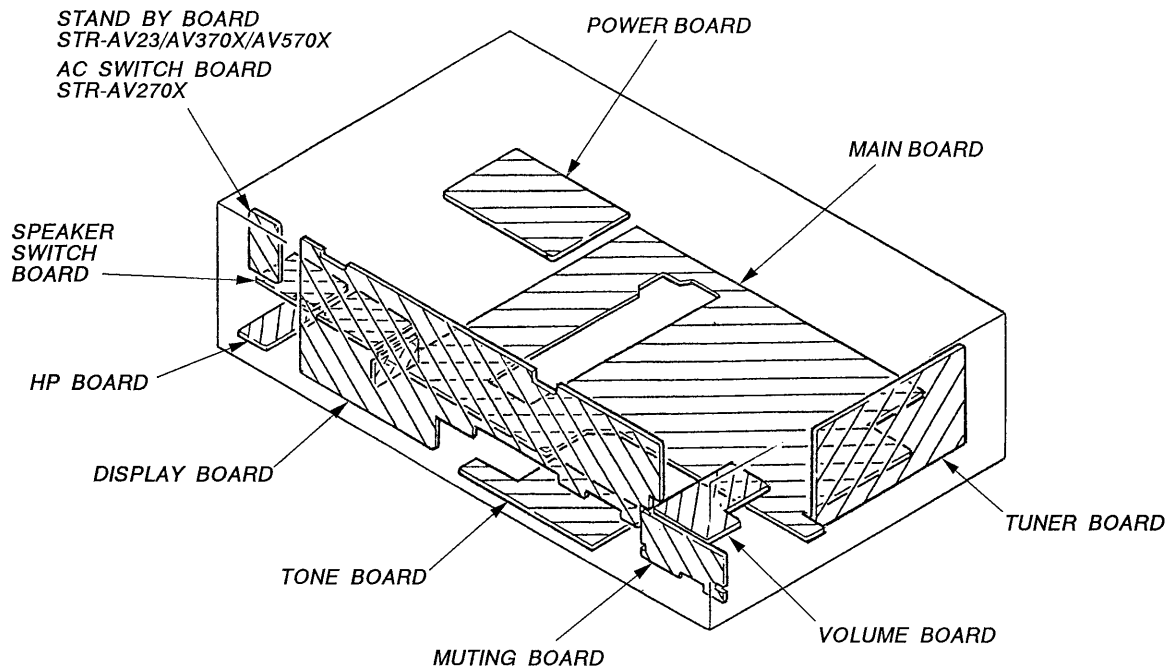


○ : short

× : open

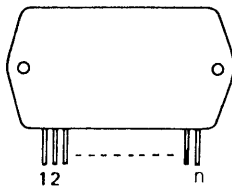
Ceramic filter		Connection		FM intermediate frequency (MHz)
Color mark	Center frequency (MHz)	* A (D326)	* B (D327)	
White	10.750	×	○	10.750
Red	10.700	×	×	10.700
Black	10.650	○	○	10.650

● **CIRCUIT BOARDS LOCATION**



● **Semiconductor Lead Layouts**

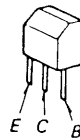
STK4162MK2
STK4192MK2



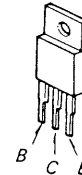
DTA114ES
DTA124ES
DTC114ES
DTC124ES
2SC2603-EF
2SC2669-OY
2SC3623A-LK



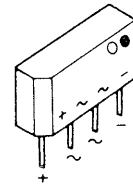
2SB734-34



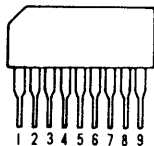
2SD2012



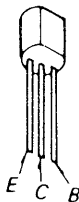
RBA-402



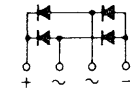
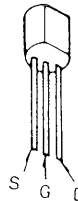
μ PC4570HA-1



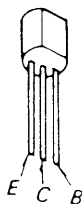
2SC3113-AB



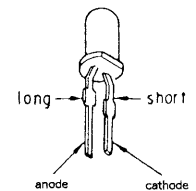
2SK246-GR3



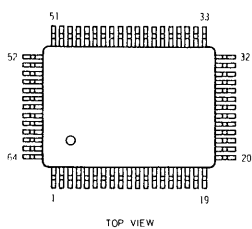
2SA988-F



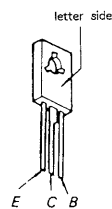
SEL2810A-C



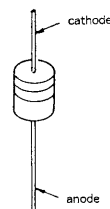
μ PD75206G-557-1B



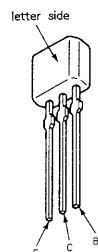
2SD809-K



HZS4ALL
HZS6C3L
RD27ESB2
UZ-4.3BSB
UZ-6.2BSC
UZ-15BSB
UZ-16BSB
1N4148M
11ES2



2SA1175-HFE
2SC2785-HFE

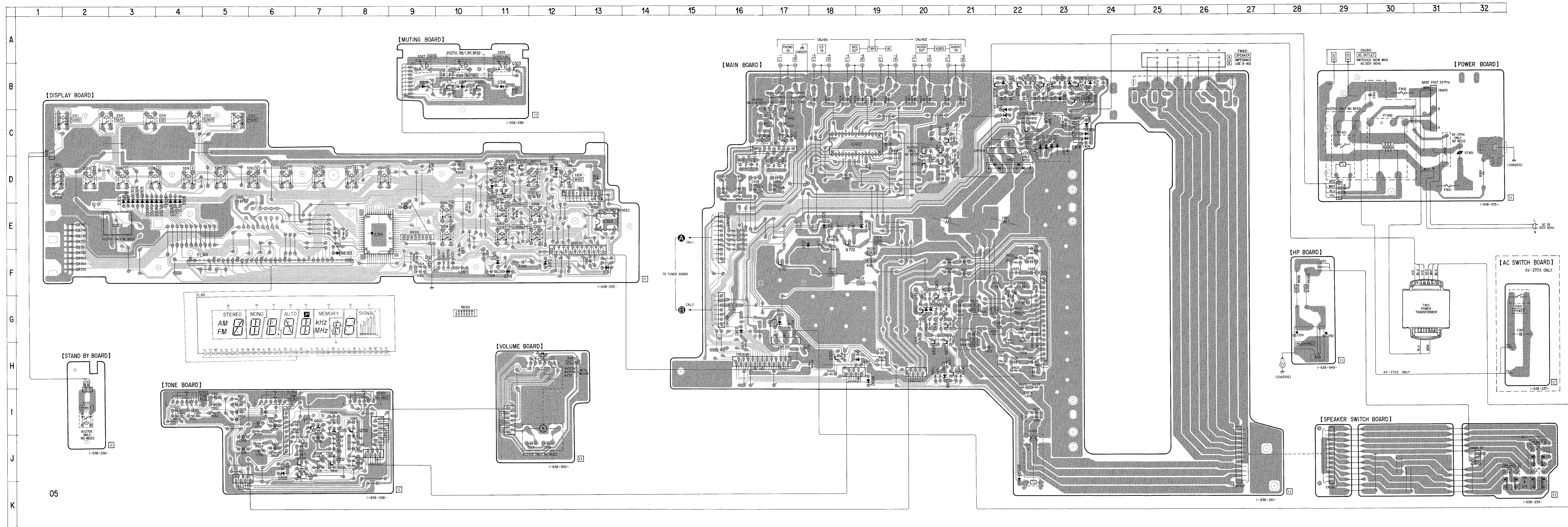


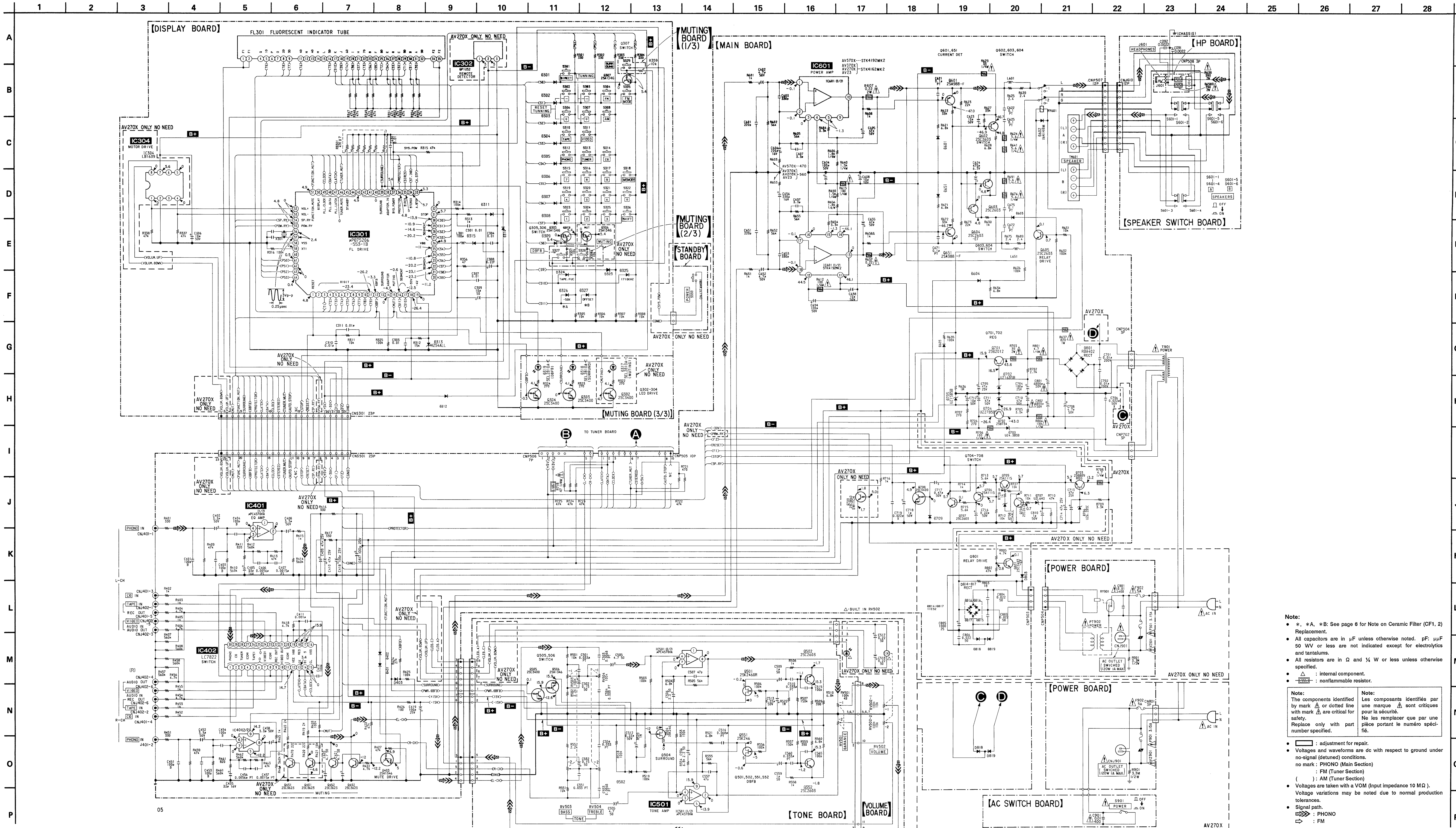
3-2. PRINTED WIRING BOARDS
- MAIN SECTION -

• Semiconductor Location

Ref. No.	Location	Ref. No.	Location
D301	D-3	IC301	E-8
D302	D-3	IC302	E-3
D303	D-3	IC304	E-13
D304	D-3	IC401	C-17
D305	D-3	IC402	C-18
D306	D-3	IC501	I-6
D307	D-3	IC601	G-22
D308	D-3		
D309	D-4	Q302	B-10
D311	F-13	Q303	B-11
D312	F-12	Q304	B-10
D313	F-7	Q305	D-11
D314	F-11	Q306	D-11
D315	F-11	Q307	D-11
D317	B-10	Q401	C-20
D318	B-11	Q402	D-20
D319	B-9	Q403	C-20
D323	D-4	Q451	C-20
D324	D-4	Q452	D-20
D325	D-4	Q501	I-7
D326	D-12	Q502	J-7
D327	D-11	Q504	I-7
D328	F-11	Q505	J-7
D401	C-22	Q506	J-7
D402	C-22	Q551	I-7
D403	H-19	Q552	I-8
D502	J-6	Q601	G-20
D601	G-20	Q602	G-20
D602	K-22	Q603	H-20
D603	H-20	Q604	H-20
D604	H-19	Q605	H-21
D605	G-16	Q651	G-20
D651	G-20	Q701	F-17
D702	E-17	Q702	E-18
D703	G-17	Q703	B-23
D704	E-19	Q704	B-23
D705	E-18	Q705	B-23
D706	B-23	Q706	B-22
D707	B-23	Q707	B-22
D708	B-23	Q708	B-21
D709	B-22	Q709	B-22
D801	D-22	Q801	C-22
D803	C-23		
D814	C-23		
D815	C-23		
D816	C-22		
D817	C-23		
D818	C-23		
D819	C-23		

Note:
 • : parts extracted from the component side.
 • : parts mounted on the conductor side.
 • : indicates side identified with part number.
 • *A, *B: See page 6 for Note on Ceramic Filter (CF1, 2) Replacement.





Note:

- * , *A, *B: See page 6 for Note on Ceramic Filter (CF1, 2) Replacement.
- All capacitors are in μF unless otherwise noted. pF : μF 50 WV or less are not indicated except for electrolytics and tantalums.
- All resistors are in Ω and $\frac{1}{2} \text{W}$ or less unless otherwise specified.
- Δ : internal component.
- \square : nonflammable resistor.

Note: The components identified by mark Δ or dotted line with mark Δ are critical for safety. Replace only with part number specified.

Note: Les composants identifiés par une marque Δ sont critiques pour la sécurité. Ne les remplacer que par une pièce portant le numéro spécifié.

Note: \square : adjustment for repair.

Note: Voltages and waveforms are dc with respect to ground under no-signal (detuned) conditions. no mark : PHONO (Main Section)

() : FM (Tuner Section)

() : AM (Tuner Section)

Note: Voltages are taken with a VOM (input impedance 10 M Ω). Voltage variations may be noted due to normal production tolerances.

Note: Signal path.

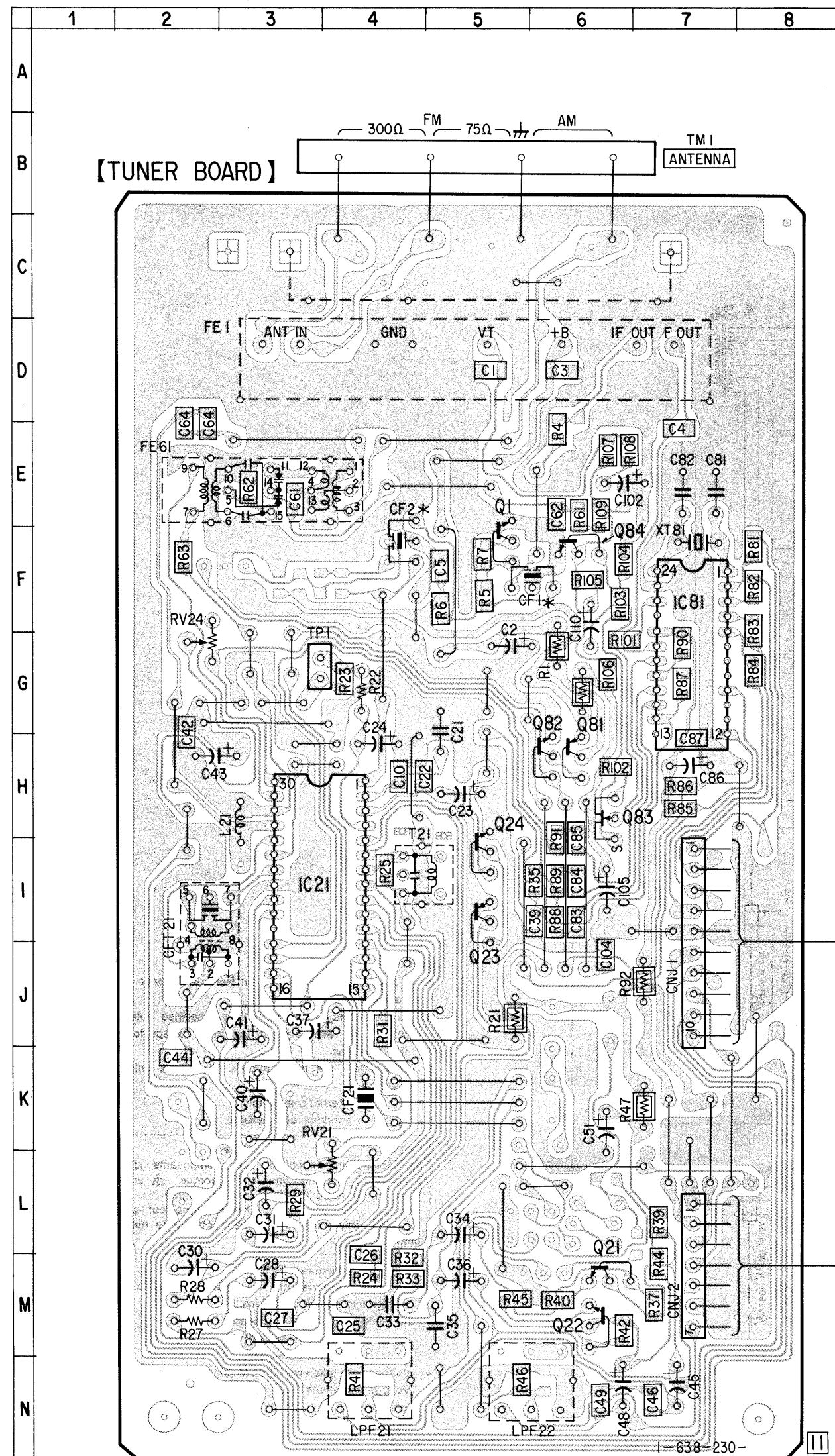
\Rightarrow : PHONO

\Rightarrow : FM

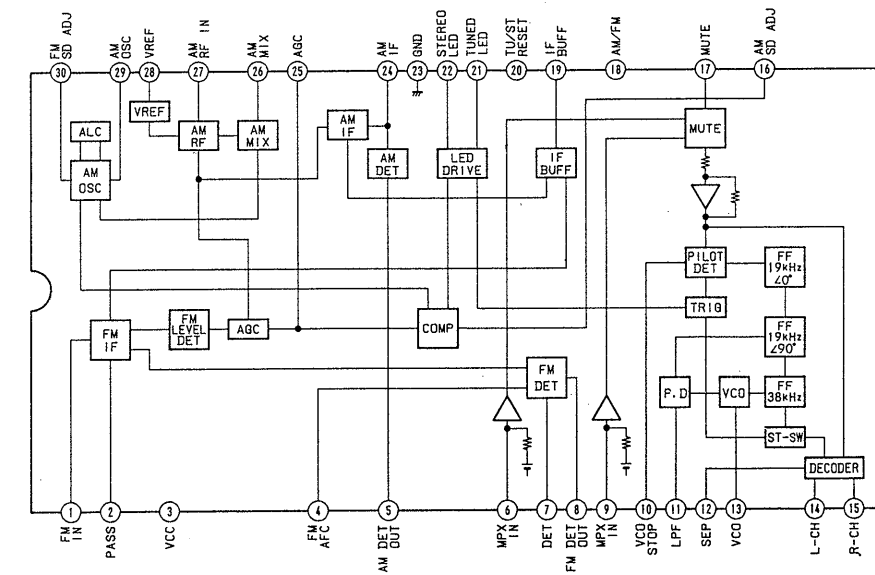
3-4. PRINTED WIRING BOARDS - TUNER SECTION - See page 11 for Note.

• Semiconductor Location

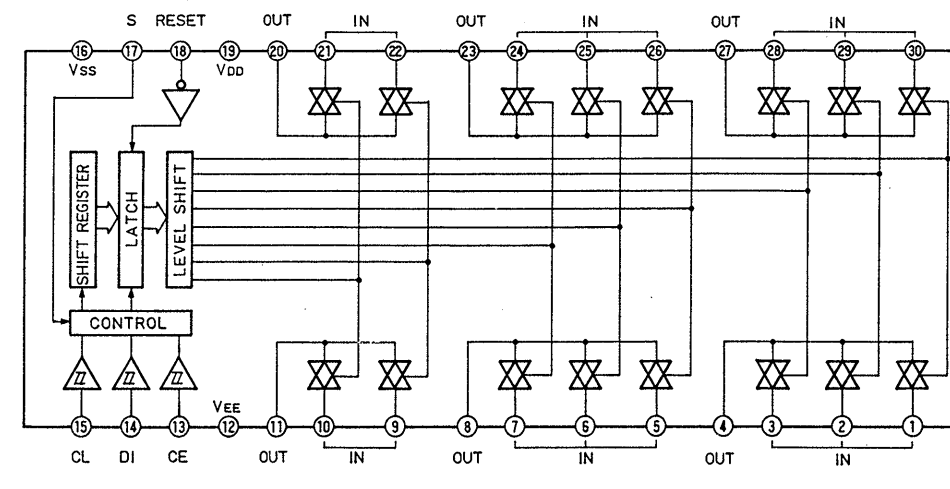
Ref. No.	Location	Ref. No.	Location
IC21	I-3	Q23	I-5
IC81	F-7	Q24	I-5
Q1	F-5	Q81	H-6
Q21	M-6	Q83	H-6
Q22	M-6	Q84	F-6



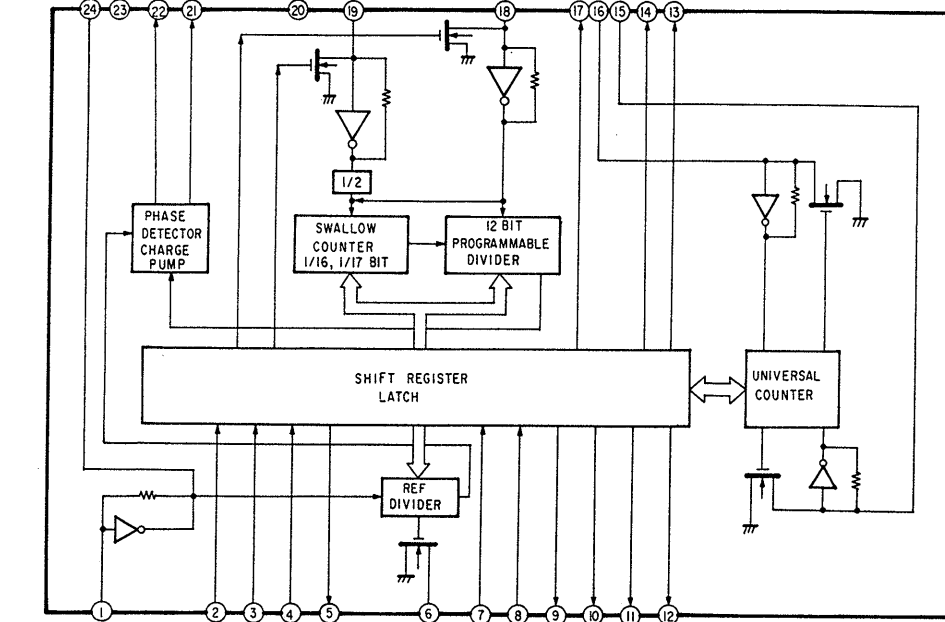
• IC BLOCK DIAGRAMS
IC21 LA1851N



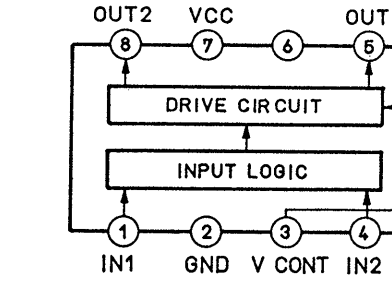
IC81 LC7218



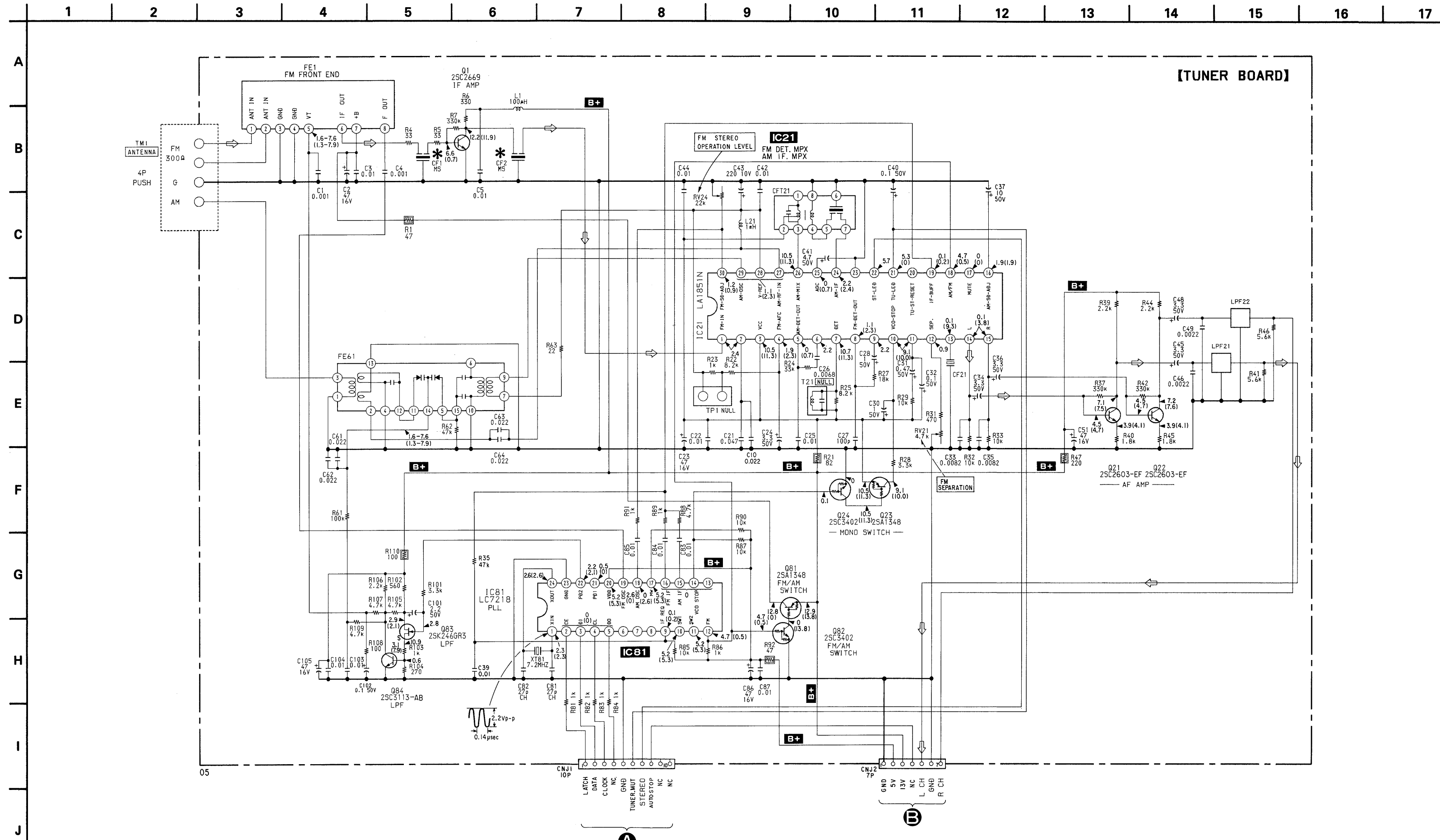
IC402 LC7822



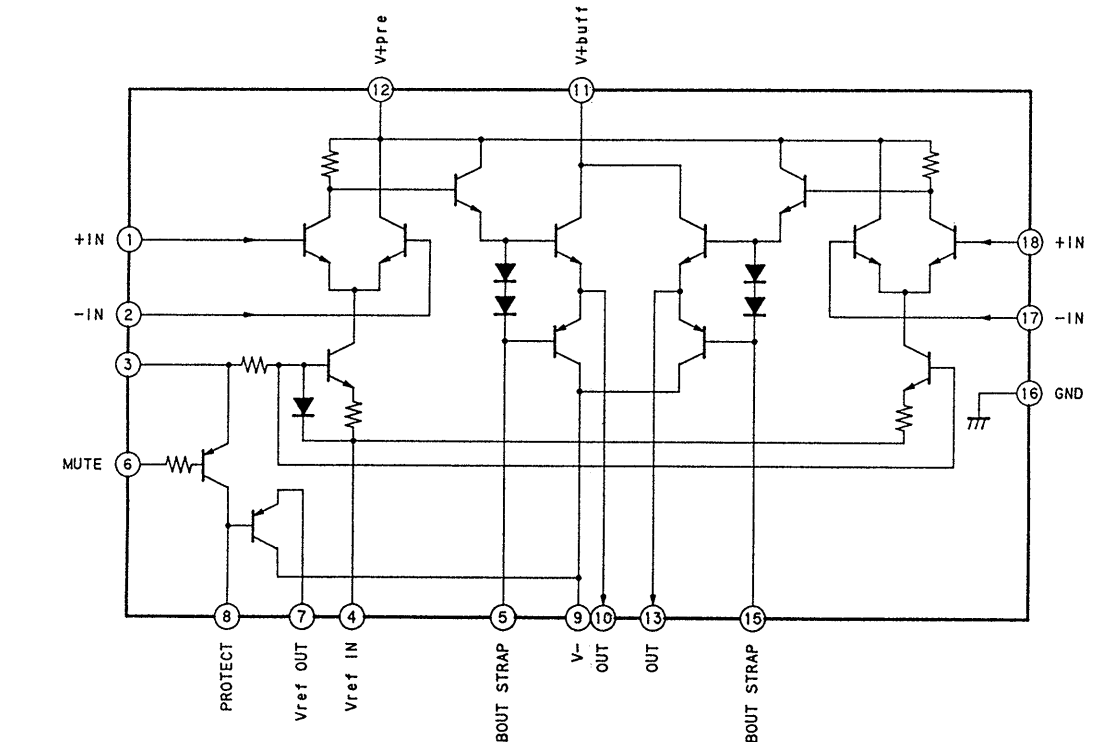
IC304 LB1639



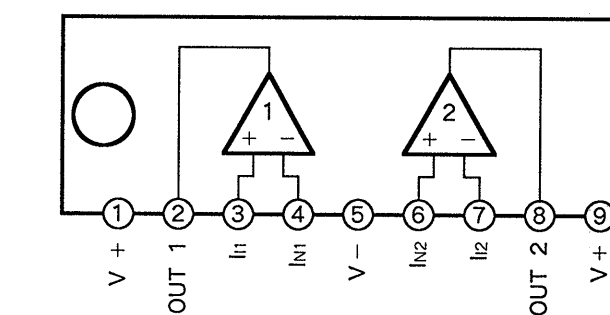
3-5. SCHEMATIC DIAGRAM - TUNER SECTION - See page 18 for Note.



IC601 STR4162MK2 (AV370X/AV270X/AV23)
STK4192MK2 (AV570X)



IC401, IC501 μPC4570HA

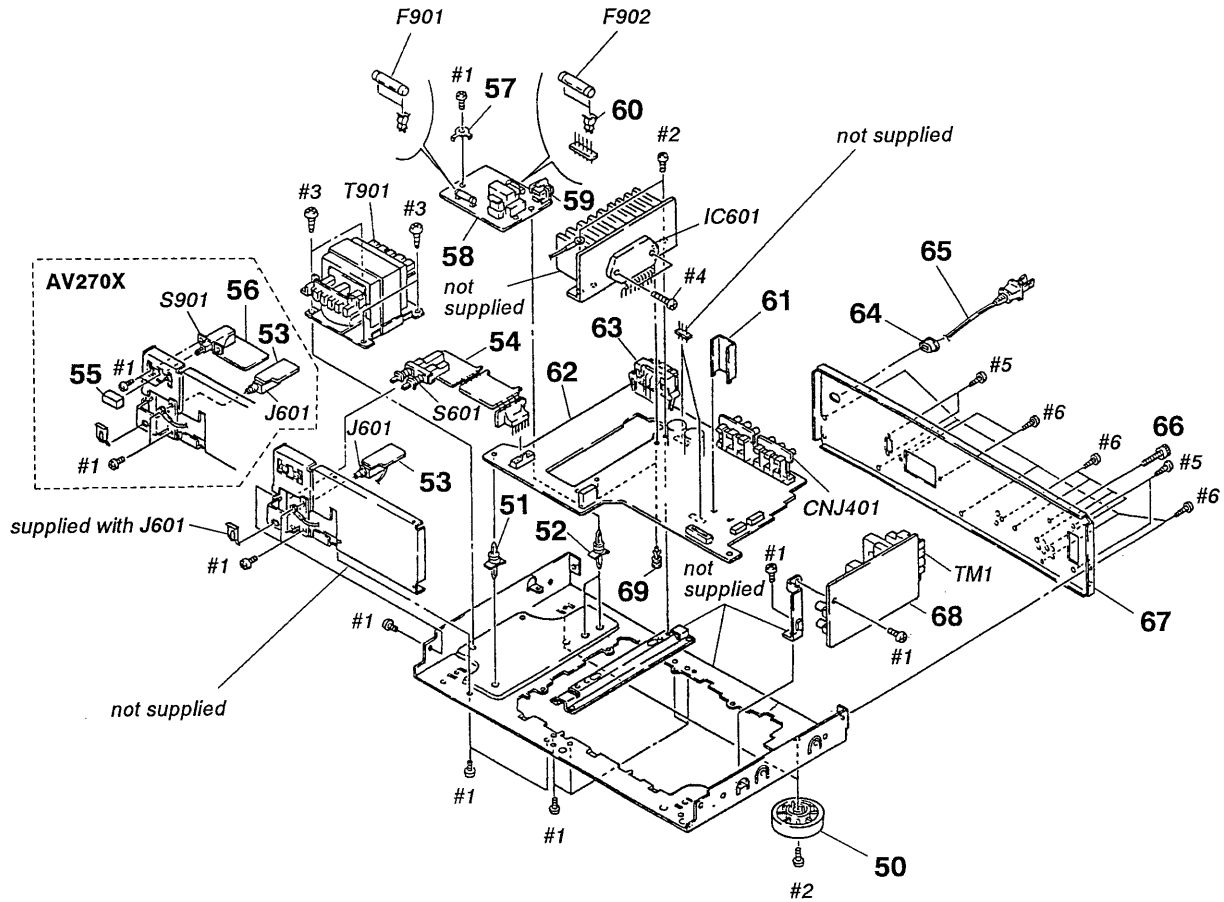


3-6. EXPLANATION OF IC301 (μ PD75206)

PIN No.	SIGNAL NAME	FUNCTION	I/O	ACTIVE
1	RESET	Micro Computer RESET	I	L
2	T0	FL tube indication (invalid) digit	O	H
3	T1	FL tube indication digit T1	O	H
4	T2	FL tube indication digit T2	O	H
5	T3	FL tube indication digit T3	O	H
6	T4	FL tube indication digit T4	O	H
7	T5	FL tube indication digit T5	O	H
8	T6	FL tube indication digit T6	O	H
9	T7	FL tube indication digit T7	O	H
10	T8	FL tube indication digit T8	O	H
11	T9	FL tube SIGNAL indication digit T9	O	H
12	T10/PH3	DBFB Output	O	H
13	T11/PH2	IF WIDE/NARROW Output	O	H
14	T12/PH1	Adapter Output	O	H
15	T13/PH0	-20dB Muting Output	O	H
16	T14/S11	FL tube indication Segment/Diode S11	O	H
17	T15/S10	FL tube indication Segment/Diode S10	O	H
18	V road	FL tube pulldown power supply	-	-
19	V pre	FL tube driver power supply	-	-
20	S9	FL tube indication Segment/Diode S9	O	H
21	S8	FL tube indication Segment/Key Scan S8	O	H
22	S7	FL tube indication Segment/Key Scan S7	O	H
23	S6	FL tube indication Segment/Key Scan S6	O	H
24	S5	FL tube indication Segment/Key Scan S5	O	H
25	S4	FL tube indication Segment/Key Scan S4	O	H
26	Vdd	Micro Computer power supply	-	-
27	S3	FL tube indication Segment/Key Scan S3	O	H
28	S2	FL tube indication Segment/Key Scan S2	O	H
29	S1	FL tube indication Segment/Key Scan S1	O	H
30	S0	FL tube indication Segment/Key Scan S0	O	H
31	P00/INT4	Signal to cut power supply STOP	I	L
32	P01/SCK	Serial latch for electrical adjustment use SI. LAT	I	L

PIN No.	SIGNAL NAME	FUNCTION	I/O	ACTIVE
33	P02/S0	Tuner Auto Stop input ASTP	I	L
34	P03/S1	Tuner Stereo input STEREO	I	L
35	P10/INT0	Remote Control Signal input SIRCS	I	L
36	P11/INT1	Protector input PROTECT	I	L
37	P12/INT2	System Power Key input PKEY	I	L
38	P13/TI0	Adapter Mechanical Switch input AKEY	I	H
39	P20	Surround output SURROUND	O	H
40	P21	Video Control A VCRA	O	H
41	P22	Video Control B VCRB	O	H
42	P23/BUZ	Video Inhibit VCRI	O	H
43	P30	Protector Muting PMUT	O	L
44	P31	Source Direct Output	O	H
45	P32	Standby LED Output STANBY	O	H
46	P33	Tuner Muting TMUTE	O	H
47	P60	PLL/7822 Latch PLAT	O	H
48	P61	PLL/7822/SI Data DATA	I/O	H
49	P62	PLL/7822/SI Clock CLOK	I/O	H
50	P63	IF WIDE/NARROW Display output	O	H
51	P40	Function Muting FMUTE	O	L
52	P41	Motor Volume UP VOL+	O	H
53	P42	Motor Volume DOWN VOL-	O	H
54	P43	Speaker Relay SP. RY	O	H
55	PP0	Power Relay POW. RY	O	H
56	X1	Ceramic Oscillator	-	-
57	X2	Ceramic Oscillator	-	-
58	Vss	Micro Computer GND	-	-
59	XT1	-	-	-
60	XT2	-	-	-
61	P50	P50 Key Scan Input	I	H
62	P51	P51 Key Scan Input	I	H
63	P52	P52 Key Scan Input	I	H
64	P53	P53 Key Scan Input	I	H

(2) CHASSIS SECTION



Ref.No.	Part No.	Description	Remark	Ref.No.	Part No.	Description	Remark
50	3-318-688-51	FOOT (F58175S)		63	1-537-341-11	TERMINAL BOARD, (8P) (SPEAKER)	
51	* 4-924-098-11	HOLDER, PC BOARD		64	* 3-703-244-00	BUSHING (2104), CORD	
52	* 4-924-098-31	HOLDER, PC BOARD		65	△ 1-551-478-00	CORD, POWER	
53	* 1-638-949-11	HP BOARD		66	3-706-165-00	SCREW	
54	* 1-638-234-11	SPEAKER SWITCH BOARD		67	* 4-943-098-01	PANEL, BACK (AV570X)	
55	4-917-460-01	KNOB, POWER (AV270X)		67	* 4-943-109-01	PANEL, BACK (AV270X)	
56	* 1-638-237-11	AC SWITCH BOARD (AV270X)		67	* 4-943-109-31	PANEL, BACK (AV23)	
57	* 4-942-204-11	PLATE, CROUND		67	* 4-943-109-41	PANEL, BACK (AV370X)	
58	* 1-638-235-11	POWER BOARD		68	* A-4341-739-A	TUNER BOARD, COMPLETE	
59	△ 1-540-057-11	OUTLET, AC (POLAR)		69	* 3-698-359-01	RIVET (DIA 3.5), NYLON	
60	1-533-217-31	HOLDER, FUSE		F901	△ 1-576-107-11	FUSE GLASS TUBE (3.15A 125V)	
61	* 4-880-403-11	HEAT SINK		F902	△ 1-576-109-11	FUSE GLASS TUBE (5A 125V)	
62	* A-4341-726-A	MAIN BOARD, COMPLETE (AV570X)		T901	△ 1-450-365-11	TRANSFORMER, POWER (AV370X/AV270X/AV23)	
62	* A-4341-718-A	MAIN BOARD, COMPLETE (AV270X)		T901	△ 1-450-362-11	TRANSFORMER, POWER (AV570X)	
62	* A-4345-248-A	MAIN BOARD, COMPLETE (AV370X/AV23)					

Note:
The components identified by mark △ or dotted line with mark △ are critical for safety. Replace only with part number specified.

Note:
Les composants identifiés par une marque △ sont critiques pour la sécurité. Ne les remplacer que par une pièce portant le numéro spécifié.

SECTION 5
ELECTRICAL PARTS LIST

AC SWITCH

DISPLAY

POWER

STAND BY

VOLUME

NOTE:

- Due to standardization, replacements in the parts list may be different from the parts specified in the diagrams or the components used on the set.
- -XX and -X mean standardized parts, so they may have some differences from the original one.
- RESISTORS
All resistors are in ohms.
METAL: Metal-film resistor
METAL OXIDE: Metal Oxide-film resistor
F: nonflammable

- Items marked "*" are not stocked since they are seldom required for routine service. Some delay should be anticipated when ordering these items.
- SEMICONDUCTORS
In each case, u: μ , for example:
uA...: μ A..., uPA...: μ PA...,
uPB...: μ PB..., uPC...: μ PC...,
uPD...: μ PD...
- CAPACITORS
uF: μ F
- COILS
uH: μ H

The components identified by mark Δ or dotted line with mark Δ are critical for safety. Replace only with part number specified.

Les composants identifiés par une marque Δ sont critiques pour la sécurité. Ne les remplacer que par une pièce portant le numéro spécifié.

When including parts by reference number, please include the board name.

Ref. No.	Part No.	Description	Remark
	* 1-638-237-11	AC SWITCH BOARD (AV270X) *****	
		< CAPACITOR >	
C901	Δ 1-161-744-00	CERAMIC 0.01uF	400V (AV270X)
		< SWITCH >	
S901	Δ 1-572-267-21	SWITCH, PUSH (AC POWER) (1 KEY) (POWER) (AV270X)	

	* A-4341-720-A	DISPLAY BOARD, COMPLETE *****	
	* 1-638-235-11	POWER BOARD *****	
	* 1-638-236-11	STAND BY BOARD *****	
	* 1-638-950-11	VOLUME BOARD *****	
	1-533-217-31	HOLDER, FUSE	
	1-533-217-31	HOLDER, FUSE	
	* 1-535-140-00	BASE POST 22MM (10MM PITCH) 3P	
	1-535-416-00	TERMINAL	
	* 1-568-830-11	SOCKET, CONNECTOR 11P	
	* 4-921-941-01	CUSHION (FL)	
	* 4-942-204-01	PLATE, GROUND	
	* 4-943-107-01	HOLDER (FL TUBE)	
		< CAPACITOR >	
C301	1-162-306-11	CERAMIC 0.01uF	20% 16V
C303	1-162-306-11	CERAMIC 0.01uF	20% 16V
C304	1-162-306-11	CERAMIC 0.01uF	20% 16V
C306	1-124-261-00	ELECT 10uF	20% 50V
C307	1-162-306-11	CERAMIC 0.01uF	20% 16V

Ref. No.	Part No.	Description	Remark
C308	1-125-486-11	DUBLE LAYERS 0.22F	5.5V
C309	1-124-261-00	ELECT 10uF	20% 50V
C310	1-162-306-11	CERAMIC 0.01uF	20% 16V
C311	1-162-306-11	CERAMIC 0.01uF	20% 16V
C517	1-124-464-11	ELECT 0.22uF	20% 50V (AV570X/AV370X/AV23)
C518	1-124-464-11	ELECT 0.22uF	20% 50V (AV570X/AV370X/AV23)
C630	1-162-306-11	CERAMIC 0.01uF	20% 16V
C901	1-161-744-00	CERAMIC 0.01uF	400V
		< CONNECTOR >	
CNJ306	* 1-568-937-11	PIN, CONNECTOR 10P	
CNJ901	Δ 1-540-057-11	OUTLET, AC (POLAR)	
CNP904	* 1-560-062-00	PIN, CONNECTOR 4P (AV570X/AV370X/AV23)	
CNS301	* 1-568-865-11	SOCKET, CONNECTOR 23P	
CNS302	* 1-568-951-11	PIN, CONNECTOR 2P (AV570X/AV370X/AV23)	
		< DIODE >	
D301	8-719-987-63	DIODE 1N4148M	
D302	8-719-987-63	DIODE 1N4148M	
D303	8-719-987-63	DIODE 1N4148M	
D304	8-719-987-63	DIODE 1N4148M	
D305	8-719-987-63	DIODE 1N4148M	
D306	8-719-987-63	DIODE 1N4148M	
D307	8-719-987-63	DIODE 1N4148M	
D308	8-719-987-63	DIODE 1N4148M	
D309	8-719-987-63	DIODE 1N4148M	
D311	8-719-987-63	DIODE 1N4148M	
D312	8-719-987-63	DIODE 1N4148M	
D313	8-719-985-53	DIODE HZS4ALL	
D314	8-719-987-63	DIODE 1N4148M	
D315	8-719-987-63	DIODE 1N4148M	

DISPLAY	POWER	STAND BY	VOLUME
---------	-------	----------	--------

Ref. No.	Part No.	Description	Remark	Ref. No.	Part No.	Description	Remark
D323	8-719-987-63	DIODE 1N4148M		R337	1-249-437-11	CARBON 47K 5% 1/4W	
D324	8-719-987-63	DIODE 1N4148M		R338	1-249-437-11	CARBON 47K 5% 1/4W	
D325	8-719-987-63	DIODE 1N4148M		R347	1-249-437-11	CARBON 47K 5% 1/4W	
D326	8-719-987-63	DIODE 1N4148M		R348	1-249-437-11	CARBON 47K 5% 1/4W	
D327	8-719-987-63	DIODE 1N4148M		R349	1-249-437-11	CARBON 47K 5% 1/4W	
D803	8-719-987-63	DIODE 1N4148M					
< FULORESCENT INDICATOR TUBE >							
FL301	1-519-509-11	INDICATOR TUBE, FLUORESCENT		R350	1-249-437-11	CARBON 47K 5% 1/4W	
< IC >							
IC301	8-759-154-23	IC uPD75206G-557-1B		R351	1-249-437-11	CARBON 47K 5% 1/4W	
IC302	8-749-920-83	IC GP1U52XB (AV570X/AV370X/AV23)		R352	1-249-437-11	CARBON 47K 5% 1/4W	
IC304	8-759-820-62	IC LB1639 (AV570X/AV370X/AV23)		R353	1-249-437-11	CARBON 47K 5% 1/4W	
< COIL >							
L301	1-410-521-11	INDUCTOR 100uH		R354	1-249-437-11	CARBON 47K 5% 1/4W	
< TRANSFORMER >							
PT902	1-450-361-11	TRANSFORMER, POWER (AV570X/AV370X/AV23)		R355	1-249-437-11	CARBON 47K 5% 1/4W	
< TRANSISTOR >							
Q305	8-729-119-76	TRANSISTOR 2SA1175-HFE		R356	1-249-401-11	CARBON 47 5% 1/4W	
Q306	8-729-119-76	TRANSISTOR 2SA1175-HFE (AV570X/AV370X/AV23)		R901	1-202-725-00	SOLID 3.3M 10% 1/2W	
Q307	8-729-119-76	TRANSISTOR 2SA1175-HFE		< RESISTOR ARRAY >			
< RESISTOR >							
R301	1-249-411-11	CARBON 330 5% 1/4W		RB301	1-233-081-11	COMPOSITION CIRCUIT BLOCK	
R302	1-249-411-11	CARBON 330 5% 1/4W		< VARIABLE RESISTOR >			
R303	1-249-411-11	CARBON 330 5% 1/4W		RV502	1-241-405-11	RES, VAR, CARBON 100K/100K (VOLUME) (AV570X/AV370X/AV23)	
R304	1-249-411-11	CARBON 330 5% 1/4W		RV502	1-241-408-11	RES, VAR, CARBON 100K/100K (VOLUME) (AV270X)	
R305	1-249-429-11	CARBON 10K 5% 1/4W		< RELAY >			
R306	1-249-429-11	CARBON 10K 5% 1/4W		RY901	1-515-720-11	RELAY (AV570X/AV370X/AV23)	
R307	1-249-429-11	CARBON 10K 5% 1/4W		< SWITCH >			
R308	1-249-429-11	CARBON 10K 5% 1/4W		S301	1-554-303-21	SWITCH, TACTILE (DIRECT)	
R311	1-249-429-11	CARBON 10K 5% 1/4W		S302	1-554-303-21	SWITCH, TACTILE (CH -)	
R312	1-249-431-11	CARBON 15K 5% 1/4W		S303	1-554-303-21	SWITCH, TACTILE (TUNING -)	
R313	1-249-417-11	CARBON 1K 5% 1/4W		S304	1-554-303-21	SWITCH, TACTILE (FM)	
R314	1-249-441-11	CARBON 100K 5% 1/4W		S305	1-554-303-21	SWITCH, TACTILE (FM MODE)	
R315	1-249-437-11	CARBON 47K 5% 1/4W		S306	1-554-303-21	SWITCH, TACTILE (CH +)	
R316	1-249-441-11	CARBON 100K 5% 1/4W		S307	1-554-303-21	SWITCH, TACTILE (TUNING +)	
R325	1-249-441-11	CARBON 100K 5% 1/4W		S308	1-554-303-21	SWITCH, TACTILE (AM)	
R331	1-249-437-11	CARBON 47K 5% 1/4W (AV270X)		S310	1-554-303-21	SWITCH, TACTILE (TAPE)	
R332	1-249-437-11	CARBON 47K 5% 1/4W (AV270X)		S311	1-554-303-21	SWITCH, TACTILE (VIDEO)	
R333	1-249-437-11	CARBON 47K 5% 1/4W (AV270X)		S312	1-554-303-21	SWITCH, TACTILE (PHONO)	
R334	1-249-437-11	CARBON 47K 5% 1/4W (AV270X)		S313	1-554-303-21	SWITCH, TACTILE (TUNER)	
R335	1-249-437-11	CARBON 47K 5% 1/4W (AV270X)		S314	1-554-303-21	SWITCH, TACTILE (CD)	
				S315	1-554-303-21	SWITCH, TACTILE (7)	
				S316	1-554-303-21	SWITCH, TACTILE (8)	
				S317	1-554-303-21	SWITCH, TACTILE (9)	
				S318	1-554-303-21	SWITCH, TACTILE (MEMORY)	
				S319	1-554-303-21	SWITCH, TACTILE (4)	
				S320	1-554-303-21	SWITCH, TACTILE (5)	
				S321	1-554-303-21	SWITCH, TACTILE (6)	
				S322	1-554-303-21	SWITCH, TACTILE (0)	

DISPLAY

POWER

STAND BY

VOLUME

MAIN

TONE

SPEAKER SWITCH

MUTING

HP

Ref. No.	Part No.	Description	Remark	Ref. No.	Part No.	Description	Remark
S323	1-554-303-21	SWITCH, TACTILE (1)		C418	1-124-478-11	ELECT 100uF	20% 25V
S324	1-554-303-21	SWITCH, TACTILE (2)		C419	1-124-478-11	ELECT 100uF	20% 25V
S325	1-554-303-21	SWITCH, TACTILE (3)		C420	1-124-927-11	ELECT 4.7uF	20% 100V
S326	1-554-303-21	SWITCH, TACTILE (SHIFT)		C421	1-124-927-11	ELECT 4.7uF	20% 100V
S330	1-554-303-21	SWITCH, TACTILE (POWER)		C451	1-162-282-31	CERAMIC 100PF	10% 50V
		(AV570X/AV370X/AV23)					
		< VARISTOR >		C452	1-123-382-00	ELECT 3.3uF	20% 100V
VZ901	1-807-293-31	VARISTOR SNR-14A221U		C453	1-162-282-31	CERAMIC 100PF	10% 50V
		< CERAMIC >		C454	1-162-282-31	CERAMIC 100PF	10% 50V
X301	1-577-101-11	VIBRATOR, CERAMIC (4.19MHz)		C455	1-124-034-51	ELECT 33uF	20% 16V
				C456	1-130-480-00	MYLAR 0.0056uF	5% 50V
		*****		C457	1-130-473-00	MYLAR 0.0015uF	5% 50V
		* A-4341-726-A MAIN BOARD, COMPLETE		C458	1-123-382-00	ELECT 3.3uF	20% 100V
		*****		C501	1-130-489-00	MYLAR 0.033uF	5% 50V
		* A-4341-733-A TONE BOARD, COMPLETE		C502	1-124-250-00	ELECT 0.15uF	20% 50V
		*****		C503	1-130-481-00	MYLAR 0.0068uF	5% 50V
		* 1-638-234-11 SPEAKER SWITCH BOARD		C504	1-130-489-00	MYLAR 0.033uF	5% 50V
		*****		C505	1-126-163-11	ELECT 4.7uF	20% 50V
		* 1-638-239-11 MUTING BOARD		C506	1-124-925-11	ELECT 2.2uF	20% 100V
		*****		C507	1-101-880-00	CERAMIC 47PF	5% 50V
		* 1-638-949-11 HP BOARD		C509	1-124-903-11	ELECT 1uF	20% 50V
		*****		C510	1-130-489-00	MYLAR 0.033uF	5% 50V
		* 1-568-826-11 SOCKET, CONNECTOR 7P		C512	1-124-464-11	ELECT 0.22uF	20% 50V
		* 1-568-826-11 SOCKET, CONNECTOR 7P		C513	1-124-464-11	ELECT 0.22uF	20% 50V
		* 1-568-830-11 SOCKET, CONNECTOR 11P		C514	1-136-163-00	MYLAR 0.068uF	10% 50V
		* 3-698-359-01 RIVET (DIA. 3.5), NYLON		C515	1-102-106-00	CERAMIC 100PF	10% 50V
		* 4-880-403-31 HEAT SINK		C551	1-130-489-00	MYLAR 0.033uF	5% 50V
		7-685-650-79 SCREW +BVTP 3X16 TYPE2 IT-3		C552	1-124-250-00	ELECT 0.15uF	20% 50V
		7-682-548-04 SCREW +BVTT 3X8 (S)		C553	1-130-481-00	MYLAR 0.0068uF	5% 50V
		< CAPACITOR >		C554	1-130-489-00	MYLAR 0.033uF	5% 50V
C091	1-164-089-11	CERAMIC 0.0022uF	50V	C555	1-126-163-11	ELECT 4.7uF	20% 50V
C092	1-164-089-11	CERAMIC 0.0022uF	50V	C556	1-124-925-11	ELECT 2.2uF	20% 100V
C401	1-162-282-31	CERAMIC 100PF	10% 50V	C557	1-101-880-00	CERAMIC 47PF	5% 50V
C402	1-123-382-00	ELECT 3.3uF	20% 100V	C559	1-124-903-11	ELECT 1uF	20% 50V
C403	1-162-282-31	CERAMIC 100PF	10% 50V	C560	1-130-489-00	MYLAR 0.033uF	5% 50V
C404	1-162-282-31	CERAMIC 100PF	10% 50V	C565	1-102-106-00	CERAMIC 100PF	10% 50V
C405	1-124-034-51	ELECT 33uF	20% 16V	C601	1-162-286-31	CERAMIC 220PF	10% 50V
C406	1-130-480-00	MYLAR 0.0056uF	5% 50V	C602	1-124-927-11	ELECT 4.7uF	20% 100V
C407	1-130-473-00	MYLAR 0.0015uF	5% 50V	C603	1-162-288-31	CERAMIC 330PF	10% 50V
C408	1-123-382-00	ELECT 3.3uF	20% 100V	C604	1-124-122-11	ELECT 100uF	20% 50V
C409	1-124-477-11	ELECT 47uF	20% 25V	C605	1-124-910-11	ELECT 47uF	20% 50V
C410	1-124-477-11	ELECT 47uF	20% 25V	C606	1-124-120-11	ELECT 220uF	20% 25V
C411	1-162-294-31	CERAMIC 0.001uF	10% 50V	C607	1-162-193-31	CERAMIC 3.3PF	10% 50V
C412	1-162-282-31	CERAMIC 100PF	10% 50V	C608	1-124-907-11	ELECT 10uF	20% 50V
C417	1-124-478-11	ELECT 100uF	20% 25V	C621	1-130-495-00	MYLAR 0.1uF	5% 50V
				C622	1-130-495-00	MYLAR 0.1uF	5% 50V
				C623	1-124-907-11	ELECT 10uF	20% 50V
				C624	1-124-472-11	ELECT 470uF	20% 10V
				C625	1-130-495-00	MYLAR 0.1uF	5% 50V
				C651	1-162-286-31	CERAMIC 220PF	10% 50V

MAIN

TONE

SPEAKER SWITCH

MUTING

HP

Ref. No.	Part No.	Description	Remark
C652	1-124-927-11	ELECT	4.7uF 20% 100V
C653	1-162-288-31	CERAMIC	330PF 10% 50V
C654	1-124-122-11	ELECT	100uF 20% 50V
C655	1-124-910-11	ELECT	47uF 20% 50V
C656	1-124-120-11	ELECT	220uF 20% 25V
C657	1-162-193-31	CERAMIC	3.3PF 10% 50V
C658	1-124-907-11	ELECT	10uF 20% 50V
C671	1-130-495-00	MYLAR	0.1uF 5% 50V
C672	1-130-495-00	MYLAR	0.1uF 5% 50V
C675	1-130-495-00	MYLAR	0.1uF 5% 50V
C701	1-106-367-00	MYLAR	0.01uF 5% 200V
C702	1-106-367-00	MYLAR	0.01uF 5% 200V
C704	1-124-478-11	ELECT	100uF 20% 25V
C705	1-124-477-11	ELECT	47uF 20% 25V
C706	1-101-005-00	CERAMIC	22000PF 50V
C708	1-124-927-11	ELECT	4.7uF 20% 100V
C710	1-124-910-11	ELECT	47uF 20% 50V
C711	1-124-910-11	ELECT	47uF 20% 50V
C712	1-124-907-11	ELECT	10uF 20% 50V
C713	1-124-477-11	ELECT	47uF 20% 25V
C714	1-124-477-11	ELECT	47uF 20% 25V
C716	1-124-464-11	ELECT	0.22uF 20% 50V
C717	1-124-902-00	ELECT	0.47uF 20% 50V
C718	1-124-903-11	ELECT	1uF 20% 50V
C719	1-101-005-00	CERAMIC	22000PF 50V
C801	1-125-614-11	ELECT	6800uF 20% 50V
C802	1-125-614-11	ELECT	6800uF 20% 50V
C803	1-101-005-00	CERAMIC	22000PF 50V (AV570X/AV370X/AV23)
C804	1-101-005-00	CERAMIC	22000PF 50V (AV570X/AV370X/AV23)
C805	1-124-557-11	ELECT	1000uF 20% 25V (AV570X/AV370X/AV23)
C806	1-101-005-00	CERAMIC	22000PF 50V (AV570X/AV370X/AV23)
C810	1-124-903-11	ELECT	1uF 20% 50V
< CONNECTOR >			
CNJ401 *	1-580-835-11	JACK, PIN 6P	
CNJ402 *	1-580-835-11	JACK, PIN 6P	
CNJ610 *	1-569-507-11	PIN, CONNECTOR 12P	
CNP503 *	1-564-507-11	PLUG, CONNECTOR 4P (AV570X/AV370X/AV23)	
CNP504 *	1-535-116-00	TERMINAL	
CNP505 *	1-580-804-11	PIN, CONNECTOR 10P	
CNP506 *	1-564-903-11	PIN, CONNECTOR (L TYPE) 7P	
CNP507 *	1-569-498-11	SOCKET, CONNECTOR 12P	
CNP508 *	1-568-952-11	PIN, CONNECTOR 3P	
CNS501 *	1-568-839-11	SOCKET, CONNECTOR 23P	

Ref. No.	Part No.	Description	Remark
< DIODE >			
D317	8-719-313-50	DIODE SEL2810A-C (MUTING) (AV570X/AV370X/AV23)	
D318	8-719-313-50	DIODE SEL2810A-C (SURROUND)	
D319	8-719-313-50	DIODE SEL2810A-C (DBFB)	
D401	8-719-987-63	DIODE 1N4148M	
D402	8-719-987-63	DIODE 1N4148M	
D403	8-719-987-63	DIODE 1N4148M	
D502	8-719-987-63	DIODE 1N4148M	
D601	8-719-987-63	DIODE 1N4148M	
D602	8-719-987-63	DIODE 1N4148M	
D603	8-719-987-63	DIODE 1N4148M	
D604	8-719-987-63	DIODE 1N4148M	
D605	8-719-987-63	DIODE 1N4148M	
D651	8-719-987-63	DIODE 1N4148M	
D702	8-719-010-86	DIODE UZ-16BSB	
D703	8-719-010-29	DIODE UZ-4.3BSB	
D704	8-719-110-67	DIODE UZ-27ESB2	
D705	8-719-010-82	DIODE UZ-15BSB	
D706	8-719-010-47	DIODE UZ-6.2BSB	
D707	8-719-933-41	DIODE HZS6C3L	
D708	8-719-985-53	DIODE HZS4ALL	
D709	8-719-987-63	DIODE 1N4148M	
D801	8-719-312-09	DIODE RBA-402	
D803	8-719-987-63	DIODE 1N4148M (AV570X/AV370X/AV23)	
D814	8-719-200-82	DIODE 11ES2 (AV570X/AV370X/AV23)	
D815	8-719-200-82	DIODE 11ES2 (AV570X/AV370X/AV23)	
D816	8-719-200-82	DIODE 11ES2 (AV570X/AV370X/AV23)	
D817	8-719-200-82	DIODE 11ES2 (AV570X/AV370X/AV23)	
D818	8-719-987-63	DIODE 1N4148M	
D819	8-719-987-63	DIODE 1N4148M	
< IC >			
IC401	8-759-112-93	IC uPC4570HA-1	
IC402	8-759-805-14	IC LC7822	
IC501	8-759-112-93	IC uPC4570HA-1	
IC601 Δ	8-749-900-24	IC STK4162MK2 (AV370X/AV270X/AV23)	
IC601 Δ	8-749-900-78	IC STK4192MK2 (AV570X)	
< JACK >			
J601	1-568-151-11	JACK (LARGE TYPE) (HEADPHONES)	
< COIL >			
L601	* 1-420-872-00	COIL, AIR CORE	
L651	* 1-420-872-00	COIL, AIR CORE	

Note:

The components identified by mark Δ or dotted line with mark Δ are critical for safety. Replace only with part number specified.

Note:

Les composants identifiés par une marque Δ sont critiques pour la sécurité. Ne les remplacer que par une pièce portant le numéro spécifié.

MAIN

TONE

SPEAKER SWITCH

MUTING

HP

Ref. No.	Part No.	Description	Remark	Ref. No.	Part No.	Description	Remark
		< TRANSISTOR >					
Q302	8-729-900-36	TRANSISTOR DTC124ES (AV570X/AV370X/AV23)		R402	1-249-417-11	CARBON 1K 5% 1/4W	
Q303	8-729-900-36	TRANSISTOR DTC124ES		R403	1-249-417-11	CARBON 1K 5% 1/4W	
Q304	8-729-900-36	TRANSISTOR DTC124ES		R404	1-249-425-11	CARBON 4.7K 5% 1/4W	
Q401	8-729-141-30	TRANSISTOR 2SC3623A-LK (AV570X/AV370X/AV23)		R405	1-249-417-11	CARBON 1K 5% 1/4W	
Q402	8-729-141-30	TRANSISTOR 2SC3623A-LK		R406	1-249-425-11	CARBON 4.7K 5% 1/4W	
Q403	8-729-900-63	TRANSISTOR DTA124ES		R407	1-247-897-11	CARBON 560K 5% 1/4W	
Q451	8-729-141-30	TRANSISTOR 2SC3623A-LK (AV570X/AV370X/AV23)		R408	1-247-897-11	CARBON 560K 5% 1/4W	
Q452	8-729-141-30	TRANSISTOR 2SC3623A-LK		R409	1-249-437-11	CARBON 47K 5% 1/4W	
Q501	8-729-202-67	TRANSISTOR 2SK246-GR3		R410	1-247-897-11	CARBON 560K 5% 1/4W	
Q502	8-729-620-05	TRANSISTOR 2SC2603-EF		R411	1-249-416-11	CARBON 820 5% 1/4W	
Q504	8-729-202-67	TRANSISTOR 2SK246-GR3		R412	1-247-897-11	CARBON 560K 5% 1/4W	
Q505	8-729-900-36	TRANSISTOR DTC124ES		R413	1-249-437-11	CARBON 47K 5% 1/4W	
Q506	8-729-900-63	TRANSISTOR DTA124ES		R414	1-247-897-11	CARBON 560K 5% 1/4W	
Q551	8-729-202-67	TRANSISTOR 2SK246-GR3		R415	1-249-417-11	CARBON 1K 5% 1/4W	
Q552	8-729-620-05	TRANSISTOR 2SC2603-EF		R416	1-249-411-11	CARBON 330 5% 1/4W	
Q601	8-729-108-14	TRANSISTOR 2SA988-FA		R417	1-249-411-11	CARBON 330 5% 1/4W	
Q602	8-729-620-05	TRANSISTOR 2SC2603-EF		R418	1-249-425-11	CARBON 4.7K 5% 1/4W	
Q603	8-729-620-05	TRANSISTOR 2SC2603-EF		R419	1-247-838-00	CARBON 2K 5% 1/4W	
Q604	8-729-620-05	TRANSISTOR 2SC2603-EF		R420	1-249-409-11	CARBON 220 5% 1/4W	(AV570X/AV370X/AV23)
Q605	8-729-620-05	TRANSISTOR 2SC2603-EF		R421	1-249-429-11	CARBON 10K 5% 1/4W	
Q651	8-729-108-14	TRANSISTOR 2SA988-FA		R422	1-249-425-11	CARBON 4.7K 5% 1/4W	
Q701	8-729-209-15	TRANSISTOR 2SD2012		R423	1-249-437-11	CARBON 47K 5% 1/4W	
Q702	8-729-140-97	TRANSISTOR 2SB734-34		R424	1-249-434-11	CARBON 27K 5% 1/4W	
Q703	8-729-180-92	TRANSISTOR 2SD809-K		R425	1-249-441-11	CARBON 100K 5% 1/4W	
Q704	8-729-620-05	TRANSISTOR 2SC2603-EF		R426	1-249-405-11	CARBON 100 5% 1/4W	
Q705	8-729-900-	TRANSISTOR DTC124ES		R427	1-249-437-11	CARBON 47K 5% 1/4W	
Q706	8-729-119-76	TRANSISTOR 2SA1175-HFE		R428	1-249-441-11	CARBON 100K 5% 1/4W	
Q707	8-729-620-05	TRANSISTOR 2SC2603-EF		R451	1-249-411-11	CARBON 330 5% 1/4W	
Q708	8-729-900-36	TRANSISTOR DTC124ES		R452	1-249-417-11	CARBON 1K 5% 1/4W	
Q709	8-729-904-39	TRANSISTOR DTC114TS (AV570X/AV370X/AV23)		R453	1-249-417-11	CARBON 1K 5% 1/4W	
Q801	8-729-620-05	TRANSISTOR 2SC2603-EF (AV570X/AV370X/AV23)		R454	1-249-425-11	CARBON 4.7K 5% 1/4W	
		< RESISTOR >		R455	1-249-417-11	CARBON 1K 5% 1/4W	
R322	1-249-410-11	CARBON 270 5% 1/4W		R456	1-249-425-11	CARBON 4.7K 5% 1/4W	
R323	1-249-410-11	CARBON 270 5% 1/4W (AV570X/AV370X/AV23)		R457	1-247-897-11	CARBON 560K 5% 1/4W	
R324	1-249-410-11	CARBON 270 5% 1/4W		R458	1-247-897-11	CARBON 560K 5% 1/4W	
R357	1-249-429-11	CARBON 10K 5% 1/4W		R459	1-249-437-11	CARBON 47K 5% 1/4W	
R358	1-249-429-11	CARBON 10K 5% 1/4W (AV570X/AV370X/AV23)		R460	1-247-897-11	CARBON 560K 5% 1/4W	
R359	1-249-429-11	CARBON 10K 5% 1/4W		R461	1-249-416-11	CARBON 820 5% 1/4W	
R401	1-249-411-11	CARBON 330 5% 1/4W		R462	1-247-897-11	CARBON 560K 5% 1/4W	
				R463	1-249-437-11	CARBON 47K 5% 1/4W	
				R464	1-247-897-11	CARBON 560K 5% 1/4W	
				R465	1-249-417-11	CARBON 1K 5% 1/4W	
				R469	1-247-838-00	CARBON 2K 5% 1/4W	
				R470	1-249-409-11	CARBON 220 5% 1/4W (AV570X/AV370X/AV23)	
				R501	1-249-429-11	CARBON 10K 5% 1/4W	
				R502	1-249-421-11	CARBON 2.2K 5% 1/4W	
				R503	1-249-441-11	CARBON 100K 5% 1/4W	

MAIN

TONE

SPEAKER SWITCH

MUTING

HP

Ref. No.	Part No.	Description			Remark
R504	1-249-427-11	CARBON	6. 8K	5%	1/4W
R505	1-249-438-11	CARBON	56K	5%	1/4W
R506	1-249-441-11	CARBON	100K	5%	1/4W
R507	1-247-883-00	CARBON	150K	5%	1/4W
R508	1-249-417-11	CARBON	1K	5%	1/4W
R509	1-249-412-11	CARBON	390	5%	1/4W
R510	1-249-427-11	CARBON	6. 8K	5%	1/4W
R518	1-249-441-11	CARBON	100K	5%	1/4W
R519	1-249-441-11	CARBON	100K	5%	1/4W
R520	1-247-903-00	CARBON	1M	5%	1/4W
R521	1-249-427-11	CARBON	6. 8K	5%	1/4W
R522	1-247-903-00	CARBON	1M	5%	1/4W
R551	1-249-429-11	CARBON	10K	5%	1/4W
R552	1-249-421-11	CARBON	2. 2K	5%	1/4W
R553	1-249-441-11	CARBON	100K	5%	1/4W
R554	1-249-427-11	CARBON	6. 8K	5%	1/4W
R555	1-249-438-11	CARBON	56K	5%	1/4W
R556	1-249-441-11	CARBON	100K	5%	1/4W
R557	1-247-883-00	CARBON	150K	5%	1/4W
R558	1-249-417-11	CARBON	1K	5%	1/4W
R559	1-249-412-11	CARBON	390	5%	1/4W
R560	1-249-427-11	CARBON	6. 8K	5%	1/4W
R601	1-249-417-11	CARBON	1K	5%	1/4W
R602	1-249-438-11	CARBON	56K	5%	1/4W
R603	1-249-413-11	CARBON	470	5%	1/4W
R604	1-249-423-11	CARBON	3. 3K	5%	1/4W
R605	1-249-438-11	CARBON	56K	5%	1/4W
R606	△ 1-249-420-11	CARBON	1. 8K	5%	1/4W F
R607	1-217-151-00	RES. METAL PLATE 0. 22			
R608	1-249-417-11	CARBON	1K	5%	1/4W
R612	△ 1-249-405-11	CARBON	100	5%	1/4W F
R615	△ 1-249-405-11	CARBON	100	5%	1/4W F
R621	1-249-427-11	CARBON	6. 8K	5%	1/4W
R622	1-249-435-11	CARBON	33K	5%	1/4W
R623	1-249-433-11	CARBON	22K	5%	1/4W
R624	△ 1-249-390-11	CARBON	5. 6	5%	1/4W F
R625	1-247-768-00	CARBON	2. 4	5%	1/4W
R626	1-249-441-11	CARBON	100K	5%	1/4W
R627	1-249-435-11	CARBON	33K	5%	1/4W
R628	1-249-427-11	CARBON	6. 8K	5%	1/4W
R629	△ 1-249-399-11	CARBON	33	5%	1/4W F
R630	1-249-417-11	CARBON	1K	5%	1/4W
R631	1-249-429-11	CARBON	10K	5%	1/4W
R632	1-249-441-11	CARBON	100K	5%	1/4W
R634	1-249-427-11	CARBON	6. 8K	5%	1/4W
R635	1-249-441-11	CARBON	100K	5%	1/4W
R636	1-247-903-00	CARBON	1M	5%	1/4W
R637	△ 1-216-432-00	METAL OXIDE	820	5%	1W F
R638	△ 1-216-454-11	METAL OXIDE	390	5%	2W F

Ref. No.	Part No.	Description			Remark
R639	1-247-768-00	CARBON	2. 4	5%	1/4W
R640	△ 1-249-419-11	CARBON	1. 5K	5%	1/4W F
R641	△ 1-249-390-11	CARBON	5. 6	5%	1/4W F
R651	1-249-417-11	CARBON	1K	5%	1/4W
R652	1-249-438-11	CARBON	56K	5%	1/4W
R653	1-249-413-11	CARBON	470	5%	1/4W
R654	1-249-423-11	CARBON	3. 3K	5%	1/4W
R655	1-249-438-11	CARBON	56K	5%	1/4W
R656	△ 1-249-420-11	CARBON	1. 8K	5%	1/4W F
R657	1-217-151-00	RES. METAL PLATE 0. 22			
R658A	1-249-417-11	CARBON	1K	5%	1/4W
R658B	△ 1-216-454-11	METAL OXIDE	390	5%	2W F
R671	1-249-427-11	CARBON	6. 8K	5%	1/4W
R672	1-249-435-11	CARBON	33K	5%	1/4W
R673	1-249-433-11	CARBON	22K	5%	1/4W
R674	△ 1-249-390-11	CARBON	5. 6	5%	1/4W F
R675	1-247-768-00	CARBON	2. 4	5%	1/4W
R689	1-247-768-00	CARBON	2. 4	5%	1/4W
R690	△ 1-249-419-11	CARBON	1. 5K	5%	1/4W F
R691	△ 1-249-390-11	CARBON	5. 6	5%	1/4W F
R702	1-249-422-11	CARBON	2. 7K	5%	1/4W
R703	△ 1-216-448-11	METAL OXIDE	39	5%	2W F
R705	1-249-423-11	CARBON	3. 3K	5%	1/4W
R706	△ 1-249-405-11	CARBON	100	5%	1/4W F
R707	1-249-410-11	CARBON	270	5%	1/4W
R708	△ 1-249-389-11	CARBON	4. 7	5%	1/4W F
R709	1-249-423-11	CARBON	3. 3K	5%	1/4W
R710	1-249-437-11	CARBON	47K	5%	1/4W
R711	1-249-429-11	CARBON	10K	5%	1/4W
R712	1-249-429-11	CARBON	10K	5%	1/4W
R713	1-249-426-11	CARBON	5. 6K	5%	1/4W
R714	1-249-417-11	CARBON	1K	5%	1/4W
R715	1-249-426-11	CARBON	5. 6K	5%	1/4W
R716	1-249-417-11	CARBON	1K	5%	1/4W
R718	△ 1-249-401-11	CARBON	47	5%	1/4W F
R721	1-249-413-11	CARBON	470	5%	1/4W
R722	1-249-437-11	CARBON	47K	5%	1/4W
R723	1-249-437-11	CARBON	47K	5%	1/4W
R724	1-249-437-11	CARBON	47K	5%	1/4W
R725	1-249-437-11	CARBON	47K	5%	1/4W
R726	1-249-410-11	CARBON	270	5%	1/4W
R727	1-249-429-11	CARBON	10K	5%	1/4W
R728	1-249-417-11	CARBON	1K	5%	1/4W
R801	△ 1-249-389-11	CARBON	4. 7	5%	1/4W F
R802	1-249-437-11	CARBON	47K	5%	1/4W

(AV570X/AV370X/AV23)

Note:

The components identified by mark △ or dotted line with mark △ are critical for safety. Replace only with part number specified.

Note:

Les composants identifiés par une marque △ sont critiques pour la sécurité. Ne les remplacer que par une pièce portant le numéro spécifié.

MAIN

TONE

SPEAKER SWITCH

MUTING

HP

TUNER

Ref. No.	Part No.	Description	Remark	Ref. No.	Part No.	Description	Remark
R803	1-249-396-11	CARBON	18 5% 1/6W (AV570X/AV370X/AV23)	C36	1-123-382-00	ELECT	3.3uF 20% 100V
R804 Δ	1-247-739-11	CARBON	100 5% 1/2W F	C37	1-124-907-11	ELECT	10uF 20% 50V
R805	1-249-425-11	CARBON	4.7K 5% 1/4W (AV570X/AV370X/AV23)	C39	1-164-232-11	CERAMIC CHIP	0.01uF 50V
		< VARIABLE RESISTOR >		C40	1-124-463-00	ELECT	0.1uF 20% 50V
RV501	1-241-407-11	RES. VAR. CARBON 100K/100K	(BALANCE)	C41	1-124-927-11	ELECT	4.7uF 20% 100V
RV503	1-241-406-11	RES. VAR. CARBON 100K/100K	(TONE BASS)	C42	1-164-232-11	CERAMIC CHIP	0.01uF 50V
RV504	1-241-406-11	RES. VAR. CARBON 100K/100K	(TONE TREBLE)	C43	1-126-176-11	ELECT	220uF 20% 10V
		< RELAY >		C44	1-164-232-11	CERAMIC CHIP	0.01uF 50V
RY601	1-515-533-11	RELAY		C45	1-123-382-00	ELECT	3.3uF 20% 100V
		< SWITCH >		C46	1-164-161-11	CERAMIC CHIP	0.0022uF 10% 100V
S327	1-554-303-21	SWITCH, TACTILE		C48	1-123-382-00	ELECT	3.3uF 20% 100V
S328	1-554-303-21	SWITCH, TACTILE	(AV570X/AV370X/AV23)	C49	1-164-161-11	CERAMIC CHIP	0.0022uF 10% 100V
S329	1-554-303-21	SWITCH, TACTILE		C51	1-124-477-11	ELECT	47uF 20% 25V
S601	1-571-485-11	SWITCH, PUSH (2 KEY)	(SPEAKER A/B)	C61	1-163-037-11	CERAMIC CHIP	0.022uF 10% 25V
		< TERMINAL >		C62	1-163-037-11	CERAMIC CHIP	0.022uF 10% 25V
TM601	1-537-341-11	TERMINAL BOARD	(8P SP)	C63	1-163-037-11	CERAMIC CHIP	0.022uF 10% 25V
		*****		C64	1-163-037-11	CERAMIC CHIP	0.022uF 10% 25V
		* A-4341-739-A TUNER BOARD, COMPLETE	*****	C81	1-102-961-00	CERAMIC	27PF 5% 50V
		< CAPACITOR >		C82	1-102-961-00	CERAMIC	27PF 5% 50V
C1	1-163-141-00	CERAMIC CHIP	0.001uF 5% 50V	C83	1-164-232-11	CERAMIC CHIP	0.01uF 50V
C2	1-124-477-11	ELECT	47uF 20% 25V	C84	1-164-232-11	CERAMIC CHIP	0.01uF 50V
C3	1-164-232-11	CERAMIC CHIP	0.01uF 50V	C85	1-164-232-11	CERAMIC CHIP	0.01uF 50V
C4	1-163-141-00	CERAMIC CHIP	0.001uF 5% 50V	C86	1-124-477-11	ELECT	47uF 20% 25V
C5	1-164-232-11	CERAMIC CHIP	0.01uF 50V	C87	1-164-232-11	CERAMIC CHIP	0.01uF 50V
C10	1-163-037-11	CERAMIC CHIP	0.022uF 10% 25V	C101	1-124-925-11	ELECT	2.2uF 20% 100V
C21	1-161-021-11	CERAMIC	0.047uF 10% 25V	C102	1-124-463-00	ELECT	0.1uF 20% 50V
C22	1-164-232-11	CERAMIC CHIP	0.01uF 50V	C104	1-164-232-11	CERAMIC CHIP	0.01uF 50V
C23	1-124-477-11	ELECT	47uF 20% 25V	C105	1-124-477-11	ELECT	47uF 20% 25V
C24	1-123-382-00	ELECT	3.3uF 20% 100V			< FILTER >	
C25	1-164-232-11	CERAMIC CHIP	0.01uF 50V	CF1	1-567-389-11	FILTER, CERAMIC (FM)	
C26	1-163-019-00	CERAMIC CHIP	0.0068uF 10% 50V	CF2	1-567-389-11	FILTER, CERAMIC (FM)	
C27	1-163-117-00	CERAMIC CHIP	100PF 5% 50V	CF21	1-577-075-11	OSCILLATOR, CERAMIC (19.0kHz)	
C28	1-124-903-11	ELECT	1uF 20% 50V	CFT21	1-404-713-11	TRANSFORMER, 1F (CERAMIC FILTER)	
C30	1-124-903-11	ELECT	1uF 20% 50V			< CONNECTOR >	
C31	1-124-902-00	ELECT	0.47uF 20% 50V	CNJ1	* 1-569-795-11	HOUSING, CONNECTOR 10P	
C32	1-124-463-00	ELECT	0.1uF 20% 50V	CNJ2	* 1-580-803-11	HOUSING, CONNECTOR 7P	
C33	1-130-482-00	MYLAR	0.0082uF 5% 50V			< FRONT END >	
C34	1-123-382-00	ELECT	3.3uF 20% 100V	FE1	1-465-006-11	FRONT END (FM) (2 GANG)	
C35	1-130-482-00	MYLAR	0.0082uF 5% 50V	FE61	1-236-461-11	ENCAPSULATED COMPONENT (AM)	
		< IC >		IC21	8-759-821-45	IC LA1851N	
				IC81	8-759-820-91	IC LC7218	

Note:
The components identified by mark Δ or dotted line with mark Δ are critical for safety. Replace only with part number specified.

Note:
Les composants identifiés par une marque Δ sont critiques pour la sécurité. Ne les remplacer que par une pièce portant le numéro spécifié.

TUNER

Ref. No.	Part No.	Description	Remark	Ref. No.	Part No.	Description	Remark
		< COIL >					
L21	1-410-494-11	INDUCTOR 1MMH		R81	1-216-049-00	METAL CHIP 1K 5% 1/10W	
		< FILTER >		R82	1-216-049-00	METAL CHIP 1K 5% 1/10W	
LPF21	1-235-164-00	FILTER, LOW PASS		R83	1-216-049-00	METAL CHIP 1K 5% 1/10W	
LPF22	1-235-164-00	FILTER, LOW PASS		R84	1-216-049-00	METAL CHIP 1K 5% 1/10W	
		< TRANSISTOR >		R85	1-216-073-00	METAL CHIP 10K 5% 1/10W	
Q1	8-729-230-XX	TRANSISTOR 2SC2669-OY		R86	1-216-049-00	METAL CHIP 1K 5% 1/10W	
Q21	8-729-119-78	TRANSISTOR 2SC2785-HFE		R87	1-216-073-00	METAL CHIP 10K 5% 1/10W	
Q22	8-729-119-78	TRANSISTOR 2SC2785-HFE		R88	1-216-065-00	METAL CHIP 4.7K 5% 1/10W	
Q23	8-729-900-61	TRANSISTOR DTA114ES		R89	1-216-049-00	METAL CHIP 1K 5% 1/10W	
Q24	8-729-900-80	TRANSISTOR DTC114ES		R90	1-216-073-00	METAL CHIP 10K 5% 1/10W	
Q81	8-729-900-61	TRANSISTOR DTA114ES		R91	1-216-049-00	METAL CHIP 1K 5% 1/10W	
Q82	8-729-900-80	TRANSISTOR DTC114ES		R92	△ 1-249-401-11	CARBON 47 5% 1/4W F	
Q83	8-729-202-67	TRANSISTOR 2SK246-GR3		R101	1-216-061-00	METAL CHIP 3.3K 5% 1/10W	
Q84	8-729-230-93	TRANSISTOR 2SC3113-AB		R102	1-216-043-00	METAL CHIP 560 5% 1/10W	
		< RESISTOR >		R103	1-216-049-00	METAL CHIP 1K 5% 1/10W	
R1	△ 1-249-401-11	CARBON 47 5% 1/4W F		R104	1-216-035-00	METAL CHIP 270 5% 1/10W	
R4	1-216-013-00	METAL CHIP 33 5% 1/10W		R105	1-216-065-00	METAL CHIP 4.7K 5% 1/10W	
R5	1-216-013-00	METAL CHIP 33 5% 1/10W		R106	1-216-057-00	METAL CHIP 2.2K 5% 1/10W	
R6	1-216-037-00	METAL CHIP 330 5% 1/10W		R107	1-216-065-00	METAL CHIP 4.7K 5% 1/10W	
R7	1-216-109-00	METAL CHIP 330K 5% 1/10W		R108	1-216-025-00	METAL CHIP 100 5% 1/10W	
R21	△ 1-249-404-00	CARBON 82 5% 1/4W F		R109	1-216-065-00	METAL CHIP 4.7K 5% 1/10W	
R22	1-247-535-11	CARBON 8.2K 5% 1/4W		R110	△ 1-249-405-11	CARBON 100 5% 1/4W F	
R23	1-216-049-00	METAL CHIP 1K 5% 1/10W				< VARIABLE RESISTOR >	
R24	1-216-085-00	METAL CHIP 33K 5% 1/10W		RV21	1-238-015-11	RES. ADJ. CARBON 4.7K (FM SEP)	
R25	1-216-071-00	METAL CHIP 8.2K 5% 1/10W		RV24	1-238-017-11	RES. ADJ. CARBON 22K (FM TUNING)	
R27	1-247-543-11	CARBON 18K 5% 1/4W				< TRANSFORMER >	
R28	1-247-719-11	CARBON 3.3K 5% 1/4W		T21	1-404-807-11	TRANSFORMER, DISCRIMINATOR (PRIMARY)	
R29	1-216-073-00	METAL CHIP 10K 5% 1/10W				< TERMINAL >	
R31	1-216-041-00	METAL CHIP 470 5% 1/10W		TM1	* 1-537-264-11	TERMINAL BOARD (ANTENNA)	
R32	1-216-073-00	METAL CHIP 10K 5% 1/10W				< TEST PIN >	
R33	1-216-073-00	METAL CHIP 10K 5% 1/10W		TP1	* 1-560-060-00	PIN, CONNECTOR 2P	
R35	1-216-089-00	METAL CHIP 47K 5% 1/10W				< CRYSTAL >	
R37	1-216-109-00	METAL CHIP 330K 5% 1/10W		XT81	1-577-126-11	VIBRATOR, CRYSTAL 7.2MHz	
R39	1-216-057-00	METAL CHIP 2.2K 5% 1/10W					
R40	1-216-055-00	METAL CHIP 1.8K 5% 1/10W					
R41	1-216-067-00	METAL CHIP 5.6K 5% 1/10W					
R42	1-216-109-00	METAL CHIP 330K 5% 1/10W					
R44	1-216-057-00	METAL CHIP 2.2K 5% 1/10W					
R45	1-216-055-00	METAL CHIP 1.8K 5% 1/10W					
R46	1-216-067-00	METAL CHIP 5.6K 5% 1/10W					
R47	△ 1-249-409-11	CARBON 220 5% 1/4W F					
R61	1-216-097-00	METAL CHIP 100K 5% 1/10W					
R62	1-216-089-00	METAL CHIP 47K 5% 1/10W					
R63	1-216-009-00	METAL CHIP 22 5% 1/10W					

Note:
The components identified by mark △ or dotted line with mark △ are critical for safety. Replace only with part number specified.

Note:
Les composants identifiés par une marque △ sont critiques pour la sécurité. Ne les remplacer que par une pièce portant le numéro spécifié.

Ref. No.	Part No.	Description	Remark
		MISCELLANEOUS *****	
13	* 1-590-769-11	WIRE, FLAT TYPE (7 CORE)	
14	* 1-590-499-11	WIRE, FLAT TYPE (23 CORE)	
15	* 1-590-770-11	WIRE, FLAT TYPE (11 CORE)	
65	△ 1-551-478-00	CORD, POWER	
F901	△ 1-576-107-11	FUSE GLASS TUBE (3.15A 125V)	
F902	△ 1-576-109-11	FUSE GLASS TUBE (5A 125V)	
T901	△ 1-450-365-11	TRANSFORMER, POWER (AV370X/AV270X/AV23)	
T901	△ 1-450-362-11	TRANSFORMER, POWER (AV570X)	

ACCESSORY & PACKING MATERIAL

- 1-465-423-11 REMOTE COMMANDER (RM-S103)
(AV570X/AV370X/AV23)
- 1-501-374-11 ANTENNA, LOOP
- 2-181-754-01 COVER, BATTERY (for RM-S103)
- 3-753-021-21 MANUAL, INSTRUCTION (ENGLISH)
(AV570X/AV270X) (US)
- 3-753-021-31 MANUAL, INSTRUCTION (ENGLISH, FRENCH)
(AV570X/AV370X) (Canadian)
- 3-753-022-21 MANUAL, INSTRUCTION (ENGLISH) (AV23) (US)
- * 4-943-615-01 CUSHION
- * 4-943-616-01 INDIVIDUAL CARTON (AV570X)
- * 4-943-617-01 INDIVIDUAL CARTON (AV270X)
- * 4-943-618-01 INDIVIDUAL CARTON (AV23)
- * 4-943-647-01 INDIVIDUAL CARTON (AV370X)

HARDWARE LIST

- # 1 7-682-547-04 SCREW +BVTT 3X6 (S)
- # 2 7-682-548-04 SCREW +BVTT 3X8 (S)
- # 3 7-682-560-04 SCREW +BVTT 4X6 (S)
- # 4 7-685-650-79 SCREW +BVTP 3X16 TYPE2 IT-3
- # 5 7-685-647-79 SCREW +BTP 3X10 TYPE2 N-S
- # 6 7-682-547-09 SCREW +BVTT 3X6 (S)

Note:
The components identified by mark △ or dotted line with mark △ are critical for safety. Replace only with part number specified.

Note:
Les composants identifiés par une marque △ sont critiques pour la sécurité. Ne les remplacer que par une pièce portant le numéro spécifié.

STR-AV23/AV270X/AV370X/AV570X


SONY SERVICE MANUAL

US Model
STR-AV23/AV270X/AV570X
Canadian Model
STR-AV370X/AV570X

CORRECTION-1

Correct your service manual as shown below.

 : Indicates corrected portion

Page	Incorrect			Correct	
	No.	Part No.	Description	Part No.	Description
35	F902	1-576-109-11	FUSE GLASS TUBE (5A 125V)	1-576-107-11 1-576-109-11	FUSE GLASS TUBE (3.15A 125V) (AV23/AV270X /AV370X) FUSE GLASS TUBE (5A 125V) (AV570X) 
18	