

STR-AV53

SERVICE MANUAL

US Model

STR-AV53 is similar to the earlier STR-AV770X (US model).
Refer to the STR-AV770X service manual for information not
contained in this service manual.

PARTS LIST

STR-AV770X			STR-AV53	
<u>Page</u>	<u>No.</u>	<u>Part No.</u>	<u>Part No.</u>	<u>Description</u>
30	5	A-4325-070-A	A-4325-554-A	PANEL ASSY FRONT
31	60	4-943-853-01	*4-943-853-51	PANEL BACK
ACCESSORYS AND PACKING MATERIALS *****				
<u>Page</u>	<u>Part No.</u>		<u>Part No.</u>	<u>Description</u>
44	3-753-197-21		3-754-814-21	MANUAL, INSTRUCTION (English)
	*4-945-406-01		*4-950-279-01	INDIVIDUAL CARTON

● Items marked "*" are not stocked since they are seldom required for routine service. Some delay should be anticipated when ordering these items.

FM STEREO/FM-AM RECEIVER
SONY®

STR-AV770X

SERVICE MANUAL

US Model
Canadian Model
UK Model



SPECIFICATIONS

Amplifier section

Rated power output	8 ohms, at 20 Hz — 20 kHz	80 + 80 watts
	4 ohms, at 1 kHz IHF	90 + 90 watts
Harmonic distortion at rated output		Less than 0.08%
Intermodulation (IM) distortion at rated output		Less than 0.08%
Power output of surround amplifier (8 ohms, at 1 kHz)		20 watts (10 + 10 watts)
Frequency response	PHONO RIAA	equalization curve ± 0.5 dB
	CD, DAT, TAPE 1,2 VIDEO 1,2	10 Hz — 50 kHz $^{+0}_{-3}$ dB
Residual noise		Less than 80 μ V
Damping factor (8 ohms, at 1 kHz)		40
Input sensitivity/impedance	PHONO MM	2.5 mV, 50 kilohms
	DAT, CD, VIDEO 1,2 TAPE 1,2	150 mV 50 kilohms
S/N	PHONO MM	87 dB 79 dB* (A, 2.5mV)
	DAT, CD VIDEO 1,2 TAPE 1,2	105 dB 85 dB* (A, 150mV)
Output sensitivity/impedance	DAT OUT, TAPE OUT 1,2 VIDEO 1	150 mV 10 kilohms
	SPEAKERS	Accepts speakers of 8 — 16 ohms
	HEADPHONES	Accepts headphones of high and low impedance
TONE controls		BASS: ± 10 dB at 100 Hz TREBLE: ± 10 dB at 10 kHz
Muting		-20dB
DBFB		+10 dB (70 Hz)

FM tuner section

Frequency range	87.5 — 108.0 MHz	
Antenna terminals	300 ohms, balanced 75 ohms, unbalanced	
Sensitivity at 50 dB (75 Ω)	18.3 dBf, 2.2 μ V (mono) 38.3 dBf, 22.5 μ V (stereo)	
Usable sensitivity (75 Ω)	11.2 dBf, 2 μ V (IHF)	
S/N	Mono	70 dB
	Stereo	66 dB
Harmonic distortion at 1 kHz	Mono	0.3 %
	Stereo	0.5 %
IM distortion	Mono	0.3 %
	Stereo	0.5 %
Separation	45 dB at 1 kHz	
Frequency response	30 Hz — 15 kHz $^{+0}_{-2}$ dB	
Selectivity	60 dB at 400 kHz	
Capture ratio	1.2 dB	
AM suppression ratio	54 dB	
Image response ratio	70 dB	
IF response ratio	70 dB	
Spurious response ratio	80 dB	
RF intermodulation at 800 kHz	60 dB	
Auto tuning threshold	Low	30 dBf
	High	50 dBf

— Continued on next page —

* '78IHF



FM STEREO/FM-AM RECEIVER
SONY[®]

AM tuner section

Frequency range	US, Canadian model: 530 – 1,710 kHz UK model: 531 – 1,602 kHz
Antenna	Loop antenna
Usable sensitivity	50 dB/m (at 1,000 kHz or 999 kHz)
S/N	54 dB (at 50 mV/m)
Harmonic distortion	0.5% (50 mV/m, 400 Hz)
Selectivity	35 dB (9 kHz), 40 dB (10 kHz)
Auto tuning threshold	55 dB/m

Video section

Inputs	VIDEO 1,2: 1 Vp-p 75 ohms
Outputs	VIDEO 1, MONITOR: 1 Vp-p 75 ohms



General

System	Tuner section	PLL quartz-locked digital synthesizer system
	Preamplifier section	Low-noise NF type equalizer
	Power amplifier section	Quasi-complimentary SEPP
Power requirements	US, Canadian model: 120 VAC, 60 Hz UK model: 240 VAC, 50 Hz	
Power consumption	200 watts	
AC outlets	One switched, total 100 W Max	
Dimensions	430 × 135 × 355 mm (17 × 5 3/8 × 14 inches)	
Weight	9.7 kg (21 lb 6 oz)	

TABLE OF CONTENTS

<i>Section</i>	<i>Title</i>	<i>Page</i>
Specifications	1
Safety Check-out	2
1. GENERAL		
Parts Identification	3
Connections	5
2. ELECTRICAL ADJUSTMENTS		
FM Section	6
3. DIAGRAMS		
3-1. Block Diagram	9
3-2. MAIN Section Printed Wiring Boards	14
3-3. MAIN Section Schematic Diagram	19
3-4. DISPLAY Section Printed Wiring Boards and Section Schematic Diagram	24
3-5. TUNER Section Schematic Diagram	27
3-6. TUNER Section Printed Wiring Board	29
4. EXPLODED VIEWS	30
5. ELECTRICAL PARTS LIST	32

SAFETY-RELATED COMPONENT WARNING!!

COMPONENTS IDENTIFIED BY MARK  OR DOTTED LINE WITH MARK  ON THE SCHEMATIC DIAGRAMS AND IN THE PARTS LIST ARE CRITICAL TO SAFE OPERATION. REPLACE THESE COMPONENTS WITH SONY PARTS WHOSE PART NUMBERS APPEAR AS SHOWN IN THIS MANUAL OR IN SUPPLEMENTS PUBLISHED BY SONY.

SAFETY CHECK-OUT

After correcting the original service problem, perform the following safety check before releasing the set to the customer:

Check the antenna terminals, metal trim, “metallized” knobs, screws, and all other exposed metal parts for AC leakage. Check leakage as described below.

LEAKAGE TEST

The AC leakage from any exposed metal part to earth ground and from all exposed metal parts to any exposed metal part having a return to chassis, must not exceed 0.5 mA (500 microamperes). Leakage current can be measured by any one of three methods.

1. A commercial leakage tester, such as the Simpson 229 or RCA WT-540A. Follow the manufacturers’ instructions to use these instruments.
2. A battery-operated AC milliammeter. The Data Precision 245 digital multimeter is suitable for this job.
3. Measuring the voltage drop across a resistor by means of a VOM or battery-operated AC voltmeter. The “limit” indication is 0.75 V, so analog meters must have an accurate low-voltage scale. The Simpson 250 and Sanwa SH-63Trd are examples of a passive VOM that is suitable. Nearly all battery operated digital multimeters that have a 2 V AC range are suitable. (See Fig. A)

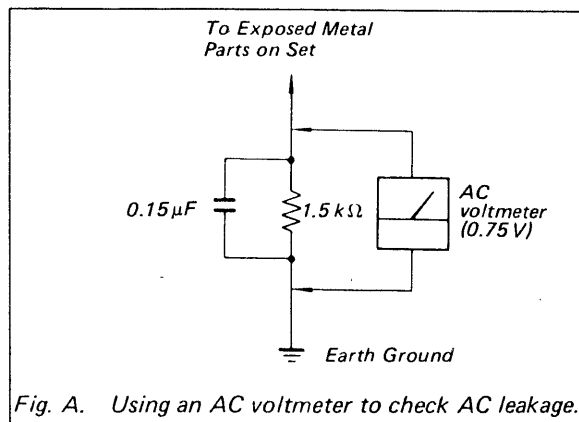



Fig. A. Using an AC voltmeter to check AC leakage.

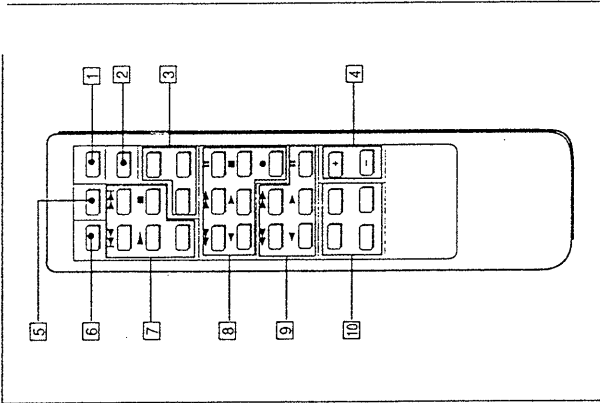
ATTENTION AU COMPOSANT AYANT RAPPORT À LA SÉCURITÉ!

LES COMPOSANTS IDENTIFIÉS PAR UNE MARQUE  SUR LES DIAGRAMMES SCHÉMATIQUES ET LA LISTE DES PIÈCES SONT CRITIQUES POUR LA SÉCURITÉ DE FONCTIONNEMENT. NE REMPLACER CES COMPOSANTS QUE PAR DES PIÈCES SONY DONT LES NUMÉROS SONT DONNÉS DANS CE MANUEL OU DANS LES SUPPLÉMENTS PUBLIÉS PAR SONY.

This section is extracted from instruction manual.

SECTION 1
GENERAL

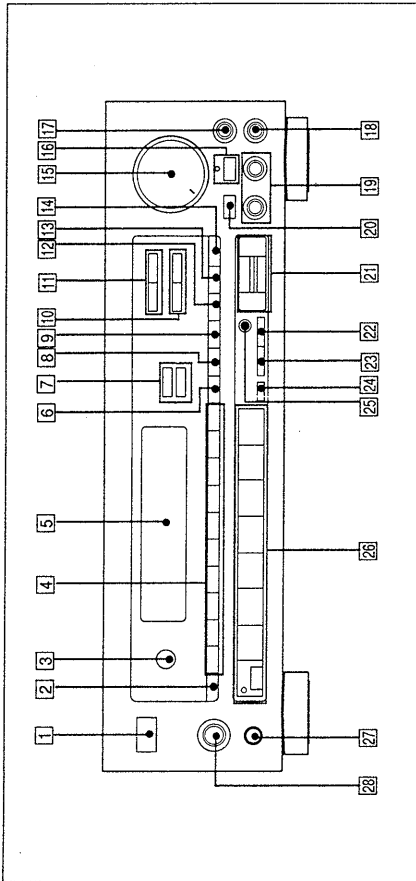
Remote Commander RM-S103 US, Canadian model



- 1 POWER button
 - 2 DBFB button
 - 3 TUNER PRESET +/- and SHIFT buttons
 - 4 VOLUME +/- buttons
 - 5 SURROUND button
 - 6 MUTING button
 - 7 CD player operation buttons
D, (disc) SKIP: When your CD player is equipped with a multi-disc changer, use this button to select loaded disc.
CD ▶: Selects the CD function and starts CD playback.
 - 8 DECK B operation buttons (also for single tape deck)
DECK B ◀▶: Select tape function and start tape playback on deck B.
 - 9 DECK A operation buttons
DECK A ◀▶: Select tape function and start tape playback on deck A.
 - 10 Function select buttons
- Notes on the remote commander
For the functions other than the receiver's own ones, the remote commander is effective only with Sony components having a remote sensor with a mark.

Parts Identification

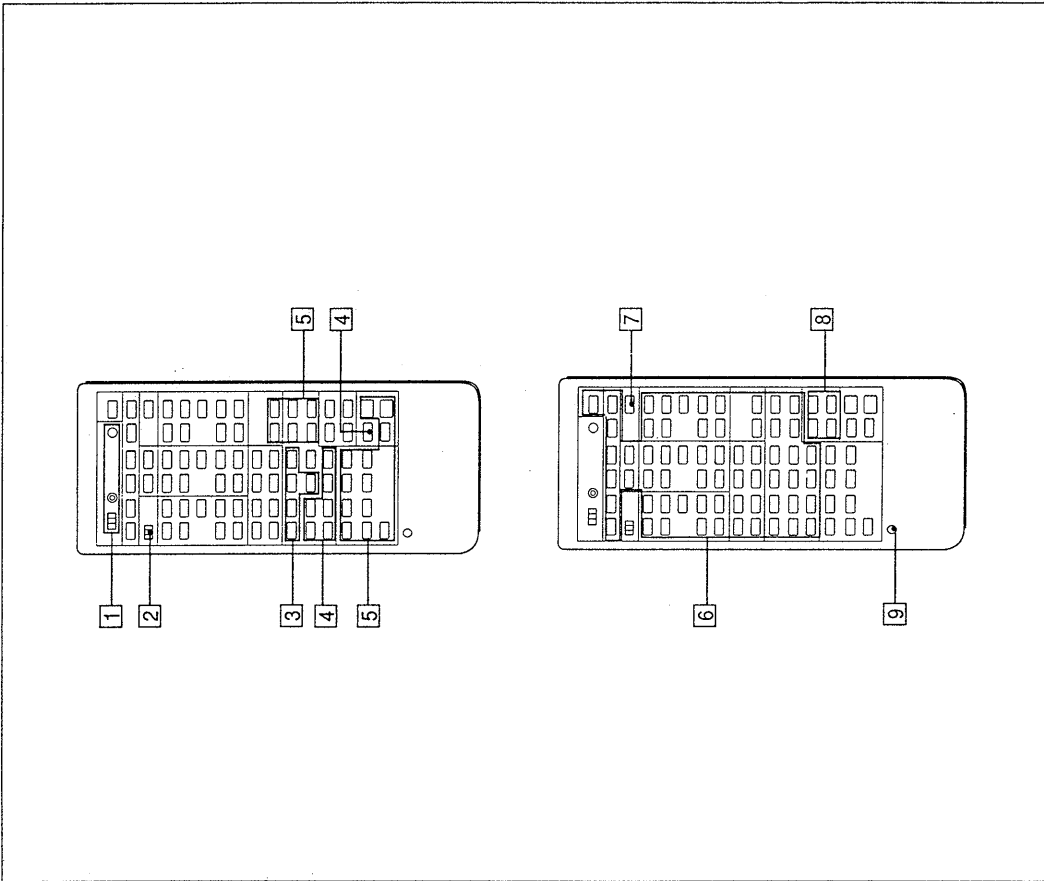
Front Panel



- 1 POWER switch
- 2 SHIFT button
- 3 Remote control sensor
- 4 Numeric buttons
- 5 Display window
- 6 MEMORY button
- 7 CURSOR MODE indicators
- 8 FM MODE button
- 9 FM/AM button
- 10 PRESET TUNING +/- buttons
- 11 INDEX SELECT/TUNING +/- buttons
- 12 TUNING DIRECT button
- 13 TUNING LEVEL button
- 14 DISPLAY mode button (FREQ/INDEX)
- 15 VOLUME control
- 16 MUTING switch and indicator
- 17 INPUT BALANCE control
- 18 BALANCE control
- 19 BASS/TREBLE TONE controls
- 20 DBFB (Dynamic Bass Feed Back) button
- 21 CURSOR MODE operation buttons
- 22 SURROUND MODE selector
- 23 SURROUND ON/OFF button
- 24 EDIT AUDIO button
- 25 CURSOR MODE switch
- 26 Function selectors and TAPE 2 MONITOR indicator
- 27 HEADPHONES jack
- 28 SPEAKERS selector

Parts identification

Remote Commander RM-P311 UK model



1 Program control section

Mode selector and indicator (page 24)
 SONY STD: To control Sony equipment.
 USER STD: To control equipment whose remote control functions are stored.
 LEARN: To store functions of other remote commander's emitting infrared rays.
 PROGRAM CLEAR button: Clears the stored functions.

2 MODE selector

1: To select the functions indicated in light gray such as DECK, DAT, CD player and CURSOR/SURROUND mode of the receiver.
 2: To select the functions indicated in blue such as VTR, LDP (Laser disc player) and TV.

3 Cursor control section

CURSOR operation buttons
 MODE button: Selects cursor mode.

4 Sound control section

SURROUND buttons
 ON/OFF: Turns on/off the surround mode.
 MODE: Selects the surround mode.
 T. (test) TONE: Generates a pink noise signal that is sent in succession to each speaker.
 EQ (equalizer) ON/OFF button: Turns on/off the equalizer.
 S.(sound) FIELD buttons
 MODE: Selects sound field mode.
 USER/PRESET button: This button does not operate.
 DDS/DBFB button: Turns on/off the DBFB (Dynamic Bass Feed Back). (DDS function is not available with this receiver.)

5 Amplifier section

FUNCTION selectors: Select an input source of the receiver. (The VIDEO 3 button does not operate on this receiver.)
 DIGITAL button: This button does not operate.
 REAR LEVEL +/- buttons: Control the volume of rear speakers (surround level).
 MUTING button: Mutes the sound.
 MASTER VOL +/- buttons: Control the receiver volume.
 CENTER LEVEL +/- buttons: Control the volume of center speaker (surround level).
 ON SCREEN buttons
 ON/OFF button: This button does not operate.
 TITLER ON/OFF button: This button does not operate.

Note on the (recording) button under TAPE/DAT/VTR buttons

If your recorder is of such type as pressing (play) button in recording pause mode, first press (stop) on this commander, and then (play).

6 Control for other equipment

Power control block
 SYSTEM OFF button: Turns off the power of the whole system: LDP, VTR, TV and AUDIO.
 LDP/VTR/TV/AUDIO POWER buttons: Control the power of each unit.

CDP/LDP control block

D (disc) SKIP: Disc skip (for a CD player equipped with a multi-disc changer)
 (play): Starts play.
 (stop): Locates a desired selection
 (pause): Stops play.
 (fast wind): Manual search
 (pause): Pause

TAPE/DAT/VTR control block

ANT TV/VTR button: Selects the output signal from the antenna terminal on the VCR, either a TV signal or VCR programs.
 VTR CH +/- buttons: Select channel on the VCR.
 (fast wind): fast winding
 (stop): Stop
 (play): Play
 (pause): Pause
 (play): Recording
 REC MODE REV/FWD buttons: For reverse recording, press REV and (play) together.
 For forward recording, press FWD and (play) together.

TV control block

TV/VIDEO selector: Selects the program to see: TV or VIDEO.
 VOL +/- buttons: Control the TV volume.
 CH +/- buttons: Select a preset channel.
 Program number (1 to 0) and ENTER buttons: Select the channel.

7 SLEEP button

Set to the SLEEP timer mode. In this mode, the unit is automatically turned off after 60 minutes.

8 Tuner section

INDEX SELECT and INDEX buttons: Select an indexed preset station.
 TUNER SHIFT and PRESET +/- buttons: Select a preset station.

9 RESET button

Reset the commander to the initial state.

Note:

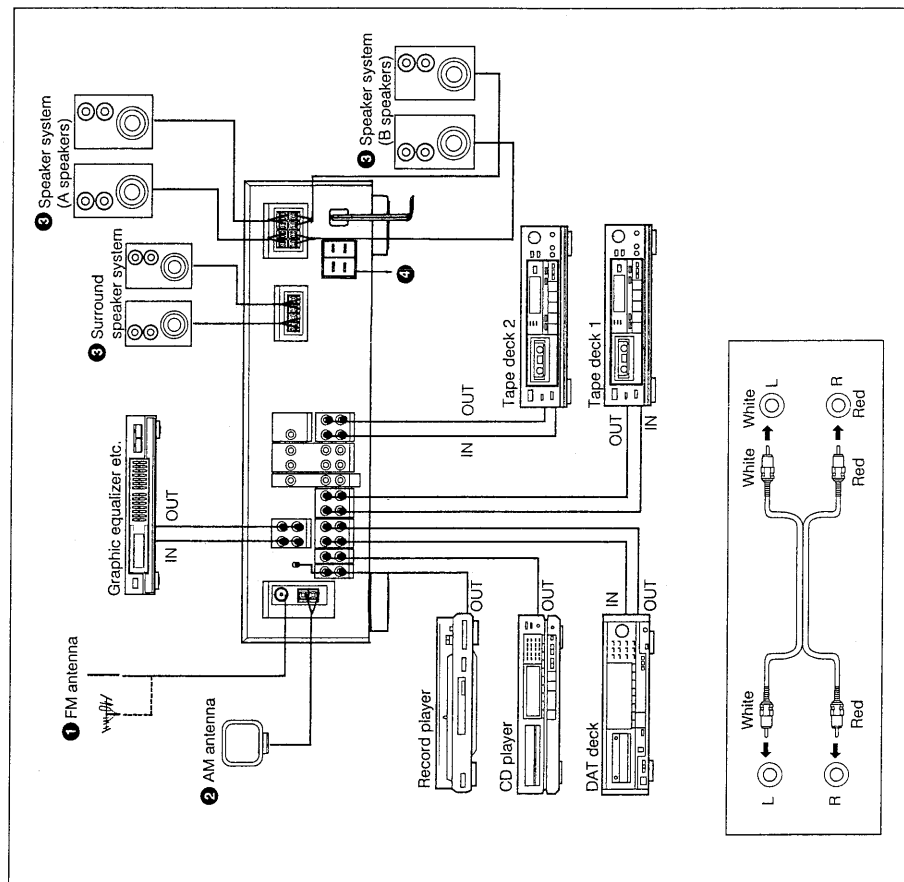
The (play) buttons in (play) and the SHIFT button and PRESET +/- buttons in (play) can function without pressing one of the FUNCTION buttons in (play) if the CD player is connected to the CD jacks, the tape deck to the TAPE jacks and the video deck to the VIDEO 1 jacks.

Connections

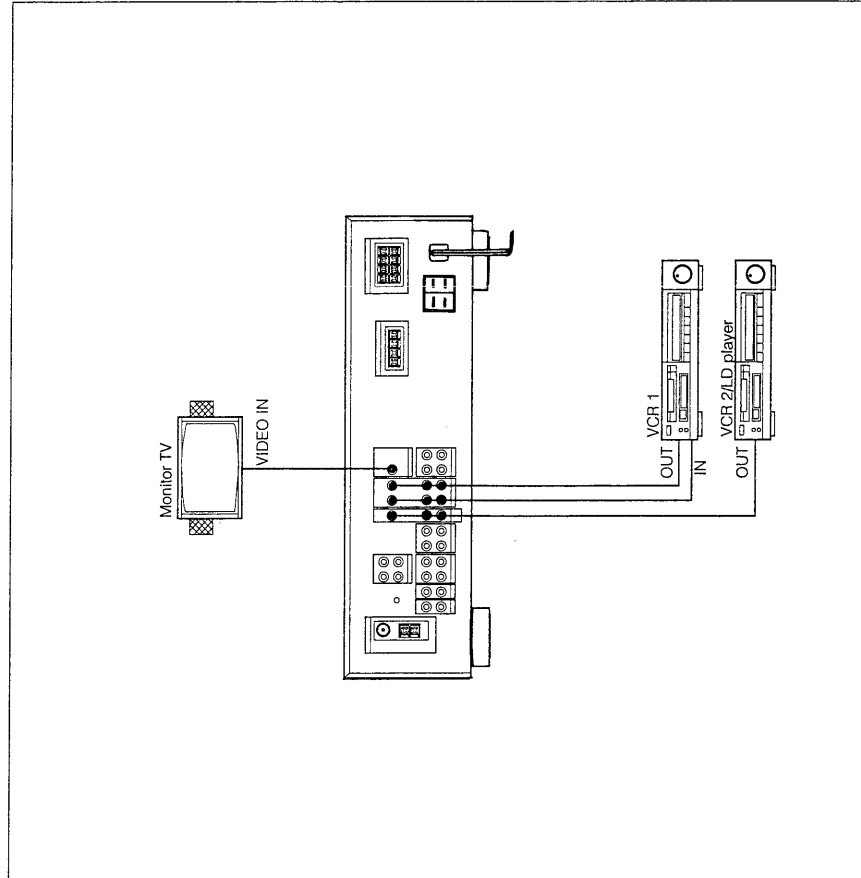
Notes on Connections

- Do not connect the power cord to an AC outlet nor press the POWER switch before accomplishing all other connections.
- The cable connectors should be fully inserted into the jacks. Loose connection may cause hum and noise.
- Jacks and plugs of the connecting cord are color-coded as follows:
 Red jacks and plugs: For the right channel of audio signals
 White jacks and plugs: For the left channel of audio signals
 Yellow jacks and plugs: For video signals

Connecting Audio Equipment



Connecting Video Equipment

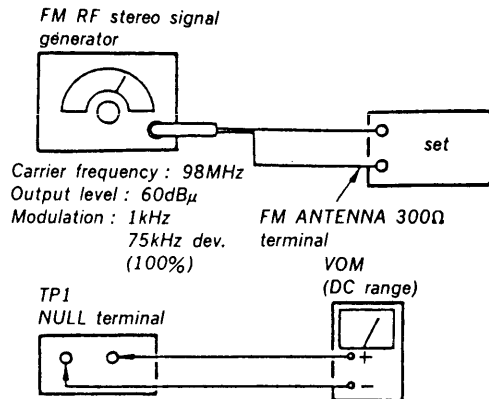


SECTION 2 ELECTRICAL ADJUSTMENTS

FM SECTION

• FM Discriminator (NULL) Adjustment

Setting :



Procedure :

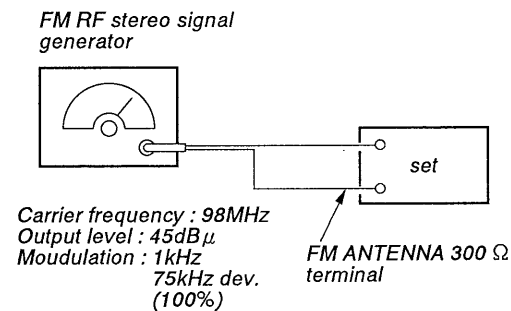
1. Tune the set to 98MHz.
2. Adjust T21 for 0V reading on the VOM.

Note : FM Tuning Level adjustment should be made after FM discriminator adjustment.

• Tuning H/L Adjustment

A. Tuning "High" Level Adjustment

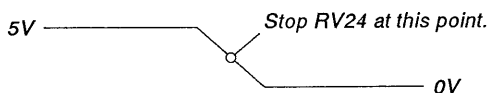
Setting :



Procedure :

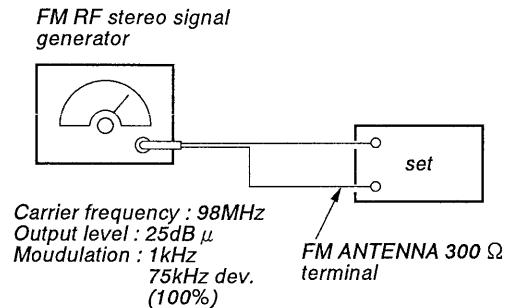
1. Short-circuit between the emitter and the collector of Q25.
2. Tune the set to 98MHz.
3. Connect VTVM or oscilloscope to Pin ⑥ of CNJ1.
4. Adjust RV24 to the point just before the voltage value changes 5V to 0V dc on VTVM or oscilloscope,

EX.) Oscilloscope



B. Tuning "Low" Level Adjustment

Setting :



Procedure :

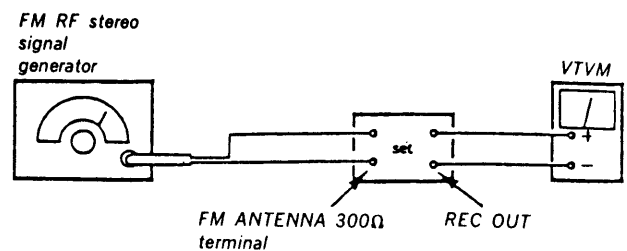
1. Release the short-circuit position between the emitter and the collector of Q25.
2. Tune the set to 98MHz.
3. Connect VTVM or oscilloscope to Pin ⑥ of CNJ1.
4. Adjust RV25 to the point just before the voltage value changes 5V to 0V on VTVM or oscilloscope.

C. Confirmation

1. Set FM RF stereo signal generation output 37dB μ 98MHz.
2. Scan the frequency in the mode TUNE "LOW", and confirm the scanning stops at 98MHz.
3. Scan the frequency in the mode TUNE "HIGH", and confirm the scanning doesn't stop at 98MHz.
4. Set FM RF stereo signal generator output 57dB μ 98MHz. Confirm the scanning stops at 98MHz.

• FM Stereo Separation Adjustment

Setting :



Carrier frequency : 98MHz
Output level : 60dB μ
Modulation :
Audio (1kHz) : 33.75kHz dev. (45%)
Pilot (19kHz) : 7.5kHz dev. (10%)
Sub-channel (38kHz) : 33.75kHz dev. (45%)

Procedure :

Tune the set to 98MHz.

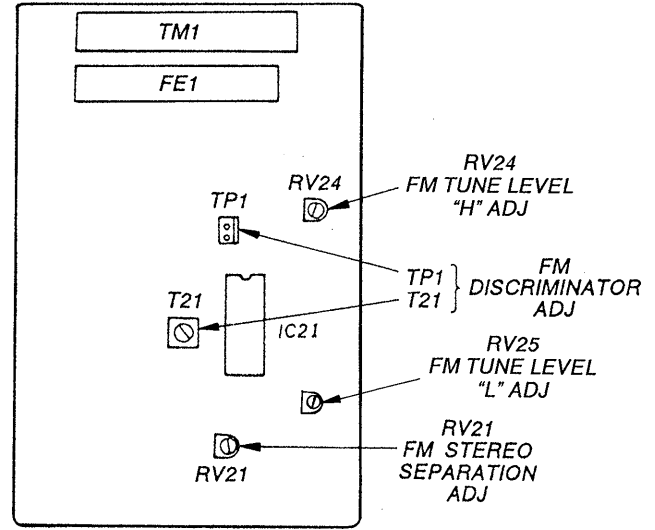
FM stereo signal generator output channel	VTVM connection	VTVM reading (dB)
L-CH	L-CH	Ⓐ
R-CH	L-CH	Ⓑ Adjust RV21 for minimum reading.
R-CH	R-CH	Ⓒ
L-CH	R-CH	Ⓓ Adjust RV21 for minimum reading.

L-CH Stereo separation : Ⓐ - Ⓑ

R-CH Stereo separation : Ⓒ - Ⓓ

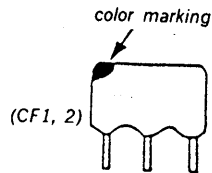
The separations of both channels should be equal.

• Adjustments Parts Location



Note on Ceramic Filter (CF1, 2) Replacement.

This set employs two ceramic filters (CF1, 2) which should have the same color marking to identify their center frequency. Therefore FM IF offset adjustment by (* A, * B) connection is necessary to match the center frequency of the ceramic filters used with FM intermediate frequency.

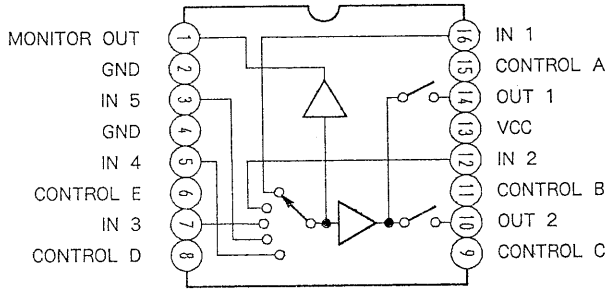


○ : short
× : open

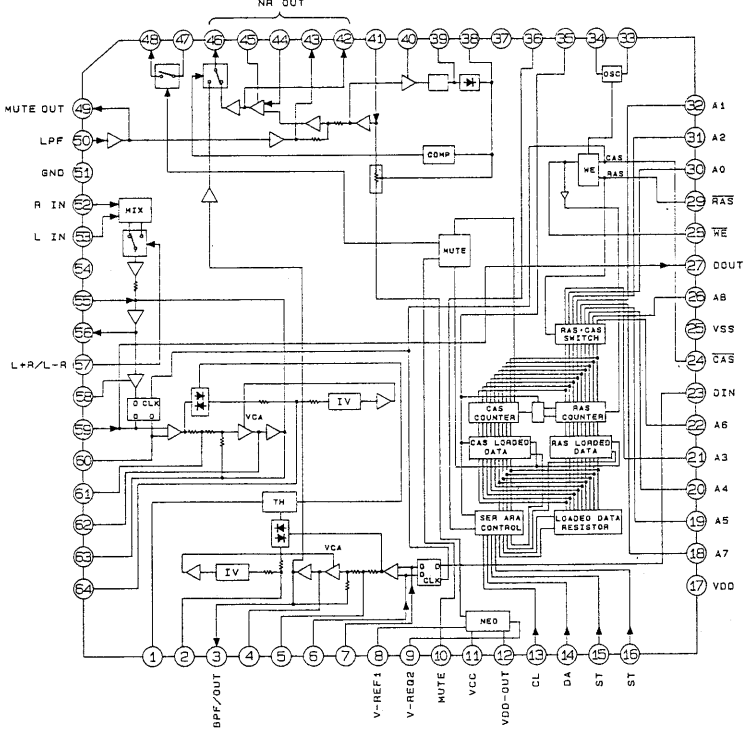
Ceramic filter		Connection		FM intermediate frequency (MHz)
Color mark	Center frequency (MHz)	* A (D326)	* B (D327)	
White	10.750	×	○	10.750
Red	10.700	×	×	10.700
Black	10.650	○	○	10.650

• Main Section IC Block Diagrams

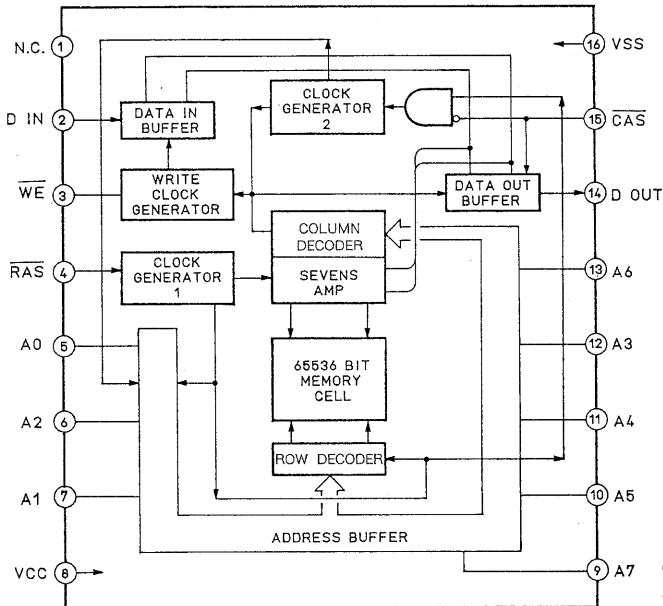
IC251 BA7625



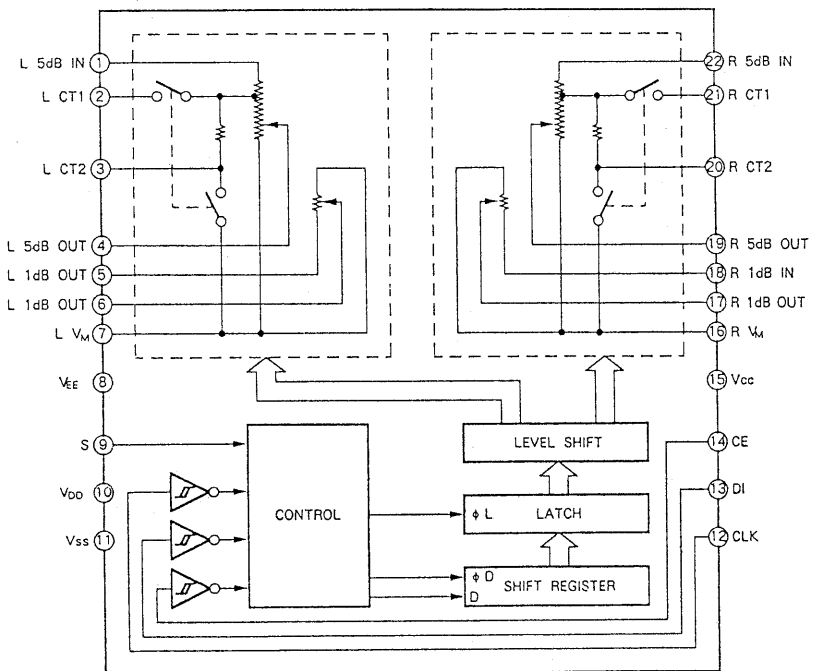
IC405 LV1001M



IC406 LM3364K-15

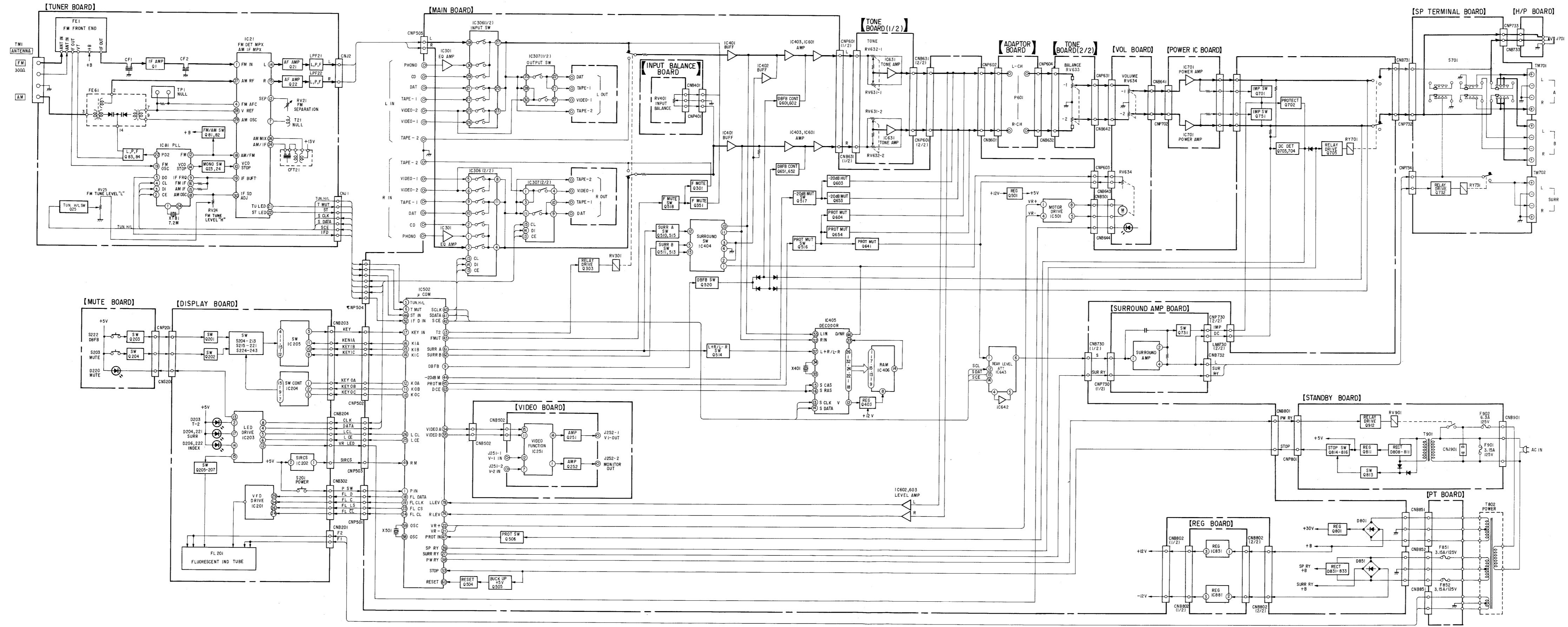


IC643 LC7535

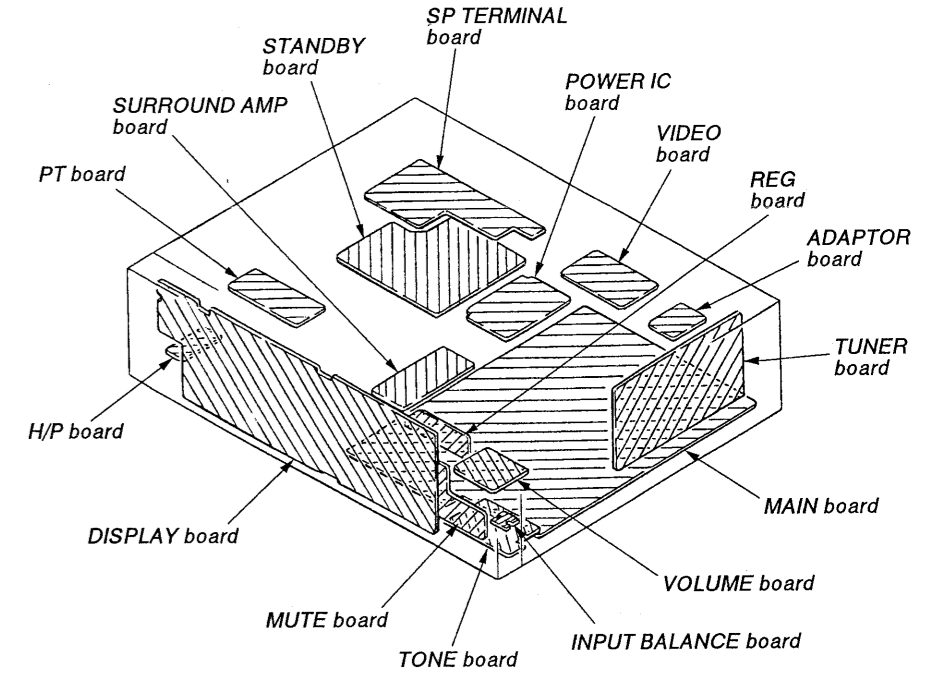


SECTION 3
DIAGRAMS

3-1. BLOCK DIAGRAM



• Circuit Boards Location



3-2. MAIN SECTION PRINTED WIRING BOARDS

Note on Printed Wiring Board:

- : parts extracted from the component side.
- : parts mounted on the conductor side.
- ⊕ : indicates side identified with part number.

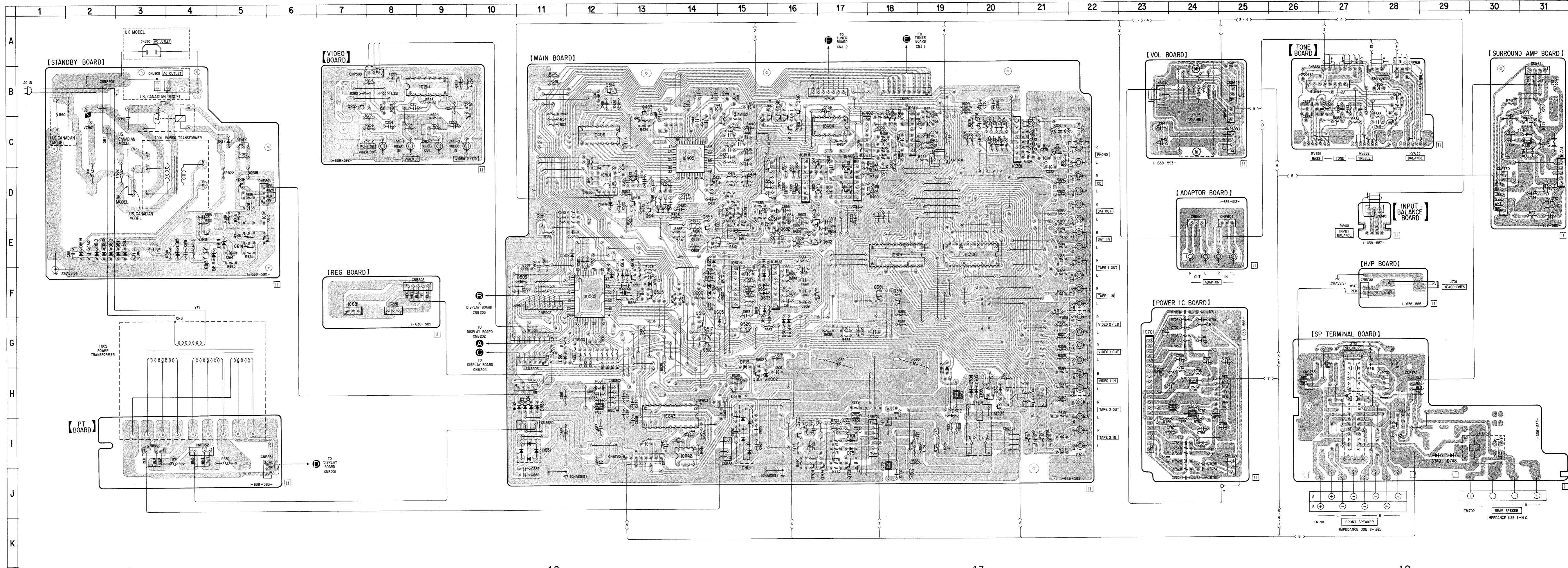
Note on Schematic Diagram:

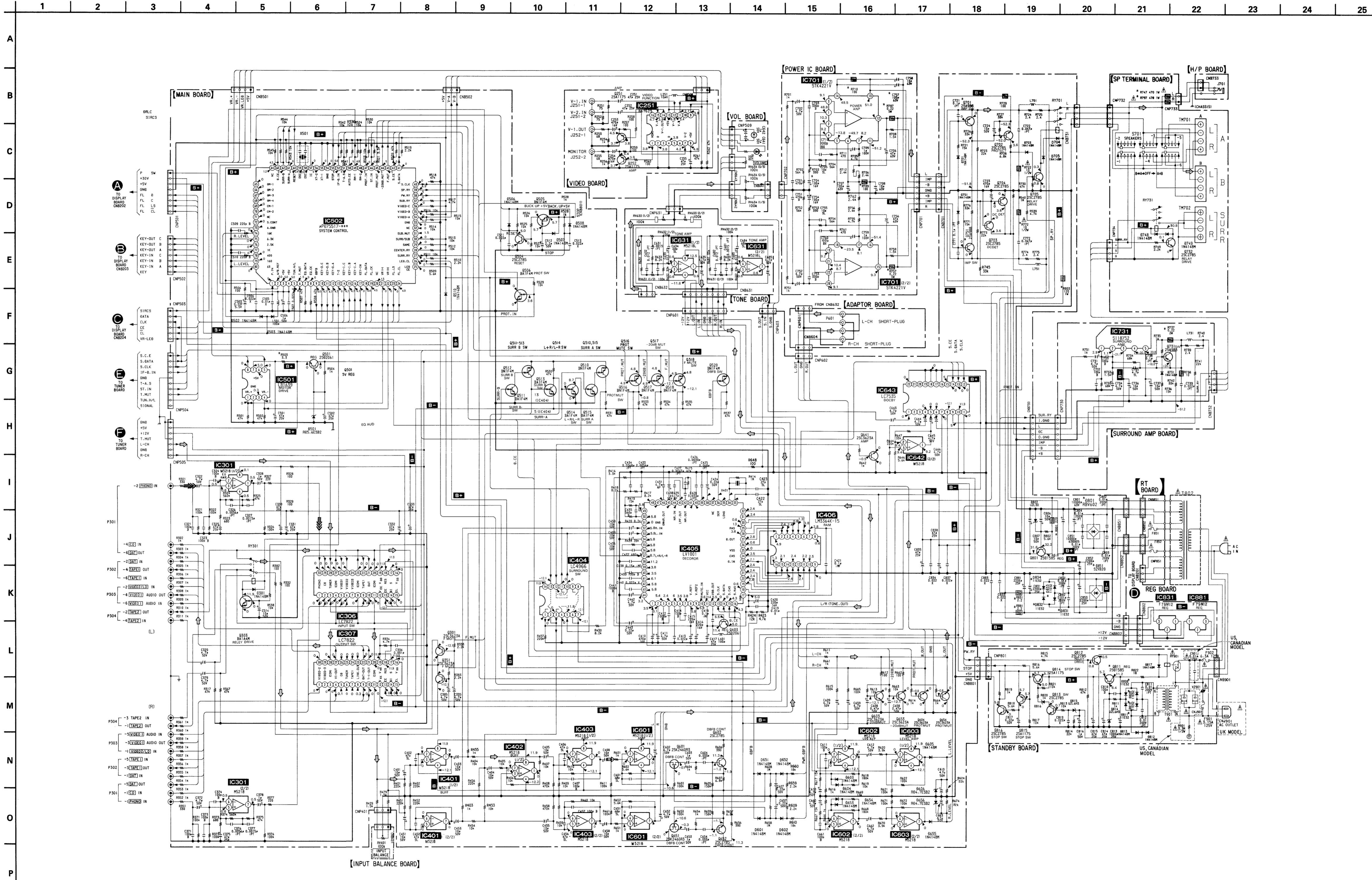
- All capacitors are in μF unless otherwise noted. pF : μF 50 WV or less are not indicated except for electrolytics and tantalums.
- All resistors are in Ω and $\frac{1}{4}$ W or less unless otherwise specified.
- \square : nonflammable resistor.
- \square : fusible resistor.

Note: The components identified by mark Δ or dotted line with mark Δ are critical for safety. Replace only with part number specified.

Note: Les composants identifiés par une marque Δ sont critiques pour la sécurité. Ne les remplacer que par une pièce portant le numéro spécifié.

- B+** : B + Line.
- B-** : B - Line.
- \square : adjustment for repair.
- Voltages and waveforms are dc with respect to ground under no-signal (detuned) conditions. no mark : PHONO (Main, Display Section), FM (Tuner Section) () : AM (Tuner Section)
- Voltages are taken with a VOM (10 M Ω /V). Voltage variations may be noted due to normal production tolerances.
- Waveforms are taken with an oscilloscope. Voltage variations may be noted due to normal production tolerances.
- Signal path. \rightarrow : FM \Rightarrow : PHONO

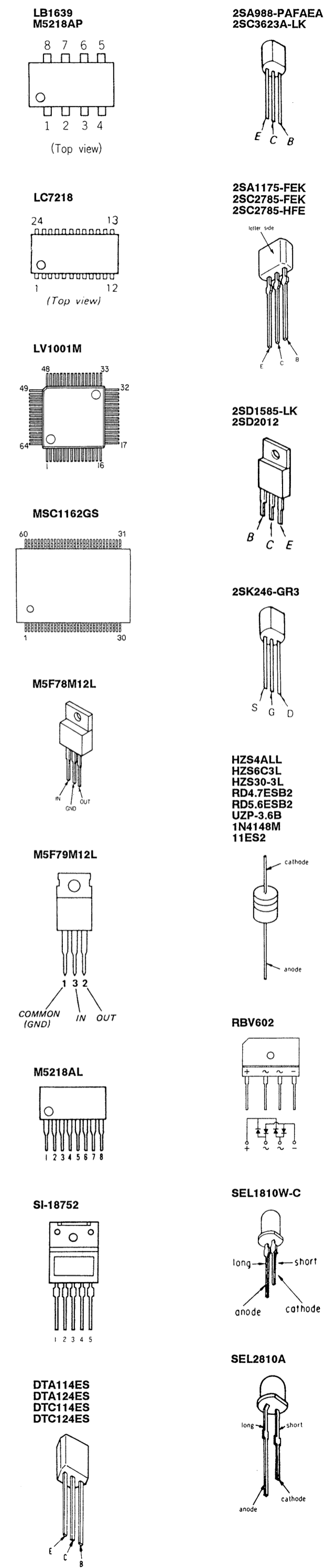




• Semiconductor Location

Ref. No.	Location	Ref. No.	Location
D301	H-20	IC502	F-12
D501	D-20	IC601	D-16
D502	E-12	IC602	F-16
D503	F-11	IC603	F-15
D506	F-13	IC631	B-26
D507	F-13	IC642	I-14
D508	F-12	IC643	I-14
D510	G-11	IC701	G-23
D601	G-16	IC731	D-31
D602	H-19	IC831	F-8
D603	F-15	IC881	F-7
D604	F-15		
D605	G-15	Q251	B-10
D606	F-14	Q252	B-7
D651	G-16	Q301	F-18
D652	H-19	Q303	H-20
D653	F-15	Q351	F-18
D654	F-15	Q403	B-13
D655	E-14	Q501	D-13
D656	F-14	Q504	F-13
D701	L-17	Q505	F-13
D703	H-15	Q506	H-15
D704	H-20	Q510	B-16
D705	H-20	Q511	C-16
D731	C-31	Q512	C-16
D748	I-29	Q513	C-16
D749	I-29	Q514	B-12
D751	L-17	Q515	C-16
D801	L-15	Q516	G-14
D802	H-15	Q517	G-14
D806	E-2	Q518	G-14
D809	E-2	Q520	G-15
D810	E-2	Q601	E-16
D811	E-3	Q602	H-16
D812	E-2	Q603	E-14
D813	E-3	Q604	D-15
D814	E-5	Q641	D-13
D815	E-4	Q705	H-20
D816	E-4	Q852	E-12
D817	C-5	Q853	E-14
D831	H-11	Q854	D-15
D832	H-11	Q701	I-16
D833	H-11	Q702	I-16
D834	H-11	Q703	I-17
D851	H-11	Q704	I-16
		Q705	H-20
IC251	B-9	Q731	C-31
IC301	C-20	Q732	I-28
IC306	E-9	Q751	I-17
IC307	E-18	Q801	H-15
IC401	C-18	Q811	E-4
IC402	C-17	Q812	C-5
IC403	D-17	Q813	E-4
IC404	C-17	Q814	E-5
IC405	C-14	Q815	E-5
IC406	C-12	Q816	D-5
IC501	D-12		

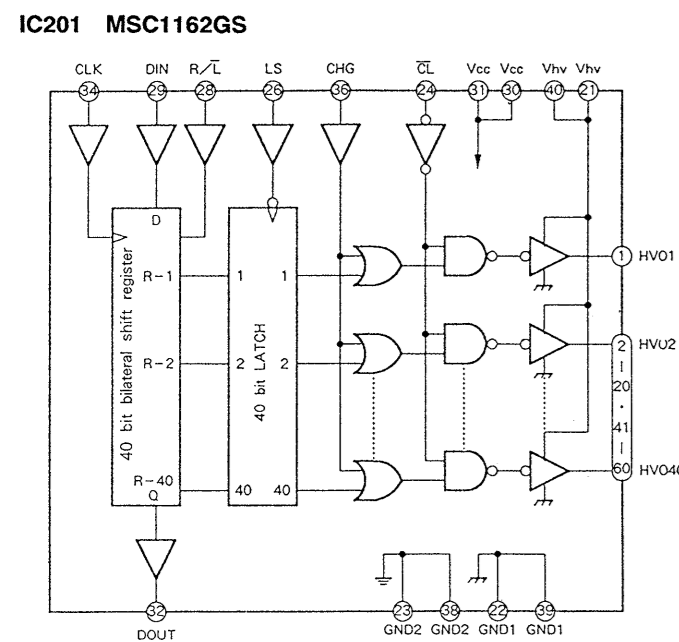
• Semiconductor Lead Layouts



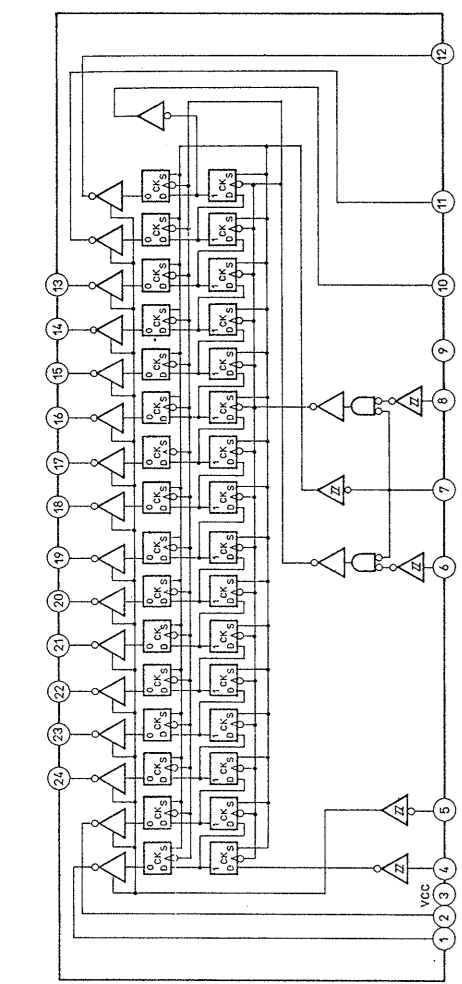
3-4. DISPLAY SECTION PRINTED WIRING BOARDS AND SCHEMATIC DIAGRAM

• See page 14 for notes, page 23 for Semiconductor Lead Layouts.

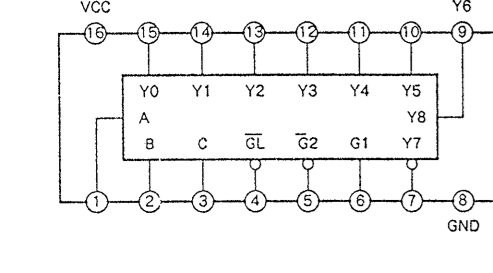
• Display Section IC Block Diagrams



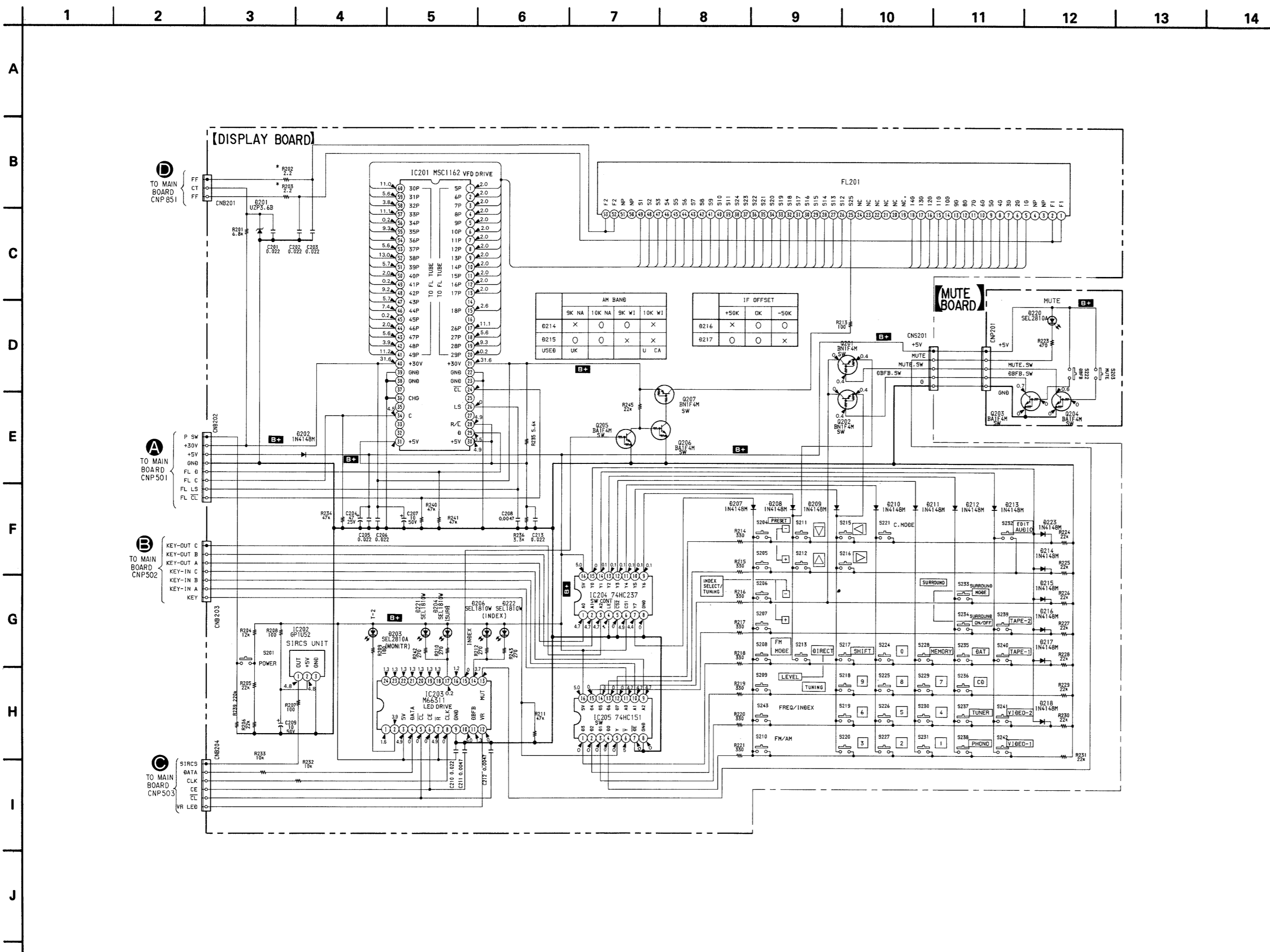
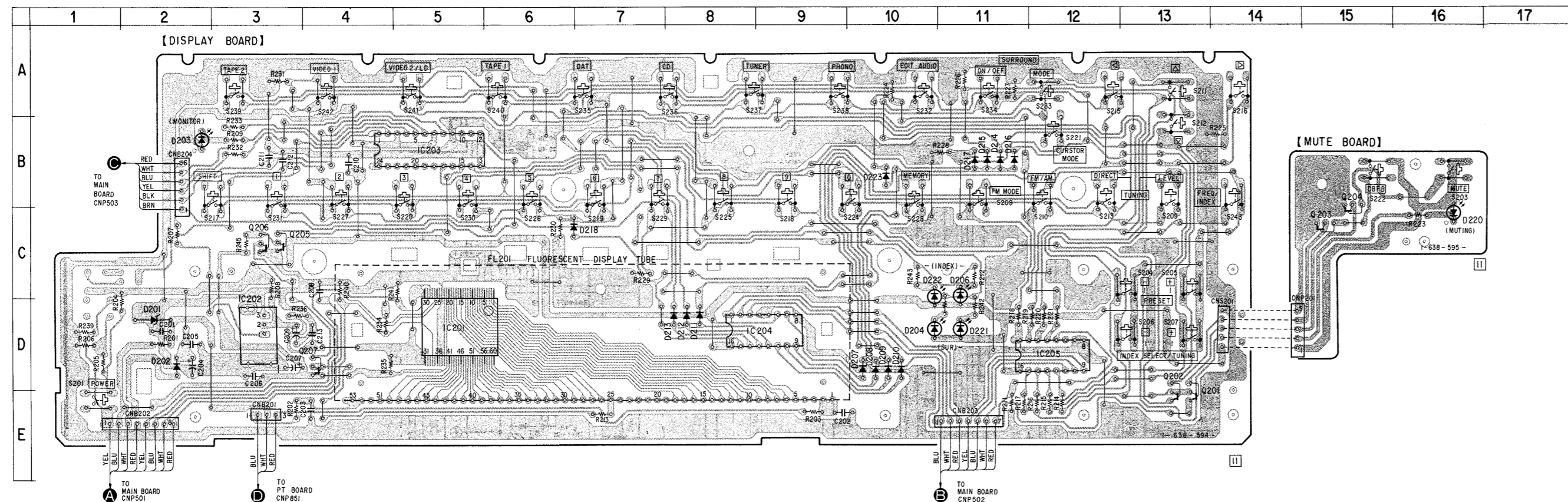
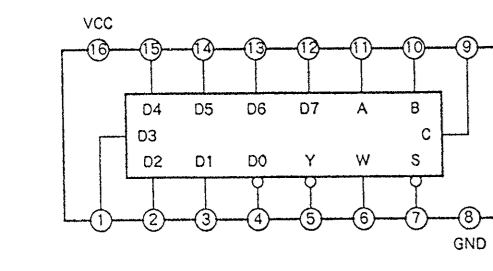
IC203 M66311



IC204 74HC237



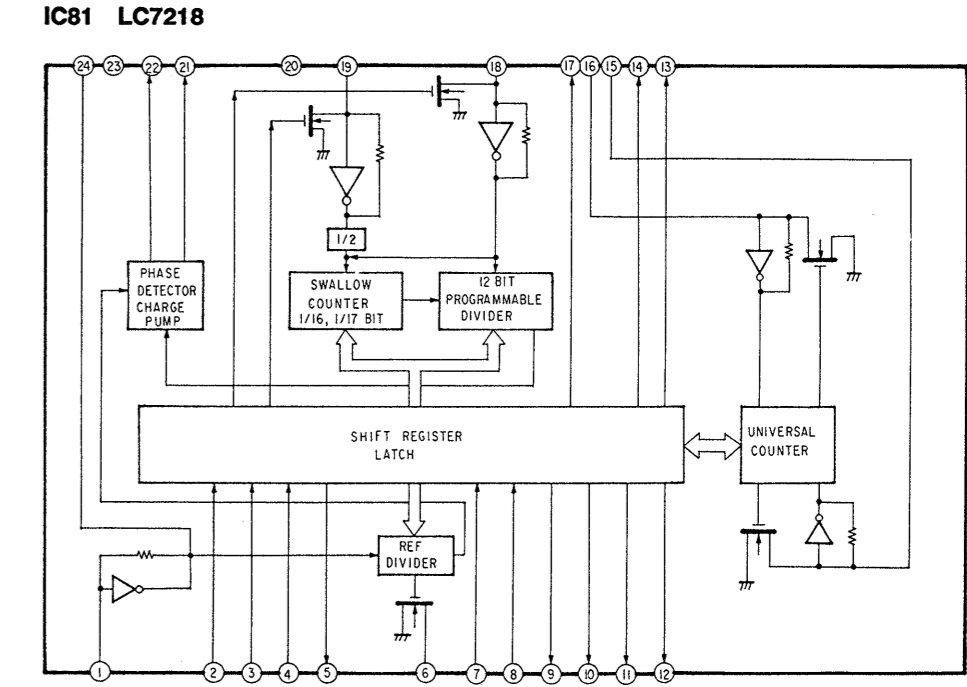
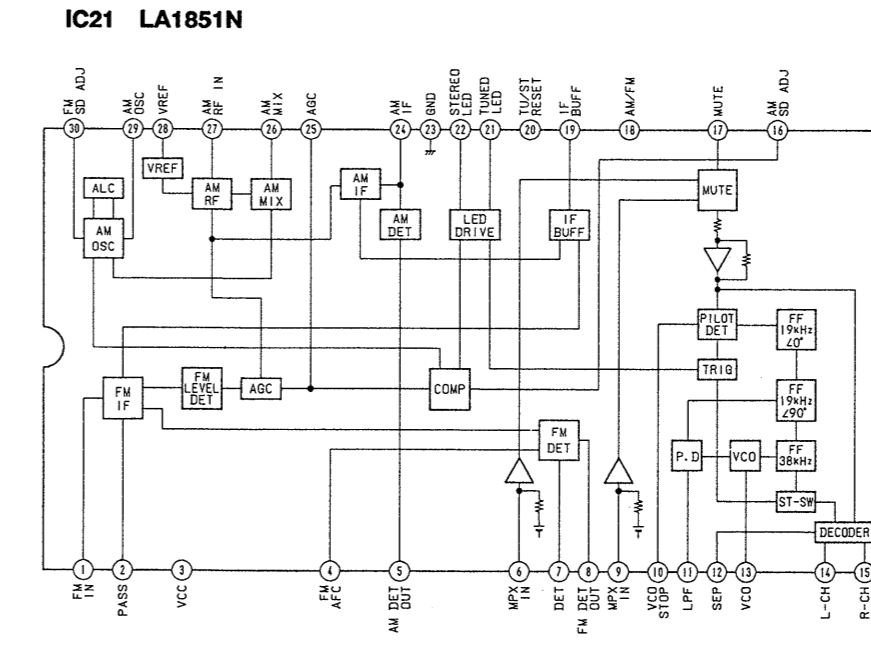
IC205 74HC151



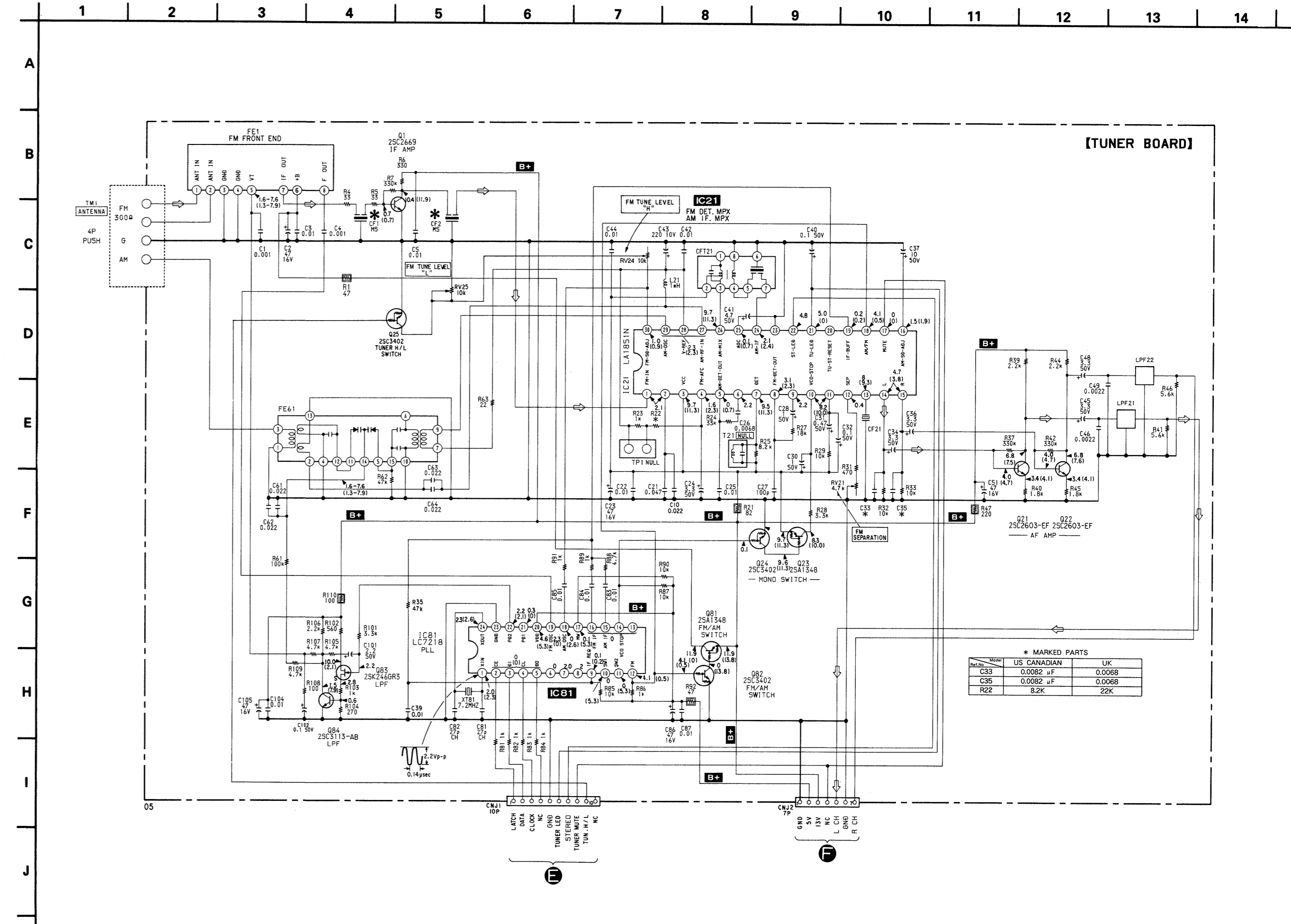
• Semiconductor Location

Ref. No.	Location
D201	D-2
D202	D-2
D203	D-2
D204	D-10
D206	C-11
D207	D-10
D208	D-10
D209	D-10
D210	D-10
D211	D-8
D212	D-8
D213	D-8
D214	B-11
D215	B-11
D216	B-11
D217	B-11
D218	C-7
D220	C-16
D221	D-11
D222	C-10
D223	B-10
IC201	D-5
IC202	D-5
IC203	D-5
IC204	D-9
IC205	D-12
Q201	E-13
Q202	E-13
Q203	C-15
Q204	C-15
Q205	C-3
Q206	C-3
Q207	D-4

• Tuner Section IC Block Diagrams



3-5. TUNER SECTION SCHEMATIC DIAGRAM • See page 14 for notes.

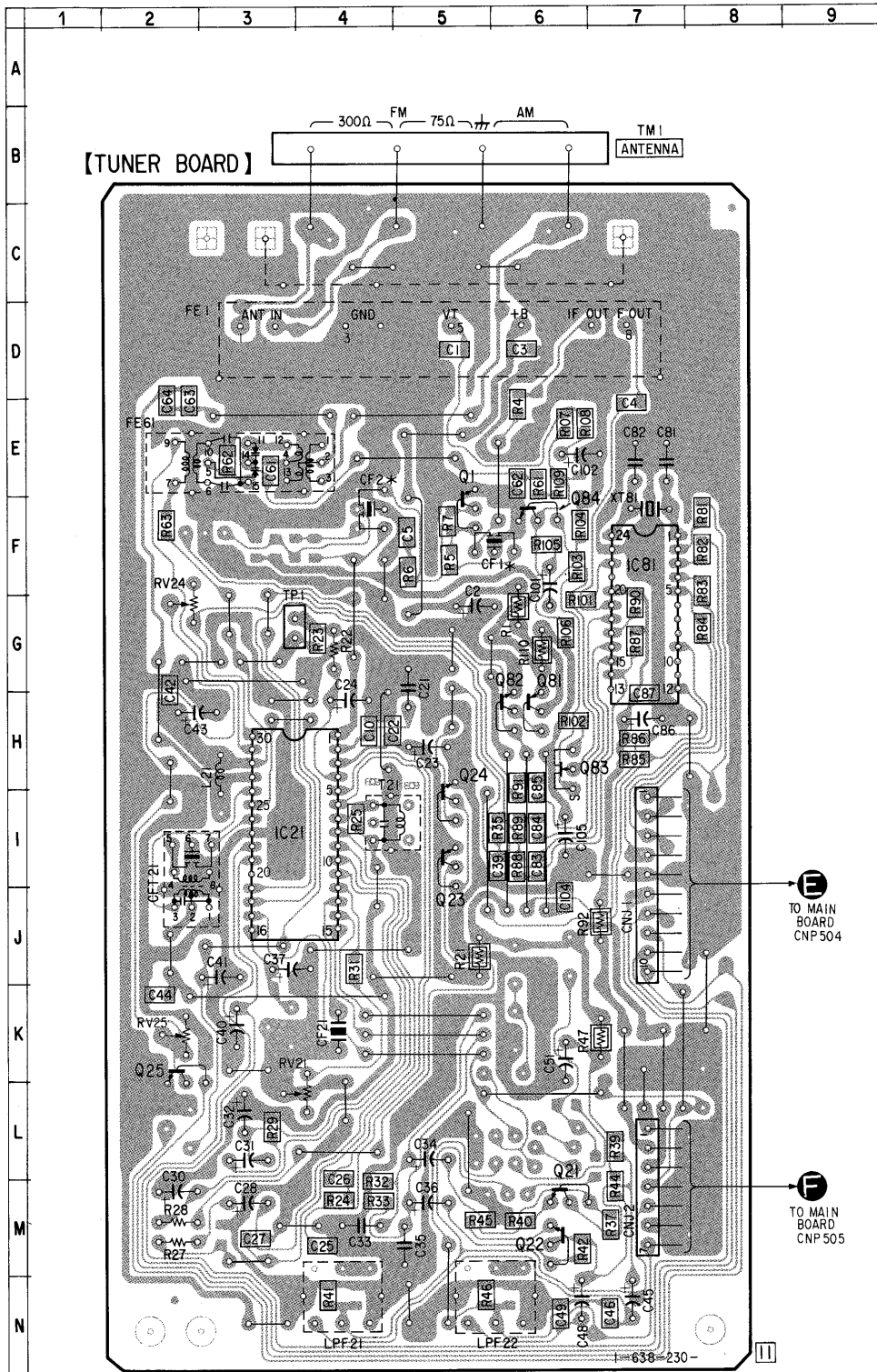


* MARKED PARTS

Part No.	US CANADIAN	UK
C33	0.0082 μF	0.0088
C35	0.0082 μF	0.0088
R22	8.2K	22K

3-6. TUNER SECTION PRINTED WIRING BOARD

- See page 14 for notes, page 23 for Semiconductor Lead Layouts.



• Semiconductor Location

Ref. No.	Location
IC21	I-3
IC81	F-7
Q1	F-5
Q21	M-6
Q22	M-6
Q23	I-5
Q24	I-5
Q25	K-2
Q81	H-6
Q82	H-6
Q83	H-6
Q84	F-6

SECTION 4 EXPLODED VIEWS

NOTE:

- -XX and -X mean standardized parts, so they may have some difference from the original one.
- Color Indication of Appearance Parts
Example:
KNOB, BALANCE (WHITE) ... (RED)

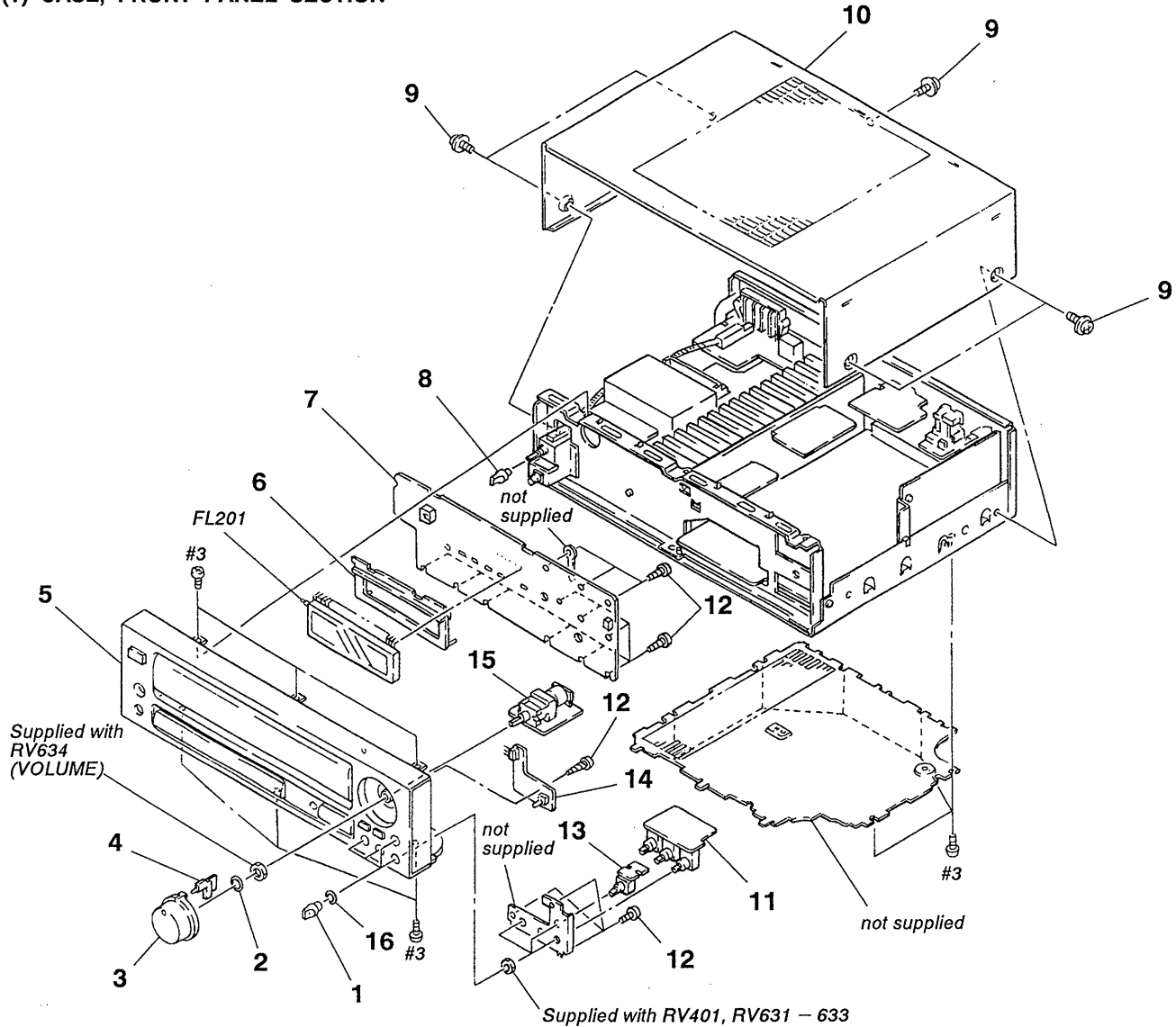
↑
Parts Color
↑
Cabinet's Color

- Items marked "*" are not stocked since they are seldom required for routine service. Some delay should be anticipated when ordering these items.
- The mechanical parts with no reference number in the exploded views are not supplied.
- Hardware (# mark) list is given in the last of this parts list.

The components identified by mark Δ or dotted line with mark Δ are critical for safety. Replace only with part number specified.

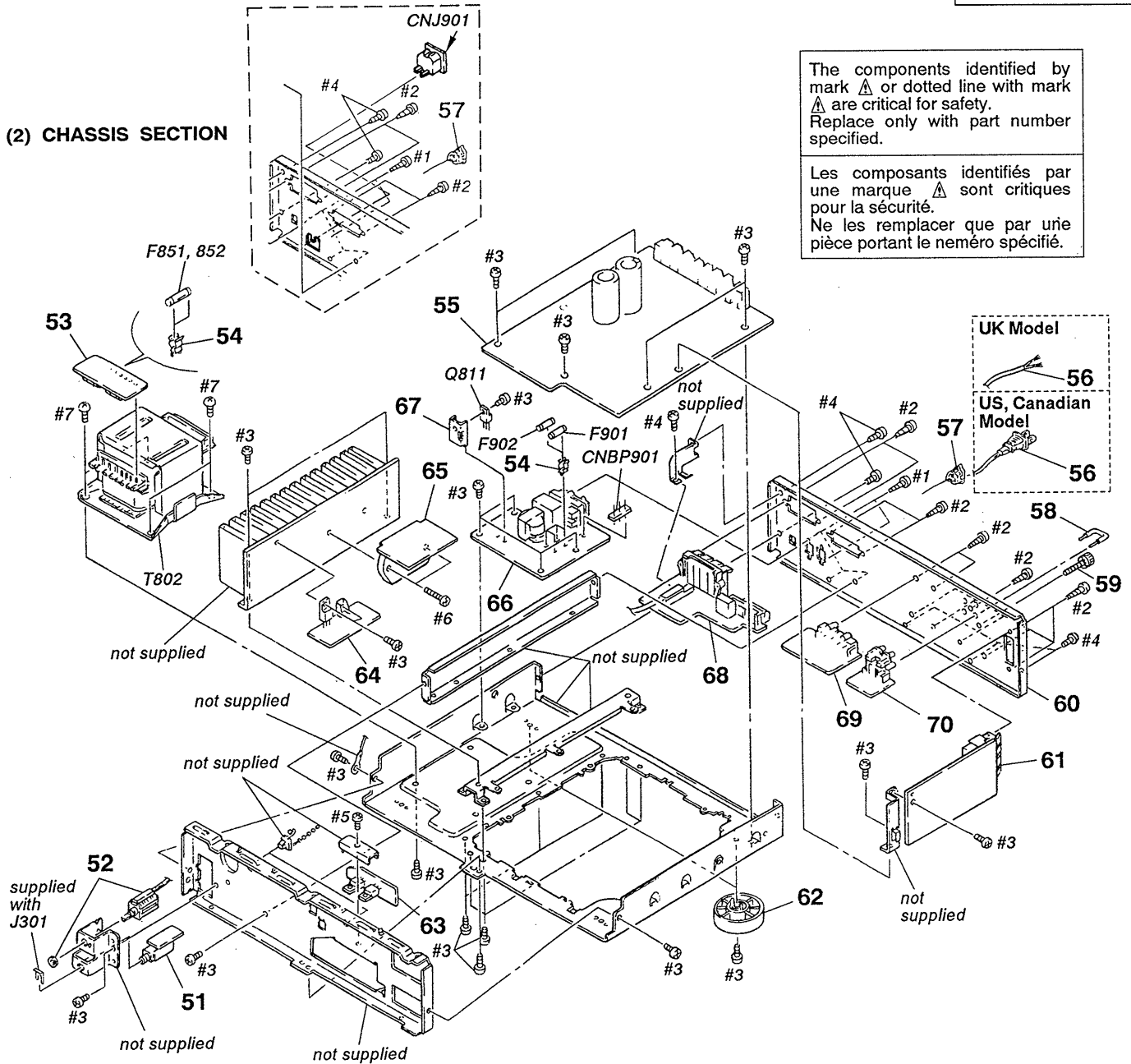
Les composants identifiés par une marque Δ sont critiques pour la sécurité. Ne les remplacer que par une pièce portant le numéro spécifié.

(1) CASE, FRONT PANEL SECTION



Ref. No.	Part No.	Description	Remark	Ref. No.	Part No.	Description	Remark
1	4-925-014-11	KNOB (DIA. 10)		9	3-704-366-01	SCREW (CASE) (M3X8)	
2	3-350-426-01	SPRING, RING		10	* 4-944-165-01	CASE	
3	4-943-091-01	KNOB (VOL)		11	* 1-638-591-11	TONE BOARD	
4	4-943-092-01	PLATE (VOL), LIGHT GUIDE		12	4-928-635-01	SCREW, +BV (2.6X8) TAPPING	
5	A-4325-070-A	PANEL ASSY, FRONT (US, Canadian)		13	* 1-638-587-11	INPUT BALANCE BOARD	
5	A-4325-242-A	PANEL ASSY, FRONT (UK)		14	* 1-638-595-11	MUTE BOARD	
6	* 4-944-164-01	HOLDER, FL TUBE		15	* 1-638-593-11	VOLUME BOARD	
7	* A-4341-932-A	DISPLAY BOARD, COMPLETE (US, Canadian)		16	3-356-957-01	SPRING, RING (SUS)	
7	* A-4345-316-A	DISPLAY BOARD, COMPLETE (UK)					
8	4-908-097-21	KNOB					

(2) CHASSIS SECTION



The components identified by mark Δ or dotted line with mark Δ are critical for safety. Replace only with part number specified.

Les composants identifiés par une marque Δ sont critiques pour la sécurité. Ne les remplacer que par une pièce portant le numéro spécifié.

UK Model

US, Canadian Model

Ref. No.	Part No.	Description	Remark	Ref. No.	Part No.	Description	Remark
51	* 1-638-586-11	HP BOARD		65	* 1-638-588-11	POWER IC BOARD	
52	1-572-291-11	SWITCH, ROTARY SLIDE		66	* A-4341-934-A	STAND-BY BOARD, COMPLETE (US, Canadian)	
53	* 1-638-583-11	PT BOARD		66	* A-4345-317-A	STAND-BY BOARD, COMPLETE (UK)	
54	* 1-533-217-31	HOLDER, FUSE		67	* 3-309-144-21	HEAT SINK	
55	* A-4341-928-A	MAIN BOARD, COMPLETE		68	* 1-638-589-11	SP, TERMINAL BOARD	
56	Δ 1-551-478-00	CORD, POWER (US, Canadian)		69	* 1-638-592-11	VIDEO BOARD	
56	Δ 1-556-035-00	CORD, POWER (UK)		70	* 1-639-512-11	ADAPTOR BOARD	
57	* 3-703-244-00	BUSHING (2104), CORD		CNBP901*	1-535-140-00	BASE POST 19MM(10MM PITCH)3P (US, Canadian)	
58	1-535-706-11	PLUG, JUMPER		CNJ901 Δ	1-526-751-00	OUTLET, AC (UK)	
59	3-706-165-00	SCREW		F851	Δ 1-576-107-11	FUSE	
60	* 4-943-853-01	PANEL, BACK (US)		F852	Δ 1-576-107-11	FUSE	
60	* 4-943-853-11	PANEL, BACK (Canadian)		F901	Δ 1-532-237-00	FUSE, TIME LAG T3.15A 250V (UK)	
60	* 4-943-853-41	PANEL, BACK (UK)		F901	Δ 1-576-107-11	FUSE, GLASS TUBE 3.15A 125V (US, Canadian)	
61	* A-4345-314-A	TUNER BOARD, COMPLETE (US, Canadian)		F902	Δ 1-532-388-51	FUSE, TIME LAG T5A 250V (UK)	
61	* A-4345-315-A	TUNER BOARD, COMPLETE (UK)		F902	Δ 1-532-748-11	FUSE, GLASS TUBE 6.3A 125V (US, Canadian)	
62	3-318-688-31	FOOT (F58175S) (UK)		Q811	8-729-141-89	TRANSISTOR 2SD1J85-LK	
62	3-318-688-51	FOOT (F58175S) (US, Canadian)		T802	Δ 1-450-426-11	TRANSFORMER, POWER (US)	
63	* 1-638-584-11	BOARD REGULATOR		T802	Δ 1-450-427-11	TRANSFORMER, POWER (Canadian)	
64	* 1-638-585-11	SURROUND AMP BOARD		T802	Δ 1-450-428-11	TRANSFORMER, POWER (UK)	

SECTION 5

ELECTRICAL PARTS LIST

DISPLAY

NOTE:

- Due to standardization, replacements in the parts list may be different from the parts specified in the diagrams or the components used on the set.
- -XX and -X mean standardized parts, so they may have some difference from the original one.
- RESISTORS
All resistors are in ohms.
METAL: Metal-film resistor
METAL OXIDE: Metal Oxide-film resistor
F: nonflammable

- Items marked "*" are not stocked since they are seldom required for routine service. Some delay should be anticipated when ordering these items.
- SEMICONDUCTORS
In each case, u: μ , for example:
uA...: μ A..., uPA...: μ PA...,
uPB...: μ PB..., uPC...: μ PC...,
uPD...: μ PD...
- CAPACITORS
uF: μ F
- COILS
uH: μ H

The components identified by mark Δ or dotted line with mark Δ are critical for safety. Replace only with part number specified.

Les composants identifiés par une marque Δ sont critiques pour la sécurité. Ne les remplacer que par une pièce portant le numéro spécifié.

When including parts by reference number, please include the board name.

Ref. No.	Part No.	Description	Remark	Ref. No.	Part No.	Description	Remark
* A-4341-932-A		DISPLAY BOARD, COMPLETE (US, Canadian)		D207	8-719-987-63	DIODE 1N4148M	
* A-4345-316-A		DISPLAY BOARD, COMPLETE (UK)		D208	8-719-987-63	DIODE 1N4148M	
		*****		D209	8-719-987-63	DIODE 1N4148M	
* 3-309-144-21		HEAT SINK		D210	8-719-987-63	DIODE 1N4148M	
* 4-921-941-01		CUSHION (FL)		D211	8-719-987-63	DIODE 1N4148M	
* 4-942-204-01		PLATE, GROUND		D212	8-719-987-63	DIODE 1N4148M	
* 4-944-164-01		HOLDER (FL TUBE)		D213	8-719-987-63	DIODE 1N4148M	
		< CAPACITOR >		D215	8-719-987-63	DIODE 1N4148M (UK)	
C201	1-161-494-00	CERAMIC	0.022uF	25V	D216	8-719-987-63	DIODE 1N4148M
C202	1-161-494-00	CERAMIC	0.022uF	25V	D217	8-719-987-63	DIODE 1N4148M
C203	1-161-494-00	CERAMIC	0.022uF	25V	D218	8-719-987-63	DIODE 1N4148M
C204	1-124-910-11	ELECT	47uF	20% 50V	D221	8-719-310-78	DIODE SEL1810W-C
C205	1-161-494-00	CERAMIC	0.022uF	25V	D222	8-719-310-78	DIODE SEL1810W-C
					D223	8-719-987-63	DIODE 1N4148M
C206	1-161-494-00	CERAMIC	0.022uF	25V			< INDUCTOR >
C207	1-126-059-11	ELECT	10uF	20% 50V	FL201	1-519-646-11	INDICATOR TUBE, FLUORESCENT
C208	1-161-377-00	CERAMIC	0.0047uF	10% 16V			< IC >
C209	1-126-059-11	ELECT	10uF	20% 50V	IC201	8-759-990-38	IC MSC1162GS
C210	1-161-494-00	CERAMIC	0.022uF	25V	IC202	8-749-920-83	IC GP1U52XB
C211	1-161-377-00	CERAMIC	0.0047uF	10% 16V	IC203	8-759-633-84	IC M66311P
C212	1-161-377-00	CERAMIC	0.0047uF	10% 16V	IC204	8-759-921-32	IC SN74HC237N
C213	1-161-494-00	CERAMIC	0.022uF	25V	IC205	8-759-916-48	IC SN74HC151AN
		< BASE POST >					< TRANSISTOR >
CNBP901*	1-535-140-00	BASE POST 19MM (10MM PITCH) 3P (US, Canadian)		Q201	8-729-900-63	TRANSISTOR DTA124ES	
		< CONNECTOR >		Q202	8-729-900-63	TRANSISTOR DTA124ES	
CNS201 *	1-565-481-11	CONNECTOR, BOARD TO BOARD 5P		Q205	8-729-900-36	TRANSISTOR DTC124ES	
		< DIODE >		Q206	8-729-900-36	TRANSISTOR DTC124ES	
				Q207	8-729-900-63	TRANSISTOR DTA124ES	
D201	8-719-014-25	DIODE UZP-3. 6B					< RESISTOR >
D202	8-719-987-63	DIODE 1N4148M		R201	1-249-427-11	CARBON	6.8K 5% 1/4W
D203	8-719-301-49	DIODE SEL2810A		R202	1-249-385-11	CARBON	2.2 5% 1/6W
D204	8-719-310-78	DIODE SEL1810W-C		R203	1-249-385-11	CARBON	2.2 5% 1/6W
D206	8-719-310-78	DIODE SEL1810W-C		R204	1-249-430-11	CARBON	12K 5% 1/4W
				R205	1-249-433-11	CARBON	22K 5% 1/4W

POWER IC

SP. TERMINAL

STONE

Ref. No.	Part No.	Description	Remark
C706	1-124-918-11	ELECT 47uF	20% 63V
C707	1-124-572-11	ELECT 100uF	20% 63V
C708	1-126-059-11	ELECT 10uF	20% 63V
C709	1-124-791-11	ELECT 1.0uF	20% 100V
C710	1-162-282-31	CERAMIC 100PF	10% 50V
C751	1-162-290-31	CERAMIC 470PF	10% 50V
C752	1-126-163-11	ELECT 4.7uF	20% 50V
C753	1-162-288-31	CERAMIC 330PF	10% 50V
C754	1-126-023-11	ELECT 100uF	20% 16V
C755	1-162-199-31	CERAMIC 10PF	5% 50V
C756	1-124-918-11	ELECT 47uF	20% 63V
C757	1-124-572-11	ELECT 100uF	20% 63V
C758	1-126-059-11	ELECT 10uF	20% 63V
C759	1-124-791-11	ELECT 1.0uF	20% 100V
C760	1-162-282-31	CERAMIC 100PF	10% 50V
< CONNECTOR >			
CNP701 *	1-506-782-11	PLUG, CONNECTOR (2.5MM) 7P	
CNP702 *	1-506-680-11	PLUG, CONNECTOR (2.5MM) 3P	
< IC >			
IC701	8-749-921-97	IC STK-4221V	
< RESISTOR >			
R701	1-249-417-11	CARBON 1K 5%	1/4W
R702	1-249-438-11	CARBON 56K 5%	1/4W
R703	1-249-412-11	CARBON 390 5%	1/4W
R704	1-249-438-11	CARBON 56K 5%	1/4W
R705	1-249-425-11	CARBON 4.7K 5%	1/4W
R706	1-247-840-00	CARBON 2.4K 5%	1/4W
R707	1-217-156-00	RES, METAL PLATE 0.22	
R708	1-249-419-11	CARBON 1.5K 5%	1/4W
R709	1-249-405-11	CARBON 100 5%	1/4W
R710	1-249-405-11	CARBON 100 5%	1/4W
R711	1-249-413-11	CARBON 470 5%	1/4W
R712	1-247-840-00	CARBON 2.4K 5%	1/4W
R751	1-249-417-11	CARBON 1K 5%	1/4W
R752	1-249-438-11	CARBON 56K 5%	1/4W
R753	1-249-412-11	CARBON 390 5%	1/4W
R754	1-249-438-11	CARBON 56K 5%	1/4W
R755	1-249-425-11	CARBON 4.7K 5%	1/4W
R756	1-247-840-00	CARBON 2.4K 5%	1/4W
R757	1-217-156-00	RES, METAL PLATE 0.22	
R758	1-249-419-11	CARBON 1.5K 5%	1/4W
R761	1-249-413-11	CARBON 470 5%	1/4W
R762	1-247-840-00	CARBON 2.4K 5%	1/4W

Ref. No.	Part No.	Description	Remark
	* 1-638-589-11	SP. TERMINAL BOARD *****	
< CONNECTOR >			
CNP732 *	1-564-778-11	PLUG, CONNECTOR (2.5MM) 4P	
CNP733 *	1-564-777-11	PLUG, CONNECTOR (2.5MM) 2P	
CNP734 *	1-564-778-11	PLUG, CONNECTOR (2.5MM) 4P	
< DIODE >			
D748	8-719-987-63	DIODE 1N4148M	
D749	8-719-987-63	DIODE 1N4148M	
< TRANSISTOR >			
Q732	8-729-119-79	TRANSISTOR 2SC2785-FEK	
< RESISTOR >			
R747	△ 1-215-867-00	METAL OXIDE 470 5%	1W F
R749	1-249-421-11	CARBON 2.2K 5%	1/4W
R797	△ 1-215-867-00	METAL OXIDE 470 5%	1W F
< RELAY >			
RY731	1-515-790-11	RELAY	
< SWITCH >			
S701	1-572-322-11	SWITCH, SLIDE (SPEAKERS)	
< TERMINAL >			
TM701	1-537-341-11	TERMINAL BOARD (8P SP)	
TM702	1-537-265-11	TERMINAL BOARD	

	* 1-638-591-11	TONE BOARD *****	
< CAPACITOR >			
C631	1-130-473-00	MYLAR 0.0015uF	5% 50V
C632	1-130-484-00	MYLAR 0.012uF	5% 50V
C633	1-130-484-00	MYLAR 0.012uF	5% 50V
C634	1-101-888-00	CERAMIC 68PF	5% 50V
C635	1-126-163-11	ELECT 4.7uF	20% 50V
C681	1-130-473-00	MYLAR 0.0015uF	5% 50V
C682	1-130-484-00	MYLAR 0.012uF	5% 50V
C683	1-130-484-00	MYLAR 0.012uF	5% 50V
C684	1-101-888-00	CERAMIC 68PF	5% 50V
C685	1-126-163-11	ELECT 4.7uF	20% 50V
< CONNECTOR >			
CNP631	1-569-596-11	PLUG, CONNECTOR (2.5MM) 3P	

Note:
The components identified by mark △ or dotted line with mark △ are critical for safety. Replace only with part number specified.

Note:
Les composants identifiés par une marque △ sont critiques pour la sécurité. Ne les remplacer que par une pièce portant le numéro spécifié.

TONE

VIDEO

VOLUME

MUTE

Ref.No.	Part No.	Description	Remark	Ref.No.	Part No.	Description	Remark
		< IC >					
IC631	8-759-634-50	IC M5218AL		R255	1-249-403-11	CARBON 68 5% 1/4W	
		< RESISTOR >		R256	1-249-417-11	CARBON 1K 5% 1/4W	
R631	1-249-435-11	CARBON 33K 5% 1/4W		R257	1-249-405-11	CARBON 100 5% 1/4W	
R632	1-249-435-11	CARBON 33K 5% 1/4W		R258	1-249-405-11	CARBON 100 5% 1/4W	
R633	1-249-428-11	CARBON 8.2K 5% 1/4W		R259	1-249-405-11	CARBON 100 5% 1/4W	
R681	1-249-435-11	CARBON 33K 5% 1/4W		R260	1-249-405-11	CARBON 100 5% 1/4W	
R682	1-249-435-11	CARBON 33K 5% 1/4W		R261	1-249-437-11	CARBON 47K 5% 1/4W	
R683	1-249-428-11	CARBON 8.2K 5% 1/4W		R262	1-249-437-11	CARBON 47K 5% 1/4W	
		< VARIABLE RESISTOR >		*****			
RV631	1-241-489-11	RES, VAR (BASS)		* 1-638-593-11 VOLUME BOARD			
RV632	1-241-489-11	RES, VAR (TREBLE)		*****			
RV633	1-241-048-11	RES, VAR, CARBON 100K/100K (BALANCE)		< CAPACITOR >			
*****				C641	1-126-301-11	ELECT 1uF 20% 50V	
* 1-638-592-11 VIDEO BOARD				C642	1-126-301-11	ELECT 1uF 20% 50V	
*****				< CONNECTOR >			
< CAPACITOR >				CNP509	* 1-564-778-11	PLUG, CONNECTOR (2.5MM) 4P	
C251	1-124-910-11	ELECT 47uF 20% 50V		< RESISTOR >			
C252	1-124-910-11	ELECT 47uF 20% 50V		R641	1-249-411-11	CARBON 330 5% 1/4W	
C253	1-126-012-11	ELECT 470uF 20% 16V		< VARIABLE RESISTOR >			
C254	1-126-012-11	ELECT 470uF 20% 16V		RV634	1-241-413-11	RES, VAR, CARBON 100KX3 (VOLUME)	
C255	1-124-910-11	ELECT 47uF 20% 50V		*****			
< PLUG >				* 1-638-595-11 MUTE BOARD			
CNP508	* 1-506-707-11	PLUG, CONNECTOR (2.5MM) 3P		*****			
< IC >				< CONNECTOR >			
IC251	8-759-991-77	IC BA7625		CNP201	* 1-569-799-11	PLUG, CONNECTOR 5P	
< JACK >				< DIODE >			
J251	* 1-573-029-11	JACK, PIN 2P (VIDEO IN/OUT)		D220	8-719-301-49	DIODE SEL2810A	
J252	* 1-573-029-11	JACK, PIN 2P (VIDEO IN/OUT)		< TRANSISTOR >			
< INDUCTOR >				Q203	8-729-900-36	TRANSISTOR DTC124ES	
L251	1-410-509-11	INDUCTOR 10uH		Q204	8-729-900-36	TRANSISTOR DTC124ES	
< TRANSISTOR >				< RESISTOR >			
Q251	8-729-119-77	TRANSISTOR 2SA1175-FEK		R223	1-249-413-11	CARBON 470 5% 1/4W	
Q252	8-729-119-77	TRANSISTOR 2SA1175-FEK		< SWITCH >			
< RESISTOR >				S203	1-554-303-21	SWITCH, TACTILE (MUTE)	
R251	1-247-804-11	CARBON 75 5% 1/4W		S222	1-554-303-21	SWITCH, TACTILE (DBFB)	
R252	1-247-804-11	CARBON 75 5% 1/4W		*****			
R253	1-249-403-11	CARBON 68 5% 1/4W					
R254	1-249-417-11	CARBON 1K 5% 1/4W					

STANDBY

MAIN

Ref. No.	Part No.	Description	Remark
* 1-638-590-11		STANDBY BOARD *****	
1-533-217-31		HOLDER, FUSE < CAPASITOR >	
C811	1-106-367-00	MYLAR 0.01uF 5% 200V	
C812	1-106-367-00	MYLAR 0.01uF 5% 200V	
C813	1-126-027-11	ELECT 1000uF 20% 25V	
C814	1-124-910-11	ELECT 47uF 20% 50V	
C815	1-124-910-11	ELECT 47uF 20% 50V	
C816	1-126-301-11	ELECT 1uF 20% 50V	
C817	1-124-464-11	ELECT 0.22uF 20% 50V	
C818	1-102-106-00	CERAMIC 100PF 10% 50V	
C819	1-161-055-00	CERAMIC 0.022uF 10% 50V	
C901	△ 1-161-744-00	CERAMIC 0.01uF 400V (US, Canadian)	
		< AC OUTLET >	
CNJ901	△ 1-540-060-11	OUTLET, AC (POLAR) (AC OUTLET) (US, Canadian)	
		< CONNECTOR >	
CNP801	* 1-564-778-11	PLUG, CONNECTOR (2.5MM) 4P	
		< DIODE >	
D808	8-719-200-82	DIODE 11ES2	
D809	8-719-200-82	DIODE 11ES2	
D810	8-719-200-82	DIODE 11ES2	
D811	8-719-200-82	DIODE 11ES2	
D812	8-719-987-63	DIODE 1N4148M	
D813	8-719-987-63	DIODE 1N4148M	
D814	8-719-933-41	DIODE HZS6C3L	
D815	8-719-933-41	DIODE HZS6C3L	
D816	8-719-985-53	DIODE HZS4ALL	
D817	8-719-987-63	DIODE 1N4148M	
		< TRANSISTOR >	
Q811	8-729-141-89	TRANSISTOR 2SD1585-LK	
Q812	8-729-119-79	TRANSISTOR 2SC2785-FEK	
Q813	8-729-119-79	TRANSISTOR 2SC2785-FEK	
Q814	8-729-119-77	TRANSISTOR 2SA1175-FEK	
Q815	8-729-119-77	TRANSISTOR 2SA1175-FEK	
Q816	8-729-119-79	TRANSISTOR 2SC2785-FEK	
		< FUSE >	
F901	△ 1-532-237-00	FUSE, TIME LAG T3. 15A 250V (UK)	
F901	△ 1-576-107-11	FUSE, GLASS TUBE 3. 15A 125V (US, Canadian)	
F902	△ 1-532-388-51	FUSE, TIME LAG T5A 250V (UK)	
F902	△ 1-532-748-11	FUSE, GLASS TUBE 6. 3A 125V (US, Canadian)	

Ref. No.	Part No.	Description	Remark
		< RESISTOR >	
R811	1-249-417-11	CARBON 1K 5% 1/4W	
R812	1-249-437-11	CARBON 47K 5% 1/4W	
R813	1-249-429-11	CARBON 10K 5% 1/4W	
R814	1-249-433-11	CARBON 22K 5% 1/4W	
R815	1-249-425-11	CARBON 4.7K 5% 1/4W	
R816	1-249-426-11	CARBON 5.6K 5% 1/4W	
R817	1-249-429-11	CARBON 10K 5% 1/4W	
R818	1-249-426-11	CARBON 5.6K 5% 1/4W	
R819	1-249-417-11	CARBON 1K 5% 1/4W	
R820	1-249-417-11	CARBON 1K 5% 1/4W	
R821	1-249-429-11	CARBON 10K 5% 1/4W	
R822	1-249-396-11	CARBON 18 5% 1/6W	
R901	△ 1-202-725-00	SOLID 3.3M 10% 1/2W (US, Canadian)	
		< RELAY >	
RY901	△ 1-515-671-11	RELAY (UK)	
RY901	△ 1-515-701-11	RELAY (US, Canadian)	
		< TRANSFORMER >	
T901	△ 1-450-358-11	TRANSFORMER, POWER (UK)	
T901	△ 1-450-361-11	TRANSFORMER, POWER (US, Canadian)	
		< VARISTOR >	
VZ901	△ 1-807-180-31	VARISTOR SNR-14A471U (UK)	
VZ901	△ 1-807-293-31	VARISTOR SNR-14A221U (US, Canadian)	

		A-4341-928-A MAIN BOARD, COMPLETE *****	
		* 4-942-204-01 PLATE, GROUND	
		< DIODE >	
	8-719-109-89	DIODE RD5.6ES-B2	
		< CAPACITOR >	
C321	1-162-282-31	CERAMIC 100PF 10% 50V	
C322	1-126-163-11	ELECT 4.7uF 20% 50V	
C323	1-162-282-31	CERAMIC 100PF 10% 50V	
C324	1-162-282-31	CERAMIC 100PF 10% 50V	
C325	1-124-910-11	ELECT 47uF 20% 50V	
C326	1-130-480-00	MYLAR 0.0056uF 5% 50V	
C327	1-130-473-00	MYLAR 0.0015uF 5% 50V	
C328	1-126-301-11	ELECT 1uF 20% 50V	
C329	1-126-163-11	ELECT 4.7uF 20% 50V	
C330	1-124-910-11	ELECT 47uF 20% 50V	
C331	1-124-910-11	ELECT 47uF 20% 50V	
C332	1-124-910-11	ELECT 47uF 20% 50V	

Note:
The components identified by mark △ or dotted line with mark △ are critical for safety. Replace only with part number specified.

Note:
Les composants identifiés par une marque △ sont critiques pour la sécurité. Ne les remplacer que par une pièce portant le numéro spécifié.

Ref. No.	Part No.	Description		Remark	Ref. No.	Part No.	Description		Remark		
C333	1-124-910-11	ELECT	47uF	20%	50V	C439	1-102-108-00	CERAMIC	150PF	10%	50V
C334	1-161-039-00	CERAMIC	0.001uF	10%	50V	C440	1-161-055-00	CERAMIC	0.022uF	10%	50V
C335	1-126-163-11	ELECT	4.7uF	20%	50V	C441	1-161-039-00	CERAMIC	0.001uF	10%	50V
C371	1-162-282-31	CERAMIC	100PF	10%	50V	C442	1-126-163-11	ELECT	4.7uF	20%	50V
C372	1-126-163-11	ELECT	4.7uF	20%	50V	C443	1-124-464-11	ELECT	0.22uF	20%	50V
C373	1-162-282-31	CERAMIC	100PF	10%	50V	C451	1-126-059-11	ELECT	10uF	20%	50V
C374	1-162-282-31	CERAMIC	100PF	10%	50V	C452	1-101-880-00	CERAMIC	47PF	5%	50V
C375	1-124-910-11	ELECT	47uF	20%	50V	C453	1-126-059-11	ELECT	10uF	20%	50V
C376	1-130-480-00	MYLAR	0.0056uF	5%	50V	C455	1-126-059-11	ELECT	10uF	20%	50V
C377	1-130-473-00	MYLAR	0.0015uF	5%	50V	C456	1-101-880-00	CERAMIC	47PF	5%	50V
C378	1-126-301-11	ELECT	1uF	20%	50V	C457	1-162-282-31	CERAMIC	100PF	10%	50V
C379	1-126-163-11	ELECT	4.7uF	20%	50V	C458	1-126-059-11	ELECT	10uF	20%	50V
C385	1-126-163-11	ELECT	4.7uF	20%	50V	C459	1-126-059-11	ELECT	10uF	20%	50V
C401	1-126-059-11	ELECT	10uF	20%	50V	C501	1-124-910-11	ELECT	47uF	20%	50V
C402	1-101-880-00	CERAMIC	47PF	5%	50V	C502	1-124-910-11	ELECT	47uF	20%	50V
C403	1-126-059-11	ELECT	10uF	20%	50V	C503	1-125-486-11	DUBLE LAYERS	0.22F		5.5V
C404	1-126-059-11	ELECT	10uF	20%	50V	C504	1-161-055-00	CERAMIC	0.022uF	10%	50V
C405	1-126-059-11	ELECT	10uF	20%	50V	C505	1-161-051-00	CERAMIC	0.01uF	10%	50V
C406	1-101-880-00	CERAMIC	47PF	5%	50V	C506	1-126-301-11	ELECT	1uF	20%	50V
C407	1-162-282-31	CERAMIC	100PF	10%	50V	C507	1-161-055-00	CERAMIC	0.022uF	10%	50V
C408	1-126-059-11	ELECT	10uF	20%	50V	C509	1-102-110-00	CERAMIC	220PF	10%	50V
C409	1-126-059-11	ELECT	10uF	20%	50V	C510	1-102-110-00	CERAMIC	220PF	10%	50V
C410	1-126-012-11	ELECT	470uF	20%	16V	C511	1-161-055-00	CERAMIC	0.022uF	10%	50V
C411	1-126-163-11	ELECT	4.7uF	20%	50V	C512	1-126-161-11	ELECT	2.2uF	20%	50V
C412	1-161-039-00	CERAMIC	0.001uF	10%	50V	C513	1-161-055-00	CERAMIC	0.022uF	10%	50V
C413	1-161-055-00	CERAMIC	0.022uF	10%	50V	C514	1-126-059-11	ELECT	10uF	20%	50V
C414	1-102-108-00	CERAMIC	150PF	10%	50V	C601	1-101-888-00	CERAMIC	68PF	5%	50V
C415	1-126-024-11	ELECT	220uF	20%	16V	C602	1-126-163-11	ELECT	4.7uF	20%	50V
C416	1-126-024-11	ELECT	220uF	20%	16V	C603	1-126-301-11	ELECT	1uF	20%	50V
C417	1-124-910-11	ELECT	47uF	20%	50V	C604	1-130-489-00	MYLAR	0.033uF	5%	50V
C418	1-136-165-00	FILM	0.1uF	5%	50V	C607	1-124-464-11	ELECT	0.22uF	20%	50V
C419	1-161-051-00	CERAMIC	0.01uF	10%	50V	C608	1-126-300-11	ELECT	0.47uF	20%	50V
C420	1-126-024-11	ELECT	220uF	20%	16V	C609	1-126-163-11	ELECT	4.7uF	20%	50V
C421	1-136-165-00	FILM	0.1uF	5%	50V	C610	1-126-163-11	ELECT	4.7uF	20%	50V
C422	1-102-961-00	CERAMIC	27PF	5%	50V	C611	1-162-282-31	CERAMIC	100PF	10%	50V
C423	1-102-961-00	CERAMIC	27PF	5%	50V	C612	1-126-163-11	ELECT	4.7uF	20%	50V
C424	1-124-464-11	ELECT	0.22uF	20%	50V	C613	1-126-163-11	ELECT	4.7uF	20%	50V
C425	1-130-493-00	MYLAR	0.068uF	5%	50V	C643	1-126-163-11	ELECT	4.7uF	20%	50V
C426	1-130-478-00	MYLAR	0.0039uF	5%	50V	C644	1-126-163-11	ELECT	4.7uF	20%	50V
C427	1-130-479-00	MYLAR	0.0047uF	5%	50V	C645	1-126-163-11	ELECT	4.7uF	20%	50V
C428	1-130-489-00	MYLAR	0.033uF	5%	50V	C646	1-126-163-11	ELECT	4.7uF	20%	50V
C429	1-124-768-11	ELECT	4.7uF	20%	50V	C651	1-101-888-00	CERAMIC	68PF	5%	50V
C430	1-126-301-11	ELECT	1uF	20%	50V	C652	1-126-163-11	ELECT	4.7uF	20%	50V
C431	1-124-768-11	ELECT	4.7uF	20%	50V	C653	1-126-301-11	ELECT	1uF	20%	50V
C433	1-130-480-00	MYLAR	0.0056uF	5%	50V	C654	1-130-489-00	MYLAR	0.033uF	5%	50V
C434	1-130-481-00	MYLAR	0.0068uF	5%	50V	C657	1-124-464-11	ELECT	0.22uF	20%	50V
C435	1-102-115-00	CERAMIC	560PF	10%	50V	C658	1-126-300-11	ELECT	0.47uF	20%	50V
C436	1-126-059-11	ELECT	10uF	20%	50V	C659	1-126-163-11	ELECT	4.7uF	20%	50V
C437	1-102-116-00	CERAMIC	680PF	10%	50V	C660	1-126-163-11	ELECT	4.7uF	20%	50V
C438	1-136-167-00	FILM	0.15uF	5%	50V	C661	1-162-282-31	CERAMIC	100PF	10%	50V

MAIN

Ref. No.	Part No.	Description		Remark	Ref. No.	Part No.	Description	Remark
C662	1-126-163-11	ELECT	4. 7uF	20%	50V	D601	8-719-987-63	DIODE 1N4148M
C663	1-126-163-11	ELECT	4. 7uF	20%	50V	D602	8-719-987-63	DIODE 1N4148M
C721	1-136-165-00	FILM	0. 1uF	5%	50V	D603	8-719-987-63	DIODE 1N4148M
C722	1-130-491-00	MYLAR	0. 047uF	5%	50V	D604	8-719-987-63	DIODE 1N4148M
C723	1-126-012-11	ELECT	470uF	20%	16V	D605	8-719-987-63	DIODE 1N4148M
C724	1-126-059-11	ELECT	10uF	20%	50V	D606	8-719-109-81	DIODE RD4. 7ES-B2
C771	1-136-165-00	FILM	0. 1uF	5%	50V	D651	8-719-987-63	DIODE 1N4148M
C772	1-130-491-00	MYLAR	0. 047uF	5%	50V	D652	8-719-987-63	DIODE 1N4148M
C801	1-125-479-11	ELECT	10000uF	20%	63V	D653	8-719-987-63	DIODE 1N4148M
C802	1-106-367-00	MYLAR	0. 01uF	5%	200V	D654	8-719-987-63	DIODE 1N4148M
C803	1-106-367-00	MYLAR	0. 01uF	5%	200V	D655	8-719-987-63	DIODE 1N4148M
C804	1-106-367-00	MYLAR	0. 01uF	5%	200V	D656	8-719-109-81	DIODE RD4. 7ES-B2
C805	1-106-367-00	MYLAR	0. 01uF	5%	200V	D701	8-719-987-63	DIODE 1N4148M
C806	1-126-059-11	ELECT	10uF	20%	50V	D702	8-719-987-63	DIODE 1N4148M
C807	1-126-059-11	ELECT	10uF	20%	50V	D703	8-719-987-63	DIODE 1N4148M
C831	1-124-962-11	ELECT	2200uF	20%	25V	D704	8-719-987-63	DIODE 1N4148M
C832	1-106-367-00	MYLAR	0. 01uF	5%	200V	D751	8-719-987-63	DIODE 1N4148M
C833	1-161-055-00	CERAMIC	0. 022uF	10%	50V	D801	8-719-302-37	DIODE RBV-602
C834	1-161-055-00	CERAMIC	0. 022uF	10%	50V	D802	8-719-934-23	DIODE HZS30-3L
C835	1-124-910-11	ELECT	47uF	20%	50V	D831	8-719-200-82	DIODE 11ES2
C837	1-161-055-00	CERAMIC	0. 022uF	10%	50V	D832	8-719-200-82	DIODE 11ES2
C838	1-124-910-11	ELECT	47uF	20%	50V	D833	8-719-200-82	DIODE 11ES2
C851	1-125-479-11	ELECT	10000uF	20%	63V	D834	8-719-200-82	DIODE 11ES2
C852	1-124-962-11	ELECT	2200uF	20%	25V	D851	8-719-504-60	DIODE S4VB60
C853	1-124-962-11	ELECT	2200uF	20%	25V			< FUSE >
C881	1-124-962-11	ELECT	2200uF	20%	25V	F851	△ 1-576-107-11	FUSE
C882	1-106-367-00	MYLAR	0. 01uF	5%	200V	F852	△ 1-576-107-11	FUSE
C883	1-161-055-00	CERAMIC	0. 022uF	10%	50V			< IC >
		< CONNECTOR >						
CNP401 *	1-506-707-11	PLUG, CONNECTOR (2. 5MM) 3P				IC301	8-759-634-50	IC M5218AL
CNP501 *	1-506-710-11	PLUG, CONNECTOR (2. 5MM) 8P				IC306	8-759-805-14	IC LC7822
CNP502 *	1-506-709-11	PLUG, CONNECTOR (2. 5MM) 7P				IC307	8-759-805-14	IC LC7822
CNP503 *	1-564-779-11	PLUG, CONNECTOR (2. 5MM) 6P				IC401	8-759-634-50	IC M5218AL
CNP504 *	1-506-608-11	PIN, CONNECTOR 10P				IC402	8-759-634-50	IC M5218AL
CNP505 *	1-560-532-00	PIN, CONNECTOR 7P				IC403	8-759-634-50	IC M5218AL
CNP506	1-569-596-11	PLUG, CONNECTOR (2. 5MM) 3P				IC404	8-759-801-01	IC LC4966
CNP601 *	1-506-710-11	PLUG, CONNECTOR (2. 5MM) 8P				IC405	8-759-823-63	IC LV1001M
CNP602 *	1-506-707-21	PLUG, CONNECTOR (2. 5MM) 3P				IC406	8-759-821-13	IC LM3364K-15
CNP603 *	1-506-707-11	PLUG, CONNECTOR (2. 5MM) 3P				IC501	8-759-820-62	IC LB1639
CNP802 *	1-564-779-11	PLUG, CONNECTOR (2. 5MM) 6P				IC502	8-759-155-28	IC uPD75517GF-022-3B9
		< DIODE >				IC601	8-759-634-50	IC M5218AL
D301	8-719-987-63	DIODE 1N4148M				IC602	8-759-634-50	IC M5218AL
D501	8-719-109-89	DIODE RD5. 6ES-B2				IC603	8-759-634-50	IC M5218AL
D502	8-719-987-63	DIODE 1N4148M				IC642	8-759-634-51	IC M5218AP
D503	8-719-987-63	DIODE 1N4148M				IC643	8-759-820-11	IC LC7535
D506	8-719-987-63	DIODE 1N4148M						< JACK >
D507	8-719-987-63	DIODE 1N4148M				JP304 *	1-573-028-11	JACK, PIN 4P (TAPE 2 IN/OUT)
D508	8-719-987-63	DIODE 1N4148M						
D510	8-719-987-63	DIODE 1N4148M						

Note:

The components identified by mark △ or dotted line with mark △ are critical for safety. Replace only with part number specified.

Note:

Les composants identifiés par une marque △ sont critiques pour la sécurité. Ne les remplacer que par une pièce portant le numéro spécifié.

Ref. No.	Part No.	Description	Remark	Ref. No.	Part No.	Description	Remark
< INDUCTOR >							
L401	1-410-521-11	INDUCTOR 100uH		R303	1-249-417-11	CARBON 1K 5% 1/4W	
L501	1-410-521-11	INDUCTOR 100uH		R304	1-249-417-11	CARBON 1K 5% 1/4W	
L701	* 1-420-872-00	COIL, AIR CORE		R305	1-249-417-11	CARBON 1K 5% 1/4W	
L751	* 1-420-872-00	COIL, AIR CORE		R306	1-249-417-11	CARBON 1K 5% 1/4W	
< JACK >							
P301	1-580-826-11	JACK, PIN 6P (PHONE, CD, DAT OUT)		R307	1-249-417-11	CARBON 1K 5% 1/4W	
P302	1-580-825-11	JACK, PIN 6P (DAT IN, TAPE 1 IN/OUT)		R308	1-249-417-11	CARBON 1K 5% 1/4W	
P303	1-580-825-11	JACK, PIN 6P (VIDEO 2, VIDEO 1 IN/OUT)		R309	1-249-417-11	CARBON 1K 5% 1/4W	
< TRANSISTOR >							
Q301	8-729-141-30	TRANSISTOR 2SC3623A-LK		R310	1-249-417-11	CARBON 1K 5% 1/4W	
Q303	8-729-900-80	TRANSISTOR DTC114ES		R311	1-249-417-11	CARBON 1K 5% 1/4W	
Q351	8-729-141-30	TRANSISTOR 2SC3623ATP-LK		R317	1-249-437-11	CARBON 47K 5% 1/4W	
Q403	8-729-209-15	TRANSISTOR 2SD2012		R321	1-249-441-11	CARBON 100K 5% 1/4W	
Q501	8-729-209-15	TRANSISTOR 2SD2012		R322	1-249-441-11	CARBON 100K 5% 1/4W	
Q504	8-729-119-79	TRANSISTOR 2SC2785-FEK		R323	1-249-415-11	CARBON 680 5% 1/4W	
Q505	8-729-900-63	TRANSISTOR DTA124ES		R324	1-247-897-11	CARBON 560K 5% 1/4W	
Q506	8-729-900-36	TRANSISTOR DTC124ES		R325	1-249-437-11	CARBON 47K 5% 1/4W	
Q510	8-729-900-63	TRANSISTOR DTA124ES		R326	1-249-441-11	CARBON 100K 5% 1/4W	
Q511	8-729-900-36	TRANSISTOR DTC124ES		R327	1-249-409-11	CARBON 220 5% 1/4W	
Q512	8-729-900-63	TRANSISTOR DTA124ES		R328	1-249-405-11	CARBON 100 5% 1/4W	
Q513	8-729-900-36	TRANSISTOR DTC124ES		R329	1-249-405-11	CARBON 100 5% 1/4W	
Q514	8-729-900-36	TRANSISTOR DTC124ES		R332	1-249-405-11	CARBON 100 5% 1/4W	
Q515	8-729-900-36	TRANSISTOR DTC124ES		R333	1-249-421-11	CARBON 2.2K 5% 1/4W	
Q516	8-729-900-63	TRANSISTOR DTA124ES		R334	1-249-425-11	CARBON 4.7K 5% 1/4W	
Q517	8-729-900-63	TRANSISTOR DTA124ES		R335	1-249-437-11	CARBON 47K 5% 1/4W	
Q518	8-729-900-63	TRANSISTOR DTA124ES		R336	1-249-437-11	CARBON 47K 5% 1/4W	
Q520	8-729-900-63	TRANSISTOR DTA124ES		R351	1-249-411-11	CARBON 330 5% 1/4W	
Q601	8-729-202-67	TRANSISTOR 2SK246GR3		R352	1-249-417-11	CARBON 1K 5% 1/4W	
Q602	8-729-119-79	TRANSISTOR 2SC2785-FEK		R353	1-249-417-11	CARBON 1K 5% 1/4W	
Q603	8-729-141-30	TRANSISTOR 2SC3623A-LK		R354	1-249-417-11	CARBON 1K 5% 1/4W	
Q604	8-729-141-30	TRANSISTOR 2SC3623A-LK		R355	1-249-417-11	CARBON 1K 5% 1/4W	
Q641	8-729-141-30	TRANSISTOR 2SC3623A-LK		R356	1-249-417-11	CARBON 1K 5% 1/4W	
Q651	8-729-202-67	TRANSISTOR 2SK246GR3		R357	1-249-417-11	CARBON 1K 5% 1/4W	
Q652	8-729-119-79	TRANSISTOR 2SC2785-FEK		R358	1-249-417-11	CARBON 1K 5% 1/4W	
Q653	8-729-141-30	TRANSISTOR 2SC3623A-LK		R359	1-249-417-11	CARBON 1K 5% 1/4W	
Q654	8-729-141-30	TRANSISTOR 2SC3623A-LK		R360	1-249-417-11	CARBON 1K 5% 1/4W	
Q701	8-729-140-82	TRANSISTOR 2SA988-PAFAEA		R361	1-249-417-11	CARBON 1K 5% 1/4W	
Q702	8-729-119-79	TRANSISTOR 2SC2785-FEK		R367	1-249-437-11	CARBON 47K 5% 1/4W	
Q703	8-729-119-79	TRANSISTOR 2SC2785-FEK		R371	1-249-441-11	CARBON 100K 5% 1/4W	
Q704	8-729-119-79	TRANSISTOR 2SC2785-FEK		R372	1-249-441-11	CARBON 100K 5% 1/4W	
Q705	8-729-119-79	TRANSISTOR 2SC2785-FEK		R373	1-249-415-11	CARBON 680 5% 1/4W	
Q751	8-729-140-82	TRANSISTOR 2SA988-PAFAEA		R374	1-247-897-11	CARBON 560K 5% 1/4W	
Q801	8-729-141-89	TRANSISTOR 2SD1585-LK		R375	1-249-437-11	CARBON 47K 5% 1/4W	
< RESISTOR >							
R301	1-249-411-11	CARBON 330 5% 1/4W		R376	1-249-441-11	CARBON 100K 5% 1/4W	
R302	1-249-417-11	CARBON 1K 5% 1/4W		R377	1-249-409-11	CARBON 220 5% 1/4W	
				R382	1-249-405-11	CARBON 100 5% 1/4W	
				R383	1-249-421-11	CARBON 2.2K 5% 1/4W	
				R401	1-247-887-00	CARBON 220K 5% 1/4W	
				R402	1-247-887-00	CARBON 220K 5% 1/4W	
				R403	1-249-417-11	CARBON 1K 5% 1/4W	
				R404	1-249-429-11	CARBON 10K 5% 1/4W	
				R405	1-249-429-11	CARBON 10K 5% 1/4W	

MAIN

Ref. No.	Part No.	Description	Remark	Ref. No.	Part No.	Description	Remark
R406	1-249-429-11	CARBON	10K 5% 1/4W	R523	1-249-429-11	CARBON	10K 5% 1/4W
R407	1-249-429-11	CARBON	10K 5% 1/4W	R524	1-249-429-11	CARBON	10K 5% 1/4W
R408	1-247-895-00	CARBON	470K 5% 1/4W	R525	1-249-429-11	CARBON	10K 5% 1/4W
R409	1-249-429-11	CARBON	10K 5% 1/4W	R526	1-249-429-11	CARBON	10K 5% 1/4W
R410	1-249-429-11	CARBON	10K 5% 1/4W	R527	1-249-429-11	CARBON	10K 5% 1/4W
R411	1-249-441-11	CARBON	100K 5% 1/4W	R528	1-249-417-11	CARBON	1K 5% 1/4W
R414	1-247-903-00	CARBON	1M 5% 1/4W	R529	1-249-429-11	CARBON	10K 5% 1/4W
R415	1-249-437-11	CARBON	47K 5% 1/4W	R530	1-249-429-11	CARBON	10K 5% 1/4W
R416	1-249-423-11	CARBON	3. 3K 5% 1/4W	R531	1-249-437-11	CARBON	47K 5% 1/4W
R417	1-249-428-11	CARBON	8. 2K 5% 1/4W	R532	1-249-437-11	CARBON	47K 5% 1/4W
R418	1-249-428-11	CARBON	8. 2K 5% 1/4W	R533	1-249-437-11	CARBON	47K 5% 1/4W
R419	1-249-431-11	CARBON	15K 5% 1/4W	R534	1-249-437-11	CARBON	47K 5% 1/4W
R420	1-249-428-11	CARBON	8. 2K 5% 1/4W	R535	1-249-437-11	CARBON	47K 5% 1/4W
R423	1-249-425-11	CARBON	4. 7K 5% 1/4W	R536	1-249-429-11	CARBON	10K 5% 1/4W
R424	1-249-430-11	CARBON	12K 5% 1/4W	R537	1-249-437-11	CARBON	47K 5% 1/4W
R428	1-249-436-11	CARBON	39K 5% 1/4W	R538	1-249-429-11	CARBON	10K 5% 1/4W
R429	1-249-419-11	CARBON	1. 5K 5% 1/4W	R539	1-249-425-11	CARBON	4. 7K 5% 1/4W
R430	1-249-428-11	CARBON	8. 2K 5% 1/4W	R540	1-247-903-00	CARBON	1M 5% 1/4W
R451	1-247-887-00	CARBON	220K 5% 1/4W	R541	1-249-429-11	CARBON	10K 5% 1/4W
R452	1-247-887-00	CARBON	220K 5% 1/4W	R542	1-249-429-11	CARBON	10K 5% 1/4W
R453	1-249-417-11	CARBON	1K 5% 1/4W	R543	1-249-429-11	CARBON	10K 5% 1/4W
R454	1-249-429-11	CARBON	10K 5% 1/4W	R544	1-249-429-11	CARBON	10K 5% 1/4W
R455	1-249-429-11	CARBON	10K 5% 1/4W	R545	1-249-429-11	CARBON	10K 5% 1/4W
R456	1-247-887-00	CARBON	220K 5% 1/4W	R601	1-249-417-11	CARBON	1K 5% 1/4W
R457	1-247-887-00	CARBON	220K 5% 1/4W	R602	1-249-426-11	CARBON	5. 6K 5% 1/4W
R458	1-247-895-00	CARBON	470K 5% 1/4W	R603	1-249-441-11	CARBON	100K 5% 1/4W
R459	1-249-429-11	CARBON	10K 5% 1/4W	R604	1-249-417-11	CARBON	1K 5% 1/4W
R460	1-249-429-11	CARBON	10K 5% 1/4W	R605	1-247-883-00	CARBON	150K 5% 1/4W
R461	1-249-441-11	CARBON	100K 5% 1/4W	R606	1-249-412-11	CARBON	390 5% 1/4W
R479	1-249-419-11	CARBON	1. 5K 5% 1/4W	R607	1-249-427-11	CARBON	6. 8K 5% 1/4W
R501	1-249-437-11	CARBON	47K 5% 1/4W	R608	1-247-903-00	CARBON	1M 5% 1/4W
R502	1-249-437-11	CARBON	47K 5% 1/4W	R609	1-249-421-11	CARBON	2. 2K 5% 1/4W
R503	1-249-387-11	CARBON	3. 3 5% 1/4W	R610	1-249-432-11	CARBON	18K 5% 1/4W
R504	1-249-417-11	CARBON	1K 5% 1/4W	R611	1-249-417-11	CARBON	1K 5% 1/4W
R506	1-249-405-11	CARBON	100 5% 1/4W	R612	1-249-405-11	CARBON	100 5% 1/4W
R507	1-249-437-11	CARBON	47K 5% 1/4W	R613	1-249-429-11	CARBON	10K 5% 1/4W
R508	1-249-437-11	CARBON	47K 5% 1/4W	R614	1-249-417-11	CARBON	1K 5% 1/4W
R509	1-249-426-11	CARBON	5. 6K 5% 1/4W	R615	1-249-441-11	CARBON	100K 5% 1/4W
R510	1-249-421-11	CARBON	2. 2K 5% 1/4W	R616	1-249-417-11	CARBON	1K 5% 1/4W
R511	1-249-429-11	CARBON	10K 5% 1/4W	R617	1-249-431-11	CARBON	15K 5% 1/4W
R512	1-249-429-11	CARBON	10K 5% 1/4W	R618	1-247-885-00	CARBON	180K 5% 1/4W
R513	1-249-429-11	CARBON	10K 5% 1/4W	R619	1-249-429-11	CARBON	10K 5% 1/4W
R514	1-249-429-11	CARBON	10K 5% 1/4W	R620	1-249-424-11	CARBON	3. 9K 5% 1/4W
R515	1-249-429-11	CARBON	10K 5% 1/4W	R621	1-249-441-11	CARBON	100K 5% 1/4W
R516	1-249-429-11	CARBON	10K 5% 1/4W	R622	1-249-441-11	CARBON	100K 5% 1/4W
R517	1-249-425-11	CARBON	4. 7K 5% 1/4W	R624	1-249-433-11	CARBON	22K 5% 1/4W
R518	1-249-437-11	CARBON	47K 5% 1/4W	R642	1-249-417-11	CARBON	1K 5% 1/4W
R519	1-249-421-11	CARBON	2. 2K 5% 1/4W	R644	1-247-887-00	CARBON	220K 5% 1/4W
R520	1-249-437-11	CARBON	47K 5% 1/4W	R646	1-249-426-11	CARBON	5. 6K 5% 1/4W
R521	1-249-423-11	CARBON	3. 3K 5% 1/4W	R647	1-249-435-11	CARBON	33K 5% 1/4W

MAIN

TUNER

Ref. No.	Part No.	Description	Remark	Ref. No.	Part No.	Description	Remark
R648	1-249-405-11	CARBON	100 5% 1/4W			< VIBRATOR >	
R651	1-249-417-11	CARBON	1K 5% 1/4W				
R652	1-249-426-11	CARBON	5. 6K 5% 1/4W	X401	1-567-132-00	RESONATOR, CERAMIC	8. 00MHz
R653	1-249-441-11	CARBON	100K 5% 1/4W	X501	1-577-101-11	VIBRATOR, CERAMIC	
R654	1-249-417-11	CARBON	1K 5% 1/4W	*****			
R655	1-247-883-00	CARBON	150K 5% 1/4W			* A-4345-314-A TUNER BOARD, COMPLETE (US, Canadian)	
R656	1-249-412-11	CARBON	390 5% 1/4W			* A-4345-315-A TUNER BOARD, COMPLETE (UK)	
R657	1-249-427-11	CARBON	6. 8K 5% 1/4W			*****	
R658	1-247-903-00	CARBON	1M 5% 1/4W			< CAPACITOR >	
R659	1-249-421-11	CARBON	2. 2K 5% 1/4W				
R660	1-249-432-11	CARBON	18K 5% 1/4W				
R661	1-249-417-11	CARBON	1K 5% 1/4W	C1	1-163-141-00	CERAMIC CHIP	0. 001uF 5% 50V
R662	1-249-405-11	CARBON	100 5% 1/4W	C2	1-124-477-11	ELECT	47uF 20% 25V
R663	1-249-429-11	CARBON	10K 5% 1/4W	C3	1-164-232-11	CERAMIC CHIP	0. 01uF 50V
R664	1-249-417-11	CARBON	1K 5% 1/4W	C4	1-163-141-00	CERAMIC CHIP	0. 001uF 5% 50V
R665	1-249-441-11	CARBON	100K 5% 1/4W	C5	1-164-232-11	CERAMIC CHIP	0. 01uF 50V
R666	1-249-417-11	CARBON	1K 5% 1/4W	C10	1-163-037-11	CERAMIC CHIP	0. 022uF 10% 25V
R667	1-249-431-11	CARBON	15K 5% 1/4W	C21	1-161-021-11	CERAMIC	0. 047uF 10% 25V
R668	1-247-885-00	CARBON	180K 5% 1/4W	C22	1-164-232-11	CERAMIC CHIP	0. 01uF 50V
R670	1-249-424-11	CARBON	3. 9K 5% 1/4W	C23	1-124-477-11	ELECT	47uF 20% 25V
R671	1-249-441-11	CARBON	100K 5% 1/4W	C24	1-123-382-00	ELECT	3. 3uF 20% 100V
R672	1-249-441-11	CARBON	100K 5% 1/4W	C25	1-164-232-11	CERAMIC CHIP	0. 01uF 50V
R674	1-249-433-11	CARBON	22K 5% 1/4W	C26	1-163-019-00	CERAMIC CHIP	0. 0068uF 10% 50V
R699	1-249-429-11	CARBON	10K 5% 1/4W	C27	1-163-117-00	CERAMIC CHIP	100PF 5% 50V
R721	1-249-431-11	CARBON	15K 5% 1/4W	C28	1-124-903-11	ELECT	1uF 20% 50V
R722	△ 1-247-727-11	CARBON	10 5% 1/2W F	C30	1-124-903-11	ELECT	1uF 20% 50V
R723	1-249-433-11	CARBON	22K 5% 1/4W	C31	1-124-902-00	ELECT	0. 47uF 20% 50V
R724	1-247-768-00	CARBON	2. 4 5% 1/4W	C32	1-124-463-00	ELECT	0. 1uF 20% 50V
R725	1-247-768-00	CARBON	2. 4 5% 1/4W	C33	1-130-481-00	MYLAR	0. 0068uF 5% 50V (UK)
R726	1-249-435-11	CARBON	33K 5% 1/4W	C33	1-130-482-00	MYLAR	0. 0082uF 5% 50V (US, Canadian)
R727	1-249-435-11	CARBON	33K 5% 1/4W	C34	1-123-382-00	ELECT	3. 3uF 20% 100V
R728	1-249-427-11	CARBON	6. 8K 5% 1/4W	C35	1-130-481-00	MYLAR	0. 0068uF 5% 50V (UK)
R729	1-249-405-11	CARBON	100 5% 1/4W	C35	1-130-482-00	MYLAR	0. 0082uF 5% 50V (US, Canadian)
R730	1-249-437-11	CARBON	47K 5% 1/4W	C36	1-123-382-00	ELECT	3. 3uF 20% 100V
R745	1-249-435-11	CARBON	33K 5% 1/4W	C37	1-124-907-11	ELECT	10uF 20% 50V
R771	1-249-431-11	CARBON	15K 5% 1/4W	C39	1-164-232-11	CERAMIC CHIP	0. 01uF 50V
R772	△ 1-247-727-11	CARBON	10 5% 1/2W F	C40	1-124-463-00	ELECT	0. 1uF 20% 50V
R773	1-249-433-11	CARBON	22K 5% 1/4W	C41	1-124-927-11	ELECT	4. 7uF 20% 100V
R774	1-247-768-00	CARBON	2. 4 5% 1/4W	C42	1-164-232-11	CERAMIC CHIP	0. 01uF 50V
R775	1-247-768-00	CARBON	2. 4 5% 1/4W	C43	1-126-176-11	ELECT	220uF 20% 10V
R776	1-249-435-11	CARBON	33K 5% 1/4W	C44	1-164-232-11	CERAMIC CHIP	0. 01uF 50V
R801	1-249-409-11	CARBON	220 5% 1/4W	C45	1-123-382-00	ELECT	3. 3uF 20% 100V
R802	1-249-426-11	CARBON	5. 6K 5% 1/4W	C46	1-164-161-11	CERAMIC CHIP	0. 0022uF 10% 100V
R803	△ 1-216-427-00	METAL OXIDE	120 5% 1W F	C48	1-123-382-00	ELECT	3. 3uF 20% 100V
R831	1-249-385-11	CARBON	2. 2 5% 1/6W	C49	1-164-161-11	CERAMIC CHIP	0. 0022uF 10% 100V
R881	1-249-385-11	CARBON	2. 2 5% 1/6W	C51	1-124-477-11	ELECT	47uF 20% 25V
		< RELAY >		C61	1-163-037-11	CERAMIC CHIP	0. 022uF 10% 25V
RY301	1-515-726-11	RELAY		C62	1-163-037-11	CERAMIC CHIP	0. 022uF 10% 25V
RY701	1-515-732-11	RELAY		C63	1-163-037-11	CERAMIC CHIP	0. 022uF 10% 25V
				C64	1-163-037-11	CERAMIC CHIP	0. 022uF 10% 25V

Note:
The components identified by mark △ or dotted line with mark △ are critical for safety. Replace only with part number specified.

Note:
Les composants identifiés par une marque △ sont critiques pour la sécurité. Ne les remplacer que par une pièce portant le numéro spécifié.

TUNER

Ref. No.	Part No.	Description	Remark	Ref. No.	Part No.	Description	Remark
C81	1-102-961-00	CERAMIC	27PF 5%				
C82	1-102-961-00	CERAMIC	27PF 5%				
C83	1-164-232-11	CERAMIC CHIP	0.01uF 50V				
C84	1-164-232-11	CERAMIC CHIP	0.01uF 50V				
C85	1-164-232-11	CERAMIC CHIP	0.01uF 50V				
C86	1-124-477-11	ELECT	47uF 20%				
C87	1-164-232-11	CERAMIC CHIP	0.01uF 50V				
C101	1-124-925-11	ELECT	2.2uF 20%				
C102	1-124-463-00	ELECT	0.1uF 20%				
C104	1-164-232-11	CERAMIC CHIP	0.01uF 50V				
C105	1-124-477-11	ELECT	47uF 20%				
		< FILTER >					
CF1	1-567-389-11	FILTER, CERAMIC					
CF2	1-567-389-11	FILTER, CERAMIC					
CF21	1-577-075-11	OSCILLATOR, CERAMIC					
		< TRANSFORMER >					
CFT21	1-404-853-11	TRANSFORMER, IF (CERAMIC FILTER)					
		< CONNECTOR >					
CNJ1	* 1-565-486-11	CONNECTOR, BOARD TO BOARD 10P					
CNJ2	* 1-565-483-11	CONNECTOR, BOARD TO BOARD 7P					
		< FRONT END >					
FE1	1-465-006-11	FRONT END (FM) (2 GANG)					
FE61	1-236-461-11	ENCAPSULATED COMPONENT					
		< IC >					
IC21	8-759-821-45	IC LA1851N					
IC81	8-759-820-91	IC LC7218					
		< INDUCTOR >					
L21	1-410-494-11	INDUCTOR 1MMH					
		< FILTER >					
LPF21	1-235-164-00	FILTER, LOW PASS					
LPF22	1-235-164-00	FILTER, LOW PASS					
		< TRANSISTOR >					
Q1	8-729-230-XX	TRANSISTOR 2SC26690Y					
Q21	8-729-119-78	TRANSISTOR 2SC2785-HFE					
Q22	8-729-119-78	TRANSISTOR 2SC2785-HFE					
Q23	8-729-900-61	TRANSISTOR DTA114ES					
Q24	8-729-900-80	TRANSISTOR DTC114ES					
Q25	8-729-900-80	TRANSISTOR DTC114ES					
Q81	8-729-900-61	TRANSISTOR DTA114ES					
Q82	8-729-900-80	TRANSISTOR DTC114ES					
Q83	8-729-202-67	TRANSISTOR 2SK246GR3					
Q84	8-729-230-93	TRANSISTOR 2SC3113-AB					
		< RESISTOR >					
R1	1-249-401-11	CARBON	47 5%				1/4W
R4	1-216-013-00	METAL CHIP	33 5%				1/10W
R5	1-216-013-00	METAL CHIP	33 5%				1/10W
R6	1-216-037-00	METAL CHIP	330 5%				1/10W
R7	1-216-109-00	METAL CHIP	330K 5%				1/10W
R21	1-249-404-00	CARBON	82 5%				1/4W
R22	1-216-081-00	METAL CHIP	22K 5%				1/10W (UK)
R22	1-247-724-11	CARBON	8.2K 5%				1/4W (US, Canadian)
R23	1-216-049-00	METAL CHIP	1K 5%				1/10W
R24	1-216-085-00	METAL CHIP	33K 5%				1/10W
R25	1-216-071-00	METAL CHIP	8.2K 5%				1/10W
R27	1-249-461-11	CARBON	18K 5%				1/4W
R28	1-247-719-11	CARBON	3.3K 5%				1/4W
R29	1-216-073-00	METAL CHIP	10K 5%				1/10W
R31	1-216-041-00	METAL CHIP	470 5%				1/10W
R32	1-216-073-00	METAL CHIP	10K 5%				1/10W
R33	1-216-073-00	METAL CHIP	10K 5%				1/10W
R34	1-249-465-11	CARBON	47K 5%				1/4W
R35	1-216-089-00	METAL CHIP	47K 5%				1/10W
R37	1-216-109-00	METAL CHIP	330K 5%				1/10W
R39	1-216-057-00	METAL CHIP	2.2K 5%				1/10W
R40	1-216-055-00	METAL CHIP	1.8K 5%				1/10W
R41	1-216-067-00	METAL CHIP	5.6K 5%				1/10W
R42	1-216-109-00	METAL CHIP	330K 5%				1/10W
R44	1-216-057-00	METAL CHIP	2.2K 5%				1/10W
R45	1-216-055-00	METAL CHIP	1.8K 5%				1/10W
R46	1-216-067-00	METAL CHIP	5.6K 5%				1/10W
R47	1-249-409-11	CARBON	220 5%				1/4W
R61	1-216-097-00	METAL CHIP	100K 5%				1/10W
R62	1-216-089-00	METAL CHIP	47K 5%				1/10W
R63	1-216-009-00	METAL CHIP	22 5%				1/10W
R81	1-216-049-00	METAL CHIP	1K 5%				1/10W
R82	1-216-049-00	METAL CHIP	1K 5%				1/10W
R83	1-216-049-00	METAL CHIP	1K 5%				1/10W
R84	1-216-049-00	METAL CHIP	1K 5%				1/10W
R85	1-216-073-00	METAL CHIP	10K 5%				1/10W
R86	1-216-049-00	METAL CHIP	1K 5%				1/10W
R87	1-216-073-00	METAL CHIP	10K 5%				1/10W
R88	1-216-065-00	METAL CHIP	4.7K 5%				1/10W
R89	1-216-049-00	METAL CHIP	1K 5%				1/10W
R90	1-216-073-00	METAL CHIP	10K 5%				1/10W
R91	1-216-049-00	METAL CHIP	1K 5%				1/10W
R92	1-249-401-11	CARBON	47 5%				1/4W
R101	1-216-061-00	METAL CHIP	3.3K 5%				1/10W
R102	1-216-043-00	METAL CHIP	560 5%				1/10W
R103	1-216-049-00	METAL CHIP	1K 5%				1/10W
R104	1-216-035-00	METAL CHIP	270 5%				1/10W
R105	1-216-065-00	METAL CHIP	4.7K 5%				1/10W
R106	1-216-057-00	METAL CHIP	2.2K 5%				1/10W

TUNER

PT

REGULATOR

SURROUND

Ref. No.	Part No.	Description	Remark	Ref. No.	Part No.	Description	Remark
R107	1-216-065-00	METAL CHIP	4.7K 5% 1/10W				
R108	1-216-025-00	METAL CHIP	100 5% 1/10W				
R109	1-216-065-00	METAL CHIP	4.7K 5% 1/10W				
R110	1-249-405-11	CARBON	100 5% 1/4W				
		< VARIABLE RESISTOR >					
RV21	1-238-015-11	RES, ADJ, CARBON	4.7K				
RV24	1-238-016-11	RES, ADJ, CARBON	10K				
RV25	1-238-016-11	RES, ADJ, CARBON	10K				
		< TRANSFORMER >					
T21	1-404-880-11	TRANSFORMER, DISCRIMINATOR					
		< TERMINAL >					
TM1	* 1-537-264-11	TERMINAL BOARD (US, Canadian)					
TM1	* 1-537-288-11	TERMINAL BOARD (PAL) (UK)					
		< CONNENCTOR >					
TP1	* 1-560-060-00	PIN, CONNECTOR 2P					
		< VIBLATOR >					
XT81	1-577-126-11	VIBRATOR, CRYSTAL					

	* 1-638-583-11	PT BOARD					

	1-533-217-31	HOLDER, FUSE					
		< CONNECTOR >					
CNP851	* 1-506-680-11	PLUG, CONNECTOR (2.5MM) 3P					
		< FUSE >					
F851	△ 1-576-107-11	FUSE 3.15A 125V (US, Canadian)					
F852	△ 1-576-107-11	FUSE 3.15A 125V (US, Canadian)					

	* 1-638-584-11	REGULATOR BOARD					

		< IC >					
IC831	8-759-604-39	IC M5F78M12L					
IC881	8-759-604-45	IC M5F79M12L					

	* 1-638-585-11	SURROUND BOARD					

		< CAPACITOR >					
C731	1-126-163-11	ELECT	4.7uF 20% 50V				
C732	1-102-106-00	CERAMIC	100PF 10% 50V				
C733	1-102-106-00	CERAMIC	100PF 10% 50V				
C734	1-126-163-11	ELECT	4.7uF 20% 50V				
C735	1-162-195-31	CERAMIC	4.7PF 10% 50V				
C736	1-126-059-11	ELECT	10uF 20% 50V				
C737	1-126-059-11	ELECT	10uF 20% 50V				
C738	1-136-165-00	FILM	0.1uF 5% 50V				
C739	1-130-487-00	MYLAR	0.022uF 5% 50V				
		< CONNECTOR >					
CNP730	* 1-506-710-11	PLUG, CONNECTOR (2.5MM) 8P					
		< DIODE >					
D731	8-719-987-63	DIODE 1N4148M					
		< IC >					
IC731	8-759-502-33	IC SI-18752					
		< COIL >					
L731	* 1-420-872-00	COIL, AIR CORE					
		< TRANSISTOR >					
Q731	8-729-140-82	TRANSISTOR 2SA988-PAFAEA					
		< RESISTOR >					
R731	1-249-417-11	CARBON	1K 5% 1/4W				
R732	1-249-439-11	CARBON	68K 5% 1/4W				
R733	1-249-419-11	CARBON	1.5K 5% 1/4W				
R734	1-249-439-11	CARBON	68K 5% 1/4W				
R735	1-249-417-11	CARBON	1K 5% 1/4W				
R736	1-249-431-11	CARBON	15K 5% 1/4W				
R737	1-217-151-00	RES, METAL PLATE	0.22				
R738	1-249-393-11	CARBON	10 5% 1/4W				
R739	1-247-768-00	CARBON	2.4 5% 1/4W				
R740	1-247-768-00	CARBON	2.4 5% 1/4W				
R741	1-249-433-11	CARBON	22K 5% 1/4W				
R742	1-249-435-11	CARBON	33K 5% 1/4W				

Note:

The components identified by mark △ or dotted line with mark △ are critical for safety. Replace only with part number specified.

Note:

Les composants identifiés par une marque △ sont critiques pour la sécurité. Ne les remplacer que par une pièce portant le numéro spécifié.

ADAPTOR

Ref. No. Part No. Description Remark

* 1-639-512-11 ADAPTOR BOARD

< CONNECTOR >

CNP604 * 1-506-707-11 PLUG, CONNECTOR (2.5MM) 3P

< JACK >

P601 * 1-573-028-11 JACK, PIN 4P (ADAPTOR IN/OUT)

MISCCERANEUS

52 1-572-291-11 SWITCH, ROTARY SLIDE
56 ▲ 1-551-478-00 CORD, POWER (US, Canadian)
56 ▲ 1-556-035-00 CORD, POWER (UK)
58 1-535-706-11 PLUG, JUMPER
CNJ901▲ 1-526-751-00 OUTLET, AC (UK)

T802 ▲ 1-450-426-11 TRANSFORMER, POWER (US)
T802 ▲ 1-450-427-11 TRANSFORMER, POWER (Canadian)
T802 ▲ 1-450-428-11 TRANSFORMER, POWER (UK)

ACCESSORYS AND PACKING MATERIALS

1-465-423-11 REMOTE COMMANDER (RM-S103) (US, Canadian)
1-465-810-11 COMMANDER, STANDARD (RM-P311) (UK)
1-501-369-11 ANTENNA (UK)
1-501-374-11 ANTENNA, LOOP
2-181-754-01 COVER, BATTERY (FOR RM-S103) (US, Canadian)

3-753-197-21 MANUAL, INSTRUCTION
3-753-197-31 MANUAL, INSTRUCTION (Canadian)
3-753-197-41 MANUAL, INSTRUCTION (UK)
4-925-079-01 COVER (G), BATTERY (UK)
* 3-704-350-01 SHEET (STANDARD), PROTECTION

* 4-943-615-01 CUSHION
* 4-945-406-01 INDIVIDUAL CARTON

HARDWARE LIST

#1 7-685-646-79 SCREW +BTP 3X8 TYPE2 N-S (US, Canadian)
#2 7-685-647-79 SCREW +BVTP 3X10 TYPE2 N-S
#3 7-682-548-04 SCREW +BVTT 3X8 (S)
#4 7-682-548-09 SCREW +BVTT 3X8 (S)
#5 7-682-550-04 SCREW +BVTT 3X12 (S)

#6 7-682-552-04 SCREW +BVTT 3X16 (S)
#7 7-682-561-04 SCREW +BVTT 4X8 (S)

Note:
The components identified by mark ▲ or dotted line with mark ▲ are critical for safety. Replace only with part number specified.

Note:
Les composants identifiés par une marque ▲ sont critiques pour la sécurité. Ne les remplacer que par une pièce portant le numéro spécifié.


STR-AV770X


SONY SERVICE MANUAL

US Model
Canadian Model
UK Model

CORRECTION-1

Correct your service manual as shown below.

 : indicates corrected portion.

Page	INCORRECT			CORRECT	
	No.	Part No.	Description	Part No.	Description
36		*1-638-590-11	STAND BY BOARD	*A-4341-934-A	STAND-BY BOARD, COMPLETE (US, Canadian)
					
				*A-4345-317-A	STAND-BY BOARD, COMPLETE (UK)

STR-AV770X

SONY SERVICE MANUAL

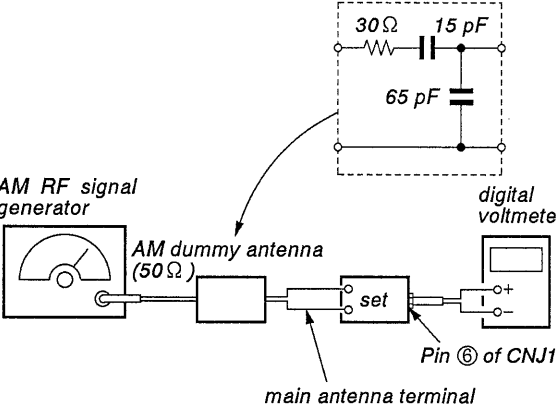
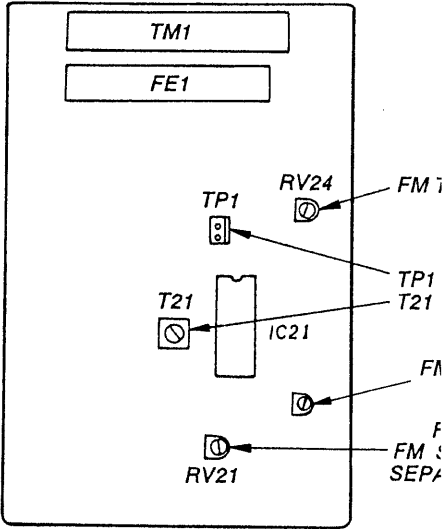
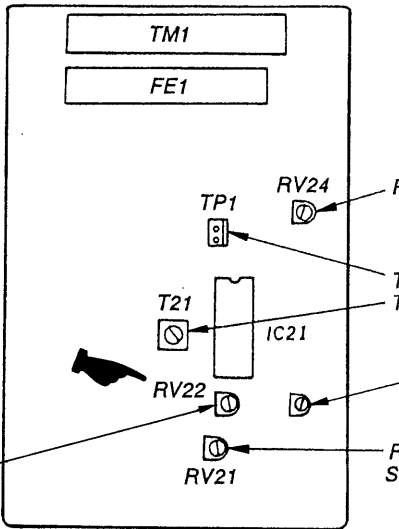
US Model
Canadian Model
UK Model

CORRECTION-2

Please correct your service manual.

 : Corrected portion

Page	Incorrect	Correct
28	<p>Location: C-9 to E-11</p>	<p>Location: C-9 to E-11</p>
29	<p>Location: I-2 to N-5</p>	<p>Location: I-2 to N-5</p>

Page	Incorrect	Correct												
		<p>AM Auto Scan Stop Level Adjustment</p> <p>Setting: BAND switch : AM</p>  <p>Carrier frequency: 1,050 kHz 30% amplitude modulation by 400 Hz signal Output level: 60 dB (1 mV)</p> <p>Procedure:</p> <ol style="list-style-type: none"> 1. Tune the set to 1,050 kHz. 2. Adjust RV22 for 0 V reading on the digital voltmeter. <p>※ Confirm the auto scanning is stopped at the station received.</p> <p>Adjustment Location: Tuner board</p>												
7														
43	<table border="1"> <thead> <tr> <th>Ref. No.</th> <th>Part No.</th> <th>Description</th> </tr> </thead> <tbody> <tr> <td>_____</td> <td>_____</td> <td>_____</td> </tr> </tbody> </table>	Ref. No.	Part No.	Description	_____	_____	_____	<table border="1"> <thead> <tr> <th>Ref. No.</th> <th>Part No.</th> <th>Description</th> </tr> </thead> <tbody> <tr> <td>RV22</td> <td>1-238-017-11</td> <td>RES, ADJ, CARBON 22k</td> </tr> </tbody> </table>	Ref. No.	Part No.	Description	RV22	1-238-017-11	RES, ADJ, CARBON 22k
Ref. No.	Part No.	Description												
_____	_____	_____												
Ref. No.	Part No.	Description												
RV22	1-238-017-11	RES, ADJ, CARBON 22k												