

STR-D365

SERVICE MANUAL

*AEP Model
UK Model
E Model
Australian Model*

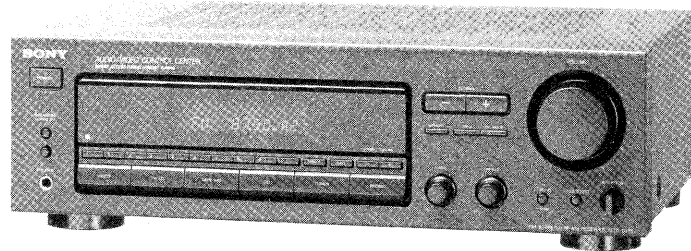


Photo : E model

SPECIFICATIONS

Amplifier section

Power Output (DIN at 1 kHz)
90 + 90 W/4 ohms
(AEP, UK, E model)
80 + 80 W/8 ohms
(Australian model)

Frequency response PHONO: RIAA
equalization curve
±0.5 dB
CD, TAPE/MD, VIDEO:
10 Hz - 50 kHz ±1 dB

Inputs

	Sensitivity	Impedance	S/N (weighting network, input level)
PHONO (MM)	2.5 mV	50 kilohms	74 dB 72 dB* (A, 2.5 mV)
CD	300 mV	50 kilohms	82 dB 82 dB* (A, 250 mV)
TAPE/ MD, TV/ LD, VIDEO	200 mV	50 kilohms	82 dB 82 dB* (A, 250 mV)

* 78 IHF

Outputs

REC OUT VIDEO
(AUDIO) OUT:
Voltage 250 mV,
Impedance 10 kilohms
PHONES: Accepts low
and high impedance
headphones

Muting -20 dB
BASS BOOST +10 dB at 70 Hz
TONE ±8 dB at 100 Hz and
10 kHz

FM tuner section

Tuning range 87.5 - 108.0 MHz
Antenna terminals Except E models :
75 ohms, unbalanced
E model :
300 ohms, balanced
75 ohms, unbalanced

Sensitivity Mono: 18.3 dBf, 2.2 μV/
75 ohms
Stereo: 38.3 dBf, 22.5 μV/
75 ohms

Usable sensitivity 11.2 dBf, 1 μV/ 75 ohms
(IHF)

S/N Mono: 76 dB
Stereo: 70 dB

Harmonic distortion at 1 kHz Mono: 0.3 %
Stereo: 0.5 %

Separation 45 dB at 1 kHz

Frequency response 30 Hz - 15 kHz ^{+0.5} dB ₋₂

Selectivity 60 dB at 400 kHz

AM tuner section

Tuning range Except E models :
531 - 1602 kHz
E model :
530 - 1610 kHz (10 kHz
STEP)
531 - 1602 kHz (9 kHz
STEP)

Antenna Loop antenna

Usable sensitivity 50 dB/m (at 999 kHz)

S/N 54 dB (at 50 mV/m)

Harmonic distortion 0.5 % (50 mV/m,
400 kHz)

Selectivity Except E models :
35dB
E model :
At 9 kHz: 35 dB
At 10 kHz: 40 dB

— Continued on next page —

FM STEREO FM-AM RECEIVER
SONY®



(E model ONLY)

You can change the AM tuning interval to 9 kHz or 10 kHz.
 After tuning in any AM station, turn off the receiver. Hold down the PRESET TUNING + button and press the POWER button. All preset stations will be erased when you change the interval. To reset the interval to 10 kHz or 9 kHz, repeat the procedure.

General

System	Tuner section: PLL quartz-locked digital synthesizer system Pre-amplifier section: Low-noise NF type equalizer Power amplifier section: Pure-complimentary SEPP
Power requirements	Except E models : 220 - 230 V AC, 50/60 Hz E model : 120/220/240 V AC, 50/60 Hz
Power consumption	E, Singapore, Malaysia, HongKong model : 200 W AEP, UK, German, East European, Australian : 180W
Dimensions	Except E models : 430 x 135 x 300 mm E model : 430 x 135 x 295 mm
Mass (Approx.)	Except UK models : 6.8 kg UK model : 7.0kg
Supplied accessories	FM wire antenna (1) AM loop antenna (1) Remote commander (remote) (1) Size AA (R6) batteries (2)

Design and specifications are subject to change without notice.

TABLE OF CONTENTS

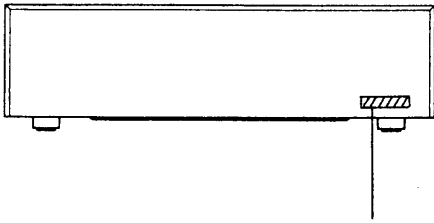
<u>Section</u>	<u>Title</u>	<u>Page</u>
SERVICE NOTE		3
TEST MODE		3
SECTION 1. GENERAL		4
SECTION 2. DISASSEMBLY		
2-1. Case and Front Panel		5
2-2. Display and Tone Board		5
2-3. Back Panel		6
2-4. SP SW Board		6
2-5. Main Board		7
2-6. VOL and VOL-MAIN Connect Board		7
SECTION 3. DIAGRAMS		
3-1. Circuit Boards Location		8
3-2. Printed Wiring Board — Main Section —		9
3-3. Schematic Diagram — Main Section —		13
3-4. Printed Wiring Board — Display Section —		17
3-5. Schematic Diagram — Display Section —		21
3-6. IC Pin Function		
• IC201 (μPD78044GF-126-3B9)		23
SECTION 4. EXPLODED VIEWS		
4-1. Case and Front Panel Section		25
4-2. Chassis Section		26
4-3. Main Board Section		27
SECTION 5. ELECTRICAL PARTS LIST		28

SAFETY-RELATED COMPONENT WARNING !!

COMPONENTS IDENTIFIED BY MARK Δ OR DOTTED LINE WITH MARK Δ ON THE SCHEMATIC DIAGRAMS AND IN THE PARTS LIST ARE CRITICAL TO SAFE OPERATION. REPLACE THESE COMPONENTS WITH SONY PARTS WHOSE PART NUMBERS APPEAR AS SHOWN IN THIS MANUAL OR IN SUPPLEMENTS PUBLISHED BY SONY.

SERVICE NOTE

MODEL IDENTIFICATION — BACK PANEL —



4-972-661-2□ : AEP, G Model
 4-972-661-3□ : SP Model
 4-972-661-4□ : UK Model
 4-972-661-5□ : AUS Model
 4-972-661-6□ : E Model
 4-972-661-7□ : EE Model

- For detailed Hong Kong, Malaysia model, refer to SP model.

• Abbreviation

G : German model.
 EE : East European model.
 SP : Singapore model.
 AUS : Australian model.

PROTECT MODE

“PROTECT” will be displayed on the FL display when the amplifier is faulty or when the connectors between boards have disconnected, etc.

In the case of faulty connection, connect all the connectors of the unit again, and turn on the power. The protection will be canceled.

• How to avoid the “PROTECT” mode disconnecting VOL BOARD

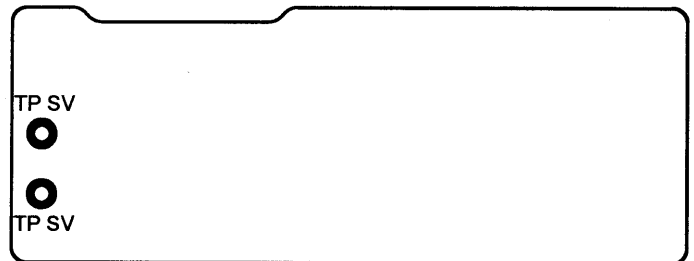
Short-circuit between two of TP SV on the VOL-M CONNECT BOARD, and turn on the power.

In this case, the circuit of the MAIN BOARD does not operate, but that of the DISPLAY BOARD operates. Disconnect the connected read line afterwards.

TEST POINT LOCATION :

[VOL-MAIN BOARD]

— CONDUCTOR SIDE —



TEST MODE

FL CHECK MODE

1. Turn off the power supply.
2. While pressing preset buttons [6], [7] and [8], turn on the power.
3. All the FL displays light up (Fig. 1.), after one second some light up several times, and “END” will be displayed.
4. Turn off the power.

NOTE : The preset memory will be erased if the FL CHECK MODE is performed. Therefore, note down the memory contents beforehand and set the preset memory again as before after completely this mode.

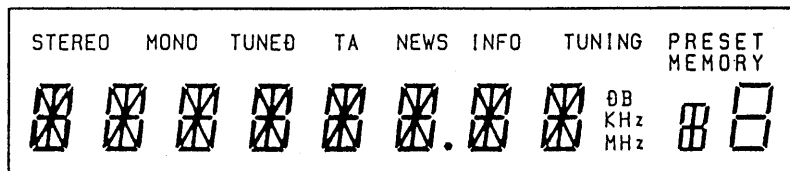
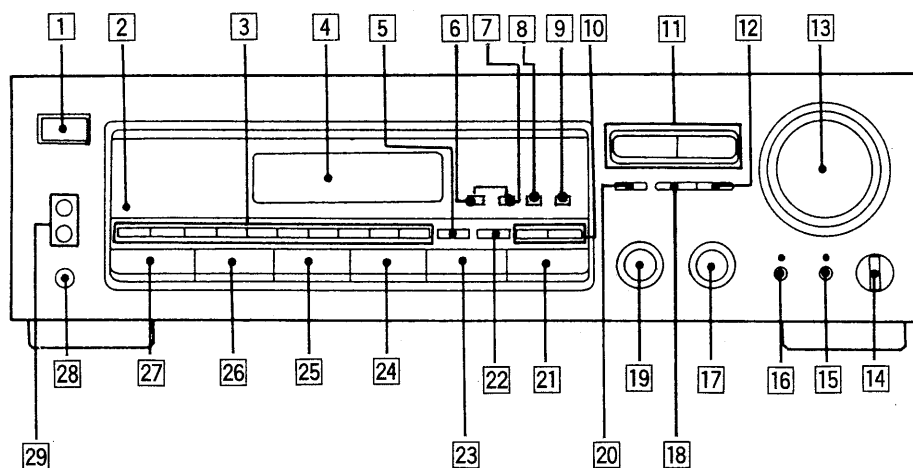


Fig. 1. When All FL Displays are Lit

SECTION 1 GENERAL

This section is extracted from
instruction manual.

Front Panel



- | | | |
|--|--|--|
| <p>1 POWER switch
(for AEP, UK, G, EE model)
POWER button
(for E, SP, AUS model)</p> <p>2 Remote sensor</p> <p>3 Numeric buttons</p> <p>4 Display window</p> <p>5 DIRECT button</p> <p>6 PTY (RDS) button
(for AEP, UK, G, EE model)</p> <p>7 EON (RDS) button
(for AEP, UK, G, EE model)</p> <p>8 DISPLAY button
(for AEP, UK, G, EE model)</p> <p>9 CHARACTER button
(for AEP, UK, G, EE model)</p> | <p>10 PRESET TUNING +/- button</p> <p>11 TUNING +/- button</p> <p>12 FM MODE button</p> <p>13 VOLUME control</p> <p>14 BALANS control</p> <p>15 BASS BOOST button</p> <p>16 MUTING -20dB button
(for AEP, UK, G, EE model)</p> <p>17 TREBLE control
(for AEP, UK, G, EE model)</p> <p>18 BAND button</p> <p>19 BASS control</p> <p>20 MEMORY button</p> <p>21 PHONO button</p> <p>22 SHIFT button</p> | <p>23 TUNER button</p> <p>24 CD button</p> <p>25 TAPE/MD button</p> <p>26 TV/LD button</p> <p>27 VIDEO button</p> <p>28 PHONES jack</p> <p>29 SPEAKERS A/B button</p> |
|--|--|--|

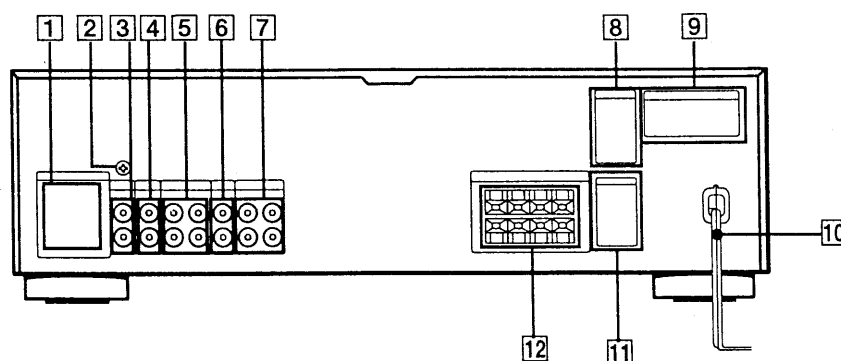
• Abbreviation

G : German model.
EE : East European model.
SP : Singapore model.
AUS : Australian model.

• For detailed Hong Kong, Malaysia model, refer to SP model.

Rear Panel

ILLUSTRATION : E model

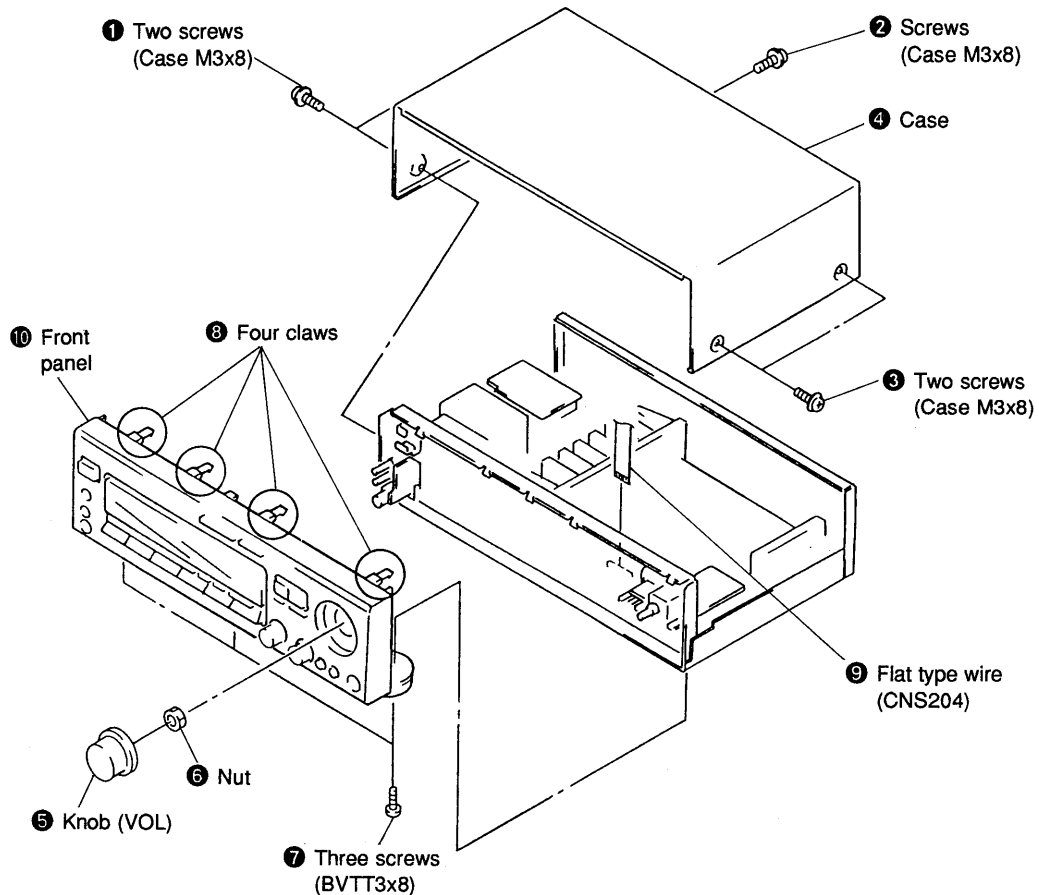


- | | | |
|---|---|--|
| <p>1 ANTENNA (AM/FM)</p> <p>2 \hbar ground terminal</p> <p>3 PHONO</p> <p>4 CD</p> <p>5 TAPE/MD</p> <p>6 TV/LD</p> | <p>7 VIDEO</p> <p>8 SWITCHED AC OUTLET
(except for UK model)</p> <p>9 VOLTAGE SELECTOR
(for E model)</p> | <p>10 AC power cord</p> <p>11 SWITCHED AC OUTLET
(for E model)</p> <p>12 SPEAKERS (A/B)</p> |
|---|---|--|

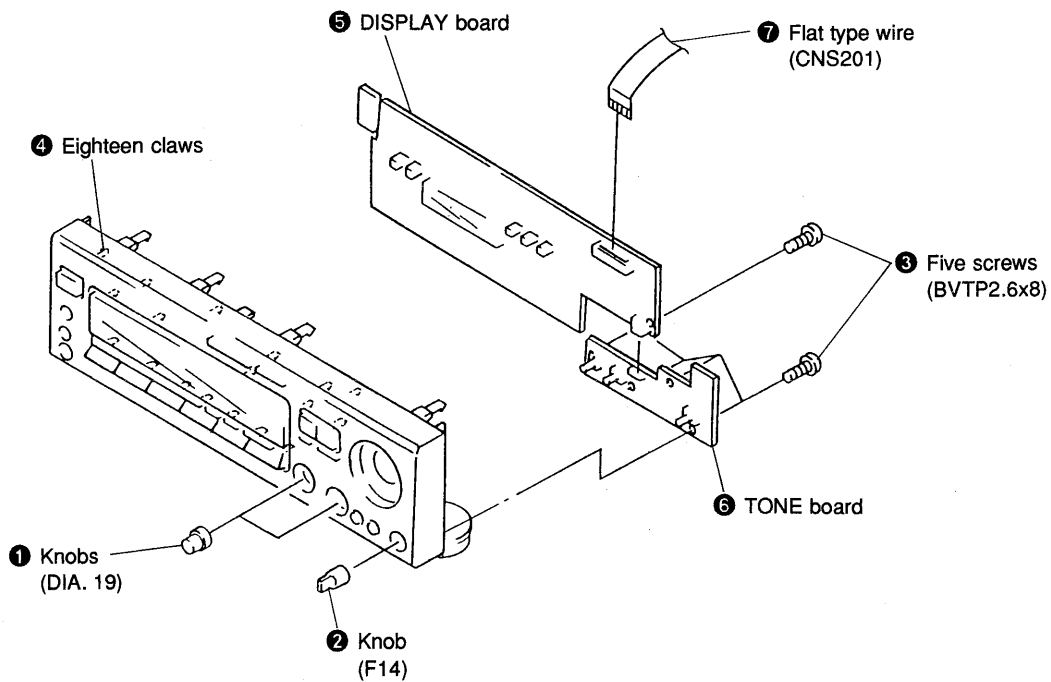
SECTION 2 DISASSEMBLY

Note : Follow the disassembly procedure in the numerical order given.

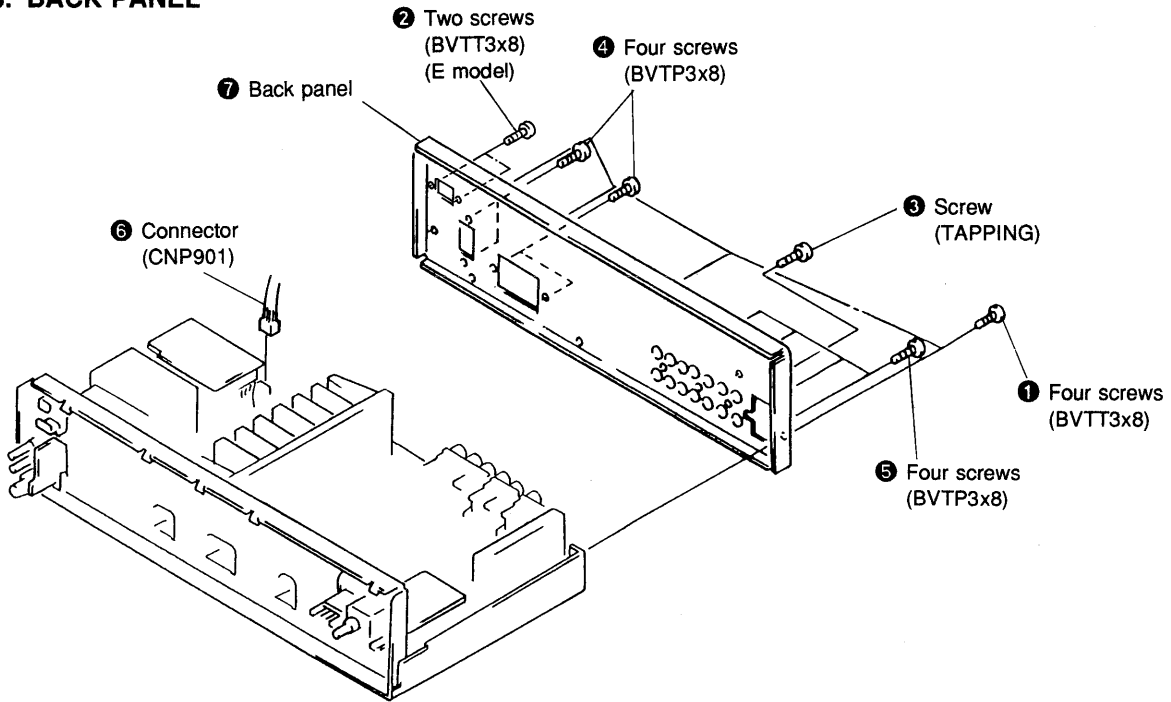
2-1. CASE AND FRONT PANEL



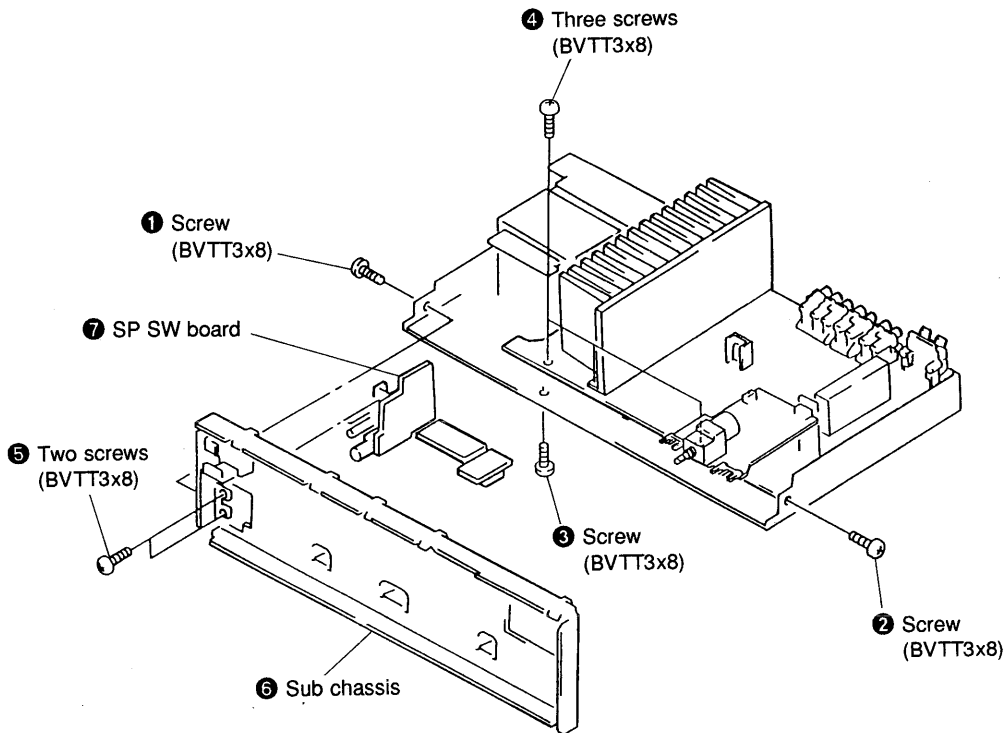
2-2. DISPLAY AND TONE BOARD



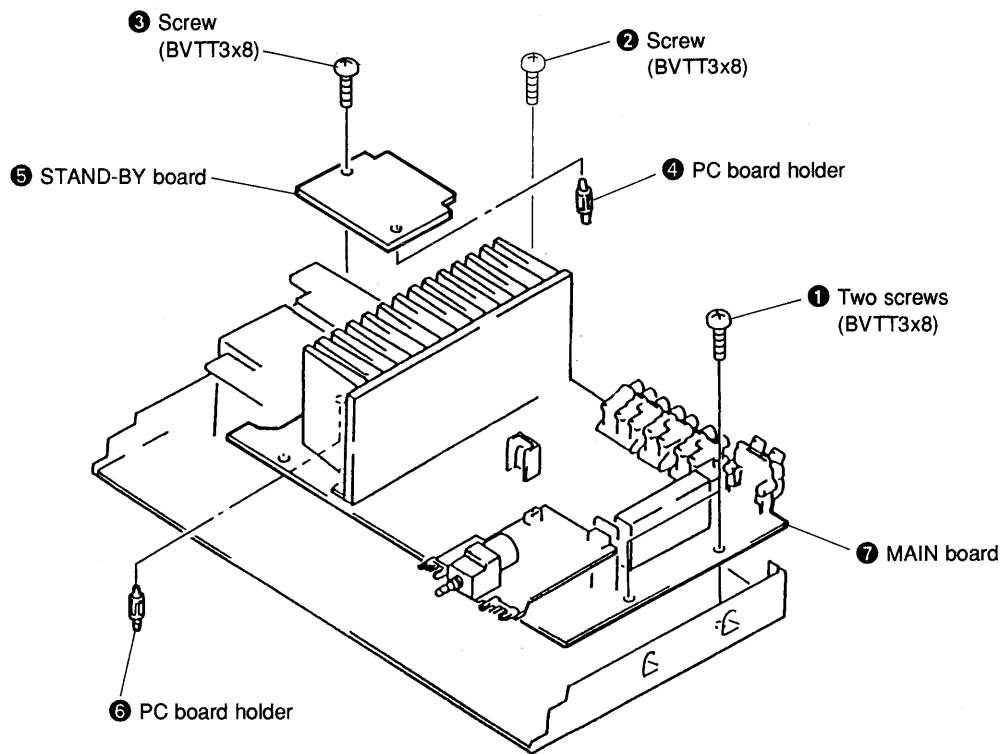
2-3. BACK PANEL



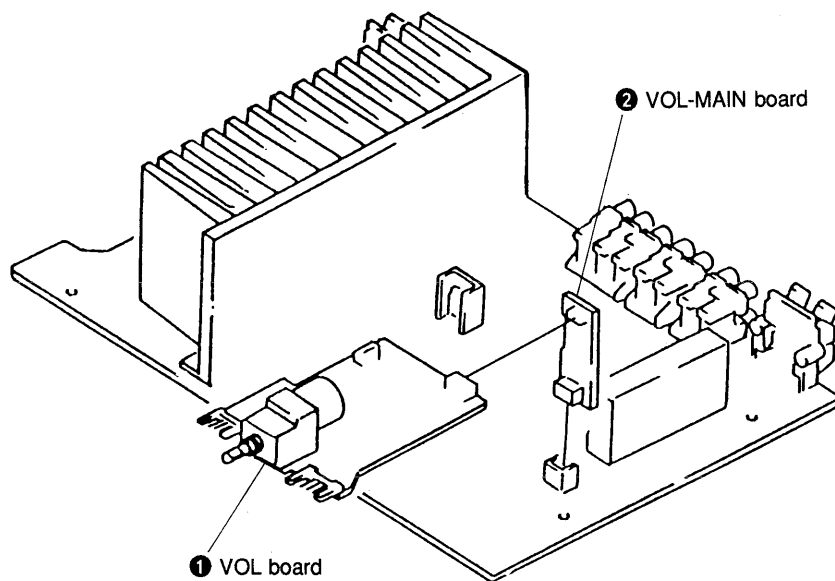
2-4. SP SW BOARD



2-5. MAIN BOARD

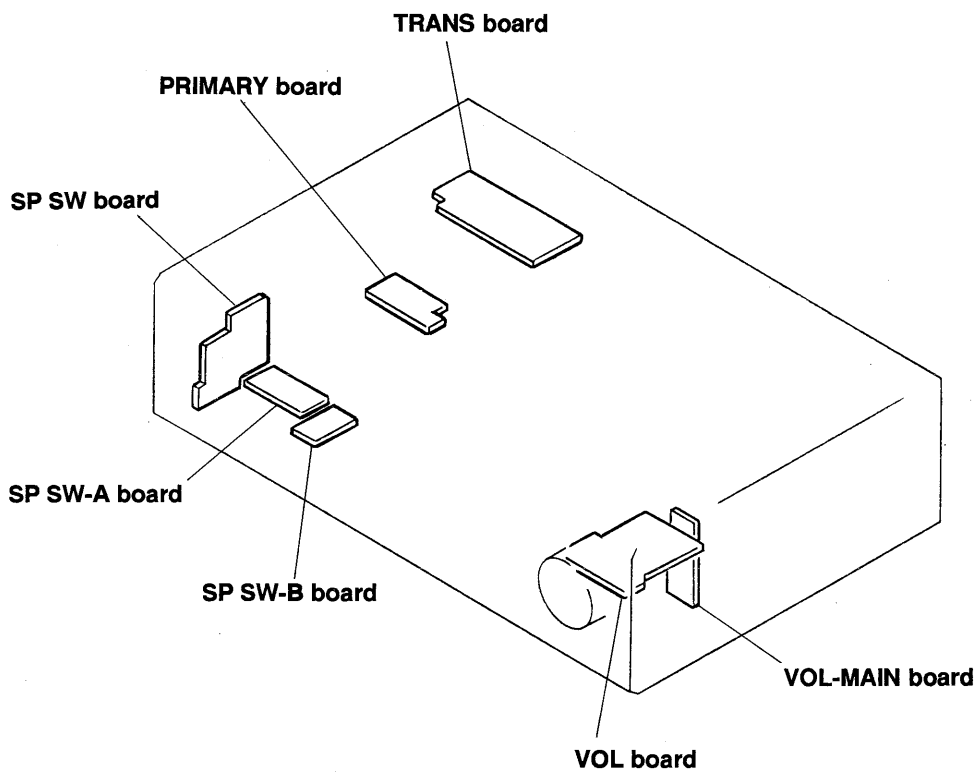
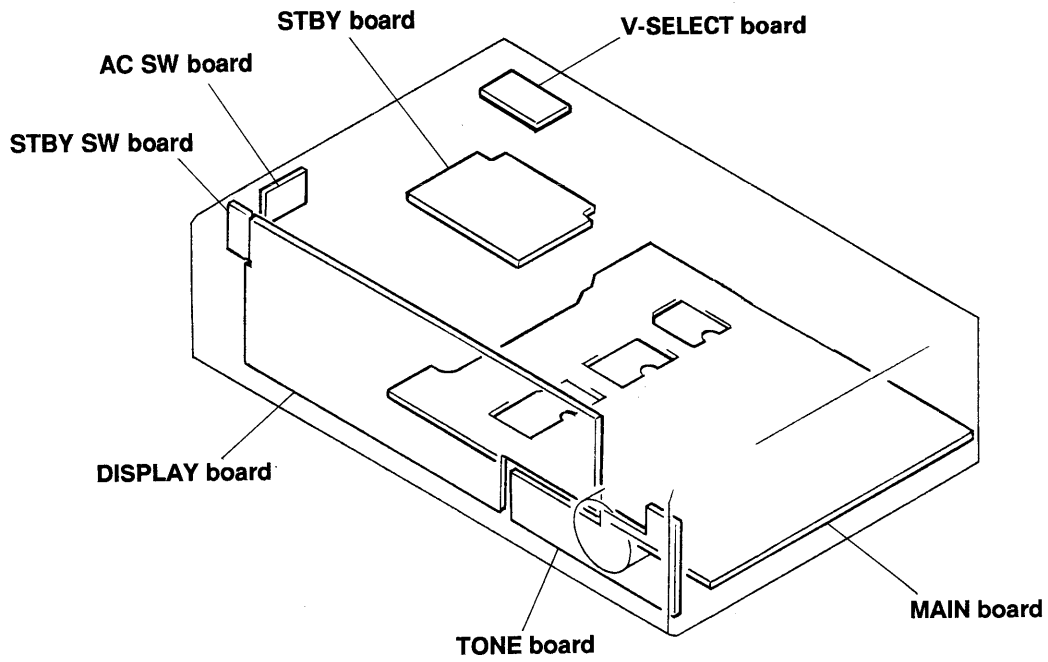


2-6. VOL AND VOL-MAIN CONNECT BOARD



SECTION 3 DIAGRAMS

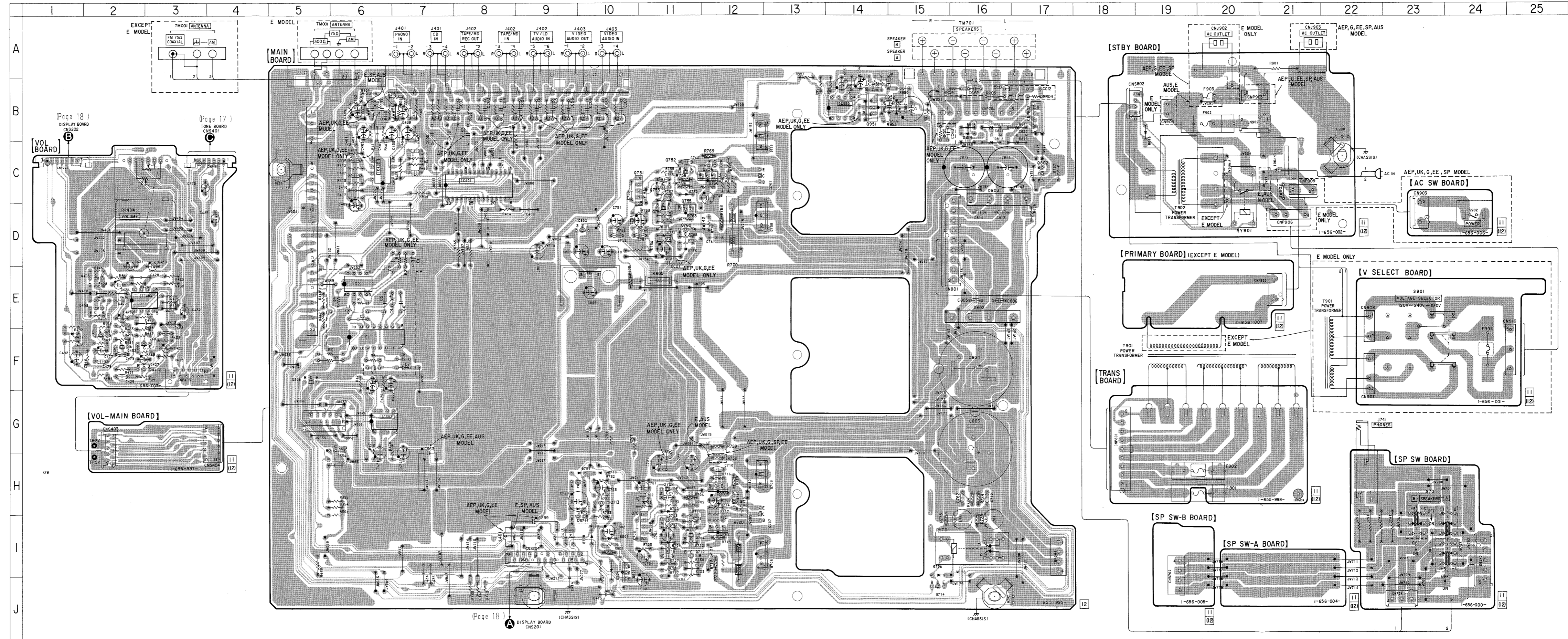
3-1. CIRCUIT BOARDS LOCATION



3-2. PRINTED WIRING BOARD — MAIN SECTION —
 • See page 8 for Circuit Boards Location.

• Semiconductor Location

Ref. No.	Location	Ref. No.	Location
D207	D-2	Q306	F-5
D208	D-3	Q401	F-3
D421	F-1	Q402	F-3
D701	I-11	Q403	E-2
D702	H-11	Q451	F-2
D703	I-11	Q452	F-2
D704	H-10	Q453	E-2
D706	I-15	Q701	I-11
D707	H-10	Q702	H-11
D708	I-10	Q703	I-11
D710	H-10	Q704	I-11
D751	D-11	Q705	I-12
D752	C-11	Q706	H-12
D753	D-11	Q707	H-12
D801	I-10	Q708	I-12
D802	E-16	Q709	H-12
D803	C-16	Q710	I-11
D804	I-10	Q711	I-10
D810	B-17	Q712	H-10
D811	B-17	Q713	H-10
D812	B-16	Q714	J-15
D813	B-16	Q715	H-12
D814	B-16	Q751	C-11
D815	B-16	Q752	C-11
D816	B-19	Q753	C-11
		Q754	D-11
		Q755	D-11
		Q756	C-12
		Q757	C-12
		Q758	D-12
		Q759	B-12
		Q760	D-11
IC1	F-6	Q765	C-12
IC2	E-6	Q801	I-10
IC302	G-6	Q802	C-17
IC401	C-8	Q951	B-14
IC402	C-6		
IC404	E-3		
IC801	E-10		
IC802	D-10		
IC950	B-14		
Q305	G-6		

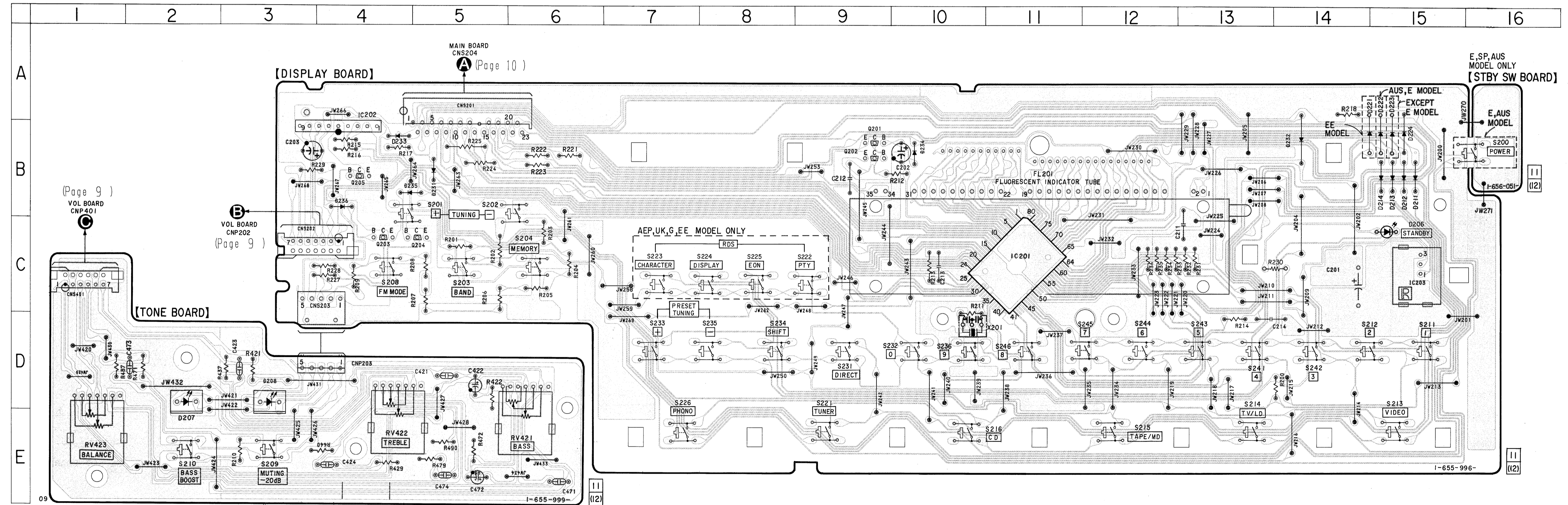
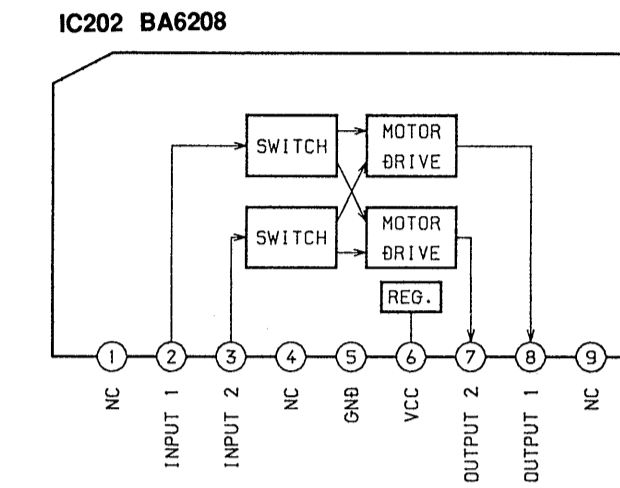


- Note:**
- : parts extracted from the component side.
 - △ : internal component.
 - : parts mounted on the conductor side.
 - ▨ : Pattern from the side which enable seeing.
- Abbreviation**
- G : German model.
 - EE : East European model.
 - SP : Singapore model.
 - AUS : Australian model.
- For detailed Hong Kong, Malaysia model, refer to SP model.

3-4. PRINTED WIRING BOARD — DISPLAY SECTION —
 • See page 8 for Circuit Boards Location.

• Semiconductor Location

Ref. No.	Location
D206	C-15
D207	D-2
D208	D-3
D211	B-15
D212	B-15
D213	B-15
D214	B-15
D221	B-15
D222	B-15
D223	B-15
D224	B-15
D231	B-5
D232	B-14
D233	B-4
D234	B-10
D235	B-4
D236	B-4
IC201	C-11
IC202	B-4
IC203	C-15
Q201	B-9
Q202	B-9
Q203	C-4
Q204	C-5
Q205	B-4



Note:

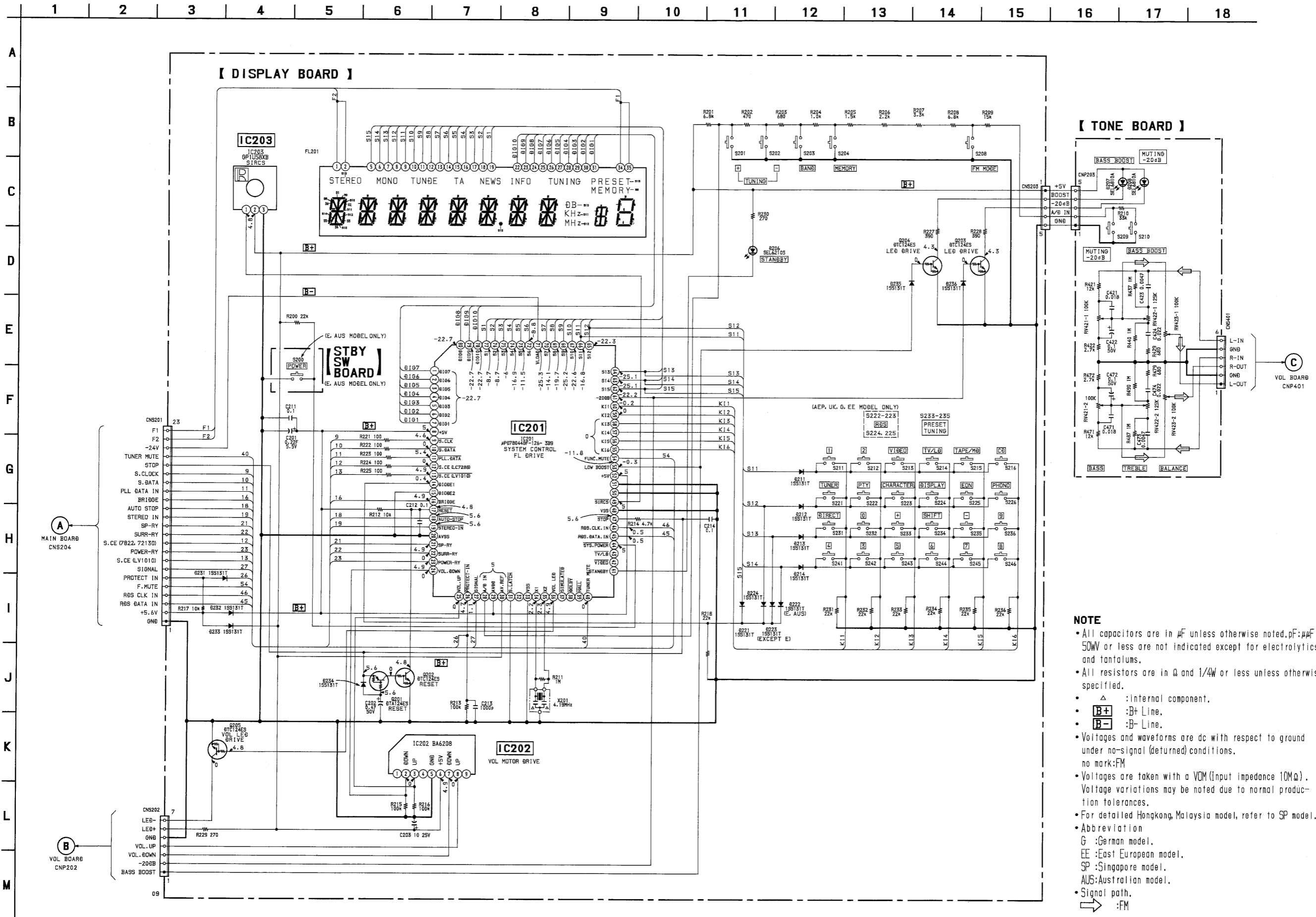
- : parts extracted from the component side.
- : parts extracted from the conductor side.
- △ : internal component.
- : Pattern from the side which enable seeing.

Abbreviation

- G : German model.
- EE : East European model.
- SP : Singapore model.
- AUS : Australian model.

• For detailed Hong Kong, Malaysia model, refer to SP model.

3-5. SCHEMATIC DIAGRAM — DISPLAY SECTION —
 • See page 23 for IC Pin Function. (IC201)



NOTE

- All capacitors are in µF unless otherwise noted, pF: µµF
- 50W or less are not indicated except for electrolytics and tantalums.
- All resistors are in Ω and 1/4W or less unless otherwise specified.
- Δ : internal component.
- B+ : B+ Line.
- B- : B- Line.
- Voltages and waveforms are dc with respect to ground under no-signal (detuned) conditions.
- no mark: FM
- Voltages are taken with a VOM (Input impedance 10MΩ). Voltage variations may be noted due to normal production tolerances.
- For detailed Hongkong, Malaysia model, refer to SP model.
- Abbreviation
- G : German model.
- EE : East European model.
- SP : Singapore model.
- AUS : Australian model.
- Signal path.
- → : FM

3-6. IC PIN FUNCTION

• IC201 μ PD78044GF-126-3B9

Pin No.	Pin Name	I/O	Function
1	DIG 7	O	Digit 7
2	DIG 6	O	Digit 6
3	DIG 5	O	Digit 5
4	DIG 4	O	Digit 4
5	DIG 3	O	Digit 3
6	DIG 2	O	Digit 2
7	DIG 1	O	Digit 1
8	+5V	—	Vdd
9	S. CLK	O	Serial clock (normal high)
10	S. DATA	O	Serial data
11	PLL. DATA	I	PLL data in
12	S. CE (LC7288)	O	Serial CE (7822, 72130)
13	S. CE (LV1010)	O	Serial CE (LV1010)
14	DIODE 1	I	Diode 1
15	DIODE 2	I	GND
16	BRIDGE	O	Bridgeable (not used open)
17	RESET	I	Reset
18	AUTO-STOP	I	Auto stop in
19	STEREO-IN	I	Stereo in
20	AVSS	—	GND
21	SP-RY	O	Speaker relay
22	SURR-RY	O	Surround relay (not used open)
23	POWER-RY	O	Power relay
24	VOL. DOWN	O	Volume down
25	VOL. UP	O	Volume up
26	PROTECT-IN	I	Protector in
27	SIGNAL	I	Signal meter
28	A/D IN	I	A/D converter analog in
29	AVDD	—	A/D converter power supply terminal (+5V)
30	AV. REF	—	A/D converter reference voltage (+5V)
31	S. LATCH	—	GND
32			Open
33	VSS	—	GND
34	X1	—	System clock (4.19 MHz)
35	X2	—	System clock (4.19 MHz)
36	VOL LED	O	Volume LED
37	SIMULATED	O	Simulated LED (not used open)
38	DOLBY	O	Dolby (not used open)
39	HALL	O	Hall (not used open)
40	TUNER MUTE	O	Tuner mute

Pin No.	Pin Name	I/O	Function
41	STANDBY	O	Standby LED
42	$\overline{\text{VIDEO}}$	O	Video LED (not used open)
43	$\overline{\text{TV/LD}}$	O	TV/LD LED (not used open)
44	$\overline{\text{SYS. POWER}}$	I	System power in
45	RDS. DATA. IN	I	RDS data in
46	RDS. CLK. IN	I	RDS clock in
47	$\overline{\text{STOP}}$	I	Stop
48	VSS	—	GND
49	$\overline{\text{SIRCS}}$	I	Sircs input
50		—	GND
51		—	GND
52	+5V	—	Vdd
53	LOW BOOST	O	Low boost on/off
54	FUNC MUTE	O	Function mute
55	K16	I	Key in 6
56	K15	I	Key in 5
57	K14	I	Key in 4
58	K13	I	Key in 3
59	K12	I	Key in 2
60	K11	I	Key in 1
61	-20 dB	O	-20 dB mute
62	S15	O	Segment 15/key out 1
63	S14	O	Segment 14/key out 2
64	S13	O	Segment 13/key out 3
65	S12	O	Segment 12/key out 4
66	S11	O	Segment 11/key out 5
67	S10	O	Segment 10
68	S9	O	Segment 9
69	S8	O	Segment 8
70	S7	O	Segment 7
71	VLOAD	—	FIP pull down resistor
72	S6	O	Segment 6
73	S5	O	Segment 5
74	S4	O	Segment 4
75	S3	O	Segment 3
76	S2	O	Segment 2
77	S1	O	Segment 1
78	DIG 10	O	Digit 10
79	DIG 9	O	Digit 9
80	DIG 8	O	Digit 8

SECTION 4 EXPLODED VIEWS

NOTE:

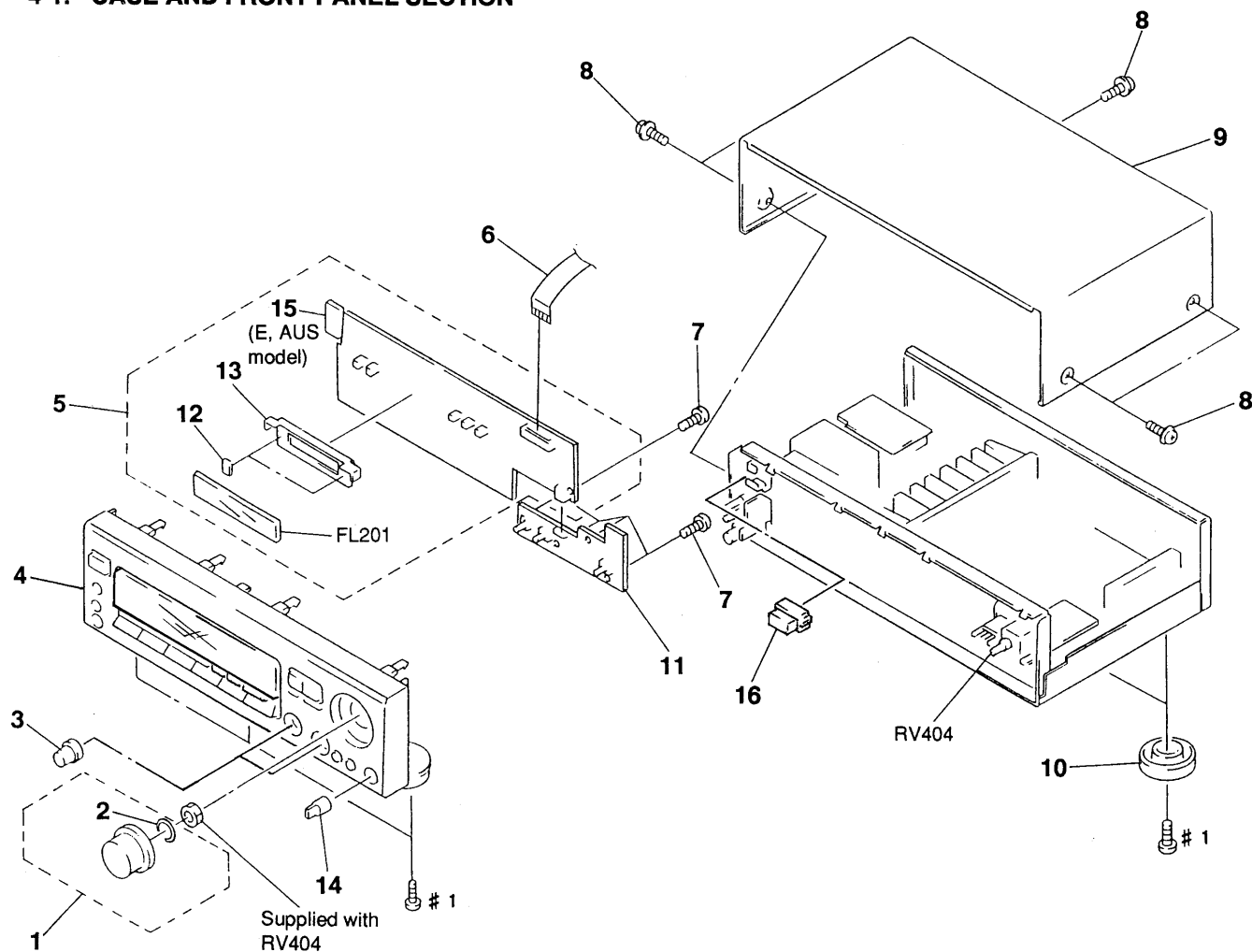
- Items marked " * " are not stocked since they are seldom required for routine service. Some delay should be anticipated when ordering these items.
- The mechanical parts with no reference number in the exploded views are not supplied.
- Hardware (# mark) list and accessories and packing materials are given in the last of this parts list.

• Abbreviation

- G : German model
- SP : Singapore model
- AUS : Australian model
- For detailed Hong Kong, Malaysia model, refer to SP model

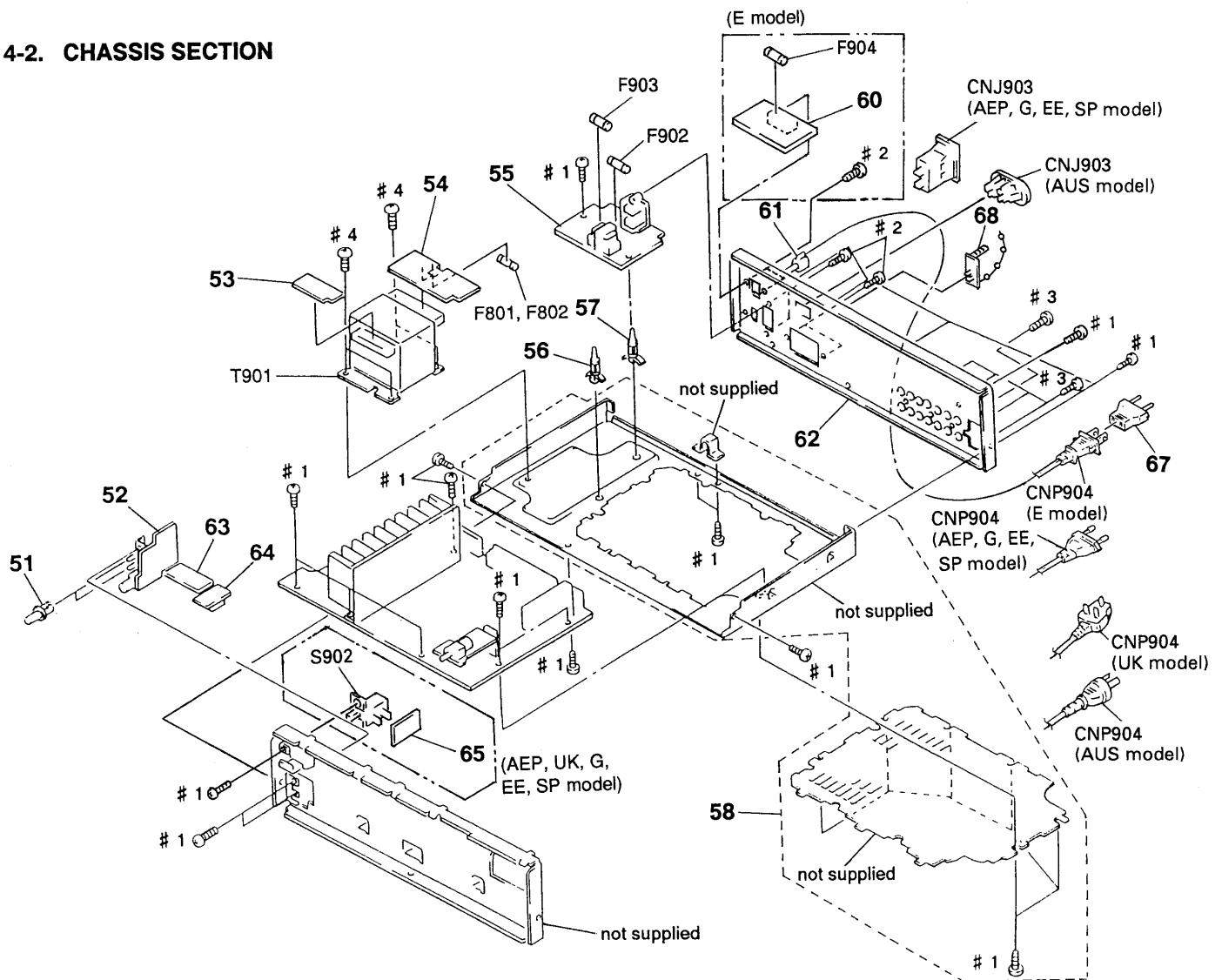
The components identified by mark Δ or dotted line with mark Δ are critical for safety.
Replace only with part number specified.

4-1. CASE AND FRONT PANEL SECTION



Ref. No.	Part No.	Description	Remark	Ref. No.	Part No.	Description	Remark
1	X-4945-824-1	KNOB (VOL) ASSY		8	3-704-366-01	SCREW (CASE) (M3X8)	
2	3-350-426-01	SPRING, RING		9	4-929-294-11	CASE (AEP, UK, G, EE)	
3	4-943-420-01	KNOB (DIA. 19)		* 9	4-951-795-01	CASE (E, AUS, SP)	
4	X-4945-822-1	PANEL ASSY, FRONT (AEP, UK, G, EE)		10	X-3369-843-1	FOOT ASSY (F58175S)	
4	X-4946-318-1	PANEL ASSY, FRONT (E, AUS)		* 11	1-655-999-11	TONE BOARD	
4	X-4946-319-1	PANEL ASSY, FRONT (SP)		* 12	4-921-941-01	CUSHION (FL)	
* 5	A-4377-641-A	DISPLAY BOARD, COMPLETE (AUS)		* 13	4-943-107-11	HOLDER (FL TUBE)	
* 5	A-4377-644-A	DISPLAY BOARD, COMPLETE (SP)		14	4-957-383-01	KNOB (F14)	
* 5	A-4377-648-A	DISPLAY BOARD, COMPLETE (AEP, UK, G)		15	1-656-317-11	STBY SW BOARD (E, AUS model)	
* 5	A-4377-655-A	DISPLAY BOARD, COMPLETE (EE)		16	4-917-460-01	KNOB, POWER	
* 5	A-4378-787-A	DISPLAY BOARD, COMPLETE (E)		FL201	1-517-141-11	INDICATOR TUBE, FLUORESCENT	
6	1-773-742-11	WIRE (FLAT TYPE) (23 CORE) (E, AUS, SP)		RV404	1-223-882-11	RES, VAR 100K/100K (MASTER VOLUME)	
6	1-773-744-11	WIRE (FLAT TYPE) (23 CORE) (AEP, UK, G, EE)					
7	4-951-620-01	SCREW (2. 6X8), +BVT					

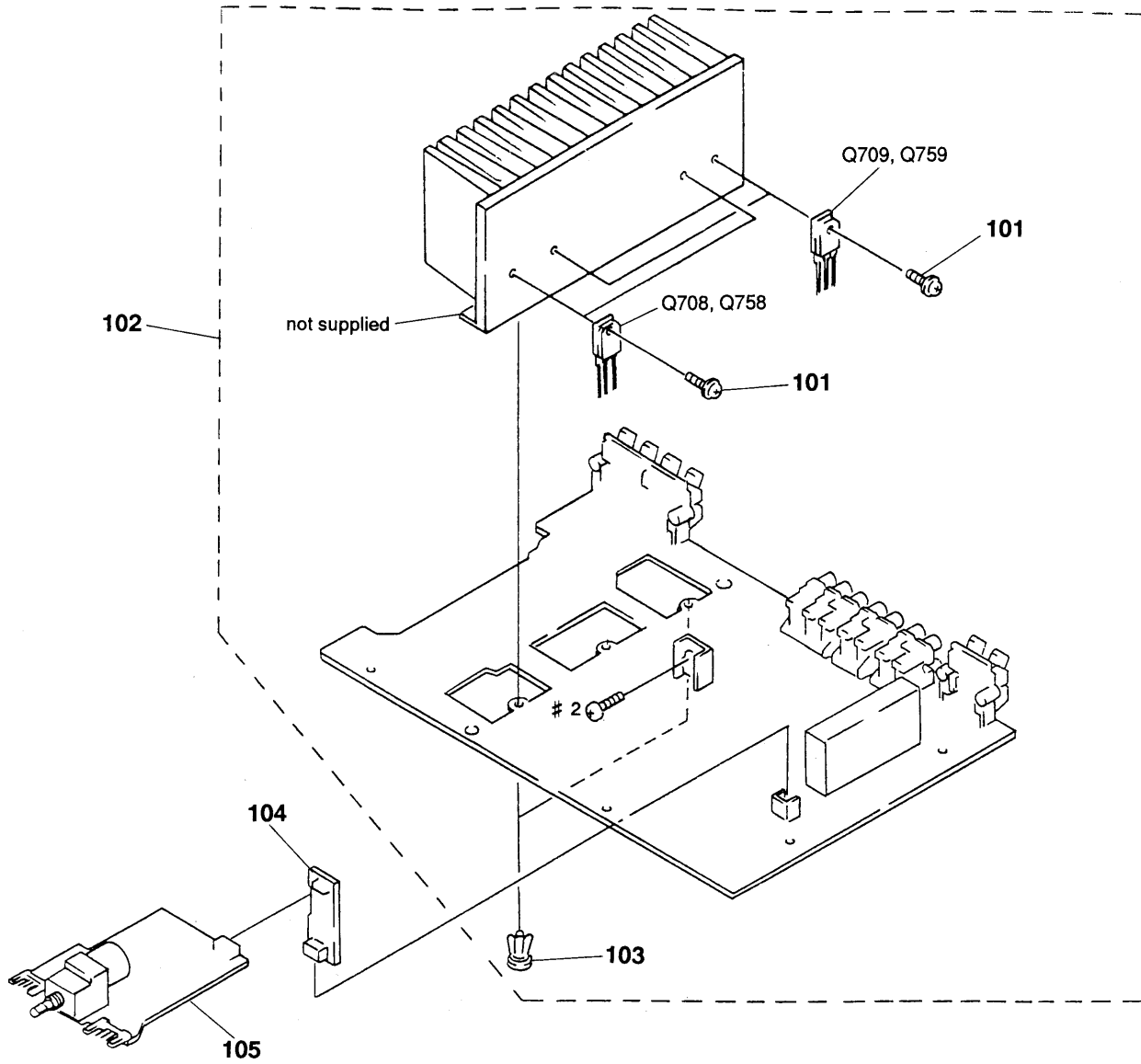
4-2. CHASSIS SECTION



The components identified by mark \triangle or dotted line with mark \triangle are critical for safety.
Replace only with part number specified.

Ref. No.	Part No.	Description	Remark	Ref. No.	Part No.	Description	Remark
51	4-951-801-01	BUTTON (S)		\triangle 67	1-569-007-11	ADAPTER, CONVERSION 2P (E)	
* 52	1-656-000-11	SP SW BOARD		68	4-956-370-12	BAND, PLUG FIXED (UK, AUS)	
* 53	1-656-007-11	PRIMARY BOARD		\triangle CNJ903	1-251-078-11	OUTLET, AC (AUS)	
* 54	1-655-998-11	TRANS BOARD		\triangle CNJ903	1-526-794-11	OUTLET, AC (AEP, G, EE, SP)	
* 55	1-656-002-11	STBY BOARD		\triangle CNP904	1-575-653-11	CORD, POWER (E)	
* 56	3-346-265-31	HOLDER, PC BOARD		\triangle CNP904	1-696-847-11	CORD, POWER (AUS)	
* 57	4-924-098-31	HOLDER, PC BOARD		\triangle CNP904	1-751-520-11	CORD, POWER (UK)	
* 58	A-4361-389-A	CHASSIS ASSY		\triangle CNP904	1-769-744-11	CORD, POWER (AEP, G, EE, SP)	
* 60	1-656-001-11	V-SELECT BOARD (E)		\triangle F801	1-532-237-00	FUSE, TIME LAG (T3.15AL 250V)	
61	3-703-244-00	BUSHING, CORD (AEP, UK, G, AUS, EE, SP)		\triangle F802	1-532-237-00	FUSE, TIME LAG (T3.15AL 250V)	
61	3-703-571-11	BUSHING (S) (4516), CORD (E)		\triangle F902	1-532-203-00	FUSE (T2AL 250V) (EXCEPT AUS)	
* 62	4-972-661-21	PANEL, BACK (AEP, G)		\triangle F902	1-532-259-00	FUSE (T1.6AL 250V) (AUS)	
* 62	4-972-661-31	PANEL, BACK (SP)		\triangle F903	1-532-259-00	FUSE (T1.6AL 250V) (AEP, G, EE, SP)	
* 62	4-972-661-41	PANEL, BACK (UK)		\triangle F904	1-532-203-00	FUSE (T2AL 250V) (E)	
* 62	4-972-661-51	PANEL, BACK (AUS)		S902	1-572-267-21	SWITCH, PUSH (AC POWER) (1 KEY) (AEP, UK, G, EE, SP)	
* 62	4-972-661-61	PANEL, BACK (E)		\triangle T901	1-427-880-11	TRANSFORMER, POWER (AEP, UK, G, EE, SP)	
* 62	4-972-661-71	PANEL, BACK (EE)		\triangle T901	1-427-881-11	TRANSFORMER, POWER (AUS)	
* 63	1-656-004-11	SP SW-A BOARD		\triangle T901	1-427-905-11	TRANSFORMER, POWER (E)	
* 64	1-656-005-11	SP SW-B BOARD					
* 65	1-656-006-11	AC SW BOARD (AEP, UK, G, EE, SP)					

4-3. MAIN SECTION



Ref. No.	Part No.	Description
101	3-905-609-01	SCREW (TRANSISTOR)
* 102	A-4377-643-A	MAIN BOARD, COMPLETE (AUS)
* 102	A-4377-646-A	MAIN BOARD, COMPLETE (SP)
* 102	A-4377-650-A	MAIN BOARD, COMPLETE (AEP, UK, G)
* 102	A-4377-656-A	MAIN BOARD, COMPLETE (EE)
* 102	A-4378-790-A	MAIN BOARD, COMPLETE (E)
103	4-812-134-51	RIVET NYLON

Ref. No.	Part No.	Description	Remark
* 104	1-655-997-11	VOL-MAIN BOARD	
* 105	A-4377-522-A	VOL BOARD, COMPLETE	
Q708	8-749-010-25	TRANSISTOR	MN2488-OPY-M
Q709	8-749-010-26	TRANSISTOR	MP1620-OPY-M
Q758	8-749-010-25	TRANSISTOR	MN2488-OPY-M
Q759	8-749-010-26	TRANSISTOR	MP1620-OPY-M

AC SW DISPLAY

SECTION 5 ELECTRICAL PARTS LIST

NOTE:

The components identified by mark Δ or dotted line with mark Δ are critical for safety. Replace only with part number specified.

When indicating parts by reference number, please include the board name.

- Due to standardization, replacements in the parts list may be different from the parts specified in the diagrams or the components used on the set.
- Items marked "*" are not stocked since they are seldom required for routine service. Some delay should be anticipated when ordering these items.
- RESISTORS
All resistors are in ohms
METAL: Metal-film resistor
METAL OXIDE: Metal Oxide-film resistor
F : nonflammable
- SEMICONDUCTORS
In each case, u: μ , for example:
uA...: μ A..., uPA...: μ PA..., uPB...: μ PB...,
uPC...: μ PC..., uPD...: μ PD...
- CAPACITORS
uF : μ F
- COILS
uH : μ H
- Abbreviation
G : German model
EE : East European model
SP : Singapore model
AUS : Australian model
For detailed Hong Kong, Malaysia model, refer to SP model

Ref. No.	Part No.	Description	Remark	Ref. No.	Part No.	Description	Remark
*	1-656-006-11	AC SW BOARD (AEP, UK, G, EE, SP) ***** < SWITCH >				< CONNECTOR >	
Δ S902	1-572-267-21	SWITCH, PUSH (AC POWER) (1 KEY) (AEP, UK, G, EE, SP)		CNS201	1-766-036-11	CONNECTOR, FFC(LIF(NON-ZIF)) 23P	
				CNS202	1-770-400-11	HOUSING, CONNECTOR(PC BOARD) 7P	
				* CNS203	1-565-481-11	CONNECTOR, BOARD TO BOARD 5P	
						< DIODE >	
				D206	8-719-313-48	DIODE SEL6210S-TH12 (STANDBY)	
				D211	8-719-815-85	DIODE 1S1585 (AEP, UK, G, EE)	
*	A-4377-641-A	DISPLAY BOARD, COMPLETE (AUS) *****		D211	8-719-987-63	DIODE 1N4148M (E, AUS, SP)	
*	A-4377-644-A	DISPLAY BOARD, COMPLETE (SP) *****		D212	8-719-815-85	DIODE 1S1585 (AEP, UK, G, EE)	
*	A-4377-648-A	DISPLAY BOARD, COMPLETE (AEP, UK, G) *****		D212	8-719-987-63	DIODE 1N4148M (E, AUS, SP)	
*	A-4377-655-A	DISPLAY BOARD, COMPLETE (EE) *****		D213	8-719-815-85	DIODE 1S1585 (AEP, UK, G, EE)	
*	A-4378-787-A	DISPLAY BOARD, COMPLETE (E) *****		D213	8-719-987-63	DIODE 1N4148M (E, AUS, SP)	
*	4-921-941-01	CUSHION (FL)		D214	8-719-815-85	DIODE 1S1585 (AEP, UK, G, EE)	
*	4-943-107-11	HOLDER (FL TUBE) < CAPACITOR >		D214	8-719-987-63	DIODE 1N4148M (E, AUS, SP)	
				D221	8-719-815-85	DIODE 1S1585 (EE)	
C201	1-104-905-11	DOUBLE LAYERS	0.22F	5.5V			
C202	1-124-465-00	ELECT	0.47uF	20%	50V		
C203	1-126-096-11	ELECT	10uF	20%	35V		
C211	1-164-159-11	CERAMIC	0.1uF		50V		
					(E, AUS, SP)		
C211	1-164-159-21	CERAMIC	0.1uF		50V		
					(AEP, UK, G, EE)		
C212	1-164-159-11	CERAMIC	0.1uF		50V		
					(E, AUS, SP)		
C212	1-164-159-21	CERAMIC	0.1uF		50V		
					(AEP, UK, G, EE)		
C213	1-162-294-31	CERAMIC	0.001uF	10%	50V		
C214	1-164-159-11	CERAMIC	0.1uF		50V		
					(E, AUS, SP)		
C214	1-164-159-21	CERAMIC	0.1uF		50V		
					(AEP, UK, G, EE)		
						< FLUORESCENT INDICATOR >	
				FL201	1-517-141-11	INDICATOR TUBE, FLUORESCENT	
						< IC >	
				IC201	8-759-347-90	IC uPD78044GF-126-3B9	
				IC202	8-759-962-08	IC BA6208	
				IC203	8-749-923-11	IC GPIU58XB	

DISPLAY **MAIN**

Ref. No.	Part No.	Description	Remark	Ref. No.	Part No.	Description	Remark
		< VIBRATOR >					
X201	1-577-101-11	VIBRATOR, CERAMIC (4.19MHZ)		C401	1-162-286-21	CERAMIC	220PF 10% 50V (AEP, UK, G, EE)
		*****		C401	1-162-282-31	CERAMIC	100PF 10% 50V (E, AUS, SP)
*	A-4377-643-A	MAIN BOARD, COMPLETE (AUS) *****		C402	1-126-111-11	ELECT	3.3uF 20% 50V (AEP, UK, G, EE)
*	A-4377-646-A	MAIN BOARD, COMPLETE (SP) *****		C402	1-126-962-11	ELECT	3.3uF 20% 50V (E, AUS, SP)
*	A-4377-650-A	MAIN BOARD, COMPLETE (AEP, UK, G) *****		C403	1-126-966-11	ELECT	33uF 20% 16V (AEP, UK, G, EE)
*	A-4377-656-A	MAIN BOARD, COMPLETE (EE) *****		C403	1-104-663-11	ELECT	33uF 20% 16V (E, AUS, SP)
*	A-4378-790-A	MAIN BOARD, COMPLETE (E) *****		C404	1-162-286-21	CERAMIC	220PF 10% 50V (AEP, UK, G, EE)
	3-905-609-01	SCREW (TRANSISTOR)		C404	1-162-282-31	CERAMIC	100PF 10% 50V (E, AUS, SP)
	4-812-134-00	RIVET (DIA. 3.5), NYLON (E, AUS)		C405	1-137-459-11	FILM	0.0056uF 5% 100V
	4-812-134-51	RIVET (DIA. 3.5), NYLON (AEP, UK, G, EE, SP)		C406	1-164-159-11	CERAMIC	0.1uF 50V (E, AUS, SP)
	7-682-548-04	SCREW +BVTT 3X8 (S)		C406	1-164-159-21	CERAMIC	0.1uF 50V (AEP, UK, G, EE)
		< CAPACITOR >		C407	1-137-365-11	FILM	0.0015uF 5% 50V
C1	1-126-964-11	ELECT	10uF 20% 50V (AEP, UK, G, EE)	C408	1-162-294-31	CERAMIC	0.001uF 10% 50V
C2	1-162-306-11	CERAMIC	0.01uF 30% 16V (AEP, UK, G, EE)	C409	1-126-111-11	ELECT	3.3uF 20% 50V (AEP, UK, G, EE)
C3	1-162-288-31	CERAMIC	330PF 10% 50V (AEP, UK, G, EE)	C409	1-126-962-11	ELECT	3.3uF 20% 50V (E, AUS, SP)
C4	1-124-925-11	ELECT	2.2uF 20% 100V (AEP, UK, G, EE)	C410	1-164-159-11	CERAMIC	0.1uF 50V (E, AUS, SP)
C5	1-162-306-11	CERAMIC	0.01uF 30% 16V (AEP, UK, G, EE)	C410	1-164-159-21	CERAMIC	0.1uF 50V (AEP, UK, G, EE)
C6	1-162-291-31	CERAMIC	560PF 10% 50V (AEP, UK, G, EE)	C412	1-162-291-31	CERAMIC	560PF 10% 50V
C7	1-164-068-11	CERAMIC	82PF 5% 50V (AEP, UK, G, EE)	C413	1-164-159-11	CERAMIC	0.1uF 50V (E, AUS, SP)
C8	1-164-062-11	CERAMIC	47PF 5% 50V (AEP, UK, G, EE)	C413	1-164-159-21	CERAMIC	0.1uF 50V (AEP, UK, G, EE)
C299	1-161-494-11	CERAMIC	0.022uF 30% 25V	C414	1-161-494-00	CERAMIC	0.022uF 25V
C353	1-164-159-11	CERAMIC	0.1uF 50V (E, AUS, SP)	C415	1-164-159-11	CERAMIC	0.1uF 50V (E, AUS, SP)
C353	1-164-159-21	CERAMIC	0.1uF 50V (AEP, UK, G, EE)	C415	1-164-159-21	CERAMIC	0.1uF 50V (AEP, UK, G, EE)
C354	1-164-159-11	CERAMIC	0.1uF 50V (E, AUS, SP)	C416	1-164-159-11	CERAMIC	0.1uF 50V (E, AUS, SP)
C354	1-164-159-21	CERAMIC	0.1uF 50V (AEP, UK, G, EE)	C416	1-164-159-21	CERAMIC	0.1uF 50V (AEP, UK, G, EE)
C363	1-164-159-11	CERAMIC	0.1uF 50V (AUS)	C421	1-124-907-11	ELECT	10uF 20% 50V (E, AUS, SP)
C363	1-164-159-21	CERAMIC	0.1uF 50V (AEP, UK, G, EE)	C421	1-126-964-11	ELECT	10uF 20% 50V (AEP, UK, G, EE)
				C422	1-124-903-11	ELECT	1uF 20% 50V
				C434	1-162-286-21	CERAMIC	220PF 10% 50V (AEP, UK, G, EE)
				C434	1-162-286-31	CERAMIC	220PF 10% 50V (E, AUS, SP)

<u>Ref. No.</u>	<u>Part No.</u>	<u>Description</u>			<u>Remark</u>	<u>Ref. No.</u>	<u>Part No.</u>	<u>Description</u>			<u>Remark</u>
C435	1-162-286-21	CERAMIC	220PF	10%	50V (AEP, UK, G, EE)	C708	1-126-967-11	ELECT	47uF	20%	16V (AEP, UK, G, EE)
C435	1-162-286-31	CERAMIC	220PF	10%	50V (E, AUS, SP)	C710	1-162-815-11	CERAMIC	47PF	5%	500V
C451	1-162-286-21	CERAMIC	220PF	10%	50V (AEP, UK, G, EE)	C711	1-164-159-11	CERAMIC	0.1uF		50V (E, AUS, SP)
C451	1-162-282-31	CERAMIC	100PF	10%	50V (E, AUS, SP)	C711	1-164-159-21	CERAMIC	0.1uF		50V (AEP, UK, G, EE)
C452	1-126-111-11	ELECT	3.3uF	20%	50V (AEP, UK, G, EE)	C712	1-137-372-11	FILM	0.022uF	5%	50V
C452	1-126-962-11	ELECT	3.3uF	20%	50V (E, AUS, SP)	C720	1-126-935-11	ELECT	470uF	20%	6.3V (AEP, UK, G, EE)
C453	1-104-663-11	ELECT	33uF	20%	16V (E, AUS, SP)	C720	1-126-941-11	ELECT	470uF	20%	6.3V (E, AUS, SP)
C453	1-126-966-11	ELECT	33uF	20%	16V (AEP, UK, G, EE)	C721	1-124-927-11	ELECT	4.7uF	20%	100V (E, AUS, SP)
C454	1-162-286-21	CERAMIC	220PF	10%	50V (AEP, UK, G, EE)	C721	1-128-581-11	ELECT	4.7uF	20%	100V (AEP, UK, G, EE)
C454	1-162-282-31	CERAMIC	100PF	10%	50V (E, AUS, SP)	C722	1-124-927-11	ELECT	4.7uF	20%	100V (E, AUS, SP)
C455	1-137-459-11	FILM	0.0056uF	5%	100V	C722	1-128-581-11	ELECT	4.7uF	20%	100V (AEP, UK, G, EE)
C457	1-137-365-11	FILM	0.0015uF	5%	50V	C723	1-124-463-00	ELECT	0.1uF	20%	50V
C459	1-126-111-11	ELECT	3.3uF	20%	50V (AEP, UK, G, EE)	C751	1-124-927-11	ELECT	4.7uF	20%	100V (AEP, UK, G, EE)
C459	1-126-962-11	ELECT	3.3uF	20%	50V (E, AUS, SP)	C751	1-126-963-11	ELECT	4.7uF	20%	50V (E, AUS, SP)
C460	1-164-159-11	CERAMIC	0.1uF		50V (E, AUS, SP)	C752	1-164-077-11	CERAMIC	220PF	10%	50V
C460	1-164-159-21	CERAMIC	0.1uF		50V (AEP, UK, G, EE)	C753	1-162-215-31	CERAMIC	47PF	5%	50V
C471	1-124-907-11	ELECT	10uF	20%	50V (E, AUS, SP)	C754	1-104-666-11	ELECT	220uF	20%	6.3V (E, AUS, SP)
C471	1-126-964-11	ELECT	10uF	20%	50V (AEP, UK, G, EE)	C754	1-126-923-11	ELECT	220uF	20%	10V (AEP, UK, G, EE)
C472	1-124-903-11	ELECT	1uF	20%	50V	C755	1-164-084-11	CERAMIC	820PF	10%	50V
C701	1-124-927-11	ELECT	4.7uF	20%	100V (AEP, UK, G, EE)	C756	1-104-664-11	ELECT	47uF	20%	16V (E, AUS, SP)
C701	1-126-963-11	ELECT	4.7uF	20%	50V (E, AUS, SP)	C756	1-126-967-11	ELECT	47uF	20%	16V (AEP, UK, G, EE)
C702	1-164-077-11	CERAMIC	220PF	10%	50V	C757	1-164-039-11	CERAMIC	3PF	0.25PF	50V
C703	1-162-215-31	CERAMIC	47PF	5%	50V	C758	1-104-664-11	ELECT	47uF	20%	16V (E, AUS, SP)
C704	1-104-666-11	ELECT	220uF	20%	6.3V (E, AUS, SP)	C758	1-126-967-11	ELECT	47uF	20%	16V (AEP, UK, G, EE)
C704	1-126-923-11	ELECT	220uF	20%	10V (AEP, UK, G, EE)	C760	1-162-815-11	CERAMIC	47PF	5%	500V
C705	1-164-084-11	CERAMIC	820PF	10%	50V	C761	1-164-159-11	CERAMIC	0.1uF		50V (E, AUS, SP)
C706	1-104-664-11	ELECT	47uF	20%	16V (E, AUS, SP)	C761	1-164-159-21	CERAMIC	0.1uF		50V (AEP, UK, G, EE)
C706	1-126-967-11	ELECT	47uF	20%	16V (AEP, UK, G, EE)	C762	1-137-372-11	FILM	0.022uF	5%	50V
C707	1-164-039-11	CERAMIC	3PF	0.25PF	50V	C801	1-104-664-11	ELECT	47uF	20%	25V (AEP, UK, G, EE)
C708	1-104-664-11	ELECT	47uF	20%	16V (E, AUS, SP)	C801	1-124-477-11	ELECT	47uF	20%	25V (E, AUS, SP)
						C802	1-104-664-11	ELECT	47uF	20%	25V (AEP, UK, G, EE)

MAIN

Ref. No.	Part No.	Description	Remark	Ref. No.	Part No.	Description	Remark
C802	1-124-477-11	ELECT	47uF 20% 25V (E, AUS, SP)	CC01	1-162-282-31	CERAMIC	100PF 10% 50V (AEP, UK, G, EE)
C803	1-107-766-11	ELECT	8200uF 20% 71V (AUS)	CC02	1-162-282-31	CERAMIC	100PF 10% 50V (AEP, UK, G, EE)
C803	1-125-556-11	ELECT(BLOCK)	8200uF 20% 56V (AEP, UK, G, E, EE, SP)	CC03	1-162-282-31	CERAMIC	100PF 10% 50V (AEP, UK, G, EE)
C804	1-107-766-11	ELECT	8200uF 20% 71V (AUS)	CC04	1-162-282-31	CERAMIC	100PF 10% 50V (AEP, UK, G, EE)
C804	1-125-556-11	ELECT(BLOCK)	8200uF 20% 56V (AEP, UK, G, E, EE, SP)	CC05	1-162-282-31	CERAMIC	100PF 10% 50V (AEP, UK, G, EE)
C805	1-130-781-00	FILM	0.22uF 10% 100V (AEP, UK, G, AUS, EE)	CC06	1-162-282-31	CERAMIC	100PF 10% 50V (AEP, UK, G, EE)
C805	1-137-420-11	FILM	0.047uF 10% 100V (E, SP)	CC07	1-162-282-31	CERAMIC	100PF 10% 50V (AEP, UK, G, EE)
C806	1-130-781-00	FILM	0.22uF 10% 100V (AEP, UK, G, AUS, EE)	CC12	1-164-096-11	CERAMIC	0.01uF 50V (AEP, UK, G, EE)
C806	1-137-420-11	FILM	0.047uF 10% 100V (E, SP)	CC13	1-164-096-11	CERAMIC	0.01uF 50V (AEP, UK, G, EE)
C807	1-104-664-11	ELECT	47uF 20% 25V (AEP, UK, G, EE)	CC20	1-164-159-21	CERAMIC	0.1uF 50V (AEP, UK, G, EE)
C807	1-124-477-11	ELECT	47uF 20% 25V (E, AUS, SP)	CC21	1-164-159-21	CERAMIC	0.1uF 50V (AEP, UK, G, EE)
C808	1-104-664-11	ELECT	47uF 20% 25V (AEP, UK, G, EE)	CC51	1-162-282-31	CERAMIC	100PF 10% 50V (AEP, UK, G, EE)
C808	1-124-477-11	ELECT	47uF 20% 25V (E, AUS, SP)	CC52	1-162-282-31	CERAMIC	100PF 10% 50V (AEP, UK, G, EE)
C809	1-124-903-11	ELECT	1uF 20% 50V	CC53	1-162-282-31	CERAMIC	100PF 10% 50V (AEP, UK, G, EE)
C810	1-124-903-11	ELECT	1uF 20% 50V	CC54	1-162-282-31	CERAMIC	100PF 10% 50V (AEP, UK, G, EE)
C811	1-124-618-11	ELECT	2200uF 20% 35V (E, AUS, SP)	CC55	1-162-282-31	CERAMIC	100PF 10% 50V (AEP, UK, G, EE)
C811	1-126-953-11	ELECT	2200uF 20% 35V (AEP, UK, G, EE)	CC56	1-162-282-31	CERAMIC	100PF 10% 50V (AEP, UK, G, EE)
C812	1-124-618-11	ELECT	2200uF 20% 35V (E, AUS, SP)	CC57	1-162-282-31	CERAMIC	100PF 10% 50V (AEP, UK, G, EE)
C812	1-126-953-11	ELECT	2200uF 20% 35V (AEP, UK, G, EE)	CC62	1-164-096-11	CERAMIC	0.01uF 50V (AEP, UK, G, EE)
C813	1-137-375-11	FILM	0.068uF 5% 50V	CC63	1-164-096-11	CERAMIC	0.01uF 50V (AEP, UK, G, EE)
C814	1-137-375-11	FILM	0.068uF 5% 50V	< CONNECTOR >			
C820	1-161-494-00	CERAMIC	0.022uF 25V	CNP404	1-750-384-11	CONNECTOR, BOARD TO BOARD 11P (AEP, UK, G, E, EE, SP)	
C821	1-161-494-00	CERAMIC	0.022uF 25V	CNP702	1-770-481-11	PIN, CONNECTOR 4P (PHONO/CD IN)	
C950	1-126-942-61	ELECT	1000uF 20% 16V (E, AUS, SP)	CNP706	1-764-477-11	PIN, CONNECTOR (PC BOARD) 8P (TAPE/MD REC IN/OUT, TV/LD AUDIO IN)	
C950	1-126-952-11	ELECT	1000uF 20% 16V (AEP, UK, G, EE)	CNP802	1-770-479-11	PLUG, CONNECTOR PIN(PC BOARD) 4P (VIDEO AUDIO IN/OUT)	
C951	1-164-097-11	CERAMIC	0.022uF 50V	CNS204	1-764-928-11	CONNECTOR, FFC(LIF(NON-ZIF)) 23P	
C952	1-124-903-11	ELECT	1uF 20% 50V	CNS404	1-770-380-11	CONNECTOR, BOARD TO BOARD 8P (E, AUS, SP)	
C953	1-124-464-11	ELECT	0.22uF 20% 50V	* CNS701	1-764-914-11	CONNECTOR, FFC(LIF(NON-ZIF)) 9P (AUS)	
C954	1-124-907-11	ELECT	10uF 20% 50V (E, AUS, SP)				
C954	1-126-964-11	ELECT	10uF 20% 50V (AEP, UK, G, EE)				
C955	1-164-159-21	CERAMIC	0.1uF 50V (AEP, UK, G, EE)				

Ref. No.	Part No.	Description	Remark	Ref. No.	Part No.	Description	Remark
		< DIODE >				< JACK >	
D701	8-719-933-41	DIODE HZS6C3L		J401	1-695-188-21	JACK, PIN 4P (PHONO/CD IN)	
D702	8-719-815-85	DIODE 1S1585 (AEP, UK, G, EE)		J402	1-580-825-11	JACK, PIN 6P (TAPE/MD REC IN/OUT, TV/LD AUDIO IN)	
D702	8-719-987-63	DIODE 1N4148M (E, AUS, SP)		J403	1-695-188-21	JACK, PIN 4P (VIDEO AUDIO IN/OUT) (AEP, UK, G, EE)	
D703	8-719-815-85	DIODE 1S1585		J403	1-573-028-21	JACK, PIN 4P (VIDEO AUDIO IN/OUT) (E, AUS, SP)	
D704	8-719-815-85	DIODE 1S1585				< COIL >	
D706	8-719-815-85	DIODE 1S1585 (AEP, UK, G, EE)		L1	1-410-521-11	INDUCTOR 100uH (AEP, UK, G, EE)	
D706	8-719-987-63	DIODE 1N4148M (E, AUS, SP)		L401	1-410-509-11	INDUCTOR 10uH (AEP, UK, G, EE)	
D707	8-719-815-85	DIODE 1S1585 (AEP, UK, G, EE)		L701	1-420-872-00	COIL, AIR-CORE	
D707	8-719-987-63	DIODE 1N4148M (E, AUS, SP)		L751	1-420-872-00	COIL, AIR-CORE	
D708	8-719-815-85	DIODE 1S1585 (AEP, UK, G, EE)				< TRANSISTOR >	
D708	8-719-987-63	DIODE 1N4148M (E, AUS, SP)		Q305	8-729-141-30	TRANSISTOR 2SC3623A-LK (E, AUS, SP)	
D710	8-719-815-85	DIODE 1S1585		Q305	8-729-922-37	TRANSISTOR 2SD2144S-UVW (AEP, UK, G, EE)	
D751	8-719-933-41	DIODE HZS6C3L		Q306	8-729-141-30	TRANSISTOR 2SC3623A-LK (E, AUS, SP)	
D752	8-719-815-85	DIODE 1S1585 (AEP, UK, G, EE)		Q306	8-729-922-37	TRANSISTOR 2SD2144S-UVW (AEP, UK, G, EE)	
D752	8-719-987-63	DIODE 1N4148M (E, AUS, SP)		Q701	8-729-620-18	TRANSISTOR 2SA979-FG	
D753	8-719-815-85	DIODE 1S1585		Q702	8-729-119-78	TRANSISTOR 2SC2785-HFE	
D801	8-719-002-33	DIODE UZL-24L		Q703	8-729-140-82	TRANSISTOR 2SA988-PAFAEA	
D802	8-719-302-38	DIODE RBV-602-01		Q704	8-729-119-78	TRANSISTOR 2SC2785-HFE	
D803	8-719-025-03	DIODE RBA-402-SL		Q705	8-729-122-13	TRANSISTOR 2SA1221-K	
D804	8-719-010-38	DIODE UZ-5.1BSB		Q706	8-729-195-82	TRANSISTOR 2SC2958-L	
D810	8-719-024-99	DIODE 11ES2-NTA2B (E, AUS, SP)		Q707	8-729-141-30	TRANSISTOR 2SC3623A-LK	
D810	8-719-200-82	DIODE 11ES2 (AEP, UK, G, EE)		Q708	8-749-010-25	IC MN2488-OPY-M	
D811	8-719-024-99	DIODE 11ES2-NTA2B (E, AUS, SP)		Q709	8-749-010-26	IC MP1620-OPY-M	
D811	8-719-200-82	DIODE 11ES2 (AEP, UK, G, EE)		Q710	8-729-140-82	TRANSISTOR 2SA988-PAFAEA	
D812	8-719-024-99	DIODE 11ES2-NTA2B (E, AUS, SP)		Q711	8-729-119-78	TRANSISTOR 2SC2785-HFE	
D812	8-719-200-82	DIODE 11ES2 (AEP, UK, G, EE)		Q712	8-729-140-82	TRANSISTOR 2SA988-PAFAEA	
D813	8-719-024-99	DIODE 11ES2-NTA2B (E, AUS, SP)		Q713	8-729-140-84	TRANSISTOR 2SC1841-PAFAEA	
D813	8-719-200-82	DIODE 11ES2 (AEP, UK, G, EE)		Q714	8-729-119-78	TRANSISTOR 2SC2785-HFE	
D814	8-719-815-85	DIODE 1S1585 (AEP, UK, G, EE)		Q715	8-729-119-76	TRANSISTOR 2SA1175-HFE	
D814	8-719-987-63	DIODE 1N4148M (E, AUS, SP)		Q751	8-729-620-18	TRANSISTOR 2SA979-FG	
D815	8-719-815-85	DIODE 1S1585 (AEP, UK, G, EE)		Q752	8-729-119-78	TRANSISTOR 2SC2785-HFE	
D815	8-719-987-63	DIODE 1N4148M (E, AUS, SP)		Q753	8-729-140-82	TRANSISTOR 2SA988-PAFAEA	
		< GROUND TERMINAL >		Q754	8-729-119-78	TRANSISTOR 2SC2785-HFE	
G200	1-537-770-21	TERMINAL BOARD, GROUND		Q755	8-729-122-13	TRANSISTOR 2SA1221-K	
G201	1-537-770-21	TERMINAL BOARD, GROUND		Q756	8-729-195-82	TRANSISTOR 2SC2958-L	
G202	1-537-770-21	TERMINAL BOARD, GROUND		Q757	8-729-141-30	TRANSISTOR 2SC3623A-LK	
		< IC >		Q758	8-749-010-25	IC MN2488-OPY-M	
IC1	8-759-169-99	IC SAA6579 (AEP, UK, G, EE)		Q759	8-749-010-26	IC MP1620-OPY-M	
IC2	8-759-636-74	IC M5218AP-22 (AEP, UK, G, EE)		Q760	8-729-140-82	TRANSISTOR 2SA988-PAFAEA	
IC302	8-759-636-74	IC M5218AP-22		Q765	8-729-119-76	TRANSISTOR 2SA1175-HFE	
IC401	8-759-805-14	IC LC7822		Q801	8-729-140-97	TRANSISTOR 2SB734-34	
IC402	8-759-636-74	IC M5218AP-22		Q802	8-729-119-78	TRANSISTOR 2SC2785-HFE	
IC801	8-759-287-58	IC TA78M12P		Q951	8-729-030-18	TRANSISTOR 2SD2525	
IC802	8-759-700-69	IC NJM79L12A					
IC950	8-759-333-83	IC NJM2103D					

MAIN

Ref. No.	Part No.	Description	Remark	Ref. No.	Part No.	Description	Remark
< RESISTOR >							
R1	1-247-863-91	CARBON	22K 5% 1/4W (AEP, UK, G, EE)	R455	1-249-417-11	CARBON	1K 5% 1/4W F
R2	1-249-426-11	CARBON	5.6K 5% 1/4W (AEP, UK, G, EE)	R456	1-249-417-11	CARBON	1K 5% 1/4W F
R3	1-249-441-11	CARBON	100K 5% 1/4W (AEP, UK, G, EE)	R457	1-249-417-11	CARBON	1K 5% 1/4W F
R4	1-249-441-11	CARBON	100K 5% 1/4W (AEP, UK, G, EE)	R458	1-249-429-11	CARBON	10K 5% 1/4W
R5	1-249-421-11	CARBON	2.2K 5% 1/4W F (AEP, UK, G, EE)	R459	1-249-437-11	CARBON	47K 5% 1/4W
R6	1-247-807-31	CARBON	100 5% 1/4W (AEP, UK, G, EE)	R460	1-247-897-11	CARBON	560K 5% 1/4W
R7	1-247-807-31	CARBON	100 5% 1/4W (AEP, UK, G, EE)	R461	1-249-416-11	CARBON	820 5% 1/4W F
R304	1-249-441-11	CARBON	100K 5% 1/4W	R462	1-247-897-11	CARBON	560K 5% 1/4W
R354	1-249-425-11	CARBON	4.7K 5% 1/4W F	R463	1-249-437-11	CARBON	47K 5% 1/4W
R355	1-249-425-11	CARBON	4.7K 5% 1/4W F	R466	1-249-417-11	CARBON	1K 5% 1/4W F
R365	1-249-417-11	CARBON	1K 5% 1/4W F	R467	1-247-897-11	CARBON	560K 5% 1/4W
R366	1-249-417-11	CARBON	1K 5% 1/4W F	R470	1-247-887-00	CARBON	220K 5% 1/4W
R401	1-249-411-11	CARBON	330 5% 1/4W	R471	1-249-417-11	CARBON	1K 5% 1/4W F
R402	1-249-425-11	CARBON	4.7K 5% 1/4W F	R701	1-249-421-11	CARBON	2.2K 5% 1/4W F
R403	1-249-417-11	CARBON	1K 5% 1/4W F	R702	1-249-435-11	CARBON	33K 5% 1/4W
R404	1-249-417-11	CARBON	1K 5% 1/4W F	R703	1-249-409-11	CARBON	220 5% 1/4W F (AUS)
R405	1-249-417-11	CARBON	1K 5% 1/4W F	R703	1-249-411-11	CARBON	330 5% 1/4W (AEP, UK, G, E, EE, SP)
R406	1-249-417-11	CARBON	1K 5% 1/4W F	R704	1-249-434-11	CARBON	27K 5% 1/4W
R407	1-249-417-11	CARBON	1K 5% 1/4W F	R705	1-249-415-11	CARBON	680 5% 1/4W F
R408	1-249-429-11	CARBON	10K 5% 1/4W	△R706	1-249-409-11	CARBON	220 5% 1/4W F
R409	1-249-437-11	CARBON	47K 5% 1/4W	R707	1-249-421-11	CARBON	2.2K 5% 1/4W F
R410	1-247-897-11	CARBON	560K 5% 1/4W	R708	1-247-863-91	CARBON	22K 5% 1/4W (AEP, UK, G, EE)
R411	1-249-416-11	CARBON	820 5% 1/4W F	R708	1-249-433-11	CARBON	22K 5% 1/4W (E, AUS, SP)
R412	1-247-897-11	CARBON	560K 5% 1/4W	△R709	1-249-409-11	CARBON	220 5% 1/4W F
R413	1-249-437-11	CARBON	47K 5% 1/4W	R710	1-249-435-11	CARBON	33K 5% 1/4W
R414	1-249-425-11	CARBON	4.7K 5% 1/4W F	R711	1-249-414-11	CARBON	560 5% 1/4W F
R416	1-249-417-11	CARBON	1K 5% 1/4W F	R711	1-249-424-11	CARBON	3.9K 5% 1/4W F (E, SP)
R417	1-247-897-11	CARBON	560K 5% 1/4W	R712	1-249-422-11	CARBON	2.7K 5% 1/4W F
R420	1-247-887-00	CARBON	220K 5% 1/4W	△R713	1-212-865-00	FUSIBLE	22 5% 1/4W F (AEP, UK, G, SP, EE)
R421	1-249-417-11	CARBON	1K 5% 1/4W F	△R713	1-249-397-11	CARBON	22 5% 1/4W F (E, AUS)
R435	1-249-418-11	CARBON	1.2K 5% 1/4W F	R715	1-249-414-11	CARBON	560 5% 1/4W F
R442	1-249-418-11	CARBON	1.2K 5% 1/4W F	△R716	1-212-865-00	FUSIBLE	22 5% 1/4W F (AEP, UK, G, SP, EE)
R443	1-249-418-11	CARBON	1.2K 5% 1/4W F	△R716	1-249-397-11	CARBON	22 5% 1/4W F (E, AUS)
R447	1-249-416-11	CARBON	820 5% 1/4W F	R717	1-249-421-11	CARBON	2.2K 5% 1/4W F
R448	1-249-429-11	CARBON	10K 5% 1/4W	△R718	1-249-393-11	CARBON	10 5% 1/4W F
R449	1-247-863-91	CARBON	22K 5% 1/4W (AEP, UK, G, EE)	△R719	1-249-393-11	CARBON	10 5% 1/4W F
R449	1-249-433-11	CARBON	22K 5% 1/4W (E, AUS, SP)	△R720	1-233-352-21	ENCAPSULATED COMPONENT	
R451	1-249-411-11	CARBON	330 5% 1/4W	R721	1-249-437-11	CARBON	47K 5% 1/4W
R452	1-249-425-11	CARBON	4.7K 5% 1/4W F	R722	1-249-425-11	CARBON	4.7K 5% 1/4W F
R453	1-249-417-11	CARBON	1K 5% 1/4W F	R723	1-249-431-11	CARBON	15K 5% 1/4W
R454	1-249-417-11	CARBON	1K 5% 1/4W F	△R724	1-249-393-11	CARBON	10 5% 1/4W F
				△R725	1-249-389-11	CARBON	4.7 5% 1/4W F
				R727	1-249-437-11	CARBON	47K 5% 1/4W

The components identified by mark △ or dotted line with mark △ are critical for safety. Replace only with part number specified.

Ref. No.	Part No.	Description	Remark	Ref. No.	Part No.	Description	Remark
△R729	1-249-887-11	CARBON	33 5% 1/4W F (E, AUS)	△R805	1-216-446-00	METAL OXIDE	18 5% 2W F (E, AUS)
△R730	1-249-887-11	CARBON	33 5% 1/4W F (E, AUS)	R806	1-249-425-11	CARBON	4.7K 5% 1/4W F
R731	1-249-429-11	CARBON	10K 5% 1/4W	R807	1-249-437-11	CARBON	47K 5% 1/4W
R732	1-249-417-11	CARBON	1K 5% 1/4W F	△R808	1-249-405-11	CARBON	100 5% 1/4W F
R733	1-249-435-11	CARBON	33K 5% 1/4W	R950	1-249-421-11	CARBON	2.2K 5% 1/4W F
R734	1-249-427-11	CARBON	6.8K 5% 1/4W F	R951	1-249-429-11	CARBON	10K 5% 1/4W
R737	1-249-429-11	CARBON	10K 5% 1/4W	R952	1-249-423-11	CARBON	3.3K 5% 1/4W F
R738	1-249-424-11	CARBON	3.9K 5% 1/4W F	R953	1-247-863-91	CARBON	22K 5% 1/4W (AEP, UK, G, EE)
R751	1-249-421-11	CARBON	2.2K 5% 1/4W F	R953	1-249-433-11	CARBON	22K 5% 1/4W (E, AUS, SP)
R752	1-249-435-11	CARBON	33K 5% 1/4W	R954	1-249-439-11	CARBON	68K 5% 1/4W
R753	1-249-409-11	CARBON	220 5% 1/4W F (AUS)	R955	1-249-429-11	CARBON	10K 5% 1/4W
R753	1-249-411-11	CARBON	330 5% 1/4W (AEP, UK, G, E, EE, SP)	R956	1-249-423-11	CARBON	3.3K 5% 1/4W F
R754	1-249-434-11	CARBON	27K 5% 1/4W	R957	1-249-417-11	CARBON	1K 5% 1/4W F
R755	1-249-415-11	CARBON	680 5% 1/4W F	R960	1-249-429-11	CARBON	10K 5% 1/4W
△R756	1-249-409-11	CARBON	220 5% 1/4W F	RR01	1-249-418-11	CARBON	1.2K 5% 1/4W F (AEP, UK, G, EE)
R757	1-249-421-11	CARBON	2.2K 5% 1/4W F	RR04	1-249-393-11	CARBON	10 5% 1/4W F (AEP, UK, G, EE)
R758	1-247-863-91	CARBON	22K 5% 1/4W (AEP, UK, G, EE)	RR05	1-249-393-11	CARBON	10 5% 1/4W F (AEP, UK, G, EE)
R758	1-249-433-11	CARBON	22K 5% 1/4W (E, AUS, SP)	RR51	1-249-418-11	CARBON	1.2K 5% 1/4W F (AEP, UK, G, EE)
△R759	1-249-409-11	CARBON	220 5% 1/4W F	RR54	1-249-393-11	CARBON	10 5% 1/4W F (AEP, UK, G, EE)
R760	1-249-435-11	CARBON	33K 5% 1/4W	RR55	1-249-393-11	CARBON	10 5% 1/4W F (AEP, UK, G, EE)
R761	1-249-414-11	CARBON	560 5% 1/4W F	< RELAY >			
R762	1-249-422-11	CARBON	2.7K 5% 1/4W F	RY701	1-515-920-11	RELAY (24V)	
△R763	1-212-865-00	FUSIBLE	22 5% 1/4W F (AEP, UK, G, SP, EE)	< TERMINAL >			
△R763	1-249-397-11	CARBON	22 5% 1/4W F (E, AUS)	TM001	1-537-240-51	TERMINAL BOARD (CHECKER PIN) (ANTENNA) (E)	
R765	1-249-414-11	CARBON	560 5% 1/4W F	TM001	1-537-714-11	TERMINAL BOARD (ANTEENNA) (AEP, UK, G, AUS, EE, SP)	
△R766	1-212-865-00	FUSIBLE	22 5% 1/4W F (AEP, UK, G, SP, EE)	TM701	1-537-376-11	TERMINAL BOARD (SP) (SPEAKERS)	
△R766	1-249-397-11	CARBON	22 5% 1/4W F (E, AUS)	< TUNER >			
R767	1-249-421-11	CARBON	2.2K 5% 1/4W F	TU001	1-233-308-11	ENCAPSULATED COMPONENT (AEP, UK, G, E, AUS, SP)	
△R768	1-249-393-11	CARBON	10 5% 1/4W F	TU001	1-233-309-11	ENCAPSULATED COMPONENT (EE)	
△R769	1-249-393-11	CARBON	10 5% 1/4W F	< VIBRATOR >			
△R770	1-233-352-21	ENCAPSULATED COMPONENT		X1	1-579-900-21	VIBRATOR, CRYSTAL(4.33MHz) (AEP, UK, G, EE)	
R771	1-249-437-11	CARBON	47K 5% 1/4W	*****			
R772	1-249-425-11	CARBON	4.7K 5% 1/4W F	*	1-656-007-11	PRIMARY BOARD (AEP, UK, G, AUS, EE, SP) *****	
R773	1-249-431-11	CARBON	15K 5% 1/4W	*****			
△R774	1-249-393-11	CARBON	10 5% 1/4W F				
△R775	1-249-389-11	CARBON	4.7 5% 1/4W F				
R777	1-249-438-11	CARBON	56K 5% 1/4W				
R788	1-249-424-11	CARBON	3.9K 5% 1/4W F				
R801	1-249-423-11	CARBON	3.3K 5% 1/4W F				
△R802	1-249-887-11	CARBON	33 5% 1/4W F				
△R805	1-249-455-11	CARBON	4.7 5% 1/4W F (EXCEPT E, AUS)				

The components identified by mark △ or dotted line with mark △ are critical for safety. Replace only with part number specified.

SP SW

SP SW-A

SP SW-B

STBY

STBY SW

STONE

Ref.No.	Part No.	Description	Remark	Ref.No.	Part No.	Description	Remark
*	1-656-000-11	SP SW BOARD *****		CNP905	1-564-320-00	PIN, CONNECTOR (B2P-VH) 2P (E)	
		< JACK >		* CNP906	1-564-241-11	PIN, CONNECTOR (B4P-VH) 4P (E)	
J741	1-750-733-11	JACK (LARGE TYPE) (PHONES)		CNS802	1-770-480-11	SOCKET, CONNECTOR PIN 4P	
		< RESISTOR >				< DIODE >	
R741	1-247-753-11	CARBON 1.2K 5% 1/2W (E, AUS, SP)		D816	8-719-815-85	DIODE 1S1585 (AEP, UK, G, EE)	
R741	1-260-100-11	CARBON 1.2K 5% 1/2W (AEP, UK, G, EE)		D816	8-719-987-63	DIODE 1N4148M (E, AUS, SP)	
R742	1-247-753-11	CARBON 1.2K 5% 1/2W (E, AUS, SP)				< FUSE >	
R742	1-260-100-11	CARBON 1.2K 5% 1/2W (AEP, UK, G, EE)		△F902	1-532-203-00	FUSE (T2AL 250V) (EXCEPT AUS)	
R791	1-247-753-11	CARBON 1.2K 5% 1/2W (E, AUS, SP)		△F902	1-532-259-00	FUSE (T1.6AL 250V) (AUS)	
		< SWITCH >		△F903	1-532-259-00	FUSE (T1.6AL 250V) (AEP, G, EE, SP)	
S701	1-762-320-11	SWITCH, PUSH (2 KEY) (SPEAKERS A/B)				< CONNECTOR >	
		*****				< FUSE HOLDER >	
*	1-656-004-11	SP SW-A BOARD *****		FH902	1-533-233-11	HOLDER, FUSE (F902)	
		*****		FH903	1-533-233-11	HOLDER, FUSE (F903) (AEP, G, EE, SP)	
*	1-656-005-11	SP SW-B BOARD *****		FH952	1-533-233-11	HOLDER, FUSE (F902)	
		< CONNECTOR >		FH953	1-533-233-11	HOLDER, FUSE (F903) (AEP, G, EE, SP)	
CNS702	1-770-482-11	CONNECTOR, BOARD TO BOARD 4P				< RELAY >	
		*****		△RY901	1-515-720-11	RELAY	
*	1-656-002-11	STBY BOARD *****				< TRANSFORMER >	
		< CONNECTOR >		△T902	1-450-358-11	TRANSFORMER, POWER	
CNJ902	1-540-057-11	OUTLET, AC (POLAR) (E)				*****	
		< CONNECTOR >				1-656-317-11	STBY SW BOARD (E, AUS) *****
CNP901	1-564-321-00	PIN, CONNECTOR 2P				< SWITCH >	
CNP902	1-564-321-00	PIN, CONNECTOR 2P (E)		S200	1-554-303-21	SWITCH, TACTILE (POWER) (E, AUS)	
CNP903	1-580-230-11	PIN, CONNECTOR (PC BOARD) 2P (AEP, G, AUS, EE, SP)				*****	
				*	1-655-999-11	TONE BOARD *****	
						< CAPACITOR >	
				C421	1-137-440-11	FILM 0.018uF 5% 50V	
				C422	1-124-463-00	ELECT 0.1uF 20% 50V	
				C423	1-137-368-11	FILM 0.0047uF 5% 50V	
				C424	1-137-372-11	FILM 0.022uF 5% 50V	
				C471	1-137-440-11	FILM 0.018uF 5% 50V	
				C472	1-124-463-00	ELECT 0.1uF 20% 50V	
				C473	1-137-368-11	FILM 0.0047uF 5% 50V	
				C474	1-137-372-11	FILM 0.022uF 5% 50V	

The components identified by mark △ or dotted line with mark △ are critical for safety. Replace only with part number specified.

STONE

TRANS

V-SELECT

VOL

Ref. No.	Part No.	Description	Remark
		< CONNECTOR >	
* CNP203	1-569-799-11	PLUG, CONNECTOR 5P	
CNS401	1-770-399-11	HOUSING, CONNECTOR(PC BOARD) 6P	
		< DIODE >	
D207	8-719-313-72	LED SEL3810A-CD (BASS BOOST)	
D208	8-719-313-72	LED SEL3810A-CD (MUTING -20dB)	
		< RESISTOR >	
R210	1-249-435-11	CARBON 33K 5% 1/4W	
R421	1-249-430-11	CARBON 12K 5% 1/4W	
R422	1-249-422-11	CARBON 2.7K 5% 1/4W F	
R429	1-249-415-11	CARBON 680 5% 1/4W F	
R437	1-247-903-00	CARBON 1M 5% 1/4W	
R440	1-247-903-00	CARBON 1M 5% 1/4W	
R471	1-249-430-11	CARBON 12K 5% 1/4W	
R472	1-249-422-11	CARBON 2.7K 5% 1/4W F	
R479	1-249-415-11	CARBON 680 5% 1/4W F	
R487	1-247-903-00	CARBON 1M 5% 1/4W	
R490	1-247-903-00	CARBON 1M 5% 1/4W	
		< VARIABLE RESISTOR >	
RV421	1-223-362-11	RES, VAR, CARBON 100K/100K (BASS)	
RV422	1-223-363-11	RES, VAR, CARBON 125K/125K (TREBLE)	
RV423	1-223-880-11	RES, VAR, CARBON 100K/100K (BALANCE)	
		< SWITCH >	
S209	1-554-303-21	SWITCH, TACTILE (MUTING -20dB)	
S210	1-554-303-21	SWITCH, TACTILE (BASS BOOST)	

*	1-655-998-11	TRANS BOARD	

		< CONNECTOR >	
CNP801	1-764-478-11	PIN, CONNECTOR (PC BOARD) 9P	
		< FUSE >	
△F801	1-532-237-00	FUSE, TIME LAG (T3.15AL 250V)	
△F802	1-532-237-00	FUSE, TIME LAG (T3.15AL 250V)	
		< FUSE HOLDER >	
FH801	1-533-233-11	HOLDER, FUSE (F801)	
FH802	1-533-233-11	HOLDER, FUSE (F802)	
FH851	1-533-233-11	HOLDER, FUSE (F801)	
FH852	1-533-233-11	HOLDER, FUSE (F802)	

Ref. No.	Part No.	Description	Remark
		< TRANSFORMER >	
△T901	1-427-880-11	TRANSFORMER, POWER (AEP, UK, G, EE, SP)	
△T901	1-427-881-11	TRANSFORMER, POWER (AUS)	
△T901	1-427-905-11	TRANSFORMER, POWER (E)	

*	1-656-001-11	V-SELECT BOARD (E)	

		< CONNECTOR >	
* CNP907	1-565-395-11	PIN, CONNECTOR 3P (E)	
CNP908	1-564-321-00	PIN, CONNECTOR 2P (E)	
* CNP910	1-564-687-11	PIN, CONNECTOR 3P (E)	
		< FUSE >	
△F904	1-532-203-00	FUSE (T2AL 250V) (E)	
		< FUSE HOLDER >	
FH904	1-533-217-31	HOLDER, FUSE (F904) (E)	
FH954	1-533-217-31	HOLDER, FUSE (F904) (E)	
		< SWITCH >	
△S901	1-571-437-11	SWITCH, POWER VOLTAGE CHANGE (VOLTAGE SELECTOR) (E)	

*	A-4377-522-A	VOL BOARD, COMPLETE	

		< CAPACITOR >	
C420	1-162-207-31	CERAMIC 22PF 5% 50V	
C425	1-126-096-11	ELECT 10uF 20% 35V	
C426	1-126-096-11	ELECT 10uF 20% 35V	
C427	1-124-252-00	ELECT 0.33uF 20% 50V	
C428	1-130-489-00	MYLAR 0.033uF 5% 50V	
C429	1-164-070-11	CERAMIC 100PF 5% 50V	
C430	1-126-301-11	ELECT 1uF 20% 50V	
C431	1-126-301-11	ELECT 1uF 20% 50V	
C432	1-126-096-11	ELECT 10uF 20% 35V	
C433	1-126-096-11	ELECT 10uF 20% 35V	
C470	1-162-207-31	CERAMIC 22PF 5% 50V	
C475	1-126-096-11	ELECT 10uF 20% 35V	
C476	1-126-096-11	ELECT 10uF 20% 35V	
C477	1-124-252-00	ELECT 0.33uF 20% 50V	
C478	1-130-489-00	MYLAR 0.033uF 5% 50V	
C479	1-164-070-11	CERAMIC 100PF 5% 50V	
C492	1-124-464-11	ELECT 0.22uF 20% 50V	

The components identified by mark △ or dotted line with mark △ are critical for safety. Replace only with part number specified.

VOL **VOL-MAIN**

Ref. No.	Part No.	Description	Remark	Ref. No.	Part No.	Description	Remark
< CONNECTOR >				R491	1-249-441-11	CARBON 100K 5% 1/4W	
CNP202	1-770-391-11	PIN, CONNECTOR (PC BOARD) 7P		R492	1-247-903-00	CARBON 1M 5% 1/4W	
CNP401	1-770-390-11	PIN, CONNECTOR (PC BOARD) 6P		R494	1-247-903-00	CARBON 1M 5% 1/4W	
CNP403	1-770-406-11	CONNECTOR, BOARD TO BOARD 10P		R496	1-247-807-31	CARBON 100 5% 1/4W	
< DIODE >				< VARIABLE RESISTOR >			
D421	8-719-815-85	DIODE 1S1585 (AEP, UK, G, EE)		RV404	1-223-882-11	RES, VAR 100K/100K (VOLUME)	
D421	8-719-987-63	DIODE 1N4148M (E, AUS, SP)		*****			
< IC >				*	1-655-997-11	VOL-MAIN BOARD	
IC404	8-759-636-74	IC M5218AP-22		*****			
< TRANSISTOR >				< CONNECTOR >			
Q401	8-729-202-67	TRANSISTOR 2SK246-GR3		CNS403	1-770-381-11	CONNECTOR, BOARD TO BOARD 10P	
Q402	8-729-141-30	TRANSISTOR 2SC3623A-LK (E, AUS, SP)		CNS404	1-750-383-21	CONNECTOR, BOARD TO BOARD 11P	
Q402	8-729-922-37	TRANSISTOR 2SD2144S-UVW (AEP, UK, G, EE)		*****			
Q403	8-729-141-30	TRANSISTOR 2SC3623A-LK (E, AUS, SP)		MISCELLANEOUS			
Q403	8-729-922-37	TRANSISTOR 2SD2144S-UVW (AEP, UK, G, EE)		*****			
Q451	8-729-202-67	TRANSISTOR 2SK246-GR3		6	1-773-742-11	WIRE (FLAT TYPE) (23 CORE) (E, AUS, SP)	
Q452	8-729-141-30	TRANSISTOR 2SC3623A-LK (E, AUS, SP)		6	1-773-744-11	WIRE (FLAT TYPE) (23 CORE) (AEP, UK, G, EE)	
Q452	8-729-922-37	TRANSISTOR 2SD2144S-UVW (AEP, UK, G, EE)		△67	1-569-007-11	ADAPTER, CONVERSION 2P (E)	
Q453	8-729-141-30	TRANSISTOR 2SC3623A-LK (E, AUS, SP)		△CNPJ903	1-251-078-11	OUTLET, AC. (AUS)	
Q453	8-729-922-37	TRANSISTOR 2SD2144S-UVW (AEP, UK, G, EE)		△CNPJ903	1-526-794-11	OUTLET, AC (AEP, G, EE, SP)	
< RESISTOR >				△CNP904	1-575-653-11	CORD, POWER (E)	
R425	1-249-428-11	CARBON 8.2K 5% 1/4W F		△CNP904	1-696-847-11	CORD, POWER (AUS)	
R426	1-249-438-11	CARBON 56K 5% 1/4W		△CNP904	1-751-520-11	CORD, POWER (UK)	
R427	1-249-417-11	CARBON 1K 5% 1/4W F		△CNP904	1-769-744-11	CORD, POWER (AEP, G, EE, SP)	
R428	1-249-425-11	CARBON 4.7K 5% 1/4W F		△F801	1-532-237-00	FUSE, TIME LAG (T3. 15AL 250V)	
R430	1-249-437-11	CARBON 47K 5% 1/4W		△F802	1-532-237-00	FUSE, TIME LAG (T3. 15AL 250V)	
R431	1-249-423-11	CARBON 3.3K 5% 1/4W F		△F902	1-532-203-00	FUSE (T2AL 250V) (EXCEPT AUS)	
R432	1-247-883-00	CARBON 150K 5% 1/4W		△F902	1-532-259-00	FUSE (T1. 6AL 250V) (AUS)	
R433	1-249-427-11	CARBON 6.8K 5% 1/4W F		△F903	1-532-259-00	FUSE (T1. 6AL 250V) (AEP, G, EE, SP)	
R434	1-249-412-11	CARBON 390 5% 1/4W F		△F904	1-532-203-00	FUSE (T2AL 250V) (E)	
R436	1-249-441-11	CARBON 100K 5% 1/4W		FL201	1-517-141-11	INDICATOR TUBE, FLUORESCENT	
R438	1-249-441-11	CARBON 100K 5% 1/4W		Q708	8-749-010-25	TRANSISTOR MN2488-OPY-M	
R441	1-249-441-11	CARBON 100K 5% 1/4W		Q709	8-749-010-26	TRANSISTOR MP1620-OPY-M	
R444	1-247-903-00	CARBON 1M 5% 1/4W		Q758	8-749-010-25	TRANSISTOR MN2488-OPY-M	
R446	1-247-807-31	CARBON 100 5% 1/4W		Q759	8-749-010-26	TRANSISTOR MP1620-OPY-M	
R464	1-247-903-00	CARBON 1M 5% 1/4W		RV404	1-223-882-11	RES, VAR 100K/100K (MASTER VOLUME)	
R469	1-247-903-00	CARBON 1M 5% 1/4W		S902	1-572-267-21	SWITCH PUSH (AC POWER) 1 KEY	
R475	1-249-428-11	CARBON 8.2K 5% 1/4W F		(AEP, UK, G, EE, SP)			
R476	1-249-438-11	CARBON 56K 5% 1/4W		△T901	1-427-880-11	TRANSFORMER, POWER (AEP, UK, G, EE, SP)	
R477	1-249-417-11	CARBON 1K 5% 1/4W F		△T901	1-427-881-11	TRANSFORMER, POWER (AUS)	
R478	1-249-425-11	CARBON 4.7K 5% 1/4W F		△T901	1-427-905-11	TRANSFORMER, POWER (E)	
R480	1-249-437-11	CARBON 47K 5% 1/4W		*****			
R481	1-249-423-11	CARBON 3.3K 5% 1/4W F					
R482	1-247-883-00	CARBON 150K 5% 1/4W					
R483	1-249-427-11	CARBON 6.8K 5% 1/4W F					
R484	1-249-412-11	CARBON 390 5% 1/4W F					

The components identified by mark △ or dotted line with mark △ are critical for safety. Replace only with part number specified.

<u>Ref.No.</u>	<u>Part No.</u>	<u>Description</u>	<u>Remark</u>
		ACCESSORIES & PACKING MATERIALS *****	
		1-473-072-11 COMMANDER, STANDARD (RM-U253)	
		1-501-374-11 ANTENNA, LOOP	
		1-501-594-11 ANTENNA (FM) (AEP, UK, G, AUS, EE, SP, MY, HK)	
		3-798-811-11 MANUAL, INSTRUCTION (ENGLISH, FRENCH, GERMAN, DUTCH) (AEP)	
		3-798-811-41 MANUAL, INSTRUCTION (SPANISH, SWEDISH, PORTUGUESE, DUTCH, ITALIAN) (AEP)	
		3-798-811-51 MANUAL, INSTRUCTION (GERMAN) (G)	
		3-798-811-61 MANUAL, INSTRUCTION (ENGLISH) (UK)	
		3-798-811-71 MANUAL, INSTRUCTION (ENGLISH, FRENCH, SPANISH, CHINESE) (E, SP, MY, HK)	
		3-798-811-81 MANUAL, INSTRUCTION (ENGLISH) (AUS)	
		3-798-811-91 MANUAL, INSTRUCTION (ENGLISH, RUSSIAN, POLISH) (EE)	
		4-941-762-01 COVER (MLY), BATTERY (for RM-U253)	
*		4-952-676-01 CUSHION	
*		4-974-622-01 INDIVIDUAL CARTON (E, AUS)	
*		4-974-623-01 INDIVIDUAL CARTON (AEP, UK, G, EE)	
*		4-978-297-01 INDIVIDUAL CARTON (SP)	

		***** HARDWARE LIST *****	
#1		7-682-548-04 SCREW +BVTT 3X8 (S)	
#2		7-685-646-79 SCREW +BVTP 3X8 TYPE2 N-S	
#3		7-621-849-00 SCREW, TAPPING	
#4		7-682-560-04 SCREW +BVTT 4X6 (S)	

STR-D365

SONY SERVICE MANUAL

*AEP Model
UK Model
E Model
Australian Model*

SUPPLEMENT-1

File this supplement with the service manual.

**Subject : 1. CORRECTION
2. BOARD CHANGED**


(ECN-TA503934)

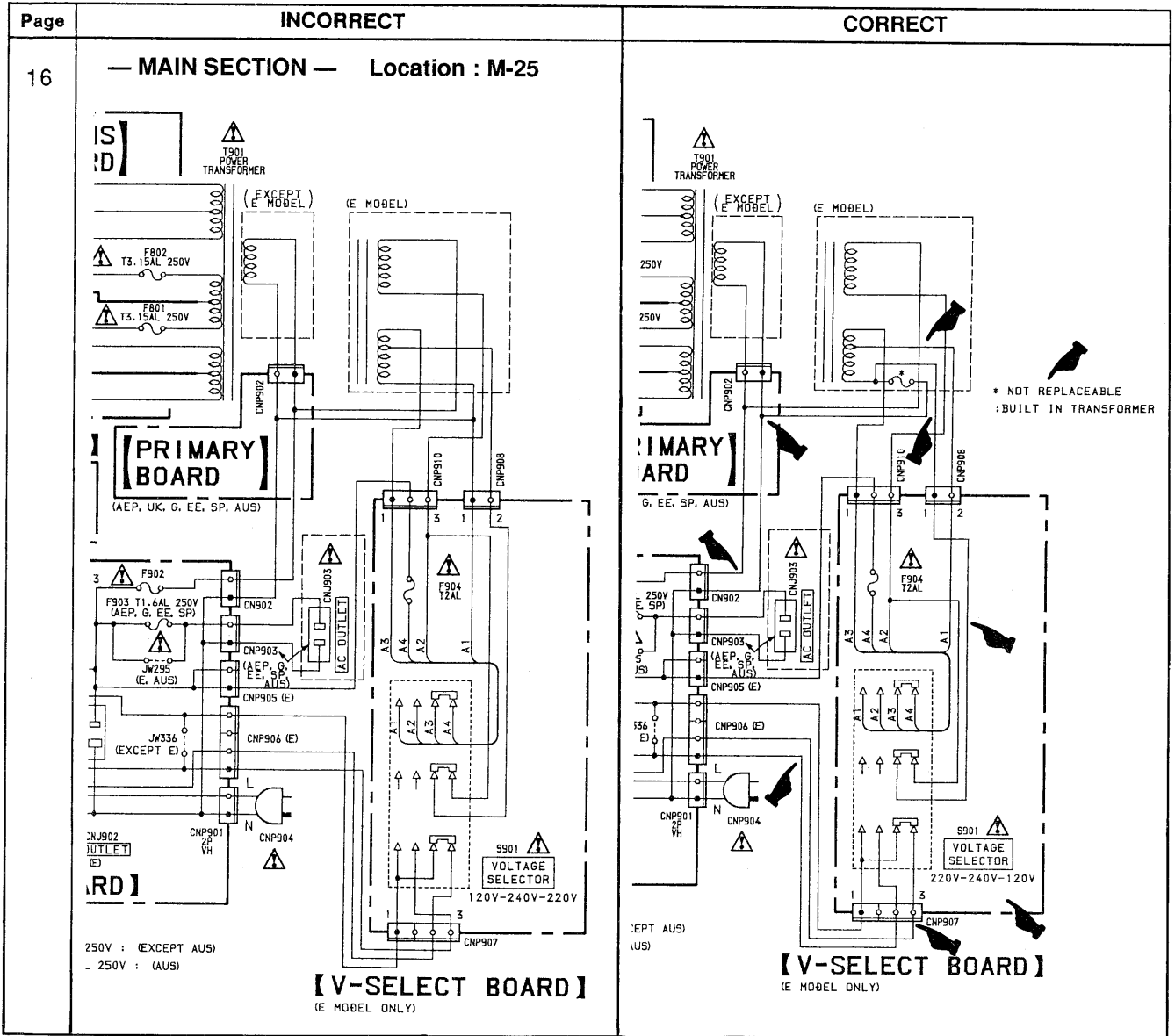
1. CORRECTION

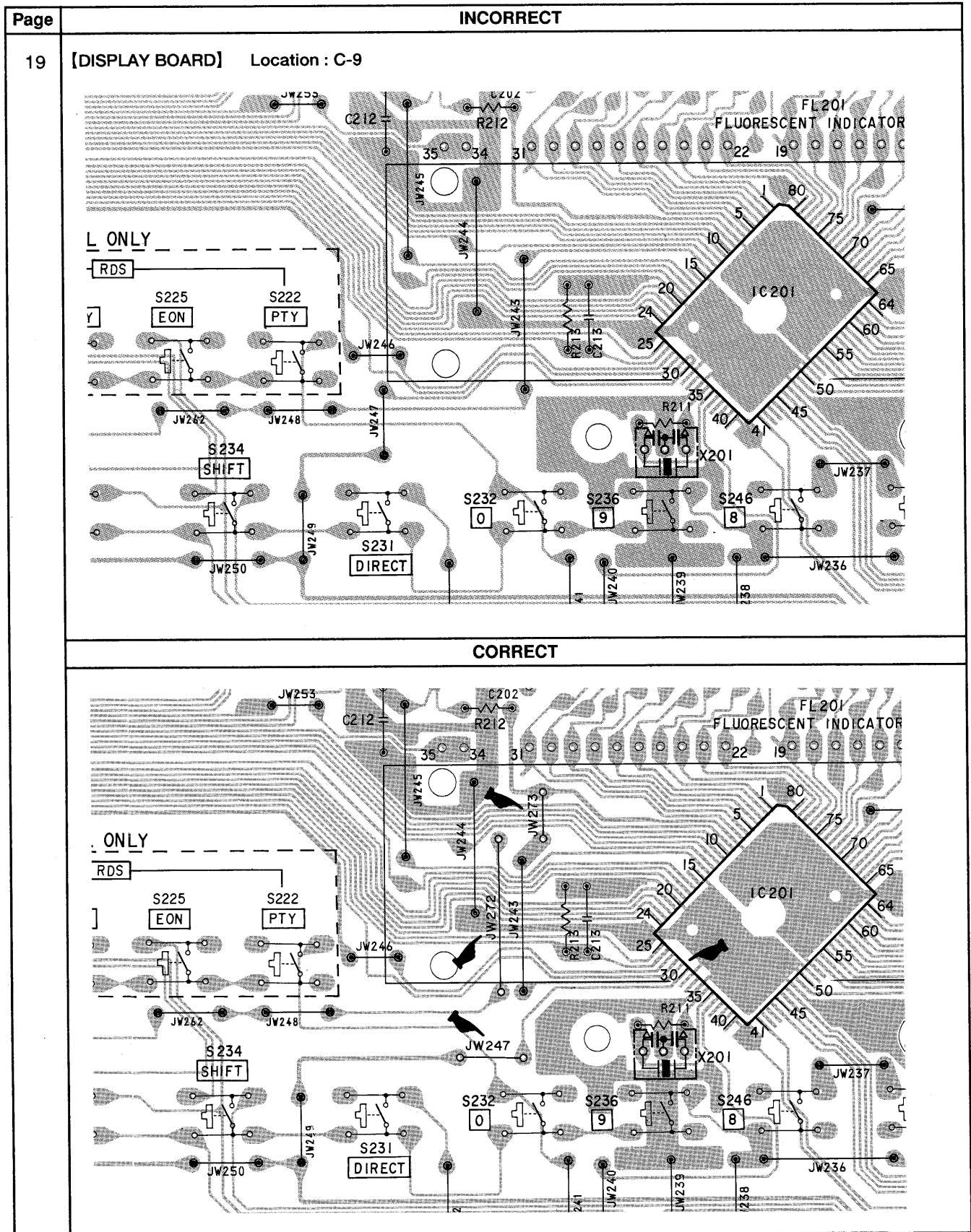
As there are some mistakes in the previous service manual, please correct the followings.

PARTS LIST

Page	INCORRECT					CORRECT				
	Ref. No	Part No	Description	Remark		Ref. No	Part No	Description	Remark	
30	C299	1-161-494-00	CERAMIC	0.22uF	30% 25V	C299	1-161-494-00	CERAMIC	0.22uF	30% 25V (AEP, UK, G, EE)
39	*	4-978-297-01	INDIVIDUAL CARTON (SP)		*	4-978-983-01	INDIVIDUAL CARTON (SP)			

 : Indicates corrected portion
SCHEMATIC DIAGRAM

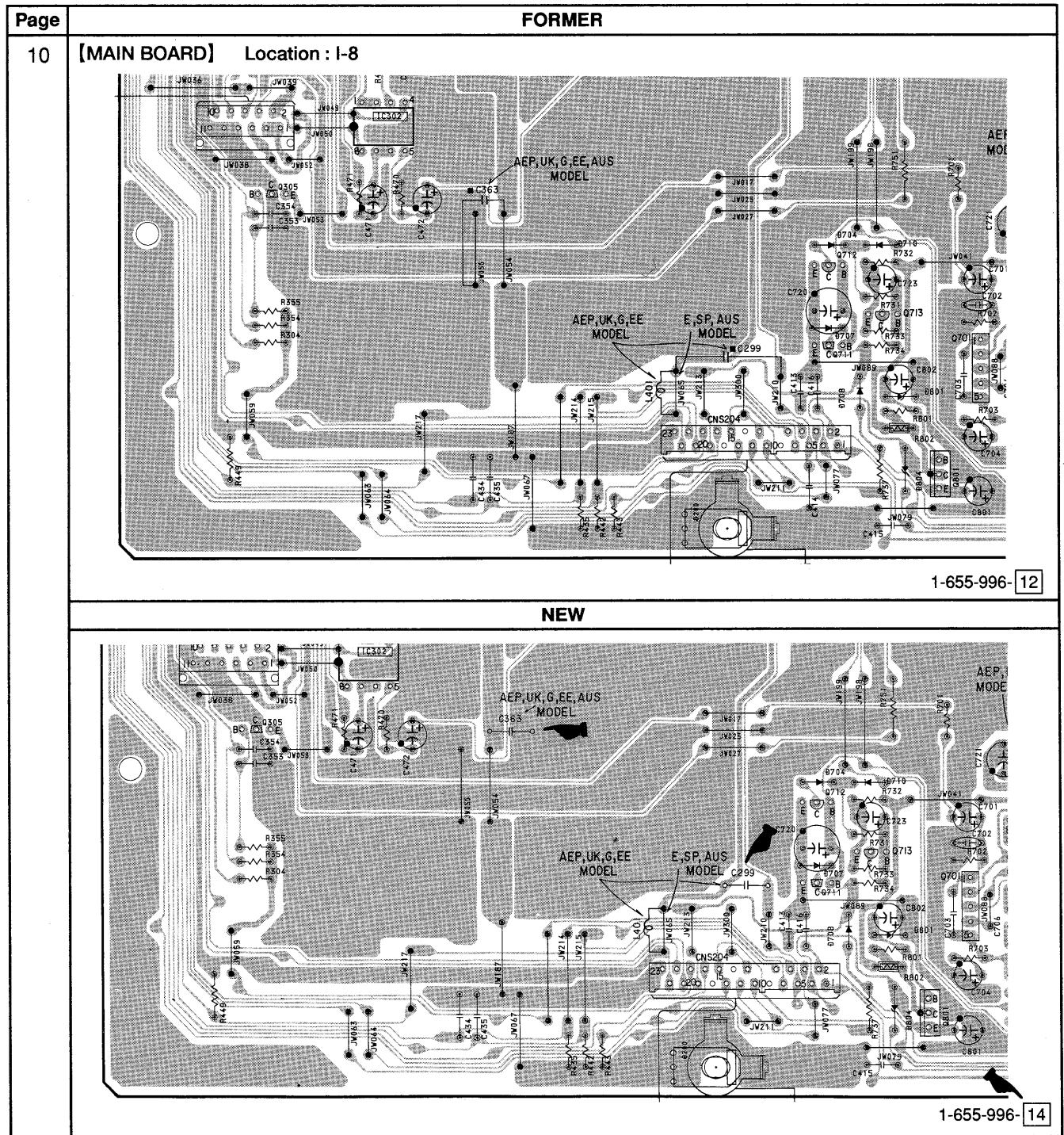




2. BOARD CHANGED

▀ : Indicates changed portion

PRINTED WIRING BOARD



PARTS LIST

Page	FORMER				NEW			
	Ref. No	Part No	Description	Remark	Ref. No	Part No	Description	Remark
30			** MAIN BOARD **				** MAIN BOARD **	
	C414	1-161-494-00	CERAMIC 0.022uF	25V				