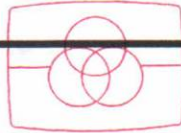


STR-D265

SERVICE MANUAL



Free service manuals

Gratis schemas

Digitized by

AEP Model

www.freeservicemanuals.info



SPECIFICATIONS

Amplifier section

Power output (DIN at 1 kHz)
50 + 50 W / 4 ohms

Frequency response PHONO: RIAA
equalization curve
±0.5 dB
CD, TAPE/MD, VIDEO:
10 Hz - 50 kHz ±1 dB

Inputs

	Sensitivity	Impedance	S/N (weighting network, input level)
PHONO (MM)	2.5 mV	50 kilohms	74 dB 72 dB* (A, 2.5 mV)
CD	300 mV		
TAPE/ MD, TV/ LD, VIDEO	200 mV	50 kilohms	82 dB 82 dB* (A, 250 mV)

* '78 IHF

Outputs REC OUT VIDEO
(AUDIO) OUT:
Voltage 250 mV,
Impedance 10 kilohms
PHONES: Accepts low
and high impedance
headphones

Muting -20 dB

BASS BOOST +10 dB at 70 Hz

TONE ±8 dB at 100 Hz and
10 kHz

FM tuner section

Tuning range 87.5 - 108.0 MHz

Aerial terminals 75 ohms, unbalanced

Sensitivity Mono: 18.3 dBf, 2.2 μV /
75 ohms
Stereo: 38.3 dBf, 22.5 μV /
75 ohms

Usable sensitivity 11.2 dBf, 1 μV / 75 ohms
(IHF)

S/N Mono: 76 dB
Stereo: 70 dB

Harmonic distortion at
1 kHz Mono: 0.3 %
Stereo: 0.5 %

Separation 45 dB at 1 kHz

Frequency response 30 Hz - 15 kHz ^{+0.5} ₋₂ dB

Selectivity 60 dB at 400 kHz

AM tuner section

Tuning range 531 - 1602 kHz

Aerial Loop aerial

— Continued on next page —

FM STEREO FM-AM RECEIVER
SONY®



Usable sensitivity	50 dB/m (at 999 kHz)
S/N	54 dB (at 50 mV/m)
Harmonic distortion	0.5 % (50 mV/m, 400 kHz)
Selectivity	35 dB
General	
System	Tuner section: PLL quartz-locked digital synthesizer system Preamplifier section: Low-noise NF type equalizer Power amplifier section: Pure-complimentary SEPP
Power requirements	220-230 V AC, 50/60 Hz
Power consumption	120 W
AC outlets	1 switched, total 100 W Max
Dimensions	430 x 135 x 295 mm
Mass (Approx.)	5.2 kg
Supplied accessories	FM wire aerial (1) AM loop aerial (1) Remote controller (remote) (1) Size AA (R6) batteries (2)

Design and specifications are subject to change without notice.

TABLE OF CONTENTS

Section	Title	Page
SERVICE NOTE	3
TEST MODE	3
SECTION 1. GENERAL	4
SECTION 2. DISASSEMBLY		
2-1.	Case and Front Panel	5
2-2.	Display and Tone Board	5
2-3.	Back Panel	6
2-4.	SP SW Board	6
2-5.	Main Board	7
2-6.	VOLUME and VOL MAIN Board	7
SECTION 3. DIAGRAMS		
3-1.	Circuit Boards Location	8
3-2.	IC Pin Function • IC201 (μPD78044GF-126-3B9)	9
3-3.	Printed Wiring Board — Main Section —	11
3-4.	Schematic Diagram — Main Section —	15
3-5.	Schematic Diagram — Display Section —	20
3-6.	Printed Wiring Board — Display Section —	23
SECTION 4. EXPLODED VIEWS		
4-1.	Case and Front Panel Section	26
4-2.	Chassis Section	27
4-3.	Main Board Section	28
SECTION 5. ELECTRICAL PARTS LIST	29

SAFETY-RELATED COMPONENT WARNING !!
COMPONENTS IDENTIFIED BY MARK Δ OR DOTTED LINE WITH MARK Δ ON THE SCHEMATIC DIAGRAMS AND IN THE PARTS LIST ARE CRITICAL TO SAFE OPERATION. REPLACE THESE COMPONENTS WITH SONY PARTS WHOSE PART NUMBERS APPEAR AS SHOWN IN THIS MANUAL OR IN SUPPLEMENTS PUBLISHED BY SONY.

SERVICE NOTE

PROTECT MODE

“PROTECT” will be displayed on the FL display when the amplifier is faulty or when the connectors between boards have disconnected, etc.

In the case of faulty connection, connect all the connectors of the unit again, and turn on the power. The protection will be canceled.

• How to avoid the “PROTECT” mode disconnecting VOL BOARD

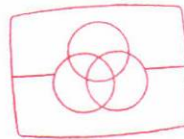
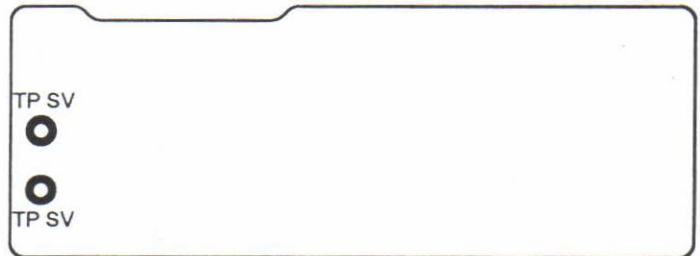
Short-circuit between two of TP SV on the VOL MAIN BOARD, and turn on the power.

In this case, the circuit of the MAIN BOARD does not operate, but that of the DISPLAY BOARD operates.

Disconnect the connected read line afterwards.

TEST POINT LOCATION :

[VOL MAIN BOARD]
— CONDUCTOR SIDE —



Free service manuals
Gratis schema's

Digitized by

www.freeservicemanuals.info

TEST MODE

FL CHECK MODE

1. Turn off the power supply.
2. While pressing preset buttons [6], [7] and [8], turn on the power.
3. All the FL displays light up (Fig. 1.), after one second some light up several times, and “END” will be displayed.
4. Turn off the power.

NOTE : The preset memory will be erased if the FL CHECK MODE is performed. Therefore, note down the memory contents beforehand and set the preset memory again as before after completely this mode.

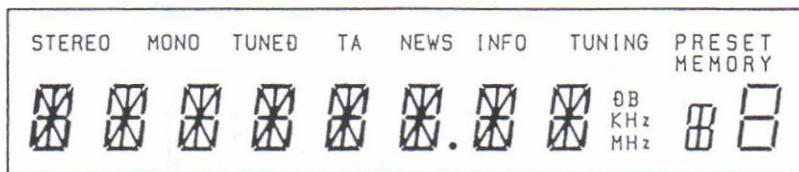
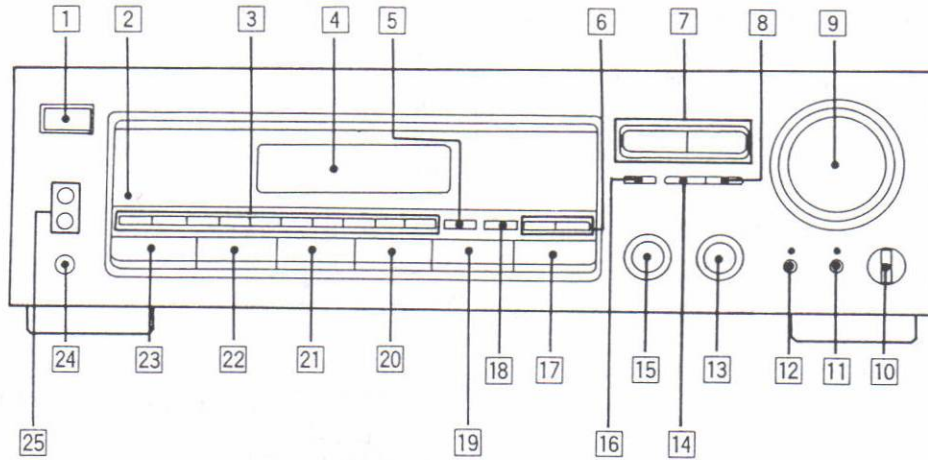


Fig. 1. When All FL Displays are Lit

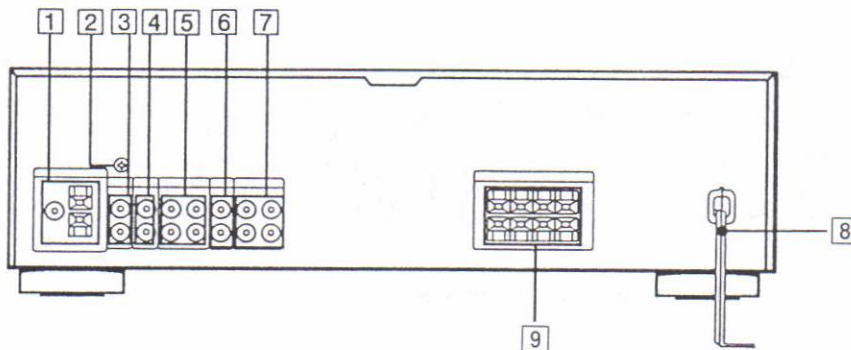
SECTION 1 GENERAL

Front Panel



- | | |
|-----------------------------|-------------------------|
| 1 POWER switch | 14 BAND button |
| 2 Remote sensor | 15 BASS control |
| 3 Numeric buttons | 16 MEMORY button |
| 4 Display window | 17 PHONO button |
| 5 DIRECT button | 18 SHIFT button |
| 6 PRESET TUNING +/- buttons | 19 TUNER button |
| 7 TUNING +/- buttons | 20 CD button |
| 8 FM MODE button | 21 TAPE/MD button |
| 9 VOLUME control | 22 TV/LD button |
| 10 BALANCE control | 23 VIDEO button |
| 11 BASS BOOST button | 24 PHONES jack |
| 12 MUTING -20dB button | 25 SPEAKERS A/B buttons |
| 13 TREBLE control | |

Rear Panel

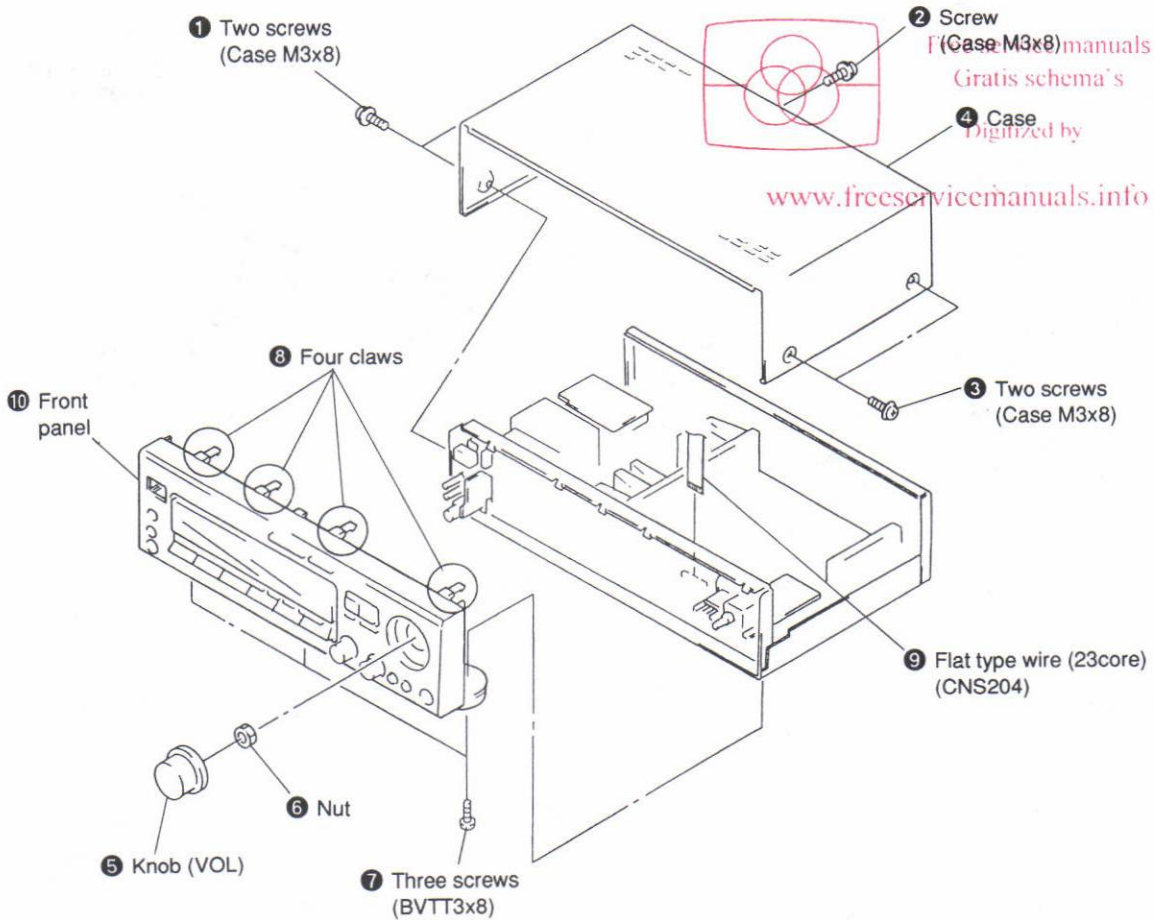


- | | |
|--------------------|------------------------|
| 1 ANTENNA (AM/FM) | 6 TV/LD |
| 2 ⚡ earth terminal | 7 VIDEO |
| 3 PHONO | 8 Mains lead |
| 4 CD | 9 FRONT SPEAKERS (A/B) |
| 5 TAPE/MD | |

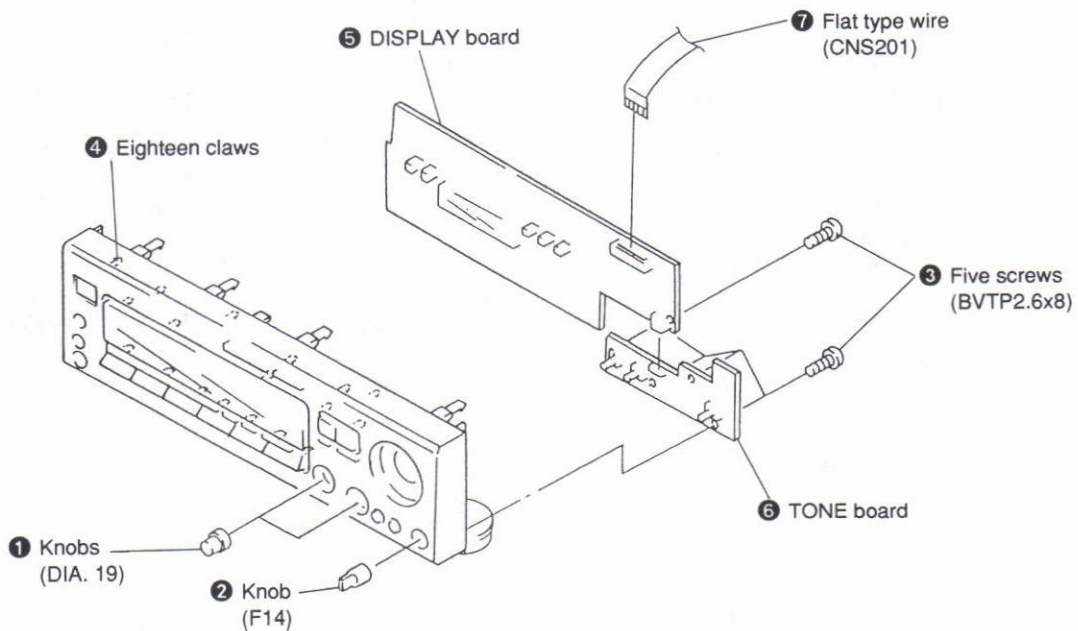
SECTION 2 DISASSEMBLY

Note : Follow the disassembly procedure in the numerical order given.

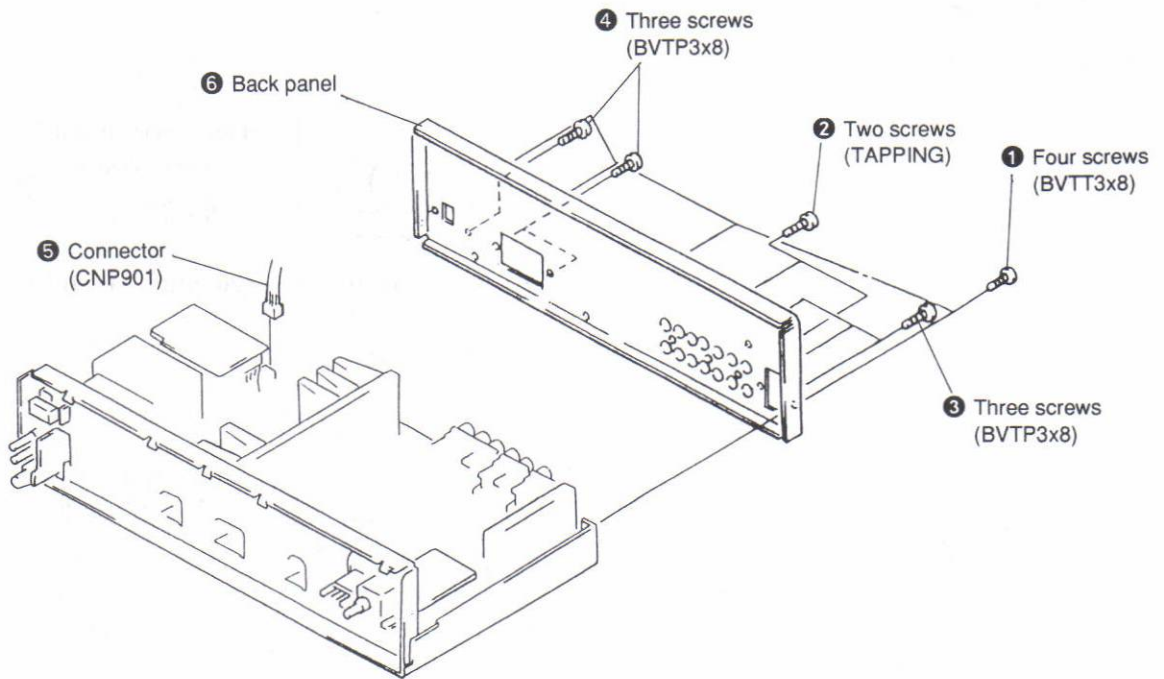
2-1. CASE AND FRONT PANEL



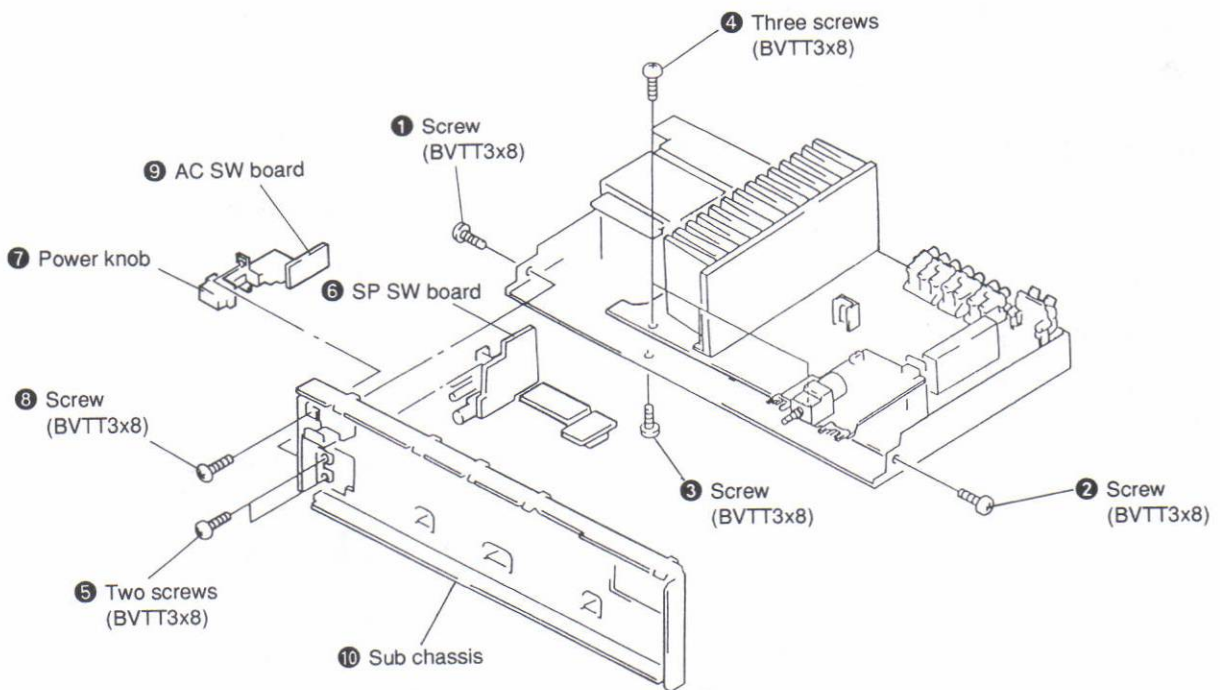
2-2. DISPLAY AND TONE BOARD



2-3. BACK PANEL



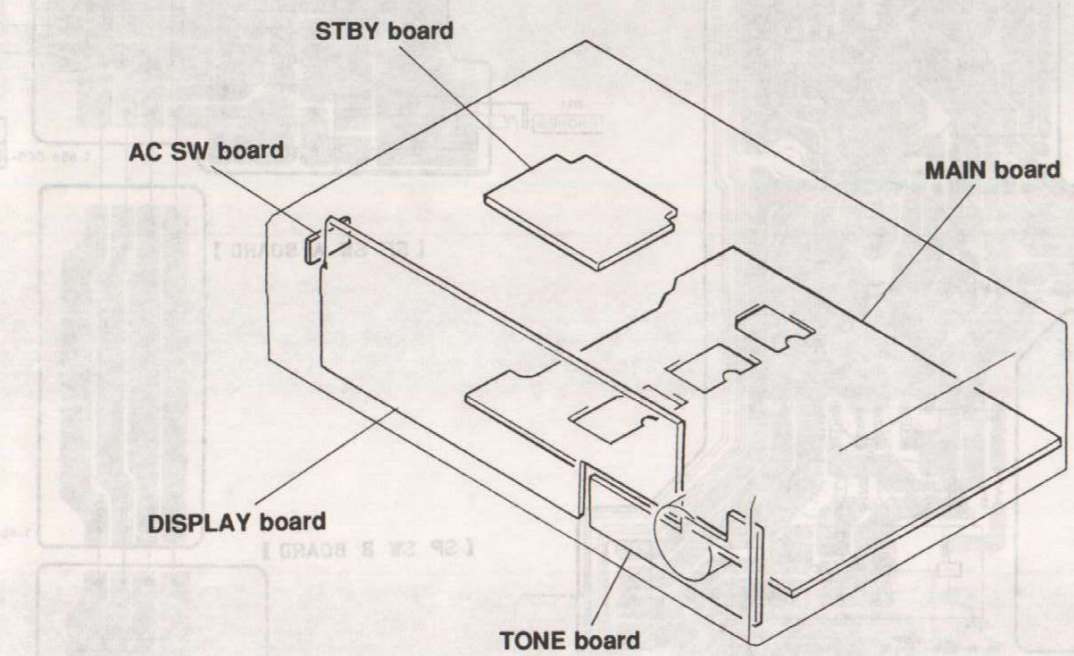
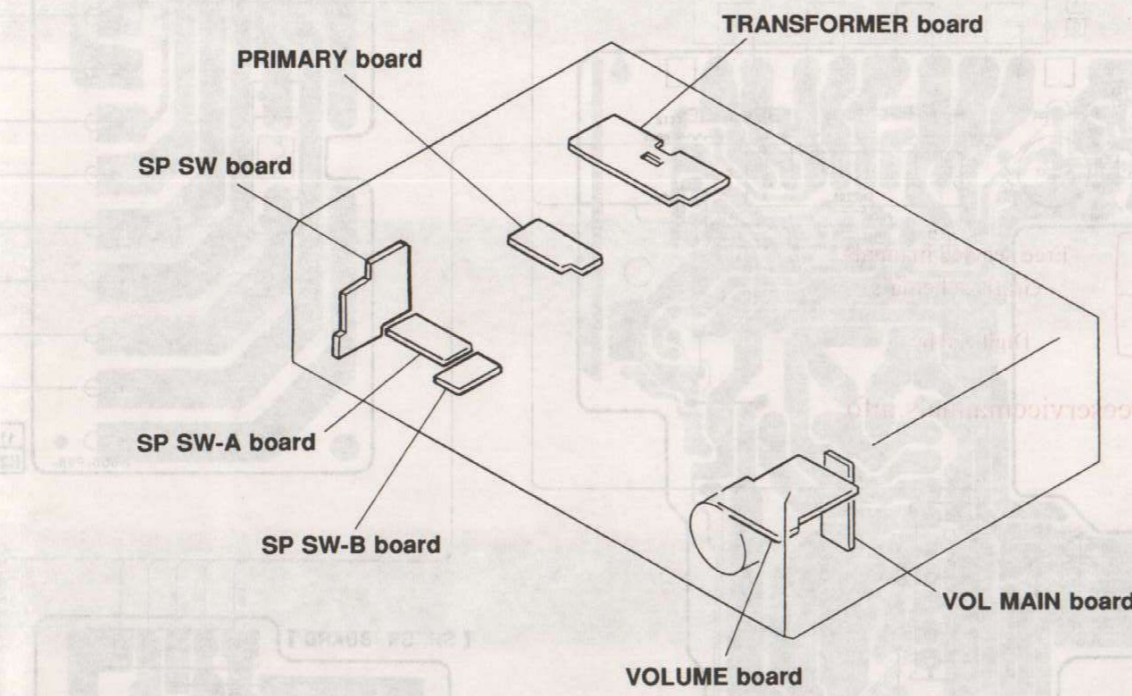
2-4. SP SW BOARD



SECTION 3

DIAGRAMS

3-1. CIRCUIT BOARDS LOCATION



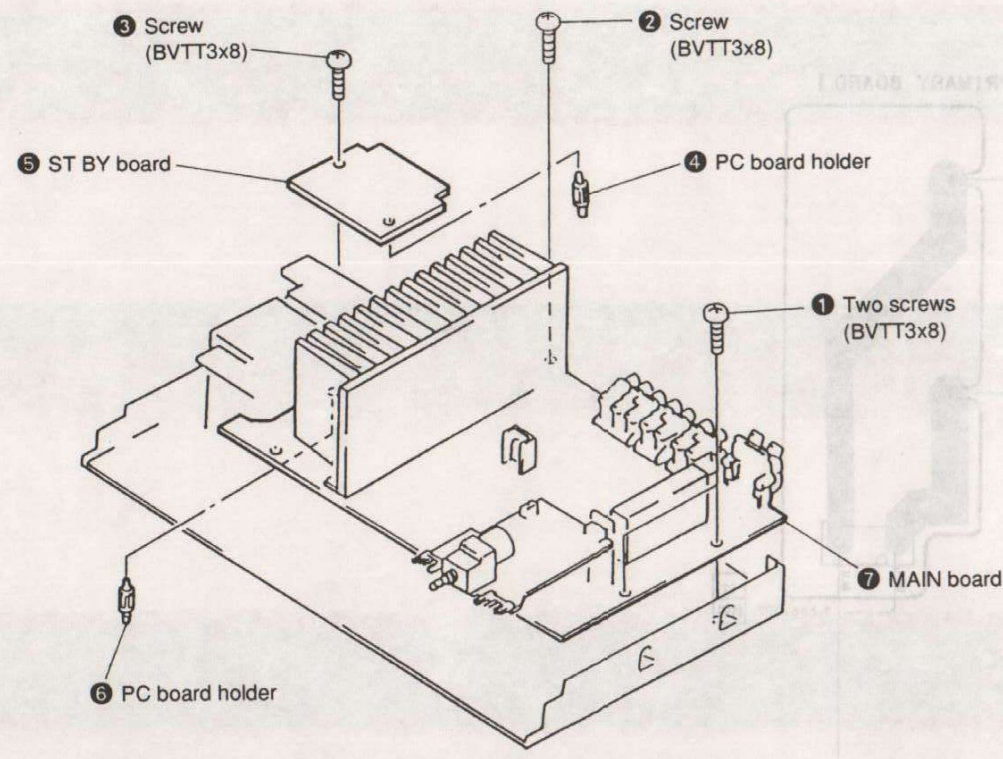
3-2. IC PIN FUNCTION

• IC201 μ PD78044GF-126-3B9

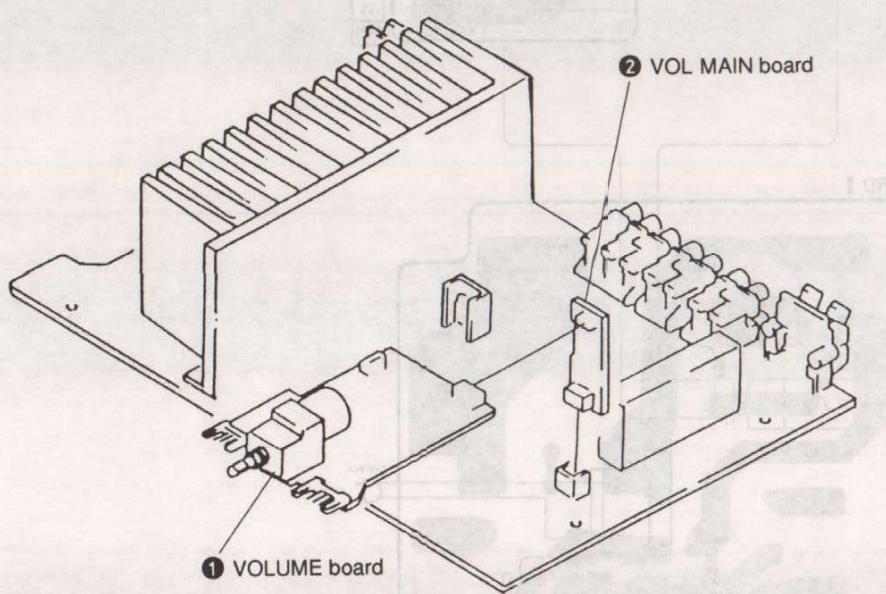
Pin No.	Pin Name	I/O	Function
1	DIG 7	O	Digit 7
2	DIG 6	O	Digit 6
3	DIG 5	O	Digit 5
4	DIG 4	O	Digit 4
5	DIG 3	O	Digit 3
6	DIG 2	O	Digit 2
7	DIG 1	O	Digit 1
8	+5V	-	Vdd
9	S. CLK	O	Serial clock (normal high)
10	S. DATA	O	Serial data
11	PLL. DATA	I	PLL data in
12	S. CE (LC7288)	O	Serial CE (7822, 72130)
13	S. CE (LV1010)	O	Serial CE (LV1010)
14	DIODE 1	I	Diode 1
15	DIODE 2	I	GND
16	BRIDGE	O	Bridgeable (not used open)
17	RESET	I	Reset
18	AUTO-STOP	I	Auto stop in
19	STEREO-IN	I	Stereo in
20	AVSS	-	GND
21	SP-RY	O	Speaker relay
22	SURR-RY	O	Surround relay (not used open)
23	POWER-RY	O	Power relay
24	VOL. DOWN	O	Volume down
25	VOL. UP	O	Volume up
26	PROTECT-IN	I	Protector in
27	SIGNAL	I	Signal meter
28	A/D IN	I	A/D converter analog in
29	AVDD	-	A/D converter power supply terminal (+5V)
30	AV. REF	-	A/D converter reference voltage (+5V)
31	S. LATCH	-	GND
32			Open
33	VSS	-	GND
34	X1	-	System clock (4.19 MHz)
35	X2	-	System clock (4.19 MHz)
36	VOL LED	O	Volume LED
37	SIMULATED	O	Simulated LED (not used open)
38	DOLBY	O	Dolby (not used open)
39	HALL	O	Hall (not used open)
40	TUNER MUTE	O	Tuner mute

Pin No.	Pin Name	I/O	Function
41	STANDBY	O	Standby LED (not used open)
42	VIDEO	O	Video LED (not used open)
43	TV/LD	O	TV/LD LED (not used open)
44	SYS. POWER	I	System power in
45	RDS. DATA. IN	I	RDS data in
46	RDS. CLK. IN	I	RDS clock in
47	STOP	I	Stop
48	VSS	-	GND
49	SIRCS	I	Sircs input
50		-	GND
51		-	GND
52	+5V	-	Vdd
53	LOW BOOST	O	Low boost on/off
54	FUNC MUTE	O	Function mute
55	K16	I	Key in 6
56	K15	I	Key in 5
57	K14	I	Key in 4
58	K13	I	Key in 3
59	K12	I	Key in 2
60	K11	I	Key in 1
61	-20 dB	O	-20 dB mute
62	S15	O	Segment 15/key out 1
63	S14	O	Segment 14/key out 2
64	S13	O	Segment 13/key out 3
65	S12	O	Segment 12/key out 4
66	S11	O	Segment 11/key out 5
67	S10	O	Segment 10
68	S9	O	Segment 9
69	S8	O	Segment 8
70	S7	O	Segment 7
71	VLOAD	-	FIP pull down resistor
72	S6	O	Segment 6
73	S5	O	Segment 5
74	S4	O	Segment 4
75	S3	O	Segment 3
76	S2	O	Segment 2
77	S1	O	Segment 1
78	DIG 10	O	Digit 10
79	DIG 9	O	Digit 9
80	DIG 8	O	Digit 8

2-5. MAIN BOARD



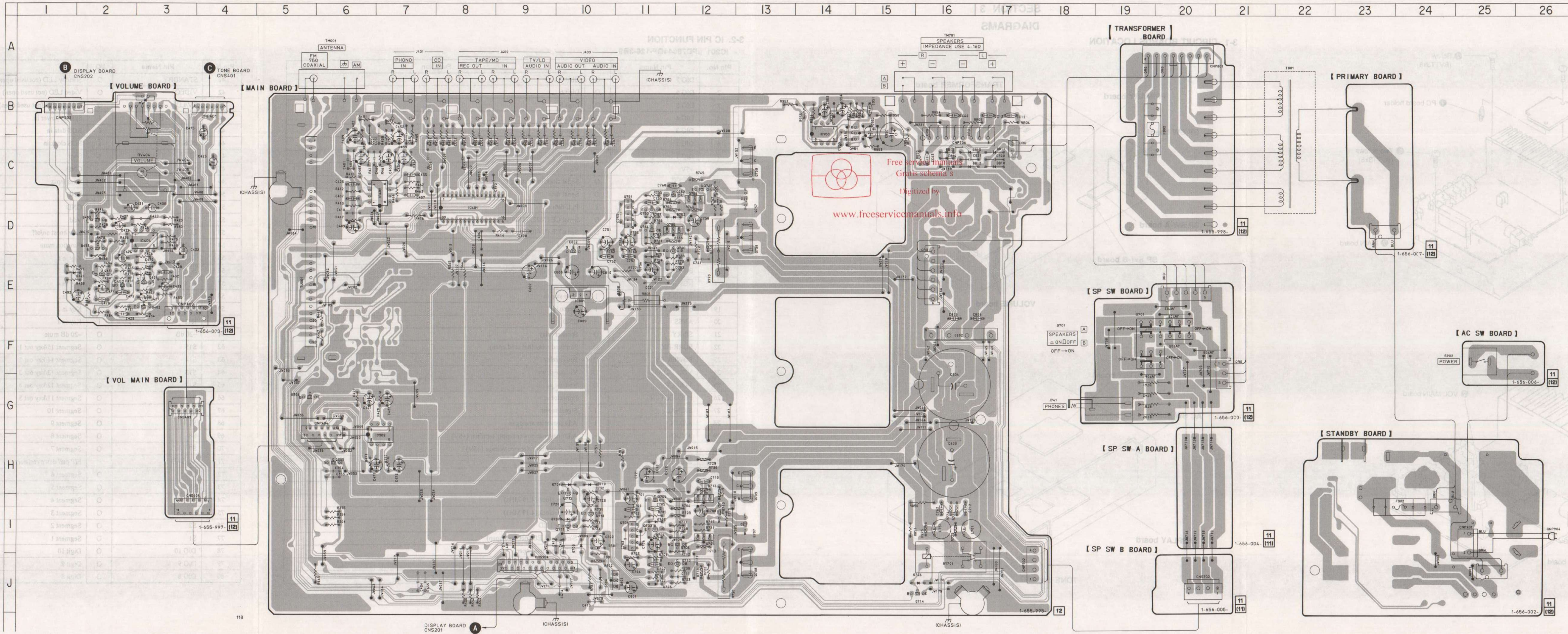
2-6. VOLME AND VOL MAIN BOARD



3-3. PRINTED WIRING BOARD — MAIN SECTION —
• See page 8 for Circuit Boards Location.

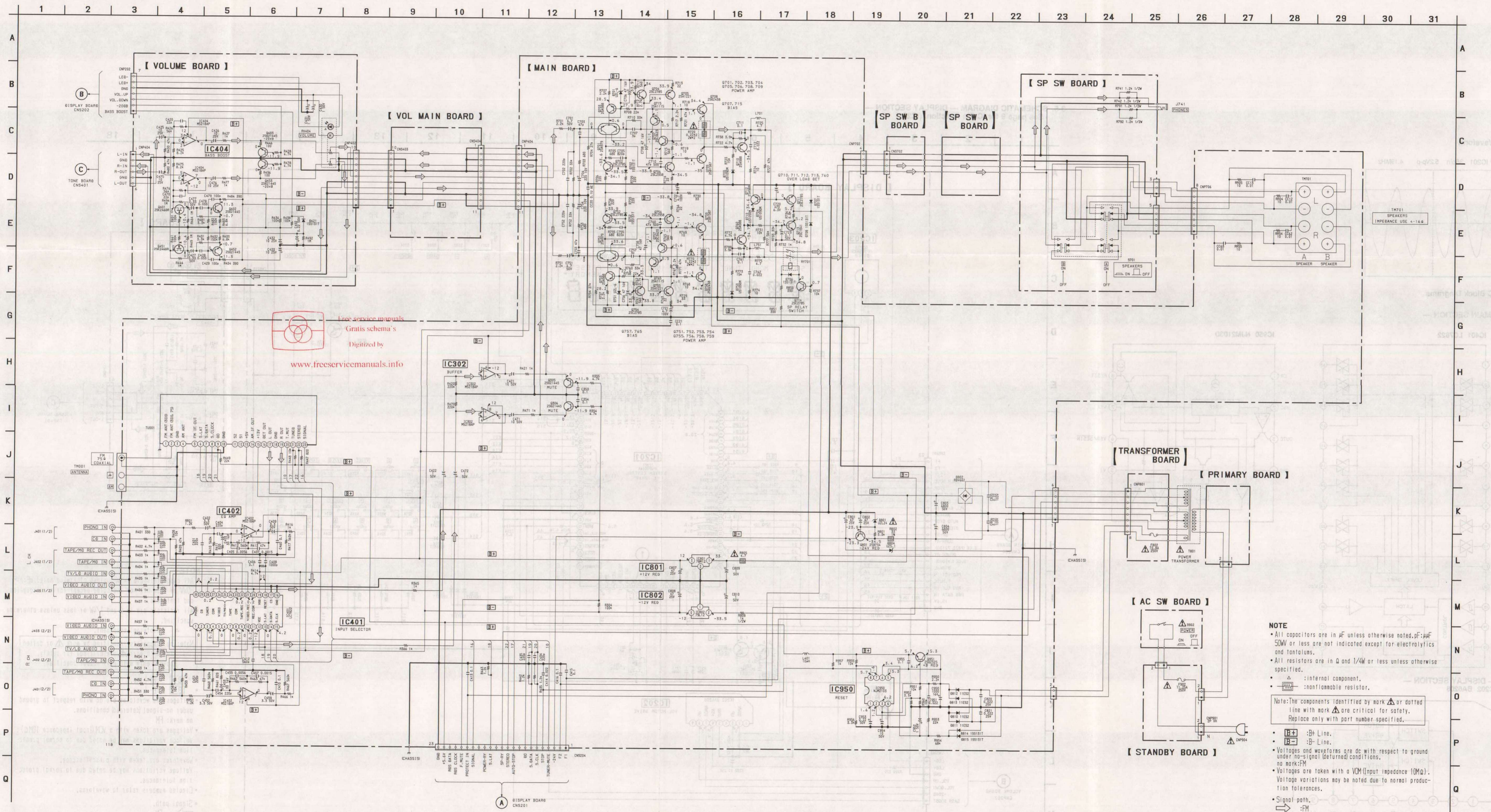
• Semiconductor Location

Ref. No.	Location
D421	E-1
D701	J-11
D702	I-11
D703	J-11
D704	H-10
D706	J-16
D707	I-10
D708	I-10
D710	H-10
D751	E-11
D752	D-11
D753	E-11
D801	I-10
D802	F-16
D804	J-10
D810	C-17
D811	C-17
D812	C-16
D813	C-16
D814	C-16
D815	C-16
IC302	H-7
IC401	D-8
IC402	D-7
IC404	D-3
IC801	E-10
IC802	D-10
IC950	C-14
Q305	H-6
Q306	G-5
Q401	E-3
Q402	E-3
Q403	D-2
Q451	E-2
Q452	E-2
Q453	D-2
Q701	I-11
Q702	I-11
Q703	I-11
Q704	I-12
Q705	I-12
Q706	I-12
Q707	I-13
Q708	J-13
Q709	H-13
Q710	J-12
Q711	I-10
Q712	I-10
Q713	I-10
Q714	J-16
Q715	I-12
Q751	D-11
Q752	D-11
Q753	D-11
Q754	D-11
Q755	D-11
Q756	D-12
Q757	D-13
Q758	D-13
Q759	C-13
Q760	D-11
Q765	C-12
Q801	J-11
Q951	C-14



Note:
 • ○ : parts extracted from the component side.
 • ■ : Pattern on the side which is seen.

3-4. SCHEMATIC DIAGRAM — MAIN SECTION —
• See page 19 for IC Block Diagrams.



Free service manuals
Gratis schema's
Digitized by
www.freeservicemanuals.info

NOTE

- All capacitors are in μF unless otherwise noted; pF: μF 50W or less are not indicated except for electrolytics and tantalums.
- All resistors are in Ω and 1/4W or less unless otherwise specified.
- Δ : internal component.
- ∇ : nonflammable resistor.

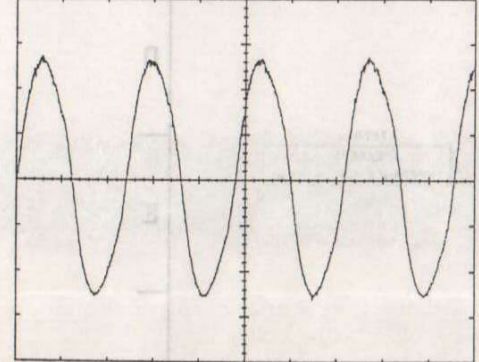
Note: The components identified by mark Δ or dotted line with mark ∇ are critical for safety. Replace only with part number specified.

- $B+$: B+ Line.
- $B-$: B- Line.

• Voltages and waveforms are dc with respect to ground under no-signal (detuned) conditions.
• Voltages are taken with a VOM (input impedance 10M Ω). Voltage variations may be noted due to normal production tolerances.
• Signal path.
• \Rightarrow : FM

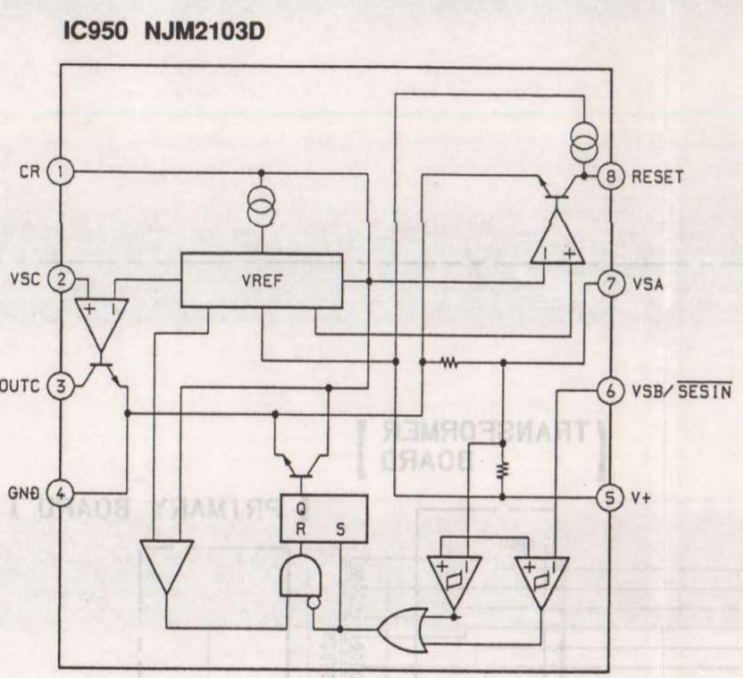
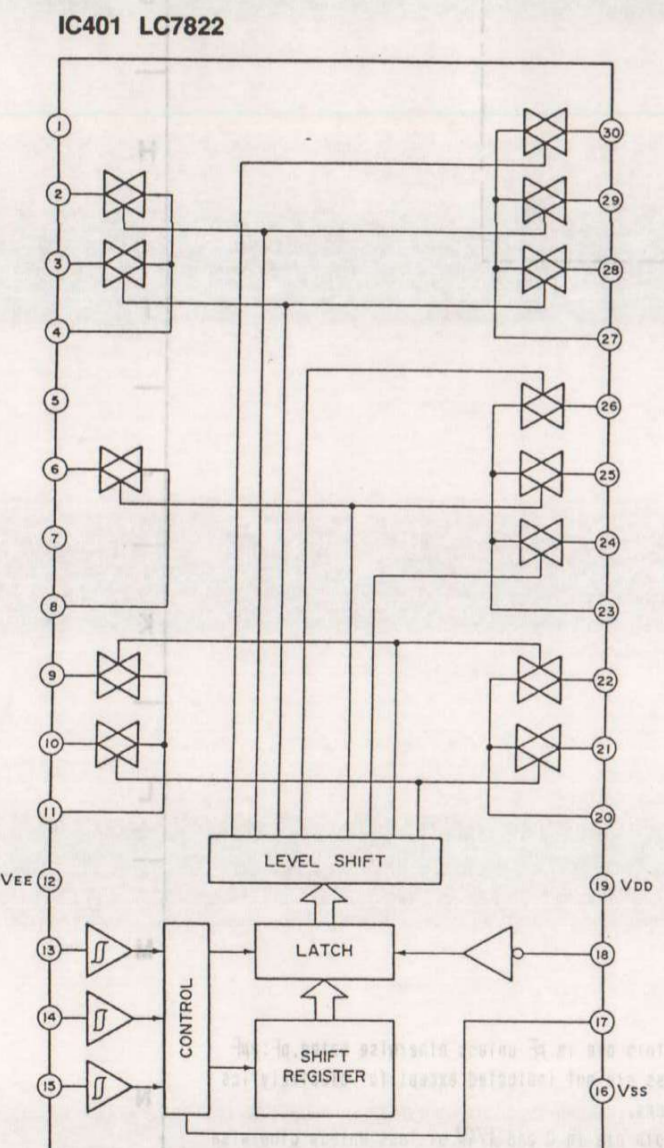
• Waveform

① IC201 35pin 5.2Vp-p 4.19MHz

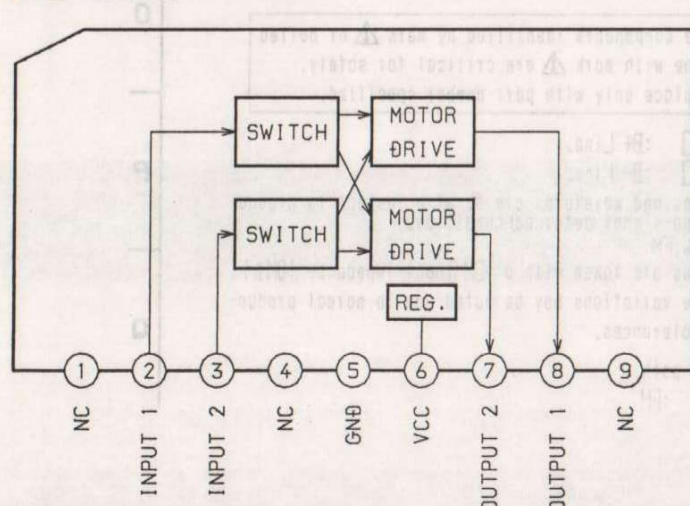


• IC Block Diagrams

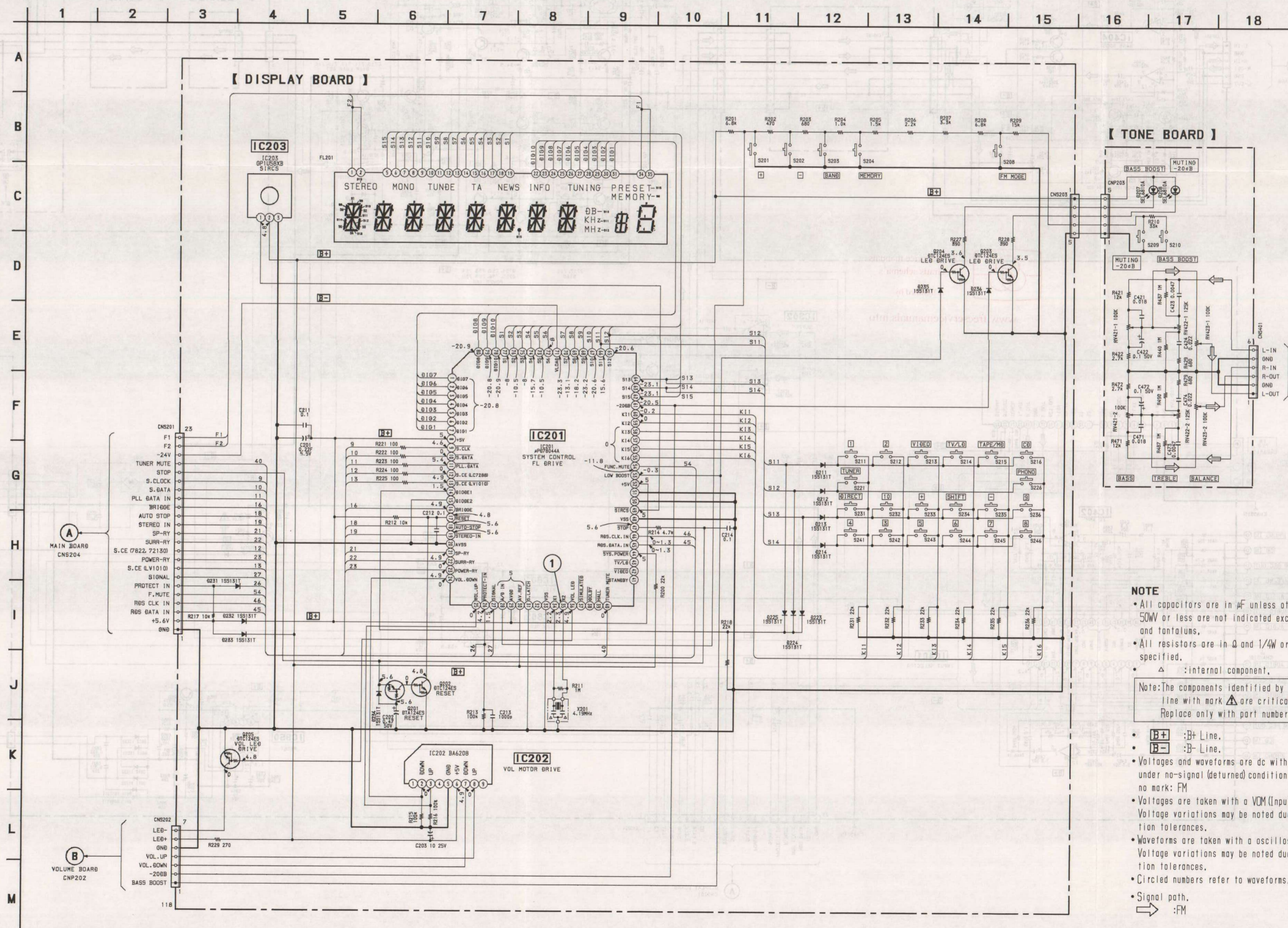
— MAIN SECTION —



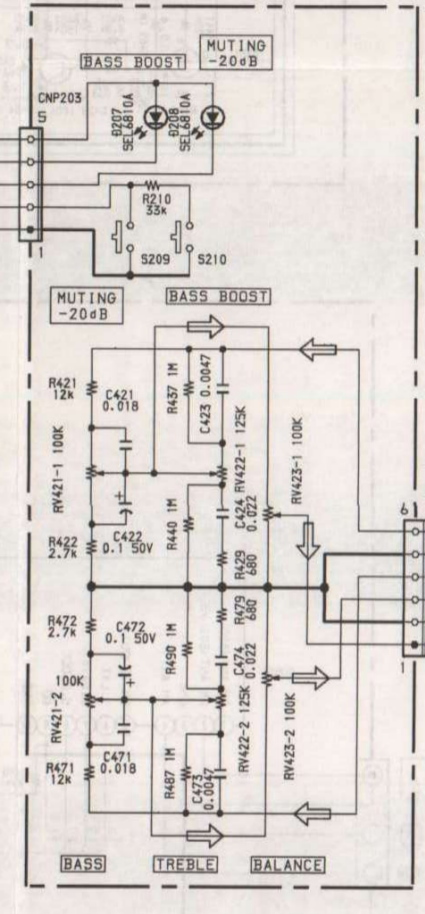
— DISPLAY SECTION —



3-5. SCHEMATIC DIAGRAM — DISPLAY SECTION —
• See page 9 for IC Pin Function. (IC201)



[TONE BOARD]



NOTE

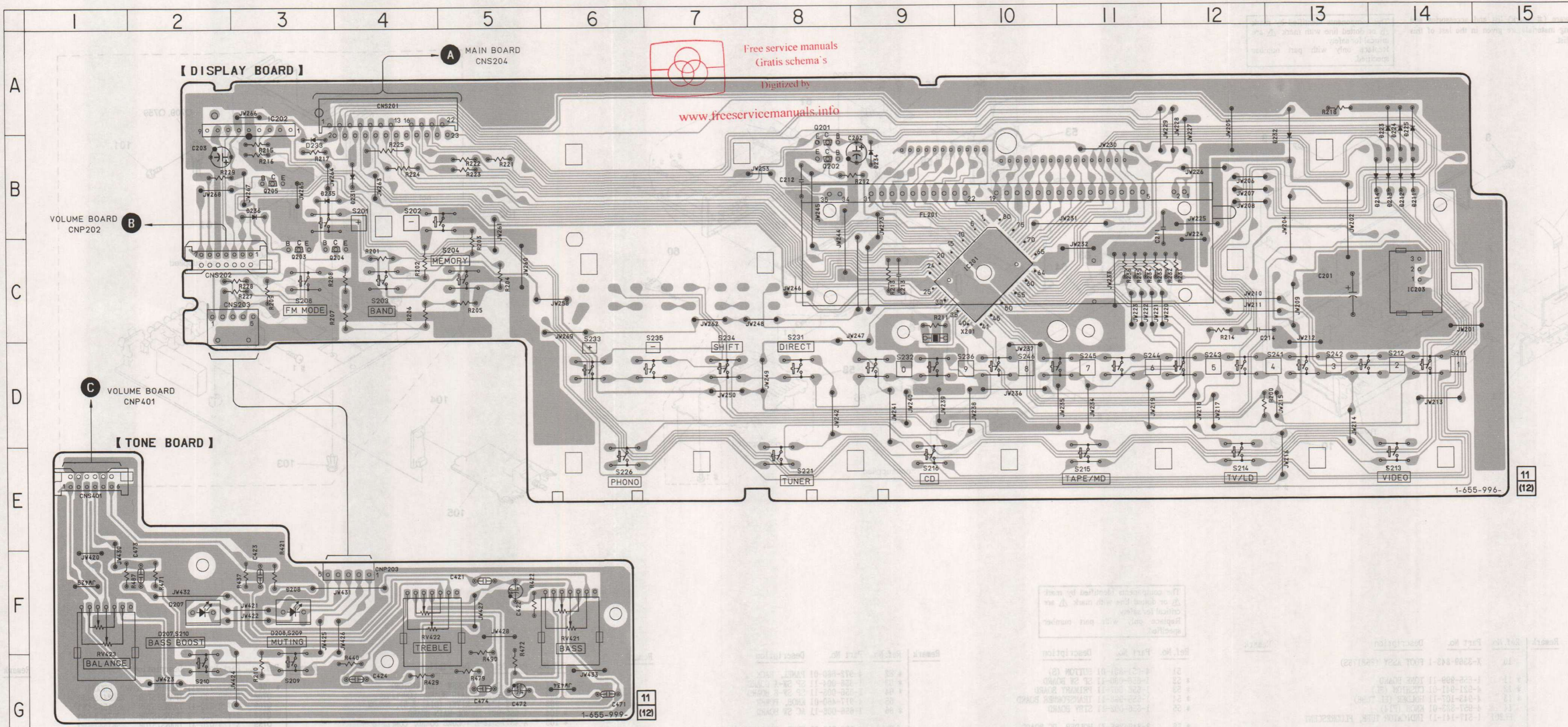
- All capacitors are in μF unless otherwise noted, $\text{pF} = \mu\text{F} \times 10^{-6}$ or less are not indicated except for electrolytics and tantalums.
- All resistors are in Ω and $1/4\text{W}$ or less unless otherwise specified.
- Δ : internal component.

Note: The components identified by mark Δ or dotted line with mark Δ are critical for safety. Replace only with part number specified.

- $B+$: B+ Line.
- $B-$: B- Line.
- Voltages and waveforms are dc with respect to ground under no-signal (detuned) conditions.
- no mark: FM
- Voltages are taken with a VOM (input impedance $10\text{M}\Omega$). Voltage variations may be noted due to normal production tolerances.
- Waveforms are taken with a oscilloscope. Voltage variations may be noted due to normal production tolerances.
- Circled numbers refer to waveforms.
- Signal path.
- \Rightarrow : FM

3-6. PRINTED WIRING BOARD — DISPLAY SECTION —

• See page 8 for Circuit Boards Location.



• Semiconductor Location

Ref. No.	Location
D207	F-2
D208	F-3
D211	B-14
D212	B-14
D213	B-14
D214	B-14
D223	B-14
D224	B-14
D225	B-14
D231	B-4
D232	B-13
D233	B-3
D234	B-9
D235	B-3
D236	B-3
IC201	C-10
IC202	A-3
IC203	C-14
Q201	B-8
Q202	B-8
Q203	C-3
Q204	C-4
Q205	B-3

Note:
 • ○ : parts extracted from the component side.
 • ■ : Pattern on the side which is seen.

SECTION 4 EXPLODED VIEWS

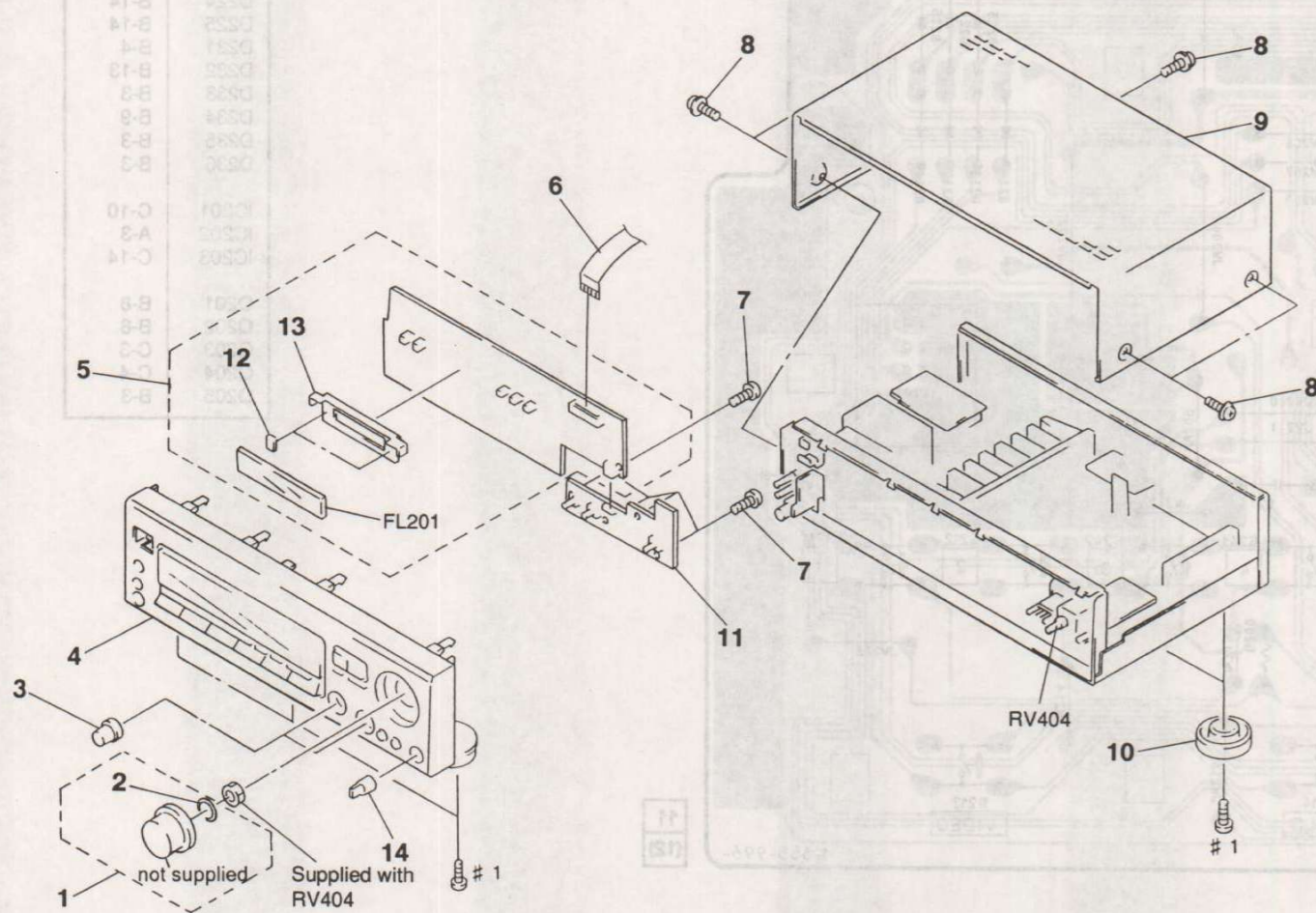
NOTE:

- Items marked "*" are not stocked since they are seldom required for routine service. Some delay should be anticipated when ordering these items.
- The mechanical parts with no reference number in the exploded views are not supplied.

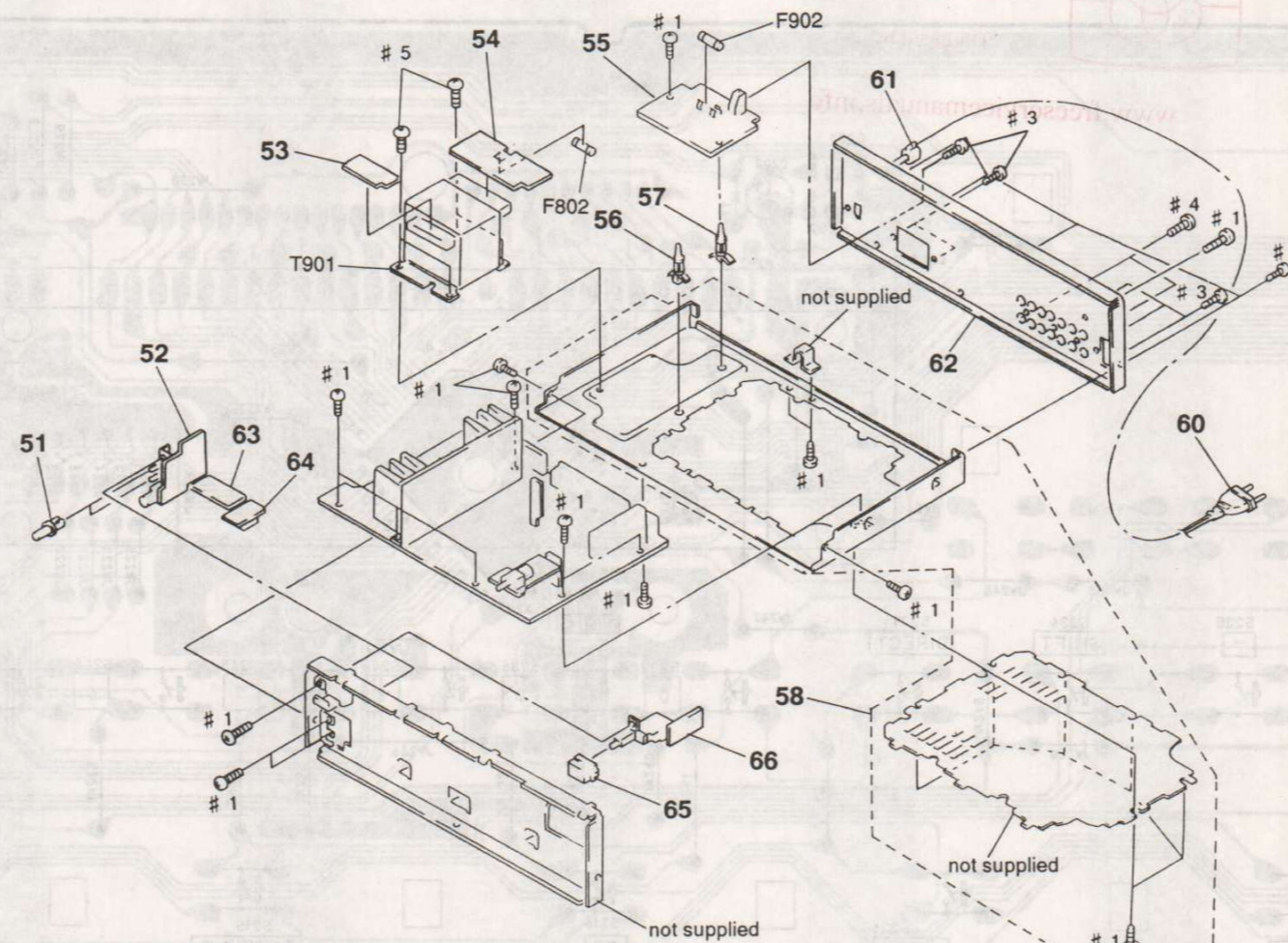
- Hardware (# mark) list and accessories and packing materials are given in the last of this parts list.

The components identified by mark Δ or dotted line with mark Δ are critical for safety. Replace only with part number specified.

4-1. CASE AND FRONT PANEL SECTION



4-2. CHASSIS SECTION



The components identified by mark Δ or dotted line with mark Δ are critical for safety. Replace only with part number specified.

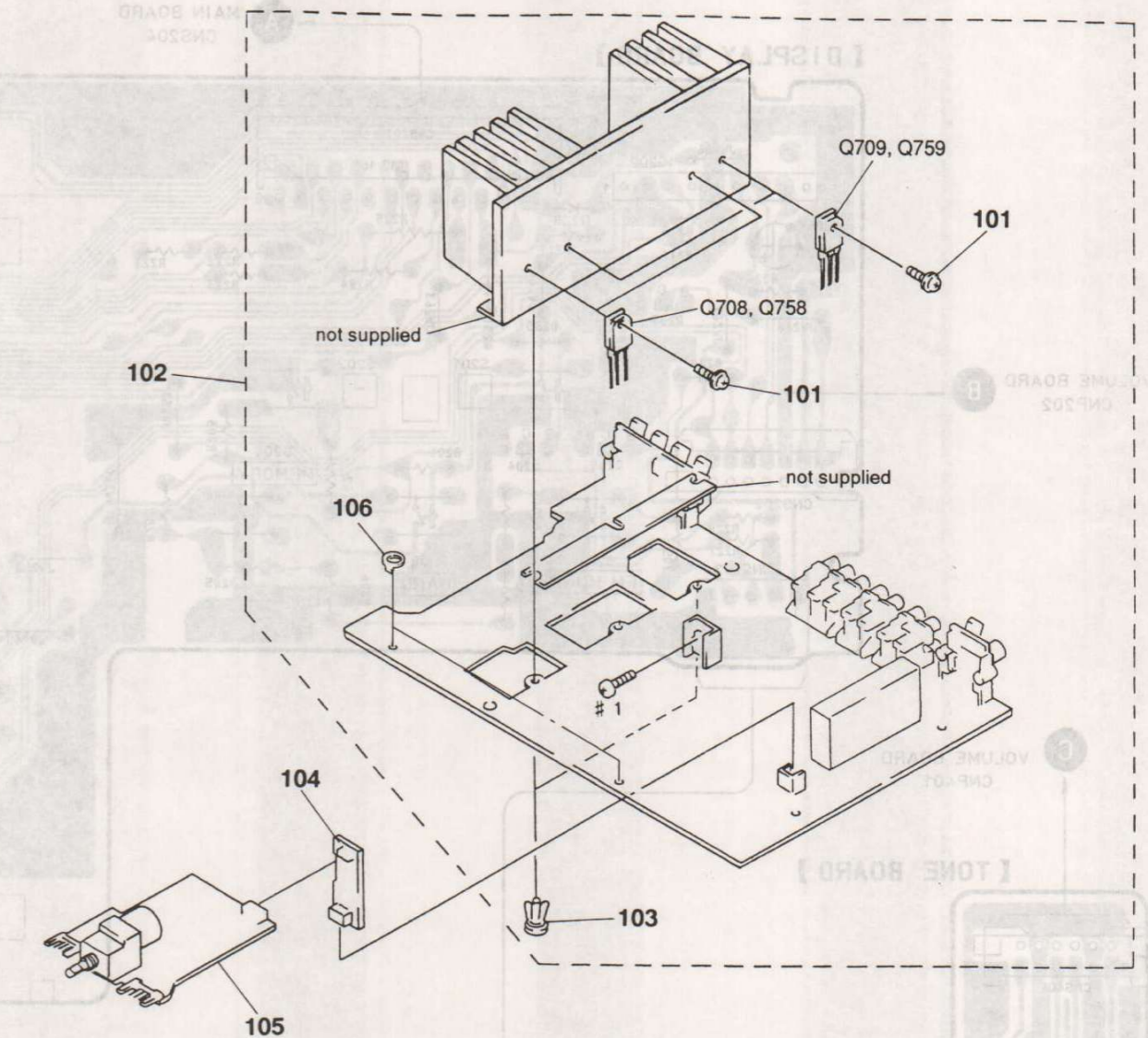
Ref. No.	Part No.	Description
1	X-4945-824-1	KNOB (VOL) ASSY
2	3-350-426-01	SPRING, RING
3	4-943-420-01	KNOB (DIA. 19)
4	X-4945-823-2	PANEL ASSY, FRONT
* 5	A-4377-518-A	DISPLAY BOARD, COMPLETE
6	1-773-744-11	WIRE (FLAT TYPE) (23 CORE)
7	4-951-620-01	SCREW (2.6X8), +BVTP
8	3-704-366-01	SCREW (CASE) (M3X8)
9	4-929-294-11	CASE

Remark	Ref. No.	Part No.	Description
	10	X-3369-843-1	FOOT ASSY (F58175S)
	* 11	1-655-999-11	TONE BOARD
	* 12	4-921-941-01	CUSHION (FL)
	* 13	4-943-107-11	HOLDER (FL TUBE)
	14	4-957-383-01	KNOB (F14)
	FL201	1-517-141-11	INDICATOR TUBE, FLUORESCENT
	RV404	1-223-882-11	RES, VAR 100K/100K (VOLUME)

Ref. No.	Part No.	Description
51	4-951-801-01	BUTTON (S)
* 52	1-656-000-11	SP SW BOARD
* 53	1-656-007-11	PRIMARY BOARD
* 54	1-655-998-11	TRANSFORMER BOARD
* 55	1-656-002-11	STBY BOARD
* 56	3-346-265-31	HOLDER, PC BOARD
* 57	4-924-098-31	HOLDER, PC BOARD
* 58	A-4361-389-A	CHASSIS ASSY
Δ 60	1-769-744-11	CORD, POWER
61	3-703-244-00	BUSHING, CORD

Remark	Ref. No.	Part No.	Description
	* 62	4-972-660-01	PANEL, BACK
	* 63	1-656-004-11	SP SW-A BOARD
	* 64	1-656-005-11	SP SW-B BOARD
	65	4-917-460-01	KNOB, POWER
	* 66	1-656-006-11	AC SW BOARD
	Δ F802	1-532-215-00	FUSE, TIME LAG (0.8A 250V)
	Δ F902	1-532-285-00	FUSE, TIME LAG (1.25A 250V)
	Δ T901	1-427-882-11	TRANSFORMER, POWER

4-3. MAIN BOARD SECTION



Ref. No.	Part No.	Description
101	3-905-609-01	SCREW (TRANSISTOR)
* 102	A-4377-520-A	MAIN BOARD, COMPLETE
103	4-812-134-00	RIVET (DIA. 3.5), NYLON
* 104	1-655-997-11	VOL-MAIN BOARD
* 105	A-4377-522-A	VOLUME BOARD, COMPLETE

Remark	Ref. No.	Part No.	Description
	* 106	1-537-770-11	TERMINAL BOARD, GROUND
	Q708	8-729-020-72	TRANSISTOR 2SD2438-OPY
	Q709	8-729-020-41	TRANSISTOR 2SB1587-OPY
	Q758	8-729-020-72	TRANSISTOR 2SD2438-OPY
	Q759	8-729-020-41	TRANSISTOR 2SB1587-OPY

SECTION 5 ELECTRICAL PARTS LIST

AC SW

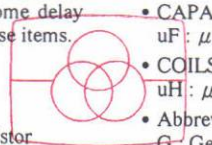
DISPLAY

NOTE:

The components identified by mark Δ or dotted line with mark Δ are critical for safety. Replace only with part number specified.

When indicating parts by reference number, please include the board name.

- Due to standardization, replacements in the parts list may be different from the parts specified in the diagrams or the components used on the set.
- Items marked "*" are not stocked since they are seldom required for routine service. Some delay should be anticipated when ordering these items.
- RESISTORS
All resistors are in ohms
METAL: Metal-film resistor
METAL OXIDE: Metal Oxide-film resistor
F : nonflammable
- SEMICONDUCTORS
In each case, u: μ , for example:
uA...: μ A..., uPA...: μ PA..., uPB...: μ PB...,
uPC...: μ PC..., uPD...: μ PD...
- CAPACITORS
uF: μ F *Free service manuals*
- COILS *Gratis schema's*
uH: μ H
- Abbreviation *Digitized by*
G: German model



www.freeservicemanuals.info

Ref. No.	Part No.	Description	Remark	Ref. No.	Part No.	Description	Remark
*	1-656-006-11	AC SW BOARD *****				< FLUORESCENT INDICATOR >	
		< SWITCH >		FL201	1-517-141-11	INDICATOR TUBE, FLUORESCENT	
Δ S902	1-572-267-21	SWITCH, PUSH (AC POWER) (1 KEY) (POWER)				< IC >	

*	A-4377-518-A	DISPLAY BOARD, COMPLETE *****		IC201	8-759-347-90	IC uPD78044GF-126-3B9	
		< CAPACITOR >		IC202	8-759-962-08	IC BA6208	
*	4-921-941-01	CUSHION (FL)		IC203	8-749-923-11	IC GPIU58XB	
*	4-943-107-11	HOLDER (FL TUBE)				< TRANSISTOR >	
				Q201	8-729-900-63	TRANSISTOR DTA124ES	
				Q202	8-729-900-36	TRANSISTOR DTC124ES	
				Q203	8-729-900-36	TRANSISTOR DTC124ES	
				Q204	8-729-900-36	TRANSISTOR DTC124ES	
				Q205	8-729-900-36	TRANSISTOR DTC124ES	
C201	1-104-905-11	DOUBLE LAYERS 0.22F				< RESISTOR >	
C202	1-124-465-00	ELECT 0.47uF 20% 50V		R200	1-249-433-11	CARBON 22K 5% 1/4W	
C203	1-126-096-11	ELECT 10uF 20% 35V		R201	1-249-427-11	CARBON 6.8K 5% 1/4W	
C211	1-164-159-11	CERAMIC 0.1uF 50V		R202	1-249-413-11	CARBON 470 5% 1/4W	
C212	1-164-159-11	CERAMIC 0.1uF 50V		R203	1-249-415-11	CARBON 680 5% 1/4W	
C213	1-162-294-31	CERAMIC 0.001uF 10% 50V		R204	1-249-417-11	CARBON 1K 5% 1/4W	
C214	1-164-159-11	CERAMIC 0.1uF 50V		R205	1-249-419-11	CARBON 1.5K 5% 1/4W	
				R206	1-249-421-11	CARBON 2.2K 5% 1/4W	
				R207	1-249-423-11	CARBON 3.3K 5% 1/4W	
				R208	1-249-427-11	CARBON 6.8K 5% 1/4W	
				R209	1-249-431-11	CARBON 15K 5% 1/4W	
CNS201	1-766-036-11	CONNECTOR, FFC (LIF (NON-ZIF)) 23P		R211	1-247-903-00	CARBON 1M 5% 1/4W	
CNS202	1-770-400-11	HOUSING, CONNECTOR(PC BOARD)7P		R212	1-249-429-11	CARBON 10K 5% 1/4W	
* CNS203	1-565-481-11	CONNECTOR, BOARD TO BOARD 5P		R213	1-249-441-11	CARBON 100K 5% 1/4W	
				R214	1-249-425-11	CARBON 4.7K 5% 1/4W	
				R215	1-249-441-11	CARBON 100K 5% 1/4W	
				R216	1-249-441-11	CARBON 100K 5% 1/4W	
				R217	1-249-429-11	CARBON 10K 5% 1/4W	
				R218	1-249-433-11	CARBON 22K 5% 1/4W	
				R221	1-247-807-31	CARBON 100 5% 1/4W	
				R222	1-247-807-31	CARBON 100 5% 1/4W	
D211	8-719-815-85	DIODE 1S1585		R223	1-247-807-31	CARBON 100 5% 1/4W	
D212	8-719-815-85	DIODE 1S1585		R224	1-247-807-31	CARBON 100 5% 1/4W	
D213	8-719-815-85	DIODE 1S1585		R225	1-247-807-31	CARBON 100 5% 1/4W	
D214	8-719-815-85	DIODE 1S1585		R227	1-249-412-11	CARBON 390 5% 1/4W	
D223	8-719-815-85	DIODE 1S1585		R228	1-249-412-11	CARBON 390 5% 1/4W	
D224	8-719-815-85	DIODE 1S1585		R229	1-249-410-11	CARBON 270 5% 1/4W	
D225	8-719-815-85	DIODE 1S1585					
D231	8-719-815-85	DIODE 1S1585					
D232	8-719-815-85	DIODE 1S1585					
D233	8-719-815-85	DIODE 1S1585					
D234	8-719-815-85	DIODE 1S1585					
D235	8-719-815-85	DIODE 1S1585					
D236	8-719-815-85	DIODE 1S1585					

DISPLAY	MAIN
----------------	-------------

Ref. No.	Part No.	Description	Remark	Ref. No.	Part No.	Description	Remark
R231	1-249-433-11	CARBON	22K 5% 1/4W	C403	1-126-966-11	ELECT	33uF 20% 16V
R232	1-249-433-11	CARBON	22K 5% 1/4W	C404	1-162-286-21	CERAMIC	220PF 10% 50V
R233	1-249-433-11	CARBON	22K 5% 1/4W	C405	1-137-459-11	FILM	0.0056uF 5% 100V
R234	1-249-433-11	CARBON	22K 5% 1/4W	C406	1-164-159-11	CERAMIC	0.1uF 50V
R235	1-249-433-11	CARBON	22K 5% 1/4W	C407	1-137-365-11	FILM	0.0015uF 5% 50V
R236	1-249-433-11	CARBON	22K 5% 1/4W	C408	1-162-294-31	CERAMIC	0.001uF 10% 50V
< SWITCH >				C409	1-126-111-11	ELECT	3.3uF 20% 50V
S201	1-554-303-21	SWITCH, TACTILE (+)		C410	1-164-159-11	CERAMIC	0.1uF 50V
S202	1-554-303-21	SWITCH, TACTILE (-)		C412	1-162-291-31	CERAMIC	560PF 10% 50V
S203	1-554-303-21	SWITCH, TACTILE (BAND)		C413	1-164-159-11	CERAMIC	0.1uF 50V
S204	1-554-303-21	SWITCH, TACTILE (MEMORY)		C414	1-161-494-00	CERAMIC	0.022uF 25V
S208	1-554-303-21	SWITCH, TACTILE (FM MODE)		C415	1-164-159-11	CERAMIC	0.1uF 50V
S211	1-554-303-21	SWITCH, TACTILE (1)		C416	1-164-159-11	CERAMIC	0.1uF 50V
S212	1-554-303-21	SWITCH, TACTILE (2)		C421	1-126-964-11	ELECT	10uF 20% 50V
S213	1-554-303-21	SWITCH, TACTILE (VIDEO)		C422	1-124-903-11	ELECT	1uF 20% 50V
S214	1-554-303-21	SWITCH, TACTILE (TV/LD)		C434	1-162-286-21	CERAMIC	220PF 10% 50V
S215	1-554-303-21	SWITCH, TACTILE (TAPE/MD)		C435	1-162-286-21	CERAMIC	220PF 10% 50V
S216	1-554-303-21	SWITCH, TACTILE (CD)		C451	1-162-286-21	CERAMIC	220PF 10% 50V
S221	1-554-303-21	SWITCH, TACTILE (TUNER)		C452	1-126-111-11	ELECT	3.3uF 20% 50V
S226	1-554-303-21	SWITCH, TACTILE (PHONO)		C453	1-126-966-11	ELECT	33uF 20% 16V
S231	1-554-303-21	SWITCH, TACTILE (DIRECT)		C454	1-162-286-21	CERAMIC	220PF 10% 50V
S232	1-554-303-21	SWITCH, TACTILE (10)		C455	1-137-459-11	FILM	0.0056uF 5% 100V
S233	1-554-303-21	SWITCH, TACTILE (+)		C457	1-137-365-11	FILM	0.0015uF 5% 50V
S234	1-554-303-21	SWITCH, TACTILE (SHIFT)		C459	1-126-111-11	ELECT	3.3uF 20% 50V
S235	1-554-303-21	SWITCH, TACTILE (-)		C460	1-164-159-11	CERAMIC	0.1uF 50V
S236	1-554-303-21	SWITCH, TACTILE (9)		C471	1-126-964-11	ELECT	10uF 20% 50V
S241	1-554-303-21	SWITCH, TACTILE (4)		C472	1-124-903-11	ELECT	1uF 20% 50V
S242	1-554-303-21	SWITCH, TACTILE (3)		C701	1-124-927-11	ELECT	4.7uF 20% 100V
S243	1-554-303-21	SWITCH, TACTILE (5)		C702	1-164-077-11	CERAMIC	220PF 10% 50V
S244	1-554-303-21	SWITCH, TACTILE (6)		C703	1-162-215-31	CERAMIC	47PF 5% 50V
S245	1-554-303-21	SWITCH, TACTILE (7)		C704	1-126-923-11	ELECT	220uF 20% 10V
S246	1-554-303-21	SWITCH, TACTILE (8)		C705	1-164-084-11	CERAMIC	820PF 10% 50V
< VIBRATOR >				C706	1-126-967-11	ELECT	47uF 20% 16V
X201	1-577-101-11	VIBRATOR, CERAMIC (4.19MHz)		C707	1-164-039-11	CERAMIC	3PF 0.25PF 50V
*****				C708	1-126-967-11	ELECT	47uF 20% 16V
*	A-4377-520-A	MAIN BOARD, COMPLETE		C710	1-162-815-11	CERAMIC	47PF 5% 500V
*****				C711	1-164-159-11	CERAMIC	0.1uF 50V
*	1-537-770-11	TERMINAL BOARD, GROUND		C712	1-137-372-11	FILM	0.022uF 5% 50V
	3-905-609-01	SCREW (TRANSISTOR)		C720	1-126-935-11	ELECT	470uF 20% 6.3V
	4-812-134-00	RIVET (DIA. 3.5), NYLON		C721	1-128-581-11	ELECT	4.7uF 20% 100V
	7-682-548-09	SCREW +BVTT 3X8 (S)		C722	1-128-581-11	ELECT	4.7uF 20% 100V
< CAPACITOR >				C723	1-124-463-00	ELECT	0.1uF 20% 50V
C353	1-164-159-11	CERAMIC	0.1uF 50V	C751	1-124-927-11	ELECT	4.7uF 20% 100V
C354	1-164-159-11	CERAMIC	0.1uF 50V	C752	1-164-077-11	CERAMIC	220PF 10% 50V
C401	1-162-286-21	CERAMIC	220PF 10% 50V	C753	1-162-215-31	CERAMIC	47PF 5% 50V
C402	1-126-111-11	ELECT	3.3uF 20% 50V	C754	1-126-923-11	ELECT	220uF 20% 10V
				C755	1-164-084-11	CERAMIC	820PF 10% 50V
				C756	1-126-967-11	ELECT	47uF 20% 16V
				C757	1-164-039-11	CERAMIC	3PF 0.25PF 50V
				C758	1-126-967-11	ELECT	47uF 20% 16V

Ref. No.	Part No.	Description		Remark	Ref. No.	Part No.	Description	Remark
C760	1-162-815-11	CERAMIC	47PF	5%	500V		< DIODE >	
C761	1-164-159-11	CERAMIC	0.1uF		50V	D701	8-719-933-41	DIODE HZS6C3L
C762	1-137-372-11	FILM	0.022uF	5%	50V	D702	8-719-815-85	DIODE 1S1585
C801	1-104-664-11	ELECT	47uF	20%	25V	D703	8-719-815-85	DIODE 1S1585
C802	1-104-664-11	ELECT	47uF	20%	25V	D704	8-719-815-85	DIODE 1S1585
C803	1-128-506-11	ELECT	6800uF	20%	50V	D706	8-719-815-85	DIODE 1S1585
C804	1-128-506-11	ELECT	6800uF	20%	50V	D707	8-719-815-85	DIODE 1S1585
C805	1-130-781-00	FILM	0.22uF	10%	100V	D708	8-719-815-85	DIODE 1S1585
C806	1-130-781-00	FILM	0.22uF	10%	100V	D710	8-719-815-85	DIODE 1S1585
C807	1-104-664-11	ELECT	47uF	20%	25V	D751	8-719-933-41	DIODE HZS6C3L
C808	1-104-664-11	ELECT	47uF	20%	25V	D752	8-719-815-85	DIODE 1S1585
C809	1-124-903-11	ELECT	1uF	20%	50V	D753	8-719-815-85	DIODE 1S1585
C810	1-124-903-11	ELECT	1uF	20%	50V	D801	8-719-002-33	DIODE UZL-24L
C820	1-161-494-00	CERAMIC	0.022uF		25V	D802	8-719-302-38	DIODE RBV-602-01
C821	1-161-494-00	CERAMIC	0.022uF		25V	D804	8-719-010-38	DIODE UZ-5.1BSB
C950	1-126-952-11	ELECT	1000uF	20%	16V	D810	8-719-200-82	DIODE 11ES2
C951	1-164-097-11	CERAMIC	0.022uF		50V	D811	8-719-200-82	DIODE 11ES2
C952	1-124-903-11	ELECT	1uF	20%	50V	D812	8-719-200-82	DIODE 11ES2
C953	1-124-464-11	ELECT	0.22uF	20%	50V	D813	8-719-200-82	DIODE 11ES2
C954	1-126-964-11	ELECT	10uF	20%	50V	D814	8-719-815-85	DIODE 1S1585
C955	1-164-159-11	CERAMIC	0.1uF		50V	D815	8-719-815-85	DIODE 1S1585
		< CAPACITOR >					< IC >	
CC01	1-162-282-31	CERAMIC	100PF	10%	50V	IC302	8-759-636-74	IC M5218AP-22
CC02	1-162-282-31	CERAMIC	100PF	10%	50V	IC401	8-759-805-14	IC LC7822
CC03	1-162-282-31	CERAMIC	100PF	10%	50V	IC402	8-759-636-74	IC M5218AP-22
CC04	1-162-282-31	CERAMIC	100PF	10%	50V	IC801	8-759-287-58	IC TA78M12P
CC05	1-162-282-31	CERAMIC	100PF	10%	50V	IC802	8-759-700-69	IC NJM79L12A
CC06	1-162-282-31	CERAMIC	100PF	10%	50V	IC950	8-759-333-83	IC NJM2103D
CC07	1-162-282-31	CERAMIC	100PF	10%	50V		< JACK >	
CC12	1-164-096-11	CERAMIC	0.01uF		50V	J401	1-695-188-21	JACK, PIN 4P (PHONO, CD)
CC13	1-164-096-11	CERAMIC	0.01uF		50V	J402	1-580-825-11	JACK, PIN 6P (TAPE/MD, TV/LD)
CC20	1-164-159-11	CERAMIC	0.1uF		50V	J403	1-695-188-21	JACK, PIN 4P (VIDEO)
CC21	1-164-159-11	CERAMIC	0.1uF		50V		< COIL >	
CC51	1-162-282-31	CERAMIC	100PF	10%	50V	L401	1-410-509-11	INDUCTOR 10uH
CC52	1-162-282-31	CERAMIC	100PF	10%	50V	L701	1-420-872-00	COIL, AIR-CORE
CC53	1-162-282-31	CERAMIC	100PF	10%	50V	L751	1-420-872-00	COIL, AIR-CORE
CC54	1-162-282-31	CERAMIC	100PF	10%	50V		< TRANSISTOR >	
CC55	1-162-282-31	CERAMIC	100PF	10%	50V	Q305	8-729-922-37	TRANSISTOR 2SD2144S
CC56	1-162-282-31	CERAMIC	100PF	10%	50V	Q306	8-729-922-37	TRANSISTOR 2SD2144S
CC57	1-162-282-31	CERAMIC	100PF	10%	50V	Q701	8-729-620-18	TRANSISTOR 2SA979-FG
CC62	1-164-096-11	CERAMIC	0.01uF		50V	Q702	8-729-119-78	TRANSISTOR 2SC2785-HFE
CC63	1-164-096-11	CERAMIC	0.01uF		50V	Q703	8-729-140-82	TRANSISTOR 2SA988-PAFAEA
		< CONNECTOR >				Q704	8-729-119-78	TRANSISTOR 2SC2785-HFE
CNP404	1-750-384-11	CONNECTOR, BOARD TO BOARD	11P			Q705	8-729-122-13	TRANSISTOR 2SA1221-K
CNP702	1-770-481-11	PIN, CONNECTOR	4P			Q706	8-729-195-82	TRANSISTOR 2SC2958
CNP706	1-764-477-11	PIN, CONNECTOR (PC BOARD)	8P			Q707	8-729-141-30	TRANSISTOR 2SC3623A-LK
CNS204	1-764-928-11	CONNECTOR, FFC (LIF (NON-ZIF))	23P					

MAIN

Ref. No.	Part No.	Description	Remark	Ref. No.	Part No.	Description	Remark
Q708	8-729-020-72	TRANSISTOR	2SD2438-OPY	R448	1-249-429-11	CARBON	10K 5% 1/4W
Q709	8-729-020-41	TRANSISTOR	2SB1587-OPY	R449	1-249-433-11	CARBON	22K 5% 1/4W
Q710	8-729-140-82	TRANSISTOR	2SA988-PAFAEA	R451	1-249-411-11	CARBON	330 5% 1/4W
Q711	8-729-119-78	TRANSISTOR	2SC2785-HFE	R452	1-249-425-11	CARBON	4.7K 5% 1/4W
Q712	8-729-140-82	TRANSISTOR	2SA988-PAFAEA	R453	1-249-417-11	CARBON	1K 5% 1/4W
Q713	8-729-140-84	TRANSISTOR	2SC1841-PAFAEA	R454	1-249-417-11	CARBON	1K 5% 1/4W
Q714	8-729-119-78	TRANSISTOR	2SC2785-HFE	R455	1-249-417-11	CARBON	1K 5% 1/4W
Q715	8-729-119-76	TRANSISTOR	2SA1175-HFE	R456	1-249-417-11	CARBON	1K 5% 1/4W
Q751	8-729-620-18	TRANSISTOR	2SA979-FG	R457	1-249-417-11	CARBON	1K 5% 1/4W
Q752	8-729-119-78	TRANSISTOR	2SC2785-HFE	R458	1-249-429-11	CARBON	10K 5% 1/4W
Q753	8-729-140-82	TRANSISTOR	2SA988-PAFAEA	R459	1-249-437-11	CARBON	47K 5% 1/4W
Q754	8-729-119-78	TRANSISTOR	2SC2785-HFE	R460	1-247-897-11	CARBON	560K 5% 1/4W
Q755	8-729-122-13	TRANSISTOR	2SA1221-K	R461	1-249-416-11	CARBON	820 5% 1/4W
Q756	8-729-195-82	TRANSISTOR	2SC2958	R462	1-247-897-11	CARBON	560K 5% 1/4W
Q757	8-729-141-30	TRANSISTOR	2SC3623A-LK	R463	1-249-437-11	CARBON	47K 5% 1/4W
Q758	8-729-020-72	TRANSISTOR	2SD2438-OPY	R466	1-249-417-11	CARBON	1K 5% 1/4W
Q759	8-729-020-41	TRANSISTOR	2SB1587-OPY	R467	1-247-897-11	CARBON	560K 5% 1/4W
Q760	8-729-140-82	TRANSISTOR	2SA988-PAFAEA	R470	1-247-887-00	CARBON	220K 5% 1/4W
Q765	8-729-119-76	TRANSISTOR	2SA1175-HFE	R471	1-249-417-11	CARBON	1K 5% 1/4W
Q801	8-729-140-97	TRANSISTOR	2SB734-34	R701	1-249-421-11	CARBON	2.2K 5% 1/4W
Q951	8-729-030-18	TRANSISTOR	2SD2525	R702	1-249-435-11	CARBON	33K 5% 1/4W
		< RESISTOR >		R703	1-249-415-11	CARBON	680 5% 1/4W
R304	1-249-441-11	CARBON	100K 5% 1/4W	R704	1-249-434-11	CARBON	27K 5% 1/4W
R354	1-249-425-11	CARBON	4.7K 5% 1/4W	R705	1-249-415-11	CARBON	680 5% 1/4W
R355	1-249-425-11	CARBON	4.7K 5% 1/4W	R706	1-249-409-11	CARBON	220 5% 1/4W
R365	1-249-417-11	CARBON	1K 5% 1/4W	R707	1-249-421-11	CARBON	2.2K 5% 1/4W
R366	1-249-417-11	CARBON	1K 5% 1/4W	R708	1-249-433-11	CARBON	22K 5% 1/4W
R401	1-249-411-11	CARBON	330 5% 1/4W	R709	1-249-409-11	CARBON	220 5% 1/4W
R402	1-249-425-11	CARBON	4.7K 5% 1/4W	R710	1-249-435-11	CARBON	33K 5% 1/4W
R403	1-249-417-11	CARBON	1K 5% 1/4W	R711	1-249-414-11	CARBON	560 5% 1/4W
R404	1-249-417-11	CARBON	1K 5% 1/4W	R712	1-249-422-11	CARBON	2.7K 5% 1/4W
R405	1-249-417-11	CARBON	1K 5% 1/4W	R713	1-249-397-11	CARBON	22 5% 1/4W
R406	1-249-417-11	CARBON	1K 5% 1/4W	R715	1-249-414-11	CARBON	560 5% 1/4W
R407	1-249-417-11	CARBON	1K 5% 1/4W	R716	1-249-397-11	CARBON	22 5% 1/4W
R408	1-249-429-11	CARBON	10K 5% 1/4W	R717	1-249-421-11	CARBON	2.2K 5% 1/4W
R409	1-249-437-11	CARBON	47K 5% 1/4W	R718	1-249-393-11	CARBON	10 5% 1/4W
R410	1-247-897-11	CARBON	560K 5% 1/4W	R719	1-249-393-11	CARBON	10 5% 1/4W
R411	1-249-416-11	CARBON	820 5% 1/4W	△R720	1-233-352-21	ENCAPSULATED COMPONENT	F
R412	1-247-897-11	CARBON	560K 5% 1/4W	R721	1-249-437-11	CARBON	47K 5% 1/4W
R413	1-249-437-11	CARBON	47K 5% 1/4W	R722	1-249-425-11	CARBON	4.7K 5% 1/4W
R414	1-249-425-11	CARBON	4.7K 5% 1/4W	R723	1-249-431-11	CARBON	15K 5% 1/4W
R416	1-249-417-11	CARBON	1K 5% 1/4W	R724	1-249-393-11	CARBON	10 5% 1/4W
R417	1-247-897-11	CARBON	560K 5% 1/4W	R725	1-249-389-11	CARBON	4.7 5% 1/4W
R420	1-247-887-00	CARBON	220K 5% 1/4W	R727	1-249-437-11	CARBON	47K 5% 1/4W
R421	1-249-417-11	CARBON	1K 5% 1/4W	R729	1-249-887-11	CARBON	33 5% 1/4W
R435	1-249-418-11	CARBON	1.2K 5% 1/4W	R730	1-249-887-11	CARBON	33 5% 1/4W
R442	1-249-418-11	CARBON	1.2K 5% 1/4W	R731	1-249-429-11	CARBON	10K 5% 1/4W
R443	1-249-418-11	CARBON	1.2K 5% 1/4W	R732	1-249-417-11	CARBON	1K 5% 1/4W
R447	1-249-416-11	CARBON	820 5% 1/4W	R733	1-249-435-11	CARBON	33K 5% 1/4W
				R734	1-249-427-11	CARBON	6.8K 5% 1/4W

The components identified by mark △ or dotted line with mark △ are critical for safety. Replace only with part number specified.

MAIN**PRIMARY****SP SW****SP SW A****SP SW B**

Ref. No.	Part No.	Description	Remark	Ref. No.	Part No.	Description	Remark
R737	1-249-429-11	CARBON	10K 5% 1/4W	RR55	1-249-393-11	CARBON 10 5% 1/4W	
R738	1-249-424-11	CARBON	3.9K 5% 1/4W			< RELAY >	
R751	1-249-421-11	CARBON	2.2K 5% 1/4W	RY701	1-515-920-11	RELAY (24V)	
R752	1-249-435-11	CARBON	33K 5% 1/4W			< TERMINAL >	
R753	1-249-415-11	CARBON	680 5% 1/4W	TM001	1-537-714-11	TERMINAL BOARD (ANTENNA)	
R754	1-249-434-11	CARBON	27K 5% 1/4W	TM701	1-537-376-11	TERMINAL BOARD (SP) (SPEAKERS)	
R755	1-249-415-11	CARBON	680 5% 1/4W			< TUNER >	
R756	1-249-409-11	CARBON	220 5% 1/4W	TU001	1-233-308-11	ENCAPSULATED COMPONENT	
R757	1-249-421-11	CARBON	2.2K 5% 1/4W	*****			
R758	1-249-433-11	CARBON	22K 5% 1/4W	*	1-656-007-11	PRIMARY BOARD	
R759	1-249-409-11	CARBON	220 5% 1/4W			*****	
R760	1-249-435-11	CARBON	33K 5% 1/4W	*****			
R761	1-249-414-11	CARBON	560 5% 1/4W	*	1-656-000-11	SP SW BOARD	
R762	1-249-422-11	CARBON	2.7K 5% 1/4W			*****	
R763	1-249-397-11	CARBON	22 5% 1/4W			< JACK >	
R765	1-249-414-11	CARBON	560 5% 1/4W	J741	1-750-733-11	JACK (LARGE TYPE) (PHONES)	
R766	1-249-397-11	CARBON	22 5% 1/4W			< RESISTOR >	
R767	1-249-421-11	CARBON	2.2K 5% 1/4W	R741	1-260-100-11	CARBON 1.2K 5% 1/2W	
R768	1-249-393-11	CARBON	10 5% 1/4W	R742	1-260-100-11	CARBON 1.2K 5% 1/2W	
R769	1-249-393-11	CARBON	10 5% 1/4W	R791	1-260-100-11	CARBON 1.2K 5% 1/2W	
△R770	1-233-352-21	ENCAPSULATED COMPONENT	F	R792	1-260-100-11	CARBON 1.2K 5% 1/2W	
R771	1-249-437-11	CARBON	47K 5% 1/4W			< SWITCH >	
R772	1-249-425-11	CARBON	4.7K 5% 1/4W	S701	1-762-320-11	SWITCH, PUSH (2 KEY) (SPEAKERS)	
R773	1-249-431-11	CARBON	15K 5% 1/4W	*****			
R774	1-249-393-11	CARBON	10 5% 1/4W	*	1-656-004-11	SP SW A BOARD	
R775	1-249-389-11	CARBON	4.7 5% 1/4W			*****	
R777	1-249-438-11	CARBON	56K 5% 1/4W	*****			
R788	1-249-424-11	CARBON	3.9K 5% 1/4W	*	1-656-005-11	SP SW B BOARD	
R801	1-249-423-11	CARBON	3.3K 5% 1/4W			*****	
△R802	1-249-887-11	CARBON	33 1% 1/4W			< CONNECTOR >	
△R805	1-249-455-11	METAL OXIDE	F	CNS702	1-770-482-11	CONNECTOR, BOARD TO BOARD 4P	
R808	1-247-752-11	CARBON	1K 5% 1/2W	*****			
R850	1-249-412-11	CARBON	390 5% 1/4W				
R851	1-249-412-11	CARBON	390 5% 1/4W				
R950	1-249-421-11	CARBON	2.2K 5% 1/4W				
R951	1-249-429-11	CARBON	10K 5% 1/4W				
R952	1-249-423-11	CARBON	3.3K 5% 1/4W				
R953	1-249-433-11	CARBON	22K 5% 1/4W				
R954	1-249-439-11	CARBON	68K 5% 1/4W				
R955	1-249-429-11	CARBON	10K 5% 1/4W				
R956	1-249-423-11	CARBON	3.3K 5% 1/4W				
R957	1-249-417-11	CARBON	1K 5% 1/4W				
R960	1-249-429-11	CARBON	10K 5% 1/4W				
		< RESISTOR >					
RR01	1-249-418-11	CARBON	1.2K 5% 1/4W				
RR04	1-249-393-11	CARBON	10 5% 1/4W				
RR05	1-249-393-11	CARBON	10 5% 1/4W				
RR51	1-249-418-11	CARBON	1.2K 5% 1/4W				
RR54	1-249-393-11	CARBON	10 5% 1/4W				

The components identified by mark Δ or dotted line with mark Δ are critical for safety.
Replace only with part number specified.

STANDBY

TONE

TRANSFORMER

VOL MAIN

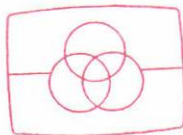
VOLUME

Ref. No.	Part No.	Description	Remark	Ref. No.	Part No.	Description	Remark
*	1-656-002-11	STANDBY BOARD *****		RV422	1-223-363-11	RES, VAR, CARBON 125K/125K (TREBLE)	
	1-533-293-11	FUSE HOLDER		RV423	1-223-880-11	RES, VAR, CARBON 100K/100K (BALANCE)	
	1-537-770-11	TERMINAL BOARD, GROUND				< SWITCH >	
		< CONNECTOR >		S209	1-554-303-21	SWITCH, TACTILE (MUTING -20dB)	
CNP901	1-564-321-00	PIN, CONNECTOR 2P		S210	1-554-303-21	SWITCH, TACTILE (BASS BOOST)	
		< FUSE >				*****	
△F902	1-532-285-00	FUSE, TIME LAG (1.25A 250V)		*	1-655-998-11	TRANSFORMER BOARD *****	
		*****			1-533-293-11	FUSE HOLDER	
*	1-655-999-11	TONE BOARD *****				< CONNECTOR >	
		< CAPACITOR >		CNP801	1-764-477-11	PIN, CONNECTOR (PC BOARD) 8P	
C421	1-137-440-11	FILM	0.018uF 5% 50V			< FUSE >	
C422	1-124-463-00	ELECT	0.1uF 20% 50V	△F802	1-532-215-00	FUSE, TIME LAG (0.8A 250V)	
C423	1-137-368-11	FILM	0.0047uF 5% 50V			*****	
C424	1-137-372-11	FILM	0.022uF 5% 50V	*	1-655-997-11	VOL MAIN BOARD *****	
C471	1-137-440-11	FILM	0.018uF 5% 50V			< CONNECTOR >	
C472	1-124-463-00	ELECT	0.1uF 20% 50V	CNS403	1-770-381-11	CONNECTOR, BOARD TO BOARD 10P	
C473	1-137-368-11	FILM	0.0047uF 5% 50V	CNS404	1-750-383-21	CONNECTOR, BOARD TO BOARD 11P	
C474	1-137-372-11	FILM	0.022uF 5% 50V			*****	
		< CONNECTOR >		*	A-4377-522-A	VOLUME BOARD, COMPLETE *****	
* CNP203	1-569-799-11	PLUG, CONNECTOR 5P				< CAPACITOR >	
CNS401	1-770-399-11	HOUSING, CONNECTOR(PC BOARD)6P		C420	1-162-207-31	CERAMIC	22PF 5% 50V
		< DIODE >		C425	1-126-096-11	ELECT	10uF 20% 35V
D207	8-719-313-72	LED	SEL3810A-CD	C426	1-126-096-11	ELECT	10uF 20% 35V
D208	8-719-313-72	LED	SEL3810A-CD	C427	1-124-252-00	ELECT	0.33uF 20% 50V
		< RESISTOR >		C428	1-130-489-00	MYLAR	0.033uF 5% 50V
R210	1-249-435-11	CARBON	33K 5% 1/4W	C429	1-164-070-11	CERAMIC	100PF 5% 50V
R421	1-249-430-11	CARBON	12K 5% 1/4W	C430	1-126-301-11	ELECT	1uF 20% 50V
R422	1-249-422-11	CARBON	2.7K 5% 1/4W	C431	1-126-301-11	ELECT	1uF 20% 50V
R429	1-249-415-11	CARBON	680 5% 1/4W	C432	1-126-096-11	ELECT	10uF 20% 35V
R437	1-247-903-00	CARBON	1M 5% 1/4W	C433	1-126-096-11	ELECT	10uF 20% 35V
R440	1-247-903-00	CARBON	1M 5% 1/4W	C470	1-162-207-31	CERAMIC	22PF 5% 50V
R471	1-249-430-11	CARBON	12K 5% 1/4W	C475	1-126-096-11	ELECT	10uF 20% 35V
R472	1-249-422-11	CARBON	2.7K 5% 1/4W	C476	1-126-096-11	ELECT	10uF 20% 35V
R479	1-249-415-11	CARBON	680 5% 1/4W	C477	1-124-252-00	ELECT	0.33uF 20% 50V
R487	1-247-903-00	CARBON	1M 5% 1/4W	C478	1-130-489-00	MYLAR	0.033uF 5% 50V
R490	1-247-903-00	CARBON	1M 5% 1/4W	C479	1-164-070-11	CERAMIC	100PF 5% 50V
		< VARIABLE RESISTOR >		C492	1-124-464-11	ELECT	0.22uF 20% 50V
RV421	1-223-362-11	RES, VAR, CARBON 100K/100K (BASS)					

The components identified by mark △ or dotted line with mark △ are critical for safety.
Replace only with part number specified.

Ref. No.	Part No.	Description	Remark	Ref. No.	Part No.	Description	Remark
		< CONNECTOR >				< VARIABLE RESISTOR >	
CNP202	1-770-391-11	PIN, CONNECTOR (PC BOARD) 7P		RV404	1-223-882-11	RES, VAR 100K/100K (VOLUME)	
CNP401	1-770-390-11	PIN, CONNECTOR (PC BOARD) 6P				*****	
CNP403	1-770-406-11	CONNECTOR, BOARD TO BOARD 10P				MISCELLANEOUS	
		< DIODE >				*****	
D421	8-719-815-85	DIODE 1S1585		6	1-773-744-11	WIRE (FLAT TYPE) (23 CORE)	
		< IC >		△60	1-769-744-11	CORD, POWER	
IC404	8-759-636-74	IC M5218AP-22		* 106	1-537-770-11	TERMINAL BOARD, GROUND	
		< TRANSISTOR >		△F802	1-532-215-00	FUSE, TIME LAG (0.8A 250V)	
Q401	8-729-202-67	TRANSISTOR 2SK246-GR3		△F902	1-532-285-00	FUSE, TIME LAG (1.25A 250V)	
Q402	8-729-922-37	TRANSISTOR 2SD2144S		FL201	1-517-141-11	INDICATOR TUBE, FLUORESCENT	
Q403	8-729-922-37	TRANSISTOR 2SD2144S		Q708	8-729-020-72	TRANSISTOR 2SD2438-OPY	
Q451	8-729-202-67	TRANSISTOR 2SK246-GR3		Q709	8-729-020-41	TRANSISTOR 2SB1587-OPY	
Q452	8-729-922-37	TRANSISTOR 2SD2144S		Q758	8-729-020-72	TRANSISTOR 2SD2438-OPY	
Q453	8-729-922-37	TRANSISTOR 2SD2144S		Q759	8-729-020-41	TRANSISTOR 2SB1587-OPY	
		< RESISTOR >		RV404	1-223-882-11	RES, VAR 100K/100K (VOLUME)	
R425	1-249-428-11	CARBON 8.2K 5% 1/4W		△T901	1-427-882-11	TRANSFORMER, POWER	
R426	1-249-438-11	CARBON 56K 5% 1/4W				*****	
R427	1-249-417-11	CARBON 1K 5% 1/4W				ACCESSORIES & PACKING MATERIALS	
R428	1-249-425-11	CARBON 4.7K 5% 1/4W				*****	
R430	1-249-437-11	CARBON 47K 5% 1/4W				1-473-073-11	COMMANDER, STANDARD (RM-U254)
R431	1-249-423-11	CARBON 3.3K 5% 1/4W				1-501-374-11	ANTENNA, LOOP
R432	1-247-883-00	CARBON 150K 5% 1/4W				1-501-594-11	ANTENNA (FM)
R433	1-249-427-11	CARBON 6.8K 5% 1/4W				3-798-811-11	MANUAL, INSTRUCTION
R434	1-249-412-11	CARBON 390 5% 1/4W					(ENGLISH, FRENCH, GERMAN, DUTCH) (AEP)
R436	1-249-441-11	CARBON 100K 5% 1/4W				3-798-811-41	MANUAL, INSTRUCTION
R438	1-249-441-11	CARBON 100K 5% 1/4W					(SPANISH, SWEDISH, DANISH, FINNISH) (AEP)
R441	1-249-441-11	CARBON 100K 5% 1/4W				3-798-811-51	MANUAL, INSTRUCTION (GERMAN) (G)
R444	1-247-903-00	CARBON 1M 5% 1/4W				4-941-762-01	COVER (MLY), BATTERY (for RM-U254)
R446	1-247-807-31	CARBON 100 5% 1/4W		*	4-974-625-01	CUSHION	
R464	1-247-903-00	CARBON 1M 5% 1/4W		*	4-974-627-01	INDIVIDUAL CARTON	
R469	1-247-903-00	CARBON 1M 5% 1/4W				*****	
R475	1-249-428-11	CARBON 8.2K 5% 1/4W				HARDWARE LIST	
R476	1-249-438-11	CARBON 56K 5% 1/4W				*****	
R477	1-249-417-11	CARBON 1K 5% 1/4W		#1	7-682-548-04	SCREW +BVTT 3X8 (S)	
R478	1-249-425-11	CARBON 4.7K 5% 1/4W		#3	7-685-646-79	SCREW +BVTP 3X8 TYPE2 N-S	
R480	1-249-437-11	CARBON 47K 5% 1/4W		#4	7-621-849-00	SCREW, TAPPING	
R481	1-249-423-11	CARBON 3.3K 5% 1/4W		#5	7-682-560-04	SCREW +BVTT 4X6 (S)	
R482	1-247-883-00	CARBON 150K 5% 1/4W					
R483	1-249-427-11	CARBON 6.8K 5% 1/4W					
R484	1-249-412-11	CARBON 390 5% 1/4W					
R491	1-249-441-11	CARBON 100K 5% 1/4W					
R492	1-247-903-00	CARBON 1M 5% 1/4W					
R494	1-247-903-00	CARBON 1M 5% 1/4W					
R496	1-247-807-31	CARBON 100 5% 1/4W					

The components identified by mark △ or dotted line with mark △ are critical for safety.
Replace only with part number specified.



Free service manuals
Gratis schema's

Digitized by

www.freeservicemanuals.info