

STR-D315

SERVICE MANUAL

US Model
Canadian Model
E Model
Australian Model



SPECIFICATIONS

Audio Power Specifications (US and Canadian Models)

POWER OUTPUT AND TOTAL HARMONIC DISTORTION

With 8-ohm load, both channels driven, from 40 - 20,000Hz, rated 100 watts per channel minimum RMS power, with less than 0.8% total harmonic distortion from 250 milliwatts to rated output.

Other specifications (for all models)

Amplifier section

Continuous RMS power output (8 ohms, at 40 Hz - 20 kHz less than 0.8% total harmonic distortion)

100W+100W

80W+80W (E, Australian model)

Dynamic power (at 1 kHz, IHF)

140W+140W (8 ohms)

110W+110W (8 ohms) (E, Australian model)

220W+220W (4 ohms)

150W+150W (4 ohms) (E, Australian model)

Harmonic distortion

Less than 0.8% at rated output

Frequency response

PHONO : RIAA equalization curve ± 0.5 dB

CD

VIDEO

TAPE

10 Hz - 50 kHz ± 1 dB

Inputs

	Sensitivity	Impedance	S/N (weighting network, input level)
PHONO	2.5 mV	50 kilohms	75 dB 75 dB *(A, 2.5mV)
TAPE 1/MD TV/LD TAPE 2 MONITER	250 mV	50 kilohms	82 dB 82 dB *(A, 200mV)
CD	300 mV	50 kilohms	82 dB 82 dB *(A, 200mV)

*: 78 IHF

Outputs

REC OUT VIDEO (AUDIO) OUT	Voltage 250 mV impedance 10 kilohms
HEADPHONES	Accepts low and high impedance headphones

Tone controls

BASS ± 8 dB at 100 Hz

TREBLE ± 8 dB at 100 Hz

LOW BOOST

+10 dB (at 100 Hz)

— Continued on next page —

FM STEREO/FM-AM RECEIVER

SONY®



Tuner section

	FM tuner section	AM tuner section
Tuning range	87.5 – 108 MHz	US, Canadian model : 530 – 1,710 kHz (10 kHz step) 531 – 1,710 kHz (9 kHz step) E model : 530 – 1,610 kHz (10 kHz step) 531 – 1,602 kHz (9 kHz step) Australian model : 531 – 1,602 kHz
Antenna terminals	300 ohms, balanced 70 ohms, unbalanced	Extrnal antenna terminal
Sensitivity at 50 dB quieting (US and Canadian models) and 40 dB (E, Australian model)	18.3 dBf, 4.5 μ V(mono) 38.3 dBf, 4.5 μ V(stereo)	
Usable sensitivity	11.2 dBf, 2 μ V(IHF)	Loop antenna : 500 μ V (at 1,000 kHz)
Signal-to-noise ratio	76 dB (mono) 70 dB (stereo)	54 dB (at 50 mV/m)
Harmonic distortion	0.3 % (mono), 0.5 % (stereo) at 1 kHz	0.5 % (at 50 mV/m, 400 Hz)
Selectivity	60 dB at 400 kHz	40 dB at 10 kHz
Separation	45 dB at 1 kHz	
Frequency response	30 Hz – 15 kHz +0.5 -2 dB	

General

System

- Tuner section : PLL quartz-locked digital synthesizer system
- Preamplifier section : low-noise NF type equalizer amp
- Power amplifier section : pure complementary SEPP.

Power requirements

- US, Canadian model : 120V AC, 60 Hz
- Australian model : 240V AC, 50Hz
- E model : 120V, 220V or 240V AC, adjustable 50/60Hz

Power consumption

- US model : 186W
- Canadian model : 290 VA
- E, Australian model : 160 W
- In standby condition : 5 W

AC outlet

- US and Canadian models : One switched (120W/1A Max.)
- Australian model : 100 W switched
- E model : One switched (100 W Max.)

Dimensions

- Approx. 430x135x295 mm (w/h/d)
- (17x5 $\frac{3}{8}$ x 11 $\frac{5}{8}$ inches)

Weight

- Approx. 7.2 kg (13 lb 15 oz)

Accessories supplied

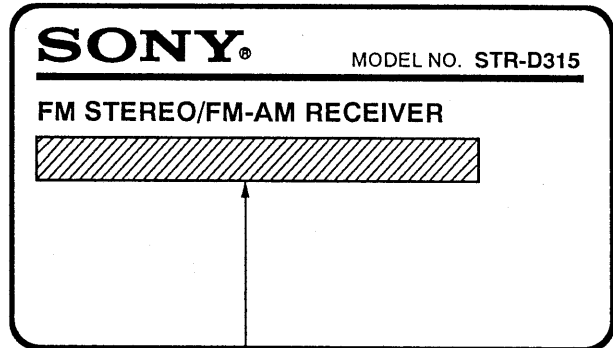
- FM wire antenna (1)
- AM loop antenna (1)
- Remote commander RM-U141 (1)
- Sony batteries SUM-3 (NS) (2)

Design and specifications are subject to change without notice

TABLE OF CONTENTS

Section	Title	Page
1. GENERAL		
	Identifying the Parts and Controls	3
2. DIAGRAMS		
	2-1. Printed Wiring Boards – Display Section –	5
	2-2. Schematic Diagram – Display Section –	7
	2-3. Printed Wiring Boards – Main Section –	11
	2-4. Schematic Diagram – Main Section –	15
3. EXPLODED VIEWS		
	3-1. Front Panel Section	21
	3-2. Chassis Section	22
4. ELECTRICAL PARTS LIST		24

**MODEL IDENTIFICATION
(Specification Label)**



US, Canadian model : AC 120V, 60Hz, 186W (US), 290VA (CND)
 Australian model : AC 240V, 50Hz
 E model : AC 120/220/240V, 50/60Hz, 160W

SAFETY-RELATED COMPONENT WARNING!!

COMPONENTS IDENTIFIED BY MARK OR DOTTED LINE WITH MARK ON THE SCHEMATIC DIAGRAMS AND IN THE PARTS LIST ARE CRITICAL TO SAFE OPERATION. REPLACE THESE COMPONENTS WITH SONY PARTS WHOSE PART NUMBERS APPEAR AS SHOWN IN THIS MANUAL OR IN SUPPLEMENTS PUBLISHED BY SONY.

ATTENTION AU COMPOSANT AYANT RAPPORT À LA SÉCURITÉ!

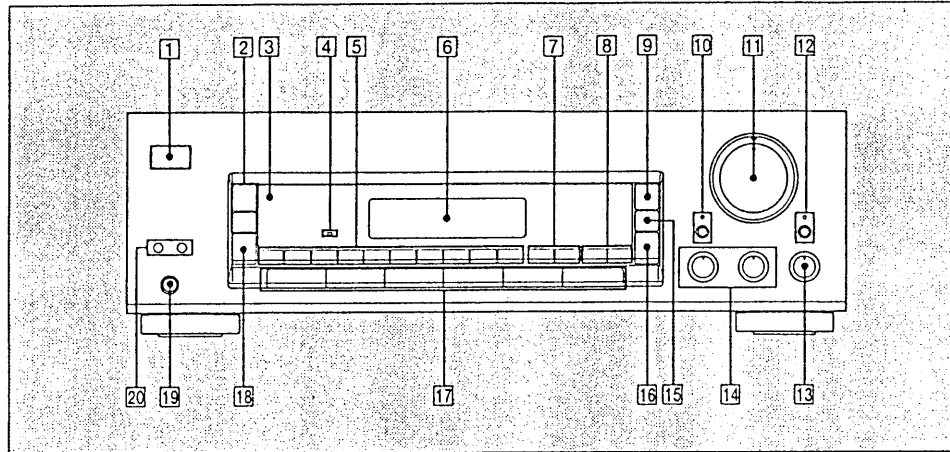
LES COMPOSANTS IDENTIFIÉS PAR UNE MARQUE SUR LES DIAGRAMMES SCHÉMATIQUES ET LA LISTE DES PIÈCES SONT CRITIQUES POUR LA SÉCURITÉ DE FONCTIONNEMENT. NE REMPLACER CES COMPOSANTS QUE PAR DES PIÈCES SONY DONT LES NUMÉROS SONT DONNÉS DANS CE MANUEL OU DANS LES SUPPLÉMENTS PUBLIÉS PAR SONY.

SECTION 1 GENERAL

This section is extracted from instruction manual.

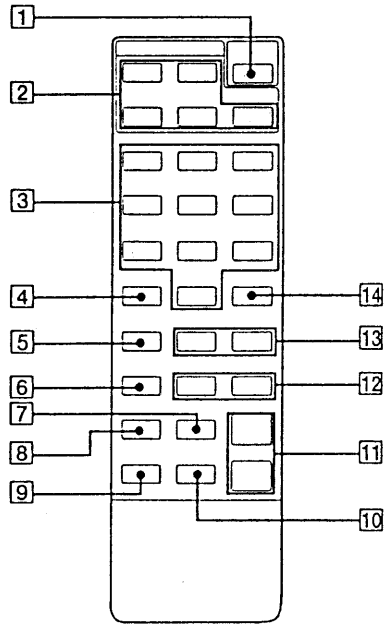
IDENTIFYING THE PARTS AND CONTROLS

FRONT PANEL



- | | |
|---------------------------------------|---|
| 1 POWER switch | 12 LOW BOOST button and indicator |
| 2 FM/AM band selectors | 13 BALANCE control |
| 3 Remote sensor | 14 BASS/TREBLE controls |
| 4 TAPE 2 MONITOR indicator | 15 SHIFT button |
| 5 Numeric buttons | 16 DIRECT button |
| 6 Display window | 17 Function selectors |
| 7 TUNING +/- buttons | When the TAPE 2 MONITOR is pressed, the indicator of the last selected function also remains lit. But the TAPE 2 MONITOR button has priority and the taped or digital audio taped program can be heard. |
| 8 PRESET TUNING +/- buttons | 18 FM MODE button |
| 9 MEMORY button | 19 HEADPHONES jack |
| 10 MUTING button and indicator | 20 SPEAKERS A/B buttons |
| 11 MASTER VOLUME control | |

REMOTE COMMANDER RM-U141



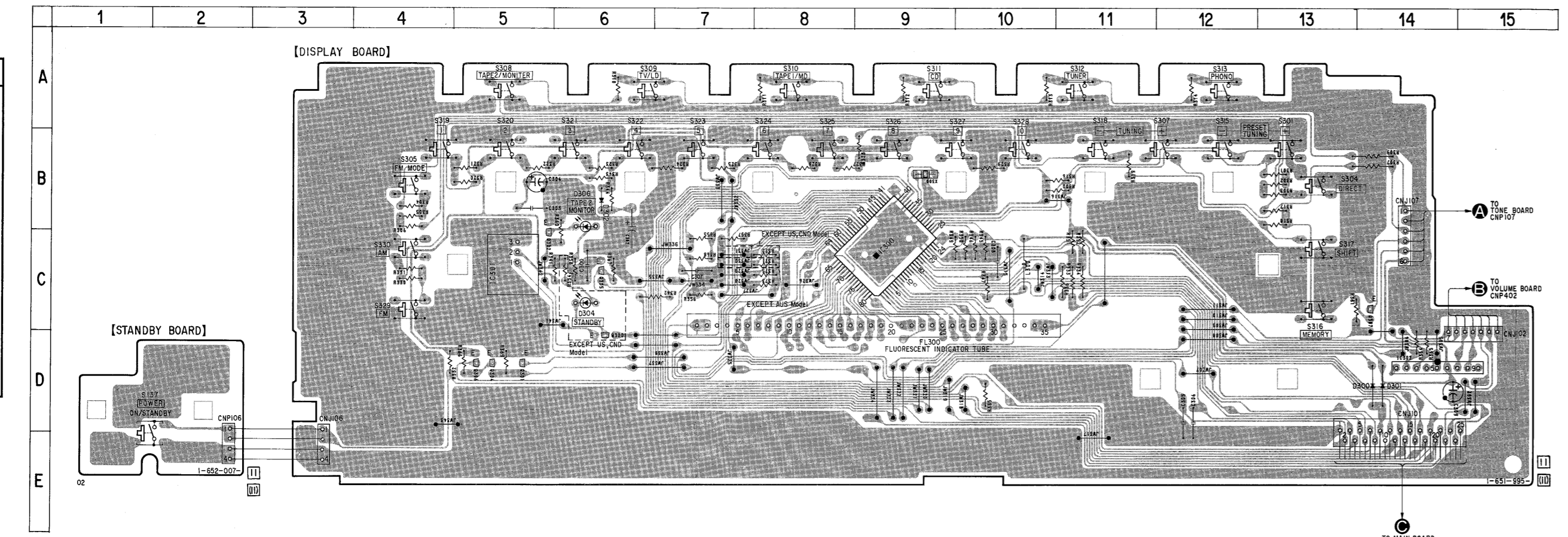
- 1 SYSTEM OFF button
- 2 FUNCTION
CD, TUNER, PHONO, TV/LD, TAPE/
MD buttons
- 3 Numeric buttons (1 to 0)
- 4 SHIFT, >10 button
- 5 ANT TV/VTR, D (disc) SKIP button
- 6 CLEAR, ■ button
- 7 ● button
- 8 ■■ button
- 9 LOW BOOST button
- 10 MUTING button
- 11 VOLUME +/- buttons
- 12 ◀, ▶, RMS DIRECTION buttons
- 13 ◀◀, ▶▶ buttons
- 14 RMS/START, ENTER button

SECTION 2
DIAGRAMS

2-1. PRINTED WIRING BOARDS (DISPLAY SECTION) • Refer to page 10 for Semiconductor Lead Layouts.

• SEMICONDUCTOR LOCATION

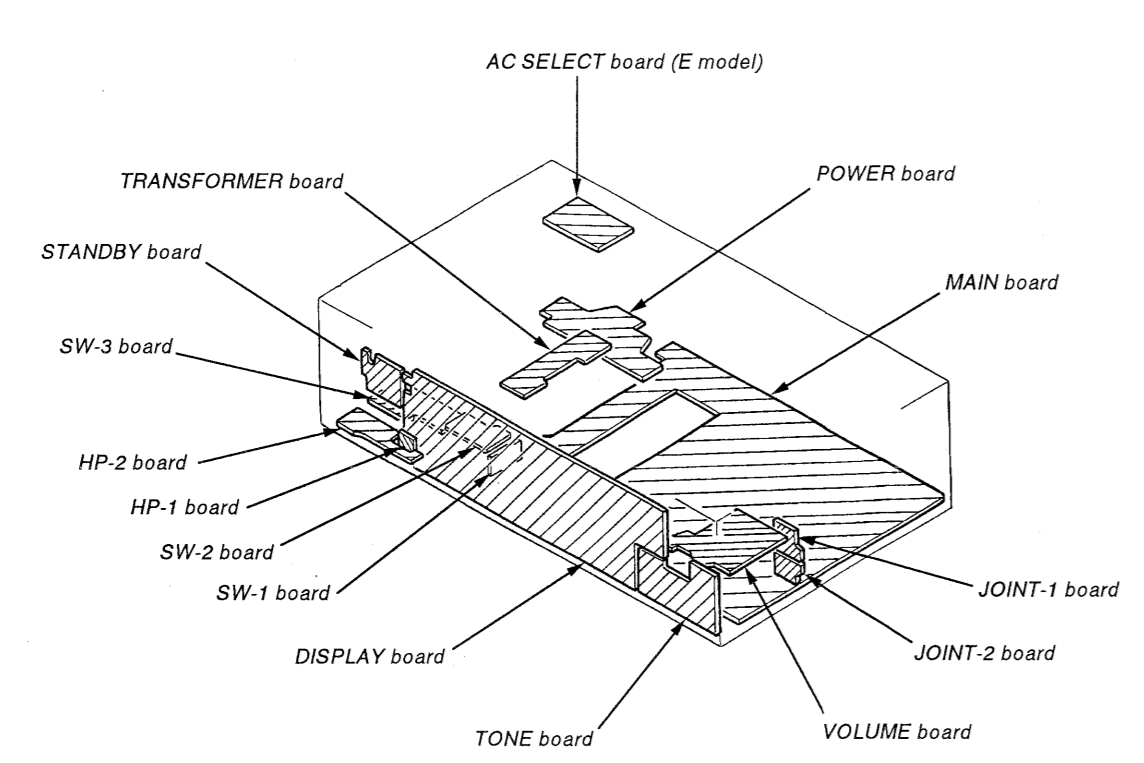
Ref. No.	Location
D300	D-14
D301	D-14
D302	B-6
D304	C-6
IC300	C-9
IC301	C-5
IC302	D-14
Q300	D-6
Q301	D-5
Q302	C-5
Q304	D-5
Q305	C-6
Q306	D-5
Q307	C-14



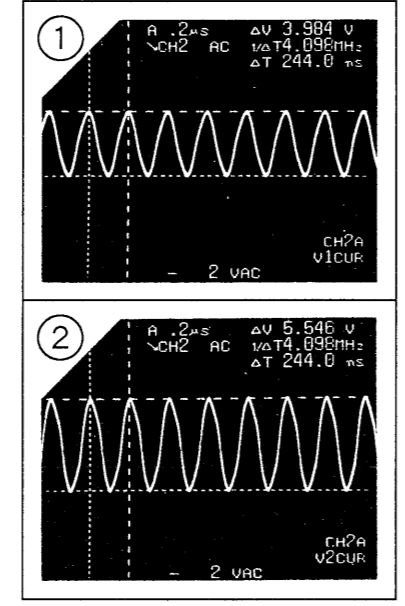
Note on Printed Wiring Boards:

- : parts extracted from the component side.
- : Pattern on the side which is seen.
- Abbreviations
CND : Canadian
AUS : Australian

• CIRCUIT BOARD LOCATION



• WAVEFORMS



Note on Schematic Diagram :

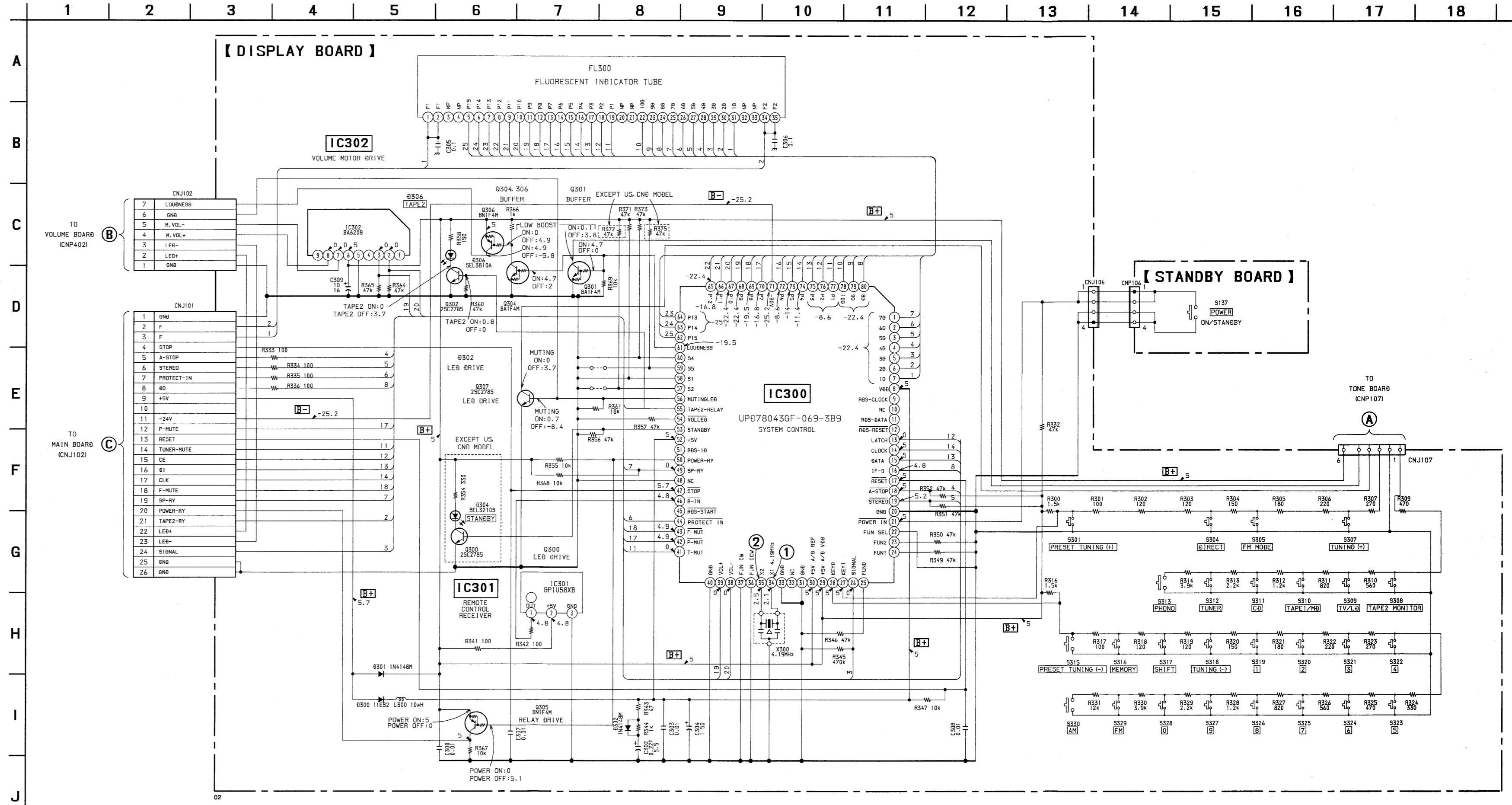
- All capacitors are in μF unless otherwise noted. pF: $\mu \mu F$ 50WV or less are not indicated except for electrolytics and tantalums.
- All resistors are in Ω and $\frac{1}{4}W$ or less unless otherwise specified.
- % : indicates tolerance.
- : nonflammable resistor.
- △ : internal component.

Note :
The components identified by mark Δ or dotted line with mark Δ are critical for safety. Replace only with part number specified.

Note :
Les composants identifiés par une marque Δ ou trait pointillé avec une marque Δ sont critiques pour la sécurité. Ne les remplacer que par une pièce portant le numéro spécifié.

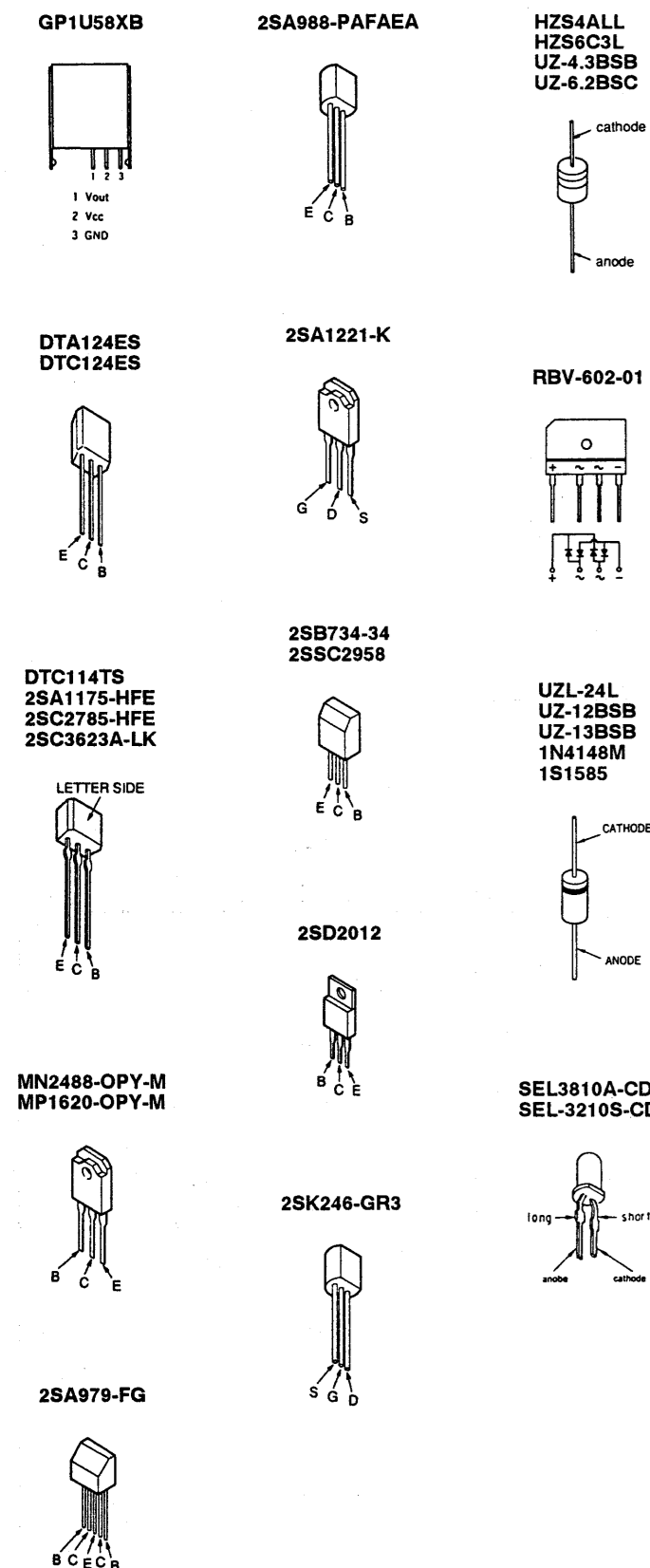
- B+ : B+ Line
- B- : B- Line
- Voltage and waveforms are dc with respect to ground under no-signal (detuned) conditions.
- Voltages are taken with a VOM (Input impedance 10M Ω). Voltage variations may be noted due to normal production tolerances.
- Signal path.
- ⇒ : FM
- Abbreviations
CND : Canadian
AUS : Australian

2-2. SCHEMATIC DIAGRAM (DISPLAY SECTION) • Refer to page 20 for IC Block Diagrams.



2-3. PRINTED WIRING BOARDS (MAIN SECTION)

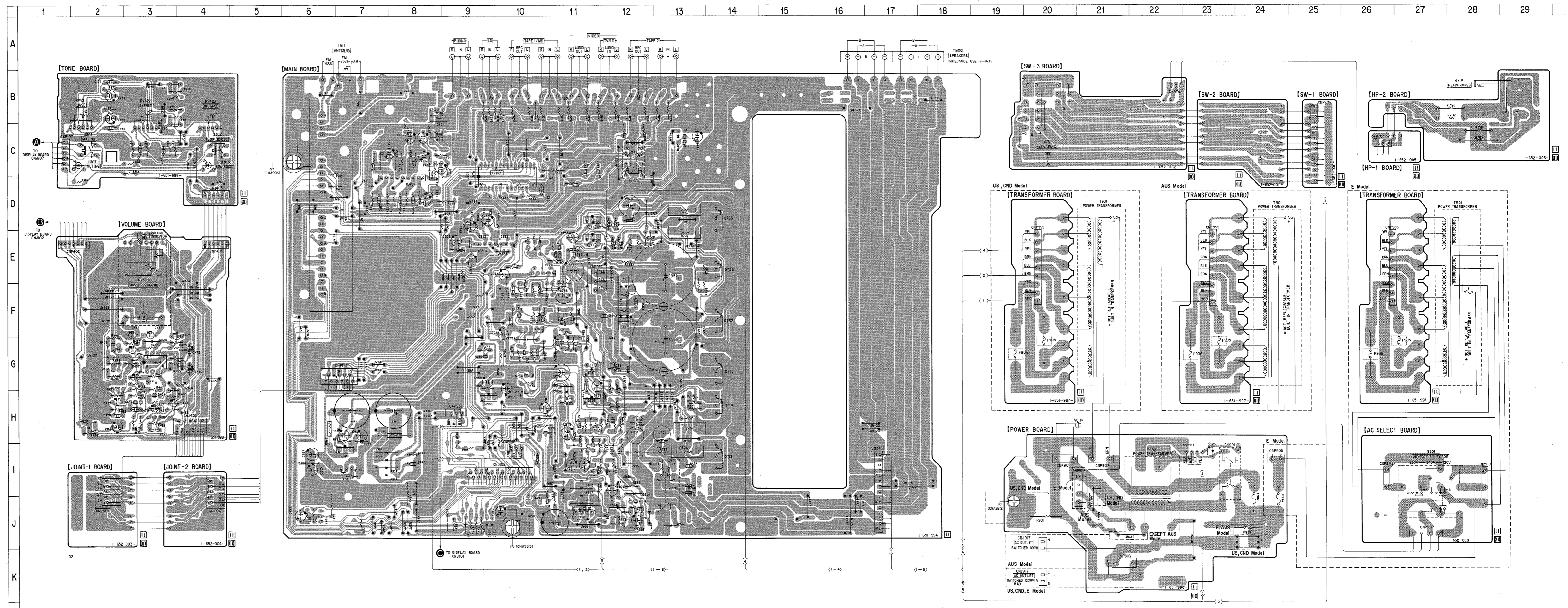
• SEMICONDUCTOR LEAD LAYOUTS

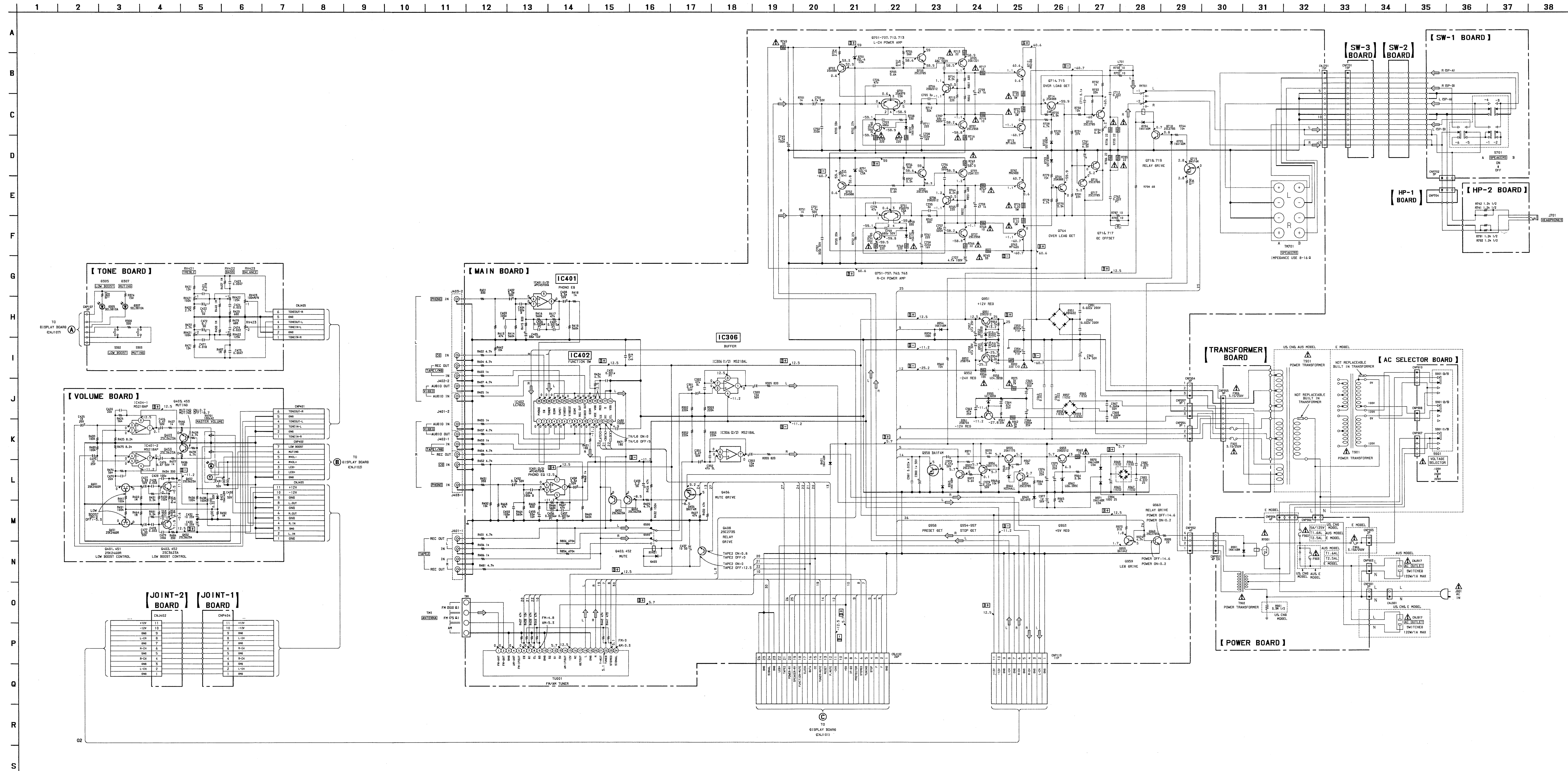


• SEMICONDUCTOR LOCATION

Ref. No.	Location	Ref. No.	Location
D305	C - 4	Q403	G - 2
D307	C - 2	Q406	J - 6
D401	J - 9	Q408	C - 13
D403	C - 13	Q451	G - 2
D421	H - 2	Q452	H - 3
D701	F - 10	Q452	(VOLUME board)
D702	G - 10	Q452	C - 11
D703	I - 12	Q452	(MAIN board)
D704	J - 13	Q453	G - 2
D705	H - 11	Q701	F - 10
D751	E - 10	Q702	F - 10
D752	F - 10	Q703	F - 11
D753	D - 12	Q704	G - 10
D901	I - 23	Q705	H - 11
D951	F - 12	Q706	H - 14
D952	I - 6	Q707	G - 11
D953	H - 10	Q712	I - 14
D954	G - 11	Q713	G - 14
D955	H - 7	Q714	H - 12
D956	H - 10	Q715	H - 11
D957	I - 7	Q716	G - 10
D958	I - 7	Q717	H - 10
D959	I - 7	Q718	H - 10
D960	I - 7	Q719	H - 9
D962	J - 12	Q751	E - 10
D963	J - 12	Q752	E - 10
D964	I - 12	Q753	E - 11
D965	I - 11	Q754	F - 10
D966	J - 11	Q755	D - 11
D967	J - 11	Q756	E - 14
D968	I - 11	Q757	E - 11
D969	I - 11	Q762	F - 14
D970	J - 12	Q763	D - 14
D971	J - 11	Q764	E - 12
IC306	E - 9	Q952	H - 9
IC401	D - 8	Q953	J - 12
IC402	D - 10	Q954	J - 12
IC404	G - 3	Q955	I - 12
		Q956	I - 11
Q401	H - 3	Q957	I - 11
Q402	H - 3	Q958	I - 11
Q402	(VOLUME board)	Q959	G - 9
Q402	C - 11	Q960	J - 10
Q402	(MAIN board)	Q961	I - 7

Note:
 ○ : parts extracted from the component side.
 □ : Pattern on the side which is seen.
 • Abbreviations
 CND : Canadian
 AUS : Australian





Note:

- All capacitors are in μF unless otherwise noted. pF: μF 50V or less are not indicated except for electrolytics and tantalums.
- All resistors are in Ω and $\frac{1}{2}W$ or less unless otherwise specified.
- % : indicates tolerance.
- \square : nonflammable resistor.

Note:

The components identified by mark Δ or dotted line with mark Δ are critical for safety. Replace only with part number specified.

Note:

Les composants identifiés par une marque Δ sont critiques pour la sécurité. Ne les remplacer que par une pièce portant le numéro spécifié.

Note:

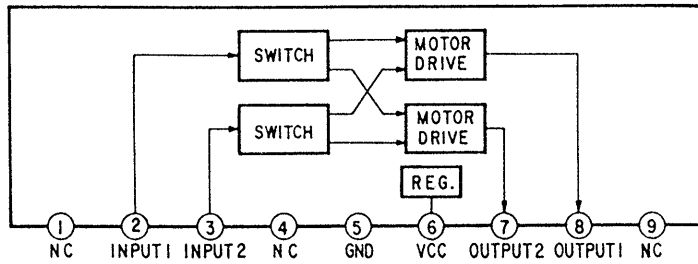
Les composants identifiés par une marque Δ sont critiques pour la sécurité. Ne les remplacer que par une pièce portant le numéro spécifié.

[B+]: B+ Line
[B-]: B- Line

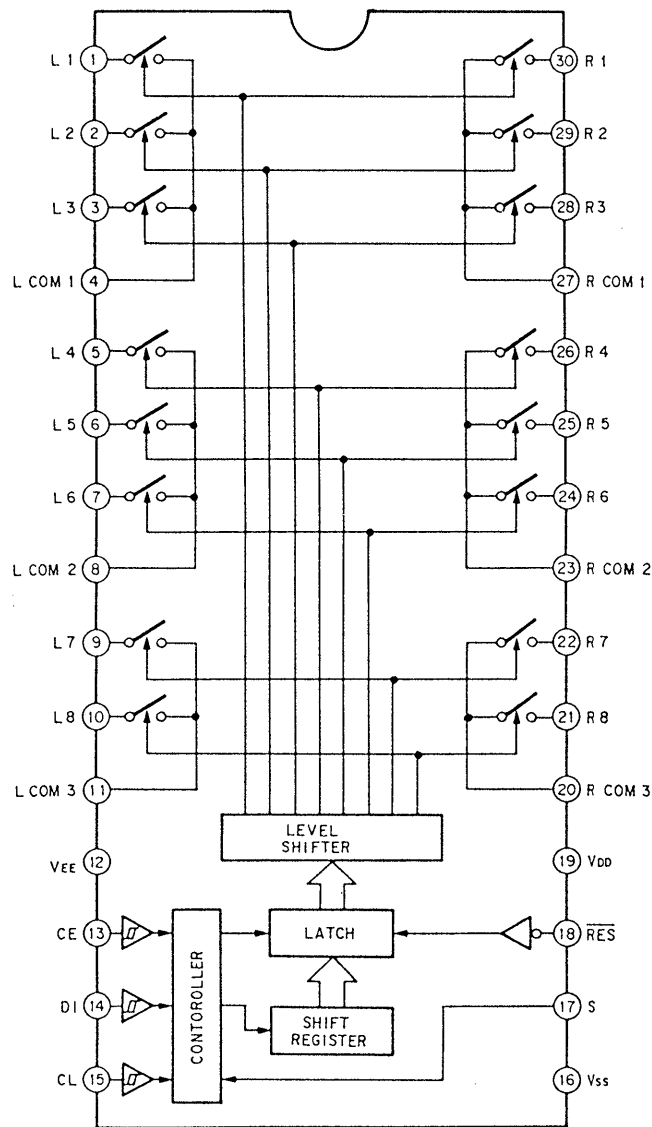
Voltage and waveforms are dc with respect to ground under no-signal (detuned) conditions.
 no mark : FM
 • Voltages are taken with a VOM (Input impedance 10M Ω). Voltage variations may be noted due to normal production tolerances.
 • Signal path.
 \rightarrow : FM
 • Abbreviations
 CND : Canadian
 AUS : Australian

● IC BLOCK DIAGRAMS

IC302 BA6208



IC402 LC7822



SECTION 3
EXPLODED VIEWS

NOTE :

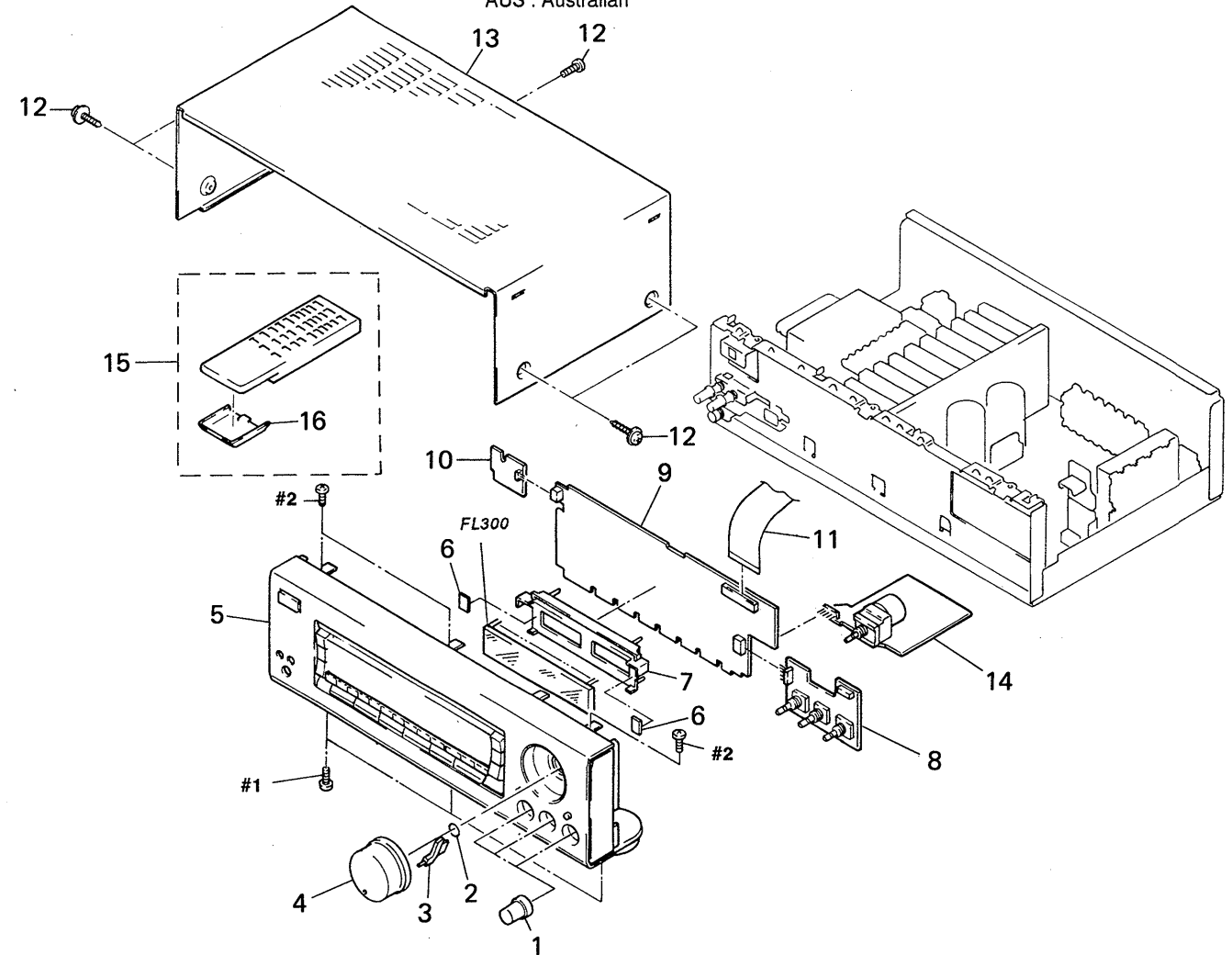
- -XX, -X mean standardized parts, so they may have some difference from the original one.
- The construction parts of an assembled part are indicated with a collation number in the remark column.

- Items marked " * " are not stocked since they are seldom required for routine service. Some delay should be anticipated when ordering these items.
- The mechanical parts with no reference number in the exploded views are not supplied.
- Hardware (# mark) list and accessories and packing materials are given in the last of this parts list.
- Abbreviations
CND : Canadian
AUS : Australian

The components identified by mark Δ or dotted line with mark Δ are critical for safety. Replace only with part number specified.

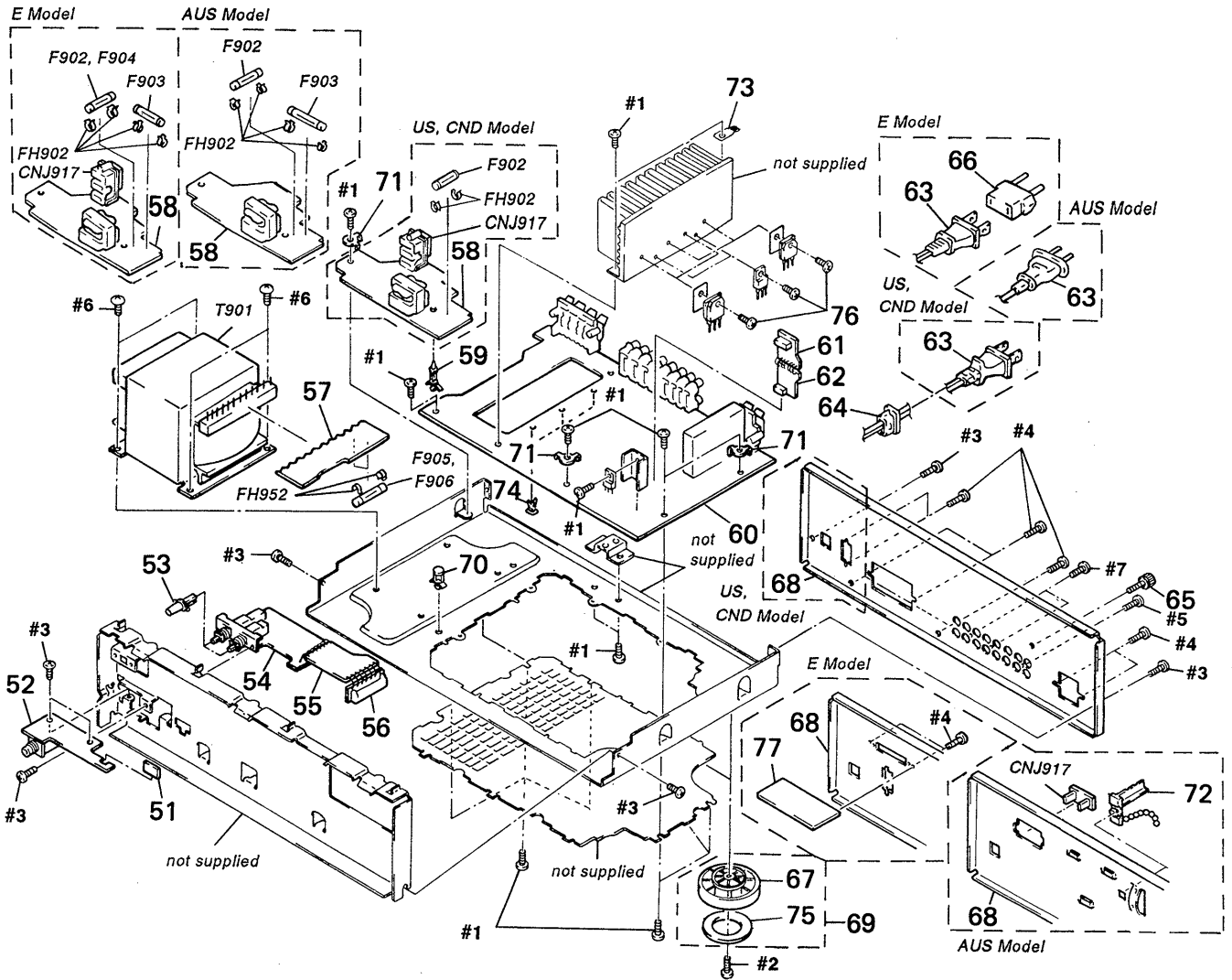
Les composants identifiés par une marque Δ sont critiques pour la sécurité. Ne les remplacer que par une pièce portant le numéro spécifié.

3-1. FRONT PANEL SECTION



Ref. No.	Part No.	Description	Remark	Ref. No.	Part No.	Description	Remark
1	4-943-420-01	KNOB (DIA. 19)		* 9	A-4369-667-A	DISPLAY BOARD, COMPLETE(AUS)	
2	3-350-426-01	SPRING, RING		* 9	A-4369-670-A	DISPLAY BOARD, COMPLETE(E)	
3	4-958-991-01	PLATE (VOL), LIGHT GUIDE		* 10	1-652-007-11	STAND BY BOARD	
4	4-949-659-01	KNOB (VOL-NEW)		11	1-765-228-11	WIRE (FLAT TYPE) (25 CORE)	
5	X-4944-739-3	PANEL ASSY, FRONT(US, Canadian)		12	3-704-366-01	SCREW (CASE) (M3X8)	
5	X-4944-740-3	PANEL ASSY, FRONT(E, AUS)		* 13	4-951-795-01	CASE	
* 6	4-921-941-01	CUSHION (FL)		* 14	A-4369-657-A	VOLUME BOARD, COMPLETE	
* 7	4-943-107-11	HOLDER (FL TUBE)		15	1-467-639-11	REMOTE COMMANDER (RM-U141)	
* 8	1-651-999-11	TOUR BOARD		16	2-181-754-01	BATTERY COVER (FOR RM-U141)	
* 9	A-4369-656-A	DISPLAY BOARD, COMPLETE(US, Canadian)		FL300	1-517-141-11	INDICATOR TUBE, FLUORESCENT	

3-2. CHASSIS SECTION



Ref.No.	Part No.	Description	Remark	Ref.No.	Part No.	Description	Remark
* 51	1-652-005-11	HP-1 BOARD		69	X-4941-291-1	FOOT ASSY (F58175S) (US, Canadian)	
* 52	1-652-006-11	HP-2 BOARD		69	X-4941-292-1	FOOT ASSY (F58175S) (E, AUS)	
53	4-951-801-01	BUTTON (S)		* 70	3-346-265-31	HOLDER, PC BOARD	
* 54	1-652-002-11	SW-3 BOARD		* 71	4-942-204-01	PLATE, GROUND	
* 55	1-652-001-11	SW-2 BOARD		* 72	4-956-370-12	BAND, PLUG FIXED(AUS)	
* 56	1-652-000-11	SW-1 BOARD		* 73	4-953-350-01	PLATE, GROUND	
* 57	1-651-997-11	TRANSFORMER BOARD		74	4-812-134-00	RIVET NYLON, 3.5	
* 58	1-651-996-11	POWER BOARD		75	4-923-836-21	CUSHION	
* 59	4-924-098-31	HOLDER, PC BOARD		76	3-905-609-01	SCREW (TRANSISTOR)	
* 60	A-4369-665-A	MAIN BOARD, COMPLETE(US)		77	3-652-008-11	AC SELECTBOARD (E)	
* 60	A-4369-666-A	MAIN BOARD, COMPLETE(Canadian)		△CNJ917	1-251-078-11	OUTLET, AC (AC OUTLET) (AUS)	
* 60	A-4369-673-A	MAIN BOARD, COMPLETE(E, AUS)		△CNJ917	1-540-038-11	OUTLET, AC (NONPOLAR) (1P) (AC OUTLET) (E)	
* 61	1-652-003-11	JOINT-1 BOARD		△CNJ917	1-540-057-11	OUTLET, AC (POLAR) (AC OUTLET)	(US, Canadian)
* 62	1-652-004-11	JOINT-2 BOARD		△F902	1-532-259-00	FUSE(T1. 6AL) (AUS)	
△63	1-575-653-11	CORD, POWER(E)		△F902	1-532-286-00	FUSE(T2. 5AL) (E)	
△63	1-690-609-11	CORD, POWER(US, Canadian)		△F902	1-576-109-11	FUSE(5A 125V) (US, Canadian)	
△63	1-696-848-21	CORD, POWER(AUS)		△F903	1-532-259-00	FUSE(T1. 6AL) (AUS)	
* 64	3-703-244-00	BUSHING (2104), CORD(US, Canadian, AUS)		△F903	1-532-286-00	FUSE(T2. 5AL) (E)	
64	3-703-571-11	BUSHING (S) (4516), CORD(E)		△F904	1-576-107-11	FUSE(3. 15A 250V) (E)	
65	4-947-010-01	SCREW, FEEDER FIXED		△F905	1-576-107-11	FUSE(3. 15A 250V)	
△66	1-569-007-11	ADAPTER, CONVERSION 2P(E)		△F906	1-576-107-11	FUSE(3. 15A 250V)	
67	3-318-688-31	FOOT (F58175S) (E, AUS)		△T901	1-426-708-11	TRANSFORMER, POWER(US, Canadian)	
67	3-318-688-51	FOOT (F58175S) (US, Canadian)		△T901	1-426-709-11	TRANSFORMER, POWER(AUS)	
* 68	4-965-349-01	PANEL, BACK(US)		△T901	1-426-710-11	TRANSFORMER, POWER(E)	
* 68	4-965-349-11	PANEL, BACK(Canadian)		FH902	1-533-293-11	FUSE HOLDER	
* 68	4-965-349-21	PANEL, BACK(AUS)		FH952	1-533-293-11	FUSE HOLDER	
* 68	4-965-349-31	PANEL, BACK(E)					

<p>The components identified by mark \triangle or dotted line with mark \triangle are critical for safety. Replace only with part number specified.</p>	<p>Les composants identifiés par une marque \triangle sont critiques pour la sécurité. Ne les remplacer que par une pièce portant le numéro spécifié.</p>
---	--

SECTION 4 ELECTRICAL PARTS LIST

AC SELECT

DISPLAY

NOTE :

- Due to standardization, replacements in the parts list may be different from the parts specified in the diagrams or the components used on the set.
- -XX, -X mean standardized parts, so they may have some difference from the original one.
- RESISTORS
All resistors are in ohms
METAL : Metal-film resistor
METAL OXIDE : Metal oxide-film resistor
F : nonflammable

- Items marked " * " are not stocked since they are seldom required for routine service. Some delay should be anticipated when ordering these items.
- SEMICONDUCTORS
In each case, u : μ , for example :
uA.... : μ A...., uPA.... : μ PA....
uPB.... : μ PB...., uPC.... : μ PC....
uPD.... : μ PD....
- CAPACITORS
uF : μ F
- COILS
uH : μ H
- Abbreviation
AUS : Australian

The components identified by mark Δ or dotted line with mark Δ are critical for safety. Replace only with part number specified.

Les composants identifiés par une marque Δ sont critiques pour la sécurité. Ne les remplacer que par une pièce portant le numéro spécifié.

When indicating parts by reference number, please include the board.

Ref. No.	Part No.	Description	Remark	Ref. No.	Part No.	Description	Remark
*	1-652-008-11	AC SELECT BOARD(E) *****				< INDICATOR TUBE >	
		< CONNECTOR >		D300	8-719-024-99	DIODE 11ES2-NTA2B	
* CNP907	1-564-241-00	PIN, CONNECTOR (B4P-VH) 4P(E)		D301	8-719-987-63	DIODE 1N4148M	
* CNP908	1-564-321-00	PIN, CONNECTOR 2P(E)		D302	8-719-987-63	DIODE 1N4148M	
* CNP910	1-564-687-11	PIN, CONNECTOR 3P(E)		D304	8-719-313-69	LED SEL3210S-CD(STANDBY) (E, AUS)	
		< SWITCH >		D306	8-719-313-72	LED SEL3810A-CD(TAPE 2 MONITOR)	
Δ S901	1-571-437-11	SWITCH, POWER VOLTAGE CHANGE (VOLTAGE SELECTOR) (E) *****				< FILTER >	
*	A-4369-656-A	DISPLAY BOARD, COMPLETE(US, Canadian)		FL300	1-517-141-11	INDICATOR TUBE, FLUORESCENT	
*	A-4369-667-A	DISPLAY BOARD, COMPLETE(AUS)				< IC >	
*	A-4369-670-A	DISPLAY BOARD, COMPLETE(E) *****		IC300	8-759-259-66	IC uPD78043GF-069-3B9	
		< CAPACITOR >		IC301	8-749-923-11	IC GP1U58XB	
*	4-921-941-01	CUSHION (FL)		IC302	8-759-962-08	IC BA6208	
*	4-943-107-11	HOLDER (FL TUBE)				< COIL >	
		< CAPACITOR >		L300	1-410-509-11	INDUCTOR 10uH	
C300	1-161-379-00	CERAMIC 0.01uF 20% 25V				< TRANSISTOR >	
C302	1-104-905-11	CAP, DOUBLE LAYERS 0.22F		Q300	8-729-119-78	TRANSISTOR 2SC2785-HFE(E, AUS)	
C303	1-161-379-00	CERAMIC 0.01uF 20% 25V		Q301	8-729-900-36	TRANSISTOR DTC124ES	
C304	1-126-301-11	ELECT 1uF 20% 50V		Q302	8-729-119-78	TRANSISTOR 2SC2785-HFE	
C305	1-164-159-11	CERAMIC 0.1uF 50V		Q304	8-729-900-36	TRANSISTOR DTC124ES	
C306	1-164-159-11	CERAMIC 0.1uF 50V		Q305	8-729-900-63	TRANSISTOR DTA124ES	
C307	1-161-379-00	CERAMIC 0.01uF 20% 25V		Q306	8-729-900-63	TRANSISTOR DTA124ES	
C308	1-161-379-00	CERAMIC 0.01uF 20% 25V		Q307	8-729-119-78	TRANSISTOR 2SC2785-HFE	
C309	1-126-157-11	ELECT 10uF 20% 16V				< RESISTOR >	
		< CONNECTOR >		R300	1-249-419-11	CARBON 1.5K 5% 1/4W	
CNJ101	1-766-038-11	CONNECTOR, FFC(LIF(NON-ZIF)) 25P		R301	1-247-807-31	CARBON 100 5% 1/4W	
* CNJ102	1-566-969-11	HOUSING, CONNECTOR(PC BOARD) 7P		R302	1-249-406-11	CARBON 120 5% 1/4W	
* CNJ106	1-565-480-11	CONNECTOR, BOARD TO BOARD 4P		R303	1-249-406-11	CARBON 120 5% 1/4W	
* CNJ107	1-565-482-11	CONNECTOR, BOARD TO BOARD 6P		R304	1-247-811-31	CARBON 150 5% 1/4W	
				R305	1-249-408-11	CARBON 180 5% 1/4W	

Ref. No.	Part No.	Description	Remark		
R306	1-249-409-11	CARBON	220	5%	1/4W
R307	1-249-410-11	CARBON	270	5%	1/4W
R309	1-249-413-11	CARBON	470	5%	1/4W
R310	1-249-414-11	CARBON	560	5%	1/4W
R311	1-249-416-11	CARBON	820	5%	1/4W
R312	1-249-418-11	CARBON	1.2K	5%	1/4W
R313	1-249-421-11	CARBON	2.2K	5%	1/4W
R314	1-249-424-11	CARBON	3.9K	5%	1/4W
R316	1-249-419-11	CARBON	1.5K	5%	1/4W
R317	1-247-807-31	CARBON	100	5%	1/4W
R318	1-249-406-11	CARBON	120	5%	1/4W
R319	1-249-406-11	CARBON	120	5%	1/4W
R320	1-247-811-31	CARBON	150	5%	1/4W
R321	1-249-408-11	CARBON	180	5%	1/4W
R322	1-249-409-11	CARBON	220	5%	1/4W
R323	1-249-410-11	CARBON	270	5%	1/4W
R324	1-249-411-11	CARBON	330	5%	1/4W
R325	1-249-413-11	CARBON	470	5%	1/4W
R326	1-249-414-11	CARBON	560	5%	1/4W
R327	1-249-416-11	CARBON	820	5%	1/4W
R328	1-249-418-11	CARBON	1.2K	5%	1/4W
R329	1-249-421-11	CARBON	2.2K	5%	1/4W
R330	1-249-424-11	CARBON	3.9K	5%	1/4W
R331	1-249-430-11	CARBON	12K	5%	1/4W
R332	1-249-437-11	CARBON	47K	5%	1/4W
R333	1-247-807-31	CARBON	100	5%	1/4W
R334	1-247-807-31	CARBON	100	5%	1/4W
R335	1-247-807-31	CARBON	100	5%	1/4W
R336	1-247-807-31	CARBON	100	5%	1/4W
R341	1-247-807-31	CARBON	100	5%	1/4W
R342	1-247-807-31	CARBON	100	5%	1/4W
R343	1-249-401-11	CARBON	47	5%	1/4W
R344	1-249-417-11	CARBON	1K	5%	1/4W
R345	1-247-895-00	CARBON	470K	5%	1/4W
R346	1-249-437-11	CARBON	47K	5%	1/4W
R347	1-249-429-11	CARBON	10K	5%	1/4W
R349	1-249-437-11	CARBON	47K	5%	1/4W
R350	1-249-437-11	CARBON	47K	5%	1/4W
R351	1-249-437-11	CARBON	47K	5%	1/4W
R352	1-249-437-11	CARBON	47K	5%	1/4W
R354	1-249-411-11	CARBON	330	5%	1/4W (E, AUS)
R355	1-249-429-11	CARBON	10K	5%	1/4W
R356	1-249-437-11	CARBON	47K	5%	1/4W
R357	1-249-437-11	CARBON	47K	5%	1/4W
R358	1-249-411-11	CARBON	330	5%	1/4W
R360	1-249-437-11	CARBON	47K	5%	1/4W
R361	1-249-429-11	CARBON	10K	5%	1/4W
R364	1-249-437-11	CARBON	47K	5%	1/4W
R365	1-249-437-11	CARBON	47K	5%	1/4W

Ref. No.	Part No.	Description	Remark		
R366	1-249-417-11	CARBON	1K	5%	1/4W
R367	1-249-429-11	CARBON	10K	5%	1/4W
R368	1-249-429-11	CARBON	10K	5%	1/4W
R369	1-249-429-11	CARBON	10K	5%	1/4W
R371	1-249-437-11	CARBON	47K	5%	1/4W
R372	1-249-437-11	CARBON	47K	5%	1/4W (E, AUS)
R373	1-249-437-11	CARBON	47K	5%	1/4W
R375	1-249-437-11	CARBON	47K	5%	1/4W

< SWITCH >

S301	1-554-303-21	SWITCH, TACTILE (PRESET TUNING+)
S304	1-554-303-21	SWITCH, TACTILE (MEMORY)
S305	1-554-303-21	SWITCH, TACTILE (FM MODE)
S307	1-554-303-21	SWITCH, TACTILE (TUNING +)
S308	1-554-303-21	SWITCH, TACTILE (TAPE 2/MONITOR)
S309	1-554-303-21	SWITCH, TACTILE (TV/LD)
S310	1-554-303-21	SWITCH, TACTILE (TAPE/MD)
S311	1-554-303-21	SWITCH, TACTILE (CD)
S312	1-554-303-21	SWITCH, TACTILE (TUNER)
S313	1-554-303-21	SWITCH, TACTILE (PHONO)
S315	1-554-303-21	SWITCH, TACTILE (PRESET TUNING-)
S316	1-554-303-21	SWITCH, TACTILE (DIRECT)
S317	1-554-303-21	SWITCH, TACTILE (SHIFT)
S318	1-554-303-21	SWITCH, TACTILE (TUNING -)
S319	1-554-303-21	SWITCH, TACTILE (1)
S320	1-554-303-21	SWITCH, TACTILE (2)
S321	1-554-303-21	SWITCH, TACTILE (3)
S322	1-554-303-21	SWITCH, TACTILE (4)
S323	1-554-303-21	SWITCH, TACTILE (5)
S324	1-554-303-21	SWITCH, TACTILE (6)
S325	1-554-303-21	SWITCH, TACTILE (7)
S326	1-554-303-21	SWITCH, TACTILE (8)
S327	1-554-303-21	SWITCH, TACTILE (9)
S328	1-554-303-21	SWITCH, TACTILE (0)
S329	1-554-303-21	SWITCH, TACTILE (FM)
S330	1-554-303-21	SWITCH, TACTILE (AM)

< CRYSTAL >

X300 1-577-101-11 VIBRATOR, CERAMIC (4.19MHz)

* 1-652-005-11 HP-1 BOARD

< CONNECTOR >

CNP704 1-691-160-11 PIN, CONNECTOR 3P

HP-2**JOINT-1****JOINT-2****MAIN**

Ref.No.	Part No.	Description	Remark		
*	1-652-006-11	HP-2 BOARD *****			
		< JACK >			
J701	1-568-519-41	JACK, LARGE TYPE(HEADPHONES)			
		< RESISTOR >			
R741	1-247-753-11	CARBON	1.2K	5%	1/2W
R742	1-247-753-11	CARBON	1.2K	5%	1/2W
R791	1-247-753-11	CARBON	1.2K	5%	1/2W
R792	1-247-753-11	CARBON	1.2K	5%	1/2W

*	1-652-003-11	JOINT-1 BOARD *****			
		< CONNECTOR >			
* CNP404	1-750-384-11	CONNECTOR, BOARD TO BOARD 11P			

*	1-652-004-11	JOINT-2 BOARD *****			
		< CONNECTOR >			
* CNJ402	1-750-383-11	CONNECTOR, BOARD TO BOARD 11P			

*	A-4369-665-A	MAIN BOARD, COMPLETE(US)			
*	A-4369-666-A	MAIN BOARD, COMPLETE(Canadian)			
*	A-4369-673-A	MAIN BOARD, COMPLETE(E, AUS)			

	3-905-609-01	SCREW (TRANSISTOR)			
	4-812-134-00	RIVET NYLON, 3.5			
*	4-942-204-01	PLATE, GROUND(US, Canadian)			
*	4-953-350-01	PLATE, GROUND			
		< CAPACITOR >			
C301	1-124-902-00	ELECT	0.47uF	20%	50V
C302	1-162-215-31	CERAMIC	47PF	5%	50V
C303	1-124-907-11	ELECT	10uF	20%	50V
C351	1-124-902-00	ELECT	0.47uF	20%	50V
C352	1-162-215-31	CERAMIC	47PF	5%	50V
C353	1-124-907-11	ELECT	10uF	20%	50V
C402	1-126-962-11	ELECT	3.3uF	20%	50V
C403	1-162-282-31	CERAMIC	100PF	10%	50V
C404	1-162-282-31	CERAMIC	100PF	10%	50V
C405	1-104-792-51	ELECT	33uF	20%	16V
C406	1-130-480-00	MYLAR	0.0056uF	5%	50V
C406	1-137-437-11	FILM	0.0056uF	5%	50V
C407	1-130-473-00	MYLAR	0.0015uF	5%	50V

Ref.No.	Part No.	Description	Remark		
C407	1-137-365-11	FILM	0.0015uF	5%	50V
C408	1-126-962-11	ELECT	3.3uF	20%	50V
C420	1-164-159-11	CERAMIC	0.1uF		50V
C430	1-162-294-31	CERAMIC	0.001uF	10%	50V
C431	1-130-471-00	MYLAR	0.001uF	5%	50V
C431	1-137-364-11	FILM	0.001uF	5%	50V
C433	1-124-925-11	ELECT	2.2uF	20%	100V
C437	1-124-907-11	ELECT	10uF	20%	50V
C452	1-126-962-11	ELECT	3.3uF	20%	50V
C453	1-162-282-31	CERAMIC	100PF	10%	50V
C454	1-162-282-31	CERAMIC	100PF	10%	50V
C455	1-104-792-51	ELECT	33uF	20%	16V
C456	1-130-480-00	MYLAR	0.0056uF	5%	50V
C456	1-137-437-11	FILM	0.0056uF	5%	50V
C457	1-130-473-00	MYLAR	0.0015uF	5%	50V
C457	1-137-365-11	FILM	0.0015uF	5%	50V
C458	1-126-962-11	ELECT	3.3uF	20%	50V
C701	1-124-927-11	ELECT	4.7uF	20%	100V
C702	1-162-286-31	CERAMIC	220PF	10%	50V
C703	1-102-116-00	CERAMIC	680PF	10%	50V
C705	1-164-039-11	CERAMIC	3PF	0.25PF	50V
C706	1-102-989-00	CERAMIC	68PF	5%	500V
C707	1-102-989-00	CERAMIC	68PF	5%	500V
C708	1-124-120-11	ELECT	220uF	20%	25V
C709	1-124-477-11	ELECT	47uF	20%	25V
C711	1-164-159-11	CERAMIC	0.1uF		50V
C712	1-130-487-00	MYLAR	0.022uF	5%	50V
C712	1-137-372-11	FILM	0.022uF	5%	50V
C726	1-162-215-31	CERAMIC	47PF	5%	50V
C727	1-124-927-11	ELECT	4.7uF	20%	100V
C749	1-124-927-11	ELECT	4.7uF	20%	100V
C751	1-124-927-11	ELECT	4.7uF	20%	100V
C752	1-162-286-31	CERAMIC	220PF	10%	50V
C753	1-102-116-00	CERAMIC	680PF	10%	50V
C755	1-164-039-11	CERAMIC	3PF	0.25PF	50V
C756	1-102-989-00	CERAMIC	68PF	5%	500V
C757	1-102-989-00	CERAMIC	68PF	5%	500V
C758	1-124-120-11	ELECT	220uF	20%	25V
C759	1-124-477-11	ELECT	47uF	20%	25V
C761	1-124-472-11	ELECT	470uF	20%	10V
C762	1-130-487-00	MYLAR	0.022uF	5%	50V
C762	1-137-372-11	FILM	0.022uF	5%	50V
C776	1-162-215-31	CERAMIC	47PF	5%	50V
C951	1-106-375-12	MYLAR	0.022uF	5%	200V
C952	1-106-375-12	MYLAR	0.022uF	5%	200V
C953	1-107-766-11	ELECT	8200uF	20%	71V
C954	1-107-766-11	ELECT	8200uF	20%	71V
C955	1-124-478-11	ELECT	100uF	20%	25V
C956	1-124-910-11	ELECT	47uF	20%	50V

Ref. No.	Part No.	Description	Remark
C957	1-124-477-11	ELECT 47uF	20% 25V
C958	1-124-910-11	ELECT 47uF	20% 50V
C960	1-161-494-00	CERAMIC 0.022uF	25V
C961	1-161-494-00	CERAMIC 0.022uF	25V
C962	1-124-927-11	ELECT 4.7uF	20% 100V
C963	1-124-477-11	ELECT 47uF	20% 25V
C964	1-124-477-11	ELECT 47uF	20% 25V
C965	1-126-105-11	ELECT 1000uF	20% 35V
C966	1-126-105-11	ELECT 1000uF	20% 35V
C967	1-136-163-00	MYLAR 0.068uF	10% 50V
C968	1-136-163-00	MYLAR 0.068uF	10% 50V
C975	1-124-477-11	ELECT 47uF	20% 25V
C976	1-124-477-11	ELECT 47uF	20% 25V
C977	1-124-903-11	ELECT 1uF	20% 50V
C978	1-124-464-11	ELECT 0.22uF	20% 50V
C979	1-124-902-00	ELECT 0.47uF	20% 50V
C980	1-124-903-11	ELECT 1uF	20% 50V
C981	1-161-494-00	CERAMIC 0.022uF	25V
C982	1-161-494-00	CERAMIC 0.022uF	25V
C983	1-161-494-00	CERAMIC 0.022uF	25V
C984	1-124-557-11	ELECT 1000uF	20% 25V
< CONNECTOR >			
* CNJ102	1-764-930-11	CONNECTOR, FFC(LIF(NON-ZIF))25P	
CNJ701	1-573-095-11	SOCKET, CONNECTOR 15P	
* CNP113	1-750-384-11	CONNECTOR, BOARD TO BOARD 11P	
* CNP952	1-564-507-11	PLUG, CONNECTOR 4P	
* CNP954	1-564-104-00	PIN, CONNECTOR (B3P-VH) 3P	
* CNP956	1-564-506-11	PLUG, CONNECTOR 3P	
CNP957	1-564-506-11	PLUG, CONNECTOR 3P	
< DIODE >			
D401	8-719-987-63	DIODE 1N4148M	
D403	8-719-987-63	DIODE 1N4148M	
D701	8-719-933-41	DIODE HZS6C3L	
D702	8-719-987-63	DIODE 1N4148M	
D703	8-719-815-85	DIODE 1S1585	
D704	8-719-987-63	DIODE 1N4148M	
D705	8-719-987-63	DIODE 1N4148M	
D751	8-719-933-41	DIODE HZS6C3L	
D752	8-719-987-63	DIODE 1N4148M	
D753	8-719-815-85	DIODE 1S1585	
D951	8-719-302-38	DIODE RBV-602-01	
D952	8-719-010-78	DIODE UZ-13BSB	
D953	8-719-002-33	DIODE UZL-24L	
D954	8-719-987-63	DIODE 1N4148M	
D955	8-719-010-74	DIODE UZ-12BSB	
D956	8-719-010-29	DIODE UZ-4.3BSB	

Ref. No.	Part No.	Description	Remark
D957	8-719-024-99	DIODE 11ES2-NTA2B	
D958	8-719-024-99	DIODE 11ES2-NTA2B	
D959	8-719-024-99	DIODE 11ES2-NTA2B	
D960	8-719-024-99	DIODE 11ES2-NTA2B	
D962	8-719-010-47	DIODE UZ-6.2BSC	
D963	8-719-933-41	DIODE HZS6C3L	
D964	8-719-985-53	DIODE HZS4ALL	
D965	8-719-987-63	DIODE 1N4148M	
D966	8-719-024-99	DIODE 11ES2-NTA2B	
D967	8-719-024-99	DIODE 11ES2-NTA2B	
D968	8-719-024-99	DIODE 11ES2-NTA2B	
D969	8-719-024-99	DIODE 11ES2-NTA2B	
D970	8-719-987-63	DIODE 1N4148M	
D971	8-719-987-63	DIODE 1N4148M	
< IC >			
IC306	8-759-634-50	IC M5218AL	
IC401	8-759-112-93	IC uPC4570HA-1	
IC402	8-759-805-14	IC LC7822	
< JACK >			
J401	1-691-887-11	JACK, PIN 6P(TV/LD, TAPE 2)	
J402	1-573-028-21	JACK, PIN 4P(TAPE 1/MD, VIDEO)	
J403	1-580-825-11	JACK, PIN 6P(PHONO, CD, TAPE 1/MD)	
< COIL >			
L701	1-420-872-00	COIL, AIR CORE	
L751	1-420-872-00	COIL, AIR CORE	
< TRANSISTOR >			
Q402	8-729-141-30	TRANSISTOR 2SC3623A-LK	
Q406	8-729-900-63	TRANSISTOR DTA124ES	
Q408	8-729-119-78	TRANSISTOR 2SC2785-HFE	
Q452	8-729-141-30	TRANSISTOR 2SC3623A-LK	
Q701	8-729-620-18	TRANSISTOR 2SA979-FG	
Q702	8-729-140-82	TRANSISTOR 2SA988-PAFAEA	
Q703	8-729-119-78	TRANSISTOR 2SC2785-HFE	
Q704	8-729-119-78	TRANSISTOR 2SC2785-HFE	
Q705	8-729-122-13	TRANSISTOR 2SA1221-K	
Q706	8-729-209-15	TRANSISTOR 2SD2012	
Q707	8-729-195-82	TRANSISTOR 2SC2958-L	
Q712	8-749-010-25	TRANSISTOR MN2488-OPY-M	
Q713	8-749-010-26	TRANSISTOR MP1620-OPY-M	
Q714	8-729-140-82	TRANSISTOR 2SA988-PAFAEA	
Q715	8-729-119-78	TRANSISTOR 2SC2785-HFE	
Q716	8-729-119-78	TRANSISTOR 2SC2785-HFE	
Q717	8-729-119-78	TRANSISTOR 2SC2785-HFE	
Q718	8-729-119-78	TRANSISTOR 2SC2785-HFE	
Q719	8-729-900-63	TRANSISTOR DTA124ES	

MAIN

Ref. No.	Part No.	Description	Remark	Ref. No.	Part No.	Description	Remark	
Q751	8-729-620-18	TRANSISTOR	2SA979-FG	R432	1-247-883-00	CARBON	150K 5% 1/4W	
Q752	8-729-140-82	TRANSISTOR	2SA988-PAFAEA	R434	1-249-425-11	CARBON	4.7K 5% 1/4W	
Q753	8-729-119-78	TRANSISTOR	2SC2785-HFE	R436	1-249-417-11	CARBON	1K 5% 1/4W	
Q754	8-729-119-78	TRANSISTOR	2SC2785-HFE	R437	1-249-437-11	CARBON	47K 5% 1/4W	
Q755	8-729-122-13	TRANSISTOR	2SA1221-K	R438	1-249-429-11	CARBON	10K 5% 1/4W	
Q756	8-729-209-15	TRANSISTOR	2SD2012	R439	1-249-437-11	CARBON	47K 5% 1/4W	
Q757	8-729-195-82	TRANSISTOR	2SC2958-L	R440	1-249-437-11	CARBON	47K 5% 1/4W	
Q762	8-749-010-25	TRANSISTOR	MN2488-OPY-M	R441	1-249-413-11	CARBON	470 5% 1/4W	
Q763	8-749-010-26	TRANSISTOR	MP1620-OPY-M	R442	1-249-429-11	CARBON	10K 5% 1/4W	
Q764	8-729-140-82	TRANSISTOR	2SA988-PAFAEA	R444	1-249-437-11	CARBON	47K 5% 1/4W	
Q951	8-729-209-15	TRANSISTOR	2SD2012	R451	1-249-411-11	CARBON	330 5% 1/4W	
Q952	8-729-140-97	TRANSISTOR	2SB734-34	R452	1-249-425-11	CARBON	4.7K 5% 1/4W	
Q953	8-729-209-15	TRANSISTOR	2SD2012	R453	1-249-417-11	CARBON	1K 5% 1/4W	
Q954	8-729-119-78	TRANSISTOR	2SC2785-HFE	R454	1-249-425-11	CARBON	4.7K 5% 1/4W	
Q955	8-729-119-76	TRANSISTOR	2SA1175-HFE	R455	1-249-417-11	CARBON	1K 5% 1/4W	
Q956	8-729-119-76	TRANSISTOR	2SA1175-HFE	R457	1-249-425-11	CARBON	4.7K 5% 1/4W	
Q957	8-729-119-78	TRANSISTOR	2SC2785-HFE	R463	1-249-437-11	CARBON	47K 5% 1/4W	
Q958	8-729-900-36	TRANSISTOR	DTC124ES	R464	1-247-897-11	CARBON	560K 5% 1/4W	
Q959	8-729-904-39	TRANSISTOR	DTC114TS	R465	1-249-416-11	CARBON	820 5% 1/4W	
Q960	8-729-119-78	TRANSISTOR	2SC2785-HFE	R466	1-247-897-11	CARBON	560K 5% 1/4W	
Q961	8-729-140-97	TRANSISTOR	2SB734-34	R467	1-249-437-11	CARBON	47K 5% 1/4W	
< RESISTOR >				R468	1-249-417-11	CARBON	1K 5% 1/4W	
R302	1-247-887-00	CARBON	220K 5%	1/4W	R469	1-247-897-11	CARBON	560K 5% 1/4W
R303	1-247-887-00	CARBON	220K 5%	1/4W	R471	1-249-408-11	CARBON	180 5% 1/4W
R305	1-249-416-11	CARBON	820 5%	1/4W	R481	1-249-425-11	CARBON	4.7K 5% 1/4W
R352	1-247-887-00	CARBON	220K 5%	1/4W	R486	1-249-417-11	CARBON	1K 5% 1/4W
R353	1-247-887-00	CARBON	220K 5%	1/4W	R492	1-249-429-11	CARBON	10K 5% 1/4W
R355	1-249-416-11	CARBON	820 5%	1/4W	R701	1-249-417-11	CARBON	1K 5% 1/4W
R401	1-249-411-11	CARBON	330 5%	1/4W	R702	1-249-434-11	CARBON	27K 5% 1/4W
R402	1-249-425-11	CARBON	4.7K 5%	1/4W	R703	1-249-435-11	CARBON	33K 5% 1/4W
R403	1-249-417-11	CARBON	1K 5%	1/4W	R704	1-249-421-11	CARBON	2.2K 5% 1/4W
R404	1-249-425-11	CARBON	4.7K 5%	1/4W	R705	1-249-426-11	CARBON	5.6K 5% 1/4W
R405	1-249-417-11	CARBON	1K 5%	1/4W	R706	1-249-414-11	CARBON	560 5% 1/4W
R407	1-249-425-11	CARBON	4.7K 5%	1/4W	R707	1-249-423-11	CARBON	3.3K 5% 1/4W
R413	1-249-437-11	CARBON	47K 5%	1/4W	R708	1-249-411-11	CARBON	330 5% 1/4W
R414	1-247-897-11	CARBON	560K 5%	1/4W	△R709	1-249-409-11	CARBON	220 5% 1/4W F
R415	1-249-416-11	CARBON	820 5%	1/4W	△R710	1-249-409-11	CARBON	220 5% 1/4W F
R416	1-247-897-11	CARBON	560K 5%	1/4W	R711	1-249-409-11	CARBON	220 5% 1/4W
R417	1-249-437-11	CARBON	47K 5%	1/4W	R712	1-247-866-11	CARBON	30K 5% 1/4W
R418	1-249-417-11	CARBON	1K 5%	1/4W	△R713	1-249-397-11	CARBON	22 5% 1/4W F
R419	1-247-897-11	CARBON	560K 5%	1/4W	R714	1-249-428-11	CARBON	8.2K 5% 1/4W
R421	1-249-408-11	CARBON	180 5%	1/4W	R715	1-249-409-11	CARBON	220 5% 1/4W
R425	1-249-425-11	CARBON	4.7K 5%	1/4W	△R716	1-249-397-11	CARBON	22 5% 1/4W F
R426	1-249-437-11	CARBON	47K 5%	1/4W	△R717	1-249-393-11	CARBON	10 5% 1/4W F
R427	1-249-437-11	CARBON	47K 5%	1/4W	△R718	1-249-393-11	CARBON	10 5% 1/4W F
R430	1-249-437-11	CARBON	47K 5%	1/4W	R720	1-249-424-11	CARBON	3.9K 5% 1/4W
R431	1-249-425-11	CARBON	4.7K 5%	1/4W	△R726	1-208-602-11	WIREWOUND	0.22 10% 2W F
					△R727	1-208-602-11	WIREWOUND	0.22 10% 2W F
					R728	1-249-425-11	CARBON	4.7K 5% 1/4W

<p>The components identified by mark \triangle or dotted line with mark \triangle are critical for safety. Replace only with part number specified.</p>	<p>Les composants identifiés par une marque \triangle sont critiques pour la sécurité. Ne les remplacer que par une pièce portant le numéro spécifié.</p>
---	--

MAIN	POWER
-------------	--------------

Ref. No.	Part No.	Description	Remark
R729	1-249-431-11	CARBON	15K 5% 1/4W
R730	1-249-429-11	CARBON	10K 5% 1/4W
R731	1-249-434-11	CARBON	27K 5% 1/4W
R732	1-249-417-11	CARBON	1K 5% 1/4W
R733	1-249-435-11	CARBON	33K 5% 1/4W
R734	1-249-427-11	CARBON	6. 8K 5% 1/4W
△R735	1-249-397-11	CARBON	22 5% 1/4W F
△R736	1-249-397-11	CARBON	22 5% 1/4W F
R737	1-249-393-11	CARBON	10 5% 1/4W
R738	1-249-393-11	CARBON	10 5% 1/4W
R744	1-249-429-11	CARBON	10K 5% 1/4W
△R745	1-249-399-11	CARBON	33 5% 1/4W F
R749	1-249-399-11	CARBON	33 5% 1/4W
R751	1-249-417-11	CARBON	1K 5% 1/4W
R752	1-249-434-11	CARBON	27K 5% 1/4W
R753	1-249-435-11	CARBON	33K 5% 1/4W
R754	1-249-421-11	CARBON	2. 2K 5% 1/4W
R755	1-249-426-11	CARBON	5. 6K 5% 1/4W
R756	1-249-414-11	CARBON	560 5% 1/4W
R757	1-249-423-11	CARBON	3. 3K 5% 1/4W
R758	1-249-411-11	CARBON	330 5% 1/4W
△R759	1-249-409-11	CARBON	220 5% 1/4W F
△R760	1-249-409-11	CARBON	220 5% 1/4W F
R761	1-249-409-11	CARBON	220 5% 1/4W
R762	1-247-866-11	CARBON	30K 5% 1/4W
△R763	1-249-397-11	CARBON	22 5% 1/4W F
R764	1-249-428-11	CARBON	8. 2K 5% 1/4W
R765	1-249-409-11	CARBON	220 5% 1/4W
△R766	1-249-397-11	CARBON	22 5% 1/4W F
△R767	1-249-393-11	CARBON	10 5% 1/4W F
△R768	1-249-393-11	CARBON	10 5% 1/4W F
R770	1-249-424-11	CARBON	3. 9K 5% 1/4W
△R776	1-208-602-11	WIREWOUND	0. 22 10% 2W F
△R777	1-208-602-11	WIREWOUND	0. 22 10% 2W F
R778	1-249-425-11	CARBON	4. 7K 5% 1/4W
R779	1-249-431-11	CARBON	15K 5% 1/4W
R781	1-249-433-11	CARBON	22K 5% 1/4W
△R785	1-249-397-11	CARBON	22 5% 1/4W F
△R786	1-249-397-11	CARBON	22 5% 1/4W F
R787	1-249-393-11	CARBON	10 5% 1/4W
R788	1-249-393-11	CARBON	10 5% 1/4W
R790	1-249-429-11	CARBON	10K 5% 1/4W
R794	1-249-403-11	CARBON	68 5% 1/4W
R801	1-249-415-11	CARBON	680 5% 1/4W
R804	1-247-895-00	CARBON	470K 5% 1/4W
R851	1-249-415-11	CARBON	680 5% 1/4W
R854	1-247-895-00	CARBON	470K 5% 1/4W
△R952	1-247-743-11	CARBON	220 5% 1/2W F
R953	1-249-422-11	CARBON	2. 7K 5% 1/4W

Ref. No.	Part No.	Description	Remark
R954	1-249-423-11	CARBON	3. 3K 5% 1/4W
R956	1-249-405-11	CARBON	100 5% 1/4W
R959	1-249-441-11	CARBON	100K 5% 1/4W
R960	1-249-429-11	CARBON	10K 5% 1/4W
R961	1-249-435-11	CARBON	33K 5% 1/4W
△R962	1-216-448-11	METAL OXIDE	39 5% 2W F
△R963	1-249-395-11	CARBON	15 5% 1/4W F
R964	1-249-423-11	CARBON	3. 3K 5% 1/4W
R965	1-249-437-11	CARBON	47K 5% 1/4W
R966	1-249-429-11	CARBON	10K 5% 1/4W
R967	1-249-429-11	CARBON	10K 5% 1/4W
R968	1-249-417-11	CARBON	1K 5% 1/4W
R969	1-249-429-11	CARBON	10K 5% 1/4W
R970	1-249-426-11	CARBON	5. 6K 5% 1/4W
R971	1-249-417-11	CARBON	1K 5% 1/4W
R972	1-249-426-11	CARBON	5. 6K 5% 1/4W
R973	1-247-830-11	CARBON	910 5% 1/4W
R974	1-249-425-11	CARBON	4. 7K 5% 1/4W
△R975	1-216-448-11	METAL OXIDE	39 5% 2W F
R999	1-249-397-11	CARBON	22 5% 1/4W
< RELAY >			
RY401	1-515-614-11	RELAY	
RY701	1-515-626-11	RELAY	
< TERMINAL >			
TM1	1-537-240-51	TERMINAL BOARD (ANTENNA)	
TM701	1-537-376-11	TERMINAL BOARD (SP) (SPEAKER)	
< TUNER >			
TU001	1-239-850-11	ENCAPSULATED COMPONENT (FCC) (US, Canadian)	
TU001	1-239-611-11	ENCAPSULATED COMPONENT (E, AUS)	

*	1-651-996-11	POWER BOARD	*****
*	4-942-204-01	PLATE, GROUND	
< JACK >			
△CNJ917	1-540-038-11	OUTLET, AC (NONPOLAR) (1P) (AC OUTLET) (E)	
△CNJ917	1-540-057-11	OUTLET, AC (POLAR) (AC OUTLET) (US, Canadian)	
< CONNECTOR >			
CNP901	1-564-321-00	PIN, CONNECTOR 2P	
CNP902	1-580-230-11	PIN, CONNECTOR (PC BOARD) 2P	
CNP903	1-580-230-11	PIN, CONNECTOR (PC BOARD) 3P (AUS)	

<p>The components identified by mark △ or dotted line with mark △ are critical for safety. Replace only with part number specified.</p>	<p>Les composants identifiés par une marque △ sont critiques pour la sécurité. Ne les remplacer que par une pièce portant le numéro spécifié.</p>
---	--

POWER **STAND BY** **SW-1** **SW-2** **SW-3** **STONE**

Ref. No.	Part No.	Description	Remark
CNP905	1-564-320-00	PIN, CONNECTOR (B2P-VH) 2P(E)	
* CNP906	1-564-241-00	PIN, CONNECTOR (B4P-VH) 4P(E)	
* CNP951	1-564-507-11	PLUG, CONNECTOR 4P	
		< DIODE >	
D901	8-719-987-63	DIODE 1N4148M	
		< FUSE >	
△F902	1-532-259-00	FUSE(T1. 6AL) (AUS)	
△F902	1-532-286-00	FUSE(T2. 5AL) (E)	
△F902	1-576-109-11	FUSE(5A 125V) (US, Canadian)	
△F903	1-532-259-00	FUSE(T1. 6AL) (AUS)	
△F903	1-532-286-00	FUSE(T2. 5AL) (E)	
		< FUSE HOLDER >	
FH902	1-533-293-11	FUSE HOLDER	
		< RESISTOR >	
R901	1-202-725-00	SOLID 3. 3M 10% 1/2W (US, Canadian)	
		< RELAY >	
RY901	1-515-738-11	RELAY, POWER	
		< TRANSFORMER >	
△T902	1-450-361-11	TRANSFORMER, POWER(US, Canadian)	
△T902	1-450-358-11	TRANSFORMER, POWER(E, AUS)	

*	1-652-007-11	STAND BY BOARD	*****
		< CONNECTOR >	
* CNP106	1-565-295-11	PLUG, CONNECTOR 4P	
		< SWITCH >	
S137	1-554-303-21	SWITCH, TACTILE(ON/STANDBY)	

*	1-652-000-11	SW-1 BOARD	*****
		< CONNECTOR >	
CNP701	1-573-109-11	PIN, CONNECTOR 15P	

Ref. No.	Part No.	Description	Remark
*	1-652-001-11	SW-2 BOARD	*****

*	1-652-002-11	SW-3 BOARD	*****
		< CONNECTOR >	
CNP702	1-691-173-11	CONNECTOR (BOARD TO BOARD) 3P	
		< SWITCH >	
S701	1-571-485-11	SWITCH, PUSH (2 KEY) (SPEAKERS)	

*	1-651-999-11	STONE BOARD	*****
		< CAPACITOR >	
C421	1-137-440-11	FILM 0. 018uF 5% 50V	
C422	1-124-463-00	ELECT 0. 1uF 20% 50V	
C423	1-137-368-11	FILM 0. 0047uF 5% 50V	
C471	1-137-440-11	FILM 0. 018uF 5% 50V	
C472	1-124-463-00	ELECT 0. 1uF 20% 50V	
C473	1-137-368-11	FILM 0. 0047uF 5% 50V	
C474	1-137-372-11	FILM 0. 022uF 5% 50V	
		< CONNECTOR >	
* CNJ405	1-566-968-11	HOUSING, CONNECTOR(PC BOARD)6P	
* CNP107	1-569-798-11	PLUG, CONNECTOR 6P	
		< DIODE >	
D305	8-719-313-72	LED SEL3810A-CD(LOW BOOST)	
D307	8-719-313-72	LED SEL3810A-CD(MUTING)	
		< RESISTOR >	
R308	1-249-411-11	CARBON 330 5% 1/4W	
R363	1-249-411-11	CARBON 330 5% 1/4W	
R374	1-249-411-11	CARBON 330 5% 1/4W	
R421	1-249-430-11	CARBON 12K 5% 1/4W	
R422	1-249-422-11	CARBON 2. 7K 5% 1/4W	
R429	1-249-415-11	CARBON 680 5% 1/4W	
R437	1-247-903-00	CARBON 1M 5% 1/4W	
R440	1-247-903-00	CARBON 1M 5% 1/4W	
R471	1-249-430-11	CARBON 12K 5% 1/4W	
R472	1-249-422-11	CARBON 2. 7K 5% 1/4W	
R479	1-249-415-11	CARBON 680 5% 1/4W	
R487	1-247-903-00	CARBON 1M 5% 1/4W	
R490	1-247-903-00	CARBON 1M 5% 1/4W	

<p>The components identified by mark △ or dotted line with mark △ are critical for safety. Replace only with part number specified.</p>	<p>Les composants identifiés par une marque △ sont critiques pour la sécurité. Ne les remplacer que par une pièce portant le numéro spécifié.</p>
---	--

TONE TRANSFORMER VOLUME

Ref. No.	Part No.	Description	Remark
< VARIABLE RESISTOR >			
RV421	1-223-362-11	RES, VAR, CARBON 100K/100K(BASS)	
RV422	1-223-363-11	RES, VAR, CARBON 125K/125K(TREBLE)	
RV423	1-238-965-21	RES, VAR, CARBON 100K/100K(BALANCE)	
< SWITCH >			
S302	1-554-303-21	SWITCH, TACTILE(LOW BOOST)	
S303	1-554-303-21	SWITCH, TACTILE(MUTING)	

*	1-651-997-11	TRANSFORMER BOARD	

< CONNECTOR >			
* CNP955	1-564-905-11	PIN, CONNECTOR 9P	
< FUSE HOLDER >			
FH952	1-533-293-11	FUSE HOLDER	
< FUSE >			
△F905	1-576-107-11	FUSE(3.15A 250V)	
△F906	1-576-107-11	FUSE(3.15A 250V)	

*	A-4369-657-A	VOLUME BOARD, COMPLETE	

< CAPACITOR >			
C420	1-162-207-31	CERAMIC	22PF 5% 50V
C424	1-137-372-11	FILM	0.022uF 5% 50V
C425	1-126-096-11	ELECT	10uF 20% 35V
C426	1-124-902-00	ELECT	0.47uF 20% 50V
C427	1-124-252-00	ELECT	0.33uF 20% 50V
C428	1-130-489-00	MYLAR	0.033uF 5% 50V
C429	1-164-070-11	CERAMIC	100PF 5% 50V
C430	1-126-301-11	ELECT	1uF 20% 50V
C431	1-126-301-11	ELECT	1uF 20% 50V
C432	1-126-096-11	ELECT	10uF 20% 35V
C433	1-126-096-11	ELECT	10uF 20% 35V
C470	1-162-207-31	CERAMIC	22PF 5% 50V
C475	1-126-096-11	ELECT	10uF 20% 35V
C476	1-124-902-00	ELECT	0.47uF 20% 50V
C477	1-124-252-00	ELECT	0.33uF 20% 50V
C478	1-130-489-00	MYLAR	0.033uF 5% 50V
C479	1-164-070-11	CERAMIC	100PF 5% 50V
C492	1-124-464-11	ELECT	0.22uF 20% 50V

Ref. No.	Part No.	Description	Remark
< CONNECTOR >			
* CNJ403	1-750-383-11	CONNECTOR, BOARD TO BOARD 11P	
* CNP401	1-566-971-11	PIN, CONNECTOR (PC BOARD) 6P	
* CNP402	1-566-972-11	PIN, CONNECTOR (PC BOARD) 7P	
< DIODE >			
D421	8-719-987-63	DIODE 1N4148M	
< IC >			
IC404	8-759-636-74	IC M5218AP-22	
< TRANSISTOR >			
Q401	8-729-202-67	TRANSISTOR 2SK246-GR3	
Q402	8-729-141-30	TRANSISTOR 2SC3623A-LK	
Q403	8-729-141-30	TRANSISTOR 2SC3623A-LK	
Q451	8-729-202-67	TRANSISTOR 2SK246-GR3	
Q452	8-729-141-30	TRANSISTOR 2SC3623A-LK	
Q453	8-729-141-30	TRANSISTOR 2SC3623A-LK	
< RESISTOR >			
R425	1-249-428-11	CARBON	8.2K 5% 1/4W
R426	1-249-438-11	CARBON	56K 5% 1/4W
R427	1-249-417-11	CARBON	1K 5% 1/4W
R428	1-249-425-11	CARBON	4.7K 5% 1/4W
R430	1-249-441-11	CARBON	100K 5% 1/4W
R431	1-249-423-11	CARBON	3.3K 5% 1/4W
R432	1-247-883-00	CARBON	150K 5% 1/4W
R433	1-249-427-11	CARBON	6.8K 5% 1/4W
R434	1-249-412-11	CARBON	390 5% 1/4W
R436	1-249-441-11	CARBON	100K 5% 1/4W
R438	1-249-441-11	CARBON	100K 5% 1/4W
R441	1-249-441-11	CARBON	100K 5% 1/4W
R446	1-247-807-31	CARBON	100 5% 1/4W
R464	1-247-903-00	CARBON	1M 5% 1/4W
R469	1-247-903-00	CARBON	1M 5% 1/4W
R475	1-249-428-11	CARBON	8.2K 5% 1/4W
R476	1-249-438-11	CARBON	56K 5% 1/4W
R477	1-249-417-11	CARBON	1K 5% 1/4W
R478	1-249-425-11	CARBON	4.7K 5% 1/4W
R480	1-249-441-11	CARBON	100K 5% 1/4W
R481	1-249-423-11	CARBON	3.3K 5% 1/4W
R482	1-247-883-00	CARBON	150K 5% 1/4W
R483	1-249-427-11	CARBON	6.8K 5% 1/4W
R484	1-249-412-11	CARBON	390 5% 1/4W
R491	1-249-441-11	CARBON	100K 5% 1/4W
R492	1-247-903-00	CARBON	1M 5% 1/4W
R496	1-247-807-31	CARBON	100 5% 1/4W

<p>The components identified by mark △ or dotted line with mark △ are critical for safety. Replace only with part number specified.</p>	<p>Les composants identifiés par une marque △ sont critiques pour la sécurité. Ne les remplacer que par une pièce portant le numéro spécifié.</p>
---	--

VOLUME

Ref.No.	Part No.	Description	Remark
		< VARIABLE RESISTOR >	
RV701	1-241-850-11	RES, VAR, CARBON 100K/100K (MASTER VOLUME)	

		MISCELLANEOUS *****	
11	1-765-228-11	WIRE (FLAT TYPE) (25 CORE)	
15	1-467-639-11	REMOTE COMMANDER (RM-U141)	
△63	1-575-653-11	CORD, POWER(E)	
△63	1-690-609-11	CORD, POWER(US, Canadian)	
△63	1-696-848-21	CORD, POWER(AUS)	
△66	1-569-007-11	ADAPTER, CONVERSION 2P(E)	
△CNJ917	1-251-078-11	OUTLET, AC. (AC OUTLET) (AUS)	
△F902	1-532-259-00	FUSE(T1. 6AL) (AUS)	
△F902	1-532-286-00	FUSE(T2. 5AL) (E)	
△F902	1-576-109-11	FUSE(5A 125V) (US, Canadian)	
△F903	1-532-259-00	FUSE(T1. 6AL) (AUS)	
△F903	1-532-286-00	FUSE(T2. 5AL) (E)	
△F905	1-576-107-11	FUSE(3. 15A 250V)	
△F906	1-576-107-11	FUSE(3. 15A 250V)	
△T901	1-426-708-11	TRANSFORMER, POWER(US, Canadian)	
△T901	1-426-709-11	TRANSFORMER, POWER(AUS)	
△T901	1-426-710-11	TRANSFORMER, POWER(E)	

Ref.No.	Part No.	Description	Remark
		ACCESSORIES & PACKING MATERIALS *****	
	1-467-639-11	REMOTE COMMANDER (RM-U141)	
	2-181-754-01	BATTERY COVER (FOR RM-U141)	
	1-501-374-11	ANTENNA, LOOP	
	3-758-409-11	MANUAL, INSTRUCTION (ENGLISH, FRENCH, SPANISH, CHINESE) (E)	
	3-758-409-21	MANUAL, INSTRUCTION (ENGLISH) (US, Canadian, AUS)	
	3-758-409-31	MANUAL, INSTRUCTION (FRENCH) (Canadian)	
*	4-952-676-01	CUSHION	
*	4-967-025-01	INDIVIDUAL CARTON	

		***** HARDWARE LIST *****	
#1	7-682-548-04	SCREW +BVTT 3X8 (S)	
#2	7-682-548-09	SCREW +BVTT 3X8 (S)	
#3	7-682-547-09	SCREW +BVTT 3X6 (S)	
#4	7-685-646-79	SCREW +BVTP 3X8 TYPE2 N-S	
#5	7-621-849-00	SCREW, TAPPING	
#6	7-682-560-04	SCREW +BVTT 4X6 (S)	
#7	7-685-546-19	SCREW +BTP 3X8 TYPE2 N-S	

The components identified by mark **△** or dotted line with mark **△** are critical for safety. Replace only with part number specified.

Les composants identifiés par une marque **△** sont critiques pour la sécurité. Ne les remplacer que par une pièce portant le numéro spécifié.

STR-D315

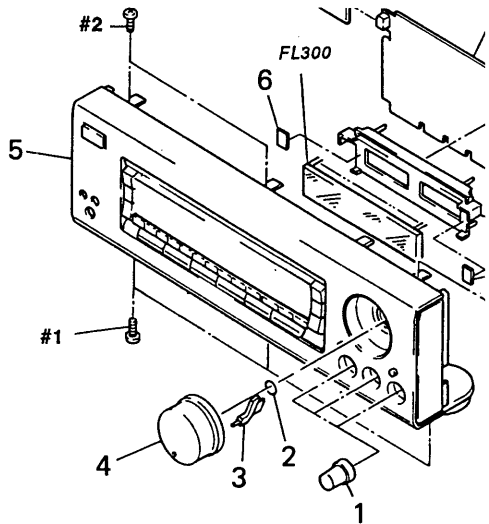
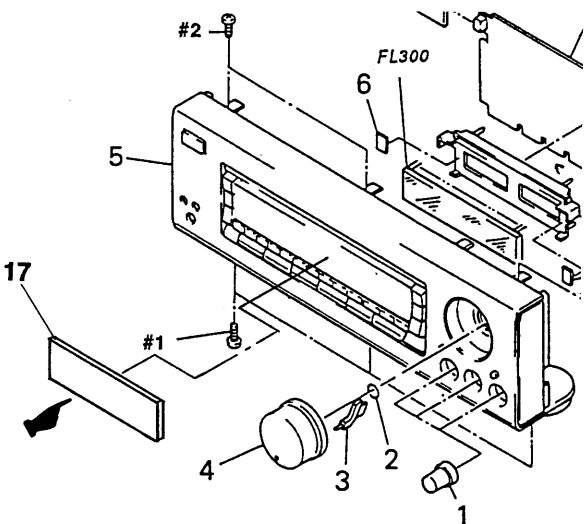
SONY SERVICE MANUAL

US Model
Canadian Model
E Model
Australian Model

SUPPLEMENT-1

Revise your service manual as shown below due to parts supply classification has been changed.

 : indicates revised portion

Page	CURRENT	REVISED																								
21																										
	<table border="1"> <thead> <tr> <th>Ref. No.</th> <th>Part No.</th> <th>Description</th> <th>Remark</th> </tr> </thead> <tbody> <tr> <td> </td> <td> </td> <td> </td> <td> </td> </tr> <tr> <td> </td> <td> </td> <td> </td> <td> </td> </tr> </tbody> </table>	Ref. No.	Part No.	Description	Remark									<table border="1"> <thead> <tr> <th>Ref. No.</th> <th>Part No.</th> <th>Description</th> <th>Remark</th> </tr> </thead> <tbody> <tr> <td>17</td> <td>4-965-344-25</td> <td>PLATE, INDICATION (US, Canadian)</td> <td></td> </tr> <tr> <td>17</td> <td>4-965-344-35</td> <td>PLATE, INDICATION (E, Australian)</td> <td></td> </tr> </tbody> </table>	Ref. No.	Part No.	Description	Remark	17	4-965-344-25	PLATE, INDICATION (US, Canadian)		17	4-965-344-35	PLATE, INDICATION (E, Australian)	
Ref. No.	Part No.	Description	Remark																							
Ref. No.	Part No.	Description	Remark																							
17	4-965-344-25	PLATE, INDICATION (US, Canadian)																								
17	4-965-344-35	PLATE, INDICATION (E, Australian)																								

(RPC-95014)