

STR-D511/D611

SERVICE MANUAL

US Model
 Canadian Model
 UK Model
 Australian Model
 STR-D511/D611
 AEP Model
 STR-D611



This photo is STR-D611.

SPECIFICATIONS

(For US and Canadian models)

Audio Power Specifications

POWER OUTPUT AND TOTAL HARMONIC DISTORTION

With 8-ohm load, both channels driven, from 40 - 20,000 Hz, rated 70 watts (STR-D611) or 50 watts (STR-D511) per channel minimum RMS power, with less than 0.8% total harmonic distortion from 250 milliwatts to rated output.

SUR (surround) MODE (8 ohms, less than 0.8% total harmonic distortion)

	STR-D611	STR-D511
FRONT	80 W/CH	70 W/CH
CENTER (only in the DOLBY mode)	20 W	10 W
REAR	20 W	10 W

Other Specifications

Amplifier section

Continuous RMS power output (8 ohms, at 40 Hz - 20 kHz less than 0.8% total harmonic distortion) (FRONT)

STR-D611: 75 W + 75 W

STR-D511: 55 W + 55 W

Dynamic power (at 1 kHz IHF) (FRONT)

STR-D611: 90 W + 90 W (8 ohms), 120 W + 120 W (4 ohms)

STR-D511: 80 W + 80 W (8 ohms), 110 W + 110 W (4 ohms)

Harmonic distortion

Less than 0.8% at rated output

Frequency response

PHONO: RIAA equalization curve ± 0.5 dB

CD

VIDEO

TAPE

10 Hz - 50 kHz ± 1 dB

Inputs

	Sensitivity	Impedance	S/N (weighting network, input level)
PHONO	2.5 mV	50 kilohms	74 dB 72 dB* (A, 2.5 mV)
CD	300 mV	50 kilohms	95 dB 80 dB* (A, 200 mV)
VIDEO 1, 2 TAPE	200 mV		

Outputs

REC OUT, VIDEO 1 (AUDIO) OUT	Voltage 200 mV Impedance 10 kilohms
HEADPHONES	Accepts low and high impedance headphones

Tone controls

BASS: ± 10 dB at 100 Hz

TREBLE: ± 8 dB at 10 kHz

Muting

-20 dB

DBFB

+7 dB at 70 Hz

—Continued on next page—

FM STEREO/FM-AM RECEIVER
SONY



Video section

INPUT	VIDEO 1,2	1 Vp-p 75 ohms
OUTPUT	VIDEO 1 MONITOR	1 Vp-p 75 ohms

Tuner section

	FM tuner section	AM tuner section
Tuning range	87.5 — 108 MHz	530 — 1710 kHz (10 kHz step) 531 — 1602 kHz (9 kHz step)
Antenna terminals	300 ohms, balanced 75 ohms, unbalanced	External antenna terminal
Sensitivity at 50 dB quieting	18.3 dBf, 4.5 μ V (mono) 38.3 dBf, 45 μ V (stereo)	—
Usable sensitivity	11.2 dBf, 2 μ V (IHF)	Loop antenna: 500 μ V (at 1,000 kHz)
Signal-to-noise ratio	76 dB (mono) 70 dB (stereo)	54 dB (at 50 mV/m)
Harmonic distortion	0.3% (mono), 0.5% (stereo) at 1 kHz	0.5% (at 50 mV/m, 400 Hz)
Selectivity	60 dB at 400 kHz	40 dB at 10 kHz
Separation	45 dB at 1 kHz	—
Frequency response	30 Hz — 15 kHz $+0.5$ dB -2	—

General

System

Tuner section: PLL quartz-locked digital synthesizer system
 Preamplifier section: low-noise NF type equalizer amp
 Power amplifier section: pure complementary SEPP

Power requirements

120 V AC, 60 Hz

Power consumption

US model: 170 W (STR-D611)

140 W (STR-D511)

Canadian model: 180 W (STR-D611)

155 W (STR-D511)

AC outlet

One switched (120 W/1A Max.)

Dimensions

Approx. 430 x 135 x 295 mm (w/h/d)

(17 x 5 $\frac{3}{8}$ x 11 $\frac{5}{8}$ inches)

including projecting parts and controls

Mass

Approx. 6.4 kg (14 lb 20 oz) (STR-D611)

Approx. 5.9 kg (13 lb 1 oz) (STR-D511)

Accessories supplied

FM wire antenna (1)

AM loop antenna (1)

Remote Commander RM-U232 (1)

Sony batteries SUM-3(NS) (2)

Design and specifications are subject to change without notice.

(For AEP, UK and Australian models)**Amplifier section**

Continuous RMS power output (8 ohms, at 40 Hz - 20 kHz less than 0.8% total harmonic distortion) (FRONT)

STR-D611: 60 W + 60 W

STR-D511: 50 W + 50 W

Dynamic power (at 1 kHz IHF) (FRONT)

STR-D611: 80 W + 80 W (8 ohms), 110 W + 110 W (4 ohms)

STR-D511: 70 W + 70 W (8 ohms), 100 W + 100 W (4 ohms)

Harmonic distortion

Less than 0.8% at rated output

SUR (surround) MODE (8 ohms, less than 0.8% total harmonic distortion)

	STR-D611	STR-D511
FRONT	75 W/CH	65 W/CH
CENTER (only in the DOLBY mode)	20 W	10 W
REAR	20 W	10 W

Frequency response

PHONO: RIAA equalization curve ± 0.5 dB

CD

VIDEO

TAPE

10 Hz - 50 kHz ± 1 dB

Inputs

	Sensitivity	Impedance	S/N (weighting network, input level)
PHONO	2.5 mV	50 kilohms	74 dB 72 dB* (A, 2.5 mV)
CD	300 mV	50 kilohms	95 dB 80 dB* (A, 200 mV)
VIDEO 1,2 TAPE	200 mV		

Outputs

REC OUT, VIDEO 1 (AUDIO) OUT	Voltage 200 mV Impedance 10 kilohms
HEADPHONES	Accepts low and high impedance headphones

Tone controls

BASS: ± 10 dB at 100 Hz

TREBLE: ± 8 dB at 10 kHz

Muting

-20 dB

DBFB

+7 dB at 70 Hz

Video section

INPUT	VIDEO 1,2	1 Vp-p 75 ohms
OUTPUT	VIDEO 1 MONITOR	1 Vp-p 75 ohms

Tuner section

	FM tuner section	AM tuner section
Tuning range	87.5 — 108 MHz	531 — 1,602 kHz
Antenna terminals	75 ohms, unbalanced	External antenna terminal
Sensitivity at 50 dB quieting	18.3 dBf, 2.25 μ V, 75 ohms (mono) 38.3 dBf, 22.5 μ V, 75 ohms (stereo)	—
Usable sensitivity	11.2 dBf, 1 μ V (IHF) 75 ohms	Loop antenna: 500 μ V (at 1,000 kHz)
Signal-to-noise ratio	70 dB (mono) 66 dB (stereo)	54 dB (at 50 mV/m)
Harmonic distortion	0.3% (mono), 0.5% (stereo) at 1 kHz	0.5% (at 50 mV/m, 400 Hz)
Selectivity	60 dB at 400 kHz	30 dB at 9 kHz
Separation	45 dB at 1 kHz	—
Frequency response	30 Hz — 15 kHz $+0.5$ dB -2	—

General

System

Tuner section: PLL quartz-locked digital synthesizer system
 Preamplifier section: low-noise NF type equalizer amp
 Power amplifier section: pure complementary SEPP

Power requirements

220—230V AC, 50/60Hz (for AEP model)

240V AC, 50/60Hz (for UK model)

240V AC, 50Hz (for Australian model)

Power consumption

160 W (STR-D611)

135 W (STR-D511)

In standby condition: 5 W

AC outlet

One switched (100 W Max.)

Dimensions

Approx. 430 x 135 x 295 mm (w/h/d)

(17 x 5 $\frac{3}{8}$ x 11 $\frac{5}{8}$ inches)

including projecting parts and controls

Mass

Approx. 6.9 kg (15 lb 4 oz) (STR-D611)

Approx. 6.4 kg (14 lb 2 oz) (STR-D511)

Accessories supplied

FM wire antenna (1)

AM loop antenna (1)

Remote Commander RM-U232 (1)

Sony batteries SUM-3(NS) (2)

Design and specifications are subject to change without notice.

SAFETY-RELATED COMPONENT WARNING!!

COMPONENTS IDENTIFIED BY MARK Δ OR DOTTED LINE WITH MARK Δ ON THE SCHEMATIC DIAGRAMS AND IN THE PARTS LIST ARE CRITICAL TO SAFE OPERATION. REPLACE THESE COMPONENTS WITH SONY PARTS WHOSE PART NUMBERS APPEAR AS SHOWN IN THIS MANUAL OR IN SUPPLEMENTS PUBLISHED BY SONY.

SAFETY CHECK-OUT (US Model)

After correcting the original service problem, perform the following safety check before releasing the set to the customer:

Check the antenna terminals, metal trim, "metallized" knobs, screws, and all other exposed metal parts for AC leakage. Check leakage as described below.

LEAKAGE TEST

The AC leakage from any exposed metal part to earth ground and from all exposed metal parts to any exposed metal part having a return to chassis, must not exceed 0.5 mA (500 microamperes). Leakage current can be measured by any one of three methods.

1. A commercial leakage tester, such as the Simpson 229 or RCA WT-540A. Follow the manufacturers' instructions to use these instruments.
2. A battery-operated AC milliammeter. The Data Precision 245 digital multimeter is suitable for this job.
3. Measuring the voltage drop across a resistor by means of a VOM or battery-operated AC voltmeter. The "limit" indication is 0.75 V, so analog meters must have an accurate low-voltage scale. The Simpson 250 and Sanwa SH-63Trd are examples of a passive VOM that is suitable. Nearly all battery operated digital multimeters that have a 2 V AC range are suitable. (See Fig. A)

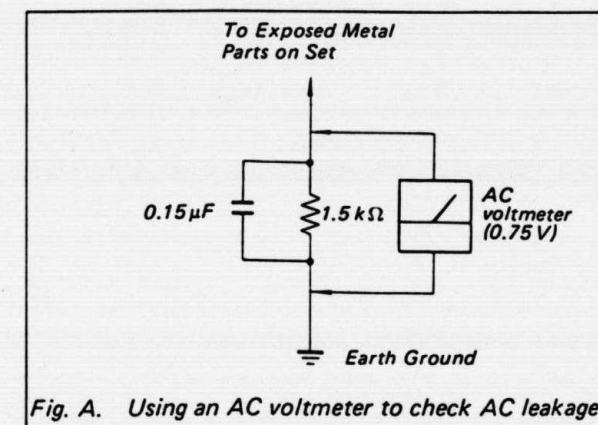


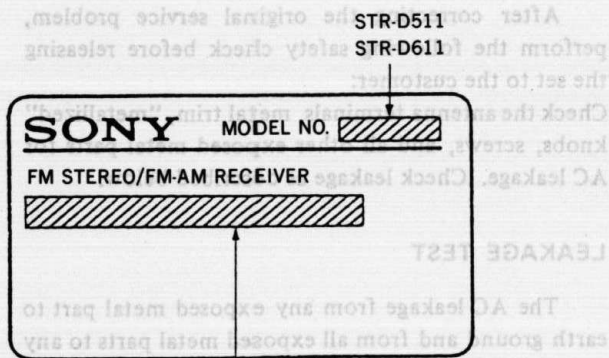
Fig. A. Using an AC voltmeter to check AC leakage.

ATTENTION AU COMPOSANT AYANT RAPPORT À LA SÉCURITÉ!

LES COMPOSANTS IDENTIFIÉS PAR UNE MARQUE Δ SUR LES DIAGRAMMES SCHÉMATIQUES ET LA LISTE DES PIÈCES SONT CRITIQUES POUR LA SÉCURITÉ DE FONCTIONNEMENT. NE REMPLACER CES COMPOSANTS QUE PAR DES PIÈCES SONY DONT LES NUMÉROS SONT DONNÉS DANS CE MANUEL OU DANS LES SUPPLÉMENTS PUBLIÉS PAR SONY.

MODEL IDENTIFICATION

—Specification Label—



- US, Canadian model : AC 120V 60Hz
- AEP model : AC 220—230V 50/60Hz
- UK model : AC 240V 50/60Hz
- Australian model : AC 240V 50Hz

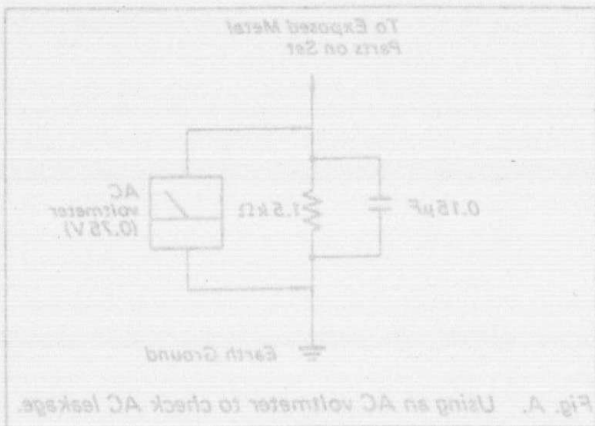


Fig. A. Using an AC voltmeter to check AC leakage.

ATTENTION AU COMPOSANT AYANT RAPPORT À LA SÉCURITÉ!
 LES COMPOSANTS IDENTIFIÉS PAR UNE MARQUE ▲ SUR LES DIAGRAMMES SCHEMATIQUES ET LA LISTE DES PIÈCES SONT CRITIQUES POUR LA SÉCURITÉ DE FONCTIONNEMENT. NE REMPLACER CES COMPOSANTS QUE PAR DES PIÈCES SONY DONT LES NUMÉROS SONT DONNÉS DANS CE MANUEL. OU DANS LES SUPPLÉMENTS PUBLIÉS PAR SONY.

TABLE OF CONTENTS

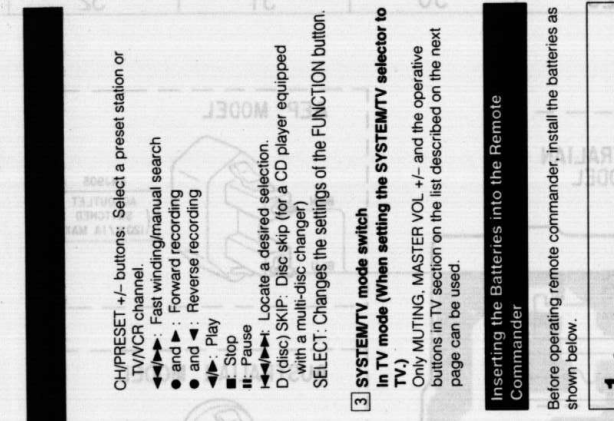
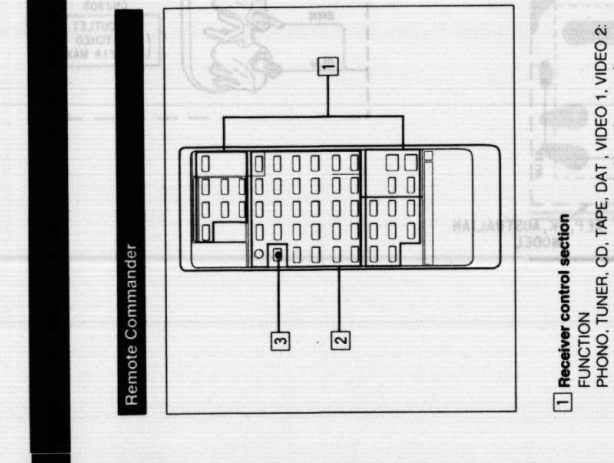
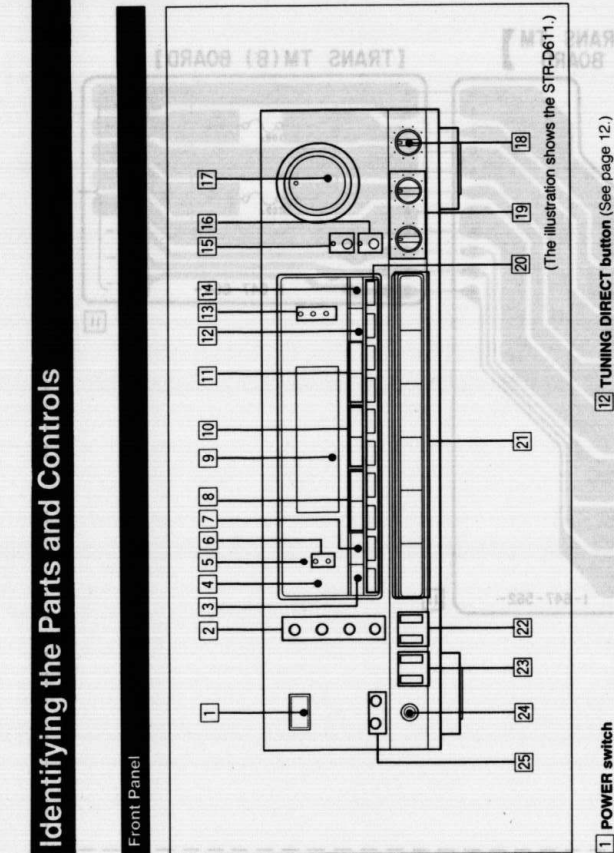
Section	Title	Page
1. GENERAL		
• Identifying the Parts and Controls		5
2. DIAGRAMS		
2-1. Circuit Boards Location		6
2-2. Block Diagram		7
2-3. Printed Wiring Boards—Main Section—		11
2-4. Schematic Diagram—Main Section—		15
2-5. Schematic Diagram—Display Section—		20
2-6. Printed Wiring Boards—Display Section—		23
2-7. Semiconductor Lead Layouts		25
3. EXPLODED VIEWS		
3-1. Front Panel Section		26
3-2. Chassis Section		27
4. ELECTRICAL PARTS LIST		29

General System
 Tuner section: PLL quartz-locked digital synthesizer system
 Pre-amplifier section: low-noise NF type equalizer amp
 Power amplifier section: pure complementary SEP
 Power requirements
 220—230V AC, 50/60Hz (for AEP model)
 240V AC, 50/60Hz (for UK model)
 240V AC, 50Hz (for Australian model)
 Power consumption
 160 W (STR-D611)
 135 W (STR-D511)
 In standby condition: 5 W
 AC outlet
 One switched (100 W Max.)
 Dimensions
 Approx. 430 x 135 x 225 mm (w/h/d)
 (17 x 5 3/8 x 11 1/8 inches)
 including projecting parts and controls
 Mass
 Approx. 6.9 kg (15 lb 4 oz) (STR-D611)
 Approx. 6.4 kg (14 lb 2 oz) (STR-D511)
 Accessories supplied
 FM wire antenna (1)
 AM loop antenna (1)
 Remote Commander RM-U32 (1)
 Sony batteries SUM-3(N2) (2)

Design and specifications are subject to change without notice.

SAFETY-RELATED COMPONENT WARNING!!
 COMPONENTS IDENTIFIED BY MARK ▲ OR DOTTED LINE WITH MARK ▲ ON THE SCHEMATIC DIAGRAMS AND IN THE PARTS LIST ARE CRITICAL TO SAFE OPERATION. REPLACE THESE COMPONENTS WITH SONY PARTS WHOSE PART NUMBERS APPEAR AS SHOWN IN THIS MANUAL OR IN SUPPLEMENTS PUBLISHED BY SONY.

Identifying the Parts and Controls



SECTION 1 GENERAL

1 **Power switch**
(See pages 19 and 20.)

2 **SUR (surround) ON/OFF button**
(See pages 19 and 20.)

3 **SUR (surround) MODE button**
(See pages 19 and 20.)

4 **FM MODE button**
(See page 17.)

5 **DBFB (Dynamic Bass Feedback) button and indicator**
(See page 11.)

6 **MUTING button and indicator**
(See page 11.)

7 **MASTER VOLUME control**
(See page 11.)

8 **BALANCE control**
(See page 11.)

9 **BASS/TREBLE controls**
(See page 11.)

10 **Numeric buttons**
(See pages 12 and 15.)

11 **Function selectors**
(See page 11.)

12 **TUNING +/- buttons**
(See page 19.)

13 **REAR LEVEL +/- buttons**
(See page 19.)

14 **CENTER LEVEL +/- buttons**
(See page 19.)

15 **HEADPHONES jack**
(See page 15.)

16 **FM/AM band selectors**
(See pages 12 and 13.)

17 **MEMORY button**
(See page 14.)

18 **TUNING +/- buttons**
(See page 13.)

19 **Display window**
(See page 15.)

20 **PRESET TUNING +/- buttons**
(See page 15.)

21 **FM/AM band selectors**
(See pages 12 and 13.)

22 **TUNING DIRECT button**
(See page 12.)

23 **SUR (surround) mode indicators**
(See page 17.)

24 **FM MODE button**
(See page 17.)

25 **DBFB (Dynamic Bass Feedback) button and indicator**
(See page 11.)

26 **MUTING button and indicator**
(See page 11.)

27 **MASTER VOLUME control**
(See page 11.)

28 **BALANCE control**
(See page 11.)

29 **BASS/TREBLE controls**
(See page 11.)

30 **Numeric buttons**
(See pages 12 and 15.)

31 **Function selectors**
(See page 11.)

32 **TUNING +/- buttons**
(See page 19.)

33 **REAR LEVEL +/- buttons**
(See page 19.)

34 **CENTER LEVEL +/- buttons**
(See page 19.)

35 **HEADPHONES jack**
(See page 15.)

36 **FM/AM band selectors**
(See pages 12 and 13.)

37 **MEMORY button**
(See page 14.)

38 **TUNING +/- buttons**
(See page 13.)

39 **Display window**
(See page 15.)

40 **PRESET TUNING +/- buttons**
(See page 15.)

41 **FM/AM band selectors**
(See pages 12 and 13.)

42 **POWER switch**
(See pages 19 and 20.)

43 **SUR (surround) ON/OFF button**
(See pages 19 and 20.)

44 **SUR (surround) MODE button**
(See pages 19 and 20.)

45 **FM MODE button**
(See page 17.)

46 **DBFB (Dynamic Bass Feedback) button and indicator**
(See page 11.)

47 **MUTING button and indicator**
(See page 11.)

48 **MASTER VOLUME control**
(See page 11.)

49 **BALANCE control**
(See page 11.)

50 **BASS/TREBLE controls**
(See page 11.)

51 **Numeric buttons**
(See pages 12 and 15.)

52 **Function selectors**
(See page 11.)

53 **TUNING +/- buttons**
(See page 19.)

54 **REAR LEVEL +/- buttons**
(See page 19.)

55 **CENTER LEVEL +/- buttons**
(See page 19.)

56 **HEADPHONES jack**
(See page 15.)

57 **FM/AM band selectors**
(See pages 12 and 13.)

58 **MEMORY button**
(See page 14.)

59 **TUNING +/- buttons**
(See page 13.)

60 **Display window**
(See page 15.)

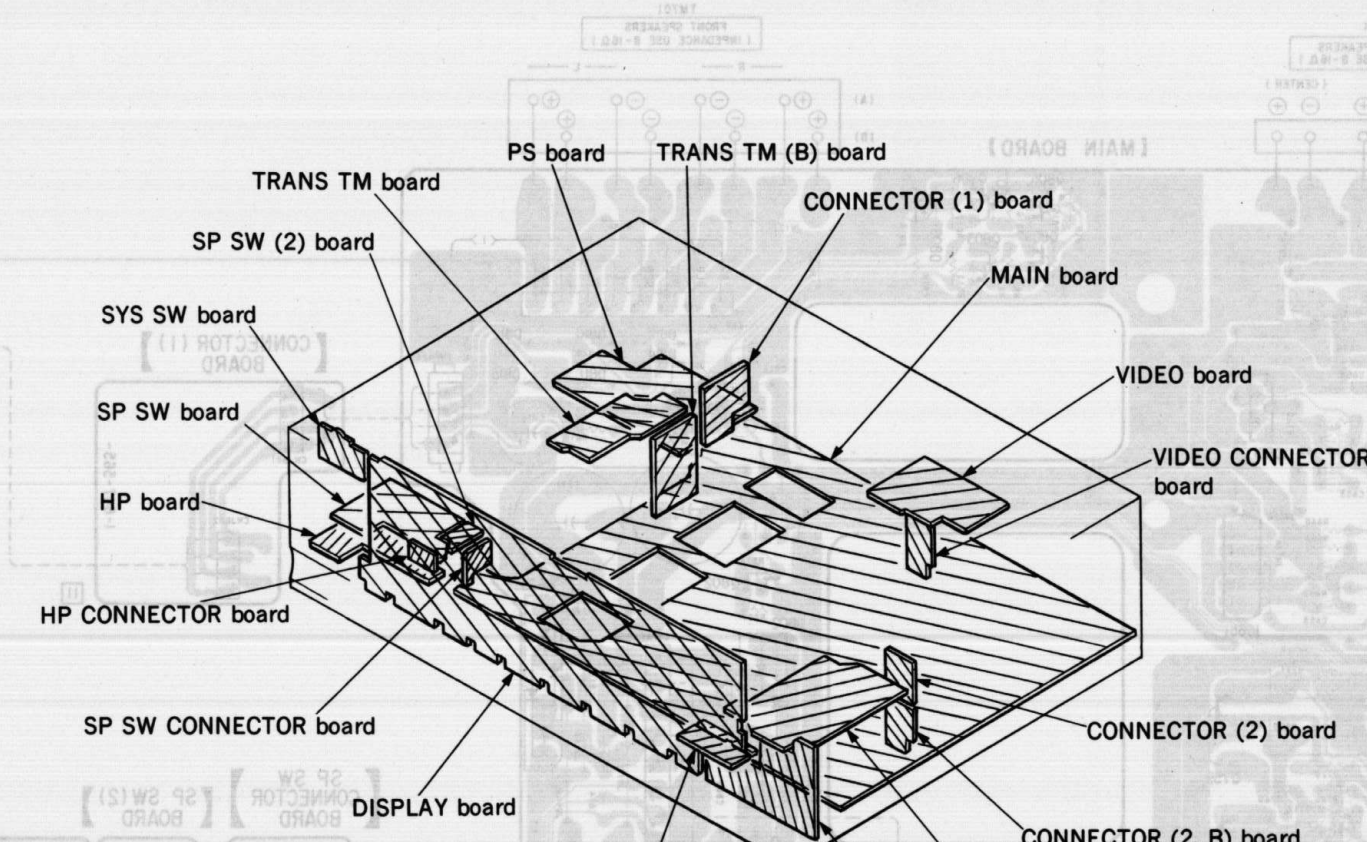
61 **PRESET TUNING +/- buttons**
(See page 15.)

62 **FM/AM band selectors**
(See pages 12 and 13.)

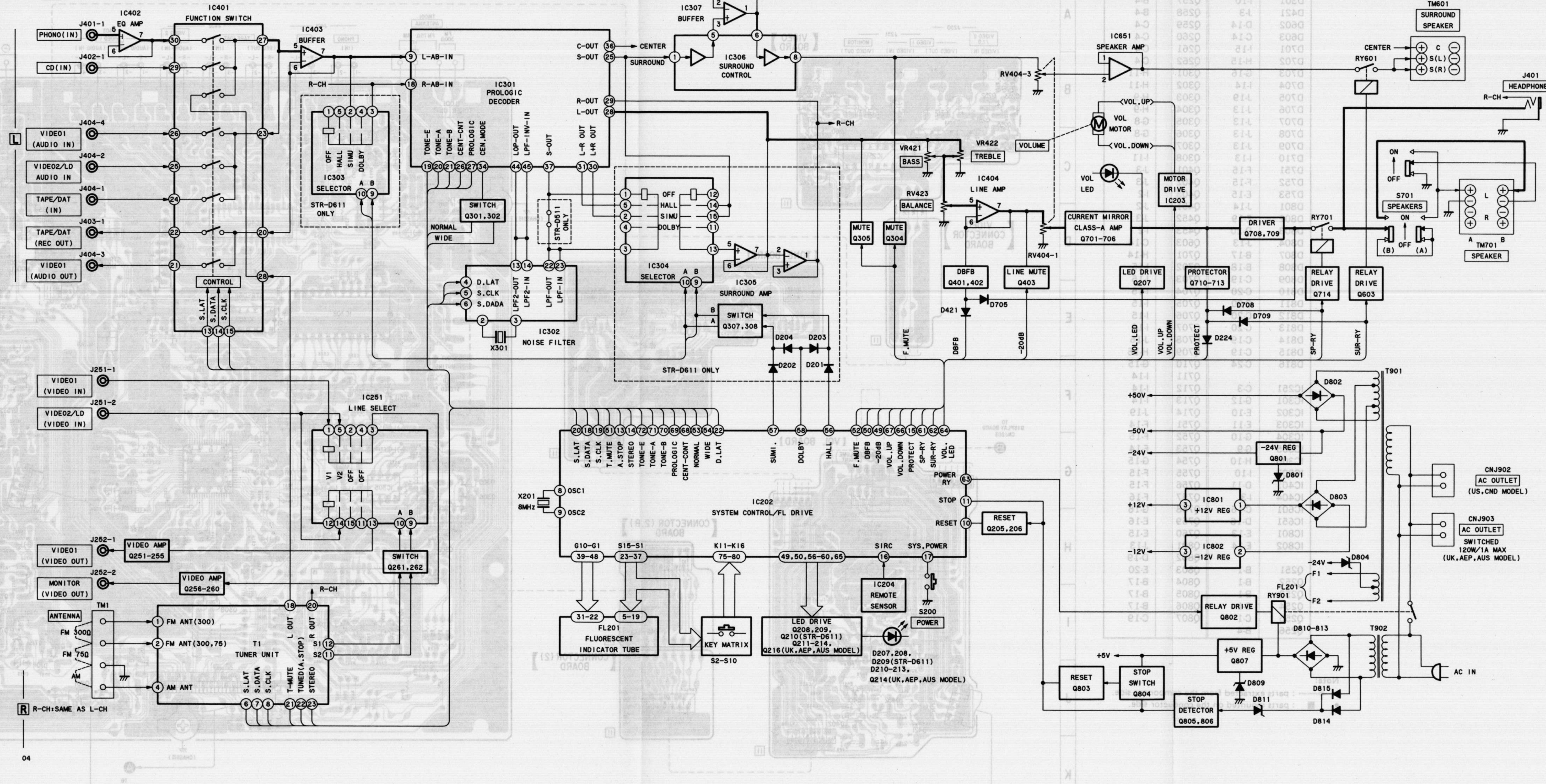
This section is extracted from instruction manual.

SECTION 2 DIAGRAMS

2-1. CIRCUIT BOARDS LOCATION



2-2. BLOCK DIAGRAM

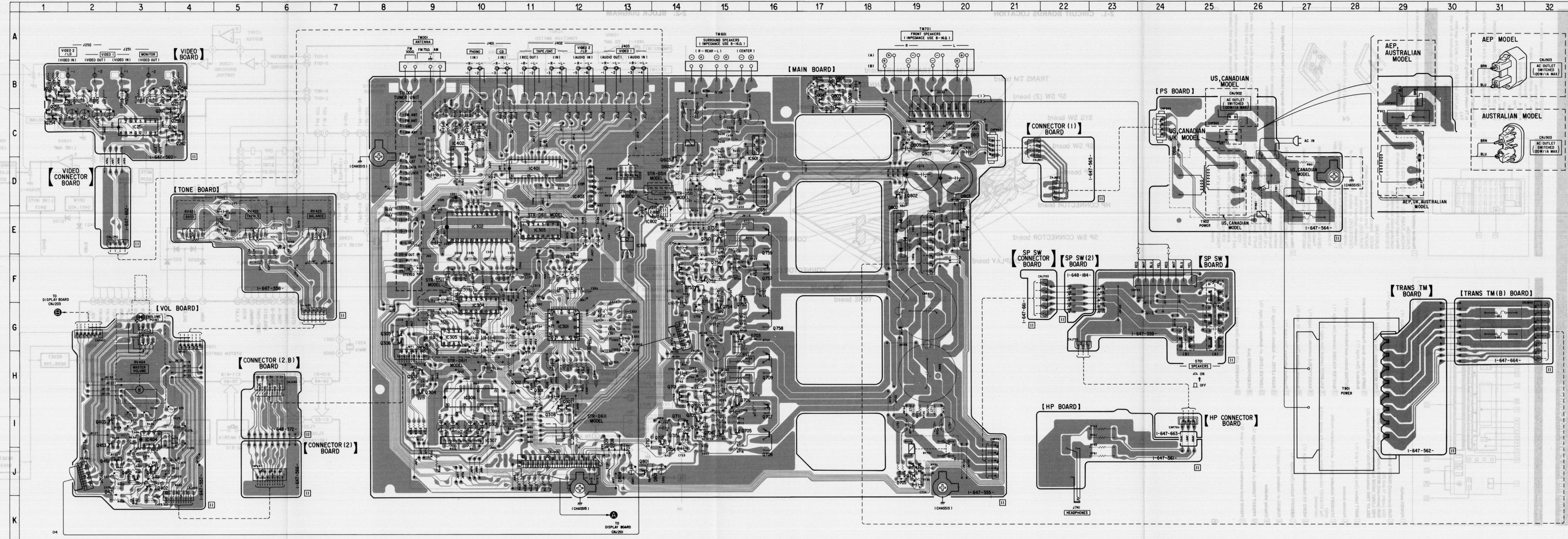


• Semiconductor Location

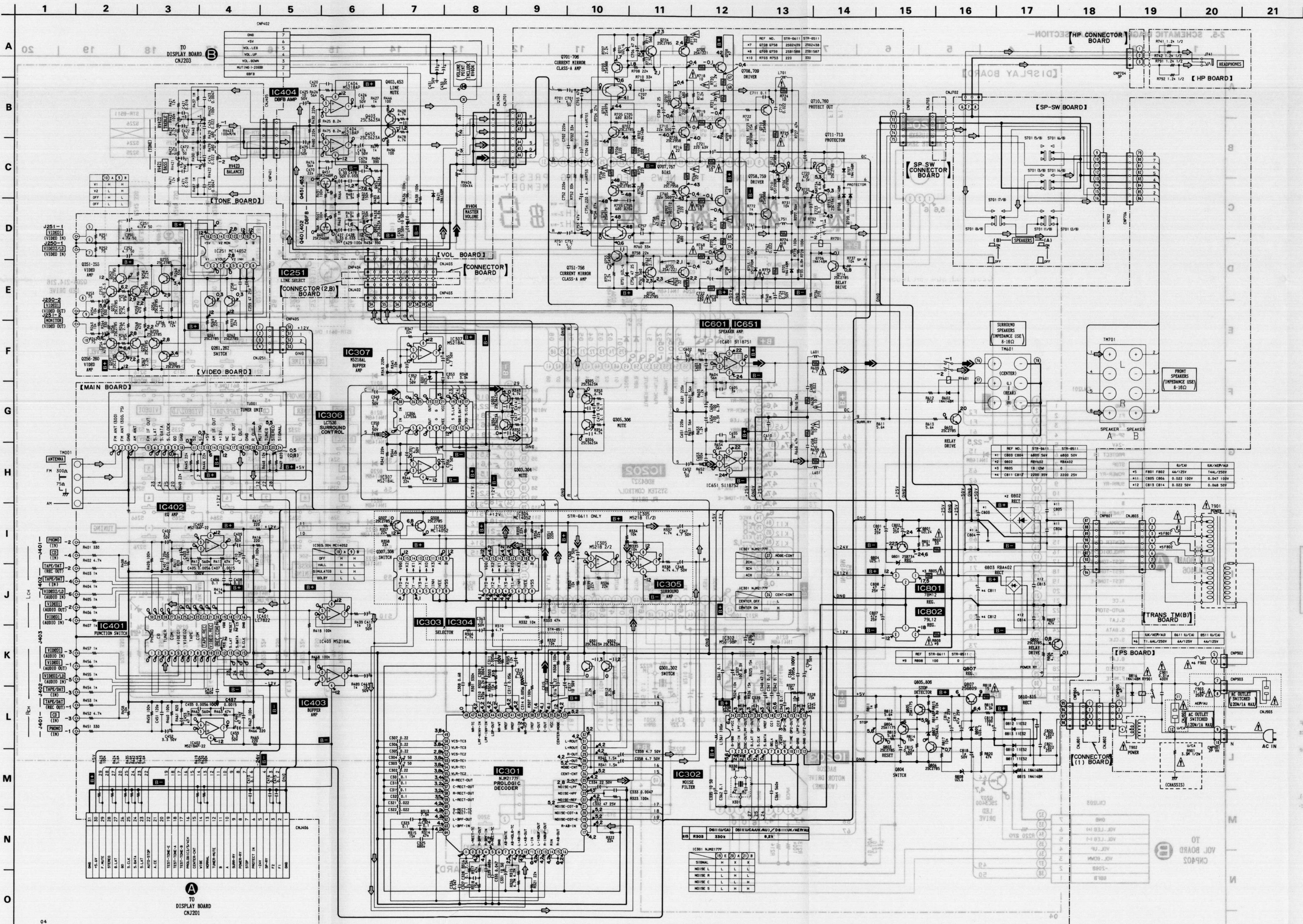
Ref. No.	Location	Ref. No.	Location
D301	I-10	Q257	B-4
D421	J-3	Q258	B-4
D602	D-14	Q259	C-4
D603	C-14	Q260	C-4
D701	I-15	Q261	C-4
D702	H-15	Q262	C-4
D703	G-16	Q301	H-11
D704	I-14	Q302	H-11
D705	J-19	Q303	H-9
D706	J-13	Q304	H-9
D707	J-13	Q305	G-8
D708	J-13	Q306	G-8
D709	J-13	Q307	I-11
D710	I-13	Q308	I-11
D751	F-15	Q401	J-3
D752	F-15	Q402	J-3
D753	E-15	Q403	I-2
D801	J-14	Q451	J-2
D802	E-19	Q452	J-3
D803	D-20	Q453	I-2
D804	J-13	Q603	C-14
D807	B-17	Q701	H-14
D808	B-18	Q702	I-15
D809	C-19	Q703	I-15
D810	C-20	Q704	I-15
D811	C-20	Q705	I-15
D812	C-20	Q706	I-15
D813	C-20	Q707	I-16
D814	C-19	Q708	J-16
D815	C-19	Q709	H-16
D816	C-24	Q710	G-15
		Q711	I-14
		Q712	I-14
IC251	C-3	Q713	I-14
IC301	G-12	Q714	J-19
IC302	E-10	Q751	F-14
IC303	E-11	Q752	F-15
IC304	G-10	Q753	F-14
IC305	G-9	Q754	G-15
IC306	H-10	Q755	F-15
IC307	I-10	Q756	F-15
IC401	D-11	Q757	F-16
IC404	I-3	Q758	G-16
IC601	C-16	Q759	E-16
IC651	D-16	Q801	E-15
IC801	E-13	Q802	D-19
IC802	E-14	Q803	E-20
		Q804	B-17
		Q805	B-17
		Q806	B-17
		Q807	C-19
Q251	B-1		
Q252	B-1		
Q253	B-1		
Q254	C-1		
Q255	C-1		
Q256	B-4		

Note:
 ● — : parts extracted from the component side.
 ● ■ : parts mounted on the conductor side.

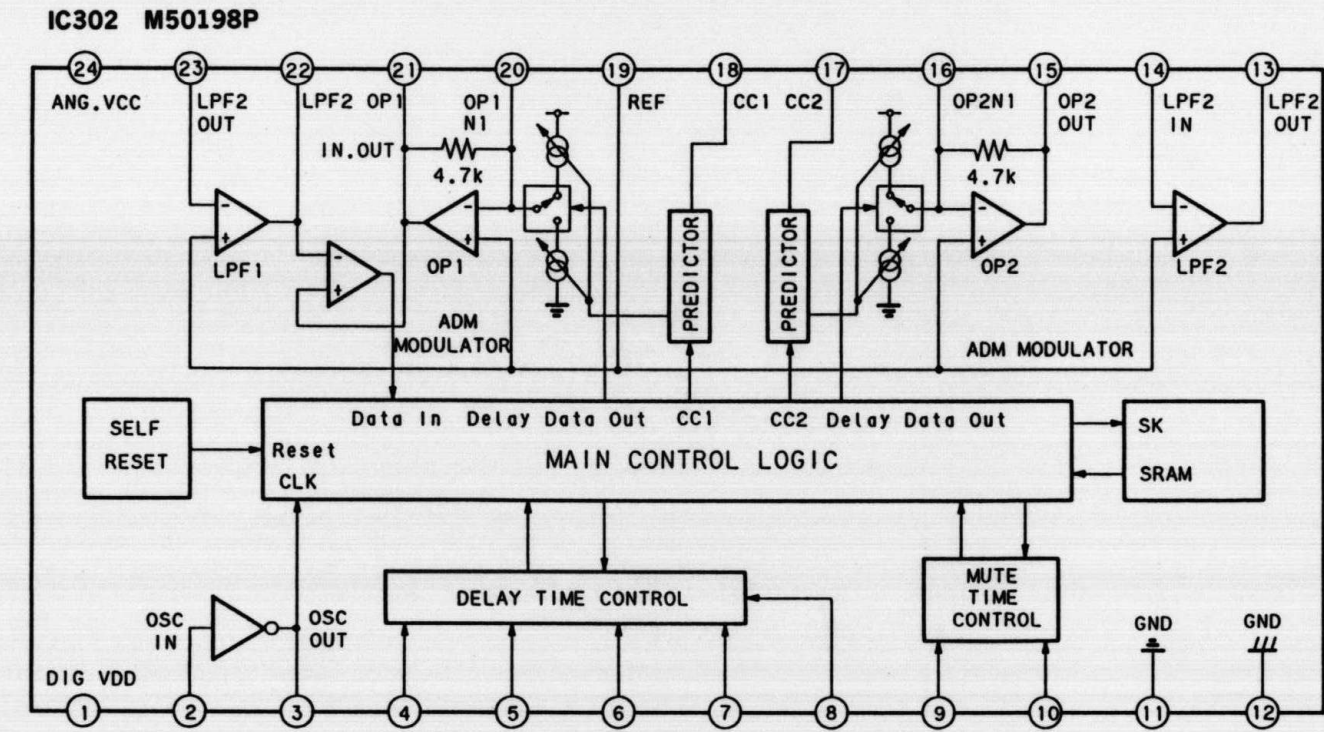
2-3. PRINTED WIRING BOARDS—MAIN SECTION— • Refer to page 25 for Semiconductor Lead Layouts.



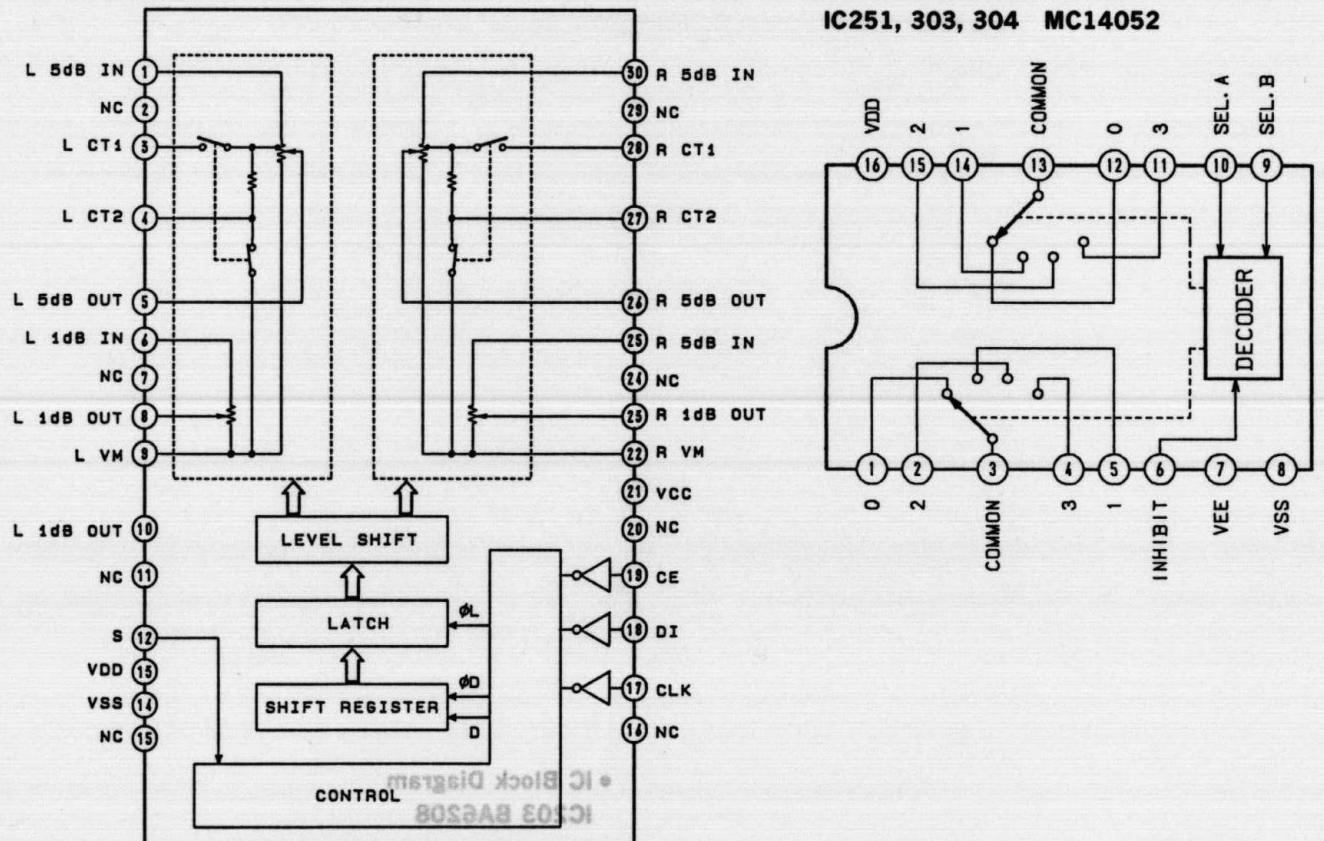
2.4. SCHEMATIC DIAGRAM—MAIN SECTION—



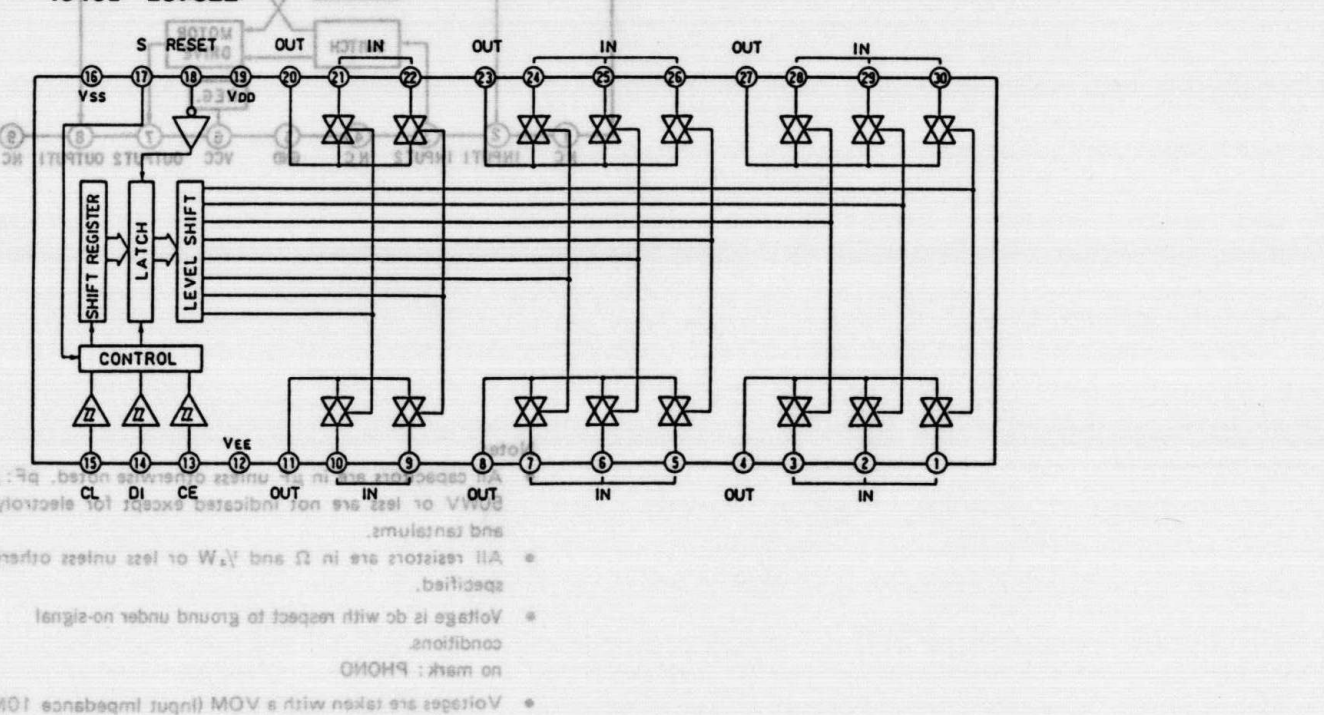
IC Block Diagrams



IC306 LC7536



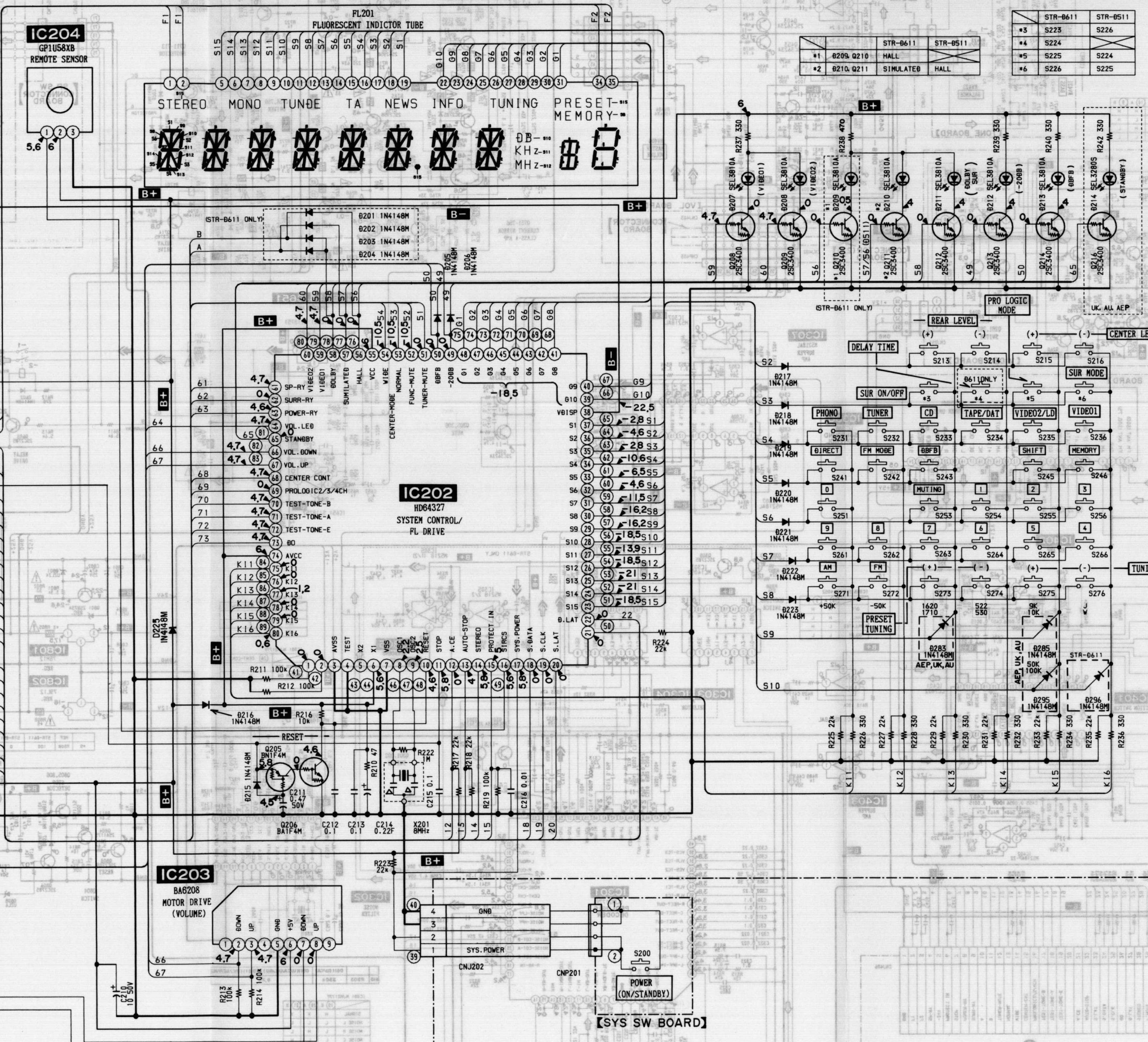
IC401 LC7822



- Note:**
- All capacitors are in μF unless otherwise noted, $pF = \mu F$ 50WV or less are not indicated except for electrolytics and tantalums.
 - All resistors are in Ω and $1/2W$ or less unless otherwise specified.
 - Δ : internal component.
 - \square : nonflammable resistor.
- Note:** The components identified by mark Δ or dotted line with mark Δ are critical for safety. Replace only with part number specified.
- Note:** Les composants identifiés par une marque Δ sont critiques pour la sécurité. Ne les remplacer que par une pièce portant le numéro spécifié.
- Voltage is dc with respect to ground under no-signal conditions. no mark: PHONO
 - Voltages are taken with a VOM (input impedance 10M Ω). Voltage variations may be noted due to normal production tolerances.
 - Signal path.
 - \rightarrow FM
 - \rightarrow SURROUND
 - \rightarrow CENTER
 - Abbreviations: CA: Canadian model, AU: Australian model

2-5. SCHEMATIC DIAGRAM—DISPLAY SECTION—

[DISPLAY BOARD]

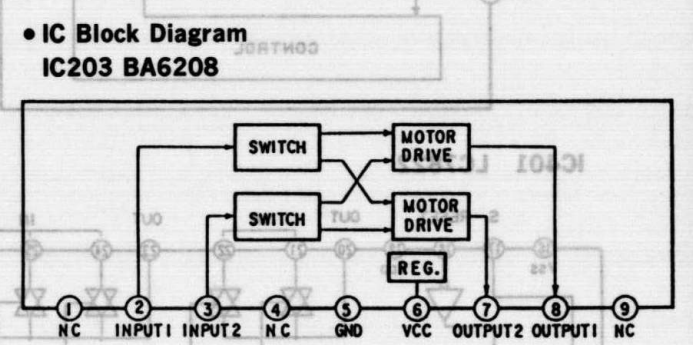


*3	STR-B611	STR-B511
*4	S223	S226
*5	S225	S224
*6	S226	S225

*1	8209, 8210	HALL
*2	8210, 8211	SIMULATED HALL

GNB	1	1	F2
F1	2	2	F1
F2	3	3	
SP-RY	4	4	61
-24V	5	5	22.5
PROTECT IN	6	6	15
POWER-RY	7	7	63
SURR-RY	8	8	63
A	9	9	62
B	10	10	A
TUNER-MUTE	11	11	B
NORMAL	12	12	55
WIDE	13	13	54
CENTER CONT	14	14	68
PROLOGIC2/3/4CH	15	15	69
TEST-TONE-B	16	16	70
TEST-TONE-A	17	17	71
TEST-TONE-E	18	18	72
TEST-TONE-E	19	19	72
A.CE	20	20	12
AUTO-STOP	21	21	13
S.LAT	22	22	20
S.BATA	23	23	18
S.CLK	24	24	19
BD	25	25	73
B.LAT	26	26	22
STERED	27	27	14
F.MUTE	28	28	52
+5.6V	29	29	
GNB	30	30	

GNB	7	37	
VOL.LEB (+)	6	34	R220 270
VOL.LEB (-)	5	35	
VOL.UP	4	36	
VOL.BDN	3	37	
-20BB	2	37	49
BFB	1	38	50



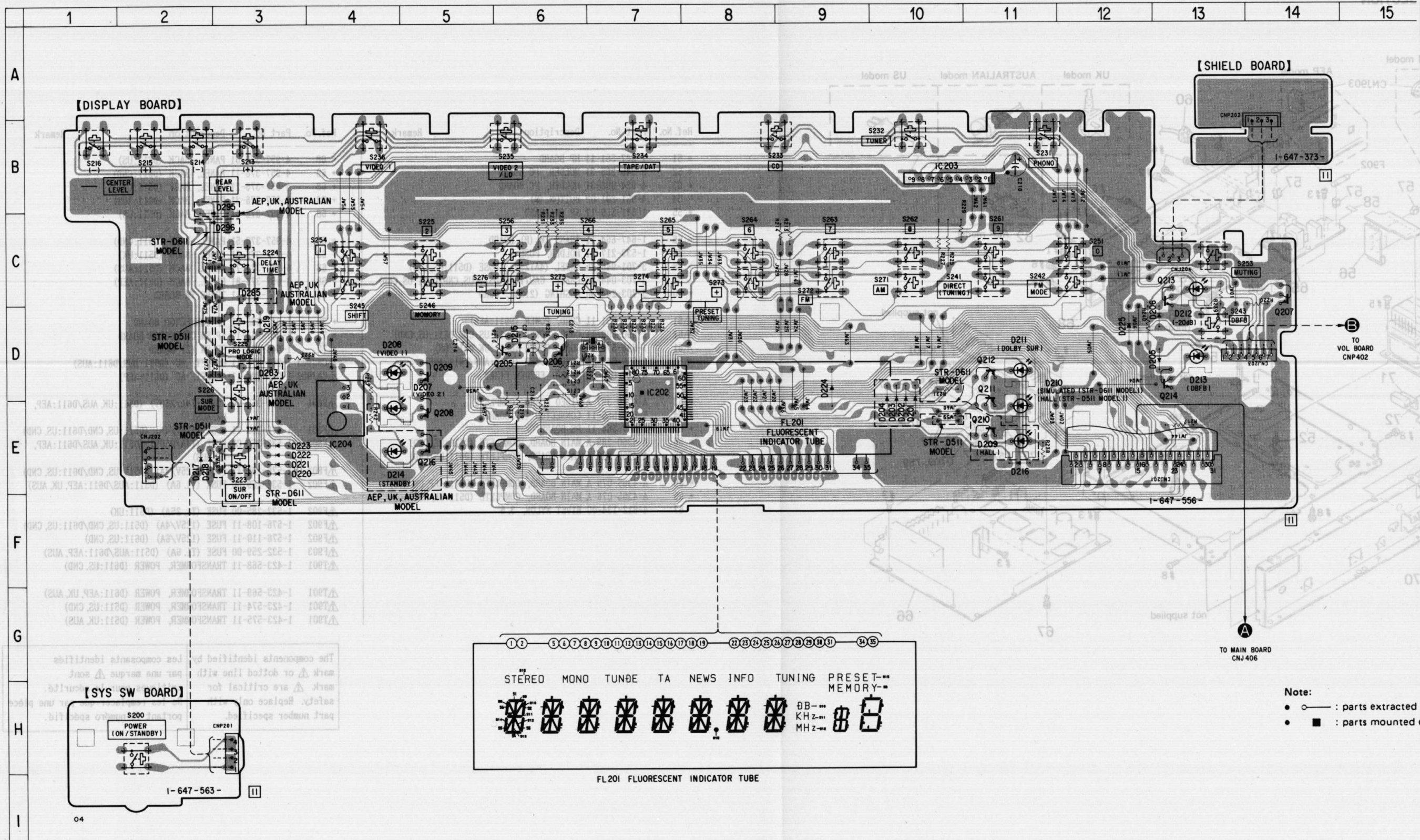
- Note:**
- All capacitors are in μF unless otherwise noted. pF : μM F 50WV or less are not indicated except for electrolytics and tantalums.
 - All resistors are in Ω and $\frac{1}{2}\text{W}$ or less unless otherwise specified.
 - Voltage is dc with respect to ground under no-signal conditions.
 - no mark: PHONO
 - Voltagers are taken with a VOM (Input Impedance 10M Ω). Voltage variations may be noted due to normal production tolerances.

Abbreviation
AU: Australian model

Note:
The component identifier by the number in the box is not intended to be a replacement for the original component. It is a reference only. The number in the box is not intended to be a replacement for the original component. It is a reference only.

SECTION 3
EXPLODED VIEWS

2-6. PRINTED WIRING BOARDS—DISPLAY SECTION—

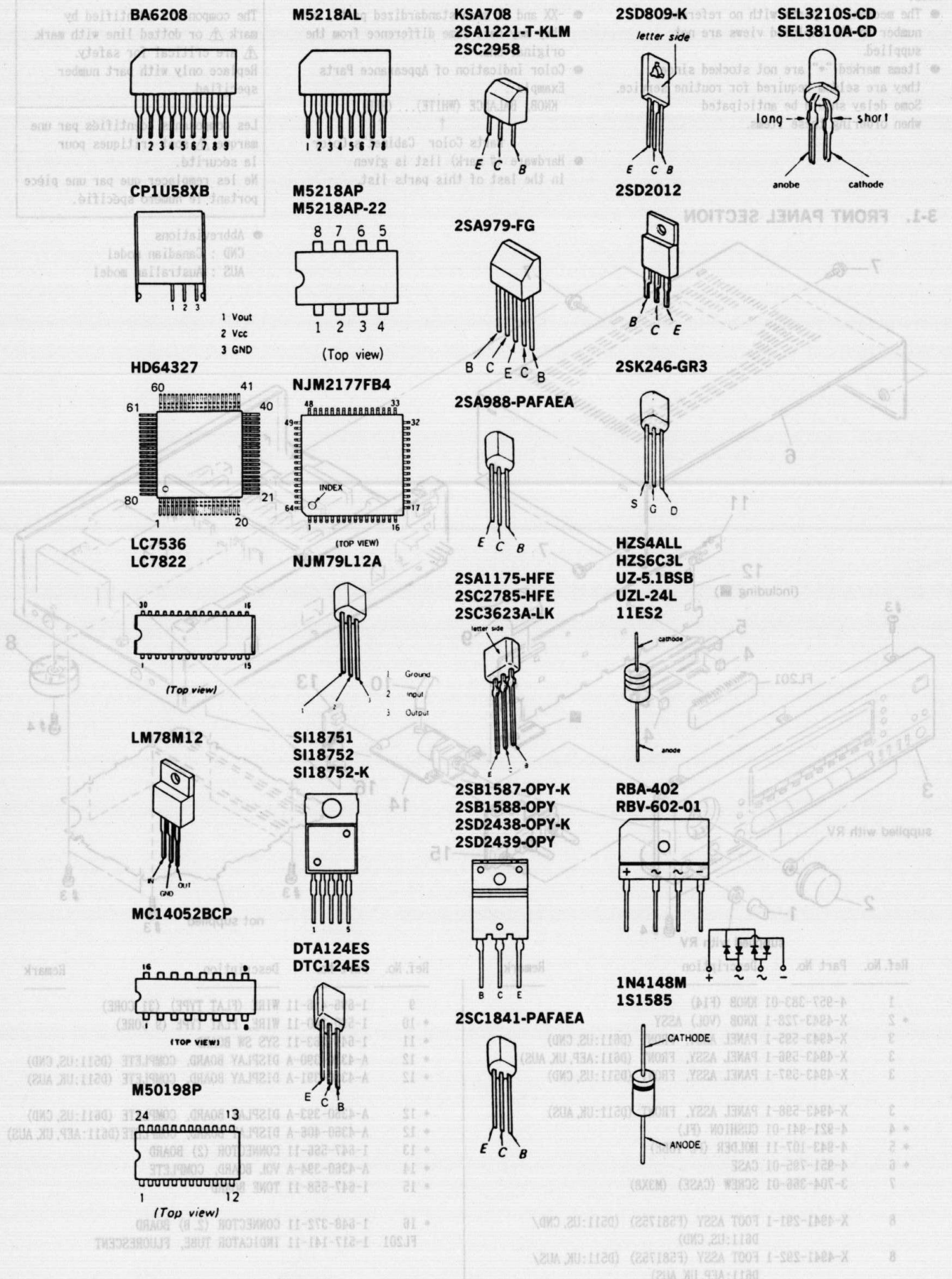


• Semiconductor Location

Ref. No.	Location
D201	E-10
D202	E-10
D203	E-10
D204	E-10
D205	D-13
D206	D-13
D207	D-5
D208	D-4
D209	E-11
D210	E-11
D211	D-11
D212	C-13
D213	D-13
D214	E-4
D215	D-6
D216	E-11
D217	E-2
D218	E-2
D219	D-3
D220	E-3
D221	E-3
D222	E-3
D223	E-3
D224	D-9
D225	D-12
D283	D-3
D285	C-3
D295	B-3
D296	C-3
IC202	D-7
IC203	B-10
IC204	E-4
Q205	D-6
Q206	D-6
Q207	C-14
Q208	E-5
Q209	D-5
Q210	E-11
Q211	D-11
Q212	D-11
Q213	C-13
Q214	E-4
Q216	E-5

Note:
 ● ○ : parts extracted from the component side.
 ● ■ : parts mounted on the conductor side.

2-7. SEMICONDUCTOR LEAD LAYOUTS



SECTION 4 ELECTRICAL PARTS LIST

CONNECTOR (1)

CONNECTOR (2)

CONNECTOR (2. B)

DISPLAY

NOTE:

- Due to standardization, replacements in the parts list may be different from the parts specified in the diagrams or the components used on the set.
- -XX and -X mean standardized parts, so they may have some difference from the original one.
- RESISTORS
All resistors are in ohms.
METAL: Metal-film resistor.
METAL OXIDE: Metal oxide-film resistor.
F: nonflammable

- Items marked "*" are not stocked since they are seldom required for routine service. Some delay should be anticipated when ordering these items.
- SEMICONDUCTORS
In each case, u: μ , for example:
uA ..: μ A. uPA..: μ PA.
uPB..: μ PB. uPC..: μ PC. uPD..: μ PD.
- CAPACITORS
uF: μ F
- COILS
uH: μ H

The components identified by mark Δ or dotted line with mark Δ are critical for safety. Replace only with part number specified.

Les composants identifiés par une marque Δ sont critiques pour la sécurité. Ne les remplacer que par une pièce portant le numéro spécifié.

- Abbreviations
CND : Canadian model
AUS : Australian model

When indicating parts by reference number, please include the board.

Ref. No.	Part No.	Description	Remark
*	1-647-565-11	CONNECTOR (1) BOARD ***** < CONNECTOR >	
* CNJ801	1-565-480-11	CONNECTOR, BOARD TO BOARD 4P	
* CNJ802	1-565-480-11	CONNECTOR, BOARD TO BOARD 4P	

*	1-647-566-11	CONNECTOR (2) BOARD ***** < CONNECTOR >	
CNP404	1-750-384-11	CONNECTOR, BOARD TO BOARD 11P	

*	1-648-372-11	CONNECTOR (2. B) BOARD ***** < CONNECTOR >	
CNJ402	1-750-383-11	CONNECTOR, BOARD TO BOARD 11P	

*	A-4360-390-A	DISPLAY BOARD, COMPLETE (D511:US, CND)	
*	A-4360-391-A	DISPLAY BOARD, COMPLETE (D511:UK, AUS)	
*	A-4360-393-A	DISPLAY BOARD, COMPLETE (D611:US, CND)	
*	A-4360-406-A	DISPLAY BOARD, COMPLETE (D611:AEP, UK, AUS)	

*	4-921-941-01	CUSHION (FL)	
*	4-942-204-01	PLATE, GROUND	
*	4-943-107-11	HOLDER (FL TUBE)	
< CAPACITOR >			
C210	1-126-096-11	ELECT 10uF 20%	35V
C211	1-124-465-00	ELECT 0.47uF 20%	50V
C212	1-164-159-11	CERAMIC 0.1uF	50V
C213	1-164-159-11	CERAMIC 0.1uF	50V
C214	1-125-486-11	DOUBLE LAYERS 0.22F	5.5V
C215	1-164-159-11	CERAMIC 0.1uF	50V
C216	1-162-294-31	CERAMIC 0.001uF 10%	50V

Ref. No.	Part No.	Description	Remark
< CONNECTOR >			
* CNJ201	1-568-873-11	SOCKET, CONNECTOR 31P	
* CNJ202	1-565-480-11	CONNECTOR, BOARD TO BOARD 4P	
* CNJ203	1-566-969-11	HOUSING, CONNECTOR(PC BOARD) 7P	
CNJ204	1-691-173-11	CONNECTOR (BOARD TO BOARD) 3P	
CNP202	1-691-160-11	PIN, CONNECTOR 3P	
CNP403	1-750-384-11	CONNECTOR, BOARD TO BOARD 11P (D511:US, CND/D611)	
* CNP903	1-580-230-11	PIN, CONNECTOR (PC BOARD) 3P (D511:AUS/D611:AEP, AUS)	
< DIODE >			
D201-204			
	8-719-987-63	DIODE 1N4148M (D611)	
D205	8-719-987-63	DIODE 1N4148M	
D206	8-719-987-63	DIODE 1N4148M	
D207	8-719-313-72	LED SEL3810A-CD (VIDEO 2)	
D208	8-719-313-72	LED SEL3810A-CD (VIDEO 1)	
D209	8-719-313-72	LED SEL3810A-CD (HALL)	
D210	8-719-313-72	LED SEL3810A-CD (SIMULATED/HALL) (D511:UK, AUS/D611)	
D211	8-719-313-72	LED SEL3810A-CD (DOLBY SUR)	
D212	8-719-313-72	LED SEL3810A-CD (-20dB)	
D213	8-719-313-72	LED SEL3810A-CD (DBFB)	
D214	8-719-313-69	DIODE SEL3210S-CD (STANDBY) (D511:UK, AUS/D611:AEP, UK, AUS)	
D215-225			
	8-719-987-63	DIODE 1N4148M	
D283	8-719-987-63	DIODE 1N4148M (D511:UK, AUS/D611:AEP, UK, AUS)	
D285	8-719-987-63	DIODE 1N4148M (D511:UK, AUS/D611:AEP, UK, AUS)	
D295	8-719-987-63	DIODE 1N4148M (D511:UK, AUS/D611:AEP, UK, AUS)	
D296	8-719-987-63	DIODE 1N4148M (D611)	
< FLUORESCENT INDICATOR >			
FL201	1-517-141-11	INDICATOR TUBE, FLUORESCENT	

Ref. No.	Part No.	Description	Remark
< IC >			
IC202	8-759-169-77	IC HD64327	
IC203	8-759-962-08	IC BA6208	
IC204	8-749-923-11	IC GPIU58XB	
< TRANSISTOR >			
Q205	8-729-900-63	TRANSISTOR DTA124ES	
Q206-210	8-729-900-36	TRANSISTOR DTC124ES	
Q211	8-729-900-36	TRANSISTOR DTC124ES (D511:UK, AUS/D611)	
Q212-214	8-729-900-36	TRANSISTOR DTC124ES	
Q216	8-729-900-36	TRANSISTOR DTC124ES (D511:UK, AUS/D611:AEP, UK, AUS)	
< RESISTOR >			
R210	1-249-401-11	CARBON 47 5% 1/4W	
R211-214	1-249-441-11	CARBON 100K 5% 1/4W	
R216	1-249-429-11	CARBON 10K 5% 1/4W	
R217	1-249-433-11	CARBON 22K 5% 1/4W	
R218	1-249-433-11	CARBON 22K 5% 1/4W	
R219	1-249-441-11	CARBON 100K 5% 1/4W	
R220	1-249-410-11	CARBON 270 5% 1/4W	
R221	1-249-429-11	CARBON 10K 5% 1/4W	
R222	1-247-903-00	CARBON 1M 5% 1/4W	
R223-225	1-249-433-11	CARBON 22K 5% 1/4W	
R226	1-249-411-11	CARBON 330 5% 1/4W	
R227	1-249-433-11	CARBON 22K 5% 1/4W	
R228	1-249-411-11	CARBON 330 5% 1/4W	
R229	1-249-433-11	CARBON 22K 5% 1/4W	
R230	1-249-411-11	CARBON 330 5% 1/4W	
R231	1-249-433-11	CARBON 22K 5% 1/4W	
R232	1-249-411-11	CARBON 330 5% 1/4W	
R233	1-249-433-11	CARBON 22K 5% 1/4W	
R234	1-249-411-11	CARBON 330 5% 1/4W	
R235	1-249-433-11	CARBON 22K 5% 1/4W	
R236	1-249-411-11	CARBON 330 5% 1/4W	
R237	1-249-412-11	CARBON 390 5% 1/4W	
R238	1-249-413-11	CARBON 470 5% 1/4W	
R239	1-249-412-11	CARBON 390 5% 1/4W	
R240	1-249-412-11	CARBON 390 5% 1/4W	
R242	1-249-412-11	CARBON 390 5% 1/4W F (D511:UK, AUS/D611:AEP, UK, AUS)	
< SWITCH >			
S213	1-554-303-21	SWITCH, TACTILE (+ (REAR LEVEL))	
S214	1-554-303-21	SWITCH, TACTILE (- (REAR LEVEL))	

Ref. No.	Part No.	Description	Remark
S215	1-554-303-21	SWITCH, TACTILE (+ (CENTER LEVEL))	
S216	1-554-303-21	SWITCH, TACTILE (- (CENTER LEVEL))	
S223	1-554-303-21	SWITCH, TACTILE (SUR ON/OFF) (D611)	
S224	1-554-303-21	SWITCH, TACTILE (DELAY TIME)	
S225	1-554-303-21	SWITCH, TACTILE (PRO LOGIC MODE)	
S226	1-554-303-21	SWITCH, TACTILE (SUR MODE)	
S231	1-554-303-21	SWITCH, TACTILE (PHONO)	
S232	1-554-303-21	SWITCH, TACTILE (TUNER)	
S233	1-554-303-21	SWITCH, TACTILE (CD)	
S234	1-554-303-21	SWITCH, TACTILE (TAPE/DAT)	
S235	1-554-303-21	SWITCH, TACTILE (VIDEO 2/LD)	
S236	1-554-303-21	SWITCH, TACTILE (VIDEO 1)	
S241	1-554-303-21	SWITCH, TACTILE (DIRECT TUNING)	
S242	1-554-303-21	SWITCH, TACTILE (FM MODE)	
S243	1-554-303-21	SWITCH, TACTILE (DBFB)	
S245	1-554-303-21	SWITCH, TACTILE (SHIFT)	
S246	1-554-303-21	SWITCH, TACTILE (MEMORY)	
S251	1-554-303-21	SWITCH, TACTILE (0)	
S253	1-554-303-21	SWITCH, TACTILE (MUTING)	
S254	1-554-303-21	SWITCH, TACTILE (1)	
S255	1-554-303-21	SWITCH, TACTILE (2)	
S256	1-554-303-21	SWITCH, TACTILE (3)	
S261	1-554-303-21	SWITCH, TACTILE (9)	
S262	1-554-303-21	SWITCH, TACTILE (8)	
S263	1-554-303-21	SWITCH, TACTILE (7)	
S264	1-554-303-21	SWITCH, TACTILE (6)	
S265	1-554-303-21	SWITCH, TACTILE (5)	
S266	1-554-303-21	SWITCH, TACTILE (4)	
S271	1-554-303-21	SWITCH, TACTILE (AM)	
S272	1-554-303-21	SWITCH, TACTILE (FM)	
S273	1-554-303-21	SWITCH, TACTILE (+ (RESET TUNING))	
S274	1-554-303-21	SWITCH, TACTILE (- (RESET TUNING))	
S275	1-554-303-21	SWITCH, TACTILE (+ (TUNING))	
S276	1-554-303-21	SWITCH, TACTILE (- (TUNING))	
< VIBRATOR >			
X201	1-579-952-21	VIBRATOR, CERAMIC (8MHz)	

*	1-647-561-11	HP BOARD	

< JACK >			
J741	1-568-151-11	JACK (LARGE TYPE) (HEAD PHONES)	
< RESISTOR >			
R741	1-247-753-11	CARBON 1.2K 5% 1/2W	
R742	1-247-753-11	CARBON 1.2K 5% 1/2W	
R791	1-247-753-11	CARBON 1.2K 5% 1/2W	

Ref. No.	Part No.	Description	Remark
R792	1-247-753-11	CARBON 1.2K 5% 1/2W	

*	1-647-663-11	HP CONNECTOR BOARD	

< CONNECTOR >			
CNP704	1-691-160-11	PIN, CONNECTOR 3P	

*	A-4360-389-A	MAIN BOARD, COMPLETE (D511:US, CND)	
*	A-4360-392-A	MAIN BOARD, COMPLETE (D611:US, CND)	
*	A-4365-075-A	MAIN BOARD, COMPLETE (D611:AEP, UK, AUS)	
*	A-4365-076-A	MAIN BOARD, COMPLETE (D511:UK, AUS)	

4-812-134-00	RIVET NYLON, 3.5		
* 4-942-204-01	PLATE, GROUND (D511:US, CND/D611:US, CND)		
7-685-647-71	SCREW +BVTP 3X10 TYPE2 IT-3		
7-682-548-04	SCREW +BVTT 3X8 (S)		
< CAPACITOR >			
C301	1-164-159-11	CERAMIC 0.1uF 50V	
C302	1-137-378-11	FILM 0.22uF 5% 50V	
C303	1-124-927-11	ELECT 4.7uF 20% 100V	
C304	1-124-927-11	ELECT 4.7uF 20% 100V	
C305-307	1-137-378-11	FILM 0.22uF 5% 50V	
C308	1-136-175-00	FILM 0.68uF 5% 50V	
C309	1-137-368-11	FILM 0.0047uF 5% 50V	
C310	1-164-081-11	CERAMIC 470PF 10% 50V	
C311	1-137-459-91	FILM 0.0056uF 5% 100V	
C312	1-137-443-11	FILM 0.056uF 5% 50V	
C313	1-126-176-11	ELECT 220uF 20% 10V	
C314	1-137-459-91	FILM 0.0056uF 5% 100V	
C315	1-126-101-11	ELECT 100uF 20% 16V	
C316	1-137-378-11	FILM 0.22uF 5% 50V	
C317	1-124-907-11	ELECT 10uF 20% 50V	
C318-320	1-164-159-11	CERAMIC 0.1uF 50V	
C321	1-137-372-11	FILM 0.022uF 5% 50V	
C322	1-137-372-11	FILM 0.022uF 5% 50V	
C323	1-137-399-11	FILM 0.1uF 5% 50V	
C324	1-137-399-11	FILM 0.1uF 5% 50V	
C325	1-164-083-11	CERAMIC 680PF 10% 50V	
C326	1-137-374-11	FILM 0.047uF 5% 50V	
C327	1-137-399-11	FILM 0.1uF 5% 50V	
C328	1-137-399-11	FILM 0.1uF 5% 50V	
C329	1-164-083-11	CERAMIC 680PF 10% 50V	
C330	1-137-374-11	FILM 0.047uF 5% 50V	
C331	1-124-907-11	ELECT 10uF 20% 50V	

Ref. No.	Part No.	Description	Remark
C332	1-124-477-11	ELECT 47uF 20% 25V	
C333	1-137-368-11	FILM 0.0047uF 5% 50V	
C334	1-124-916-11	ELECT 22uF 20% 63V	
C335	1-124-907-11	ELECT 10uF 20% 50V	
C336	1-124-927-11	ELECT 4.7uF 20% 100V	
C337	1-124-443-00	ELECT 100uF 20% 10V	
C338	1-164-082-11	CERAMIC 560PF 10% 50V	
C339	1-137-399-11	FILM 0.1uF 5% 50V	
C340	1-124-126-00	ELECT 47uF 20% 10V	
C341-343	1-137-399-11	FILM 0.1uF 5% 50V	
C344	1-137-459-91	FILM 0.0056uF 5% 100V	
C345	1-164-082-11	CERAMIC 560PF 10% 50V	
C346	1-124-927-11	ELECT 4.7uF 20% 100V	
C347	1-124-927-11	ELECT 4.7uF 20% 100V (D611)	
C348	1-124-927-11	ELECT 4.7uF 20% 100V (D611)	
C349-352	1-124-927-11	ELECT 4.7uF 20% 100V	
C353	1-164-159-11	CERAMIC 0.1uF 50V	
C354	1-124-927-11	ELECT 4.7uF 20% 100V	
C355	1-124-927-11	ELECT 4.7uF 20% 100V	
C358	1-124-927-11	ELECT 4.7uF 20% 100V	
C359	1-124-927-11	ELECT 4.7uF 20% 100V	
C360	1-124-927-11	ELECT 4.7uF 20% 100V (D611)	
C361	1-164-159-11	CERAMIC 0.1uF 50V	
C362	1-164-159-11	CERAMIC 0.1uF 50V	
C363	1-124-907-11	ELECT 10uF 20% 50V (D611)	
C364	1-162-291-31	CERAMIC 560PF 10% 50V	
C401	1-162-283-31	CERAMIC 120PF 10% 50V	
C402	1-123-382-00	ELECT 3.3uF 20% 100V	
C403	1-124-477-11	ELECT 47uF 20% 25V	
C405	1-137-459-91	FILM 0.0056uF 5% 100V	
C406	1-164-159-11	CERAMIC 0.1uF 50V	
C407	1-137-365-11	FILM 0.0015uF 5% 50V	
C408	1-162-294-31	CERAMIC 0.001uF 10% 50V	
C409	1-123-382-00	ELECT 3.3uF 20% 100V	
C410	1-124-477-11	ELECT 47uF 20% 25V	
C411	1-124-907-11	ELECT 10uF 20% 50V	
C412	1-162-291-31	CERAMIC 560PF 10% 50V	
C413-419	1-164-159-11	CERAMIC 0.1uF 50V	
C451	1-162-283-31	CERAMIC 120PF 10% 50V	
C452	1-123-382-00	ELECT 3.3uF 20% 100V	
C453	1-124-477-11	ELECT 47uF 20% 25V	
C455	1-137-459-91	FILM 0.0056uF 5% 100V	
C457	1-137-365-11	FILM 0.0015uF 5% 50V	

Ref. No.	Part No.	Description	Remark
C459	1-123-382-00	ELECT	3. 3uF 20% 100V
C460	1-124-477-11	ELECT	47uF 20% 25V
C461	1-124-907-11	ELECT	10uF 20% 50V
C601	1-164-077-11	CERAMIC	220PF 10% 50V
C602	1-124-927-11	ELECT	4. 7uF 20% 100V
C603	1-164-070-11	CERAMIC	100PF 5% 50V
C604	1-124-443-00	ELECT	100uF 20% 10V
C605	1-164-039-11	CERAMIC	3PF 0. 25PF 50V
C608	1-137-372-11	FILM	0. 022uF 5% 50V
C610	1-164-159-11	CERAMIC	0. 1uF 50V
C651	1-164-077-11	CERAMIC	220PF 10% 50V
C652	1-124-927-11	ELECT	4. 7uF 20% 100V
C653	1-164-070-11	CERAMIC	100PF 5% 50V
C654	1-124-443-00	ELECT	100uF 20% 10V
C655	1-164-039-11	CERAMIC	3PF 0. 25PF 50V
C658	1-137-372-11	FILM	0. 022uF 5% 50V
C701	1-124-927-11	ELECT	4. 7uF 20% 100V
C702	1-164-077-11	CERAMIC	220PF 10% 50V
C703	1-162-215-31	CERAMIC	47PF 5% 50V
C704	1-126-176-11	ELECT	220uF 20% 10V
C705	1-164-084-11	CERAMIC	820PF 10% 50V
C706	1-124-477-11	ELECT	47uF 20% 25V
C707	1-164-039-11	CERAMIC	3PF 0. 25PF 50V
C708	1-124-477-11	ELECT	47uF 20% 25V
C710	1-161-959-00	CERAMIC	22PF 10% 500V
C711	1-164-159-11	CERAMIC	0. 1uF 50V
C712	1-137-372-11	FILM	0. 022uF 5% 50V
C720	1-124-472-11	ELECT	470uF 20% 10V
C721	1-124-919-51	ELECT	220uF 20% 63V
C722	1-124-919-51	ELECT	220uF 20% 63V
C723	1-124-463-00	ELECT	0. 1uF 20% 50V
C724	1-124-464-11	ELECT	0. 22uF 20% 50V
C751	1-124-927-11	ELECT	4. 7uF 20% 100V
C752	1-164-077-11	CERAMIC	220PF 10% 50V
C753	1-162-215-31	CERAMIC	47PF 5% 50V
C754	1-126-176-11	ELECT	220uF 20% 10V
C755	1-164-084-11	CERAMIC	820PF 10% 50V
C756	1-124-477-11	ELECT	47uF 20% 25V
C757	1-164-039-11	CERAMIC	3PF 0. 25PF 50V
C758	1-124-477-11	ELECT	47uF 20% 25V
C760	1-161-959-00	CERAMIC	22PF 10% 500V
C761	1-164-159-11	CERAMIC	0. 1uF 50V
C762	1-137-372-11	FILM	0. 022uF 5% 50V
C801	1-124-477-11	ELECT	47uF 20% 25V
C802	1-124-477-11	ELECT	47uF 20% 25V
C803	1-128-506-11	ELECT	6800uF 20% 50V (D511)
C803	1-128-591-11	ELECT	6800uF 20% 56V (D611)

Ref. No.	Part No.	Description	Remark
C803	1-128-591-21	ELECT	6800uF 20% 56V (D611)
C804	1-128-506-11	ELECT	6800uF 20% 50V (D511)
C804	1-128-591-11	ELECT	6800uF 20% 56V (D611)
C804	1-128-591-21	ELECT	6800uF 20% 56V (D611)
C805	1-137-418-11	FILM	0. 022uF 10% 100V
C806	1-137-418-11	FILM	0. 022uF 10% 100V
C807	1-124-477-11	ELECT	47uF 20% 25V
C808	1-124-477-11	ELECT	47uF 20% 25V
C811	1-124-563-11	ELECT	2200uF 20% 25V (D511)
C811	1-124-618-11	ELECT	2200uF 20% 35V (D611)
C812	1-124-563-11	ELECT	2200uF 20% 25V (D511)
C812	1-124-618-11	ELECT	2200uF 20% 35V (D611)
C813	1-137-372-11	FILM	0. 022uF 5% 50V
C814	1-137-372-11	FILM	0. 022uF 5% 50V
C815	1-124-464-11	ELECT	0. 22uF 20% 50V
C816	1-124-477-11	ELECT	47uF 20% 25V
C817	1-124-477-11	ELECT	47uF 20% 25V
C818	1-124-903-11	ELECT	1uF 20% 50V
C819	1-124-360-00	ELECT	1000uF 20% 16V
C820	1-161-494-00	CERAMIC	0. 022uF 25V
C821	1-161-494-00	CERAMIC	0. 022uF 25V
< CONNECTOR >			
* CNJ406	1-568-845-11	SOCKET, CONNECTOR	31P
* CNJ701	1-568-828-11	SOCKET, CONNECTOR	9P
CNP405	1-691-161-11	PIN, CONNECTOR	4P
CNP701	1-750-388-11	PIN, CONNECTOR	5P
* CNP706	1-564-674-11	PIN, CONNECTOR	8P
CNP801	1-750-389-11	PIN, CONNECTOR	8P (D511/D611:US,CND)
* CNP801	1-564-795-11	PIN, CONNECTOR (WITH LOCK)	8P (D611:AEP, UK, AUS)
* CNP804	1-565-495-11	CONNECTOR, BOARD TO BOARD	4P
< DIODE >			
D301	8-719-010-38	DIODE	UZ-5. 1BSB
D602	8-719-987-63	DIODE	1N4148M
D701	8-719-933-41	DIODE	HZS6C3L
D702	8-719-987-63	DIODE	1N4148M
D703	8-719-815-85	DIODE	1S1585
D704	8-719-815-85	DIODE	1S1585
D705-709	8-719-987-63	DIODE	1N4148M

Ref. No.	Part No.	Description	Remark
D710	8-719-815-85	DIODE	1S1585
D751	8-719-933-41	DIODE	HZS6C3L
D752	8-719-987-63	DIODE	1N4148M
D753	8-719-815-85	DIODE	1S1585
D801	8-719-002-33	DIODE	UZL-24L
D802	8-719-312-09	DIODE	RBA-402 (D511)
D802	8-719-302-38	DIODE	RBV-602-01 (D611)
D803	8-719-312-09	DIODE	RBA-402
D804	8-719-010-38	DIODE	UZ-5. 1BSB
D807	8-719-985-53	DIODE	HZS4ALL
D808	8-719-933-41	DIODE	HZS6C3L
D809	8-719-933-41	DIODE	HZS6C3L
D810-813	8-719-200-82	DIODE	11ES2
D814	8-719-987-63	DIODE	1N4148M
D815	8-719-987-63	DIODE	1N4148M
< IC >			
IC301	8-759-165-01	IC	NJM2177FB4
IC302	8-759-633-83	IC	M50198P
IC303	8-759-000-48	IC	MC14052BCP (D611)
IC304	8-759-000-48	IC	MC14052BCP (D611)
IC305	8-759-634-51	IC	M5218AP (D611)
IC306	8-759-824-12	IC	LC7536
IC307	8-759-634-50	IC	M5218AL
IC401	8-759-805-14	IC	LC7822
IC402	8-759-636-74	IC	M5218AP-22
IC403	8-759-634-50	IC	M5218AL
IC601	8-759-502-31	IC	SI18751
IC651	8-759-173-97	IC	SI18752-K (D511)
IC651	8-759-502-33	IC	SI18752 (D611)
IC801	8-759-501-47	IC	LM78M12
IC802	8-759-700-69	IC	NJM79L12A
< JACK >			
J401	1-695-188-21	JACK, PIN 4P (PHONO/CD)	
J402	1-580-825-11	JACK, PIN 6P (TAPE/DAT/VIDEO 2/LD)	
J403	1-573-028-21	JACK, PIN 4P (VIDEO 1)	
< COIL >			
L361	1-410-521-11	INDUCTOR	100uH
L601	1-420-872-00	COIL, AIR CORE	
L651	1-420-872-00	COIL, AIR CORE	
L701	1-420-872-00	COIL, AIR CORE	
L751	1-420-872-00	COIL, AIR CORE	
< TRANSISTOR >			
Q301-306	8-729-141-30	TRANSISTOR	2SC3623A-LK
Q307	8-729-119-78	TRANSISTOR	2SC2785-HFE (D611)

Ref. No.	Part No.	Description	Remark
Q308	8-729-119-78	TRANSISTOR	2SC2785-HFE (D611)
Q603	8-729-119-78	TRANSISTOR	2SC2785-HFE
Q701	8-729-620-18	TRANSISTOR	2SA979-FG
Q702	8-729-119-78	TRANSISTOR	2SC2785-HFE
Q703	8-729-140-82	TRANSISTOR	2SA988-PAFAEA
Q704	8-729-119-78	TRANSISTOR	2SC2785-HFE
Q705	8-729-122-13	TRANSISTOR	2SA1221-T-KLM
Q706	8-729-195-82	TRANSISTOR	2SC2958
Q707	8-729-209-15	TRANSISTOR	2SD2012
Q708	8-729-022-08	TRANSISTOR	2SD2438-OPY-K (D511)
Q708	8-729-020-52	TRANSISTOR	2SD2439-OPY (D611)
Q709	8-729-022-07	TRANSISTOR	2SB1587-OPY-K (D511)
Q709	8-729-020-48	TRANSISTOR	2SB1588-OPY (D611)
Q710	8-729-140-82	TRANSISTOR	2SA988-PAFAEA
Q711	8-729-119-78	TRANSISTOR	2SC2785-HFE
Q712	8-729-140-82	TRANSISTOR	2SA988-PAFAEA
Q713	8-729-140-84	TRANSISTOR	2SC1841-PAFAEA
Q714	8-729-119-78	TRANSISTOR	2SC2785-HFE
Q751	8-729-620-18	TRANSISTOR	2SA979-FG
Q752	8-729-119-78	TRANSISTOR	2SC2785-HFE
Q753	8-729-140-82	TRANSISTOR	2SA988-PAFAEA
Q754	8-729-119-78	TRANSISTOR	2SC2785-HFE
Q755	8-729-122-13	TRANSISTOR	2SA1221-T-KLM
Q756	8-729-195-82	TRANSISTOR	2SC2958
Q757	8-729-209-15	TRANSISTOR	2SD2012
Q758	8-729-022-08	TRANSISTOR	2SD2438-OPY-K (D511)
Q758	8-729-020-52	TRANSISTOR	2SD2439-OPY (D611)
Q759	8-729-022-07	TRANSISTOR	2SB1587-OPY-K (D511)
Q759	8-729-020-48	TRANSISTOR	2SB1588-OPY (D611)
Q760	8-729-140-82	TRANSISTOR	2SA988-PAFAEA
Q801	8-729-140-97	TRANSISTOR	KSA708
Q802	8-729-119-78	TRANSISTOR	2SC2785-HFE
Q803	8-729-119-78	TRANSISTOR	2SC2785-HFE
Q804	8-729-119-76	TRANSISTOR	2SA1175-HFE
Q805	8-729-119-76	TRANSISTOR	2SA1175-HFE
Q806	8-729-119-78	TRANSISTOR	2SC2785-HFE
Q807	8-729-180-92	TRANSISTOR	2SD809-K
< RESISTOR >			
R301	1-247-891-00	CARBON	330K 5% 1/4W
R302	1-249-428-11	CARBON	8. 2K 5% 1/4W
R303	1-249-428-11	CARBON	8. 2K 5% 1/4W (D511/D611:AEP, UK, AUS)
R303	1-247-891-00	CARBON	330K 5% 1/4W (D611:US,CND)
R304	1-249-431-11	CARBON	15K 5% 1/4W
R305	1-249-430-11	CARBON	12K 5% 1/4W
R306	1-249-425-11	CARBON	4. 7K 5% 1/4W (D611)

The components identified by mark Δ or dotted line with mark Δ are critical for safety. Replace only with part number specified.

Les composants identifiés par une marque Δ ou une ligne pointillée avec une marque Δ sont critiques pour la sécurité. Ne les remplacer que par une pièce portant le numéro spécifié.

Ref. No.	Part No.	Description	Remark
R307-309	1-249-441-11	CARBON	100K 5% 1/4W
R310	1-249-425-11	CARBON	4.7K 5% 1/4W (D611)
R311	1-249-421-11	CARBON	2.2K 5% 1/4W
R312	1-249-421-11	CARBON	2.2K 5% 1/4W
R313	1-247-852-11	CARBON	7.5K 5% 1/4W
R314	1-249-437-11	CARBON	47K 5% 1/4W
R315	1-249-431-11	CARBON	15K 5% 1/4W
R316	1-247-852-11	CARBON	7.5K 5% 1/4W
R317	1-249-437-11	CARBON	47K 5% 1/4W
R318	1-249-431-11	CARBON	15K 5% 1/4W
R319	1-259-884-11	CARBON	4.7M 5% 1/4W
R320	1-259-884-11	CARBON	4.7M 5% 1/4W
R321	1-249-433-11	CARBON	22K 5% 1/4W
R322	1-249-433-11	CARBON	22K 5% 1/4W
R323	1-249-441-11	CARBON	100K 5% 1/4W
R324	1-249-429-11	CARBON	10K 5% 1/4W
R325-328	1-249-431-11	CARBON	15K 5% 1/4W
R329	1-249-429-11	CARBON	10K 5% 1/4W
R330	1-247-903-00	CARBON	1M 5% 1/4W
R332	1-249-429-11	CARBON	10K 5% 1/4W
R333	1-249-437-11	CARBON	47K 5% 1/4W
R334	1-249-429-11	CARBON	10K 5% 1/4W (D611)
R335	1-249-429-11	CARBON	10K 5% 1/4W (D611)
R336	1-249-433-11	CARBON	22K 5% 1/4W (D611)
R337	1-249-425-11	CARBON	4.7K 5% 1/4W (D611)
R338	1-249-425-11	CARBON	4.7K 5% 1/4W (D611)
R339	1-249-433-11	CARBON	22K 5% 1/4W (D611)
R340	1-249-419-11	CARBON	1.5K 5% 1/4W
R341	1-249-419-11	CARBON	1.5K 5% 1/4W
R342	1-247-887-00	CARBON	220K 5% 1/4W
R343	1-247-887-00	CARBON	220K 5% 1/4W
R344	1-249-429-11	CARBON	10K 5% 1/4W
R345	1-249-429-11	CARBON	10K 5% 1/4W
R346	1-249-433-11	CARBON	22K 5% 1/4W
R347	1-249-433-11	CARBON	22K 5% 1/4W
R348	1-249-423-11	CARBON	3.3K 5% 1/4W
R349	1-249-425-11	CARBON	4.7K 5% 1/4W
R350	1-249-429-11	CARBON	10K 5% 1/4W (D611)
R351	1-247-887-00	CARBON	220K 5% 1/4W (D611)
R352-354	1-249-425-11	CARBON	4.7K 5% 1/4W
R355-358	1-249-433-11	CARBON	22K 5% 1/4W (D611)
R401	1-249-411-11	CARBON	330 5% 1/4W
R402	1-249-425-11	CARBON	4.7K 5% 1/4W
R403-407	1-249-417-11	CARBON	1K 5% 1/4W
R408	1-249-429-11	CARBON	10K 5% 1/4W

Ref. No.	Part No.	Description	Remark
R409	1-249-441-11	CARBON	100K 5% 1/4W
R410	1-249-441-11	CARBON	100K 5% 1/4W
R411	1-249-416-11	CARBON	820 5% 1/4W
R412	1-247-897-11	CARBON	560K 5% 1/4W
R413	1-249-437-11	CARBON	47K 5% 1/4W
R414	1-249-425-11	CARBON	4.7K 5% 1/4W
R415	1-249-409-11	CARBON	220 5% 1/4W
R416	1-249-409-11	CARBON	220 5% 1/4W
R417-420	1-249-441-11	CARBON	100K 5% 1/4W
R423	1-249-441-11	CARBON	100K 5% 1/4W
R424	1-249-426-11	CARBON	5.6K 5% 1/4W
R435	1-249-426-11	CARBON	5.6K 5% 1/4W
R439	1-249-417-11	CARBON	1K 5% 1/4W
R442	1-249-426-11	CARBON	5.6K 5% 1/4W
R443	1-249-426-11	CARBON	5.6K 5% 1/4W
R444	1-249-433-11	CARBON	22K 5% 1/4W
R445	1-249-433-11	CARBON	22K 5% 1/4W
R447	1-249-416-11	CARBON	820 5% 1/4W
R448	1-249-429-11	CARBON	10K 5% 1/4W
R449	1-249-433-11	CARBON	22K 5% 1/4W
R451	1-249-411-11	CARBON	330 5% 1/4W
R452	1-249-425-11	CARBON	4.7K 5% 1/4W
R453-457	1-249-417-11	CARBON	1K 5% 1/4W
R458	1-249-429-11	CARBON	10K 5% 1/4W
R459	1-249-441-11	CARBON	100K 5% 1/4W
R460	1-249-441-11	CARBON	100K 5% 1/4W
R461	1-249-416-11	CARBON	820 5% 1/4W
R462	1-247-897-11	CARBON	560K 5% 1/4W
R463	1-249-437-11	CARBON	47K 5% 1/4W
R465	1-249-409-11	CARBON	220 5% 1/4W
R466	1-249-409-11	CARBON	220 5% 1/4W
R467	1-249-441-11	CARBON	100K 5% 1/4W
R468	1-249-441-11	CARBON	100K 5% 1/4W
R489	1-249-417-11	CARBON	1K 5% 1/4W
R601	1-249-438-11	CARBON	56K 5% 1/4W
R602	1-249-417-11	CARBON	1K 5% 1/4W
R603	1-249-418-11	CARBON	1.2K 5% 1/4W
R604	1-249-438-11	CARBON	56K 5% 1/4W
△R608	1-249-393-11	CARBON	10 5% 1/4W F
△R609	1-249-389-11	CARBON	4.7 5% 1/4W F
R610	1-249-438-11	CARBON	56K 5% 1/4W
R611	1-249-426-11	CARBON	5.6K 5% 1/4W
R612	1-249-410-11	CARBON	270 5% 1/4W
R613	1-249-426-11	CARBON	5.6K 5% 1/4W
R651	1-249-438-11	CARBON	56K 5% 1/4W
R652	1-249-417-11	CARBON	1K 5% 1/4W
R653	1-249-418-11	CARBON	1.2K 5% 1/4W

The components identified by mark △ or dotted line with mark △ are critical for safety. Replace only with part number specified.

Les composants identifiés par une marque △ sont critiques pour la sécurité. Ne les remplacer que par une pièce portant le numéro spécifié.

Ref. No.	Part No.	Description	Remark
R654	1-249-438-11	CARBON	56K 5% 1/4W
△R658	1-249-393-11	CARBON	10 5% 1/4W F
△R659	1-249-389-11	CARBON	4.7 5% 1/4W F
R660	1-249-437-11	CARBON	47K 5% 1/4W
R701	1-249-417-11	CARBON	1K 5% 1/4W
R702	1-249-435-11	CARBON	33K 5% 1/4W
R703	1-249-411-11	CARBON	330 5% 1/4W (D511)
R703	1-249-409-11	CARBON	220 5% 1/4W (D611)
R704	1-249-434-11	CARBON	27K 5% 1/4W
R705	1-249-415-11	CARBON	680 5% 1/4W
△R706	1-249-409-91	CARBON	220 5% 1/4W F
R707	1-249-421-11	CARBON	2.2K 5% 1/4W
R708	1-249-433-11	CARBON	22K 5% 1/4W
△R709	1-249-409-91	CARBON	220 5% 1/4W F
R710	1-249-435-11	CARBON	33K 5% 1/4W
R711	1-249-414-11	CARBON	560 5% 1/4W
R712	1-249-422-11	CARBON	2.7K 5% 1/4W
△R713	1-249-397-11	CARBON	22 5% 1/4W F
R714	1-249-415-11	CARBON	680 5% 1/4W
R715	1-249-409-11	CARBON	220 5% 1/4W
△R716	1-249-397-11	CARBON	22 5% 1/4W F
R717	1-249-428-11	CARBON	8.2K 5% 1/4W
△R718	1-249-393-11	CARBON	10 5% 1/4W F
△R719	1-249-393-11	CARBON	10 5% 1/4W F
△R720	1-208-601-21	WIREWOUND	0.1 10% 2W F
△R721	1-208-601-21	WIREWOUND	0.1 10% 2W F
R722	1-249-417-11	CARBON	1K 5% 1/4W
R723	1-249-431-11	CARBON	15K 5% 1/4W
△R724	1-249-393-11	CARBON	10 5% 1/4W F
△R725	1-249-389-11	CARBON	4.7 5% 1/4W F
R727	1-249-437-11	CARBON	47K 5% 1/4W
R728	1-249-441-11	CARBON	100K 5% 1/4W
△R729	1-249-399-11	CARBON	33 5% 1/4W F
△R730	1-249-399-11	CARBON	33 5% 1/4W F
R731	1-249-429-11	CARBON	10K 5% 1/4W
R732	1-249-417-11	CARBON	1K 5% 1/4W
R733	1-249-435-11	CARBON	33K 5% 1/4W
R734	1-249-427-11	CARBON	6.8K 5% 1/4W
R735	1-249-427-11	CARBON	6.8K 5% 1/4W
R736	1-249-410-11	CARBON	270 5% 1/4W
R737	1-249-429-11	CARBON	10K 5% 1/4W
R740	1-247-903-00	CARBON	1M 5% 1/4W
R751	1-249-417-11	CARBON	1K 5% 1/4W
R752	1-249-435-11	CARBON	33K 5% 1/4W
R753	1-249-411-11	CARBON	330 5% 1/4W (D511)
R753	1-249-409-11	CARBON	220 5% 1/4W (D611)
R754	1-249-434-11	CARBON	27K 5% 1/4W
R755	1-249-415-11	CARBON	680 5% 1/4W
△R756	1-249-409-91	CARBON	220 5% 1/4W F

The components identified by mark △ or dotted line with mark △ are critical for safety. Replace only with part number specified.

Les composants identifiés par une marque △ sont critiques pour la sécurité. Ne les remplacer que par une pièce portant le numéro spécifié.

Ref. No.	Part No.	Description	Remark
R757	1-249-421-11	CARBON	2.2K 5% 1/4W
R758	1-249-433-11	CARBON	22K 5% 1/4W
△R759	1-249-409-91	CARBON	220 5% 1/4W F
R760	1-249-435-11	CARBON	33K 5% 1/4W
R761	1-249-414-11	CARBON	560 5% 1/4W
R762	1-249-422-11	CARBON	2.7K 5% 1/4W
△R763	1-249-397-11	CARBON	22 5% 1/4W F
R764	1-249-415-11	CARBON	680 5% 1/4W
R765	1-249-409-11	CARBON	220 5% 1/4W
△R766	1-249-397-11	CARBON	22 5% 1/4W F
R767	1-249-428-11	CARBON	8.2K 5% 1/4W
△R768	1-249-393-11	CARBON	10 5% 1/4W F
△R769	1-249-393-11	CARBON	10 5% 1/4W F
△R770	1-208-601-21	WIREWOUND	0.1 10% 2W F
△R771	1-208-601-21	WIREWOUND	0.1 10% 2W F
R772	1-249-417-11	CARBON	1K 5% 1/4W
R773	1-249-431-11	CARBON	15K 5% 1/4W
△R774	1-249-393-11	CARBON	10 5% 1/4W F
△R775	1-249-389-11	CARBON	4.7 5% 1/4W F
R777	1-249-438-11	CARBON	56K 5% 1/4W
R778	1-249-441-11	CARBON	100K 5% 1/4W
R801	1-249-423-11	CARBON	3.3K 5% 1/4W
△R802	1-249-399-11	CARBON	33 5% 1/4W F
△R805	1-216-446-00	METAL OXIDE (D611)	18 5% 2W F
R806	1-249-425-11	CARBON	4.7K 5% 1/4W
R807	1-249-437-11	CARBON	47K 5% 1/4W
△R808	1-249-405-11	CARBON	100 5% 1/4W F (D611)
R811	1-249-417-11	CARBON	1K 5% 1/4W
R812	1-249-426-11	CARBON	5.6K 5% 1/4W
R813	1-249-426-11	CARBON	5.6K 5% 1/4W
R814	1-249-429-11	CARBON	10K 5% 1/4W
R815	1-249-429-11	CARBON	10K 5% 1/4W
R816	1-249-417-11	CARBON	1K 5% 1/4W
R817	1-249-429-11	CARBON	10K 5% 1/4W
△R818	1-249-395-11	CARBON	15 5% 1/4W F
R819	1-249-423-11	CARBON	3.3K 5% 1/4W
R820	1-249-437-11	CARBON	47K 5% 1/4W
< RELAY >			
RY601	1-515-616-11	RELAY (D511)	
RY601	1-515-533-11	RELAY (D611)	
RY701	1-515-616-11	RELAY (D511)	
RY701	1-515-533-11	RELAY (D611)	
< TERMINAL >			
TM001	1-537-240-51	TERMINAL BOARD (CHECKER PIN) (ANTENNA)	

The components identified by mark △ or dotted line with mark △ are critical for safety. Replace only with part number specified.

Les composants identifiés par une marque △ sont critiques pour la sécurité. Ne les remplacer que par une pièce portant le numéro spécifié.

MAIN PS SP SW SP SW CONNECTOR SP SW (2) SYS SW TONE

TONE TRANS TM (B) TRANS TM VIDEO VOL

Table with columns: Ref. No., Part No., Description, Remark. Includes items like TM601 1-537-510-11 TERMINAL BOARD (SPEAKER) (6P) (SURROUND SPEAKERS), TU001 1-239-561-11 ENCAPSULATED COMPONENT (FCC) (D511:US, CND/D611:US, CND), X301 1-567-818-21 VIBRATOR, CERAMIC, C901 1-161-744-00 CERAMIC 0.01uF 400V, CNJ902 1-540-057-11 OUTLET, AC (POLAR) (AC OUTLET) (D511:US, CND/D611:US, CND), D816 8-719-987-63 DIODE 1N4148M, R901 1-202-725-00 SOLID 3.3M 10% 1/2W (D511:US, CND/D611:US, CND), and AT902 1-450-358-11 TRANSFORMER, POWER (D511:UK, AUS/D611:AEP, UK, AUS).

Table with columns: Ref. No., Part No., Description, Remark. Includes items like * 1-647-559-11 SP SW BOARD, CNJ702 1-691-173-11 CONNECTOR (BOARD TO BOARD) 3P, S701 1-571-854-21 SWITCH, PUSH (2 KEY) (SPEAKERS), * 1-647-661-11 SP SW CONNECTOR BOARD, CNJ703 1-750-390-11 SOCKET 5P, * 1-648-184-11 SP SW (2) BOARD, * 1-647-563-11 SYS SW BOARD, * CNP201 1-565-295-11 PLUG, CONNECTOR 4P, S200 1-554-303-21 SWITCH, TACTILE (POWER), * 1-647-558-11 TONE BOARD, C421 1-137-440-11 FILM 0.018uF 5% 50V, C422 1-124-463-00 ELECT 0.1uF 20% 50V, C423 1-137-368-11 FILM 0.0047uF 5% 50V, C424 1-137-372-11 FILM 0.022uF 5% 50V, C471 1-137-440-11 FILM 0.018uF 5% 50V, C472 1-124-463-00 ELECT 0.1uF 20% 50V, C473 1-137-368-11 FILM 0.0047uF 5% 50V, C474 1-137-372-11 FILM 0.022uF 5% 50V, * CNJ405 1-566-968-11 HOUSING, CONNECTOR (PC BOARD) 6P.

Table with columns: Ref. No., Part No., Description, Remark. Includes items like < RESISTOR >, R421 1-249-430-11 CARBON 12K 5% 1/4W, R422 1-249-422-11 CARBON 2.7K 5% 1/4W, R429 1-249-415-11 CARBON 680 5% 1/4W, R437 1-247-903-00 CARBON 1M 5% 1/4W, R440 1-247-903-00 CARBON 1M 5% 1/4W, R471 1-249-430-11 CARBON 12K 5% 1/4W, R472 1-249-422-11 CARBON 2.7K 5% 1/4W, R479 1-249-415-11 CARBON 680 5% 1/4W, R487 1-247-903-00 CARBON 1M 5% 1/4W, R490 1-247-903-00 CARBON 1M 5% 1/4W, RV421 1-223-362-11 RES, VAR, CARBON 100K/100K (BASS), RV422 1-223-363-11 RES, VAR, CARBON 125K/125K (TREBLE), RV423 1-238-965-21 RES, VAR, CARBON 100K/100K (BLANCE), * 1-647-664-11 TRANS TM (B) BOARD, < CONNECTOR >, CNJ803 1-750-391-11 SOCKET 8P, * 1-647-562-11 TRANS TM BOARD, * A-4360-397-A VIDEO BOARD, COMPLETE, < CAPACITOR >, C250-252, C253 1-124-472-11 ELECT 470uF 20% 10V, C254 1-124-472-11 ELECT 470uF 20% 10V, C256 1-124-477-11 ELECT 47uF 20% 25V, C258 1-164-159-11 CERAMIC 0.1uF 50V, C259 1-124-477-11 ELECT 47uF 20% 25V, < CONNECTOR >, * CNJ251 1-691-174-11 CONNECTOR (BOARD TO BOARD) 4P, < IC >, IC251 8-759-000-48 IC MC14052BCP.

Table with columns: Ref. No., Part No., Description, Remark. Includes items like < JACK >, J251 1-695-317-21 JACK, PIN 2P (VIDEO 1/MONITOR), * J252 1-695-317-21 JACK, PIN 2P (VIDEO 1/VIDEO 2/L), < TRANSISTOR >, Q251-262 8-729-119-78 TRANSISTOR 2SC2785-HFE, < RESISTOR >, R251-253, R254 1-249-429-11 CARBON 10K 5% 1/4W, R255 1-249-411-11 CARBON 330 5% 1/4W, R256 1-249-423-11 CARBON 3.3K 5% 1/4W, R257 1-249-422-11 CARBON 2.7K 5% 1/4W, R258 1-249-421-11 CARBON 2.2K 5% 1/4W, R259 1-249-413-11 CARBON 470 5% 1/4W, R260 1-249-435-11 CARBON 33K 5% 1/4W, R261 1-249-430-11 CARBON 12K 5% 1/4W, R262 1-247-804-11 CARBON 75 5% 1/4W, R263 1-249-429-11 CARBON 10K 5% 1/4W, R264 1-249-411-11 CARBON 330 5% 1/4W, R265 1-249-423-11 CARBON 3.3K 5% 1/4W, R266 1-249-422-11 CARBON 2.7K 5% 1/4W, R267 1-249-421-11 CARBON 2.2K 5% 1/4W, R268 1-249-413-11 CARBON 470 5% 1/4W, R269 1-249-433-11 CARBON 22K 5% 1/4W, R270 1-249-433-11 CARBON 22K 5% 1/4W, * A-4360-394-A VOL BOARD, COMPLETE, < CAPACITOR >, C420 1-162-207-31 CERAMIC 22PF 5% 50V, C425 1-126-096-11 ELECT 10uF 20% 35V, C426 1-126-096-11 ELECT 10uF 20% 35V, C427 1-124-252-00 ELECT 0.33uF 20% 50V, C428 1-130-489-00 MYLAR 0.033uF 5% 50V, C429 1-164-070-11 CERAMIC 100PF 5% 50V, C430 1-126-301-11 ELECT 1uF 20% 50V, C431 1-126-301-11 ELECT 1uF 20% 50V, C432 1-126-096-11 ELECT 10uF 20% 35V, C433 1-126-096-11 ELECT 10uF 20% 35V, C470 1-162-207-31 CERAMIC 22PF 5% 50V, C475 1-126-096-11 ELECT 10uF 20% 35V, C476 1-126-096-11 ELECT 10uF 20% 35V, C477 1-124-252-00 ELECT 0.33uF 20% 50V, C478 1-130-489-00 MYLAR 0.033uF 5% 50V.

The components identified by mark Δ or dotted line with mark Δ are critical for safety. Replace only with part number specified.

The components identified by Les composants identifiés par une marque Δ sont critiques pour la sécurité. Ne les remplacer que par une pièce portant le numéro spécifié.

The components identified by mark Δ or dotted line with mark Δ are critical for safety. Replace only with part number specified.

The components identified by mark Δ or dotted line with mark Δ are critical for safety. Replace only with part number specified.

Ref. No.	Part No.	Description	Remark
C479	1-164-070-11	CERAMIC < JACK > 100PF 5% 50V	
CNJ403	1-750-383-11	CONNECTOR, BOARD TO BOARD 11P	
* CNJ404	1-568-828-11	SOCKET, CONNECTOR 9P	
* CNP401	1-566-971-11	PIN, CONNECTOR (PC BOARD) 6P	
* CNP402	1-566-972-11	PIN, CONNECTOR (PC BOARD) 7P	
		< DIODE >	
D421	8-719-987-63	DIODE 1N4148M	
		< IC >	
IC404	8-759-634-51	IC M5218AP	
		< TRANSISTOR >	
Q401	8-729-202-67	TRANSISTOR 2SK246-GR3	
Q402	8-729-141-30	TRANSISTOR 2SC3623A-LK	
Q403	8-729-141-30	TRANSISTOR 2SC3623A-LK	
Q451	8-729-202-67	TRANSISTOR 2SK246-GR3	
Q452	8-729-141-30	TRANSISTOR 2SC3623A-LK	
Q453	8-729-141-30	TRANSISTOR 2SC3623A-LK	
		< RESISTOR >	
R425	1-249-428-11	CARBON 8.2K 5% 1/4W	
R426	1-249-438-11	CARBON 56K 5% 1/4W	
R427	1-249-417-11	CARBON 1K 5% 1/4W	
R428	1-249-425-11	CARBON 4.7K 5% 1/4W	
R430	1-247-887-00	CARBON 220K 5% 1/4W	
R431	1-249-423-11	CARBON 3.3K 5% 1/4W	
R432	1-247-883-00	CARBON 150K 5% 1/4W	
R433	1-249-427-11	CARBON 6.8K 5% 1/4W	
R434	1-249-412-11	CARBON 390 5% 1/4W	
R436	1-249-441-11	CARBON 100K 5% 1/4W	
R438	1-249-441-11	CARBON 100K 5% 1/4W	
R441	1-249-441-11	CARBON 100K 5% 1/4W	
R446	1-249-405-11	CARBON 100 5% 1/4W	
R464	1-247-903-00	CARBON 1M 5% 1/4W	
R469	1-247-903-00	CARBON 1M 5% 1/4W	
R475	1-249-428-11	CARBON 8.2K 5% 1/4W	
R476	1-249-438-11	CARBON 56K 5% 1/4W	
R477	1-249-417-11	CARBON 1K 5% 1/4W	
R478	1-249-425-11	CARBON 4.7K 5% 1/4W	
R480	1-247-887-00	CARBON 220K 5% 1/4W	
R481	1-249-423-11	CARBON 3.3K 5% 1/4W	
R482	1-247-883-00	CARBON 150K 5% 1/4W	
R483	1-249-427-11	CARBON 6.8K 5% 1/4W	
R484	1-249-412-11	CARBON 390 5% 1/4W	
R491	1-249-441-11	CARBON 100K 5% 1/4W	

Ref. No.	Part No.	Description	Remark
R496	1-249-405-11	CARBON RESISTOR 100 5% 1/4W	
		< VARIABLE RESISTOR >	
RV404	1-241-816-11	RES, VAR, CARBON 100KX4 (MASTER VOLUME)	
		MISCELLANEOUS	

9	1-696-456-11	WIRE (FLAT TYPE) (31 CORE)	
* 10	1-590-240-11	WIRE, FLAT TYPE (9 CORE)	
△61	1-575-651-11	CORD, POWER (D611:AEP)	
△61	1-690-609-11	CORD, POWER (D511:US, CND/D611:US, CND)	
△61	1-696-570-21	CORD, POWER (D511:UK/D611:UK)	
△61	1-696-848-21	CORD, POWER (D511:AUS/D611:AUS)	
△CNJ903	1-251-078-11	OUTLET, AC (D511:AUS/D611:AUS)	
△CNJ903	1-526-794-11	OUTLET, AC (D611:AEP)	
△F801	1-532-350-00	FUSE (T4A/250V) (D511:UK, AUS/D611:AEP, UK, AUS)	
△F801	1-576-108-11	FUSE (125V/4A) (D511:US, CND/D611:US, CND)	
△F802	1-532-350-00	FUSE (T4A/250V) (D511:UK, AUS/D611:AEP, UK, AUS)	
△F802	1-576-108-11	FUSE (125V/4A) (D511:US, CND/D611:US, CND)	
△F902	1-532-259-00	FUSE (T1.6A) (D511:AUS/D611:AEP, UK, AUS)	
△F902	1-532-285-00	FUSE (T1.25A) (D511:UK)	
△F902	1-576-108-11	FUSE (125V/4A) (D511:US, CND/D611:US, CND)	
△F902	1-576-110-11	FUSE (125V/6A) (D611:US, CND)	
△F903	1-532-259-00	FUSE (T1.6A) (D511:AUS/D611:AEP, AUS)	
△T901	1-423-568-11	TRANSFORMER, POWER (D611:US, CND)	
△T901	1-423-569-11	TRANSFORMER, POWER (D611:AEP, UK, AUS)	
△T901	1-423-574-11	TRANSFORMER, POWER (D511:US, CND)	
△T901	1-423-575-11	TRANSFORMER, POWER (D511:UK, AUS)	
		< CAPACITOR >	

Ref. No.	Part No.	Description	Remark
		ACCESSORIES & PACKING MATERIALS	

	1-467-035-11	COMMANDER, STANDARD (RM-U232)	
	1-501-374-11	ANTENNA, LOOP	
	3-707-584-21	COVER, BATTERY (For RM-U232)	
	3-756-495-11	MANUAL, INSTRUCTION (ENGLISH, FRENCH, GERMAN, DUTCH) (D611:AEP)	
	3-756-495-21	MANUAL, INSTRUCTION (ENGLISH) (D511/D611:US, CND, UK, AUS)	
	3-756-495-31	MANUAL, INSTRUCTION (FRENCH) (D511:CND/D611:CND)	
	3-756-495-41	MANUAL, INSTRUCTION (SPANISH, SWEDISH, DANISH, FINNISH) (D611:AEP)	
*	4-952-676-01	CUSHION	
*	4-957-603-01	INDIVIDUAL CARTON (D611:US, CND, AUS)	
*	4-957-604-01	INDIVIDUAL CARTON (D611:AEP, UK)	
*	4-957-605-01	INDIVIDUAL CARTON (D511:US, CND, AUS)	
*	4-957-606-01	INDIVIDUAL CARTON (D511:UK)	

HARDWARE LIST			

#1	7-621-849-00	SCREW, TAPPING	
#2	7-682-547-09	SCREW +BVTT 3X6 (S)	
#3	7-682-548-04	SCREW +BVTT 3X8 (S)	
#4	7-682-548-09	SCREW +BVTT 3X8 (S)	
#5	7-682-560-04	SCREW +BVTT 4X6 (S)	
#6	7-685-646-79	SCREW +BTP 3X8 TYPE2 N-S	
#7	7-685-647-71	SCREW +BVTP 3X10 TYPE2 IT-3	
#8	7-685-871-01	SCREW +BVTT 3X6 (S)	

The components identified by mark △ or dotted line with mark △ are critical for safety. Replace only with part number specified.	Les composants identifiés par une marque △ sont critiques pour la sécurité. Ne les remplacer que par une pièce portant le numéro spécifié.
--	--

Part No.	Description	Remark
ACCESSORIES & PACKING MATERIALS		
1-487-032-11	COMMANDER, STANDARD (RM-U232)	
1-501-374-11	ANTENNA LOOP	
3-707-584-21	COVER, BATTERY (607 RM-U232)	
3-758-492-11	MANUAL, INSTRUCTION (ENGLISH/FRENCH/GERMAN/DUTCH) (D611:4EP)	
3-758-492-21	MANUAL, INSTRUCTION (ENGLISH) (D611/D611:US,CND,UK,AUS)	
3-758-492-31	MANUAL, INSTRUCTION (FRENCH) (D611:CND/D611:CND)	
3-758-492-41	MANUAL, INSTRUCTION (SPANISH/SWEDISH/DANISH/FINISH) (D611:4EP)	
4-922-878-01	CUSHION	*
4-927-803-01	INDIVIDUAL CARTON (D611:US,CND,AUS)	*
4-927-804-01	INDIVIDUAL CARTON (D611:4EP,UK)	*
4-927-805-01	INDIVIDUAL CARTON (D611:US,CND,AUS)	*
4-927-808-01	INDIVIDUAL CARTON (D611:UK)	*

HARDWARE LIST

7-821-848-00	SCREW, TAPPING	41
7-882-247-00	SCREW + BATT 3X8 (2)	42
7-882-248-04	SCREW + BATT 3X8 (2)	43
7-882-248-09	SCREW + BATT 3X8 (2)	44
7-882-280-04	SCREW + BATT 4X8 (2)	45
7-882-648-70	SCREW + RTP 3X8 TYPE2 H-2	46
7-882-647-71	SCREW + BATT 3X10 TYPE2 IT-3	47
7-882-871-01	SCREW + BATT 3X8 (2)	48