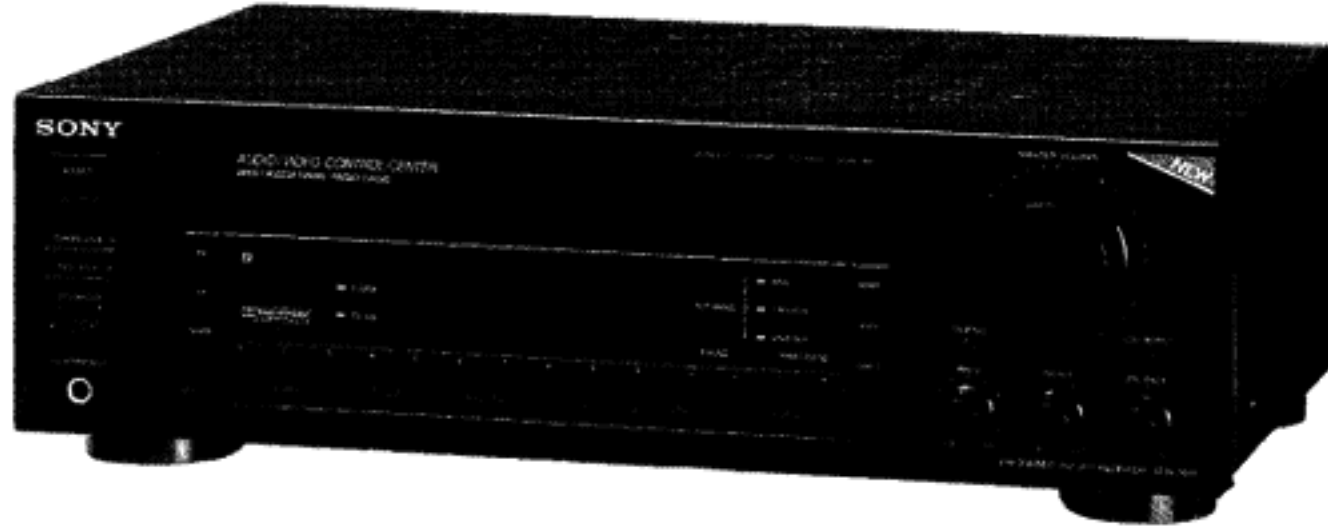


HiFi ENGINE®

For more Hi-Fi manuals and set-up information
please visit www.hifiengine.com

STR-D515/D615

SERVICE MANUAL



This photo is STR-D615.

US Model
Canadian Model
AEP Model
UK Model
Australian Model
 STR-D515/D615
E Model
 STR-D615
Mexican Model
 STR-D515

SPECIFICATIONS

(For US and Canadian models)

Audio Power Specifications

POWER OUTPUT AND TOTAL HARMONIC DISTORTION

With 8-ohm load, both channels driven, from 40 - 20,000 Hz, rated 100 watts (STR-D615) or 70 watts (STR-D515) per channel minimum RMS power, with less than 0.8% total harmonic distortion from 250 milliwatts to rated output.

SUR (surround) MODE (8 ohms, less than 0.8% total harmonic distortion)

	STR-D615	STR-D515
FRONT	70W+70W	70W+70W
CENTER (only in the DOLBY mode)	70W	20W
REAR (PARALLEL USE)	20 W	20W

Other Specifications

Amplifier section

Continuous RMS power output (8 ohms, at 40 Hz - 20 kHz less than 0.8% total harmonic distortion) (FRONT)

STR-D615: 100W+100W

STR-D515: 70W+ 70W

Dynamic power (at 1 kHz IHF) (FRONT)

STR-D615: 140W+140W(8 ohms), 210W+210W(4 ohms)

STR-D515: 75W+ 75W(8 ohms), 140W+140W(4 ohms)

Harmonic distortion

Less than 0.8% at rated output

Frequency response

PHONO: RIAA equalization curve ± 0.5 dB

CD

VIDEO

TAPE

10 Hz - 50 kHz ± 1 dB

Inputs

	Sensitivity	Impedance	S/N (weighting network, input level)
PHONO	2.5 mV	50 kilohms	-75dB -75dB*(A, 2.5mV)
CD	300 mV	50 kilohms	82dB 82dB*(A, 500mV)
VIDEO, TV/LD, TAPE/MD	250mV		

* '78 IHF

Outputs

REC OUT, VIDEO (AUDIO) OUT	Voltage 250mV Impedance 10 kilohms
HEADPHONES	Accepts low and high impedance headphones

Tone controls

BASS: ± 8 dB at 100 Hz

TREBLE: ± 8 dB at 10 kHz

Muting

-20 dB

DBFB

+10 dB at 70 Hz

—Continued on next page—

FM STEREO/FM-AM RECEIVER
SONY®

Video section

INPUT	VIDEO, TV/LD	1 Vp-p 75 ohms
OUTPUT	VIDEO MONITOR	1 Vp-p 75 ohms

Tuner section

	FM tuner section	AM tuner section
Tuning range	87.5 — 108 MHz	530 — 1710 kHz (10 kHz step) 531 — 1602 kHz (9 kHz step)
Antenna terminals	300 ohms, balanced 75 ohms, unbalanced	External antenna terminal
Sensitivity at 50 dB quieting	18.3 dBf, 4.5 μV (mono) 38.3 dBf, 45 μV (stereo)	—
Usable sensitivity	11.2 dBf, 2 μV (IHF)	Loop antenna: 500 μV (at 1,000 kHz)
Signal-to-noise ratio	76 dB (mono) 70 dB (stereo)	54 dB (at 50 mV/m)
Harmonic distortion	0.3% (mono), 0.5% (stereo) at 1 kHz	0.5% (at 50 mV/m, 400 Hz)
Selectivity	60 dB at 400 kHz	40 dB at 10 kHz
Separation	45 dB at 1 kHz	—
Frequency response	30 Hz — 15 kHz +0.5 dB -2	—

General

System

Tuner section: PLL quartz-locked digital synthesizer system
 Preamplifier section: low-noise NF type equalizer amp
 Power amplifier section: pure complementary SEPP

Power requirements

120 V AC, 60 Hz

Power consumption

US model: 186W (STR-D615)
 170W (STR-D515)
 Canadian model: 290VA (STR-D615)
 195W (STR-D515)

AC outlet

One switched (120 W/1A Max.)

Dimensions

Approx. 430 x 135 x 295 mm (w/h/d)
 (17 x 5 3/8 x 11 5/8 inches)
 including projecting parts and controls

Mass

Approx. 7.2kg (16lb 2 oz) (STR-D615)
 Approx. 6.3kg (13lb 15 oz) (STR-D515)

Accessories supplied

FM wire antenna (1)
 AM loop antenna (1)
 Remote Commander RM-U242 (1)
 Sony batteries SUM-3(NS) (2)

Design and specifications are subject to change without notice.

(For AEP, UK, G, E, MX and Australian models)

Amplifier section

Continuous RMS power output (8 ohms (EXCEPT AEP1, G) 4Ω (AEP1, G), at 1 kHz less than 0.8% total harmonic distortion) (FRONT)

STR-D615: 80W+80W (EXCEPT AEP1, G)
 110W+110W (4Ω)(AEP1, G)
 STR-D515: 60W+60W (EXCEPT AEP1, G)
 85W+85W (4Ω)(AEP1, G)

Harmonic distortion

Less than 0.8% at rated output
 SUR (surround) MODE (8 ohms, less than 0.8% total harmonic distortion)

	STR-D615	STR-D515
FRONT	50W+50W (70W+70W)	60W+60W (85W+85W)
CENTER (only in the DOLBY mode)	50W (70W)	20W (20W)
REAR (PARALLEL USE)	20 W	20W

() : AEP1, G

Frequency response

PHONO: RIAA equalization curve ±0.5 dB

CD
 VIDEO
 TAPE } 10 Hz - 50 kHz ±1 dB

Inputs

	Sensitivity	Impedance	S/N (weighting network, input level)
PHONO	2.5 mV	50 kilohms	75dB 75dB*(A, 5.0mV)
CD	300 mV	50 kilohms	82dB 82dB*(A, 500mV)
VIDEO, TV/LD, TAPE/MD	250mV		

* '78 IHF

Outputs

REC OUT, VIDEO (AUDIO) OUT	Voltage 250mV Impedance 10 kilohms
HEADPHONES	Accepts low and high impedance headphones

Tone controls

BASS: ±8 dB at 100 Hz
 TREBLE: ±8 dB at 10 kHz

Muting

-20 dB
 DBFB
 +10 dB at 70 Hz

Video section

INPUT	VIDEO, TV/LD	1 Vp-p 75 ohms
OUTPUT	VIDEO MONITOR	1 Vp-p 75 ohms

Tuner section (EXCEPT MX)

	FM tuner section	AM tuner section
Tuning range	87.5 — 108 MHz	531 — 1,602 kHz
Antenna terminals	300 ohms, balanced 75 ohms, unbalanced	External antenna terminal
Sensitivity at 46 dB quieting	18.3 dBf, 2.25 μ V (mono) 38.3 dBf, 22.5 μ V (stereo)	—
Usable sensitivity	11.2 dBf, 2 μ V (IHF)	Loop antenna: 500 μ V (at 999 kHz)
Signal-to-noise ratio	70 dB (mono) 66 dB (stereo)	54 dB (at 50 mV/m)
Harmonic distortion	0.3% (mono), 0.5% (stereo) at 1 kHz	0.5% (at 50 mV/m, 400 Hz)
Selectivity	60 dB at 400 kHz	30 dB at 9 kHz
Separation	45 dB at 1 kHz	—
Frequency response	30 Hz — 15 kHz +0.5 dB -2	—

Tuner section (MX)

	FM tuner section	AM tuner section
Tuning range	87.5 — 108 MHz	530 — 1710 kHz (10 kHz step) 531 — 1602 kHz (9 kHz step)
Antenna terminals	300 ohms, balanced 75 ohms, unbalanced	External antenna terminal
Sensitivity at 50 dB quieting	18.3 dBf, 4.5 μ V (mono) 38.3 dBf, 45 μ V (stereo)	—
Usable sensitivity	11.2 dBf, 2 μ V (IHF)	Loop antenna: 500 μ V (at 1,000 kHz)
Signal-to-noise ratio	76 dB (mono) 70 dB (stereo)	54 dB (at 50 mV/m)
Harmonic distortion	0.3% (mono), 0.5% (stereo) at 1 kHz	0.5% (at 50 mV/m, 400 Hz)
Selectivity	60 dB at 400 kHz	40 dB at 10 kHz
Separation	45 dB at 1 kHz	—
Frequency response	30 Hz — 15 kHz +0.5 dB -2	—

General

System

Tuner section: PLL quartz-locked digital synthesizer system

Preamplifier section: low-noise NF type equalizer amp

Power amplifier section: pure complementary SEPP

Power requirements

220—230V AC, 50/60Hz (for AEP, G model)

120/220/240V, 50/60Hz (for E model)

240V AC, 50Hz (for Australian model)

240V AC, 50/60Hz (for UK model)

120V AC, 60Hz (for MX model)

Power consumption

165W (EXCEPT AEP1, G)

230V (AEP1, G)

In standby condition: 5 W

AC outlet

One switched (100 W Max.)

Dimensions

Approx. 430 x 135 x 295 mm (w/h/d)

(17 x 5 ³/₈ x 11 ⁵/₈ inches)

including projecting parts and controls

Mass

Approx. 6.9 kg (15 lb 4 oz) (STR-D615)

Approx. 6.4 kg (14 lb 2 oz) (STR-D515)

Accessories supplied

FM wire antenna (1)

AM loop antenna (1)

Remote Commander RM-P342 (1) (EXCEPT MX)

Remote Commander RM-U242 (1) (MX)

Sony batteries SUM-3(NS) (2)

Design and specifications are subject to change without notice.



• Abbreviations

AEP1 : Without recognition mark model


G : German model

MX : Mexican model

SAFETY-RELATED COMPONENT WARNING!!

COMPONENTS IDENTIFIED BY MARK  OR DOTTED LINE WITH MARK  ON THE SCHEMATIC DIAGRAMS AND IN THE PARTS LIST ARE CRITICAL TO SAFE OPERATION. REPLACE THESE COMPONENTS WITH SONY PARTS WHOSE PART NUMBERS APPEAR AS SHOWN IN THIS MANUAL OR IN SUPPLEMENTS PUBLISHED BY SONY.

ATTENTION AU COMPOSANT AYANT RAPPORT À LA SÉCURITÉ!

LES COMPOSANTS IDENTIFIÉS PAR UNE MARQUE  SUR LES DIAGRAMMES SCHÉMATIQUES ET LA LISTE DES PIÈCES SONT CRITIQUES POUR LA SÉCURITÉ DE FONCTIONNEMENT. NE REMPLACER CES COMPOSANTS QUE PAR DES PIÈCES SONY DONT LES NUMÉROS SONT DONNÉS DANS CE MANUEL OU DANS LES SUPPLÉMENTS PUBLIÉS PAR SONY.

SAFETY CHECK-OUT (US Model)

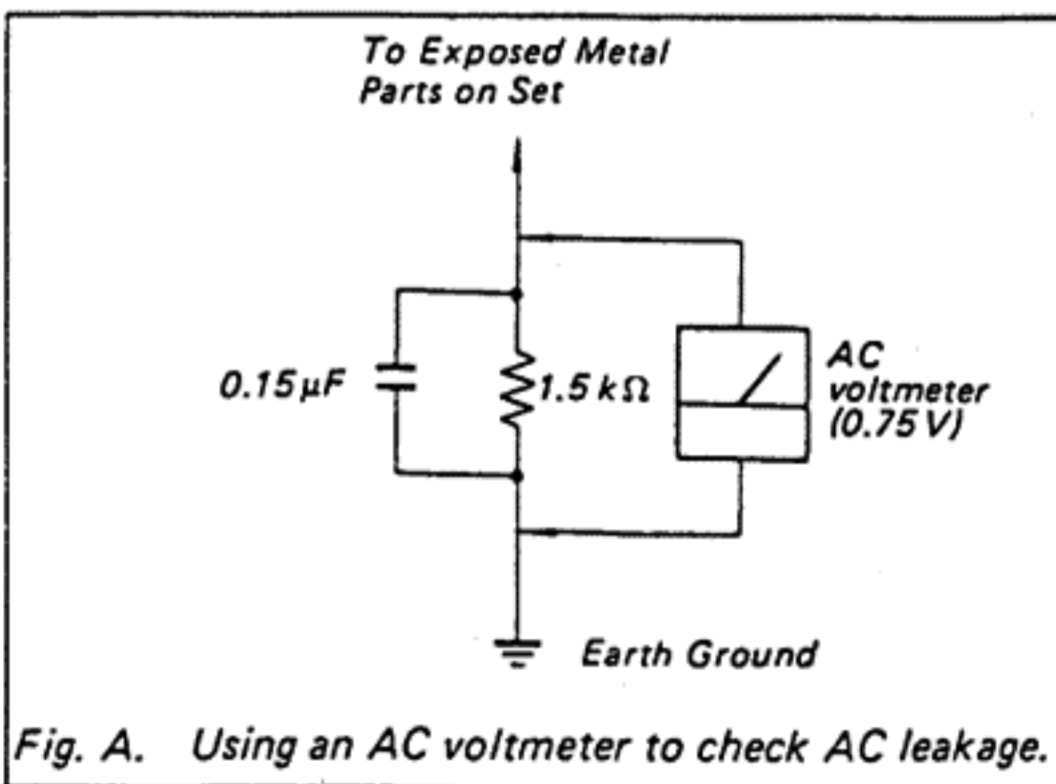
After correcting the original service problem, perform the following safety check before releasing the set to the customer:

Check the antenna terminals, metal trim, "metallized" knobs, screws, and all other exposed metal parts for AC leakage. Check leakage as described below.

LEAKAGE TEST

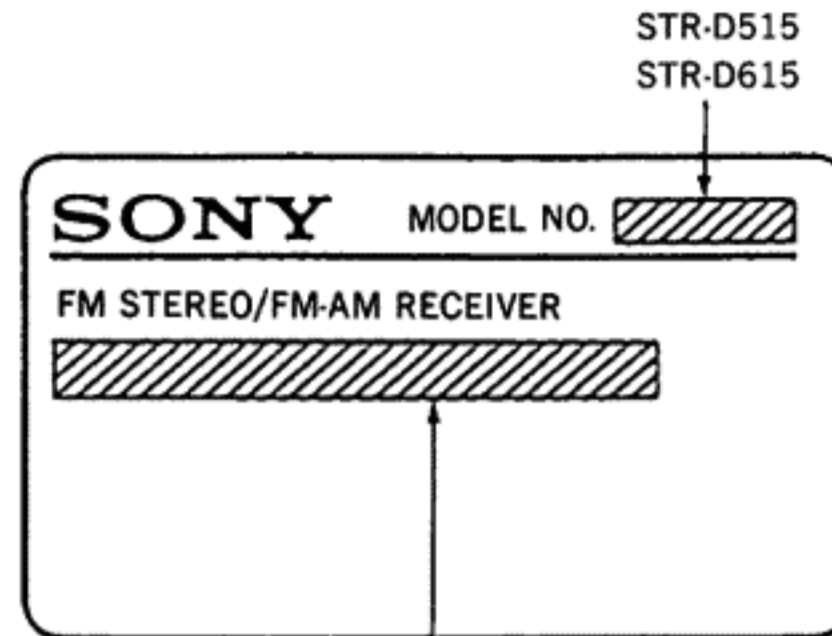
The AC leakage from any exposed metal part to earth ground and from all exposed metal parts to any exposed metal part having a return to chassis, must not exceed 0.5 mA (500 microampers). Leakage current can be measured by any one of three methods.

1. A commercial leakage tester, such as the Simpson 229 or RCA WT-540A. Follow the manufacturers' instructions to use these instruments.
2. A battery-operated AC milliammeter. The Data Precision 245 digital multimeter is suitable for this job.
3. Measuring the voltage drop across a resistor by means of a VOM or battery-operated AC voltmeter. The "limit" indication is 0.75 V, so analog meters must have an accurate low-voltage scale. The Simpson 250 and Sanwa SH-63Trd are examples of a passive VOM that is suitable. Nearly all battery operated digital multimeters that have a 2 V AC range are suitable. (See Fig. A)



MODEL IDENTIFICATION

—Specification Label—



D515 : US model	: AC 120V 60Hz	170W
D615 : US model	: AC 120V 60Hz	186W
D515 : Canadian model	: AC 120V 60Hz	195W
D615 : Canadian model	: AC 120V 60Hz	290VA
Australian model	: AC 240V~50Hz	165W
AEP1, German model	: AC 220—230V~50/60Hz	230W
AEP2 model	: AC 220—230V~50/60Hz	165W
E model	: AC 120/220/240V~50/60Hz	165W
UK model	: AC 240V~50/60Hz	
Mexican model	: ~120V 60Hz	165W

• Abbreviations

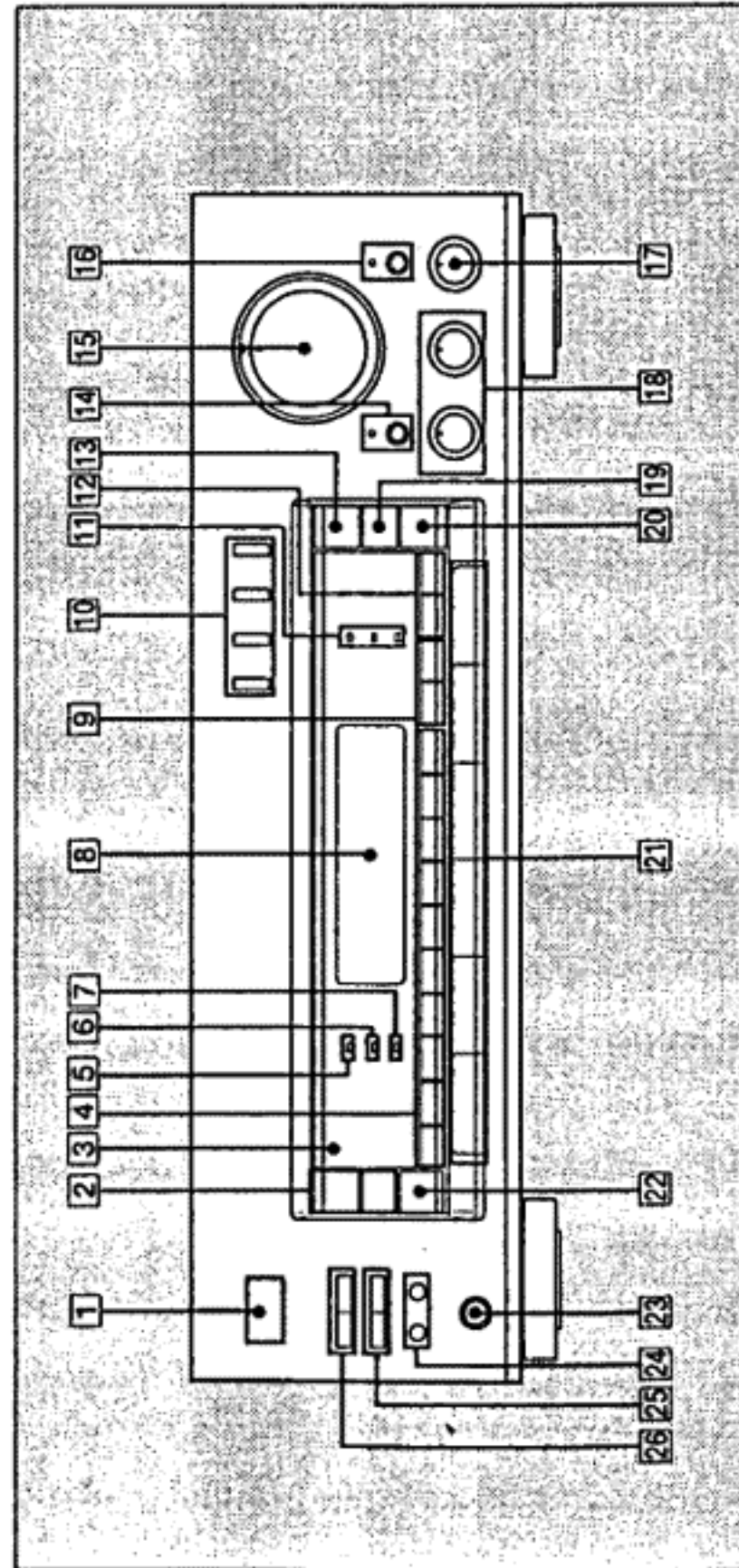
- AEP1 : Without recognition mark model
- AEP2 : With recognition mark model

TABLE OF CONTENTS

<u>Section</u>	<u>Title</u>	<u>Page</u>
1. GENERAL		
•	Identifying the Parts and Controls	5
2. DIAGRAMS		
2-1.	Circuit Boards Location	6
2-2.	Semiconductor Lead Layouts	8
2-3.	Printed Wiring Boards—Main Section (D515)—.....	9
2-4.	Printed Wiring Boards—Main Section (D615)—.....	13
2-5.	Schematic Diagram—Main Section—.....	17
2-6.	Schematic Diagram—Display Section—.....	21
2-7.	Printed Wiring Boards—Display Section—.....	25
3. EXPLODED VIEWS		
3-1.	Front Panel Section	29
3-2.	Chassis Section	30
4. ELECTRICAL PARTS LIST	32

Identifying the Parts and Controls

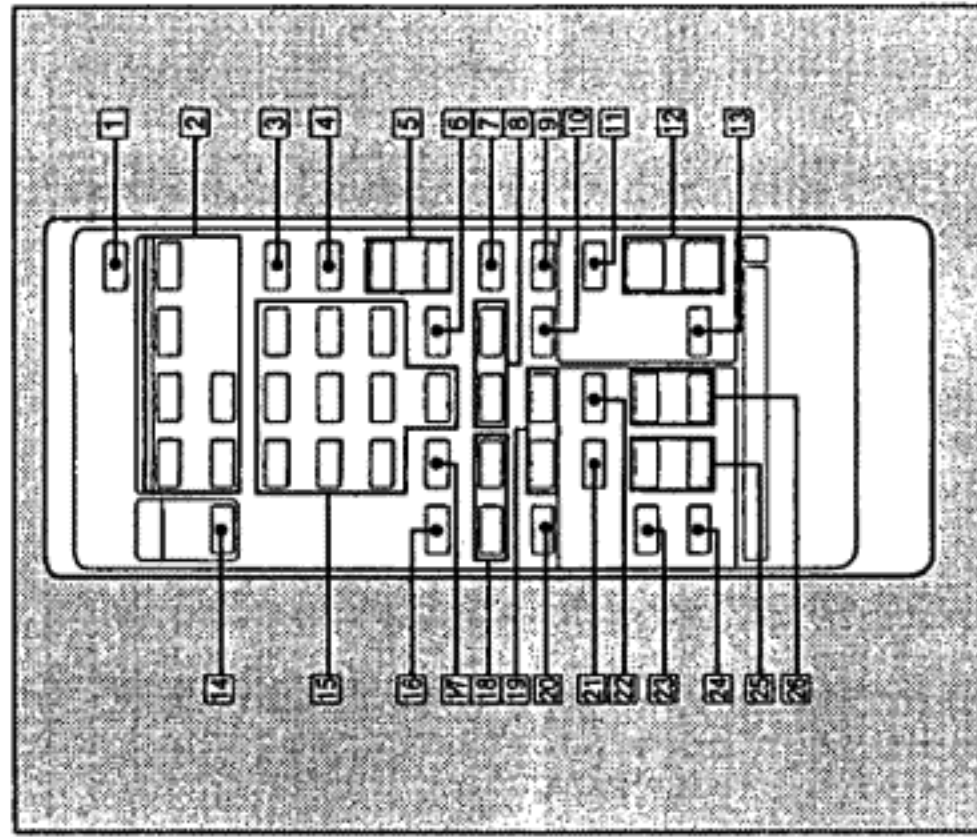
Front Panel



- 1 POWER switch
- 2 FM/AM band selectors (See pages 9 and 10.)
- 3 Remote sensor
- 4 Numeric buttons (See pages 9, 10 and 11.)
- 5 STANDBY indicator
(for U.K. and Australian models only)
The STANDBY indicator lights up when the power cord is connected and the POWER switch is set to off.
- 6 VIDEO indicator
- 7 TV/LD indicator (See page 14.)
- 8 Display window
- 9 TUNING +/- buttons (See page 10.)
- 10 SUR (surround) ON/OFF button
(See pages 15, 17 and 18.)
SUR (surround) MODE button
(See pages 15, 17 and 18.)
CENTER MODE button
(See pages 15, 16 and 17.)
DELAY TIME button (See page 18.)
- 11 SUR (surround) MODE indicators (See page 15.)
- 12 PRESET TUNING +/- buttons (See page 11.)
- 13 MEMORY button (See page 10.)
- 14 MUTING button and indicator (See page 8.)
- 15 MASTER VOLUME control (See page 8.)
- 16 LOW BOOST button and indicator (See page 8.)
- 17 BALANCE control (See page 8.)
- 18 BASS/TREBLE controls (See page 8.)
- 19 SHIFT button (See pages 10 and 11.)
- 20 DIRECT button (See page 9.)
- 21 Function selectors (See page 8.)
- 22 FM MODE button (See page 9.)
- 23 HEADPHONES Jack (See page 8.)
- 24 SPEAKERS A/B buttons (See page 8.)
- 25 REAR LEVEL +/- buttons (See pages 17 and 18.)
- 26 CENTER LEVEL +/- buttons (See pages 17 and 18.)

Identifying the Parts and Controls

Remote Commander (For U.S.A. and Canadian models)



- 1 SYSTEM OFF button (See page 12.)
- 2 SYSTEM CONTROL/FUNCTION TAPE/MD, CD, TUNER, PHONO, VIDEO, TV/LD buttons (See pages 8, 12 and 14.)
- 3 VISUAL POWER button: Turns on/off the power of TV, VTR and LD player. (See page 13.)
- 4 TV/VIDEO selector: Switches the input of TV. (See pages 12 and 13.)
- 5 CH/PRESET +/- buttons (See page 13.)
- 6 RMS/START, ENTER button (See pages 12 and 13.)
- 7 ANT TV/VTR, D (disc) SKIP button (See pages 12 and 13.)
- 8 <1>, <2> button (See pages 12 and 13.)
- 9 <3> button (See pages 12 and 13.)
- 10 <4> button (See pages 12 and 13.)
- 11 LOW BOOST button (See pages 8 and 14.)
- 12 MASTER VOL +/- buttons (See page 8.)
- 13 MUTING button (See page 8.)

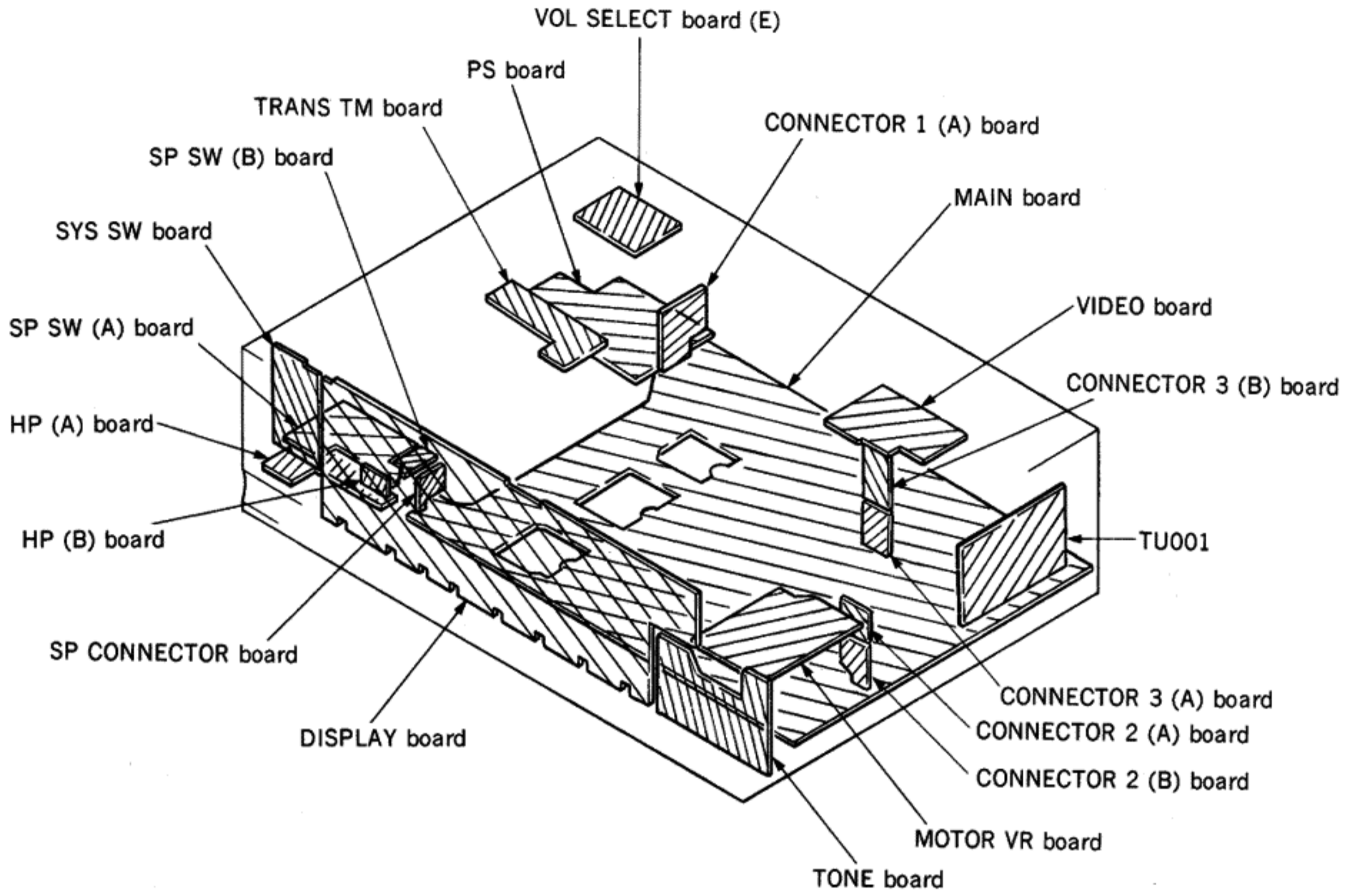
- 14 TV CONTROL ON button (See page 12.)
- 15 Numeric buttons (1 to 0) (See pages 9, 11, 12 and 13.)
- 16 BACK GROUND button (See page 13.)
- 17 > 10, SHIFT button (See pages 11, 12 and 13.)
- 18 <5>, <6> button (See pages 12 and 13.)
- 19 <7>, <8> RMS DIRECTION buttons (See pages 12 and 13.)
- 20 RMS CLEAR, <9> button (See pages 12 and 13.)
- 21 SURROUND MODE button (See pages 15, 17 and 18.)
- 22 SURROUND ON/OFF button (See pages 15, 17 and 18.)
- 23 DELAY TIME button (See page 18.)
- 24 TEST TONE button (See page 17.)
- 25 REAR LEVEL +/- buttons (See pages 17 and 18.)
- 26 CENTER LEVEL +/- buttons (See pages 17 and 18.)

SECTION 1 GENERAL

This section is extracted from instruction manual.

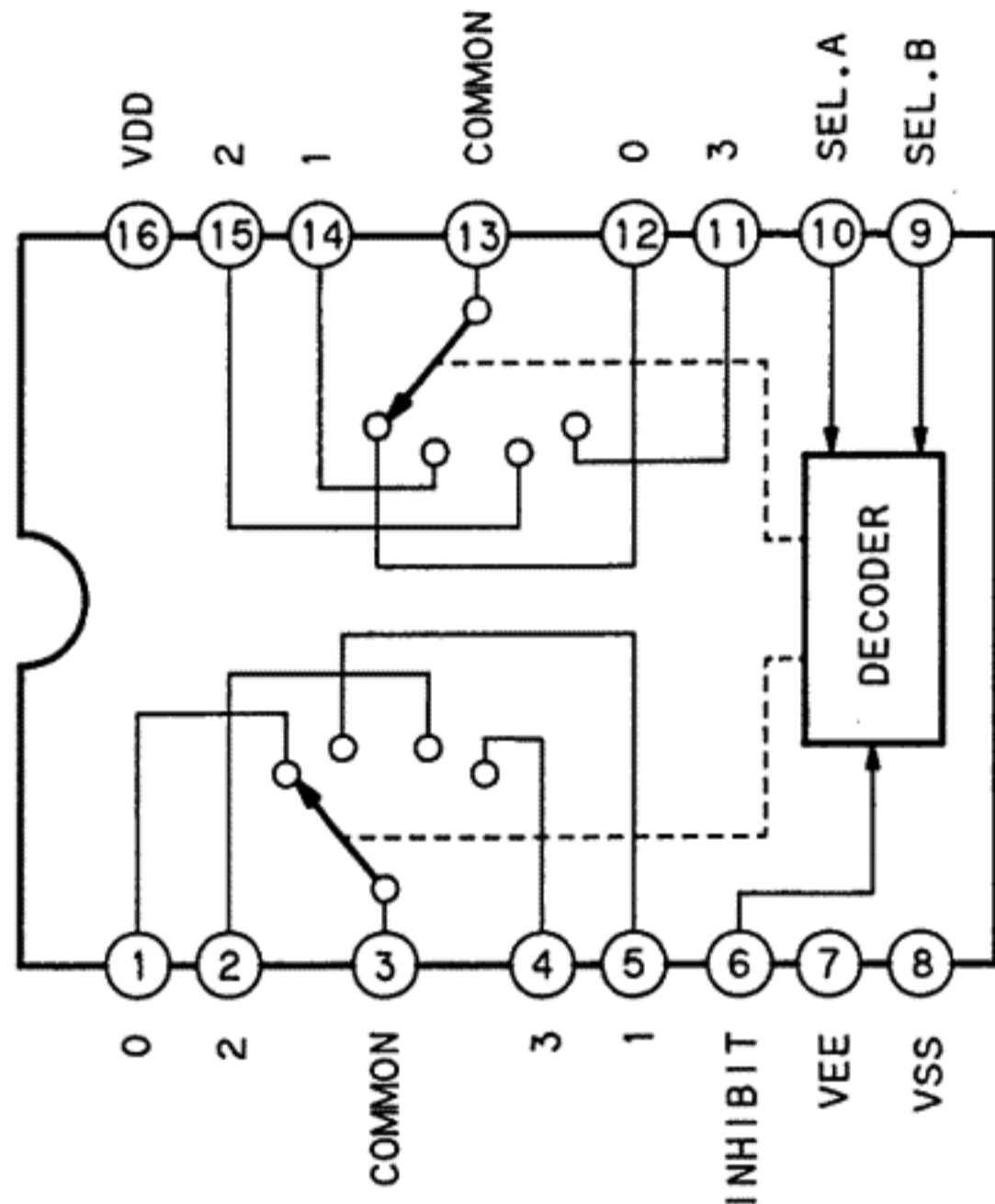
SECTION 2 DIAGRAMS

2-1. CIRCUIT BOARDS LOCATION

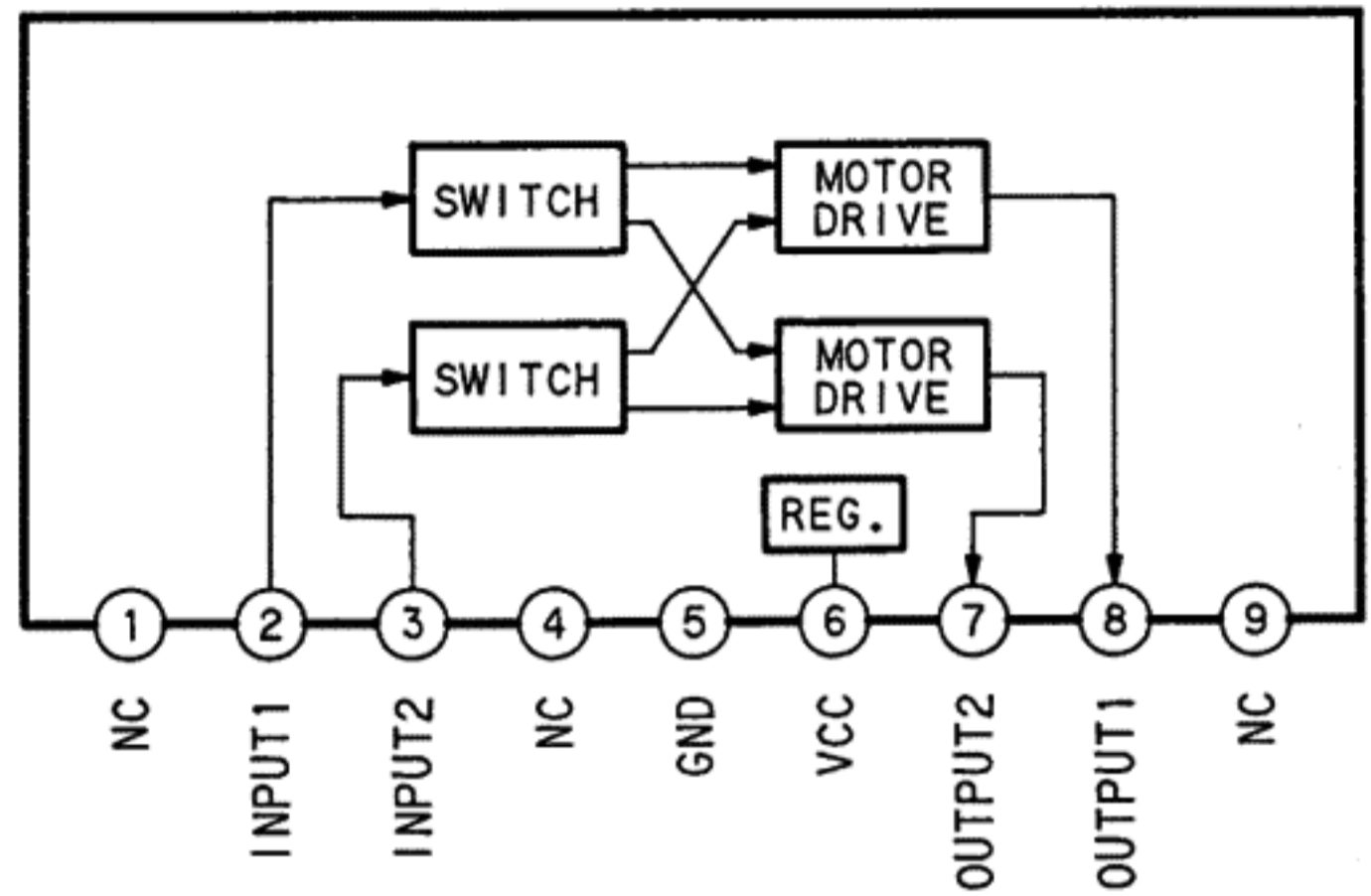


• IC Block Diagrams

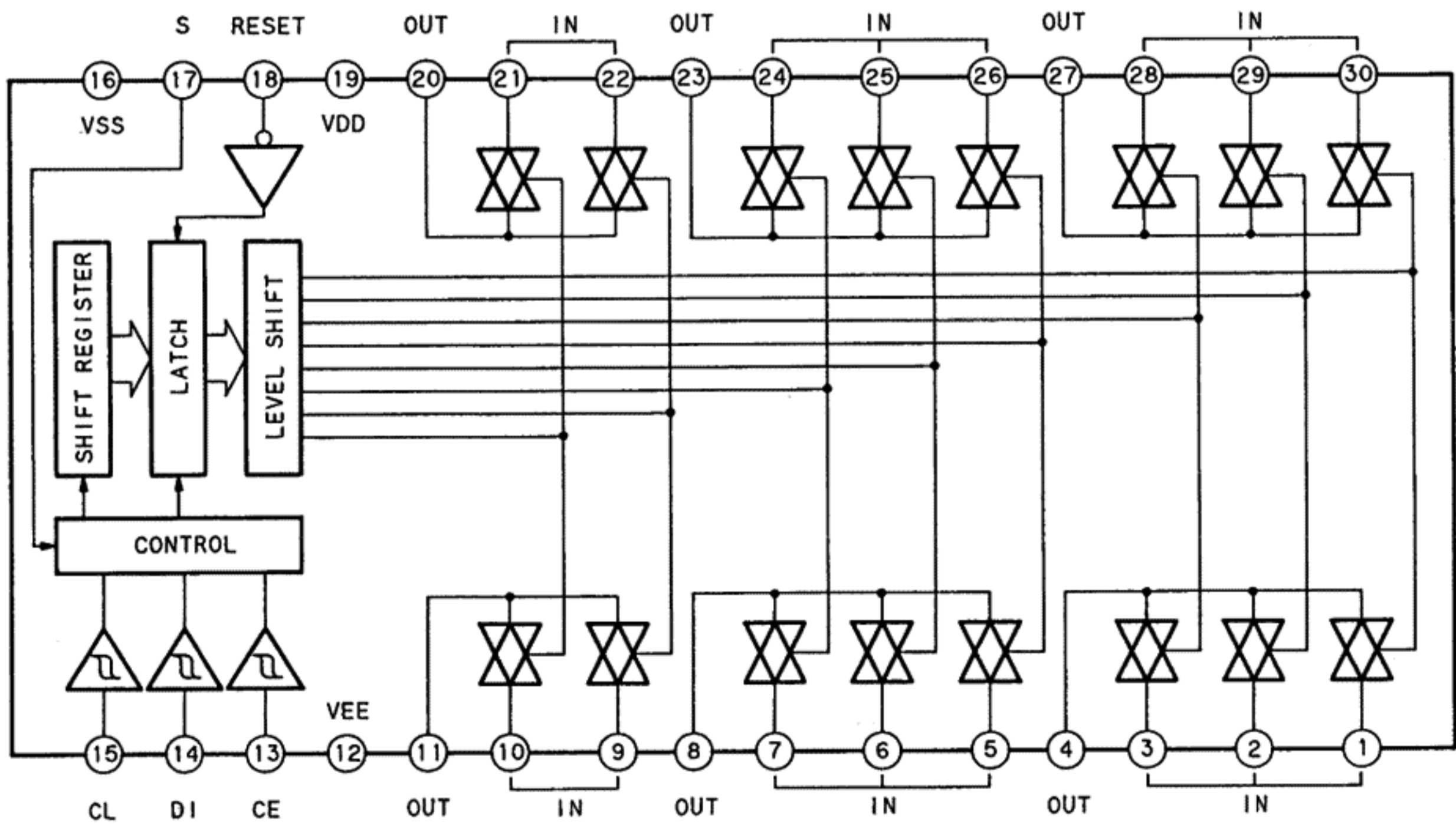
IC251 MC14052BCP



IC203 BA6208

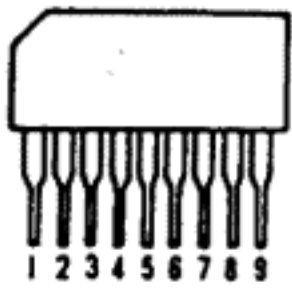


IC401 LC7822

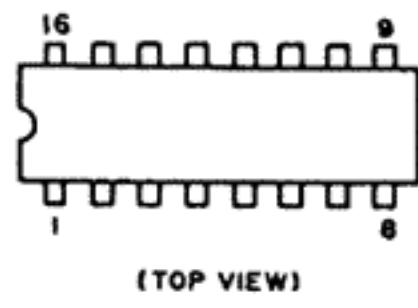


2-2. SEMICONDUCTOR LEAD LAYOUTS

BA6208



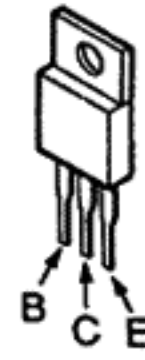
MC14052BCP



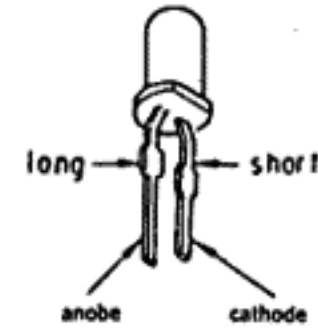
MP1620-OPY-M



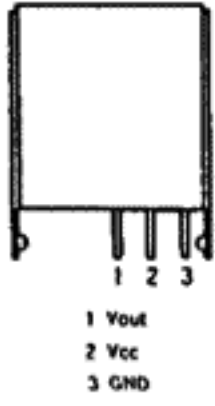
2SD2012



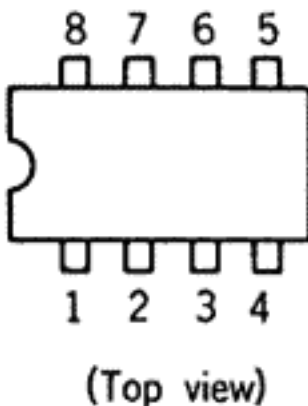
SEL3210S-CD
SEL3810A-CD



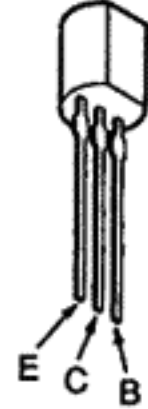
GP1U58XB



M5218AP-22



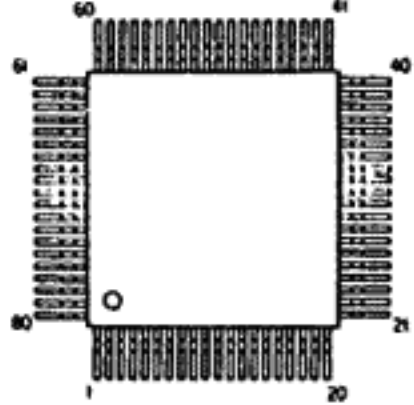
2SA1175-HFE
2SC3623A-LK



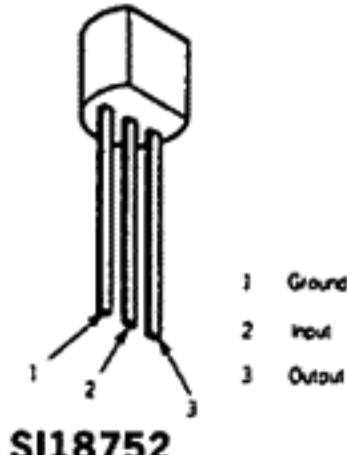
2SD809-K
LETTER SIDE



HD6433723B87H
HD6433723C12H



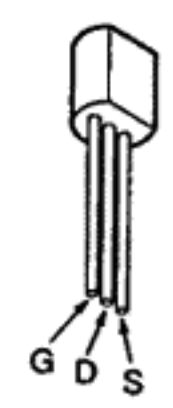
NJM79L12A



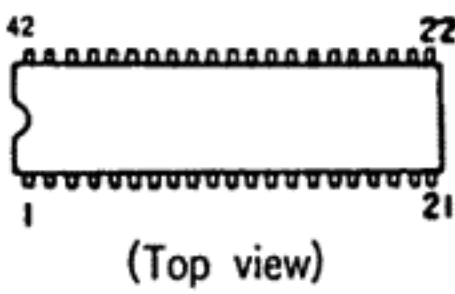
2SA1221-K
2SB734-34
2SC2958



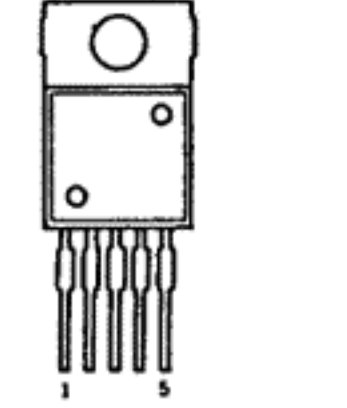
2SK246-GR3



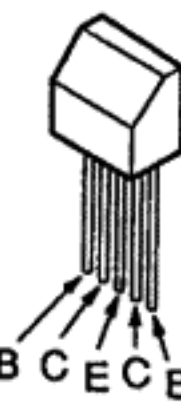
LA2785



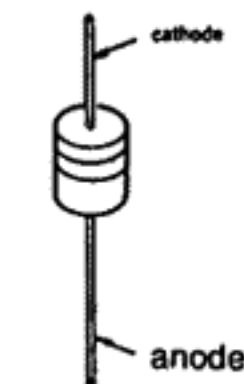
SI18752



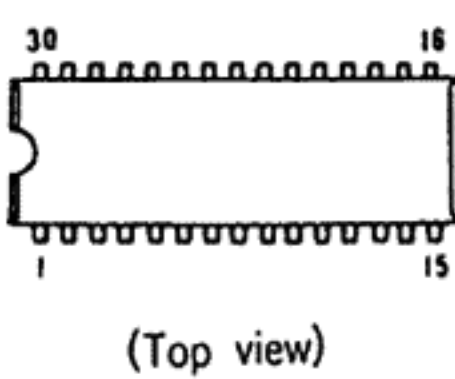
2SA979-FG



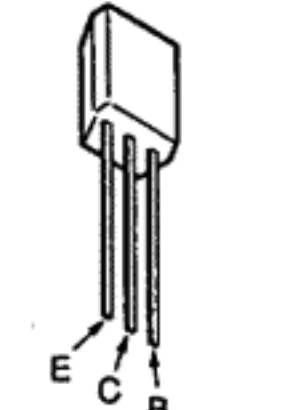
HZS4ALL
HZS6C3L
UZ-5.1BSB
UZL-24L
UZL-9H3
11ES2



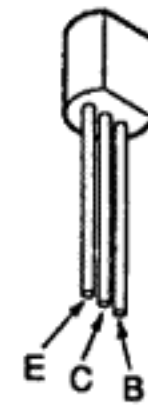
LC7822



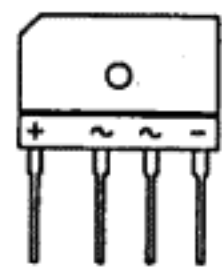
DTA124ES
DTC124ES
2SC403SP-51



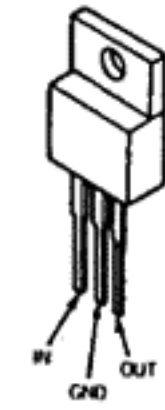
2SA988-PAFAEA
2SC1841-PAFAEA



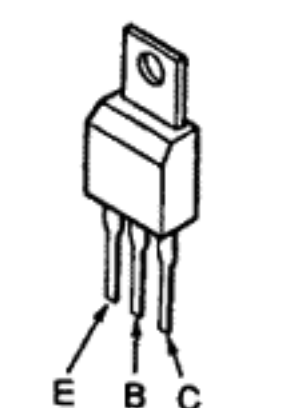
RBA-402
RBV-602-01



LM78M12



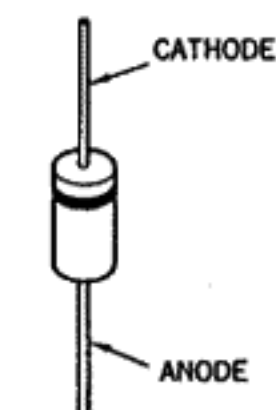
MN2488-OPY-M



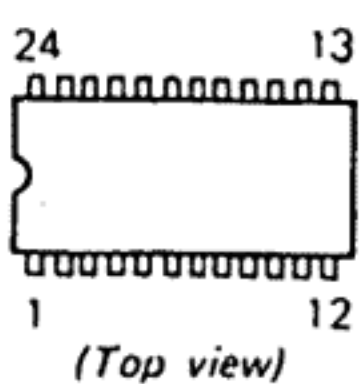
2SB1588-OPY
2SD2439-OPY



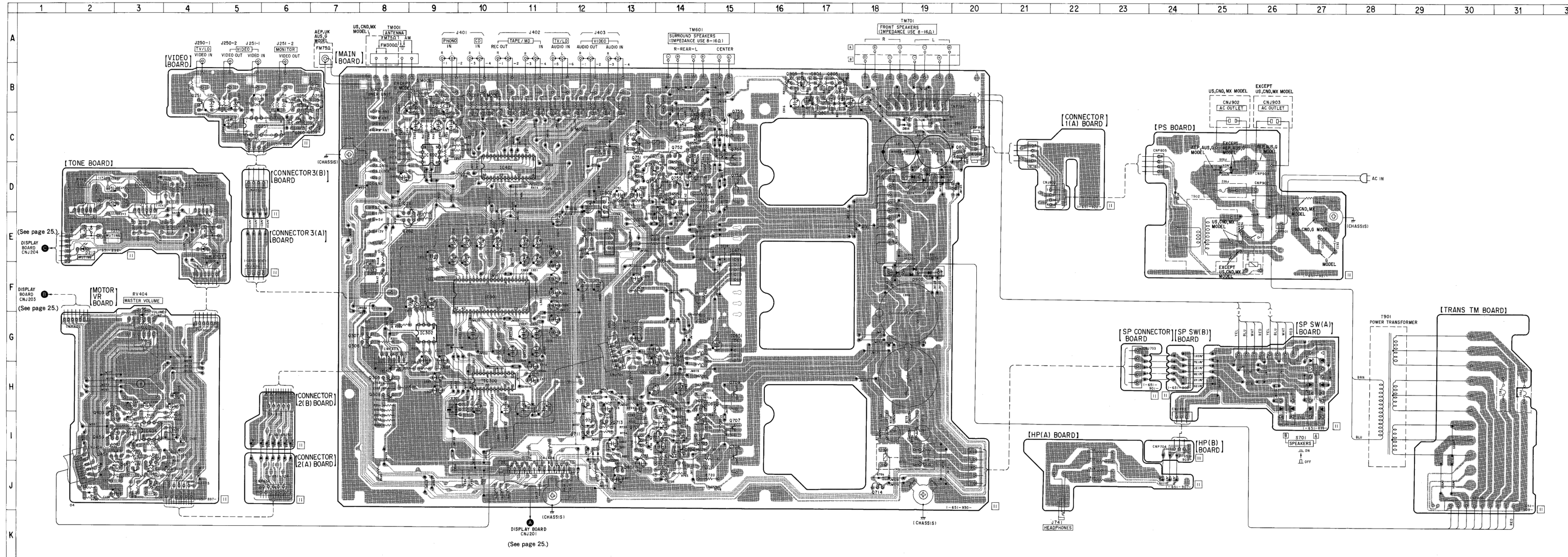
1N4148M
1S1585



LV1010



2-3. PRINTED WIRING BOARDS—MAIN SECTION (D515)—



• Semiconductor Location

Ref. No.	Location	Ref. No.	Location
D212	E-2	Q259	C-6
D213	E-4	Q260	C-6
D421	J-2	Q261	D-8
D602	C-13	Q262	E-8
D701	I-14	Q305	H-8
D702	I-14	Q306	G-8
D703	J-14	Q307	G-8
D704	H-12	Q308	H-8
D706	I-18	Q401	J-3
D707	I-12	Q402	J-3
D708	I-12	Q403	I-2
D709	I-12	Q451	I-2
D710	H-12	Q452	I-2
D751	D-13	Q453	J-3
D752	D-14	Q603	C-13
D753	E-14	Q701	I-13
D801	I-13	Q702	H-14
D802	D-19	Q703	I-13
D803	F-19	Q704	I-14
D804	J-12	Q705	I-14
D807	B-17	Q706	H-14
D808	B-17	Q707	I-15
D809	B-17	Q708	I-15
D810	C-19	Q709	H-15
D811	C-19	Q710	I-14
D812	C-19	Q711	I-12
D813	C-19	Q712	H-12
D814	C-18	Q713	I-13
D815	C-18	Q714	I-18
D816	D-24	Q751	C-13
D817	E-12	Q752	C-14
		Q753	D-13
		Q754	D-13
		Q755	D-14
		Q756	C-14
		Q757	C-15
		Q758	D-15
		Q759	C-15
		Q760	D-14
		Q801	J-13
		Q802	C-20
		Q803	B-16
		Q804	B-17
		Q805	B-17
		Q806	B-17
		Q807	B-17
		Q808	E-12
IC251	C-5		
IC300	H-10		
IC301	F-10		
IC302	G-9		
IC401	D-10		
IC402	C-9		
IC404	I-3		
IC651	G-15		
IC671	E-15		
IC801	E-12		
IC802	D-12		
Q251	B-4		
Q256	B-6		
Q257	B-6		
Q258	B-7		

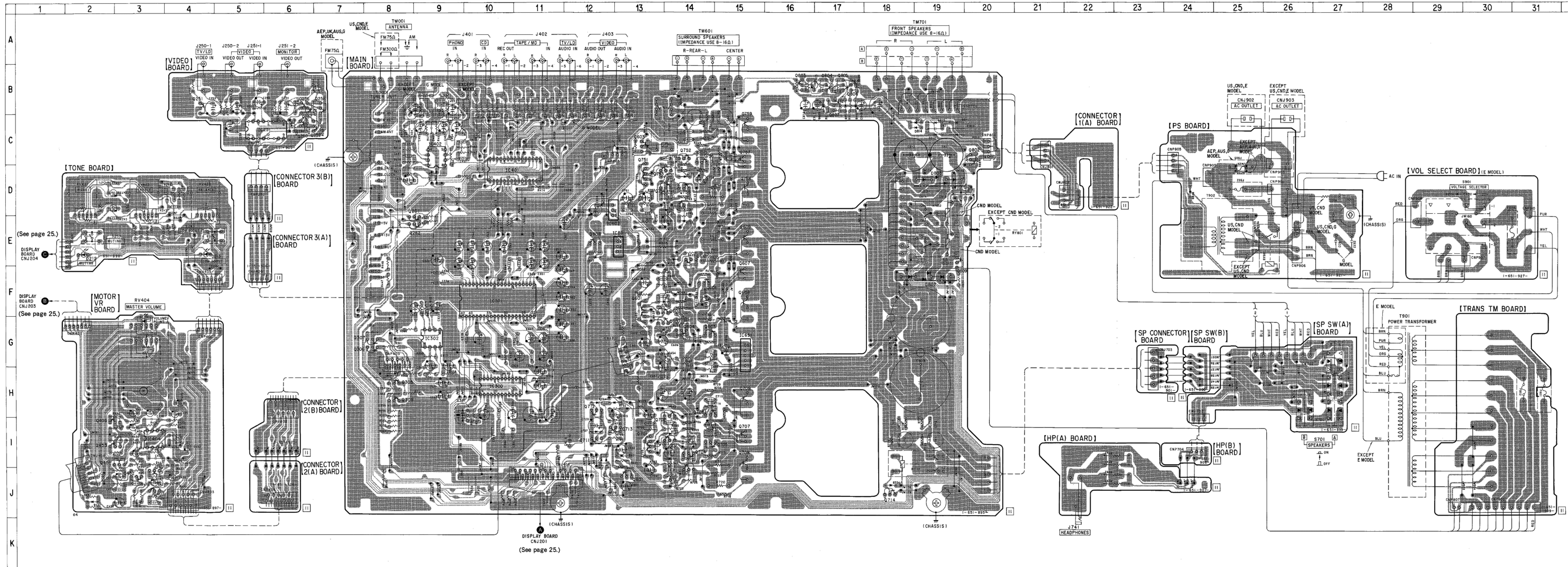
Note:
 • : parts extracted from the component side.
 • : Pattern on the side which is seen.
 • Abbreviations
 CND : Canadian model
 G : German model
 AUS : Australian model
 MX : Mexican model

• Semiconductor Location

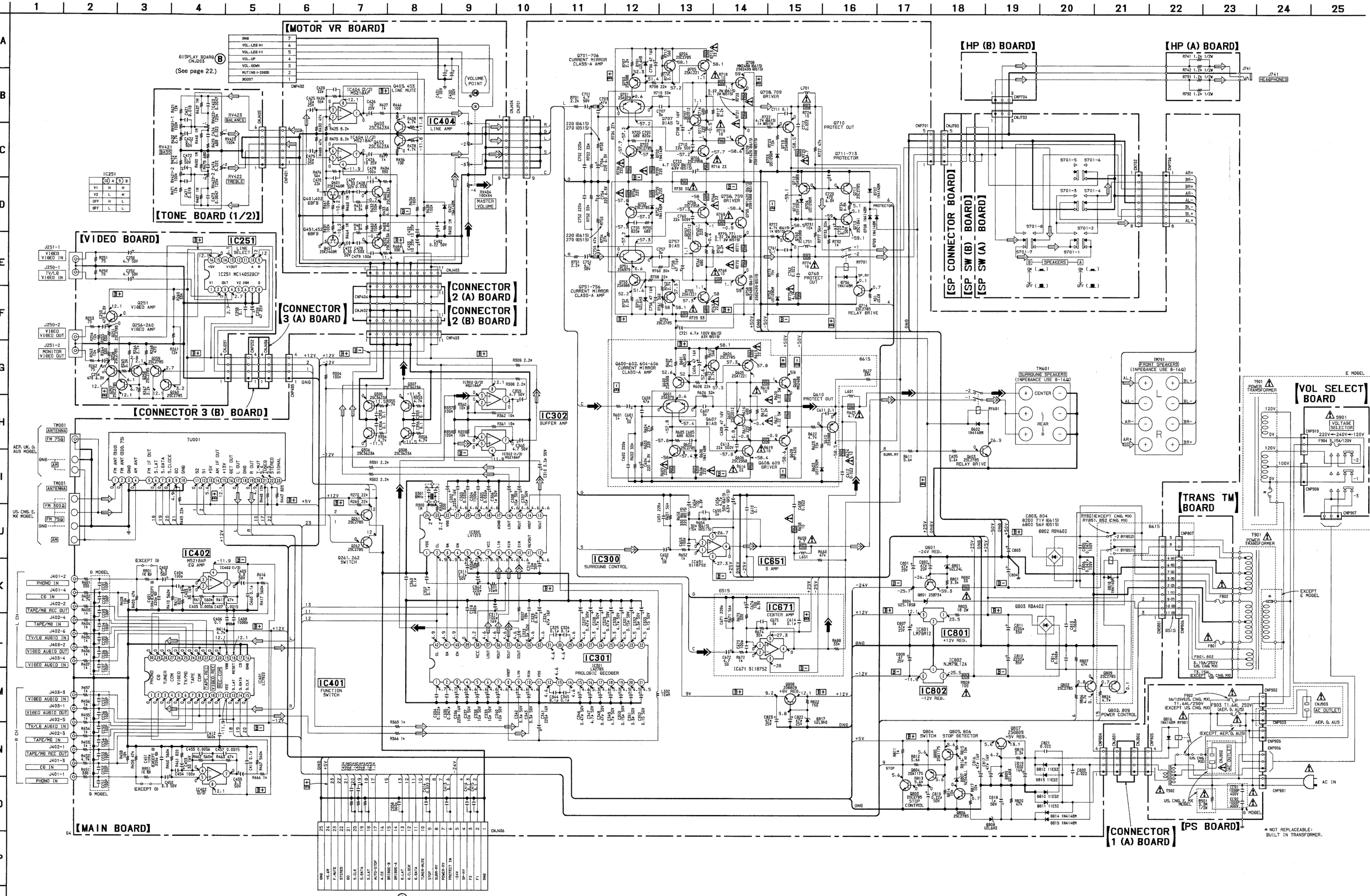
Ref. No.	Location	Ref. No.	Location
D212	E-2	Q305	H-8
D213	E-4	Q306	G-8
D421	J-2	Q307	G-8
D600	F-13	Q308	H-8
D601	G-13	Q401	J-3
D602	C-13	Q402	J-3
D603	E-14	Q403	I-2
D701	I-14	Q451	I-2
D702	I-14	Q452	I-2
D703	J-14	Q453	J-3
D704	H-12	Q600	G-13
D706	I-18	Q601	F-13
D707	I-12	Q602	F-13
D708	I-12	Q603	C-13
D709	I-12	Q604	G-14
D710	H-12	Q605	G-14
D751	D-13	Q606	F-14
D752	D-14	Q607	F-15
D753	E-14	Q608	F-15
D801	I-13	Q609	E-15
D802	D-19	Q610	E-14
D803	F-19	Q701	I-13
D804	J-12	Q702	H-14
D807	B-17	Q703	I-13
D808	B-17	Q704	I-14
D809	B-17	Q705	I-14
D810	C-19	Q706	H-14
D811	C-19	Q707	I-15
D812	C-19	Q708	I-15
D813	C-19	Q709	H-15
D814	C-18	Q710	H-14
D815	C-18	Q711	I-12
D816	D-24	Q712	H-12
D817	E-12	Q713	I-13
D818	D-19	Q714	I-18
		Q751	C-13
		Q752	C-14
IC300	H-10	Q753	D-13
IC301	F-10	Q754	D-13
IC302	G-9	Q755	D-14
IC401	D-10	Q756	C-14
IC402	C-9	Q757	C-15
IC404	I-3	Q758	D-15
IC651	G-15	Q759	C-15
IC801	E-12	Q760	D-14
IC802	D-12	Q801	J-13
		Q802	C-20
Q251	B-4	Q803	B-16
Q256	B-6	Q804	B-17
Q257	B-6	Q805	B-17
Q258	B-7	Q806	B-17
Q259	C-6	Q807	B-17
Q260	C-6	Q808	E-12
Q261	D-8	Q809	E-19
Q262	E-8		

Note:
 ○ — : parts extracted from the component side.
 ● — : Pattern on the side which is seen.
 • — : Abbreviations
 CND : Canadian model
 G : German model
 AUS : Australian model

2-4. PRINTED WIRING BOARDS—MAIN SECTION (D615)— Refer to page 8 for Semiconductor Lead Layouts.



2-5. SCHEMATIC DIAGRAM—MAIN SECTION— Refer to page 7 for IC Block Diagrams.



Note:

- All capacitors are in μF unless otherwise noted. $\text{pF} = \mu\text{M} \text{F} 50\text{WV}$ or less are not indicated except for electrolytics and tantalums.
- All resistors are in Ω and $1/4 \text{ W}$ or less unless otherwise specified.
- Δ : internal component.

Note:

The components identified by mark Δ or dotted line with mark Δ are critical for safety. Replace only with part number specified.

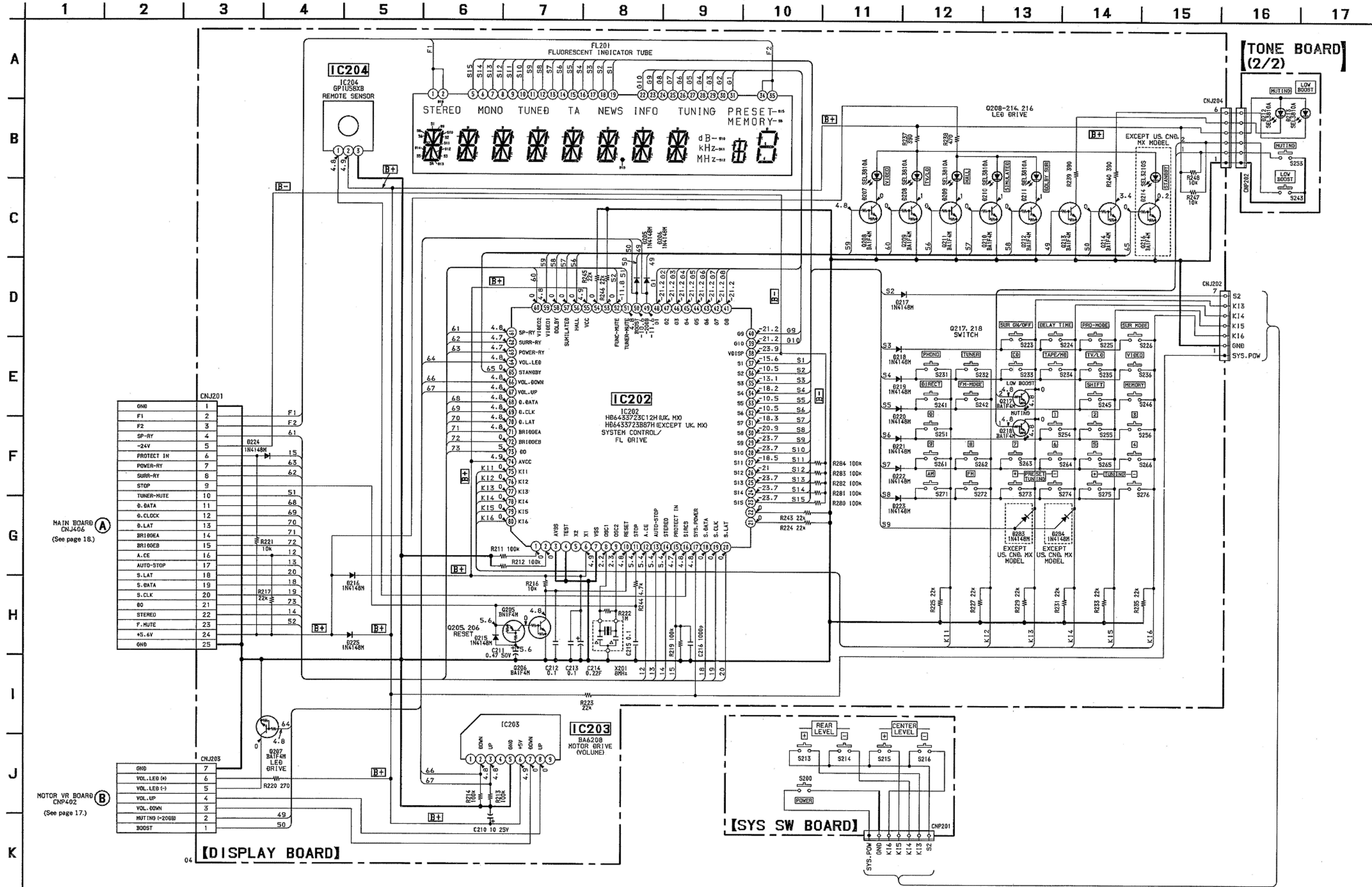
Note:

Les composants identifiés par une marque Δ sont critiques pour la sécurité. Ne les remplacer que par une pièce portant le numéro spécifié.

- \square : nonflammable resistor.
- \square : B+ Line
- \square : B- Line
- Voltage is dc with respect to ground under no-signal (detuned) conditions.
- no mark: PHONO
- Voltages are taken with a VOM (Input Impedance $10\text{M}\Omega$). Voltage variations may be noted due to normal production tolerances.
- Signal path:
 - \rightarrow : FM
 - \rightarrow : SURROUND
 - \rightarrow : CENTER
- Abbreviations:
 - CND: Canadian model
 - AUS: Australian model
 - G: German model
 - MX: Mexican model

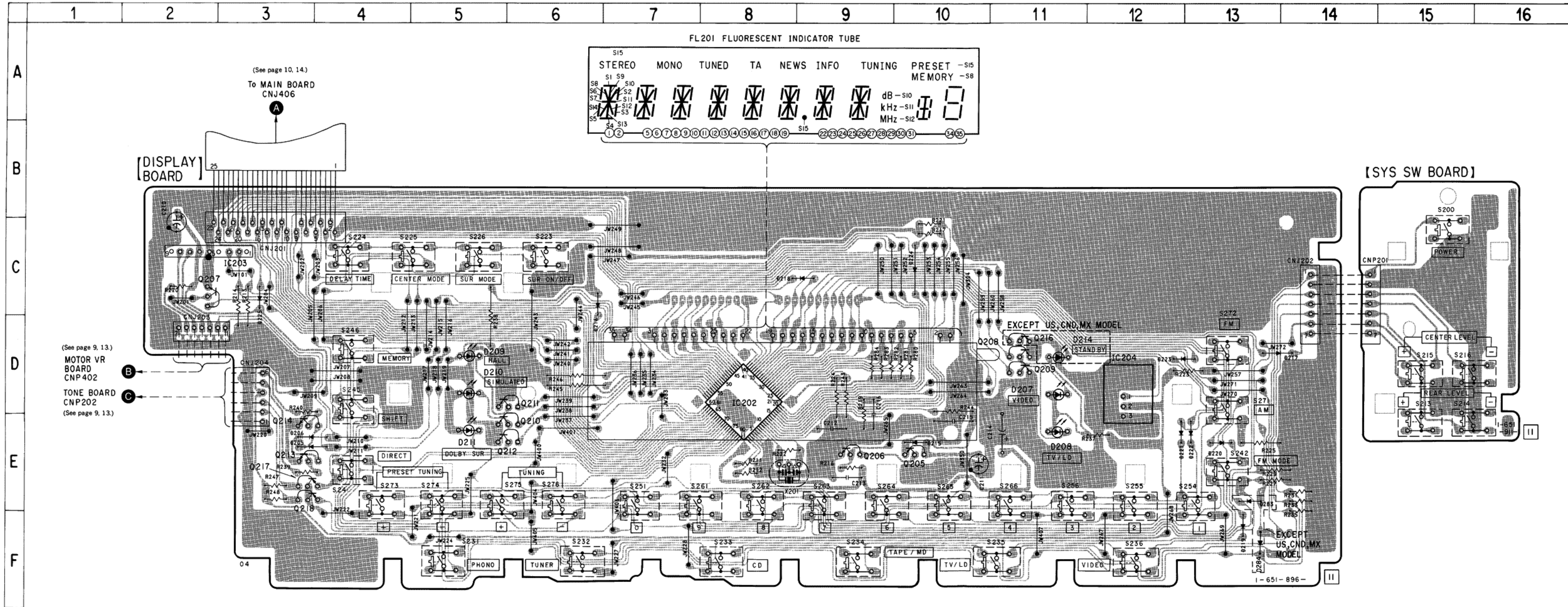
DISPLAY BOARD
CN201
(See page 22.)

2-6. SCHEMATIC DIAGRAM—DISPLAY SECTION— Refer to page 7 for IC Block Diagrams.



- Note:
- All capacitors are in μF unless otherwise noted, pF : μpF 50WV or less are not indicated except for electrolytics and tantalums.
 - All resistors are in Ω and 1/4 W or less unless otherwise specified.
 - Δ : internal component.
 - $\text{B}+$: B+ Line
 - $\text{B}-$: B- Line
 - Voltage is dc with respect to ground under no-signal conditions.
 - no mark: PHONO
 - Voltages are taken with a VOM (Input Impedance 10M Ω). Voltage variations may be noted due to normal production tolerances.
 - Abbreviations
CND : Canadian model
MX : Mexican model

2-7. PRINTED WIRING BOARDS—DISPLAY SECTION— Refer to page 8 for Semiconductor Lead Layouts.



• Semiconductor Location

Ref. No.	Location
D205	E-3
D206	E-3
D207	D-11
D208	E-11
D209	D-5
D210	D-5
D211	E-5
D214	D-11
D215	E-10
D216	D-6
D217	D-13
D218	C-8
D219	F-13
D220	E-13
D221	E-12
D222	E-12
D223	D-12
D224	C-10
D225	C-3
D283	E-13
D284	F-13
IC202	D-8
IC203	C-3
IC204	D-12
Q205	E-10
Q206	E-9
Q207	C-2
Q208	D-11
Q209	D-11
Q210	D-6
Q211	D-6
Q212	E-5
Q213	E-3
Q214	E-3
Q216	D-11
Q217	E-3
Q218	E-3

Note:
 • ○ : parts extracted from the component side.
 • ▨ : Pattern on the side which is seen.
 • Abbreviations
 CND : Canadian model
 MX : Mexican model

SECTION 3 EXPLODED VIEWS

NOTE:

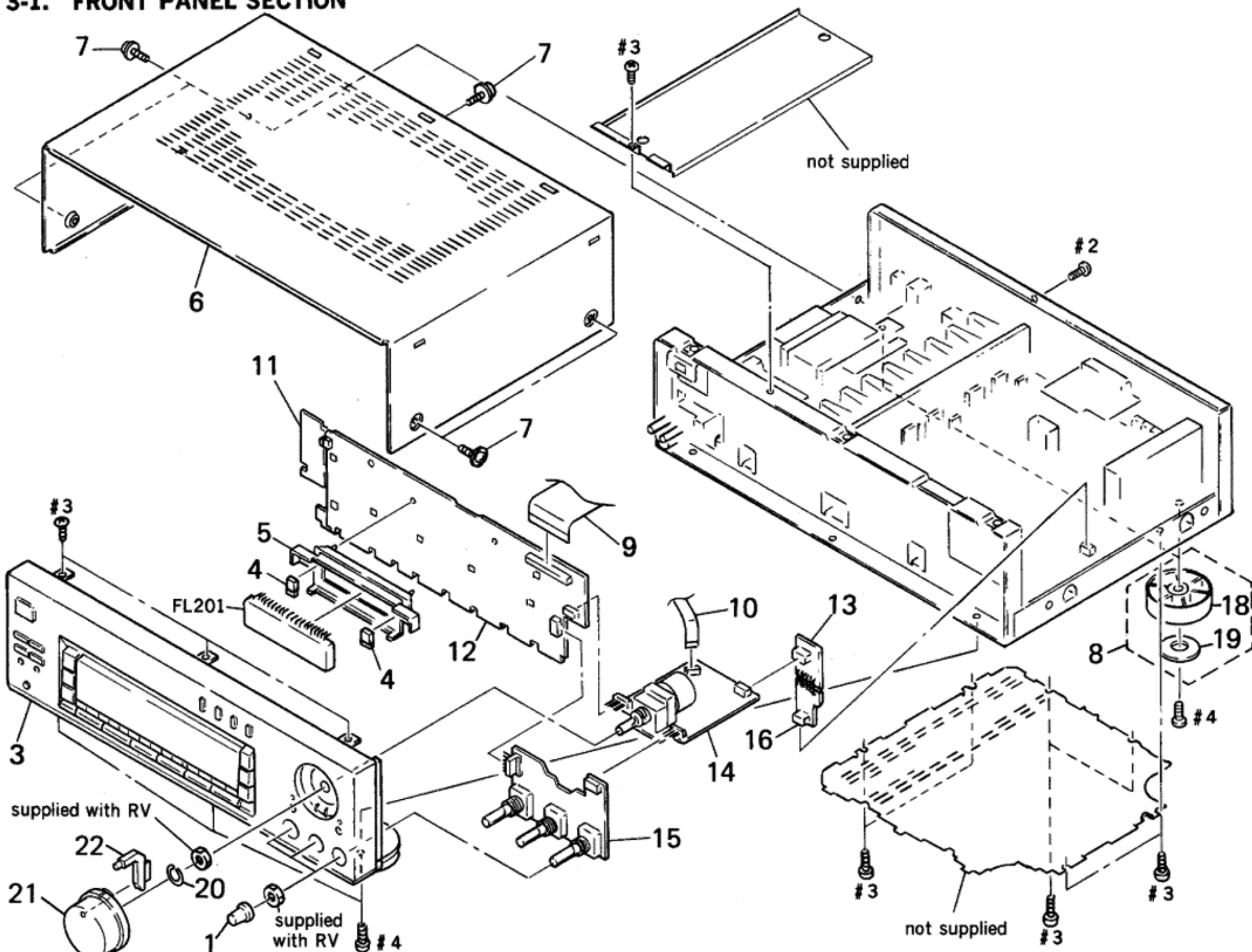
- The mechanical parts with no reference number in the exploded views are not supplied.
- Items marked "*" are not stocked since they are seldom required for routine service. Some delay should be anticipated when ordering these items.
- Abbreviations
 CND : Canadian model
 MX : Mexican model
 G : German model
 AUS : Australian model
 AEP1 : Without recognition mark model
 AEP2 : With recognition mark model

- -XX and -X mean standardized parts, so they may have some difference from the original one.
- Color Indication of Appearance Parts
 Example :
 KNOB, BALANCE (WHITE)... (RED)
 ↑ ↑
 Parts Color Cabinet's Color
- Hardware (# mark) list and accessories and packing materials are given in the last of this parts list.

The components identified by mark Δ or dotted line with mark Δ are critical for safety. Replace only with part number specified.

Les composants identifiés par une marque Δ sont critiques pour la sécurité. Ne les remplacer que par une pièce portant le numéro spécifié.

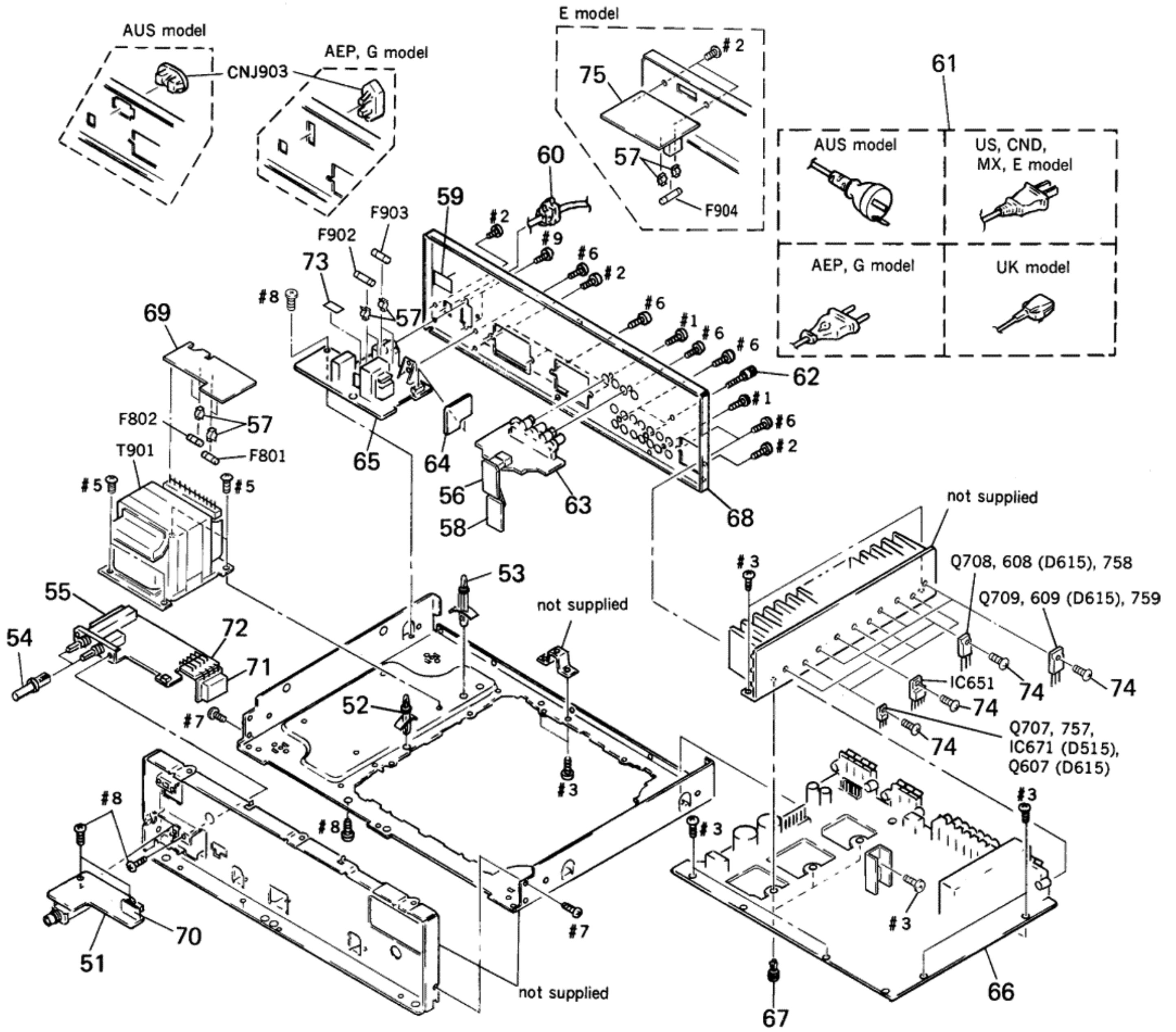
3-1. FRONT PANEL SECTION



Ref. No.	Part No.	Description	Remark
1	4-943-420-01	KNOB (DIA. 19)	
3	X-4944-746-2	PANEL ASSY, FRONT (D515:US, CND, MX)	
3	X-4944-747-2	PANEL ASSY, FRONT (D515:AEP, G, AUS, UK)	
3	X-4944-748-2	PANEL ASSY, FRONT (D615:US, CND)	
3	X-4944-749-2	PANEL ASSY, FRONT (D615:AEP, E, G, AUS, UK)	
* 4	4-921-941-01	CUSHION (FL)	
* 5	4-943-107-11	HOLDER (FL TUBE)	
* 6	4-951-795-01	CASE	
7	3-704-366-01	SCREW (CASE) (M3X8)	
8	X-4941-291-1	FOOT ASSY (F58175S) (US, CND, MX)	
8	X-4941-292-1	FOOT ASSY (F58175S) (AEP, E, G, AUS, UK)	
9	1-765-307-11	WIRE (FLAT TYPE) (25 CORE)	
10	1-765-298-11	WIRE (FLAT TYPE) (9 CORE)	
* 11	1-651-911-11	SYS SW BOARD	

Ref. No.	Part No.	Description	Remark
* 12	A-4369-680-A	DISPLAY BOARD, COMPLETE (US, CND, MX)	
* 12	A-4369-698-A	DISPLAY BOARD, COMPLETE (E)	
* 12	A-4369-702-A	DISPLAY BOARD, COMPLETE (AEP, G, AUS, UK)	
* 13	1-651-924-11	CONNECTOR 2 (A) BOARD	
* 14	A-4369-675-A	MOTOR VR BOARD, COMPLETE (D515)	
* 14	A-4369-681-A	MOTOR VR BOARD, COMPLETE (D615)	
* 15	1-651-898-11	tone BOARD	
* 16	1-651-925-11	CONNECTOR 2 (B) BOARD	
18	3-318-688-31	FOOT (F58175S) (AEP, E, G, AUS, UK)	
18	3-318-688-51	FOOT (F58175S) (US, CND, MX)	
19	4-923-836-21	CUSHION	
20	3-350-426-01	SPRING, RING	
21	4-949-659-01	KNOB (VOL-NEW)	
22	4-958-991-01	PLATE (VOL), LIGHT GUIDE	
FL201	1-517-141-11	INDICATOR TUBE, FLUORESCENT	

3-2. CHASSIS SECTION



The components identified by mark Δ or dotted line with mark Δ are critical for safety. Replace only with part number specified.	Les composants identifiés par une marque Δ sont critiques pour la sécurité. Ne les remplacer que par une pièce portant le numéro spécifié.
--	---

Ref. No.	Part No.	Description	Remark
* 51	1-651-907-11	HP (A) BOARD	
* 52	3-346-265-31	HOLDER, PC BOARD	
* 53	4-924-098-31	HOLDER, PC BOARD	
54	4-951-801-01	BUTTON (S)	
* 55	1-651-899-11	SP SW (A) BOARD	
* 56	1-651-910-11	CONNECTOR 3 (B) BOARD	
57	1-533-217-31	HOLDER, FUSE	
* 58	1-651-906-11	CONNECTOR 3 (A) BOARD	
59	3-703-044-26	LABEL, CAUTION (US, CND, MX)	
* 60	3-703-244-00	BUSHING (2104), CORD (EXCEPT E)	
60	3-703-571-11	BUSHING (S) (4516), CORD (E)	
Δ 61	1-575-651-11	CORD, POWER (AEP, G)	
Δ 61	1-575-653-11	CORD, POWER (E)	
Δ 61	1-690-609-11	CORD, POWER (US, CND, MX)	
Δ 61	1-696-848-21	CORD, POWER (AUS)	
Δ 61	1-751-520-21	CORD, POWER (UK)	
62	4-947-010-01	SCREW, FEEDER FIXED	
* 63	1-651-905-11	VIDEO BOARD	
* 64	1-651-922-11	CONNECTOR 1 (A) BOARD	
* 65	1-651-921-11	PS BOARD	
* 66	A-4369-677-A	MAIN BOARD, COMPLETE (D515:US, CND, MX)	
* 66	A-4369-678-A	MAIN BOARD, COMPLETE (D515:AEP, AUS, UK)	
* 66	A-4369-679-A	MAIN BOARD, COMPLETE (D515:G)	
* 66	A-4369-691-A	MAIN BOARD, COMPLETE (D615:US)	
* 66	A-4369-692-A	MAIN BOARD, COMPLETE (D615:CND)	
* 66	A-4369-694-A	MAIN BOARD, COMPLETE (D615:AEP, AUS, UK)	
* 66	A-4369-697-A	MAIN BOARD, COMPLETE (D615:G)	
* 66	A-4369-701-A	MAIN BOARD, COMPLETE (E)	
67	4-812-134-00	RIVET NYLON, 3.5	
* 68	4-965-327-01	PANEL, BACK (D515:US)	
* 68	4-965-327-11	PANEL, BACK (D515:CND)	
* 68	4-965-327-21	PANEL, BACK (D515:AUS)	
* 68	4-965-327-31	PANEL, BACK (D515:AEP1)	
* 68	4-965-327-41	PANEL, BACK (D515:AEP2)	
* 68	4-965-327-51	PANEL, BACK (D515:G)	
* 68	4-965-327-61	PANEL, BACK (D515:UK)	
* 68	4-965-327-71	PANEL, BACK (MX)	
* 68	4-965-346-01	PANEL, BACK (D615:US)	
* 68	4-965-346-11	PANEL, BACK (D615:CND)	
* 68	4-965-346-21	PANEL, BACK (D615:AUS)	
* 68	4-965-346-31	PANEL, BACK (D615:AEP1)	
* 68	4-965-346-41	PANEL, BACK (D615:AEP2)	
* 68	4-965-346-51	PANEL, BACK (D615:G)	
* 68	4-965-346-61	PANEL, BACK (E)	
* 68	4-965-346-71	PANEL, BACK (D615:UK)	

Ref. No.	Part No.	Description	Remark
* 69	1-651-909-11	TRANS TM BOARD	
* 70	1-651-908-11	HP (B) BOARD	
* 71	1-651-901-11	SP CONNECTOR BOARD	
* 72	1-651-900-11	SP SW (B) BOARD	
* 73	3-701-946-26	LABEL, FUSE RATING (D515:US, CND)	
74	3-905-609-01	SCREW (TRANSISTOR)	
* 75	1-651-927-11	VOL SELECT BOARD (E)	
Δ CNJ903	1-251-078-11	OUTLET, AC (AC OUTLET) (AUS)	
Δ CNJ903	1-526-794-11	OUTLET, AC (AC OUTLET) (AEP, G)	
Δ F801	1-532-237-00	FUSE, TIME-LAG (T3.15AL) (UK)	
Δ F801	1-532-350-00	FUSE (T3.15AL) (AEP, G, AUS, E)	
Δ F801	1-576-107-11	FUSE (3.15A/250V) (US, CND, MX)	
Δ F802	1-532-237-00	FUSE, TIME-LAG (T3.15AL) (UK)	
Δ F802	1-532-350-00	FUSE (T3.15AL) (AEP, G, AUS, E)	
Δ F802	1-576-107-11	FUSE (3.15A/250V) (US, CND, MX)	
Δ F902	1-532-237-00	FUSE, TIME-LAG (T3.15AL) (MX)	
Δ F902	1-532-259-00	FUSE (T1.6AL/250V) (AEP, G, AUS, E, UK)	
Δ F902	1-576-109-11	FUSE (5A/125V) (US, CND)	
Δ F903	1-532-259-00	FUSE (T1.6AL/250V) (AEP, G, AUS)	
Δ F904	1-532-286-00	FUSE (3.15A/250V) (E)	
IC651	8-759-502-33	IC SI18752	
IC671	8-759-502-33	IC SI18752 (D515)	
Q607	8-729-209-15	TRANSISTOR 2SD2012 (D615)	
Q608	8-749-010-25	TRANSISTOR MN2488-OPY-M (D615)	
Q609	8-749-010-26	TRANSISTOR MP1620-OPY-M (D615)	
Q707	8-729-209-15	TRANSISTOR 2SD2012	
Q708	8-729-020-52	TRANSISTOR 2SD2439-OPY (D515)	
Q708	8-749-010-25	TRANSISTOR MN2488-OPY-M (D615)	
Q709	8-729-020-48	TRANSISTOR 2SB1588-OPY (D515)	
Q709	8-749-101-26	TRANSISTOR MP1620-OPY-M (D615)	
Q757	8-729-209-15	TRANSISTOR 2SD2012	
Q758	8-729-020-52	TRANSISTOR 2SD2439-OPY (D515)	
Q758	8-749-010-25	TRANSISTOR MN2488-OPY-M (D615)	
Q759	8-729-020-48	TRANSISTOR 2SB1588-OPY (D515)	
Q759	8-749-010-26	TRANSISTOR MP1620-OPY-M (D615)	
Δ T901	1-426-708-11	TRANSFORMER, POWER (D615:US, CND)	
Δ T901	1-426-709-11	TRANSFORMER, POWER (D615:AEP, G, AUS)	
Δ T901	1-426-710-11	TRANSFORMER, POWER (E)	
Δ T901	1-426-711-11	TRANSFORMER, POWER (D515:US, CND)	
Δ T901	1-426-712-11	TRANSFORMER, POWER (D515:AEP, G, AUS, UK)	
Δ T901	1-427-630-11	TRANSFORMER, POWER (D615:UK)	
Δ T901	1-427-675-11	TRANSFORMER, POWER (MX)	

SECTION 4 ELECTRICAL PARTS LIST

CONNECTOR 1 (A)

CONNECTOR 2 (A)

CONNECTOR 2 (B)

CONNECTOR 3 (A)

CONNECTOR 3 (B)

DISPLAY

NOTE:

- Due to standardization, replacements in the parts list may be different from the parts specified in the diagrams or the components used on the set.
- -XX and -X mean standardized parts, so they may have some difference from the original one.
- RESISTORS
All resistors are in ohms.
METAL: Metal-film resistor.
METAL OXIDE: Metal oxide-film resistor.
F: nonflammable

- Items marked "*" are not stocked since they are seldom required for routine service. Some delay should be anticipated when ordering these items.
- SEMICONDUCTORS
In each case, u: μ , for example:
uA ..: μ A. uPA ..: μ PA.
uPB ..: μ PB. uPC ..: μ PC. uPD ..: μ PD.
- CAPACITORS
uF: μ F
- COILS
uH: μ H

When indicating parts by reference number, please include the board.

The components identified by mark $\hat{\Delta}$ or dotted line with mark $\hat{\Delta}$ are critical for safety. Replace only with part number specified.

Les composants identifiés par une marque $\hat{\Delta}$ sont critiques pour la sécurité. Ne les remplacer que par une pièce portant le numéro spécifié.

- Abbreviations
CND : Canadian model
MX : Mexican model
G : German model
AUS : Australian model

Ref. No.	Part No.	Description	Remark
*	1-651-922-11	CONNECTOR 1 (A) BOARD ***** < CONNECTOR >	
* CNJ801	1-565-480-11	CONNECTOR, BOARD TO BOARD 4P	
* CNJ802	1-565-480-11	CONNECTOR, BOARD TO BOARD 4P *****	
*	1-651-924-11	CONNECTOR 2 (A) BOARD ***** < CONNECTOR >	
* CNP404	1-750-384-11	CONNECTOR, BOARD TO BOARD 11P *****	
*	1-651-925-11	CONNECTOR 2 (B) BOARD ***** < CONNECTOR >	
* CNJ402	1-750-383-11	CONNECTOR, BOARD TO BOARD 11P *****	
*	1-651-906-11	CONNECTOR 3 (A) BOARD ***** < CONNECTOR >	
* CNJ406	1-691-174-11	CONNECTOR (BOARD TO BOARD) 4P *****	
*	1-651-910-11	CONNECTOR 3 (B) BOARD ***** < CONNECTOR >	
CNP252	1-691-161-11	PIN, CONNECTOR 4P *****	

Ref. No.	Part No.	Description	Remark
*	A-6369-680-A	DISPLAY BOARD, COMPLETE (US, CND, MX)	
*	A-4369-698-A	DISPLAY BOARD, COMPLETE (E)	
*	A-4369-702-A	DISPLAY BOARD, COMPLETE (AEP, G, AUS, UK) *****	
*	4-921-941-01	CUSHION (FL)	
*	4-943-107-11	HOLDER (FL TUBE)	
		< CAPACITOR >	
C210	1-126-096-11	ELECT	10uF 20% 35V
C211	1-124-465-00	ELECT	0.47uF 20% 50V
C212	1-164-159-11	CERAMIC	0.1uF 50V
C213	1-164-159-11	CERAMIC	0.1uF 50V
C214	1-104-905-11	DOUBLE LAYERS	0.22F 5.5V
C215	1-164-159-11	CERAMIC	0.1uF 50V
C216	1-162-294-31	CERAMIC	0.001uF 10% 50V
		< CONNECTOR >	
CNJ201	1-766-038-11	CONNECTOR, FFC (LIF (NON-ZIF)) 25P	
* CNJ202	1-565-483-11	CONNECTOR, BOARD TO BOARD 7P	
* CNJ203	1-566-969-11	HOUSING, CONNECTOR (PC BOARD) 7P	
* CNJ204	1-565-482-11	CONNECTOR, BOARD TO BOARD 6P	
		< DIODE >	
D205	8-719-987-63	DIODE	1N4148M
D206	8-719-987-63	DIODE	1N4148M
D207	8-719-313-72	LED	SEL3810A-CD (VIDEO)
D208	8-719-313-72	LED	SEL3810A-CD (TV/LD)
D209	8-719-313-72	LED	SEL3810A-CD (HALL)
D210	8-719-313-72	LED	SEL3810A-CD (SIMULATED)
D211	8-719-313-72	LED	SEL3810A-CD (DOLBY SUR)
D214	8-719-313-69	LED	SEL3210S-CD (STANDBY) (EXCEPT US, CND, MX)
D215	8-719-987-63	DIODE	1N4148M
D216	8-719-987-63	DIODE	1N4148M

DISPLAY

Ref. No.	Part No.	Description	Remark
D217	8-719-987-63	DIODE 1N4148M	
D218	8-719-987-63	DIODE 1N4148M	
D219	8-719-987-63	DIODE 1N4148M	
D220	8-719-987-63	DIODE 1N4148M	
D221	8-719-987-63	DIODE 1N4148M	
D222	8-719-987-63	DIODE 1N4148M	
D223	8-719-987-63	DIODE 1N4148M	
D224	8-719-987-63	DIODE 1N4148M	
D225	8-719-987-63	DIODE 1N4148M	
D283	8-719-987-63	DIODE 1N4148M (EXCEPT US, CND, MX)	
D284	8-719-987-63	DIODE 1N4148M (EXCEPT US, CND, MX)	
< FLUORESCENT INDICATOR TUBE >			
FL201	1-517-141-11	INDICATOR TUBE, FLUORESCENT	
< IC >			
IC202	8-759-261-70	IC HD6433723B87H (EXCEPT UK, MX)	
IC202	8-759-289-31	IC HD6433723C12H (UK, MX)	
IC203	8-759-962-08	IC BA6208	
IC204	8-749-923-11	IC GP1U58XB	
< TRANSISTOR >			
Q205	8-729-900-63	TRANSISTOR DTA124ES	
Q206	8-729-900-36	TRANSISTOR DTC124ES	
Q207	8-729-900-36	TRANSISTOR DTC124ES	
Q208	8-729-900-36	TRANSISTOR DTC124ES	
Q209	8-729-900-36	TRANSISTOR DTC124ES	
Q210	8-729-900-36	TRANSISTOR DTC124ES	
Q211	8-729-900-36	TRANSISTOR DTC124ES	
Q212	8-729-900-36	TRANSISTOR DTC124ES	
Q213	8-729-900-36	TRANSISTOR DTC124ES	
Q214	8-729-900-36	TRANSISTOR DTC124ES	
Q216	8-729-900-36	TRANSISTOR DTC124ES (EXCEPT US, CND, MX)	
Q217	8-729-900-63	TRANSISTOR DTA124ES	
Q218	8-729-900-63	TRANSISTOR DTA124ES	
< RESISTOR >			
R211-214			
	1-249-441-11	CARBON 100K 5% 1/4W	
R216	1-249-429-11	CARBON 10K 5% 1/4W	
R217	1-249-433-11	CARBON 22K 5% 1/4W	
R219	1-249-441-11	CARBON 100K 5% 1/4W	
R220	1-249-410-11	CARBON 270 5% 1/4W	
R221	1-249-429-11	CARBON 10K 5% 1/4W	
R222	1-247-903-00	CARBON 1M 5% 1/4W	
R223-225			
	1-249-433-11	CARBON 22K 5% 1/4W	
R227	1-249-433-11	CARBON 22K 5% 1/4W	
R229	1-249-433-11	CARBON 22K 5% 1/4W	

Ref. No.	Part No.	Description	Remark
R231	1-249-433-11	CARBON 22K 5% 1/4W	
R233	1-249-433-11	CARBON 22K 5% 1/4W	
R235	1-249-433-11	CARBON 22K 5% 1/4W	
R237	1-249-412-11	CARBON 390 5% 1/4W	
R238	1-249-413-11	CARBON 470 5% 1/4W	
R239	1-249-412-11	CARBON 390 5% 1/4W	
R240	1-249-412-11	CARBON 390 5% 1/4W	
R243	1-249-433-11	CARBON 22K 5% 1/4W	
R244	1-249-425-11	CARBON 4.7K 5% 1/4W	
R245	1-249-433-11	CARBON 22K 5% 1/4W	
R246	1-249-433-11	CARBON 22K 5% 1/4W	
R247	1-249-429-11	CARBON 10K 5% 1/4W	
R248	1-249-429-11	CARBON 10K 5% 1/4W	
R280-284			
	1-249-441-11	CARBON 100K 5% 1/4W	
< SWITCH >			
S223	1-554-303-21	SWITCH, TACTILE (SUR ON/OFF)	
S224	1-554-303-21	SWITCH, TACTILE (DELAY TIME)	
S225	1-554-303-21	SWITCH, TACTILE (CENTER MODE)	
S226	1-554-303-21	SWITCH, TACTILE (SUR MODE)	
S231	1-554-303-21	SWITCH, TACTILE (PHONO)	
S232	1-554-303-21	SWITCH, TACTILE (TUNER)	
S233	1-554-303-21	SWITCH, TACTILE (CD)	
S234	1-554-303-21	SWITCH, TACTILE (TAPE/MD)	
S235	1-554-303-21	SWITCH, TACTILE (TV/LD)	
S236	1-554-303-21	SWITCH, TACTILE (VIDEO)	
S241	1-554-303-21	SWITCH, TACTILE (DIRECT)	
S242	1-554-303-21	SWITCH, TACTILE (FM MODE)	
S245	1-554-303-21	SWITCH, TACTILE (SHIFT)	
S246	1-554-303-21	SWITCH, TACTILE (MEMORY)	
S251	1-554-303-21	SWITCH, TACTILE (0)	
S254	1-554-303-21	SWITCH, TACTILE (1)	
S255	1-554-303-21	SWITCH, TACTILE (2)	
S256	1-554-303-21	SWITCH, TACTILE (3)	
S261	1-554-303-21	SWITCH, TACTILE (9)	
S262	1-554-303-21	SWITCH, TACTILE (8)	
S263	1-554-303-21	SWITCH, TACTILE (7)	
S264	1-554-303-21	SWITCH, TACTILE (6)	
S265	1-554-303-21	SWITCH, TACTILE (5)	
S266	1-554-303-21	SWITCH, TACTILE (4)	
S271	1-554-303-21	SWITCH, TACTILE (AM)	
S272	1-554-303-21	SWITCH, TACTILE (FM)	
S273	1-554-303-21	SWITCH, TACTILE (PRESET TUNING +)	
S274	1-554-303-21	SWITCH, TACTILE (PRESET TUNING -)	
S275	1-554-303-21	SWITCH, TACTILE (TUNING +)	
S276	1-554-303-21	SWITCH, TACTILE (TUNING -)	

DISPLAY

HP (A)

HP (B)

MAIN

Ref. No.	Part No.	Description	Remark
< VIBRATOR >			
X201	1-579-952-21	VIBRATOR, CERAMIC (8MHz)	

*	1-651-907-11	HP (A) BOARD	

< JACK >			
J741	1-568-519-41	JACK, LARGE TYPE (HEADPHONES)	
< RESISTOR >			
R741	1-247-753-11	CARBON 1.2K 5% 1/2W	
R742	1-247-753-11	CARBON 1.2K 5% 1/2W	
R791	1-247-753-11	CARBON 1.2K 5% 1/2W	
R792	1-247-753-11	CARBON 1.2K 5% 1/2W	

*	1-651-908-11	HP (B) BOARD	

< CONNECTOR >			
CNP704	1-691-160-11	PIN, CONNECTOR 3P	

*	A-4369-677-A	MAIN BOARD, COMPLETE (D515:US, CND, MX)	
*	A-4369-678-A	MAIN BOARD, COMPLETE (D515:AEP, AUS, UK)	
*	A-4369-679-A	MAIN BOARD, COMPLETE (D515:G)	
*	A-4369-691-A	MAIN BOARD, COMPLETE (D615:US)	
*	A-4369-692-A	MAIN BOARD, COMPLETE (D615:CND)	
*	A-4369-694-A	MAIN BOARD, COMPLETE (D615:AEP, AUS, UK)	
*	A-4369-697-A	MAIN BOARD, COMPLETE (D615:G)	
*	A-4369-701-A	MAIN BOARD, COMPLETE (E)	

	3-905-609-01	SCREW (TRANSISTOR)	
	4-812-134-00	RIVET NYLON, 3.5	
*	4-942-204-01	PLATE, GROUND	
	7-682-548-04	SCREW +BVT 3X8 (S)	
< CAPACITOR >			
C302	1-124-120-11	ELECT 220uF 20% 25V	
C303	1-130-489-00	MYLAR 0.033uF 5% 50V	
C304	1-137-365-11	FILM 0.0015uF 5% 50V	
C305	1-130-489-00	MYLAR 0.033uF 5% 50V	
C306	1-124-903-11	ELECT 1uF 20% 50V	
C307	1-124-907-11	ELECT 10uF 20% 50V	
C308	1-124-907-11	ELECT 10uF 20% 50V	
C310	1-126-962-11	ELECT 3.3uF 20% 50V	
C311	1-124-925-11	ELECT 2.2uF 20% 100V	
C316	1-124-907-11	ELECT 10uF 20% 50V	

Ref. No.	Part No.	Description	Remark
C317	1-126-101-11	ELECT 100uF 20% 16V	
C318	1-137-363-00	FILM 680PF 5% 50V	
C322	1-126-962-11	ELECT 3.3uF 20% 50V	
C323	1-136-173-00	FILM 0.47uF 5% 50V	
C324	1-124-477-11	ELECT 47uF 20% 25V	
C325	1-137-399-11	FILM 0.1uF 5% 50V	
C326	1-137-399-11	FILM 0.1uF 5% 50V	
C327	1-124-902-00	ELECT 0.47uF 20% 50V	
C328	1-124-927-11	ELECT 4.7uF 20% 100V	
C329	1-124-902-00	ELECT 0.47uF 20% 50V	
C330	1-124-927-11	ELECT 4.7uF 20% 100V	
C331	1-124-250-00	ELECT 0.15uF 20% 50V	
C332	1-126-962-11	ELECT 3.3uF 20% 50V	
C333	1-124-250-00	ELECT 0.15uF 20% 50V	
C334	1-137-372-11	FILM 0.022uF 5% 50V	
C335	1-136-161-00	FILM 0.047uF 5% 50V	
C336	1-124-120-11	ELECT 220uF 20% 25V	
C337-340	1-124-907-11	ELECT 10uF 20% 50V	
C341	1-124-120-11	ELECT 220uF 20% 25V	
C342	1-126-962-11	ELECT 3.3uF 20% 50V	
C343	1-126-962-11	ELECT 3.3uF 20% 50V	
C344	1-137-399-11	FILM 0.1uF 5% 50V	
C345	1-137-399-11	FILM 0.1uF 5% 50V	
C346	1-124-902-00	ELECT 0.47uF 20% 50V	
C347	1-124-927-11	ELECT 4.7uF 20% 100V	
C348	1-124-902-00	ELECT 0.47uF 20% 50V	
C349	1-124-927-11	ELECT 4.7uF 20% 100V	
C350	1-124-250-00	ELECT 0.15uF 20% 50V	
C351	1-126-962-11	ELECT 3.3uF 20% 50V	
C352	1-124-250-00	ELECT 0.15uF 20% 50V	
C353-357	1-164-159-11	CERAMIC 0.1uF 50V	
C358	1-162-291-31	CERAMIC 560PF 10% 50V	
C359	1-124-927-11	ELECT 4.7uF 20% 100V	
C360	1-124-927-11	ELECT 4.7uF 20% 100V	
C362	1-124-120-11	ELECT 220uF 20% 25V	
C363	1-164-159-11	CERAMIC 0.1uF 50V	
C401	1-162-282-31	CERAMIC 100PF 10% 50V	
C401	1-162-286-31	CERAMIC 220PF 10% 50V	(EXCEPT G)
C401	1-162-286-31	CERAMIC 220PF 10% 50V	(G)
C402	1-126-962-11	ELECT 3.3uF 20% 50V	
C403	1-104-792-51	ELECT 33uF 20% 16V	
C404	1-162-282-31	CERAMIC 100PF 10% 50V	
C405	1-137-459-11	FILM 0.0056uF 5% 100V	
C406	1-164-159-11	CERAMIC 0.1uF 50V	
C407	1-137-365-11	FILM 0.0015uF 5% 50V	
C408	1-162-294-31	CERAMIC 0.001uF 10% 50V	

Ref. No.	Part No.	Description	Remark
C409	1-126-962-11	ELECT	3. 3uF 20% 50V
C410	1-164-159-11	CERAMIC	0. 1uF 50V
C412	1-162-291-31	CERAMIC	560PF 10% 50V
C413	1-164-159-11	CERAMIC	0. 1uF 50V
C414	1-161-494-00	CERAMIC	0. 022uF 25V
C415	1-164-159-11	CERAMIC	0. 1uF 50V
C416	1-164-159-11	CERAMIC	0. 1uF 50V
C434	1-162-286-31	CERAMIC	220PF 10% 50V
C435	1-162-286-31	CERAMIC	220PF 10% 50V
C451	1-162-282-31	CERAMIC (EXCEPT G)	100PF 10% 50V
C451	1-162-286-31	CERAMIC (G)	220PF 10% 50V
C452	1-126-962-11	ELECT	3. 3uF 20% 50V
C453	1-104-792-51	ELECT	33uF 20% 16V
C454	1-162-282-31	CERAMIC	100PF 10% 50V
C455	1-137-459-11	FILM	0. 0056uF 5% 100V
C457	1-137-365-11	FILM	0. 0015uF 5% 50V
C459	1-126-962-11	ELECT	3. 3uF 20% 50V
C460	1-164-159-11	CERAMIC	0. 1uF 50V
C601	1-124-927-11	ELECT (D615)	4. 7uF 20% 100V
C602	1-164-077-11	CERAMIC (D615)	220PF 10% 50V
C603	1-162-215-31	CERAMIC (D615)	47PF 5% 50V
C604	1-126-176-11	ELECT (D615)	220uF 20% 10V
C605	1-164-084-11	CERAMIC (D615)	820PF 10% 50V
C606	1-124-477-11	ELECT (D615)	47uF 20% 25V
C607	1-164-039-11	CERAMIC (D615)	3PF 0. 25PF 50V
C608	1-124-477-11	ELECT (D615)	47uF 20% 25V
C610	1-164-159-11	CERAMIC	0. 1uF 50V
C611	1-164-159-11	CERAMIC (D615)	0. 1uF 50V
C612	1-137-372-11	FILM	0. 022uF 5% 50V
C613	1-161-959-00	CERAMIC (D615)	22PF 10% 500V
C614	1-164-159-11	CERAMIC (D515)	0. 1uF 50V
C651	1-164-077-11	CERAMIC	220PF 10% 50V
C652	1-124-927-11	ELECT	4. 7uF 20% 100V
C653	1-164-070-11	CERAMIC	100PF 5% 50V
C654	1-124-443-00	ELECT	100uF 20% 10V
C655	1-164-039-11	CERAMIC	3PF 0. 25PF 50V
C656	1-124-927-11	ELECT	4. 7uF 20% 100V
C658	1-137-372-11	FILM	0. 022uF 5% 50V

Ref. No.	Part No.	Description	Remark
C671	1-164-077-11	CERAMIC (D515)	220PF 10% 50V
C672	1-124-927-11	ELECT (D515)	4. 7uF 20% 100V
C673	1-164-070-11	CERAMIC (D515)	100PF 5% 50V
C674	1-124-443-00	ELECT (D515)	100uF 20% 10V
C675	1-164-039-11	CERAMIC (D515)	3PF 0. 25PF 50V
C701	1-124-927-11	ELECT	4. 7uF 20% 100V
C702	1-164-077-11	CERAMIC	220PF 10% 50V
C703	1-162-215-31	CERAMIC	47PF 5% 50V
C704	1-126-176-11	ELECT	220uF 20% 10V
C705	1-164-084-11	CERAMIC	820PF 10% 50V
C706	1-124-477-11	ELECT	47uF 20% 25V
C707	1-164-039-11	CERAMIC	3PF 0. 25PF 50V
C708	1-124-477-11	ELECT	47uF 20% 25V
C710	1-161-959-00	CERAMIC	22PF 10% 500V
C711	1-164-159-11	CERAMIC	0. 1uF 50V
C712	1-137-372-11	FILM	0. 022uF 5% 50V
C720	1-124-472-11	ELECT	470uF 20% 10V
C721	1-124-927-11	ELECT	4. 7uF 20% 100V
C722	1-124-927-11	ELECT	4. 7uF 20% 100V
C723	1-124-463-00	ELECT	0. 1uF 20% 50V
C751	1-124-927-11	ELECT	4. 7uF 20% 100V
C752	1-164-077-11	CERAMIC	220PF 10% 50V
C753	1-162-215-31	CERAMIC	47PF 5% 50V
C754	1-126-176-11	ELECT	220uF 20% 10V
C755	1-164-084-11	CERAMIC	820PF 10% 50V
C756	1-124-477-11	ELECT	47uF 20% 25V
C757	1-164-039-11	CERAMIC	3PF 0. 25PF 50V
C758	1-124-477-11	ELECT	47uF 20% 25V
C760	1-161-959-00	CERAMIC	22PF 10% 500V
C761	1-164-159-11	CERAMIC	0. 1uF 50V
C762	1-137-372-11	FILM	0. 022uF 5% 50V
C801	1-124-477-11	ELECT	47uF 20% 25V
C802	1-124-477-11	ELECT	47uF 20% 25V
C803	1-107-766-11	ELECT (D615)	8200uF 20% 71V
C803	1-128-591-11	ELECT (D515)	6800uF 20% 56V
C804	1-107-766-11	ELECT (D615)	8200uF 20% 71V
C804	1-128-591-11	ELECT (D515)	6800uF 20% 56V
C805	1-137-420-11	FILM	0. 047uF 10% 100V
C806	1-137-420-11	FILM	0. 047uF 10% 100V
C807	1-124-477-11	ELECT	47uF 20% 25V
C808	1-124-477-11	ELECT	47uF 20% 25V

MAIN

Ref. No.	Part No.	Description	Remark
C811	1-124-618-11	ELECT	2200uF 20% 35V
C812	1-124-618-11	ELECT	2200uF 20% 35V
C813	1-137-375-11	FILM	0.068uF 5% 50V
C814	1-137-375-11	FILM	0.068uF 5% 50V
C815	1-124-464-11	ELECT	0.22uF 20% 50V
C816	1-124-477-11	ELECT	47uF 20% 25V
C817	1-124-477-11	ELECT	47uF 20% 25V
C818	1-124-903-11	ELECT	1uF 20% 50V
C819	1-124-360-00	ELECT	1000uF 20% 16V
C820	1-161-494-00	CERAMIC	0.022uF 25V
C821	1-161-494-00	CERAMIC	0.022uF 25V
C822	1-124-477-11	ELECT	47uF 20% 25V
C823	1-124-477-11	ELECT	47uF 20% 25V
CC01-7	1-162-282-31	CERAMIC (G)	100PF 10% 50V
CC51-55	1-162-282-31	CERAMIC (G)	100PF 10% 50V
CC56	1-162-282-31	CERAMIC (G)	100PF 10% 50V
CC57	1-162-282-31	CERAMIC (G)	100PF 10% 50V
< CONNECTOR >			
* CNJ406	1-764-930-11	CONNECTOR, FFC (LIF (NON-ZIF))	25P
* CNJ701	1-764-914-11	CONNECTOR, FFC (LIF (NON-ZIF))	9P
* CNP403	1-750-384-11	CONNECTOR, BOARD TO BOARD	11P
CNP405	1-691-161-11	PIN, CONNECTOR	4P
CNP701	1-750-388-11	PIN, CONNECTOR	5P
* CNP706	1-564-674-11	PIN, CONNECTOR	8P
CNP801	1-764-906-11	PIN, CONNECTOR (D615:G)	
* CNP804	1-565-495-11	CONNECTOR, BOARD TO BOARD	4P
< DIODE >			
D600	8-719-987-63	DIODE 1N4148M (D615)	
D601	8-719-933-41	DIODE HZS6C3L (D615)	
D602	8-719-987-63	DIODE 1N4148M	
D603	8-719-815-85	DIODE 1S1585 (D615)	
D701	8-719-933-41	DIODE HZS6C3L	
D702	8-719-987-63	DIODE 1N4148M	
D703	8-719-815-85	DIODE 1S1585	
D704	8-719-815-85	DIODE 1S1585	
D706	8-719-987-63	DIODE 1N4148M	
D707	8-719-987-63	DIODE 1N4148M	
D708	8-719-987-63	DIODE 1N4148M	
D709	8-719-987-63	DIODE 1N4148M	
D710	8-719-815-85	DIODE 1S1585	
D751	8-719-933-41	DIODE HZS6C3L	
D752	8-719-987-63	DIODE 1N4148M	

Ref. No.	Part No.	Description	Remark
D753	8-719-815-85	DIODE 1S1585	
D801	8-719-002-33	DIODE UZL-24L	
D802	8-719-302-38	DIODE RBV-602-01	
D803	8-719-312-09	DIODE RBA-402	
D804	8-719-010-38	DIODE UZ-5.1BSB	
D807	8-719-985-53	DIODE HZS4ALL	
D808	8-719-933-41	DIODE HZS6C3L	
D809	8-719-933-41	DIODE HZS6C3L	
D810	8-719-024-99	DIODE 11ES2	
D811	8-719-024-99	DIODE 11ES2	
D812	8-719-024-99	DIODE 11ES2	
D813	8-719-024-99	DIODE 11ES2	
D814	8-719-987-63	DIODE 1N4148M	
D815	8-719-987-63	DIODE 1N4148M	
D817	8-719-001-30	DIODE UZL-9H3	
D818	8-719-987-63	DIODE 1N4148M (D615)	
< IC >			
IC300	8-759-248-75	IC LV1010	
IC301	8-759-248-74	IC LA2785	
IC302	8-759-636-74	IC M5218AP-22	
IC401	8-759-805-14	IC LC7822	
IC402	8-759-636-74	IC M5218AP-22	
IC651	8-759-502-33	IC SI18752	
IC671	8-759-502-33	IC SI18752 (D515)	
IC801	8-759-263-43	IC TA78M12S	
IC802	8-759-700-69	IC NJM79L12A	
< JACK >			
J401	1-695-188-21	JACK, PIN 4P (PHOTO IN, CD IN)	
J402	1-580-825-11	JACK, PIN 6P (TAPE/MD-REC OUT, TAPE/MD-IN)	
J403	1-573-028-21	JACK, PIN 4P (VIDEO-AUDIO OUT, VIDEO-AUDIO IN)	
< COIL >			
L301	1-410-509-11	INDUCTOR 10uH	
L302	1-410-509-11	INDUCTOR 10uH	
L601	1-420-872-00	COIL, AIR CORE	
L651	1-420-872-00	COIL, AIR CORE	
L671	1-420-872-00	COIL, AIR-CORE (D515)	
L701	1-420-872-00	COIL, AIR CORE	
L751	1-420-872-00	COIL, AIR CORE	
< TRANSISTOR >			
Q261	8-729-119-78	TRANSISTOR 2SC403SP-51	
Q262	8-729-119-78	TRANSISTOR 2SC403SP-51	
Q305	8-729-141-30	TRANSISTOR 2SC3623A-LK	
Q306	8-729-141-30	TRANSISTOR 2SC3623A-LK	

Ref. No.	Part No.	Description	Remark
Q307	8-729-141-30	TRANSISTOR	2SC3623A-LK
Q308	8-729-141-30	TRANSISTOR	2SC3623A-LK
Q600	8-729-140-82	TRANSISTOR	2SA988-PAFAEA (D615)
Q601	8-729-620-18	TRANSISTOR	2SA979-FG (D615)
Q602	8-729-119-78	TRANSISTOR	2SC403SP-51 (D615)
Q603	8-729-119-78	TRANSISTOR	2SC403SP-51
Q604	8-729-119-78	TRANSISTOR	2SC403SP-51 (D615)
Q605	8-729-122-13	TRANSISTOR	2SA1221-K (D615)
Q606	8-729-195-82	TRANSISTOR	2SC2958 (D615)
Q607	8-729-209-15	TRANSISTOR	2SD2012 (D615)
Q608	8-749-010-25	TRANSISTOR	MN2488-OPY-M (D615)
Q609	8-749-010-26	TRANSISTOR	MP1620-OPY-M (D615)
Q610	8-729-140-82	TRANSISTOR	2SA988-PAFAEA (D615)
Q701	8-729-620-18	TRANSISTOR	2SA979-FG
Q702	8-729-119-78	TRANSISTOR	2SC403SP-51
Q703	8-729-140-82	TRANSISTOR	2SA988-PAFAEA
Q704	8-729-119-78	TRANSISTOR	2SC403SP-51
Q705	8-729-122-13	TRANSISTOR	2SA1221-K
Q706	8-729-195-82	TRANSISTOR	2SC2958
Q707	8-729-209-15	TRANSISTOR	2SD2012
Q708	8-729-020-52	TRANSISTOR	2SD2439-OPY (D515)
Q708	8-749-010-25	TRANSISTOR	MN2488-OPY-M (D615)
Q709	8-729-020-48	TRANSISTOR	2SB1588-OPY (D515)
Q709	8-749-010-26	TRANSISTOR	MP1620-OPY-M (D615)
Q710	8-729-140-82	TRANSISTOR	2SA988-PAFAEA
Q711	8-729-119-78	TRANSISTOR	2SC403SP-51
Q712	8-729-140-82	TRANSISTOR	2SA988-PAFAEA
Q713	8-729-140-84	TRANSISTOR	2SC1841-PAFAEA
Q714	8-729-119-78	TRANSISTOR	2SC403SP-51
Q751	8-729-620-18	TRANSISTOR	2SA979-FG
Q752	8-729-119-78	TRANSISTOR	2SC403SP-51
Q753	8-729-140-82	TRANSISTOR	2SA988-PAFAEA
Q754	8-729-119-78	TRANSISTOR	2SC403SP-51
Q755	8-729-122-13	TRANSISTOR	2SA1221-K
Q756	8-729-195-82	TRANSISTOR	2SC2958
Q757	8-729-209-15	TRANSISTOR	2SD2012
Q758	8-729-020-52	TRANSISTOR	2SD2439-OPY (D515)
Q758	8-749-010-25	TRANSISTOR	MN2488-OPY-M (D615)
Q759	8-729-020-48	TRANSISTOR	2SB1588-OPY (D515)
Q759	8-749-010-26	TRANSISTOR	MP1620-OPY-M (D615)
Q760	8-729-140-82	TRANSISTOR	2SA988-PAFAEA
Q801	8-729-140-97	TRANSISTOR	2SB734-34
Q802	8-729-119-78	TRANSISTOR	2SC403SP-51
Q803	8-729-119-78	TRANSISTOR	2SC403SP-51
Q804	8-729-119-76	TRANSISTOR	2SA1175-HFE
Q805	8-729-119-76	TRANSISTOR	2SA1175-HFE
Q806	8-729-119-78	TRANSISTOR	2SC403SP-51
Q807	8-729-180-92	TRANSISTOR	2SD809-K
Q808	8-729-180-92	TRANSISTOR	2SD809-K

Ref. No.	Part No.	Description	Remark
Q809	8-729-119-78	TRANSISTOR	2SC403SP-51 (D615)
< RESISTOR >			
R269	1-249-433-11	CARBON	22K 5% 1/4W
R270	1-249-433-11	CARBON	22K 5% 1/4W
R300	1-247-903-00	CARBON	1M 5% 1/4W
R301	1-249-421-11	CARBON	2.2K 5% 1/4W
R302	1-249-421-11	CARBON	2.2K 5% 1/4W
R304	1-249-441-11	CARBON	100K 5% 1/4W
R306	1-249-436-11	CARBON	39K 5% 1/4W
R307	1-249-432-11	CARBON	18K 5% 1/4W
R308	1-249-421-11	CARBON	2.2K 5% 1/4W
R309	1-249-421-11	CARBON	2.2K 5% 1/4W
R353-356			
	1-249-425-11	CARBON	4.7K 5% 1/4W
R357	1-249-441-11	CARBON	100K 5% 1/4W
R358	1-249-441-11	CARBON	100K 5% 1/4W
R359-362			
	1-249-429-11	CARBON	10K 5% 1/4W
R363	1-249-411-11	CARBON	330 5% 1/4W
R365	1-249-417-11	CARBON	1K 5% 1/4W
R366	1-249-417-11	CARBON	1K 5% 1/4W
R401	1-249-411-11	CARBON	330 5% 1/4W
R402	1-249-425-11	CARBON	4.7K 5% 1/4W
R403-407			
	1-249-417-11	CARBON	1K 5% 1/4W
R408	1-249-429-11	CARBON	10K 5% 1/4W
R409	1-249-437-11	CARBON	47K 5% 1/4W
R410	1-247-897-11	CARBON	560K 5% 1/4W
R411	1-249-416-11	CARBON	820 5% 1/4W
R412	1-247-897-11	CARBON	560K 5% 1/4W
R413	1-249-437-11	CARBON	47K 5% 1/4W
R414	1-249-425-11	CARBON	4.7K 5% 1/4W
R416	1-249-417-11	CARBON	1K 5% 1/4W
R417	1-247-897-11	CARBON	560K 5% 1/4W
R435	1-249-418-11	CARBON	1.2K 5% 1/4W
R442	1-249-418-11	CARBON	1.2K 5% 1/4W
R443	1-249-418-11	CARBON	1.2K 5% 1/4W
R447	1-249-416-11	CARBON	820 5% 1/4W
R448	1-249-429-11	CARBON	10K 5% 1/4W
R449	1-249-433-11	CARBON	22K 5% 1/4W
R451	1-249-411-11	CARBON	330 5% 1/4W
R452	1-249-425-11	CARBON	4.7K 5% 1/4W
R453-457			
	1-249-417-11	CARBON	1K 5% 1/4W
R458	1-249-429-11	CARBON	10K 5% 1/4W
R459	1-249-437-11	CARBON	47K 5% 1/4W
R460	1-247-897-11	CARBON	560K 5% 1/4W
R461	1-249-416-11	CARBON	820 5% 1/4W

MAIN

Ref. No.	Part No.	Description	Remark
R462	1-247-897-11	CARBON	560K 5% 1/4W
R463	1-249-437-11	CARBON	47K 5% 1/4W
R466	1-249-417-11	CARBON	1K 5% 1/4W
R467	1-247-897-11	CARBON	560K 5% 1/4W
R601	1-249-417-11	CARBON	1K 5% 1/4W (D615)
R602	1-249-435-11	CARBON	33K 5% 1/4W (D615)
R603	1-249-409-11	CARBON	220 5% 1/4W (D615)
R604	1-249-434-11	CARBON	27K 5% 1/4W (D615)
R605	1-249-415-11	CARBON	680 5% 1/4W (D615)
△R606	1-249-409-11	CARBON (D615)	220 5% 1/4W F
R607	1-249-421-11	CARBON	2. 2K 5% 1/4W (D615)
R608	1-249-433-11	CARBON	22K 5% 1/4W (D615)
△R609	1-249-409-11	CARBON (D615)	220 5% 1/4W F
R610	1-249-414-11	CARBON	560 5% 1/4W (D615)
R611	1-249-426-11	CARBON	5. 6K 5% 1/4W
R612	1-249-422-11	CARBON	2. 7K 5% 1/4W (D615)
△R613	1-249-397-11	CARBON (D615)	22 5% 1/4W F
R614	1-249-415-11	CARBON	680 5% 1/4W (D615)
R615	1-249-409-11	CARBON	220 5% 1/4W (D615)
△R616	1-249-397-11	CARBON (D615)	22 5% 1/4W F
R617	1-249-428-11	CARBON	8. 2K 5% 1/4W (D615)
R618	1-249-393-11	CARBON	10 5% 1/4W (D615)
R619	1-249-393-11	CARBON	10 5% 1/4W (D615)
△R620	1-208-602-11	WIREWOUND (D615)	0. 22 10% 2W F
△R621	1-208-602-11	WIREWOUND (D615)	0. 22 10% 2W F
R622	1-249-425-11	CARBON	4. 7K 5% 1/4W (D615)
R623	1-249-431-11	CARBON	15K 5% 1/4W (D615)
△R624	1-249-393-11	CARBON	10 5% 1/4W F
R625	1-249-389-11	CARBON	4. 7 5% 1/4W
R626	1-247-866-11	CARBON	30K 5% 1/4W (D615)
R627	1-249-435-11	CARBON	33K 5% 1/4W (D615)
R651	1-249-438-11	CARBON	56K 5% 1/4W
R652	1-249-417-11	CARBON	1K 5% 1/4W
R653	1-249-409-11	CARBON	220 5% 1/4W (D515)
R653	1-249-411-11	CARBON	330 5% 1/4W (D615)
R654	1-247-866-11	CARBON	30K 5% 1/4W (D615)
R654	1-249-431-11	CARBON	15K 5% 1/4W (D515)
R655	1-249-426-11	CARBON	5. 6K 5% 1/4W
△R658	1-249-393-11	CARBON	10 5% 1/4W F
△R659	1-249-389-11	CARBON	4. 7 5% 1/4W F
R660	1-249-437-11	CARBON	47K 5% 1/4W
R671	1-249-438-11	CARBON	56K 5% 1/4W (D515)
R672	1-249-417-11	CARBON	1K 5% 1/4W (D515)
R673	1-249-410-11	CARBON	270 5% 1/4W (D515)

Ref. No.	Part No.	Description	Remark
R674	1-247-866-11	CARBON	30K 5% 1/4W (D515)
R680	1-249-435-11	CARBON	33K 5% 1/4W (D515)
R701	1-249-421-11	CARBON	2. 2K 5% 1/4W
R702	1-249-435-11	CARBON	33K 5% 1/4W
R703	1-249-409-11	CARBON	220 5% 1/4W (D615)
R703	1-249-410-11	CARBON	270 5% 1/4W (D515)
R704	1-249-434-11	CARBON	27K 5% 1/4W
R705	1-249-415-11	CARBON	680 5% 1/4W
△R706	1-249-409-11	CARBON	220 5% 1/4W F
R707	1-249-421-11	CARBON	2. 2K 5% 1/4W
R708	1-249-433-11	CARBON	22K 5% 1/4W
△R709	1-249-409-11	CARBON	220 5% 1/4W F
R710	1-247-866-11	CARBON	30K 5% 1/4W
R711	1-249-414-11	CARBON	560 5% 1/4W
R712	1-249-422-11	CARBON	2. 7K 5% 1/4W
△R713	1-249-397-11	CARBON	22 5% 1/4W F
R714	1-249-415-11	CARBON	680 5% 1/4W
R715	1-249-409-11	CARBON	220 5% 1/4W
△R716	1-249-397-11	CARBON	22 5% 1/4W F
R717	1-249-428-11	CARBON	8. 2K 5% 1/4W
△R718	1-249-393-11	CARBON	10 5% 1/4W F
△R719	1-249-393-11	CARBON	10 5% 1/4W F
△R720	1-208-601-11	WIREWOUND (D515)	0. 1 10% 2W F
△R720	1-208-602-11	WIREWOUND (D615)	0. 22 10% 2W F
△R721	1-208-601-11	WIREWOUND (D515)	0. 1 10% 2W F
△R721	1-208-602-11	WIREWOUND (D615)	0. 22 10% 2W F
R722	1-249-417-11	CARBON	1K 5% 1/4W (D515)
R722	1-249-425-11	CARBON	4. 7K 5% 1/4W (D615)
R723	1-249-431-11	CARBON	15K 5% 1/4W
△R724	1-249-393-11	CARBON	10 5% 1/4W F
△R725	1-249-389-11	CARBON	4. 7 5% 1/4W F
R727	1-249-437-11	CARBON	47K 5% 1/4W
R729	1-249-399-11	CARBON	33 5% 1/4W
△R730	1-249-399-11	CARBON	33 5% 1/4W F
R731	1-249-429-11	CARBON	10K 5% 1/4W
R732	1-249-417-11	CARBON	1K 5% 1/4W
R733	1-249-435-11	CARBON	33K 5% 1/4W
R734	1-249-427-11	CARBON	6. 8K 5% 1/4W
R737	1-249-429-11	CARBON	10K 5% 1/4W
R751	1-249-421-11	CARBON	2. 2K 5% 1/4W
R752	1-249-435-11	CARBON	33K 5% 1/4W
R753	1-249-409-11	CARBON	220 5% 1/4W (D615)
R753	1-249-410-11	CARBON	270 5% 1/4W (D515)
R754	1-249-434-11	CARBON	27K 5% 1/4W
R755	1-249-415-11	CARBON	680 5% 1/4W

The components identified by mark △ or dotted line with mark △ are critical for safety. Replace only with part number specified.

Les composants identifiés par une marque △ sont critiques pour la sécurité. Ne les remplacer que par une pièce portant le numéro spécifié.

MAIN MOTOR VR

Ref. No.	Part No.	Description	Remark		
△R756	1-249-409-11	CARBON	220	5%	1/4W F
R757	1-249-421-11	CARBON	2.2K	5%	1/4W
R758	1-249-433-11	CARBON	22K	5%	1/4W
△R759	1-249-409-11	CARBON	220	5%	1/4W F
R760	1-247-866-11	CARBON	30K	5%	1/4W
R761	1-249-414-11	CARBON	560	5%	1/4W
R762	1-249-422-11	CARBON	2.7K	5%	1/4W
R763	1-249-397-11	CARBON	22	5%	1/4W
R764	1-249-415-11	CARBON	680	5%	1/4W
R765	1-249-409-11	CARBON	220	5%	1/4W
△R766	1-249-397-11	CARBON	22	5%	1/4W F
R767	1-249-428-11	CARBON	8.2K	5%	1/4W
△R768	1-249-393-11	CARBON	10	5%	1/4W F
△R769	1-249-393-11	CARBON	10	5%	1/4W F
△R770	1-208-601-11	WIREWOUND (D515)	0.1	10%	2W F
△R770	1-208-602-11	WIREWOUND (D615)	0.22	10%	2W F
△R771	1-208-601-11	WIREWOUND (D515)	0.1	10%	2W F
△R771	1-208-602-11	WIREWOUND (D615)	0.22	10%	2W F
R772	1-249-425-11	CARBON	4.7K	5%	1/4W (D615)
R772	1-249-417-11	CARBON	1K	5%	1/4W (D515)
R773	1-249-431-11	CARBON	15K	5%	1/4W
△R774	1-249-393-11	CARBON	10	5%	1/4W F
△R775	1-249-389-11	CARBON	4.7	5%	1/4W F
R777	1-249-438-11	CARBON	56K	5%	1/4W
R801	1-249-423-11	CARBON	3.3K	5%	1/4W
△R802	1-249-399-11	CARBON	33	5%	1/4W F
R805	1-216-446-00	METAL OXIDE	18	5%	2W
R806	1-249-425-11	CARBON	4.7K	5%	1/4W
R807	1-249-437-11	CARBON	47K	5%	1/4W
△R808	1-249-405-11	CARBON	100	5%	1/4W F
R811	1-249-417-11	CARBON	1K	5%	1/4W
R812	1-249-426-11	CARBON	5.6K	5%	1/4W
R813	1-249-426-11	CARBON	5.6K	5%	1/4W
R814	1-249-429-11	CARBON	10K	5%	1/4W
R815	1-249-429-11	CARBON	10K	5%	1/4W
R816	1-249-417-11	CARBON	1K	5%	1/4W F
R817	1-249-429-11	CARBON	10K	5%	1/4W
R819	1-249-423-11	CARBON	3.3K	5%	1/4W F
R820	1-249-437-11	CARBON	47K	5%	1/4W
R822	1-247-811-31	CARBON	150	5%	1/4W
R824	1-249-425-11	CARBON	4.7K	5%	1/4W (D615)
RR01	1-249-417-11	CARBON	1K	5%	1/4W (G)
RR51	1-249-417-11	CARBON	1K	5%	1/4W (G)

Ref. No.	Part No.	Description	Remark		
< RELAY >					
RY601	1-515-920-11	RELAY (24V)			
RY701	1-515-920-11	RELAY (24V)			
RY801	1-515-894-11	RELAY (EXCEPT CND, MX)			
RY851	1-515-918-11	RELAY (CND, MX)			
RY852	1-515-918-11	RELAY (CND, MX)			
< TERMINAL >					
TM001	1-537-240-51	TERMINAL BOARD (ANTENNA) (US, CND, E, MX)			
TM001	1-537-714-11	TERMINAL BOARD (ANTENNA) (AEP, G, AUS, UK)			
TM601	1-537-510-11	TERMINAL BOARD (SPEAKER) (6P) (SURROUND SPEAKERS)			
TM701	1-537-376-11	TERMINAL BOARD (SP) (FRONT SPEAKERS)			
< TUNER >					
TU001	1-239-562-11	TUNER UNIT (G)			
TU001	1-239-611-11	TUNER UNIT (AEP, E, AUS)			
TU001	1-239-850-11	TUNER UNIT (US, CND, MX)			
TU001	1-239-865-11	ENCAPSULATED COMPONENT (UK)			
< VIBRATOR >					
X301	1-579-952-21	VIBRATOR, CERAMIC (8MHz)			

*	A-4369-657-A	MOTOR VR BOARD, COMPLETE (D515)			
*	A-4369-681-A	MOTOR VR BOARD, COMPLETE (D615)			

< CAPACITOR >					
C420	1-162-207-31	CERAMIC	22PF	5%	50V
C425	1-126-096-11	ELECT	10uF	20%	35V
C426	1-126-096-11	ELECT	10uF	20%	35V
C427	1-124-252-00	ELECT	0.33uF	20%	50V
C428	1-130-489-00	MYLAR	0.033uF	5%	50V
C429	1-164-070-11	CERAMIC	100PF	5%	50V
C430	1-126-301-11	ELECT	1uF	20%	50V
C431	1-126-301-11	ELECT	1uF	20%	50V
C432	1-126-096-11	ELECT	10uF	20%	35V
C433	1-126-096-11	ELECT	10uF	20%	35V
C470	1-162-207-31	CERAMIC	22PF	5%	50V
C475	1-126-096-11	ELECT	10uF	20%	35V
C476	1-126-096-11	ELECT	10uF	20%	35V
C477	1-124-252-00	ELECT	0.33uF	20%	50V
C478	1-130-489-00	MYLAR	0.033uF	5%	50V
C479	1-164-070-11	CERAMIC	100PF	5%	50V
C492	1-124-464-11	ELECT	0.22uF	20%	50V

<p>The components identified by mark △ or dotted line with mark. △ are critical for safety. Replace only with part number specified.</p>	<p>Les composants identifiés par une marque △ sont critiques pour la sécurité. Ne les remplacer que par une pièce portant le numéro spécifié.</p>
--	---

MOTOR VR PS

Ref. No.	Part No.	Description	Remark
< CONNECTOR >			
* CNJ403	1-750-383-11	CONNECTOR, BOARD TO BOARD 11P	
* CNJ404	1-764-950-11	CONNECTOR, FFC (LIF (NON-ZIF)) 9P	
* CNP401	1-566-971-11	PIN, CONNECTOR (PC BOARD) 6P	
* CNP402	1-566-972-11	PIN, CONNECTOR (PC BOARD) 7P	
< DIODE >			
D421	8-719-987-63	DIODE 1N4148M	
< IC >			
IC404	8-759-636-74	IC M5218AP-22	
< TRANSISTOR >			
Q401	8-729-202-67	TRANSISTOR 2SK246-GR3	
Q402	8-729-141-30	TRANSISTOR 2SC3623A-LK	
Q403	8-729-141-30	TRANSISTOR 2SC3623A-LK	
Q451	8-729-202-67	TRANSISTOR 2SK246-GR3	
Q452	8-729-141-30	TRANSISTOR 2SC3623A-LK	
Q453	8-729-141-30	TRANSISTOR 2SC3623A-LK	
< RESISTOR >			
R425	1-249-428-11	CARBON 8.2K 5%	1/4W
R426	1-249-438-11	CARBON 56K 5%	1/4W
R427	1-249-417-11	CARBON 1K 5%	1/4W
R428	1-249-425-11	CARBON 4.7K 5%	1/4W
R430	1-249-437-11	CARBON 47K 5%	1/4W
R431	1-249-423-11	CARBON 3.3K 5%	1/4W
R432	1-247-883-00	CARBON 150K 5%	1/4W
R433	1-249-427-11	CARBON 6.8K 5%	1/4W
R434	1-249-412-11	CARBON 390 5%	1/4W
R436	1-249-441-11	CARBON 100K 5%	1/4W
R438	1-249-441-11	CARBON 100K 5%	1/4W
R441	1-249-441-11	CARBON 100K 5%	1/4W
R446	1-247-807-31	CARBON 100 5%	1/4W
R464	1-247-903-00	CARBON 1M 5%	1/4W
R469	1-247-903-00	CARBON 1M 5%	1/4W
R475	1-249-428-11	CARBON 8.2K 5%	1/4W
R476	1-249-438-11	CARBON 56K 5%	1/4W
R477	1-249-417-11	CARBON 1K 5%	1/4W
R478	1-249-425-11	CARBON 4.7K 5%	1/4W
R480	1-249-437-11	CARBON 47K 5%	1/4W
R481	1-249-423-11	CARBON 3.3K 5%	1/4W
R482	1-247-883-00	CARBON 150K 5%	1/4W
R483	1-249-427-11	CARBON 6.8K 5%	1/4W
R484	1-249-412-11	CARBON 390 5%	1/4W
R491	1-249-441-11	CARBON 100K 5%	1/4W
R492	1-247-903-00	CARBON 1M 5%	1/4W

Ref. No.	Part No.	Description	Remark
R496	1-247-807-31	CARBON 100 5%	1/4W
< VARIABLE RESISTOR >			
RV404	1-241-816-11	RES. VAR, CARBON 100KX4 (MASTER VOLUME)	

* 1-651-921-11		PS BOARD	*****
1-533-293-11		FUSE HOLDER	
< CAPACITOR >			
△CC91	1-161-741-00	CERAMIC 0.001uF	10% 400V (G)
△CC92	1-161-741-00	CERAMIC 0.001uF	10% 400V (G)
< AC OUTLET >			
△CNJ902	1-540-038-11	OUTLET, AC (NON-POLAR) (AC OUTLET) (E)	
△CNJ902	1-540-057-11	OUTLET, AC (POLAR) (AC OUTLET) (US, CND, MX)	
< CONNECTOR >			
* CNP805	1-565-495-11	CONNECTOR, BOARD TO BOARD 4P	
CNP901	1-564-321-00	PIN, CONNECTOR 2P	
CNP902	1-580-230-11	PIN, CONNECTOR (PC BOARD) 3P	
CNP903	1-580-230-11	PIN, CONNECTOR (PC BOARD) 3P	
CNP905	1-564-320-00	PIN, CONNECTOR (B2P-VH) 2P (E)	
* CNP906	1-564-241-00	PIN, CONNECTOR (B4P-VH) 4P (E)	
< DIODE >			
D816	8-719-987-63	DIODE 1N4148M	
< FUSE >			
△F902	1-532-237-00	FUSE, TIME-LAG (T3.15AL) (MX)	
△F902	1-532-259-00	FUSE (T1.6AL/250V) (AEP, G, AUS, E, UK)	
△F902	1-576-109-11	FUSE (5A/125V) (US, CND)	
△F903	1-532-259-00	FUSE (T1.6AL/250V) (AEP, G, AUS)	
< RESISTOR >			
△R901	1-202-725-00	SOLID 3.3M 10%	1/2W F (US, CND, MX)
< RELAY >			
△RY901	1-515-738-11	RELAY, POWER	
< TRANSFORMER >			
△T902	1-450-358-11	TRANSFORMER, POWER (EXCEPT US, CND, MX)	
△T902	1-450-361-11	TRANSFORMER, POWER (US, CND, MX)	

The components identified by mark △ or dotted line with mark. △ are critical for safety. Replace only with part number specified.	Les composants identifiés par une marque △ sont critiques pour la sécurité. Ne les remplacer que par une pièce portant le numéro spécifié.
---	--

SP CONNECTOR

SP SW (A)

SP SW (B)

SYS SW

TONE

TRANS TM

Ref. No.	Part No.	Description	Remark
*	1-651-901-11	SP CONNECTOR BOARD ***** < CONNECTOR >	
	CNJ703 1-750-390-11	SOCKET 5P *****	
*	1-651-899-11	SP SW (A) BOARD ***** < CONNECTOR >	
	CNJ702 1-691-173-11	CONNECTOR (BOARD TO BOARD) 3P < SWITCH >	
	S701 1-571-854-21	SWITCH, PUSH (2 KEY) (SPEAKERS A, B) *****	
*	1-651-900-11	SP SW (B) BOARD ***** *****	
*	1-651-911-11	SYS SW BOARD ***** < CONNECTOR >	
	CNP201 1-764-905-11	PLUG, CONNECTOR 7P < SWITCH >	
	S200 1-554-303-21	SWITCH, TACTILE (POWER)	
	S213 1-554-303-21	SWITCH, TACTILE (REAR LEVEL +)	
	S214 1-554-303-21	SWITCH, TACTILE (REAR LEVEL -)	
	S215 1-554-303-21	SWITCH, TACTILE (CENTER LEVEL +)	
	S216 1-554-303-21	SWITCH, TACTILE (CENTER LEVEL -)	
*	1-651-898-11	TONE BOARD ***** < CAPACITOR >	
	C421 1-137-440-11	FILM 0.018uF 5% 50V	
	C422 1-124-463-00	ELECT 0.1uF 20% 50V	
	C423 1-137-368-11	FILM 0.0047uF 5% 50V	
	C424 1-137-372-11	FILM 0.022uF 5% 50V	
	C471 1-137-440-11	FILM 0.018uF 5% 50V	
	C472 1-124-463-00	ELECT 0.1uF 20% 50V	
	C473 1-137-368-11	FILM 0.0047uF 5% 50V	
	C474 1-137-372-11	FILM 0.022uF 5% 50V	

Ref. No.	Part No.	Description	Remark
		< CONNECTOR >	
*	CNJ405 1-566-968-11	HOUSING, CONNECTOR (PC BOARD) 6P	
*	CNP202 1-569-798-11	PLUG, CONNECTOR 6P	
		< DIODE >	
	D212 8-719-313-72	LED SEL3810A-CD (MUTING)	
	D213 8-719-313-72	LED SEL3810A-CD (LOW BOOST)	
		< RESISTOR >	
	R421 1-249-430-11	CARBON 12K 5% 1/4W	
	R422 1-249-422-11	CARBON 2.7K 5% 1/4W	
	R429 1-249-415-11	CARBON 680 5% 1/4W	
	R437 1-247-903-00	CARBON 1M 5% 1/4W	
	R440 1-247-903-00	CARBON 1M 5% 1/4W	
	R471 1-249-430-11	CARBON 12K 5% 1/4W	
	R472 1-249-422-11	CARBON 2.7K 5% 1/4W	
	R479 1-249-415-11	CARBON 680 5% 1/4W	
	R487 1-247-903-00	CARBON 1M 5% 1/4W	
	R490 1-247-903-00	CARBON 1M 5% 1/4W	
		< VARIABLE RESISTOR >	
	RV421 1-223-362-11	RES, VAR, CARBON 100K/100K (BASS)	
	RV422 1-223-363-11	RES, VAR, CARBON 125K/125K (TREBLE)	
	RV423 1-238-965-21	RES, VAR, CARBON 100K/100K (BALANCE)	
		< SWITCH >	
	S243 1-554-303-21	SWITCH, TACTILE (LOW BOOST)	
	S253 1-554-303-21	SWITCH, TACTILE (MUTING) *****	
*	1-651-909-11	TRANS TM BOARD *****	
	1-533-293-11	FUSE HOLDER < CONNECTOR >	
*	CNP806 1-564-905-11	PIN, CONNECTOR 9P	
	CNP807 1-564-505-11	PLUG, CONNECTOR 2P (D615) < FUSE >	
	△F801 1-532-237-00	FUSE, TIME-LAG (T3. 15AL) (UK)	
	△F801 1-532-350-00	FUSE (T3. 15AL) (AEP, G, AUS, E)	
	△F801 1-567-107-11	FUSE (3. 15A/250V) (US, CAN, MX)	
	△F802 1-532-237-00	FUSE, TIME-LAG (T3. 15AL) (UK)	
	△F802 1-532-350-00	FUSE (T3. 15AL) (AEP, G, AUS, E)	
	△F802 1-567-107-11	FUSE (3. 15A/250V) (US, CAN, MX) *****	

The components identified by mark △ or dotted line with mark. △ are critical for safety. Replace only with part number specified.	Les composants identifiés par une marque △ sont critiques pour la sécurité. Ne les remplacer que par une pièce portant le numéro spécifié.
---	--

VIDEO **VOL SELECT**

Ref. No.	Part No.	Description	Remark
*	1-651-905-11	VIDEO BOARD *****	
		< CAPACITOR >	
C250	1-124-927-11	ELECT 4.7uF 20% 100V	
C252	1-124-927-11	ELECT 4.7uF 20% 100V	
C253	1-124-472-11	ELECT 470uF 20% 10V	
C254	1-124-472-11	ELECT 470uF 20% 10V	
C258	1-164-159-11	CERAMIC 0.1uF 50V	
C259	1-124-477-11	ELECT 47uF 20% 25V	
		< CONNECTOR >	
* CNJ251	1-691-174-11	CONNECTOR (BOARD TO BOARD) 4P	
		< IC >	
IC251	8-759-000-48	IC MC14052BCP	
		< JACK >	
J250	1-695-317-21	JACK, PIN 2P (TV/LD-VIDEO IN, VIDEO-VIDEO OUT)	
J251	1-695-317-21	JACK, PIN 2P (VIDEO-VIDEO IN, MONITOR-VIDEO OUT)	
		< TRANSISTOR >	
Q251	8-729-119-78	TRANSISTOR 2SC403SP-51	
Q256	8-729-119-78	TRANSISTOR 2SC403SP-51	
Q257	8-729-119-78	TRANSISTOR 2SC403SP-51	
Q258	8-729-119-78	TRANSISTOR 2SC403SP-51	
Q259	8-729-119-78	TRANSISTOR 2SC403SP-51	
Q260	8-729-119-78	TRANSISTOR 2SC403SP-51	
		< RESISTOR >	
R251-253			
	1-247-804-11	CARBON 75 5% 1/4W	
R254	1-249-429-11	CARBON 10K 5% 1/4W	
R255	1-249-411-11	CARBON 330 5% 1/4W	
R260	1-249-435-11	CARBON 33K 5% 1/4W	
R261	1-249-430-11	CARBON 12K 5% 1/4W	
R262	1-247-804-11	CARBON 75 5% 1/4W	
R263	1-249-429-11	CARBON 10K 5% 1/4W	
R264	1-249-411-11	CARBON 330 5% 1/4W	
R265	1-249-423-11	CARBON 3.3K 5% 1/4W	
R266	1-249-422-11	CARBON 2.7K 5% 1/4W	
R267	1-249-421-11	CARBON 2.2K 5% 1/4W	
R268	1-249-413-11	CARBON 470 5% 1/4W	

Ref. No.	Part No.	Description	Remark
*	1-651-927-11	VOL SELECT BOARD (E) *****	
	1-533-217-31	HOLDER, FUSE (E)	
		< CONNECTOR >	
* CNP907	1-564-215-11	PIN, CONNECTOR 4P (E)	
CNP908	1-564-321-00	PIN, CONNECTOR 2P (E)	
* CNP910	1-564-687-11	PIN, CONNECTOR 3P (E)	
		< FUSE >	
△F904	1-532-286-00	FUSE (3.15A/250V) (E)	
		< SWITCH >	
△S901	1-571-437-11	SWITCH, POWER VOLTAGE CHANGE (VOLTAGE SELECTOR) (E)	

MISCELLANEOUS *****			
9	1-765-307-11	WIRE (FLAT TYPE) (25 CORE)	
10	1-765-298-11	WIRE (FLAT TYPE) (9 CORE)	
57	1-533-217-31	HOLDER, FUSE	
△61	1-575-651-11	CORD, POWER (AEP, G)	
△61	1-575-653-11	CORD, POWER (E)	
△61	1-690-609-11	CORD, POWER (US, CND, MX)	
△61	1-696-848-21	CORD, POWER (AUS)	
△61	1-751-520-21	CORD, POWER (UK)	
△CNJ903	1-251-078-11	OUTLET, AC (AC OUTLET) (AUS)	
△CNJ903	1-526-794-11	OUTLET, AC (AC OUTLET) (AEP, G)	
△F801	1-532-237-00	FUSE, TIME-LAG (T3.15AL) (UK)	
△F801	1-532-350-00	FUSE (T3.15AL) (AEP, G, AUS, E)	
△F801	1-576-107-11	FUSE (3.15A/250V) (US, CND, MX)	
△F802	1-532-237-00	FUSE, TIME-LAG (T3.15AL) (MX)	
△F802	1-532-350-00	FUSE (T3.15AL) (AEP, G, AUS, E)	
△F802	1-576-107-11	FUSE (3.15A/250V) (US, CND, MX)	
△F902	1-532-237-00	FUSE, TIME-LAG (T3.15AL) (UK)	
△F902	1-532-259-00	FUSE (T1.6AL/250V) (AEP, G, AUS, E, UK)	
△F902	1-576-109-11	FUSE (T5A/125V) (US, CND)	
△F903	1-532-259-00	FUSE (T1.6AL/250V) (AEP, G, AUS)	
△F904	1-532-286-00	FUSE (3.15A/250V) (E)	
△T901	1-426-708-11	TRANSFORMER, POWER (D615:US, CND)	
△T901	1-426-709-11	TRANSFORMER, POWER (D615:AEP, G, AUS)	
△T901	1-426-710-11	TRANSFORMER, POWER (E)	
△T901	1-426-711-11	TRANSFORMER, POWER (D515:US, CND)	
△T901	1-426-712-11	TRANSFORMER, POWER (D515:AEP, G, AUS)	
△T901	1-427-630-11	TRANSFORMER, POWER (D615:UK)	
△T901	1-427-675-11	TRANSFORMER, POWER (MX)	

<p>The components identified by mark △ or dotted line with mark. △ are critical for safety. Replace only with part number specified.</p>	<p>Les composants identifiés par une marque △ sont critiques pour la sécurité. Ne les remplacer que par une pièce portant le numéro spécifié.</p>
--	---

Ref. No.	Part No.	Description	Remark
----------	----------	-------------	--------

HARDWARE LIST

#1	7-621-849-00	SCREW, TAPPING	
#2	7-682-547-09	SCREW +BVTT 3X6 (S)	
#3	7-682-548-04	SCREW +BVTT 3X8 (S)	
#4	7-682-548-09	SCREW +BVTT 3X8 (S)	
#5	7-682-560-04	SCREW +BVTT 4X6 (S)	
#6	7-685-646-79	SCREW +BVTP 3X8 TYPE2 N-S	
#7	7-685-645-79	SCREW +BTP 3X6 TYPE2 N-S	
#8	7-685-871-01	SCREW +BVTT 3X6 (S)	
#9	7-685-546-19	SCREW +BVP 3X8 TYPE2 N-S	

ACCESSORIES & PACKING MATERIALS

	1-467-636-11	REMOTE COMMANDER (RM-U242) (D515:US, CND, UK, MX/D615:US, CND)	
	1-467-710-11	REMOTE COMMANDER (RM-P342) (D615:AEP, E, G, AUS, UK)	
	1-501-374-11	ANTENNA, LOOP	
	1-501-594-11	ANTENNA (FM) (UK)	
	3-758-408-11	MANUAL, INSTRUCTION (ENGLISH, FRENCH, GERMAN, DUTCH) (AEP)	
	3-758-408-21	MANUAL, INSTRUCTION (ENGLISH) (US, CND, AUS, UK)	
	3-758-408-31	MANUAL, INSTRUCTION (FRENCH) (CND)	
	3-758-408-41	MANUAL, INSTRUCTION (SPANISH, SWEDISH, DANISH, FINNISH) (AEP)	
	3-758-408-51	MANUAL, INSTRUCTION (GERMAN) (G, MX)	
	3-758-408-61	MANUAL, INSTRUCTION (ENGLISH, FRENCH, SPANISH, CHINESE) (E)	
	3-758-408-71	MANUAL, INSTRUCTION (SPANISH) (MX)	
	3-758-708-21	MANUAL, INSTRUCTION (ENGLISH) (D615:AUS, UK)	
*	4-952-676-01	CUSHION	
*	4-967-026-01	INDIVIDUAL CARTON (D515:US, CND, AUS, MX)	
*	4-967-027-01	INDIVIDUAL CARTON (D515:AEP, G, UK)	
*	4-967-028-01	INDIVIDUAL CARTON (D615:US, CND, E, AUS)	
*	4-967-029-01	INDIVIDUAL CARTON (D615:AEP, G, UK)	

STR-D515/D615

9-959-464-12

**Sony Corporation
Consumer A & V Products Company
Home A & V Products Div.**

—44—

English
94H0418-1
Printed in Japan
© 1994. 8

**Published by Home A & V Products Div.
Quality Engineering Dept.**

STR-D515/D615

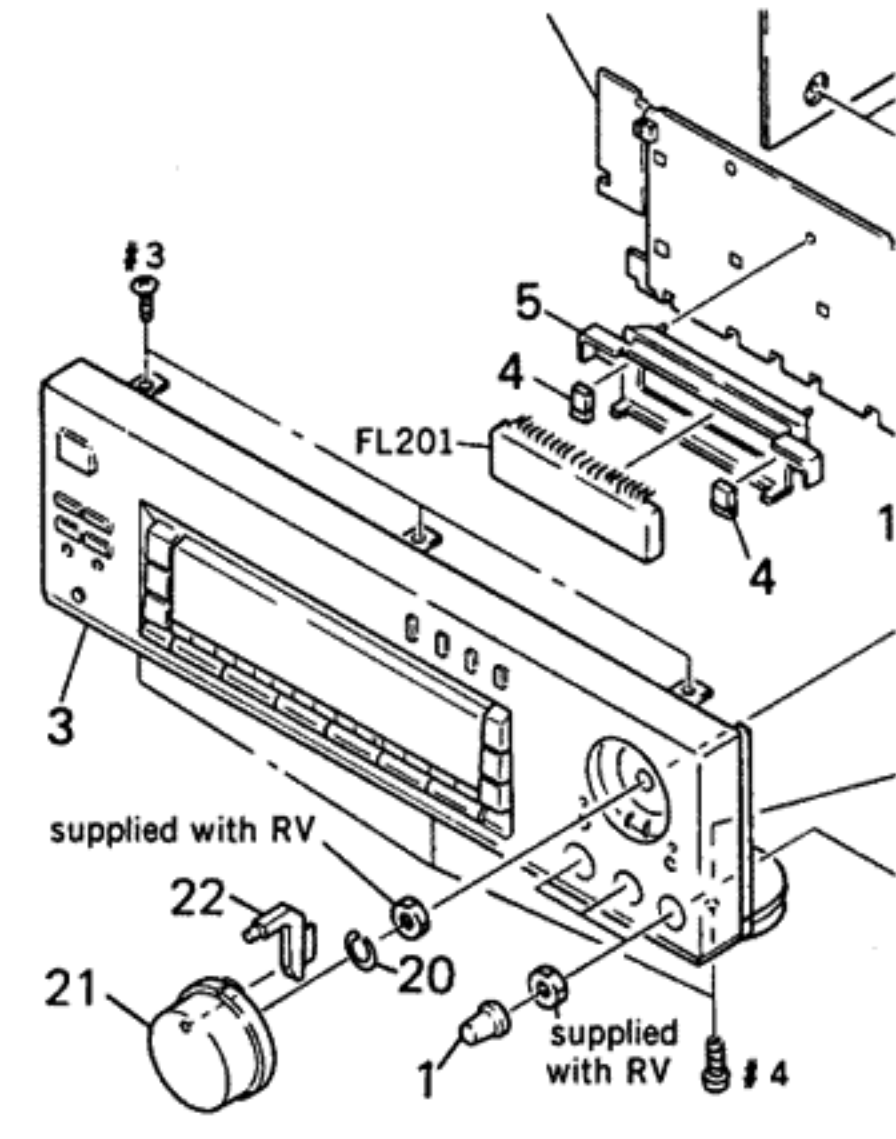
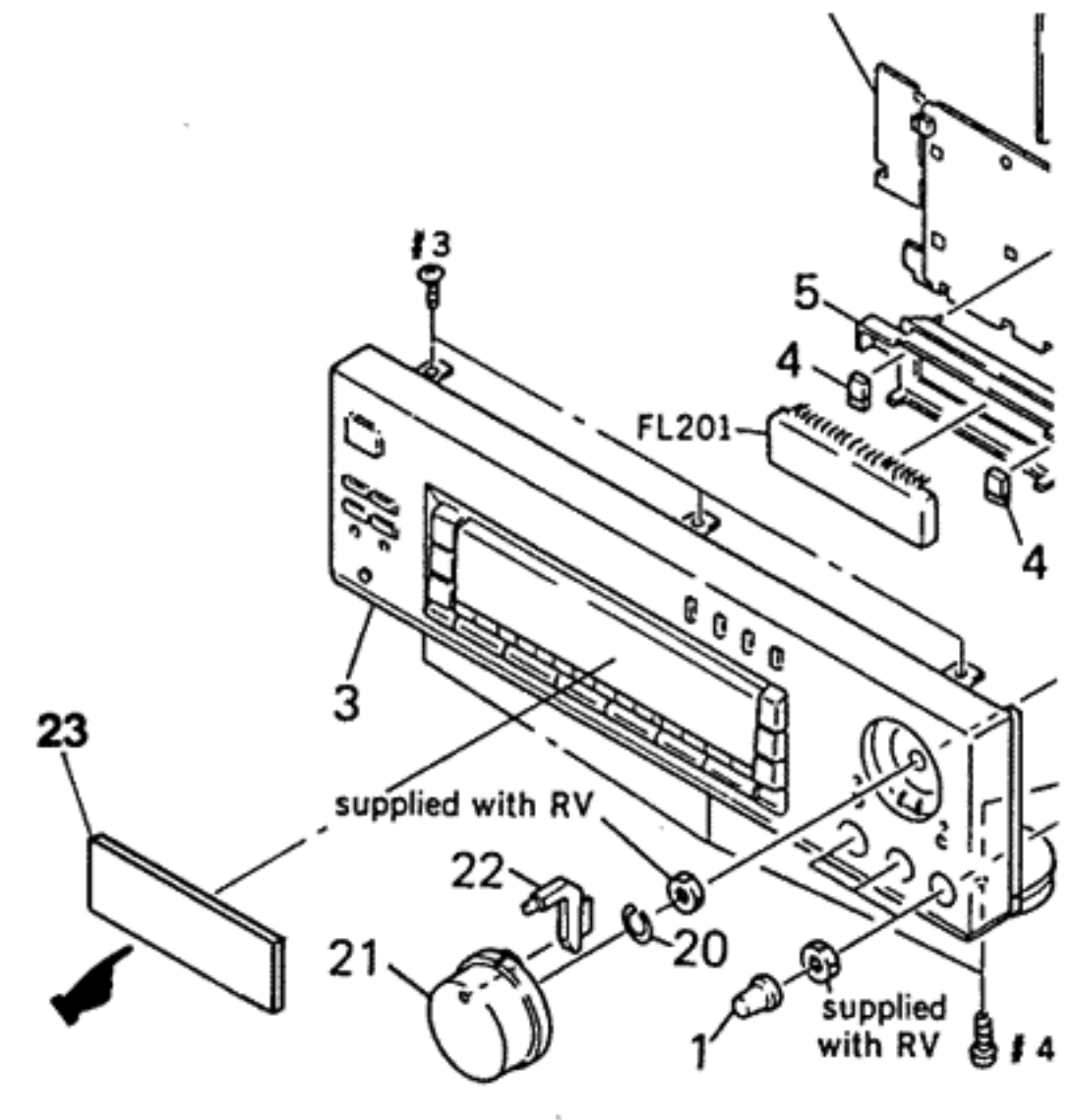
SONY. SERVICE MANUAL

US Model
Canadian Model
AEP Model
UK Model
Australian Model
STR-D515/D615
E Model
STR-D615
Mexican Model
STR-D515

SUPPLEMENT-1

Revise your service manual as shown below due to parts supply classification has been changed.

 : indicates revised portion

Page	CURRENT	REVISED																								
29																										
	<table border="1"> <thead> <tr> <th>Ref. No.</th> <th>Part No.</th> <th>Description</th> <th>Remark</th> </tr> </thead> <tbody> <tr> <td> </td> <td> </td> <td> </td> <td> </td> </tr> <tr> <td> </td> <td> </td> <td> </td> <td> </td> </tr> </tbody> </table>	Ref. No.	Part No.	Description	Remark									<table border="1"> <thead> <tr> <th>Ref. No.</th> <th>Part No.</th> <th>Description</th> <th>Remark</th> </tr> </thead> <tbody> <tr> <td>23</td> <td>4-965-344-05</td> <td>PLATE, INDICATION (US, Canadian, Mexican)</td> <td></td> </tr> <tr> <td>23</td> <td>4-965-344-15</td> <td>PLATE, INDICATION (AEP, UK, E, Australian, German)</td> <td></td> </tr> </tbody> </table>	Ref. No.	Part No.	Description	Remark	23	4-965-344-05	PLATE, INDICATION (US, Canadian, Mexican)		23	4-965-344-15	PLATE, INDICATION (AEP, UK, E, Australian, German)	
Ref. No.	Part No.	Description	Remark																							
Ref. No.	Part No.	Description	Remark																							
23	4-965-344-05	PLATE, INDICATION (US, Canadian, Mexican)																								
23	4-965-344-15	PLATE, INDICATION (AEP, UK, E, Australian, German)																								

(RPC-95014)

STR-D515/D615

SONY. SERVICE MANUAL

US Model
Canadian Model
AEP Model
UK Model
Australian Model
STR-D515/D615
E Model
STR-D615
Mexican Model
STR-D515

SUPPLEMENT-2

File this supplement with the service manual.

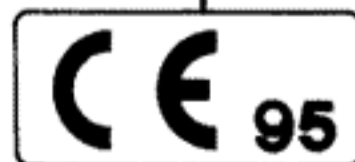
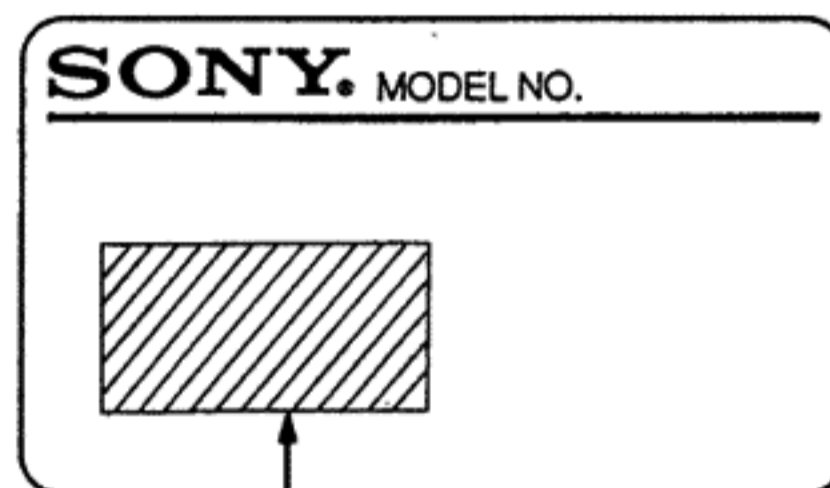
Subject : • MODEL ADDITION (STR-D515 : UK2 model)

(ENG-95020)

- The UK2 model is added to STR-D515. The following shows you how to identify between UK model and UK2 model.
- This service manual supplement-2 is for the UK2 model only. Regarding the information which is not contained in this service manual, Refer to the previous issued service manual for UK model. Therefore, Refer to the service manual for the information which is not contained in this service manual supplement-2.

How to identify the UK2 model

— SPECIFICATION LABEL —

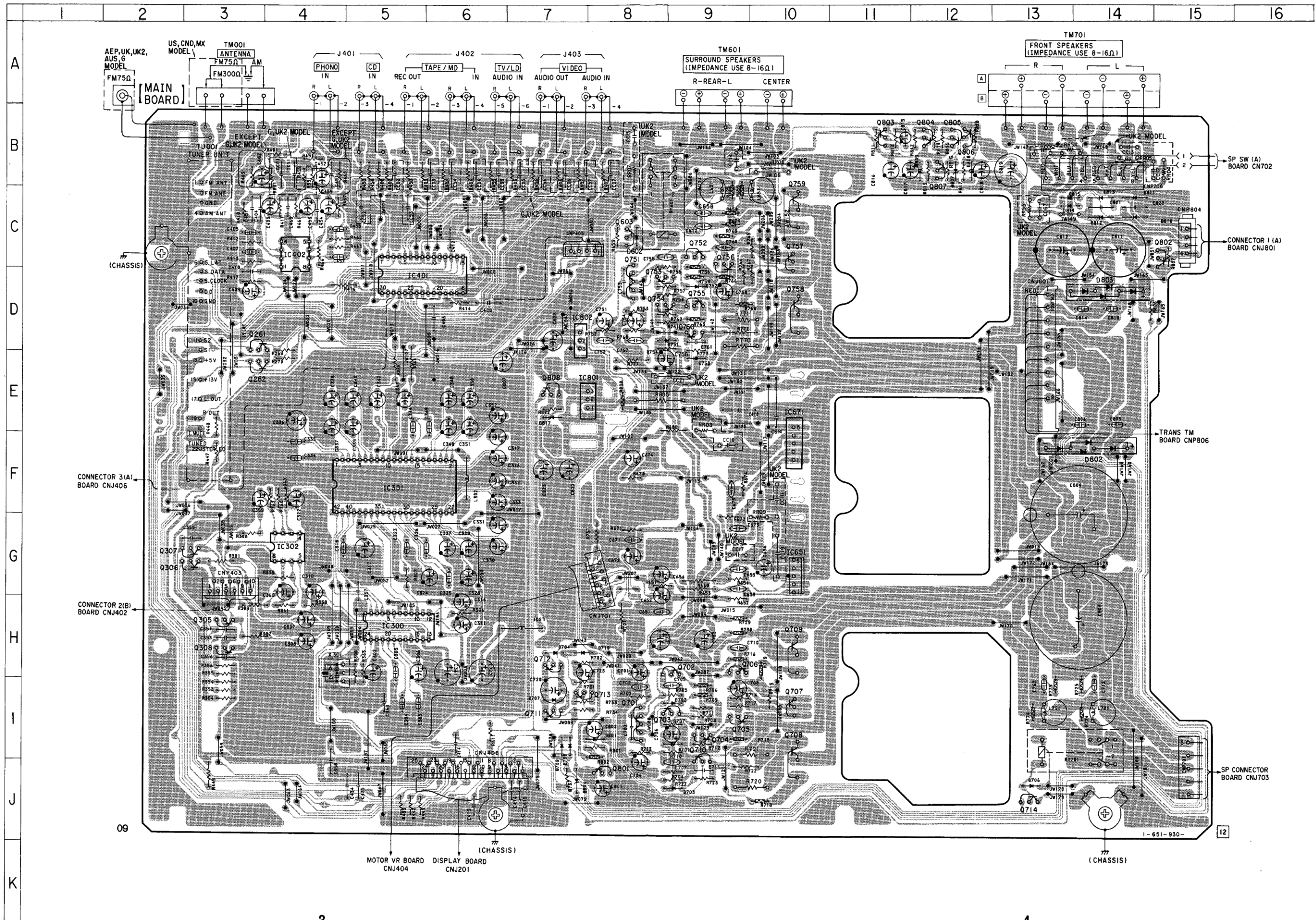


with label : UK2 model
without label : UK model

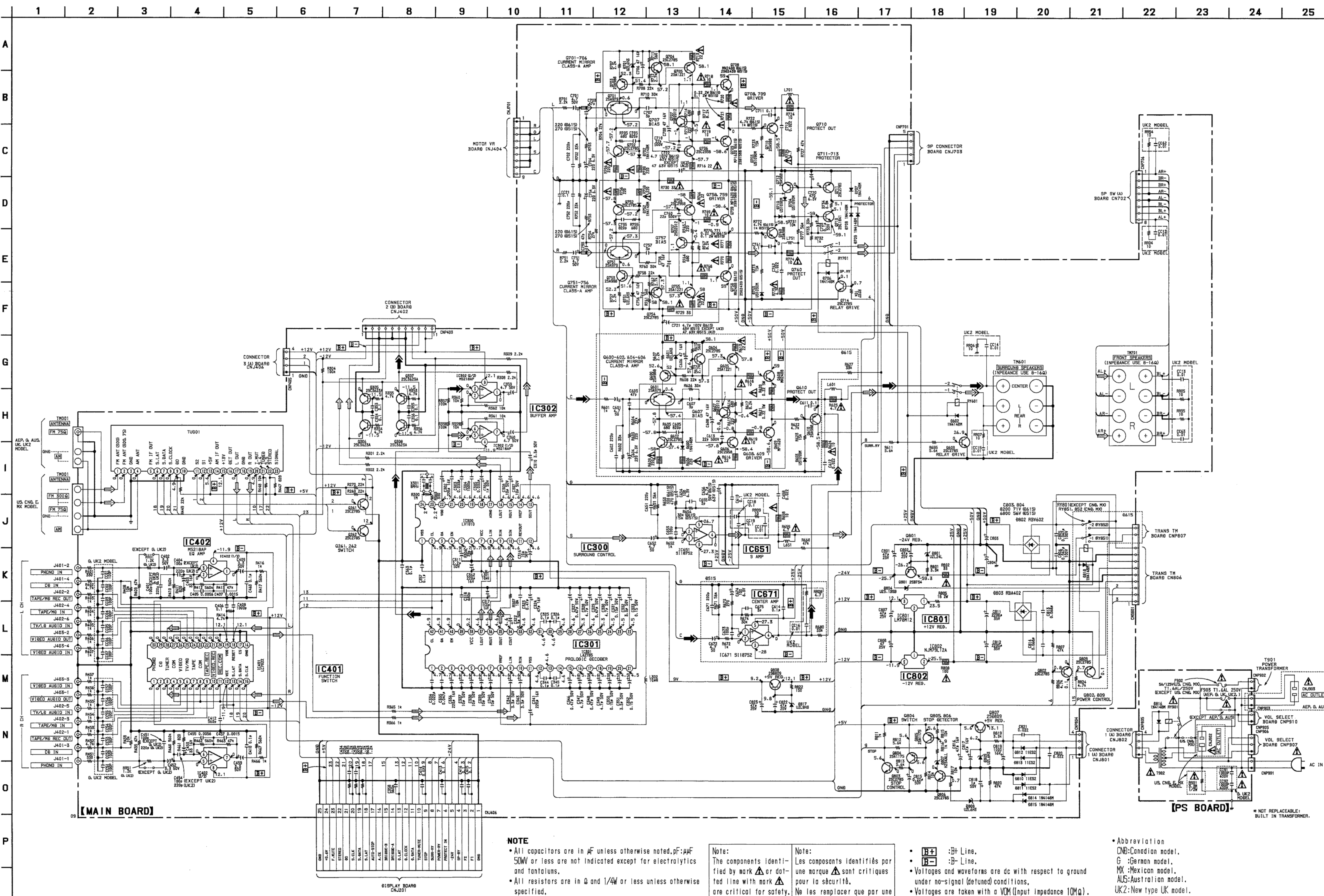
Difference between UK model and UK2 model. (Exploded views)

Page	STR-D515 (UK model)				STR-D515 (UK2 model)			
	<u>Ref.No</u>	<u>Part No</u>	<u>Description</u>	<u>Remark</u>	<u>Ref.No</u>	<u>Part No</u>	<u>Description</u>	<u>Remark</u>
31	* 66	A-4369-678-A	MAIN BOARD, COMPLETE		* 66	A-4378-823-A	MAIN BOARD, COMPLETE	

PRINTED WIRING BOARD — MAIN SECTION —

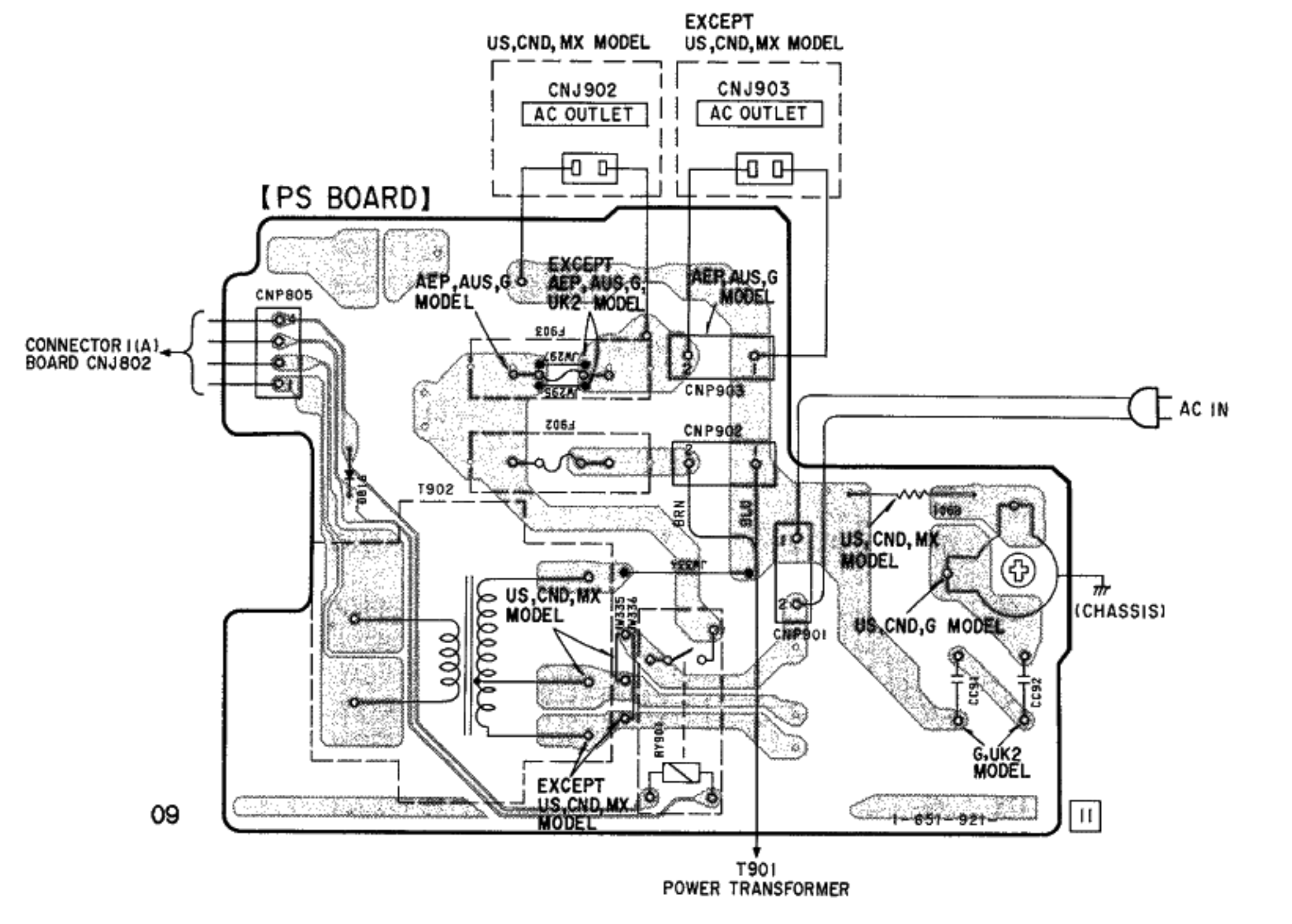


SCHEMATIC DIAGRAM — MAIN SECTION —



Semiconductor Location

Ref. No.	Location	Ref. No.	Location
D602	C-8	Q262	E-3
D701	I-9	Q305	H-3
D702	I-9	Q306	G-2
D703	J-9	Q307	G-2
D704	H-7	Q308	H-3
D706	J-13	Q603	C-8
D707	I-7	Q701	I-8
D708	I-7	Q702	H-9
D709	I-7	Q703	I-9
D710	H-8	Q704	I-9
D751	D-9	Q705	I-9
D753	E-9	Q706	H-9
D801	I-8	Q707	I-10
D802	F-14	Q708	I-10
D803	D-14	Q709	H-10
D804	J-7	Q710	I-9
D807	B-12	Q711	I-7
D808	B-12	Q712	H-7
D809	B-12	Q713	I-8
D810	C-14	Q714	J-13
D811	C-14	Q751	C-8
D812	C-14	Q752	C-9
D813	C-14	Q753	D-8
D814	C-13	Q754	D-8
D815	C-13	Q755	D-9
D817	E-7	Q756	C-9
		Q757	C-10
IC300	H-5	Q758	D-10
IC301	F-5	Q759	C-10
IC302	G-4	Q760	D-9
IC401	D-5	Q801	J-8
IC402	C-4	Q802	C-15
IC651	G-10	Q803	B-11
IC671	E-10	Q804	B-12
IC801	E-8	Q805	B-12
IC802	D-7	Q806	B-12
		Q807	B-12
Q261	D-3	Q808	E-7



Note:

- — parts extracted from the components side.
- △ — internal component.
- — Pattern from the side which enable seeing.
- Abbreviation
 - CND : Canadian model.
 - G : German model.
 - MX : Mexican model.
 - AUS : Australian model.
 - UK2 : New type UK model.

NOTE

- All capacitors are in μF unless otherwise noted. pF: pF
- 50W or less are not indicated except for electrolytics and tantalums.
- All resistors are in Ω and 1/W or less unless otherwise specified.
- △ : internal component.
- : nonflammable resistor.
- : panel designation.

Note:

The components identified by mark Δ or dotted line with mark Δ are critical for safety. Ne pas remplacer que par une pièce portant le numéro spécifié.

Note:

Les composants identifiés par une marque Δ sont critiques pour la sécurité. Ne les remplacer que par une pièce portant le numéro spécifié.

Note:

- : 50 Line.
- : 50 Line.
- Voltagges and waveforms are dc with respect to ground under no-signal (detuned) conditions.
- Voltagges are taken with a VOM (Input impedance 10M Ω).
- Voltagge variations may be noted due to normal production tolerances.

Abbreviation

- CND: Canadian model.
- G : German model.
- MX : Mexican model.
- AUS: Australian model.
- UK2: New type UK model.

Signal path

- : FM
- : SURROUND
- : CENTER

SECTION 6 ELECTRICAL PARTS LIST

MAIN

NOTE:

The components identified by mark Δ or dotted line with mark Δ are critical for safety. Replace only with part number specified.

Les composants identifiés par une marque Δ sont critiques pour la sécurité. Ne les remplacer que par une pièce portant le numéro spécifié.

When indicating parts by reference number, please include the board name.

- Due to standardization, replacements in the parts list may be different from the parts specified in the diagrams or the components used on the set.
- -XX, -X mean standardized parts, so they may have some difference from the original one.
- Items marked "*" are not stocked since they are seldom required for routine service. Some delay should be anticipated when ordering these items.
- RESISTORS
All resistors are in ohms
METAL: Metal-film resistor
METAL OXIDE: Metal Oxide-film resistor
F : nonflammable

- SEMICONDUCTORS
In each case, u: μ , for example:
uA...: μ A..., uPA...: μ PA..., uPB...: μ PB...,
uPC...: μ PC..., uPD...: μ PD...
- CAPACITORS
uF : μ F
- COILS
uH : μ H

Ref. No.	Part No.	Description	Remark	Ref. No.	Part No.	Description	Remark
*	A-4378-823-A	MAIN BOARD, COMPLETE		C344	1-137-399-11	FILM	0. 1uF 5% 50V
		*****		C345	1-137-399-11	FILM	0. 1uF 5% 50V
	3-905-609-01	SCREW (TRANSISTOR)		C346	1-124-902-00	ELECT	0. 47uF 20% 50V
	4-812-134-00	RIVET (DIA. 3.5), NYLON		C347	1-126-963-11	ELECT	4. 7uF 20% 50V
*	4-942-204-11	PLATE, GROUND		C348	1-124-902-00	ELECT	0. 47uF 20% 50V
	7-682-548-04	SCREW +BVT 3X8 (S)		C349	1-126-963-11	ELECT	4. 7uF 20% 50V
		< CAPACITOR >		C350	1-124-250-11	ELECT	0. 15uF 20% 50V
C302	1-124-120-11	ELECT	220uF 20% 25V	C351	1-126-962-11	ELECT	3. 3uF 20% 50V
C303	1-130-489-00	MYLAR	0. 033uF 5% 50V	C352	1-124-250-11	ELECT	0. 15uF 20% 50V
C304	1-137-365-11	FILM	0. 0015uF 5% 50V	C353	1-164-159-11	CERAMIC	0. 1uF 50V
C305	1-130-489-00	MYLAR	0. 033uF 5% 50V	C354	1-164-159-11	CERAMIC	0. 1uF 50V
C306	1-124-903-11	ELECT	1uF 20% 50V	C355	1-164-159-11	CERAMIC	0. 1uF 50V
C307	1-124-907-11	ELECT	10uF 20% 50V	C356	1-164-159-11	CERAMIC	0. 1uF 50V
C308	1-124-907-11	ELECT	10uF 20% 50V	C357	1-164-159-11	CERAMIC	0. 1uF 50V
C310	1-126-962-11	ELECT	3. 3uF 20% 50V	C358	1-162-291-31	CERAMIC	560PF 10% 50V
C311	1-126-961-11	ELECT	2. 2uF 20% 50V	C359	1-126-963-11	ELECT	4. 7uF 20% 50V
C316	1-124-907-11	ELECT	10uF 20% 50V	C360	1-126-963-11	ELECT	4. 7uF 20% 50V
C317	1-104-665-11	ELECT	100uF 20% 16V	C362	1-124-120-11	ELECT	220uF 20% 25V
C318	1-137-363-91	FILM	680PF 5% 50V	C363	1-164-159-11	CERAMIC	0. 1uF 50V
C322	1-126-962-11	ELECT	3. 3uF 20% 50V	C401	1-162-286-31	CERAMIC	220PF 10% 50V
C323	1-136-173-00	FILM	0. 47uF 5% 50V	C402	1-126-962-11	ELECT	3. 3uF 20% 50V
C324	1-104-664-11	ELECT	47uF 20% 16V	C403	1-104-663-11	ELECT	33uF 20% 16V
C325	1-137-399-11	FILM	0. 1uF 5% 50V	C404	1-162-286-31	CERAMIC	220PF 10% 50V
C326	1-137-399-11	FILM	0. 1uF 5% 50V	C405	1-137-459-11	FILM	0. 0056uF 5% 100V
C327	1-124-902-00	ELECT	0. 47uF 20% 50V	C406	1-164-159-11	CERAMIC	0. 1uF 50V
C328	1-126-963-11	ELECT	4. 7uF 20% 50V	C407	1-137-365-11	FILM	0. 0015uF 5% 50V
C329	1-124-902-00	ELECT	0. 47uF 20% 50V	C408	1-162-294-31	CERAMIC	0. 001uF 10% 50V
C330	1-126-963-11	ELECT	4. 7uF 20% 50V	C409	1-126-962-11	ELECT	3. 3uF 20% 50V
C331	1-124-250-11	ELECT	0. 15uF 20% 50V	C410	1-164-159-11	CERAMIC	0. 1uF 50V
C332	1-126-962-11	ELECT	3. 3uF 20% 50V	C412	1-162-291-31	CERAMIC	560PF 10% 50V
C333	1-124-250-11	ELECT	0. 15uF 20% 50V	C413	1-164-159-11	CERAMIC	0. 1uF 50V
C334	1-137-372-11	FILM	0. 022uF 5% 50V	C414	1-161-494-00	CERAMIC	0. 022uF 25V
C335	1-136-161-00	FILM	0. 047uF 5% 50V	C415	1-164-159-11	CERAMIC	0. 1uF 50V
C336	1-124-120-11	ELECT	220uF 20% 25V	C416	1-164-159-11	CERAMIC	0. 1uF 50V
C337	1-124-907-11	ELECT	10uF 20% 50V	C434	1-162-286-31	CERAMIC	220PF 10% 50V
C338	1-124-907-11	ELECT	10uF 20% 50V	C435	1-162-286-31	CERAMIC	220PF 10% 50V
C339	1-124-907-11	ELECT	10uF 20% 50V	C451	1-162-286-31	CERAMIC	220PF 10% 50V
C340	1-124-907-11	ELECT	10uF 20% 50V	C452	1-126-962-11	ELECT	3. 3uF 20% 50V
C341	1-124-120-11	ELECT	220uF 20% 25V	C453	1-104-663-11	ELECT	33uF 20% 16V
C342	1-126-962-11	ELECT	3. 3uF 20% 50V	C454	1-162-286-31	CERAMIC	220PF 10% 50V
C343	1-126-962-11	ELECT	3. 3uF 20% 50V	C455	1-137-459-11	FILM	0. 0056uF 5% 100V

<u>Ref. No.</u>	<u>Part No.</u>	<u>Description</u>	<u>Remark</u>	<u>Ref. No.</u>	<u>Part No.</u>	<u>Description</u>	<u>Remark</u>
< DIODE >							
D602	8-719-987-63	DIODE 1N4148M		L651	1-420-872-00	COIL, AIR CORE	
D701	8-719-933-41	DIODE HZS6C3L		L701	1-420-872-00	COIL, AIR CORE	
D702	8-719-987-63	DIODE 1N4148M		L751	1-420-872-00	COIL, AIR CORE	
D703	8-719-815-85	DIODE 1S1585		< TRANSISTOR >			
D704	8-719-815-85	DIODE 1S1585		Q261	8-729-119-78	TRANSISTOR 2SC403SP-51	
D706	8-719-987-63	DIODE 1N4148M		Q262	8-729-119-78	TRANSISTOR 2SC403SP-51	
D707	8-719-987-63	DIODE 1N4148M		Q305	8-729-141-30	TRANSISTOR 2SC3623A-LK	
D708	8-719-987-63	DIODE 1N4148M		Q306	8-729-141-30	TRANSISTOR 2SC3623A-LK	
D709	8-719-987-63	DIODE 1N4148M		Q307	8-729-141-30	TRANSISTOR 2SC3623A-LK	
D710	8-719-815-85	DIODE 1S1585		Q308	8-729-141-30	TRANSISTOR 2SC3623A-LK	
D751	8-719-933-41	DIODE HZS6C3L		Q603	8-729-119-78	TRANSISTOR 2SC403SP-51	
D752	8-719-987-63	DIODE 1N4148M		Q701	8-729-620-18	TRANSISTOR 2SA979-FG	
D753	8-719-815-85	DIODE 1S1585		Q702	8-729-119-78	TRANSISTOR 2SC403SP-51	
D801	8-719-002-33	DIODE UZL-24L		Q703	8-729-140-82	TRANSISTOR 2SA988-PAFAEA	
D802	8-719-302-38	DIODE RBV-602-01		Q704	8-729-119-78	TRANSISTOR 2SC403SP-51	
D803	8-719-025-03	DIODE RBA-402-SL		Q705	8-729-122-13	TRANSISTOR 2SA1221-K	
D804	8-719-010-38	DIODE UZ-5.1BSB		Q706	8-729-195-82	TRANSISTOR 2SC2958	
D807	8-719-985-53	DIODE HZS4ALL		Q707	8-729-209-15	TRANSISTOR 2SD2012	
D808	8-719-933-41	DIODE HZS6C3L		Q708	8-729-020-52	TRANSISTOR 2SD2439-OPY	
D809	8-719-933-41	DIODE HZS6C3L		Q709	8-729-020-48	TRANSISTOR 2SB1588-OPY	
D810	8-719-024-99	DIODE 11ES2-NTA2B		Q710	8-729-140-82	TRANSISTOR 2SA988-PAFAEA	
D811	8-719-024-99	DIODE 11ES2-NTA2B		Q711	8-729-119-78	TRANSISTOR 2SC403SP-51	
D812	8-719-024-99	DIODE 11ES2-NTA2B		Q712	8-729-140-82	TRANSISTOR 2SA988-PAFAEA	
D813	8-719-024-99	DIODE 11ES2-NTA2B		Q713	8-729-140-84	TRANSISTOR 2SC1841-PAFAEA	
D814	8-719-987-63	DIODE 1N4148M		Q714	8-729-119-78	TRANSISTOR 2SC403SP-51	
D815	8-719-987-63	DIODE 1N4148M		Q751	8-729-620-18	TRANSISTOR 2SA979-FG	
D817	8-719-001-30	DIODE UZL-9H3		Q752	8-729-119-78	TRANSISTOR 2SC403SP-51	
< IC >				Q753	8-729-140-82	TRANSISTOR 2SA988-PAFAEA	
IC300	8-759-168-98	IC LV1010N		Q754	8-729-119-78	TRANSISTOR 2SC403SP-51	
IC301	8-759-248-74	IC LA2785		Q755	8-729-122-13	TRANSISTOR 2SA1221-K	
IC302	8-759-636-74	IC M5218AP-22		Q756	8-729-195-82	TRANSISTOR 2SC2958	
IC401	8-759-805-14	IC LC7822		Q757	8-729-209-15	TRANSISTOR 2SD2012	
IC402	8-759-636-74	IC M5218AP-22		Q758	8-729-020-52	TRANSISTOR 2SD2439-OPY	
IC651	8-759-502-33	IC SI18752		Q759	8-729-020-48	TRANSISTOR 2SB1588-OPY	
IC671	8-759-502-33	IC SI18752		Q760	8-729-140-82	TRANSISTOR 2SA988-PAFAEA	
IC801	8-759-287-58	IC TA78M12P		Q801	8-729-140-97	TRANSISTOR 2SB734-34	
IC802	8-759-700-69	IC NJM79L12A		Q802	8-729-119-78	TRANSISTOR 2SC403SP-51	
< JACK >				Q803	8-729-119-78	TRANSISTOR 2SC403SP-51	
J401	1-695-188-21	JACK, PIN 4P(PHONO IN, CD IN)		Q804	8-729-119-76	TRANSISTOR 2SA1175-HFE	
J402	1-580-825-11	JACK, PIN 6P(TAPE/MD-REC OUT, TAPE/MD-IN)		Q805	8-729-119-76	TRANSISTOR 2SA1175-HFE	
J403	1-695-188-21	JACK, PIN 4P (VIDEO-AUDIO OUT, VIDEO-AUDIO IN)		Q806	8-729-119-78	TRANSISTOR 2SC403SP-51	
< COIL >				Q807	8-729-180-92	TRANSISTOR 2SD809-K	
L301	1-410-509-11	INDUCTOR 10uH		Q808	8-729-180-92	TRANSISTOR 2SD809-K	
L302	1-410-509-11	INDUCTOR 10uH		< RESISTOR >			
L601	1-420-872-00	COIL, AIR CORE		R269	1-249-433-11	CARBON 22K 5% 1/4W	
				R270	1-249-433-11	CARBON 22K 5% 1/4W	
				R300	1-247-903-00	CARBON 1M 5% 1/4W	
				R301	1-249-421-11	CARBON 2.2K 5% 1/4W F	

MAIN

Ref. No.	Part No.	Description	Remark	Ref. No.	Part No.	Description	Remark
R302	1-249-421-11	CARBON	2. 2K 5% 1/4W F	R460	1-247-897-11	CARBON	560K 5% 1/4W
R304	1-249-441-11	CARBON	100K 5% 1/4W	R461	1-249-416-11	CARBON	820 5% 1/4W F
R306	1-249-436-11	CARBON	39K 5% 1/4W	R462	1-247-897-11	CARBON	560K 5% 1/4W
R307	1-249-432-11	CARBON	18K 5% 1/4W	R463	1-249-437-11	CARBON	47K 5% 1/4W
R308	1-249-421-11	CARBON	2. 2K 5% 1/4W F	R466	1-249-417-11	CARBON	1K 5% 1/4W F
R309	1-249-421-11	CARBON	2. 2K 5% 1/4W F	R467	1-247-897-11	CARBON	560K 5% 1/4W
R353	1-249-425-11	CARBON	4. 7K 5% 1/4W F	R601	1-249-417-11	CARBON	1K 5% 1/4W F
R354	1-249-425-11	CARBON	4. 7K 5% 1/4W F	R611	1-249-426-11	CARBON	5. 6K 5% 1/4W
R355	1-249-425-11	CARBON	4. 7K 5% 1/4W F	△R624	1-249-393-11	CARBON	10 5% 1/4W F
R356	1-249-425-11	CARBON	4. 7K 5% 1/4W F	R625	1-249-389-11	CARBON	4. 7 5% 1/4W F
R357	1-249-441-11	CARBON	100K 5% 1/4W	R651	1-249-438-11	CARBON	56K 5% 1/4W
R358	1-249-441-11	CARBON	100K 5% 1/4W	R652	1-249-417-11	CARBON	1K 5% 1/4W F
R359	1-249-429-11	CARBON	10K 5% 1/4W	R653	1-249-413-11	CARBON	470 5% 1/4W F
R360	1-249-429-11	CARBON	10K 5% 1/4W	R654	1-249-431-11	CARBON	15K 5% 1/4W
R361	1-249-429-11	CARBON	10K 5% 1/4W	R655	1-249-426-11	CARBON	5. 6K 5% 1/4W
R362	1-249-429-11	CARBON	10K 5% 1/4W	△R658	1-249-393-11	CARBON	10 5% 1/4W F
R363	1-249-411-11	CARBON	330 5% 1/4W	△R659	1-249-389-11	CARBON	4. 7 5% 1/4W F
R365	1-249-417-11	CARBON	1K 5% 1/4W F	R660	1-249-437-11	CARBON	47K 5% 1/4W
R366	1-249-417-11	CARBON	1K 5% 1/4W F	R671	1-249-438-11	CARBON	56K 5% 1/4W
R401	1-249-411-11	CARBON	330 5% 1/4W	R672	1-249-417-11	CARBON	1K 5% 1/4W F
R402	1-249-425-11	CARBON	4. 7K 5% 1/4W F	R673	1-249-410-11	CARBON	270 5% 1/4W F
R403	1-249-417-11	CARBON	1K 5% 1/4W F	R674	1-247-866-11	CARBON	30K 5% 1/4W
R404	1-249-417-11	CARBON	1K 5% 1/4W F	R680	1-249-435-11	CARBON	33K 5% 1/4W
R405	1-249-417-11	CARBON	1K 5% 1/4W F	R701	1-249-421-11	CARBON	2. 2K 5% 1/4W F
R406	1-249-417-11	CARBON	1K 5% 1/4W F	R702	1-249-435-11	CARBON	33K 5% 1/4W
R407	1-249-417-11	CARBON	1K 5% 1/4W F	R703	1-249-410-11	CARBON	270 5% 1/4W F
R408	1-249-429-11	CARBON	10K 5% 1/4W	R704	1-249-434-11	CARBON	27K 5% 1/4W
R409	1-249-437-11	CARBON	47K 5% 1/4W	R705	1-249-415-11	CARBON	680 5% 1/4W F
R410	1-247-897-11	CARBON	560K 5% 1/4W	△R706	1-249-409-11	CARBON	220 5% 1/4W F
R411	1-249-416-11	CARBON	820 5% 1/4W F	R707	1-249-421-11	CARBON	2. 2K 5% 1/4W F
R412	1-247-897-11	CARBON	560K 5% 1/4W	R708	1-249-433-11	CARBON	22K 5% 1/4W
R413	1-249-437-11	CARBON	47K 5% 1/4W	△R709	1-249-409-11	CARBON	220 5% 1/4W F
R414	1-249-425-11	CARBON	4. 7K 5% 1/4W F	R710	1-247-866-11	CARBON	30K 5% 1/4W
R416	1-249-417-11	CARBON	1K 5% 1/4W F	R711	1-249-414-11	CARBON	560 5% 1/4W F
R417	1-247-897-11	CARBON	560K 5% 1/4W	R712	1-249-422-11	CARBON	2. 7K 5% 1/4W F
R435	1-249-418-11	CARBON	1. 2K 5% 1/4W F	△R713	1-249-397-11	CARBON	22 5% 1/4W F
R442	1-249-418-11	CARBON	1. 2K 5% 1/4W F	R714	1-249-415-11	CARBON	680 5% 1/4W F
R443	1-249-418-11	CARBON	1. 2K 5% 1/4W F	R715	1-249-409-11	CARBON	220 5% 1/4W F
R447	1-249-416-11	CARBON	820 5% 1/4W F	△R716	1-249-397-11	CARBON	22 5% 1/4W F
R448	1-249-429-11	CARBON	10K 5% 1/4W	R717	1-249-428-11	CARBON	8. 2K 5% 1/4W F
R449	1-249-433-11	CARBON	22K 5% 1/4W	△R718	1-249-393-11	CARBON	10 5% 1/4W F
R451	1-249-411-11	CARBON	330 5% 1/4W	△R719	1-249-393-11	CARBON	10 5% 1/4W F
R452	1-249-425-11	CARBON	4. 7K 5% 1/4W F	△R720	1-208-601-11	WIREWOUND	0. 1 10% 2W F
R453	1-249-417-11	CARBON	1K 5% 1/4W F	△R721	1-208-601-11	WIREWOUND	0. 1 10% 2W F
R454	1-249-417-11	CARBON	1K 5% 1/4W F	R722	1-249-417-11	CARBON	1K 5% 1/4W F
R455	1-249-417-11	CARBON	1K 5% 1/4W F	R723	1-249-431-11	CARBON	15K 5% 1/4W
R456	1-249-417-11	CARBON	1K 5% 1/4W F	△R724	1-249-393-11	CARBON	10 5% 1/4W F
R457	1-249-417-11	CARBON	1K 5% 1/4W F	△R725	1-249-389-11	CARBON	4. 7 5% 1/4W F
R458	1-249-429-11	CARBON	10K 5% 1/4W	R727	1-249-437-11	CARBON	47K 5% 1/4W
R459	1-249-437-11	CARBON	47K 5% 1/4W	R729	1-249-887-11	CARBON	33 5% 1/4W F

The components identified by mark Δ or dotted line with mark Δ are critical for safety. Replace only with part number specified.

Les composants identifiés par une marque Δ sont critiques pour la sécurité. Ne les remplacer que par une pièce portant le numéro spécifié.

Ref. No.	Part No.	Description	Remark	Ref. No.	Part No.	Description	Remark
△R730	1-249-887-11	CARBON	33 5% 1/4W F	RR05	1-249-393-11	CARBON	10 5% 1/4W F
R731	1-249-429-11	CARBON	10K 5% 1/4W	RR06	1-249-393-11	CARBON	10 5% 1/4W F
R732	1-249-417-11	CARBON	1K 5% 1/4W F	RR07	1-249-393-11	CARBON	10 5% 1/4W F
R733	1-249-435-11	CARBON	33K 5% 1/4W	RR08	1-249-389-11	CARBON	4.7 5% 1/4W F
R734	1-249-427-11	CARBON	6.8K 5% 1/4W F	RR09	1-249-393-11	CARBON	10 5% 1/4W F
R737	1-249-429-11	CARBON	10K 5% 1/4W	RR51	1-249-418-11	CARBON	1.2K 5% 1/4W F
R751	1-249-421-11	CARBON	2.2K 5% 1/4W F	RR54	1-249-393-11	CARBON	10 5% 1/4W F
R752	1-249-435-11	CARBON	33K 5% 1/4W	RR55	1-249-393-11	CARBON	10 5% 1/4W F
R753	1-249-410-11	CARBON	270 5% 1/4W F			< RELAY >	
R754	1-249-434-11	CARBON	27K 5% 1/4W				
R755	1-249-415-11	CARBON	680 5% 1/4W F				
△R756	1-249-409-11	CARBON	220 5% 1/4W F	RY601	1-515-920-11	RELAY (24V)	
R757	1-249-421-11	CARBON	2.2K 5% 1/4W F	RY701	1-515-920-11	RELAY (24V)	
R758	1-249-433-11	CARBON	22K 5% 1/4W			< TERMINAL >	
△R759	1-249-409-11	CARBON	220 5% 1/4W F				
R760	1-247-866-11	CARBON	30K 5% 1/4W	TM001	1-537-714-11	TERMINAL BOARD (ANTENNA)	
R761	1-249-414-11	CARBON	560 5% 1/4W F	TM601	1-537-510-11	TERMINAL BOARD (SPEAKER) (6P)	
R762	1-249-422-11	CARBON	2.7K 5% 1/4W F			(SURROUND SPEAKERS)	
R763	1-249-397-11	CARBON	22 5% 1/4W F	TM701	1-537-376-11	TERMINAL BOARD (SP) (FRONT SPEAKERS)	
R764	1-249-415-11	CARBON	680 5% 1/4W F			< TUNER >	
R765	1-249-409-11	CARBON	220 5% 1/4W F				
△R766	1-249-397-11	CARBON	22 5% 1/4W F	TU001	1-239-562-11	ENCAPSULATED COMPONENT	
R767	1-249-428-11	CARBON	8.2K 5% 1/4W F			< VIBRATOR >	
△R768	1-249-393-11	CARBON	10 5% 1/4W F				
△R769	1-249-393-11	CARBON	10 5% 1/4W F	X301	1-579-952-21	VIBRATOR, CERAMIC (8MHz)	
△R770	1-208-601-11	WIREWOUND	0.1 10% 2W F			*****	
△R771	1-208-601-11	WIREWOUND	0.1 10% 2W F				
R772	1-249-417-11	CARBON	1K 5% 1/4W F	*	1-651-921-11	PS BOARD	
R773	1-249-431-11	CARBON	15K 5% 1/4W			*****	
△R774	1-249-393-11	CARBON	10 5% 1/4W F			< CAPACITOR >	
△R775	1-249-389-11	CARBON	4.7 5% 1/4W F				
R777	1-249-438-11	CARBON	56K 5% 1/4W	CC91	1-161-741-00	CERAMIC	0.001uF 10% 400V
R801	1-249-423-11	CARBON	3.3K 5% 1/4W F	CC92	1-161-741-00	CERAMIC	0.001uF 10% 400V
△R802	1-249-887-11	CARBON	33 5% 1/4W F			< CONNECTOR >	
R805	1-216-446-00	METAL OXIDE	18 5% 2W F				
R806	1-249-425-11	CARBON	4.7K 5% 1/4W F	* CNP805	1-565-495-11	CONNECTOR, BOARD TO BOARD 4P	
R807	1-249-437-11	CARBON	47K 5% 1/4W	* CNP901	1-564-321-11	PIN, CONNECTOR 2P	
△R808	1-249-405-11	CARBON	100 5% 1/4W F	CNP902	1-580-230-11	PIN, CONNECTOR (PC BOARD) 2P	
R811	1-249-417-11	CARBON	1K 5% 1/4W F			< DIODE >	
R812	1-249-426-11	CARBON	5.6K 5% 1/4W				
R813	1-249-426-11	CARBON	5.6K 5% 1/4W	D816	8-719-987-63	DIODE 1N4148M	
R814	1-249-429-11	CARBON	10K 5% 1/4W			< FUSE >	
R815	1-249-429-11	CARBON	10K 5% 1/4W				
R816	1-249-417-11	CARBON	1K 5% 1/4W F	△F902	1-532-259-00	FUSE (T1.6AL/250V)	
R817	1-249-429-11	CARBON	10K 5% 1/4W			< RELAY >	
R819	1-249-423-11	CARBON	3.3K 5% 1/4W F				
R820	1-249-437-11	CARBON	47K 5% 1/4W	△RY901	1-755-018-11	RELAY	
R822	1-249-407-11	CARBON	150 5% 1/4W F				
RR01	1-249-418-11	CARBON	1.2K 5% 1/4W F				
RR04	1-249-393-11	CARBON	10 5% 1/4W F				

The components identified by mark △ or dotted line with mark △ are critical for safety. Replace only with part number specified.	Les composants identifiés par une marque △ sont critiques pour la sécurité. Ne les remplacer que par une pièce portant le numéro spécifié.
--	--

STR-D515/D615

PS

<u>Ref. No.</u>	<u>Part No.</u>	<u>Description</u>	<u>Remark</u>	<u>Ref. No.</u>	<u>Part No.</u>	<u>Description</u>	<u>Remark</u>
		< TRANSFORMER >					
△T902	1-450-358-11	TRANSFORMER, POWER					

<p>The components identified by mark △ or dotted line with mark △ are critical for safety. Replace only with part number specified.</p>	<p>Les composants identifiés par une marque △ sont critiques pour la sécurité. Ne les remplacer que par une pièce portant le numéro spécifié.</p>
---	---


STR-D515/D615

SONY[®] SERVICE MANUAL

US Model
Canadian Model
AEP Model
UK Model
Australian Model
STR-D515/D615
E Model
STR-D615
Mexican Model
STR-D515

CORRECTION-1

Correct your service manual as shown below.

 : indicates corrected portion.

Page	INCORRECT			CORRECT		
	Ref. No.	Part No.	Description	Part No.	Description	Remark
31	Q709	8-749-101-26	TRANSISTOR MP1620-OPY-M (D615)	8-749-010-26	TRANSISTOR MP1620-OPY-M (D615)	

(RPC-94018)