

STR-DA1ES/DB780

SERVICE MANUAL

Ver 1.0 2002.06

US Model
Canadian Model
STR-DA1ES
AEP Model
UK Model
E Model
Chinese Model
STR-DB780

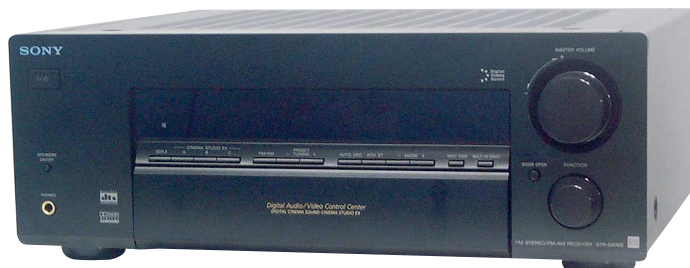


Photo: STR-DA1ES

This receiver incorporates Dolby* Digital and Pro Logic Surround and the DTS** Digital Surround System.

* Manufactured under license from Dolby Laboratories.

"Dolby", "Pro Logic" and the double-D symbol are trademarks of Dolby Laboratories.

** "DTS" and "DTS Digital Surround" are registered trademarks of Digital Theater Systems, Inc.

SPECIFICATIONS

AUDIO POWER SPECIFICATIONS

POWER OUTPUT AND TOTAL HARMONIC DISTORTION: (Models of area code U only)

With 8 ohm loads, both channels driven, from 20 – 20,000 Hz; rated 100 watts per channel minimum RMS power, with no more than 0.05 % total harmonic distortion from 250 milliwatts to rated output.

Amplifier section

POWER OUTPUT

Models of area code U, CA

Rated Power Output at Stereo Mode

(8 ohms 20 Hz – 20 kHz, THD 0.09 %)

100 W + 100 W

(4 ohms 20 Hz – 20 kHz, THD 0.09 %)

80 W + 80 W

Reference Power Output

(8 ohms 20 Hz – 20 kHz, THD 0.09 %)

FRONT¹⁾: 100 W + 100 W

CENTER¹⁾: 100 W

SURR¹⁾: 100 W + 100 W

(4 ohms 20 Hz – 20 kHz, THD 0.09 %)

FRONT¹⁾: 80 W + 80 W

CENTER¹⁾: 80 W

SURR¹⁾: 80 W + 80 W

Models of other area codes

Rated Power Output at Stereo Mode

(8 ohms 1 kHz, THD 0.7 %)

100 W + 100 W²⁾

90 W + 90 W³⁾

(4 ohms 1 kHz, THD 0.7 %)

90 W + 90 W²⁾

80 W + 80 W³⁾

Reference Power Output²⁾

(8 ohms 1 kHz, THD 0.7 %)

FRONT¹⁾: 100 W + 100 W

CENTER¹⁾: 100 W

SURR¹⁾: 100 W + 100 W

(4 ohms 1 kHz, THD 0.7 %)

FRONT¹⁾: 80 W + 80 W

CENTER¹⁾: 80 W

SURR¹⁾: 80 W + 80 W

(8 ohms 20 Hz – 20 kHz, THD 0.09 %)

FRONT¹⁾: 90 W + 90 W

CENTER¹⁾: 90 W

SURR¹⁾: 90 W + 90 W

(4 ohms 20 Hz – 20 kHz, THD 0.09 %)

FRONT¹⁾: 75 W + 75 W

CENTER¹⁾: 75 W

SURR¹⁾: 75 W + 75 W

1) Depending on the sound field settings and the source, there may be no sound output

2) Measured under the following conditions:

Area code	Power requirements
SP, CEL, CEK	230 V AC, 50 Hz
TW	110 V AC, 60 Hz

3) Measured under the following conditions:

Area code	Power requirements
CN, KR	220 V AC, 50 Hz

Frequency response

PHONO	RIAA equalization curve ±0.5 dB
CD/SACD, MD/ TAPE, TV/SAT, DVD/LD, VIDEO 1, 2, 3	10 Hz – 100 kHz +0.5/-2 dB (with sound field and equalizer bypassed)

Inputs (Analog)

PHONO	Sensitivity: 2.5 mV Impedance: 50 kilohms S/N ⁴⁾ : 86 dB (A, 2.5 mV ⁵⁾)
MULTI CH IN, CD/ SACD, MD/TAPE, DVD/LD, TV/SAT, VIDEO 1, 2, 3	Sensitivity: 150 mV Impedance: 50 kilohms S/N ⁴⁾ : 100 dB (A, 150 mV ⁵⁾)

4) INPUT SHORT

5) Weighted network, input level

Inputs (Digital)

ASSIGNABLE	Impedance: 75 ohms
COAXIAL IN (DVD/ LD CD/SACD)	S/N: 100 dB (A, 20 kHz LPF)
DVD/LD, TV/SAT, MD/TAPE (Optical)	S/N: 100 dB (A, 20 kHz LPF)

– Continued on next page –

FM STEREO FM-AM RECEIVER

9-874-062-01

2002F0500-1

© 2002.06

Sony Corporation

Home Audio Company

Published by Sony Engineering Corporation

SONY®

STR-DA1ES/DB780

Outputs

MD/TAPE (REC OUT), VIDEO 1, 2 (AUDIO OUT)	Voltage: 150 mV Impedance: 10 kilohms
FRONT L/R, CENTER, SURROUND L/R, SUB WOOFER (Models of area code U, CA only)	Voltage: 2 V Impedance: 1 kilohms
SUB WOOFER (Models of other area codes)	Voltage: 2 V Impedance: 1 kilohms

EQ

BASS:	99 Hz~1 0 kHz (21 steps)
TREBLE:	1 0 kHz~10 kHz (23 steps)
Gain levels:	±10 dB, 0 5 dB step

FM tuner section

Tuning range	87 5 - 108 0 MHz
Antenna terminals	75 ohms, unbalanced
Sensitivity	
Mono:	18 3 dBf, 2 2 μV/75 ohms
Stereo:	38 3 dBf, 22 5 μV/75 ohms
Usable sensitivity	11 2 dBf, 1 μV/75 ohms
S/N	
Mono:	76 dB
Stereo:	70 dB
Harmonic distortion at 1 kHz	
Mono:	0 3%
Stereo:	0 5%
Separation	45 dB at 1 kHz
Frequency response	30 Hz - 15 kHz, +0 5/-2 dB
Selectivity	60 dB at 400 kHz

AM tuner section

Tuning range	
Models of area code U, CA	With 10-kHz tuning scale: 530 - 1,710 kHz ⁹⁾ With 9-kHz tuning scale: 531 - 1,710 kHz ⁹⁾
Models of area code CN, SP, CEL, CEK, TW, KR	With 9-kHz tuning scale: 531 - 1,602 kHz
Antenna	Loop antenna
Usable sensitivity	50 dB/m (at 1,000 kHz or 999 kHz)
S/N	54 dB (at 50 mV/m)
Harmonic distortion	0 5 % (50 mV/m, 400 Hz)
Selectivity	
At 9 kHz:	35 dB
At 10 kHz:	40 dB

6) You can change the AM tuning scale to 9 kHz or 10 kHz. After tuning in any AM station, turn off the receiver. Hold down TUNING + and press I/⏏. All preset stations will be erased when you change the tuning scale. To reset the scale to 10 kHz (or 9 kHz), repeat the procedure.

Video section

Inputs/Outputs	
Video:	1 Vp-p, 75 ohms
S-video:	Y: 1 Vp-p, 75 ohms C: 0 286 Vp-p, 75 ohms
COMPONENT VIDEO	
(Except for models of area code CEL, CEK):	Y: 1 Vp-p, 75 ohms B-Y: 0 7 Vp-p, 75 ohms R-Y: 0 7 Vp-p, 75 ohms

General

Power requirements	
Area code	Power requirements
U, CA	120 V AC, 60 Hz
CEL, CEK	230 V AC, 50/60 Hz
CN, SP, KR	220 - 230 V AC, 50/60 Hz
TW	110 V AC, 60 Hz

Power consumption	
Area code	Power consumption
U	280 W
CA	330 VA
CEL, CEK	290 W
CN, SP, KR	290 W
TW	290 W (MAX 500W)

Power consumption (during standby mode)
0 5 W

AC outlets	
Area code	AC outlets
U, CA	1 switched, 120 W/1A MAX
SP, TW	1 switched, 100 W MAX

Dimensions 430 × 161 × 400 mm
including projecting parts and controls

Mass (Approx.) 12 5 kg

Supplied accessories
FM wire antenna (1)
AM loop antenna (1)
Models of area code U, CA;
Remote commander RM-PP506L (1)
R6 (size-AA) batteries (2)
Models of other area codes;
Remote commander RM-U305C (1)
R6 (size-AA) batteries (2)

Design and specifications are subject to change without notice.

Notes on chip component replacement

- Never reuse a disconnected chip component.
- Notice that the minus side of a tantalum capacitor may be damaged by heat.

SAFETY CHECK-OUT

After correcting the original service problem, perform the following safety check before releasing the set to the customer:

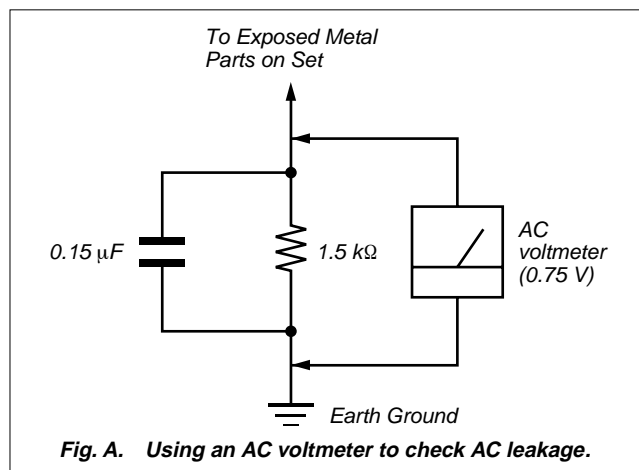
Check the antenna terminals, metal trim, “metallized” knobs, screws, and all other exposed metal parts for AC leakage.

Check leakage as described below.

LEAKAGE TEST

The AC leakage from any exposed metal part to earth ground and from all exposed metal parts to any exposed metal part having a return to chassis, must not exceed 0.5 mA (500 microamperes.). Leakage current can be measured by any one of three methods.

1. A commercial leakage tester, such as the Simpson 229 or RCA WT-540A. Follow the manufacturers' instructions to use these instruments.
2. A battery-operated AC milliammeter. The Data Precision 245 digital multimeter is suitable for this job.
3. Measuring the voltage drop across a resistor by means of a VOM or battery-operated AC voltmeter. The “limit” indication is 0.75 V, so analog meters must have an accurate low-voltage scale. The Simpson 250 and Sanwa SH-63Trd are examples of a passive VOM that is suitable. Nearly all battery operated digital multimeters that have a 2 V AC range are suitable. (See Fig. A)



与安全有关的零部件须知

在原理图上用阴影及 \triangle 标记来识别的零部件在安全操作上是具有关键性的。这些零部件要用本手册中所示的部件号对应的索尼零部件进行更换。

在安全操作上具有关键性的电路调整与索尼公司出版的维修手册完全一致。在更换关键零部件时或怀疑动作失常时，请进行这些调整操作。

SAFETY-RELATED COMPONENT WARNING!!

COMPONENTS IDENTIFIED BY MARK \triangle OR DOTTED LINE WITH MARK \triangle ON THE SCHEMATIC DIAGRAMS AND IN THE PARTS LIST ARE CRITICAL TO SAFE OPERATION. REPLACE THESE COMPONENTS WITH SONY PARTS WHOSE PART NUMBERS APPEAR AS SHOWN IN THIS MANUAL OR IN SUPPLEMENTS PUBLISHED BY SONY.

ATTENTION AU COMPOSANT AYANT RAPPORT À LA SÉCURITÉ!

LES COMPOSANTS IDENTIFIÉS PAR UNE MARQUE \triangle SUR LES DIAGRAMMES SCHÉMATIQUES ET LA LISTE DES PIÈCES SONT CRITIQUES POUR LA SÉCURITÉ DE FONCTIONNEMENT. NE REMPLACER CES COMPOSANTS QUE PAR DES PIÈCES SONY DONT LES NUMÉROS SONT DONNÉS DANS CE MANUEL OU DANS LES SUPPLÉMENTS PUBLIÉS PAR SONY.

TABLE OF CONTENTS

1. SERVICING NOTES	5	6. EXPLODED VIEWS	
2. GENERAL	6	6-1. Case Section	55
3. DISASSEMBLY		6-2. Front Panel Section-1	56
3-1. Disassembly Flow	7	6-3. Front Panel Section-2	57
3-2. Case (414535)	8	6-4. Chassis Section-1	58
3-3. S-VIDEO board, VIDEO Board and Tuner	8	6-5. Chassis Section-2	59
3-4. VIDEO.AU Board	9	6-6. Chassis Section-3	60
3-5. DIGITAL Board	9	6-7. Chassis Section-4	61
3-6. MAIN Board	10	6-8. BIAS Board Section	62
4. TEST MODE	11	6-9. MAIN Board Section	63
5. DIAGRAMS		6-10. Foot Section	64
5-1. Block Diagram		7. ELECTRICAL PARTS LIST	65
– TUNER/VIDEO INPUT Section –	13		
5-2. Block Diagram – AUDIO DSP Section –	14		
5-3. Block Diagram – AUDIO CONTROL Section –	15		
5-4. Block Diagram – POWER AMP Section –	16		
5-5. Block Diagram			
– DISPLAY/KEY CONTROL Section –	17		
5-6. Block Diagram – POWER SUPPLY Section –	18		
5-7. Note for Printed Wiring Boards and Schematic Diagrams	19		
5-8. Schematic Diagram – DIGITAL (1/3)/ V-3 OPT Boards –	21		
5-9. Schematic Diagram – DIGITAL Board (2/3) –	22		
5-10. Schematic Diagram – DIGITAL Board (3/3) –	23		
5-11. Printed Wiring Board			
– DIGITAL Board (Component Side) –	24		
5-12. Printed Wiring Boards			
– DIGITAL (Conductor Side)/V-3 OPT Boards –	25		
5-13. Printed Wiring Board – VIDEO Board –	26		
5-14. Schematic Diagram – VIDEO Board –	27		
5-15. Printed Wiring Boards			
– S-VIDEO/VIDEO 3/VIDEO.AU Boards –	28		
5-16. Schematic Diagram			
– S-VIDEO/VIDEO 3/VIDEO.AU Boards –	29		
5-17. Printed Wiring Board – MAIN Board –	30		
5-18. Schematic Diagram – MAIN Board (1/3) –	31		
5-19. Schematic Diagram – MAIN Board (2/3) –	32		
5-20. Schematic Diagram – MAIN Board (3/3) –	33		
5-21. Printed Wiring Board – BIAS Board –	34		
5-22. Schematic Diagram – BIAS Board –	35		
5-23. Printed Wiring Boards – H.P/PRE/SPOUT Boards – ...	36		
5-24. Schematic Diagram – H.P/PRE/SPOUT Boards –	37		
5-25. Printed Wiring Board – DISPLAY Board –	38		
5-26. Schematic Diagram – DISPLAY Board –	39		
5-27. Printed Wiring Boards			
– KEY/MUTING/POWER Boards –	40		
5-28. Schematic Diagram			
– KEY/MUTING/POWER Boards –	41		
5-29. Printed Wiring Boards			
– AC/DC 1/DC 2/PR 1/SEC 1 Boards –	42		
5-30. Schematic Diagram			
– AC DC 1/DC 2/PR 1/SEC 1 Boards –	43		
5-31. IC Pin Function Description	49		

SECTION 1 SERVICING NOTES

• MODEL IDENTIFICATION

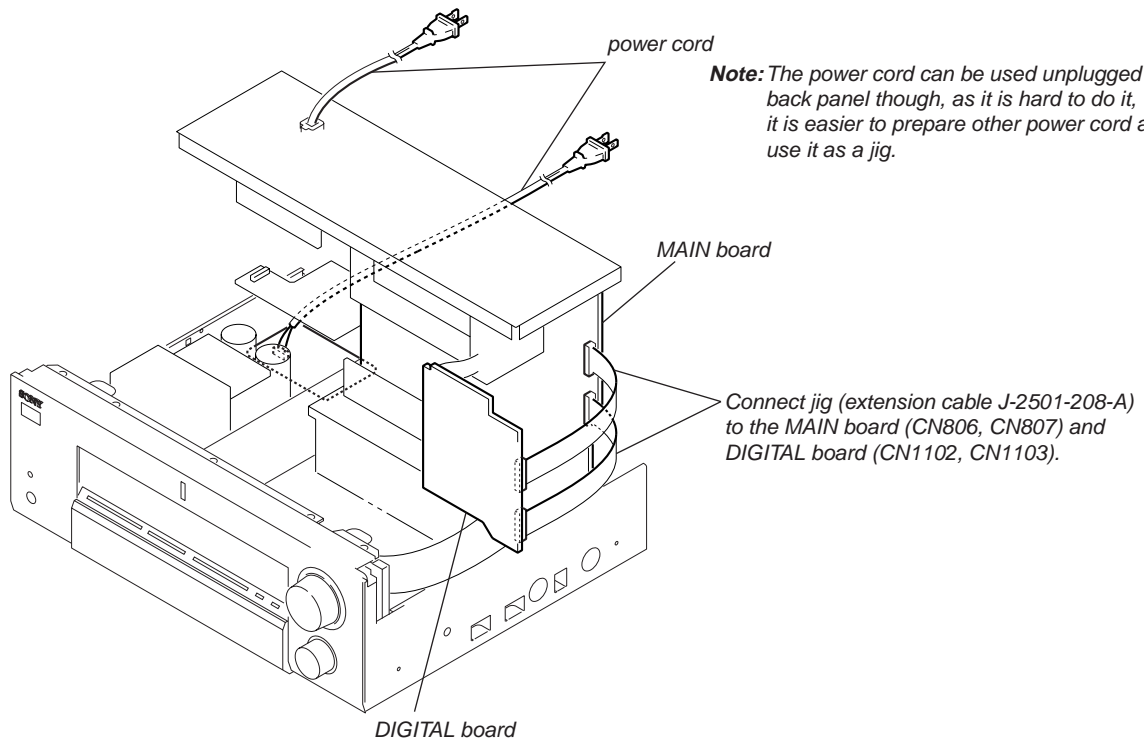
– Back Panel –



Model	PART No.
DA1ES : US model	4-240-601-0□
DB780 : AEP and UK models	4-240-601-1□
DB780 : Singapore and Malaysia models	4-240-601-2□
DB780 : Taiwan model	4-240-601-3□
DB780 : Korean model	4-240-601-4□
DB870 : Chinese model	4-240-601-5□
DA1ES : Canadian model	4-240-601-6□

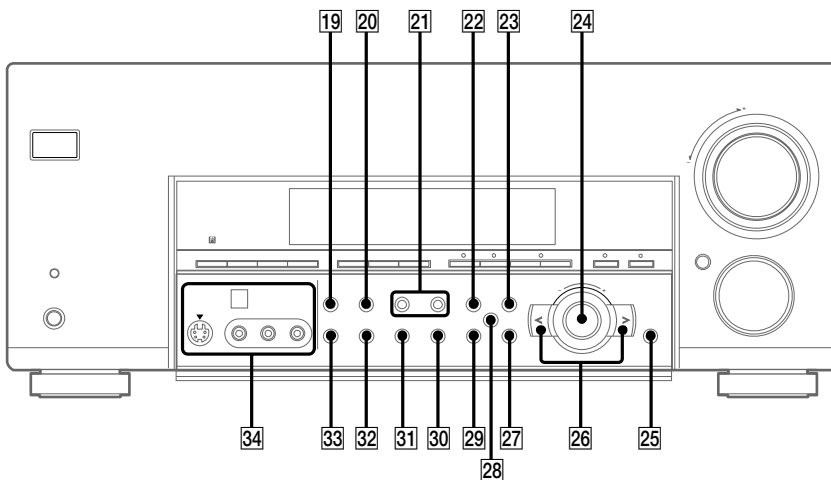
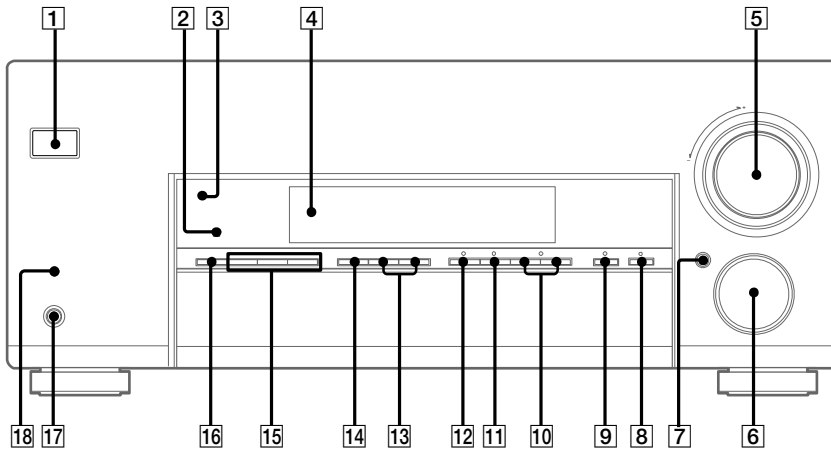
SERVICE POSITION

In checking the DIGITAL board, prepare jig (extension cable J-2501-208-A: 200 mm 21 core).



LOCATION OF CONTROLS

– Front Panel –

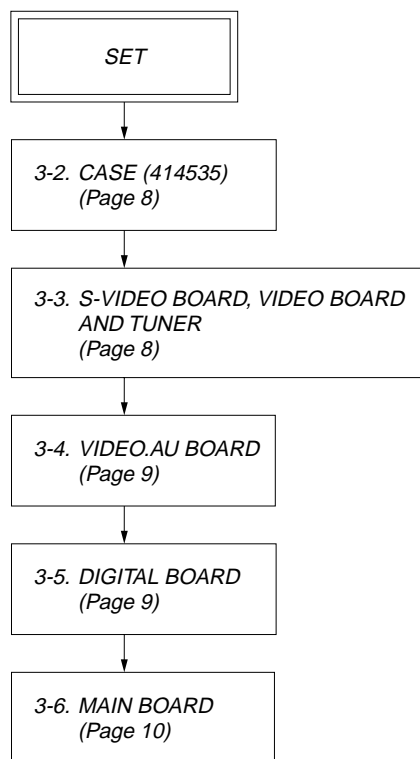


- | | | |
|---|---|----------------------|
| AUTO DEC 12 | MASTER VOLUME 5 | 2CH ST 11 |
| CINEMA STUDIO EX A/B/C 15 | MEMORY 20 | I/⏻ (power) 1 |
| Cursor buttons (</>) 26 | MODE +/- 10 | |
| CUSTOMIZE 29 | MULTI CH DIRECT 8 | |
| Digital Cinema Sound indicator 3 | NORMAL SURR (DOLBY) 16 | |
| DIMMER 33 | PHONES jack 17 | |
| DISPLAY 19 | PRESET TUNING +/- 13 | |
| Display 4 | RDS PTY 31 (28) | |
| DOOR OPEN 7 | (Models of area code CEL, CEK only) | |
| ENTER 25 | SET UP 22 | |
| EQ 27 | SLEEP 31 | |
| EQUALIZER 30 | (Except for models of area code CEL, CEK) | |
| FM/AM 14 | SPEAKERS ON/OFF 18 | |
| FM MODE 32 | SURR 28 | |
| FUNCTION 6 | TUNING +/- 21 | |
| INPUT MODE 9 | (Except for models of area code CEL, CEK) | |
| IR receptor 2 | TUNING/PTY SELECT +/- 21 | |
| Jog dial 24 | (Models of area code CEL, CEK) | |
| LEVEL 23 | VIDEO 3 INPUT jacks 34 | |

SECTION 3 DISASSEMBLY

- This set can be disassembled in the order shown below.

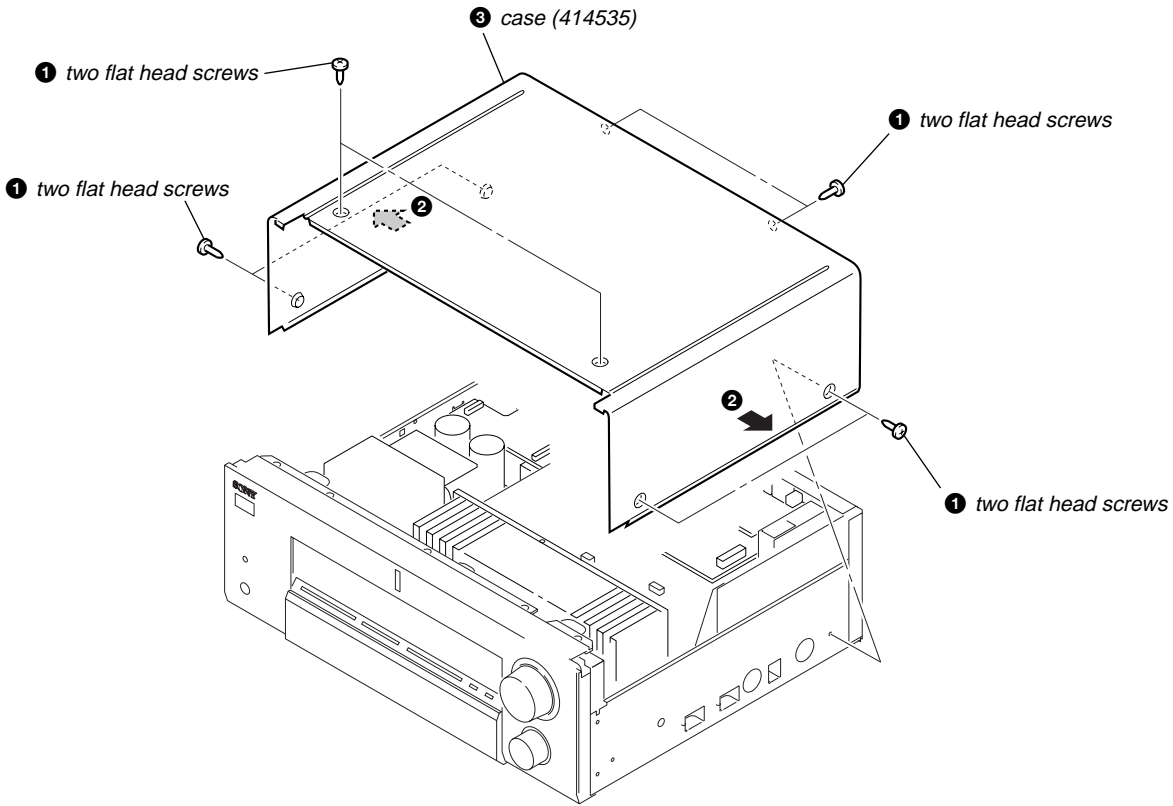
3-1. DISASSEMBLY FLOW



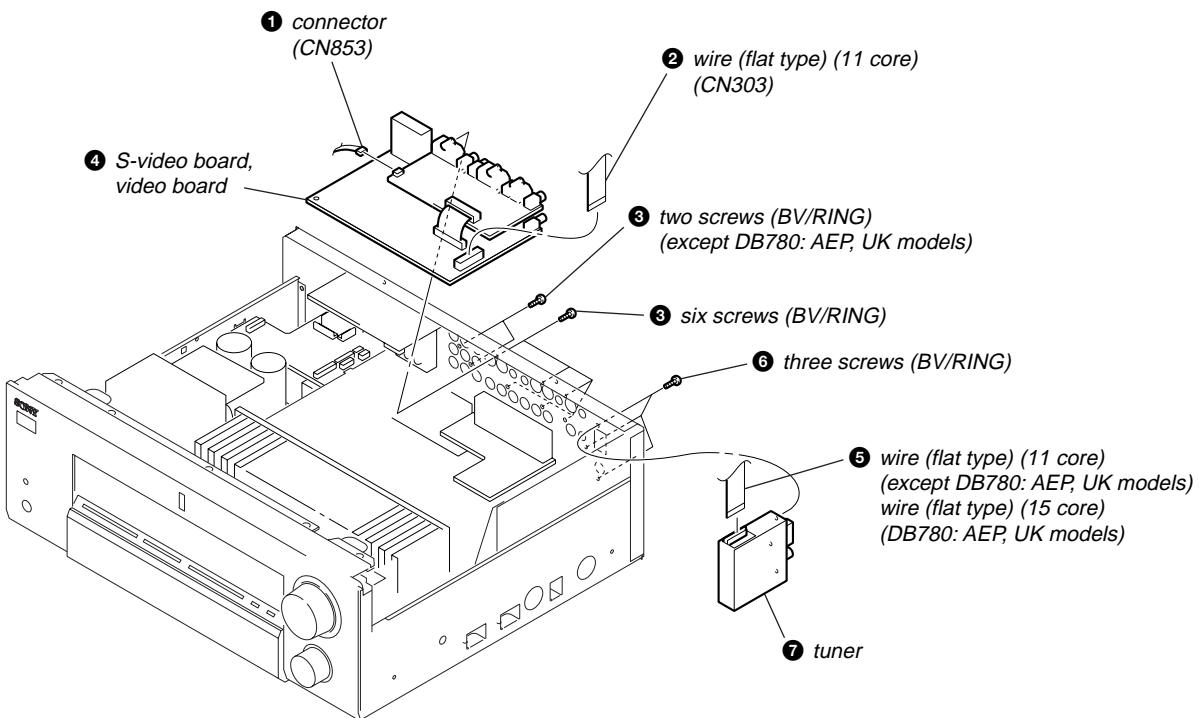
STR-DA1ES/DB780

Note: Follow the disassembly procedure in the numerical order given.

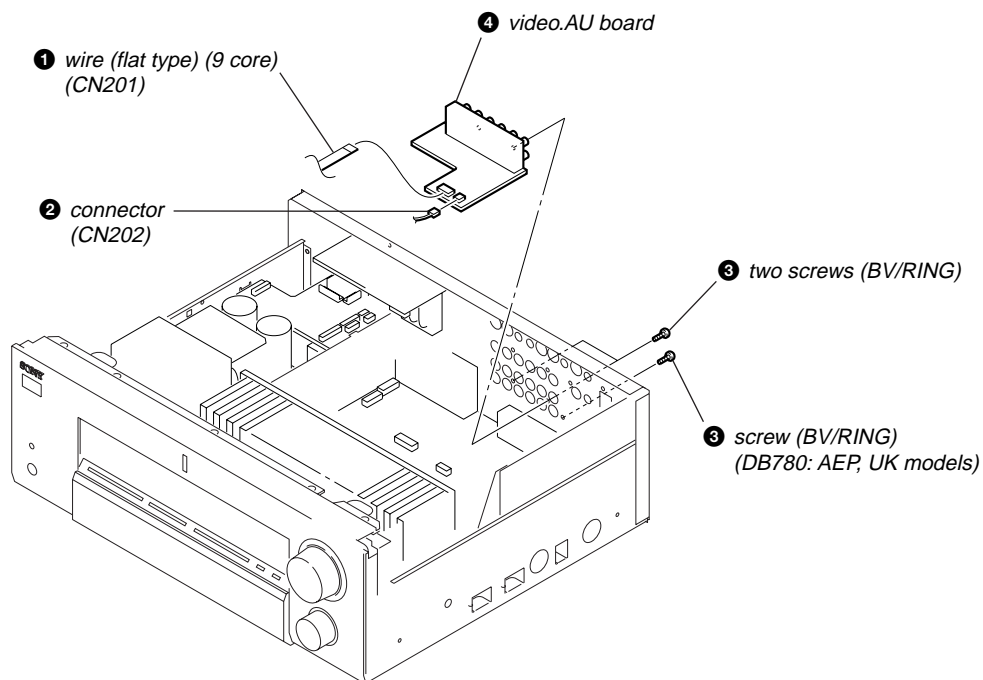
3-2. CASE (414535)



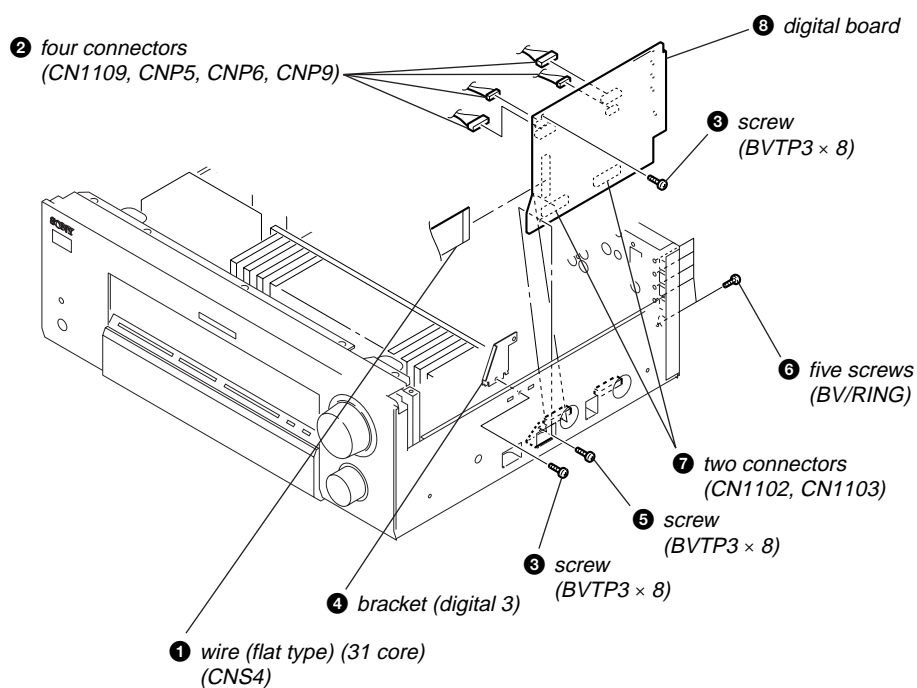
3-3. S-VIDEO BOARD, VIDEO BOARD AND TUNER



3-4. VIDEO.AU BOARD

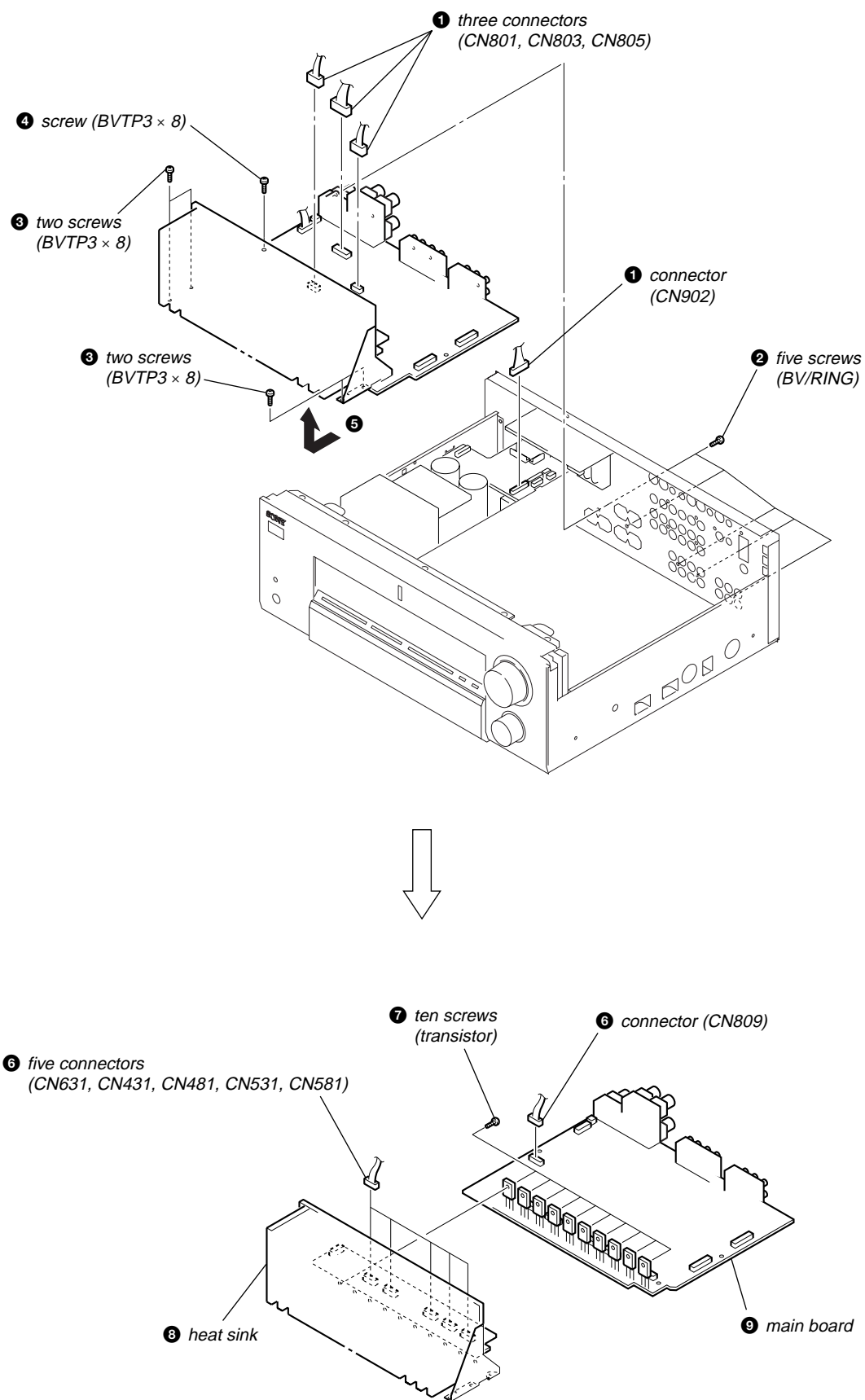


3-5. DIGITAL BOARD



Note: When installing the digital board (CNS4), connecting the wire (flat type) (31 core) to the digital board beforehand improves the operability.

3-6. MAIN BOARD



SECTION 4 TEST MODE

TUNER FACTORY PRESET MODE

All preset contents are reset to the default setting.

Procedure:

1. While pressing the **[DIMMER]** and **[SET UP]** buttons, press the **[I/⏻]** button to turn on the main power.
2. The message "FACTORY" appears and the present contents are reset to the default values.

TUNER AM STEP CHANGE (9 kHz/10 kHz) MODE (Except STR-DB780: AEP and UK models)

Either the 9 kHz step or 10 kHz step can be selected for the AM channel step.

Procedure:

1. While pressing the **[PRESET TUNING +]** or **[TUNING +]** button, press the **[I/⏻]** button to turn on the main power.
2. Either the message "9 k STEP" or "10 k STEP" appears. Select the desired step.

TUNER AUTOBETICAL TUNING MODE (STR-DB780: AEP and UK models)

Procedure:

1. While pressing the **[MEMORY]** button, press the **[I/⏻]** button to turn on the main power.
2. The message "AUTO-BETICAL SELECT" appears and scans and stores all the FM and FM RDS stations in the broadcast area.
3. When done, the message "FINISH" appears.

SOUND FIELD CLEAR MODE

The preset sound field is cleared when this mode is activated. Use this mode before returning the product to clients upon completion of repair.

Procedure:

1. While pressing the **[MODE +]** button, press the **[I/⏻]** button to turn on the main power.
2. The message "SF. CLR." appears and initialization is performed.

ALL CLEAR MODE

All preset contents are cleared when this mode is activated. Use this mode before returning the product to clients upon completion of repair.

Procedure:

1. While pressing the **[AUTO DEC.]** and **[MODE +]** buttons, press the **[I/⏻]** button or press the **[I/⏻]** button for more than five seconds to turn on the main power.
2. The message "MEMORY CLEARED !" appears and the memories are reset to the default values.

FLUORESCENT INDICATOR TUBE PATTERN CHECK MODE

All fluorescent segments are tested. When this test is activated, all segments turn on at the same time, then each segment turns on one after another.

Procedure:

1. While pressing the **[DISPLAY]** and **[ENTER]** buttons, press the **[I/⏻]** button to turn on the main power.
2. All segments and all LEDs turn on.
3. Turn the **[FUNCTION]** dial.
4. Half of segments and **[Digital Cinema Sound]**, **[AUTO DEC.]**, **[MODE]** LEDs turn on.
5. Turn the **[FUNCTION]** dial once again.
6. Others half of segments and **[2CH ST]**, **[INPUT MODE]**, **[MULTI CH DIRECT]** LEDs turn on.
7. Turn the **[FUNCTION]** dial once again.
8. All segments and all LEDs turn off.

SOFTWARE VERSION MODE

When this mode is used, the destination and the software version number are displayed.

Procedure:

1. While pressing the **[ENTER]** and **[AUTO DEC.]** buttons, press the **[I/⏻]** button to turn on the main power.
2. The destination and the software version number appear.

KEY CHECK MODE

When this mode is used, the destination and the software version number are displayed.

Procedure:

1. While pressing the **[FM/AM]** and **[CINEMA STUDIO EX C]** buttons, press the **[I/⏻]** button to turn on the main power.
2. The message "REST 30" appears.
3. Every pressing of any button other than the **[I/⏻]** button counts down the buttons. The buttons which are already counted once are not counted again.
4. When all buttons are pressed, the message "REST 00" appears.

DSP TEST MODE

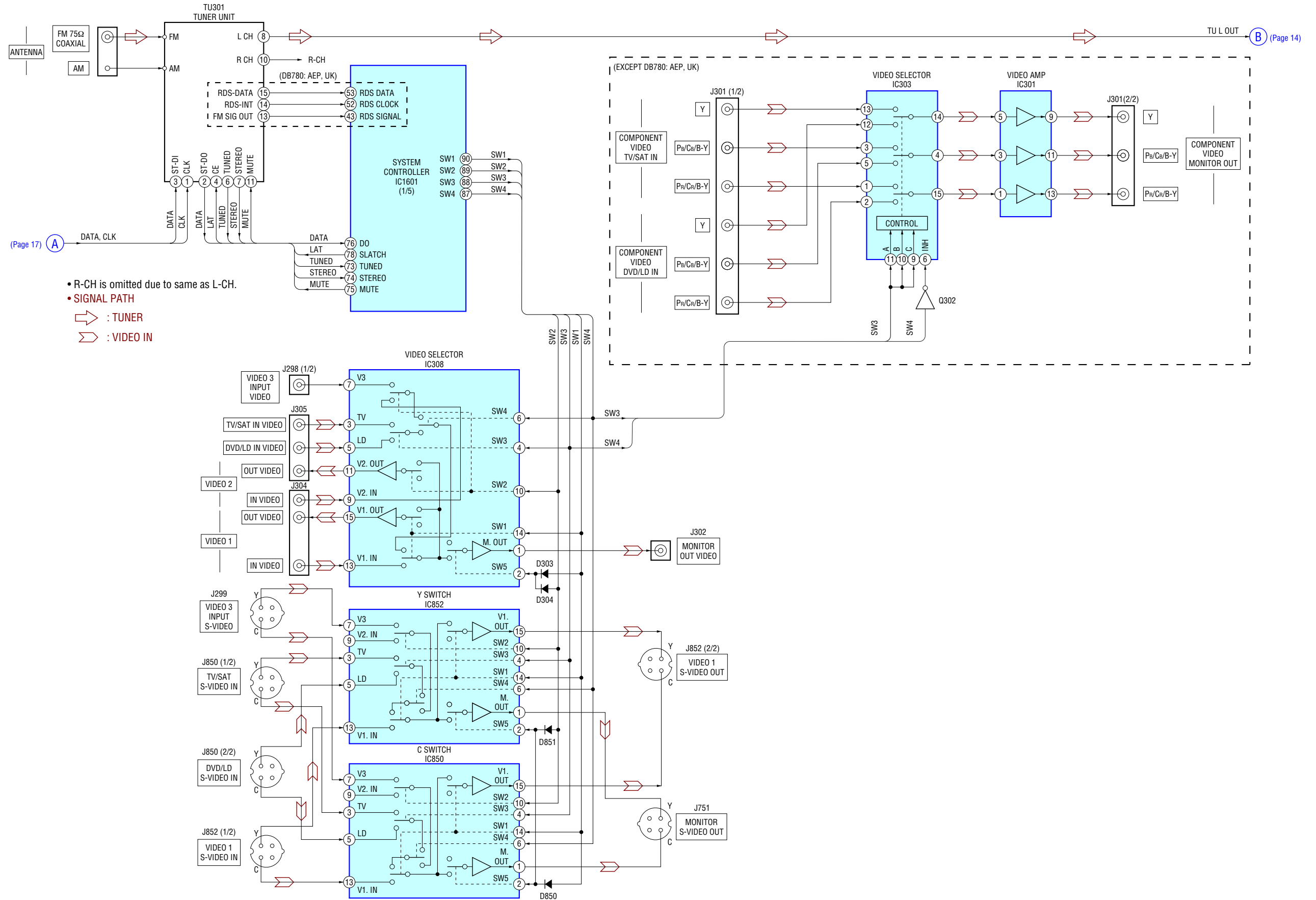
Procedure:

1. While pressing the [2CH ST] and [CINEMA STUDIO EX C] buttons, press the [I/⏻] button to turn on the main power or press the [I/⏻] button to turn on the main power, then press three buttons of [ENTER], [2CH ST] and [CINEMA STUDIO EX C] simultaneously.
2. The message “DSP TEST” appears, then change into “SWP. XXXX”.
3. Each time the [↵] button is pressed, the item is switched in order as follows .

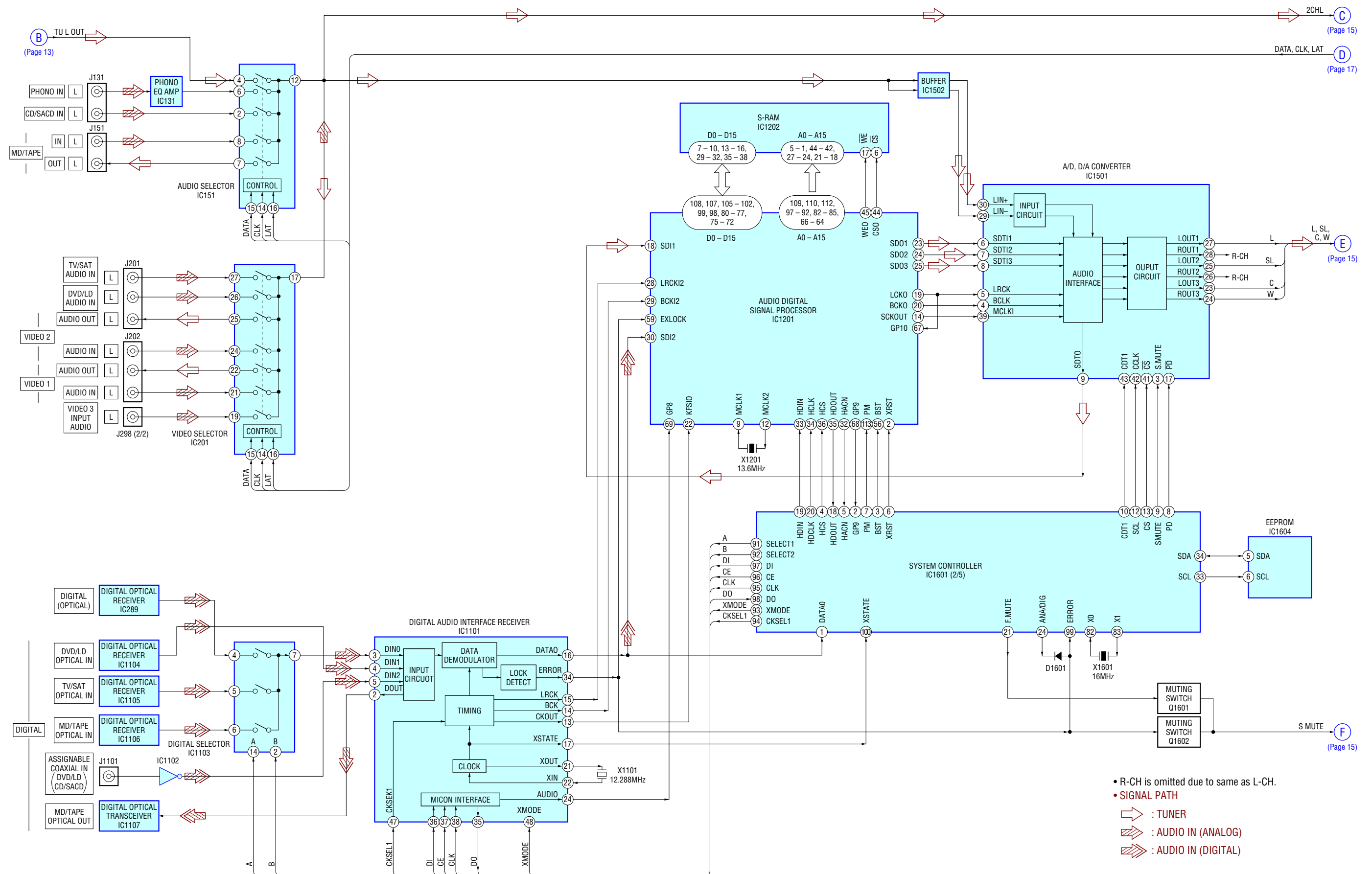
Items	Display	Remark
SWAP	SWP. XXXX	NORM, ALL, C SW, SLSR (switching with jog dial)
DSP communication	DSP OK or DSP ERROR	When DSP ERROR is displayed, press the [ENTER] key will clear error
Bass management	BM. XXXX	AUTO, OFF, 1 to 15 (switching with jog dial)
Main speaker cut off frequency	MAIN XXX	80 Hz to 200 Hz (switching with jog dial by 10 Hz)
LFE cut off frequency	LFE XXX	80 Hz to 200 Hz (switching with jog dial by 10 Hz)
Co-ef. Read address	RA.12XXX	Turn the jog dial to switch the read data address
Co-ef. Read data	RD.XXXXXX xx	Value is read data
Co-ef. Write address	WA.12XXX	Turn the jog dial to switch the write data address
Co-ef. Write data	WD.XXXXXX xx	Turn the jog dial to set the write data
SRAM	RAMC XXXX	OFF, EXE, NG, PASS
Total operation time	TTL-XXXX xx	4 large character is hour, 2 small character is minutes
Longest power on time	LNG-XXXX xx	
Volume < - 50 dB time display	V50-XXXX XX	
Volume < - 40 dB time display	V40-XXXX XX	
Volume < - 30 dB time display	V30-XXXX XX	
Volume < - 20 dB time display	V20-XXXX XX	
Volume < - 10 dB time display	V10-XXXX XX	
Volume < 0 dB time display	V00-XXXX XX	
Protector count value	PROT XXX	0 to 255
Fuse open count value	FUSE XXX	0 to 255
EEPROM condition	E-XXXXX	S RST (super reset, first time use EEPROM, test pattern corrupted) FAIL (EEPROM read/write with microprocessor have problem) V CHG (software version change) D CHG (destination/model change) CLEAR (back up data initialize) NORM (normal AC on)
EEPROM read	E-XXX-XX	First four hex code is EEPROM address Last two hex code is EEPROM data
EEPROM super reset	S.RST-YES or S.RST-NO	When S.RST-YES is displayed, press the [ENTER] key will clear all EEPROM data

SECTION 5 DIAGRAMS

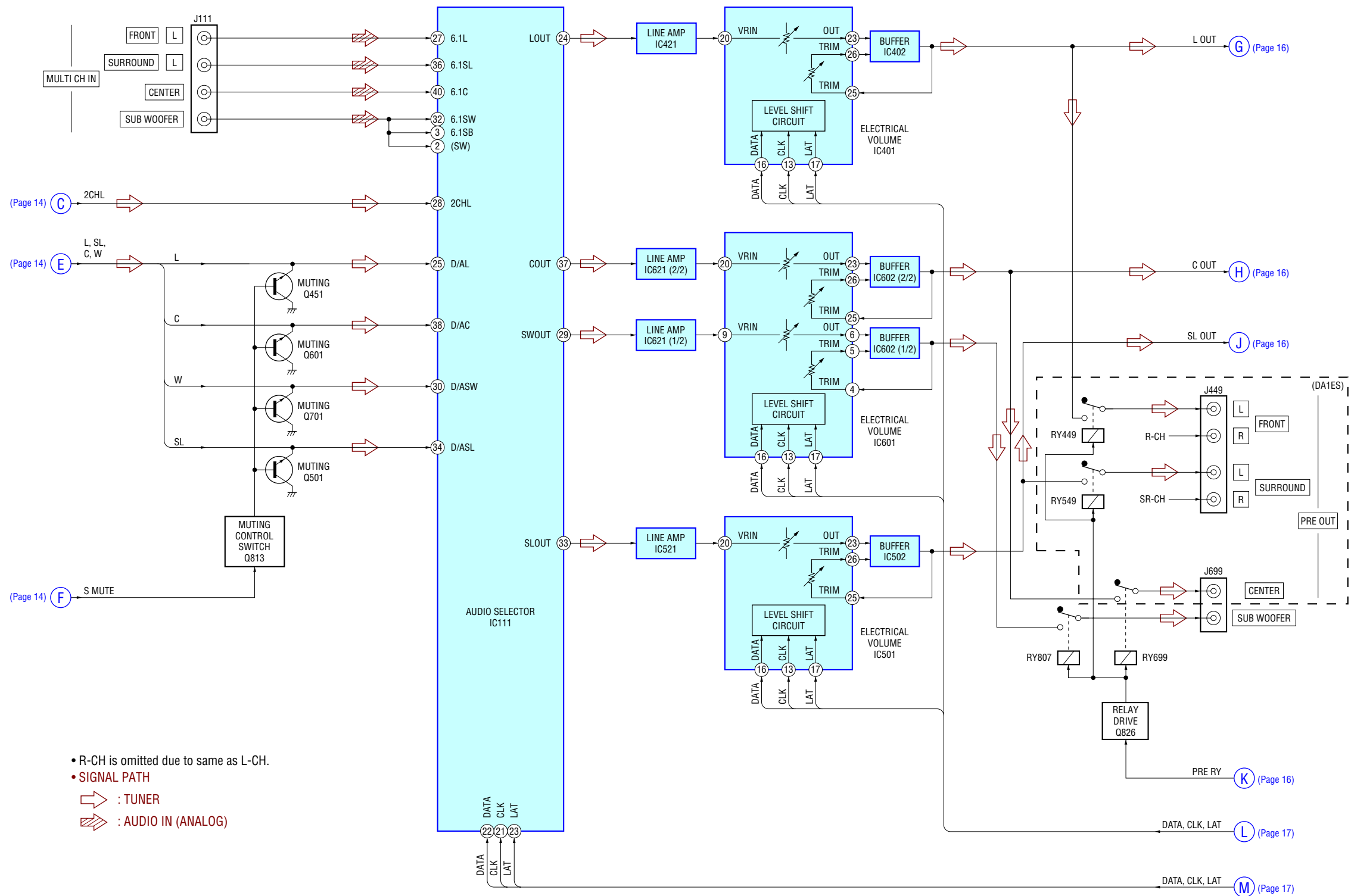
5-1. BLOCK DIAGRAM – TUNER/VIDEO INPUT Section –



5-2. BLOCK DIAGRAM – AUDIO DSP Section –

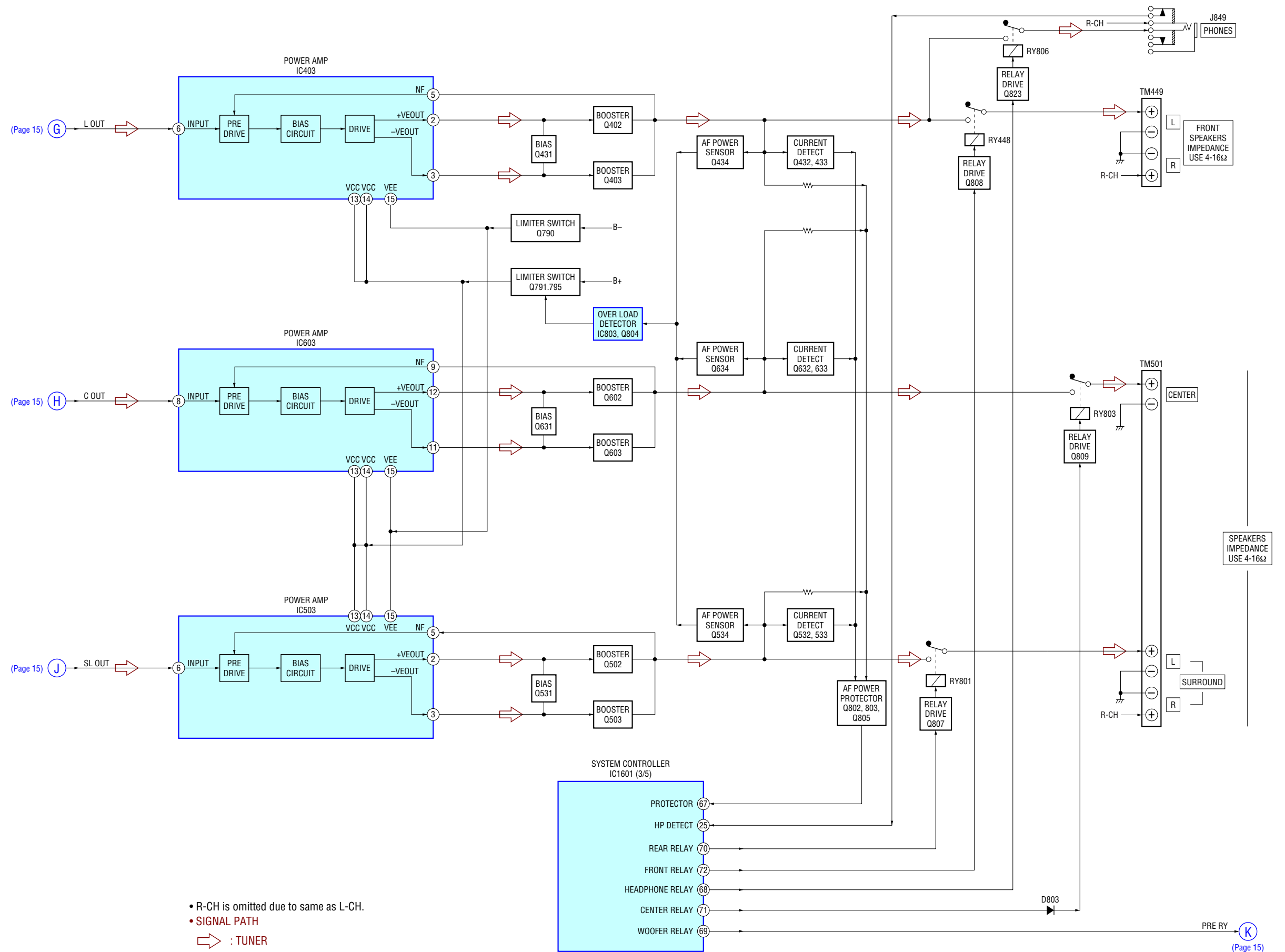


5-3. BLOCK DIAGRAM – AUDIO CONTROL Section –

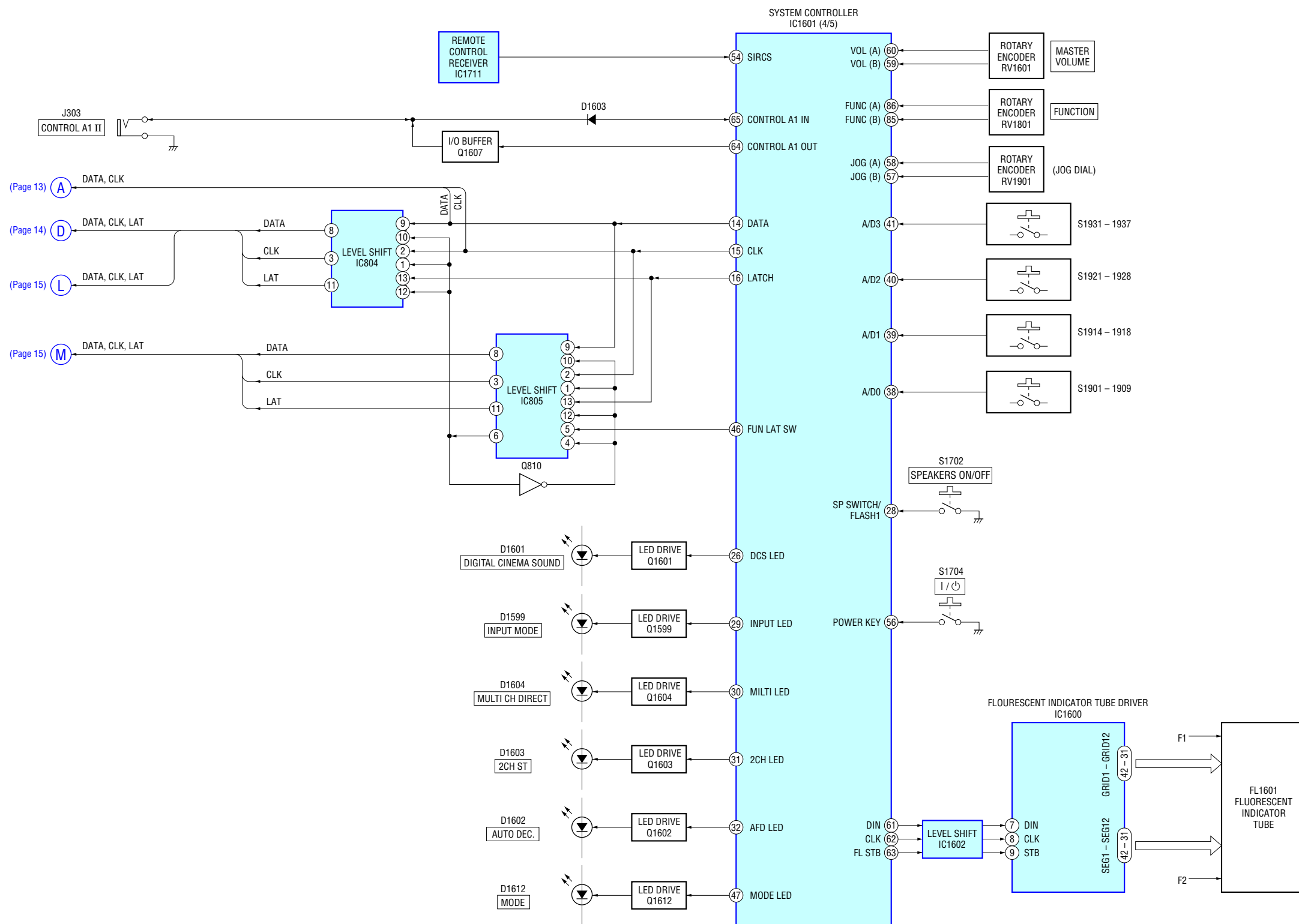


- R-CH is omitted due to same as L-CH.
- SIGNAL PATH
- ➡ : TUNER
- ➡ : AUDIO IN (ANALOG)

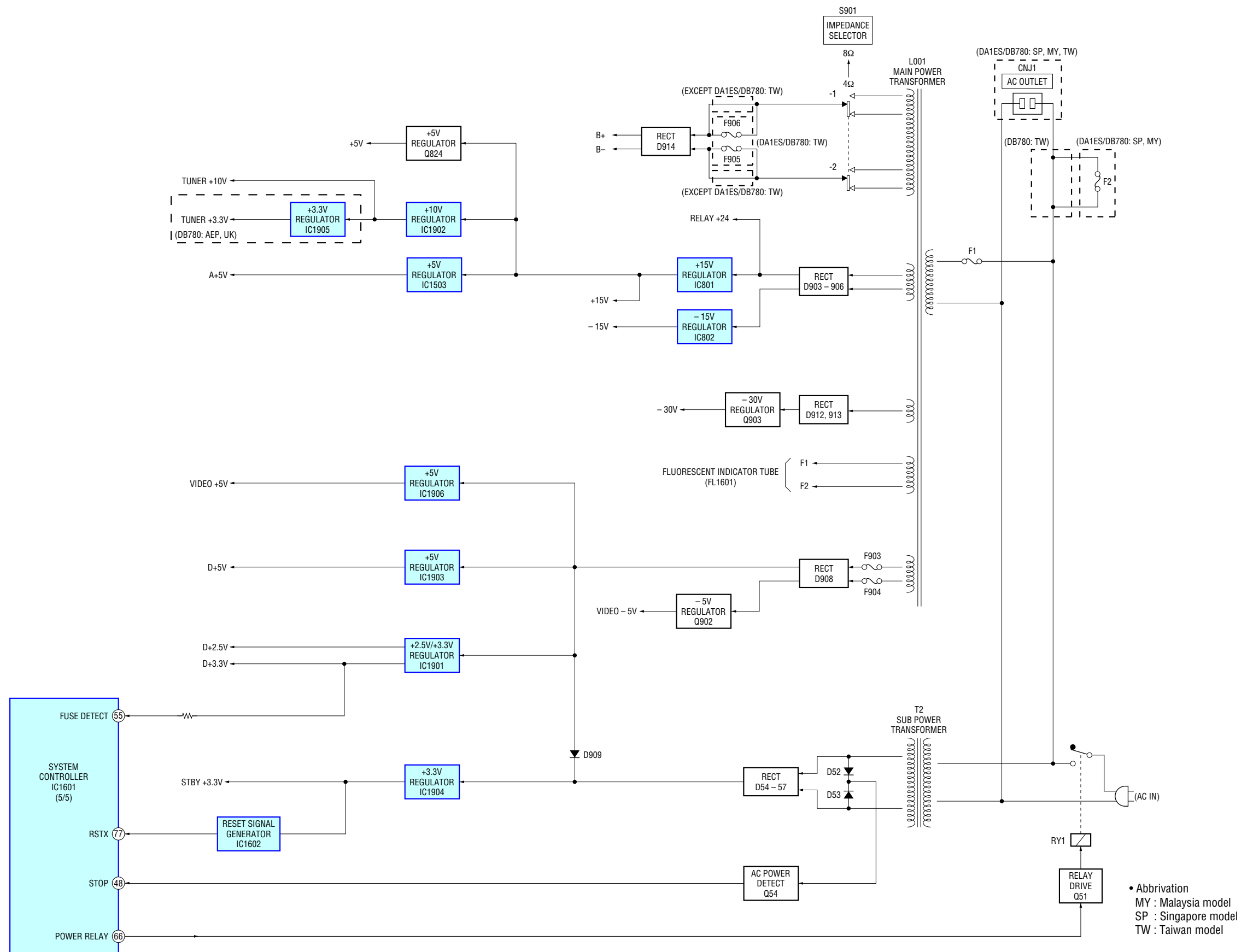
5-4. BLOCK DIAGRAM – POWER AMP Section –



5-5. BLOCK DIAGRAM – DISPLAY/KEY CONTROL Section –



5-6. BLOCK DIAGRAM – POWER SUPPLY Section –



5-7. NOTE FOR PRINTED WIRING BOARDS AND SCHEMATIC DIAGRAMS

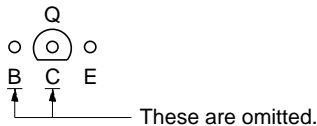
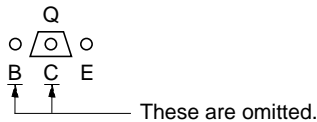
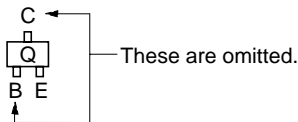
Note on Printed Wiring Board:



- — : parts extracted from the component side.
- : parts extracted from the conductor side.
- : Pattern from the side which enables seeing.
(The other layers' patterns are not indicated.)

Caution:

Pattern face side: Parts on the pattern face side seen from the pattern face are indicated.
(Conductor Side)
Parts face side: Parts on the parts face side seen from the parts face are indicated.
(Component Side)

- Indication of transistor

**Note on Schematic Diagram:**

- All capacitors are in μF unless otherwise noted. pF: $\mu\mu\text{F}$ 50 WV or less are not indicated except for electrolytics and tantalums.
- All resistors are in Ω and $1/4\text{W}$ or less unless otherwise specified.
- Δ : internal component.
-  : nonflammable resistor.
-  : panel designation.






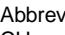
Note:

The components identified by mark Δ or dotted line with mark Δ are critical for safety. Replace only with part number specified.

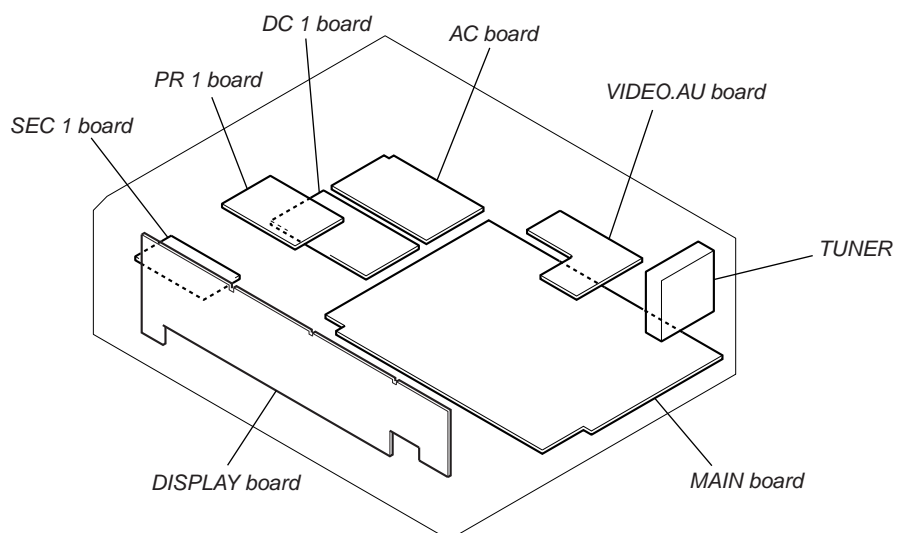
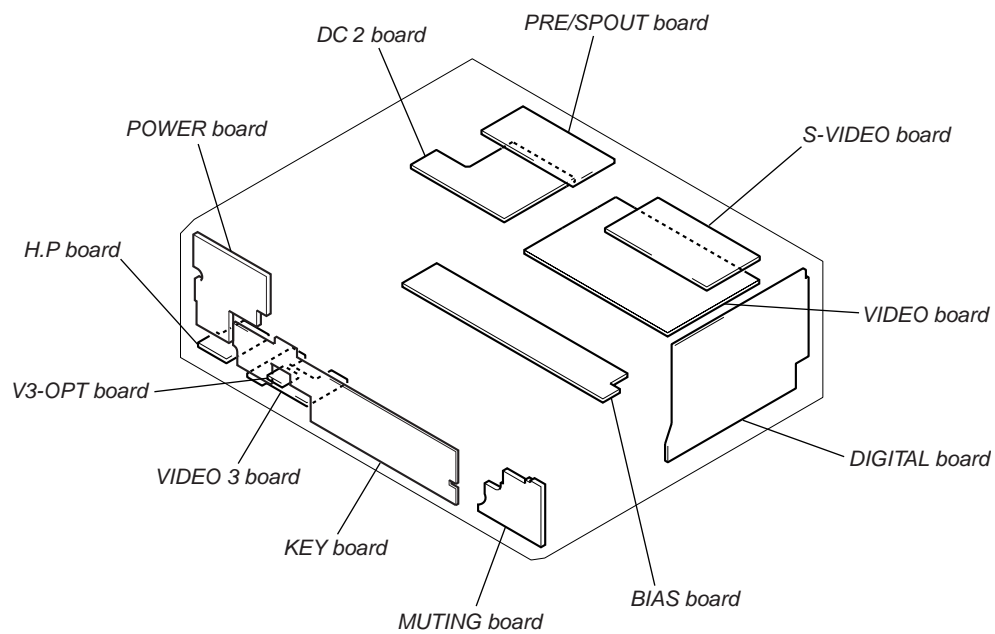
Note:

Les composants identifiés par une marque Δ sont critiques pour la sécurité. Ne les remplacer que par une pièce portant le numéro spécifié.

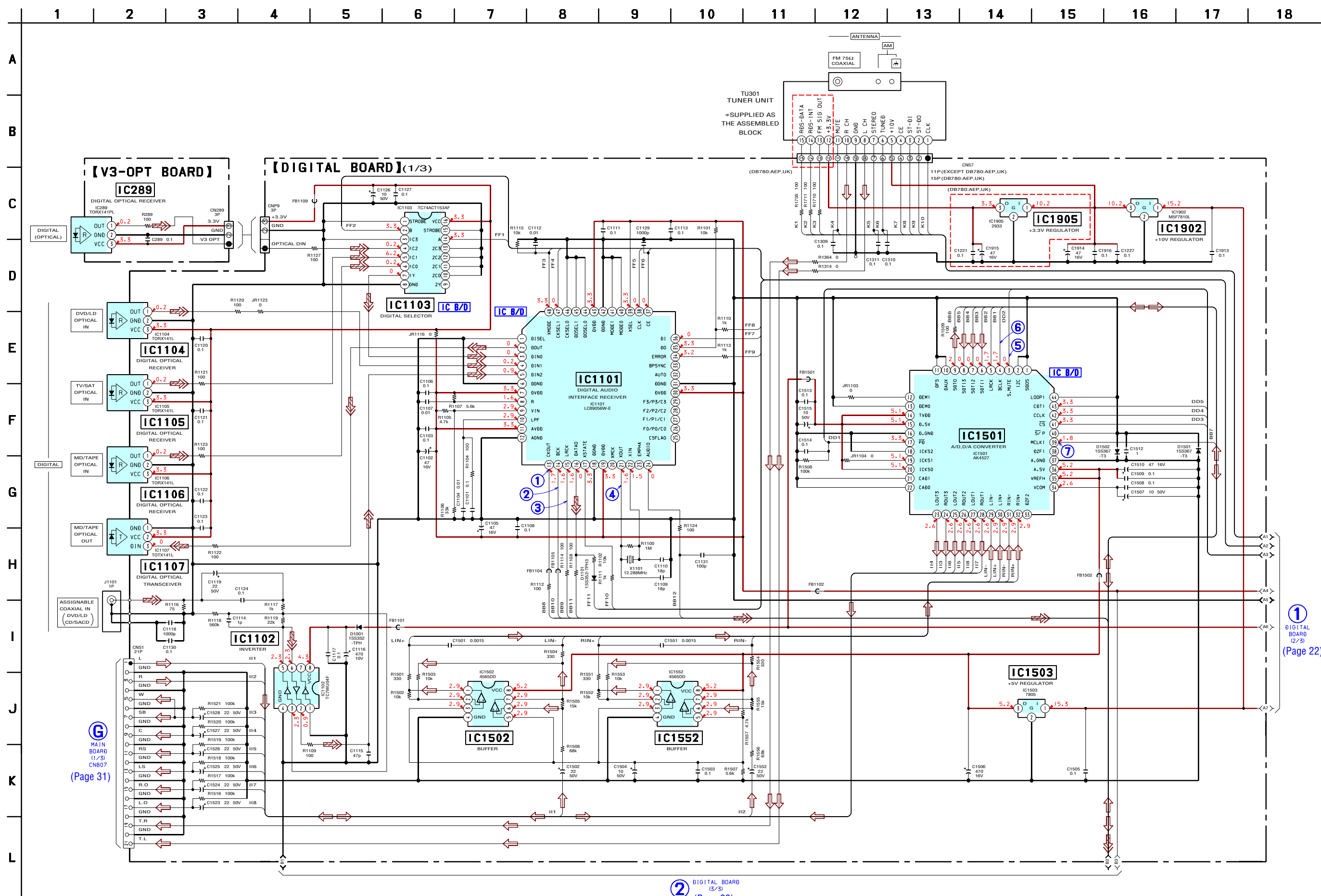
以阴影和 Δ 标志来识别的零部件在安全方面具有关键性。因此只能以规定号码的零部件来更换。

-  : B+ Line.
-  : B- Line.
- Voltages and waveforms are dc with respect to ground under no-signal (detuned) conditions.
no mark : TUNER
() : VIDEO 1
- Voltages are taken with a VOM (Input impedance 10 M Ω). Voltage variations may be noted due to normal production tolerances.
- Waveforms are taken with a oscilloscope. Voltage variations may be noted due to normal production tolerances.
- Circled numbers refer to waveforms.
- Signal path.
 : TUNER
 : AUDIO IN (ANALOG)
 : AUDIO IN (DIGITAL)
 : VIDEO IN
- Abbreviation
CH : Chinese model
CND : Canadian model
KR : Korean model
MY : Malaysia model
SP : Singapore model
TW : Taiwan model

• Circuit Boards Location



5-8. SCHEMATIC DIAGRAM – DIGITAL (1/3)/V-3 OPT Boards – • See page 44 for Waveforms. • See page 45 for IC Block Diagrams.

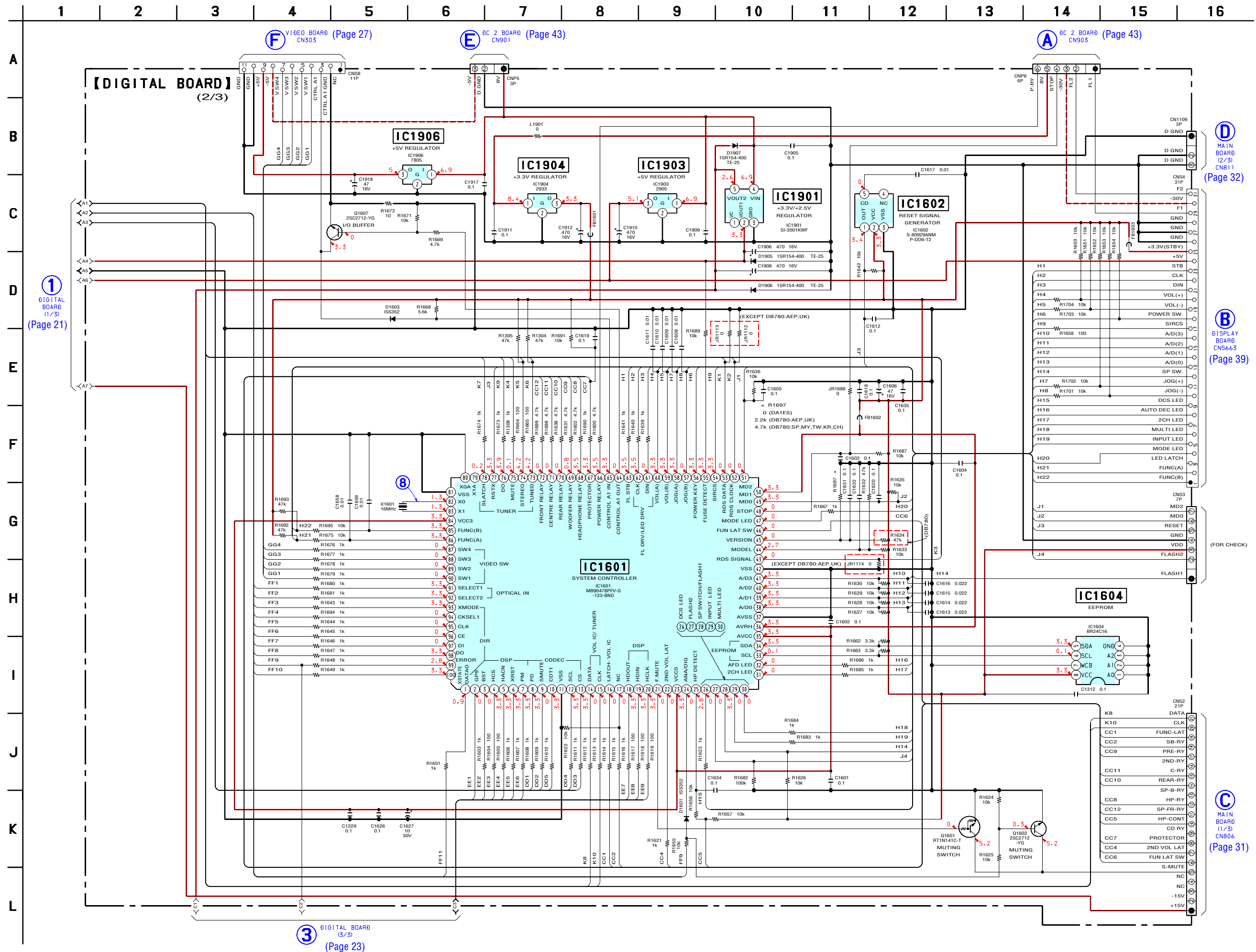


Ⓒ MAIN BOARD (1/3) CN807 (Page 31)

Ⓓ DIGITAL BOARD (3/3) (Page 23)

Ⓘ DIGITAL BOARD (2/3) (Page 22)

5-9. SCHEMATIC DIAGRAM – DIGITAL Board (2/3) – • See page 44 for Waveform.



D MAIN BOARD (2/3) CN811 (Page 32)

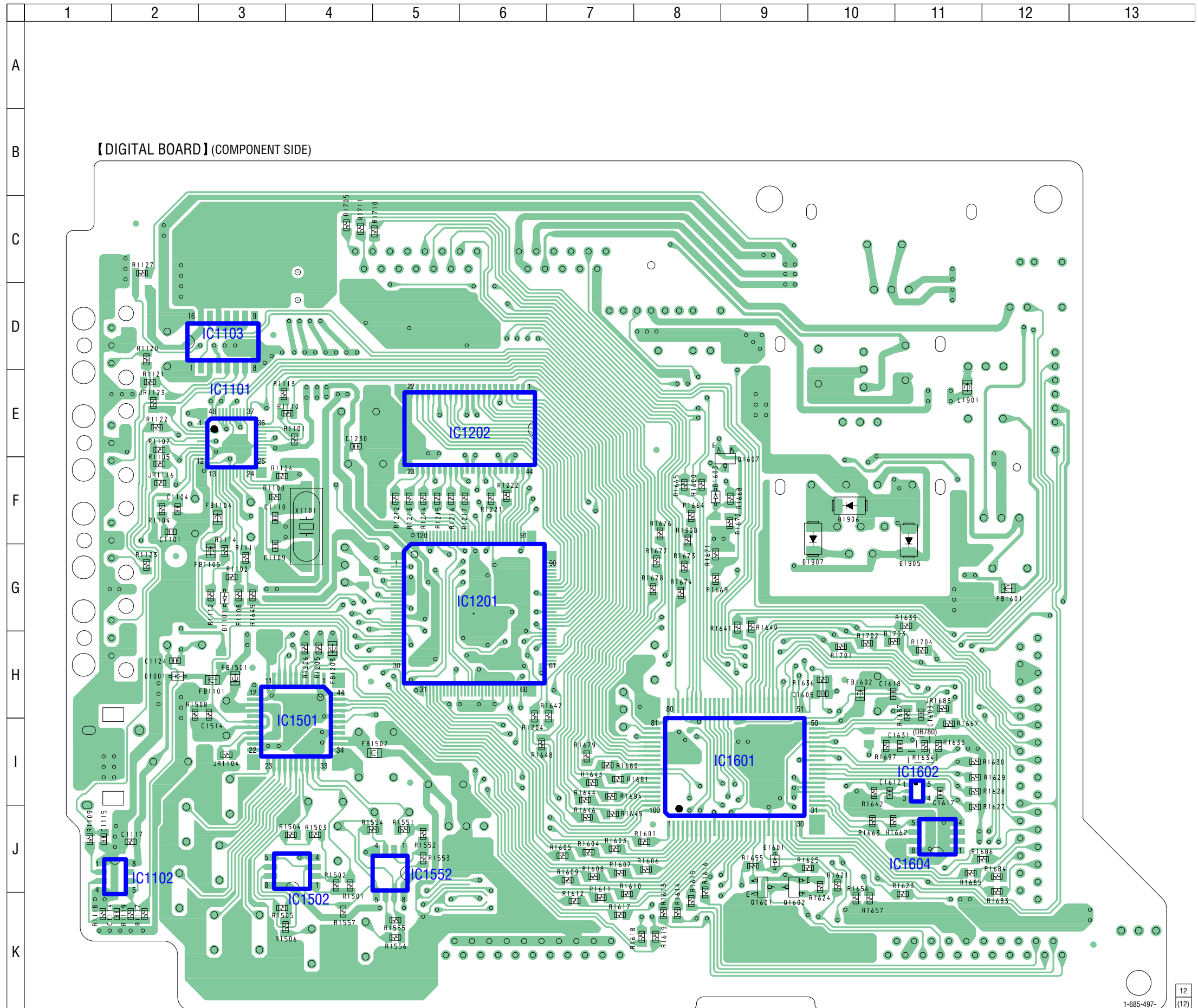
B DISPLAY BOARD CNS663 (Page 39)

C MAIN BOARD (1/3) CN806 (Page 31)

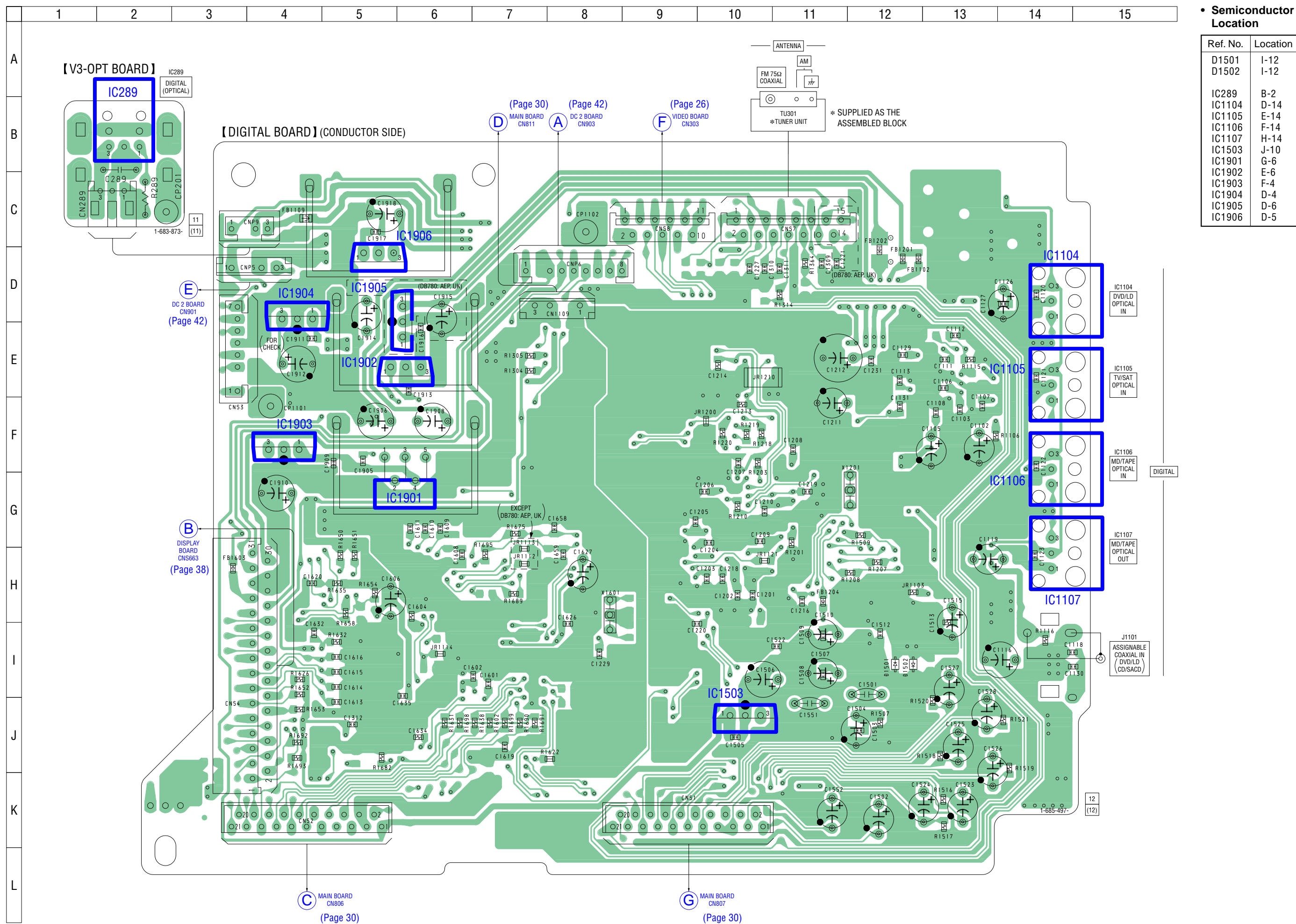
5-11. PRINTED WIRING BOARD – DIGITAL Board (Component Side) – • See page 20 for Circuit Boards Location.

• Semiconductor Location

Ref. No.	Location
D1001	H-2
D1101	G-3
D1601	J-9
D1603	F-8
D1905	F-11
D1906	F-10
D1907	F-10
IC1101	E-3
IC1102	J-2
IC1103	D-3
IC1201	G-6
IC1202	E-6
IC1501	I-4
IC1502	J-4
IC1552	J-5
IC1601	I-9
IC1602	I-11
IC1604	J-11
Q1601	J-9
Q1602	J-9
Q1607	F-9



5-12. PRINTED WIRING BOARDS – DIGITAL (Conductor Side)/V-3 OPT Boards – • See page 20 for Circuit Boards Location.



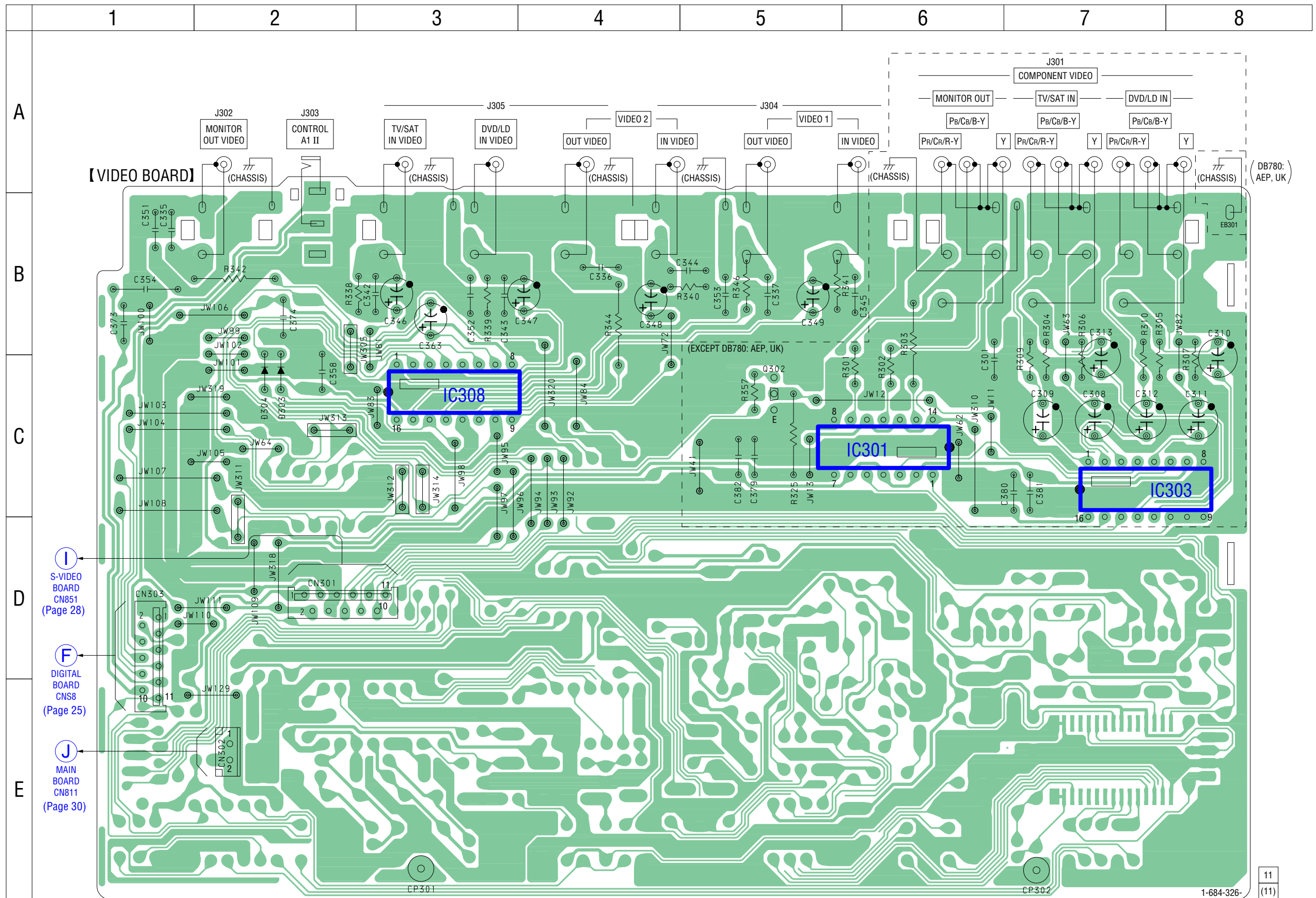
• Semiconductor Location

Ref. No.	Location
D1501	I-12
D1502	I-12
IC289	B-2
IC1104	D-14
IC1105	E-14
IC1106	F-14
IC1107	H-14
IC1503	J-10
IC1901	G-6
IC1902	E-6
IC1903	F-4
IC1904	D-4
IC1905	D-6
IC1906	D-5

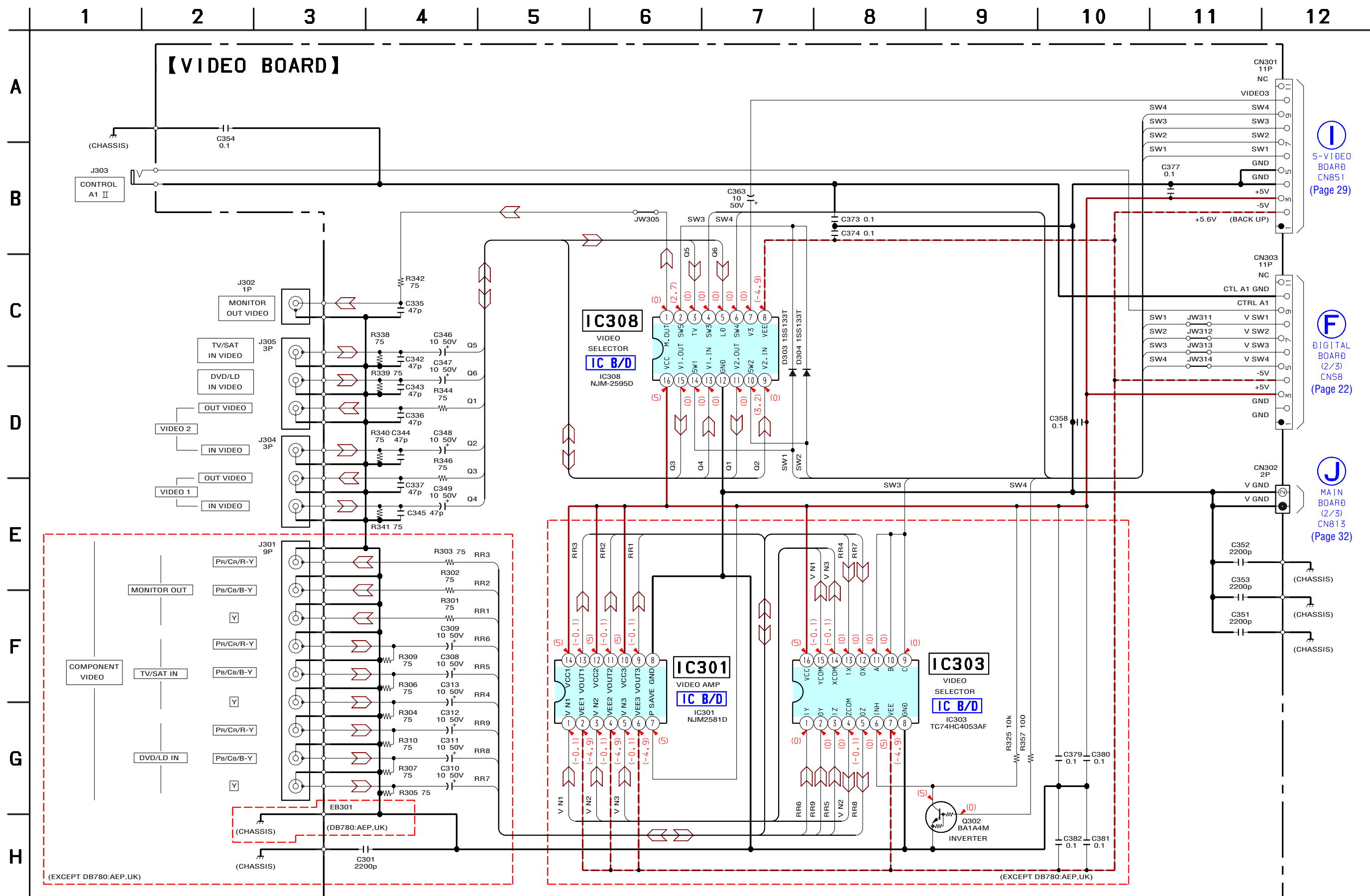
5-13. PRINTED WIRING BOARD – VIDEO Board – • See page 20 for Circuit Boards Location.

• Semiconductor Location

Ref. No.	Location
D303	C-2
D304	C-2
IC301	C-6
IC303	C-7
IC308	C-3
Q302	C-5



5-14. SCHEMATIC DIAGRAM – VIDEO Board – • See page 45 for IC Block Diagrams.

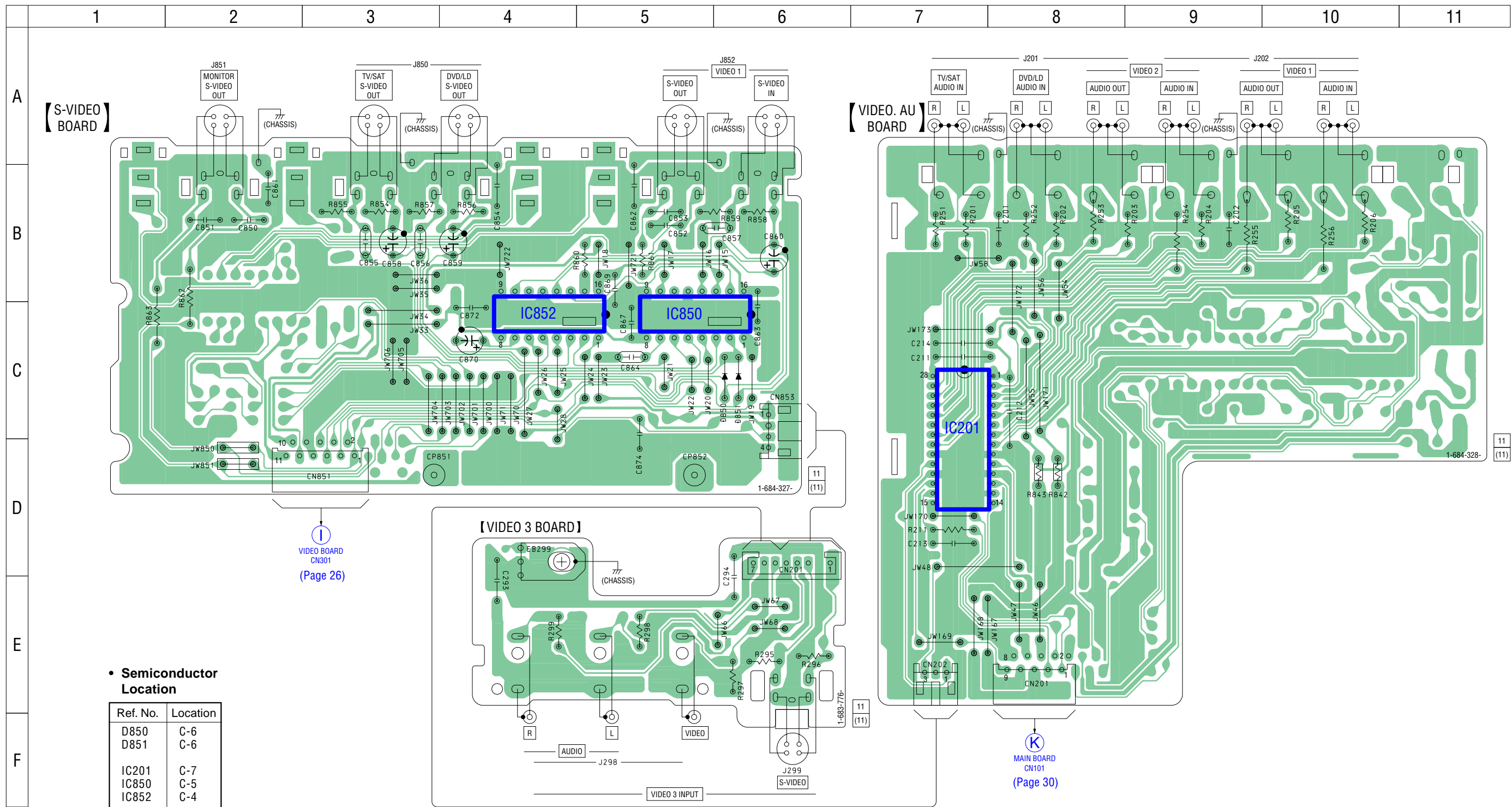


I
5-V VIDEO BOARD
CN851
(Page 29)

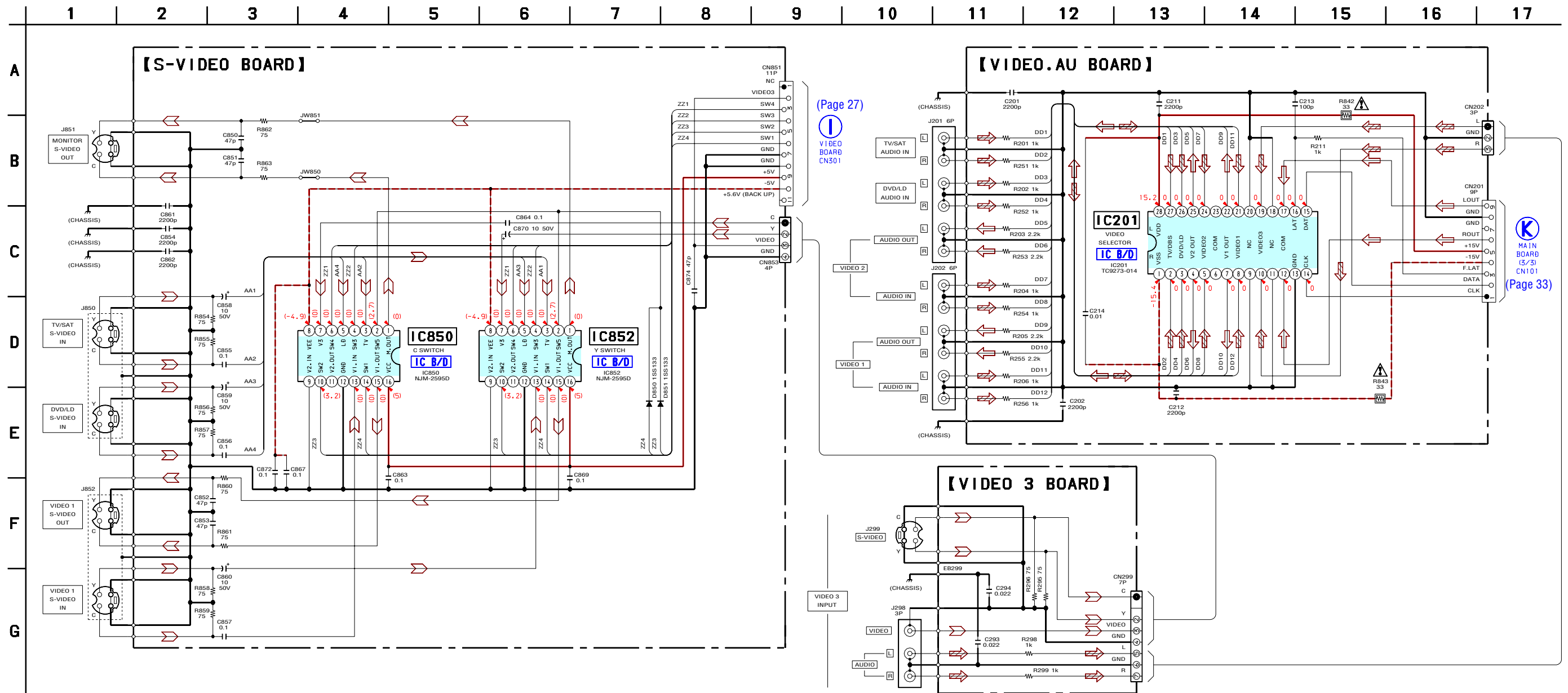
F
DIGITAL BOARD
(2/3)
CN813
(Page 22)

J
MAIN BOARD
(2/3)
CN813
(Page 32)

5-15. PRINTED WIRING BOARDS – S-VIDEO/VIDEO 3/VIDEO.AU Boards – • See page 20 for Circuit Boards Location.



5-16. SCHEMATIC DIAGRAM – S-VIDEO/VIDEO 3/VIDEO.AU Boards – • See page 45 for IC Block Diagrams.



(Page 27)
VIDEO BOARD CN301

(Page 33)
MAIN BOARD (5/3) CN101

以阴影和△标志来识别的零部件在安全方面具有关键性。因此只能以规定号码的零部件来更换。

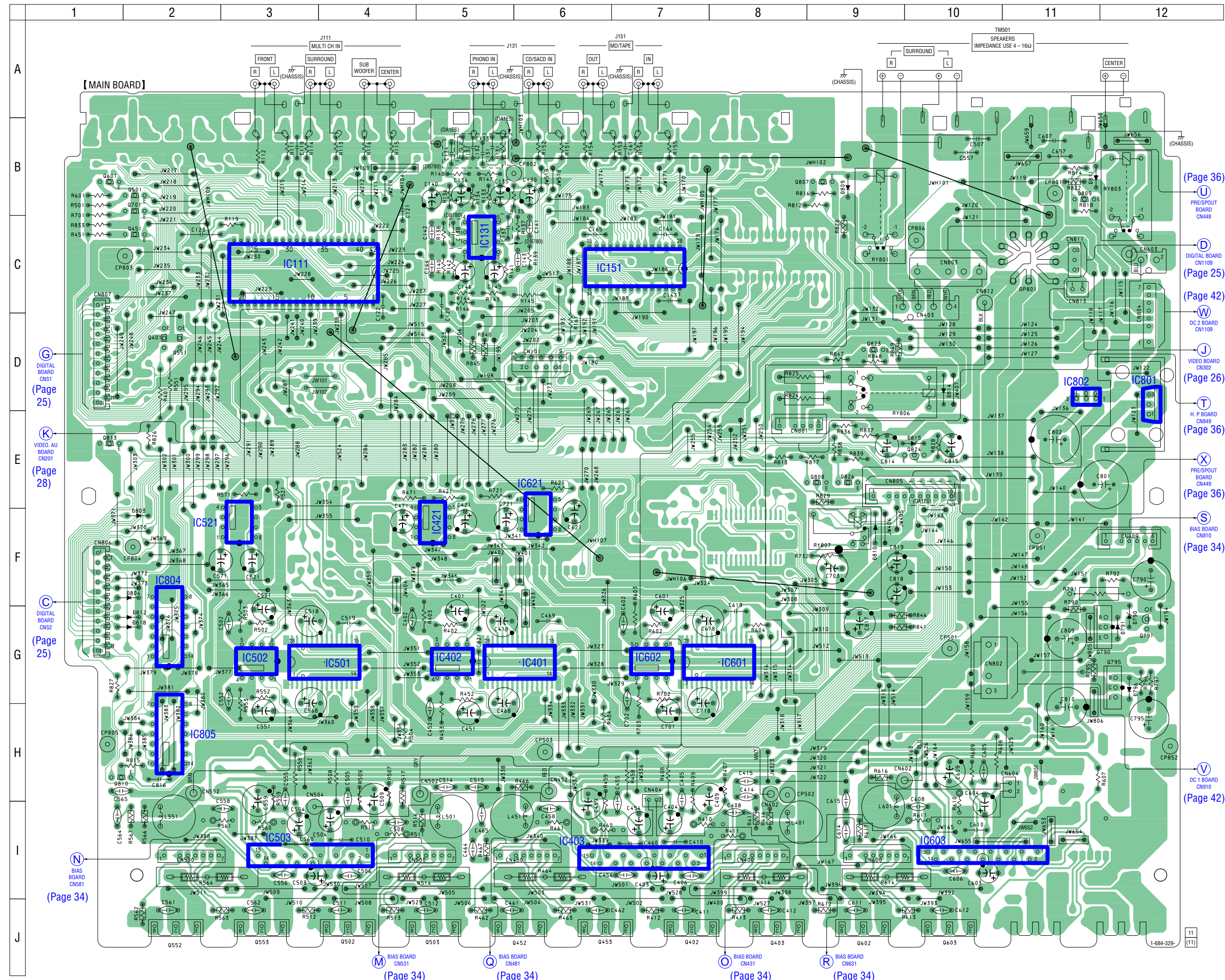
The components identified by mark △ or dotted line with mark △ are critical for safety. Replace only with part number specified.

Les composants identifiés par une marque △ sont critiques pour la sécurité. Ne les remplacer que par une pièce portant le numéro spécifié.

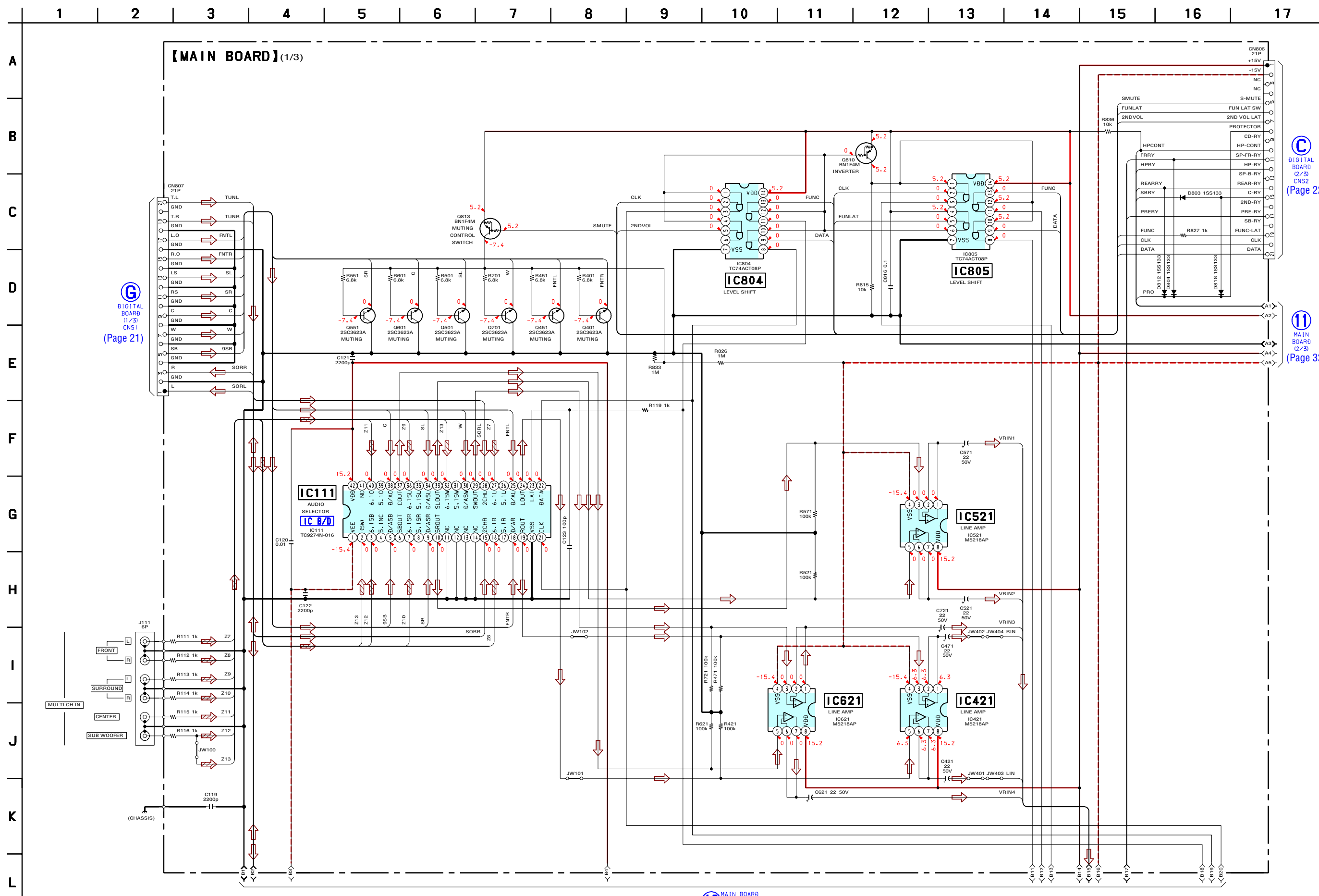
5-17. PRINTED WIRING BOARD – MAIN Board – • See page 20 for Circuit Boards Location.

• Semiconductor Location

Ref. No.	Location
D790	G-12
D791	G-12
D796	G-12
D803	F-2
D804	F-2
D809	B-9
D810	F-9
D811	B-11
D812	G-2
D814	D-10
D815	E-10
D818	G-2
IC111	C-3
IC131	C-5
IC151	C-7
IC401	G-6
IC402	G-5
IC403	I-7
IC421	F-5
IC501	G-4
IC502	G-3
IC503	I-3
IC521	F-3
IC601	G-8
IC602	G-7
IC603	I-10
IC621	F-6
IC801	D-12
IC802	D-11
IC804	G-2
IC805	H-2
Q401	D-2
Q402	J-7
Q403	J-8
Q451	C-2
Q452	J-6
Q453	J-7
Q501	B-2
Q502	J-4
Q503	J-5
Q551	D-2
Q552	J-2
Q553	J-3
Q601	B-1
Q602	J-9
Q603	J-10
Q701	B-2
Q790	G-12
Q791	G-12
Q807	B-9
Q808	E-9
Q809	B-11
Q810	H-1
Q813	E-1
Q823	D-9
Q824	E-10
Q826	E-9



5-18. SCHEMATIC DIAGRAM – MAIN Board (1/3) – • See page 45 for IC Block Diagram.



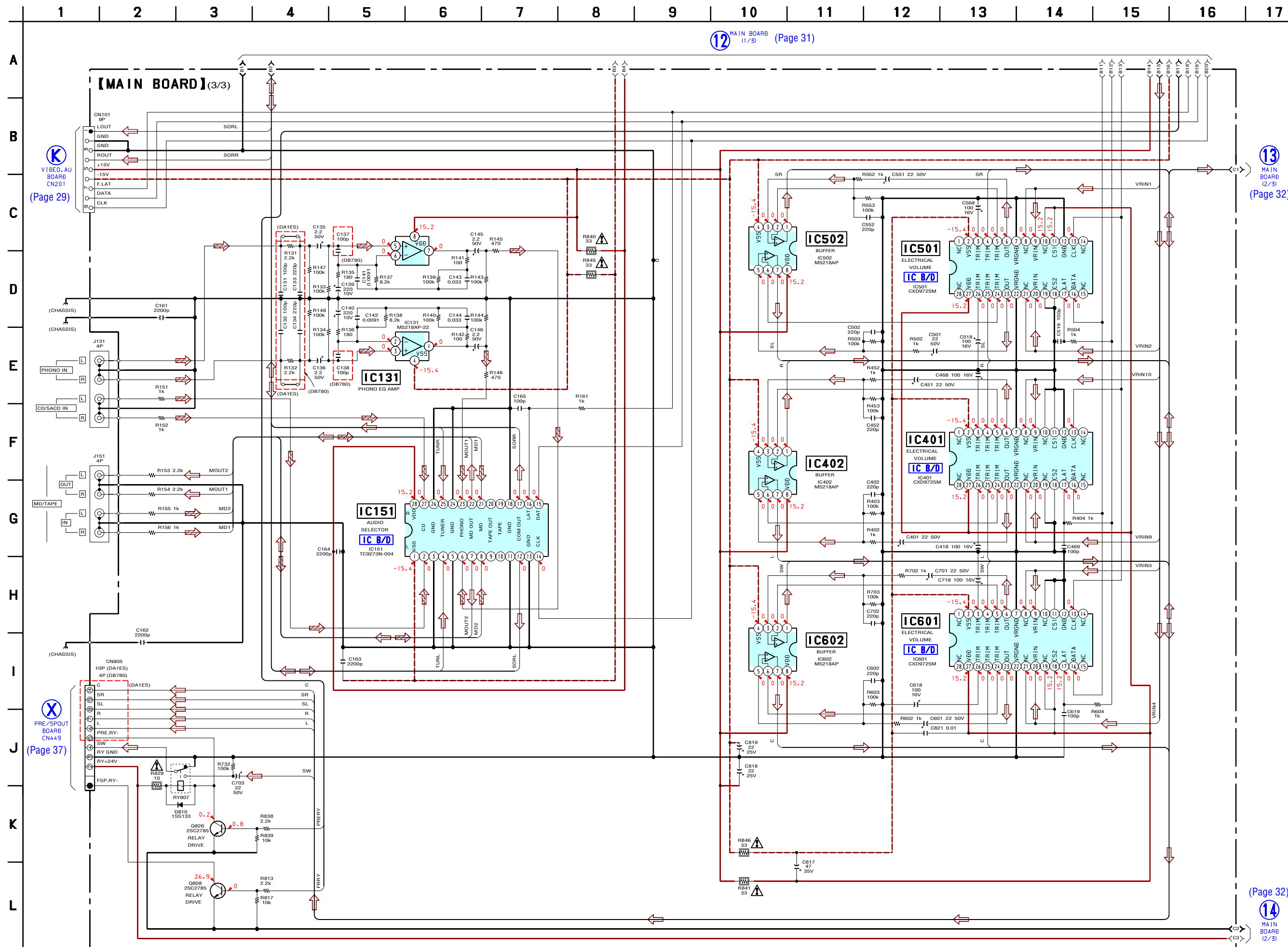
DIGITAL BOARD (1/3) CNS1 (Page 21)

DIGITAL BOARD (2/3) CNS2 (Page 22)

MAIN BOARD (2/3) (Page 32)

MAIN BOARD (3/3) (Page 33)

5-20. SCHEMATIC DIAGRAM – MAIN Board (3/3) – • See page 45 for IC Block Diagrams.



12 MAIN BOARD (1/3) (Page 31)

13 MAIN BOARD (2/3) (Page 32)

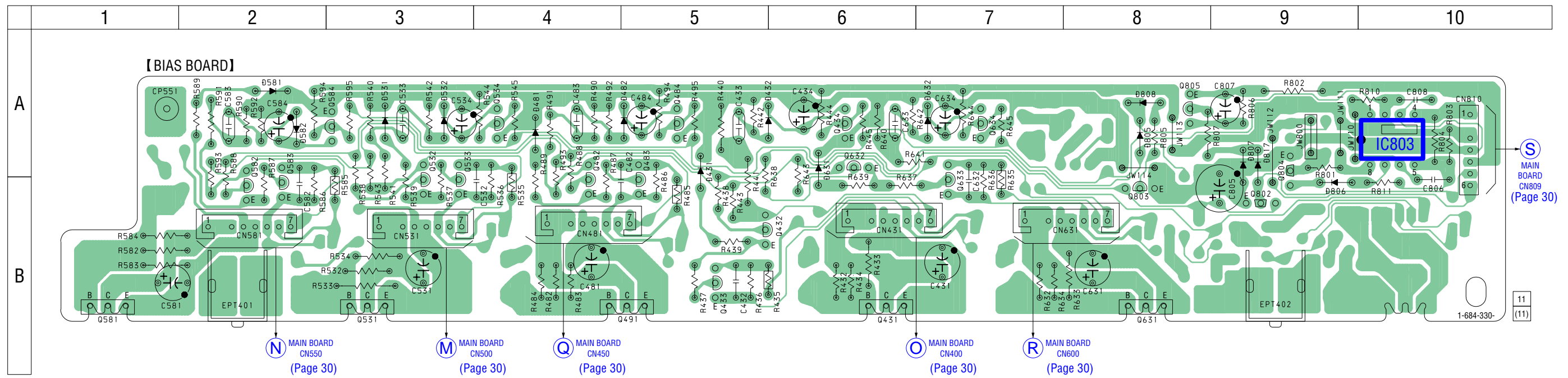
14 MAIN BOARD (2/3)

以阴影和△标志来识别的零部件在安全方面具有关键性。因此只能以规定号码的零部件来更换。

The components identified by mark △ or dotted line with mark △ are critical for safety. Replace only with part number specified.

Les composants identifiés par une marque △ sont critiques pour la sécurité. Ne les remplacer que par une pièce portant le numéro spécifié.

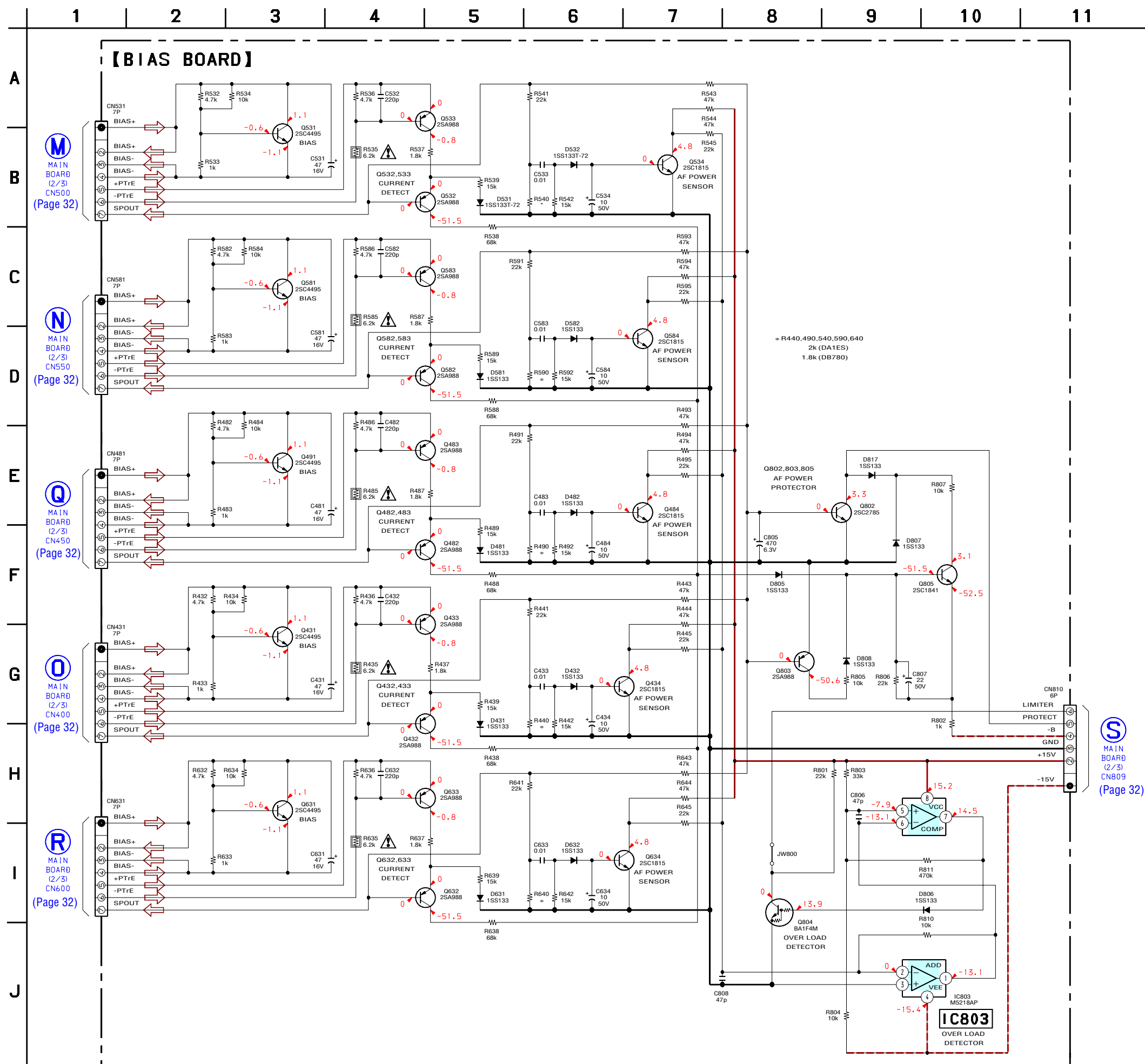
5-21. PRINTED WIRING BOARD – BIAS Board – • See page 20 for Circuit Boards Location.



• Semiconductor Location

Ref. No.	Location	Ref. No.	Location
D431	A-5	Q434	A-6
D432	A-5	Q491	B-5
D481	A-4	Q482	B-4
D482	A-5	Q483	B-5
D531	A-3	Q484	A-5
D532	A-3	Q531	B-3
D581	A-2	Q532	B-3
D582	A-2	Q533	B-3
D631	A-6	Q534	A-4
D632	A-7	Q581	B-1
D805	A-8	Q582	B-2
D806	B-9	Q583	B-2
D807	A-9	Q584	A-3
D808	A-8	Q631	B-8
D817	A-9	Q632	A-6
		Q633	B-7
IC803	A-10	Q634	A-7
		Q802	B-9
Q431	B-6	Q803	B-8
Q432	B-5	Q804	A-9
Q433	B-5	Q805	A-8

5-22. SCHEMATIC DIAGRAM – BIAS Board –

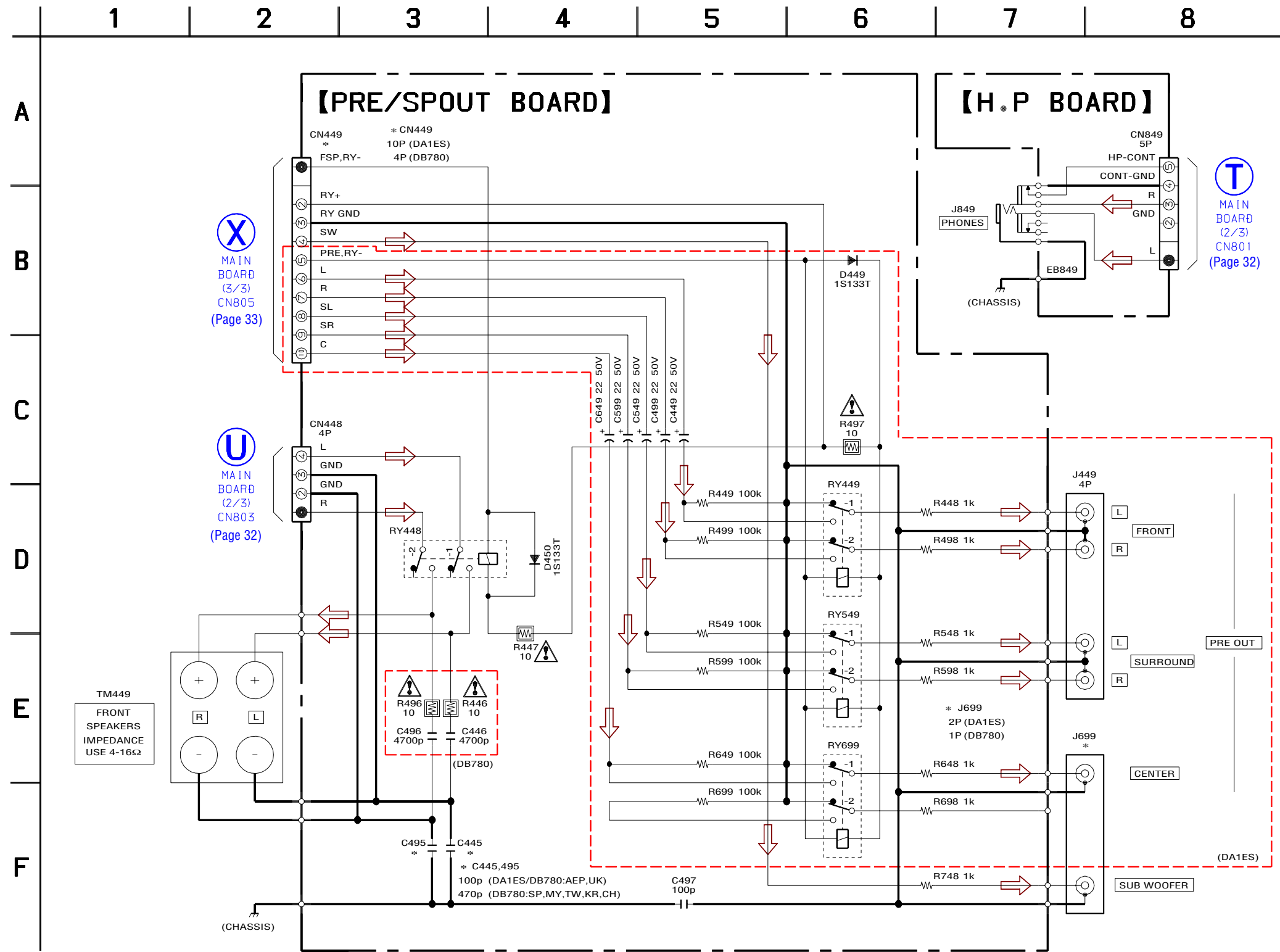


以阴影和△标志来识别的零部件在安全方面具有关键性。因此只能以规定号码的零部件来更换。

The components identified by mark △ or dotted line with mark △ are critical for safety. Replace only with part number specified.

Les composants identifiés par une marque △ sont critiques pour la sécurité. Ne les remplacer que par une pièce portant le numéro spécifié.

5-24. SCHEMATIC DIAGRAM – H.P/PRE/SPOUT Boards –

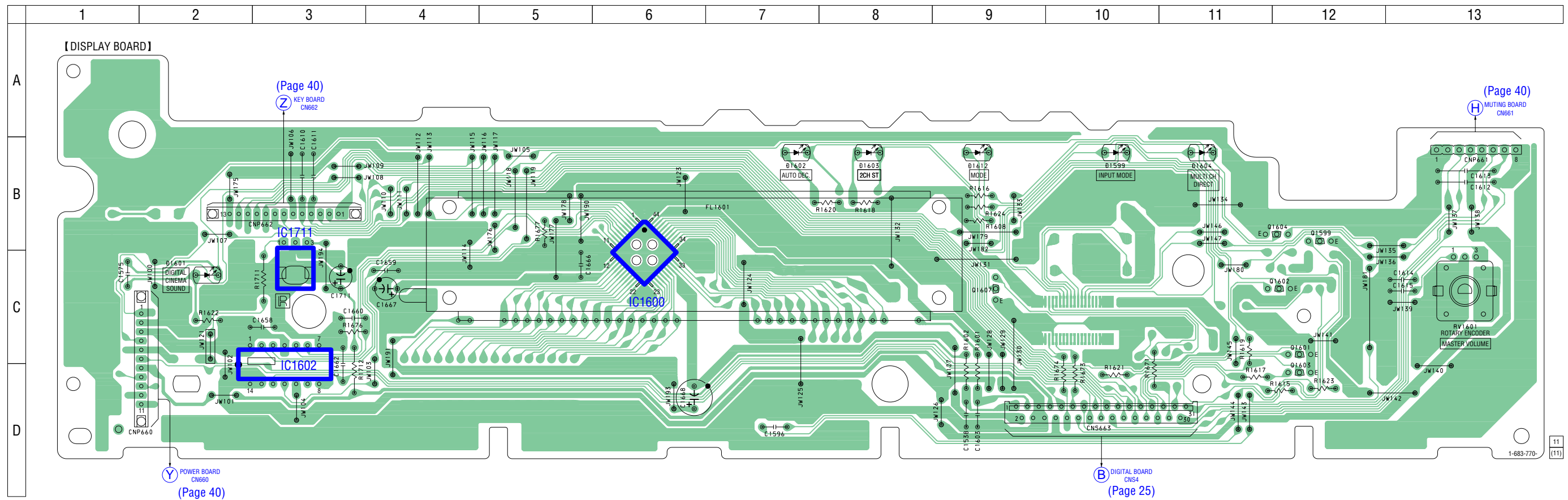


以阴影和△标志来识别的零部件在安全方面具有关键性。因此只能以规定号码的零部件来更换。

The components identified by mark △ or dotted line with mark △ are critical for safety. Replace only with part number specified.

Les composants identifiés par une marque △ sont critiques pour la sécurité. Ne les remplacer que par une pièce portant le numéro spécifié.

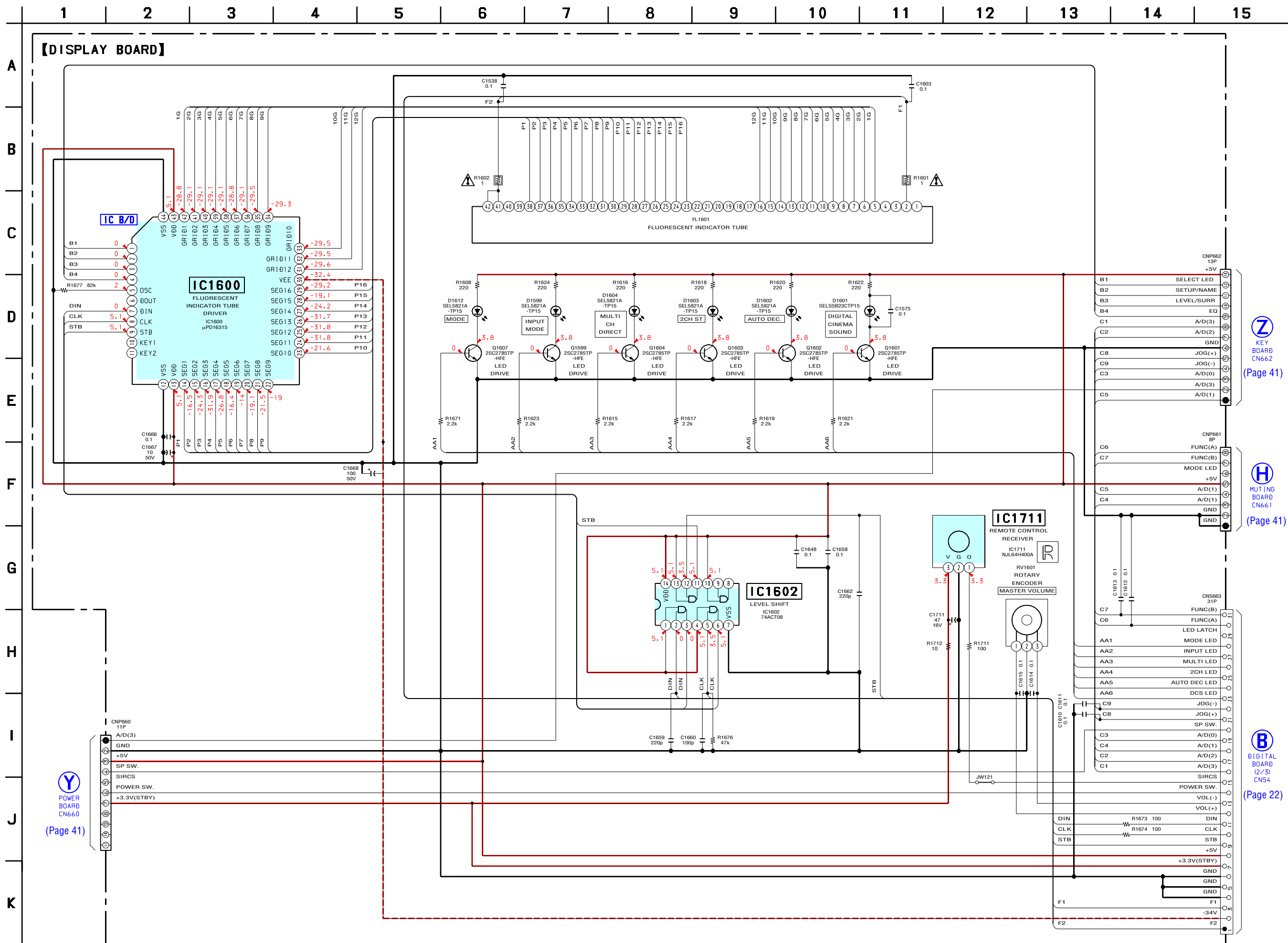
5-25. PRINTED WIRING BOARD – DISPLAY Board – • See page 20 for Circuit Boards Location.



• Semiconductor Location

Ref. No.	Location
D1599	B-10
D1601	C-2
D1602	B-7
D1603	B-8
D1604	B-11
D1612	B-9
IC1600	C-6
IC1602	C-3
IC1711	C-3
Q1599	B-12
Q1601	C-12
Q1602	C-12
Q1603	D-12
Q1604	B-12
Q1607	C-9

5-26. SCHEMATIC DIAGRAM – DISPLAY Board – • See page 45 for IC Block Diagram.



Z KEY BOARD CN662 (Page 41)

H MUTING BOARD CN661 (Page 41)

B DIGITAL BOARD (2/3) CNS4 (Page 22)

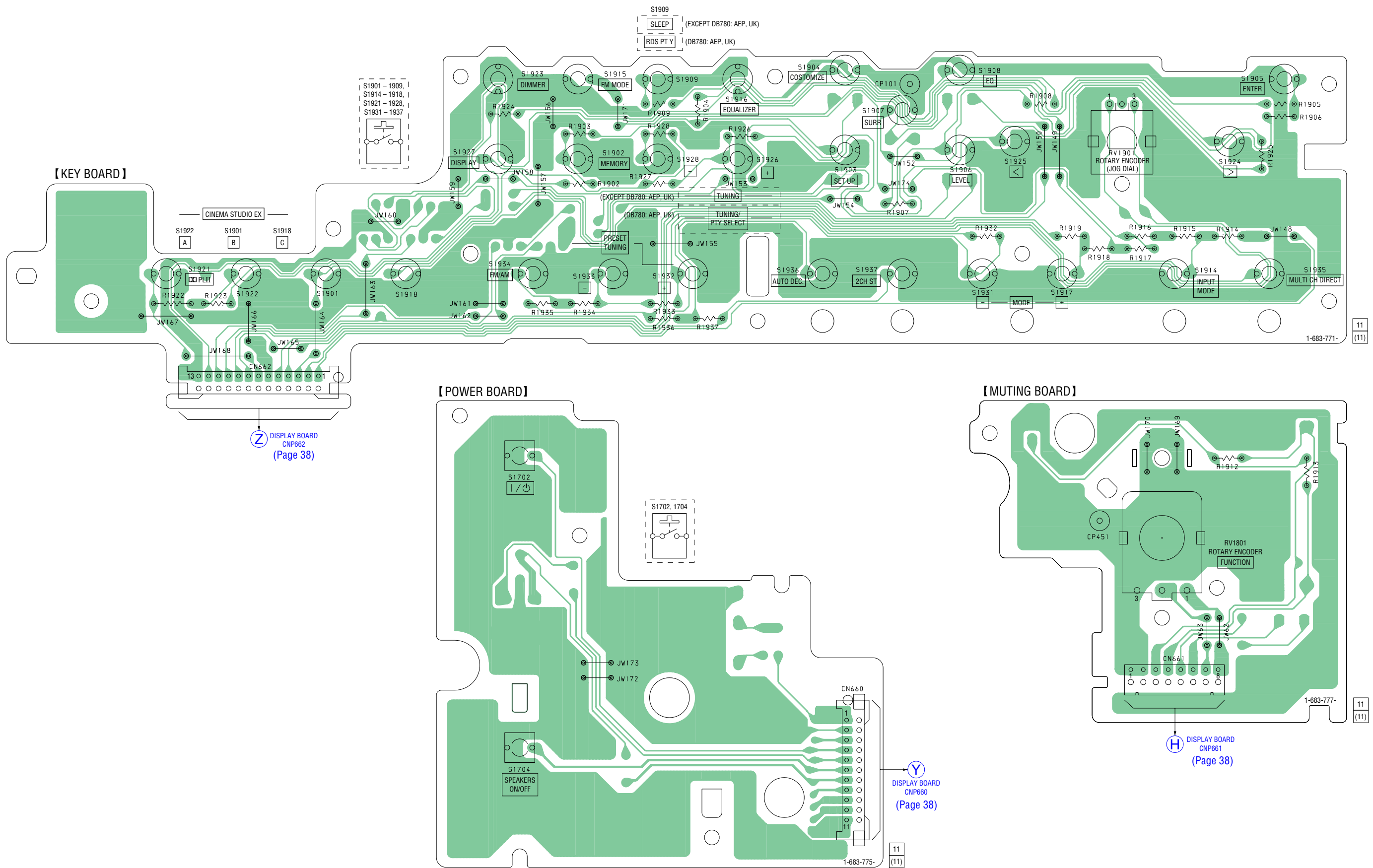
Y POWER BOARD CN660 (Page 41)

以阴影和△标志来识别的零部件在安全方面具有关键性。因此只能以规定号码的零部件来更换。

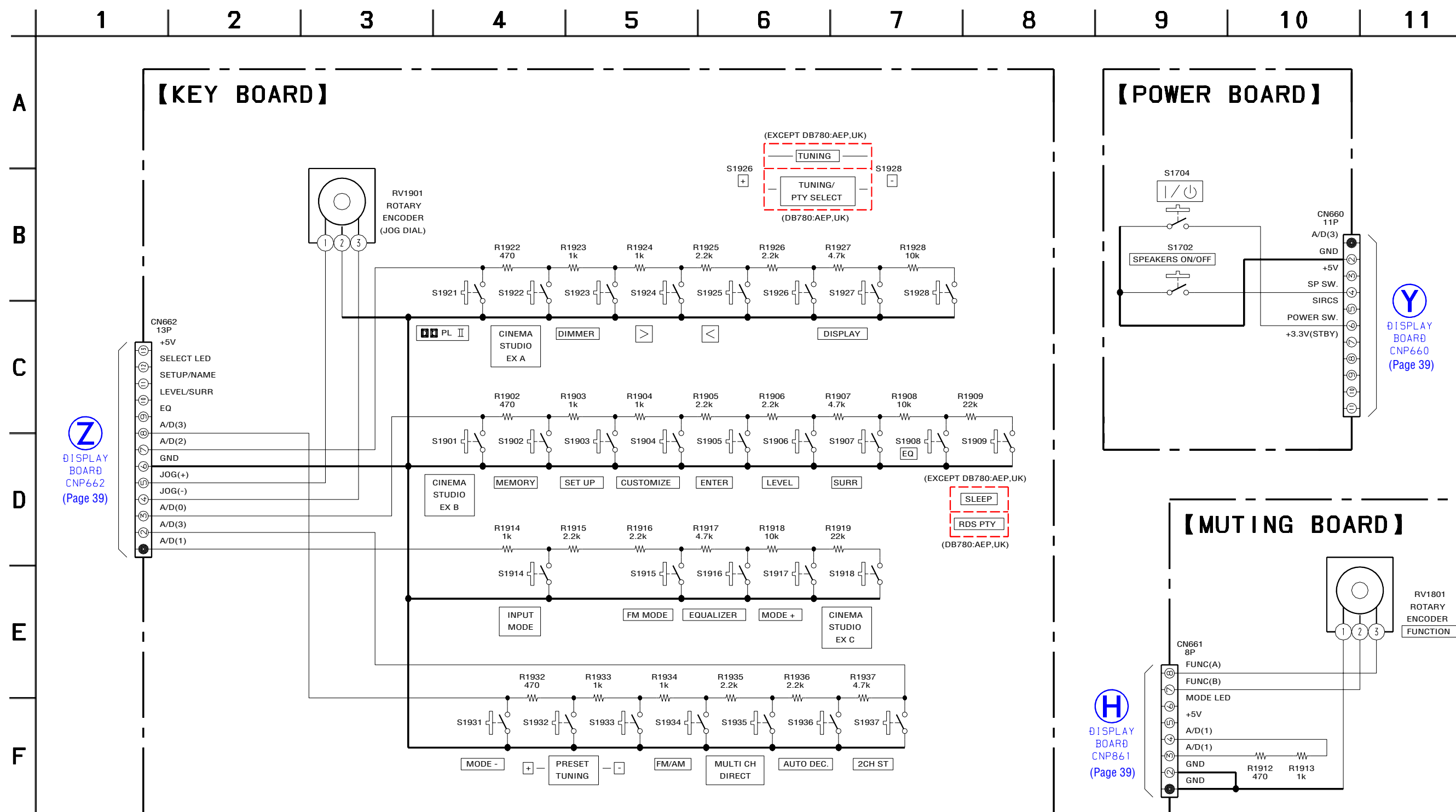
The components identified by mark △ or dotted line with mark △ are critical for safety. Replace only with part number specified.

Les composants identifiés par une marque △ sont critiques pour la sécurité. Ne les remplacer que par une pièce portant le numéro spécifié.

5-27. PRINTED WIRING BOARDS – KEY/MUTING/POWER Boards – • See page 20 for Circuit Boards Location.



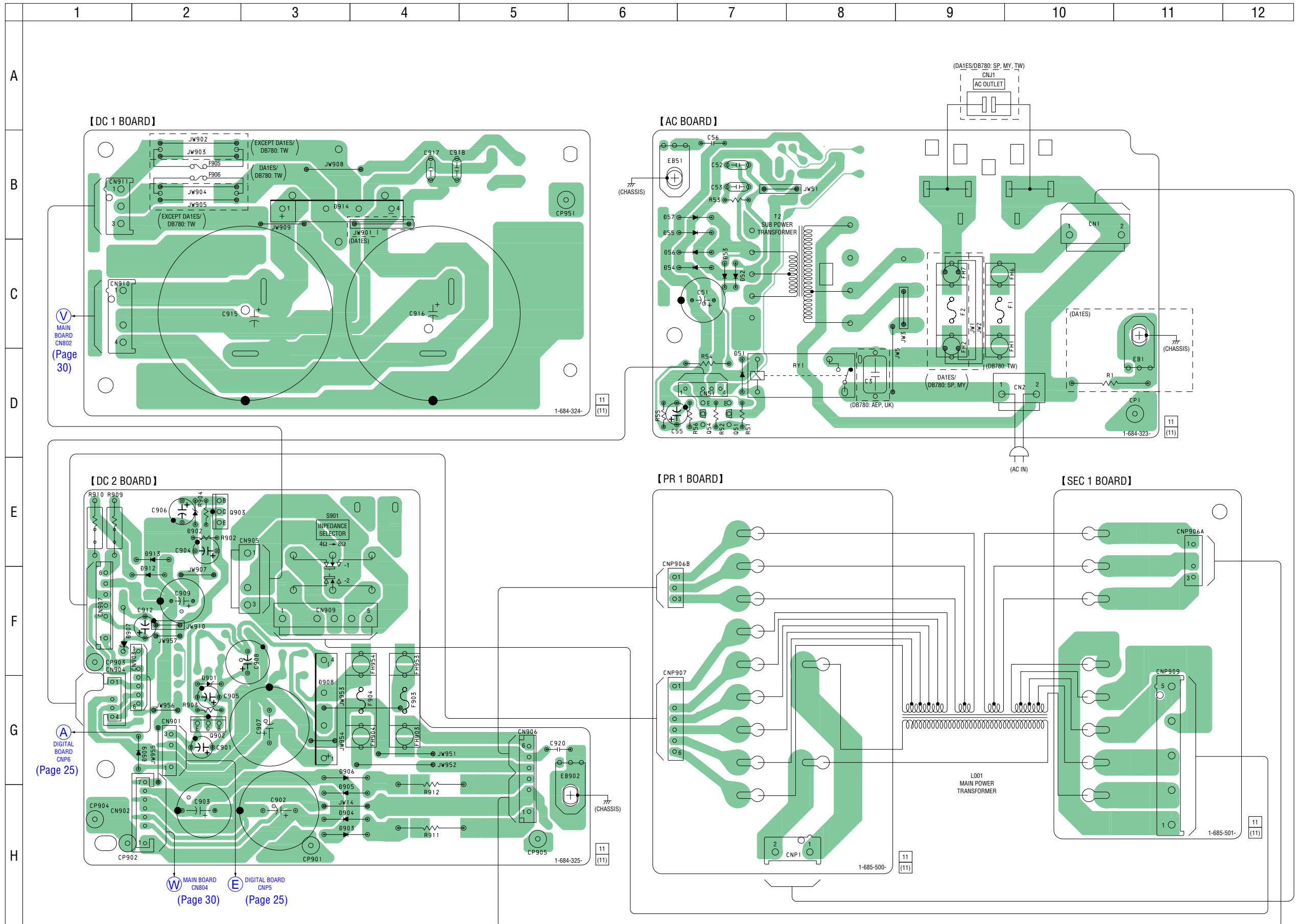
5-28. SCHEMATIC DIAGRAM – KEY/MUTING/POWER Boards –



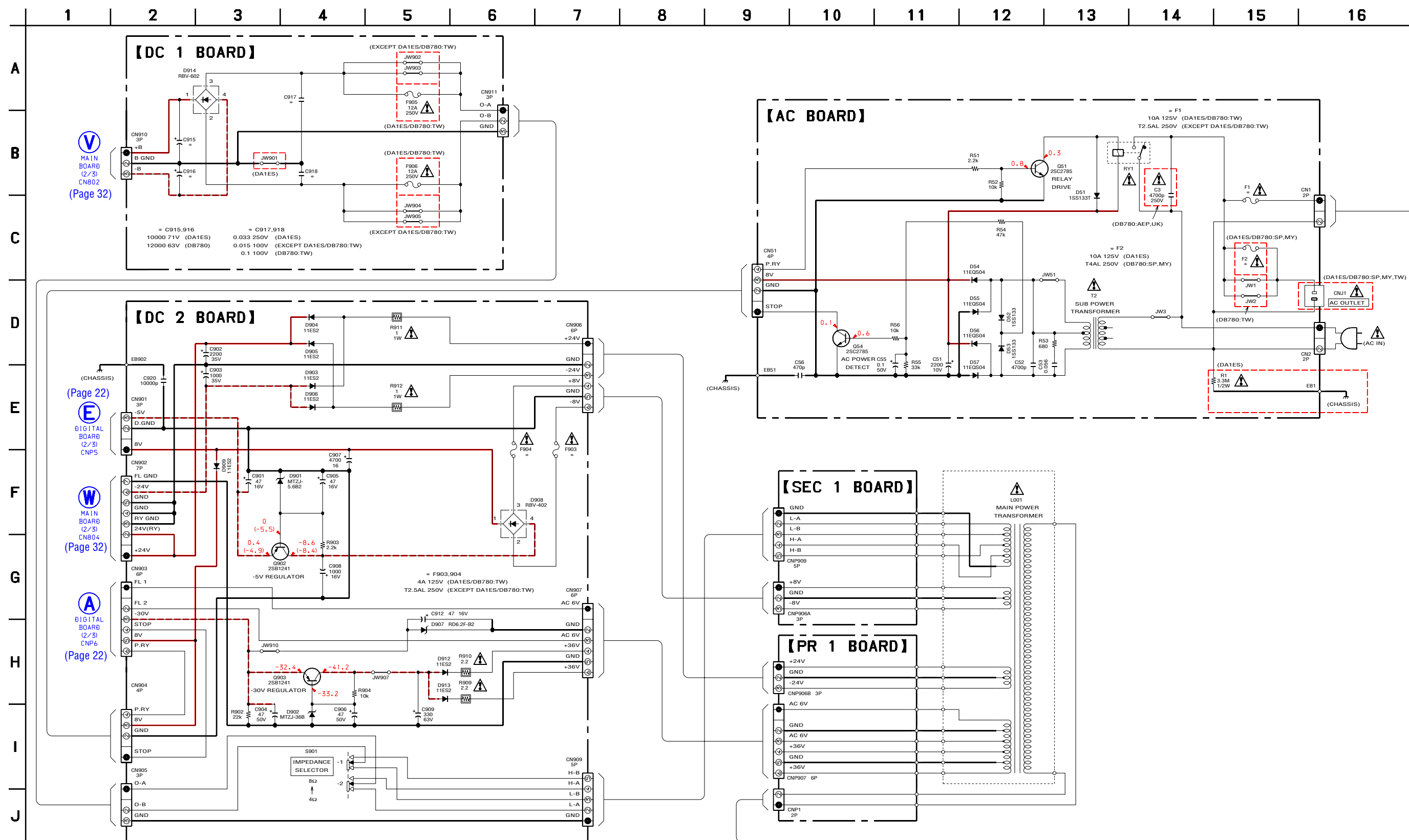
5-29. PRINTED WIRING BOARDS – AC/DC 1/DC 2/PR 1/SEC 1 Boards – • See page 20 for Circuit Boards Location.

• Semiconductor Location

Ref. No.	Location
D51	D-7
D52	C-7
D53	C-7
D54	C-7
D55	B-7
D56	C-7
D57	B-7
D901	G-2
D902	E-2
D903	H-3
D904	H-3
D905	H-3
D906	G-3
D907	F-1
D908	G-3
D909	G-2
D912	F-2
D913	E-2
D914	E-2
Q51	D-7
Q54	D-7
Q902	G-2
Q903	E-2



5-30. SCHEMATIC DIAGRAM – AC/DC 1/DC 2/PR 1/SEC 1 Boards –



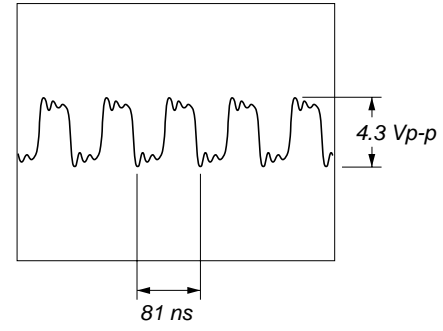
以阴影和▲标志来识别的零部件在安全方面具有关键性。因此只能以规定号码的零部件来更换。

The components identified by mark ▲ or dotted line with mark ▲ are critical for safety. Replace only with part number specified.

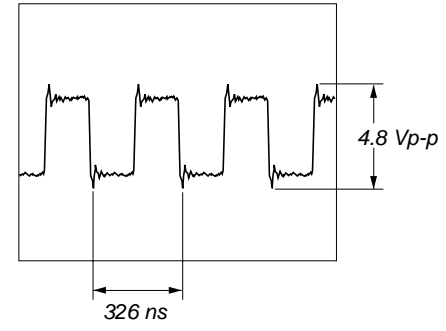
Les composants identifiés par une marque ▲ sont critiques pour la sécurité. Ne les remplacer que par une pièce portant le numéro spécifié.

• Waveforms
– DIGITAL Board –

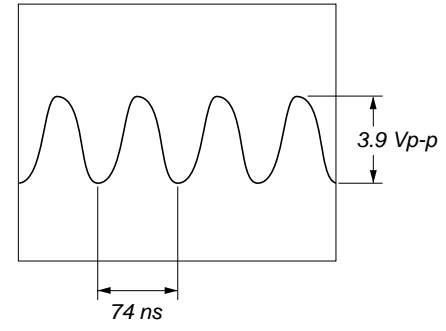
① IC1101 ⑬ (CKOUT)



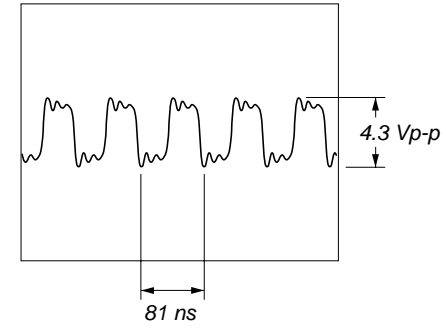
⑤ IC1501 ④ (BCLK)



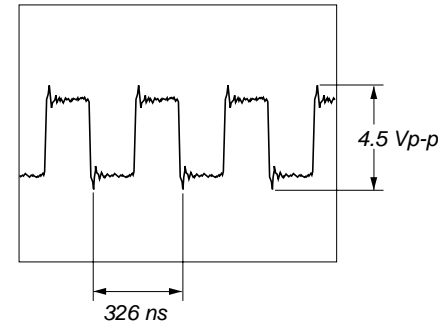
⑨ IC1201 ⑫ (MCLK2)



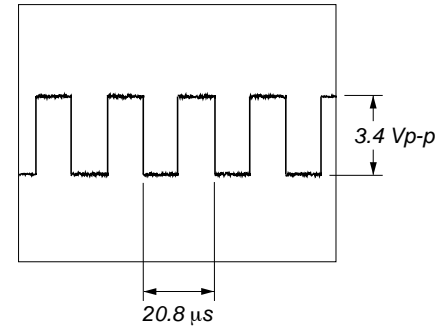
⑬ IC1201 ⑳ (KFSIO)



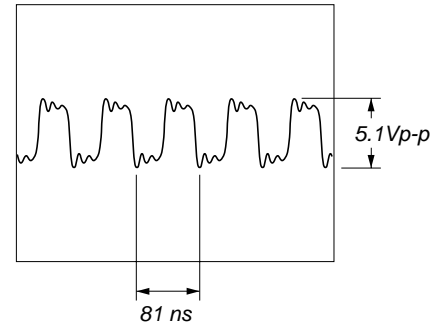
② IC1101 ⑭ (BCK)



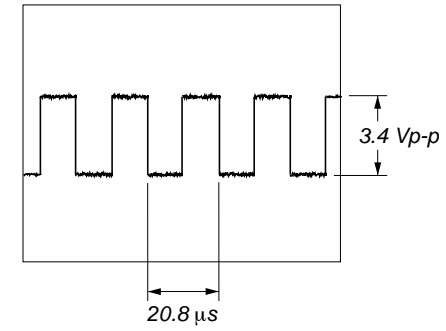
⑥ IC1501 ⑤ (LRCK)



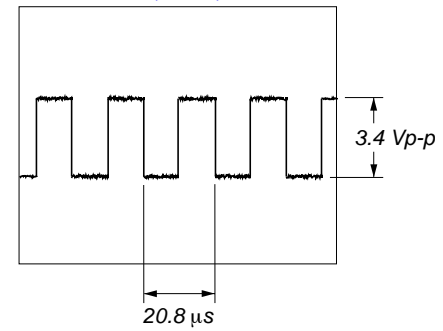
⑩ IC1501 ⑭ (SCKOUT)



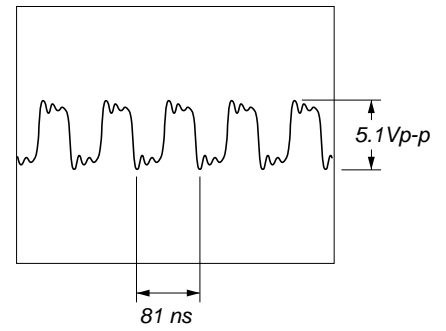
⑭ IC1201 ㉑ (LRCKI2)



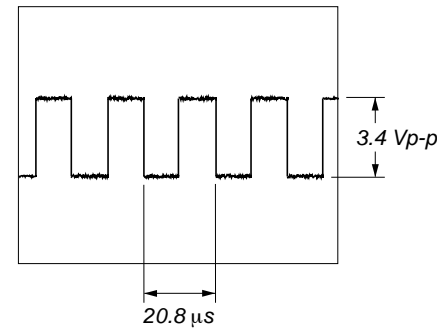
③ IC1101 ⑮ (LRCK)



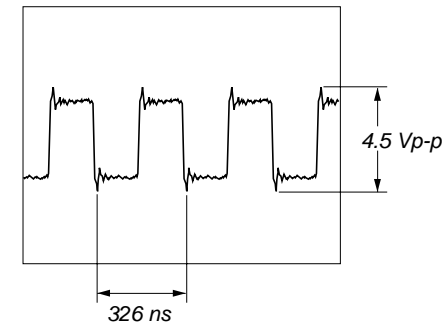
⑦ IC1501 ⑳ (MCLKI)



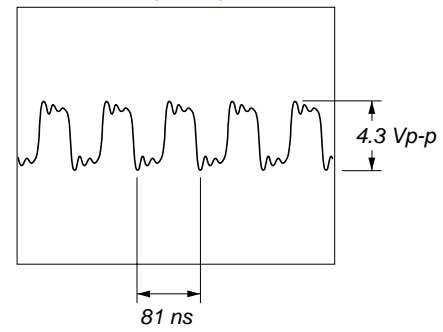
⑪ IC1201 ⑲ (LRCKO)



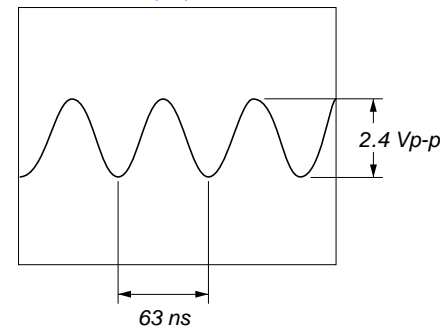
⑮ IC1201 ㉒ (BCKI2)



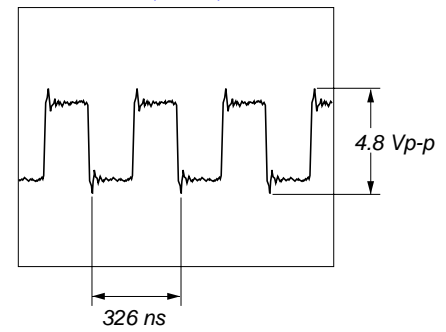
④ IC1101 ㉓ (XOUT)



⑧ IC1601 ㉔ (X0)

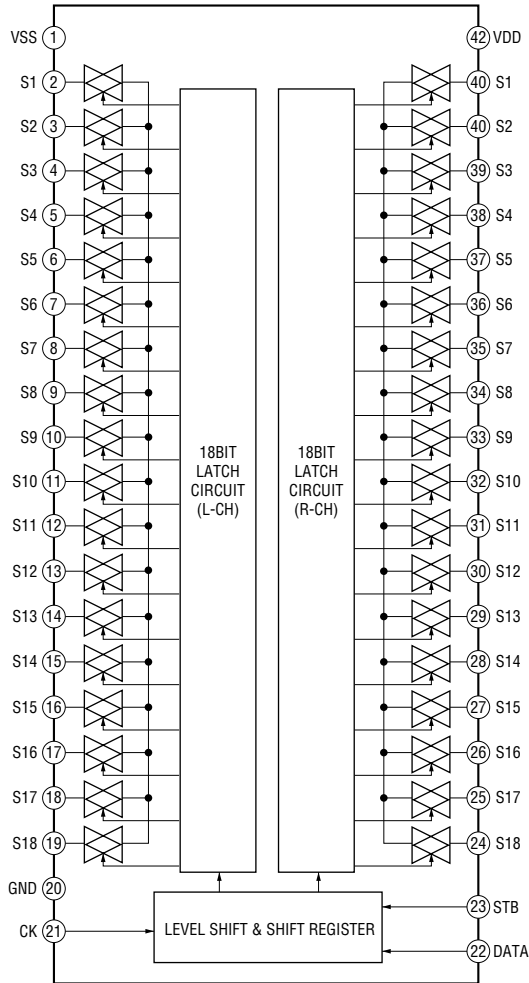


⑫ IC1201 ㉔ (BCKO)

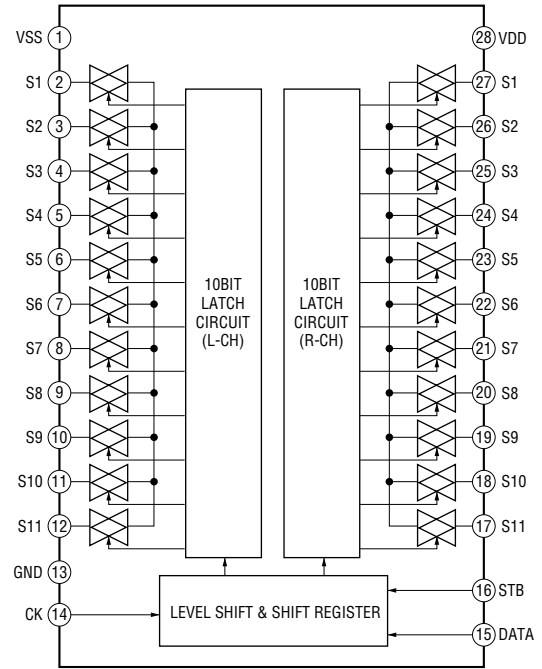


• IC Block Diagrams

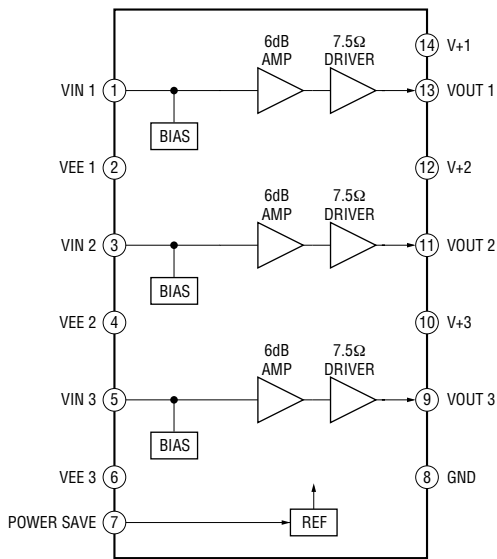
IC111 TC9274N-016 (MAIN board)



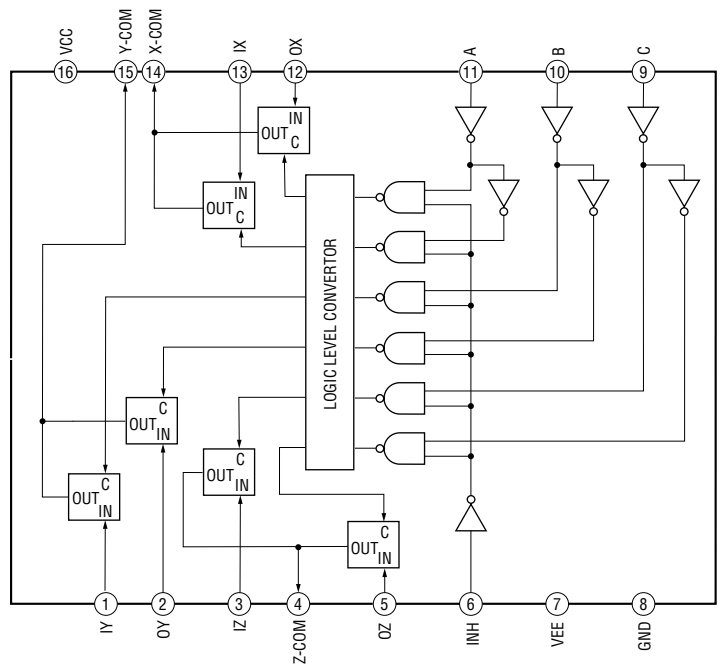
IC151 TC9273N-004 (MAIN Board)
IC201 TC9273N-014 (VIDEO.AU Board)



IC301 NJM2581D (VIDEO Board
(EXCEPT STR-DB780: AEP and UK models))

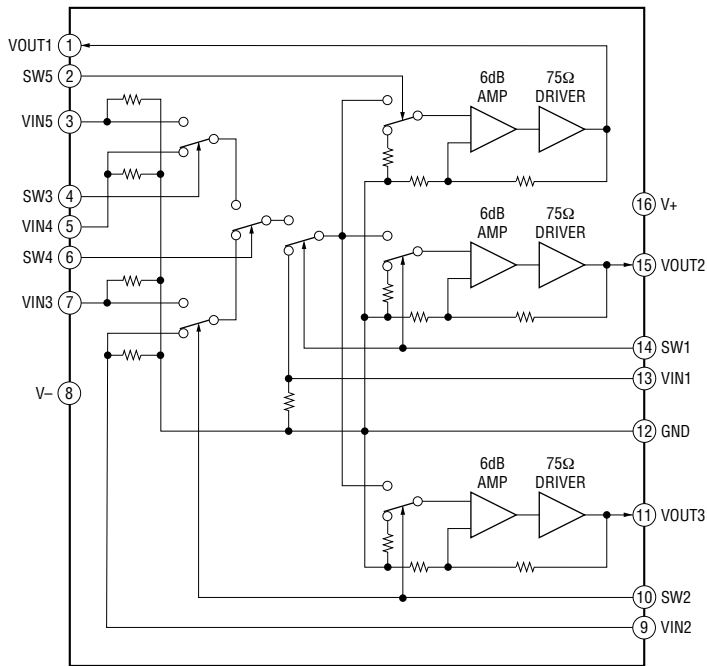


IC303 TC74HC4053AP (VIDEO Board
(EXCEPT STR-DB780: AEP and UK models))

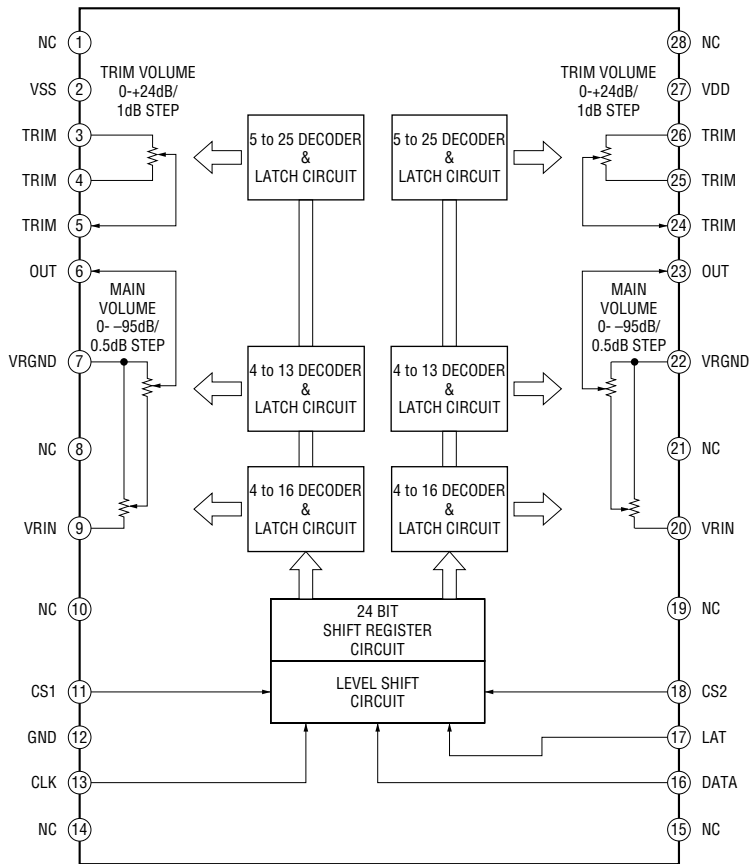


STR-DA1ES/DB780

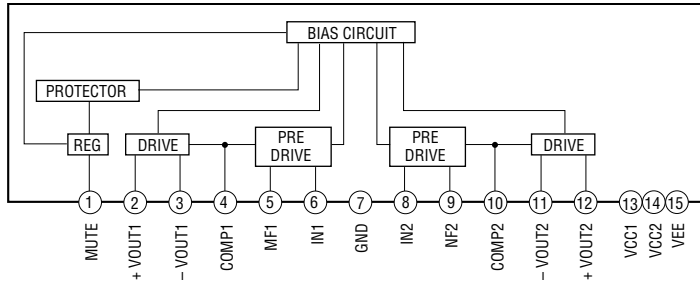
IC308 NJM2595D (VIDEO Board)
 IC850, 852 NJM2595D (S-VDIEO Board)



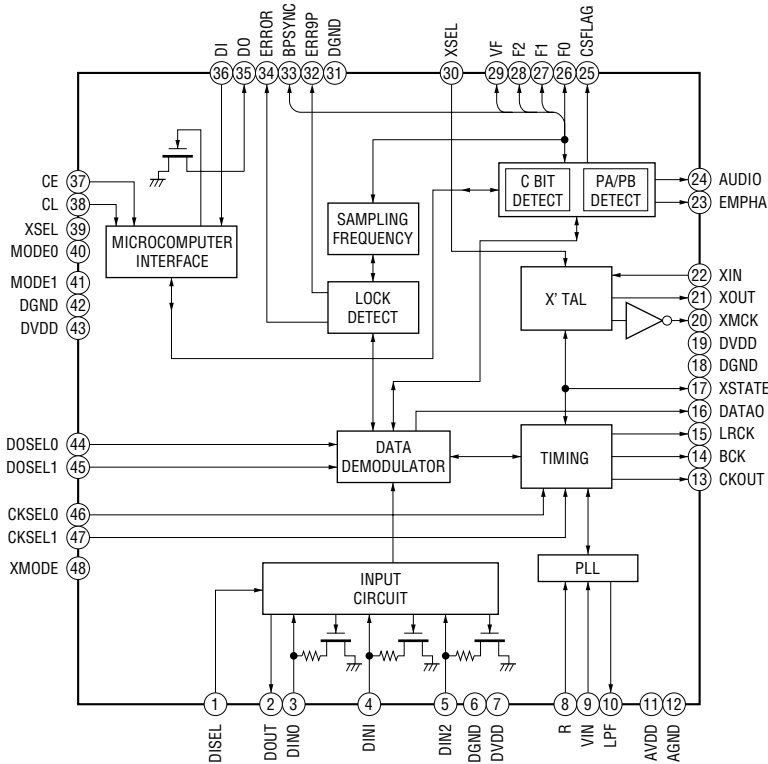
IC401, 501, 601 CXD9275M (MAIN Board)



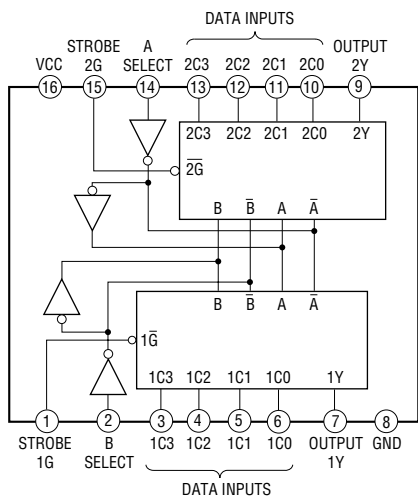
IC403, 503, 603 μ PC2581V-S (MAIN Board)



IC1101 LC89056W-E (DIGITAL Board)

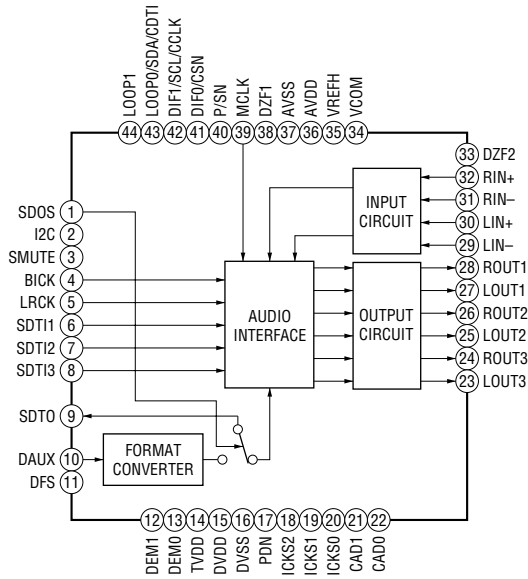


IC1103 TC74HC153AF (EL) (DIGITAL Board)

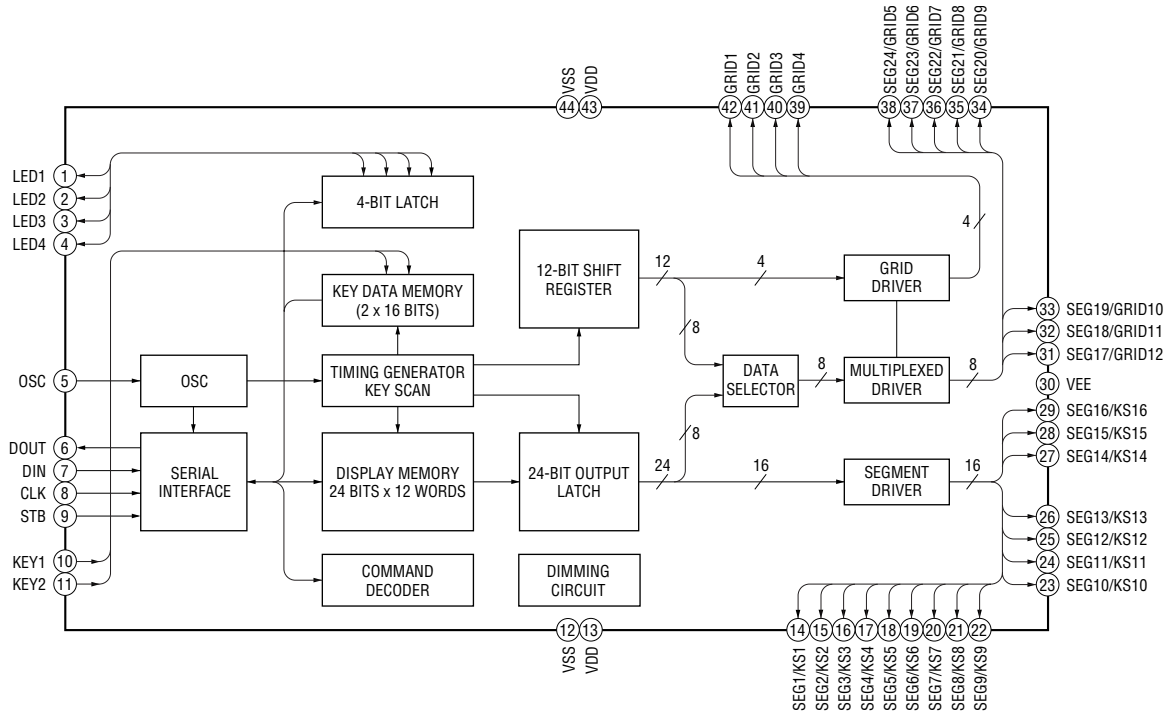


STR-DA1ES/DB780

IC1501 AK4527K (DIGITAL Board)



IC1600 μ PD16315GB-3BS (DISPLAY Board)



5-31. IC PIN FUNCTION DESCRIPTION

• DIGITAL BOARD IC1101 LC89056W-E (DIGITAL AUDIO INTERFACE RECEIVER)

Pin No.	Pin Name	I/O	Description
1	DISEL	I	Selection signal input terminal of data input terminal Fixed at "L" in this set
2	DOUT	O	Digital data output to the external output terminal
3 to 5	DIN0 to DIN2	I	Digital data input from the external input terminal
6	DGND	—	Ground terminal (for digital)
7	DVDD	—	Power supply terminal (+3.3V) (for digital)
8	R	I	Input terminal for VCO gain control
9	VIN	I	Input terminal for VCO free-run frequency setting
10	LPF	O	PLL loop filter setting terminal
11	AVDD	—	Power supply terminal (+3.3V) (for analog)
12	AGND	—	Ground terminal (for analog)
13	CKOUT	O	Audio clock signal output to the audio digital signal processor
14	BCK	O	Bit clock signal (2.8224 MHz) output to the audio digital signal processor
15	LRCK	O	L/R sampling clock signal (44.1 kHz) output to the audio digital signal processor
16	DATAO	O	Audio serial data output to the audio digital signal processor and system controller
17	XSTATE	O	Source clock selection monitor output to the system controller
18	DGND	—	Ground terminal (for digital)
19	DVDD	—	Power supply terminal (+3.3V) (for digital)
20	XMCK	O	Master clock signal output terminal Not used
21	XOUT	O	System clock output terminal (12.288 MHz)
22	XIN	I	System clock input terminal (12.288 MHz)
23	EMPHA	O	Channel status emphasis information output terminal Not used
24	AUDIO	O	Channel status bit 1 output to the audio digital signal processor
25	CSFLAG	O	Channel status head 40 bit renewal flag output terminal Not used
26 to 29	F0/P0/C0 to F3/P3/C3	O	Output terminal of input frequency calculation result Not used
30	DVDD	—	Power supply terminal (+3.3V) (for digital)
31	DGND	—	Ground terminal (for digital)
32	AUTO	O	Not used
33	BPSYNC	O	Non-PCM burst preamble sync signal output terminal Not used
34	ERROR	O	PLL lock error signal and data error flag output to the audio digital signal processor and system controller
35	DO	O	Read data output to the system controller
36	DI	I	Write data input from the system controller
37	CE	I	Chip enable signal input from the system controller
38	CLK	I	Clock signal input from the system controller
39	XSEL	I	Selection signal input terminal of crystal oscillator frequency Fixed at "H" in this set
40, 41	MODE0, MODE1	I	Mode setting terminal
42	DGND	—	Ground terminal (for digital)
43	DVDD	—	Power supply terminal (+3.3V) (for digital)
44, 45	DOSEL0, DOSEL1	I	Output data format selection signal input terminal Fixed at "L" in this set
46	CKSEL0	I	Output clock selection signal input terminal Fixed at "L" in this set
47	CKSEL1	I	Output clock selection signal input from the system controller
48	XMODE	I	System reset signal input from the system controller "L": reset

• DIGITAL BOARD IC1201 CXD9617R-K (AUDIO DIGITAL SIGNAL PROCESSOR)

Pin No.	Pin Name	I/O	Description
1	VSS	—	Ground terminal
2	XRST	I	System reset signal input from the system controller “L”: reset
3	EXTIN	I	Master clock signal input terminal Not used
4	FS2	I	Sampling frequency selection signal input terminal Not used
5	VDDI	—	Power supply terminal (+2.5V)
6	FS1	I	Sampling frequency selection signal input terminal Not used
7	PLOCK	O	Internal PLL lock signal output terminal Not used
8	VSS	—	Ground terminal
9	MCLK1	I	System clock input terminal (13.6 MHz)
10	VDDI	—	Power supply terminal (+2.5V)
11	VSS	—	Ground terminal
12	MCLK2	O	System clock output terminal (13.6 MHz)
13	MS	I	Master/slave setting terminal “L”: internal clock, “H”: external clock Fixed at “L” in this set
14	SCKOUT	O	Internal system clock output to the A/D, D/A converter
15	LRCKI1	I	L/R sampling clock signal (44.1 kHz) input terminal Not used
16	VDDE	—	Power supply terminal (+3.3V)
17	BCKI1	I	Bit clock signal (2.8224 MHz) input terminal Not used
18	SDI1	I	Audio serial data input from the A/D, D/A converter
19	LRCKO	O	L/R sampling clock signal (44.1 kHz) output to the A/D, D/A converter
20	BCKO	O	Bit clock signal (2.8224 MHz) output to the A/D, D/A converter
21	VSS	—	Ground terminal
22	KFSIO	I	Audio clock signal input from the digital audio interface receiver
23 to 25	SDO1 to SDO3	O	Audio serial data output to the A/D, D/A converter
26	SDO4	O	Audio serial data output terminal Not used
27	SPDIF	O	SPDIF signal output terminal Not used
28	LRCKI2	I	L/R sampling clock signal (44.1 kHz) input from the digital audio interface receiver
29	BCKI2	I	Bit clock signal (2.8224 MHz) input from the digital audio interface receiver
30	SDI2	I	Audio serial data input from the digital audio interface receiver
31	VSS	—	Ground terminal
32	HACN	O	Acknowledge signal output to the system controller
33	HDIN	I	Serial data input from the system controller
34	HCLK	I	Serial data transfer clock signal input from the system controller
35	HDOOUT	O	Serial data output to the system controller
36	HCS	I	Chip select input from the system controller
37	SDCLK	O	SD-RAM clock output terminal Not used
38	CLKEN	O	SD-RAM chip enable output terminal Not used
39	RAS	O	Row address strobe signal output terminal Not used
40	VDDI	—	Power supply terminal (+2.5V)
41	VSS	—	Ground terminal
42	CAS	O	Column address strobe signal output terminal Not used
43	DQM/OE0	O	Output terminal of data input/output mask Not used
44	CS0	O	Chip select signal output to the S-RAM
45	WE0	O	Write enable signal output to the S-RAM
46	VDDE	—	Power supply terminal (+3.3V)
47	WMD1	I	External memory wait mode setting terminal Fixed at “H” in this set

Pin No.	Pin Name	I/O	Description
48	VSS	—	Ground terminal
49	WMD0	I	External memory wait mode setting terminal Fixed at “H” in this set
50	PAGE2	O	External memory page selection signal output terminal Not used
51	VSS	—	Ground terminal
52, 53	PAGE1, PAGE0	O	External memory page selection signal output terminal Not used
54	BOOT	I	Boot mode control signal input terminal Not used
55	BTACT	O	Boot mode state display signal output terminal Not used
56	BST	I	Boot strap signal input from the system controller
57	MOD1	I	Operation mode setting terminal “L”: 384fs, “H”: 256fs Fixed at “H” in this set
58	MOD0	I	Operation mode setting terminal “L”: single chip mode, “H”: can not use Fixed at “L” in this set
59	EXLOCK	I	PLL lock error signal and data error flag input from the digital audio interface receiver
60	VDDI	—	Power supply terminal (+2.5V)
61	VSS	—	Ground terminal
62, 63	A17, A16	O	Address signal output terminal Not used
64 to 66	A15 to A13	O	Address signal output to the S-RAM
67	GP10	I	L/R sampling clock signal (44.1 kHz) input
68	GP9	O	Audio signal output to the system controller
69	GP8	I	Channel status bit 1 input from the digital audio interface receiver
70	VDDI	—	Power supply terminal (+2.5V)
71	VSS	—	Ground terminal
72 to 75	D15 to D12	I/O	Two-way data bus with the S-RAM
76	VDDE	—	Power supply terminal (+3.3V)
77 to 80	D11 to D8	I/O	Two-way data bus with the S-RAM
81	VSS	—	Ground terminal
82 to 85	A9, A12 to A10	O	Address signal output to the S-RAM
86	TDO	O	Simplicity emulation data output terminal Not used
87	TMS	I	Simplicity emulation data input start and end terminal Not used
88	XTRST	I	Simplicity emulation non-sync break signal input terminal Not used
89	TCK	I	Simplicity emulation clock signal input terminal Not used
90	TDI	I	Simplicity emulation data input terminal Not used
91	VSS	—	Ground terminal
92 to 97	A8 to A3	O	Address signal output to the S-RAM
98, 99	D7, D6	I/O	Two-way data bus with the S-RAM
100	VDDI	—	Power supply terminal (+2.5V)
101	VSS	—	Ground terminal
102 to 105	D5 to D2	I/O	Two-way data bus with the S-RAM
106	VDDE	—	Power supply terminal (+3.3V)
107, 108	D1, D0	I/O	Two-way data bus with the S-RAM
109, 110	A2, A1	O	Address signal output to the S-RAM
111	VSS	—	Ground terminal
112	A0	O	Address signal output to the S-RAM
113	PM	I	PLL initialize signal input from the system controller
114	SDI3, SDI4	I	Audio serial data input terminal Not used
116	SYNC	I	Sync/non-sync setting terminal “L”: sync, “H”: non-sync Fixed at “H” in this set
117 to 119	VSS	—	Ground terminal
120	VDDI	—	Power supply terminal (+2.5V)

• DIGITAL BOARD IC1601 MB90478PFV-G-123-BND (SYSTEM CONTROLLER)

Pin No.	Pin Name	I/O	Description
1	DATA0	I	Audio serial data input from the digital audio interface receiver
2	GP9	I	Audio signal input from the audio digital signal processor
3	BST	O	Boot strap signal output to the audio digital signal processor
4	HCS	O	Chip select signal output to the audio digital signal processor
5	HACN	I	Acknowledge signal input from the audio digital signal processor
6	XRST	O	System reset signal output to the audio digital signal processor "L": reset
7	PM	O	PLL initialize signal output to the audio digital signal processor
8	PD	O	Power down signal output to the A/D, D/A converter "L": power down
9	SMUTE	O	Soft muting on/off control signal output "L": muting on
10	CDT1	O	Serial data output to the A/D, D/A converter
11	VSS	—	Ground terminal
12	SCL	O	Serial data transfer clock signal output to the A/D, D/A converter
13	CS	O	Chip select signal output to the A/D, D/A converter
14	DATA	O	Serial data output to the tuner unit, function switch and electrical volume
15	CLK	O	Serial data transfer clock signal output to the tuner unit, function switch and electrical volume
16	LATCH	O	Serial data latch pulse signal output to the function switch and electrical volume
17	NC	O	Relay drive signal output terminal (for surround back speaker) "H": relay on
18	HDOUT	I	Serial data input from the audio digital signal processor
19	HDIN	O	Serial data output to the audio digital signal processor
20	HCLK	O	Serial data transfer clock signal output to the audio digital signal processor
21	F.MUTE	O	System muting on/off control signal output "L": muting on
22	2ND VOL LAT	O	Serial data latch pulse signal output terminal Not used
23	VCC5	—	Power supply terminal (+3.3V)
24	ANA/DIG	O	Analog/digital selection signal output "L": analog, "H": digital
25	HP DETECT	I	Headphone detection signal input "H": headphone is connected
26	DCS LED	O	LED drive signal output of the DIGITAL CINEMA SOUND indicator "H": LED on
27	FLASH2	O	Flash programming signal output
28	SP SWITCH/ FLASH1	I/O	Speaker on/off switch input terminal "L": speaker on Flash programming signal output
29	INPUT LED	O	LED drive signal output of the INPUT MODE indicator "H": LED on
30	MULTI LED	O	LED drive signal output of the MULTI CH DIRECT indicator "H": LED on
31	2CH LED	O	LED drive signal output of the 2CH ST indicator "H": LED on
32	AFD LED	O	LED drive signal output of the AUTO DEC. indicator "H": LED on
33	SCL	O	Serial data transfer clock signal output to the EEPROM
34	SDA	I/O	Two-way data bus with the EEPROM
35	AVCC	—	Power supply terminal (+3.3V) (for analog)
36	AVRH	I	Reference voltage (+3.3V) input terminal
37	AVSS	—	Ground terminal (for analog)
38 to 41	A/D0 to A/D3	I	Key input terminal (A/D input)
42	VSS	—	Ground terminal
43	RDS SIGNAL	I	RDS signal input from the tuner unit (STR-DB780: AEP and UK models only)
44	MODEL	I	Model setting terminal
45	VERSION	I	Version setting terminal
46	FUN LAT SW	O	Serial data latch pulse signal selection signal output "L": for electrical volume, "H": for function switch

Pin No.	Pin Name	I/O	Description
47	MODE LED	O	LED drive signal output of the MODE indicator "H": LED on
48	STOP	I	Sub power voltage detection signal input
49, 50	MD0, MD1	O	Setting terminal for the CPU operation mode Fixed at "H" in this set
51	MD2	O	Setting terminal for the CPU operation mode Fixed at "L" in this set
52	RDS CLK	I	RDS serial data transfer clock signal input from the tuner unit (STR-DB780: AEP and UK models only)
53	RDS DATA	I	RDS serial data input from the tuner unit (STR-DB780: AEP and UK models only)
54	SIRCS	I	Sircs signal input
55	FUSE DETECT	I	Power down detection signal input
56	POWER KEY	I	I/⏻ key input terminal
57	JOG (B)	I	Jog dial pulse input from the rotary encoder (B phase input) (jog dial)
58	JOG (A)	I	Jog dial pulse input from the rotary encoder (A phase input) (jog dial)
59	VOL (B)	I	Jog dial pulse input from the rotary encoder (B phase input) (MASTER VOLUME)
60	VOL (A)	I	Jog dial pulse input from the rotary encoder (A phase input) (MASTER VOLUME)
61	DIN	O	Serial data output to the fluorescent indicator tube driver
62	CLK	O	Serial data transfer clock signal output to the fluorescent indicator tube driver
63	FL STB	O	Strobe signal output to the fluorescent indicator tube driver
64	CONTROL A1 OUT	O	Sircs signal output for CONTROL A1 II
65	CONTROL A1 IN	I	Sircs signal input for CONTROL A1 II
66	POWER RELAY	O	Relay drive signal output (for main power) "H": relay on
67	PROTECTOR	I	Over load detection signal input from the protect circuit "L": over load
68	HEADPHONE RELAY	O	Relay drive signal output (for headphone) "H": relay on
69	WOOFER RELAY	O	Relay drive signal output (for pre amplifier) "H": relay on
70	REAR RELAY	O	Relay drive signal output (for surround speaker) "H": relay on
71	CENTER RELAY	O	Relay drive signal output (for center speaker) "H": relay on
72	FRONT RELAY	O	Relay drive signal output (for front speaker) "H": relay on
73	TUNED	I	Tuned display state detection signal input from the tuner unit "L": tuned
74	STEREO	I	FM stereo display detection signal input from the tuner unit "L": stereo
75	MUTE	O	Muting on/off control signal output to the tuner unit "L": muting on
76	DO	I	Serial data input from the tuner unit
77	RSTX	I	System reset signal input "L": reset For several hundreds msec. after the power supply rises, "L" is input, then it changes to "H"
78	SLATCH	O	Serial data latch pulse signal output to the tuner unit
79	X1A	O	Sub system clock output terminal
80	X0A	I	Sub system clock input terminal
81	VSS	—	Ground terminal
82	X0	I	Main system clock input terminal (16 MHz)
83	X1	O	Main system clock output terminal (16 MHz)
84	VCC3	—	Power supply terminal (+3.3V)
85	FUNC (B)	I	Jog dial pulse input from the rotary encoder (B phase input) (FUNCTION)
86	FUNC (A)	I	Jog dial pulse input from the rotary encoder (A phase input) (FUNCTION)
87 to 90	SW4 to SW1	O	Video selection signal output
91, 92	SELECT1, SELECT2	O	Digital input selection signal output
93	XMODE	O	System reset signal output to the digital audio interface receiver "L": reset

Pin No.	Pin Name	I/O	Description
94	CKSEL1	O	Output clock selection signal output to the digital audio interface receiver
95	CLK	O	Clock signal output to the digital audio interface receiver
96	CE	O	Chip enable signal output to the digital audio interface receiver
97	DI	O	Write data output to the digital audio interface receiver
98	DO	I	Read data input from the digital audio interface receiver
99	ERROR	I	PLL lock error signal and data error flag input from the digital audio interface receiver
100	XSTATE	I	Source clock selection monitor input from the digital audio interface receiver

SECTION 6 EXPLODED VIEWS

NOTE:

- -XX and -X mean standardized parts, so they may have some difference from the original one.

- Color Indication of Appearance Parts

Example:

KNOB, BALANCE (WHITE) . . . (RED)

↑
↑
 Parts Color Cabinet's Color

- Abbreviation

CH : Chinese model

KR : Korean model

SP : Singapore model

CND : Canadian model

MY : Malaysia model

TW : Taiwan model

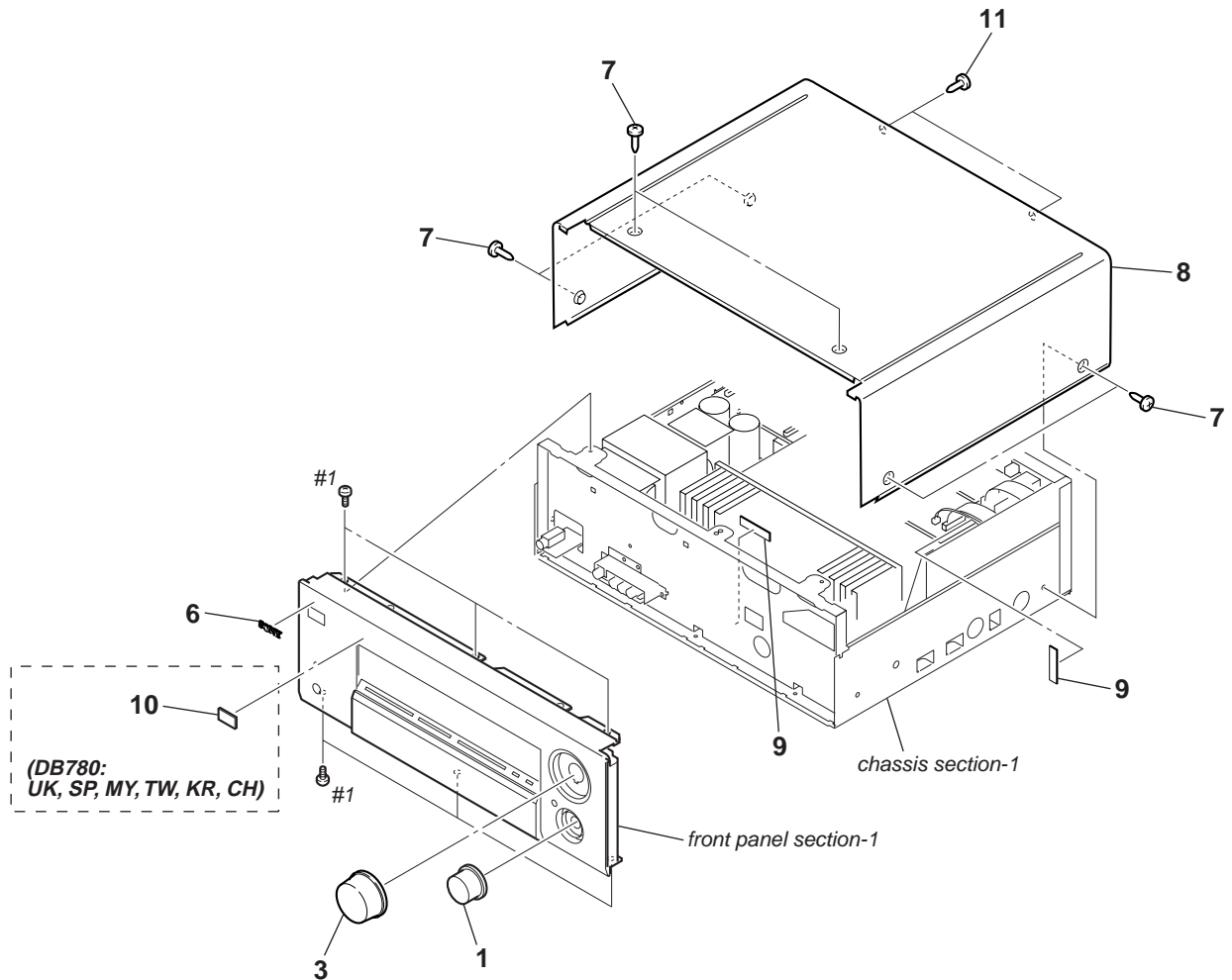
- Items marked “*” are not stocked since they are seldom required for routine service. Some delay should be anticipated when ordering these items.
- The mechanical parts with no reference number in the exploded views are not supplied.
- Accessories are given in the last of the electrical parts list.

The components identified by mark \triangle or dotted line with mark \triangle are critical for safety. Replace only with part number specified.

Les composants identifiés par une marque \triangle sont critiques pour la sécurité. Ne les remplacer que par une pièce portant le numéro spécifié.

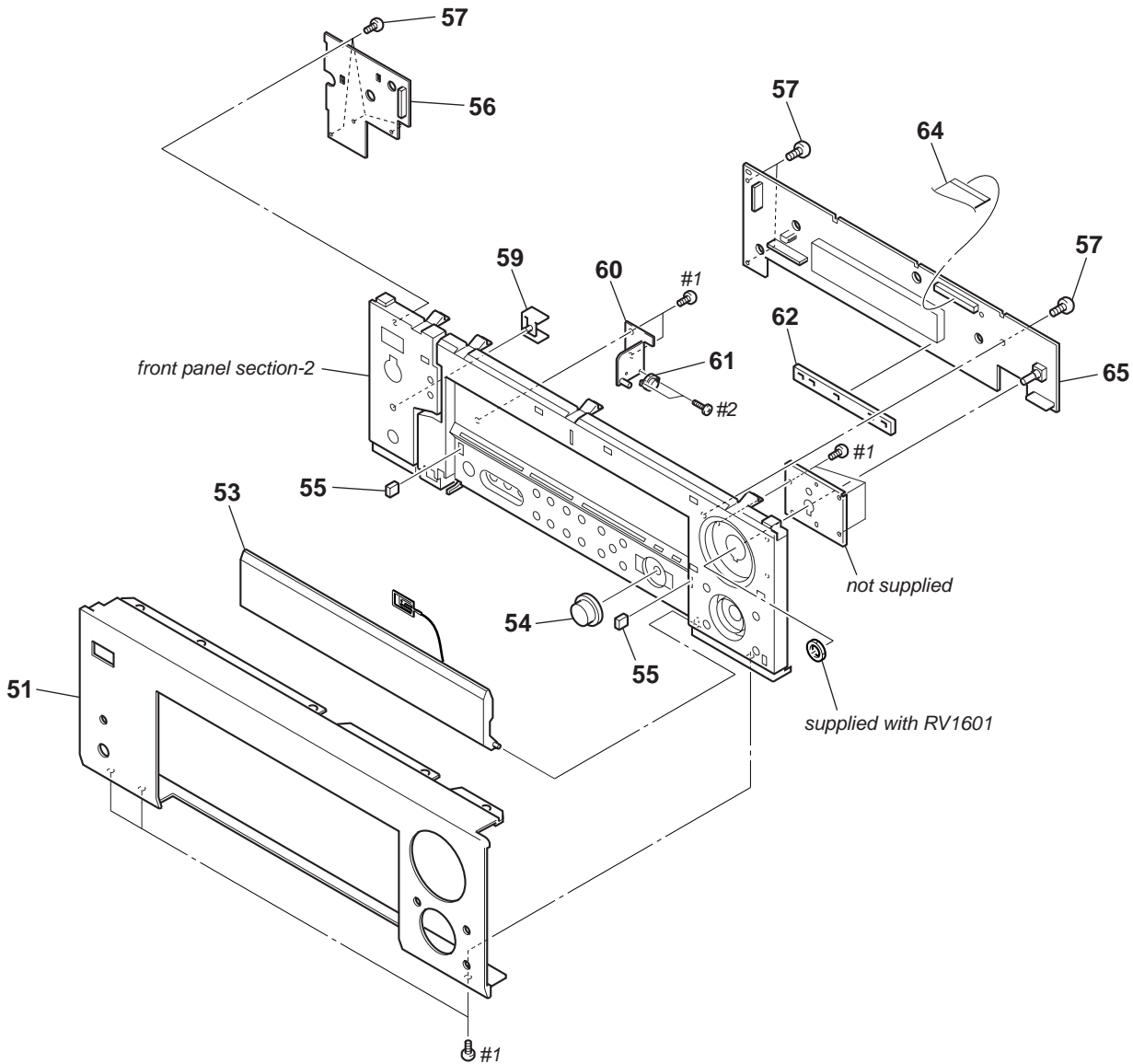
以阴影和 \triangle 标志来识别的零部件，在安全方面具有关键性。因此只能以规定号码的零部件来更换。

6-1. CASE SECTION



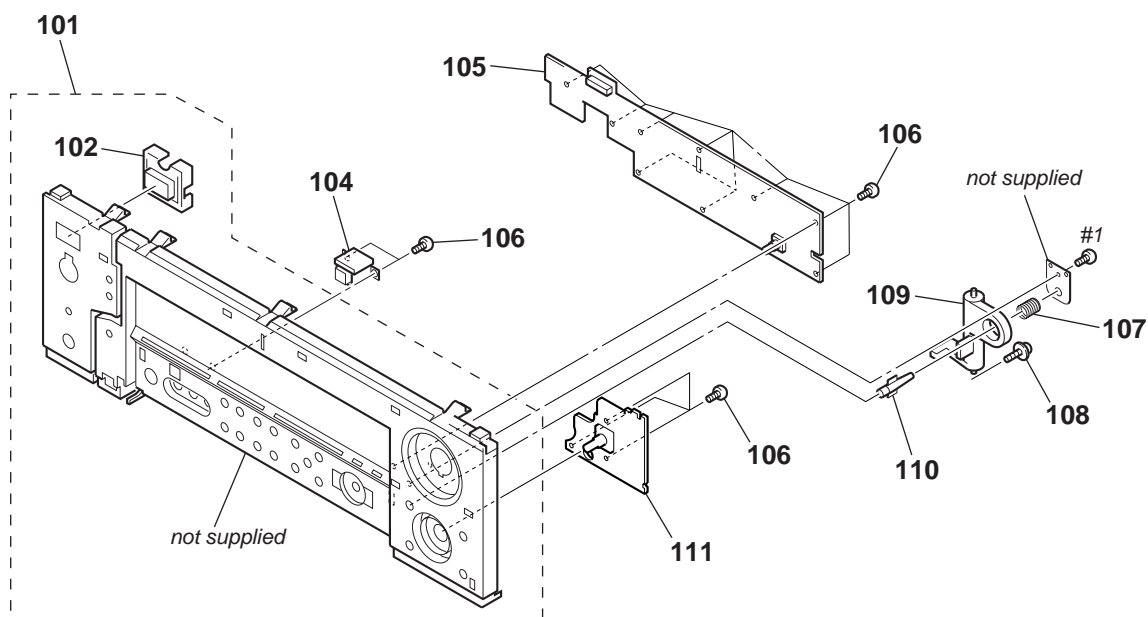
Ref. No.	Part No.	Description	Remark	Ref. No.	Part No.	Description	Remark
1	4-240-506-01	KNOB (FUNC) (BLACK)		8	4-900-512-02	CASE (414535) (BLACK)	
1	4-240-506-11	KNOB (FUNC) (GOLD)		8	4-900-512-42	CASE (414535) (SILVER)	
1	4-240-506-21	KNOB (FUNC) (SILVER)		8	X-4950-437-1	CASE (414535) ASSY (GOLD)	
3	4-240-507-01	KNOB (VOL) (BLACK)		9	3-378-434-01	CUSHION, SARANET	
3	4-240-507-11	KNOB (VOL) (GOLD)		10	4-221-138-11	EMBLEM (UK)	(DB780: UK, SP, MY, TW, KR, CH)
3	4-240-507-21	KNOB (VOL) (SILVER)		11	4-227-843-01	SCREW (TP), FLAT HEAD (for BLACK) (DA1ES)	
6	4-240-858-01	EMBLEM (5-A), SONY (BLACK)		11	4-227-843-11	SCREW (TP), FLAT HEAD (for GOLD)	(DB780: SP, MY, TW, KR, CH)
6	4-240-858-11	EMBLEM (5-A), SONY (GOLD)					
6	4-240-858-21	EMBLEM (5-A), SONY (SILVER)					
7	4-227-843-01	SCREW (TP), FLAT HEAD (for BLACK)		11	4-974-510-11	SCREW (+BV 3X8 CU) (DB780: AEP, UK)	
7	4-227-843-11	SCREW (TP), FLAT HEAD (for GOLD, SILVER)		#1	7-685-646-79	SCREW +BVTP 3X8 TYPE2 IT-3	

6-2. FRONT PANEL SECTION-1



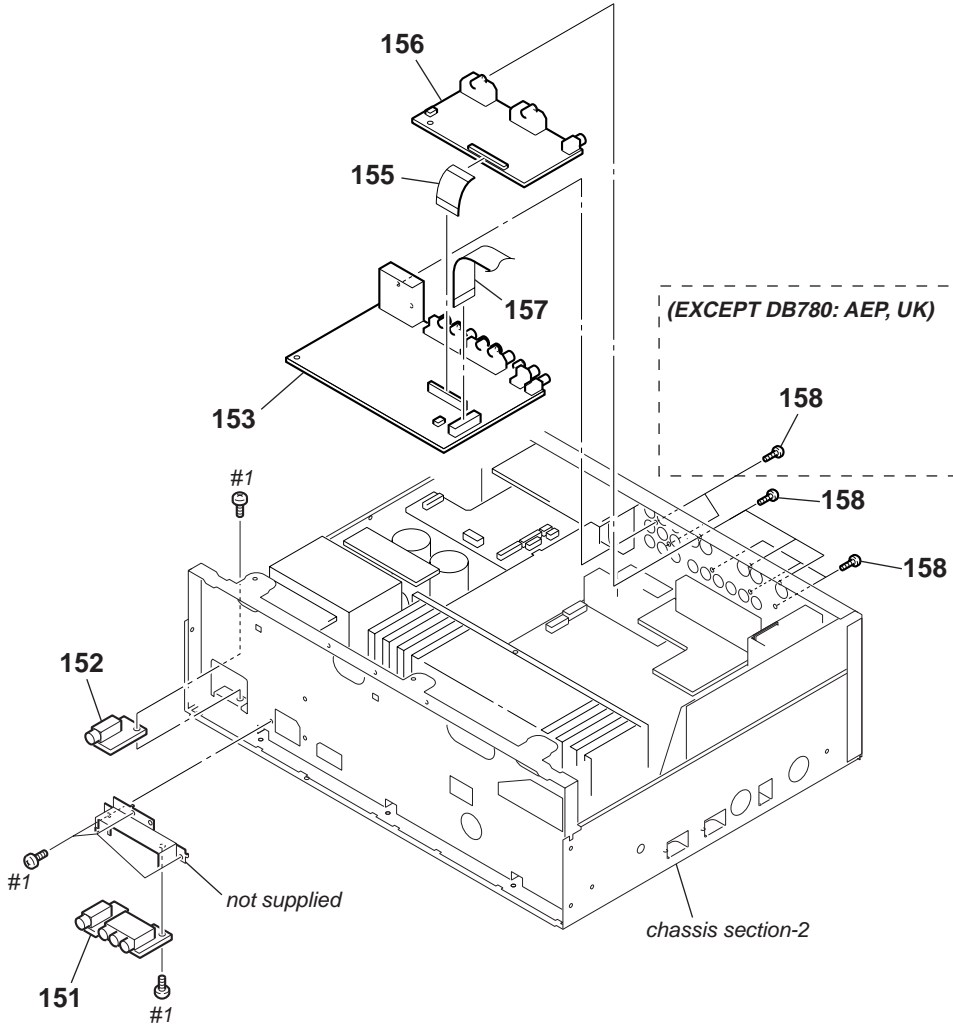
Ref. No.	Part No.	Description	Remark	Ref. No.	Part No.	Description	Remark
51	4-240-199-01	PANEL, FRONT (BLACK) (DA1ES)		55	4-240-392-21	MAGNET (SILVER)	
51	4-240-199-11	PANEL, FRONT (BLACK) (DB780: AEP, UK)		56	1-683-775-11	POWER BOARD	
51	4-240-199-21	PANEL, FRONT (SILVER) (DB780: AEP, UK)		57	4-951-620-01	SCREW (2.6X8), +BVTP	
51	4-240-199-31	PANEL, FRONT (GOLD) (DB780: SP, MY, TW, KR, CH)		59	4-223-621-01	BUTTON (ON SCREEN) (BLACK)	
53	A-4735-735-A	LID ASSY (BLACK)		59	4-223-621-11	BUTTON (ON SCREEN) (GOLD)	
53	A-4680-808-A	LID ASSY (GOLD)		59	4-223-621-21	BUTTON (ON SCREEN) (SILVER)	
53	A-4735-735-A	LID ASSY (SILVER)		60	X-4952-753-1	BRACKET (DAMPER L) ASSY	
54	4-217-729-01	KNOB (JOG) (BLACK)		61	4-240-391-01	DAMPER, OIL	
54	4-217-729-12	KNOB (JOG) (GOLD)		62	4-227-153-01	SHEET (LIGHT INTERCEPTION)	
54	4-217-729-21	KNOB (JOG) (SILVER)		64	1-773-342-11	WIRE (FLAT TYPE) (31 CORE)	
55	4-240-392-01	MAGNET (BLACK)		65	A-4729-155-A	DISPLAY BOARD, COMPLETE	
55	4-240-392-11	MAGNET (GOLD)		#1	7-685-646-79	SCREW +BVTP 3X8 TYPE2 IT-3	
				#2	7-685-853-04	SCREW +BVTT 2X6 (S)	

6-3. FRONT PANEL SECTION-2



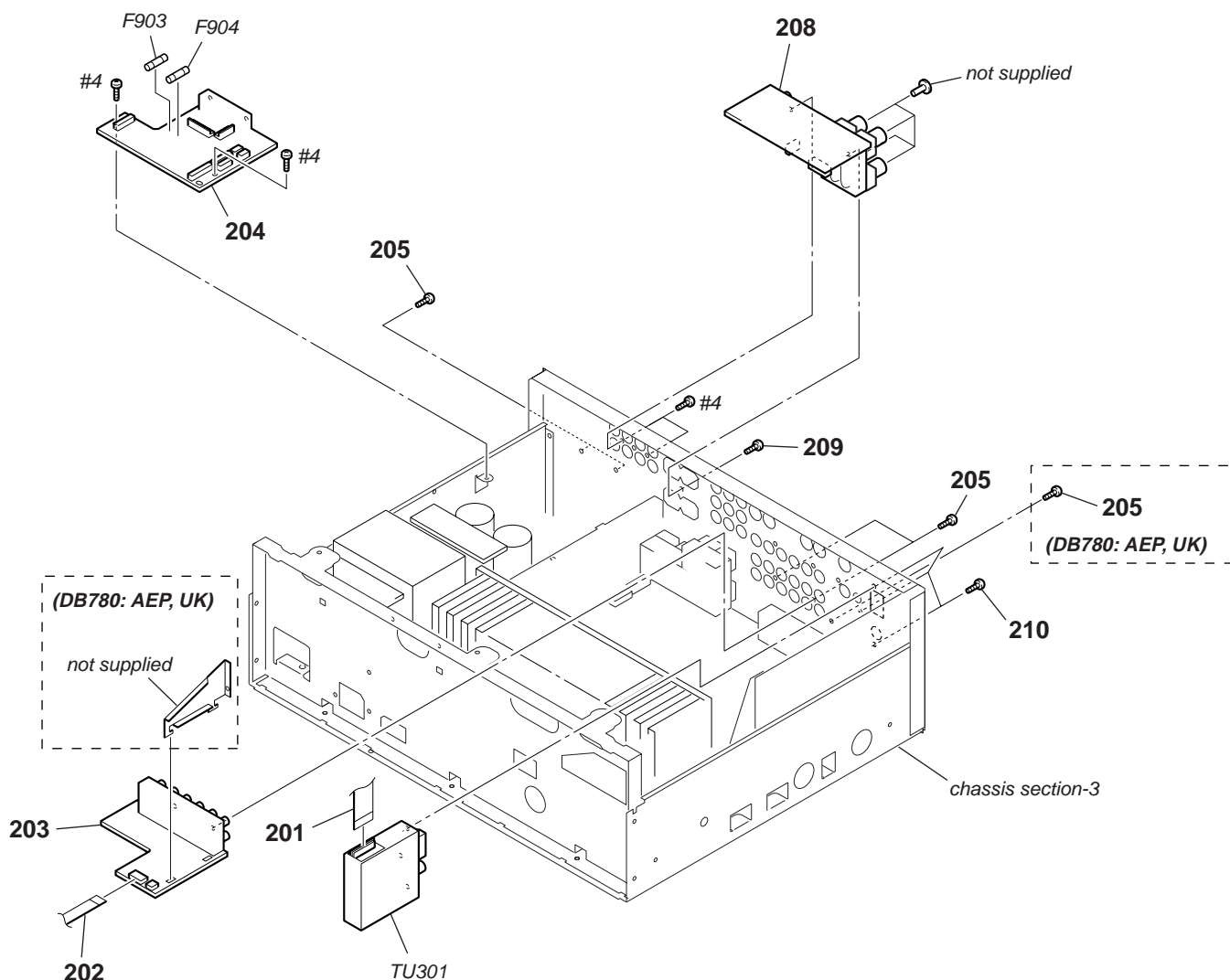
Ref. No.	Part No.	Description	Remark	Ref. No.	Part No.	Description	Remark
101	X-4954-457-1	BASE ASSY, PANEL (BLACK) (DB780: AEP, UK)		107	4-227-150-01	SPRING, COMPRESSION	
101	X-4954-458-1	BASE ASSY, PANEL (SILVER) (DB780: AEP, UK)		108	4-917-583-71	BRACKET, YOKE	
101	X-4954-804-1	BASE ASSY, PANEL (BLACK) (DA1ES)		109	4-227-143-01	LEVER (OPEN) (BLACK)	
101	X-4954-805-1	BASE ASSY, PANEL (GOLD) (DB780: SP, MY, TW, KR, CH)		109	4-227-143-11	LEVER (OPEN) (GOLD)	
102	4-998-592-01	BUTTON (POWER) (BLACK)		109	4-227-143-21	LEVER (OPEN) (SILVER)	
102	4-998-592-12	BUTTON (POWER) (GOLD)		110	4-227-142-01	BUTTON (OPEN) (BLACK)	
102	4-998-592-23	BUTTON (POWER) (SILVER)		110	4-227-142-11	BUTTON (OPEN) (GOLD)	
104	1-683-873-11	FRONT OPT IN BOARD		110	4-227-142-21	BUTTON (OPEN) (SILVER)	
105	A-4729-158-A	KEY BOARD, COMPLETE		111	1-683-777-11	MUTING BOARD	
106	4-951-620-01	SCREW (2.6X8), +BVTP		#1	7-685-646-79	SCREW +BVTP 3X8 TYPE2 IT-3	

6-4. CHASSIS SECTION-1



Ref. No.	Part No.	Description	Remark	Ref. No.	Part No.	Description	Remark
151	1-683-776-11	VIDEO 3 BOARD		156	A-4729-130-A	S-VIDEO BOARD, COMPLETE (DA1ES)	
152	1-685-503-11	H.P BOARD		156	A-4729-131-A	S-VIDEO BOARD, COMPLETE (DB780)	
153	A-4729-127-A	VIDEO BOARD, COMPLETE (DA1ES)		157	1-769-937-11	WIRE (FLAT TYPE) (11 CORE)	
153	A-4729-128-A	VIDEO BOARD, COMPLETE (DB780: SP, MY, TW, KR, CH)		158	3-704-515-21	SCREW (BV/RING) (EXCEPT DB780: AEP, UK)	
153	A-4729-129-A	VIDEO BOARD, COMPLETE (DB780: AEP, UK)		158	4-974-510-11	SCREW (+BV 3X8 CU) (DB780: AEP, UK)	
155	1-769-939-11	WIRE (FLAT TYPE) (11 CORE)		#1	7-685-646-79	SCREW +BVTP 3X8 TYPE2 IT-3	

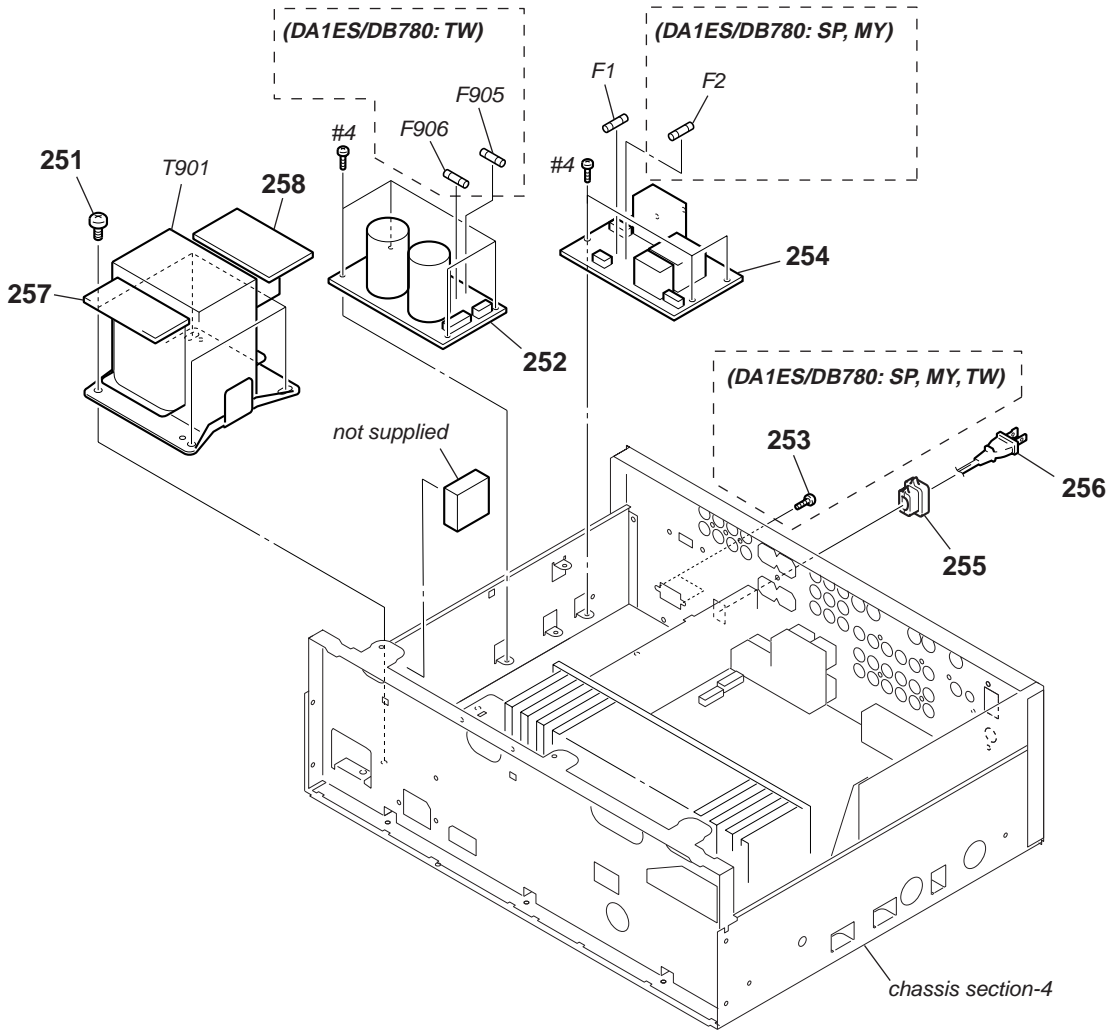
6-5. CHASSIS SECTION-2



<p>The components identified by mark \triangle or dotted line with mark \triangle are critical for safety. Replace only with part number specified.</p>	<p>Les composants identifiés par une marque \triangle sont critiques pour la sécurité. Ne les remplacer que par une pièce portant le numéro spécifié.</p>	<p>以阴影和 \triangle 标志来识别的零部件，在安全方面具有关键性。因此只能以规定号码的零部件来更换。</p>
---	--	---

Ref. No.	Part No.	Description	Remark	Ref. No.	Part No.	Description	Remark
201	1-773-001-11	WIRE (FLAT TYPE) (15 CORE) (DB780: AEP, UK)		210	3-704-515-21	SCREW (BV/RING) (EXCEPT DB780: AEP, UK)	
201	1-769-937-11	WIRE (FLAT TYPE) (11 CORE) (EXCEPT DB780: AEP, UK)		210	4-974-510-11	SCREW (+BV 3X8 CU) (DB780: AEP, UK)	
202	1-769-905-11	WIRE (FLAT TYPE) (9 CORE)		\triangle F903	1-532-464-51	FUSE (T2.5AL/250V) (EXCEPT DA1ES/DB780: TW))	
203	A-4729-132-A	VIDEO.AU BOARD, COMPLETE (DA1ES)		\triangle F903	1-533-419-11	FUSE, GLASS CYLINDRICAL (DIA.5) (4A/125V) (DA1ES: CND)	
203	A-4729-133-A	VIDEO.AU BOARD, COMPLETE (DB780)		\triangle F903	1-576-108-11	FUSE (4A/125V) (DA1ES: US/DB780: TW)	
204	A-4729-124-A	DC 2 BOARD, COMPLETE (DA1ES)		\triangle F904	1-532-464-51	FUSE (T2.5AL/250V) (EXCEPT DA1ES/DB780: TW)	
204	A-4729-125-A	DC 2 BOARD, COMPLETE (DB780: SP, MY, TW, KR, CH)		\triangle F904	1-533-419-11	FUSE, GLASS CYLINDRICAL (DIA.5) (4A/125V) (DA1ES: CND)	
204	A-4729-126-A	DC 2 BOARD, COMPLETE (DB780: AEP, UK)		\triangle F904	1-576-108-11	FUSE (4A/125V) (DA1ES: US)	
205	3-704-515-21	SCREW (BV/RING) (EXCEPT DB780: UK)		TU301	1-693-577-22	TUNER (US, CND)	
205	4-974-510-11	SCREW (+BV 3X8 CU) (DB780: UK)		TU301	1-693-578-21	TUNER (AEP, UK)	
208	A-4729-162-A	PRE/SPOUT BOARD, COMPLETE (DA1ES)		TU301	1-693-580-21	TUNER (SP, MY, TW, KR, CH)	
208	A-4729-163-A	PRE/SPOUT BOARD, COMPLETE (DB780: SP, MY, TW, KR, CH)		#4	7-685-646-79	SCREW +BVTP 3X8 TYPE2 IT-3 (EXCEPT DB780: AEP, UK)	
208	A-4729-164-A	PRE/SPOUT COMPLETE (DB780: AEP, UK)		#4	4-974-510-11	SCREW (+BV 3X8 CU) (DB780: AEP, UK)	
209	3-704-515-11	SCREW (BV/RING) (EXCEPT DB780: UK)					
209	3-704-515-51	SCREW (BV/RING) (DB780: UK)					

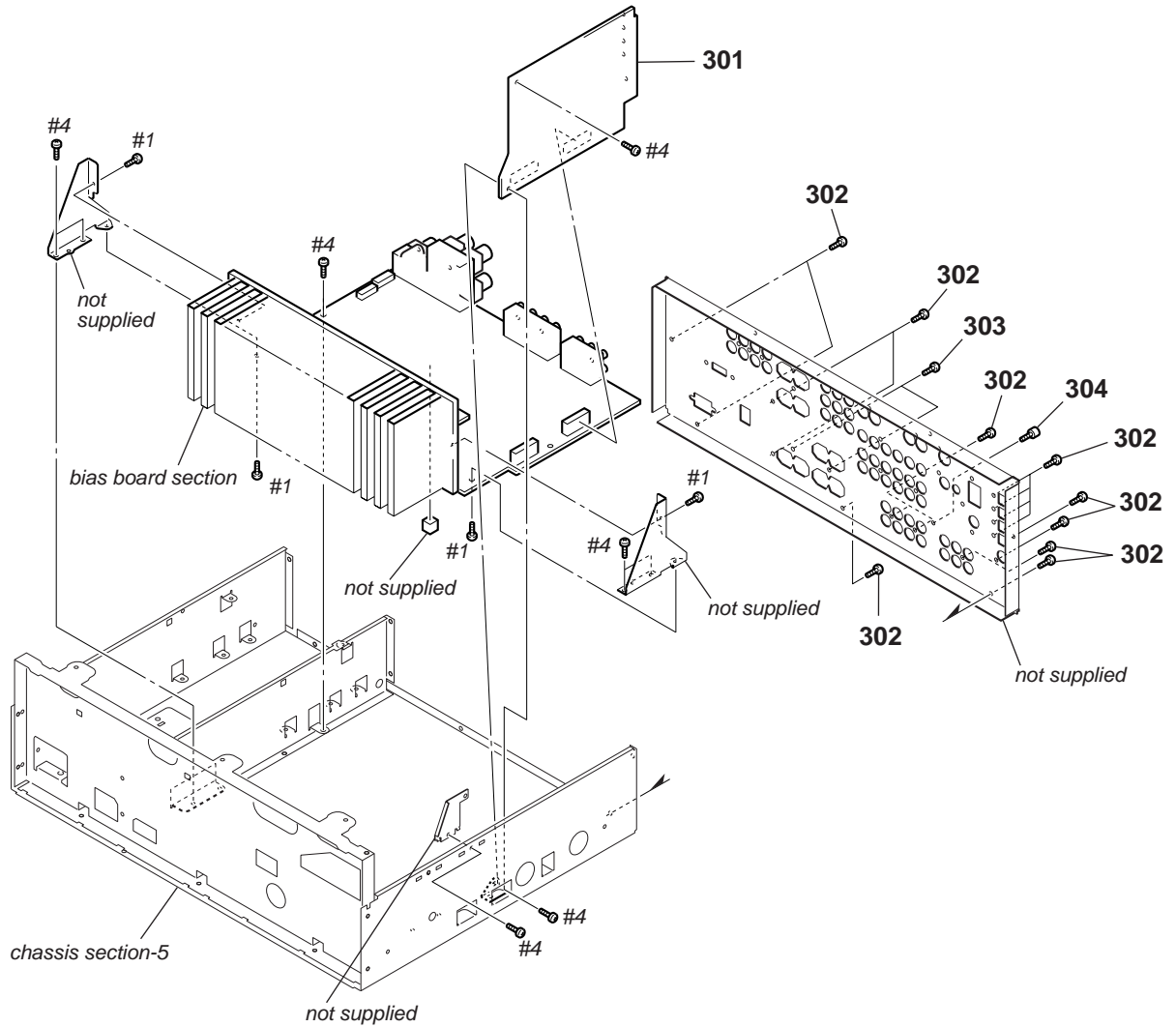
6-6. CHASSIS SECTION-3



The components identified by mark \triangle or dotted line with mark \triangle are critical for safety. Replace only with part number specified.	Les composants identifiés par une marque \triangle sont critiques pour la sécurité. Ne les remplacer que par une pièce portant le numéro spécifié.	以阴影和 \triangle 标志来识别的零部件，在安全方面具有关键性。因此只能以规定号码的零部件来更换。
--	--	---

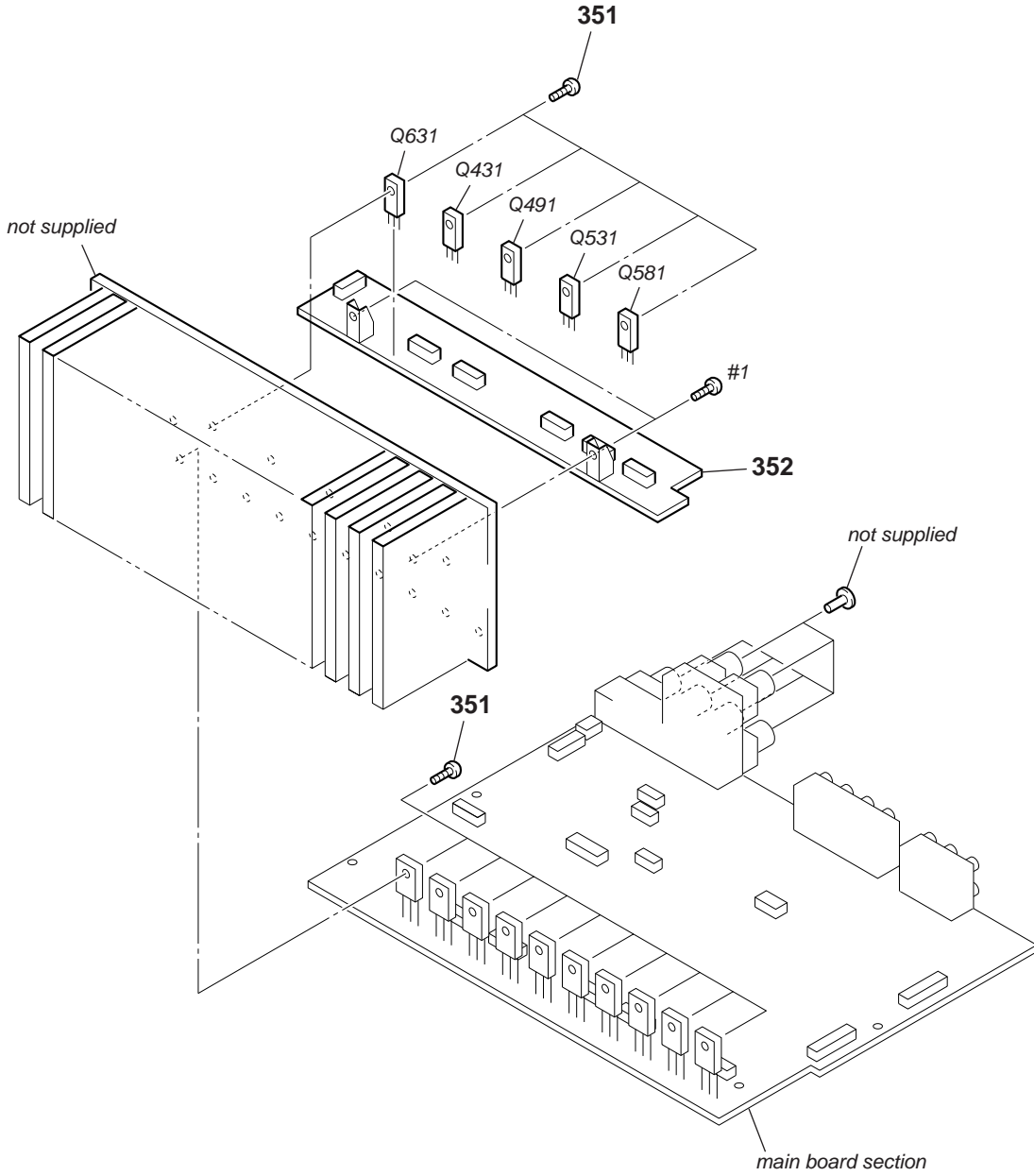
Ref. No.	Part No.	Description	Remark	Ref. No.	Part No.	Description	Remark
251	4-900-386-01	SCREW		257	1-685-501-11	SEC 1 BOARD	
252	1-684-324-11	DC 1 BOARD		258	1-685-500-11	PR 1 BOARD	
253	3-704-515-21	SCREW (BV/RING) (EXCEPT DB780: AEP, UK)		\triangle F1	1-532-504-51	FUSE (T4AL/250V)	(EXCEPT DA1ES/DB780: TW)
253	4-974-510-11	SCREW (+BV 3X8 CU) (DB780: AEP, UK)		\triangle F1	1-576-048-11	FUSE, GLASS TUBE (10A/125V)	(DA1ES/DB780: TW)
254	A-4729-117-A	AC BOARD, COMPLETE (DA1ES)		\triangle F2	1-532-464-51	FUSE (T2.5AL/250V) (DB780: SP, MY)	
254	A-4729-118-A	AC BOARD, COMPLETE (DB780: SP, MY)		\triangle F2	1-576-048-11	FUSE, GLASS TUBE (10A/125V) (DA1ES)	
254	A-4729-119-A	AC BOARD, COMPLETE (DB780: KR)		\triangle F905	1-533-919-11	FUSE (12A/250V) (DA1ES/DB780: TW)	
254	A-4729-120-A	AC BOARD, COMPLETE (DB780: TW)		\triangle F906	1-533-919-11	FUSE (12A/250V) (DA1ES/DB780: TW)	
254	A-4729-121-A	AC BOARD, COMPLETE (DB780: AEP, UK)		\triangle T901	1-437-821-11	TRANSFORMER, POWER (US, CND)	
254	A-4729-548-A	AC BOARD, COMPLETE (DB780: CH)		\triangle T901	1-437-822-11	TRANSFORMER, POWER	(AEP, UK, SP, MY, KR, CH)
* 255	3-703-244-00	BUSHING (2104), CORD		\triangle T901	1-437-842-11	TRANSFORMER, POWER (TW)	
\triangle 256	1-769-079-21	CORD, POWER (KR)		#4	7-685-646-79	SCREW +BVTP 3X8 TYPE2 IT-3	(EXCEPT DB780: AEP, UK)
\triangle 256	1-769-743-11	CORD, POWER (CND)		#4	4-974-510-11	SCREW (+BV 3X8 CU) (DB780: AEP, UK)	
\triangle 256	1-769-744-11	CORD, POWER (AEP, UK, SP, MY, TW)					
\triangle 256	1-782-464-21	CORD, POWER (CH)					
\triangle 256	1-783-532-11	CORD, POWER (US)					

6-7. CHASSIS SECTION-4



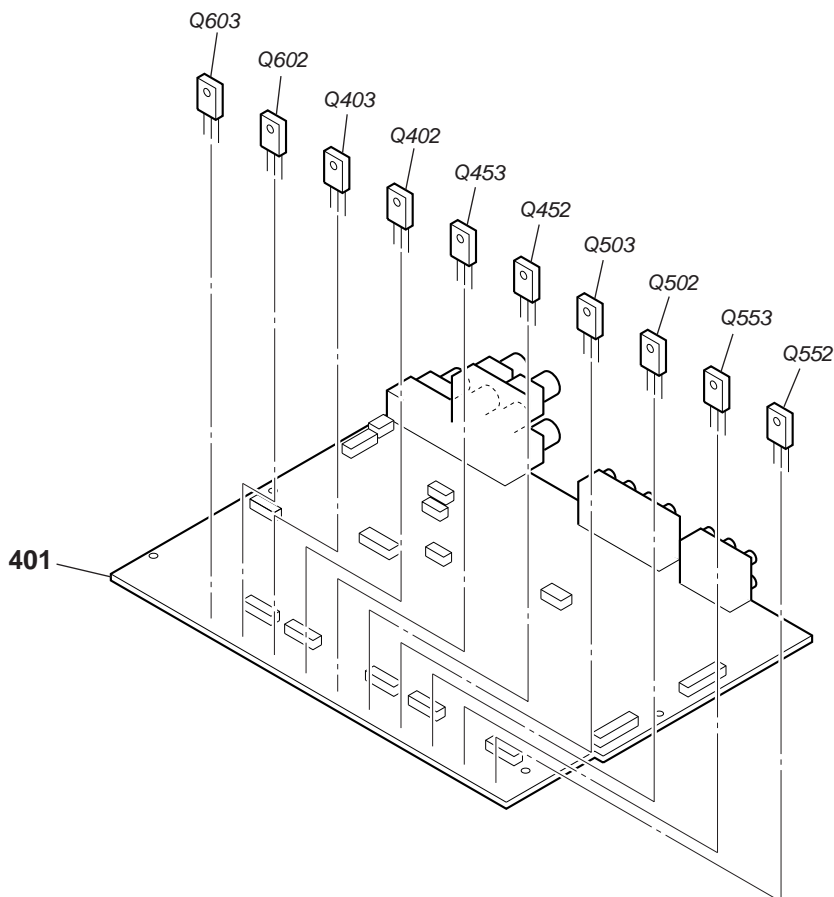
Ref. No.	Part No.	Description	Remark	Ref. No.	Part No.	Description	Remark
301	A-4729-168-A	DIGITAL BOARD, COMPLETE (DA1ES)		303	3-704-515-51	SCREW (BV/RING) (DB780: UK)	
301	A-4729-169-A	DIGITAL BOARD, COMPLETE (DB780: SP, MY, TW, KR, CH)		304	4-947-010-01	SCREW, FEEDER FIXED	
301	A-4729-170-A	DIGITAL BOARD, COMPLETE (DB780: AEP, UK)		#1	7-685-646-79	SCREW +BVTP 3X8 TYPE2 IT-3	
302	3-704-515-21	SCREW (BV/RING) (EXCEPT DB780: AEP, UK)		#4	7-685-646-79	SCREW +BVTP 3X8 TYPE2 IT-3 (EXCEPT DB780: AEP, UK)	
302	4-974-510-11	SCREW (+BV 3X8 CU) (DB780: AEP, UK)		#4	4-974-510-11	SCREW (+BV 3X8 CU) (DB780: AEP, UK)	
303	3-704-515-11	SCREW (BV/RING) (EXCEPT DB780: UK)					

6-8. BIAS BOARD SECTION



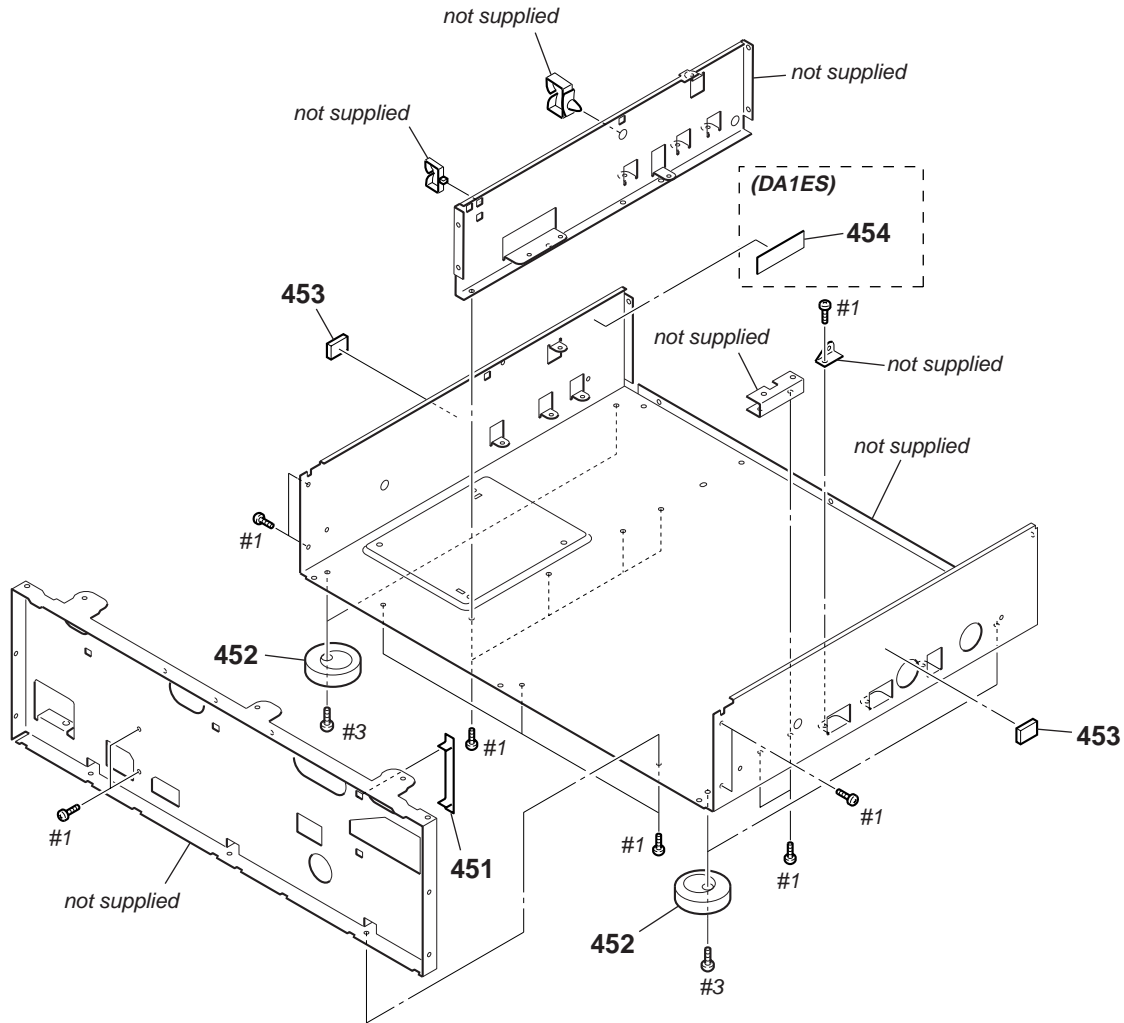
Ref. No.	Part No.	Description	Remark	Ref. No.	Part No.	Description	Remark
351	3-905-609-11	SCREW (TRANSISTOR)		Q491	8-729-026-08	TRANSISTOR	2SC4495
352	A-4729-149-A	BIAS BOARD, COMPLETE (DA1ES: US)		Q531	8-729-026-08	TRANSISTOR	2SC4495
352	A-4729-150-A	BIAS BOARD, COMPLETE (DB780: SP, MY, TW, KR, CH)		Q581	8-729-026-08	TRANSISTOR	2SC4495
352	A-4729-151-A	BIAS BOARD, COMPLETE (DB780: AEP, UK)		Q631	8-729-026-08	TRANSISTOR	2SC4495
352	A-4729-551-A	BIAS BOARD, COMPLETE (DA1ES: CND)		#1	7-685-646-79	SCREW +BVTP 3X8 TYPE2 IT-3	
Q431	8-729-026-08	TRANSISTOR	2SC4495				

6-9. MAIN BOARD SECTION



Ref. No.	Part No.	Description	Remark	Ref. No.	Part No.	Description	Remark
401	A-4729-146-A	MAIN BOARD, COMPLETE (DA1ES: US)		Q453	6-702-391-01	IC MP1620-OPY-MK	
401	A-4729-147-A	MAIN BOARD, COMPLETE (DB780: SP, MY, TW, KR, CH)		Q502	6-702-390-01	IC MN2488-OPY-MK	
401	A-4729-148-A	MAIN BOARD, COMPLETE (DB780: AEP, UK)		Q503	6-702-391-01	IC MP1620-OPY-MK	
401	A-4729-550-A	MAIN BOARD, COMPLETE (DA1ES: CND)		Q552	6-702-390-01	IC MN2488-OPY-MK	
Q402	6-702-390-01	IC MN2488-OPY-MK		Q553	6-702-391-01	IC MP1620-OPY-MK	
Q403	6-702-391-01	IC MP1620-OPY-MK		Q602	6-702-390-01	IC MN2488-OPY-MK	
Q452	6-702-390-01	IC MN2488-OPY-MK		Q603	6-702-391-01	IC MP1620-OPY-MK	

6-10. FOOT SECTION



Ref. No.	Part No.	Description	Remark	Ref. No.	Part No.	Description	Remark
* 451	3-225-496-01	CLAMP (FLAT CLAMP 45)		453	4-985-642-01	CUSHION	
452	X-4953-882-2	FOOT ASSY (DB780: AEP, UK)		* 454	3-703-044-26	LABEL, CAUTION (DA1ES)	
452	X-4953-883-2	FOOT ASSY (DA1ES)		#1	7-685-646-79	SCREW +BVTP 3X8 TYPE2 IT-3	
452	X-4953-884-2	FOOT ASSY (DB780: SP, MY, TW, KR, CH)		#3	7-685-885-09	SCREW +BVTT 4X16 (S)	

SECTION 8 ELECTRICAL PARTS LIST

AC	BIAS
-----------	-------------

NOTE:

- Due to standardization, replacements in the parts list may be different from the parts specified in the diagrams or the components used on the set.
- -XX and -X mean standardized parts, so they may have some difference from the original one.
- **RESISTORS**
All resistors are in ohms.
METAL: Metal-film resistor.
METAL OXIDE: Metal oxide-film resistor.
F: nonflammable
- Abbreviation
CH : Chinese model MY : Malaysia model
CND : Canadian model SP : Singapore model
KR : Korean model TW : Taiwan model

- Items marked “*” are not stocked since they are seldom required for routine service. Some delay should be anticipated when ordering these items.
- **SEMICONDUCTORS**
In each case, u: μ , for example:
uA. . : μ A. . uPA. . : μ PA. .
uPB. . : μ PB. . uPC. . : μ PC. .
uPD. . : μ PD. .
- **CAPACITORS**
uF: μ F
- **COILS**
uH: μ H

The components identified by mark Δ or dotted line with mark Δ are critical for safety. Replace only with part number specified.

Les composants identifiés par une marque Δ sont critiques pour la sécurité. Ne les remplacer que par une pièce portant le numéro spécifié.

以阴影和 Δ 标志来识别的零部件，在安全方面具有关键性。因此只能以规定号码的零部件来更换。

When indicating parts by reference number, please include the board.

Ref. No.	Part No.	Description	Remark	Ref. No.	Part No.	Description	Remark
	A-4729-117-A	AC BOARD, COMPLETE (DA1ES)					
	A-4729-118-A	AC BOARD, COMPLETE (DB780: SP, MY)				< TRANSISTOR >	
	A-4729-119-A	AC BOARD, COMPLETE (DB780: KR)					
	A-4729-120-A	AC BOARD, COMPLETE (DB780: TW)		Q51	8-729-119-78	TRANSISTOR	2SC2785-HFE
	A-4729-121-A	AC BOARD, COMPLETE (DB780: AEP, UK)		Q54	8-729-119-78	TRANSISTOR	2SC2785-HFE
	A-4729-548-A	AC BOARD, COMPLETE (DB780: CH) *****				< RESISTOR >	
	1-533-217-41	HOLDER, FUSE		Δ R1	1-219-237-11	SOLID	3.3M 20% 1/2W (DA1ES)
		< CAPACITOR >		R51	1-249-421-11	CARBON	2.2K 5% 1/4W
				R52	1-249-429-11	CARBON	10K 5% 1/4W
				R53	1-249-415-11	CARBON	680 5% 1/4W
Δ C3	1-117-703-11	CERAMIC	0.0047uF 99% 250V (DB780: AEP, UK)	R54	1-249-437-11	CARBON	47K 5% 1/4W
C51	1-126-768-11	ELECT	2200uF 20% 16V (EXCEPT DB780: AEP, UK)	R55	1-249-435-11	CARBON	33K 5% 1/4W
C51	1-127-722-51	ELECT	2200uF 20% 16V (DB780: AEP, UK)	R56	1-249-429-11	CARBON	10K 5% 1/4W
						< RELAY >	
C52	1-136-287-11	MYLAR	0.0047uF 5% 50V	Δ RY1	1-755-298-11	RELAY	
C53	1-137-465-11	MYLAR	0.056uF 5% 50V			< TRANSFORMER >	
				Δ T2	1-435-435-11	TRANSFORMER, POWER (EXCEPT DA1ES/DB780: TW)	
		< CONNECTOR >		Δ T2	1-435-436-11	TRANSFORMER, POWER (EXCEPT DA1ES/DB780: TW)	
* CN1	1-565-792-11	PIN, CONNECTOR (3.96mm PITCH) 2P		Δ T2	1-435-563-11	TRANSFORMER, POWER (DB780: TW)	
CN2	1-564-321-00	PIN, CONNECTOR (3.96mm PITCH) 2P				*****	
		< JACK >				A-4729-149-A BIAS BOARD, COMPLETE (DA1ES: US)	
Δ CNJ1	1-785-285-11	OUTLET, AC (1P) (AC OUTLET) (DB780: SP, MY)				A-4729-150-A BIAS BOARD, COMPLETE (DB780: SP, MY, TW, KR, CH)	
Δ CNJ1	1-785-834-11	OUTLET (1P) (AC OUTLET) (DA1ES/DB780: TW)				A-4729-151-A BIAS BOARD, COMPLETE (DB780: AEP, UK)	
						A-4729-551-A BIAS BOARD, COMPLETE (DA1ES: CND)	

		< DIODE >				< CAPACITOR >	
D51	8-719-911-19	DIODE	1SS119-25				
D52	8-719-911-19	DIODE	1SS119-25	C431	1-128-840-11	ELECT	47uF 20% 16V (EXCEPT DB780: AEP, UK)
D53	8-719-911-19	DIODE	1SS119-25	C431	1-135-708-11	ELECT	47uF 16V (DB780: AEP, UK)
D54	8-719-210-21	DIODE	11EQS04				
D55	8-719-210-21	DIODE	11EQS04	C432	1-128-813-11	CERAMIC	220PF 5% 50V
				C433	1-136-153-00	FILM	0.01uF 5% 50V
D56	8-719-210-21	DIODE	11EQS04	C434	1-126-964-11	ELECT	10uF 20% 50V (DA1ES)
D57	8-719-210-21	DIODE	11EQS04				
		< TERMINAL >		C434	1-119-824-11	ELECT	10uF 20% 50V (DB780)
* EB1	1-537-738-21	TERMINAL, EARTH (DA1ES)					
* EB51	1-537-738-21	TERMINAL, EARTH					

BIAS

Ref. No.	Part No.	Description	Remark			Ref. No.	Part No.	Description	Remark		
R443	1-249-437-11	CARBON	47K	5%	1/4W	R583	1-249-417-11	CARBON	1K	5%	1/4W
R444	1-249-437-11	CARBON	47K	5%	1/4W						(EXCEPT DB780: AEP, UK)
R445	1-249-433-11	CARBON	22K	5%	1/4W	R584	1-243-139-22	CARBON	10K	5%	1/4W
R482	1-243-131-22	CARBON	4.7K	5%	1/4W						(DB780: AEP, UK)
R482	1-249-425-11	CARBON	4.7K	5%	1/4W	R584	1-249-429-11	CARBON	10K	5%	1/4W
											(EXCEPT DB780: AEP, UK)
R483	1-243-115-22	CARBON	1K	5%	1/4W	△R585	1-240-855-11	CARBON	6.2K	5%	1/4W F
						R586	1-249-425-11	CARBON	4.7K	5%	1/4W
R483	1-249-417-11	CARBON	1K	5%	1/4W	R587	1-249-420-11	CARBON	1.8K	5%	1/4W
						R588	1-249-439-11	CARBON	68K	5%	1/4W
R484	1-243-139-22	CARBON	10K	5%	1/4W	R589	1-249-431-11	CARBON	15K	5%	1/4W
											(EXCEPT DB780: AEP, UK)
R484	1-249-429-11	CARBON	10K	5%	1/4W	R590	1-247-837-11	CARBON	1.8K	5%	1/4W
											(DB780)
△R485	1-240-855-11	CARBON	6.2K	5%	1/4W F	R590	1-247-838-11	CARBON	2K	5%	1/4W
											(DA1ES)
R486	1-249-425-11	CARBON	4.7K	5%	1/4W	R591	1-249-433-11	CARBON	22K	5%	1/4W
R487	1-249-420-11	CARBON	1.8K	5%	1/4W	R592	1-249-431-11	CARBON	15K	5%	1/4W
R488	1-249-439-11	CARBON	68K	5%	1/4W	R593	1-249-437-11	CARBON	47K	5%	1/4W
R489	1-249-431-11	CARBON	15K	5%	1/4W						
R490	1-247-837-11	CARBON	1.8K	5%	1/4W	R594	1-249-437-11	CARBON	47K	5%	1/4W
						R595	1-249-433-11	CARBON	22K	5%	1/4W
						R632	1-243-131-22	CARBON	4.7K	5%	1/4W
											(DB780: AEP, UK)
R490	1-247-838-11	CARBON	2K	5%	1/4W	R632	1-249-425-11	CARBON	4.7K	5%	1/4W
											(EXCEPT DB780: AEP, UK)
R491	1-249-433-11	CARBON	22K	5%	1/4W	R633	1-243-115-22	CARBON	1K	5%	1/4W
R492	1-249-431-11	CARBON	15K	5%	1/4W						(DB780: AEP, UK)
R493	1-249-437-11	CARBON	47K	5%	1/4W						
R494	1-249-437-11	CARBON	47K	5%	1/4W	R633	1-249-417-11	CARBON	1K	5%	1/4W
											(EXCEPT DB780: AEP, UK)
R495	1-249-433-11	CARBON	22K	5%	1/4W	R634	1-243-139-22	CARBON	10K	5%	1/4W
R532	1-243-131-22	CARBON	4.7K	5%	1/4W						(DB780: AEP, UK)
						R634	1-249-429-11	CARBON	10K	5%	1/4W
R532	1-249-425-11	CARBON	4.7K	5%	1/4W						(EXCEPT DB780: AEP, UK)
						△R635	1-240-855-11	CARBON	6.2K	5%	1/4W F
R533	1-243-115-22	CARBON	1K	5%	1/4W	R636	1-249-425-11	CARBON	4.7K	5%	1/4W
											(DB780: AEP, UK)
R533	1-249-417-11	CARBON	1K	5%	1/4W	R637	1-249-420-11	CARBON	1.8K	5%	1/4W
						R638	1-249-439-11	CARBON	68K	5%	1/4W
						R639	1-249-431-11	CARBON	15K	5%	1/4W
R534	1-243-139-22	CARBON	10K	5%	1/4W	R640	1-247-837-11	CARBON	1.8K	5%	1/4W
											(DB780)
R534	1-249-429-11	CARBON	10K	5%	1/4W	R640	1-247-838-11	CARBON	2K	5%	1/4W
											(DA1ES)
△R535	1-240-855-11	CARBON	6.2K	5%	1/4W F						
R536	1-249-425-11	CARBON	4.7K	5%	1/4W	R641	1-249-433-11	CARBON	22K	5%	1/4W
R537	1-249-420-11	CARBON	1.8K	5%	1/4W	R642	1-249-431-11	CARBON	15K	5%	1/4W
						R643	1-249-437-11	CARBON	47K	5%	1/4W
R538	1-249-439-11	CARBON	68K	5%	1/4W	R644	1-249-437-11	CARBON	47K	5%	1/4W
R539	1-249-431-11	CARBON	15K	5%	1/4W	R645	1-249-433-11	CARBON	22K	5%	1/4W
R540	1-247-837-11	CARBON	1.8K	5%	1/4W						
						R801	1-249-433-11	CARBON	22K	5%	1/4W
						R802	1-249-417-11	CARBON	1K	5%	1/4W
R540	1-247-838-11	CARBON	2K	5%	1/4W	R803	1-249-433-11	CARBON	22K	5%	1/4W
						R804	1-249-429-11	CARBON	10K	5%	1/4W
						R805	1-249-429-11	CARBON	10K	5%	1/4W
R541	1-249-433-11	CARBON	22K	5%	1/4W						
R542	1-249-431-11	CARBON	15K	5%	1/4W	R806	1-249-433-11	CARBON	22K	5%	1/4W
R543	1-249-437-11	CARBON	47K	5%	1/4W	R807	1-249-429-11	CARBON	10K	5%	1/4W
R544	1-249-437-11	CARBON	47K	5%	1/4W	R810	1-249-429-11	CARBON	10K	5%	1/4W
R545	1-249-433-11	CARBON	22K	5%	1/4W	R811	1-247-895-00	CARBON	470K	5%	1/4W
R582	1-243-131-22	CARBON	4.7K	5%	1/4W						
											(DB780: AEP, UK)
R582	1-249-425-11	CARBON	4.7K	5%	1/4W						(EXCEPT DB780: AEP, UK)
R583	1-243-115-22	CARBON	1K	5%	1/4W						(DB780: AEP, UK)

The components identified by mark △ or dotted line with mark △ are critical for safety. Replace only with part number specified.

Les composants identifiés par une marque △ sont critiques pour la sécurité. Ne les remplacer que par une pièce portant le numéro spécifié.

以阴影和 △ 标志来识别的零部件，在安全方面具有关键性。因此只能以规定号码的零部件来更换。

STR-DA1ES/DB780

DC 1	DC 2	DIGITAL
------	------	---------

Ref. No.	Part No.	Description	Remark
	1-684-324-11	DC 1 BOARD *****	
		< CAPACITOR >	
C915	1-100-056-11	ELECT 12000uF 63V (EXCEPT DA1ES/DB780: UK)	
C915	1-100-376-11	ELECT 12000uF 63V (DB780: UK)	
C915	1-109-932-11	ELECT (BLOCK) 10000uF 20% 71V (DA1ES)	
C916	1-100-056-11	ELECT 12000uF 63V (EXCEPT DA1ES/DB780: UK)	
C916	1-100-376-11	ELECT 12000uF 63V (DB780: UK)	
C916	1-109-932-11	ELECT (BLOCK) 10000uF 20% 71V (DA1ES)	
C917	1-106-220-00	MYLAR 0.1uF 5% 100V (DB780: TW)	
C917	1-136-196-11	MYLAR 0.033uF 10% 250V (DA1ES)	
C917	1-137-350-11	MYLAR 0.015uF 10% 100V (EXCEPT DA1ES/DB780:TW)	
C918	1-106-220-00	MYLAR 0.1uF 5% 100V (DB780: TW)	
C918	1-136-196-11	MYLAR 0.033uF 10% 250V (DA1ES)	
C918	1-137-350-11	MYLAR 0.015uF 10% 100V (EXCEPT DA1ES/DB780:TW)	
		< DIODE >	
D914	8-719-505-60	DIODE S5VB60	

A-4729-124-A	DC 2 BOARD, COMPLETE (DA1ES)		
A-4729-125-A	DC 2 BOARD, COMPLETE (DB780: SP, MY, TW, KR, CH)		
A-4729-126-A	DC 2 BOARD, COMPLETE (DB780: AEP, UK)		

1-533-217-41	HOLDER, FUSE		
	< CAPACITOR >		
C901	1-126-947-11	ELECT 47uF 20% 16V	
C902	1-127-732-51	ELECT 2200uF 20% 35V (DB780: SP, MY, TW, KR, CH)	
C902	1-126-953-11	ELECT 2200uF 20% 35V (DA1ES)	
C902	1-135-781-51	ELECT 2200uF 35V (DB780: AEP, UK)	
C903	1-126-952-11	ELECT 1000uF 20% 35V (DA1ES)	
C903	1-127-731-51	ELECT 1000uF 20% 35V (DB780: SP, MY, TW, KR, CH)	
C903	1-135-780-51	ELECT 1000uF 35V (DB780: AEP, UK)	
C904	1-126-967-11	ELECT 47uF 20% 50V	
C905	1-126-947-11	ELECT 47uF 20% 16V	
C906	1-126-967-11	ELECT 47uF 20% 50V	
C907	1-127-723-51	ELECT 4700uF 20% 16V (EXCEPT DB780: AEP, UK)	
C907	1-135-696-11	ELECT 4700uF 16V (DB780: AEP, UK)	

Ref. No.	Part No.	Description	Remark
C908	1-126-767-11	ELECT 1000uF 20% 16V	
C909	1-128-554-11	ELECT 330uF 20% 63V	
C912	1-126-947-11	ELECT 47uF 20% 16V	
C920	1-162-306-11	CERAMIC 0.01uF 30% 16V	
	< CONNECTOR >		
CN904	1-784-921-11	PIN, CONNECTOR 4P	
CN905	1-785-101-11	PIN, CONNECTOR (3.96mm PITCH) 3P	
CN906	1-691-768-11	PLUG (MICRO CONNECTOR) 6P	
CN907	1-564-510-11	PLUG (MICRO CONNECTOR) 6P	
CN909	1-785-103-11	PIN, CONNECTOR (3.96mm PITCH) 5P	
	< DIODE >		
D901	8-719-109-89	DIODE RD5.6ESB2	
D902	8-719-983-93	DIODE MTZJ-T-72-36C	
D903	8-719-024-99	DIODE 11ES2-NTA2B	
D904	8-719-024-99	DIODE 11ES2-NTA2B	
D905	8-719-024-99	DIODE 11ES2-NTA2B	
D906	8-719-024-99	DIODE 11ES2-NTA2B	
D907	8-719-160-29	DIODE RD6.2FB2	
D908	8-719-510-53	DIODE D4SB60L	
D909	8-719-024-99	DIODE 11ES2-NTA2B	
D912	8-719-024-99	DIODE 11ES2-NTA2B	
D913	8-719-024-99	DIODE 11ES2-NTA2B	
	< TERMINAL >		
* EB902	1-537-738-21	TERMINAL, EARTH	
	< TRANSISTOR >		
Q902	8-729-041-38	TRANSISTOR 2SB1241-Q-TV2	
Q903	8-729-041-38	TRANSISTOR 2SB1241-Q-TV2	
	< RESISTOR >		
R902	1-249-433-11	CARBON 22K 5% 1/4W	
R903	1-249-421-11	CARBON 2.2K 5% 1/4W	
R904	1-249-429-11	CARBON 10K 5% 1/4W	
△R909	1-249-385-11	CARBON 2.2 5% 1/6W F	
△R910	1-249-385-11	CARBON 2.2 5% 1/6W F	
△R911	1-216-349-81	METAL OXIDE 1 5% 1W F	
△R912	1-216-349-81	METAL OXIDE 1 5% 1W F	
	< SWITCH >		
S901	1-771-876-11	SWITCH, POWER (IMPEDANCE SELECTOR)	

A-4729-168-A	DIGITAL BOARD, COMPLETE (DA1ES)		
A-4729-169-A	DIGITAL BOARD, COMPLETE (DB780: SP, MY, TW, KR, CH)		
A-4729-170-A	DIGITAL BOARD, COMPLETE (DB780: AEP, UK)		

7-685-646-79	SCREW +BVTP 3X8 TYPE2 IT-3		
	< CAPACITOR >		
C1101	1-164-156-11	CERAMIC CHIP 0.1uF 25V	
C1102	1-126-947-11	ELECT 47uF 20% 16V (DA1ES)	

The components identified by mark △ or dotted line with mark △ are critical for safety. Replace only with part number specified.	Les composants identifiés par une marque △ sont critiques pour la sécurité. Ne les remplacer que par une pièce portant le numéro spécifié.	以阴影和 △ 标志来识别的零部件，在安全方面具有关键性。因此只能以规定号码的零部件来更换。
--	--	---

DIGITAL

Ref. No.	Part No.	Description	Remark	Ref. No.	Part No.	Description	Remark
C1102	1-128-840-11	ELECT	47uF 20% 16V (DB780)	C1214	1-164-156-11	CERAMIC CHIP	0.1uF 25V
C1103	1-164-156-11	CERAMIC CHIP	0.1uF 25V	C1216	1-162-927-11	CERAMIC CHIP	100PF 5% 50V
C1104	1-162-974-11	CERAMIC CHIP	0.01uF 50V	C1218	1-162-927-11	CERAMIC CHIP	100PF 5% 50V
C1105	1-126-947-11	ELECT	47uF 20% 16V (DA1ES)	C1219	1-164-156-11	CERAMIC CHIP	0.1uF 25V
C1105	1-128-840-11	ELECT	47uF 20% 16V (DB780)	C1220	1-162-927-11	CERAMIC CHIP	100PF 5% 50V
C1106	1-164-156-11	CERAMIC CHIP	0.1uF 25V	C1221	1-164-156-11	CERAMIC CHIP	0.1uF 25V (DB780: AEP, UK)
C1107	1-162-974-11	CERAMIC CHIP	0.01uF 50V	C1227	1-164-156-11	CERAMIC CHIP	0.1uF 25V
C1108	1-164-156-11	CERAMIC CHIP	0.1uF 25V	C1229	1-164-156-11	CERAMIC CHIP	0.1uF 25V
C1109	1-162-918-11	CERAMIC CHIP	18PF 5% 50V	C1230	1-164-156-11	CERAMIC CHIP	0.1uF 25V
C1110	1-162-918-11	CERAMIC CHIP	18PF 5% 50V	C1231	1-164-156-11	CERAMIC CHIP	0.1uF 25V
C1111	1-164-156-11	CERAMIC CHIP	0.1uF 25V	C1309	1-164-156-11	CERAMIC CHIP	0.1uF 25V
C1112	1-162-974-11	CERAMIC CHIP	0.01uF 50V	C1310	1-164-156-11	CERAMIC CHIP	0.1uF 25V
C1113	1-164-156-11	CERAMIC CHIP	0.1uF 25V	C1311	1-164-156-11	CERAMIC CHIP	0.1uF 25V
C1114	1-162-905-11	CERAMIC CHIP	1PF 0.25PF 50V	C1312	1-164-156-11	CERAMIC CHIP	0.1uF 25V
C1115	1-162-923-11	CERAMIC CHIP	47PF 5% 50V	C1501	1-106-347-00	MYLAR	1500PF 5% 200V
C1116	1-126-935-11	ELECT	470uF 20% 10V (DA1ES)	C1502	1-126-965-11	ELECT	22uF 20% 50V (DA1ES)
C1116	1-128-834-11	ELECT	470uF 20% 10V (DB780)	C1502	1-128-858-11	ELECT	22uF 20% 50V (DB780)
C1117	1-164-156-11	CERAMIC CHIP	0.1uF 25V	C1503	1-164-156-11	CERAMIC CHIP	0.1uF 25V
C1118	1-115-416-11	CERAMIC CHIP	0.001uF 5% 25V	C1504	1-119-824-11	ELECT	10uF 20% 50V (DB780)
C1119	1-126-965-11	ELECT	22uF 20% 50V (DA1ES)	C1504	1-126-964-11	ELECT	10uF 20% 50V (DA1ES)
C1119	1-128-858-11	ELECT	22uF 20% 50V (DB780)	C1505	1-164-156-11	CERAMIC CHIP	0.1uF 25V
C1120	1-164-156-11	CERAMIC CHIP	0.1uF 25V	C1506	1-126-935-11	ELECT	470uF 20% 16V (DA1ES)
C1121	1-164-156-11	CERAMIC CHIP	0.1uF 25V	C1506	1-127-720-11	ELECT	470uF 20% 16V (DB780)
C1122	1-164-156-11	CERAMIC CHIP	0.1uF 25V	C1507	1-119-824-11	ELECT	10uF 20% 50V (DB780)
C1123	1-164-156-11	CERAMIC CHIP	0.1uF 25V	C1507	1-126-964-11	ELECT	10uF 20% 50V (DA1ES)
C1124	1-164-156-11	CERAMIC CHIP	0.1uF 25V	C1508	1-164-156-11	CERAMIC CHIP	0.1uF 25V
C1126	1-119-824-11	ELECT	10uF 20% 50V (DB780)	C1509	1-164-156-11	CERAMIC CHIP	0.1uF 25V
C1126	1-126-964-11	ELECT	10uF 20% 50V (DA1ES)	C1510	1-126-947-11	ELECT	47uF 20% 16V (DA1ES)
C1127	1-164-156-11	CERAMIC CHIP	0.1uF 25V	C1510	1-128-840-11	ELECT	47uF 20% 16V (DB780)
C1129	1-115-416-11	CERAMIC CHIP	0.001uF 5% 25V	C1512	1-127-573-11	CERAMIC CHIP	1uF 10% 16V
C1130	1-164-156-11	CERAMIC CHIP	0.1uF 25V	C1513	1-164-156-11	CERAMIC CHIP	0.1uF 25V
C1131	1-162-927-11	CERAMIC CHIP	100PF 5% 50V	C1514	1-164-156-11	CERAMIC CHIP	0.1uF 25V
C1201	1-164-156-11	CERAMIC CHIP	0.1uF 25V	C1515	1-119-824-11	ELECT	10uF 20% 50V (DB780)
C1202	1-164-156-11	CERAMIC CHIP	0.1uF 25V	C1515	1-126-964-11	ELECT	10uF 20% 50V (DA1ES)
C1203	1-164-156-11	CERAMIC CHIP	0.1uF 25V	C1523	1-126-965-11	ELECT	22uF 20% 50V (DA1ES)
C1204	1-164-156-11	CERAMIC CHIP	0.1uF 25V	C1523	1-128-858-11	ELECT	22uF 20% 50V (DB780)
C1205	1-164-156-11	CERAMIC CHIP	0.1uF 25V	C1524	1-126-965-11	ELECT	22uF 20% 50V (DA1ES)
C1206	1-164-156-11	CERAMIC CHIP	0.1uF 25V	C1524	1-128-858-11	ELECT	22uF 20% 50V (DB780)
C1207	1-164-156-11	CERAMIC CHIP	0.1uF 25V	C1525	1-126-965-11	ELECT	22uF 20% 50V (DA1ES)
C1208	1-164-156-11	CERAMIC CHIP	0.1uF 25V	C1525	1-128-858-11	ELECT	22uF 20% 50V (DB780)
C1209	1-164-156-11	CERAMIC CHIP	0.1uF 25V	C1526	1-126-965-11	ELECT	22uF 20% 50V (DA1ES)
C1210	1-164-156-11	CERAMIC CHIP	0.1uF 25V				
C1211	1-126-935-11	ELECT	470uF 20% 10V (DA1ES)				
C1211	1-128-834-11	ELECT	470uF 20% 10V (DB780)				
C1212	1-126-935-11	ELECT	470uF 20% 10V (DA1ES)				
C1212	1-128-834-11	ELECT	470uF 20% 10V (DB780)				
C1213	1-164-156-11	CERAMIC CHIP	0.1uF 25V				

STR-DA1ES/DB780

DIGITAL

Ref. No.	Part No.	Description	Remark	Ref. No.	Part No.	Description	Remark
C1526	1-128-858-11	ELECT	22uF 20% 50V (DB780)	C1910	1-127-720-11	ELECT 470uF 20% 16V (DB780)	
C1527	1-126-965-11	ELECT	22uF 20% 50V (DA1ES)	C1911	1-164-156-11	CERAMIC CHIP 0.1uF 25V	
C1527	1-128-858-11	ELECT	22uF 20% 50V (DB780)	C1912	1-126-935-11	ELECT 470uF 20% 16V (DA1ES)	
C1528	1-126-965-11	ELECT	22uF 20% 50V (DA1ES)	C1912	1-127-720-11	ELECT 470uF 20% 16V (DB780)	
C1528	1-128-858-11	ELECT	22uF 20% 50V (DB780)	C1913	1-164-156-11	CERAMIC CHIP 0.1uF 25V	
C1551	1-106-347-00	MYLAR	1500PF 5% 200V	C1914	1-126-947-11	ELECT 47uF 20% 16V (DA1ES)	
C1552	1-126-965-11	ELECT	22uF 20% 50V (DA1ES)	C1914	1-128-840-11	ELECT 47uF 20% 16V (DB780)	
C1552	1-128-858-11	ELECT	22uF 20% 50V (DB780)	C1915	1-128-840-11	ELECT 47uF 20% 16V (DB780: AEP, UK)	
C1601	1-164-156-11	CERAMIC CHIP	0.1uF 25V	C1916	1-164-156-11	CERAMIC CHIP 0.1uF 25V	
C1602	1-164-156-11	CERAMIC CHIP	0.1uF 25V	C1917	1-164-156-11	CERAMIC CHIP 0.1uF 25V	
C1603	1-164-156-11	CERAMIC CHIP	0.1uF 25V	C1918	1-126-947-11	ELECT 47uF 20% 16V (DA1ES)	
C1604	1-164-156-11	CERAMIC CHIP	0.1uF 25V	C1918	1-128-840-11	ELECT 47uF 20% 16V (DB780)	
C1605	1-164-156-11	CERAMIC CHIP	0.1uF 25V			< CONNECTOR >	
C1606	1-126-947-11	ELECT	47uF 20% 16V (DA1ES)	CN1109	1-691-765-21	PLUG (MICRO CONNECTOR) 3P	
C1606	1-128-840-11	ELECT	47uF 20% 16V (DB780)			< CONNECTOR >	
C1608	1-162-974-11	CERAMIC CHIP	0.01uF 50V	CNP5	1-691-765-11	PLUG (MICRO CONNECTOR) 3P	
C1609	1-162-974-11	CERAMIC CHIP	0.01uF 50V	CNP6	1-779-977-11	PIN, CONNECTOR 6P	
C1610	1-162-974-11	CERAMIC CHIP	0.01uF 50V	CNP9	1-779-978-11	PIN, CONNECTOR 3P	
C1611	1-162-974-11	CERAMIC CHIP	0.01uF 50V	CNS1	1-569-815-11	CONNECTOR, BOARD TO BOARD 21P	
C1612	1-164-156-11	CERAMIC CHIP	0.1uF 25V	CNS2	1-569-815-11	CONNECTOR, BOARD TO BOARD 21P	
C1613	1-162-995-11	CERAMIC CHIP	0.022uF 50V	CNS3	1-784-923-11	PIN, CONNECTOR 7P	
C1614	1-162-995-11	CERAMIC CHIP	0.022uF 50V	CNS4	1-784-753-11	CONNECTOR, FFC 31P	
C1615	1-162-995-11	CERAMIC CHIP	0.022uF 50V	CNS7	1-568-830-11	CONNECTOR, FFC 11P	(EXCEPT DB780: AEP, UK)
C1616	1-162-995-11	CERAMIC CHIP	0.022uF 50V	CNS7	1-784-776-11	CONNECTOR, FFC 15P (DB780: AEP, UK)	
C1617	1-162-974-11	CERAMIC CHIP	0.01uF 50V	CNS8	1-568-830-11	CONNECTOR, FFC 11P	
C1618	1-164-156-11	CERAMIC CHIP	0.1uF 25V			< DIODE >	
C1619	1-164-156-11	CERAMIC CHIP	0.1uF 25V	D1001	8-719-016-74	DIODE 1SS352	
C1620	1-164-156-11	CERAMIC CHIP	0.1uF 25V	D1101	8-719-016-74	DIODE 1SS352	
C1626	1-164-156-11	CERAMIC CHIP	0.1uF 25V	D1501	8-719-049-09	DIODE 1SS367-T3SONY	
C1627	1-119-824-11	ELECT	10uF 20% 50V (DB780)	D1502	8-719-049-09	DIODE 1SS367-T3SONY	
C1627	1-126-964-11	ELECT	10uF 20% 50V (DA1ES)	D1601	8-719-016-74	DIODE 1SS352	
C1631	1-164-156-11	CERAMIC CHIP	0.1uF 25V	D1603	8-719-016-74	DIODE 1SS352	
C1632	1-164-156-11	CERAMIC CHIP	0.1uF 25V	D1905	8-719-053-18	DIODE 1SR154-400TE-25	
C1634	1-164-156-11	CERAMIC CHIP	0.1uF 25V	D1906	8-719-053-18	DIODE 1SR154-400TE-25	
C1635	1-164-156-11	CERAMIC CHIP	0.1uF 25V	D1907	8-719-053-18	DIODE 1SR154-400TE-25	
C1658	1-162-974-11	CERAMIC CHIP	0.01uF 50V			< FERRITE BEAD >	
C1659	1-162-974-11	CERAMIC CHIP	0.01uF 50V	FB1101	1-414-813-11	FERRITE 0uH	
C1905	1-164-156-11	CERAMIC CHIP	0.1uF 25V	FB1102	1-414-813-11	FERRITE 0uH	
C1906	1-126-935-11	ELECT	470uF 20% 16V (DA1ES)	FB1104	1-469-152-11	FERRITE 0uH	
C1906	1-127-720-11	ELECT	470uF 20% 16V (DB780)	FB1105	1-469-152-11	FERRITE 0uH	
C1908	1-126-935-11	ELECT	470uF 20% 16V (DA1ES)	FB1109	1-414-813-11	FERRITE 0uH	
C1908	1-127-720-11	ELECT	470uF 20% 16V (DB780)	FB1201	1-414-813-11	FERRITE 0uH	
C1909	1-164-156-11	CERAMIC CHIP	0.1uF 25V	FB1202	1-469-450-21	FERRITE 0uH	
C1910	1-126-935-11	ELECT	470uF 20% 16V (DA1ES)	FB1203	1-469-152-11	FERRITE 0uH	
				FB1204	1-469-152-11	FERRITE 0uH	
				FB1501	1-414-813-11	FERRITE 0uH	

DIGITAL

Ref. No.	Part No.	Description	Remark	Ref. No.	Part No.	Description	Remark
FB1502	1-414-813-11	FERRITE	OuH				
FB1601	1-414-813-11	FERRITE	OuH				
FB1602	1-414-813-11	FERRITE	OuH				
FB1603	1-414-813-11	FERRITE	OuH				
		< IC >					
IC1101	8-759-825-15	IC LC89056W-E					
IC1102	8-759-242-70	IC TC7WU04F					
IC1103	8-759-926-17	IC TC74HC153AF (EL)					
IC1104	6-600-014-01	IC TORX141L (DIGITAL DVD/LD OPTICAL IN)					
IC1105	6-600-014-01	IC TORX141L (DIGITAL TV/SAT OPTICAL IN)					
IC1106	6-600-014-01	IC TORX141L(DIGITAL MD/TAPE OPTICAL IN)					
IC1107	6-600-012-11	IC TOTX141L (RED) (DIGITAL MD/TAPE OPTICAL OUT)					
IC1201	6-702-392-01	IC CXD9617R-K					
IC1202	8-759-538-16	IC IDT71V016S15PH-AUTL					
IC1501	6-702-411-01	IC AK4527K					
IC1502	8-759-710-97	IC NJM4565M-D					
IC1503	8-759-231-53	IC TA7805S					
IC1552	8-759-710-97	IC NJM4565M-D					
IC1601	6-801-841-01	IC MB90478PFV-G-123-BND					
IC1602	6-702-913-01	IC S-80929CNMC-G8Z-T2					
IC1604	8-759-641-86	IC BR24C16F-E2					
IC1901	6-701-887-01	IC SI-3001KWF					
IC1902	8-759-604-32	IC M5F7810L					
IC1903	8-759-647-11	IC uPC2905HF					
IC1904	8-759-647-10	IC uPC2933HF					
IC1905	8-759-445-59	IC BA033T (DB780: AEP, UK)					
IC1906	8-759-231-53	IC TA7805S					
		< JACK >					
J1101	1-794-972-11	JACK, PIN 1P (DIGITAL ASSIGNABLE COAXIAL IN (DVD/LD CD/SACD))					
		< RESISTOR >					
JR1103	1-216-295-11	SHORT CHIP	0				
JR1104	1-216-295-11	SHORT CHIP	0				
JR1112	1-216-295-11	SHORT CHIP	0 (EXCEPT DB780: AEP, UK)				
JR1113	1-216-295-11	SHORT CHIP	0 (EXCEPT DB780: AEP, UK)				
JR1114	1-216-295-11	SHORT CHIP	0 (EXCEPT DB780: AEP, UK)				
JR1116	1-216-295-11	SHORT CHIP	0				
JR1121	1-216-295-11	SHORT CHIP	0				
JR1123	1-216-295-11	SHORT CHIP	0				
JR1200	1-216-809-11	METAL CHIP	100	5%	1/16W		
JR1210	1-211-950-11	SHORT CHIP	0				
JR1688	1-216-295-11	SHORT CHIP	0				
		< SHORT >					
L1901	1-216-295-11	SHORT CHIP	0				
		< TRANSISTOR >					
Q1601	8-729-027-43	TRANSISTOR	DTC114EKA-T146				
Q1602	8-729-230-49	TRANSISTOR	2SC2712-YG				
Q1607	8-729-230-49	TRANSISTOR	2SC2712-YG				
		< RESISTOR >					
R1100	1-216-857-11	METAL CHIP	1M	5%	1/16W		
R1101	1-216-833-11	METAL CHIP	10K	5%	1/16W		
R1102	1-216-833-11	METAL CHIP	10K	5%	1/16W		
R1104	1-216-809-11	METAL CHIP	100	5%	1/16W		
R1105	1-216-829-11	METAL CHIP	4.7K	5%	1/16W		
R1106	1-216-839-11	METAL CHIP	33K	5%	1/16W		
R1107	1-216-830-11	METAL CHIP	5.6K	5%	1/16W		
R1108	1-216-809-11	METAL CHIP	100	5%	1/16W		
R1109	1-216-809-11	METAL CHIP	100	5%	1/16W		
R1110	1-216-821-11	METAL CHIP	1K	5%	1/16W		
R1111	1-216-821-11	METAL CHIP	1K	5%	1/16W		
R1112	1-216-809-11	METAL CHIP	100	5%	1/16W		
R1113	1-216-821-11	METAL CHIP	1K	5%	1/16W		
R1114	1-216-809-11	METAL CHIP	100	5%	1/16W		
R1115	1-216-833-11	METAL CHIP	10K	5%	1/16W		
R1116	1-218-285-11	RES-CHIP	75	5%	1/10W		
R1117	1-216-821-11	METAL CHIP	1K	5%	1/16W		
R1118	1-216-854-11	METAL CHIP	560K	5%	1/16W		
R1119	1-216-837-11	METAL CHIP	22K	5%	1/16W		
R1120	1-216-809-11	METAL CHIP	100	5%	1/16W		
R1121	1-216-809-11	METAL CHIP	100	5%	1/16W		
R1122	1-216-809-11	METAL CHIP	100	5%	1/16W		
R1123	1-216-809-11	METAL CHIP	100	5%	1/16W		
R1124	1-216-809-11	METAL CHIP	100	5%	1/16W		
R1127	1-216-809-11	METAL CHIP	100	5%	1/16W		
R1201	1-216-833-11	METAL CHIP	10K	5%	1/16W		
R1203	1-216-833-11	METAL CHIP	10K	5%	1/16W		
R1204	1-216-821-11	METAL CHIP	1K	5%	1/16W		
R1205	1-216-809-11	METAL CHIP	100	5%	1/16W		
R1206	1-216-809-11	METAL CHIP	100	5%	1/16W		
R1207	1-216-809-11	METAL CHIP	100	5%	1/16W		
R1208	1-216-809-11	METAL CHIP	100	5%	1/16W		
R1210	1-216-833-11	METAL CHIP	10K	5%	1/16W		
R1212	1-216-813-11	METAL CHIP	220	5%	1/16W		
R1213	1-216-813-11	METAL CHIP	220	5%	1/16W		
R1214	1-216-813-11	METAL CHIP	220	5%	1/16W		
R1215	1-216-813-11	METAL CHIP	220	5%	1/16W		
R1216	1-216-813-11	METAL CHIP	220	5%	1/16W		
R1217	1-216-813-11	METAL CHIP	220	5%	1/16W		
R1218	1-216-813-11	METAL CHIP	220	5%	1/16W		
R1219	1-216-813-11	METAL CHIP	220	5%	1/16W		
R1220	1-216-813-11	METAL CHIP	220	5%	1/16W		
R1221	1-216-813-11	METAL CHIP	220	5%	1/16W		
R1222	1-216-813-11	METAL CHIP	220	5%	1/16W		
R1304	1-216-841-11	METAL CHIP	47K	5%	1/16W		
R1305	1-216-841-11	METAL CHIP	47K	5%	1/16W		
R1308	1-216-821-11	METAL CHIP	1K	5%	1/16W		
R1314	1-216-295-11	SHORT CHIP	0				
R1364	1-216-295-11	SHORT CHIP	0				
R1501	1-216-815-11	METAL CHIP	330	5%	1/16W		
R1502	1-216-833-11	METAL CHIP	10K	5%	1/16W		
R1503	1-216-833-11	METAL CHIP	10K	5%	1/16W		
R1504	1-216-815-11	METAL CHIP	330	5%	1/16W		
R1505	1-216-835-11	METAL CHIP	15K	5%	1/16W		
R1506	1-216-843-11	METAL CHIP	68K	5%	1/16W		
R1507	1-216-830-11	METAL CHIP	5.6K	5%	1/16W		

STR-DA1ES/DB780

DIGITAL

Ref. No.	Part No.	Description	Remark	Ref. No.	Part No.	Description	Remark
R1508	1-216-845-11	METAL CHIP	100K 5% 1/16W	R1644	1-216-821-11	METAL CHIP	1K 5% 1/16W
R1509	1-216-809-11	METAL CHIP	100 5% 1/16W	R1645	1-216-821-11	METAL CHIP	1K 5% 1/16W
R1516	1-216-845-11	METAL CHIP	100K 5% 1/16W	R1646	1-216-821-11	METAL CHIP	1K 5% 1/16W
R1517	1-216-845-11	METAL CHIP	100K 5% 1/16W	R1647	1-216-821-11	METAL CHIP	1K 5% 1/16W
R1518	1-216-845-11	METAL CHIP	100K 5% 1/16W	R1648	1-216-821-11	METAL CHIP	1K 5% 1/16W
R1519	1-216-845-11	METAL CHIP	100K 5% 1/16W	R1649	1-216-821-11	METAL CHIP	1K 5% 1/16W
R1520	1-216-845-11	METAL CHIP	100K 5% 1/16W	R1650	1-216-833-11	METAL CHIP	10K 5% 1/16W
R1521	1-216-845-11	METAL CHIP	100K 5% 1/16W	R1651	1-216-833-11	METAL CHIP	10K 5% 1/16W
R1551	1-216-815-11	METAL CHIP	330 5% 1/16W	R1652	1-216-833-11	METAL CHIP	10K 5% 1/16W
R1552	1-216-833-11	METAL CHIP	10K 5% 1/16W	R1653	1-216-833-11	METAL CHIP	10K 5% 1/16W
R1553	1-216-833-11	METAL CHIP	10K 5% 1/16W	R1654	1-216-833-11	METAL CHIP	10K 5% 1/16W
R1554	1-216-815-11	METAL CHIP	330 5% 1/16W	R1655	1-216-833-11	METAL CHIP	10K 5% 1/16W
R1555	1-216-835-11	METAL CHIP	15K 5% 1/16W	R1656	1-216-833-11	METAL CHIP	10K 5% 1/16W
R1556	1-216-843-11	METAL CHIP	68K 5% 1/16W	R1657	1-216-833-11	METAL CHIP	10K 5% 1/16W
R1557	1-216-829-11	METAL CHIP	4.7K 5% 1/16W	R1658	1-216-809-11	METAL CHIP	100 5% 1/16W
R1600	1-216-829-11	METAL CHIP	4.7K 5% 1/16W	R1662	1-216-827-11	METAL CHIP	3.3K 5% 1/16W
R1601	1-216-821-11	METAL CHIP	1K 5% 1/16W	R1663	1-216-827-11	METAL CHIP	3.3K 5% 1/16W
R1602	1-216-829-11	METAL CHIP	4.7K 5% 1/16W	R1664	1-216-809-11	METAL CHIP	100 5% 1/16W
R1603	1-216-821-11	METAL CHIP	1K 5% 1/16W	R1665	1-216-809-11	METAL CHIP	100 5% 1/16W
R1604	1-216-809-11	METAL CHIP	100 5% 1/16W	R1667	1-216-821-11	METAL CHIP	1K 5% 1/16W
R1605	1-216-809-11	METAL CHIP	100 5% 1/16W	R1668	1-216-830-11	METAL CHIP	5.6K 5% 1/16W
R1606	1-216-821-11	METAL CHIP	1K 5% 1/16W	R1669	1-216-829-11	METAL CHIP	4.7K 5% 1/16W
R1607	1-216-821-11	METAL CHIP	1K 5% 1/16W	R1671	1-216-833-11	METAL CHIP	10K 5% 1/16W
R1608	1-216-821-11	METAL CHIP	1K 5% 1/16W	R1672	1-216-797-11	METAL CHIP	10 5% 1/16W
R1609	1-216-821-11	METAL CHIP	1K 5% 1/16W	R1673	1-216-821-11	METAL CHIP	1K 5% 1/16W
R1610	1-216-821-11	METAL CHIP	1K 5% 1/16W	R1674	1-216-821-11	METAL CHIP	1K 5% 1/16W
R1611	1-216-821-11	METAL CHIP	1K 5% 1/16W	R1675	1-216-833-11	METAL CHIP	10K 5% 1/16W
R1612	1-216-821-11	METAL CHIP	1K 5% 1/16W	R1676	1-216-821-11	METAL CHIP	1K 5% 1/16W
R1613	1-216-821-11	METAL CHIP	1K 5% 1/16W	R1677	1-216-821-11	METAL CHIP	1K 5% 1/16W
R1614	1-216-821-11	METAL CHIP	1K 5% 1/16W	R1678	1-216-821-11	METAL CHIP	1K 5% 1/16W
R1615	1-216-821-11	METAL CHIP	1K 5% 1/16W	R1679	1-216-821-11	METAL CHIP	1K 5% 1/16W
R1616	1-216-821-11	METAL CHIP	1K 5% 1/16W	R1680	1-216-821-11	METAL CHIP	1K 5% 1/16W
R1617	1-216-809-11	METAL CHIP	100 5% 1/16W	R1681	1-216-821-11	METAL CHIP	1K 5% 1/16W
R1618	1-216-809-11	METAL CHIP	100 5% 1/16W	R1682	1-216-845-11	METAL CHIP	100K 5% 1/16W
R1619	1-216-809-11	METAL CHIP	100 5% 1/16W	R1683	1-216-821-11	METAL CHIP	1K 5% 1/16W
R1621	1-216-821-11	METAL CHIP	1K 5% 1/16W	R1684	1-216-821-11	METAL CHIP	1K 5% 1/16W
R1622	1-216-833-11	METAL CHIP	10K 5% 1/16W	R1685	1-216-821-11	METAL CHIP	1K 5% 1/16W
R1623	1-216-821-11	METAL CHIP	1K 5% 1/16W	R1686	1-216-821-11	METAL CHIP	1K 5% 1/16W
R1624	1-216-833-11	METAL CHIP	10K 5% 1/16W	R1687	1-216-833-11	METAL CHIP	10K 5% 1/16W
R1625	1-216-833-11	METAL CHIP	10K 5% 1/16W	R1689	1-216-833-11	METAL CHIP	10K 5% 1/16W
R1626	1-216-833-11	METAL CHIP	10K 5% 1/16W	R1690	1-216-821-11	METAL CHIP	1K 5% 1/16W
R1627	1-216-833-11	METAL CHIP	10K 5% 1/16W	R1691	1-216-833-11	METAL CHIP	10K 5% 1/16W
R1628	1-216-833-11	METAL CHIP	10K 5% 1/16W	R1692	1-216-841-11	METAL CHIP	47K 5% 1/16W
R1629	1-216-833-11	METAL CHIP	10K 5% 1/16W	R1693	1-216-841-11	METAL CHIP	47K 5% 1/16W
R1630	1-216-833-11	METAL CHIP	10K 5% 1/16W	R1694	1-216-821-11	METAL CHIP	1K 5% 1/16W
R1631	1-216-829-11	METAL CHIP	4.7K 5% 1/16W	R1695	1-216-833-11	METAL CHIP	10K 5% 1/16W
R1632	1-216-841-11	METAL CHIP	47K 5% 1/16W	R1697	1-216-825-11	METAL CHIP	2.2K 5% 1/16W
R1633	1-216-833-11	METAL CHIP	10K 5% 1/16W				(DB780: AEP, UK)
R1634	1-216-841-11	METAL CHIP	47K 5% 1/16W	R1697	1-216-829-11	METAL CHIP	4.7K 5% 1/16W
			(DB780)				(DB780: SP, MY, TW, KR, CH)
R1635	1-216-833-11	METAL CHIP	10K 5% 1/16W	R1697	1-216-864-11	METAL CHIP	0 (DA1ES)
R1636	1-216-833-11	METAL CHIP	10K 5% 1/16W	R1698	1-216-829-11	METAL CHIP	4.7K 5% 1/16W
R1638	1-216-829-11	METAL CHIP	4.7K 5% 1/16W	R1699	1-216-829-11	METAL CHIP	4.7K 5% 1/16W
R1639	1-216-821-11	METAL CHIP	1K 5% 1/16W	R1701	1-216-833-11	METAL CHIP	10K 5% 1/16W
R1640	1-216-821-11	METAL CHIP	1K 5% 1/16W	R1702	1-216-833-11	METAL CHIP	10K 5% 1/16W
R1641	1-216-821-11	METAL CHIP	1K 5% 1/16W	R1703	1-216-833-11	METAL CHIP	10K 5% 1/16W
R1642	1-216-833-11	METAL CHIP	10K 5% 1/16W	R1704	1-216-833-11	METAL CHIP	10K 5% 1/16W
R1643	1-216-821-11	METAL CHIP	1K 5% 1/16W	R1705	1-216-809-11	METAL CHIP	100 5% 1/16W

DIGITAL **DISPLAY** **H.P** **KEY**

Ref. No.	Part No.	Description	Remark
R1710	1-216-809-11	METAL CHIP	100 5% 1/16W
R1711	1-216-809-11	METAL CHIP	100 5% 1/16W
< VIBRATOR >			
X1101	1-795-126-21	VIBRATOR, CRYSTAL (12.288MHz)	
X1201	1-795-297-21	VIBRATOR, CERAMIC (13.6MHz)	
X1601	1-781-356-21	VIBRATOR, CERAMIC (16MHz)	

A-4729-155-A	DISPLAY BOARD, COMPLETE *****		
* 3-386-245-13	HOLDER (FL) < CAPACITOR >		
C1538	1-164-159-11	CERAMIC	0.1uF 50V
C1575	1-164-159-11	CERAMIC	0.1uF 50V
C1603	1-164-159-11	CERAMIC	0.1uF 50V
C1610	1-164-159-11	CERAMIC	0.1uF 50V
C1611	1-164-159-11	CERAMIC	0.1uF 50V
C1612	1-164-159-11	CERAMIC	0.1uF 50V
C1613	1-164-159-11	CERAMIC	0.1uF 50V
C1614	1-164-159-11	CERAMIC	0.1uF 50V
C1615	1-164-159-11	CERAMIC	0.1uF 50V
C1658	1-164-159-11	CERAMIC	0.1uF 50V
C1659	1-128-813-11	CERAMIC	220PF 5% 50V
C1660	1-128-809-11	CERAMIC	100PF 5% 50V
C1662	1-128-813-11	CERAMIC	220PF 5% 50V
C1666	1-164-159-11	CERAMIC	0.1uF 50V
C1667	1-126-964-11	ELECT	10uF 20% 50V
C1668	1-126-968-11	ELECT	100uF 20% 50V
C1711	1-126-947-11	ELECT	47uF 20% 16V
< CONNECTOR >			
CN662	1-784-806-11	HOUSING, CONNECTOR (PC BOARD) 13P	
< CONNECTOR >			
CNP660	1-770-553-11	CONNECTOR, BOARD TO BOARD 11P	
* CNP661	1-568-056-11	PIN, BOARD TO BOARD 8P	
CNP662	1-784-807-11	CONNECTOR, BOARD TO BOARD 13P	
CNS663	1-784-792-11	CONNECTOR, FFC 31P	
< LED >			
D1599	8-719-046-39	LED SEL5821A-TP15 (INPUT MODE)	
D1601	8-719-075-60	LED SELS5823C-TP15 (DIGITAL CINEMA SOUND)	
D1602	8-719-046-39	LED SEL5821A-TP15 (AUTO DEC.)	
D1603	8-719-046-39	LED SEL5821A-TP15 (2CH ST)	
D1604	8-719-046-39	LED SEL5821A-TP15 (MULTI CH DIRECT)	
D1612	8-719-046-39	LED SEL5821A-TP15 (MODE)	
< FLUORESCENT INDICATOR TUBE >			
FL1601	1-518-718-11	INDICATOR TUBE, FLUORESCENT	
< IC >			
IC1600	8-759-643-83	IC uPD16315GB-3BS	
IC1602	8-759-243-51	IC TC74ACT08P	

Ref. No.	Part No.	Description	Remark
IC1711	8-759-826-34	IC NJL74H400A (REMOTE CONTROL RECEIVER)	
< TRANSISTOR >			
Q1599	8-729-119-78	TRANSISTOR	2SC2785-HFE
Q1601	8-729-119-78	TRANSISTOR	2SC2785-HFE
Q1602	8-729-119-78	TRANSISTOR	2SC2785-HFE
Q1603	8-729-119-78	TRANSISTOR	2SC2785-HFE
Q1604	8-729-119-78	TRANSISTOR	2SC2785-HFE
Q1607	8-729-119-78	TRANSISTOR	2SC2785-HFE
< RESISTOR >			
△ R1601	1-249-381-11	CARBON	1 5% 1/4W F
△ R1602	1-249-381-11	CARBON	1 5% 1/4W F
R1608	1-249-409-11	CARBON	220 5% 1/4W
R1615	1-249-421-11	CARBON	2.2K 5% 1/4W
R1616	1-249-409-11	CARBON	220 5% 1/4W
R1617	1-249-421-11	CARBON	2.2K 5% 1/4W
R1618	1-249-409-11	CARBON	220 5% 1/4W
R1619	1-249-421-11	CARBON	2.2K 5% 1/4W
R1620	1-249-409-11	CARBON	220 5% 1/4W
R1621	1-249-421-11	CARBON	2.2K 5% 1/4W
R1622	1-249-409-11	CARBON	220 5% 1/4W
R1623	1-249-421-11	CARBON	2.2K 5% 1/4W
R1624	1-249-409-11	CARBON	220 5% 1/4W
R1671	1-249-421-11	CARBON	2.2K 5% 1/4W
R1673	1-247-807-31	CARBON	100 5% 1/4W
R1674	1-247-807-31	CARBON	100 5% 1/4W
R1676	1-249-437-11	CARBON	47K 5% 1/4W
R1677	1-249-440-11	CARBON	82K 5% 1/4W
R1711	1-247-807-31	CARBON	100 5% 1/4W
R1712	1-249-393-11	CARBON	10 5% 1/4W
< ROTARY ENCODER >			
RV1601	1-418-725-41	ENCODER, ROTARY (12 TYPE) (MASTER VOLUME)	

	1-685-503-11	H.P BOARD *****	
< CONNECTOR >			
CN849	1-784-922-11	PIN, CONNECTOR 5P	
< TERMINAL >			
* EB849	1-537-738-21	TERMINAL, EARTH	
< JACK >			
J849	1-815-313-21	JACK (PHONES)	

A-4729-158-A	KEY BOARD, COMPLETE *****		
< RESISTOR >			
R1902	1-249-413-11	CARBON	470 5% 1/4W
R1903	1-249-417-11	CARBON	1K 5% 1/4W
R1904	1-249-417-11	CARBON	1K 5% 1/4W

<p>The components identified by mark △ or dotted line with mark △ are critical for safety. Replace only with part number specified.</p>	<p>Les composants identifiés par une marque △ sont critiques pour la sécurité. Ne les remplacer que par une pièce portant le numéro spécifié.</p>	<p>以阴影和 △ 标志来识别的零部件，在安全方面具有关键性。因此只能以规定号码的零部件来更换。</p>
---	---	--

STR-DA1ES/DB780

KEY	MAIN
------------	-------------

Ref. No.	Part No.	Description	Remark
R1905	1-249-421-11	CARBON	2.2K 5% 1/4W
R1906	1-249-421-11	CARBON	2.2K 5% 1/4W
R1907	1-249-425-11	CARBON	4.7K 5% 1/4W
R1908	1-249-429-11	CARBON	10K 5% 1/4W
R1909	1-249-433-11	CARBON	22K 5% 1/4W
R1914	1-249-417-11	CARBON	1K 5% 1/4W
R1915	1-249-421-11	CARBON	2.2K 5% 1/4W
R1916	1-249-421-11	CARBON	2.2K 5% 1/4W
R1917	1-249-425-11	CARBON	4.7K 5% 1/4W
R1918	1-249-429-11	CARBON	10K 5% 1/4W
R1919	1-249-433-11	CARBON	22K 5% 1/4W
R1922	1-249-413-11	CARBON	470 5% 1/4W
R1923	1-249-417-11	CARBON	1K 5% 1/4W
R1924	1-249-417-11	CARBON	1K 5% 1/4W
R1925	1-249-421-11	CARBON	2.2K 5% 1/4W
R1926	1-249-421-11	CARBON	2.2K 5% 1/4W
R1927	1-249-425-11	CARBON	4.7K 5% 1/4W
R1928	1-249-429-11	CARBON	10K 5% 1/4W
R1932	1-249-413-11	CARBON	470 5% 1/4W
R1933	1-249-417-11	CARBON	1K 5% 1/4W
R1934	1-249-417-11	CARBON	1K 5% 1/4W
R1935	1-249-421-11	CARBON	2.2K 5% 1/4W
R1936	1-249-421-11	CARBON	2.2K 5% 1/4W
R1937	1-249-425-11	CARBON	4.7K 5% 1/4W
		< ROTARY ENCODER >	
RV1901	1-418-921-11	ENCODER, ROTARY (JOG DIAL)	
		< SWITCH >	
S1901	1-762-875-21	SWITCH, KEYBOARD (CINEMA STUDIO EX B)	
S1902	1-762-875-21	SWITCH, KEYBOARD (MEMORY)	
S1903	1-762-875-21	SWITCH, KEYBOARD (SET UP)	
S1904	1-762-875-21	SWITCH, KEYBOARD (CUSTOMIZE)	
S1905	1-762-875-21	SWITCH, KEYBOARD (ENTER)	
S1906	1-762-875-21	SWITCH, KEYBOARD (LEVEL)	
S1907	1-762-875-21	SWITCH, KEYBOARD (SURR)	
S1908	1-762-875-21	SWITCH, KEYBOARD (EQ)	
S1909	1-762-875-21	SWITCH, KEYBOARD (SLEEP)	(EXCEPT DB780: AEP, UK)
S1909	1-762-875-21	SWITCH, KEYBOARD (RDS, PTY)	(DB780: AEP, UK)
S1914	1-762-875-21	SWITCH, KEYBOARD (INPUT MODE)	
S1915	1-762-875-21	SWITCH, KEYBOARD (FM MODE)	
S1916	1-762-875-21	SWITCH, KEYBOARD (EQUALIZER)	
S1917	1-762-875-21	SWITCH, KEYBOARD (MODE +)	
S1918	1-762-875-21	SWITCH, KEYBOARD (CINEMA STUDIO EX C)	
S1921	1-762-875-21	SWITCH, KEYBOARD (DPLII)	
S1922	1-762-875-21	SWITCH, KEYBOARD (CINEMA STUDIO EX A)	
S1923	1-762-875-21	SWITCH, KEYBOARD (DIMMER)	
S1924	1-762-875-21	SWITCH, KEYBOARD (>)	
S1925	1-762-875-21	SWITCH, KEYBOARD (<)	
S1926	1-762-875-21	SWITCH, KEYBOARD (TUNING +)	(EXCEPT DB780: AEP, UK)
S1926	1-762-875-21	SWITCH, KEYBOARD (TUNING/PTY SELECT +)	(DB1080: AEP, UK)
S1927	1-762-875-21	SWITCH, KEYBOARD (DISPLAY)	
S1928	1-762-875-21	SWITCH, KEYBOARD (TUNING -)	(EXCEPT DB780: AEP, UK)

Ref. No.	Part No.	Description	Remark
S1928	1-762-875-21	SWITCH, KEYBOARD (TUNING/PTY SELECT -)	(DB1080: AEP, UK)
S1931	1-762-875-21	SWITCH, KEYBOARD (MODE -)	
S1932	1-762-875-21	SWITCH, KEYBOARD (PRESET TUNING +)	
S1933	1-762-875-21	SWITCH, KEYBOARD (PRESET TUNING -)	
S1934	1-762-875-21	SWITCH, KEYBOARD (FM/AM)	
S1935	1-762-875-21	SWITCH, KEYBOARD (MULTI CH DIRECT)	
S1936	1-762-875-21	SWITCH, KEYBOARD (AUTO DEC.)	
S1937	1-762-875-21	SWITCH, KEYBOARD (2CH ST)	

	A-4729-146-A	MAIN BOARD, COMPLETE (DA1ES: US)	
	A-4729-147-A	MAIN BOARD, COMPLETE	(DB780: SP, MY, TW, KR, CH)
	A-4729-148-A	MAIN BOARD, COMPLETE (DB780: AEP, UK)	
	A-4729-550-A	MAIN BOARD, COMPLETE (DA1ES: CND)	

	7-685-872-09	SCREW +BVTT 3X8 (S)	
		< CAPACITOR >	
C119	1-127-868-11	CERAMIC	2200PF 10% 50V
C120	1-127-876-11	CERAMIC	0.01uF 10% 50V
C121	1-127-868-11	CERAMIC	2200PF 10% 50V
C122	1-127-868-11	CERAMIC	2200PF 10% 50V
C123	1-128-809-11	CERAMIC	100PF 5% 50V
C131	1-128-813-11	CERAMIC	220PF 5% 50V (DB780)
C132	1-128-813-11	CERAMIC	220PF 5% 50V (DB780)
C133	1-128-813-11	CERAMIC	220PF 5% 50V (DB780)
C134	1-128-813-11	CERAMIC	220PF 5% 50V (DB780)
C135	1-119-821-11	ELECT	2.2uF 20% 50V (DB780)
C135	1-126-961-11	ELECT	2.2uF 20% 50V (DA1ES)
C136	1-119-821-11	ELECT	2.2uF 20% 50V (DB780)
C136	1-126-961-11	ELECT	2.2uF 20% 50V (DA1ES)
C137	1-128-809-11	CERAMIC	100PF 5% 50V (DB780)
C138	1-128-809-11	CERAMIC	100PF 5% 50V (DB780)
C139	1-126-934-11	ELECT	220uF 20% 10V (DA1ES)
C139	1-128-832-11	ELECT	220uF 20% 10V (DB780)
C140	1-126-934-11	ELECT	220uF 20% 10V (DA1ES)
C140	1-128-832-11	ELECT	220uF 20% 10V (DB780)
C141	1-125-896-11	MYLAR	0.0091uF 5% 50V
C142	1-125-896-11	MYLAR	0.0091uF 5% 50V
C143	1-136-159-00	MYLAR	0.033uF 5% 50V
C144	1-136-159-00	MYLAR	0.033uF 5% 50V
C145	1-119-821-11	ELECT	2.2uF 20% 50V (DB780)
C145	1-126-961-11	ELECT	2.2uF 20% 50V (DA1ES)

MAIN

Ref. No.	Part No.	Description	Remark	Ref. No.	Part No.	Description	Remark
C146	1-119-821-11	ELECT	2.2uF 20% 50V (DB780)	C454	1-126-965-11	ELECT	22uF 20% 50V (DA1ES)
C146	1-126-961-11	ELECT	2.2uF 20% 50V (DA1ES)	C454	1-128-858-11	ELECT	22uF 20% 50V (DB780: SP, MY, TW, KR, CH)
C161	1-127-868-11	CERAMIC	2200PF 10% 50V	C454	1-135-744-11	ELECT	22uF 50V (DB780: AEP, UK)
C163	1-127-868-11	CERAMIC	2200PF 10% 50V	C455	1-102-110-00	CERAMIC	220PF 10% 50V
C164	1-127-868-11	CERAMIC	2200PF 10% 50V	C456	1-102-233-00	CERAMIC	33PF 10% 500V
C165	1-128-809-11	CERAMIC	100PF 5% 50V	C458	1-102-230-00	CERAMIC	4PF 0.25PF 500V
C401	1-126-965-11	ELECT	22uF 20% 50V (DA1ES)	C459	1-126-934-11	ELECT	220uF 20% 10V (DA1ES)
C401	1-128-858-11	ELECT	22uF 20% 50V (DB780: SP, MY, TW, KR, CH)	C459	1-128-832-11	ELECT	220uF 20% 10V (DB780: SP, MY, TW, KR, CH)
C401	1-135-744-11	ELECT	22uF 50V (DB780: AEP, UK)	C459	1-135-667-11	ELECT	220uF 10V (DB780: AEP, UK)
C402	1-102-110-00	CERAMIC	220PF 10% 50V	C460	1-128-809-11	CERAMIC	100PF 5% 50V
C403	1-119-824-11	ELECT	10uF 20% 50V (DB780: SP, MY, TW, KR, CH)	C461	1-107-597-11	CERAMIC	22PF 10% 500V
C403	1-126-964-11	ELECT	10uF 20% 50V (DA1ES)	C462	1-107-597-11	CERAMIC	22PF 10% 500V
C403	1-135-743-11	ELECT	10uF 50V (DB780: AEP, UK)	C464	1-136-161-00	MYLAR	0.047uF 5% 50V
C404	1-126-965-11	ELECT	22uF 20% 50V (DA1ES)	C465	1-136-165-00	MYLAR	0.1uF 5% 50V
C404	1-128-858-11	ELECT	22uF 20% 50V (DB780: SP, MY, TW, KR, CH)	C468	1-126-933-11	ELECT	100uF 20% 16V (DA1ES)
C404	1-135-744-11	ELECT	22uF 50V (DB780: AEP, UK)	C468	1-127-718-11	ELECT	100uF 20% 16V (DB780: SP, MY, TW, KR, CH)
C405	1-102-110-00	CERAMIC	220PF 10% 50V	C468	1-135-709-11	ELECT	100uF 16V (DB780: AEP, UK)
C406	1-102-233-00	CERAMIC	33PF 10% 500V	C469	1-128-809-11	CERAMIC	100PF 5% 50V
C408	1-102-230-00	CERAMIC	4PF 0.25PF 500V	C471	1-126-965-11	ELECT	22uF 20% 50V (DA1ES)
C409	1-126-934-11	ELECT	220uF 20% 10V (DA1ES)	C471	1-128-858-11	ELECT	22uF 20% 50V (DB780: SP, MY, TW, KR, CH)
C409	1-128-832-11	ELECT	220uF 20% 10V (DB780: SP, MY, TW, KR, CH)	C471	1-135-744-11	ELECT	22uF 50V (DB780: AEP, UK)
C409	1-135-667-11	ELECT	220uF 10V (DB780: AEP, UK)	C501	1-126-965-11	ELECT	22uF 20% 50V (DA1ES)
C410	1-128-809-11	CERAMIC	100PF 5% 50V	C501	1-128-858-11	ELECT	22uF 20% 50V (DB780: SP, MY, TW, KR, CH)
C411	1-107-597-11	CERAMIC	22PF 10% 500V	C501	1-135-744-11	ELECT	22uF 50V (DB780: AEP, UK)
C412	1-107-597-11	CERAMIC	22PF 10% 500V	C502	1-102-110-00	CERAMIC	220PF 10% 50V
C414	1-136-161-00	MYLAR	0.047uF 5% 50V	C503	1-119-824-11	ELECT	10uF 20% 50V (DB780: SP, MY, TW, KR, CH)
C415	1-136-165-00	MYLAR	0.1uF 5% 50V	C503	1-126-964-11	ELECT	10uF 20% 50V (DA1ES)
C418	1-126-933-11	ELECT	100uF 20% 16V (DA1ES)	C503	1-135-743-11	ELECT	10uF 50V (DB780: AEP, UK)
C418	1-127-718-11	ELECT	100uF 20% 16V (DB780: SP, MY, TW, KR, CH)	C504	1-126-965-11	ELECT	22uF 20% 50V (DA1ES)
C418	1-135-709-11	ELECT	100uF 16V (DB780: AEP, UK)	C504	1-128-858-11	ELECT	22uF 20% 50V (DB780: SP, MY, TW, KR, CH)
C421	1-126-965-11	ELECT	22uF 20% 50V (DA1ES)	C504	1-135-744-11	ELECT	22uF 50V (DB780: AEP, UK)
C421	1-128-858-11	ELECT	22uF 20% 50V (DB780: SP, MY, TW, KR, CH)	C505	1-102-110-00	CERAMIC	220PF 10% 50V
C421	1-135-744-11	ELECT	22uF 50V (DB780: AEP, UK)	C506	1-102-233-00	CERAMIC	33PF 10% 500V
C451	1-126-965-11	ELECT	22uF 20% 50V (DA1ES)	C507	1-128-809-11	CERAMIC	100PF 5% 50V
C451	1-128-858-11	ELECT	22uF 20% 50V (DB780: SP, MY, TW, KR, CH)	C508	1-102-230-00	CERAMIC	4PF 0.25PF 500V
C451	1-135-744-11	ELECT	22uF 50V (DB780: AEP, UK)	C509	1-126-934-11	ELECT	220uF 20% 10V (DA1ES)
C452	1-102-110-00	CERAMIC	220PF 10% 50V	C509	1-128-832-11	ELECT	220uF 20% 10V (DB780: SP, MY, TW, KR, CH)
				C509	1-135-667-11	ELECT	220uF 10V (DB780: AEP, UK)

STR-DA1ES/DB780

MAIN

Ref. No.	Part No.	Description	Remark	Ref. No.	Part No.	Description	Remark
C510	1-128-809-11	CERAMIC	100PF 5% 50V	C601	1-128-858-11	ELECT	22uF 20% 50V (DB780: SP, MY, TW, KR, CH)
C511	1-107-597-11	CERAMIC	22PF 10% 500V	C601	1-135-744-11	ELECT	22uF 50V (DB780: AEP, UK)
C512	1-107-597-11	CERAMIC	22PF 10% 500V	C602	1-102-110-00	CERAMIC	220PF 10% 50V
C514	1-136-161-00	MYLAR	0.047uF 5% 50V	C603	1-119-824-11	ELECT	10uF 20% 50V (DB780: SP, MY, TW, KR, CH)
C515	1-136-165-00	MYLAR	0.1uF 5% 50V	C603	1-126-964-11	ELECT	10uF 20% 50V (DA1ES)
C518	1-126-933-11	ELECT	100uF 20% 16V (DA1ES)	C603	1-135-743-11	ELECT	10uF 50V (DB780: AEP, UK)
C518	1-127-718-11	ELECT	100uF 20% 16V (DB780: SP, MY, TW, KR, CH)	C604	1-126-965-11	ELECT	22uF 20% 50V (DA1ES)
C518	1-135-709-11	ELECT	100uF 16V (DB780: AEP, UK)	C604	1-128-858-11	ELECT	22uF 20% 50V (DB780: SP, MY, TW, KR, CH)
C519	1-128-809-11	CERAMIC	100PF 5% 50V	C604	1-135-744-11	ELECT	22uF 50V (DB780: AEP, UK)
C521	1-126-965-11	ELECT	22uF 20% 50V (DA1ES)	C605	1-102-110-00	CERAMIC	220PF 10% 50V
C521	1-128-858-11	ELECT	22uF 20% 50V (DB780: SP, MY, TW, KR, CH)	C606	1-102-233-00	CERAMIC	33PF 10% 500V
C521	1-135-744-11	ELECT	22uF 50V (DB780: AEP, UK)	C607	1-128-809-11	CERAMIC	100PF 5% 50V
C551	1-126-965-11	ELECT	22uF 20% 50V (DA1ES)	C608	1-102-230-00	CERAMIC	4PF 0.25PF 500V
C551	1-128-858-11	ELECT	22uF 20% 50V (DB780: SP, MY, TW, KR, CH)	C609	1-126-934-11	ELECT	220uF 20% 10V (DA1ES)
C551	1-135-744-11	ELECT	22uF 50V (DB780: AEP, UK)	C609	1-128-832-11	ELECT	220uF 20% 10V (DB780: SP, MY, TW, KR, CH)
C552	1-102-110-00	CERAMIC	220PF 10% 50V	C609	1-135-667-11	ELECT	220uF 10V (DB780: AEP, UK)
C554	1-126-965-11	ELECT	22uF 20% 50V (DA1ES)	C610	1-128-809-11	CERAMIC	100PF 5% 50V
C554	1-128-858-11	ELECT	22uF 20% 50V (DB780: SP, MY, TW, KR, CH)	C611	1-107-597-11	CERAMIC	22PF 10% 500V
C554	1-135-744-11	ELECT	22uF 50V (DB780: AEP, UK)	C612	1-107-597-11	CERAMIC	22PF 10% 500V
C555	1-102-110-00	CERAMIC	220PF 10% 50V	C614	1-136-161-00	MYLAR	0.047uF 5% 50V
C556	1-102-233-00	CERAMIC	33PF 10% 500V	C615	1-136-165-00	MYLAR	0.1uF 5% 50V
C557	1-128-809-11	CERAMIC	100PF 5% 50V	C618	1-126-933-11	ELECT	100uF 20% 16V (DA1ES)
C558	1-102-230-00	CERAMIC	4PF 0.25PF 500V	C618	1-127-718-11	ELECT	100uF 20% 16V (DB780: SP, MY, TW, KR, CH)
C559	1-126-934-11	ELECT	220uF 20% 10V (DA1ES)	C618	1-135-709-11	ELECT	100uF 16V (DB780: AEP, UK)
C559	1-128-832-11	ELECT	220uF 20% 10V (DB780: SP, MY, TW, KR, CH)	C619	1-128-809-11	CERAMIC	100PF 5% 50V
C559	1-135-667-11	ELECT	220uF 10V (DB780: AEP, UK)	C621	1-126-965-11	ELECT	22uF 20% 50V (DA1ES)
C560	1-128-809-11	CERAMIC	100PF 5% 50V	C621	1-128-858-11	ELECT	22uF 20% 50V (DB780: SP, MY, TW, KR, CH)
C561	1-107-597-11	CERAMIC	22PF 10% 500V	C621	1-135-744-11	ELECT	22uF 50V (DB780: AEP, UK)
C562	1-107-597-11	CERAMIC	22PF 10% 500V	C701	1-126-965-11	ELECT	22uF 20% 50V (DA1ES)
C564	1-136-161-00	MYLAR	0.047uF 5% 50V	C701	1-128-858-11	ELECT	22uF 20% 50V (DB780: SP, MY, TW, KR, CH)
C565	1-136-165-00	MYLAR	0.1uF 5% 50V	C701	1-135-744-11	ELECT	22uF 50V (DB780: AEP, UK)
C568	1-126-933-11	ELECT	100uF 20% 16V (DA1ES)	C702	1-102-110-00	CERAMIC	220PF 10% 50V
C568	1-127-718-11	ELECT	100uF 20% 16V (DB780: SP, MY, TW, KR, CH)	C703	1-126-965-11	ELECT	22uF 20% 50V (DA1ES)
C568	1-135-709-11	ELECT	100uF 16V (DB780: AEP, UK)	C703	1-128-858-11	ELECT	22uF 20% 50V (DB780: SP, MY, TW, KR, CH)
C571	1-126-965-11	ELECT	22uF 20% 50V (DA1ES)	C703	1-135-744-11	ELECT	22uF 50V (DB780: AEP, UK)
C571	1-128-858-11	ELECT	22uF 20% 50V (DB780: SP, MY, TW, KR, CH)	C718	1-126-933-11	ELECT	100uF 20% 16V (DA1ES)
C571	1-135-744-11	ELECT	22uF 50V (DB780: AEP, UK)	C718	1-127-718-11	ELECT	100uF 20% 16V (DB780: SP, MY, TW, KR, CH)
C601	1-126-965-11	ELECT	22uF 20% 50V (DA1ES)				

Ref. No.	Part No.	Description	Remark	Ref. No.	Part No.	Description	Remark
C718	1-135-709-11	ELECT	100uF 16V (DB780: AEP, UK)	C819	1-128-551-11	ELECT 22uF 20% 25V (DA1ES)	
C721	1-126-965-11	ELECT	22uF 20% 50V (DA1ES)	C819	1-128-858-11	ELECT 22uF 20% 25V (DB780: SP, MY, TW, KR, CH)	
C721	1-128-858-11	ELECT	22uF 20% 50V (DB780: SP, MY, TW, KR, CH)	C819	1-135-703-11	ELECT 22uF 25V (DB780: AEP, UK)	
C721	1-135-744-11	ELECT	22uF 50V (DB780: AEP, UK)	C821	1-127-876-11	CERAMIC 0.01uF 10% 50V	
C790	1-128-560-11	ELECT	22uF 20% 100V (DA1ES)	< CONNECTOR >			
C790	1-128-886-11	ELECT	100uF 20% 100V (DB780: SP, MY, TW, KR, CH)	CN101	1-568-828-11	CONNECTOR, FFC 9P	
C790	1-135-730-51	ELECT	100uF 100V (DB780: AEP, UK)	CN801	1-784-922-11	PIN, CONNECTOR 5P	
C795	1-128-560-11	ELECT	22uF 20% 100V (DA1ES)	CN802	1-785-101-21	PIN, CONNECTOR (3.96mm PITCH) 3P	
C795	1-128-886-11	ELECT	100uF 20% 100V (DB780: SP, MY, TW, KR, CH)	CN803	1-785-102-11	PIN, CONNECTOR (3.96mm PITCH) 4P	
C795	1-135-730-51	ELECT	100uF 100V (DB780: AEP, UK)	CN804	1-784-923-11	PIN, CONNECTOR 7P	
C801	1-126-941-11	ELECT	470uF 20% 25V (DA1ES)	CN805	1-784-921-11	PIN, CONNECTOR 4P (DB780)	
C801	1-127-726-11	ELECT	470uF 20% 25V (DB780: SP, MY, TW, KR, CH)	CN805	1-784-925-11	PIN, CONNECTOR 10P (DA1ES)	
C801	1-135-684-11	ELECT	470uF 25V (DB780: AEP, UK)	CN806	1-569-814-11	CONNECTOR, BOARD TO BOARD 21P	
C802	1-126-941-11	ELECT	470uF 20% 25V (DA1ES)	CN807	1-569-814-11	CONNECTOR, BOARD TO BOARD 21P	
C802	1-127-726-11	ELECT	470uF 20% 25V (DB780: SP, MY, TW, KR, CH)	CN809	1-779-977-11	PIN, CONNECTOR 6P	
C802	1-135-684-11	ELECT	470uF 25V (DB780: AEP, UK)	< DIODE >			
C803	1-137-358-11	FILM	0.0001uF 5% 50V	D790	8-719-079-18	DIODE MTZJ-T-72-20A (DA1ES)	
C804	1-137-358-11	FILM	0.0001uF 5% 50V	D790	8-719-947-81	DIODE MTZJ-T-72-24A (DB780)	
C809	1-128-560-11	ELECT	22uF 20% 100V (DA1ES)	D791	8-719-911-19	DIODE 1SS119-25	
C809	1-128-883-11	ELECT	22uF 20% 100V (DB780: SP, MY, TW, KR, CH)	D796	8-719-911-19	DIODE 1SS119-25	
C809	1-135-727-11	ELECT	22uF 100V (DB780: AEP, UK)	D803	8-719-911-19	DIODE 1SS119-25	
C810	1-128-560-11	ELECT	22uF 20% 100V (DA1ES)	D804	8-719-911-19	DIODE 1SS119-25	
C810	1-128-883-11	ELECT	22uF 20% 100V (DB780: SP, MY, TW, KR, CH)	D809	8-719-911-19	DIODE 1SS119-25	
C810	1-135-727-11	ELECT	22uF 100V (DB780: AEP, UK)	D810	8-719-911-19	DIODE 1SS119-25	
C814	1-126-933-11	ELECT	100uF 20% 16V	D811	8-719-911-19	DIODE 1SS119-25	
C815	1-126-933-11	ELECT	100uF 20% 16V	D812	8-719-911-19	DIODE 1SS119-25	
C816	1-127-888-11	CERAMIC	0.1uF 10% 50V	D814	8-719-911-19	DIODE 1SS119-25	
C817	1-126-947-11	ELECT	47uF 20% 35V (DA1ES)	D815	8-719-985-88	DIODE HZS6B2LTA	
C817	1-128-850-11	ELECT	47uF 20% 35V (DB780: SP, MY, TW, KR, CH)	D818	8-719-911-19	DIODE 1SS119-25	
C817	1-135-775-11	ELECT	47uF 35V (DB780: AEP, UK)	< IC >			
C818	1-128-551-11	ELECT	22uF 20% 25V (DA1ES)	IC111	8-759-835-79	IC TC9274N-016	
C818	1-128-858-11	ELECT	22uF 20% 25V (DB780: SP, MY, TW, KR, CH)	IC131	8-759-636-74	IC M5218AP-22	
C818	1-135-703-11	ELECT	22uF 25V (DB780: AEP, UK)	IC151	8-759-582-64	IC TC9273N-004	
				IC401	6-702-387-01	IC CXD9725M	
				IC402	8-759-636-74	IC M5218AP-22	
				IC403	6-700-943-01	IC uPC2581V-S	
				IC421	8-759-636-74	IC M5218AP-22	
				IC501	6-702-387-01	IC CXD9725M	
				IC502	8-759-636-74	IC M5218AP-22	
				IC503	6-700-943-01	IC uPC2581V-S	
				IC521	8-759-636-74	IC M5218AP-22	
				IC601	6-702-387-01	IC CXD9725M	
				IC602	8-759-636-74	IC M5218AP-22	
				IC603	6-700-943-01	IC uPC2581V-S	
				IC621	8-759-636-74	IC M5218AP-22	
				IC801	8-759-231-59	IC TA7815S	
				IC802	8-759-245-87	IC TA79015S	
				IC804	8-759-243-51	IC TC74ACT08P	
				IC805	8-759-243-51	IC TC74ACT08P	

MAIN

Ref. No.	Part No.	Description	Remark	Ref. No.	Part No.	Description	Remark
		< JACK >		R147	1-249-441-11	CARBON 100K 5%	1/4W
J111	1-779-599-11	JACK, PIN 6P (MULTI CH IN FRONT/SURROUND/CENTER/SUB WOOFER)		R148	1-249-441-11	CARBON 100K 5%	1/4W
J131	1-695-188-31	JACK, PIN 4P (PHONO IN, CD/SACD IN)		R151	1-243-115-22	CARBON 1K 5%	1/4W (DB780: AEP, UK)
J151	1-695-188-31	JACK, PIN 4P (MD/TAPE OUT, MD/TAPE IN)		R151	1-249-417-11	CARBON 1K 5%	1/4W (EXCEPT DB780: AEP, UK)
		< COIL >		R152	1-243-115-22	CARBON 1K 5%	1/4W (DB780: AEP, UK)
L401	1-422-009-13	COIL, AIR-CORE		R152	1-249-417-11	CARBON 1K 5%	1/4W (EXCEPT DB780: AEP, UK)
L451	1-422-009-13	COIL, AIR-CORE		R153	1-249-421-11	CARBON 2.2K 5%	1/4W
L501	1-422-009-13	COIL, AIR-CORE		R154	1-249-421-11	CARBON 2.2K 5%	1/4W
L551	1-422-009-13	COIL, AIR-CORE		R155	1-249-417-11	CARBON 1K 5%	1/4W
L601	1-422-009-13	COIL, AIR-CORE		R156	1-249-417-11	CARBON 1K 5%	1/4W
		< TRANSISTOR >		R161	1-249-417-11	CARBON 1K 5%	1/4W
Q401	8-729-141-30	TRANSISTOR 2SC3623A-LK		R401	1-249-427-11	CARBON 6.8K 5%	1/4W
Q451	8-729-141-30	TRANSISTOR 2SC3623A-LK		R402	1-243-115-22	CARBON 1K 5%	1/4W (DB780: AEP, UK)
Q501	8-729-141-30	TRANSISTOR 2SC3623A-LK		R402	1-249-417-11	CARBON 1K 5%	1/4W (EXCEPT DB780: AEP, UK)
Q551	8-729-141-30	TRANSISTOR 2SC3623A-LK		R403	1-243-163-22	CARBON 100K 5%	1/4W (DB780: AEP, UK)
Q601	8-729-141-30	TRANSISTOR 2SC3623A-LK		R403	1-249-441-11	CARBON 100K 5%	1/4W (EXCEPT DB780: AEP, UK)
Q701	8-729-141-30	TRANSISTOR 2SC3623A-LK		R404	1-249-417-11	CARBON 1K 5%	1/4W
Q790	8-729-032-65	TRANSISTOR 2SD2396H		R407	1-249-433-11	CARBON 22K 5%	1/4W
Q791	8-729-140-84	TRANSISTOR 2SC1841-PAFAEA		R408	1-243-115-22	CARBON 1K 5%	1/4W (DB780: AEP, UK)
Q795	8-729-024-95	TRANSISTOR 2SB1565EF		R408	1-249-417-11	CARBON 1K 5%	1/4W (EXCEPT DB780: AEP, UK)
Q807	8-729-119-79	TRANSISTOR 2SC2785-FEK		R409	1-243-159-22	CARBON 68K 5%	1/4W (DB780: AEP, UK)
Q808	8-729-119-79	TRANSISTOR 2SC2785-FEK		R409	1-249-439-11	CARBON 68K 5%	1/4W (EXCEPT DB780: AEP, UK)
Q809	8-729-119-79	TRANSISTOR 2SC2785-FEK		R410	1-249-422-11	CARBON 2.7K 5%	1/4W (EXCEPT DB780: AEP, UK)
Q810	8-729-900-63	TRANSISTOR DTA124ES		R410	1-249-683-31	CARBON 2.7K 5%	1/2W (DB780: AEP, UK)
Q813	8-729-900-63	TRANSISTOR DTA124ES		R411	1-249-439-11	CARBON 68K 5%	1/4W (EXCEPT DB780: AEP, UK)
Q823	8-729-119-79	TRANSISTOR 2SC2785-FEK		R411	1-249-494-11	CARBON 68K 5%	1/2W (DB780: AEP, UK)
Q824	8-729-119-78	TRANSISTOR 2SC2785-HFE		△ R412	1-249-405-11	CARBON 100 5%	1/4W F
Q826	8-729-119-79	TRANSISTOR 2SC2785-FEK		△ R413	1-249-405-11	CARBON 100 5%	1/4W F
		< RESISTOR >		△ R414	1-234-182-11	ENCAPSULATED COMPONENT 0.22 5W	F (EXCEPT DB780: AEP, UK)
R111	1-249-417-11	CARBON 1K 5%	1/4W	△ R414	1-234-572-21	ENCAPSULATED COMPONENT 0.22 5W	F (DB780: AEP, UK)
R112	1-249-417-11	CARBON 1K 5%	1/4W	△ R416	1-249-393-11	CARBON 10 5%	1/4W F
R113	1-249-417-11	CARBON 1K 5%	1/4W	△ R417	1-249-393-11	CARBON 10 5%	1/4W F
R114	1-249-417-11	CARBON 1K 5%	1/4W	R421	1-243-163-22	CARBON 100K 5%	1/4W (DB780: AEP, UK)
R115	1-249-417-11	CARBON 1K 5%	1/4W	R421	1-249-441-11	CARBON 100K 5%	1/4W (EXCEPT DB780: AEP, UK)
R116	1-249-417-11	CARBON 1K 5%	1/4W	R451	1-249-427-11	CARBON 6.8K 5%	1/4W
R119	1-249-417-11	CARBON 1K 5%	1/4W	R452	1-243-115-22	CARBON 1K 5%	1/4W (DB780: AEP, UK)
R131	1-249-421-11	CARBON 2.2K 5%	1/4W (DB780)	R452	1-249-417-11	CARBON 1K 5%	1/4W (EXCEPT DB780: AEP, UK)
R132	1-249-421-11	CARBON 2.2K 5%	1/4W (DB780)	R453	1-243-163-22	CARBON 100K 5%	1/4W (DB780: AEP, UK)
R133	1-249-441-11	CARBON 100K 5%	1/4W				
R134	1-249-441-11	CARBON 100K 5%	1/4W				
R135	1-249-408-11	CARBON 180 5%	1/4W				
R136	1-249-408-11	CARBON 180 5%	1/4W				
R137	1-249-428-11	CARBON 8.2K 5%	1/4W				
R138	1-249-428-11	CARBON 8.2K 5%	1/4W				
R139	1-249-441-11	CARBON 100K 5%	1/4W				
R140	1-249-441-11	CARBON 100K 5%	1/4W				
R141	1-247-807-31	CARBON 100 5%	1/4W				
R142	1-247-807-31	CARBON 100 5%	1/4W				
R143	1-249-441-11	CARBON 100K 5%	1/4W				
R144	1-249-441-11	CARBON 100K 5%	1/4W				
R145	1-249-413-11	CARBON 470 5%	1/4W				
R146	1-249-413-11	CARBON 470 5%	1/4W				

The components identified by mark △ or dotted line with mark △ are critical for safety. Replace only with part number specified.	Les composants identifiés par une marque △ sont critiques pour la sécurité. Ne les remplacer que par une pièce portant le numéro spécifié.	以阴影和 △ 标志来识别的零部件, 在安全方面具有关键性。因此只能以规定号码的零部件来更换。
--	--	--

Ref. No.	Part No.	Description	Remark	Ref. No.	Part No.	Description	Remark
R453	1-249-441-11	CARBON	100K 5% 1/4W (EXCEPT DB780: AEP, UK)	△ R514	1-234-572-21	ENCAPSULATED COMPONENT 0.22 5W F (DB780: AEP, UK)	
R458	1-243-115-22	CARBON	1K 5% 1/4W (DB780: AEP, UK)	△ R516	1-249-393-11	CARBON 10 5% 1/4W F	
R458	1-249-417-11	CARBON	1K 5% 1/4W (EXCEPT DB780: AEP, UK)	△ R517	1-249-393-11	CARBON 10 5% 1/4W F	
R459	1-243-159-22	CARBON	68K 5% 1/4W (DB780: AEP, UK)	R521	1-243-163-22	CARBON 100K 5% 1/4W (DB780: AEP, UK)	
R459	1-249-439-11	CARBON	68K 5% 1/4W (EXCEPT DB780: AEP, UK)	R521	1-249-441-11	CARBON 100K 5% 1/4W (EXCEPT DB780: AEP, UK)	
R460	1-249-422-11	CARBON	2.7K 5% 1/4W (EXCEPT DB780: AEP, UK)	R551	1-249-427-11	CARBON 6.8K 5% 1/4W	
R460	1-249-683-31	CARBON	2.7K 5% 1/2W (DB780: AEP, UK)	R552	1-243-115-22	CARBON 1K 5% 1/4W (DB780: AEP, UK)	
R461	1-249-439-11	CARBON	68K 5% 1/4W (EXCEPT DB780: AEP, UK)	R552	1-249-417-11	CARBON 1K 5% 1/4W (EXCEPT DB780: AEP, UK)	
R461	1-249-494-11	CARBON	68K 5% 1/2W (DB780: AEP, UK)	R553	1-243-163-22	CARBON 100K 5% 1/4W (DB780: AEP, UK)	
△ R462	1-249-405-11	CARBON	100 5% 1/4W F	R553	1-249-441-11	CARBON 100K 5% 1/4W (EXCEPT DB780: AEP, UK)	
△ R463	1-249-405-11	CARBON	100 5% 1/4W F	R558	1-243-115-22	CARBON 1K 5% 1/4W (DB780: AEP, UK)	
△ R464	1-234-182-11	ENCAPSULATED COMPONENT 0.22 5W F (EXCEPT DB780: AEP, UK)		R558	1-249-417-11	CARBON 1K 5% 1/4W (EXCEPT DB780: AEP, UK)	
△ R464	1-234-572-21	ENCAPSULATED COMPONENT 0.22 5W F (DB780: AEP, UK)		R559	1-243-159-22	CARBON 68K 5% 1/4W (DB780: AEP, UK)	
△ R466	1-249-393-11	CARBON	10 5% 1/4W F	R559	1-249-439-11	CARBON 68K 5% 1/4W (EXCEPT DB780: AEP, UK)	
△ R467	1-249-393-11	CARBON	10 5% 1/4W F	R560	1-249-422-11	CARBON 2.7K 5% 1/4W (EXCEPT DB780: AEP, UK)	
R471	1-243-163-22	CARBON	100K 5% 1/4W (DB780: AEP, UK)	R560	1-249-683-31	CARBON 2.7K 5% 1/2W (DB780: AEP, UK)	
R471	1-249-441-11	CARBON	100K 5% 1/4W (EXCEPT DB780: AEP, UK)	R561	1-249-439-11	CARBON 68K 5% 1/4W (EXCEPT DB780: AEP, UK)	
R501	1-249-427-11	CARBON	6.8K 5% 1/4W	R561	1-249-494-11	CARBON 68K 5% 1/2W (DB780: AEP, UK)	
R502	1-243-115-22	CARBON	1K 5% 1/4W (DB780: AEP, UK)	△ R562	1-249-405-11	CARBON 100 5% 1/4W F	
R502	1-249-417-11	CARBON	1K 5% 1/4W (EXCEPT DB780: AEP, UK)	△ R563	1-249-405-11	CARBON 100 5% 1/4W F	
R503	1-243-163-22	CARBON	100K 5% 1/4W (DB780: AEP, UK)	△ R564	1-234-182-11	ENCAPSULATED COMPONENT 0.22 5W F (EXCEPT DB780: AEP, UK)	
R503	1-249-441-11	CARBON	100K 5% 1/4W (EXCEPT DB780: AEP, UK)	△ R564	1-234-572-21	ENCAPSULATED COMPONENT 0.22 5W F (DB780: AEP, UK)	
R504	1-249-417-11	CARBON	1K 5% 1/4W	△ R566	1-249-393-11	CARBON 10 5% 1/4W F	
R507	1-249-433-11	CARBON	22K 5% 1/4W	△ R567	1-249-393-11	CARBON 10 5% 1/4W F	
R508	1-243-115-22	CARBON	1K 5% 1/4W (DB780: AEP, UK)	R571	1-243-163-22	CARBON 100K 5% 1/4W (DB780: AEP, UK)	
R508	1-249-417-11	CARBON	1K 5% 1/4W (EXCEPT DB780: AEP, UK)	R571	1-249-441-11	CARBON 100K 5% 1/4W (EXCEPT DB780: AEP, UK)	
R509	1-243-159-22	CARBON	68K 5% 1/4W (DB780: AEP, UK)	R601	1-249-427-11	CARBON 6.8K 5% 1/4W	
R509	1-249-439-11	CARBON	68K 5% 1/4W (EXCEPT DB780: AEP, UK)	R602	1-243-115-22	CARBON 1K 5% 1/4W (DB780: AEP, UK)	
R510	1-249-422-11	CARBON	2.7K 5% 1/4W (EXCEPT DB780: AEP, UK)	R602	1-249-417-11	CARBON 1K 5% 1/4W (EXCEPT DB780: AEP, UK)	
R510	1-249-683-31	CARBON	2.7K 5% 1/2W (DB780: AEP, UK)	R603	1-243-163-22	CARBON 100K 5% 1/4W (DB780: AEP, UK)	
R511	1-249-439-11	CARBON	68K 5% 1/4W (EXCEPT DB780: AEP, UK)	R603	1-249-441-11	CARBON 100K 5% 1/4W (EXCEPT DB780: AEP, UK)	
R511	1-249-494-11	CARBON	68K 5% 1/2W (DB780: AEP, UK)	R604	1-249-417-11	CARBON 1K 5% 1/4W	
△ R512	1-249-405-11	CARBON	100 5% 1/4W F	R607	1-249-433-11	CARBON 22K 5% 1/4W	
△ R513	1-249-405-11	CARBON	100 5% 1/4W F	R608	1-243-115-22	CARBON 1K 5% 1/4W (DB780: AEP, UK)	
△ R514	1-234-182-11	ENCAPSULATED COMPONENT 0.22 5W F (EXCEPT DB780: AEP, UK)		R608	1-249-417-11	CARBON 1K 5% 1/4W (EXCEPT DB780: AEP, UK)	
				R609	1-243-159-22	CARBON 68K 5% 1/4W (DB780: AEP, UK)	

The components identified by mark △ or dotted line with mark △ are critical for safety. Replace only with part number specified.

Les composants identifiés par une marque △ sont critiques pour la sécurité. Ne les remplacer que par une pièce portant le numéro spécifié.

以阴影和 △ 标志来识别的零部件，在安全方面具有关键性。因此只能以规定号码的零部件来更换。

STR-DA1ES/DB780

MAIN **MUTING** **POWER** **PR 1**

Ref. No.	Part No.	Description	Remark
R609	1-249-439-11	CARBON 68K 5% 1/4W (EXCEPT DB780: AEP, UK)	
R610	1-249-422-11	CARBON 2.7K 5% 1/4W (EXCEPT DB780: AEP, UK)	
R610	1-249-683-31	CARBON 2.7K 5% 1/2W (DB780: AEP, UK)	
R611	1-249-439-11	CARBON 68K 5% 1/4W (EXCEPT DB780: AEP, UK)	
R611	1-249-494-11	CARBON 68K 5% 1/2W (DB780: AEP, UK)	
△ R612	1-249-405-11	CARBON 100 5% 1/4W F	
△ R613	1-249-405-11	CARBON 100 5% 1/4W F	
△ R614	1-234-182-11	ENCAPSULATED COMPONENT 0.22 5W F (EXCEPT DB780: AEP, UK)	
△ R614	1-234-572-21	ENCAPSULATED COMPONENT 0.22 5W F (DB780: AEP, UK)	
△ R616	1-249-393-11	CARBON 10 5% 1/4W F	
△ R617	1-249-393-11	CARBON 10 5% 1/4W F	
R621	1-243-163-22	CARBON 100K 5% 1/4W (DB780: AEP, UK)	
R621	1-249-441-11	CARBON 100K 5% 1/4W (EXCEPT DB780: AEP, UK)	
R701	1-249-427-11	CARBON 6.8K 5% 1/4W	
R702	1-243-115-22	CARBON 1K 5% 1/4W (DB780: AEP, UK)	
R702	1-249-417-11	CARBON 1K 5% 1/4W (EXCEPT DB780: AEP, UK)	
R703	1-243-163-22	CARBON 100K 5% 1/4W (DB780: AEP, UK)	
R703	1-249-441-11	CARBON 100K 5% 1/4W (EXCEPT DB780: AEP, UK)	
R721	1-243-163-22	CARBON 100K 5% 1/4W (DB780: AEP, UK)	
R721	1-249-441-11	CARBON 100K 5% 1/4W (EXCEPT DB780: AEP, UK)	
R732	1-249-441-11	CARBON 100K 5% 1/4W	
△ R790	1-249-393-11	CARBON 10 5% 1/4W F	
△ R791	1-215-873-81	METAL OXIDE 4.7K 5% 1W F	
R792	1-249-413-11	CARBON 470 5% 1/4W	
△ R795	1-249-393-11	CARBON 10 5% 1/4W F	
R796	1-249-425-11	CARBON 4.7K 5% 1/4W	
R797	1-249-413-11	CARBON 470 5% 1/4W	
R812	1-249-421-11	CARBON 2.2K 5% 1/4W	
R813	1-249-421-11	CARBON 2.2K 5% 1/4W	
R814	1-249-421-11	CARBON 2.2K 5% 1/4W	
R815	1-249-429-11	CARBON 10K 5% 1/4W	
R816	1-249-429-11	CARBON 10K 5% 1/4W	
R817	1-249-429-11	CARBON 10K 5% 1/4W	
R818	1-249-429-11	CARBON 10K 5% 1/4W	
△ R820	1-249-393-11	CARBON 10 5% 1/4W F	
△ R822	1-249-393-11	CARBON 10 5% 1/4W F	
△ R824	1-215-867-00	METAL OXIDE 470 5% 1W F	
△ R825	1-215-867-00	METAL OXIDE 470 5% 1W F	
R826	1-247-903-00	CARBON 1M 5% 1/4W	
R827	1-249-417-11	CARBON 1K 5% 1/4W	
R828	1-249-425-11	CARBON 4.7K 5% 1/4W	
△ R829	1-249-393-11	CARBON 10 5% 1/4W F	
R833	1-247-903-00	CARBON 1M 5% 1/4W	
R836	1-249-429-11	CARBON 10K 5% 1/4W	
R837	1-249-429-11	CARBON 10K 5% 1/4W	

Ref. No.	Part No.	Description	Remark
R838	1-249-421-11	CARBON 2.2K 5% 1/4W	
R839	1-249-429-11	CARBON 10K 5% 1/4W	
△ R840	1-249-399-11	CARBON 33 5% 1/4W F	
△ R841	1-249-399-11	CARBON 33 5% 1/4W F	
△ R845	1-249-399-11	CARBON 33 5% 1/4W F	
△ R846	1-249-399-11	CARBON 33 5% 1/4W F	
R847	1-249-421-11	CARBON 2.2K 5% 1/4W	
R848	1-249-429-11	CARBON 10K 5% 1/4W	
△ R849	1-249-393-11	CARBON 10 5% 1/4W F	
		< RELAY >	
RY801	1-515-920-11	RELAY (24V)	
RY803	1-515-920-11	RELAY (24V)	
RY806	1-515-920-11	RELAY (24V)	
RY807	1-755-482-11	RELAY	
		< TERMINAL >	
TM501	1-694-934-11	TERMINAL BOARD (SP) (6P) (SPEAKERS SURROUND/CENTER) (DA1ES)	
TM501	1-694-934-21	TERMINAL BOARD (SP) (6P) (SPEAKERS SURROUND/CENTER) (DB780)	

	1-683-777-11	MUTING BOARD *****	
		< CONNECTOR >	
* CN661	1-695-808-11	CONNECTOR, PC BOARD 8P	
		< RESISTOR >	
R1912	1-249-413-11	CARBON 470 5% 1/4W	
R1913	1-249-417-11	CARBON 1K 5% 1/4W	
		< ROTARY ENCODER >	
RV1801	1-467-808-21	ENCODER, ROTARY (FUNCTION)	

	1-683-775-11	POWER BOARD *****	
		< CONNECTOR >	
CN660	1-770-404-11	HOUSING, CONNECTOR (PC BOARD) 11P	
		< SWITCH >	
S1702	1-762-875-21	SWITCH, KEYBOARD (SPEAKERS ON/OFF)	
S1704	1-762-875-21	SWITCH, KEYBOARD (I/⏏)	

	1-685-500-11	PR 1 BOARD *****	

The components identified by mark △ or dotted line with mark △ are critical for safety. Replace only with part number specified.	Les composants identifiés par une marque △ sont critiques pour la sécurité. Ne les remplacer que par une pièce portant le numéro spécifié.	以阴影和 △ 标志来识别的零部件，在安全方面具有关键性。因此只能以规定号码的零部件来更换。
--	--	---

PRE/SPOUT

S-VIDEO

Ref. No.	Part No.	Description	Remark	Ref. No.	Part No.	Description	Remark
	A-4729-162-A	PRE/SPOUT BOARD, COMPLETE (DA1ES)		R549	1-249-441-11	CARBON 100K 5%	1/4W (DA1ES)
	A-4729-163-A	PRE/SPOUT BOARD, COMPLETE (DB780: SP, MY, TW, KR, CH)		R598	1-249-417-11	CARBON 1K 5%	1/4W (DA1ES)
	A-4729-164-A	PRE/SPOUT BOARD, COMPLETE (DB780: AEP, UK)		R599	1-249-441-11	CARBON 100K 5%	1/4W (DA1ES)
	*****			R648	1-249-417-11	CARBON 1K 5%	1/4W (DA1ES)
	< CAPACITOR >			R649	1-249-441-11	CARBON 100K 5%	1/4W (DA1ES)
C445	1-128-809-11	CERAMIC 100PF 5% 50V (DA1ES/DB780: AEP, UK)		R698	1-249-417-11	CARBON 1K 5%	1/4W (DA1ES)
C445	1-128-817-11	CERAMIC 470PF 5% 50V (DB780: SP, MY, TW, KR, CH)		R699	1-249-441-11	CARBON 100K 5%	1/4W (DA1ES)
C446	1-127-872-11	CERAMIC 4700PF 10% 50V (DB780)		R748	1-249-417-11	CARBON 1K 5%	1/4W
C449	1-126-965-11	ELECT 22uF 20% 50V (DA1ES)		< RELAY >			
C495	1-128-809-11	CERAMIC 100PF 5% 50V (DA1ES/DB780: AEP, UK)		RY448	1-515-920-11	RELAY (24V)	
C495	1-128-817-11	CERAMIC 470PF 5% 50V (DB780: SP, MY, TW, KR, CH)		RY449	1-755-485-11	RELAY (DA1ES)	
C496	1-127-872-11	CERAMIC 4700PF 10% 50V (DB780)		RY549	1-755-485-11	RELAY (DA1ES)	
C497	1-128-809-11	CERAMIC 100PF 5% 50V		RY649	1-755-485-11	RELAY (DA1ES)	
C499	1-126-965-11	ELECT 22uF 20% 50V (DA1ES)		< TERMINAL >			
C549	1-126-965-11	ELECT 22uF 20% 50V (DA1ES)		TM449	1-694-933-11	TERMINAL BOARD (4P) (FRONT SPEAKERS) (DA1ES)	
C599	1-126-965-11	ELECT 22uF 20% 50V (DA1ES)		TM449	1-694-933-21	TERMINAL BOARD (4P) (FRONT SPEAKERS) (DB780)	
C649	1-126-965-11	ELECT 22uF 20% 50V (DA1ES)		*****			
	< DIODE >			A-4729-130-A	S-VIDEO BOARD, COMPLETE (DA1ES)		
D449	8-719-911-19	DIODE 1SS119-25 (DA1ES)		A-4729-131-A	S-VIDEO BOARD, COMPLETE (DB780)		
D450	8-719-911-19	DIODE 1SS119-25		*****			
	< JACK >			< CAPACITOR >			
J449	1-766-396-11	JACK, PIN 4P (PRE OUT FRONT/SURROUND) (DA1ES)		C850	1-128-805-11	CERAMIC 47PF 5% 50V	
J699	1-816-591-11	JACK, PIN 2P (PRE OUT CENTER, SUB WOOFER OUT) (DA1ES)		C851	1-128-805-11	CERAMIC 47PF 5% 50V	
J699	1-770-377-31	JACK, PIN 1P (SUB WOOFER OUT) (DB780)		C852	1-128-805-11	CERAMIC 47PF 5% 50V	
	< RESISTOR >			C853	1-128-805-11	CERAMIC 47PF 5% 50V	
△ R446	1-249-393-11	CARBON 10 5% 1/4W F (DB780)		C854	1-128-825-11	CERAMIC 2200PF 5% 50V	
△ R447	1-249-393-11	CARBON 10 5% 1/4W F		C855	1-136-165-00	MYLAR 0.1uF 5% 50V	
R448	1-249-417-11	CARBON 1K 5% 1/4W (DA1ES)		C856	1-136-165-00	MYLAR 0.1uF 5% 50V	
R449	1-249-441-11	CARBON 100K 5% 1/4W (DA1ES)		C857	1-136-165-00	MYLAR 0.1uF 5% 50V	
△ R496	1-249-393-11	CARBON 10 5% 1/4W F (DB780)		C858	1-126-964-11	ELECT 10uF 20% 50V	
△ R497	1-249-393-11	CARBON 10 5% 1/4W F (DA1ES)		C859	1-126-964-11	ELECT 10uF 20% 50V	
R498	1-249-417-11	CARBON 1K 5% 1/4W (DA1ES)		C860	1-126-964-11	ELECT 10uF 20% 50V	
R499	1-249-441-11	CARBON 100K 5% 1/4W (DA1ES)		C861	1-128-825-11	CERAMIC 2200PF 5% 50V	
R548	1-249-417-11	CARBON 1K 5% 1/4W (DA1ES)		C862	1-128-825-11	CERAMIC 2200PF 5% 50V	
	< CONNECTOR >			C863	1-127-888-11	CERAMIC 0.1uF 10% 50V	
				C864	1-136-165-00	MYLAR 0.1uF 5% 50V	
				C867	1-127-888-11	CERAMIC 0.1uF 10% 50V	
				C869	1-127-888-11	CERAMIC 0.1uF 10% 50V	
				C870	1-126-964-11	ELECT 10uF 20% 50V	
				C872	1-127-888-11	CERAMIC 0.1uF 10% 50V	
				C874	1-128-805-11	CERAMIC 47PF 5% 50V	
				< CONNECTOR >			
				CN851	1-569-061-11	SOCKET, CONNECTOR 11P	
				* CN853	1-564-720-11	PIN, CONNECTOR (SMALL TYPE) 4P	

The components identified by mark △ or dotted line with mark △ are critical for safety. Replace only with part number specified.

Les composants identifiés par une marque △ sont critiques pour la sécurité. Ne les remplacer que par une pièce portant le numéro spécifié.

以阴影和 △ 标志来识别的零部件，在安全方面具有关键性。因此只能以规定号码的零部件来更换。

STR-DA1ES/DB780

S-VIDEO SEC 1 V3-OPT VIDEO

Ref. No.	Part No.	Description	Remark
		< DIODE >	
D850	8-719-911-19	DIODE 1SS119-25	
D851	8-719-911-19	DIODE 1SS119-25	
		< IC >	
IC850	6-701-890-01	IC NJM2595D	
IC852	6-701-890-01	IC NJM2595D	
		< CONNECTOR >	
J850	1-764-676-11	CONNECTOR (ROUND TYPE) (TV/SAT S-VIDEO IN), DVD/LD S-VIDEO IN)	
J851	1-537-943-11	CONNECTOR (DIN) 1P (MONITOR S-VIDEO IN)	
J852	1-764-676-11	CONNECTOR (ROUND TYPE) (VIDEO 1 S-VIDEO IN/OUT)	
		< RESISTOR >	
R854	1-247-804-11	CARBON 75 5% 1/4W	
R855	1-247-804-11	CARBON 75 5% 1/4W	
R856	1-247-804-11	CARBON 75 5% 1/4W	
R857	1-247-804-11	CARBON 75 5% 1/4W	
R858	1-247-804-11	CARBON 75 5% 1/4W	
R859	1-247-804-11	CARBON 75 5% 1/4W	
R860	1-247-804-11	CARBON 75 5% 1/4W	
R861	1-247-804-11	CARBON 75 5% 1/4W	
R862	1-247-804-11	CARBON 75 5% 1/4W	
R863	1-247-804-11	CARBON 75 5% 1/4W	

	1-685-501-11	SEC 1 BOARD	

	1-683-873-11	V3-OPT BOARD	

		< CAPACITOR >	
C289	1-127-888-11	CERAMIC 0.1uF 10% 50V	
		< CONNECTOR >	
* CN289	1-564-719-11	PIN, CONNECTOR (SMALL TYPE) 3P	
		< IC >	
IC289	6-600-057-01	IC TORX141PL (DIGITAL (OPTICAL))	
		< RESISTOR >	
R289	1-247-807-31	CARBON 100 5% 1/4W	

A-4729-127-A	VIDEO BOARD, COMPLETE (DA1ES)		
A-4729-128-A	VIDEO BOARD, COMPLETE (DB780: SP, MY, TW, KR, CH)		
A-4729-129-A	VIDEO BOARD, COMPLETE (DB780: AEP, UK) *****		
		< CAPACITOR >	
C301	1-127-868-11	CERAMIC 2200PF 10% 50V (EXCEPT DB780: AEP, UK)	
C308	1-126-964-11	ELECT 10uF 20% 50V (EXCEPT DB780: AEP, UK)	

Ref. No.	Part No.	Description	Remark
C309	1-126-964-11	ELECT 10uF 20% 50V (EXCEPT DB780: AEP, UK)	
C310	1-126-964-11	ELECT 10uF 20% 50V (EXCEPT DB780: AEP, UK)	
C311	1-126-964-11	ELECT 10uF 20% 50V (EXCEPT DB780: AEP, UK)	
C312	1-126-964-11	ELECT 10uF 20% 50V (EXCEPT DB780: AEP, UK)	
C313	1-126-964-11	ELECT 10uF 20% 50V (EXCEPT DB780: AEP, UK)	
C335	1-128-805-11	CERAMIC 47PF 5% 50V	
C336	1-128-805-11	CERAMIC 47PF 5% 50V	
C337	1-128-805-11	CERAMIC 47PF 5% 50V	
C342	1-128-805-11	CERAMIC 47PF 5% 50V	
C343	1-128-805-11	CERAMIC 47PF 5% 50V	
C344	1-128-805-11	CERAMIC 47PF 5% 50V	
C345	1-128-805-11	CERAMIC 47PF 5% 50V	
C346	1-126-964-11	ELECT 10uF 20% 50V	
C347	1-126-964-11	ELECT 10uF 20% 50V	
C348	1-126-964-11	ELECT 10uF 20% 50V	
C349	1-126-964-11	ELECT 10uF 20% 50V	
C351	1-127-868-11	CERAMIC 2200PF 10% 50V	
C352	1-127-868-11	CERAMIC 2200PF 10% 50V	
C353	1-127-868-11	CERAMIC 2200PF 10% 50V	
C354	1-127-888-11	CERAMIC 0.1uF 10% 50V	
C358	1-127-888-11	CERAMIC 0.1uF 10% 50V	
C363	1-126-964-11	ELECT 10uF 20% 50V	
C373	1-127-888-11	CERAMIC 0.1uF 10% 50V	
C374	1-127-888-11	CERAMIC 0.1uF 10% 50V	
C379	1-127-888-11	CERAMIC 0.1uF 10% 50V (EXCEPT DB780: AEP, UK)	
C380	1-127-888-11	CERAMIC 0.1uF 10% 50V (EXCEPT DB780: AEP, UK)	
C381	1-127-888-11	CERAMIC 0.1uF 10% 50V (EXCEPT DB780: AEP, UK)	
C382	1-127-888-11	CERAMIC 0.1uF 10% 50V (EXCEPT DB780: AEP, UK)	
		< CONNECTOR >	
CN301	1-569-060-11	SOCKET, CONNECTOR 11P	
CN302	1-564-505-11	PLUG, CONNECTOR 2P	
CN303	1-569-060-11	SOCKET, CONNECTOR 11P	
		< DIODE >	
D303	8-719-911-19	DIODE 1SS119-25	
D304	8-719-911-19	DIODE 1SS119-25	
		< IC >	
IC301	6-701-891-01	IC NJM2581D (EXCEPT DB780: AEP, UK)	
IC303	8-759-231-66	IC TC74HC4053AP (EXCEPT DB780: AEP, UK)	
IC308	6-701-890-01	IC NJM2595D	
		< JACK >	
J301	1-816-592-11	JACK, PIN 9P (COMPONENT VIDEO MONITOR OUT, TV/SAT IN, DVD/LD IN) (EXCEPT DB1080: AEP, UK)	
J302	1-794-970-11	JACK, PIN 1P (MONITOR OUT VIDEO)	
J303	1-563-330-11	JACK (CONTROL A1 II)	
J304	1-794-978-11	JACK, PIN 3P (VIDEO 2 OUT VIDEO, VIDEO 1 IN/OUT VIDEO)	

VIDEO **VIDEO 3** **VIDEO.AU**

Ref. No.	Part No.	Description	Remark	Ref. No.	Part No.	Description	Remark
J305	1-794-978-11	JACK, PIN 3P (TV/SAT IN VIDEO, DVD/LD IN VIDEO, VIDEO 2 OUT VIDEO)		R296	1-247-804-11	CARBON 75 5% 1/4W	
		< TRANSISTOR >		R297	1-247-804-11	CARBON 75 5% 1/4W	
Q302	8-729-116-02	TRANSISTOR BA1A4M-TP (EXCEPT DB780: AEP, UK)		R298	1-249-417-11	CARBON 1K 5% 1/4W	
		< RESISTOR >		R299	1-249-417-11	CARBON 1K 5% 1/4W	
R301	1-247-804-11	CARBON 75 5% 1/4W (EXCEPT DB780: AEP, UK)		*****			
R302	1-247-804-11	CARBON 75 5% 1/4W (EXCEPT DB780: AEP, UK)		A-4729-132-A	VIDEO.AU BOARD, COMPLETE (DA1ES)		
R303	1-247-804-11	CARBON 75 5% 1/4W (EXCEPT DB780: AEP, UK)		A-4729-133-A	VIDEO.AU BOARD, COMPLETE (DB780)		
R304	1-247-804-11	CARBON 75 5% 1/4W (EXCEPT DB780: AEP, UK)		*****			
R305	1-247-804-11	CARBON 75 5% 1/4W (EXCEPT DB780: AEP, UK)		< CAPACITOR >			
R306	1-247-804-11	CARBON 75 5% 1/4W (EXCEPT DB780: AEP, UK)		C201	1-127-868-11	CERAMIC 2200PF 10% 50V	
R307	1-247-804-11	CARBON 75 5% 1/4W (EXCEPT DB780: AEP, UK)		C202	1-127-868-11	CERAMIC 2200PF 10% 50V	
R309	1-247-804-11	CARBON 75 5% 1/4W (EXCEPT DB780: AEP, UK)		C211	1-127-868-11	CERAMIC 2200PF 10% 50V	
R310	1-247-804-11	CARBON 75 5% 1/4W (EXCEPT DB780: AEP, UK)		C212	1-127-868-11	CERAMIC 2200PF 10% 50V	
R325	1-249-429-11	CARBON 10K 5% 1/4W (EXCEPT DB780: AEP, UK)		C213	1-128-809-11	CERAMIC 100PF 5% 50V	
R338	1-247-804-11	CARBON 75 5% 1/4W		C214	1-127-876-11	CERAMIC 0.01uF 10% 50V	
R339	1-247-804-11	CARBON 75 5% 1/4W		< CONNECTOR >			
R340	1-247-804-11	CARBON 75 5% 1/4W		CN201	1-568-441-11	SOCKET, CONNECTOR 9P	
R341	1-247-804-11	CARBON 75 5% 1/4W		* CN202	1-564-719-11	PIN, CONNECTOR (SMALL TYPE) 3P	
R342	1-247-804-11	CARBON 75 5% 1/4W		< IC >			
R344	1-247-804-11	CARBON 75 5% 1/4W		IC201	8-759-582-65	IC TC9273N-014	
R346	1-247-804-11	CARBON 75 5% 1/4W		< JACK >			
R357	1-247-807-31	CARBON 100 5% 1/4W (EXCEPT DB780: AEP, UK)		J201	1-774-411-11	JACK, PIN 6P (TV/SAT AUDIO IN, DVD/LD AUDIO IN, VIDEO 2 AUDIO OUT)	
*****				J202	1-774-411-11	JACK, PIN 6P (VIDEO 2 AUDIO IN, VIDEO 1 AUDIO IN/OUT)	
1-683-776-11	VIDEO 3 BOARD	*****		< RESISTOR >			
	< CAPACITOR >			R201	1-249-417-11	CARBON 1K 5% 1/4W	
C293	1-127-876-11	CERAMIC 0.01uF 10% 50V		R202	1-249-417-11	CARBON 1K 5% 1/4W	
C294	1-127-880-11	CERAMIC 0.022uF 10% 50V		R203	1-249-421-11	CARBON 2.2K 5% 1/4W	
	< CONNECTOR >			R204	1-249-417-11	CARBON 1K 5% 1/4W	
CN201	1-784-923-11	PIN, CONNECTOR 7P		R205	1-249-421-11	CARBON 2.2K 5% 1/4W	
	< TERMINAL >			R206	1-249-417-11	CARBON 1K 5% 1/4W	
* EB299	1-537-738-21	TERMINAL, EARTH		R211	1-249-417-11	CARBON 1K 5% 1/4W	
	< JACK >			R251	1-249-417-11	CARBON 1K 5% 1/4W	
J298	1-770-571-11	JACK BLOCK, PIN (L TYPE) 3P (VIDEO 3 INPUT AUDIO/VIDEO)		R252	1-249-417-11	CARBON 1K 5% 1/4W	
J299	1-784-808-11	TERMINAL, S (VIDEO 3 INPUT S-VIDEO)		R253	1-249-421-11	CARBON 2.2K 5% 1/4W	
	< RESISTOR >			R254	1-249-417-11	CARBON 1K 5% 1/4W	
R295	1-247-804-11	CARBON 75 5% 1/4W		R255	1-249-421-11	CARBON 2.2K 5% 1/4W	
				R256	1-249-417-11	CARBON 1K 5% 1/4W	
				△ R842	1-249-399-11	CARBON 33 5% 1/4W	F
				△ R843	1-249-399-11	CARBON 33 5% 1/4W	F

				MISCELLANEOUS			

				64	1-773-342-11	WIRE (FLAT TYPE) (31 CORE)	
				155	1-769-939-11	WIRE (FLAT TYPE) (11 CORE)	
				157	1-769-937-11	WIRE (FLAT TYPE) (11 CORE)	
				201	1-773-001-11	WIRE (FLAT TYPE) (15 CORE)	
						(DB780: AEP, UK)	
				201	1-769-937-11	WIRE (FLAT TYPE) (11 CORE)	
						(EXCEPT DB780: AEP, UK)	
				202	1-769-905-11	WIRE (FLAT TYPE) (9 CORE)	

The components identified by mark \triangle or dotted line with mark \triangle are critical for safety. Replace only with part number specified.	Les composants identifiés par une marque \triangle sont critiques pour la sécurité. Ne les remplacer que par une pièce portant le numéro spécifié.	以阴影和 \triangle 标志来识别的零部件，在安全方面具有关键性。因此只能以规定号码的零部件来更换。
--	--	---

STR-DA1ES/DB780

Ref. No.	Part No.	Description	Remark	Ref. No.	Part No.	Description	Remark
△ 256	1-769-079-21	CORD, POWER (KR)					
△ 256	1-769-743-11	CORD, POWER (CND)		4-241-672-21	MANUAL, INSTRUCTION (FRENCH)		
△ 256	1-769-744-11	CORD, POWER (AEP, UK, SP, MY, TW)				(DA1ES: CND)	
△ 256	1-782-464-21	CORD, POWER (CH)		4-241-673-11	MANUAL, INSTRUCTION (ENGLISH)		
						(DB780: AEP, UK, SP, MY, TW, CH)	
△ 256	1-783-532-11	CORD, POWER (US)		4-241-673-21	MANUAL, INSTRUCTION (FRENCH)		
△ F1	1-532-504-51	FUSE (T4AL/250V)				(DB780: AEP, SP, MY)	
		(EXCEPT DA1ES/DB780: TW)		4-241-673-31	MANUAL, INSTRUCTION (SPANISH)		
△ F1	1-576-048-11	FUSE, GLASS TUBE (10A/125V)				(DB780: AEP, SP, MY)	
		(DA1ES/DB780: TW)		4-241-673-41	MANUAL, INSTRUCTION (GERMAN, DUTCH, SWEDISH)		(DB780: AEP)
△ F2	1-532-464-51	FUSE (T2.5AL/250V) (DB780: SP, MY)					
△ F2	1-576-048-11	FUSE, GLASS TUBE (10A/125V) (DA1ES)		4-241-673-51	MANUAL, INSTRUCTION (ITALIAN, POLISH)		(DB780: AEP)
△ F903	1-532-464-51	FUSE (T2.5AL/250V)		4-241-673-61	MANUAL, INSTRUCTION		
		(EXCEPT DA1ES/DB780: TW)				(SIMPLIFIED CHINESE)	(DB780: CH)
△ F903	1-533-419-11	FUSE, GLASS CYLINDRICAL (DIA.5) (4A/125V)		4-241-673-71	MANUAL, INSTRUCTION		
		(DA1ES: CND)				(TRADITIONAL CHINESE)	(DB780: TW)
△ F903	1-576-108-11	FUSE (4A/125V) (DA1ES: US/DB780: TW)		4-241-673-81	MANUAL, INSTRUCTION (KOREAN)		(DB780: KR)
△ F904	1-532-464-51	FUSE (T2.5AL/250V)		4-241-674-11	MANUAL, INSTRUCTION (PORTUGUESE)		(DB780: AEP)
		(EXCEPT DA1ES/DB780: TW)					
△ F904	1-533-419-11	FUSE, GLASS CYLINDRICAL (DIA.5) (4A/125V)					
		(DA1ES: CND)		4-241-674-21	MANUAL, INSTRUCTION (DANISH, FINNISH)		(DB780: AEP)
△ F904	1-576-108-11	FUSE (4A/125V) (DA1ES: US/DB780: TW)		4-241-674-31	MANUAL, INSTRUCTION (RUSSIAN)		(DB780: AEP)
△ F905	1-533-919-11	FUSE (12A/250V) (DA1ES/DB780: TW)		4-241-678-11	MANUAL, INSTRUCTION (ENGLISH) (DA1ES)		
△ F906	1-533-919-11	FUSE (12A/250V) (DA1ES/DB780: TW)		4-241-678-21	MANUAL, INSTRUCTION (FRENCH)		(DA1ES: CND)
Q402	6-702-390-01	IC MN2488-OPY-MK					
Q403	6-702-391-01	IC MP1620-OPY-MK		4-241-689-11	MANUAL, INSTRUCTION (GREEK)		(DB780: AEP)
Q431	8-729-026-08	TRANSISTOR 2SC4495		4-241-689-21	MANUAL, INSTRUCTION (HUNGARIAN, CZECH)		(DB780: AEP)
Q452	6-702-390-01	IC MN2488-OPY-MK		4-241-689-31	MANUAL, INSTRUCTION (TURKISH)		(DB780: AEP)
Q453	6-702-391-01	IC MP1620-OPY-MK		4-241-689-41	MANUAL, INSTRUCTION (SLOVAKIAN)		(DB780: AEP)
Q491	8-729-026-08	TRANSISTOR 2SC4495					
Q502	6-702-390-01	IC MN2488-OPY-MK					
Q503	6-702-391-01	IC MP1620-OPY-MK					
Q531	8-729-026-08	TRANSISTOR 2SC4495					
Q552	6-702-390-01	IC MN2488-OPY-MK					
Q553	6-702-391-01	IC MP1620-OPY-MK					
Q581	8-729-026-08	TRANSISTOR 2SC4495					
Q602	6-702-390-01	IC MN2488-OPY-MK					
Q603	6-702-391-01	IC MP1620-OPY-MK					
Q631	8-729-026-08	TRANSISTOR 2SC4495					
△ T901	1-437-821-11	TRANSFORMER, POWER (US, CND)					
△ T901	1-437-822-11	TRANSFORMER, POWER					
		(AEP, UK SP, MY, KR, CH)					
△ T901	1-437-842-11	TRANSFORMER, POWER (TW)					
TU301	1-693-577-21	TUNER (US, CND)					
TU301	1-693-578-21	TUNER (AEP, UK)					
TU301	1-693-580-21	TUNER (SP, MY, TW, KR, CH)					

ACCESSORIES

	1-476-552-41	COMMANDER, STANDARD (RM-U305C)				(DB780)	
	1-476-607-31	REMOTE COMMANDER (RM-PP506L)				(DA1ES)	
	1-501-374-11	ANTENNA, LOOP (AM)					
	1-501-594-13	ANTENNA (FM) (DB780)					
△	1-569-008-21	ADAPTOR, CONVERSION (TW)					
△	1-770-019-11	ADAPTOR, CONVERSION PLUG 3P (UK)					
	1-793-184-21	CONNECTOR (F TYPE ADAPTOR) (DA1ES)					
	4-228-696-01	COVER, BATTERY (for RM-U305C) (DB780)					
	4-236-337-01	COVER, BATTERY (for RM-PP506L) (DA1ES)					
	4-241-672-11	MANUAL, INSTRUCTION (ENGLISH) (DA1ES)					

The components identified by mark △ or dotted line with mark △ are critical for safety. Replace only with part number specified.	Les composants identifiés par une marque △ sont critiques pour la sécurité. Ne les remplacer que par une pièce portant le numéro spécifié.	以阴影和 △ 标志来识别的零部件，在安全方面具有关键性。因此只能以规定号码的零部件来更换。
--	--	---

MEMO

