

# STR-DA333ES/DA555ES

## SERVICE MANUAL

US Model  
Canadian Model

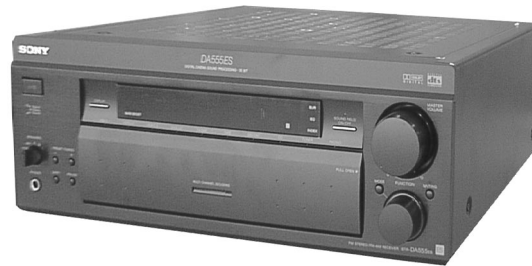



Photo: STR-DA555ES

This receiver incorporates Dolby\* Digital and Dolby Pro Logic Surround and the DTS\*\* Digital Surround System.

\* Manufactured under license from Dolby Laboratories. "Dolby", "AC-3", "Pro Logic," and the double-D symbol  are trademarks of Dolby Laboratories Licensing Corporation.

\*\*Manufactured under license from Digital Theater Systems, Inc. US Pat. No. 5,451,942 and other worldwide patents issued and pending. "DTS", and "DTS Digital Surround", are trademarks of Digital Theater Systems, Inc. © 1996 Digital Theater Systems, Inc. All rights reserved.

### SPECIFICATIONS

#### AUDIO POWER SPECIFICATIONS

**POWER OUTPUT AND TOTAL HARMONIC DISTORTION:**  
With 8 ohm loads, both channels driven, from 20 - 20,000 Hz; rated 120 watts (STR-DA555ES) and 80 watts (STR-DA333ES) per channel minimum RMS power, with no more than 0.05% total harmonic distortion from 250 milliwatts to rated output (USA model only).

#### Amplifier section

##### POWER OUTPUT

Stereo mode

(8 ohms, 20 Hz - 20 kHz,  
THD 0.05%)

STR-DA555ES:  
120 W + 120 W  
STR-DA333ES:  
80 W + 80 W

##### Surround mode

(8 ohms, 20 Hz - 20 kHz,  
THD 0.05%)  
STR-DA555ES:  
Front: 120 W/ch  
Center<sup>a)</sup>: 120 W  
Rear<sup>a)</sup>: 120 W/ch  
STR-DA333ES:  
Front: 80 W/ch  
Center<sup>a)</sup>: 80 W  
Rear<sup>a)</sup>: 80 W/ch  
(4 ohms, 20 Hz - 20 kHz,  
THD 0.05%)  
STR-DA555ES:  
Front: 100 W/ch  
Center<sup>a)</sup>: 100 W  
Rear<sup>a)</sup>: 100 W/ch  
STR-DA333ES:  
Front: 70 W/ch  
Center<sup>a)</sup>: 70 W

Rear<sup>a)</sup>: 70 W/ch

*a) Depending on the sound field settings and the source, there may be no sound output.*

##### Dynamic power output

165 W + 165 W, 8 ohms  
230 W + 230 W, 4 ohms

**Harmonic distortion at rated output**  
Less than 0.05% (with sound field, tone, and bass booster bypassed)

##### Frequency response

PHONO: RIAA  
equalization curve  
±0.5 dB

— Continued on next page —

## FM STEREO FM-AM RECEIVER



# SONY®

CD, TAPE, MD/DAT,  
DVD/LD, TV/SAT,  
VIDEO 1, 2, and  
VIDEO 3:  
10 Hz - 50 kHz +0.5/  
-2 dB (with sound  
field, tone, and bass  
booster bypassed)

#### Inputs (Analog)

**PHONO:**  
Sensitivity: 2.5 mV  
Impedance: 50  
kilohms  
S/N<sup>b)</sup>: 75 dB (A,  
2.5 mV<sup>c)</sup>)  
**5.1CH INPUT, CD,  
DVD/LD, TAPE,  
MD/DAT, TV/SAT,  
VIDEO 1, 2, and  
VIDEO 3:**  
Sensitivity: 150 mV  
Impedance: 50  
kilohms  
S/N<sup>b)</sup>: 82 dB (A,  
150 mV<sup>c)</sup>)

b) 78' IHF

c) Weighted network, input level

#### Inputs (Digital)

**DVD/LD (coaxial):**  
Sensitivity: 0.5 Vp-p  
Impedance: 75 ohms  
S/N: 100 dB (A, 20  
kHz LPF)  
**DVD/LD, TV/SAT,  
MD/DAT (Optical):**  
S/N: 100 dB (A, 20  
kHz LPF)

#### Outputs (Analog)

**TAPE, MD/DAT, (REC  
OUT); VIDEO 1, 2  
(AUDIO OUT):**  
Voltage: 150 mV,  
Impedance: 10  
kilohms  
**FRONT L/R, CENTER,  
REAR L/R  
WOOFER:**  
Voltage: 2 V  
Impedance: 2  
kilohms  
**PHONES:**  
Accepts low- and  
high-impedance  
headphones

#### Outputs (Digital)

MD/DAT, (Optical)

**BASS BOOST** +6 dB at 70 Hz

#### Sampling Frequency

48 kHz

#### EQ

**BASS:**  
100 Hz~1.0kHz  
(21 steps)  
**MID:**  
500 Hz~5.0kHz  
(21 steps)  
**TREBLE:**  
1.0 kHz~10kHz  
(21 steps)  
**Gain levels:**  
±10 dB, 1 dB step

### FM tuner section

**Tuning range** 87.5 - 108.0 MHz

#### Antenna terminals

75 ohms, unbalanced

**Sensitivity** Mono: 18.3 dBf, 2.2 µV  
Stereo: 38.3 dBf,  
22.5 µV

#### Usable sensitivity

11.2 dBf, 1 µV (IHF)

**S/N** Mono: 76 dB  
Stereo: 70 dB

#### Harmonic distortion at 1 kHz

Mono: 0.3%  
Stereo: 0.5%

**Separation** 45 dB at 1 kHz

#### Frequency response

30 Hz - 15 kHz  
+0.5/-2 dB

**Selectivity** 60 dB at 400 kHz

### AM tuner section

**Tuning range** With 10-kHz tuning  
scale:  
530 - 1710 kHz<sup>d)</sup>  
With 9-kHz tuning  
scale:  
531 - 1710 kHz<sup>d)</sup>

**Antenna** Loop antenna

**Usable sensitivity**  
50 dB/m (at 1,000 kHz  
or 999 kHz)

**S/N** 54 dB (at 50 mV/m)

#### Harmonic distortion

0.5 % (50 mV/m,  
400 kHz)

**Selectivity** At 9 kHz: 35 dB  
At 10 kHz: 40 dB

d) You can change the AM tuning scale to 9 kHz. After tuning in any AM station, turn off the receiver. Hold down the TUNING + button and press the 1/⏪ button. All preset stations will be erased when you change the tuning scale. To reset the scale to 10 kHz, repeat the procedure.

### Video section

**Inputs** Video: 1 Vp-p 75 ohms  
S-video:  
Y: 1 Vp-p 75 ohms  
C: 0.286 Vp-p  
75 ohms

**Outputs** Video: 1 Vp-p 75 ohms  
S-video:  
Y: 1 Vp-p 75 ohms  
C: 0.286 Vp-p  
75 ohms

### General

**System** Tuner section:  
PLL quartz-locked  
digital synthesizer  
system  
Preamplifier section:  
Low-noise NF type  
equalizer  
Power amplifier  
section:  
Pure-complementary  
SEPP

#### Power requirements

120 V AC, 60 Hz

#### Power consumption

STR-DA555ES:  
USA: 380 W  
Canada: 550 VA  
STR-DA333ES:  
USA: 280 VA  
Canada: 400 VA

**AC outlets** 2 switched, total 120 W

**Dimensions** 430 × 160 × 410 mm  
(17 × 6<sup>3</sup>/<sub>8</sub> × 16 in.)  
including projecting  
parts and controls

### Mass (Approx.)

STR-DA555ES  
16 kg (35 lbs. 3 oz.)  
STR-DA333ES  
14 kg (30 lbs. 14 oz.)

### Supplied accessories

- FM wire antenna (1)
- AM loop antenna (1)

#### STR-DA555ES only

- Remote commander RM-TP502 (remote) (1)
- R6 (size-AA) alkaline batteries (4)
- Coin shaped lithium battery (CR-2032) (1)

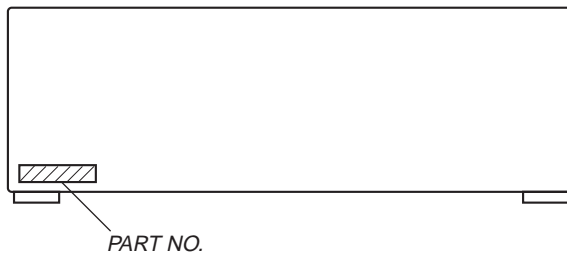
#### STR-DA333ES only

- Remote commander RM-LJ302 (remote) (1)
- R6 (size-AA) alkaline batteries (3)

Design and specifications are subject to change without notice.

### MODEL IDENTIFICATION

– BACK PANEL –



MODEL	PARTS No.
DA555ES:US model	4-219-066-0□
DA555ES:Canadian model	4-219-066-1□
DA333ES:US model	4-219-066-2□
DA333ES:Canadian model	4-219-066-3□

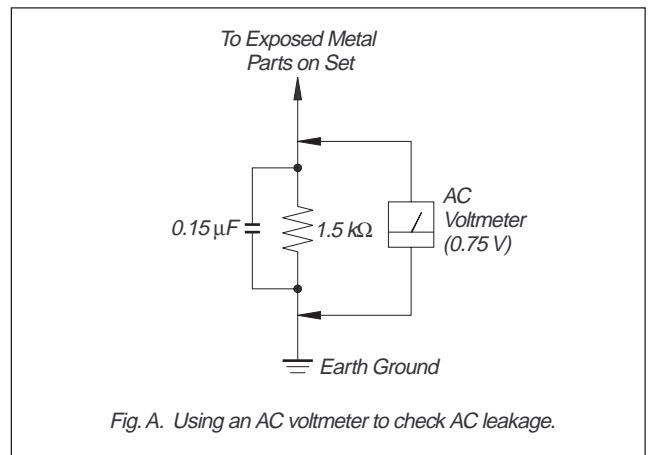
### SAFETY CHECK-OUT

After correcting the original service problem, perform the following safety checks before releasing the set to the customer: Check the antenna terminals, metal trim, “metallized” knobs, screws, and all other exposed metal parts for AC leakage. Check leakage as described below.

### LEAKAGE

The AC leakage from any exposed metal part to earth ground and from all exposed metal parts to any exposed metal part having a return to chassis, must not exceed 0.5 mA (500 microampers). Leakage current can be measured by any one of three methods.

1. A commercial leakage tester, such as the Simpson 229 or RCA WT-540A. Follow the manufacturers' instructions to use these instruments.
2. A battery-operated AC milliammeter. The Data Precision 245 digital multimeter is suitable for this job.
3. Measuring the voltage drop across a resistor by means of a VOM or battery-operated AC voltmeter. The “limit” indication is 0.75 V, so analog meters must have an accurate low-voltage scale. The Simpson 250 and Sanwa SH-63Trd are examples of a passive VOM that is suitable. Nearly all battery operated digital multimeters that have a 2V AC range are suitable. (See Fig. A)



### SAFETY-RELATED COMPONENT WARNING!!

COMPONENTS IDENTIFIED BY MARK  $\triangle$  OR DOTTED LINE WITH MARK  $\triangle$  ON THE SCHEMATIC DIAGRAMS AND IN THE PARTS LIST ARE CRITICAL TO SAFE OPERATION. REPLACE THESE COMPONENTS WITH SONY PARTS WHOSE PART NUMBERS APPEAR AS SHOWN IN THIS MANUAL OR IN SUPPLEMENTS PUBLISHED BY SONY.

### ATTENTION AU COMPOSANT AYANT RAPPORT À LA SÉCURITÉ!

LES COMPOSANTS IDENTIFIÉS PAR UNE MARQUE  $\triangle$  SUR LES DIAGRAMMES SCHÉMATIQUES ET LA LISTE DES PIÈCES SONT CRITIQUES POUR LA SÉCURITÉ DE FONCTIONNEMENT. NE REMPLACER CES COMPOSANTS QUE PAR DES PIÈCES SONY DONT LES NUMÉROS SONT DONNÉS DANS CE MANUEL OU DANS LES SUPPLÉMENTS PUBLIÉS PAR SONY.

## TABLE OF CONTENTS

<b>1. SERVICE NOTE</b> .....	5
<b>2. GENERAL</b> .....	6
<b>3. TEST MODE</b> .....	9
<b>4. ELECTRICAL ADJUSTMENT</b> .....	10
<b>5. DIAGRAMS</b>	
5-1. Block Diagram	
• Main Section .....	11
• Tuner Section .....	13
• Power Section .....	15
5-2. Circuit Boards Location .....	17
5-3. Schematic Diagram – Digital (1/3) Section – .....	19
5-4. Schematic Diagram – Digital (2/3) Section – .....	21
5-5. Schematic Diagram – Digital (3/3) Section – .....	23
5-6. Printed Wiring Board – Digital Section – .....	25
5-7. Printed Wiring Board – Main Section – .....	27
5-8. Schematic Diagram – Main Section (1/3) – .....	29
5-9. Schematic Diagram – Main Section (2/3) – .....	31
5-10. Schematic Diagram – Main Section (3/3) – .....	33
5-11. Schematic Diagram – AMP Section – .....	35
5-12. Printed Wiring Board – AMP Section – .....	37
5-13. Schematic Diagram – Video Section – .....	39
5-14. Printed Wiring Board – Video Section – .....	41
5-15. Schematic Diagram – Display Section – .....	43
5-16. Printed Wiring Board – Display Section – .....	45
5-17. Schematic Diagram – Speaker Section – .....	47
5-18. Printed Wiring Board – Speaker Section – .....	49
5-19. Printed Wiring Board – Audio Section – .....	51
5-20. Schematic Diagram – Audio Section – .....	52
5-21. Schematic Diagram – Input Section – .....	53
5-22. Printed Wiring Board – Input Section – .....	54
5-23. Schematic Diagram – Power Section – .....	55
5-24. Printed Wiring Board – Power Section – .....	57
5-25. IC Block Diagrams .....	59
5-26. IC Pin Function Description .....	63
<b>6. EXPLODED VIEWS</b>	
6-1. Front Panel Section .....	71
6-2. Chassis Section .....	72
<b>7. ELECTRICAL PARTS LIST</b> .....	74

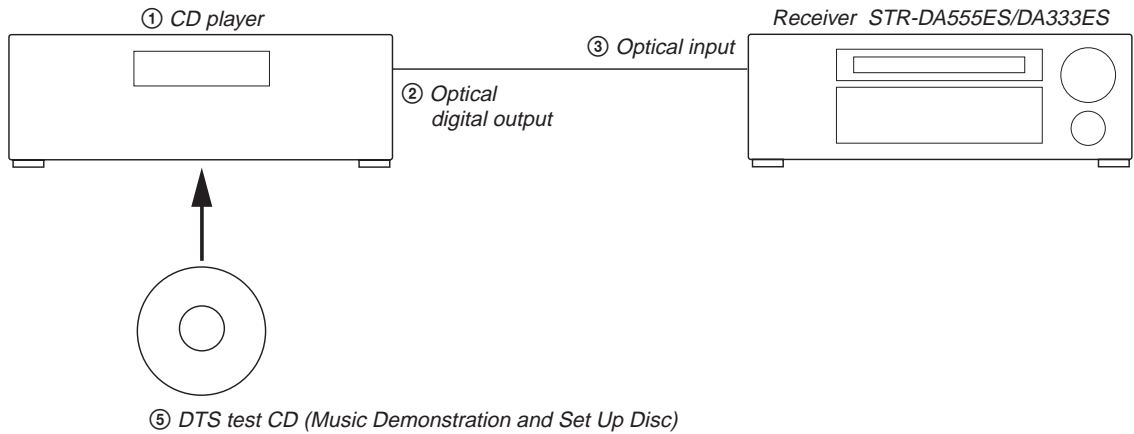
# SECTION 1 SERVICE NOTE

## DTS Decode Test

**• Required Instrument**

CD player (equipped with optical digital output)  
Optical cable  
DTS test CD (J-2501-154-A)

**Connection:**



**Procedure:**

1. Set the FUNCTION of the receiver to the CD position and confirm that "OPTICAL" and "CD" appear on the display.
2. Insert the DTS test CD into the CD player and play the CD.
3. About three seconds later, confirm that the receiver recognizes the optical signal and that the "DTS" and "dts [3/2]" are appear on the display. Confirm also that MULTI CHANNEL DECODING (blue lamp) flashes on the front panel.

Music Demonstration

Track No.	Contents	Time
1	Seal : "Prayer for the Dying"	5'40"
2	Andrew Litton conducting The Dallas Symphony Orchestra & Chorus: Excerpt from Tchaikovsky: "1812 Overture"	4'16"
3	Alan Parsons with Christopher Cross: "So Far Away"	4'08"
4	Shoelss Joe: "The Bet"	3'29"
5	TELARC: "A Touch of Surround Madness"	6'42"

Set-Up

Track No.	Contents	Time
6	1 kHz sine (All channels) Level Adjustment and Harmonic Distortion Analysis	1'00"
7	100 Hz sine (All channels) Verification of Signal and Subwoofer Testing	1'00"
8	C-Weighted Pink Noise-Left Front Channel	1'00"
9	C-Weighted Pink Noise-Center Channel	2'00"
10	C-Weighted Pink Noise-Right Front Channel	2'00"
11	C-Weighted Pink Noise-Right Rear Channel	2'00"
12	C-Weighted Pink Noise-Left Rear Channel	2'00"
13	C-Weighted Pink Noise-Subwoofer (LEE)	2'00"
14	C-Weighted Pink Noise-All Channels	2'00"
15	10 Hz to 20 kHz Sine Sweep An "All Channel" Frequency Response Test	2'00"
16	20 Hz to 160 Hz sine sweep A "Subwoofer" Low Frequency Response Test	2'00"

\* Track numbers from 8 to 14 are for Room Equalization and Channel Identification.

# Location of Parts and Basic Amplifier Operations

This chapter provides information about the locations and functions of the buttons and controls on the front panel. It also explains basic operations.

## Front Panel Parts Description

- 1** I/O switch  
Press to turn the receiver on and off.
  - Before you turn on the receiver, make sure that you have turned the MASTER VOLUME control to the leftmost position to avoid damaging your speakers.

- 2** **FUNCTION control**  
Rotate to select the component you want to use.  
Rotate to light

To select	Rotate to light
VCR	VIDEO 1 or VIDEO 2
Camcorder or video game	VIDEO 3
TV or satellite tuner	TV/SAT
DVD or LD player	DVD/LD
Tape deck	TAPE
MD or DAT deck	MD/DAT
CD player	CD
Built-in tuner	TUNER
Turntable	PHONO

After selecting the component, turn on the component you selected and play the program source.

- After selecting VCR, camcorder, video game, DVD player, or LD player, turn on the TV and set the TV's video input to match the component you selected.
- When using digital inputs, there may be up to 6 seconds of silence when switching functions or inserting new discs.

### MODE button

Press to select and play another video/audio source in combination with the selected component.

Each time you press the button, the display changes as follows:

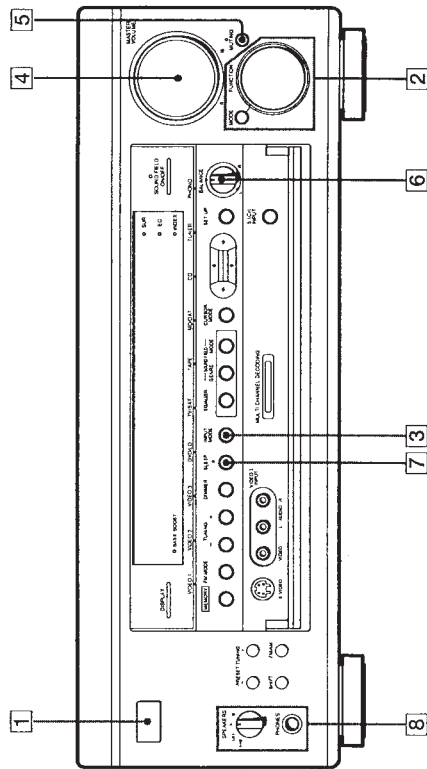
V:XXX → A:XXX → selected component
<b>Press MODE to display</b> And rotate <b>FUNCTION</b> to select
V:XXX Any video source to enjoy with the audio from the selected component.
A:XXX Any audio source to enjoy with the video from the selected component.

- When the 5.1CH INPUT (1D) is selected, the display changes as follows.  
V:XXX → 5.1CH INPUT

### Function indicators

Normally, the indicator above the selected function lights orange. However, when MODE is used to select a different video (V:XXX) or audio (A:XXX) source, the video function lights green and the audio function lights orange. This also occurs when you select audio components (like PHONO).

## Location of Parts and Basic Amplifier Operations



- 3** **INPUT MODE button**  
Press to select the input mode for your digital components (DVD/LD, TV/SAT, and MD/DAT). Each press switches the input mode of the currently selected component.

- 7** **SLEEP button**  
Press to select the time after which the receiver turnsoff automatically (see page 43).

- 8** **SPEAKERS selector**  
Set according to the front speakers you want to drive.

Select	To
AUTO	Give priority to digital signals when there are both digital and analog connections. If there are no digital signals, analog is selected.
ANALOG	Specify the analog audio signals input to the AUDIO IN (L and R) jacks.
DIGITAL (OPTICAL)	Specify the digital audio signals input to the DIGITAL OPT input jacks.
DIGITAL (COAXIAL)	Specify the digital audio signals input to the DIGITAL COAX input jacks (DVD/LD only).

- 4** **MASTER VOLUME control**  
After turning on the component you selected, rotate to adjust the volume.

- 5** **MUTING button**  
Press to mute the sound. The indicator above the button lights up when the sound is muted.

- 6** **BALANCE control**  
Rotate right or left to adjust the balance of the front speaker output.

- 7** **SLEEP button**  
Press to select the time after which the receiver turnsoff automatically (see page 43).

- 8** **SPEAKERS selector**  
Set according to the front speakers you want to drive.

Select	To
A	The speakers connected to the FRONT SPEAKERS A terminals.
B	The speakers connected to the FRONT SPEAKERS B terminals.
A+B*	The speakers connected to both the FRONT SPEAKERS A and B terminals (parallel connection).
OFF	No speaker output

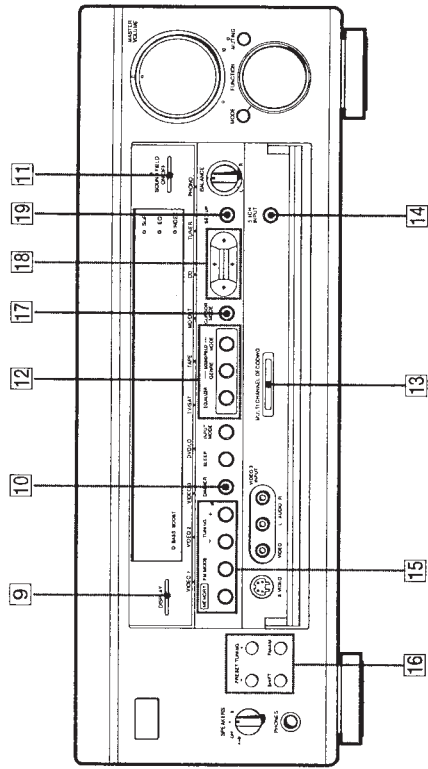
\* Be sure to connect front speakers with a nominal impedance of 8 ohms or higher if you want to select both sets (A+B) of front speakers. When you use both sets (A+B) of front speakers, set the IMPEDANCE SELECTOR to "4Ω." (see page 15).

- PHONES jack**  
Connects headphones.

- To use the headphones, set the SPEAKERS selector to OFF to output sound to the headphones.
- When the sound field is ON, setting the SPEAKERS selector to OFF will automatically present a 2 channel (stereo) downmix from the headphones.

This section is extracted from STR-DA555ES instruction manual.

## Front Panel Parts Description



**9 DISPLAY button**  
Press repeatedly to change the information on the display window as follows:

- Index name of the component or the preset station.\*
- FUNCTION setting or frequency\*\*
- Sound field applied to the program source

\* Index name appears only when you have assigned one to the component or preset station (see page 42). Index name does not appear when only blank spaces have been entered, or it is the same as the function button.  
\*\* Frequency appears only when the tuner is selected.

**10 DIMMER button**  
Press repeatedly to adjust the brightness of the display.

**11 SOUND FIELD ON/OFF button**  
Press to turn the sound field on or off. The indicator above the button lights when the sound field is on.  
For details, see "Enjoying Surround Sound" starting from page 26.

**12** Use the following buttons to enjoy surround sound.  
For details, see "Enjoying Surround Sound" starting from page 26.

### EQUALIZER button

Press to turn the equalizer on or off. The EQ indicator lights when the equalizer is turned on.  
When you adjust the equalizer using the CURSOR MODE menu EQUALIZER parameters (page 35) the settings are stored automatically and can be reproduced whenever you turn on the equalizer.

\* The equalizer is not compatible with 96 kHz digital audio signals.

### GENRE button

Press to select the sound field group you want.

### MODE button

Press to select a sound field from the group you selected.

**13** **When you want to enjoy high quality sound**  
Do the following to bypass the sound field, equalization, and bass booster circuits:

- 1 Press BASS BOOST on the remote to turn off the BASS BOOST indicator.
  - 2 Press EQUALIZER to turn off the EQ indicator.
  - 3 Press SOUND FIELD ON/OFF to turn off the sound field.
- The result will be a sound that is highly faithful to the program source.

### 13 MULTI CHANNEL DECODING indicator

This indicator lights when the unit is decoding signals recorded in a multi channel format.

### 14 5.1CH INPUT button

Press to enjoy the audio source connected to the 5.1CH INPUT jacks with the video from the selected component.

**15** The following buttons operate the built-in tuner. For details, see "Receiving Broadcasts" starting from page 37.

### MEMORY button

Press to memorize a preset station.

### FM MODE button

If "STEREO" flashes in the display and the FM stereo reception is poor, press this button. You will not have the stereo effect but the sound is improved.

### TUNING +/- buttons

Scans all the available radio stations.

**16** The following buttons operate the built-in tuner. For details, see "Receiving Broadcasts" starting from page 37.

### PRESET TUNING +/- buttons

Scans all preset stations.

### SHIFT button

Selects a memory page for preset stations.

### FM/AM button

Selects the FM or AM band.

### 17 CURSOR MODE button

Press repeatedly to select any of the following three cursor modes. The indicator for the selected cursor mode lights up. The indicator turns off when you press SET UP.

### When cursor mode is

When cursor mode is	You can
SURROUND	Change the various surround parameters (effect level, wall type, etc.), adjust the volume and balance of the rear speakers, and adjust the volume of the center speaker and subwoofer (page 33).
EQUALIZER	Adjust the equalization (bass/mid/treble) of the front, center and rear speakers (page 34). Press the EQUALIZER button to activate the equalizer.
INDEX	Enter an index name for preset stations and program sources (page 42).

### 18 Cursor buttons (4/8/4/\*)

After pressing CURSOR MODE or SET UP, use these buttons to make specific settings (see pages 16, 33, 42, and 44).

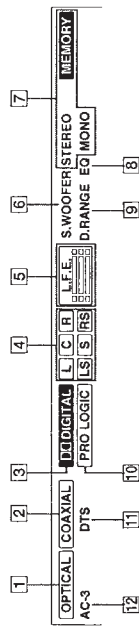
### 19 SET UP button

Press repeatedly to select any of the following indications. The selected indication appears in the display and you will be able to make various settings using the cursor buttons.

### When you display

When you display	You can
Speaker setup	Specify the front, center, rear speaker sizes, the rear speaker position, and whether or not you are using a sub woofer. (page 16)
Speaker Distance	Specify the front, center, and rear speaker distances and the unit of measurement. (page 18)
Other	Specify whether the Control A1 If auto function is on or off, and whether the receiver responds to the 2 way remote control or not. (page 44)

## Understanding the Multi-Channel Surround Displays



- 1 OPTICAL  
Lights up when the source signal is a digital signal being input through the OPTICAL terminal.
- 2 COAXIAL  
Lights up when the source signal is a digital signal being input through the COAXIAL terminal.
- 3 DIGITAL  
This indicator lights when the sound field is on and the unit is decoding signals recorded in the Dolby Digital (AC-3) format.
- 4 Playback channel indicators  
The letters light to indicate the channels being played back.  
L: Front Left  
C: Center (monaural)  
RS: Right Surround  
S: Surround (monaural) or the rear components obtained by Pro Logic processing  
The boxes around the letters light to indicate the speakers used to playback the channels.  
See the next page for details regarding the playback channel indicators.
- 5 LFE  
The letters "LFE" light up when the disc being played contains the LFE (Low Frequency Effect) channel.  
When the sound of the LFE channel signal is actually being reproduced, the bars underneath the letters light up to indicate the level. Since the LFE signal is not recorded in all parts of the input signal, the bar indication will fluctuate (and may turn off) during playback.
- 6 S.WOOFER  
Lights when sub woofer selection is set to "YES" and this unit detects that the disc being played does not contain the LFE channel signal. While this indicator is lit, this unit creates a sub woofer signal based on the low frequency components of the front channels.
- 7 Tuner indicators  
These indicators light when using the receiver to tune in radio stations, etc. See pages 37-40 for tuner operations.
- 8 EQ  
Lights when the equalizer is turned on. See page 24 and 34 for equalizer operations.
- 9 D. RANGE  
Lights when dynamic range compression is active. See page 33 and 34 to adjust the dynamic range compression.
- 10 PRO LOGIC  
Lights when this unit applies Pro Logic processing to two channel signals in order to output the center and surround channel signals.
- 11 DTS  
Lights up when DTS signals are input.  
**Notes**  
• When playing a DTS format disc, be sure that you have made digital connections and that INPUT MODE is NOT set to ANALOG (see [3] on page 23).  
• You may hear some noise when starting playback from a DTS format LD or CD. This, however, is not a malfunction.
- 12 AC-3  
Lights when Dolby Digital (AC-3) signals are input.

## Understanding the Multi-Channel Surround Displays

**Sound source displays**  
The letters (L, C, R, etc.) indicate the source sound. The boxes around the letters vary to show how the receiver downmixes the source sound (based on the speakers settings). When using music sound modes like LARGE HALL or SMALL HALL, the receiver adds reverberation based on the source sound.  
The following table shows how the indicators light when using AUTO FORMAT DECODING mode.  
Although the table below shows almost all of the configurations available from multi channel surround signals, the ones marked "x" are the most common.

Recording Format (Front/Rear)	Input Channel Display	Speaker Setup and Playback Channel Display			
		All speakers present	Rear speakers absent	Center speaker absent	Rear/center speakers absent
1/0	DOLBY DIGITAL [1/0] dts [1/0]	DOLBY DIGITAL [C] DTS [C]	DOLBY DIGITAL [C] DTS [C]	DOLBY DIGITAL [C] DTS [C]	DOLBY DIGITAL [C] DTS [C]
2/0*	DOLBY DIGITAL [2/0] dts [2/0]	L [R] DTS [L R]	L [R] DTS [L R]	L [R] DTS [L R]	L [R] DTS [L R]
3/0	DOLBY DIGITAL [3/0] dts [3/0]	DOLBY DIGITAL [L C R] DTS [L C R]	DOLBY DIGITAL [L C R] DTS [L C R]	DOLBY DIGITAL [L C R] DTS [L C R]	DOLBY DIGITAL [L C R] DTS [L C R]
2/1	DOLBY DIGITAL [2/1] dts [2/1]	L [R] DTS [L R]	L [R] DTS [L R]	L [R] DTS [L R]	L [R] DTS [L R]
3/1	DOLBY DIGITAL [3/1] dts [3/1]	DOLBY DIGITAL [L C R] DTS [L C R]	DOLBY DIGITAL [L C R] DTS [L C R]	DOLBY DIGITAL [L C R] DTS [L C R]	DOLBY DIGITAL [L C R] DTS [L C R]
2/2	DOLBY DIGITAL [2/2] dts [2/2]	L [R] DTS [L R]	L [R] DTS [L R]	L [R] DTS [L R]	L [R] DTS [L R]
3/2	★ DOLBY DIGITAL [3/2] ★ dts [3/2]	DOLBY DIGITAL [L C R] DTS [L C R]	DOLBY DIGITAL [L C R] DTS [L C R]	DOLBY DIGITAL [L C R] DTS [L C R]	DOLBY DIGITAL [L C R] DTS [L C R]
2/0**	★ DOLBY DIGITAL [2/0]	L [C] [R] PRO LOGIC [S]	L [C] [R] PRO LOGIC [S]	L [C] [R] PRO LOGIC [S]	L [C] [R] PRO LOGIC [S]
	★ DOLBY PRO LOGIC	L [C] [R] PRO LOGIC [S]	L [C] [R] PRO LOGIC [S]	L [C] [R] PRO LOGIC [S]	L [C] [R] PRO LOGIC [S]
	★ STEREO PCM**	L [R]	L [R]	L [R]	L [R]

\* Signals with Dolby surround encoded OFF  
\*\* Signals with Dolby surround encoded flag ON

### Notes

- The receiver performs Pro Logic decoding and the display conforms to 2/0\*\* when using the following movie sound modes with 2/0\* or STEREO PCM format signals. (CINEMA STUDIO A, B, C, NIGHT THEATER V, MULTI DIMENSION, V, ENHANCED A, V, ENHANCED B or V, SEMI-M. DIMENSION)
- When using music sound modes like LARGE HALL or SMALL HALL with standard audio formats like PCM, the receiver creates rear signals from the front L and R signals. In this case, sound is output from the rear speakers, but output channel indicators for the rear speakers do not light.



## SECTION 3 TEST MODE

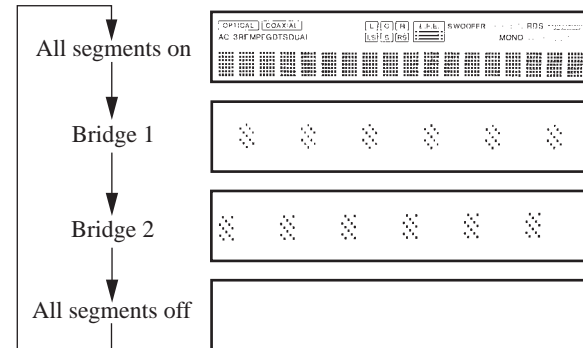
### FLUORESCENT INDICATOR TUBE TEST MODE

\* All fluorescent segments are tested. When this test is activated, all segments turn on at the same time, then each segment turns on one after another.

#### Procedure:

While depressing the **FUNCTION MODE** button and the **SOUND FIELD MODE** button simultaneously, press the **I/O** button to turn on the main power. All segments turn on at the same time, then each segment turns on one after another.

When the **CURSOR MODE** button, **←**, **↑**, **↓**, or **→** is pressed, the indication advances in the following order: All segments on, Bridge 1, Bridge 2, All segments off.



### FACTORY SET MODE

\* All preset contents are reset to the default setting.

#### Procedure:

While depressing the **FUNCTION MODE** button and the **SOUND FIELD GENRE** button simultaneously, press the **I/O** button to turn on the main power. The message **FACTORY SET** appears and the present contents are reset to the default values.

### ALL CLEAR MODE

\* All preset contents are cleared when this mode is activated. Use this mode before returning the product to clients upon completion of repair.

#### Procedure:

While depressing the **SOUND FIELD GENRE** button and the **SOUND FIELD ON/OFF** buttons simultaneously, press the **I/O** button to turn on the main power. The message **"ALL CLEAR!"** appears and the preset data is cleared.

### SOUND FIELD CLEAR MODE

\* The preset sound field is cleared when this mode is activated. Use this mode before returning the product to clients upon completion of repair.

#### Procedure:

While depressing the **SOUND FIELD ON/OFF** button, press the **I/O** button to turn on the main power. The message **"SURR CLEAR!"** appears and initialization is performed.

### DSP TEST MODE

#### Procedure:

While depressing the **FUNCTION MODE** button and the **EQUALIZER** buttons simultaneously, press the **I/O** button to turn on the main power. The message **"DSP NO ERROR"** or **"DSP ERROR"**. When **"DSP NO ERROR"** is displayed, a 1 kHz signal is output to all channels.

When the **←**, **↑**, **↓**, or **→** button is pressed while **"DSP NO ERROR"** is displayed, the message **"DSP TEST MODE"** appears. In this mode, the input signal that is selected by the **FUNCTION** knob is distributed to each speaker.

Speaker	CENTER	REAR L	REAR R	FRONT L	FRONT R
Signal	L	L	R	L	R

### DTS MODE

\* Some DTS sounds will be distorted even when the volume is lowered. In this case, set the attenuator to ON according to the following procedure and reduce the overall level of the sound.

#### Procedure:

While pressing the **←** button and **→** button simultaneously, press the **I/O** button to turn ON the power. The message **"ATTENUATE OFF"** or **"ATTENUATE ON"** message appears.

## SECTION 4 ELECTRICAL ADJUSTMENT

### IDLING CURRENT ADJUSTMENT

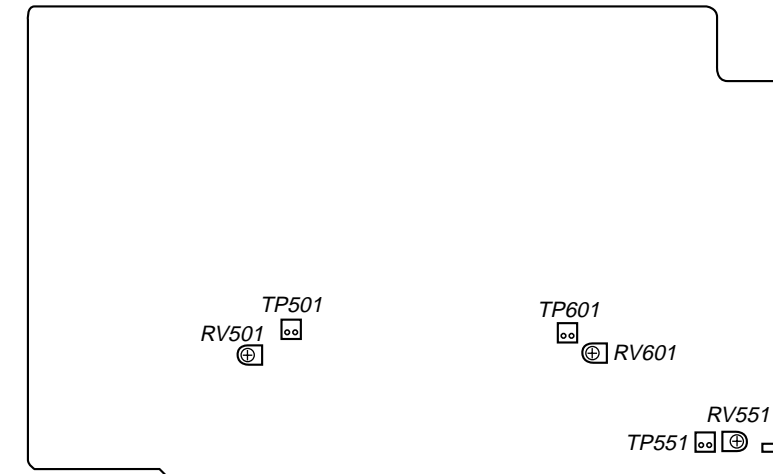
**Measuring Instrument:** Digital voltmeter

**Adjustment Procedure:** Adjust the respective adjustment elements so that the voltage (absolute value) across the corresponding testpoints satisfies the specification.

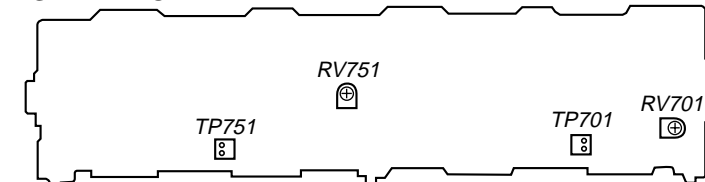
Channel	Test point	Adjustment element	Specification
FRONT L	TP501	RV501	6mV
FRONT R	TP551	RV551	
CENTER	TP601	RV601	
REAR L	TP701	RV701	
REAR R	TP751	RV751	

#### Adjustment Location:

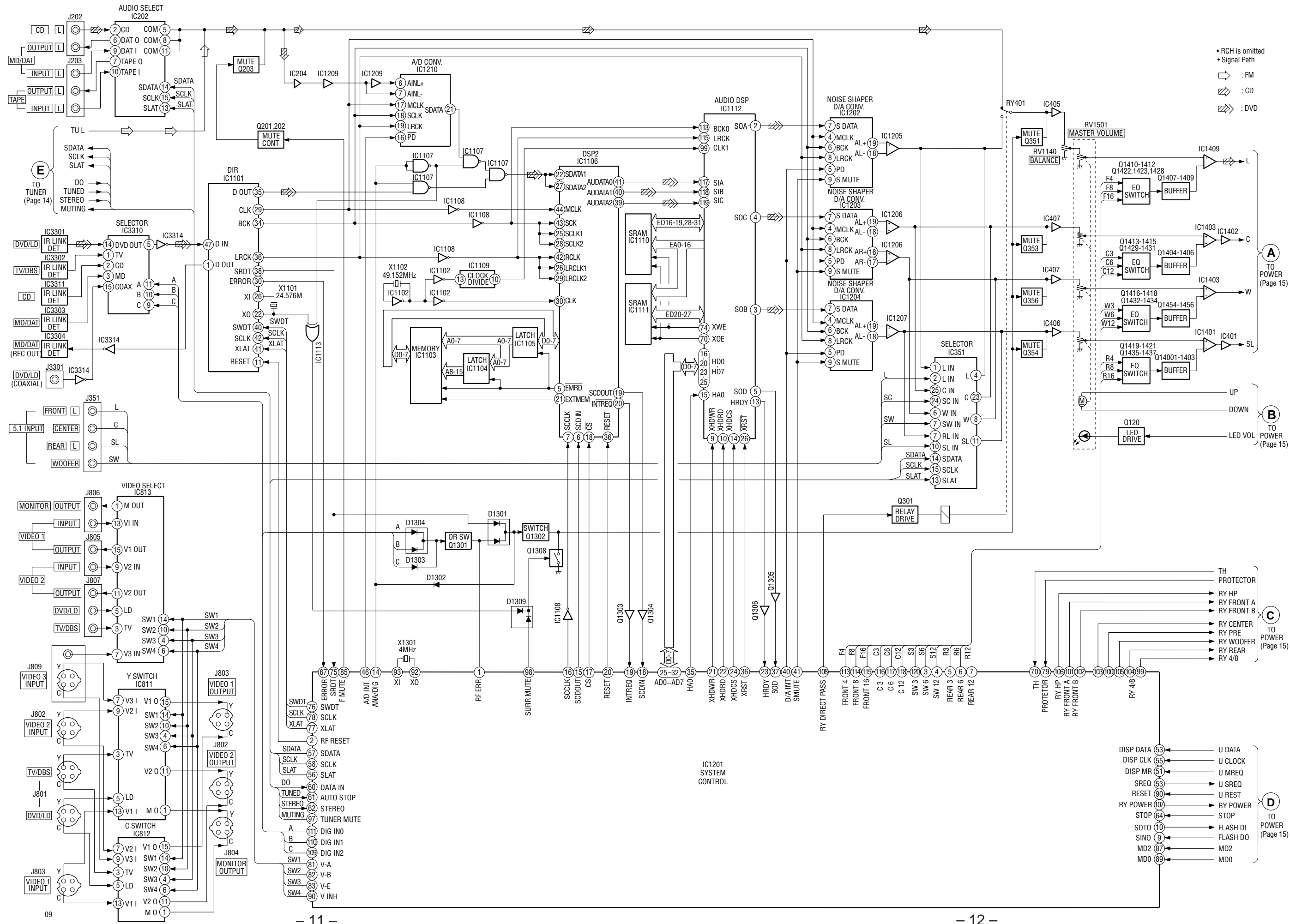
### MAIN BOARD



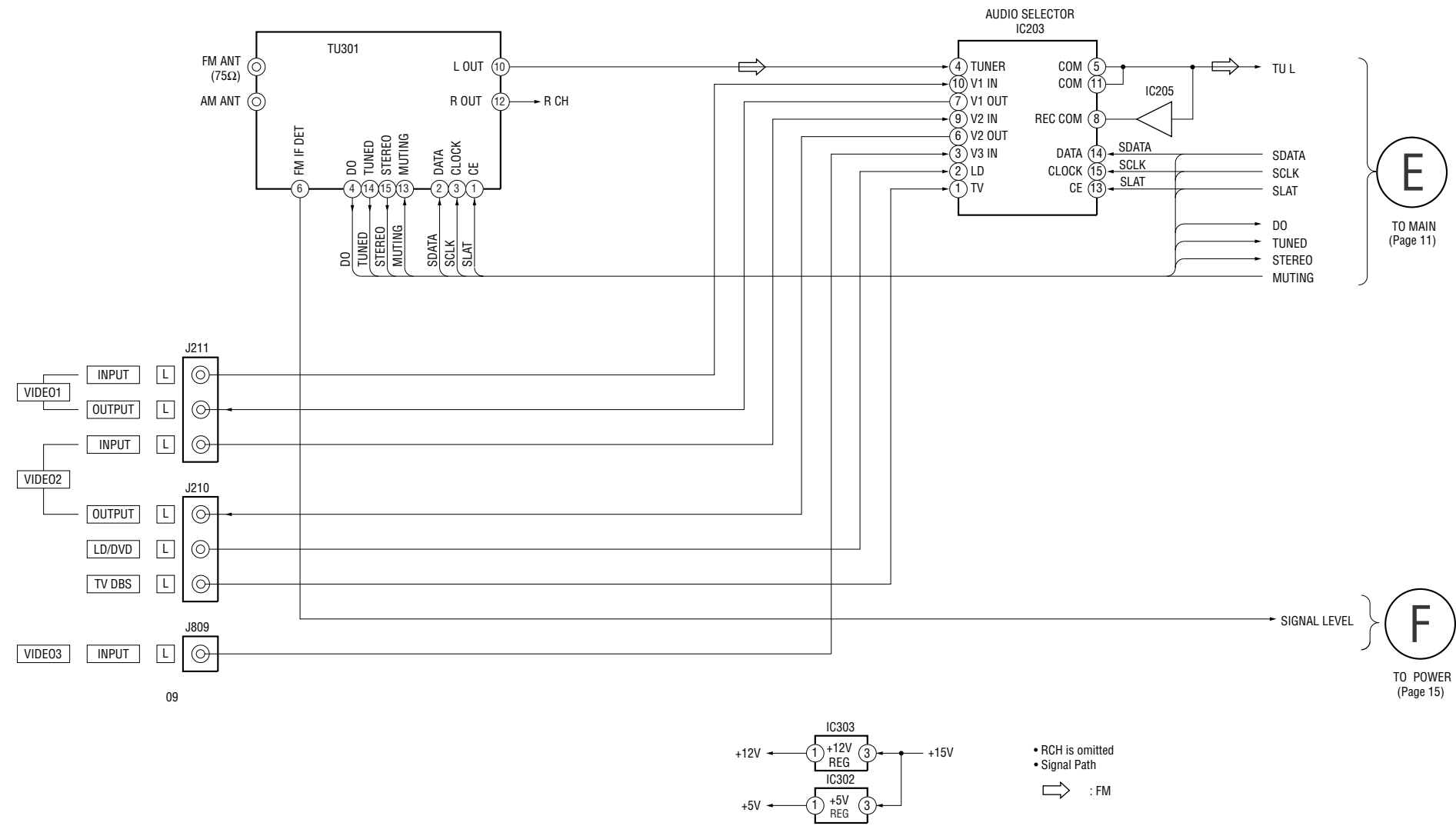
### S. AMP BOARD



5-1. BLOCK DIAGRAM  
- MAIN SECTION -



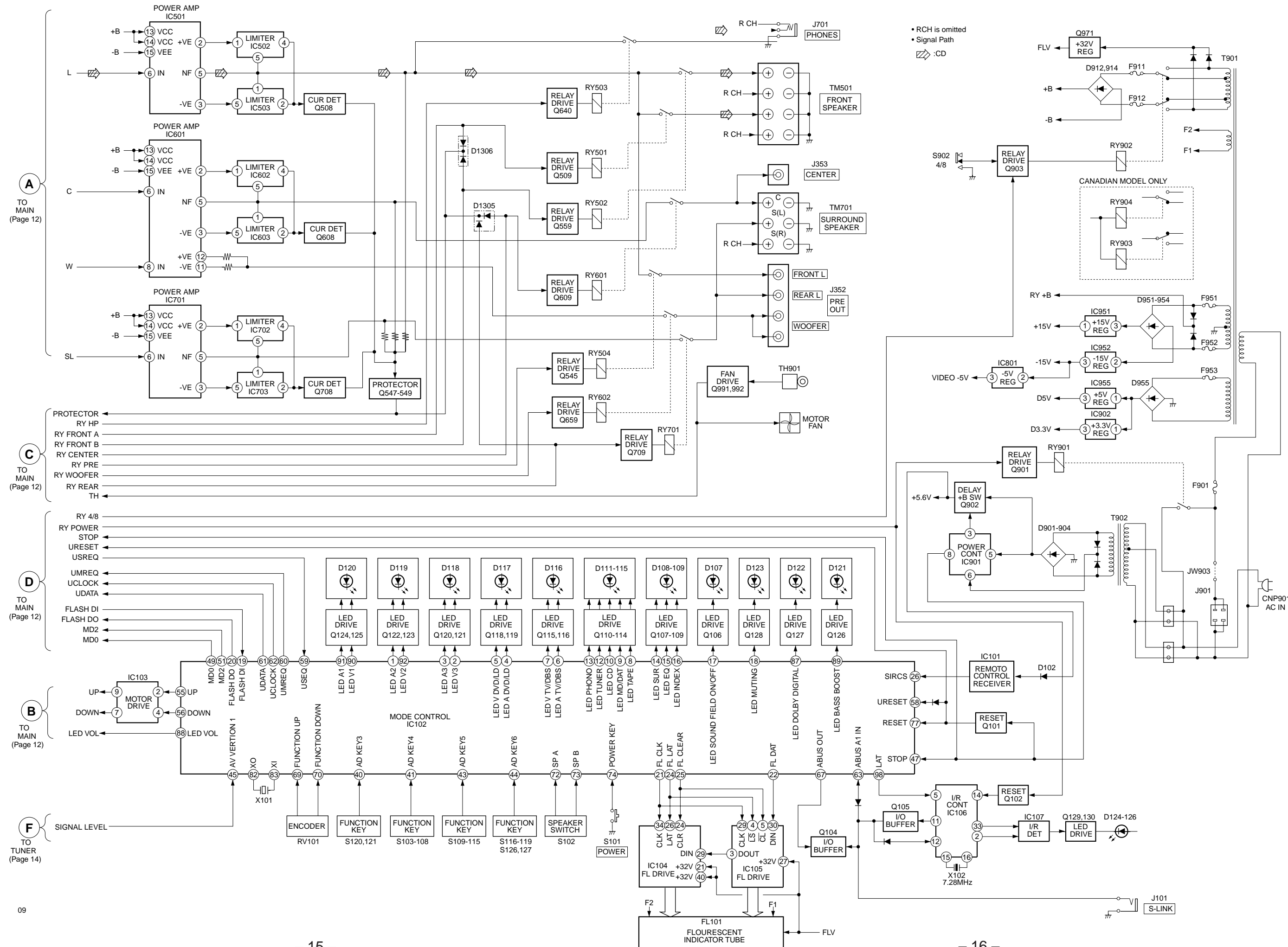
- TUNER SECTION -



09

STR-DA333ES/DA555ES

- POWER SECTION -



A  
TO MAIN  
(Page 12)

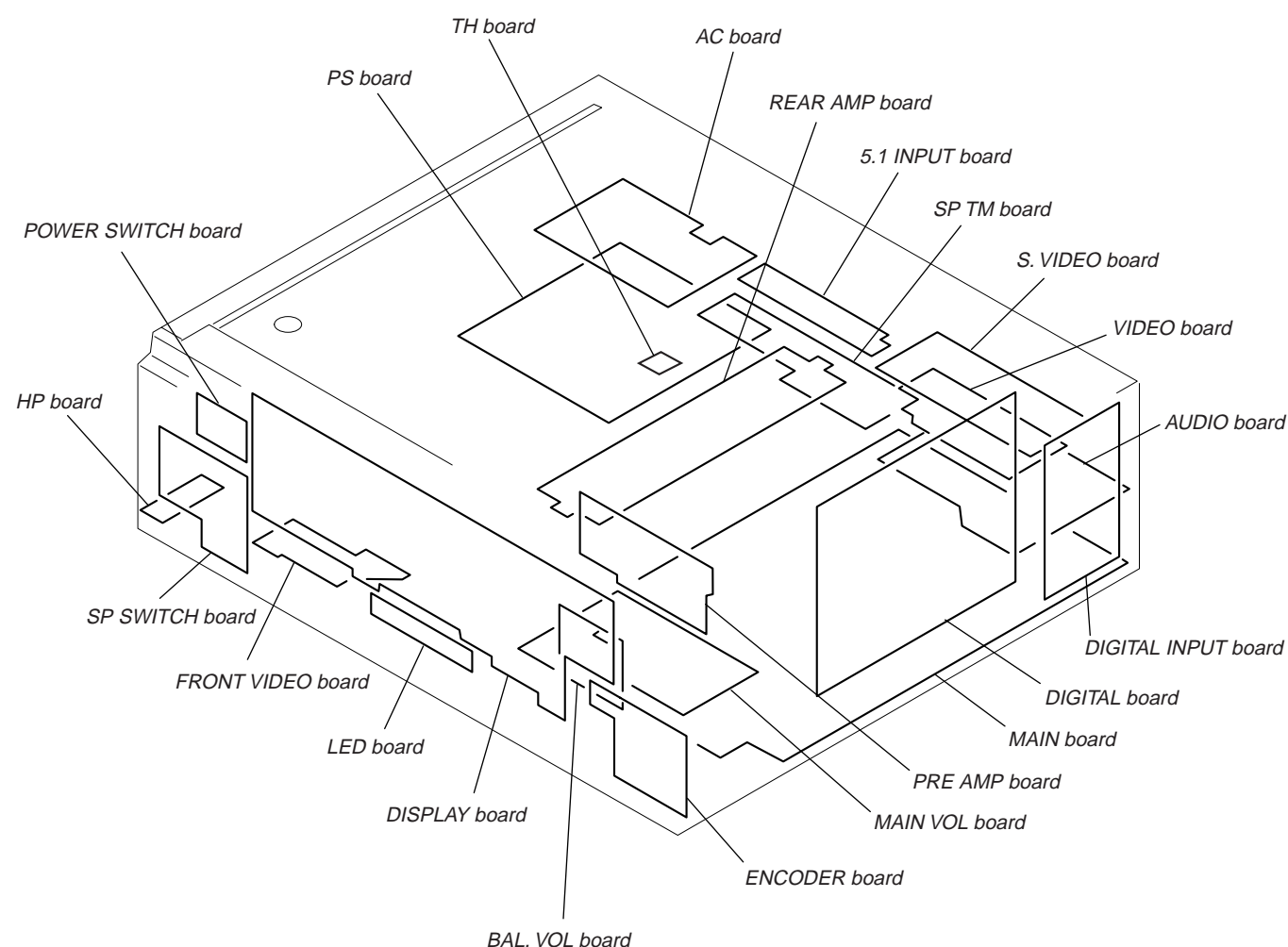
C  
TO MAIN  
(Page 12)

D  
TO MAIN  
(Page 12)

B  
TO MAIN  
(Page 12)

F  
TO TUNER  
(Page 14)

5-2. CIRCUIT BOARDS LOCATION



**THIS NOTE IS COMMON FOR PRINTED WIRING BOARDS AND SCHEMATIC DIAGRAMS. (IN ADDITION TO THIS NECESSARY NOTE IS PRINTED IN EACH BLOCK.)**

**For schematic diagrams.**

**Note:**

- All capacitors are in  $\mu\text{F}$  unless otherwise noted. pF:  $\mu\text{F}$  50 WV or less are not indicated except for electrolytics and tantalums.
- All resistors are in  $\Omega$  and  $\frac{1}{4}W$  or less unless otherwise specified.
- % : indicates tolerance.
- : nonflammable resistor.
- : fusible resistor.
- : panel designation.

**Note:**  
The components identified by mark  $\Delta$  or dotted line with mark  $\Delta$  are critical for safety. Replace only with part number specified.

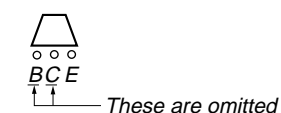
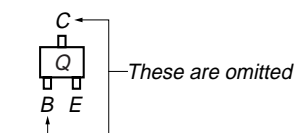
**Note:**  
Les composants identifiés par une marque  $\Delta$  sont critiques pour la sécurité. Ne les remplacer que par une pièce portant le numéro spécifié.

- : B+ Line.
- : B- Line.
- : adjustment for repair.
- Voltages and waveforms are dc with respect to ground under no-signal (detuned) conditions. No mark : FM
- Voltages are taken with a VOM (Input impedance 10 M $\Omega$ ). Voltage variations may be noted due to normal production tolerances.
- Waveforms are taken with a oscilloscope.
- Circled numbers refer to waveforms.
- Signal path.  
 : FM  
 : CD  
 : DIGITAL  
 : PHONO
- Abbreviation  
 CND :Canadian

**For printed wiring boards.**

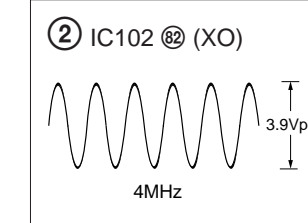
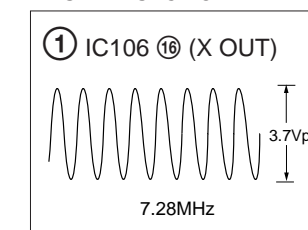
**Note:**

- : parts extracted from the component side.
- : Through hole.
- : Pattern from the side which enables seeing.

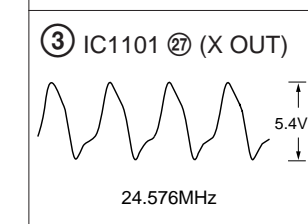
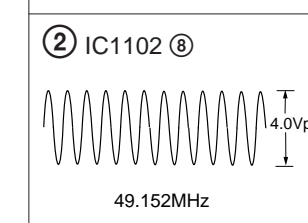
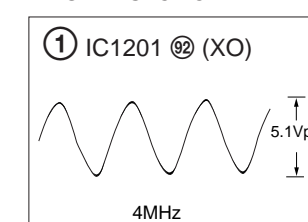


• **Waveform**

• **DISPLAY SECTION**

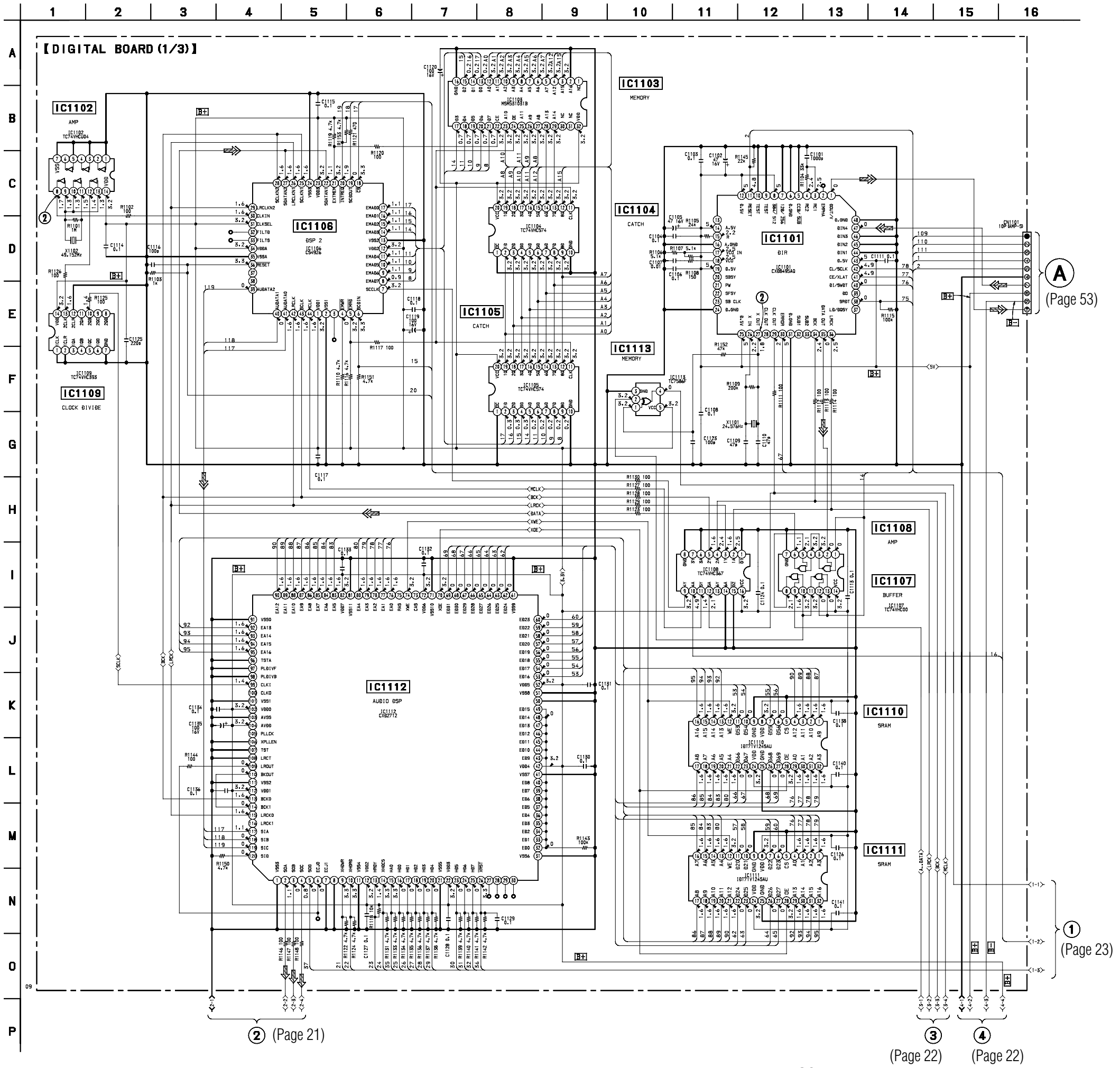


• **DIGITAL SECTION**



5-3. SCHEMATIC DIAGRAM – DIGITAL (1/3) SECTION –

- See page 18 for Waveforms.
- See page 25 for Printed Wiring Board.
- See page 59 for IC Block Diagrams.
- See page 68 for IC Pin Functions.



Ⓐ (Page 53)

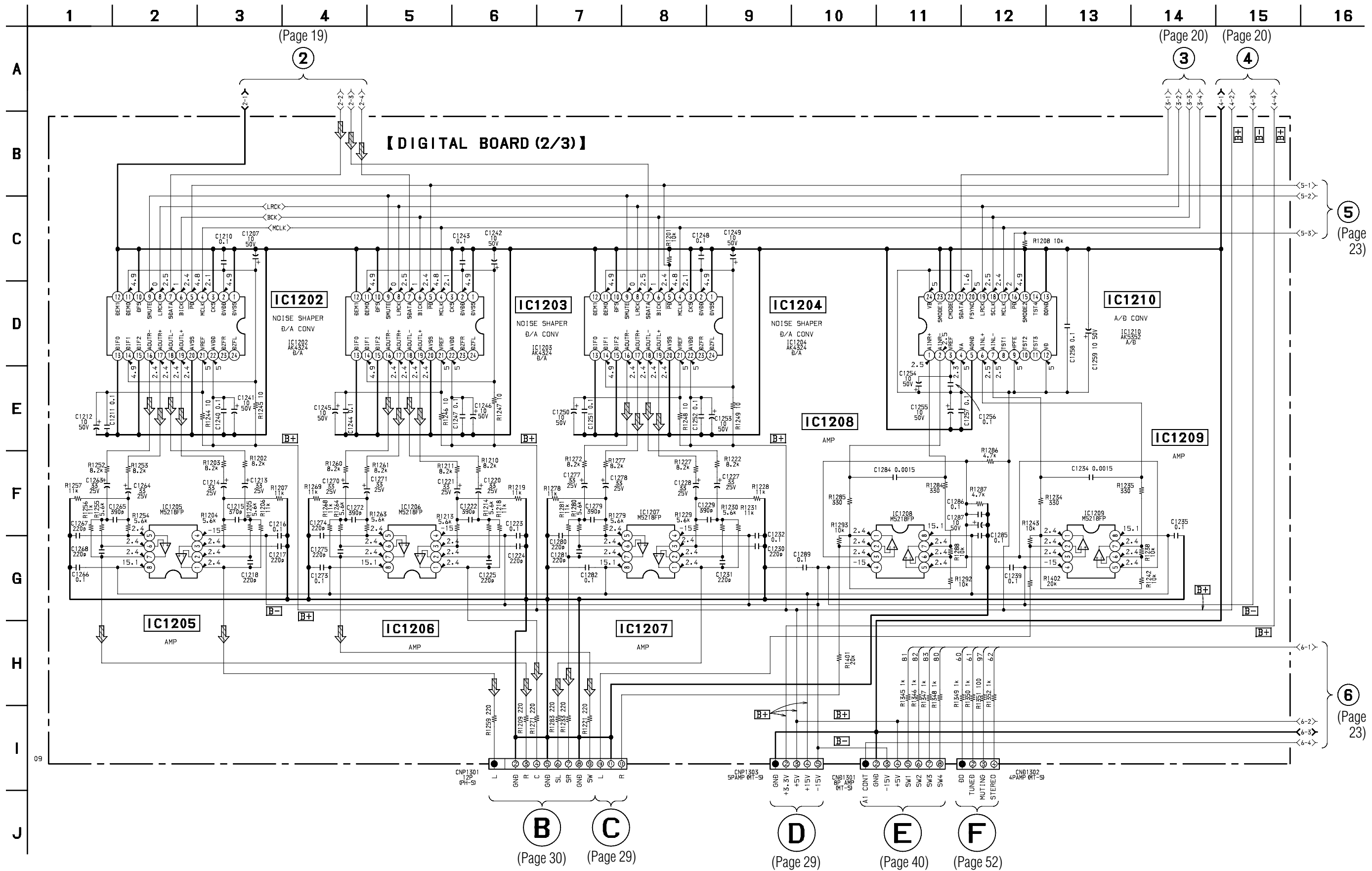
① (Page 23)

③ (Page 22)

④ (Page 22)

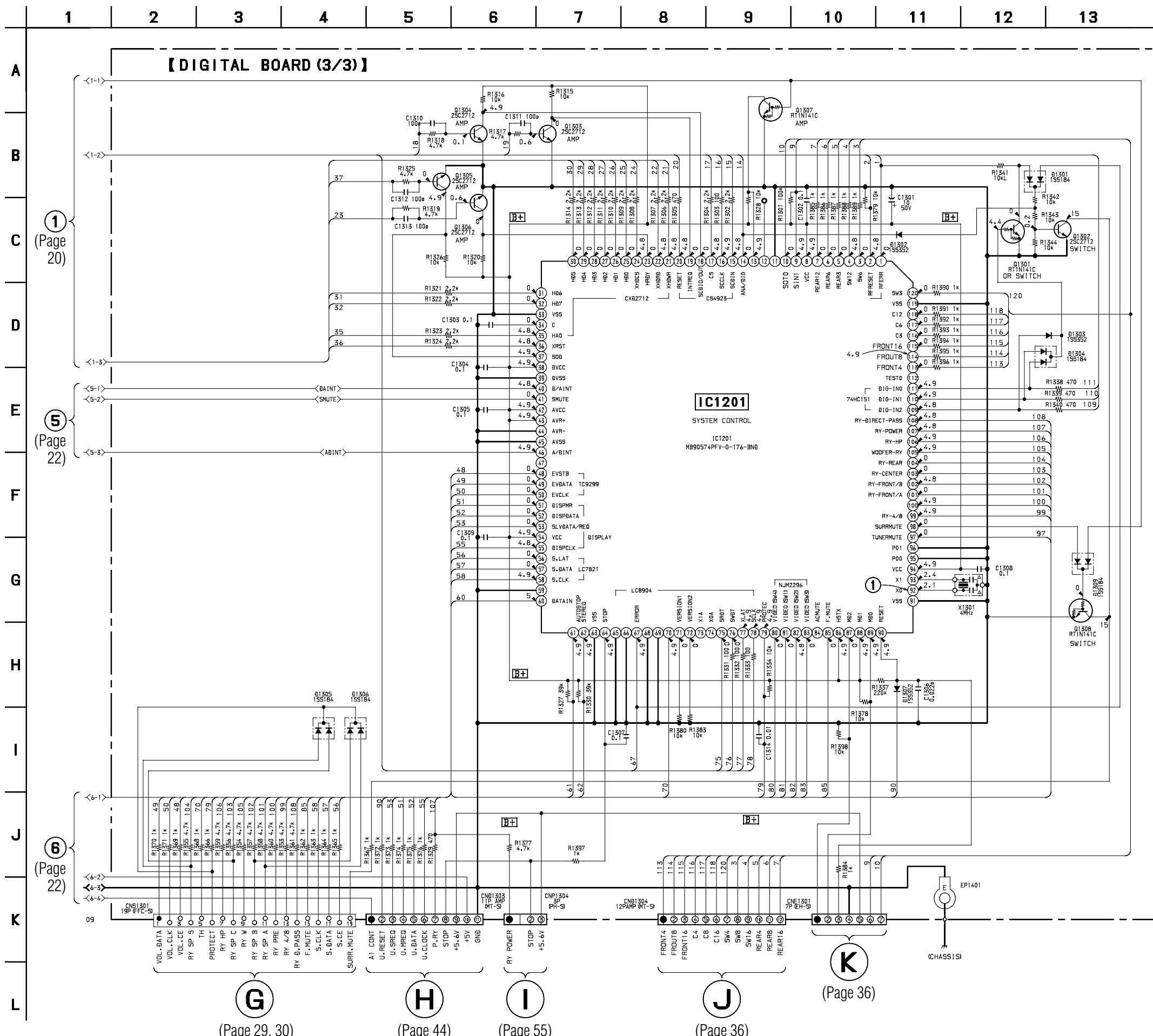
5-4. SCHEMATIC DIAGRAM – DIGITAL (2/3) SECTION –

- See page 25 for Printed Wiring Board.
- See page 60 for IC Block Diagrams.



5-5. SCHEMATIC DIAGRAM – DIGITAL (3/3) SECTION –

- See page 18 for Waveforms.
- See page 65 for IC Pin Functions.



1 (Page 20)

5 (Page 22)

6 (Page 22)

G (Page 29, 30)

H (Page 44)

I (Page 55)

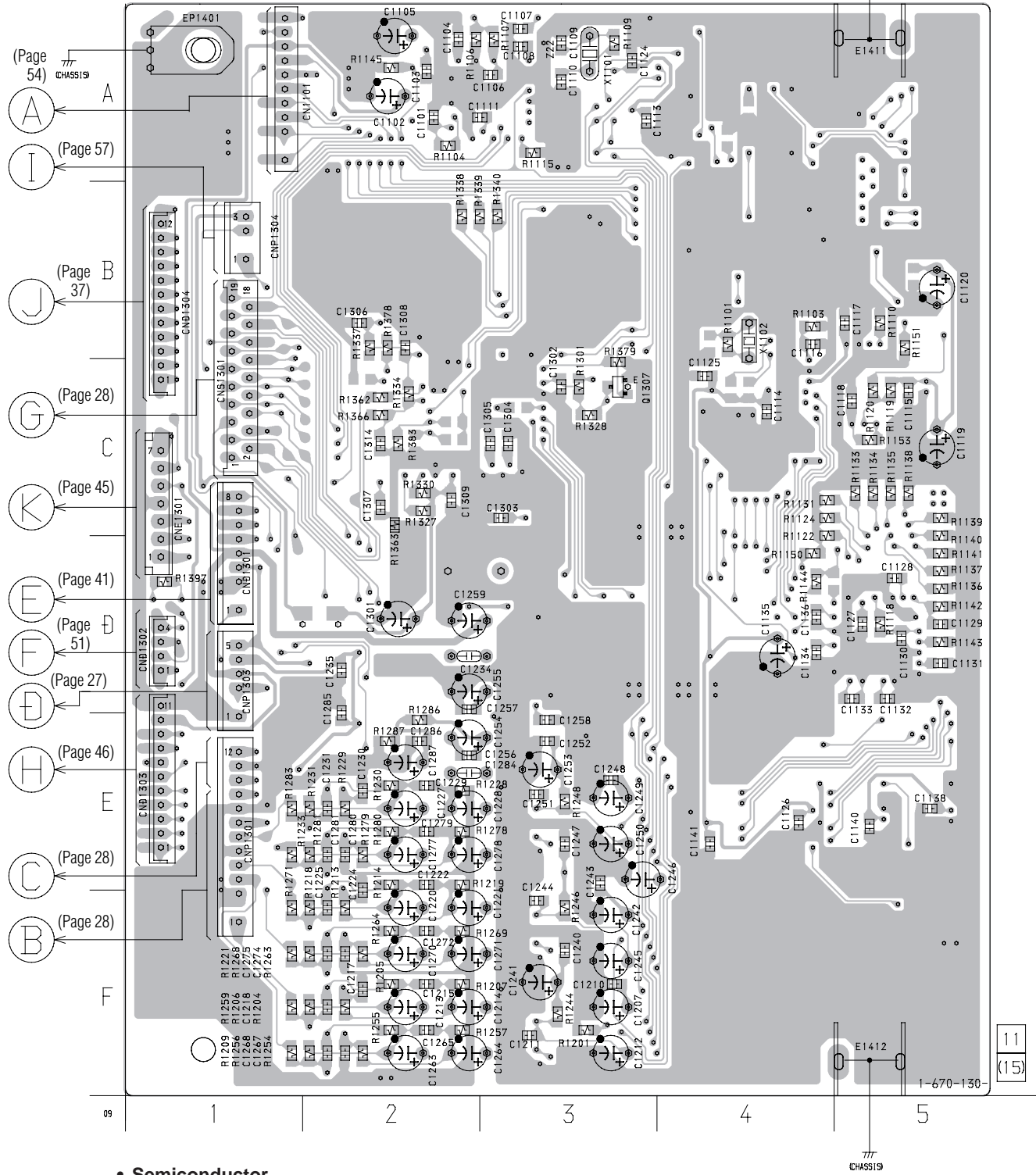
J (Page 36)

K (Page 36)



5-6. PRINTED WIRING BOARD – DIGITAL SECTION –  
 • See page 17 for Circuit Boards Location.

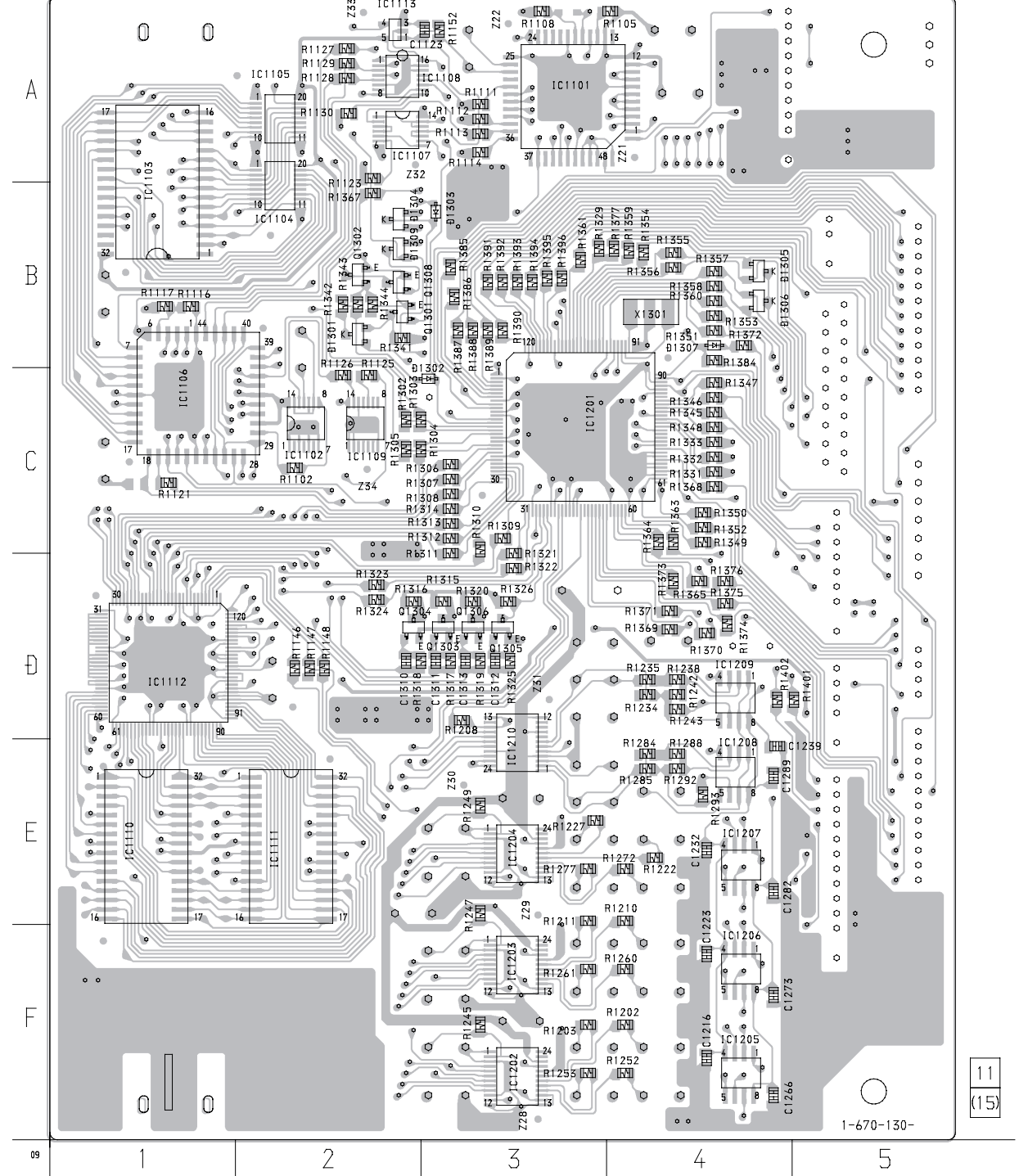
【DIGITAL BOARD】(SIDE A)



• Semiconductor Location

Ref. No.	Location
Q1307	C-3

【DIGITAL BOARD】(SIDE B)



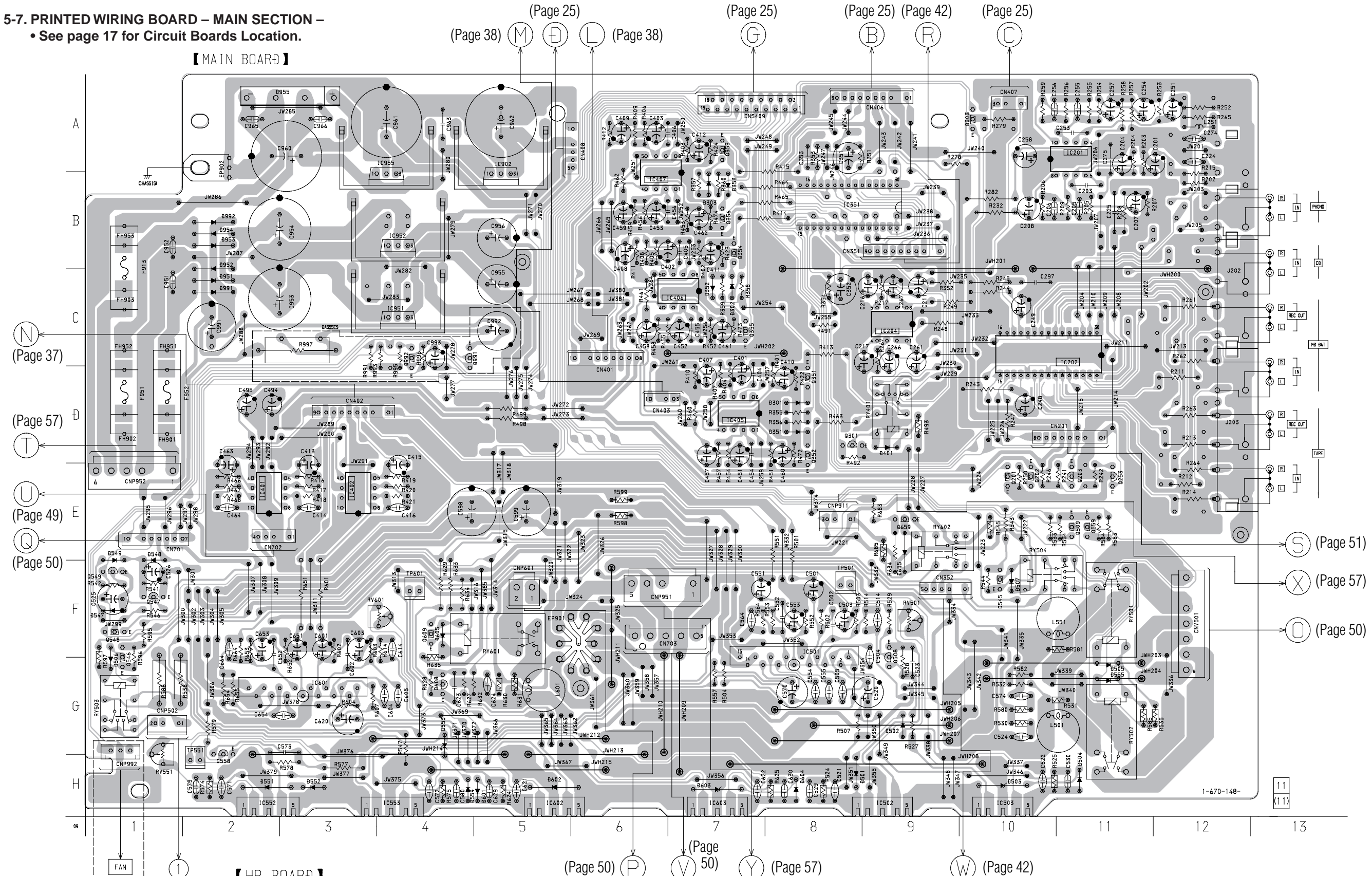
• Semiconductor Location

Ref. No.	Location	Ref. No.	Location	Ref. No.	Location	Ref. No.	Location
D1301	B-2	IC1103	A-1	IC1201	C-3	Q1301	B-2
D1302	C-3	IC1104	B-2	IC1202	F-3	Q1302	B-2
D1303	B-3	IC1105	A-2	IC1203	F-3	Q1303	D-3
D1304	B-2	IC1106	C-1	IC1204	E-3	Q1304	D-2
D1305	B-4	IC1107	A-2	IC1205	F-4	Q1305	D-3
D1306	B-4	IC1108	A-2	IC1206	F-4	Q1306	D-3
D1307	B-4	IC1109	C-2	IC1207	E-4	Q1308	B-2
D1309	B-2	IC1110	E-1	IC1208	E-4		
		IC1111	E-2	IC1209	D-4		
IC1101	A-3	IC1112	D-1	IC1210	D-3		
IC1102	C-2	IC1113	A-2				

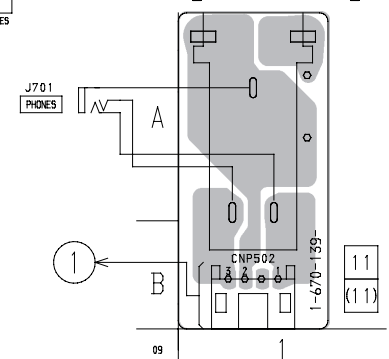
5-7. PRINTED WIRING BOARD – MAIN SECTION –

• See page 17 for Circuit Boards Location.

【MAIN BOARD】



【HP BOARD】



(Page 25) (Page 25) (Page 25) (Page 42) (Page 25)

(Page 38) M D L (Page 38) G B R C

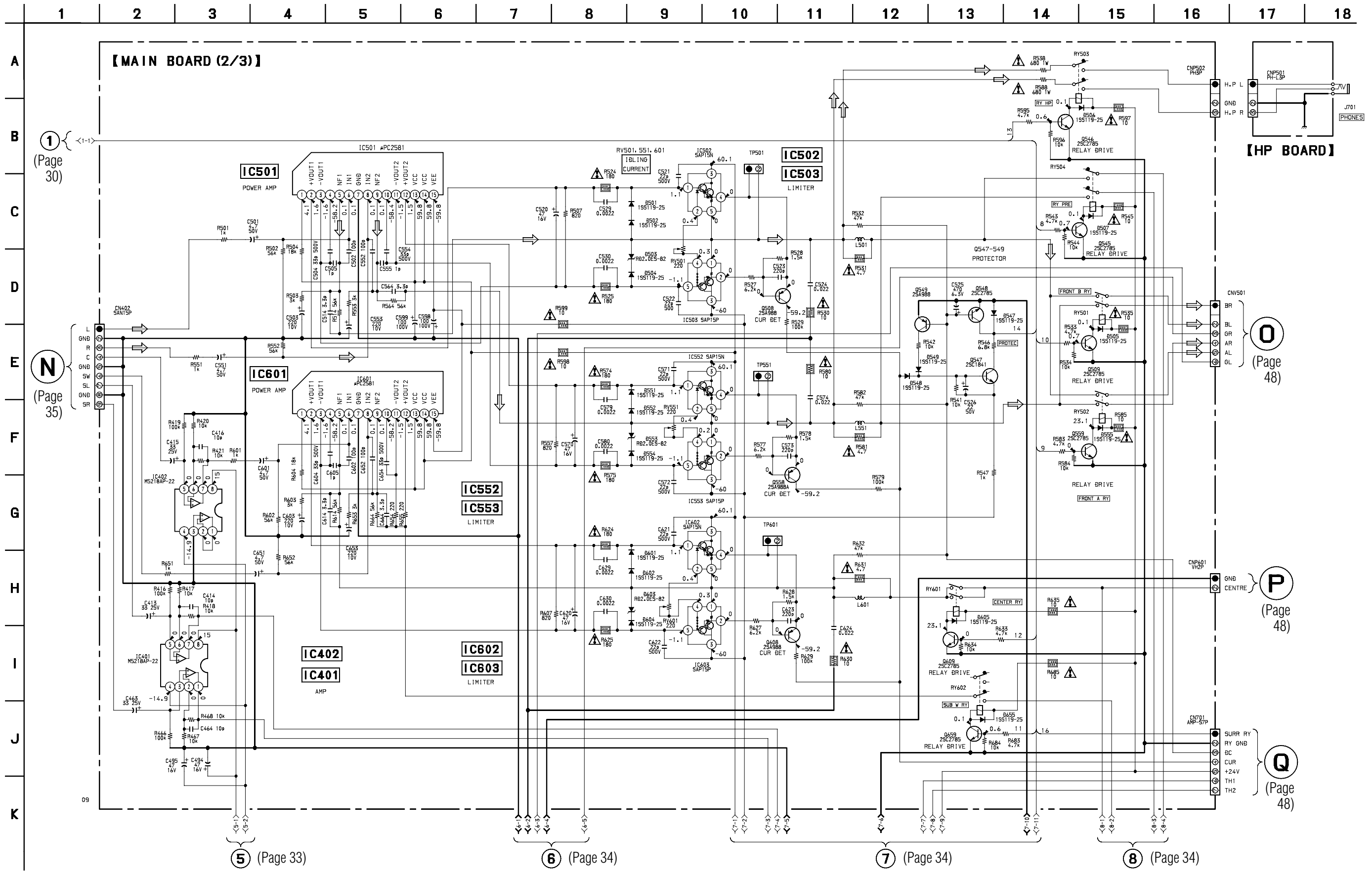
(Page 50) P V Y (Page 57) W (Page 42)

• Semiconductor Location

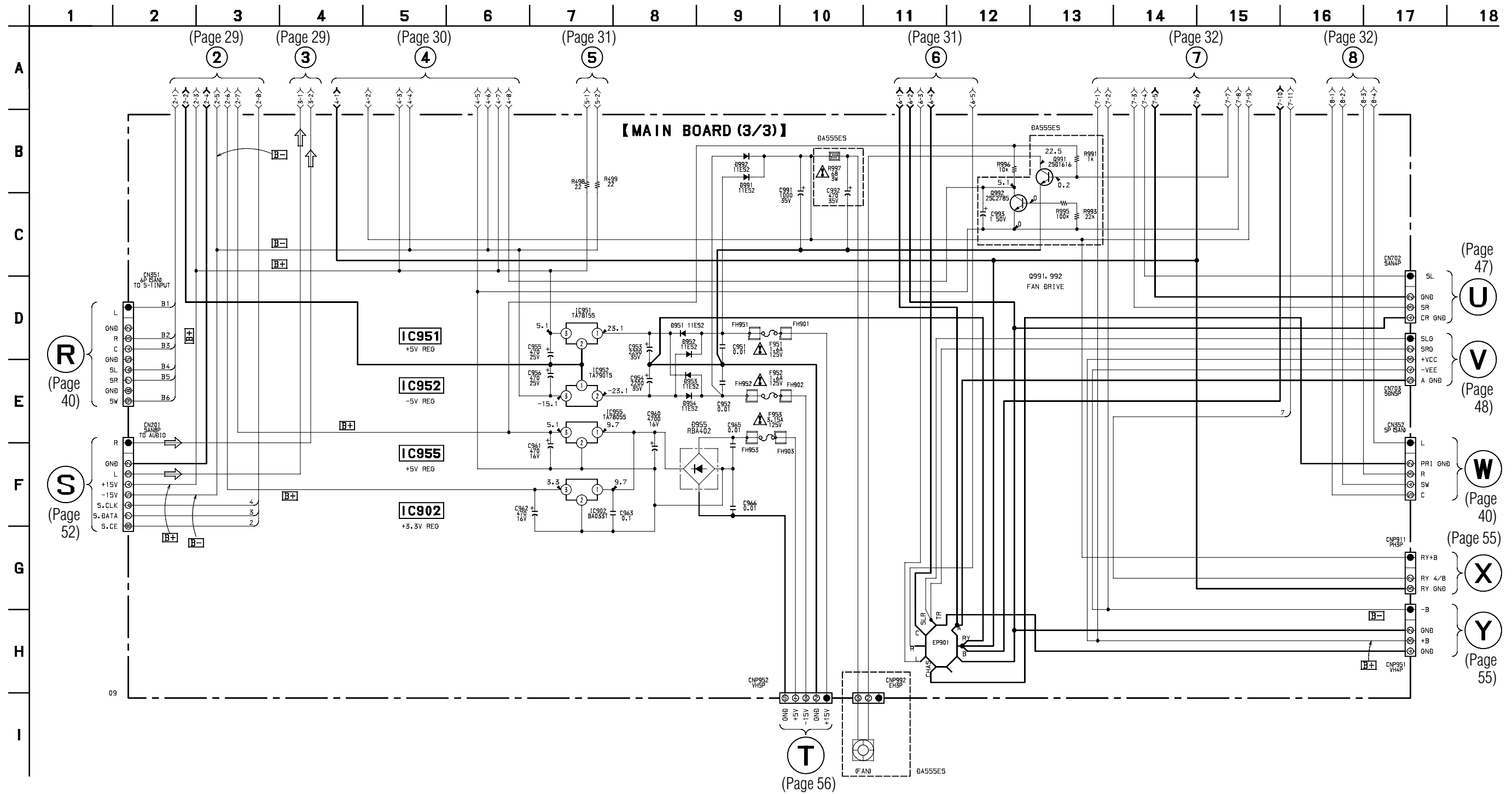
Ref. No.	Location	Ref. No.	Location	Ref. No.	Location	Ref. No.	Location	Ref. No.	Location	Ref. No.	Location	Ref. No.	Location	Ref. No.	Location
D301	D-8	D505	G-11	D601	H-6	D991	C-2	IC407	B-6	IC952	B-4	Q353	A-7	Q558	H-2
D302	C-7	D506	F-1	D602	H-5	D992	B-2	IC501	F-8	IC955	A-4	Q354	B-7	Q559	E-11
D303	B-7	D507	F-10	D603	H-7			IC502	H-9			Q355	C-7	Q608	G-4
D351	D-8	D547	F-1	D604	H-8			IC503	H-10	Q201	E-10	Q356	B-7	Q609	F-4
D352	C-7	D548	E-1	D605	F-4	IC201	A-11	IC504	H-2	Q202	E-10	Q508	F-9	Q659	E-9
D353	B-7	D549	E-1	D655	E-9	IC204	C-9	IC552	H-2	Q203	E-11	Q509	E-11	Q991	C-4
D401	D-9	D551	H-2	D951	C-2	IC351	B-8	IC553	H-4	Q253	E-11	Q545	F-10	Q992	C-4
D501	H-8	D552	H-3	D952	B-2	IC401	E-2	IC602	H-5	Q301	D-8	Q546	F-1		
D502	G-9	D553	G-4	D953	B-2	IC402	E-3	IC603	H-7	Q303	A-10	Q547	F-1		
D503	H-10	D554	H-4	D954	B-2	IC405	D-7	IC902	A-5	Q351	D-8	Q548	F-1		
D504	H-11	D555	G-11	D955	A-2	IC406	C-7	IC951	C-4	Q352	D-8	Q549	F-1		



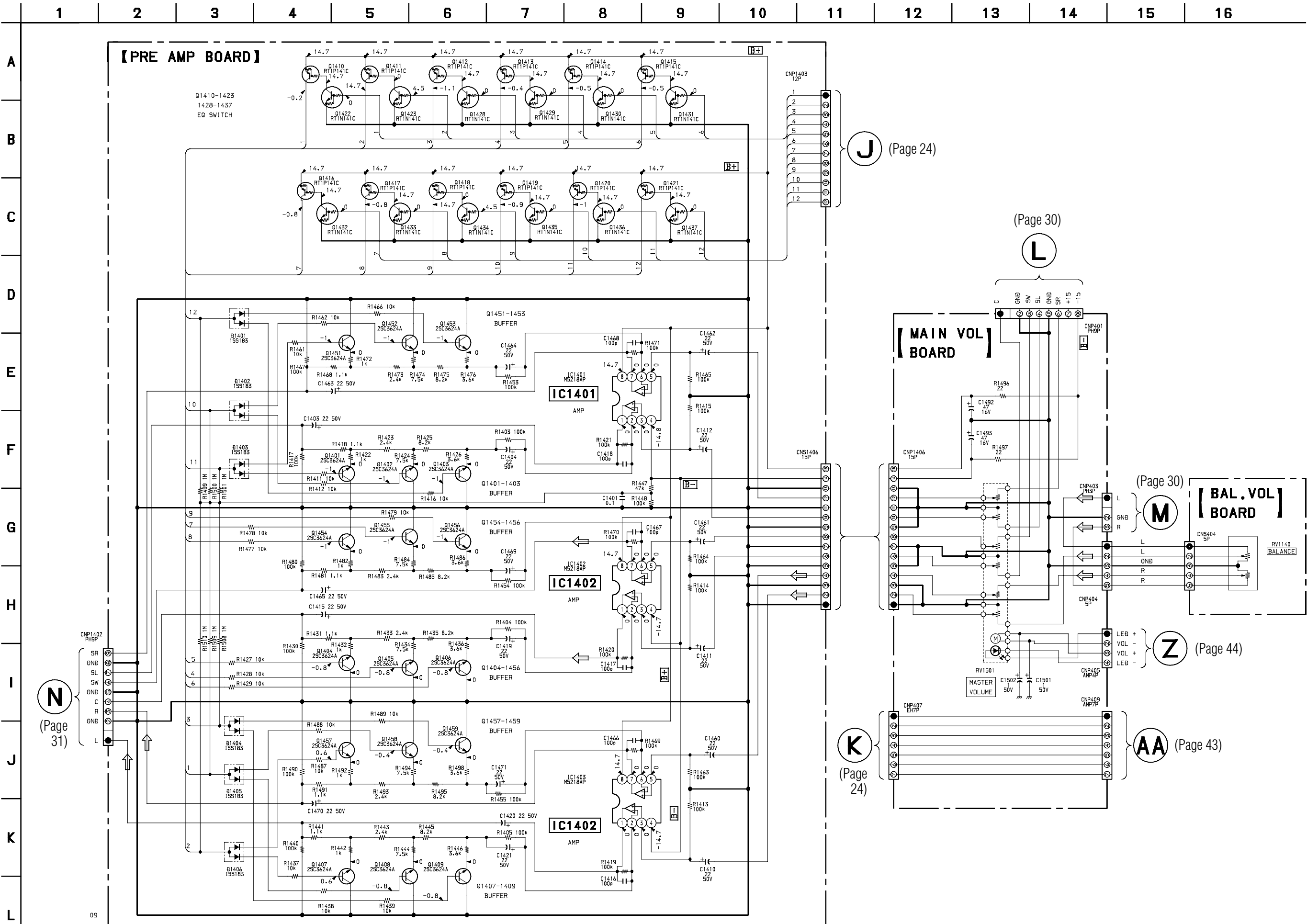
5-9. SCHEMATIC DIAGRAM – MAIN (2/3) SECTION –  
 • See page 27 for Printed Wiring Board.  
 • See page 61 for IC Block Diagrams.



5-10. SCHEMATIC DIAGRAM – MAIN (3/3) SECTION –  
 • See page 27 for Printed Wiring Board.



5-11. SCHEMATIC DIAGRAM – AMP SECTION –



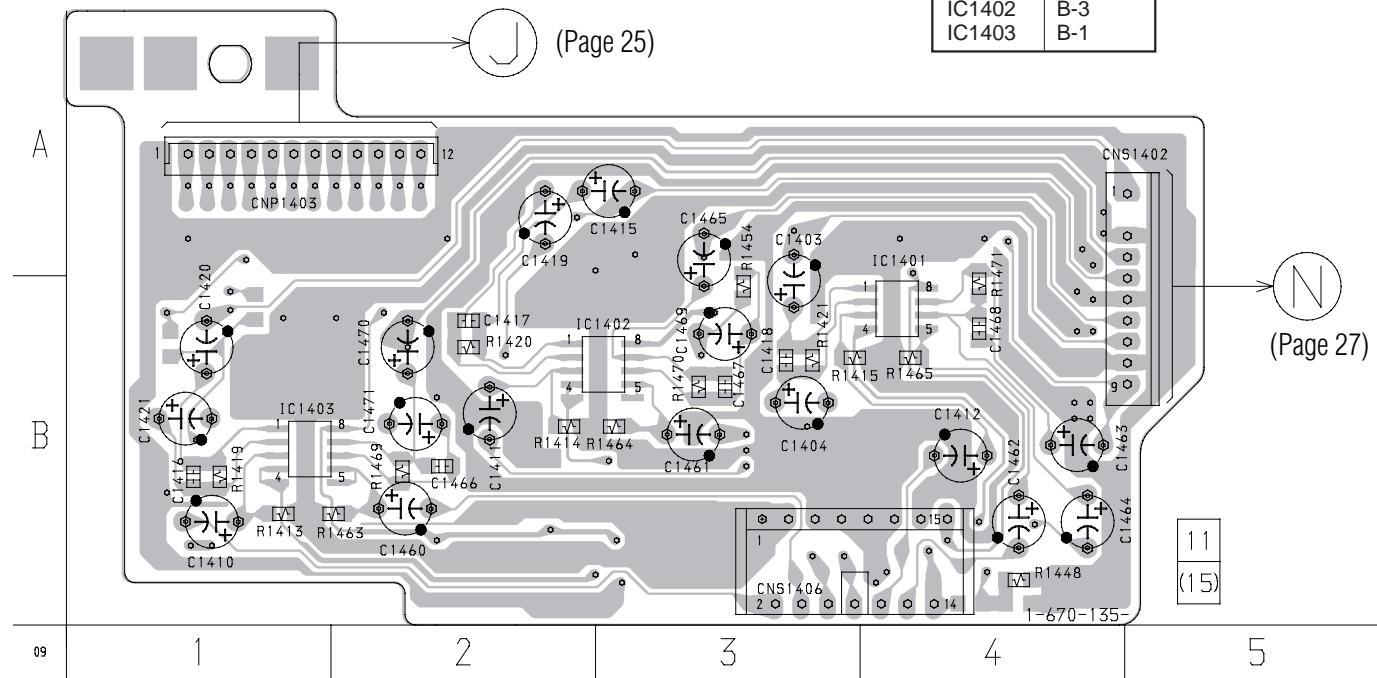
5-12. PRINTED WIRING BOARD – AMP SECTION –

• See page 17 for Circuit Boards Location.

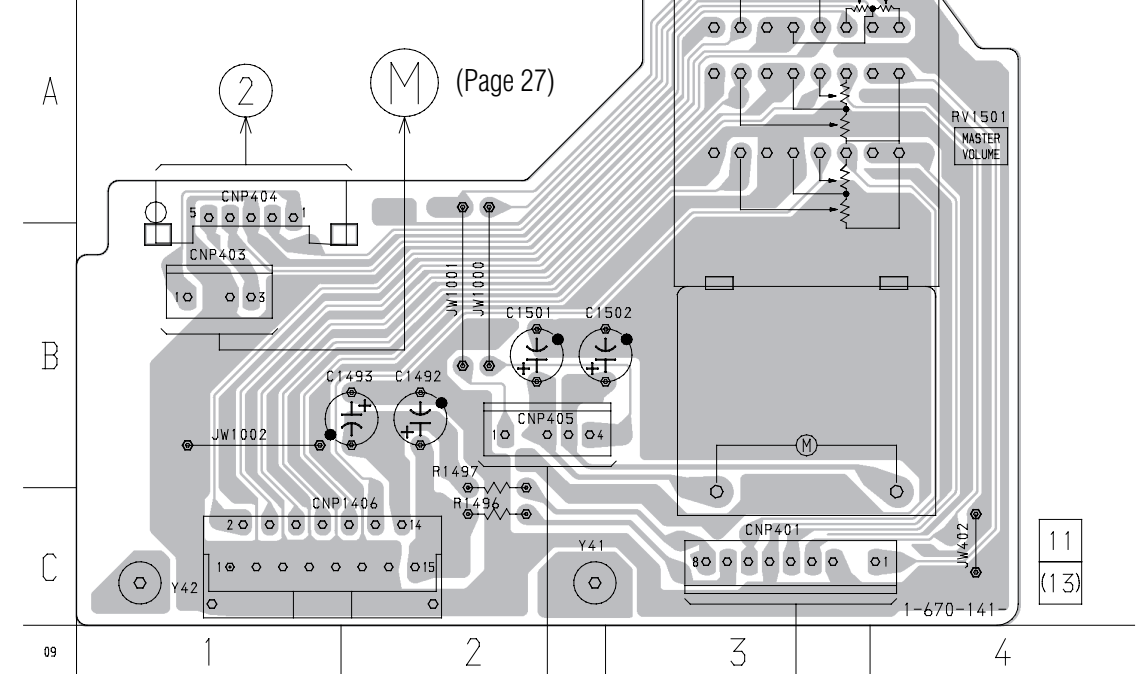
• Semiconductor Location

Ref. No.	Location
IC1401	B-4
IC1402	B-3
IC1403	B-1

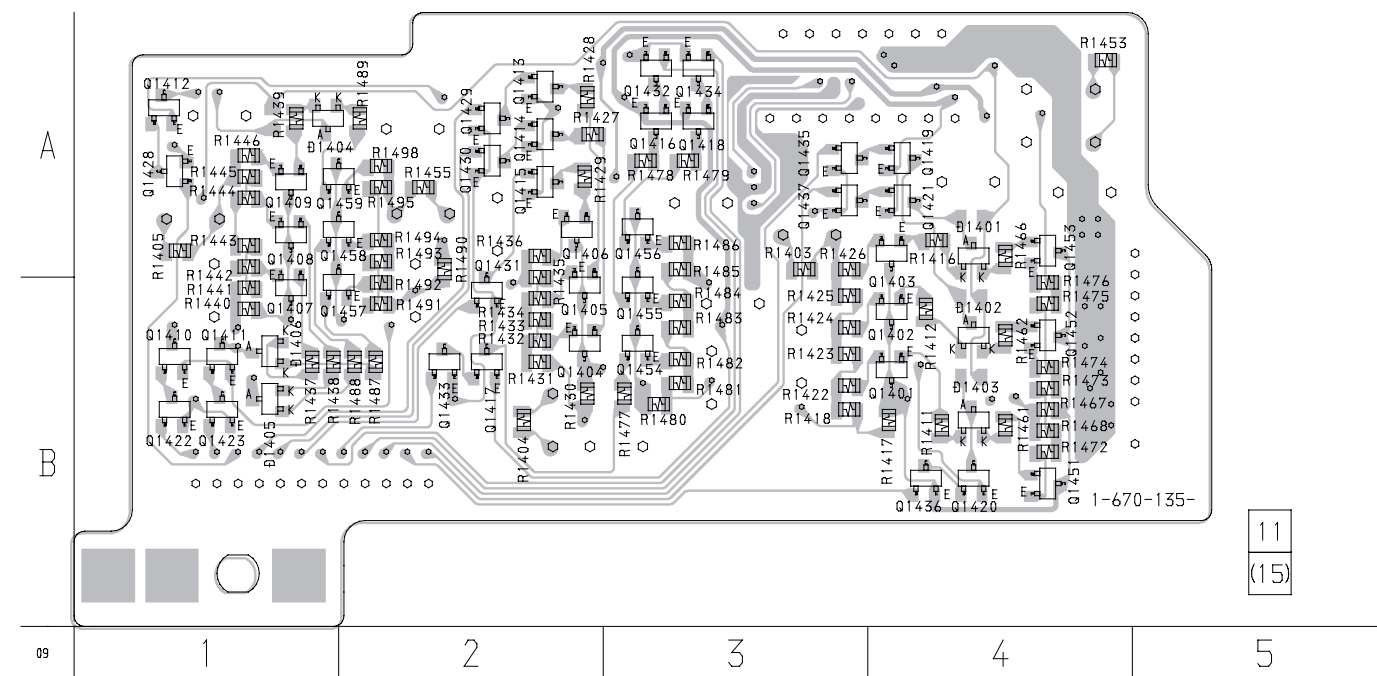
【PRE AMP BOARD】(SIDE A)



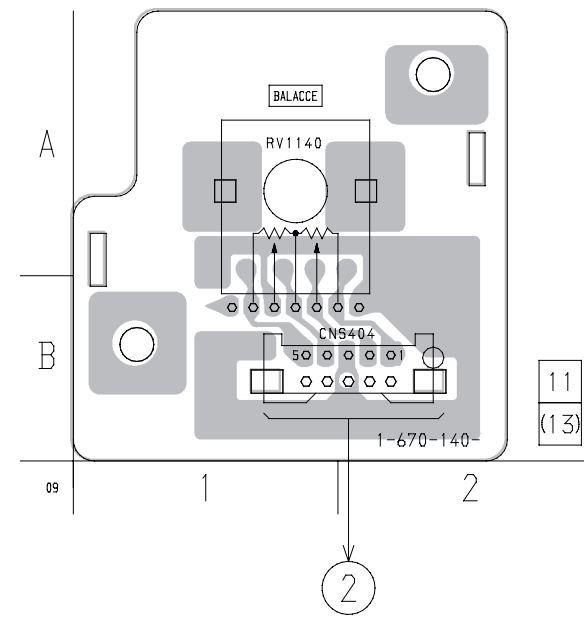
【MAIN VOL BOARD】



【PRE AMP BOARD】(SIDE B)



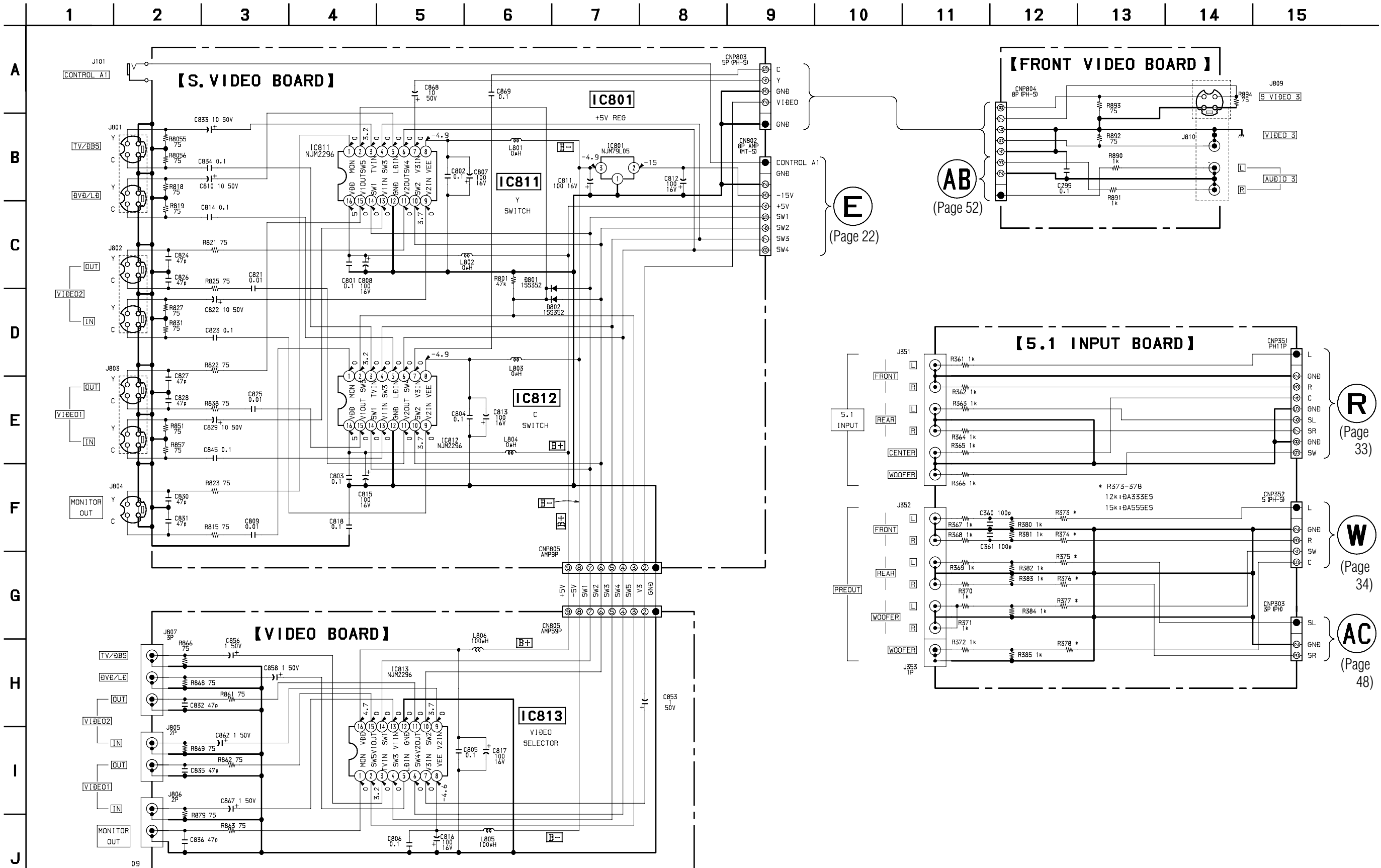
【BAL. VOL BOARD】



• Semiconductor Location

Ref. No.	Location	Ref. No.	Location	Ref. No.	Location	Ref. No.	Location	Ref. No.	Location
D1401	A-4	Q1405	B-2	Q1416	A-3	Q1431	A-2	Q1455	B-3
D1402	B-4	Q1406	A-2	Q1417	B-2	Q1432	A-3	Q1456	A-3
D1403	B-4	Q1407	B-1	Q1418	A-3	Q1433	B-2	Q1457	B-2
D1404	A-1	Q1408	A-1	Q1419	A-4	Q1434	A-3	Q1458	A-2
D1405	B-1	Q1409	A-1	Q1420	B-4	Q1435	A-3	Q1459	A-2
D1406	B-1	Q1410	B-1	Q1421	A-4	Q1436	B-4		
		Q1411	B-1	Q1422	B-1	Q1437	A-3		
Q1401	B-4	Q1412	A-1	Q1423	B-1	Q1451	B-4		
Q1402	B-4	Q1413	A-2	Q1428	A-1	Q1452	B-4		
Q1403	A-4	Q1414	A-2	Q1429	A-2	Q1453	A-4		
Q1404	B-2	Q1415	A-2	Q1430	A-2	Q1454	B-3		

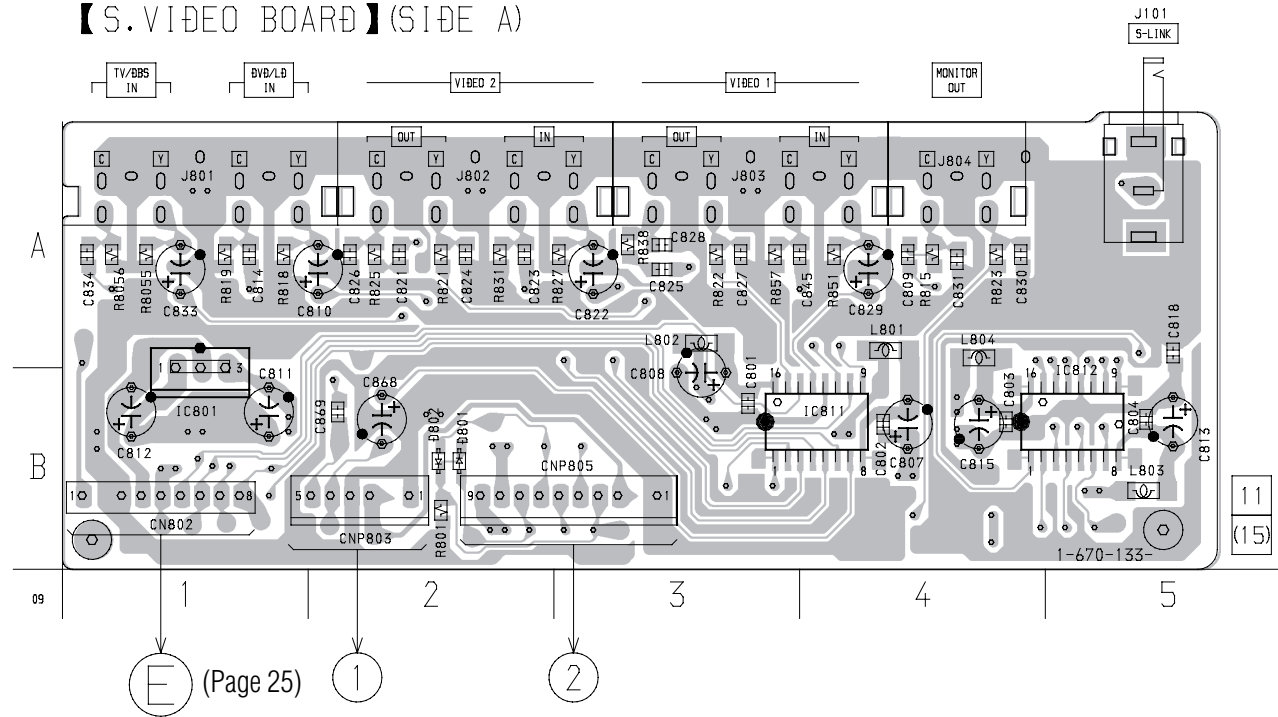
5-13. SCHEMATIC DIAGRAM – VIDEO SECTION –  
 • See page 62 for IC Block Diagrams.



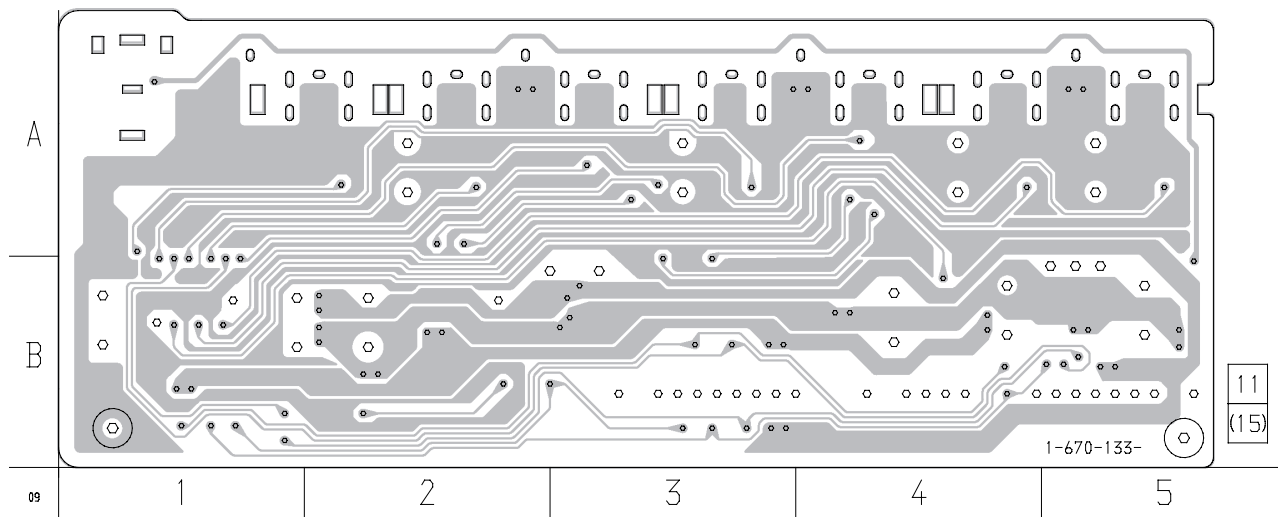


5-14. PRINTED WIRING BOARD – VIDEO SECTION –  
 • See page 17 for Circuit Boards Location.

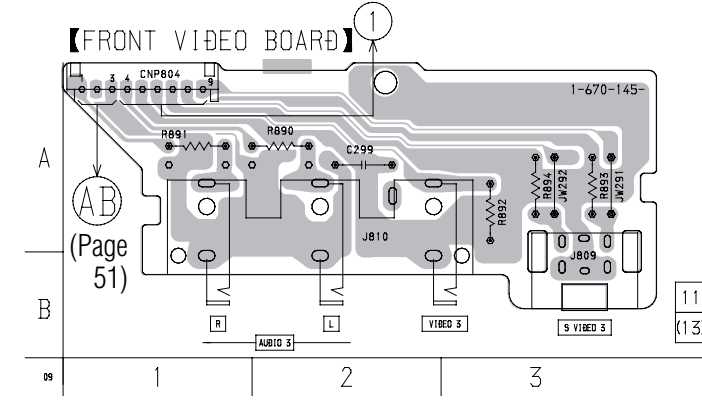
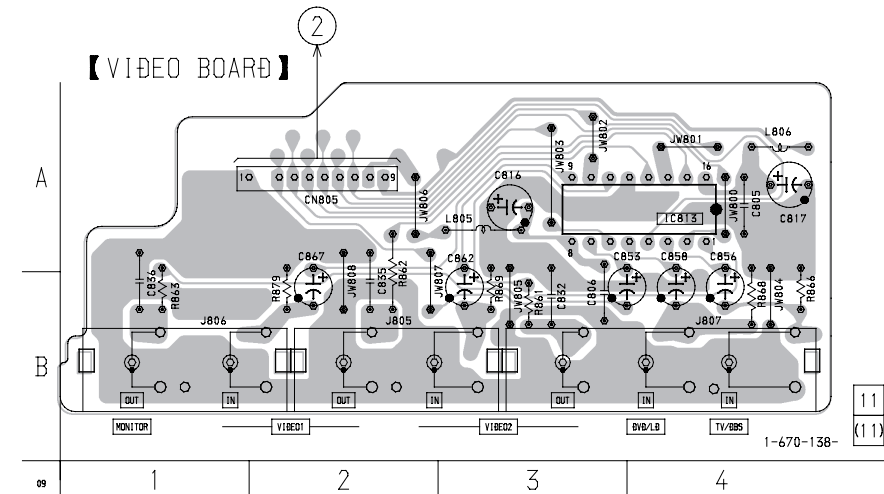
【S.VIDEO BOARD】(SIDE A)



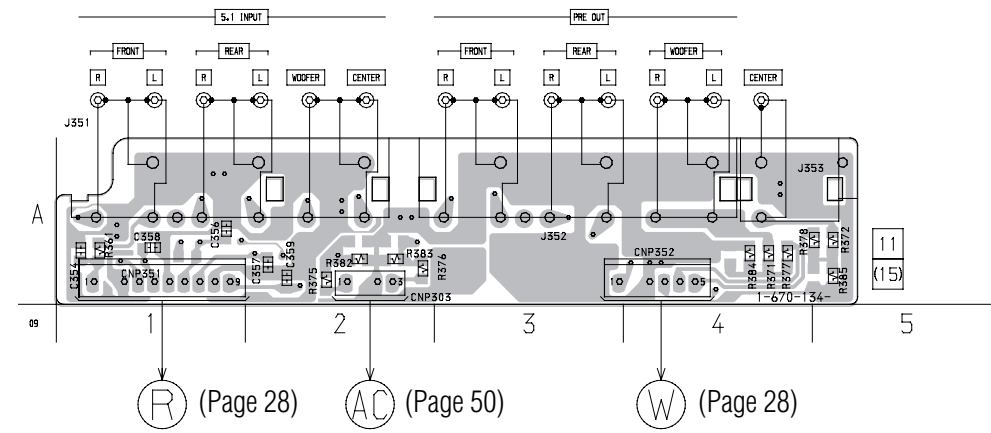
【S.VIDEO BOARD】(SIDE B)



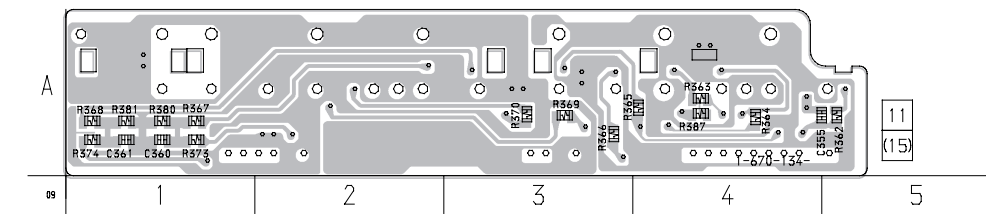
【VIDEO BOARD】



【5.1 INPUT BOARD】(SIDE A)



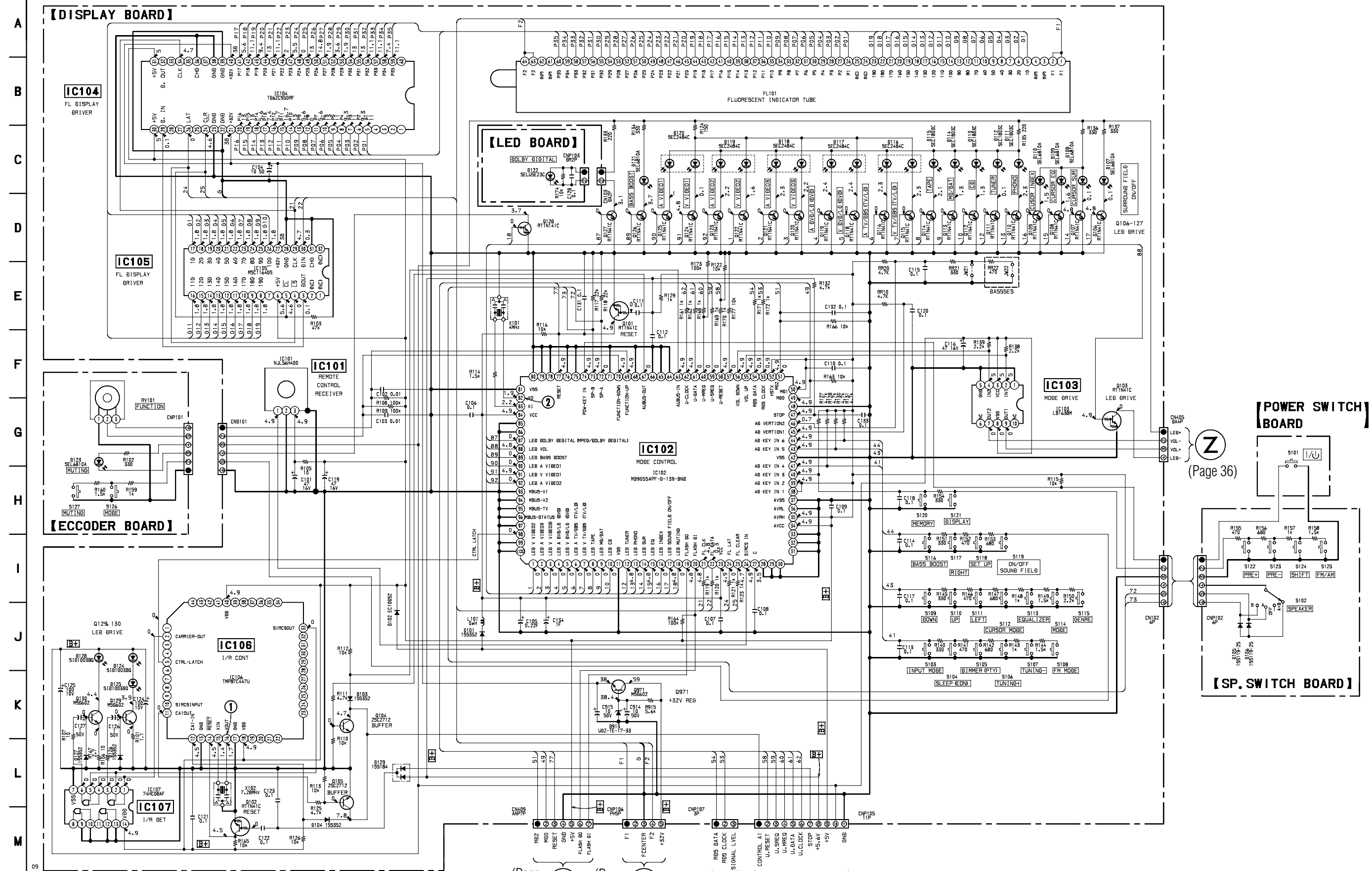
【5.1 INPUT BOARD】(SIDE B)



5-15. SCHEMATIC DIAGRAM - DISPLAY SECTION -

- See page 18 for Waveforms.
- See page 61 for IC Block Diagrams.
- See page 63 for IC Pin Functions.

1 2 3 4 5 6 7 8 9 10 11 12 13 14 15 16 17 18 19 20



POWER SWITCH BOARD

Z (Page 36)

SP. SWITCH BOARD

(Page 36) AA

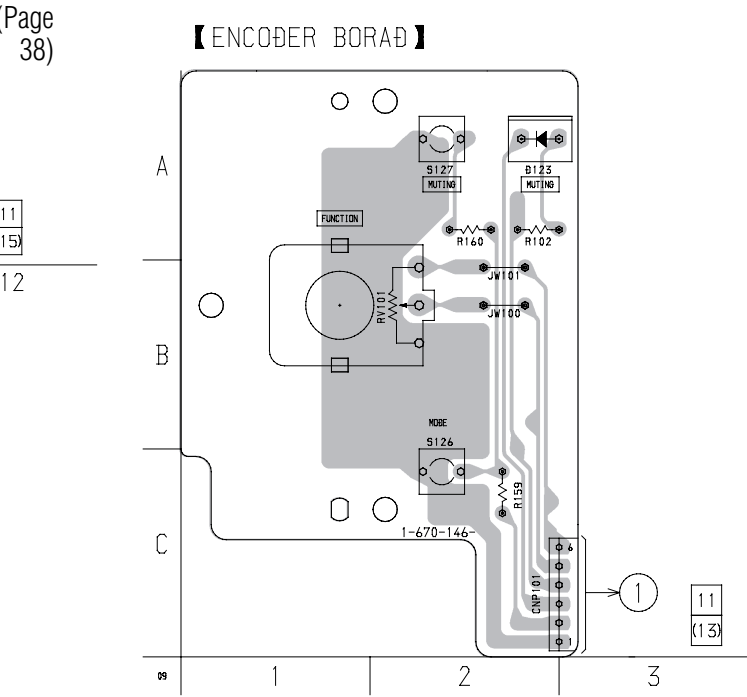
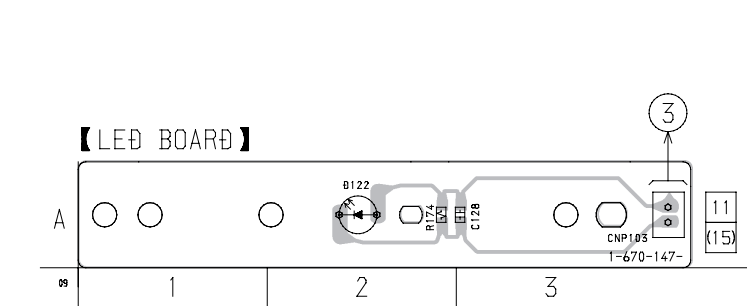
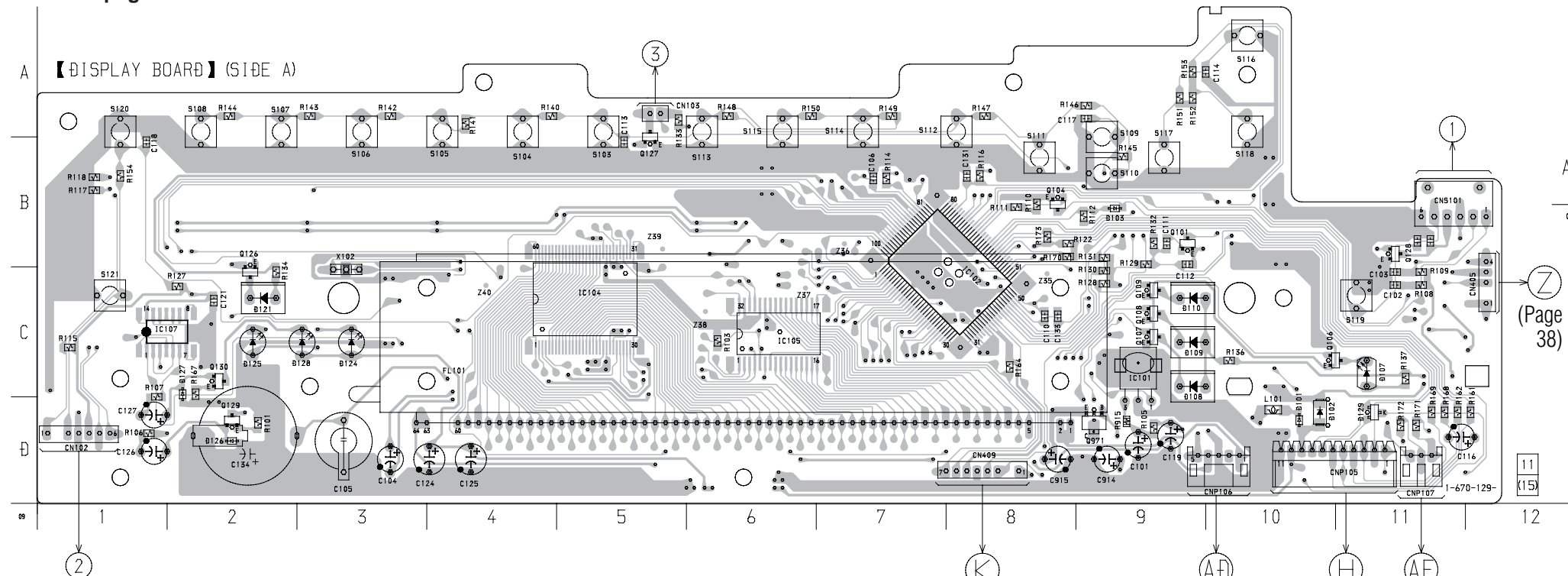
(Page 55) AD

(Page 52) AE

H (Page 23)

5-16. PRINTED WIRING BOARD – DISPLAY SECTION –

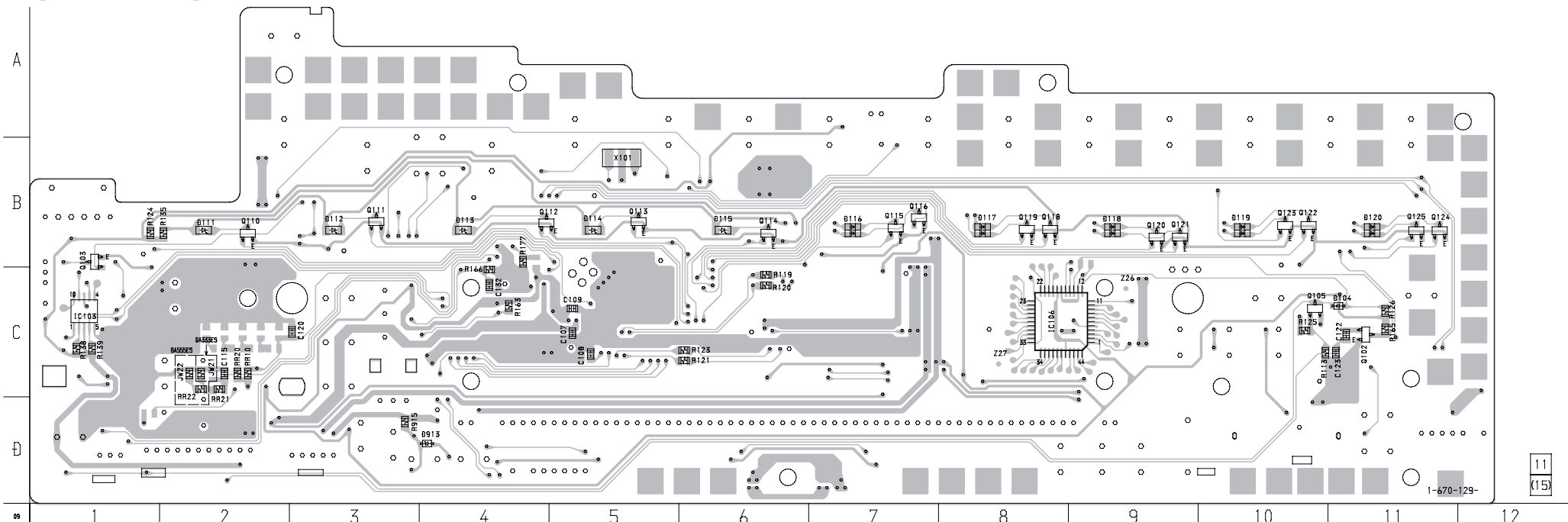
• See page 17 for Circuit Boards Location.



• Semiconductor Location

Ref. No.	Location	Ref. No.	Location	Ref. No.	Location	Ref. No.	Location	Ref. No.	Location
D101	D-10	D121	C-2	IC101	C-9	Q104	B-8	Q128	B-11
D102	D-10	D124	C-3	IC102	C-8	Q106	C-10	Q129	D-2
D103	B-9	D125	C-2	IC104	C-5	Q107	C-9	Q130	C-2
D107	D-11	D126	D-2	IC105	C-6	Q108	C-9	Q971	D-9
D108	C-9	D127	C-2	IC107	C-1	Q109	C-9		
D109	C-9	D128	C-3			Q126	C-2		
D110	C-9	D129	D-11	Q101	B-9	Q127	B-5		

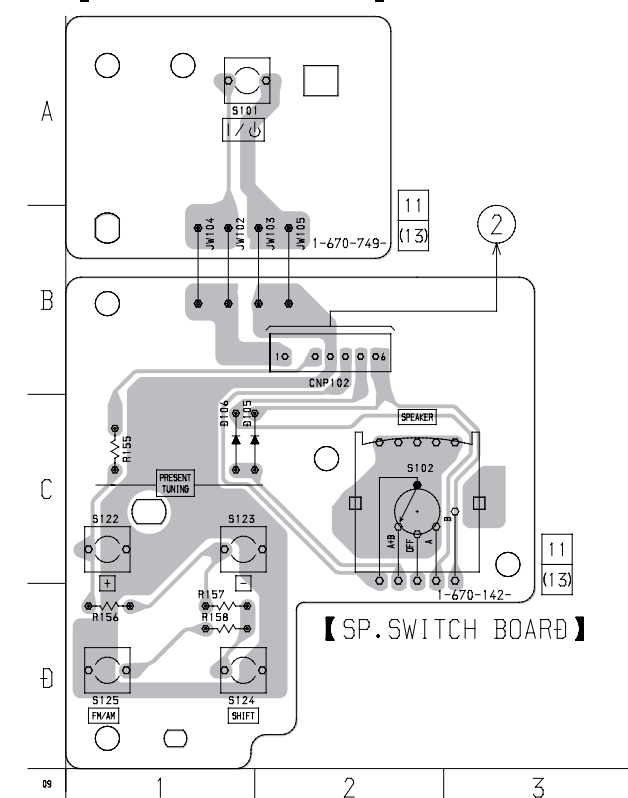
【DISPLAY BOARD】(SIDE B)



• Semiconductor Location

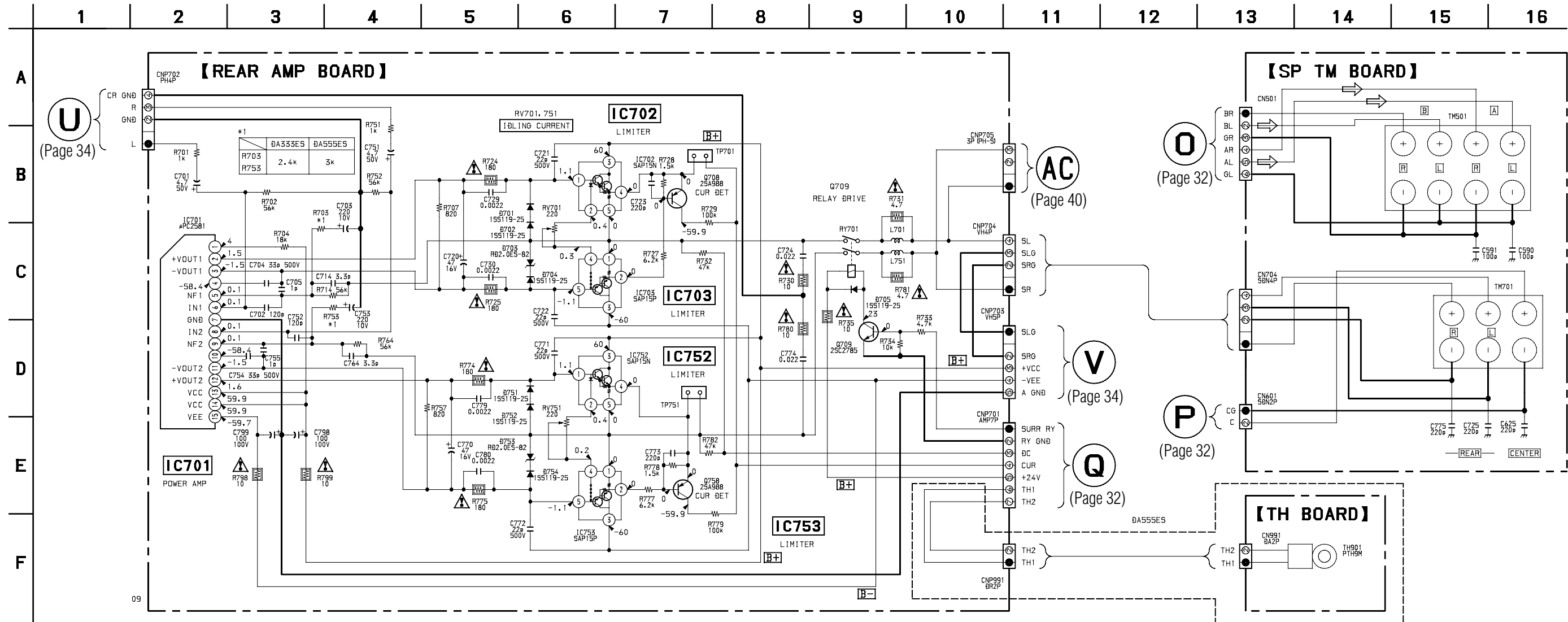
Ref. No.	Location	Ref. No.	Location	Ref. No.	Location	Ref. No.	Location	Ref. No.	Location
D104	C-11	D117	B-8	IC106	C-8	Q112	B-4	Q120	B-9
D111	B-2	D118	B-9			Q113	B-5	Q121	B-9
D112	B-3	D119	B-10	Q102	C-11	Q114	B-6	Q122	B-10
D113	B-4	D120	B-11	Q103	B-1	Q115	B-7	Q123	B-10
D114	B-5	D913	D-4	Q105	C-10	Q116	B-7	Q124	B-11
D115	B-6			Q110	B-2	Q118	D-9	Q125	B-11
D116	B-7	IC103	C-1	Q111	B-3	Q119	B-8		

【POWER SWITCH BOARD】

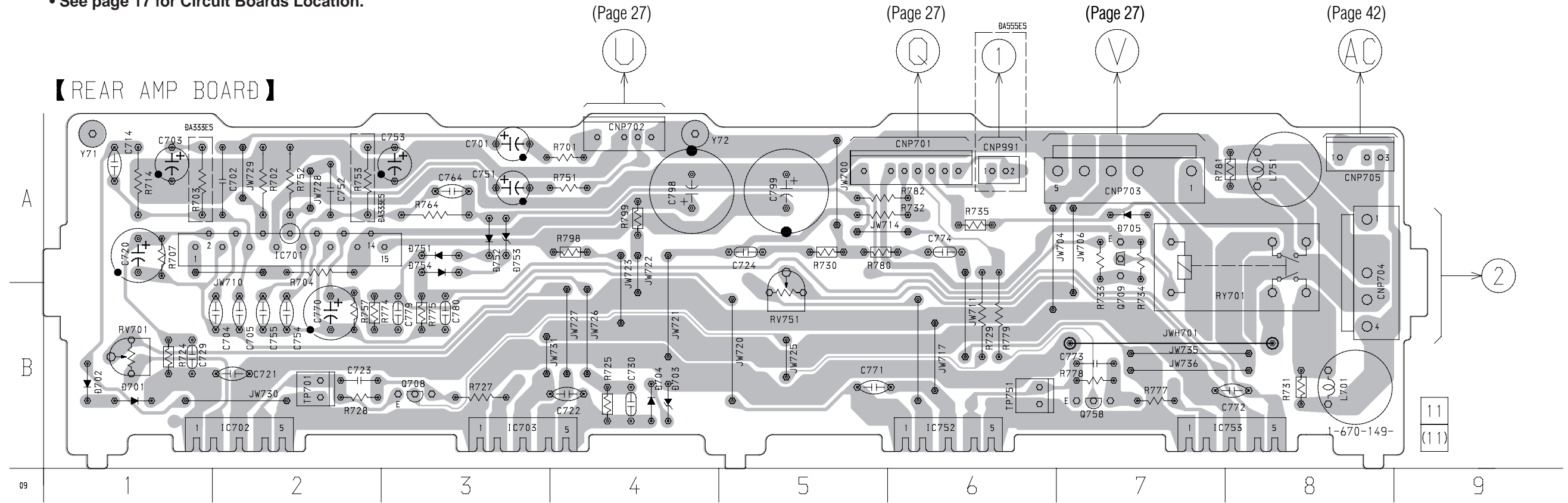


【SP. SWITCH BOARD】

5-17. SCHEMATIC DIAGRAM – SPEAKER SECTION –  
 • See page 61 for IC Block Diagrams.

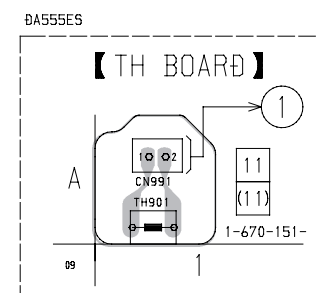
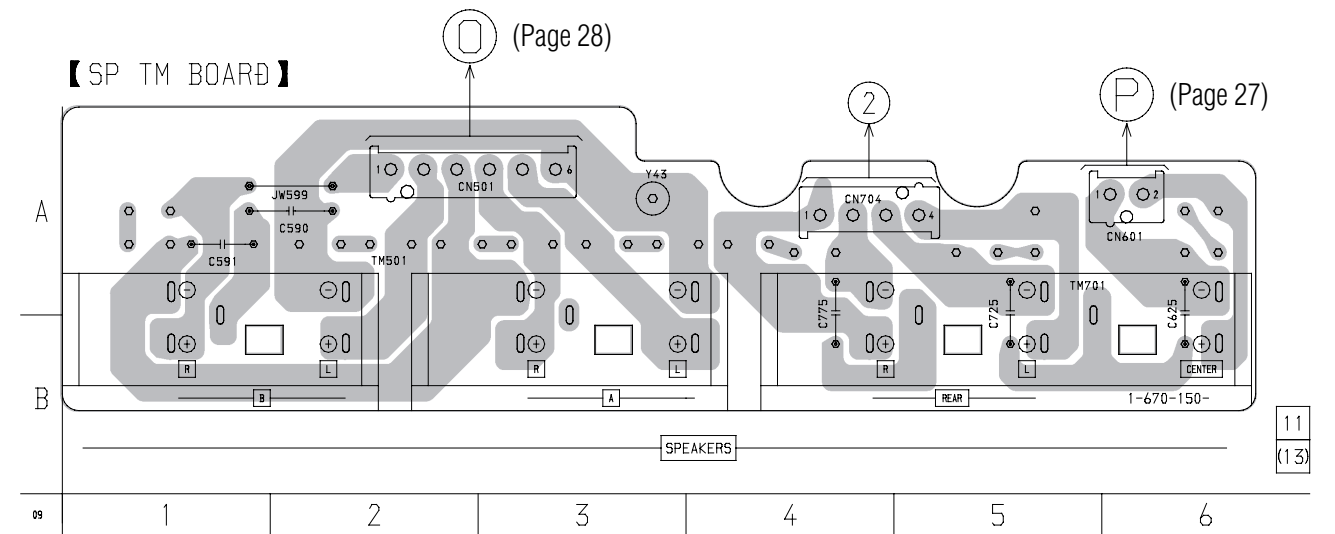


5-18. PRINTED WIRING BOARD – SPEAKER SECTION –  
 • See page 17 for Circuit Boards Location.

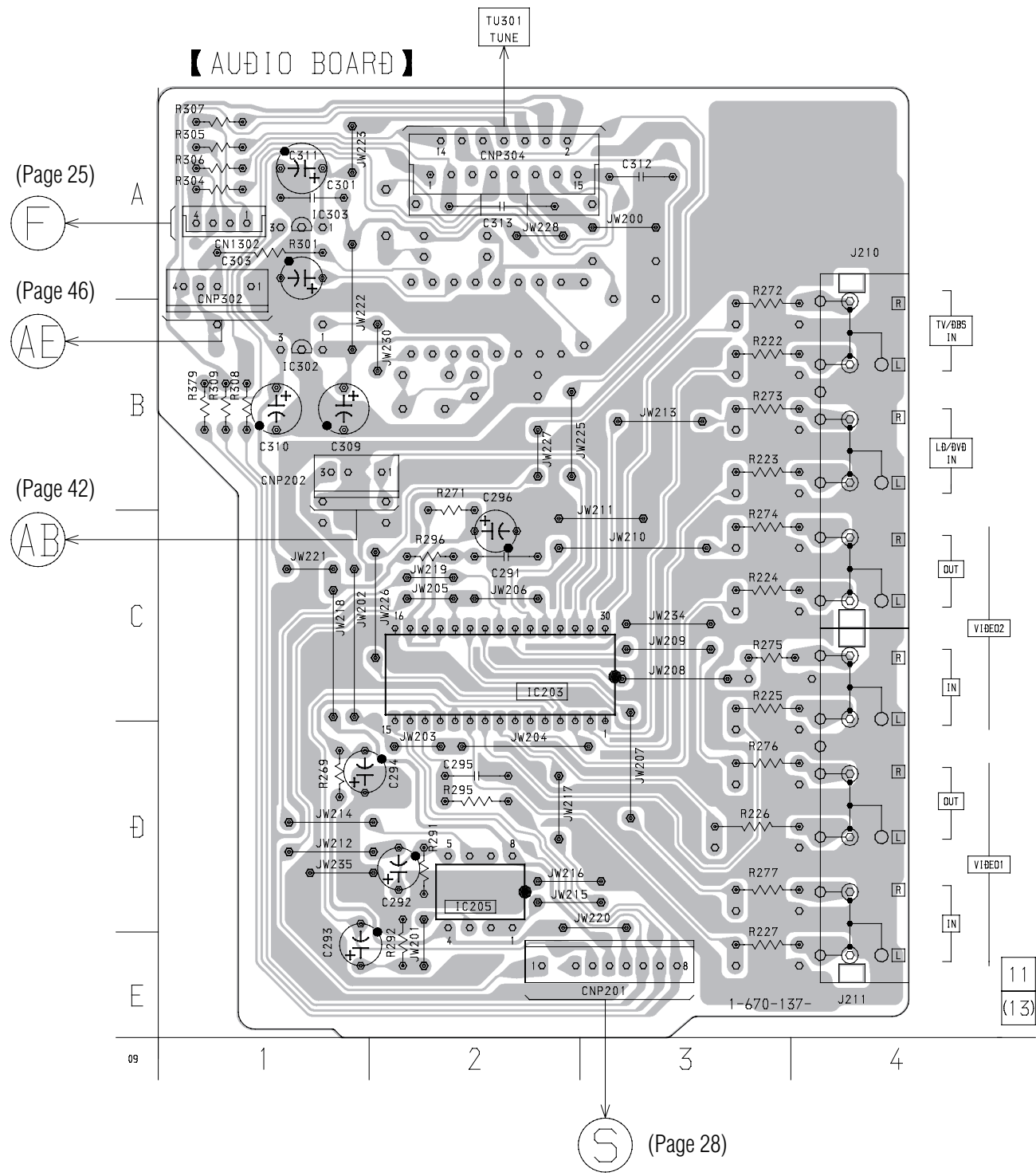


• Semiconductor Location

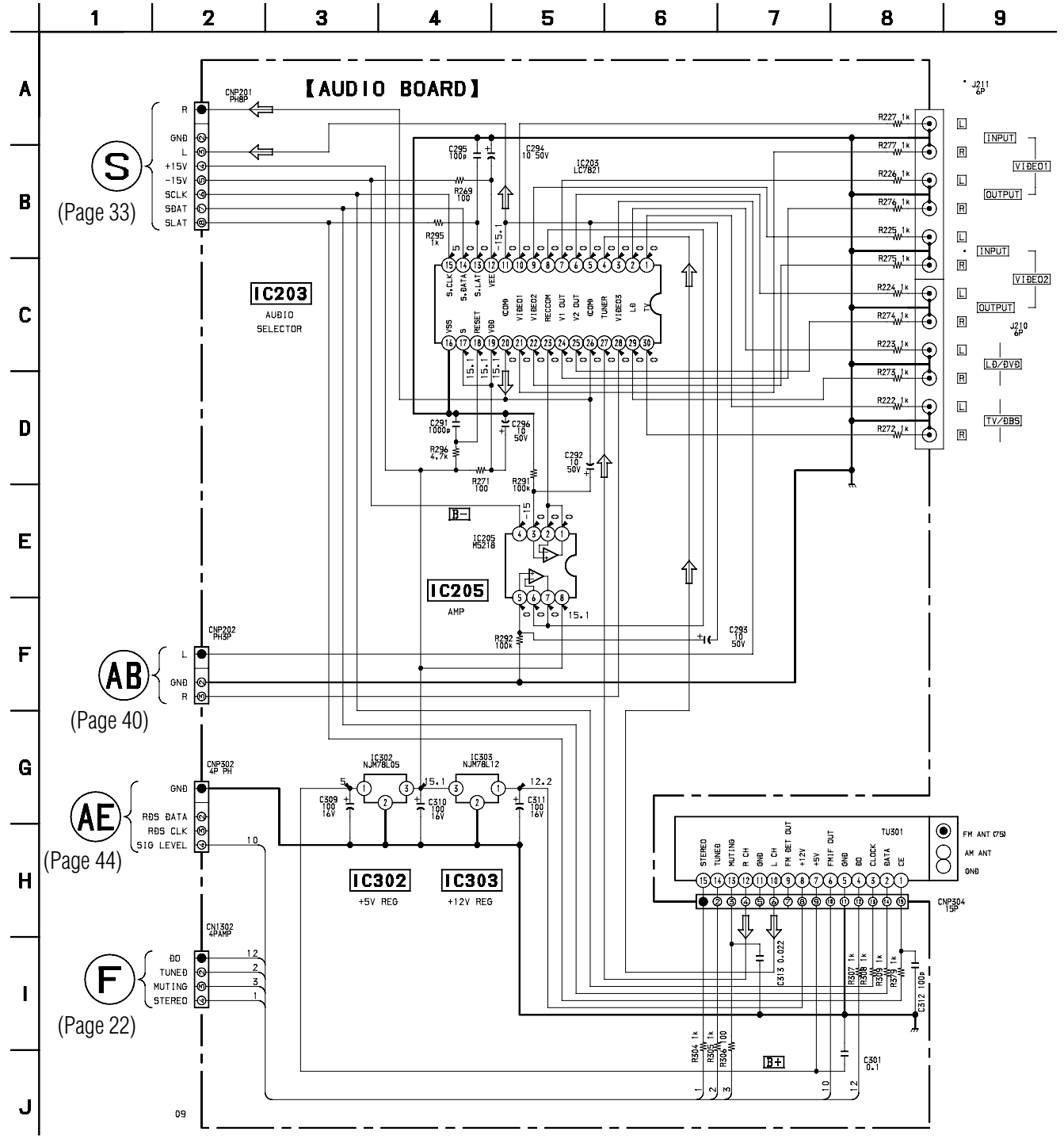
Ref. No.	Location
D701	B-1
D702	B-1
D703	B-4
D705	A-7
D751	A-3
D752	A-3
D753	A-3
D754	A-3
IC701	A-2
IC702	B-2
IC703	B-3
IC752	B-6
IC753	B-7
Q708	B-3
Q709	A-7
Q759	B-7



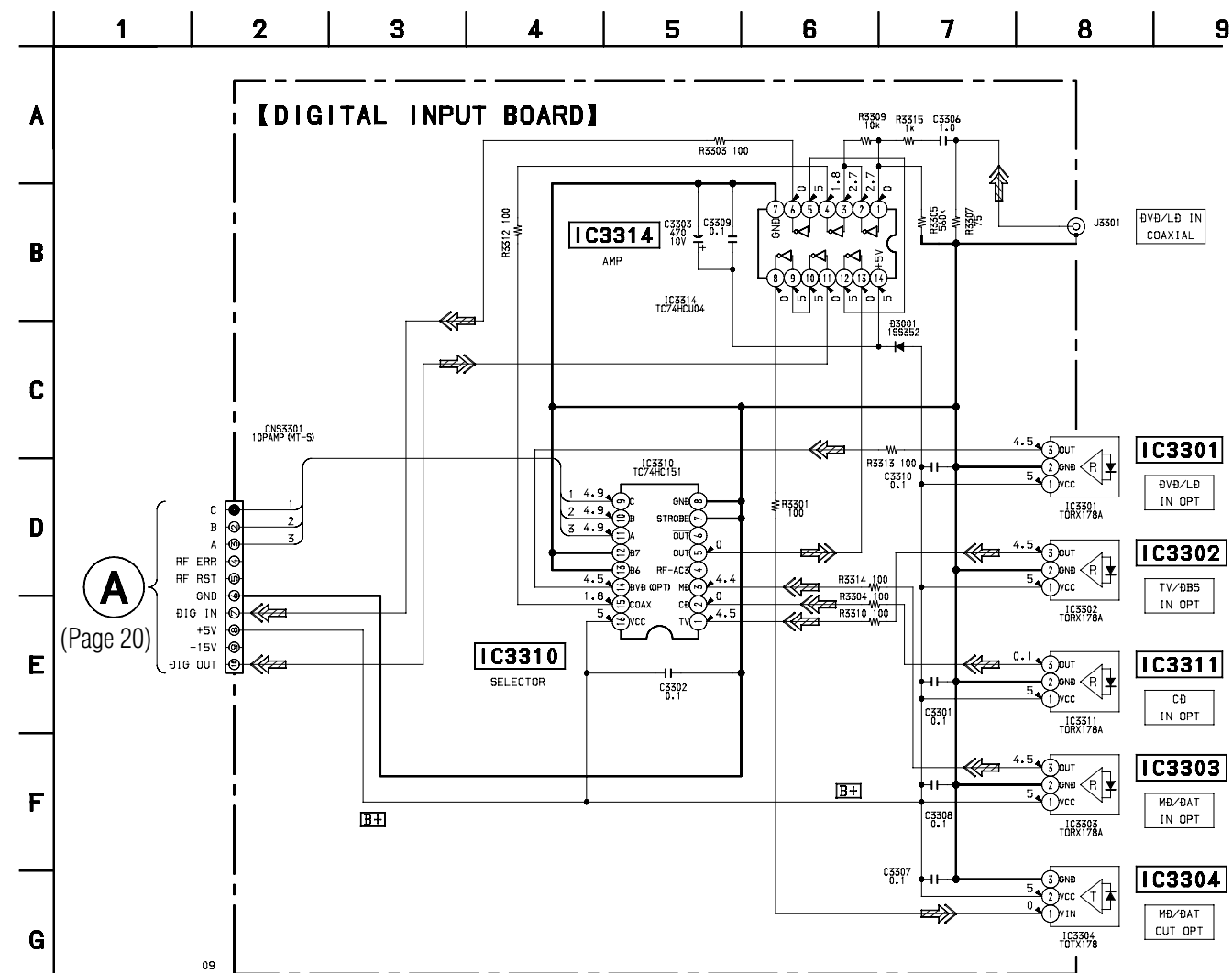
5-19. PRINTED WIRING BOARD – AUDIO SECTION –  
 • See page 17 for Circuit Boards Location.



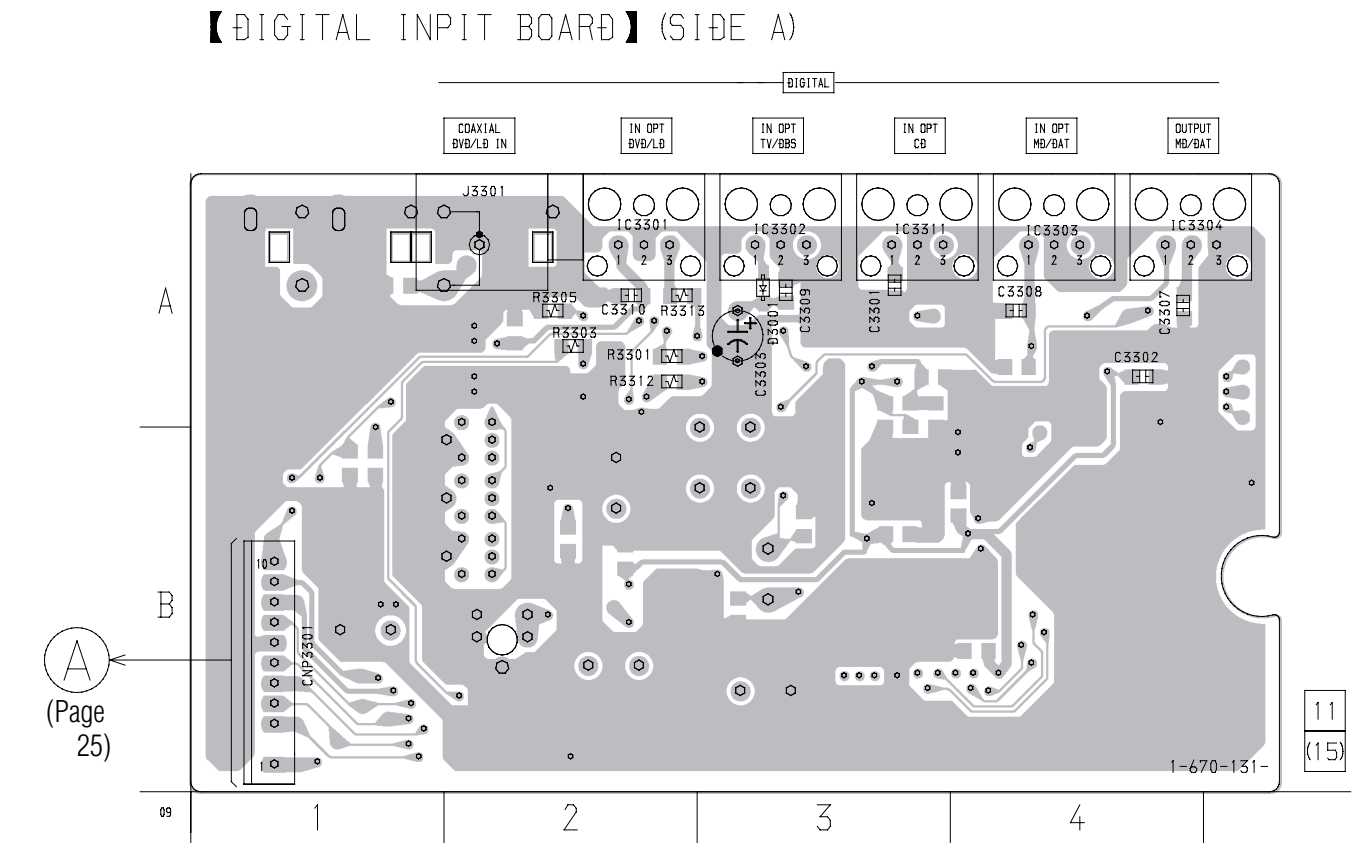
5-20. SCHEMATIC DIAGRAM – AUDIO SECTION –  
 • See page 61 for IC Block Diagrams.



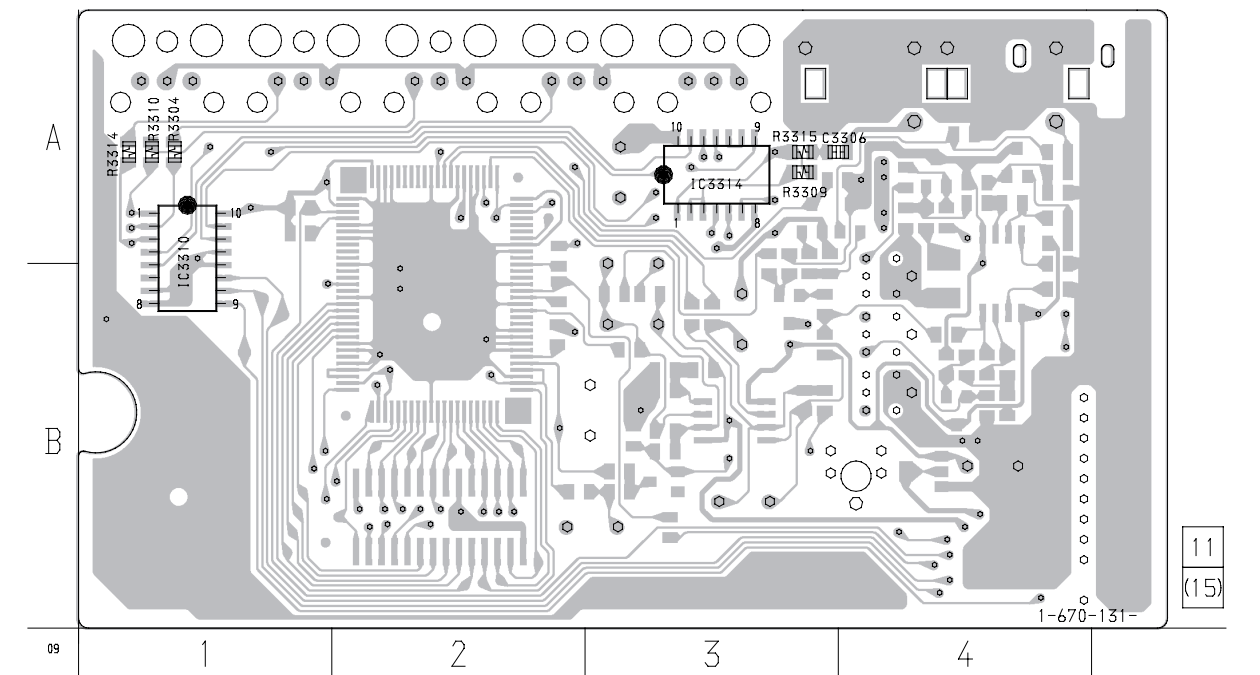
5-21. SCHEMATIC DIAGRAM – INPUT SECTION –



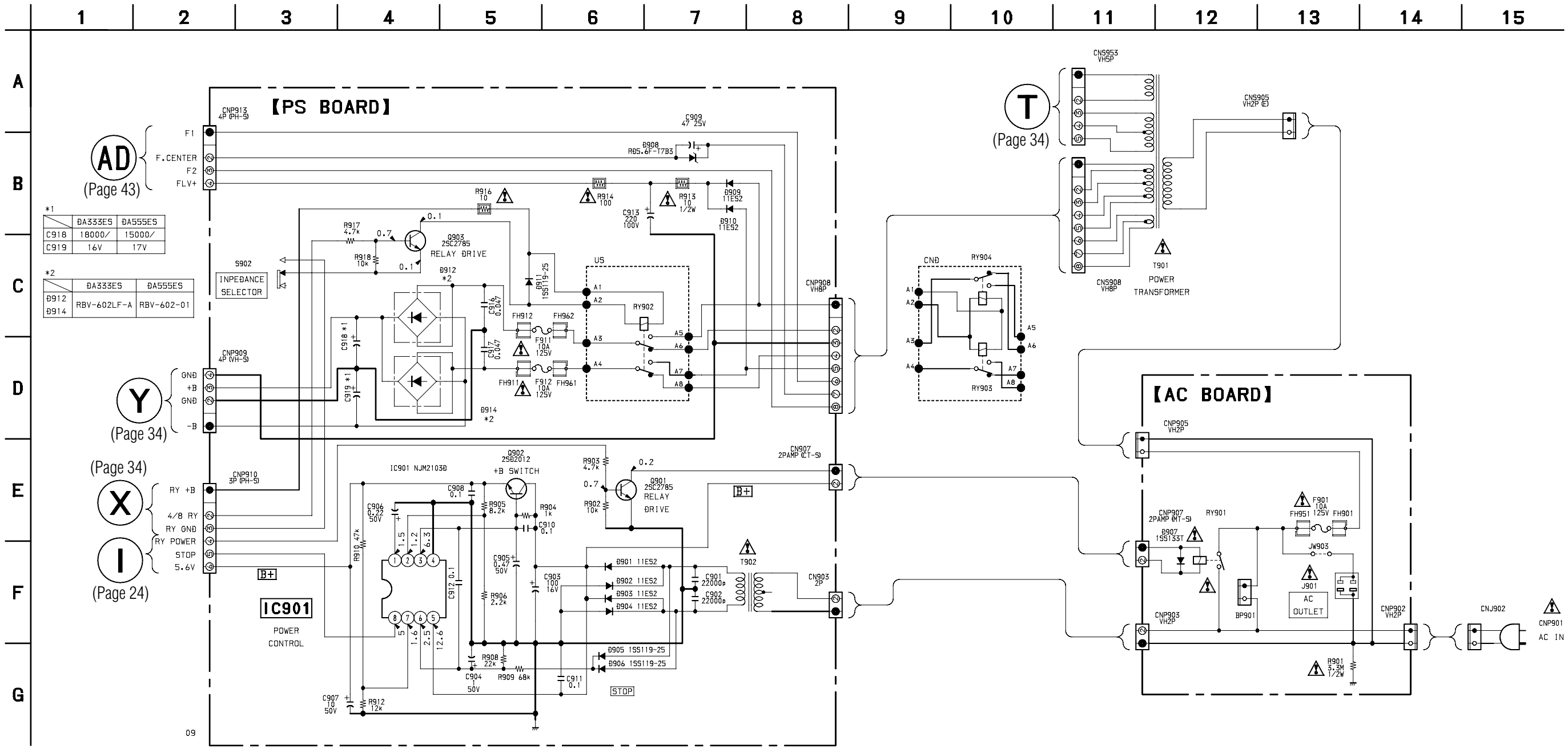
5-22. PRINTED WIRING BOARD – INPUT SECTION –  
• See page 17 for Circuit Boards Location.



【DIGITAL INPUT BOARD】(SIDE B)

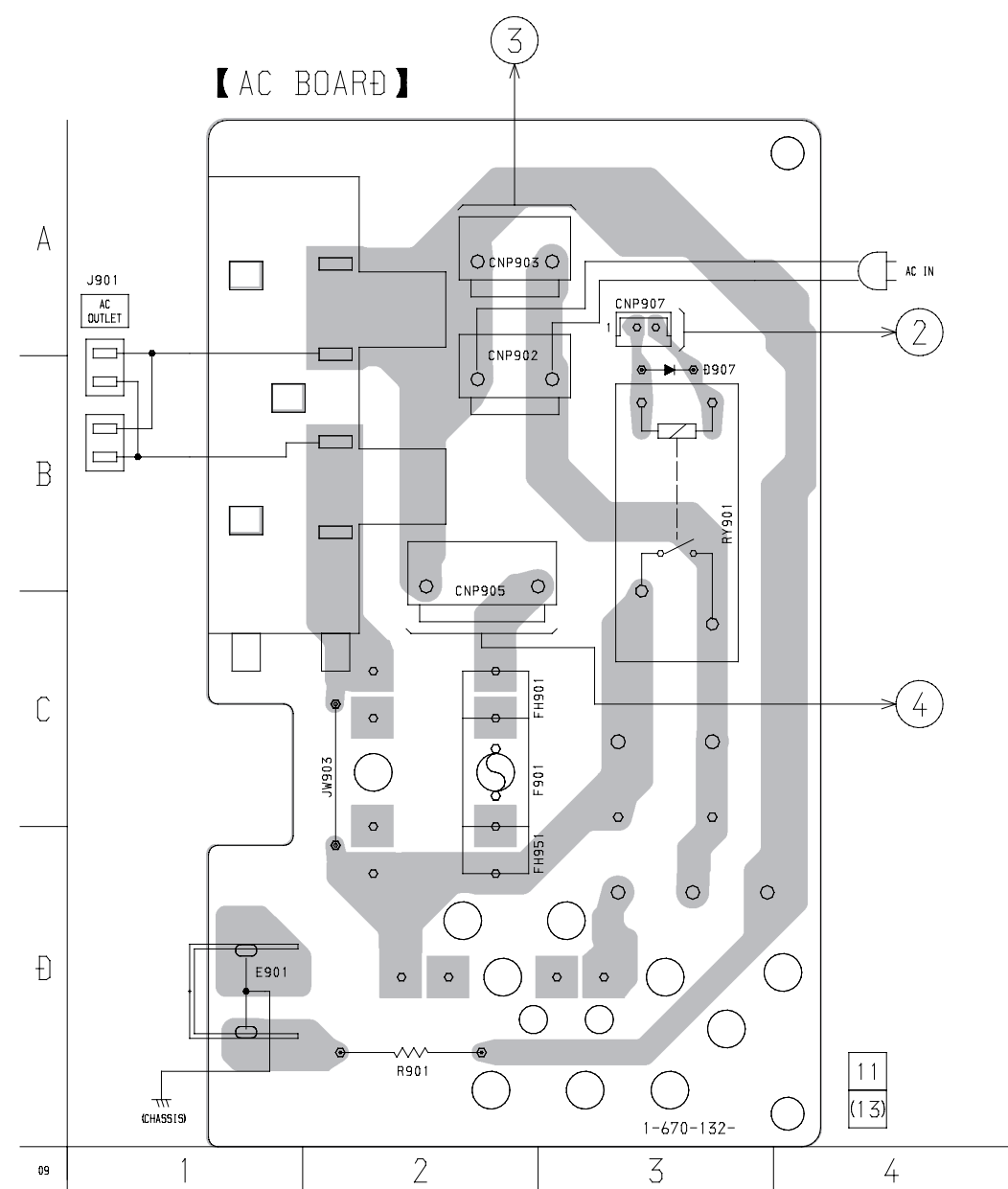
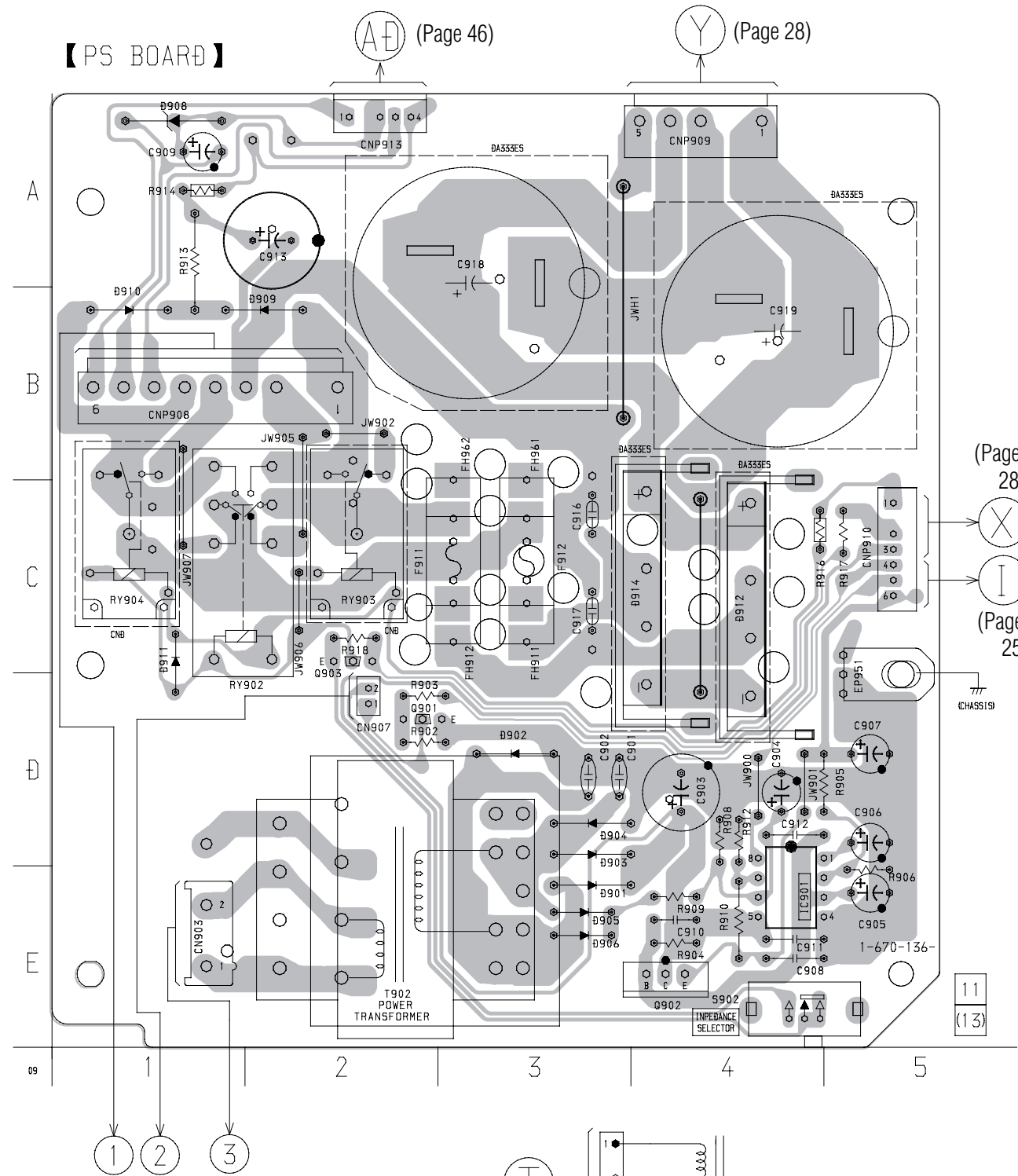


5-23. SCHEMATIC DIAGRAM – POWER SECTION –  
 • See page 61 for IC Block Diagrams.



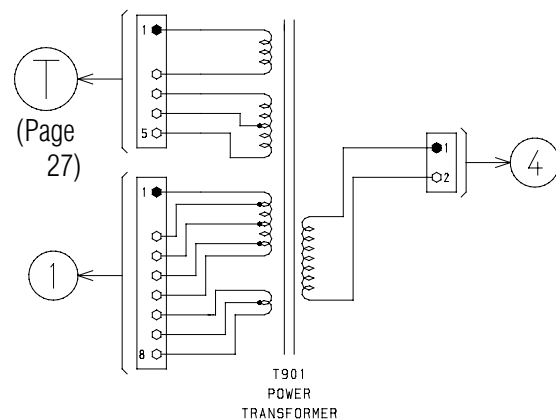


5-24. PRINTED WIRING BOARD – POWER SECTION –  
 • See page 17 for Circuit Boards Location.



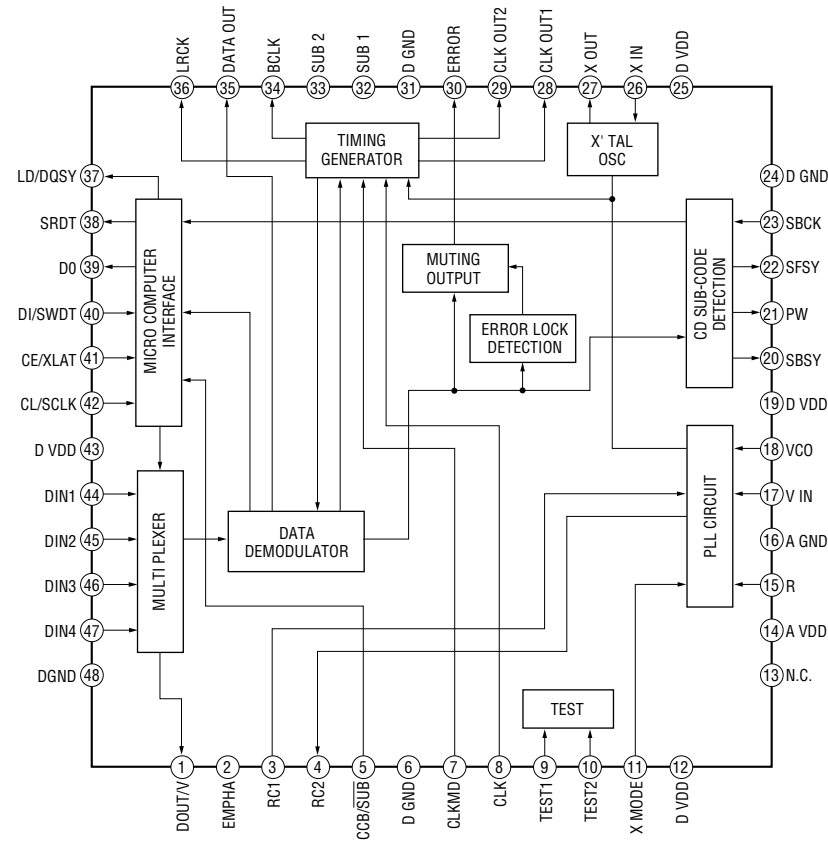
• Semiconductor Location

Ref. No.	Location	Ref. No.	Location
D901	E-3	D911	C-1
D902	D-3	D912	C-4
D903	D-3	D914	C-3
D904	D-3		
D905	E-3	IC901	E-4
D906	E-3		
D908	A-1	Q901	D-2
D909	B-2	Q902	E-4
D910	B-1	Q903	C-2

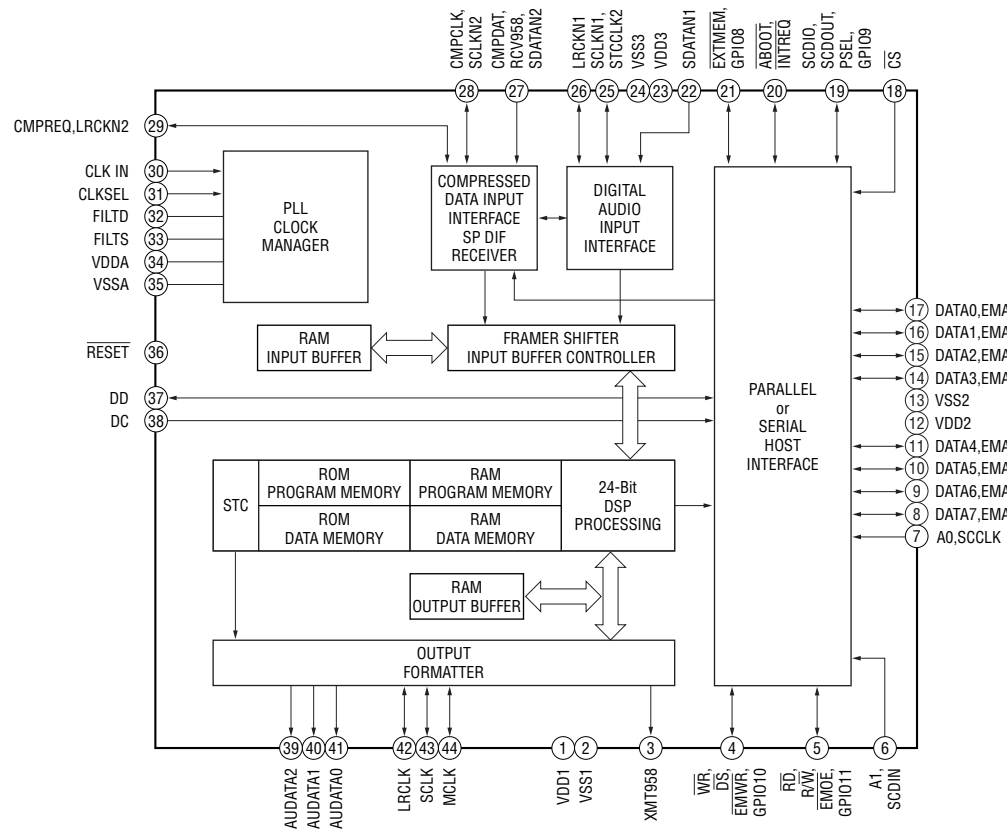


5-25. IC BLOCK DIAGRAMS

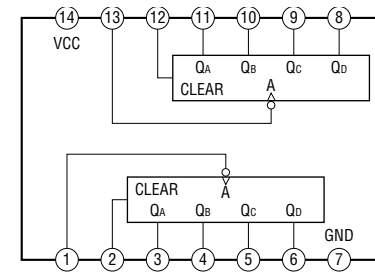
IC1101 CXD8495AQ (DIGITAL BOARD)



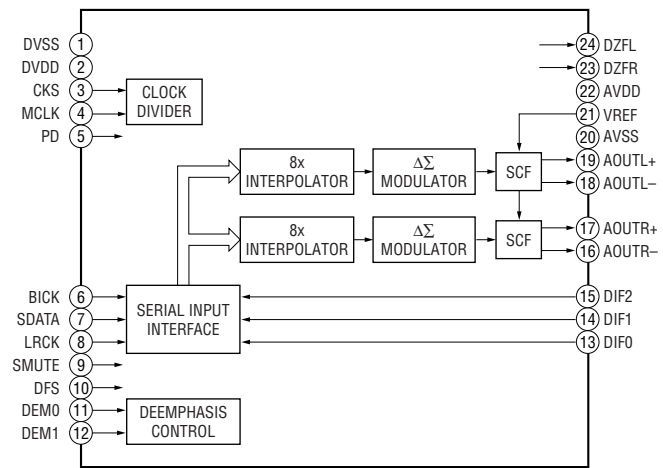
IC1106 CS4926 (DIGITAL BOARD)



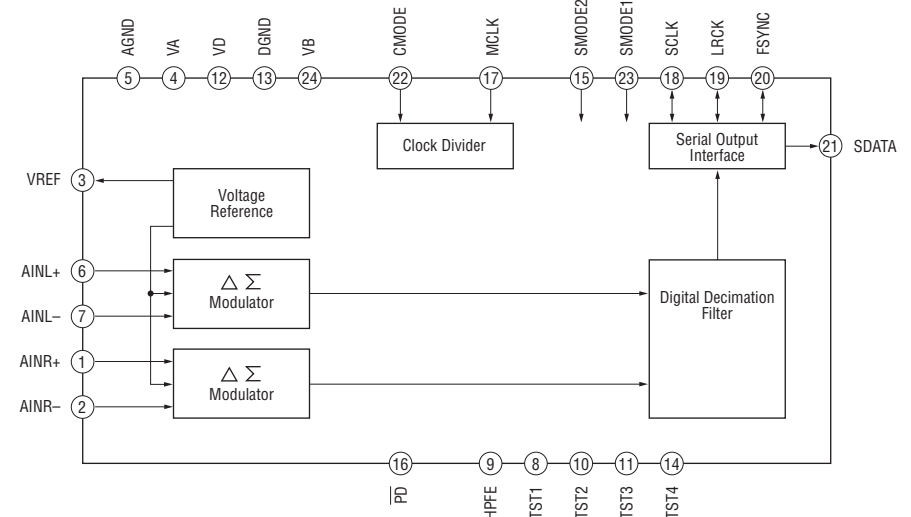
IC1109 TC74VHC393FT(EL) (DIGITAL BOARD)



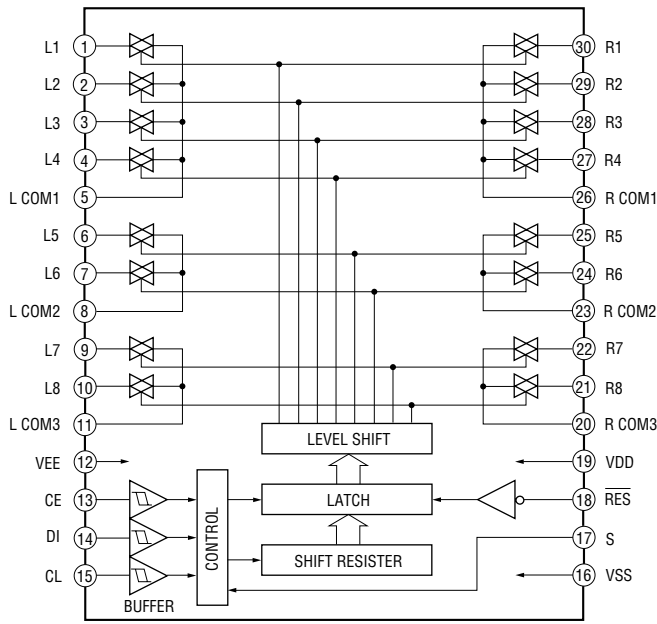
IC1202 AK4324-VF-E2 (DIGITAL BOARD)



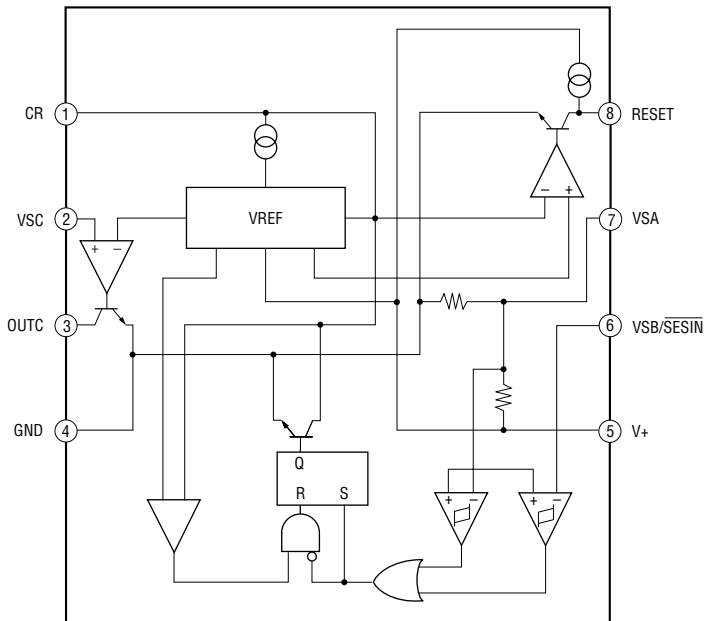
IC1210 AK5352-VF-E2 (DIGITAL BOARD)



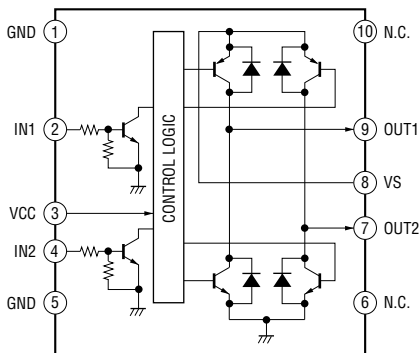
**IC202,203 LC7821 (MAIN/AUDIO BOARD)**



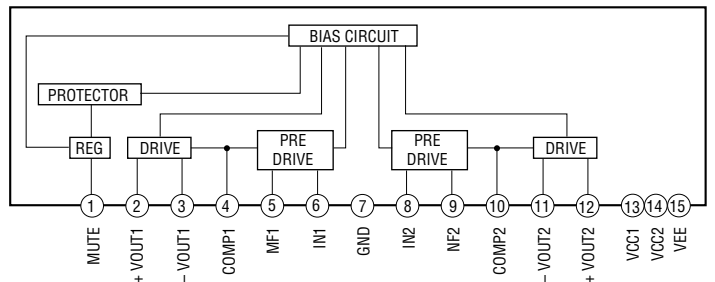
**IC901 NJM2103D (PS BOARD)**



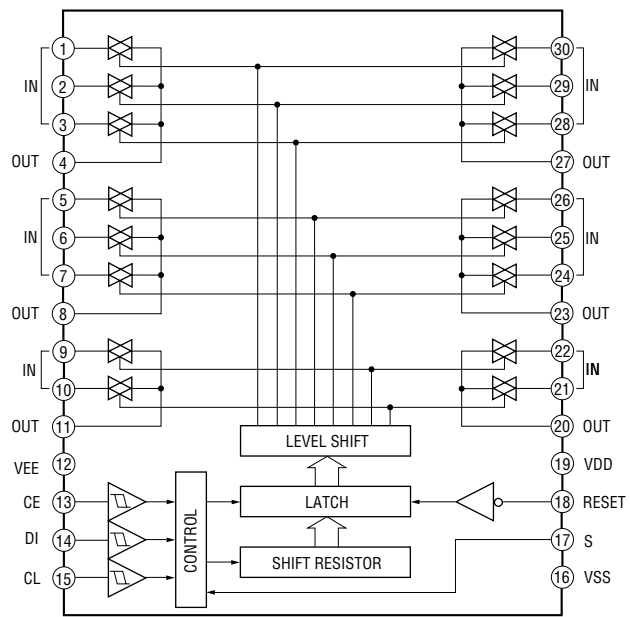
**IC103 LB1638MTE (DISPLAY BOARD)**



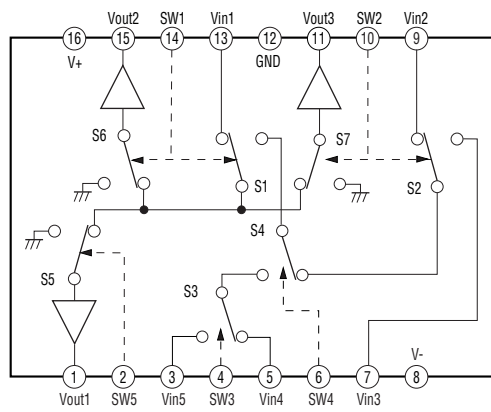
**IC501,601,701 uPC2581V (REAR AMP/MAIN BOARD)**



**IC351 LC7822 (MAIN BOARD)**



**IC811,812,813 NJM2296D (S.VIDEO/VIDEO BOARD)**



**5-26. IC PIN FUNCTION DESCRIPTION**  
**IC102 MB90553APF-G-139-BND (DISPLAY BOARD)**

Pin No.	Pin Name	I/O	Description
1	LED V VIDEO2	O	VIDEO 2 visual display data output to LED
2	LED A VIDEO3	O	VIDEO 3 audio display data output to LED
3	LED V VIDEO3	O	VIDEO 3 visual display data output to LED
4	LED A DVD/LD	O	DVD/LD audio display data output to LED
5	LED V DVD/LD	O	DVD/LD visual display data output to LED
6	LED A TV/DBS	O	TV/DBS audio display data output to LED
7	LED V TV/DBS	O	TV/DBS visual display data output to LED
8	LED TAPE	O	TAPE display data output to LED
9	LED MD/DAT	O	MD/DAT display data output to LED
10	LED CD	O	CD display data output to LED
11	VSS	—	Ground (Connected to ground)
12	LED TUNER	O	TUNER display data output to LED
13	LED PHONO	O	PHONO display data output to LED
14	LED SURR	O	CURSOR MODE SURROUND display data output to LED
15	LED EQ	O	CURSOR MODE EQ display data output to LED
16	LED INDEX	O	CURSOR MODE INDEX display data output to LED
17	LED S.F ON/OFF	O	SOUND FIELD ON/OFF display data output to LED
18	LED MUTING	O	MUTING display data output to LED
19	FLASH DO	O	FLASH DATA output
20	FLASH D1	I	FLASH DATA input
21	FL CLK	O	Clock output to fluorescent display tube
22	FL DATA	O	Data output to fluorescent display tube
23	VCC	—	Power supply +5 V
24	FL LAT	O	Fluorescent latch
25	FL CLEAR	O	Fluorescent clear
26	SIRCS IN	I	SIRCS input
27	C	—	External power regulator capacitor 0.1 $\mu$ F is connected to this terminal
28	—	—	Not used (Connected to ground)
29	—	—	Not used (Connected to ground)
30	—	—	Not used (Connected to ground)
31	—	—	Not used (Connected to ground)
32	—	—	Not used (Connected to ground)
33	—	—	Not used (Connected to ground)
34	AVCC	—	Analog power supply +5 V
35	AVRH	—	AVRH (Connected to Analog power supply +5 V)
36	AVRL	—	AVRL (Connected to ground)
37	AVSS	—	Ground (Connected to ground)
38	AD KEY IN 1	I	Key input 1
39	AD KEY IN 2	I	Key input 2
40	AD KEY IN 3	I	Key input 3
41	AD KEY IN 4	I	Key input 4
42	VSS	—	Ground (Connected to ground)
43	AD KEY IN 5	I	Key input 5
44	AD KEY IN 6	I	Key input 6
45	AD VERSION 1	I	Version input 1
46	AD VERSION 2	I	Version input 2
47	STOP	I	Stop input
48	—	—	Not used (Connected to ground)
49	MD0	I	MD 0
50	MD1	I	MD 1

Pin No.	Pin Name	I/O	Description
51	MD2	I	MD 2
52	HSTX	I	Hardware STANDBY input
53	RDS CLOCK	I	RDS clock input
54	RDS DATA	I	RDS data input
55	VOL UP	O	Volume up output
56	VOL DOWN	O	Volume down output
57	IRQ6	I	SP switch S102
58	U-RESET	O	Reset output
59	U-SREQ	I	Slave request and data input
60	U-MREQ	O	Master request output
61	U-DATA	O	Master data output
62	U-CLOCK	O	Master clock output
63	AUBUS-IN	I	Audio bus input
64	—	—	Not used (Connected to ground)
65	—	—	Not used (Connected to ground)
66	—	—	Not used (Connected to ground)
67	AUBUS-OUT	O	Audio bus output
68	—	—	Not used (Connected to ground)
69	FUNCTION-UP	I	Function encoder up input
70	FUNCTION-DOWN	I	Function encoder down input
71	—	—	Not used (Connected to ground)
72	SP-A	I	Speaker A select switch input
73	SP-B	I	Speaker B select switch input
74	POW-KEY IN	I	Power key input
75	—	—	Not used (Connected to ground)
76	—	—	Not used (Connected to ground)
77	RESET	I	Reset input
78	—	—	Not used (Connected to ground)
79	—	—	Not used (Connected to ground)
80	—	—	Not used (Connected to ground)
81	VSS	—	Not used (Connected to ground)
82	X0	—	External crystal is connected to this terminal
83	X1	—	External crystal is connected to this terminal
84	VCC	—	Power supply +5 V
85	—	—	Not used (Connected to ground)
86	—	—	Not used (Connected to ground)
87	LED DOLBY DIGITAL	O	MULTI FORMAT DECODE display data output to LED
88	LED VOL	O	VOLUME display data output to LED
89	LED BASS BOOST	O	BASS BOOST display data output to LED
90	LED A VIDEO1	O	VIDEO 1 audio display data output to LED
91	LED V VIDEO1	O	VIDEO 1 visual display data output to LED
92	LED A VIDEO2	O	VIDEO 2 audio display data output to LED
93	MBUS-V1	I	V1 input form MBUS (Connected to ground)
94	MBUS-V2	I	V2 input form MBUS (Connected to ground)
95	MBUS-TV	I	TV input form MBUS (Connected to ground)
96	MBUS-STATUS	I	STATUS input form MBUS (Connected to ground)
97	—	—	Not used (Connected to ground)
98	—	O	CTRL latch
99	—	—	Not used (Connected to ground)
100	—	—	Not used (Connected to ground)

**IC 1201 MB90574PFV-G-176-BND (DIGITAL BOARD)**

Pin No.	Pin Name	I/O	Description
1	RFERR	I	RF demodulator error or signal input
2	RERESET	O	RF demodulator/DIR reset
3	SW6	O	Woofer gain control 6
4	SW12	O	Woofer gain control 12
5	REAR3	O	Rear gain control 3
6	REAR6	O	Rear gain control 6
7	REAR12	O	Rear gain control 12
8	VCC	—	Power supply +5 V
9	S1NI	I	UART input. Used for rewriting flash memory
10	SOT0	O	UART output. Used for rewriting flash memory
11	—	—	Not used (Connected to ground)
12	SIN1	O	Test pin
13	SOT1	I	Surround mute in
14	ANA/DIG	O	Analog/digital selection (SN74HC157)
15	SCDIN	I	To CS4923 data input
16	SCCLK	O	To CS4923 clock
17	CS	O	To CS4923 chip select
18	SCDIO/OUT	O	To CS4923 SPI data output
19	INTREQ	I	To CS4923 interrupt request
20	RESET	O	To CS4923 reset
21	XHDWR	O	To CXD2712 HCIF data write
22	XHDRD	O	To CXD2712 HCIF data read
23	HRDY	I	To CXD2712 HCIF ready
24	XHDCS	O	To CXD2712 HCIF chip select
25	HD0	I/O	To CXD2712 HCIF data input/output
26	HD1	I/O	To CXD2712 HCIF data input/output
27	HD2	I/O	To CXD2712 HCIF data input/output
28	HD3	I/O	To CXD2712 HCIF data input/output
29	HD4	I/O	To CXD2712 HCIF data input/output
30	HD5	I/O	To CXD2712 HCIF data input/output
31	HD6	I/O	To CXD2712 HCIF data input/output
32	HD7	O	To CXD2712 HD 7
33	VSS	—	Ground
34	C	—	External power regulator capacitor 0.1 u is connected to this terminal
35	HA0	O	To CXD2712 HCIF address
36	XRST	O	To CXD2712 reset
37	SOD	I	To CXD2712 LFE detection
38	DVCC	—	Digital power supply +5 V
39	DVSS	—	Digital ground
40	D/AINT	O	DA AK4324 reset
41	SMUTE	O	DA AK4324 muting
42	AVCC	—	Analog power supply +5 V
43	AVR+	—	Power supply +5 V
44	AVR-	—	Ground
45	AVSS	—	Ground
46	A/DINT	O	AD AK5352 reset
47	—	—	Not used (Not connected, open)
48	EVSTB	O	To TC9299 strobe
49	EVDATA	O	To TC9299 data
50	EVCLK	O	To TC9299 clock

Pin No.	Pin Name	I/O	Description
51	DISPMR	I	Display master request (Connected to MB90570 U.MREQ)
52	DISPDATA	I	Display data (Connected to MB90570 U.DATA)
53	SLVDATA/REQ	O	Slave data/request (Connected to MB90570 U.SREQ)
54	VCC	—	Power supply +5 V
55	DISPCLK	I	Display clock (Connected to MB90570 U.CLOCK)
56	S.LAT	O	To tuner LC7821 latch
57	S.DATA	O	To tuner LC7821 data
58	S.CLK	O	To tuner LC7821 clock
59	—	—	Not used (Connected to ground)
60	DATAIN	I	PLL data input
61	AUTOSTOP	I	Auto stop input
62	STEREO	I	Stereo input
63	VSS	—	Ground
64	STOP	I	AC power check
65	—	—	Not used (Connected to ground)
66	—	—	Not used (Connected to ground)
67	ERROR	O	Error output LC8904
68	—	—	Not used (Connected to ground)
69	—	—	Not used (Connected to ground)
70	—	—	Not used
71	VERSION1	I	U or CED or J
72	VERSION2	I	U or CED or J
73	X1A	—	Not used (Not connected, open)
74	X0A	—	Not used (Not connected, open)
75	SRDT	I	To LC8904AQ C-bit
76	SWDT	O	To LC8904AQ data
77	XLAT	O	To LC8904AQ latch
78	SCLK	O	To LC8904AQ clock
79	PROTEC	I	Protector input
80	VIDEO(SW4)	O	To NJM2296 video select switch 4
81	VIDEO(SW3)	O	To NJM2296 video select switch 3
82	VIDEO(SW2)	O	To NJM2296 video select switch 2
83	VIDEO(SW1)	O	To NJM2296 video select switch 1
84	ACMUTE	—	IC muting (Not connected, open)
85	F.MUTE	O	Function muting
86	HSTX	—	Hardware standby (Connected to power supply +5 V)
87	MD2	O	MD 2
88	MD1	—	MD 1 (Connected to power supply +5 V)
89	MD0	O	MD 0
90	RESET	I	Reset
91	VSS	—	Ground (Connected to ground)
92	X0	—	External ceramic filter 4 MHz is connected to this terminal
93	X1	—	External ceramic filter 4 MHz is connected to this terminal
94	VCC	—	Power supply +5 V
95	PO0	—	Flash memory rewrite (Connected to ground)
96	PO1	—	Flash memory rewrite (Connected to ground)
97	TUNERMUTE	O	Tuner muting
98	SURRMUTE	O	Surround muting
99	RY-4/8	O	4/8 relay
100	—	—	Not used



Pin No.	Pin Name	I/O	Description
101	RY-FRONT/A	O	Front speaker A relay
102	RY-FRONT/B	O	Front speaker B relay
103	RY-CENTER	O	Center speaker relay
104	RY-REAR	O	Rear speaker relay
105	WOOFER-RY	O	Sub woofer relay
106	RY-HP	O	Headphones relay
107	RY-POWER	O	Power relay
108	RY-DIRECT-PASS	O	Direct/pass relay
109	DIG-IN2	I	Digital input select 2 (SN74HC151)
110	DIG-IN1	I	Digital input select 1 (SN74HC151)
111	DIG-IN0	I	Digital input select 0 (SN74HC151)
112	TEST0	—	Test port 0 (Not connected, open)
113	FRONT4	O	Front gain control 4
114	FRONT8	O	Front gain control 8
115	FRONT16	O	Front gain control 16
116	C3	O	Center gain control 3
117	C6	O	Center gain control 6
118	C12	O	Center gain control 12
119	VSS	—	Ground
120	SW3	O	Woofer gain control 3

**IC1101 CXD8495AQ (DIGITAL BOARD)**

Pin No.	Pin Name	I/O	Description
1	DOUV	O	EIAJ data and parity flag output terminal
2	EMPHA	O	Emphasis monitor output terminal ("H" = ON)
3	RC1	I	RC oscillator input terminal
4	RC2	O	RC oscillator output terminal
5	CCB/ $\overline{\text{SUB}}$	I	Microprocessor I/F select input terminal (CCB: H, $\overline{\text{SUB}}$ : L) (Connected to ground)
6	D. GND	—	Digital ground
7	128/ $\overline{256}$	O	Clock output select terminal ("L" = 256 fs, "H" = 128 fs) (Connected to ground)
8	$\overline{384}/512$	I	Clock input select terminal ("H" = 512 fs, "L" = 384 fs)
9	TEST	I	Test terminal (Connected to ground)
10	TEST	I	Test terminal (Connected to ground)
11	RESET	I	Reset input terminal
12	D. +5V	—	Digital power supply 0.5 V
13	—	—	Not used (Not connected, open)
14	A. +5V	—	Analog power supply +5 V
15	R	I	VCO oscillation band adjustment input terminal
16	A. GND	—	Analog ground
17	VCO IN	I	VCO free-running frequency setting input terminal
18	VCO	O	External LPF is connected to this terminal for PLL
19	D. +5V	—	Digital power supply +5 V
20	SBSY	O	CD subcode I/F and block sync output terminal
21	PW	O	CD subcode I/F and data output terminal
22	SFSY	O	CD subcode I/F and frame sync output terminal
23	SB CLK	I	CD subcode I/F and shift clock input terminal for data reading
24	D. GND	—	Digital ground
25	D. +5V	—	Digital power supply +5 V
26	XIN	I	Crystal oscillator input terminal
27	XOUT	O	Crystal oscillator output terminal
28	CLK OUT	O	VCO and crystal oscillator clock output terminal
29	CLK OUT	O	256fs or 128fs clock output terminal (Selected by CLKMD terminal)
30	ERROR	O	Error mute output terminal
31	D. GND	—	Digital ground
32	SUB1	O	Sampling frequency monitor output terminal
33	SUB2	O	Sampling frequency monitor output terminal
34	BCK	O	Bit clock output terminal
35	DATA OUT	O	Audio data output terminal
36	LRCK	O	L, R clock output terminal (L-ch: H, R-ch: L)
37	LD/DQSY	O	Microprocessor I/F and subcode Q data sync output terminal
38	SRDT	O	Microprocessor I/F. When CCB/SUB is L, data output terminal (3-state output)
39	DO	O	Microprocessor I/F. When CCB/SUB is H, data output terminal (high level open drain output) (Not connected)
40	DI/SWDT	I	Microprocessor I/F. Data input terminal
41	CE/XLAT	I	Microprocessor I/F. Chip enable/latch input terminal
42	CL/SCLK	I	Microprocessor I/F. Clock input terminal
43	D. +5V	—	Digital power supply +5 V
44	DIN1	I	Built-in amplifier data input terminal (Connected to ground)
45	DIN2	I	Built-in amplifier data input terminal (Connected to ground)
46	DIN3	I	Built-in amplifier data input terminal (Connected to ground)
47	DIN4	I	Built-in amplifier data input terminal
48	D. GND	—	Digital ground

**IC1112 CXD2712R (DIGITAL BOARD)**

Pin No.	Pin Name	I/O	Description
1	VSS3	—	Ground
2 - 5	SOA - SOD	O	Serial data output
6,7	ECJ0, ECJ1	I	Conditional jump input terminal (7 pin: Connected to ground)
8	—	—	Not used (Connected to ground)
9	XHDWR	I	HCIF data write
10	XHDRD	I	HCIF data read
11	VSS4	—	Ground
12	VDD2	—	Power supply +3.3 V
13	HRDY	O	HCIF ready signal. Open drain
14	XHDCS	I	HCIF chip select
15	HA0	I	HCIF address input
16 -20	HD0 - HD4	I/O	HCIF data input/output
21	VSS5	—	Ground
22	VDD3	—	Power supply +3.3 V
23 - 25	HD5 - HD7	I/O	HCIF data input/output
26	$\overline{\text{XRST}}$	I	Reset input "L": active
27 -30	—	—	Test data output. Not used. (Not connected)
31	VSS6	—	Ground
32 - 40	SD0 - SD8	I/O	External RAM data input/output
41	VSS7	—	Ground
42	VDD4	—	Power supply +3.3 V
43 -49	ED9 - ED15	I/O	External RAM data input/output
50	—	—	Test data input. Not used. (Connected to ground)
51	VSS8	—	Ground
52	VDD5	—	Power supply +3.3 V
53 -60	ED16 - ED23	I/O	External RAM data input/output
61	VSS9	—	Ground
62 -69	ED24 - ED31	I/O	External RAM data input/output
70	XOE	O	External RAM output cable
71	VSS10	—	Ground
72	VDD6	—	Power supply +3.3 V
73	CAS	O	External RAM column address strobe Not used. (Not connected)
74	XWE	O	External RAM write enable
75	RAS	O	External RAM row address strobe. Not used. (Not connected)
76 -80	EA0 - EA4	I/O	External RAM address output/test data input
81	VSS11	—	Ground
82	VDD7	—	Power supply +3.3 V
83 -89	EA5 - EA11	I/O	External RAM data input/output
90	EA12	O	External RAM address output
91	VSS0	—	Ground
92 -94	EA13 - EA15	O	External RAM address output
95	EA16	O	Not used
96	TSTA	I	Test data input "L" = normal "H" = test (Connected to ground)
97	PLDIVF	I	PLL input frequency select "L" = 256fs "H" = 128 fs (Connected to ground)
98	PLDIVB	O	PLL output frequency select "L" = 768 fs "H" = 1024 fs (Connected to ground)
99	CLK1	I	Master clock input
100	CLKO	O	Master clock output (Not connected)

Pin No.	Pin Name	I/O	Description
101	VSS1	—	Ground
102	VDD0	—	Power supply +3.3 V
103	AVSS	—	Ground for PLL cell
104	AVDD	—	VDD for PLL cell
105	PLLCK	I/O	PLL output/test clock input (Not connected)
106	XPLEN	I	PLL cell oscillation enable "L" oscillation enable "H" oscillation stop (Connected to ground)
107	TST	I	Test data input "L" = normal "H" = test (Connected to ground)
108	LRCT	I	Frequency counter input (Connected to ground)
109	LROUT	O	LRCK0 divider output
110	BKOUT	O	BCK0 divider output
111	VSS2	—	Ground
112	VDD1	—	Power supply +3.3 V
113	BCK0	I	BCK input
114	BCK1	I	BCK input
115	LRCK0	I	LRCK input
116	LRCK1	I	LRCK input
117-120	SIA - SID	I	Serial data input

# SECTION 6 EXPLODED VIEWS

**NOTE:**

- -XX, -X mean standardized parts, so they may have some difference from the original one.
- Items marked "\*" are not stocked since they are seldom required for routine service. Some delay should be anticipated when ordering these items.
- Color Indication of Appearance Parts Example:  
KNOB, BALANCE (WHITE) . . . (RED)

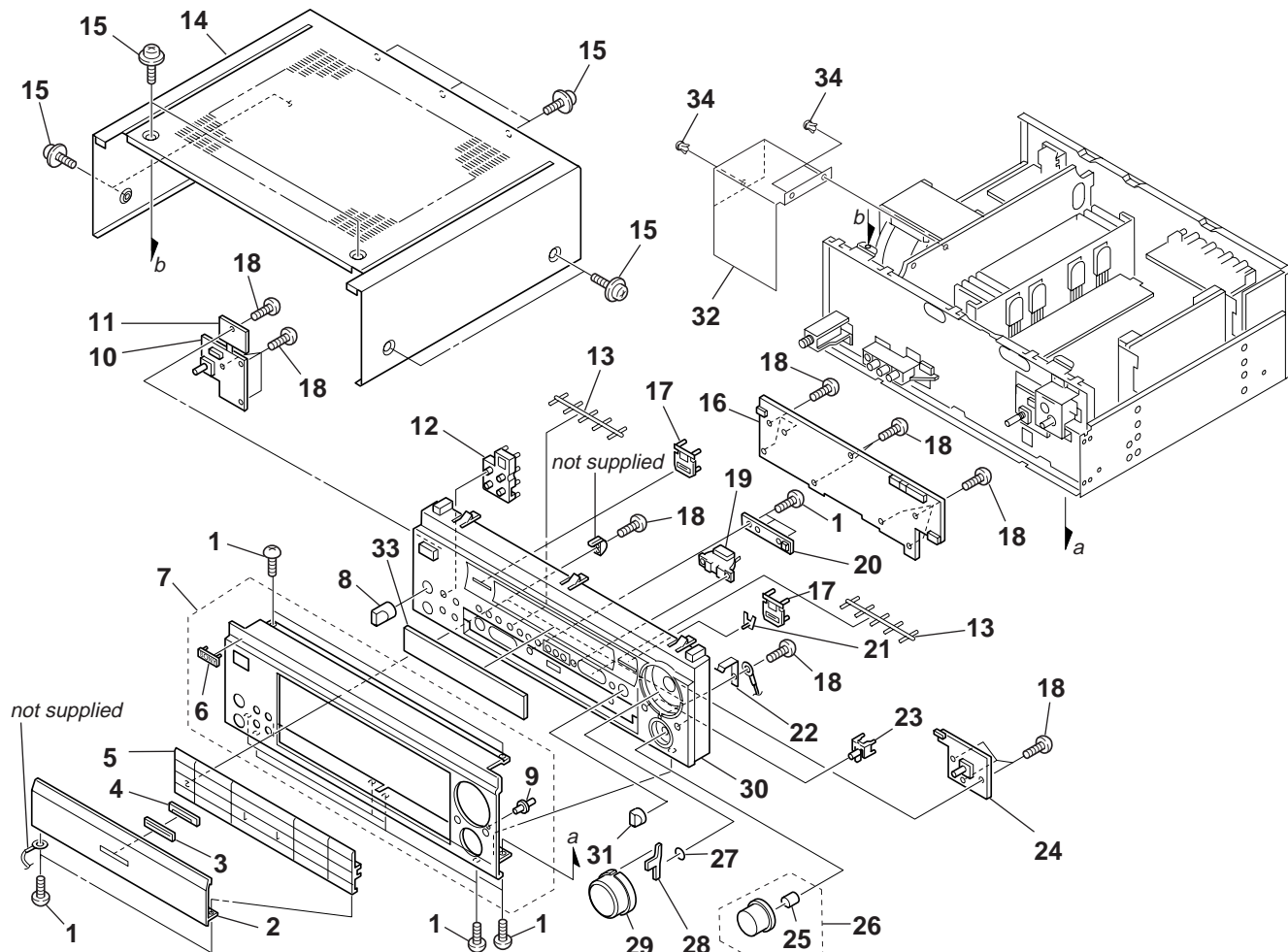
↑                      ↑  
Parts color     Cabinets color

- The mechanical parts with no reference number in the exploded views are not supplied.
- Hardware (# mark) list and accessories and packing materials are given in the last of this parts list.
- Abbreviation  
CND : Canadian model

The components identified by mark  $\Delta$  or dotted line with mark  $\Delta$  are critical for safety. Replace only with part number specified.

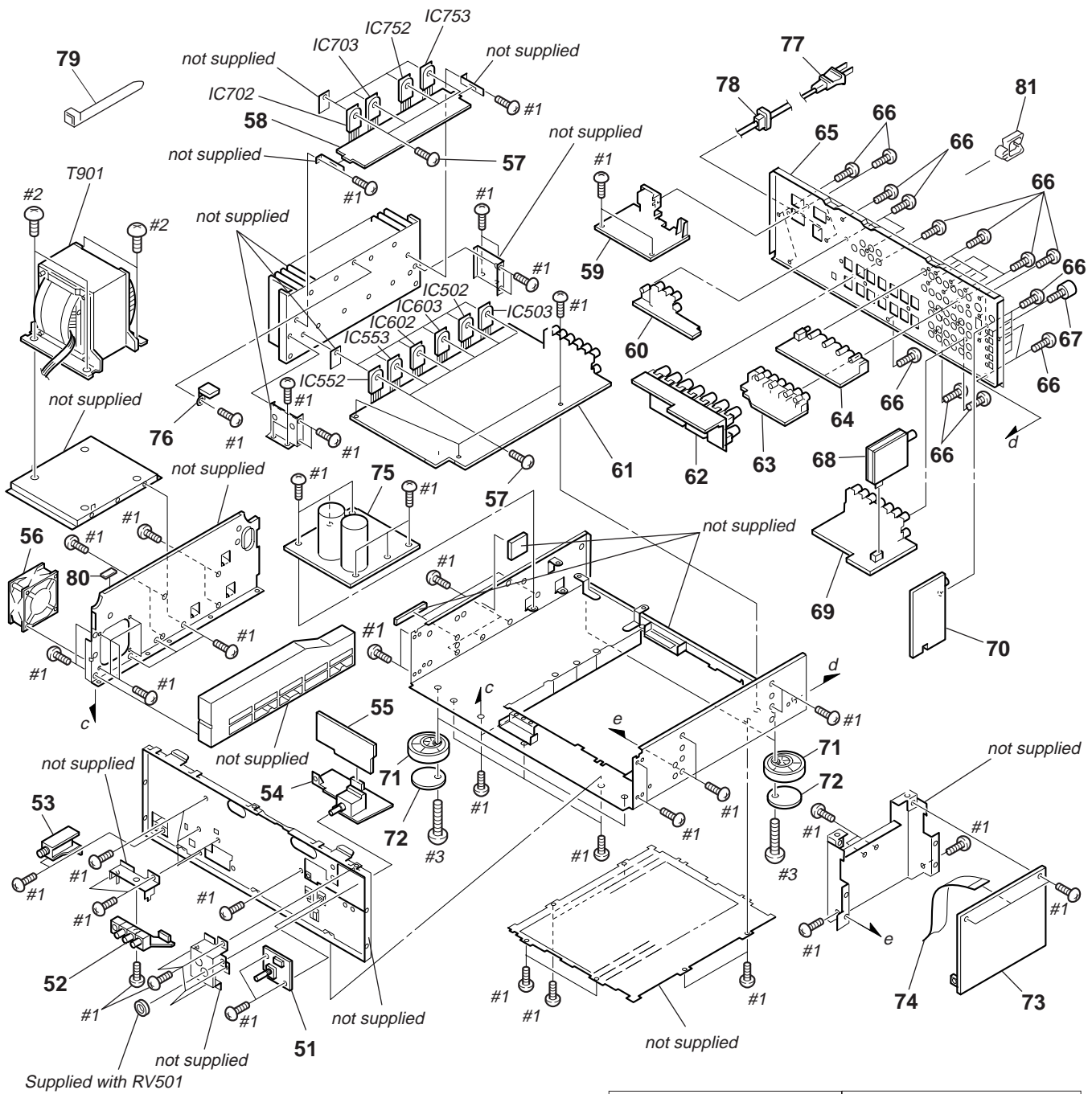
Les composants identifiés par une marque  $\Delta$  sont critiques pour la sécurité. Ne les remplacer que par une pièce portant le numéro spécifié.

## 6-1. FRONT PANEL SECTION



Ref. No.	Part No.	Description	Remark	Ref. No.	Part No.	Description	Remark
1	3-704-515-21	SCREW (BV/RING)		18	4-951-620-01	SCREW (2.6X8), +BVTP	
2	4-900-632-01	LID (FRONT)		* 19	4-900-638-01	HOUSE, LAMP	
* 3	4-900-642-01	ESCUTCHEON (LID)		* 20	1-670-147-11	LED BOARD	
* 4	4-900-643-01	INDICATOR (LID)		21	4-900-645-01	INDICATOR (S/F)	
* 5	4-900-634-01	LID (BASE)		22	4-900-639-01	SPRING	
6	4-942-568-41	EMBLEM (NO.5), SONY		23	4-900-491-01	BUTTON (MUTE)	
7	A-4411-619-A	PANEL ASSY, FRONT (DA555ES)		* 24	1-670-146-11	ENCODER BOARD	
7	A-4411-621-A	PANEL ASSY, FRONT (DA333ES)		25	3-703-466-00	SPRING (6600)	
8	4-957-383-01	KNOB (F14)		26	X-4948-601-1	KNOB (FUNC) ASSY	
* 9	X-4950-462-1	LENS ASSY, LED		27	3-350-426-01	SPRING, RING	
* 10	1-670-142-11	SP SWITCH BOARD		28	4-998-207-11	INDICATOR (VOL)	
* 11	1-670-749-11	POWER SWITCH BOARD		29	X-3375-592-1	KNOB (VOL) ASSY	
12	4-900-563-11	BUTTON (5)		30	X-4951-411-1	BASE ASSY, PANEL	
13	4-991-388-01	INDICATOR (FUNC)		31	4-900-500-01	KNOB (BAL)	
* 14	X-4950-431-1	CASE ASSY		* 32	4-212-984-01	COVER (FR)(DA555ES)	
15	4-210-291-01	SCREW (CASE 3 TP2)		33	4-900-648-11	WINDOW	
* 16	A-4419-733-A	DISPLAY BOARD, COMPLETE (DA555ES)		34	3-531-576-01	RIVET (DA555ES)	
* 16	A-4419-735-A	DISPLAY BOARD, COMPLETE (DA333ES)					
17	4-991-386-01	BUTTON (WINDOW)					

## 6-2. CHASSIS SECTION



The components identified by mark  $\triangle$  or dotted line with mark  $\triangle$  are critical for safety. Replace only with part number specified.

Les composants identifiés par une marque  $\triangle$  sont critiques pour la sécurité. Ne les remplacer que par une pièce portant le numéro spécifié.

Ref. No.	Part No.	Description	Remark	Ref. No.	Part No.	Description	Remark
* 51	1-670-140-11	BAL.VOL BOARD		* 73	A-4414-292-A	DIGITAL BOARD, COMPLETE	
* 52	1-670-145-11	FRONT VIDEO BOARD		74	1-773-115-11	WIRE (FLAT TYPE)(19 CORE)	
* 53	1-670-139-11	HP BOARD		* 75	A-4414-259-A	PS BOARD, COMPLETE (DA555ES:US)	
* 54	1-670-141-11	MAIN VOL BOARD		* 75	A-4414-260-A	PS BOARD, COMPLETE (DA555ES:CND)	
* 55	A-4414-252-A	PRE AMP BOARD, COMPLETE		* 75	A-4414-627-A	PS BOARD, COMPLETE (DA333ES:US)	
56	1-698-792-11	FAN, DC (DA555ES)		* 75	A-4414-628-A	PS BOARD, COMPLETE (DA333ES:CND)	
57	3-905-609-11	SCREW (TRANSISTOR)		* 76	1-670-151-11	TH BOARD (DA555ES)	
* 58	A-4414-280-A	REAR AMP BOARD, COMPLETE (DA555ES)		△ 77	1-559-479-11	CORD, POWER	
* 58	A-4414-301-A	REAR AMP BOARD, COMPLETE (DA333ES)		78	4-916-783-01	BUSHING, CORD	
* 59	1-670-132-11	AC BOARD		* 79	3-655-653-21	BAND (TAITON), BINDING	
* 60	1-670-134-11	5.1 INPUT BOARD		80	3-831-441-99	CUSHION, STOPPER	
61	A-4419-732-A	MAIN BOARD, COMPLETE (DA555ES)		81	4-309-753-21	HOLDER, WIRE	
61	A-4419-736-A	MAIN BOARD, COMPLETE (DA333ES)		IC502	8-749-014-72	IC SAP15N	
* 62	1-670-150-11	SP TM BOARD		IC503	8-749-014-73	IC SAP15P	
* 63	1-670-138-11	VIDEO BOARD		IC552	8-749-014-72	IC SAP15N	
* 64	A-4414-297-A	S.VIDEO BOARD, COMPLETE		IC553	8-749-014-73	IC SAP15P	
65	4-219-066-01	PANEL, BACK (DA555ES:US)		IC602	8-749-014-72	IC SAP15N	
65	4-219-066-11	PANEL, BACK (DA555ES:CND)		IC603	8-749-014-73	IC SAP15P	
65	4-219-066-21	PANEL, BACK (DA333ES:US)		IC702	8-749-014-72	IC SAP15N	
65	4-219-066-31	PANEL, BACK (DA333ES:CND)		IC703	8-749-014-73	IC SAP15P	
66	3-704-515-21	SCREW (BV/RING)		IC752	8-749-014-72	IC SAP15N	
67	4-947-010-01	SCREW, FEEDER FIXED		IC753	8-749-014-73	IC SAP15P	
68	1-693-407-11	TUNER		△ T901	1-431-921-11	TRANSFORMER, POWER (DA555ES:US)	
* 69	A-4414-263-A	AUDIO BOARD, COMPLETE		△ T901	1-431-922-11	TRANSFORMER, POWER (DA555ES:CND)	
* 70	A-4414-295-A	DIGITAL INPUT BOARD, COMPLETE		△ T901	1-431-925-11	TRANSFORMER, POWER (DA333ES:US)	
71	4-970-123-01	FOOT (F50180S)		△ T901	1-431-926-11	TRANSFORMER, POWER (DA333ES:CND)	
72	4-970-124-01	CUSHION (F50180S)					

## SECTION 7

# ELECTRICAL PARTS LIST

**5.1 INPUT**

**AC**

**Note:**

The components identified by mark  $\Delta$  or dotted line with mark  $\Delta$  are critical for safety. Replace only with part number specified.

Les composants identifiés par une marque  $\Delta$  sont critiques pour la sécurité. Ne les remplacer que par une pièce portant le numéro spécifié.

When indicating parts by reference number, please include the board name.

- Due to standardization, replacements in the parts list may be different from the parts specified in the diagrams or the components used on the set.
- -XX, -X mean standardized parts, so they may have some difference from the original one.
- Items marked “\*” are not stocked since they are seldom required for routine service. Some delay should be anticipated when ordering these items.
- RESISTORS  
All resistors are in ohms  
METAL: Metal-film resistor  
METAL OXIDE: Metal Oxide-film resistor  
F : nonflammable
- SEMICONDUCTORS  
In each case, u:  $\mu$ , for example:  
uA...:  $\mu$  A..., uPA...:  $\mu$  PA..., uPB...:  $\mu$  PB...,  
uPC...:  $\mu$  PC..., uPD...:  $\mu$  PD...
- CAPACITORS  
uF :  $\mu$  F
- COILS  
uH :  $\mu$  H
- Abbreviation  
CND : Canadian model

Ref. No.	Part No.	Description	Remark
*	1-670-134-11	5.1 INPUT BOARD *****	
		< CAPACITOR >	
C354	1-163-251-11	CERAMIC CHIP 100PF	5% 50V
C355	1-163-251-11	CERAMIC CHIP 100PF	5% 50V
C356	1-163-251-11	CERAMIC CHIP 100PF	5% 50V
C357	1-163-251-11	CERAMIC CHIP 100PF	5% 50V
C358	1-163-251-11	CERAMIC CHIP 100PF	5% 50V
C359	1-163-251-11	CERAMIC CHIP 100PF	5% 50V
C360	1-163-251-11	CERAMIC CHIP 100PF	5% 50V
C361	1-163-251-11	CERAMIC CHIP 100PF	5% 50V
		< CONNECTOR >	
CNP351	1-779-799-11	PIN, CONNECTOR 9P	
CNP352	1-784-922-11	PIN, CONNECTOR 5P	
		< JACK >	
J351	1-779-685-11	JACK, PIN 6P (5.1 INPUT)	
J352	1-785-009-11	JACK, PIN 6P (FRONT/REAR WOOFER)	
J353	1-774-785-11	JACK, PIN 1P (CENTER)	
		< RESISTOR >	
R361	1-216-049-91	RES,CHIP 1K	5% 1/10W
R362	1-216-049-91	RES,CHIP 1K	5% 1/10W
R363	1-216-049-91	RES,CHIP 1K	5% 1/10W
R364	1-216-049-91	RES,CHIP 1K	5% 1/10W
R365	1-216-049-91	RES,CHIP 1K	5% 1/10W
R366	1-216-049-91	RES,CHIP 1K	5% 1/10W
R367	1-216-049-91	RES,CHIP 1K	5% 1/10W
R368	1-216-049-91	RES,CHIP 1K	5% 1/10W
R369	1-216-049-91	RES,CHIP 1K	5% 1/10W
R370	1-216-049-91	RES,CHIP 1K	5% 1/10W
R371	1-216-049-91	RES,CHIP 1K	5% 1/10W
R372	1-216-049-91	RES,CHIP 1K	5% 1/10W
R373	1-216-075-00	METAL CHIP 12K	5% 1/10W (DA333ES)
R373	1-216-077-00	METAL CHIP 15K	5% 1/10W (DA555ES)
R374	1-216-075-00	METAL CHIP 12K	5% 1/10W (DA333ES)
R374	1-216-077-00	METAL CHIP 15K	5% 1/10W (DA555ES)
R375	1-216-075-00	METAL CHIP 12K	5% 1/10W (DA333ES)
R375	1-216-077-00	METAL CHIP 15K	5% 1/10W (DA555ES)

Ref. No.	Part No.	Description	Remark
R376	1-216-075-00	METAL CHIP 12K	5% 1/10W (DA333ES)
R376	1-216-077-00	METAL CHIP 15K	5% 1/10W (DA555ES)
R377	1-216-075-00	METAL CHIP 12K	5% 1/10W (DA333ES)
R377	1-216-077-00	METAL CHIP 15K	5% 1/10W (DA555ES)
R378	1-216-075-00	METAL CHIP 12K	5% 1/10W (DA333ES)
R378	1-216-077-00	METAL CHIP 15K	5% 1/10W (DA555ES)
R380	1-216-049-91	RES,CHIP 1K	5% 1/10W
R381	1-216-049-91	RES,CHIP 1K	5% 1/10W
R382	1-216-049-91	RES,CHIP 1K	5% 1/10W
R383	1-216-049-91	RES,CHIP 1K	5% 1/10W
R384	1-216-049-91	RES,CHIP 1K	5% 1/10W
R385	1-216-049-91	RES,CHIP 1K	5% 1/10W
*****			
*	1-670-132-11	AC BOARD *****	
		< CONNECTOR >	
CNP902	1-564-321-00	PIN, CONNECTOR 2P	
CNP903	1-564-321-00	PIN, CONNECTOR 2P	
* CNP905	1-565-792-11	PIN, CONNECTOR 2P	
* CNP907	1-568-951-11	PIN, CONNECTOR 2P	
		< DIODE >	
D907	8-719-911-19	DIODE 1SS119-25	
		< FUSE >	
$\Delta$ F901	1-533-312-11	FUSE, GLASS CYLINDRICAL (DIA.5)(10A/125V)	
		< FUSE HOLDER >	
FH901	1-533-217-31	HOLDER, FUSE	
FH901	1-533-293-11	FUSE HOLDER	
FH901	1-533-399-31	HOLDER, FUSE	
FH951	1-533-217-31	HOLDER, FUSE	
FH951	1-533-293-11	FUSE HOLDER	
FH951	1-533-399-31	HOLDER, FUSE	
		< JACK >	
$\Delta$ J901	1-251-718-11	OUTLET (2 GANG), AC	



Ref. No.	Part No.	Description	Remark		
		< RESISTOR >			
△ R901	1-202-725-00	SOLID 3.3M 10%	1/2W		
		< RELAY >			
△ RY901	1-515-999-11	RELAY, POWER			
*****					
*	A-4414-263-A	AUDIO BOARD, COMPLETE			
		< CAPACITOR >			
C291	1-162-294-31	CERAMIC 0.001uF	10%	50V	
C292	1-126-048-81	ELECT 10uF	20%	50V	
C293	1-126-048-81	ELECT 10uF	20%	50V	
C294	1-126-048-81	ELECT 10uF	20%	50V	
C295	1-162-282-31	CERAMIC 100PF	10%	50V	
C296	1-126-048-81	ELECT 10uF	20%	50V	
C301	1-164-159-11	CERAMIC 0.1uF		50V	
C309	1-126-009-81	ELECT 100uF	20%	16V	
C310	1-126-009-81	ELECT 100uF	20%	16V	
C311	1-126-009-81	ELECT 100uF	20%	16V	
C312	1-162-282-31	CERAMIC 100PF	10%	50V	
C313	1-161-494-00	CERAMIC 0.022uF		25V	
		< CONNECTOR >			
CNP201	1-784-924-11	PIN, CONNECTOR 8P			
CNP202	1-779-978-11	PIN, CONNECTOR 3P			
CNP304	1-774-289-11	PIN, CONNECTOR (PC BOARD) 15P			
		< IC >			
IC203	8-759-805-13	IC LC7821			
IC205	8-759-634-51	IC M5218AP			
IC302	8-759-708-05	IC NJM78L05A			
IC303	8-759-708-12	IC NJM78L12A			
		< JACK >			
J210	1-784-920-11	JACK, PIN 6P (VIDEO1/IN/OUT, VIDEO2 IN)			
J211	1-784-920-11	JACK, PIN 6P (VIDEO2 OUT, LD/DVD, TV/DBS)			
		< RESISTOR >			
R222	1-249-417-11	CARBON 1K 5%	1/4W	F	
R223	1-249-417-11	CARBON 1K 5%	1/4W	F	
R224	1-249-417-11	CARBON 1K 5%	1/4W	F	
R225	1-249-417-11	CARBON 1K 5%	1/4W	F	
R226	1-249-417-11	CARBON 1K 5%	1/4W	F	
R227	1-249-417-11	CARBON 1K 5%	1/4W	F	
R269	1-247-807-31	CARBON 100 5%	1/4W		
R271	1-247-807-31	CARBON 100 5%	1/4W		
R272	1-249-417-11	CARBON 1K 5%	1/4W	F	
R273	1-249-417-11	CARBON 1K 5%	1/4W	F	
R274	1-249-417-11	CARBON 1K 5%	1/4W	F	
R275	1-249-417-11	CARBON 1K 5%	1/4W	F	
R276	1-249-417-11	CARBON 1K 5%	1/4W	F	
R277	1-249-417-11	CARBON 1K 5%	1/4W	F	
R291	1-249-441-11	CARBON 100K 5%	1/4W		
R292	1-249-441-11	CARBON 100K 5%	1/4W		

Ref. No.	Part No.	Description	Remark		
R295	1-249-417-11	CARBON 1K 5%	1/4W	F	
R296	1-249-425-11	CARBON 4.7K 5%	1/4W	F	
R304	1-249-417-11	CARBON 1K 5%	1/4W	F	
R305	1-249-417-11	CARBON 1K 5%	1/4W	F	
R306	1-247-807-31	CARBON 100 5%	1/4W		
R307	1-249-417-11	CARBON 1K 5%	1/4W	F	
R308	1-249-417-11	CARBON 1K 5%	1/4W	F	
R309	1-249-417-11	CARBON 1K 5%	1/4W	F	
R379	1-249-417-11	CARBON 1K 5%	1/4W	F	
*****					
*	1-670-140-11	BAL.VOL BOARD			
		< CONNECTOR >			
CNS404	1-770-398-11	HOUSING, CONNECTOR(PC BOARD)5P			
		< VARIABLE RESISTOR >			
RV1140	1-225-663-11	RES, VAR, CARBON 100K/100K (BALANCE)			
*****					
*	A-4414-292-A	DIGITAL BOARD, COMPLETE			
		< CAPACITOR >			
C1101	1-163-275-11	CERAMIC CHIP 0.001uF	5%	50V	
C1102	1-126-008-51	ELECT 47uF	20%	16V	
C1103	1-165-319-11	CERAMIC CHIP 0.1uF		50V	
C1104	1-165-319-11	CERAMIC CHIP 0.1uF		50V	
C1105	1-126-008-51	ELECT 47uF	20%	16V	
C1106	1-165-319-11	CERAMIC CHIP 0.1uF		50V	
C1107	1-163-021-91	CERAMIC CHIP 0.01uF	10%	50V	
C1108	1-165-319-11	CERAMIC CHIP 0.1uF		50V	
C1109	1-163-243-11	CERAMIC CHIP 47PF	5%	50V	
C1110	1-163-243-11	CERAMIC CHIP 47PF	5%	50V	
C1111	1-165-319-11	CERAMIC CHIP 0.1uF		50V	
C1113	1-165-319-11	CERAMIC CHIP 0.1uF		50V	
C1114	1-165-319-11	CERAMIC CHIP 0.1uF		50V	
C1115	1-165-319-11	CERAMIC CHIP 0.1uF		50V	
C1116	1-163-251-11	CERAMIC CHIP 100PF	5%	50V	
C1117	1-165-319-11	CERAMIC CHIP 0.1uF		50V	
C1118	1-165-319-11	CERAMIC CHIP 0.1uF		50V	
C1119	1-126-009-81	ELECT 100uF	20%	16V	
C1120	1-126-009-81	ELECT 100uF	20%	16V	
C1123	1-163-251-11	CERAMIC CHIP 100PF	5%	50V	
C1124	1-165-319-11	CERAMIC CHIP 0.1uF		50V	
C1125	1-165-319-11	CERAMIC CHIP 0.1uF		50V	
C1126	1-165-319-11	CERAMIC CHIP 0.1uF		50V	
C1127	1-165-319-11	CERAMIC CHIP 0.1uF		50V	
C1128	1-165-319-11	CERAMIC CHIP 0.1uF		50V	
C1129	1-165-319-11	CERAMIC CHIP 0.1uF		50V	
C1130	1-165-319-11	CERAMIC CHIP 0.1uF		50V	
C1131	1-165-319-11	CERAMIC CHIP 0.1uF		50V	
C1132	1-165-319-11	CERAMIC CHIP 0.1uF		50V	
C1133	1-165-319-11	CERAMIC CHIP 0.1uF		50V	
C1134	1-165-319-11	CERAMIC CHIP 0.1uF		50V	
C1135	1-126-009-81	ELECT 100uF	20%	16V	

# DIGITAL

Ref. No.	Part No.	Description	Remark	Ref. No.	Part No.	Description	Remark				
C1136	1-165-319-11	CERAMIC CHIP	0.1uF	50V	C1273	1-165-319-11	CERAMIC CHIP	0.1uF	50V		
C1138	1-165-319-11	CERAMIC CHIP	0.1uF	50V	C1274	1-163-259-91	CERAMIC CHIP	220PF	5%	50V	
C1140	1-165-319-11	CERAMIC CHIP	0.1uF	50V	C1275	1-163-259-91	CERAMIC CHIP	220PF	5%	50V	
C1141	1-165-319-11	CERAMIC CHIP	0.1uF	50V	C1277	1-126-021-11	ELECT	33uF	20%	25V	
C1207	1-126-048-81	ELECT	10uF	20%	50V	C1278	1-126-021-11	ELECT	33uF	20%	25V
C1210	1-165-319-11	CERAMIC CHIP	0.1uF	50V	C1279	1-163-131-00	CERAMIC CHIP	390PF	5%	50V	
C1211	1-165-319-11	CERAMIC CHIP	0.1uF	50V	C1280	1-163-259-91	CERAMIC CHIP	220PF	5%	50V	
C1212	1-126-048-81	ELECT	10uF	20%	50V	C1281	1-163-259-91	CERAMIC CHIP	220PF	5%	50V
C1213	1-126-021-11	ELECT	33uF	20%	25V	C1282	1-165-319-11	CERAMIC CHIP	0.1uF	50V	
C1214	1-126-021-11	ELECT	33uF	20%	25V	C1284	1-130-473-00	MYLAR	0.0015uF	5%	50V
C1215	1-163-131-00	CERAMIC CHIP	390PF	5%	50V	C1285	1-165-319-11	CERAMIC CHIP	0.1uF	50V	
C1216	1-165-319-11	CERAMIC CHIP	0.1uF	50V	C1286	1-165-319-11	CERAMIC CHIP	0.1uF	50V		
C1217	1-163-259-91	CERAMIC CHIP	220PF	5%	50V	C1287	1-126-048-81	ELECT	10uF	20%	50V
C1218	1-163-259-91	CERAMIC CHIP	220PF	5%	50V	C1289	1-165-319-11	CERAMIC CHIP	0.1uF	50V	
C1220	1-126-021-11	ELECT	33uF	20%	25V	C1301	1-126-048-81	ELECT	10uF	20%	50V
C1221	1-126-021-11	ELECT	33uF	20%	25V	C1302	1-165-319-11	CERAMIC CHIP	0.1uF	50V	
C1222	1-163-131-00	CERAMIC CHIP	390PF	5%	50V	C1303	1-165-319-11	CERAMIC CHIP	0.1uF	50V	
C1223	1-165-319-11	CERAMIC CHIP	0.1uF	50V	C1304	1-165-319-11	CERAMIC CHIP	0.1uF	50V		
C1224	1-163-259-91	CERAMIC CHIP	220PF	5%	50V	C1305	1-165-319-11	CERAMIC CHIP	0.1uF	50V	
C1225	1-163-259-91	CERAMIC CHIP	220PF	5%	50V	C1306	1-163-033-91	CERAMIC CHIP	0.022uF	50V	
C1227	1-126-021-11	ELECT	33uF	20%	25V	C1307	1-165-319-11	CERAMIC CHIP	0.1uF	50V	
C1228	1-126-021-11	ELECT	33uF	20%	25V	C1308	1-165-319-11	CERAMIC CHIP	0.1uF	50V	
C1229	1-163-131-00	CERAMIC CHIP	390PF	5%	50V	C1309	1-165-319-11	CERAMIC CHIP	0.1uF	50V	
C1230	1-163-259-91	CERAMIC CHIP	220PF	5%	50V	C1310	1-163-251-11	CERAMIC CHIP	100PF	5%	50V
C1231	1-163-259-91	CERAMIC CHIP	220PF	5%	50V	C1311	1-163-251-11	CERAMIC CHIP	100PF	5%	50V
C1232	1-165-319-11	CERAMIC CHIP	0.1uF	50V	C1312	1-163-251-11	CERAMIC CHIP	100PF	5%	50V	
C1234	1-130-473-00	MYLAR	0.0015uF	5%	50V	C1313	1-163-251-11	CERAMIC CHIP	100PF	5%	50V
C1235	1-165-319-11	CERAMIC CHIP	0.1uF	50V	C1314	1-163-021-91	CERAMIC CHIP	0.01uF	10%	50V	
C1239	1-165-319-11	CERAMIC CHIP	0.1uF	50V	< CONNECTOR >						
C1240	1-165-319-11	CERAMIC CHIP	0.1uF	50V	CND1301	1-784-924-11	PIN, CONNECTOR	8P			
C1241	1-126-048-81	ELECT	10uF	20%	50V	CND1302	1-506-469-11	PIN, CONNECTOR	4P		
C1242	1-126-048-81	ELECT	10uF	20%	50V	* CND1303	1-568-938-11	PIN, CONNECTOR	11P		
C1243	1-165-319-11	CERAMIC CHIP	0.1uF	50V	CNE1301	1-764-330-11	PIN, CONNECTOR (PCB)(V TYPE)	7P			
C1244	1-165-319-11	CERAMIC CHIP	0.1uF	50V	CNP1301	1-784-927-11	PIN, CONNECTOR	12P			
C1245	1-126-048-81	ELECT	10uF	20%	50V	CNP1303	1-784-922-11	PIN, CONNECTOR	5P		
C1246	1-126-048-81	ELECT	10uF	20%	50V	CNP1304	1-779-978-11	PIN, CONNECTOR	3P		
C1247	1-165-319-11	CERAMIC CHIP	0.1uF	50V	CNS1301	1-784-780-11	CONNECTOR, FFC	19P			
C1248	1-165-319-11	CERAMIC CHIP	0.1uF	50V	* CNS1304	1-568-939-11	PIN, CONNECTOR	12P			
C1249	1-126-048-81	ELECT	10uF	20%	50V	< DIODE >					
C1250	1-126-048-81	ELECT	10uF	20%	50V	D1301	8-719-801-78	DIODE	1SS184		
C1251	1-165-319-11	CERAMIC CHIP	0.1uF	50V	D1302	8-719-016-74	DIODE	1SS352			
C1252	1-165-319-11	CERAMIC CHIP	0.1uF	50V	D1303	8-719-016-74	DIODE	1SS352			
C1253	1-126-048-81	ELECT	10uF	20%	50V	D1304	8-719-801-78	DIODE	1SS184		
C1254	1-126-048-81	ELECT	10uF	20%	50V	D1305	8-719-801-78	DIODE	1SS184		
C1255	1-126-048-81	ELECT	10uF	20%	50V	D1306	8-719-801-78	DIODE	1SS184		
C1256	1-165-319-11	CERAMIC CHIP	0.1uF	50V	D1307	8-719-016-74	DIODE	1SS352			
C1257	1-165-319-11	CERAMIC CHIP	0.1uF	50V	D1309	8-719-801-78	DIODE	1SS184			
C1258	1-165-319-11	CERAMIC CHIP	0.1uF	50V	< GROUND PLATE >						
C1259	1-126-048-81	ELECT	10uF	20%	50V	EP1401	1-537-770-21	TERMINAL BOARD, GROUND			
C1263	1-126-021-11	ELECT	33uF	20%	25V	< IC >					
C1264	1-126-021-11	ELECT	33uF	20%	25V	IC1101	8-759-294-79	IC	CXD8495AQ		
C1265	1-163-131-00	CERAMIC CHIP	390PF	5%	50V	IC1102	8-759-530-30	IC	TC74VHCU04FT(EL)		
C1266	1-165-319-11	CERAMIC CHIP	0.1uF	50V	IC1103	8-759-553-27	IC	MSM531031B-84GS-KR1			
C1267	1-163-259-91	CERAMIC CHIP	220PF	5%	50V	IC1104	8-759-524-52	IC	TC74VHC574FT(EL)		
C1268	1-163-259-91	CERAMIC CHIP	220PF	5%	50V						
C1270	1-126-021-11	ELECT	33uF	20%	25V						
C1271	1-126-021-11	ELECT	33uF	20%	25V						
C1272	1-163-131-00	CERAMIC CHIP	390PF	5%	50V						

Ref. No.	Part No.	Description	Remark	Ref. No.	Part No.	Description	Remark
IC1105	8-759-524-52	IC TC74VHC574FT(EL)		R1127	1-216-025-91	RES,CHIP 100	5% 1/10W
IC1106	8-759-538-17	IC CS4926		R1128	1-216-025-91	RES,CHIP 100	5% 1/10W
IC1107	8-759-523-78	IC TC74VHC00FT(EL)		R1129	1-216-025-91	RES,CHIP 100	5% 1/10W
IC1108	8-759-524-32	IC TC74VHC367FT(EL)		R1130	1-216-025-91	RES,CHIP 100	5% 1/10W
IC1109	8-759-524-48	IC TC74VHC393FT(EL)		R1131	1-216-065-91	RES,CHIP 4.7K	5% 1/10W
IC1110	8-759-546-46	IC IDT71V124S15YAU-TL		R1133	1-216-065-91	RES,CHIP 4.7K	5% 1/10W
IC1111	8-759-546-46	IC IDT71V124S15YAU-TL		R1134	1-216-065-91	RES,CHIP 4.7K	5% 1/10W
IC1112	8-752-391-87	IC CXD2712R		R1135	1-216-065-91	RES,CHIP 4.7K	5% 1/10W
IC1113	8-759-195-02	IC TC7S86F-TE85L		R1136	1-216-065-91	RES,CHIP 4.7K	5% 1/10W
IC1201	8-759-577-08	IC MB90574PFV-G-176-BND		R1137	1-216-065-91	RES,CHIP 4.7K	5% 1/10W
IC1202	8-759-536-23	IC AK4324-VF-E2		R1138	1-216-065-91	RES,CHIP 4.7K	5% 1/10W
IC1203	8-759-536-23	IC AK4324-VF-E2		R1139	1-216-065-91	RES,CHIP 4.7K	5% 1/10W
IC1204	8-759-536-23	IC AK4324-VF-E2		R1140	1-216-065-91	RES,CHIP 4.7K	5% 1/10W
IC1205	8-759-636-55	IC M5218AFP		R1141	1-216-065-91	RES,CHIP 4.7K	5% 1/10W
IC1206	8-759-636-55	IC M5218AFP		R1142	1-216-065-91	RES,CHIP 4.7K	5% 1/10W
IC1207	8-759-636-55	IC M5218AFP		R1143	1-216-097-91	RES,CHIP 100K	5% 1/10W
IC1208	8-759-636-55	IC M5218AFP		R1144	1-216-025-91	RES,CHIP 100	5% 1/10W
IC1209	8-759-636-55	IC M5218AFP		R1145	1-216-081-00	METAL CHIP 22K	5% 1/10W
IC1210	8-759-462-08	IC AK5352-VF-E2		R1146	1-216-025-91	RES,CHIP 100	5% 1/10W
< TRANSISTOR >				R1147	1-216-025-91	RES,CHIP 100	5% 1/10W
Q1301	8-729-027-43	TRANSISTOR DTC114EKA-T146		R1148	1-216-025-91	RES,CHIP 100	5% 1/10W
Q1302	8-729-230-49	TRANSISTOR 2SC2712-YG		R1150	1-216-065-91	RES,CHIP 4.7K	5% 1/10W
Q1303	8-729-230-49	TRANSISTOR 2SC2712-YG		R1151	1-216-065-91	RES,CHIP 4.7K	5% 1/10W
Q1304	8-729-230-49	TRANSISTOR 2SC2712-YG		R1152	1-216-089-91	RES,CHIP 47K	5% 1/10W
Q1305	8-729-230-49	TRANSISTOR 2SC2712-YG		R1153	1-216-065-91	RES,CHIP 4.7K	5% 1/10W
Q1306	8-729-230-49	TRANSISTOR 2SC2712-YG		R1201	1-216-073-00	METAL CHIP 10K	5% 1/10W
Q1307	8-729-230-49	TRANSISTOR 2SC2712-YG		R1202	1-216-071-00	METAL CHIP 8.2K	5% 1/10W
Q1308	8-729-027-43	TRANSISTOR DTC114EKA-T146		R1203	1-216-071-00	METAL CHIP 8.2K	5% 1/10W
< RESISTOR >				R1204	1-216-067-00	METAL CHIP 5.6K	5% 1/10W
R1101	1-216-121-91	RES,CHIP 1M	5% 1/10W	R1205	1-216-067-00	METAL CHIP 5.6K	5% 1/10W
R1102	1-216-025-91	RES,CHIP 100	5% 1/10W	R1206	1-216-074-00	METAL CHIP 11K	5% 1/10W
R1103	1-216-049-91	RES,CHIP 1K	5% 1/10W	R1207	1-216-074-00	METAL CHIP 11K	5% 1/10W
R1104	1-216-085-00	METAL CHIP 33K	5% 1/10W	R1208	1-216-073-00	METAL CHIP 10K	5% 1/10W
R1105	1-216-082-00	RES,CHIP 24K	5% 1/10W	R1209	1-216-033-00	METAL CHIP 220	5% 1/10W
R1106	1-216-066-00	METAL CHIP 5.1K	5% 1/10W	R1210	1-216-071-00	METAL CHIP 8.2K	5% 1/10W
R1107	1-216-066-00	METAL CHIP 5.1K	5% 1/10W	R1211	1-216-071-00	METAL CHIP 8.2K	5% 1/10W
R1108	1-216-029-00	METAL CHIP 150	5% 1/10W	R1213	1-216-067-00	METAL CHIP 5.6K	5% 1/10W
R1109	1-216-104-00	METAL CHIP 200K	5% 1/10W	R1214	1-216-067-00	METAL CHIP 5.6K	5% 1/10W
R1110	1-216-065-91	RES,CHIP 4.7K	5% 1/10W	R1218	1-216-074-00	METAL CHIP 11K	5% 1/10W
R1111	1-216-025-91	RES,CHIP 100	5% 1/10W	R1219	1-216-074-00	METAL CHIP 11K	5% 1/10W
R1112	1-216-025-91	RES,CHIP 100	5% 1/10W	R1221	1-216-033-00	METAL CHIP 220	5% 1/10W
R1113	1-216-025-91	RES,CHIP 100	5% 1/10W	R1222	1-216-071-00	METAL CHIP 8.2K	5% 1/10W
R1114	1-216-025-91	RES,CHIP 100	5% 1/10W	R1227	1-216-071-00	METAL CHIP 8.2K	5% 1/10W
R1115	1-216-097-91	RES,CHIP 100K	5% 1/10W	R1228	1-216-074-00	METAL CHIP 11K	5% 1/10W
R1116	1-216-065-91	RES,CHIP 4.7K	5% 1/10W	R1229	1-216-067-00	METAL CHIP 5.6K	5% 1/10W
R1117	1-216-025-91	RES,CHIP 100	5% 1/10W	R1230	1-216-067-00	METAL CHIP 5.6K	5% 1/10W
R1118	1-216-073-00	METAL CHIP 10K	5% 1/10W	R1231	1-216-074-00	METAL CHIP 11K	5% 1/10W
R1119	1-216-065-91	RES,CHIP 4.7K	5% 1/10W	R1233	1-216-033-00	METAL CHIP 220	5% 1/10W
R1120	1-216-025-91	RES,CHIP 100	5% 1/10W	R1234	1-216-037-00	METAL CHIP 330	5% 1/10W
R1121	1-216-041-00	METAL CHIP 470	5% 1/10W	R1235	1-216-037-00	METAL CHIP 330	5% 1/10W
R1122	1-216-065-91	RES,CHIP 4.7K	5% 1/10W	R1238	1-216-073-00	METAL CHIP 10K	5% 1/10W
R1123	1-216-025-91	RES,CHIP 100	5% 1/10W	R1242	1-216-073-00	METAL CHIP 10K	5% 1/10W
R1124	1-216-065-91	RES,CHIP 4.7K	5% 1/10W	R1243	1-216-073-00	METAL CHIP 10K	5% 1/10W
R1125	1-216-025-91	RES,CHIP 100	5% 1/10W	R1244	1-216-001-00	METAL CHIP 10	5% 1/10W
R1126	1-216-025-91	RES,CHIP 100	5% 1/10W	R1245	1-216-001-00	METAL CHIP 10	5% 1/10W
				R1246	1-216-001-00	METAL CHIP 10	5% 1/10W
				R1247	1-216-001-00	METAL CHIP 10	5% 1/10W
				R1248	1-216-001-00	METAL CHIP 10	5% 1/10W

# DIGITAL

Ref. No.	Part No.	Description			Remark	Ref. No.	Part No.	Description			Remark
R1249	1-216-001-00	METAL CHIP	10	5%	1/10W	R1328	1-216-073-00	METAL CHIP	10K	5%	1/10W
R1252	1-216-071-00	METAL CHIP	8.2K	5%	1/10W	R1329	1-216-041-00	METAL CHIP	470	5%	1/10W
R1253	1-216-071-00	METAL CHIP	8.2K	5%	1/10W	R1330	1-216-689-11	METAL CHIP	39K	0.5%	1/10W
R1254	1-216-067-00	METAL CHIP	5.6K	5%	1/10W	R1331	1-216-025-91	RES,CHIP	100	5%	1/10W
R1255	1-216-067-00	METAL CHIP	5.6K	5%	1/10W	R1332	1-216-025-91	RES,CHIP	100	5%	1/10W
R1256	1-216-074-00	METAL CHIP	11K	5%	1/10W	R1333	1-216-025-91	RES,CHIP	100	5%	1/10W
R1257	1-216-074-00	METAL CHIP	11K	5%	1/10W	R1334	1-216-073-00	METAL CHIP	10K	5%	1/10W
R1259	1-216-033-00	METAL CHIP	220	5%	1/10W	R1337	1-216-105-91	RES,CHIP	220K	5%	1/10W
R1260	1-216-071-00	METAL CHIP	8.2K	5%	1/10W	R1338	1-216-041-00	METAL CHIP	470	5%	1/10W
R1261	1-216-071-00	METAL CHIP	8.2K	5%	1/10W	R1339	1-216-041-00	METAL CHIP	470	5%	1/10W
R1263	1-216-067-00	METAL CHIP	5.6K	5%	1/10W	R1340	1-216-041-00	METAL CHIP	470	5%	1/10W
R1264	1-216-067-00	METAL CHIP	5.6K	5%	1/10W	R1341	1-216-073-00	METAL CHIP	10K	5%	1/10W
R1268	1-216-074-00	METAL CHIP	11K	5%	1/10W	R1342	1-216-073-00	METAL CHIP	10K	5%	1/10W
R1269	1-216-074-00	METAL CHIP	11K	5%	1/10W	R1343	1-216-073-00	METAL CHIP	10K	5%	1/10W
R1271	1-216-033-00	METAL CHIP	220	5%	1/10W	R1344	1-216-073-00	METAL CHIP	10K	5%	1/10W
R1272	1-216-071-00	METAL CHIP	8.2K	5%	1/10W	R1345	1-216-049-91	RES,CHIP	1K	5%	1/10W
R1277	1-216-071-00	METAL CHIP	8.2K	5%	1/10W	R1346	1-216-049-91	RES,CHIP	1K	5%	1/10W
R1278	1-216-074-00	METAL CHIP	11K	5%	1/10W	R1347	1-216-049-91	RES,CHIP	1K	5%	1/10W
R1279	1-216-067-00	METAL CHIP	5.6K	5%	1/10W	R1348	1-216-049-91	RES,CHIP	1K	5%	1/10W
R1280	1-216-067-00	METAL CHIP	5.6K	5%	1/10W	R1349	1-216-049-91	RES,CHIP	1K	5%	1/10W
R1281	1-216-074-00	METAL CHIP	11K	5%	1/10W	R1350	1-216-049-91	RES,CHIP	1K	5%	1/10W
R1283	1-216-033-00	METAL CHIP	220	5%	1/10W	R1351	1-216-025-91	RES,CHIP	100	5%	1/10W
R1284	1-216-037-00	METAL CHIP	330	5%	1/10W	R1352	1-216-049-91	RES,CHIP	1K	5%	1/10W
R1285	1-216-037-00	METAL CHIP	330	5%	1/10W	R1353	1-216-065-91	RES,CHIP	4.7K	5%	1/10W
R1286	1-216-065-91	RES,CHIP	4.7K	5%	1/10W	R1354	1-216-065-91	RES,CHIP	4.7K	5%	1/10W
R1287	1-216-065-91	RES,CHIP	4.7K	5%	1/10W	R1355	1-216-065-91	RES,CHIP	4.7K	5%	1/10W
R1288	1-216-073-00	METAL CHIP	10K	5%	1/10W	R1356	1-216-065-91	RES,CHIP	4.7K	5%	1/10W
R1292	1-216-073-00	METAL CHIP	10K	5%	1/10W	R1357	1-216-065-91	RES,CHIP	4.7K	5%	1/10W
R1293	1-216-073-00	METAL CHIP	10K	5%	1/10W	R1358	1-216-065-91	RES,CHIP	4.7K	5%	1/10W
R1301	1-216-097-91	RES,CHIP	100K	5%	1/10W	R1359	1-216-065-91	RES,CHIP	4.7K	5%	1/10W
R1302	1-216-057-00	METAL CHIP	2.2K	5%	1/10W	R1360	1-216-065-91	RES,CHIP	4.7K	5%	1/10W
R1303	1-216-025-91	RES,CHIP	100	5%	1/10W	R1361	1-216-065-91	RES,CHIP	4.7K	5%	1/10W
R1304	1-216-057-00	METAL CHIP	2.2K	5%	1/10W	R1362	1-216-049-91	RES,CHIP	1K	5%	1/10W
R1305	1-216-041-00	METAL CHIP	470	5%	1/10W	R1363	1-216-049-91	RES,CHIP	1K	5%	1/10W
R1306	1-216-057-00	METAL CHIP	2.2K	5%	1/10W	R1364	1-216-049-91	RES,CHIP	1K	5%	1/10W
R1307	1-216-057-00	METAL CHIP	2.2K	5%	1/10W	R1365	1-216-049-91	RES,CHIP	1K	5%	1/10W
R1308	1-216-057-00	METAL CHIP	2.2K	5%	1/10W	R1366	1-216-049-91	RES,CHIP	1K	5%	1/10W
R1309	1-216-057-00	METAL CHIP	2.2K	5%	1/10W	R1367	1-216-049-91	RES,CHIP	1K	5%	1/10W
R1310	1-216-057-00	METAL CHIP	2.2K	5%	1/10W	R1368	1-216-049-91	RES,CHIP	1K	5%	1/10W
R1311	1-216-057-00	METAL CHIP	2.2K	5%	1/10W	R1369	1-216-049-91	RES,CHIP	1K	5%	1/10W
R1312	1-216-057-00	METAL CHIP	2.2K	5%	1/10W	R1370	1-216-049-91	RES,CHIP	1K	5%	1/10W
R1313	1-216-057-00	METAL CHIP	2.2K	5%	1/10W	R1371	1-216-049-91	RES,CHIP	1K	5%	1/10W
R1314	1-216-057-00	METAL CHIP	2.2K	5%	1/10W	R1372	1-216-049-91	RES,CHIP	1K	5%	1/10W
R1315	1-216-073-00	METAL CHIP	10K	5%	1/10W	R1373	1-216-049-91	RES,CHIP	1K	5%	1/10W
R1316	1-216-073-00	METAL CHIP	10K	5%	1/10W	R1374	1-216-049-91	RES,CHIP	1K	5%	1/10W
R1317	1-216-065-91	RES,CHIP	4.7K	5%	1/10W	R1375	1-216-049-91	RES,CHIP	1K	5%	1/10W
R1318	1-216-065-91	RES,CHIP	4.7K	5%	1/10W	R1376	1-216-049-91	RES,CHIP	1K	5%	1/10W
R1319	1-216-065-91	RES,CHIP	4.7K	5%	1/10W	R1377	1-216-065-91	RES,CHIP	4.7K	5%	1/10W
R1320	1-216-073-00	METAL CHIP	10K	5%	1/10W	R1378	1-216-073-00	METAL CHIP	10K	5%	1/10W
R1321	1-216-057-00	METAL CHIP	2.2K	5%	1/10W	R1379	1-216-073-00	METAL CHIP	10K	5%	1/10W
R1322	1-216-057-00	METAL CHIP	2.2K	5%	1/10W	R1383	1-216-073-00	METAL CHIP	10K	5%	1/10W
R1323	1-216-057-00	METAL CHIP	2.2K	5%	1/10W	R1384	1-216-049-91	RES,CHIP	1K	5%	1/10W
R1324	1-216-057-00	METAL CHIP	2.2K	5%	1/10W	R1385	1-216-049-91	RES,CHIP	1K	5%	1/10W
R1325	1-216-065-91	RES,CHIP	4.7K	5%	1/10W	R1386	1-216-049-91	RES,CHIP	1K	5%	1/10W
R1326	1-216-073-00	METAL CHIP	10K	5%	1/10W	R1387	1-216-049-91	RES,CHIP	1K	5%	1/10W
R1327	1-216-689-11	METAL CHIP	39K	0.5%	1/10W	R1388	1-216-049-91	RES,CHIP	1K	5%	1/10W
						R1389	1-216-049-91	RES,CHIP	1K	5%	1/10W
						R1390	1-216-049-91	RES,CHIP	1K	5%	1/10W

## DIGITAL

## DIGITAL INPUT

## DISPLAY

Ref. No.	Part No.	Description	Remark
R1391	1-216-049-91	RES,CHIP 1K 5%	1/10W
R1392	1-216-049-91	RES,CHIP 1K 5%	1/10W
R1393	1-216-049-91	RES,CHIP 1K 5%	1/10W
R1394	1-216-049-91	RES,CHIP 1K 5%	1/10W
R1395	1-216-049-91	RES,CHIP 1K 5%	1/10W
R1396	1-216-049-91	RES,CHIP 1K 5%	1/10W
R1397	1-216-049-91	RES,CHIP 1K 5%	1/10W
R1401	1-216-080-00	METAL CHIP 20K 5%	1/10W
R1402	1-216-080-00	METAL CHIP 20K 5%	1/10W
< VIBRATOR >			
X1101	1-567-970-11	VIBRATOR, CRYSTAL (24.576MHz)	
X1102	1-767-949-21	VIBRATOR, CERAMIC (49.152MHz)	
X1301	1-767-359-11	VIBRATOR, CERAMIC (4MHz)	
*****			
*	A-4414-295-A	DIGITAL INPUT BOARD, COMPLETE *****	
< CAPACITOR >			
C3301	1-165-319-11	CERAMIC CHIP 0.1uF	50V
C3302	1-165-319-11	CERAMIC CHIP 0.1uF	50V
C3303	1-126-925-11	ELECT 470uF 20%	10V
C3306	1-164-346-11	CERAMIC CHIP 1uF	16V
C3307	1-165-319-11	CERAMIC CHIP 0.1uF	50V
C3308	1-165-319-11	CERAMIC CHIP 0.1uF	50V
C3309	1-165-319-11	CERAMIC CHIP 0.1uF	50V
C3310	1-165-319-11	CERAMIC CHIP 0.1uF	50V
< CONNECTOR >			
CNS3301	1-784-925-11	PIN, CONNECTOR 10P	
< DIODE >			
D3001	8-719-016-74	DIODE 1SS352	
< IC >			
IC3301	8-749-923-05	IC TORX178 (DVD/LD IN OPT)	
IC3302	8-749-923-05	IC TORX178 (TV/DBS IN OPT)	
IC3303	8-749-923-05	IC TORX178 (MD/DAT IN OPT)	
IC3304	8-749-923-04	IC TOTX178 (MD/DAT OUT OPT)	
IC3310	8-759-236-17	IC TC74HC151AF-TP1	
IC3311	8-749-923-05	IC TORX178 (CD IN OPT)	
IC3314	8-759-233-64	IC TC74HCU04AF	
< JACK >			
J3301	1-770-905-11	JACK, PIN 1P (DVD/LD COAXIAL)	
< RESISTOR >			
R3301	1-216-025-91	RES,CHIP 100 5%	1/10W
R3303	1-216-025-91	RES,CHIP 100 5%	1/10W
R3304	1-216-025-91	RES,CHIP 100 5%	1/10W
R3305	1-216-115-00	METAL CHIP 560K 5%	1/10W
R3309	1-216-073-00	METAL CHIP 10K 5%	1/10W
R3310	1-216-025-91	RES,CHIP 100 5%	1/10W
R3312	1-216-025-91	RES,CHIP 100 5%	1/10W

Ref. No.	Part No.	Description	Remark
R3313	1-216-025-91	RES,CHIP 100 5%	1/10W
R3314	1-216-025-91	RES,CHIP 100 5%	1/10W
R3315	1-216-049-91	RES,CHIP 1K 5%	1/10W
*****			
A-4419-733-A		DISPLAY BOARD, COMPLETE (DA555ES) *****	
A-4419-735-A		DISPLAY BOARD, COMPLETE (DA333ES) *****	
*	4-921-941-01	CUSHION (FL)	
*	4-990-797-01	HOLDER (FL)	
< CAPACITOR >			
C101	1-126-786-11	ELECT 47uF	20% 16V
C102	1-163-021-91	CERAMIC CHIP 0.01uF	10% 50V
C103	1-163-021-91	CERAMIC CHIP 0.01uF	10% 50V
C104	1-126-795-11	ELECT 10uF	20% 50V
C105	1-104-905-11	CAPACITOR 0.22F	5.5V
C106	1-165-319-11	CERAMIC CHIP 0.1uF	50V
C107	1-165-319-11	CERAMIC CHIP 0.1uF	50V
C108	1-165-319-11	CERAMIC CHIP 0.1uF	50V
C109	1-165-319-11	CERAMIC CHIP 0.1uF	50V
C110	1-165-319-11	CERAMIC CHIP 0.1uF	50V
C111	1-165-319-11	CERAMIC CHIP 0.1uF	50V
C112	1-165-319-11	CERAMIC CHIP 0.1uF	50V
C113	1-165-319-11	CERAMIC CHIP 0.1uF	50V
C114	1-165-319-11	CERAMIC CHIP 0.1uF	50V
C115	1-165-319-11	CERAMIC CHIP 0.1uF	50V
C116	1-126-786-11	ELECT 47uF	20% 16V
C117	1-165-319-11	CERAMIC CHIP 0.1uF	50V
C118	1-165-319-11	CERAMIC CHIP 0.1uF	50V
C119	1-126-786-11	ELECT 47uF	20% 16V
C120	1-165-319-11	CERAMIC CHIP 0.1uF	50V
C121	1-165-319-11	CERAMIC CHIP 0.1uF	50V
C122	1-165-319-11	CERAMIC CHIP 0.1uF	50V
C123	1-165-319-11	CERAMIC CHIP 0.1uF	50V
C124	1-126-382-11	ELECT 100uF	20% 10V
C125	1-126-382-11	ELECT 100uF	20% 10V
C126	1-104-942-11	ELECT 1uF	20% 50V
C127	1-104-942-11	ELECT 1uF	20% 50V
C131	1-165-319-11	CERAMIC CHIP 0.1uF	50V
C132	1-165-319-11	CERAMIC CHIP 0.1uF	50V
C133	1-165-319-11	CERAMIC CHIP 0.1uF	50V
C134	1-107-818-11	CAPACITOR 1F	5.5V
C914	1-126-795-11	ELECT 10uF	20% 50V
C915	1-126-795-11	ELECT 10uF	20% 50V
< CONNECTOR >			
*	CNP105	1-568-949-11	PIN, CONNECTOR 11P
*	CNP106	1-564-721-11	PIN, CONNECTOR (SMALL TYPE) 5P
*	CNP107	1-564-719-11	PIN, CONNECTOR (SMALL TYPE) 3P
*	CNS101	1-565-482-11	CONNECTOR, BOARD TO BOARD 6P
< DIODE >			
D101	8-719-016-74	DIODE 1SS352	
D102	8-719-210-33	DIODE EC10DS2	

# DISPLAY

Ref. No.	Part No.	Description	Remark	Ref. No.	Part No.	Description	Remark
D103	8-719-016-74	DIODE 1SS352		Q111	8-729-027-43	TRANSISTOR DTC114EKA-T146	
D104	8-719-016-74	DIODE 1SS352		Q112	8-729-027-43	TRANSISTOR DTC114EKA-T146	
D107	8-719-046-39	DIODE SEL5821A-TH15 (SURROUND FIELD ON/OFF)		Q113	8-729-027-43	TRANSISTOR DTC114EKA-T146	
D108	8-719-313-45	DIODE SEL6810A-TH10 (CURSOR SUR)		Q114	8-729-027-43	TRANSISTOR DTC114EKA-T146	
D109	8-719-313-45	DIODE SEL6810A-TH10 (CURSOR EQ)		Q115	8-729-027-43	TRANSISTOR DTC114EKA-T146	
D110	8-719-313-45	DIODE SEL6810A-TH10 (CURSOR INDEX)		Q116	8-729-027-43	TRANSISTOR DTC114EKA-T146	
D111	8-719-064-55	DIODE SEC1803C (PHONO)		Q118	8-729-027-43	TRANSISTOR DTC114EKA-T146	
D112	8-719-064-55	DIODE SEC1803C (TUNER)		Q119	8-729-027-43	TRANSISTOR DTC114EKA-T146	
D113	8-719-064-55	DIODE SEC1803C (CD)		Q120	8-729-027-43	TRANSISTOR DTC114EKA-T146	
D114	8-719-064-55	DIODE SEC1803C (MD/DAT)		Q121	8-729-027-43	TRANSISTOR DTC114EKA-T146	
D115	8-719-064-55	DIODE SEC1803C (TAPE)		Q122	8-729-027-43	TRANSISTOR DTC114EKA-T146	
D116	8-719-064-56	DIODE SEC2484C (TV/DBS (TV/LD))		Q123	8-729-027-43	TRANSISTOR DTC114EKA-T146	
D117	8-719-064-56	DIODE SEC2484C (DVD/LD (DVD))		Q124	8-729-027-43	TRANSISTOR DTC114EKA-T146	
D118	8-719-064-56	DIODE SEC2484C (VIDEO3)		Q125	8-729-027-43	TRANSISTOR DTC114EKA-T146	
D119	8-719-064-56	DIODE SEC2484C (VIDEO2)		Q126	8-729-027-43	TRANSISTOR DTC114EKA-T146	
D120	8-719-064-56	DIODE SEC2484C (VIDEO1)		Q127	8-729-027-43	TRANSISTOR DTC114EKA-T146	
D121	8-719-313-45	DIODE SEL6810A-TH10 (BASS BOOST)		Q128	8-729-027-43	TRANSISTOR DTC114EKA-T146	
D124	8-719-059-14	DIODE SID313BP-TP19		Q129	8-729-010-35	TRANSISTOR MSD602-RT1	
D125	8-719-059-14	DIODE SID313BP-TP19		Q130	8-729-010-35	TRANSISTOR MSD602-RT1	
D126	8-719-016-74	DIODE 1SS352		Q971	8-729-822-05	TRANSISTOR 2SD1622-ST-TD	
D127	8-719-016-74	DIODE 1SS352				< RESISTOR >	
D128	8-719-064-57	DIODE SID5K23CTP15		R101	1-219-163-11	RES,CHIP 1.1 5%	1/10W
D129	8-719-801-78	DIODE 1SS184		R103	1-216-089-91	RES,CHIP 47K 5%	1/10W
D913	8-719-977-81	DIODE DTZ33B		R105	1-216-001-00	METAL CHIP 10 5%	1/10W
		< FLUORESCENT INDICATOR >		R106	1-216-001-00	METAL CHIP 10 5%	1/10W
FL101	1-517-781-11	INDICATOR TUBE, FLUORESCENT		R107	1-216-001-00	METAL CHIP 10 5%	1/10W
		< IC >		R108	1-216-097-91	RES,CHIP 100K 5%	1/10W
IC101	8-759-459-86	IC NJL64H400A		R109	1-216-097-91	RES,CHIP 100K 5%	1/10W
IC102	8-759-586-43	IC MB90553APF-G-139-BND		R110	1-216-073-00	METAL CHIP 10K 5%	1/10W
IC103	8-759-823-87	IC LB1638M		R111	1-216-065-91	RES,CHIP 4.7K 5%	1/10W
IC104	8-759-075-35	IC TD62C950RF		R112	1-216-073-00	METAL CHIP 10K 5%	1/10W
IC105	8-759-389-51	IC MSC1164GS-KR1		R113	1-216-073-00	METAL CHIP 10K 5%	1/10W
IC106	8-759-545-07	IC TMP87C447U-4A06		R114	1-216-053-00	METAL CHIP 1.5K 5%	1/10W
IC107	8-759-235-19	IC TC74HC08AF(EL)		R115	1-216-073-00	METAL CHIP 10K 5%	1/10W
		< JUMPER RESISTOR >		R116	1-216-073-00	METAL CHIP 10K 5%	1/10W
JW21	1-216-295-91	SHORT 0 (DA333ES)		R117	1-216-081-00	METAL CHIP 22K 5%	1/10W
JW22	1-216-295-91	SHORT 0 (DA555ES)		R118	1-216-081-00	METAL CHIP 22K 5%	1/10W
		< COIL >		R119	1-216-049-91	RES,CHIP 1K 5%	1/10W
L101	1-500-425-11	FERRITE 0uH		R120	1-216-049-91	RES,CHIP 1K 5%	1/10W
		< TRANSISTOR >		R121	1-216-049-91	RES,CHIP 1K 5%	1/10W
Q101	8-729-027-43	TRANSISTOR DTC114EKA-T146		R122	1-216-073-00	METAL CHIP 10K 5%	1/10W
Q102	8-729-027-43	TRANSISTOR DTC114EKA-T146		R123	1-216-049-91	RES,CHIP 1K 5%	1/10W
Q103	8-729-027-43	TRANSISTOR DTC114EKA-T146		R124	1-216-029-00	METAL CHIP 150 5%	1/10W
Q104	8-729-230-49	TRANSISTOR 2SC2712-YG		R125	1-216-065-91	RES,CHIP 4.7K 5%	1/10W
Q105	8-729-230-49	TRANSISTOR 2SC2712-YG		R126	1-216-073-00	METAL CHIP 10K 5%	1/10W
Q106	8-729-027-43	TRANSISTOR DTC114EKA-T146		R127	1-216-065-91	RES,CHIP 4.7K 5%	1/10W
Q107	8-729-027-43	TRANSISTOR DTC114EKA-T146		R128	1-216-065-91	RES,CHIP 4.7K 5%	1/10W
Q108	8-729-027-43	TRANSISTOR DTC114EKA-T146		R129	1-216-049-91	RES,CHIP 1K 5%	1/10W
Q109	8-729-027-43	TRANSISTOR DTC114EKA-T146		R130	1-216-065-91	RES,CHIP 4.7K 5%	1/10W
Q110	8-729-027-43	TRANSISTOR DTC114EKA-T146		R131	1-216-065-91	RES,CHIP 4.7K 5%	1/10W
				R132	1-216-065-91	RES,CHIP 4.7K 5%	1/10W
				R133	1-216-037-00	METAL CHIP 330 5%	1/10W
				R134	1-216-037-00	METAL CHIP 330 5%	1/10W
				R135	1-216-033-00	METAL CHIP 220 5%	1/10W
				R136	1-216-037-00	METAL CHIP 330 5%	1/10W
				R137	1-216-037-00	METAL CHIP 330 5%	1/10W

**DISPLAY**

**ENCODER**

**FRONT VIDEO**

Ref. No.	Part No.	Description			Remark
R138	1-216-057-00	METAL CHIP	2.2K	5%	1/10W
R139	1-216-057-00	METAL CHIP	2.2K	5%	1/10W
R140	1-216-037-00	METAL CHIP	330	5%	1/10W
R141	1-216-041-00	METAL CHIP	470	5%	1/10W
R142	1-216-045-00	METAL CHIP	680	5%	1/10W
R143	1-216-049-91	RES,CHIP	1K	5%	1/10W
R144	1-216-053-00	METAL CHIP	1.5K	5%	1/10W
R145	1-216-037-00	METAL CHIP	330	5%	1/10W
R146	1-216-041-00	METAL CHIP	470	5%	1/10W
R147	1-216-045-00	METAL CHIP	680	5%	1/10W
R148	1-216-049-91	RES,CHIP	1K	5%	1/10W
R149	1-216-053-00	METAL CHIP	1.5K	5%	1/10W
R150	1-216-057-00	METAL CHIP	2.2K	5%	1/10W
R151	1-216-037-00	METAL CHIP	330	5%	1/10W
R152	1-216-041-00	METAL CHIP	470	5%	1/10W
R153	1-216-045-00	METAL CHIP	680	5%	1/10W
R154	1-216-037-00	METAL CHIP	330	5%	1/10W
R161	1-216-049-91	RES,CHIP	1K	5%	1/10W
R162	1-216-049-91	RES,CHIP	1K	5%	1/10W
R163	1-216-073-00	METAL CHIP	10K	5%	1/10W
R164	1-216-097-91	RES,CHIP	100K	5%	1/10W
R165	1-216-073-00	METAL CHIP	10K	5%	1/10W
R166	1-216-097-91	RES,CHIP	100K	5%	1/10W
R167	1-216-302-00	METAL CHIP	2.7	5%	1/10W
R168	1-216-049-91	RES,CHIP	1K	5%	1/10W
R169	1-216-049-91	RES,CHIP	1K	5%	1/10W
R170	1-216-049-91	RES,CHIP	1K	5%	1/10W
R171	1-216-049-91	RES,CHIP	1K	5%	1/10W
R172	1-216-049-91	RES,CHIP	1K	5%	1/10W
R173	1-216-097-91	RES,CHIP	100K	5%	1/10W
R177	1-216-073-00	METAL CHIP	10K	5%	1/10W
R915	1-216-067-00	METAL CHIP	5.6K	5%	1/10W
RR10	1-216-065-91	RES,CHIP	4.7K	5%	1/10W
RR20	1-216-065-91	RES,CHIP	4.7K	5%	1/10W
RR21	1-216-037-00	METAL CHIP	330	5%	1/10W
RR22	1-216-041-00	METAL CHIP	470	5%	1/10W (DA555ES)
		< SWITCH >			
S103	1-572-184-11	SWITCH, KEYBOARD (INPUT MODE)			
S104	1-572-184-11	SWITCH, KEYBOARD (SLEEP)			
S105	1-572-184-11	SWITCH, KEYBOARD (DIMMER)			
S106	1-572-184-11	SWITCH, KEYBOARD (TUNING +)			
S107	1-572-184-11	SWITCH, KEYBOARD (TUNING -)			
S108	1-572-184-11	SWITCH, KEYBOARD (FM MODE)			
S109	1-572-184-11	SWITCH, KEYBOARD (DOWN)			
S110	1-572-184-11	SWITCH, KEYBOARD (UP)			
S111	1-572-184-11	SWITCH, KEYBOARD (LEFT)			
S112	1-572-184-11	SWITCH, KEYBOARD (CURSOR MODE)			
S113	1-572-184-11	SWITCH, KEYBOARD (EQUALIZER)			
S114	1-572-184-11	SWITCH, KEYBOARD (MODE)			
S115	1-572-184-11	SWITCH, KEYBOARD (GENRE)			
S116	1-572-184-11	SWITCH, KEYBOARD (BASS BOOST)			
S117	1-572-184-11	SWITCH, KEYBOARD (RIGHT)			
S118	1-572-184-11	SWITCH, KEYBOARD (SET UP)			
S119	1-572-184-11	SWITCH, KEYBOARD (SOUND FIELD ON/OFF)			

Ref. No.	Part No.	Description			Remark
S120	1-572-184-11	SWITCH, KEYBOARD (MEMORY)			
S121	1-572-184-11	SWITCH, KEYBOARD (DISPLAY)			
		< TRANSFORMER >			
T902	1-431-387-11	TRANSFORMER, POWER (DA555ES)			
		< VIBRATOR >			
X101	1-767-359-11	VIBRATOR, CERAMIC (4MHz)			
X102	1-767-938-21	VIBRATOR, CERAMIC (7.28MHz)			
*****					
*	1-670-146-11	ENCODER BOARD			
		*****			
		< CONNECTOR >			
CNP101	1-779-977-11	PIN, CONNECTOR 6P			
		< DIODE >			
D123	8-719-313-45	DIODE SEL6810A-TH10			
		< RESISTOR >			
R102	1-249-411-11	CARBON	330	5%	1/4W
R159	1-249-417-11	CARBON	1K	5%	1/4W F
R160	1-249-419-11	CARBON	1.5K	5%	1/4W F
		< VARIABLE RESISTOR >			
RV101	1-467-808-21	ENCODER, ROTARY			
		< SWITCH >			
S126	1-572-184-11	SWITCH, KEYBOARD (MODE)			
S127	1-572-184-11	SWITCH, KEYBOARD (MUTING)			
*****					
*	1-670-145-11	FRONT VIDEO BOARD			
		*****			
		< CAPACITOR >			
C299	1-164-159-11	CERAMIC	0.1uF		50V
		< CONNECTOR >			
* CN804	1-564-725-11	PIN, CONNECTOR (SMALL TYPE) 9P			
		< JACK >			
J809	1-784-808-11	TERMINAL, S (S VIDEO3)			
J810	1-779-798-11	JACK, PIN (BLOCK) (L TYPE) 3P			(VIDEO3/AUDIO3)
		< RESISTOR >			
R890	1-249-417-11	CARBON	1K	5%	1/4W F
R891	1-249-417-11	CARBON	1K	5%	1/4W F
R892	1-247-804-11	CARBON	75	5%	1/4W
R893	1-247-804-11	CARBON	75	5%	1/4W
R894	1-247-804-11	CARBON	75	5%	1/4W

\*\*\*\*\*

HP	LED	MAIN
----	-----	------

Ref. No.	Part No.	Description	Remark
*	1-670-139-11	HP BOARD ***** < JACK >	
J701	1-568-519-41	JACK, LARGE TYPE (PHONES)	
*****			
*	1-670-147-11	LED BOARD ***** < CAPACITOR >	
C128	1-165-319-11	CERAMIC CHIP 0.1uF	50V
		< DIODE >	
D122	8-719-070-83	DIODE SELU5E20C-TP15 (DOLBY DIGITAL)	
		< RESISTOR >	
R174	1-216-073-00	METAL CHIP 10K 5%	1/10W
*****			
	A-4419-732-A	MAIN BOARD, COMPLETE (DA555ES) *****	
	A-4419-736-A	MAIN BOARD, COMPLETE (DA333ES) *****	
	7-685-872-09	SCREW +BVTT 3X8 (S) < CAPACITOR >	
C201	1-126-047-81	ELECT 4.7uF	20% 50V
C203	1-162-283-31	CERAMIC 120PF	10% 50V
C204	1-124-995-11	ELECT 220uF	20% 10V
C205	1-125-896-91	MYLAR 0.0091uF	5% 50V
C206	1-136-159-00	FILM 0.033uF	5% 50V
C207	1-126-045-11	ELECT 2.2uF	20% 50V
C208	1-126-009-81	ELECT 100uF	20% 16V
C211	1-126-021-11	ELECT 33uF	20% 25V
C216	1-126-021-11	ELECT 33uF	20% 25V
C217	1-126-008-51	ELECT 47uF	20% 16V
C224	1-101-810-00	CERAMIC 100PF	5% 500V
C225	1-162-294-31	CERAMIC 0.001uF	10% 50V
C248	1-126-009-81	ELECT 100uF	20% 16V
C249	1-126-009-81	ELECT 100uF	20% 16V
C251	1-126-047-81	ELECT 4.7uF	20% 50V
C253	1-162-283-31	CERAMIC 120PF	10% 50V
C254	1-124-995-11	ELECT 220uF	20% 10V
C255	1-125-896-91	MYLAR 0.0091uF	5% 50V
C256	1-136-159-00	FILM 0.033uF	5% 50V
C257	1-126-045-11	ELECT 2.2uF	20% 50V
C258	1-126-009-81	ELECT 100uF	20% 16V
C261	1-126-021-11	ELECT 33uF	20% 25V
C266	1-126-021-11	ELECT 33uF	20% 25V
C267	1-126-008-51	ELECT 47uF	20% 16V
C274	1-101-810-00	CERAMIC 100PF	5% 500V
C275	1-162-294-31	CERAMIC 0.001uF	10% 50V
C297	1-162-294-31	CERAMIC 0.001uF	10% 50V
C351	1-126-009-81	ELECT 100uF	20% 16V

Ref. No.	Part No.	Description	Remark
C352	1-126-009-81	ELECT 100uF	20% 16V
C353	1-162-294-31	CERAMIC 0.001uF	10% 50V
C401	1-124-994-11	ELECT 100uF	20% 10V
C402	1-124-994-11	ELECT 100uF	20% 10V
C403	1-124-994-11	ELECT 100uF	20% 10V
C404	1-162-199-31	CERAMIC 10PF	5% 50V
C405	1-162-199-31	CERAMIC 10PF	5% 50V
C406	1-162-199-31	CERAMIC 10PF	5% 50V
C407	1-126-021-11	ELECT 33uF	20% 25V
C408	1-126-021-11	ELECT 33uF	20% 25V
C409	1-126-021-11	ELECT 33uF	20% 25V
C410	1-126-021-11	ELECT 33uF	20% 25V
C411	1-126-021-11	ELECT 33uF	20% 25V
C412	1-126-021-11	ELECT 33uF	20% 25V
C413	1-126-021-11	ELECT 33uF	20% 25V
C414	1-102-508-91	CERAMIC 10PF	0.5PF 50V
C415	1-126-021-11	ELECT 33uF	20% 25V
C416	1-102-508-91	CERAMIC 10PF	0.5PF 50V
C451	1-124-994-11	ELECT 100uF	20% 10V
C452	1-124-994-11	ELECT 100uF	20% 10V
C453	1-124-994-11	ELECT 100uF	20% 10V
C454	1-162-199-31	CERAMIC 10PF	5% 50V
C455	1-162-199-31	CERAMIC 10PF	5% 50V
C456	1-162-199-31	CERAMIC 10PF	5% 50V
C457	1-126-021-11	ELECT 33uF	20% 25V
C458	1-126-021-11	ELECT 33uF	20% 25V
C459	1-126-021-11	ELECT 33uF	20% 25V
C460	1-126-021-11	ELECT 33uF	20% 25V
C461	1-126-021-11	ELECT 33uF	20% 25V
C462	1-126-021-11	ELECT 33uF	20% 25V
C463	1-126-021-11	ELECT 33uF	20% 25V
C464	1-102-508-91	CERAMIC 10PF	0.5PF 50V
C494	1-126-008-51	ELECT 47uF	20% 16V
C495	1-126-008-51	ELECT 47uF	20% 16V
C501	1-126-047-81	ELECT 4.7uF	20% 50V
C502	1-162-283-31	CERAMIC 120PF	10% 50V
C503	1-124-995-11	ELECT 220uF	20% 10V
C504	1-102-233-00	CERAMIC 33PF	10% 500V
C505	1-102-934-00	CERAMIC 1.0PF	±0.25PF 50V
C514	1-102-936-00	CERAMIC 3.0PF	±0.25PF 50V
C520	1-126-008-51	ELECT 47uF	20% 16V
C521	1-107-597-11	CERAMIC 22PF	10% 500V
C522	1-107-597-11	CERAMIC 22PF	10% 500V
C523	1-162-286-31	CERAMIC 220PF	10% 50V
C524	1-136-157-00	FILM 0.022uF	5% 50V
C525	1-124-997-11	ELECT 470uF	20% 6.3V
C526	1-126-049-11	ELECT 22uF	20% 50V
C529	1-130-475-00	MYLAR 0.0022uF	5% 50V
C530	1-130-475-00	MYLAR 0.0022uF	5% 50V
C551	1-126-047-81	ELECT 4.7uF	20% 50V
C552	1-162-283-31	CERAMIC 120PF	10% 50V
C553	1-124-995-11	ELECT 220uF	20% 10V
C554	1-102-233-00	CERAMIC 33PF	10% 500V
C555	1-102-934-00	CERAMIC 1.0PF	±0.25PF 50V
C564	1-102-936-00	CERAMIC 3.0PF	±0.25PF 50V
C570	1-126-008-51	ELECT 47uF	20% 16V
C571	1-107-597-11	CERAMIC 22PF	10% 500V



Ref. No.	Part No.	Description	Remark	Ref. No.	Part No.	Description	Remark
C572	1-107-597-11	CERAMIC	22PF 10% 500V	D353	8-719-911-19	DIODE 1SS119-25	
C573	1-162-286-31	CERAMIC	220PF 10% 50V	D401	8-719-911-19	DIODE 1SS119-25	
C574	1-136-157-00	FILM	0.022uF 5% 50V	D501	8-719-911-19	DIODE 1SS119-25	
C579	1-130-475-00	MYLAR	0.0022uF 5% 50V	D502	8-719-911-19	DIODE 1SS119-25	
C580	1-130-475-00	MYLAR	0.0022uF 5% 50V	D503	8-719-109-51	DIODE RD2.0ES-B2	
C598	1-126-077-11	ELECT	100uF 20% 100V	D504	8-719-911-19	DIODE 1SS119-25	
C599	1-126-077-11	ELECT	100uF 20% 100V	D505	8-719-911-19	DIODE 1SS119-25	
C601	1-126-047-81	ELECT	4.7uF 20% 50V	D506	8-719-911-19	DIODE 1SS119-25	
C602	1-162-283-31	CERAMIC	120PF 10% 50V	D507	8-719-911-19	DIODE 1SS119-25	
C603	1-124-995-11	ELECT	220uF 20% 10V	D547	8-719-911-19	DIODE 1SS119-25	
C604	1-102-233-00	CERAMIC	33PF 10% 500V	D548	8-719-911-19	DIODE 1SS119-25	
C605	1-102-934-00	CERAMIC	1.0PF ±0.25PF 50V	D549	8-719-911-19	DIODE 1SS119-25	
C614	1-102-936-00	CERAMIC	3.0PF ±0.25PF 50V	D551	8-719-911-19	DIODE 1SS119-25	
C620	1-126-008-51	ELECT	47uF 20% 16V	D552	8-719-911-19	DIODE 1SS119-25	
C621	1-107-597-11	CERAMIC	22PF 10% 500V	D553	8-719-109-51	DIODE RD2.0ES-B2	
C622	1-107-597-11	CERAMIC	22PF 10% 500V	D554	8-719-911-19	DIODE 1SS119-25	
C623	1-162-286-31	CERAMIC	220PF 10% 50V	D555	8-719-911-19	DIODE 1SS119-25	
C624	1-136-157-00	FILM	0.022uF 5% 50V	D601	8-719-911-19	DIODE 1SS119-25	
C629	1-130-475-00	MYLAR	0.0022uF 5% 50V	D602	8-719-911-19	DIODE 1SS119-25	
C630	1-130-475-00	MYLAR	0.0022uF 5% 50V	D603	8-719-109-51	DIODE RD2.0ES-B2	
C651	1-126-047-81	ELECT	4.7uF 20% 50V	D604	8-719-911-19	DIODE 1SS119-25	
C652	1-162-283-31	CERAMIC	120PF 10% 50V	D605	8-719-911-19	DIODE 1SS119-25	
C653	1-124-995-11	ELECT	220uF 20% 10V	D655	8-719-911-19	DIODE 1SS119-25	
C654	1-102-233-00	CERAMIC	33PF 10% 500V	D951	8-719-024-99	DIODE 11ES2-NTA2B	
C664	1-102-936-00	CERAMIC	3.0PF ±0.25PF 50V	D952	8-719-024-99	DIODE 11ES2-NTA2B	
C951	1-136-153-00	FILM	0.01uF 5% 50V	D953	8-719-024-99	DIODE 11ES2-NTA2B	
C952	1-136-153-00	FILM	0.01uF 5% 50V	D954	8-719-024-99	DIODE 11ES2-NTA2B	
C953	1-126-041-11	ELECT	2200uF 20% 35V	D955	8-719-025-03	DIODE RBA-402-SL	
C954	1-126-041-11	ELECT	2200uF 20% 35V	D991	8-719-024-99	DIODE 11ES2-NTA2B	
C955	1-126-026-11	ELECT	470uF 20% 25V	D992	8-719-024-99	DIODE 11ES2-NTA2B	
C956	1-126-026-11	ELECT	470uF 20% 25V			< GROUND PLATE >	
C960	1-119-796-21	ELECT	4700uF 20% 16V	* EP902	1-537-738-21	TERMINAL, EARTH	
C961	1-119-841-11	ELECT	1000uF 20% 63V			< FUSE >	
C962	1-126-012-11	ELECT	470uF 20% 16V	△F951	1-533-614-11	FUSE, GLASS CYLLINDRICAL (1.6A/125V)	
C963	1-164-159-11	CERAMIC	0.1uF 50V	△F952	1-533-614-11	FUSE, GLASS CYLLINDRICAL (1.6A/125V)	
C965	1-136-153-00	FILM	0.01uF 5% 50V	△F953	1-533-690-11	FUSE, GLASS CYLLINDRICAL (DIA.5) (3.15A/125V)	
C966	1-136-153-00	FILM	0.01uF 5% 50V			< FUSE HOLDER >	
C991	1-126-040-11	ELECT	1000uF 20% 35V	FH901	1-533-217-31	HOLDER, FUSE	
C992	1-107-913-11	ELECT	470uF 20% 35V	FH902	1-533-217-31	HOLDER, FUSE	
C993	1-126-044-11	ELECT	1uF 20% 50V (DA555ES)	FH903	1-533-217-31	HOLDER, FUSE	
			(DA555ES)	FH951	1-533-217-31	HOLDER, FUSE	
		< CONNECTOR >		FH952	1-533-217-31	HOLDER, FUSE	
CNP502	1-779-978-11	PIN, CONNECTOR 3P		FH953	1-533-217-31	HOLDER, FUSE	
CNP601	1-564-320-00	PIN, CONNECTOR (B2P-VH) 2P				< IC >	
CNP911	1-779-978-11	PIN, CONNECTOR 3P		IC201	8-759-636-74	IC M5218AP-22	
CNP951	1-785-102-11	PIN, CONNECTOR 4P		IC202	8-759-805-13	IC LC7821	
CNP952	1-785-103-11	PIN, CONNECTOR 5P		IC204	8-759-636-74	IC M5218AP-22	
CNP992	1-764-326-11	PIN, CONNECTOR (PCB)(V TYPE) 3P(DA555ES)		IC351	8-759-805-14	IC LC7822	
CNS409	1-569-323-11	SOCKET, CONNECTOR 19P		IC401	8-759-636-74	IC M5218AP-22	
CNV501	1-785-104-11	PIN, CONNECTOR 6P		IC402	8-759-636-74	IC M5218AP-22	
		< DIODE >		IC405	8-759-636-74	IC M5218AP-22	
D301	8-719-911-19	DIODE 1SS119-25					
D302	8-719-911-19	DIODE 1SS119-25					
D303	8-719-911-19	DIODE 1SS119-25					
D351	8-719-911-19	DIODE 1SS119-25					
D352	8-719-911-19	DIODE 1SS119-25					

The components identified by mark △ or dotted line with mark △ are critical for safety. Replace only with part number specified.	Les composants identifiés par une marque △ sont critiques pour la sécurité. Ne les remplacer que par une pièce portant le numéro spécifié.
--	--

**MAIN**

Ref. No.	Part No.	Description	Remark	Ref. No.	Part No.	Description	Remark
IC406	8-759-636-74	IC M5218AP-22		R205	1-249-428-11	CARBON 8.2K 5%	1/4W F
IC407	8-759-636-74	IC M5218AP-22		R206	1-249-441-11	CARBON 100K 5%	1/4W
IC501	8-759-326-52	IC uPC2581V		R207	1-249-441-11	CARBON 100K 5%	1/4W
IC502	8-749-014-72	IC SAP15N		R208	1-249-413-11	CARBON 470 5%	1/4W F
IC503	8-749-014-73	IC SAP15P		R209	1-247-807-31	CARBON 100 5%	1/4W
IC552	8-749-014-72	IC SAP15N		R211	1-249-417-11	CARBON 1K 5%	1/4W F
IC553	8-749-014-73	IC SAP15P		R212	1-249-417-11	CARBON 1K 5%	1/4W F
IC601	8-759-326-52	IC uPC2581V		R213	1-249-417-11	CARBON 1K 5%	1/4W F
IC602	8-749-014-72	IC SAP15N		R214	1-249-417-11	CARBON 1K 5%	1/4W F
IC603	8-749-014-73	IC SAP15P		R215	1-249-401-11	CARBON 47 5%	1/4W F
IC902	8-759-445-59	IC BA033T		R217	1-249-441-11	CARBON 100K 5%	1/4W
IC951	8-759-231-59	IC TA7815S		R232	1-247-807-31	CARBON 100 5%	1/4W
IC952	8-759-245-87	IC TA7915S		R241	1-249-429-11	CARBON 10K 5%	1/4W
IC955	8-759-231-53	IC TA7805S		R242	1-249-429-11	CARBON 10K 5%	1/4W
		< JACK >		R243	1-247-807-31	CARBON 100 5%	1/4W
J202	1-784-920-11	JACK, PIN 6P (PHONO/CD/MD DAT REC OUT)		R244	1-247-807-31	CARBON 100 5%	1/4W
J203	1-784-920-11	JACK, PIN 6P (MD DAT IN/TAPE)		R245	1-249-425-11	CARBON 4.7K 5%	1/4W F
		< COIL >		R246	1-249-437-11	CARBON 47K 5%	1/4W
L501	1-411-906-11	COIL, AIR-CORE		R247	1-249-417-11	CARBON 1K 5%	1/4W F
L551	1-411-906-11	COIL, AIR-CORE		R248	1-249-397-11	CARBON 22 5%	1/4W F
L601	1-411-906-11	COIL, AIR-CORE		R249	1-249-397-11	CARBON 22 5%	1/4W F
		< TRANSISTOR >		R250	1-249-441-11	CARBON 100K 5%	1/4W
Q201	8-729-900-36	TRANSISTOR DTC124ES		R252	1-249-441-11	CARBON 100K 5%	1/4W
Q202	8-729-900-63	TRANSISTOR DTA124ES		R253	1-249-440-11	CARBON 82K 5%	1/4W
Q203	8-729-141-30	TRANSISTOR 2SC3623A-LK		R254	1-249-408-11	CARBON 180 5%	1/4W F
Q253	8-729-141-30	TRANSISTOR 2SC3623A-LK		R255	1-249-428-11	CARBON 8.2K 5%	1/4W F
Q301	8-729-119-79	TRANSISTOR 2SC2785-FEK		R256	1-249-441-11	CARBON 100K 5%	1/4W
Q303	8-729-900-63	TRANSISTOR DTA124ES		R257	1-249-441-11	CARBON 100K 5%	1/4W
Q351	8-729-141-30	TRANSISTOR 2SC3623A-LK		R258	1-249-413-11	CARBON 470 5%	1/4W F
Q352	8-729-141-30	TRANSISTOR 2SC3623A-LK		R259	1-247-807-31	CARBON 100 5%	1/4W
Q353	8-729-141-30	TRANSISTOR 2SC3623A-LK		R261	1-249-417-11	CARBON 1K 5%	1/4W F
Q354	8-729-141-30	TRANSISTOR 2SC3623A-LK		R262	1-249-417-11	CARBON 1K 5%	1/4W F
Q355	8-729-141-30	TRANSISTOR 2SC3623A-LK		R263	1-249-417-11	CARBON 1K 5%	1/4W F
Q356	8-729-141-30	TRANSISTOR 2SC3623A-LK		R264	1-249-417-11	CARBON 1K 5%	1/4W F
Q508	8-729-140-82	TRANSISTOR 2SA988-PAFAEA		R265	1-249-401-11	CARBON 47 5%	1/4W F
Q509	8-729-119-79	TRANSISTOR 2SC2785-FEK		R267	1-249-441-11	CARBON 100K 5%	1/4W
Q545	8-729-119-79	TRANSISTOR 2SC2785-FEK		R278	1-249-437-11	CARBON 47K 5%	1/4W
Q546	8-729-119-79	TRANSISTOR 2SC2785-FEK		R279	1-249-441-11	CARBON 100K 5%	1/4W
Q547	8-729-140-84	TRANSISTOR 2SC1841-PAFAEA		R282	1-247-807-31	CARBON 100 5%	1/4W
Q548	8-729-119-79	TRANSISTOR 2SC2785-FEK		R351	1-247-807-31	CARBON 100 5%	1/4W
Q549	8-729-140-82	TRANSISTOR 2SA988-PAFAEA		R352	1-247-807-31	CARBON 100 5%	1/4W
Q558	8-729-140-82	TRANSISTOR 2SA988-PAFAEA		R353	1-249-425-11	CARBON 4.7K 5%	1/4W F
Q559	8-729-119-79	TRANSISTOR 2SC2785-FEK		R354	1-249-417-11	CARBON 1K 5%	1/4W F
Q608	8-729-140-82	TRANSISTOR 2SA988-PAFAEA		R355	1-249-429-11	CARBON 10K 5%	1/4W
Q609	8-729-119-79	TRANSISTOR 2SC2785-FEK		R356	1-249-429-11	CARBON 10K 5%	1/4W
Q659	8-729-119-79	TRANSISTOR 2SC2785-FEK		R357	1-249-429-11	CARBON 10K 5%	1/4W
Q991	8-729-111-29	TRANSISTOR 2SD1616A-K (DA555ES)		R358	1-249-429-11	CARBON 10K 5%	1/4W
Q992	8-729-119-79	TRANSISTOR 2SC2785-FEK (DA555ES)		R359	1-249-429-11	CARBON 10K 5%	1/4W
		< RESISTOR >		R360	1-249-429-11	CARBON 10K 5%	1/4W
R202	1-249-441-11	CARBON 100K 5%	1/4W	R401	1-249-441-11	CARBON 100K 5%	1/4W
R203	1-249-440-11	CARBON 82K 5%	1/4W	R402	1-249-441-11	CARBON 100K 5%	1/4W
R204	1-249-408-11	CARBON 180 5%	1/4W F	R403	1-249-441-11	CARBON 100K 5%	1/4W
				R404	1-249-430-11	CARBON 12K 5%	1/4W
				R405	1-249-430-11	CARBON 12K 5%	1/4W
				R406	1-249-430-11	CARBON 12K 5%	1/4W
				R407	1-249-435-11	CARBON 33K 5%	1/4W
				R408	1-249-435-11	CARBON 33K 5%	1/4W

Ref. No.	Part No.	Description	Remark	Ref. No.	Part No.	Description	Remark
R409	1-249-435-11	CARBON	33K 5% 1/4W	R534	1-249-429-11	CARBON	10K 5% 1/4W
R410	1-249-437-11	CARBON	47K 5% 1/4W	△ R535	1-249-393-11	CARBON	10 5% 1/4W F
R411	1-249-437-11	CARBON	47K 5% 1/4W	△ R538	1-215-868-00	METAL OXIDE	680 5% 1W
R412	1-249-437-11	CARBON	47K 5% 1/4W	R541	1-249-429-11	CARBON	10K 5% 1/4W
R413	1-249-417-11	CARBON	1K 5% 1/4W F	R542	1-249-429-11	CARBON	10K 5% 1/4W
R414	1-249-417-11	CARBON	1K 5% 1/4W F	R543	1-249-425-11	CARBON	4.7K 5% 1/4W F
R415	1-249-417-11	CARBON	1K 5% 1/4W F	R544	1-249-429-11	CARBON	10K 5% 1/4W
R416	1-249-441-11	CARBON	100K 5% 1/4W	△ R545	1-249-393-11	CARBON	10 5% 1/4W F
R417	1-249-429-11	CARBON	10K 5% 1/4W	R546	1-249-427-11	CARBON	6.8K 5% 1/4W F
R418	1-249-429-11	CARBON	10K 5% 1/4W	R547	1-249-417-11	CARBON	1K 5% 1/4W F
R419	1-249-441-11	CARBON	100K 5% 1/4W	R551	1-249-417-11	CARBON	1K 5% 1/4W F
R420	1-249-429-11	CARBON	10K 5% 1/4W	R552	1-249-438-11	CARBON	56K 5% 1/4W
R421	1-249-429-11	CARBON	10K 5% 1/4W	R553	1-247-842-11	CARBON	3K 5% 1/4W
R422	1-247-887-00	CARBON	220K 5% 1/4W	R557	1-249-416-11	CARBON	820 5% 1/4W F
R423	1-247-887-00	CARBON	220K 5% 1/4W	R564	1-249-438-11	CARBON	56K 5% 1/4W
R424	1-247-887-00	CARBON	220K 5% 1/4W	△ R574	1-249-408-11	CARBON	180 5% 1/4W F
R451	1-249-441-11	CARBON	100K 5% 1/4W	△ R575	1-249-408-11	CARBON	180 5% 1/4W F
R452	1-249-441-11	CARBON	100K 5% 1/4W	R577	1-247-850-11	CARBON	6.2K 5% 1/4W
R453	1-249-441-11	CARBON	100K 5% 1/4W	R578	1-249-419-11	CARBON	1.5K 5% 1/4W F
R454	1-249-430-11	CARBON	12K 5% 1/4W	R579	1-249-441-11	CARBON	100K 5% 1/4W
R455	1-249-430-11	CARBON	12K 5% 1/4W	△ R580	1-249-393-11	CARBON	10 5% 1/4W F
R456	1-249-430-11	CARBON	12K 5% 1/4W	△ R581	1-249-389-11	CARBON	4.7 5% 1/4W F
R457	1-249-435-11	CARBON	33K 5% 1/4W	R582	1-249-437-11	CARBON	47K 5% 1/4W
R458	1-249-435-11	CARBON	33K 5% 1/4W	R583	1-249-425-11	CARBON	4.7K 5% 1/4W F
R459	1-249-435-11	CARBON	33K 5% 1/4W	R584	1-249-429-11	CARBON	10K 5% 1/4W
R460	1-249-437-11	CARBON	47K 5% 1/4W	△ R585	1-249-393-11	CARBON	10 5% 1/4W F
R461	1-249-437-11	CARBON	47K 5% 1/4W	△ R588	1-215-868-00	METAL OXIDE	680 5% 1W
R462	1-249-437-11	CARBON	47K 5% 1/4W	R595	1-249-425-11	CARBON	4.7K 5% 1/4W F
R463	1-249-417-11	CARBON	1K 5% 1/4W F	R596	1-249-429-11	CARBON	10K 5% 1/4W
R464	1-249-417-11	CARBON	1K 5% 1/4W F	△ R597	1-249-393-11	CARBON	10 5% 1/4W F
R465	1-249-417-11	CARBON	1K 5% 1/4W F	△ R598	1-249-393-11	CARBON	10 5% 1/4W F
R466	1-249-441-11	CARBON	100K 5% 1/4W	△ R599	1-249-393-11	CARBON	10 5% 1/4W F
R467	1-249-429-11	CARBON	10K 5% 1/4W	R601	1-249-417-11	CARBON	1K 5% 1/4W F
R468	1-249-429-11	CARBON	10K 5% 1/4W	R602	1-249-438-11	CARBON	56K 5% 1/4W
R472	1-247-887-00	CARBON	220K 5% 1/4W	R603	1-247-842-11	CARBON	3K 5% 1/4W
R473	1-247-887-00	CARBON	220K 5% 1/4W	R604	1-249-432-11	CARBON	18K 5% 1/4W
R474	1-247-887-00	CARBON	220K 5% 1/4W	R607	1-249-416-11	CARBON	820 5% 1/4W F
R491	1-249-425-11	CARBON	4.7K 5% 1/4W F	R614	1-249-438-11	CARBON	56K 5% 1/4W
R492	1-249-429-11	CARBON	10K 5% 1/4W	△ R624	1-249-408-11	CARBON	180 5% 1/4W F
△ R493	1-249-393-11	CARBON	10 5% 1/4W F	△ R625	1-249-408-11	CARBON	180 5% 1/4W F
R498	1-249-397-11	CARBON	22 5% 1/4W F	R627	1-247-850-11	CARBON	6.2K 5% 1/4W
R499	1-249-397-11	CARBON	22 5% 1/4W F	R628	1-249-419-11	CARBON	1.5K 5% 1/4W F
R501	1-249-417-11	CARBON	1K 5% 1/4W F	R629	1-249-441-11	CARBON	100K 5% 1/4W
R502	1-249-438-11	CARBON	56K 5% 1/4W	△ R630	1-249-393-11	CARBON	10 5% 1/4W F
R503	1-247-842-11	CARBON	3K 5% 1/4W	△ R631	1-249-389-11	CARBON	4.7 5% 1/4W F
R504	1-249-432-11	CARBON	18K 5% 1/4W	R632	1-249-437-11	CARBON	47K 5% 1/4W
R507	1-249-416-11	CARBON	820 5% 1/4W F	R633	1-249-425-11	CARBON	4.7K 5% 1/4W F
R514	1-249-438-11	CARBON	56K 5% 1/4W	R634	1-249-429-11	CARBON	10K 5% 1/4W
△ R524	1-249-408-11	CARBON	180 5% 1/4W F	△ R635	1-249-393-11	CARBON	10 5% 1/4W F
△ R525	1-249-408-11	CARBON	180 5% 1/4W F	R651	1-249-417-11	CARBON	1K 5% 1/4W F
R527	1-247-850-11	CARBON	6.2K 5% 1/4W	R652	1-249-438-11	CARBON	56K 5% 1/4W
R528	1-249-419-11	CARBON	1.5K 5% 1/4W F	R653	1-247-842-11	CARBON	3K 5% 1/4W
R529	1-249-441-11	CARBON	100K 5% 1/4W	R654	1-249-409-11	CARBON	220 5% 1/4W F
△ R530	1-249-393-11	CARBON	10 5% 1/4W F	R655	1-249-409-11	CARBON	220 5% 1/4W F
△ R531	1-249-389-11	CARBON	4.7 5% 1/4W F	R664	1-249-438-11	CARBON	56K 5% 1/4W
R532	1-249-437-11	CARBON	47K 5% 1/4W	R683	1-249-425-11	CARBON	4.7K 5% 1/4W F
R533	1-249-425-11	CARBON	4.7K 5% 1/4W F	R684	1-249-429-11	CARBON	10K 5% 1/4W

The components identified by mark △ or dotted line with mark △ are critical for safety. Replace only with part number specified.	Les composants identifiés par une marque △ sont critiques pour la sécurité. Ne les remplacer que par une pièce portant le numéro spécifié.
--	--

<b>MAIN</b>	<b>MAIN VOL</b>	<b>POWER SWITCH</b>	<b>PRE AMP</b>
-------------	-----------------	---------------------	----------------

Ref. No.	Part No.	Description	Remark
△ R685	1-249-393-11	CARBON	10 5% 1/4W F
R991	1-249-417-11	CARBON	1K 5% 1/4W F (DA555ES)
R993	1-249-433-11	CARBON	22K 5% 1/4W (DA555ES)
R995	1-249-441-11	CARBON	100K 5% 1/4W (DA555ES)
R996	1-249-429-11	CARBON	10K 5% 1/4W
△ R997	1-215-910-00	METAL OXIDE	68 5% 3W F (DA555ES)
< VARIABLE RESISTOR >			
RV501	1-241-759-11	RES, ADJ, CARBON 220	
RV551	1-241-759-11	RES, ADJ, CARBON 220	
RV601	1-241-759-11	RES, ADJ, CARBON 220	
< RELAY >			
RY401	1-515-793-11	RELAY	
RY501	1-515-920-11	RELAY (24V)	
RY502	1-515-920-11	RELAY (24V)	
RY503	1-515-793-11	RELAY	
RY504	1-515-793-11	RELAY	
RY601	1-515-920-11	RELAY (24V)	
RY602	1-515-793-11	RELAY	
< TEST PIN >			
* TP501	1-560-060-00	PIN, CONNECTOR 2P	
* TP551	1-560-060-00	PIN, CONNECTOR 2P	
* TP601	1-560-060-00	PIN, CONNECTOR 2P	
*****			
* 1-670-141-11	MAIN VOL BOARD	*****	
< CAPACITOR >			
C1492	1-126-008-51	ELECT	47uF 20% 16V
C1493	1-126-008-51	ELECT	47uF 20% 16V
C1501	1-126-044-11	ELECT	1uF 20% 50V
C1502	1-126-044-11	ELECT	1uF 20% 50V
< CONNECTOR >			
CNP401	1-784-924-11	PIN, CONNECTOR 8P	
CNP403	1-779-978-11	PIN, CONNECTOR 3P	
CNP404	1-770-389-11	PIN, CONNECTOR (PC BOARD) 5P	
CNP405	1-784-921-11	PIN, CONNECTOR 4P	
* CNP407	1-564-522-11	PLUG, CONNECTOR 7P	
CNP409	1-784-923-11	PIN, CONNECTOR 7P	
CNP1406	1-774-289-11	PIN, CONNECTOR (PC BOARD) 15P	
< RESISTOR >			
R1496	1-249-397-11	CARBON	22 5% 1/4W F
R1497	1-249-397-11	CARBON	22 5% 1/4W F

Ref. No.	Part No.	Description	Remark
< VARIABLE RESISTOR >			
RV1501	1-225-445-11	RES, VAR, CARBON 100KX6 (MASTER VOLUME)	
*****			
* 1-670-749-11	POWER SWITCH BOARD	*****	
< SWITCH >			
S101	1-572-184-11	SWITCH, KEYBOARD (I/Ⓞ)	
*****			
* A-4414-252-A	PRE AMP BOARD, COMPLETE	*****	
< CAPACITOR >			
C1401	1-165-319-11	CERAMIC CHIP	0.1uF 50V
C1403	1-126-049-11	ELECT	22uF 20% 50V
C1404	1-126-049-11	ELECT	22uF 20% 50V
C1410	1-126-049-11	ELECT	22uF 20% 50V
C1411	1-126-049-11	ELECT	22uF 20% 50V
C1412	1-126-049-11	ELECT	22uF 20% 50V
C1415	1-126-049-11	ELECT	22uF 20% 50V
C1416	1-163-251-11	CERAMIC CHIP	100PF 5% 50V
C1417	1-163-251-11	CERAMIC CHIP	100PF 5% 50V
C1418	1-163-251-11	CERAMIC CHIP	100PF 5% 50V
C1419	1-126-049-11	ELECT	22uF 20% 50V
C1420	1-126-049-11	ELECT	22uF 20% 50V
C1421	1-126-049-11	ELECT	22uF 20% 50V
C1460	1-126-049-11	ELECT	22uF 20% 50V
C1461	1-126-049-11	ELECT	22uF 20% 50V
C1462	1-126-049-11	ELECT	22uF 20% 50V
C1463	1-126-049-11	ELECT	22uF 20% 50V
C1464	1-126-049-11	ELECT	22uF 20% 50V
C1465	1-126-049-11	ELECT	22uF 20% 50V
C1466	1-163-251-11	CERAMIC CHIP	100PF 5% 50V
C1467	1-163-251-11	CERAMIC CHIP	100PF 5% 50V
C1468	1-163-251-11	CERAMIC CHIP	100PF 5% 50V
C1469	1-126-049-11	ELECT	22uF 20% 50V
C1470	1-126-049-11	ELECT	22uF 20% 50V
C1471	1-126-049-11	ELECT	22uF 20% 50V
< CONNECTOR >			
* CNP1403	1-568-939-11	PIN, CONNECTOR 12P	
CNS1402	1-779-799-11	PIN, CONNECTOR 9P	
CNS1406	1-774-292-11	HOUSING,CONNECTOR(PC BOARD)15P	
< DIODE >			
D1401	8-719-820-05	DIODE 1SS181	
D1402	8-719-820-05	DIODE 1SS181	
D1403	8-719-820-05	DIODE 1SS181	
D1404	8-719-820-05	DIODE 1SS181	
D1405	8-719-820-05	DIODE 1SS181	
D1406	8-719-820-05	DIODE 1SS181	

The components identified by mark △ or dotted line with mark △ are critical for safety. Replace only with part number specified.	Les composants identifiés par une marque △ sont critiques pour la sécurité. Ne les remplacer que par une pièce portant le numéro spécifié.
--	--

Ref. No.	Part No.	Description	Remark	Ref. No.	Part No.	Description	Remark
		< IC >		R1415	1-216-699-11	METAL CHIP	100K 0.5% 1/10W
IC1401	8-759-636-55	IC M5218AFP		R1416	1-216-073-00	METAL CHIP	10K 5% 1/10W
IC1402	8-759-636-55	IC M5218AFP		R1417	1-216-097-91	RES,CHIP	100K 5% 1/10W
IC1403	8-759-636-55	IC M5218AFP		R1418	1-216-050-00	RES,CHIP	1.1K 5% 1/10W
		< TRANSISTOR >		R1419	1-208-552-11	RES,CHIP	560K 2% 1/10W
Q1401	8-729-107-46	TRANSISTOR 2SC3624A-L15		R1420	1-208-552-11	RES,CHIP	560K 2% 1/10W
Q1402	8-729-107-46	TRANSISTOR 2SC3624A-L15		R1421	1-208-552-11	RES,CHIP	560K 2% 1/10W
Q1403	8-729-107-46	TRANSISTOR 2SC3624A-L15		R1422	1-216-049-91	RES,CHIP	1K 5% 1/10W
Q1404	8-729-107-46	TRANSISTOR 2SC3624A-L15		R1423	1-216-058-00	RES,CHIP	2.4K 5% 1/10W
Q1405	8-729-107-46	TRANSISTOR 2SC3624A-L15		R1424	1-216-070-00	METAL CHIP	7.5K 5% 1/10W
Q1406	8-729-107-46	TRANSISTOR 2SC3624A-L15		R1425	1-216-071-00	METAL CHIP	8.2K 5% 1/10W
Q1407	8-729-107-46	TRANSISTOR 2SC3624A-L15		R1426	1-216-062-00	METAL CHIP	3.6K 5% 1/10W
Q1408	8-729-107-46	TRANSISTOR 2SC3624A-L15		R1427	1-216-073-00	METAL CHIP	10K 5% 1/10W
Q1409	8-729-107-46	TRANSISTOR 2SC3624A-L15		R1428	1-216-073-00	METAL CHIP	10K 5% 1/10W
Q1410	8-729-027-23	TRANSISTOR DTA114EKA-T146		R1429	1-216-073-00	METAL CHIP	10K 5% 1/10W
Q1411	8-729-027-23	TRANSISTOR DTA114EKA-T146		R1430	1-216-097-91	RES,CHIP	100K 5% 1/10W
Q1412	8-729-027-23	TRANSISTOR DTA114EKA-T146		R1431	1-216-050-00	RES,CHIP	1.1K 5% 1/10W
Q1413	8-729-027-23	TRANSISTOR DTA114EKA-T146		R1432	1-216-049-91	RES,CHIP	1K 5% 1/10W
Q1414	8-729-027-23	TRANSISTOR DTA114EKA-T146		R1433	1-216-058-00	RES,CHIP	2.4K 5% 1/10W
Q1415	8-729-027-23	TRANSISTOR DTA114EKA-T146		R1434	1-216-070-00	METAL CHIP	7.5K 5% 1/10W
Q1416	8-729-027-23	TRANSISTOR DTA114EKA-T146		R1435	1-216-071-00	METAL CHIP	8.2K 5% 1/10W
Q1417	8-729-027-23	TRANSISTOR DTA114EKA-T146		R1436	1-216-062-00	METAL CHIP	3.6K 5% 1/10W
Q1418	8-729-027-23	TRANSISTOR DTA114EKA-T146		R1437	1-216-073-00	METAL CHIP	10K 5% 1/10W
Q1419	8-729-027-23	TRANSISTOR DTA114EKA-T146		R1438	1-216-073-00	METAL CHIP	10K 5% 1/10W
Q1420	8-729-027-23	TRANSISTOR DTA114EKA-T146		R1439	1-216-073-00	METAL CHIP	10K 5% 1/10W
Q1421	8-729-027-23	TRANSISTOR DTA114EKA-T146		R1440	1-216-097-91	RES,CHIP	100K 5% 1/10W
Q1422	8-729-027-43	TRANSISTOR DTC114EKA-T146		R1441	1-126-049-11	ELECT	22MF 20% 50V
Q1423	8-729-027-43	TRANSISTOR DTC114EKA-T146		R1442	1-216-049-91	RES,CHIP	1K 5% 1/10W
Q1428	8-729-027-43	TRANSISTOR DTC114EKA-T146		R1443	1-216-058-00	RES,CHIP	2.4K 5% 1/10W
Q1429	8-729-027-43	TRANSISTOR DTC114EKA-T146		R1444	1-216-070-00	METAL CHIP	7.5K 5% 1/10W
Q1430	8-729-027-43	TRANSISTOR DTC114EKA-T146		R1445	1-216-071-00	METAL CHIP	8.2K 5% 1/10W
Q1431	8-729-027-43	TRANSISTOR DTC114EKA-T146		R1446	1-216-062-00	METAL CHIP	3.6K 5% 1/10W
Q1432	8-729-027-43	TRANSISTOR DTC114EKA-T146		R1447	1-216-089-91	RES,CHIP	47K 5% 1/10W
Q1433	8-729-027-43	TRANSISTOR DTC114EKA-T146		R1448	1-216-699-11	METAL CHIP	100K 0.5% 1/10W
Q1434	8-729-027-43	TRANSISTOR DTC114EKA-T146		R1453	1-216-097-91	RES,CHIP	100K 5% 1/10W
Q1435	8-729-027-43	TRANSISTOR DTC114EKA-T146		R1454	1-216-699-11	METAL CHIP	100K 0.5% 1/10W
Q1436	8-729-027-43	TRANSISTOR DTC114EKA-T146		R1455	1-216-097-91	RES,CHIP	100K 5% 1/10W
Q1437	8-729-027-43	TRANSISTOR DTC114EKA-T146		R1461	1-216-073-00	METAL CHIP	10K 5% 1/10W
Q1451	8-729-107-46	TRANSISTOR 2SC3624A-L15		R1462	1-216-073-00	METAL CHIP	10K 5% 1/10W
Q1452	8-729-107-46	TRANSISTOR 2SC3624A-L15		R1463	1-216-699-11	METAL CHIP	100K 0.5% 1/10W
Q1453	8-729-107-46	TRANSISTOR 2SC3624A-L15		R1464	1-216-699-11	METAL CHIP	100K 0.5% 1/10W
Q1454	8-729-107-46	TRANSISTOR 2SC3624A-L15		R1465	1-216-699-11	METAL CHIP	100K 0.5% 1/10W
Q1455	8-729-107-46	TRANSISTOR 2SC3624A-L15		R1466	1-216-073-00	METAL CHIP	10K 5% 1/10W
Q1456	8-729-107-46	TRANSISTOR 2SC3624A-L15		R1467	1-216-097-91	RES,CHIP	100K 5% 1/10W
Q1457	8-729-107-46	TRANSISTOR 2SC3624A-L15		R1468	1-216-050-00	RES,CHIP	1.1K 5% 1/10W
Q1458	8-729-107-46	TRANSISTOR 2SC3624A-L15		R1469	1-208-552-11	RES,CHIP	560K 2% 1/10W
Q1459	8-729-107-46	TRANSISTOR 2SC3624A-L15		R1470	1-208-552-11	RES,CHIP	560K 2% 1/10W
		< RESISTOR >		R1471	1-208-552-11	RES,CHIP	560K 2% 1/10W
R1403	1-216-097-91	RES,CHIP	100K 5% 1/10W	R1472	1-216-049-91	RES,CHIP	1K 5% 1/10W
R1404	1-216-097-91	RES,CHIP	100K 5% 1/10W	R1473	1-216-058-00	RES,CHIP	2.4K 5% 1/10W
R1405	1-216-097-91	RES,CHIP	100K 5% 1/10W	R1474	1-216-070-00	METAL CHIP	7.5K 5% 1/10W
R1411	1-216-073-00	METAL CHIP	10K 5% 1/10W	R1475	1-216-071-00	METAL CHIP	8.2K 5% 1/10W
R1412	1-216-073-00	METAL CHIP	10K 5% 1/10W	R1476	1-216-062-00	METAL CHIP	3.6K 5% 1/10W
R1413	1-216-699-11	METAL CHIP	100K 0.5% 1/10W	R1477	1-216-073-00	METAL CHIP	10K 5% 1/10W
R1414	1-216-699-11	METAL CHIP	100K 0.5% 1/10W	R1478	1-216-073-00	METAL CHIP	10K 5% 1/10W
				R1479	1-216-073-00	METAL CHIP	10K 5% 1/10W
				R1480	1-216-097-91	RES,CHIP	100K 5% 1/10W
				R1481	1-216-050-00	RES,CHIP	1.1K 5% 1/10W

**PRE AMP**

**PS**

Ref. No.	Part No.	Description			Remark
R1482	1-216-049-91	RES,CHIP	1K	5%	1/10W
R1483	1-216-058-00	RES,CHIP	2.4K	5%	1/10W
R1484	1-216-070-00	METAL CHIP	7.5K	5%	1/10W
R1485	1-216-071-00	METAL CHIP	8.2K	5%	1/10W
R1486	1-216-062-00	METAL CHIP	3.6K	5%	1/10W
R1487	1-216-073-00	METAL CHIP	10K	5%	1/10W
R1488	1-216-073-00	METAL CHIP	10K	5%	1/10W
R1489	1-216-073-00	METAL CHIP	10K	5%	1/10W
R1490	1-216-097-91	RES,CHIP	100K	5%	1/10W
R1491	1-216-050-00	RES,CHIP	1.1K	5%	1/10W
R1492	1-216-049-91	RES,CHIP	1K	5%	1/10W
R1493	1-216-058-00	RES,CHIP	2.4K	5%	1/10W
R1494	1-216-070-00	METAL CHIP	7.5K	5%	1/10W
R1495	1-216-071-00	METAL CHIP	8.2K	5%	1/10W
R1498	1-216-062-00	METAL CHIP	3.6K	5%	1/10W
R1499	1-216-121-91	RES,CHIP	1M	5%	1/10W
R1500	1-216-121-91	RES,CHIP	1M	5%	1/10W
R1501	1-216-121-91	RES,CHIP	1M	5%	1/10W
R1508	1-216-121-91	RES,CHIP	1M	5%	1/10W
R1509	1-216-121-91	RES,CHIP	1M	5%	1/10W
R1510	1-216-121-91	RES,CHIP	1M	5%	1/10W
*****					
*	A-4414-259-A	PS BOARD, COMPLETE (DA555ES:US)	*****		
*	A-4414-260-A	PS BOARD, COMPLETE (DA555ES:CND)	*****		
*	A-4414-627-A	PS BOARD, COMPLETE (DA333ES:US)	*****		
*	A-4414-628-A	PS BOARD, COMPLETE (DA333ES:CND)	*****		
	7-685-872-09	SCREW +BVTT 3X8 (S) (DA555ES)			
		< CAPACITOR >			
C901	1-110-211-91	MYLAR	0.022uF	5%	50V
C902	1-110-211-91	MYLAR	0.022uF	5%	50V
C903	1-126-767-11	ELECT	1000uF	20%	16V
C904	1-126-960-11	ELECT	1uF	20%	50V
C905	1-126-959-11	ELECT	0.47uF	20%	50V
C906	1-126-957-11	ELECT	0.22uF	20%	50V
C907	1-126-964-11	ELECT	10uF	20%	50V
C908	1-164-159-11	CERAMIC	0.1uF		50V
C909	1-104-664-11	ELECT	47uF	20%	25V
C910	1-164-159-11	CERAMIC	0.1uF		50V
C911	1-164-159-11	CERAMIC	0.1uF		50V
C912	1-164-159-11	CERAMIC	0.1uF		50V
C913	1-128-564-11	ELECT	220uF	20%	100V
C916	1-137-420-11	FILM	0.047uF	10%	100V
C917	1-137-420-11	FILM	0.047uF	10%	100V
C918	1-125-900-12	ELECT	15000uF	20%	71V (DA555ES)
C918	1-125-901-13	ELECT	18000uF	20%	63V (DA333ES)
C919	1-125-900-12	ELECT	15000uF	20%	71V (DA555ES)

Ref. No.	Part No.	Description			Remark
C919	1-125-901-13	ELECT	18000uF	20%	63V (DA333ES)
		< CONNECTOR >			
CNP913	1-784-921-11	PIN, CONNECTOR 4P			
CNP908	1-785-106-11	PIN, CONNECTOR 8P			
CNP909	1-785-102-11	PIN, CONNECTOR 4P			
CNP910	1-779-977-11	PIN, CONNECTOR 6P			
		< DIODE >			
D901	8-719-024-99	DIODE	11ES2-NTA2B		
D902	8-719-024-99	DIODE	11ES2-NTA2B		
D903	8-719-024-99	DIODE	11ES2-NTA2B		
D904	8-719-024-99	DIODE	11ES2-NTA2B		
D905	8-719-911-19	DIODE	1SS119-25		
D906	8-719-911-19	DIODE	1SS119-25		
D908	8-719-118-64	DIODE	RD5.6F-T7B3		
D909	8-719-024-99	DIODE	11ES2-NTA2B		
D910	8-719-024-99	DIODE	11ES2-NTA2B		
D911	8-719-911-19	DIODE	1SS119-25		
D912	8-719-072-05	DIODE	RBV-602LF-A (DA333ES)		
D912	8-719-302-38	DIODE	RBV-602-01 (DA555ES)		
D914	8-719-072-05	DIODE	RBV-602LF-A (DA333ES)		
D914	8-719-302-38	DIODE	RBV-602-01 (DA555ES)		
		< GROUND PLATE >			
* EP951	1-537-738-21	TERMINAL, EARTH			
		< FUSE >			
△ F911	1-533-312-11	FUSE, GLASS CYLINDRICAL (DIA.5)(10A/125V)			
△ F912	1-533-312-11	FUSE, GLASS CYLINDRICAL (DIA.5)(10A/125V)			
		< FUSE HOLDER >			
FH911	1-533-217-31	HOLDER, FUSE			
FH912	1-533-217-31	HOLDER, FUSE			
FH961	1-533-217-31	HOLDER, FUSE			
FH962	1-533-217-31	HOLDER, FUSE			
		< IC >			
IC901	8-759-333-83	IC	NJM2103D		
		< TRANSISTOR >			
Q901	8-729-119-79	TRANSISTOR	2SC2785-FEK		
Q902	8-729-209-15	TRANSISTOR	2SD2012		
Q903	8-729-119-79	TRANSISTOR	2SC2785-FEK		
		< RESISTOR >			
R902	1-249-429-11	CARBON	10K	5%	1/4W
R903	1-249-425-11	CARBON	4.7K	5%	1/4W F
R904	1-249-417-11	CARBON	1K	5%	1/4W F
R905	1-249-428-11	CARBON	8.2K	5%	1/4W F
R906	1-249-421-11	CARBON	2.2K	5%	1/4W F
R908	1-249-433-11	CARBON	22K	5%	1/4W
R909	1-249-439-11	CARBON	68K	5%	1/4W
R910	1-249-437-11	CARBON	47K	5%	1/4W
R912	1-249-430-11	CARBON	12K	5%	1/4W
△ R913	1-247-727-11	CARBON	10	5%	1/2W F

The components identified by mark △ or dotted line with mark △ are critical for safety. Replace only with part number specified.	Les composants identifiés par une marque △ sont critiques pour la sécurité. Ne les remplacer que par une pièce portant le numéro spécifié.
--	--

Ref. No.	Part No.	Description	Remark
△ R914	1-249-405-11	CARBON 100 5%	1/4W F
△ R916	1-249-393-11	CARBON 10 5%	1/4W F
R917	1-249-425-11	CARBON 4.7K 5%	1/4W F
R918	1-249-429-11	CARBON 10K 5%	1/4W
< RELAY >			
RY902	1-515-894-11	RELAY (US)	
RY903	1-755-235-11	RELAY (CND)	
RY904	1-755-235-11	RELAY (CND)	
< SWITCH >			
S902	1-692-196-11	SWITCH, SLIDE (IMPEDANCE SELECTOR)	
< TRANSFORMER >			
△ T902	1-450-361-11	TRANSFORMER, POWER (DA333ES)	
*****			
*	A-4414-280-A	REAR AMP BOARD, COMPLETE (DA555ES)	*****
*	A-4414-301-A	REAR AMP BOARD, COMPLETE (DA333ES)	*****
< CAPACITOR >			
C701	1-126-047-81	ELECT 4.7uF 20%	50V
C702	1-162-283-31	CERAMIC 120PF 10%	50V
C703	1-124-995-11	ELECT 220uF 20%	10V
C704	1-102-233-00	CERAMIC 33PF 10%	500V
C705	1-102-934-00	CERAMIC 1.0PF ±0.25PF	50V
C714	1-102-936-00	CERAMIC 3.0PF ±0.25PF	50V
C720	1-126-008-51	ELECT 47uF 20%	16V
C721	1-107-597-11	CERAMIC 22PF 10%	500V
C722	1-107-597-11	CERAMIC 22PF 10%	500V
C723	1-162-286-31	CERAMIC 220PF 10%	50V
C724	1-136-157-00	FILM 0.022uF 5%	50V
C729	1-130-475-00	MYLAR 0.0022uF 5%	50V
C730	1-130-475-00	MYLAR 0.0022uF 5%	50V
C751	1-126-047-81	ELECT 4.7uF 20%	50V
C752	1-162-283-31	CERAMIC 120PF 10%	50V
C753	1-124-995-11	ELECT 220uF 20%	10V
C754	1-102-233-00	CERAMIC 33PF 10%	500V
C755	1-102-934-00	CERAMIC 1.0PF ±0.25PF	50V
C764	1-102-936-00	CERAMIC 3.0PF ±0.25PF	50V
C770	1-126-008-51	ELECT 47uF 20%	16V
C771	1-107-597-11	CERAMIC 22PF 10%	500V
C772	1-107-597-11	CERAMIC 22PF 10%	500V
C773	1-162-286-31	CERAMIC 220PF 10%	50V
C774	1-136-157-00	FILM 0.022uF 5%	50V
C779	1-130-475-00	MYLAR 0.0022uF 5%	50V
C780	1-130-475-00	MYLAR 0.0022uF 5%	50V
C798	1-126-077-11	ELECT 100uF 20%	100V
C799	1-126-077-11	ELECT 100uF 20%	100V
< CONNECTOR >			
CNP701	1-784-923-11	PIN, CONNECTOR 7P	
CNP702	1-784-921-11	PIN, CONNECTOR 4P	
CNP703	1-785-103-11	PIN, CONNECTOR 5P	
CNP704	1-785-102-11	PIN, CONNECTOR 4P	

Ref. No.	Part No.	Description	Remark
CNP705	1-779-978-11	PIN, CONNECTOR 3P	
< DIODE >			
D701	8-719-911-19	DIODE 1SS119-25	
D702	8-719-911-19	DIODE 1SS119-25	
D703	8-719-109-51	DIODE RD2.0ES-B2	
D704	8-719-911-19	DIODE 1SS119-25	
D705	8-719-911-19	DIODE 1SS119-25	
D751	8-719-911-19	DIODE 1SS119-25	
D752	8-719-911-19	DIODE 1SS119-25	
D753	8-719-109-51	DIODE RD2.0ES-B2	
D754	8-719-911-19	DIODE 1SS119-25	
< IC >			
IC701	8-759-326-52	IC uPC2581V	
IC702	8-749-014-72	IC SAP15N	
IC703	8-749-014-73	IC SAP15P	
IC752	8-749-014-72	IC SAP15N	
IC753	8-749-014-73	IC SAP15P	
< COIL >			
L701	1-411-906-11	COIL, AIR-CORE	
L751	1-411-906-11	COIL, AIR-CORE	
< TRANSISTOR >			
Q708	8-729-140-82	TRANSISTOR 2SA988-PAFAEA	
Q709	8-729-119-79	TRANSISTOR 2SC2785-FEK	
Q758	8-729-140-82	TRANSISTOR 2SA988-PAFAEA	
< RESISTOR >			
R701	1-249-417-11	CARBON 1K 5%	1/4W F
R702	1-249-438-11	CARBON 56K 5%	1/4W
R703	1-247-840-00	CARBON 2.4K 5%	1/4W (DA555ES)
R703	1-247-842-11	CARBON 3K 5%	1/4W (DA333ES)
R704	1-249-432-11	CARBON 18K 5%	1/4W
R707	1-249-416-11	CARBON 820 5%	1/4W F
R714	1-249-438-11	CARBON 56K 5%	1/4W
△ R724	1-249-408-11	CARBON 180 5%	1/4W F
△ R725	1-249-408-11	CARBON 180 5%	1/4W F
R727	1-247-850-11	CARBON 6.2K 5%	1/4W
R728	1-249-419-11	CARBON 1.5K 5%	1/4W F
R729	1-249-441-11	CARBON 100K 5%	1/4W
△ R730	1-249-393-11	CARBON 10 5%	1/4W F
△ R731	1-249-389-11	CARBON 4.7 5%	1/4W F
R732	1-249-437-11	CARBON 47K 5%	1/4W
R733	1-249-425-11	CARBON 4.7K 5%	1/4W F
R734	1-249-429-11	CARBON 10K 5%	1/4W
△ R735	1-249-393-11	CARBON 10 5%	1/4W F
R751	1-249-417-11	CARBON 1K 5%	1/4W F
R752	1-249-438-11	CARBON 56K 5%	1/4W
R753	1-247-840-00	CARBON 2.4K 5%	1/4W (DA555ES)
R753	1-247-842-11	CARBON 3K 5%	1/4W (DA333ES)
R757	1-249-416-11	CARBON 820 5%	1/4W F
R764	1-249-438-11	CARBON 56K 5%	1/4W

The components identified by mark △ or dotted line with mark △ are critical for safety. Replace only with part number specified.	Les composants identifiés par une marque △ sont critiques pour la sécurité. Ne les remplacer que par une pièce portant le numéro spécifié.
--	--

**REAR AMP**

**S. VIDEO**

**SP SWITCH**

Ref. No.	Part No.	Description	Remark
△ R774	1-249-408-11	CARBON 180 5%	1/4W F
△ R775	1-249-408-11	CARBON 180 5%	1/4W F
R777	1-247-850-11	CARBON 6.2K 5%	1/4W
R778	1-249-419-11	CARBON 1.5K 5%	1/4W F
R779	1-249-441-11	CARBON 100K 5%	1/4W
△ R780	1-249-393-11	CARBON 10 5%	1/4W F
△ R781	1-249-389-11	CARBON 4.7 5%	1/4W F
R782	1-249-437-11	CARBON 47K 5%	1/4W
△ R798	1-249-393-11	CARBON 10 5%	1/4W F
△ R799	1-249-393-11	CARBON 10 5%	1/4W F
< VARIABLE RESISTOR >			
RV701	1-241-759-11	RES, ADJ, CARBON 220	
RV751	1-241-759-11	RES, ADJ, CARBON 220	
< RELAY >			
RY701	1-515-920-11	RELAY (24V)	
< TEST PIN >			
* TP701	1-560-060-00	PIN, CONNECTOR 2P	
* TP751	1-560-060-00	PIN, CONNECTOR 2P	
*****			
* A-4414-297-A	S.VIDEO BOARD, COMPLETE		
*****			
< CAPACITOR >			
C801	1-164-004-11	CERAMIC CHIP 0.1uF 10%	25V
C802	1-164-004-11	CERAMIC CHIP 0.1uF 10%	25V
C803	1-164-004-11	CERAMIC CHIP 0.1uF 10%	25V
C804	1-164-004-11	CERAMIC CHIP 0.1uF 10%	25V
C807	1-126-933-11	ELECT 100uF 20%	16V
C808	1-126-933-11	ELECT 100uF 20%	16V
C809	1-163-021-91	CERAMIC CHIP 0.01uF 10%	50V
C810	1-126-964-11	ELECT 10uF 20%	50V
C811	1-126-933-11	ELECT 100uF 20%	16V
C812	1-126-933-11	ELECT 100uF 20%	16V
C813	1-126-933-11	ELECT 100uF 20%	16V
C814	1-164-004-11	CERAMIC CHIP 0.1uF 10%	25V
C815	1-126-933-11	ELECT 100uF 20%	16V
C818	1-164-004-11	CERAMIC CHIP 0.1uF 10%	25V
C821	1-163-021-91	CERAMIC CHIP 0.01uF 10%	50V
C822	1-126-964-11	ELECT 10uF 20%	50V
C823	1-164-004-11	CERAMIC CHIP 0.1uF 10%	25V
C824	1-163-243-11	CERAMIC CHIP 47PF 5%	50V
C825	1-163-021-91	CERAMIC CHIP 0.01uF 10%	50V
C826	1-163-243-11	CERAMIC CHIP 47PF 5%	50V
C827	1-163-243-11	CERAMIC CHIP 47PF 5%	50V
C828	1-163-243-11	CERAMIC CHIP 47PF 5%	50V
C829	1-126-964-11	ELECT 10uF 20%	50V
C830	1-163-243-11	CERAMIC CHIP 47PF 5%	50V
C831	1-163-243-11	CERAMIC CHIP 47PF 5%	50V
C833	1-126-964-11	ELECT 10uF 20%	50V
C834	1-164-004-11	CERAMIC CHIP 0.1uF 10%	25V
C845	1-164-004-11	CERAMIC CHIP 0.1uF 10%	25V
C868	1-126-964-11	ELECT 10uF 20%	50V
C869	1-164-004-11	CERAMIC CHIP 0.1uF 10%	25V

Ref. No.	Part No.	Description	Remark
< CONNECTOR >			
CNP803	1-784-922-11	PIN, CONNECTOR 5P	
CNP805	1-779-799-11	PIN, CONNECTOR 9P	
< DIODE >			
D801	8-719-016-74	DIODE 1SS352	
D802	8-719-016-74	DIODE 1SS352	
< IC >			
IC801	8-759-701-84	IC NJM7905FA	
IC811	8-759-536-24	IC NJM-2296M-TE2	
IC812	8-759-536-24	IC NJM-2296M-TE2	
< JACK >			
J101	1-563-330-11	JACK (CONTROL A1)	
J801	1-764-676-11	CONNECTOR (ROUND TYPE)(TV/DBS/DVD/LD)	
J802	1-764-676-11	CONNECTOR (ROUND TYPE)(VIDEO2)	
J803	1-764-676-11	CONNECTOR (ROUND TYPE)(VIDEO1)	
J804	1-537-943-11	TERMINAL, S (MONITOR)	
< COIL >			
L801	1-500-425-11	FERRITE 0uH	
L802	1-500-425-11	FERRITE 0uH	
L803	1-500-425-11	FERRITE 0uH	
L804	1-500-425-11	FERRITE 0uH	
< RESISTOR >			
R801	1-216-089-91	RES,CHIP 47K 5%	1/10W
R815	1-216-022-00	METAL CHIP 75 5%	1/10W
R818	1-216-022-00	METAL CHIP 75 5%	1/10W
R819	1-216-022-00	METAL CHIP 75 5%	1/10W
R821	1-216-022-00	METAL CHIP 75 5%	1/10W
R822	1-216-022-00	METAL CHIP 75 5%	1/10W
R823	1-216-022-00	METAL CHIP 75 5%	1/10W
R825	1-216-022-00	METAL CHIP 75 5%	1/10W
R827	1-216-022-00	METAL CHIP 75 5%	1/10W
R831	1-216-022-00	METAL CHIP 75 5%	1/10W
R838	1-216-022-00	METAL CHIP 75 5%	1/10W
R851	1-216-022-00	METAL CHIP 75 5%	1/10W
R857	1-216-022-00	METAL CHIP 75 5%	1/10W
R8055	1-216-022-00	METAL CHIP 75 5%	1/10W
R8056	1-216-022-00	METAL CHIP 75 5%	1/10W
*****			
* 1-670-142-11	SP SWITCH BOARD		
*****			
< CONNECTOR >			
* CNP102	1-569-798-11	PLUG, CONNECTOR 6P	
< DIODE >			
D105	8-719-911-19	DIODE 1SS119-25	
D106	8-719-911-19	DIODE 1SS119-25	

The components identified by mark △ or dotted line with mark △ are critical for safety. Replace only with part number specified.	Les composants identifiés par une marque △ sont critiques pour la sécurité. Ne les remplacer que par une pièce portant le numéro spécifié.
--	--



Ref. No.	Part No.	Description	Remark
< RESISTOR >			
R155	1-249-413-11	CARBON 470 5%	1/4W F
R156	1-249-415-11	CARBON 680 5%	1/4W F
R157	1-249-417-11	CARBON 1K 5%	1/4W F
R158	1-249-419-11	CARBON 1.5K 5%	1/4W F
< SWITCH >			
S102	1-762-268-11	SWITCH, ROTARY (SPEAKER)	
S122	1-572-184-11	SWITCH, KEYBOARD (PRE +)	
S123	1-572-184-11	SWITCH, KEYBOARD (PRE -)	
S124	1-572-184-11	SWITCH, KEYBOARD (SHIFT)	
S125	1-572-184-11	SWITCH, KEYBOARD (FM/AM)	
*****			
*	1-670-150-11	SP TM BOARD	
*****			
< CAPACITOR >			
C590	1-162-282-31	CERAMIC 100PF 10%	50V
C591	1-162-282-31	CERAMIC 100PF 10%	50V
C625	1-162-282-31	CERAMIC 100PF 10%	50V
C725	1-162-282-31	CERAMIC 100PF 10%	50V
C775	1-162-282-31	CERAMIC 100PF 10%	50V
< TERMINAL >			
* TM501	1-694-454-21	TERMINAL BOARD (SP)	
TM701	1-694-432-21	TERMINAL BOARD (SP)	
*****			
*	1-670-151-11	TH BOARD (DA555ES)	
*****			
< CONNECTOR >			
* CNP502	1-564-720-11	PIN, CONNECTOR (SMALL TYPE) 4P	
< THERMISTOR >			
TH901	1-809-789-71	THERMISTOR, POSITIVE (DA555ES)	
*****			
*	1-670-138-11	VIDEO BOARD	
*****			
< CAPACITOR >			
C805	1-164-159-11	CERAMIC 0.1uF	50V
C806	1-164-159-11	CERAMIC 0.1uF	50V
C816	1-126-933-11	ELECT 100uF 20%	16V
C817	1-126-933-11	ELECT 100uF 20%	16V
C832	1-163-243-11	CERAMIC CHIP 47PF 5%	50V
C835	1-163-243-11	CERAMIC CHIP 47PF 5%	50V
C836	1-163-243-11	CERAMIC CHIP 47PF 5%	50V
C853	1-126-960-11	ELECT 1uF 20%	50V
C856	1-126-960-11	ELECT 1uF 20%	50V
C858	1-126-960-11	ELECT 1uF 20%	50V
C862	1-126-960-11	ELECT 1uF 20%	50V
C867	1-126-960-11	ELECT 1uF 20%	50V

Ref. No.	Part No.	Description	Remark
< IC >			
IC813	8-759-529-20	IC NJM2296D	
< JACK >			
J805	1-766-400-11	JACK, PIN 2P (VIDEO1 OUT/VIDEO2 IN)	
J806	1-766-400-11	JACK, PIN 2P (MONITOR/VIDEO1 IN)	
J807	1-766-399-11	JACK, PIN 3P (VIDEO2 OUT/DVD/LD/TV/DBS)	
< COIL >			
L805	1-410-521-11	INDUCTOR 100uH	
L806	1-410-521-11	INDUCTOR 100uH	
< RESISTOR >			
R861	1-247-804-11	CARBON 75 5%	1/4W
R862	1-247-804-11	CARBON 75 5%	1/4W
R863	1-247-804-11	CARBON 75 5%	1/4W
R866	1-247-804-11	CARBON 75 5%	1/4W
R868	1-247-804-11	CARBON 75 5%	1/4W
R869	1-247-804-11	CARBON 75 5%	1/4W
R879	1-247-804-11	CARBON 75 5%	1/4W
*****			
MISCELLANEOUS			
*****			
56	1-698-792-11	FAN, DC (DA555ES)	
68	1-693-407-11	TUNER	
74	1-773-115-11	WIRE (FLAT TYPE)(19 CORE)	
△ 77	1-559-479-11	CORD, POWER	
IC502	8-749-014-72	IC SAP15N	
IC503	8-749-014-73	IC SAP15P	
IC552	8-749-014-72	IC SAP15N	
IC553	8-749-014-73	IC SAP15P	
IC602	8-749-014-72	IC SAP15N	
IC603	8-749-014-73	IC SAP15P	
IC702	8-749-014-72	IC SAP15N	
IC703	8-749-014-73	IC SAP15P	
IC752	8-749-014-72	IC SAP15N	
IC753	8-749-014-73	IC SAP15P	
△ T901	1-431-921-11	TRANSFORMER, POWER (DA555ES:US)	
△ T901	1-431-922-11	TRANSFORMER, POWER (DA555ES:CND)	
△ T901	1-431-925-11	TRANSFORMER, POWER (DA333ES:US)	
△ T901	1-431-926-11	TRANSFORMER, POWER (DA333ES:CND)	
*****			
ACCESSORIES & PACKING MATERIALS			
*****			
1-418-292-11	REMOTE COMMANDER (RM-TP502)(DA555ES)		
1-418-293-11	REMOTE COMMANDER (RM-LJ302)(DA333ES)		
1-501-374-11	ANTENNA, LOOP		
1-528-174-31	BATTERY, LITHIUM (CR2032 TYPE)(DA555ES)		
3-866-289-11	MANUAL, INSTRUCTION (ENGLISH)		
3-866-289-21	MANUAL, INSTRUCTION (FRENCH)		
	(DA333ES:CND/DA555ES:CND)		
3-866-294-11	MANUAL (RM-TP502), INSTRUCTION		
	(ENGLISH,FRENCH,SPANISH)(DA555ES)		

The components identified by mark △ or dotted line with mark △ are critical for safety. Replace only with part number specified.	Les composants identifiés par une marque △ sont critiques pour la sécurité. Ne les remplacer que par une pièce portant le numéro spécifié.
--	--

# STR-DA333ES/DA555ES

<u>Ref. No.</u>	<u>Part No.</u>	<u>Description</u>	<u>Remark</u>
3-866-295-11	MANUAL (RM-LJ302), INSTRUCTION (ENGLISH)(DA333ES)		
3-866-295-21	MANUAL (RM-LJ302), INSTRUCTION (FRENCH,SPANISH)(DA333ES:CND)		
3-866-670-11	MANUAL,COMMONNESS INSTRUCTION (ENGLISH)		
3-866-670-21	MANUAL,COMMONNESS INSTRUCTION (ENGLISH,FRENCH,GERMAN,SPANISH,DUTCH,PORTUGUESE, SWEDISH,ITALIAN,CHINSESE) (DA333ES:CND/DA555ES:CND)		
4-210-990-01	BATTERY CASE (For RM-LJ302)(DA333ES)		
4-219-754-01	CARD, OWNER REGISTRATION (DA333ES:US/DA555ES:US)		
4-997-648-11	COVER, BATTERY (For RM-TP502)(DA555ES)		
4-997-658-01	PEN (For RM-TP502)(DA555ES)		

\*\*\*\*\*

\*\*\*\*\*  
HARDWARE LIST  
\*\*\*\*\*

#1	7-685-646-79	SCREW +BVTP 3X8 TYPE2 IT-3
#2	7-685-881-09	SCREW +BVTT 4X8 (S)
#3	7-685-885-09	SCREW +BVTT 4X16 (S)
#4	7-685-872-09	SCREW +BVTT 3X8 (S)