

STR-DB830/DB930/V929X

SERVICE MANUAL

Ver 1.1 2002.02



Photo : STR-DB930 (BLACK model)

US Model

STR-DB930/DB830

Canadian Model

STR-DB930

AEP Model

STR-DB930/DB830

E Model

Australian Model

STR-DB930

Chinese Model

STR-V929X

Manufactured under license from Dolby Laboratories Licensing Corporation.

"DOLBY" and the double-D symbol \square are trademarks of Dolby Laboratories Licensing Corporation.

SPECIFICATIONS

AUDIO POWER SPECIFICATIONS

POWER OUTPUT AND TOTAL HARMONIC DISTORTION : With 8 Ω loads, both channels driven, from 20 - 20,000 Hz ; rated 110 W (STR-DB930) and 100 W (STR-DB830) per channel minimum RMS power, with no more than 0.05 % total harmonic distortion from 250 mW to rated output (USA model only).

Amplifier section

POWER OUTPUT

Stereo mode

North American model

(8 Ω 20 Hz - 20 kHz, THD 0.05 %)

STR-DB930 : 110 W + 110 W

STR-DB830 : 100 W + 100 W

(4 Ω 20 Hz - 20 kHz, THD 0.05 %)

STR-DB930 : 100 W + 100 W

STR-DB830 : 90 W + 90 W

Other model

100 W + 100 W (8 Ω DIN 1kHz)

100 W + 100 W (4 Ω DIN 1kHz)

90 W + 90 W (8 Ω 20Hz-20kHz, thd0.05%)

90 W + 90 W (4 Ω 20Hz-20kHz, thd0.05%)

Surround mode

North American model

(8 Ω 20 Hz - 20 kHz, THD 0.09 %)

STR-DB930 : Front : 110 W + 110 W

Center^{a)} : 110 W

Rear^{a)} : 110 W + 110 W

STR-DB830 : Front : 100 W + 100 W

Center^{a)} : 100 W

Rear^{a)} : 100 W + 100 W

(4 Ω 20 Hz - 20 kHz, THD 0.09 %)

STR-DB930 : Front : 100 W + 100 W

Center^{a)} : 100 W

Rear^{a)} : 100 W + 100 W

STR-DB830 : Front : 90 W + 90 W

Center^{a)} : 90 W

Rear^{a)} : 90 W + 90 W

Other model

(8 Ω 20 Hz - 20 kHz, THD 0.09 %)

Front : 90 W + 90 W

Center^{a)} : 90 W

Rear^{a)} : 90 W + 90 W

(4 Ω 20 Hz - 20 kHz, THD 0.05 %)

Front : 90 W + 90 W

Center^{a)} : 90 W

Rear^{a)} : 90 W + 90 W

a) Depending on the sound field settings and the source, there may be no sound output.

Dynamic power output

STR-DB930 : 165 W + 165 W, 8 Ω

250 W + 250 W, 4 Ω

STR-DB830 : 155 W + 155 W, 8 Ω

240 W + 240 W, 4 Ω

Frequency response

PHONO : RIAA

equalization curve ± 0.5 dB

CD, TAPE, MD/DAT, TAPE/MD, DVD/LD, TV/SAT, VIDEO

1,2, and VIDEO3:

10 Hz - 50 kHz + 0.5/-2

dB(with sound field, equalizer, and

bass boost bypassed)

Inputs(Analog)

PHONO :

Sensitivity : 2.5 mV

Impedance : 50 k Ω

S/N^(b) : 86 dB(A, 2.5 mV^(c))

— Continued on next page —

FM STEREO FM-AM RECEIVER

9-928-896-12

2002B1600-1

© 2002.02

Sony Corporation

Home Audio Company

Published by Sony Engineering Corporation

SONY®

5.1CH INPUT, CD, DVD/LD, TAPE,
MD/DAT, TAPE/MD, TV/SAT,
VIDEO 1, 2, and VIDEO 3 :
Sensitivity : 150 mV
Impedance : 50 k Ω
S/N^{b)} : 96 dB(A, 150 mV^{c)})

b) INPUT SHORT

c) Weighted network, input level

Input(Digital)

DVD/LD (coaxial) :

Sensitivity : -
Impedance : 75 Ω
S/N : 100 dB(A, 20 kHz LPF)

DVD/LD, TV/SAT, MD/DAT (Optical)

Sensitivity : -
Impedance : -
S/N : 100 dB(A, 20 kHz LPF)

Outputs TAPE, MD/DAT, TAPE/MD, (REC OUT)
; VUDEO 1, 2 (AUDIO OUT) :

Voltage : 150 mV
Impedance : 10 k Ω

FRONT L/R, CENTER, REAR L/R, SUB
WOOFER :

Voltage : 2V
Impedance : 1 k Ω

PHONES :

Accepts low-and high-impedance headphones

BASS BOOST +6 dB at 70 Hz

Sampling Frequency 48 kHz

EQ BASS : 100 Hz - 1.0 kHz(21 steps)

MID : 500 Hz - 5.0 kHz(21 steps)

TREBLE : 1.0 kHz - 10 kHz(21 steps)

Gain levels : ± 10 dB, 1 dB step

FM tuner section

Tuning range 87.5 - 108.0 Hz

Antenna terminals

75 Ω , unbalanced

Sensitivity Mono : 18.3 dBf, 2.2 μ V/75 Ω

Stereo : 38.3 dBf, 22.5 μ V/75 Ω

Usable sensitivity

11.2 dBf, 1 μ V/75 Ω

S/N Mono : 76 dB

Stereo : 70 dB

Harmonic distortion at 1 kHz

Mono : 0.3 %

Stereo : 0.5 %

Separation 45 dB at 1 kHz

Frequency response 30 Hz - 15 kHz +0.5/-2 dB

Sensitivity 60 dB at 400 kHz

AM tuner section

North American and E models

With 10-kHz tuning scale : 530 - 1,710 kHz^{d)}

With 9-kHz tuning scale : 531 - 1,710 kHz^{d)}

Other models

531 - 1,602 kHz

Antenna Loop antenna

Usable sensitivity

50 dB/m(at 1,000 kHz or 999 kHz)

S/N 54 dB(at 50 mV/m)

Hermonic distortion

0.5 % (50 mV/m, 400 kHz)

Selectivity At 9 kHz : 35 dB

At 10 kHz : 40 dB

d) You can change the AM tuning scale to 9kHz. After tuning in any AM station, turn off the receiver. Hold down the TUNING + button and press the I/⏻ button. All preset stations will be erased when you change the tuning scale. To reset the scale to 10 kHz, repeat the procedure.

Video section

Inputs Video : 1 Vp-p 75 Ω

S-video : Y : 1 Vp-p 75 Ω

C : 0.286 Vp-p 75 Ω

Outputs Video : 1 Vp-p 75 Ω

S-video : Y : 1 Vp-p 75 Ω

C : 0.286 Vp-p 75 Ω

General

System Tuner section :

PLL quartz-locked digital synthesizer system

Preamplifier section :

Low-noise NF type equalizer

Power amplifier section :

Pure-complementary SEPP

Power requirements

USA, Canadian models

120V AC, 60Hz

Australian model

240V AC, 50Hz

Other model

220 - 230V AC 50/60Hz

Power consumption

STR-DB930

Canadian :400 VA

Other models :290 W

STR-DB830

North American models : 280 W

AC outlets

North American models : 2 switched, total 120 W/1A

Other models : 1 switched, max 100 W

Dimensions 430 \times 405 \times 160.5 mm

(17 \times 16 \times 6³/₈ in.)

including projecting parts and controls

Mass(Approx.)

13 kg(28 lb 11oz)

Supplied accessories

- FM wire antenna (1)
- AM loop antenna (1)
- Audio/video/control S connecting cord (1)
- CONTROL A1 connecting cord (1)
- FM antenna adapter (1)

STR-DB930, V929X only

- Remote commander RM-LJ302 (remote) (1)
- LR6 (size-AA) alkaline batteries (3)

STR-DB830 only

- Remote commander RM-PP402 (remote) (1)
- LR6 (size-AA) batteries (2)

Design and specifications are subject to change without notice.

MODEL IDENTIFICATION

- BACK PANEL -



PART NO.

MODEL	PARTS No.
DB930: US model	4-217-716-0□
DB930: Canadian model	4-217-716-1□
DB930: Malaysia, Singapore models	4-217-716-2□
V929X	4-217-716-3□
DB930: Australian model	4-217-716-4□
DB930: AEP model	4-217-716-5□
DB830: US model	4-217-716-6□
DB830: AEP model	4-217-716-7□

TABLE OF CONTENTS

SAFETY CHECK-OUT (US model only)

After correcting the original service problem, perform the following safety checks before releasing the set to the customer: Check the antenna terminals, metal trim, "metallized" knobs, screws, and all other exposed metal parts for AC leakage. Check leakage as described below.

LEAKAGE

The AC leakage from any exposed metal part to earth ground and from all exposed metal parts to any exposed metal part having a return to chassis, must not exceed 0.5 mA (500 microamperes). Leakage current can be measured by any one of three methods.

1. A commercial leakage tester, such as the Simpson 229 or RCA WT-540A. Follow the manufacturers' instructions to use these instruments.
2. A battery-operated AC milliammeter. The Data Precision 245 digital multimeter is suitable for this job.
3. Measuring the voltage drop across a resistor by means of a VOM or battery-operated AC voltmeter. The "limit" indication is 0.75 V, so analog meters must have an accurate low-voltage scale. The Simpson 250 and Sanwa SH-63Trd are examples of a passive VOM that is suitable. Nearly all battery operated digital multimeters that have a 2V AC range are suitable. (See Fig. A)

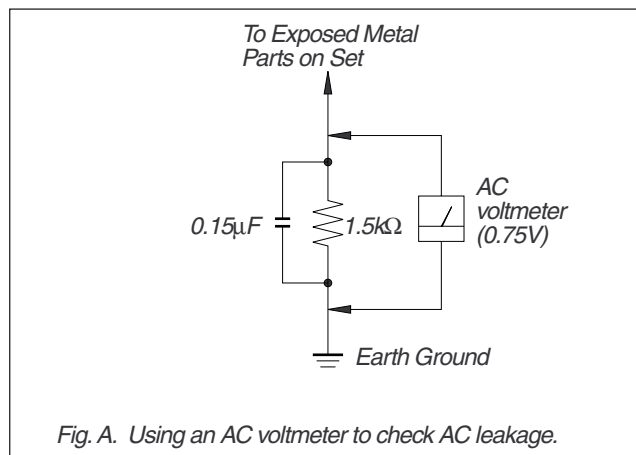


Fig. A. Using an AC voltmeter to check AC leakage.

1. GENERAL	4
2. SERVICEING NOTE	6
3. TEST MODE	6
4. DIAGRAMS	
4-1. Block Diagram Main Section	7
4-2. Block Diagram Power Section	9
4-3. Circuit Board Location	11
4-4. Schematic Diagram Digital Section(1/3)	13
4-5. Schematic Diagram Digital Section(2/3)	15
4-6. Schematic Diagram Digital Section(3/3)	17
4-7. Printed Wiring Board Digital Section(1/2)	19
4-8. Printed Wiring Board Digital Section(2/2)	21
4-9. Printed Wiring Board Display Section	23
4-10. Schematic Diagram Display Section	25
4-11. Printed Wiring Board Speaker Switch Section	27
4-12. Schematic Diagram Speaker Switch Section	29
4-13. Printed Wiring Board Rear AMP Section	31
4-14. Schematic Diagram Rear AMP Section	33
4-15. Printed Wiring Board Power Section	35
4-16. Schematic Diagram Power Section	37
4-17. Printed Wiring Board Video Section	39
4-18. Schematic Diagram Video Section	41
4-19. Printed Wiring Board Main Section	43
4-20. Schematic Diagram Main Section(1/2)	45
4-21. Schematic Diagram Main Section(2/2)	47
4-22. IC Pin Function	49
4-23. IC Block Diagrams	58
5. EXPLODED VIEWS	
5-1. Front Panel Section	62
5-2. Chassis Section	64
6. ELECTRICAL PARTS LIST	66

与安全有关的零部件须知

在原理图上用阴影及 △ 标记来识别的零部件在安全操作上是具有关键性的。这些零部件要用本手册中所示的部件号对应的索尼零部件进行更换。

在安全操作上具有关键性的电路调整与索尼公司出版的维修手册完全一致。在更换关键零部件时或怀疑动作失常时，请进行这些调整操作。

SAFETY-RELATED COMPONENT WARNING!!

COMPONENTS IDENTIFIED BY MARK △ OR DOTTED LINE WITH MARK △ ON THE SCHEMATIC DIAGRAMS AND IN THE PARTS LIST ARE CRITICAL TO SAFE OPERATION. REPLACE THESE COMPONENTS WITH SONY PARTS WHOSE PART NUMBERS APPEAR AS SHOWN IN THIS MANUAL OR IN SUPPLEMENTS PUBLISHED BY SONY.

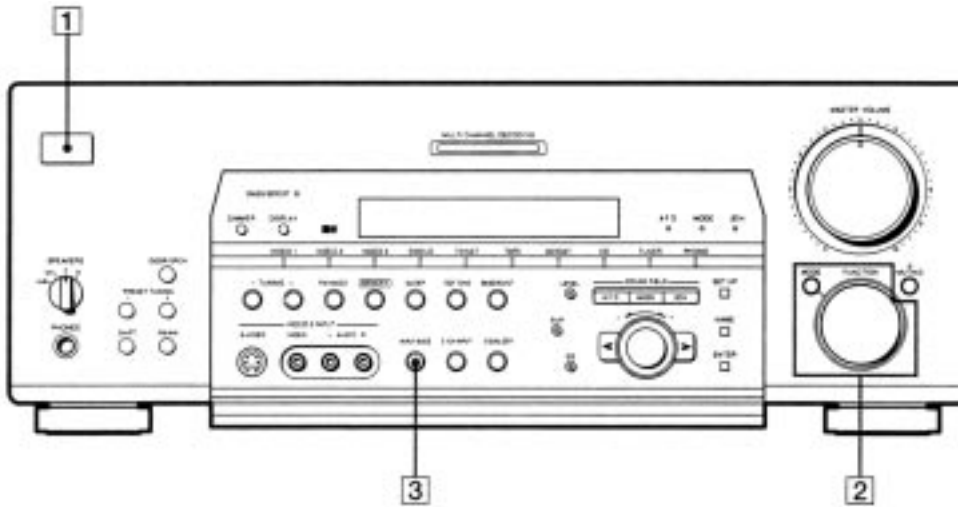
ATTENTION AU COMPOSANT AYANT RAPPORT À LA SÉCURITÉ!

LES COMPOSANTS IDENTIFIÉS PAR UNE MARQUE △ SUR LES DIAGRAMMES SCHÉMATIQUES ET LA LISTE DES PIÈCES SONT CRITIQUES POUR LA SÉCURITÉ DE FONCTIONNEMENT. NE REMPLACER CES COMPOSANTS QUE PAR DES PIÈCES SONY DONT LES NUMÉROS SONT DONNÉS DANS CE MANUEL OU DANS LES SUPPLÉMENTS PUBLIÉS PAR SONY.

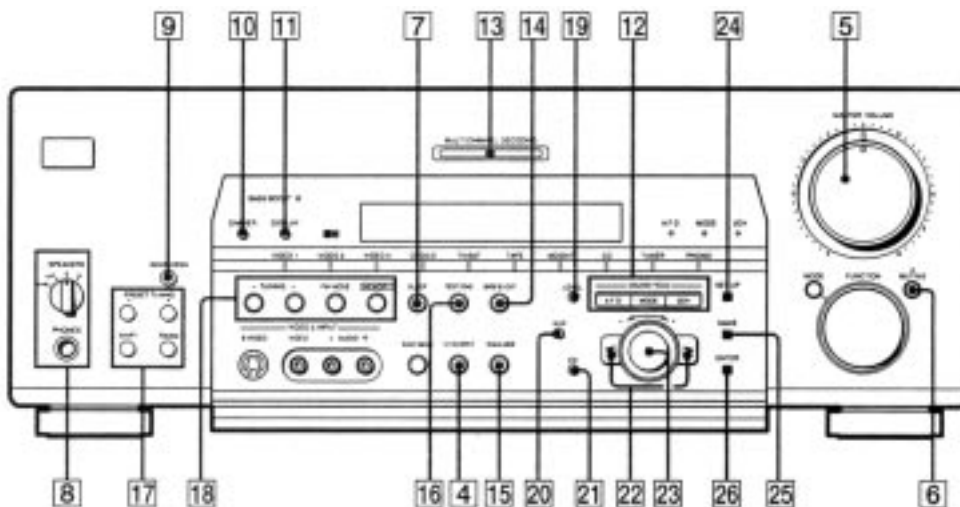
SECTION 1 GENERAL

Identifying the Parts

Front Panel



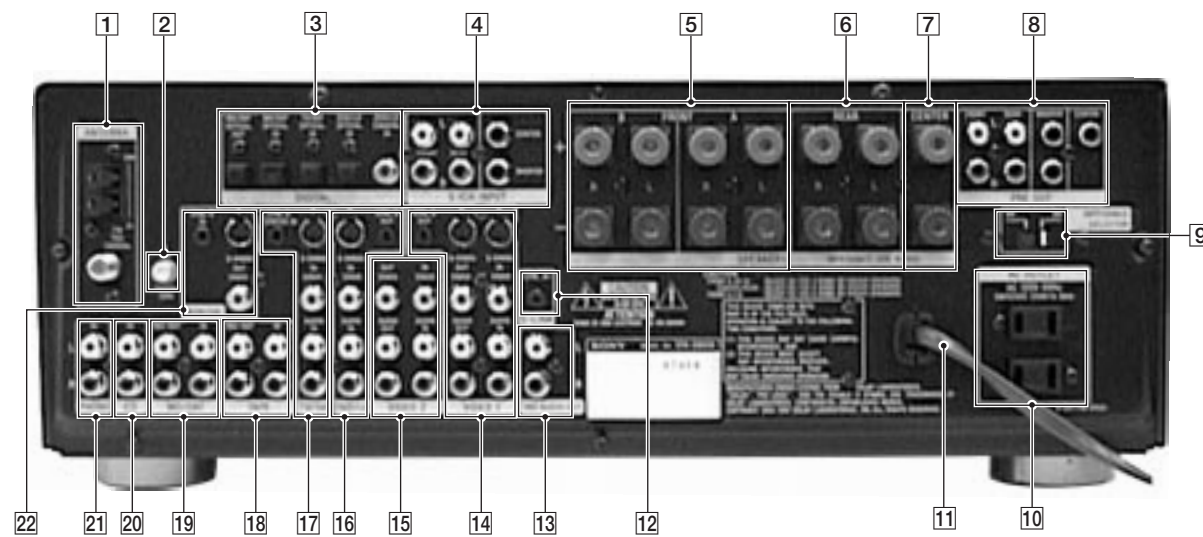
- 1 I/O switch
- 2 FUNCTION control
MODE button
- 3 INPUT MODE button



- | | | | |
|----|----------------------------------|----|-------------------------------|
| 4 | 5.1CH INPUT button | 16 | TEST TONE button (EXCEPT AEP) |
| 5 | MASTER VOLUME control | | RDS EON button (AEP model) |
| 6 | MUTING button | 17 | PRESET TUNING +/- buttons |
| 7 | SLEEP button (EXCEPT AEP) | | SHIFT button |
| | RDS PTY button (AEP model) | | FM/AM button |
| 8 | SPEAKERS selector | 18 | TUNING +/- buttons |
| | PHONES jack | | FM MODE button |
| 9 | DOOR OPEN button | | MEMORY button |
| 10 | DIMMER button | 19 | LEVEL button |
| 11 | DISPLAY button | 20 | SUR button |
| 12 | A.F.D button/indicator | 21 | EQ button |
| | MODE button/indicator | 22 | Cursor buttons (</>) |
| | 2CH button/indicator | 23 | Jog dial |
| 13 | MULTI CHANNEL DECODING indicator | 24 | SET UP button |
| 14 | BASS BOOST button | 25 | NAME button |
| 15 | EQUALIZER button | 26 | ENTER button |

SECTION 2 SERVICING NOTE

Rear Panel



- | | |
|----------------------|------------------|
| 1 ANTENNA | 12 S-LINK |
| 2 SIGNAL GND | 13 2ND AUDIO OUT |
| 3 DIGITAL | 14 VIDEO 1 |
| 4 5-1 CH INPUT | 15 VIDEO 2 |
| 5 SPEAKERS (FRONT) | 16 DVD/LD |
| 6 SPEAKERS (REAR) | 17 TV/SAT |
| 7 SPEAKERS (CENTER) | 18 TAPE |
| 8 PREOUT | 19 MD/DAT |
| 9 IMPEDANCE SELECTOR | 20 CD |
| 10 AC OUTLET | 21 PHONO |
| 11 AC power cord | 22 MONITOR |

1. When the front panel is removed, the VR board is removed at the same time. Consequently the LEDs cannot be turned on and the sound volume cannot be increased or decreased from the remote control.

2. When servicing the DIGITAL board, be sure to connect the earth land of the DIGITAL board with the chassis frame so that the earth potential of the DIGITAL board must not be floated from the chassis frame.

SECTION 3 TEST MODE

FLUORESCENT INDICATOR TUBE TEST MODE

* All fluorescent segments are tested. When this test is activated, all segments turn on at the same time, then each segment turns on one after another.

* Procedure:

While depressing the ENTER, the LEVEL and the EQ buttons simultaneously, press the power [I/⏻] button to turn on the main power. All segments turn on at the same time, then each segment turns on press the ENTER button.

FACTORY SET MODE

* All preset contents are reset to the default setting.

* Procedure:

While depressing the SET UP, the LEVEL and the ENTER buttons simultaneously, press the power [I/⏻] button to turn on the main power. The message Factory Set appears and the present contents are reset to the default values.

ALL CLEAR MODE

* All preset contents are cleared when this mode is activated. Use this mode before returning the product to clients upon completion of repair.

* Procedure:

While depressing the SET UP button simultaneously, press the power [I/⏻] button to turn on the main power. The machine enters the DEMO mode. DEMO mode: Wait a while, then the demonstration starts. If the power [I/⏻] button is pressed often the demonstration has started, the power is turned off, and the demonstration resumes if the power [I/⏻] button is pressed again. ALL CLEAR mode: If the power [I/⏻] button is pressed often the machine enters the DEMO mode, but before the demonstration starts, the display is turned off. Press [I/⏻] again. No response is returned. The press [I/⏻] again. The preset data is cleared and the machine enters the normal power-on state.

SOUND FIELD CLEAR MODE

* The preset sound field is cleared when this mode is activated. Use this mode before returning the product to clients upon completion of repair.

* Procedure:

While depressing the SOUND FIELD MODE button, press the power [I/⏻] button to turn on the main power. The message S.F Initialize appears and initialization is performed.

AM CHANNEL STEP 9 kHz/10 kHz SELECTION MODE (US, Canadian Model)

* Either the 9 kHz step or 10 kHz step can be selected for the AM channel step.

* Procedure:

Set the FUNCTION to AM. Turn off the main power.

While depressing the TUNING+ button or the PRESET TUNING + button, press the power [I/⏻] button to turn on the main power. Either the message AM 9kHz Step or AM 10kHz Step appears. Select the desired step.

DSP TEST MODE

* It tests whether the DSP works correctly or not. When the DSP test is activated, the test data is output from the DSP (IC1401: CXD2712R) of the DIGITAL board and is written in the RAM (IC1402: IDT71V016S). When the test data is read from the RAM by the DSP, the data output must be equivalent to the original data. If they disagree, an error is triggered. Errors can be caused by the broken data line or defective soldering.

* Procedure

While pressing the SETUP, LEVEL and SUR buttons, press the POWER button to enter the DSP test mode. The message DSP TEST MODE appears. When an error occurs, the message DSP2 ERROR is displayed. When there is no error, the message DSP2 NO ERROR appears and the 1 kHz signal is output to all channels. Then, the mode can be switched the (SIGN WAVE) (THROUGH) and (INPULSE) mode.

AUTOBETICAL MODE (AEP Model only)

* This mode is installed in the Europe models only. When this mode is used, the receiver scans the broadcasts that can be received by tuner, and sets up the broadcasts. Be sure to start scanning after connecting the antenna.

Procedure:

Check that the antenna is connected. Press the POWER button while pressing the MEMORY button to turn on the power. The message "Autobetrical select" appears and scanning starts by tuner.

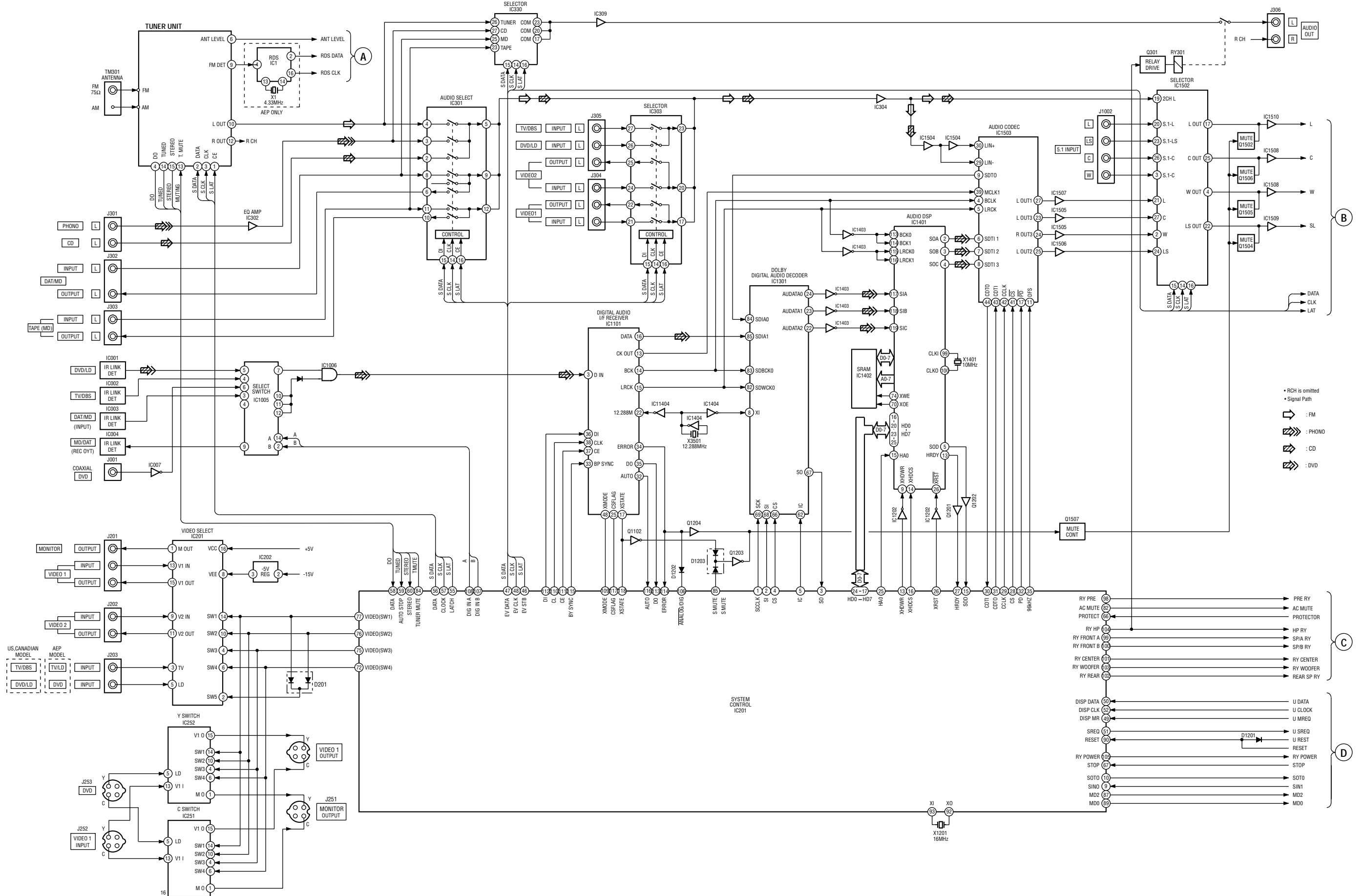
VERSION MODE

* When this mode is used, the microprocessor version number is displayed.

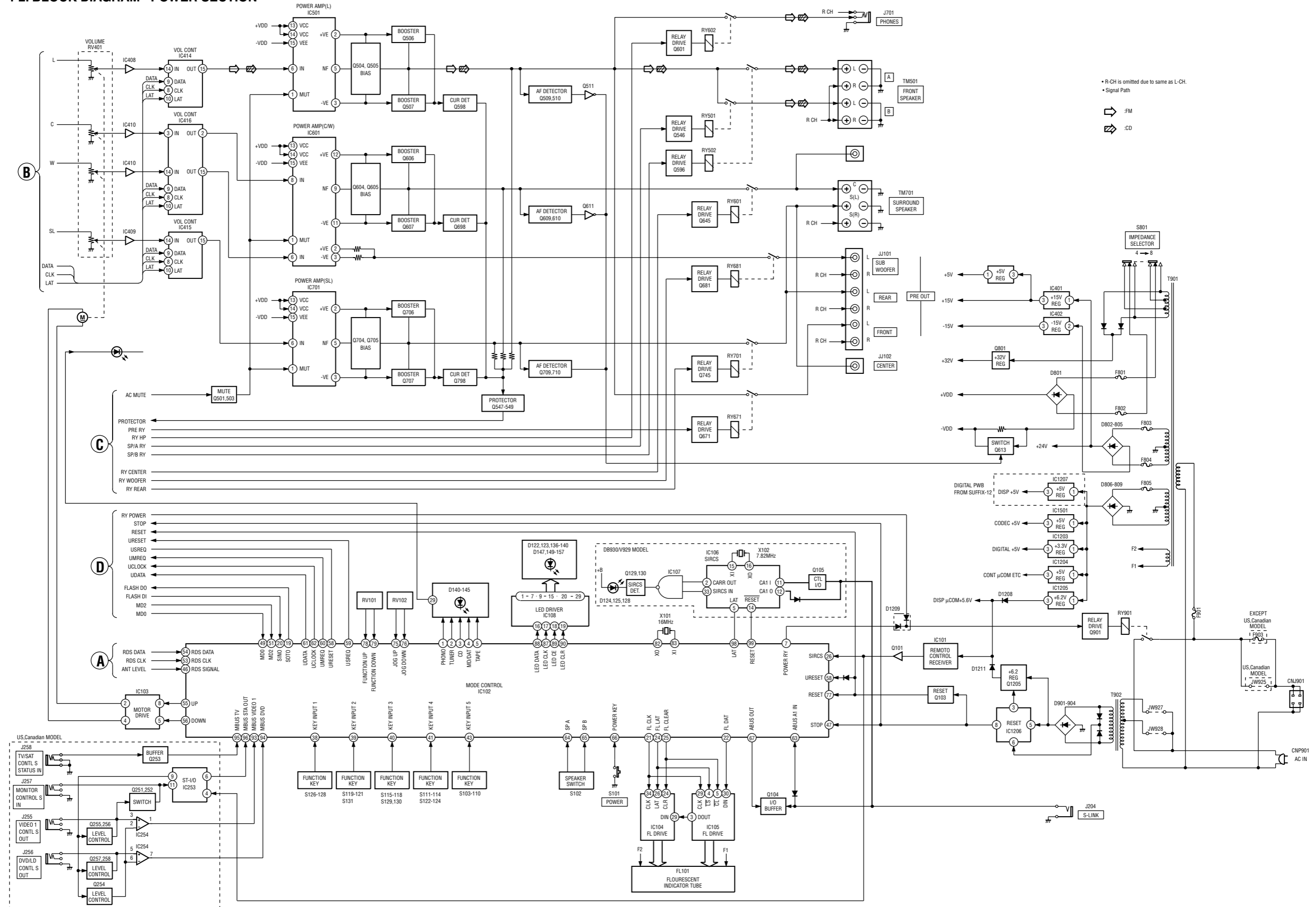
* Procedure:

Press the POWER button while pressing the ENTER, LEVEL, and SUR buttons to turn on the power. The microprocessor version number appears as follows.

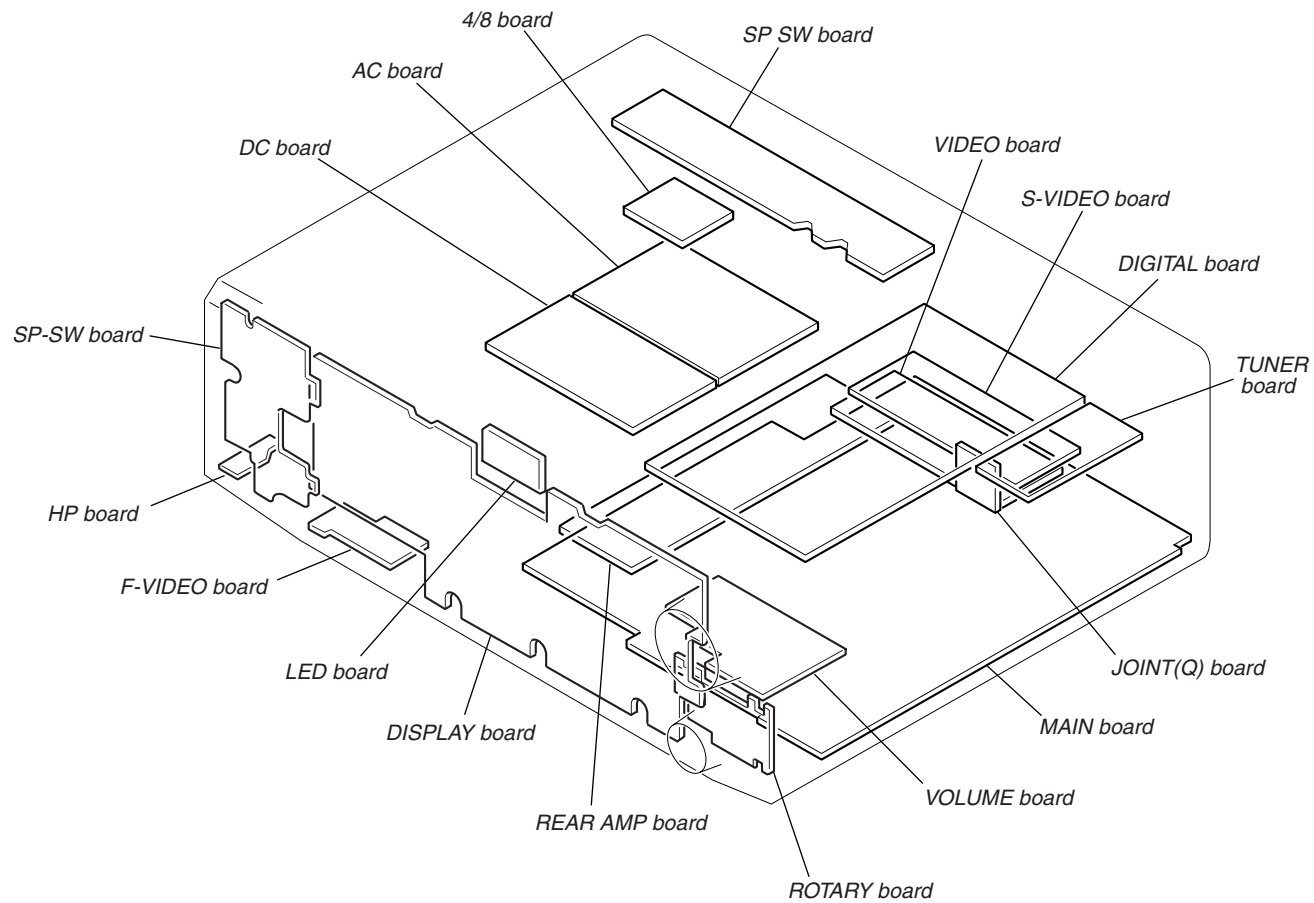
4-1. BLOCK DIAGRAM MAIN SECTION



4-2. BLOCK DIAGRAM POWER SECTION






4-3. CIRCUIT BOARD LOCATION



THIS NOTE IS COMMON FOR PRINTED WIRING BOARDS AND SCHEMATIC DIAGRAMS.
(In addition to this necessary note is printed in each block.)

For schematic diagrams.

Note:

- All capacitors are in μF unless otherwise noted. pF: μF 50 WV or less are not indicated except for electrolytics and tantalums.
- All resistors are in Ω and $1/4\text{W}$ or less unless otherwise specified.
- % : indicates tolerance.
-  : nonflammable resistor.
-  : fusible resistor.
-  : panel designation.








Note:

The components identified by mark Δ or dotted line with mark Δ are critical for safety. Replace only with part number specified.

Note:

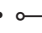


Les composants identifiés par une marque Δ sont critiques pour la sécurité. Ne les remplacer que par une pièce portant le numéro spécifié.

以阴影和 Δ 标志来识别的零部件，在安全方面具有关键性，因此只能以规定号码的零部件来更换。

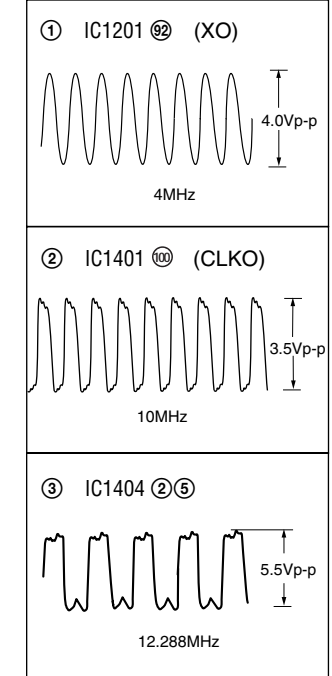
-  : B+ Line.
-  : B- Line.
-  : adjustment for repair.
- Voltages and waveforms are dc with respect to ground under no-signal (detuned) conditions. No mark : FM
- Voltages are taken with a VOM (Input impedance $10\text{M}\Omega$). Voltage variations may be noted due to normal production tolerances.
- Waveforms are taken with a oscilloscope.
- Circled numbers refer to waveforms.
- Signal path.
 -  : FM
 -  : CD
 -  : DIGITAL
 -  : PHONO
- Abbreviation
 - CND :Canadian model
 - AUS :Australian model
 - MY :Malaysia model
 - SP :Singapore model
 - CH :Chinese model

For printed wiring boards.

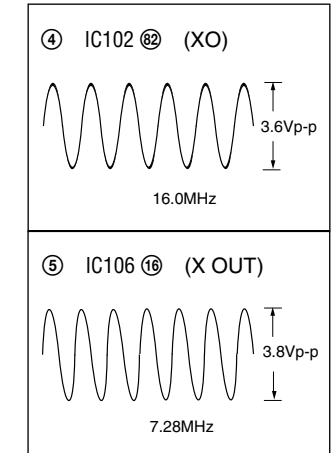
Note:

-  : parts extracted from the component side.
-  : Through hole.
-  : Pattern from the side which enables seeing.

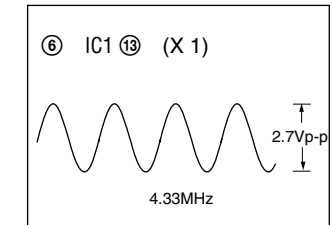
• Waveform DIGITAL Board



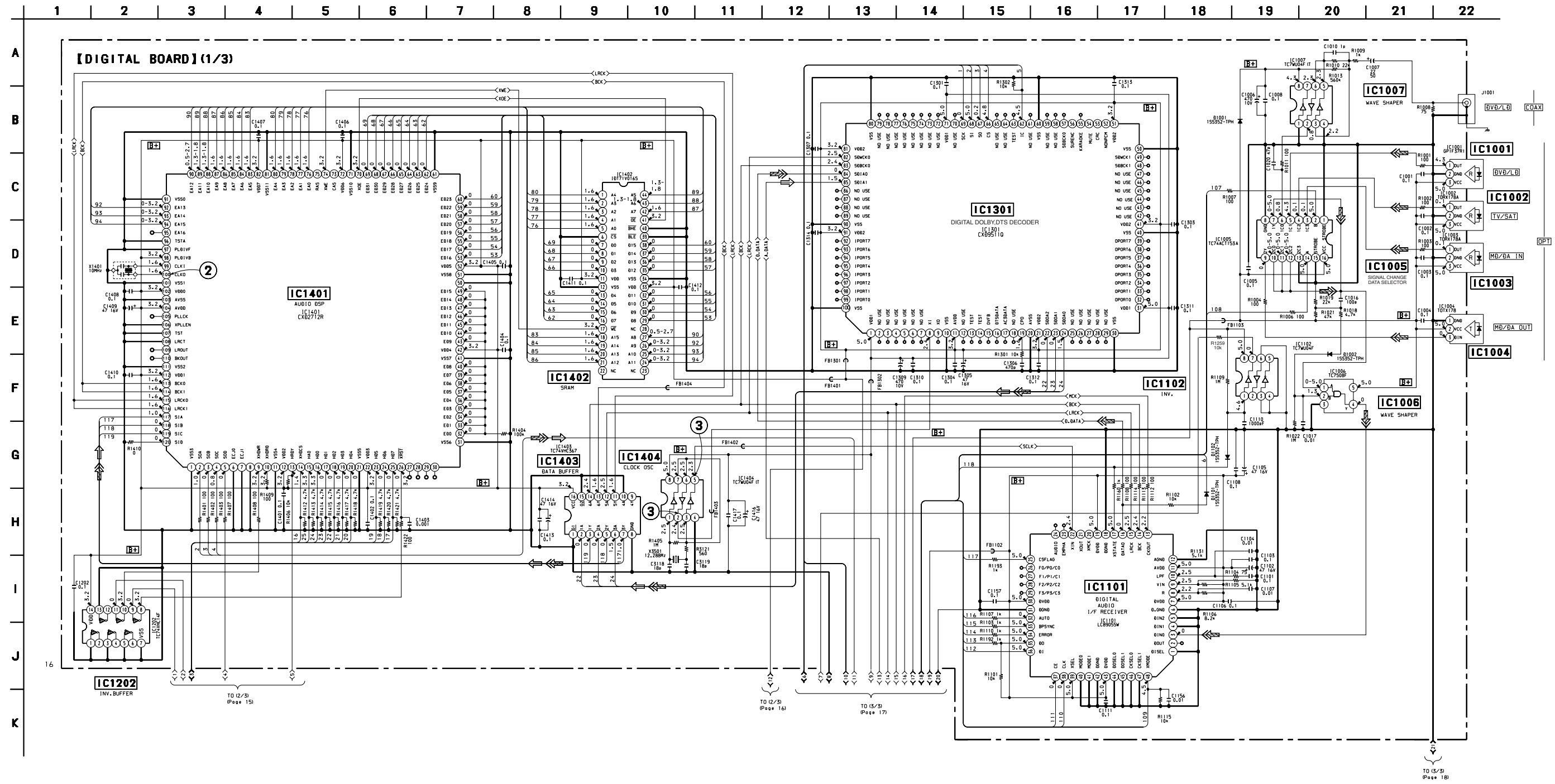
DISPLAY Board



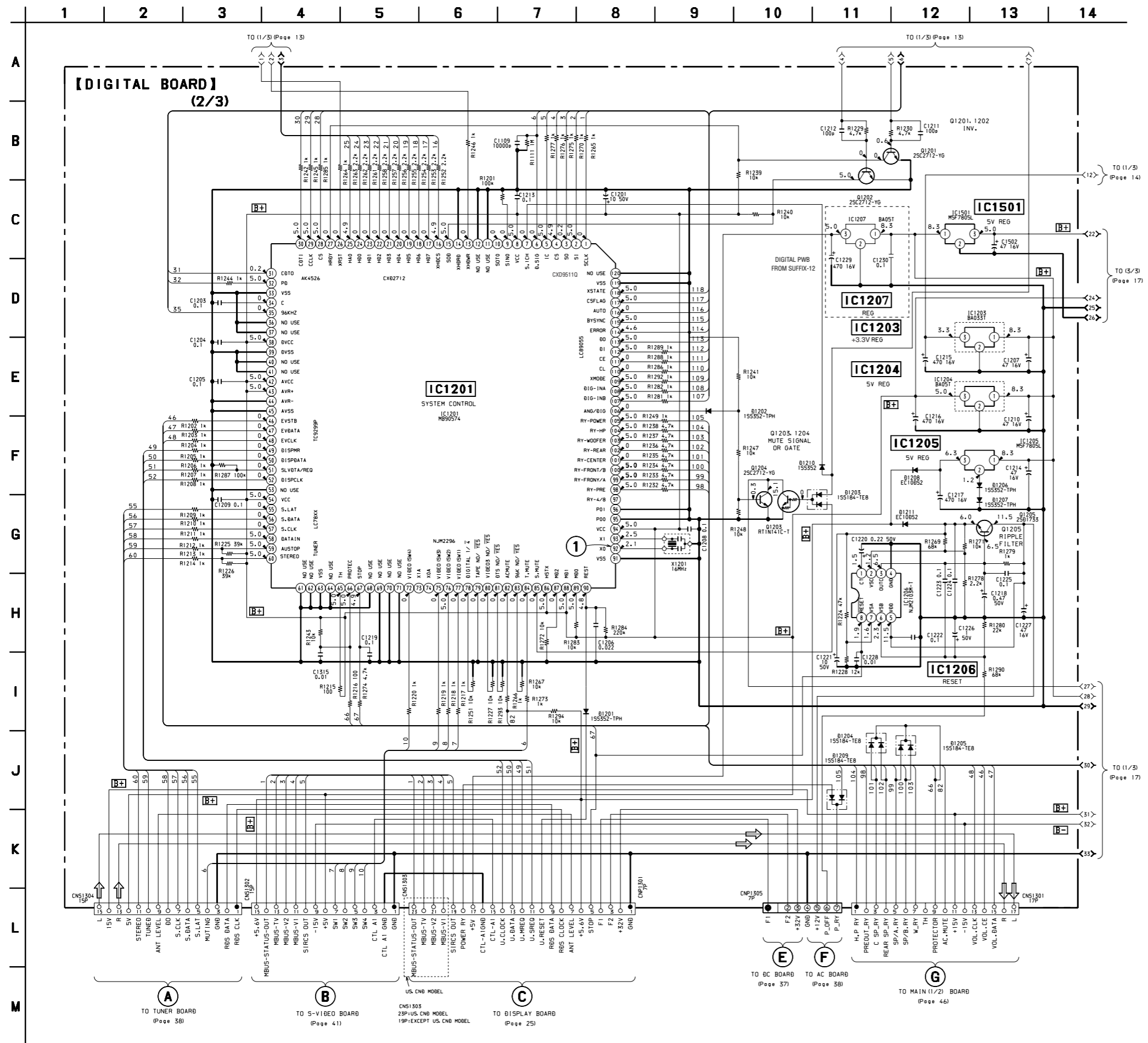
TUNER Board



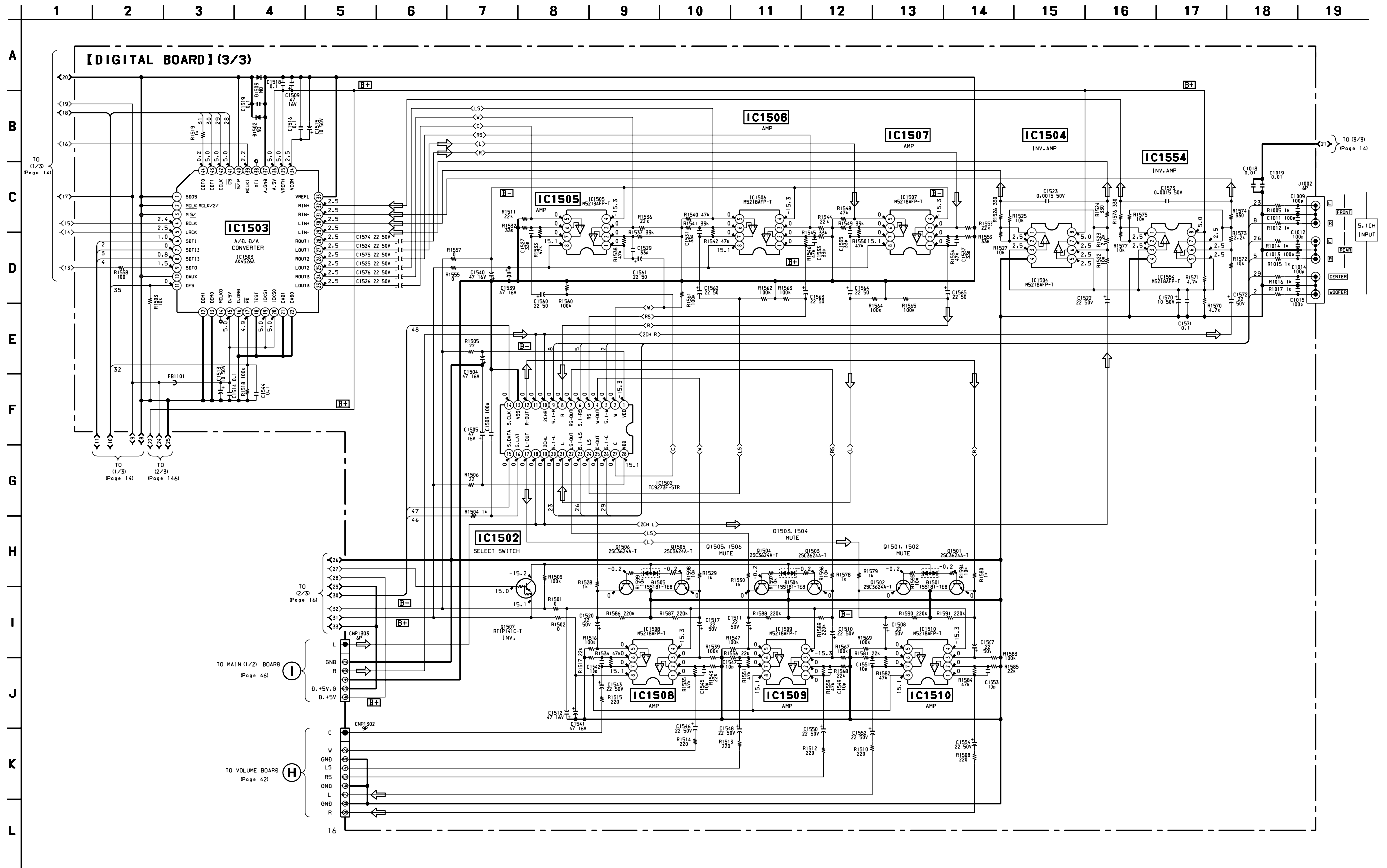
4-4. SCHEMATIC DIAGRAM DIGITAL SECTION(1/3) • See page 19 for Printed Wirig Board. • See page 12 for Waveforms. • See page 49 for IC Pin Functions. • See page 58 for IC Block Diagrams.



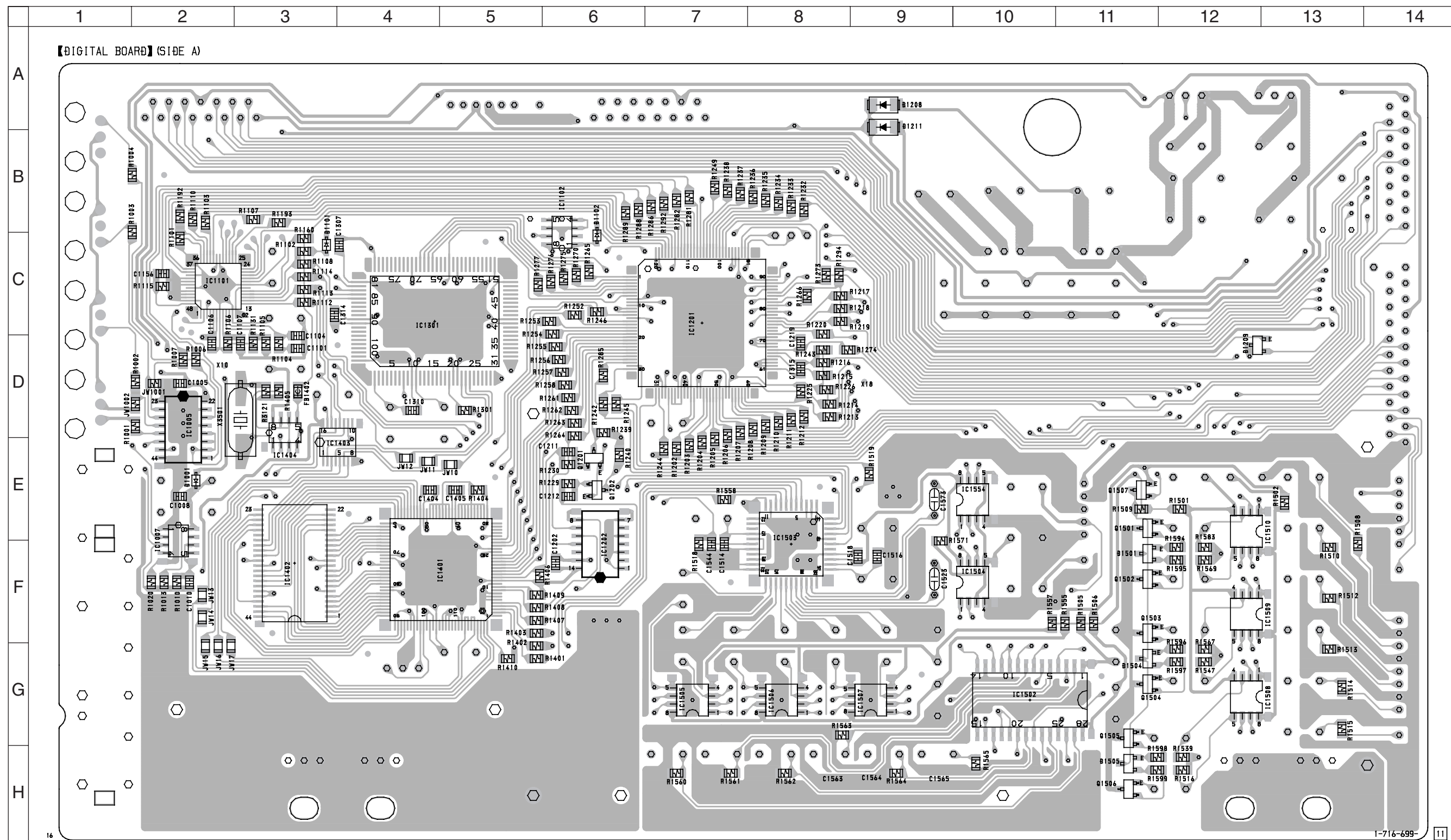
4-5. SCHEMATIC DIAGRAM DIGITAL SECTION(2/3) • See page 19 for printed wiring board. • See page 12 for Waveforms. • See page 51 for IC Pin Functions. • See page 58 for IC Block Diagrams.



4-6. SCHEMATIC DIAGRAM DIGITAL SECTION(3/3) • See page 19 for printed wiring board. • See page 54 for IC Pin Functions. • See page 58 for IC Block Diagrams.



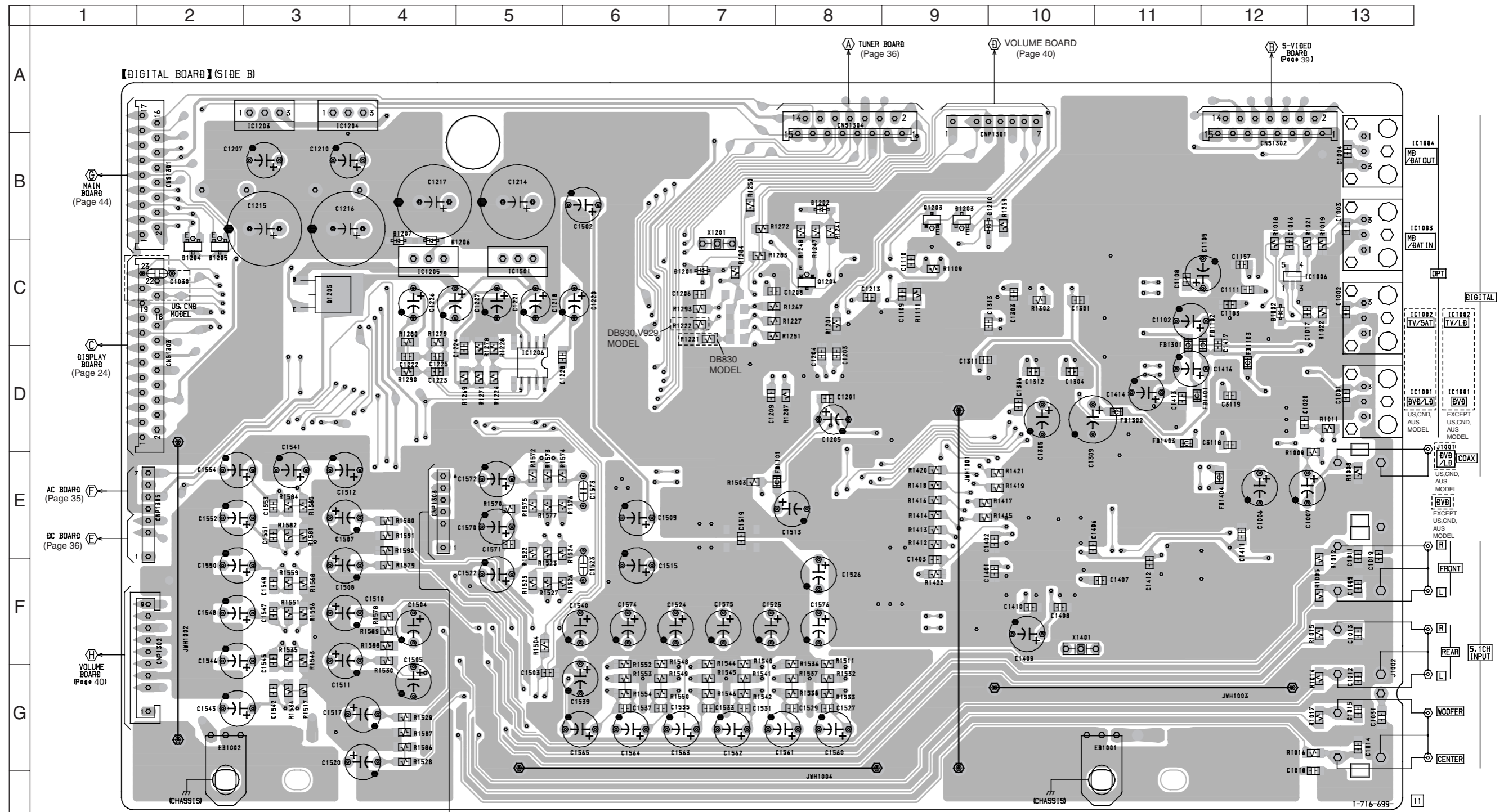
4-7. PRINTED WIRING BOARD DIGITAL SECTION(1/2) • See page 11 for circuit board location.



• Semiconductor Location

Ref. No.	Location	Ref. No.	Location	Ref. No.	Location	Ref. No.	Location
D1001	E-2	IC1007	E-2	IC1503	F-8	Q1202	E-6
D1101	C-3	IC1101	C-2	IC1504	F-10	Q1501	E-11
D1102	C-6	IC1102	C-6	IC1505	G-7	Q1502	F-11
D1208	A-9	IC1201	C-7	IC1506	G-8	Q1503	F-11
D1209	D-12	IC1202	F-6	IC1507	G-9	Q1504	G-11
D1211	A-9	IC1301	C-4	IC1508	G-12	Q1505	G-11
D1501	F-11	IC1401	F-5	IC1509	F-12	Q1506	H-11
D1504	G-11	IC1402	F-3	IC1510	E-12	Q1507	E-11
D1505	H-11	IC1403	E-3	IC1554	E-10		
		IC1404	D-3				
IC1005	D-2	IC1502	G-10	Q1201	E-6		

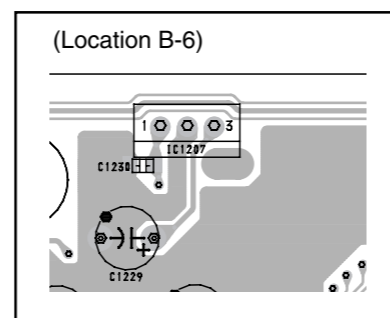
4-8. PRINTED WIRING BOARD DIGITAL SECTION(2/2) • See page 11 for circuit board location.



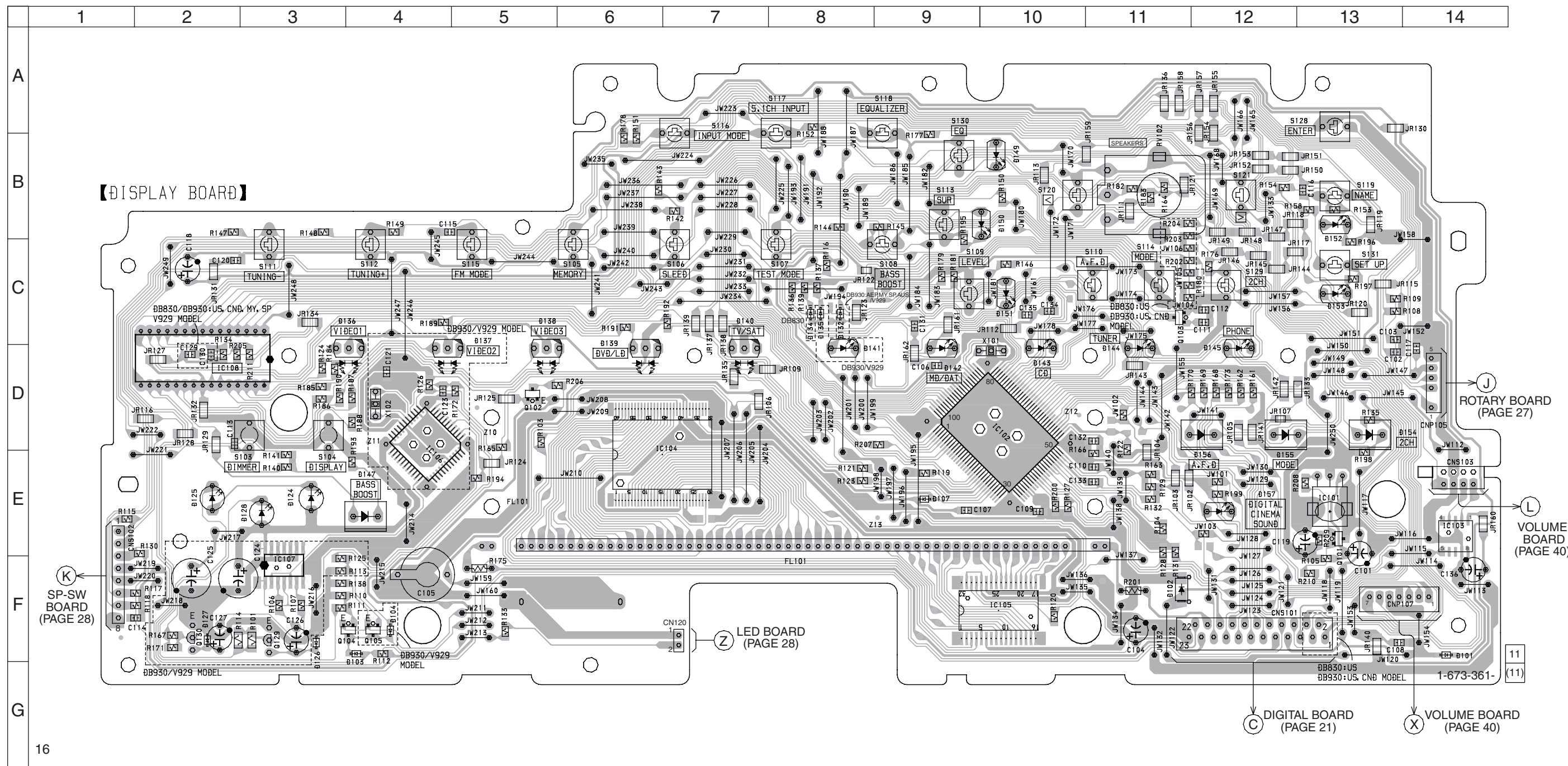
• Semiconductor Location

Ref. No.	Location	Ref. No.	Location
D1002	C-12	IC1003	B-13
D1201	C-7	IC1004	B-13
D1202	B-8	IC1006	C-12
D1203	B-9	IC1203	A-3
D1204	C-2	IC1204	A-3
D1205	C-2	IC1205	C-4
D1206	C-4	IC1206	D-5
D1207	C-4	IC1501	C-5
D1210	B-10		
IC1001	D-13	Q1203	B-9
IC1002	C-13	Q1204	C-8
		Q1205	C-3

DIGITAL PWB FROM SUFFIX-12



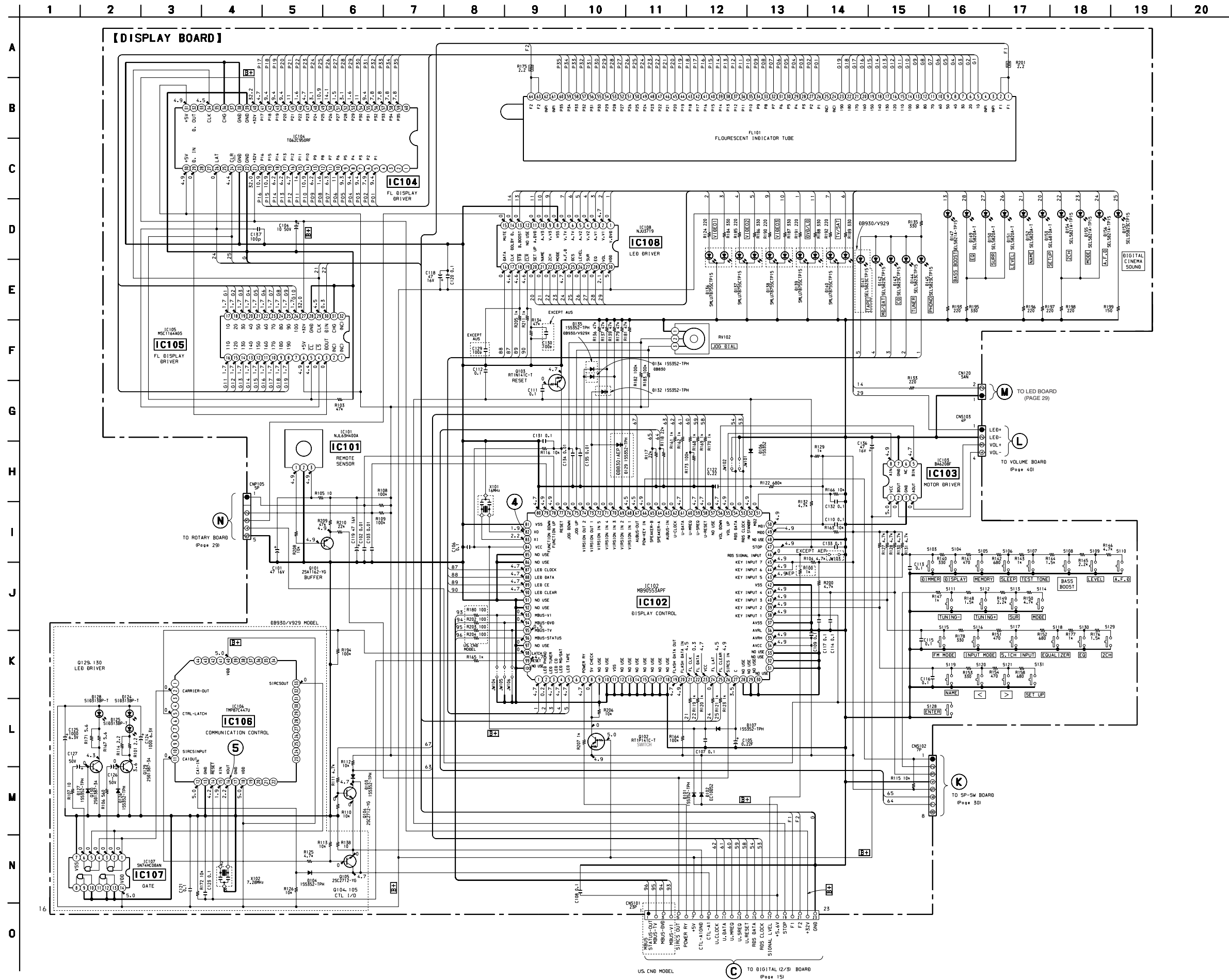
4-9. PRINTED WIRING BOARD DISPLAY SECTION • See page 11 for circuit board location.



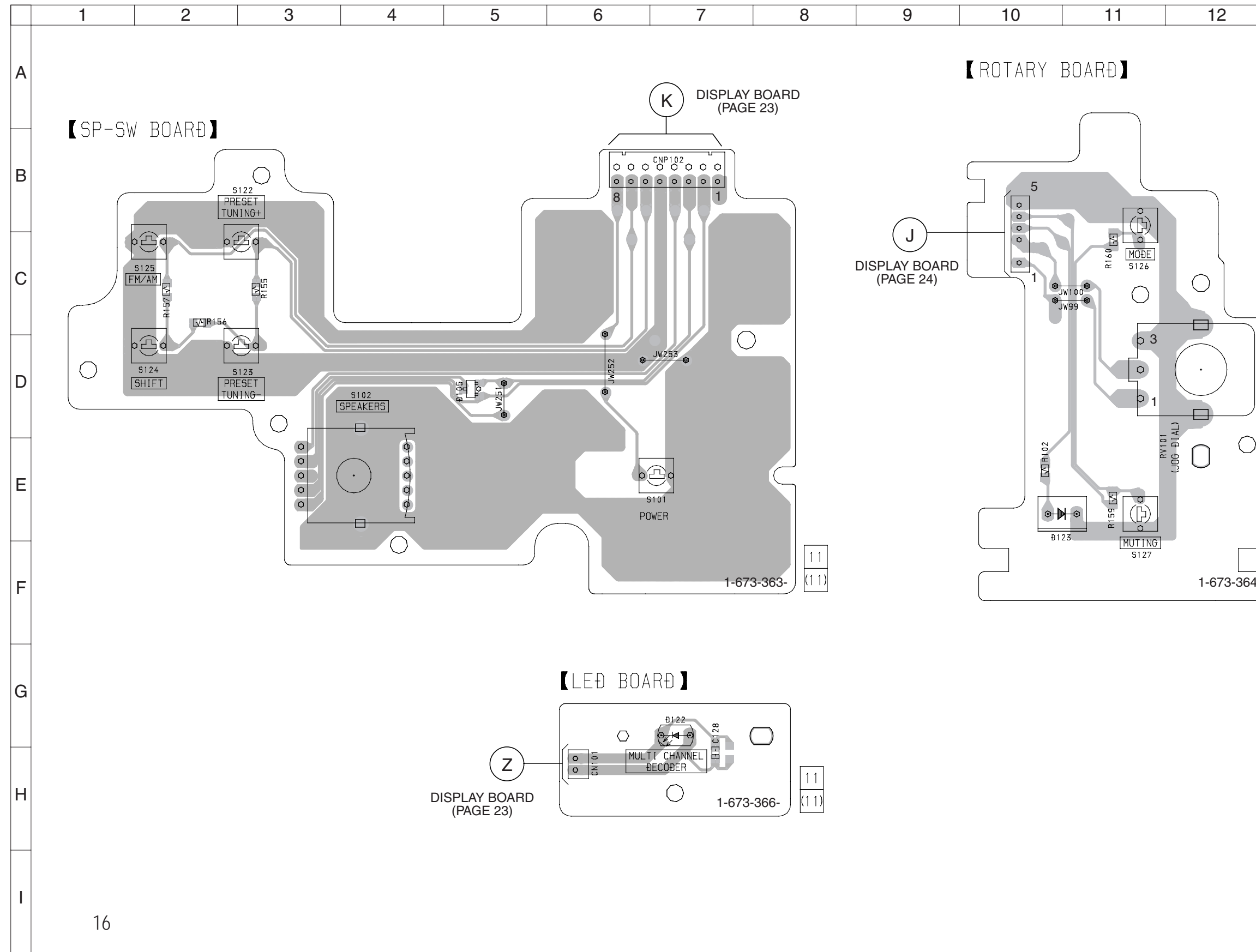
• Semiconductor Location

Ref. No.	Location	Ref. No.	Location	Ref. No.	Location	Ref. No.	Location	Ref. No.	Location
D101	F-14	D132	C-8	D144	D-11	D157	E-12	Q101	E-13
D102	F-11	D134	C-8	D145	D-12			Q102	D-5
D103	F-4	D135	C-8	D147	E-4	IC101	E-13	Q103	C-11
D104	F-4	D136	D-4	D149	B-10	IC102	D-10	Q104	F-4
D107	E-9	D137	D-4	D150	B-10	IC103	E-14	Q105	F-4
D124	E-3	D138	D-5	D151	C-10	IC104	E-7	Q129	F-3
D125	E-2	D139	D-6	D152	B-13	IC105	F-10	Q130	F-2
D126	F-4	D140	D-7	D153	C-13	IC106	E-4		
D127	F-2	D141	D-8	D154	D-13	IC107	F-3		
D128	E-3	D142	D-9	D155	D-12	IC108	D-2		
D129	E-2	D143	D-10	D156	D-12				

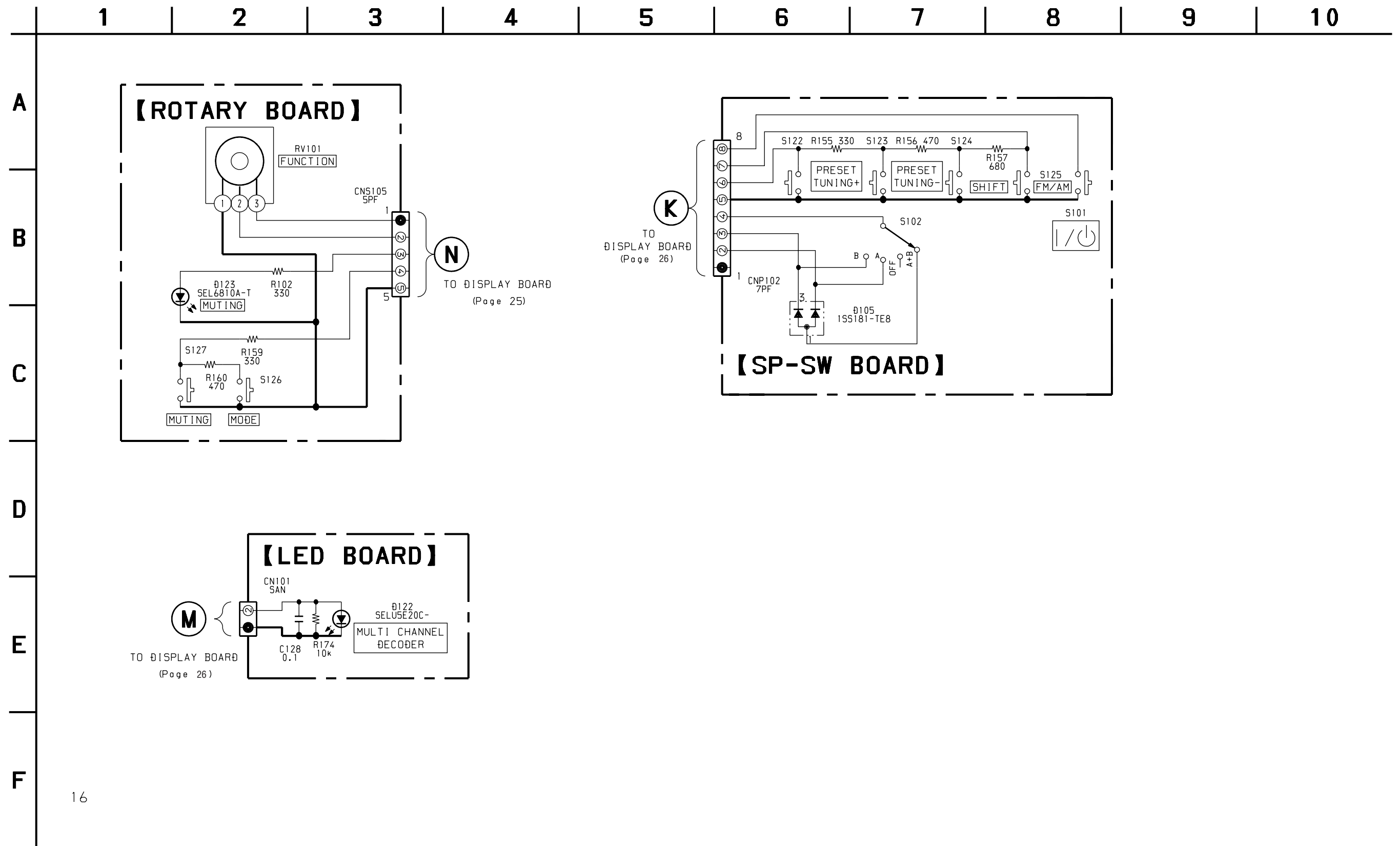
4-10. SCHEMATIC DIAGRAM DISPLAY SECTION • See page 12 for Waveforms. • See page 56 for IC Pin Functions. • See page 60 for IC Block Diagrams.



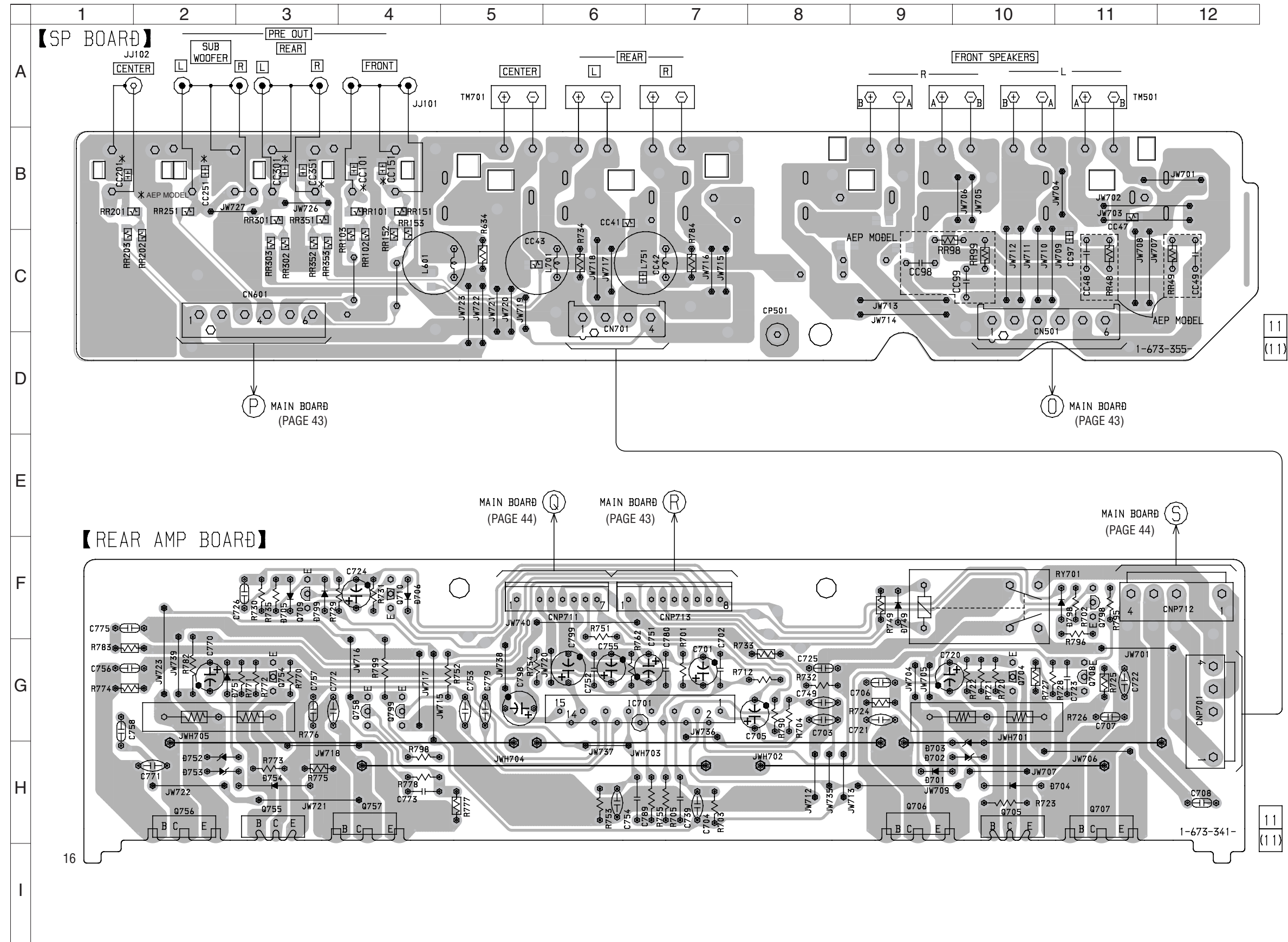
4-11. PRINTED WIRING BOARD SPEAKER SWITCH SECTION • See page 11 for circuit board location.



4-12. SCHEMATIC DIAGRAM SPEAKER SWITCH SECTION



4-13. PRINTED WIRING BOARD REAR AMP SECTION • See page 11 for circuit board location.



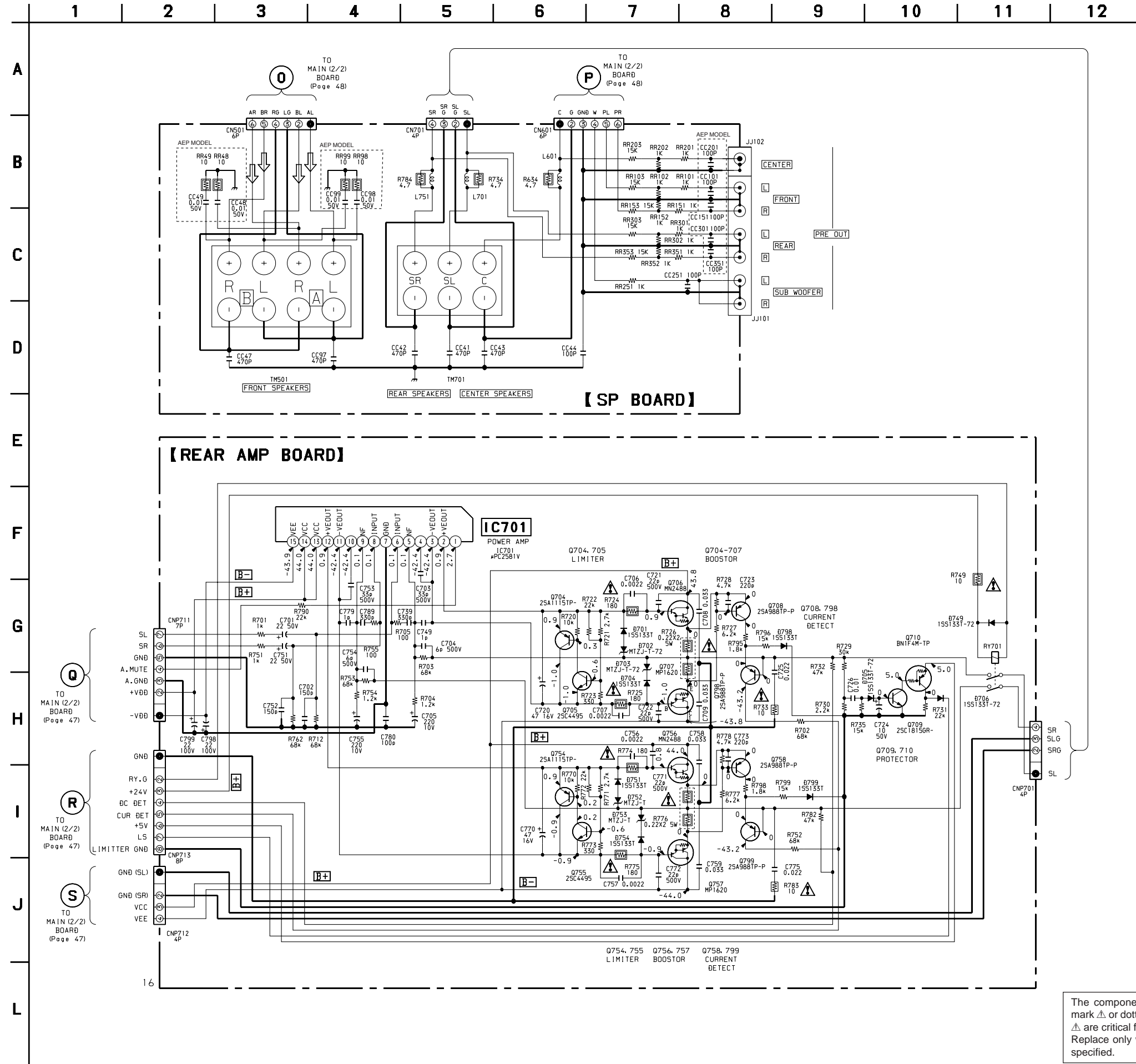
• Semiconductor Location

Ref. No.	Location
D701	H-9
D702	H-10
D703	H-10
D704	H-10
D705	F-3
D706	F-4
D749	F-9
D751	G-2
D752	H-2
D753	H-2
D754	H-3
D798	F-11
D799	F-3
IC701	G-6
Q704	G-10
Q705	H-10
Q706	H-9
Q707	H-11
Q708	G-11
Q709	F-3
Q710	F-4
Q754	G-3
Q755	H-3
Q756	H-2
Q757	H-4
Q758	G-4
Q798	F-11
Q799	G-4

11
(11)

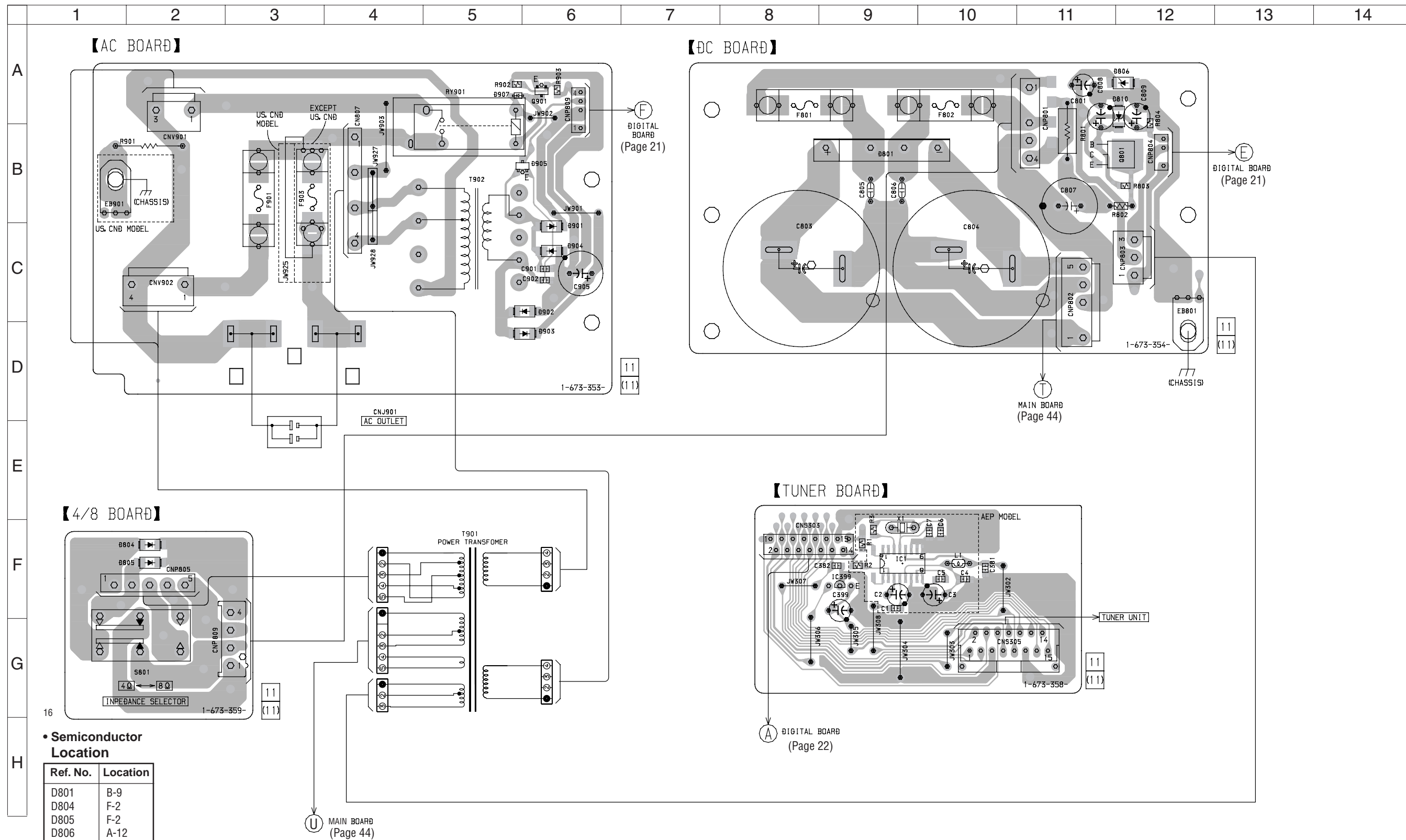
11
(11)

4-14. SCHEMATIC DIAGRAM REAR AMP SECTION • See page 58 for IC Block Diagrams.



<p>The components identified by mark Δ or dotted line with mark Δ are critical for safety. Replace only with part number specified.</p>	<p>Les composants identifiés par une marque Δ sont critiques pour la sécurité. Ne les remplacer que par une pièce portant le numéro spécifié.</p>	<p>以阴影和 Δ 标志来识别的零部件，在安全方面具有关键性。因此只能以规定号码的零部件来更换。</p>
---	---	--

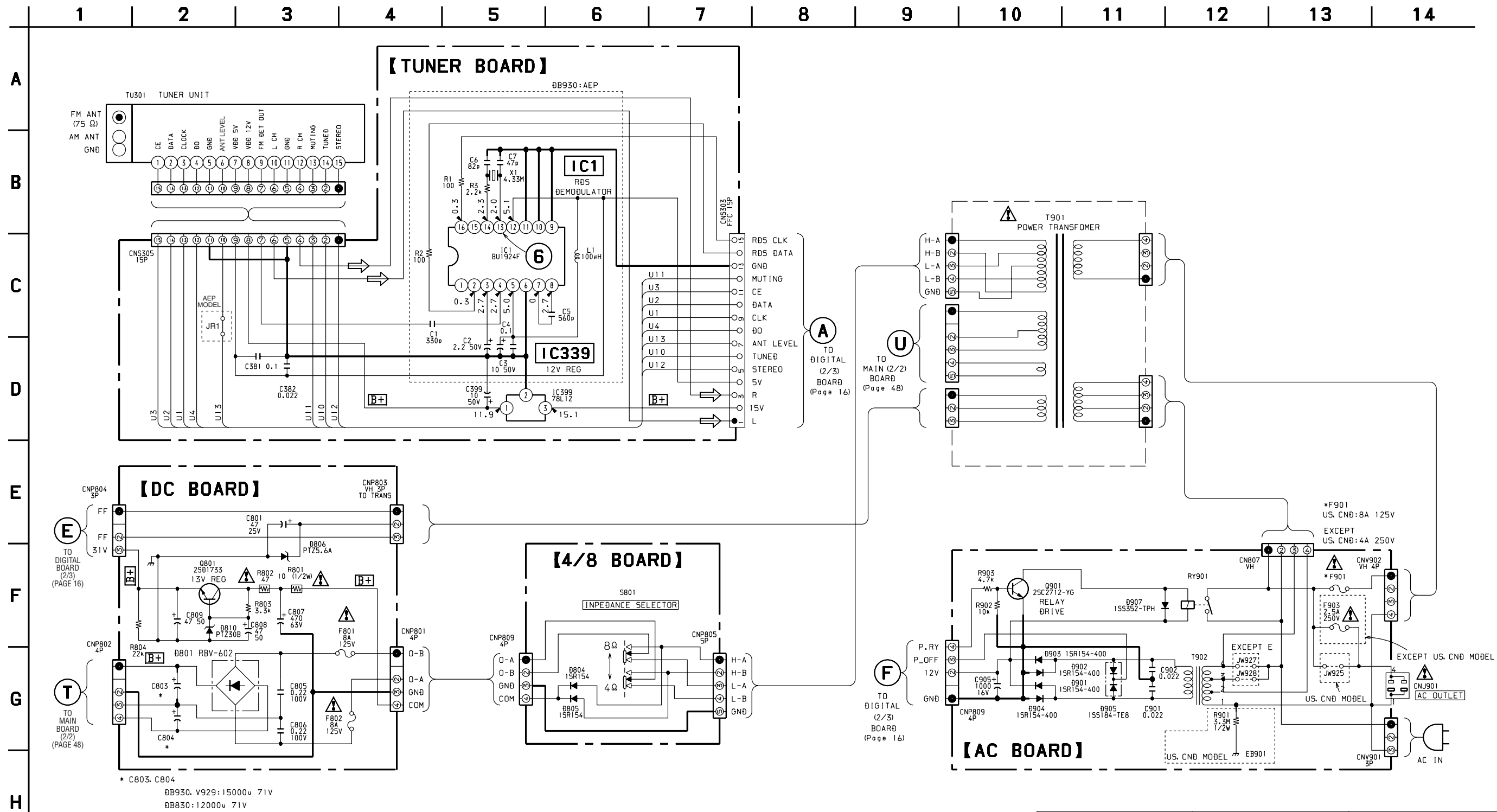
4-15. PRINTED WIRING BOARD POWER SECTION • See page 11 for circuit board location.



• Semiconductor Location

Ref. No.	Location
D801	B-9
D804	F-2
D805	F-2
D806	A-12
D810	B-12
D901	C-6
D902	C-6
D903	D-6
D904	C-6
D905	B-6
D907	A-5
IC1	F-9
IC399	F-12
Q801	B-12
Q901	A-5

4-16. SCHEMATIC DIAGRAM POWER SECTION • See page 12 for Waveforms. • See page 61 for IC Block Diagrams.

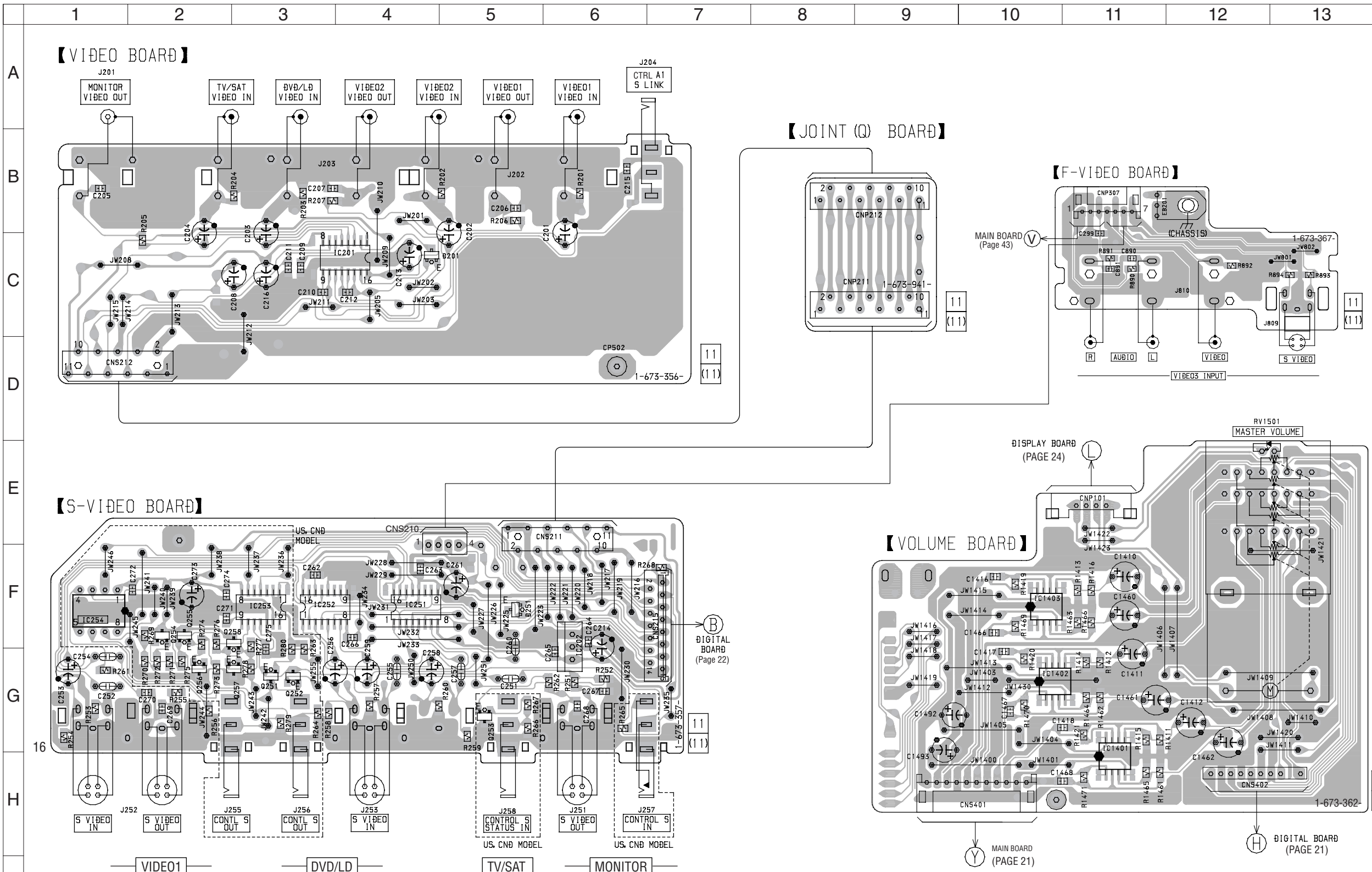


16

* C803, C804
 DB930, V929: 15000 μ 71V
 DB830: 12000 μ 71V

<p>The components identified by mark Δ or dotted line with mark Δ are critical for safety. Replace only with part number specified.</p>	<p>Les composants identifiés par une marque Δ sont critiques pour la sécurité. Ne les remplacer que par une pièce portant le numéro spécifié.</p>	<p>以阴影和 Δ 标志来识别的零部件，在安全方面具有关键性。因此只能以规定号码的零部件来更换。</p>
---	---	--

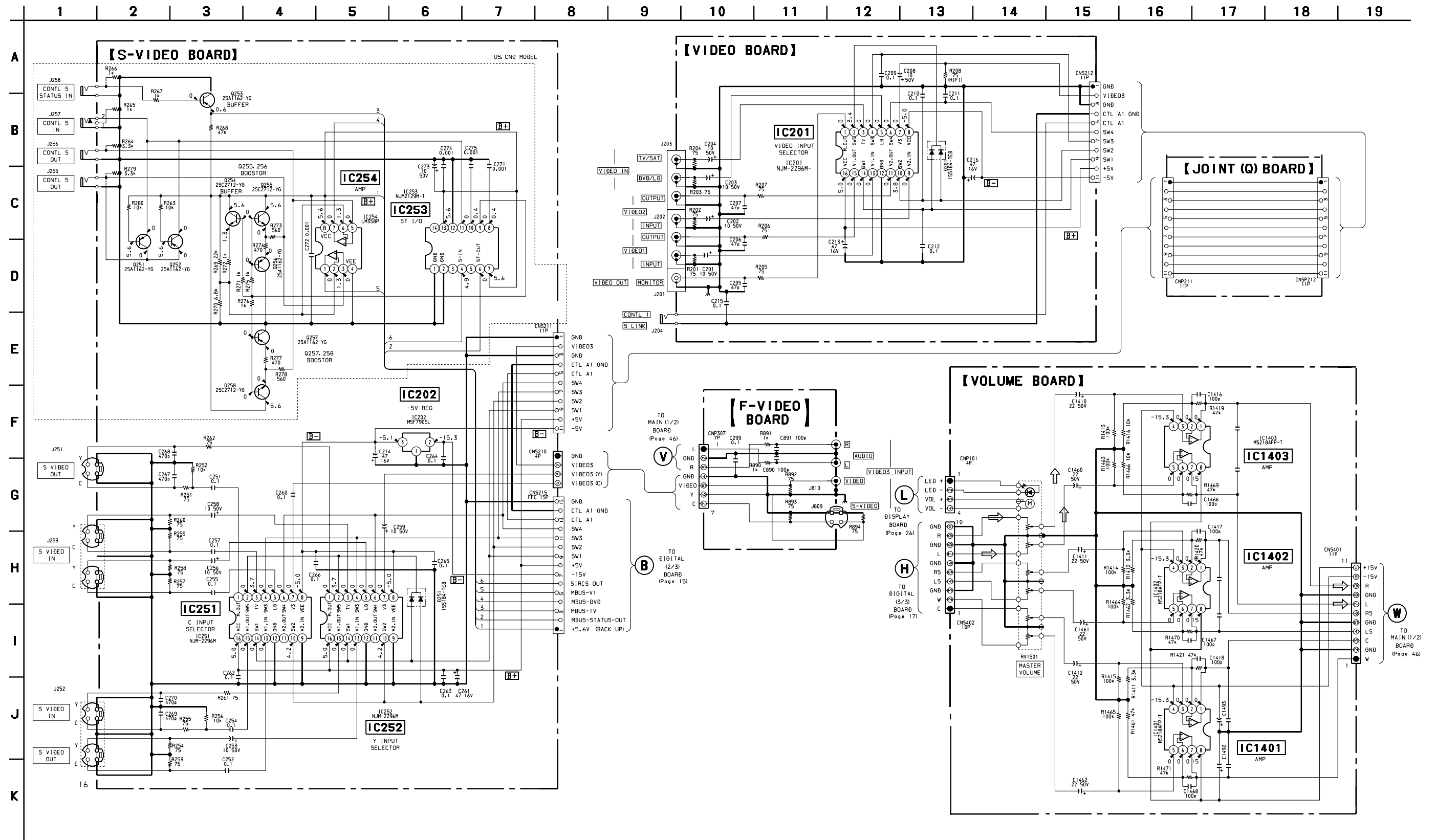
4-17. PRINTED WIRING BOARD VIDEO SECTION • See page 11 for circuit board location.



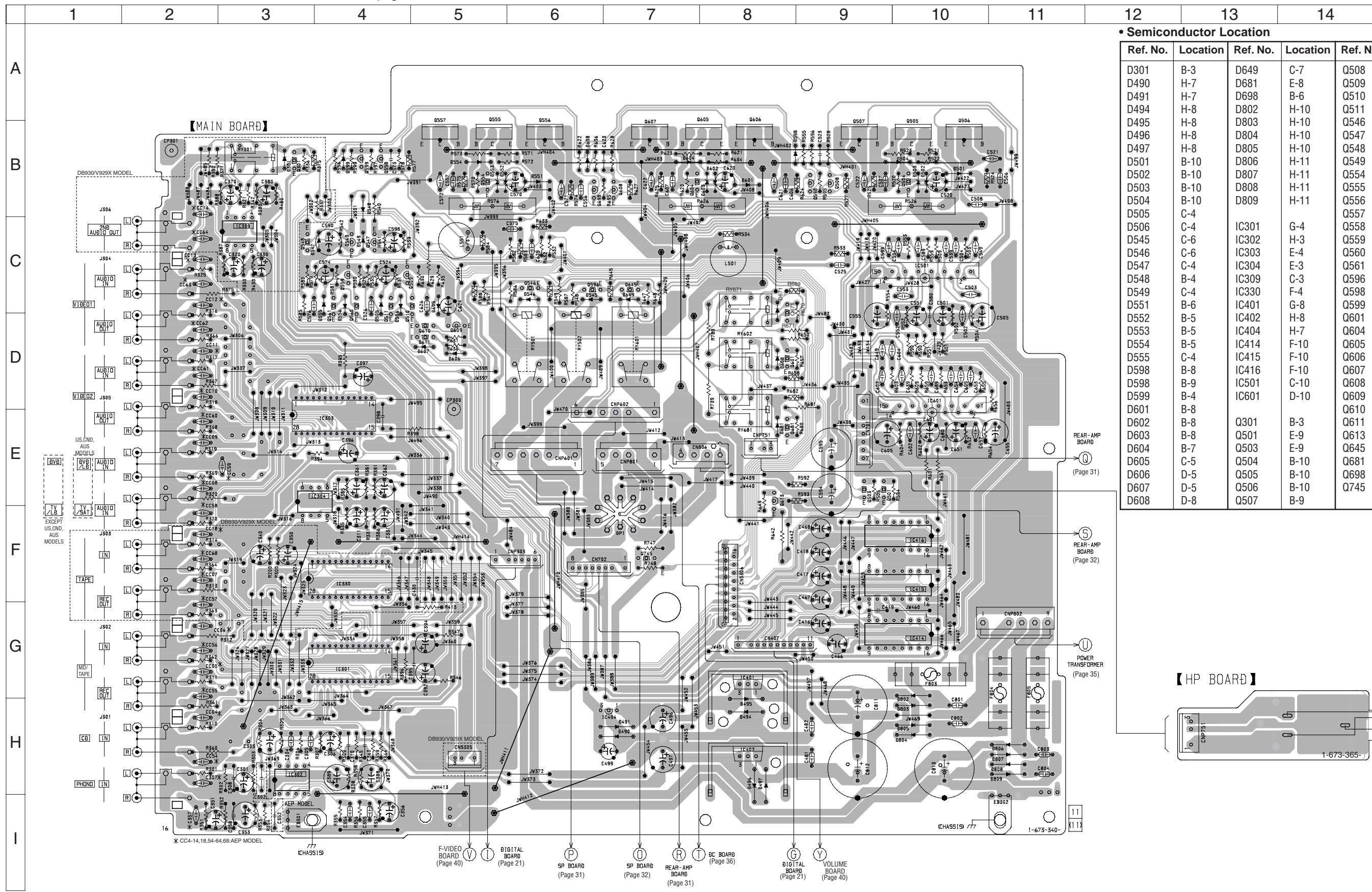
• Semiconductor Location

Ref. No.	Location	Ref. No.	Location
D251	F-5	Q251	G-3
IC202	G-6	Q252	G-3
IC251	F-4	Q253	G-5
IC252	F-4	Q254	F-2
IC253	F-3	Q255	F-2
IC254	F-1	Q256	G-2
IC1401	H-11	Q257	G-3
IC1402	G-11	Q258	F-2
IC1403	F-11		

4-18. SCHEMATIC DIAGRAM VIDEO SECTION • See page 59 for IC Block Diagrams.



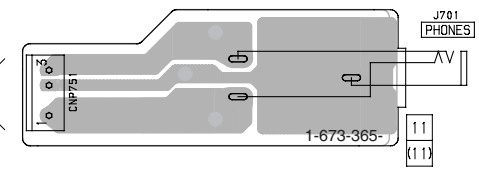
4-19. PRINTED WIRING BOARD MAIN SECTION • See page 11 for circuit board location.



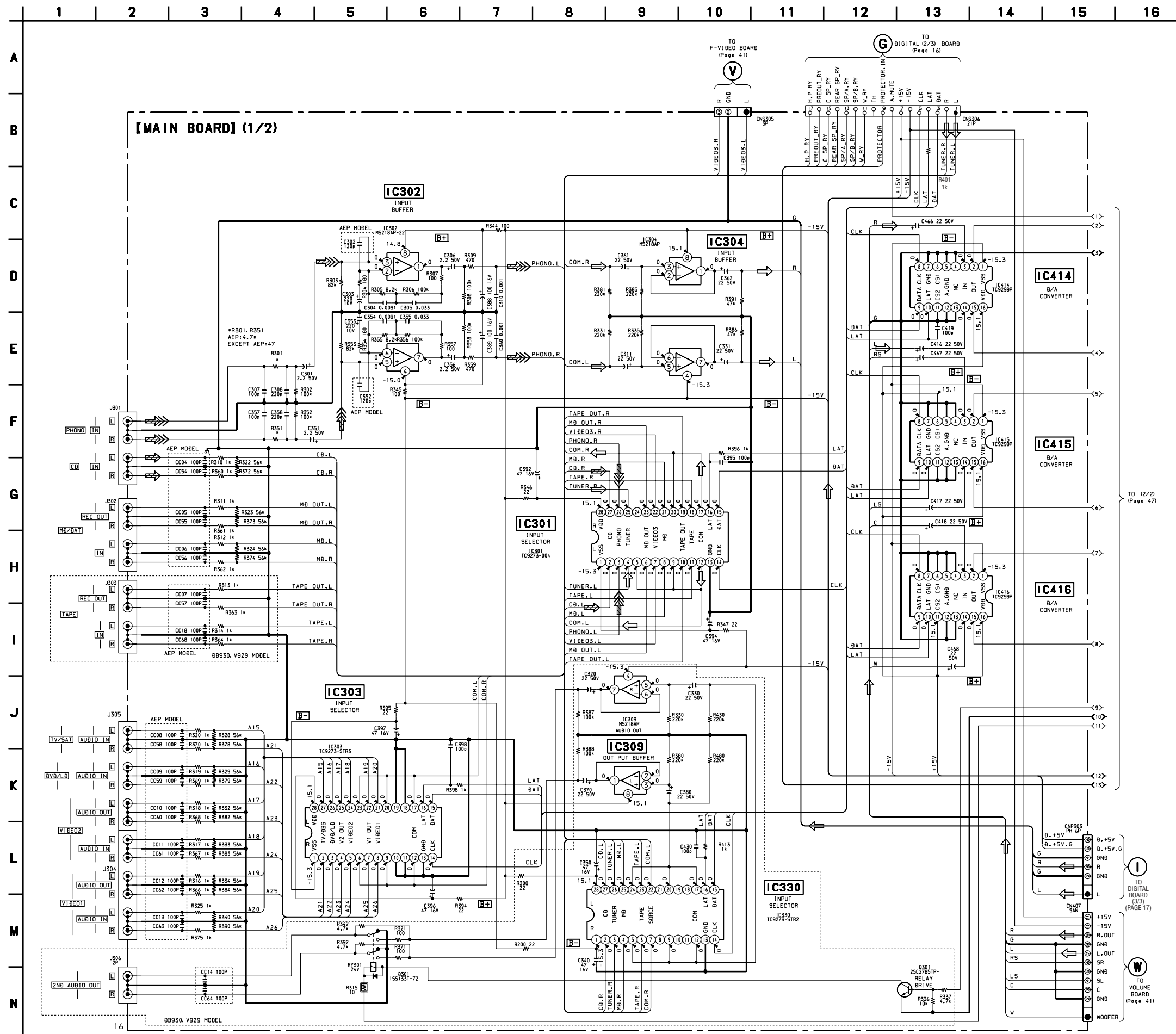
• Semiconductor Location

Ref. No.	Location	Ref. No.	Location	Ref. No.	Location
D301	B-3	D649	C-7	Q508	B-9
D490	H-7	D681	E-8	Q509	C-4
D491	H-7	D698	B-6	Q510	C-5
D494	H-8	D802	H-10	Q511	C-4
D495	H-8	D803	H-10	Q546	C-6
D496	H-8	D804	H-10	Q547	C-4
D497	H-8	D805	H-10	Q548	C-3
D501	B-10	D806	H-11	Q549	C-4
D502	B-10	D807	H-11	Q554	B-5
D503	B-10	D808	H-11	Q555	B-5
D504	B-10	D809	H-11	Q556	C-6
D505	C-4			Q557	B-5
D506	C-4	IC301	G-4	Q558	C-4
D545	C-6	IC302	H-3	Q559	B-4
D546	C-6	IC303	E-4	Q560	C-4
D547	C-4	IC304	E-3	Q561	C-4
D548	B-4	IC309	C-3	Q596	C-6
D549	C-4	IC330	F-4	Q598	B-9
D551	B-6	IC401	G-8	Q599	B-4
D552	B-5	IC402	H-8	Q601	D-8
D553	B-5	IC404	H-7	Q604	B-7
D554	B-5	IC414	F-10	Q605	B-8
D555	C-4	IC415	F-10	Q606	B-8
D598	B-8	IC416	F-10	Q607	B-7
D598	B-9	IC501	C-10	Q608	B-7
D599	B-4	IC601	D-10	Q609	D-5
D601	B-8			Q610	D-5
D602	B-8	Q301	B-3	Q611	D-5
D603	B-8	Q501	E-9	Q613	E-8
D604	B-7	Q503	E-9	Q645	C-7
D605	C-5	Q504	B-10	Q681	E-8
D606	D-5	Q505	B-10	Q698	B-6
D607	D-5	Q506	B-10	Q745	F-7
D608	D-8	Q507	B-9		

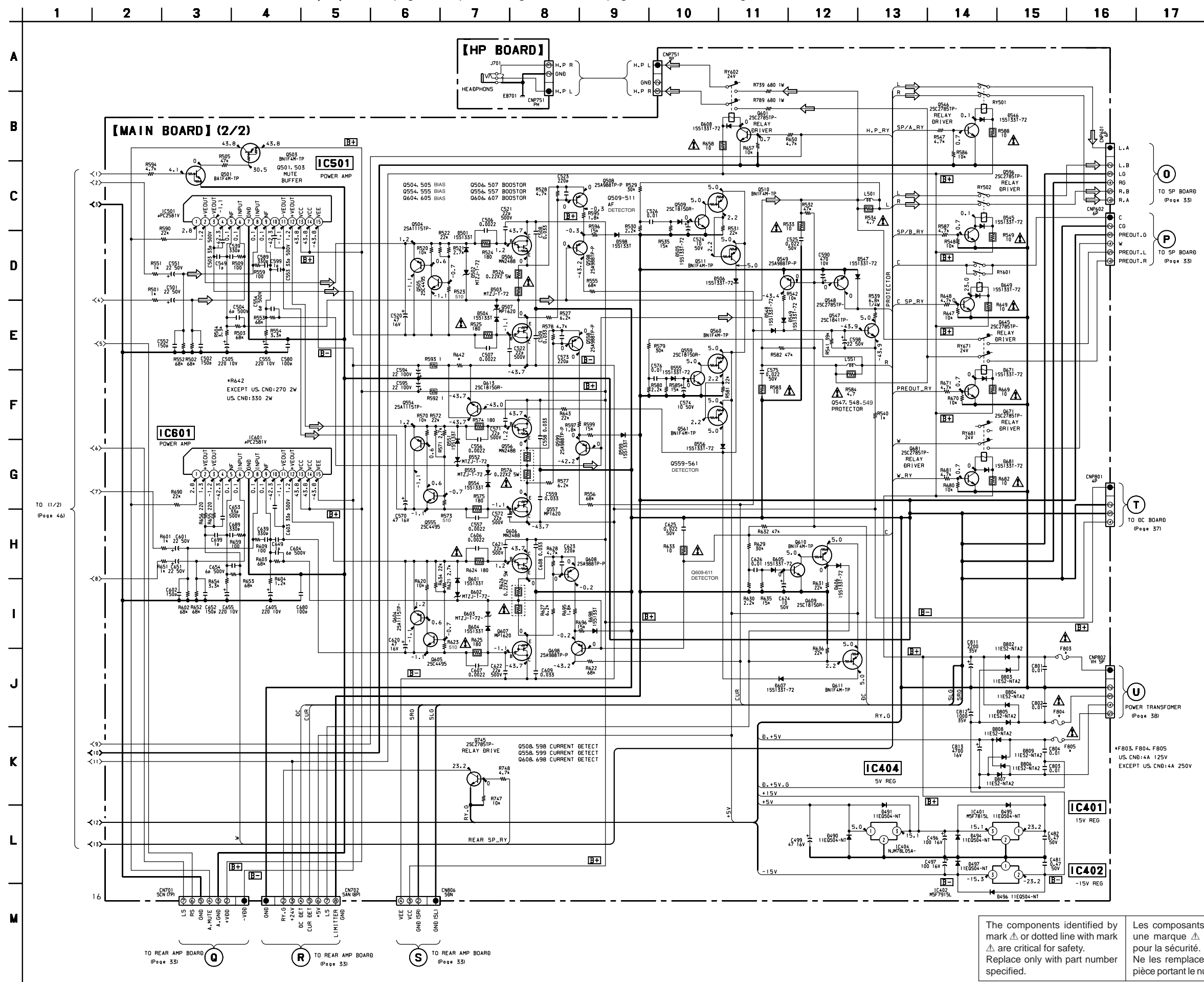
【HP BOARD】



4-20. SCHEMATIC DIAGRAM MAIN SECTION(1/2)



4-21. SCHEMATIC DIAGRAM MAIN SECTION(2/2) • See page 43 for printed wiring board. • See page 59 for IC Block Diagrams.



4-22. IC PIN FUNCTION DESCRIPTION

IC1401 CXD2712R AUDIO DSP(DIGITAL BOARD)

Pin No.	Pin Name	I/O	Description
1	VSS3	—	Ground
2 – 5	SOA – SOD	O	Serial data output
6, 7	ECJ0, ECJ1	I	Conditional jump input terminal (7pin Connected to ground)
8	—	NC	No connection
9	XHDWR	I	HCIF data write
10	XHDRD	I	HCIF data read
11	Vss4	—	Ground
12	VDD2	—	+3.3V
13	HRDY	O	HCIF ready signal Open drain
14	XHDCS	I	HCIF chip select
15	HA0	I	HCIF address input
16 – 20	HD0 – HD4	I/O	HCIF data input/output
21	Vss5	—	Ground
22	VDD3	—	+3.3V
23 – 25	HD5 – HD7	I/O	HCIF data input/output
26	XRST	I	Reset input “L”: active
27 – 30	FGP0 – FGP3	O	Test data output
31	Vss6	—	Ground
32 – 40	ED0 – ED8	I/O	External RAM data input/output
41	Vss7	—	Ground
42	VDD4	—	+3.3V
43 – 49	ED9 – ED15	I/O	External RAM data input/output
50	TSTD	I	Test data input “L” = normal “H” = test (Connected to ground)
51	Vss8	—	Ground
52	VDD5	—	+3.3V
53 – 60	ED16 – ED23	I/O	External RAM data input/output
61	Vss9	—	Ground
62 – 69	ED24 – ED31	I/O	External RAM data input/output
70	XOE	O	External RAM output enable
71	Vss10	—	Ground
72	VDD6	—	+3.3V
73	CAS	O	External RAM column address strobe (Not used)
74	XWE	O	External RAM write enable (Not used)
75	RAS	O	External RAM raw address strobe
76 – 80	EA0 – EA4	I/O	External RAM address output/test data input
81	Vss11	—	Ground
82	VDD7	—	+3.3V
83 – 89	EA5 – EA11	I/O	External RAM address output/test data input
90	EA12	O	External RAM address output

Pin No.	Pin Name	I/O	Description
91	Vss0	—	Ground
92 – 94	EA13 – EA15	O	External RAM address output
95	EA16	O	Not used
96	TSTA	I	Test data input “L” = normal “H” = test (Connecting to ground)
97	PLDIVF	I	PLL input frequency select “L” = 256Fs “H” = 128Fs (Connecting to ground)
98	PLDIVB	O	PLL output frequency select “L” = 768Fs “H” = 1024Fs (Connecting to ground)
99	CLKI	I	Master clock input
100	CLKO	O	Master clock output (Not used)
101	Vss1	—	Ground
102	VDD0	—	+3.3V
103	AVss	—	Ground for PLL cell
104	AVDD	—	VDD for PLL cell
105	PLLCK	I/O	PLL output/test clock input
106	XPLEN	I	PLL cell oscillation enable “L” oscillation enable “H” oscillation stop (Connecting to ground)
107	TST	I	Test data input “L” = normal “H” = test (Connecting to ground)
108	LRCT	I	Frequency counter input (Connecting to ground)
109	LROUT	O	LRCK0 divider output
110	BKOUT	O	BCK0 divider output
111	Vss2	—	Ground
112	VDD1	—	+3.3V
113	BCK0	I	BCK input
114	BCK1	I	BCK input
115	LRCK0	I	LRCK input
116	LRCK1	I	LRCK input
117 – 120	SIA – SID	I	Serial data input

IC1201 MB90573PFV-G-190-BND SYSTEM CONTROL(DIGITAL BOARD)

Pin No.	Pin Name	I/O	Description
1	SCLK	O	To CXD9511Q clock
2	SI	I	To CXD9511Q data input
3	SO	O	To CXD9511Q data output
4	CS	O	To CXD9511Q chip select
5	IC	O	To CXD9511Q reset(Pull Down near CXD9511Q)
6	D.SIG	I	ZERO data detect
7	5.1CH	O	5.1CH muting.
8	VCC	—	Power supply +5 V
9	SIN0	I	UART input. Used for rewriting flash memory
10	SOT0	O	UART output. Used for rewriting flash memory
11	N.C	O	Not used (Connected to ground)
12	N.C	O	Not used (Connected to ground)
13	XHDWR	O	To CXD2712 data write
14	XHDRD	O	To CXD2712 data read
15	SOD	I	To CXD2712 LFE detection
16	XHDCS	O	To CXD2712 chip select
17	HD7	O	To CXD2712 HCIF data I/O
18	HD6	O	To CXD2712 HCIF data I/O
19	HD5	O	To CXD2712 HCIF data I/O
20	HD4	O	To CXD2712 HCIF data I/O
21	HD3	O	To CXD2712 HCIF data I/O
22	HD2	O	To CXD2712 HCIF data I/O
23	HD1	O	To CXD2712 HCIF data I/O
24	HD0	O	To CXD2712 HCIF data I/O
25	HA0	O	To CXD2712 address
26	XRST	O	To CXD2712 reset
27	HRDY	I	To CXD2712 ready
28	CS	O	To AK4526A chip select
29	CCLK	O	To AK4526A clock
30	CDTI	O	To AK4526A data input
31	CDTO	I	To AK4526A data output
32	PD	O	To AK4526A reset
33	VSS	—	Ground (Connected to ground)
34	C	—	External power regulator capacitor 0.1u is connected to this terminal.
35	96KHz	O	To AK4526A Dfs
36	N.C	I	Not used (Connected to ground)
37	N.C	I	Not used (Connected to ground)
38	DVCC	—	Digital power supply +5 V
39	DVSS	—	Digital Ground (Connected to ground)
40	N.C	O	Not used (Connected to ground)
41	N.C	—	Not used (Connected to ground)
42	AVCC	—	Analog power supply +5 V
43	AVR+	—	Power supply +5 V
44	AVR-	—	Ground (Connected to ground)
45	AVSS	—	Ground (Connected to ground)
46	EVSTB	O	To TC9299 strobe
47	EVDATA	O	To TC9299 data
48	EVCLK	O	To TC9299 clock
49	DISPMR	I	Display master request (Connected to MCU U.MREQ)
50	DISPDATA	I	Display data (Connected to MCU U.DATA)

Pin No.	Pin Name	I/O	Description
51	SLVDTA/REQ	O	Slave data/request (Connected to MCU U.SREQ)
52	DISPCLK	I	Display clock (Connected to MCU U.CLOCK)
53	N.C	I	Not used (Connected to ground)
54	VCC	—	Power supply +5 V
55	S.LAT	O	To tuner latch
56	S.DATA	O	To tuner data
57	S.CLK	O	To tuner clock
58	DATA IN	I	PLL data in
59	AUSTOP	I	Auto stop input
60	STEREO	I	Stereo input
61	N.C	I	Not used (Connected to ground)
62	N.C	I	Not used (Connected to ground)
63	VSS	—	Ground (Connected to ground)
64	N.C	I	Not used (Connected to ground)
65	TH	I	TH Protector input
66	PROTEC	I	Protector input
67	STOP	I	AC power check
68	N.C	I	Not used (Connected to ground)
69	N.C	I	Not used (Connected to ground)
70	N.C	I	Not used (Connected to ground)
71	N.C	I	Not used (Connected to ground)
72	VIDEO(SW4)	O	Video select SW4
73	X1A	—	Not used
74	X0A	—	Not used
75	VIDEO(SW3)	O	Video select SW3
76	VIDEO(SW2)	O	Video select SW2
77	VIDEO(SW1)	O	Video select SW1
78	DIGITAL 1/4	I	Digital function
79	TAPE NO/ YES	I	Tape NO/YES input
80	VIDEO3 NO/ YES	I	I VIDEO3 NO/ YES input
81	DTS NO/ YES	I	DTS NO/ YES input
82	ACMUTE	O	Power amp mute ON/OFF output
83	96K NO/YES	I	96K NO/YES input
84	T.MUTE	O	Tuner muting
85	S.MUTE	O	Surround muting (Connected to ground)
86	HSTX	—	Hardware standby (Connected to power supply +5 V)
87	MD2	—	MD2 (To MCU MD2)
88	MD1	—	MD1 (Connect to power supply)
89	MD0	—	MD0 (To MCU MD0)
90	REST	I	Reset (Connected to MB90553 U.RESET)
91	VSS	—	Ground (Connected to ground)
92	XO	—	External ceramic filter 16MHz is connected to this terminal
93	XI	—	External ceramic filter 16MHz is connected to this terminal
94	VCC	—	Power supply +5V
95	PO0	I	Flash memory rewrite (Connected to ground)
96	PO1	I	Flash memory rewrite (Connected to ground)
97	RY-4/B	O	4/8 relay
98	RY-PRE	O	Pre relay
99	RY-FRONT/A	O	Front speaker A relay
100	RY-FRONT/B	O	Front speaker B relay

Pin No.	Pin Name	I/O	Description
101	RY-CENTER	O	Center speaker relay
102	RY-REAR	O	Rear speaker relay
103	RY-WOOFER	O	Sub Woofer relay
104	RY-HP	O	Head phone relay
105	RY-POWER	O	Power relay
106	ANG/DIG	O	Analog/digital selection
107	DIG-INB	O	Digital input select B
108	DIG-INA	O	Digital input select A
109	XMODE	O	Direct pass relay
110	CL	O	To LC89055 clock
111	CE	O	To LC89055 latch
112	DI	O	To LC89055 data
113	DO	I	To LC89055 C-bit
114	ERROR	I	Error output to LC89055
115	BYSYNC	I	Non PCM sync detect flag LC89055
116	AUTO	I	Non PCM data detect flag LC89056
117	CSFLAG	I	C-bit change flag LC89055
118	XSTATE	I	Xtal status Frag LC89055
119	VSS	—	Ground (Connected to ground)
120	N.C	—	Not used (Connected to ground)

IC1503 AK4526A A/D,D/A CONVERTER (DIGITAL BOARD)

Pin No.	Pin Name	I/O	Description
1	SDOS	I	SDTO source select pin “L”: internal ADC output, “H”: DAUX input ORed with serial control register if $P/\bar{S} = \text{“L”}$ (Connected to ground)
2	$\overline{\text{MCLK}}$	I	MCKO clock frequency select pin “L”: MCLK, “H”: MCLK/2. ORed with serial control register if $P/\bar{S} = \text{“L”}$ (Connected to ground)
3	\bar{S}/M	I	Audio data master/slave mode select pin “L”: slave mode, “H”: master mode (Connected to ground)
4	BCLK	I/O	Audio serial data clock pin
5	LRCK	I/O	Input/output channel clock pin
6	SDT11	I	DAC1 audio serial data input pin
7	SDT12	I	DAC2 audio serial data input pin
8	SDT13	I	DAC3 audio serial data input pin
9	SDTO	O	Audio serial data output pin
10	DAUX	I	AUX audio serial data input pin (Connected to ground)
11	DFS	I	Double speed sampling mode pin “L”: normal speed, “H”: double speed ORed with serial control register if $P/\bar{S} = \text{“L”}$ (Connected to ground)
12 – 13	DEM1 – DEM0	I	De-emphasis pin ORed with serial control register if $P/\bar{S} = \text{“L”}$ (Connected to ground)
14	MCKO	O	Master clock output pin (Not used)
15	D. 5V	—	Digital power supply pin
16	D. GND	—	Digital ground pin
17	$\overline{\text{PD}}$	I	Power-down & reset pin When “L”, the AK4526 is powered-down and the control registers are reset to default state. If the state of P/\bar{S} , M/\bar{S} , CAD0-1 changes, then the AK4526 must be reset by $\overline{\text{PD}}$.
18	TEST	I	X’tal oscillator select/test mode pin “H”: X’tal oscillator selected “L”: External clock source selected “NC”: If pin is floating then test mode is enabled. (Connected to ground)
19	ICKS1	I	Input clock select 1 pin (Connected to ground)
20	ICKS0	I	Input clock select 0 pin (Connected to ground)
21	CAD1	I	Chip address pin Used during the serial control mode. (Connected to ground)
22	CAD0	I	Chip address pin Used during the serial control mode. (Connected to ground)
23	LOUT3	O	Lch #3 analog output pin
24	ROUT3	O	Rch #3 analog output pin
25	LOUT2	O	Lch #2 analog output pin
26	ROUT2	O	Rch #2 analog output pin
27	LOUT1	O	Lch #1 analog output pin
28	ROUT1	O	Rch #1 analog output pin
29	LIN-	I	Lch analog negative input pin
30	LIN+	I	Lch analog positive input pin

Pin No.	Pin Name	I/O	Description
31	RIN-	I	Rch analog negative input pin
32	RIN+	I	Rch analog positive input pin
33	VREFL	I	Negative voltage reference input pin, AVSS (Connected to ground)
34	VCOM	O	Common voltage output pin, AVDD/2 Large external capacitor is used to reduce power-supply noise
35	VREFH	I	Positive voltage reference input pin, AVDD
36	A. 5V	—	Analog power supply pin
37	A. GND	—	Analog ground pin
38	XTI	I	X'tal input pin (Not used)
39	MCLKI	I	External master clock input pin if XTS = "L"
40	S/P	I	Parallel/serial select pin "L": serial control mode, "H": parallel control mode (Connected to ground)
41	CS	I	Chip select pin in serial mode
42	CCLK	I	Control data clock pin in serial mode
43	CDTI	I	Control data input in serial mode
44	CDTO	O	Control data output pin in serial mode

If pins TEST, ICKS0, ICKS1, \overline{PD} , $\overline{S/P}$, DFS, DEM0, DEM1, CAD0, CAD1, $\overline{S/M}$, \overline{MCLK} , SDOS are not driven, then TEST, ICKS0, ICKS1, CAD0, CAD1, must be tied to either AVSS or AVDD. \overline{PD} , $\overline{S/P}$, DFS, DEM0, DEM1, $\overline{S/M}$, \overline{MCLK} , SDOS must be tied to either DVSS or DVDD.

IC102 MB90553APF-G-138-BND DISPLAY CONTROL(DISPLAY BOARD)

Pin No.	Pin Name	I/O	Description
1	LED PHONE	O	PHONO display data output to LED.
2	LED	O	TUNER display data output to LED.
3	LED	O	CD display data output to LED.
4	LED	O	MD/DAT data output to LED.
5	LED	O	TAPE display data output to LED.
6	—	O	Not used. (Connected to Ground)
7	POWER RY	O	Power reay display.
8	5V CHECK	O	Power check (+5V)
9	—	—	Not used. (Connected to Ground)
10	—	—	Not used. (Connected to Ground)
11	VSS	—	Ground (Connected to Ground)
12	—	—	Not used. (Connected to Ground)
13	—	—	Not used. (Connected to Ground)
14	—	—	Not used. (Connected to Ground)
15	—	—	Not used. (Connected to Ground)
16	—	—	Not used. (Connected to Ground)
17	—	—	Not used. (Connected to Ground)
18	—	—	Not used. (Connected to Ground)
19	FLASH DATA OUT	O	UART data output to rewrite flash memory
20	FLASH DATA IN	I	UART data input to rewrite flash memory
21	FL CLK	O	Clock output to flourescent display tube
22	FL DATA	O	Data output to flourescent display tube
23	VCC	—	Power supply +5 V
24	FL LAT	O	Fluorescent latch
25	FL CLEAR	O	Fluorescent clear
26	SIRCS IN	I	SIRCS input
27	C	—	External power regulator capacitor 0.1 μ is connected to this terminal.
28	—	—	Not used (Connected to Ground)
29	—	—	Not used (Connected to Ground)
30	—	—	Not used (Connected to Ground)
31	—	—	Not used (Connected to Ground)
32	—	—	Not used (Connected to Ground)
33	—	—	Not used (Connected to Ground)
34	AVCC	—	Analog power supply +5 V
35	AVRH	—	AVRH (Connected to power supply +5 V)
36	AVRL	—	SVRL (Connected to Ground)
37	AVSS	—	Ground (Connected to Ground)
38	KEY INPUT 1	I	Key input 1
39	KEY INPUT 2	I	Key input 2
40	KEY INPUT 3	I	Key input 3
41	KEY INPUT 4	I	Key input 4
42	VSS	—	Ground (Connected to Ground)
43	AD KEY IN 5	I	Key input 5
44	AD KEY IN 6	I	Not used (Pull up)
45	AD KEY IN 7	I	Not used (Pull up)
46	RDS SIGNAL	I	RDS signal input (AEP only)
47	STOP	I	Stop input
48	—	—	Not used (Connected to Ground)
49	MD 0	I	MD 0
50	MD 1	I	MD 1 (Connected to power supply +5 V)

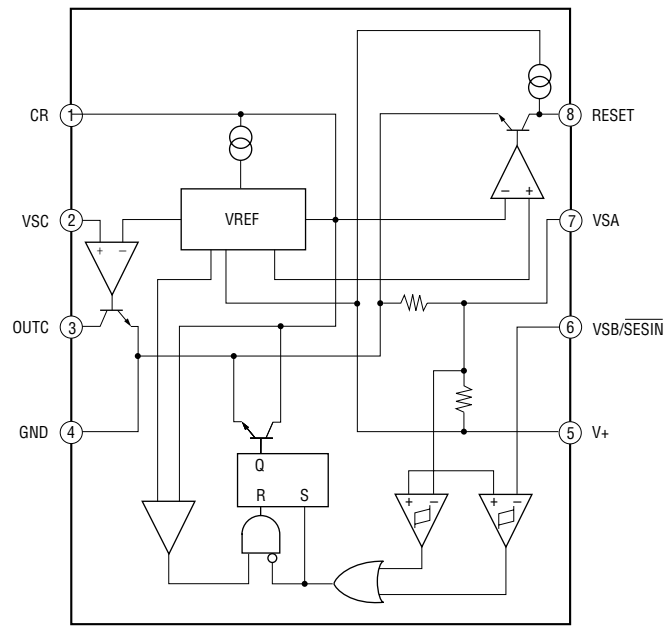
Pin No.	Pin Name	I/O	Description
51	MD 2	I	MD 2
52	HW STANDBY	I	Hardware STANDBY input
53	RDS CLOCK	I	RDS clock input
54	RDS DATA	I	RDS data input
55	VOL UP	O	Volume up output
56	VOL DOWN	O	Volume down output
57	—	—	Not used (Connected to Ground)
58	U-RESET	O	Reset output (Connected to MB90573 RESET)
59	U-SREQ	I	Slave request and data input (Connected to MB90573 SLV DATA/REQ)
60	U-MREQ	O	Master request output (Connected to MB90573 DISPMR)
61	U-DATA	O	Master data output (Connected to MB90573 DISP DATA)
62	U-CLOCK	O	Master clock output (Connected to MB90573 DISPCLK)
63	AUBUS-IN	I	Audio bus input
64	SPEAKER	I	Speaker A signal input.
65	SPEAKER	I	Speaker B signal input.
66	POW-KEY IN	I	POWER-KEY input.
67	AUBUS-OUT	O	Audio bus output
68	VIRSION IN1	I	Virision input.
69	VIRSION IN 2	I	Virision input.
70	VIRSION IN 3	I	Virision input.
71	VIRSION IN 4	I	Virision input.
72	VIRSION IN 5	I	Virision input.
73	VIRSION OUT 1	O	Virision output.
74	VIRSION OUT 2	O	Virision output.
75	JOG-UP	I	Function encoder up input.
76	JOG-DOWN	I	Function encoder down input.
77	RESET	I	Reset (Display MCU)
78	FUNCTION UP	I	Rotary encoder input.
79	FUNCTION DOWN	I	Rotary encoder input.
80	—	—	Not used (Connected to Ground)
81	VSS	—	Ground (Connected to Ground)
82	X0	—	External ceramic filter 4 MHz is connected to this terminal
83	X1	—	External ceramic filter 4 MHz is connected to this terminal
84	VCC	—	Power supply +5 V
85	—	—	Not used. (Connected to Ground)
86	—	—	Not used. (Connected to Ground)
87	LED CLK	I	LED clock input.
88	LED DATA	I	LED data input.
89	LED CE	I	LED chip enable input.
90	LED CLR	I	LED clear input.
91	—	—	Not used. (Connected to Ground)
92	—	—	Not used. (Connected to Ground)
93	MBUS-V1	I	V1 input from MBUS.
94	MBUS-DVD	I	DVD input from MBUS.
95	MBUS-TV	I	TV input from MBUS.
96	MBUS-STATUS	I	STATUS input from MBUS.
97	—	—	Not used. (Connected to Ground)
98	LAT	O	Learning microprocessor latch output.
99	RESET	O	Reset.
100	—	—	Not used. (Connected to Ground)

IC1101 LC89055W DIGITAL AUDIO I/F RECEIVER (DIGITAL BOARD)

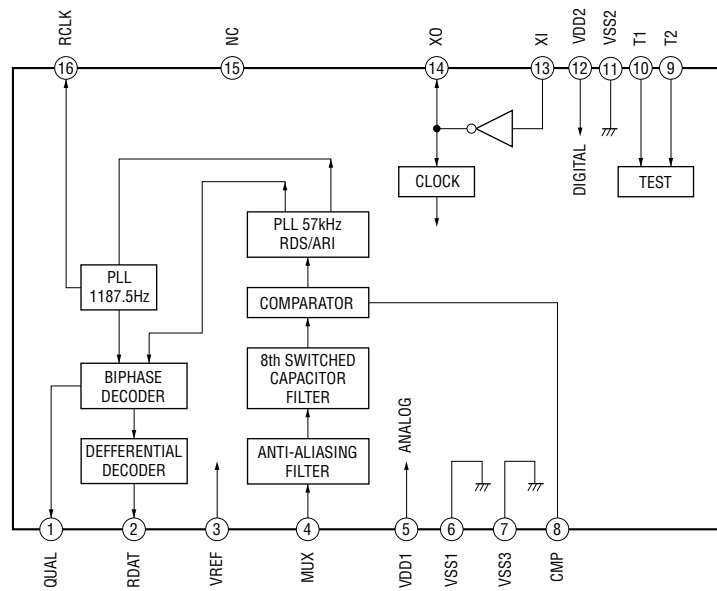
Pin No.	Pin Name	I/O	Description
1	DISEL	I	Input data select. (connected to ground.)
2	DOUT	O	EIAJ data and parity flag output terminal (Not used)
3	DIN0	I	Amplifier integrate data input terminal
4	DIN1	O	Amplifier integrate data input terminal (Connecting to ground)
5	DIN2	I	Amplifier integrate data input terminal (Connecting to ground)
6	D. GND	—	Digital ground
7	D. VDD	O	Digital power supply
8	R	I	Input terminal for VCO generator band adjustment
9	V IN	I	Input terminal for VCO self running frequency set
10	LPF	O	External LPF for PLL is connected to this terminal
11	A. VDD	—	Analog power supply
12	A. GND	—	Analog ground
13	CK OUT	—	256fs or 128fs clock output terminal (Select CLKMD terminal)
14	BCK	O	Bit clock output terminal
15	LRCK	O	L, R clock output terminal (L-ch: "H", R-ch: "L")
16	DATA O	O	Audio data output terminal
17	XSTATE	O	Xtal status frag output.
18	D. GND	—	Digital ground
19	D. VDD	—	Digital power supply
20	XMCK	—	Not used.
21	XOUT	O	Crystal oscillator output terminal (Not used.)
22	XIN	I	Crystal oscillator input terminal
23	EMPHA	O	Emphasis monitor output terminal ("H" = ON) (Not used.)
24	AUDIO	—	Not used.
25	CSFLAG	O	C-bit change frag output.
26	F0/P0/C0	—	Not used.
27	F1/P1/C1	—	Not used.
28	F2/P2/C2	—	Not used.
29	F3/P3/C3	—	Not used.
30	D. VDD	—	Digital power supply
31	D. GND	—	Digital ground
32	AUTO	O	Non PCM data detect flag output.
33	BPSYNC	O	Non PCM sync detect flag output.
34	ERROR	O	Error mute output terminal
35	DO	O	Microprocessor I/F. When CCB/SUB is "H", data output terminal (high level open drain output) (Not used)
36	DI	I	Microprocessor I/F. Data input terminal
37	CE	I	Microprocessor I/F. Chip enable/latch input terminal
38	CLK	I	Microprocessor I/F. Clock input terminal
39	XSEL	I	Xtal select. (Connected to +5V.)
40	MODE0	I	Mode 0 input. (Connected to ground.)
41	MODE1	I	Mode 1 input. (Connected to ground.)
42	D. GND	—	Digital ground
43	D. VDD	—	Digital power supply
44	DOSEL0	O	Output data select 0. (Connected to ground.)
45	DOSEL1	O	Output data select 1. (Connected to ground.)
46	CKSEL0	I	System clock select input 0. (Connected to ground.)
47	CKSEL1	I	System clock select input 1. (Connected to ground.)
48	XMODE	I	Reset input.

4-23. IC BLOCK DIAGRAMS

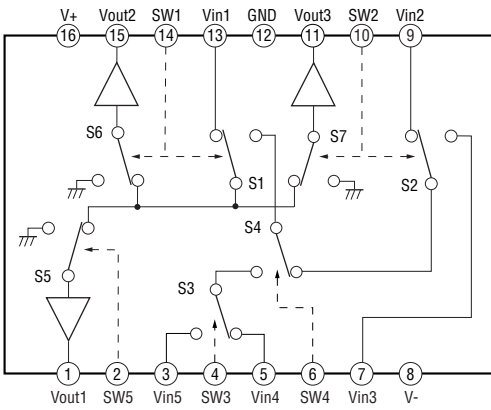
IC1206 NJM2103M (DIGITAL BOARD)



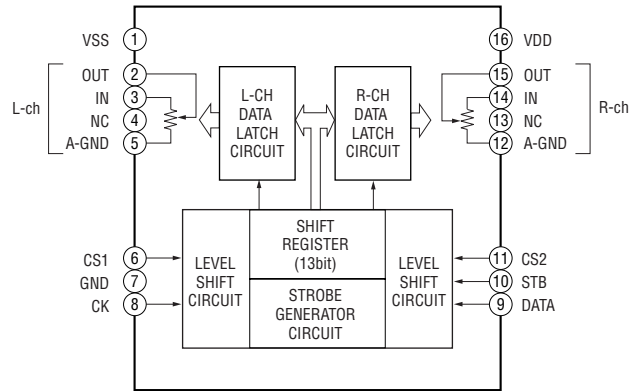
IC1 BU1924F (TUNER BOARD)



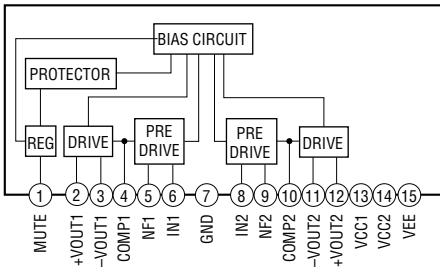
IC414, 415, 416 TC9299P (MAIN BOARD)



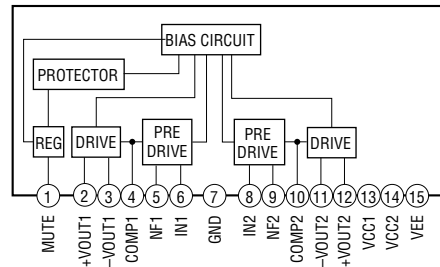
IC501, 601 μ PC2581V (MAIN BOARD)



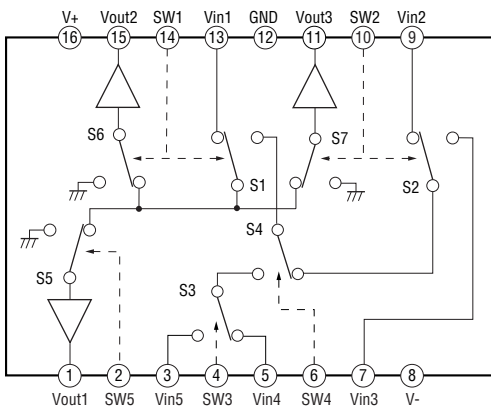
IC701 μ PC2581V (REAR AMP BOARD)



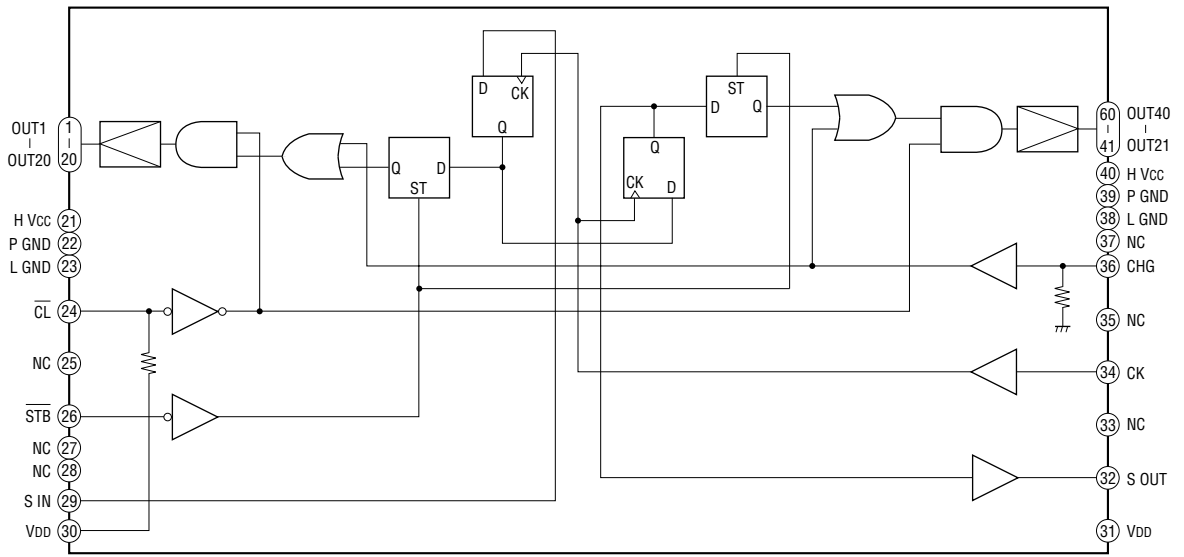
IC201 NJM2296M (VIDEO BOARD)



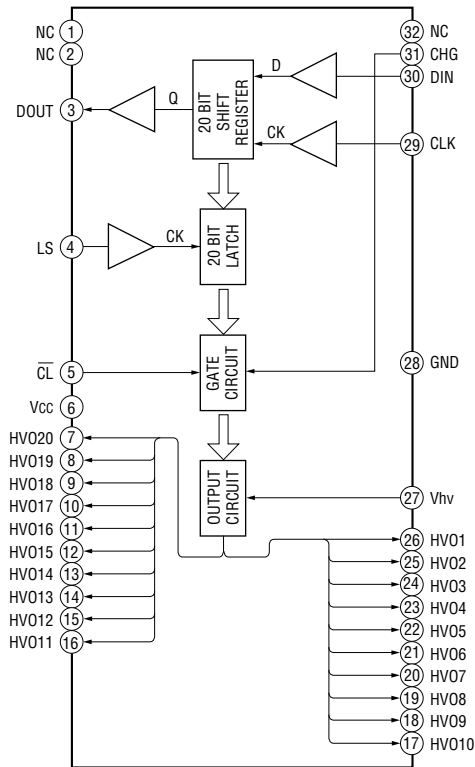
IC251, 252 NJM2296M (S VIDEO BOARD)



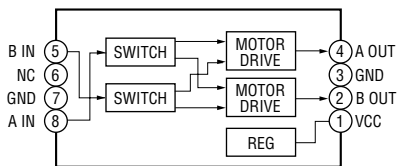
IC103 TD62C950RF (DISPLAY BOARD)



IC104 MSC1164GS (DISPLAY BOARD)



IC105 BA6208F (DISPLAY BOARD)



SECTION 5 EXPLODED VIEWS

NOTE:

- -XX, -X mean standardized parts, so they may have some differences from the original one.
- Items marked “*” are not stocked since they are seldom required for routine service. Some delay should be anticipated when ordering these items.
- The mechanical parts with no reference number in the exploded views are not supplied.
- Color Indication of Appearance Parts Example:
KNOB, BALANCE (WHITE) . . . (RED)

↑ ↑
Parts of Color Cabinet's Color

- Hardware (# mark) list and accessories and packing materials are given in the last of this parts list.
- Abbreviation
CND : Canadian model
AUS : Australian model
MY : Malaysia model
SP : Singapore model
CH : Chinese model

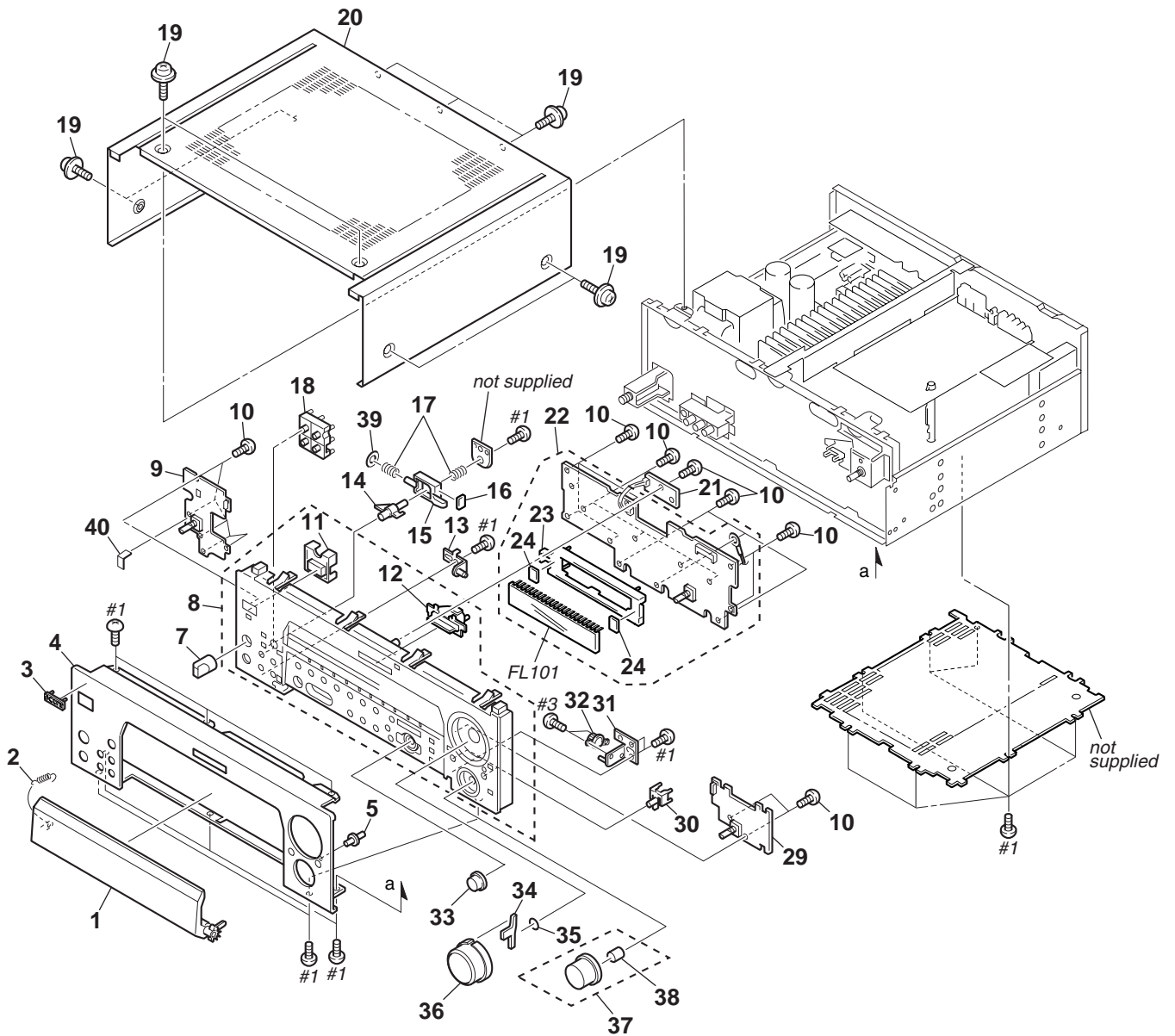
When indicating parts by reference number, please include the board name.

The components identified by mark \triangle or dotted line with mark \triangle are critical for safety. Replace only with part number specified.

Les composants identifiés par une marque \triangle sont critiques pour la sécurité. Ne les remplacer que par une pièce portant le numéro spécifié.

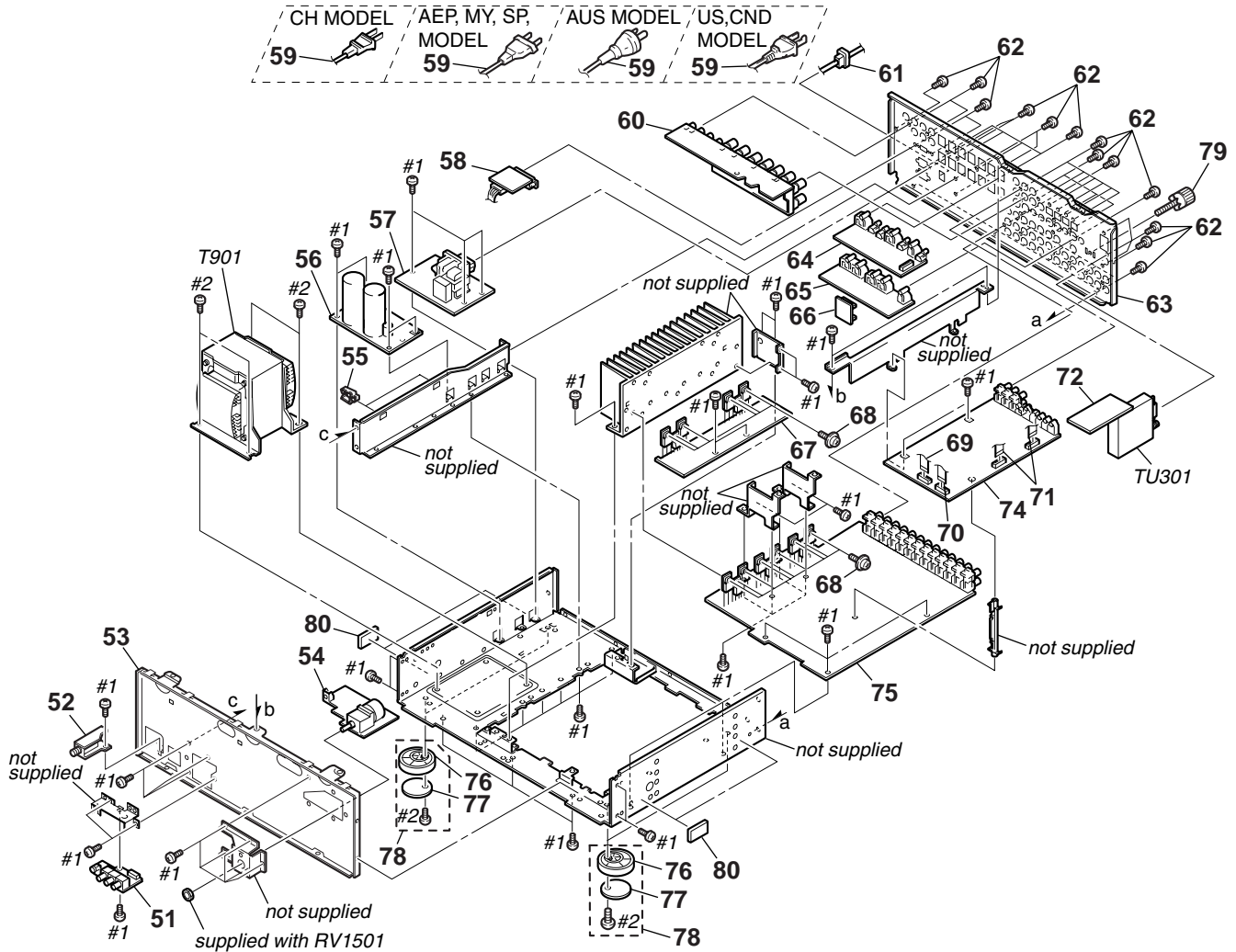
以阴影和 \triangle 标志来识别的零部件在安全方面具有关键性。因此只能以规定号码的零部件来更换。

5-1. FRONT PANEL SECTION



Ref. No.	Part No.	Description	Remarks	Ref. No.	Part No.	Description	Remarks
1	A-4411-475-A	LID ASSY (DB930:US,CND,AUS)		17	4-217-730-01	SPRING, COMPRESSION	
1	A-4411-476-A	LID ASSY (DB930:MY,SP)(BLACK)		18	4-900-563-41	BUTTON (5) (DB830/DB930:US,CND,AEP,MY,SP,AUS)(BLACK)	
1	A-4411-477-A	LID ASSY (V929X)		18	4-900-563-51	BUTTON (5)(V929X)	
1	A-4411-478-A	LID ASSY (DB830:US)		18	4-900-563-61	BUTTON (5)(DB930:AEP,MY,SP)(SILVER)	
1	A-4411-480-A	LID ASSY (DB830:AEP)		19	4-210-291-01	SCREW (CASE 3 TP2) (DB830/DB930:US,CND,AEP,MY,SP,AUS)(BLACK)	
1	A-4411-524-A	LID ASSY (DB930:AEP)(SILVER)		19	4-210-291-11	SCREW (CASE 3 TP2) (DB930:AEP,MY,SP,V929X)(SILVER)	
1	A-4411-665-A	LID ASSY (DB930:AEP)(BLACK)		20	X-4950-430-2	CASE ASSY (V929X)	
1	A-4411-743-A	LID ASSY (DB930:MY,SP)(SILVER)		* 20	X-4950-431-11	CASE ASSY (DB830/DB930:US,CND,AEP,MY,SP,AUS)(BLACK)	
2	4-217-731-01	SPRING, TENSION		* 20	X-4950-432-1	CASE ASSY (DB930:AEP,MY,SP)(SILVER)	
3	4-942-568-41	EMBLEM (NO.5), SONY (DB830/DB930:US,CND,AEP,MY,SP,AUS)(BLACK)		* 20	X-4950-437-1	CASE ASSY (V929X)	
3	4-942-568-51	EMBLEM (NO.5), SONY (V929X)		21	1-673-366-11	LED BOARD	
3	4-942-568-61	EMBLEM (NO.5), SONY (DB930:AEP,MY,SP) (SILVER)		22	A-4419-341-A	DISPLAY BOARD, COMPLETE (DB830:US)	
4	4-217-713-01	PANEL, FRONT (DB930:US,CND,MY,SP,AUS) (BLACK)		22	A-4419-343-A	DISPLAY BOARD, COMPLETE (DB830:AEP)	
4	4-217-713-11	PANEL, FRONT (V929X)		22	A-4419-344-A	DISPLAY BOARD, COMPLETE (DB930:US,CND)	
4	4-217-713-21	PANEL, FRONT (DB830:US)		22	A-4419-345-A	DISPLAY BOARD, COMPLETE (DB930:MY,SP,V929X)	
4	4-217-713-41	PANEL, FRONT (DB930:AEP)(SILVER)		22	A-4419-346-A	DISPLAY BOARD, COMPLETE (DB930:AUS)	
4	4-217-713-51	PANEL, FRONT (DB930:AEP)(BLACK)		22	A-4419-347-A	DISPLAY BOARD, COMPLETE (DB930:AEP)	
4	4-217-713-61	PANEL, FRONT (DB830:AEP)		* 23	4-990-797-01	HOLDER (FL)	
4	4-217-713-71	PANEL, FRONT (DB930:MY,SP)(SILVER)		* 24	4-921-941-01	CUSHION (FL)	
* 5	X-4950-462-1	LENS ASSY, LED		29	1-673-364-11	ROTARY BOARD	
7	4-957-383-01	KNOB (F14) (DB830/DB930:US,CND,AEP,MY,SP,AUS)(BLACK)		30	4-900-491-01	BUTTON (MUTE) (DB830/DB930:US,CND,AEP,MY,SP,AUS)(BLACK)	
7	4-957-383-21	KNOB (F14) (V929X)		30	4-900-491-11	BUTTON (MUTE)(V929X)	
7	4-957-383-41	KNOB (F14) (DB930:AEP,MY,SP)(SILVER)		30	4-900-491-22	BUTTON (MUTE)(DB930:AEP,MY,SP)(SILVER)	
8	X-4951-215-1	BASE ASSY, PANEL (DB830:US)		31	X-4951-179-1	BRACKET (DAMPER) ASSY	
8	X-4951-217-1	BASE ASSY, PANEL (DB830:AEP)		32	3-973-975-31	DAMPER, OIL	
8	X-4951-218-1	BASE ASSY, PANEL (DB930:AEP)(SILVER)		33	4-217-729-01	KNOB (JOG) (DB830/DB930:US,CND,AEP,MY,SP,AUS)(BLACK)	
8	X-4951-222-1	BASE ASSY, PANEL (DB930:US,CND,AUS)		33	4-217-729-11	KNOB (JOG) (V929X)	
8	X-4951-223-1	BASE ASSY, PANEL (DB930:MY,SP)(BLACK)		33	4-217-729-21	KNOB (JOG) (MDB930:AEP,MY,SP)(SILVER)	
8	X-4951-224-1	BASE ASSY, PANEL (V929X)		34	4-998-207-11	INDICATOR (VOL)	
8	X-4951-225-1	BASE ASSY, PANEL (DB930:AEP)(BLACK)		35	3-350-426-01	SPRING, RING	
8	X-4951-830-1	BASE ASSY, PANEL (DB930:MY,SP)(SILVER)		36	X-3375-592-1	KNOB (VOL) ASSY (DB830/DB930:US,CND,AEP,MY,SP,AUS)(BLACK)	
9	1-673-363-11	SP-SW BOARD		36	X-4949-977-1	KNOB (VOL) ASSY (V929X)	
10	4-951-620-01	SCREW (2.6 × 8), +BVTP		36	X-4950-340-11	KNOB (VOL) ASSY (DB930:AEP,MY,SP)(SILVER)	
11	4-998-592-01	BUTTON (POWER) (DB830/DB930:US,CND,AEP,MY,SP,AUS)(BLACK)		37	X-4948-601-1	KNOB (FUNC) ASSY (DB830/DB930:US,CND,AEP,MY,SP,AUS)(BLACK)	
11	4-998-592-12	BUTTON (POWER) (V929X)		37	X-4948-634-1	KNOB (FUNC) ASSY (V929X)	
11	4-998-592-23	BUTTON (POWER)(DB930:AEP,MY,SP)(SILVER)		37	X-4950-280-1	KNOB (FUNC) ASSY (DB930:AEP,MY,SP) (SILVER)	
12	X-3375-588-1	ESCUTCHEON (WIN) ASSY (DB830,DB930)		38	3-703-466-00	SPRING (6600)	
12	X-4950-348-1	ESCUTCHEON (WIN) ASSY (V929X)		39	3-701-442-21	WASHER 6	
13	X-4951-180-1	BRACKET (FULCRUM) ASSY		40	3-831-441-89	CUSHION, STOPPER	
14	4-217-721-01	BUTTON (OPEN) (DB830/DB930:US,CND,AEP,MY,SP,AUS)(BLACK)		FL101	1-517-781-11	INDICATOR TUBE, FLUORESCENT	
14	4-217-721-11	BUTTON (OPEN)(V929X)					
14	4-217-721-21	BUTTON (OPEN)(DB930:AEP,MY,SP)(SILVER)					
15	4-217-722-01	LEVER (OPEN)					
16	4-221-143-01	CUSHION (LEVER)					

5-2. CHASSIS SECTION



Ref. No.	Part No.	Description	Remarks	Ref. No.	Part No.	Description	Remarks
51	1-673-367-11	F-VIDEO BOARD		69	1-773-117-11	WIRE (FLAT TYPE)(19 CORE) (DB830:AEP/DB930:AEP,MY,SP,AUS,V929X)	
52	1-673-365-11	H.P BOARD		69	1-773-185-11	WIRE (FLAT TYPE) (23 CORE) (DB830:US/DB930:US,CND)	
53	X-4951-757-1	CHASSIS ASSY, SUB		70	1-773-048-11	WIRE (FLAT TYPE)(17 CORE)	
54	1-673-362-11	VOLUME BOARD		71	1-773-001-11	WIRE (FLAT TYPE)(15 CORE)	
55	4-309-753-21	HOLDER, WIRE		72	1-673-358-11	TUNER BOARD	
56	1-673-354-11	DC BOARD		74	A-4419-374-A	DIGITAL BOARD, COMPLETE (DB830:US)	
* 57	1-673-353-11	AC BOARD		* 74	A-4419-375-A	DIGITAL BOARD, COMPLETE (DB930:US,CND)	
* 58	1-673-359-11	4/8 BOARD		74	A-4426-041-A	DIGITAL BOARD, COMPLETE (DB830:AEP)	
△ 59	1-696-847-11	CORD, POWER (DB930:AUS)		74	A-4426-042-A	DIGITAL BOARD, COMPLETE (DB930:AEP,MY,SP,AUS/V929X)	
△ 59	1-769-743-11	CORD, POWER (DB930:CND)		75	A-4419-333-A	MAIN BOARD, COMPLETE (DB830:US)	
△ 59	1-769-744-11	CORD, POWER (DB830:AEP/DB930:AEP,MY,SP)		75	A-4419-334-A	MAIN BOARD, COMPLETE (DB830:AEP)	
△ 59	1-782-464-21	CORD, POWER (V929X)		75	A-4419-335-A	MAIN BOARD, COMPLETE (DB930:US,CND)	
△ 59	1-783-531-11	CORD, POWER (DB830:US/DB930:US)		75	A-4419-336-A	MAIN BOARD, COMPLETE (DB930:MY,SP,AUS,V929X)	
60	1-673-355-11	SP BOARD		75	A-4419-337-A	MAIN BOARD, COMPLETE (DB930:AEP)	
* 61	3-703-244-00	BUSHING (2104), CORD (DB830:AEP/DB930:AEP,MY,SP,AUS,V929X)		76	4-970-123-01	FOOT (F50180S) (DB830:US/DB930:US,CND)	
61	4-916-783-01	BUSHING, CORD (DB830:US/DB930:US,CND)		77	4-970-124-01	CUSHION (F50180S) (DB830:US/DB930:US,CND,V929X)	
62	3-704-515-21	SCREW (BV/RING)		78	X-4949-523-1	FOOT ASSY (F50180S) (DB830:AEP/DB930:AEP,AUS)	
63	4-217-716-01	PANEL, BACK (DB930:US)		78	X-4949-878-1	FOOT ASSY (F50180S) (V929X)	
63	4-217-716-11	PANEL, BACK (DB930:CND)		79	4-947-010-01	SCREW, FEEDER FIXED	
63	4-217-716-21	PANEL, BACK (DB930:MY,SP)		80	4-985-642-01	CUSHION	
63	4-217-716-31	PANEL, BACK (V929X)		△ T901	1-433-772-11	TRANSFORMER, POWER (DB930:MY,SP/V929X)	
63	4-217-716-41	PANEL, BACK (DB930:AUS)		△ T901	1-433-776-11	TRANSFORMER, POWER (DB830:US/DB930:US)	
63	4-217-716-51	PANEL, BACK (DB930:AEP)		△ T901	1-433-777-11	TRANSFORMER, POWER (DB930:CND)	
63	4-217-716-61	PANEL, BACK (DB830:US)		△ T901	1-433-778-11	TRANSFORMER, POWER (DB830:AEP/DB930:AEP)	
63	4-217-716-91	PANEL, BACK (DB830:AEP)		△ T901	1-433-780-11	TRANSFORMER, POWER (DB930:AUS)	
64	A-4419-368-A	S-VIDEO BOARD, COMPLETE (DB830:US)		TU301	1-693-407-11	TUNER (DB830:US/DB930:US,CND)	
64	A-4419-369-A	S-VIDEO BOARD, COMPLETE (DB830:AEP)		TU301	1-693-409-11	TUNER (DB830:AEP/DB930:AEP,MY,SP,AUS,V929X)	
64	A-4419-370-A	S-VIDEO BOARD, COMPLETE (DB930:US,CND)					
64	A-4419-371-A	S-VIDEO BOARD, COMPLETE (DB930:AEP,MY,SP,AUS/V929X)					
65	1-673-356-11	VIDEO BOARD					
66	1-673-941-11	JOINT(Q) BOARD					
67	A-4419-339-A	REAR-AMP BOARD, COMPLETE (DB930,V929X)					
67	A-4419-338-A	REAR-AMP BOARD, COMPLETE (DB830)					
68	3-905-609-11	SCREW (TRANSISTOR)					

The components identified by mark △ or dotted line with mark △ are critical for safety. Replace only with part number specified.

Les composants identifiés par une marque △ sont critiques pour la sécurité. Ne les remplacer que par une pièce portant le numéro spécifié.

以阴影和 △标志来识别的零部件、在安全方面具有关键性。因此只能以规定号码的零部件来更换。

SECTION 6

ELECTRICAL PARTS LIST

4/8
AC
DC

NOTE:

- Due to standardization, replacements in the parts list may be different from the parts specified in the diagrams or the components used on the set.
- -XX, -X mean standardized parts, so they may have some difference from the original one.
- Items marked "*" are not stocked since they are seldom required for routine service. Some delay should be anticipated when ordering these items.
- CAPACITORS:
uF: μF

- RESISTORS
All resistors are in ohms.
METAL: metal-film resistor
METAL OXIDE: Metal Oxide-film resistor
F: nonflammable
- COILS
uH: μH
- Abbreviation
CND : Canadian model
AUS : Australian model
MY : Malaysia model
SP : Singapore model
CH : Chinese model

- SEMICONDUCTORS
In each case, u: μ, for example:
uA...: μA..., uPA..., μPA...,
uPB..., μPB..., uPC..., μPC...,
uPD..., μPD...

When indicating parts by reference number, please include the board name.

The components identified by mark \triangle or dotted line with mark \triangle are critical for safety. Replace only with part number specified.

Les composants identifiés par une marque \triangle sont critiques pour la sécurité. Ne les remplacer que par une pièce portant le numéro spécifié.

以阴影和 \triangle 标志来识别的零部件在安全方面具有关键性。因此只能以规定号码的零部件来更换。

Ref. No.	Part No.	Description	Remarks	Ref. No.	Part No.	Description	Remarks
*	1-673-359-11	4/8 BOARD *****				< EARTH >	
		< CONNECTOR >		* EB901	1-537-738-21	TERMINAL, EARTH (US,CND)	
CNP809	1-785-102-11	PIN, CONNECTOR 4P				< FUSE >	
* CNP805	1-564-216-00	PIN, CONNECTOR 5P		\triangle F901	1-533-311-11	FUSE, GLASS CYLINDRICAL(DIA.5) 8A/125V (US,CND)	
		< DIODE >		\triangle F901	1-532-504-51	FUSE TIME LAG 4A/250V (EXCEPT US,CND)	
D804	8-719-053-18	DIODE 1SR154-400TE-25		\triangle F903	1-532-464-51	FUSE TIME LAG 2.5A/250V (EXCEPT US,CND)	
D805	8-719-053-18	DIODE 1SR154-400TE-25				< TRANSISTOR >	
		< SWITCH >		Q901	8-729-230-49	TRANSISTOR 2SC2712-YG-TE85L	
S801	1-571-309-11	SWITCH (INPEDANCE SELECTOR)				< RESISTOR >	

*	1-673-353-11	AC BOARD *****		R902	1-216-073-00	METAL CHIP 10K 5% 1/10W	
		< DIODE >		R903	1-216-065-91	RES,CHIP 4.7K 5% 1/10W	
	1-533-217-41	HOLDER, FUSE				< RELAY >	
		< CAPACITOR >		RY901	1-755-298-11	RELAY	
C901	1-163-037-11	CERAMIC CHIP 0.022uF 10% 25V				< TRANSFORMER >	
C902	1-163-037-11	CERAMIC CHIP 0.022uF 10% 25V		\triangle T902	1-433-685-11	TRANSFORMER, POWER (AEP,MY,SP,AUS,CH)	
C905	1-126-767-11	ELECT 1000uF 20% 16V		\triangle T902	1-433-686-11	TRANSFORMER, POWER (US,CND)	
		< JACK >		*****			
\triangle CNJ901	1-251-718-11	OUTLET (2 GANG), AC (US,CND,CH)(AC OUTLET)		*	1-673-354-11	DC BOARD *****	
\triangle CNJ901	1-785-285-11	OUTLET, AC (1P)(AEP,MY,SP)(AC OUTLET)			1-533-217-41	HOLDER, FUSE	
\triangle CNJ901	1-251-417-11	OUTLET, AC (AUS)(AC OUTLET)				< CAPACITOR >	
		< CONNECTOR >		C801	1-104-664-11	ELECT 47uF 20% 25V	
CNP809	1-784-921-11	PIN, CONNECTOR 4P		C803	1-125-900-12	ELECT 15000uF 20% 71V (DB930/V929X)	
		< CONNECTOR >		C803	1-125-895-11	ELECT 12000uF 20% 71V (DB830)	
CNV901	1-564-321-00	PIN, CONNECTOR 2P		C804	1-125-900-12	ELECT 15000uF 20% 71V (DB930/V929X)	
* CNV902	1-565-792-11	PIN, CONNECTOR 2P		C804	1-125-895-11	ELECT 12000uF 20% 71V (DB830)	
		< DIODE >		C805	1-130-781-00	FILM 0.22uF 10% 100V	
D901	8-719-053-18	DIODE 1SR154-400TE-25		C806	1-130-781-00	FILM 0.22uF 10% 100V	
D902	8-719-053-18	DIODE 1SR154-400TE-25		C807	1-128-555-91	ELECT 470uF 20% 63V	
D903	8-719-053-18	DIODE 1SR154-400TE-25		C808	1-126-967-11	ELECT 47uF 20% 50V	
D904	8-719-053-18	DIODE 1SR154-400TE-25		C809	1-126-967-11	ELECT 47uF 20% 50V	
D905	8-719-801-78	DIODE 1SS184-TE85L					
D907	8-719-016-74	DIODE 1SS352-TPH3					

DC	DIGITAL
----	---------

Ref. No.	Part No.	Description	Remarks	Ref. No.	Part No.	Description	Remarks
		< CONNECTOR >		C1016	1-163-251-11	CERAMIC CHIP 100PF 5%	50V
				C1017	1-163-021-91	CERAMIC CHIP 0.01uF 10%	50V
CNP801	1-785-102-21	PIN, CONNECTOR 4P		C1018	1-163-275-11	CERAMIC CHIP 0.001uF 5%	50V
CNP802	1-785-102-11	PIN, CONNECTOR 4P		C1019	1-163-275-11	CERAMIC CHIP 0.001uF 5%	50V
* CNP803	1-564-104-00	PIN, CONNECTOR (B3P-VH) 3P		C1020	1-163-243-11	CERAMIC CHIP 47PF 5%	50V
CNP804	1-779-978-11	PIN, CONNECTOR 3P					
		< DIODE >		C1031	1-163-275-11	CERAMIC CHIP 0.001uF 5%	50V
				C1101	1-165-319-11	CERAMIC CHIP 0.1uF	50V
D801	8-719-072-05	DIODE RBV-602LF-A		C1102	1-119-799-11	ELECT 47uF 20%	16V
D806	8-719-070-30	DIODE PTZ-TE25-5.6A		C1103	1-165-319-11	CERAMIC CHIP 0.1uF	50V
D810	8-719-074-75	DIODE PTZ-TE25-30B		C1104	1-163-021-91	CERAMIC CHIP 0.01uF 10%	50V
		< EARTH >		C1105	1-119-799-11	ELECT 47uF 20%	16V
				C1106	1-165-319-11	CERAMIC CHIP 0.1uF	50V
* EB801	1-537-738-21	TERMINAL, EARTH (DB830/DB930:AEP)		C1107	1-163-021-91	CERAMIC CHIP 0.01uF 10%	50V
		< FUSE >		C1108	1-165-319-11	CERAMIC CHIP 0.1uF	50V
				C1109	1-165-319-11	CERAMIC CHIP 0.1uF	50V
△ F801	1-533-311-11	FUSE, GLASS CYLINDRICAL(DIA.5) 8A/125V		C1110	1-163-275-11	CERAMIC CHIP 0.001uF 5%	50V
△ F802	1-533-311-11	FUSE, GLASS CYLINDRICAL(DIA.5) 8A/125V		C1111	1-165-319-11	CERAMIC CHIP 0.1uF	50V
		< TRANSISTOR >		C1156	1-163-021-91	CERAMIC CHIP 0.01uF 10%	50V
				C1157	1-165-319-11	CERAMIC CHIP 0.1uF	50V
Q801	8-729-048-78	TRANSISTOR 2SD1733-TL-QR		C1201	1-119-824-31	ELECT 10uF 20%	50V
		< RESISTOR >		C1202	1-165-319-11	CERAMIC CHIP 0.1uF	50V
△ R801	1-247-727-11	CARBON 10 5% 1/2W F		C1203	1-165-319-11	CERAMIC CHIP 0.1uF	50V
△ R802	1-249-401-11	CARBON 47 5% 1/4W F		C1204	1-165-319-11	CERAMIC CHIP 0.1uF	50V
R803	1-216-061-00	METAL CHIP 3.3K 5% 1/10W		C1205	1-165-319-11	CERAMIC CHIP 0.1uF	50V
R804	1-216-081-00	METAL CHIP 22K 5% 1/10W		C1206	1-163-037-11	CERAMIC CHIP 0.022uF 10%	25V
*****				C1207	1-119-799-11	ELECT 47uF 20%	16V
	A-4419-374-A	DIGITAL BOARD, COMPLETE (DB830:US)		C1208	1-165-319-11	CERAMIC CHIP 0.1uF	50V
		*****		C1209	1-165-319-11	CERAMIC CHIP 0.1uF	50V
	A-4426-041-A	DIGITAL BOARD, COMPLETE (DB830:AEP)		C1210	1-119-799-11	ELECT 47uF 20%	16V
		*****		C1211	1-163-251-11	CERAMIC CHIP 100PF 5%	50V
	A-4426-042-A	DIGITAL BOARD, COMPLETE		C1212	1-163-251-11	CERAMIC CHIP 100PF 5%	50V
		*****		C1213	1-165-319-11	CERAMIC CHIP 0.1uF	50V
		(DB930:AEP,MY,SP,AUS/V929X)		C1214	1-119-799-11	ELECT 47uF 20%	16V
* A-4419-375-A		DIGITAL BOARD, COMPLETE (DB930:US,CND)		C1215	1-119-792-21	ELECT 470uF 20%	16V
		*****		C1216	1-119-792-21	ELECT 470uF 20%	16V
		< CAPACITOR >		C1217	1-119-792-21	ELECT 470uF 20%	16V
				C1218	1-126-959-11	ELECT 0.47uF 20%	50V
C1001	1-165-319-11	CERAMIC CHIP 0.1uF	50V	C1219	1-165-319-11	CERAMIC CHIP 0.1uF	50V
C1002	1-165-319-11	CERAMIC CHIP 0.1uF	50V	C1220	1-126-957-11	ELECT 0.22uF 20%	50V
C1003	1-165-319-11	CERAMIC CHIP 0.1uF	50V	C1221	1-119-824-31	ELECT 10uF 20%	50V
C1004	1-165-319-11	CERAMIC CHIP 0.1uF	50V	C1222	1-165-319-11	CERAMIC CHIP 0.1uF	50V
C1005	1-165-319-11	CERAMIC CHIP 0.1uF	50V	C1223	1-165-319-11	CERAMIC CHIP 0.1uF	50V
C1006	1-124-472-11	ELECT 470uF 20%	10V	C1224	1-165-319-11	CERAMIC CHIP 0.1uF	50V
C1007	1-119-825-41	ELECT 22uF 20%	50V	C1225	1-165-319-11	CERAMIC CHIP 0.1uF	50V
C1008	1-165-319-11	CERAMIC CHIP 0.1uF	50V	C1226	1-126-960-11	ELECT 1uF 20%	50V
C1009	1-163-251-11	CERAMIC CHIP 100PF 5%	50V	C1227	1-119-799-11	ELECT 47uF 20%	16V
C1010	1-163-217-11	CERAMIC CHIP 1PF 0.25PF	50V	C1228	1-163-021-91	CERAMIC CHIP 0.01uF 10%	50V
C1011	1-163-251-11	CERAMIC CHIP 100PF 5%	50V	C1229	1-119-792-21	ELECT 470uF 20%	16V
C1012	1-163-251-11	CERAMIC CHIP 100PF 5%	50V			(EXCEPT DB830 : US,AEP)(SUFFIX-12)	
C1013	1-163-251-11	CERAMIC CHIP 100PF 5%	50V	C1229	1-127-720-91	ELECT 470uF 20%	16V
C1014	1-163-251-11	CERAMIC CHIP 100PF 5%	50V			(DB830 : US,AEP)(SUFFIX-12)	
C1015	1-163-251-11	CERAMIC CHIP 100PF 5%	50V	C1230	1-165-319-11	CERAMIC CHIP 0.1uF	50V
						(SUFFIX-12)	

The components identified by mark △ or dotted line with mark △ are critical for safety. Replace only with part number specified.	Les composants identifiés par une marque △ sont critiques pour la sécurité. Ne les remplacer que par une pièce portant le numéro spécifié.	以阴影和 △标志来识别的零部件，在安全方面具有关键性。因此只能以规定号码的零部件来更换。
--	--	--

DIGITAL

Ref. No.	Part No.	Description	Remarks	Ref. No.	Part No.	Description	Remarks
C1301	1-165-319-11	CERAMIC CHIP	0.1uF	50V	C1540	1-119-799-11	ELECT 47uF 20% 16V
C1303	1-165-319-11	CERAMIC CHIP	0.1uF	50V	C1541	1-119-799-11	ELECT 47uF 20% 16V
C1304	1-165-319-11	CERAMIC CHIP	0.1uF	50V	C1542	1-163-227-11	CERAMIC CHIP 10PF 0.5PF 50V
C1305	1-119-799-11	ELECT	47uF	20% 16V	C1543	1-119-825-41	ELECT 22uF 20% 50V
C1306	1-163-133-00	CERAMIC CHIP	470PF	5% 50V	C1544	1-165-319-11	CERAMIC CHIP 0.1uF 50V
C1307	1-165-319-11	CERAMIC CHIP	0.1uF	50V	C1545	1-163-227-11	CERAMIC CHIP 10PF 0.5PF 50V
C1309	1-124-472-11	ELECT	470uF	20% 10V	C1546	1-119-825-41	ELECT 22uF 20% 50V
C1310	1-165-319-11	CERAMIC CHIP	0.1uF	50V	C1547	1-163-227-11	CERAMIC CHIP 10PF 0.5PF 50V
C1311	1-165-319-11	CERAMIC CHIP	0.1uF	50V	C1548	1-119-825-41	ELECT 22uF 20% 50V
C1312	1-165-319-11	CERAMIC CHIP	0.1uF	50V	C1549	1-163-227-11	CERAMIC CHIP 10PF 0.5PF 50V
C1313	1-165-319-11	CERAMIC CHIP	0.1uF	50V	C1550	1-119-825-41	ELECT 22uF 20% 50V
C1314	1-165-319-11	CERAMIC CHIP	0.1uF	50V	C1551	1-163-227-11	CERAMIC CHIP 10PF 0.5PF 50V
C1315	1-163-021-91	CERAMIC CHIP	0.01uF	10% 50V	C1552	1-119-825-41	ELECT 22uF 20% 50V
C1401	1-165-319-11	CERAMIC CHIP	0.1uF	50V	C1553	1-163-227-11	CERAMIC CHIP 10PF 0.5PF 50V
C1402	1-165-319-11	CERAMIC CHIP	0.1uF	50V	C1554	1-119-825-41	ELECT 22uF 20% 50V
C1403	1-163-275-11	CERAMIC CHIP	0.001uF	5% 50V	C1560	1-119-825-41	ELECT 22uF 20% 50V
C1404	1-165-319-11	CERAMIC CHIP	0.1uF	50V	C1561	1-119-825-41	ELECT 22uF 20% 50V
C1405	1-165-319-11	CERAMIC CHIP	0.1uF	50V	C1562	1-119-825-41	ELECT 22uF 20% 50V
C1406	1-165-319-11	CERAMIC CHIP	0.1uF	50V	C1563	1-119-825-41	ELECT 22uF 20% 50V
C1407	1-165-319-11	CERAMIC CHIP	0.1uF	50V	C1564	1-119-825-41	ELECT 22uF 20% 50V
C1408	1-165-319-11	CERAMIC CHIP	0.1uF	50V	C1565	1-119-825-41	ELECT 22uF 20% 50V
C1409	1-119-799-11	ELECT	47uF	20% 16V	C1570	1-119-824-31	ELECT 10uF 20% 50V
C1410	1-165-319-11	CERAMIC CHIP	0.1uF	50V	C1571	1-165-319-11	CERAMIC CHIP 0.1uF 50V
C1411	1-165-319-11	CERAMIC CHIP	0.1uF	50V	C1572	1-119-825-41	ELECT 22uF 20% 50V
C1412	1-165-319-11	CERAMIC CHIP	0.1uF	50V	C1573	1-106-347-00	MYLAR 1500PF 5% 200V
C1413	1-165-319-11	CERAMIC CHIP	0.1uF	50V	C1574	1-119-825-41	ELECT 22uF 20% 50V
C1414	1-119-799-11	ELECT	47uF	20% 16V	C1575	1-119-825-41	ELECT 22uF 20% 50V
C1416	1-119-799-11	ELECT	47uF	20% 16V	C1576	1-119-825-41	ELECT 22uF 20% 50V
C1417	1-165-319-11	CERAMIC CHIP	0.1uF	50V	C3118	1-163-233-11	CERAMIC CHIP 18PF 5% 50V
C1501	1-119-799-11	ELECT	47uF	20% 16V	C3119	1-163-233-11	CERAMIC CHIP 18PF 5% 50V
C1502	1-119-799-11	ELECT	47uF	20% 16V	< CONNECTOR >		
C1503	1-163-251-11	CERAMIC CHIP	100PF	5% 50V	CNP1301	1-784-923-11	PIN, CONNECTOR 7P
C1504	1-119-799-11	ELECT	47uF	20% 16V	CNP1302	1-779-799-11	PIN, CONNECTOR 9P
C1505	1-119-799-11	ELECT	47uF	20% 16V	CNP1303	1-779-977-11	PIN, CONNECTOR 6P
C1507	1-119-825-41	ELECT	22uF	20% 50V	CNP1305	1-784-923-11	PIN, CONNECTOR 7P
C1508	1-119-825-41	ELECT	22uF	20% 50V	CNS1301	1-784-778-11	CONNECTOR, FFC 17P
C1509	1-119-799-11	ELECT	47uF	20% 16V	CNS1302	1-784-776-11	CONNECTOR, FFC 15P
C1510	1-119-825-41	ELECT	22uF	20% 50V	CNS1303	1-784-780-11	CONNECTOR, FFC 19P
C1511	1-119-825-41	ELECT	22uF	20% 50V	(DB830:AEP/DB930:AEP,MY,SP,AUS/V929X)		
C1512	1-119-799-11	ELECT	47uF	20% 16V	CNS1303	1-784-784-11	CONNECTOR, FFC 23P
C1513	1-119-824-31	ELECT	10uF	20% 50V	(DB830:US/DB930:US,CND)		
C1514	1-165-319-11	CERAMIC CHIP	0.1uF	50V	CNS1304	1-784-776-11	CONNECTOR, FFC 15P
C1515	1-119-824-31	ELECT	10uF	20% 50V	< DIODE >		
C1516	1-165-319-11	CERAMIC CHIP	0.1uF	50V	D1001	8-719-016-74	DIODE 1SS352-TPH3
C1517	1-119-825-41	ELECT	22uF	20% 50V	D1002	8-719-016-74	DIODE 1SS352-TPH3
C1518	1-165-319-11	CERAMIC CHIP	0.1uF	50V	D1101	8-719-016-74	DIODE 1SS352-TPH3
C1519	1-165-319-11	CERAMIC CHIP	0.1uF	50V	D1102	8-719-016-74	DIODE 1SS352-TPH3
C1520	1-119-825-41	ELECT	22uF	20% 50V	D1201	8-719-016-74	DIODE 1SS352-TPH3
C1522	1-119-825-41	ELECT	22uF	20% 50V	D1202	8-719-016-74	DIODE 1SS352-TPH3
C1523	1-106-347-00	MYLAR	1500PF	5% 200V	D1203	8-719-801-78	DIODE 1SS184-TE85L
C1524	1-119-825-41	ELECT	22uF	20% 50V	D1204	8-719-801-78	DIODE 1SS184-TE85L
C1525	1-119-825-41	ELECT	22uF	20% 50V	D1205	8-719-801-78	DIODE 1SS184-TE85L
C1526	1-119-825-41	ELECT	22uF	20% 50V	D1206	8-719-016-74	DIODE 1SS352-TPH3
C1527	1-163-239-11	CERAMIC CHIP	33PF	5% 50V	D1207	8-719-016-74	DIODE 1SS352-TPH3
C1529	1-163-239-11	CERAMIC CHIP	33PF	5% 50V	D1208	8-719-053-18	DIODE 1SR154-400TE-25
C1531	1-163-239-11	CERAMIC CHIP	33PF	5% 50V	D1209	8-719-801-78	DIODE 1SS184-TE85L
C1533	1-163-239-11	CERAMIC CHIP	33PF	5% 50V	D1210	8-719-016-74	DIODE 1SS352-TPH3
C1535	1-163-239-11	CERAMIC CHIP	33PF	5% 50V	D1211	8-719-053-18	DIODE 1SR154-400TE-25
C1537	1-163-239-11	CERAMIC CHIP	33PF	5% 50V			
C1539	1-119-799-11	ELECT	47uF	20% 16V			

DIGITAL

Ref. No.	Part No.	Description	Remarks	Ref. No.	Part No.	Description	Remarks
D1501	8-719-820-05	DIODE 1SS181-TE85L				< JUMPER RESISTOR >	
D1504	8-719-820-05	DIODE 1SS181-TE85L					
D1505	8-719-820-05	DIODE 1SS181-TE85L					
		< EARTH >					
* EB1001	1-537-738-21	TERMINAL, EARTH		JW10	1-216-295-91	SHORT 0	
* EB1002	1-537-738-21	TERMINAL, EARTH		JW11	1-216-295-91	SHORT 0	
		< FERRITE BEAD >		JW12	1-216-295-91	SHORT 0	
				JW13	1-216-295-91	SHORT 0	
				JW14	1-216-295-91	SHORT 0	
FB1101	1-414-813-11	FERRITE 0UH		JW15	1-216-295-91	SHORT 0	
FB1102	1-414-813-11	FERRITE 0UH		JW16	1-216-295-91	SHORT 0	
FB1103	1-414-813-11	FERRITE 0UH		JW17	1-216-295-91	SHORT 0	
FB1301	1-414-813-11	FERRITE 0UH				< TRANSISTOR >	
FB1302	1-414-813-11	FERRITE 0UH		Q1201	8-729-230-49	TRANSISTOR 2SC2712-YG-TE85L	
				Q1202	8-729-230-49	TRANSISTOR 2SC2712-YG-TE85L	
				Q1203	8-729-027-43	TRANSISTOR RT1N141C-TP-1	
FB1401	1-414-813-11	FERRITE 0UH		Q1204	8-729-230-49	TRANSISTOR 2SC2712-YG-TE85L	
FB1402	1-414-813-11	FERRITE 0UH		Q1205	8-729-048-78	TRANSISTOR 2SD1733-TL-QR	
FB1403	1-414-813-11	FERRITE 0UH					
		< IC >		Q1501	8-729-107-46	TRANSISTOR 2SC3624A-T1L15L16	
IC1001	8-749-015-84	IC GP1F37R1 (DVD/LD)		Q1502	8-729-107-46	TRANSISTOR 2SC3624A-T1L15L16	
IC1002	8-749-923-05	TORX178A (TV/SAT)		Q1503	8-729-107-46	TRANSISTOR 2SC3624A-T1L15L16	
IC1003	8-749-923-05	TORX178A (MD/DA IN)		Q1504	8-729-107-46	TRANSISTOR 2SC3624A-T1L15L16	
IC1004	8-749-923-04	IC TOTX178 (MD/DA OUT)		Q1505	8-729-107-46	TRANSISTOR 2SC3624A-T1L15L16	
IC1005	8-759-595-15	IC TC74ACT153AF(EL)					
				Q1506	8-729-107-46	TRANSISTOR 2SC3624A-T1L15L16	
IC1006	8-759-234-20	IC TC7S08F(TE85R)		Q1507	8-729-027-23	TRANSISTOR RT1P141C-TP-1	
IC1007	8-759-242-70	IC TC7WU04F(TE12R)				< RESISTOR >	
IC1101	8-759-581-19	IC LC89055W		R1001	1-216-025-91	RES,CHIP 100 5% 1/10W	
IC1102	8-759-242-70	IC TC7WU04F(TE12R)		R1002	1-216-025-91	RES,CHIP 100 5% 1/10W	
IC1201	8-759-580-51	IC MB90573PFV-G-190-BND		R1003	1-216-025-91	RES,CHIP 100 5% 1/10W	
				R1004	1-216-025-91	RES,CHIP 100 5% 1/10W	
IC1202	8-759-186-30	IC TC74VHC14F(EL)		R1005	1-216-049-91	RES,CHIP 1K 5% 1/10W	
IC1203	8-759-445-59	IC BA033T					
IC1204	8-759-450-47	IC BA05T		R1006	1-216-025-91	RES,CHIP 100 5% 1/10W	
IC1205	8-759-231-53	IC M5F7805L		R1007	1-216-025-91	RES,CHIP 100 5% 1/10W	
IC1206	8-759-544-04	IC NJM2103M-TE2		R1008	1-216-022-00	METAL CHIP 75 5% 1/10W	
				R1009	1-216-049-91	RES,CHIP 1K 5% 1/10W	
IC1207	8-759-450-47	IC BA05T(SUFFIX-12)		R1010	1-216-081-00	METAL CHIP 22K 5% 1/10W	
IC1301	8-759-582-68	IC CXD9511Q					
IC1401	8-752-391-87	IC CXD2712R		R1011	1-216-025-91	RES,CHIP 100 5% 1/10W	
IC1402	8-759-538-16	IC IDT71V016S15PH-AUTL		R1012	1-216-049-91	RES,CHIP 1K 5% 1/10W	
IC1403	8-759-524-32	IC TC74VHC367FT(EL)		R1013	1-216-115-00	METAL CHIP 560K 5% 1/10W	
				R1014	1-216-049-91	RES,CHIP 1K 5% 1/10W	
IC1404	8-759-242-70	IC TC7WU04F(TE12R)		R1015	1-216-049-91	RES,CHIP 1K 5% 1/10W	
IC1501	8-759-231-53	IC M5F7805L					
IC1502	8-759-590-10	IC TC9273F-012(EL)		R1016	1-216-049-91	RES,CHIP 1K 5% 1/10W	
IC1503	8-759-581-18	IC AK4526A		R1017	1-216-049-91	RES,CHIP 1K 5% 1/10W	
IC1504	8-759-636-55	IC M5218AFP-T1		R1018	1-216-065-91	RES,CHIP 4.7K 5% 1/10W	
				R1019	1-216-081-00	METAL CHIP 22K 5% 1/10W	
IC1505	8-759-636-55	IC M5218AFP-T1		R1021	1-216-089-91	RES,CHIP 47K 5% 1/10W	
IC1506	8-759-636-55	IC M5218AFP-T1					
IC1507	8-759-636-55	IC M5218AFP-T1		R1022	1-216-121-91	RES,CHIP 1M 5% 1/10W	
IC1508	8-759-636-55	IC M5218AFP-T1		R1101	1-216-073-00	METAL CHIP 10K 5% 1/10W	
IC1509	8-759-636-55	IC M5218AFP-T1		R1102	1-216-073-00	METAL CHIP 10K 5% 1/10W	
				R1103	1-216-049-91	RES,CHIP 1K 5% 1/10W	
IC1510	8-759-636-55	IC M5218AFP-T1		R1104	1-216-022-00	METAL CHIP 75 5% 1/10W	
IC1554	8-759-636-55	IC M5218AFP-T1					
		< JACK >		R1105	1-216-066-00	METAL CHIP 5.1K 5% 1/10W	
J1001	1-784-432-11	JACK, PIN 1P (DVD/LD COAX) (DB930/V929X)		R1106	1-216-071-00	METAL CHIP 8.2K 5% 1/10W	
J1001	1-784-431-11	JACK, PIN 1P (DVD/LD COAX) (DB830)		R1107	1-216-049-91	RES,CHIP 1K 5% 1/10W	
J1002	1-785-489-11	JACK, PIN 6P(5.1CH INPUT)(DB930/V929X)		R1108	1-216-025-91	RES,CHIP 100 5% 1/10W	
J1002	1-785-536-11	JACK, PIN (6P)(5.1CH INPUT)(DB830)		R1109	1-216-121-91	RES,CHIP 1M 5% 1/10W	
				R1110	1-216-049-91	RES,CHIP 1K 5% 1/10W	
				R1111	1-216-121-91	RES,CHIP 1M 5% 1/10W	
				R1112	1-216-025-91	RES,CHIP 100 5% 1/10W	
				R1113	1-216-025-91	RES,CHIP 100 5% 1/10W	
				R1114	1-216-025-91	RES,CHIP 100 5% 1/10W	

DIGITAL

Ref. No.	Part No.	Description		Remarks	Ref. No.	Part No.	Description		Remarks
R1115	1-216-073-00	METAL CHIP	10K	5%	1/10W	R1253	1-216-057-00	METAL CHIP	2.2K 5% 1/10W
R1131	1-216-066-00	METAL CHIP	5.1K	5%	1/10W	R1254	1-216-057-00	METAL CHIP	2.2K 5% 1/10W
R1160	1-216-049-91	RES,CHIP	1K	5%	1/10W	R1255	1-216-057-00	METAL CHIP	2.2K 5% 1/10W
R1192	1-216-049-91	RES,CHIP	1K	5%	1/10W	R1256	1-216-057-00	METAL CHIP	2.2K 5% 1/10W
R1193	1-216-049-91	RES,CHIP	1K	5%	1/10W	R1257	1-216-057-00	METAL CHIP	2.2K 5% 1/10W
R1222	1-216-073-00	METAL CHIP	10K	5%	1/10W (DB930/V929X)	R1258	1-216-057-00	METAL CHIP	2.2K 5% 1/10W
R1201	1-216-097-91	RES,CHIP	100K	5%	1/10W	R1259	1-216-073-00	METAL CHIP	10K 5% 1/10W
R1202	1-216-049-91	RES,CHIP	1K	5%	1/10W	R1261	1-216-057-00	METAL CHIP	2.2K 5% 1/10W
R1203	1-216-049-91	RES,CHIP	1K	5%	1/10W	R1262	1-216-057-00	METAL CHIP	2.2K 5% 1/10W
R1204	1-216-049-91	RES,CHIP	1K	5%	1/10W	R1263	1-216-057-00	METAL CHIP	2.2K 5% 1/10W
R1205	1-216-049-91	RES,CHIP	1K	5%	1/10W	R1264	1-216-049-91	RES,CHIP	1K 5% 1/10W
R1206	1-216-049-91	RES,CHIP	1K	5%	1/10W	R1265	1-216-049-91	RES,CHIP	1K 5% 1/10W
R1207	1-216-049-91	RES,CHIP	1K	5%	1/10W	R1266	1-216-049-91	RES,CHIP	1K 5% 1/10W
R1208	1-216-049-91	RES,CHIP	1K	5%	1/10W	R1267	1-216-073-00	METAL CHIP	10K 5% 1/10W
R1209	1-216-049-91	RES,CHIP	1K	5%	1/10W	R1269	1-216-093-91	RES,CHIP	68K 5% 1/10W
R1210	1-216-049-91	RES,CHIP	1K	5%	1/10W	R1270	1-216-049-91	RES,CHIP	1K 5% 1/10W
R1211	1-216-049-91	RES,CHIP	1K	5%	1/10W	R1271	1-216-073-00	METAL CHIP	10K 5% 1/10W
R1212	1-216-049-91	RES,CHIP	1K	5%	1/10W	R1272	1-216-073-00	METAL CHIP	10K 5% 1/10W
R1213	1-216-049-91	RES,CHIP	1K	5%	1/10W	R1273	1-216-049-91	RES,CHIP	1K 5% 1/10W
R1214	1-216-049-91	RES,CHIP	1K	5%	1/10W	R1274	1-216-065-91	RES,CHIP	4.7K 5% 1/10W
R1215	1-216-025-91	RES,CHIP	100	5%	1/10W	R1275	1-216-049-91	RES,CHIP	1K 5% 1/10W
R1216	1-216-025-91	RES,CHIP	100	5%	1/10W	R1276	1-216-049-91	RES,CHIP	1K 5% 1/10W
R1217	1-216-025-91	RES,CHIP	100	5%	1/10W	R1277	1-216-049-91	RES,CHIP	1K 5% 1/10W
R1218	1-216-049-91	RES,CHIP	1K	5%	1/10W	R1278	1-216-057-00	METAL CHIP	2.2K 5% 1/10W
R1219	1-216-049-91	RES,CHIP	1K	5%	1/10W	R1279	1-216-049-91	RES,CHIP	1K 5% 1/10W
R1220	1-216-049-91	RES,CHIP	1K	5%	1/10W	R1280	1-216-081-00	METAL CHIP	22K 5% 1/10W
R1221	1-216-073-00	METAL CHIP	10K	5%	1/10W (DB830)	R1281	1-216-049-91	RES,CHIP	1K 5% 1/10W
R1224	1-216-089-91	RES,CHIP	47K	5%	1/10W	R1282	1-216-049-91	RES,CHIP	1K 5% 1/10W
R1225	1-216-689-11	METAL CHIP	39K	0.5%	1/10W	R1283	1-216-073-00	METAL CHIP	10K 5% 1/10W
R1226	1-216-689-11	METAL CHIP	39K	0.5%	1/10W	R1284	1-216-105-91	RES,CHIP	220K 5% 1/10W
R1227	1-216-073-00	METAL CHIP	10K	5%	1/10W	R1285	1-216-049-91	RES,CHIP	1K 5% 1/10W
R1228	1-216-075-00	METAL CHIP	12K	5%	1/10W	R1286	1-216-049-91	RES,CHIP	1K 5% 1/10W
R1229	1-216-065-91	RES,CHIP	4.7K	5%	1/10W	R1287	1-216-097-91	RES,CHIP	100K 5% 1/10W
R1230	1-216-065-91	RES,CHIP	4.7K	5%	1/10W	R1288	1-216-049-91	RES,CHIP	1K 5% 1/10W
R1232	1-216-065-91	RES,CHIP	4.7K	5%	1/10W	R1289	1-216-049-91	RES,CHIP	1K 5% 1/10W
R1233	1-216-065-91	RES,CHIP	4.7K	5%	1/10W	R1290	1-216-093-91	RES,CHIP	68K 5% 1/10W
R1234	1-216-065-91	RES,CHIP	4.7K	5%	1/10W	R1292	1-216-049-91	RES,CHIP	1K 5% 1/10W
R1235	1-216-065-91	RES,CHIP	4.7K	5%	1/10W	R1293	1-216-073-00	METAL CHIP	10K 5% 1/10W
R1236	1-216-065-91	RES,CHIP	4.7K	5%	1/10W	R1294	1-216-073-00	METAL CHIP	10K 5% 1/10W
R1237	1-216-065-91	RES,CHIP	4.7K	5%	1/10W	R1301	1-216-073-00	METAL CHIP	10K 5% 1/10W
R1238	1-216-065-91	RES,CHIP	4.7K	5%	1/10W	R1302	1-216-073-00	METAL CHIP	10K 5% 1/10W
R1239	1-216-073-00	METAL CHIP	10K	5%	1/10W	R1401	1-216-025-91	RES,CHIP	100 5% 1/10W
R1240	1-216-073-00	METAL CHIP	10K	5%	1/10W	R1402	1-216-025-91	RES,CHIP	100 5% 1/10W
R1241	1-216-073-00	METAL CHIP	10K	5%	1/10W	R1403	1-216-025-91	RES,CHIP	100 5% 1/10W
R1242	1-216-049-91	RES,CHIP	1K	5%	1/10W	R1404	1-216-097-91	RES,CHIP	100K 5% 1/10W
R1243	1-216-073-00	METAL CHIP	10K	5%	1/10W	R1405	1-216-121-91	RES,CHIP	1M 5% 1/10W
R1244	1-216-049-91	RES,CHIP	1K	5%	1/10W	R1406	1-216-073-00	METAL CHIP	10K 5% 1/10W
R1245	1-216-049-91	RES,CHIP	1K	5%	1/10W	R1407	1-216-025-91	RES,CHIP	100 5% 1/10W
R1246	1-216-049-91	RES,CHIP	1K	5%	1/10W	R1408	1-216-025-91	RES,CHIP	100 5% 1/10W
R1247	1-216-073-00	METAL CHIP	10K	5%	1/10W	R1409	1-216-025-91	RES,CHIP	100 5% 1/10W
R1248	1-216-073-00	METAL CHIP	10K	5%	1/10W	R1410	1-216-295-91	SHORT	0
R1249	1-216-049-91	RES,CHIP	1K	5%	1/10W	R1412	1-216-065-91	RES,CHIP	4.7K 5% 1/10W
R1250	1-216-025-91	RES,CHIP	100	5%	1/10W	R1413	1-216-065-91	RES,CHIP	4.7K 5% 1/10W
R1251	1-216-073-00	METAL CHIP	10K	5%	1/10W	R1414	1-216-065-91	RES,CHIP	4.7K 5% 1/10W
R1252	1-216-057-00	METAL CHIP	2.2K	5%	1/10W	R1415	1-216-065-91	RES,CHIP	4.7K 5% 1/10W
						R1416	1-216-065-91	RES,CHIP	4.7K 5% 1/10W
						R1417	1-216-065-91	RES,CHIP	4.7K 5% 1/10W
						R1418	1-216-065-91	RES,CHIP	4.7K 5% 1/10W
						R1419	1-216-065-91	RES,CHIP	4.7K 5% 1/10W
						R1420	1-216-065-91	RES,CHIP	4.7K 5% 1/10W

DIGITAL

DISPLAY

Ref. No.	Part No.	Description	Quantity	Percentage	Remarks	Ref. No.	Part No.	Description	Quantity	Percentage	Remarks
R1421	1-216-065-91	RES,CHIP	4.7K	5%	1/10W	R1563	1-216-097-91	RES,CHIP	100K	5%	1/10W
R1422	1-216-025-91	RES,CHIP	100	5%	1/10W	R1564	1-216-097-91	RES,CHIP	100K	5%	1/10W
R1501	1-216-295-91	SHORT	0			R1565	1-216-097-91	RES,CHIP	100K	5%	1/10W
R1502	1-216-295-91	SHORT	0			R1567	1-216-097-91	RES,CHIP	100K	5%	1/10W
R1503	1-216-073-00	METAL CHIP	10K	5%	1/10W	R1568	1-216-081-00	METAL CHIP	22K	5%	1/10W
R1504	1-216-049-91	RES,CHIP	1K	5%	1/10W	R1569	1-216-097-91	RES,CHIP	100K	5%	1/10W
R1505	1-216-009-91	RES,CHIP	22	5%	1/10W	R1570	1-216-065-91	RES,CHIP	4.7K	5%	1/10W
R1506	1-216-009-91	RES,CHIP	22	5%	1/10W	R1571	1-216-065-91	RES,CHIP	4.7K	5%	1/10W
R1508	1-216-033-00	METAL CHIP	220	5%	1/10W	R1572	1-216-073-00	METAL CHIP	10K	5%	1/10W
R1509	1-216-097-91	RES,CHIP	100K	5%	1/10W	R1573	1-216-057-00	METAL CHIP	2.2K	5%	1/10W
R1510	1-216-033-00	METAL CHIP	220	5%	1/10W	R1574	1-216-037-00	METAL CHIP	330	5%	1/10W
R1511	1-216-081-00	METAL CHIP	22K	5%	1/10W	R1575	1-216-073-00	METAL CHIP	10K	5%	1/10W
R1512	1-216-033-00	METAL CHIP	220	5%	1/10W	R1576	1-216-037-00	METAL CHIP	330	5%	1/10W
R1513	1-216-033-00	METAL CHIP	220	5%	1/10W	R1577	1-216-073-00	METAL CHIP	10K	5%	1/10W
R1514	1-216-033-00	METAL CHIP	220	5%	1/10W	R1578	1-216-049-91	RES,CHIP	1K	5%	1/10W
R1515	1-216-033-00	METAL CHIP	220	5%	1/10W	R1579	1-216-049-91	RES,CHIP	1K	5%	1/10W
R1516	1-216-097-91	RES,CHIP	100K	5%	1/10W	R1580	1-216-049-91	RES,CHIP	1K	5%	1/10W
R1517	1-216-081-00	METAL CHIP	22K	5%	1/10W	R1581	1-216-081-00	METAL CHIP	22K	5%	1/10W
R1518	1-216-097-91	RES,CHIP	100K	5%	1/10W	R1582	1-216-089-91	RES,CHIP	47K	5%	1/10W
R1519	1-216-049-91	RES,CHIP	1K	5%	1/10W	R1583	1-216-097-91	RES,CHIP	100K	5%	1/10W
R1522	1-216-073-00	METAL CHIP	10K	5%	1/10W	R1584	1-216-089-91	RES,CHIP	47K	5%	1/10W
R1523	1-216-057-00	METAL CHIP	2.2K	5%	1/10W	R1585	1-216-081-00	METAL CHIP	22K	5%	1/10W
R1524	1-216-037-00	METAL CHIP	330	5%	1/10W	R1586	1-216-105-91	RES,CHIP	220K	5%	1/10W
R1525	1-216-073-00	METAL CHIP	10K	5%	1/10W	R1587	1-216-105-91	RES,CHIP	220K	5%	1/10W
R1526	1-216-037-00	METAL CHIP	330	5%	1/10W	R1588	1-216-105-91	RES,CHIP	220K	5%	1/10W
R1527	1-216-073-00	METAL CHIP	10K	5%	1/10W	R1589	1-216-105-91	RES,CHIP	220K	5%	1/10W
R1528	1-216-049-91	RES,CHIP	1K	5%	1/10W	R1590	1-216-105-91	RES,CHIP	220K	5%	1/10W
R1529	1-216-049-91	RES,CHIP	1K	5%	1/10W	R1591	1-216-105-91	RES,CHIP	220K	5%	1/10W
R1530	1-216-049-91	RES,CHIP	1K	5%	1/10W	R1594	1-216-073-00	METAL CHIP	10K	5%	1/10W
R1532	1-216-085-00	METAL CHIP	33K	5%	1/10W	R1595	1-216-073-00	METAL CHIP	10K	5%	1/10W
R1533	1-216-089-91	RES,CHIP	47K	5%	1/10W	R1596	1-216-073-00	METAL CHIP	10K	5%	1/10W
R1534	1-216-089-91	RES,CHIP	47K	5%	1/10W	R1597	1-216-073-00	METAL CHIP	10K	5%	1/10W
R1535	1-216-089-91	RES,CHIP	47K	5%	1/10W	R1598	1-216-073-00	METAL CHIP	10K	5%	1/10W
R1536	1-216-081-00	METAL CHIP	22K	5%	1/10W	R1599	1-216-073-00	METAL CHIP	10K	5%	1/10W
R1537	1-216-085-00	METAL CHIP	33K	5%	1/10W	R3121	1-216-043-91	RES,CHIP	560	5%	1/10W
R1538	1-216-089-91	RES,CHIP	47K	5%	1/10W			< VIBRATOR >			
R1539	1-216-097-91	RES,CHIP	100K	5%	1/10W	X1201	1-781-356-21	VIBRATOR, CERAMIC 16MHz			
R1540	1-216-089-91	RES,CHIP	47K	5%	1/10W	X1401	1-781-464-21	VIBRATOR, CERAMIC 10MHz			
R1541	1-216-085-00	METAL CHIP	33K	5%	1/10W	X3501	1-781-465-21	VIBRATOR, CRYSTAL 12.288MHz			
R1542	1-216-089-91	RES,CHIP	47K	5%	1/10W			*****			
R1543	1-216-081-00	METAL CHIP	22K	5%	1/10W	A-4419-341-A	DISPLAY BOARD, COMPLETE (DB830:US)				
R1544	1-216-081-00	METAL CHIP	22K	5%	1/10W		*****				
R1545	1-216-085-00	METAL CHIP	33K	5%	1/10W	A-4419-343-A	DISPLAY BOARD, COMPLETE(DB830:AEP)				
R1546	1-216-089-91	RES,CHIP	47K	5%	1/10W		*****				
R1547	1-216-097-91	RES,CHIP	100K	5%	1/10W	A-4419-344-A	DISPLAY BOARD, COMPLETE (DB930:US,CND)				
R1548	1-216-089-91	RES,CHIP	47K	5%	1/10W		*****				
R1549	1-216-085-00	METAL CHIP	33K	5%	1/10W	A-4419-345-A	DISPLAY BOARD, COMPLETE				
R1550	1-216-089-91	RES,CHIP	47K	5%	1/10W		*****				
R1551	1-216-089-91	RES,CHIP	47K	5%	1/10W		(DB930:MY,SP/V929X)				
R1552	1-216-081-00	METAL CHIP	22K	5%	1/10W	A-4419-346-A	DISPLAY BOARD, COMPLETE (DB930:AUS)				
R1553	1-216-085-00	METAL CHIP	33K	5%	1/10W		*****				
R1554	1-216-089-91	RES,CHIP	47K	5%	1/10W	A-4419-347-A	DISPLAY BOARD, COMPLETE (DB930:AEP)				
R1555	1-216-295-91	SHORT	0				*****				
R1556	1-216-081-00	METAL CHIP	22K	5%	1/10W	* 4-955-901-01	CUSHION (FL)				
R1557	1-216-295-91	SHORT	0			* 4-990-797-01	HOLDER (FL)				
R1558	1-216-025-91	RES,CHIP	100	5%	1/10W						
R1559	1-216-089-91	RES,CHIP	47K	5%	1/10W						
R1560	1-216-097-91	RES,CHIP	100K	5%	1/10W						
R1561	1-216-097-91	RES,CHIP	100K	5%	1/10W						
R1562	1-216-097-91	RES,CHIP	100K	5%	1/10W						

DISPLAY

Ref. No.	Part No.	Description	Remarks	Ref. No.	Part No.	Description	Remarks
< CAPACITOR >							
C101	1-126-786-11	ELECT	47uF 20% 16V	D124	8-719-059-14	DIODE SID313BP-TP19 (DB930/V929X)	
C102	1-163-021-91	CERAMIC CHIP	0.01uF 10% 50V	D125	8-719-059-14	DIODE SID313BP-TP19 (DB930/V929X)	
C103	1-163-021-91	CERAMIC CHIP	0.01uF 10% 50V	D126	8-719-016-74	DIODE 1SS352-TPH3 (DB930/V929X)	
C104	1-126-795-11	ELECT	10uF 20% 50V	D127	8-719-016-74	DIODE 1SS352-TPH3 (DB930/V929X)	
C105	1-104-905-11	CAPACITOR	0.22F 5.5V	D128	8-719-064-57	DIODE SID5K23CTP15 (DB930/V929X)	
C106	1-165-319-11	CERAMIC CHIP	0.1uF 50V	D129	8-719-016-74	DIODE 1SS352-TPH3 (DB830:AEP)	
C107	1-165-319-11	CERAMIC CHIP	0.1uF 50V	D132	8-719-016-74	DIODE 1SS352-TPH3 (DB930:AEP,MY,SP,AUS/V929X)	
C108	1-165-319-11	CERAMIC CHIP	0.1uF 50V	D134	8-719-016-74	DIODE 1SS352-TPH3 (DB830)	
C109	1-165-319-11	CERAMIC CHIP	0.1uF 50V	D135	8-719-016-74	DIODE 1SS352-TPH3 (DB930/V929X)	
C110	1-165-319-11	CERAMIC CHIP	0.1uF 50V	D136	8-719-074-92	DIODE SMLU78755CTP15	
C111	1-165-319-11	CERAMIC CHIP	0.1uF 50V	D137	8-719-074-92	DIODE SMLU78755CTP15 (VIDEO2)	
C112	1-165-319-11	CERAMIC CHIP	0.1uF 50V	D138	8-719-074-92	DIODE SMLU78755CTP15 (VIDEO3)	
C113	1-165-319-11	CERAMIC CHIP	0.1uF 50V	D139	8-719-074-92	DIODE SMLU78755CTP15 (DVD/LD)	
C114	1-165-319-11	CERAMIC CHIP	0.1uF 50V	D140	8-719-074-92	DIODE SMLU78755CTP15 (TV/SAT)	
C115	1-165-319-11	CERAMIC CHIP	0.1uF 50V	D141	8-719-075-60	DIODE SELS5823CTP15(TAPE)(DB930/V929X)	
C116	1-165-319-11	CERAMIC CHIP	0.1uF 50V	D142	8-719-075-60	DIODE SELS5823CTP15(MD/DAT)	
C117	1-165-319-11	CERAMIC CHIP	0.1uF 50V	D143	8-719-075-60	DIODE SELS5823CTP15(CD)	
C118	1-126-786-11	ELECT	47uF 20% 16V	D144	8-719-075-60	DIODE SELS5823CTP15(TUNER)	
C119	1-126-786-11	ELECT	47uF 20% 16V	D145	8-719-075-60	DIODE SELS5823CTP15(PHONO)	
C120	1-165-319-11	CERAMIC CHIP	0.1uF 50V	D147	8-719-046-39	DIODE SEL5821A-TP15(BASS BOUST)	
C121	1-165-319-11	CERAMIC CHIP	0.1uF 50V (DB930/V929X)	D149	8-719-032-98	DIODE SEL5820A-TP15(EQ)	
C123	1-165-319-11	CERAMIC CHIP	0.1uF 50V (DB930/V929X)	D150	8-719-032-98	DIODE SEL5820A-TP15(SURR)	
C124	1-126-916-11	ELECT	1000uF 20% 6.3V (DB930/V929X)	D151	8-719-032-98	DIODE SEL5820A-TP15(LEVEL)	
C125	1-126-916-11	ELECT	1000uF 20% 6.3V (DB930/V929X)	D152	8-719-032-98	DIODE SEL5820A-TP15(NAME)	
C126	1-104-942-11	ELECT	1uF 20% 50V (DB930/V929X)	D153	8-719-032-98	DIODE SEL5820A-TP15(SET UP)	
C127	1-104-942-11	ELECT	1uF 20% 50V (DB930/V929X)	D154	8-719-046-39	DIODE SEL5821A-TP15(2CH)	
C129	1-163-251-11	CERAMIC CHIP	100PF 5% 50V (DB830/DB930:US,CND,MY,SP/V929X)	D155	8-719-046-39	DIODE SEL5821A-TP15(MODE)	
C130	1-163-251-11	CERAMIC CHIP	100PF 5% 50V (DB830/DB930:US,CND,MY,SP/V929X)	D156	8-719-046-39	DIODE SEL5821A-TP15(AF.D)	
C131	1-165-319-11	CERAMIC CHIP	0.1uF 50V	D157	8-719-075-59	DIODE SELS5B23CTP15 (DIGITAL CINEMA SOUND)	
C132	1-165-319-11	CERAMIC CHIP	0.1uF 50V	< FILTER >			
C133	1-165-319-11	CERAMIC CHIP	0.1uF 50V	FL101	1-517-781-11	INDICATOR TUBE, FLUORESCENT	
C134	1-163-021-91	CERAMIC CHIP	0.01uF 10% 50V	< IC >			
C135	1-163-021-91	CERAMIC CHIP	0.01uF 10% 50V	IC101	8-759-459-86	IC NJL64H400A	
C136	1-126-786-11	ELECT	47uF 20% 16V	IC102	8-759-577-32	IC MB90553APF-G-138-BND	
C137	1-163-251-11	CERAMIC CHIP	100PF 5% 50V	IC103	8-759-589-67	IC BA6208F-E2	
< CONNECTOR >				IC104	8-759-075-35	IC TD62C950RF	
CNP105	1-784-919-11	CONNECTOR, PC BOARD (PLUG) 5P		IC105	8-759-463-11	IC MSC1162AGS-BK	
CNP107	1-784-923-11	PIN, CONNECTOR 7P		IC106	8-759-545-07	IC TMP87C447U-4A06 (DB930/V929X)	
CNS101	1-568-741-11	SOCKET, CONNECTOR 23P (DB830:US/DB930:US,CND)		IC107	8-759-925-76	IC SN74HC08ANSR (DB930/V929X)	
CNS101	1-569-308-11	SOCKET, CONNECTOR(L TYRE)19P (DB830:AEP/DB930:AEP,MY,SP,AUS,V929X)		IC108	8-759-373-50	IC NJU3719L	
CNS102	1-779-365-11	CONNECTOR, PC BOARD (PLUG) 8P		< JUMPER RESISTOR >			
CNS103	1-770-397-11	HOUSING, CONNECTOR(PC BOARD)4P		JR101	1-216-295-91	SHORT 0	
< DIODE >				JR102	1-216-296-91	SHORT 0	
D101	8-719-016-74	DIODE 1SS352-TPH3		JR103	1-216-296-91	SHORT 0	
D102	8-719-053-18	DIODE 1SR154-400TE-25		JR104	1-216-296-91	SHORT 0	
D103	8-719-016-74	DIODE 1SS352-TPH3		JR105	1-216-296-91	SHORT 0	
D104	8-719-016-74	DIODE 1SS352-TPH3 (DB930/V929X)		JR106	1-216-296-91	SHORT 0	
D107	8-719-016-74	DIODE 1SS352-TPH3		JR107	1-216-295-91	SHORT 0	
				JR109	1-216-296-91	SHORT 0	
				JR111	1-216-296-91	SHORT 0	
				JR112	1-216-296-91	SHORT 0	
				JR113	1-216-296-91	SHORT 0	
				JR114	1-216-296-91	SHORT 0	
				JR115	1-216-296-91	SHORT 0	
				JR116	1-216-296-91	SHORT 0	
				JR117	1-216-296-91	SHORT 0	

DISPLAY

Ref. No.	Part No.	Description	Remarks	Ref. No.	Part No.	Description	Remarks
JR118	1-216-296-91	SHORT 0		Q129	8-729-801-93	TRANSISTOR 2SD1387-34-TP (DB930/V929X)	
JR119	1-216-296-91	SHORT 0		Q130	8-729-801-93	TRANSISTOR 2SD1387-34-TP (DB930/V929X)	
JR120	1-216-296-91	SHORT 0				< RESISTOR >	
JR121	1-216-296-91	SHORT 0					
JR122	1-216-295-91	SHORT 0		R101	1-216-298-00	METAL CHIP 2.2 5% 1/10W (DB930/V929X)	
JR123	1-216-296-91	SHORT 0		R103	1-216-089-91	RES,CHIP 47K 5% 1/10W	
JR124	1-216-296-91	SHORT 0		R104	1-216-298-00	METAL CHIP 2.2 5% 1/10W (DB930:AEP)	
JR125	1-216-296-91	SHORT 0		R104	1-216-065-91	RES,CHIP 4.7K 5% 1/10W	
JR126	1-216-295-91	SHORT 0		R105	1-216-001-00	METAL CHIP 10 5% 1/10W	
JR127	1-216-296-91	SHORT 0		R106	1-216-001-00	METAL CHIP 10 5% 1/10W (DB930/V929X)	
JR128	1-216-296-91	SHORT 0		R107	1-216-001-00	METAL CHIP 10 5% 1/10W (DB930/V929X)	
JR129	1-216-296-91	SHORT 0		R108	1-216-097-91	RES,CHIP 100K 5% 1/10W	
JR130	1-216-296-91	SHORT 0		R109	1-216-097-91	RES,CHIP 100K 5% 1/10W	
JR131	1-216-296-91	SHORT 0		R110	1-216-073-00	METAL CHIP 10K 5% 1/10W	
JR132	1-216-296-91	SHORT 0		R111	1-216-065-91	RES,CHIP 4.7K 5% 1/10W	
JR133	1-216-296-91	SHORT 0		R112	1-216-073-00	METAL CHIP 10K 5% 1/10W	
JR134	1-216-296-91	SHORT 0		R113	1-216-073-00	METAL CHIP 10K 5% 1/10W (DB930/V929X)	
JR135	1-216-296-91	SHORT 0		R114	1-216-134-00	METAL CHIP 2.2 5% 1/8W (DB930:AEP,MY,SP,AUS/V929X)	
JR136	1-216-296-91	SHORT 0		R114	1-216-298-00	METAL CHIP 2.2 5% 1/10W (DB930:US,CND,MY,SP,AUS/V929X)	
JR137	1-216-296-91	SHORT 0		R115	1-216-073-00	METAL CHIP 10K 5% 1/10W	
JR138	1-216-296-91	SHORT 0		R116	1-216-073-00	METAL CHIP 10K 5% 1/10W	
JR139	1-216-296-91	SHORT 0		R117	1-216-081-00	METAL CHIP 22K 5% 1/10W	
JR140	1-216-296-91	SHORT 0		R118	1-216-081-00	METAL CHIP 22K 5% 1/10W	
JR141	1-216-296-91	SHORT 0		R119	1-216-049-91	RES,CHIP 1K 5% 1/10W	
JR142	1-216-296-91	SHORT 0		R120	1-216-049-91	RES,CHIP 1K 5% 1/10W	
JR143	1-216-296-91	SHORT 0		R121	1-216-049-91	RES,CHIP 1K 5% 1/10W	
JR144	1-216-296-91	SHORT 0		R122	1-216-073-00	METAL CHIP 10K 5% 1/10W	
JR145	1-216-296-91	SHORT 0		R123	1-216-049-91	RES,CHIP 1K 5% 1/10W	
JR146	1-216-296-91	SHORT 0		R124	1-216-033-00	METAL CHIP 220 5% 1/10W	
JR147	1-216-296-91	SHORT 0		R125	1-216-065-91	RES,CHIP 4.7K 5% 1/10W (DB930/V929X)	
JR148	1-216-296-91	SHORT 0		R126	1-216-073-00	METAL CHIP 10K 5% 1/10W (DB930/V929X)	
JR149	1-216-296-91	SHORT 0		R127	1-216-065-91	RES,CHIP 4.7K 5% 1/10W	
JR150	1-216-296-91	SHORT 0		R128	1-216-065-91	RES,CHIP 4.7K 5% 1/10W	
JR151	1-216-296-91	SHORT 0		R129	1-216-049-91	RES,CHIP 1K 5% 1/10W	
JR152	1-216-296-91	SHORT 0		R130	1-216-065-91	RES,CHIP 4.7K 5% 1/10W	
JR153	1-216-296-91	SHORT 0		R131	1-216-065-91	RES,CHIP 4.7K 5% 1/10W	
JR154	1-216-296-91	SHORT 0		R132	1-216-065-91	RES,CHIP 4.7K 5% 1/10W	
JR155	1-216-296-91	SHORT 0		R133	1-216-033-00	METAL CHIP 220 5% 1/10W	
JR156	1-216-296-91	SHORT 0		R134	1-216-089-91	RES,CHIP 47K 5% 1/10W	
JR157	1-216-296-91	SHORT 0		R135	1-216-037-00	METAL CHIP 330 5% 1/10W	
JR158	1-216-296-91	SHORT 0		R136	1-216-089-91	RES,CHIP 47K 5% 1/10W	
JR159	1-216-296-91	SHORT 0		R137	1-216-089-91	RES,CHIP 47K 5% 1/10W	
JR160	1-216-296-91	SHORT 0		R138	1-216-001-00	METAL CHIP 10 5% 1/10W	
JR161	1-216-296-91	SHORT 0		R139	1-216-089-91	RES,CHIP 47K 5% 1/10W	
JR162	1-216-296-91	SHORT 0		R140	1-216-037-00	METAL CHIP 330 5% 1/10W	
JR163	1-216-295-91	SHORT 0		R141	1-216-041-00	METAL CHIP 470 5% 1/10W	
		< JUMPER RESISTOR >		R142	1-216-045-00	METAL CHIP 680 5% 1/10W	
JW101	1-216-295-91	SHORT 0		R143	1-216-049-91	RES,CHIP 1K 5% 1/10W	
JW102	1-216-295-91	SHORT 0		R144	1-216-053-00	METAL CHIP 1.5K 5% 1/10W	
JW103	1-216-295-91	SHORT 0					
JW104	1-216-295-91	SHORT 0					
JW105	1-216-295-91	SHORT 0					
JW106	1-216-295-91	SHORT 0					
		< TRANSISTOR >					
Q101	8-729-216-22	TRANSISTOR 2SA1162-YG-TE85L					
Q102	8-729-027-23	TRANSISTOR RT1P141C-TP-1					
Q103	8-729-027-43	TRANSISTOR RT1N141C-TP-1					
Q104	8-729-230-49	TRANSISTOR 2SC2712-YG-TE85L					
Q105	8-729-230-49	TRANSISTOR 2SC2712-YG-TE85L (DB930/V929X)					

DISPLAY

F-VIDEO

Ref. No.	Part No.	Description	Remarks
R145	1-216-057-00	METAL CHIP	2.2K 5% 1/10W
R146	1-216-065-91	RES,CHIP	4.7K 5% 1/10W
R147	1-216-049-91	RES,CHIP	1K 5% 1/10W
R148	1-216-053-00	METAL CHIP	1.5K 5% 1/10W
R149	1-216-057-00	METAL CHIP	2.2K 5% 1/10W
R150	1-216-065-91	RES,CHIP	4.7K 5% 1/10W
R151	1-216-041-00	METAL CHIP	470 5% 1/10W
R152	1-216-045-00	METAL CHIP	680 5% 1/10W
R153	1-216-037-00	METAL CHIP	330 5% 1/10W
R154	1-216-041-00	METAL CHIP	470 5% 1/10W
R158	1-216-045-00	METAL CHIP	680 5% 1/10W
R161	1-216-049-91	RES,CHIP	1K 5% 1/10W
R162	1-216-049-91	RES,CHIP	1K 5% 1/10W
R163	1-216-073-00	METAL CHIP	10K 5% 1/10W
R164	1-216-097-91	RES,CHIP	100K 5% 1/10W
R165	1-216-049-91	RES,CHIP	1K 5% 1/10W
R166	1-216-073-00	METAL CHIP	10K 5% 1/10W
R167	1-216-309-00	METAL CHIP	5.6 5% 1/10W (DB930/V929X)
R168	1-216-049-91	RES,CHIP	1K 5% 1/10W
R169	1-216-049-91	RES,CHIP	1K 5% 1/10W
R170	1-216-049-91	RES,CHIP	1K 5% 1/10W
R171	1-216-309-00	METAL CHIP	5.6 5% 1/10W (DB930/V929X)
R172	1-216-073-00	METAL CHIP	10K 5% 1/10W (DB930/V929X)
R173	1-216-097-91	RES,CHIP	100K 5% 1/10W
R175	1-249-385-11	CARBON	2.2 5% 1/6W F
R176	1-216-053-00	METAL CHIP	1.5K 5% 1/10W
R177	1-216-049-91	RES,CHIP	1K 5% 1/10W
R178	1-216-037-00	METAL CHIP	330 5% 1/10W
R179	1-216-089-91	RES,CHIP	47K 5% 1/10W
R180	1-216-025-91	RES,CHIP	100 5% 1/10W (DB830:US/DB930:US,CND)
R181	1-216-089-91	RES,CHIP	47K 5% 1/10W
R182	1-216-097-91	RES,CHIP	100K 5% 1/10W
R183	1-216-097-91	RES,CHIP	100K 5% 1/10W
R184	1-216-037-00	METAL CHIP	330 5% 1/10W
R185	1-216-033-00	METAL CHIP	220 5% 1/10W
R186	1-216-037-00	METAL CHIP	330 5% 1/10W
R187	1-216-037-00	METAL CHIP	330 5% 1/10W
R188	1-216-037-00	METAL CHIP	330 5% 1/10W
R189	1-216-037-00	METAL CHIP	330 5% 1/10W
R190	1-216-033-00	METAL CHIP	220 5% 1/10W
R191	1-216-033-00	METAL CHIP	220 5% 1/10W
R192	1-216-033-00	METAL CHIP	220 5% 1/10W
R193	1-216-033-00	METAL CHIP	220 5% 1/10W
R194	1-216-097-91	RES,CHIP	100K 5% 1/10W
R195	1-216-037-00	METAL CHIP	330 5% 1/10W
R196	1-216-033-00	METAL CHIP	220 5% 1/10W
R197	1-216-033-00	METAL CHIP	220 5% 1/10W
R198	1-216-033-00	METAL CHIP	220 5% 1/10W
R199	1-216-029-00	METAL CHIP	150 5% 1/10W
R200	1-216-065-91	RES,CHIP	4.7K 5% 1/10W

Ref. No.	Part No.	Description	Remarks
R201	1-249-385-11	CARBON	2.2 5% 1/6W F
R202	1-216-025-91	RES,CHIP	100 5% 1/10W (DB830:US/DB930:US,CND)
R203	1-216-073-00	METAL CHIP	10K 5% 1/10W (DB930:AEP,MY,SP,AUS/V929X)
R203	1-216-025-91	RES,CHIP	100 5% 1/10W (DB830:US/DB930:US,CND)
R204	1-216-025-91	RES,CHIP	100 5% 1/10W (DB830:US/DB930:US,CND)
R205	1-216-037-00	METAL CHIP	330 5% 1/10W
R206	1-216-073-00	METAL CHIP	10K 5% 1/10W
R207	1-216-049-91	RES,CHIP	1K 5% 1/10W
R208	1-216-073-00	METAL CHIP	10K 5% 1/10W
R209	1-216-089-91	RES,CHIP	47K 5% 1/10W
R210	1-216-081-00	METAL CHIP	22K 5% 1/10W
R211	1-216-049-91	RES,CHIP	1K 5% 1/10W
		< VARIABLE RESISTOR >	
RV102	1-467-968-11	ENCODER, ROTARY (JOG DIAL)	
		< SWITCH >	
S103	1-771-349-21	SWITCH, KEYBOARD (DIMMER)	
S104	1-771-349-21	SWITCH, KEYBOARD (DISPLAY)	
S105	1-771-349-21	SWITCH, KEYBOARD (MEMORY)	
S106	1-771-349-21	SWITCH, KEYBOARD (SLEEP)	
S107	1-771-349-21	SWITCH, KEYBOARD (TEST TONE)	
S108	1-771-349-21	SWITCH, KEYBOARD (BASS BOOST)	
S109	1-771-349-21	SWITCH, KEYBOARD (LEVEL)	
S110	1-771-349-21	SWITCH, KEYBOARD (A.F.D)	
S111	1-771-349-21	SWITCH, KEYBOARD (TUNING-)	
S112	1-771-349-21	SWITCH, KEYBOARD (TUNING+)	
S113	1-771-349-21	SWITCH, KEYBOARD (SUR)	
S114	1-771-349-21	SWITCH, KEYBOARD (MODE)	
S115	1-771-349-21	SWITCH, KEYBOARD (FM MODE)	
S116	1-771-349-21	SWITCH, KEYBOARD (INPUT MODE)	
S117	1-771-349-21	SWITCH, KEYBOARD (5.1CH INPUT)	
S118	1-771-349-21	SWITCH, KEYBOARD (EQUALIZER)	
S119	1-771-349-21	SWITCH, KEYBOARD (NAME)	
S120	1-771-349-21	SWITCH, KEYBOARD (<)	
S121	1-771-349-21	SWITCH, KEYBOARD (>)	
S128	1-771-349-21	SWITCH, KEYBOARD (ENTER)	
S129	1-771-349-21	SWITCH, KEYBOARD (2CH)	
S130	1-771-349-21	SWITCH, KEYBOARD (EQ)	
S131	1-771-349-21	SWITCH, KEYBOARD (SET UP)	
		< VIBRATOR >	
X101	1-781-356-21	VIBRATOR, CERAMIC 16MHz	
X102	1-767-938-21	VIBRATOR, CERAMIC 7.28MHz (DB930/V929X)	

	1-673-367-11	F-VIDEO BOARD	

		< CAPACITOR >	
C299	1-165-319-11	CERAMIC CHIP	0.1uF 50V
C890	1-163-251-11	CERAMIC CHIP	100PF 5% 50V
C891	1-163-251-11	CERAMIC CHIP	100PF 5% 50V

Ref. No.	Part No.	Description	Remarks	Ref. No.	Part No.	Description	Remarks
		< CONNECTOR >			A-4419-333-A	MAIN BOARD, COMPLETE (DB830:US) *****	
CNP307	1-564-723-11	PIN, CONNECTOR (SMALL TYPE) 7P			A-4419-334-A	MAIN BOARD, COMPLETE (DB830:AEP) *****	
		< EARTH >			A-4419-335-A	MAIN BOARD, COMPLETE (DB930:US,CND) *****	
* EB201	1-537-738-21	TERMINAL, EARTH			A-4419-337-A	MAIN BOARD, COMPLETE (DB930:AEP) *****	
		< JACK >			A-4419-336-A	MAIN BOARD, COMPLETE ***** (DB930:MY,SP,AUS/V929X)	
J809	1-784-808-11	TERMINAL, S (S-VIDEO)			1-533-223-11	HOLDER,FUSE	
J810	1-770-571-11	JACK BLOCK, PIN (L TYPE) 3P (VIDEO/AUDIO)			7-685-872-09	SCREW+BVTT 3 × 8 (S)	
		< RESISTOR >				< CAPACITOR >	
R890	1-216-049-91	RES,CHIP 1K 5% 1/10W		C301	1-119-821-31	ELECT 2.2uF 20% 50V	
R891	1-216-049-91	RES,CHIP 1K 5% 1/10W		C302	1-162-283-31	CERAMIC 120PF 10% 50V (DB830:AEP/DB930:AEP)	
R892	1-216-022-00	METAL CHIP 75 5% 1/10W		C303	1-119-779-11	ELECT 220uF 20% 10V	
R893	1-216-022-00	METAL CHIP 75 5% 1/10W		C304	1-125-896-91	MYLAR 0.0091uF 5% 50V	
R894	1-216-022-00	METAL CHIP 75 5% 1/10W		C305	1-136-159-00	FILM 0.033uF 5% 50V	
*****					C306	1-119-821-31	ELECT 2.2uF 20% 50V
	1-673-365-11	H.P BOARD *****		C307	1-164-070-11	CERAMIC 100PF 5% 50V	
		< CONNECTOR >		C308	1-162-286-31	CERAMIC 220PF 10% 50V	
CNP751	1-779-978-11	PIN, CONNECTOR 3P		C310	1-162-294-31	CERAMIC 0.001uF 10% 50V	
		< EARTH >		C311	1-119-825-41	ELECT 22uF 20% 50V	
* EB701	1-537-738-21	TERMINAL, EARTH (DB930:US,CND,MY,SP,AUS/V929X)		C320	1-119-825-41	ELECT 22uF 20% 50V (DB930/V929X)	
		< JACK >		C330	1-119-825-41	ELECT 22uF 20% 50V (DB930/V929X)	
J701	1-750-735-11	JACK (LARGE TYPE) (PHONES)		C331	1-119-825-41	ELECT 22uF 20% 50V	
*****					C340	1-119-799-11	ELECT 47uF 20% 16V (DB930/V929X)
	1-673-941-11	JOINT(Q) BOARD *****		C350	1-119-799-11	ELECT 47uF 20% 16V (DB930/V929X)	
		< CONNECTOR >		C351	1-119-821-31	ELECT 2.2uF 20% 50V	
CNP211	1-695-089-11	PIN, CONNECTOR (PC BOARD) 11P		C352	1-162-283-31	CERAMIC 120PF 10% 50V (DB830:AEP/DB930:AEP)	
CNP212	1-695-089-11	PIN, CONNECTOR (PC BOARD) 11P		C353	1-119-779-11	ELECT 220uF 20% 10V	
*****					C354	1-125-896-91	MYLAR 0.0091uF 5% 50V
	1-673-366-11	LED BOARD *****		C355	1-136-159-00	FILM 0.033uF 5% 50V	
		< CAPACITOR >		C356	1-119-821-31	ELECT 2.2uF 20% 50V	
C128	1-165-319-11	CERAMIC CHIP 0.1uF 50V		C357	1-164-070-11	CERAMIC 100PF 5% 50V	
		< LED >		C358	1-162-286-31	CERAMIC 220PF 10% 50V	
D122	8-719-070-83	LED SELU5E20C-TP15 (MULTI CANNEL DECORDER)		C360	1-162-294-31	CERAMIC 0.001uF 10% 50V	
*****					C361	1-119-825-41	ELECT 22uF 20% 50V
				C362	1-119-825-41	ELECT 22uF 20% 50V	
				C370	1-119-825-41	ELECT 22uF 20% 50V (DB930/V929X)	
				C380	1-119-825-41	ELECT 22uF 20% 50V (DB930/V929X)	
				C388	1-119-800-11	ELECT 100uF 20% 16V	
				C389	1-119-800-11	ELECT 100uF 20% 16V	
				C392	1-119-799-11	ELECT 47uF 20% 16V	
				C394	1-119-799-11	ELECT 47uF 20% 16V	
				C395	1-162-282-31	CERAMIC 100PF 10% 50V	
				C396	1-119-799-11	ELECT 47uF 20% 16V	
				C397	1-119-799-11	ELECT 47uF 20% 16V	

MAIN

Ref. No.	Part No.	Description	Remarks			Ref. No.	Part No.	Description	Remarks		
C398	1-162-282-31	CERAMIC	100PF	10%	50V	C603	1-102-233-00	CERAMIC	33PF	10%	500V
C416	1-119-825-41	ELECT	22uF	20%	50V	C604	1-107-586-11	CERAMIC	6PF	0.5PF	500V
C417	1-119-825-41	ELECT	22uF	20%	50V	C605	1-119-779-11	ELECT	220uF	20%	10V
C418	1-119-825-41	ELECT	22uF	20%	50V	C606	1-106-351-00	MYLAR	2200PF	5%	200V
C419	1-162-282-31	CERAMIC	100PF	10%	50V	C607	1-106-351-00	MYLAR	2200PF	5%	200V
C427	1-162-294-31	CERAMIC	0.001uF	10%	50V (DB930:MY,SP,AUS/V929X)	C620	1-119-799-11	ELECT	47uF	20%	16V
C430	1-162-282-31	CERAMIC	100PF	10%	50V (DB930/V929X)	C621	1-107-597-11	CERAMIC	22PF	10%	500V
C466	1-119-825-41	ELECT	22uF	20%	50V	C622	1-107-597-11	CERAMIC	22PF	10%	500V
C467	1-119-825-41	ELECT	22uF	20%	50V	C623	1-162-286-31	CERAMIC	220PF	10%	50V
C468	1-119-825-41	ELECT	22uF	20%	50V	C624	1-119-824-31	ELECT	10uF	20%	50V
C481	1-136-173-00	FILM	0.47uF	5%	50V	C625	1-136-157-00	FILM	0.022uF	5%	50V
C482	1-136-173-00	FILM	0.47uF	5%	50V	C626	1-136-153-00	FILM	0.01uF	5%	50V
C496	1-119-800-11	ELECT	100uF	20%	16V	C639	1-164-079-11	CERAMIC	330PF	10%	50V
C497	1-119-800-11	ELECT	100uF	20%	16V	C649	1-102-934-00	CERAMIC	1.0PF	0.25PF	50V
C499	1-119-799-11	ELECT	47uF	20%	16V	C651	1-119-825-41	ELECT	22uF	20%	50V
C501	1-119-825-41	ELECT	22uF	20%	50V	C652	1-102-108-00	CERAMIC	150PF	10%	50V
C502	1-102-108-00	CERAMIC	150PF	10%	50V	C653	1-102-233-00	CERAMIC	33PF	10%	500V
C503	1-102-233-00	CERAMIC	33PF	10%	500V	C654	1-107-586-11	CERAMIC	6PF	0.5PF	500V
C504	1-107-586-11	CERAMIC	6PF	0.5PF	500V	C655	1-119-779-11	ELECT	220uF	20%	10V
C505	1-119-779-11	ELECT	220uF	20%	10V	C680	1-162-282-31	CERAMIC	100PF	10%	50V
C506	1-106-351-00	MYLAR	2200PF	5%	200V	C689	1-164-079-11	CERAMIC	330PF	10%	50V
C507	1-106-351-00	MYLAR	2200PF	5%	200V	C699	1-102-934-00	CERAMIC	1.0PF	0.25PF	50V
C508	1-109-876-21	FILM	0.033uF	10%	250V	C801	1-136-153-00	FILM	0.01uF	5%	50V
C520	1-119-799-11	ELECT	47uF	20%	16V	C802	1-136-153-00	FILM	0.01uF	5%	50V
C521	1-107-597-11	CERAMIC	22PF	10%	500V	C803	1-136-153-00	FILM	0.01uF	5%	50V
C522	1-107-597-11	CERAMIC	22PF	10%	500V	C804	1-136-153-00	FILM	0.01uF	5%	50V
C523	1-162-286-31	CERAMIC	220PF	10%	50V	C811	1-119-815-21	ELECT	2200uF	20%	35V
C524	1-119-824-31	ELECT	10uF	20%	50V	C812	1-119-814-21	ELECT	1000uF	20%	35V
C525	1-136-157-00	FILM	0.022uF	5%	50V	C813	1-119-796-21	ELECT	4700uF	20%	16V
C526	1-136-153-00	FILM	0.01uF	5%	50V	C993	1-126-960-11	ELECT	1uF	20%	50V
C539	1-164-079-11	CERAMIC	330PF	10%	50V	CC04	1-164-070-11	CERAMIC	100PF	5%	50V (DB830:AEP/DB930:AEP)
C549	1-102-934-00	CERAMIC	1.0PF	0.25PF	50V	CC05	1-164-070-11	CERAMIC	100PF	5%	50V (DB830:AEP/DB930:AEP)
C551	1-119-825-41	ELECT	22uF	20%	50V	CC06	1-164-070-11	CERAMIC	100PF	5%	50V (DB830:AEP/DB930:AEP)
C552	1-102-108-00	CERAMIC	150PF	10%	50V	CC07	1-164-070-11	CERAMIC	100PF	5%	50V (DB930:AEP)
C553	1-102-233-00	CERAMIC	33PF	10%	500V	CC08	1-164-070-11	CERAMIC	100PF	5%	50V (DB830:AEP/DB930:AEP)
C554	1-107-586-11	CERAMIC	6PF	0.5PF	500V	CC09	1-164-070-11	CERAMIC	100PF	5%	50V (DB830:AEP/DB930:AEP)
C555	1-119-779-11	ELECT	220uF	20%	10V	CC10	1-164-070-11	CERAMIC	100PF	5%	50V (DB830:AEP/DB930:AEP)
C556	1-106-351-00	MYLAR	2200PF	5%	200V	CC11	1-164-070-11	CERAMIC	100PF	5%	50V (DB830:AEP/DB930:AEP)
C557	1-106-351-00	MYLAR	2200PF	5%	200V	CC12	1-164-070-11	CERAMIC	100PF	5%	50V (DB830:AEP/DB930:AEP)
C570	1-119-799-11	ELECT	47uF	20%	16V	CC13	1-164-070-11	CERAMIC	100PF	5%	50V (DB830:AEP/DB930:AEP)
C571	1-107-597-11	CERAMIC	22PF	10%	500V	CC14	1-164-070-11	CERAMIC	100PF	5%	50V (DB930:AEP)
C572	1-107-597-11	CERAMIC	22PF	10%	500V	CC18	1-164-070-11	CERAMIC	100PF	5%	50V (DB930:AEP)
C573	1-162-286-31	CERAMIC	220PF	10%	50V	CC54	1-164-070-11	CERAMIC	100PF	5%	50V (DB830:AEP/DB930:AEP)
C574	1-119-824-31	ELECT	10uF	20%	50V	CC55	1-164-070-11	CERAMIC	100PF	5%	50V (DB830:AEP/DB930:AEP)
C575	1-136-157-00	FILM	0.022uF	5%	50V	CC56	1-164-070-11	CERAMIC	100PF	5%	50V (DB830:AEP/DB930:AEP)
C576	1-136-153-00	FILM	0.01uF	5%	50V						
C580	1-162-282-31	CERAMIC	100PF	10%	50V						
C589	1-164-079-11	CERAMIC	330PF	10%	50V						
C590	1-124-472-11	ELECT	470uF	20%	10V						
C594	1-119-851-11	ELECT	22uF	20%	100V						
C595	1-119-851-11	ELECT	22uF	20%	100V						
C598	1-119-825-41	ELECT	22uF	20%	50V						
C599	1-102-934-00	CERAMIC	1.0PF	0.25PF	50V						
C601	1-119-825-41	ELECT	22uF	20%	50V						
C602	1-102-108-00	CERAMIC	150PF	10%	50V						

Ref. No.	Part No.	Description	Remarks	Ref. No.	Part No.	Description	Remarks
CC57	1-164-070-11	CERAMIC	100PF 5% 50V (DB930:AEP)	D605	8-719-911-19	DIODE 1SS133T-72	
CC58	1-164-070-11	CERAMIC	100PF 5% 50V (DB830:AEP/DB930:AEP)	D606	8-719-911-19	DIODE 1SS133T-72	
CC59	1-164-070-11	CERAMIC	100PF 5% 50V (DB830:AEP/DB930:AEP)	D607	8-719-911-19	DIODE 1SS133T-72	
CC60	1-164-070-11	CERAMIC	100PF 5% 50V (DB830:AEP/DB930:AEP)	D608	8-719-911-19	DIODE 1SS133T-72	
CC61	1-164-070-11	CERAMIC	100PF 5% 50V (DB830:AEP/DB930:AEP)	D649	8-719-911-19	DIODE 1SS133T-72	
CC62	1-164-070-11	CERAMIC	100PF 5% 50V (DB830:AEP/DB930:AEP)	D671	8-719-911-19	DIODE 1SS133T-72	
CC63	1-164-070-11	CERAMIC	100PF 5% 50V (DB830:AEP/DB930:AEP)	D681	8-719-911-19	DIODE 1SS133T-72	
CC64	1-164-070-11	CERAMIC	100PF 5% 50V (DB930:AEP)	D698	8-719-911-19	DIODE 1SS133T-72	
CC68	1-164-070-11	CERAMIC	100PF 5% 50V (DB930:AEP)	D802	8-719-024-99	DIODE 11ES2-NTA2B	
		< CONNECTOR >		D803	8-719-024-99	DIODE 11ES2-NTA2B	
CNP303	1-779-977-11	PIN, CONNECTOR 6P		D804	8-719-024-99	DIODE 11ES2-NTA2B	
CNP601	1-785-104-11	PIN, CONNECTOR 6P		D805	8-719-024-99	DIODE 11ES2-NTA2B	
CNP801	1-785-102-11	PIN, CONNECTOR 4P		D806	8-719-024-99	DIODE 11ES2-NTA2B	
CNP802	1-785-103-11	PIN, CONNECTOR 5P		D807	8-719-024-99	DIODE 11ES2-NTA2B	
CNS306	1-785-295-11	JACK, PIN (DB930:AEP)		D808	8-719-024-99	DIODE 11ES2-NTA2B	
CNS305	1-779-978-11	PIN, CONNECTOR 3P		D809	8-719-024-99	DIODE 11ES2-NTA2B	
CNS306	1-784-778-11	CONNECTOR, FFC 17P				< EARTH >	
		< DIODE >		* EB301	1-537-738-21	TERMINAL, EARTH	
D301	8-719-911-19	DIODE 1SS133T-72 (DB930/V929X)		* EB302	1-537-738-21	TERMINAL, EARTH	
D490	8-719-210-21	DIODE 11EQS04-NTA2B				< FUSE >	
D491	8-719-210-21	DIODE 11EQS04-NTA2B		△ F803	1-532-504-51	FUSE TIME LAG 4A/250V (EXCEPT US,CND)	
D494	8-719-210-21	DIODE 11EQS04-NTA2B		△ F803	1-533-419-11	FUSE, GLASS CYLINDRICAL(DIA.5) 4A/125V (US,CND)	
D495	8-719-210-21	DIODE 11EQS04-NTA2B		△ F804	1-532-504-51	FUSE TIME LAG 4A/250V (EXCEPT US,CND)	
D496	8-719-210-21	DIODE 11EQS04-NTA2B		△ F804	1-533-419-11	FUSE, GLASS CYLINDRICAL(DIA.5) 4A/125V (US,CND)	
D497	8-719-210-21	DIODE 11EQS04-NTA2B		△ F805	1-532-504-51	FUSE TIME LAG 4A/250V (EXCEPT US,CND)	
D501	8-719-911-19	DIODE 1SS133T-72		△ F805	1-533-419-11	FUSE, GLASS CYLINDRICAL(DIA.5) 4A/125V (US,CND)	
D502	8-719-109-51	DIODE MTZJ-T-72-2.2				< IC >	
D503	8-719-109-51	DIODE MTZJ-T-72-2.2		IC309	8-759-636-74	IC M5218AP-22 (DB930/V929X)	
D504	8-719-911-19	DIODE 1SS133T-72		IC301	8-759-582-64	IC TC9273N-004	
D505	8-719-911-19	DIODE 1SS133T-72		IC302	8-759-636-74	IC M5218AP-22	
D506	8-719-911-19	DIODE 1SS133T-72		IC303	8-759-582-65	IC TC9273N-014	
D545	8-719-911-19	DIODE 1SS133T-72		IC304	8-759-636-74	IC M5218AP-22	
D546	8-719-911-19	DIODE 1SS133T-72		IC330	8-759-582-66	IC TC9273N-013 (DB930/V929X)	
D547	8-719-911-19	DIODE 1SS133T-72		IC401	8-759-231-59	IC M5F7815L	
D548	8-719-911-19	DIODE 1SS133T-72		IC402	8-759-245-87	IC M5F7915L	
D549	8-719-911-19	DIODE 1SS133T-72		IC404	8-759-708-05	IC NJM78L05A-T3	
D551	8-719-911-19	DIODE 1SS133T-72		IC414	8-759-534-63	IC TC9299P	
D552	8-719-109-51	DIODE MTZJ-T-72-2.2		IC415	8-759-534-63	IC TC9299P	
D553	8-719-109-51	DIODE MTZJ-T-72-2.2		IC416	8-759-534-63	IC TC9299P	
D554	8-719-911-19	DIODE 1SS133T-72		IC501	8-759-326-52	IC uPC2581V	
D555	8-719-911-19	DIODE 1SS133T-72		IC601	8-759-326-52	IC uPC2581V	
D556	8-719-911-19	DIODE 1SS133T-72				< JACK >	
D598	8-719-911-19	DIODE 1SS133T-72		J301	1-784-430-11	JACK, PIN 4P (PHONO/CD)(DB930/V929X)	
D599	8-719-911-19	DIODE 1SS133T-72		J301	1-784-429-11	JACK, PIN 4P (PHONO/CD)(DB830)	
D601	8-719-911-19	DIODE 1SS133T-72		J302	1-784-430-11	JACK, PIN 4P (MD/DAT)(DB930/V929X)	
D602	8-719-109-51	DIODE MTZJ-T-72-2.2		J302	1-784-429-11	JACK, PIN 4P (MD/DAT)(DB830)	
D603	8-719-109-51	DIODE MTZJ-T-72-2.2		J303	1-784-430-11	JACK, PIN 4P (TAPE)(DB930/V929X)	
D604	8-719-911-19	DIODE 1SS133T-72					

The components identified by mark △ or dotted line with mark △ are critical for safety. Replace only with part number specified.

Les composants identifiés par une marque △ sont critiques pour la sécurité. Ne les remplacer que par une pièce portant le numéro spécifié.

以阴影和 △ 标志来识别的零部件，在安全方面具有关键性。因此只能以规定号码的零部件来更换。

MAIN

Ref. No.	Part No.	Description	Remarks	Ref. No.	Part No.	Description	Remarks
J304	1-785-295-11	JACK, PIN (VIDEO1) (DB930:US,CND,MY,SP,AUS/V929X)				< RESISTOR >	
J304	1-784-920-11	JACK, PIN 6P (VIDEO1)(DB830/DB930:AEP)		R200	1-249-397-11	CARBON	22 5% 1/4W F (DB930/V929X)
J305	1-785-295-11	JACK, PIN (TV/SAT/DVD/LD) (DB930:US,CND,MY,SP,AUS/V929X)		R300	1-249-397-11	CARBON	22 5% 1/4W F (DB930/V929X)
J305	1-784-920-11	JACK, PIN 6P (TV/SAT/DVD/LD) (DB830/DB930:AEP)		R301	1-249-401-11	CARBON	47 5% 1/4W F (EXCEPT AEP)
J306	1-774-822-21	JACK, PIN 2P (2ND AUDIO OUT)(DB930/V929X)		R301	1-249-425-11	CARBON	4.7K 5% 1/4W F (AEP)
		< COIL >		R302	1-249-441-11	CARBON	100K 5% 1/4W
L501	1-411-906-11	COIL, AIR-CORE		R303	1-249-440-11	CARBON	82K 5% 1/4W
L551	1-411-906-11	COIL, AIR-CORE		R304	1-249-408-11	CARBON	180 5% 1/4W F
		< TRANSISTOR >		R305	1-249-428-11	CARBON	8.2K 5% 1/4W F
Q301	8-729-119-79	TRANSISTOR 2SC2785TP-FEK (DB930/V929X)		R306	1-249-441-11	CARBON	100K 5% 1/4W
Q501	8-729-900-36	TRANSISTOR BA1F4M-TP		R307	1-247-807-31	CARBON	100 5% 1/4W
Q503	8-729-900-63	TRANSISTOR BN1F4M-TP		R308	1-249-441-11	CARBON	100K 5% 1/4W
Q504	8-729-119-76	TRANSISTOR 2SA1115TP-EF		R309	1-249-413-11	CARBON	470 5% 1/4W F
Q505	8-729-026-08	TRANSISTOR 2SC4495		R310	1-249-417-11	CARBON	1K 5% 1/4W F
Q506	8-749-010-25	IC MN2488-OPY-M		R311	1-249-417-11	CARBON	1K 5% 1/4W F
Q507	8-749-010-26	IC MP1620-OPY-M		R312	1-249-417-11	CARBON	1K 5% 1/4W F
Q508	8-729-140-82	TRANSISTOR 2SA988TP-PAFAEA		R313	1-249-417-11	CARBON	1K 5% 1/4W F (DB930/V929X)
Q509	8-729-281-53	TRANSISTOR 2SC1815GR-TPE2		R314	1-249-417-11	CARBON	1K 5% 1/4W F (DB930/V929X)
Q510	8-729-900-63	TRANSISTOR BN1F4M-TP		R315	1-249-393-11	CARBON	10 5% 1/4W F (DB930/V929X)
Q511	8-729-900-63	TRANSISTOR BN1F4M-TP		R316	1-249-417-11	CARBON	1K 5% 1/4W F
Q546	8-729-119-79	TRANSISTOR 2SC2785TP-FEK		R317	1-249-417-11	CARBON	1K 5% 1/4W F
Q547	8-729-140-84	TRANSISTOR 2SC1841TP-PAFAEA		R318	1-249-417-11	CARBON	1K 5% 1/4W F
Q548	8-729-119-79	TRANSISTOR 2SC2785TP-FEK		R319	1-249-417-11	CARBON	1K 5% 1/4W F
Q549	8-729-140-82	TRANSISTOR 2SA988TP-PAFAEA		R320	1-249-417-11	CARBON	1K 5% 1/4W F
Q554	8-729-119-76	TRANSISTOR 2SA1115TP-EF		R321	1-247-807-31	CARBON	100 5% 1/4W (DB930/V929X)
Q555	8-729-026-08	TRANSISTOR 2SC4495		R325	1-249-417-11	CARBON	1K 5% 1/4W F
Q556	8-749-010-25	IC MN2488-OPY-M		R330	1-247-887-00	CARBON	220K 5% 1/4W (DB930/V929X)
Q557	8-749-010-26	IC MP1620-OPY-M		R331	1-247-887-00	CARBON	220K 5% 1/4W
Q558	8-729-140-82	TRANSISTOR 2SA988TP-PAFAEA		R335	1-247-887-00	CARBON	220K 5% 1/4W
Q559	8-729-281-53	TRANSISTOR 2SC1815GR-TPE2		R336	1-249-429-11	CARBON	10K 5% 1/4W (DB930/V929X)
Q560	8-729-900-63	TRANSISTOR BN1F4M-TP		R337	1-249-425-11	CARBON	4.7K 5% 1/4W F (DB930/V929X)
Q561	8-729-900-63	TRANSISTOR BN1F4M-TP		R338	1-249-441-11	CARBON	100K 5% 1/4W (DB930:MY,SP,AUS/V929X)
Q596	8-729-119-79	TRANSISTOR 2SC2785TP-FEK		R342	1-249-425-11	CARBON	4.7K 5% 1/4W F (DB930/V929X)
Q598	8-729-140-82	TRANSISTOR 2SA988TP-PAFAEA		R344	1-247-807-31	CARBON	100 5% 1/4W
Q599	8-729-140-82	TRANSISTOR 2SA988TP-PAFAEA		R345	1-247-807-31	CARBON	100 5% 1/4W
Q601	8-729-119-79	TRANSISTOR 2SC2785TP-FEK		R346	1-249-397-11	CARBON	22 5% 1/4W F
Q604	8-729-119-76	TRANSISTOR 2SA1115TP-EF		R347	1-249-397-11	CARBON	22 5% 1/4W F
Q605	8-729-026-08	TRANSISTOR 2SC4495		R349	1-249-441-11	CARBON	100K 5% 1/4W (DB930:MY,SP,AUS/V929X)
Q606	8-749-010-25	IC MN2488-OPY-M		R351	1-249-401-11	CARBON	47 5% 1/4W F (EXCEPT AEP)
Q607	8-749-010-26	IC MP1620-OPY-M		R351	1-249-425-11	CARBON	4.7K 5% 1/4W F (AEP)
Q608	8-729-140-82	TRANSISTOR 2SA988TP-PAFAEA		R352	1-249-441-11	CARBON	100K 5% 1/4W
Q609	8-729-281-53	TRANSISTOR 2SC1815GR-TPE2		R353	1-249-440-11	CARBON	82K 5% 1/4W
Q610	8-729-900-63	TRANSISTOR BN1F4M-TP		R354	1-249-408-11	CARBON	180 5% 1/4W F
Q611	8-729-900-63	TRANSISTOR BN1F4M-TP		R355	1-249-428-11	CARBON	8.2K 5% 1/4W F
Q613	8-729-281-53	TRANSISTOR 2SC1815GR-TPE2		R356	1-249-441-11	CARBON	100K 5% 1/4W
Q645	8-729-119-79	TRANSISTOR 2SC2785TP-FEK		R357	1-247-807-31	CARBON	100 5% 1/4W
Q671	8-729-119-79	TRANSISTOR 2SC2785TP-FEK					
Q681	8-729-119-79	TRANSISTOR 2SC2785TP-FEK					
Q698	8-729-140-82	TRANSISTOR 2SA988TP-PAFAEA					
Q745	8-729-119-79	TRANSISTOR 2SC2785TP-FEK					
Q992	8-729-119-79	TRANSISTOR 2SC2785TP-FEK					

Ref. No.	Part No.	Description	Remarks	Ref. No.	Part No.	Description	Remarks
R358	1-249-441-11	CARBON	100K 5% 1/4W	R528	1-249-425-11	CARBON	4.7K 5% 1/4W F
R359	1-249-413-11	CARBON	470 5% 1/4W F	R529	1-247-866-11	CARBON	30K 5% 1/4W
R360	1-249-417-11	CARBON	1K 5% 1/4W F	R530	1-249-421-11	CARBON	2.2K 5% 1/4W F
R361	1-249-417-11	CARBON	1K 5% 1/4W F	R531	1-249-433-11	CARBON	22K 5% 1/4W
R362	1-249-417-11	CARBON	1K 5% 1/4W F	R532	1-249-437-11	CARBON	47K 5% 1/4W
R363	1-249-417-11	CARBON	1K 5% 1/4W F (DB930/V929X)	△ R533	1-249-393-11	CARBON	10 5% 1/4W F
R364	1-249-417-11	CARBON	1K 5% 1/4W F (DB930/V929X)	△ R534	1-249-389-11	CARBON	4.7 5% 1/4W F
R366	1-249-417-11	CARBON	1K 5% 1/4W F	R535	1-249-431-11	CARBON	15K 5% 1/4W
R367	1-249-417-11	CARBON	1K 5% 1/4W F	R539	1-249-427-11	CARBON	6.8K 5% 1/4W F
R368	1-249-417-11	CARBON	1K 5% 1/4W F	R540	1-249-417-11	CARBON	1K 5% 1/4W F
R369	1-249-417-11	CARBON	1K 5% 1/4W F	R541	1-249-429-11	CARBON	10K 5% 1/4W
R370	1-249-417-11	CARBON	1K 5% 1/4W F	R542	1-249-429-11	CARBON	10K 5% 1/4W
R371	1-247-807-31	CARBON	100 5% 1/4W (DB930/V929X)	R547	1-249-425-11	CARBON	4.7K 5% 1/4W F
R375	1-249-417-11	CARBON	1K 5% 1/4W F	R548	1-249-429-11	CARBON	10K 5% 1/4W
R380	1-247-887-00	CARBON	220K 5% 1/4W (DB930/V929X)	△ R549	1-249-393-11	CARBON	10 5% 1/4W F
R381	1-247-887-00	CARBON	220K 5% 1/4W	R551	1-249-417-11	CARBON	1K 5% 1/4W F
R385	1-247-887-00	CARBON	220K 5% 1/4W	R552	1-249-439-11	CARBON	68K 5% 1/4W
R386	1-249-437-11	CARBON	47K 5% 1/4W	R553	1-249-439-11	CARBON	68K 5% 1/4W
R387	1-249-441-11	CARBON	100K 5% 1/4W (DB930/V929X)	R554	1-247-843-11	CARBON	3.3K 5% 1/4W
R388	1-249-441-11	CARBON	100K 5% 1/4W (DB930/V929X)	R555	1-247-881-00	CARBON	120K 5% 1/4W
R391	1-249-437-11	CARBON	47K 5% 1/4W	R556	1-247-881-00	CARBON	120K 5% 1/4W
R392	1-249-425-11	CARBON	4.7K 5% 1/4W F (DB930/V929X)	R559	1-247-807-31	CARBON	100 5% 1/4W
R394	1-249-397-11	CARBON	22 5% 1/4W F	R570	1-249-429-11	CARBON	10K 5% 1/4W
R395	1-249-397-11	CARBON	22 5% 1/4W F	R571	1-249-422-11	CARBON	2.7K 5% 1/4W F
R396	1-249-417-11	CARBON	1K 5% 1/4W F	R572	1-249-433-11	CARBON	22K 5% 1/4W
R398	1-249-417-11	CARBON	1K 5% 1/4W F	R573	1-249-411-11	CARBON	330 5% 1/4W
R401	1-249-417-11	CARBON	1K 5% 1/4W F	R575	1-249-442-11	CARBON	510 5% 1/4W
R413	1-249-417-11	CARBON	1K 5% 1/4W F (DB930/V929X)	△ R574	1-249-408-11	CARBON	180 5% 1/4W F
R430	1-247-887-00	CARBON	220K 5% 1/4W (DB930/V929X)	△ R575	1-249-408-11	CARBON	180 5% 1/4W F
R480	1-247-887-00	CARBON	220K 5% 1/4W (DB930/V929X)	△ R576	1-234-182-11	ENCAPSULATED COMPONENT	
R501	1-249-417-11	CARBON	1K 5% 1/4W F	R577	1-240-855-91	CARBON	6.2K 5% 1/4W
R502	1-249-439-11	CARBON	68K 5% 1/4W	R578	1-249-425-11	CARBON	4.7K 5% 1/4W F
R503	1-249-439-11	CARBON	68K 5% 1/4W	R579	1-247-866-11	CARBON	30K 5% 1/4W
R504	1-247-843-11	CARBON	3.3K 5% 1/4W	R580	1-249-421-11	CARBON	2.2K 5% 1/4W F
R505	1-249-437-11	CARBON	47K 5% 1/4W	R581	1-249-433-11	CARBON	22K 5% 1/4W
R509	1-247-807-31	CARBON	100 5% 1/4W	R582	1-249-437-11	CARBON	47K 5% 1/4W
R520	1-249-429-11	CARBON	10K 5% 1/4W	△ R583	1-249-393-11	CARBON	10 5% 1/4W F
R521	1-249-422-11	CARBON	2.7K 5% 1/4W F	△ R584	1-249-389-11	CARBON	4.7 5% 1/4W F
R522	1-249-433-11	CARBON	22K 5% 1/4W	R585	1-249-431-11	CARBON	15K 5% 1/4W
R523	1-249-411-11	CARBON	330 5% 1/4W	R586	1-249-429-11	CARBON	10K 5% 1/4W
R523	1-249-442-11	CARBON	510 5% 1/4W	R587	1-249-425-11	CARBON	4.7K 5% 1/4W F
△ R524	1-249-408-11	CARBON	180 5% 1/4W F	R588	1-249-393-11	CARBON	10 5% 1/4W F
△ R525	1-249-408-11	CARBON	180 5% 1/4W F	R590	1-249-433-11	CARBON	22K 5% 1/4W
△ R526	1-234-182-11	ENCAPSULATED COMPONENT		R592	1-249-381-11	CARBON	1 5% 1/4W F
R527	1-240-855-91	CARBON	6.2K 5% 1/4W	R593	1-249-381-11	CARBON	1 5% 1/4W F
				R594	1-249-425-11	CARBON	4.7K 5% 1/4W F
				R595	1-249-419-11	CARBON	1.5K 5% 1/4W F
				R596	1-249-431-11	CARBON	15K 5% 1/4W
				R597	1-249-419-11	CARBON	1.5K 5% 1/4W F
				R599	1-249-431-11	CARBON	15K 5% 1/4W
				R601	1-249-417-11	CARBON	1K 5% 1/4W F
				R602	1-249-439-11	CARBON	68K 5% 1/4W
				R603	1-249-439-11	CARBON	68K 5% 1/4W
				R604	1-249-418-11	CARBON	1.2K 5% 1/4W F
				R609	1-247-807-31	CARBON	100 5% 1/4W

The components identified by mark △ or dotted line with mark △ are critical for safety. Replace only with part number specified.

Les composants identifiés par une marque △ sont critiques pour la sécurité. Ne les remplacer que par une pièce portant le numéro spécifié.

以阴影和 △ 标志来识别的零部件，在安全方面具有关键性。因此只能以规定号码的零部件来更换。

MAIN

REAR-AMP

Ref. No.	Part No.	Description	Remarks
R620	1-249-429-11	CARBON 10K 5%	1/4W
R621	1-249-422-11	CARBON 2.7K 5%	1/4W F
R622	1-249-433-11	CARBON 22K 5%	1/4W
R622	1-247-881-00	CARBON 120K 5%	1/4W
R623	1-249-411-11	CARBON 330 5%	1/4W
R623	1-249-442-11	CARBON 510 5%	1/4W
△R624	1-249-408-11	CARBON 180 5%	1/4W F
△R625	1-249-408-11	CARBON 180 5%	1/4W F
△R626	1-234-182-11	ENCAPSULATED COMPONENT	
R627	1-240-855-91	CARBON 6.2K 5%	1/4W
R628	1-249-425-11	CARBON 4.7K 5%	1/4W F
R629	1-247-866-11	CARBON 30K 5%	1/4W
R630	1-249-421-11	CARBON 2.2K 5%	1/4W F
R631	1-249-433-11	CARBON 22K 5%	1/4W
R632	1-249-437-11	CARBON 47K 5%	1/4W
R633	1-249-393-11	CARBON 10 5%	1/4W F
R634	1-249-433-11	CARBON 22K 5%	1/4W
R635	1-249-431-11	CARBON 15K 5%	1/4W
R636	1-249-433-11	CARBON 22K 5%	1/4W
R642	1-215-889-00	METAL OXIDE 330 5%	2W F (DB830:US/DB930:US,CND)
R642	1-216-453-00	METAL OXIDE 270 5%	2W F (DB830:AEP/DB930:AEP,MY,SP,AUS/V929X)
R643	1-249-433-11	CARBON 22K 5%	1/4W
R647	1-249-429-11	CARBON 10K 5%	1/4W
R648	1-249-425-11	CARBON 4.7K 5%	1/4W F
△R649	1-249-393-11	CARBON 10 5%	1/4W F
R650	1-249-425-11	CARBON 4.7K 5%	1/4W F
R651	1-249-417-11	CARBON 1K 5%	1/4W F
R652	1-249-439-11	CARBON 68K 5%	1/4W
R653	1-249-439-11	CARBON 68K 5%	1/4W
R654	1-247-843-11	CARBON 3.3K 5%	1/4W
R655	1-249-409-11	CARBON 220 5%	1/4W F
R656	1-249-409-11	CARBON 220 5%	1/4W F
R657	1-249-429-11	CARBON 10K 5%	1/4W
△R658	1-249-393-11	CARBON 10 5%	1/4W F
R659	1-247-807-31	CARBON 100 5%	1/4W
R669	1-249-393-11	CARBON 10 5%	1/4W F
R670	1-249-429-11	CARBON 10K 5%	1/4W
R671	1-249-425-11	CARBON 4.7K 5%	1/4W F
R680	1-249-429-11	CARBON 10K 5%	1/4W
R681	1-249-425-11	CARBON 4.7K 5%	1/4W F
△R682	1-249-393-11	CARBON 10 5%	1/4W F
R690	1-249-433-11	CARBON 22K 5%	1/4W
R695	1-249-419-11	CARBON 1.5K 5%	1/4W F
R696	1-249-431-11	CARBON 15K 5%	1/4W
R739	1-215-868-00	METAL OXIDE 680 5%	1W F
R747	1-249-429-11	CARBON 10K 5%	1/4W
R748	1-249-425-11	CARBON 4.7K 5%	1/4W F
R789	1-215-868-00	METAL OXIDE 680 5%	1W F
R991	1-249-417-11	CARBON 1K 5%	1/4W F
R992	1-249-439-11	CARBON 68K 5%	1/4W
R993	1-249-433-11	CARBON 22K 5%	1/4W
R995	1-249-441-11	CARBON 100K 5%	1/4W
R996	1-249-429-11	CARBON 10K 5%	1/4W

Ref. No.	Part No.	Description	Remarks
		< RELAY >	
RY301	1-515-793-11	RELAY (DB930/V929X)	
RY501	1-515-920-11	RELAY (24V)	
RY502	1-515-920-11	RELAY (24V)	
RY601	1-515-920-11	RELAY (24V)	
RY602	1-515-793-11	RELAY	
RY671	1-515-793-11	RELAY	
RY681	1-515-793-11	RELAY	

A-4419-338-A		REAR-AMP BOARD, COMPLETE (DB830)	

A-4419-339-A		REAR-AMP BOARD, COMPLETE(DB930/V929X)	

		< CAPACITOR >	
C701	1-119-825-41	ELECT 22uF 20%	50V
C702	1-128-811-11	CERAMIC 150PF 5%	50V
C703	1-102-233-00	CERAMIC 33PF 10%	500V
C704	1-107-586-11	CERAMIC 6PF 0.5PF	500V
C705	1-119-779-11	ELECT 220uF 20%	10V
C706	1-106-351-00	MYLAR 2200PF 5%	200V
C707	1-106-351-00	MYLAR 2200PF 5%	200V
C708	1-109-876-11	FILM 0.033uF 10%	250V
C720	1-119-799-11	ELECT 47uF 20%	16V
C721	1-107-597-11	CERAMIC 22PF 10%	500V
C722	1-107-597-11	CERAMIC 22PF 10%	500V
C723	1-162-286-31	CERAMIC 220PF 10%	50V
C724	1-119-824-31	ELECT 10uF 20%	50V
C725	1-136-157-00	FILM 0.022uF 5%	50V
C726	1-136-153-00	FILM 0.01uF 5%	50V
C739	1-162-288-31	CERAMIC 330PF 10%	50V
C749	1-102-934-00	CERAMIC 1.0PF 0.25PF	50V
C751	1-119-825-41	ELECT 22uF 20%	50V
C752	1-128-811-11	CERAMIC 150PF 5%	50V
C753	1-102-233-00	CERAMIC 33PF 10%	500V
C754	1-107-586-11	CERAMIC 6PF 0.5PF	500V
C755	1-119-779-11	ELECT 220uF 20%	10V
C756	1-106-351-00	MYLAR 2200PF 5%	200V
C757	1-106-351-00	MYLAR 2200PF 5%	200V
C758	1-109-876-11	FILM 0.033uF 10%	250V
C770	1-119-799-11	ELECT 47uF 20%	16V
C771	1-107-597-11	CERAMIC 22PF 10%	500V
C772	1-107-597-11	CERAMIC 22PF 10%	500V
C773	1-162-286-31	CERAMIC 220PF 10%	50V
C775	1-136-157-00	FILM 0.022uF 5%	50V
C779	1-102-934-00	CERAMIC 1.0PF 0.25PF	50V
C780	1-128-809-11	CERAMIC 100PF 5%	50V
C789	1-162-288-31	CERAMIC 330PF 10%	50V
C798	1-119-851-11	ELECT 22uF 20%	100V
C799	1-119-851-11	ELECT 22uF 20%	100V
		< CONNECTOR >	
CNP701	1-785-102-11	PIN, CONNECTOR 4P	
CNP711	1-784-923-11	PIN, CONNECTOR 7P	
CNP712	1-785-102-21	PIN, CONNECTOR 4P	
CNP713	1-784-924-11	PIN, CONNECTOR 8P	
CNP751	1-779-978-11	PIN, CONNECTOR 3P	

<p>The components identified by mark △ or dotted line with mark △ are critical for safety. Replace only with part number specified.</p>	<p>Les composants identifiés par une marque △ sont critiques pour la sécurité. Ne les remplacer que par une pièce portant le numéro spécifié.</p>	<p>以阴影和 △标志来识别的零部件，在安全方面具有关键性。因此只能以规定号码的零部件来更换。</p>
---	---	---

REAR-AMP

ROTARY

Ref. No.	Part No.	Description	Remarks	Ref. No.	Part No.	Description	Remarks
		< DIODE >		R735	1-249-431-11	CARBON 15K 5%	1/4W
D701	8-719-911-19	DIODE 1SS133T-72		R749	1-249-393-11	CARBON 10 5%	1/4W F
D702	8-719-109-51	DIODE MTZJ-T-72-2.2		△ R751	1-249-417-11	CARBON 1K 5%	1/4W F
D703	8-719-109-51	DIODE MTZJ-T-72-2.2		R752	1-247-881-00	CARBON 120K 5%	1/4W
D704	8-719-911-19	DIODE 1SS133T-72		R753	1-249-439-11	CARBON 68K 5%	1/4W
D705	8-719-911-19	DIODE 1SS133T-72		R754	1-249-418-11	CARBON 1.2K 5%	1/4W F
D706	8-719-911-19	DIODE 1SS133T-72		R755	1-247-807-31	CARBON 100 5%	1/4W
D749	8-719-911-19	DIODE 1SS133T-72		R762	1-249-439-11	CARBON 68K 5%	1/4W
D751	8-719-911-19	DIODE 1SS133T-72		R770	1-249-429-11	CARBON 10K 5%	1/4W
D752	8-719-109-51	DIODE MTZJ-T-72-2.2		R771	1-249-422-11	CARBON 2.7K 5%	1/4W F
D753	8-719-109-51	DIODE MTZJ-T-72-2.2		R772	1-249-433-11	CARBON 22K 5%	1/4W
D754	8-719-911-19	DIODE 1SS133T-72		R773	1-249-442-11	CARBON 510 5%	1/4W
D798	8-719-911-19	DIODE 1SS133T-72		△ R774	1-249-408-11	CARBON 180 5%	1/4W F
D799	8-719-911-19	DIODE 1SS133T-72		△ R775	1-249-408-11	CARBON 180 5%	1/4W F
		< IC >		△ R776	1-234-182-11	ENCAPSULATED COMPONENT	
IC701	8-759-326-52	IC uPC2581V		R777	1-240-855-91	CARBON 6.2K 5%	1/4W
		< TRANSISTOR >		R778	1-249-425-11	CARBON 4.7K 5%	1/4W F
Q704	8-729-119-76	TRANSISTOR 2SA1115TP-EF		R782	1-249-437-11	CARBON 47K 5%	1/4W
Q705	8-729-026-08	TRANSISTOR 2SC4495		△ R783	1-249-393-11	CARBON 10 5%	1/4W F
Q706	8-749-010-25	IC MN2488-OPY-M		R790	1-249-433-11	CARBON 22K 5%	1/4W
Q707	8-749-010-26	IC MP1620-OPY-M		R795	1-249-419-11	CARBON 1.5K 5%	1/4W F
Q708	8-729-140-82	TRANSISTOR 2SA988TP-PAFAEA		R796	1-249-431-11	CARBON 15K 5%	1/4W
Q709	8-729-281-53	TRANSISTOR 2SC1815GR-TPE2		R798	1-249-419-11	CARBON 1.5K 5%	1/4W F
Q710	8-729-900-63	TRANSISTOR BN1F4M-TP		R799	1-249-431-11	CARBON 15K 5%	1/4W
Q745	8-729-119-79	TRANSISTOR 2SC2785TP-FEK				< VARIABLE RESISTOR >	
Q754	8-729-119-76	TRANSISTOR 2SA1115TP-EF		RV701	1-238-595-11	RES, ADJ, CARBON 220	
Q755	8-729-026-08	TRANSISTOR 2SC4495		RV751	1-238-595-11	RES, ADJ, CARBON 220	
Q756	8-749-010-25	IC MN2488-OPY-M				< RELAY >	
Q757	8-749-010-26	IC MP1620-OPY-M		RY701	1-515-920-11	RELAY (24V)	
Q758	8-729-140-82	TRANSISTOR 2SA988TP-PAFAEA				< TEST PIN >	
Q798	8-729-140-82	TRANSISTOR 2SA988TP-PAFAEA		* TP701	1-560-060-00	PIN, CONNECTOR 2P	
Q799	8-729-140-82	TRANSISTOR 2SA988TP-PAFAEA		* TP751	1-560-060-00	PIN, CONNECTOR 2P	
		< RESISTOR >				*****	
R701	1-249-417-11	CARBON 1K 5%	1/4W F		1-673-364-11	ROTARY BOARD	
R702	1-247-881-00	CARBON 120K 5%	1/4W			*****	
R703	1-249-439-11	CARBON 68K 5%	1/4W			< LED >	
R704	1-249-418-11	CARBON 1.2K 5%	1/4W F				
R705	1-247-807-31	CARBON 100 5%	1/4W	D108	8-719-046-39	LED SEL5821A-TP15 (MUTING)	
R712	1-249-439-11	CARBON 68K 5%	1/4W			< RESISTOR >	
R720	1-249-429-11	CARBON 10K 5%	1/4W	R102	1-216-037-00	METAL CHIP 330 5%	1/10W
R721	1-249-422-11	CARBON 2.7K 5%	1/4W F	R159	1-216-037-00	METAL CHIP 330 5%	1/10W
R722	1-249-433-11	CARBON 22K 5%	1/4W	R160	1-216-041-00	METAL CHIP 470 5%	1/10W
R723	1-249-442-11	CARBON 510 5%	1/4W			< VARIABLE RESISTOR >	
△ R724	1-249-408-11	CARBON 180 5%	1/4W F	RV101	1-467-808-21	ENCODER, ROTARY (FUNCTION)	
△ R725	1-249-408-11	CARBON 180 5%	1/4W F			< SWITCH >	
△ R726	1-234-182-11	ENCAPSULATED COMPONENT		S126	1-771-349-21	SWITCH, KEYBOARD (MODE)	
R727	1-240-855-91	CARBON 6.2K 5%	1/4W	S127	1-771-349-21	SWITCH, KEYBOARD (MUTING)	
R728	1-249-425-11	CARBON 4.7K 5%	1/4W F			*****	
R729	1-247-866-11	CARBON 30K 5%	1/4W				
R730	1-249-421-11	CARBON 2.2K 5%	1/4W F				
R731	1-249-433-11	CARBON 22K 5%	1/4W				
R732	1-249-437-11	CARBON 47K 5%	1/4W				
△ R733	1-249-393-11	CARBON 10 5%	1/4W F				

<p>The components identified by mark △ or dotted line with mark △ are critical for safety. Replace only with part number specified.</p>	<p>Les composants identifiés par une marque △ sont critiques pour la sécurité. Ne les remplacer que par une pièce portant le numéro spécifié.</p>	<p>以阴影和 △标志来识别的零部件，在安全方面具有关键性。因此只能以规定号码的零部件来更换。</p>
---	---	---

SP	SP-SW	S-VIDEO
-----------	--------------	----------------

Ref. No.	Part No.	Description	Remarks
*	1-673-355-11	SP BOARD *****	
		< CAPACITOR >	
CC41	1-163-133-00	CERAMIC CHIP 470PF	5% 50V
CC42	1-163-133-00	CERAMIC CHIP 470PF	5% 50V
CC43	1-163-133-00	CERAMIC CHIP 470PF	5% 50V
CC47	1-163-133-00	CERAMIC CHIP 470PF	5% 50V
CC48	1-136-153-00	FILM 0.01uF	5% 50V
CC49	1-136-153-00	FILM 0.01uF	5% 50V
CC97	1-163-133-00	CERAMIC CHIP 470PF	5% 50V
CC98	1-136-153-00	FILM 0.01uF	5% 50V
CC99	1-136-153-00	FILM 0.01uF	5% 50V
CC101	1-163-251-11	CERAMIC CHIP 100PF	5% 50V
CC151	1-163-251-11	CERAMIC CHIP 100PF	5% 50V
CC201	1-163-251-11	CERAMIC CHIP 100PF	5% 50V
CC251	1-163-251-11	CERAMIC CHIP 100PF	5% 50V
CC301	1-163-251-11	CERAMIC CHIP 100PF	5% 50V
CC351	1-163-251-11	CERAMIC CHIP 100PF	5% 50V
		< JACK >	
JJ101	1-784-935-21	JACK, PIN 6P (PRE OUT) (DB930/V929X)	
JJ101	1-784-935-11	JACK, PIN 6P (PRE OUT) (DB830)	
JJ102	1-785-298-11	JACK, PIN 1P (CENTER) (DB930/V929X)	
JJ102	1-774-785-11	JACK, PIN 1P (CENTER) (DB830)	
		< COIL >	
L601	1-411-906-11	COIL, AIR-CORE	
L701	1-411-906-11	COIL, AIR-CORE	
L751	1-411-906-11	COIL, AIR-CORE	
		< RESISTOR >	
R634	1-249-389-11	CARBON 4.7	5% 1/4W F
R734	1-249-389-11	CARBON 4.7	5% 1/4W F
R784	1-249-389-11	CARBON 4.7	5% 1/4W F
RR48	1-249-393-11	CARBON 10	5% 1/4W F
RR49	1-249-393-11	CARBON 10	5% 1/4W F
RR98	1-249-393-11	CARBON 10	5% 1/4W F
RR99	1-249-393-11	CARBON 10	5% 1/4W F
RR101	1-216-049-91	RES,CHIP 1K	5% 1/10W
RR102	1-216-049-91	RES,CHIP 1K	5% 1/10W
RR103	1-216-077-00	METAL CHIP 15K	5% 1/10W
RR151	1-216-049-91	RES,CHIP 1K	5% 1/10W
RR152	1-216-049-91	RES,CHIP 1K	5% 1/10W
RR153	1-216-077-00	METAL CHIP 15K	5% 1/10W
RR201	1-216-049-91	RES,CHIP 1K	5% 1/10W
RR202	1-216-049-91	RES,CHIP 1K	5% 1/10W
RR203	1-216-077-00	METAL CHIP 15K	5% 1/10W
RR251	1-216-049-91	RES,CHIP 1K	5% 1/10W
RR301	1-216-049-91	RES,CHIP 1K	5% 1/10W
RR302	1-216-049-91	RES,CHIP 1K	5% 1/10W
RR303	1-216-077-00	METAL CHIP 15K	5% 1/10W
RR351	1-216-049-91	RES,CHIP 1K	5% 1/10W
RR352	1-216-049-91	RES,CHIP 1K	5% 1/10W
RR353	1-216-077-00	METAL CHIP 15K	5% 1/10W
		< TERMINAL >	
* TM501	1-694-454-21	TERMINAL BOARD (SP)(FRONT SPEAKERS)	
TM701	1-694-432-21	TERMINAL BOARD (SP)(REAR SPEAKERS)	

Ref. No.	Part No.	Description	Remarks
	1-673-363-11	SP-SW BOARD *****	
		< CONNECTOR >	
* CNP102	1-695-808-11	CONNECTOR, PC BOARD 8P	
		< DIODE >	
D105	8-719-820-05	DIODE 1SS181-TE85L	
		< RESISTOR >	
R155	1-216-041-00	METAL CHIP 470	5% 1/10W
R156	1-216-045-00	METAL CHIP 680	5% 1/10W
R157	1-216-049-91	RES,CHIP 1K	5% 1/10W
		< SWITCH >	
S101	1-771-349-21	SWITCH, KEYBOARD (POWER)	
S102	1-762-268-11	SWITCH, ROTARY (SPEAKERS)	
S122	1-771-349-21	SWITCH, KEYBOARD (PRESET TUNING+)	
S123	1-771-349-21	SWITCH, KEYBOARD (PRESET TUNING-)	
S124	1-771-349-21	SWITCH, KEYBOARD (SHIFT)	
S125	1-771-349-21	SWITCH, KEYBOARD (FM/AM)	

A-4419-368-A	S-VIDEO BOARD, COMPLETE (DB830:US) *****		
A-4419-369-A	S-VIDEO BOARD, COMPLETE (DB830:AEP) *****		
A-4419-371-A	S-VIDEO BOARD, COMPLETE ***** (DB930:AEP,MY,SP,AUS/V929X)		
A-4419-370-A	S-VIDEO BOARD, COMPLETE (DB930:US,CND) *****		
		< CAPACITOR >	
C214	1-104-664-11	ELECT 47uF	20% 16V
C251	1-136-165-00	FILM 0.1uF	5% 50V
C252	1-136-165-00	FILM 0.1uF	5% 50V
C253	1-126-964-11	ELECT 10uF	20% 50V
C254	1-136-165-00	FILM 0.1uF	5% 50V
C255	1-136-165-00	FILM 0.1uF	5% 50V
C256	1-126-964-11	ELECT 10uF	20% 50V
C257	1-136-165-00	FILM 0.1uF	5% 50V
C258	1-126-964-11	ELECT 10uF	20% 50V
C259	1-126-964-11	ELECT 10uF	20% 50V
C260	1-136-165-00	FILM 0.1uF	5% 50V
C261	1-104-664-11	ELECT 47uF	20% 16V
C262	1-165-319-11	CERAMIC CHIP 0.1uF	50V
C263	1-165-319-11	CERAMIC CHIP 0.1uF	50V
C264	1-165-319-11	CERAMIC CHIP 0.1uF	50V
C265	1-165-319-11	CERAMIC CHIP 0.1uF	50V
C266	1-165-319-11	CERAMIC CHIP 0.1uF	50V
C267	1-163-133-00	CERAMIC CHIP 470PF	5% 50V
C268	1-163-133-00	CERAMIC CHIP 470PF	5% 50V
C269	1-163-133-00	CERAMIC CHIP 470PF	5% 50V

Ref. No.	Part No.	Description	Remarks	Ref. No.	Part No.	Description	Remarks
C270	1-163-133-00	CERAMIC CHIP	470PF 5% 50V	Q256	8-729-216-22	TRANSISTOR 2SA1162-YG-TE85L	(DB830:US/DB930:US,CND)
C271	1-163-275-11	CERAMIC CHIP	0.001uF 5% 50V	Q257	8-729-216-22	TRANSISTOR 2SA1162-YG-TE85L	(DB830:US/DB930:US,CND)
C272	1-163-275-11	CERAMIC CHIP	0.001uF 5% 50V	Q258	8-729-230-49	TRANSISTOR 2SC2712-YG-TE85L	(DB830:US/DB930:US,CND)
C273	1-126-964-11	ELECT	10uF 20% 50V			< RESISTOR >	
C274	1-163-275-11	CERAMIC CHIP	0.001uF 5% 50V	R251	1-216-022-00	METAL CHIP	75 5% 1/10W
C275	1-163-275-11	CERAMIC CHIP	0.001uF 5% 50V	R252	1-216-073-00	METAL CHIP	10K 5% 1/10W
		< CONNECTOR >	(DB830:US/DB930:US,CND)	R253	1-216-022-00	METAL CHIP	75 5% 1/10W
* CNS210	1-564-720-11	PIN, CONNECTOR (SMALL TYPE) 4P		R254	1-216-022-00	METAL CHIP	75 5% 1/10W
CNS211	1-695-094-11	SOCKET, CONNECTOR 11P		R255	1-216-022-00	METAL CHIP	75 5% 1/10W
CNS215	1-784-776-11	CONNECTOR, FFC 15P		R256	1-216-073-00	METAL CHIP	10K 5% 1/10W
		< DIODE >		R257	1-216-022-00	METAL CHIP	75 5% 1/10W
D251	8-719-801-78	DIODE 1SS184-TE85L		R258	1-216-022-00	METAL CHIP	75 5% 1/10W
		< IC >		R259	1-216-022-00	METAL CHIP	75 5% 1/10W
IC202	8-759-245-79	IC M5F7905L		R260	1-216-022-00	METAL CHIP	75 5% 1/10W
IC251	8-759-536-24	IC NJM-2296M-TE2		R261	1-216-022-00	METAL CHIP	75 5% 1/10W
IC252	8-759-536-24	IC NJM-2296M-TE2		R262	1-216-022-00	METAL CHIP	75 5% 1/10W
IC253	8-759-356-27	IC NJM2129M-TE2	(DB830:US/DB930:US,CND)	R263	1-216-073-00	METAL CHIP	10K 5% 1/10W
IC254	8-759-135-80	IC LM358P	(DB830:US/DB930:US,CND)	R264	1-216-061-00	METAL CHIP	3.3K 5% 1/10W
		< JACK >		R265	1-216-049-91	RES,CHIP	1K 5% 1/10W
J251	1-779-800-11	TERMINAL, S (S-VIDEO OUT)(DB930/V929X)		R266	1-216-049-91	RES,CHIP	1K 5% 1/10W
J251	1-537-943-11	TERMINAL, S (S-VIDEO OUT)(DB830)		R267	1-216-049-91	RES,CHIP	1K 5% 1/10W
J252	1-779-801-11	CONNECTOR (ROUND TYPE) (S-VIDEO IN/OUT)	(DB930/V929X)	R268	1-216-089-91	RES,CHIP	47K 5% 1/10W
J252	1-764-676-11	CONNECTOR (ROUND TYPE) (S-VIDEO IN/OUT)	(DB830)	R269	1-216-081-00	METAL CHIP	22K 5% 1/10W
J253	1-779-801-11	CONNECTOR (ROUND TYPE) (S-VIDEO IN)	(DB930/V929X)	R270	1-216-069-00	METAL CHIP	6.8K 5% 1/10W
J253	1-537-943-11	TERMINAL, S(S-VIDEO IN)(DB830)		R271	1-216-049-91	RES,CHIP	1K 5% 1/10W
J255	1-563-330-11	JACK (CONTROL S OUT)	(DB830:US/DB930:US,CND)	R272	1-216-049-91	RES,CHIP	1K 5% 1/10W
J256	1-563-330-11	JACK (CONTROL S OUT)	(DB830:US/DB930:US,CND)	R273	1-216-043-91	RES,CHIP	560 5% 1/10W
J257	1-563-330-11	JACK (CONTROL S IN)	(DB830:US/DB930:US,CND)	R274	1-216-041-00	METAL CHIP	470 5% 1/10W
J258	1-563-330-11	JACK (CONTROL S IN)	(DB830:US/DB930:US,CND)	R275	1-216-049-91	RES,CHIP	1K 5% 1/10W
		< TRANSISTOR >		R276	1-216-049-91	RES,CHIP	1K 5% 1/10W
Q251	8-729-216-22	TRANSISTOR 2SA1162-YG-TE85L	(DB830:US/DB930:US,CND)	R277	1-216-041-00	METAL CHIP	470 5% 1/10W
Q252	8-729-216-22	TRANSISTOR 2SA1162-YG-TE85L	(DB830:US/DB930:US,CND)	R278	1-216-043-91	RES,CHIP	560 5% 1/10W
Q253	8-729-216-22	TRANSISTOR 2SA1162-YG-TE85L	(DB830:US/DB930:US,CND)	R279	1-216-061-00	METAL CHIP	3.3K 5% 1/10W
Q254	8-729-230-49	TRANSISTOR 2SC2712-YG-TE85L	(DB830:US/DB930:US,CND)	R280	1-216-073-00	METAL CHIP	10K 5% 1/10W
Q255	8-729-230-49	TRANSISTOR 2SC2712-YG-TE85L	(DB830:US/DB930:US,CND)			*****	

TUNER

VIDEO

VOLUME

Ref. No.	Part No.	Description	Remarks
*	1-673-358-11	TUNER BOARD *****	
		< CAPACITOR >	
C1	1-163-263-11	CERAMIC CHIP 330PF 5% 50V (DB830:AEP/DB930:AEP)	
C2	1-126-961-11	ELECT 2.2uF 20% 50V (DB830:AEP/DB930:AEP)	
C3	1-126-964-11	ELECT 10uF 20% 50V (DB830:AEP/DB930:AEP)	
C4	1-165-319-11	CERAMIC CHIP 0.1uF 50V (DB830:AEP/DB930:AEP)	
C5	1-163-135-00	CERAMIC CHIP 560PF 5% 50V (DB830:AEP/DB930:AEP)	
C6	1-163-249-11	CERAMIC CHIP 82PF 5% 50V (DB830:AEP/DB930:AEP)	
C7	1-163-243-11	CERAMIC CHIP 47PF 5% 50V (DB830:AEP/DB930:AEP)	
C381	1-165-319-11	CERAMIC CHIP 0.1uF 50V	
C382	1-163-037-11	CERAMIC CHIP 0.022uF 10% 25V	
C399	1-126-964-11	ELECT 10uF 20% 50V	
		< CONNECTOR >	
* CNS303	1-569-306-11	SOCKET, CONNECTOR (L TYRE) 15P	
CNS305	1-774-289-11	PIN, CONNECTOR (PC BOARD) 15P	
		< IC >	
IC1	8-759-557-36	IC BU1924F-E2 (DB830:AEP/DB930:AEP)	
IC399	8-759-708-12	IC NJM78L12A-T3	
		< COIL >	
L1	1-408-982-11	INDUCTOR 100uH (DB830:AEP/DB930:AEP)	
		< RESISTOR >	
R1	1-216-025-91	RES,CHIP 100 5% 1/10W (DB830:AEP/DB930:AEP)	
R2	1-216-025-91	RES,CHIP 100 5% 1/10W (DB830:AEP/DB930:AEP)	
R3	1-216-057-00	METAL CHIP 2.2K 5% 1/10W (DB830:AEP/DB930:AEP)	
		< VIBRATOR >	
X1	1-579-900-21	VIBRATOR, CRYSTAL 4.33MHz (DB830:AEP/DB930:AEP)	

*	1-673-356-11	VIDEO BOARD *****	
		< CAPACITOR >	
C201	1-126-964-11	ELECT 10uF 20% 50V	
C202	1-126-964-11	ELECT 10uF 20% 50V	
C203	1-126-964-11	ELECT 10uF 20% 50V	
C204	1-126-964-11	ELECT 10uF 20% 50V	
C205	1-163-243-11	CERAMIC CHIP 47PF 5% 50V	
C206	1-163-243-11	CERAMIC CHIP 47PF 5% 50V	
C207	1-163-243-11	CERAMIC CHIP 47PF 5% 50V	
C208	1-126-964-11	ELECT 10uF 20% 50V	
C209	1-165-319-11	CERAMIC CHIP 0.1uF 50V	
C210	1-165-319-11	CERAMIC CHIP 0.1uF 50V	

Ref. No.	Part No.	Description	Remarks
C211	1-165-319-11	CERAMIC CHIP 0.1uF	50V
C212	1-165-319-11	CERAMIC CHIP 0.1uF	50V
C213	1-104-664-11	ELECT 47uF	20% 16V
C215	1-165-319-11	CERAMIC CHIP 0.1uF	50V
C216	1-104-664-11	ELECT 47uF	20% 16V
		< CONNECTOR >	
CNS212	1-695-094-11	SOCKET, CONNECTOR 11P	
		< DIODE >	
D201	8-719-801-78	DIODE 1SS184-TE85L	
		< IC >	
IC201	8-759-536-24	IC NJM-2296M-TE2	
		< JACK >	
J201	1-785-867-21	JACK, PIN 1P (MONITOR) (DB930/V929X)	
J201	1-785-867-11	JACK, PIN 1P (MONITOR) (DB830)	
J202	1-785-866-21	JACK, PIN 3P (DVD/VIDEO2) (DB930/V929X)	
J202	1-785-866-11	JACK, PIN 3P (DVD/VIDEO2) (DB830)	
J203	1-785-866-21	JACK, PIN 3P (VIDEO2/VIDEO1)(DB930/V929X)	
J203	1-785-866-11	JACK, PIN 3P (VIDEO2/VIDEO1)(DB830)	
J204	1-563-330-11	JACK (S-LINK)	
		< RESISTOR >	
R201	1-216-022-00	METAL CHIP 75 5% 1/10W	
R202	1-216-022-00	METAL CHIP 75 5% 1/10W	
R203	1-216-022-00	METAL CHIP 75 5% 1/10W	
R204	1-216-022-00	METAL CHIP 75 5% 1/10W	
R205	1-216-022-00	METAL CHIP 75 5% 1/10W	
R206	1-216-022-00	METAL CHIP 75 5% 1/10W	
R207	1-216-022-00	METAL CHIP 75 5% 1/10W	

	1-673-362-11	VOLUME BOARD *****	
		< CAPACITOR >	
C1410	1-119-825-41	ELECT 22uF 20% 50V	
C1411	1-119-825-41	ELECT 22uF 20% 50V	
C1412	1-119-825-41	ELECT 22uF 20% 50V	
C1416	1-163-239-11	CERAMIC CHIP 33PF 5% 50V	
C1417	1-163-239-11	CERAMIC CHIP 33PF 5% 50V	
C1418	1-163-239-11	CERAMIC CHIP 33PF 5% 50V	
C1460	1-119-825-41	ELECT 22uF 20% 50V	
C1461	1-119-825-41	ELECT 22uF 20% 50V	
C1462	1-119-825-41	ELECT 22uF 20% 50V	
C1466	1-163-239-11	CERAMIC CHIP 33PF 5% 50V	
C1467	1-163-239-11	CERAMIC CHIP 33PF 5% 50V	
C1468	1-163-239-11	CERAMIC CHIP 33PF 5% 50V	
C1492	1-119-787-31	ELECT 33uF 20% 16V	
C1493	1-119-787-31	ELECT 33uF 20% 16V	
		< CONNECTOR >	
CNP101	1-770-388-11	PIN, CONNECTOR (PC BOARD) 4P	
		< IC >	
IC1401	8-759-636-55	IC M5218AFP-T1	
IC1402	8-759-636-55	IC M5218AFP-T1	
IC1403	8-759-636-55	IC M5218AFP-T1	

Ref. No.	Part No.	Description	Remarks
< RESISTOR >			
R1411	1-216-067-00	METAL CHIP 5.6K 5%	1/10W
R1412	1-216-067-00	METAL CHIP 5.6K 5%	1/10W
R1413	1-216-097-91	RES,CHIP 100K 5%	1/10W
R1414	1-216-097-91	RES,CHIP 100K 5%	1/10W
R1415	1-216-097-91	RES,CHIP 100K 5%	1/10W
R1416	1-216-067-00	METAL CHIP 5.6K 5%	1/10W
R1419	1-216-089-91	RES,CHIP 47K 5%	1/10W
R1420	1-216-089-91	RES,CHIP 47K 5%	1/10W
R1421	1-216-089-91	RES,CHIP 47K 5%	1/10W
R1461	1-216-089-91	RES,CHIP 47K 5%	1/10W
R1462	1-216-067-00	METAL CHIP 5.6K 5%	1/10W
R1463	1-216-097-91	RES,CHIP 100K 5%	1/10W
R1464	1-216-097-91	RES,CHIP 100K 5%	1/10W
R1465	1-216-097-91	RES,CHIP 100K 5%	1/10W
R1466	1-216-067-00	METAL CHIP 5.6K 5%	1/10W
R1469	1-216-089-91	RES,CHIP 47K 5%	1/10W
R1470	1-216-089-91	RES,CHIP 47K 5%	1/10W
R1471	1-216-089-91	RES,CHIP 47K 5%	1/10W
< VARIABLE RESISTOR >			
RV1501	1-225-445-12	RES, VAR, CARBON 100K/100KX5	(MASTER VOLUME)

MISCELLANEOUS			

△ 59	1-696-847-11	CORD, POWER (DB930:AUS)	
△ 59	1-769-743-11	CORD, POWER (DB930:CND)	
△ 59	1-769-744-11	CORD, POWER (DB830:AEP/DB930:AEP,MY,SP)	
△ 59	1-782-464-21	CORD, POWER (V929X)	
△ 59	1-783-531-11	CORD, POWER (DB830:US/DB930:US)	
69	1-773-117-11	WIRE (FLAT TYPE)(19 CORE)	(DB830:AEP/DB930:AEP,MY,SP,AUS,V929X)
69	1-773-185-11	WIRE (FLAT TYPE) (23 CORE)	(DB830:US/DB930:US,CND)
70	1-773-048-11	WIRE (FLAT TYPE)(17 CORE)	
71	1-773-001-11	WIRE (FLAT TYPE)(15 CORE)	
△ T901	1-433-772-11	TRANSFORMER, POWER(DB930:MY,SP/V929X)	
△ T901	1-433-776-11	TRANSFORMER, POWER(DB830:US/DB930:US)	
△ T901	1-433-777-11	TRANSFORMER, POWER (DB930:CND)	
△ T901	1-433-778-11	TRANSFORMER, POWER	(DB830:AEP/DB930:AEP)
△ T901	1-433-780-11	TRANSFORMER, POWER (DB830:AUS)	
TU301	1-693-407-11	TUNER (DB830:US/DB930:US,CND)	
TU301	1-693-409-11	TUNER	(DB830:AEP/DB930:AEP,MY,SP,AUS,V929X)

Ref. No.	Part No.	Description	Remarks
ACCESSORIES & PACKING MATERIALS			

	1-418-293-11	REMOTE COMMANDER (RM-LJ302)	(DB930,V929X)
	1-501-594-11	ANTENNA (FM)	(DB830:AEP/DB930:AEP,MY,SP,AUS,V929X)
	1-501-721-11	ANTENNA (LOOP)	
	1-777-172-11	CORD, CONNECTION(CONTROL A1 CABLE 1P)	(DB830:US/DB930:US,CND)
	1-777-560-11	CORD, CONNECTION(AVC CABLE 4P)	(DB830:US/DB930:US,CND)
	3-866-295-11	MANUAL, INSTRUCTION (RM-LJ302)	(ENGLISH)(DB930,V929X)
	3-866-295-21	MANUAL, INSTRUCTION (RM-LJ302)	(FRENCH,SPANISH)(DB930:CND,AEP)
	3-866-295-31	MANUAL, INSTRUCTION (RM-LJ302)	(CHINESE)(DB930:MY,SP,V929X)
	3-866-295-41	MANUAL, INSTRUCTION (RM-LJ302)	(DUTCH,SWEDISH,GERMAN,ITALIAN,PORTUGUESE)(DB930:AEP)
	3-866-296-11	MANUAL, INSTRUCTION	(RM-PP402)(ENGLISH)(DB830)
	3-866-296-21	MANUAL, INSTRUCTION	(RM-PP402)(FRENCH,SPANISH)(DB830:AEP)
	3-866-296-41	MANUAL, INSTRUCTION(RM-PP402)	(DUTCH,SWEDISH,GERMAN,ITALIAN,PORTUGUESE)(DB830:AEP)
	3-866-670-11	MANUAL,COMMONNESS INSTRUCTION	(ENGLISH)(DB830:US/DB930:US,AUS)
	3-866-670-21	MANUAL,COMMONNESS INSTRUCTION	(ENGLISH,FRENCH,GERMAN,SPANISH,DUTCH)(DB830:AEP/DB930:CND,AEP,MY,SP)
	3-866-670-41	MANUAL,COMMONNESS INSTRUCTION	(ENGLISH,ARABIC,CHINESE)(V929X)
	3-866-968-11	MANUAL, INSTRUCTION(ENGLISH)	(DB830:US/DB930:US,CND)
	3-866-968-21	MANUAL, INSTRUCTION	(FRENCH)(DB930:CND)
	3-866-968-31	MANUAL, INSTRUCTION(ENGLISH,CHINESE)	(DB930:MY,SP,AUS)
	3-866-968-41	MANUAL, INSTRUCTION	(ENGLISH,CHINESE)(V929X)
	3-866-968-51	MANUAL, INSTRUCTION	(ENGLISH,FRENCH,DUTCH,SWEDISH)(DB830:AEP/DB930:AEP)
	3-866-968-61	MANUAL, INSTRUCTION	(GERMAN,SPANISH,ITALIAN,PORTUGUESE)(DB830:AEP/DB930:AEP)
	4-981-643-11	COVER BATTERY	(FOR RM-LJ302)(DB930,V929X)
	8-917-666-90	REMOTE COMMANDER RM-PP402(DB830)	

HARDWARE LIST			

#1	7-685-646-79	SCREW +BVTP 3 × 8 TYPE2 IT-3	
#2	7-685-885-09	SCREW +BVTT 4 × 16 (S)	
#3	7-685-853-04	SCREW +BVTT 2 × 6 (S)	

The components identified by mark △ or dotted line with mark △ are critical for safety. Replace only with part number specified.

Les composants identifiés par une marque △ sont critiques pour la sécurité. Ne les remplacer que par une pièce portant le numéro spécifié.

以阴影和 △标志来识别的零部件，在安全方面具有关键性。因此只能以规定号码的零部件来更换。

