

STR-DE185

SERVICE MANUAL

Ver 1.0 2002.02

US Model
AEP Model
UK Model



SPECIFICATIONS

AUDIO POWER SPECIFICATIONS

POWER OUTPUT AND TOTAL HARMONIC DISTORTION:

With 8 ohm loads, both channels driven, from 40 – 20,000 Hz; rated 100 watts per channel minimum RMS power, with no more than 0.09 % total harmonic distortion from 250 milliwatts to rated output (Models of area code US only).

Amplifier section

POWER OUTPUT

Models of area code US
Rated Power Output at Stereo Mode
(8 ohms 40 Hz – 20 kHz, THD 0.09 %)
100 W + 100 W

Models of area code AEP, UK
Rated Power Output at Stereo Mode
(8 ohms 1 kHz, THD 0.7 %)
100 W + 100 W¹⁾

1) Measured under the following conditions:

Area code	Power requirements
AEP, UK	230 V AC, 50 Hz

Frequency response

CD, MD/TAPE, VIDEO 1, VIDEO 2	20 Hz – 50 kHz +0/-0.5 dB (with bass boost bypassed)
-------------------------------	---

Inputs (Analog)

CD, MD/TAPE, VIDEO 1, VIDEO 2	Sensitivity: 250 mV Impedance: 50 kilohms S/N ²⁾ : 85 dB (A, 250 mV ³⁾)
-------------------------------	---

2) INPUT SHORT.

3) Weighted network, input level.

Outputs

MD/TAPE, VIDEO 1	Voltage: 250 mV Impedance: 10 kilohms
------------------	--

Bass Boost:	+8 dB at 70 Hz
Tone:	±10 dB at 100 Hz and 10 kHz

FM tuner section

Tuning range	87.5 – 108.0 MHz
Antenna terminals	75 ohms, unbalanced
Intermediate frequency	10.7 MHz
Sensitivity	
Mono:	18.3 dBf, 2.2 μ V/75 ohms
Stereo:	38.3 dBf, 22.5 μ V/75 ohms
Usable sensitivity	11.2 dBf, 1 μ V/75 ohms
S/N	
Mono:	76 dB
Stereo:	70 dB
Harmonic distortion at 1 kHz	
Mono:	0.5%
Stereo:	0.8%
Separation	35 dB at 1 kHz
Frequency response	30 Hz – 15 kHz, +0.5/-2 dB
Selectivity	60 dB at 400 kHz

– Continued on next page –

FM STEREO/FM-AM RECEIVER

9-873-586-01
2002B0400-1
© 2002.02

Sony Corporation
Home Audio Company
Published by Sony Engineering Corporation

SONY®

AM tuner section

Tuning range

Models of area code US

With 10-kHz tuning scale: 530 – 1710 kHz⁴⁾

With 9-kHz tuning scale: 531 – 1710 kHz⁴⁾

Models of area code AEP, UK

With 9-kHz tuning scale: 531 – 1602 kHz

Antenna	Loop antenna
Intermediate frequency	450 kHz
Usable sensitivity	50 dB/m (at 1,000 kHz or 999 kHz)
S/N	45 dB (at 50 mV/m)
Harmonic distortion	1.0 % (50 mV/m, 400 Hz)
Selectivity	
At 9 kHz:	35 dB
At 10 kHz:	40 dB

- 4) You can change the AM tuning scale to 9 kHz or 10 kHz. After tuning in any AM station, turn off the receiver. Hold down PRESET TUNING + and press I/⏪. All preset stations will be erased when you change the tuning scale. To reset the scale to 10 kHz (or 9 kHz), repeat the procedure.

General

Power requirements

Area code	Power consumption
US	120 V AC, 60 Hz
AEP, UK	230 V AC, 50/60 Hz

Power consumption

Area code	Power consumption
US	190 W
AEP, UK	210 W

Power consumption (during standby mode)

0.5 W (for models of all area code)

AC outlets

Area code	AC outlets
US	1 switched, 120 W/1A MAX
AEP, UK	1 switched, 100 W MAX

Dimensions 430 × 145 × 300 mm
(16 7/8 × 5 6/8 × 11 6/8 in.)
including projecting parts and controls

Mass (Approx.) 7.0 kg (15 lb 7 oz)

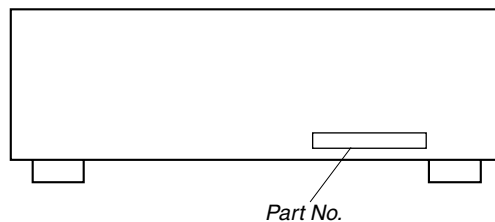
Supplied accessories

- FM wire antenna (1)
- AM loop antenna (1)
- Remote commander RM-U185 (1)
- R6 (size-AA) batteries (2)

Design and specifications are subject to change without notice.

MODEL IDENTIFICATION

— BACK PANEL —



MODEL	PART No.
US	4-238-277-0□
AEP	4-238-277-1□
UK	4-238-277-2□

SAFETY-RELATED COMPONENT WARNING!!

COMPONENTS IDENTIFIED BY MARK \triangle OR DOTTED LINE WITH MARK \triangle ON THE SCHEMATIC DIAGRAMS AND IN THE PARTS LIST ARE CRITICAL TO SAFE OPERATION. REPLACE THESE COMPONENTS WITH SONY PARTS WHOSE PART NUMBERS APPEAR AS SHOWN IN THIS MANUAL OR IN SUPPLEMENTS PUBLISHED BY SONY.

SAFETY CHECK-OUT

After correcting the original service problem, perform the following safety check before releasing the set to the customer:

Check the antenna terminals, metal trim, “metallized” knobs, screws, and all other exposed metal parts for AC leakage. Check leakage as described below.

LEAKAGE TEST

The AC leakage from any exposed metal part to earth ground and from all exposed metal parts to any exposed metal part having a return to chassis, must not exceed 0.5 mA (500 microamperes).

Leakage current can be measured by any one of three methods.

1. A commercial leakage tester, such as the Simpson 229 or RCA WT-540A. Follow the manufacturers' instructions to use these instruments.
2. A battery-operated AC milliammeter. The Data Precision 245 digital multimeter is suitable for this job.
3. Measuring the voltage drop across a resistor by means of a VOM or battery-operated AC voltmeter. The “limit” indication is 0.75 V, so analog meters must have an accurate low-voltage scale. The Simpson 250 and Sanwa SH-63Trd are examples of a passive VOM that is suitable. Nearly all battery operated digital multimeters that have a 2V AC range are suitable. (See Fig. A)

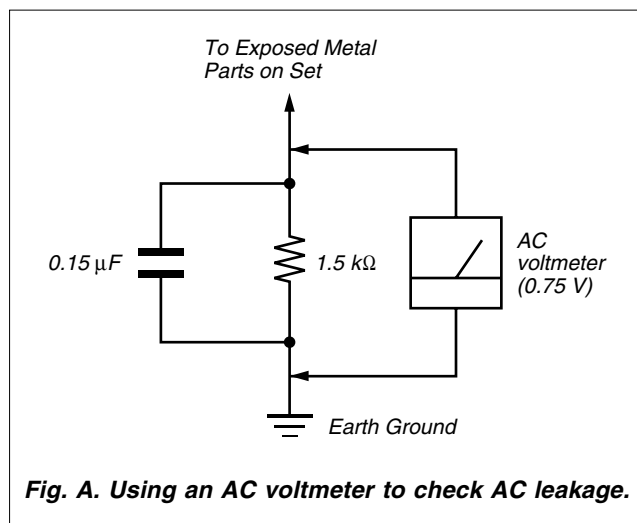


Fig. A. Using an AC voltmeter to check AC leakage.

TABLE OF CONTENTS

1. GENERAL

Main unit	4
Remote button description	5

2. DISASSEMBLY

2-1. Case	6
2-2. Front Panel Section	7
2-3. Back Panel	7
2-4. Main Board	8

3. TEST MODE

.....	9
-------	---

4. DIAGRAMS

4-1. IC Pin Description	10
4-2. Circuit Boards Location	11
4-3. Block Diagram – Main Section –	12
4-4. Block Diagram – Power Section –	13
4-5. Printed Wiring Board – Main Section –	14
4-6. Printed Wiring Boards – H/P, Outlet Section –	15
4-7. Schematic Diagram – Main Section (1/2) –	16
4-8. Schematic Diagram – Main Section (2/2) –	17
4-9. Schematic Diagram – Display Section –	18
4-10. Printed Wiring Board – Display Section –	19
4-11. Printed Wiring Board – Power SW Section –	20

5. EXPLODED VIEWS

5-1. Case Section	21
5-2. Front Panel Section	22
5-3. Chassis Section	23

6. ELECTRICAL PARTS LIST

.....	24
-------	----

SECTION 1 GENERAL

This section is extracted from instruction manual.

List of Button Locations and Reference Pages

How to use this page
Use this page to find the location of buttons that are mentioned in the text.

Illustration number
 ↓
 NAME **5** (18)
 ↑ ↑
 Name of button/part Reference page

Main unit

ALPHABETICAL ORDER

- A - H**
 AM **8** (13, 14)
 BALANCE L/R **10** (12)
 BASS +/- **21** (12)
 BASS BOOST **19** (12)
 CD **15** (8, 12)
 DIRECT **25** (13)
 DISPLAY **11** (12, 16)
 Display **9** (11-16, 18, 19)
 FM **6** (13, 14)
 FM MODE **23** (14)

- I - O**
 IR (receptor) **2** (4, 22)

- MASTER VOLUME **17** (12, 20)
 MD/TAPE **14** (8, 12)
 MEMORY/ENTER **24** (13, 15, 18)
 MUTING **18** (12, 20)
 NAME **5** (18)
 Numeric buttons **3** (13)

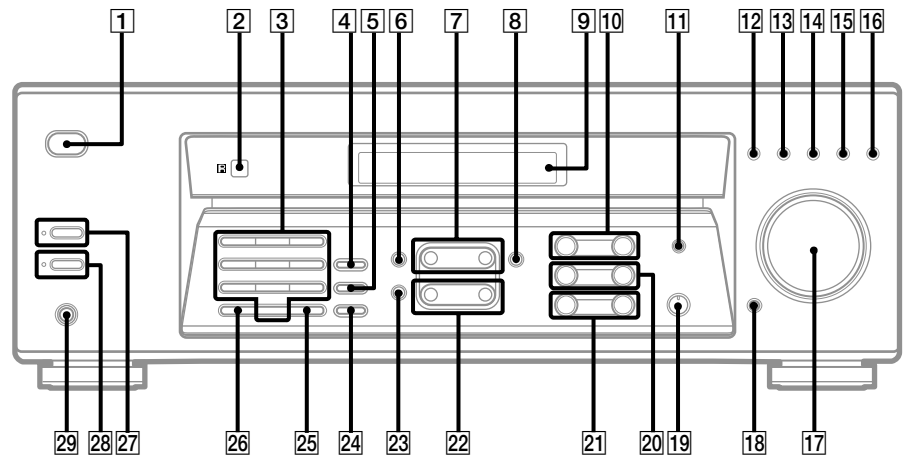
- P - S**
 PHONES **29** (12, 21)
 PRESET/PTY SELECT +/- (models of area code CEL, CEK) **7** (15, 16)
 PRESET TUNING +/- (models of area code U) **7** (15, 23)
 PTY (models of area code CEL, CEK) **4** (16)

- SHIFT **26** (15)
 SLEEP (models of area code U) **4** (19)
 SPEAKERS A **27** (10, 12)
 SPEAKERS B **28** (10, 12)

- T - Z**
 TREBLE +/- **20** (12)
 TUNER **16** (8, 12-15, 18)
 TUNING/CHAR +/- **22** (14, 18)
 VIDEO 1 **12** (12)
 VIDEO 2 **13** (8, 12)

BUTTON DESCRIPTIONS

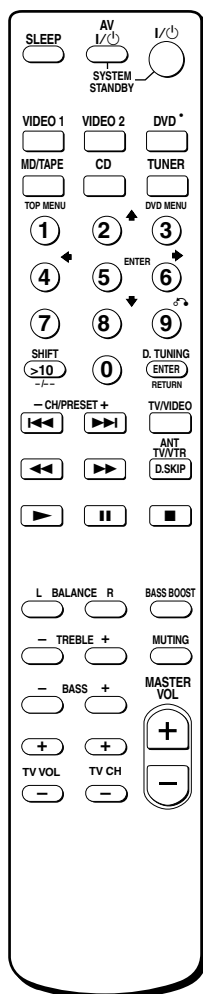
- I/⏻ (power) **1** (11, 13, 23)



List of Button Locations and Reference Pages

Remote button description

You can use the remote RM-U185 to operate the components in your system.



The tables below show the settings of each button.

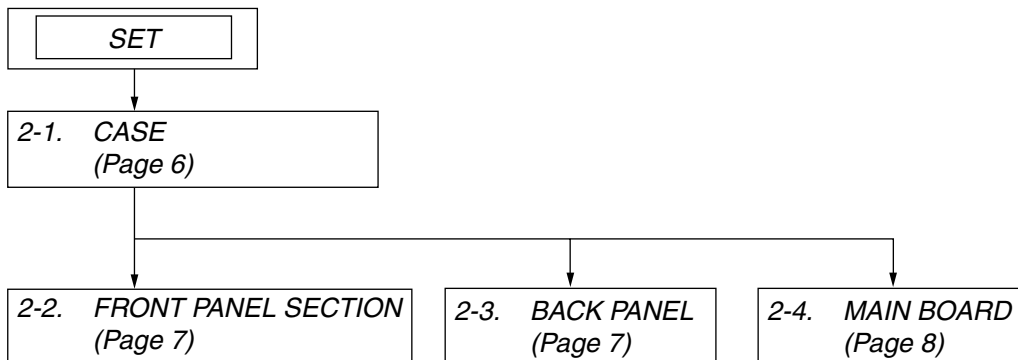
Remote Button	Operations	Function
SLEEP	Receiver	Activates the sleep function and the duration which the receiver turns off automatically.
I/O	Receiver	Turns the receiver on or off.
VIDEO 1	Receiver	To watch VCR. (VTR mode 3)
VIDEO 2	Receiver	To watch VCR. (VTR mode 1)
DVD	Receiver	To watch DVD.
MD/TAPE	Receiver	To listen to Minidisc or audio tape.
CD	Receiver	To listen to compact disc.
TUNER	Receiver	To listen to radio programs.
SHIFT	Receiver	Press repeatedly to select a memory page for presetting radio stations or tuning to preset stations.
D.TUNING	Receiver	Tuner station direct key-in-mode.
BALANCE L/R	Receiver	Adjust the balance.
BASS BOOST	Receiver	Reinforce the bass.
TREBLE +/-	Receiver	Adjust the treble tone quality.
MUTING	Receiver	Mutes the sound from the receiver.
BASS +/-	Receiver	Adjust the bass tone quality.

Note

When you press the function buttons (VIDEO 1, VIDEO 2, DVD), the input mode of the TV might not switch to the corresponding input mode that you want. In this case, press the TV/VIDEO button to switch the input mode of the TV.

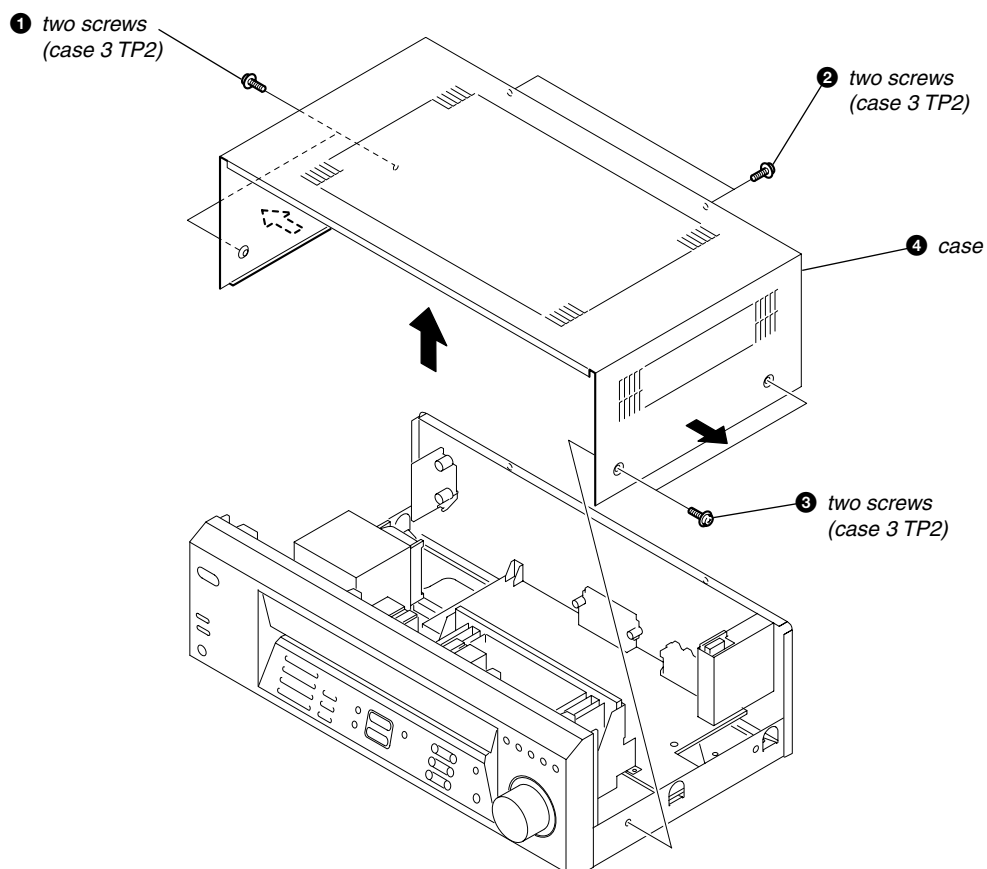
SECTION 2 DISASSEMBLY

Note : This set can be disassemble according to the following sequence.

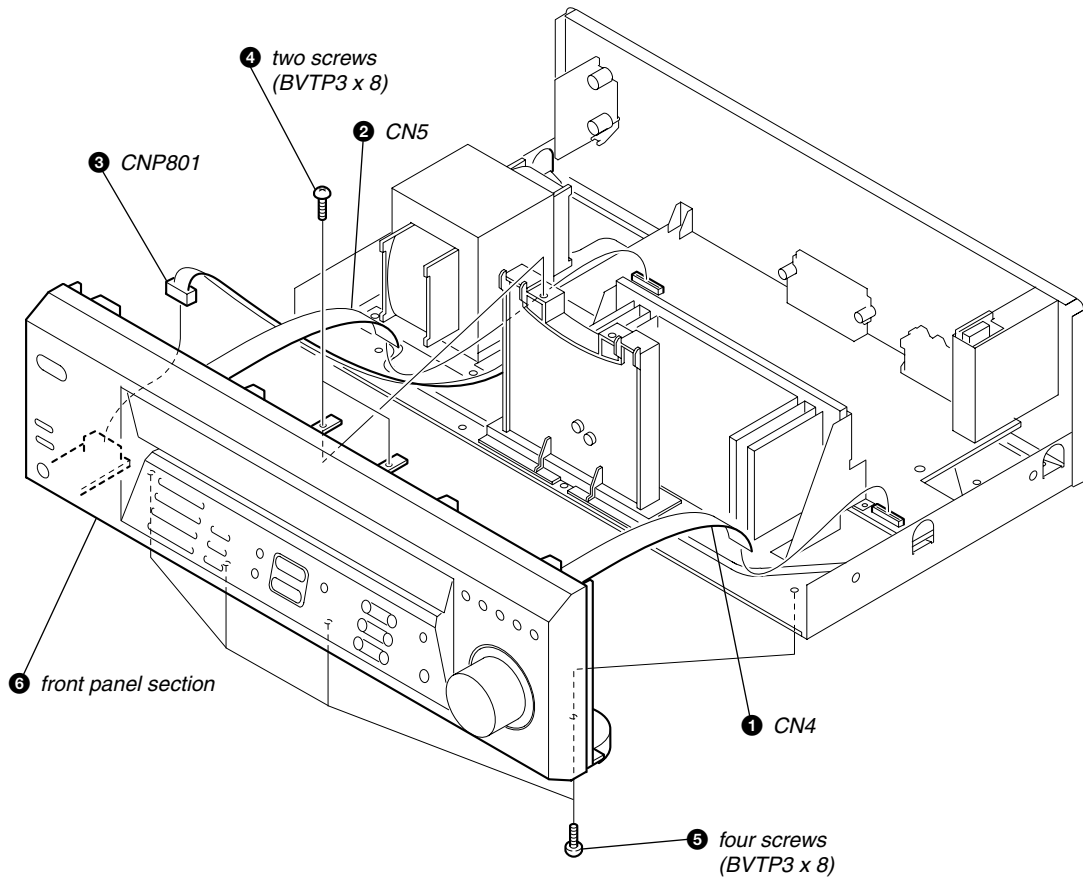


Note : Follow the disassembly procedure in the numerical order given.

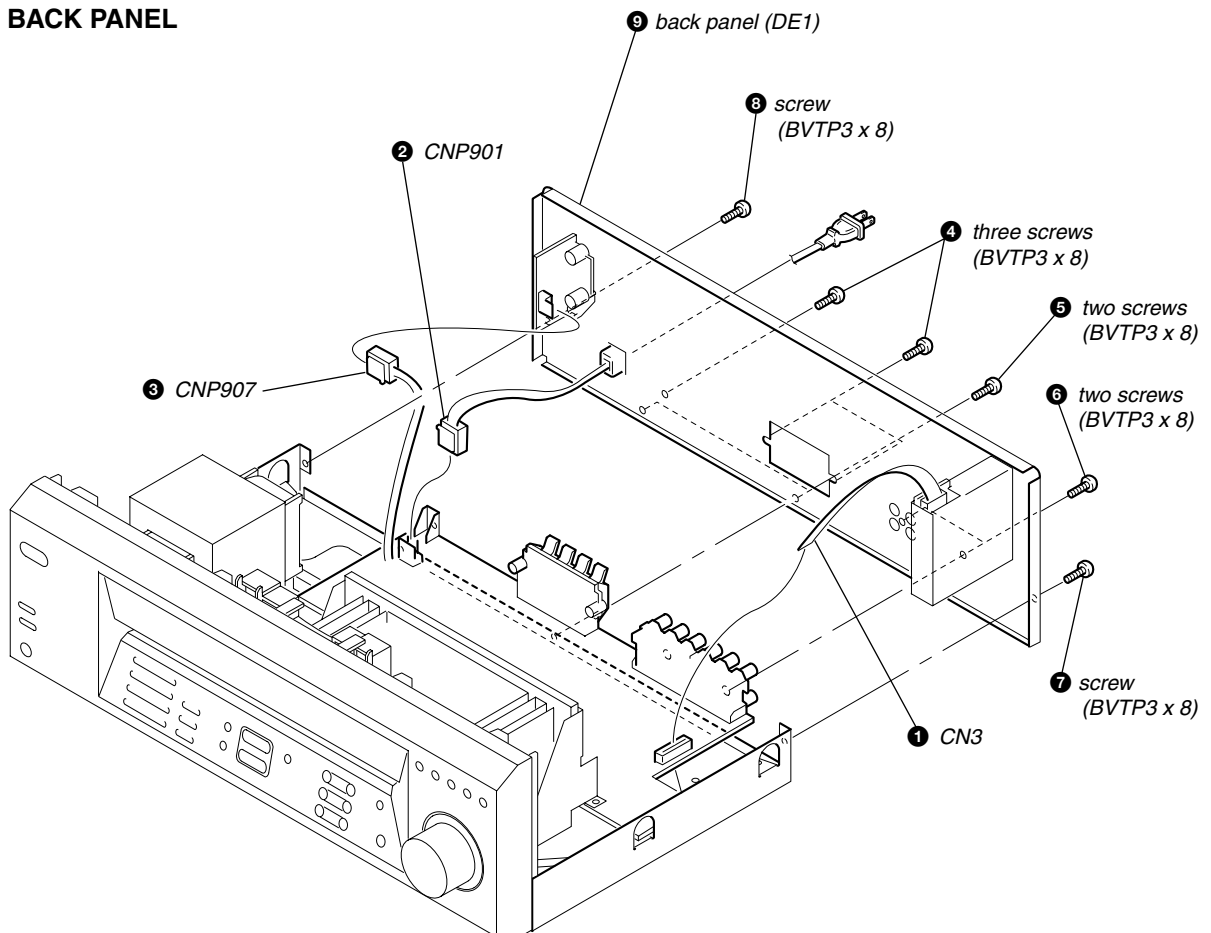
2-1. CASE



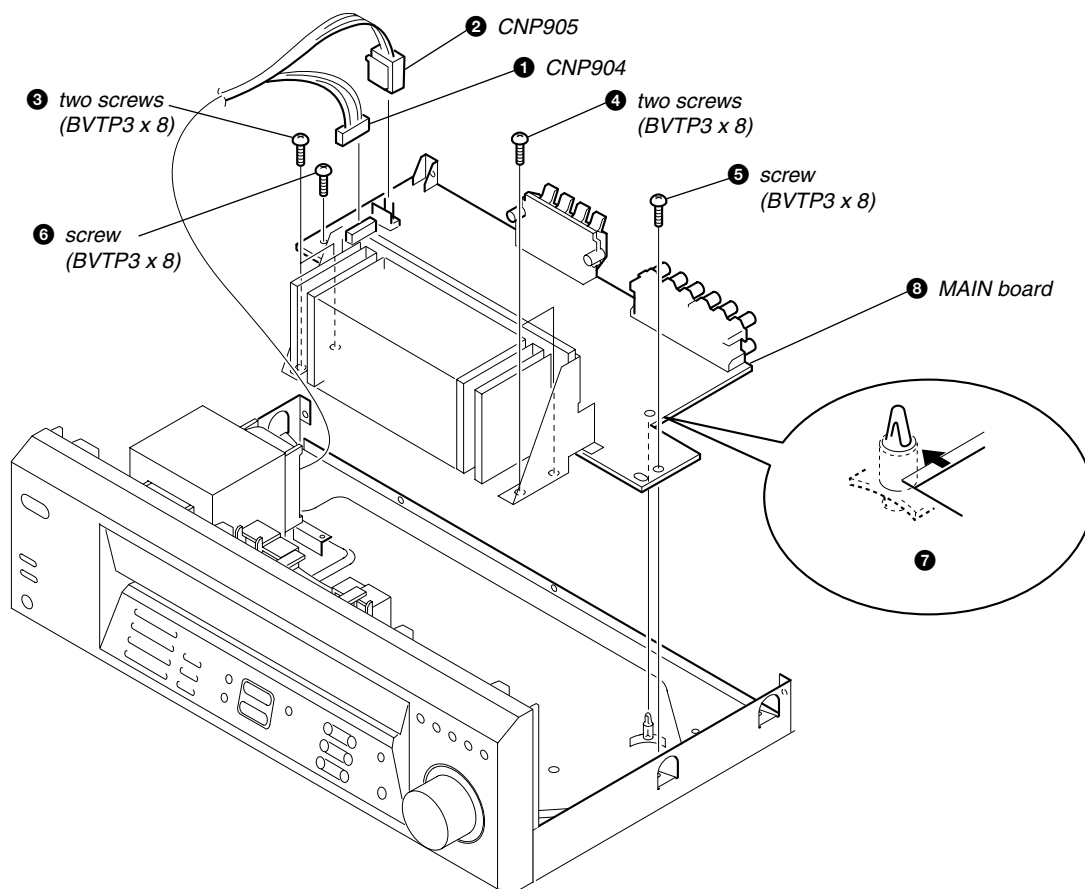
2-2. FRONT PANEL SECTION



2-3. BACK PANEL



2-4. MAIN BOARD



SECTION 3 TEST MODE

Fluorescent Indicator Tube Test Mode

All fluorescent segments are tested. When this test is activated, all segments turn on at the same time, then each segment turns on one after another.

Procedure:

1. While pressing the five function buttons of [VIDEO 1], [VIDEO 2], [MD/TAPE], [CD] and [TUNER] simultaneously, press the [I/⏻] button to turn the power ON.
2. The FL tube will illuminate in half light on. The following display will be repeated whenever the five function buttons are pressed.
 - Operation of function buttons
all light on → half light on 1 → half light on 2 → all light off
3. Press any button other than the function buttons to release the check mode.

AUTO-BETICAL Check Mode (AEP, UK models)

To auto-scanning and memories of RDS station.

Procedure:

1. While pressing the [MEMORY/ENTER] button, press the [I/⏻] button to turn the power ON.
2. The message "AUTO-BETICAL SELECT" are scrolled.

AM Tuning Interval Selection Mode (US model)

Either 9 kHz step or 10 kHz step can be selected for the AM tuning interval.

Procedure:

1. While pressing the [TUNING/CHAR +] button, press the [I/⏻] button to turn the power ON.
2. Either the message "9k STEP" or "10k STEP" appears.
3. Select the desired step.

Software Version Display Mode

The software version is displayed.

Procedure:

1. While pressing the two buttons of [SPEAKERS B] and [VIDEO 1] simultaneously, press the [I/⏻] button to turn the power ON.
2. The software version is displayed.

ex.) US model : U***
AEP, UK model : CE***

↑ ↑
Shift version
Area

SECTION 4 DIAGRAMS

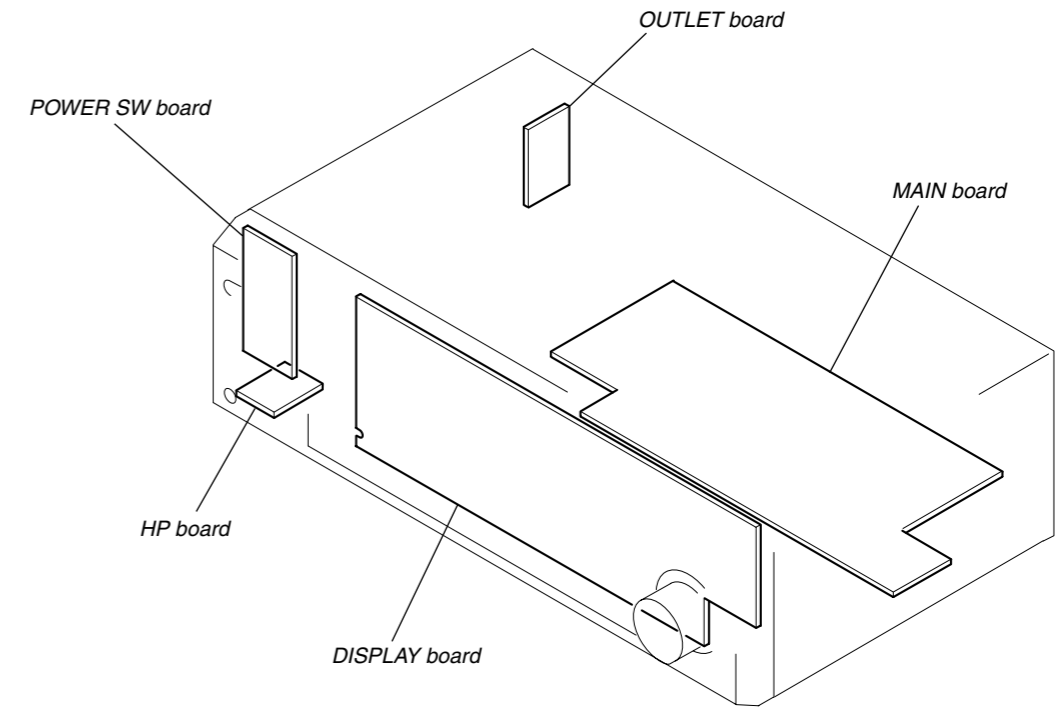
4-1. IC PIN DESCRIPTION

• IC201 μ PD78044FGF-200-3B9 (SYSTEM CONTROLLER, FL DRIVER)

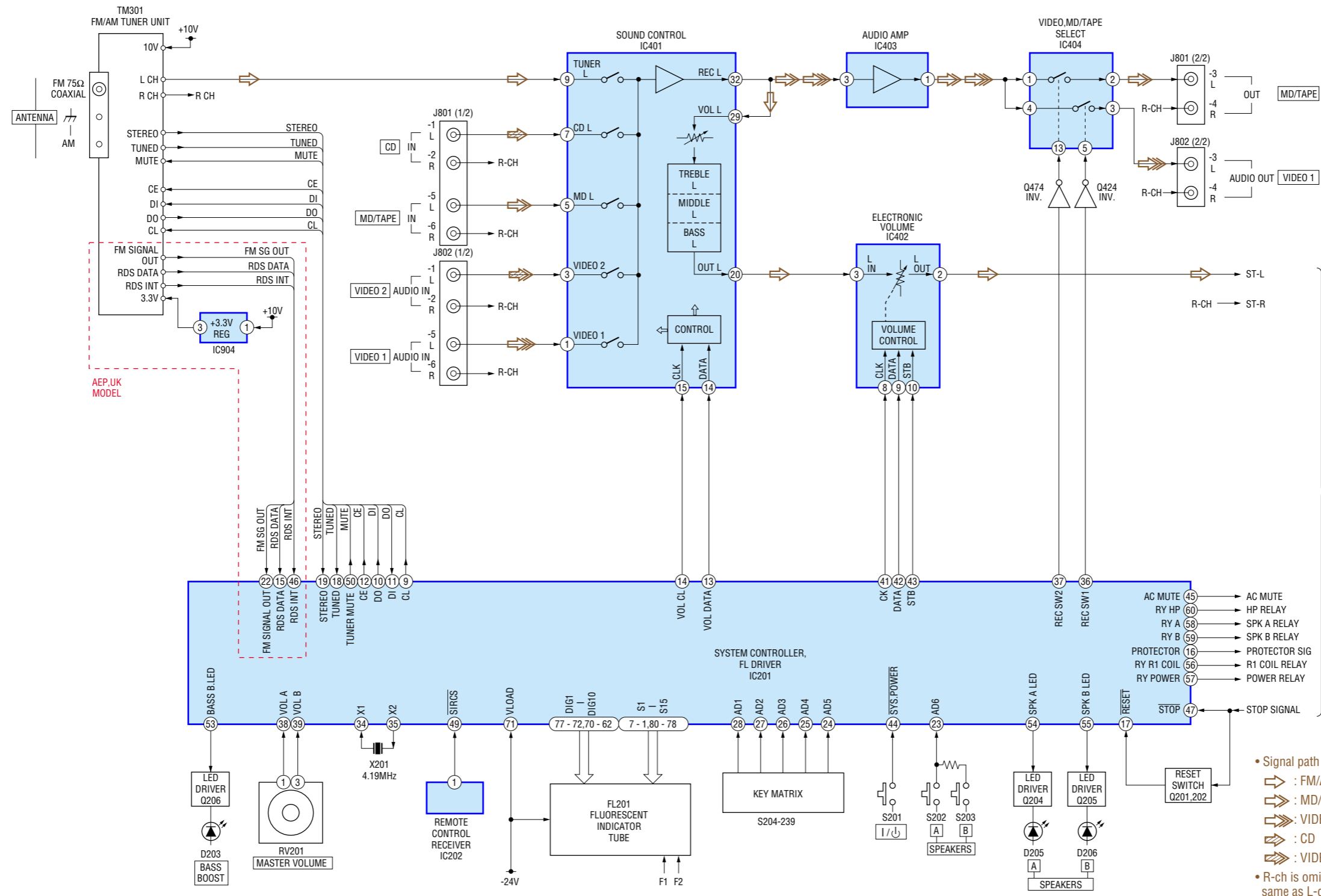
Pin No.	Pin Name	I/O	Pin Description
1 to 7	DIG7 to 1	O	Digit drive signal output to the fluorescent indicator tube (FL201).
8	+5V	—	Power supply pin (+5 V)
9	CL	O	Serial clock signal output to FM/AM tuner pack.
10	DO	O	Serial data signal output to FM/AM tuner pack.
11	DI	I	Serial data signal input from FM/AM tuner pack.
12	CE	O	Serial chip enable signal output to FM/AM tuner pack.
13	VOL DATA	O	Serial data signal output to sound control IC.
14	VOL CE	O	Serial clock signal output to sound control IC.
15	RDS DATA	I	RDS data signal input from FM/AM tuner pack. (AEP, UK model only)
16	PROTECTOR	I	Overload detection signal input
17	$\overline{\text{RESET}}$	I	Reset signal input
18	TUNED	I	TUNED indicator detection signal input from FM/AM tuner pack.
19	STEREO	I	STEREO indicator detection signal input from FM/AM tuner pack.
20	AVSS	—	Analog ground
21	VERSION	I	Destination select signal input (Fixed at H: US model, L: AEP, UK model)
22	FM SIGNAL OUT	I	FM/AM signal meter voltage detection signal input from FM/AM tuner pack. (AEP, UK model only)
23 to 28	AD6 to 1	I	Function keys signal input
29	AVDD	—	A/D converter power supply pin (+5 V)
30	AVREF	—	A/D converter reference voltage input (+5 V)
31	NC	—	Not used. (Connect to AVREF pin in this set)
32	OPEN	—	Not used. (Open)
33	GND	—	Ground
34	X1	I	Master clock input (4.19 MHz)
35	X2	O	Master clock output (4.19 MHz)
36	REC SW1	O	VIDEO 1 ON/OFF signal output
37	REC SW2	O	MD/TAPE ON/OFF signal output
38, 39	VOL A, B	I	Master volume JOG data input A, B
40	FUNC.MUTE	O	Not used. (Fixed at L in this set)
41	CK	O	Serial clock signal output to electoric volume IC.
42	DATA	O	Serial data signal output to electoric volume IC.
43	STB	O	Serial data strobe signal output to electoric volume IC.
44	$\overline{\text{SYS.POWER}}$	I	System power signal input
45	AC MUTE	O	A-Class mute signal output
46	RDS INT	I	RDS clock signal input from FM/AM tuner pack. (AEP, UK model only)
47	STOP	I	Stop signal input from reset signal generator IC.
48	VSS	—	Ground
49	$\overline{\text{SIRCS}}$	I	Sircs signal input from remote control receiver IC.
50	TUNER MUTE	O	Muting control signal output to FM/AM tuner pack.
51	NC	—	Not used. (Open)
52	+5V	—	Power supply pin (+5 V)
53	BASS B. LED	O	BASS BOOST LED drive signal output
54	SPK A LED	O	SPEAKERS A LED drive signal output
55	SPK B LED	O	SPEAKERS B LED drive signal output

Pin No.	Pin Name	I/O	Pin Description
56	RY R1 COIL	O	Power relay (12V) drive signal output
57	RY POWER	O	AC power relay (9V) drive signal output
58	RY A	O	Speakers A relay (12V) drive signal output
59	RY B	O	Speakers B relay (12V) drive signal output
60	RY HP	O	Phones relay (12V) drive signal output
61	NC	—	Not used. (Open)
62 to 70	S15 to 7	O	Segment drive signal output to the fluorescent indicator tube (FL201).
71	VLOAD	—	Power supply pin (-24 V)
72 to 77	S6 to 1	O	Segment drive signal output to the fluorescent indicator tube (FL201).
78 to 80	DIG10 to 8	O	Digit drive signal output to the fluorescent indicator tube (FL201).

4-2. CIRCUIT BOARDS LOCATION

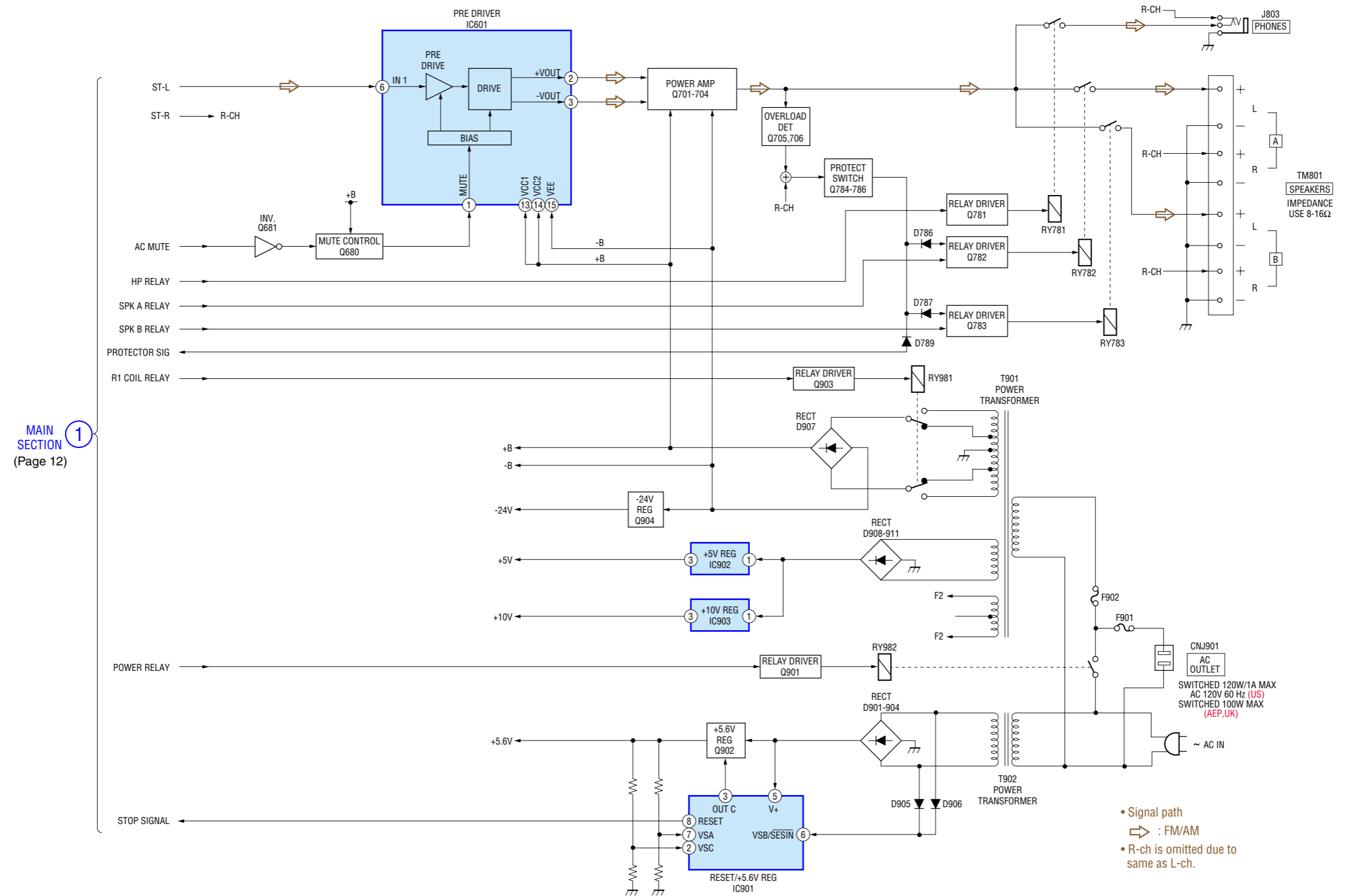


4-3. BLOCK DIAGRAM — MAIN SECTION —

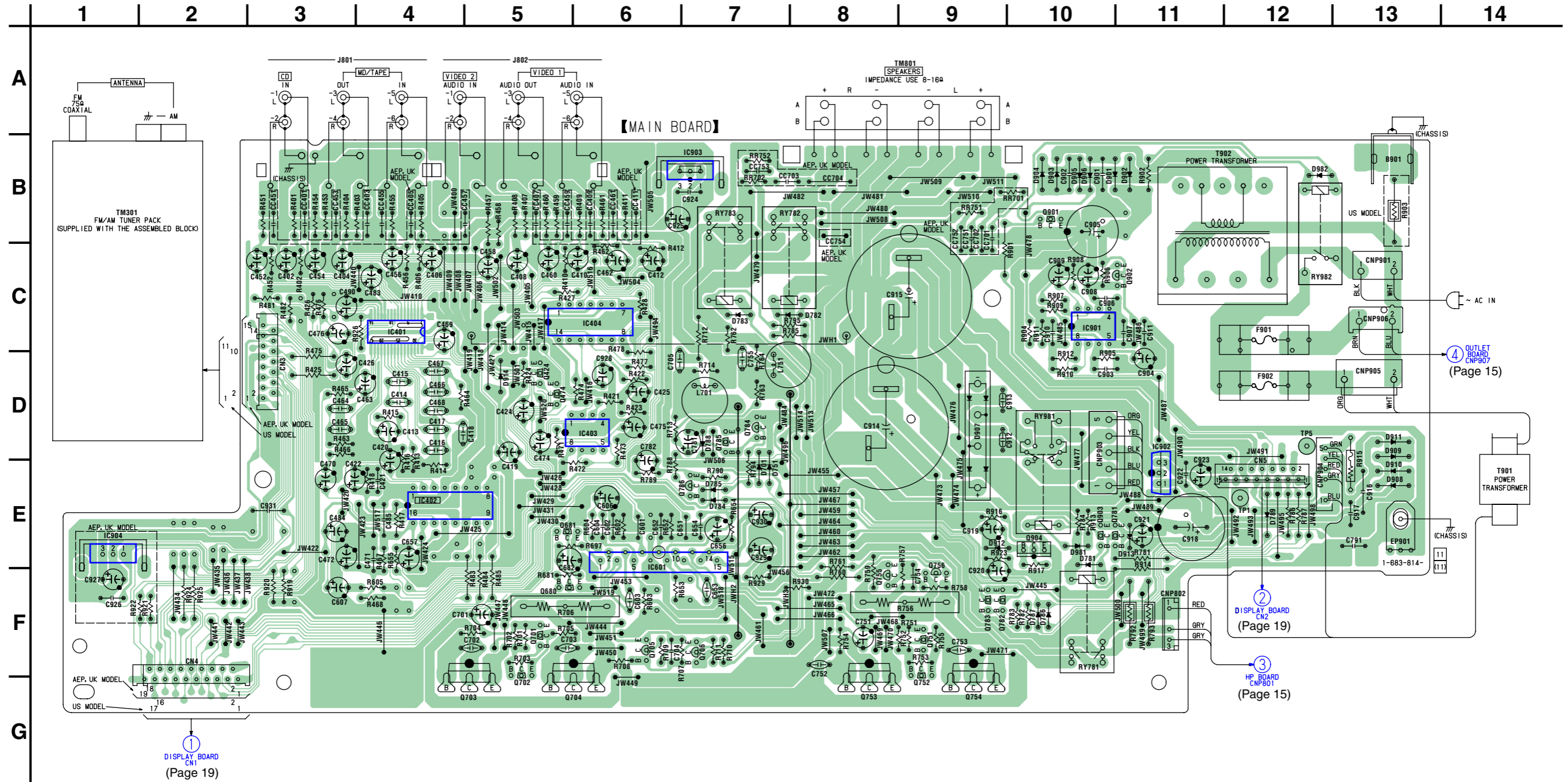


1 POWER SECTION (Page 13)

4-4. BLOCK DIAGRAM — POWER SECTION —



4-5. PRINTED WIRING BOARD — MAIN SECTION — • Refer to page 11 for Circuit Boards Location and page 15 for Common Note on Printed Wiring Boards.

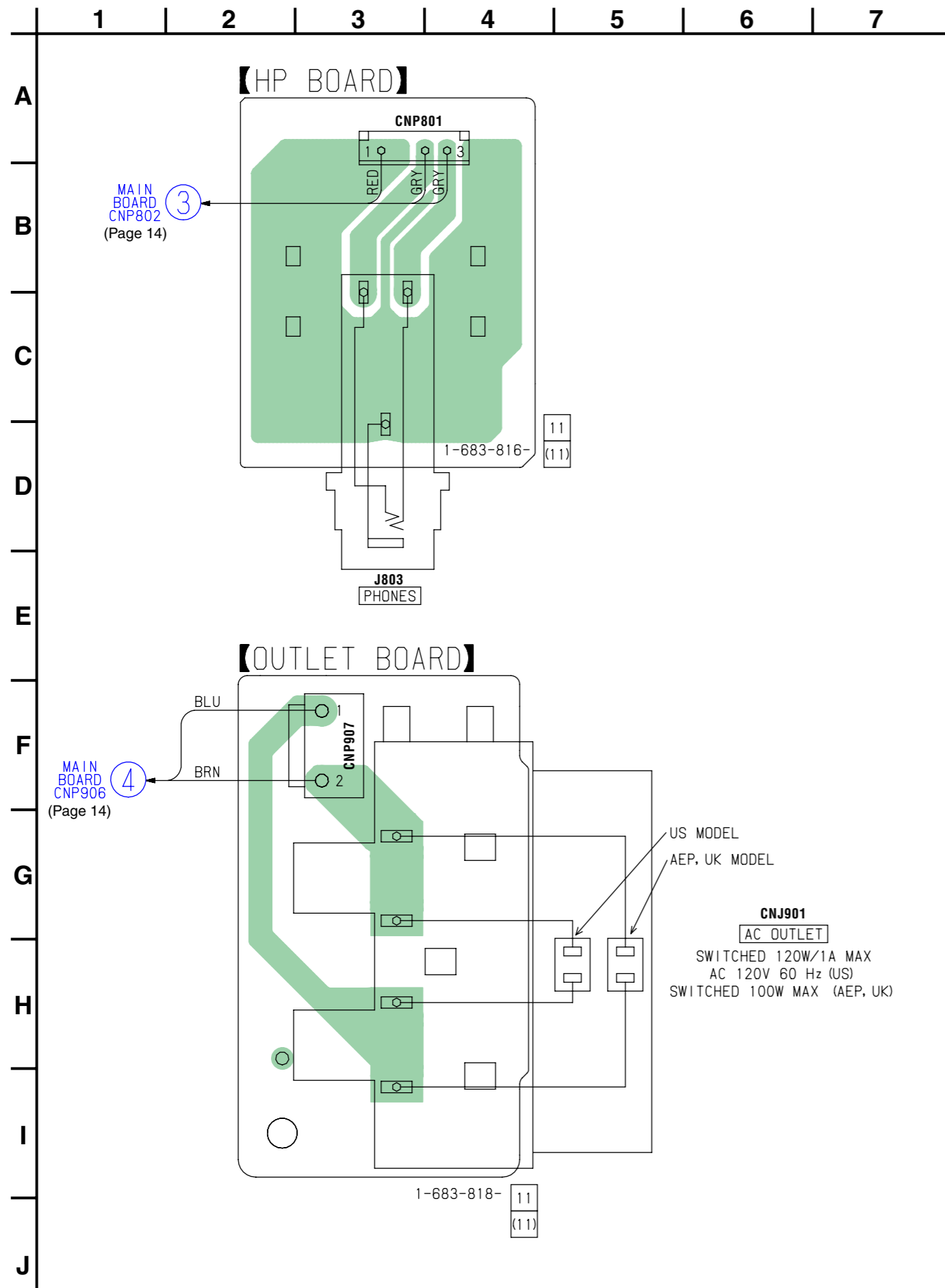


• Semiconductor Location

Ref. No.	Location	Ref. No.	Location	Ref. No.	Location	Ref. No.	Location
D701	E-7	D906	B-10	IC601	E-6	Q751	G-9
D751	E-7	D907	D-9	IC901	C-10	Q752	G-9
D781	E-10	D908	E-13	IC902	D-11	Q753	G-8
D782	C-8	D909	D-13	IC903	B-7	Q754	G-9
D783	C-7	D910	E-13	(IC904)	E-1	Q755	F-8
D784	E-7	D911	D-13			Q756	E-9
D785	E-7	D912	E-9	Q424	D-5	Q781	E-10
D786	F-10	D913	E-11	Q474	D-5	Q782	F-9
D787	F-10	D914	D-5	Q680	F-5	Q783	F-9
D788	D-7	D981	E-10	Q681	E-5	Q784	D-7
D789	E-12	D982	B-12	Q701	F-5	Q785	D-7
D901	B-10			Q702	G-5	Q786	E-6
D902	B-11	IC401	C-4	Q703	G-4	Q901	B-10
D903	B-10	IC402	E-4	Q704	G-6	Q902	C-11
D904	B-10	IC403	D-6	Q705	F-6	Q903	E-10
D905	B-10	IC404	C-6	Q706	F-7	Q904	E-10

() : AEP, UK model

4-6. PRINTED WIRING BOARDS — H/P, OUTLET SECTION — • Refer to page 11 for Circuit Boards Location.



THIS NOTE IS COMMON FOR PRINTED WIRING BOARDS AND SCHEMATIC DIAGRAMS.
(In addition to this, the necessary note is printed in each block.)

for schematic diagram:

- All capacitors are in μF unless otherwise noted. pF : μF 50 WV or less are not indicated except for electrolytics and tantalums.
- All resistors are in Ω and $\frac{1}{4}W$ or less unless otherwise specified.
- Δ : internal component.
- : nonflammable resistor.
- : fusible resistor.
- : panel designation.

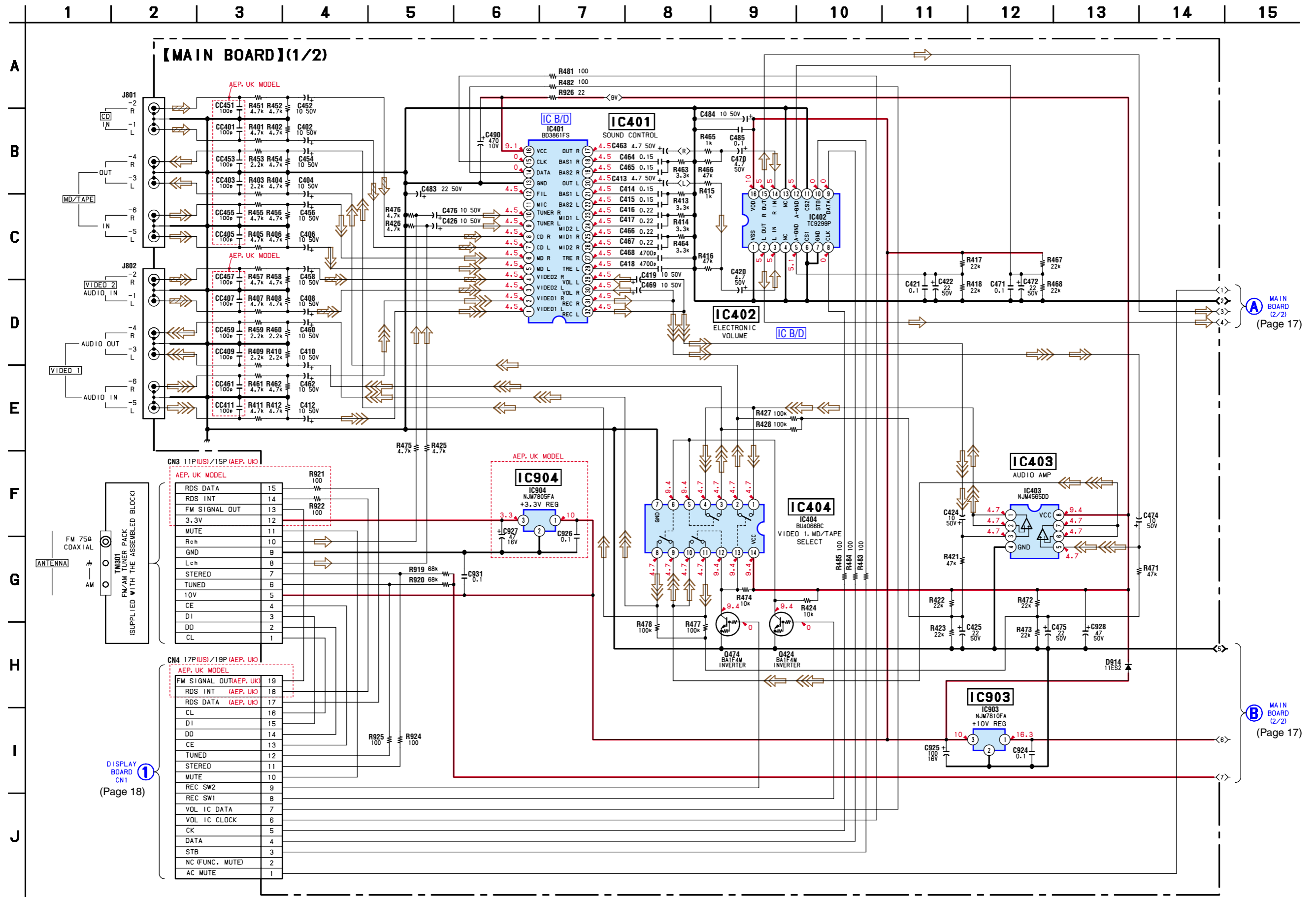
Note: The components identified by mark Δ or dotted line with mark Δ are critical for safety.
Replace only with part number specified.

- : B+ Line.
- : B- Line.
- Voltage and waveforms are dc with respect to ground under no-signal (detuned) conditions.
no mark : FM
- Voltages are taken with a VOM (Input impedance 10 M Ω).
Voltage variations may be noted due to normal production tolerances.
- Waveforms are taken with an oscilloscope.
Voltage variations may be noted due to normal production tolerances.
- Circled numbers refer to waveforms.
- Signal path.
 : FM/AM
 : MD/TAPE
 : VIDEO 1
 : CD
 : VIDEO 2

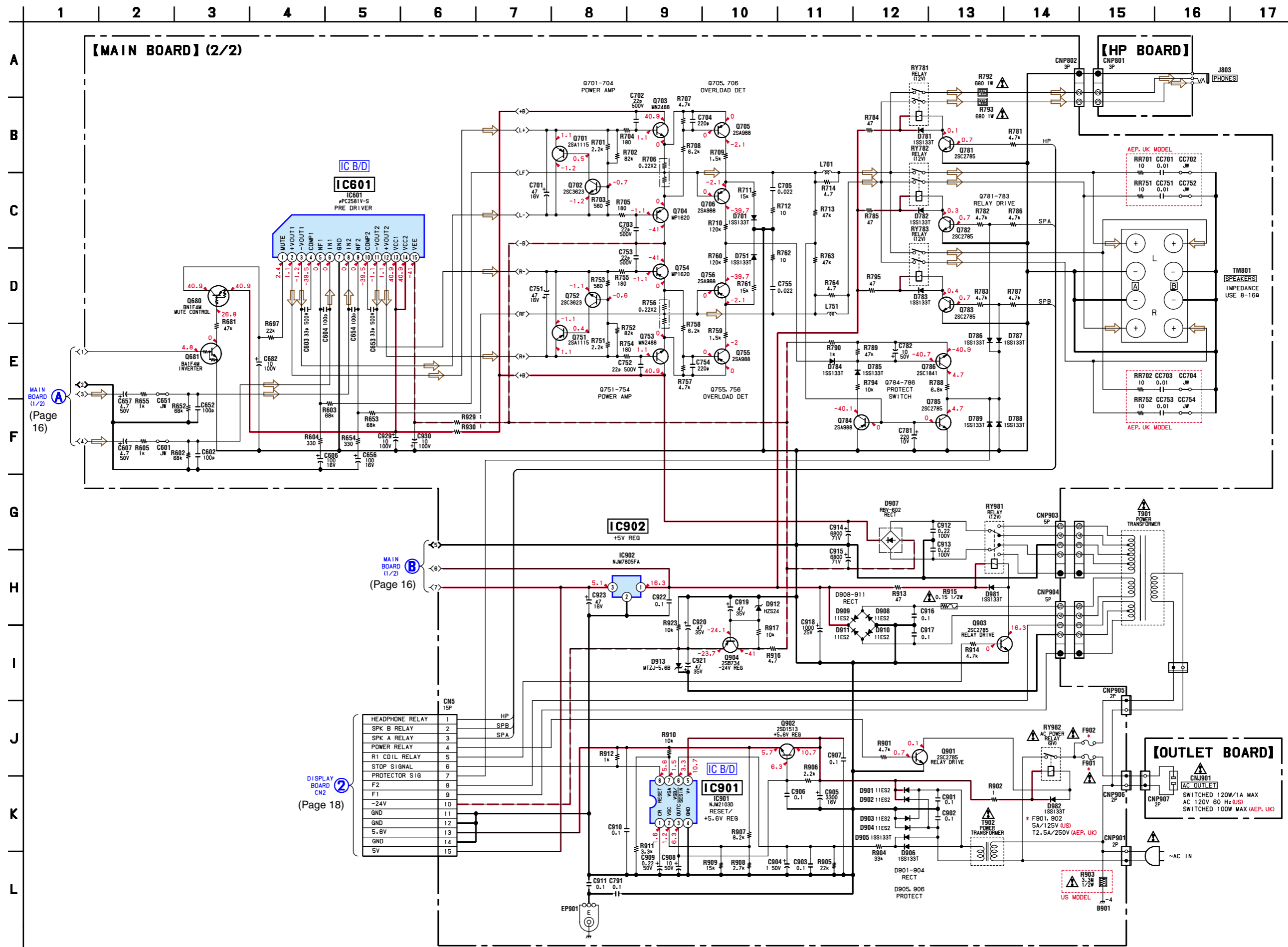
for printed wiring boards:

- : parts extracted from the component side.
- Δ : internal component.
- : Pattern from the side which enables seeing.

4-7. SCHEMATIC DIAGRAM — MAIN SECTION (1/2) — • Refer to page 15 for Common Note on Schematic Diagram and page 20 for IC Block Diagrams.



4-8. SCHEMATIC DIAGRAM — MAIN SECTION (2/2) — • Refer to page 15 for Common Note on Schematic Diagram and page 20 for IC Block Diagrams.



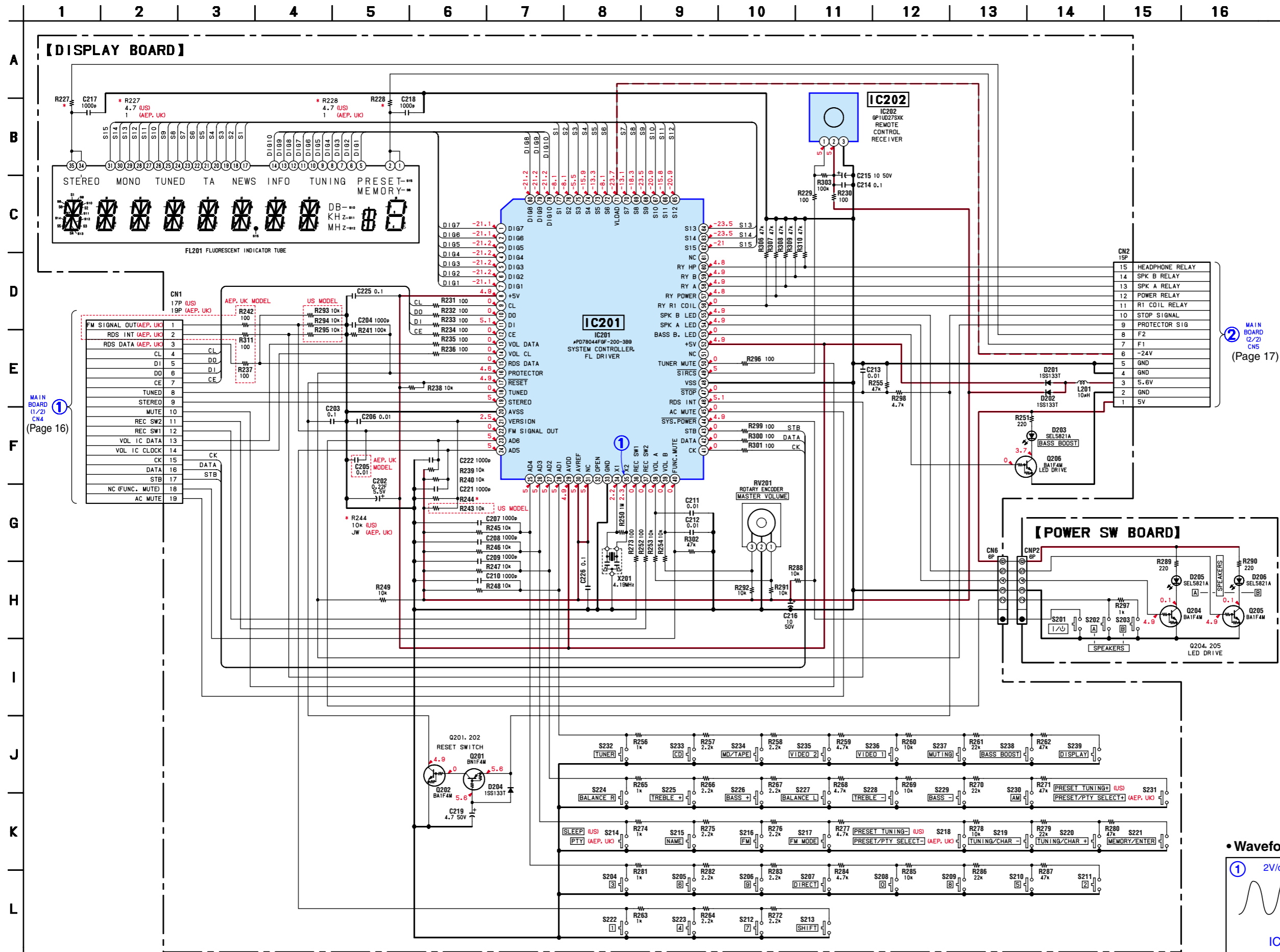
MAIN BOARD (1/2) (Page 16)

MAIN BOARD (1/2) (Page 16)

DISPLAY BOARD CN2 (Page 18)

Note: The components identified by mark Δ or dotted line with mark Δ are critical for safety. Replace only with part number specified.

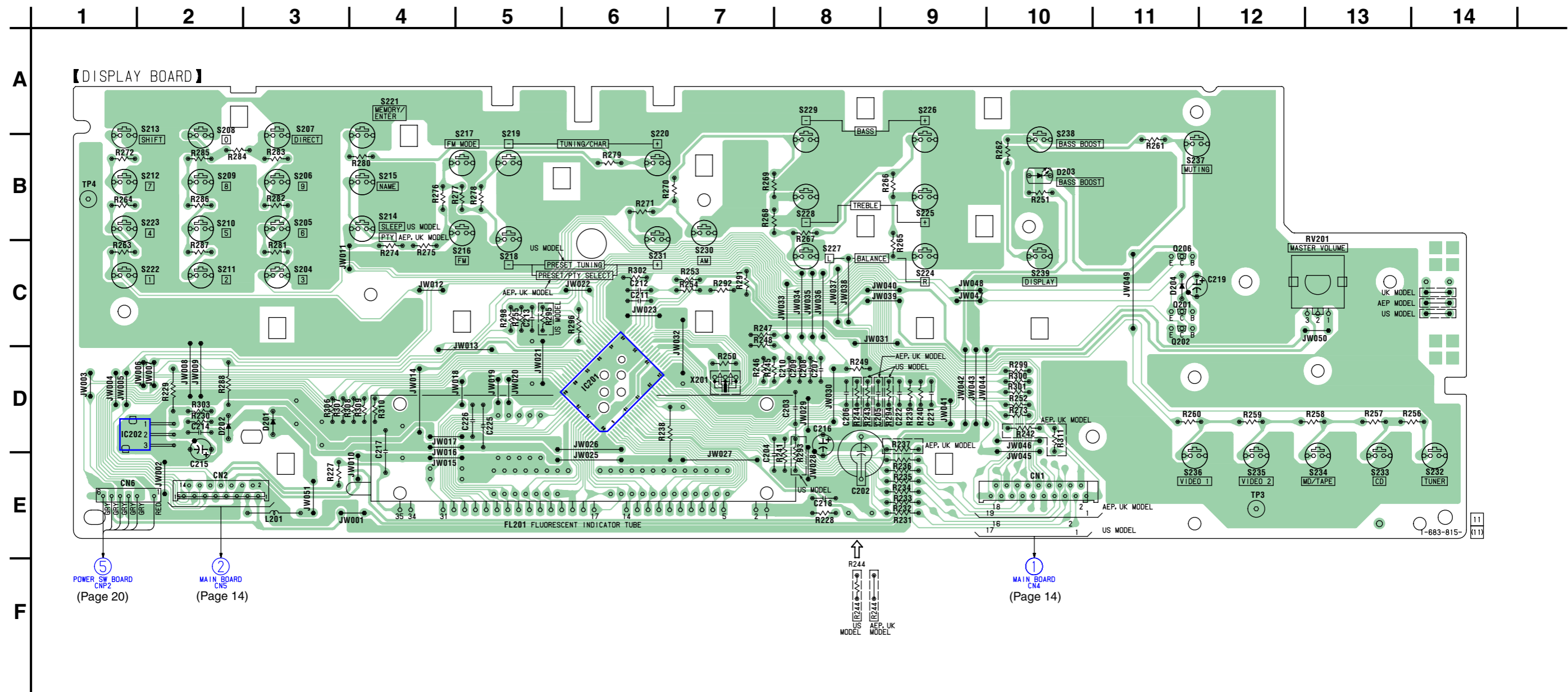
4-9. SCHEMATIC DIAGRAM — DISPLAY SECTION — • Refer to page 15 for Common Note on Schematic Diagram.



MAIN BOARD (1/2) CN4 (Page 16)

MAIN BOARD (2/2) CN5 (Page 17)

4-10. PRINTED WIRING BOARD — DISPLAY SECTION — • Refer to page 11 for Circuit Boards Location and page 15 for Common Note on Printed Wiring Boards.

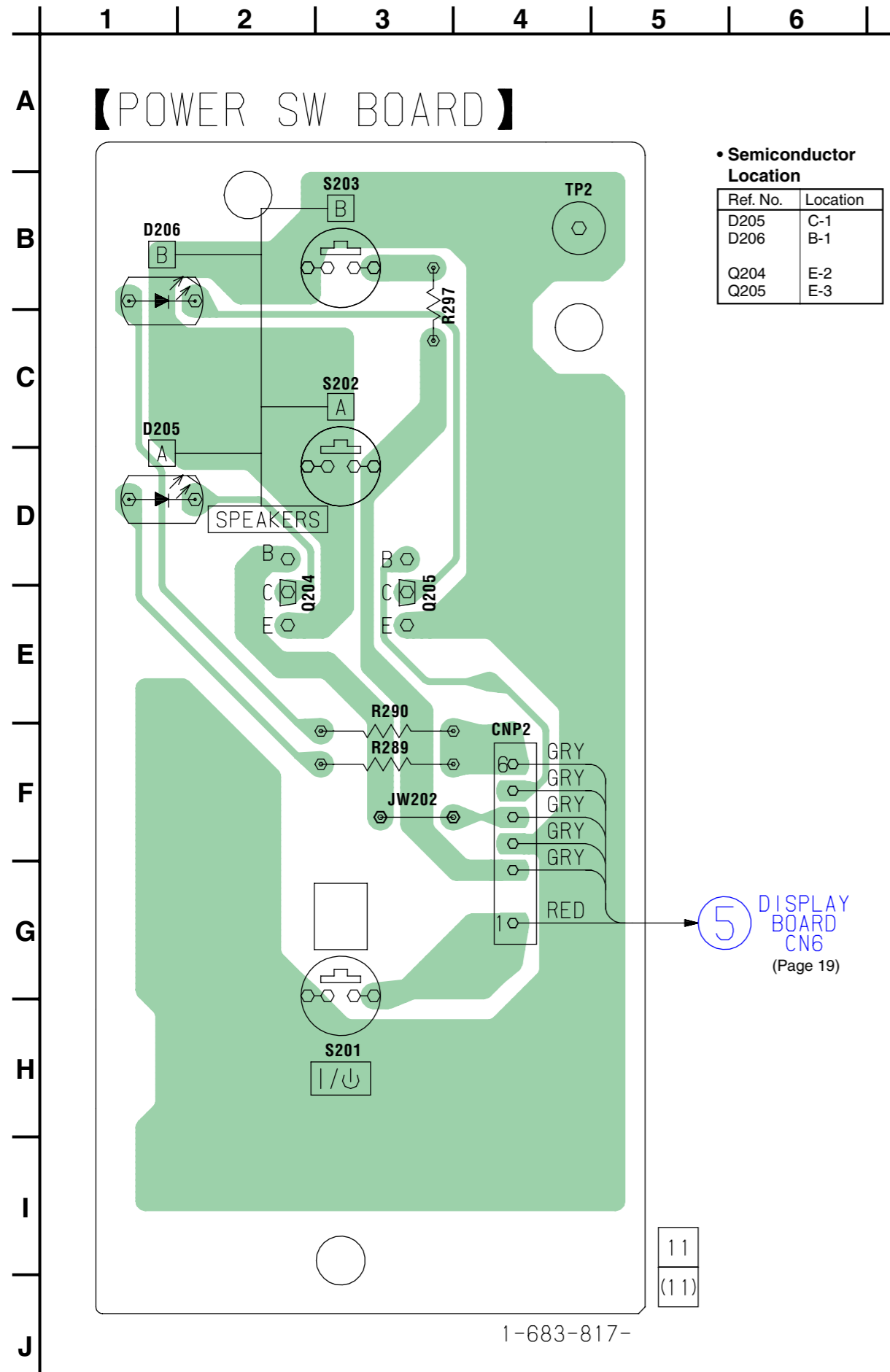


• Semiconductor Location

Ref. No.	Location
D201	D-3
D202	D-2
D203	B-10
D204	C-11
IC201	D-6
IC202	D-1
Q201	C-11
Q202	C-11
Q206	C-11

4-11. PRINTED WIRING BOARD — POWER SW SECTION —

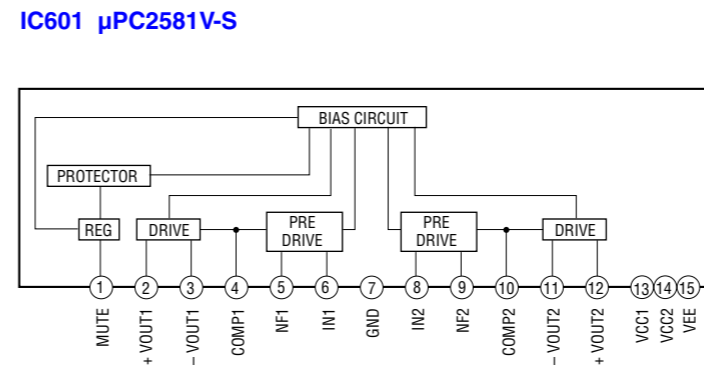
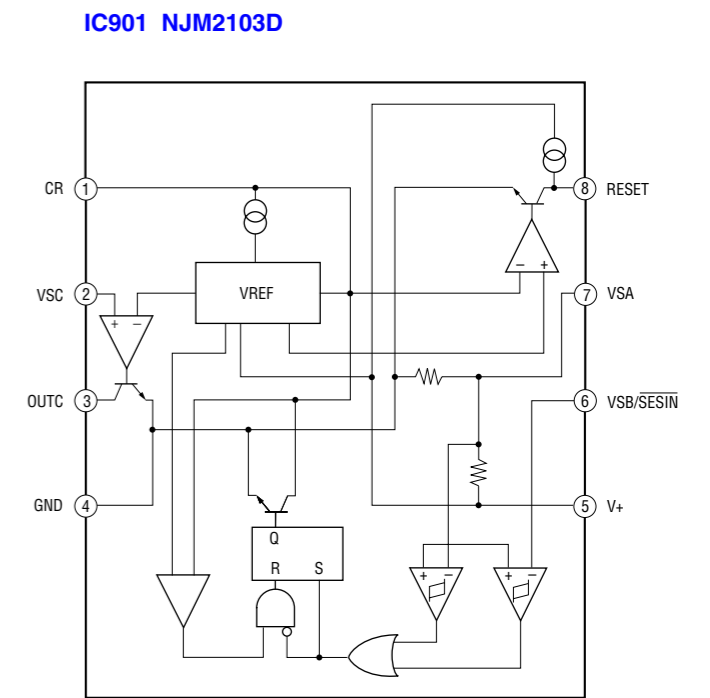
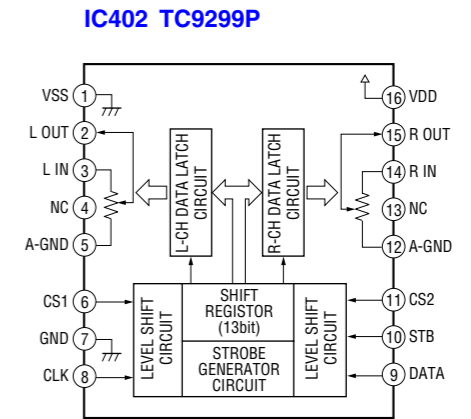
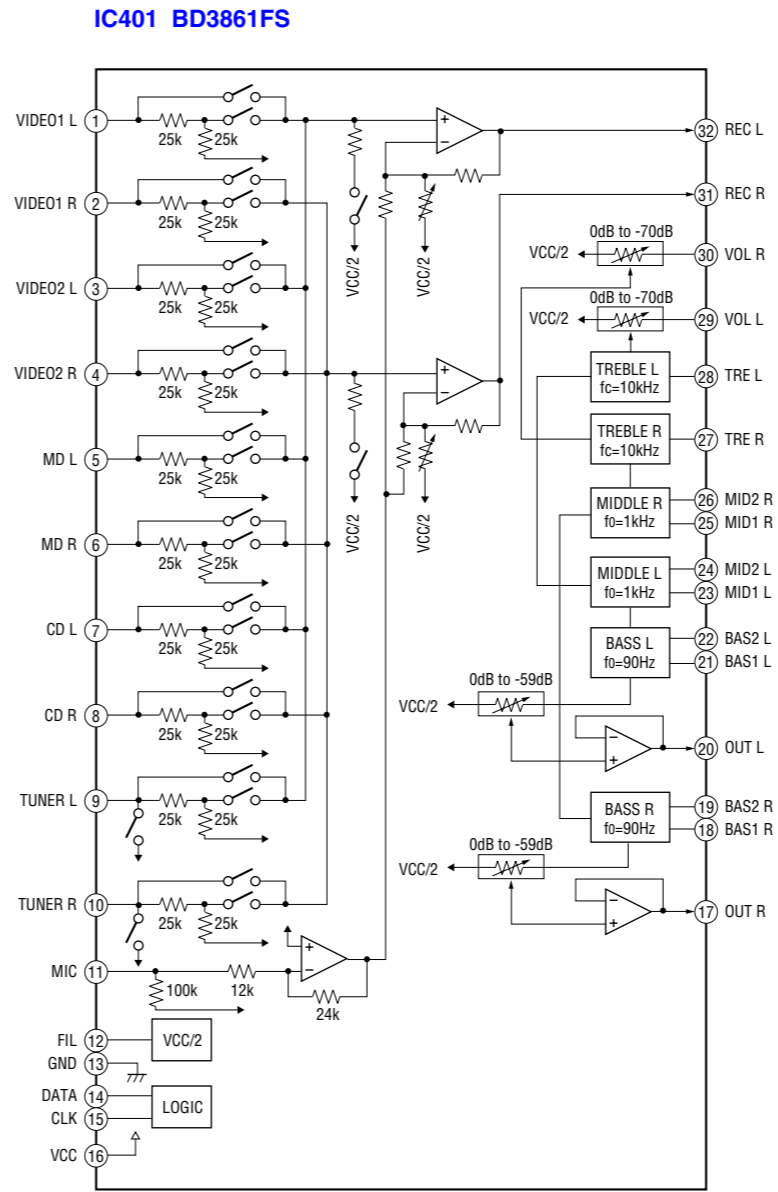
• Refer to page 11 for Circuit Boards Location and page 15 for Common Note on Printed Wiring Boards.



• Semiconductor Location

Ref. No.	Location
D205	C-1
D206	B-1
Q204	E-2
Q205	E-3

• IC Block Diagrams



SECTION 5 EXPLODED VIEWS

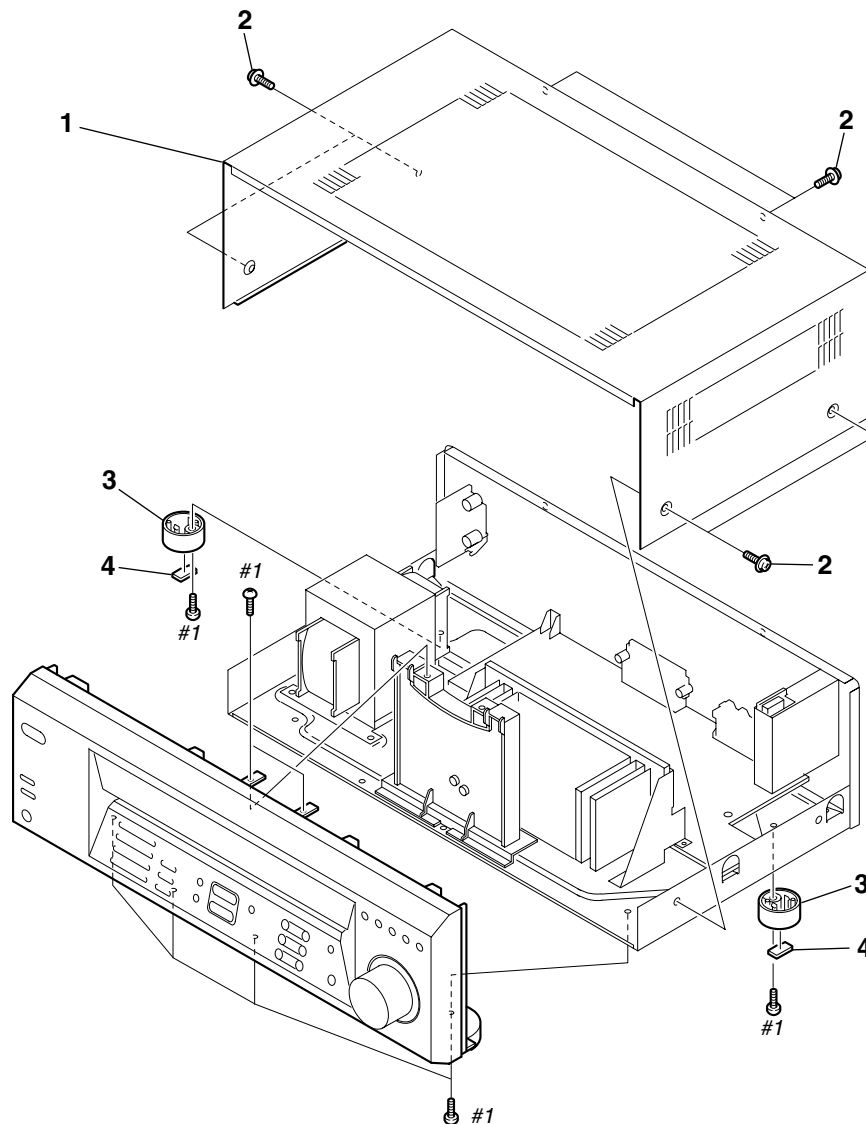
NOTE:

- The mechanical parts with no reference number in the exploded views are not supplied.
- Items marked "*" are not stocked since they are seldom required for routine service. Some delay should be anticipated when ordering these items.
- -XX and -X mean standardized parts, so they may have some difference from the original one.

- Color Indication of Appearance Parts
Example :
KNOB, BALANCE (WHITE) ... (RED)
 ↑ ↑
 Parts Color Cabinet's Color
- Accessories are given in the last of this parts list.

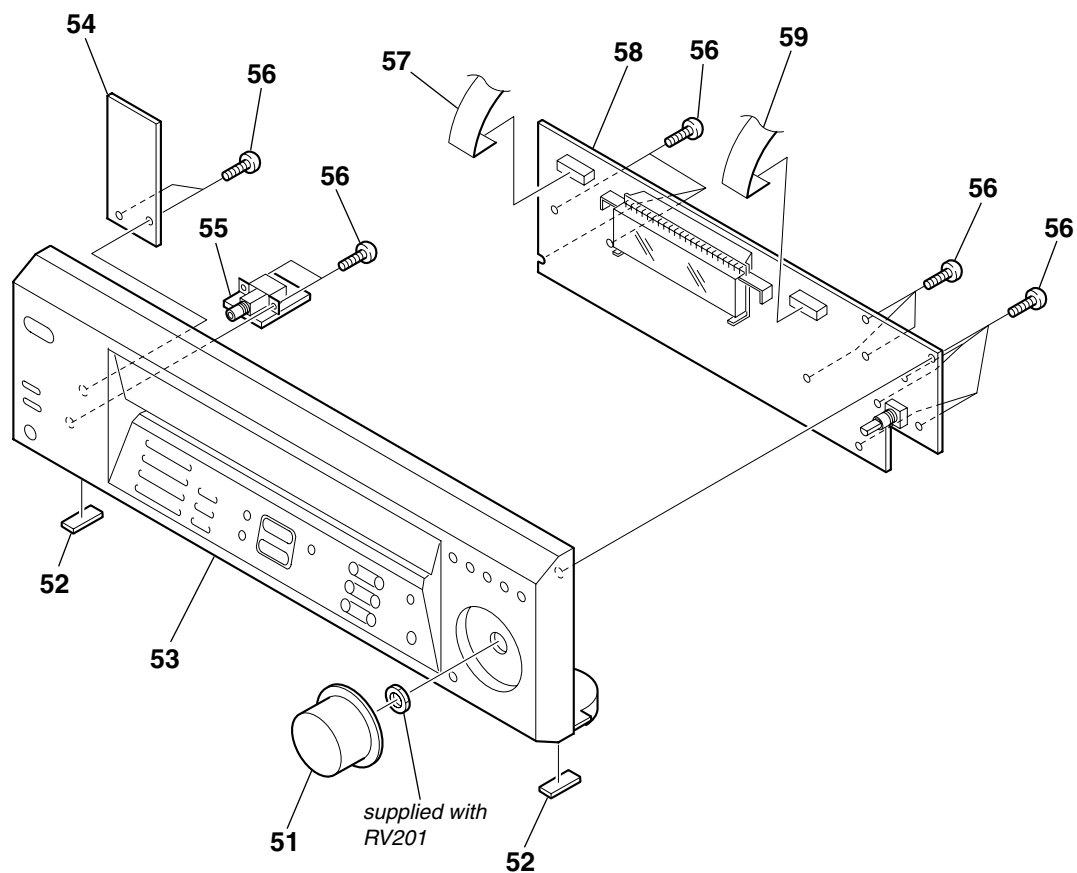
The components identified by mark \triangle or dotted line with mark \triangle are critical for safety. Replace only with part number specified.

5-1. CASE SECTION



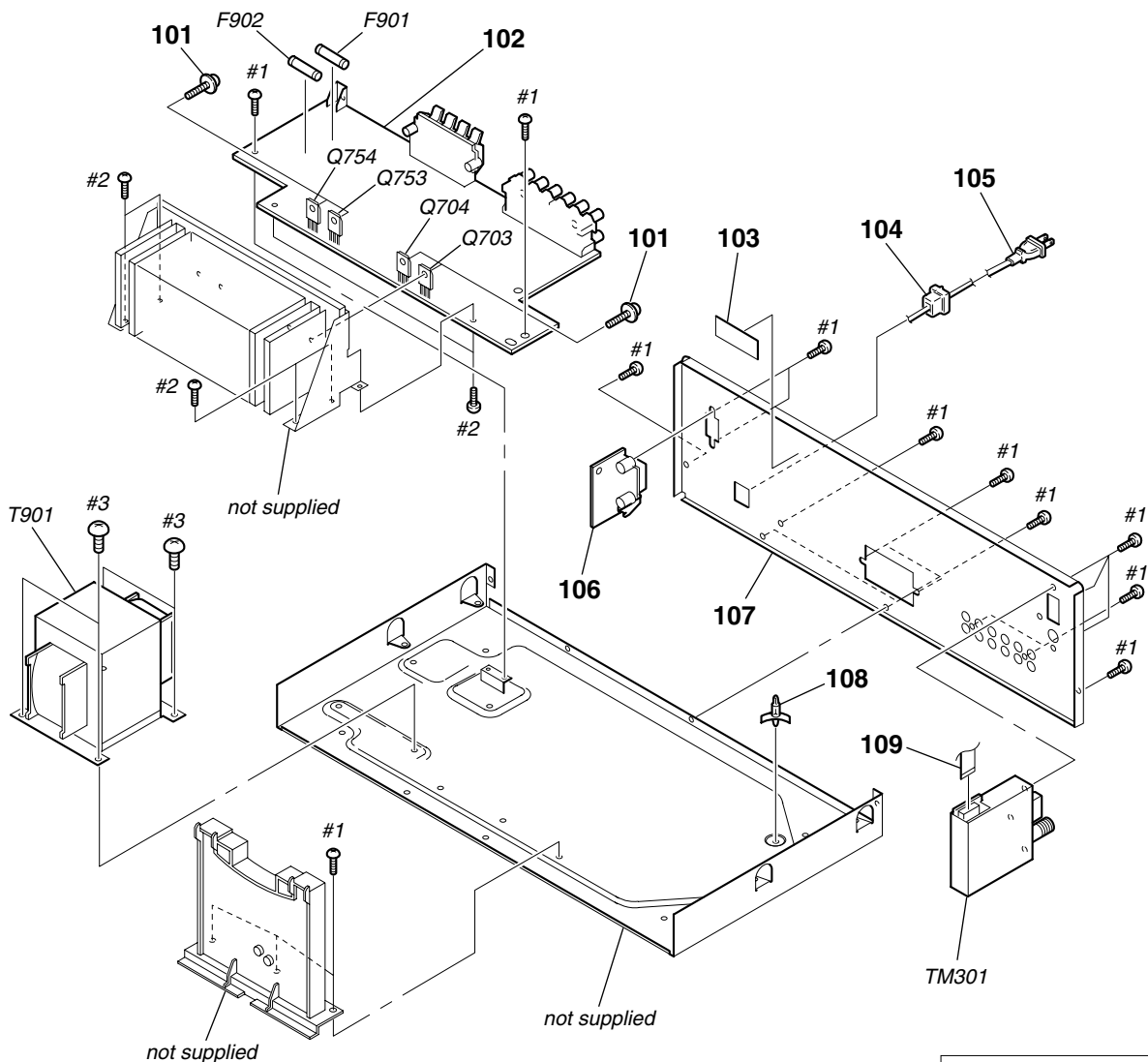
Ref. No.	Part No.	Description	Remark	Ref. No.	Part No.	Description	Remark
1	4-232-118-01	CASE		4	4-921-941-01	CUSHION	
2	4-210-291-01	SCREW (CASE3 TP2)		#1	7-685-646-79	SCREW +BVTP 3X8 TYPE2 IT-3	
3	4-232-237-01	FOOT (DIA.30)					

5-2. FRONT PANEL SECTION



Ref. No.	Part No.	Description	Remark	Ref. No.	Part No.	Description	Remark
51	4-232-113-01	KNOB (VOL)		56	4-951-620-01	SCREW (2.6X8), +BVTP	
52	4-921-941-01	CUSHION		57	1-765-332-11	WIRE (FLAT TYPE) (15 CORE)	
53	X-4954-453-1	PANEL ASSY, FRONT (US)		58	A-4727-878-A	DISPLAY BOARD, COMPLETE (US)	
53	X-4954-455-1	PANEL ASSY, FRONT (AEP,UK)		58	A-4727-882-A	DISPLAY BOARD, COMPLETE (AEP,UK)	
54	1-683-817-11	POWER SW BOARD		59	1-773-054-11	WIRE (FLAT TYPE) (17 CORE) (US)	
55	1-683-816-11	HP BOARD		59	1-773-125-11	WIRE (FLAT TYPE) (19 CORE) (AEP,UK)	

5-3. CHASSIS SECTION



The components identified by mark \triangle or dotted line with mark. \triangle are critical for safety. Replace only with part number specified.

Ref. No.	Part No.	Description	Remark	Ref. No.	Part No.	Description	Remark
101	3-905-609-01	SCREW (TRANSISTOR)		\triangle F902	1-532-464-31	FUSE (T2.5A/250V) (AEP,UK)	
102	A-4727-875-A	MAIN BOARD, COMPLETE (US)		\triangle F902	1-576-109-11	FUSE (5A/125V) (US)	
102	A-4727-881-A	MAIN BOARD, COMPLETE (AEP,UK)		Q703	8-749-010-25	TRANSISTOR MN2488-OPY-M	
* 103	3-703-044-26	LABEL, CAUTION (US)		Q704	8-749-010-26	TRANSISTOR MP1620-OPY-M	
104	3-703-244-00	BUSHING (FBS001), CORD		Q753	8-749-010-25	TRANSISTOR MN2488-OPY-M	
\triangle 105	1-769-744-11	CORD, POWER (AEP,UK)		Q754	8-749-010-26	TRANSISTOR MP1620-OPY-M	
\triangle 105	1-783-820-11	CORD, POWER (US)		\triangle T901	1-437-625-11	TRANSFORMER, POWER (US)	
106	1-683-818-11	OUTLET BOARD		\triangle T901	1-437-626-11	TRANSFORMER, POWER (AEP,UK)	
107	4-238-277-01	PANEL (DE1), BACK (US)		TM301	1-693-533-11	TUNER (FM/AM) (ANTENNA) (AEP,UK)	
107	4-238-277-11	PANEL (DE1), BACK (AEP)		TM301	1-693-534-71	TUNER (FM/AM) (ANTENNA) (US)	
107	4-238-277-21	PANEL (DE1), BACK (UK)		#1	7-685-646-79	SCREW +BVTP 3X8 TYPE2 IT-3	
108	4-924-098-01	HOLDER, PC BOARD		#2	7-685-645-79	SCREW +BVTP 3X6 TYPE2 N-S	
109	1-769-943-11	WIRE (FLAT TYPE) (11 CORE) (US)		#3	7-685-880-09	SCREW +BVTT 4X6 (S)	
109	1-773-007-11	WIRE (FLAT TYPE) (15 CORE) (AEP,UK)					
\triangle F901	1-532-464-31	FUSE (T2.5A/250V) (AEP,UK)					
\triangle F901	1-576-109-11	FUSE (5A/125V) (US)					

DISPLAY

**SECTION 6
ELECTRICAL PARTS LIST**

NOTE:

- Due to standardization, replacements in the parts list may be different from the parts specified in the diagrams or the components used on the set.
- -XX and -X mean standardized parts, so they may have some difference from the original one.
- RESISTORS
All resistors are in ohms.
METAL: Metal-film resistor.
METAL OXIDE: Metal oxide-film resistor.
F: nonflammable

- Items marked “*” are not stocked since they are seldom required for routine service. Some delay should be anticipated when ordering these items.
- SEMICONDUCTORS
In each case, u : μ, for example:
uA.. : μA.. uPA.. : μPA..
uPB.. : μPB.. uPC.. : μPC.. uPD.. : μPD..
- CAPACITORS
uF : μF
- COILS
uH : μH

The components identified by mark Δ or dotted line with mark. Δ are critical for safety. Replace only with part number specified.

When indicating parts by reference number, please include the board.

Ref. No.	Part No.	Description	Remark
	A-4727-878-A	DISPLAY BOARD, COMPLETE (US)	
	A-4727-882-A	DISPLAY BOARD, COMPLETE (AEP,UK)	

*	4-921-941-01	CUSHION (FL)	
	4-943-107-11	HOLDER (FL TUBE)	
	< CAPACITOR >		
C202	1-104-905-11	DOUBLE LAYERS 0.22F	5.5V
C203	1-164-159-21	CERAMIC 0.1uF	50V
C204	1-128-821-21	CERAMIC 0.001uF 5%	50V
C205	1-127-876-11	CERAMIC 0.01uF 10%	50V (AEP,UK)
C206	1-127-876-21	CERAMIC 0.01uF 10%	50V
C207	1-128-821-21	CERAMIC 0.001uF 5%	50V
C208	1-128-821-21	CERAMIC 0.001uF 5%	50V
C209	1-128-821-21	CERAMIC 0.001uF 5%	50V
C210	1-128-821-21	CERAMIC 0.001uF 5%	50V
C211	1-127-876-21	CERAMIC 0.01uF 10%	50V
C212	1-127-876-21	CERAMIC 0.01uF 10%	50V
C213	1-127-876-21	CERAMIC 0.01uF 10%	50V
C214	1-164-159-21	CERAMIC 0.1uF	50V
C215	1-126-795-11	ELECT 10uF 20%	50V
C216	1-126-795-11	ELECT 10uF 20%	50V
C217	1-128-821-21	CERAMIC 0.001uF 5%	50V
C218	1-128-821-21	CERAMIC 0.001uF 5%	50V
C219	1-126-794-11	ELECT 4.7uF 20%	50V
C221	1-128-821-21	CERAMIC 0.001uF 5%	50V
C222	1-128-821-21	CERAMIC 0.001uF 5%	50V
C225	1-164-159-21	CERAMIC 0.1uF	50V
C226	1-164-159-21	CERAMIC 0.1uF	50V
	< CONNECTOR >		
CN1	1-568-440-11	SOCKET, CONNECTOR 17P (US)	
CN1	1-569-323-11	SOCKET, CONNECTOR 19P (AEP,UK)	
CN2	1-569-321-11	SOCKET, CONNECTOR 15P	
CN6	1-779-977-11	PIN, CONNECTOR 6P	
	< DIODE >		
D201	8-719-991-33	DIODE 1SS133T-77	
D202	8-719-991-33	DIODE 1SS133T-77	
D203	8-719-046-39	LED SEL5821A-TP15 (BASS BOOST)	
D204	8-719-991-33	DIODE 1SS133T-77	

Ref. No.	Part No.	Description	Remark
		< FLUORESCENT INDICATOR >	
FL201	1-517-662-11	INDICATOR TUBE, FLUORESCENT	
		< IC >	
IC201	6-801-317-01	IC uPD78044FGF-200-3B9	
IC202	6-600-055-01	IC GP1UD27SXK	
		< COIL >	
L201	1-410-509-11	INDUCTOR 10uH	
		< TRANSISTOR >	
Q201	8-729-900-63	TRANSISTOR DTA124ES	
Q202	8-729-900-36	TRANSISTOR DTC124ES	
Q206	8-729-900-36	TRANSISTOR DTC124ES	
		< RESISTOR >	
R227	1-249-381-11	CARBON 1 5%	1/4W (AEP,UK)
R227	1-249-389-11	CARBON 4.7 5%	1/4W (US)
R228	1-249-381-11	CARBON 1 5%	1/4W (AEP,UK)
R228	1-249-389-11	CARBON 4.7 5%	1/4W (US)
R229	1-247-807-31	CARBON 100 5%	1/4W
R230	1-247-807-31	CARBON 100 5%	1/4W
R231	1-247-807-31	CARBON 100 5%	1/4W
R232	1-247-807-31	CARBON 100 5%	1/4W
R233	1-247-807-31	CARBON 100 5%	1/4W
R234	1-247-807-31	CARBON 100 5%	1/4W
R235	1-247-807-31	CARBON 100 5%	1/4W
R236	1-247-807-31	CARBON 100 5%	1/4W
R237	1-247-807-31	CARBON 100 5%	1/4W (AEP,UK)
R238	1-249-429-11	CARBON 10K 5%	1/4W
R239	1-249-429-11	CARBON 10K 5%	1/4W
R240	1-249-429-11	CARBON 10K 5%	1/4W
R241	1-249-441-11	CARBON 100K 5%	1/4W
R242	1-247-807-31	CARBON 100 5%	1/4W (AEP,UK)
R243	1-249-429-11	CARBON 10K 5%	1/4W (US)
R244	1-249-429-11	CARBON 10K 5%	1/4W (US)

Ref. No.	Part No.	Description			Remark	Ref. No.	Part No.	Description			Remark
R245	1-249-429-11	CARBON	10K	5%	1/4W	R298	1-249-425-11	CARBON	4.7K	5%	1/4W
R246	1-249-429-11	CARBON	10K	5%	1/4W	R299	1-247-807-31	CARBON	100	5%	1/4W
R247	1-249-429-11	CARBON	10K	5%	1/4W	R300	1-247-807-31	CARBON	100	5%	1/4W
R248	1-249-429-11	CARBON	10K	5%	1/4W	R301	1-247-807-31	CARBON	100	5%	1/4W
R249	1-249-429-11	CARBON	10K	5%	1/4W	R302	1-249-437-11	CARBON	47K	5%	1/4W
R250	1-247-903-00	CARBON	1M	5%	1/4W	R303	1-249-441-11	CARBON	100K	5%	1/4W
R251	1-249-409-11	CARBON	220	5%	1/4W	R306	1-249-437-11	CARBON	47K	5%	1/4W
R252	1-247-807-31	CARBON	100	5%	1/4W	R307	1-249-437-11	CARBON	47K	5%	1/4W
R253	1-249-429-11	CARBON	10K	5%	1/4W	R308	1-249-437-11	CARBON	47K	5%	1/4W
R254	1-249-429-11	CARBON	10K	5%	1/4W	R309	1-249-437-11	CARBON	47K	5%	1/4W
R255	1-249-437-11	CARBON	47K	5%	1/4W	R310	1-249-437-11	CARBON	47K	5%	1/4W
R256	1-249-417-11	CARBON	1K	5%	1/4W	R311	1-247-807-31	CARBON	100	5%	1/4W
R257	1-249-421-11	CARBON	2.2K	5%	1/4W						(AEP,UK)
R258	1-249-421-11	CARBON	2.2K	5%	1/4W						
R259	1-249-425-11	CARBON	4.7K	5%	1/4W						< ROTARY ENCODER >
R260	1-249-429-11	CARBON	10K	5%	1/4W	RV201	1-418-725-41	ENCODER, ROTARY (12 TYPE)			(MASTER VOLUME)
R261	1-249-433-11	CARBON	22K	5%	1/4W						
R262	1-249-437-11	CARBON	47K	5%	1/4W						< SWITCH >
R263	1-249-417-11	CARBON	1K	5%	1/4W						
R264	1-249-421-11	CARBON	2.2K	5%	1/4W	S204	1-771-410-21	SWITCH, TACTILE (3)			
R265	1-249-417-11	CARBON	1K	5%	1/4W	S205	1-771-410-21	SWITCH, TACTILE (6)			
R266	1-249-421-11	CARBON	2.2K	5%	1/4W	S206	1-771-410-21	SWITCH, TACTILE (9)			
R267	1-249-421-11	CARBON	2.2K	5%	1/4W	S207	1-771-410-21	SWITCH, TACTILE (DIRECT)			
R268	1-249-425-11	CARBON	4.7K	5%	1/4W	S208	1-771-410-21	SWITCH, TACTILE (0)			
R269	1-249-429-11	CARBON	10K	5%	1/4W	S209	1-771-410-21	SWITCH, TACTILE (8)			
R270	1-249-433-11	CARBON	22K	5%	1/4W	S210	1-771-410-21	SWITCH, TACTILE (5)			
R271	1-249-437-11	CARBON	47K	5%	1/4W	S211	1-771-410-21	SWITCH, TACTILE (2)			
R272	1-249-421-11	CARBON	2.2K	5%	1/4W	S212	1-771-410-21	SWITCH, TACTILE (7)			
R273	1-247-807-31	CARBON	100	5%	1/4W	S213	1-771-410-21	SWITCH, TACTILE (SHIFT)			
R274	1-249-417-11	CARBON	1K	5%	1/4W	S214	1-771-410-21	SWITCH, TACTILE (SLEEP) (US)			
R275	1-249-421-11	CARBON	2.2K	5%	1/4W	S214	1-771-410-21	SWITCH, TACTILE (PTY) (AEP,UK)			
R276	1-249-421-11	CARBON	2.2K	5%	1/4W	S215	1-771-410-21	SWITCH, TACTILE (NAME)			
R277	1-249-425-11	CARBON	4.7K	5%	1/4W	S216	1-771-410-21	SWITCH, TACTILE (FM)			
R278	1-249-429-11	CARBON	10K	5%	1/4W	S217	1-771-410-21	SWITCH, TACTILE (FM MODE)			
R279	1-249-433-11	CARBON	22K	5%	1/4W	S218	1-771-410-21	SWITCH, TACTILE (PRESET TUNING -) (US)			
R280	1-249-437-11	CARBON	47K	5%	1/4W	S218	1-771-410-21	SWITCH, TACTILE (PRESET/PTY SELECT -)			(AEP,UK)
R281	1-249-417-11	CARBON	1K	5%	1/4W	S219	1-771-410-21	SWITCH, TACTILE (TUNING/CHAR -)			
R282	1-249-421-11	CARBON	2.2K	5%	1/4W	S220	1-771-410-21	SWITCH, TACTILE (TUNING/CHAR +)			
R283	1-249-421-11	CARBON	2.2K	5%	1/4W	S221	1-771-410-21	SWITCH, TACTILE (MEMORY/ENTER)			
R284	1-249-425-11	CARBON	4.7K	5%	1/4W	S222	1-771-410-21	SWITCH, TACTILE (1)			
R285	1-249-429-11	CARBON	10K	5%	1/4W	S223	1-771-410-21	SWITCH, TACTILE (4)			
R286	1-249-433-11	CARBON	22K	5%	1/4W	S224	1-771-410-21	SWITCH, TACTILE (BALANCE R)			
R287	1-249-437-11	CARBON	47K	5%	1/4W	S225	1-771-410-21	SWITCH, TACTILE (TREBLE +)			
R288	1-249-429-11	CARBON	10K	5%	1/4W	S226	1-771-410-21	SWITCH, TACTILE (BASS +)			
R291	1-249-429-11	CARBON	10K	5%	1/4W	S227	1-771-410-21	SWITCH, TACTILE (BALANCE L)			
R292	1-249-429-11	CARBON	10K	5%	1/4W	S228	1-771-410-21	SWITCH, TACTILE (TREBLE -)			
R293	1-249-429-11	CARBON	10K	5%	1/4W	S229	1-771-410-21	SWITCH, TACTILE (BASS -)			
R294	1-249-429-11	CARBON	10K	5%	1/4W	S230	1-771-410-21	SWITCH, TACTILE (AM)			
R295	1-249-429-11	CARBON	10K	5%	1/4W	S231	1-771-410-21	SWITCH, TACTILE (PRESET TUNING +) (US)			
R296	1-247-807-31	CARBON	100	5%	1/4W	S231	1-771-410-21	SWITCH, TACTILE (PRESET/PTY SELECT +)			(AEP,UK)
						S232	1-771-410-21	SWITCH, TACTILE (TUNER)			

STR-DE185

DISPLAY **HP** **MAIN**

Ref. No.	Part No.	Description	Remark	Ref. No.	Part No.	Description	Remark
S233	1-771-410-21	SWITCH, TACTILE (CD)		C462	1-126-964-11	ELECT 10uF 20% 50V	
S234	1-771-410-21	SWITCH, TACTILE (MD/TAPE)		C463	1-126-794-11	ELECT 4.7uF 20% 50V	
S235	1-771-410-21	SWITCH, TACTILE (VIDEO 2)		C464	1-136-167-00	FILM 0.15uF 5% 50V	
S236	1-771-410-21	SWITCH, TACTILE (VIDEO 1)		C465	1-136-167-00	FILM 0.15uF 5% 50V	
S237	1-771-410-21	SWITCH, TACTILE (MUTING)		C466	1-136-169-00	FILM 0.22uF 5% 50V	
S238	1-771-410-21	SWITCH, TACTILE (BASS BOOST)		C467	1-136-169-00	FILM 0.22uF 5% 50V	
S239	1-771-410-21	SWITCH, TACTILE (DISPLAY)		C468	1-137-368-11	MYLAR 0.0047uF 5% 50V	
		< VIBRATOR >		C469	1-126-964-11	ELECT 10uF 20% 50V	
X201	1-577-101-11	VIBRATOR, CERAMIC (4.19MHz)		C470	1-126-794-11	ELECT 4.7uF 20% 50V	
*****				C471	1-164-159-21	CERAMIC 0.1uF 50V	
	1-683-816-11	HP BOARD		C472	1-126-965-11	ELECT 22uF 20% 50V	
		*****		C474	1-126-964-11	ELECT 10uF 20% 50V	
		< CONNECTOR >		C475	1-126-965-11	ELECT 22uF 20% 50V	
CNP801	1-691-765-11	PLUG (MICRO CONNECTOR) 3P		C476	1-126-964-11	ELECT 10uF 20% 50V	
		< JACK >		C483	1-126-965-11	ELECT 22uF 20% 50V	
J803	1-750-733-11	JACK (LARGE TYPE) (PHONES)		C484	1-126-964-11	ELECT 10uF 20% 50V	
*****				C485	1-164-159-21	CERAMIC 0.1uF 50V	
	A-4727-875-A	MAIN BOARD, COMPLETE (US)		C490	1-126-935-11	ELECT 470uF 20% 10V	
	A-4727-881-A	MAIN BOARD, COMPLETE (AEP,UK)		C602	1-128-809-11	CERAMIC 100PF 5% 50V	
		*****		C603	1-102-233-00	CERAMIC 33PF 10% 500V	
	1-533-223-11	HOLDER, FUSE		C604	1-128-809-11	CERAMIC 100PF 5% 50V	
	7-685-646-79	SCREW +BVTTP 3X8 TYPE2 IT-3		C606	1-126-933-11	ELECT 100uF 20% 16V	
		< CAPACITOR >		C607	1-126-794-11	ELECT 4.7uF 20% 50V	
C402	1-126-964-11	ELECT 10uF 20% 50V		C652	1-128-809-11	CERAMIC 100PF 5% 50V	
C404	1-126-964-11	ELECT 10uF 20% 50V		C653	1-102-233-00	CERAMIC 33PF 10% 500V	
C406	1-126-964-11	ELECT 10uF 20% 50V		C654	1-128-809-11	CERAMIC 100PF 5% 50V	
C408	1-126-964-11	ELECT 10uF 20% 50V		C656	1-126-933-11	ELECT 100uF 20% 16V	
C410	1-126-964-11	ELECT 10uF 20% 50V		C657	1-126-794-11	ELECT 4.7uF 20% 50V	
C412	1-126-964-11	ELECT 10uF 20% 50V		C682	1-128-582-11	ELECT 10uF 20% 100V	
C413	1-126-794-11	ELECT 4.7uF 20% 50V		C701	1-126-947-11	ELECT 47uF 20% 16V	
C414	1-136-167-00	FILM 0.15uF 5% 50V		C702	1-107-597-11	CERAMIC 22PF 10% 500V	
C415	1-136-167-00	FILM 0.15uF 5% 50V		C703	1-107-597-11	CERAMIC 22PF 10% 500V	
C416	1-136-169-00	FILM 0.22uF 5% 50V		C704	1-128-813-11	CERAMIC 220PF 5% 50V	
C417	1-136-169-00	FILM 0.22uF 5% 50V		C705	1-137-372-11	MYLAR 0.022uF 5% 50V	
C418	1-137-368-11	MYLAR 0.0047uF 5% 50V		C751	1-126-947-11	ELECT 47uF 20% 16V	
C419	1-126-964-11	ELECT 10uF 20% 50V		C752	1-107-597-11	CERAMIC 22PF 10% 500V	
C420	1-126-794-11	ELECT 4.7uF 20% 50V		C753	1-107-597-11	CERAMIC 22PF 10% 500V	
C421	1-164-159-21	CERAMIC 0.1uF 50V		C754	1-128-813-11	CERAMIC 220PF 5% 50V	
C422	1-126-965-11	ELECT 22uF 20% 50V		C755	1-137-372-11	MYLAR 0.022uF 5% 50V	
C424	1-126-964-11	ELECT 10uF 20% 50V		C781	1-126-934-11	ELECT 220uF 20% 10V	
C425	1-126-965-11	ELECT 22uF 20% 50V		C782	1-126-964-11	ELECT 10uF 20% 50V	
C426	1-126-964-11	ELECT 10uF 20% 50V		C791	1-164-159-21	CERAMIC 0.1uF 50V	
C452	1-126-964-11	ELECT 10uF 20% 50V		C901	1-164-159-21	CERAMIC 0.1uF 50V	
C454	1-126-964-11	ELECT 10uF 20% 50V		C902	1-164-159-21	CERAMIC 0.1uF 50V	
C456	1-126-964-11	ELECT 10uF 20% 50V		C903	1-164-159-21	CERAMIC 0.1uF 50V	
C458	1-126-964-11	ELECT 10uF 20% 50V		C904	1-126-960-11	ELECT 1uF 20% 50V	
C460	1-126-964-11	ELECT 10uF 20% 50V		C905	1-126-936-11	ELECT 3300uF 20% 16V	
				C906	1-164-159-21	CERAMIC 0.1uF 50V	
				C907	1-164-159-21	CERAMIC 0.1uF 50V	
				C908	1-126-964-11	ELECT 10uF 20% 50V	
				C909	1-126-957-11	ELECT 0.22uF 20% 50V	
				C910	1-164-159-21	CERAMIC 0.1uF 50V	
				C911	1-164-159-21	CERAMIC 0.1uF 50V	

Ref. No.	Part No.	Description			Remark	Ref. No.	Part No.	Description	Remark
C912	1-135-851-21	MYLAR	0.22uF		100V			< CONNECTOR >	
C913	1-135-851-21	MYLAR	0.22uF		100V				
C914	1-165-946-11	DOUBLE LAYERS	6800uF	20%	71V	CN3	1-569-060-11	SOCKET, CONNECTOR 11P (US)	
C915	1-165-946-11	DOUBLE LAYERS	6800uF	20%	71V	CN3	1-569-321-11	SOCKET, CONNECTOR 15P (AEP,UK)	
C916	1-164-159-21	CERAMIC	0.1uF		50V	CN4	1-568-440-11	SOCKET, CONNECTOR 17P (US)	
C917	1-164-159-21	CERAMIC	0.1uF		50V	CN4	1-569-323-11	SOCKET, CONNECTOR 19P (AEP,UK)	
C918	1-126-942-61	ELECT	1000uF	20%	25V	CN5	1-569-321-11	SOCKET, CONNECTOR 15P	
C919	1-126-947-11	ELECT	47uF	20%	35V	CNP901	1-564-321-00	PIN, CONNECTOR 2P	
C920	1-126-947-11	ELECT	47uF	20%	35V	* CNP903	1-564-242-00	PIN, CONNECTOR 5P	
C921	1-126-947-11	ELECT	47uF	20%	35V	CNP904	1-691-767-11	PLUG (MICRO CONNECTOR) 5P	
C922	1-164-159-21	CERAMIC	0.1uF		50V	* CNP905	1-565-792-11	PIN, CONNECTOR 2P	
C923	1-126-947-11	ELECT	47uF	20%	16V			< DIODE >	
C924	1-164-159-21	CERAMIC	0.1uF		50V	D701	8-719-991-33	DIODE 1SS133T-77	
C925	1-126-933-11	ELECT	100uF	20%	16V	D751	8-719-991-33	DIODE 1SS133T-77	
C926	1-164-159-11	CERAMIC	0.1uF		50V (AEP,UK)	D781	8-719-991-33	DIODE 1SS133T-77	
C927	1-126-947-11	ELECT	47uF	20%	16V (AEP,UK)	D782	8-719-991-33	DIODE 1SS133T-77	
C928	1-126-967-11	ELECT	47uF	20%	50V	D783	8-719-991-33	DIODE 1SS133T-77	
C929	1-128-582-11	ELECT	10uF	20%	100V	D784	8-719-991-33	DIODE 1SS133T-77	
C930	1-128-582-11	ELECT	10uF	20%	100V	D785	8-719-991-33	DIODE 1SS133T-77	
C931	1-164-159-21	CERAMIC	0.1uF		50V	D786	8-719-991-33	DIODE 1SS133T-77	
CC401	1-128-809-11	CERAMIC	100PF	5%	50V (AEP,UK)	D787	8-719-991-33	DIODE 1SS133T-77	
CC403	1-128-809-11	CERAMIC	100PF	5%	50V (AEP,UK)	D788	8-719-991-33	DIODE 1SS133T-77	
CC405	1-128-809-11	CERAMIC	100PF	5%	50V (AEP,UK)	D789	8-719-991-33	DIODE 1SS133T-77	
CC407	1-128-809-11	CERAMIC	100PF	5%	50V (AEP,UK)	D901	8-719-200-82	DIODE 11ES2	
CC409	1-128-809-11	CERAMIC	100PF	5%	50V (AEP,UK)	D902	8-719-200-82	DIODE 11ES2	
CC411	1-128-809-11	CERAMIC	100PF	5%	50V (AEP,UK)	D903	8-719-200-82	DIODE 11ES2	
CC451	1-128-809-11	CERAMIC	100PF	5%	50V (AEP,UK)	D904	8-719-200-82	DIODE 11ES2	
CC453	1-128-809-11	CERAMIC	100PF	5%	50V (AEP,UK)	D905	8-719-991-33	DIODE 1SS133T-77	
CC455	1-128-809-11	CERAMIC	100PF	5%	50V (AEP,UK)	D906	8-719-991-33	DIODE 1SS133T-77	
CC457	1-128-809-11	CERAMIC	100PF	5%	50V (AEP,UK)	D907	8-719-072-05	DIODE RBV-602LF-A	
CC459	1-128-809-11	CERAMIC	100PF	5%	50V (AEP,UK)	D908	8-719-200-82	DIODE 11ES2	
CC461	1-128-809-11	CERAMIC	100PF	5%	50V (AEP,UK)	D909	8-719-200-82	DIODE 11ES2	
CC701	1-127-876-11	CERAMIC	0.01uF	10%	50V (AEP,UK)	D910	8-719-200-82	DIODE 11ES2	
CC703	1-127-876-11	CERAMIC	0.01uF	10%	50V (AEP,UK)	D911	8-719-200-82	DIODE 11ES2	
CC751	1-127-876-11	CERAMIC	0.01uF	10%	50V (AEP,UK)	D912	8-719-936-34	DIODE HZS24LTD	
CC753	1-127-876-11	CERAMIC	0.01uF	10%	50V (AEP,UK)	D913	8-719-109-89	DIODE RD5.6ES-B2	
						D914	8-719-200-82	DIODE 11ES2	
						D981	8-719-991-33	DIODE 1SS133T-77	
						D982	8-719-991-33	DIODE 1SS133T-77	
								< EARTH TERMINAL >	
						* EP901	1-537-738-21	TERMINAL, EARTH	
								< IC >	
						IC401	6-700-261-01	IC BD3861FS	
						IC402	8-759-534-63	IC TC9299P	
						IC403	8-759-636-74	IC M5218AP-22	
						IC404	8-759-932-33	IC BU4066BC	
						IC601	6-700-943-01	IC uPC2581V-S	
						IC901	8-759-333-83	IC NJM2103D	
						IC902	8-759-701-75	IC NJM7805FA	
						IC903	8-759-656-35	IC NJM7810FA	

MAIN

Ref. No.	Part No.	Description	Remark	Ref. No.	Part No.	Description	Remark
IC904	8-759-701-75	IC NJM7805FA (AEP,UK)		R418	1-249-433-11	CARBON 22K 5%	1/4W
		< JACK >		R421	1-249-437-11	CARBON 47K 5%	1/4W
J801	1-774-411-11	JACK, PIN 6P (CD,MD/TAPE)		R422	1-249-433-11	CARBON 22K 5%	1/4W
J802	1-793-776-12	JACK, PIN 6P (VIDEO 2,VIDEO 1)		R423	1-249-433-11	CARBON 22K 5%	1/4W
		< COIL >		R424	1-249-429-11	CARBON 10K 5%	1/4W
L701	1-422-009-13	COIL, AIR-CORE		R425	1-249-425-11	CARBON 4.7K 5%	1/4W
L751	1-422-009-13	COIL, AIR-CORE		R426	1-249-425-11	CARBON 4.7K 5%	1/4W
		< TRANSISTOR >		R427	1-249-441-11	CARBON 100K 5%	1/4W
Q424	8-729-900-36	TRANSISTOR DTC124ES		R428	1-249-441-11	CARBON 100K 5%	1/4W
Q474	8-729-900-36	TRANSISTOR DTC124ES		R451	1-249-425-11	CARBON 4.7K 5%	1/4W
Q680	8-729-900-63	TRANSISTOR DTA124ES		R452	1-249-425-11	CARBON 4.7K 5%	1/4W
Q681	8-729-900-36	TRANSISTOR DTC124ES		R453	1-249-421-11	CARBON 2.2K 5%	1/4W
Q701	8-729-119-76	TRANSISTOR 2SA1175-HFE		R454	1-249-425-11	CARBON 4.7K 5%	1/4W
Q702	8-729-141-30	TRANSISTOR 2SC3623A-LK		R455	1-249-425-11	CARBON 4.7K 5%	1/4W
Q705	8-729-140-82	TRANSISTOR 2SA988-PAFAEA		R456	1-249-425-11	CARBON 4.7K 5%	1/4W
Q706	8-729-140-82	TRANSISTOR 2SA988-PAFAEA		R457	1-249-425-11	CARBON 4.7K 5%	1/4W
Q751	8-729-119-76	TRANSISTOR 2SA1175-HFE		R458	1-249-425-11	CARBON 4.7K 5%	1/4W
Q752	8-729-141-30	TRANSISTOR 2SC3623A-LK		R459	1-249-421-11	CARBON 2.2K 5%	1/4W
Q755	8-729-140-82	TRANSISTOR 2SA988-PAFAEA		R460	1-249-421-11	CARBON 2.2K 5%	1/4W
Q756	8-729-140-82	TRANSISTOR 2SA988-PAFAEA		R461	1-249-425-11	CARBON 4.7K 5%	1/4W
Q781	8-729-119-79	TRANSISTOR 2SC2785-FEK		R462	1-249-425-11	CARBON 4.7K 5%	1/4W
Q782	8-729-119-79	TRANSISTOR 2SC2785-FEK		R463	1-247-843-11	CARBON 3.3K 5%	1/4W
Q783	8-729-119-79	TRANSISTOR 2SC2785-FEK		R464	1-247-843-11	CARBON 3.3K 5%	1/4W
Q784	8-729-140-82	TRANSISTOR 2SA988-PAFAEA		R465	1-249-417-11	CARBON 1K 5%	1/4W
Q785	8-729-119-79	TRANSISTOR 2SC2785-FEK		R466	1-249-437-11	CARBON 47K 5%	1/4W
Q786	8-729-140-84	TRANSISTOR 2SC1841-PAFAEA		R467	1-249-433-11	CARBON 22K 5%	1/4W
Q901	8-729-119-79	TRANSISTOR 2SC2785-FEK		R468	1-249-433-11	CARBON 22K 5%	1/4W
Q902	8-729-045-21	TRANSISTOR 2SD1513TP-LK		R471	1-249-437-11	CARBON 47K 5%	1/4W
Q903	8-729-119-79	TRANSISTOR 2SC2785-FEK		R472	1-249-433-11	CARBON 22K 5%	1/4W
Q904	8-729-140-97	TRANSISTOR 2SB734-34		R473	1-249-433-11	CARBON 22K 5%	1/4W
		< RESISTOR >		R474	1-249-429-11	CARBON 10K 5%	1/4W
R401	1-249-425-11	CARBON 4.7K 5%	1/4W	R475	1-249-425-11	CARBON 4.7K 5%	1/4W
R402	1-249-425-11	CARBON 4.7K 5%	1/4W	R476	1-249-425-11	CARBON 4.7K 5%	1/4W
R403	1-249-421-11	CARBON 2.2K 5%	1/4W	R477	1-249-441-11	CARBON 100K 5%	1/4W
R404	1-249-425-11	CARBON 4.7K 5%	1/4W	R478	1-249-441-11	CARBON 100K 5%	1/4W
R405	1-249-425-11	CARBON 4.7K 5%	1/4W	R481	1-247-807-31	CARBON 100 5%	1/4W
R406	1-249-425-11	CARBON 4.7K 5%	1/4W	R482	1-247-807-31	CARBON 100 5%	1/4W
R407	1-249-425-11	CARBON 4.7K 5%	1/4W	R483	1-247-807-31	CARBON 100 5%	1/4W
R408	1-249-425-11	CARBON 4.7K 5%	1/4W	R484	1-247-807-31	CARBON 100 5%	1/4W
R409	1-249-421-11	CARBON 2.2K 5%	1/4W	R485	1-247-807-31	CARBON 100 5%	1/4W
R410	1-249-421-11	CARBON 2.2K 5%	1/4W	R602	1-249-439-11	CARBON 68K 5%	1/4W
R411	1-249-425-11	CARBON 4.7K 5%	1/4W	R603	1-249-439-11	CARBON 68K 5%	1/4W
R412	1-249-425-11	CARBON 4.7K 5%	1/4W	R604	1-249-411-11	CARBON 330 5%	1/4W
R413	1-247-843-11	CARBON 3.3K 5%	1/4W	R605	1-249-417-11	CARBON 1K 5%	1/4W
R414	1-247-843-11	CARBON 3.3K 5%	1/4W	R652	1-249-439-11	CARBON 68K 5%	1/4W
R415	1-249-417-11	CARBON 1K 5%	1/4W	R653	1-249-439-11	CARBON 68K 5%	1/4W
R416	1-249-437-11	CARBON 47K 5%	1/4W	R654	1-249-411-11	CARBON 330 5%	1/4W
R417	1-249-433-11	CARBON 22K 5%	1/4W	R655	1-249-417-11	CARBON 1K 5%	1/4W
				R681	1-249-437-11	CARBON 47K 5%	1/4W
				R697	1-249-433-11	CARBON 22K 5%	1/4W
				R701	1-249-421-11	CARBON 2.2K 5%	1/4W
				R702	1-249-440-11	CARBON 82K 5%	1/4W
				R703	1-249-414-11	CARBON 560 5%	1/4W

MAIN

OUTLET

Ref. No.	Part No.	Description	Remark	Ref. No.	Part No.	Description	Remark
R704	1-249-408-11	CARBON	180 5% 1/4W	R914	1-249-425-11	CARBON	4.7K 5% 1/4W
R705	1-249-408-11	CARBON	180 5% 1/4W	△ R915	1-240-877-11	FUSIBLE	0.15 5% 1/2W F
R706	1-233-352-41	COMPONENT, ENCAPSULATED 0.22X2		R916	1-249-389-11	CARBON	4.7 5% 1/4W
R707	1-249-425-11	CARBON	4.7K 5% 1/4W	R917	1-249-429-11	CARBON	10K 5% 1/4W
R708	1-240-855-11	CARBON	6.2K 5% 1/4W	R919	1-249-439-11	CARBON	68K 5% 1/4W
R709	1-249-419-11	CARBON	1.5K 5% 1/4W	R920	1-249-439-11	CARBON	68K 5% 1/4W
R710	1-247-881-00	CARBON	120K 5% 1/4W	R921	1-247-807-31	CARBON	100 5% 1/4W
R711	1-249-431-11	CARBON	15K 5% 1/4W				(AEP,UK)
R712	1-249-393-11	CARBON	10 5% 1/4W	R922	1-247-807-31	CARBON	100 5% 1/4W
R713	1-249-437-11	CARBON	47K 5% 1/4W				(AEP,UK)
R714	1-249-389-11	CARBON	4.7 5% 1/4W	R923	1-249-429-11	CARBON	10K 5% 1/4W
R751	1-249-421-11	CARBON	2.2K 5% 1/4W	R924	1-247-807-31	CARBON	100 5% 1/4W
R752	1-249-440-11	CARBON	82K 5% 1/4W	R925	1-247-807-31	CARBON	100 5% 1/4W
R753	1-249-414-11	CARBON	560 5% 1/4W	R926	1-247-791-11	CARBON	22 5% 1/4W
R754	1-249-408-11	CARBON	180 5% 1/4W	R929	1-249-381-11	CARBON	1 5% 1/4W
R755	1-249-408-11	CARBON	180 5% 1/4W	R930	1-249-381-11	CARBON	1 5% 1/4W
R756	1-233-352-41	COMPONENT, ENCAPSULATED 0.22X2		RR701	1-249-393-11	CARBON	10 5% 1/4W
R757	1-249-425-11	CARBON	4.7K 5% 1/4W				(AEP,UK)
R758	1-240-855-11	CARBON	6.2K 5% 1/4W	RR702	1-249-393-11	CARBON	10 5% 1/4W
R759	1-249-419-11	CARBON	1.5K 5% 1/4W				(AEP,UK)
R760	1-247-881-00	CARBON	120K 5% 1/4W	RR751	1-249-393-11	CARBON	10 5% 1/4W
R761	1-249-431-11	CARBON	15K 5% 1/4W				(AEP,UK)
R762	1-249-393-11	CARBON	10 5% 1/4W	RR752	1-249-393-11	CARBON	10 5% 1/4W
R763	1-249-437-11	CARBON	47K 5% 1/4W				(AEP,UK)
R764	1-249-389-11	CARBON	4.7 5% 1/4W				< RELAY >
R781	1-249-425-11	CARBON	4.7K 5% 1/4W	RY781	1-755-421-11	RELAY (12V)	
R782	1-249-425-11	CARBON	4.7K 5% 1/4W	RY782	1-755-421-11	RELAY (12V)	
R783	1-249-425-11	CARBON	4.7K 5% 1/4W	RY783	1-755-421-11	RELAY (12V)	
R784	1-249-401-11	CARBON	47 5% 1/4W	RY981	1-755-013-11	RELAY (12V)	
R785	1-249-401-11	CARBON	47 5% 1/4W	△ RY982	1-755-334-11	RELAY, AC POWER (9V)	
R786	1-249-425-11	CARBON	4.7K 5% 1/4W				< TRANSFORMER >
R787	1-249-425-11	CARBON	4.7K 5% 1/4W	△ T902	1-435-435-11	TRANSFORMER, POWER (AEP,UK)	
R788	1-249-427-11	CARBON	6.8K 5% 1/4W	△ T902	1-435-436-11	TRANSFORMER, POWER (US)	
R789	1-249-437-11	CARBON	47K 5% 1/4W				< TERMINAL BOARD >
R790	1-249-417-11	CARBON	1K 5% 1/4W	TM801	1-537-376-11	TERMINAL BOARD (SPEAKERS)	
△ R792	1-215-868-00	METAL OXIDE	680 5% 1W F				*****
△ R793	1-215-868-00	METAL OXIDE	680 5% 1W F				1-683-818-11 OUTLET BOARD
R794	1-249-429-11	CARBON	10K 5% 1/4W				*****
R795	1-249-401-11	CARBON	47 5% 1/4W				< AC OUTLET >
R901	1-249-425-11	CARBON	4.7K 5% 1/4W				(US)
R902	1-249-381-11	CARBON	1 5% 1/4W	△ CNJ901	1-785-285-11	OUTLET, AC (1P) (AC OUTLET) (AEP,UK)	
△ R903	1-219-237-11	SOLID	3.3M 20% 1/2W F	△ CNJ901	1-785-834-11	OUTLET, AC (1P) (AC OUTLET) (US)	
R904	1-249-435-11	CARBON	33K 5% 1/4W				< CONNECTOR >
R905	1-249-433-11	CARBON	22K 5% 1/4W	CNP907	1-564-321-00	PIN, CONNECTOR 2P	
R906	1-249-421-11	CARBON	2.2K 5% 1/4W				*****
R907	1-249-428-11	CARBON	8.2K 5% 1/4W				
R908	1-249-422-11	CARBON	2.7K 5% 1/4W				
R909	1-249-431-11	CARBON	15K 5% 1/4W				
R910	1-249-429-11	CARBON	10K 5% 1/4W				
R911	1-247-843-11	CARBON	3.3K 5% 1/4W				
R912	1-249-417-11	CARBON	1K 5% 1/4W				
R913	1-249-401-11	CARBON	47 5% 1/4W				

The components identified by mark △ or dotted line with mark. △ are critical for safety. Replace only with part number specified.

POWER SW

Ref. No.	Part No.	Description	Remark
	1-683-817-11	POWER SW BOARD *****	
		< DIODE >	
D205	8-719-046-39	LED SEL5821A-TP15 (SPEAKERS A)	
D206	8-719-046-39	LED SEL5821A-TP15 (SPEAKERS B)	
		< TRANSISTOR >	
Q204	8-729-900-36	TRANSISTOR DTC124ES	
Q205	8-729-900-36	TRANSISTOR DTC124ES	
		< RESISTOR >	
R289	1-249-409-11	CARBON 220 5% 1/4W	
R290	1-249-409-11	CARBON 220 5% 1/4W	
R297	1-249-417-11	CARBON 1K 5% 1/4W	
		< SWITCH >	
S201	1-771-410-21	SWITCH, TACTILE (I/⏏)	
S202	1-771-410-21	SWITCH, TACTILE (SPEAKERS A)	
S203	1-771-410-21	SWITCH, TACTILE (SPEAKERS B)	

		MISCELLANEOUS *****	
57	1-765-332-11	WIRE (FLAT TYPE) (15 CORE)	
59	1-773-054-11	WIRE (FLAT TYPE) (17 CORE) (US)	
59	1-773-125-11	WIRE (FLAT TYPE) (19 CORE) (AEP,UK)	
△ 105	1-769-744-11	CORD, POWER (AEP,UK)	
△ 105	1-783-820-11	CORD, POWER (US)	
109	1-769-943-11	WIRE (FLAT TYPE) (11 CORE) (US)	
109	1-773-007-11	WIRE (FLAT TYPE) (15 CORE) (AEP,UK)	
△ F901	1-532-464-31	FUSE (T2.5A/250V) (AEP,UK)	
△ F901	1-576-109-11	FUSE (5A/125V) (US)	
△ F902	1-532-464-31	FUSE (T2.5A/250V) (AEP,UK)	
△ F902	1-576-109-11	FUSE (5A/125V) (US)	
Q703	8-749-010-25	TRANSISTOR MN2488-OPY-M	
Q704	8-749-010-26	TRANSISTOR MP1620-OPY-M	
Q753	8-749-010-25	TRANSISTOR MN2488-OPY-M	
Q754	8-749-010-26	TRANSISTOR MP1620-OPY-M	
△ T901	1-437-625-11	TRANSFORMER, POWER (US)	
△ T901	1-437-626-11	TRANSFORMER, POWER (AEP,UK)	
TM301	1-693-533-11	TUNER (FM/AM) (ANTENNA) (AEP,UK)	
TM301	1-693-534-71	TUNER (FM/AM) (ANTENNA) (US)	

Ref. No.	Part No.	Description	Remark
		ACCESSORIES *****	
	1-477-133-11	REMOTE COMMANDER (RM-U185)	
	1-501-374-11	ANTENNA, LOOP (AM)	
	1-501-594-11	ANTENNA (FM) (AEP,UK)	
△	1-770-019-11	ADAPTOR, CONVERSION PLUG 3P (UK)	
	1-793-184-21	CONNECTOR (F TYPE ADAPTOR) (FM ANTENNA) (US)	
	4-228-696-01	COVER, BATTERY (for RM-U185)	
	4-238-304-11	MANUAL, INSTRUCTION (ENGLISH)	
	4-238-304-21	MANUAL, INSTRUCTION (FRENCH,DUTCH, SWEDISH,GERMAN,SPANISH, ITALIAN,POLISH) (AEP)	
	4-238-304-31	MANUAL, INSTRUCTION (DANISH,FINNISH) (AEP)	
	4-238-304-41	MANUAL, INSTRUCTION (PORTUGUESE) (AEP)	

The components identified by mark △ or dotted line with mark. △ are critical for safety. Replace only with part number specified.

MEMO

