

STR-DE225/DE325

SERVICE MANUAL

AEP Model
Canadian Model
 STR-DE225/DE325
US Model
E Model
Australian Model
Chinese Model
 STR-DE325
UK Model
 STR-DE225



Photo : STR-DE225

Manufactured under license from Dolby Laboratories Licensing Corporation.
 "DOLBY", "PRO LOGIC" and the double-D symbol are trademarks of Dolby Laboratories Licensing Corporation.

SPECIFICATIONS

Amplifier section

Power output

Stereo mode (DIN 1 kHz, 4 ohms)
 STR-DE325: 90 W + 90 W
 STR-DE225: 40 W + 40 W
 Surround mode (DIN 1 kHz, 4 ohms)
 Front: STR-DE325: 90W/ch
 STR-DE225: 40W/ch
 Centre: STR-DE325: 90W
 STR-DE225: 40W
 (only in PRO LOG IC MODE)
 REAR: STR-DE325:
 (DIN 1 kHz, 4ohms) 90 W
 STR-DE225: (DIN 1 kHz,
 4ohms) 40 W

5.1/DVD INPUT * mode
 Front: 90 W/ch
 (DIN 1 kHz, 4 ohms)
 Centre: 90 W
 (DIN 1 kHz, 4 ohms)
 Rear: 45 W/ch
 (DIN 1 kHz, 8 ohms)
 (except STR-DE225)

Frequency response
 PHONO: RIAA(except STR-DE225)
 equalization curve ± 0.5 dB
 TV / LD, CD, TAPE / MD,
 VIDEO, 5.1/DVD INPUT*:
 10Hz - 50kHz ± 1 dB

Input

	Sensitivity	Impedance	S/N (Weighting network, input level)
PHONO (STR-DE325) (MM)	2.5mV	50 kilohms	74 dB 72 dB** (A, 2.5 mV)
CD, 5.1/DVD INPUT*	200 mV		
TAPE/MD, TV/LD, VIDEO		50 kilohms	82 dB 82 dB**

Outputs

TAPE/MD REC OUT:
 Voltage: 150 mV,
 Impedance: 10 kilohms
 VIDEO AUDIO OUT:
 Voltage: 150 mV,
 Impedance: 10 kilohms
 WOOFER/MIX AUDIO
 OUT: Voltage: 2V
 Impedance: 10 kilohms
 PHONES: Accepts low and high
 impedance headphones

Muting Full mute
 BASS BOOST +10dB at 70 Hz
 TONE ± 8 dB at 100 Hz and 10 kHz

FM tuner section

Tuning range 87.5 - 108.0 MHz
 Aerial terminals 75 ohms, unbalanced
 Sensitivity Mono: 18.3 dBf, 2.2 μ V /75 ohms
 Stereo: 38.3 dBf, 22.5 μ V /75 ohms
 Usable sensitivity 11.2 dBf, 1V /75 ohms (IHF)
 S/N Mono: 76 dB
 Stereo: 70dB
 Harmonic distortion at 1 kHz Mono: 0.3 %
 Stereo: 0.5 %
 Separation 45dB at 1 kHz
 Frequency response 30 Hz - 15kHz ± 0.5 dB
 Selectivity 60 dB at 400 kHz

AM tuner section

Tuning range 531 - 1602 kHz
 Aerial Loop aerial
 Usable sensitivity 50 dB/m (at 999 kHz)
 S/N 54 dB(at 50 mV/m)
 Harmonic distortion 0.5%(50 mV/m, 400Hz)
 Selectivity 35 dB

— Continued on next page —

FM STEREO/FM-AM RECEIVER



SONY®

General	
System	Tuner section; PLL quartz-locked digital synthesizer system Preamplifier section: Low-noise NF type equalizer Power amplifier section: Pure-complimentary SEPP
Power requirements	230 V AC, 50/60 Hz
Power consumption	STR-DE325: 195 W STR-DE225: 110 W
AC outlets	Switched 100 W (except for the U.K. model)
Dimensions	430 × 145 × 295 mm
Mass(Approx.)	STR-DE325: 7.4 kg STR-DE225: 6.1 kg
Supplied accessories	FM wire aerial (1) AM loop aerial (1) Remote controller (remote) (1) Size AA (R6) batteries (2) Scart adaptor (1)

Design and specifications are subject to change without notice.
Specifications indicated are measured at 230 VAC, 50 Hz

SAFETY CHECK-OUT

After correcting the original service problem, perform the following safety checks before releasing the set to the customer: Check the antenna terminals, metal trim, “metallized” knobs, screws, and all other exposed metal parts for AC leakage. Check leakage as described below.

LEAKAGE

The AC leakage from any exposed metal part to earth ground and from all exposed metal parts to any exposed metal part having a return to chassis, must not exceed 0.5 mA (500 microamperes). Leakage current can be measured by any one of three methods.

1. A commercial leakage tester, such as the Simpson 229 or RCA WT-540A. Follow the manufacturers’ instructions to use these instruments.
2. A battery-operated AC milliammeter. The Data Precision 245 digital multimeter is suitable for this job.
3. Measuring the voltage drop across a resistor by means of a VOM or battery-operated AC voltmeter. The “limit” indication is 0.75 V, so analog meters must have an accurate low-voltage scale. The Simpson 250 and Sanwa SH-63Trd are examples of a passive VOM that is suitable. Nearly all battery operated digital multimeters that have a 2V AC range are suitable. (See Fig. A)

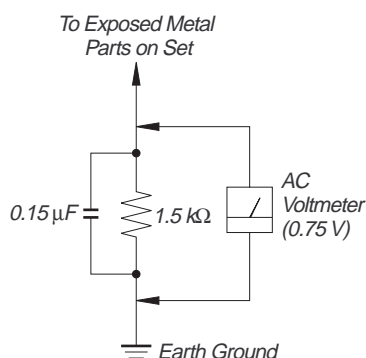


Fig. A. Using an AC voltmeter to check AC leakage.

TABLE OF CONTENTS

1. GENERAL	3
2. TEST MODE	4
3. DIAGRAMS	
3-1. Circuit Boards Location	5
3-2. Block Diagram	7
3-3. Schematic Diagram — Display Section —	9
3-4. Printed Wiring Boards — Display Section —	11
3-5. Schematic Diagram — Power Section —	13
3-6. Printed Wiring Boards — Power Section —	15
3-7. Printed Wiring Boards — Main Section —	17
3-8. Schematic Diagram — Main Section (1/3) —	19
3-9. Schematic Diagram — Main Section (2/3) —	21
3-10. Schematic Diagram — Main Section (3/3) —	23
3-11. IC Pin Function Description	25
3-12. IC Block Diagrams	27
4. EXPLODED VIEWS	
4-1. Front Panel Section	29
4-2. Chassis Section	30
5. ELECTRICAL PARTS LIST	31

SAFETY-RELATED COMPONENT WARNING!!

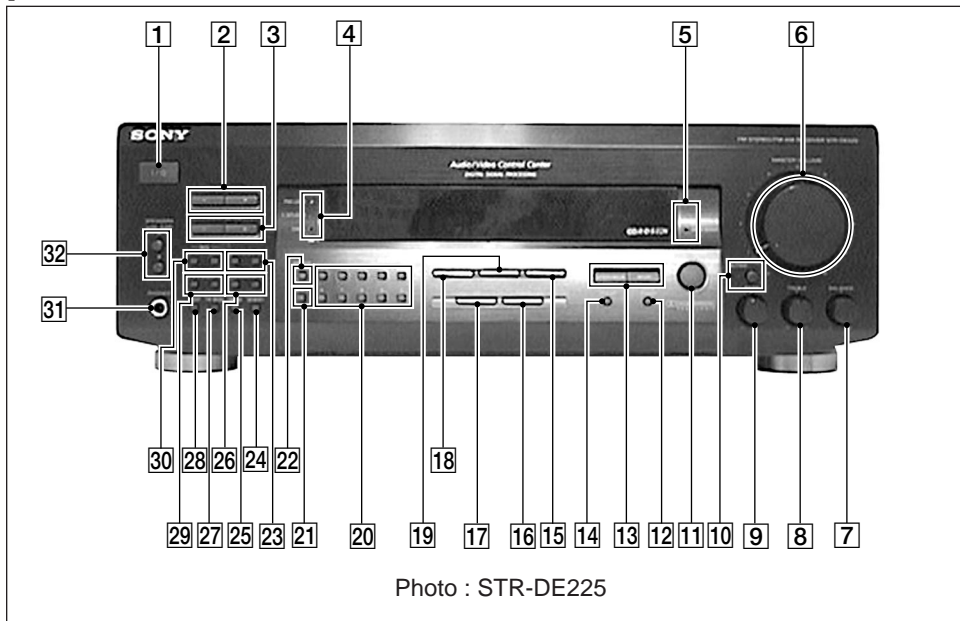
COMPONENTS IDENTIFIED BY MARK \triangle OR DOTTED LINE WITH MARK \triangle ON THE SCHEMATIC DIAGRAMS AND IN THE PARTS LIST ARE CRITICAL TO SAFE OPERATION. REPLACE THESE COMPONENTS WITH SONY PARTS WHOSE PART NUMBERS APPEAR AS SHOWN IN THIS MANUAL OR IN SUPPLEMENTS PUBLISHED BY SONY.

ATTENTION AU COMPOSANT AYANT RAPPORT À LA SÉCURITÉ!

LES COMPOSANTS IDENTIFIÉS PAR UNE MARQUE \triangle SUR LES DIAGRAMMES SCHÉMATIQUES ET LA LISTE DES PIÈCES SONT CRITIQUES POUR LA SÉCURITÉ DE FONCTIONNEMENT. NE REMPLACER CES COMPOSANTS QUE PAR DES PIÈCES SONY DONT LES NUMÉROS SONT DONNÉS DANS CE MANUEL OU DANS LES SUPPLÉMENTS PUBLIÉS PAR SONY.

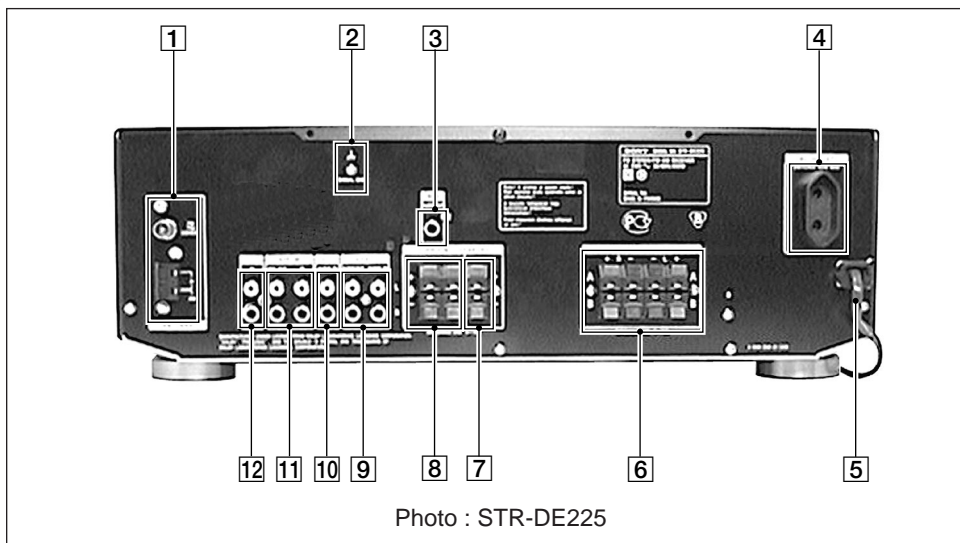
SECTION 1 GENERAL

LOCATION AND FUNCTION OF CONTROLS [FRONT PANEL]



- | | |
|--|-----------------------------------|
| 1 POWER switch (I/O) | 17 CD FUNCTION button |
| 2 CENTER LEVEL +, – buttons | 18 VIDEO FUNCTION button |
| 3 REAR LEVEL +, – buttons | 19 TV/LD FUNCTION button |
| 4 PRO LOGIC, C.STUDIO, HALL indicators | 20 Numeric buttons |
| 5 BASS BOOST indicator | 21 SHIFT button |
| 6 MASTER VOLUME control | 22 DIRECT TUNING button |
| 7 BALANCE control | 23 CHARACTER, DISPLAY buttons |
| 8 TREBLE control | 24 MEMORY button |
| 9 BASS control | 25 FM/AM button |
| 10 MUTING button/indicator | 26 PRESET/CHARACTER +, – buttons |
| 11 SURROUND ON/OFF button | 27 FM MODE button |
| 12 BASS BOOST button | 28 SLEEP button |
| 13 SURROUND EFFECT/DELAY, MODE buttons | 29 TUNING/PTY SELECT +, – buttons |
| 14 SET UP button | 30 RDS PTY, EON buttons |
| 15 TAPE/MD FUNCTION button | 31 PHONES jack |
| 16 TUNER FUNCTION button | 32 SPEAKERS A, B ON/OFF buttons |

[REAR PANEL]



- | | |
|------------------------|------------------------------|
| 1 ANTENNA (FM/AM) | 7 SURROUND SPEAKERS (CENTER) |
| 2 \neq SIGNAL GND | 8 SURROUND SPEAKERS (REAR) |
| 3 MIX AUDIO OUT | 9 VIDEO AUDIO IN, AUDIO OUT |
| 4 AC OUTLET | 10 TV/LD AUDIO IN |
| 5 AC power cord | 11 TAPE/MD IN, REC OUT |
| 6 FRONT SPEAKERS (A/B) | 12 CD IN |

SECTION 2 TEST MODE

INITIALIZATION MODE

* All preset contents are cleared when this mode is activated. Use this mode before returning the product to clients upon completion of repair.

* Procedure:

While depressing the VIDEO and the TAPE/MD buttons simultaneously, press the power [I/⏻] button to turn on the main power. The message INITIAL appears and initialization is performed.

FLUORESCENT INDICATOR TUBE TEST MODE

* All fluorescent segments are tested. When this test is activated, all segments turn on at the same time, then each segment turns on one after another.

* Procedure:

While depressing the TV/LD and the BASS BOOST buttons simultaneously, press the power [I/⏻] button to turn on the main power. All segments turn on at the same time, then each segment turns on one after another. The message FINISH appears when this test is complete.

AUTO-BETICAL CHECK MODE

* To auto-scanning and memorise of RDS station. (RDS model only).

* Procedure:

While depressing the MEMORY button, press the power [I/⏻] button to turn on the main power. The message AUTO BET appears and each function is selected one after another.

AM CHANNEL STEP 9 kHz/10 kHz SELECTION MODE

* Either the 9 kHz step or 10 kHz step can be selected for the AM channel step. (for US, CND and E models only)

* Procedure:

Set the FUNCTION to AM. Turn off the main power.

While depressing the TUNING+ button, press the power [I/⏻] button to turn on the main power. Either the message 9k STEP or 10k STEP appears. Select the desired step.

REAR SPEAKER GAIN UP MODE

* The rear speaker gain can be set to either NORMAL or GAIN UP.

* Procedure:

While depressing the -SURROUND- MODE button, press the power [I/⏻] button to turn on the main power. Either the message NORMAL or GAIN UP appears. When the product enters this mode again, the other gain appears. Select the desired gain.

SOFTWARE VERSION DISPLAY MODE

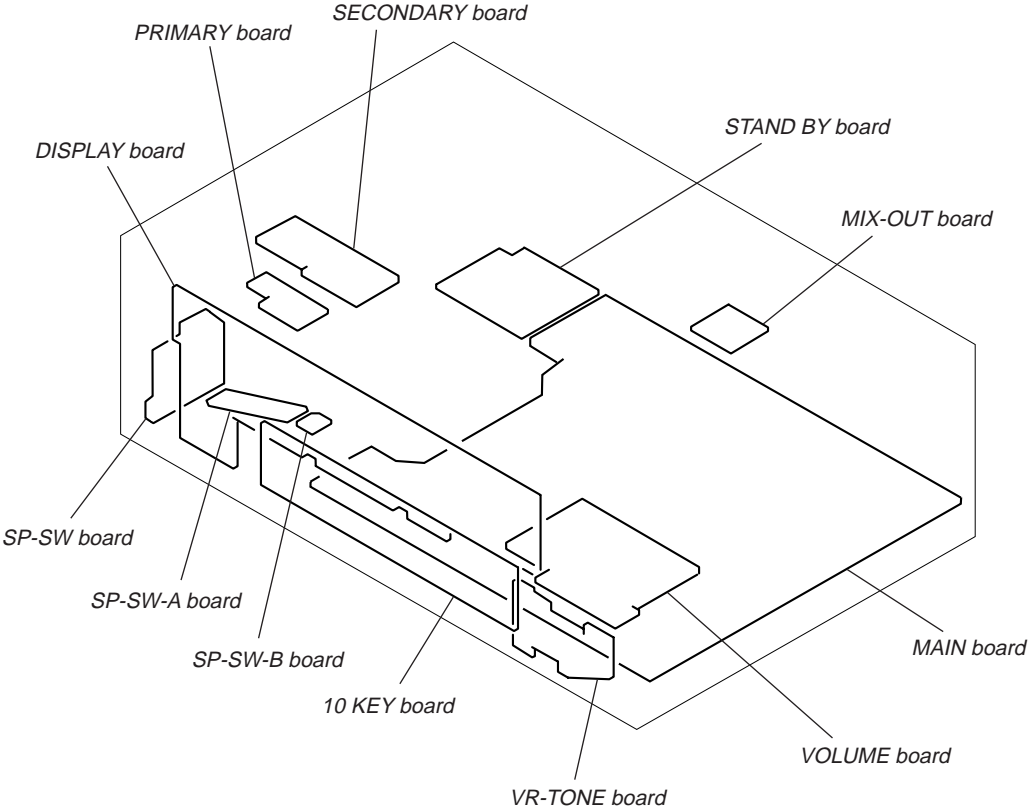
* The software version is displayed.

* Procedure:

While depressing the TUNER and the BASS BOOST buttons simultaneously, press the power [I/⏻] button to turn on the main power. The software version is displayed.

SECTION 3 DIAGRAMS

3-1. CIRCUIT BOARDS LOCATION






THIS NOTE IS COMMON FOR PRINTED WIRING BOARDS AND SCHEMATIC DIAGRAMS.





(In addition to this necessary note is printed in each block.)

For schematic diagrams.

Note:



- All capacitors are in μF unless otherwise noted. pF : $\mu\mu\text{F}$ 50 WV or less are not indicated except for electrolytics and tantalums.
- All resistors are in Ω and $1/4\text{W}$ or less unless otherwise specified.
- % : indicates tolerance.
- Δ : internal component.
-  : nonflammable resistor.
-  : fusible resistor.
-  : panel designation.

<p>Note: The components identified by mark Δ or dotted line with mark Δ are critical for safety. Replace only with part number specified.</p>	<p>Note: Les composants identifiés par une marque Δ sont critiques pour la sécurité. Ne les remplacer que par une pièce portant le numéro spécifié.</p>
--	--

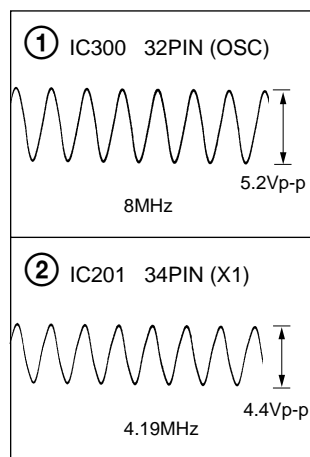
-  : B+ Line.
-  : B- Line.
-  : adjustment for repair.
- Voltages and waveforms are dc with respect to ground under no-signal (detuned) conditions.
No mark : FM
- Voltages are taken with a VOM (Input impedance $10\text{M}\Omega$). Voltage variations may be noted due to normal production tolerances.
- Waveforms are taken with an oscilloscope.
- Circled numbers refer to waveforms.
- Signal path.
 : FM
- Abbreviation
CND : Canadian
EE : East European
AUS : Australian
CH : Chinese
G : German
MY : Malaysia
SP : Singapore
EA : Saudi Arabia

For printed wiring boards.

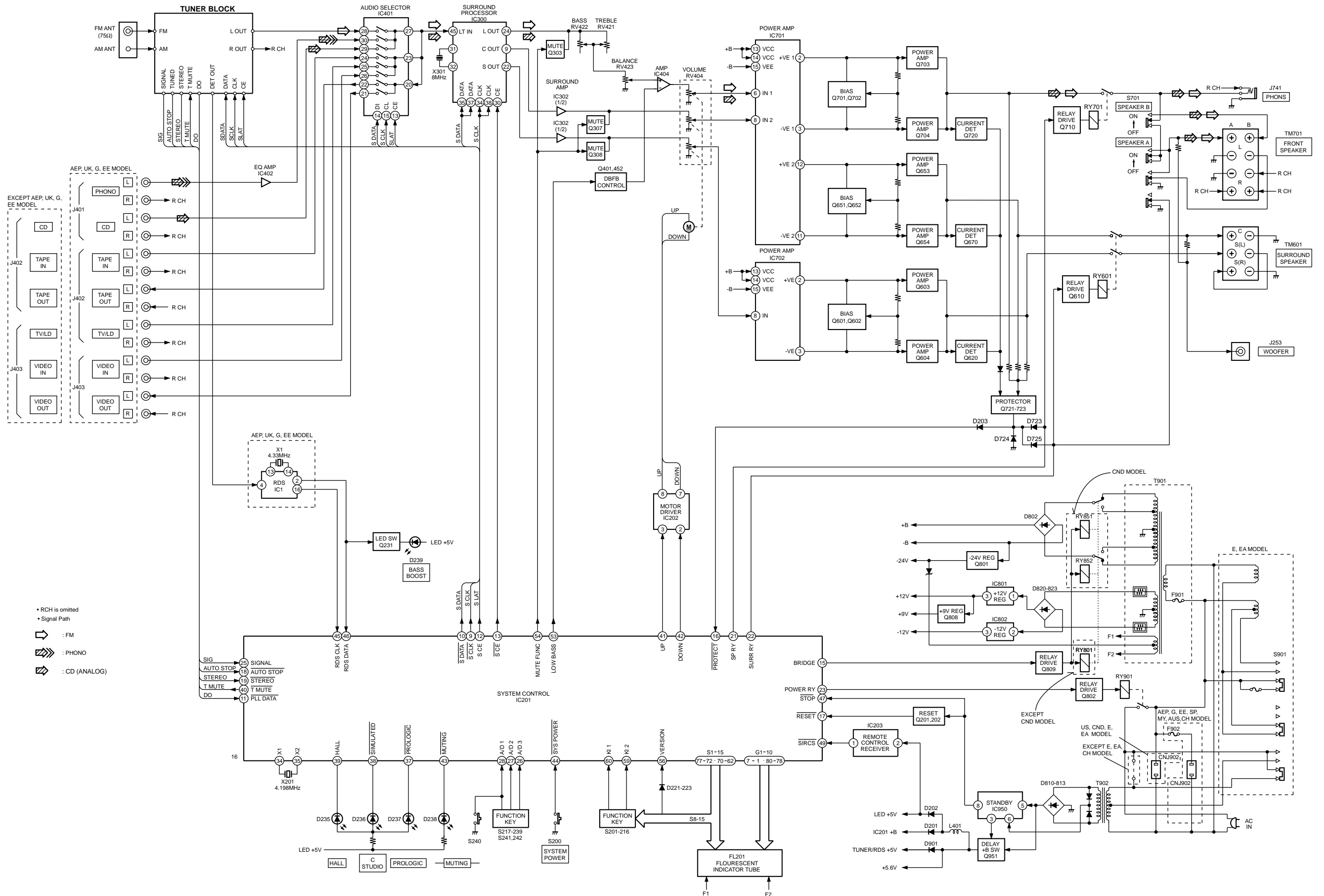
Note:

-  : parts extracted from the component side.
- \circ : Through hole.
- Δ : internal component.
-  : Pattern from the side which enables seeing.

• Waveform

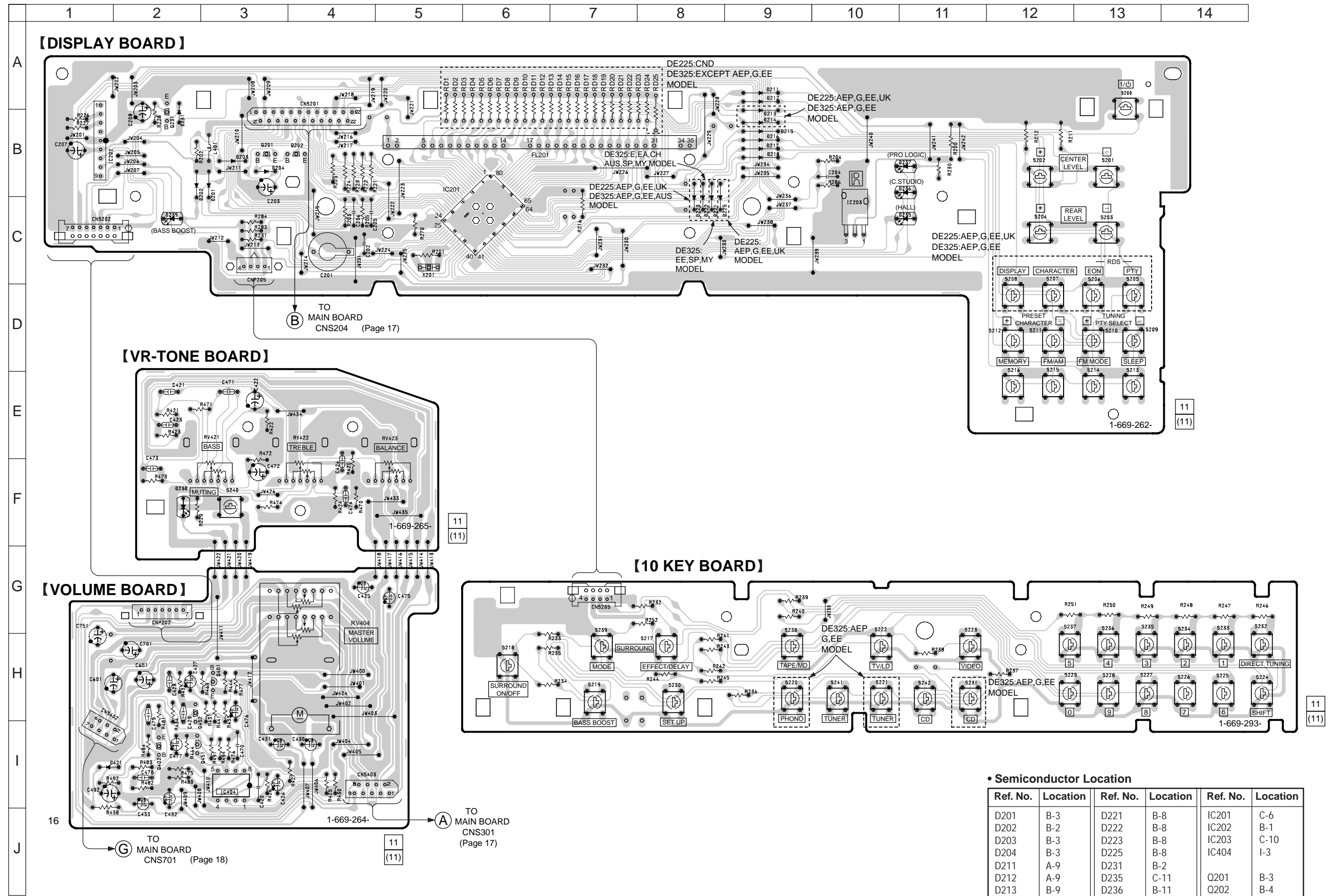


3-2. BLOCK DIAGRAM



- RCH is omitted
- Signal Path
- ◀ : FM
- ◀ : PHONO
- ◀ : CD (ANALOG)

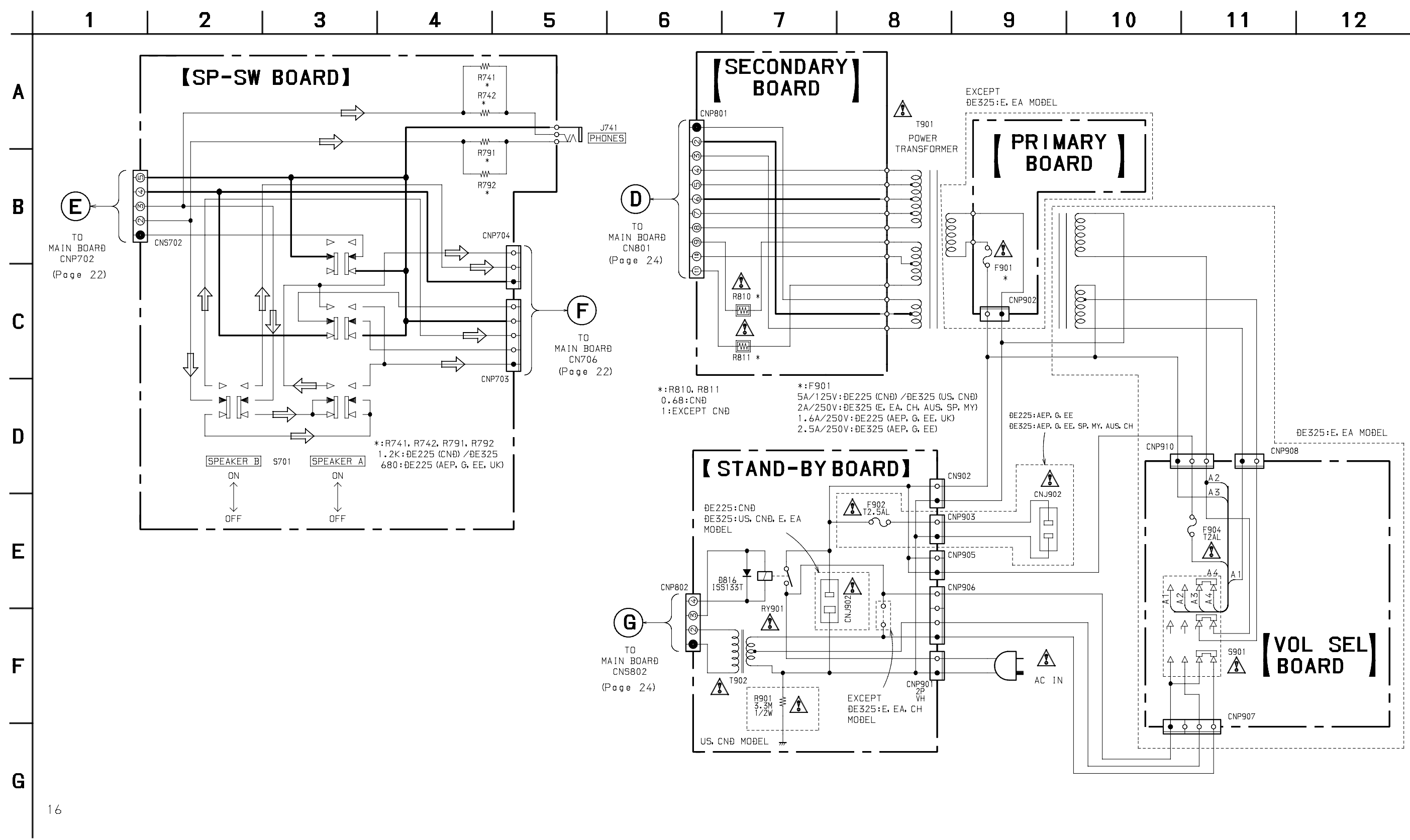
3-4. PRINTED WIRING BOARDS — DISPLAY SECTION —



• Semiconductor Location

Ref. No.	Location	Ref. No.	Location	Ref. No.	Location
D201	B-3	D221	B-8	IC201	C-6
D202	B-2	D222	B-8	IC202	B-1
D203	B-3	D223	B-8	IC203	C-10
D204	B-3	D225	B-8	IC404	I-3
D211	A-9	D231	B-2	Q201	B-3
D212	A-9	D235	C-11	Q202	B-4
D213	B-9	D236	B-11	Q203	B-2
D214	B-9	D237	B-11	Q401	H-3
D215	B-9	D239	C-2	Q402	I-2
D216	B-9	D238	F-2	Q451	I-2
D217	B-9	D421	I-1	Q452	H-2
D218	B-9				

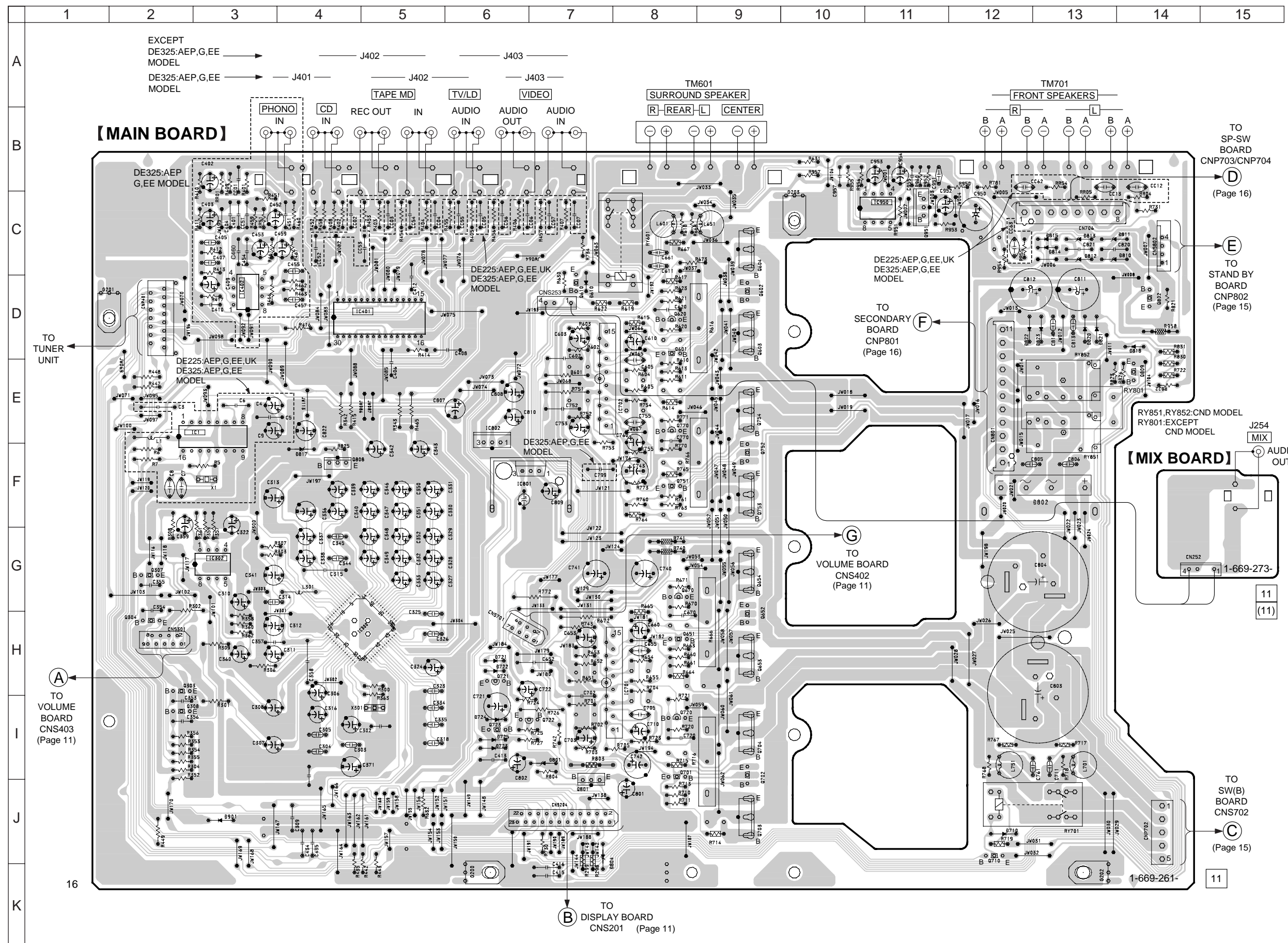
3-5. SCHEMATIC DIAGRAM — POWER SECTION —



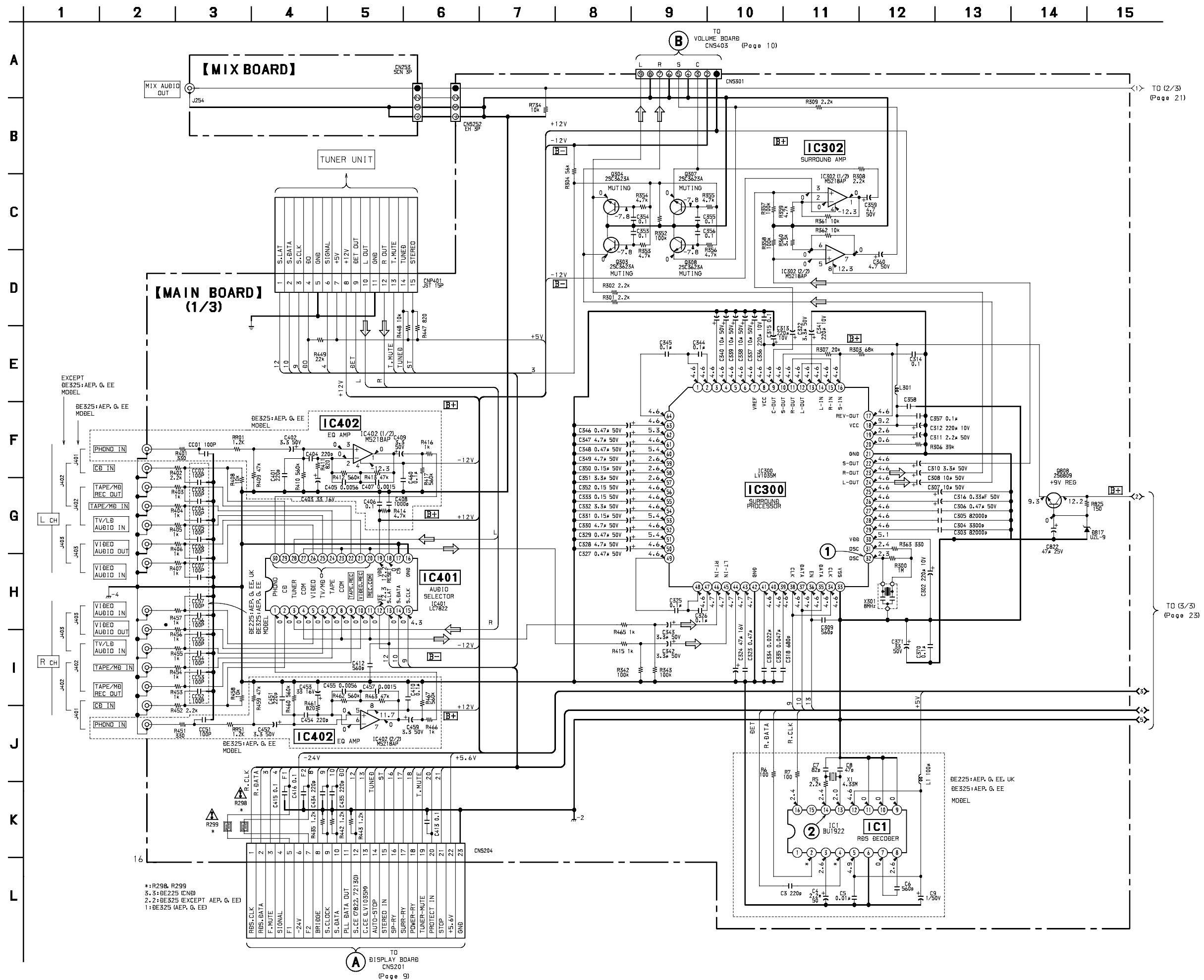
3-7. PRINTED WIRING BOARDS — MAIN SECTION —

• Semiconductor Location

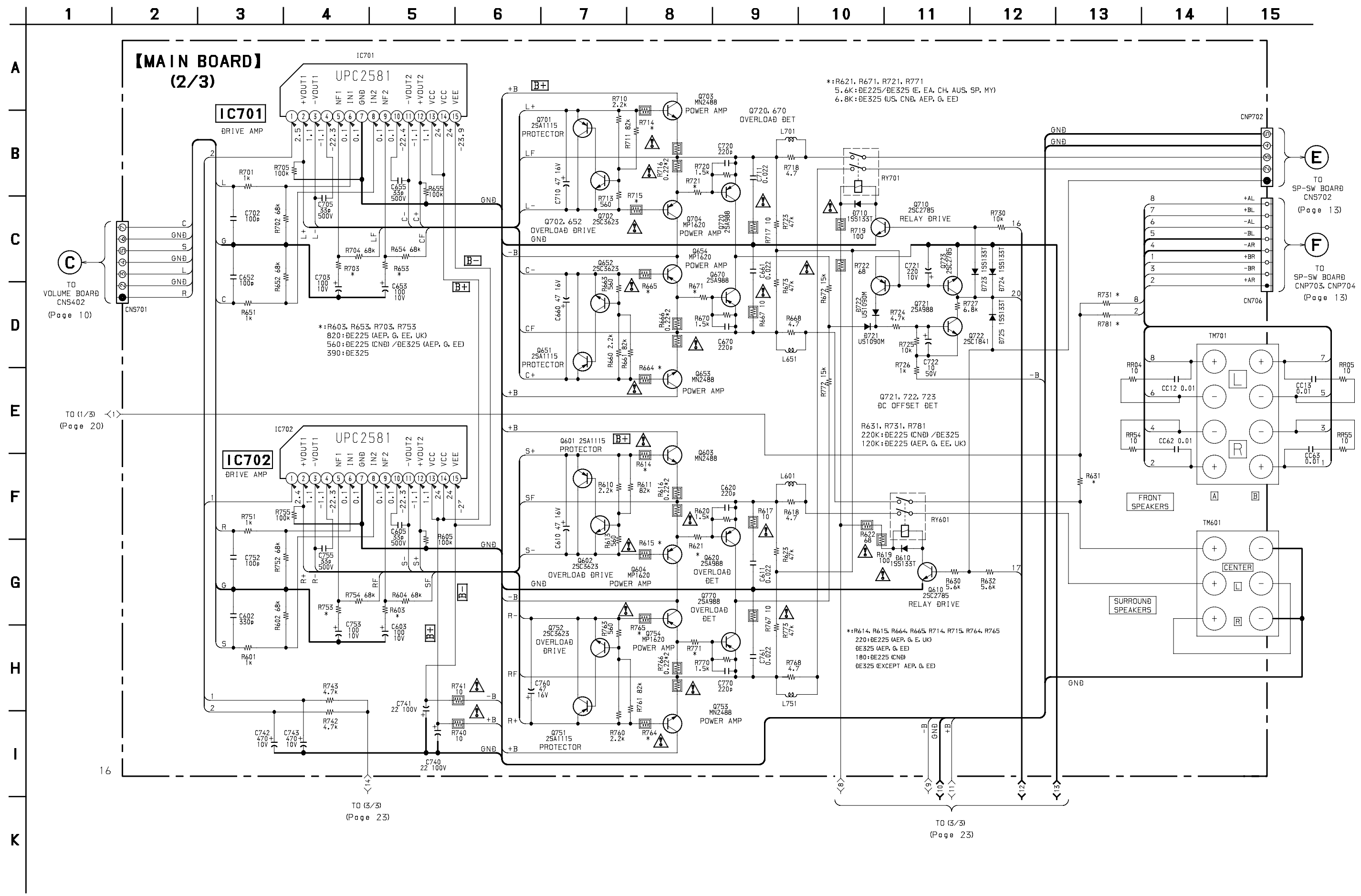
Ref. No.	Location
D610	D-7
D710	J-12
D721	H-6
D722	H-6
D723	I-6
D724	I-6
D725	I-6
D801	I-7
D802	F-13
D804	J-7
D810	C-14
D811	C-14
D812	C-13
D813	C-13
D814	C-13
D815	C-13
D817	F-4
D818	D-14
D820	D-13
D821	D-13
D822	D-13
D823	D-13
D901	J-3
IC1	E-3
IC300	H-5
IC302	G-3
IC401	D-5
IC402	D-3
IC701	H-8
IC702	E-7
IC801	F-7
IC802	E-6
IC950	C-11
Q303	H-2
Q304	H-2
Q307	G-2
Q308	I-2
Q601	D-8
Q602	D-9
Q603	D-9
Q604	C-9
Q610	D-7
Q620	D-8
Q651	H-8
Q652	G-9
Q653	H-9
Q654	G-9
Q670	G-8
Q701	I-8
Q702	I-9
Q703	J-9
Q704	I-9
Q710	J-12
Q720	I-8
Q721	H-6
Q722	I-7
Q723	I-6
Q751	F-8
Q752	F-9
Q753	F-9
Q754	E-9
Q770	E-8
Q801	I-7
Q802	D-14
Q808	F-4
Q809	E-14
Q951	C-11



3-8. SCHEMATIC DIAGRAM — MAIN SECTION (1/3) —



*:R298, R299
 3, 3:BE225 (CNB)
 2, 2:BE325 (EXCEPT AEP, G, EE)
 1:BE325 (AEP, G, EE)



3-11. IC PIN FUNCTION DESCRIPTION

• IC201 μ PD78044FGF-112-3B9

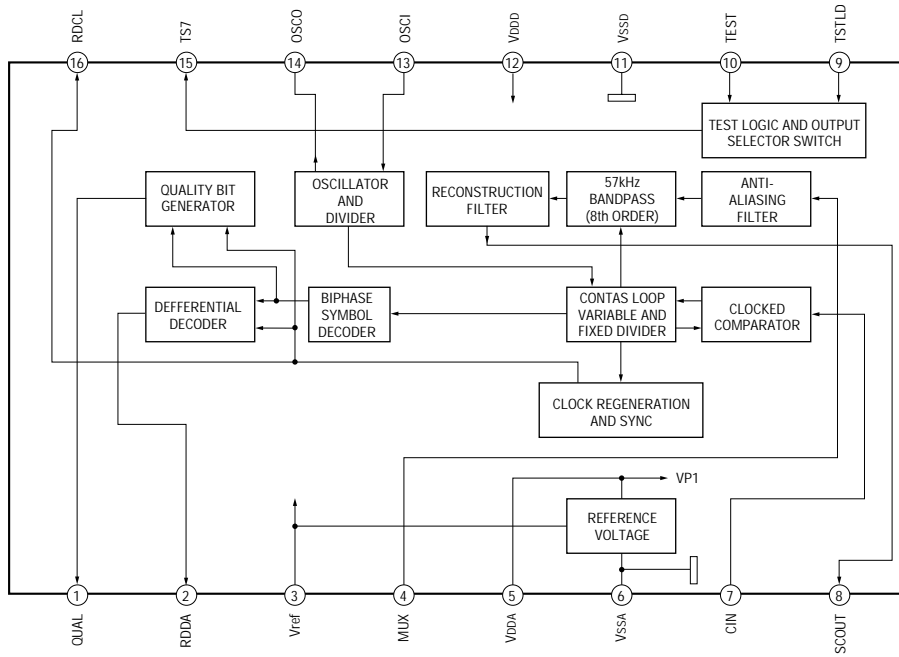
Pin No.	Pin Name	I/O	Description
1	DIG7	O	Fluorescent indicator tube drive.
2	DIG6	O	
3	DIG5	O	
4	DIG4	O	
5	DIG3	O	
6	DIG2	O	
7	DIG1	O	
8	+5V	—	Power supply (+5V).
9	$\overline{S. CLK}$	O	System clock.
10	$\overline{S. DATA}$	O	System data.
11	$\overline{PLL. DATA}$	O	PLL data input from TU001.
12	$\overline{S. CE (LC7288)}$	O	Chip enable output.
13	$\overline{S. CE (LV100)}$	O	Chip enable output.
14	REAR-R	I	Input for model select.
15	BRIDGE	O	Protector detect output.
16	$\overline{PROTECT}$	I	Protector detect input.
17	\overline{RESET}	I	System reset terminal.
18	$\overline{AUTO-STOP}$	I	Auto stop detect input.
19	$\overline{STEREO-IN}$	I	Stereo detect input.
20	AVss	—	Ground.
21	SP-RY	O	Speaker relay drive.
22	SURR-RY	O	Surround Relay.
23	POWER-RY	O	Power relay drive.
24	AVss	—	Ground.
25	SIGNAL	I	A/D signal input terminal.
26	A/D3	I	A/D3 key input terminal.
27	A/D2	I	A/D2 key input terminal.
28	A/D1	I	A/D1 key input terminal.
29	AVDD	—	Power supply (+5V).
30	AV. REF	—	Reference voltage (+5V).
31	GND	—	Ground.
32	NC	—	Not used (Open).
33	Vss	—	Ground.
34	X1	I	System clock (4.19MHz).
35	X2	O	System clock (4.19MHz).
36	IC. MUTE	O	Mute drive output for μ PD2581V (IC701).
37	$\overline{PROLOGIC}$	O	Prologic LED.
38	$\overline{SIMULATED}$	O	CINEMA STUDIO LED.
39	\overline{HALL}	O	HALL LED.
40	T. MUTE	O	Tuner mute drive output.

Pin No.	Pin Name	I/O	Description
41	VOLUME UP	O	Volume up.
42	VOLUME DOWN	O	Volume down.
43	$\overline{\text{STANDBY}}$	O	Standby LED drive.
44	$\overline{\text{SYS. POWER}}$	I	System power ON/OFF.
45	RDS. DATA. IN	I	RDS data input.
46	RDS. CLK. IN	I	RDS clock input.
47	$\overline{\text{STOP}}$	I	Stop signal input from NJM2103D (IC950).
48	V _{ss}	—	Ground.
49	$\overline{\text{SIRCS}}$	I	Sircs signal input.
50	$\overline{\text{POWER SW}}$	I	Power switch input terminal.
51	5.1ch LED	—	5.1ch LED drive.
52	+5V	—	Power supply (+5V).
53	BASS BOOST	O	Bass boost LED drive.
54	FUNC. MUTE	O	Line mute drive.
55	SL MUTE	O	SL mute drive.
56	VERSION	I	Input for model select.
57	K14	I	Key in 4.
58	K13	I	Key in 3.
59	K12	I	Key in 2.
60	K11	I	Key in 1.
61	SR MUTE	O	SR mute drive.
62	S15	O	Key out 15.
63	S14	O	Key out 14.
64	S13	O	Key out 13.
65	S12	O	Key out 12.
66	S11	O	Key out 11.
67	S10	O	Key out 10.
68	S9	O	Key out 9.
69	S8	O	Key out 8.
70	S7	O	Key out 7.
71	VLOAD	—	Connect to -24V.
72	S6	O	Key out 6.
73	S5	O	Key out 5.
74	S4	O	Key out 4.
75	S3	O	Key out 3.
76	S2	O	Key out 2.
77	S1	O	Key out 1.
78	DIG10	O	Fluorescent indicator tube drive.
79	DIG9	O	
80	DIG8	O	

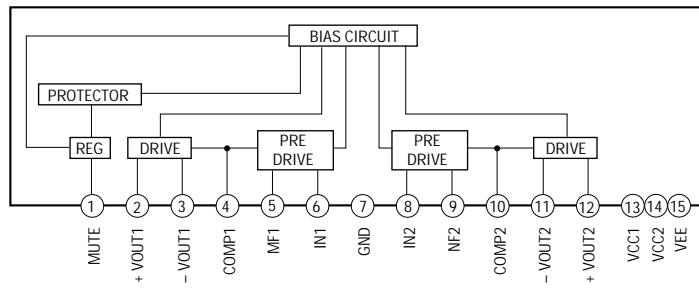
3-12. IC BLOCK DIAGRAMS

• IC BLOCK DIAGRAMS

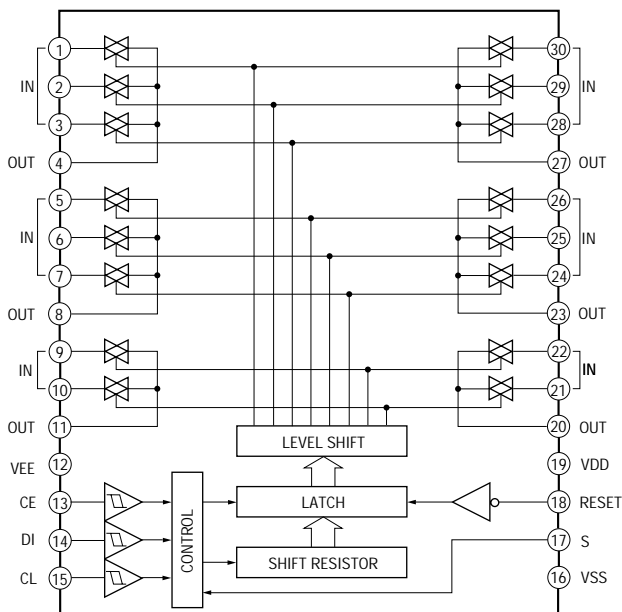
IC1 BU1922



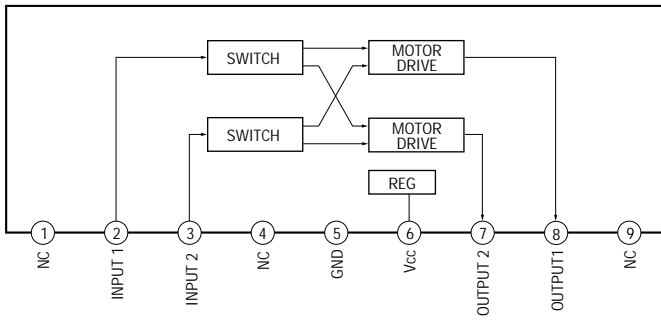
IC701 uPC2581V



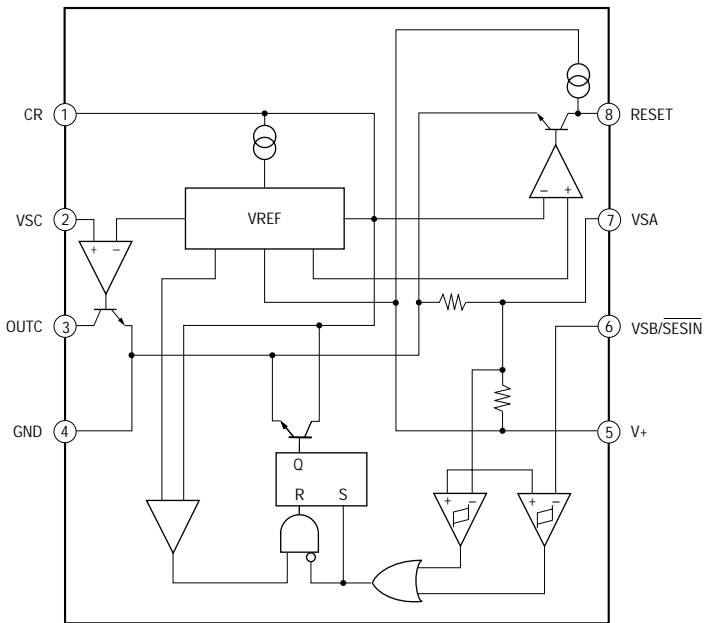
IC401, IC500 LC7822



IC202 BA6208



IC950 NJM2103D



SECTION 4 EXPLODED VIEWS

NOTE:

- -XX, -X mean standardized parts, so they may have some differences from the original one.
- Items marked “*” are not stocked since they are seldom required for routine service. Some delay should be anticipated when ordering these items.
- The mechanical parts with no reference number in the exploded views are not supplied.

- Hardware (# mark) list and accessories and packing materials are given in the last of this parts list.
- Abbreviation
 CND : Canadian G : German
 EE : East European MY : Malaysia
 AUS : Australian SP : Singapore
 CH : Chinese EA : Saudi Arabia

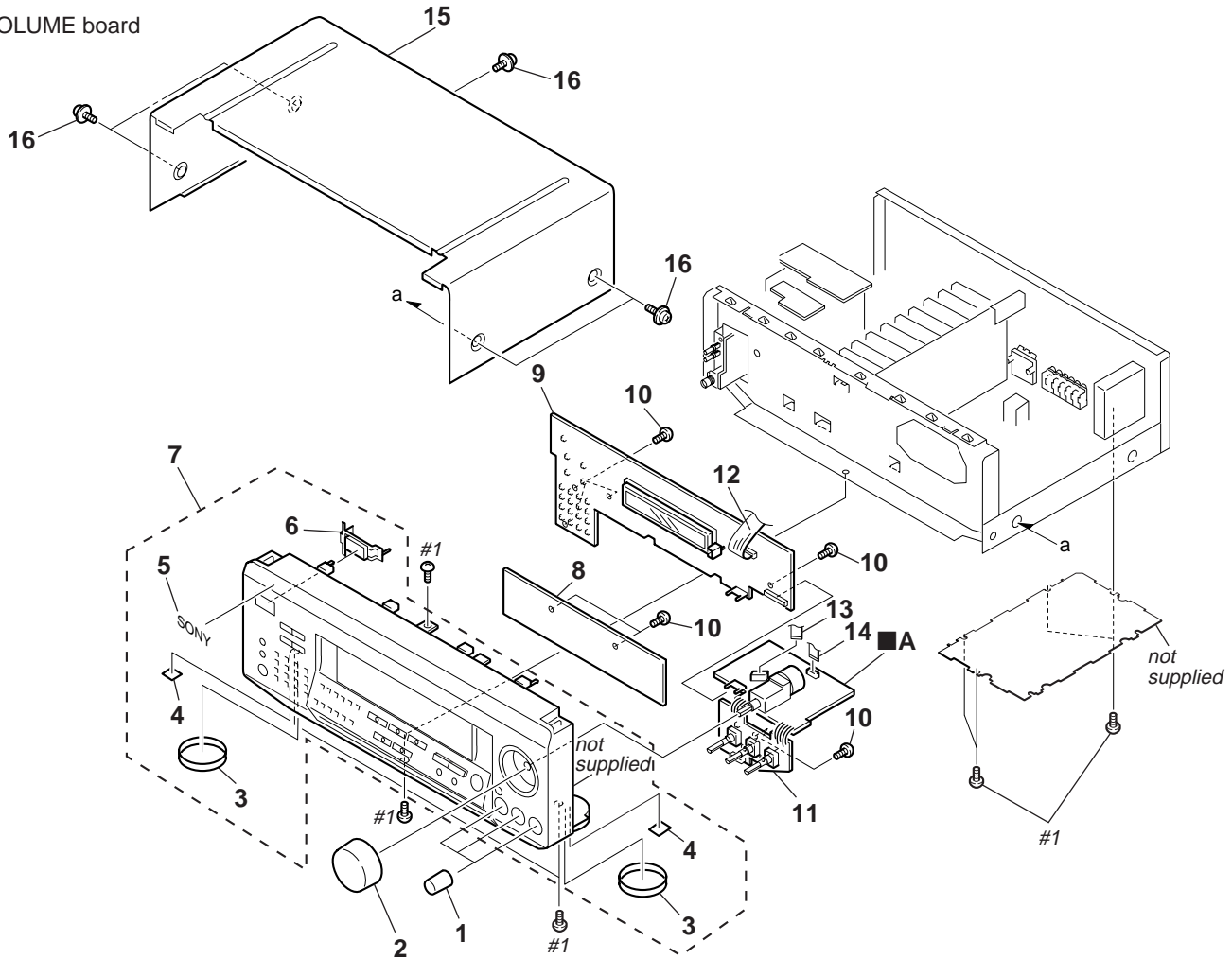
When indicating parts by reference number, please include the board name.

The components identified by mark Δ or dotted line with mark Δ are critical for safety. Replace only with part number specified.

Les composants identifiés par une marque Δ sont critiques pour la sécurité. Ne les remplacer que par une pièce portant le numéro spécifié.

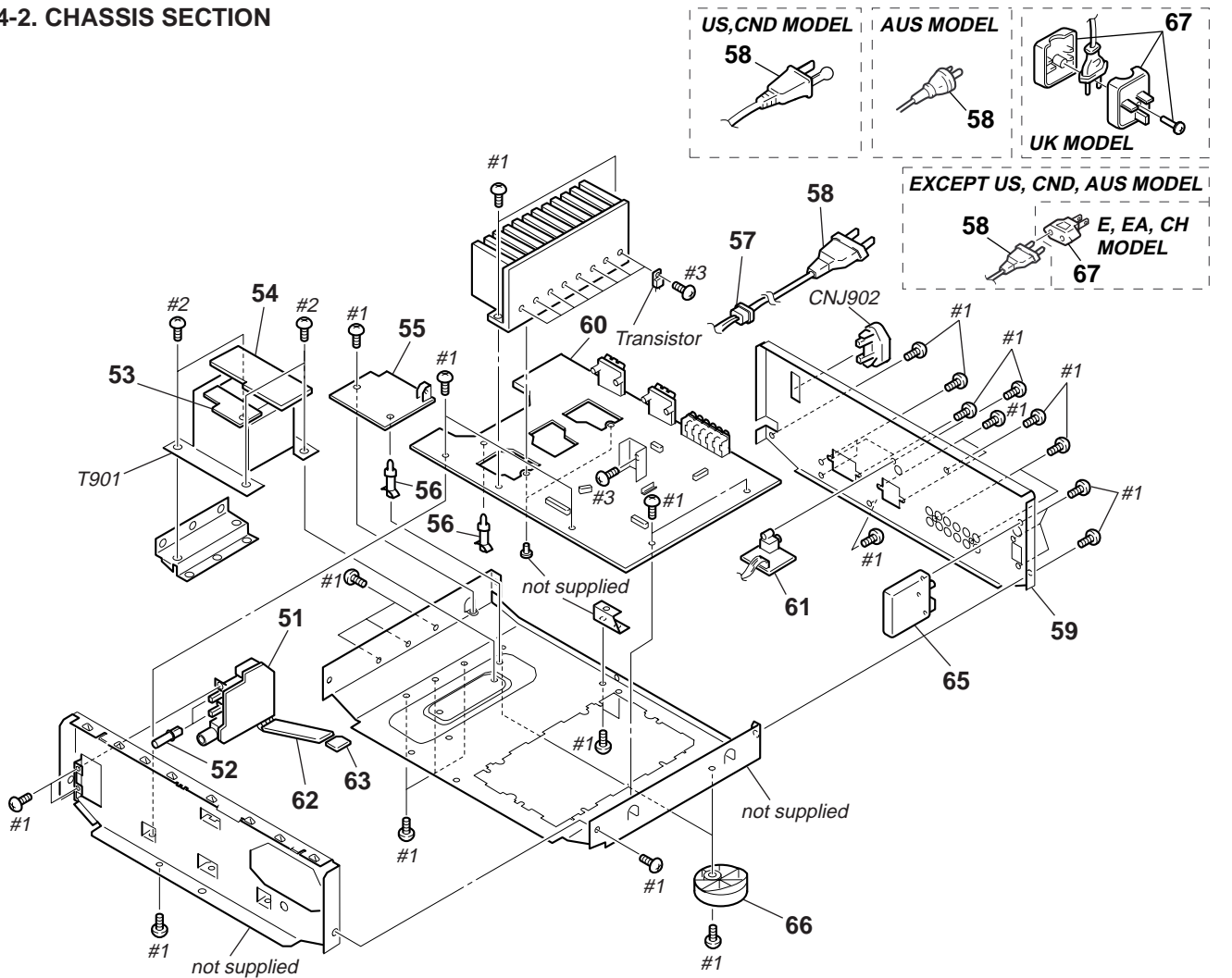
4-1. FRONT PANEL SECTION

■A : VOLUME board



Ref. No.	Part No.	Description	Remarks	Ref. No.	Part No.	Description	Remarks
1	4-998-717-01	KNOB (BAL)		* 9	A-4407-510-A	DISPLAY BOARD, COMPLETE	
2	X-4949-627-1	KNOB (VOL) ASSY				(DE225:AEP,G,EE,UK)	
3	4-977-593-11	RING (DIA. 50), ORNAMENTAL	(EXCEPT US,CND)	* 9	A-4407-515-A	DISPLAY BOARD, COMPLETE (DE325:AUS)	
4	4-977-358-11	CUSHION		* 9	A-4407-518-A	DISPLAY BOARD, COMPLETE (DE325:E,EA,CH)	
5	4-996-698-01	EMBLEM, SONY		* 9	A-4407-521-A	DISPLAY BOARD, COMPLETE (DE325:AEP,G,EE)	
6	4-998-189-01	BUTTON (P-T)		10	4-951-620-01	SCREW (2.6 x 8), +BVTP	
7	X-4949-628-1	FRONT PANEL ASSY (DE325:US,CND)		* 11	A-4407-436-A	VR-TONE BOARD, COMPLETE	(DE225:CND/DE325:EXCEPT AEP,G,EE)
7	X-4949-629-1	FRONT PANEL ASSY (DE225:CND)		* 11	A-4407-523-A	VR-TONE BOARD, COMPLETE	(DE225:AEP,G,EE,UK/DE325:AEP,G,EE)
7	X-4949-679-1	FRONT PANEL ASSY (DE325:AUS)		12	1-782-084-11	WIRE (FLAT TYPE) (23 CORE)	
7	X-4949-680-1	FRONT PANEL ASSY (DE325:E,EA,CH,SP,MY)		13	1-782-074-11	WIRE (FLAT TYPE) (7 CORE)	
7	X-4949-681-1	FRONT PANEL ASSY (DE325:AEP,G,EE)		14	1-782-075-11	WIRE (FLAT TYPE) (9 CORE)	
7	X-4949-682-1	FRONT PANEL ASSY (DE225:AEP,G,EE,UK)		* 15	4-998-206-21	CASE (413226)	
* 8	1-669-263-11	10 KEY BOARD		16	3-710-901-11	SCREW, TAPPING	
* 9	A-4407-424-A	DISPLAY BOARD, COMPLETE (DE325:SP,MY)					
* 9	A-4407-434-A	DISPLAY BOARD, COMPLETE	(DE225:CND/DE325:US,CND)				

4-2. CHASSIS SECTION



Ref. No.	Part No.	Description	Remarks	Ref. No.	Part No.	Description	Remarks
* 51	1-669-270-11	SP-SW BOARD		* 60	A-4407-529-A	MAIN BOARD, COMPLETE (DE325:AEP,G,EE)	
* 52	4-951-801-03	BUTTON (S)		* 61	1-669-273-11	MIX-OUT BOARD	
* 53	1-669-267-11	PRIMARY BOARD		* 62	1-669-271-11	SP-SW-A BOARD	
* 54	1-669-268-11	SECONDARY BOARD		* 63	1-669-272-11	SP-SW-B BOARD	
* 55	1-669-266-11	STAND BY BOARD		* 64	1-669-269-11	VOL-SEL BOARD (DE325:E,EA,CH)	
* 56	4-954-051-51	HOLDER, PC BOARD		65	1-693-407-51	TUNER (US,CND)	
* 57	3-703-244-21	BUSHING (2104), CORD		65	1-693-408-31	TUNER (EXCEPT US,CND,EE)	
△ 58	1-777-071-21	CORD, POWER (EXCEPT US,CND,AUS)		65	1-693-411-31	TUNER (EE)	
△ 58	1-696-847-21	CORD, POWER (AUS)		66	X-4947-207-2	FOOT ASSY (F50150S)	
△ 58	1-783-204-11	CORD, POWER (US,CND)		66	X-4947-208-2	FOOT ASSY (F50150S)	(DE225:AEP,G,EE,UK/DE325:EXCEPT US,CND) (DE225:CND/DE325:US,CND)
* 59	4-998-208-11	BACK PANEL (E2) (DE225:CND)		△ 67	1-569-008-21	ADAPTOR, CONVERSION 2P (E,EA,CH)	
* 59	4-998-208-21	BACK PANEL (E2) (DE225:AEP,G,EE,UK)		△ 67	1-770-019-11	ADAPTOR, CONVERSION PLUG 3P (UK)	
* 59	4-998-209-01	BACK PANEL (E3) (DE325:US)		△ CNJ902	1-251-416-11	OUTLET, A.C. (AUS)	
* 59	4-998-209-11	BACK PANEL (E3) (DE325:CND)		△ CNJ902	1-526-794-11	OUTLET, AC (AEP,G,EE,SP,MY)	
* 59	4-998-209-41	BACK PANEL (E3) (DE325:CH)		△ T901	1-431-264-11	TRANSFORMER, POWER (DE325:CND)	
* 59	4-998-209-21	BACK PANEL (E3) (DE325:AUS)		△ T901	1-431-793-11	TRANSFORMER, POWER (DE325:US)	
* 59	4-998-209-31	BACK PANEL (E3) (DE325:SP,MY)		△ T901	1-431-794-11	TRANSFORMER, POWER (DE325:E,EA,CH)	
* 59	4-998-209-51	BACK PANEL (E3) (DE325:E,EA)		△ T901	1-431-795-11	TRANSFORMER, POWER (DE325:SP,MY)	
* 59	4-998-209-61	BACK PANEL (E3) (DE325:AEP,G)		△ T901	1-431-796-11	TRANSFORMER, POWER (DE325:AEP,G,EE)	
* 59	4-998-209-71	BACK PANEL (E3) (DE325:EE)		△ T901	1-431-798-11	TRANSFORMER, POWER (DE225:AEP,G,EE,UK)	
* 60	A-4407-425-A	MAIN BOARD, COMPLETE (DE225:CND)		△ T901	1-431-799-11	TRANSFORMER, POWER (DE225:CND)	
* 60	A-4407-448-A	MAIN BOARD, COMPLETE (DE325:US)		△ T901	1-431-818-11	TRANSFORMER, POWER (DE325:AUS)	
* 60	A-4407-512-A	MAIN BOARD, COMPLETE (DE225:AEP,G,EE,UK)					
* 60	A-4407-514-A	MAIN BOARD, COMPLETE (DE325:CND)					
* 60	A-4407-517-A	MAIN BOARD, COMPLETE	(DE325:E,EA,CH,AUS,SP,MY)				

The components identified by mark △ or dotted line with mark △ are critical for safety. Replace only with part number specified.

Les composants identifiés par une marque △ sont critiques pour la sécurité. Ne les remplacer que par une pièce portant le numéro spécifié.

SECTION 5 ELECTRICAL PARTS LIST

DISPLAY

NOTE:

When indicating parts by reference number, please include the board name.

The components identified by mark Δ or dotted line with mark Δ are critical for safety. Replace only with part number specified.

Les composants identifiés par une marque Δ sont critiques pour la sécurité. Ne les remplacer que par une pièce portant le numéro spécifié.

- Due to standardization, replacements in the parts list may be different from the parts specified in the diagrams or the components used on the set.

- XX, -X mean standardized parts, so they may have some difference from the original one.
- Items marked "*" are not stocked since they are seldom required for routine service. Some delay should be anticipated when ordering these items.
- CAPACITORS:
uF: μ F
- RESISTORS
All resistors are in ohms.
METAL: metal-film resistor
METAL OXIDE: Metal Oxide-film resistor
F: nonflammable

- COILS
uH: μ H
- SEMICONDUCTORS
In each case, u: μ , for example:
uA...: μ A..., uPA..., μ PA...,
uPB..., μ PB..., uPC..., μ PC...,
uPD..., μ PD...
- Abbreviation
CND : Canadian G : German
EE : East European MY : Malaysia
AUS : Australian SP : Singapore
CH : Chinese EA : Saudi Arabia

Ref. No.	Part No.	Description	Remarks	Ref. No.	Part No.	Description	Remarks
*	A-4407-424-A	DISPLAY BOARD, COMPLETE (DE325:SP,MY) *****		D222	8-719-911-19	DIODE 1SS119 (DE325:E,EA,CH,AUS,SP,MY)	
*	A-4407-434-A	DISPLAY BOARD, COMPLETE ***** (DE225:CND/DE325:US,CND)		D223	8-719-991-33	DIODE 1SS133T-77 (DE225:AEP,G,EE,UK/DE325:AEP,G,EE)	
*	A-4407-510-A	DISPLAY BOARD, COMPLETE ***** (DE225:AEP,G,EE,UK)		D223	8-719-911-19	DIODE 1SS119 (DE325:AUS)	
*	A-4407-515-A	DISPLAY BOARD, COMPLETE (DE325:AUS) *****		D225	8-719-991-33	DIODE 1SS133T-77 (DE225:AEP,G,EE,UK)	
*	A-4407-518-A	DISPLAY BOARD, COMPLETE (DE325:E,EA,CH) *****		D231	8-719-911-19	DIODE 1SS119	
*	A-4407-521-A	DISPLAY BOARD, COMPLETE (DE325:AEP,G,EE) *****		D235	8-719-046-39	DIODE SEL5821A-TH15 (HALL)	
		< CAPACITOR >		D236	8-719-046-39	DIODE SEL5821A-TH15 (C.STUDIO)	
C201	1-104-905-11	CAPACITOR	0.22F 5.5V	D237	8-719-046-39	DIODE SEL5821A-TH15 (PRO LOGIC)	
C202	1-164-159-11	CERAMIC	0.1uF 50V	D239	8-719-046-39	DIODE SEL5821A-TH15 (BASS BOOST)	
C203	1-124-465-00	ELECT	0.47uF 20% 50V			< FLUORESCENT >	
C204	1-164-159-11	CERAMIC	0.1uF 50V	FL201	1-517-662-11	INDICATOR TUBE, FLUORESCENT	
C205	1-162-294-31	CERAMIC	0.001uF 10% 50V			< IC >	
C206	1-164-159-11	CERAMIC	0.1uF 50V	IC201	8-759-526-68	IC uPD78044FGF-112-3B9	
C207	1-126-096-11	ELECT	10uF 20% 35V	IC202	8-759-962-08	IC BA6208	
C208	1-126-096-11	ELECT	10uF 20% 35V	IC203	8-759-332-18	IC GP1U27XB	
		< CONNECTOR >				< COIL >	
CNP205	1-779-366-11	CONNECTOR, BOARD TO BOARD 4P		L401	1-410-509-11	INDUCTOR 10uH	
CNS201	1-568-742-11	SOCKET, CONNECTOR 23P				< TRANSISTOR >	
CNS202	1-770-400-11	HOUSING, CONNECTOR(PC BOARD)7P		Q201	8-729-900-63	TRANSISTOR DTA124ES	
		< DIODE >		Q202	8-729-900-36	TRANSISTOR DTC124ES	
D201	8-719-911-19	DIODE 1SS119		Q231	8-729-900-36	TRANSISTOR DTC124ES	
D202	8-719-911-19	DIODE 1SS119				< RESISTOR >	
D203	8-719-911-19	DIODE 1SS119		R200	1-249-433-11	CARBON 22K 5% 1/4W	
D204	8-719-911-19	DIODE 1SS119		R201	1-247-903-00	CARBON 1M 5% 1/4W	
D211	8-719-911-19	DIODE 1SS119		R202	1-249-429-11	CARBON 10K 5% 1/4W	
D212	8-719-911-19	DIODE 1SS119		R203	1-249-429-11	CARBON 10K 5% 1/4W	
D213	8-719-991-33	DIODE 1SS133T-77 (DE225:AEP,G,EE,UK/DE325:AEP,G,EE)		R204	1-249-425-11	CARBON 4.7K 5% 1/4W F	
D214	8-719-991-33	DIODE 1SS133T-77 (DE225:AEP,G,EE,UK/DE325:AEP,G,EE)		R205	1-249-441-11	CARBON 100K 5% 1/4W	
D215	8-719-911-19	DIODE 1SS119		R207	1-249-429-11	CARBON 10K 5% 1/4W (DE325:AEP,G,EE)	
D216	8-719-911-19	DIODE 1SS119		R211	1-249-433-11	CARBON 22K 5% 1/4W	
D217	8-719-911-19	DIODE 1SS119		R212	1-249-433-11	CARBON 22K 5% 1/4W	
D218	8-719-911-19	DIODE 1SS119		R216	1-249-433-11	CARBON 22K 5% 1/4W	
D221	8-719-991-33	DIODE 1SS133T-77 (DE325:EE)		R221	1-247-807-31	CARBON 100 5% 1/4W	
D221	8-719-911-19	DIODE 1SS119 (DE325:SP,MY)		R222	1-247-807-31	CARBON 100 5% 1/4W	
				R223	1-247-807-31	CARBON 100 5% 1/4W	
				R224	1-247-807-31	CARBON 100 5% 1/4W	
				R225	1-247-807-31	CARBON 100 5% 1/4W	
				R226	1-249-441-11	CARBON 100K 5% 1/4W	
				R227	1-249-441-11	CARBON 100K 5% 1/4W	
				R228	1-249-406-11	CARBON 120 5% 1/4W F	
				R230	1-249-406-11	CARBON 120 5% 1/4W F	
				R231	1-249-427-11	CARBON 6.8K 5% 1/4W F	

Ref. No.	Part No.	Description	Remarks
R270	1-247-807-31	CARBON 100 5%	1/4W
R280	1-249-419-11	CARBON 1.5K 5%	1/4W F (DE325:AEP,G,EE)
R281	1-249-421-11	CARBON 2.2K 5%	1/4W F (DE225:AEP,G,EE,UK)
R282	1-247-843-11	CARBON 3.3K 5%	1/4W (DE225:AEP,G,EE,UK)
R283	1-249-427-11	CARBON 6.8K 5%	1/4W F
R284	1-249-427-11	CARBON 6.8K 5%	1/4W F
R286	1-249-437-11	CARBON 47K 5%	1/4W
RD01	1-249-439-11	CARBON 68K 5%	1/4W (DE225:CND/DE325:EXCEPT AEP,G,EE)
RD02	1-249-439-11	CARBON 68K 5%	1/4W (DE225:CND/DE325:EXCEPT AEP,G,EE)
RD03	1-249-439-11	CARBON 68K 5%	1/4W (DE225:CND/DE325:EXCEPT AEP,G,EE)
RD04	1-249-439-11	CARBON 68K 5%	1/4W (DE225:CND/DE325:EXCEPT AEP,G,EE)
RD05	1-249-439-11	CARBON 68K 5%	1/4W (DE225:CND/DE325:EXCEPT AEP,G,EE)
RD06	1-249-439-11	CARBON 68K 5%	1/4W (DE225:CND/DE325:EXCEPT AEP,G,EE)
RD07	1-249-439-11	CARBON 68K 5%	1/4W (DE225:CND/DE325:EXCEPT AEP,G,EE)
RD08	1-249-439-11	CARBON 68K 5%	1/4W (DE225:CND/DE325:EXCEPT AEP,G,EE)
RD09	1-249-439-11	CARBON 68K 5%	1/4W (DE225:CND/DE325:EXCEPT AEP,G,EE)
RD10	1-249-439-11	CARBON 68K 5%	1/4W (DE225:CND/DE325:EXCEPT AEP,G,EE)
RD11	1-249-439-11	CARBON 68K 5%	1/4W (DE225:CND/DE325:EXCEPT AEP,G,EE)
RD12	1-249-439-11	CARBON 68K 5%	1/4W (DE225:CND/DE325:EXCEPT AEP,G,EE)
RD13	1-249-439-11	CARBON 68K 5%	1/4W (DE225:CND/DE325:EXCEPT AEP,G,EE)
RD14	1-249-439-11	CARBON 68K 5%	1/4W (DE225:CND/DE325:EXCEPT AEP,G,EE)
RD15	1-249-439-11	CARBON 68K 5%	1/4W (DE225:CND/DE325:EXCEPT AEP,G,EE)
RD16	1-249-439-11	CARBON 68K 5%	1/4W (DE225:CND/DE325:EXCEPT AEP,G,EE)
RD17	1-249-439-11	CARBON 68K 5%	1/4W (DE225:CND/DE325:EXCEPT AEP,G,EE)
RD18	1-249-439-11	CARBON 68K 5%	1/4W (DE225:CND/DE325:EXCEPT AEP,G,EE)
RD19	1-249-439-11	CARBON 68K 5%	1/4W (DE225:CND/DE325:EXCEPT AEP,G,EE)
RD20	1-249-439-11	CARBON 68K 5%	1/4W (DE225:CND/DE325:EXCEPT AEP,G,EE)
RD21	1-249-439-11	CARBON 68K 5%	1/4W (DE225:CND/DE325:EXCEPT AEP,G,EE)
RD22	1-249-439-11	CARBON 68K 5%	1/4W (DE225:CND/DE325:EXCEPT AEP,G,EE)
RD23	1-249-439-11	CARBON 68K 5%	1/4W (DE225:CND/DE325:EXCEPT AEP,G,EE)
RD24	1-249-439-11	CARBON 68K 5%	1/4W (DE225:CND/DE325:EXCEPT AEP,G,EE)
RD25	1-249-439-11	CARBON 68K 5%	1/4W (DE225:CND/DE325:EXCEPT AEP,G,EE)

Ref. No.	Part No.	Description	Remarks
		< SWITCH >	
S200	1-762-751-11	SWITCH, TACTILE (POEWR)	
S201	1-762-751-11	SWITCH, TACTILE (CENTER LEVEL -)	
S202	1-762-751-11	SWITCH, TACTILE (CENTER LEVEL +)	
S203	1-762-751-11	SWITCH, TACTILE (REAR LEVEL -)	
S204	1-762-751-11	SWITCH, TACTILE (REAR LEVEL +)	
S205	1-762-751-11	SWITCH, TACTILE (PTY) (DE225:AEP,G,EE,UK/DE325:AEP,G,EE)	
S206	1-762-751-11	SWITCH, TACTILE (EON) (DE225:AEP,G,EE,UK/DE325:AEP,G,EE)	
S207	1-762-751-11	SWITCH, TACTILE (CHARACTER) (DE225:AEP,G,EE,UK/DE325:AEP,G,EE)	
S208	1-762-751-11	SWITCH, TACTILE (DISPLAY) (DE225:AEP,G,EE,UK/DE325:AEP,G,EE)	
S209	1-762-751-11	SWITCH, TACTILE (TUNING PTY SELECT-)	
S210	1-762-751-11	SWITCH, TACTILE (TUNING PTY SELECT+)	
S211	1-762-751-11	SWITCH, TACTILE (PRESET CHARACTER-)	
S212	1-762-751-11	SWITCH, TACTILE (PRESET CHARACTER+)	
S213	1-762-751-11	SWITCH, TACTILE (SLEEP)	
S214	1-762-751-11	SWITCH, TACTILE (FM MODE)	
S215	1-762-751-11	SWITCH, TACTILE (FM/AM)	
S216	1-762-751-11	SWITCH, TACTILE (MEMORY)	
		< VIBRATOR >	
X201	1-577-101-11	VIBRATOR, CERAMIC 4.19MHZ	

*	A-4407-425-A	MAIN BOARD, COMPLETE (DE225:CND)	

*	A-4407-448-A	MAIN BOARD, COMPLETE (DE325:US)	

*	A-4407-512-A	MAIN BOARD, COMPLETE (DE225:AEP,G,EE,UK)	

*	A-4407-514-A	MAIN BOARD, COMPLETE (DE325:CND)	

*	A-4407-517-A	MAIN BOARD, COMPLETE (DE325:E,EA,CH,AUS,SP,MY)	

*	A-4407-529-A	MAIN BOARD, COMPLETE (DE325:AEP,G,EE)	

	7-685-646-79	SCREW +BVTP 3X8 TYPE2 IT-3	
	3-905-609-01	SCREW (TRANSISTOR)	
	4-812-134-00	RIVET (DIA. 3.5), NYLON	
	7-685-872-09	SCREW +BVTT 3X8 (S)	
		< CAPACITOR >	
C3	1-162-286-21	CERAMIC 220PF 10% 50V (DE225:AEP,G,EE,UK/DE325:AEP,G,EE)	
C4	1-126-961-11	ELECT 2.2uF 20% 50V (DE225:AEP,G,EE,UK/DE325:AEP,G,EE)	
C5	1-162-306-11	CERAMIC 0.01uF 20% 16V (DE225:AEP,G,EE,UK/DE325:AEP,G,EE)	
C6	1-162-291-31	CERAMIC 560PF 10% 50V (DE225:AEP,G,EE,UK/DE325:AEP,G,EE)	
C7	1-102-527-11	CERAMIC 82PF 5% 50V (DE225:AEP,G,EE,UK/DE325:AEP,G,EE)	
C8	1-102-852-91	CERAMIC 47PF 5% 50V (DE225:AEP,G,EE,UK/DE325:AEP,G,EE)	

Ref. No.	Part No.	Description	Remarks	Ref. No.	Part No.	Description	Remarks
C9	1-126-960-11	ELECT	1uF 20% 50V (DE225:AEP,G,EE,UK/DE325:AEP,G,EE)	C402	1-126-962-11	ELECT	3.3uF 20% 50V (DE325:AEP,G,EE)
C302	1-126-934-11	ELECT	220uF 20% 10V	C403	1-126-966-11	ELECT	33uF 20% 50V (DE325:AEP,G,EE)
C303	1-130-494-11	MYLAR	0.082uF 5% 50V	C404	1-162-286-21	CERAMIC	220PF 10% 50V (DE325:AEP,G,EE)
C304	1-137-367-11	FILM	0.0033uF 5% 50V	C405	1-137-459-11	FILM	0.0056uF 5% 100V (DE325:AEP,G,EE)
C305	1-130-494-11	MYLAR	0.082uF 5% 50V	C406	1-164-159-11	CERAMIC	0.1uF 50V
C306	1-126-959-11	ELECT	0.47uF 20% 50V	C407	1-137-365-11	FILM	0.0015uF 5% 50V (DE325:AEP,G,EE)
C307	1-126-964-11	ELECT	10uF 20% 50V	C408	1-162-294-31	CERAMIC	0.001uF 10% 50V
C308	1-126-964-11	ELECT	10uF 20% 50V	C409	1-126-962-11	ELECT	3.3uF 20% 50V (DE325:AEP,G,EE)
C309	1-162-291-31	CERAMIC	560PF 10% 50V	C410	1-164-159-21	CERAMIC	0.1uF 50V (DE325:AEP,G,EE)
C310	1-126-962-11	ELECT	3.3uF 20% 50V	C412	1-162-291-31	CERAMIC	560PF 10% 50V
C311	1-126-961-11	ELECT	2.2uF 20% 50V	C413	1-164-159-11	CERAMIC	0.1uF 50V
C312	1-126-934-11	ELECT	220uF 20% 10V	C415	1-164-159-11	CERAMIC	0.1uF 50V
C313	1-126-934-11	ELECT	220uF 20% 10V	C416	1-164-159-11	CERAMIC	0.1uF 50V
C314	1-136-165-00	FILM	0.1uF 5% 50V	C434	1-162-286-31	CERAMIC	220PF 10% 50V
C315	1-164-159-11	CERAMIC	0.1uF 50V	C435	1-162-286-31	CERAMIC	220PF 10% 50V
C316	1-124-252-00	ELECT	0.33uF 20% 50V	C451	1-162-286-21	CERAMIC	220PF 10% 50V (DE325:AEP,G,EE)
C318	1-136-357-11	FILM	680PF 5% 50V	C452	1-126-962-11	ELECT	3.3uF 20% 50V (DE325:AEP,G,EE)
C322	1-126-962-11	ELECT	3.3uF 20% 50V	C453	1-126-966-11	ELECT	33uF 20% 50V (DE325:AEP,G,EE)
C323	1-136-173-00	FILM	0.47uF 5% 50V	C454	1-162-286-21	CERAMIC	220PF 10% 50V (DE325:AEP,G,EE)
C324	1-126-967-11	ELECT	47uF 20% 16V	C455	1-137-459-11	FILM	0.0056uF 5% 100V (DE325:AEP,G,EE)
C325	1-136-165-00	FILM	0.1uF 5% 50V	C457	1-137-365-11	FILM	0.0015uF 5% 50V (DE325:AEP,G,EE)
C326	1-136-165-00	FILM	0.1uF 5% 50V	C459	1-126-962-11	ELECT	3.3uF 20% 50V (DE325:AEP,G,EE)
C327	1-126-959-11	ELECT	0.47uF 20% 50V	C460	1-164-159-21	CERAMIC	0.1uF 50V (DE325:AEP,G,EE)
C328	1-126-963-11	ELECT	4.7uF 20% 50V	C602	1-162-288-31	CERAMIC	330PF 10% 50V
C329	1-126-959-11	ELECT	0.47uF 20% 50V	C603	1-126-933-11	ELECT	100uF 20% 10V
C330	1-126-963-11	ELECT	4.7uF 20% 50V	C605	1-102-233-00	CERAMIC	33PF 10% 500V
C331	1-124-250-11	ELECT	0.15uF 20% 50V	C610	1-126-967-11	ELECT	47uF 20% 16V
C332	1-126-962-11	ELECT	3.3uF 20% 50V	C611	1-137-372-11	FILM	0.022uF 5% 50V
C333	1-124-250-11	ELECT	0.15uF 20% 50V	C620	1-162-286-31	CERAMIC	220PF 10% 50V
C334	1-137-372-11	FILM	0.022uF 5% 50V	C652	1-162-282-31	CERAMIC	100PF 10% 50V
C335	1-136-161-00	FILM	0.047uF 5% 50V	C653	1-126-933-11	ELECT	100uF 20% 10V
C336	1-126-934-11	ELECT	220uF 20% 10V	C655	1-102-233-00	CERAMIC	33PF 10% 500V
C337	1-126-964-11	ELECT	10uF 20% 50V	C660	1-126-967-11	ELECT	47uF 20% 16V
C338	1-126-964-11	ELECT	10uF 20% 50V	C661	1-137-372-11	FILM	0.022uF 5% 50V
C339	1-126-964-11	ELECT	10uF 20% 50V	C670	1-162-286-31	CERAMIC	220PF 10% 50V
C340	1-126-964-11	ELECT	10uF 20% 50V	C702	1-162-282-31	CERAMIC	100PF 10% 50V
C341	1-126-934-11	ELECT	220uF 20% 10V	C703	1-126-933-11	ELECT	100uF 20% 10V
C342	1-126-962-11	ELECT	3.3uF 20% 50V	C705	1-102-233-00	CERAMIC	33PF 10% 500V
C343	1-126-962-11	ELECT	3.3uF 20% 50V	C710	1-126-967-11	ELECT	47uF 20% 16V
C344	1-136-165-00	FILM	0.1uF 5% 50V	C711	1-137-372-11	FILM	0.022uF 5% 50V
C345	1-136-165-00	FILM	0.1uF 5% 50V	C720	1-162-286-31	CERAMIC	220PF 10% 50V
C346	1-126-959-11	ELECT	0.47uF 20% 50V	C721	1-126-934-11	ELECT	220uF 20% 10V
C347	1-126-963-11	ELECT	4.7uF 20% 50V	C722	1-126-964-11	ELECT	10uF 20% 50V
C348	1-126-959-11	ELECT	0.47uF 20% 50V				
C349	1-126-963-11	ELECT	4.7uF 20% 50V				
C350	1-124-250-11	ELECT	0.15uF 20% 50V				
C351	1-126-962-11	ELECT	3.3uF 20% 50V				
C352	1-124-250-11	ELECT	0.15uF 20% 50V				
C353	1-164-159-11	CERAMIC	0.1uF 50V				
C354	1-164-159-11	CERAMIC	0.1uF 50V				
C355	1-164-159-11	CERAMIC	0.1uF 50V				
C356	1-164-159-11	CERAMIC	0.1uF 50V				
C357	1-164-159-11	CERAMIC	0.1uF 50V				
C358	1-164-159-11	CERAMIC	0.1uF 50V				
C359	1-126-963-11	ELECT	4.7uF 20% 50V				
C360	1-126-963-11	ELECT	4.7uF 20% 50V				
C370	1-164-159-11	CERAMIC	0.1uF 50V				
C371	1-126-966-11	ELECT	33uF 20% 50V				
C401	1-162-286-21	CERAMIC	220PF 10% 50V (DE325:AEP,G,EE)				

MAIN

Ref. No.	Part No.	Description	Remarks	Ref. No.	Part No.	Description	Remarks
C740	1-128-560-11	ELECT	22uF 20% 100V	CC02	1-162-282-31	CERAMIC 100PF 10% 50V (DE225:AEP,G,EE,UK/DE325:AEP,G,EE)	
C741	1-128-560-11	ELECT	22uF 20% 100V	CC03	1-162-282-31	CERAMIC 100PF 10% 50V (DE225:AEP,G,EE,UK/DE325:AEP,G,EE)	
C742	1-126-925-11	ELECT	470uF 20% 10V	CC04	1-162-282-31	CERAMIC 100PF 10% 50V (DE225:AEP,G,EE,UK/DE325:AEP,G,EE)	
C743	1-126-925-11	ELECT	470uF 20% 10V	CC05	1-162-282-31	CERAMIC 100PF 10% 50V (DE225:AEP,G,EE,UK/DE325:AEP,G,EE)	
C752	1-162-282-31	CERAMIC	100PF 10% 50V	CC06	1-162-282-31	CERAMIC 100PF 10% 50V (DE225:AEP,G,EE,UK/DE325:AEP,G,EE)	
C753	1-126-933-11	ELECT	100uF 20% 10V	CC07	1-162-282-31	CERAMIC 100PF 10% 50V (DE225:AEP,G,EE,UK/DE325:AEP,G,EE)	
C755	1-102-233-00	CERAMIC	33PF 10% 500V	CC12	1-164-096-11	CERAMIC 0.01uF 50V (DE225:AEP,G,EE,UK/DE325:AEP,G,EE)	
C760	1-126-967-11	ELECT	47uF 20% 16V	CC13	1-164-096-11	CERAMIC 0.01uF 50V (DE225:AEP,G,EE,UK/DE325:AEP,G,EE)	
C761	1-137-372-11	FILM	0.022uF 5% 50V	CC51	1-162-282-31	CERAMIC 100PF 10% 50V (DE225:AEP,G,EE,UK/DE325:AEP,G,EE)	
C770	1-162-286-31	CERAMIC	220PF 10% 50V	CC52	1-162-282-31	CERAMIC 100PF 10% 50V (DE225:AEP,G,EE,UK/DE325:AEP,G,EE)	
C799	1-164-159-21	CERAMIC	0.1uF 50V (DE325:AEP,G,EE)	CC53	1-162-282-31	CERAMIC 100PF 10% 50V (DE225:AEP,G,EE,UK/DE325:AEP,G,EE)	
C801	1-104-664-11	ELECT	47uF 20% 25V	CC54	1-162-282-31	CERAMIC 100PF 10% 50V (DE225:AEP,G,EE,UK/DE325:AEP,G,EE)	
C802	1-104-664-11	ELECT	47uF 20% 25V	CC55	1-162-282-31	CERAMIC 100PF 10% 50V (DE225:AEP,G,EE,UK/DE325:AEP,G,EE)	
C803	1-128-493-11	ELECT	4700uF 20% 63V (DE225)	CC56	1-162-282-31	CERAMIC 100PF 10% 50V (DE225:AEP,G,EE,UK/DE325:AEP,G,EE)	
C803	1-109-932-11	ELECT(BLOCK)	10000uF 20% 71V (DE325:US)	CC57	1-162-282-31	CERAMIC 100PF 10% 50V (DE225:AEP,G,EE,UK/DE325:AEP,G,EE)	
C803	1-107-766-11	ELECT(BLOCK)	8200uF 20% 71V (DE325:CND:AEP,G,EE)	CC62	1-164-096-11	CERAMIC 0.01uF 50V (DE225:AEP,G,EE,UK/DE325:AEP,G,EE)	
C803	1-104-595-11	ELECT(BLOCK)	6800uF 20% 71V (DE325:E,EA,CH,AUS,SP,MY)	CC63	1-164-096-11	CERAMIC 0.01uF 50V (DE225:AEP,G,EE,UK/DE325:AEP,G,EE)	
C804	1-128-493-11	ELECT	4700uF 20% 63V (DE225)	< CONNECTOR >			
C804	1-109-932-11	ELECT(BLOCK)	10000uF 20% 71V (DE325:US)	CNP401	1-774-289-11	PIN, CONNECTOR (PC BOARD) 15P	
C804	1-107-766-11	ELECT(BLOCK)	8200uF 20% 71V (DE325:CND:AEP,G,EE)	CNP702	1-750-388-11	PIN, CONNECTOR 5P	
C804	1-104-595-11	ELECT(BLOCK)	6800uF 20% 71V (DE325:E,EA,CH,AUS,SP,MY)	CNS204	1-568-742-11	SOCKET, CONNECTOR 23P	
C805	1-115-694-21	MYLAR	0.22uF 5% 100V (DE225:AEP,G,EE,UK/DE325:EXCEPTUS,CND)	CNS252	1-691-765-11	PLUG (MICRO CONNECTOR) 3P	
C805	1-137-420-11	FILM	0.047uF 10% 100V (DE225:CND/DE325:US,CND)	CNS301	1-568-442-11	SOCKET, CONNECTOR 9P	
C806	1-115-694-21	MYLAR	0.22uF 5% 100V (DE225:AEP,G,EE,UK/DE325:EXCEPT US,CND)	CNS701	1-568-439-11	SOCKET, CONNECTOR 7P	
C806	1-137-420-11	FILM	0.047uF 10% 100V (DE225:CND/DE325:US,CND)	CNS802	1-770-480-11	SOCKET, CONNECTOR PIN 4P	
C807	1-104-664-11	ELECT	47uF 20% 25V	< DIODE >			
C808	1-104-664-11	ELECT	47uF 20% 25V	D610	8-719-911-19	DIODE 1SS119	
C809	1-126-960-11	ELECT	1uF 20% 50V	D710	8-719-911-19	DIODE 1SS119	
C810	1-126-960-11	ELECT	1uF 20% 50V	D721	8-719-911-19	DIODE 1SS119	
C811	1-126-942-61	ELECT	1000uF 20% 25V	D722	8-719-911-19	DIODE 1SS119	
C812	1-126-941-11	ELECT	470uF 20% 25V	D723	8-719-911-19	DIODE 1SS119	
C813	1-101-001-00	CERAMIC	0.001uF 50V	D724	8-719-911-19	DIODE 1SS119	
C814	1-101-001-00	CERAMIC	0.001uF 50V	D725	8-719-911-19	DIODE 1SS119	
C820	1-161-494-00	CERAMIC	0.022uF 25V	D801	8-719-986-54	DIODE HZS24-1LTA	
C821	1-161-494-00	CERAMIC	0.022uF 25V	D802	8-719-302-38	DIODE RBV-602-01	
C822	1-104-664-11	ELECT	47uF 20% 25V	D804	8-719-109-85	DIODE RD5.1ES-B2	
C823	1-104-664-11	ELECT	47uF 20% 25V	D810	8-719-200-82	DIODE 11ES2	
C950	1-126-767-11	ELECT	1000uF 20% 16V	D811	8-719-200-82	DIODE 11ES2	
C951	1-164-097-11	CERAMIC	0.022uF 50V	D812	8-719-200-82	DIODE 11ES2	
C952	1-126-960-11	ELECT	1uF 20% 50V	D813	8-719-200-82	DIODE 11ES2	
C953	1-124-464-11	ELECT	0.22uF 20% 50V	D814	8-719-911-19	DIODE 1SS119	
C954	1-126-096-11	ELECT	10uF 20% 35V				
C955	1-164-159-11	CERAMIC	0.1uF 50V				
C957	1-164-159-11	CERAMIC	0.1uF 50V				
CC01	1-162-282-31	CERAMIC	100PF 10% 50V (DE325:AEP,G,EE)				

Ref. No.	Part No.	Description	Remarks	Ref. No.	Part No.	Description	Remarks
D815	8-719-911-19	DIODE 1SS119		Q701	8-729-119-76	TRANSISTOR 2SA1175-HFE	
D817	8-719-936-61	DIODE GL-9HY35		Q702	8-729-141-30	TRANSISTOR 2SC3623A-LK	
D818	8-719-911-19	DIODE 1SS119		Q703	8-749-010-25	IC MN2488-OPY-M	
D820	8-719-200-82	DIODE 11ES2		Q704	8-749-010-26	IC MP1620-OPY-M	
D821	8-719-200-82	DIODE 11ES2		Q710	8-729-620-05	TRANSISTOR 2SC2603-EF	
D822	8-719-200-82	DIODE 11ES2		Q720	8-729-140-82	TRANSISTOR 2SA988-PAFAEA	
D823	8-719-200-82	DIODE 11ES2		Q721	8-729-140-82	TRANSISTOR 2SA988-PAFAEA	
D901	8-719-911-19	DIODE 1SS119		Q722	8-729-140-84	TRANSISTOR 2SC1841-PAFAEA	
		< TERMINAL >		Q723	8-729-620-05	TRANSISTOR 2SC2603-EF	
* G200	1-537-738-21	TERMINAL, EARTH		Q751	8-729-119-76	TRANSISTOR 2SA1175-HFE	
* G201	1-537-738-21	TERMINAL, EARTH		Q752	8-729-141-30	TRANSISTOR 2SC3623A-LK	
* G202	1-537-738-21	TERMINAL, EARTH		Q753	8-749-010-25	IC MN2488-OPY-M	
* G203	1-537-738-21	TERMINAL, EARTH		Q754	8-749-010-26	IC MP1620-OPY-M	
		< IC >		Q770	8-729-140-82	TRANSISTOR 2SA988-PAFAEA	
IC1	8-759-450-86	IC BU1922 (DE225:AEP,G,EE,UK/DE325:AEP,G,EE)		Q801	8-729-140-97	TRANSISTOR 2SB734-34	
IC300	8-759-527-00	IC LV1035M		Q802	8-729-620-05	TRANSISTOR 2SC2603-EF	
IC302	8-759-636-74	IC M5218AP-22		Q808	8-729-180-92	TRANSISTOR 2SD809-K	
IC401	8-759-805-14	IC LC7822		Q809	8-729-620-05	TRANSISTOR 2SC2603-EF	
IC402	8-759-636-74	IC M5218AP-22(DE325:AEP,G,EE)		Q951	8-729-209-15	TRANSISTOR 2SD2012	
IC701	8-759-326-52	IC uPC2581V				< RESISTOR >	
IC702	8-759-326-52	IC uPC2581V		R5	1-249-421-11	CARBON 2.2K 5% 1/4W F (DE225:AEP,G,EE,UK/DE325:AEP,G,EE)	
IC801	8-759-231-58	IC TA7812S		R6	1-247-807-31	CARBON 100 5% 1/4W (DE225:AEP,G,EE,UK/DE325:AEP,G,EE)	
IC802	8-759-604-45	IC M5F79M12		R7	1-247-807-31	CARBON 100 5% 1/4W (DE225:AEP,G,EE,UK/DE325:AEP,G,EE)	
IC950	8-759-333-83	IC NJM2103D		R298	1-249-387-11	CARBON 3.3 5% 1/4W F (DE225:CND)	
		< JACK >		R298	1-249-385-11	CARBON 2.2 5% 1/6W F (DE325:EXCEPT AEP,G,EE)	
J401	1-770-614-11	JACK, PIN 4P (PHONO/CD)(DE325:AEP,G,EE)		R298	1-249-381-11	CARBON 1 5% 1/4W F (DE325:AEP,G,EE)	
J402	1-691-887-11	JACK, PIN 6P (TAPE MD/TV/LD)		R299	1-249-387-11	CARBON 3.3 5% 1/4W F (DE225:CND)	
J403	1-580-825-11	JACK, PIN 6P (VIDEO)		R299	1-249-385-11	CARBON 2.2 5% 1/6W F (DE325:EXCEPT AEP,G,EE)	
		< COIL >		R299	1-249-381-11	CARBON 1 5% 1/4W F (DE325:AEP,G,EE)	
L1	1-410-521-11	INDUCTOR 100uH (DE225:AEP,G,EE,UK/DE325:AEP,G,EE)		R300	1-247-903-00	CARBON 1M 5% 1/4W	
L301	1-410-509-11	INDUCTOR 10uH		R301	1-249-421-11	CARBON 2.2K 5% 1/4W F	
L601	1-420-872-00	COIL, AIR-CORE		R302	1-249-421-11	CARBON 2.2K 5% 1/4W F	
L651	1-420-872-00	COIL, AIR-CORE		R303	1-249-439-11	CARBON 68K 5% 1/4W	
L701	1-420-872-00	COIL, AIR-CORE		R304	1-249-438-11	CARBON 56K 5% 1/4W	
L751	1-420-872-00	COIL, AIR-CORE		R306	1-249-436-11	CARBON 39K 5% 1/4W	
		< TRANSISTOR >		R307	1-247-862-11	CARBON 20K 5% 1/4W	
Q303	8-729-141-30	TRANSISTOR 2SC3623A-LK		R308	1-249-421-11	CARBON 2.2K 5% 1/4W F	
Q304	8-729-141-30	TRANSISTOR 2SC3623A-LK		R309	1-249-421-11	CARBON 2.2K 5% 1/4W F	
Q307	8-729-141-30	TRANSISTOR 2SC3623A-LK		R342	1-249-441-11	CARBON 100K 5% 1/4W	
Q308	8-729-141-30	TRANSISTOR 2SC3623A-LK		R343	1-249-441-11	CARBON 100K 5% 1/4W	
Q601	8-729-119-76	TRANSISTOR 2SA1175-HFE		R352	1-249-441-11	CARBON 100K 5% 1/4W	
Q602	8-729-141-30	TRANSISTOR 2SC3623A-LK		R353	1-249-425-11	CARBON 4.7K 5% 1/4W F	
Q603	8-749-010-25	IC MN2488-OPY-M		R354	1-249-425-11	CARBON 4.7K 5% 1/4W F	
Q604	8-749-010-26	IC MP1620-OPY-M		R355	1-249-425-11	CARBON 4.7K 5% 1/4W F	
Q610	8-729-620-05	TRANSISTOR 2SC2603-EF		R356	1-249-425-11	CARBON 4.7K 5% 1/4W F	
Q620	8-729-140-82	TRANSISTOR 2SA988-PAFAEA		R357	1-249-441-11	CARBON 100K 5% 1/4W	
Q651	8-729-119-76	TRANSISTOR 2SA1175-HFE		R358	1-249-441-11	CARBON 100K 5% 1/4W	
Q652	8-729-141-30	TRANSISTOR 2SC3623A-LK		R359	1-249-425-11	CARBON 4.7K 5% 1/4W F	
Q653	8-749-010-25	IC MN2488-OPY-M		R360	1-247-843-11	CARBON 3.3K 5% 1/4W	
Q654	8-749-010-26	IC MP1620-OPY-M					
Q670	8-729-140-82	TRANSISTOR 2SA988-PAFAEA					

MAIN

Ref. No.	Part No.	Description		Remarks	Ref. No.	Part No.	Description		Remarks
R361	1-249-429-11	CARBON	10K	5% 1/4W	R602	1-249-439-11	CARBON	68K 5%	1/4W
R362	1-249-429-11	CARBON	10K	5% 1/4W	R603	1-249-416-11	CARBON	820 5%	1/4W F
R363	1-249-411-11	CARBON	330	5% 1/4W					(DE225:AEP,G,EE,UK)
R401	1-249-411-11	CARBON	330	5% 1/4W (DE325:AEP,G,EE)	R603	1-249-414-11	CARBON	560 5%	1/4W F
									(DE225:CND/DE325:AEP,G,EE)
R402	1-249-421-11	CARBON	2.2K	5% 1/4W F	R603	1-249-412-11	CARBON	390 5%	1/4W F
R403	1-249-417-11	CARBON	1K	5% 1/4W F					(DE325:US,CND)
R404	1-249-417-11	CARBON	1K	5% 1/4W F	R603	1-249-413-11	CARBON	470 5%	1/4W F
R405	1-249-417-11	CARBON	1K	5% 1/4W F					(DE325:E,EA,CH,AUS,SP,MY)
R406	1-249-417-11	CARBON	1K	5% 1/4W F	R604	1-249-439-11	CARBON	68K 5%	1/4W
					R605	1-249-441-11	CARBON	100K 5%	1/4W
R407	1-249-417-11	CARBON	1K	5% 1/4W F	R610	1-249-421-11	CARBON	2.2K 5%	1/4W F
R408	1-249-429-11	CARBON	10K	5% 1/4W	R611	1-249-440-11	CARBON	82K 5%	1/4W
R409	1-249-437-11	CARBON	47K	5% 1/4W (DE325:AEP,G,EE)	R613	1-249-414-11	CARBON	560 5%	1/4W F
R410	1-247-897-11	CARBON	560K	5% 1/4W (DE325:AEP,G,EE)	△ R614	1-249-409-11	CARBON	220 5%	1/4W F
									(DE225:AEP,G,EE,UK/DE325:AEP,G,EE)
R411	1-249-416-11	CARBON	820	5% 1/4W F (DE325:AEP,G,EE)	△ R614	1-249-408-11	CARBON	180 5%	1/4W F
									(DE225:CND/DE325:EXCEPT AEP,G,EE)
R412	1-247-897-11	CARBON	560K	5% 1/4W (DE325:AEP,G,EE)	△ R615	1-249-409-11	CARBON	220 5%	1/4W F
									(DE225:AEP,G,EE,UK/DE325:AEP,G,EE)
R413	1-249-437-11	CARBON	47K	5% 1/4W (DE325:AEP,G,EE)	△ R615	1-249-408-11	CARBON	180 5%	1/4W F
									(DE225:CND/DE325:EXCEPT AEP,G,EE)
R414	1-249-425-11	CARBON	4.7K	5% 1/4W F	△ R616	1-233-352-21	ENCAPSULATED COMPONENT		
R415	1-249-417-11	CARBON	1K	5% 1/4W F	△ R617	1-249-393-11	CARBON	10 5%	1/4W F
R416	1-249-417-11	CARBON	1K	5% 1/4W F (DE325:AEP,G,EE)	R618	1-249-389-11	CARBON	4.7 5%	1/4W F
R417	1-247-897-11	CARBON	560K	5% 1/4W (DE325:AEP,G,EE)	△ R619	1-249-405-11	CARBON	100 5%	1/4W F
					R620	1-249-419-11	CARBON	1.5K 5%	1/4W F
R435	1-249-418-11	CARBON	1.2K	5% 1/4W F	R621	1-249-426-11	CARBON	5.6K 5%	1/4W
R442	1-249-418-11	CARBON	1.2K	5% 1/4W F					(DE225/DE325:E,EA,CH,AUS,SP,MY)
R443	1-249-418-11	CARBON	1.2K	5% 1/4W F	R621	1-249-427-11	CARBON	6.8K 5%	1/4W F
R447	1-249-416-11	CARBON	820	5% 1/4W F					(DE325:US,CND,AEP,G,EE)
R448	1-249-429-11	CARBON	10K	5% 1/4W	△ R622	1-249-403-11	CARBON	68 5%	1/4W F
R449	1-249-433-11	CARBON	22K	5% 1/4W	R623	1-249-437-11	CARBON	47K 5%	1/4W
R451	1-249-411-11	CARBON	330	5% 1/4W (DE325:AEP,G,EE)	R630	1-249-426-11	CARBON	5.6K 5%	1/4W
R452	1-249-421-11	CARBON	2.2K	5% 1/4W F	R631	1-247-881-00	CARBON	120K 5%	1/4W
R453	1-249-417-11	CARBON	1K	5% 1/4W F					(DE225:AEP,G,EE,UK)
R454	1-249-417-11	CARBON	1K	5% 1/4W F	R631	1-247-887-00	CARBON	220K 5%	1/4W
R455	1-249-417-11	CARBON	1K	5% 1/4W F					(DE225:CND/DE325)
R456	1-249-417-11	CARBON	1K	5% 1/4W F	R632	1-249-426-11	CARBON	5.6K 5%	1/4W
R457	1-249-417-11	CARBON	1K	5% 1/4W F	R651	1-249-417-11	CARBON	1K 5%	1/4W F
R458	1-249-429-11	CARBON	10K	5% 1/4W	R652	1-249-439-11	CARBON	68K 5%	1/4W
					R653	1-249-416-11	CARBON	820 5%	1/4W F
R459	1-249-437-11	CARBON	47K	5% 1/4W (DE325:AEP,G,EE)					(DE225:AEP,G,EE,UK)
R460	1-247-897-11	CARBON	560K	5% 1/4W (DE325:AEP,G,EE)	R653	1-249-414-11	CARBON	560 5%	1/4W F
									(DE225:CND/DE325:AEP,G,EE)
R461	1-249-416-11	CARBON	820	5% 1/4W F (DE325:AEP,G,EE)	R653	1-249-412-11	CARBON	390 5%	1/4W F
									(DE325:US,CND)
R462	1-247-897-11	CARBON	560K	5% 1/4W (DE325:AEP,G,EE)	R653	1-249-413-11	CARBON	470 5%	1/4W F
									(DE325:E,EA,CH,AUS,SP,MY)
R463	1-249-437-11	CARBON	47K	5% 1/4W (DE325:AEP,G,EE)	R654	1-249-439-11	CARBON	68K 5%	1/4W
					R655	1-249-441-11	CARBON	100K 5%	1/4W
R465	1-249-417-11	CARBON	1K	5% 1/4W F	R660	1-249-421-11	CARBON	2.2K 5%	1/4W F
R466	1-249-417-11	CARBON	1K	5% 1/4W F (DE325:AEP,G,EE)	R661	1-249-440-11	CARBON	82K 5%	1/4W
R467	1-247-897-11	CARBON	560K	5% 1/4W (DE325:AEP,G,EE)	R663	1-249-414-11	CARBON	560 5%	1/4W F
R601	1-249-417-11	CARBON	1K	5% 1/4W F					

The components identified by mark △ or dotted line with mark △ are critical for safety. Replace only with part number specified.

Les composants identifiés par une marque △ sont critiques pour la sécurité. Ne les remplacer que par une pièce portant le numéro spécifié.

Ref. No.	Part No.	Description	Remarks	Ref. No.	Part No.	Description	Remarks
△ R664	1-249-409-11	CARBON 220 5% 1/4W F (DE225:AEP,G,EE,UK/DE325:AEP,G,EE)		R734	1-249-429-11	CARBON 10K 5% 1/4W	
△ R664	1-249-408-11	CARBON 180 5% 1/4W F (DE225:CND/DE325:EXCEPT AEP,G,EE)		△ R740	1-249-393-11	CARBON 10 5% 1/4W F	
△ R665	1-249-409-11	CARBON 220 5% 1/4W F (DE225:AEP,G,EE,UK/DE325:AEP,G,EE)		△ R741	1-249-393-11	CARBON 10 5% 1/4W F	
△ R665	1-249-408-11	CARBON 180 5% 1/4W F (DE225:CND/DE325:EXCEPT AEP,G,EE)		R742	1-249-425-11	CARBON 4.7K 5% 1/4W F	
△ R666	1-233-352-21	ENCAPSULATED COMPONENT		R743	1-249-425-11	CARBON 4.7K 5% 1/4W F	
△ R667	1-249-393-11	CARBON 10 5% 1/4W F		R751	1-249-417-11	CARBON 1K 5% 1/4W F	
R668	1-249-389-11	CARBON 4.7 5% 1/4W F		R752	1-249-439-11	CARBON 68K 5% 1/4W	
R670	1-249-419-11	CARBON 1.5K 5% 1/4W F		R753	1-249-416-11	CARBON 820 5% 1/4W F (DE225:AEP,G,EE,UK)	
R671	1-249-426-11	CARBON 5.6K 5% 1/4W (DE225/DE325:E,EA,CH,AUS,SP,MY)		R753	1-249-414-11	CARBON 560 5% 1/4W F (DE225:CND/DE325:AEP,G,EE)	
R671	1-249-427-11	CARBON 6.8K 5% 1/4W F (DE325:US,CND,AEP,G,EE)		R753	1-249-412-11	CARBON 390 5% 1/4W F (DE325:US,CND)	
R672	1-249-431-11	CARBON 15K 5% 1/4W		R753	1-249-413-11	CARBON 470 5% 1/4W F (DE325:E,EA,CH,AUS,SP,MY)	
R673	1-249-437-11	CARBON 47K 5% 1/4W		R754	1-249-439-11	CARBON 68K 5% 1/4W	
R701	1-249-417-11	CARBON 1K 5% 1/4W F		R755	1-249-441-11	CARBON 100K 5% 1/4W	
R702	1-249-439-11	CARBON 68K 5% 1/4W		R760	1-249-421-11	CARBON 2.2K 5% 1/4W F	
R703	1-249-416-11	CARBON 820 5% 1/4W F (DE225:AEP,G,EE,UK)		R761	1-249-440-11	CARBON 82K 5% 1/4W	
R703	1-249-414-11	CARBON 560 5% 1/4W F (DE225:CND/DE325:AEP,G,EE)		R763	1-249-414-11	CARBON 560 5% 1/4W F	
R703	1-249-412-11	CARBON 390 5% 1/4W F (DE325:US,CND)		△ R764	1-249-409-11	CARBON 220 5% 1/4W F (DE225:AEP,G,EE,UK/DE325:AEP,G,EE)	
R703	1-249-413-11	CARBON 470 5% 1/4W F (DE325:E,EA,CH,AUS,SP,MY)		△ R764	1-249-408-11	CARBON 180 5% 1/4W F (DE225:CND/DE325:EXCEPT AEP,G,EE)	
R704	1-249-439-11	CARBON 68K 5% 1/4W		△ R765	1-249-409-11	CARBON 220 5% 1/4W F (DE225:AEP,G,EE,UK/DE325:AEP,G,EE)	
R705	1-249-441-11	CARBON 100K 5% 1/4W		△ R765	1-249-408-11	CARBON 180 5% 1/4W F (DE225:CND/DE325:EXCEPT AEP,G,EE)	
R710	1-249-421-11	CARBON 2.2K 5% 1/4W F		△ R766	1-233-352-21	ENCAPSULATED COMPONENT	
R711	1-249-440-11	CARBON 82K 5% 1/4W		△ R767	1-249-393-11	CARBON 10 5% 1/4W F	
R713	1-249-414-11	CARBON 560 5% 1/4W F		R768	1-249-389-11	CARBON 4.7 5% 1/4W F	
△ R714	1-249-409-11	CARBON 220 5% 1/4W F (DE225:AEP,G,EE,UK/DE325:AEP,G,EE)		R770	1-249-419-11	CARBON 1.5K 5% 1/4W F	
△ R714	1-249-408-11	CARBON 180 5% 1/4W F (DE225:CND/DE325:EXCEPT AEP,G,EE)		R771	1-249-426-11	CARBON 5.6K 5% 1/4W (DE225/DE325:E,EA,CH,AUS,SP,MY)	
△ R715	1-249-409-11	CARBON 220 5% 1/4W F (DE225:AEP,G,EE,UK/DE325:AEP,G,EE)		R771	1-249-427-11	CARBON 6.8K 5% 1/4W F (DE325:US,CND,AEP,G,EE)	
△ R715	1-249-408-11	CARBON 180 5% 1/4W F (DE225:CND/DE325:EXCEPT AEP,G,EE)		R772	1-249-431-11	CARBON 15K 5% 1/4W	
△ R716	1-233-352-21	ENCAPSULATED COMPONENT		R773	1-249-437-11	CARBON 47K 5% 1/4W	
△ R717	1-249-393-11	CARBON 10 5% 1/4W F		R781	1-247-881-00	CARBON 120K 5% 1/4W (DE225:AEP,G,EE,UK)	
R718	1-249-389-11	CARBON 4.7 5% 1/4W F		R781	1-247-887-00	CARBON 220K 5% 1/4W (DE225:CND/DE325)	
△ R719	1-249-405-11	CARBON 100 5% 1/4W F		△ R803	1-249-389-11	CARBON 4.7 5% 1/4W F (DE225:AEP,G,EE,UK/DE325:EXCEPT US,CND)	
R720	1-249-419-11	CARBON 1.5K 5% 1/4W F		△ R803	1-247-739-11	CARBON 100 5% 1/2W F (DE225:CND/DE325:US,CND)	
R721	1-249-426-11	CARBON 5.6K 5% 1/4W (DE225/DE325:E,EA,CH,AUS,SP,MY)		R804	1-249-425-11	CARBON 4.7K 5% 1/4W F (DE225:AEP,G,EE,UK)	
R721	1-249-427-11	CARBON 6.8K 5% 1/4W F (DE325:US,CND,AEP,G,EE)		R804	1-249-426-11	CARBON 5.6K 5% 1/4W (DE225:CND)	
△ R722	1-249-403-11	CARBON 68 5% 1/4W F		R804	1-249-427-11	CARBON 6.8K 5% 1/4W F (DE325:US,CND)	
R723	1-249-437-11	CARBON 47K 5% 1/4W		R804	1-249-421-11	CARBON 2.2K 5% 1/4W F (DE325:E,EA,CH,AUS,SP,MY)	
R724	1-249-425-11	CARBON 4.7K 5% 1/4W F		R821	1-249-437-11	CARBON 47K 5% 1/4W	
R725	1-249-429-11	CARBON 10K 5% 1/4W		R822	1-249-425-11	CARBON 4.7K 5% 1/4W F	
R726	1-249-417-11	CARBON 1K 5% 1/4W F		R823	1-249-437-11	CARBON 47K 5% 1/4W	
R727	1-249-427-11	CARBON 6.8K 5% 1/4W F		R824	1-249-425-11	CARBON 4.7K 5% 1/4W F	
R730	1-249-429-11	CARBON 10K 5% 1/4W					
R731	1-247-881-00	CARBON 120K 5% 1/4W (DE225:AEP,G,EE,UK)					
R731	1-247-887-00	CARBON 220K 5% 1/4W (DE225:CND/DE325)					

The components identified by mark △ or dotted line with mark △ are critical for safety. Replace only with part number specified.	Les composants identifiés par une marque △ sont critiques pour la sécurité. Ne les remplacer que par une pièce portant le numéro spécifié.
--	--

MAIN **MIX-OUT** **PRIMARY** **SECONDARY** **SP-SW**

Ref. No.	Part No.	Description	Remarks
R825	1-249-407-11	CARBON 150 5%	1/4W F
△ R830	1-249-405-11	CARBON 100 5%	1/4W F (DE225:AEP,G,EE,UK/DE325:EXCEPT CND)
△ R830	1-249-402-11	CARBON 56 5%	1/4W F (DE225:CND/DE325:CND)
△ R831	1-249-403-11	CARBON 68 5%	1/4W F (DE225:AEP,G,EE,UK/DE325:EXCEPT CND)
△ R831	1-249-402-11	CARBON 56 5%	1/4W F (DE225:CND/DE325:CND)
R950	1-249-421-11	CARBON 2.2K 5%	1/4W F
R951	1-249-428-11	CARBON 8.2K 5%	1/4W F
R952	1-249-422-11	CARBON 2.7K 5%	1/4W F
R953	1-249-433-11	CARBON 22K 5%	1/4W
R954	1-249-439-11	CARBON 68K 5%	1/4W
R955	1-249-429-11	CARBON 10K 5%	1/4W
R956	1-247-843-11	CARBON 3.3K 5%	1/4W
R957	1-249-417-11	CARBON 1K 5%	1/4W F
R958	1-249-401-11	CARBON 47 5%	1/4W F
R960	1-249-431-11	CARBON 15K 5%	1/4W
RR01	1-249-418-11	CARBON 1.2K 5%	1/4W F (DE325:AEP,G,EE)
RR04	1-249-393-11	CARBON 10 5%	1/4W F (DE225:AEP,G,EE,UK/DE325:AEP,G,EE)
RR05	1-249-393-11	CARBON 10 5%	1/4W F (DE225:AEP,G,EE,UK/DE325:AEP,G,EE)
RR51	1-249-418-11	CARBON 1.2K 5%	1/4W F (DE325:AEP,G,EE)
RR54	1-249-393-11	CARBON 10 5%	1/4W F (DE225:AEP,G,EE,UK/DE325:AEP,G,EE)
RR55	1-249-393-11	CARBON 10 5%	1/4W F (DE225:AEP,G,EE,UK/DE325:AEP,G,EE)
		< RELAY >	
RY601	1-515-921-11	RELAY (12V)	
RY701	1-515-921-11	RELAY (12V)	
RY801	1-755-013-11	RELAY (DE225:AEP,G,EE,UK/DE325:EXCEPT CND)	
RY851	1-755-209-11	RELAY (DE225:CND/DE325:CND)	
RY852	1-755-209-11	RELAY (DE225:CND/DE325:CND)	
		< TERMINAL >	
TM601	1-537-510-11	TERMINAL BOARD (6P)(SURRPUND SPEAKER)	
TM701	1-537-376-11	TERMINAL BOARD (FRONT SPEAKER)	
		< VIBRATOR >	
X1	1-579-900-21	VIBRATOR, CRYSTAL 4.33MHZ (DE225:AEP,G,EE,UK/DE325:AEP,G,EE)	
X301	1-579-952-21	VIBRATOR,CERAMIC 8MHZ (DE225:AEP,G,EE,UK)	
X301	1-579-952-11	VIBRATOR,CERAMIC 8MHZ(DE225:CND/DE325)	

*	1-669-273-11	MIX-OUT BOARD *****	
		< JACK >	
J254	1-774-843-11	JACK, PIN 1P (MIX AUDIO OUT)	

Ref. No.	Part No.	Description	Remarks
*	1-669-267-11	PRIMARY BOARD *****	
	1-533-233-21	HOLDER, FUSE < CONNECTOR >	
* CNP902	1-564-321-21	PIN, CONNECTOR 2P < FUSE >	
△ F901	1-576-109-11	FUSE TIME LAG 5A/125V (DE225:CND/DE325:US,CND)	
△ F901	1-532-388-51	FUSE TIME LAG 2A/250V (DE325:E,EA,CH,AUS,SP,MY)	
△ F901	1-532-464-51	FUSE TIME LAG 2.5A/250V (DE325:AEP,G,EE)	
△ F901	1-532-503-51	FUSE TIME LAG 1.6A/250V (DE225:AEP,G,EE,UK)	

*	1-669-268-11	SECONDARY BOARD *****	
		< CONNECTOR >	
CNP801	1-764-480-11	PIN, CONNECTOR (PC BOARD) 11P < RESISTOR >	
△ R810	1-219-124-11	FUSIBLE 0.68 5%	1/4W F (DE225:CND/DE325:CND)
△ R810	1-249-381-11	CARBON 1 5%	1/4W F (DE225:AEP,G,EE,UK/DE325:EXCEPT CND)
△ R811	1-219-124-11	FUSIBLE 0.68 5%	1/4W F (DE225:CND/DE325:CND)
△ R811	1-249-381-11	CARBON 1 5%	1/4W F (DE225:AEP,G,EE,UK/DE325:EXCEPT CND)

*	1-669-270-11	SP-SW BOARD *****	
		< CONNECTOR >	
CNP703	1-764-474-11	PIN, CONNECTOR (PC BOARD) 5P	
CNP704	1-764-473-11	PIN, CONNECTOR (PC BOARD) 3P	
CNS702	1-770-378-11	CONNECTOR, BOARD TO BOARD 5P	
		< JACK >	
J741	1-750-733-11	JACK (LARGE TYPE)(PHONES)	
		< RESISTOR >	
R741	1-247-753-11	CARBON 1.2K 5% 1/2W(DE225:CND/DE325)	
R741	1-260-097-11	CARBON 680 5% 1/2W(DE225:AEP,G,EE,UK)	
R742	1-247-753-11	CARBON 1.2K 5% 1/2W(DE225:CND/DE325)	
R742	1-260-097-11	CARBON 680 5% 1/2W(DE225:AEP,G,EE,UK)	
R791	1-247-753-11	CARBON 1.2K 5% 1/2W(DE225:CND/DE325)	
R791	1-260-097-11	CARBON 680 5% 1/2W(DE225:AEP,G,EE,UK)	
R792	1-247-753-11	CARBON 1.2K 5% 1/2W(DE225:CND/DE325)	
R792	1-260-097-11	CARBON 680 5% 1/2W(DE225:AEP,G,EE,UK)	

The components identified by mark △ or dotted line with mark △ are critical for safety. Replace only with part number specified.	Les composants identifiés par une marque △ sont critiques pour la sécurité. Ne les remplacer que par une pièce portant le numéro spécifié.
--	--

SP-SW

SP-SW-A

SP-SW-B

STAND BY

VOL-SEL

VR-TONE

Ref. No.	Part No.	Description	Remarks
		< SWITCH >	
S701	1-762-319-11	SWITCH, PUSH (2 KEY)(SPEAKER A/B)	

*	1-669-271-11	SP-SW-A BOARD	*****

*	1-669-272-11	SP-SW-B BOARD	*****

*	1-669-266-11	STAND BY BOARD	*****
	1-533-233-21	HOLDER, FUSE	
		< JACK >	
△ CNJ902	1-251-691-11	OUTLET (AC) (DE225:CND/DE325:US,CND,E,EA,CH)	
		< CONNECTOR >	
CNP802	1-779-495-11	PLUG, CONNECTOR PIN 4P	
CNP901	1-564-321-00	PIN, CONNECTOR 2P	
CNP903	1-580-230-11	PIN, CONNECTOR (PC BOARD) 2P (DE225:AEP,G,EE/DE325:AEP,G,AUS,EE,SP,MY)	
CNP905	1-564-320-00	PIN, CONNECTOR (B2P-VH) 2P	
* CNP906	1-564-687-11	PIN, CONNECTOR 3P	
		< DIODE >	
D816	8-719-911-19	DIODE 1SS119	
		< FUSE >	
△ F902	1-532-464-51	FUSE TIME LAG 2.5A/250V (DE225:AEP,G,EE,UK/DE325:AEP,G,EE,SP,MY,AUS)	
		< TERMINAL >	
* G900	1-537-738-21	TERMINAL, EARTH (DE225:CND/DE325:US,CND)	
		< RESISTOR >	
△ R901	1-202-725-00	SOLID 3.3M 10% 1/2W (DE225:CND/DE325:US,CND)	
		< RELAY >	
△ RY901	1-755-018-11	RELAY	
		< TRANSFORMER >	
△ T902	1-450-361-11	TRANSFORMER, POWER (DE225:CND/DE325:US,CND)	
△ T902	1-450-358-11	TRANSFORMER, POWER (DE225:AEP,G,EE,UK/DE325:EXCEPT US,CND)	

*	1-669-269-11	VOL-SEL BOARD(DE325:E,EA,CH)	*****
	1-533-399-31	HOLDER, FUSE	

Ref. No.	Part No.	Description	Remarks
		< CONNECTOR >	
* CNP907	1-565-395-11	PIN, CONNECTOR 3P	
CNP908	1-564-321-00	PIN, CONNECTOR 2P	
* CNP910	1-564-687-11	PIN, CONNECTOR 3P	
		< DIODE >	
D235	8-759-058-64	DIODE IC TC7S32FU(TE85R)	
D236	8-759-058-64	DIODE IC TC7S32FU(TE85R)	
D237	8-759-058-64	DIODE IC TC7S32FU(TE85R)	
D239	8-759-058-64	DIODE IC TC7S32FU(TE85R)	
		< FUSE >	
△ F904	1-532-388-51	FUSE TIME LAG 2A/250V	
		< SWITCH >	
△ S901	1-571-437-11	SWITCH, POWER VOLTAGE CHANGE (SELECTOR)	

*	A-4407-436-A	VR-TONE BOARD, COMPLETE ***** (DE225:CND/DE325:EXCEPT AEP,G,EE)	
*	A-4407-523-A	VR-TONE BOARD, COMPLETE ***** (DE225:AEP,G,EE,UK/DE325:AEP,G,EE)	
		< CAPACITOR >	
C420	1-162-207-31	CERAMIC 22PF 5% 50V	
C421	1-137-440-11	FILM 0.018uF 5% 50V	
C422	1-124-463-00	ELECT 0.1uF 20% 50V	
C423	1-137-368-11	FILM 0.0047uF 5% 50V	
C424	1-137-372-11	FILM 0.022uF 5% 50V	
C425	1-126-795-11	ELECT 10uF 20% 25V	
C426	1-126-795-11	ELECT 10uF 20% 25V	
C427	1-124-252-00	ELECT 0.33uF 20% 50V	
C428	1-130-489-00	MYLAR 0.033uF 5% 50V	
C429	1-102-973-00	CERAMIC 100PF 5% 50V	
C430	1-126-301-11	ELECT 1uF 20% 50V	
C431	1-126-301-11	ELECT 1uF 20% 50V	
C432	1-126-795-11	ELECT 10uF 20% 25V	
C433	1-126-795-11	ELECT 10uF 20% 25V	
C470	1-162-207-31	CERAMIC 22PF 5% 50V	
C471	1-137-440-11	FILM 0.018uF 5% 50V	
C472	1-124-463-00	ELECT 0.1uF 20% 50V	
C473	1-137-368-11	FILM 0.0047uF 5% 50V	
C474	1-137-372-11	FILM 0.022uF 5% 50V	
C475	1-126-795-11	ELECT 10uF 20% 25V	
C476	1-126-795-11	ELECT 10uF 20% 25V	
C477	1-124-252-00	ELECT 0.33uF 20% 50V	
C478	1-130-489-00	MYLAR 0.033uF 5% 50V	
C479	1-102-973-00	CERAMIC 100PF 5% 50V	
C492	1-124-464-11	ELECT 0.22uF 20% 50V	
C601	1-126-163-11	ELECT 4.7uF 20% 50V	
C651	1-126-163-11	ELECT 4.7uF 20% 50V	
C701	1-126-163-11	ELECT 4.7uF 20% 50V	
C751	1-126-163-11	ELECT 4.7uF 20% 50V	

The components identified by mark △ or dotted line with mark △ are critical for safety. Replace only with part number specified.	Les composants identifiés par une marque △ sont critiques pour la sécurité. Ne les remplacer que par une pièce portant le numéro spécifié.
--	--

VR-TONE

10 KEY

Ref. No.	Part No.	Description	Remarks
< CONNECTOR >			
CNP202	1-770-391-11	PIN, CONNECTOR (PC BOARD) 7P	
CNS402	1-568-439-11	SOCKET, CONNECTOR 7P	
CNS403	1-568-442-11	SOCKET, CONNECTOR 9P	
< DIODE >			
D238	8-719-046-39	DIODE SEL5821A-TH15 (MUTING)	
D421	8-719-911-19	DIODE 1SS119	
< IC >			
IC404	8-759-636-74	IC M5218AP-22	
< TRANSISTOR >			
Q401	8-729-202-67	TRANSISTOR 2SK246-GR3	
Q402	8-729-141-30	TRANSISTOR 2SC3623A-LK	
Q451	8-729-202-67	TRANSISTOR 2SK246-GR3	
Q452	8-729-141-30	TRANSISTOR 2SC3623A-LK	
< RESISTOR >			
R229	1-249-406-11	CARBON	120 5% 1/4W F
R420	1-249-415-11	CARBON	680 5% 1/4W F
R421	1-249-430-11	CARBON	12K 5% 1/4W
R422	1-249-422-11	CARBON	2.7K 5% 1/4W F
R423	1-247-903-00	CARBON	1M 5% 1/4W
R424	1-247-903-00	CARBON	1M 5% 1/4W
R425	1-249-429-11	CARBON	10K 5% 1/4W
R426	1-249-439-11	CARBON	68K 5% 1/4W
R427	1-249-417-11	CARBON	1K 5% 1/4W F
R430	1-249-437-11	CARBON	47K 5% 1/4W
R431	1-247-843-11	CARBON	3.3K 5% 1/4W
R432	1-247-883-00	CARBON	150K 5% 1/4W
R433	1-249-427-11	CARBON	6.8K 5% 1/4W F
R434	1-249-413-11	CARBON	470 5% 1/4W F
R438	1-249-441-11	CARBON	100K 5% 1/4W
R441	1-249-441-11	CARBON	100K 5% 1/4W
R444	1-247-903-00	CARBON	1M 5% 1/4W
R464	1-247-903-00	CARBON	1M 5% 1/4W
R469	1-247-903-00	CARBON	1M 5% 1/4W
R470	1-249-415-11	CARBON	680 5% 1/4W F
R471	1-249-430-11	CARBON	12K 5% 1/4W
R472	1-249-422-11	CARBON	2.7K 5% 1/4W F
R473	1-247-903-00	CARBON	1M 5% 1/4W
R474	1-247-903-00	CARBON	1M 5% 1/4W
R475	1-249-429-11	CARBON	10K 5% 1/4W
R476	1-249-439-11	CARBON	68K 5% 1/4W
R477	1-249-417-11	CARBON	1K 5% 1/4W F
R480	1-249-437-11	CARBON	47K 5% 1/4W
R481	1-247-843-11	CARBON	3.3K 5% 1/4W
R482	1-247-883-00	CARBON	150K 5% 1/4W
R483	1-249-427-11	CARBON	6.8K 5% 1/4W F
R484	1-249-413-11	CARBON	470 5% 1/4W F
R491	1-249-441-11	CARBON	100K 5% 1/4W
R492	1-247-903-00	CARBON	1M 5% 1/4W
R494	1-247-903-00	CARBON	1M 5% 1/4W

Ref. No.	Part No.	Description	Remarks
< VARIABLE RESISTOR >			
RV404	1-225-229-11	RES, VAR, CARBON 100KX4 (MASTER VOLUME)	
RV421	1-223-362-11	RES, VAR, CARBON 100K/100K (BASS)	
RV422	1-223-363-11	RES, VAR, CARBON 125K/125K (TREBLE)	
RV423	1-225-447-11	RES, VAR, CARBON 100K/100K (BALANCE)	
< SWITCH >			
S240	1-762-751-11	SWITCH, TACTILE (MUTING)	

*	1-669-263-11	10 KEY BOARD *****	
< CONNECTOR >			
CNS205	1-770-397-11	HOUSING, CONNECTOR(PC BOARD)4P	
< RESISTOR >			
R232	1-249-411-11	CARBON	330 5% 1/4W
R233	1-249-413-11	CARBON	470 5% 1/4W F
R234	1-249-415-11	CARBON	680 5% 1/4W F
R235	1-249-417-11	CARBON	1K 5% 1/4W F
R236	1-249-419-11	CARBON	1.5K 5% 1/4W F
R237	1-249-421-11	CARBON	2.2K 5% 1/4W F
R238	1-247-843-11	CARBON	3.3K 5% 1/4W
R239	1-249-411-11	CARBON	330 5% 1/4W
R240	1-249-413-11	CARBON	470 5% 1/4W F
R241	1-249-415-11	CARBON	680 5% 1/4W F
R242	1-249-417-11	CARBON	1K 5% 1/4W F
R243	1-249-419-11	CARBON	1.5K 5% 1/4W F
R244	1-249-421-11	CARBON	2.2K 5% 1/4W F
R245	1-247-843-11	CARBON	3.3K 5% 1/4W
R246	1-249-411-11	CARBON	330 5% 1/4W
R247	1-249-413-11	CARBON	470 5% 1/4W F
R248	1-249-415-11	CARBON	680 5% 1/4W F
R249	1-249-417-11	CARBON	1K 5% 1/4W F
R250	1-249-419-11	CARBON	1.5K 5% 1/4W F
R251	1-249-421-11	CARBON	2.2K 5% 1/4W F
R252	1-247-843-11	CARBON	3.3K 5% 1/4W
< SWITCH >			
S217	1-554-303-21	SWITCH, TACTILE (EFFECT/DELAY)	
S218	1-554-303-21	SWITCH, TACTILE (SURROUND ON/OFF)	
S219	1-554-303-21	SWITCH, TACTILE (BASS BOOST)	
S220	1-554-303-21	SWITCH, TACTILE (PHONO)(DE325:AEP,G,EE)	
S221	1-554-303-21	SWITCH, TACTILE (TUNER)(DE325:AEP,G,EE)	
S222	1-554-303-21	SWITCH, TACTILE (TV/LD)	
S223	1-554-303-21	SWITCH, TACTILE (VIDEO)	
S224	1-554-303-21	SWITCH, TACTILE (SHIFT)	
S225	1-554-303-21	SWITCH, TACTILE (6)	
S226	1-554-303-21	SWITCH, TACTILE (7)	
S227	1-554-303-21	SWITCH, TACTILE (8)	
S228	1-554-303-21	SWITCH, TACTILE (9)	
S229	1-554-303-21	SWITCH, TACTILE (0)	
S230	1-554-303-21	SWITCH, TACTILE (SET UP)	
S231	1-554-303-21	SWITCH, TACTILE (CD)(DE325:AEP,G,EE)	

Ref. No.	Part No.	Description	Remarks
S232	1-554-303-21	SWITCH, TACTILE (DIRECT TUNING)	
S233	1-554-303-21	SWITCH, TACTILE (1)	
S234	1-554-303-21	SWITCH, TACTILE (2)	
S235	1-554-303-21	SWITCH, TACTILE (3)	
S236	1-554-303-21	SWITCH, TACTILE (4)	
S237	1-554-303-21	SWITCH, TACTILE (5)	
S238	1-554-303-21	SWITCH, TACTILE (TAPE/MD)	
S239	1-554-303-21	SWITCH, TACTILE (MODE)	
S241	1-554-303-21	SWITCH, TACTILE (TUNER)	
S242	1-554-303-21	SWITCH, TACTILE (CD)	

MISCELLANEOUS *****			
12	1-782-084-11	WIRE (FLAT TYPE) (23 CORE)	
13	1-782-074-11	WIRE (FLAT TYPE) (7 CORE)	
14	1-782-075-11	WIRE (FLAT TYPE) (9 CORE)	
△ 58	1-777-071-21	CORD, POWER (EXCEPT US,CND,AUS)	
△ 58	1-783-203-11	CORD, POWER (AUS)	
△ 58	1-783-204-11	CORD, POWER (US,CND)	
65	1-693-407-51	TUNER (US,CND)	
65	1-693-408-31	TUNER (EXCEPT US,CND,EE)	
65	1-693-411-31	TUNER (EE)	
△ 67	1-569-008-21	ADAPTOR, CONVERSION 2P (E,EA,CH)	
△ 67	1-770-019-11	ADAPTOR, CONVERSION PLUG 3P (UK)	
△ CNJ902	1-251-416-11	OUTLET, A.C.(AUS)	
△ CNJ902	1-526-794-11	OUTLET, AC (AEPG,EE,SP,MY)	
△ T901	1-431-264-11	TRANSFORMER, POWER (DE325:CND)	
△ T901	1-431-793-11	TRANSFORMER, POWER (DE325:US)	
△ T901	1-431-794-11	TRANSFORMER, POWER (DE325:E,EA,CH)	
△ T901	1-431-795-11	TRANSFORMER, POWER (DE325:SP,MY)	
△ T901	1-431-796-11	TRANSFORMER, POWER (DE325:AEP,G,EE)	
△ T901	1-431-798-11	TRANSFORMER, POWER (DE225:AEP,G,EE,UK)	
△ T901	1-431-799-11	TRANSFORMER, POWER (DE225:CND)	
△ T901	1-431-818-11	TRANSFORMER, POWER (DE325:AUS)	

Ref. No.	Part No.	Description	Remarks
ACCESSORIES & PACKING MATERIALS *****			
	1-475-042-11	ADAPTOR	
	1-475-710-11	REMOTE COMMANDER (RM-U302)	
	1-501-374-11	ANTENNA, LOOP	
	1-501-594-11	ANTENNA (FM)	
	3-862-354-11	MANUAL, INSTRUCTION (ENGLISH, FRENCH, GERMAN, DUTCH, ITALIAN)	
	3-862-354-21	MANUAL, INSTRUCTION (ENGLISH) (DE325)	
	3-862-354-31	MANUAL, INSTRUCTION (ENGLISH, FRENCH)	
	3-862-354-41	MANUAL, INSTRUCTION (SPANISH, SWEDISH, FINNISH, DANISH, PORTUGUESE)	
	3-862-354-51	MANUAL, INSTRUCTION (ENGLISH, RUSSIAN, POLISH) (DE325)	
	3-862-354-61	MANUAL, INSTRUCTION (ENGLISH, FRENCH, SPANISH, CHINESE) (DE325)	
	4-981-643-11	BATTERY COVER (FOR RM-U302)	

***** HARDWARE LIST *****			
#1	7-685-646-79	SCREW +BVTP 3×8 TYPE2 IT-3	
#2	7-685-881-09	SCREW +BVTT 4×8 (S)	
#3	7-685-872-09	SCREW +BVTT 3×8 (S)	

<p>The components identified by mark △ or dotted line with mark △ are critical for safety. Replace only with part number specified.</p>	<p>Les composants identifiés par une marque △ sont critiques pour la sécurité. Ne les remplacer que par une pièce portant le numéro spécifié.</p>
---	---

