

STR-DE435/DE535/SE491/V424/V525

SERVICE MANUAL

Ver 1.1 2003.05



Photo: STR-DE535

US Model
STR-DE435/DE535/SE491
Canadian Model
STR-DE435/DE535
AEP Model
STR-DE435
E Model
STR-DE435/DE535
Australian Model
STR-DE435/DE535
Chinese Model
STR-V424/V525

Dolby Laboratories Licensing Corporation.
"DOLBY" the double-D symbol $\square\square$ "AC-3" and "PRO LOGIC"
are trademarks of Dolby Laboratories Licensing Corporation.

SPECIFICATIONS

POWER OUTPUT AND TOTAL HARMONIC DISTORTION

With 8-ohm load, both channels driven, from 20th – 20,000 Hz rated 100 watts per channel minimum RMS power, with no more than 0.09%^{b)} total harmonic distortion from 250 milliwatts to rated output.

STR-SE491:
a) 40Hz
b) 0.5%

Amplifier section

Stereo mode

STR-DE535/DE435:
(8Ω at 20Hz – 20kHz
less than 0.09% total
harmonic distortion)
100W + 100W

STR-SE491:
(8Ω at 40Hz – 20kHz less
than 0.5% total harmonic
distortion)
100W + 100W

Surround mode and
5.1CH/DVD mode

STR-DE535/435:
(8Ω at 1kHz, THD 0.8%)
Front: 100W/ch
Center*: (Pro Logic Mode)
100W
Rear*: 100W/ch

STR-SE491:
(8Ω at 1kHz, THD 0.5%)
Front: 100W/ch
Center*: 100W
Rear*: 100W/ch

Frequency response

PHONO: RIAA
equalization curve
±0.5dB
(except STR-DE435)

TV/SAT, CD, MD/
TAPE, VIDEO, 5.1CH/
DVD
10Hz – 50kHz ± 1dB

Inputs

| | Sensitivity | Impedance | S/N |
|---|-------------|------------|------|
| PHONO (except STR-DE435) | 4mV | 50 kilohms | 86dB |
| CD, 5.1CH/ DVD, MD/TAPE, TV/SAT, VIDEO | 250mV | 50 kilohms | 96dB |

Outputs

MD/TAPE REC OUT:
Voltage: 250mV,
Impedance: 10kilohms
VIDEO AUDIO OUT:
Voltage: 250mV,
Impedance: 10kilohms
WOOFER:
Voltage: 2V
Impedance: 1kilohms
PHONES: Accepts low
and high impedance
headphones

Muting
BASS BOOST
TONE

Full mute
+8dB at 70Hz
±8dB at 100Hz and
10kHz

Tuner section

FM Stereo, FM/AM superheterodyne tuner

FM tuner section

Tuning range 87.5 – 108.0MHz
Antenna terminals 75Ω, unbalanced
Intermediate frequency 10.7MHz
Sensitivity Mono: 18.3dBf, 4.5μV
Stereo: 38.3dBf, 45μV
Usable sensitivity 11.2dBf, 2μV (IHF)
S/N Mono: 76dB
Stereo: 70dB
Harmonic distortion at 1kHz Mono: 0.3%
Stereo: 0.5%
Separation 45dB at 1kHz
Frequency response 30Hz – 15kHz ^{+0.5} dB
Selectivity 60dB at 400kHz

— Continued on next page —

FM STEREO FM-AM RECEIVER

9-928-848-12
2003E16-1
© 2003.05

Sony Corporation
Home Audio Company
Published by Sony Engineering Corporation

SONY®

AM tuner section

| | |
|------------------------|---|
| Tuning range | 10kHz interval** 530 – 1,710kHz 9kHz interval 531 – 1,710kHz |
| Antenna | Loop antenna |
| Intermediate frequency | 450kHz |
| Usable sensitivity | 50dB/m (at 1,000kHz) |
| S/N | 54dB (at 50mV/m) |
| Harmonic distortion | 0.5% (50mV/m, 400Hz) |
| Selectivity | At 10kHz: 40dB At 9kHz: 35dB |

** You can change the AM tuning interval between 9kHz and 10kHz. After tuning in any AM station, turn off the receiver.
Hold down the PRESET TUNING+ button and press the I/⏻ (power) button. All preset stations will be erased when you change the interval. To reset the interval, repeat the procedure.

VIDEO section (except STR-SE491)

| | |
|---------|--|
| Inputs | VIDEO, TV/SAT, 5.1CH/DVD: 1Vp-p 75Ω |
| Outputs | VIDEO, MONITOR: 1Vp-p 75Ω |

General

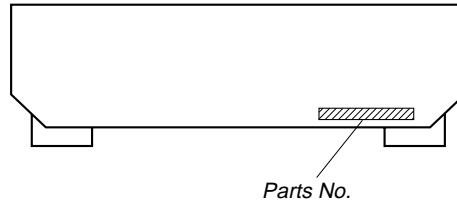
| | |
|---------------------|---|
| System | Tuner section: PLL quartz-locked digital synthesizer system Preamplifier section: Low-noise NF type equalizer Power amplifier section: Pure-complementary SEPP |
| Power requirements | 120V AC, 60Hz |
| Power consumption | 220W |
| AC outlets | STR-DE535/SE491: 2 switched, total 120W/1A Max STR-DE435: 1 switched, total 120W/1A Max |
| Dimensions | 430 × 157 × 366 mm (17 × 6 ¹ / ₈ × 14 ⁷ / ₈ inches) |
| Mass (Aprox.) | STR-DE535: 11.1kg (24 lb 6 oz) STR-DE435: 11.0kg (24 lb 3 oz) STR-DE491: 11.2kg (24 lb 9 oz) |
| Supplid accessories | FM wire antenna (1) AM loop antenna (1) Remote commander (remote) (1) LR6 (size - AA) batteries (3) (STR-DE535 only) R6 (size - AA) batteries (2) (STR-DE435/SE491 only) |

* Depending on the sound field setting and the source, there may be no sound output.

Design and specifications are subject to change without notice.

MODEL IDENTIFICATION

— BACK PANEL —



| MODEL | PARTS No. |
|----------------------------------|--------------|
| DE535: US model | 4-216-927-0□ |
| DE535: Canadian model | 4-216-927-1□ |
| DE535: Australian model | 4-216-927-2□ |
| DE535: E model | 4-216-927-3□ |
| DE535: Malaysia, Singapore model | 4-216-927-4□ |
| V525: Chinese model | 4-216-927-5□ |
| DE435: US model | 4-217-181-0□ |
| DE435: Canadian model | 4-217-181-1□ |
| DE435: Australian model | 4-217-181-2□ |
| DE435: Malaysia, Singapore model | 4-217-181-3□ |
| V424: Chinese model | 4-217-181-4□ |
| DE435: AEP model | 4-217-181-5□ |
| DE435: East European, CIS model | 4-217-181-6□ |
| SE491: US model | 4-217-181-7□ |

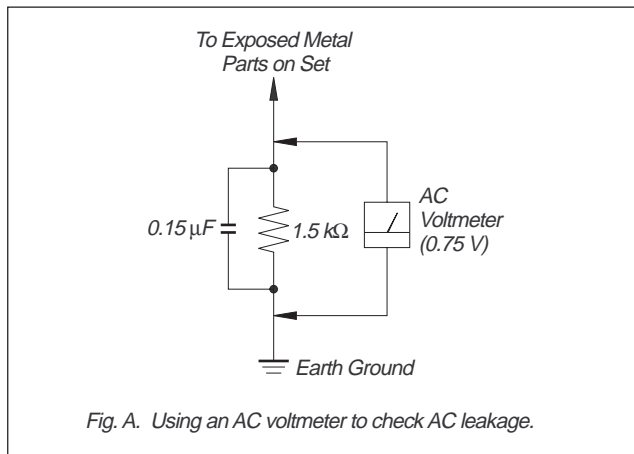
SAFETY CHECK-OUT

After correcting the original service problem, perform the following safety checks before releasing the set to the customer: Check the antenna terminals, metal trim, “metallized” knobs, screws, and all other exposed metal parts for AC leakage. Check leakage as described below.

LEAKAGE

The AC leakage from any exposed metal part to earth ground and from all exposed metal parts to any exposed metal part having a return to chassis, must not exceed 0.5 mA (500 microamperes). Leakage current can be measured by any one of three methods.

1. A commercial leakage tester, such as the Simpson 229 or RCA WT-540A. Follow the manufacturers’ instructions to use these instruments.
2. A battery-operated AC milliammeter. The Data Precision 245 digital multimeter is suitable for this job.
3. Measuring the voltage drop across a resistor by means of a VOM or battery-operated AC voltmeter. The “limit” indication is 0.75 V, so analog meters must have an accurate low-voltage scale. The Simpson 250 and Sanwa SH-63Trd are examples of a passive VOM that is suitable. Nearly all battery operated digital multimeters that have a 2V AC range are suitable. (See Fig. A)



SAFETY-RELATED COMPONENT WARNING!!

COMPONENTS IDENTIFIED BY MARK \triangle OR DOTTED LINE WITH MARK \triangle ON THE SCHEMATIC DIAGRAMS AND IN THE PARTS LIST ARE CRITICAL TO SAFE OPERATION. REPLACE THESE COMPONENTS WITH SONY PARTS WHOSE PART NUMBERS APPEAR AS SHOWN IN THIS MANUAL OR IN SUPPLEMENTS PUBLISHED BY SONY.

ATTENTION AU COMPOSANT AYANT RAPPORT À LA SÉCURITÉ!

LES COMPOSANTS IDENTIFÉS PAR UNE MARQUE \triangle SUR LES DIAGRAMMES SCHÉMATIQUES ET LA LISTE DES PIÈCES SONT CRITIQUES POUR LA SÉCURITÉ DE FONCTIONNEMENT. NE REMPLACER CES COMPOSANTS QUE PAR DES PIÈCES SONY DONT LES NUMÉROS SONT DONNÉS DANS CE MANUEL OU DANS LES SUPPLÉMENTS PUBLIÉS PAR SONY.

与安全有关的零部件须知

在原理图上用阴影及 \triangle 标记来识别的零部件在安全操作上是具有关键性的。这些零部件要用本手册中所示的部件号对应的索尼零部件进行更换。

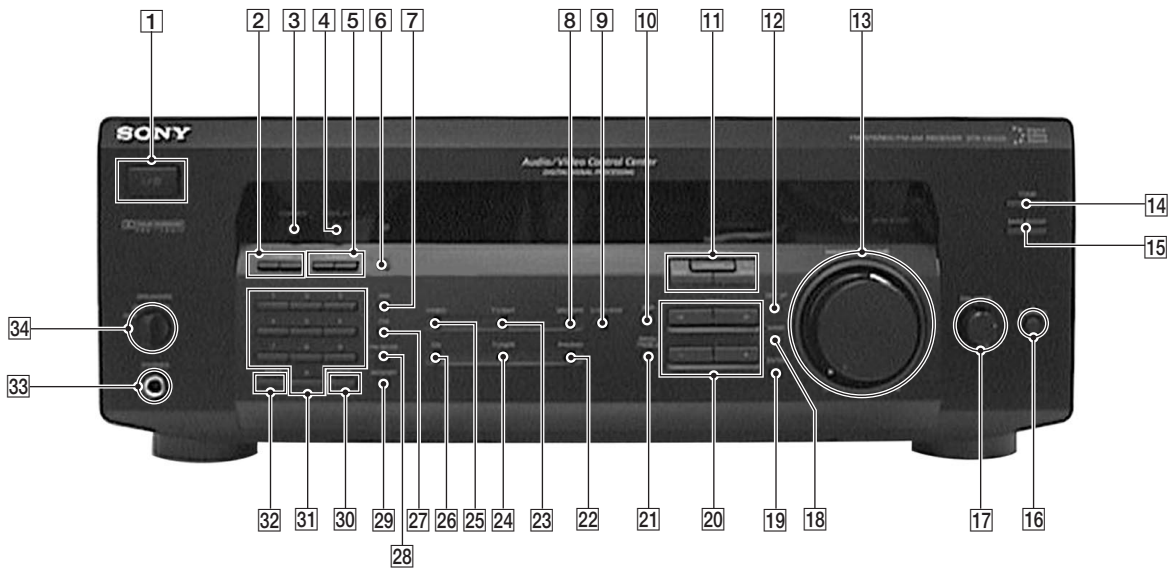
在安全操作上具有关键性的电路调整与索尼公司出版的维修手册完全一致。在更换关键零部件时或怀疑动作失常时，请进行这些调整操作。

TABLE OF CONTENTS

| | |
|--|----|
| 1. GENETAL | 4 |
| 2. TEST MODE | 6 |
| 3. DIAGRAMS | |
| 3-1. Circuit Boards Location | 7 |
| 3-2. Block Diagrams | 9 |
| • Main Section | 9 |
| • Power Section | 11 |
| 3-3. Printed Wiring Board — Input Section — | 13 |
| 3-4. Schematic Diagram — Input Section — | 15 |
| 3-5. Printed Wiring Board — Surround Section — | 17 |
| 3-6. Schematic Diagram — Surround Section — | 19 |
| 3-7. Printed Wiring Board — Display Section — | 21 |
| 3-8. Schematic Diagram — Display Section — | 23 |
| 3-9. Printed Wiring Board — Key Section — | 25 |
| 3-10. Schematic Diagram — Key Section — | 27 |
| 3-11. Printed Wiring Board — Rear Amp Section — | 29 |
| 3-12. Schematic Diagram — Rear Amp Section — | 31 |
| 3-13. Printed Wiring Board — Power Amp Section — | 33 |
| 3-14. Schematic Diagram — Power Amp Section — | 35 |
| 3-15. IC Pin Function Description | 37 |
| 3-16. IC Block Diagrams | 39 |
| 4. EXPLODEO VIEWS | |
| 4-1. Front Panel Section | 40 |
| 4-2. Chassis Section | 42 |
| 5. ELECTRICAL PARTS LIST | 44 |

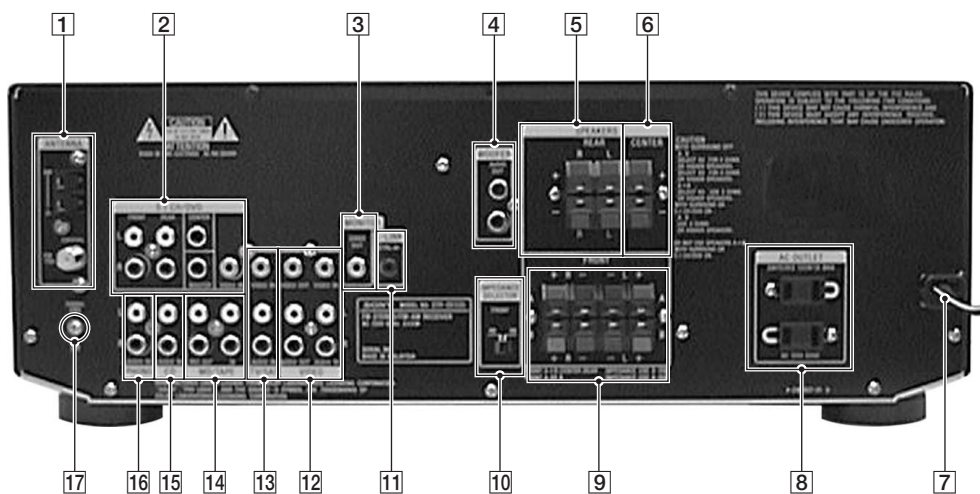
SECTION 1 GENETAL

Front Panel



- | | | | |
|-----------|---|-----------|---|
| 1 | I/⏻ (POWER) button | 18 | NAME button |
| 2 | TUNING +, – button | 19 | ENTER button |
| 3 | DIMMER button | 20 | MENU <, >, +, – buttons |
| 4 | DISPLAY button | 21 | BASS/TREBLE button |
| 5 | PRESET/PTY SELECT +, – buttons (DE435), PRESET TUNING +, – buttons (DE535) | 22 | PHONO button (DE535 only) |
| 6 | RDS PTY button (DE435 only) | 23 | TV/LD button (DE435), TV/SAT button (DE535) |
| 7 | RDS EON button (DE435), AM button (DE535) | 24 | TUNER button |
| 8 | MD/TAPE button | 25 | VIDEO button |
| 9 | 5.1CH/DVD button | 26 | CD button |
| 10 | SUR button | 27 | FM/AM button (DE435), FM button (DE535) |
| 11 | SOUND FIELD ON/OFF, MODE +, – buttons | 28 | FM MODE button |
| 12 | SET UP button | 29 | MEMORY button |
| 13 | MASTER VOLUME control | 30 | DIRECT button |
| 14 | TONE button | 31 | Number buttons |
| 15 | BASS BOOST button | 32 | SHIFT button |
| 16 | MUTING button | 33 | PHONES jack |
| 17 | BALANCE control | 34 | SPEAKERS A. B switch |

Rear Panel



- 1** ANTENNA (FM/AM)
- 2** 5.1CH/DVD
- 3** MONITOR
- 4** WOOFER
- 5** SPEAKER (REAR)
- 6** SPEAKER (CENTER)
- 7** AC power cord
- 8** AC OUTLET
- 9** SPEAKER (FRONT)
- 10** IMPEDANCE SELECTOR (DE535 only)
- 11** S-LINK (DE535 only)
- 12** VIDEO
- 13** TV/LD (DE435), TV/SAT (DE535)
- 14** MD/TAPE
- 15** CD
- 16** PHONO (DE535 only)
- 17** \hbar SIGNAL GND (DE535 only)

SECTION 2 TEST MODE

SOFTWARE VERSION DISPLAY MODE

* The software version is displayed.

* Procedure:

While depressing the MD/TAPE and the DIRECT buttons simultaneously, press the power [I/⏻] button to turn on the main power. The model name, destination and the software version are displayed.

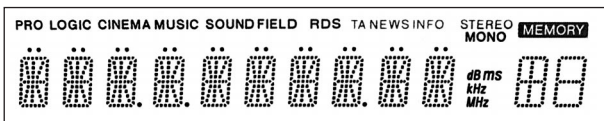
FLUORESCENT INDICATOR TUBE TEST MODE

* All fluorescent segments are tested. When this test is activated, all segments turn on at the same time, then each segment turns on one after another.

* Procedure:

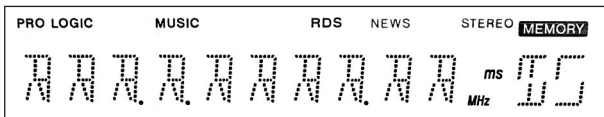
While depressing the TV/SAT and the DIRECT buttons simultaneously, press the power [I/⏻] button to turn on the main power.

1. All segments turn on.



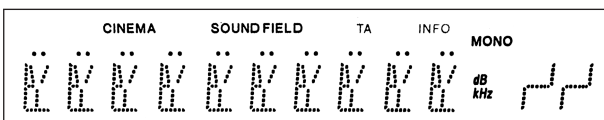
VIDEO, TV/SAT, MD/TAPE, CD, TUNER and PHONO LED turn on.

2. Press the VIDEO button, confirm display



5.1CH/DVD, SUR, BASS/TREBLE, SET UP and NAME LED turn on.

3. Press the VIDEO button, confirm display



TONE, BASS BOOST and MUTING LED turn on.

4. Press the VIDEO button, All segments turn off.

5. Every pressing of the VIDEO button turns on each segment one after another in the following order.

(Not only the VIDEO button, but also the other buttons such as TV/SAT, MD/TAPE, CD, TUNER, PHONO, 1, 2, 3, 4, 5, 6, 7, 8, 9, 0 can be used.)

FACTORY SET MODE

* All preset contents are reset to the default setting.

* Procedure:

While depressing the VIDEO and the DIRECT buttons simultaneously, press the power [I/⏻] button to turn on the main power. The message FACTORY appears and the present contents are reset to the default values.

ALL CLEAR MODE

* All preset contents are cleared when this mode is activated. Use this mode before returning the product to clients upon completion of repair.

* Procedure:

While depressing the TUNER and the MD/TAPE buttons simultaneously, press the power [I/⏻] button to turn on the main power. Alternatively, press I/⏻ more than 4S. The message ALL CLEAR appears and initialization is performed.

SURROUND CLEAR MODE

* The preset sound field is cleared when this mode is activated. Use this mode before returning the product to clients upon completion of repair.

* Procedure:

While depressing the SOUND FIELD ON/OFF button, press the power [I/⏻] button to turn on the main power. The message SUR CLEAR appears and initialization is performed.

AM CHANNEL STEP 9 kHz/10 kHz SELECTION MODE

* Either the 9 kHz step or 10 kHz step can be selected for the AM channel step.

* Procedure:

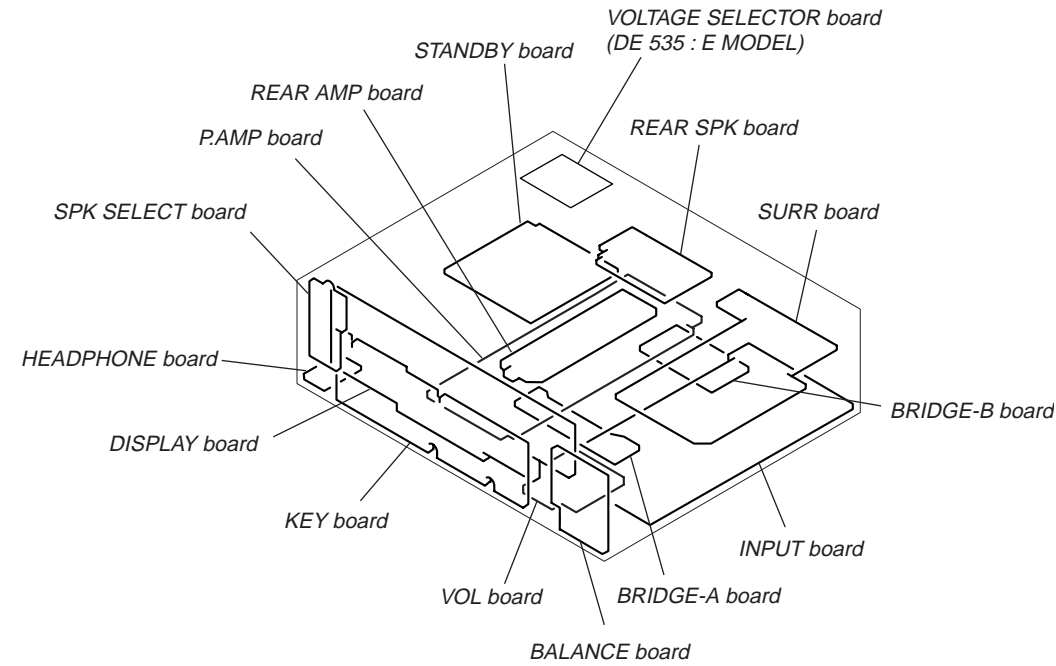
Set the FUNCTION to AM. Turn off the main power.

While depressing the TUNING+ button or the PRESET+ button, press the power [I/⏻] button to turn on the main power. Either the message AM 9k STEP or AM 10k STEP appears. Select the desired step.

* For US/Canadian/E model only

SECTION 3 DIAGRAMS

3-1. CIRCUIT BOARDS LOCATION



**THIS NOTE IS COMMON FOR PRINTED WIRING BOARDS AND SCHEMATIC DIAGRAMS.
(In addition to this necessary note is printed in each block.)**

For schematic diagrams.

Note:

- All capacitors are in μF unless otherwise noted. pF: μpF 50 WV or less are not indicated except for electrolytics and tantalums.
- All resistors are in Ω and $1/4\text{W}$ or less unless otherwise specified.
- % : indicates tolerance.
- Δ : internal component.
- : nonflammable resistor.
- : fusible resistor.
- : panel designation.

Note:

The components identified by mark Δ or dotted line with mark Δ are critical for safety. Replace only with part number specified.

以阴影和 Δ 标志来识别的零部件，在安全方面具有关键性。因此只能以规定号码的零部件来更换。

Note:

Les composants identifiés par une marque Δ sont critiques pour la sécurité. Ne les remplacer que par une pièce portant le numéro spécifié.

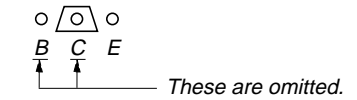
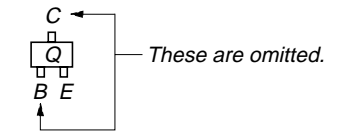
- : B+ Line.
- : B- Line.
- : adjustment for repair.
- Voltages and waveforms are dc with respect to ground under no-signal (detuned) conditions.
No mark : FM
- Voltages are taken with a VOM (Input impedance 10 M Ω). Voltage variations may be noted due to normal production tolerances.
- Waveforms are taken with a oscilloscope.
- Circled numbers refer to waveforms.
- Signal path.
 - : FM
 - : CD
 - : VIDEO
 - : PHONO
- Abbreviation
 - CND : Canadian model
 - AUS : Australian model
 - CH : Chinese model
 - MY : Malaysia model
 - SP : Singapore model

EA : Saudi Arabia model
EE : East European model

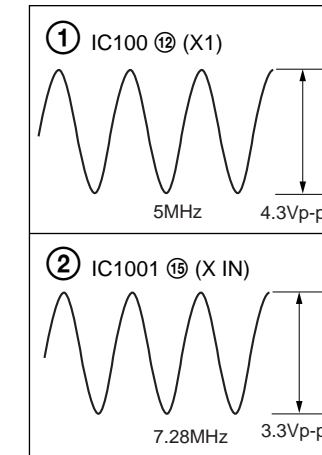
For printed wiring boards.

Note:

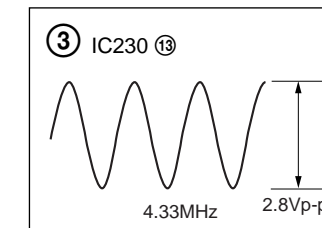
- : parts extracted from the component side.
- : Through hole.
- : internal component.
- : Pattern from the side which enables seeing.



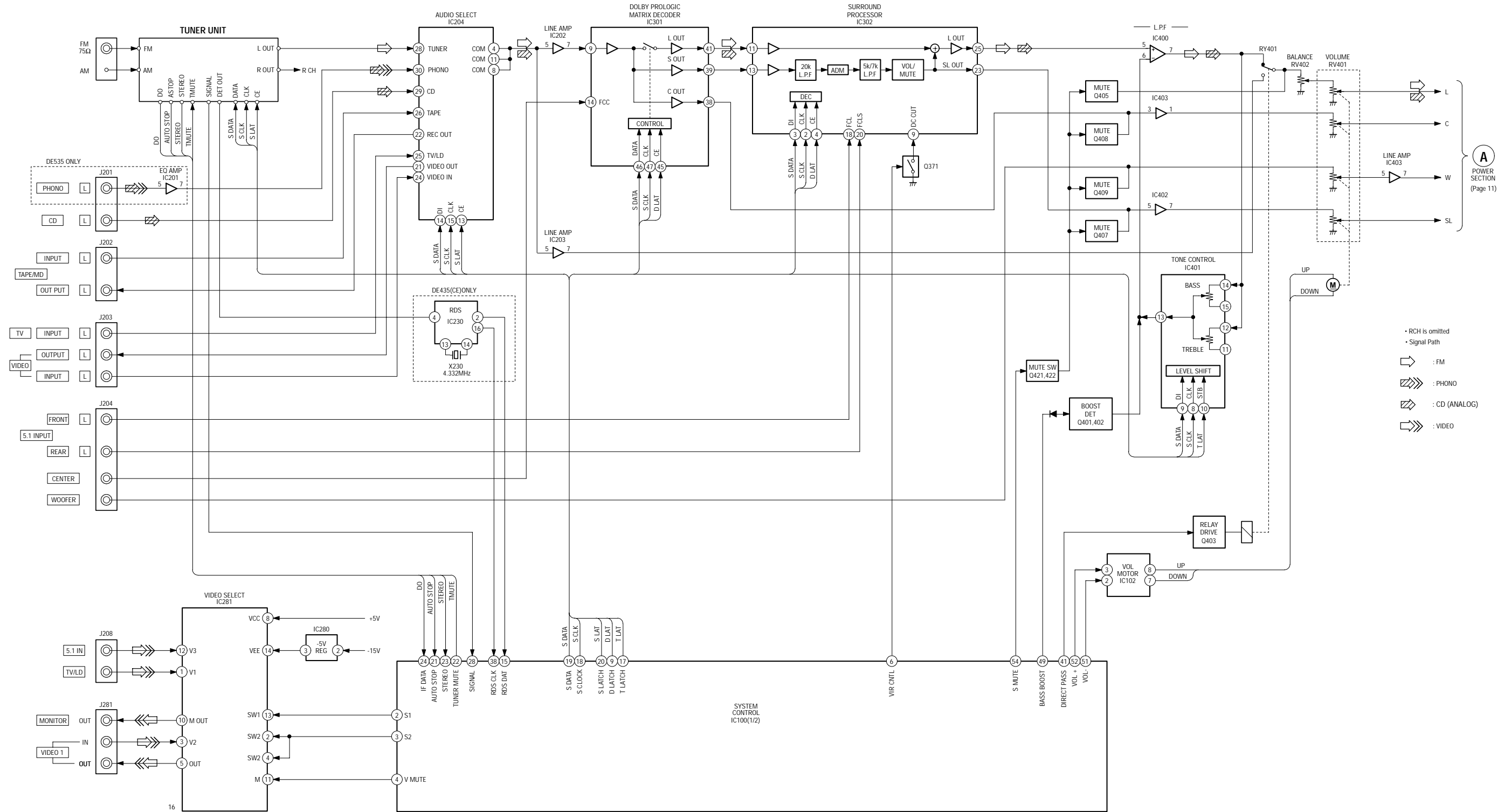
**• Waveform
– DISPLAY SECTION –**



– INPUT SECTION –

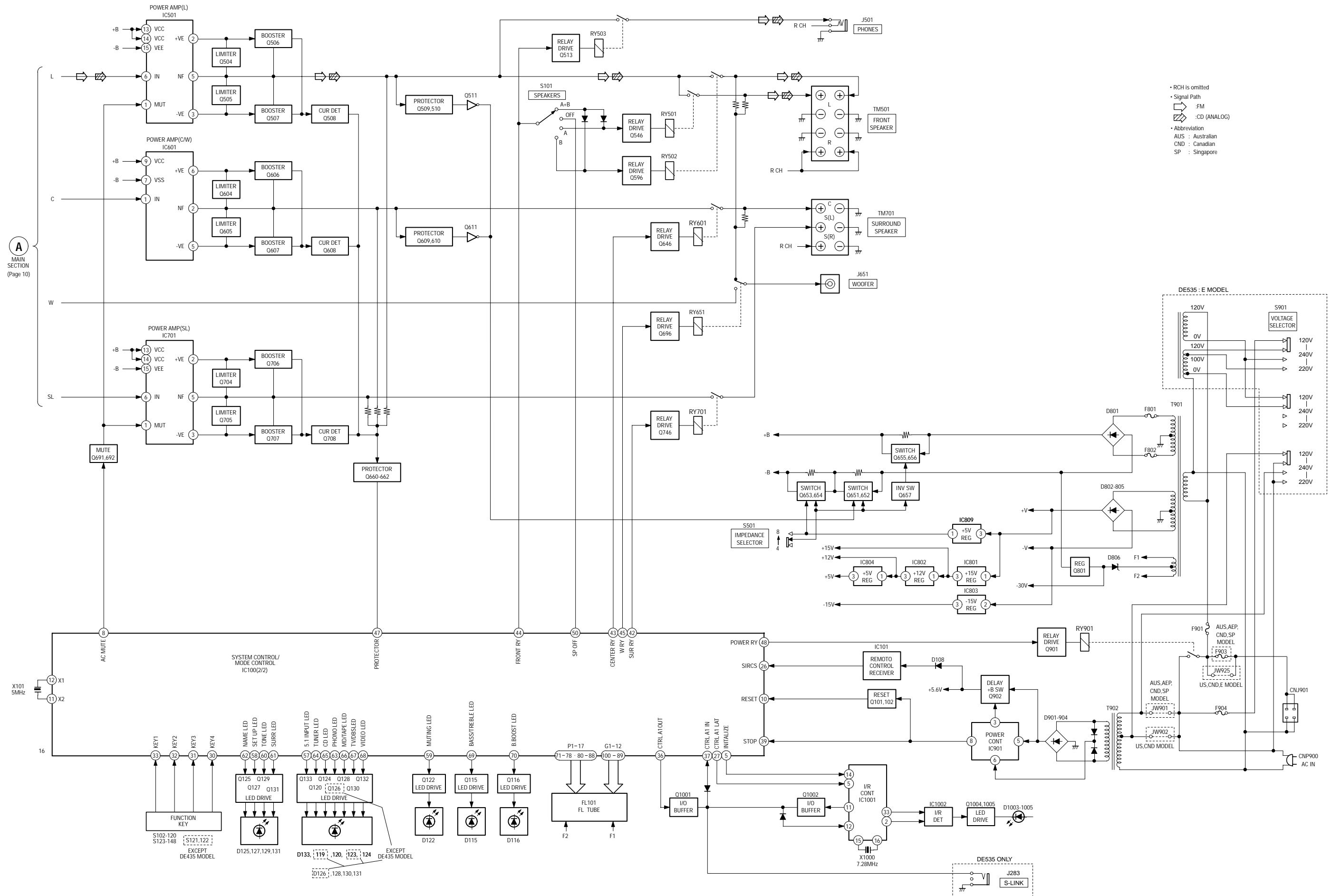


3-2. BLOCK DIAGRAMS
— MAIN SECTION —

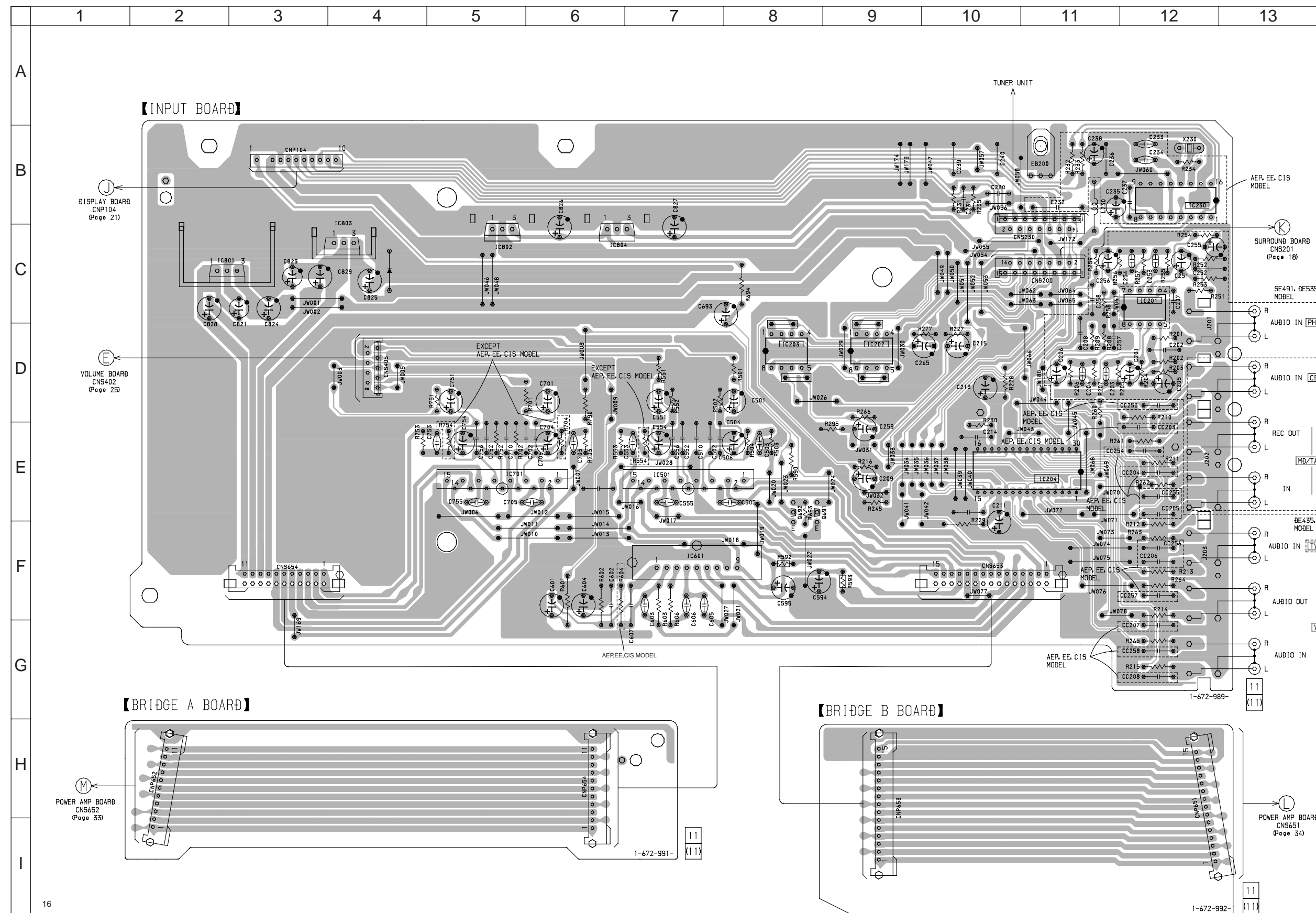


A
POWER SECTION
(Page 11)

— POWER SECTION —



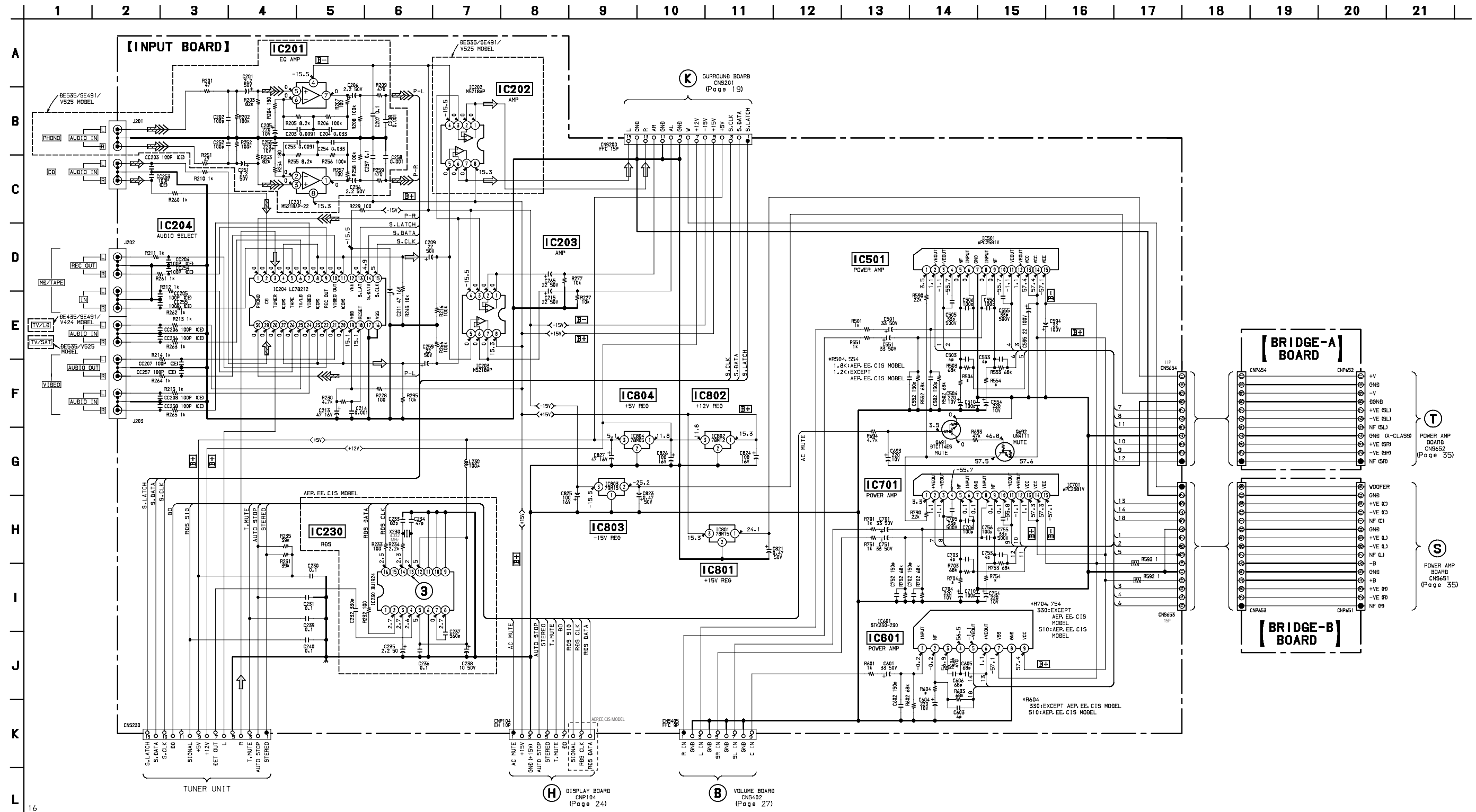
A
MAIN SECTION
(Page 10)

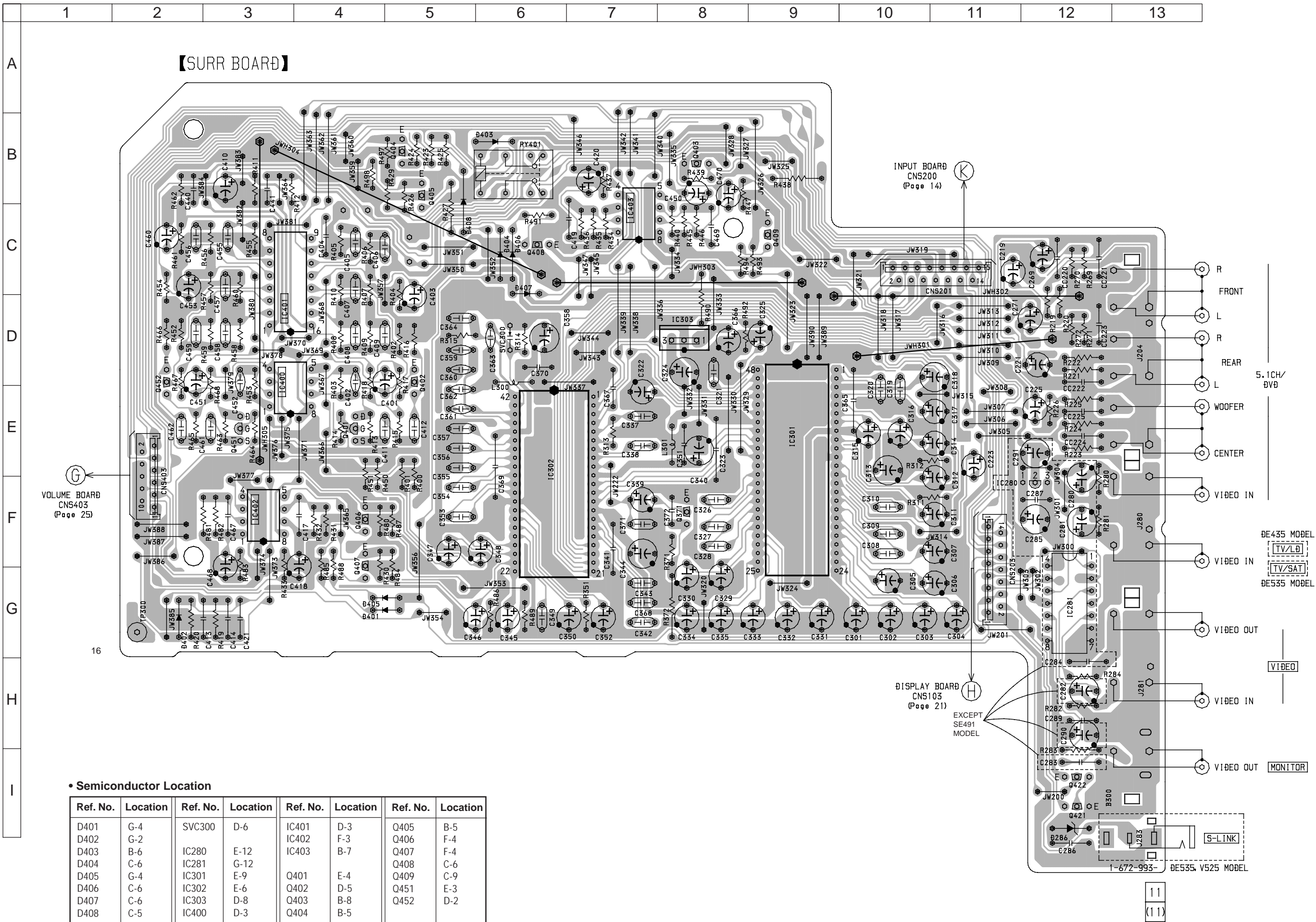


• Semiconductor Location

| Ref. No. | Location |
|----------|----------|
| IC201 | C-12 |
| IC202 | D-9 |
| IC203 | D-8 |
| IC204 | E-11 |
| IC230 | B-12 |
| IC501 | E-7 |
| IC601 | F-7 |
| IC701 | E-5 |
| IC801 | C-2 |
| IC802 | C-5 |
| IC803 | C-4 |
| IC804 | C-6 |
| Q691 | E-8 |
| Q692 | E-8 |

3-4. SCHEMATIC DIAGRAM — INPUT SECTION — • Refer to page 39 for IC Block Diagrams.
• Refer to page 8 for Waveforms.

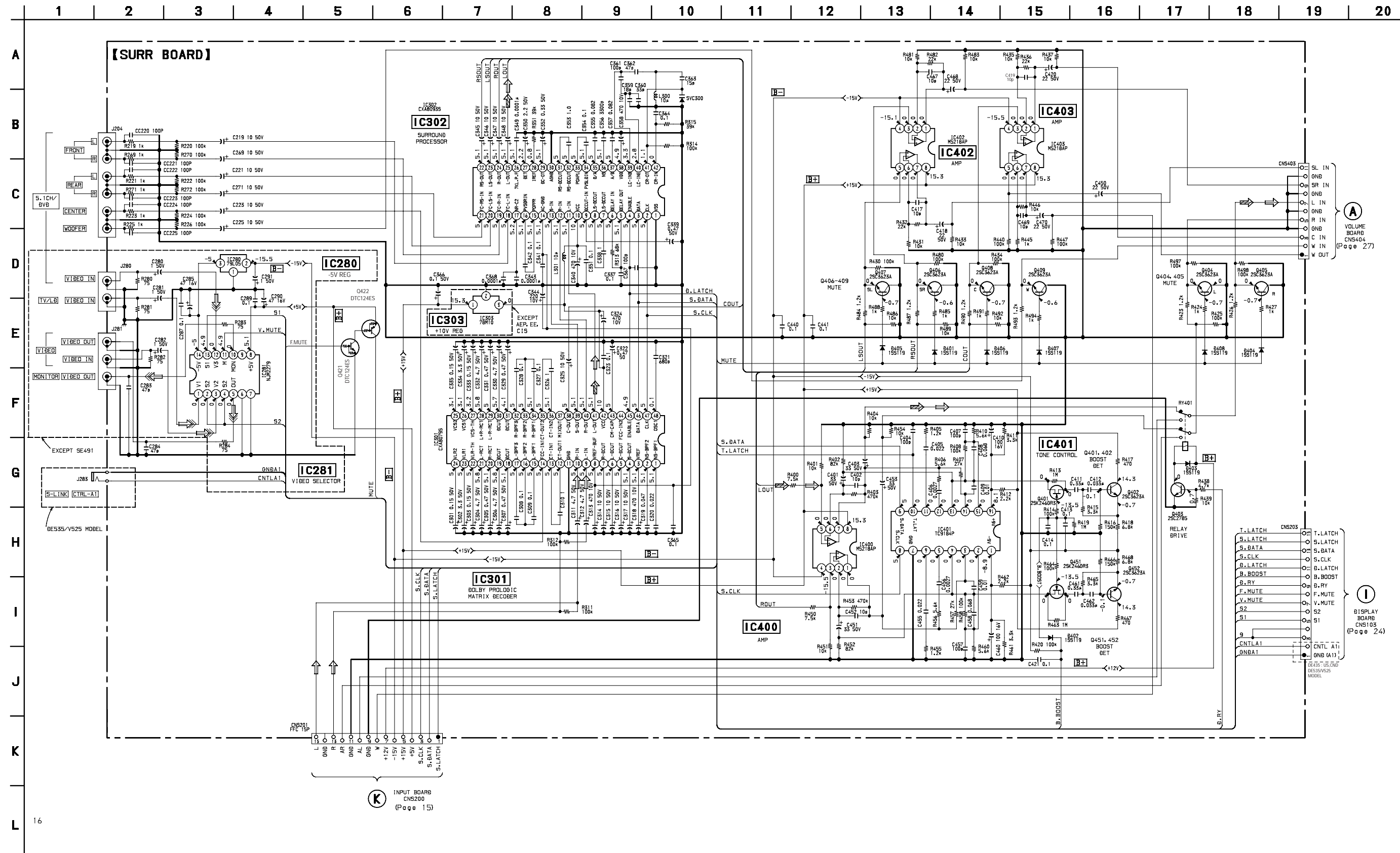




• Semiconductor Location

| Ref. No. | Location | Ref. No. | Location | Ref. No. | Location | Ref. No. | Location |
|----------|----------|----------|----------|----------|----------|----------|----------|
| D401 | G-4 | SVC300 | D-6 | IC401 | D-3 | Q405 | B-5 |
| D402 | G-2 | | | IC402 | F-3 | Q406 | F-4 |
| D403 | B-6 | IC280 | E-12 | IC403 | B-7 | Q407 | F-4 |
| D404 | C-6 | IC281 | G-12 | | | Q408 | C-6 |
| D405 | G-4 | IC301 | E-9 | Q401 | E-4 | Q409 | C-9 |
| D406 | C-6 | IC302 | E-6 | Q402 | D-5 | Q451 | E-3 |
| D407 | C-6 | IC303 | D-8 | Q403 | B-8 | Q452 | D-2 |
| D408 | C-5 | IC400 | D-3 | Q404 | B-5 | | |

3-6. SCHEMATIC DIAGRAM — SURROUND SECTION — • Refer to page 39 for IC Block Diagrams.

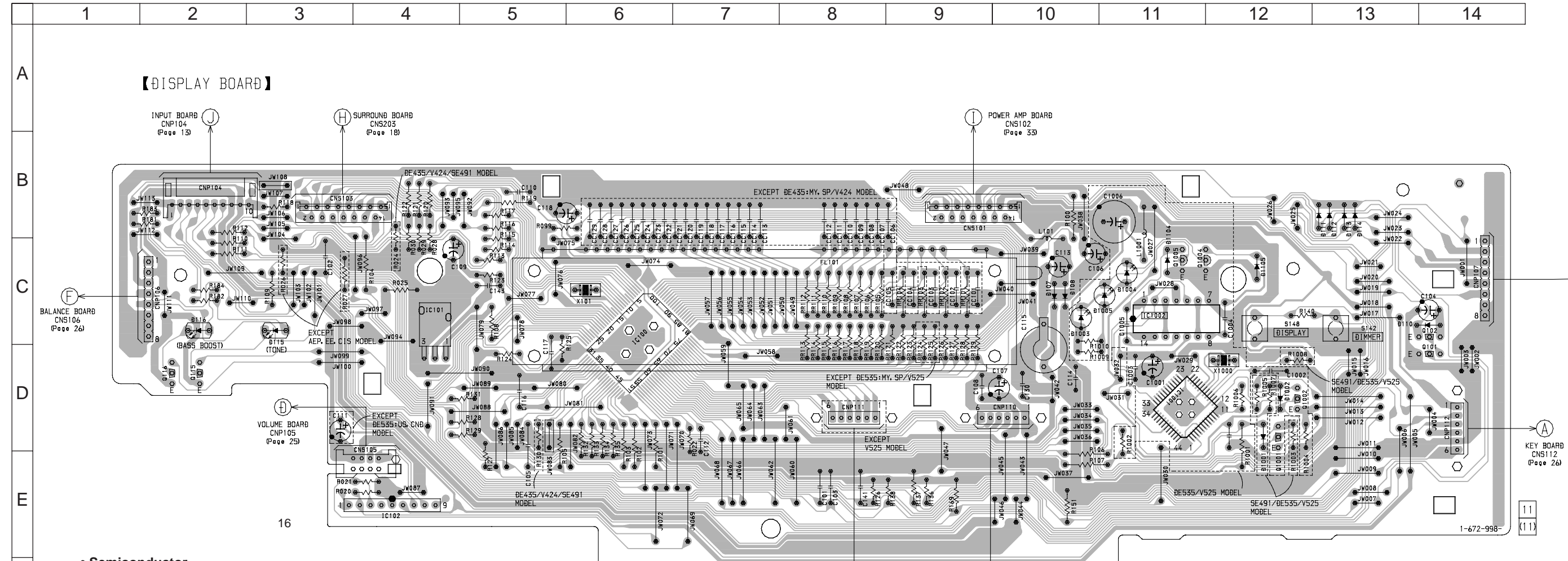


(A) VOLUME BOARD CNS404 (Page 27)

(I) DISPLAY BOARD CNS103 (Page 24)

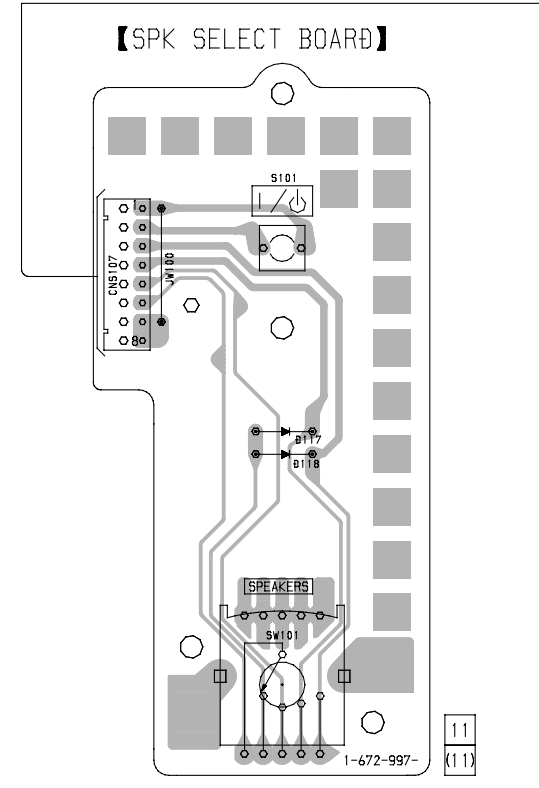
(K) INPUT BOARD CNS200 (Page 15)

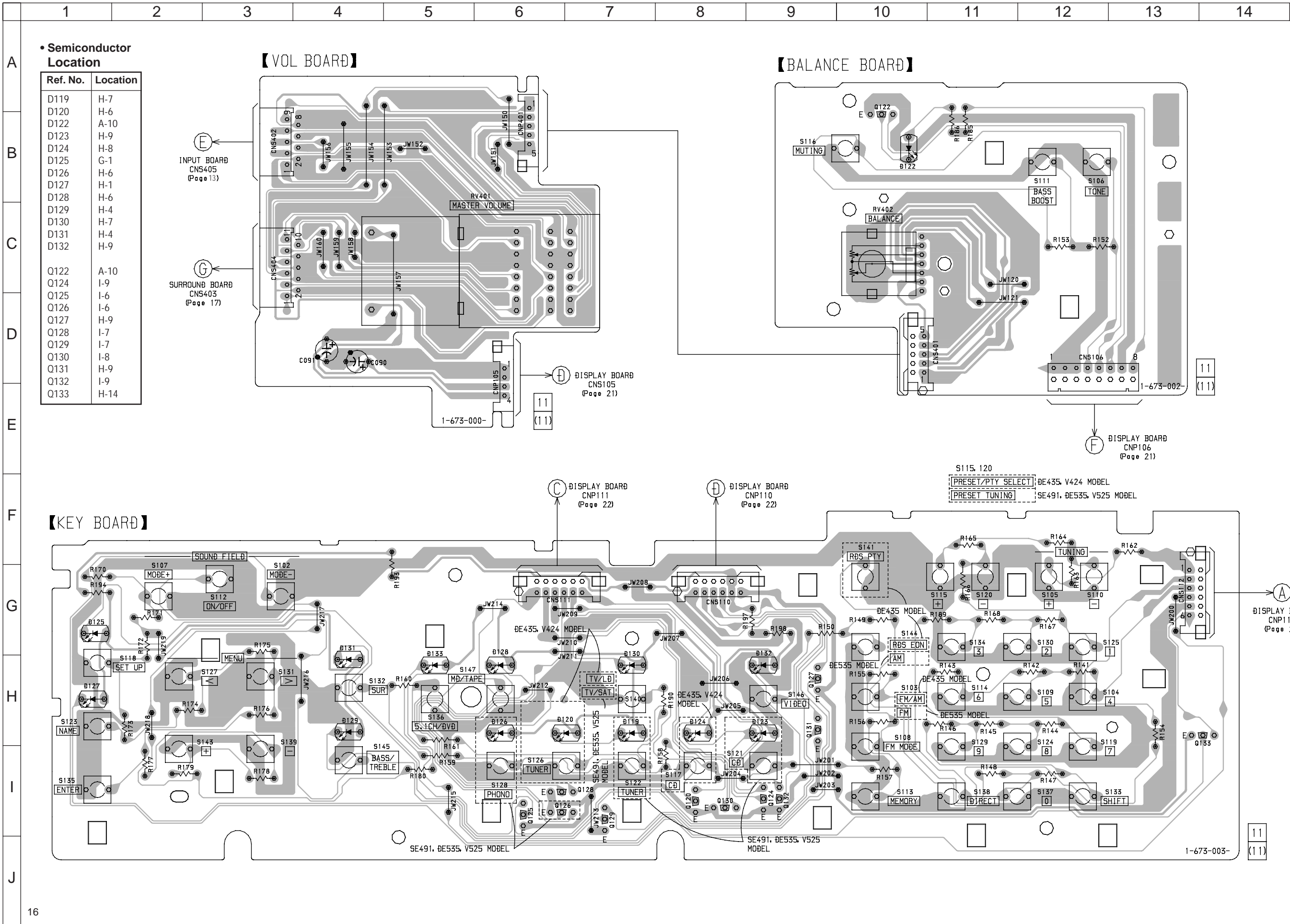
(B) DE435, DE535, SE491, V424, V525 MODEL



• Semiconductor Location

| Ref. No. | Location |
|----------|----------|
| D107 | C-10 |
| D108 | C-10 |
| D110 | C-14 |
| D111 | B-13 |
| D112 | B-13 |
| D113 | B-13 |
| D114 | B-13 |
| D115 | C-3 |
| D116 | C-2 |
| D117 | H-14 |
| D118 | H-14 |
| D1001 | D-12 |
| D1002 | D-12 |
| D1003 | C-10 |
| D1004 | C-11 |
| D1005 | C-11 |
| D1104 | C-11 |
| D1105 | C-12 |
| IC100 | C-6 |
| IC101 | C-4 |
| IC102 | E-4 |
| IC1001 | D-11 |
| IC1002 | C-11 |
| Q101 | D-14 |
| Q102 | C-14 |
| Q115 | D-2 |
| Q116 | D-2 |
| Q1001 | D-12 |
| Q1002 | D-12 |
| Q1004 | C-12 |
| Q1005 | C-11 |





• Semiconductor Location

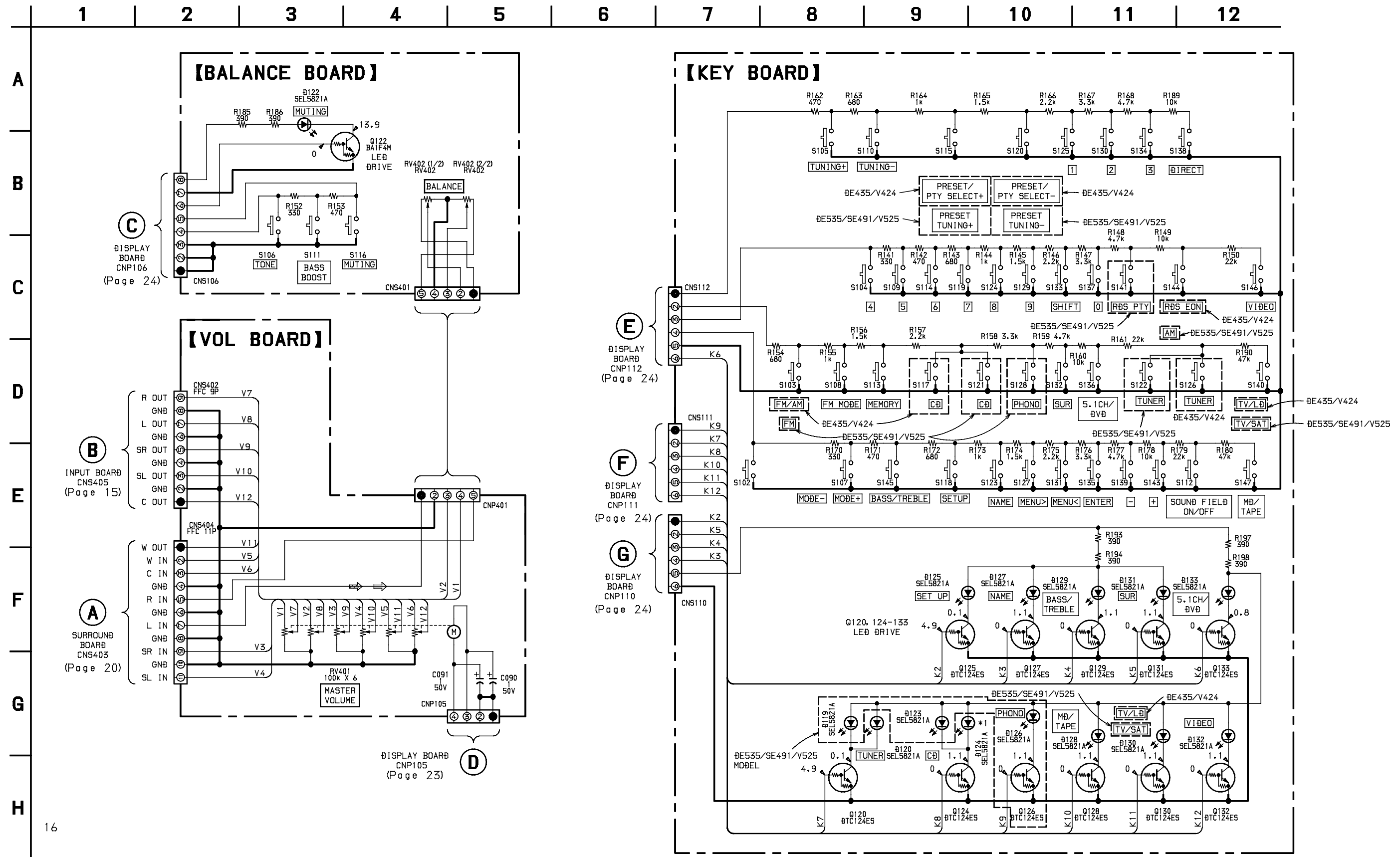
| Ref. No. | Location |
|----------|----------|
| D119 | H-7 |
| D120 | H-6 |
| D122 | A-10 |
| D123 | H-9 |
| D124 | H-8 |
| D125 | G-1 |
| D126 | H-6 |
| D127 | H-1 |
| D128 | H-6 |
| D129 | H-4 |
| D130 | H-7 |
| D131 | H-4 |
| D132 | H-9 |
| Q122 | A-10 |
| Q124 | I-9 |
| Q125 | I-6 |
| Q126 | I-6 |
| Q127 | H-9 |
| Q128 | I-7 |
| Q129 | I-7 |
| Q130 | I-8 |
| Q131 | H-9 |
| Q132 | I-9 |
| Q133 | H-14 |

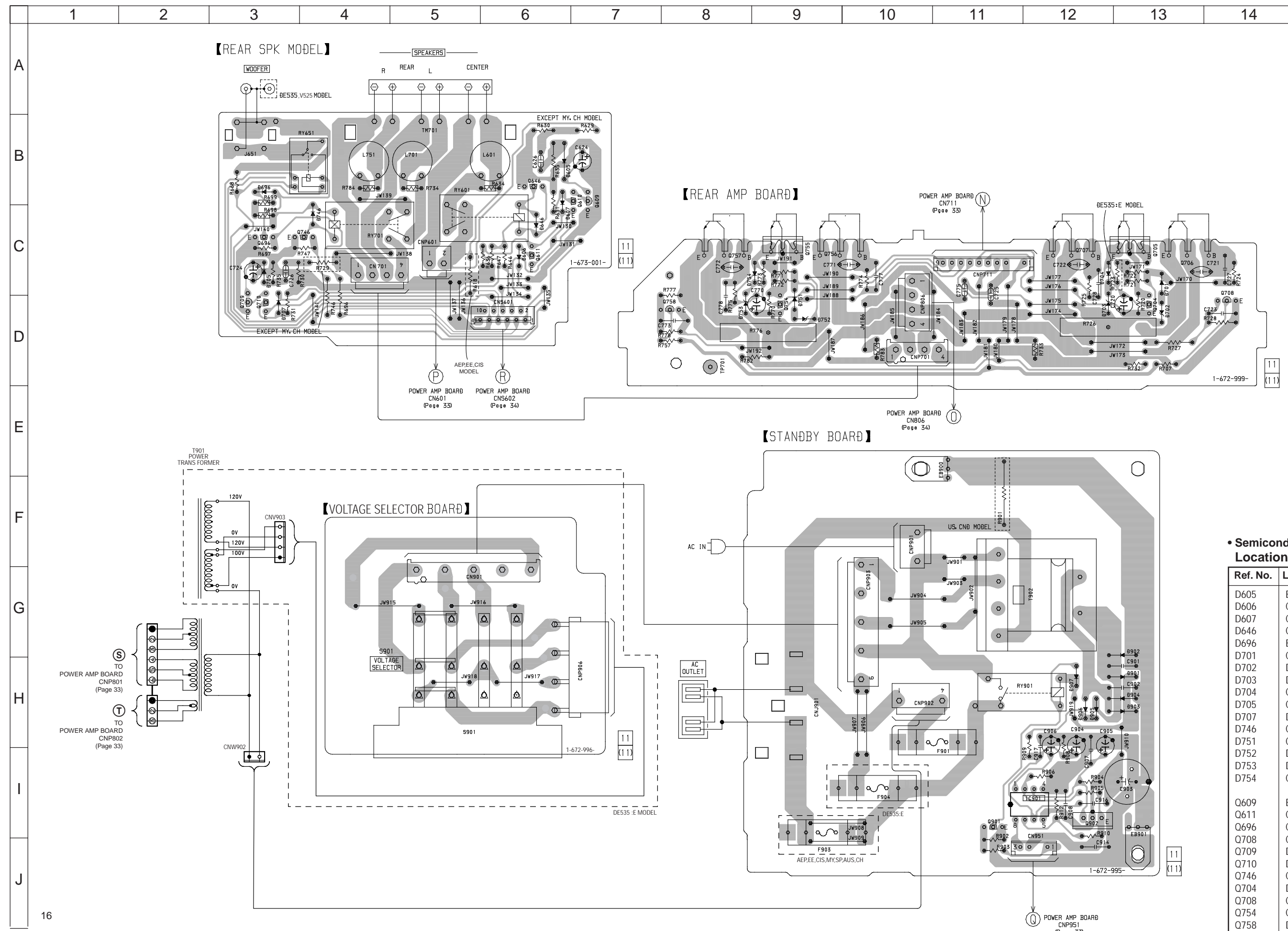
【VOL BOARD】

【BALANCE BOARD】

【KEY BOARD】

3-10. SCHEMATIC DIAGRAM — KEY SECTION —



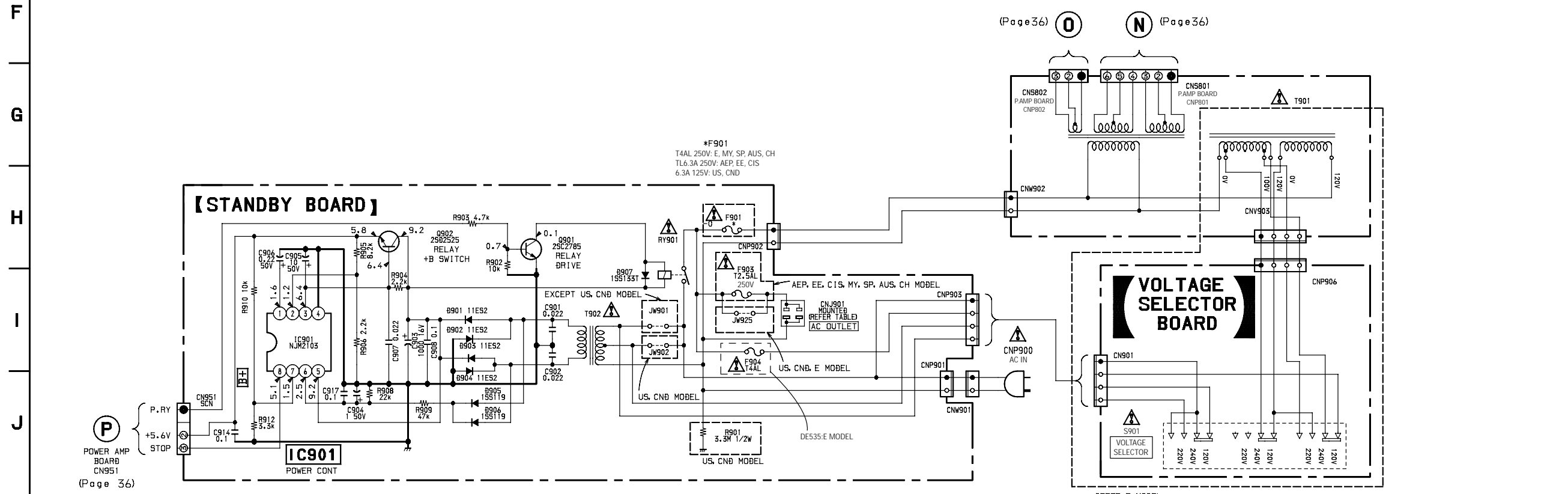
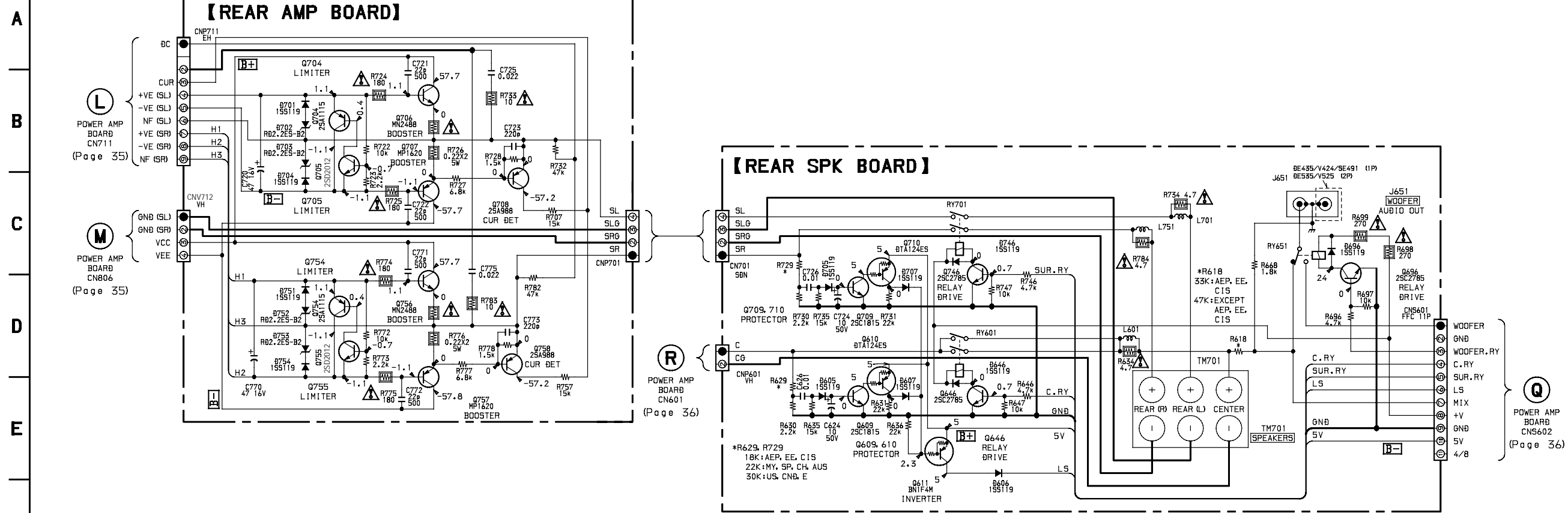


• Semiconductor Location

| Ref. No. | Location |
|----------|----------|
| D605 | B-6 |
| D606 | C-6 |
| D607 | C-6 |
| D646 | C-6 |
| D696 | B-3 |
| D701 | C-13 |
| D702 | D-13 |
| D703 | D-12 |
| D704 | C-12 |
| D705 | C-3 |
| D707 | D-3 |
| D746 | C-4 |
| D751 | C-9 |
| D752 | D-9 |
| D753 | D-8 |
| D754 | C-9 |
| Q609 | B-7 |
| Q611 | C-6 |
| Q696 | C-3 |
| Q708 | C-14 |
| Q709 | D-3 |
| Q710 | D-3 |
| Q746 | C-4 |
| Q704 | D-13 |
| Q708 | C-14 |
| Q754 | C-9 |
| Q758 | D-8 |

3-12. SCHEMATIC DIAGRAM — REAR AMP SECTION —

1 2 3 4 5 6 7 8 9 10 11 12 13 14 15 16



| | | |
|--|---|--|
| The components identified by mark Δ or dotted line with mark Δ are critical for safety. Replace only with part number specified. | Les composants identifiés par une marque Δ sont critiques pour la sécurité. Ne les remplacer que par une pièce portant le numéro spécifié. | 以阴影和 Δ 标志来识别的零部件，在安全方面具有关键性。因此只能以规定号码的零部件来更换。 |
|--|---|--|

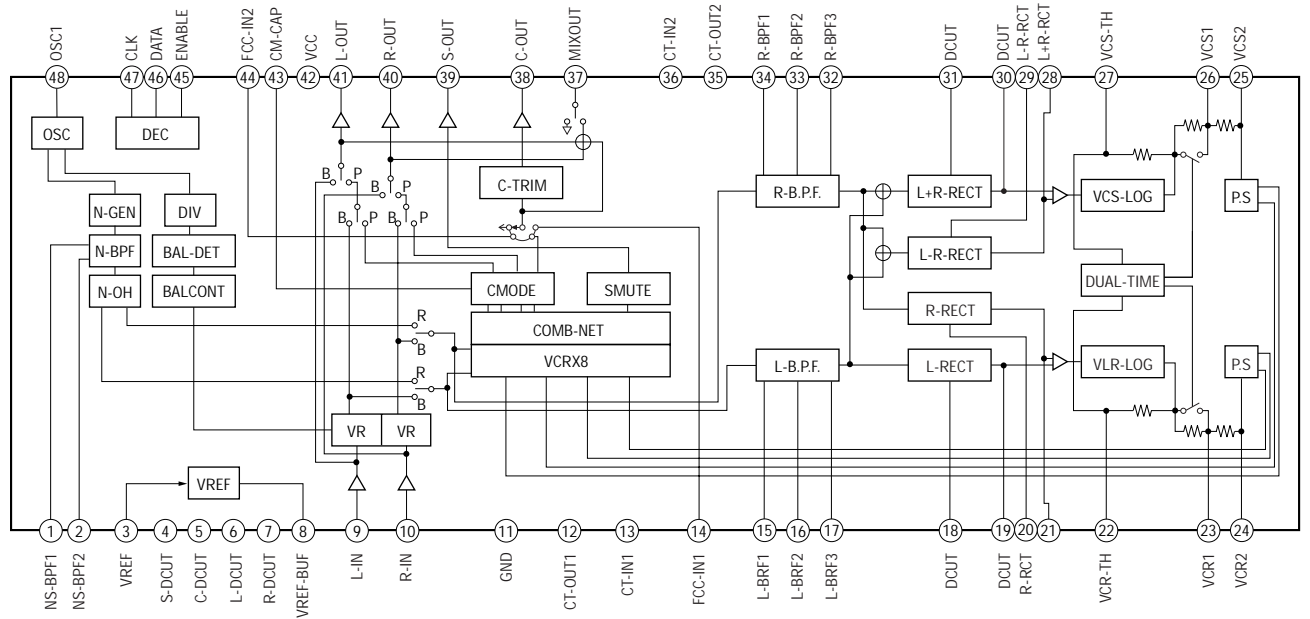
3-15. IC PIN FUNCTION DESCRIPTION

• IC100 uPD780208GF-032-3BA/M62438FP-600D SYSTEM CONTROL (DISPLAY BOARD)

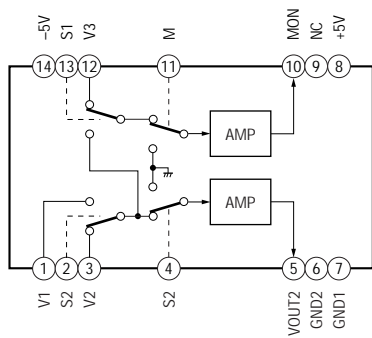
| Pin No. | Pin Name | I/O | Description |
|----------|--------------|-----|-------------------------------|
| 1 | VDD.+5V | — | Power Supply (+5 V). |
| 2 | S1 | O | Video IC S1. |
| 3 | S2 | O | Video IC S2. |
| 4 | V.MUTE | O | Video IC MUTE. |
| 5 | INITIALIZE | O | Reset. |
| 6 | VIR CNTL | O | VIR Control. |
| 7 | GND | — | Not used (ground). |
| 8 | AC.MUTE | O | A-class mute. |
| 9 | D.LATCH | O | Dolby latch. |
| 10 | RESET | I | System reset. |
| 11, 12 | X2, X1 | — | System clock X101(5.0 MHz). |
| 13 | VSS. GND | — | VSS (0 V). |
| 14 | N.C. | — | Open. |
| 15 | RDS.DAT.IN | I | RDS data input. |
| 16 | VDD.+5v | — | Power Supply (+5 V). |
| 17 | T.LATCH | O | Tone latch. |
| 18 | S.CLOCK | O | Serial clock. |
| 19 | S.DATA | O | Serial data. |
| 20 | S.LATCH | O | Serial latch. |
| 21 | AUTO.STOP | I | Auto stop detect input. |
| 22 | TUNER.MUTE | O | Tuner mute. |
| 23 | STEREO | I | Stereo. |
| 24 | IF.DATA.IN | I | IF. Data input. |
| 25 | GND.A/D | — | A/D ground (0 V). |
| 26 | SIRCS | I | SIRCS input. |
| 27 | CTRLA1LAT | O | Control A1 Latch. |
| 28 | SIGNAL | I | Signal. |
| 29 | VERSION | I | Version. |
| 30 to 33 | KEY4 to 1 | I | Key A/D 4 to 1 |
| 34 | VDD.A/D.+5V | — | A/D power supply (+5 V). |
| 35 | VREF.A/D.+5V | — | A/D reference voltage (+5 V). |
| 36 | CTRL-A1.OUT | O | Control-A1 out. |
| 37 | CTRL-A1.IN | I | Control-A1 in. |
| 38 | RDS.CLK.IN | I | RDS clock in. |
| 39 | STOP | I | STOP. |
| 40 | VSS.GND | — | Ground. |
| 41 | DIRECT.PASS | O | Direct pass. |
| 42 | SUR.RY | O | Surround relay. |
| 43 | CENTER.RY | O | Center relay. |
| 44 | FRONT.RY | O | Front relay. |
| 45 | W.RY | O | Woofers relay. |
| 46 | VDD.+5V | — | +5 V. |
| 47 | PROTECTOR.IN | I | Protector in. |
| 48 | POWER.RY | O | Power relay. |
| 49 | BASS.BOOST | O | Bass boost. |
| 50 | SP.OFF | I | Speaker off. |

| Pin No. | Pin Name | I/O | Description |
|-----------|-----------------|-----|---|
| 51 | VOL - | O | Volume -. |
| 52 | VOL + | O | Volume +. |
| 53 | GND | — | Not used (ground). |
| 54 | S.MUTE | O | S. Mute. |
| 55 | SYS. POWER | I | System Power. |
| 56 | GND | — | Not used (ground). |
| 57 | 5.1.INPUT.LED | O | 5.1/DVD input LED drive. |
| 58 | SET UP LED | O | Set up LED drive. |
| 59 | MUTING.LED | O | Muting LED drive. |
| 60 | TONE.LED | O | TUNE LED drive. |
| 61 | SURR.LED | O | Surround LED drive. |
| 62 | NAME.LED | O | NAME LED drive. |
| 63 | PHONO.LED | O | PHONO LED drive. |
| 64 | TUNER.LED | O | TUNER LED drive. |
| 65 | CD.LED | O | CD LED drive. |
| 66 | MD/TAPE.LED | O | MD/TAPE LED drive. |
| 67 | TV/DBS.LED | O | TV/DBS LED drive. |
| 68 | VIDEO.LED | O | VIDEO LED drive. |
| 69 | BASS/TREBLE LED | O | BASS/TREBLE LED drive. |
| 70 | B.BOOST.LED | O | B. BOOST LED drive. |
| 71 to 78 | P1 to P8 | O | Key Out 1 to 8 Fluorescent indicator tube drive. |
| 79 | VLOAD | — | Vee (-30V). |
| 80 to 88 | P9 to P17 | O | Key Out 9 to 17 Fluorescent indicator tube drive. |
| 89 to 100 | G12 to G1 | O | Fluorescent indicator tube drive. |

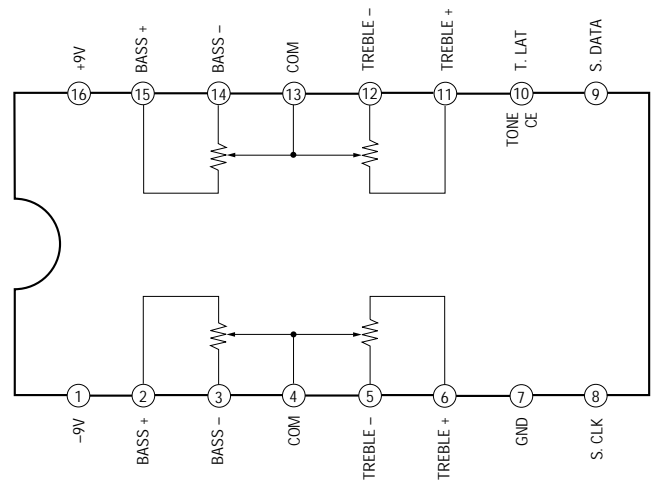
IC301 (SURR BOARD) CXA8079S



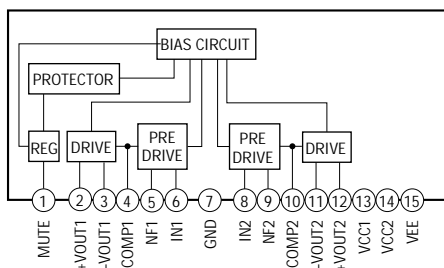
IC281 (SURR BOARD) NJM2279D



IC401 (SURR BOARD) TC9184P



IC501, IC701 (INPUT BOARD) μPC2581V



SECTION 4 EXPLODED VIEWS

NOTE:

- XX, -X mean standardized parts, so they may have some differences from the original one.
- Items marked "*" are not stocked since they are seldom required for routine service. Some delay should be anticipated when ordering these items.

- Color Indication of Appearance Parts Example: KNOB, BALANCE (WHITE) . . . (RED)

Parts of Color Cabinet's Color

- The mechanical parts with no reference number in the exploded views are not supplied.
- Hardware (# mark) list and accessories and packing materials are given in the last of this parts list.

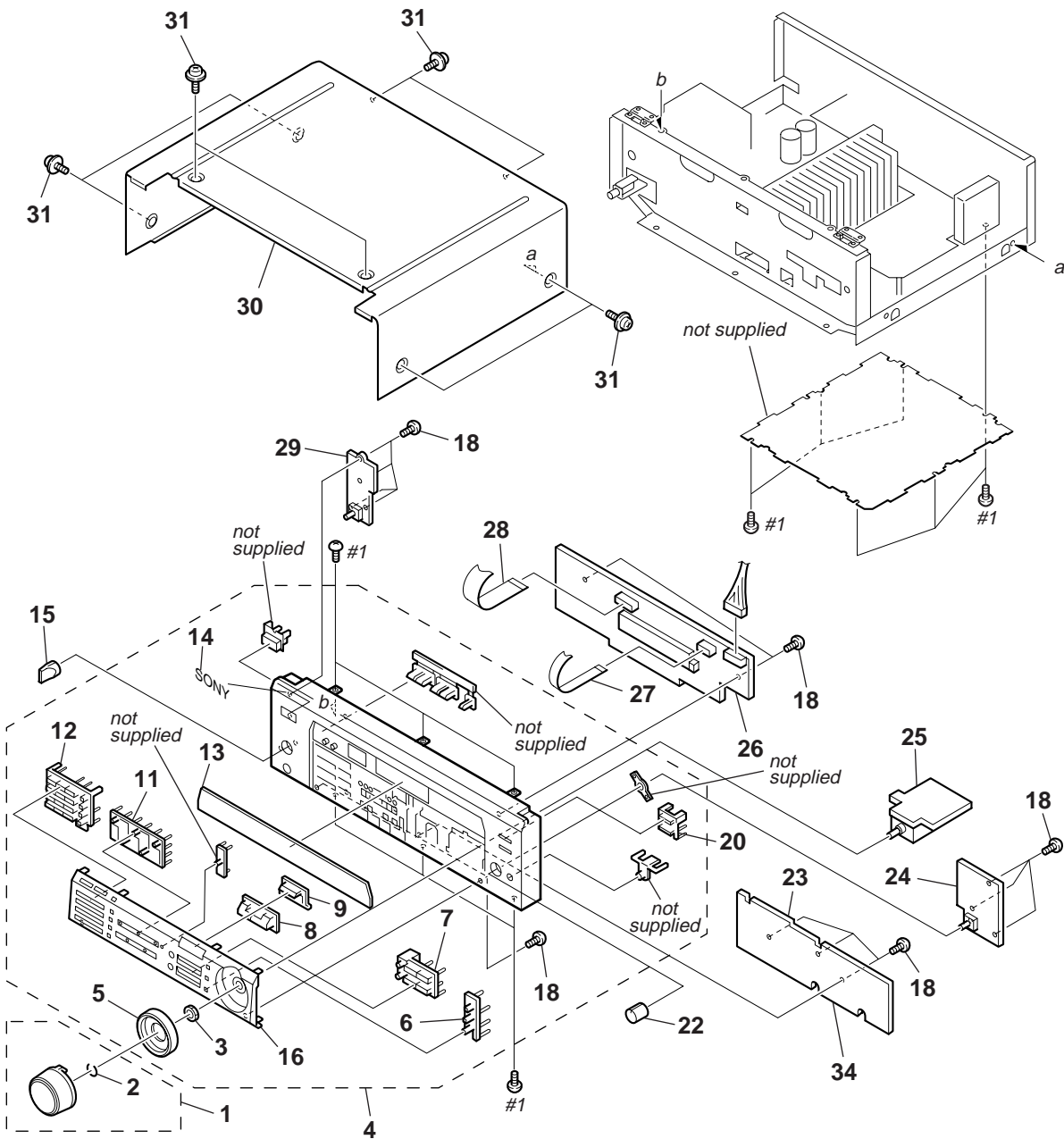
以阴影和△标志来识别的零部件在安全方面具有关键性。因此只能以规定号码的零部件来更换。

The components identified by mark △ or dotted line with mark △ are critical for safety. Replace only with part number specified.

Les composants identifiés par une marque △ sont critiques pour la sécurité. Ne les remplacer que par une pièce portant le numéro spécifié.

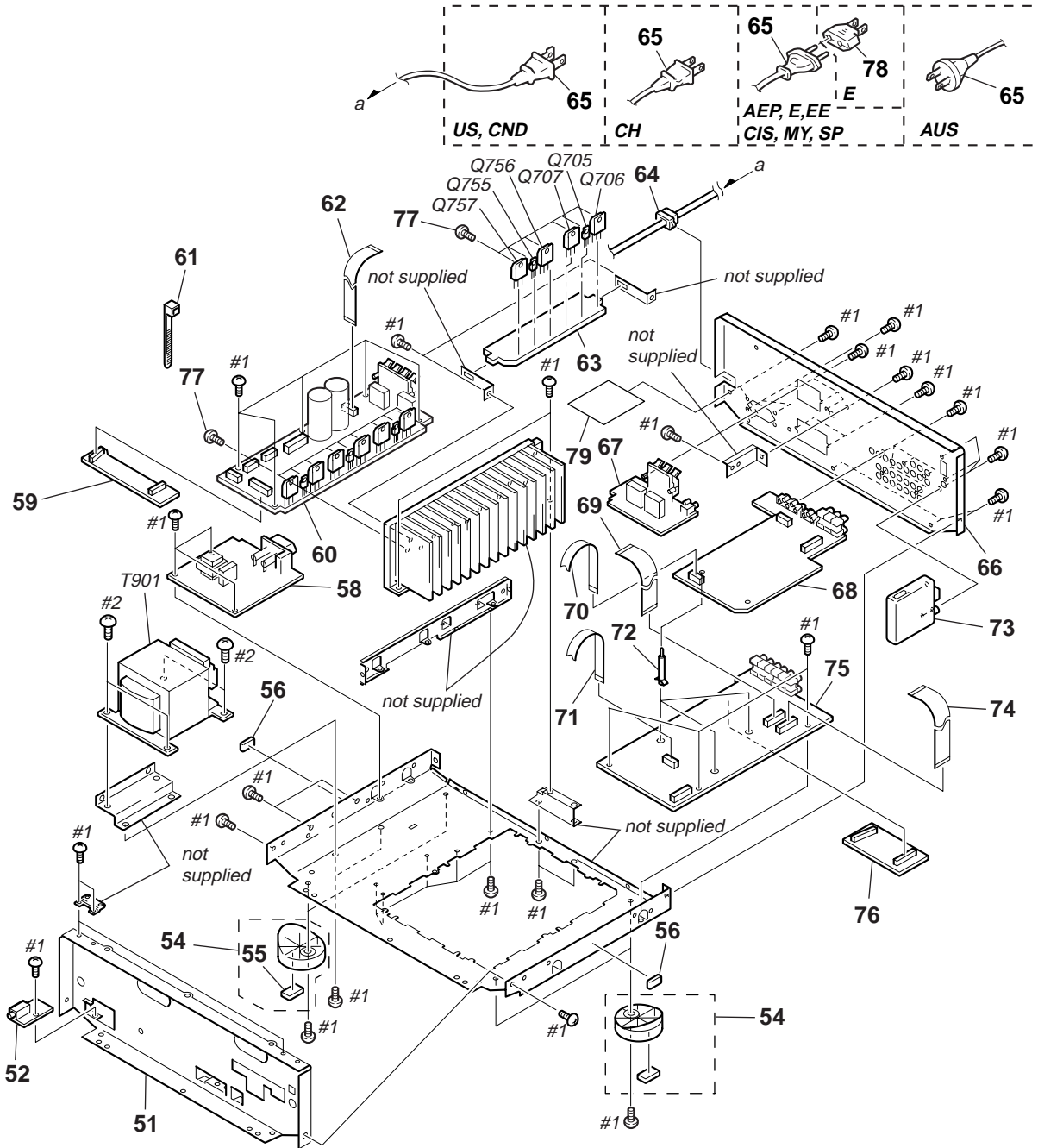
- Abbreviation
 CND : Canadian SP : Singapore
 AUS : Australian EA : Saudi Arabia
 CH : Chinese EE : East European
 MY : Malaysia

4-1. FRONT PANEL SECTION



| Ref. No. | Part No. | Description | Remarks | Ref. No. | Part No. | Description | Remarks |
|----------|--------------|---|---------|----------|--------------|--|---------|
| 1 | X-4951-035-1 | KNOB (VOL) ASSY (BLACK) (EXCEPT V525) | | 16 | 4-216-923-01 | ESCUTCHEON (US,CND,AUS) | |
| 1 | X-4951-269-1 | KNOB (VOL) ASSY (V525) | | 16 | 4-216-923-11 | ESCUTCHEON (DE535:E,MY,SP) | |
| 1 | X-4951-435-1 | KNOB (VOL) ASSY (SILVER) (DE435:AEP) | | 16 | 4-216-923-31 | ESCUTCHEON (DE435:MY,SP/V424) | |
| 2 | 3-350-426-01 | SPRING, RING | | 16 | 4-216-923-41 | ESCUTCHEON (BLACK) (DE435:AEP,EE,CIS) | |
| 3 | 4-216-792-01 | RING (VOL) (EXCEPT V525) | | 16 | 4-216-923-51 | ESCUTCHEON (V525) | |
| 3 | 4-216-792-11 | RING (VOL) (V525) | | 16 | 4-216-923-61 | ESCUTCHEON (SILVER) (DE435:AEP) | |
| 3 | 4-216-792-21 | RING (VOL) (SILVER) (DE435:AEP) | | 18 | 4-951-620-01 | SCREW (2.6 × 8), +BVTP | |
| 4 | X-4951-061-1 | FRONT PANEL ASSY (DE535:US,CND,AUS) | | 20 | 4-216-922-01 | BUTTON (EQ) | |
| 4 | X-4951-084-1 | FRONT PANEL ASSY (DE435:US,CND,AUS) | | 22 | 4-998-717-01 | KNOB (BAL) (BLACK) (EXCEPT V525) | |
| 4 | X-4951-085-1 | FRONT PANEL ASSY (DE535:E,MY,SP) | | 22 | 4-998-717-12 | KNOB (BAL) (V525) | |
| 4 | X-4951-086-1 | FRONT PANEL ASSY (DE435:MY,SP) | | 22 | 4-998-717-31 | KNOB (BAL) (SILVER) (DE435:AEP) | |
| 4 | X-4951-087-1 | FRONT PANEL ASSY (BLACK) (DE435:AEP,EE,CIS) | | 23 | A-4419-078-A | KEY BOARD, COMPLETE (DE535/SE491/V525) | |
| 4 | X-4951-088-1 | FRONT PANEL ASSY (SE491) | | 23 | A-4419-219-A | KEY BOARD, COMPLETE (DE435:US,CND,MY,SP,AUS/V424) | |
| 4 | X-4951-128-1 | FRONT PANEL ASSY (V525) | | 23 | A-4419-231-A | KEY BOARD, COMPLETE (DE435:AEP,EE,CIS) | |
| 4 | X-4951-129-1 | FRONT PANEL ASSY (V424) | | 24 | 1-673-002-11 | BALANCE BOARD | |
| 4 | X-4951-434-1 | FRONT PANEL ASSY (SILVER) (DE435:AEP) | | 25 | A-4419-075-A | VOL BOARD, COMPLETE | |
| 5 | 4-216-392-01 | RING(VOL) | | 26 | A-4419-073-A | DISPLAY BOARD, COMPLETE (DE535:US,CND) | |
| 6 | 4-216-787-01 | BUTTON (SET UP) (BLACK) (DE435:US,CND,AEP,EE,CIS,MY,SP,AUS/DE535/SE491/V424) | | 26 | A-4419-201-A | DISPLAY BOARD, COMPLETE (SE491) | |
| 6 | 4-216-787-11 | BUTTON (SET UP) (V525) | | 26 | A-4419-206-A | DISPLAY BOARD, COMPLETE (DE535:AUS) | |
| 6 | 4-216-787-31 | BUTTON (SET UP) (SILVER) (DE435:AEP) | | 26 | A-4419-210-A | DISPLAY BOARD, COMPLETE (DE535:MY,SP) | |
| 7 | 4-216-921-01 | BUTTON (MENU) (BLACK) (DE435:US,CND,AEP,EE,CIS,MY,SP,AUS/DE535/SE491/V424) | | 26 | A-4419-213-A | DISPLAY BOARD, COMPLETE (DE535:E) | |
| 7 | 4-216-921-21 | BUTTON (MENU) (SILVER) (DE435:AEP) | | 26 | A-4419-217-A | DISPLAY BOARD, COMPLETE (DE435:US,CND) | |
| 8 | 4-216-384-01 | BUTTON (MODE) | | 26 | A-4419-223-A | DISPLAY BOARD, COMPLETE (DE435:AUS) | |
| 9 | 4-216-983-01 | BUTTON (ON/OFF) | | 26 | A-4419-225-A | DISPLAY BOARD, COMPLETE (DE435:MY,SP/V424) | |
| 11 | 4-216-784-01 | BUTTON (MODE) (BLACK) (DE435:US,CND,AEP,EE,CIS,MY,SP,AUS/DE535/SE491/V424) | | 26 | A-4419-228-A | DISPLAY BOARD, COMPLETE (DE435:AEP) | |
| 11 | 4-216-784-11 | BUTTON (MODE) (V525) | | 26 | A-4419-236-A | DISPLAY BOARD, COMPLETE (DE435:EE,CIS) | |
| 11 | 4-216-784-21 | BUTTON (MODE) (SILVER) (DE435:AEP) | | * 26 | A-4419-605-A | DISPLAY BOARD, COMPLETE (V525) | |
| 12 | 4-216-779-01 | BUTTON (KEY) (BLACK) (DE435:US,CND,AEP,EE,CIS,MY,SP,AUS/DE535/SE491/V424) | | 27 | 1-769-991-11 | WIRE (FLAT TYPE) (13 CORE) (DE435,V424,SE491) | |
| 12 | 4-216-779-11 | BUTTON (KEY) (V525) | | * 27 | 1-773-024-11 | WIRE (FLAT TYPE) (15 CORE) (DE535,V525) | |
| 12 | 4-216-779-21 | BUTTON (KEY) (SILVER) (DE435:AEP) | | 28 | 1-773-012-11 | WIRE (FLAT TYPE) (15 CORE) | |
| 13 | 4-216-924-01 | INDICATION PLATE | | 29 | 1-672-997-11 | SPK SELECT BOARD | |
| 14 | 4-996-698-01 | EMBLEM, SONY (EXCEPT V525) | | * 30 | 4-982-682-01 | CASE (414532) (DE435:US,CND,AUS/DE535:US,CND,E,AUS/SE491/V424) | |
| 14 | 4-996-698-11 | EMBLEM, SONY (V525) | | 30 | X-4947-722-1 | CASE ASSY (BLACK) (AEP,MY,SP,EE,CIS) | |
| 15 | 4-957-383-01 | KNOB (F14) (BLACK) (D435:US,CND,AEP,EE,CIS,MY,SP,AUS/DE535/SE491/V424) | | 30 | X-4947-723-1 | CASE ASSY (V525) | |
| 15 | 4-957-383-21 | KNOB (F14) (V525) | | 30 | X-4951-513-1 | CASE ASSY (SILVER) (AEP) | |
| 15 | 4-957-383-51 | KNOB (F14) (SILVER) (DE435:AEP) | | 31 | 4-210-291-01 | SCREW (BLACK) (CASE 3 TP2) (DE435:US,CND,AEP,EE,CIS,MY,SP,AUS/DE535/SE491/V424) | |
| | | | | 31 | 4-210-291-11 | SCREW (CASE 3 TP2) (SILVER) (DE435:AEP/V525) | |
| | | | | 34 | 1-673-002-11 | BALANCE BOARD | |

4-2. CHASSIS SECTION



| Ref. No. | Part No. | Description | Remarks | Ref. No. | Part No. | Description | Remarks |
|----------|--------------|--|---------|----------|--------------|---|---------|
| 51 | 4-216-926-01 | SUB-CHASSIS | | 67 | A-4419-218-A | REAR SPK BOARD, COMPLET (DE435:US,CND/SE491) | |
| 52 | 1-672-994-11 | HEADPHONE BOARD | | 67 | A-4419-224-A | REAR SPK BOARD, COMPLET (DE435:MY,SP,AUS/V424) | |
| 54 | X-4947-124-1 | FOOT ASSY (F50150S) (SILVER) (DE435:AEP) | | 67 | A-4419-230-A | REAR SPK BOARD, COMPLET (DE435:AEP,EE,CIS) | |
| 54 | X-4947-207-1 | FOOT ASSY (F50150S) (BLACK) (DE435:AEP,EE,CIS,MY,SP,AUS/DE535:E,MY,SP,AUS/V424) | | 68 | A-4419-083-A | SURR BOARD, COMPLETE (DE535/V525) | |
| 54 | X-4947-208-1 | FOOT ASSY (F50150S) (D435:US,CND/DE535:US,CND/SE491) | | 68 | A-4419-203-A | SURR BOARD, COMPLETE (SE491) | |
| 54 | X-4947-547-1 | FOOT ASSY (F50150S) (V525) | | 68 | A-4419-221-A | SURR BOARD, COMPLETE (DE435:US,CND,MY,SP,AUS/V424) | |
| 56 | 4-985-642-01 | CUSHION | | 68 | A-4419-234-A | SURR BOARD, COMPLETE (DE435:AEP,EE,CIS) | |
| 58 | 1-672-995-11 | STANDBY BOARD | | 69 | 1-773-008-11 | WIRE (FLAT TYPE) (15 CORE) | |
| 59 | 1-672-991-11 | BRIDGE-A BOARD | | 70 | 1-769-942-11 | WIRE (FLAT TYPE) (11 CORE) | |
| 60 | A-4419-080-A | P.AMP BOARD, COMPLETE (DE435:US/DE535:US) | | 71 | 1-769-909-11 | WIRE (FLAT TYPE) (9 CORE) | |
| 60 | A-4419-205-A | P.AMP BOARD, COMPLETE (DE435:CND/DE535:CND/SE491) | | 72 | 4-924-098-91 | HOLDER, PC BOARD | |
| 60 | A-4419-208-A | P.AMP BOARD, COMPLETE (DE435:MY,SP,AUS/DE535:MY,SP,AUS/V424/V525) | | 73 | 1-693-407-62 | TUNER (DE435:US,CND/DE535:US,CND,E/SE491) | |
| 60 | A-4419-214-A | P.AMP BOARD, COMPLETE (DE535:E) | | 73 | 1-693-408-41 | TUNER (DE435:AEP,MY,SP,AUS/DE535:MY,SP,AUS/V424/V525) | |
| 60 | A-4419-233-A | P.AMP BOARD, COMPLETE (DE435:AEP,EE,CIS) | | 73 | 1-693-411-43 | TUNER (DE435:EE,CIS) | |
| * 61 | 3-655-653-21 | BAND (TAITON), BINDING | | 74 | 1-773-004-11 | WIRE (FLAT TYPE) (15 CORE) | |
| 62 | 1-769-937-11 | WIRE (FLAT TYPE) (11 CORE) | | 75 | A-4419-079-A | INPUT BOARD, COMPLETE (DE535/SE491/V525) | |
| 63 | A-4419-074-A | REAR AMP BOARD, COMPLET (EXCEPT AEP,EE,CIS) | | 75 | A-4419-220-A | INPUT BOARD, COMPLETE (DE435:US,CND,MY,SP,AUS/V424) | |
| 63 | A-4419-229-A | REAR AMP BOARD, COMPLET (AEP,EE,CIS) | | 75 | A-4419-232-A | INPUT BOARD, COMPLETE (DE435:AEP,EE,CIS) | |
| * 64 | 3-703-244-00 | BUSHING (2104), CORD | | 76 | 1-672-992-11 | BRIDGE-B BOARD | |
| △ 65 | 1-696-847-11 | CORD, POWER (DE435:AUS/DE535:AUS) | | 77 | 3-905-609-01 | SCREW (TRANSISTOR) | |
| △ 65 | 1-777-070-21 | CORD, POWER (DE435:CND/DE535:CND) | | △ 78 | 1-569-008-21 | ADAPTOR, CONVERSION 2P (DE535: E) | |
| △ 65 | 1-777-071-21 | CORD, POWER (DE435:AEP,EE,CIS,MY,SP/DE535:E,MY,SP) | | 79 | 1-672-996-11 | VOLTAGE SELECTOR BOARD (DE535:E) | |
| △ 65 | 1-783-205-11 | CORD, POWER (V424/V525) | | Q705 | 8-729-209-15 | TRANSISTOR 2SD2012 | |
| △ 65 | 1-783-820-11 | CORD, POWER (DE435:US/DE535:US/SE491) | | Q706 | 8-749-010-25 | IC MN2488-OPY-M | |
| 66 | 4-216-927-01 | BACK PANEL (DE535:US) | | Q707 | 8-749-010-26 | IC MP1620-OPY-M | |
| 66 | 4-216-927-11 | BACK PANEL (DE535:CND) | | Q755 | 8-729-209-15 | TRANSISTOR 2SD2012 | |
| 66 | 4-216-927-21 | BACK PANEL (DE535:AUS) | | Q756 | 8-749-010-25 | IC MN2488-OPY-M | |
| 66 | 4-216-927-31 | BACK PANEL (DE535:E) | | Q757 | 8-749-010-26 | IC MP1620-OPY-M | |
| 66 | 4-216-927-41 | BACK PANEL (DE535:MY,SP) | | △ T901 | 1-433-679-11 | TRANSFORMER, POWER (DE435:CND/DE535:CND) | |
| 66 | 4-216-927-51 | BACK PANEL (V525) | | △ T901 | 1-433-680-11 | TRANSFORMER, POWER (DE435:US/DE535:US) | |
| 66 | 4-217-181-01 | BACK PANEL (DE435:US) | | △ T901 | 1-433-680-21 | TRANSFORMER, POWER (SE491) | |
| 66 | 4-217-181-11 | BACK PANEL (DE435:CND) | | △ T901 | 1-433-681-11 | TRANSFORMER, POWER (DE435:AEP,EE,CIS) | |
| 66 | 4-217-181-21 | BACK PANEL (DE435:AUS) | | △ T901 | 1-433-682-11 | TRANSFORMER, POWER (DE435:AUS/DE535:AUS) | |
| 66 | 4-217-181-31 | BACK PANEL (DE435:MY,SP) | | △ T901 | 1-433-683-11 | TRANSFORMER, POWER (DE435:MY,SP/DE535:MY,SP/V424/V525) | |
| 66 | 4-217-181-41 | BACK PANEL (V424) | | △ T901 | 1-433-684-11 | TRANSFORMER, POWER (DE535:E) | |
| 66 | 4-217-181-51 | BACK PANEL (DE435:AEP) | | | | | |
| 66 | 4-217-181-61 | BACK PANEL (DE435:EE,CIS) | | | | | |
| 66 | 4-217-181-71 | BACK PANEL (SE491) | | | | | |
| 67 | A-4419-076-A | REAR SPK BOARD, COMPLET (DE535:US,CND,E) | | | | | |
| 67 | A-4419-207-A | REAR SPK BOARD, COMPLET (DE535:MY,SP,AUS/V525) | | | | | |

The components identified by mark △ or dotted line with mark △ are critical for safety. Replace only with part number specified.

Les composants identifiés par une marque △ sont critiques pour la sécurité. Ne les remplacer que par une pièce portant le numéro spécifié.

以阴影和 △ 标志来识别的零部件，在安全方面具有关键性。因此只能以规定号码的零部件来更换。

SECTION 5 ELECTRICAL PARTS LIST

NOTE:

- Due to standardization, replacements in the parts list may be different from the parts specified in the diagrams or the components used on the set.
- -XX, -X mean standardized parts, so they may have some difference from the original one.
- Items marked “*” are not stocked since they are seldom required for routine service. Some delay should be anticipated when ordering these items.

- **CAPACITORS:**
uF: μ F
- **RESISTORS**
All resistors are in ohms.
METAL: metal-film resistor
METAL OXIDE: Metal Oxide-film resistor
F: nonflammable
- **COILS**
uH: μ H

- **SEMICONDUCTORS**
In each case, u: μ , for example:
uA...: μ A..., uPA..., μ PA...,
uPB..., μ PB..., uPC..., μ PC...,
uPD..., μ PD...

When indicating parts by reference number, please include the board name.

The components identified by mark Δ or dotted line with mark Δ are critical for safety. Replace only with part number specified.

Les composants identifiés par une marque Δ sont critiques pour la sécurité. Ne les remplacer que par une pièce portant le numéro spécifié.

以阴影和 Δ 标志来识别的零部件在安全方面具有关键性。因此只能以规定号码的零部件来更换。

Abbreviation

| | |
|------------------|--------------------|
| CND : Canadian | SP : Singapore |
| AUS : Australian | EA : Saudi Arabia |
| CH : Chinese | EE : East European |
| MY : Malaysia | |

| Ref. No. | Part No. | Description | Remarks | Ref. No. | Part No. | Description | Remarks |
|----------|--------------|--------------------------------------|---------|----------------|---|---------------|-----------------------|
| | 1-673-002-11 | BALANCE BOARD ***** | | A-4419-073-A | DISPLAY BOARD, COMPLETE (DE535:US,CND) ***** | | |
| | | < CONNECTOR > | | A-4419-201-A | DISPLAY BOARD, COMPLETE (SE491) ***** | | |
| * CNS106 | 1-695-808-11 | CONNECTOR, PC BOARD 8P | | A-4419-206-A | DISPLAY BOARD, COMPLETE (DE535:AUS) ***** | | |
| CNS401 | 1-770-398-11 | HOUSING, CONNECTOR (PC BOARD) 5P | | A-4419-210-A | DISPLAY BOARD, COMPLETE (DE535:MY,SP) ***** | | |
| | | < DIODE > | | A-4419-213-A | DISPLAY BOARD, COMPLETE (DE535:E) ***** | | |
| D122 | 8-719-046-39 | DIODE SEL5821A-TP15 (MUTING) | | A-4419-217-A | DISPLAY BOARD, COMPLETE (DE435:US,CND) ***** | | |
| | | < TRANSISTOR > | | A-4419-223-A | DISPLAY BOARD, COMPLETE (DE435:AUS) ***** | | |
| Q122 | 8-729-900-36 | TRANSISTOR DTC124ES | | A-4419-225-A | DISPLAY BOARD, COMPLETE ***** | | (DE435:MY,SP/V424) |
| | | < RESISTOR > | | A-4419-228-A | DISPLAY BOARD, COMPLETE (AEP) ***** | | |
| R152 | 1-249-411-11 | CARBON 330 5% 1/4W | | A-4419-236-A | DISPLAY BOARD, COMPLETE (EE,CIS) ***** | | |
| R153 | 1-249-413-11 | CARBON 470 5% 1/4W F | | * A-4419-605-A | DISPLAY BOARD, COMPLETE (V525) ***** | | |
| R185 | 1-249-412-11 | CARBON 390 5% 1/4W F | | * 3-386-245-11 | HOLDER (FL) | | |
| R186 | 1-249-412-11 | CARBON 390 5% 1/4W F | | * 4-921-941-01 | CUSHION (FL) | | |
| | | < VARIABLE RESISTOR > | | | < CAPACITOR > | | |
| RV402 | 1-225-447-11 | RES, VAR, CARBON 100K/100K (BALANCE) | | C101 | 1-164-159-11 | CERAMIC 0.1uF | 50V |
| | | < SWITCH > | | C102 | 1-164-159-11 | CERAMIC 0.1uF | 50V |
| S106 | 1-762-196-21 | SWITCH, TACT (TONE) | | C103 | 1-164-159-11 | CERAMIC 0.1uF | 50V |
| S111 | 1-762-196-21 | SWITCH, TACT (BASS BOOST) | | C104 | 1-124-465-00 | ELECT 0.47uF | 20% 50V |
| S116 | 1-762-196-21 | SWITCH, TACT (MUTING) | | C105 | 1-164-159-11 | CERAMIC 0.1uF | 50V |
| ***** | | | | C106 | 1-126-163-11 | ELECT 4.7uF | 20% 50V |
| | 1-672-991-11 | BRIDGE-A BOARD ***** | | C107 | 1-124-261-00 | ELECT 10uF | 20% 50V |
| | | < CONNECTOR > | | C108 | 1-164-159-11 | CERAMIC 0.1uF | 50V |
| CNP652 | 1-770-553-11 | CONNECTOR, BOARD TO BOARD 11P | | C109 | 1-124-589-11 | ELECT 47uF | 20% 16V |
| CNP654 | 1-770-553-11 | CONNECTOR, BOARD TO BOARD 11P | | C111 | 1-124-589-11 | ELECT 47uF | 20% 16V |
| ***** | | | | | | | (EXCEPT DE535:US,CND) |
| | 1-672-992-11 | BRIDGE-B BOARD ***** | | | | | |
| | | < CONNECTOR > | | | | | |
| CNP651 | 1-785-820-11 | CONNECTOR, BOARD TO BOARD 15P | | | | | |
| CNP653 | 1-785-820-11 | CONNECTOR, BOARD TO BOARD 15P | | | | | |
| ***** | | | | | | | |

| Ref. No. | Part No. | Description | Remarks | Ref. No. | Part No. | Description | Remarks |
|----------|--------------|-------------|--|----------|--------------|--|--|
| C112 | 1-164-159-11 | CERAMIC | 0.1uF 50V | CC121 | 1-162-199-31 | CERAMIC | 10PF 5% 50V (EXCEPT DE435:MY,SP/V424) |
| C113 | 1-124-589-11 | ELECT | 47uF 20% 16V | CC122 | 1-162-199-31 | CERAMIC | 10PF 5% 50V (EXCEPT DE435:MY,SP/V424) |
| C114 | 1-164-159-11 | CERAMIC | 0.1uF 50V | CC123 | 1-162-199-31 | CERAMIC | 10PF 5% 50V (EXCEPT DE435:MY,SP/V424) |
| C115 | 1-104-905-11 | CAPACITOR | 0.22F 5.5V | CC124 | 1-162-199-31 | CERAMIC | 10PF 5% 50V (EXCEPT DE435:MY,SP/V424) |
| C116 | 1-164-159-11 | CERAMIC | 0.1uF 50V | CC125 | 1-162-199-31 | CERAMIC | 10PF 5% 50V (EXCEPT DE435:MY,SP/V424) |
| C117 | 1-164-159-11 | CERAMIC | 0.1uF 50V | CC126 | 1-162-199-31 | CERAMIC | 10PF 5% 50V (EXCEPT DE435:MY,SP/V424) |
| C130 | 1-164-159-11 | CERAMIC | 0.1uF 50V | CC127 | 1-162-199-31 | CERAMIC | 10PF 5% 50V (EXCEPT DE435:MY,SP/V424) |
| C141 | 1-164-159-11 | CERAMIC | 0.1uF 50V | CC128 | 1-162-199-31 | CERAMIC | 10PF 5% 50V (EXCEPT DE435:MY,SP/V424) |
| C143 | 1-164-159-11 | CERAMIC | 0.1uF 50V | CC129 | 1-162-199-31 | CERAMIC | 10PF 5% 50V (EXCEPT DE435:MY,SP/V424) |
| C1001 | 1-124-261-00 | ELECT | 10uF 20% 50V (DE535/V525) | | | | |
| C1002 | 1-164-159-11 | CERAMIC | 0.1uF 50V (DE535/V525) | | | | |
| C1003 | 1-164-159-11 | CERAMIC | 0.1uF 50V (DE535/V525) | | | | |
| C1004 | 1-164-360-11 | CERAMIC | 0.01uF 20% 16V (DE535/V525) | | | | |
| C1005 | 1-164-360-11 | CERAMIC | 0.01uF 20% 16V (DE535/V525) | | | | |
| C1006 | 1-124-916-11 | ELECT | 1000uF 20% 6.3V (DE535/V525) | | | | < CONNECTOR > |
| CC101 | 1-162-199-31 | CERAMIC | 10PF 5% 50V (EXCEPT DE435:MY,SP/V424) | CNP106 | 1-779-365-11 | CONNECTOR, PC BOARD (PLUG) 8P | |
| CC102 | 1-162-199-31 | CERAMIC | 10PF 5% 50V (EXCEPT DE435:MY,SP/V424) | CNP107 | 1-779-365-11 | CONNECTOR, PC BOARD (PLUG) 8P | |
| CC103 | 1-162-199-31 | CERAMIC | 10PF 5% 50V (EXCEPT DE435:MY,SP/V424) | CNP109 | 1-779-366-11 | CONNECTOR, BOARD TO BOARD 4P (V525) | |
| CC104 | 1-162-199-31 | CERAMIC | 10PF 5% 50V (EXCEPT DE435:MY,SP/V424) | CNP110 | 1-785-821-11 | CONNECTOR, BOARD TO BOARD 6P | |
| CC105 | 1-162-199-31 | CERAMIC | 10PF 5% 50V (EXCEPT DE435:MY,SP/V424) | CNP111 | 1-785-821-11 | CONNECTOR, BOARD TO BOARD 6P (DE435/SE491/V424/DE535) | |
| CC106 | 1-162-199-31 | CERAMIC | 10PF 5% 50V (EXCEPT DE435:MY,SP/V424) | CNP111 | 1-779-366-11 | CONNECTOR, BOARD TO BOARD 4P (V525) | |
| CC107 | 1-162-199-31 | CERAMIC | 10PF 5% 50V (EXCEPT DE435:MY,SP/V424) | CNP112 | 1-785-821-11 | CONNECTOR, BOARD TO BOARD 6P | |
| CC108 | 1-162-199-31 | CERAMIC | 10PF 5% 50V (EXCEPT DE435:MY,SP/V424) | CNS101 | 1-569-932-11 | SOCKET, CONNECTOR 15P | |
| CC109 | 1-162-199-31 | CERAMIC | 10PF 5% 50V (EXCEPT DE435:MY,SP/V424) | CNS103 | 1-569-930-11 | SOCKET, CONNECTOR 13P (DE435 EXCEPT US,CND/V424/SE491) | |
| CC110 | 1-162-199-31 | CERAMIC | 10PF 5% 50V (EXCEPT DE435:MY,SP/V424) | * CNS103 | 1-569-932-11 | SOCKET, CONNECTOR 15P (DE435:US,CND/DE535/V525) | |
| CC111 | 1-162-199-31 | CERAMIC | 10PF 5% 50V (EXCEPT DE435:MY,SP/V424) | CNS104 | 1-564-723-11 | PIN, CONNECTOR (SMALL TYPE) 7P (DE535:US,CND DE435:AEP) | |
| CC112 | 1-162-199-31 | CERAMIC | 10PF 5% 50V (EXCEPT DE435:MY,SP/V424) | CNS104 | 1-564-726-11 | PIN, CONNECTOR (SMALL TYPE) 10P (EXCEPT DE535:US,CND DE435:AEP) | |
| CC113 | 1-162-199-31 | CERAMIC | 10PF 5% 50V (EXCEPT DE435:MY,SP/V424) | CNS105 | 1-770-397-11 | HOUSING, CONNECTOR (PC BOARD) 4P | |
| CC114 | 1-162-199-31 | CERAMIC | 10PF 5% 50V (EXCEPT DE435:MY,SP/V424) | | | | < DIODE > |
| CC115 | 1-162-199-31 | CERAMIC | 10PF 5% 50V (EXCEPT DE435:MY,SP/V424) | D107 | 8-719-911-19 | DIODE 1SS119 | |
| CC116 | 1-162-199-31 | CERAMIC | 10PF 5% 50V (EXCEPT DE435:MY,SP/V424) | D108 | 8-719-911-19 | DIODE 1SS119 | |
| CC117 | 1-162-199-31 | CERAMIC | 10PF 5% 50V (EXCEPT DE435:MY,SP/V424) | D110 | 8-719-911-19 | DIODE 1SS119 | |
| CC118 | 1-162-199-31 | CERAMIC | 10PF 5% 50V (EXCEPT DE435:MY,SP/V424) | D111 | 8-719-911-19 | DIODE 1SS119 | |
| CC119 | 1-162-199-31 | CERAMIC | 10PF 5% 50V (EXCEPT DE435:MY,SP/V424) | D112 | 8-719-911-19 | DIODE 1SS119 | |
| CC120 | 1-162-199-31 | CERAMIC | 10PF 5% 50V (EXCEPT DE435:MY,SP/V424) | D113 | 8-719-911-19 | DIODE 1SS119 | |
| | | | | D114 | 8-719-911-19 | DIODE 1SS119 | |
| | | | | D115 | 8-719-046-39 | DIODE SEL5821A-TH15 | |
| | | | | D116 | 8-719-046-39 | DIODE SEL5821A-TH15 | |
| | | | | D1001 | 8-719-911-19 | DIODE 1SS119 (DE535/V525) | |
| | | | | D1002 | 8-719-911-19 | DIODE 1SS119 (DE535/V525) | |
| | | | | D1003 | 8-719-059-14 | DIODE SID313BP-TP19 (DE535/V525) | |
| | | | | D1004 | 8-719-059-14 | DIODE SID313BP-TP19 (DE535/V525) | |
| | | | | D1005 | 8-719-059-14 | DIODE SID313BP-TP19 (DE535/V525) | |
| | | | | D1104 | 8-719-911-19 | DIODE 1SS119 (DE535/V525) | |
| | | | | D1105 | 8-719-911-19 | DIODE 1SS119 (DE535/V525) | |

DISPLAY

| Ref. No. | Part No. | Description | Remarks | Ref. No. | Part No. | Description | Remarks |
|----------|--------------|---|--|----------|--------------|-------------|--|
| | | < FLUORESCENT TUBE > | | R106 | 1-247-807-31 | CARBON | 100 5% 1/4W |
| FL101 | 1-517-770-11 | INDICATOR TUBE, FLUORESCENT | | R107 | 1-247-807-31 | CARBON | 100 5% 1/4W |
| | | < IC > | | R108 | 1-247-807-31 | CARBON | 100 5% 1/4W |
| IC100 | 8-759-577-79 | IC uPD780208GF-032-3BA (EXCEPT DE535:US,CND) | | R109 | 1-247-807-31 | CARBON | 100 5% 1/4W |
| IC100 | 8-759-577-91 | IC M62438FP-600D (DE535:US,CND) | | R110 | 1-247-807-31 | CARBON | 100 5% 1/4W |
| IC101 | 8-759-332-18 | IC GP1U27XB | | R111 | 1-247-807-31 | CARBON | 100 5% 1/4W |
| IC102 | 8-759-962-08 | IC BA6208 | | R112 | 1-247-807-31 | CARBON | 100 5% 1/4W |
| IC1001 | 8-759-545-07 | IC TMP87C447U-4A06 (DE535/V525) | | R113 | 1-247-807-31 | CARBON | 100 5% 1/4W |
| IC1002 | 8-759-916-12 | IC SN74HC00AN (DE535/V525) | | R114 | 1-247-807-31 | CARBON | 100 5% 1/4W |
| | | < COIL > | | R115 | 1-247-807-31 | CARBON | 100 5% 1/4W |
| L101 | 1-410-509-11 | INDUCTOR 10uH | | R116 | 1-247-807-31 | CARBON | 100 5% 1/4W |
| L1001 | 1-408-080-00 | INDUCTOR 100uH (DE535/V525) | | R117 | 1-247-807-31 | CARBON | 100 5% 1/4W |
| | | < TRANSISTOR > | | R118 | 1-247-807-31 | CARBON | 100 5% 1/4W |
| Q101 | 8-729-900-36 | TRANSISTOR DTC124ES | | R119 | 1-247-807-31 | CARBON | 100 5% 1/4W |
| Q102 | 8-729-900-63 | TRANSISTOR DTA124ES | | R120 | 1-247-807-31 | CARBON | 100 5% 1/4W |
| Q115 | 8-729-900-36 | TRANSISTOR DTC124ES | | R121 | 1-247-807-31 | CARBON | 100 5% 1/4W |
| Q116 | 8-729-900-36 | TRANSISTOR DTC124ES | | R122 | 1-247-807-31 | CARBON | 100 5% 1/4W |
| Q1001 | 8-729-119-78 | TRANSISTOR 2SC403SP-51 (DE535/V525) | | R123 | 1-249-429-11 | CARBON | 10K 5% 1/4W |
| Q1002 | 8-729-119-78 | TRANSISTOR 2SC403SP-51 (DE535/V525) | | R124 | 1-249-433-11 | CARBON | 22K 5% 1/4W (DE435:AEP,AUS) |
| Q1004 | 8-729-801-93 | TRANSISTOR 2SD1387 (DE535/V525) | | R124 | 1-249-435-11 | CARBON | 33K 5% 1/4W (EE,CIS) |
| Q1005 | 8-729-801-93 | TRANSISTOR 2SD1387 (DE535/V525) | | R124 | 1-249-427-11 | CARBON | 6.8K 5% 1/4W F (DE435:MY,SP/V424/DE535:AU) |
| | | < RESISTOR > | | R124 | 1-247-843-11 | CARBON | 3.3K 5% 1/4W (V525/SE491) |
| R020 | 1-249-421-11 | CARBON | 2.2K 5% 1/4W F | R124 | 1-249-431-11 | CARBON | 15K 5% 1/4W (DE535:US,CND) |
| R021 | 1-249-421-11 | CARBON | 2.2K 5% 1/4W F | R124 | 1-249-425-11 | CARBON | 4.7K 5% 1/4W F (DE535:E) |
| R022 | 1-249-433-11 | CARBON | 22K 5% 1/4W | R124 | 1-249-429-11 | CARBON | 10K 5% 1/4W (DE535:MY,SP) |
| R023 | 1-249-433-11 | CARBON | 22K 5% 1/4W (EXCEPT AEP,EE,CIS/SE491) | R125 | 1-249-421-11 | CARBON | 2.2K 5% 1/4W F (AEP) |
| R024 | 1-249-433-11 | CARBON | 22K 5% 1/4W (DE435,V424,SE491) | R125 | 1-249-427-11 | CARBON | 6.8K 5% 1/4W F (DE535:E EE,CIS/SE491) |
| R025 | 1-249-433-11 | CARBON | 22K 5% 1/4W | R125 | 1-247-843-11 | CARBON | 3.3K 5% 1/4W (DE435:MY,SP DE535:MY,SP/V424) |
| R026 | 1-249-433-11 | CARBON | 22K 5% 1/4W (EXCEPT AEP,EE,CIS) | R125 | 1-249-433-11 | CARBON | 22K 5% 1/4W (DE435:AUS) |
| R027 | 1-249-433-11 | CARBON | 22K 5% 1/4W (EXCEPT AEP,EE,CIS) | R125 | 1-249-415-11 | CARBON | 680 5% 1/4W F (DE535:US,CND) |
| R028 | 1-249-433-11 | CARBON | 22K 5% 1/4W | R125 | 1-249-425-11 | CARBON | 4.7K 5% 1/4W F (DE535:AUS) |
| R029 | 1-249-433-11 | CARBON | 22K 5% 1/4W | R125 | 1-249-429-11 | CARBON | 10K 5% 1/4W (V525) |
| R030 | 1-249-433-11 | CARBON | 22K 5% 1/4W | R126 | 1-249-427-11 | CARBON | 6.8K 5% 1/4W F |
| △R099 | 1-249-383-11 | CARBON | 1.5 5% 1/6W F (EXCEPT US,CND) | R127 | 1-249-427-11 | CARBON | 6.8K 5% 1/4W F |
| △R099 | 1-249-387-81 | CARBON | 3.3 5% 1/4W F (US,CND) | R128 | 1-249-427-11 | CARBON | 6.8K 5% 1/4W F |
| △R100 | 1-249-383-11 | CARBON | 1.5 5% 1/6W F (EXCEPT US,CND) | R129 | 1-249-427-11 | CARBON | 6.8K 5% 1/4W F |
| △R100 | 1-249-387-81 | CARBON | 3.3 5% 1/4W F (US,CND) | R130 | 1-249-429-11 | CARBON | 10K 5% 1/4W (DE435/SE491/V424) |
| R101 | 1-247-807-31 | CARBON | 100 5% 1/4W | R131 | 1-249-425-11 | CARBON | 4.7K 5% 1/4W F |
| R102 | 1-249-417-11 | CARBON | 1K 5% 1/4W F | R132 | 1-249-425-11 | CARBON | 4.7K 5% 1/4W F |
| R103 | 1-247-807-31 | CARBON | 100 5% 1/4W | R133 | 1-249-425-11 | CARBON | 4.7K 5% 1/4W F |
| R104 | 1-247-807-31 | CARBON | 100 5% 1/4W | R134 | 1-249-425-11 | CARBON | 4.7K 5% 1/4W F |
| R105 | 1-249-425-11 | CARBON | 4.7K 5% 1/4W F | R135 | 1-249-425-11 | CARBON | 4.7K 5% 1/4W F |
| | | | | R136 | 1-249-433-11 | CARBON | 22K 5% 1/4W |
| | | | | R137 | 1-249-441-11 | CARBON | 100K 5% 1/4W |
| | | | | R138 | 1-249-417-11 | CARBON | 1K 5% 1/4W F |

The components identified by mark △ or dotted line with mark △ are critical for safety. Replace only with part number specified.

Les composants identifiés par une marque △ sont critiques pour la sécurité. Ne les remplacer que par une pièce portant le numéro spécifié.

以阴影和 △ 标志来识别的零部件，在安全方面具有关键性。因此只能以规定号码的零部件来更换。

DISPLAY

HEADPHONE

INPUT

| Ref. No. | Part No. | Description | Remarks |
|----------|--------------|-------------|--|
| R140 | 1-249-411-11 | CARBON | 330 5% 1/4W |
| R151 | 1-249-441-11 | CARBON | 100K 5% 1/4W |
| R169 | 1-249-433-11 | CARBON | 22K 5% 1/4W |
| R181 | 1-249-412-11 | CARBON | 390 5% 1/4W F |
| R182 | 1-249-412-11 | CARBON | 390 5% 1/4W F |
| R183 | 1-249-412-11 | CARBON | 390 5% 1/4W F |
| R184 | 1-249-412-11 | CARBON | 390 5% 1/4W F |
| R1001 | 1-249-429-11 | CARBON | 10K 5% 1/4W |
| R1002 | 1-249-425-11 | CARBON | 4.7K 5% 1/4W F (DE535/SE491/V525) (DE535/V525) |
| R1003 | 1-249-429-11 | CARBON | 10K 5% 1/4W (DE535/SE491/V525) |
| R1004 | 1-249-393-11 | CARBON | 10 5% 1/4W F (DE535/V525) |
| R1005 | 1-249-429-11 | CARBON | 10K 5% 1/4W (DE535/SE491/V525) |
| R1006 | 1-249-425-11 | CARBON | 4.7K 5% 1/4W F (DE535/V525) |
| R1007 | 1-249-429-11 | CARBON | 10K 5% 1/4W (DE535/SE491/V525) |
| R1008 | 1-249-429-11 | CARBON | 10K 5% 1/4W (DE535/SE491/V525) |
| R1009 | 1-249-385-11 | CARBON | 2.2 5% 1/6W F (DE535/V525) |
| R1010 | 1-249-385-11 | CARBON | 2.2 5% 1/6W F (DE535/V525) |
| RR101 | 1-249-437-11 | CARBON | 47K 5% 1/4W |
| RR102 | 1-249-437-11 | CARBON | 47K 5% 1/4W |
| RR103 | 1-249-437-11 | CARBON | 47K 5% 1/4W |
| RR104 | 1-249-437-11 | CARBON | 47K 5% 1/4W |
| RR105 | 1-249-437-11 | CARBON | 47K 5% 1/4W |
| RR106 | 1-249-437-11 | CARBON | 47K 5% 1/4W |
| RR107 | 1-249-437-11 | CARBON | 47K 5% 1/4W |
| RR108 | 1-249-437-11 | CARBON | 47K 5% 1/4W |
| RR109 | 1-249-437-11 | CARBON | 47K 5% 1/4W |
| RR110 | 1-249-437-11 | CARBON | 47K 5% 1/4W |
| RR111 | 1-249-437-11 | CARBON | 47K 5% 1/4W |
| RR112 | 1-249-437-11 | CARBON | 47K 5% 1/4W |
| RR113 | 1-249-437-11 | CARBON | 47K 5% 1/4W |
| RR114 | 1-249-437-11 | CARBON | 47K 5% 1/4W |
| RR115 | 1-249-437-11 | CARBON | 47K 5% 1/4W |
| RR116 | 1-249-437-11 | CARBON | 47K 5% 1/4W |
| RR117 | 1-249-437-11 | CARBON | 47K 5% 1/4W |
| RR118 | 1-249-437-11 | CARBON | 47K 5% 1/4W |
| RR119 | 1-249-437-11 | CARBON | 47K 5% 1/4W |
| RR120 | 1-249-437-11 | CARBON | 47K 5% 1/4W |
| RR121 | 1-249-437-11 | CARBON | 47K 5% 1/4W |
| RR122 | 1-249-437-11 | CARBON | 47K 5% 1/4W |
| RR123 | 1-249-437-11 | CARBON | 47K 5% 1/4W |
| RR124 | 1-249-437-11 | CARBON | 47K 5% 1/4W (EXCEPT DE535:MY,SP/V525) |
| RR125 | 1-249-437-11 | CARBON | 47K 5% 1/4W (EXCEPT DE535:MY,SP/V525) |
| RR126 | 1-249-437-11 | CARBON | 47K 5% 1/4W |
| RR127 | 1-249-437-11 | CARBON | 47K 5% 1/4W |
| RR128 | 1-249-437-11 | CARBON | 47K 5% 1/4W |
| RR129 | 1-249-437-11 | CARBON | 47K 5% 1/4W |

| Ref. No. | Part No. | Description | Remarks |
|----------|--------------|--|---|
| | | < SWITCH > | |
| S142 | 1-762-196-21 | SWITCH, TACT (EXCEPT DE435:US,CND) | |
| S142 | 1-762-875-21 | SWITCH, KEYBOARD (DE435:US,CND) | |
| S148 | 1-762-196-21 | SWITCH, TACT (EXCEPT DE435:US,CND) | |
| S148 | 1-762-875-21 | SWITCH, KEYBOARD (DE435:US,CND) | |
| | | < VIBRATOR > | |
| X101 | 1-760-489-11 | VIBRATOR, CERAMIC (5MHZ) | |
| X1000 | 1-767-938-21 | VIBRATOR, CERAMIC (7.28MHZ) (DE535/V525) | |
| | | ***** | |
| | 1-672-994-11 | HEADPHONE BOARD | ***** |
| | | < EARTH > | |
| * EB502 | 1-537-738-21 | TERMINAL, EARTH | |
| | | < JACK > | |
| J501 | 1-750-731-11 | JACK (LARGE TYPE) (HEADPHONE)(SE491) | |
| J501 | 1-750-733-11 | JACK (LARGE TYPE) (HEADPHONE) | (DE435/V424/DE535) |
| J501 | 1-750-735-11 | JACK (LARGE TYPE) (HEADPHONE)(V525) | ***** |
| | A-4419-079-A | INPUT BOARD, COMPLETE | ***** (DE535/SE491/V525) |
| | A-4419-220-A | INPUT BOARD, COMPLETE | ***** (EXCEPT AEP,EE,CIS/DE535/SE491/V525) |
| | A-4419-232-A | INPUT BOARD, COMPLETE (AEP,EE,CIS) | ***** |
| | | < CAPACITOR > | |
| C201 | 1-126-961-11 | ELECT | 2.2uF 20% 50V (DE535/SE491/V525) |
| C202 | 1-162-282-31 | CERAMIC | 100PF 10% 50V (DE535/SE491/V525) |
| C203 | 1-125-896-91 | MYLAR | 0.0091uF 5% 50V (DE535/SE491/V525) |
| C204 | 1-136-159-00 | FILM | 0.033uF 5% 50V (DE535/SE491/V525) |
| C205 | 1-104-666-11 | ELECT | 220uF 20% 10V (DE535/SE491/V525) |
| C206 | 1-126-961-11 | ELECT | 2.2uF 20% 50V (DE535/SE491/V525) |
| C207 | 1-164-159-11 | CERAMIC | 0.1uF 50V (DE535/SE491/V525) |
| C208 | 1-162-294-31 | CERAMIC | 0.001uF 10% 50V (DE535/SE491/V525) |
| C209 | 1-126-965-11 | ELECT | 22uF 20% 50V |
| C211 | 1-104-664-11 | ELECT | 47uF 20% 16V |
| C213 | 1-104-664-11 | ELECT | 47uF 20% 16V |
| C214 | 1-162-294-31 | CERAMIC | 0.001uF 10% 50V |
| C215 | 1-126-965-11 | ELECT | 22uF 20% 50V |
| C230 | 1-164-159-11 | CERAMIC | 0.1uF 50V |
| C231 | 1-164-159-11 | CERAMIC | 0.1uF 50V |

INPUT

| Ref. No. | Part No. | Description | Remarks | Ref. No. | Part No. | Description | Remarks |
|----------|--------------|-------------|---------------------------------------|----------|--------------|---------------------------------------|-------------------------------|
| C232 | 1-162-288-31 | CERAMIC | 330PF 10% 50V (AEP,EE,CIS) | C705 | 1-102-233-00 | CERAMIC | 33PF 10% 500V |
| C233 | 1-102-527-11 | CERAMIC | 82PF 5% 50V (AEP,EE,CIS) | C706 | 1-162-282-31 | CERAMIC | 100PF 10% 50V |
| C234 | 1-102-852-91 | CERAMIC | 47PF 5% 50V (AEP,EE,CIS) | C710 | 1-162-282-31 | CERAMIC | 100PF 10% 50V |
| C235 | 1-126-961-11 | ELECT | 2.2uF 20% 50V (AEP,EE,CIS) | C751 | 1-126-966-11 | ELECT | 33uF 20% 50V |
| C236 | 1-164-159-00 | CERAMIC | 0.1uF 5% 50V (AEP,EE,CIS) | C752 | 1-162-284-31 | CERAMIC | 150PF 10% 50V |
| C237 | 1-162-291-31 | CERAMIC | 560PF 10% 50V (AEP,EE,CIS) | C753 | 1-107-584-11 | CERAMIC | 4PF 0.25PF 500V |
| C238 | 1-126-964-11 | ELECT | 10uF 20% 50V (AEP,EE,CIS) | C754 | 1-104-666-11 | ELECT | 220uF 20% 10V |
| C239 | 1-164-159-11 | CERAMIC | 0.1uF 50V | C755 | 1-102-233-00 | CERAMIC | 33PF 10% 500V |
| C240 | 1-164-159-11 | CERAMIC | 0.1uF 50V | C756 | 1-162-282-31 | CERAMIC | 100PF 10% 50V |
| C251 | 1-126-961-11 | ELECT | 2.2uF 20% 50V (DE535/SE491/V525) | C821 | 1-126-959-11 | ELECT | 0.47uF 20% 50V |
| C252 | 1-162-282-31 | CERAMIC | 100PF 10% 50V (DE535/SE491/V525) | C823 | 1-126-959-11 | ELECT | 0.47uF 20% 50V |
| C253 | 1-125-896-91 | MYLAR | 0.0091uF 5% 50V (DE535/SE491/V525) | C824 | 1-126-933-11 | ELECT | 100uF 20% 16V |
| C254 | 1-136-159-00 | FILM | 0.033uF 5% 50V (DE535/SE491/V525) | C825 | 1-126-933-11 | ELECT | 100uF 20% 16V |
| C255 | 1-104-666-11 | ELECT | 220uF 20% 10V (DE535/SE491/V525) | C826 | 1-126-933-11 | ELECT | 100uF 20% 16V |
| C256 | 1-126-961-11 | ELECT | 2.2uF 20% 50V (DE535/SE491/V525) | C827 | 1-104-664-11 | ELECT | 47uF 20% 16V |
| C257 | 1-164-159-11 | CERAMIC | 0.1uF 50V (DE535/SE491/V525) | CC203 | 1-162-282-31 | CERAMIC | 100PF 10% 50V (AEP,EE,CIS) |
| C258 | 1-162-294-31 | CERAMIC | 0.001uF 10% 50V (DE535/SE491/V525) | CC204 | 1-162-282-31 | CERAMIC | 100PF 10% 50V (AEP,EE,CIS) |
| C259 | 1-126-965-11 | ELECT | 22uF 20% 50V | CC205 | 1-162-282-31 | CERAMIC | 100PF 10% 50V (AEP,EE,CIS) |
| C265 | 1-126-965-11 | ELECT | 22uF 20% 50V | CC206 | 1-162-282-31 | CERAMIC | 100PF 10% 50V (AEP,EE,CIS) |
| C501 | 1-126-966-11 | ELECT | 33uF 20% 50V | CC207 | 1-162-282-31 | CERAMIC | 100PF 10% 50V (AEP,EE,CIS) |
| C502 | 1-162-284-31 | CERAMIC | 150PF 10% 50V | CC208 | 1-162-282-31 | CERAMIC | 100PF 10% 50V (AEP,EE,CIS) |
| C503 | 1-107-584-11 | CERAMIC | 4PF 0.25PF 500V | CC253 | 1-162-282-31 | CERAMIC | 100PF 10% 50V (AEP,EE,CIS) |
| C504 | 1-104-666-11 | ELECT | 220uF 20% 10V | CC254 | 1-162-282-31 | CERAMIC | 100PF 10% 50V (AEP,EE,CIS) |
| C505 | 1-102-233-00 | CERAMIC | 33PF 10% 500V | CC255 | 1-162-282-31 | CERAMIC | 100PF 10% 50V (AEP,EE,CIS) |
| C506 | 1-162-282-31 | CERAMIC | 100PF 10% 50V | CC256 | 1-162-282-31 | CERAMIC | 100PF 10% 50V (AEP,EE,CIS) |
| C510 | 1-162-282-31 | CERAMIC | 100PF 10% 50V | CC257 | 1-162-282-31 | CERAMIC | 100PF 10% 50V (AEP,EE,CIS) |
| C551 | 1-126-966-11 | ELECT | 33uF 20% 50V | CC258 | 1-162-282-31 | CERAMIC | 100PF 10% 50V (AEP,EE,CIS) |
| C552 | 1-162-284-31 | CERAMIC | 150PF 10% 50V | | | < CONNECTOR > | |
| C553 | 1-107-584-11 | CERAMIC | 4PF 0.25PF 500V | CNP104 | 1-784-923-11 | PIN, CONNECTOR 7P (EXCEPT AEP,EE,CIS) | |
| C554 | 1-104-666-11 | ELECT | 220uF 20% 10V | CNP104 | 1-784-925-11 | PIN, CONNECTOR 10P (AEP,EE,CIS) | |
| C555 | 1-102-233-00 | CERAMIC | 33PF 10% 500V | CNS200 | 1-569-932-11 | SOCKET, CONNECTOR 15P | |
| C556 | 1-162-282-31 | CERAMIC | 100PF 10% 50V | CNS230 | 1-569-932-11 | SOCKET, CONNECTOR 15P | |
| C594 | 1-128-560-11 | ELECT | 22uF 20% 100V | CNS405 | 1-569-927-11 | SOCKET, CONNECTOR 9P | |
| C595 | 1-128-560-11 | ELECT | 22uF 20% 100V | CNS653 | 1-785-819-11 | HOUSING, CONNECTOR (PC BOARD) 15P | |
| C601 | 1-126-966-11 | ELECT | 33uF 20% 50V | CNS654 | 1-770-404-11 | HOUSING, CONNECTOR (PC BOARD) 11P | |
| C602 | 1-162-284-31 | CERAMIC | 150PF 10% 50V | | | < IC > | |
| C603 | 1-107-584-11 | CERAMIC | 4PF 0.25PF 500V | IC201 | 8-759-636-74 | IC M5218AP-22 (DE535/SE491/V525) | |
| C604 | 1-104-666-11 | ELECT | 220uF 20% 10V | IC202 | 8-759-636-74 | IC M5218AP-22 | |
| C605 | 1-102-989-00 | CERAMIC | 68PF 5% 500V | IC203 | 8-759-636-74 | IC M5218AP-22 | |
| C606 | 1-102-989-00 | CERAMIC | 68PF 5% 500V | IC204 | 8-759-545-64 | IC LC78212 | |
| C693 | 1-104-666-11 | ELECT | 220uF 20% 10V | IC230 | 8-759-541-48 | IC BU1924 (AEP,EE,CIS) | |
| C701 | 1-126-966-11 | ELECT | 33uF 20% 50V | IC501 | 8-759-326-52 | IC uPC2581V | |
| C702 | 1-162-284-31 | CERAMIC | 150PF 10% 50V | IC601 | 8-749-011-16 | IC STK350-230 | |
| C703 | 1-107-584-11 | CERAMIC | 4PF 0.25PF 500V | IC701 | 8-759-326-52 | IC uPC2581V | |
| C704 | 1-104-666-11 | ELECT | 220uF 20% 10V | IC801 | 8-759-604-40 | IC M5F78M15 | |
| | | | | IC802 | 8-759-231-58 | IC TA7812S | |

INPUT

| Ref. No. | Part No. | Description | Remarks | Ref. No. | Part No. | Description | Remarks |
|----------|--------------|--|--------------------------------------|----------|--------------|-------------|---------------------------------------|
| IC803 | 8-759-604-46 | IC M5F79M15 | | R253 | 1-249-440-11 | CARBON | 82K 5% 1/4W (DE535/SE491/V525) |
| IC804 | 8-759-604-35 | IC M5F78M05L | | R254 | 1-249-408-11 | CARBON | 180 5% 1/4W F (DE535/SE491/V525) |
| | | < JACK > | | R255 | 1-249-428-11 | CARBON | 8.2K 5% 1/4W F (DE535/SE491/V525) |
| J201 | 1-770-614-11 | JACK, PIN 4P (DE535/SE491/V525) | | R256 | 1-249-441-11 | CARBON | 100K 5% 1/4W (DE535/SE491/V525) |
| J202 | 1-691-887-11 | JACK, PIN 6P (EXCEPT DE535/SE491/V525) | | R257 | 1-247-807-31 | CARBON | 100 5% 1/4W (DE535/SE491/V525) |
| J202 | 1-770-613-11 | JACK, PIN 4P (DE535/SE491/V525) | | | | | |
| J203 | 1-580-825-11 | JACK, PIN 6P | | R258 | 1-249-441-11 | CARBON | 100K 5% 1/4W (DE535/SE491/V525) |
| | | < TRANSISTOR > | | R259 | 1-249-413-11 | CARBON | 470 5% 1/4W F (DE535/SE491/V525) |
| L230 | 1-408-080-00 | INDUCTOR 100uH (AEP,EE,CIS) | | R260 | 1-249-417-11 | CARBON | 1K 5% 1/4W F |
| Q691 | 8-729-900-80 | TRANSISTOR DTC114ES | | R261 | 1-249-417-11 | CARBON | 1K 5% 1/4W F |
| Q692 | 8-729-422-57 | TRANSISTOR UN4111 | | R262 | 1-249-417-11 | CARBON | 1K 5% 1/4W F |
| | | < RESISTOR > | | R263 | 1-249-417-11 | CARBON | 1K 5% 1/4W F |
| R201 | 1-249-401-11 | CARBON | 47 5% 1/4W F (DE535/SE491/V525) | R264 | 1-249-417-11 | CARBON | 1K 5% 1/4W F |
| R202 | 1-249-441-11 | CARBON | 100K 5% 1/4W (DE535/SE491/V525) | R265 | 1-249-417-11 | CARBON | 1K 5% 1/4W F |
| R203 | 1-249-440-11 | CARBON | 82K 5% 1/4W (DE535/SE491/V525) | R266 | 1-249-441-11 | CARBON | 100K 5% 1/4W |
| R204 | 1-249-408-11 | CARBON | 180 5% 1/4W F (DE535/SE491/V525) | R267 | 1-249-429-11 | CARBON | 10K 5% 1/4W |
| R205 | 1-249-428-11 | CARBON | 8.2K 5% 1/4W F (DE535/SE491/V525) | R268 | 1-249-434-11 | CARBON | 27K 5% 1/4W |
| | | | | R277 | 1-249-429-11 | CARBON | 10K 5% 1/4W |
| R206 | 1-249-441-11 | CARBON | 100K 5% 1/4W (DE535/SE491/V525) | R295 | 1-249-429-11 | CARBON | 10K 5% 1/4W |
| R207 | 1-247-807-31 | CARBON | 100 5% 1/4W (DE535/SE491/V525) | R501 | 1-249-417-11 | CARBON | 1K 5% 1/4W F |
| R208 | 1-249-441-11 | CARBON | 100K 5% 1/4W (DE535/SE491/V525) | R502 | 1-249-439-11 | CARBON | 68K 5% 1/4W |
| R209 | 1-249-413-11 | CARBON | 470 5% 1/4W F (DE535/SE491/V525) | R503 | 1-249-439-11 | CARBON | 68K 5% 1/4W |
| R210 | 1-249-417-11 | CARBON | 1K 5% 1/4W F | R504 | 1-249-420-11 | CARBON | 1.8K 5% 1/4W F (AEP,EE,CIS) |
| R211 | 1-249-417-11 | CARBON | 1K 5% 1/4W F | R504 | 1-249-418-11 | CARBON | 1.2K 5% 1/4W F (EXCEPT AEP,EE,CIS) |
| R212 | 1-249-417-11 | CARBON | 1K 5% 1/4W F | R551 | 1-249-417-11 | CARBON | 1K 5% 1/4W F |
| R213 | 1-249-417-11 | CARBON | 1K 5% 1/4W F | R552 | 1-249-439-11 | CARBON | 68K 5% 1/4W |
| R214 | 1-249-417-11 | CARBON | 1K 5% 1/4W F | R553 | 1-249-439-11 | CARBON | 68K 5% 1/4W |
| R215 | 1-249-417-11 | CARBON | 1K 5% 1/4W F | R554 | 1-249-420-11 | CARBON | 1.8K 5% 1/4W F (AEP,EE,CIS) |
| R216 | 1-249-441-11 | CARBON | 100K 5% 1/4W | R554 | 1-249-418-11 | CARBON | 1.2K 5% 1/4W F (EXCEPT AEP,EE,CIS) |
| R217 | 1-249-429-11 | CARBON | 10K 5% 1/4W | R590 | 1-249-433-11 | CARBON | 22K 5% 1/4W |
| R218 | 1-249-434-11 | CARBON | 27K 5% 1/4W | R592 | 1-249-381-11 | CARBON | 1 5% 1/4W F |
| R227 | 1-249-429-11 | CARBON | 10K 5% 1/4W | R593 | 1-249-381-11 | CARBON | 1 5% 1/4W F |
| R228 | 1-247-807-31 | CARBON | 100 5% 1/4W | R601 | 1-249-417-11 | CARBON | 1K 5% 1/4W F |
| R229 | 1-247-807-31 | CARBON | 100 5% 1/4W | R602 | 1-249-439-11 | CARBON | 68K 5% 1/4W |
| R230 | 1-249-425-11 | CARBON | 4.7K 5% 1/4W F | R603 | 1-249-439-11 | CARBON | 68K 5% 1/4W |
| R231 | 1-249-436-11 | CARBON | 39K 5% 1/4W | R604 | 1-249-411-11 | CARBON | 330 5% 1/4W (EXCEPT AEP,EE,CIS) |
| R232 | 1-247-807-31 | CARBON | 100 5% 1/4W (AEP,EE,CIS) | | | | |
| R233 | 1-247-807-31 | CARBON | 100 5% 1/4W (AEP,EE,CIS) | R604 | 1-249-442-11 | CARBON | 510 5% 1/4W (AEP,EE,CIS) |
| R234 | 1-249-421-11 | CARBON | 2.2K 5% 1/4W F (AEP,EE,CIS) | R606 | 1-249-413-11 | CARBON | 470 5% 1/4W F |
| R235 | 1-249-436-11 | CARBON | 39K 5% 1/4W | R693 | 1-249-437-11 | CARBON | 47K 5% 1/4W |
| R245 | 1-249-429-11 | CARBON | 10K 5% 1/4W | R694 | 1-249-425-11 | CARBON | 4.7K 5% 1/4W F |
| R251 | 1-249-401-11 | CARBON | 47 5% 1/4W F (DE535/SE491/V525) | R701 | 1-249-417-11 | CARBON | 1K 5% 1/4W F |
| R252 | 1-249-441-11 | CARBON | 100K 5% 1/4W (DE535/SE491/V525) | R702 | 1-249-439-11 | CARBON | 68K 5% 1/4W |
| | | | | R703 | 1-249-439-11 | CARBON | 68K 5% 1/4W |
| | | | | R704 | 1-249-411-11 | CARBON | 330 5% 1/4W (EXCEPT AEP,EE,CIS) |
| | | | | R704 | 1-249-442-11 | CARBON | 510 5% 1/4W (AEP,EE,CIS) |
| | | | | R751 | 1-249-417-11 | CARBON | 1K 5% 1/4W F |

| | |
|--------------|------------|
| INPUT | KEY |
|--------------|------------|

| Ref. No. | Part No. | Description | Remarks |
|--------------|--|--|---------|
| R752 | 1-249-439-11 | CARBON 68K 5% | 1/4W |
| R753 | 1-249-439-11 | CARBON 68K 5% | 1/4W |
| R754 | 1-249-411-11 | CARBON 330 5% | 1/4W |
| | | (EXCEPT AEP,EE,CIS) | |
| R754 | 1-249-442-11 | CARBON 510 5% | 1/4W |
| | | (AEP,EE,CIS) | |
| R790 | 1-249-433-11 | CARBON 22K 5% | 1/4W |
| | | < VIBRATOR > | |
| X230 | 1-579-900-21 | VIBRATOR, CRYSTAL 4.332MHz(AEP,EE,CIS) | |
| ***** | | | |
| A-4419-078-A | KEY BOARD, COMPLETE (DE535/SE491/V525) | | |
| | ***** | | |
| A-4419-219-A | KEY BOARD, COMPLETE | | |
| | ***** | | |
| | (EXCEPT AEP,EE,CIS/DE535/SE491/V525) | | |
| A-4419-231-A | KEY BOARD, COMPLETE (AEP,EE,CIS) | | |
| | ***** | | |
| | | < CONNECTOR > | |
| CNS110 | 1-770-399-11 | HOUSING, CONNECTOR (PC BOARD) 6P | |
| CNS111 | 1-770-399-11 | HOUSING, CONNECTOR (PC BOARD) 6P | |
| CNS112 | 1-770-399-11 | HOUSING, CONNECTOR (PC BOARD) 6P | |
| | | < DIODE > | |
| D119 | 8-719-046-39 | DIODE SEL5821A-TP15 (DE535/SE491/V525) | |
| | | (TUNER) | |
| D120 | 8-719-046-39 | DIODE SEL5821A-TP15 (TUNER) | |
| D123 | 8-719-046-39 | DIODE SEL5821A-TP15 (DE535/SE491/V525) | |
| | | (CD) | |
| D124 | 8-719-046-39 | DIODE SEL5821A-TP15 (CD) | |
| D125 | 8-719-046-39 | DIODE SEL5821A-TP15 (SET UP) | |
| D126 | 8-719-046-39 | DIODE SEL5821A-TP15 (PHONO) | |
| | | (DE535/SE491/V525) | |
| D127 | 8-719-046-39 | DIODE SEL5821A-TP15 (NAME) | |
| D128 | 8-719-046-39 | DIODE SEL5821A-TP15 (MD/TAPE) | |
| D129 | 8-719-046-39 | DIODE SEL5821A-TP15 (BASS/TREBLE) | |
| D130 | 8-719-046-39 | DIODE SEL5821A-TP15 (TU/LD) | |
| D131 | 8-719-046-39 | DIODE SEL5821A-TP15 (SUR) | |
| D132 | 8-719-046-39 | DIODE SEL5821A-TP15 (VIDEO) | |
| D133 | 8-719-046-39 | DIODE SEL5821A-TP15 (5.1CH/DVD) | |
| | | < TRANSISTOR > | |
| Q122 | 8-729-900-36 | TRANSISTOR DTC124ES | |
| Q124 | 8-729-900-36 | TRANSISTOR DTC124ES | |
| Q125 | 8-729-900-36 | TRANSISTOR DTC124ES | |
| Q126 | 8-729-900-36 | TRANSISTOR DTC124ES (DE535/SE491/V525) | |
| Q127 | 8-729-900-36 | TRANSISTOR DTC124ES | |
| Q128 | 8-729-900-36 | TRANSISTOR DTC124ES | |
| Q129 | 8-729-900-36 | TRANSISTOR DTC124ES | |
| Q130 | 8-729-900-36 | TRANSISTOR DTC124ES | |
| Q131 | 8-729-900-36 | TRANSISTOR DTC124ES | |
| Q132 | 8-729-900-36 | TRANSISTOR DTC124ES | |
| Q133 | 8-729-900-36 | TRANSISTOR DTC124ES | |

| Ref. No. | Part No. | Description | Remarks |
|----------|--------------|------------------------------------|---------|
| | | < RESISTOR > | |
| R141 | 1-249-411-11 | CARBON 330 5% | 1/4W |
| R142 | 1-249-413-11 | CARBON 470 5% | 1/4W F |
| R143 | 1-249-415-11 | CARBON 680 5% | 1/4W F |
| R144 | 1-249-417-11 | CARBON 1K 5% | 1/4W F |
| R145 | 1-249-419-11 | CARBON 1.5K 5% | 1/4W F |
| R146 | 1-249-421-11 | CARBON 2.2K 5% | 1/4W F |
| R147 | 1-247-843-11 | CARBON 3.3K 5% | 1/4W |
| R148 | 1-249-425-11 | CARBON 4.7K 5% | 1/4W F |
| R149 | 1-249-429-11 | CARBON 10K 5% | 1/4W |
| R150 | 1-249-433-11 | CARBON 22K 5% | 1/4W |
| R154 | 1-249-415-11 | CARBON 680 5% | 1/4W F |
| R155 | 1-249-417-11 | CARBON 1K 5% | 1/4W F |
| R156 | 1-249-419-11 | CARBON 1.5K 5% | 1/4W F |
| R157 | 1-249-421-11 | CARBON 2.2K 5% | 1/4W F |
| R158 | 1-247-843-11 | CARBON 3.3K 5% | 1/4W |
| R159 | 1-249-425-11 | CARBON 4.7K 5% | 1/4W F |
| R160 | 1-249-429-11 | CARBON 10K 5% | 1/4W |
| R161 | 1-249-433-11 | CARBON 22K 5% | 1/4W |
| R162 | 1-249-413-11 | CARBON 470 5% | 1/4W F |
| R163 | 1-249-415-11 | CARBON 680 5% | 1/4W F |
| R164 | 1-249-417-11 | CARBON 1K 5% | 1/4W F |
| R165 | 1-249-419-11 | CARBON 1.5K 5% | 1/4W F |
| R166 | 1-249-421-11 | CARBON 2.2K 5% | 1/4W F |
| R167 | 1-247-843-11 | CARBON 3.3K 5% | 1/4W |
| R168 | 1-249-425-11 | CARBON 4.7K 5% | 1/4W F |
| R170 | 1-249-411-11 | CARBON 330 5% | 1/4W |
| R171 | 1-249-413-11 | CARBON 470 5% | 1/4W F |
| R172 | 1-249-415-11 | CARBON 680 5% | 1/4W F |
| R173 | 1-249-417-11 | CARBON 1K 5% | 1/4W F |
| R174 | 1-249-419-11 | CARBON 1.5K 5% | 1/4W F |
| R175 | 1-249-421-11 | CARBON 2.2K 5% | 1/4W F |
| R176 | 1-247-843-11 | CARBON 3.3K 5% | 1/4W |
| R177 | 1-249-425-11 | CARBON 4.7K 5% | 1/4W F |
| R178 | 1-249-429-11 | CARBON 10K 5% | 1/4W |
| R179 | 1-249-433-11 | CARBON 22K 5% | 1/4W |
| R180 | 1-249-437-11 | CARBON 47K 5% | 1/4W |
| R189 | 1-249-429-11 | CARBON 10K 5% | 1/4W |
| R190 | 1-249-437-11 | CARBON 47K 5% | 1/4W |
| R193 | 1-249-412-11 | CARBON 390 5% | 1/4W F |
| R194 | 1-249-412-11 | CARBON 390 5% | 1/4W F |
| R197 | 1-249-412-11 | CARBON 390 5% | 1/4W F |
| R198 | 1-249-412-11 | CARBON 390 5% | 1/4W F |
| | | < SWITCH > | |
| S102 | 1-762-196-21 | SWITCH, TACT (SOUND FIELD MODE -) | |
| S103 | 1-762-196-21 | SWITCH, TACT (FM/AM:DE435/V424) | |
| | | (FM:DE535/SE491/V525) | |
| S104 | 1-762-196-21 | SWITCH, TACT (4) | |
| S105 | 1-762-196-21 | SWITCH, TACT (TUNING +) | |
| S107 | 1-762-196-21 | SWITCH, TACT (SOUND FIELED MODE +) | |
| S108 | 1-762-196-21 | SWITCH, TACT (FM MODE) | |
| S109 | 1-762-196-21 | SWITCH, TACT (5) | |
| S110 | 1-762-196-21 | SWITCH, TACT (TUNING -) | |
| S112 | 1-762-196-21 | SWITCH, TACT (SOUND FIELED ON/OFF) | |
| S113 | 1-762-196-21 | SWITCH, TACT (MEMORY) | |

KEY

P. AMP

| Ref. No. | Part No. | Description | Remarks | Ref. No. | Part No. | Description | Remarks |
|--------------|---------------------------------------|--|---------------------|----------|--------------|--------------------------|--|
| S114 | 1-762-196-21 | SWITCH, TACT (6) | | C524 | 1-126-964-11 | ELECT | 10uF 20% 50V |
| S115 | 1-762-196-21 | SWITCH, TACT (PRESET/PTY SELECT +:DE435/V424) (PRESET TUNING +:DE535/SE491/V525) | | C525 | 1-136-157-00 | FILM | 0.022uF 5% 50V |
| S117 | 1-762-196-21 | SWITCH, TACT (CD) (DE435/V424) | | C526 | 1-136-153-00 | FILM | 0.01uF 5% 50V |
| S118 | 1-762-196-21 | SWITCH, TACT (SET UP) | | C570 | 1-104-664-11 | ELECT | 47uF 20% 16V |
| S119 | 1-762-196-21 | SWITCH, TACT (7) | | C571 | 1-107-597-11 | CERAMIC | 22PF 10% 500V |
| | | | | C572 | 1-107-597-11 | CERAMIC | 22PF 10% 500V |
| S120 | 1-762-196-21 | SWITCH, TACT (PRESET/PTY SELECT -:DE435/V424) (PRESET TUNING -:DE535/SE491/V525) | | C573 | 1-162-286-31 | CERAMIC | 220PF 10% 50V |
| S121 | 1-762-196-21 | SWITCH, TACT (CD) (DE535/SE491/V525) | | C574 | 1-126-964-11 | ELECT | 10uF 20% 50V |
| S122 | 1-762-196-21 | SWITCH, TACT (TUNER) (DE535/SE491/V525) | | C575 | 1-136-157-00 | FILM | 0.022uF 5% 50V |
| S123 | 1-762-196-21 | SWITCH, TACT (NAME) | | C576 | 1-136-153-00 | FILM | 0.01uF 5% 50V |
| S124 | 1-762-196-21 | SWITCH, TACT (8) | | C620 | 1-104-664-11 | ELECT | 47uF 20% 16V |
| S125 | 1-762-196-21 | SWITCH, TACT (1) | | C621 | 1-107-597-11 | CERAMIC | 22PF 10% 500V |
| S126 | 1-762-196-21 | SWITCH, TACT (TUNER)(DE435/V424) | | C622 | 1-107-597-11 | CERAMIC | 22PF 10% 500V |
| S127 | 1-762-196-21 | SWITCH, TACT (MENU <) | | C623 | 1-162-286-31 | CERAMIC | 220PF 10% 50V |
| S128 | 1-762-196-21 | SWITCH, TACT (PHONO)(DE535/SE491/V525) | | C625 | 1-136-157-00 | FILM | 0.022uF 5% 50V |
| S129 | 1-762-196-21 | SWITCH, TACT (9) | | C651 | 1-215-888-00 | METAL OXIDE | 220 5% 2W F (CND/SE491) |
| S130 | 1-762-196-21 | SWITCH, TACT (2) | | C659 | 1-215-888-00 | METAL OXIDE | 220 5% 2W F (CND/SE491) |
| S131 | 1-762-196-21 | SWITCH, TACT (MENU <) | | C660 | 1-126-934-11 | ELECT | 220uF 20% 10V |
| S132 | 1-762-196-21 | SWITCH, TACT (SUR) | | C661 | 1-126-964-11 | ELECT | 10uF 20% 50V |
| S133 | 1-762-196-21 | SWITCH, TACT (SHIFT) | | C801 | 1-104-664-11 | ELECT | 47uF 20% 25V |
| S134 | 1-762-196-21 | SWITCH, TACT (3) | | C803 | 1-125-897-11 | ELECT | 10000uF 20% 71V (EXCEPT CND,AEP,EE,E,CIS/SE491) |
| S135 | 1-762-196-21 | SWITCH, TACT (ENTER) | | C803 | 1-107-766-12 | ELECT | 8200uF 20% 71V (CND/SE491/DE535:E) |
| S136 | 1-762-196-21 | SWITCH, TACT (5.1CH/DVD) | | C803 | 1-117-203-11 | ELECT | 10000uF 20% 63V (AEP,EE,CIS) |
| S137 | 1-762-196-21 | SWITCH, TACT (0) | | C804 | 1-125-897-11 | ELECT | 10000uF 20% 71V (EXCEPT CND,AEP,EE,E,CIS/SE491) |
| S138 | 1-762-196-21 | SWITCH, TACT (DIRECT) | | C804 | 1-107-766-12 | ELECT | 8200uF 20% 71V (CND/SE491/DE535:E) |
| S139 | 1-762-196-21 | SWITCH, TACT (MENU -) | | C804 | 1-117-203-11 | ELECT | 10000uF 20% 63V (AEP,EE,CIS) |
| S140 | 1-762-196-21 | SWITCH, TACT (TV/LD:DE435/V424) (TV/SAT:DE535/SE491/V525) | | C805 | 1-130-781-00 | MYLAR | 0.22uF 5% 100V |
| S141 | 1-762-196-21 | SWITCH, TACT (RDS PTY)(DE535/SE491/V525) | | C806 | 1-130-781-00 | MYLAR | 0.22uF 5% 100V |
| S143 | 1-762-196-21 | SWITCH, TACT (MENU +) | | C807 | 1-162-294-31 | CERAMIC | 0.001uF 10% 50V |
| S144 | 1-762-196-21 | SWITCH, TACT (RDS EON:DE435/V424) (AM:DE535/SE491/V525) | | C808 | 1-162-294-31 | CERAMIC | 0.001uF 10% 50V |
| S145 | 1-762-196-21 | SWITCH, TACT (BASS TREBLE) | | C811 | 1-126-952-11 | ELECT | 1000uF 20% 35V |
| S146 | 1-762-196-21 | SWITCH, TACT (VIDEO) | | C812 | 1-126-951-11 | ELECT | 470uF 20% 35V (EXCEPT DE435:US/DE535:US) |
| S147 | 1-762-196-21 | SWITCH, TACT (MD/TAPE) | | C813 | 1-104-664-11 | ELECT | 47uF 20% 16V |
| ***** | | | | C814 | 1-124-463-00 | ELECT | 0.1uF 20% 50V |
| A-4419-080-A | P. AMP BOARD, COMPLETE | ***** | (DE435:US/DE535:US) | C817 | 1-126-967-11 | ELECT | 47uF 20% 50V |
| A-4419-214-A | P. AMP BOARD, COMPLETE (DE535:E) | ***** | | C818 | 1-126-967-11 | ELECT | 47uF 20% 50V |
| A-4419-208-A | P. AMP BOARD, COMPLETE (MY,SP,AUS,CH) | ***** | | C951 | 1-104-664-11 | ELECT | 47uF 20% 16V |
| A-4419-233-A | P. AMP BOARD, COMPLETE (AEP,EE,CIS) | ***** | | C952 | 1-124-463-00 | ELECT | 0.1uF 20% 50V |
| A-4419-205-A | P. AMP BOARD, COMPLETE (CND/SE491) | ***** | | CC48 | 1-164-096-11 | CERAMIC | 0.01uF 50V (AEP,EE,CIS) |
| 1-533-233-11 | CLIP, FUSE (EXCEPT US,CND) | | | CC49 | 1-164-096-11 | CERAMIC | 0.01uF 50V (AEP,EE,CIS) |
| | < CAPACITOR > | | | CC98 | 1-164-096-11 | CERAMIC | 0.01uF 50V (AEP,EE,CIS) |
| | | | | CC99 | 1-164-096-11 | CERAMIC | 0.01uF 50V (AEP,EE,CIS) |
| | | | | | | < CONNECTOR > | |
| C520 | 1-104-664-11 | ELECT | 47uF 20% 16V | CN502 | 1-691-765-11 | PLUG(MICRO CONNECTOR) 3P | |
| C521 | 1-107-597-11 | CERAMIC | 22PF 10% 500V | CN951 | 1-691-765-11 | PLUG(MICRO CONNECTOR) 3P | |
| C522 | 1-107-597-11 | CERAMIC | 22PF 10% 500V | CNP711 | 1-691-771-11 | PLUG(MICRO CONNECTOR) 9P | |
| C523 | 1-162-286-31 | CERAMIC | 220PF 10% 50V | | | | |

P. AMP

| Ref. No. | Part No. | Description | Remarks | Ref. No. | Part No. | Description | Remarks |
|----------|--------------|--|---------|----------|--------------|---------------------------|------------------------------------|
| * CNP801 | 1-564-243-11 | PIN, CONNECTOR 6P | | | | < TRANSISTOR > | |
| * CNP802 | 1-564-506-11 | PLUG, CONNECTOR 3P | | | | | |
| CNS102 | 1-569-932-11 | SOCKET, CONNECTOR 15P | | Q504 | 8-729-119-76 | TRANSISTOR 2SA1175-HFE | |
| CNS602 | 1-569-928-11 | SOCKET, CONNECTOR 11P | | Q505 | 8-729-209-15 | TRANSISTOR 2SD2012 | |
| CNS651 | 1-785-819-11 | HOUSING, CONNECTOR(PC BOARD) 15P | | Q506 | 8-749-010-25 | IC MN2488-OPY-M | |
| CNS652 | 1-770-404-11 | HOUSING, CONNECTOR(PC BOARD) 11P | | Q507 | 8-749-010-26 | IC MP1620-OPY-M | |
| | | < DIODE > | | Q508 | 8-729-140-82 | TRANSISTOR 2SA988-PAFAEA | |
| D501 | 8-719-911-19 | DIODE 1SS119 | | Q509 | 8-729-281-53 | TRANSISTOR 2SC1815-GR | |
| D502 | 8-719-109-54 | DIODE RD2.2ES-B2 | | Q510 | 8-729-900-63 | TRANSISTOR DTA124ES | |
| D503 | 8-719-109-54 | DIODE RD2.2ES-B2 | | Q511 | 8-729-900-63 | TRANSISTOR DTA124ES | |
| D504 | 8-719-911-19 | DIODE 1SS119 | | Q513 | 8-729-119-79 | TRANSISTOR 2SC2785-FEK | |
| D505 | 8-719-911-19 | DIODE 1SS119 | | Q546 | 8-729-119-79 | TRANSISTOR 2SC2785-FEK | |
| D506 | 8-719-911-19 | DIODE 1SS119 | | Q554 | 8-729-119-76 | TRANSISTOR 2SA1175-HFE | |
| D513 | 8-719-911-19 | DIODE 1SS119 | | Q555 | 8-729-209-15 | TRANSISTOR 2SD2012 | |
| D546 | 8-719-911-19 | DIODE 1SS119 | | Q556 | 8-749-010-25 | IC MN2488-OPY-M | |
| D551 | 8-719-911-19 | DIODE 1SS119 | | Q557 | 8-749-010-26 | IC MP1620-OPY-M | |
| D552 | 8-719-109-54 | DIODE RD2.2ES-B2 | | Q558 | 8-729-140-82 | TRANSISTOR 2SA988-PAFAEA | |
| D553 | 8-719-109-54 | DIODE RD2.2ES-B2 | | Q559 | 8-729-281-53 | TRANSISTOR 2SC1815-GR | |
| D554 | 8-719-911-19 | DIODE 1SS119 | | Q560 | 8-729-900-63 | TRANSISTOR DTA124ES | |
| D555 | 8-719-911-19 | DIODE 1SS119 | | Q561 | 8-729-900-63 | TRANSISTOR DTA124ES | |
| D556 | 8-719-911-19 | DIODE 1SS119 | | Q596 | 8-729-119-79 | TRANSISTOR 2SC2785-FEK | |
| D596 | 8-719-911-19 | DIODE 1SS119 | | Q604 | 8-729-119-76 | TRANSISTOR 2SA1175-HFE | |
| D601 | 8-719-911-19 | DIODE 1SS119 | | Q605 | 8-729-209-15 | TRANSISTOR 2SD2012 | |
| D602 | 8-719-109-54 | DIODE RD2.2ES-B2 | | Q606 | 8-749-010-25 | IC MN2488-OPY-M | |
| D603 | 8-719-109-54 | DIODE RD2.2ES-B2 | | Q607 | 8-749-010-26 | IC MP1620-OPY-M | |
| D604 | 8-719-911-19 | DIODE 1SS119 | | Q608 | 8-729-140-82 | TRANSISTOR 2SA988-PAFAEA | |
| D651 | 8-719-911-19 | DIODE 1SS119 | | Q651 | 8-729-281-53 | TRANSISTOR 2SC1815-GR | |
| D652 | 8-719-911-19 | DIODE 1SS119 | | Q652 | 8-729-900-36 | TRANSISTOR DTC124ES | |
| D653 | 8-719-911-19 | DIODE 1SS119 | | Q653 | 8-729-281-53 | TRANSISTOR 2SC1815-GR | |
| D660 | 8-719-911-19 | DIODE 1SS119 | | Q654 | 8-729-900-36 | TRANSISTOR DTC124ES | |
| D661 | 8-719-911-19 | DIODE 1SS119 | | Q655 | 8-729-201-53 | TRANSISTOR 2SA1015-GR | |
| D801 | 8-719-302-38 | DIODE RBV-602-01 | | Q656 | 8-729-900-63 | TRANSISTOR DTA124ES | |
| D802 | 8-719-024-99 | DIODE 11ES2-NTA2B | | Q657 | 8-729-900-36 | TRANSISTOR DTC124ES | |
| D803 | 8-719-024-99 | DIODE 11ES2-NTA2B | | Q660 | 8-729-140-82 | TRANSISTOR 2SA988-PAFAEA | |
| D804 | 8-719-024-99 | DIODE 11ES2-NTA2B | | Q661 | 8-729-119-79 | TRANSISTOR 2SC2785-FEK | |
| D805 | 8-719-024-99 | DIODE 11ES2-NTA2B | | Q662 | 8-729-140-84 | TRANSISTOR 2SC1841-PAFAEA | |
| D806 | 8-719-160-26 | DIODE RD5.6F-B2 (EXCEPT CND/SE491) | | Q801 | 8-729-140-97 | TRANSISTOR 2SB734-34 | |
| D806 | 8-719-069-68 | DIODE RD5.6F-T7 (CND/SE491) | | | | < RESISTOR > | |
| D807 | 8-719-934-17 | DIODE HZS27-1L | | R507 | 1-249-431-11 | CARBON | 15K 5% 1/4W |
| D809 | 8-719-210-21 | DIODE 11EQS04 | | R510 | 1-215-868-00 | METAL OXIDE | 680 5% 1W F |
| | | < FUSE > | | R511 | 1-249-425-11 | CARBON | 4.7K 5% 1/4W F |
| △ F801 | 1-532-311-11 | FUSE GLASS TUBE 8.0A 125V (MY,SPAUS,E,CH) | | R512 | 1-249-429-11 | CARBON | 10K 5% 1/4W |
| △ F801 | 1-533-506-51 | FUSE TL6.3A 250V(AEP,EE,CIS) | | R518 | 1-249-435-11 | CARBON | 33K 5% 1/4W (AEP,EE,CIS) |
| △ F802 | 1-532-506-51 | FUSE TL6.3A 250V(AEP,EE,CIS) | | R518 | 1-249-437-11 | CARBON | 47K 5% 1/4W (EXCEPT AEP,EE,CIS) |
| △ F802 | 1-533-311-11 | FUSE GLASS TUBE 8.0A 125V (MY,SPAUS,E,CH) | | R519 | 1-249-435-11 | CARBON | 33K 5% 1/4W (AEP,EE,CIS) |
| | | < IC > | | R519 | 1-249-437-11 | CARBON | 47K 5% 1/4W (EXCEPT AEP,EE,CIS) |
| IC809 | 8-759-708-05 | IC NJM78L05A | | R521 | 1-249-429-11 | CARBON | 10K 5% 1/4W |
| IC950 | 8-759-231-53 | IC TA7805S | | R523 | 1-249-421-11 | CARBON | 2.2K 5% 1/4W F |
| | | < COIL > | | R524 | 1-249-408-11 | CARBON | 180 5% 1/4W F |
| L501 | 1-420-872-00 | COIL, AIR-CORE | | R525 | 1-249-408-11 | CARBON | 180 5% 1/4W F |
| L551 | 1-420-872-00 | COIL, AIR-CORE | | R526 | 1-234-182-11 | ENCAPSULATED COMPONENT | |
| | | | | R527 | 1-249-427-11 | CARBON | 6.8K 5% 1/4W F |
| | | | | R528 | 1-249-419-11 | CARBON | 1.5K 5% 1/4W F |

The components identified by mark △ or dotted line with mark △ are critical for safety. Replace only with part number specified.

Les composants identifiés par une marque △ sont critiques pour la sécurité. Ne les remplacer que par une pièce portant le numéro spécifié.

以阴影和 △ 标志来识别的零部件, 在安全方面具有关键性。因此只能以规定号码的零部件来更换。

P. AMP

REAR AMP

| Ref. No. | Part No. | Description | Remarks | Ref. No. | Part No. | Description | Remarks |
|----------|--------------|------------------------|---------------------------------|--------------|---------------------------------------|------------------------------------|--------------------------------------|
| R529 | 1-249-432-11 | CARBON | 18K 5% 1/4W (AEP,EE,CIS) | R633 | 1-249-393-11 | CARBON | 10 5% 1/4W F |
| R529 | 1-249-433-11 | CARBON | 22K 5% 1/4W (MY,SP,AUS,CH) | R651 | 1-215-888-00 | METAL OXIDE | 220 5% 2W F (DE435:US/DE535:US,E) |
| R529 | 1-247-866-11 | CARBON | 30K 5% 1/4W (US,CND,E) | R651 | 1-215-889-00 | METAL OXIDE | 330 5% 2W F (AEP,EE,CIS,MY,SP,AU,CH) |
| R530 | 1-249-421-11 | CARBON | 2.2K 5% 1/4W F | R652 | 1-215-884-11 | METAL OXIDE | 47 5% 2W F (US,CND,E) |
| R531 | 1-249-433-11 | CARBON | 22K 5% 1/4W | R653 | 1-216-456-00 | METAL OXIDE | 820 5% 2W F (EXCEPT AEP,EE,CIS) |
| R532 | 1-249-437-11 | CARBON | 47K 5% 1/4W | R654 | 1-216-456-00 | METAL OXIDE | 820 5% 2W F (EXCEPT AEP,EE,CIS) |
| R533 | 1-249-393-11 | CARBON | 10 5% 1/4W F | R655 | 1-249-441-11 | CARBON | 100K 5% 1/4W |
| R534 | 1-249-389-11 | CARBON | 4.7 5% 1/4W F | R656 | 1-249-405-11 | CARBON | 100 5% 1/4W F |
| R535 | 1-249-431-11 | CARBON | 15K 5% 1/4W | R657 | 1-249-441-11 | CARBON | 100K 5% 1/4W |
| R539 | 1-249-427-11 | CARBON | 6.8K 5% 1/4W F | R658 | 1-249-441-11 | CARBON | 100K 5% 1/4W |
| R546 | 1-249-425-11 | CARBON | 4.7K 5% 1/4W F | R659 | 1-215-888-00 | METAL OXIDE | 220 5% 2W F (DE435:US/DE535:US,E) |
| R547 | 1-249-429-11 | CARBON | 10K 5% 1/4W | R659 | 1-215-889-00 | METAL OXIDE | 330 5% 2W F (AEP,EE,CIS,MY,SP,AU,CH) |
| R557 | 1-249-431-11 | CARBON | 15K 5% 1/4W | R660 | 1-249-425-11 | CARBON | 4.7K 5% 1/4W F |
| R560 | 1-215-868-00 | METAL OXIDE | 680 5% 1W F | R661 | 1-249-427-11 | CARBON | 6.8K 5% 1/4W F |
| R568 | 1-249-435-11 | CARBON | 33K 5% 1/4W (AEP,EE,CIS) | R662 | 1-249-417-11 | CARBON | 1K 5% 1/4W F |
| R568 | 1-249-437-11 | CARBON | 47K 5% 1/4W (EXCEPT AEP,EE,CIS) | R801 | 1-219-591-11 | FUSIBLE | 0.1 5% 1/2W F |
| R569 | 1-249-435-11 | CARBON | 33K 5% 1/4W (AEP,EE,CIS) | R802 | 1-219-591-11 | FUSIBLE | 0.1 5% 1/2W F |
| R569 | 1-249-437-11 | CARBON | 47K 5% 1/4W (EXCEPT AEP,EE,CIS) | R803 | 1-249-425-11 | CARBON | 4.7K 5% 1/4W F |
| R571 | 1-249-429-11 | CARBON | 10K 5% 1/4W | R804 | 1-249-401-11 | CARBON | 47 5% 1/4W F |
| R573 | 1-249-421-11 | CARBON | 2.2K 5% 1/4W F (EXCEPT E) | R805 | 1-249-381-11 | CARBON | 1 5% 1/4W F |
| R574 | 1-249-408-11 | CARBON | 180 5% 1/4W F | R812 | 1-126-951-11 | ELECT | 470MF 20% 35V (DE435:US/DE535:US) |
| R575 | 1-249-408-11 | CARBON | 180 5% 1/4W F | RR48 | 1-249-393-11 | CARBON | 10 5% 1/4W F (AEP,EE,CIS) |
| R576 | 1-234-182-11 | ENCAPSULATED COMPONENT | | RR49 | 1-249-393-11 | CARBON | 10 5% 1/4W F (AEP,EE,CIS) |
| R577 | 1-249-427-11 | CARBON | 6.8K 5% 1/4W F | RR98 | 1-249-393-11 | CARBON | 10 5% 1/4W F (AEP,EE,CIS) |
| R578 | 1-249-419-11 | CARBON | 1.5K 5% 1/4W F | RR99 | 1-249-393-11 | CARBON | 10 5% 1/4W F (AEP,EE,CIS) |
| R579 | 1-249-432-11 | CARBON | 18K 5% 1/4W (AEP,EE,CIS) | | | < RELAY > | |
| R579 | 1-249-433-11 | CARBON | 22K 5% 1/4W (MY,SP,AUS,CH) | RY501 | 1-515-920-11 | RELAY (24V) | |
| R579 | 1-247-866-11 | CARBON | 30K 5% 1/4W (US,CND,E) | RY502 | 1-515-920-11 | RELAY (24V) | |
| R580 | 1-249-421-11 | CARBON | 2.2K 5% 1/4W F | RY503 | 1-515-793-11 | RELAY | |
| R581 | 1-249-433-11 | CARBON | 22K 5% 1/4W | | | < SWITCH > | |
| R582 | 1-249-437-11 | CARBON | 47K 5% 1/4W | S501 | 1-771-692-11 | SWITCH, SLIDE (IMPEDANCE SELECTOR) | |
| R583 | 1-249-393-11 | CARBON | 10 5% 1/4W F | | | < TERMINAL > | |
| R584 | 1-249-389-11 | CARBON | 4.7 5% 1/4W F | TM501 | 1-537-922-11 | TERMINAL BOARD (SP) | |
| R585 | 1-249-431-11 | CARBON | 15K 5% 1/4W | ***** | | | |
| R596 | 1-249-425-11 | CARBON | 4.7K 5% 1/4W F | A-4419-074-A | REAR AMP BOARD, COMPLETE | | |
| R597 | 1-249-429-11 | CARBON | 10K 5% 1/4W | ***** | | | |
| R607 | 1-249-431-11 | CARBON | 15K 5% 1/4W | | | (EXCEPT AEP,EE,CIS) | |
| R621 | 1-249-429-11 | CARBON | 10K 5% 1/4W | A-4419-229-A | REAR AMP BOARD, COMPLETE (AEP,EE,CIS) | | |
| R623 | 1-249-421-11 | CARBON | 2.2K 5% 1/4W F | ***** | | | |
| R624 | 1-249-408-11 | CARBON | 180 5% 1/4W F | | | < CAPACITOR > | |
| R625 | 1-249-408-11 | CARBON | 180 5% 1/4W F | C720 | 1-104-664-11 | ELECT | 47uF 20% 16V |
| R626 | 1-234-182-11 | ENCAPSULATED COMPONENT | | C721 | 1-107-597-11 | CERAMIC | 22PF 10% 500V |
| R627 | 1-249-427-11 | CARBON | 6.8K 5% 1/4W F | C722 | 1-107-597-11 | CERAMIC | 22PF 10% 500V |
| R628 | 1-249-419-11 | CARBON | 1.5K 5% 1/4W F | C723 | 1-162-286-31 | CERAMIC | 220PF 10% 50V |
| R632 | 1-249-437-11 | CARBON | 47K 5% 1/4W | C725 | 1-136-157-00 | FILM | 0.022uF 5% 50V |

REAR AMP **REAR SPK**

| Ref. No. | Part No. | Description | Remarks |
|----------------|--------------|----------------------------|---------|
| C770 | 1-104-664-11 | ELECT 47uF 20% | 16V |
| C771 | 1-107-597-11 | CERAMIC 22PF 10% | 500V |
| C772 | 1-107-597-11 | CERAMIC 22PF 10% | 500V |
| C773 | 1-162-286-31 | CERAMIC 220PF 10% | 50V |
| C775 | 1-136-157-00 | FILM 0.022uF 5% | 50V |
| < CONNECTOR > | | | |
| * CNV712 | 1-564-241-11 | PIN, CONNECTOR (B4P-VH) 4P | |
| < DIODE > | | | |
| D701 | 8-719-911-19 | DIODE 1SS119 | |
| D702 | 8-719-109-51 | DIODE RD2.0ES-B2 | |
| D703 | 8-719-109-51 | DIODE RD2.0ES-B2 | |
| D704 | 8-719-911-19 | DIODE 1SS119 | |
| D751 | 8-719-911-19 | DIODE 1SS119 | |
| < TRANSISTOR > | | | |
| Q704 | 8-729-119-76 | TRANSISTOR 2SA1175-HFE | |
| Q708 | 8-729-140-82 | TRANSISTOR 2SA988-PAFAEA | |
| Q754 | 8-729-119-76 | TRANSISTOR 2SA1175-HFE | |
| Q758 | 8-729-140-82 | TRANSISTOR 2SA988-PAFAEA | |
| < RESISTOR > | | | |
| R707 | 1-249-431-11 | CARBON 15K 5% | 1/4W |
| R722 | 1-249-429-11 | CARBON 10K 5% | 1/4W |
| R723 | 1-249-421-11 | CARBON 2.2K 5% | 1/4W F |
| △ R724 | 1-249-408-11 | CARBON 180 5% | 1/4W F |
| △ R725 | 1-249-408-11 | CARBON 180 5% | 1/4W F |
| △ R726 | 1-234-182-11 | ENCAPSULATED COMPONENT | |
| R727 | 1-249-427-11 | CARBON 6.8K 5% | 1/4W F |
| R728 | 1-249-419-11 | CARBON 1.5K 5% | 1/4W F |
| R732 | 1-249-437-11 | CARBON 47K 5% | 1/4W |
| △ R733 | 1-249-393-11 | CARBON 10 5% | 1/4W F |
| R757 | 1-249-431-11 | CARBON 15K 5% | 1/4W |
| R772 | 1-249-429-11 | CARBON 10K 5% | 1/4W |
| R773 | 1-249-421-11 | CARBON 2.2K 5% | 1/4W F |
| △ R774 | 1-249-408-11 | CARBON 180 5% | 1/4W F |
| △ R775 | 1-249-408-11 | CARBON 180 5% | 1/4W F |
| △ R776 | 1-234-182-11 | ENCAPSULATED COMPONENT | |
| R777 | 1-249-427-11 | CARBON 6.8K 5% | 1/4W F |
| R778 | 1-249-419-11 | CARBON 1.5K 5% | 1/4W F |
| R782 | 1-249-437-11 | CARBON 47K 5% | 1/4W |
| △ R783 | 1-249-393-11 | CARBON 10 5% | 1/4W F |

| Ref. No. | Part No. | Description | Remarks |
|----------------|---|--|---------|
| A-4419-218-A | REAR SPK BOARD, COMPLETE ***** (DE435:US,CND/SE491) | | |
| A-4419-076-A | REAR SPK BOARD, COMPLETE ***** (DE535:US,CND,E) | | |
| A-4419-207-A | REAR SPK BOARD, COMPLETE ***** (DE535:MY,SP,AUS/V525) | | |
| A-4419-224-A | REAR SPK BOARD, COMPLETE ***** (DE435:MY,SP,AUS/V424) | | |
| A-4419-230-A | REAR SPK BOARD, COMPLETE (AEP,EE,CIS) ***** | | |
| < CAPACITOR > | | | |
| C624 | 1-126-964-11 | ELECT 10uF 20% | 50V |
| C626 | 1-136-153-00 | FILM 0.01uF 5% | 50V |
| C724 | 1-126-964-11 | ELECT 10uF 20% | 50V |
| C726 | 1-136-153-00 | FILM 0.01uF 5% | 50V |
| < CONNECTOR > | | | |
| * CN701 | 1-564-241-11 | PIN, CONNECTOR (B4P-VH) 4P | |
| CNP601 | 1-564-320-00 | PIN, CONNECTOR (B2P-VH) 2P | |
| CNS601 | 1-569-060-11 | SOCKET, CONNECTOR 11P | |
| CNS601 | 1-569-928-11 | SOCKET, CONNECTOR 11P (EXCEPT DE535:US,CND,E) | |
| < DIODE > | | | |
| D605 | 8-719-911-19 | DIODE 1SS119 | |
| D606 | 8-719-911-19 | DIODE 1SS119 | |
| D607 | 8-719-911-19 | DIODE 1SS119 | |
| D646 | 8-719-911-19 | DIODE 1SS119 | |
| D696 | 8-719-911-19 | DIODE 1SS119 | |
| D705 | 8-719-911-19 | DIODE 1SS119 | |
| D707 | 8-719-911-19 | DIODE 1SS119 | |
| D746 | 8-719-911-19 | DIODE 1SS119 | |
| < JACK > | | | |
| J651 | 1-770-377-21 | JACK, PIN 1P (DE435/SE491/V424) | |
| J651 | 1-770-157-21 | JACK, PIN 2P (DE535/V525) | |
| < COIL > | | | |
| L601 | 1-420-872-00 | COIL, AIR-CORE | |
| L701 | 1-420-872-00 | COIL, AIR-CORE | |
| L751 | 1-420-872-00 | COIL, AIR-CORE | |
| < TRANSISTOR > | | | |
| Q609 | 8-729-281-53 | TRANSISTOR 2SC1815-GR | |
| Q610 | 8-729-900-63 | TRANSISTOR DTA124ES | |
| Q611 | 8-729-900-63 | TRANSISTOR DTA124ES | |
| Q646 | 8-729-119-79 | TRANSISTOR 2SC2785-FEK | |
| Q696 | 8-729-119-79 | TRANSISTOR 2SC2785-FEK | |
| Q709 | 8-729-281-53 | TRANSISTOR 2SC1815-GR | |
| Q710 | 8-729-900-63 | TRANSISTOR DTA124ES | |
| Q746 | 8-729-119-79 | TRANSISTOR 2SC2785-FEK | |

| | | |
|---|---|--|
| <p>The components identified by mark △ or dotted line with mark △ are critical for safety. Replace only with part number specified.</p> | <p>Les composants identifiés par une marque △ sont critiques pour la sécurité. Ne les remplacer que par une pièce portant le numéro spécifié.</p> | <p>以阴影和 △ 标志来识别的零部件，在安全方面具有关键性。因此只能以规定号码的零部件来更换。</p> |
|---|---|--|

REAR SPK

SPK SELECT

STANDBY

| Ref. No. | Part No. | Description | Remarks | Ref. No. | Part No. | Description | Remarks |
|---------------|--------------|-------------------------------|------------------------------------|-------------------------------------|--------------|--|---------|
| < RESISTOR > | | | | < DIODE > | | | |
| R618 | 1-249-435-11 | CARBON | 33K 5% 1/4W (AEP,EE,CIS) | D117 | 8-719-911-19 | DIODE 1SS119 | |
| R618 | 1-249-437-11 | CARBON | 47K 5% 1/4W (EXCEPT AEP,EE,CIS) | D118 | 8-719-911-19 | DIODE 1SS119 | |
| R629 | 1-249-432-11 | CARBON | 18K 5% 1/4W (AEP,EE,CIS) | < SWITCH > | | | |
| R629 | 1-247-866-11 | CARBON | 30K 5% 1/4W (US,CND,E) | S101 | 1-762-196-21 | SWITCH, TACT (I/⏏) | |
| R629 | 1-249-433-11 | CARBON | 22K 5% 1/4W (MY,SP,AUS,CH) | SW101 | 1-762-268-11 | SWITCH, ROTARY (SPEAKERS) | ***** |
| R630 | 1-249-421-11 | CARBON | 2.2K 5% 1/4W F | 1-672-995-11 STANDBY BOARD ***** | | | |
| R631 | 1-249-433-11 | CARBON | 22K 5% 1/4W | < CAPACITOR > | | | |
| △R634 | 1-249-389-11 | CARBON | 4.7 5% 1/4W F | C901 | 1-161-494-00 | CERAMIC 0.022uF | 25V |
| R635 | 1-249-431-11 | CARBON | 15K 5% 1/4W | C902 | 1-161-494-00 | CERAMIC 0.022uF | 25V |
| R636 | 1-249-433-11 | CARBON | 22K 5% 1/4W | C903 | 1-126-767-11 | ELECT 1000uF | 20% 16V |
| R646 | 1-249-425-11 | CARBON | 4.7K 5% 1/4W F | C904 | 1-126-960-11 | ELECT 1uF | 20% 50V |
| R647 | 1-249-429-11 | CARBON | 10K 5% 1/4W | C905 | 1-126-964-11 | ELECT 10uF | 20% 50V |
| R648 | 1-249-404-00 | CARBON | 82 5% 1/4W F | C906 | 1-124-464-11 | ELECT 0.22uF | 20% 50V |
| R649 | 1-249-404-00 | CARBON | 82 5% 1/4W F | C907 | 1-161-494-00 | CERAMIC 0.022uF | 25V |
| R668 | 1-249-420-11 | CARBON | 1.8K 5% 1/4W F | C908 | 1-164-159-11 | CERAMIC 0.1uF | 50V |
| R696 | 1-249-425-11 | CARBON | 4.7K 5% 1/4W F | C914 | 1-164-159-11 | CERAMIC 0.1uF | 50V |
| R697 | 1-249-429-11 | CARBON | 10K 5% 1/4W | C917 | 1-164-159-11 | CERAMIC 0.1uF | 50V |
| △R698 | 1-249-410-11 | CARBON | 270 5% 1/4W F | < JACK > | | | |
| △R699 | 1-249-410-11 | CARBON | 270 5% 1/4W F | CNJ901 | 1-785-834-11 | OUTLET (1P) (DE435:US,CND/V424) | |
| R729 | 1-249-432-11 | CARBON | 18K 5% 1/4W (AEP,EE,CIS) | CNJ901 | 1-785-285-11 | OUTLET, AC (1P) (AEP,E,EE,CIS,MY,SP) | |
| R729 | 1-247-866-11 | CARBON | 30K 5% 1/4W (US,CND,E) | CNJ901 | 1-251-417-11 | OUTLET, A.C. (AUS) | |
| R729 | 1-249-433-11 | CARBON | 22K 5% 1/4W (MY,SP,AUS,CH) | CNJ901 | 1-251-718-11 | OUTLET (2 GANG), AC (DE535:US,CND,E/SE491/V525) | |
| R730 | 1-249-421-11 | CARBON | 2.2K 5% 1/4W F | < CONNECTOR > | | | |
| R731 | 1-249-433-11 | CARBON | 22K 5% 1/4W | CNP901 | 1-564-321-00 | PIN, CONNECTOR 2P | |
| △R734 | 1-249-389-11 | CARBON | 4.7 5% 1/4W F | * CNP902 | 1-565-792-11 | PIN, CONNECTOR 2P | |
| R735 | 1-249-431-11 | CARBON | 15K 5% 1/4W | * CNP903 | 1-573-565-11 | PIN, CONNECTOR 5P (DE535:E) | |
| R746 | 1-249-425-11 | CARBON | 4.7K 5% 1/4W F | < DIODE > | | | |
| R747 | 1-249-429-11 | CARBON | 10K 5% 1/4W | D901 | 8-719-024-99 | DIODE 11ES2-NTA2B | |
| R748 | 1-249-404-00 | CARBON | 82 5% 1/4W F | D902 | 8-719-024-99 | DIODE 11ES2-NTA2B | |
| R749 | 1-249-404-00 | CARBON | 82 5% 1/4W F | D903 | 8-719-024-99 | DIODE 11ES2-NTA2B | |
| △R784 | 1-249-389-11 | CARBON | 4.7 5% 1/4W F | D904 | 8-719-024-99 | DIODE 11ES2-NTA2B | |
| < RELAY > | | | | D905 | 8-719-911-19 | DIODE 1SS119 | |
| RY601 | 1-515-920-11 | RELAY (24V) | | D906 | 8-719-911-19 | DIODE 1SS119 | |
| RY651 | 1-755-267-11 | RELAY | | D907 | 8-719-911-19 | DIODE 1SS119 | |
| RY701 | 1-515-920-11 | RELAY (24V) | | < EARTH > | | | |
| < TERMINAL > | | | | * EB900 | 1-537-738-21 | TERMINAL, EARTH (US,CND) | |
| TM701 | 1-537-510-11 | TERMINAL BOARD (SPEAKER) (6P) | | * EB901 | 1-537-738-21 | TERMINAL, EARTH | |
| ***** | | | | < FUSE > | | | |
| | 1-672-997-11 | SPK SELECT BOARD | ***** | △F901 | 1-532-504-31 | FUSE T4AL 250V (E,MY,SP,AUS,CH) | |
| < CONNECTOR > | | | | △F901 | 1-532-506-51 | FUSE TL6.3A 250V (AEP,EE,CIS) | |
| * CNS107 | 1-695-808-11 | CONNECTOR, PC BOARD 8P | | △F901 | 1-533-310-11 | FUSE, GLASS TUBE (6.3A/125V) (US,CND) | |
| | | | | △F903 | 1-532-464-31 | FUSE T2.5AL 250V (AEP,EE,CIS,MY,SP,AUS,CH) | |
| | | | | △F904 | 1-532-504-31 | FUSE T4AL 250V (DE535:E) | |

The components identified by mark △ or dotted line with mark △ are critical for safety. Replace only with part number specified.

Les composants identifiés par une marque △ sont critiques pour la sécurité. Ne les remplacer que par une pièce portant le numéro spécifié.

以阴影和 △ 标志来识别的零部件，在安全方面具有关键性。因此只能以规定号码的零部件来更换。

SURR

| Ref. No. | Part No. | Description | Remarks | Ref. No. | Part No. | Description | Remarks |
|--------------|-----------------------------------|--|---------|----------|--------------|--|---------|
| | | < IC > | | | | | |
| IC901 | 8-759-333-83 | IC NJM2103D | | C284 | 1-162-215-31 | CERAMIC 47PF 5% 50V (DE435/DE535/V424/V525) | |
| | | < TRANSISTOR > | | C285 | 1-104-664-11 | ELECT 47uF 20% 16V (DE435/DE535/V424/V525) | |
| Q901 | 8-729-119-79 | TRANSISTOR 2SC2785-FEK | | C287 | 1-164-159-11 | CERAMIC 0.1uF 50V (DE435/DE535/V424/V525) | |
| Q902 | 8-729-026-68 | TRANSISTOR 2SD2525 (TP) | | C289 | 1-164-159-11 | CERAMIC 0.1uF 50V (DE435/DE535/V424/V525) | |
| | | < RESISTOR > | | C290 | 1-104-664-11 | ELECT 47uF 20% 16V (DE435/DE535/V424/V525) | |
| R901 | 1-202-725-00 | SOLID 3.3M 10% 1/2W (US,CND) | | C291 | 1-126-960-11 | ELECT 1uF 20% 50V (DE435/DE535/V424/V525) | |
| R902 | 1-249-429-11 | CARBON 10K 5% 1/4W | | C301 | 1-124-250-11 | ELECT 0.15uF 20% 50V | |
| R903 | 1-249-425-11 | CARBON 4.7K 5% 1/4W F | | C302 | 1-126-962-11 | ELECT 3.3uF 20% 50V | |
| R904 | 1-249-421-11 | CARBON 2.2K 5% 1/4W F | | C303 | 1-124-250-11 | ELECT 0.15uF 20% 50V | |
| R905 | 1-249-428-11 | CARBON 8.2K 5% 1/4W F | | C304 | 1-126-963-11 | ELECT 4.7uF 20% 50V | |
| R906 | 1-249-421-11 | CARBON 2.2K 5% 1/4W F | | C305 | 1-126-959-11 | ELECT 0.47uF 20% 50V | |
| R908 | 1-249-433-11 | CARBON 22K 5% 1/4W | | C306 | 1-126-963-11 | ELECT 4.7uF 20% 50V | |
| R909 | 1-249-437-11 | CARBON 47K 5% 1/4W | | C307 | 1-126-959-11 | ELECT 0.47uF 20% 50V | |
| R910 | 1-249-429-11 | CARBON 10K 5% 1/4W | | C308 | 1-136-165-00 | FILM 0.1uF 5% 50V | |
| R912 | 1-247-843-11 | CARBON 3.3K 5% 1/4W | | C309 | 1-136-165-00 | FILM 0.1uF 5% 50V | |
| | | < RELAY > | | C310 | 1-136-177-00 | FILM 1uF 5% 50V | |
| △RY901 | 1-755-298-11 | RELAY (EXCEPT DE435:US,CND) | | C311 | 1-126-963-11 | ELECT 4.7uF 20% 50V | |
| △RY901 | 1-515-999-11 | RELAY, POWER (DE435:US,CND) | | C312 | 1-126-963-11 | ELECT 4.7uF 20% 50V | |
| | | < TRANSFORMER > | | C313 | 1-126-925-11 | ELECT 470uF 20% 10V | |
| △T902 | 1-433-687-11 | TRANSFORMER, POWER (AEP,EE,CIS,AUS,E) | | C314 | 1-126-964-11 | ELECT 10uF 20% 50V | |
| △T902 | 1-433-685-11 | TRANSFORMER, POWER (MY,SP,CH) | | C315 | 1-126-964-11 | ELECT 10uF 20% 50V | |
| △T902 | 1-433-686-11 | TRANSFORMER, POWER (US,CND) | | C316 | 1-126-964-11 | ELECT 10uF 20% 50V | |
| ***** | | | | C317 | 1-126-964-11 | ELECT 10uF 20% 50V | |
| A-4419-083-A | SURR BOARD, COMPLETE (DE535/V525) | | | C318 | 1-126-925-11 | ELECT 470uF 20% 10V | |
| ***** | | | | C319 | 1-136-161-00 | FILM 0.047uF 5% 50V | |
| A-4419-203-A | SURR BOARD, COMPLETE (SE491) | | | C320 | 1-136-157-00 | FILM 0.022uF 5% 50V | |
| ***** | | | | C321 | 1-130-469-00 | MYLAR 680PF 5% 50V | |
| A-4419-221-A | SURR BOARD, COMPLETE | | | C322 | 1-126-959-11 | ELECT 0.47uF 20% 50V | |
| ***** | | | | C323 | 1-164-159-11 | CERAMIC 0.1uF 50V | |
| | | (EXCEPT AEP,EE,CIS/DE535/SE491/V525) | | C324 | 1-126-925-11 | ELECT 470uF 20% 10V | |
| A-4419-234-A | SURR BOARD, COMPLETE (AEP,EE,CIS) | | | C325 | 1-126-964-11 | ELECT 10uF 20% 50V | |
| ***** | | | | C326 | 1-136-177-00 | FILM 1uF 5% 50V | |
| | | < CAPACITOR > | | C327 | 1-136-165-00 | FILM 0.1uF 5% 50V | |
| C219 | 1-126-964-11 | ELECT 10uF 20% 50V | | C328 | 1-136-165-00 | FILM 0.1uF 5% 50V | |
| C221 | 1-126-964-11 | ELECT 10uF 20% 50V | | C329 | 1-126-959-11 | ELECT 0.47uF 20% 50V | |
| C223 | 1-126-964-11 | ELECT 10uF 20% 50V | | C330 | 1-126-963-11 | ELECT 4.7uF 20% 50V | |
| C225 | 1-126-964-11 | ELECT 10uF 20% 50V | | C331 | 1-126-959-11 | ELECT 0.47uF 20% 50V | |
| C269 | 1-126-964-11 | ELECT 10uF 20% 50V | | C332 | 1-126-963-11 | ELECT 4.7uF 20% 50V | |
| C271 | 1-126-964-11 | ELECT 10uF 20% 50V | | C333 | 1-124-250-11 | ELECT 0.15uF 20% 50V | |
| C280 | 1-126-960-11 | ELECT 1uF 20% 50V (DE435/DE535/V424/V525) | | C334 | 1-126-962-11 | ELECT 3.3uF 20% 50V | |
| C281 | 1-126-960-11 | ELECT 1uF 20% 50V (DE435/DE535/V424/V525) | | C335 | 1-124-250-11 | ELECT 0.15uF 20% 50V | |
| C282 | 1-126-960-11 | ELECT 1uF 20% 50V (DE435/DE535/V424/V525) | | C337 | 1-136-165-00 | FILM 0.1uF 5% 50V | |
| C283 | 1-162-215-31 | CERAMIC 47PF 5% 50V (DE435/DE535/V424/V525) | | C338 | 1-136-177-00 | FILM 1uF 5% 50V | |
| | | | | C339 | 1-126-959-11 | ELECT 0.47uF 20% 50V | |
| | | | | C340 | 1-126-925-11 | ELECT 470uF 20% 10V | |
| | | | | C341 | 1-164-159-11 | CERAMIC 0.1uF 50V | |
| | | | | C342 | 1-136-165-00 | FILM 0.1uF 5% 50V | |
| | | | | C343 | 1-137-358-11 | FILM 0.0001uF 5% 50V | |
| | | | | C344 | 1-126-934-11 | ELECT 220uF 20% 10V | |
| | | | | C345 | 1-126-964-11 | ELECT 10uF 20% 50V | |

| | | |
|---|---|--|
| <p>The components identified by mark △ or dotted line with mark △ are critical for safety. Replace only with part number specified.</p> | <p>Les composants identifiés par une marque △ sont critiques pour la sécurité. Ne les remplacer que par une pièce portant le numéro spécifié.</p> | <p>以阴影和 △ 标志来识别的零部件，在安全方面具有关键性。因此只能以规定号码的零部件来更换。</p> |
|---|---|--|

| Ref. No. | Part No. | Description | Remarks | Ref. No. | Part No. | Description | Remarks |
|----------|--------------|-------------|-----------------|----------|--------------|---|---------|
| C346 | 1-126-964-11 | ELECT | 10uF 20% 50V | C467 | 1-162-199-31 | CERAMIC 10PF 5% 50V | |
| C347 | 1-126-964-11 | ELECT | 10uF 20% 50V | C468 | 1-126-965-11 | ELECT 22uF 20% 50V | |
| C348 | 1-126-964-11 | ELECT | 10uF 20% 50V | C469 | 1-162-199-31 | CERAMIC 10PF 5% 50V | |
| C349 | 1-137-358-11 | FILM | 0.0001uF 5% 50V | C470 | 1-126-965-11 | ELECT 22uF 20% 50V | |
| C350 | 1-126-961-11 | ELECT | 2.2uF 20% 50V | | | < CONNECTOR > | |
| C351 | 1-164-159-11 | CERAMIC | 0.1uF 50V | | | | |
| C352 | 1-124-252-00 | ELECT | 0.33uF 20% 50V | CNS201 | 1-569-932-11 | SOCKET, CONNECTOR 15P | |
| C353 | 1-136-177-00 | FILM | 1uF 5% 50V | * CNS203 | 1-569-932-11 | SOCKET, CONNECTOR 15P (DE435:US,CND/DE535/V525) | |
| C354 | 1-136-165-00 | FILM | 0.1uF 5% 50V | CNS203 | 1-569-930-11 | SOCKET, CONNECTOR 13P (DE435:EXCEPT US,CND/SE491/V424) | |
| C355 | 1-136-164-00 | FILM | 0.082uF 5% 50V | CNS403 | 1-569-928-11 | SOCKET, CONNECTOR 11P | |
| C356 | 1-130-477-00 | MYLAR | 0.0033uF 5% 50V | | | < DIODE > | |
| C357 | 1-136-164-00 | FILM | 0.082uF 5% 50V | D401 | 8-719-911-19 | DIODE 1SS119 | |
| C358 | 1-126-925-11 | ELECT | 470uF 20% 10V | D402 | 8-719-911-19 | DIODE 1SS119 | |
| C359 | 1-102-953-00 | CERAMIC | 18PF 5% 50V | D403 | 8-719-911-19 | DIODE 1SS119 | |
| C360 | 1-102-518-11 | CERAMIC | 33PF 5% 50V | D404 | 8-719-911-19 | DIODE 1SS119 | |
| C361 | 1-102-973-00 | CERAMIC | 100PF 5% 50V | D405 | 8-719-911-19 | DIODE 1SS119 | |
| C362 | 1-102-852-91 | CERAMIC | 47PF 5% 50V | D406 | 8-719-911-19 | DIODE 1SS119 | |
| C363 | 1-102-951-00 | CERAMIC | 15PF 5% 50V | D407 | 8-719-911-19 | DIODE 1SS119 | |
| C364 | 1-136-165-00 | FILM | 0.1uF 5% 50V | D408 | 8-719-911-19 | DIODE 1SS119 | |
| C365 | 1-164-159-11 | CERAMIC | 0.1uF 50V | SVC300 | 8-719-070-77 | DIODE SVC201SPA-M1-AC | |
| C366 | 1-126-956-91 | ELECT | 0.1uF 20% 50V | | | < IC > | |
| C367 | 1-162-282-31 | CERAMIC | 100PF 10% 50V | IC280 | 8-759-700-65 | IC NJM79L05A (DE435/DE535/V424/V525) | |
| C368 | 1-137-358-11 | FILM | 0.0001uF 5% 50V | IC281 | 8-759-333-84 | IC NJM2279D (DE435/DE535/V424/V525) | |
| C401 | 1-126-966-11 | ELECT | 33uF 20% 50V | IC301 | 8-759-528-35 | IC CXA8079S | |
| C402 | 1-102-508-91 | CERAMIC | 10PF 0.5PF 50V | IC302 | 8-759-579-62 | IC LV1018 | |
| C403 | 1-126-966-11 | ELECT | 33uF 20% 50V | IC303 | 8-759-604-38 | IC M5F78M10 (EXCEPT AEP,EE,CIS) | |
| C404 | 1-162-282-31 | CERAMIC | 100PF 10% 50V | IC400 | 8-759-636-74 | IC M5218AP-22 | |
| C405 | 1-136-157-00 | FILM | 0.022uF 5% 50V | IC401 | 8-759-462-99 | IC TC9184P | |
| C406 | 1-130-476-00 | MYLAR | 0.0027uF 5% 50V | IC402 | 8-759-636-74 | IC M5218AP-22 | |
| C407 | 1-110-335-11 | MYLAR | 100PF 5% 50V | IC403 | 8-759-636-74 | IC M5218AP-22 | |
| C408 | 1-136-495-11 | FILM | 0.068uF 5% 50V | | | < JACK > | |
| C409 | 1-136-153-00 | FILM | 0.01uF 5% 50V | J204 | 1-779-380-11 | JACK, PIN 6P | |
| C410 | 1-126-933-11 | ELECT | 100uF 20% 16V | J280 | 1-770-336-11 | JACK, PIN 2P (DE435/DE535/V424/V525) | |
| C411 | 1-136-171-00 | FILM | 0.33uF 5% 50V | J281 | 1-774-821-11 | JACK, PIN 3P (DE435/DE535/V424/V525) | |
| C412 | 1-136-159-00 | FILM | 0.033uF 5% 50V | J283 | 1-563-330-11 | JACK (DE535/V525) | |
| C413 | 1-164-159-11 | CERAMIC | 0.1uF 50V | | | < COIL > | |
| C414 | 1-164-159-11 | CERAMIC | 0.1uF 50V | L300 | 1-410-509-11 | INDUCTOR 10uH | |
| C417 | 1-162-199-31 | CERAMIC | 10PF 5% 50V | L301 | 1-410-509-11 | INDUCTOR 10uH | |
| C418 | 1-126-965-11 | ELECT | 22uF 20% 50V | | | < TRANSISTOR > | |
| C419 | 1-162-199-31 | CERAMIC | 10pF 5% 50V | Q401 | 8-729-202-67 | TRANSISTOR 2SK246-GR3 | |
| C420 | 1-126-965-11 | ELECT | 22uF 20% 50V | Q402 | 8-729-141-30 | TRANSISTOR 2SC3623A-LK | |
| C421 | 1-164-159-11 | CERAMIC | 0.1uF 50V | Q403 | 8-729-119-79 | TRANSISTOR 2SC2785-FEK | |
| C422 | 1-164-159-11 | CERAMIC | 0.1uF 50V | Q404 | 8-729-141-30 | TRANSISTOR 2SC3623A-LK | |
| C423 | 1-164-159-11 | CERAMIC | 0.1uF 50V | Q405 | 8-729-141-30 | TRANSISTOR 2SC3623A-LK | |
| C424 | 1-164-159-11 | CERAMIC | 0.1uF 50V | Q406 | 8-729-141-30 | TRANSISTOR 2SC3623A-LK | |
| C440 | 1-164-159-11 | CERAMIC | 0.1uF 50V | Q407 | 8-729-141-30 | TRANSISTOR 2SC3623A-LK | |
| C441 | 1-164-159-11 | CERAMIC | 0.1uF 50V | Q408 | 8-729-141-30 | TRANSISTOR 2SC3623A-LK | |
| C450 | 1-126-965-11 | ELECT | 22uF 20% 50V | Q409 | 8-729-141-30 | TRANSISTOR 2SC3623A-LK | |
| C451 | 1-126-966-11 | ELECT | 33uF 20% 50V | Q421 | 8-729-900-36 | DTC124ES | |
| C452 | 1-102-508-91 | CERAMIC | 10PF 0.5PF 50V | Q422 | 8-729-900-63 | DTA124ES | |
| C453 | 1-126-966-11 | ELECT | 33uF 20% 50V | Q451 | 8-729-202-67 | TRANSISTOR 2SK246-GR3 | |
| C455 | 1-136-157-00 | FILM | 0.022uF 5% 50V | Q452 | 8-729-141-30 | TRANSISTOR 2SC3623A-LK | |
| C456 | 1-130-476-00 | MYLAR | 0.0027uF 5% 50V | | | | |
| C457 | 1-110-335-11 | MYLAR | 100PF 5% 50V | | | | |
| C458 | 1-136-495-11 | FILM | 0.068uF 5% 50V | | | | |
| C459 | 1-136-153-00 | FILM | 0.01uF 5% 50V | | | | |
| C460 | 1-126-933-11 | ELECT | 100uF 20% 16V | | | | |
| C461 | 1-136-171-00 | FILM | 0.33uF 5% 50V | | | | |
| C462 | 1-136-159-00 | FILM | 0.033uF 5% 50V | | | | |

SURR

| Ref. No. | Part No. | Description | Remarks | Ref. No. | Part No. | Description | Remarks |
|--------------|--------------|-------------|-------------------------|-----------|--------------|-------------|----------------|
| < RESISTOR > | | | | R428 | 1-249-441-11 | CARBON | 100K 5% 1/4W |
| R219 | 1-249-417-11 | CARBON | 1K 5% 1/4W F | R430 | 1-249-441-11 | CARBON | 100K 5% 1/4W |
| R220 | 1-249-441-11 | CARBON | 100K 5% 1/4W | R431 | 1-249-429-11 | CARBON | 10K 5% 1/4W |
| R221 | 1-249-417-11 | CARBON | 1K 5% 1/4W F | R432 | 1-249-433-11 | CARBON | 22K 5% 1/4W |
| R222 | 1-249-441-11 | CARBON | 100K 5% 1/4W | R433 | 1-249-429-11 | CARBON | 10K 5% 1/4W |
| R223 | 1-249-417-11 | CARBON | 1K 5% 1/4W F | R434 | 1-249-441-11 | CARBON | 100K 5% 1/4W |
| R224 | 1-249-441-11 | CARBON | 100K 5% 1/4W | R435 | 1-249-429-11 | CARBON | 10K 5% 1/4W |
| R225 | 1-249-417-11 | CARBON | 1K 5% 1/4W F | R436 | 1-249-433-11 | CARBON | 22K 5% 1/4W |
| R226 | 1-249-441-11 | CARBON | 100K 5% 1/4W | R437 | 1-249-429-11 | CARBON | 10K 5% 1/4W |
| R269 | 1-249-417-11 | CARBON | 1K 5% 1/4W | R438 | 1-249-425-11 | CARBON | 4.7K 5% 1/4W F |
| R270 | 1-249-441-11 | CARBON | 100K 5% 1/4W | R439 | 1-249-429-11 | CARBON | 10K 5% 1/4W |
| R271 | 1-249-417-11 | CARBON | 1K 5% 1/4W F | R440 | 1-249-441-11 | CARBON | 100K 5% 1/4W |
| R272 | 1-249-441-11 | CARBON | 100K 5% 1/4W | R445 | 1-249-417-11 | CARBON | 1K 5% 1/4W F |
| R280 | 1-247-804-11 | CARBON | 75 5% 1/4W | R446 | 1-249-429-11 | CARBON | 10K 5% 1/4W |
| | | | (DE435/DE535/V424/V525) | R447 | 1-249-441-11 | CARBON | 100K 5% 1/4W |
| R281 | 1-247-804-11 | CARBON | 75 5% 1/4W | R450 | 1-247-852-11 | CARBON | 7.5K 5% 1/4W |
| | | | (DE435/DE535/V424/V525) | R451 | 1-249-429-11 | CARBON | 10K 5% 1/4W |
| R282 | 1-247-804-11 | CARBON | 75 5% 1/4W | R452 | 1-249-440-11 | CARBON | 82K 5% 1/4W |
| | | | (DE435/DE535/V424/V525) | R453 | 1-247-895-00 | CARBON | 470K 5% 1/4W |
| R283 | 1-247-804-11 | CARBON | 75 5% 1/4W | R454 | 1-249-429-11 | CARBON | 10K 5% 1/4W |
| | | | (DE435/DE535/V424/V525) | R455 | 1-249-418-11 | CARBON | 1.2K 5% 1/4W F |
| R284 | 1-247-804-11 | CARBON | 75 5% 1/4W | R456 | 1-249-426-11 | CARBON | 5.6K 5% 1/4W |
| | | | (DE435/DE535/V424/V525) | R457 | 1-249-434-11 | CARBON | 27K 5% 1/4W |
| R311 | 1-249-441-11 | CARBON | 100K 5% 1/4W | R458 | 1-249-441-11 | CARBON | 100K 5% 1/4W |
| R312 | 1-249-441-11 | CARBON | 100K 5% 1/4W | R459 | 1-249-426-11 | CARBON | 5.6K 5% 1/4W |
| R313 | 1-249-439-11 | CARBON | 68K 5% 1/4W | R460 | 1-249-426-11 | CARBON | 5.6K 5% 1/4W |
| R314 | 1-249-441-11 | CARBON | 100K 5% 1/4W | R461 | 1-247-843-11 | CARBON | 3.3K 5% 1/4W |
| R315 | 1-249-436-11 | CARBON | 39K 5% 1/4W | R462 | 1-249-421-11 | CARBON | 2.2K 5% 1/4W F |
| R351 | 1-249-436-11 | CARBON | 39K 5% 1/4W | R463 | 1-247-903-00 | CARBON | 1M 5% 1/4W |
| R400 | 1-247-852-11 | CARBON | 7.5K 5% 1/4W | R464 | 1-249-441-11 | CARBON | 100K 5% 1/4W |
| R401 | 1-249-429-11 | CARBON | 10K 5% 1/4W | R465 | 1-247-843-11 | CARBON | 3.3K 5% 1/4W |
| R402 | 1-249-440-11 | CARBON | 82K 5% 1/4W | R466 | 1-247-883-00 | CARBON | 150K 5% 1/4W |
| R403 | 1-247-895-00 | CARBON | 470K 5% 1/4W | R467 | 1-249-413-11 | CARBON | 470 5% 1/4W F |
| R404 | 1-249-429-11 | CARBON | 10K 5% 1/4W | R468 | 1-249-427-11 | CARBON | 6.8K 5% 1/4W F |
| R405 | 1-249-418-11 | CARBON | 1.2K 5% 1/4W F | R480 | 1-249-441-11 | CARBON | 100K 5% 1/4W |
| R406 | 1-249-426-11 | CARBON | 5.6K 5% 1/4W | R481 | 1-249-429-11 | CARBON | 10K 5% 1/4W |
| R407 | 1-249-434-11 | CARBON | 27K 5% 1/4W | R482 | 1-249-433-11 | CARBON | 22K 5% 1/4W |
| R408 | 1-249-441-11 | CARBON | 100K 5% 1/4W | R483 | 1-249-429-11 | CARBON | 10K 5% 1/4W |
| R409 | 1-249-426-11 | CARBON | 5.6K 5% 1/4W | R484 | 1-249-418-11 | CARBON | 1.2K 5% 1/4W F |
| R410 | 1-249-426-11 | CARBON | 5.6K 5% 1/4W | R485 | 1-249-417-11 | CARBON | 1K 5% 1/4W F |
| R411 | 1-247-843-11 | CARBON | 3.3K 5% 1/4W | R486 | 1-249-429-11 | CARBON | 10K 5% 1/4W |
| R412 | 1-249-421-11 | CARBON | 2.2K 5% 1/4W F | R487 | 1-249-418-11 | CARBON | 1.2K 5% 1/4W F |
| R413 | 1-247-903-00 | CARBON | 1M 5% 1/4W | R488 | 1-249-417-11 | CARBON | 1K 5% 1/4W F |
| R414 | 1-249-441-11 | CARBON | 100K 5% 1/4W | R489 | 1-249-429-11 | CARBON | 10K 5% 1/4W |
| R415 | 1-247-843-11 | CARBON | 3.3K 5% 1/4W | R490 | 1-249-418-11 | CARBON | 1.2K 5% 1/4W F |
| R416 | 1-247-883-00 | CARBON | 150K 5% 1/4W | R491 | 1-249-417-11 | CARBON | 1K 5% 1/4W F |
| R417 | 1-249-413-11 | CARBON | 470 5% 1/4W F | R492 | 1-249-429-11 | CARBON | 10K 5% 1/4W |
| R418 | 1-249-427-11 | CARBON | 6.8K 5% 1/4W F | R493 | 1-249-418-11 | CARBON | 1.2K 5% 1/4W F |
| R419 | 1-247-903-00 | CARBON | 1M 5% 1/4W | R494 | 1-249-417-11 | CARBON | 1K 5% 1/4W F |
| R420 | 1-249-441-11 | CARBON | 100K 5% 1/4W | R497 | 1-249-441-11 | CARBON | 100K 5% 1/4W |
| R422 | 1-249-429-11 | CARBON | 10K 5% 1/4W | < RELAY > | | | |
| R423 | 1-249-418-11 | CARBON | 1.2K 5% 1/4W F | RY401 | 1-515-614-11 | RELAY | |
| R424 | 1-249-417-11 | CARBON | 1K 5% 1/4W F | ***** | | | |
| R425 | 1-249-441-11 | CARBON | 100K 5% 1/4W | | | | |
| R426 | 1-249-418-11 | CARBON | 1.2K 5% 1/4W F | | | | |
| R427 | 1-249-417-11 | CARBON | 1K 5% 1/4W F | | | | |

VOL

VOLTAGE SELECTOR

| Ref. No. | Part No. | Description | Remarks | Ref. No. | Part No. | Description | Remarks |
|----------|--------------|--|-------------|---|--|---|---------|
| | A-4419-075-A | VOL BOARD, COMPLETE ***** | | Q755 | 8-729-209-15 | TRANSISTOR 2SD2012 | |
| | | < CAPACITOR > | | Q756 | 8-749-010-25 | IC MN2488-OPY-M | |
| C090 | 1-126-960-11 | ELECT | 1uF 20% 50V | Q757 | 8-749-010-26 | IC MP1620-OPY-M | |
| C091 | 1-126-960-11 | ELECT | 1uF 20% 50V | △ T901 | 1-433-679-11 | TRANSFORMER, POWER (DE435:CND/DE535:CND) | |
| | | < CONNECTOR > | | △ T901 | 1-433-680-11 | TRANSFORMER, POWER (DE435:US/DE535:US) | |
| CNP105 | 1-770-388-11 | PIN, CONNECTOR (PC BOARD) 4P | | △ T901 | 1-433-680-21 | TRANSFORMER, POWER (SE491) | |
| CNP401 | 1-770-389-11 | PIN, CONNECTOR (PC BOARD) 5P | | △ T901 | 1-433-681-11 | TRANSFORMER, POWER (DE435:AEP,EE,CIS) | |
| CNS402 | 1-569-904-11 | SOCKET, CONNECTOR 9P | | △ T901 | 1-433-682-11 | TRANSFORMER, POWER (DE435:AUS/DE535:AUS) | |
| CNS404 | 1-569-906-11 | SOCKET, CONNECTOR 11P | | △ T901 | 1-433-683-11 | TRANSFORMER, POWER (DE435:MY,SP/DE535:MY,SP/V424/V525) | |
| | | < VARIABLE RESISTOR > | | △ T901 | 1-433-684-11 | TRANSFORMER, POWER (DE535:E) | |
| RV401 | 1-225-776-11 | RES, VAR, CARBON 100K/100K × 5 (MASTER VOLUME) | | ***** ACCESSORIES & PACKING MATERIALS ***** | | | |
| | | ***** | | 1-418-293-11 | REMOTE COMMANDER (RM-LJ302) (DE535/V525) | | |
| | 1-672-996-11 | VOLTAGE SELECTOR BOARD (DE535:E) ***** | | 1-501-374-11 | ANTENNA LOOP | | |
| | 1-533-399-31 | HOLDER, FUSE | | 1-501-594-11 | ANTENNA (FM) (EXCEPT US,CND) | | |
| | | < CONNECTOR > | | 3-866-247-11 | MANUAL,INSTRUCTION (ENGLISH) (US) | | |
| * CNP906 | 1-566-664-11 | PIN, CONNECTOR 4P | | 3-866-247-21 | MANUAL,INSTRUCTION (FRENCH) (CND,MY,SP,E,AUS) | | |
| | | < SWITCH > | | 3-866-247-31 | MANUAL,INSTRUCTION (ENGLISH,CHINESE) (CH) | | |
| △ S901 | 1-571-437-11 | SWITCH POWER VOLTAGE CHANGE ***** | | 3-866-247-41 | MANUAL,INSTRUCTION (SWEDISH,SPANISH,ITALIAN,PORTUGUESE) (AEP) | | |
| | | MISCELLANEOUS ***** | | 3-866-247-51 | MANUAL,INSTRUCTION (ENGLISH,FRENCH,DUTCH,GERMAN) (AEP) | | |
| 27 | 1-769-991-11 | WIRE (FLAT TYPE) (13 CORE) (DE435,SE491,V424) | | 3-866-247-61 | MANUAL,INSTRUCTION (ENGLISH,RUSSIAN,POLISH) (EE,CIS) | | |
| 27 | 1-773-024-11 | WIRE (FLAT TYPE) (15 CORE)(DE535/V525) | | 3-866-295-11 | MANUAL,INSTRUCTION (RM-LJ302)(ENGLISH) (DE535/V525) | | |
| 28 | 1-773-012-11 | WIRE (FLAT TYPE) (15 CORE) | | 3-866-295-21 | MANUAL,INSTRUCTION(RM-LJ302) (FRENCH,SPANISH) (DE535:CND,E) | | |
| 62 | 1-769-937-11 | WIRE (FLAT TYPE) (11 CORE) | | 3-866-295-31 | MANUAL,INSTRUCTION (RM-LJ302)(CHINESE) (DE535:MY,SP/V525) | | |
| △ 65 | 1-696-847-11 | CORD, POWER (DE435:AUS/DE535:AUS) | | 3-866-296-11 | MANUAL,INSTRUCTION (RM-PP402) (ENGLISH) (DE435/SE491/V424) | | |
| △ 65 | 1-777-070-21 | CORD, POWER (DE435:CND/DE535:CND) | | 3-866-296-21 | MANUAL,INSTRUCTION (RM-PP402) (FRENCH,SPANISH) (DE435:CND/AEP) | | |
| △ 65 | 1-777-071-21 | CORD, POWER (DE435:AEP,EE,CIS,MY,SP/DE535:E,MY,SP) | | 3-866-296-31 | MANUAL,INSTRUCTION (RM-PP402)(CHINESE) (DE435:MY,SP/V424) | | |
| △ 65 | 1-783-205-11 | CORD, POWER (V424/V525) | | 3-866-296-41 | MANUAL,INSTRUCTION (RM-PP402) (DUTCH,SWEDISH,GERMAN,ITALIAN,PORTUGUESE) (DE435:AEP) | | |
| △ 65 | 1-783-820-11 | CORD, POWER (DE435:US/DE535:US/SE491) | | 3-866-296-51 | MANUAL,INSTRUCTION (RM-PP402) (DANISH,FINNISH) (DE435:AEP) | | |
| 69 | 1-773-008-11 | WIRE (FLAT TYPE) (15 CORE) | | 3-866-296-61 | MANUAL,INSTRUCTION (RM-PP402) (POLISH,RUSSIAN) (DE435:EE,CIS) | | |
| 70 | 1-769-942-11 | WIRE (FLAT TYPE) (11 CORE) | | 3-866-296-71 | MANUAL,INSTRUCTION (RM-PP402) (CZECH) (DE435:EE,CIS) | | |
| 71 | 1-769-909-11 | WIRE (FLAT TYPE) (9 CORE) | | 3-866-419-11 | MANUAL (RECV.HOOK-UP)(EXCEPT SE491) | | |
| 73 | 1-693-407-62 | TUNER (DE435:US,CND/DE535:US,CND,E/SE491) | | 3-866-670-11 | MANUAL,COMMONNESS INSTRUCTION | | |
| 73 | 1-693-408-41 | TUNER (DE435:AEP,MY,SP,AUS/DE535:MY,SP,AUS/V424/V525) | | | | | |
| 73 | 1-693-411-43 | TUNER (DE435:EE,CIS) | | | | | |
| 74 | 1-773-004-11 | WIRE (FLAT TYPE) (15 CORE) | | | | | |
| △ 78 | 1-569-008-21 | ADAPTOR, CONVERSION 2P (DE535: E) | | | | | |
| Q705 | 8-729-209-15 | TRANSISTOR 2SD2012 | | | | | |
| Q706 | 8-749-010-25 | IC MN2488-OPY-M | | | | | |
| Q707 | 8-749-010-26 | IC MP1620-OPY-M | | | | | |

The components identified by mark △ or dotted line with mark △ are critical for safety. Replace only with part number specified.

Les composants identifiés par une marque △ sont critiques pour la sécurité. Ne les remplacer que par une pièce portant le numéro spécifié.

以阴影和 △ 标志来识别的零部件，在安全方面具有关键性。因此只能以规定号码的零部件来更换。

STR-DE435/DE535/SE491/V424/V525

| <u>Ref. No.</u> | <u>Part No.</u> | <u>Description</u> | <u>Remarks</u> |
|-----------------|-----------------|---|--------------------------|
| | | | (ENGLISH) (DE535:US,AUS) |
| 3-866-670-21 | | MANUAL,COMMONNESS INSTRUCTION | |
| | | (ENGLISH,FRENCH,GERMAN,SPANISH,DUTCH) (DE535:CND,E,MY,SP) | |
| 3-866-670-41 | | MANUAL,COMMONNESS INSTRUCTION | |
| | | (ENGLISH,ARABIC,CHINESE)(V525) | |
| 4-981-643-11 | | COVER,BATTERY (FOR RM-JL302) | |
| | | (DE535/V525) | |
| 4-978-977-01 | | COVER BATTERY(FOR RM-PP402) | |
| | | (DE435,SE491,V424) | |
| 8-917-666-90 | | REMOTE COMMANDER(RM-PP402) | |
| | | (DE435,SE491,V424) | |

HARDWARE LIST

- #1 7-685-646-79 SCREW +BVTP 3 × 8 TYPE2 TT(B)
- #2 7-685-881-09 SCREW +BVTT 4 × 8 (S)

MEMO

