

# STR-DE485/DE485E

## SERVICE MANUAL

Ver 1.1 2003.07



Photo: STR-DE485

US Model  
Canadian Model  
E Model  
Australian Model  
Chinese Model  
STR-DE485  
AEP Model  
UK Model  
STR-DE485E

Manufactured under license from Dolby Laboratories. "Dolby", "Pro Logic" and the double-D symbol are trademarks of Dolby Laboratories. "DTS" and "DTS Digital Surround" are registered trademarks of Digital Theater Systems, Inc.

### SPECIFICATIONS

#### AUDIO POWER SPECIFICATIONS

##### POWER OUTPUT AND TOTAL HARMONIC DISTORTION:

With 8 ohm loads, both channels driven, from 40 – 20,000 Hz; rated 80 watts per channel minimum RMS power, with no more than 0.09 % total harmonic distortion from 250 milliwatts to rated output (STR-DE485 area code US only).

##### Amplifier section

###### POWER OUTPUT

Models of area code US, CND  
Rated Power Output at Stereo Mode  
(8 ohms 40 Hz – 20 kHz, THD 0.09 %)  
STR-DE485: 80 W + 80 W

Reference Power Output  
(8 ohms 1 kHz, THD 0.7 %)  
STR-DE485: FRONT <sup>1)</sup>: 80 W/ch  
CENTER <sup>1)</sup>: 80 W  
SURR <sup>1)</sup>: 80 W/ch

Models of area code AEP, UK  
Rated Power Output at Stereo Mode  
(8 ohms 1 kHz, THD 0.7 %)  
STR-DE485E 80 W + 80 W<sup>2)</sup>

Reference Power Output  
(8 ohms 1 kHz, THD 0.7 %)  
STR-DE485E FRONT <sup>1)</sup>: 80 W/ch  
CENTER <sup>1)</sup>: 80 W  
SURR <sup>1)</sup>: 80 W/ch

Models of other area code  
Rated Power Output at Stereo Mode  
(8 ohms 1 kHz, THD 0.7 %)  
80 W + 80 W<sup>2)</sup>

Reference Power Output<sup>2)</sup>  
(8 ohms 1 kHz, THD 10 %)  
FRONT <sup>1)</sup>: 100 W/ch  
CENTER <sup>1)</sup>: 100 W  
SURR <sup>1)</sup>: 100 W/ch

1) Depending on the sound field settings and the source, there may be no sound output.

2) Measured under the following conditions:

| Area code   | Power requirements |
|-------------|--------------------|
| E, AUS      | 240 V AC, 50 Hz    |
| SP, AEP, UK | 230 V AC, 50 Hz    |
| TW          | 110 V AC, 60 Hz    |
| MX          | 120 V AC, 60 Hz    |

###### Frequency response

MULTI CH IN 10 Hz – 50 kHz  
(STR-DE485 only), CD, +0.5/-2 dB (with sound field, and tone bypassed)  
MD/TAPE, DVD/LD,  
VIDEO 1, 2

###### Inputs (Analog)

MULTI CH IN Sensitivity: 250 mV  
(STR-DE485 only), CD, Impedance: 50 kilohms  
MD/TAPE, DVD/LD, S/N<sup>3)</sup>: 96 dB  
VIDEO 1, 2 (A, 250 mV<sup>4)</sup>)

3) INPUT SHORT (with sound field and tone bypassed).

4) Weighted network, input level.

– Continued on next page –

## FM STEREO/FM-AM RECEIVER

9-873-587-02  
2003G04-1  
© 2003.07

Sony Corporation  
Home Audio Company  
Published by Sony Engineering Corporation

# SONY®

# STR-DE485/DE485E

## Inputs (Digital)

|                   |  |
|-------------------|--|
| DVD/LD (Coaxial)  | Sensitivity: –<br>Impedance: 75 ohms<br>S/N: 100 dB<br>(A, 20 kHz LPF) |
| VIDEO 2 (Optical) | Sensitivity: –<br>Impedance: –<br>S/N: 100 dB<br>(A, 20 kHz LPF)       |

## Outputs

|                                       |  |
|---------------------------------------|--|
| MD/TAPE (REC OUT), VIDEO1 (AUDIO OUT) | Voltage: 250 mV<br>Impedance: 10 kilohms |
| SUB WOOFER                            | Voltage: 2 V<br>Impedance: 1 kilohms     |

## Tone

Gain levels: ±6 dB, 1 dB step

## FM tuner section

|                              |                               |
|------------------------------|-------------------------------|
| Tuning range                 | 87.5 - 108.0 MHz              |
| Antenna terminals            | 75 ohms, unbalanced           |
| Intermediate Frequency       | 10.7 MHz                      |
| Sensitivity                  |                               |
| Mono:                        | 18.3 dBf, 2.2 µV/75 ohms      |
| Stereo:                      | 38.3 dBf, 22.5 µV/75 ohms     |
| Usable sensitivity           | 11.2 dBf, 1 µV/75 ohms        |
| S/N                          |                               |
| Mono:                        | 76 dB                         |
| Stereo:                      | 70 dB                         |
| Harmonic distortion at 1 kHz |                               |
| Mono:                        | 0.3%                          |
| Stereo:                      | 0.5%                          |
| Separation                   | 45 dB at 1 kHz                |
| Frequency response           | 30 Hz – 15 kHz,<br>+0.5/-2 dB |
| Selectivity                  | 60 dB at 400 kHz              |

## AM tuner section

### Tuning range

Models of area code US, CND

With 10-kHz tuning scale: 530 – 1710 kHz<sup>5)</sup>

With 9-kHz tuning scale: 531 – 1710 kHz<sup>5)</sup>

Models of area code E2, MX

With 10-kHz tuning scale: 530 – 1610 kHz<sup>5)</sup>

With 9-kHz tuning scale: 531 – 1602 kHz<sup>5)</sup>

Models of area code AUS, SP, AEP, UK, TW

With 9-kHz tuning scale: 531 – 1602 kHz

|                        |                                      |
|------------------------|--------------------------------------|
| Antenna                | Loop antenna                         |
| Intermediate Frequency | 450 kHz                              |
| Usable sensitivity     | 50 dB/m (at 1,000 kHz or<br>999 kHz) |
| S/N                    | 54 dB (at 50 mV/m)                   |
| Harmonic distortion    | 0.5 % (50 mV/m, 400 Hz)              |
| Selectivity            |                                      |
| At 9 kHz:              | 35 dB                                |
| At 10 kHz:             | 40 dB                                |

5) You can change the AM tuning scale to 9 kHz or 10 kHz. After tuning in any AM station, turn off the receiver. Hold down PRESET TUNING + and press I/⏪. All preset stations will be erased when you change the tuning scale. To reset the scale to 10 kHz (or 9 kHz), repeat the procedure.

## Video section

|         |                              |
|---------|------------------------------|
| Inputs  |                              |
| Video:  | 1 V <sub>p-p</sub> , 75 ohms |
| Outputs |                              |
| Video:  | 1 V <sub>p-p</sub> , 75 ohms |

## General

### Power requirements

| Area code   | Power requirements         |
|-------------|----------------------------|
| US, CND, MX | 120 V AC, 60 Hz            |
| AEP, UK     | 230 V AC, 50/60 Hz         |
| SP          | 220 – 230 V AC, 50/60 Hz   |
| E           | 120/220/240 V AC, 50/60 Hz |
| TW          | 110 V AC, 50/60 Hz         |
| AUS         | 240 V AC, 50Hz             |

### Power consumption

| Area code  | Power consumption |
|------------|-------------------|
| US, MX     | STR-DE485: 180 W  |
| CND        | STR-DE485: 260 VA |
| AEP, UK    | STR-DE485E: 155 W |
| AUS, SP, E | STR-DE485: 155 W  |
| TW         | STR-DE485: 400 W  |

### Power consumption (during standby mode)

0.5 W

Dimensions  
430 × 145 × 298 mm  
(16 7/8 × 5 6/8 × 11 6/8 in.)  
including projecting parts  
and controls

Mass (Approx.) 7.0 kg (15lb 7 oz)

### Supplied accessories

- FM wire antenna (1)
- AM loop antenna (1)
- STR-DE485E/DE485 only
- Remote commander RM-U306 (1)
- R6 (size-AA) batteries (2)

Design and specifications are subject to change without notice.

### • Abbreviation

- CND : Canadian model
- AR : Argentina model
- AUS : Australian model
- CH : Chinese model
- MX : Mexican model
- SP : Singapore model
- TW : Taiwan model

**SAFETY CHECK-OUT**

After correcting the original service problem, perform the following safety check before releasing the set to the customer:

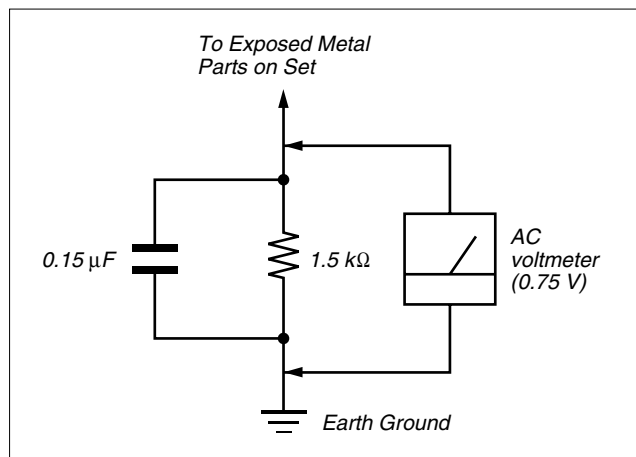
Check the antenna terminals, metal trim, "metallized" knobs, screws, and all other exposed metal parts for AC leakage.

Check leakage as described below.

**LEAKAGE TEST**

The AC leakage from any exposed metal part to earth ground and from all exposed metal parts to any exposed metal part having a return to chassis, must not exceed 0.5 mA (500 microamperes.). Leakage current can be measured by any one of three methods.

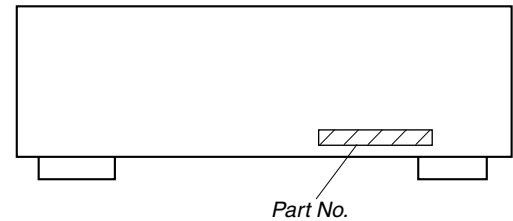
1. A commercial leakage tester, such as the Simpson 229 or RCA WT-540A. Follow the manufacturers' instructions to use these instruments.
2. A battery-operated AC milliammeter. The Data Precision 245 digital multimeter is suitable for this job.
3. Measuring the voltage drop across a resistor by means of a VOM or battery-operated AC voltmeter. The "limit" indication is 0.75 V, so analog meters must have an accurate low-voltage scale. The Simpson 250 and Sanwa SH-63Trd are examples of a passive VOM that is suitable. Nearly all battery operated digital multimeters that have a 2 V AC range are suitable. (See Fig. A)

**SAFETY-RELATED COMPONENT WARNING!!**

COMPONENTS IDENTIFIED BY MARK  $\triangle$  OR DOTTED LINE WITH MARK  $\triangle$  ON THE SCHEMATIC DIAGRAMS AND IN THE PARTS LIST ARE CRITICAL TO SAFE OPERATION. REPLACE THESE COMPONENTS WITH SONY PARTS WHOSE PART NUMBERS APPEAR AS SHOWN IN THIS MANUAL OR IN SUPPLEMENTS PUBLISHED BY SONY.

**MODEL IDENTIFICATION**

— BACK PANEL —



| MODEL      | PART No.     |
|------------|--------------|
| US         | 4-238-188-0□ |
| Canadian   | 4-238-188-1□ |
| Australian | 4-238-188-2□ |
| Singapore  | 4-238-188-3□ |
| Chinese    | 4-238-188-4□ |
| E          | 4-238-188-5□ |
| AEP        | 4-238-188-6□ |
| UK         | 4-238-188-7□ |
| Mexican    | 4-238-188-8□ |
| Argentina  | 4-238-188-9□ |
| Taiwan     | 4-238-189-9□ |

**ATTENTION AU COMPOSANT AYANT RAPPORT À LA SÉCURITÉ!!**

LES COMPOSANTS IDENTIFIÉS PAR UNE MARQUE  $\triangle$  SUR LES DIAGRAMMES SCHÉMATIQUES ET LA LISTE DES PIÈCES SONT CRITIQUES POUR LA SÉCURITÉ DE FONCTIONNEMENT. NE REMPLACER CES COMPOSANTS QUE PAR DES PIÈCES SONY DONT LES NUMÉROS SONT DONNÉS DANS CE MANUEL OU DANS LES SUPPLÉMENTS PUBLIÉS PAR SONY.

**与安全有关的零部件须知**

在原理图上用阴影及  $\triangle$  标记来识别的零部件在安全操作上是具有关键性的。这些零部件要用本手册中所示的部件号对应的索尼零部件进行更换。

在安全操作上具有关键性的电路调整与索尼公司出版的维修手册完全一致。在更换关键零部件时或怀疑动作失常时，请进行这些调整操作。

## TABLE OF CONTENTS

### 1. GENERAL

|                                 |   |
|---------------------------------|---|
| Main unit .....                 | 5 |
| Remote button description ..... | 6 |

### 2. DISASSEMBLY

|                                |    |
|--------------------------------|----|
| 2-1. Case .....                | 7  |
| 2-2. Front Panel Section ..... | 8  |
| 2-3. Back Panel .....          | 8  |
| 2-4. Digital Board .....       | 9  |
| 2-5. Standby Board .....       | 9  |
| 2-6. Main Board .....          | 10 |

### 3. TEST MODE ..... 11

### 4. DIAGRAMS

|  |    |
|--|----|
| 4-1. IC Pin Description .....                              | 12 |
| 4-2. Circuit Boards Location .....                         | 15 |
| 4-3. Block Diagram – Tuner/Audio Section – .....           | 16 |
| 4-4. Block Diagram – Digital Section – .....               | 17 |
| 4-5. Block Diagram – Video/Display Section – .....         | 18 |
| 4-6. Block Diagram – Power Section – .....                 | 19 |
| 4-7. Printed Wiring Boards – Main Section – .....          | 21 |
| 4-8. Schematic Diagram – Main Section (1/2) – .....        | 22 |
| 4-9. Schematic Diagram – Main Section (2/2) – .....        | 23 |
| 4-10. Printed Wiring Board – Digital Section (1/2) – ..... | 24 |
| 4-11. Printed Wiring Board – Digital Section (2/2) – ..... | 25 |
| 4-12. Schematic Diagram – Digital Section (1/2) – .....    | 26 |
| 4-13. Schematic Diagram – Digital Section (2/2) – .....    | 27 |
| 4-14. Printed Wiring Board – Video Section – .....         | 28 |
| 4-15. Schematic Diagram – Video Section – .....            | 29 |
| 4-16. Printed Wiring Boards – Display Section – .....      | 30 |
| 4-17. Schematic Diagram – Display Section – .....          | 31 |
| 4-18. Printed Wiring Boards – Power Section – .....        | 32 |
| 4-19. Schematic Diagram – Power Section – .....            | 33 |
| 4-20. IC Block Diagrams .....                              | 34 |

### 5. EXPLODED VIEWS

|                                |    |
|--------------------------------|----|
| 5-1. Case Section .....        | 35 |
| 5-2. Front Panel Section ..... | 36 |
| 5-3. Chassis Section-1 .....   | 37 |
| 5-4. Chassis Section-2 .....   | 38 |

### 6. ELECTRICAL PARTS LIST ..... 39

# SECTION 1 GENERAL

This section is extracted from instruction manual.

## List of Button Locations and Reference Pages

**How to use this page**  
Use this page to find the location of buttons that are mentioned in the text.

|                     |                     |
|---------------------|---------------------|
|                     | Illustration number |
| NAME                | 8 (35)              |
| Name of button/part | Reference page      |

### Main unit

**ALPHABETICAL ORDER**

**0 - 9**

2 CH 26 (25)

**A - D**

A.DEC 28 (23-25)  
AM (Except for models of area code CEL, CEK) 32 (30, 31)  
BASS +/- 25 (29, 54)  
CD 19 (21)  
CINEMA STUDIO EX A, B, C 9 (23, 24)  
Digital Cinema Sound (indicator) 12 (23)  
DIMMER 37 (22)  
DISPLAY 2 (22, 33, 51)  
Display 11 (22)  
DVD/LD 21 (21)

**E - L**

ENTER 29 (35)  
FM (Except for models of area code CEL, CEK) 33 (30, 31)  
FM/AM (Models of area code CEL, CEK only) 32 (30, 31)

FM MODE (Models of area code CEL, CEK only) 33, (Except for models of area code CEL, CEK) 34 (31)  
INPUT MODE 15 (21)  
IR (receptor) 4 (38, 45, 51)  
LEVEL 10 (20, 27, 55)

**M**

MASTER VOLUME 23 (20, 49)  
MD/TAPE 17 (21)  
MEMORY 36 (30, 32)  
MENU +/- 30 (16, 27, 35, 36)  
MENU </> 31 (16, 27, 35, 36)  
MODE 27 (24, 50)  
MULTI CHANNEL DECODING (indicator) (Except for STR-DE485E) 7 (21)  
MULTI CH IN (Except for STR-DE485E) 14 (21)  
MUTING 24 (21, 49)

**N - S**

NAME 8 (35)  
PHONES (jack) 38 (21)

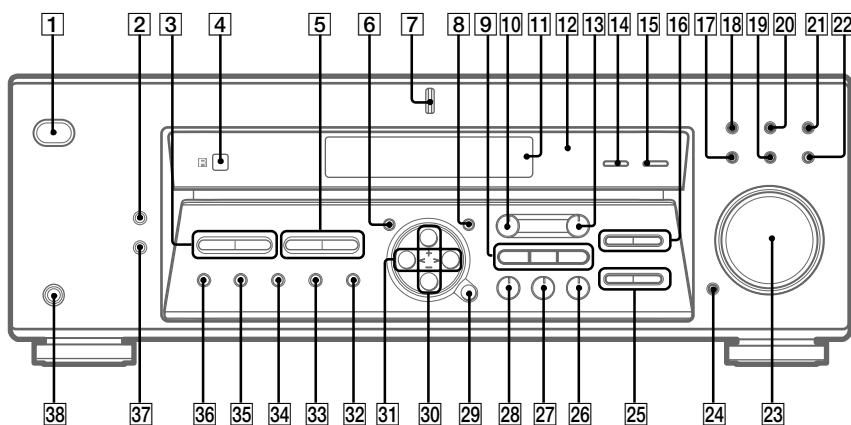
PRESET/PTY SELECT +/- (Models of area code CEL, CEK only) 3 (32, 33)  
PRESET TUNING +/- (Except for models of area code CEL, CEK) 3 (32, 53)  
PTY (Models of area code CEL, CEK only) 34 (33)  
SET UP 6 (4, 16, 36, 54)  
SHIFT 35 (32)  
SLEEP (STR-DE485E only) 14 (36)  
SURR 13 (27, 54)

**T - Z**

TREBLE +/- 16 (29, 54)  
TUNER 22 (21, 30-32, 35)  
TUNING +/- 5 (31)  
VIDEO 1 18 (21)  
VIDEO 2 20 (21)

**BUTTON DESCRIPTIONS**

I/O (power) 1 (4, 15, 20, 29, 30, 53)



List of Button Locations and Reference Pages

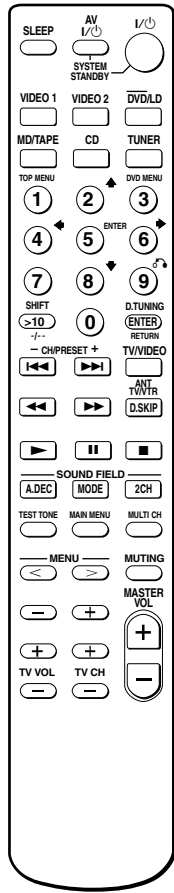
5 GB

**Operations Using the Remote RM-U306**

**Except for STR-DE585 area code CA**

You can use the remote RM-U306 to operate the components in your system.

**Remote button description**



**Remote button description (continued)**

| Remote Button | Operations | Function   |
|---------------|------------|--|
| VIDEO 1       | Receiver   | To watch VCR. (VTR mode 3)   |
| VIDEO 2       | Receiver   | To watch VCR. (VTR mode 1)   |
| DVD/LD        | Receiver   | To watch DVD or laser disc.  |
| MD/TAPE       | Receiver   | To listen to Minidisc or audio tape.   |
| CD            | Receiver   | To listen to compact disc.   |
| TUNER         | Receiver   | To listen to radio programs.   |
| SHIFT         | Receiver   | Press repeatedly to select a memory page for presetting radio stations or tuning to preset stations. |
| D.TUNING      | Receiver   | Tuner station direct key-in-mode.  |
| A.DEC         | Receiver   | Select AUTO DECODE mode.   |
| MODE          | Receiver   | Selects sound field mode.  |
| 2CH           | Receiver   | Selects 2CH mode.  |
| TEST TONE     | Receiver   | Press to output test tone.   |
| MAIN MENU     | Receiver   | Press this button repeatedly to select one of the four cursor modes: SURR, LEVEL, SET UP and NAME.   |
| MULTI CH      | Receiver   | Selects MULTI CH IN source.  |
| MENU </>      | Receiver   | Selects a menu item.   |
| MENU +/-      | Receiver   | Makes adjustment or change the setting.  |
| MUTING        | Receiver   | Mutes the sound from the receiver.   |

Operations Using the Remote RM-U306

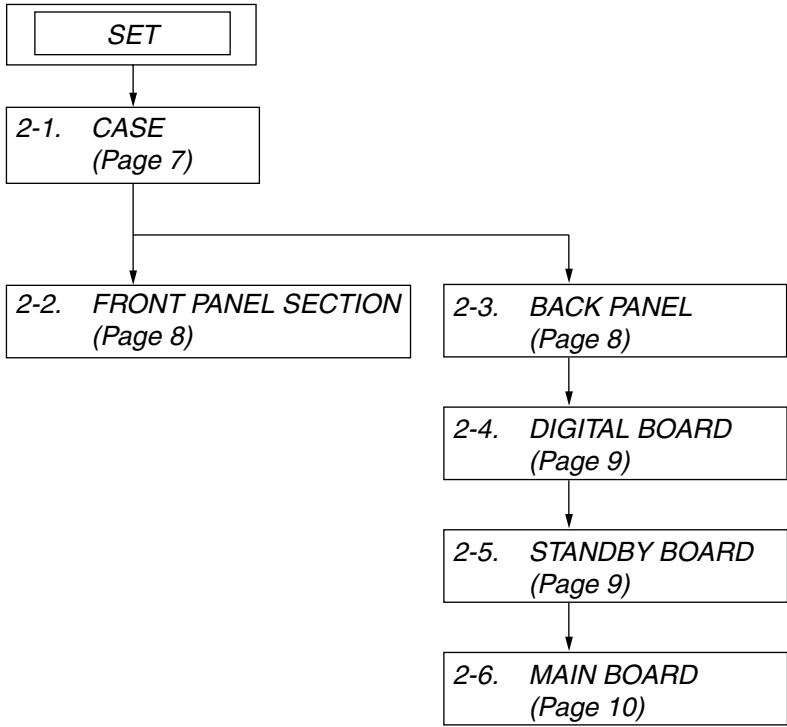
The tables below show the settings of each button.

| Remote Button | Operations | Function  |
|---------------|------------|---|
| SLEEP         | Receiver   | Activates the sleep function and the duration which the receiver turns off automatically. |
| I/O           | Receiver   | Turns the receiver on or off.   |

continued

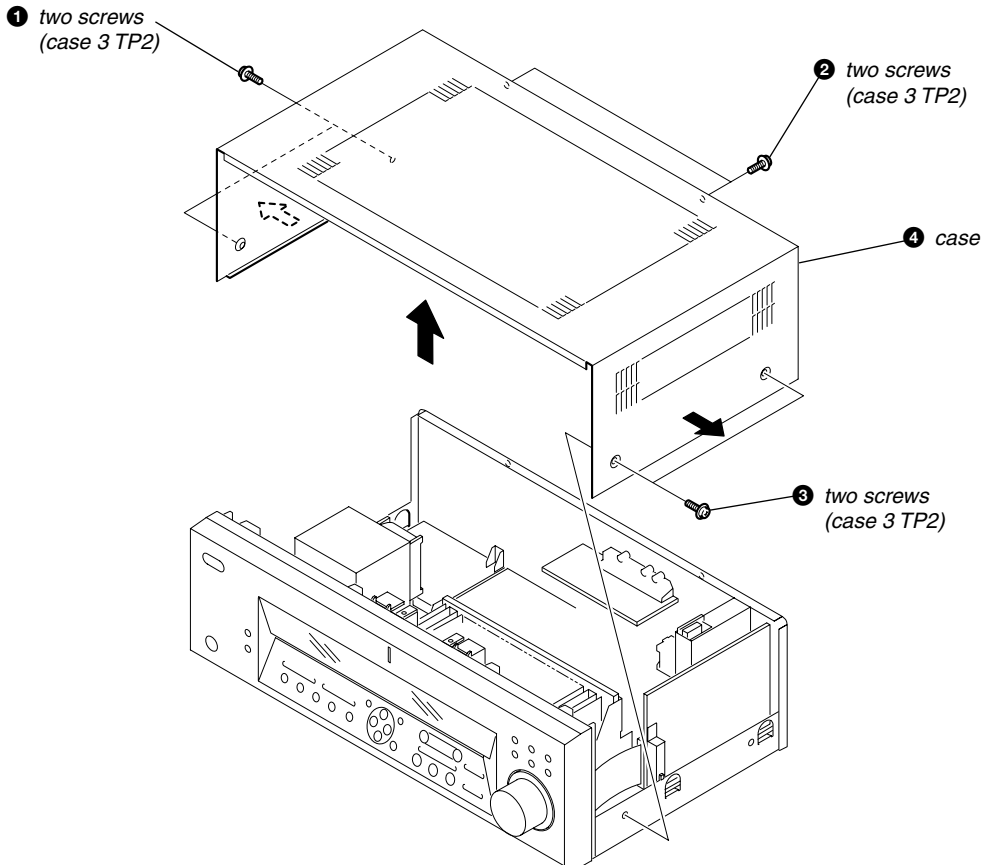
## SECTION 2 DISASSEMBLY

**Note :** This set can be disassemble according to the following sequence.

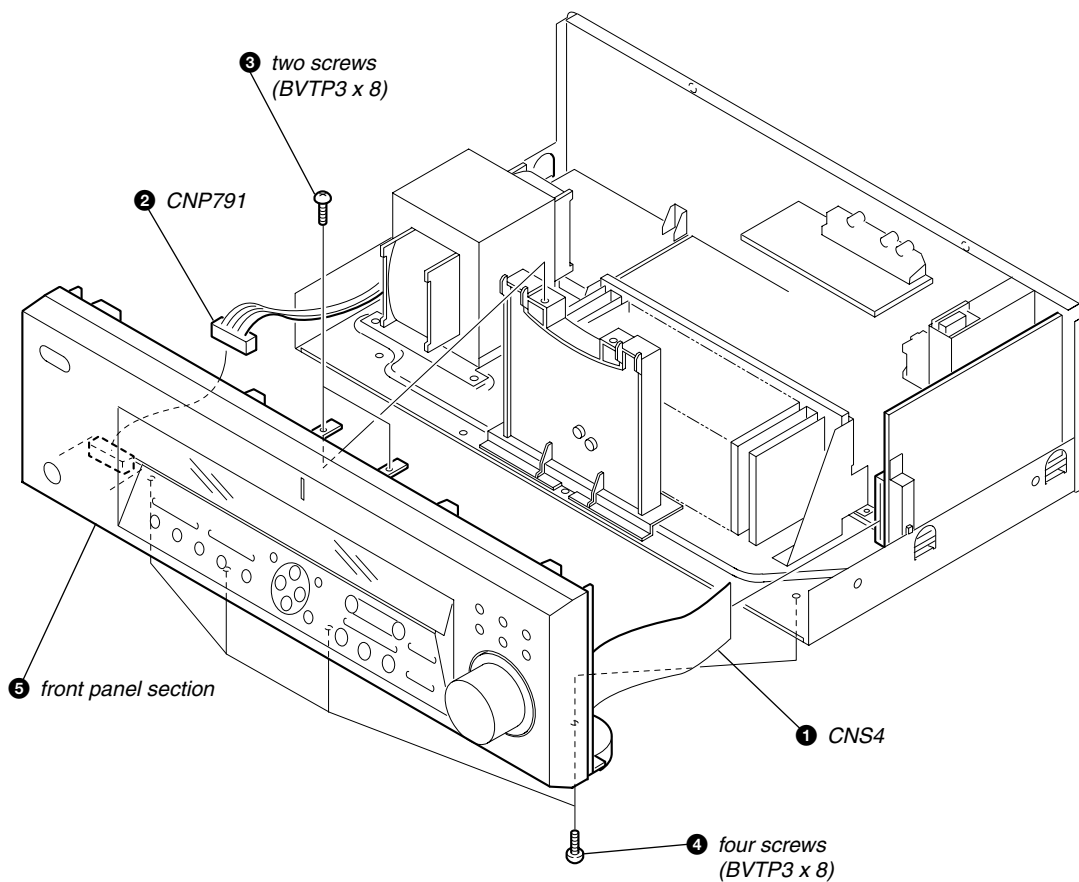


**Note :** Follow the disassembly procedure in the numerical order given.

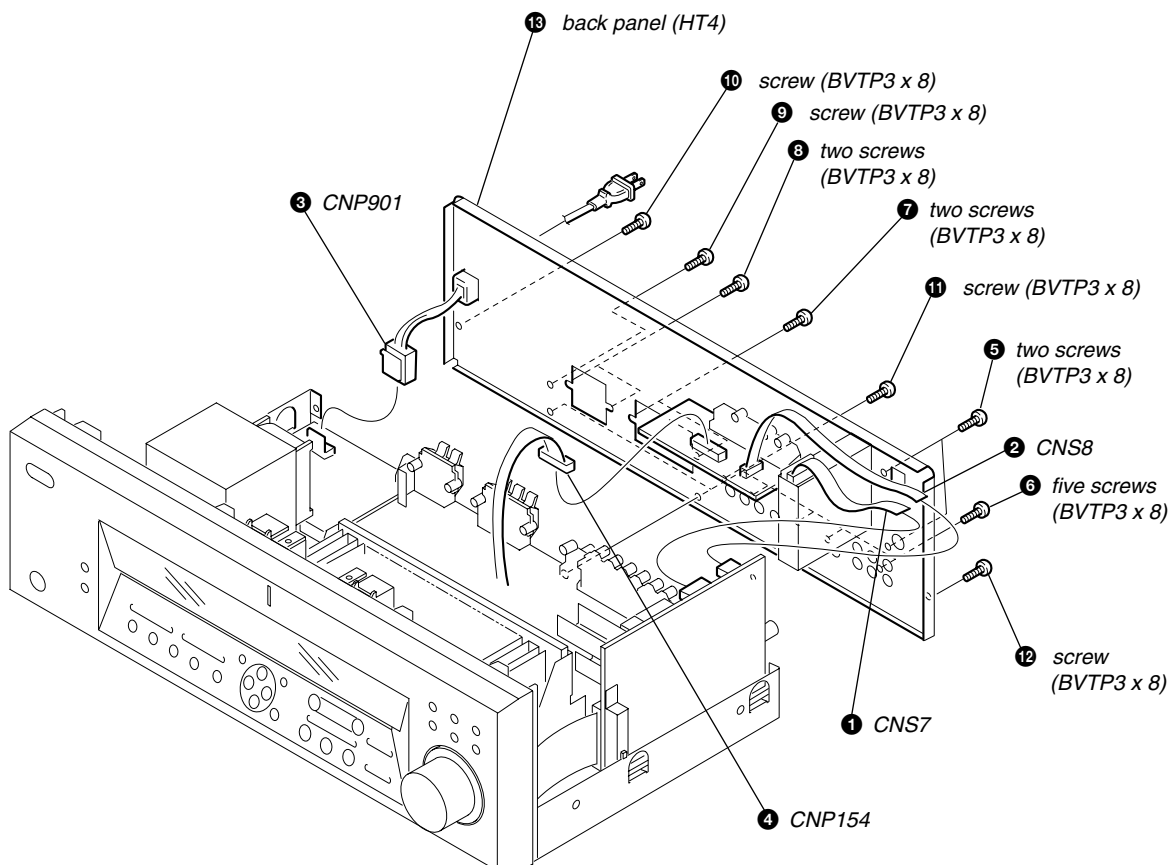
### 2-1. CASE



2-2. FRONT PANEL SECTION

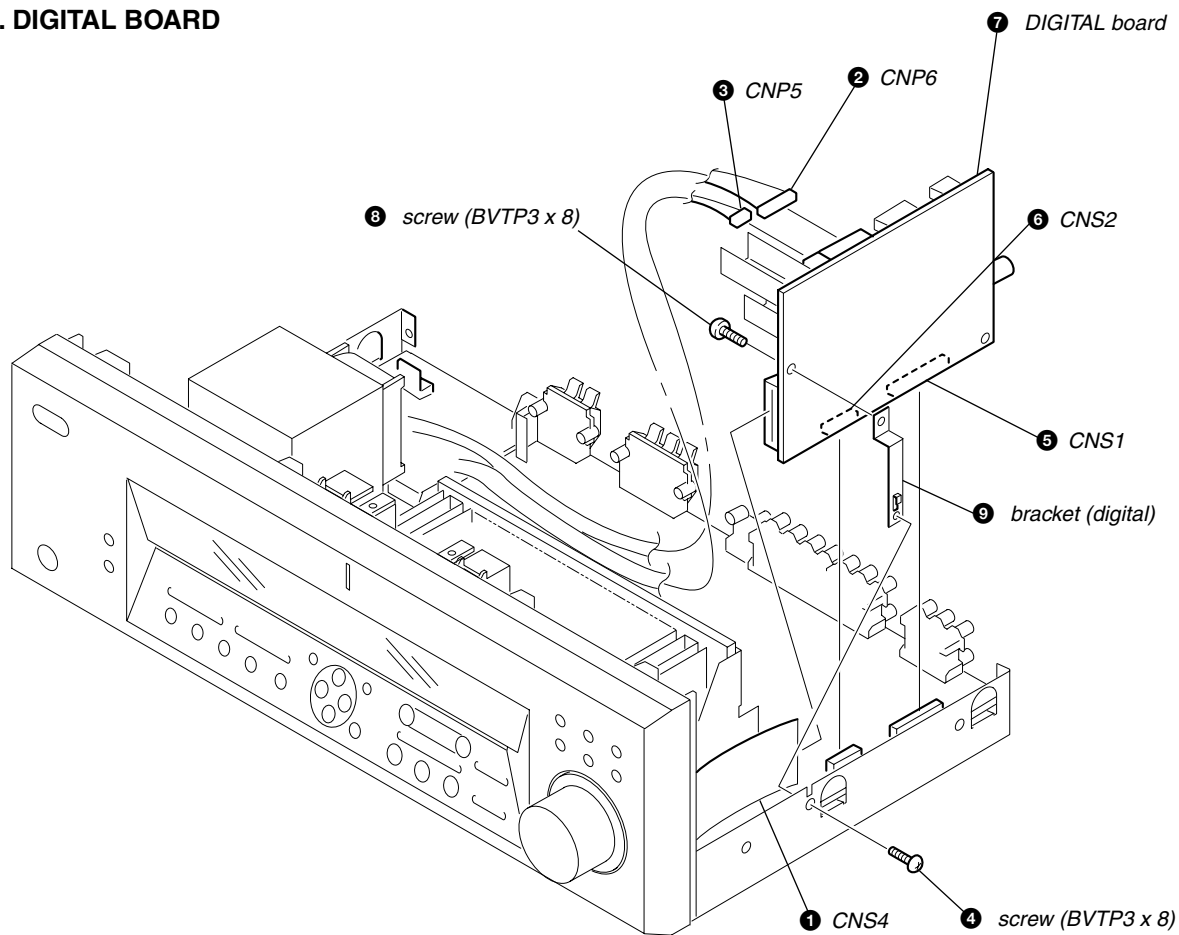


2-3. BACK PANEL

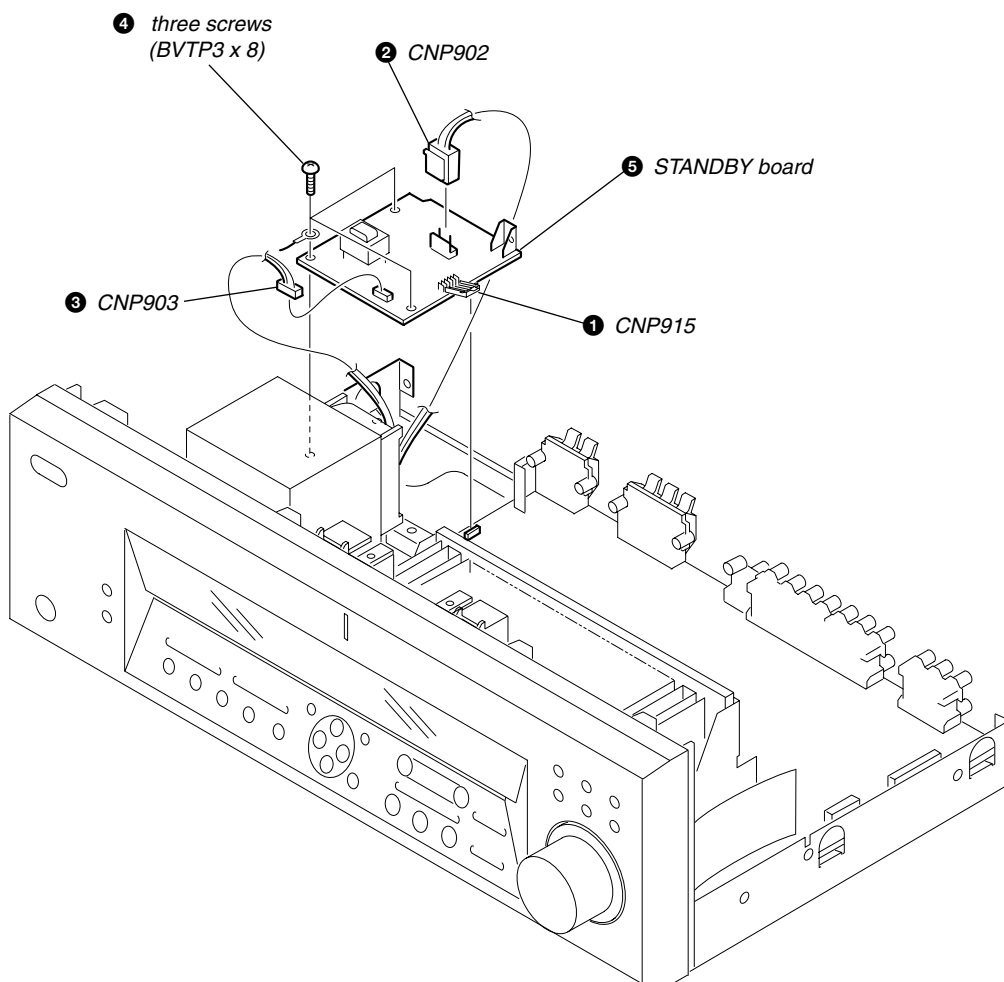




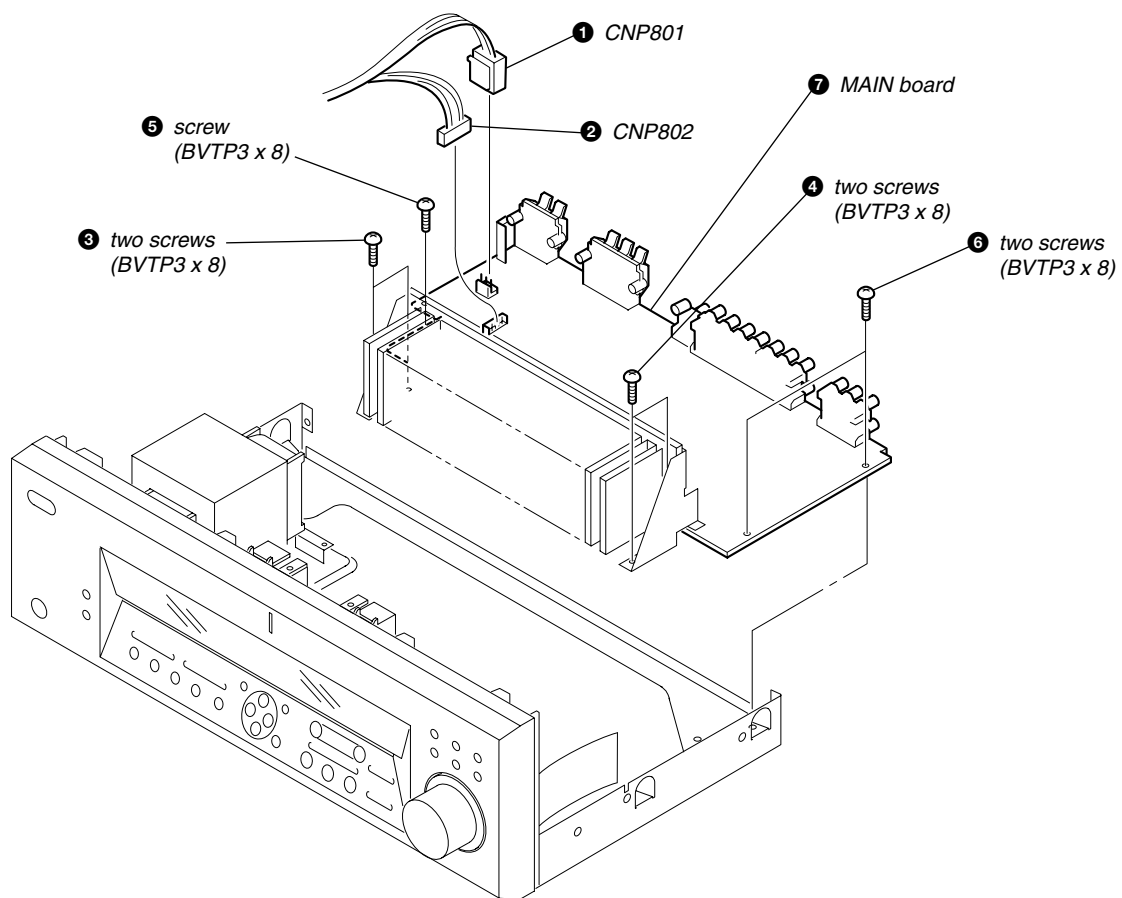
2-4. DIGITAL BOARD



2-5. STANDBY BOARD



## 2-6. MAIN BOARD



## SECTION 3 TEST MODE

### SOFTWARE VERSION DISPLAY MODE

\* The software version is displayed.

\* Procedure:

While depressing the **[ENTER]** and the SOUND FIELD **[A.F.D.]** buttons simultaneously, press the power **[I/⏻]** button to turn on the main power. The model name, destination and the software version are displayed.

### FLUORESCENT INDICATOR TUBE TEST MODE

\* All fluorescent segments are tested. When this test is activated, all segments turn on at the same time, then each segment turns on one after another.

\* Procedure:

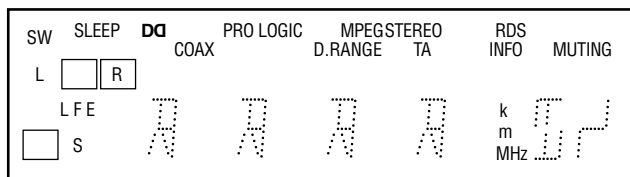
While depressing the **[MD/TAPE]** and the **[SHIFT]** buttons simultaneously, press the power **[I/⏻]** button to turn on the main power.

1. All segments turn on.



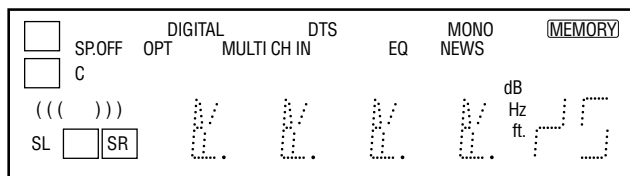
**[MULTI CHANNEL DECODING]**, **[Digital Cinema Sound]**, SOUND FIELD **[A.F.D.]**, **[MODE]**, **[2CH]** and **[SET UP]** LED turn on.

2. Press the **[VIDEO 1]** button, confirm display



SOUND FIELD **[A.F.D.]**, **[MODE]**, SOUND CONTROL **[LEVEL]**, **[SET UP]** and **[Digital Cinema Sound]** LED turn on.

3. Press the **[VIDEO 1]** button, confirm display



**[MULTI CHANNEL DECODING]**, SOUND FIELD **[2CH]**, SOUND CONTROL **[SURR]** and **[NAME]** LED turn on.

4. Press the **[VIDEO 1]** button, All segments turn off.

5. Every pressing of the **[VIDEO 1]** button turns on each segment and LED one after another in the same order.

(Not only the **[VIDEO 1]** button, but also the other buttons such as **[VIDEO 2]**, **[DVD/LD]**, **[MD/TAPE]**, **[CD]**, **[TUNER]** can be used.)

### FACTORY PRESET MODE

\* All preset contents are reset to the default setting.

\* Procedure:

While depressing the **[VIDEO 1]** and the SOUND FIELD **[2CH]** buttons simultaneously, press the power **[I/⏻]** button to turn on the main power. The message FACTORY appears and switch off the set.

While depressing the **[VIDEO 1]** and the SOUND FIELD **[2CH]** buttons simultaneously, press the power **[I/⏻]** button again. The message FACTORY appears and the preset contents are reset to the default values.

### SOUND FIELD CLEAR MODE

\* The preset sound field is cleared when this mode is activated.

Use this mode before returning the product to clients upon completion of repair.

\* Procedure:

While depressing the SOUND FIELD **[MODE]** button, press the power **[I/⏻]** button to turn on the main power. The message S. F. CLR appears and initialization is performed.

### AM CHANNEL STEP 9 kHz/10 kHz SELECTION MODE

\* Either the 9 kHz step or 10 kHz step can be selected for the AM channel step.

\* Procedure:

Set the **[TUNER]** to **[AM]**. Turn off the main power.

While depressing the **[TUNING+]** button or the **[PRESET TUNING-]** button, press the power **[I/⏻]** button to turn on the main power. Either the message 9 k STEP or 10 k STEP appears. Select the desired step.

\* For US/E model only

### KEY CHECK MODE

\* Button check

\* Procedure:

While depressing the **[VIDEO 1]** and the **[SHIFT]** buttons simultaneously, press the power **[I/⏻]** button to turn on the main power. "REST 39" appears.

Every pressing of any button other than the **[I/⏻]**, **[TREBLE+, -]** and the **[BASS+, -]** counts down the buttons. The buttons which are already counted once are not counted again. When all buttons are pressed "REST 04" appears.

When **[MASTER VOLUME]** is rotated in clockwise direction, "VOL MIN", "VOL 1" to "VOL 73", "VOL MAX" appear.

## SECTION 4 DIAGRAMS

### 4-1. IC PIN DESCRIPTION

#### • IC1201 CXD9617R (DSP) (DIGITAL Board (1/2))

| Pin No.  | Pin Name     | I/O | Description   |
|----------|--------------|-----|---|
| 1        | VSS          | —   | Ground  |
| 2        | XRST         | I   | Reset signal input  |
| 3        | EXTIN        | I   | Not used (connected to ground)  |
| 4        | FS2          | I   | Not used (connected to ground)  |
| 5        | VDDI         | I   | Power supply  |
| 6        | FS1          | I   | Not used (connected to ground)  |
| 7        | PLOCK        | O   | Internal PLL lock signal output (Not used)                                      |
| 8        | VSS          | —   | Ground  |
| 9        | MCLK1        | I   | Clock signal input (13.5 MHz)   |
| 10       | VDDI         | I   | Power supply  |
| 11       | VSS          | —   | Ground  |
| 12       | MCLK2        | O   | Clock signal output (13.5 MHz)  |
| 13       | MS           | I   | Switching of master/slave operation L : internal clock, H : EXTIN clock is used |
| 14       | SCKOUT       | O   | Internal system clock signal output   |
| 15       | LRCKI1       | I   | Not used (open)   |
| 16       | VDDE         | I   | Power supply  |
| 17       | BCKI1        | I   | Not used (open)   |
| 18       | SDI1         | I   | Audio IF data input   |
| 19       | LRCKO        | O   | Sampling clock output for digital audio serial data                             |
| 20       | BCKO         | O   | Bit clock output terminal for digital audio serial data                         |
| 21       | VSS          | —   | Ground  |
| 22       | KFSIO        | I/O | Audio clock signal (364fs/256fs) input/output                                   |
| 23 to 25 | SDO1 to SDO3 | O   | Digital audio serial data output  |
| 26       | SDO4         | O   | Audio IF serial output (Not used) (open)  |
| 27       | SPDIF        | O   | Not used (open)   |
| 28       | LRCKI2       | I   | Sampling clock input for audio serial data                                      |
| 29       | BCKI2        | I   | Bit clock input terminal for audio serial data                                  |
| 30       | SDI2         | I   | Digital audio data input  |
| 31       | VSS          | —   | Ground  |
| 32       | HACN         | O   | Acknowledge signal output for system control                                    |
| 33       | HDIN         | I   | Serial data input for system control  |
| 34       | HCLK         | I   | Clock input for system control  |
| 35       | HDOUT        | O   | Serial data output for system control   |
| 36       | HCS          | I   | Chip select input for system control  |
| 37       | SDCLK        | O   | Not used (open)   |
| 38       | CLKEN        | O   | Not used (open)   |
| 39       | RAS          | O   | Not used (open)   |
| 40       | VDDI         | I   | Power supply  |
| 41       | VSS          | —   | Ground  |
| 42       | CAS          | O   | Not used (open)   |
| 43       | DQM/OE0      | O   | Not used (open)   |
| 44       | CS0          | O   | External memory chip select (SRAM)  |
| 45       | WE0          | O   | SRAM write enable output  |
| 46       | VDDE         | I   | Power supply  |
| 47       | WMD1         | I   | Not used (connected to "H")   |
| 48       | VSS          | —   | Ground  |
| 49       | WIMD0        | I   | Not used (connected to ground)  |
| 50       | PAGE2        | O   | Not used (open)   |
| 51       | VSS          | —   | Ground  |
| 52       | PAGE1        | O   | External memory page switching signal output (Not used)                         |
| 53       | PAGE0        | O   | External memory page switching signal output (Not used)                         |

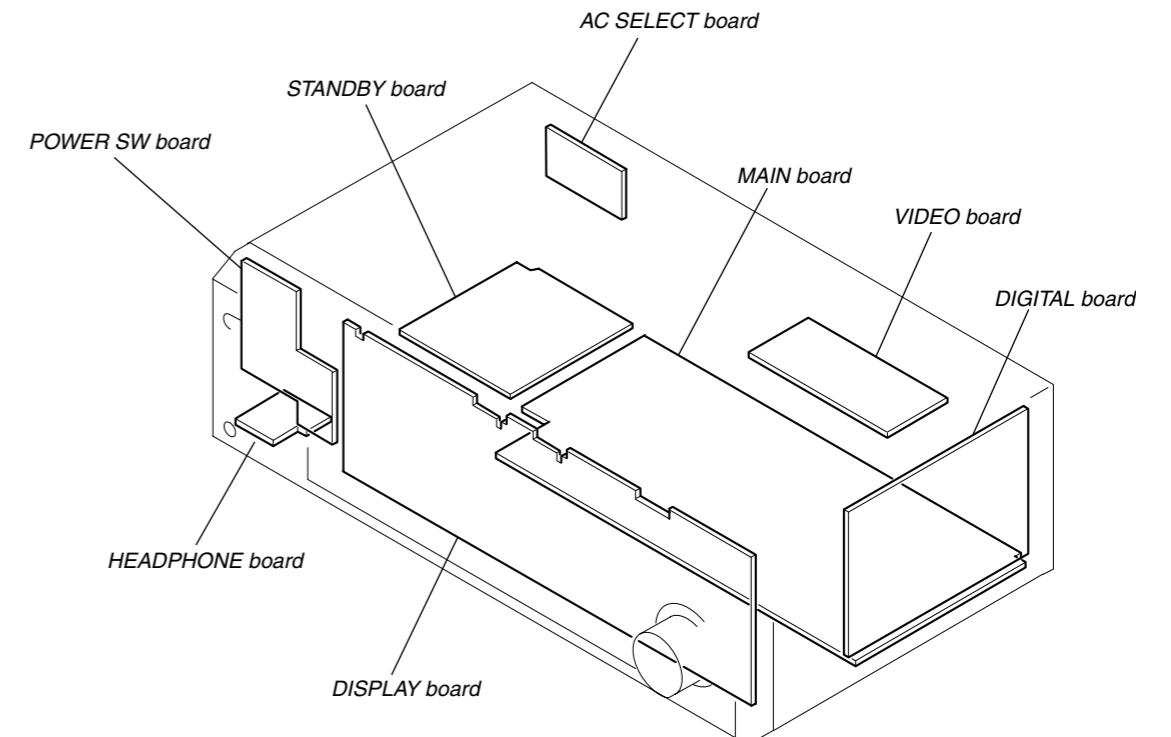
| Pin No.    | Pin Name           | I/O | Description  |
|------------|--------------------|-----|--|
| 54         | BOOT               | I   | Not used (connected to ground)   |
| 55         | BTACT              | O   | Not used (open)  |
| 56         | BST                | I   | Boot stop signal input   |
| 57         | MOD1               | I   | Operation mode signal input (L : 386fs, H : 256fs)                     |
| 58         | MOD0               | I   | Operation mode signal input (L : single chip mode, H : use prohibited) |
| 59         | EXLOCK             | I   | Lock signal input  |
| 60         | VDDI               | I   | Power supply   |
| 61         | VSS                | —   | Ground   |
| 62, 63     | A17, A16           | O   | Not used (open)  |
| 64 to 66   | A15 to A13         | O   | External memory address output (SRAM)                                  |
| 67         | GP10               | O   | LRCK0  |
| 68         | GP9 (DECODE)       | O   | DECODE   |
| 69         | GP8 (AUDIO)        | I   | AUDIO  |
| 70         | VDDI               | I   | Power supply   |
| 71         | VSS                | —   | Ground   |
| 72 to 75   | D15/GP7 to D12/GP4 | I/O | External memory data input/output (general port)                       |
| 76         | VDDE               | I   | Power supply   |
| 77 to 80   | D11/GP3 to D8/GP0  | I/O | External memory data input/output (general port)                       |
| 81         | VSS                | —   | Ground   |
| 82 to 85   | A9 to A12          | O   | External memory address output (SRAM)                                  |
| 86         | TDO                | O   | Not used (open)  |
| 87         | TMS                | I   | Not used (open)  |
| 88         | XTRST              | I   | Not used (open)  |
| 89         | TCK                | I   | Not used (open)  |
| 90         | TDI                | I   | Not used (open)  |
| 91         | VSS                | —   | Ground   |
| 92 to 97   | A8 to A3           | O   | External memory address output (SRAM)                                  |
| 98, 99     | D7, D6             | I/O | External memory data input/output (SRAM)                               |
| 100        | VDDI               | I   | Power supply   |
| 101        | VSS                | —   | Ground   |
| 102 to 105 | D5 to D2           | I/O | External memory data input/output (SRAM)                               |
| 106        | VDDE               | I   | Power supply   |
| 107, 108   | D1, D0             | I/O | External memory data input/output (SRAM)                               |
| 109, 110   | A2, A1             | O   | External memory address output (SRAM)                                  |
| 111        | VSS                | —   | Ground   |
| 112        | A0                 | O   | External memory address output (SRAM)                                  |
| 113        | PM                 | I   | PLL initialization input terminal                                      |
| 114, 115   | SDI3, SDI4         | I   | Not used (open)  |
| 116        | SYNC               | I   | Sync/async selection input (L : sync, H : async)                       |
| 117 to 119 | VSS                | —   | Ground   |
| 120        | VDDI               | I   | Power supply   |

## • IC1601 MB90478PF-G-120-BND (SYSTEM CONTROL) (DIGITAL Board (2/2))

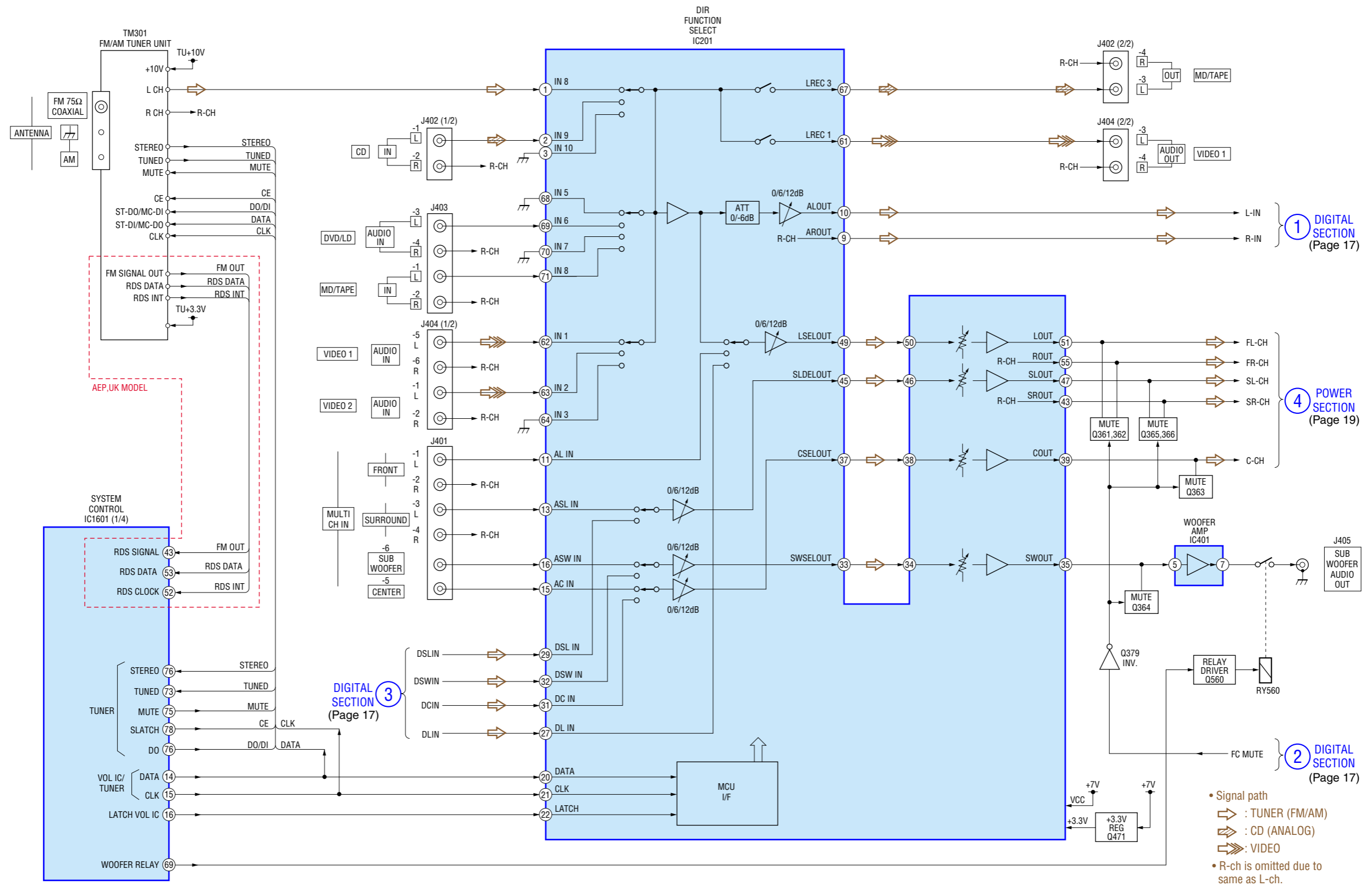
| Pin No.  | Pin Name         | I/O | Description                                  |
|----------|------------------|-----|--|
| 1        | DATAO            | I   | Serial data input for DIR                    |
| 2        | GP9              | I   | Decode signal input                          |
| 3        | BST              | O   | Boot stop signal output to DSP               |
| 4        | HCS              | O   | Chip select signal output to DSP             |
| 5        | HACN             | I   | Acknowledge signal input for DSP             |
| 6        | XRST             | O   | Reset signal output to DSP                   |
| 7        | PM               | O   | PLL initialization output to DSP             |
| 8        | PD               | O   | Power down signal output to CODEC            |
| 9        | SMUTE            | O   | Soft mute signal output to CODEC             |
| 10       | CDT1             | O   | Control data output to CODEC                 |
| 11       | VSS              | —   | Ground                                       |
| 12       | SCL              | O   | Serial data clock to CODEC                   |
| 13       | CS               | O   | Chip select signal output to CODEC           |
| 14       | DATA             | O   | Serial data output to VOL/TUNER              |
| 15       | CLK              | O   | Clock signal output to VOL/TUNER             |
| 16       | LATCH            | O   | Latch signal output to VOL/TUNER             |
| 17       | SPKB             | O   | Speaker out control signal output (Not used) |
| 18       | HDOUT            | I   | Serial data for DSP                          |
| 19       | HDIN             | O   | Serial data to DSP                           |
| 20       | HCLK             | O   | Clock signal output to DSP                   |
| 21       | F.MUTE           | O   | Function input mute signal output            |
| 22       | AC MUTE          | O   | Power amp mute signal output                 |
| 23       | VCC5             | I   | Power supply                                 |
| 24       | ANA/DIG          | I   | Muting and error port signal input           |
| 25       | HP DETECT        | I   | Headphone detect signal input                |
| 26       | DCS LED          | O   | LED (DCS) driver signal output               |
| 27       | FLASH2           | O   | Flash programming signal output              |
| 28       | SP SWITCH/FLASH1 | I/O | Speaker ON/OFF signal output                 |
| 29       | BLUE LED         | O   | LED (MULTI CHANNEL) driver signal output     |
| 30       | MODE             | O   | LED (MODE) driver signal output              |
| 31       | 2CH              | O   | LED (2CH) driver signal output               |
| 32       | AFD              | O   | LED (AFD) driver signal output               |
| 33       | SCL              | O   | Clock signal output to EEPROM                |
| 34       | SDA              | I/O | Serial data to EEPROM                        |
| 35       | AVCC             | I   | Power supply                                 |
| 36       | AVRH             | I   | Not used (connected to "H")                  |
| 37       | AVSS             | —   | Ground                                       |
| 38 to 41 | A/D0 to A/D3     | I   | Key signal input (A/D port)                  |
| 42       | VSS              | —   | Ground                                       |
| 43       | RDS SIGNAL       | I   | RDS signal input                             |
| 44       | MODEL            | I   | Model detection port                         |
| 45       | VERSION          | I   | Version resistor port                        |
| 46       | NC               | O   | Not used (connected to ground)               |
| 47       | NC               | O   | Not used (connected to ground)               |
| 48       | STOP             | I   | Input signal when AC off                     |
| 49       | MD0              | —   | Selection of micom operation mode            |
| 50       | MD1              | —   | Not used (connected to ground)               |
| 51       | MD2              | —   | Selection of micom operation mode            |
| 52       | RDS CLOCK        | I   | RDS clock signal output (Not used)           |
| 53       | RDS DATA         | I   | RDS data output (Not used)                   |
| 54       | SIRCS            | I   | Input data from remote control receiver      |
| 55       | FUSE DETECT      | I   | Power down detect input                      |

| Pin No.  | Pin Name           | I/O | Description                                   |
|----------|--------------------|-----|---|
| 56       | POWER KEY          | I   | Detect power switch key                       |
| 57       | JOG (B)            | I   | Jog encoder signal input (Not used)           |
| 58       | JOG (A)            | I   | Jog encoder signal input (Not used)           |
| 59       | VOL (B)            | I   | Volume encoder signal input                   |
| 60       | VOL (A)            | I   | Volume encoder signal input                   |
| 61       | DIN                | O   | Serial data output to FL driver               |
| 62       | CLK                | O   | Clock signal output to FL driver              |
| 63       | FL_STB             | O   | Strobe signal output to FL driver             |
| 64       | CONTROL A1 OUT     | O   | Control A1 signal output                      |
| 65       | CONTROL A1 IN      | I   | Control A1 signal input                       |
| 66       | POWER RELAY        | O   | Control power relay driver output             |
| 67       | PROTECTOR          | I   | Detect protector status input                 |
| 68       | HEADPHONE RELAY    | O   | Control headphone relay driver output         |
| 69       | WOOFER RELAY       | O   | Control woofer speaker relay driver output    |
| 70       | REAR RELAY         | O   | Control rear speaker relay driver output      |
| 71       | CENTER RELAY       | O   | Control center speaker relay driver output    |
| 72       | PREOUT/FRONT RELAY | O   | Control front speaker relay driver output     |
| 73       | TUNED              | O   | Tuned signal output to tuner                  |
| 74       | STEREO             | O   | Stereo signal output to tuner                 |
| 75       | MUTE               | O   | Mute signal output to tuner                   |
| 76       | DO                 | I   | Serial data input for tuner                   |
| 77       | RSTX               | I   | Reset signal input                            |
| 78       | SLATCH             | O   | Latch signal to tuner                         |
| 79       | X1A                | —   | Not used (open)                               |
| 80       | X0A                | —   | Not used (connected to ground)                |
| 81       | VSS                | —   | Ground  |
| 82       | X0                 | I   | Clock signal input (20 MHz)                   |
| 83       | X1                 | O   | Clock signal output (20 MHz)                  |
| 84       | VCC3               | I   | Power supply                                  |
| 85       | NC                 | I   | Not used                                      |
| 86       | NC                 | O   | Not used                                      |
| 87 to 90 | SW4 to SW1         | O   | Video input select signal output              |
| 91       | SELECT1            | O   | Optical input select signal output (Not used) |
| 92       | SELECT2            | O   | Optical input select signal output (Not used) |
| 93       | XMODE              | O   | Mode signal output to DIR                     |
| 94       | CKSEL1             | O   | Clock select signal output to DIR             |
| 95       | CLK                | O   | Clock signal output to DIR                    |
| 96       | CE                 | O   | Chip select signal output to DIR              |
| 97       | DI                 | O   | Serial data output to DIR                     |
| 98       | DO                 | I   | Serial data input for DIR                     |
| 99       | ERROR              | I   | Error signal input for DIR                    |
| 100      | XSTATE             | I   | XSTATE signal input for DIR                   |

## 4-2. CIRCUIT BOARDS LOCATION

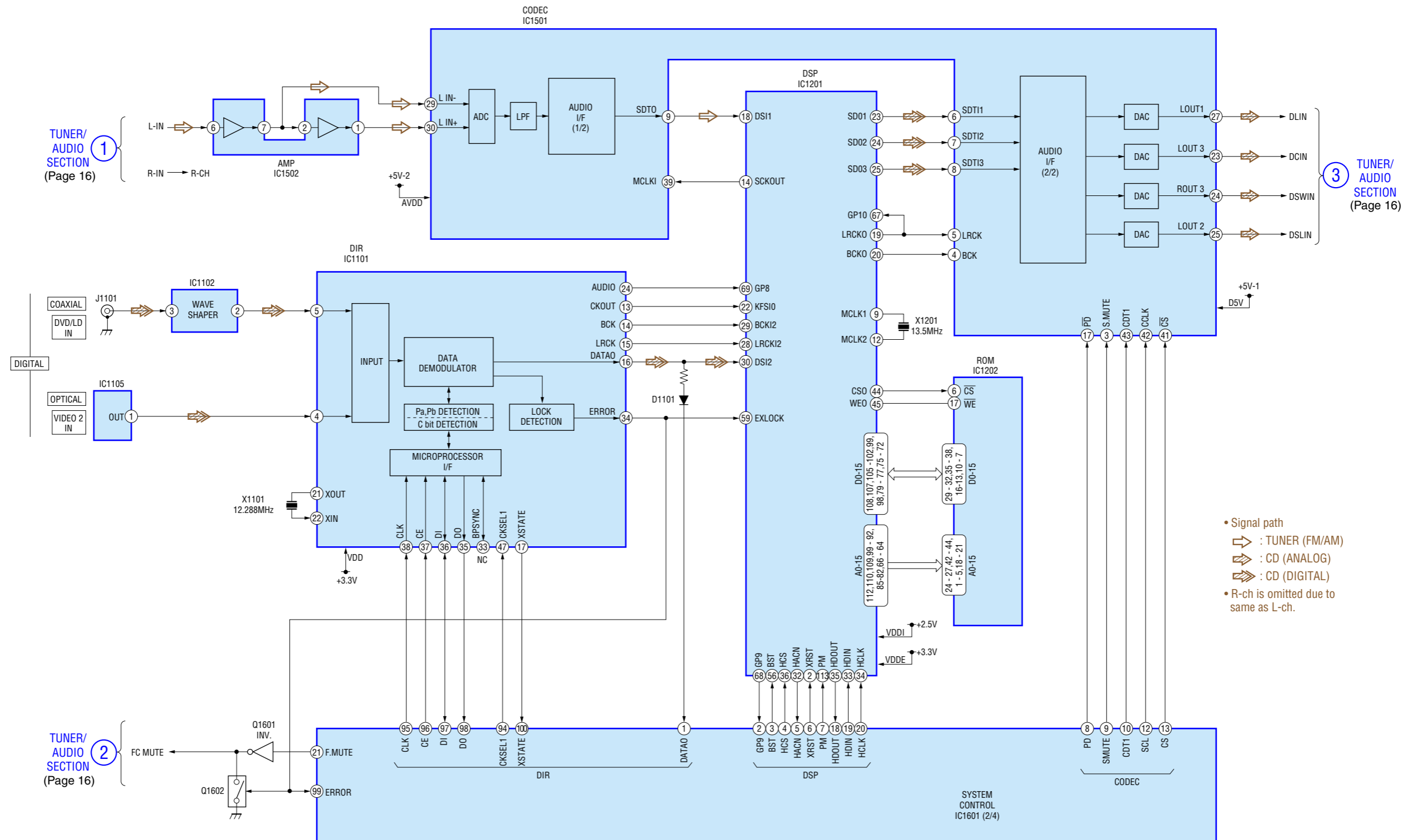


4-3. BLOCK DIAGRAM — TUNER/AUDIO SECTION —

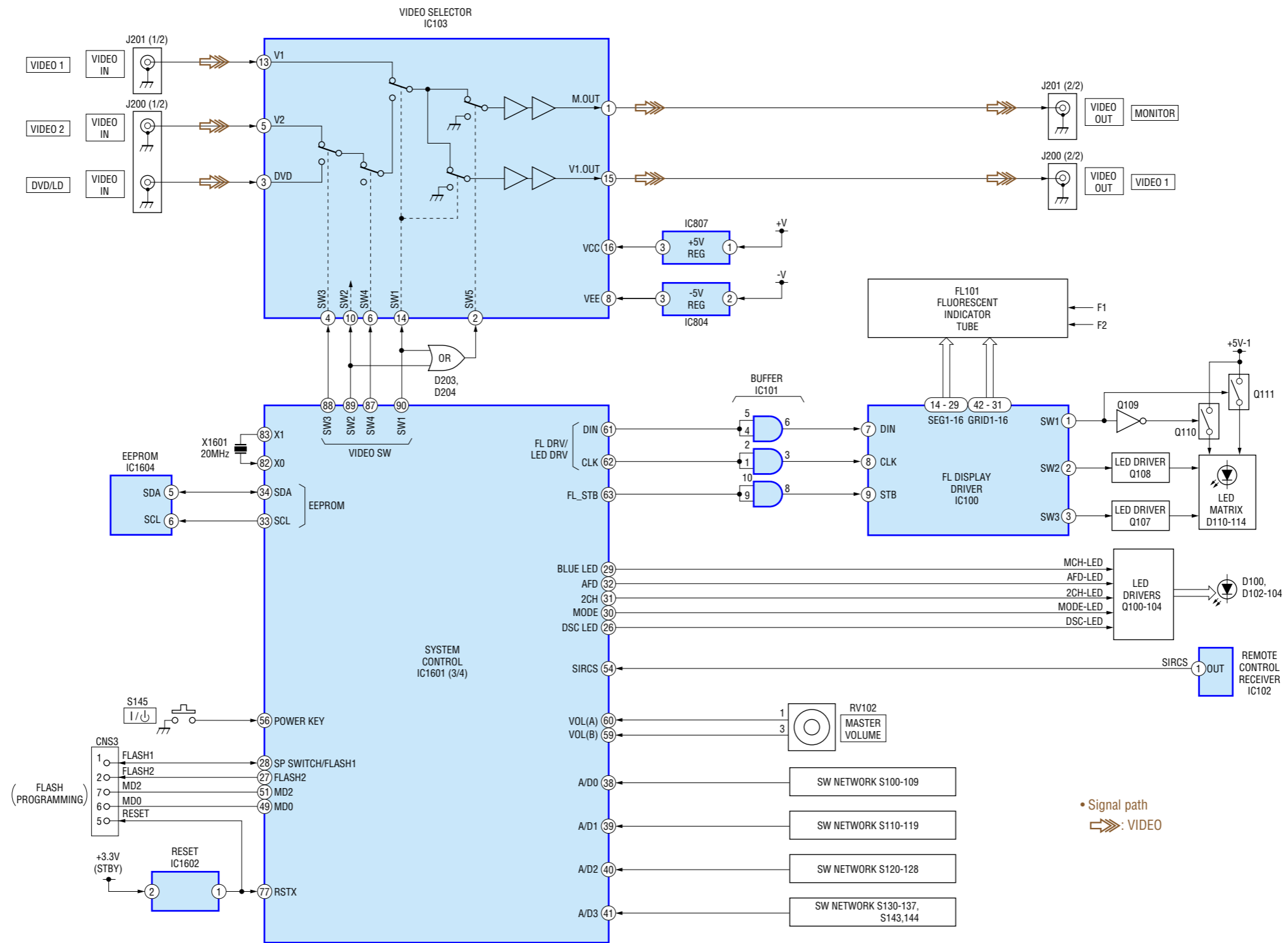




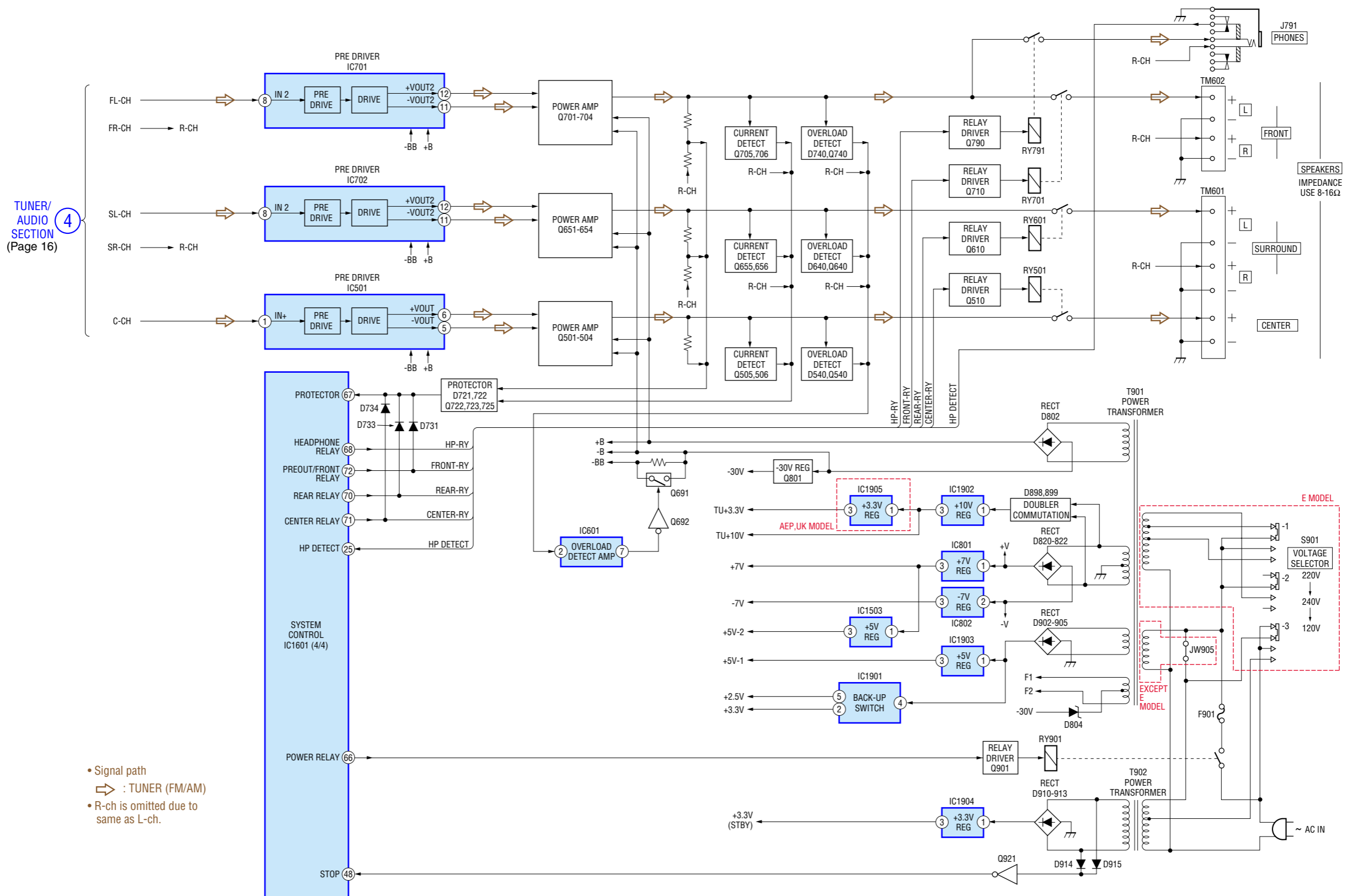
4-4. BLOCK DIAGRAM — DIGITAL SECTION —



4-5. BLOCK DIAGRAM — VIDEO/DISPLAY SECTION —


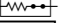



4-6. BLOCK DIAGRAM — POWER SECTION —

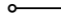



**THIS NOTE IS COMMON FOR PRINTED WIRING BOARDS AND SCHEMATIC DIAGRAMS.**  
(In addition to this, the necessary note is printed in each block.)

**for schematic diagram:**

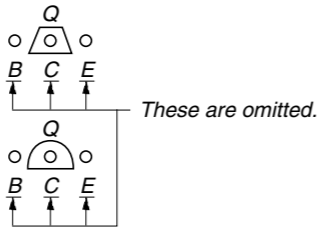
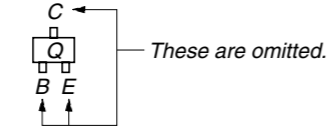
- All capacitors are in  $\mu\text{F}$  unless otherwise noted. pF:  $\mu\mu\text{F}$  50 WV or less are not indicated except for electrolytics and tantalums.
- All resistors are in  $\Omega$  and  $1/4\text{ W}$  or less unless otherwise specified.
- $\Delta$  : internal component.
-  : nonflammable resistor.
-  : fusible resistor.
-  : panel designation.

**for printed wiring boards:**

-  : parts extracted from the component side.
- $\Delta$  : internal component.
-  : Pattern from the side which enables seeing.

**Caution:**







Pattern face side: Parts on the pattern face side seen from the (Side B) pattern face are indicated.  
Parts face side: Parts on the parts face side seen from the (Side A) parts face are indicated.



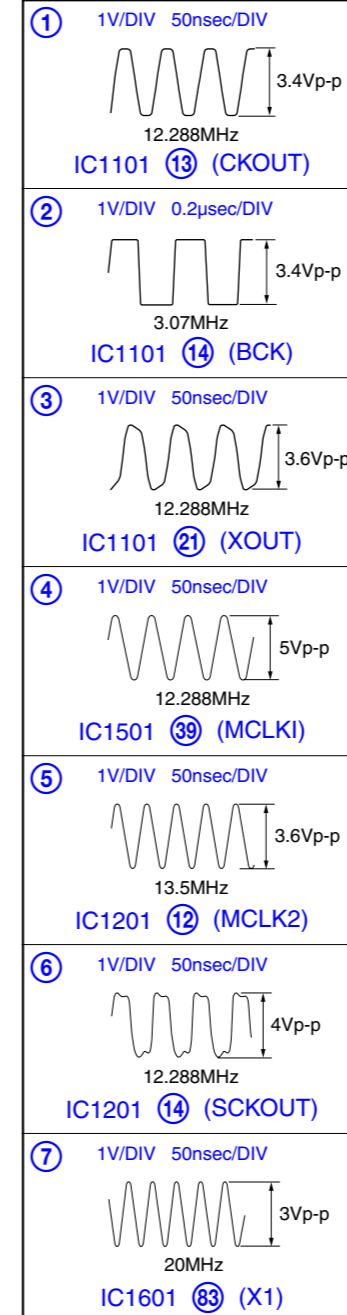
**Note:**  
The components identified by mark  $\Delta$  or dotted line with mark  $\Delta$  are critical for safety. Replace only with part number specified.

**Note:**  
Les composants identifiés par une marque  $\Delta$  sont critiques pour la sécurité. Ne les remplacer que par une pièce portant le numéro spécifié.

以阴影和  $\Delta$  标志来识别的零部件，在安全方面具有关键性，因此只能以规定号码的零部件来更换。

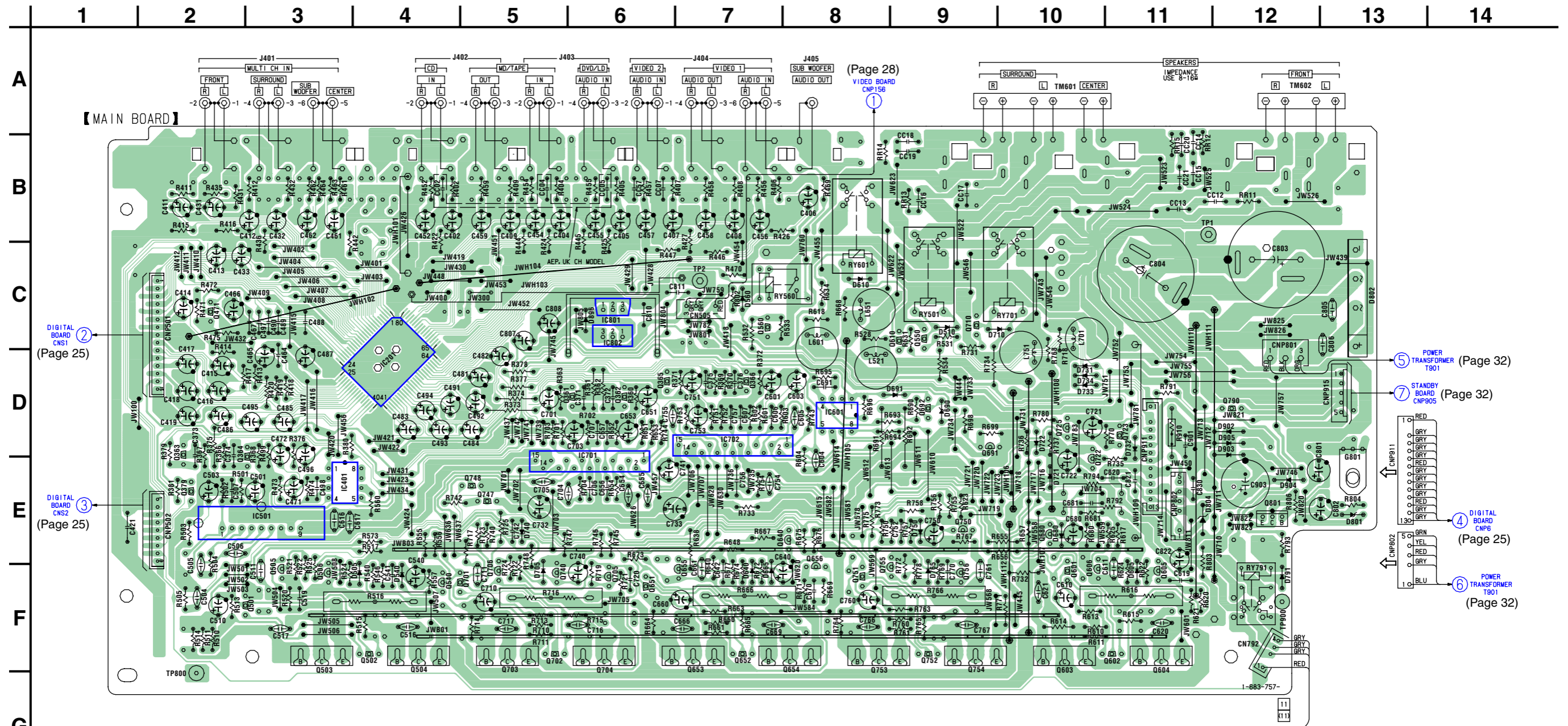
-  : B+ Line.
-  : B- Line.
- Voltage and waveforms are dc with respect to ground under no-signal (detuned) conditions.  
no mark : FM
- Voltages are taken with a VOM (Input impedance 10 M $\Omega$ ).  
Voltage variations may be noted due to normal production tolerances.
- Waveforms are taken with a oscilloscope.  
Voltage variations may be noted due to normal production tolerances.
- Circled numbers refer to waveforms.
- Signal path.  
 : TUNER (FM/AM)  
 : VIDEO  
 : CD (ANALOG)  
 : CD (DIGITAL)
- Abbreviation  
CND : Canadian model.  
AR : Argentine model.  
AUS : Australian model.  
CH : Chinese model.  
MX : Mexican model.  
SP : Singapore model.  
TW : Taiwan model.

**• Waveform (DIGITAL Board)**



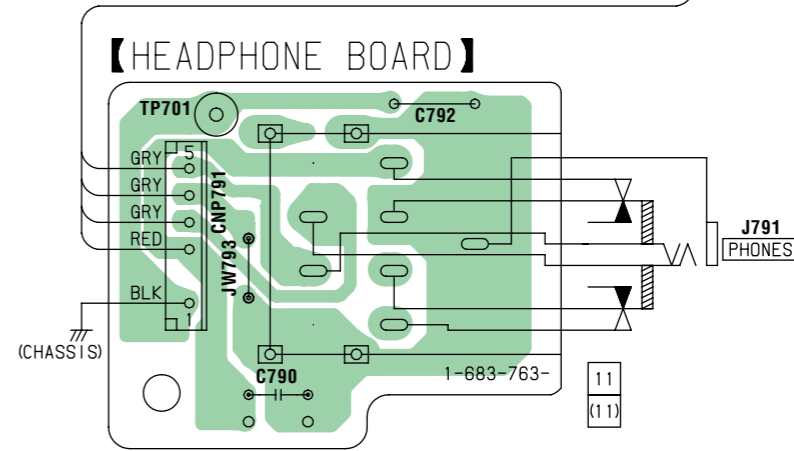


4-7. PRINTED WIRING BOARDS — MAIN SECTION — • Refer to page 15 for Circuit Boards Location and page 20 for Common Note on Printed Wiring Boards.

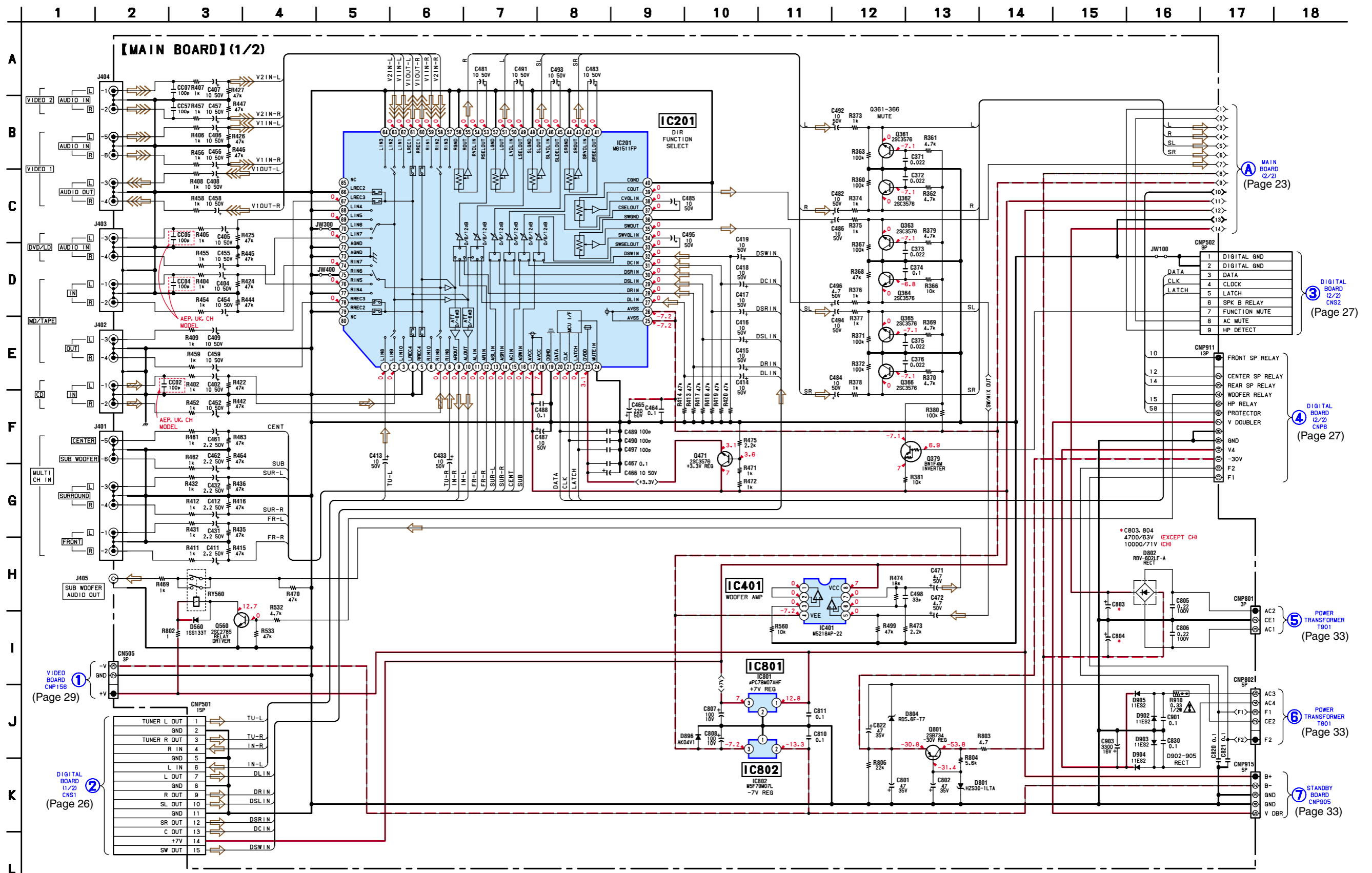


• Semiconductor Location

| Ref. No. | Location | Ref. No. | Location | Ref. No. | Location | Ref. No. | Location | Ref. No. | Location |
|----------|----------|----------|----------|----------|----------|----------|----------|----------|----------|
| D505     | F-4      | D750     | E-9      | Q361     | D-5      | Q604     | F-11     | Q710     | C-9      |
| D510     | C-9      | D765     | F-9      | Q362     | D-6      | Q605     | F-11     | Q722     | E-10     |
| D540     | F-4      | D791     | F-12     | Q363     | D-2      | Q606     | F-10     | Q723     | D-11     |
| D560     | C-7      | D801     | E-13     | Q364     | D-2      | Q610     | C-9      | Q725     | D-10     |
| D605     | F-11     | D802     | C-13     | Q365     | D-6      | Q640     | E-8      | Q740     | F-5      |
| D610     | C-8      | D804     | E-11     | Q366     | D-7      | Q651     | F-6      | Q747     | E-5      |
| D640     | F-7      | D896     | C-6      | Q379     | E-2      | Q652     | F-7      | Q748     | E-5      |
| D665     | F-7      | D902     | D-12     | Q471     | C-2      | Q653     | F-7      | Q750     | E-9      |
| D680     | E-10     | D903     | D-12     | Q501     | F-3      | Q654     | F-8      | Q751     | F-8      |
| D690     | D-9      | D904     | E-12     | Q502     | F-4      | Q655     | F-7      | Q752     | F-9      |
| D691     | D-9      | D905     | D-12     | Q503     | F-3      | Q656     | E-8      | Q753     | F-8      |
| D705     | F-5      |          |          | Q504     | F-4      | Q680     | E-10     | Q754     | F-9      |
| D710     | C-9      |          |          | Q505     | F-3      | Q691     | D-9      | Q755     | F-8      |
| D721     | E-10     | IC201    | D-4      | Q506     | F-3      | Q692     | D-9      | Q756     | F-9      |
| D722     | D-10     | IC401    | E-3      | Q507     | F-3      | Q693     | D-9      | Q757     | F-9      |
| D731     | D-10     | IC501    | E-3      | Q540     | F-4      | Q701     | F-4      | Q790     | D-12     |
| D732     | D-11     | IC601    | D-8      | Q550     | C-9      | Q702     | F-5      | Q801     | E-12     |
| D733     | D-10     | IC701    | E-6      | Q560     | C-7      | Q703     | F-5      |          |          |
| D734     | D-10     | IC702    | D-7      | Q601     | F-10     | Q704     | F-6      |          |          |
| D740     | E-5      | IC801    | C-6      | Q602     | F-11     | Q705     | F-6      |          |          |
|          |          | IC802    | C-6      | Q603     | F-10     | Q706     | F-5      |          |          |



4-8. SCHEMATIC DIAGRAM — MAIN SECTION (1/2) — • Refer to page 20 for Common Note on Schematic Diagram.



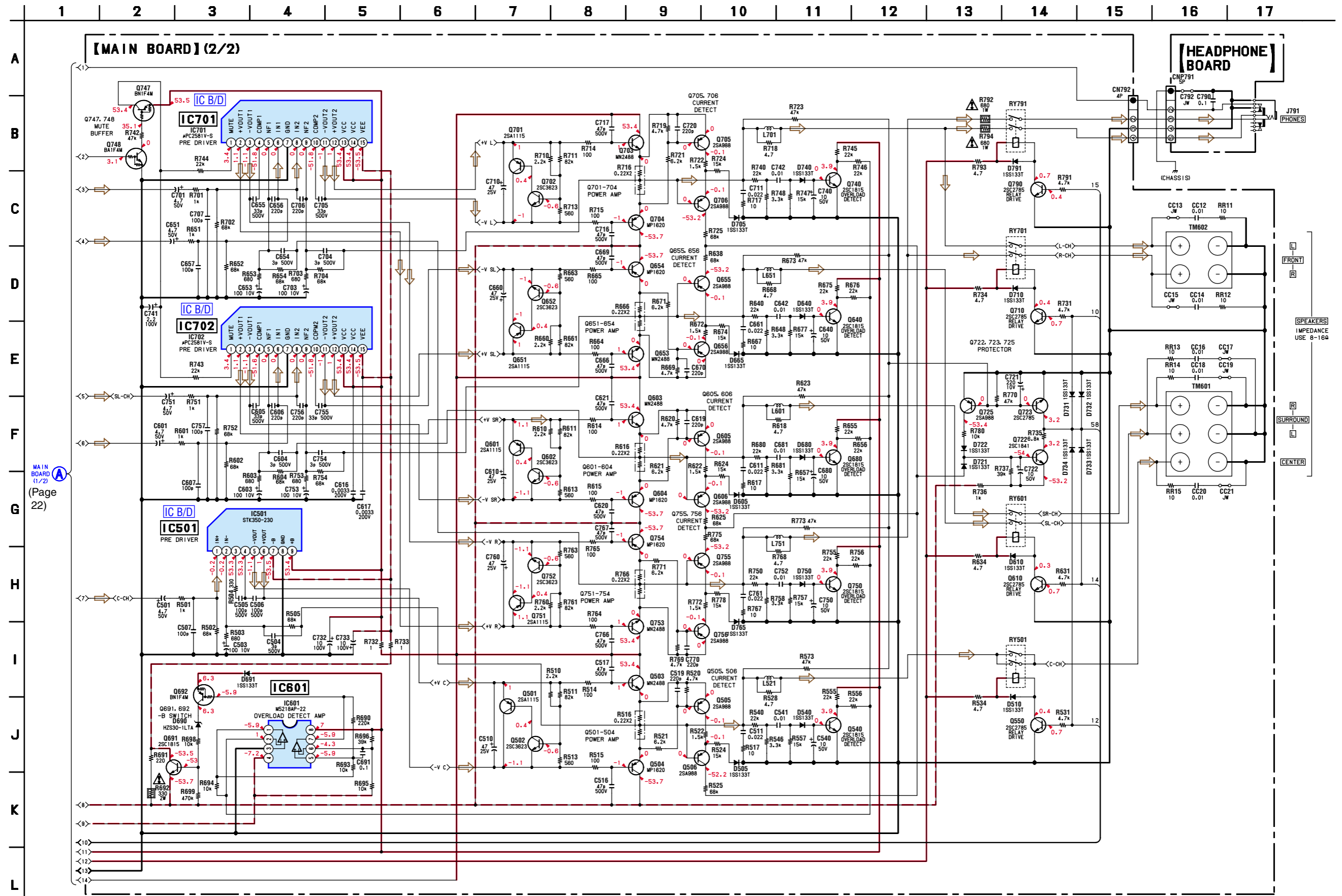
The components identified by mark  $\Delta$  or dotted line with mark  $\Delta$  are critical for safety. Replace only with part number specified.

Les composants identifiés par une marque  $\Delta$  sont critiques pour la sécurité. Ne les remplacer que par une pièce portant le numéro spécifié.

以阴影和  $\Delta$  标志来识别的零部件，在安全方面具有关键性。因此只能以规定号码的零部件来更换。



4-9. SCHEMATIC DIAGRAM — MAIN SECTION (2/2) — • Refer to page 20 for Common Note on Schematic Diagram and page 34 for IC Block Diagrams.



MAIN BOARD (1/2)  
(Page 22)

The components identified by mark  $\triangle$  or dotted line with mark  $\triangle$  are critical for safety. Replace only with part number specified.

Les composants identifiés par une marque  $\triangle$  sont critiques pour la sécurité. Ne les remplacer que par une pièce portant le numéro spécifié.

以阴影和  $\triangle$  标志来识别的零部件，在安全方面具有关键性。因此只能以规定号码的零部件来更换。

4-10. PRINTED WIRING BOARD — DIGITAL SECTION (1/2) — • Refer to page 15 for Circuit Boards Location and page 20 for Common Note on Printed Wiring Boards.

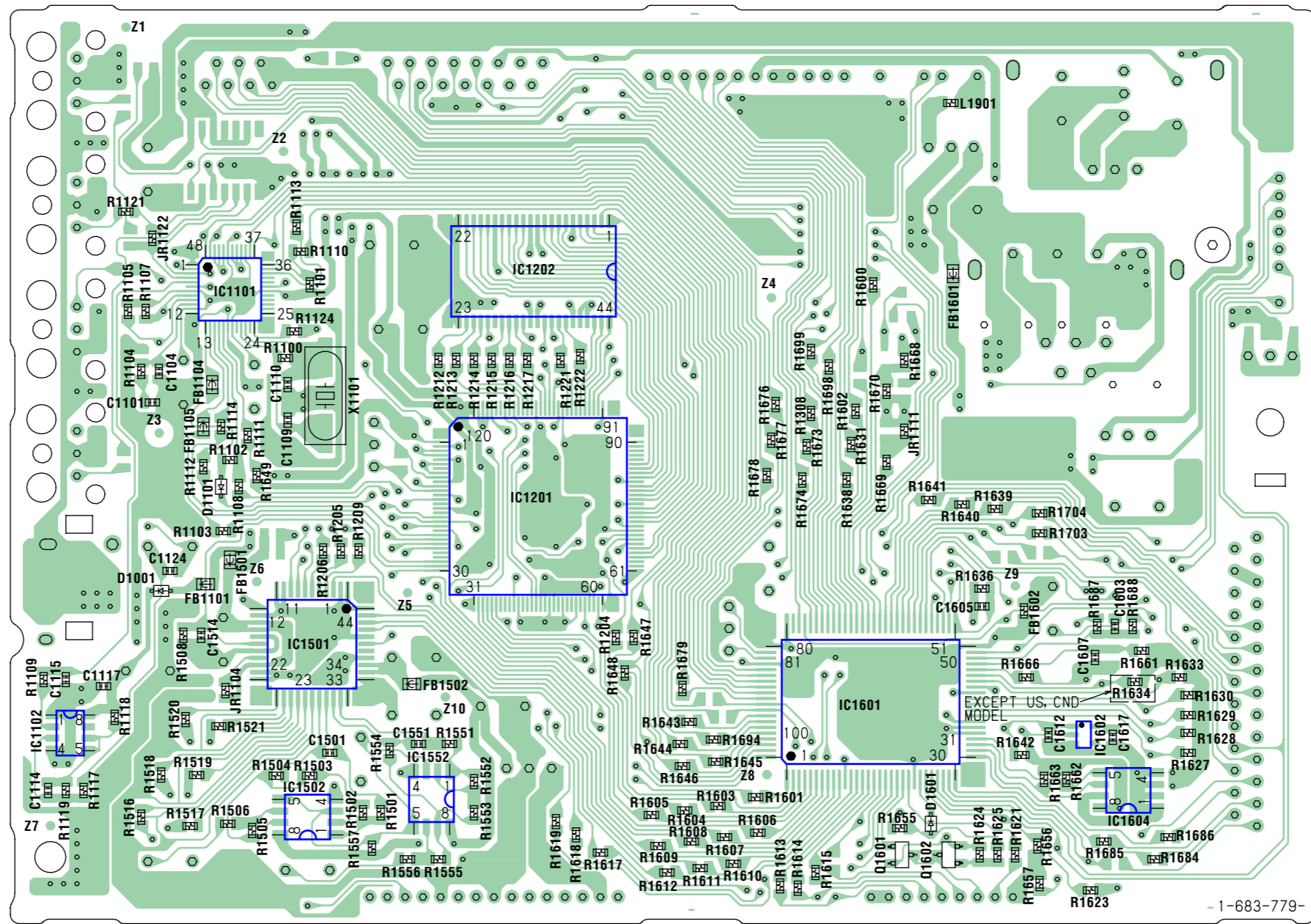
13 | 12 | 11 | 10 | 9 | 8 | 7 | 6 | 5 | 4 | 3 | 2 | 1

A  
B  
C  
D  
E  
F  
G  
H  
I  
J

• Semiconductor Location

| Ref. No. | Location |
|----------|----------|
| D1001    | G-10     |
| D1101    | F-10     |
| D1601    | H-5      |
| IC1101   | E-10     |
| IC1102   | H-11     |
| IC1201   | F-7      |
| IC1202   | D-7      |
| IC1501   | G-9      |
| IC1502   | H-9      |
| IC1552   | H-8      |
| IC1601   | H-5      |
| IC1602   | H-3      |
| IC1604   | H-3      |
| Q1601    | I-5      |
| Q1602    | I-5      |

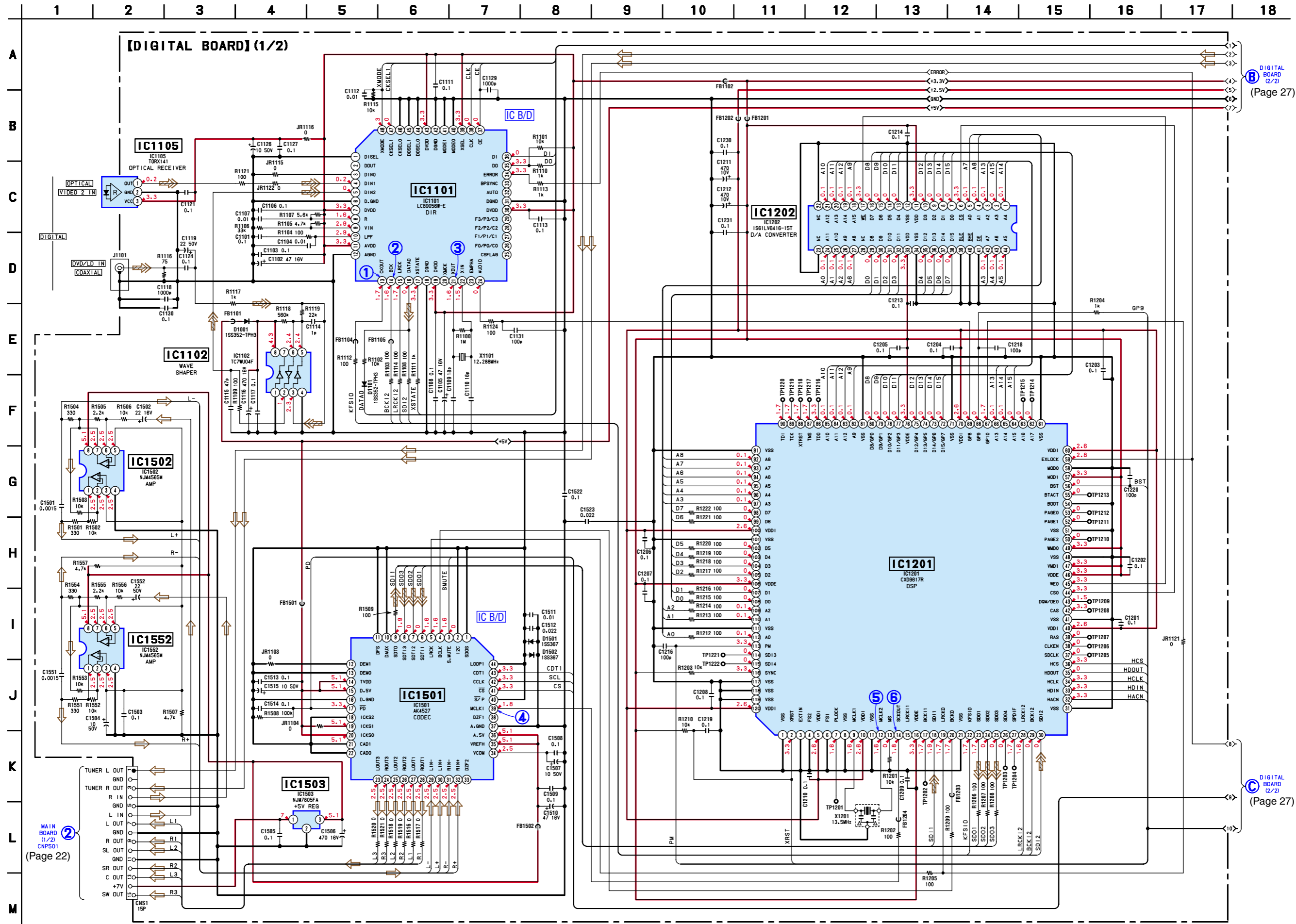
【DIGITAL BOARD】(SIDE A)







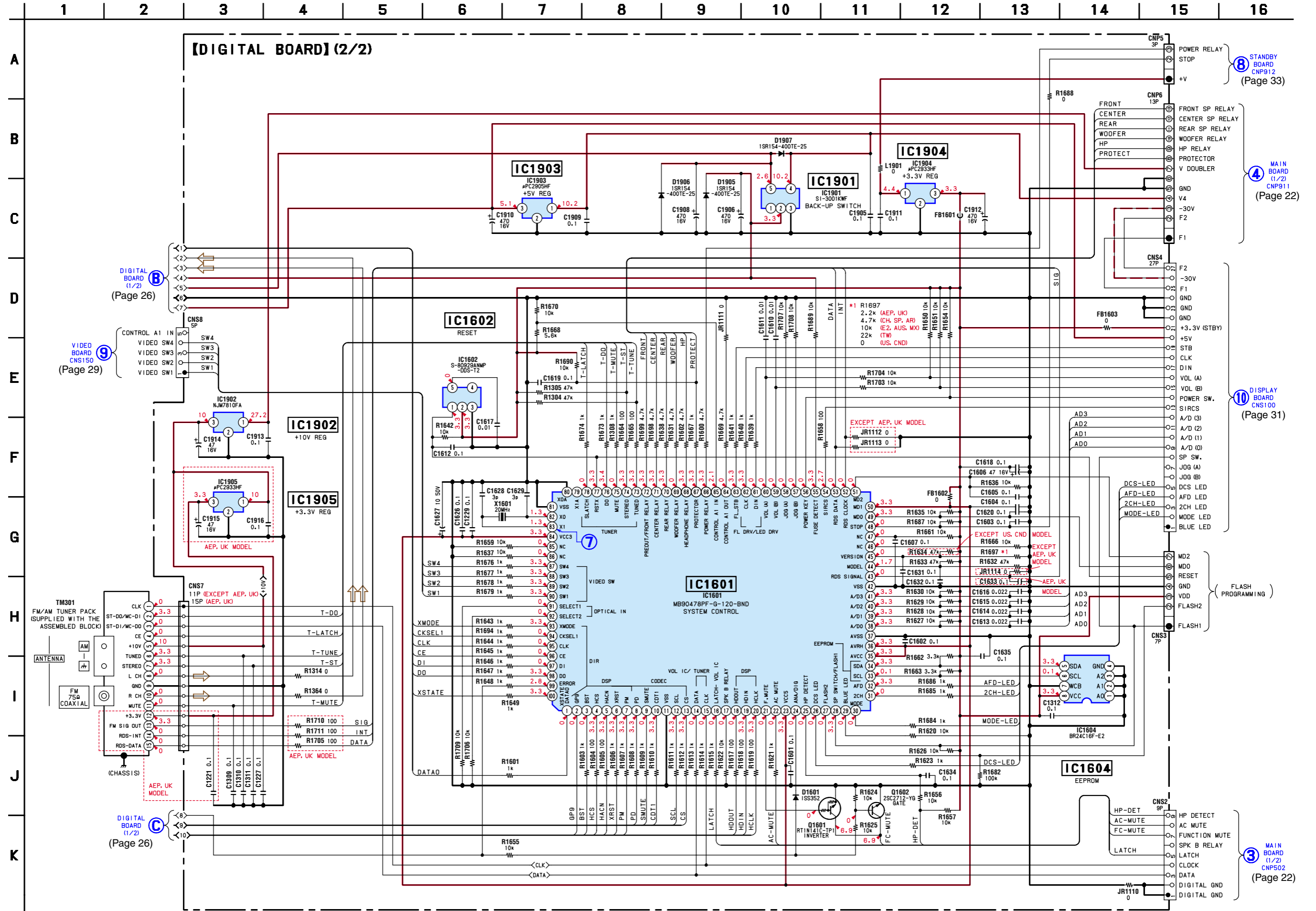
4-12. SCHEMATIC DIAGRAM — DIGITAL SECTION (1/2) — • Refer to page 20 for Common Note on Schematic Diagram and Waveform and page 34 for IC Block Diagrams.



DIGITAL BOARD (2/2) (Page 27)

DIGITAL BOARD (2/2) (Page 27)

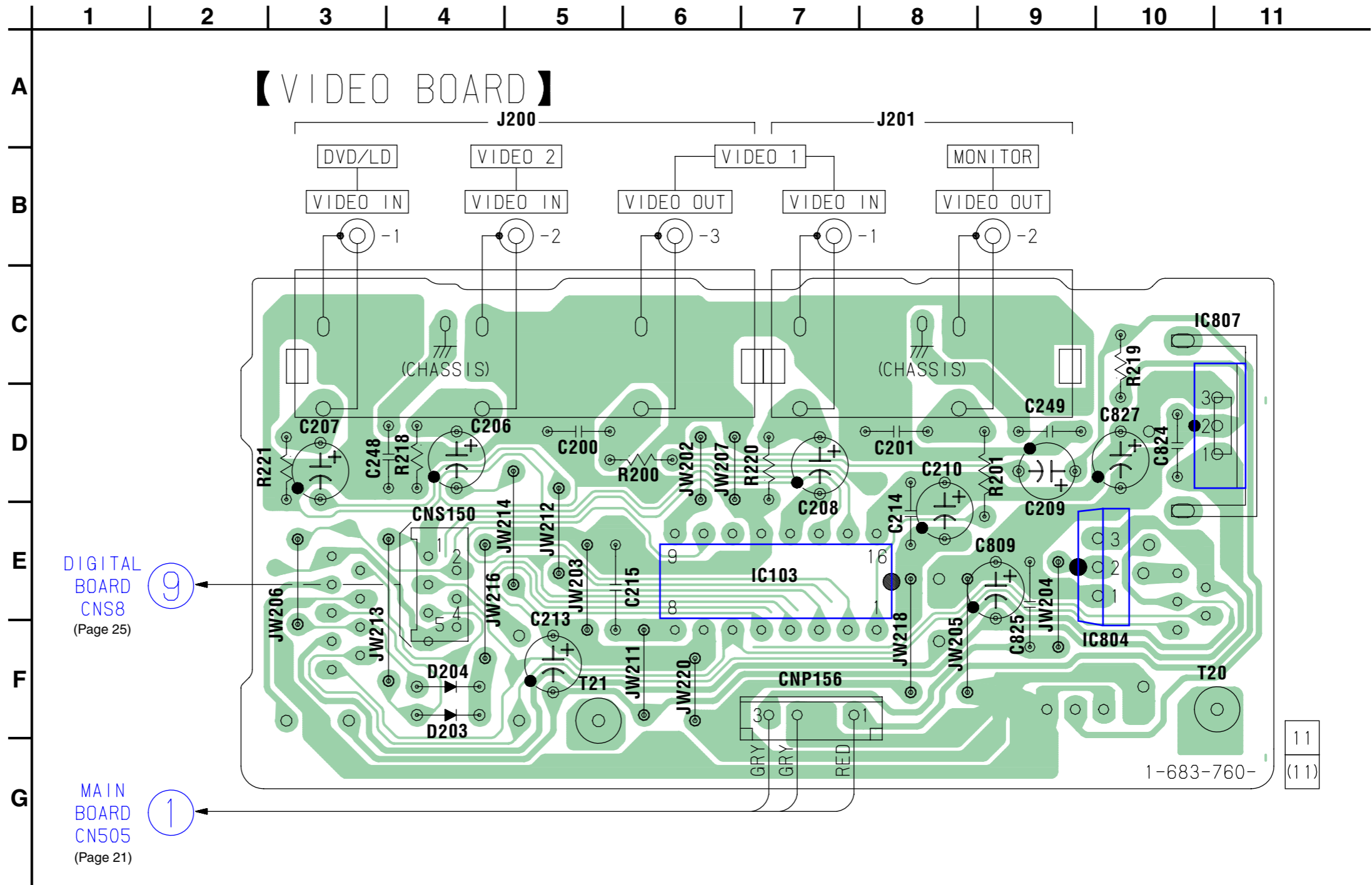
4-13. SCHEMATIC DIAGRAM — DIGITAL SECTION (2/2) — • Refer to page 20 for Common Note on Schematic Diagram and Waveform.



4-14. PRINTED WIRING BOARD — VIDEO SECTION — • Refer to page 15 for Circuit Boards Location and page 20 for Common Note on Printed Wiring Boards.

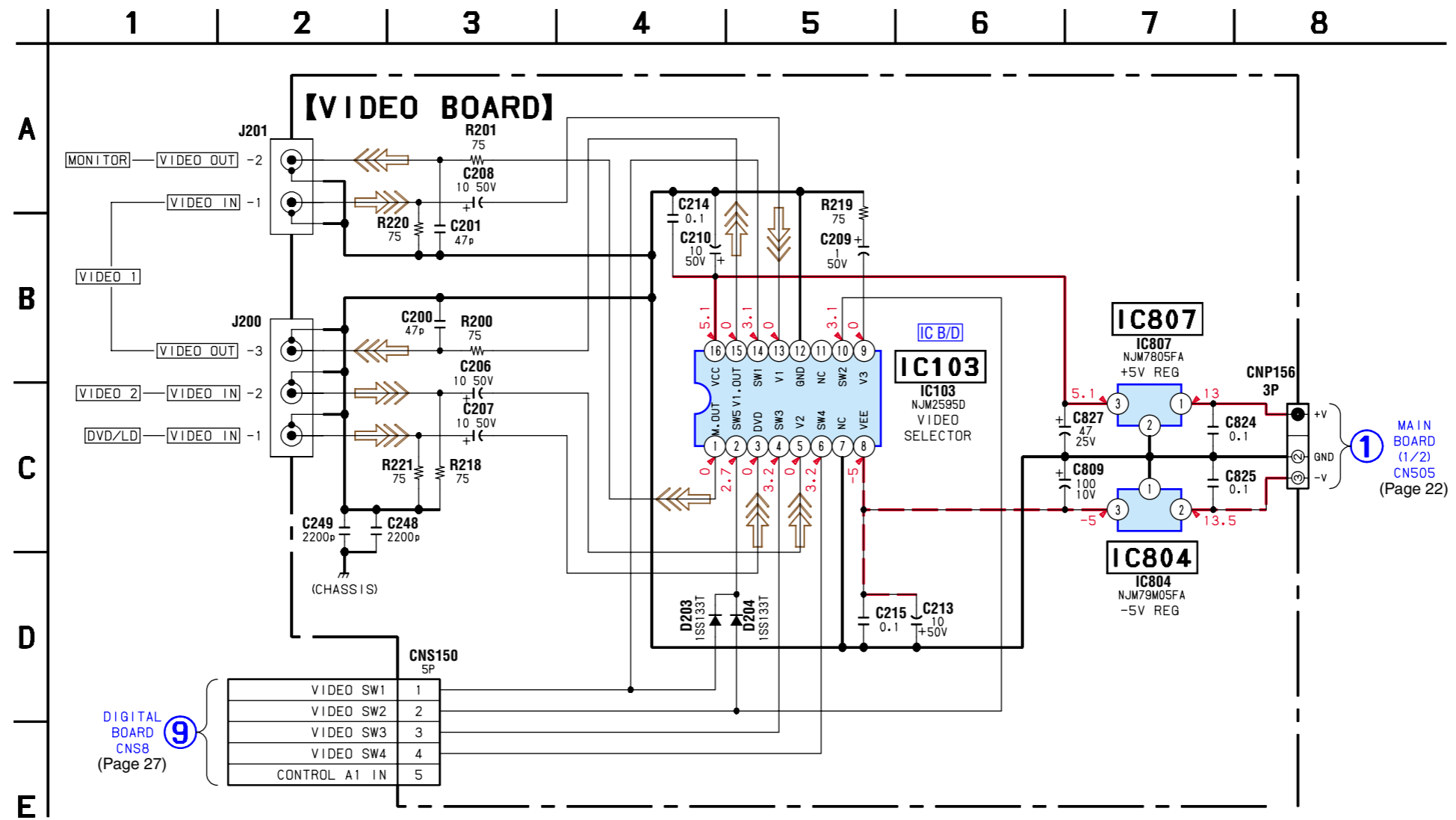
• Semiconductor Location

| Ref. No. | Location |
|----------|----------|
| D203     | F-4      |
| D204     | F-4      |
| IC103    | E-7      |
| IC804    | E-10     |
| IC807    | C-11     |

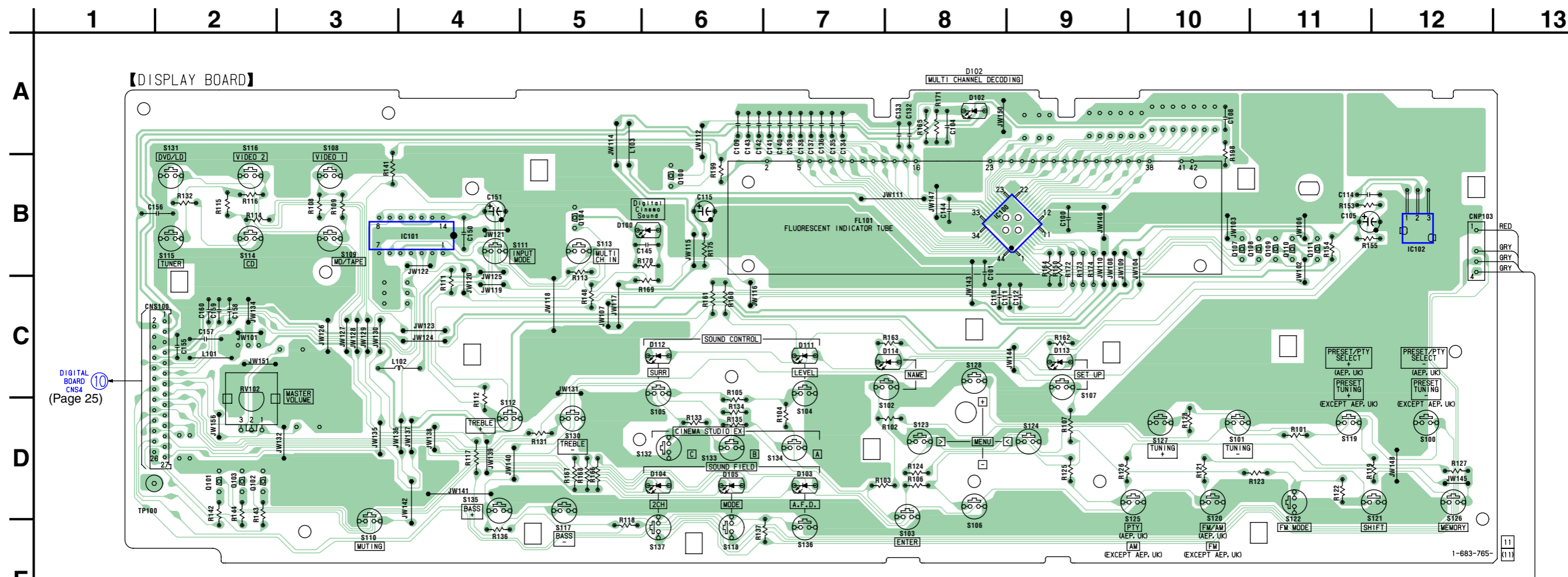




4-15. SCHEMATIC DIAGRAM — VIDEO SECTION — • Refer to page 20 for Common Note on Schematic Diagram and page 34 for IC Block Diagrams.



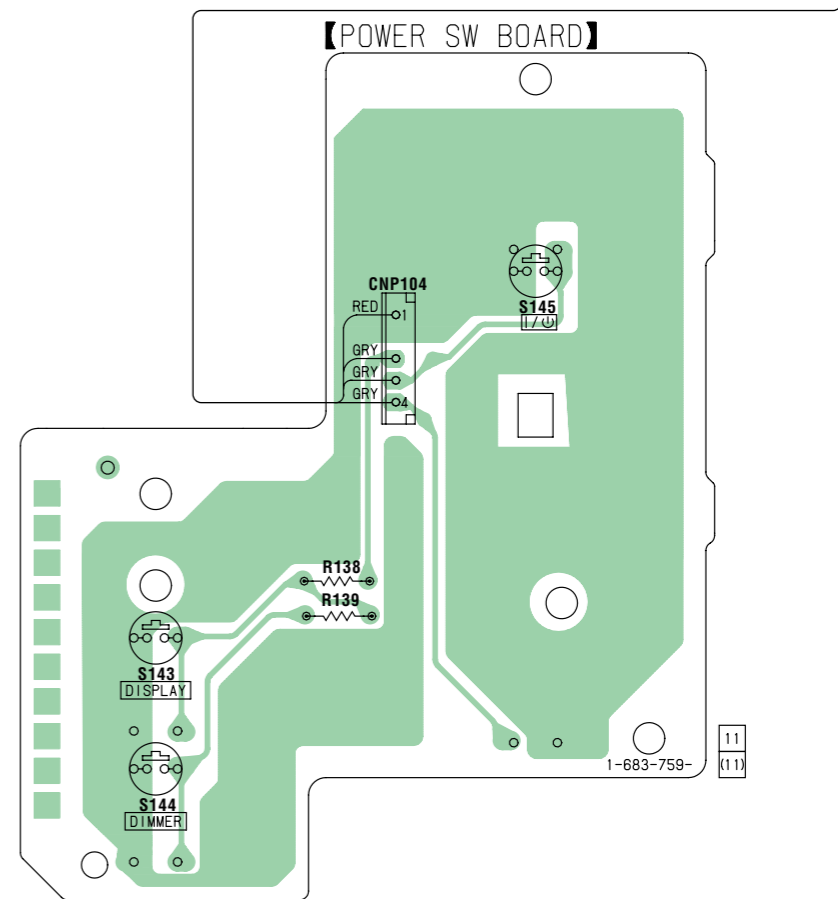
4-16. PRINTED WIRING BOARDS — DISPLAY SECTION — • Refer to page 15 for Circuit Boards Location and page 20 for Common Note on Printed Wiring Boards.



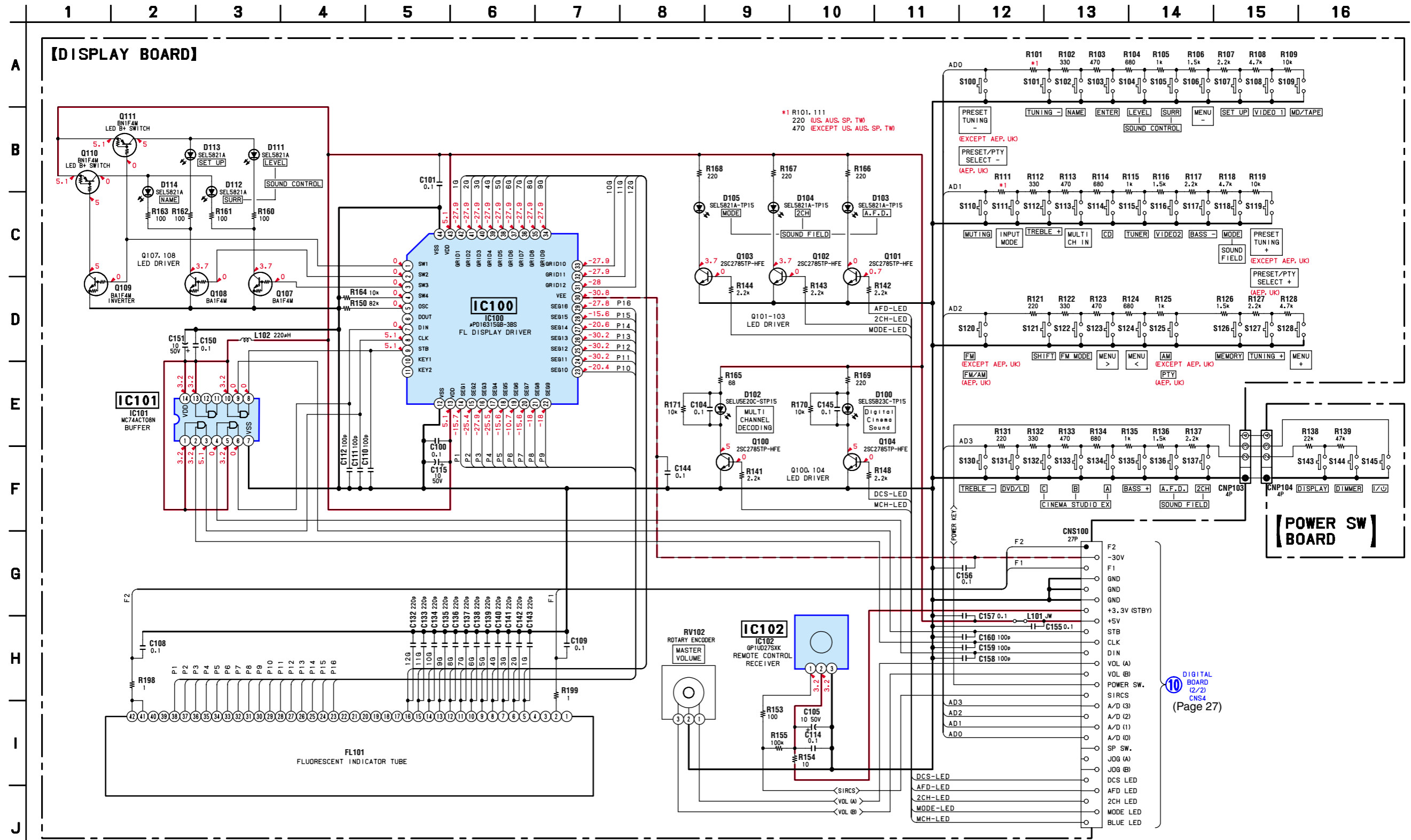
DIGITAL BOARD CNS4 (Page 25)

• Semiconductor Location

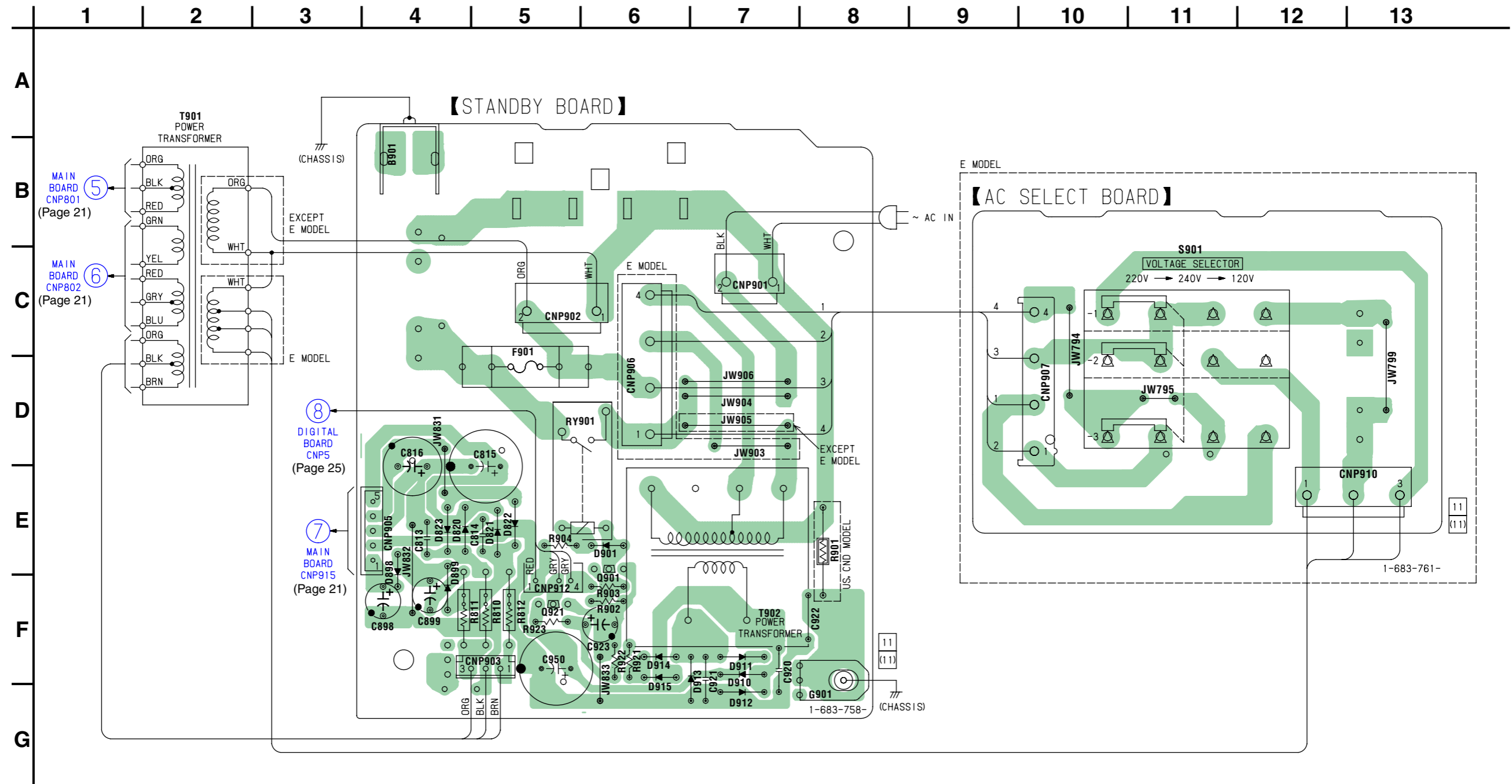
| Ref. No. | Location |
|----------|----------|
| D100     | B-5      |
| D102     | A-8      |
| D103     | D-7      |
| D104     | D-6      |
| D105     | D-6      |
| D111     | C-7      |
| D112     | C-6      |
| D113     | C-9      |
| D114     | C-8      |
| IC100    | B-8      |
| IC101    | B-4      |
| IC102    | B-12     |
| Q100     | B-6      |
| Q101     | D-2      |
| Q102     | D-2      |
| Q103     | D-2      |
| Q104     | B-5      |
| Q107     | B-10     |
| Q108     | B-11     |
| Q109     | B-11     |
| Q110     | B-11     |
| Q111     | B-11     |



4-17. SCHEMATIC DIAGRAM — DISPLAY SECTION — • Refer to page 20 for Common Note on Schematic Diagram.



4-18. PRINTED WIRING BOARDS — POWER SECTION — • Refer to page 15 for Circuit Boards Location and page 20 for Common Note on Printed Wiring Boards.

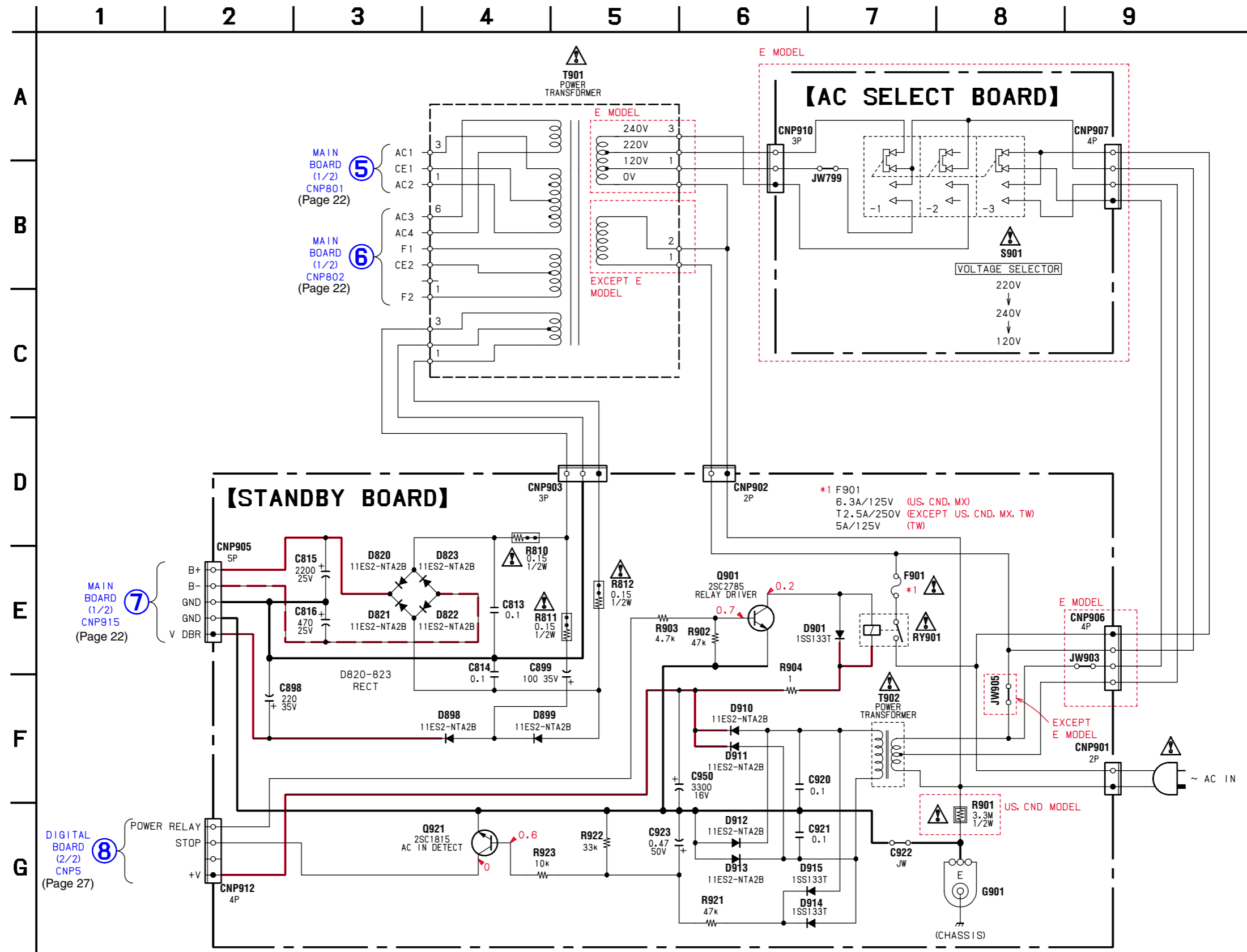


• Semiconductor Location

| Ref. No. | Location |
|----------|----------|
| D820     | E-4      |
| D821     | E-5      |
| D822     | E-5      |
| D823     | E-4      |
| D898     | E-4      |
| D899     | F-4      |
| D901     | E-6      |
| D910     | F-7      |
| D911     | F-7      |
| D912     | G-7      |
| D913     | F-7      |
| D914     | F-6      |
| D915     | F-6      |
| Q901     | F-6      |
| Q921     | F-5      |



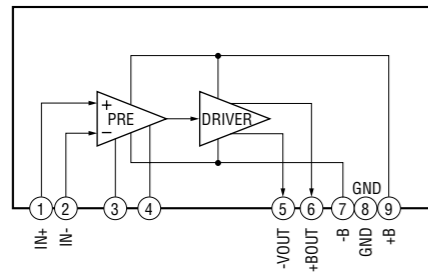
4-19. SCHEMATIC DIAGRAM — POWER SECTION — • Refer to page 20 for Common Note on Schematic Diagram.



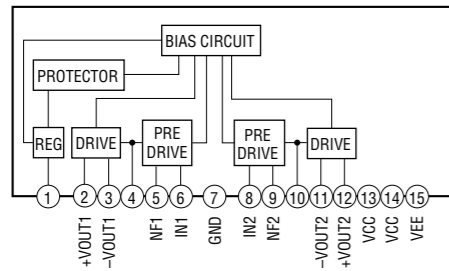
|   |  |   |
|---|--|---|
| <p>The components identified by mark <math>\triangle</math> or dotted line with mark <math>\triangle</math> are critical for safety. Replace only with part number specified.</p> | <p>Les composants identifiés par une marque <math>\triangle</math> sont critiques pour la sécurité. Ne les remplacer que par une pièce portant le numéro spécifié.</p> | <p>以阴影和 <math>\triangle</math> 标志来识别的零部件，在安全方面具有关键性。因此只能以规定号码的零部件来更换。</p> |
|---|--|---|

4-20. IC BLOCK DIAGRAMS

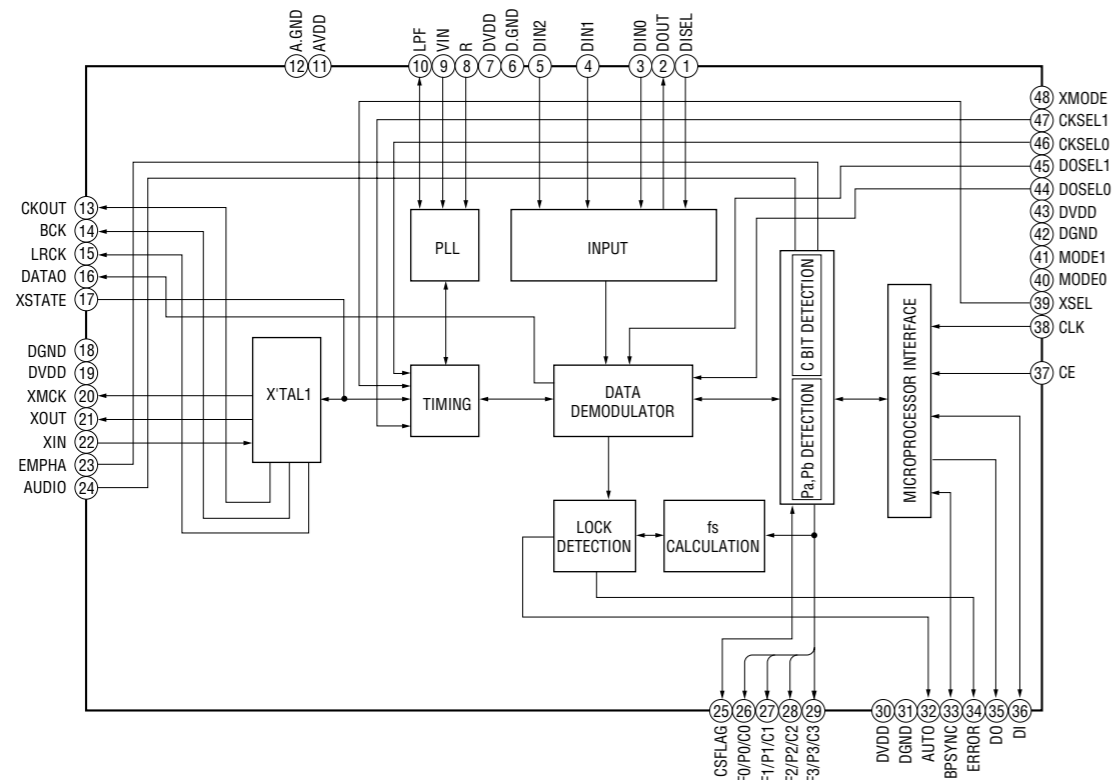
IC501 STK350-230 (MAIN BOARD (2/2))



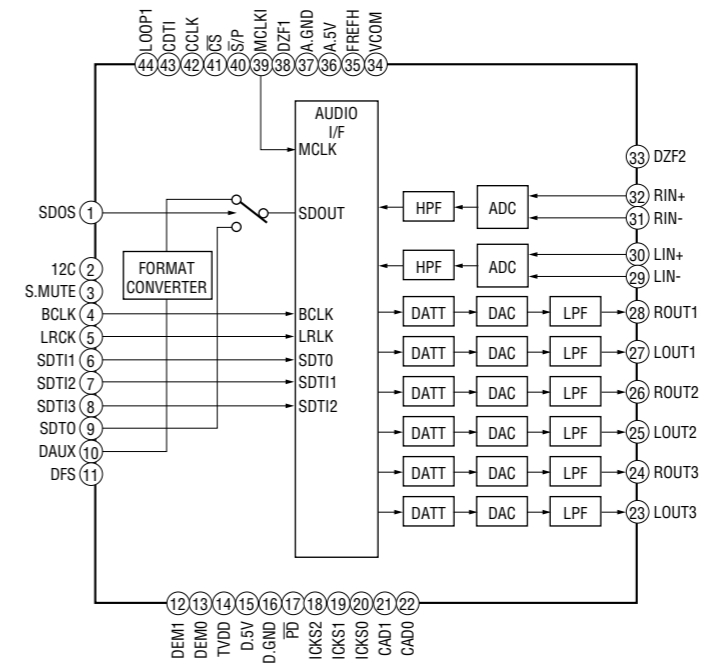
IC701  $\mu$ PC2581V (MAIN BOARD (2/2))  
IC702  $\mu$ PC2581V (MAIN BOARD (2/2))



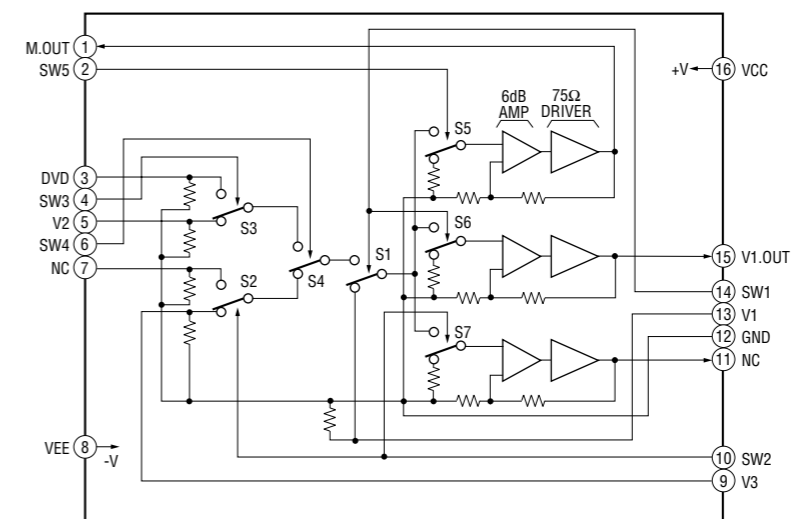
IC1101 LC89056W (DIGITAL BOARD (1/2))



IC1501 AK4527 (DIGITAL BOARD (1/2))

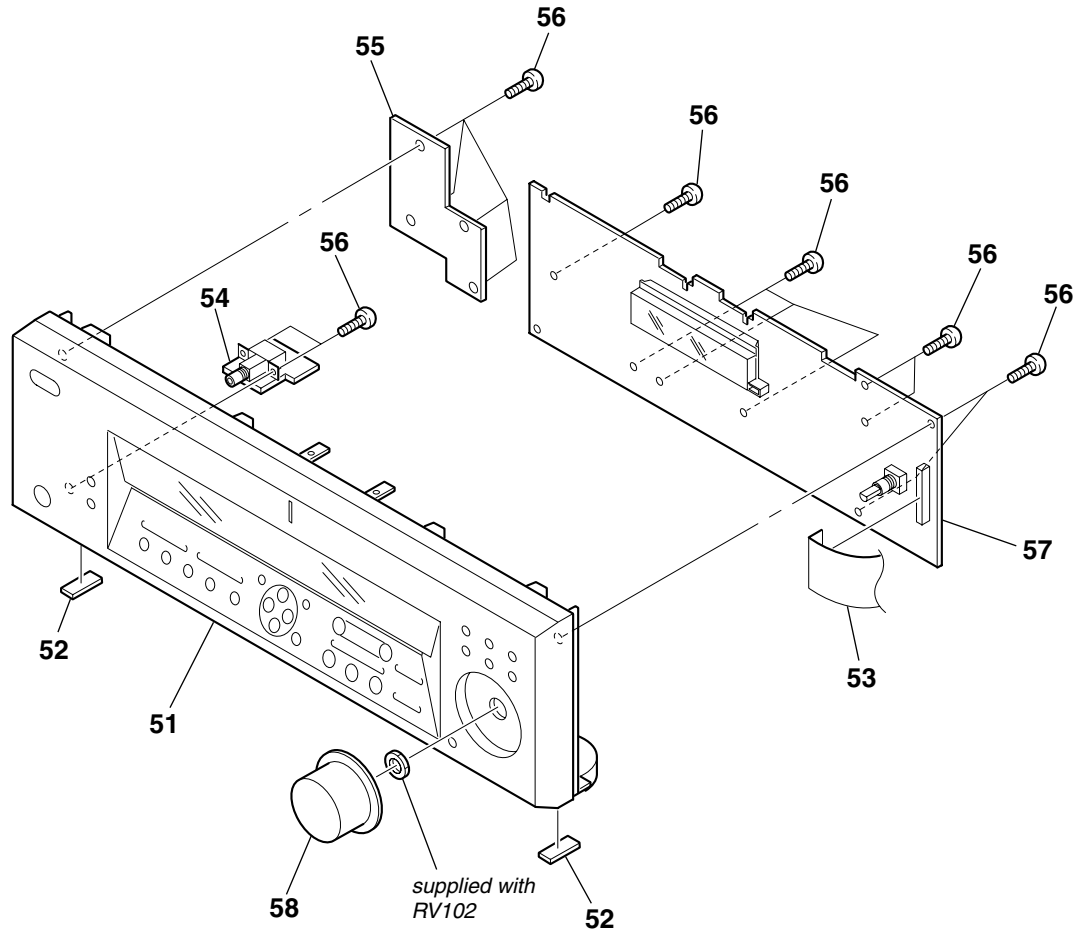


IC103 NJM2595 (VIDEO BOARD)



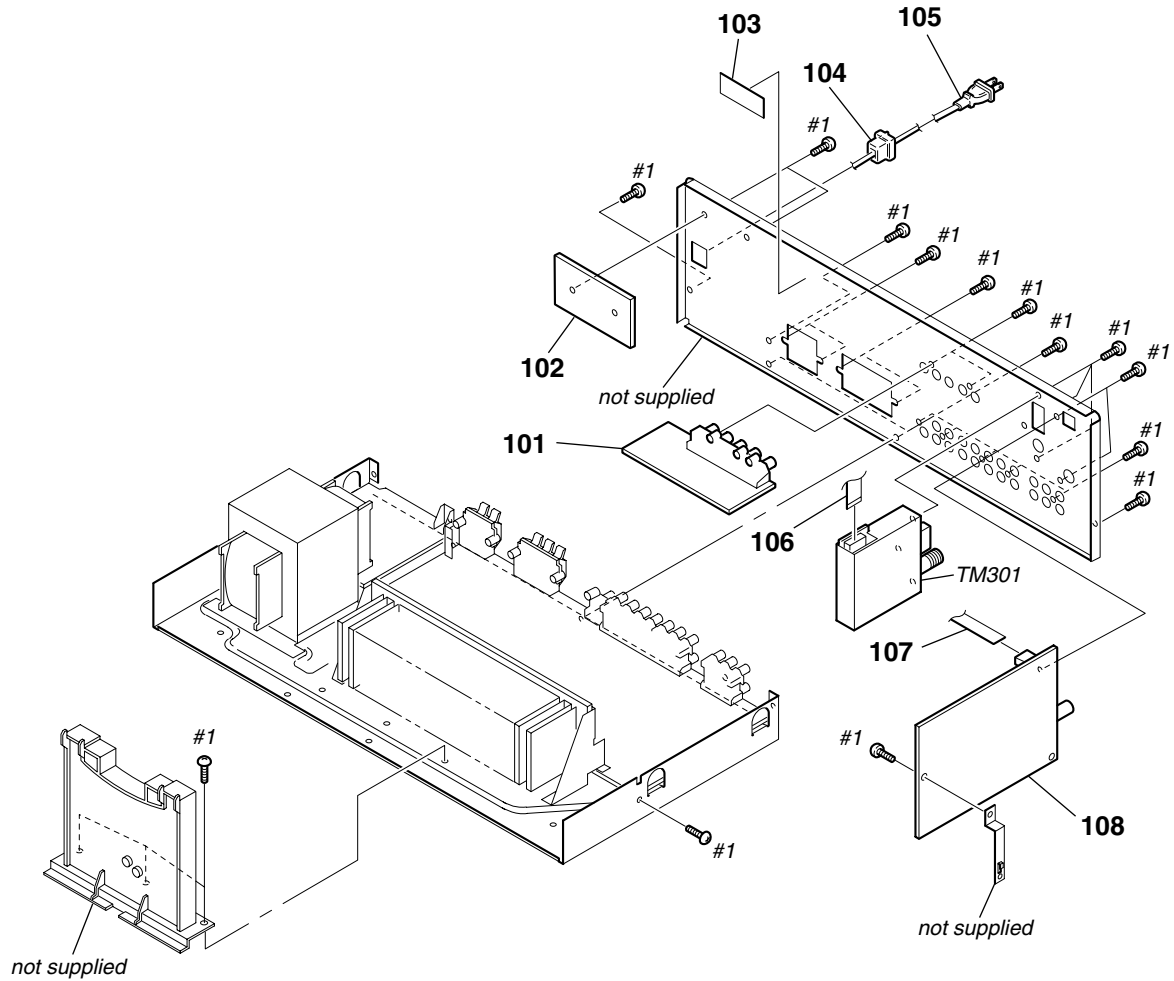


5-2. FRONT PANEL SECTION



| <u>Ref. No.</u> | <u>Part No.</u> | <u>Description</u>                   | <u>Remark</u> | <u>Ref. No.</u> | <u>Part No.</u> | <u>Description</u>                               | <u>Remark</u> |
|-----------------|-----------------|--------------------------------------|---------------|-----------------|-----------------|--|---------------|
| 51              | X-4954-423-1    | PANEL ASSY, FRONT (BLACK) (CND)      |               | 53              | 1-773-250-11    | WIRE (FLAT TYPE) (27 CORE)                       |               |
| 51              | X-4954-424-1    | PANEL ASSY, FRONT (BLACK) (MX)       |               | 54              | 1-683-763-11    | HEADPHONE BOARD                                  |               |
| 51              | X-4954-425-1    | PANEL ASSY, FRONT (SILVER) (E,MX,AR) |               | 55              | 1-683-759-11    | POWER SW BOARD                                   |               |
| 51              | X-4954-426-1    | PANEL ASSY, FRONT (GOLD) (CH)        |               | 56              | 4-951-620-01    | SCREW (2.6X8), +BVTP                             |               |
| 51              | X-4954-427-1    | PANEL ASSY, FRONT (BLACK) (AEP,UK)   |               | 57              | A-4727-822-A    | DISPLAY BOARD, COMPLETE (US,AUS,SP,TW)           |               |
| 51              | X-4954-428-1    | PANEL ASSY, FRONT (SILVER) (AEP,UK)  |               | 57              | A-4727-847-A    | DISPLAY BOARD, COMPLETE<br>(EXCEPT US,AUS,SP,TW) |               |
| 51              | X-4954-461-1    | PANEL ASSY, FRONT (BLACK) (US)       |               | 58              | 4-232-113-01    | KNOB (VOL) (BLACK) (US,CND,AEP,UK,AUS,MX)        |               |
| 51              | X-4954-773-1    | PANEL ASSY, FRONT (BLACK) (AUS)      |               | 58              | 4-232-113-12    | KNOB (VOL) (SILVER) (AEP,UK,E,AUS,MX,AR)         |               |
| 51              | X-4954-774-1    | PANEL ASSY, FRONT (SILVER) (AUS)     |               | 58              | 4-232-113-22    | KNOB (VOL) (GOLD) (CH,SP,TW)                     |               |
| 51              | X-4954-775-1    | PANEL ASSY, FRONT (GOLD) (SP,TW)     |               |                 |                 |  |               |
| 52              | 4-977-358-01    | CUSHION                              |               |                 |                 |  |               |

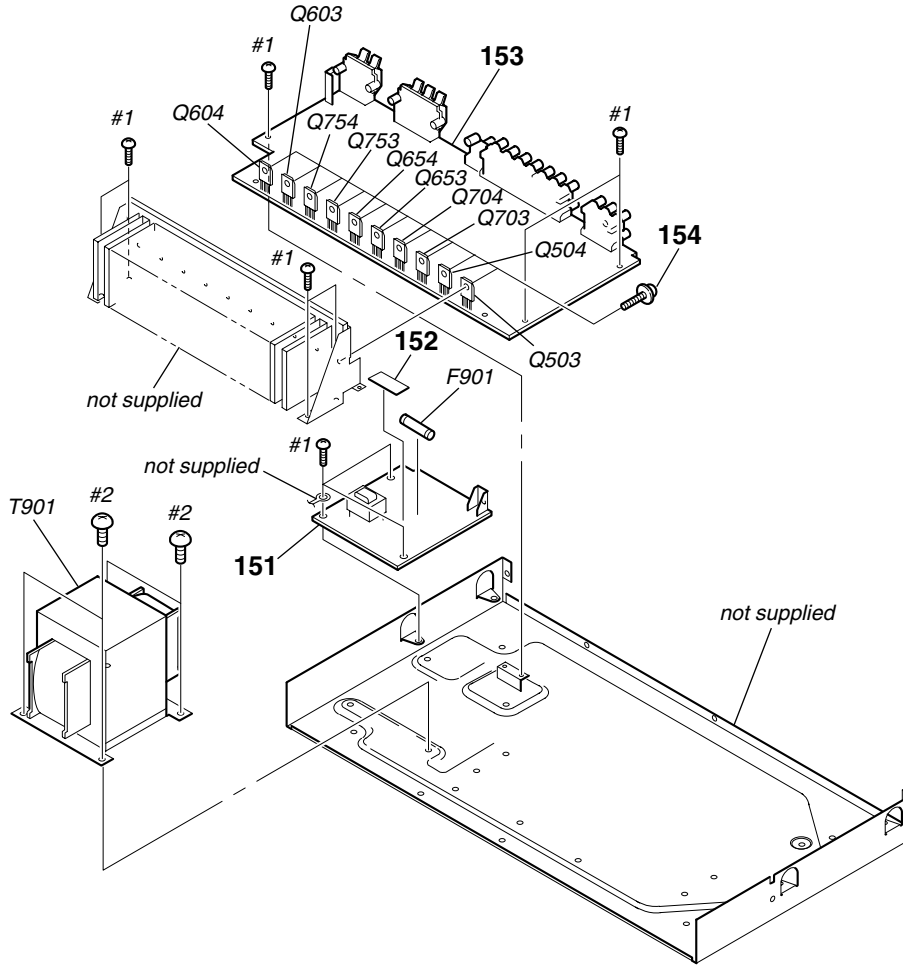
5-3. CHASSIS SECTION-1



|   |  |   |
|---|--|---|
| <p>The components identified by mark <math>\triangle</math> or dotted line with mark <math>\triangle</math> are critical for safety. Replace only with part number specified.</p> | <p>Les composants identifiés par une marque <math>\triangle</math> sont critiques pour la sécurité. Ne les remplacer que par une pièce portant le numéro spécifié.</p> | <p>以阴影和 <math>\triangle</math> 标志来识别的零部件，在安全方面具有关键性。因此只能以规定号码的零部件来更换。</p> |
|---|--|---|

| Ref. No.        | Part No.     | Description                                  | Remark | Ref. No. | Part No.     | Description                                 | Remark |
|-----------------|--------------|--|--------|----------|--------------|---|--------|
| 101             | A-4727-815-A | VIDEO BOARD, COMPLETE (US)                   |        | 108      | A-4727-818-A | DIGITAL BOARD, COMPLETE (US)                |        |
| 101             | A-4727-840-A | VIDEO BOARD, COMPLETE (CND,MX)               |        | 108      | A-4727-843-A | DIGITAL BOARD, COMPLETE (CND)               |        |
| 101             | A-4727-849-A | VIDEO BOARD, COMPLETE (AEP,UK,E,CH,AR)       |        | 108      | A-4727-851-A | DIGITAL BOARD, COMPLETE (AEP,UK)            |        |
| 101             | A-4727-968-A | VIDEO BOARD, COMPLETE (AUS,SP,TW)            |        | 108      | A-4727-996-A | DIGITAL BOARD, COMPLETE (E,MX)              |        |
| 102             | 1-683-761-11 | AC SELECT BOARD (E)                          |        | 108      | A-4728-002-A | DIGITAL BOARD, COMPLETE (CH,AR)             |        |
| * 103           | 3-703-044-26 | LABEL, CAUTION (US)                          |        | 108      | A-4728-862-A | DIGITAL BOARD, COMPLETE (AUS)               |        |
| * 104           | 3-703-244-00 | BUSHING (2104), CORD                         |        | 108      | A-4728-866-A | DIGITAL BOARD, COMPLETE (SP)                |        |
| $\triangle$ 105 | 1-696-847-11 | CORD, POWER (AUS)                            |        | 108      | A-4728-870-A | DIGITAL BOARD, COMPLETE (TW)                |        |
| $\triangle$ 105 | 1-769-744-11 | CORD, POWER (AEP,UK)                         |        | TM301    | 1-693-577-11 | TUNER PACK (FM/AM) (ANTENNA) (E)            |        |
| $\triangle$ 105 | 1-777-071-21 | CORD, POWER (E,SP,TW)                        |        | TM301    | 1-693-577-21 | TUNER PACK (FM/AM) (ANTENNA) (US,CND,MX,TW) |        |
| $\triangle$ 105 | 1-783-205-11 | CORD, POWER (CH)                             |        | TM301    | 1-693-578-21 | TUNER PACK (FM/AM) (ANTENNA) (AEP,UK)       |        |
| $\triangle$ 105 | 1-783-820-11 | CORD, POWER (US,CND,MX)                      |        | TM301    | 1-693-580-21 | TUNER PACK (FM/AM) (ANTENNA) (AUS,CH,SP,AR) |        |
| $\triangle$ 105 | 1-783-941-12 | CORD, POWER (AR)                             |        | #1       | 7-685-646-79 | SCREW +BVTP 3X8 TYPE2 IT-3                  |        |
| 106             | 1-769-940-11 | WIRE (FLAT TYPE) (11 CORE) (EXCEPT AEP,UK)   |        |          |              |   |        |
| 106             | 1-773-004-11 | WIRE (FLAT TYPE) (15 CORE) (AEP,UK)          |        |          |              |   |        |
| 107             | 1-575-662-31 | WIRE (FLAT TYPE) (5 CORE) (AUS,SP,TW)        |        |          |              |   |        |
| 107             | 1-769-844-11 | WIRE (FLAT TYPE) (5 CORE) (EXCEPT AUS,SP,TW) |        |          |              |   |        |

5-4. CHASSIS SECTION-2



|   |  |   |
|---|--|---|
| <p>The components identified by mark <math>\triangle</math> or dotted line with mark <math>\triangle</math> are critical for safety. Replace only with part number specified.</p> | <p>Les composants identifiés par une marque <math>\triangle</math> sont critiques pour la sécurité. Ne les remplacer que par une pièce portant le numéro spécifié.</p> | <p>以阴影和 <math>\triangle</math> 标志来识别的零部件，在安全方面具有关键性。因此只能以规定号码的零部件来更换。</p> |
|---|--|---|

| Ref. No.         | Part No.     | Description                             | Remark | Ref. No.         | Part No.     | Description                          | Remark |
|------------------|--------------|---|--------|------------------|--------------|--------------------------------------|--------|
| 151              | A-4727-816-A | STANDBY BOARD, COMPLETE (US)            |        | Q503             | 8-749-010-25 | TRANSISTOR MN2488-OPY-M              |        |
| 151              | A-4727-841-A | STANDBY BOARD, COMPLETE (CND)           |        | Q504             | 8-749-010-26 | TRANSISTOR MP1620-OPY-M              |        |
| 151              | A-4727-850-A | STANDBY BOARD, COMPLETE (AEP,UK,CH,AR)  |        | Q603             | 8-749-010-25 | TRANSISTOR MN2488-OPY-M              |        |
| 151              | A-4727-969-A | STANDBY BOARD, COMPLETE (AUS,SP)        |        | Q604             | 8-749-010-26 | TRANSISTOR MP1620-OPY-M              |        |
| 151              | A-4727-995-A | STANDBY BOARD, COMPLETE (MX)            |        | Q653             | 8-749-010-25 | TRANSISTOR MN2488-OPY-M              |        |
| 151              | A-4728-005-A | STANDBY BOARD, COMPLETE (E)             |        | Q654             | 8-749-010-26 | TRANSISTOR MP1620-OPY-M              |        |
| 151              | A-4728-869-A | STANDBY BOARD, COMPLETE (TW)            |        | Q703             | 8-749-010-25 | TRANSISTOR MN2488-OPY-M              |        |
| 152              | 3-701-946-27 | LABEL, FUSE RATING (TW)                 |        | Q704             | 8-749-010-26 | TRANSISTOR MP1620-OPY-M              |        |
| 153              | A-4727-811-A | MAIN BOARD, COMPLETE (US)               |        | Q753             | 8-749-010-25 | TRANSISTOR MN2488-OPY-M              |        |
| 153              | A-4727-836-A | MAIN BOARD, COMPLETE (CND)              |        | Q754             | 8-749-010-26 | TRANSISTOR MP1620-OPY-M              |        |
| 153              | A-4727-848-A | MAIN BOARD, COMPLETE (AEP,UK)           |        | $\triangle$ T901 | 1-437-632-11 | TRANSFORMER, POWER (US,MX)           |        |
| 153              | A-4727-998-A | MAIN BOARD, COMPLETE (E,MX,AR)          |        | $\triangle$ T901 | 1-437-633-11 | TRANSFORMER, POWER (AEP,UK,CH,SP,AR) |        |
| 153              | A-4728-004-A | MAIN BOARD, COMPLETE (CH)               |        | $\triangle$ T901 | 1-437-634-11 | TRANSFORMER, POWER (CND)             |        |
| 153              | A-4728-861-A | MAIN BOARD, COMPLETE (AUS,SP,TW)        |        | $\triangle$ T901 | 1-437-635-11 | TRANSFORMER, POWER (E)               |        |
| 154              | 3-905-609-01 | SCREW (TRANSISTOR)                      |        | $\triangle$ T901 | 1-437-637-11 | TRANSFORMER, POWER (AUS)             |        |
| $\triangle$ F901 | 1-532-464-31 | FUSE (T2.5A/250V) (EXCEPT US,CND,MX,TW) |        | $\triangle$ T901 | 1-437-638-11 | TRANSFORMER, POWER (TW)              |        |
| $\triangle$ F901 | 1-576-109-11 | FUSE (5A/125V) (TW)                     |        | #1               | 7-685-646-79 | SCREW +BVPT 3X8 TYPE2 IT-3           |        |
| $\triangle$ F901 | 1-576-193-11 | FUSE (6.3A/125V) (US,CND,MX)            |        | #2               | 7-685-880-09 | SCREW +BVTT 4X6 (S)                  |        |

## SECTION 6 ELECTRICAL PARTS LIST

AC SELECT

DIGITAL

## NOTE:

- Due to standardization, replacements in the parts list may be different from the parts specified in the diagrams or the components used on the set.
- -XX and -X mean standardized parts, so they may have some difference from the original one.
- RESISTORS  
All resistors are in ohms.  
METAL: Metal-film resistor.  
METAL OXIDE: Metal oxide-film resistor.  
F: nonflammable
- Items marked "\*" are not stocked since they are seldom required for routine service. Some delay should be anticipated when ordering these items.

- SEMICONDUCTORS  
In each case, u :  $\mu$ , for example:  
uA.. :  $\mu$ A.. uPA.. :  $\mu$ PA..  
uPB.. :  $\mu$ PB.. uPC.. :  $\mu$ PC.. uPD.. :  $\mu$ PD..
- CAPACITORS  
uF :  $\mu$ F
- COILS  
uH :  $\mu$ H
- Abbreviation  
CND : Canadian model  
AR : Argentina model  
AUS : Australian model  
CH : Chinese model  
MX : Mexican model  
SP : Singapore model  
TW : Taiwan model

The components identified by mark  $\triangle$  or dotted line with mark  $\triangle$  are critical for safety.  
Replace only with part number specified.

Les composants identifiés par une marque  $\triangle$  sont critiques pour la sécurité.  
Ne les remplacer que par une pièce portant le numéro spécifié.

以阴影和  $\triangle$  标志来识别的零部件在安全方面具有关键性。因此只能以规定号码的零部件来更换。

When indicating parts by reference number, please include the board.

| Ref. No.         | Part No.     | Description   | Remark   | Ref. No. | Part No. | Description | Remark   |
|------------------|--------------|---|----------|----------|----------|-------------|----------|
|                  | 1-683-761-11 | AC SELECT BOARD (E)<br>*****                                    |          |          |          |             |          |
|                  |              | < CONNECTOR >   |          |          |          |             |          |
| * CNP910         | 1-564-687-11 | PIN, CONNECTOR 3P (E)<br><br>< SWITCH >                         |          |          |          |             |          |
| $\triangle$ S901 | 1-571-437-21 | SWITCH, POWER VOLTAGE CHANGE<br>(VOLTAGE SELECTOR) (E)<br>***** |          |          |          |             |          |
|                  | A-4727-818-A | DIGITAL BOARD, COMPLETE (US)                                    |          |          |          |             |          |
|                  | A-4727-843-A | DIGITAL BOARD, COMPLETE (CND)                                   |          |          |          |             |          |
|                  | A-4727-851-A | DIGITAL BOARD, COMPLETE (AEP,UK)                                |          |          |          |             |          |
|                  | A-4727-996-A | DIGITAL BOARD, COMPLETE (E,MX)                                  |          |          |          |             |          |
|                  | A-4728-002-A | DIGITAL BOARD, COMPLETE (CH,AR)                                 |          |          |          |             |          |
|                  | A-4728-862-A | DIGITAL BOARD, COMPLETE (AUS)                                   |          |          |          |             |          |
|                  | A-4728-866-A | DIGITAL BOARD, COMPLETE (SP)                                    |          |          |          |             |          |
|                  | A-4728-870-A | DIGITAL BOARD, COMPLETE (TW)<br>*****                           |          |          |          |             |          |
|                  | 7-685-646-79 | SCREW +BVTP 3X8 TYPE2 IT-3<br><br>< CAPACITOR >                 |          |          |          |             |          |
|                  | C1101        | 1-164-156-11 CERAMIC CHIP                                       | 0.1uF    | 25V      |          |             |          |
|                  | C1102        | 1-126-947-11 ELECT  | 47uF     | 20%      | 16V      |             |          |
|                  | C1103        | 1-164-156-11 CERAMIC CHIP                                       | 0.1uF    |          | 25V      |             |          |
|                  | C1104        | 1-162-974-11 CERAMIC CHIP                                       | 0.01uF   |          | 50V      |             |          |
|                  | C1105        | 1-126-947-11 ELECT  | 47uF     | 20%      | 16V      |             |          |
|                  | C1106        | 1-164-156-11 CERAMIC CHIP                                       | 0.1uF    |          | 25V      |             |          |
|                  | C1107        | 1-162-974-11 CERAMIC CHIP                                       | 0.01uF   |          | 50V      |             |          |
|                  | C1108        | 1-164-156-11 CERAMIC CHIP                                       | 0.1uF    |          | 25V      |             |          |
|                  | C1109        | 1-162-918-11 CERAMIC CHIP                                       | 18PF     | 5%       | 50V      |             |          |
|                  | C1110        | 1-162-918-11 CERAMIC CHIP                                       | 18PF     | 5%       | 50V      |             |          |
|                  | C1111        | 1-164-156-11 CERAMIC CHIP                                       | 0.1uF    |          | 25V      |             |          |
|                  | C1112        | 1-162-974-11 CERAMIC CHIP                                       | 0.01uF   |          | 50V      |             |          |
|                  | C1113        | 1-164-156-11 CERAMIC CHIP                                       | 0.1uF    |          | 25V      |             |          |
|                  | C1114        | 1-162-905-11 CERAMIC CHIP                                       | 1PF      | 0.25PF   | 50V      |             |          |
|                  | C1115        | 1-162-923-11 CERAMIC CHIP                                       | 47PF     | 5%       | 50V      |             |          |
|                  | C1116        | 1-126-935-11 ELECT  | 470uF    | 20%      | 16V      |             |          |
|                  | C1117        | 1-164-156-11 CERAMIC CHIP                                       | 0.1uF    |          | 25V      |             |          |
|                  | C1118        | 1-115-416-11 CERAMIC CHIP                                       | 0.001uF  | 5%       | 25V      |             |          |
|                  | C1119        | 1-126-965-11 ELECT  | 22uF     | 20%      | 50V      |             |          |
|                  | C1121        | 1-164-156-11 CERAMIC CHIP                                       | 0.1uF    |          | 25V      |             |          |
|                  | C1124        | 1-164-156-11 CERAMIC CHIP                                       | 0.1uF    |          | 25V      |             |          |
|                  | C1126        | 1-126-964-11 ELECT  | 10uF     | 20%      | 50V      |             |          |
|                  | C1127        | 1-164-156-11 CERAMIC CHIP                                       | 0.1uF    |          | 25V      |             |          |
|                  | C1129        | 1-115-416-11 CERAMIC CHIP                                       | 0.001uF  | 5%       | 25V      |             |          |
|                  | C1130        | 1-164-156-11 CERAMIC CHIP                                       | 0.1uF    |          | 25V      |             |          |
|                  | C1131        | 1-162-927-11 CERAMIC CHIP                                       | 100PF    | 5%       | 50V      |             |          |
|                  | C1201        | 1-164-156-11 CERAMIC CHIP                                       | 0.1uF    |          | 25V      |             |          |
|                  | C1202        | 1-164-156-11 CERAMIC CHIP                                       | 0.1uF    |          | 25V      |             |          |
|                  | C1203        | 1-164-156-11 CERAMIC CHIP                                       | 0.1uF    |          | 25V      |             |          |
|                  | C1204        | 1-164-156-11 CERAMIC CHIP                                       | 0.1uF    |          | 25V      |             |          |
|                  | C1205        | 1-164-156-11 CERAMIC CHIP                                       | 0.1uF    |          | 25V      |             |          |
|                  | C1206        | 1-164-156-11 CERAMIC CHIP                                       | 0.1uF    |          | 25V      |             |          |
|                  | C1207        | 1-164-156-11 CERAMIC CHIP                                       | 0.1uF    |          | 25V      |             |          |
|                  | C1208        | 1-164-156-11 CERAMIC CHIP                                       | 0.1uF    |          | 25V      |             |          |
|                  | C1209        | 1-164-156-11 CERAMIC CHIP                                       | 0.1uF    |          | 25V      |             |          |
|                  | C1210        | 1-164-156-11 CERAMIC CHIP                                       | 0.1uF    |          | 25V      |             |          |
|                  | C1211        | 1-126-935-11 ELECT  | 470uF    | 20%      | 10V      |             |          |
|                  | C1212        | 1-126-935-11 ELECT  | 470uF    | 20%      | 10V      |             |          |
|                  | C1213        | 1-164-156-11 CERAMIC CHIP                                       | 0.1uF    |          | 25V      |             |          |
|                  | C1214        | 1-164-156-11 CERAMIC CHIP                                       | 0.1uF    |          | 25V      |             |          |
|                  | C1216        | 1-162-927-11 CERAMIC CHIP                                       | 100PF    | 5%       | 50V      |             |          |
|                  | C1218        | 1-162-927-11 CERAMIC CHIP                                       | 100PF    | 5%       | 50V      |             |          |
|                  | C1219        | 1-164-156-11 CERAMIC CHIP                                       | 0.1uF    |          | 25V      |             |          |
|                  | C1220        | 1-162-927-11 CERAMIC CHIP                                       | 100PF    | 5%       | 50V      |             |          |
|                  | C1221        | 1-164-156-11 CERAMIC CHIP                                       | 0.1uF    |          | 25V      |             |          |
|                  | C1227        | 1-164-156-11 CERAMIC CHIP                                       | 0.1uF    |          | 25V      |             | (AEP,UK) |
|                  | C1229        | 1-164-156-11 CERAMIC CHIP                                       | 0.1uF    |          | 25V      |             |          |
|                  | C1230        | 1-164-156-11 CERAMIC CHIP                                       | 0.1uF    |          | 25V      |             |          |
|                  | C1231        | 1-164-156-11 CERAMIC CHIP                                       | 0.1uF    |          | 25V      |             |          |
|                  | C1309        | 1-164-156-11 CERAMIC CHIP                                       | 0.1uF    |          | 25V      |             |          |
|                  | C1310        | 1-164-156-11 CERAMIC CHIP                                       | 0.1uF    |          | 25V      |             |          |
|                  | C1311        | 1-164-156-11 CERAMIC CHIP                                       | 0.1uF    |          | 25V      |             |          |
|                  | C1312        | 1-164-156-11 CERAMIC CHIP                                       | 0.1uF    |          | 25V      |             |          |
|                  | C1501        | 1-162-965-11 CERAMIC CHIP                                       | 0.0015uF | 10%      | 50V      |             |          |
|                  | C1502        | 1-124-234-00 ELECT  | 22uF     | 20%      | 16V      |             |          |
|                  | C1503        | 1-164-156-11 CERAMIC CHIP                                       | 0.1uF    |          | 25V      |             |          |
|                  | C1504        | 1-126-964-11 ELECT  | 10uF     | 20%      | 50V      |             |          |
|                  | C1505        | 1-164-156-11 CERAMIC CHIP                                       | 0.1uF    |          | 25V      |             |          |
|                  | C1506        | 1-126-935-11 ELECT  | 470uF    | 20%      | 16V      |             |          |
|                  | C1507        | 1-126-964-11 ELECT  | 10uF     | 20%      | 50V      |             |          |
|                  | C1508        | 1-164-156-11 CERAMIC CHIP                                       | 0.1uF    |          | 25V      |             |          |
|                  | C1509        | 1-164-156-11 CERAMIC CHIP                                       | 0.1uF    |          | 25V      |             |          |
|                  | C1510        | 1-126-947-11 ELECT  | 47uF     | 20%      | 16V      |             |          |
|                  | C1511        | 1-162-974-11 CERAMIC CHIP                                       | 0.01uF   |          | 50V      |             |          |
|                  | C1512        | 1-162-995-11 CERAMIC CHIP                                       | 0.022uF  |          | 50V      |             |          |

## STR-DE485/DE485E

## DIGITAL

| Ref. No. | Part No.     | Description                   |          | Remark   | Ref. No. | Part No.     | Description                              |                                       | Remark |
|----------|--------------|-------------------------------|----------|----------|----------|--------------|--|---------------------------------------|--------|
| C1513    | 1-164-156-11 | CERAMIC CHIP                  | 0.1uF    | 25V      | CNS3     | 1-784-923-11 | PIN, CONNECTOR 7P                        |                                       |        |
| C1514    | 1-164-156-11 | CERAMIC CHIP                  | 0.1uF    | 25V      | CNS4     | 1-569-312-11 | SOCKET, CONNECTOR (L TYPE) 27P           |                                       |        |
| C1515    | 1-126-964-11 | ELECT                         | 10uF     | 20%      | 50V      | CNS7         | 1-569-060-11                             | SOCKET, CONNECTOR 11P (EXCEPT AEP,UK) |        |
| C1522    | 1-164-156-11 | CERAMIC CHIP                  | 0.1uF    | 25V      | CNS7     | 1-569-321-11 | SOCKET, CONNECTOR 15P (AEP,UK)           |                                       |        |
| C1523    | 1-162-995-11 | CERAMIC CHIP                  | 0.022uF  | 50V      | CNS8     | 1-569-315-11 | SOCKET, CONNECTOR 5P                     |                                       |        |
| C1551    | 1-162-965-11 | CERAMIC CHIP                  | 0.0015uF | 10%      | 50V      |              | < DIODE >                                |                                       |        |
| C1552    | 1-126-965-11 | ELECT                         | 22uF     | 20%      | 50V      | D1001        | 8-719-016-74                             | DIODE 1SS352                          |        |
| C1601    | 1-164-156-11 | CERAMIC CHIP                  | 0.1uF    | 25V      | D1101    | 8-719-016-74 | DIODE 1SS352                             |                                       |        |
| C1602    | 1-164-156-11 | CERAMIC CHIP                  | 0.1uF    | 25V      | D1501    | 8-719-049-09 | DIODE 1SS367-T3SONY                      |                                       |        |
| C1603    | 1-164-156-11 | CERAMIC CHIP                  | 0.1uF    | 25V      | D1502    | 8-719-049-09 | DIODE 1SS367-T3SONY                      |                                       |        |
| C1604    | 1-164-156-11 | CERAMIC CHIP                  | 0.1uF    | 25V      | D1601    | 8-719-016-74 | DIODE 1SS352                             |                                       |        |
| C1605    | 1-164-156-11 | CERAMIC CHIP                  | 0.1uF    | 25V      |          |              |  |                                       |        |
| C1606    | 1-126-947-11 | ELECT                         | 47uF     | 20%      | 16V      | D1905        | 8-719-053-18                             | DIODE 1SR154-400TE-25                 |        |
| C1607    | 1-164-156-11 | CERAMIC CHIP                  | 0.1uF    | 25V      | D1906    | 8-719-053-18 | DIODE 1SR154-400TE-25                    |                                       |        |
| C1610    | 1-162-974-11 | CERAMIC CHIP                  | 0.01uF   | 50V      | D1907    | 8-719-053-18 | DIODE 1SR154-400TE-25                    |                                       |        |
| C1611    | 1-162-974-11 | CERAMIC CHIP                  | 0.01uF   | 50V      |          |              | < FERRITE BEAD >                         |                                       |        |
| C1612    | 1-164-156-11 | CERAMIC CHIP                  | 0.1uF    | 25V      | FB1101   | 1-414-813-11 | FERRITE, EMI (SMD)                       |                                       |        |
| C1613    | 1-162-995-11 | CERAMIC CHIP                  | 0.022uF  | 50V      | FB1102   | 1-414-813-11 | FERRITE, EMI (SMD)                       |                                       |        |
| C1614    | 1-162-995-11 | CERAMIC CHIP                  | 0.022uF  | 50V      | FB1104   | 1-469-152-11 | FERRITE, EMI (SMD)                       |                                       |        |
| C1615    | 1-162-995-11 | CERAMIC CHIP                  | 0.022uF  | 50V      | FB1105   | 1-469-152-11 | FERRITE, EMI (SMD)                       |                                       |        |
| C1616    | 1-162-995-11 | CERAMIC CHIP                  | 0.022uF  | 50V      | FB1201   | 1-414-813-11 | FERRITE, EMI (SMD)                       |                                       |        |
| C1617    | 1-162-974-11 | CERAMIC CHIP                  | 0.01uF   | 50V      |          |              |  |                                       |        |
| C1618    | 1-164-156-11 | CERAMIC CHIP                  | 0.1uF    | 25V      | FB1202   | 1-414-813-11 | FERRITE, EMI (SMD)                       |                                       |        |
| C1619    | 1-164-156-11 | CERAMIC CHIP                  | 0.1uF    | 25V      | FB1203   | 1-469-152-11 | FERRITE, EMI (SMD)                       |                                       |        |
| C1620    | 1-164-156-11 | CERAMIC CHIP                  | 0.1uF    | 25V      | FB1204   | 1-469-152-11 | FERRITE, EMI (SMD)                       |                                       |        |
| C1626    | 1-164-156-11 | CERAMIC CHIP                  | 0.1uF    | 25V      | FB1501   | 1-414-813-11 | FERRITE, EMI (SMD)                       |                                       |        |
| C1627    | 1-126-964-11 | ELECT                         | 10uF     | 20%      | 50V      | FB1502       | 1-414-813-11                             | FERRITE, EMI (SMD)                    |        |
| C1628    | 1-162-908-11 | CERAMIC CHIP                  | 3PF      | 0.25PF   | 50V      |              |  |                                       |        |
| C1629    | 1-162-908-11 | CERAMIC CHIP                  | 3PF      | 0.25PF   | 50V      | FB1601       | 1-414-813-11                             | FERRITE, EMI (SMD)                    |        |
| C1631    | 1-164-156-11 | CERAMIC CHIP                  | 0.1uF    | 25V      | FB1602   | 1-216-864-11 | METAL CHIP 0                             | 5%                                    | 1/16W  |
| C1632    | 1-164-156-11 | CERAMIC CHIP                  | 0.1uF    | 25V      | FB1603   | 1-216-864-11 | METAL CHIP 0                             | 5%                                    | 1/16W  |
| C1633    | 1-164-156-11 | CERAMIC CHIP                  | 0.1uF    | 25V      |          |              | < IC >                                   |                                       |        |
| C1634    | 1-164-156-11 | CERAMIC CHIP                  | 0.1uF    | 25V      | IC1101   | 8-759-825-15 | IC LC89056W-E                            |                                       |        |
| C1635    | 1-164-156-11 | CERAMIC CHIP                  | 0.1uF    | 25V      | IC1102   | 8-759-242-70 | IC TC7WU04F                              |                                       |        |
| C1905    | 1-164-156-11 | CERAMIC CHIP                  | 0.1uF    | 25V      | IC1105   | 8-749-019-26 | IC TORX141 (DIGITAL OPTICAL VIDEO 2 IN)  |                                       |        |
| C1906    | 1-126-935-11 | ELECT                         | 470uF    | 20%      | 16V      | IC1201       | 8-759-698-76                             | IC CXD9617R                           |        |
| C1908    | 1-126-935-11 | ELECT                         | 470uF    | 20%      | 16V      | IC1202       | 6-700-983-01                             | IC IS61LV6416-15T(ICSI)               |        |
| C1909    | 1-164-156-11 | CERAMIC CHIP                  | 0.1uF    | 25V      | IC1501   | 8-759-657-47 | IC AK4527                                |                                       |        |
| C1910    | 1-126-935-11 | ELECT                         | 470uF    | 20%      | 16V      | IC1502       | 8-759-710-97                             | IC NJM4565M-D                         |        |
| C1911    | 1-164-156-11 | CERAMIC CHIP                  | 0.1uF    | 25V      | IC1503   | 8-759-701-75 | IC NJM7805FA                             |                                       |        |
| C1912    | 1-126-935-11 | ELECT                         | 470uF    | 20%      | 16V      | IC1552       | 8-759-710-97                             | IC NJM4565M-D                         |        |
| C1913    | 1-164-156-11 | CERAMIC CHIP                  | 0.1uF    | 25V      | IC1601   | 6-801-261-01 | IC MB90478PF-G-120-BND                   |                                       |        |
| C1914    | 1-126-947-11 | ELECT                         | 47uF     | 20%      | 16V      | IC1602       | 8-759-714-20                             | IC S-80929ANMP-DDS-T2                 |        |
| C1915    | 1-126-947-11 | ELECT                         | 47uF     | 20%      | 16V      | IC1604       | 8-759-641-86                             | IC BR24C16F-E2                        |        |
| C1916    | 1-164-156-11 | CERAMIC CHIP                  | 0.1uF    | 25V      | IC1901   | 6-701-887-01 | IC SI-3001KWF                            |                                       |        |
|          |              |                               |          | (AEP,UK) | IC1902   | 8-759-656-35 | IC NJM7810FA                             |                                       |        |
|          |              |                               |          | (AEP,UK) | IC1903   | 8-759-647-11 | IC uPC2905HF                             |                                       |        |
|          |              |                               |          |          | IC1904   | 8-759-647-10 | IC uPC2933HF                             |                                       |        |
|          |              |                               |          |          | IC1905   | 8-759-647-10 | IC uPC2933HF (AEP,UK)                    |                                       |        |
|          |              |                               |          |          |          |              | < JACK >                                 |                                       |        |
| CNP5     | 1-779-978-11 | PIN, CONNECTOR 3P             |          |          | J1101    | 1-784-431-11 | JACK, PIN 1P (DIGITAL DVD/LD IN COAXIAL) |                                       |        |
| CNP6     | 1-784-928-11 | PIN, CONNECTOR 13P            |          |          |          |              |  |                                       |        |
| CNS1     | 1-573-829-11 | CONNECTOR, BOARD TO BOARD 15P |          |          |          |              |  |                                       |        |
| CNS2     | 1-784-041-41 | CONNECTOR, BOARD TO BOARD 9P  |          |          |          |              |  |                                       |        |



| Ref. No.            | Part No.     | Description | Remark                        | Ref. No. | Part No.     | Description | Remark        |
|---------------------|--------------|-------------|-------------------------------|----------|--------------|-------------|---------------|
| < JUMPER RESISTOR > |              |             |                               | R1209    | 1-216-809-11 | METAL CHIP  | 100 5% 1/16W  |
| JR1103              | 1-216-864-11 | METAL CHIP  | 0 5% 1/16W                    | R1210    | 1-216-833-11 | METAL CHIP  | 10K 5% 1/16W  |
| JR1104              | 1-216-864-11 | METAL CHIP  | 0 5% 1/16W                    | R1212    | 1-216-809-11 | METAL CHIP  | 100 5% 1/16W  |
| JR1110              | 1-216-295-11 | SHORT       | 0                             | R1213    | 1-216-809-11 | METAL CHIP  | 100 5% 1/16W  |
| JR1111              | 1-216-864-11 | METAL CHIP  | 0 5% 1/16W                    | R1214    | 1-216-809-11 | METAL CHIP  | 100 5% 1/16W  |
| JR1112              | 1-216-864-11 | METAL CHIP  | 0 5% 1/16W<br>(EXCEPT AEP,UK) | R1215    | 1-216-809-11 | METAL CHIP  | 100 5% 1/16W  |
| JR1113              | 1-216-864-11 | METAL CHIP  | 0 5% 1/16W<br>(EXCEPT AEP,UK) | R1216    | 1-216-809-11 | METAL CHIP  | 100 5% 1/16W  |
| JR1114              | 1-216-864-11 | METAL CHIP  | 0 5% 1/16W<br>(EXCEPT AEP,UK) | R1217    | 1-216-809-11 | METAL CHIP  | 100 5% 1/16W  |
| JR1115              | 1-216-864-11 | METAL CHIP  | 0 5% 1/16W                    | R1218    | 1-216-809-11 | METAL CHIP  | 100 5% 1/16W  |
| JR1116              | 1-216-295-11 | SHORT       | 0                             | R1219    | 1-216-809-11 | METAL CHIP  | 100 5% 1/16W  |
| JR1121              | 1-216-864-11 | METAL CHIP  | 0 5% 1/16W                    | R1220    | 1-216-809-11 | METAL CHIP  | 100 5% 1/16W  |
| JR1122              | 1-216-864-11 | METAL CHIP  | 0 5% 1/16W                    | R1221    | 1-216-809-11 | METAL CHIP  | 100 5% 1/16W  |
| L1901               | 1-216-864-11 | METAL CHIP  | 0 5% 1/16W                    | R1222    | 1-216-809-11 | METAL CHIP  | 100 5% 1/16W  |
| < TRANSISTOR >      |              |             |                               | R1304    | 1-216-841-11 | METAL CHIP  | 47K 5% 1/16W  |
| Q1601               | 8-729-027-43 | TRANSISTOR  | DTC114EKA-T146                | R1305    | 1-216-841-11 | METAL CHIP  | 47K 5% 1/16W  |
| Q1602               | 8-729-230-49 | TRANSISTOR  | 2SC2712-YG                    | R1308    | 1-216-821-11 | METAL CHIP  | 1K 5% 1/16W   |
| < RESISTOR >        |              |             |                               | R1314    | 1-216-864-11 | METAL CHIP  | 0 5% 1/16W    |
| R1100               | 1-216-857-11 | METAL CHIP  | 1M 5% 1/16W                   | R1364    | 1-216-864-11 | METAL CHIP  | 0 5% 1/16W    |
| R1101               | 1-216-833-11 | METAL CHIP  | 10K 5% 1/16W                  | R1501    | 1-216-815-11 | METAL CHIP  | 330 5% 1/16W  |
| R1102               | 1-216-833-11 | METAL CHIP  | 10K 5% 1/16W                  | R1502    | 1-216-833-11 | METAL CHIP  | 10K 5% 1/16W  |
| R1103               | 1-216-809-11 | METAL CHIP  | 100 5% 1/16W                  | R1503    | 1-216-833-11 | METAL CHIP  | 10K 5% 1/16W  |
| R1104               | 1-216-809-11 | METAL CHIP  | 100 5% 1/16W                  | R1504    | 1-216-815-11 | METAL CHIP  | 330 5% 1/16W  |
| R1105               | 1-216-829-11 | METAL CHIP  | 4.7K 5% 1/16W                 | R1505    | 1-216-825-11 | METAL CHIP  | 2.2K 5% 1/16W |
| R1106               | 1-216-839-11 | METAL CHIP  | 33K 5% 1/16W                  | R1506    | 1-216-833-11 | METAL CHIP  | 10K 5% 1/16W  |
| R1107               | 1-216-830-11 | METAL CHIP  | 5.6K 5% 1/16W                 | R1507    | 1-216-829-11 | METAL CHIP  | 4.7K 5% 1/16W |
| R1108               | 1-216-809-11 | METAL CHIP  | 100 5% 1/16W                  | R1508    | 1-216-845-11 | METAL CHIP  | 100K 5% 1/16W |
| R1109               | 1-216-809-11 | METAL CHIP  | 100 5% 1/16W                  | R1509    | 1-216-809-11 | METAL CHIP  | 100 5% 1/16W  |
| R1110               | 1-216-821-11 | METAL CHIP  | 1K 5% 1/16W                   | R1516    | 1-216-864-11 | METAL CHIP  | 0 5% 1/16W    |
| R1111               | 1-216-821-11 | METAL CHIP  | 1K 5% 1/16W                   | R1517    | 1-216-864-11 | METAL CHIP  | 0 5% 1/16W    |
| R1112               | 1-216-809-11 | METAL CHIP  | 100 5% 1/16W                  | R1518    | 1-216-864-11 | METAL CHIP  | 0 5% 1/16W    |
| R1113               | 1-216-821-11 | METAL CHIP  | 1K 5% 1/16W                   | R1519    | 1-216-864-11 | METAL CHIP  | 0 5% 1/16W    |
| R1114               | 1-216-809-11 | METAL CHIP  | 100 5% 1/16W                  | R1520    | 1-216-864-11 | METAL CHIP  | 0 5% 1/16W    |
| R1115               | 1-216-833-11 | METAL CHIP  | 10K 5% 1/16W                  | R1521    | 1-216-864-11 | METAL CHIP  | 0 5% 1/16W    |
| R1116               | 1-218-285-11 | RES-CHIP    | 75 5% 1/10W                   | R1551    | 1-216-815-11 | METAL CHIP  | 330 5% 1/16W  |
| R1117               | 1-216-821-11 | METAL CHIP  | 1K 5% 1/16W                   | R1552    | 1-216-833-11 | METAL CHIP  | 10K 5% 1/16W  |
| R1118               | 1-216-854-11 | METAL CHIP  | 560K 5% 1/16W                 | R1553    | 1-216-833-11 | METAL CHIP  | 10K 5% 1/16W  |
| R1119               | 1-216-837-11 | METAL CHIP  | 22K 5% 1/16W                  | R1554    | 1-216-815-11 | METAL CHIP  | 330 5% 1/16W  |
| R1121               | 1-216-809-11 | METAL CHIP  | 100 5% 1/16W                  | R1555    | 1-216-825-11 | METAL CHIP  | 2.2K 5% 1/16W |
| R1124               | 1-216-809-11 | METAL CHIP  | 100 5% 1/16W                  | R1556    | 1-216-833-11 | METAL CHIP  | 10K 5% 1/16W  |
| R1201               | 1-216-833-11 | METAL CHIP  | 10K 5% 1/16W                  | R1557    | 1-216-829-11 | METAL CHIP  | 4.7K 5% 1/16W |
| R1202               | 1-216-809-11 | METAL CHIP  | 100 5% 1/16W                  | R1600    | 1-216-829-11 | METAL CHIP  | 4.7K 5% 1/16W |
| R1203               | 1-216-833-11 | METAL CHIP  | 10K 5% 1/16W                  | R1601    | 1-216-821-11 | METAL CHIP  | 1K 5% 1/16W   |
| R1204               | 1-216-821-11 | METAL CHIP  | 1K 5% 1/16W                   | R1602    | 1-216-829-11 | METAL CHIP  | 4.7K 5% 1/16W |
| R1205               | 1-216-809-11 | METAL CHIP  | 100 5% 1/16W                  | R1603    | 1-216-821-11 | METAL CHIP  | 1K 5% 1/16W   |
| R1206               | 1-216-809-11 | METAL CHIP  | 100 5% 1/16W                  | R1604    | 1-216-809-11 | METAL CHIP  | 100 5% 1/16W  |
| R1207               | 1-216-809-11 | METAL CHIP  | 100 5% 1/16W                  | R1605    | 1-216-809-11 | METAL CHIP  | 100 5% 1/16W  |
| R1208               | 1-216-809-11 | METAL CHIP  | 100 5% 1/16W                  | R1606    | 1-216-821-11 | METAL CHIP  | 1K 5% 1/16W   |
|                     |              |             |                               | R1607    | 1-216-821-11 | METAL CHIP  | 1K 5% 1/16W   |
|                     |              |             |                               | R1608    | 1-216-821-11 | METAL CHIP  | 1K 5% 1/16W   |
|                     |              |             |                               | R1609    | 1-216-821-11 | METAL CHIP  | 1K 5% 1/16W   |
|                     |              |             |                               | R1610    | 1-216-821-11 | METAL CHIP  | 1K 5% 1/16W   |
|                     |              |             |                               | R1611    | 1-216-821-11 | METAL CHIP  | 1K 5% 1/16W   |
|                     |              |             |                               | R1612    | 1-216-821-11 | METAL CHIP  | 1K 5% 1/16W   |

# STR-DE485/DE485E

## DIGITAL

| Ref. No. | Part No.     | Description | Remark                          |
|----------|--------------|-------------|---------------------------------|
| R1613    | 1-216-821-11 | METAL CHIP  | 1K 5% 1/16W                     |
| R1614    | 1-216-821-11 | METAL CHIP  | 1K 5% 1/16W                     |
| R1615    | 1-216-821-11 | METAL CHIP  | 1K 5% 1/16W                     |
| R1617    | 1-216-809-11 | METAL CHIP  | 100 5% 1/16W                    |
| R1618    | 1-216-809-11 | METAL CHIP  | 100 5% 1/16W                    |
| R1619    | 1-216-809-11 | METAL CHIP  | 100 5% 1/16W                    |
| R1620    | 1-216-833-11 | METAL CHIP  | 10K 5% 1/16W                    |
| R1621    | 1-216-821-11 | METAL CHIP  | 1K 5% 1/16W                     |
| R1622    | 1-216-833-11 | METAL CHIP  | 10K 5% 1/16W                    |
| R1623    | 1-216-821-11 | METAL CHIP  | 1K 5% 1/16W                     |
| R1624    | 1-216-833-11 | METAL CHIP  | 10K 5% 1/16W                    |
| R1625    | 1-216-833-11 | METAL CHIP  | 10K 5% 1/16W                    |
| R1626    | 1-216-833-11 | METAL CHIP  | 10K 5% 1/16W                    |
| R1627    | 1-216-833-11 | METAL CHIP  | 10K 5% 1/16W                    |
| R1628    | 1-216-833-11 | METAL CHIP  | 10K 5% 1/16W                    |
| R1629    | 1-216-833-11 | METAL CHIP  | 10K 5% 1/16W                    |
| R1630    | 1-216-833-11 | METAL CHIP  | 10K 5% 1/16W                    |
| R1631    | 1-216-829-11 | METAL CHIP  | 4.7K 5% 1/16W                   |
| R1632    | 1-216-841-11 | METAL CHIP  | 47K 5% 1/16W                    |
| R1633    | 1-216-841-11 | METAL CHIP  | 47K 5% 1/16W                    |
| R1634    | 1-216-841-11 | METAL CHIP  | 47K 5% 1/16W<br>(EXCEPT US,CND) |
| R1635    | 1-216-833-11 | METAL CHIP  | 10K 5% 1/16W                    |
| R1636    | 1-216-833-11 | METAL CHIP  | 10K 5% 1/16W                    |
| R1637    | 1-216-833-11 | METAL CHIP  | 10K 5% 1/16W                    |
| R1638    | 1-216-829-11 | METAL CHIP  | 4.7K 5% 1/16W                   |
| R1639    | 1-216-821-11 | METAL CHIP  | 1K 5% 1/16W                     |
| R1640    | 1-216-821-11 | METAL CHIP  | 1K 5% 1/16W                     |
| R1641    | 1-216-821-11 | METAL CHIP  | 1K 5% 1/16W                     |
| R1642    | 1-216-833-11 | METAL CHIP  | 10K 5% 1/16W                    |
| R1643    | 1-216-821-11 | METAL CHIP  | 1K 5% 1/16W                     |
| R1644    | 1-216-821-11 | METAL CHIP  | 1K 5% 1/16W                     |
| R1645    | 1-216-821-11 | METAL CHIP  | 1K 5% 1/16W                     |
| R1646    | 1-216-821-11 | METAL CHIP  | 1K 5% 1/16W                     |
| R1647    | 1-216-821-11 | METAL CHIP  | 1K 5% 1/16W                     |
| R1648    | 1-216-821-11 | METAL CHIP  | 1K 5% 1/16W                     |
| R1649    | 1-216-821-11 | METAL CHIP  | 1K 5% 1/16W                     |
| R1650    | 1-216-833-11 | METAL CHIP  | 10K 5% 1/16W                    |
| R1651    | 1-216-833-11 | METAL CHIP  | 10K 5% 1/16W                    |
| R1654    | 1-216-833-11 | METAL CHIP  | 10K 5% 1/16W                    |
| R1655    | 1-216-833-11 | METAL CHIP  | 10K 5% 1/16W                    |
| R1656    | 1-216-833-11 | METAL CHIP  | 10K 5% 1/16W                    |
| R1657    | 1-216-833-11 | METAL CHIP  | 10K 5% 1/16W                    |
| R1658    | 1-216-809-11 | METAL CHIP  | 100 5% 1/16W                    |
| R1659    | 1-216-833-11 | METAL CHIP  | 10K 5% 1/16W                    |
| R1661    | 1-216-833-11 | METAL CHIP  | 10K 5% 1/16W                    |
| R1662    | 1-216-827-11 | METAL CHIP  | 3.3K 5% 1/16W                   |
| R1663    | 1-216-827-11 | METAL CHIP  | 3.3K 5% 1/16W                   |
| R1664    | 1-216-809-11 | METAL CHIP  | 100 5% 1/16W                    |
| R1665    | 1-216-809-11 | METAL CHIP  | 100 5% 1/16W                    |
| R1666    | 1-216-833-11 | METAL CHIP  | 10K 5% 1/16W                    |
| R1667    | 1-216-821-11 | METAL CHIP  | 1K 5% 1/16W                     |
| R1668    | 1-216-830-11 | METAL CHIP  | 5.6K 5% 1/16W                   |

| Ref. No. | Part No.     | Description | Remark                      |
|----------|--------------|-------------|-----------------------------|
| R1669    | 1-216-829-11 | METAL CHIP  | 4.7K 5% 1/16W               |
| R1670    | 1-216-833-11 | METAL CHIP  | 10K 5% 1/16W                |
| R1673    | 1-216-821-11 | METAL CHIP  | 1K 5% 1/16W                 |
| R1674    | 1-216-821-11 | METAL CHIP  | 1K 5% 1/16W                 |
| R1676    | 1-216-821-11 | METAL CHIP  | 1K 5% 1/16W                 |
| R1677    | 1-216-821-11 | METAL CHIP  | 1K 5% 1/16W                 |
| R1678    | 1-216-821-11 | METAL CHIP  | 1K 5% 1/16W                 |
| R1679    | 1-216-821-11 | METAL CHIP  | 1K 5% 1/16W                 |
| R1682    | 1-216-845-11 | METAL CHIP  | 100K 5% 1/16W               |
| R1684    | 1-216-821-11 | METAL CHIP  | 1K 5% 1/16W                 |
| R1685    | 1-216-821-11 | METAL CHIP  | 1K 5% 1/16W                 |
| R1686    | 1-216-821-11 | METAL CHIP  | 1K 5% 1/16W                 |
| R1687    | 1-216-833-11 | METAL CHIP  | 10K 5% 1/16W                |
| R1688    | 1-216-864-11 | METAL CHIP  | 0 5% 1/16W                  |
| R1689    | 1-216-833-11 | METAL CHIP  | 10K 5% 1/16W                |
| R1690    | 1-216-833-11 | METAL CHIP  | 10K 5% 1/16W                |
| R1694    | 1-216-821-11 | METAL CHIP  | 1K 5% 1/16W                 |
| R1697    | 1-216-825-11 | METAL CHIP  | 2.2K 5% 1/16W<br>(AEP,UK)   |
| R1697    | 1-216-829-11 | METAL CHIP  | 4.7K 5% 1/16W<br>(CH,SP,AR) |
| R1697    | 1-216-833-11 | METAL CHIP  | 10K 5% 1/16W<br>(E,AUS,MX)  |
| R1697    | 1-216-837-11 | METAL CHIP  | 22K 5% 1/16W<br>(TW)        |
| R1697    | 1-216-864-11 | METAL CHIP  | 0 5% 1/16W<br>(US,CND)      |
| R1698    | 1-216-829-11 | METAL CHIP  | 4.7K 5% 1/16W               |
| R1699    | 1-216-829-11 | METAL CHIP  | 4.7K 5% 1/16W               |
| R1703    | 1-216-833-11 | METAL CHIP  | 10K 5% 1/16W                |
| R1704    | 1-216-833-11 | METAL CHIP  | 10K 5% 1/16W                |
| R1705    | 1-216-809-11 | METAL CHIP  | 100 5% 1/16W                |
| R1706    | 1-216-833-11 | METAL CHIP  | 10K 5% 1/16W                |
| R1707    | 1-216-833-11 | METAL CHIP  | 10K 5% 1/16W                |
| R1708    | 1-216-833-11 | METAL CHIP  | 10K 5% 1/16W                |
| R1709    | 1-216-833-11 | METAL CHIP  | 10K 5% 1/16W                |
| R1710    | 1-216-809-11 | METAL CHIP  | 100 5% 1/16W                |
| R1711    | 1-216-809-11 | METAL CHIP  | 100 5% 1/16W                |

< VIBRATOR >

- X1101 1-795-126-21 VIBRATOR, CRYSTAL (12.288MHz)
- X1201 1-795-297-21 VIBRATOR, CERAMIC (13.5MHz)
- X1601 1-795-318-11 VIBRATOR, CERAMIC (20MHz)

\*\*\*\*\*

| Ref. No. | Part No.     | Description                                      | Remark | Ref. No. | Part No.     | Description                         | Remark                              |
|----------|--------------|--|--------|----------|--------------|-------------------------------------|-------------------------------------|
|          | A-4727-822-A | DISPLAY BOARD, COMPLETE (US,AUS,SP,TW)           |        | D113     | 8-719-046-39 | LED SEL5821A-TP15 (SET UP)          |                                     |
|          | A-4727-847-A | DISPLAY BOARD, COMPLETE<br>(EXCEPT US,AUS,SP,TW) |        | D114     | 8-719-046-39 | LED SEL5821A-TP15 (NAME)            |                                     |
|          |              | *****  |        |          |              | < FLUORESCENT INDICATOR >           |                                     |
| *        | 3-386-245-13 | HOLDER (FL) (US,AUS,SP,TW)                       |        | FL101    | 1-518-718-11 | INDICATOR TUBE, FLUORESCENT         |                                     |
| *        | 3-386-245-21 | HOLDER (FL) (EXCEPT US,AUS,SP,TW)                |        |          |              | < IC >                              |                                     |
|          | 4-921-941-01 | CUSHION (FL)                                     |        | IC100    | 8-759-643-83 | IC uPD16315GB-3BS                   |                                     |
|          |              | < CAPACITOR >                                    |        | IC101    | 8-759-036-90 | IC MC74ACT08N                       |                                     |
| C100     | 1-164-159-11 | CERAMIC  | 0.1uF  | 50V      | IC102        | 6-600-055-01                        | IC GP1UD27SXX                       |
| C101     | 1-164-159-11 | CERAMIC  | 0.1uF  | 50V      |              |                                     | < COIL >                            |
| C104     | 1-164-159-11 | CERAMIC  | 0.1uF  | 50V      |              |                                     |                                     |
| C105     | 1-126-795-11 | ELECT  | 10uF   | 20%      | 50V          |                                     |                                     |
| C108     | 1-164-159-11 | CERAMIC  | 0.1uF  | 50V      | L102         | 1-408-088-00                        | INDUCTOR 220uH                      |
| C109     | 1-164-159-11 | CERAMIC  | 0.1uF  | 50V      |              |                                     | < TRANSISTOR >                      |
| C110     | 1-128-809-11 | CERAMIC  | 100PF  | 5%       | 50V          |                                     |                                     |
| C111     | 1-128-809-11 | CERAMIC  | 100PF  | 5%       | 50V          | Q100                                | 8-729-119-78 TRANSISTOR 2SC2785-HFE |
| C112     | 1-128-809-11 | CERAMIC  | 100PF  | 5%       | 50V          | Q101                                | 8-729-119-78 TRANSISTOR 2SC2785-HFE |
| C114     | 1-164-159-11 | CERAMIC  | 0.1uF  | 50V      | Q102         | 8-729-119-78 TRANSISTOR 2SC2785-HFE |                                     |
| C115     | 1-126-795-11 | ELECT  | 10uF   | 20%      | 50V          | Q103                                | 8-729-119-78 TRANSISTOR 2SC2785-HFE |
| C132     | 1-128-813-11 | CERAMIC  | 220PF  | 5%       | 50V          | Q104                                | 8-729-119-78 TRANSISTOR 2SC2785-HFE |
| C133     | 1-128-813-11 | CERAMIC  | 220PF  | 5%       | 50V          | Q107                                | 8-729-900-36 TRANSISTOR DTC124ES    |
| C134     | 1-128-813-11 | CERAMIC  | 220PF  | 5%       | 50V          | Q108                                | 8-729-900-36 TRANSISTOR DTC124ES    |
| C135     | 1-128-813-11 | CERAMIC  | 220PF  | 5%       | 50V          | Q109                                | 8-729-900-36 TRANSISTOR DTC124ES    |
| C136     | 1-128-813-11 | CERAMIC  | 220PF  | 5%       | 50V          | Q110                                | 8-729-900-63 TRANSISTOR DTA124ES    |
| C137     | 1-128-813-11 | CERAMIC  | 220PF  | 5%       | 50V          | Q111                                | 8-729-900-63 TRANSISTOR DTA124ES    |
| C138     | 1-128-813-11 | CERAMIC  | 220PF  | 5%       | 50V          |                                     | < RESISTOR >                        |
| C139     | 1-128-813-11 | CERAMIC  | 220PF  | 5%       | 50V          | R101                                | 1-249-409-11 CARBON 220 5% 1/4W     |
| C140     | 1-128-813-11 | CERAMIC  | 220PF  | 5%       | 50V          |                                     | (US,AUS,SP,TW)                      |
| C141     | 1-128-813-11 | CERAMIC  | 220PF  | 5%       | 50V          | R101                                | 1-249-413-11 CARBON 470 5% 1/4W     |
| C142     | 1-128-813-11 | CERAMIC  | 220PF  | 5%       | 50V          |                                     | (EXCEPT US,AUS,SP,TW)               |
| C143     | 1-128-813-11 | CERAMIC  | 220PF  | 5%       | 50V          | R102                                | 1-249-411-11 CARBON 330 5% 1/4W     |
| C144     | 1-164-159-11 | CERAMIC  | 0.1uF  | 50V      | R103         | 1-249-413-11 CARBON 470 5% 1/4W     |                                     |
| C145     | 1-164-159-11 | CERAMIC  | 0.1uF  | 50V      | R104         | 1-249-415-11 CARBON 680 5% 1/4W     |                                     |
| C150     | 1-164-159-11 | CERAMIC  | 0.1uF  | 50V      | R105         | 1-249-417-11 CARBON 1K 5% 1/4W      |                                     |
| C151     | 1-126-795-11 | ELECT  | 10uF   | 20%      | 50V          | R106                                | 1-249-419-11 CARBON 1.5K 5% 1/4W    |
| C155     | 1-164-159-11 | CERAMIC  | 0.1uF  | 50V      | R107         | 1-249-421-11 CARBON 2.2K 5% 1/4W    |                                     |
| C156     | 1-164-159-11 | CERAMIC  | 0.1uF  | 50V      | R108         | 1-249-425-11 CARBON 4.7K 5% 1/4W    |                                     |
| C157     | 1-164-159-11 | CERAMIC  | 0.1uF  | 50V      | R109         | 1-249-429-11 CARBON 10K 5% 1/4W     |                                     |
| C158     | 1-128-809-11 | CERAMIC  | 100PF  | 5%       | 50V          | R111                                | 1-249-409-11 CARBON 220 5% 1/4W     |
| C159     | 1-128-809-11 | CERAMIC  | 100PF  | 5%       | 50V          |                                     | (US,AUS,SP,TW)                      |
| C160     | 1-128-809-11 | CERAMIC  | 100PF  | 5%       | 50V          | R111                                | 1-249-413-11 CARBON 470 5% 1/4W     |
|          |              | < DIODE >  |        |          |              |                                     | (EXCEPT US,AUS,SP,TW)               |
| D100     | 8-719-075-59 | LED SELS5B23C-TP15 (Digital Cinema Sound)        |        | R112     | 1-249-411-11 | CARBON 330 5% 1/4W                  |                                     |
| D102     | 8-719-072-82 | LED SELU5E20C-STP15<br>(MULTI CHANNEL DECODING)  |        | R113     | 1-249-413-11 | CARBON 470 5% 1/4W                  |                                     |
| D103     | 8-719-046-39 | LED SEL5821A-TP15 (SOUND FIELD A.F.D.)           |        | R114     | 1-249-415-11 | CARBON 680 5% 1/4W                  |                                     |
| D104     | 8-719-046-39 | LED SEL5821A-TP15 (SOUND FIELD 2CH)              |        | R115     | 1-249-417-11 | CARBON 1K 5% 1/4W                   |                                     |
| D105     | 8-719-046-39 | LED SEL5821A-TP15 (SOUND FIELD MODE)             |        | R116     | 1-249-419-11 | CARBON 1.5K 5% 1/4W                 |                                     |
|          |              |  |        | R117     | 1-249-421-11 | CARBON 2.2K 5% 1/4W                 |                                     |
| D111     | 8-719-046-39 | LED SEL5821A-TP15<br>(SOUND CONTROL LEVEL)       |        | R118     | 1-249-425-11 | CARBON 4.7K 5% 1/4W                 |                                     |
| D112     | 8-719-046-39 | LED SEL5821A-TP15 (SOUND CONTROL SURR)           |        | R119     | 1-249-429-11 | CARBON 10K 5% 1/4W                  |                                     |
|          |              |  |        | R121     | 1-249-409-11 | CARBON 220 5% 1/4W                  |                                     |
|          |              |  |        | R122     | 1-249-411-11 | CARBON 330 5% 1/4W                  |                                     |

# STR-DE485/DE485E

|                |                  |
|----------------|------------------|
| <b>DISPLAY</b> | <b>HEADPHONE</b> |
|----------------|------------------|

| Ref. No.           | Part No.     | Description                           | Remark          |
|--------------------|--------------|---------------------------------------|-----------------|
| R123               | 1-249-413-11 | CARBON 470                            | 5% 1/4W         |
| R124               | 1-249-415-11 | CARBON 680                            | 5% 1/4W         |
| R125               | 1-249-417-11 | CARBON 1K                             | 5% 1/4W         |
| R126               | 1-249-419-11 | CARBON 1.5K                           | 5% 1/4W         |
| R127               | 1-249-421-11 | CARBON 2.2K                           | 5% 1/4W         |
| R128               | 1-249-425-11 | CARBON 4.7K                           | 5% 1/4W         |
| R131               | 1-249-409-11 | CARBON 220                            | 5% 1/4W         |
| R132               | 1-249-411-11 | CARBON 330                            | 5% 1/4W         |
| R133               | 1-249-413-11 | CARBON 470                            | 5% 1/4W         |
| R134               | 1-249-415-11 | CARBON 680                            | 5% 1/4W         |
| R135               | 1-249-417-11 | CARBON 1K                             | 5% 1/4W         |
| R136               | 1-249-419-11 | CARBON 1.5K                           | 5% 1/4W         |
| R137               | 1-249-421-11 | CARBON 2.2K                           | 5% 1/4W         |
| R141               | 1-249-421-11 | CARBON 2.2K                           | 5% 1/4W         |
| R142               | 1-249-421-11 | CARBON 2.2K                           | 5% 1/4W         |
| R143               | 1-249-421-11 | CARBON 2.2K                           | 5% 1/4W         |
| R144               | 1-249-421-11 | CARBON 2.2K                           | 5% 1/4W         |
| R148               | 1-249-421-11 | CARBON 2.2K                           | 5% 1/4W         |
| R150               | 1-249-440-11 | CARBON 82K                            | 5% 1/4W         |
| R153               | 1-247-807-31 | CARBON 100                            | 5% 1/4W         |
| R154               | 1-249-393-11 | CARBON 10                             | 5% 1/4W         |
| R155               | 1-249-441-11 | CARBON 100K                           | 5% 1/4W         |
| R160               | 1-247-807-31 | CARBON 100                            | 5% 1/4W         |
| R161               | 1-247-807-31 | CARBON 100                            | 5% 1/4W         |
| R162               | 1-247-807-31 | CARBON 100                            | 5% 1/4W         |
| R163               | 1-247-807-31 | CARBON 100                            | 5% 1/4W         |
| R164               | 1-249-429-11 | CARBON 10K                            | 5% 1/4W         |
| R165               | 1-249-403-11 | CARBON 68                             | 5% 1/4W         |
| R166               | 1-249-409-11 | CARBON 220                            | 5% 1/4W         |
| R167               | 1-249-409-11 | CARBON 220                            | 5% 1/4W         |
| R168               | 1-249-409-11 | CARBON 220                            | 5% 1/4W         |
| R169               | 1-249-409-11 | CARBON 220                            | 5% 1/4W         |
| R170               | 1-249-429-11 | CARBON 10K                            | 5% 1/4W         |
| R171               | 1-249-429-11 | CARBON 10K                            | 5% 1/4W         |
| R175               | 1-249-393-11 | CARBON 10                             | 5% 1/4W         |
| R198               | 1-249-381-11 | CARBON 1                              | 5% 1/4W         |
| R199               | 1-249-381-11 | CARBON 1                              | 5% 1/4W         |
| < ROTARY ENCODER > |              |                                       |                 |
| RV102              | 1-418-725-41 | ENCODER, ROTARY (12 TYPE)             | (MASTER VOLUME) |
| < SWITCH >         |              |                                       |                 |
| S100               | 1-771-410-21 | SWITCH, TACTILE (PRESET/PTY SELECT -) | (AEP,UK)        |
| S100               | 1-771-410-21 | SWITCH, TACTILE (PRESET TUNING -)     | (EXCEPT AEP,UK) |
| S101               | 1-771-410-21 | SWITCH, TACTILE (TUNING -)            |                 |
| S102               | 1-771-410-21 | SWITCH, TACTILE (NAME)                |                 |
| S103               | 1-771-410-21 | SWITCH, TACTILE (ENTER)               |                 |
| S104               | 1-771-410-21 | SWITCH, TACTILE (SOUND CONTROL LEVEL) |                 |
| S105               | 1-771-410-21 | SWITCH, TACTILE (SOUND CONTROL SURR)  |                 |
| S106               | 1-771-410-21 | SWITCH, TACTILE (MENU -)              |                 |

| Ref. No.      | Part No.     | Description                           | Remark          |
|---------------|--------------|---------------------------------------|-----------------|
| S107          | 1-771-410-21 | SWITCH, TACTILE (SET UP)              |                 |
| S108          | 1-771-410-21 | SWITCH, TACTILE (VIDEO 1)             |                 |
| S109          | 1-771-410-21 | SWITCH, TACTILE (MD/TAPE)             |                 |
| S110          | 1-771-410-21 | SWITCH, TACTILE (MUTING)              |                 |
| S111          | 1-771-410-21 | SWITCH, TACTILE (INPUT MODE)          |                 |
| S112          | 1-771-410-21 | SWITCH, TACTILE (TREBLE +)            |                 |
| S113          | 1-771-410-21 | SWITCH, TACTILE (MULTI CH IN)         |                 |
| S114          | 1-771-410-21 | SWITCH, TACTILE (CD)                  |                 |
| S115          | 1-771-410-21 | SWITCH, TACTILE (TUNER)               |                 |
| S116          | 1-771-410-21 | SWITCH, TACTILE (VIDEO 2)             |                 |
| S117          | 1-771-410-21 | SWITCH, TACTILE (BASS -)              |                 |
| S118          | 1-771-410-21 | SWITCH, TACTILE (SOUND FIELD MODE)    |                 |
| S119          | 1-771-410-21 | SWITCH, TACTILE (PRESET/PTY SELECT +) | (AEP,UK)        |
| S119          | 1-771-410-21 | SWITCH, TACTILE (PRESET TUNING +)     | (EXCEPT AEP,UK) |
| S120          | 1-771-410-21 | SWITCH, TACTILE (FM/AM)               | (AEP,UK)        |
| S120          | 1-771-410-21 | SWITCH, TACTILE (FM)                  | (EXCEPT AEP,UK) |
| S121          | 1-771-410-21 | SWITCH, TACTILE (SHIFT)               |                 |
| S122          | 1-771-410-21 | SWITCH, TACTILE (FM MODE)             |                 |
| S123          | 1-771-410-21 | SWITCH, TACTILE (MENU >)              |                 |
| S124          | 1-771-410-21 | SWITCH, TACTILE (MENU <)              |                 |
| S125          | 1-771-410-21 | SWITCH, TACTILE (PTY)                 | (AEP,UK)        |
| S125          | 1-771-410-21 | SWITCH, TACTILE (AM)                  | (EXCEPT AEP,UK) |
| S126          | 1-771-410-21 | SWITCH, TACTILE (MEMORY)              |                 |
| S127          | 1-771-410-21 | SWITCH, TACTILE (TUNING +)            |                 |
| S128          | 1-771-410-21 | SWITCH, TACTILE (MENU +)              |                 |
| S130          | 1-771-410-21 | SWITCH, TACTILE (TREBLE -)            |                 |
| S131          | 1-771-410-21 | SWITCH, TACTILE (DVD/LD)              |                 |
| S132          | 1-771-410-21 | SWITCH, TACTILE (CINEMA STUDIO EX C)  |                 |
| S133          | 1-771-410-21 | SWITCH, TACTILE (CINEMA STUDIO EX B)  |                 |
| S134          | 1-771-410-21 | SWITCH, TACTILE (CINEMA STUDIO EX A)  |                 |
| S135          | 1-771-410-21 | SWITCH, TACTILE (BASS +)              |                 |
| S136          | 1-771-410-21 | SWITCH, TACTILE (SOUND FIELD A.F.D.)  |                 |
| S137          | 1-771-410-21 | SWITCH, TACTILE (SOUND FIELD 2CH)     |                 |
| *****         |              |                                       |                 |
|               | 1-683-763-11 | HEADPHONE BOARD                       | *****           |
| < CAPACITOR > |              |                                       |                 |
| C790          | 1-164-159-11 | CERAMIC 0.1uF                         | 50V             |
| < CONNECTOR > |              |                                       |                 |
| CNP791        | 1-691-766-11 | PLUG (MICRO CONNECTOR) 4P             |                 |
| < JACK >      |              |                                       |                 |
| J791          | 1-815-313-21 | JACK (PHONES) (CH,SP,TW)              |                 |
| J791          | 1-815-314-21 | JACK (PHONES) (EXCEPT CH,SP,TW)       |                 |
| *****         |              |                                       |                 |

| Ref. No.     | Part No.     | Description                      | Remark        | Ref. No. | Part No.     | Description | Remark           |
|--------------|--------------|----------------------------------|---------------|----------|--------------|-------------|------------------|
| A-4727-811-A |              | MAIN BOARD, COMPLETE (US)        |               | C483     | 1-126-964-11 | ELECT       | 10uF 20% 50V     |
| A-4727-836-A |              | MAIN BOARD, COMPLETE (CND)       |               | C484     | 1-126-964-11 | ELECT       | 10uF 20% 50V     |
| A-4727-848-A |              | MAIN BOARD, COMPLETE (AEP,UK)    |               | C485     | 1-126-964-11 | ELECT       | 10uF 20% 50V     |
| A-4727-998-A |              | MAIN BOARD, COMPLETE (E,MX,AR)   |               | C486     | 1-126-964-11 | ELECT       | 10uF 20% 50V     |
| A-4728-004-A |              | MAIN BOARD, COMPLETE (CH)        |               | C487     | 1-126-964-11 | ELECT       | 10uF 20% 50V     |
| A-4728-861-A |              | MAIN BOARD, COMPLETE (AUS,SP,TW) |               | C488     | 1-164-159-11 | CERAMIC     | 0.1uF 50V        |
|              |              | *****                            |               | C489     | 1-128-809-11 | CERAMIC     | 100PF 5% 50V     |
|              |              |                                  |               | C490     | 1-128-809-11 | CERAMIC     | 100PF 5% 50V     |
| 7-685-646-79 |              | SCREW +BVTP 3X8 TYPE2 IT-3       |               | C491     | 1-126-964-11 | ELECT       | 10uF 20% 50V     |
|              |              | < CAPACITOR >                    |               | C492     | 1-126-964-11 | ELECT       | 10uF 20% 50V     |
| C371         | 1-161-494-00 | CERAMIC                          | 0.022uF 25V   | C493     | 1-126-964-11 | ELECT       | 10uF 20% 50V     |
| C372         | 1-161-494-00 | CERAMIC                          | 0.022uF 25V   | C494     | 1-126-964-11 | ELECT       | 10uF 20% 50V     |
| C373         | 1-161-494-00 | CERAMIC                          | 0.022uF 25V   | C495     | 1-126-964-11 | ELECT       | 10uF 20% 50V     |
| C374         | 1-164-159-11 | CERAMIC                          | 0.1uF 50V     | C496     | 1-126-963-11 | ELECT       | 4.7uF 20% 50V    |
| C375         | 1-161-494-00 | CERAMIC                          | 0.022uF 25V   | C497     | 1-128-809-11 | CERAMIC     | 100PF 5% 50V     |
| C376         | 1-161-494-00 | CERAMIC                          | 0.022uF 25V   | C498     | 1-162-211-31 | CERAMIC     | 33PF 5% 50V      |
| C402         | 1-126-964-11 | ELECT                            | 10uF 20% 50V  | C501     | 1-126-963-11 | ELECT       | 4.7uF 20% 50V    |
| C404         | 1-126-964-11 | ELECT                            | 10uF 20% 50V  | C503     | 1-104-665-11 | ELECT       | 100uF 20% 10V    |
| C405         | 1-126-964-11 | ELECT                            | 10uF 20% 50V  | C504     | 1-107-583-11 | CERAMIC     | 3PF 0.25PF 500V  |
| C406         | 1-126-964-11 | ELECT                            | 10uF 20% 50V  | C505     | 1-101-810-00 | CERAMIC     | 100PF 5% 500V    |
| C407         | 1-126-964-11 | ELECT                            | 10uF 20% 50V  | C506     | 1-101-810-00 | CERAMIC     | 100PF 5% 500V    |
| C408         | 1-126-964-11 | ELECT                            | 10uF 20% 50V  | C507     | 1-128-809-11 | CERAMIC     | 100PF 5% 50V     |
| C409         | 1-126-964-11 | ELECT                            | 10uF 20% 50V  | C510     | 1-126-947-11 | ELECT       | 47uF 20% 25V     |
| C411         | 1-126-961-11 | ELECT                            | 2.2uF 20% 50V | C511     | 1-136-157-00 | FILM        | 0.022uF 5% 50V   |
| C412         | 1-126-961-11 | ELECT                            | 2.2uF 20% 50V | C516     | 1-162-815-11 | CERAMIC     | 47PF 5% 500V     |
| C413         | 1-126-964-11 | ELECT                            | 10uF 20% 50V  | C517     | 1-162-815-11 | CERAMIC     | 47PF 5% 500V     |
| C414         | 1-126-964-11 | ELECT                            | 10uF 20% 50V  | C519     | 1-128-813-11 | CERAMIC     | 220PF 5% 50V     |
| C415         | 1-124-261-00 | ELECT                            | 10uF 20% 50V  | C540     | 1-126-964-11 | ELECT       | 10uF 20% 50V     |
| C416         | 1-126-964-11 | ELECT                            | 10uF 20% 50V  | C541     | 1-127-876-11 | CERAMIC     | 0.01uF 10% 50V   |
| C417         | 1-124-261-00 | ELECT                            | 10uF 20% 50V  | C601     | 1-126-963-11 | ELECT       | 4.7uF 20% 50V    |
| C418         | 1-126-964-11 | ELECT                            | 10uF 20% 50V  | C603     | 1-104-665-11 | ELECT       | 100uF 20% 10V    |
| C419         | 1-126-964-11 | ELECT                            | 10uF 20% 50V  | C604     | 1-107-583-11 | CERAMIC     | 3PF 0.25PF 500V  |
| C431         | 1-126-961-11 | ELECT                            | 2.2uF 20% 50V | C605     | 1-102-233-00 | CERAMIC     | 33PF 10% 500V    |
| C432         | 1-126-961-11 | ELECT                            | 2.2uF 20% 50V | C606     | 1-128-813-11 | CERAMIC     | 220PF 5% 50V     |
| C433         | 1-126-964-11 | ELECT                            | 10uF 20% 50V  | C607     | 1-128-809-11 | CERAMIC     | 100PF 5% 50V     |
| C452         | 1-126-964-11 | ELECT                            | 10uF 20% 50V  | C610     | 1-126-947-11 | ELECT       | 47uF 20% 25V     |
| C454         | 1-126-964-11 | ELECT                            | 10uF 20% 50V  | C611     | 1-136-157-00 | FILM        | 0.022uF 5% 50V   |
| C455         | 1-126-964-11 | ELECT                            | 10uF 20% 50V  | C616     | 1-106-355-12 | MYLAR       | 0.0033uF 5% 200V |
| C456         | 1-126-964-11 | ELECT                            | 10uF 20% 50V  | C617     | 1-106-355-12 | MYLAR       | 0.0033uF 5% 200V |
| C457         | 1-126-964-11 | ELECT                            | 10uF 20% 50V  | C619     | 1-128-813-11 | CERAMIC     | 220PF 5% 50V     |
| C458         | 1-126-964-11 | ELECT                            | 10uF 20% 50V  | C620     | 1-162-815-11 | CERAMIC     | 47PF 5% 500V     |
| C459         | 1-126-964-11 | ELECT                            | 10uF 20% 50V  | C621     | 1-162-815-11 | CERAMIC     | 47PF 5% 500V     |
| C461         | 1-126-961-11 | ELECT                            | 2.2uF 20% 50V | C640     | 1-126-964-11 | ELECT       | 10uF 20% 50V     |
| C462         | 1-126-961-11 | ELECT                            | 2.2uF 20% 50V | C642     | 1-127-876-11 | CERAMIC     | 0.01uF 10% 50V   |
| C464         | 1-164-159-11 | CERAMIC                          | 0.1uF 50V     | C651     | 1-126-963-11 | ELECT       | 4.7uF 20% 50V    |
| C465         | 1-126-969-11 | ELECT                            | 220uF 20% 50V | C653     | 1-104-665-11 | ELECT       | 100uF 20% 10V    |
| C466         | 1-126-964-11 | ELECT                            | 10uF 20% 50V  | C654     | 1-107-583-11 | CERAMIC     | 3PF 0.25PF 500V  |
| C467         | 1-164-159-11 | CERAMIC                          | 0.1uF 50V     | C655     | 1-102-233-00 | CERAMIC     | 33PF 10% 500V    |
| C471         | 1-126-963-11 | ELECT                            | 4.7uF 20% 50V | C656     | 1-128-813-11 | CERAMIC     | 220PF 5% 50V     |
| C472         | 1-126-963-11 | ELECT                            | 4.7uF 20% 50V | C657     | 1-128-809-11 | CERAMIC     | 100PF 5% 50V     |
| C481         | 1-126-964-11 | ELECT                            | 10uF 20% 50V  | C660     | 1-126-947-11 | ELECT       | 47uF 20% 25V     |
| C482         | 1-126-964-11 | ELECT                            | 10uF 20% 50V  | C661     | 1-136-157-00 | FILM        | 0.022uF 5% 50V   |
|              |              |                                  |               | C666     | 1-162-815-11 | CERAMIC     | 47PF 5% 500V     |

# STR-DE485/DE485E

## MAIN

| Ref. No. | Part No.     | Description | Remark                                |
|----------|--------------|-------------|---------------------------------------|
| C669     | 1-162-815-11 | CERAMIC     | 47PF 5% 500V                          |
| C670     | 1-128-813-11 | CERAMIC     | 220PF 5% 50V                          |
| C680     | 1-126-964-11 | ELECT       | 10uF 20% 50V                          |
| C681     | 1-127-876-11 | CERAMIC     | 0.01uF 10% 50V                        |
| C691     | 1-164-159-11 | CERAMIC     | 0.1uF 50V                             |
| C701     | 1-126-963-11 | ELECT       | 4.7uF 20% 50V                         |
| C703     | 1-104-665-11 | ELECT       | 100uF 20% 10V                         |
| C704     | 1-107-583-11 | CERAMIC     | 3PF 0.25PF 500V                       |
| C705     | 1-102-233-00 | CERAMIC     | 33PF 10% 500V                         |
| C706     | 1-128-813-11 | CERAMIC     | 220PF 5% 50V                          |
| C707     | 1-128-809-11 | CERAMIC     | 100PF 5% 50V                          |
| C710     | 1-126-947-11 | ELECT       | 47uF 20% 25V                          |
| C711     | 1-136-157-00 | FILM        | 0.022uF 5% 50V                        |
| C716     | 1-162-815-11 | CERAMIC     | 47PF 5% 500V                          |
| C717     | 1-162-815-11 | CERAMIC     | 47PF 5% 500V                          |
| C720     | 1-128-813-11 | CERAMIC     | 220PF 5% 50V                          |
| C721     | 1-126-934-11 | ELECT       | 220uF 20% 10V                         |
| C722     | 1-126-964-11 | ELECT       | 10uF 20% 50V                          |
| C732     | 1-128-582-11 | ELECT       | 10uF 20% 100V                         |
| C733     | 1-128-582-11 | ELECT       | 10uF 20% 100V                         |
| C740     | 1-126-964-11 | ELECT       | 10uF 20% 50V                          |
| C741     | 1-128-579-11 | ELECT       | 2.2uF 20% 100V                        |
| C742     | 1-127-876-11 | CERAMIC     | 0.01uF 10% 50V                        |
| C750     | 1-126-964-11 | ELECT       | 10uF 20% 50V                          |
| C751     | 1-126-963-11 | ELECT       | 4.7uF 20% 50V                         |
| C752     | 1-127-876-11 | CERAMIC     | 0.01uF 10% 50V                        |
| C753     | 1-104-665-11 | ELECT       | 100uF 20% 10V                         |
| C754     | 1-107-583-11 | CERAMIC     | 3PF 0.25PF 500V                       |
| C755     | 1-102-233-00 | CERAMIC     | 33PF 10% 500V                         |
| C756     | 1-128-813-11 | CERAMIC     | 220PF 5% 50V                          |
| C757     | 1-128-809-11 | CERAMIC     | 100PF 5% 50V                          |
| C760     | 1-126-947-11 | ELECT       | 47uF 20% 25V                          |
| C761     | 1-136-157-00 | FILM        | 0.022uF 5% 50V                        |
| C766     | 1-162-815-11 | CERAMIC     | 47PF 5% 500V                          |
| C767     | 1-162-815-11 | CERAMIC     | 47PF 5% 500V                          |
| C770     | 1-128-813-11 | CERAMIC     | 220PF 5% 50V                          |
| C801     | 1-126-947-11 | ELECT       | 47uF 20% 35V                          |
| C802     | 1-126-947-11 | ELECT       | 47uF 20% 35V                          |
| C803     | 1-165-498-11 | ELECT       | 4700uF 20% 63V<br>(EXCEPT CH)<br>(CH) |
| C803     | 1-165-707-11 | ELECT       | 10000uF 20% 71V<br>(CH)               |
| C804     | 1-165-498-11 | ELECT       | 4700uF 20% 63V<br>(EXCEPT CH)         |
| C804     | 1-165-707-11 | ELECT       | 10000uF 20% 71V<br>(CH)               |
| C805     | 1-135-851-21 | MYLAR       | 0.22uF 100V                           |
| C806     | 1-135-851-21 | MYLAR       | 0.22uF 100V                           |
| C807     | 1-104-665-11 | ELECT       | 100uF 20% 10V                         |
| C808     | 1-104-665-11 | ELECT       | 100uF 20% 10V                         |
| C810     | 1-164-159-11 | CERAMIC     | 0.1uF 50V                             |
| C811     | 1-164-159-11 | CERAMIC     | 0.1uF 50V                             |
| C820     | 1-164-159-11 | CERAMIC     | 0.1uF 50V                             |
| C821     | 1-164-159-11 | CERAMIC     | 0.1uF 50V                             |

| Ref. No.      | Part No.     | Description                    | Remark                      |
|---------------|--------------|--------------------------------|-----------------------------|
| C822          | 1-126-947-11 | ELECT                          | 47uF 20% 35V                |
| C830          | 1-164-159-11 | CERAMIC                        | 0.1uF 50V                   |
| C901          | 1-164-159-11 | CERAMIC                        | 0.1uF 50V                   |
| C903          | 1-126-936-11 | ELECT                          | 3300uF 20% 16V              |
| CC02          | 1-128-809-11 | CERAMIC                        | 100PF 5% 50V<br>(AEP,UK,CH) |
| CC04          | 1-128-809-11 | CERAMIC                        | 100PF 5% 50V<br>(AEP,UK,CH) |
| CC05          | 1-128-809-11 | CERAMIC                        | 100PF 5% 50V<br>(AEP,UK,CH) |
| CC07          | 1-128-809-11 | CERAMIC                        | 100PF 5% 50V                |
| CC12          | 1-127-876-21 | CERAMIC                        | 0.01uF 10% 50V              |
| CC14          | 1-127-876-21 | CERAMIC                        | 0.01uF 10% 50V              |
| CC16          | 1-127-876-21 | CERAMIC                        | 0.01uF 10% 50V              |
| CC18          | 1-127-876-21 | CERAMIC                        | 0.01uF 10% 50V              |
| CC20          | 1-127-876-21 | CERAMIC                        | 0.01uF 10% 50V              |
| CC57          | 1-128-809-11 | CERAMIC                        | 100PF 5% 50V                |
| < CONNECTOR > |              |                                |                             |
| * CN792       | 1-564-706-11 | PIN, CONNECTOR (SMALL TYPE) 4P |                             |
| CNP501        | 1-573-847-11 | CONNECTOR, BOARD TO BOARD 15P  |                             |
| CNP502        | 1-784-038-21 | CONNECTOR, BOARD TO BOARD 9P   |                             |
| * CNP801      | 1-564-104-00 | PIN, CONNECTOR (B3P-VH) 3P     |                             |
| CNP802        | 1-691-767-11 | PLUG (MICRO CONNECTOR) 5P      |                             |
| CNP911        | 1-784-928-11 | PIN, CONNECTOR 13P             |                             |
| CNP915        | 1-766-200-11 | SOCKET, CONNECTOR 5P           |                             |
| < DIODE >     |              |                                |                             |
| D505          | 8-719-911-19 | DIODE 1SS119-25                |                             |
| D510          | 8-719-911-19 | DIODE 1SS119-25                |                             |
| D540          | 8-719-911-19 | DIODE 1SS119-25                |                             |
| D560          | 8-719-911-19 | DIODE 1SS119-25                |                             |
| D605          | 8-719-911-19 | DIODE 1SS119-25                |                             |
| D610          | 8-719-911-19 | DIODE 1SS119-25                |                             |
| D640          | 8-719-911-19 | DIODE 1SS119-25                |                             |
| D665          | 8-719-911-19 | DIODE 1SS119-25                |                             |
| D680          | 8-719-911-19 | DIODE 1SS119-25                |                             |
| D690          | 8-719-934-21 | DIODE HZS30-1L                 |                             |
| D691          | 8-719-911-19 | DIODE 1SS119-25                |                             |
| D705          | 8-719-911-19 | DIODE 1SS119-25                |                             |
| D710          | 8-719-911-19 | DIODE 1SS119-25                |                             |
| D721          | 8-719-911-19 | DIODE 1SS119-25                |                             |
| D722          | 8-719-911-19 | DIODE 1SS119-25                |                             |
| D731          | 8-719-911-19 | DIODE 1SS119-25                |                             |
| D732          | 8-719-911-19 | DIODE 1SS119-25                |                             |
| D733          | 8-719-911-19 | DIODE 1SS119-25                |                             |
| D734          | 8-719-911-19 | DIODE 1SS119-25                |                             |
| D740          | 8-719-911-19 | DIODE 1SS119-25                |                             |
| D750          | 8-719-911-19 | DIODE 1SS119-25                |                             |
| D765          | 8-719-911-19 | DIODE 1SS119-25                |                             |
| D791          | 8-719-911-19 | DIODE 1SS119-25                |                             |
| D801          | 8-719-934-21 | DIODE HZS30-1L                 |                             |
| D802          | 8-719-072-05 | DIODE RBV-602LF-A              |                             |

| Ref. No. | Part No.     | Description   | Remark | Ref. No. | Part No.     | Description               | Remark |
|----------|--------------|---|--------|----------|--------------|---------------------------|--------|
| D804     | 8-719-118-63 | DIODE RD5.6F-T7B2   |        | Q640     | 8-729-281-53 | TRANSISTOR 2SC1815-GR     |        |
| D896     | 8-719-043-76 | DIODE AK04V0  |        | Q651     | 8-729-119-76 | TRANSISTOR 2SA1175-HFE    |        |
| D902     | 8-719-024-99 | DIODE 11ES2-NTA2B   |        | Q652     | 8-729-141-30 | TRANSISTOR 2SC3623A-LK    |        |
| D903     | 8-719-024-99 | DIODE 11ES2-NTA2B   |        | Q655     | 8-729-140-82 | TRANSISTOR 2SA988-PAFAEA  |        |
| D904     | 8-719-024-99 | DIODE 11ES2-NTA2B   |        | Q656     | 8-729-140-82 | TRANSISTOR 2SA988-PAFAEA  |        |
| D905     | 8-719-024-99 | DIODE 11ES2-NTA2B   |        | Q680     | 8-729-281-53 | TRANSISTOR 2SC1815-GR     |        |
|          |              | < IC >  |        | Q691     | 8-729-281-53 | TRANSISTOR 2SC1815-GR     |        |
| IC201    | 8-759-827-92 | IC M61511FP   |        | Q692     | 8-729-900-63 | TRANSISTOR DTA124ES       |        |
| IC401    | 8-759-636-74 | IC M5218AP-22   |        | Q701     | 8-729-119-76 | TRANSISTOR 2SA1175-HFE    |        |
| IC501    | 8-749-011-16 | IC STK350-230   |        | Q702     | 8-729-141-30 | TRANSISTOR 2SC3623A-LK    |        |
| IC601    | 8-759-636-74 | IC M5218AP-22   |        | Q705     | 8-729-140-82 | TRANSISTOR 2SA988-PAFAEA  |        |
| IC701    | 6-700-943-01 | IC uPC2581V-S   |        | Q706     | 8-729-140-82 | TRANSISTOR 2SA988-PAFAEA  |        |
| IC702    | 6-700-943-01 | IC uPC2581V-S   |        | Q710     | 8-729-119-79 | TRANSISTOR 2SC2785-FEK    |        |
| IC801    | 8-759-649-68 | IC uPC78M07AHF  |        | Q722     | 8-729-140-84 | TRANSISTOR 2SC1841-PAFAEA |        |
| IC802    | 8-759-604-95 | IC M5F79M07L  |        | Q723     | 8-729-119-79 | TRANSISTOR 2SC2785-FEK    |        |
|          |              | < JACK >  |        | Q725     | 8-729-140-82 | TRANSISTOR 2SA988-PAFAEA  |        |
| J401     | 1-779-380-11 | JACK, PIN 6P (MULTI CH IN FRONT/<br>SURROUND/CENTER/SUB WOOFER) |        | Q740     | 8-729-281-53 | TRANSISTOR 2SC1815-GR     |        |
| J402     | 1-770-614-11 | JACK, PIN 4P (CD IN,MD/TAPE OUT)                                |        | Q747     | 8-729-900-63 | TRANSISTOR DTA124ES       |        |
| J403     | 1-770-614-11 | JACK, PIN 4P (MD/TAPE IN,DVD/LD AUDIO IN)                       |        | Q748     | 8-729-900-36 | TRANSISTOR DTC124ES       |        |
| J404     | 1-779-380-11 | JACK, PIN 6P (VIDEO 2 AUDIO IN,<br>VIDEO 1 AUDIO OUT/AUDIO IN)  |        | Q750     | 8-729-281-53 | TRANSISTOR 2SC1815-GR     |        |
| J405     | 1-774-843-11 | JACK, PIN 1P (SUB WOOFER AUDIO OUT)                             |        | Q751     | 8-729-119-76 | TRANSISTOR 2SA1175-HFE    |        |
|          |              | < COIL >  |        | Q752     | 8-729-141-30 | TRANSISTOR 2SC3623A-LK    |        |
| L521     | 1-422-009-13 | COIL, AIR-CORE  |        | Q755     | 8-729-140-82 | TRANSISTOR 2SA988-PAFAEA  |        |
| L601     | 1-422-009-13 | COIL, AIR-CORE  |        | Q756     | 8-729-140-82 | TRANSISTOR 2SA988-PAFAEA  |        |
| L651     | 1-422-009-13 | COIL, AIR-CORE  |        | Q790     | 8-729-119-79 | TRANSISTOR 2SC2785-FEK    |        |
| L701     | 1-422-009-13 | COIL, AIR-CORE  |        | Q801     | 8-729-140-97 | TRANSISTOR 2SB734-34      |        |
| L751     | 1-422-009-13 | COIL, AIR-CORE  |        |          |              | < RESISTOR >              |        |
|          |              | < TRANSISTOR >  |        | R360     | 1-249-441-11 | CARBON 100K 5% 1/4W       |        |
| Q361     | 8-729-823-22 | TRANSISTOR 2SC3576  |        | R361     | 1-249-425-11 | CARBON 4.7K 5% 1/4W       |        |
| Q362     | 8-729-823-22 | TRANSISTOR 2SC3576  |        | R362     | 1-249-425-11 | CARBON 4.7K 5% 1/4W       |        |
| Q363     | 8-729-823-22 | TRANSISTOR 2SC3576  |        | R363     | 1-249-441-11 | CARBON 100K 5% 1/4W       |        |
| Q364     | 8-729-823-22 | TRANSISTOR 2SC3576  |        | R366     | 1-249-429-11 | CARBON 10K 5% 1/4W        |        |
| Q365     | 8-729-823-22 | TRANSISTOR 2SC3576  |        | R367     | 1-249-441-11 | CARBON 100K 5% 1/4W       |        |
| Q366     | 8-729-823-22 | TRANSISTOR 2SC3576  |        | R368     | 1-249-437-11 | CARBON 47K 5% 1/4W        |        |
| Q379     | 8-729-900-63 | TRANSISTOR DTA124ES   |        | R369     | 1-249-425-11 | CARBON 4.7K 5% 1/4W       |        |
| Q471     | 8-729-823-22 | TRANSISTOR 2SC3576  |        | R370     | 1-249-425-11 | CARBON 4.7K 5% 1/4W       |        |
| Q501     | 8-729-119-76 | TRANSISTOR 2SA1175-HFE  |        | R371     | 1-249-441-11 | CARBON 100K 5% 1/4W       |        |
| Q502     | 8-729-141-30 | TRANSISTOR 2SC3623A-LK  |        | R372     | 1-249-441-11 | CARBON 100K 5% 1/4W       |        |
| Q505     | 8-729-140-82 | TRANSISTOR 2SA988-PAFAEA  |        | R373     | 1-249-417-11 | CARBON 1K 5% 1/4W         |        |
| Q506     | 8-729-140-82 | TRANSISTOR 2SA988-PAFAEA  |        | R374     | 1-249-417-11 | CARBON 1K 5% 1/4W         |        |
| Q540     | 8-729-281-53 | TRANSISTOR 2SC1815-GR   |        | R375     | 1-249-417-11 | CARBON 1K 5% 1/4W         |        |
| Q550     | 8-729-119-79 | TRANSISTOR 2SC2785-FEK  |        | R376     | 1-249-417-11 | CARBON 1K 5% 1/4W         |        |
| Q560     | 8-729-119-79 | TRANSISTOR 2SC2785-FEK  |        | R377     | 1-249-417-11 | CARBON 1K 5% 1/4W         |        |
| Q505     | 8-729-140-82 | TRANSISTOR 2SA988-PAFAEA  |        | R378     | 1-249-417-11 | CARBON 1K 5% 1/4W         |        |
| Q506     | 8-729-140-82 | TRANSISTOR 2SA988-PAFAEA  |        | R379     | 1-249-425-11 | CARBON 4.7K 5% 1/4W       |        |
| Q540     | 8-729-281-53 | TRANSISTOR 2SC1815-GR   |        | R380     | 1-249-441-11 | CARBON 100K 5% 1/4W       |        |
| Q550     | 8-729-119-79 | TRANSISTOR 2SC2785-FEK  |        | R381     | 1-249-429-11 | CARBON 10K 5% 1/4W        |        |
| Q560     | 8-729-119-79 | TRANSISTOR 2SC2785-FEK  |        | R402     | 1-249-417-11 | CARBON 1K 5% 1/4W         |        |
| Q601     | 8-729-119-76 | TRANSISTOR 2SA1175-HFE  |        | R404     | 1-249-417-11 | CARBON 1K 5% 1/4W         |        |
| Q602     | 8-729-141-30 | TRANSISTOR 2SC3623A-LK  |        | R405     | 1-249-417-11 | CARBON 1K 5% 1/4W         |        |
| Q605     | 8-729-140-82 | TRANSISTOR 2SA988-PAFAEA  |        | R406     | 1-249-417-11 | CARBON 1K 5% 1/4W         |        |
| Q606     | 8-729-140-82 | TRANSISTOR 2SA988-PAFAEA  |        | R407     | 1-249-417-11 | CARBON 1K 5% 1/4W         |        |
| Q610     | 8-729-119-79 | TRANSISTOR 2SC2785-FEK  |        |          |              |                           |        |

# STR-DE485/DE485E

## MAIN

| Ref. No. | Part No.     | Description |      |    | Remark | Ref. No. | Part No.     | Description                    |      |    | Remark |
|----------|--------------|-------------|------|----|--------|----------|--------------|--------------------------------|------|----|--------|
| R408     | 1-249-417-11 | CARBON      | 1K   | 5% | 1/4W   | R514     | 1-249-405-11 | CARBON                         | 100  | 5% | 1/4W   |
| R409     | 1-249-417-11 | CARBON      | 1K   | 5% | 1/4W   | R515     | 1-249-405-11 | CARBON                         | 100  | 5% | 1/4W   |
| R411     | 1-249-417-11 | CARBON      | 1K   | 5% | 1/4W   | R516     | 1-233-352-41 | COMPONENT, ENCAPSULATED 0.22X2 |      |    |        |
| R412     | 1-249-417-11 | CARBON      | 1K   | 5% | 1/4W   | R517     | 1-249-393-11 | CARBON                         | 10   | 5% | 1/4W   |
| R413     | 1-249-437-11 | CARBON      | 47K  | 5% | 1/4W   | R520     | 1-249-425-11 | CARBON                         | 4.7K | 5% | 1/4W   |
| R414     | 1-249-437-11 | CARBON      | 47K  | 5% | 1/4W   | R521     | 1-247-850-11 | CARBON                         | 6.2K | 5% | 1/4W   |
| R415     | 1-249-437-11 | CARBON      | 47K  | 5% | 1/4W   | R522     | 1-249-419-11 | CARBON                         | 1.5K | 5% | 1/4W   |
| R416     | 1-249-437-11 | CARBON      | 47K  | 5% | 1/4W   | R524     | 1-249-431-11 | CARBON                         | 15K  | 5% | 1/4W   |
| R417     | 1-249-437-11 | CARBON      | 47K  | 5% | 1/4W   | R525     | 1-249-439-11 | CARBON                         | 68K  | 5% | 1/4W   |
| R418     | 1-249-437-11 | CARBON      | 47K  | 5% | 1/4W   | R528     | 1-249-389-11 | CARBON                         | 4.7  | 5% | 1/4W   |
| R419     | 1-249-437-11 | CARBON      | 47K  | 5% | 1/4W   | R531     | 1-249-425-11 | CARBON                         | 4.7K | 5% | 1/4W   |
| R420     | 1-249-437-11 | CARBON      | 47K  | 5% | 1/4W   | R532     | 1-249-425-11 | CARBON                         | 4.7K | 5% | 1/4W   |
| R422     | 1-249-437-11 | CARBON      | 47K  | 5% | 1/4W   | R533     | 1-249-437-11 | CARBON                         | 47K  | 5% | 1/4W   |
| R424     | 1-249-437-11 | CARBON      | 47K  | 5% | 1/4W   | R534     | 1-249-389-11 | CARBON                         | 4.7  | 5% | 1/4W   |
| R425     | 1-249-437-11 | CARBON      | 47K  | 5% | 1/4W   | R540     | 1-249-433-11 | CARBON                         | 22K  | 5% | 1/4W   |
| R426     | 1-249-437-11 | CARBON      | 47K  | 5% | 1/4W   | R546     | 1-247-843-11 | CARBON                         | 3.3K | 5% | 1/4W   |
| R427     | 1-249-437-11 | CARBON      | 47K  | 5% | 1/4W   | R555     | 1-249-433-11 | CARBON                         | 22K  | 5% | 1/4W   |
| R431     | 1-249-417-11 | CARBON      | 1K   | 5% | 1/4W   | R556     | 1-249-433-11 | CARBON                         | 22K  | 5% | 1/4W   |
| R432     | 1-249-417-11 | CARBON      | 1K   | 5% | 1/4W   | R557     | 1-249-431-11 | CARBON                         | 15K  | 5% | 1/4W   |
| R435     | 1-249-437-11 | CARBON      | 47K  | 5% | 1/4W   | R560     | 1-249-429-11 | CARBON                         | 10K  | 5% | 1/4W   |
| R436     | 1-249-437-11 | CARBON      | 47K  | 5% | 1/4W   | R573     | 1-249-437-11 | CARBON                         | 47K  | 5% | 1/4W   |
| R442     | 1-249-437-11 | CARBON      | 47K  | 5% | 1/4W   | R601     | 1-249-417-11 | CARBON                         | 1K   | 5% | 1/4W   |
| R444     | 1-249-437-11 | CARBON      | 47K  | 5% | 1/4W   | R602     | 1-249-439-11 | CARBON                         | 68K  | 5% | 1/4W   |
| R445     | 1-249-437-11 | CARBON      | 47K  | 5% | 1/4W   | R603     | 1-249-415-11 | CARBON                         | 680  | 5% | 1/4W   |
| R446     | 1-249-437-11 | CARBON      | 47K  | 5% | 1/4W   | R604     | 1-249-439-11 | CARBON                         | 68K  | 5% | 1/4W   |
| R447     | 1-249-437-11 | CARBON      | 47K  | 5% | 1/4W   | R610     | 1-249-421-11 | CARBON                         | 2.2K | 5% | 1/4W   |
| R452     | 1-249-417-11 | CARBON      | 1K   | 5% | 1/4W   | R611     | 1-249-440-11 | CARBON                         | 82K  | 5% | 1/4W   |
| R454     | 1-249-417-11 | CARBON      | 1K   | 5% | 1/4W   | R613     | 1-249-414-11 | CARBON                         | 560  | 5% | 1/4W   |
| R455     | 1-249-417-11 | CARBON      | 1K   | 5% | 1/4W   | R614     | 1-249-405-11 | CARBON                         | 100  | 5% | 1/4W   |
| R456     | 1-249-417-11 | CARBON      | 1K   | 5% | 1/4W   | R615     | 1-249-405-11 | CARBON                         | 100  | 5% | 1/4W   |
| R457     | 1-249-417-11 | CARBON      | 1K   | 5% | 1/4W   | R616     | 1-233-352-41 | COMPONENT, ENCAPSULATED 0.22X2 |      |    |        |
| R458     | 1-249-417-11 | CARBON      | 1K   | 5% | 1/4W   | R617     | 1-249-393-11 | CARBON                         | 10   | 5% | 1/4W   |
| R459     | 1-249-417-11 | CARBON      | 1K   | 5% | 1/4W   | R618     | 1-249-389-11 | CARBON                         | 4.7  | 5% | 1/4W   |
| R461     | 1-249-417-11 | CARBON      | 1K   | 5% | 1/4W   | R620     | 1-249-425-11 | CARBON                         | 4.7K | 5% | 1/4W   |
| R462     | 1-249-417-11 | CARBON      | 1K   | 5% | 1/4W   | R621     | 1-247-850-11 | CARBON                         | 6.2K | 5% | 1/4W   |
| R463     | 1-249-437-11 | CARBON      | 47K  | 5% | 1/4W   | R622     | 1-249-419-11 | CARBON                         | 1.5K | 5% | 1/4W   |
| R464     | 1-249-437-11 | CARBON      | 47K  | 5% | 1/4W   | R623     | 1-249-437-11 | CARBON                         | 47K  | 5% | 1/4W   |
| R469     | 1-249-417-11 | CARBON      | 1K   | 5% | 1/4W   | R624     | 1-249-431-11 | CARBON                         | 15K  | 5% | 1/4W   |
| R470     | 1-249-437-11 | CARBON      | 47K  | 5% | 1/4W   | R625     | 1-249-439-11 | CARBON                         | 68K  | 5% | 1/4W   |
| R471     | 1-249-417-11 | CARBON      | 1K   | 5% | 1/4W   | R631     | 1-249-425-11 | CARBON                         | 4.7K | 5% | 1/4W   |
| R472     | 1-249-417-11 | CARBON      | 1K   | 5% | 1/4W   | R634     | 1-249-389-11 | CARBON                         | 4.7  | 5% | 1/4W   |
| R473     | 1-249-421-11 | CARBON      | 2.2K | 5% | 1/4W   | R638     | 1-249-439-11 | CARBON                         | 68K  | 5% | 1/4W   |
| R474     | 1-249-432-11 | CARBON      | 18K  | 5% | 1/4W   | R640     | 1-249-433-11 | CARBON                         | 22K  | 5% | 1/4W   |
| R475     | 1-249-421-11 | CARBON      | 2.2K | 5% | 1/4W   | R648     | 1-247-843-11 | CARBON                         | 3.3K | 5% | 1/4W   |
| R499     | 1-249-437-11 | CARBON      | 47K  | 5% | 1/4W   | R651     | 1-249-417-11 | CARBON                         | 1K   | 5% | 1/4W   |
| R501     | 1-249-417-11 | CARBON      | 1K   | 5% | 1/4W   | R652     | 1-249-439-11 | CARBON                         | 68K  | 5% | 1/4W   |
| R502     | 1-249-439-11 | CARBON      | 68K  | 5% | 1/4W   | R653     | 1-249-415-11 | CARBON                         | 680  | 5% | 1/4W   |
| R503     | 1-249-415-11 | CARBON      | 680  | 5% | 1/4W   | R654     | 1-249-439-11 | CARBON                         | 68K  | 5% | 1/4W   |
| R504     | 1-249-411-11 | CARBON      | 330  | 5% | 1/4W   | R655     | 1-249-433-11 | CARBON                         | 22K  | 5% | 1/4W   |
| R505     | 1-249-439-11 | CARBON      | 68K  | 5% | 1/4W   | R656     | 1-249-433-11 | CARBON                         | 22K  | 5% | 1/4W   |
| R510     | 1-249-421-11 | CARBON      | 2.2K | 5% | 1/4W   | R657     | 1-249-431-11 | CARBON                         | 15K  | 5% | 1/4W   |
| R511     | 1-249-440-11 | CARBON      | 82K  | 5% | 1/4W   | R660     | 1-249-421-11 | CARBON                         | 2.2K | 5% | 1/4W   |
| R513     | 1-249-414-11 | CARBON      | 560  | 5% | 1/4W   | R661     | 1-249-440-11 | CARBON                         | 82K  | 5% | 1/4W   |



| Ref. No. | Part No.     | Description                    | Remark       | Ref. No. | Part No.     | Description                    | Remark         |
|----------|--------------|--------------------------------|--------------|----------|--------------|--------------------------------|----------------|
| R663     | 1-249-414-11 | CARBON                         | 560 5% 1/4W  | R744     | 1-249-433-11 | CARBON                         | 22K 5% 1/4W    |
| R664     | 1-249-405-11 | CARBON                         | 100 5% 1/4W  | R745     | 1-249-433-11 | CARBON                         | 22K 5% 1/4W    |
| R665     | 1-249-405-11 | CARBON                         | 100 5% 1/4W  | R746     | 1-249-433-11 | CARBON                         | 22K 5% 1/4W    |
| R666     | 1-233-352-41 | COMPONENT, ENCAPSULATED 0.22X2 |              | R747     | 1-249-431-11 | CARBON                         | 15K 5% 1/4W    |
| R667     | 1-249-393-11 | CARBON                         | 10 5% 1/4W   | R748     | 1-247-843-11 | CARBON                         | 3.3K 5% 1/4W   |
| R668     | 1-249-389-11 | CARBON                         | 4.7 5% 1/4W  | R750     | 1-249-433-11 | CARBON                         | 22K 5% 1/4W    |
| R669     | 1-249-425-11 | CARBON                         | 4.7K 5% 1/4W | R751     | 1-249-417-11 | CARBON                         | 1K 5% 1/4W     |
| R671     | 1-247-850-11 | CARBON                         | 6.2K 5% 1/4W | R752     | 1-249-439-11 | CARBON                         | 68K 5% 1/4W    |
| R672     | 1-249-419-11 | CARBON                         | 1.5K 5% 1/4W | R753     | 1-249-415-11 | CARBON                         | 680 5% 1/4W    |
| R673     | 1-249-437-11 | CARBON                         | 47K 5% 1/4W  | R754     | 1-249-439-11 | CARBON                         | 68K 5% 1/4W    |
| R674     | 1-249-431-11 | CARBON                         | 15K 5% 1/4W  | R755     | 1-249-433-11 | CARBON                         | 22K 5% 1/4W    |
| R675     | 1-249-433-11 | CARBON                         | 22K 5% 1/4W  | R756     | 1-249-433-11 | CARBON                         | 22K 5% 1/4W    |
| R676     | 1-249-433-11 | CARBON                         | 22K 5% 1/4W  | R757     | 1-249-431-11 | CARBON                         | 15K 5% 1/4W    |
| R677     | 1-249-431-11 | CARBON                         | 15K 5% 1/4W  | R758     | 1-247-843-11 | CARBON                         | 3.3K 5% 1/4W   |
| R680     | 1-249-433-11 | CARBON                         | 22K 5% 1/4W  | R760     | 1-249-421-11 | CARBON                         | 2.2K 5% 1/4W   |
| R681     | 1-247-843-11 | CARBON                         | 3.3K 5% 1/4W | R761     | 1-249-440-11 | CARBON                         | 82K 5% 1/4W    |
| R690     | 1-247-887-00 | CARBON                         | 220K 5% 1/4W | R763     | 1-249-414-11 | CARBON                         | 560 5% 1/4W    |
| △ R691   | 1-215-888-00 | METAL OXIDE                    | 220 5% 2W F  | R764     | 1-249-405-11 | CARBON                         | 100 5% 1/4W    |
| △ R692   | 1-215-889-00 | METAL OXIDE                    | 330 5% 2W F  | R765     | 1-249-405-11 | CARBON                         | 100 5% 1/4W    |
| R693     | 1-249-429-11 | CARBON                         | 10K 5% 1/4W  | R766     | 1-233-352-41 | COMPONENT, ENCAPSULATED 0.22X2 |                |
| R694     | 1-249-429-11 | CARBON                         | 10K 5% 1/4W  | R767     | 1-249-393-11 | CARBON                         | 10 5% 1/4W     |
| R695     | 1-249-429-11 | CARBON                         | 10K 5% 1/4W  | R768     | 1-249-389-11 | CARBON                         | 4.7 5% 1/4W    |
| R696     | 1-249-436-11 | CARBON                         | 39K 5% 1/4W  | R769     | 1-249-425-11 | CARBON                         | 4.7K 5% 1/4W   |
| R698     | 1-249-429-11 | CARBON                         | 10K 5% 1/4W  | R770     | 1-249-437-11 | CARBON                         | 47K 5% 1/4W    |
| R699     | 1-247-895-11 | CARBON                         | 470K 5% 1/4W | R771     | 1-247-850-11 | CARBON                         | 6.2K 5% 1/4W   |
| R701     | 1-249-417-11 | CARBON                         | 1K 5% 1/4W   | R772     | 1-249-419-11 | CARBON                         | 1.5K 5% 1/4W   |
| R702     | 1-249-439-11 | CARBON                         | 68K 5% 1/4W  | R773     | 1-249-437-11 | CARBON                         | 47K 5% 1/4W    |
| R703     | 1-249-415-11 | CARBON                         | 680 5% 1/4W  | R775     | 1-249-439-11 | CARBON                         | 68K 5% 1/4W    |
| R704     | 1-249-439-11 | CARBON                         | 68K 5% 1/4W  | R778     | 1-249-431-11 | CARBON                         | 15K 5% 1/4W    |
| R710     | 1-249-421-11 | CARBON                         | 2.2K 5% 1/4W | R780     | 1-249-429-11 | CARBON                         | 10K 5% 1/4W    |
| R711     | 1-249-440-11 | CARBON                         | 82K 5% 1/4W  | R791     | 1-249-425-11 | CARBON                         | 4.7K 5% 1/4W   |
| R713     | 1-249-414-11 | CARBON                         | 560 5% 1/4W  | △ R792   | 1-215-868-00 | METAL OXIDE                    | 680 5% 1W F    |
| R714     | 1-249-405-11 | CARBON                         | 100 5% 1/4W  | R793     | 1-249-389-11 | CARBON                         | 4.7 5% 1/4W    |
| R715     | 1-249-405-11 | CARBON                         | 100 5% 1/4W  | △ R794   | 1-215-868-00 | METAL OXIDE                    | 680 5% 1W F    |
| R716     | 1-233-352-41 | COMPONENT, ENCAPSULATED 0.22X2 |              | R802     | 1-249-381-11 | CARBON                         | 1 5% 1/4W      |
| R717     | 1-249-393-11 | CARBON                         | 10 5% 1/4W   | R803     | 1-249-389-11 | CARBON                         | 4.7 5% 1/4W    |
| R718     | 1-249-389-11 | CARBON                         | 4.7 5% 1/4W  | R804     | 1-249-426-11 | CARBON                         | 5.6K 5% 1/4W   |
| R719     | 1-249-425-11 | CARBON                         | 4.7K 5% 1/4W | R806     | 1-249-433-11 | CARBON                         | 22K 5% 1/4W    |
| R721     | 1-247-850-11 | CARBON                         | 6.2K 5% 1/4W | △ R910   | 1-243-635-11 | FUSIBLE                        | 0.33 5% 1/2W F |
| R722     | 1-249-419-11 | CARBON                         | 1.5K 5% 1/4W | RR11     | 1-249-393-11 | CARBON                         | 10 5% 1/4W     |
| R723     | 1-249-437-11 | CARBON                         | 47K 5% 1/4W  | RR12     | 1-249-393-11 | CARBON                         | 10 5% 1/4W     |
| R724     | 1-249-431-11 | CARBON                         | 15K 5% 1/4W  | RR13     | 1-249-393-11 | CARBON                         | 10 5% 1/4W     |
| R725     | 1-249-439-11 | CARBON                         | 68K 5% 1/4W  | RR14     | 1-249-393-11 | CARBON                         | 10 5% 1/4W     |
| R731     | 1-249-425-11 | CARBON                         | 4.7K 5% 1/4W | RR15     | 1-249-393-11 | CARBON                         | 10 5% 1/4W     |
| R732     | 1-249-381-11 | CARBON                         | 1 5% 1/4W    |          |              | < RELAY >                      |                |
| R733     | 1-249-381-11 | CARBON                         | 1 5% 1/4W    | RY501    | 1-755-421-11 | RELAY (12V)                    |                |
| R734     | 1-249-389-11 | CARBON                         | 4.7 5% 1/4W  | RY560    | 1-755-267-11 | RELAY                          |                |
| R735     | 1-249-427-11 | CARBON                         | 6.8K 5% 1/4W | RY601    | 1-755-421-11 | RELAY (12V)                    |                |
| R736     | 1-249-417-11 | CARBON                         | 1K 5% 1/4W   | RY701    | 1-755-421-11 | RELAY (12V)                    |                |
| R737     | 1-249-436-11 | CARBON                         | 39K 5% 1/4W  | RY791    | 1-755-421-11 | RELAY (12V)                    |                |
| R740     | 1-249-433-11 | CARBON                         | 22K 5% 1/4W  |          |              |                                |                |
| R742     | 1-249-437-11 | CARBON                         | 47K 5% 1/4W  |          |              |                                |                |
| R743     | 1-249-433-11 | CARBON                         | 22K 5% 1/4W  |          |              |                                |                |

The components identified by mark △ or dotted line with mark △ are critical for safety. Replace only with part number specified.

Les composants identifiés par une marque △ sont critiques pour la sécurité. Ne les remplacer que par une pièce portant le numéro spécifié.

以阴影和 △ 标志来识别的零部件，在安全方面具有关键性。因此只能以规定号码的零部件来更换。

# STR-DE485/DE485E

|             |                 |                |
|-------------|-----------------|----------------|
| <b>MAIN</b> | <b>POWER SW</b> | <b>STANDBY</b> |
|-------------|-----------------|----------------|

| Ref. No.           | Part No.                               | Description                                    | Remark         |
|--------------------|--|--|----------------|
| < TERMINAL BOARD > |  |  |                |
| TM601              | 1-537-510-11                           | TERMINAL BOARD (6P) (SPEAKERS SURROUND/CENTER) |                |
| TM602              | 1-537-925-61                           | TERMINAL BOARD (4P) (SPEAKERS FRONT)           |                |
| *****              |  |  |                |
|                    | 1-683-759-11                           | POWER SW BOARD                                 | *****          |
| < CONNECTOR >      |  |  |                |
| CNP104             | 1-691-766-11                           | PLUG (MICRO CONNECTOR) 4P                      |                |
| < RESISTOR >       |  |  |                |
| R138               | 1-249-433-11                           | CARBON   | 22K 5% 1/4W    |
| R139               | 1-249-437-11                           | CARBON   | 47K 5% 1/4W    |
| < SWITCH >         |  |  |                |
| S143               | 1-771-410-21                           | SWITCH, TACTILE (DISPLAY)                      |                |
| S144               | 1-771-410-21                           | SWITCH, TACTILE (DIMMER)                       |                |
| S145               | 1-771-410-21                           | SWITCH, TACTILE (I/⊙)                          |                |
| *****              |  |  |                |
| A-4727-816-A       | STANDBY BOARD, COMPLETE (US)           |  |                |
| A-4727-841-A       | STANDBY BOARD, COMPLETE (CND)          |  |                |
| A-4727-850-A       | STANDBY BOARD, COMPLETE (AEP,UK,CH,AR) |  |                |
| A-4727-969-A       | STANDBY BOARD, COMPLETE (AUS,SP)       |  |                |
| A-4727-995-A       | STANDBY BOARD, COMPLETE (MX)           |  |                |
| A-4728-005-A       | STANDBY BOARD, COMPLETE (E)            |  |                |
| A-4728-869-A       | STANDBY BOARD, COMPLETE (TW)           |  |                |
| *****              |  |  |                |
|                    | 1-533-293-11                           | HOLDER, FUSE                                   |                |
| < CAPACITOR >      |  |  |                |
| C813               | 1-164-159-11                           | CERAMIC  | 0.1uF 50V      |
| C814               | 1-164-159-11                           | CERAMIC  | 0.1uF 50V      |
| C815               | 1-126-943-11                           | ELECT  | 2200uF 20% 25V |
| C816               | 1-126-941-11                           | ELECT  | 470uF 20% 25V  |
| C898               | 1-126-949-11                           | ELECT  | 220uF 20% 35V  |
| C899               | 1-126-948-11                           | ELECT  | 100uF 20% 35V  |
| C920               | 1-164-159-11                           | CERAMIC  | 0.1uF 50V      |
| C921               | 1-164-159-11                           | CERAMIC  | 0.1uF 50V      |
| C923               | 1-126-959-11                           | ELECT  | 0.47uF 20% 50V |
| C950               | 1-126-936-11                           | ELECT  | 3300uF 20% 16V |
| < CONNECTOR >      |  |  |                |
| CNP901             | 1-564-321-00                           | PIN, CONNECTOR 2P                              |                |
| * CNP902           | 1-565-792-11                           | PIN, CONNECTOR 2P                              |                |
| CNP903             | 1-564-506-11                           | PLUG, CONNECTOR 3P                             |                |
| CNP905             | 1-766-203-11                           | PLUG, CONNECTOR (PC BOARD) 5P                  |                |
| CNP906             | 1-784-921-11                           | PIN, CONNECTOR 4P (E)                          |                |
| CNP912             | 1-784-921-11                           | PIN, CONNECTOR 4P                              |                |

| Ref. No.           | Part No.     | Description                              | Remark                   |
|--------------------|--------------|--|--------------------------|
| < DIODE >          |              |  |                          |
| D820               | 8-719-024-99 | DIODE                                    | 11ES2-NTA2B              |
| D821               | 8-719-024-99 | DIODE                                    | 11ES2-NTA2B              |
| D822               | 8-719-024-99 | DIODE                                    | 11ES2-NTA2B              |
| D823               | 8-719-024-99 | DIODE                                    | 11ES2-NTA2B              |
| D898               | 8-719-024-99 | DIODE                                    | 11ES2-NTA2B              |
| D899               | 8-719-024-99 | DIODE                                    | 11ES2-NTA2B              |
| D901               | 8-719-911-19 | DIODE                                    | 1SS119-25                |
| D910               | 8-719-024-99 | DIODE                                    | 11ES2-NTA2B              |
| D911               | 8-719-024-99 | DIODE                                    | 11ES2-NTA2B              |
| D912               | 8-719-024-99 | DIODE                                    | 11ES2-NTA2B              |
| D913               | 8-719-024-99 | DIODE                                    | 11ES2-NTA2B              |
| D914               | 8-719-911-19 | DIODE                                    | 1SS119-25                |
| D915               | 8-719-911-19 | DIODE                                    | 1SS119-25                |
| < EARTH TERMINAL > |              |  |                          |
| * G901             | 1-537-738-21 | TERMINAL, EARTH                          |                          |
| < TRANSISTOR >     |              |  |                          |
| Q901               | 8-729-119-79 | TRANSISTOR                               | 2SC2785-FEK              |
| Q921               | 8-729-281-53 | TRANSISTOR                               | 2SC1815-GR               |
| < RESISTOR >       |              |  |                          |
| △ R810             | 1-240-877-11 | FUSIBLE                                  | 0.15 5% 1/2W F           |
| △ R811             | 1-240-877-11 | FUSIBLE                                  | 0.15 5% 1/2W F           |
| △ R812             | 1-240-877-11 | FUSIBLE                                  | 0.15 5% 1/2W F           |
| △ R901             | 1-219-237-11 | SOLID                                    | 3.3M 20% 1/2W F (US,CND) |
| R902               | 1-249-437-11 | CARBON                                   | 47K 5% 1/4W              |
| R903               | 1-249-425-11 | CARBON                                   | 4.7K 5% 1/4W             |
| R904               | 1-249-381-11 | CARBON                                   | 1 5% 1/4W                |
| R921               | 1-249-437-11 | CARBON                                   | 47K 5% 1/4W              |
| R922               | 1-249-435-11 | CARBON                                   | 33K 5% 1/4W              |
| R923               | 1-249-429-11 | CARBON                                   | 10K 5% 1/4W              |
| < RELAY >          |              |  |                          |
| △ RY901            | 1-755-334-11 | RELAY, AC POWER (9V)                     |                          |
| < TRANSFORMER >    |              |  |                          |
| △ T902             | 1-435-434-11 | TRANSFORMER, POWER (E)                   |                          |
| △ T902             | 1-435-435-11 | TRANSFORMER, POWER (AEP,UK,AUS,CH,SP,AR) |                          |
| △ T902             | 1-435-436-11 | TRANSFORMER, POWER (US,CND,MX)           |                          |
| △ T902             | 1-435-563-11 | TRANSFORMER, POWER (TW)                  |                          |
| *****              |              |  |                          |

|  |  |   |
|--|--|---|
| The components identified by mark △ or dotted line with mark △ are critical for safety. Replace only with part number specified. | Les composants identifiés par une marque △ sont critiques pour la sécurité. Ne les remplacer que par une pièce portant le numéro spécifié. | 以阴影和 △ 标志来识别的零部件，在安全方面具有关键性。因此只能以规定号码的零部件来更换。 |
|--|--|---|

VIDEO

| Ref. No. | Part No.     | Description   | Remark          | Ref. No. | Part No.     | Description  | Remark |
|----------|--------------|---|-----------------|----------|--------------|--|--------|
|          | A-4727-815-A | VIDEO BOARD, COMPLETE (US)  |                 |          |              | MISCELLANEOUS                                      |        |
|          | A-4727-840-A | VIDEO BOARD, COMPLETE (CND,MX)  |                 |          |              | *****  |        |
|          | A-4727-849-A | VIDEO BOARD, COMPLETE (AEP,UK,E,CH,AR)                                |                 |          |              |  |        |
|          | A-4727-968-A | VIDEO BOARD, COMPLETE (AUS,SP,TW)                                     |                 |          |              |  |        |
|          |              | *****   |                 |          |              |  |        |
|          | 7-685-646-79 | SCREW +BVTP 3X8 TYPE2 IT-3  |                 | 53       | 1-773-250-11 | WIRE (FLAT TYPE) (27 CORE)                         |        |
|          |              | < CAPACITOR >   |                 | △ 105    | 1-696-847-11 | CORD, POWER (AUS)                                  |        |
| C200     | 1-128-805-11 | CERAMIC   | 47PF 5% 50V     | △ 105    | 1-769-744-11 | CORD, POWER (AEP,UK)                               |        |
| C201     | 1-128-805-11 | CERAMIC   | 47PF 5% 50V     | △ 105    | 1-777-071-21 | CORD, POWER (E,SP,TW)                              |        |
| C206     | 1-126-964-11 | ELECT   | 10uF 20% 50V    | △ 105    | 1-783-205-11 | CORD, POWER (CH)                                   |        |
| C207     | 1-126-964-11 | ELECT   | 10uF 20% 50V    |          |              |  |        |
| C208     | 1-126-964-11 | ELECT   | 10uF 20% 50V    | △ 105    | 1-783-820-11 | CORD, POWER (US,CND,MX)                            |        |
| C209     | 1-126-960-11 | ELECT   | 1uF 20% 50V     | △ 105    | 1-783-941-12 | CORD, POWER (AR)                                   |        |
| C210     | 1-126-964-11 | ELECT   | 10uF 20% 50V    | 106      | 1-769-940-11 | WIRE (FLAT TYPE) (11 CORE) (EXCEPT AEP,UK)         |        |
| C213     | 1-126-964-11 | ELECT   | 10uF 20% 50V    | 106      | 1-773-004-11 | WIRE (FLAT TYPE) (15 CORE) (AEP,UK)                |        |
| C214     | 1-164-159-11 | CERAMIC   | 0.1uF 50V       | 107      | 1-575-662-31 | WIRE (FLAT TYPE) (5 CORE) (AUS,SP,TW)              |        |
| C215     | 1-164-159-11 | CERAMIC   | 0.1uF 50V       | 107      | 1-769-844-11 | WIRE (FLAT TYPE) (5 CORE)<br>(EXCEPT AUS,SP,TW)    |        |
| C248     | 1-128-825-11 | CERAMIC   | 0.0022uF 5% 50V | △ F901   | 1-532-464-31 | FUSE (T2.5A/250V) (EXCEPT US,CND,MX,TW)            |        |
| C249     | 1-128-825-11 | CERAMIC   | 0.0022uF 5% 50V | △ F901   | 1-576-109-11 | FUSE (5A/125V) (TW)                                |        |
| C809     | 1-104-665-11 | ELECT   | 100uF 20% 10V   | △ F901   | 1-576-193-11 | FUSE (6.3A/125V) (US,CND,MX)                       |        |
| C824     | 1-164-159-11 | CERAMIC   | 0.1uF 50V       | Q503     | 8-749-010-25 | TRANSISTOR MN2488-OPY-M                            |        |
| C825     | 1-164-159-11 | CERAMIC   | 0.1uF 50V       | Q504     | 8-749-010-26 | TRANSISTOR MP1620-OPY-M                            |        |
| C827     | 1-126-947-11 | ELECT   | 47uF 20% 25V    | Q603     | 8-749-010-25 | TRANSISTOR MN2488-OPY-M                            |        |
|          |              | < CONNECTOR >   |                 | Q604     | 8-749-010-26 | TRANSISTOR MP1620-OPY-M                            |        |
| CNP156   | 1-779-978-11 | PIN, CONNECTOR 3P   |                 | Q653     | 8-749-010-25 | TRANSISTOR MN2488-OPY-M                            |        |
| CNS150   | 1-569-315-11 | SOCKET, CONNECTOR 5P  |                 | Q654     | 8-749-010-26 | TRANSISTOR MP1620-OPY-M                            |        |
|          |              | < DIODE >   |                 | Q703     | 8-749-010-25 | TRANSISTOR MN2488-OPY-M                            |        |
| D203     | 8-719-911-19 | DIODE 1SS119-25   |                 | Q704     | 8-749-010-26 | TRANSISTOR MP1620-OPY-M                            |        |
| D204     | 8-719-911-19 | DIODE 1SS119-25   |                 | Q753     | 8-749-010-25 | TRANSISTOR MN2488-OPY-M                            |        |
|          |              | < IC >  |                 | Q754     | 8-749-010-26 | TRANSISTOR MP1620-OPY-M                            |        |
| IC103    | 6-701-890-01 | IC NJM2595D   |                 | △ T901   | 1-437-632-11 | TRANSFORMER, POWER (US,MX)                         |        |
| IC804    | 8-759-701-65 | IC NJM79M05FA   |                 | △ T901   | 1-437-633-11 | TRANSFORMER, POWER (AEP,UK,CH,SP,AR)               |        |
| IC807    | 8-759-701-75 | IC NJM7805FA  |                 | △ T901   | 1-437-634-11 | TRANSFORMER, POWER (CND)                           |        |
|          |              | < JACK >  |                 | △ T901   | 1-437-635-11 | TRANSFORMER, POWER (E)                             |        |
| J200     | 1-770-337-11 | JACK, PIN 3P (DVD/LD VIDEO IN,<br>VIDEO 2 VIDEO IN,VIDEO 1 VIDEO OUT) |                 | △ T901   | 1-437-637-11 | TRANSFORMER, POWER (AUS)                           |        |
| J201     | 1-695-317-11 | JACK, PIN 2P (VIDEO 1 VIDEO IN,<br>MONITOR VIDEO OUT)                 |                 | △ T901   | 1-437-638-11 | TRANSFORMER, POWER (TW)                            |        |
|          |              | < RESISTOR >  |                 | TM301    | 1-693-577-11 | TUNER PACK (FM/AM) (ANTENNA) (E)<br>(US,CND,MX,TW) |        |
| R200     | 1-247-804-11 | CARBON  | 75 5% 1/4W      | TM301    | 1-693-577-21 | TUNER PACK (FM/AM) (ANTENNA)                       |        |
| R201     | 1-247-804-11 | CARBON  | 75 5% 1/4W      | TM301    | 1-693-578-21 | TUNER PACK (FM/AM) (ANTENNA) (AEP,UK)              |        |
| R218     | 1-247-804-11 | CARBON  | 75 5% 1/4W      | TM301    | 1-693-580-21 | TUNER PACK (FM/AM) (ANTENNA)<br>(AUS,CH,SP,AR)     |        |
| R219     | 1-247-804-11 | CARBON  | 75 5% 1/4W      |          |              |  |        |
| R220     | 1-247-804-11 | CARBON  | 75 5% 1/4W      |          |              |  |        |
| R221     | 1-247-804-11 | CARBON  | 75 5% 1/4W      |          |              |  |        |

\*\*\*\*\*

|  |  |   |
|--|--|---|
| The components identified by mark △ or dotted line with mark △ are critical for safety. Replace only with part number specified. | Les composants identifiés par une marque △ sont critiques pour la sécurité. Ne les remplacer que par une pièce portant le numéro spécifié. | 以阴影和 △ 标志来识别的零部件，在安全方面具有关键性，因此只能以规定号码的零部件来更换。 |
|--|--|---|

# STR-DE485/DE485E

| Ref. No. | Part No.     | Description  | Remark |
|----------|--------------|--|--------|
|          |              | ACCESSORIES<br>*****   |        |
|          | 1-477-204-11 | REMOTE COMMANDER (RM-U306)                                       |        |
|          | 1-501-374-11 | ANTENNA, LOOP (AM)   |        |
|          | 1-501-594-11 | ANTENNA (FM) (AEP,UK,AUS,CH,SP,AR)                               |        |
| △        | 1-569-008-21 | ADAPTOR, CONVERSION 2P (E)                                       |        |
| △        | 1-770-019-11 | ADAPTOR, CONVERSION PLUG 3P (UK)                                 |        |
|          | 1-793-184-21 | CONNECTOR (F TYPE ADAPTOR)<br>(US,CND,E,MX,TW)                   |        |
|          | 4-228-696-01 | COVER, BATTERY (for RM-U306)                                     |        |
|          | 4-238-376-11 | MANUAL, INSTRUCTION (ENGLISH)<br>(US,CND,AEP,UK,<br>E,AUS,SP,TW) |        |
|          | 4-238-376-21 | MANUAL, INSTRUCTION (FRENCH)<br>(CND,AEP,E,SP)                   |        |
|          | 4-238-376-31 | MANUAL, INSTRUCTION (SPANISH)<br>(AEP,E,MX,SP)                   |        |
|          | 4-238-376-41 | MANUAL, INSTRUCTION<br>(TRADITIONAL CHINESE)<br>(E,SP,TW)        |        |
|          | 4-238-376-51 | MANUAL, INSTRUCTION (ENGLISH,<br>SIMPLIFIED CHINESE)<br>(CH)     |        |
|          | 4-238-376-61 | MANUAL, INSTRUCTION (ENGLISH,SPANISH)<br>(AR)                    |        |
|          | 4-238-376-71 | MANUAL, INSTRUCTION (GERMAN,DUTCH,<br>SWEDISH) (AEP)             |        |
|          | 4-238-376-81 | MANUAL, INSTRUCTION (ITALIAN,POLISH)<br>(AEP)                    |        |
|          | 4-240-464-11 | MANUAL, INSTRUCTION (DANISH,FINNISH)<br>(AEP)                    |        |
|          | 4-240-464-21 | MANUAL, INSTRUCTION (PORTUGUESE) (AEP)                           |        |
|          | 4-240-464-31 | MANUAL, INSTRUCTION (RUSSIAN) (AEP)                              |        |

The components identified by mark △ or dotted line with mark △ are critical for safety. Replace only with part number specified.

Les composants identifiés par une marque △ sont critiques pour la sécurité. Ne les remplacer que par une pièce portant le numéro spécifié.

以阴影和 △ 标志来识别的零部件，在安全方面具有关键性。因此只能以规定号码的零部件来更换。

# STR-DE485/DE485E

**SONY**<sup>®</sup>

## SERVICE MANUAL

Ver 1.1 2003.07

*US Model*  
*Canadian Model*  
*E Model*  
*Australian Model*  
*Chinese Model*  
*STR-DE485*  
*AEP Model*  
*UK Model*  
*STR-DE485E*

## SUPPLEMENT-1

File this supplement with the service manual.

**Subject :** Change of IC701, IC702.

(SPM-03064)


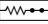

The IC701 and IC702 on the US model for the STR-DE485 have been changed from  $\mu$ PC2581V-S to STK350-030 in the process of production. Based on these changes, the MAIN board and VIDEO board are changed and the STK board is added. This SERVICE MANUAL SUPPLEMENT-1 only describes the changes made.

TABLE OF CONTENTS

1. Printed Wiring Boards –Main Section– ..... 3  
 2. Schematic Diagram –Main Section (1/2)– ..... 4  
 3. Schematic Diagram –Main Section (2/2)– ..... 5  
 4. Printed Wiring Board –STK Section– ..... 6  
 5. Schematic Diagram –STK Section– ..... 7  
 6. Printed Wiring Board –Video Section– ..... 8  
 7. Schematic Diagram –Video Section– ..... 9  
 8. Electrical Parts List..... 10

**THIS NOTE IS COMMON FOR PRINTED WIRING BOARDS AND SCHEMATIC DIAGRAMS.**  
**(In addition to this, the necessary note is printed in each block.)**

**for schematic diagram:**

- All capacitors are in  $\mu\text{F}$  unless otherwise noted. pF:  $\mu\text{F}$  50 WV or less are not indicated except for electrolytics and tantalums.
- All resistors are in  $\Omega$  and  $1/4\text{ W}$  or less unless otherwise specified.
- $\Delta$  : internal component.
-  : nonflammable resistor.
-  : fusible resistor.
-  : panel designation.







**Note:**

The components identified by mark  $\Delta$  or dotted line with mark  $\Delta$  are critical for safety. Replace only with part number specified.

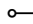

**Note:**

Les composants identifiés par une marque  $\Delta$  sont critiques pour la sécurité. Ne les remplacer que par une pièce portant le numéro spécifié.

以阴影和  $\Delta$  标志来识别的零部件，在安全方面具有关键性。因此只能以规定号码的零部件来更换。

-  : B+ Line.
-  : B- Line.
- Voltage and waveforms are dc with respect to ground under no-signal (detuned) conditions.  
no mark : FM
- Voltages are taken with a VOM (Input impedance  $10\text{ M}\Omega$ ). Voltage variations may be noted due to normal production tolerances.
- Waveforms are taken with a oscilloscope. Voltage variations may be noted due to normal production tolerances.
- Circled numbers refer to waveforms.
- Signal path.  
 : TUNER (FM/AM)  
 : VIDEO  
 : CD (ANALOG)  
 : CD (DIGITAL)

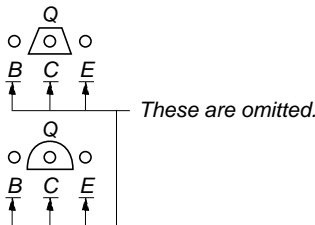
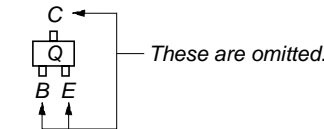
**for printed wiring boards:**

-  : parts extracted from the component side.
- $\Delta$  : internal component.
-  : Pattern from the side which enables seeing.

**Caution:**

Pattern face side: Parts on the pattern face side seen from the (Side B) pattern face are indicated.

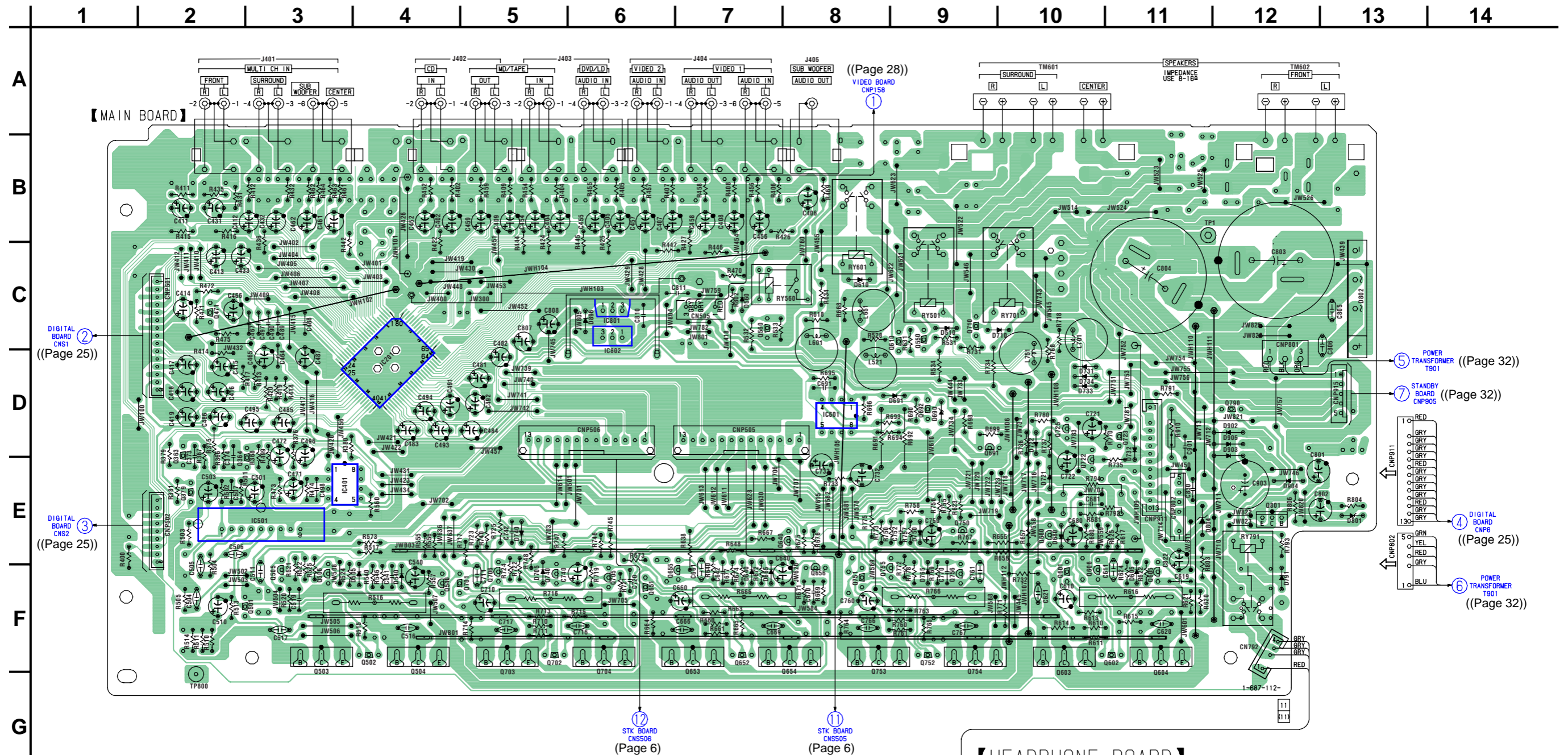
Parts face side: Parts on the parts face side seen from the (Side A) parts face are indicated.



- ( ) : Refer to page of Supplement-1.
- (( )) : Refer to page of Service Manual.

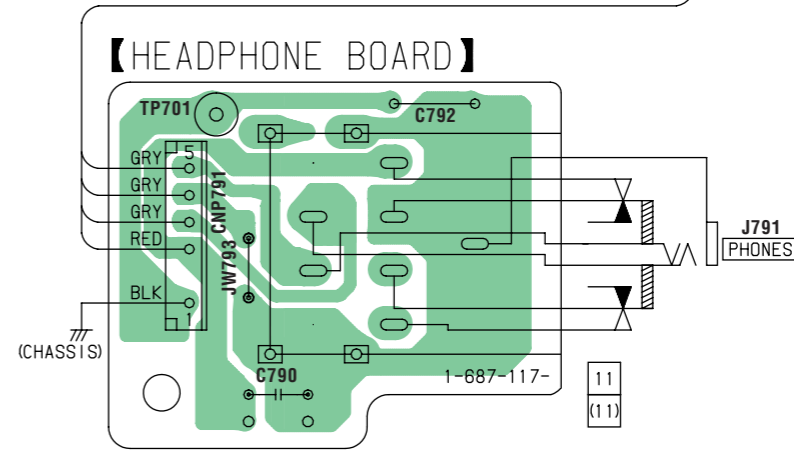


1. PRINTED WIRING BOARDS — MAIN SECTION — • Refer to page 2 for Common Note on Printed Wiring Boards.



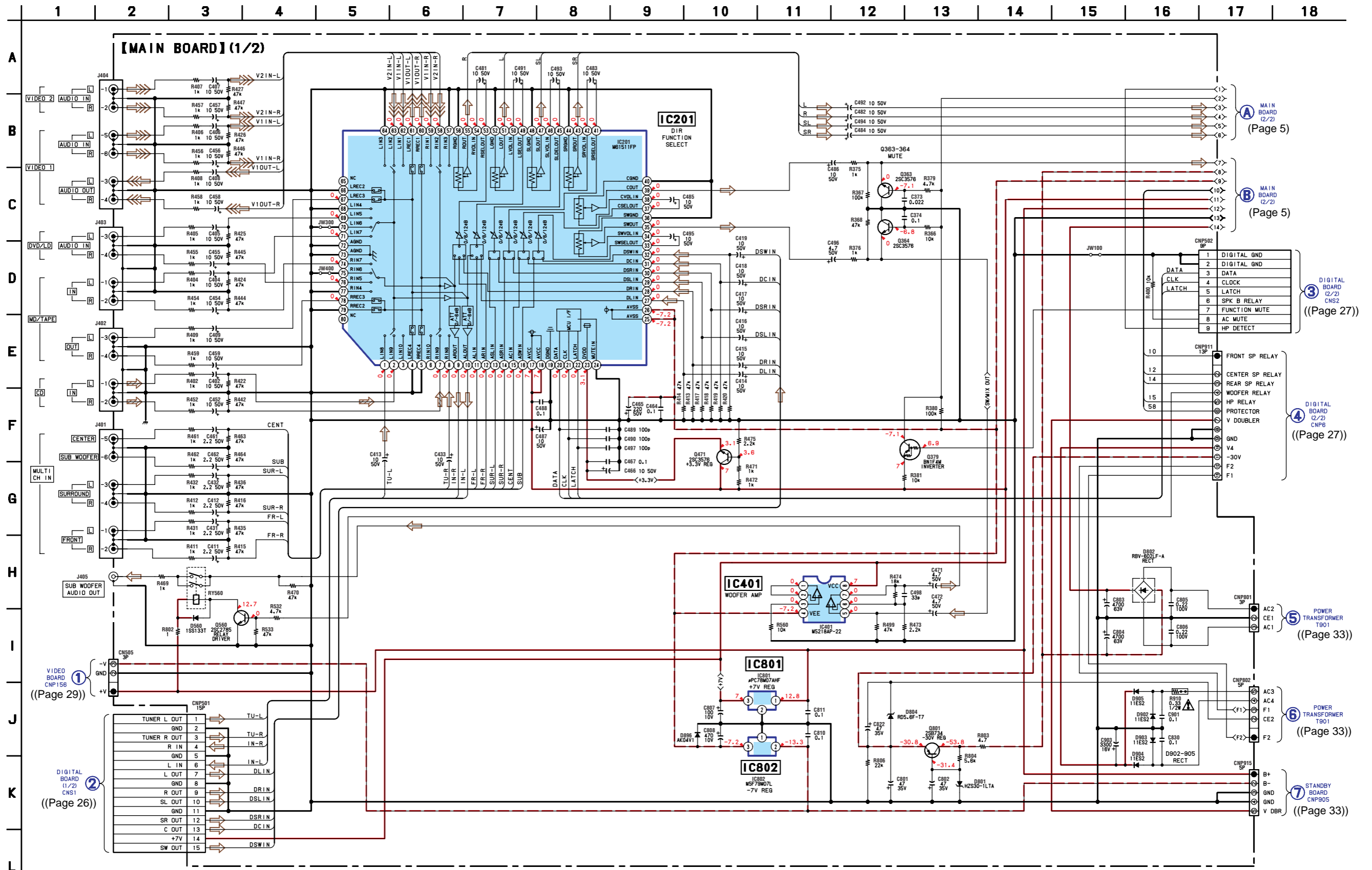
• Semiconductor Location

| Ref. No. | Location | Ref. No. | Location | Ref. No. | Location | Ref. No. | Location | Ref. No. | Location |
|----------|----------|----------|----------|----------|----------|----------|----------|----------|----------|
| D505     | F-4      | D734     | D-10     | IC801    | C-6      | Q603     | F-10     | Q704     | F-6      |
| D510     | C-9      | D740     | F-5      | IC802    | C-6      | Q604     | F-11     | Q705     | F-6      |
| D540     | F-4      | D750     | E-9      | Q363     | D-2      | Q605     | F-11     | Q706     | F-6      |
| D560     | C-7      | D765     | F-9      | Q364     | D-2      | Q606     | F-9      | Q710     | C-9      |
| D605     | F-11     | D791     | F-12     | Q379     | E-2      | Q610     | C-9      | Q722     | D-10     |
| D610     | C-8      | D801     | E-13     | Q471     | C-2      | Q640     | E-8      | Q723     | D-11     |
| D640     | F-7      | D802     | C-13     | Q501     | F-3      | Q651     | F-6      | Q725     | D-10     |
| D665     | F-7      | D804     | E-11     | Q502     | F-4      | Q652     | F-7      | Q740     | F-5      |
| D680     | E-10     | D896     | C-6      | Q503     | F-4      | Q653     | F-7      | Q750     | E-9      |
| D690     | D-9      | D902     | D-12     | Q504     | F-3      | Q654     | F-8      | Q751     | F-8      |
| D691     | D-9      | D903     | D-12     | Q505     | F-4      | Q655     | F-6      | Q752     | F-9      |
| D705     | E-5      | D904     | E-12     | Q506     | F-3      | Q656     | F-8      | Q753     | F-8      |
| D710     | C-10     | D905     | D-12     | Q540     | F-4      | Q680     | E-10     | Q754     | F-9      |
| D721     | E-10     |          |          | Q550     | C-9      | Q691     | D-9      | Q755     | F-9      |
| D722     | D-10     | IC201    | D-4      | Q550     | C-9      | Q692     | D-9      | Q756     | F-9      |
| D731     | D-10     | IC401    | E-3      | Q560     | C-7      | Q701     | F-5      | Q790     | D-12     |
| D732     | D-10     | IC501    | E-3      | Q601     | F-10     | Q702     | F-5      | Q801     | E-12     |
| D733     | D-10     | IC601    | D-8      | Q602     | F-11     | Q703     | F-5      |          |          |





2. SCHEMATIC DIAGRAM — MAIN SECTION (1/2) — • Refer to page 2 for Common Note on Schematic Diagram.

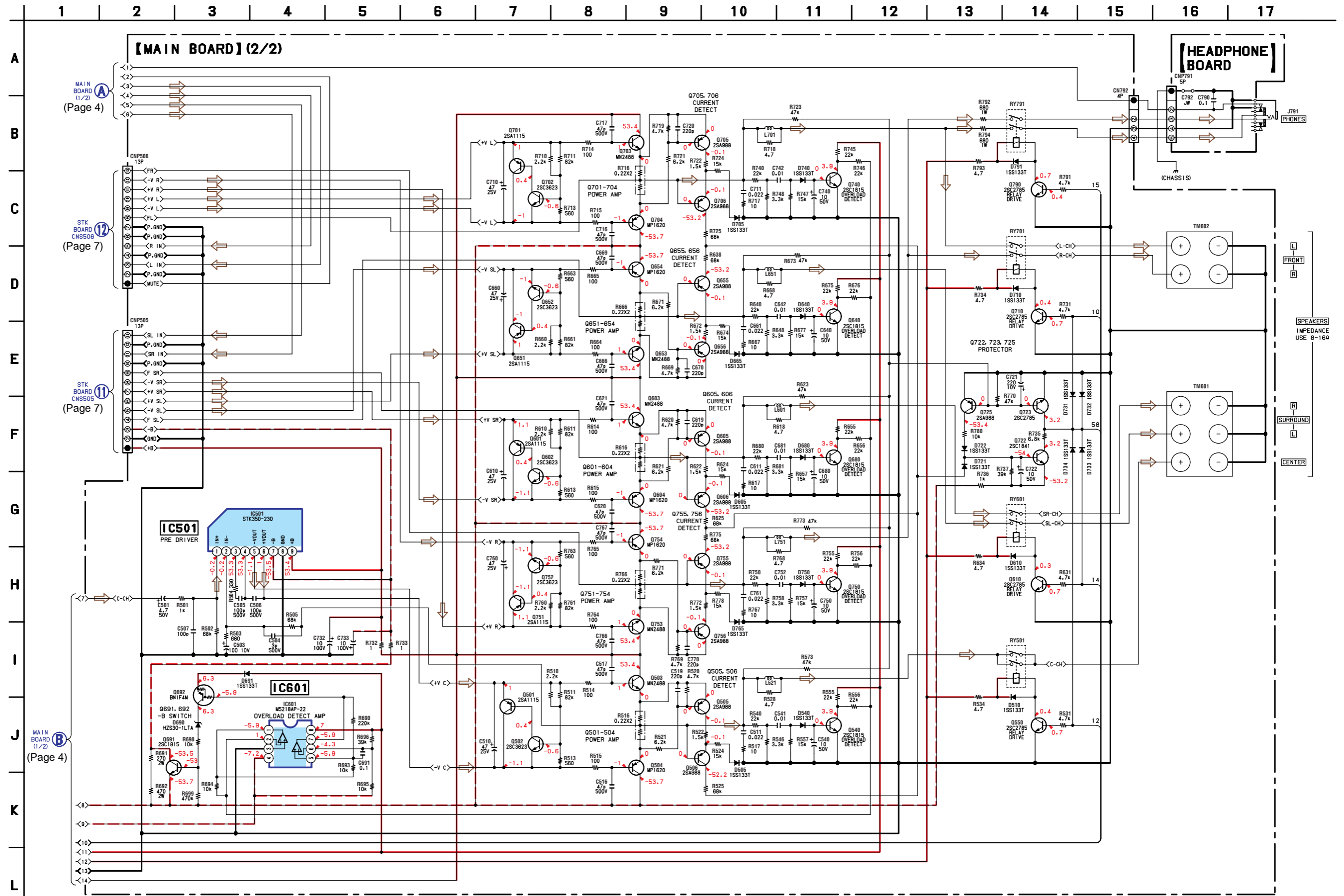


The components identified by mark ▲ or dotted line with mark △ are critical for safety. Replace only with part number specified.

Les composants identifiés par une marque ▲ sont critiques pour la sécurité. Ne les remplacer que par une pièce portant le numéro spécifié.

以阴影和 ▲ 标志来识别的零部件，在安全方面具有关键性。因此只能以规定号码的零部件来更换。

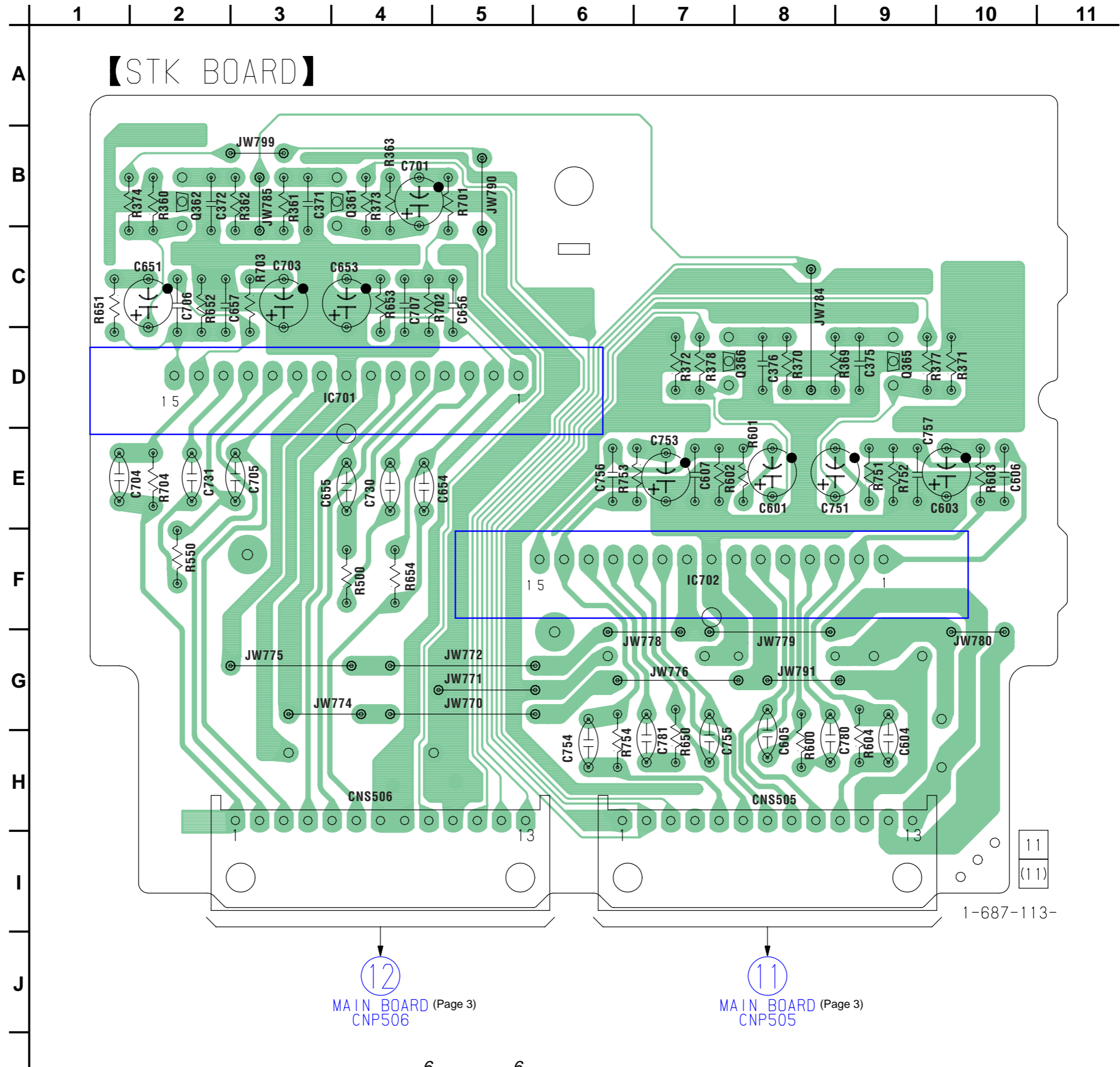
3. SCHEMATIC DIAGRAM — MAIN SECTION (2/2) — • Refer to page 2 for Common Note on Schematic Diagram.



4. PRINTED WIRING BOARD — STK SECTION — • Refer to page 2 for Common Note on Printed Wiring Boards.

• Semiconductor Location

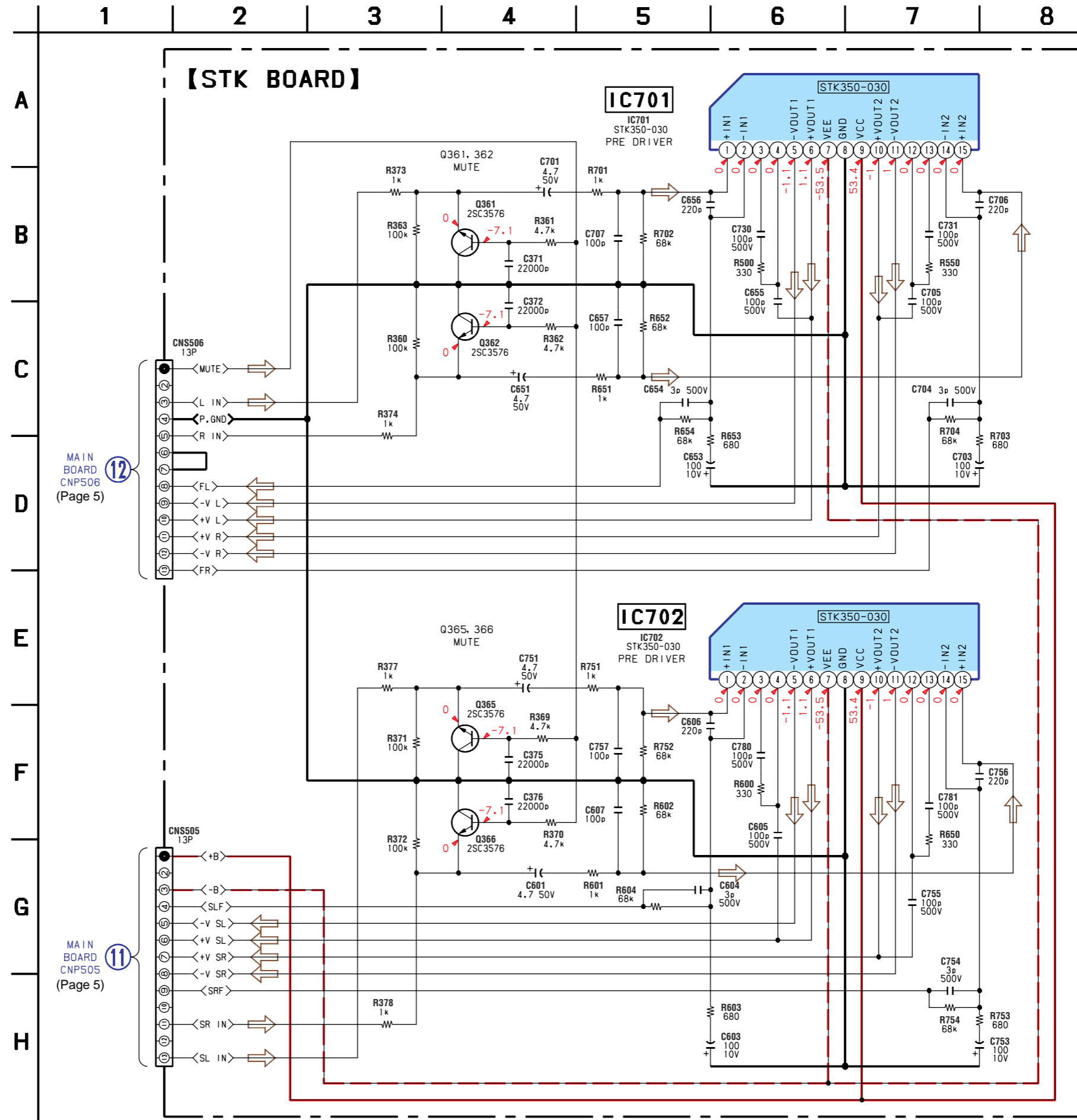
| Ref. No. | Location |
|----------|----------|
| IC701    | D-4      |
| IC702    | F-7      |
| Q361     | B-4      |
| Q362     | B-2      |
| Q365     | D-9      |
| Q366     | D-8      |



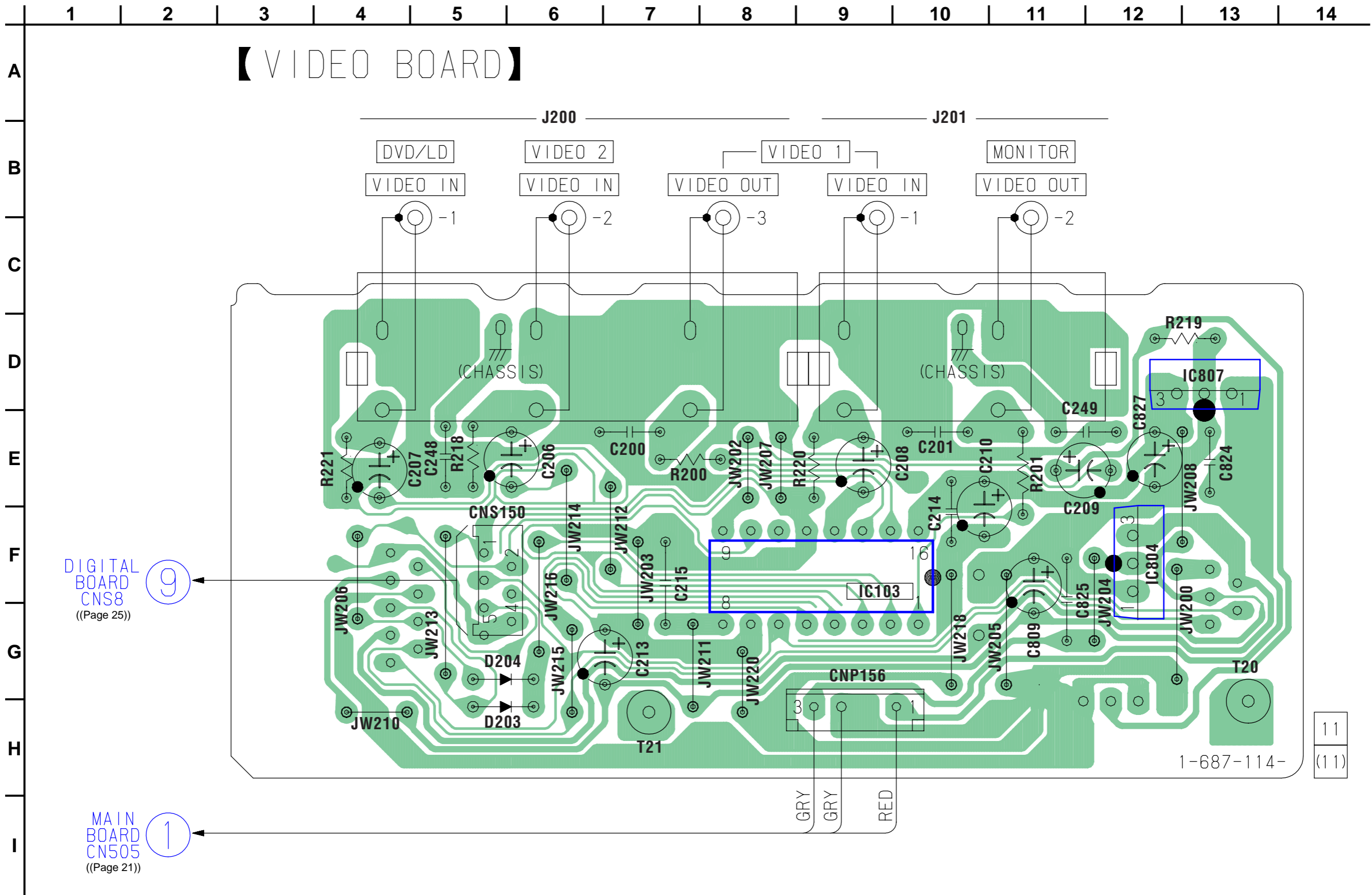
12  
MAIN BOARD (Page 3)  
CNP506

11  
MAIN BOARD (Page 3)  
CNP505

5. SCHEMATIC DIAGRAM — STK SECTION — • Refer to page 2 for Common Note on Schematic Diagram.

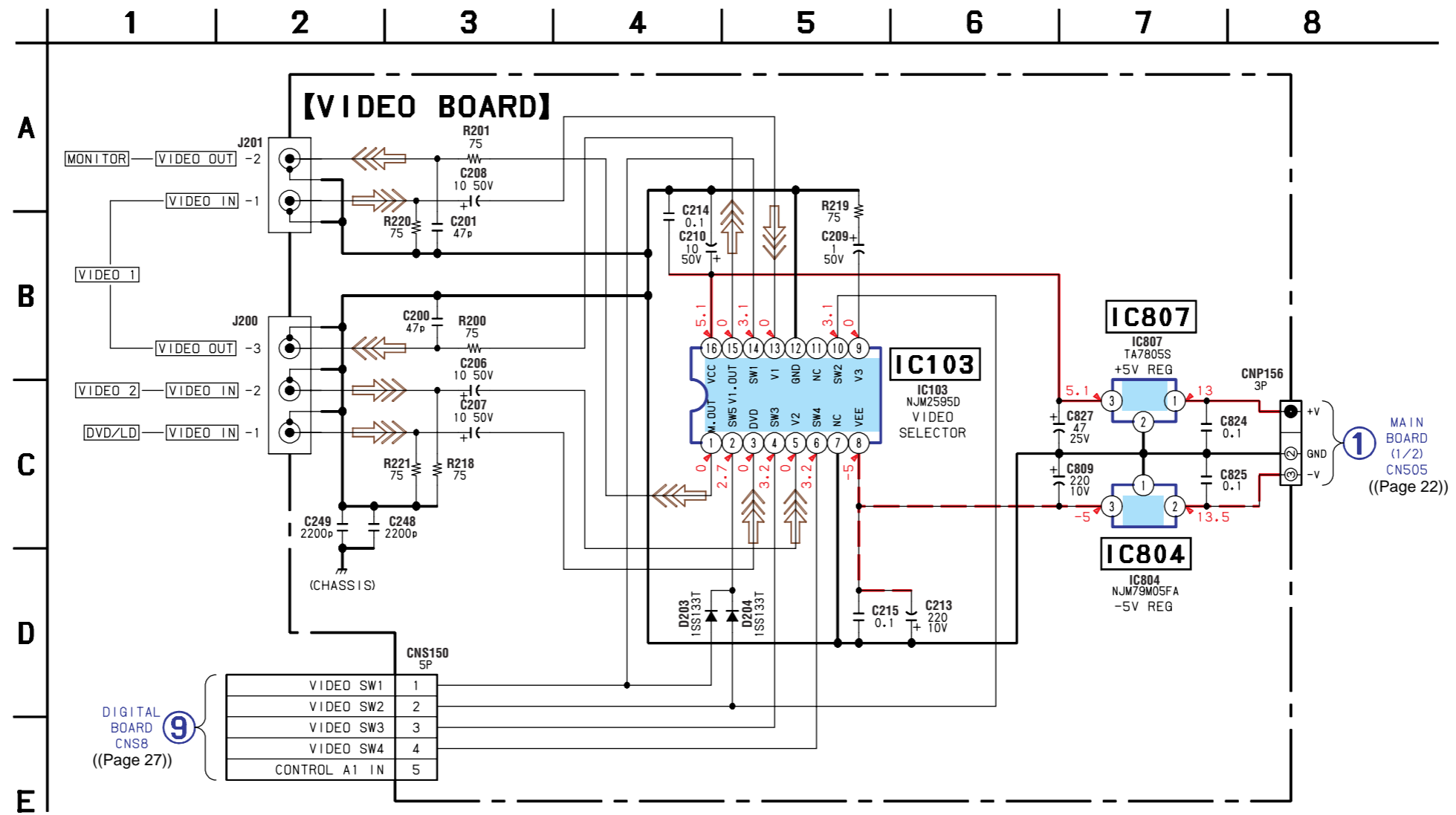


6. PRINTED WIRING BOARD — VIDEO SECTION — • Refer to page 2 for Common Note on Printed Wiring Boards.





7. SCHEMATIC DIAGRAM — VIDEO SECTION — • Refer to page 2 for Common Note on Schematic Diagram.



8. ELECTRICAL PARTS LIST

NOTE:

- Due to standardization, replacements in the parts list may be different from the parts specified in the diagrams or the components used on the set.
- -XX and -X mean standardized parts, so they may have some difference from the original one.
- RESISTORS  
All resistors are in ohms.  
METAL: Metal-film resistor.  
METAL OXIDE: Metal oxide-film resistor.  
F: Nonflammable
- Items marked "\*" are not stocked since they are seldom required for routine service. Some delay should be anticipated when ordering these items.
- SEMICONDUCTORS  
In each case, u :  $\mu$ , for example:  
uA.. :  $\mu$ A.. uPA.. :  $\mu$ PA..  
uPB.. :  $\mu$ PB.. uPC.. :  $\mu$ PC.. uPD.. :  $\mu$ PD..
- CAPACITORS  
uF :  $\mu$ F
- COILS  
uH :  $\mu$ H

MAIN

The components identified by mark  $\Delta$  or dotted line with mark  $\Delta$  are critical for safety. Replace only with part number specified.

Les composants identifiés par une marque  $\Delta$  sont critiques pour la sécurité. Ne les remplacer que par une pièce portant le numéro spécifié.

以阴影和  $\Delta$  标志来识别的零部件在安全方面具有关键性。因此只能以规定号码的零部件来更换。

When indicating parts by reference number, please include the board.

MAIN

| Ref. No. | Part No.     | Description | Remark         | Ref. No. | Part No.     | Description   | Remark |
|----------|--------------|-------------|----------------|----------|--------------|---|--------|
| C716     | 1-162-815-11 | CERAMIC     | 47PF 5% 500V   | D732     | 8-719-991-33 | DIODE 1SS133T-77  |        |
| C717     | 1-162-815-11 | CERAMIC     | 47PF 5% 500V   | D733     | 8-719-991-33 | DIODE 1SS133T-77  |        |
| C720     | 1-128-813-11 | CERAMIC     | 220PF 5% 50V   | D734     | 8-719-991-33 | DIODE 1SS133T-77  |        |
| C721     | 1-126-934-11 | ELECT       | 220uF 20% 10V  | D740     | 8-719-991-33 | DIODE 1SS133T-77  |        |
| C722     | 1-126-964-11 | ELECT       | 10uF 20% 50V   | D750     | 8-719-991-33 | DIODE 1SS133T-77  |        |
| C732     | 1-128-582-11 | ELECT       | 10uF 20% 100V  | D765     | 8-719-991-33 | DIODE 1SS133T-77  |        |
| C733     | 1-128-582-11 | ELECT       | 10uF 20% 100V  | D791     | 8-719-991-33 | DIODE 1SS133T-77  |        |
| C740     | 1-126-964-11 | ELECT       | 10uF 20% 50V   | D801     | 8-719-934-21 | DIODE HZS30-1L  |        |
| C742     | 1-127-876-11 | CERAMIC     | 0.01uF 10% 50V | D802     | 8-719-072-05 | DIODE RBV-602LF-A   |        |
| C750     | 1-126-964-11 | ELECT       | 10uF 20% 50V   | D804     | 8-719-118-63 | DIODE RD5.6F-T7B2   |        |
| C752     | 1-127-876-11 | CERAMIC     | 0.01uF 10% 50V | D896     | 8-719-043-76 | DIODE AK04V0  |        |
| C760     | 1-126-947-11 | ELECT       | 47uF 20% 25V   | D902     | 8-719-024-99 | DIODE 11ES2-NTA2B   |        |
| C761     | 1-136-157-00 | FILM        | 0.022uF 5% 50V | D903     | 8-719-024-99 | DIODE 11ES2-NTA2B   |        |
| C766     | 1-162-815-11 | CERAMIC     | 47PF 5% 500V   | D904     | 8-719-024-99 | DIODE 11ES2-NTA2B   |        |
| C767     | 1-162-815-11 | CERAMIC     | 47PF 5% 500V   | D905     | 8-719-024-99 | DIODE 11ES2-NTA2B   |        |
| C770     | 1-128-813-11 | CERAMIC     | 220PF 5% 50V   |          |              | < IC >  |        |
| C801     | 1-126-947-11 | ELECT       | 47uF 20% 35V   | IC201    | 6-701-567-01 | IC M61511FP-R61G  |        |
| C802     | 1-126-947-11 | ELECT       | 47uF 20% 35V   | IC401    | 8-759-636-74 | IC M5218AP-22   |        |
| C803     | 1-165-498-11 | ELECT       | 4700uF 20% 63V | IC501    | 8-749-011-16 | IC STK350-230   |        |
| C804     | 1-165-498-11 | ELECT       | 4700uF 20% 63V | IC601    | 8-759-636-74 | IC M5218AP-22   |        |
| C805     | 1-135-851-21 | MYLAR       | 0.22uF 100V    | IC801    | 8-759-649-68 | IC uPC78M07AHF  |        |
| C806     | 1-135-851-21 | MYLAR       | 0.22uF 100V    | IC802    | 8-759-604-95 | IC M5F79M07L  |        |
| C807     | 1-104-665-11 | ELECT       | 100uF 20% 10V  |          |              | < JACK >  |        |
| C808     | 1-126-935-11 | ELECT       | 470uF 20% 10V  | J401     | 1-793-775-12 | JACK, PIN 6P (MULTI CH IN FRONT/SURROUND/CENTER/SUB WOOFER) |        |
| C810     | 1-164-159-11 | CERAMIC     | 0.1uF 50V      | J402     | 1-794-981-11 | JACK, PIN 4P (CD IN,MD/TAPE OUT)                            |        |
| C811     | 1-164-159-11 | CERAMIC     | 0.1uF 50V      | J403     | 1-794-981-11 | JACK, PIN 4P (MD/TAPE IN, DVD/LD AUDIO IN)                  |        |
| C822     | 1-126-947-11 | ELECT       | 47uF 20% 35V   | J404     | 1-774-411-11 | JACK, PIN 6P (VIDEO 2 AUDIO IN, VIDEO 1 AUDIO OUT/AUDIO IN) |        |
| C830     | 1-164-159-11 | CERAMIC     | 0.1uF 50V      | J405     | 1-770-377-21 | JACK, PIN 1P (SUB WOOFER AUDIO OUT)                         |        |
| C901     | 1-164-159-11 | CERAMIC     | 0.1uF 50V      |          |              | < COIL >  |        |
| C903     | 1-126-936-11 | ELECT       | 3300uF 20% 16V | L521     | 1-420-872-52 | COIL, AIR-CORE  |        |
|          |              |             |                | L601     | 1-420-872-52 | COIL, AIR-CORE  |        |
|          |              |             |                | L651     | 1-420-872-52 | COIL, AIR-CORE  |        |
|          |              |             |                | L701     | 1-420-872-52 | COIL, AIR-CORE  |        |
|          |              |             |                | L751     | 1-420-872-52 | COIL, AIR-CORE  |        |
|          |              |             |                |          |              | < TRANSISTOR >  |        |
|          |              |             |                | Q363     | 8-729-823-22 | TRANSISTOR 2SC3576  |        |
|          |              |             |                | Q364     | 8-729-823-22 | TRANSISTOR 2SC3576  |        |
|          |              |             |                | Q379     | 8-729-900-63 | TRANSISTOR DTA124ES   |        |
|          |              |             |                | Q471     | 8-729-823-22 | TRANSISTOR 2SC3576  |        |
|          |              |             |                | Q501     | 8-729-119-76 | TRANSISTOR 2SA1175-HFE                                      |        |
|          |              |             |                | Q502     | 8-729-141-30 | TRANSISTOR 2SC3623A-LK                                      |        |
|          |              |             |                | Q505     | 8-729-140-82 | TRANSISTOR 2SA988-PAFAEA                                    |        |
|          |              |             |                | Q506     | 8-729-140-82 | TRANSISTOR 2SA988-PAFAEA                                    |        |
|          |              |             |                | Q540     | 8-729-281-53 | TRANSISTOR 2SC1815-GR                                       |        |
|          |              |             |                | Q550     | 8-729-119-79 | TRANSISTOR 2SC2785-FEK                                      |        |
|          |              |             |                | Q560     | 8-729-119-79 | TRANSISTOR 2SC2785-FEK                                      |        |
|          |              |             |                | Q601     | 8-729-119-76 | TRANSISTOR 2SA1175-HFE                                      |        |
|          |              |             |                | Q602     | 8-729-141-30 | TRANSISTOR 2SC3623A-LK                                      |        |
|          |              |             |                | Q605     | 8-729-140-82 | TRANSISTOR 2SA988-PAFAEA                                    |        |
|          |              |             |                | Q606     | 8-729-140-82 | TRANSISTOR 2SA988-PAFAEA                                    |        |
|          |              |             |                | Q610     | 8-729-119-79 | TRANSISTOR 2SC2785-FEK                                      |        |
|          |              |             |                | Q640     | 8-729-281-53 | TRANSISTOR 2SC1815-GR                                       |        |

| Ref. No.     | Part No.                   | Description             | Remark | Ref. No. | Part No.     | Description             | Remark |
|--------------|----------------------------|-------------------------|--------|----------|--------------|-------------------------|--------|
| A-4731-778-A | MAIN BOARD, COMPLETE       | *****                   |        | C484     | 1-126-964-11 | ELECT 10uF 20% 50V      |        |
| 7-685-646-79 | SCREW +BVTP 3X8 TYPE2 IT-3 |                         |        | C485     | 1-126-964-11 | ELECT 10uF 20% 50V      |        |
|              | < CAPACITOR >              |                         |        | C486     | 1-126-964-11 | ELECT 10uF 20% 50V      |        |
| C373         | 1-127-880-11               | CERAMIC 0.022uF 10% 50V |        | C487     | 1-126-964-11 | ELECT 10uF 20% 50V      |        |
| C374         | 1-164-159-11               | CERAMIC 0.1uF 50V       |        | C488     | 1-164-159-11 | CERAMIC 0.1uF 50V       |        |
| C402         | 1-126-964-11               | ELECT 10uF 20% 50V      |        | C489     | 1-128-809-11 | CERAMIC 100PF 5% 50V    |        |
| C404         | 1-126-964-11               | ELECT 10uF 20% 50V      |        | C490     | 1-128-809-11 | CERAMIC 100PF 5% 50V    |        |
| C405         | 1-126-964-11               | ELECT 10uF 20% 50V      |        | C491     | 1-126-964-11 | ELECT 10uF 20% 50V      |        |
| C406         | 1-126-964-11               | ELECT 10uF 20% 50V      |        | C492     | 1-126-964-11 | ELECT 10uF 20% 50V      |        |
| C407         | 1-126-964-11               | ELECT 10uF 20% 50V      |        | C493     | 1-126-964-11 | ELECT 10uF 20% 50V      |        |
| C408         | 1-126-964-11               | ELECT 10uF 20% 50V      |        | C494     | 1-126-964-11 | ELECT 10uF 20% 50V      |        |
| C409         | 1-126-964-11               | ELECT 10uF 20% 50V      |        | C495     | 1-126-964-11 | ELECT 10uF 20% 50V      |        |
| C411         | 1-126-961-11               | ELECT 2.2uF 20% 50V     |        | C496     | 1-126-963-11 | ELECT 4.7uF 20% 50V     |        |
| C412         | 1-126-961-11               | ELECT 2.2uF 20% 50V     |        | C497     | 1-128-809-11 | CERAMIC 100PF 5% 50V    |        |
| C413         | 1-126-964-11               | ELECT 10uF 20% 50V      |        | C498     | 1-128-803-11 | CERAMIC 33PF 5% 50V     |        |
| C414         | 1-126-964-11               | ELECT 10uF 20% 50V      |        | C501     | 1-126-963-11 | ELECT 4.7uF 20% 50V     |        |
| C415         | 1-124-261-00               | ELECT 10uF 20% 50V      |        | C503     | 1-104-665-11 | ELECT 100uF 20% 10V     |        |
| C416         | 1-126-964-11               | ELECT 10uF 20% 50V      |        | C504     | 1-107-583-11 | CERAMIC 3PF 0.25PF 500V |        |
| C417         | 1-124-261-00               | ELECT 10uF 20% 50V      |        | C505     | 1-101-810-00 | CERAMIC 100PF 5% 500V   |        |
| C418         | 1-126-964-11               | ELECT 10uF 20% 50V      |        | C506     | 1-101-810-00 | CERAMIC 100PF 5% 500V   |        |
| C419         | 1-126-964-11               | ELECT 10uF 20% 50V      |        | C507     | 1-128-809-11 | CERAMIC 100PF 5% 50V    |        |
| C431         | 1-126-961-11               | ELECT 2.2uF 20% 50V     |        | C510     | 1-126-947-11 | ELECT 47uF 20% 25V      |        |
| C432         | 1-126-961-11               | ELECT 2.2uF 20% 50V     |        | C511     | 1-136-157-00 | FILM 0.022uF 5% 50V     |        |
| C433         | 1-126-964-11               | ELECT 10uF 20% 50V      |        | C516     | 1-162-815-11 | CERAMIC 47PF 5% 500V    |        |
| C452         | 1-126-964-11               | ELECT 10uF 20% 50V      |        | C517     | 1-162-815-11 | CERAMIC 47PF 5% 500V    |        |
| C454         | 1-126-964-11               | ELECT 10uF 20% 50V      |        | C519     | 1-128-813-11 | CERAMIC 220PF 5% 50V    |        |
| C455         | 1-126-964-11               | ELECT 10uF 20% 50V      |        | C540     | 1-126-964-11 | ELECT 10uF 20% 50V      |        |
| C456         | 1-126-964-11               | ELECT 10uF 20% 50V      |        | C541     | 1-127-876-11 | CERAMIC 0.01uF 10% 50V  |        |
| C457         | 1-126-964-11               | ELECT 10uF 20% 50V      |        | C610     | 1-126-947-11 | ELECT 47uF 20% 25V      |        |
| C458         | 1-126-964-11               | ELECT 10uF 20% 50V      |        | C611     | 1-136-157-00 | FILM 0.022uF 5% 50V     |        |
| C459         | 1-126-964-11               | ELECT 10uF 20% 50V      |        | C619     | 1-128-813-11 | CERAMIC 220PF 5% 50V    |        |
| C461         | 1-126-961-11               | ELECT 2.2uF 20% 50V     |        | C620     | 1-162-815-11 | CERAMIC 47PF 5% 500V    |        |
| C462         | 1-126-961-11               | ELECT 2.2uF 20% 50V     |        | C621     | 1-162-815-11 | CERAMIC 47PF 5% 500V    |        |
| C464         | 1-164-159-11               | CERAMIC 0.1uF 50V       |        | C640     | 1-126-964-11 | ELECT 10uF 20% 50V      |        |
| C465         | 1-126-934-11               | ELECT 220uF 20% 10V     |        | C642     | 1-127-876-11 | CERAMIC 0.01uF 10% 50V  |        |
| C466         | 1-126-964-11               | ELECT 10uF 20% 50V      |        | C660     | 1-126-947-11 | ELECT 47uF 20% 25V      |        |
| C467         | 1-164-159-11               | CERAMIC 0.1uF 50V       |        | C661     | 1-136-157-00 | FILM 0.022uF 5% 50V     |        |
| C471         | 1-126-963-11               | ELECT 4.7uF 20% 50V     |        | C666     | 1-162-815-11 | CERAMIC 47PF 5% 500V    |        |
| C472         | 1-126-963-11               | ELECT 4.7uF 20% 50V     |        | C669     | 1-162-815-11 | CERAMIC 47PF 5% 500V    |        |
| C481         | 1-126-964-11               | ELECT 10uF 20% 50V      |        | C670     | 1-128-813-11 | CERAMIC 220PF 5% 50V    |        |
| C482         | 1-126-964-11               | ELECT 10uF 20% 50V      |        | C680     | 1-126-964-11 | ELECT 10uF 20% 50V      |        |
| C483         | 1-126-964-11               | ELECT 10uF 20% 50V      |        | C681     | 1-127-876-11 | CERAMIC 0.01uF 10% 50V  |        |
|              |                            |                         |        | C691     | 1-164-159-11 | CERAMIC 0.1uF 50V       |        |
|              |                            |                         |        | C710     | 1-126-947-11 | ELECT 47uF 20% 25V      |        |
|              |                            |                         |        | C711     | 1-136-157-00 | FILM 0.022uF 5% 50V     |        |



| Ref. No. | Part No.     | Description               | Remark | Ref. No. | Part No.     | Description                      | Remark |
|----------|--------------|---------------------------|--------|----------|--------------|----------------------------------|--------|
| Q651     | 8-729-119-76 | TRANSISTOR 2SA1175-HFE    |        | R435     | 1-249-437-11 | CARBON 47K 5%                    | 1/4W   |
| Q652     | 8-729-141-30 | TRANSISTOR 2SC3623A-LK    |        | R436     | 1-249-437-11 | CARBON 47K 5%                    | 1/4W   |
| Q655     | 8-729-140-82 | TRANSISTOR 2SA988-PAFAEA  |        | R442     | 1-249-437-11 | CARBON 47K 5%                    | 1/4W   |
| Q656     | 8-729-140-82 | TRANSISTOR 2SA988-PAFAEA  |        | R444     | 1-249-437-11 | CARBON 47K 5%                    | 1/4W   |
| Q680     | 8-729-281-53 | TRANSISTOR 2SC1815-GR     |        | R445     | 1-249-437-11 | CARBON 47K 5%                    | 1/4W   |
| Q691     | 8-729-281-53 | TRANSISTOR 2SC1815-GR     |        | R446     | 1-249-437-11 | CARBON 47K 5%                    | 1/4W   |
| Q692     | 8-729-900-63 | TRANSISTOR DTA124ES       |        | R447     | 1-249-437-11 | CARBON 47K 5%                    | 1/4W   |
| Q701     | 8-729-119-76 | TRANSISTOR 2SA1175-HFE    |        | R452     | 1-249-417-11 | CARBON 1K 5%                     | 1/4W   |
| Q702     | 8-729-141-30 | TRANSISTOR 2SC3623A-LK    |        | R454     | 1-249-417-11 | CARBON 1K 5%                     | 1/4W   |
| Q705     | 8-729-140-82 | TRANSISTOR 2SA988-PAFAEA  |        | R455     | 1-249-417-11 | CARBON 1K 5%                     | 1/4W   |
| Q706     | 8-729-140-82 | TRANSISTOR 2SA988-PAFAEA  |        | R456     | 1-249-417-11 | CARBON 1K 5%                     | 1/4W   |
| Q710     | 8-729-119-79 | TRANSISTOR 2SC2785-FEK    |        | R457     | 1-249-417-11 | CARBON 1K 5%                     | 1/4W   |
| Q722     | 8-729-140-84 | TRANSISTOR 2SC1841-PAFAEA |        | R458     | 1-249-417-11 | CARBON 1K 5%                     | 1/4W   |
| Q723     | 8-729-119-79 | TRANSISTOR 2SC2785-FEK    |        | R459     | 1-249-417-11 | CARBON 1K 5%                     | 1/4W   |
| Q725     | 8-729-140-82 | TRANSISTOR 2SA988-PAFAEA  |        | R461     | 1-249-417-11 | CARBON 1K 5%                     | 1/4W   |
| Q740     | 8-729-281-53 | TRANSISTOR 2SC1815-GR     |        | R462     | 1-249-417-11 | CARBON 1K 5%                     | 1/4W   |
| Q750     | 8-729-281-53 | TRANSISTOR 2SC1815-GR     |        | R463     | 1-249-437-11 | CARBON 47K 5%                    | 1/4W   |
| Q751     | 8-729-119-76 | TRANSISTOR 2SA1175-HFE    |        | R464     | 1-249-437-11 | CARBON 47K 5%                    | 1/4W   |
| Q752     | 8-729-141-30 | TRANSISTOR 2SC3623A-LK    |        | R469     | 1-249-417-11 | CARBON 1K 5%                     | 1/4W   |
| Q755     | 8-729-140-82 | TRANSISTOR 2SA988-PAFAEA  |        | R470     | 1-249-437-11 | CARBON 47K 5%                    | 1/4W   |
| Q756     | 8-729-140-82 | TRANSISTOR 2SA988-PAFAEA  |        | R471     | 1-249-417-11 | CARBON 1K 5%                     | 1/4W   |
| Q790     | 8-729-119-79 | TRANSISTOR 2SC2785-FEK    |        | R472     | 1-249-417-11 | CARBON 1K 5%                     | 1/4W   |
| Q801     | 8-729-140-97 | TRANSISTOR 2SB734-34      |        | R473     | 1-249-421-11 | CARBON 2.2K 5%                   | 1/4W   |
|          |              | < RESISTOR >              |        | R474     | 1-249-432-11 | CARBON 18K 5%                    | 1/4W   |
|          |              |                           |        | R475     | 1-249-421-11 | CARBON 2.2K 5%                   | 1/4W   |
| R366     | 1-249-429-11 | CARBON 10K 5%             | 1/4W   | R499     | 1-249-437-11 | CARBON 47K 5%                    | 1/4W   |
| R367     | 1-249-441-11 | CARBON 100K 5%            | 1/4W   | R501     | 1-249-417-11 | CARBON 1K 5%                     | 1/4W   |
| R368     | 1-249-437-11 | CARBON 47K 5%             | 1/4W   | R502     | 1-249-439-11 | CARBON 68K 5%                    | 1/4W   |
| R375     | 1-249-417-11 | CARBON 1K 5%              | 1/4W   | R503     | 1-249-415-11 | CARBON 680 5%                    | 1/4W   |
| R376     | 1-249-417-11 | CARBON 1K 5%              | 1/4W   | R504     | 1-249-411-11 | CARBON 330 5%                    | 1/4W   |
| R379     | 1-249-425-11 | CARBON 4.7K 5%            | 1/4W   | R505     | 1-249-439-11 | CARBON 68K 5%                    | 1/4W   |
| R380     | 1-249-441-11 | CARBON 100K 5%            | 1/4W   | R510     | 1-249-421-11 | CARBON 2.2K 5%                   | 1/4W   |
| R381     | 1-249-429-11 | CARBON 10K 5%             | 1/4W   | R511     | 1-249-440-11 | CARBON 82K 5%                    | 1/4W   |
| R400     | 1-249-429-11 | CARBON 10K 5%             | 1/4W   | R513     | 1-249-414-11 | CARBON 560 5%                    | 1/4W   |
| R402     | 1-249-417-11 | CARBON 1K 5%              | 1/4W   | R514     | 1-249-405-11 | CARBON 100 5%                    | 1/4W   |
| R404     | 1-249-417-11 | CARBON 1K 5%              | 1/4W   | R515     | 1-249-405-11 | CARBON 100 5%                    | 1/4W   |
| R405     | 1-249-417-11 | CARBON 1K 5%              | 1/4W   | R516     | 1-234-182-11 | ENCAPSULATED COMPONENT 0.22X2 5W |        |
| R406     | 1-249-417-11 | CARBON 1K 5%              | 1/4W   | R517     | 1-249-393-11 | CARBON 10 5%                     | 1/4W   |
| R407     | 1-249-417-11 | CARBON 1K 5%              | 1/4W   | R520     | 1-249-425-11 | CARBON 4.7K 5%                   | 1/4W   |
| R408     | 1-249-417-11 | CARBON 1K 5%              | 1/4W   | R521     | 1-247-850-11 | CARBON 6.2K 5%                   | 1/4W   |
| R409     | 1-249-417-11 | CARBON 1K 5%              | 1/4W   | R522     | 1-249-419-11 | CARBON 1.5K 5%                   | 1/4W   |
| R411     | 1-249-417-11 | CARBON 1K 5%              | 1/4W   | R524     | 1-249-431-11 | CARBON 15K 5%                    | 1/4W   |
| R412     | 1-249-417-11 | CARBON 1K 5%              | 1/4W   | R525     | 1-249-439-11 | CARBON 68K 5%                    | 1/4W   |
| R413     | 1-249-437-11 | CARBON 47K 5%             | 1/4W   | R528     | 1-249-389-11 | CARBON 4.7 5%                    | 1/4W   |
| R414     | 1-249-437-11 | CARBON 47K 5%             | 1/4W   | R531     | 1-249-425-11 | CARBON 4.7K 5%                   | 1/4W   |
| R415     | 1-249-437-11 | CARBON 47K 5%             | 1/4W   | R532     | 1-249-425-11 | CARBON 4.7K 5%                   | 1/4W   |
| R416     | 1-249-437-11 | CARBON 47K 5%             | 1/4W   | R533     | 1-249-437-11 | CARBON 47K 5%                    | 1/4W   |
| R417     | 1-249-437-11 | CARBON 47K 5%             | 1/4W   | R534     | 1-249-389-11 | CARBON 4.7 5%                    | 1/4W   |
| R418     | 1-249-437-11 | CARBON 47K 5%             | 1/4W   | R540     | 1-249-433-11 | CARBON 22K 5%                    | 1/4W   |
| R419     | 1-249-437-11 | CARBON 47K 5%             | 1/4W   | R546     | 1-247-843-11 | CARBON 3.3K 5%                   | 1/4W   |
| R420     | 1-249-437-11 | CARBON 47K 5%             | 1/4W   | R555     | 1-249-433-11 | CARBON 22K 5%                    | 1/4W   |
| R422     | 1-249-437-11 | CARBON 47K 5%             | 1/4W   | R556     | 1-249-433-11 | CARBON 22K 5%                    | 1/4W   |
| R424     | 1-249-437-11 | CARBON 47K 5%             | 1/4W   | R557     | 1-249-431-11 | CARBON 15K 5%                    | 1/4W   |
| R425     | 1-249-437-11 | CARBON 47K 5%             | 1/4W   | R560     | 1-249-429-11 | CARBON 10K 5%                    | 1/4W   |
| R426     | 1-249-437-11 | CARBON 47K 5%             | 1/4W   | R573     | 1-249-437-11 | CARBON 47K 5%                    | 1/4W   |
| R427     | 1-249-437-11 | CARBON 47K 5%             | 1/4W   | R610     | 1-249-421-11 | CARBON 2.2K 5%                   | 1/4W   |
| R431     | 1-249-417-11 | CARBON 1K 5%              | 1/4W   | R611     | 1-249-440-11 | CARBON 82K 5%                    | 1/4W   |
| R432     | 1-249-417-11 | CARBON 1K 5%              | 1/4W   | R613     | 1-249-414-11 | CARBON 560 5%                    | 1/4W   |

# STR-DE485/DE485E

## MAIN

| Ref. No. | Part No.     | Description                   | Remark       | Ref. No. | Part No.     | Description                     | Remark         |
|----------|--------------|-------------------------------|--------------|----------|--------------|---------------------------------|----------------|
| R614     | 1-249-405-11 | CARBON                        | 100 5% 1/4W  | R724     | 1-249-431-11 | CARBON                          | 15K 5% 1/4W    |
| R615     | 1-249-405-11 | CARBON                        | 100 5% 1/4W  | R725     | 1-249-439-11 | CARBON                          | 68K 5% 1/4W    |
| R616     | 1-234-182-11 | ENCAPSULATED COMPONENT 0.22X2 | 5W           | R731     | 1-249-425-11 | CARBON                          | 4.7K 5% 1/4W   |
| R617     | 1-249-393-11 | CARBON                        | 10 5% 1/4W   | R732     | 1-249-381-11 | CARBON                          | 1 5% 1/4W      |
| R618     | 1-249-389-11 | CARBON                        | 4.7 5% 1/4W  | R733     | 1-249-381-11 | CARBON                          | 1 5% 1/4W      |
| R620     | 1-249-425-11 | CARBON                        | 4.7K 5% 1/4W | R734     | 1-249-389-11 | CARBON                          | 4.7 5% 1/4W    |
| R621     | 1-247-850-11 | CARBON                        | 6.2K 5% 1/4W | R735     | 1-249-427-11 | CARBON                          | 6.8K 5% 1/4W   |
| R622     | 1-249-419-11 | CARBON                        | 1.5K 5% 1/4W | R736     | 1-249-417-11 | CARBON                          | 1K 5% 1/4W     |
| R623     | 1-249-437-11 | CARBON                        | 47K 5% 1/4W  | R737     | 1-249-436-11 | CARBON                          | 39K 5% 1/4W    |
| R624     | 1-249-431-11 | CARBON                        | 15K 5% 1/4W  | R740     | 1-249-433-11 | CARBON                          | 22K 5% 1/4W    |
| R625     | 1-249-439-11 | CARBON                        | 68K 5% 1/4W  | R745     | 1-249-433-11 | CARBON                          | 22K 5% 1/4W    |
| R631     | 1-249-425-11 | CARBON                        | 4.7K 5% 1/4W | R746     | 1-249-433-11 | CARBON                          | 22K 5% 1/4W    |
| R634     | 1-249-389-11 | CARBON                        | 4.7 5% 1/4W  | R747     | 1-249-431-11 | CARBON                          | 15K 5% 1/4W    |
| R638     | 1-249-439-11 | CARBON                        | 68K 5% 1/4W  | R748     | 1-247-843-11 | CARBON                          | 3.3K 5% 1/4W   |
| R640     | 1-249-433-11 | CARBON                        | 22K 5% 1/4W  | R750     | 1-249-433-11 | CARBON                          | 22K 5% 1/4W    |
| R648     | 1-247-843-11 | CARBON                        | 3.3K 5% 1/4W | R755     | 1-249-433-11 | CARBON                          | 22K 5% 1/4W    |
| R655     | 1-249-433-11 | CARBON                        | 22K 5% 1/4W  | R756     | 1-249-433-11 | CARBON                          | 22K 5% 1/4W    |
| R656     | 1-249-433-11 | CARBON                        | 22K 5% 1/4W  | R757     | 1-249-431-11 | CARBON                          | 15K 5% 1/4W    |
| R657     | 1-249-431-11 | CARBON                        | 15K 5% 1/4W  | R758     | 1-247-843-11 | CARBON                          | 3.3K 5% 1/4W   |
| R660     | 1-249-421-11 | CARBON                        | 2.2K 5% 1/4W | R760     | 1-249-421-11 | CARBON                          | 2.2K 5% 1/4W   |
| R661     | 1-249-440-11 | CARBON                        | 82K 5% 1/4W  | R761     | 1-249-440-11 | CARBON                          | 82K 5% 1/4W    |
| R663     | 1-249-414-11 | CARBON                        | 560 5% 1/4W  | R763     | 1-249-414-11 | CARBON                          | 560 5% 1/4W    |
| R664     | 1-249-405-11 | CARBON                        | 100 5% 1/4W  | R764     | 1-249-405-11 | CARBON                          | 100 5% 1/4W    |
| R665     | 1-249-405-11 | CARBON                        | 100 5% 1/4W  | R765     | 1-249-405-11 | CARBON                          | 100 5% 1/4W    |
| R666     | 1-234-182-11 | ENCAPSULATED COMPONENT 0.22X2 | 5W           | R766     | 1-234-182-11 | ENCAPSULATED COMPONENT 0.22X2   | 5W             |
| R667     | 1-249-393-11 | CARBON                        | 10 5% 1/4W   | R767     | 1-249-393-11 | CARBON                          | 10 5% 1/4W     |
| R668     | 1-249-389-11 | CARBON                        | 4.7 5% 1/4W  | R768     | 1-249-389-11 | CARBON                          | 4.7 5% 1/4W    |
| R669     | 1-249-425-11 | CARBON                        | 4.7K 5% 1/4W | R769     | 1-249-425-11 | CARBON                          | 4.7K 5% 1/4W   |
| R671     | 1-247-850-11 | CARBON                        | 6.2K 5% 1/4W | R770     | 1-249-437-11 | CARBON                          | 47K 5% 1/4W    |
| R672     | 1-249-419-11 | CARBON                        | 1.5K 5% 1/4W | R771     | 1-247-850-11 | CARBON                          | 6.2K 5% 1/4W   |
| R673     | 1-249-437-11 | CARBON                        | 47K 5% 1/4W  | R772     | 1-249-419-11 | CARBON                          | 1.5K 5% 1/4W   |
| R674     | 1-249-431-11 | CARBON                        | 15K 5% 1/4W  | R773     | 1-249-437-11 | CARBON                          | 47K 5% 1/4W    |
| R675     | 1-249-433-11 | CARBON                        | 22K 5% 1/4W  | R775     | 1-249-439-11 | CARBON                          | 68K 5% 1/4W    |
| R676     | 1-249-433-11 | CARBON                        | 22K 5% 1/4W  | R778     | 1-249-431-11 | CARBON                          | 15K 5% 1/4W    |
| R677     | 1-249-431-11 | CARBON                        | 15K 5% 1/4W  | R780     | 1-249-429-11 | CARBON                          | 10K 5% 1/4W    |
| R680     | 1-249-433-11 | CARBON                        | 22K 5% 1/4W  | R791     | 1-249-425-11 | CARBON                          | 4.7K 5% 1/4W   |
| R681     | 1-247-843-11 | CARBON                        | 3.3K 5% 1/4W | R792     | 1-215-868-00 | METAL OXIDE                     | 680 5% 1W F    |
| R690     | 1-247-887-00 | CARBON                        | 220K 5% 1/4W | R793     | 1-249-389-11 | CARBON                          | 4.7 5% 1/4W    |
| R691     | 1-216-453-00 | METAL OXIDE                   | 270 5% 2W F  | R794     | 1-215-868-00 | METAL OXIDE                     | 680 5% 1W F    |
| R692     | 1-215-890-11 | METAL OXIDE                   | 470 5% 2W F  | R802     | 1-249-381-11 | CARBON                          | 1 5% 1/4W      |
| R693     | 1-249-429-11 | CARBON                        | 10K 5% 1/4W  | R803     | 1-249-389-11 | CARBON                          | 4.7 5% 1/4W    |
| R694     | 1-249-429-11 | CARBON                        | 10K 5% 1/4W  | R804     | 1-249-426-11 | CARBON                          | 5.6K 5% 1/4W   |
| R695     | 1-249-429-11 | CARBON                        | 10K 5% 1/4W  | R806     | 1-249-433-11 | CARBON                          | 22K 5% 1/4W    |
| R696     | 1-249-436-11 | CARBON                        | 39K 5% 1/4W  | △ R910   | 1-243-635-11 | FUSIBLE                         | 0.33 5% 1/2W F |
| R698     | 1-249-429-11 | CARBON                        | 10K 5% 1/4W  |          |              |                                 |                |
| R699     | 1-247-895-00 | CARBON                        | 470K 5% 1/4W |          |              | < RELAY >                       |                |
| R710     | 1-249-421-11 | CARBON                        | 2.2K 5% 1/4W | RY501    | 1-755-421-11 | RELAY                           |                |
| R711     | 1-249-440-11 | CARBON                        | 82K 5% 1/4W  | RY560    | 1-755-267-11 | RELAY                           |                |
| R713     | 1-249-414-11 | CARBON                        | 560 5% 1/4W  | RY601    | 1-755-421-11 | RELAY                           |                |
| R714     | 1-249-405-11 | CARBON                        | 100 5% 1/4W  | RY701    | 1-755-421-11 | RELAY                           |                |
| R715     | 1-249-405-11 | CARBON                        | 100 5% 1/4W  | RY791    | 1-755-421-11 | RELAY                           |                |
| R716     | 1-234-182-11 | ENCAPSULATED COMPONENT 0.22X2 | 5W           |          |              | < TERMINAL BOARD >              |                |
| R717     | 1-249-393-11 | CARBON                        | 10 5% 1/4W   | TM601    | 1-694-805-11 | TERMINAL BOARD (SPEAKERS        |                |
| R718     | 1-249-389-11 | CARBON                        | 4.7 5% 1/4W  |          |              | SURROUND/CENTER)                |                |
| R719     | 1-249-425-11 | CARBON                        | 4.7K 5% 1/4W | TM602    | 1-694-785-11 | TERMINAL BOARD (SPEAKERS FRONT) |                |
| R721     | 1-247-850-11 | CARBON                        | 6.2K 5% 1/4W |          |              | *****                           |                |
| R722     | 1-249-419-11 | CARBON                        | 1.5K 5% 1/4W |          |              |                                 |                |
| R723     | 1-249-437-11 | CARBON                        | 47K 5% 1/4W  |          |              |                                 |                |

The components identified by mark △ or dotted line with mark △ are critical for safety. Replace only with part number specified.

Les composants identifiés par une marque △ sont critiques pour la sécurité. Ne les remplacer que par une pièce portant le numéro spécifié.

以阴影和 △标志来识别的零部件，在安全方面具有关键性。因此只能以规定号码的零部件来更换。

STK

VIDEO

| Ref. No. | Part No.     | Description                   | Remark | Ref. No.                                    | Part No.     | Description               | Remark |
|----------|--------------|-------------------------------|--------|---|--------------|---------------------------|--------|
|          | A-4731-815-A | STK BOARD, COMPLETE<br>*****  |        | R370  | 1-249-425-11 | CARBON 4.7K 5%            | 1/4W   |
|          |              | < CAPACITOR >                 |        | R371  | 1-249-441-11 | CARBON 100K 5%            | 1/4W   |
| C371     | 1-161-494-00 | CERAMIC 0.022uF               | 25V    | R372  | 1-249-441-11 | CARBON 100K 5%            | 1/4W   |
| C372     | 1-161-494-00 | CERAMIC 0.022uF               | 25V    | R373  | 1-249-417-11 | CARBON 1K 5%              | 1/4W   |
| C375     | 1-161-494-00 | CERAMIC 0.022uF               | 25V    | R374  | 1-249-417-11 | CARBON 1K 5%              | 1/4W   |
| C376     | 1-161-494-00 | CERAMIC 0.022uF               | 25V    | R377  | 1-249-417-11 | CARBON 1K 5%              | 1/4W   |
| C601     | 1-126-963-11 | ELECT 4.7uF 20%               | 50V    | R378  | 1-249-417-11 | CARBON 1K 5%              | 1/4W   |
| C603     | 1-104-665-11 | ELECT 100uF 20%               | 10V    | R500  | 1-249-411-11 | CARBON 330 5%             | 1/4W   |
| C604     | 1-107-583-11 | CERAMIC 3PF 0.25PF            | 500V   | R550  | 1-249-411-11 | CARBON 330 5%             | 1/4W   |
| C605     | 1-101-810-00 | CERAMIC 100PF 5%              | 500V   | R600  | 1-249-411-11 | CARBON 330 5%             | 1/4W   |
| C606     | 1-128-813-11 | CERAMIC 220PF 5%              | 50V    | R601  | 1-249-417-11 | CARBON 1K 5%              | 1/4W   |
| C607     | 1-128-809-11 | CERAMIC 100PF 5%              | 50V    | R602  | 1-249-439-11 | CARBON 68K 5%             | 1/4W   |
| C651     | 1-126-963-11 | ELECT 4.7uF 20%               | 50V    | R603  | 1-249-415-11 | CARBON 680 5%             | 1/4W   |
| C653     | 1-104-665-11 | ELECT 100uF 20%               | 10V    | R604  | 1-249-439-11 | CARBON 68K 5%             | 1/4W   |
| C654     | 1-107-583-11 | CERAMIC 3PF 0.25PF            | 500V   | R650  | 1-249-411-11 | CARBON 330 5%             | 1/4W   |
| C655     | 1-101-810-00 | CERAMIC 100PF 5%              | 500V   | R651  | 1-249-417-11 | CARBON 1K 5%              | 1/4W   |
| C656     | 1-128-813-11 | CERAMIC 220PF 5%              | 50V    | R652  | 1-249-439-11 | CARBON 68K 5%             | 1/4W   |
| C657     | 1-128-809-11 | CERAMIC 100PF 5%              | 50V    | R653  | 1-249-415-11 | CARBON 680 5%             | 1/4W   |
| C701     | 1-126-963-11 | ELECT 4.7uF 20%               | 50V    | R654  | 1-249-439-11 | CARBON 68K 5%             | 1/4W   |
| C703     | 1-104-665-11 | ELECT 100uF 20%               | 10V    | R701  | 1-249-417-11 | CARBON 1K 5%              | 1/4W   |
| C704     | 1-107-583-11 | CERAMIC 3PF 0.25PF            | 500V   | R702  | 1-249-439-11 | CARBON 68K 5%             | 1/4W   |
| C705     | 1-101-810-00 | CERAMIC 100PF 5%              | 500V   | R703  | 1-249-415-11 | CARBON 680 5%             | 1/4W   |
| C706     | 1-128-813-11 | CERAMIC 220PF 5%              | 50V    | R704  | 1-249-439-11 | CARBON 68K 5%             | 1/4W   |
| C707     | 1-128-809-11 | CERAMIC 100PF 5%              | 50V    | R751  | 1-249-417-11 | CARBON 1K 5%              | 1/4W   |
| C730     | 1-101-810-00 | CERAMIC 100PF 5%              | 500V   | R752  | 1-249-439-11 | CARBON 68K 5%             | 1/4W   |
| C731     | 1-101-810-00 | CERAMIC 100PF 5%              | 500V   | R753  | 1-249-415-11 | CARBON 680 5%             | 1/4W   |
| C751     | 1-126-963-11 | ELECT 4.7uF 20%               | 50V    | R754  | 1-249-439-11 | CARBON 68K 5%             | 1/4W   |
| C753     | 1-104-665-11 | ELECT 100uF 20%               | 10V    | *****                                       |              |                           |        |
| C754     | 1-107-583-11 | CERAMIC 3PF 0.25PF            | 500V   | A-4731-782-A VIDEO BOARD, COMPLETE<br>***** |              |                           |        |
| C755     | 1-101-810-00 | CERAMIC 100PF 5%              | 500V   | < CAPACITOR >                               |              |                           |        |
| C756     | 1-128-813-11 | CERAMIC 220PF 5%              | 50V    | C200  | 1-128-805-11 | CERAMIC 47PF 5%           | 50V    |
| C757     | 1-128-809-11 | CERAMIC 100PF 5%              | 50V    | C201  | 1-128-805-11 | CERAMIC 47PF 5%           | 50V    |
| C780     | 1-101-810-00 | CERAMIC 100PF 5%              | 500V   | C206  | 1-126-964-11 | ELECT 10uF 20%            | 50V    |
| C781     | 1-101-810-00 | CERAMIC 100PF 5%              | 500V   | C207  | 1-126-964-11 | ELECT 10uF 20%            | 50V    |
|          |              | < CONNECTOR >                 |        | C208  | 1-126-964-11 | ELECT 10uF 20%            | 50V    |
| CNS505   | 1-778-982-11 | CONNECTOR, BOARD TO BOARD 13P |        | C209  | 1-126-960-11 | ELECT 1uF 20%             | 50V    |
| CNS506   | 1-778-982-11 | CONNECTOR, BOARD TO BOARD 13P |        | C210  | 1-126-964-11 | ELECT 10uF 20%            | 50V    |
|          |              | < IC >                        |        | C213  | 1-126-934-11 | ELECT 220uF 20%           | 10V    |
| IC701    | 8-749-010-79 | IC STK350-030                 |        | C214  | 1-164-159-11 | CERAMIC 0.1uF             | 50V    |
| IC702    | 8-749-010-79 | IC STK350-030                 |        | C215  | 1-164-159-11 | CERAMIC 0.1uF             | 50V    |
|          |              | < TRANSISTOR >                |        | C248  | 1-128-825-11 | CERAMIC 0.0022uF 5%       | 50V    |
| Q361     | 8-729-823-22 | TRANSISTOR 2SC3576            |        | C249  | 1-128-825-11 | CERAMIC 0.0022uF 5%       | 50V    |
| Q362     | 8-729-823-22 | TRANSISTOR 2SC3576            |        | C809  | 1-126-934-11 | ELECT 220uF 20%           | 10V    |
| Q365     | 8-729-823-22 | TRANSISTOR 2SC3576            |        | C824  | 1-164-159-11 | CERAMIC 0.1uF             | 50V    |
| Q366     | 8-729-823-22 | TRANSISTOR 2SC3576            |        | C825  | 1-164-159-11 | CERAMIC 0.1uF             | 50V    |
|          |              | < RESISTOR >                  |        | C827  | 1-126-947-11 | ELECT 47uF 20%            | 25V    |
| R360     | 1-249-441-11 | CARBON 100K 5%                | 1/4W   | < CONNECTOR >                               |              |                           |        |
| R361     | 1-249-425-11 | CARBON 4.7K 5%                | 1/4W   | CNP156                                      | 1-691-765-11 | PLUG (MICRO CONNECTOR) 3P |        |
| R362     | 1-249-425-11 | CARBON 4.7K 5%                | 1/4W   | CNS150                                      | 1-569-315-11 | SOCKET, CONNECTOR 5P      |        |
| R363     | 1-249-441-11 | CARBON 100K 5%                | 1/4W   | < DIODE >                                   |              |                           |        |
| R369     | 1-249-425-11 | CARBON 4.7K 5%                | 1/4W   | D203  | 8-719-991-33 | DIODE 1SS133T-77          |        |
|          |              |                               |        | D204  | 8-719-991-33 | DIODE 1SS133T-77          |        |

# STR-DE485/DE485E

## VIDEO

| <u>Ref. No.</u> | <u>Part No.</u> | <u>Description</u>  | <u>Remark</u> |
|-----------------|-----------------|---|---------------|
|                 |                 | < IC >  |               |
| IC103           | 6-701-890-01    | IC NJM2595D   |               |
| IC804           | 8-759-701-65    | IC NJM79M05FA   |               |
| IC807           | 8-759-231-53    | IC TA7805S  |               |
|                 |                 | < JACK >  |               |
| J200            | 1-794-978-11    | JACK, PIN 3P (DVD/LD VIDEO IN,<br>VIDEO 2 VIDEO IN,VIDEO 1 VIDEO OUT) |               |
| J201            | 1-815-043-11    | JACK, PIN 2P (VIDEO 1 VIDEO IN,<br>MONITOR VIDEO OUT)                 |               |
|                 |                 | < RESISTOR >  |               |
| R200            | 1-247-804-11    | CARBON  | 75 5% 1/4W    |
| R201            | 1-247-804-11    | CARBON  | 75 5% 1/4W    |
| R218            | 1-247-804-11    | CARBON  | 75 5% 1/4W    |
| R219            | 1-247-804-11    | CARBON  | 75 5% 1/4W    |
| R220            | 1-247-804-11    | CARBON  | 75 5% 1/4W    |
| R221            | 1-247-804-11    | CARBON  | 75 5% 1/4W    |

**MEMO**

