

# STR-DE435/DE535/SE491/V424/V525

## SERVICE MANUAL

Ver 1.1 2003.05



Photo: STR-DE535

*US Model*  
STR-DE435/DE535/SE491  
*Canadian Model*  
STR-DE435/DE535  
*AEP Model*  
STR-DE435  
*E Model*  
STR-DE435/DE535  
*Australian Model*  
STR-DE435/DE535  
*Chinese Model*  
STR-V424/V525

Dolby Laboratories Licensing Corporation.  
"DOLBY" the double-D symbol  $\square\square$  "AC-3" and "PRO LOGIC"  
are trademarks of Dolby Laboratories Licensing Corporation.

### SPECIFICATIONS

#### POWER OUTPUT AND TOTAL HARMONIC DISTORTION

With 8-ohm load, both channels driven, from 20<sup>th</sup> – 20,000 Hz rated 100 watts per channel minimum RMS power, with no more than 0.09%<sup>b)</sup> total harmonic distortion from 250 milliwatts to rated output.

STR-SE491:  
a) 40Hz  
b) 0.5%

#### Amplifier section

Stereo mode

STR-DE535/DE435:  
(8Ω at 20Hz – 20kHz  
less than 0.09% total  
harmonic distortion)  
100W + 100W

STR-SE491:  
(8Ω at 40Hz – 20kHz less  
than 0.5% total harmonic  
distortion)  
100W + 100W

Surround mode and  
5.1CH/DVD mode

STR-DE535/435:  
(8Ω at 1kHz, THD 0.8%)  
Front: 100W/ch  
Center\*: (Pro Logic Mode)  
100W  
Rear\*: 100W/ch

STR-SE491:  
(8Ω at 1kHz, THD 0.5%)  
Front: 100W/ch  
Center\*: 100W  
Rear\*: 100W/ch

Frequency response

PHONO: RIAA  
equalization curve  
±0.5dB  
(except STR-DE435)

TV/SAT, CD, MD/  
TAPE, VIDEO, 5.1CH/  
DVD  
10Hz – 50kHz ± 1dB

Inputs

	Sensitivity	Impedance	S/N
PHONO (except STR-DE435)	4mV	50 kilohms	86dB
CD, 5.1CH/ DVD, MD/TAPE, TV/SAT, VIDEO	250mV	50 kilohms	96dB

Outputs

MD/TAPE REC OUT:  
Voltage: 250mV,  
Impedance: 10kilohms  
VIDEO AUDIO OUT:  
Voltage: 250mV,  
Impedance: 10kilohms  
WOOFER:  
Voltage: 2V  
Impedance: 1kilohms  
PHONES: Accepts low  
and high impedance  
headphones

Muting  
BASS BOOST  
TONE

Full mute  
+8dB at 70Hz  
±8dB at 100Hz and  
10kHz

#### Tuner section

FM Stereo, FM/AM superheterodyne tuner

#### FM tuner section

Tuning range 87.5 – 108.0MHz  
Antenna terminals 75Ω, unbalanced  
Intermediate frequency 10.7MHz  
Sensitivity Mono: 18.3dBf,  
4.5μV  
Stereo: 38.3dBf,  
45μV  
Usable sensitivity 11.2dBf, 2μV (IHF)  
S/N Mono: 76dB  
Stereo: 70dB  
Harmonic Mono: 0.3%  
distortion at 1kHz  
Stereo: 0.5%  
Separation 45dB at 1kHz  
Frequency response 30Hz – 15kHz <sup>+0.5</sup> dB  
Selectivity 60dB at 400kHz

— Continued on next page —

## FM STEREO FM-AM RECEIVER

9-928-848-12  
2003E16-1  
© 2003.05

**Sony Corporation**  
Home Audio Company  
Published by Sony Engineering Corporation

# SONY®

### AM tuner section

Tuning range	10kHz interval** 530 – 1,710kHz 9kHz interval 531 – 1,710kHz
Antenna	Loop antenna
Intermediate frequency	450kHz
Usable sensitivity	50dB/m (at 1,000kHz)
S/N	54dB (at 50mV/m)
Harmonic distortion	0.5% (50mV/m, 400Hz)
Selectivity	At 10kHz: 40dB At 9kHz: 35dB

\*\* You can change the AM tuning interval between 9kHz and 10kHz. After tuning in any AM station, turn off the receiver.  
Hold down the PRESET TUNING+ button and press the I/⏻ (power) button. All preset stations will be erased when you change the interval. To reset the interval, repeat the procedure.

### VIDEO section (except STR-SE491)

Inputs	VIDEO, TV/SAT, 5.1CH/DVD: 1Vp-p 75Ω
Outputs	VIDEO, MONITOR: 1Vp-p 75Ω

### General

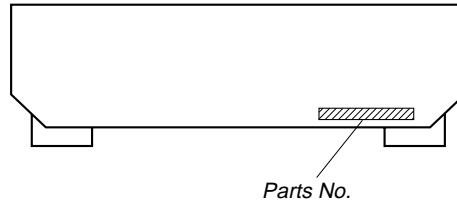
System	Tuner section: PLL quartz-locked digital synthesizer system Preamplifier section: Low-noise NF type equalizer Power amplifier section: Pure-complementary SEPP
Power requirements	120V AC, 60Hz
Power consumption	220W
AC outlets	STR-DE535/SE491: 2 switched, total 120W/1A Max STR-DE435: 1 switched, total 120W/1A Max
Dimensions	430 × 157 × 366 mm (17 × 6 <sup>1</sup> / <sub>8</sub> × 14 <sup>7</sup> / <sub>8</sub> inches)
Mass (Aprox.)	STR-DE535: 11.1kg (24 lb 6 oz) STR-DE435: 11.0kg (24 lb 3 oz) STR-DE491: 11.2kg (24 lb 9 oz)
Supplid accessories	FM wire antenna (1) AM loop antenna (1) Remote commander (remote) (1) LR6 (size - AA) batteries (3) (STR-DE535 only) R6 (size - AA) batteries (2) (STR-DE435/SE491 only)

\* Depending on the sound field setting and the source, there may be no sound output.

Design and specifications are subject to change without notice.

### MODEL IDENTIFICATION

— BACK PANEL —



MODEL	PARTS No.
DE535: US model	4-216-927-0□
DE535: Canadian model	4-216-927-1□
DE535: Australian model	4-216-927-2□
DE535: E model	4-216-927-3□
DE535: Malaysia, Singapore model	4-216-927-4□
V525: Chinese model	4-216-927-5□
DE435: US model	4-217-181-0□
DE435: Canadian model	4-217-181-1□
DE435: Australian model	4-217-181-2□
DE435: Malaysia, Singapore model	4-217-181-3□
V424: Chinese model	4-217-181-4□
DE435: AEP model	4-217-181-5□
DE435: East European, CIS model	4-217-181-6□
SE491: US model	4-217-181-7□

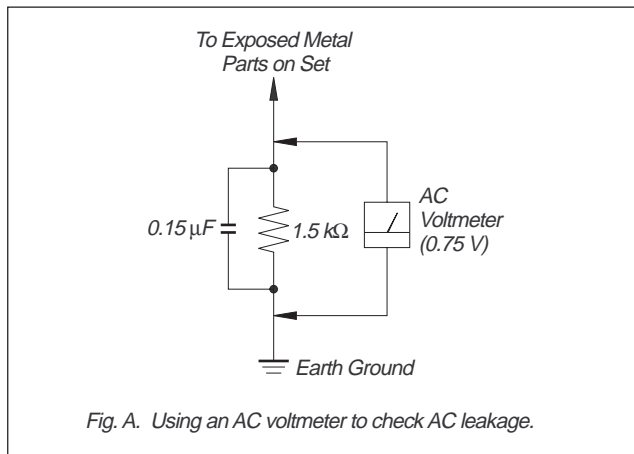
## SAFETY CHECK-OUT

After correcting the original service problem, perform the following safety checks before releasing the set to the customer: Check the antenna terminals, metal trim, “metallized” knobs, screws, and all other exposed metal parts for AC leakage. Check leakage as described below.

### LEAKAGE

The AC leakage from any exposed metal part to earth ground and from all exposed metal parts to any exposed metal part having a return to chassis, must not exceed 0.5 mA (500 microamperes). Leakage current can be measured by any one of three methods.

1. A commercial leakage tester, such as the Simpson 229 or RCA WT-540A. Follow the manufacturers’ instructions to use these instruments.
2. A battery-operated AC milliammeter. The Data Precision 245 digital multimeter is suitable for this job.
3. Measuring the voltage drop across a resistor by means of a VOM or battery-operated AC voltmeter. The “limit” indication is 0.75 V, so analog meters must have an accurate low-voltage scale. The Simpson 250 and Sanwa SH-63Trd are examples of a passive VOM that is suitable. Nearly all battery operated digital multimeters that have a 2V AC range are suitable. (See Fig. A)



#### SAFETY-RELATED COMPONENT WARNING!!

COMPONENTS IDENTIFIED BY MARK  $\triangle$  OR DOTTED LINE WITH MARK  $\triangle$  ON THE SCHEMATIC DIAGRAMS AND IN THE PARTS LIST ARE CRITICAL TO SAFE OPERATION. REPLACE THESE COMPONENTS WITH SONY PARTS WHOSE PART NUMBERS APPEAR AS SHOWN IN THIS MANUAL OR IN SUPPLEMENTS PUBLISHED BY SONY.

#### ATTENTION AU COMPOSANT AYANT RAPPORT À LA SÉCURITÉ!

LES COMPOSANTS IDENTIFIÉS PAR UNE MARQUE  $\triangle$  SUR LES DIAGRAMMES SCHÉMATIQUES ET LA LISTE DES PIÈCES SONT CRITIQUES POUR LA SÉCURITÉ DE FONCTIONNEMENT. NE REMPLACER CES COMPOSANTS QUE PAR DES PIÈCES SONY DONT LES NUMÉROS SONT DONNÉS DANS CE MANUEL OU DANS LES SUPPLÉMENTS PUBLIÉS PAR SONY.

#### 与安全有关的零部件须知

在原理图上用阴影及  $\triangle$  标记来识别的零部件在安全操作上是具有关键性的。这些零部件要用本手册中所示的部件号对应的索尼零部件进行更换。

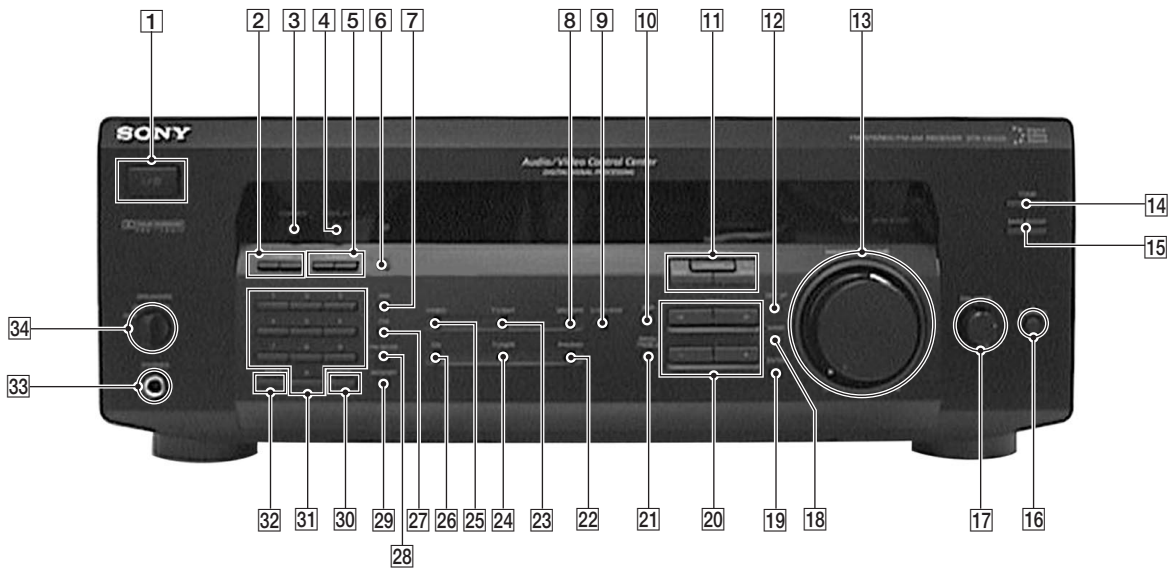
在安全操作上具有关键性的电路调整与索尼公司出版的维修手册完全一致。在更换关键零部件时或怀疑动作失常时，请进行这些调整操作。

## TABLE OF CONTENTS

1. GENETAL .....	4
2. TEST MODE .....	6
3. DIAGRAMS	
3-1. Circuit Boards Location .....	7
3-2. Block Diagrams .....	9
• Main Section .....	9
• Power Section .....	11
3-3. Printed Wiring Board — Input Section — .....	13
3-4. Schematic Diagram — Input Section — .....	15
3-5. Printed Wiring Board — Surround Section — .....	17
3-6. Schematic Diagram — Surround Section — .....	19
3-7. Printed Wiring Board — Display Section — .....	21
3-8. Schematic Diagram — Display Section — .....	23
3-9. Printed Wiring Board — Key Section — .....	25
3-10. Schematic Diagram — Key Section — .....	27
3-11. Printed Wiring Board — Rear Amp Section — .....	29
3-12. Schematic Diagram — Rear Amp Section — .....	31
3-13. Printed Wiring Board — Power Amp Section — .....	33
3-14. Schematic Diagram — Power Amp Section — .....	35
3-15. IC Pin Function Description .....	37
3-16. IC Block Diagrams .....	39
4. EXPLODEO VIEWS	
4-1. Front Panel Section .....	40
4-2. Chassis Section .....	42
5. ELECTRICAL PARTS LIST .....	44

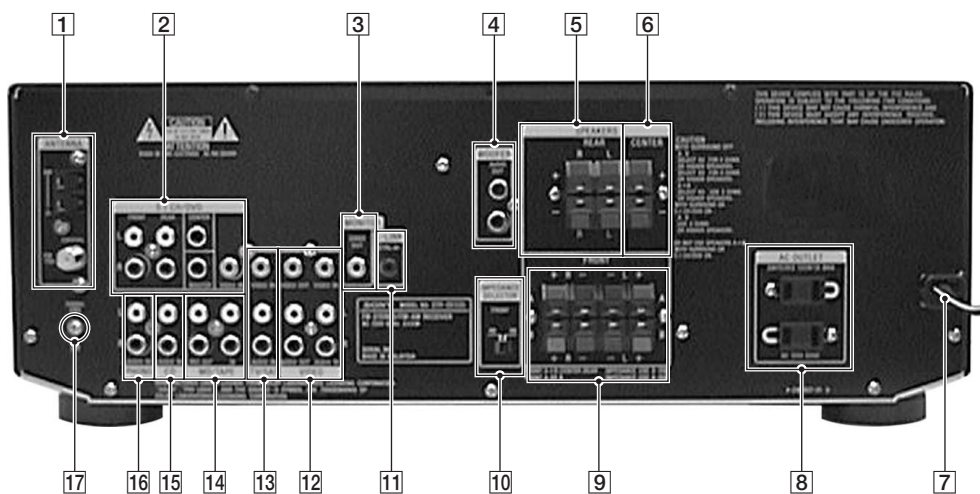
# SECTION 1 GENETAL

## Front Panel



- |           |   |           |   |
|-----------|---|-----------|---|
| <b>1</b>  | I/⏻ (POWER) button  | <b>18</b> | NAME button                                 |
| <b>2</b>  | TUNING +, – button  | <b>19</b> | ENTER button                                |
| <b>3</b>  | DIMMER button   | <b>20</b> | MENU <, >, +, – buttons                     |
| <b>4</b>  | DISPLAY button  | <b>21</b> | BASS/TREBLE button                          |
| <b>5</b>  | PRESET/PTY SELECT +, – buttons (DE435),<br>PRESET TUNING +, – buttons (DE535) | <b>22</b> | PHONO button (DE535 only)                   |
| <b>6</b>  | RDS PTY button (DE435 only)   | <b>23</b> | TV/LD button (DE435), TV/SAT button (DE535) |
| <b>7</b>  | RDS EON button (DE435), AM button (DE535)                                     | <b>24</b> | TUNER button                                |
| <b>8</b>  | MD/TAPE button  | <b>25</b> | VIDEO button                                |
| <b>9</b>  | 5.1CH/DVD button  | <b>26</b> | CD button                                   |
| <b>10</b> | SUR button  | <b>27</b> | FM/AM button (DE435), FM button (DE535)     |
| <b>11</b> | SOUND FIELD ON/OFF, MODE +, – buttons   | <b>28</b> | FM MODE button                              |
| <b>12</b> | SET UP button   | <b>29</b> | MEMORY button                               |
| <b>13</b> | MASTER VOLUME control   | <b>30</b> | DIRECT button                               |
| <b>14</b> | TONE button   | <b>31</b> | Number buttons                              |
| <b>15</b> | BASS BOOST button   | <b>32</b> | SHIFT button                                |
| <b>16</b> | MUTING button   | <b>33</b> | PHONES jack                                 |
| <b>17</b> | BALANCE control   | <b>34</b> | SPEAKERS A. B switch                        |

## Rear Panel



- 1** ANTENNA (FM/AM)
- 2** 5.1CH/DVD
- 3** MONITOR
- 4** WOOFER
- 5** SPEAKER (REAR)
- 6** SPEAKER (CENTER)
- 7** AC power cord
- 8** AC OUTLET
- 9** SPEAKER (FRONT)
- 10** IMPEDANCE SELECTOR (DE535 only)
- 11** S-LINK (DE535 only)
- 12** VIDEO
- 13** TV/LD (DE435), TV/SAT (DE535)
- 14** MD/TAPE
- 15** CD
- 16** PHONO (DE535 only)
- 17**  $\hbar$  SIGNAL GND (DE535 only)

## SECTION 2 TEST MODE

### SOFTWARE VERSION DISPLAY MODE

\* The software version is displayed.

\* Procedure:

While depressing the MD/TAPE and the DIRECT buttons simultaneously, press the power [I/⏻] button to turn on the main power. The model name, destination and the software version are displayed.

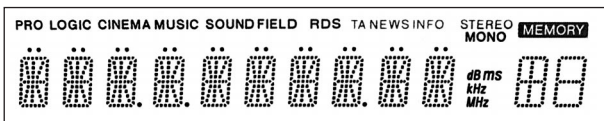
### FLUORESCENT INDICATOR TUBE TEST MODE

\* All fluorescent segments are tested. When this test is activated, all segments turn on at the same time, then each segment turns on one after another.

\* Procedure:

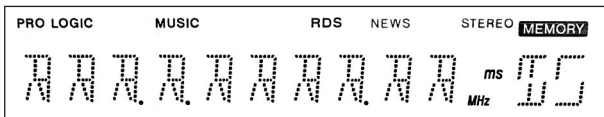
While depressing the TV/SAT and the DIRECT buttons simultaneously, press the power [I/⏻] button to turn on the main power.

1. All segments turn on.



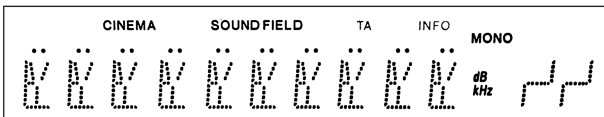
VIDEO, TV/SAT, MD/TAPE, CD, TUNER and PHONO LED turn on.

2. Press the VIDEO button, confirm display



5.1CH/DVD, SUR, BASS/TREBLE, SET UP and NAME LED turn on.

3. Press the VIDEO button, confirm display



TONE, BASS BOOST and MUTING LED turn on.

4. Press the VIDEO button, All segments turn off.

5. Every pressing of the VIDEO button turns on each segment one after another in the following order.

(Not only the VIDEO button, but also the other buttons such as TV/SAT, MD/TAPE, CD, TUNER, PHONO, 1, 2, 3, 4, 5, 6, 7, 8, 9, 0 can be used.)

### FACTORY SET MODE

\* All preset contents are reset to the default setting.

\* Procedure:

While depressing the VIDEO and the DIRECT buttons simultaneously, press the power [I/⏻] button to turn on the main power. The message FACTORY appears and the present contents are reset to the default values.

### ALL CLEAR MODE

\* All preset contents are cleared when this mode is activated. Use this mode before returning the product to clients upon completion of repair.

\* Procedure:

While depressing the TUNER and the MD/TAPE buttons simultaneously, press the power [I/⏻] button to turn on the main power. Alternatively, press I/⏻ more than 4S. The message ALL CLEAR appears and initialization is performed.

### SURROUND CLEAR MODE

\* The preset sound field is cleared when this mode is activated. Use this mode before returning the product to clients upon completion of repair.

\* Procedure:

While depressing the SOUND FIELD ON/OFF button, press the power [I/⏻] button to turn on the main power. The message SUR CLEAR appears and initialization is performed.

### AM CHANNEL STEP 9 kHz/10 kHz SELECTION MODE

\* Either the 9 kHz step or 10 kHz step can be selected for the AM channel step.

\* Procedure:

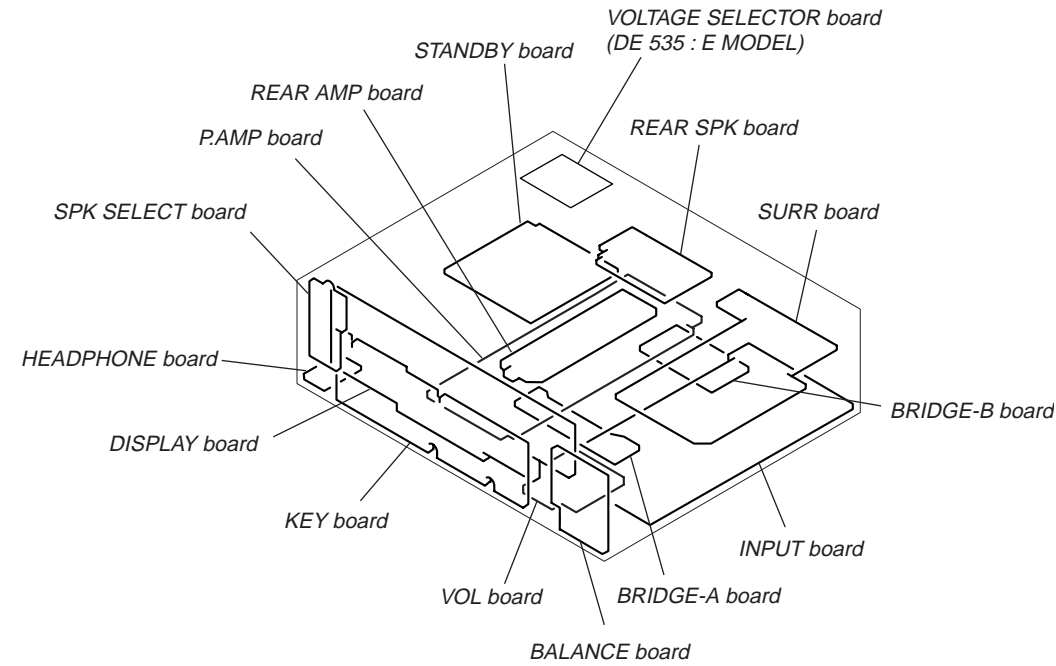
Set the FUNCTION to AM. Turn off the main power.

While depressing the TUNING+ button or the PRESET+ button, press the power [I/⏻] button to turn on the main power. Either the message AM 9k STEP or AM 10k STEP appears. Select the desired step.

\* For US/Canadian/E model only

## SECTION 3 DIAGRAMS

### 3-1. CIRCUIT BOARDS LOCATION



**THIS NOTE IS COMMON FOR PRINTED WIRING BOARDS AND SCHEMATIC DIAGRAMS.**  
(In addition to this necessary note is printed in each block.)

**For schematic diagrams.**

**Note:**

- All capacitors are in  $\mu\text{F}$  unless otherwise noted. pF:  $\mu\text{pF}$  50 WV or less are not indicated except for electrolytics and tantalums.
- All resistors are in  $\Omega$  and  $1/4\text{W}$  or less unless otherwise specified.
- % : indicates tolerance.
- $\Delta$  : internal component.
- : nonflammable resistor.
- : fusible resistor.
- : panel designation.

**Note:**

The components identified by mark  $\Delta$  or dotted line with mark  $\Delta$  are critical for safety. Replace only with part number specified.

以阴影和  $\Delta$  标志来识别的零部件，在安全方面具有关键性，因此只能以规定号码的零部件来更换。

**Note:**

Les composants identifiés par une marque  $\Delta$  sont critiques pour la sécurité. Ne les remplacer que par une pièce portant le numéro spécifié.

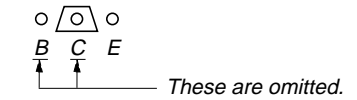
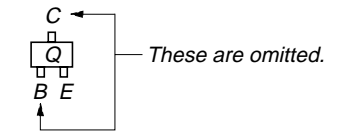
- : B+ Line.
- : B- Line.
- : adjustment for repair.
- Voltages and waveforms are dc with respect to ground under no-signal (detuned) conditions.  
No mark : FM
- Voltages are taken with a VOM (Input impedance 10 M $\Omega$ ). Voltage variations may be noted due to normal production tolerances.
- Waveforms are taken with a oscilloscope.
- Circled numbers refer to waveforms.
- Signal path.  
 : FM  
 : CD  
 : VIDEO  
 : PHONO
- Abbreviation  
CND : Canadian model  
AUS : Australian model  
CH : Chinese model  
MY : Malaysia model  
SP : Singapore model

EA : Saudi Arabia model  
EE : East European model

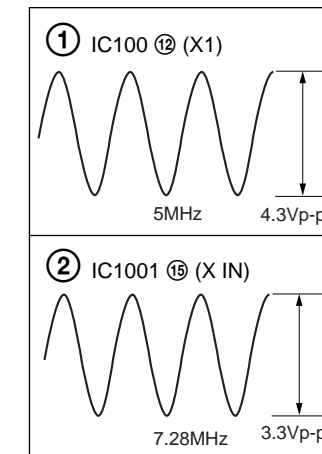
**For printed wiring boards.**

**Note:**

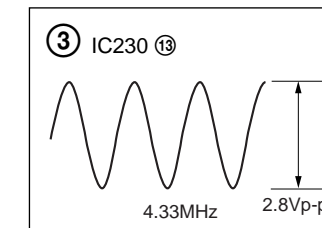
- : parts extracted from the component side.
- : Through hole.
- : internal component.
- : Pattern from the side which enables seeing.



**• Waveform**  
— DISPLAY SECTION —

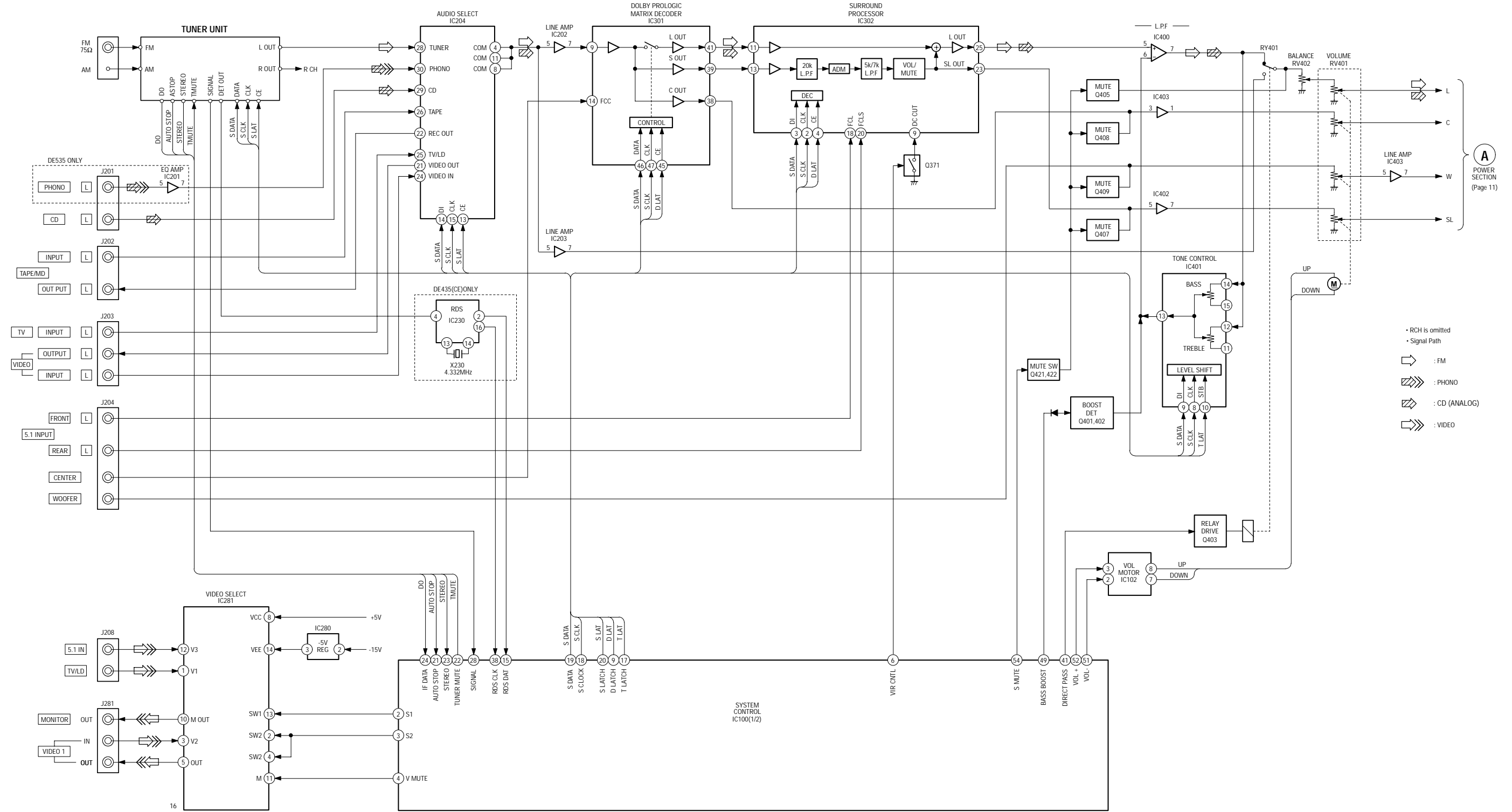


— INPUT SECTION —



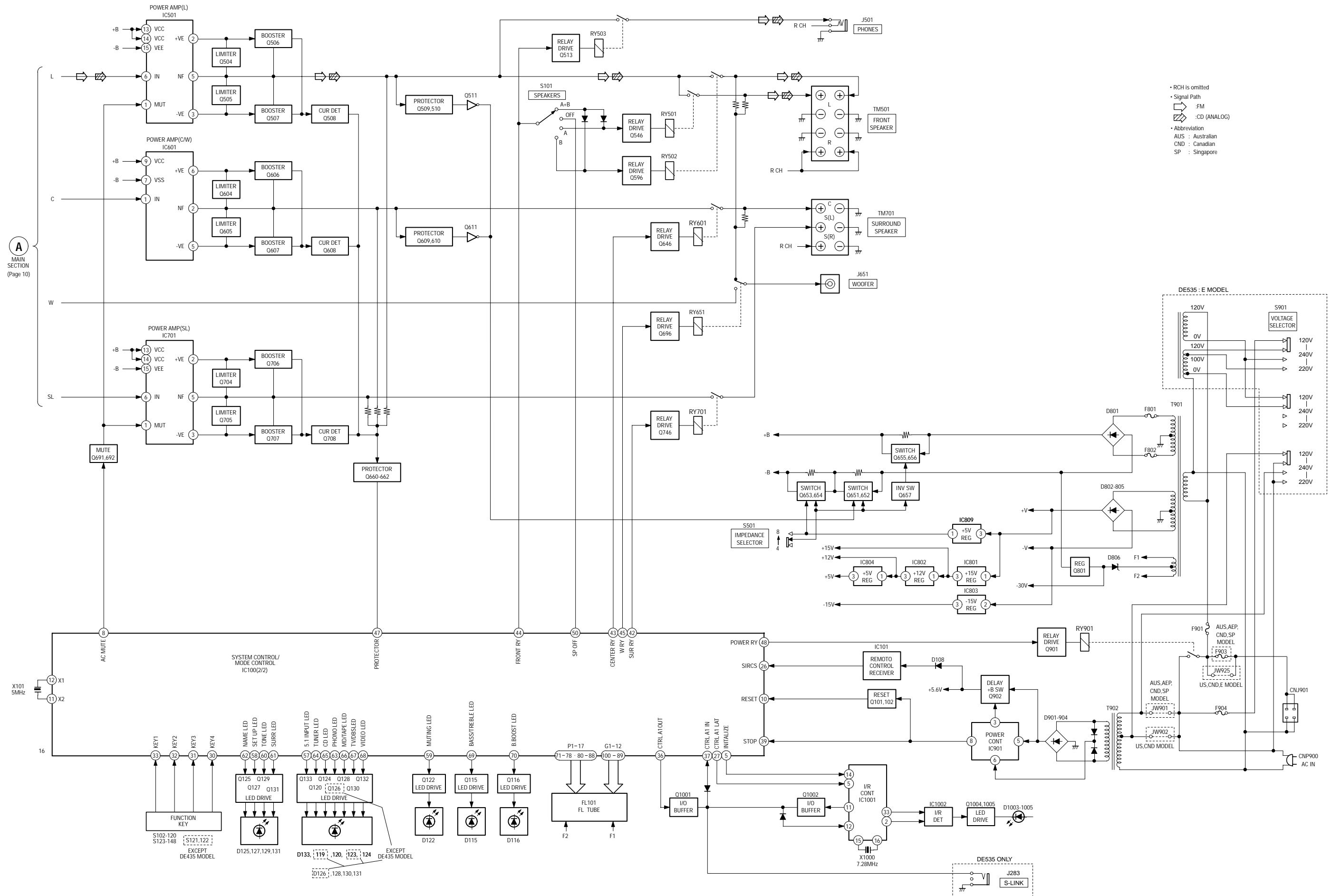


3-2. BLOCK DIAGRAMS  
— MAIN SECTION —

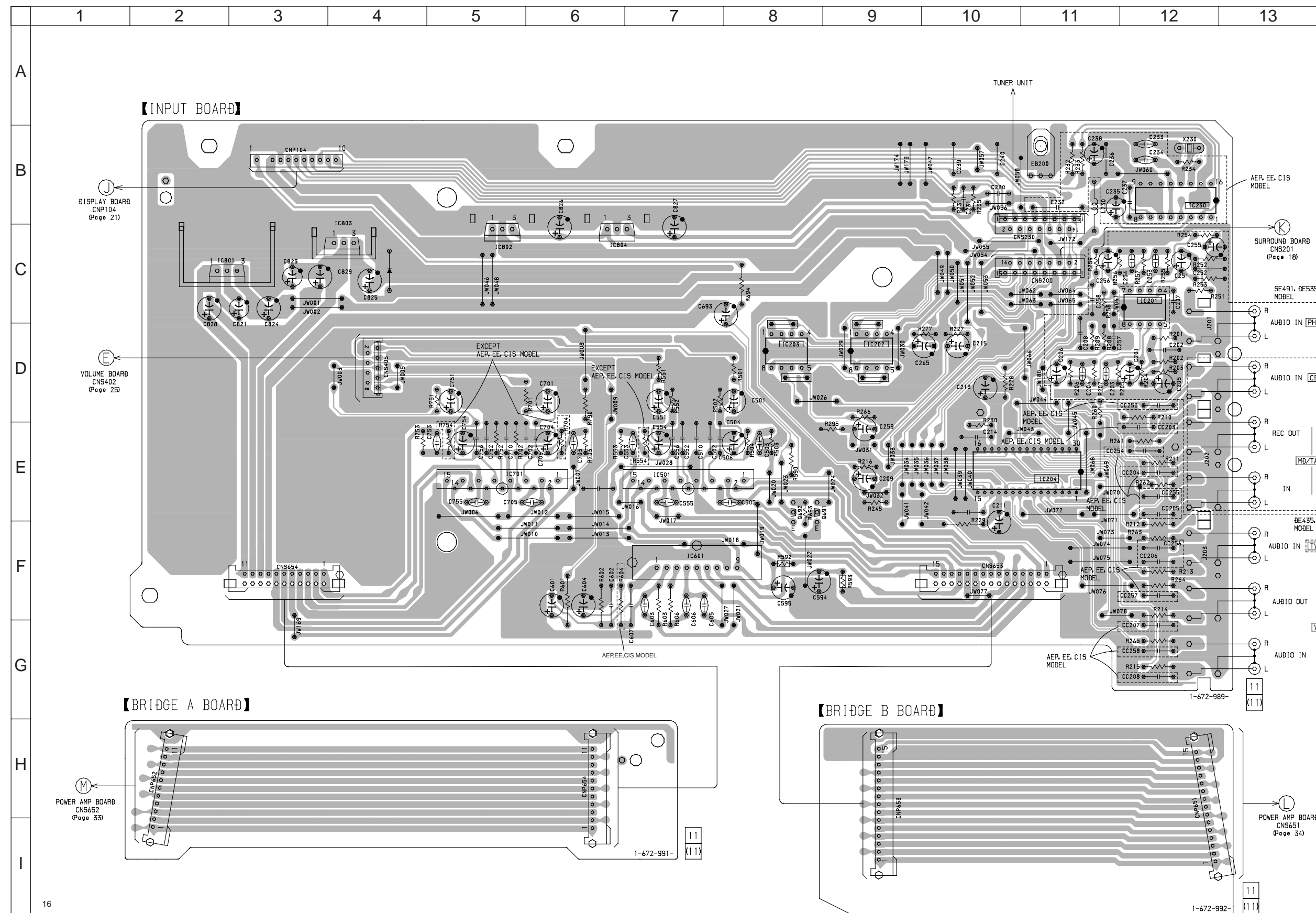




— POWER SECTION —



A  
MAIN SECTION  
(Page 10)



**• Semiconductor Location**

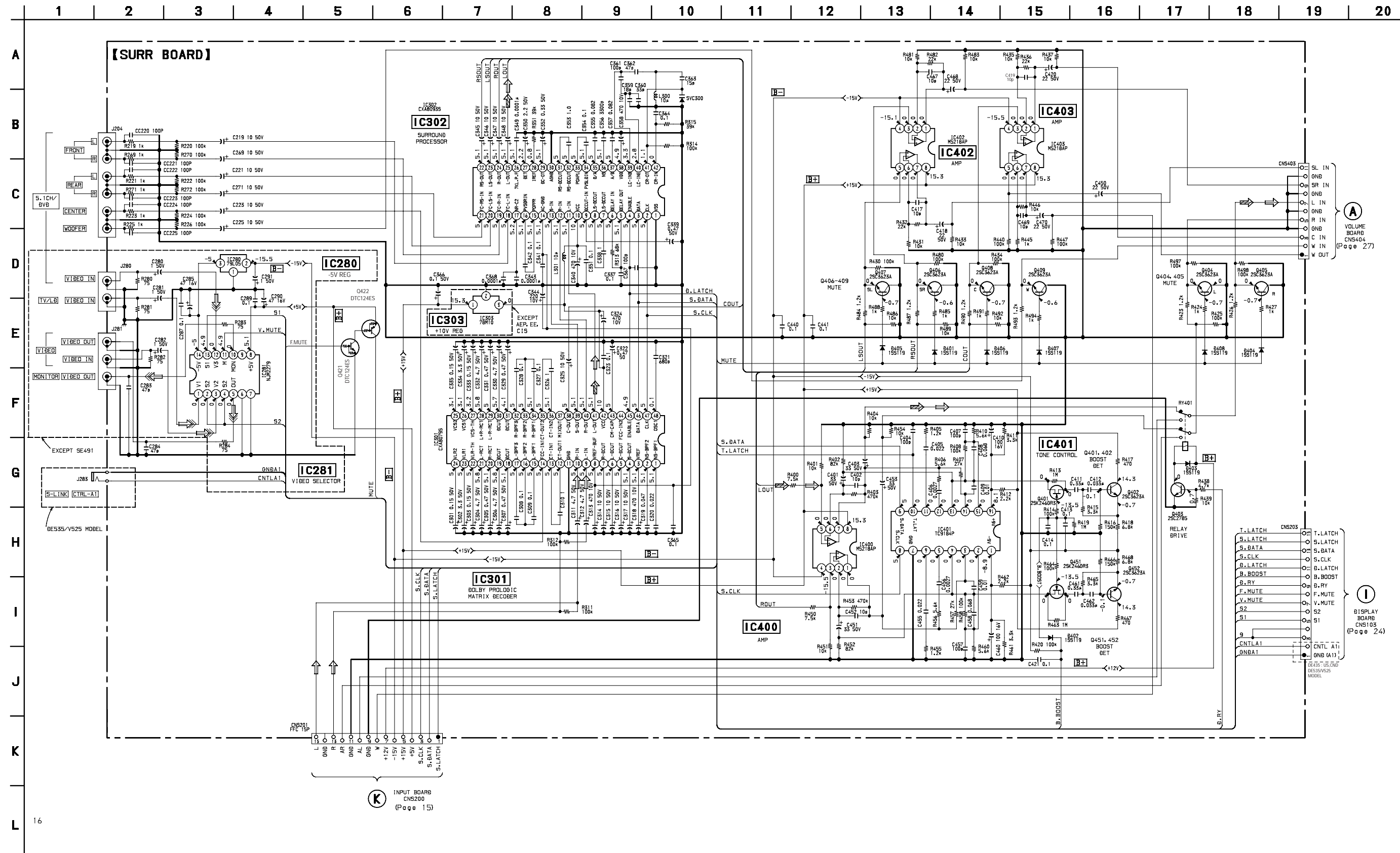
Ref. No.	Location
IC201	C-12
IC202	D-9
IC203	D-8
IC204	E-11
IC230	B-12
IC501	E-7
IC601	F-7
IC701	E-5
IC801	C-2
IC802	C-5
IC803	C-4
IC804	C-6
Q691	E-8
Q692	E-8

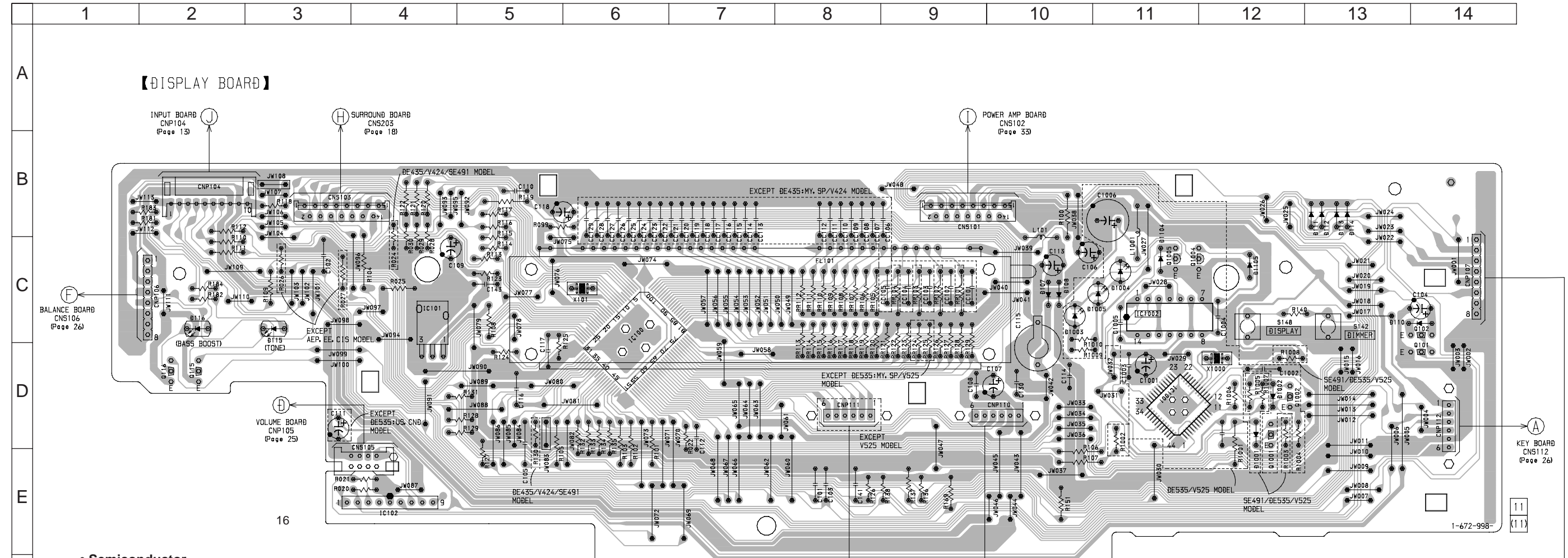






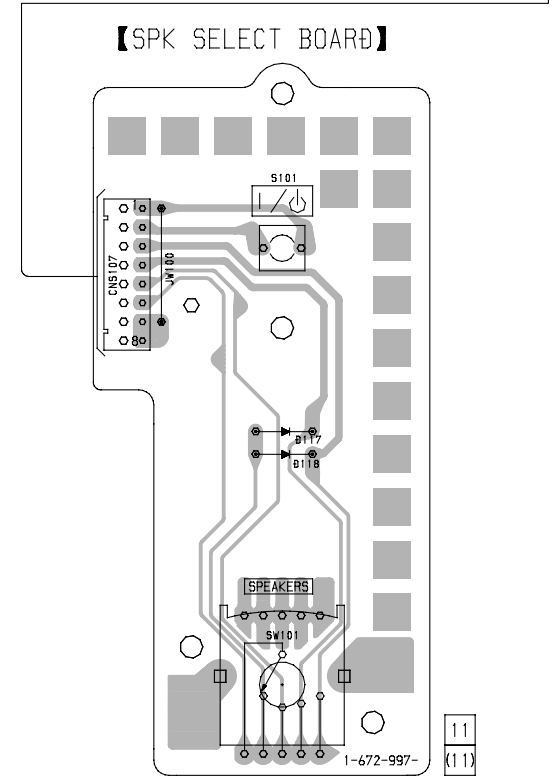
3-6. SCHEMATIC DIAGRAM — SURROUND SECTION — • Refer to page 39 for IC Block Diagrams.



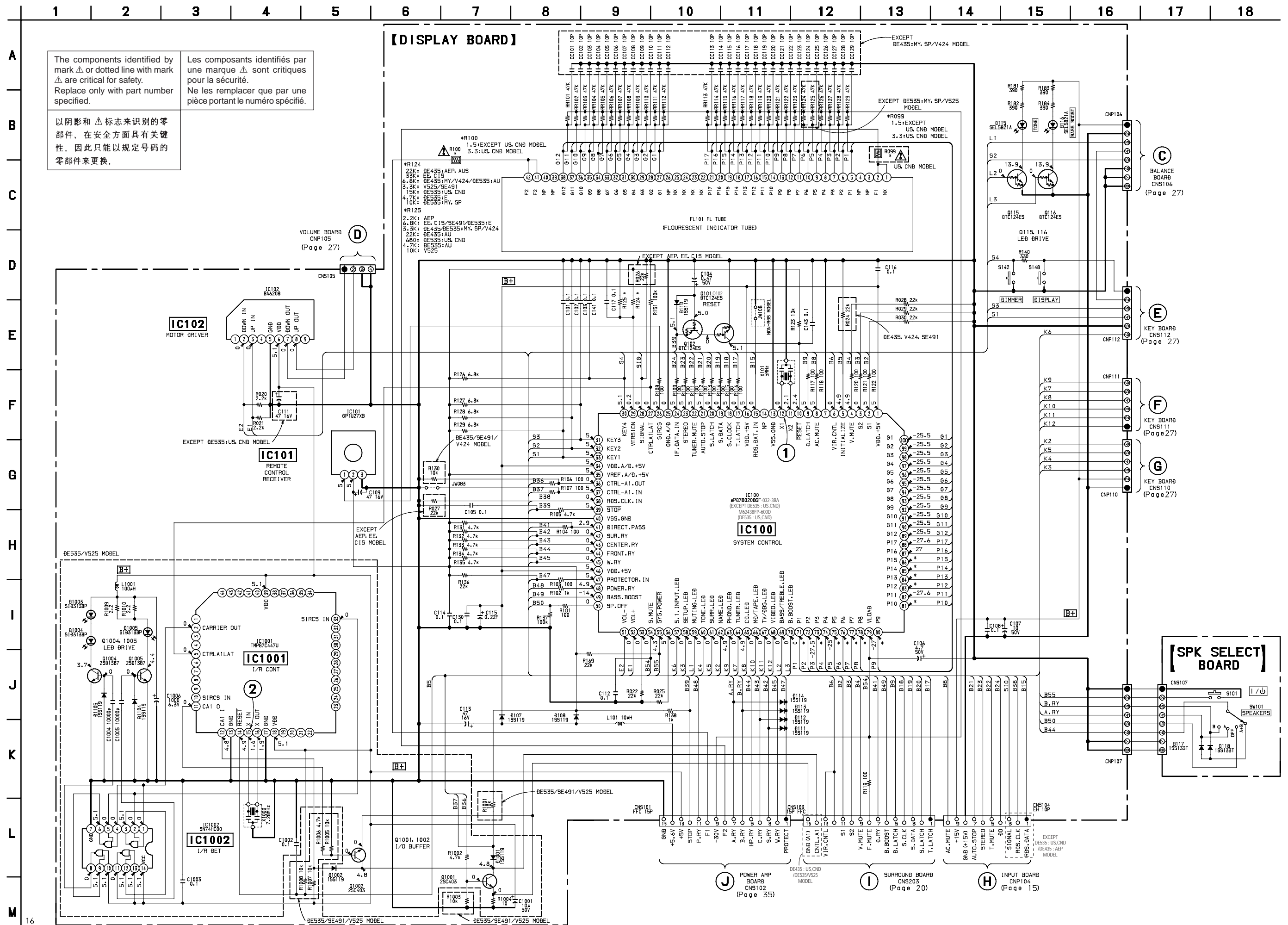


• Semiconductor Location

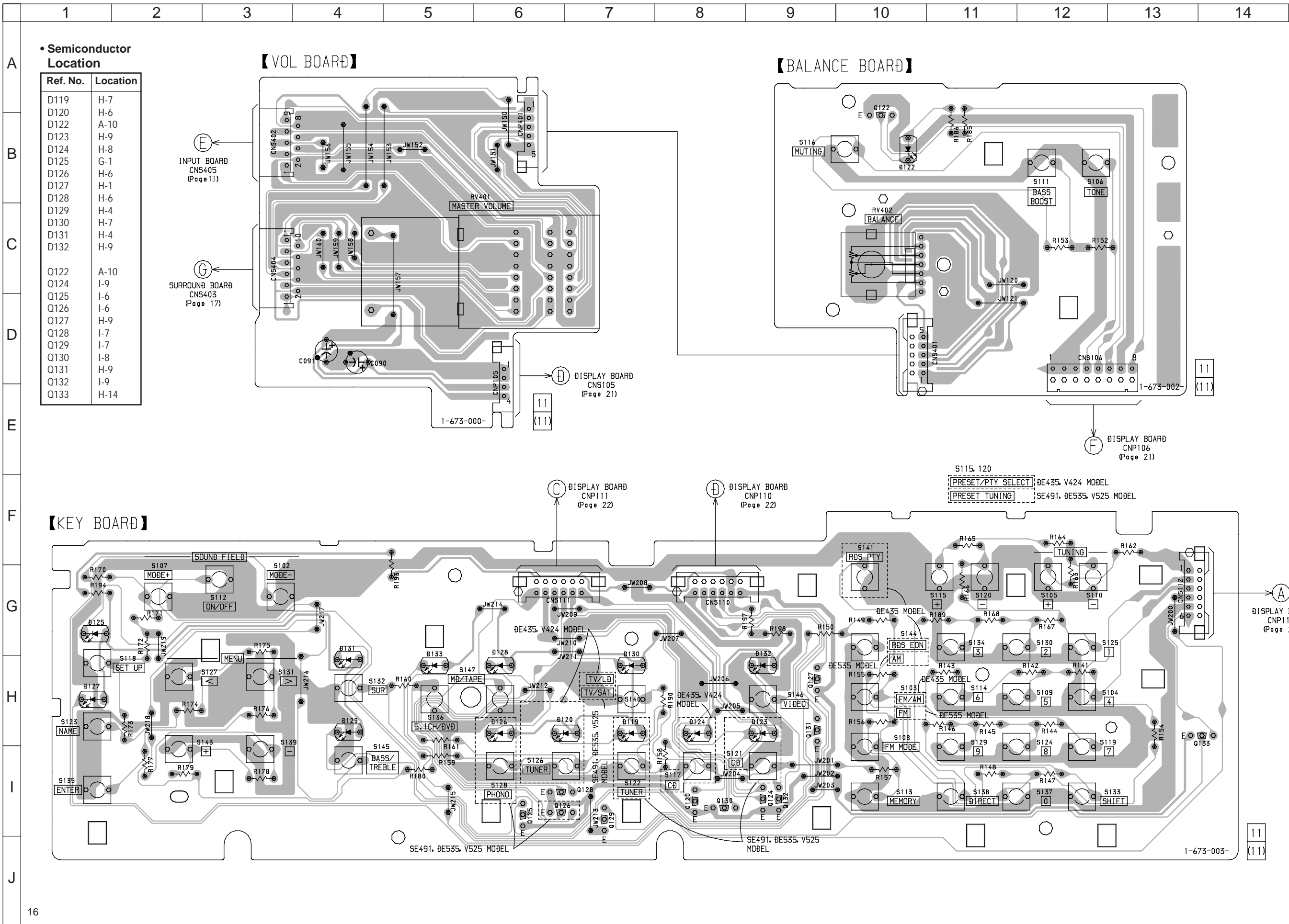
Ref. No.	Location
D107	C-10
D108	C-10
D110	C-14
D111	B-13
D112	B-13
D113	B-13
D114	B-13
D115	C-3
D116	C-2
D117	H-14
D118	H-14
D1001	D-12
D1002	D-12
D1003	C-10
D1004	C-11
D1005	C-11
D1104	C-11
D1105	C-12
IC100	C-6
IC101	C-4
IC102	E-4
IC1001	D-11
IC1002	C-11
Q101	D-14
Q102	C-14
Q115	D-2
Q116	D-2
Q1001	D-12
Q1002	D-12
Q1004	C-12
Q1005	C-11



3-8. SCHEMATIC DIAGRAM — DISPLAY SECTION — • Refer to page 37 for IC Pin Functions. • Refer to page 8 for Waveforms.







**• Semiconductor Location**

Ref. No.	Location
D119	H-7
D120	H-6
D122	A-10
D123	H-9
D124	H-8
D125	G-1
D126	H-6
D127	H-1
D128	H-6
D129	H-4
D130	H-7
D131	H-4
D132	H-9
Q122	A-10
Q124	I-9
Q125	I-6
Q126	I-6
Q127	H-9
Q128	I-7
Q129	I-7
Q130	I-8
Q131	H-9
Q132	I-9
Q133	H-14

A  
B  
C  
D  
E  
F  
G  
H  
I  
J

【VOL BOARD】

【BALANCE BOARD】

【KEY BOARD】

INPUT BOARD CNS405 (Page 13)  
SURROUND BOARD CNS403 (Page 17)  
DISPLAY BOARD CNS105 (Page 21)

DISPLAY BOARD CNP106 (Page 21)

DISPLAY BOARD CNP111 (Page 22)

DISPLAY BOARD CNP110 (Page 22)

DISPLAY BOARD CNP112 (Page 22)

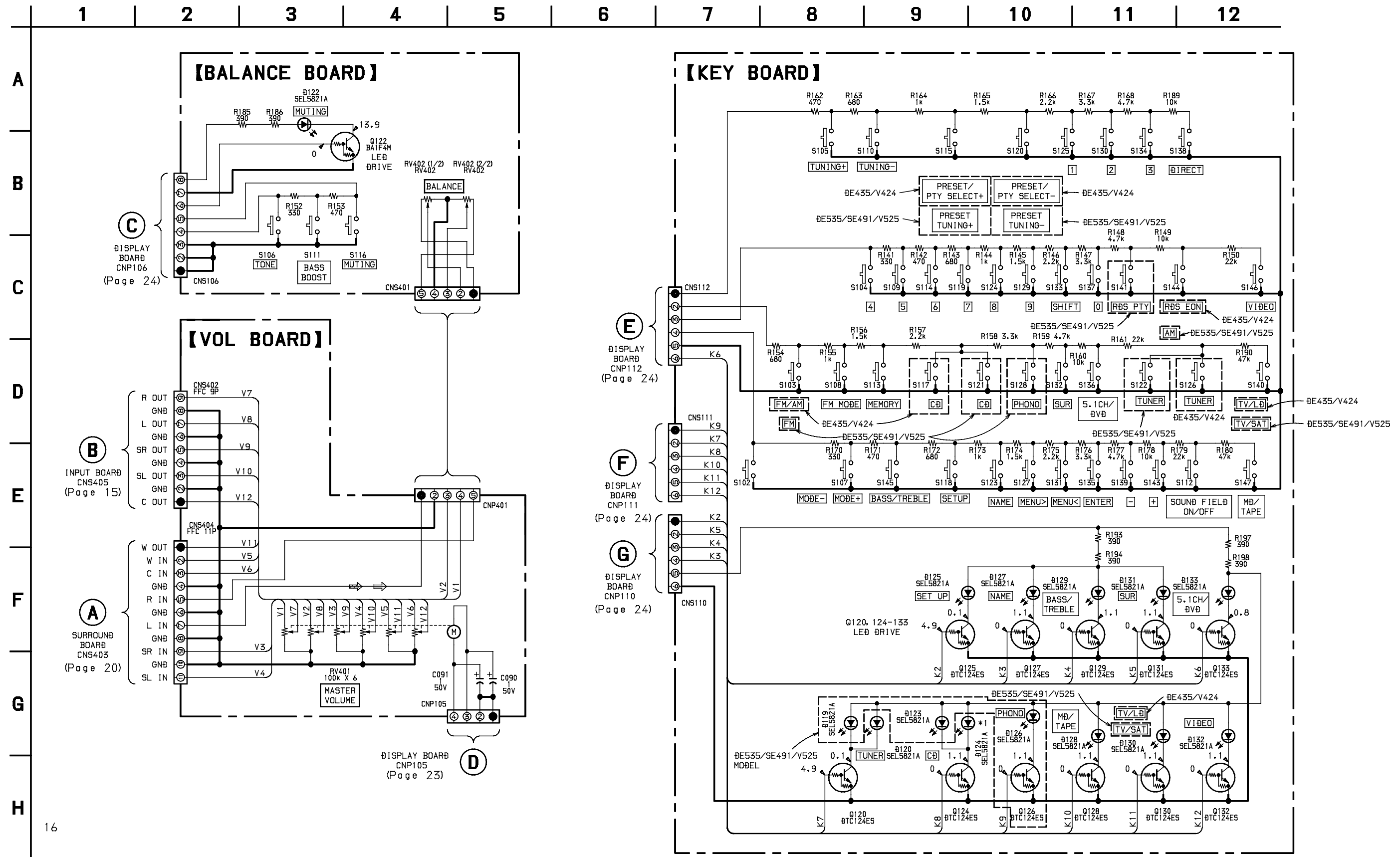
S115, 120  
[PRESET/PTY SELECT] DE435, V424 MODEL  
[PRESET TUNING] SE491, DE535, V525 MODEL

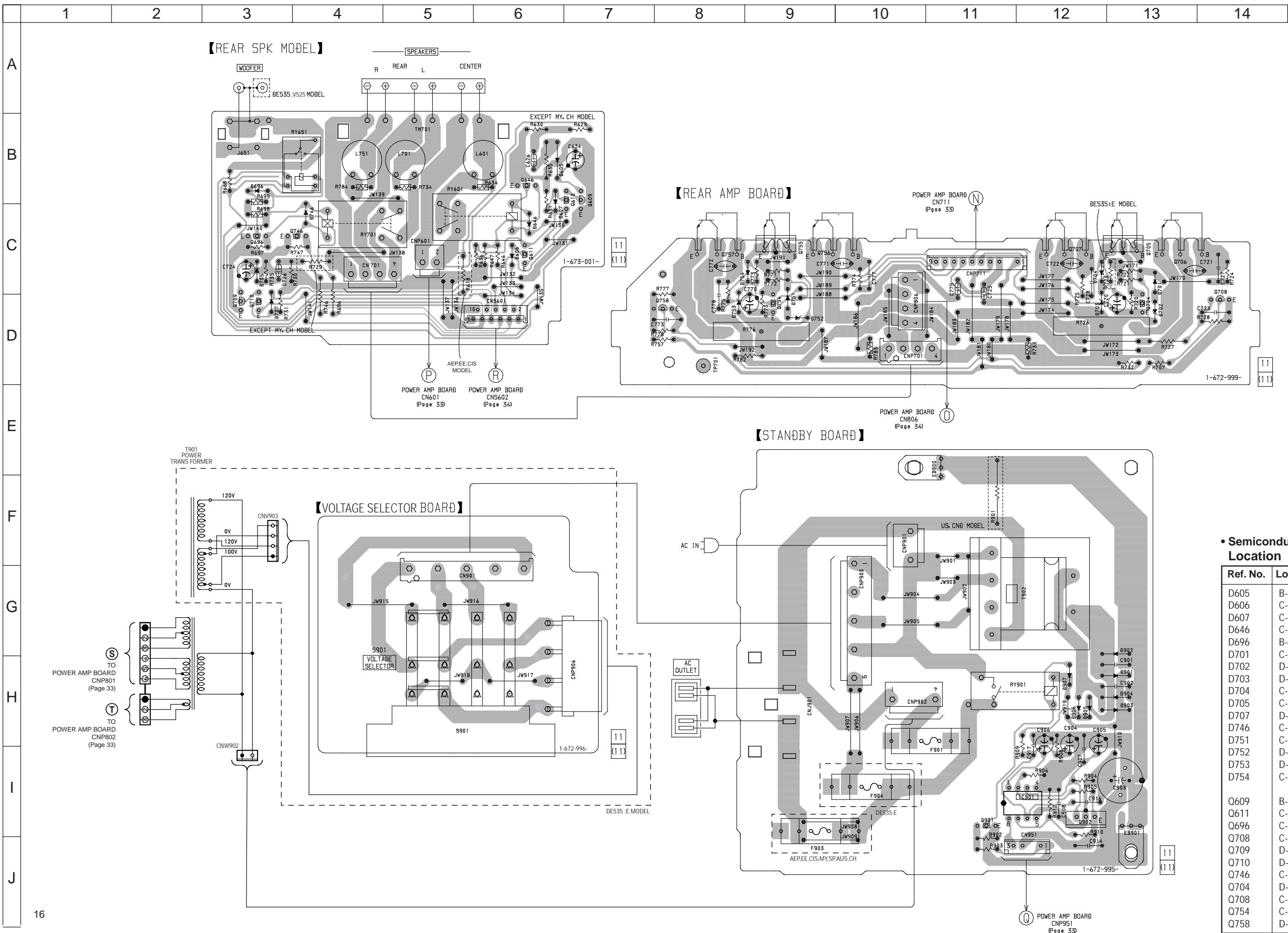
SE491, DE535, V525 MODEL

SE491, DE535, V525 MODEL

1-673-003-

3-10. SCHEMATIC DIAGRAM — KEY SECTION —

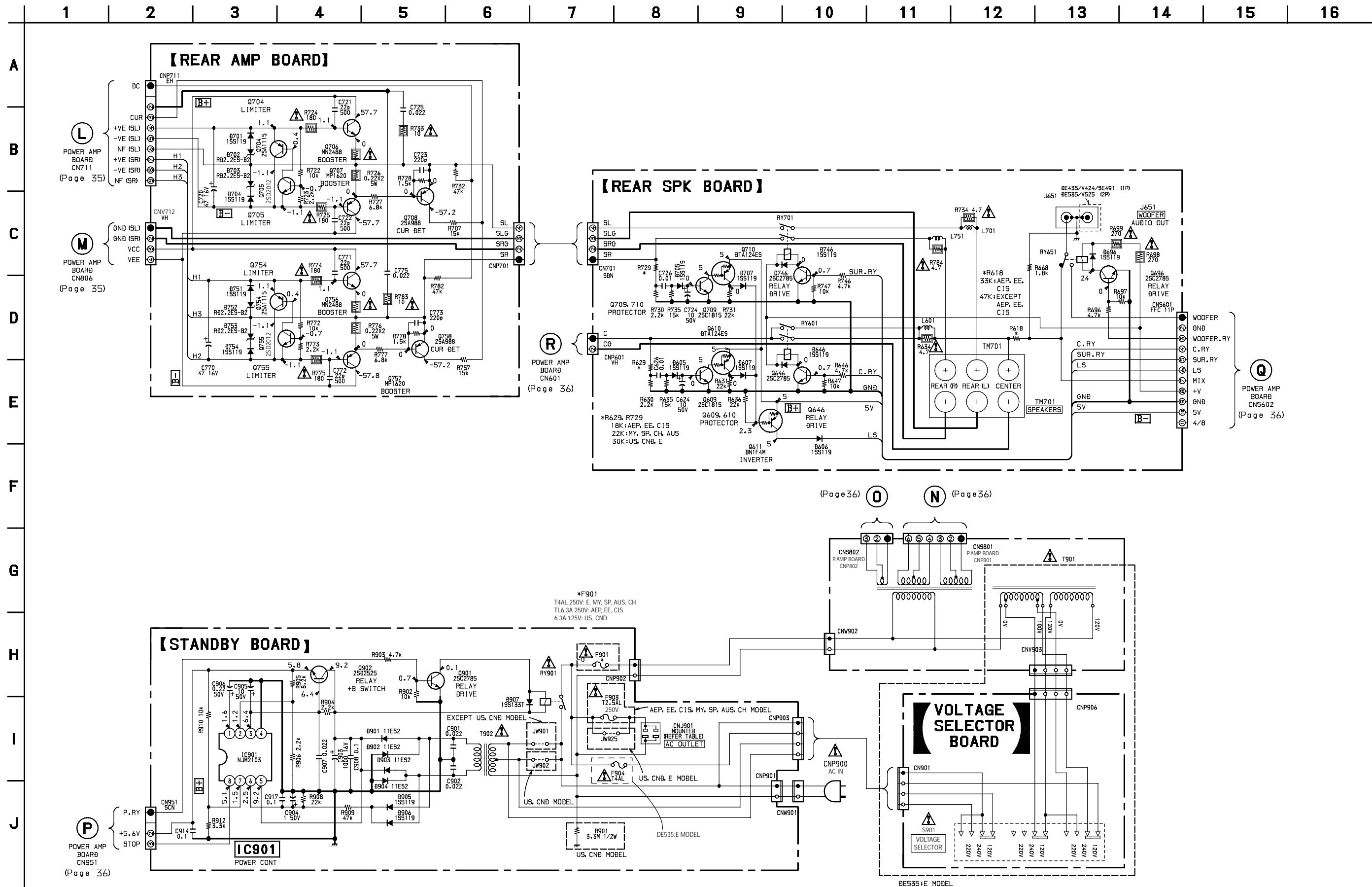




• Semiconductor Location

Ref. No.	Location
D605	B-6
D606	C-6
D607	C-6
D646	C-6
D696	B-3
D701	C-13
D702	D-13
D703	D-12
D704	C-12
D705	C-3
D707	D-3
D746	C-4
D751	C-9
D752	D-9
D753	D-8
D754	C-9
Q609	B-7
Q611	C-6
Q696	C-3
Q708	C-14
Q709	D-3
Q710	D-3
Q746	C-4
Q704	D-13
Q708	C-14
Q754	C-9
Q758	D-8

3-12. SCHEMATIC DIAGRAM — REAR AMP SECTION —

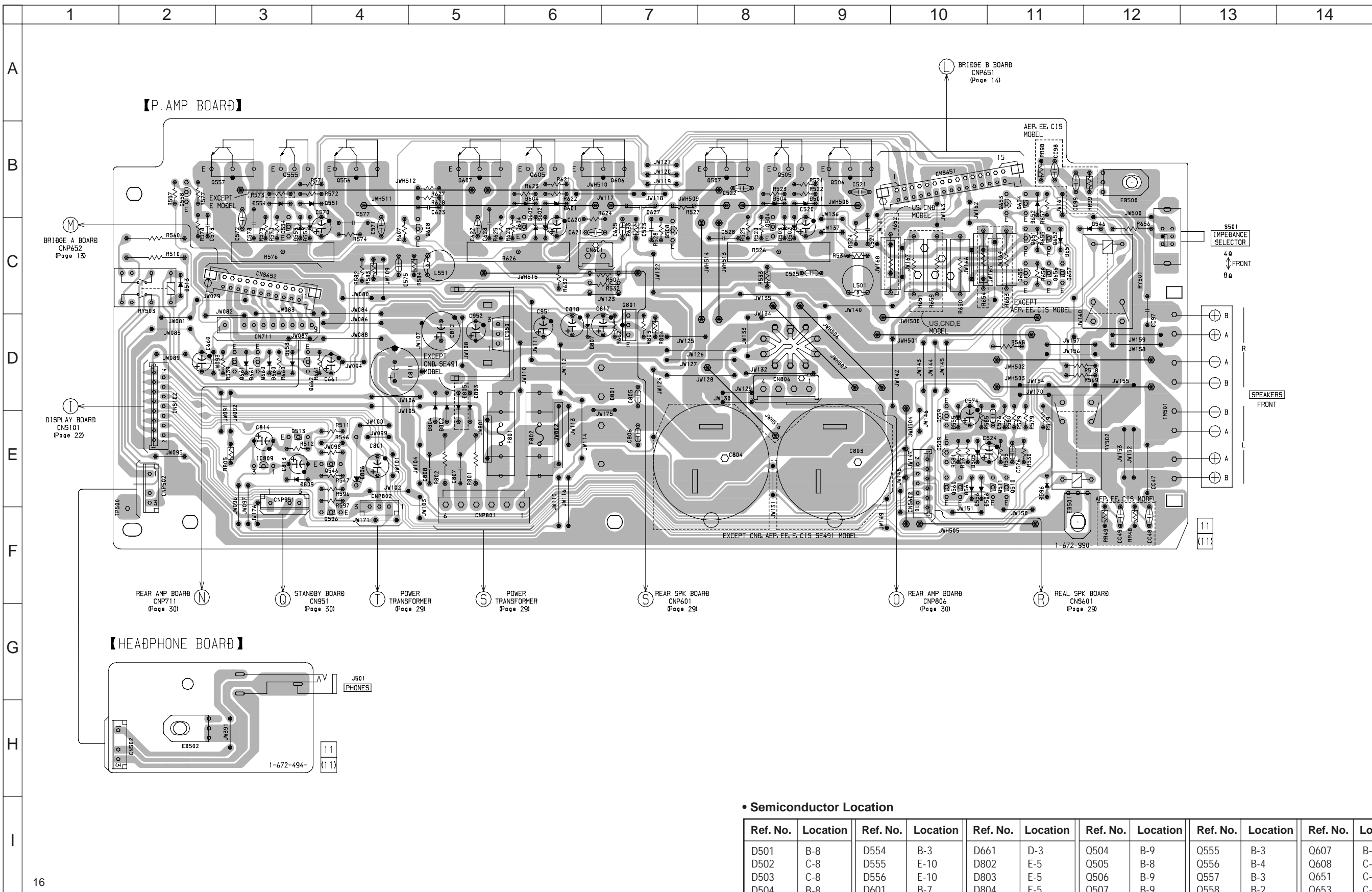


The components identified by mark △ or dotted line with mark △ are critical for safety. Replace only with part number specified.

Les composants identifiés par une marque △ sont critiques pour la sécurité. Ne les remplacer que par une pièce portant le numéro spécifié.

以阴影和 △ 标志来识别的零部件，在安全方面具有关键性。因此只能以规定号码的零部件来更换。

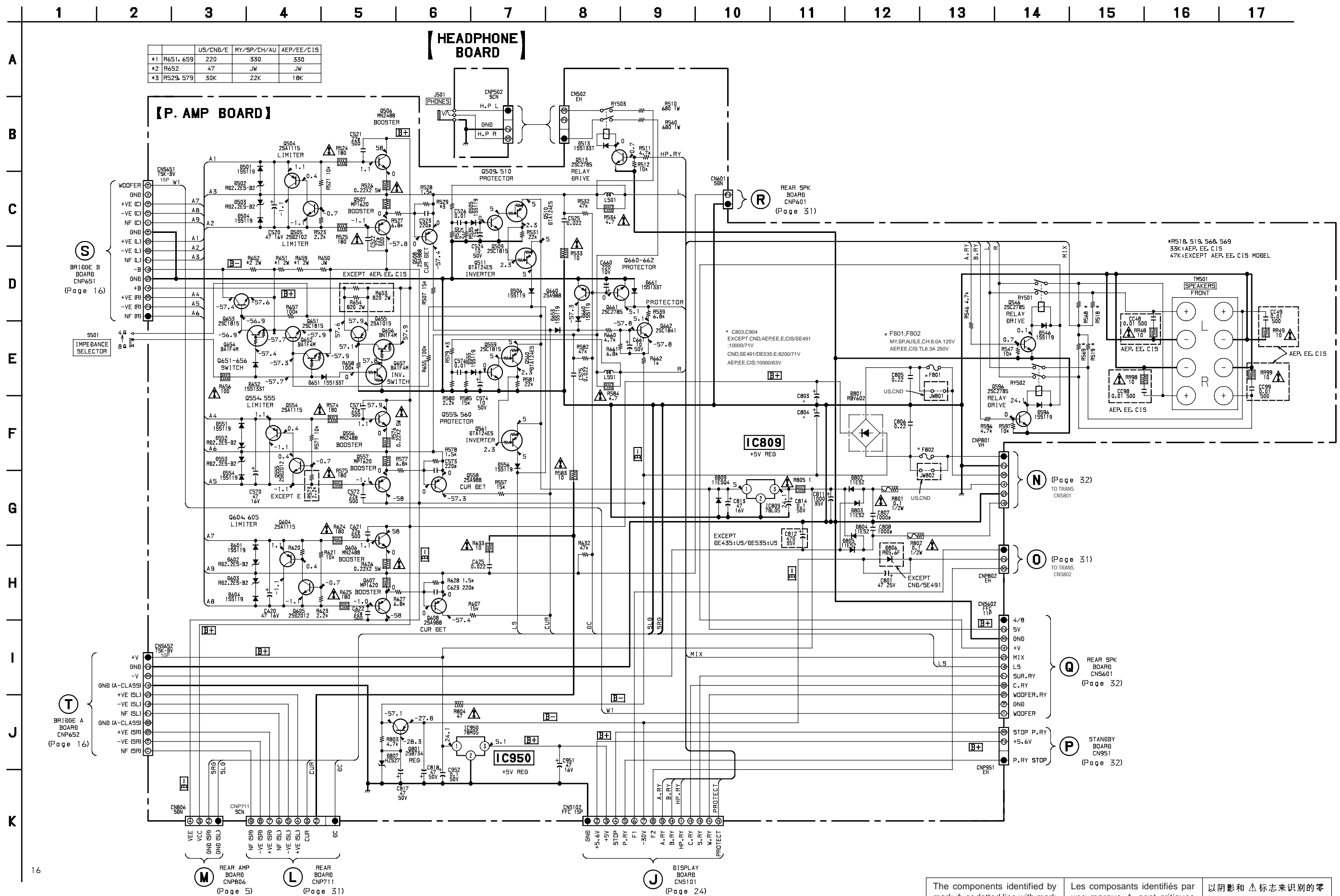




• Semiconductor Location

Ref. No.	Location	Ref. No.	Location	Ref. No.	Location	Ref. No.	Location	Ref. No.	Location	Ref. No.	Location
D501	B-8	D554	B-3	D661	D-3	Q504	B-9	Q555	B-3	Q607	B-5
D502	C-8	D555	E-10	D802	E-5	Q505	B-8	Q556	B-4	Q608	C-5
D503	C-8	D556	E-10	D803	E-5	Q506	B-9	Q557	B-3	Q651	C-11
D504	B-8	D601	B-7	D804	E-5	Q507	B-9	Q558	B-2	Q653	C-11
D505	E-10	D602	B-6	D805	E-5	Q508	C-8	Q559	E-10	Q655	C-11
D506	E-10	D603	B-6	D806	E-4	Q509	E-11	Q560	E-10	Q656	C-11
D513	C-2	D604	B-6	D807	D-7	Q510	E-12	Q561	E-10	Q657	C-11
D546	B-12	D651	C-11	D809	E-3	Q511	E-12	Q596	F-4	Q660	D-3
D551	B-2	D652	B-12			Q513	E-3	Q604	C-6	Q661	D-3
D552	C-2	D653	D-3	IC809	E-3	Q546	E-4	Q605	B-6	Q662	D-4
D553	C-4	D660	D-3	IC950	D-6	Q554	C-3	Q606	B-7	Q801	D-7

3-14. SCHEMATIC DIAGRAM —POWER AMP SECTION—



16

The components identified by mark  $\Delta$  or dotted line with mark  $\Delta$  are critical for safety. Replace only with part number specified.

Les composants identifiés par une marque  $\Delta$  sont critiques pour la sécurité. Ne les remplacer que par une pièce portant le numéro spécifié.

以阴影和  $\Delta$  标志来识别的零部件，在安全方面具有关键性。因此只能以规定号码的零部件来更换。

### 3-15. IC PIN FUNCTION DESCRIPTION

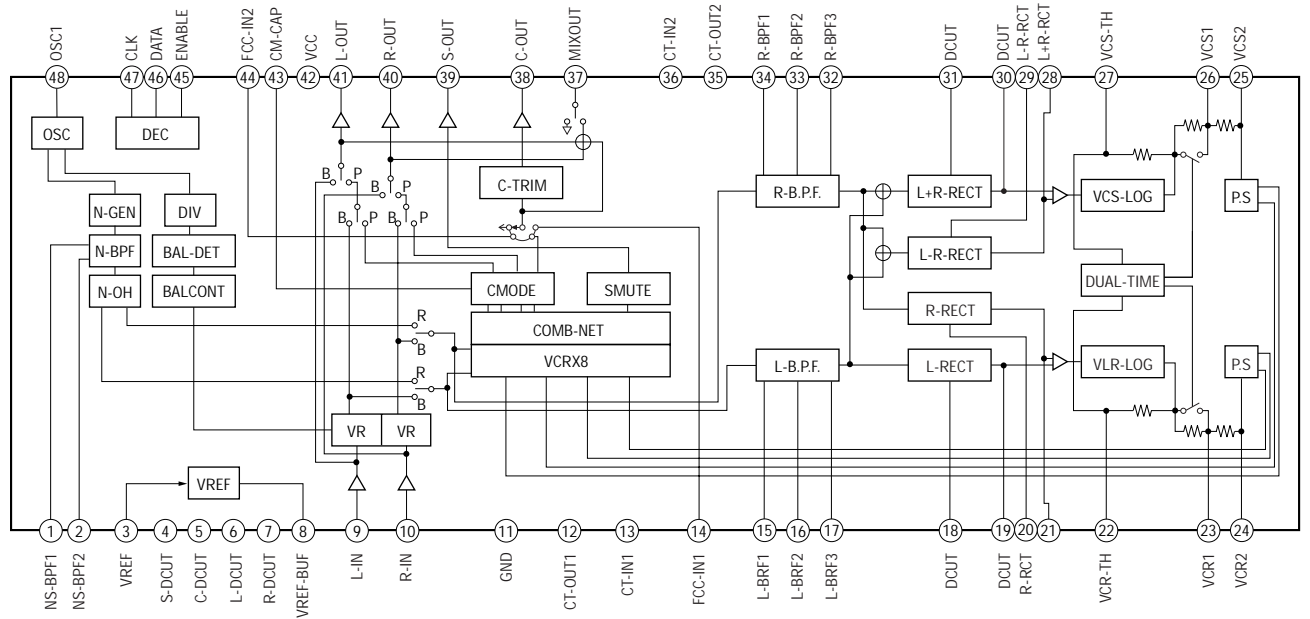
#### • IC100 uPD780208GF-032-3BA/M62438FP-600D SYSTEM CONTROL (DISPLAY BOARD)

Pin No.	Pin Name	I/O	Description
1	VDD.+5V	—	Power Supply (+5 V).
2	S1	O	Video IC S1.
3	S2	O	Video IC S2.
4	V.MUTE	O	Video IC MUTE.
5	INITIALIZE	O	Reset.
6	VIR CNTL	O	VIR Control.
7	GND	—	Not used (ground).
8	AC.MUTE	O	A-class mute.
9	D.LATCH	O	Dolby latch.
10	RESET	I	System reset.
11, 12	X2, X1	—	System clock X101(5.0 MHz).
13	VSS. GND	—	VSS (0 V).
14	N.C.	—	Open.
15	RDS.DAT.IN	I	RDS data input.
16	VDD.+5v	—	Power Supply (+5 V).
17	T.LATCH	O	Tone latch.
18	S.CLOCK	O	Serial clock.
19	S.DATA	O	Serial data.
20	S.LATCH	O	Serial latch.
21	AUTO.STOP	I	Auto stop detect input.
22	TUNER.MUTE	O	Tuner mute.
23	STEREO	I	Stereo.
24	IF.DATA.IN	I	IF. Data input.
25	GND.A/D	—	A/D ground (0 V).
26	SIRCS	I	SIRCS input.
27	CTRLA1LAT	O	Control A1 Latch.
28	SIGNAL	I	Signal.
29	VERSION	I	Version.
30 to 33	KEY4 to 1	I	Key A/D 4 to 1
34	VDD.A/D.+5V	—	A/D power supply (+5 V).
35	VREF.A/D.+5V	—	A/D reference voltage (+5 V).
36	CTRL-A1.OUT	O	Control-A1 out.
37	CTRL-A1.IN	I	Control-A1 in.
38	RDS.CLK.IN	I	RDS clock in.
39	STOP	I	STOP.
40	VSS.GND	—	Ground.
41	DIRECT.PASS	O	Direct pass.
42	SUR.RY	O	Surround relay.
43	CENTER.RY	O	Center relay.
44	FRONT.RY	O	Front relay.
45	W.RY	O	Woofers relay.
46	VDD.+5V	—	+5 V.
47	PROTECTOR.IN	I	Protector in.
48	POWER.RY	O	Power relay.
49	BASS.BOOST	O	Bass boost.
50	SP.OFF	I	Speaker off.

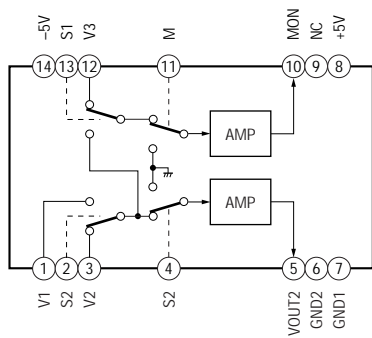
Pin No.	Pin Name	I/O	Description
51	VOL -	O	Volume -.
52	VOL +	O	Volume +.
53	GND	—	Not used (ground).
54	S.MUTE	O	S. Mute.
55	SYS. POWER	I	System Power.
56	GND	—	Not used (ground).
57	5.1.INPUT.LED	O	5.1/DVD input LED drive.
58	SET UP LED	O	Set up LED drive.
59	MUTING.LED	O	Muting LED drive.
60	TONE.LED	O	TUNE LED drive.
61	SURR.LED	O	Surround LED drive.
62	NAME.LED	O	NAME LED drive.
63	PHONO.LED	O	PHONO LED drive.
64	TUNER.LED	O	TUNER LED drive.
65	CD.LED	O	CD LED drive.
66	MD/TAPE.LED	O	MD/TAPE LED drive.
67	TV/DBS.LED	O	TV/DBS LED drive.
68	VIDEO.LED	O	VIDEO LED drive.
69	BASS/TREBLE LED	O	BASS/TREBLE LED drive.
70	B.BOOST.LED	O	B. BOOST LED drive.
71 to 78	P1 to P8	O	Key Out 1 to 8 Fluorescent indicator tube drive.
79	VLOAD	—	Vee (-30V).
80 to 88	P9 to P17	O	Key Out 9 to 17 Fluorescent indicator tube drive.
89 to 100	G12 to G1	O	Fluorescent indicator tube drive.



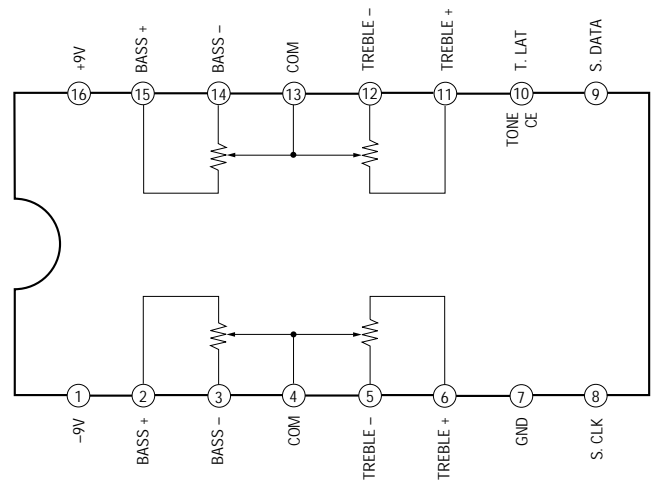
**IC301 (SURR BOARD) CXA8079S**



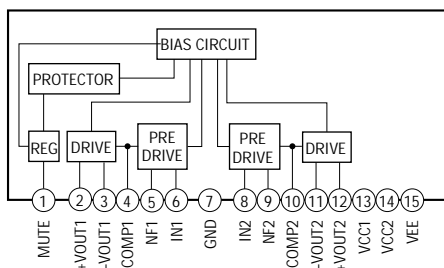
**IC281 (SURR BOARD) NJM2279D**



**IC401 (SURR BOARD) TC9184P**



**IC501, IC701 (INPUT BOARD) μPC2581V**



## SECTION 4 EXPLODED VIEWS

**NOTE:**

- XX, -X mean standardized parts, so they may have some differences from the original one.
- Items marked "\*" are not stocked since they are seldom required for routine service. Some delay should be anticipated when ordering these items.
- Color Indication of Appearance Parts Example:  
KNOB, BALANCE (WHITE) . . . (RED)

↑                    ↑  
Parts of Color   Cabinet's Color

- The mechanical parts with no reference number in the exploded views are not supplied.
- Hardware (# mark) list and accessories and packing materials are given in the last of this parts list.

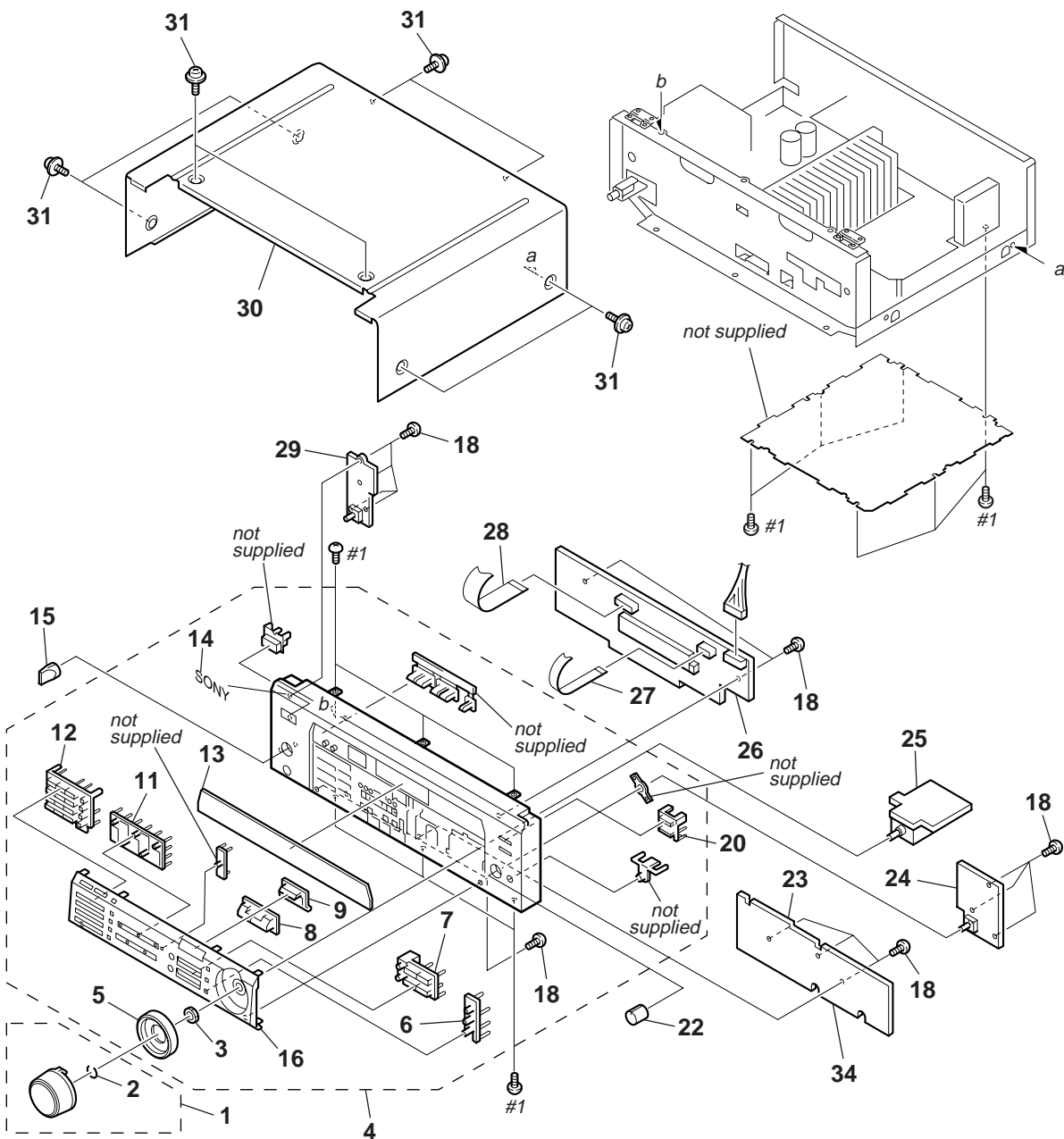
以阴影和△标志来识别的零部件在安全方面具有关键性。因此只能以规定号码的零部件来更换。

The components identified by mark △ or dotted line with mark △ are critical for safety. Replace only with part number specified.

Les composants identifiés par une marque △ sont critiques pour la sécurité. Ne les remplacer que par une pièce portant le numéro spécifié.

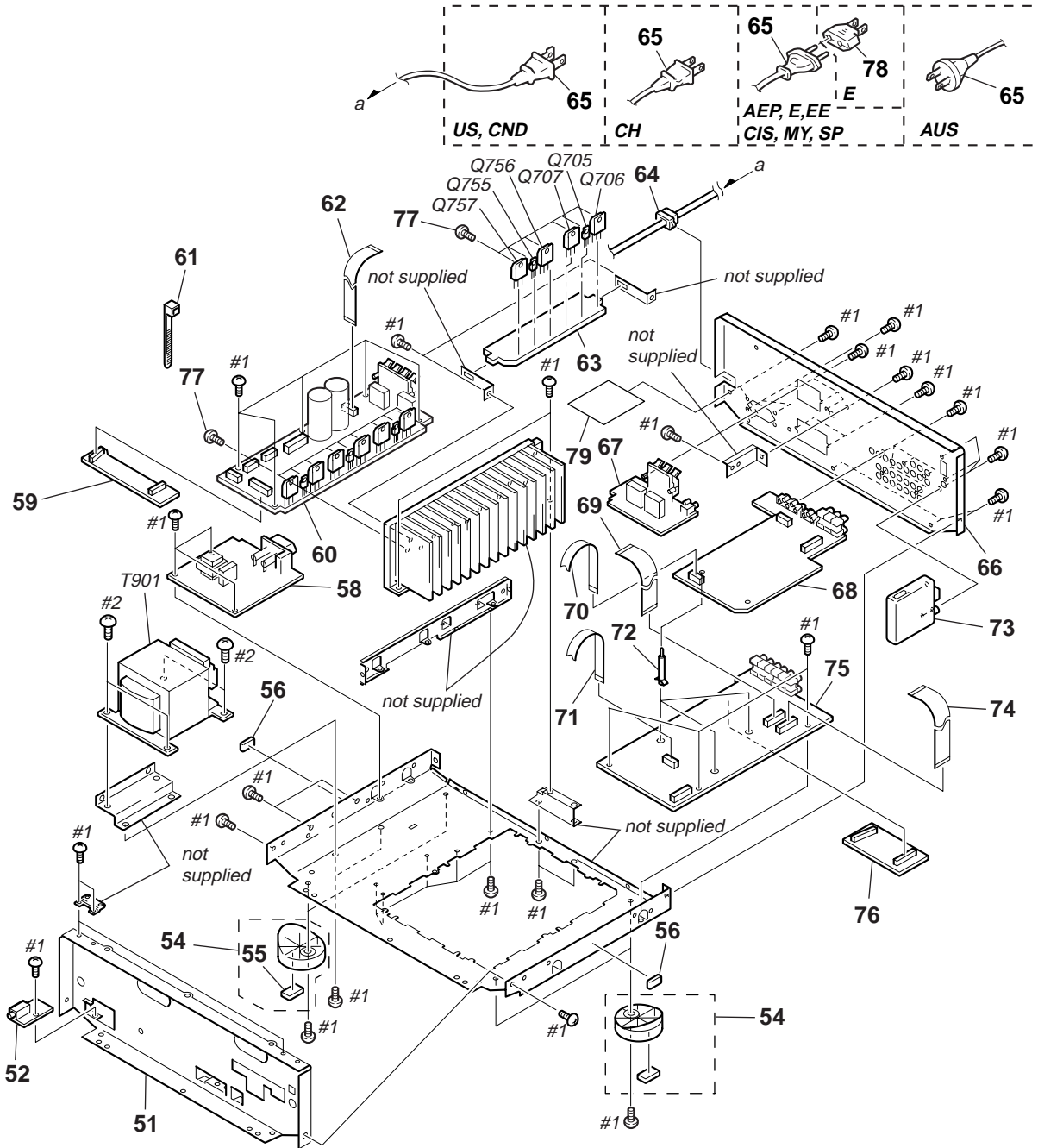
- Abbreviation  
CND : Canadian      SP : Singapore  
AUS : Australian    EA : Saudi Arabia  
CH : Chinese        EE : East European  
MY : Malaysia

### 4-1. FRONT PANEL SECTION



Ref. No.	Part No.	Description	Remarks	Ref. No.	Part No.	Description	Remarks
1	X-4951-035-1	KNOB (VOL) ASSY (BLACK) (EXCEPT V525)		16	4-216-923-01	ESCUTCHEON (US,CND,AUS)	
1	X-4951-269-1	KNOB (VOL) ASSY (V525)		16	4-216-923-11	ESCUTCHEON (DE535:E,MY,SP)	
1	X-4951-435-1	KNOB (VOL) ASSY (SILVER) (DE435:AEP)		16	4-216-923-31	ESCUTCHEON (DE435:MY,SP/V424)	
2	3-350-426-01	SPRING, RING		16	4-216-923-41	ESCUTCHEON (BLACK) (DE435:AEP,EE,CIS)	
3	4-216-792-01	RING (VOL) (EXCEPT V525)		16	4-216-923-51	ESCUTCHEON (V525)	
3	4-216-792-11	RING (VOL) (V525)		16	4-216-923-61	ESCUTCHEON (SILVER) (DE435:AEP)	
3	4-216-792-21	RING (VOL) (SILVER) (DE435:AEP)		18	4-951-620-01	SCREW (2.6 × 8), +BVTP	
4	X-4951-061-1	FRONT PANEL ASSY (DE535:US,CND,AUS)		20	4-216-922-01	BUTTON (EQ)	
4	X-4951-084-1	FRONT PANEL ASSY (DE435:US,CND,AUS)		22	4-998-717-01	KNOB (BAL) (BLACK) (EXCEPT V525)	
4	X-4951-085-1	FRONT PANEL ASSY (DE535:E,MY,SP)		22	4-998-717-12	KNOB (BAL) (V525)	
4	X-4951-086-1	FRONT PANEL ASSY (DE435:MY,SP)		22	4-998-717-31	KNOB (BAL) (SILVER) (DE435:AEP)	
4	X-4951-087-1	FRONT PANEL ASSY (BLACK) (DE435:AEP,EE,CIS)		23	A-4419-078-A	KEY BOARD, COMPLETE (DE535/SE491/V525)	
4	X-4951-088-1	FRONT PANEL ASSY (SE491)		23	A-4419-219-A	KEY BOARD, COMPLETE (DE435:US,CND,MY,SP,AUS/V424)	
4	X-4951-128-1	FRONT PANEL ASSY (V525)		23	A-4419-231-A	KEY BOARD, COMPLETE (DE435:AEP,EE,CIS)	
4	X-4951-129-1	FRONT PANEL ASSY (V424)		24	1-673-002-11	BALANCE BOARD	
4	X-4951-434-1	FRONT PANEL ASSY (SILVER) (DE435:AEP)		25	A-4419-075-A	VOL BOARD, COMPLETE	
5	4-216-392-01	RING(VOL)		26	A-4419-073-A	DISPLAY BOARD, COMPLETE (DE535:US,CND)	
6	4-216-787-01	BUTTON (SET UP) (BLACK) (DE435:US,CND,AEP,EE,CIS,MY,SP,AUS/DE535/SE491/V424)		26	A-4419-201-A	DISPLAY BOARD, COMPLETE (SE491)	
6	4-216-787-11	BUTTON (SET UP) (V525)		26	A-4419-206-A	DISPLAY BOARD, COMPLETE (DE535:AUS)	
6	4-216-787-31	BUTTON (SET UP) (SILVER) (DE435:AEP)		26	A-4419-210-A	DISPLAY BOARD, COMPLETE (DE535:MY,SP)	
7	4-216-921-01	BUTTON (MENU) (BLACK) (DE435:US,CND,AEP,EE,CIS,MY,SP,AUS/DE535/SE491/V424)		26	A-4419-213-A	DISPLAY BOARD, COMPLETE (DE535:E)	
7	4-216-921-21	BUTTON (MENU) (SILVER) (DE435:AEP)		26	A-4419-217-A	DISPLAY BOARD, COMPLETE (DE435:US,CND)	
8	4-216-384-01	BUTTON (MODE)		26	A-4419-223-A	DISPLAY BOARD, COMPLETE (DE435:AUS)	
9	4-216-983-01	BUTTON (ON/OFF)		26	A-4419-225-A	DISPLAY BOARD, COMPLETE (DE435:MY,SP/V424)	
11	4-216-784-01	BUTTON (MODE) (BLACK) (DE435:US,CND,AEP,EE,CIS,MY,SP,AUS/DE535/SE491/V424)		26	A-4419-228-A	DISPLAY BOARD, COMPLETE (DE435:AEP)	
11	4-216-784-11	BUTTON (MODE) (V525)		26	A-4419-236-A	DISPLAY BOARD, COMPLETE (DE435:EE,CIS)	
11	4-216-784-21	BUTTON (MODE) (SILVER) (DE435:AEP)		* 26	A-4419-605-A	DISPLAY BOARD, COMPLETE (V525)	
12	4-216-779-01	BUTTON (KEY) (BLACK) (DE435:US,CND,AEP,EE,CIS,MY,SP,AUS/DE535/SE491/V424)		27	1-769-991-11	WIRE (FLAT TYPE) (13 CORE) (DE435,V424,SE491)	
12	4-216-779-11	BUTTON (KEY) (V525)		* 27	1-773-024-11	WIRE (FLAT TYPE) (15 CORE) (DE535,V525)	
12	4-216-779-21	BUTTON (KEY) (SILVER) (DE435:AEP)		28	1-773-012-11	WIRE (FLAT TYPE) (15 CORE)	
13	4-216-924-01	INDICATION PLATE		29	1-672-997-11	SPK SELECT BOARD	
14	4-996-698-01	EMBLEM, SONY (EXCEPT V525)		* 30	4-982-682-01	CASE (414532) (DE435:US,CND,AUS/DE535:US,CND,E,AUS/SE491/V424)	
14	4-996-698-11	EMBLEM, SONY (V525)		30	X-4947-722-1	CASE ASSY (BLACK) (AEP,MY,SP,EE,CIS)	
15	4-957-383-01	KNOB (F14) (BLACK) (D435:US,CND,AEP,EE,CIS,MY,SP,AUS/DE535/SE491/V424)		30	X-4947-723-1	CASE ASSY (V525)	
15	4-957-383-21	KNOB (F14) (V525)		30	X-4951-513-1	CASE ASSY (SILVER) (AEP)	
15	4-957-383-51	KNOB (F14) (SILVER) (DE435:AEP)		31	4-210-291-01	SCREW (BLACK) (CASE 3 TP2) (DE435:US,CND,AEP,EE,CIS,MY,SP,AUS/DE535/SE491/V424)	
				31	4-210-291-11	SCREW (CASE 3 TP2) (SILVER) (DE435:AEP/V525)	
				34	1-673-002-11	BALANCE BOARD	

4-2. CHASSIS SECTION



Ref. No.	Part No.	Description	Remarks	Ref. No.	Part No.	Description	Remarks
51	4-216-926-01	SUB-CHASSIS		67	A-4419-218-A	REAR SPK BOARD, COMPLET (DE435:US,CND/SE491)	
52	1-672-994-11	HEADPHONE BOARD		67	A-4419-224-A	REAR SPK BOARD, COMPLET (DE435:MY,SP,AUS/V424)	
54	X-4947-124-1	FOOT ASSY (F50150S) (SILVER) (DE435:AEP)		67	A-4419-230-A	REAR SPK BOARD, COMPLET (DE435:AEP,EE,CIS)	
54	X-4947-207-1	FOOT ASSY (F50150S) (BLACK) (DE435:AEP,EE,CIS,MY,SP,AUS/DE535:E,MY,SP,AUS/V424)		68	A-4419-083-A	SURR BOARD, COMPLETE (DE535/V525)	
54	X-4947-208-1	FOOT ASSY (F50150S) (D435:US,CND/DE535:US,CND/SE491)		68	A-4419-203-A	SURR BOARD, COMPLETE (SE491)	
54	X-4947-547-1	FOOT ASSY (F50150S) (V525)		68	A-4419-221-A	SURR BOARD, COMPLETE (DE435:US,CND,MY,SP,AUS/V424)	
56	4-985-642-01	CUSHION		68	A-4419-234-A	SURR BOARD, COMPLETE (DE435:AEP,EE,CIS)	
58	1-672-995-11	STANDBY BOARD		69	1-773-008-11	WIRE (FLAT TYPE) (15 CORE)	
59	1-672-991-11	BRIDGE-A BOARD		70	1-769-942-11	WIRE (FLAT TYPE) (11 CORE)	
60	A-4419-080-A	P.AMP BOARD, COMPLETE (DE435:US/DE535:US)		71	1-769-909-11	WIRE (FLAT TYPE) (9 CORE)	
60	A-4419-205-A	P.AMP BOARD, COMPLETE (DE435:CND/DE535:CND/SE491)		72	4-924-098-91	HOLDER, PC BOARD	
60	A-4419-208-A	P.AMP BOARD, COMPLETE (DE435:MY,SP,AUS/DE535:MY,SP,AUS/V424/V525)		73	1-693-407-62	TUNER (DE435:US,CND/DE535:US,CND,E/SE491)	
60	A-4419-214-A	P.AMP BOARD, COMPLETE (DE535:E)		73	1-693-408-41	TUNER (DE435:AEP,MY,SP,AUS/DE535:MY,SP,AUS/V424/V525)	
60	A-4419-233-A	P.AMP BOARD, COMPLETE (DE435:AEP,EE,CIS)		73	1-693-411-43	TUNER (DE435:EE,CIS)	
* 61	3-655-653-21	BAND (TAITON), BINDING		74	1-773-004-11	WIRE (FLAT TYPE) (15 CORE)	
62	1-769-937-11	WIRE (FLAT TYPE) (11 CORE)		75	A-4419-079-A	INPUT BOARD, COMPLETE (DE535/SE491/V525)	
63	A-4419-074-A	REAR AMP BOARD, COMPLET (EXCEPT AEP,EE,CIS)		75	A-4419-220-A	INPUT BOARD, COMPLETE (DE435:US,CND,MY,SP,AUS/V424)	
63	A-4419-229-A	REAR AMP BOARD, COMPLET (AEP,EE,CIS)		75	A-4419-232-A	INPUT BOARD, COMPLETE (DE435:AEP,EE,CIS)	
* 64	3-703-244-00	BUSHING (2104), CORD		76	1-672-992-11	BRIDGE-B BOARD	
△ 65	1-696-847-11	CORD, POWER (DE435:AUS/DE535:AUS)		77	3-905-609-01	SCREW (TRANSISTOR)	
△ 65	1-777-070-21	CORD, POWER (DE435:CND/DE535:CND)		△ 78	1-569-008-21	ADAPTOR, CONVERSION 2P (DE535: E)	
△ 65	1-777-071-21	CORD, POWER (DE435:AEP,EE,CIS,MY,SP/DE535:E,MY,SP)		79	1-672-996-11	VOLTAGE SELECTOR BOARD (DE535:E)	
△ 65	1-783-205-11	CORD, POWER (V424/V525)		Q705	8-729-209-15	TRANSISTOR 2SD2012	
△ 65	1-783-820-11	CORD, POWER (DE435:US/DE535:US/SE491)		Q706	8-749-010-25	IC MN2488-OPY-M	
66	4-216-927-01	BACK PANEL (DE535:US)		Q707	8-749-010-26	IC MP1620-OPY-M	
66	4-216-927-11	BACK PANEL (DE535:CND)		Q755	8-729-209-15	TRANSISTOR 2SD2012	
66	4-216-927-21	BACK PANEL (DE535:AUS)		Q756	8-749-010-25	IC MN2488-OPY-M	
66	4-216-927-31	BACK PANEL (DE535:E)		Q757	8-749-010-26	IC MP1620-OPY-M	
66	4-216-927-41	BACK PANEL (DE535:MY,SP)		△ T901	1-433-679-11	TRANSFORMER, POWER (DE435:CND/DE535:CND)	
66	4-216-927-51	BACK PANEL (V525)		△ T901	1-433-680-11	TRANSFORMER, POWER (DE435:US/DE535:US)	
66	4-217-181-01	BACK PANEL (DE435:US)		△ T901	1-433-680-21	TRANSFORMER, POWER (SE491)	
66	4-217-181-11	BACK PANEL (DE435:CND)		△ T901	1-433-681-11	TRANSFORMER, POWER (DE435:AEP,EE,CIS)	
66	4-217-181-21	BACK PANEL (DE435:AUS)		△ T901	1-433-682-11	TRANSFORMER, POWER (DE435:AUS/DE535:AUS)	
66	4-217-181-31	BACK PANEL (DE435:MY,SP)		△ T901	1-433-683-11	TRANSFORMER, POWER (DE435:MY,SP/DE535:MY,SP/V424/V525)	
66	4-217-181-41	BACK PANEL (V424)		△ T901	1-433-684-11	TRANSFORMER, POWER (DE535:E)	
66	4-217-181-51	BACK PANEL (DE435:AEP)					
66	4-217-181-61	BACK PANEL (DE435:EE,CIS)					
66	4-217-181-71	BACK PANEL (SE491)					
67	A-4419-076-A	REAR SPK BOARD, COMPLET (DE535:US,CND,E)					
67	A-4419-207-A	REAR SPK BOARD, COMPLET (DE535:MY,SP,AUS/V525)					

The components identified by mark △ or dotted line with mark △ are critical for safety. Replace only with part number specified.

Les composants identifiés par une marque △ sont critiques pour la sécurité. Ne les remplacer que par une pièce portant le numéro spécifié.

以阴影和 △ 标志来识别的零部件，在安全方面具有关键性。因此只能以规定号码的零部件来更换。

## SECTION 5 ELECTRICAL PARTS LIST

**NOTE:**

- Due to standardization, replacements in the parts list may be different from the parts specified in the diagrams or the components used on the set.
- -XX, -X mean standardized parts, so they may have some difference from the original one.
- Items marked “\*” are not stocked since they are seldom required for routine service. Some delay should be anticipated when ordering these items.

- **CAPACITORS:**  
uF:  $\mu$ F
- **RESISTORS**  
All resistors are in ohms.  
METAL: metal-film resistor  
METAL OXIDE: Metal Oxide-film resistor  
F: nonflammable
- **COILS**  
uH:  $\mu$ H

- **SEMICONDUCTORS**  
In each case, u:  $\mu$ , for example:  
uA...:  $\mu$ A..., uPA...,  $\mu$ PA...,  
uPB...,  $\mu$ PB..., uPC...,  $\mu$ PC...,  
uPD...,  $\mu$ PD...

When indicating parts by reference number, please include the board name.

The components identified by mark  $\Delta$  or dotted line with mark  $\Delta$  are critical for safety. Replace only with part number specified.

Les composants identifiés par une marque  $\Delta$  sont critiques pour la sécurité. Ne les remplacer que par une pièce portant le numéro spécifié.

以阴影和  $\Delta$  标志来识别的零部件在安全方面具有关键性。因此只能以规定号码的零部件来更换。

- **Abbreviation**  
CND : Canadian      SP : Singapore  
AUS : Australian    EA : Saudi Arabia  
CH : Chinese        EE : East European  
MY : Malaysia

Ref. No.	Part No.	Description	Remarks	Ref. No.	Part No.	Description	Remarks
	1-673-002-11	BALANCE BOARD *****			A-4419-073-A	DISPLAY BOARD, COMPLETE (DE535:US,CND) *****	
		< CONNECTOR >			A-4419-201-A	DISPLAY BOARD, COMPLETE (SE491) *****	
* CNS106	1-695-808-11	CONNECTOR, PC BOARD 8P			A-4419-206-A	DISPLAY BOARD, COMPLETE (DE535:AUS) *****	
CNS401	1-770-398-11	HOUSING, CONNECTOR (PC BOARD) 5P			A-4419-210-A	DISPLAY BOARD, COMPLETE (DE535:MY,SP) *****	
		< DIODE >			A-4419-213-A	DISPLAY BOARD, COMPLETE (DE535:E) *****	
D122	8-719-046-39	DIODE SEL5821A-TP15 (MUTING)			A-4419-217-A	DISPLAY BOARD, COMPLETE (DE435:US,CND) *****	
		< TRANSISTOR >			A-4419-223-A	DISPLAY BOARD, COMPLETE (DE435:AUS) *****	
Q122	8-729-900-36	TRANSISTOR DTC124ES			A-4419-225-A	DISPLAY BOARD, COMPLETE *****	
		< RESISTOR >				(DE435:MY,SP/V424)	
R152	1-249-411-11	CARBON      330      5%      1/4W			A-4419-228-A	DISPLAY BOARD, COMPLETE (AEP) *****	
R153	1-249-413-11	CARBON      470      5%      1/4W	F		A-4419-236-A	DISPLAY BOARD, COMPLETE (EE,CIS) *****	
R185	1-249-412-11	CARBON      390      5%      1/4W	F		* A-4419-605-A	DISPLAY BOARD, COMPLETE (V525) *****	
R186	1-249-412-11	CARBON      390      5%      1/4W	F		* 3-386-245-11	HOLDER (FL)	
		< VARIABLE RESISTOR >			* 4-921-941-01	CUSHION (FL)	
RV402	1-225-447-11	RES, VAR, CARBON 100K/100K (BALANCE)				< CAPACITOR >	
		< SWITCH >			C101	1-164-159-11	CERAMIC      0.1uF      50V
S106	1-762-196-21	SWITCH, TACT (TONE)			C102	1-164-159-11	CERAMIC      0.1uF      50V
S111	1-762-196-21	SWITCH, TACT (BASS BOOST)			C103	1-164-159-11	CERAMIC      0.1uF      50V
S116	1-762-196-21	SWITCH, TACT (MUTING)			C104	1-124-465-00	ELECT      0.47uF      20%      50V
*****					C105	1-164-159-11	CERAMIC      0.1uF      50V
	1-672-991-11	BRIDGE-A BOARD *****			C106	1-126-163-11	ELECT      4.7uF      20%      50V
		< CONNECTOR >			C107	1-124-261-00	ELECT      10uF      20%      50V
CNP652	1-770-553-11	CONNECTOR, BOARD TO BOARD 11P			C108	1-164-159-11	CERAMIC      0.1uF      50V
CNP654	1-770-553-11	CONNECTOR, BOARD TO BOARD 11P			C109	1-124-589-11	ELECT      47uF      20%      16V
*****					C111	1-124-589-11	ELECT      47uF      20%      16V
	1-672-992-11	BRIDGE-B BOARD *****				(EXCEPT DE535:US,CND)	
		< CONNECTOR >					
CNP651	1-785-820-11	CONNECTOR, BOARD TO BOARD 15P					
CNP653	1-785-820-11	CONNECTOR, BOARD TO BOARD 15P					
*****							



Ref. No.	Part No.	Description	Remarks	Ref. No.	Part No.	Description	Remarks
C112	1-164-159-11	CERAMIC	0.1uF 50V	CC121	1-162-199-31	CERAMIC	10PF 5% 50V (EXCEPT DE435:MY,SP/V424)
C113	1-124-589-11	ELECT	47uF 20% 16V	CC122	1-162-199-31	CERAMIC	10PF 5% 50V (EXCEPT DE435:MY,SP/V424)
C114	1-164-159-11	CERAMIC	0.1uF 50V	CC123	1-162-199-31	CERAMIC	10PF 5% 50V (EXCEPT DE435:MY,SP/V424)
C115	1-104-905-11	CAPACITOR	0.22F 5.5V	CC124	1-162-199-31	CERAMIC	10PF 5% 50V (EXCEPT DE435:MY,SP/V424)
C116	1-164-159-11	CERAMIC	0.1uF 50V	CC125	1-162-199-31	CERAMIC	10PF 5% 50V (EXCEPT DE435:MY,SP/V424)
C117	1-164-159-11	CERAMIC	0.1uF 50V	CC126	1-162-199-31	CERAMIC	10PF 5% 50V (EXCEPT DE435:MY,SP/V424)
C130	1-164-159-11	CERAMIC	0.1uF 50V	CC127	1-162-199-31	CERAMIC	10PF 5% 50V (EXCEPT DE435:MY,SP/V424)
C141	1-164-159-11	CERAMIC	0.1uF 50V	CC128	1-162-199-31	CERAMIC	10PF 5% 50V (EXCEPT DE435:MY,SP/V424)
C143	1-164-159-11	CERAMIC	0.1uF 50V	CC129	1-162-199-31	CERAMIC	10PF 5% 50V (EXCEPT DE435:MY,SP/V424)
C1001	1-124-261-00	ELECT	10uF 20% 50V (DE535/V525)				
C1002	1-164-159-11	CERAMIC	0.1uF 50V (DE535/V525)				
C1003	1-164-159-11	CERAMIC	0.1uF 50V (DE535/V525)				
C1004	1-164-360-11	CERAMIC	0.01uF 20% 16V (DE535/V525)				
C1005	1-164-360-11	CERAMIC	0.01uF 20% 16V (DE535/V525)				
C1006	1-124-916-11	ELECT	1000uF 20% 6.3V (DE535/V525)				< CONNECTOR >
CC101	1-162-199-31	CERAMIC	10PF 5% 50V (EXCEPT DE435:MY,SP/V424)	CNP106	1-779-365-11	CONNECTOR, PC BOARD (PLUG) 8P	
CC102	1-162-199-31	CERAMIC	10PF 5% 50V (EXCEPT DE435:MY,SP/V424)	CNP107	1-779-365-11	CONNECTOR, PC BOARD (PLUG) 8P	
CC103	1-162-199-31	CERAMIC	10PF 5% 50V (EXCEPT DE435:MY,SP/V424)	CNP109	1-779-366-11	CONNECTOR, BOARD TO BOARD 4P (V525)	
CC104	1-162-199-31	CERAMIC	10PF 5% 50V (EXCEPT DE435:MY,SP/V424)	CNP110	1-785-821-11	CONNECTOR, BOARD TO BOARD 6P	
CC105	1-162-199-31	CERAMIC	10PF 5% 50V (EXCEPT DE435:MY,SP/V424)	CNP111	1-785-821-11	CONNECTOR, BOARD TO BOARD 6P (DE435/SE491/V424/DE535)	
CC106	1-162-199-31	CERAMIC	10PF 5% 50V (EXCEPT DE435:MY,SP/V424)	CNP111	1-779-366-11	CONNECTOR, BOARD TO BOARD 4P (V525)	
CC107	1-162-199-31	CERAMIC	10PF 5% 50V (EXCEPT DE435:MY,SP/V424)	CNP112	1-785-821-11	CONNECTOR, BOARD TO BOARD 6P	
CC108	1-162-199-31	CERAMIC	10PF 5% 50V (EXCEPT DE435:MY,SP/V424)	CNS101	1-569-932-11	SOCKET, CONNECTOR 15P	
CC109	1-162-199-31	CERAMIC	10PF 5% 50V (EXCEPT DE435:MY,SP/V424)	CNS103	1-569-930-11	SOCKET, CONNECTOR 13P (DE435 EXCEPT US,CND/V424/SE491)	
CC110	1-162-199-31	CERAMIC	10PF 5% 50V (EXCEPT DE435:MY,SP/V424)	* CNS103	1-569-932-11	SOCKET, CONNECTOR 15P (DE435:US,CND/DE535/V525)	
CC111	1-162-199-31	CERAMIC	10PF 5% 50V (EXCEPT DE435:MY,SP/V424)	CNS104	1-564-723-11	PIN, CONNECTOR (SMALL TYPE) 7P (DE535:US,CND DE435:AEP)	
CC112	1-162-199-31	CERAMIC	10PF 5% 50V (EXCEPT DE435:MY,SP/V424)	CNS104	1-564-726-11	PIN, CONNECTOR (SMALL TYPE) 10P (EXCEPT DE535:US,CND DE435:AEP)	
CC113	1-162-199-31	CERAMIC	10PF 5% 50V (EXCEPT DE435:MY,SP/V424)	CNS105	1-770-397-11	HOUSING, CONNECTOR (PC BOARD) 4P	
CC114	1-162-199-31	CERAMIC	10PF 5% 50V (EXCEPT DE435:MY,SP/V424)				< DIODE >
CC115	1-162-199-31	CERAMIC	10PF 5% 50V (EXCEPT DE435:MY,SP/V424)	D107	8-719-911-19	DIODE 1SS119	
CC116	1-162-199-31	CERAMIC	10PF 5% 50V (EXCEPT DE435:MY,SP/V424)	D108	8-719-911-19	DIODE 1SS119	
CC117	1-162-199-31	CERAMIC	10PF 5% 50V (EXCEPT DE435:MY,SP/V424)	D110	8-719-911-19	DIODE 1SS119	
CC118	1-162-199-31	CERAMIC	10PF 5% 50V (EXCEPT DE435:MY,SP/V424)	D111	8-719-911-19	DIODE 1SS119	
CC119	1-162-199-31	CERAMIC	10PF 5% 50V (EXCEPT DE435:MY,SP/V424)	D112	8-719-911-19	DIODE 1SS119	
CC120	1-162-199-31	CERAMIC	10PF 5% 50V (EXCEPT DE435:MY,SP/V424)	D113	8-719-911-19	DIODE 1SS119	
				D114	8-719-911-19	DIODE 1SS119	
				D115	8-719-046-39	DIODE SEL5821A-TH15	
				D116	8-719-046-39	DIODE SEL5821A-TH15	
				D1001	8-719-911-19	DIODE 1SS119 (DE535/V525)	
				D1002	8-719-911-19	DIODE 1SS119 (DE535/V525)	
				D1003	8-719-059-14	DIODE SID313BP-TP19 (DE535/V525)	
				D1004	8-719-059-14	DIODE SID313BP-TP19 (DE535/V525)	
				D1005	8-719-059-14	DIODE SID313BP-TP19 (DE535/V525)	
				D1104	8-719-911-19	DIODE 1SS119 (DE535/V525)	
				D1105	8-719-911-19	DIODE 1SS119 (DE535/V525)	



# DISPLAY

Ref. No.	Part No.	Description	Remarks	Ref. No.	Part No.	Description	Remarks
		< FLUORESCENT TUBE >		R106	1-247-807-31	CARBON	100 5% 1/4W
FL101	1-517-770-11	INDICATOR TUBE, FLUORESCENT		R107	1-247-807-31	CARBON	100 5% 1/4W
		< IC >		R108	1-247-807-31	CARBON	100 5% 1/4W
IC100	8-759-577-79	IC uPD780208GF-032-3BA (EXCEPT DE535:US,CND)		R109	1-247-807-31	CARBON	100 5% 1/4W
IC100	8-759-577-91	IC M62438FP-600D (DE535:US,CND)		R110	1-247-807-31	CARBON	100 5% 1/4W
IC101	8-759-332-18	IC GP1U27XB		R111	1-247-807-31	CARBON	100 5% 1/4W
IC102	8-759-962-08	IC BA6208		R112	1-247-807-31	CARBON	100 5% 1/4W
IC1001	8-759-545-07	IC TMP87C447U-4A06 (DE535/V525)		R113	1-247-807-31	CARBON	100 5% 1/4W
IC1002	8-759-916-12	IC SN74HC00AN (DE535/V525)		R114	1-247-807-31	CARBON	100 5% 1/4W
		< COIL >		R115	1-247-807-31	CARBON	100 5% 1/4W
L101	1-410-509-11	INDUCTOR 10uH		R116	1-247-807-31	CARBON	100 5% 1/4W
L1001	1-408-080-00	INDUCTOR 100uH (DE535/V525)		R117	1-247-807-31	CARBON	100 5% 1/4W
		< TRANSISTOR >		R118	1-247-807-31	CARBON	100 5% 1/4W
Q101	8-729-900-36	TRANSISTOR DTC124ES		R119	1-247-807-31	CARBON	100 5% 1/4W
Q102	8-729-900-63	TRANSISTOR DTA124ES		R120	1-247-807-31	CARBON	100 5% 1/4W
Q115	8-729-900-36	TRANSISTOR DTC124ES		R121	1-247-807-31	CARBON	100 5% 1/4W
Q116	8-729-900-36	TRANSISTOR DTC124ES		R122	1-247-807-31	CARBON	100 5% 1/4W
Q1001	8-729-119-78	TRANSISTOR 2SC403SP-51 (DE535/V525)		R123	1-249-429-11	CARBON	10K 5% 1/4W
				R124	1-249-433-11	CARBON	22K 5% 1/4W (DE435:AEP,AUS)
Q1002	8-729-119-78	TRANSISTOR 2SC403SP-51 (DE535/V525)		R124	1-249-435-11	CARBON	33K 5% 1/4W (EE,CIS)
Q1004	8-729-801-93	TRANSISTOR 2SD1387 (DE535/V525)		R124	1-249-427-11	CARBON	6.8K 5% 1/4W F (DE435:MY,SP/V424/DE535:AU)
Q1005	8-729-801-93	TRANSISTOR 2SD1387 (DE535/V525)		R124	1-247-843-11	CARBON	3.3K 5% 1/4W (V525/SE491)
		< RESISTOR >		R124	1-249-431-11	CARBON	15K 5% 1/4W (DE535:US,CND)
R020	1-249-421-11	CARBON	2.2K 5% 1/4W F	R124	1-249-425-11	CARBON	4.7K 5% 1/4W F (DE535:E)
R021	1-249-421-11	CARBON	2.2K 5% 1/4W F	R124	1-249-429-11	CARBON	10K 5% 1/4W (DE535:MY,SP)
R022	1-249-433-11	CARBON	22K 5% 1/4W	R125	1-249-421-11	CARBON	2.2K 5% 1/4W F (AEP)
R023	1-249-433-11	CARBON	22K 5% 1/4W (EXCEPT AEP,EE,CIS/SE491)	R125	1-249-427-11	CARBON	6.8K 5% 1/4W F (DE535:E EE,CIS/SE491)
R024	1-249-433-11	CARBON	22K 5% 1/4W (DE435,V424,SE491)	R125	1-247-843-11	CARBON	3.3K 5% 1/4W (DE435:MY,SP DE535:MY,SP/V424)
R025	1-249-433-11	CARBON	22K 5% 1/4W	R125	1-249-433-11	CARBON	22K 5% 1/4W (DE435:AUS)
R026	1-249-433-11	CARBON	22K 5% 1/4W (EXCEPT AEP,EE,CIS)	R125	1-249-415-11	CARBON	680 5% 1/4W F (DE535:US,CND)
R027	1-249-433-11	CARBON	22K 5% 1/4W (EXCEPT AEP,EE,CIS)	R125	1-249-425-11	CARBON	4.7K 5% 1/4W F (DE535:AUS)
R028	1-249-433-11	CARBON	22K 5% 1/4W	R125	1-249-429-11	CARBON	10K 5% 1/4W (V525)
R029	1-249-433-11	CARBON	22K 5% 1/4W	R126	1-249-427-11	CARBON	6.8K 5% 1/4W F
R030	1-249-433-11	CARBON	22K 5% 1/4W	R127	1-249-427-11	CARBON	6.8K 5% 1/4W F
△R099	1-249-383-11	CARBON	1.5 5% 1/6W F (EXCEPT US,CND)	R128	1-249-427-11	CARBON	6.8K 5% 1/4W F
△R099	1-249-387-81	CARBON	3.3 5% 1/4W F (US,CND)	R129	1-249-427-11	CARBON	6.8K 5% 1/4W F
△R100	1-249-383-11	CARBON	1.5 5% 1/6W F (EXCEPT US,CND)	R130	1-249-429-11	CARBON	10K 5% 1/4W (DE435/SE491/V424)
△R100	1-249-387-81	CARBON	3.3 5% 1/4W F (US,CND)	R131	1-249-425-11	CARBON	4.7K 5% 1/4W F
R101	1-247-807-31	CARBON	100 5% 1/4W	R132	1-249-425-11	CARBON	4.7K 5% 1/4W F
R102	1-249-417-11	CARBON	1K 5% 1/4W F	R133	1-249-425-11	CARBON	4.7K 5% 1/4W F
R103	1-247-807-31	CARBON	100 5% 1/4W	R134	1-249-425-11	CARBON	4.7K 5% 1/4W F
R104	1-247-807-31	CARBON	100 5% 1/4W	R135	1-249-425-11	CARBON	4.7K 5% 1/4W F
R105	1-249-425-11	CARBON	4.7K 5% 1/4W F	R136	1-249-433-11	CARBON	22K 5% 1/4W
				R137	1-249-441-11	CARBON	100K 5% 1/4W
				R138	1-249-417-11	CARBON	1K 5% 1/4W F

The components identified by mark △ or dotted line with mark △ are critical for safety. Replace only with part number specified.

Les composants identifiés par une marque △ sont critiques pour la sécurité. Ne les remplacer que par une pièce portant le numéro spécifié.

以阴影和 △ 标志来识别的零部件，在安全方面具有关键性。因此只能以规定号码的零部件来更换。

DISPLAY

HEADPHONE

INPUT

Ref. No.	Part No.	Description	Remarks
R140	1-249-411-11	CARBON	330 5% 1/4W
R151	1-249-441-11	CARBON	100K 5% 1/4W
R169	1-249-433-11	CARBON	22K 5% 1/4W
R181	1-249-412-11	CARBON	390 5% 1/4W F
R182	1-249-412-11	CARBON	390 5% 1/4W F
R183	1-249-412-11	CARBON	390 5% 1/4W F
R184	1-249-412-11	CARBON	390 5% 1/4W F
R1001	1-249-429-11	CARBON	10K 5% 1/4W
R1002	1-249-425-11	CARBON	4.7K 5% 1/4W F (DE535/SE491/V525) (DE535/V525)
R1003	1-249-429-11	CARBON	10K 5% 1/4W (DE535/SE491/V525)
R1004	1-249-393-11	CARBON	10 5% 1/4W F (DE535/V525)
R1005	1-249-429-11	CARBON	10K 5% 1/4W (DE535/SE491/V525)
R1006	1-249-425-11	CARBON	4.7K 5% 1/4W F (DE535/V525)
R1007	1-249-429-11	CARBON	10K 5% 1/4W (DE535/SE491/V525)
R1008	1-249-429-11	CARBON	10K 5% 1/4W (DE535/SE491/V525)
R1009	1-249-385-11	CARBON	2.2 5% 1/6W F (DE535/V525)
R1010	1-249-385-11	CARBON	2.2 5% 1/6W F (DE535/V525)
RR101	1-249-437-11	CARBON	47K 5% 1/4W
RR102	1-249-437-11	CARBON	47K 5% 1/4W
RR103	1-249-437-11	CARBON	47K 5% 1/4W
RR104	1-249-437-11	CARBON	47K 5% 1/4W
RR105	1-249-437-11	CARBON	47K 5% 1/4W
RR106	1-249-437-11	CARBON	47K 5% 1/4W
RR107	1-249-437-11	CARBON	47K 5% 1/4W
RR108	1-249-437-11	CARBON	47K 5% 1/4W
RR109	1-249-437-11	CARBON	47K 5% 1/4W
RR110	1-249-437-11	CARBON	47K 5% 1/4W
RR111	1-249-437-11	CARBON	47K 5% 1/4W
RR112	1-249-437-11	CARBON	47K 5% 1/4W
RR113	1-249-437-11	CARBON	47K 5% 1/4W
RR114	1-249-437-11	CARBON	47K 5% 1/4W
RR115	1-249-437-11	CARBON	47K 5% 1/4W
RR116	1-249-437-11	CARBON	47K 5% 1/4W
RR117	1-249-437-11	CARBON	47K 5% 1/4W
RR118	1-249-437-11	CARBON	47K 5% 1/4W
RR119	1-249-437-11	CARBON	47K 5% 1/4W
RR120	1-249-437-11	CARBON	47K 5% 1/4W
RR121	1-249-437-11	CARBON	47K 5% 1/4W
RR122	1-249-437-11	CARBON	47K 5% 1/4W
RR123	1-249-437-11	CARBON	47K 5% 1/4W
RR124	1-249-437-11	CARBON	47K 5% 1/4W (EXCEPT DE535:MY,SP/V525)
RR125	1-249-437-11	CARBON	47K 5% 1/4W (EXCEPT DE535:MY,SP/V525)
RR126	1-249-437-11	CARBON	47K 5% 1/4W
RR127	1-249-437-11	CARBON	47K 5% 1/4W
RR128	1-249-437-11	CARBON	47K 5% 1/4W
RR129	1-249-437-11	CARBON	47K 5% 1/4W

Ref. No.	Part No.	Description	Remarks
		< SWITCH >	
S142	1-762-196-21	SWITCH, TACT (EXCEPT DE435:US,CND)	
S142	1-762-875-21	SWITCH, KEYBOARD (DE435:US,CND)	
S148	1-762-196-21	SWITCH, TACT (EXCEPT DE435:US,CND)	
S148	1-762-875-21	SWITCH, KEYBOARD (DE435:US,CND)	
		< VIBRATOR >	
X101	1-760-489-11	VIBRATOR, CERAMIC (5MHZ)	
X1000	1-767-938-21	VIBRATOR, CERAMIC (7.28MHZ) (DE535/V525)	
		*****	
	1-672-994-11	HEADPHONE BOARD	*****
		< EARTH >	
* EB502	1-537-738-21	TERMINAL, EARTH	
		< JACK >	
J501	1-750-731-11	JACK (LARGE TYPE) (HEADPHONE)(SE491)	
J501	1-750-733-11	JACK (LARGE TYPE) (HEADPHONE)	(DE435/V424/DE535)
J501	1-750-735-11	JACK (LARGE TYPE) (HEADPHONE)(V525)	*****
	A-4419-079-A	INPUT BOARD, COMPLETE	***** (DE535/SE491/V525)
	A-4419-220-A	INPUT BOARD, COMPLETE	***** (EXCEPT AEP,EE,CIS/DE535/SE491/V525)
	A-4419-232-A	INPUT BOARD, COMPLETE (AEP,EE,CIS)	*****
		< CAPACITOR >	
C201	1-126-961-11	ELECT	2.2uF 20% 50V (DE535/SE491/V525)
C202	1-162-282-31	CERAMIC	100PF 10% 50V (DE535/SE491/V525)
C203	1-125-896-91	MYLAR	0.0091uF 5% 50V (DE535/SE491/V525)
C204	1-136-159-00	FILM	0.033uF 5% 50V (DE535/SE491/V525)
C205	1-104-666-11	ELECT	220uF 20% 10V (DE535/SE491/V525)
C206	1-126-961-11	ELECT	2.2uF 20% 50V (DE535/SE491/V525)
C207	1-164-159-11	CERAMIC	0.1uF 50V (DE535/SE491/V525)
C208	1-162-294-31	CERAMIC	0.001uF 10% 50V (DE535/SE491/V525)
C209	1-126-965-11	ELECT	22uF 20% 50V
C211	1-104-664-11	ELECT	47uF 20% 16V
C213	1-104-664-11	ELECT	47uF 20% 16V
C214	1-162-294-31	CERAMIC	0.001uF 10% 50V
C215	1-126-965-11	ELECT	22uF 20% 50V
C230	1-164-159-11	CERAMIC	0.1uF 50V
C231	1-164-159-11	CERAMIC	0.1uF 50V

# INPUT

Ref. No.	Part No.	Description	Remarks			Ref. No.	Part No.	Description	Remarks		
C232	1-162-288-31	CERAMIC	330PF	10%	50V (AEP,EE,CIS)	C705	1-102-233-00	CERAMIC	33PF	10%	500V
C233	1-102-527-11	CERAMIC	82PF	5%	50V (AEP,EE,CIS)	C706	1-162-282-31	CERAMIC	100PF	10%	50V
C234	1-102-852-91	CERAMIC	47PF	5%	50V (AEP,EE,CIS)	C710	1-162-282-31	CERAMIC	100PF	10%	50V
C235	1-126-961-11	ELECT	2.2uF	20%	50V (AEP,EE,CIS)	C751	1-126-966-11	ELECT	33uF	20%	50V
C236	1-164-159-00	CERAMIC	0.1uF	5%	50V (AEP,EE,CIS)	C752	1-162-284-31	CERAMIC	150PF	10%	50V
C237	1-162-291-31	CERAMIC	560PF	10%	50V (AEP,EE,CIS)	C753	1-107-584-11	CERAMIC	4PF	0.25PF	500V
C238	1-126-964-11	ELECT	10uF	20%	50V (AEP,EE,CIS)	C754	1-104-666-11	ELECT	220uF	20%	10V
C239	1-164-159-11	CERAMIC	0.1uF		50V	C755	1-102-233-00	CERAMIC	33PF	10%	500V
C240	1-164-159-11	CERAMIC	0.1uF		50V	C756	1-162-282-31	CERAMIC	100PF	10%	50V
C251	1-126-961-11	ELECT	2.2uF	20%	50V (DE535/SE491/V525)	C821	1-126-959-11	ELECT	0.47uF	20%	50V
C252	1-162-282-31	CERAMIC	100PF	10%	50V (DE535/SE491/V525)	C823	1-126-959-11	ELECT	0.47uF	20%	50V
C253	1-125-896-91	MYLAR	0.0091uF	5%	50V (DE535/SE491/V525)	C824	1-126-933-11	ELECT	100uF	20%	16V
C254	1-136-159-00	FILM	0.033uF	5%	50V (DE535/SE491/V525)	C825	1-126-933-11	ELECT	100uF	20%	16V
C255	1-104-666-11	ELECT	220uF	20%	10V (DE535/SE491/V525)	C826	1-126-933-11	ELECT	100uF	20%	16V
C256	1-126-961-11	ELECT	2.2uF	20%	50V (DE535/SE491/V525)	C827	1-104-664-11	ELECT	47uF	20%	16V
C257	1-164-159-11	CERAMIC	0.1uF		50V (DE535/SE491/V525)	CC203	1-162-282-31	CERAMIC	100PF	10%	50V (AEP,EE,CIS)
C258	1-162-294-31	CERAMIC	0.001uF	10%	50V (DE535/SE491/V525)	CC204	1-162-282-31	CERAMIC	100PF	10%	50V (AEP,EE,CIS)
C259	1-126-965-11	ELECT	22uF	20%	50V	CC205	1-162-282-31	CERAMIC	100PF	10%	50V (AEP,EE,CIS)
C265	1-126-965-11	ELECT	22uF	20%	50V	CC206	1-162-282-31	CERAMIC	100PF	10%	50V (AEP,EE,CIS)
C501	1-126-966-11	ELECT	33uF	20%	50V	CC207	1-162-282-31	CERAMIC	100PF	10%	50V (AEP,EE,CIS)
C502	1-162-284-31	CERAMIC	150PF	10%	50V	CC208	1-162-282-31	CERAMIC	100PF	10%	50V (AEP,EE,CIS)
C503	1-107-584-11	CERAMIC	4PF	0.25PF	500V	CC253	1-162-282-31	CERAMIC	100PF	10%	50V (AEP,EE,CIS)
C504	1-104-666-11	ELECT	220uF	20%	10V	CC254	1-162-282-31	CERAMIC	100PF	10%	50V (AEP,EE,CIS)
C505	1-102-233-00	CERAMIC	33PF	10%	500V	CC255	1-162-282-31	CERAMIC	100PF	10%	50V (AEP,EE,CIS)
C506	1-162-282-31	CERAMIC	100PF	10%	50V	CC256	1-162-282-31	CERAMIC	100PF	10%	50V (AEP,EE,CIS)
C510	1-162-282-31	CERAMIC	100PF	10%	50V	CC257	1-162-282-31	CERAMIC	100PF	10%	50V (AEP,EE,CIS)
C551	1-126-966-11	ELECT	33uF	20%	50V	CC258	1-162-282-31	CERAMIC	100PF	10%	50V (AEP,EE,CIS)
C552	1-162-284-31	CERAMIC	150PF	10%	50V	< CONNECTOR >					
C553	1-107-584-11	CERAMIC	4PF	0.25PF	500V	CNP104	1-784-923-11	PIN, CONNECTOR 7P (EXCEPT AEP,EE,CIS)			
C554	1-104-666-11	ELECT	220uF	20%	10V	CNP104	1-784-925-11	PIN, CONNECTOR 10P (AEP,EE,CIS)			
C555	1-102-233-00	CERAMIC	33PF	10%	500V	CNS200	1-569-932-11	SOCKET, CONNECTOR 15P			
C556	1-162-282-31	CERAMIC	100PF	10%	50V	CNS230	1-569-932-11	SOCKET, CONNECTOR 15P			
C594	1-128-560-11	ELECT	22uF	20%	100V	CNS405	1-569-927-11	SOCKET, CONNECTOR 9P			
C595	1-128-560-11	ELECT	22uF	20%	100V	CNS653	1-785-819-11	HOUSING, CONNECTOR (PC BOARD) 15P			
C601	1-126-966-11	ELECT	33uF	20%	50V	CNS654	1-770-404-11	HOUSING, CONNECTOR (PC BOARD) 11P			
C602	1-162-284-31	CERAMIC	150PF	10%	50V	< IC >					
C603	1-107-584-11	CERAMIC	4PF	0.25PF	500V	IC201	8-759-636-74	IC M5218AP-22 (DE535/SE491/V525)			
C604	1-104-666-11	ELECT	220uF	20%	10V	IC202	8-759-636-74	IC M5218AP-22			
C605	1-102-989-00	CERAMIC	68PF	5%	500V	IC203	8-759-636-74	IC M5218AP-22			
C606	1-102-989-00	CERAMIC	68PF	5%	500V	IC204	8-759-545-64	IC LC78212			
C693	1-104-666-11	ELECT	220uF	20%	10V	IC230	8-759-541-48	IC BU1924 (AEP,EE,CIS)			
C701	1-126-966-11	ELECT	33uF	20%	50V	IC501	8-759-326-52	IC uPC2581V			
C702	1-162-284-31	CERAMIC	150PF	10%	50V	IC601	8-749-011-16	IC STK350-230			
C703	1-107-584-11	CERAMIC	4PF	0.25PF	500V	IC701	8-759-326-52	IC uPC2581V			
C704	1-104-666-11	ELECT	220uF	20%	10V	IC801	8-759-604-40	IC M5F78M15			
						IC802	8-759-231-58	IC TA7812S			

# INPUT

Ref. No.	Part No.	Description	Remarks	Ref. No.	Part No.	Description	Remarks
IC803	8-759-604-46	IC M5F79M15		R253	1-249-440-11	CARBON	82K 5% 1/4W (DE535/SE491/V525)
IC804	8-759-604-35	IC M5F78M05L		R254	1-249-408-11	CARBON	180 5% 1/4W F (DE535/SE491/V525)
		< JACK >		R255	1-249-428-11	CARBON	8.2K 5% 1/4W F (DE535/SE491/V525)
J201	1-770-614-11	JACK, PIN 4P (DE535/SE491/V525)		R256	1-249-441-11	CARBON	100K 5% 1/4W (DE535/SE491/V525)
J202	1-691-887-11	JACK, PIN 6P (EXCEPT DE535/SE491/V525)		R257	1-247-807-31	CARBON	100 5% 1/4W (DE535/SE491/V525)
J202	1-770-613-11	JACK, PIN 4P (DE535/SE491/V525)					
J203	1-580-825-11	JACK, PIN 6P		R258	1-249-441-11	CARBON	100K 5% 1/4W (DE535/SE491/V525)
		< TRANSISTOR >		R259	1-249-413-11	CARBON	470 5% 1/4W F (DE535/SE491/V525)
L230	1-408-080-00	INDUCTOR 100uH (AEP,EE,CIS)		R260	1-249-417-11	CARBON	1K 5% 1/4W F
Q691	8-729-900-80	TRANSISTOR DTC114ES		R261	1-249-417-11	CARBON	1K 5% 1/4W F
Q692	8-729-422-57	TRANSISTOR UN4111		R262	1-249-417-11	CARBON	1K 5% 1/4W F
		< RESISTOR >		R263	1-249-417-11	CARBON	1K 5% 1/4W F
R201	1-249-401-11	CARBON	47 5% 1/4W F (DE535/SE491/V525)	R264	1-249-417-11	CARBON	1K 5% 1/4W F
R202	1-249-441-11	CARBON	100K 5% 1/4W (DE535/SE491/V525)	R265	1-249-417-11	CARBON	1K 5% 1/4W F
R203	1-249-440-11	CARBON	82K 5% 1/4W (DE535/SE491/V525)	R266	1-249-441-11	CARBON	100K 5% 1/4W
R204	1-249-408-11	CARBON	180 5% 1/4W F (DE535/SE491/V525)	R267	1-249-429-11	CARBON	10K 5% 1/4W
R205	1-249-428-11	CARBON	8.2K 5% 1/4W F (DE535/SE491/V525)	R268	1-249-434-11	CARBON	27K 5% 1/4W
				R277	1-249-429-11	CARBON	10K 5% 1/4W
R206	1-249-441-11	CARBON	100K 5% 1/4W (DE535/SE491/V525)	R295	1-249-429-11	CARBON	10K 5% 1/4W
R207	1-247-807-31	CARBON	100 5% 1/4W (DE535/SE491/V525)	R501	1-249-417-11	CARBON	1K 5% 1/4W F
R208	1-249-441-11	CARBON	100K 5% 1/4W (DE535/SE491/V525)	R502	1-249-439-11	CARBON	68K 5% 1/4W
R209	1-249-413-11	CARBON	470 5% 1/4W F (DE535/SE491/V525)	R503	1-249-439-11	CARBON	68K 5% 1/4W
R210	1-249-417-11	CARBON	1K 5% 1/4W F	R504	1-249-420-11	CARBON	1.8K 5% 1/4W F (AEP,EE,CIS)
R211	1-249-417-11	CARBON	1K 5% 1/4W F	R504	1-249-418-11	CARBON	1.2K 5% 1/4W F (EXCEPT AEP,EE,CIS)
R212	1-249-417-11	CARBON	1K 5% 1/4W F	R551	1-249-417-11	CARBON	1K 5% 1/4W F
R213	1-249-417-11	CARBON	1K 5% 1/4W F	R552	1-249-439-11	CARBON	68K 5% 1/4W
R214	1-249-417-11	CARBON	1K 5% 1/4W F	R553	1-249-439-11	CARBON	68K 5% 1/4W
R215	1-249-417-11	CARBON	1K 5% 1/4W F	R554	1-249-420-11	CARBON	1.8K 5% 1/4W F (AEP,EE,CIS)
R216	1-249-441-11	CARBON	100K 5% 1/4W	R554	1-249-418-11	CARBON	1.2K 5% 1/4W F (EXCEPT AEP,EE,CIS)
R217	1-249-429-11	CARBON	10K 5% 1/4W	R590	1-249-433-11	CARBON	22K 5% 1/4W
R218	1-249-434-11	CARBON	27K 5% 1/4W	R592	1-249-381-11	CARBON	1 5% 1/4W F
R227	1-249-429-11	CARBON	10K 5% 1/4W	R593	1-249-381-11	CARBON	1 5% 1/4W F
R228	1-247-807-31	CARBON	100 5% 1/4W	R601	1-249-417-11	CARBON	1K 5% 1/4W F
R229	1-247-807-31	CARBON	100 5% 1/4W	R602	1-249-439-11	CARBON	68K 5% 1/4W
R230	1-249-425-11	CARBON	4.7K 5% 1/4W F	R603	1-249-439-11	CARBON	68K 5% 1/4W
R231	1-249-436-11	CARBON	39K 5% 1/4W	R604	1-249-411-11	CARBON	330 5% 1/4W (EXCEPT AEP,EE,CIS)
R232	1-247-807-31	CARBON	100 5% 1/4W (AEP,EE,CIS)				
R233	1-247-807-31	CARBON	100 5% 1/4W (AEP,EE,CIS)	R604	1-249-442-11	CARBON	510 5% 1/4W (AEP,EE,CIS)
R234	1-249-421-11	CARBON	2.2K 5% 1/4W F (AEP,EE,CIS)	R606	1-249-413-11	CARBON	470 5% 1/4W F
R235	1-249-436-11	CARBON	39K 5% 1/4W	R693	1-249-437-11	CARBON	47K 5% 1/4W
R245	1-249-429-11	CARBON	10K 5% 1/4W	R694	1-249-425-11	CARBON	4.7K 5% 1/4W F
R251	1-249-401-11	CARBON	47 5% 1/4W F (DE535/SE491/V525)	R701	1-249-417-11	CARBON	1K 5% 1/4W F
R252	1-249-441-11	CARBON	100K 5% 1/4W (DE535/SE491/V525)	R702	1-249-439-11	CARBON	68K 5% 1/4W
				R703	1-249-439-11	CARBON	68K 5% 1/4W
				R704	1-249-411-11	CARBON	330 5% 1/4W (EXCEPT AEP,EE,CIS)
				R704	1-249-442-11	CARBON	510 5% 1/4W (AEP,EE,CIS)
				R751	1-249-417-11	CARBON	1K 5% 1/4W F

<b>INPUT</b>	<b>KEY</b>
--------------	------------

Ref. No.	Part No.	Description	Remarks
R752	1-249-439-11	CARBON 68K 5%	1/4W
R753	1-249-439-11	CARBON 68K 5%	1/4W
R754	1-249-411-11	CARBON 330 5%	1/4W
		(EXCEPT AEP,EE,CIS)	
R754	1-249-442-11	CARBON 510 5%	1/4W
		(AEP,EE,CIS)	
R790	1-249-433-11	CARBON 22K 5%	1/4W
		< VIBRATOR >	
X230	1-579-900-21	VIBRATOR, CRYSTAL 4.332MHz(AEP,EE,CIS)	
*****			
A-4419-078-A	KEY BOARD, COMPLETE (DE535/SE491/V525)		
	*****		
A-4419-219-A	KEY BOARD, COMPLETE		
	*****		
	(EXCEPT AEP,EE,CIS/DE535/SE491/V525)		
A-4419-231-A	KEY BOARD, COMPLETE (AEP,EE,CIS)		
	*****		
		< CONNECTOR >	
CNS110	1-770-399-11	HOUSING, CONNECTOR (PC BOARD) 6P	
CNS111	1-770-399-11	HOUSING, CONNECTOR (PC BOARD) 6P	
CNS112	1-770-399-11	HOUSING, CONNECTOR (PC BOARD) 6P	
		< DIODE >	
D119	8-719-046-39	DIODE SEL5821A-TP15 (DE535/SE491/V525)	
		(TUNER)	
D120	8-719-046-39	DIODE SEL5821A-TP15 (TUNER)	
D123	8-719-046-39	DIODE SEL5821A-TP15 (DE535/SE491/V525)	
		(CD)	
D124	8-719-046-39	DIODE SEL5821A-TP15 (CD)	
D125	8-719-046-39	DIODE SEL5821A-TP15 (SET UP)	
D126	8-719-046-39	DIODE SEL5821A-TP15 (PHONO)	
		(DE535/SE491/V525)	
D127	8-719-046-39	DIODE SEL5821A-TP15 (NAME)	
D128	8-719-046-39	DIODE SEL5821A-TP15 (MD/TAPE)	
D129	8-719-046-39	DIODE SEL5821A-TP15 (BASS/TREBLE)	
D130	8-719-046-39	DIODE SEL5821A-TP15 (TU/LD)	
D131	8-719-046-39	DIODE SEL5821A-TP15 (SUR)	
D132	8-719-046-39	DIODE SEL5821A-TP15 (VIDEO)	
D133	8-719-046-39	DIODE SEL5821A-TP15 (5.1CH/DVD)	
		< TRANSISTOR >	
Q122	8-729-900-36	TRANSISTOR DTC124ES	
Q124	8-729-900-36	TRANSISTOR DTC124ES	
Q125	8-729-900-36	TRANSISTOR DTC124ES	
Q126	8-729-900-36	TRANSISTOR DTC124ES (DE535/SE491/V525)	
Q127	8-729-900-36	TRANSISTOR DTC124ES	
Q128	8-729-900-36	TRANSISTOR DTC124ES	
Q129	8-729-900-36	TRANSISTOR DTC124ES	
Q130	8-729-900-36	TRANSISTOR DTC124ES	
Q131	8-729-900-36	TRANSISTOR DTC124ES	
Q132	8-729-900-36	TRANSISTOR DTC124ES	
Q133	8-729-900-36	TRANSISTOR DTC124ES	

Ref. No.	Part No.	Description	Remarks
		< RESISTOR >	
R141	1-249-411-11	CARBON 330 5%	1/4W
R142	1-249-413-11	CARBON 470 5%	1/4W F
R143	1-249-415-11	CARBON 680 5%	1/4W F
R144	1-249-417-11	CARBON 1K 5%	1/4W F
R145	1-249-419-11	CARBON 1.5K 5%	1/4W F
R146	1-249-421-11	CARBON 2.2K 5%	1/4W F
R147	1-247-843-11	CARBON 3.3K 5%	1/4W
R148	1-249-425-11	CARBON 4.7K 5%	1/4W F
R149	1-249-429-11	CARBON 10K 5%	1/4W
R150	1-249-433-11	CARBON 22K 5%	1/4W
R154	1-249-415-11	CARBON 680 5%	1/4W F
R155	1-249-417-11	CARBON 1K 5%	1/4W F
R156	1-249-419-11	CARBON 1.5K 5%	1/4W F
R157	1-249-421-11	CARBON 2.2K 5%	1/4W F
R158	1-247-843-11	CARBON 3.3K 5%	1/4W
R159	1-249-425-11	CARBON 4.7K 5%	1/4W F
R160	1-249-429-11	CARBON 10K 5%	1/4W
R161	1-249-433-11	CARBON 22K 5%	1/4W
R162	1-249-413-11	CARBON 470 5%	1/4W F
R163	1-249-415-11	CARBON 680 5%	1/4W F
R164	1-249-417-11	CARBON 1K 5%	1/4W F
R165	1-249-419-11	CARBON 1.5K 5%	1/4W F
R166	1-249-421-11	CARBON 2.2K 5%	1/4W F
R167	1-247-843-11	CARBON 3.3K 5%	1/4W
R168	1-249-425-11	CARBON 4.7K 5%	1/4W F
R170	1-249-411-11	CARBON 330 5%	1/4W
R171	1-249-413-11	CARBON 470 5%	1/4W F
R172	1-249-415-11	CARBON 680 5%	1/4W F
R173	1-249-417-11	CARBON 1K 5%	1/4W F
R174	1-249-419-11	CARBON 1.5K 5%	1/4W F
R175	1-249-421-11	CARBON 2.2K 5%	1/4W F
R176	1-247-843-11	CARBON 3.3K 5%	1/4W
R177	1-249-425-11	CARBON 4.7K 5%	1/4W F
R178	1-249-429-11	CARBON 10K 5%	1/4W
R179	1-249-433-11	CARBON 22K 5%	1/4W
R180	1-249-437-11	CARBON 47K 5%	1/4W
R189	1-249-429-11	CARBON 10K 5%	1/4W
R190	1-249-437-11	CARBON 47K 5%	1/4W
R193	1-249-412-11	CARBON 390 5%	1/4W F
R194	1-249-412-11	CARBON 390 5%	1/4W F
R197	1-249-412-11	CARBON 390 5%	1/4W F
R198	1-249-412-11	CARBON 390 5%	1/4W F
		< SWITCH >	
S102	1-762-196-21	SWITCH, TACT (SOUND FIELD MODE -)	
S103	1-762-196-21	SWITCH, TACT (FM/AM:DE435/V424)	
		(FM:DE535/SE491/V525)	
S104	1-762-196-21	SWITCH, TACT (4)	
S105	1-762-196-21	SWITCH, TACT (TUNING +)	
S107	1-762-196-21	SWITCH, TACT (SOUND FIELED MODE +)	
S108	1-762-196-21	SWITCH, TACT (FM MODE)	
S109	1-762-196-21	SWITCH, TACT (5)	
S110	1-762-196-21	SWITCH, TACT (TUNING -)	
S112	1-762-196-21	SWITCH, TACT (SOUND FIELED ON/OFF)	
S113	1-762-196-21	SWITCH, TACT (MEMORY)	



KEY

P. AMP

Ref. No.	Part No.	Description	Remarks	Ref. No.	Part No.	Description	Remarks
S114	1-762-196-21	SWITCH, TACT (6)		C524	1-126-964-11	ELECT	10uF 20% 50V
S115	1-762-196-21	SWITCH, TACT (PRESET/PTY SELECT +:DE435/V424) (PRESET TUNING +:DE535/SE491/V525)		C525	1-136-157-00	FILM	0.022uF 5% 50V
S117	1-762-196-21	SWITCH, TACT (CD) (DE435/V424)		C526	1-136-153-00	FILM	0.01uF 5% 50V
S118	1-762-196-21	SWITCH, TACT (SET UP)		C570	1-104-664-11	ELECT	47uF 20% 16V
S119	1-762-196-21	SWITCH, TACT (7)		C571	1-107-597-11	CERAMIC	22PF 10% 500V
				C572	1-107-597-11	CERAMIC	22PF 10% 500V
S120	1-762-196-21	SWITCH, TACT (PRESET/PTY SELECT -:DE435/V424) (PRESET TUNING -:DE535/SE491/V525)		C573	1-162-286-31	CERAMIC	220PF 10% 50V
S121	1-762-196-21	SWITCH, TACT (CD) (DE535/SE491/V525)		C574	1-126-964-11	ELECT	10uF 20% 50V
S122	1-762-196-21	SWITCH, TACT (TUNER) (DE535/SE491/V525)		C575	1-136-157-00	FILM	0.022uF 5% 50V
S123	1-762-196-21	SWITCH, TACT (NAME)		C576	1-136-153-00	FILM	0.01uF 5% 50V
S124	1-762-196-21	SWITCH, TACT (8)		C620	1-104-664-11	ELECT	47uF 20% 16V
S125	1-762-196-21	SWITCH, TACT (1)		C621	1-107-597-11	CERAMIC	22PF 10% 500V
S126	1-762-196-21	SWITCH, TACT (TUNER)(DE435/V424)		C622	1-107-597-11	CERAMIC	22PF 10% 500V
S127	1-762-196-21	SWITCH, TACT (MENU <)		C623	1-162-286-31	CERAMIC	220PF 10% 50V
S128	1-762-196-21	SWITCH, TACT (PHONO)(DE535/SE491/V525)		C625	1-136-157-00	FILM	0.022uF 5% 50V
S129	1-762-196-21	SWITCH, TACT (9)		C651	1-215-888-00	METAL OXIDE	220 5% 2W F (CND/SE491)
S130	1-762-196-21	SWITCH, TACT (2)		C659	1-215-888-00	METAL OXIDE	220 5% 2W F (CND/SE491)
S131	1-762-196-21	SWITCH, TACT (MENU <)		C660	1-126-934-11	ELECT	220uF 20% 10V
S132	1-762-196-21	SWITCH, TACT (SUR)		C661	1-126-964-11	ELECT	10uF 20% 50V
S133	1-762-196-21	SWITCH, TACT (SHIFT)		C801	1-104-664-11	ELECT	47uF 20% 25V
S134	1-762-196-21	SWITCH, TACT (3)		C803	1-125-897-11	ELECT	10000uF 20% 71V (EXCEPT CND,AEP,EE,E,CIS/SE491)
S135	1-762-196-21	SWITCH, TACT (ENTER)		C803	1-107-766-12	ELECT	8200uF 20% 71V (CND/SE491/DE535:E)
S136	1-762-196-21	SWITCH, TACT (5.1CH/DVD)		C803	1-117-203-11	ELECT	10000uF 20% 63V (AEP,EE,CIS)
S137	1-762-196-21	SWITCH, TACT (0)		C804	1-125-897-11	ELECT	10000uF 20% 71V (EXCEPT CND,AEP,EE,E,CIS/SE491)
S138	1-762-196-21	SWITCH, TACT (DIRECT)		C804	1-107-766-12	ELECT	8200uF 20% 71V (CND/SE491/DE535:E)
S139	1-762-196-21	SWITCH, TACT (MENU -)		C804	1-117-203-11	ELECT	10000uF 20% 63V (AEP,EE,CIS)
S140	1-762-196-21	SWITCH, TACT (TV/LD:DE435/V424) (TV/SAT:DE535/SE491/V525)		C805	1-130-781-00	MYLAR	0.22uF 5% 100V
S141	1-762-196-21	SWITCH, TACT (RDS PTY)(DE535/SE491/V525)		C806	1-130-781-00	MYLAR	0.22uF 5% 100V
S143	1-762-196-21	SWITCH, TACT (MENU +)		C807	1-162-294-31	CERAMIC	0.001uF 10% 50V
S144	1-762-196-21	SWITCH, TACT (RDS EON:DE435/V424) (AM:DE535/SE491/V525)		C808	1-162-294-31	CERAMIC	0.001uF 10% 50V
S145	1-762-196-21	SWITCH, TACT (BASS TREBLE)		C811	1-126-952-11	ELECT	1000uF 20% 35V
S146	1-762-196-21	SWITCH, TACT (VIDEO)		C812	1-126-951-11	ELECT	470uF 20% 35V (EXCEPT DE435:US/DE535:US)
S147	1-762-196-21	SWITCH, TACT (MD/TAPE)		C813	1-104-664-11	ELECT	47uF 20% 16V
*****				C814	1-124-463-00	ELECT	0.1uF 20% 50V
A-4419-080-A	P. AMP BOARD, COMPLETE ***** (DE435:US/DE535:US)			C817	1-126-967-11	ELECT	47uF 20% 50V
A-4419-214-A	P. AMP BOARD, COMPLETE (DE535:E) *****			C818	1-126-967-11	ELECT	47uF 20% 50V
A-4419-208-A	P. AMP BOARD, COMPLETE (MY,SP,AUS,CH) *****			C951	1-104-664-11	ELECT	47uF 20% 16V
A-4419-233-A	P. AMP BOARD, COMPLETE (AEP,EE,CIS) *****			C952	1-124-463-00	ELECT	0.1uF 20% 50V
A-4419-205-A	P. AMP BOARD, COMPLETE (CND/SE491) *****			CC48	1-164-096-11	CERAMIC	0.01uF 50V (AEP,EE,CIS)
1-533-233-11	CLIP, FUSE (EXCEPT US,CND)  < CAPACITOR >			CC49	1-164-096-11	CERAMIC	0.01uF 50V (AEP,EE,CIS)
C520	1-104-664-11	ELECT	47uF 20% 16V	CC98	1-164-096-11	CERAMIC	0.01uF 50V (AEP,EE,CIS)
C521	1-107-597-11	CERAMIC	22PF 10% 500V	CC99	1-164-096-11	CERAMIC	0.01uF 50V (AEP,EE,CIS)
C522	1-107-597-11	CERAMIC	22PF 10% 500V	< CONNECTOR >			
C523	1-162-286-31	CERAMIC	220PF 10% 50V	CN502	1-691-765-11	PLUG(MICRO CONNECTOR) 3P	
				CN951	1-691-765-11	PLUG(MICRO CONNECTOR) 3P	
				CNP711	1-691-771-11	PLUG(MICRO CONNECTOR) 9P	

# P. AMP

Ref. No.	Part No.	Description	Remarks	Ref. No.	Part No.	Description	Remarks
* CNP801	1-564-243-11	PIN, CONNECTOR 6P				< TRANSISTOR >	
* CNP802	1-564-506-11	PLUG, CONNECTOR 3P					
CNS102	1-569-932-11	SOCKET, CONNECTOR 15P		Q504	8-729-119-76	TRANSISTOR 2SA1175-HFE	
CNS602	1-569-928-11	SOCKET, CONNECTOR 11P		Q505	8-729-209-15	TRANSISTOR 2SD2012	
CNS651	1-785-819-11	HOUSING, CONNECTOR(PC BOARD) 15P		Q506	8-749-010-25	IC MN2488-OPY-M	
CNS652	1-770-404-11	HOUSING, CONNECTOR(PC BOARD) 11P		Q507	8-749-010-26	IC MP1620-OPY-M	
		< DIODE >		Q508	8-729-140-82	TRANSISTOR 2SA988-PAFAEA	
D501	8-719-911-19	DIODE 1SS119		Q509	8-729-281-53	TRANSISTOR 2SC1815-GR	
D502	8-719-109-54	DIODE RD2.2ES-B2		Q510	8-729-900-63	TRANSISTOR DTA124ES	
D503	8-719-109-54	DIODE RD2.2ES-B2		Q511	8-729-900-63	TRANSISTOR DTA124ES	
D504	8-719-911-19	DIODE 1SS119		Q513	8-729-119-79	TRANSISTOR 2SC2785-FEK	
D505	8-719-911-19	DIODE 1SS119		Q546	8-729-119-79	TRANSISTOR 2SC2785-FEK	
D506	8-719-911-19	DIODE 1SS119		Q554	8-729-119-76	TRANSISTOR 2SA1175-HFE	
D513	8-719-911-19	DIODE 1SS119		Q555	8-729-209-15	TRANSISTOR 2SD2012	
D546	8-719-911-19	DIODE 1SS119		Q556	8-749-010-25	IC MN2488-OPY-M	
D551	8-719-911-19	DIODE 1SS119		Q557	8-749-010-26	IC MP1620-OPY-M	
D552	8-719-109-54	DIODE RD2.2ES-B2		Q558	8-729-140-82	TRANSISTOR 2SA988-PAFAEA	
D553	8-719-109-54	DIODE RD2.2ES-B2		Q559	8-729-281-53	TRANSISTOR 2SC1815-GR	
D554	8-719-911-19	DIODE 1SS119		Q560	8-729-900-63	TRANSISTOR DTA124ES	
D555	8-719-911-19	DIODE 1SS119		Q561	8-729-900-63	TRANSISTOR DTA124ES	
D556	8-719-911-19	DIODE 1SS119		Q596	8-729-119-79	TRANSISTOR 2SC2785-FEK	
D596	8-719-911-19	DIODE 1SS119		Q604	8-729-119-76	TRANSISTOR 2SA1175-HFE	
D601	8-719-911-19	DIODE 1SS119		Q605	8-729-209-15	TRANSISTOR 2SD2012	
D602	8-719-109-54	DIODE RD2.2ES-B2		Q606	8-749-010-25	IC MN2488-OPY-M	
D603	8-719-109-54	DIODE RD2.2ES-B2		Q607	8-749-010-26	IC MP1620-OPY-M	
D604	8-719-911-19	DIODE 1SS119		Q608	8-729-140-82	TRANSISTOR 2SA988-PAFAEA	
D651	8-719-911-19	DIODE 1SS119		Q651	8-729-281-53	TRANSISTOR 2SC1815-GR	
D652	8-719-911-19	DIODE 1SS119		Q652	8-729-900-36	TRANSISTOR DTC124ES	
D653	8-719-911-19	DIODE 1SS119		Q653	8-729-281-53	TRANSISTOR 2SC1815-GR	
D660	8-719-911-19	DIODE 1SS119		Q654	8-729-900-36	TRANSISTOR DTC124ES	
D661	8-719-911-19	DIODE 1SS119		Q655	8-729-201-53	TRANSISTOR 2SA1015-GR	
D801	8-719-302-38	DIODE RBV-602-01		Q656	8-729-900-63	TRANSISTOR DTA124ES	
D802	8-719-024-99	DIODE 11ES2-NTA2B		Q657	8-729-900-36	TRANSISTOR DTC124ES	
D803	8-719-024-99	DIODE 11ES2-NTA2B		Q660	8-729-140-82	TRANSISTOR 2SA988-PAFAEA	
D804	8-719-024-99	DIODE 11ES2-NTA2B		Q661	8-729-119-79	TRANSISTOR 2SC2785-FEK	
D805	8-719-024-99	DIODE 11ES2-NTA2B		Q662	8-729-140-84	TRANSISTOR 2SC1841-PAFAEA	
D806	8-719-160-26	DIODE RD5.6F-B2 (EXCEPT CND/SE491)		Q801	8-729-140-97	TRANSISTOR 2SB734-34	
D806	8-719-069-68	DIODE RD5.6F-T7 (CND/SE491)				< RESISTOR >	
D807	8-719-934-17	DIODE HZS27-1L		R507	1-249-431-11	CARBON	15K 5% 1/4W
D809	8-719-210-21	DIODE 11EQS04		R510	1-215-868-00	METAL OXIDE	680 5% 1W F
		< FUSE >		R511	1-249-425-11	CARBON	4.7K 5% 1/4W F
△ F801	1-532-311-11	FUSE GLASS TUBE 8.0A 125V (MY,SPAUS,E,CH)		R512	1-249-429-11	CARBON	10K 5% 1/4W
△ F801	1-533-506-51	FUSE TL6.3A 250V(AEP,EE,CIS)		R518	1-249-435-11	CARBON	33K 5% 1/4W (AEP,EE,CIS)
△ F802	1-532-506-51	FUSE TL6.3A 250V(AEP,EE,CIS)		R518	1-249-437-11	CARBON	47K 5% 1/4W (EXCEPT AEP,EE,CIS)
△ F802	1-533-311-11	FUSE GLASS TUBE 8.0A 125V (MY,SPAUS,E,CH)		R519	1-249-435-11	CARBON	33K 5% 1/4W (AEP,EE,CIS)
		< IC >		R519	1-249-437-11	CARBON	47K 5% 1/4W (EXCEPT AEP,EE,CIS)
IC809	8-759-708-05	IC NJM78L05A		R521	1-249-429-11	CARBON	10K 5% 1/4W
IC950	8-759-231-53	IC TA7805S		R523	1-249-421-11	CARBON	2.2K 5% 1/4W F
		< COIL >		R524	1-249-408-11	CARBON	180 5% 1/4W F
L501	1-420-872-00	COIL, AIR-CORE		R525	1-249-408-11	CARBON	180 5% 1/4W F
L551	1-420-872-00	COIL, AIR-CORE		R526	1-234-182-11	ENCAPSULATED COMPONENT	
				R527	1-249-427-11	CARBON	6.8K 5% 1/4W F
				R528	1-249-419-11	CARBON	1.5K 5% 1/4W F

The components identified by mark △ or dotted line with mark △ are critical for safety. Replace only with part number specified.	Les composants identifiés par une marque △ sont critiques pour la sécurité. Ne les remplacer que par une pièce portant le numéro spécifié.	以阴影和 △ 标志来识别的零部件, 在安全方面具有关键性。因此只能以规定号码的零部件来更换。
--	--	--



**P. AMP**

**REAR AMP**

Ref. No.	Part No.	Description	Remarks	Ref. No.	Part No.	Description	Remarks
R529	1-249-432-11	CARBON	18K 5% 1/4W (AEP,EE,CIS)	R633	1-249-393-11	CARBON	10 5% 1/4W F
R529	1-249-433-11	CARBON	22K 5% 1/4W (MY,SP,AUS,CH)	R651	1-215-888-00	METAL OXIDE	220 5% 2W F (DE435:US/DE535:US,E)
R529	1-247-866-11	CARBON	30K 5% 1/4W (US,CND,E)	R651	1-215-889-00	METAL OXIDE	330 5% 2W F (AEP,EE,CIS,MY,SP,AU,CH)
R530	1-249-421-11	CARBON	2.2K 5% 1/4W F	R652	1-215-884-11	METAL OXIDE	47 5% 2W F (US,CND,E)
R531	1-249-433-11	CARBON	22K 5% 1/4W	R653	1-216-456-00	METAL OXIDE	820 5% 2W F (EXCEPT AEP,EE,CIS)
R532	1-249-437-11	CARBON	47K 5% 1/4W	R654	1-216-456-00	METAL OXIDE	820 5% 2W F (EXCEPT AEP,EE,CIS)
R533	1-249-393-11	CARBON	10 5% 1/4W F	R655	1-249-441-11	CARBON	100K 5% 1/4W
R534	1-249-389-11	CARBON	4.7 5% 1/4W F	R656	1-249-405-11	CARBON	100 5% 1/4W F
R535	1-249-431-11	CARBON	15K 5% 1/4W	R657	1-249-441-11	CARBON	100K 5% 1/4W
R539	1-249-427-11	CARBON	6.8K 5% 1/4W F	R658	1-249-441-11	CARBON	100K 5% 1/4W
R546	1-249-425-11	CARBON	4.7K 5% 1/4W F	R659	1-215-888-00	METAL OXIDE	220 5% 2W F (DE435:US/DE535:US,E)
R547	1-249-429-11	CARBON	10K 5% 1/4W	R659	1-215-889-00	METAL OXIDE	330 5% 2W F (AEP,EE,CIS,MY,SP,AU,CH)
R557	1-249-431-11	CARBON	15K 5% 1/4W	R660	1-249-425-11	CARBON	4.7K 5% 1/4W F
R560	1-215-868-00	METAL OXIDE	680 5% 1W F	R661	1-249-427-11	CARBON	6.8K 5% 1/4W F
R568	1-249-435-11	CARBON	33K 5% 1/4W (AEP,EE,CIS)	R662	1-249-417-11	CARBON	1K 5% 1/4W F
R568	1-249-437-11	CARBON	47K 5% 1/4W (EXCEPT AEP,EE,CIS)	R801	1-219-591-11	FUSIBLE	0.1 5% 1/2W F
R569	1-249-435-11	CARBON	33K 5% 1/4W (AEP,EE,CIS)	R802	1-219-591-11	FUSIBLE	0.1 5% 1/2W F
R569	1-249-437-11	CARBON	47K 5% 1/4W (EXCEPT AEP,EE,CIS)	R803	1-249-425-11	CARBON	4.7K 5% 1/4W F
R571	1-249-429-11	CARBON	10K 5% 1/4W	R804	1-249-401-11	CARBON	47 5% 1/4W F
R573	1-249-421-11	CARBON	2.2K 5% 1/4W F (EXCEPT E)	R805	1-249-381-11	CARBON	1 5% 1/4W F
R574	1-249-408-11	CARBON	180 5% 1/4W F	R812	1-126-951-11	ELECT	470MF 20% 35V (DE435:US/DE535:US)
R575	1-249-408-11	CARBON	180 5% 1/4W F	RR48	1-249-393-11	CARBON	10 5% 1/4W F (AEP,EE,CIS)
R576	1-234-182-11	ENCAPSULATED COMPONENT		RR49	1-249-393-11	CARBON	10 5% 1/4W F (AEP,EE,CIS)
R577	1-249-427-11	CARBON	6.8K 5% 1/4W F	RR98	1-249-393-11	CARBON	10 5% 1/4W F (AEP,EE,CIS)
R578	1-249-419-11	CARBON	1.5K 5% 1/4W F	RR99	1-249-393-11	CARBON	10 5% 1/4W F (AEP,EE,CIS)
R579	1-249-432-11	CARBON	18K 5% 1/4W (AEP,EE,CIS)			< RELAY >	
R579	1-249-433-11	CARBON	22K 5% 1/4W (MY,SP,AUS,CH)	RY501	1-515-920-11	RELAY (24V)	
R579	1-247-866-11	CARBON	30K 5% 1/4W (US,CND,E)	RY502	1-515-920-11	RELAY (24V)	
R580	1-249-421-11	CARBON	2.2K 5% 1/4W F	RY503	1-515-793-11	RELAY	
R581	1-249-433-11	CARBON	22K 5% 1/4W			< SWITCH >	
R582	1-249-437-11	CARBON	47K 5% 1/4W	S501	1-771-692-11	SWITCH, SLIDE (IMPEDANCE SELECTOR)	
R583	1-249-393-11	CARBON	10 5% 1/4W F			< TERMINAL >	
R584	1-249-389-11	CARBON	4.7 5% 1/4W F	TM501	1-537-922-11	TERMINAL BOARD (SP)	
R585	1-249-431-11	CARBON	15K 5% 1/4W	*****			
R596	1-249-425-11	CARBON	4.7K 5% 1/4W F	A-4419-074-A	REAR AMP BOARD, COMPLETE		
R597	1-249-429-11	CARBON	10K 5% 1/4W	*****			
R607	1-249-431-11	CARBON	15K 5% 1/4W			(EXCEPT AEP,EE,CIS)	
R621	1-249-429-11	CARBON	10K 5% 1/4W	A-4419-229-A	REAR AMP BOARD, COMPLETE (AEP,EE,CIS)		
R623	1-249-421-11	CARBON	2.2K 5% 1/4W F	*****			
R624	1-249-408-11	CARBON	180 5% 1/4W F			< CAPACITOR >	
R625	1-249-408-11	CARBON	180 5% 1/4W F	C720	1-104-664-11	ELECT	47uF 20% 16V
R626	1-234-182-11	ENCAPSULATED COMPONENT		C721	1-107-597-11	CERAMIC	22PF 10% 500V
R627	1-249-427-11	CARBON	6.8K 5% 1/4W F	C722	1-107-597-11	CERAMIC	22PF 10% 500V
R628	1-249-419-11	CARBON	1.5K 5% 1/4W F	C723	1-162-286-31	CERAMIC	220PF 10% 50V
R632	1-249-437-11	CARBON	47K 5% 1/4W	C725	1-136-157-00	FILM	0.022uF 5% 50V

**REAR AMP**

**REAR SPK**

Ref. No.	Part No.	Description	Remarks
C770	1-104-664-11	ELECT 47uF 20%	16V
C771	1-107-597-11	CERAMIC 22PF 10%	500V
C772	1-107-597-11	CERAMIC 22PF 10%	500V
C773	1-162-286-31	CERAMIC 220PF 10%	50V
C775	1-136-157-00	FILM 0.022uF 5%	50V
< CONNECTOR >			
* CNV712	1-564-241-11	PIN, CONNECTOR (B4P-VH) 4P	
< DIODE >			
D701	8-719-911-19	DIODE 1SS119	
D702	8-719-109-51	DIODE RD2.0ES-B2	
D703	8-719-109-51	DIODE RD2.0ES-B2	
D704	8-719-911-19	DIODE 1SS119	
D751	8-719-911-19	DIODE 1SS119	
< TRANSISTOR >			
Q704	8-729-119-76	TRANSISTOR 2SA1175-HFE	
Q708	8-729-140-82	TRANSISTOR 2SA988-PAFAEA	
Q754	8-729-119-76	TRANSISTOR 2SA1175-HFE	
Q758	8-729-140-82	TRANSISTOR 2SA988-PAFAEA	
< RESISTOR >			
R707	1-249-431-11	CARBON 15K 5%	1/4W
R722	1-249-429-11	CARBON 10K 5%	1/4W
R723	1-249-421-11	CARBON 2.2K 5%	1/4W F
△ R724	1-249-408-11	CARBON 180 5%	1/4W F
△ R725	1-249-408-11	CARBON 180 5%	1/4W F
△ R726	1-234-182-11	ENCAPSULATED COMPONENT	
R727	1-249-427-11	CARBON 6.8K 5%	1/4W F
R728	1-249-419-11	CARBON 1.5K 5%	1/4W F
R732	1-249-437-11	CARBON 47K 5%	1/4W
△ R733	1-249-393-11	CARBON 10 5%	1/4W F
R757	1-249-431-11	CARBON 15K 5%	1/4W
R772	1-249-429-11	CARBON 10K 5%	1/4W
R773	1-249-421-11	CARBON 2.2K 5%	1/4W F
△ R774	1-249-408-11	CARBON 180 5%	1/4W F
△ R775	1-249-408-11	CARBON 180 5%	1/4W F
△ R776	1-234-182-11	ENCAPSULATED COMPONENT	
R777	1-249-427-11	CARBON 6.8K 5%	1/4W F
R778	1-249-419-11	CARBON 1.5K 5%	1/4W F
R782	1-249-437-11	CARBON 47K 5%	1/4W
△ R783	1-249-393-11	CARBON 10 5%	1/4W F

\*\*\*\*\*

Ref. No.	Part No.	Description	Remarks
A-4419-218-A	REAR SPK BOARD, COMPLETE ***** (DE435:US,CND/SE491)		
A-4419-076-A	REAR SPK BOARD, COMPLETE ***** (DE535:US,CND,E)		
A-4419-207-A	REAR SPK BOARD, COMPLETE ***** (DE535:MY,SP,AUS/V525)		
A-4419-224-A	REAR SPK BOARD, COMPLETE ***** (DE435:MY,SP,AUS/V424)		
A-4419-230-A	REAR SPK BOARD, COMPLETE (AEP,EE,CIS) *****		
< CAPACITOR >			
C624	1-126-964-11	ELECT 10uF 20%	50V
C626	1-136-153-00	FILM 0.01uF 5%	50V
C724	1-126-964-11	ELECT 10uF 20%	50V
C726	1-136-153-00	FILM 0.01uF 5%	50V
< CONNECTOR >			
* CN701	1-564-241-11	PIN, CONNECTOR (B4P-VH) 4P	
CNP601	1-564-320-00	PIN, CONNECTOR (B2P-VH) 2P	
CNS601	1-569-060-11	SOCKET, CONNECTOR 11P	
CNS601	1-569-928-11	SOCKET, CONNECTOR 11P (EXCEPT DE535:US,CND,E)	
< DIODE >			
D605	8-719-911-19	DIODE 1SS119	
D606	8-719-911-19	DIODE 1SS119	
D607	8-719-911-19	DIODE 1SS119	
D646	8-719-911-19	DIODE 1SS119	
D696	8-719-911-19	DIODE 1SS119	
D705	8-719-911-19	DIODE 1SS119	
D707	8-719-911-19	DIODE 1SS119	
D746	8-719-911-19	DIODE 1SS119	
< JACK >			
J651	1-770-377-21	JACK, PIN 1P (DE435/SE491/V424)	
J651	1-770-157-21	JACK, PIN 2P (DE535/V525)	
< COIL >			
L601	1-420-872-00	COIL, AIR-CORE	
L701	1-420-872-00	COIL, AIR-CORE	
L751	1-420-872-00	COIL, AIR-CORE	
< TRANSISTOR >			
Q609	8-729-281-53	TRANSISTOR 2SC1815-GR	
Q610	8-729-900-63	TRANSISTOR DTA124ES	
Q611	8-729-900-63	TRANSISTOR DTA124ES	
Q646	8-729-119-79	TRANSISTOR 2SC2785-FEK	
Q696	8-729-119-79	TRANSISTOR 2SC2785-FEK	
Q709	8-729-281-53	TRANSISTOR 2SC1815-GR	
Q710	8-729-900-63	TRANSISTOR DTA124ES	
Q746	8-729-119-79	TRANSISTOR 2SC2785-FEK	

The components identified by mark △ or dotted line with mark △ are critical for safety. Replace only with part number specified.	Les composants identifiés par une marque △ sont critiques pour la sécurité. Ne les remplacer que par une pièce portant le numéro spécifié.	以阴影和 △ 标志来识别的零部件，在安全方面具有关键性。因此只能以规定号码的零部件来更换。
--	--	---

**REAR SPK**

**SPK SELECT**

**STANDBY**

Ref. No.	Part No.	Description	Remarks	Ref. No.	Part No.	Description	Remarks
< RESISTOR >				< DIODE >			
R618	1-249-435-11	CARBON	33K 5% 1/4W (AEP,EE,CIS)	D117	8-719-911-19	DIODE 1SS119	
R618	1-249-437-11	CARBON	47K 5% 1/4W (EXCEPT AEP,EE,CIS)	D118	8-719-911-19	DIODE 1SS119	
R629	1-249-432-11	CARBON	18K 5% 1/4W (AEP,EE,CIS)	< SWITCH >			
R629	1-247-866-11	CARBON	30K 5% 1/4W (US,CND,E)	S101	1-762-196-21	SWITCH, TACT (I/⏏)	
R629	1-249-433-11	CARBON	22K 5% 1/4W (MY,SP,AUS,CH)	SW101	1-762-268-11	SWITCH, ROTARY (SPEAKERS)	*****
R630	1-249-421-11	CARBON	2.2K 5% 1/4W F	1-672-995-11 STANDBY BOARD *****			
R631	1-249-433-11	CARBON	22K 5% 1/4W	< CAPACITOR >			
△R634	1-249-389-11	CARBON	4.7 5% 1/4W F	C901	1-161-494-00	CERAMIC	0.022uF 25V
R635	1-249-431-11	CARBON	15K 5% 1/4W	C902	1-161-494-00	CERAMIC	0.022uF 25V
R636	1-249-433-11	CARBON	22K 5% 1/4W	C903	1-126-767-11	ELECT	1000uF 20% 16V
R646	1-249-425-11	CARBON	4.7K 5% 1/4W F	C904	1-126-960-11	ELECT	1uF 20% 50V
R647	1-249-429-11	CARBON	10K 5% 1/4W	C905	1-126-964-11	ELECT	10uF 20% 50V
R648	1-249-404-00	CARBON	82 5% 1/4W F	C906	1-124-464-11	ELECT	0.22uF 20% 50V
R649	1-249-404-00	CARBON	82 5% 1/4W F	C907	1-161-494-00	CERAMIC	0.022uF 25V
R668	1-249-420-11	CARBON	1.8K 5% 1/4W F	C908	1-164-159-11	CERAMIC	0.1uF 50V
R696	1-249-425-11	CARBON	4.7K 5% 1/4W F	C914	1-164-159-11	CERAMIC	0.1uF 50V
R697	1-249-429-11	CARBON	10K 5% 1/4W	C917	1-164-159-11	CERAMIC	0.1uF 50V
△R698	1-249-410-11	CARBON	270 5% 1/4W F	< JACK >			
△R699	1-249-410-11	CARBON	270 5% 1/4W F	CNJ901	1-785-834-11	OUTLET (1P) (DE435:US,CND/V424)	
R729	1-249-432-11	CARBON	18K 5% 1/4W (AEP,EE,CIS)	CNJ901	1-785-285-11	OUTLET, AC (1P) (AEP,E,EE,CIS,MY,SP)	
R729	1-247-866-11	CARBON	30K 5% 1/4W (US,CND,E)	CNJ901	1-251-417-11	OUTLET, A.C. (AUS)	
R729	1-249-433-11	CARBON	22K 5% 1/4W (MY,SP,AUS,CH)	CNJ901	1-251-718-11	OUTLET (2 GANG), AC (DE535:US,CND,E/SE491/V525)	
R730	1-249-421-11	CARBON	2.2K 5% 1/4W F	< CONNECTOR >			
R731	1-249-433-11	CARBON	22K 5% 1/4W	CNP901	1-564-321-00	PIN, CONNECTOR 2P	
△R734	1-249-389-11	CARBON	4.7 5% 1/4W F	* CNP902	1-565-792-11	PIN, CONNECTOR 2P	
R735	1-249-431-11	CARBON	15K 5% 1/4W	* CNP903	1-573-565-11	PIN, CONNECTOR 5P (DE535:E)	
R746	1-249-425-11	CARBON	4.7K 5% 1/4W F	< DIODE >			
R747	1-249-429-11	CARBON	10K 5% 1/4W	D901	8-719-024-99	DIODE 11ES2-NTA2B	
R748	1-249-404-00	CARBON	82 5% 1/4W F	D902	8-719-024-99	DIODE 11ES2-NTA2B	
R749	1-249-404-00	CARBON	82 5% 1/4W F	D903	8-719-024-99	DIODE 11ES2-NTA2B	
△R784	1-249-389-11	CARBON	4.7 5% 1/4W F	D904	8-719-024-99	DIODE 11ES2-NTA2B	
< RELAY >				D905	8-719-911-19	DIODE 1SS119	
RY601	1-515-920-11	RELAY (24V)		D906	8-719-911-19	DIODE 1SS119	
RY651	1-755-267-11	RELAY		D907	8-719-911-19	DIODE 1SS119	
RY701	1-515-920-11	RELAY (24V)		< EARTH >			
< TERMINAL >				* EB900	1-537-738-21	TERMINAL, EARTH (US,CND)	
TM701	1-537-510-11	TERMINAL BOARD (SPEAKER) (6P)		* EB901	1-537-738-21	TERMINAL, EARTH	
*****				< FUSE >			
	1-672-997-11	SPK SELECT BOARD	*****	△F901	1-532-504-31	FUSE T4AL 250V (E,MY,SP,AUS,CH)	
< CONNECTOR >				△F901	1-532-506-51	FUSE TL6.3A 250V (AEP,EE,CIS)	
* CNS107	1-695-808-11	CONNECTOR, PC BOARD 8P		△F901	1-533-310-11	FUSE, GLASS TUBE (6.3A/125V) (US,CND)	
				△F903	1-532-464-31	FUSE T2.5AL 250V (AEP,EE,CIS,MY,SP,AUS,CH)	
				△F904	1-532-504-31	FUSE T4AL 250V (DE535:E)	

<p>The components identified by mark △ or dotted line with mark △ are critical for safety. Replace only with part number specified.</p>	<p>Les composants identifiés par une marque △ sont critiques pour la sécurité. Ne les remplacer que par une pièce portant le numéro spécifié.</p>	<p>以阴影和 △ 标志来识别的零部件，在安全方面具有关键性。因此只能以规定号码的零部件来更换。</p>
---	---	--

# SURR

Ref. No.	Part No.	Description	Remarks	Ref. No.	Part No.	Description	Remarks
		< IC >					
IC901	8-759-333-83	IC NJM2103D		C284	1-162-215-31	CERAMIC 47PF 5% 50V (DE435/DE535/V424/V525)	
		< TRANSISTOR >		C285	1-104-664-11	ELECT 47uF 20% 16V (DE435/DE535/V424/V525)	
Q901	8-729-119-79	TRANSISTOR 2SC2785-FEK		C287	1-164-159-11	CERAMIC 0.1uF 50V (DE435/DE535/V424/V525)	
Q902	8-729-026-68	TRANSISTOR 2SD2525 (TP)		C289	1-164-159-11	CERAMIC 0.1uF 50V (DE435/DE535/V424/V525)	
		< RESISTOR >		C290	1-104-664-11	ELECT 47uF 20% 16V (DE435/DE535/V424/V525)	
R901	1-202-725-00	SOLID 3.3M 10% 1/2W (US,CND)		C291	1-126-960-11	ELECT 1uF 20% 50V (DE435/DE535/V424/V525)	
R902	1-249-429-11	CARBON 10K 5% 1/4W		C301	1-124-250-11	ELECT 0.15uF 20% 50V	
R903	1-249-425-11	CARBON 4.7K 5% 1/4W F		C302	1-126-962-11	ELECT 3.3uF 20% 50V	
R904	1-249-421-11	CARBON 2.2K 5% 1/4W F		C303	1-124-250-11	ELECT 0.15uF 20% 50V	
R905	1-249-428-11	CARBON 8.2K 5% 1/4W F		C304	1-126-963-11	ELECT 4.7uF 20% 50V	
R906	1-249-421-11	CARBON 2.2K 5% 1/4W F		C305	1-126-959-11	ELECT 0.47uF 20% 50V	
R908	1-249-433-11	CARBON 22K 5% 1/4W		C306	1-126-963-11	ELECT 4.7uF 20% 50V	
R909	1-249-437-11	CARBON 47K 5% 1/4W		C307	1-126-959-11	ELECT 0.47uF 20% 50V	
R910	1-249-429-11	CARBON 10K 5% 1/4W		C308	1-136-165-00	FILM 0.1uF 5% 50V	
R912	1-247-843-11	CARBON 3.3K 5% 1/4W		C309	1-136-165-00	FILM 0.1uF 5% 50V	
		< RELAY >		C310	1-136-177-00	FILM 1uF 5% 50V	
△RY901	1-755-298-11	RELAY (EXCEPT DE435:US,CND)		C311	1-126-963-11	ELECT 4.7uF 20% 50V	
△RY901	1-515-999-11	RELAY, POWER (DE435:US,CND)		C312	1-126-963-11	ELECT 4.7uF 20% 50V	
		< TRANSFORMER >		C313	1-126-925-11	ELECT 470uF 20% 10V	
△T902	1-433-687-11	TRANSFORMER, POWER (AEP,EE,CIS,AUS,E)		C314	1-126-964-11	ELECT 10uF 20% 50V	
△T902	1-433-685-11	TRANSFORMER, POWER (MY,SP,CH)		C315	1-126-964-11	ELECT 10uF 20% 50V	
△T902	1-433-686-11	TRANSFORMER, POWER (US,CND)		C316	1-126-964-11	ELECT 10uF 20% 50V	
*****				C317	1-126-964-11	ELECT 10uF 20% 50V	
A-4419-083-A	SURR BOARD, COMPLETE (DE535/V525)			C318	1-126-925-11	ELECT 470uF 20% 10V	
*****				C319	1-136-161-00	FILM 0.047uF 5% 50V	
A-4419-203-A	SURR BOARD, COMPLETE (SE491)			C320	1-136-157-00	FILM 0.022uF 5% 50V	
*****				C321	1-130-469-00	MYLAR 680PF 5% 50V	
A-4419-221-A	SURR BOARD, COMPLETE			C322	1-126-959-11	ELECT 0.47uF 20% 50V	
*****				C323	1-164-159-11	CERAMIC 0.1uF 50V	
		(EXCEPT AEP,EE,CIS/DE535/SE491/V525)		C324	1-126-925-11	ELECT 470uF 20% 10V	
A-4419-234-A	SURR BOARD, COMPLETE (AEP,EE,CIS)			C325	1-126-964-11	ELECT 10uF 20% 50V	
*****				C326	1-136-177-00	FILM 1uF 5% 50V	
		< CAPACITOR >		C327	1-136-165-00	FILM 0.1uF 5% 50V	
C219	1-126-964-11	ELECT 10uF 20% 50V		C328	1-136-165-00	FILM 0.1uF 5% 50V	
C221	1-126-964-11	ELECT 10uF 20% 50V		C329	1-126-959-11	ELECT 0.47uF 20% 50V	
C223	1-126-964-11	ELECT 10uF 20% 50V		C330	1-126-963-11	ELECT 4.7uF 20% 50V	
C225	1-126-964-11	ELECT 10uF 20% 50V		C331	1-126-959-11	ELECT 0.47uF 20% 50V	
C269	1-126-964-11	ELECT 10uF 20% 50V		C332	1-126-963-11	ELECT 4.7uF 20% 50V	
C271	1-126-964-11	ELECT 10uF 20% 50V		C333	1-124-250-11	ELECT 0.15uF 20% 50V	
C280	1-126-960-11	ELECT 1uF 20% 50V (DE435/DE535/V424/V525)		C334	1-126-962-11	ELECT 3.3uF 20% 50V	
C281	1-126-960-11	ELECT 1uF 20% 50V (DE435/DE535/V424/V525)		C335	1-124-250-11	ELECT 0.15uF 20% 50V	
C282	1-126-960-11	ELECT 1uF 20% 50V (DE435/DE535/V424/V525)		C337	1-136-165-00	FILM 0.1uF 5% 50V	
C283	1-162-215-31	CERAMIC 47PF 5% 50V (DE435/DE535/V424/V525)		C338	1-136-177-00	FILM 1uF 5% 50V	
				C339	1-126-959-11	ELECT 0.47uF 20% 50V	
				C340	1-126-925-11	ELECT 470uF 20% 10V	
				C341	1-164-159-11	CERAMIC 0.1uF 50V	
				C342	1-136-165-00	FILM 0.1uF 5% 50V	
				C343	1-137-358-11	FILM 0.0001uF 5% 50V	
				C344	1-126-934-11	ELECT 220uF 20% 10V	
				C345	1-126-964-11	ELECT 10uF 20% 50V	

<p>The components identified by mark △ or dotted line with mark △ are critical for safety. Replace only with part number specified.</p>	<p>Les composants identifiés par une marque △ sont critiques pour la sécurité. Ne les remplacer que par une pièce portant le numéro spécifié.</p>	<p>以阴影和 △ 标志来识别的零部件，在安全方面具有关键性。因此只能以规定号码的零部件来更换。</p>
---	---	--

Ref. No.	Part No.	Description	Remarks	Ref. No.	Part No.	Description	Remarks
C346	1-126-964-11	ELECT	10uF 20% 50V	C467	1-162-199-31	CERAMIC 10PF 5% 50V	
C347	1-126-964-11	ELECT	10uF 20% 50V	C468	1-126-965-11	ELECT 22uF 20% 50V	
C348	1-126-964-11	ELECT	10uF 20% 50V	C469	1-162-199-31	CERAMIC 10PF 5% 50V	
C349	1-137-358-11	FILM	0.0001uF 5% 50V	C470	1-126-965-11	ELECT 22uF 20% 50V	
C350	1-126-961-11	ELECT	2.2uF 20% 50V			< CONNECTOR >	
C351	1-164-159-11	CERAMIC	0.1uF 50V				
C352	1-124-252-00	ELECT	0.33uF 20% 50V	CNS201	1-569-932-11	SOCKET, CONNECTOR 15P	
C353	1-136-177-00	FILM	1uF 5% 50V	* CNS203	1-569-932-11	SOCKET, CONNECTOR 15P (DE435:US,CND/DE535/V525)	
C354	1-136-165-00	FILM	0.1uF 5% 50V	CNS203	1-569-930-11	SOCKET, CONNECTOR 13P (DE435:EXCEPT US,CND/SE491/V424)	
C355	1-136-164-00	FILM	0.082uF 5% 50V	CNS403	1-569-928-11	SOCKET, CONNECTOR 11P	
C356	1-130-477-00	MYLAR	0.0033uF 5% 50V			< DIODE >	
C357	1-136-164-00	FILM	0.082uF 5% 50V	D401	8-719-911-19	DIODE 1SS119	
C358	1-126-925-11	ELECT	470uF 20% 10V	D402	8-719-911-19	DIODE 1SS119	
C359	1-102-953-00	CERAMIC	18PF 5% 50V	D403	8-719-911-19	DIODE 1SS119	
C360	1-102-518-11	CERAMIC	33PF 5% 50V	D404	8-719-911-19	DIODE 1SS119	
C361	1-102-973-00	CERAMIC	100PF 5% 50V	D405	8-719-911-19	DIODE 1SS119	
C362	1-102-852-91	CERAMIC	47PF 5% 50V	D406	8-719-911-19	DIODE 1SS119	
C363	1-102-951-00	CERAMIC	15PF 5% 50V	D407	8-719-911-19	DIODE 1SS119	
C364	1-136-165-00	FILM	0.1uF 5% 50V	D408	8-719-911-19	DIODE 1SS119	
C365	1-164-159-11	CERAMIC	0.1uF 50V	SVC300	8-719-070-77	DIODE SVC201SPA-M1-AC	
C366	1-126-956-91	ELECT	0.1uF 20% 50V			< IC >	
C367	1-162-282-31	CERAMIC	100PF 10% 50V	IC280	8-759-700-65	IC NJM79L05A (DE435/DE535/V424/V525)	
C368	1-137-358-11	FILM	0.0001uF 5% 50V	IC281	8-759-333-84	IC NJM2279D (DE435/DE535/V424/V525)	
C401	1-126-966-11	ELECT	33uF 20% 50V	IC301	8-759-528-35	IC CXA8079S	
C402	1-102-508-91	CERAMIC	10PF 0.5PF 50V	IC302	8-759-579-62	IC LV1018	
C403	1-126-966-11	ELECT	33uF 20% 50V	IC303	8-759-604-38	IC M5F78M10 (EXCEPT AEP,EE,CIS)	
C404	1-162-282-31	CERAMIC	100PF 10% 50V	IC400	8-759-636-74	IC M5218AP-22	
C405	1-136-157-00	FILM	0.022uF 5% 50V	IC401	8-759-462-99	IC TC9184P	
C406	1-130-476-00	MYLAR	0.0027uF 5% 50V	IC402	8-759-636-74	IC M5218AP-22	
C407	1-110-335-11	MYLAR	100PF 5% 50V	IC403	8-759-636-74	IC M5218AP-22	
C408	1-136-495-11	FILM	0.068uF 5% 50V			< JACK >	
C409	1-136-153-00	FILM	0.01uF 5% 50V	J204	1-779-380-11	JACK, PIN 6P	
C410	1-126-933-11	ELECT	100uF 20% 16V	J280	1-770-336-11	JACK, PIN 2P (DE435/DE535/V424/V525)	
C411	1-136-171-00	FILM	0.33uF 5% 50V	J281	1-774-821-11	JACK, PIN 3P (DE435/DE535/V424/V525)	
C412	1-136-159-00	FILM	0.033uF 5% 50V	J283	1-563-330-11	JACK (DE535/V525)	
C413	1-164-159-11	CERAMIC	0.1uF 50V			< COIL >	
C414	1-164-159-11	CERAMIC	0.1uF 50V	L300	1-410-509-11	INDUCTOR 10uH	
C417	1-162-199-31	CERAMIC	10PF 5% 50V	L301	1-410-509-11	INDUCTOR 10uH	
C418	1-126-965-11	ELECT	22uF 20% 50V			< TRANSISTOR >	
C419	1-162-199-31	CERAMIC	10pF 5% 50V	Q401	8-729-202-67	TRANSISTOR 2SK246-GR3	
C420	1-126-965-11	ELECT	22uF 20% 50V	Q402	8-729-141-30	TRANSISTOR 2SC3623A-LK	
C421	1-164-159-11	CERAMIC	0.1uF 50V	Q403	8-729-119-79	TRANSISTOR 2SC2785-FEK	
C422	1-164-159-11	CERAMIC	0.1uF 50V	Q404	8-729-141-30	TRANSISTOR 2SC3623A-LK	
C423	1-164-159-11	CERAMIC	0.1uF 50V	Q405	8-729-141-30	TRANSISTOR 2SC3623A-LK	
C424	1-164-159-11	CERAMIC	0.1uF 50V	Q406	8-729-141-30	TRANSISTOR 2SC3623A-LK	
C440	1-164-159-11	CERAMIC	0.1uF 50V	Q407	8-729-141-30	TRANSISTOR 2SC3623A-LK	
C441	1-164-159-11	CERAMIC	0.1uF 50V	Q408	8-729-141-30	TRANSISTOR 2SC3623A-LK	
C450	1-126-965-11	ELECT	22uF 20% 50V	Q409	8-729-141-30	TRANSISTOR 2SC3623A-LK	
C451	1-126-966-11	ELECT	33uF 20% 50V	Q421	8-729-900-36	DTC124ES	
C452	1-102-508-91	CERAMIC	10PF 0.5PF 50V	Q422	8-729-900-63	DTA124ES	
C453	1-126-966-11	ELECT	33uF 20% 50V	Q451	8-729-202-67	TRANSISTOR 2SK246-GR3	
C455	1-136-157-00	FILM	0.022uF 5% 50V	Q452	8-729-141-30	TRANSISTOR 2SC3623A-LK	
C456	1-130-476-00	MYLAR	0.0027uF 5% 50V				
C457	1-110-335-11	MYLAR	100PF 5% 50V				
C458	1-136-495-11	FILM	0.068uF 5% 50V				
C459	1-136-153-00	FILM	0.01uF 5% 50V				
C460	1-126-933-11	ELECT	100uF 20% 16V				
C461	1-136-171-00	FILM	0.33uF 5% 50V				
C462	1-136-159-00	FILM	0.033uF 5% 50V				



**SURR**

Ref. No.	Part No.	Description	Remarks	Ref. No.	Part No.	Description	Remarks
< RESISTOR >				R428	1-249-441-11	CARBON	100K 5% 1/4W
R219	1-249-417-11	CARBON	1K 5% 1/4W F	R430	1-249-441-11	CARBON	100K 5% 1/4W
R220	1-249-441-11	CARBON	100K 5% 1/4W	R431	1-249-429-11	CARBON	10K 5% 1/4W
R221	1-249-417-11	CARBON	1K 5% 1/4W F	R432	1-249-433-11	CARBON	22K 5% 1/4W
R222	1-249-441-11	CARBON	100K 5% 1/4W	R433	1-249-429-11	CARBON	10K 5% 1/4W
R223	1-249-417-11	CARBON	1K 5% 1/4W F	R434	1-249-441-11	CARBON	100K 5% 1/4W
R224	1-249-441-11	CARBON	100K 5% 1/4W	R435	1-249-429-11	CARBON	10K 5% 1/4W
R225	1-249-417-11	CARBON	1K 5% 1/4W F	R436	1-249-433-11	CARBON	22K 5% 1/4W
R226	1-249-441-11	CARBON	100K 5% 1/4W	R437	1-249-429-11	CARBON	10K 5% 1/4W
R269	1-249-417-11	CARBON	1K 5% 1/4W	R438	1-249-425-11	CARBON	4.7K 5% 1/4W F
R270	1-249-441-11	CARBON	100K 5% 1/4W	R439	1-249-429-11	CARBON	10K 5% 1/4W
R271	1-249-417-11	CARBON	1K 5% 1/4W F	R440	1-249-441-11	CARBON	100K 5% 1/4W
R272	1-249-441-11	CARBON	100K 5% 1/4W	R445	1-249-417-11	CARBON	1K 5% 1/4W F
R280	1-247-804-11	CARBON	75 5% 1/4W	R446	1-249-429-11	CARBON	10K 5% 1/4W
			(DE435/DE535/V424/V525)	R447	1-249-441-11	CARBON	100K 5% 1/4W
R281	1-247-804-11	CARBON	75 5% 1/4W	R450	1-247-852-11	CARBON	7.5K 5% 1/4W
			(DE435/DE535/V424/V525)	R451	1-249-429-11	CARBON	10K 5% 1/4W
R282	1-247-804-11	CARBON	75 5% 1/4W	R452	1-249-440-11	CARBON	82K 5% 1/4W
			(DE435/DE535/V424/V525)	R453	1-247-895-00	CARBON	470K 5% 1/4W
R283	1-247-804-11	CARBON	75 5% 1/4W	R454	1-249-429-11	CARBON	10K 5% 1/4W
			(DE435/DE535/V424/V525)	R455	1-249-418-11	CARBON	1.2K 5% 1/4W F
R284	1-247-804-11	CARBON	75 5% 1/4W	R456	1-249-426-11	CARBON	5.6K 5% 1/4W
			(DE435/DE535/V424/V525)	R457	1-249-434-11	CARBON	27K 5% 1/4W
R311	1-249-441-11	CARBON	100K 5% 1/4W	R458	1-249-441-11	CARBON	100K 5% 1/4W
R312	1-249-441-11	CARBON	100K 5% 1/4W	R459	1-249-426-11	CARBON	5.6K 5% 1/4W
R313	1-249-439-11	CARBON	68K 5% 1/4W	R460	1-249-426-11	CARBON	5.6K 5% 1/4W
R314	1-249-441-11	CARBON	100K 5% 1/4W	R461	1-247-843-11	CARBON	3.3K 5% 1/4W
R315	1-249-436-11	CARBON	39K 5% 1/4W	R462	1-249-421-11	CARBON	2.2K 5% 1/4W F
R351	1-249-436-11	CARBON	39K 5% 1/4W	R463	1-247-903-00	CARBON	1M 5% 1/4W
R400	1-247-852-11	CARBON	7.5K 5% 1/4W	R464	1-249-441-11	CARBON	100K 5% 1/4W
R401	1-249-429-11	CARBON	10K 5% 1/4W	R465	1-247-843-11	CARBON	3.3K 5% 1/4W
R402	1-249-440-11	CARBON	82K 5% 1/4W	R466	1-247-883-00	CARBON	150K 5% 1/4W
R403	1-247-895-00	CARBON	470K 5% 1/4W	R467	1-249-413-11	CARBON	470 5% 1/4W F
R404	1-249-429-11	CARBON	10K 5% 1/4W	R468	1-249-427-11	CARBON	6.8K 5% 1/4W F
R405	1-249-418-11	CARBON	1.2K 5% 1/4W F	R480	1-249-441-11	CARBON	100K 5% 1/4W
R406	1-249-426-11	CARBON	5.6K 5% 1/4W	R481	1-249-429-11	CARBON	10K 5% 1/4W
R407	1-249-434-11	CARBON	27K 5% 1/4W	R482	1-249-433-11	CARBON	22K 5% 1/4W
R408	1-249-441-11	CARBON	100K 5% 1/4W	R483	1-249-429-11	CARBON	10K 5% 1/4W
R409	1-249-426-11	CARBON	5.6K 5% 1/4W	R484	1-249-418-11	CARBON	1.2K 5% 1/4W F
R410	1-249-426-11	CARBON	5.6K 5% 1/4W	R485	1-249-417-11	CARBON	1K 5% 1/4W F
R411	1-247-843-11	CARBON	3.3K 5% 1/4W	R486	1-249-429-11	CARBON	10K 5% 1/4W
R412	1-249-421-11	CARBON	2.2K 5% 1/4W F	R487	1-249-418-11	CARBON	1.2K 5% 1/4W F
R413	1-247-903-00	CARBON	1M 5% 1/4W	R488	1-249-417-11	CARBON	1K 5% 1/4W F
R414	1-249-441-11	CARBON	100K 5% 1/4W	R489	1-249-429-11	CARBON	10K 5% 1/4W
R415	1-247-843-11	CARBON	3.3K 5% 1/4W	R490	1-249-418-11	CARBON	1.2K 5% 1/4W F
R416	1-247-883-00	CARBON	150K 5% 1/4W	R491	1-249-417-11	CARBON	1K 5% 1/4W F
R417	1-249-413-11	CARBON	470 5% 1/4W F	R492	1-249-429-11	CARBON	10K 5% 1/4W
R418	1-249-427-11	CARBON	6.8K 5% 1/4W F	R493	1-249-418-11	CARBON	1.2K 5% 1/4W F
R419	1-247-903-00	CARBON	1M 5% 1/4W	R494	1-249-417-11	CARBON	1K 5% 1/4W F
R420	1-249-441-11	CARBON	100K 5% 1/4W	R497	1-249-441-11	CARBON	100K 5% 1/4W
R422	1-249-429-11	CARBON	10K 5% 1/4W	< RELAY >			
R423	1-249-418-11	CARBON	1.2K 5% 1/4W F	RY401	1-515-614-11	RELAY	
R424	1-249-417-11	CARBON	1K 5% 1/4W F	*****			
R425	1-249-441-11	CARBON	100K 5% 1/4W				
R426	1-249-418-11	CARBON	1.2K 5% 1/4W F				
R427	1-249-417-11	CARBON	1K 5% 1/4W F				

## VOL

## VOLTAGE SELECTOR

Ref. No.	Part No.	Description	Remarks	Ref. No.	Part No.	Description	Remarks
	A-4419-075-A	VOL BOARD, COMPLETE *****		Q755	8-729-209-15	TRANSISTOR 2SD2012	
		< CAPACITOR >		Q756	8-749-010-25	IC MN2488-OPY-M	
C090	1-126-960-11	ELECT	1uF 20% 50V	Q757	8-749-010-26	IC MP1620-OPY-M	
C091	1-126-960-11	ELECT	1uF 20% 50V	△ T901	1-433-679-11	TRANSFORMER, POWER (DE435:CND/DE535:CND)	
		< CONNECTOR >		△ T901	1-433-680-11	TRANSFORMER, POWER (DE435:US/DE535:US)	
CNP105	1-770-388-11	PIN, CONNECTOR (PC BOARD) 4P		△ T901	1-433-680-21	TRANSFORMER, POWER (SE491)	
CNP401	1-770-389-11	PIN, CONNECTOR (PC BOARD) 5P		△ T901	1-433-681-11	TRANSFORMER, POWER (DE435:AEP,EE,CIS)	
CNS402	1-569-904-11	SOCKET, CONNECTOR 9P		△ T901	1-433-682-11	TRANSFORMER, POWER (DE435:AUS/DE535:AUS)	
CNS404	1-569-906-11	SOCKET, CONNECTOR 11P		△ T901	1-433-683-11	TRANSFORMER, POWER (DE435:MY,SP/DE535:MY,SP/V424/V525)	
		< VARIABLE RESISTOR >		△ T901	1-433-684-11	TRANSFORMER, POWER (DE535:E)	
RV401	1-225-776-11	RES, VAR, CARBON 100K/100K × 5 (MASTER VOLUME)		***** ACCESSORIES & PACKING MATERIALS *****			
		*****		1-418-293-11	REMOTE COMMANDER (RM-LJ302) (DE535/V525)		
	1-672-996-11	VOLTAGE SELECTOR BOARD (DE535:E) *****		1-501-374-11	ANTENNA LOOP		
	1-533-399-31	HOLDER, FUSE		1-501-594-11	ANTENNA (FM) (EXCEPT US,CND)		
		< CONNECTOR >		3-866-247-11	MANUAL,INSTRUCTION (ENGLISH) (US)		
* CNP906	1-566-664-11	PIN, CONNECTOR 4P		3-866-247-21	MANUAL,INSTRUCTION (FRENCH) (CND,MY,SP,E,AUS)		
		< SWITCH >		3-866-247-31	MANUAL,INSTRUCTION (ENGLISH,CHINESE) (CH)		
△ S901	1-571-437-11	SWITCH POWER VOLTAGE CHANGE *****		3-866-247-41	MANUAL,INSTRUCTION (SWEDISH,SPANISH,ITALIAN,PORTUGUESE) (AEP)		
		MISCELLANEOUS *****		3-866-247-51	MANUAL,INSTRUCTION (ENGLISH,FRENCH,DUTCH,GERMAN) (AEP)		
27	1-769-991-11	WIRE (FLAT TYPE) (13 CORE) (DE435,SE491,V424)		3-866-247-61	MANUAL,INSTRUCTION (ENGLISH,RUSSIAN,POLISH) (EE,CIS)		
27	1-773-024-11	WIRE (FLAT TYPE) (15 CORE)(DE535/V525)		3-866-295-11	MANUAL,INSTRUCTION (RM-LJ302)(ENGLISH) (DE535/V525)		
28	1-773-012-11	WIRE (FLAT TYPE) (15 CORE)		3-866-295-21	MANUAL,INSTRUCTION(RM-LJ302) (FRENCH,SPANISH) (DE535:CND,E)		
62	1-769-937-11	WIRE (FLAT TYPE) (11 CORE)		3-866-295-31	MANUAL,INSTRUCTION (RM-LJ302)(CHINESE) (DE535:MY,SP/V525)		
△ 65	1-696-847-11	CORD, POWER (DE435:AUS/DE535:AUS)		3-866-296-11	MANUAL,INSTRUCTION (RM-PP402) (ENGLISH) (DE435/SE491/V424)		
△ 65	1-777-070-21	CORD, POWER (DE435:CND/DE535:CND)		3-866-296-21	MANUAL,INSTRUCTION (RM-PP402) (FRENCH,SPANISH) (DE435:CND/AEP)		
△ 65	1-777-071-21	CORD, POWER (DE435:AEP,EE,CIS,MY,SP/DE535:E,MY,SP)		3-866-296-31	MANUAL,INSTRUCTION (RM-PP402)(CHINESE) (DE435:MY,SP/V424)		
△ 65	1-783-205-11	CORD, POWER (V424/V525)		3-866-296-41	MANUAL,INSTRUCTION (RM-PP402) (DUTCH,SWEDISH,GERMAN,ITALIAN,PORTUGUESE) (DE435:AEP)		
△ 65	1-783-820-11	CORD, POWER (DE435:US/DE535:US/SE491)		3-866-296-51	MANUAL,INSTRUCTION (RM-PP402) (DANISH,FINNISH) (DE435:AEP)		
69	1-773-008-11	WIRE (FLAT TYPE) (15 CORE)		3-866-296-61	MANUAL,INSTRUCTION (RM-PP402) (POLISH,RUSSIAN) (DE435:EE,CIS)		
70	1-769-942-11	WIRE (FLAT TYPE) (11 CORE)		3-866-296-71	MANUAL,INSTRUCTION (RM-PP402) (CZECH) (DE435:EE,CIS)		
71	1-769-909-11	WIRE (FLAT TYPE) (9 CORE)		3-866-419-11	MANUAL (RECV.HOOK-UP)(EXCEPT SE491)		
73	1-693-407-62	TUNER (DE435:US,CND/DE535:US,CND,E/SE491)		3-866-670-11	MANUAL,COMMONNESS INSTRUCTION		
73	1-693-408-41	TUNER (DE435:AEP,MY,SP,AUS/DE535:MY,SP,AUS/V424/V525)					
73	1-693-411-43	TUNER (DE435:EE,CIS)					
74	1-773-004-11	WIRE (FLAT TYPE) (15 CORE)					
△ 78	1-569-008-21	ADAPTOR, CONVERSION 2P (DE535: E)					
Q705	8-729-209-15	TRANSISTOR 2SD2012					
Q706	8-749-010-25	IC MN2488-OPY-M					
Q707	8-749-010-26	IC MP1620-OPY-M					

The components identified by mark △ or dotted line with mark △ are critical for safety. Replace only with part number specified.

Les composants identifiés par une marque △ sont critiques pour la sécurité. Ne les remplacer que par une pièce portant le numéro spécifié.

以阴影和 △ 标志来识别的零部件，在安全方面具有关键性。因此只能以规定号码的零部件来更换。



# STR-DE435/DE535/SE491/V424/V525

<u>Ref. No.</u>	<u>Part No.</u>	<u>Description</u>	<u>Remarks</u>
			(ENGLISH) (DE535:US,AUS)
3-866-670-21		MANUAL,COMMONNESS INSTRUCTION	
		(ENGLISH,FRENCH,GERMAN,SPANISH,DUTCH) (DE535:CND,E,MY,SP)	
3-866-670-41		MANUAL,COMMONNESS INSTRUCTION	
		(ENGLISH,ARABIC,CHINESE)(V525)	
4-981-643-11		COVER,BATTERY (FOR RM-JL302)	
		(DE535/V525)	
4-978-977-01		COVER BATTERY(FOR RM-PP402)	
		(DE435,SE491,V424)	
8-917-666-90		REMOTE COMMANDER(RM-PP402)	
		(DE435,SE491,V424)	

\*\*\*\*\*

\*\*\*\*\*  
HARDWARE LIST  
\*\*\*\*\*

- #1 7-685-646-79 SCREW +BVTP 3 × 8 TYPE2 TT(B)
- #2 7-685-881-09 SCREW +BVTT 4 × 8 (S)

MEMO

