

# STR-DE635

## SERVICE MANUAL

Ver 1.1 2002.02

US Model  
Canadian Model  
AEP Model



Manufactured under license from Dolby Laboratories Licensing Corporation.

“DOLBY” and the double-D symbol  $\square\square$  are trademarks of Dolby Laboratories Licensing Corporation.

### SPECIFICATIONS

#### AUDIO POWER SPECIFICATIONS:

POWER OUTPUT AND TOTAL

HARMONIC DISTORTION:

With 8  $\Omega$  loads, both channels driven, from 20 – 20,000 Hz; rated 80 W per channel minimum RMS power, with no more than 0.09% total harmonic distortion from 250 mW to rated output (USA model only).

#### Amplifier section

Stereo mode USA, Canadian models:  
(8 $\Omega$  20Hz – 20kHz, THD 0.09%)  
80W + 80W

AEP model:  
(4 $\Omega$  DIN, 1kHz)  
70W + 70W

Surround mode USA, Canadian models:  
(8 $\Omega$  at 1kHz, THD 0.8%)

Front: 80W + 80W  
Center<sup>a)</sup>: 80W  
Rear<sup>a)</sup>: 80W + 80W

AEP model:  
(4 $\Omega$  DIN, 1kHz)  
Front: 70W + 70W  
Center<sup>a)</sup>: 70W  
Rear<sup>a)</sup>: 70W + 70W

a) Depending on the sound field settings and the source, there may be no sound output.

Dynamic power output 145W + 145W, 8 $\Omega$   
210W + 210W, 4 $\Omega$

Frequency response

PHONO: RIAA  
equalization curve  $\pm 0.5$  dB

USA, Canadian models:  
CD, MD/TAPE, DVD/LD, TV/SAT,  
VIDEO1,2:

AEP model:  
CD, MD/TAPE, DVD, TV/LD, VIDEO1,2:  
10Hz – 50kHz + 0.5/–2dB (with sound field,  
equalizer, and bass boost bypassed)

Inputs (Analog)

PHONO:  
Sensitivity: 2.5mV  
Impedance: 50k $\Omega$   
S/N<sup>b)</sup>: 86dB (A, 2.5mV<sup>c)</sup>)

USA, Canadian models:  
5.1CH INPUT, CD,DVD/LD,MD/TAPE,TV/  
SAT,VIDEO1,2:

AEP model  
5.1CH INPUT, CD,DVD,MD/TAPE,TV/  
LD,VIDEO1,2:  
Sensitivity: 150mV  
Impedance: 50k $\Omega$   
S/N<sup>b)</sup>: 96dB (A, 150mV<sup>c)</sup>)

b) Input short

c) Weighted network, input level

— Continued on next page —

## FM STEREO FM-AM RECEIVER

9-928-897-12  
2002B1600-1  
© 2002.02

**Sony Corporation**  
Home Audio Company  
Published by Sony Engineering Corporation

# SONY®

Inputs (Digital)	DVD/LD (coaxial): Sensitivity: – Impedance: 75Ω S/N: 100dB (A, 20kHz LPF) DVD/LD (Optical): Sensitivity: – Impedance: – S/N: 100dB (A, 20kHz LPF)
Outputs	MD/TAPE, (REC OUT); VIDEO1,2 (AUDIO OUT): Voltage: 150mV, Impedance: 10kΩ SUB WOOFER: Voltage: 2V Impedance: 1kΩ PHONES: Accepts low-and high-impedance headphones +6dB at 70Hz
BASS BOOST Sampling Frequency EQ	48kHz BASS: 100Hz – 1.0kHz (21steps) MID: 500Hz – 5.0kHz (21steps) TABLE: 1.0kHz – 10kHz (21steps) Gain levels: ±10dB, 1dB step

#### FM tuner section

Tuning range	87.5 – 108.0MHz
Antenna terminals	75Ω, unbalanced
Sensitivity	Mono: 18.3dBf, 2.2μV/75Ω Stereo: 38.3dBf, 22.5μV/75Ω
Usable sensitivity	11.2dBf, 1μV/75Ω
S/N	Mono: 76dB Stereo: 70dB
Harmonic distortion at 1kHz	Mono: 0.3% Stereo: 0.5%
Separation	45dB at 1kHz
Frequency response	30Hz – 15kHz + 0.5/–2dB
Selectivity	60dB at 400kHz

#### AM tuner section

Tuning range	USA, Canadian models: With 10-kHz tuning scale: 530 – 1,710kHz <sup>d)</sup> With 9-kHz tuning scale: 531 – 1,710kHz <sup>d)</sup> AEP model 531 – 1,602kHz
Antenna	Loop antenna
Usable sensitivity	50dB/m (at 1,000kHz or 999kHz)
S/N	54dB (at 50mV/m)
Harmonic distortion	0.5% (50mV/m, 400kHz)
Selectivity	At 9kHz: 35dB At 10kHz: 40dB

d) You can change the AM tuning scale to 9kHz. After tuning in any AM station, turn off the receiver. Hold down the TUNING+ button and press the I/⏻ button. All preset stations will be erased when you change the tuning scale. To reset the scale to 10kHz, repeat the procedure.

#### Video section

Inputs	1Vp-p 75Ω
Outputs	1Vp-p 75Ω

#### General

System	Tuner section: PLL quartz-locked digital synthesizer system Preamplifier section: Low-noise NF type equalizer Power amplifier section: Pure-complementary SEPP
Power requirements	USA, Canadian models: 120V AC, 60Hz AEP model 230V AC, 50/60Hz
Power consumption	USA: 270W Canada: 285VA AEP: 200W
AC outlets	USA, Canadian models: 2switched, total 100W AEP model 1switched, max 100W
Dimensions	430 × 364 × 157.5mm (17 × 14 <sup>5/16</sup> × 6 <sup>1/4</sup> in.) including projecting parts and controls
Mass (Approx.)	USA, Canadian models: 9.5kg (20 lbs. 15 oz.) AEP model 10.1kg
Supplied accessories	FM wire antenna (1) AM loop antenna (1) Remote commander RM-PP402 (remote) (1) R6 (size-AA) batteries (2) FM antenna adapter (1)

Design and specifications are subject to change without notice.

## TABLE OF CONTENTS

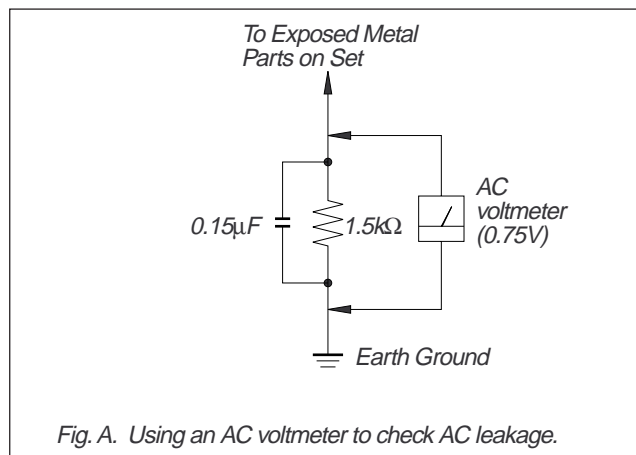
### SAFETY CHECK-OUT (US model only)

After correcting the original service problem, perform the following safety checks before releasing the set to the customer: Check the antenna terminals, metal trim, "metallized" knobs, screws, and all other exposed metal parts for AC leakage. Check leakage as described below.

#### LEAKAGE

The AC leakage from any exposed metal part to earth ground and from all exposed metal parts to any exposed metal part having a return to chassis, must not exceed 0.5 mA (500 microamperes). Leakage current can be measured by any one of three methods.

1. A commercial leakage tester, such as the Simpson 229 or RCA WT-540A. Follow the manufacturers' instructions to use these instruments.
2. A battery-operated AC milliammeter. The Data Precision 245 digital multimeter is suitable for this job.
3. Measuring the voltage drop across a resistor by means of a VOM or battery-operated AC voltmeter. The "limit" indication is 0.75 V, so analog meters must have an accurate low-voltage scale. The Simpson 250 and Sanwa SH-63Trd are examples of a passive VOM that is suitable. Nearly all battery operated digital multimeters that have a 2V AC range are suitable. (See Fig. A)



<b>1. GENERAL</b> .....	4
<b>2. SERVICEING NOTE</b> .....	6
<b>3. TEST MODE</b> .....	6
<b>4. DIAGRAMS</b>	
4-1. Block Diagram Main Section .....	7
4-2. Block Diagram Power Section .....	9
4-3. Circuit Board Location .....	11
4-4. Schematic Diagram Digital Section(1/3) .....	13
4-5. Schematic Diagram Digital Section(2/3) .....	15
4-6. Schematic Diagram Digital Section(3/3) .....	17
4-7. Printed Wiring Board Digital Section(1/2) .....	19
4-8. Printed Wiring Board Digital Section(2/2) .....	21
4-9. Printed Wiring Board Display Section .....	23
4-10. Schematic Diagram Display Section .....	25
4-11. Printed Wiring Board Surround Section .....	27
4-12. Schematic Diagram Surround Section .....	29
4-13. Printed Wiring Board Rear AMP Section .....	31
4-14. Schematic Diagram Rear AMP Section .....	33
4-15. Printed Wiring Board Power Section .....	35
4-16. Schematic Diagram Power Section .....	37
4-17. Printed Wiring Board Video Section .....	39
4-18. Schematic Diagram Video Section .....	41
4-19. Printed Wiring Board Main Section .....	43
4-20. Schematic Diagram Main Section(1/2) .....	45
4-21. Schematic Diagram Main Section(2/2) .....	47
4-22. IC Pin Function .....	49
4-23. IC Block Diagrams .....	59
<b>5. EXPLODED VIEWS</b>	
5-1. Front Panel Section .....	62
5-2. Chassis Section .....	63
<b>6. ELECTRICAL PARTS LIST</b> .....	64

#### SAFETY-RELATED COMPONENT WARNING!!

COMPONENTS IDENTIFIED BY MARK  $\triangle$  OR DOTTED LINE WITH MARK  $\triangle$  ON THE SCHEMATIC DIAGRAMS AND IN THE PARTS LIST ARE CRITICAL TO SAFE OPERATION. REPLACE THESE COMPONENTS WITH SONY PARTS WHOSE PART NUMBERS APPEAR AS SHOWN IN THIS MANUAL OR IN SUPPLEMENTS PUBLISHED BY SONY.

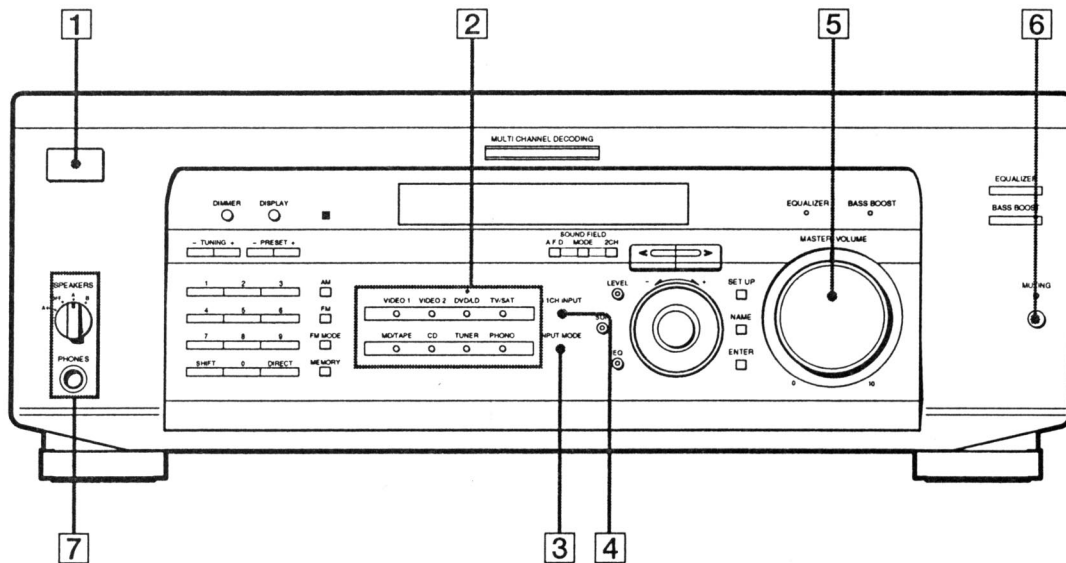
#### ATTENTION AU COMPOSANT AYANT RAPPORT À LA SÉCURITÉ!

LES COMPOSANTS IDENTIFIÉS PAR UNE MARQUE  $\triangle$  SUR LES DIAGRAMMES SCHÉMATIQUES ET LA LISTE DES PIÈCES SONT CRITIQUES POUR LA SÉCURITÉ DE FONCTIONNEMENT. NE REMPLACER CES COMPOSANTS QUE PAR DES PIÈCES SONY DONT LES NUMÉROS SONT DONNÉS DANS CE MANUEL OU DANS LES SUPPLÉMENTS PUBLIÉS PAR SONY.

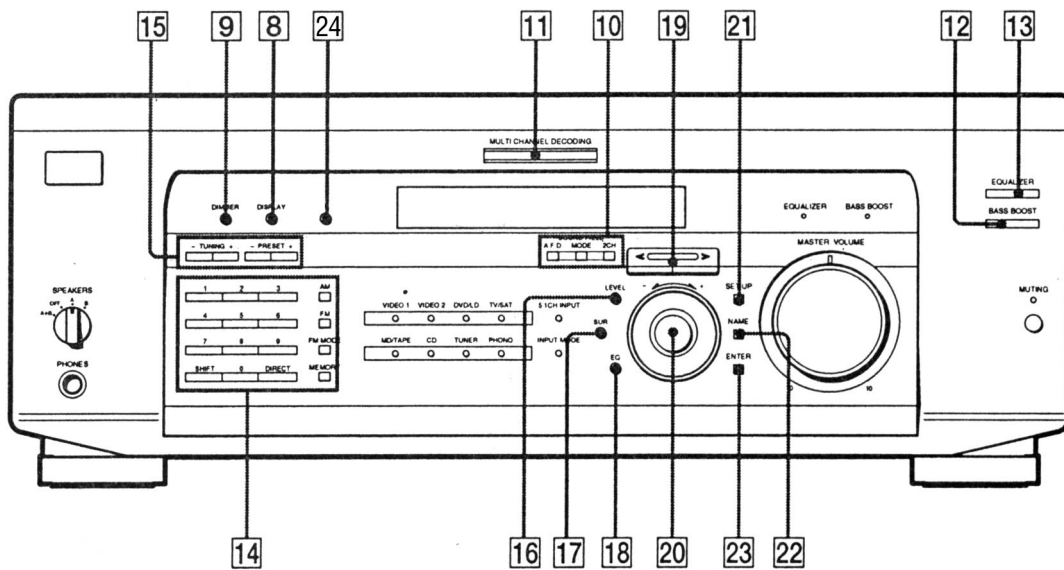
# SECTION 1 GENERAL

## Identifying the Parts

### Front Panel



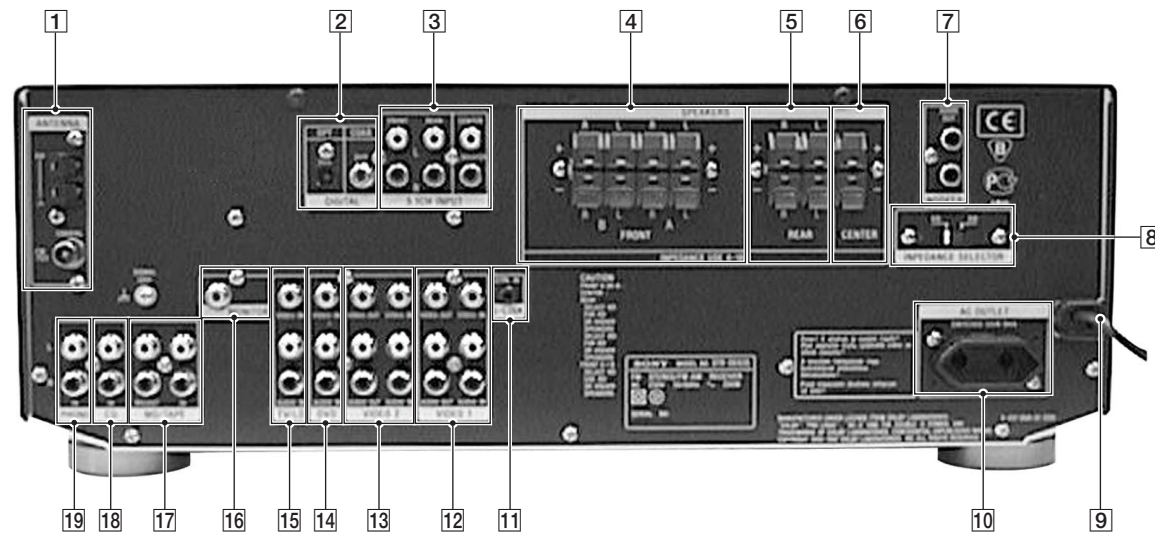
- |                             |                                |
|-----------------------------|--------------------------------|
| <b>1</b> I/O switch         | <b>5</b> MASTER VOLUME control |
| <b>2</b> Function buttons   | <b>6</b> MUTING button         |
| <b>3</b> INPUT MODE button  | <b>7</b> SPEAKERS selector     |
| <b>4</b> 5.1CH INPUT button | PHONES jack                    |



- |  |                                      |
|--|--------------------------------------|
| <b>8</b> DISPLAY button                        | <b>15</b> TUNING +/- buttons         |
| <b>9</b> DIMMER button                         | <b>16</b> PRESET +/- buttons         |
| <b>10</b> A.F.D. button/indicator              | <b>17</b> LEVEL button               |
| <b>11</b> MODE button/indicator                | <b>18</b> SUR button                 |
| <b>12</b> 2CH button/indicator                 | <b>19</b> EQ button                  |
| <b>13</b> MULTI CHANNEL DECODING indicator     | <b>20</b> Cursor buttons(</>)        |
| <b>14</b> BASS BOOST button                    | <b>21</b> Jog dial                   |
| <b>15</b> EQUALIZER button                     | <b>22</b> SET UP button              |
| <b>16</b> DIRECT button                        | <b>23</b> NAME button                |
| <b>17</b> SHIFT button                         | <b>24</b> ENTER button               |
| <b>18</b> Numeric buttons (0 to 9)             | <b>25</b> RDS PTY button (AEP model) |
| <b>19</b> AM button (US, Canadian models)      |                                      |
| <b>20</b> RDS EON button (US, Canadian models) |                                      |
| <b>21</b> FM button (US, Canadian models)      |                                      |
| <b>22</b> AM/FM button (AEP model)             |                                      |
| <b>23</b> FM MODE button                       |                                      |
| <b>24</b> MEMORY button                        |                                      |

## SECTION 2 SERVICING NOTE

### Rear Panel



- |                      |  |
|----------------------|--|
| 1 ANTENNA            | 11 S-LINK  |
| 2 DIGITAL            | 12 VIDEO 1   |
| 3 5.1 CH INPUT       | 13 VIDEO 2   |
| 4 SPEAKERS (FRONT)   | 14 DVD/LD (US, Canadian models)<br>DVD (AEP model)   |
| 5 SPEAKERS (REAR)    | 15 TV/SAT (US, Canadian models)<br>TV/LD (AEP model) |
| 6 SPEAKERS (CENTER)  | 16 MONITOR   |
| 7 WOOFER             | 17 MD/TAPE   |
| 8 INPEDANCE SELECTOR | 18 CD  |
| 9 AC power cord      | 19 PHONO   |
| 10 AC OUTLET         |  |

1. When the front panel is removed, the VR board is removed at the same time. Consequently the LEDs cannot be turned on and the sound volume cannot be increased or decreased from the remote control.

2. When servicing the DIGITAL board, be sure to connect the earth land of the DIGITAL board with the chassis frame so that the earth potential of the DIGITAL board must not be floated from the chassis frame.

## SECTION 3 TEST MODE

### FLUORESCENT INDICATOR TUBE TEST MODE

\* All fluorescent segments are tested. When this test is activated, all segments turn on at the same time, then each segment turns on one after another.

\* Procedure:

While depressing the ENTER, the LEVEL and the EQ buttons simultaneously, press the power [I/⏻] button to turn on the main power. All segments turn on at the same time, then each segment turns on press the ENTER button..

### FACTORY SET MODE

\* All preset contents are reset to the default setting.

\* Procedure:

While depressing the SET UP, the LEVEL and the ENTER buttons simultaneously, press the power [I/⏻] button to turn on the main power. The message Factory Set appears and the present contents are reset to the default values.

### ALL CLEAR MODE

\* All preset contents are cleared when this mode is activated. Use this mode before returning the product to clients upon completion of repair.

\* Procedure:

While depressing the SET UP button simultaneously, press the power [I/⏻] button to turn on the main power. The machine enters the DEMO mode. DEMO mode: Wait a while, then the demonstration starts. If the power [I/⏻] button is pressed often the demonstration has started, the power is turned off, and the demonstration resumes if the power [I/⏻] button is pressed again. ALL CLEAR mode: If the power [I/⏻] button is pressed often the machine enters the DEMO mode, but before the demonstration starts, the display is turned off. Press [I/⏻] again. No response is returned. The press [I/⏻] again. The preset data is cleared and the machine enters the normal power-on state.

### SOUND FIELD CLEAR MODE

\* The preset sound field is cleared when this mode is activated. Use this mode before returning the product to clients upon completion of repair.

\* Procedure:

While depressing the SOUND FIELD MODE button, press the power [I/⏻] button to turn on the main power. The message S.F Initialize appears and initialization is performed.

### AM CHANNEL STEP 9 kHz/10 kHz SELECTION MODE (US, Canadian models)

\* Either the 9 kHz step or 10 kHz step can be selected for the AM channel step.

\* Procedure:

Set the FUNCTION to AM. Turn off the main power. While depressing the TUNING+ button or the PRESET TUNING + button, press the power [I/⏻] button to turn on the main power. Either the message AM 9kHz Step or AM 10kHz Step appears. Select the desired step.

### DSP TEST MODE

\* It tests whether the DSP works correctly or not. When the DSP test is activated, the test data is output from the DSP (IC1401: CXD2712R) of the DIGITAL board and is written in the RAM (IC1402: IDT71V016S). When the test data is read from the RAM by the DSP, the data output must be equivalent to the original data. If they disagree, an error is triggered. Errors can be caused by the broken data line or defective soldering.

\* Procedure

While pressing the SETUP, LEVEL and SUR buttons, press the POWER button to enter the DSP test mode. The message DSP TEST MODE appears. When an error occurs, the message DSP2 ERROR is displayed. When there is no error, the message DSP2 NO ERROR appears and the 1 kHz signal is output to all channels. Then, the mode can be switched the (SIGN WAVE) (THROUGH) and (INPULSE) mode.

### AUTOBETICAL MODE (AEP Model only)

\* This mode is installed in the Europe models only. When this mode is used, the receiver scans the broadcasts that can be received by tuner, and sets up the broadcasts. Be sure to start scanning after connecting the antenna.

Procedure:

Check that the antenna is connected. Press the POWER button while pressing the MEMORY button to turn on the power. The message "Autobetical select" appears and scanning starts by tuner.

### VERSION MODE

\* When this mode is used, the microprocessor version number is displayed.

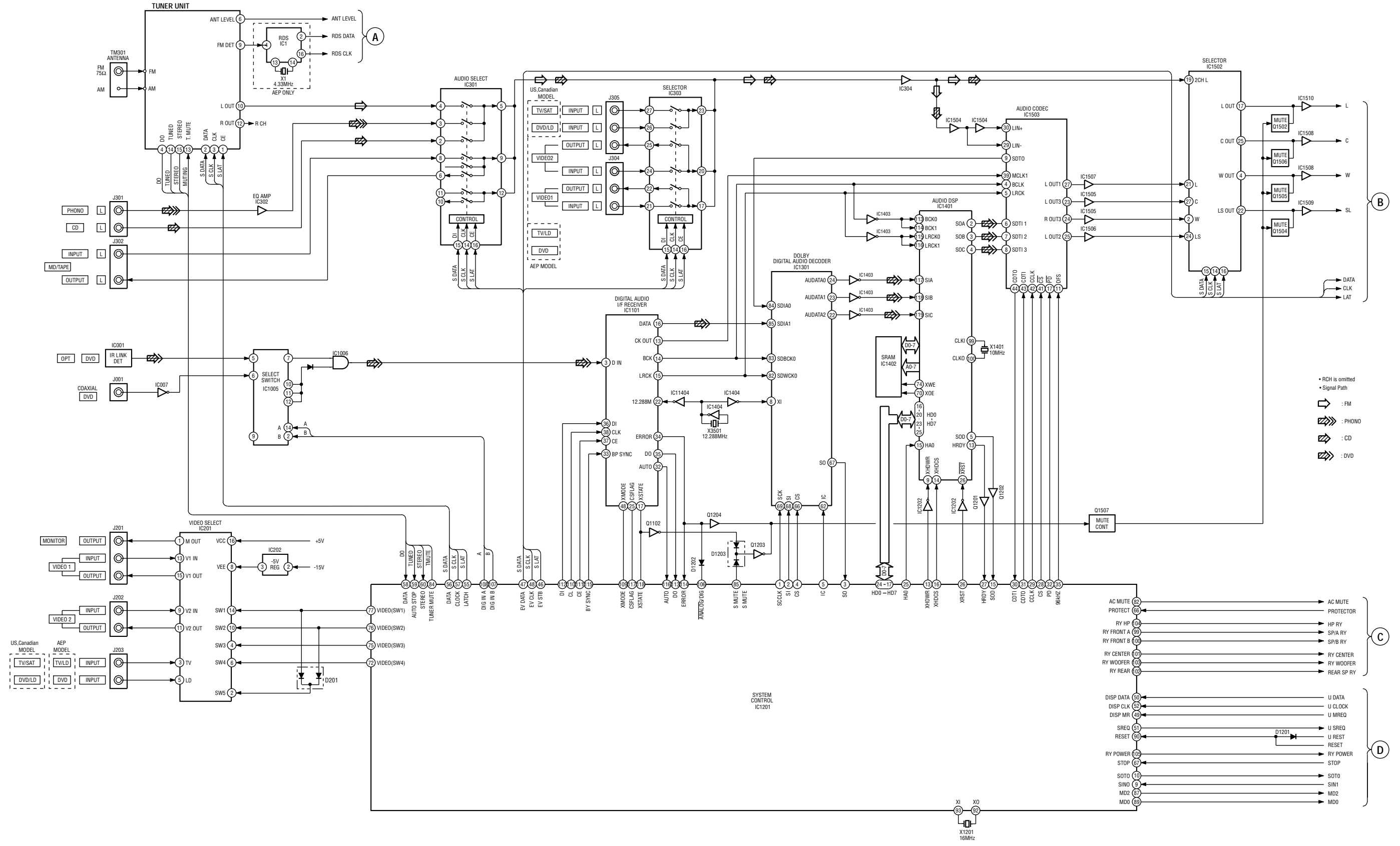
\* Procedure:

Press the POWER button while pressing the ENTER, LEVEL, and SUR buttons to turn on the power. The microprocessor version number appears as follows.

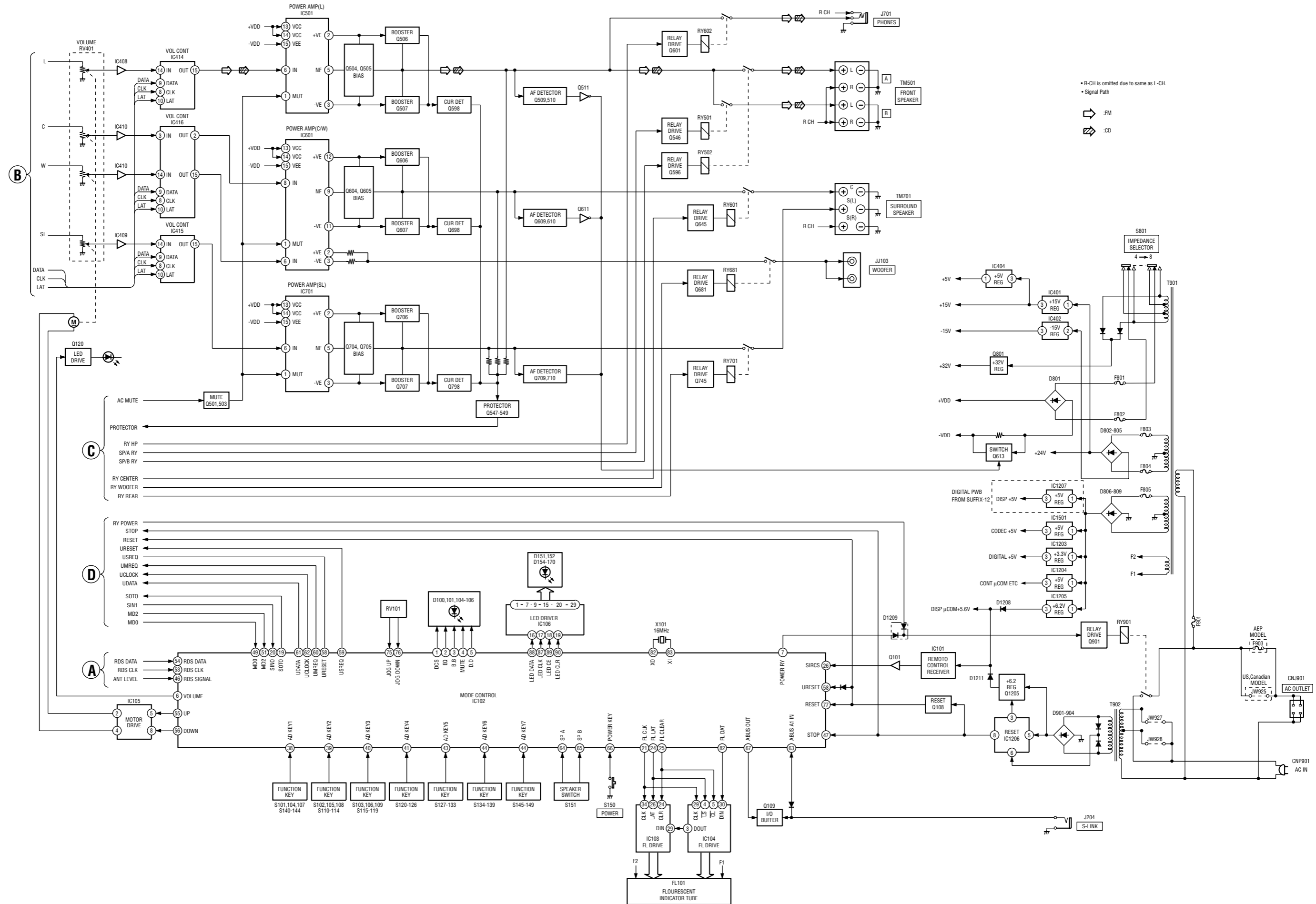


SECTION 4  
DIAGRAMS

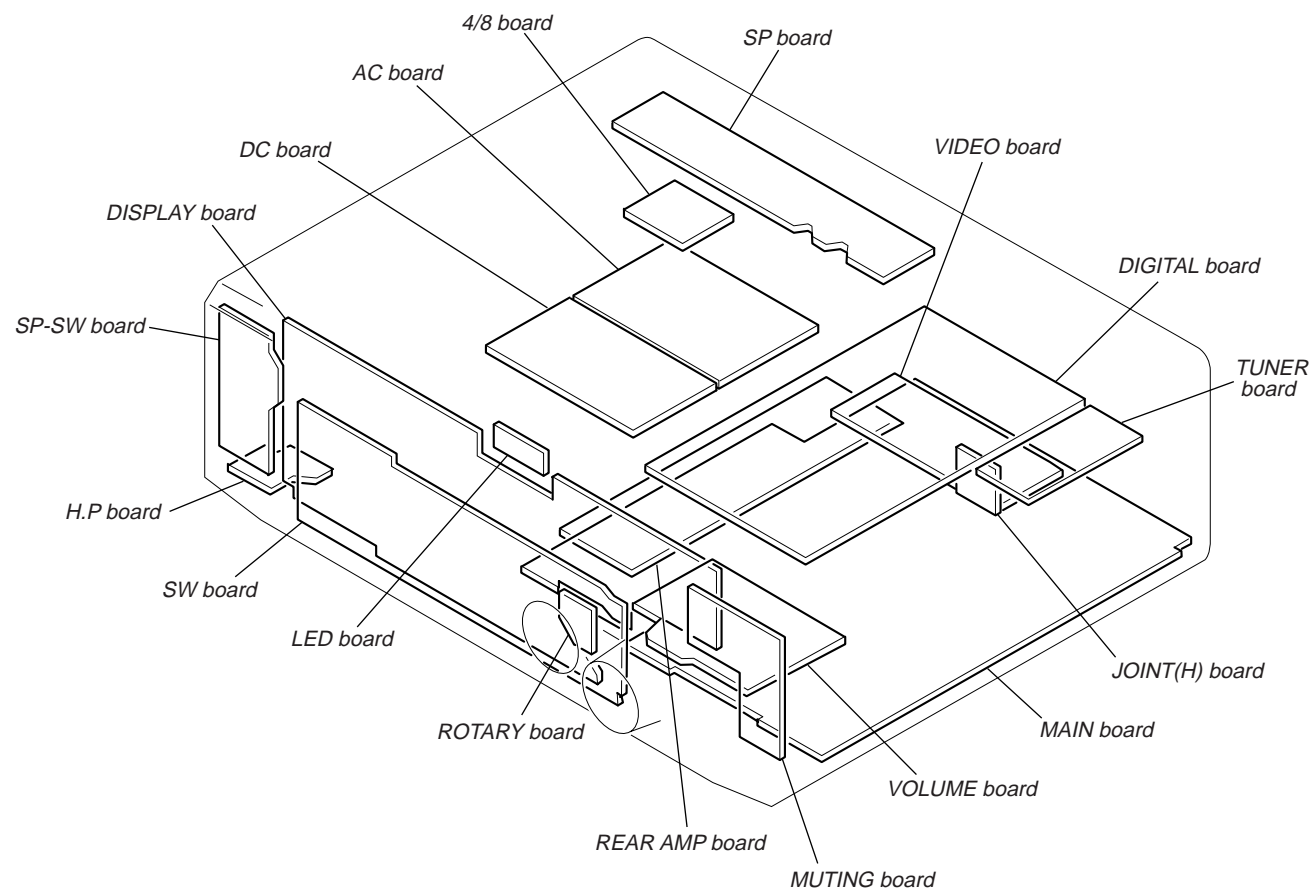
4-1. BLOCK DIAGRAM MAIN SECTION



4-2. BLOCK DIAGRAM POWER SECTION




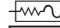

### 4-3. CIRCUIT BOARD LOCATION



### THIS NOTE IS COMMON FOR PRINTED WIRING BOARDS AND SCHEMATIC DIAGRAMS. (In addition to this necessary note is printed in each block.)

#### For schematic diagrams.

##### Note:

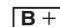






- All capacitors are in  $\mu\text{F}$  unless otherwise noted. pF:  $\mu\text{F}$  50 WV or less are not indicated except for electrolytics and tantalums.
- All resistors are in  $\Omega$  and  $\frac{1}{4}\text{W}$  or less unless otherwise specified.
- % : indicates tolerance.
-  : nonflammable resistor.
-  : fusible resistor.
-  : panel designation.

##### Note:

The components identified by mark  $\Delta$  or dotted line with mark  $\Delta$  are critical for safety. Replace only with part number specified.

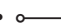


##### Note:

Les composants identifiés par une marque  $\Delta$  sont critiques pour la sécurité. Ne les remplacer que par une pièce portant le numéro spécifié.

-  : B+ Line.
-  : B- Line.
-  : adjustment for repair.
- Voltages and waveforms are dc with respect to ground under no-signal (detuned) conditions. No mark : FM
- Voltages are taken with a VOM (Input impedance  $10\text{M}\Omega$ ). Voltage variations may be noted due to normal production tolerances.
- Waveforms are taken with a oscilloscope.
- Circled numbers refer to waveforms.
- Signal path.
  -  : FM
  -  : CD
  -  : DIGITAL
  -  : PHONO
- Abbreviation  
CND :Canadian model

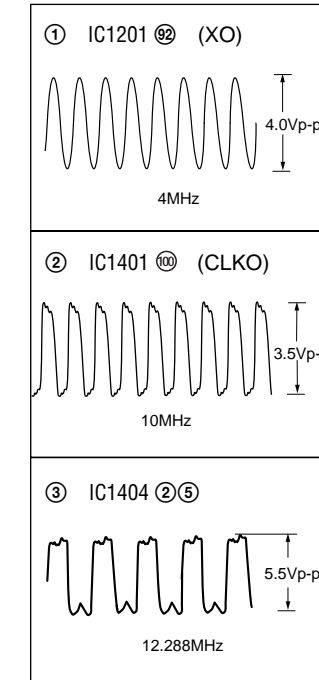
#### For printed wiring boards.

##### Note:

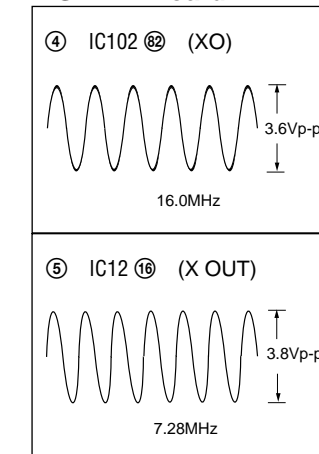
-  : parts extracted from the component side.
-  : Through hole.
-  : Pattern from the side which enables seeing.

#### • Waveform

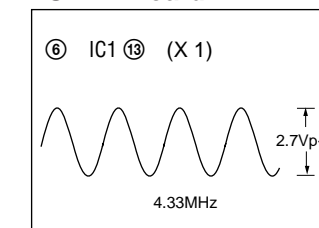
##### DIGITAL Board



##### DISPLAY Board

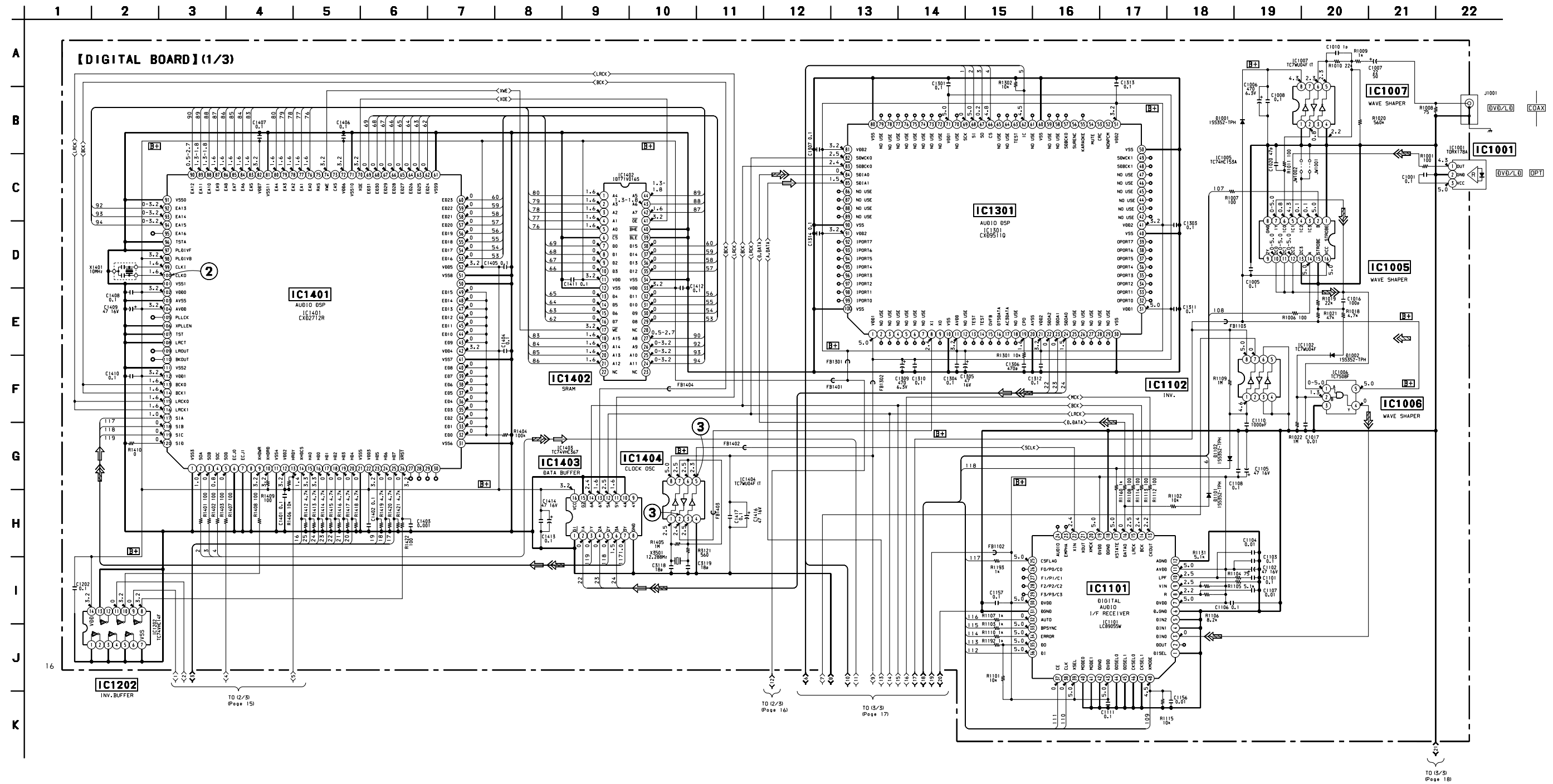


##### TUNER Board

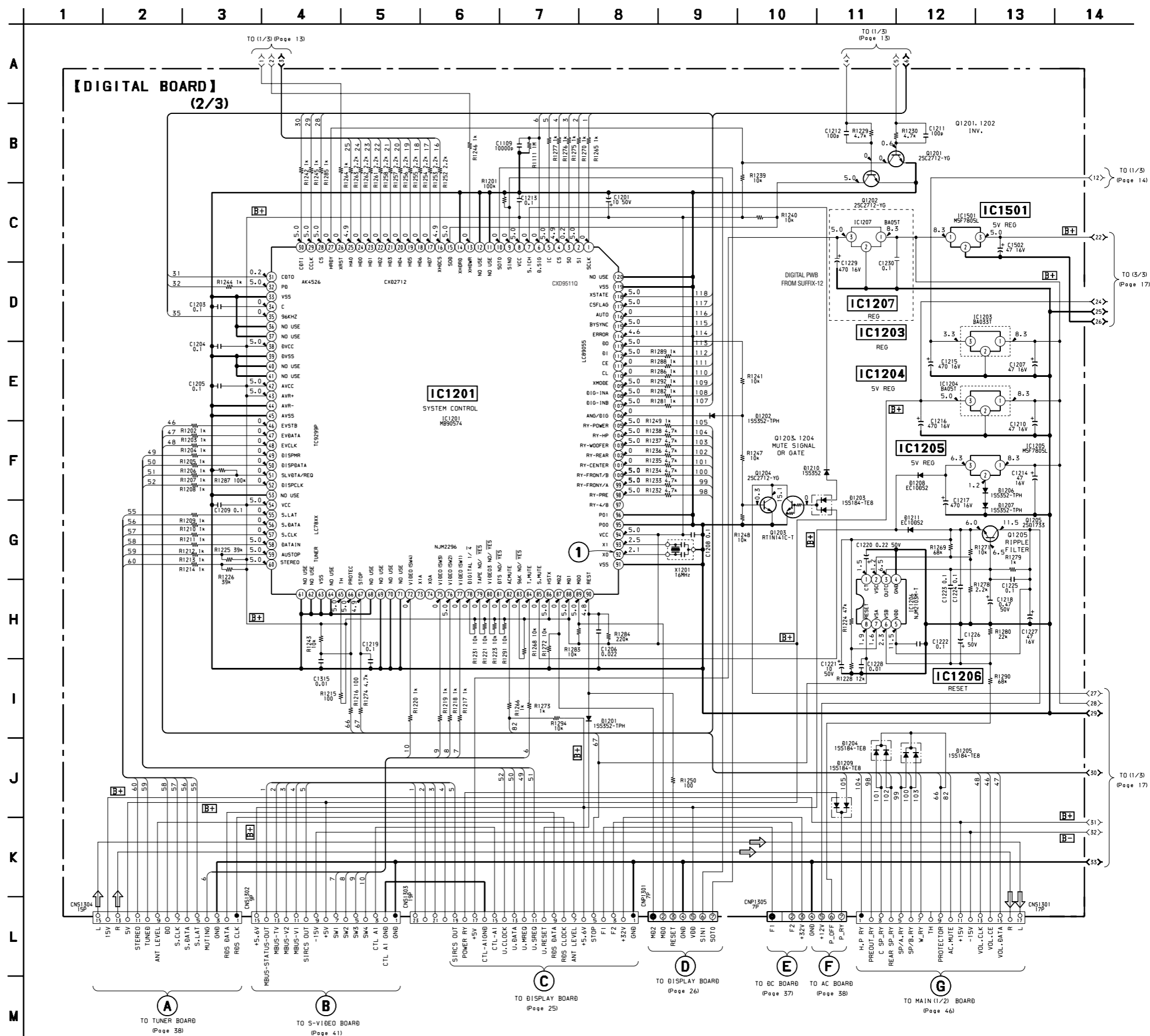




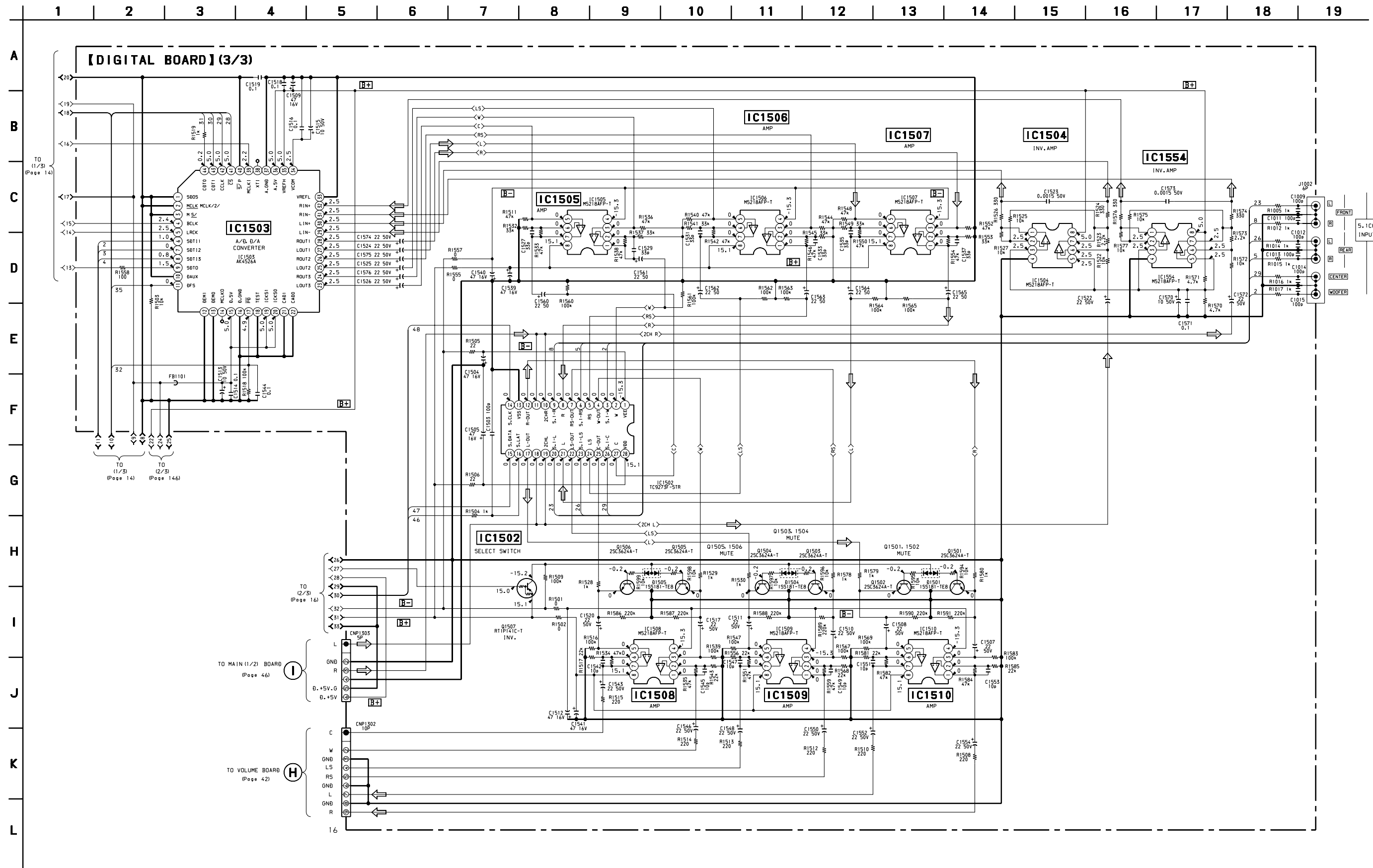
4-4. SCHEMATIC DIAGRAM DIGITAL SECTION(1/3) • See page 19 for Printed Wiring Board. • See page 12 for Waveforms. • See page 49 for IC Pin Functions.



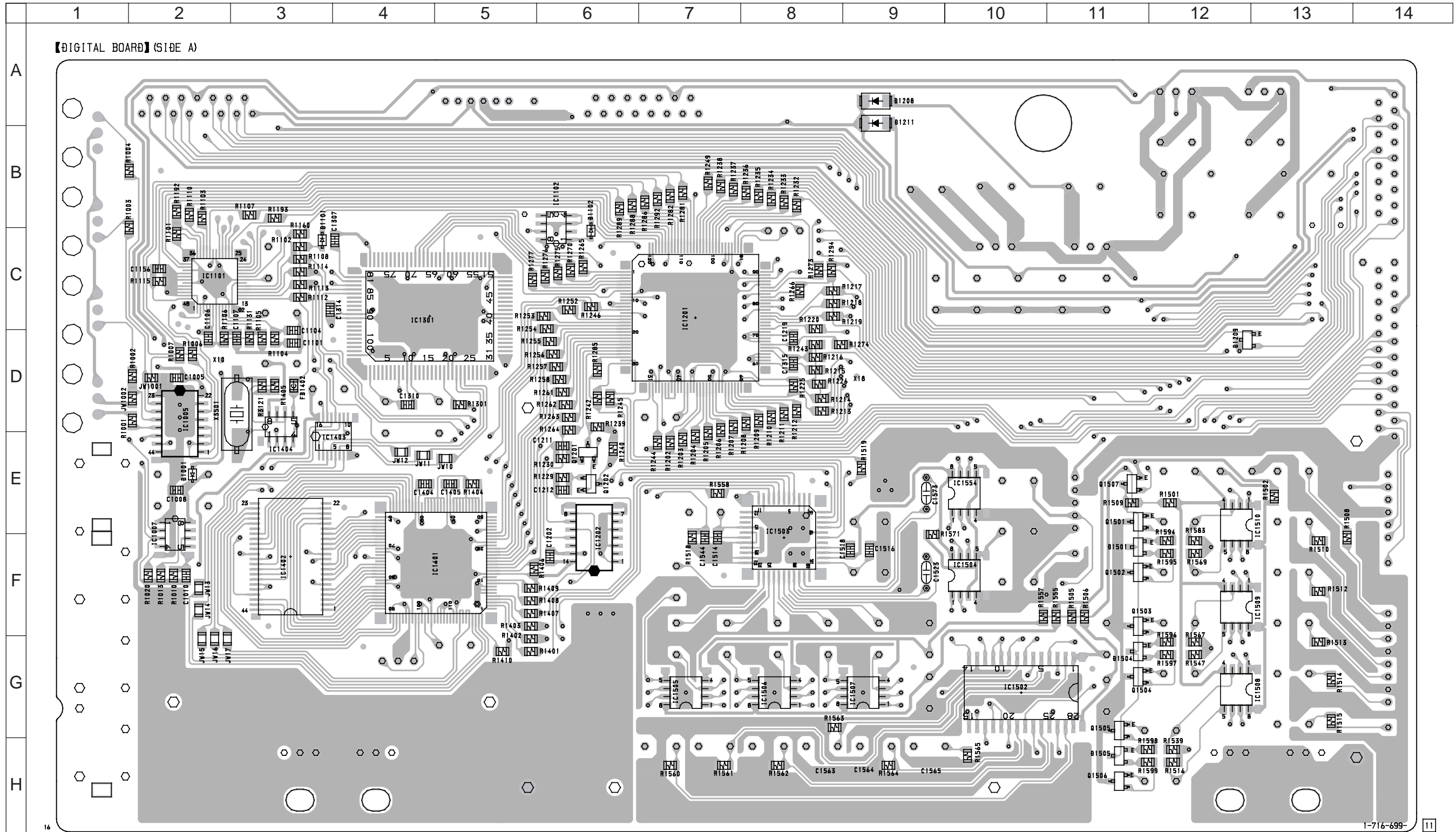
4-5. SCHEMATIC DIAGRAM DIGITAL SECTION(2/3) • See page 19 for Printed Wiring Board. • See page 12 for Waveforms. • See page 51 for IC Pin Functions. • See page 60 for IC Block Diagrams.



4-6. SCHEMATIC DIAGRAM DIGITAL SECTION(3/3) • See page 19 for Printed Wiring Board. • See page 54 for IC Pin Functions. • See page 60 for IC Block Diagrams.



4-7. PRINTED WIRING BOARD DIGITAL SECTION(1/2) • See page 11 for Circuit Boards Location.

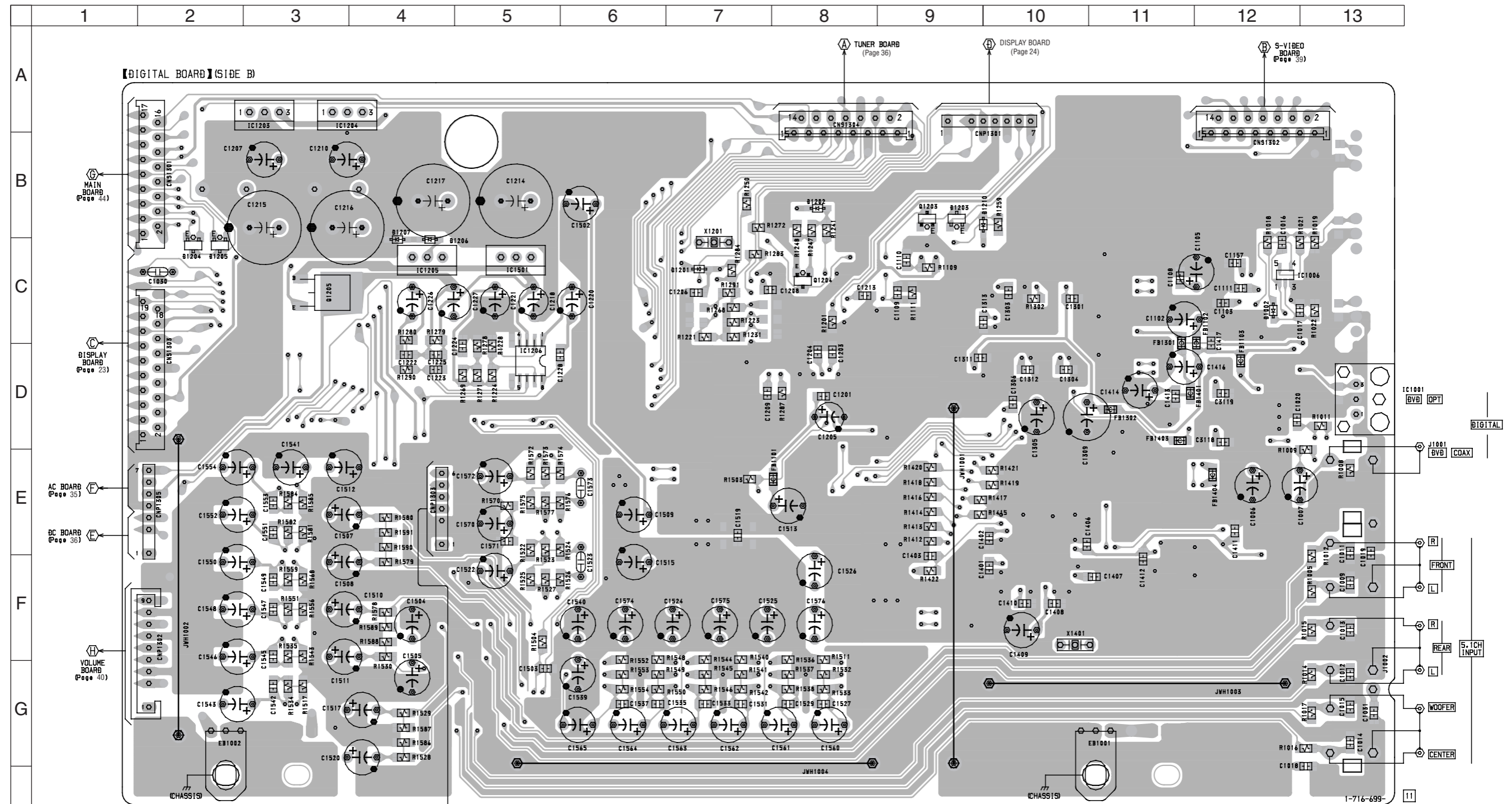


• Semiconductor Location

Ref. No.	Location	Ref. No.	Location	Ref. No.	Location	Ref. No.	Location
D1001	E-2	IC1007	E-2	IC1503	F-8	Q1202	E-6
D1101	C-3	IC1101	C-2	IC1504	F-10	Q1501	E-11
D1102	C-6	IC1102	C-6	IC1505	G-7	Q1502	F-11
D1208	A-9	IC1201	C-7	IC1506	G-8	Q1503	F-11
D1209	D-12	IC1202	F-6	IC1507	G-9	Q1504	G-11
D1211	A-9	IC1301	C-4	IC1508	G-12	Q1505	G-11
D1501	F-11	IC1401	F-5	IC1509	F-12	Q1506	H-11
D1504	G-11	IC1402	F-3	IC1510	E-12	Q1507	E-11
D1505	H-11	IC1403	E-3	IC1554	E-10		
		IC1404	D-3				
		IC1502	G-10	Q1201	E-6		



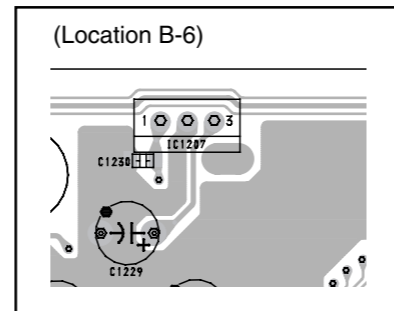
4-8. PRINTED WIRING BOARD DIGITAL SECTION(2/2) • See page 11 for Circuit Boards Location.



• Semiconductor Location

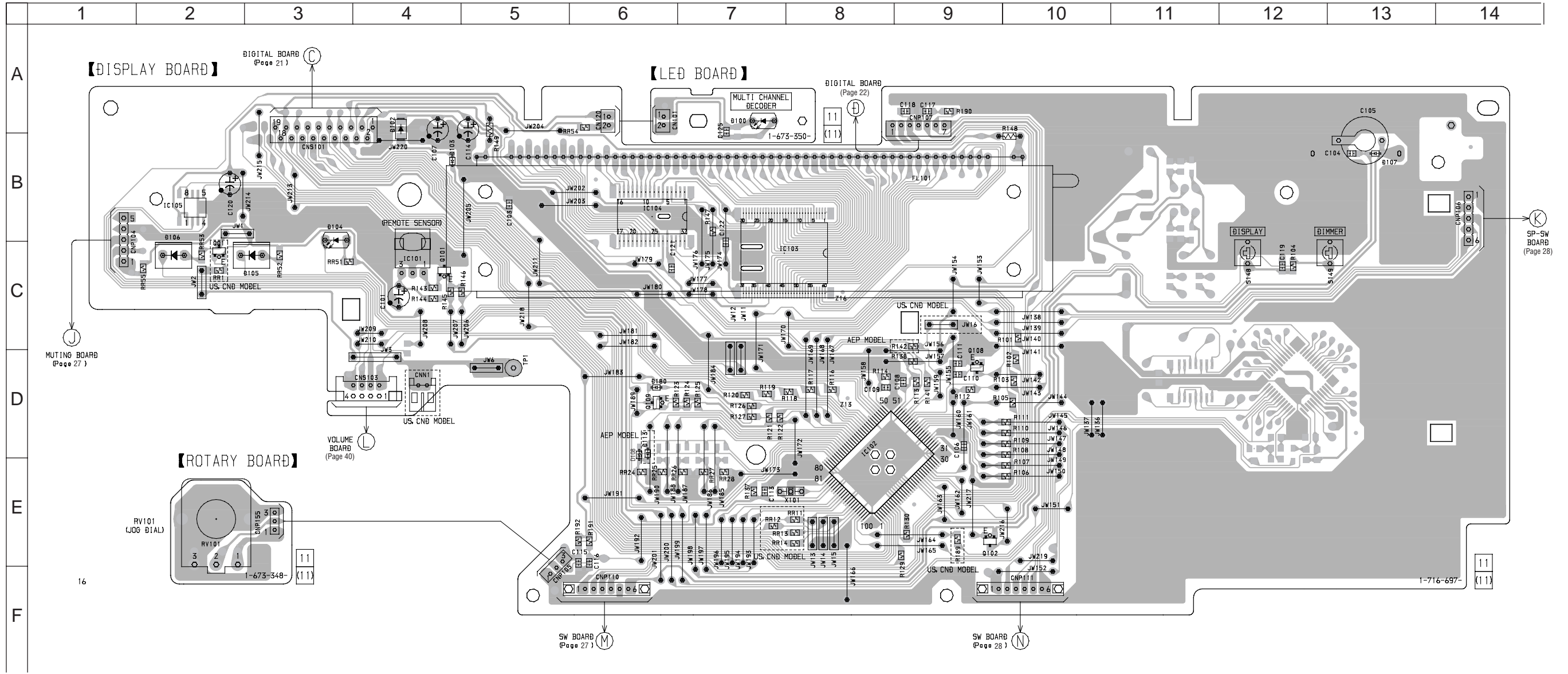
Ref. No.	Location	Ref. No.	Location
D1002	C-12	IC1006	C-12
D1201	C-7	IC1203	A-3
D1202	B-8	IC1204	A-3
D1203	B-9	IC1205	C-4
D1204	C-2	IC1206	D-5
D1205	C-2	IC1501	C-5
D1206	C-4		
D1207	C-4	Q1203	B-9
D1210	B-10	Q1204	C-8
		Q1205	C-3
IC1001	D-13		

DIGITAL PWB FROM SUFFIX-12





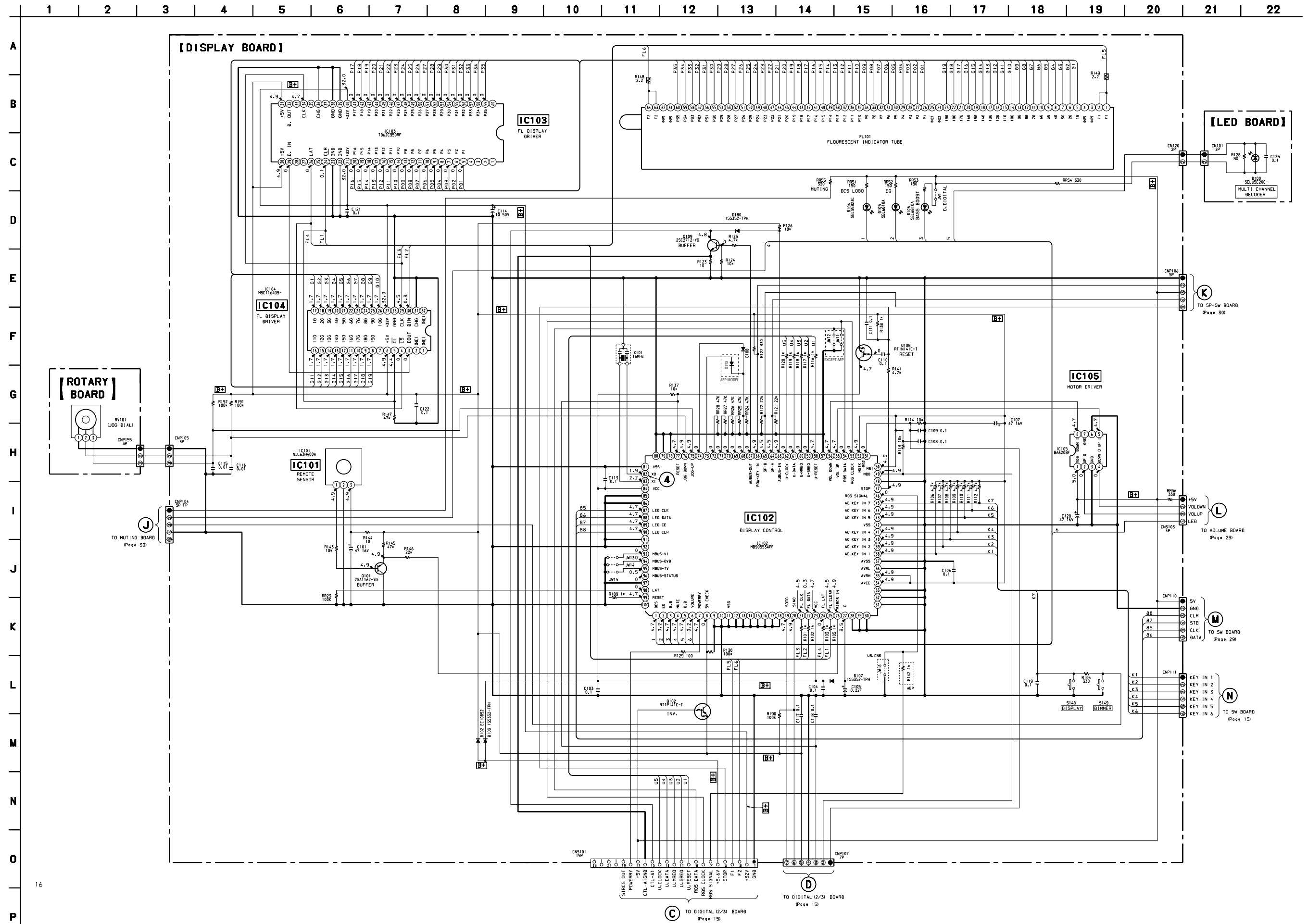
4-9. PRINTED WIRING BOARD DISPLAY SECTION • See page 11 for Circuit Boards Location.



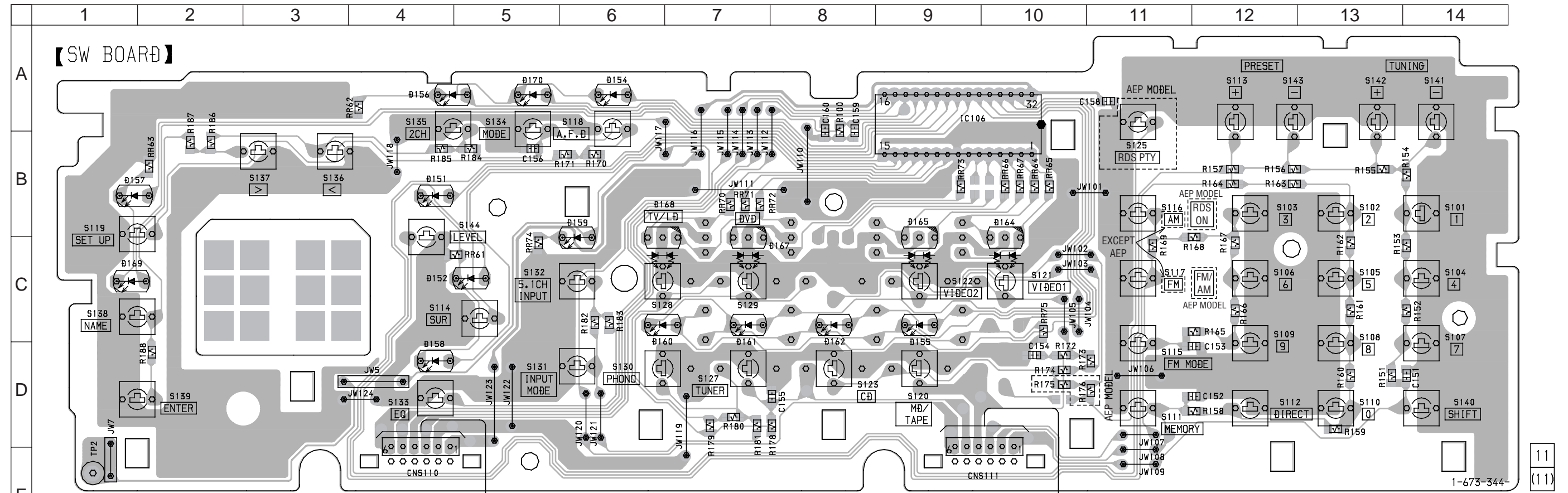
• Semiconductor Location

Ref. No.	Location	Ref. No.	Location
D102	A-4	IC101	C-4
D103	B-4	IC102	E-8
D104	B-3	IC103	C-7
D105	C-3	IC104	B-6
D106	C-2	IC105	B-2
D107	B-13		
D108	D-6	Q101	C-4
D113	D-6	Q102	E-9
D180	D-6	Q108	D-9
		Q109	D-6
		QQ1	C-2

4-10. SCHEMATIC DIAGRAM DISPLAY SECTION • See page 12 for Waveforms. • See page 56 for IC Pin Functions. • See page 59 for IC Block Diagrams.

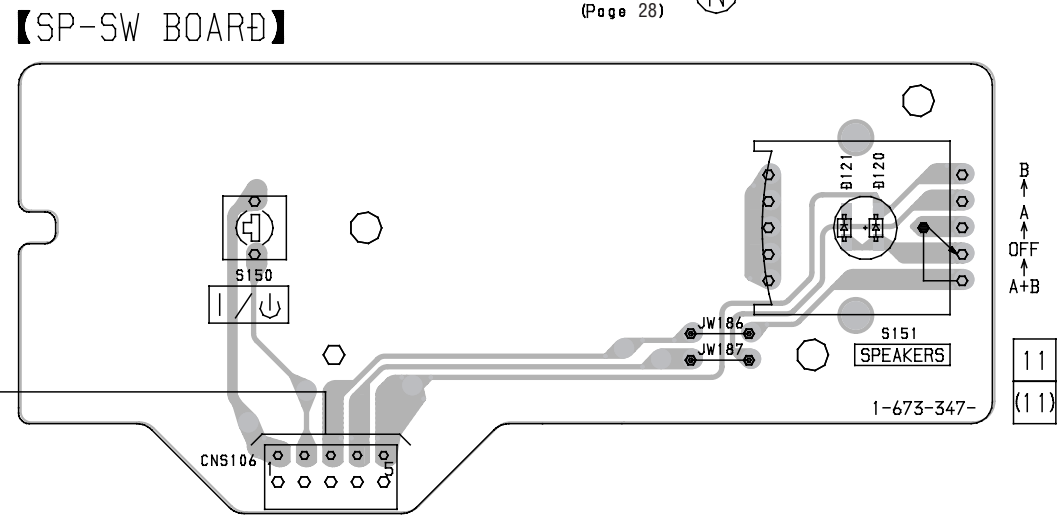
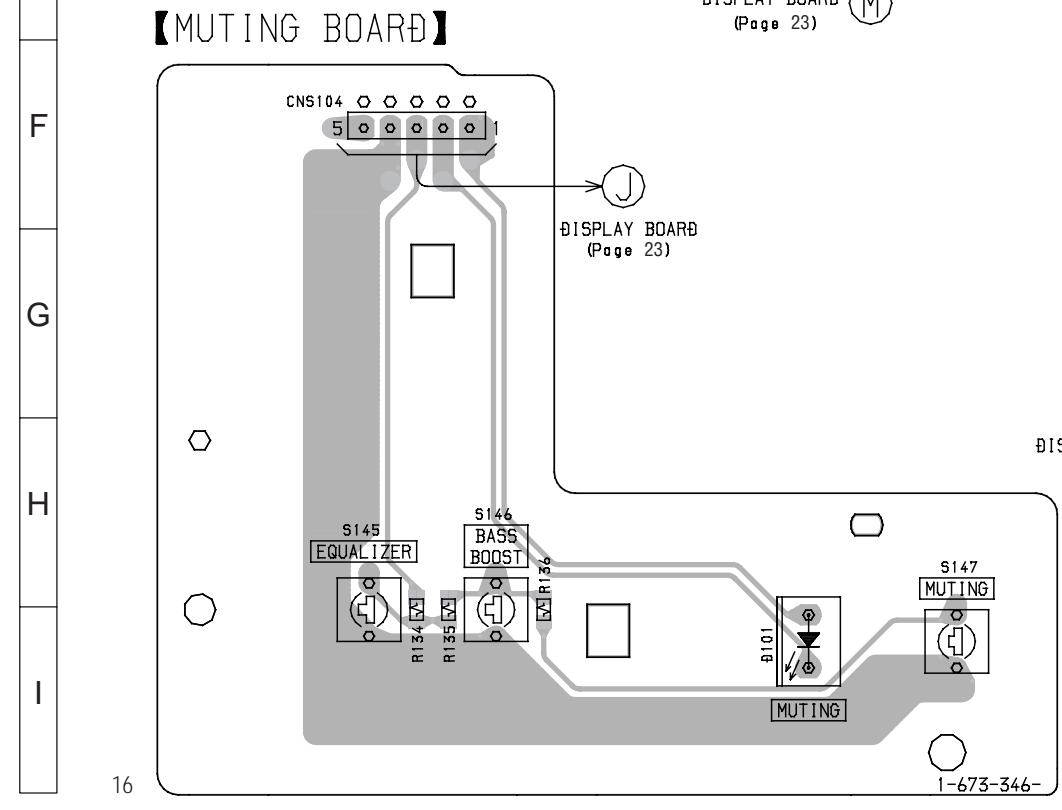


4-11. PRINTED WIRING BOARD SURROUND SECTION • See page 11 for Circuit Boards Location.



DISPLAY BOARD (Page 23) M

DISPLAY BOARD (Page 28) N

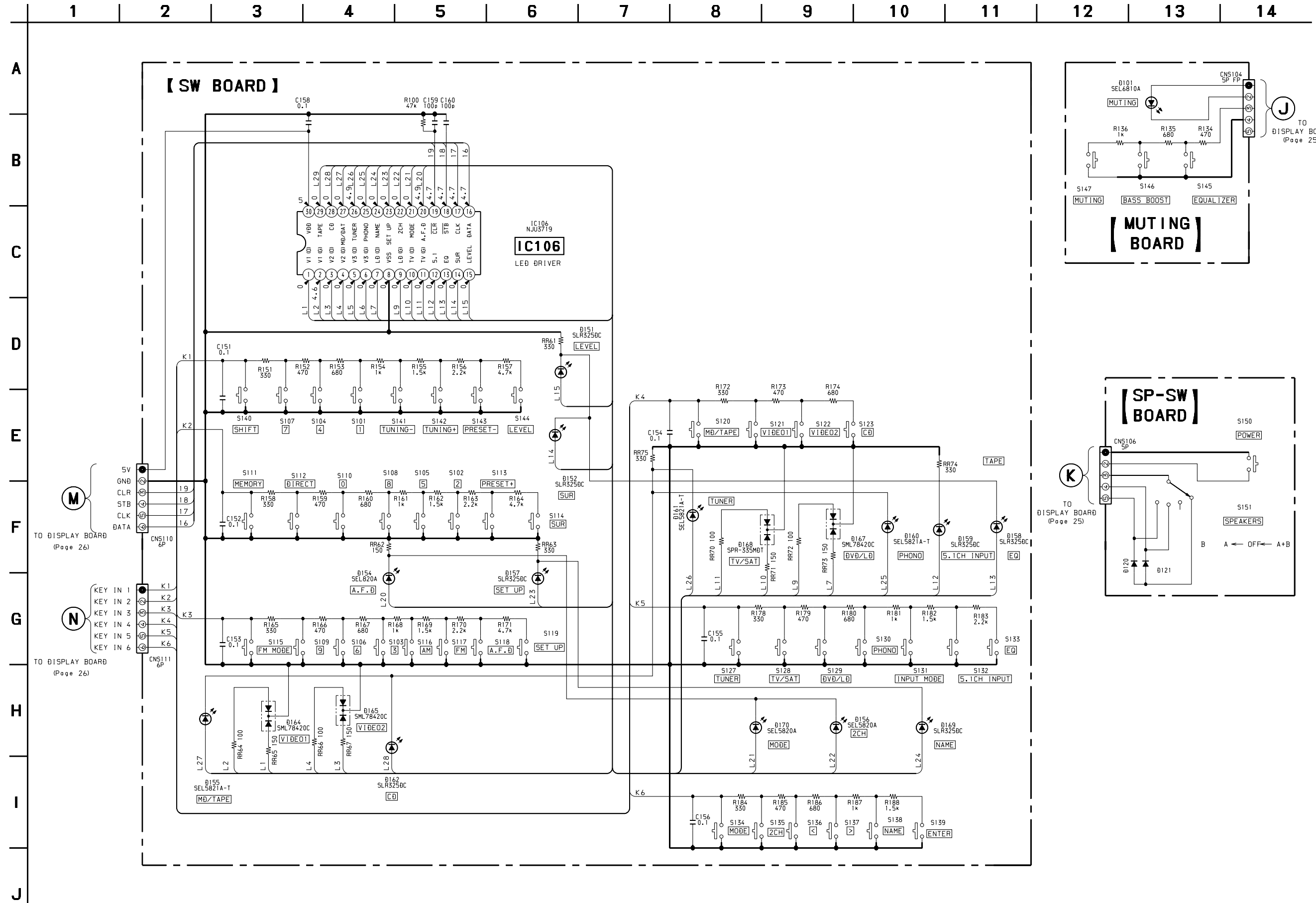


DISPLAY BOARD (Page 24) K

• Semiconductor Location

Ref. No.	Location
D101	I-4
D120	G-11
D121	G-11
D151	B-4
D152	C-5
D154	A-6
D155	C-9
D156	A-4
D157	B-1
D158	D-4
D159	B-6
D160	C-6
D161	C-7
D162	C-8
D163	C-10
D164	B-10
D165	B-9
D166	B-8
D167	B-7
D168	B-6
D169	C-1
D170	A-5

4-12. SCHEMATIC DIAGRAM SURROUND SECTION

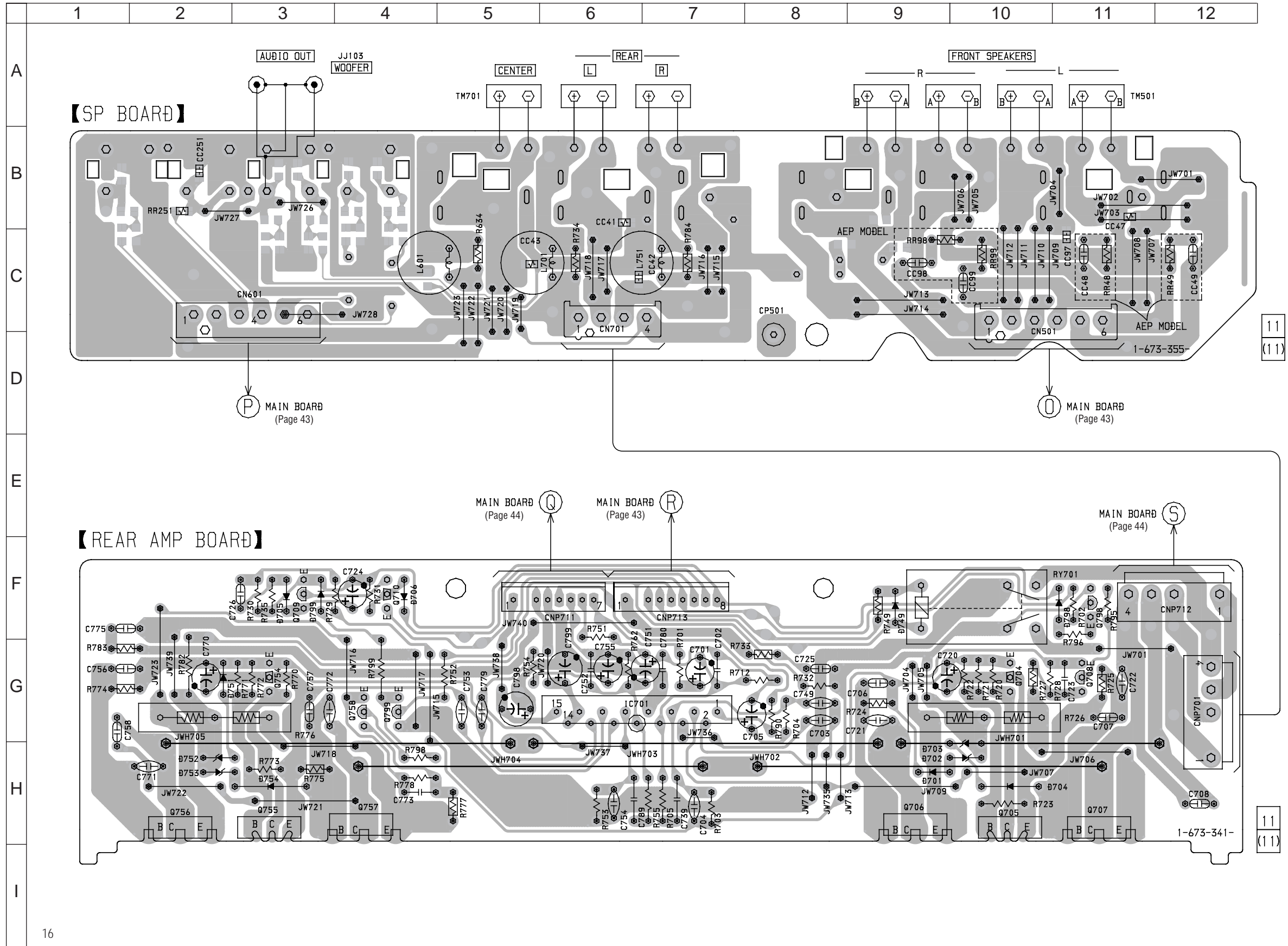




4-13. PRINTED WIRING BOARD REAR AMP SECTION • See page 11 for Circuit Boards Location.

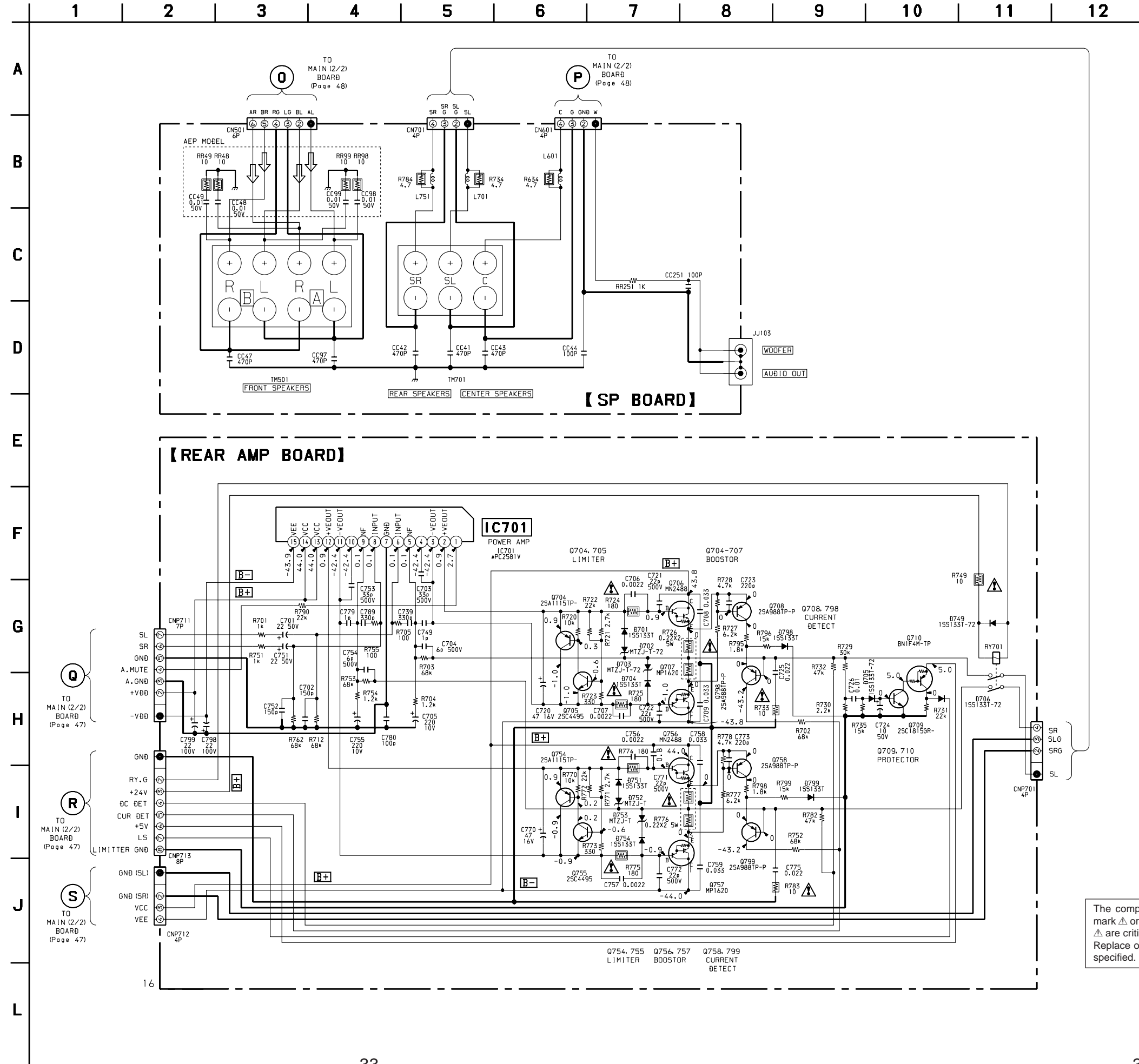
• Semiconductor Location

Ref. No.	Location
D701	H-9
D702	H-10
D703	H-10
D704	H-10
D705	F-3
D706	F-4
D749	F-9
D751	G-2
D752	H-2
D753	H-2
D754	H-3
D798	F-11
D799	F-3
IC701	G-6
Q704	G-10
Q705	H-10
Q706	H-9
Q707	H-11
Q708	G-11
Q709	F-3
Q710	F-4
Q754	G-3
Q755	H-3
Q756	H-2
Q757	H-4
Q758	G-4
Q798	F-11
Q799	G-4





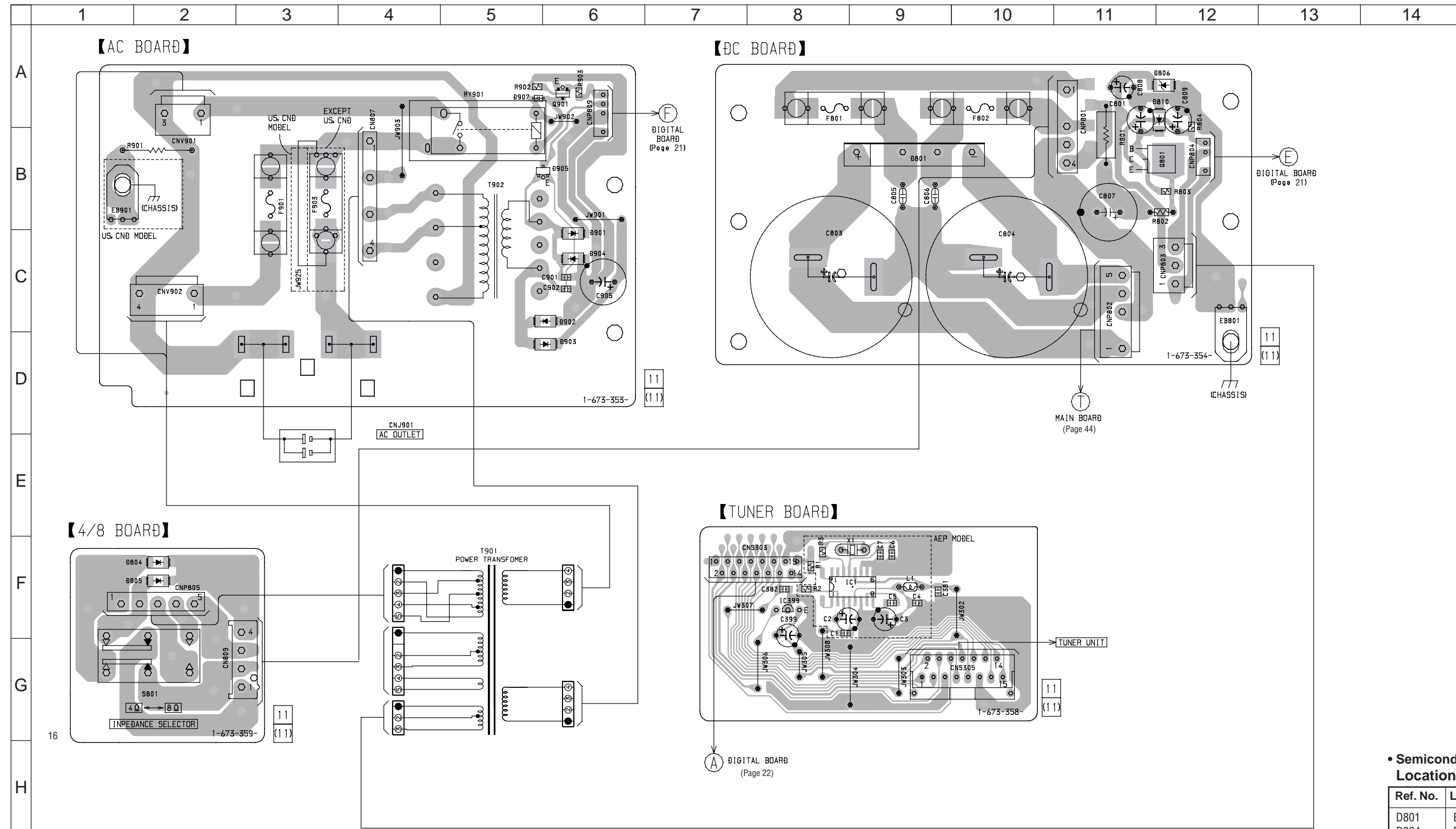
4-14. SCHEMATIC DIAGRAM REAR AMP SECTION • See page 61 for IC Block Diagrams.



The components identified by mark  $\Delta$  or dotted line with mark  $\Delta$  are critical for safety. Replace only with part number specified.

Les composants identifiés par une marque  $\Delta$  sont critiques pour la sécurité. Ne les remplacer que par une pièce portant le numéro spécifié.

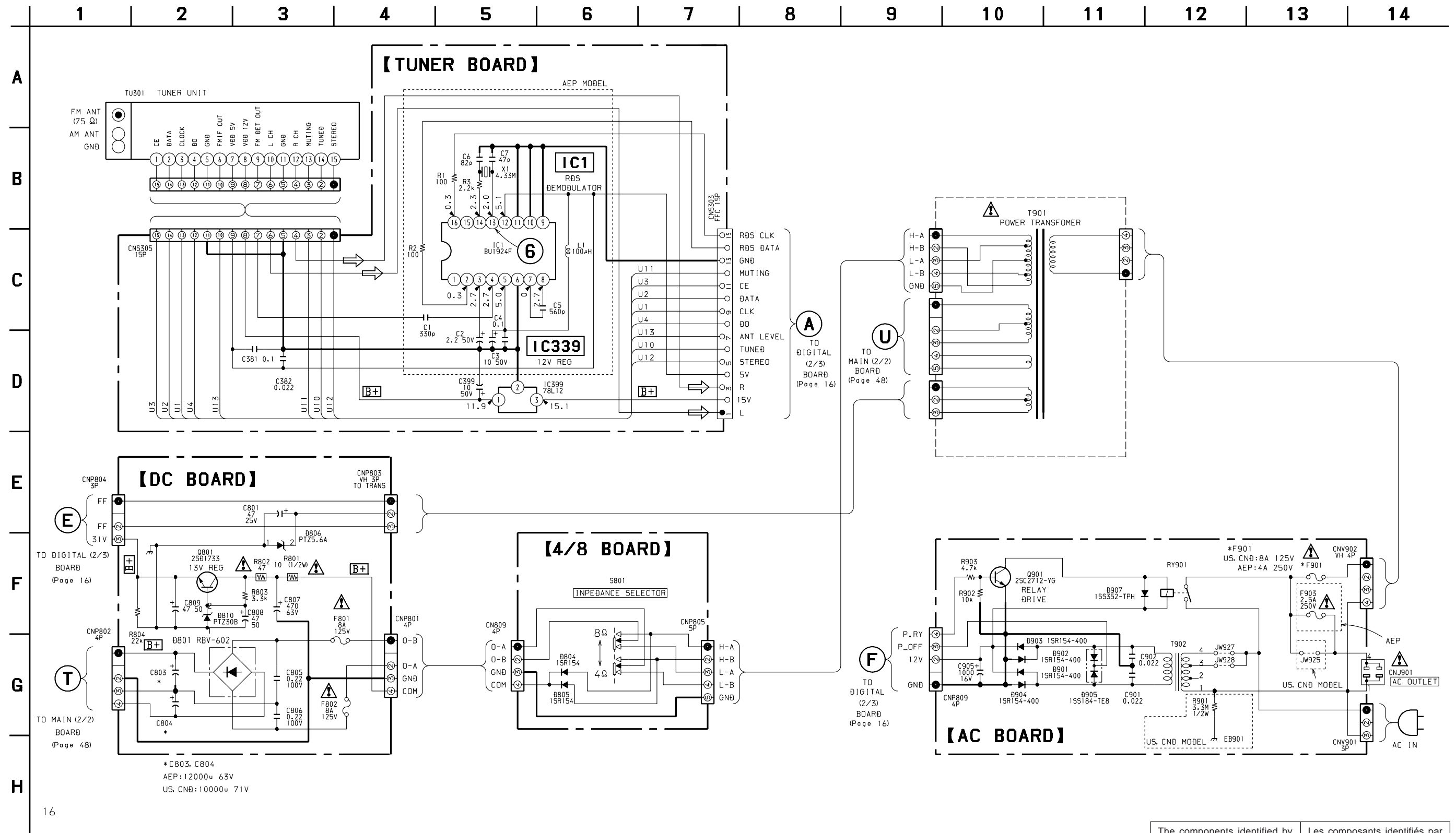
4-15. PRINTED WIRING BOARD POWER SECTION • See page 11 for Circuit Boards Location.



• Semiconductor Location

Ref. No.	Location
D801	B-9
D804	F-2
D805	F-2
D806	A-12
D810	B-12
D901	C-6
D902	C-6
D903	D-6
D904	C-6
D905	B-6
D907	A-5
IC399	F-8
Q801	B-12
Q901	A-5

4-16. SCHEMATIC DIAGRAM POWER SECTION • See page 12 for Waveforms. • See page 61 for IC Block Diagrams.



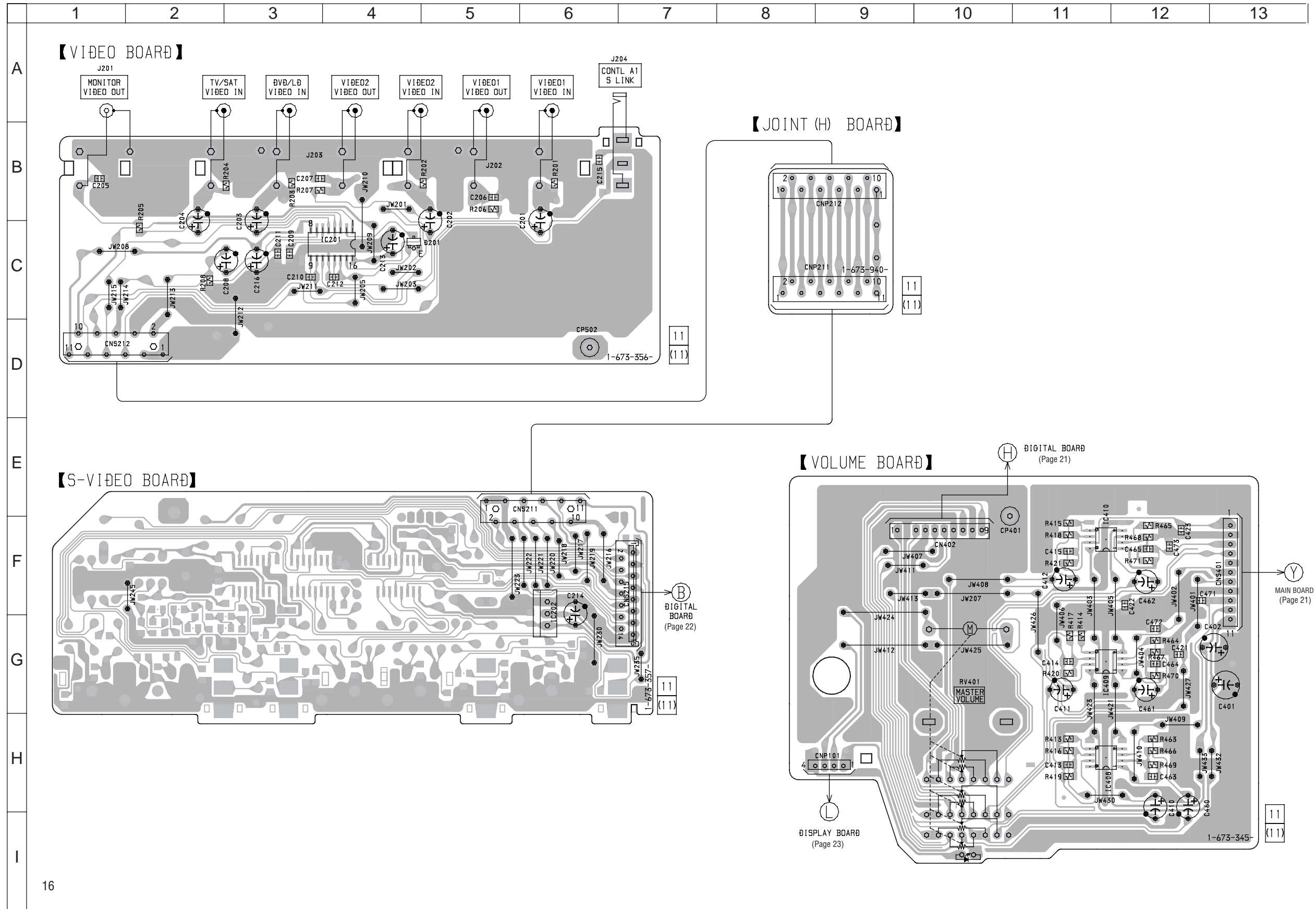
The components identified by mark  $\Delta$  or dotted line with mark  $\Delta$  are critical for safety. Replace only with part number specified.

Les composants identifiés par une marque  $\Delta$  sont critiques pour la sécurité. Ne les remplacer que par une pièce portant le numéro spécifié.

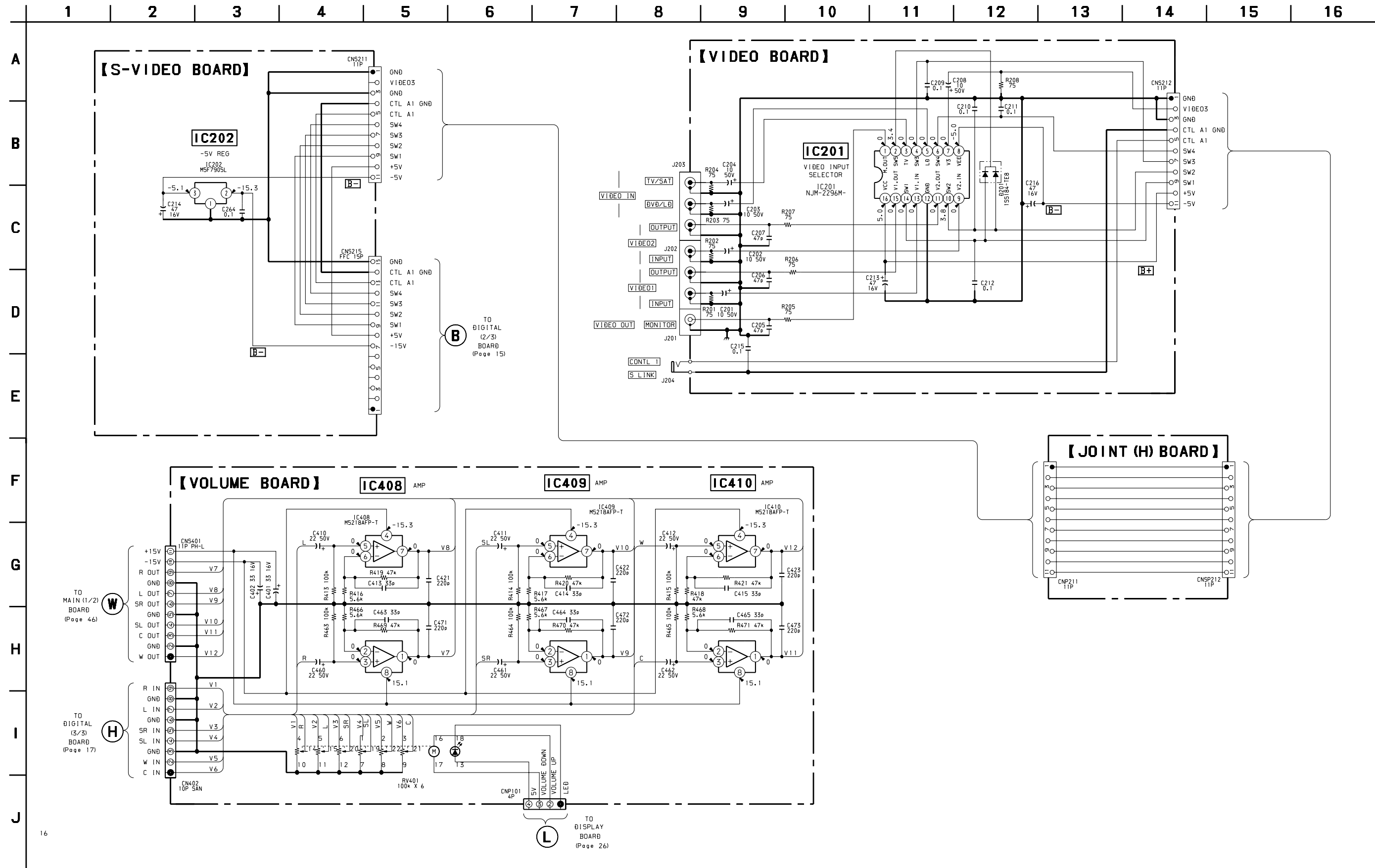
4-17. PRINTED WIRING BOARD VIDEO SECTION • See page 11 for Circuit Boards Location.

• Semiconductor Location

Ref. No.	Location
D201	C-4
D251	F-5
IC201	C-4
IC202	F-6
IC251	F-4
IC252	F-3
IC253	F-3
IC254	F-1
IC408	H-11
IC409	G-11
IC410	F-11
Q251	G-3
Q252	G-3
Q253	G-5
Q254	F-2
Q255	F-2
Q256	G-2
Q257	G-3
Q258	F-3

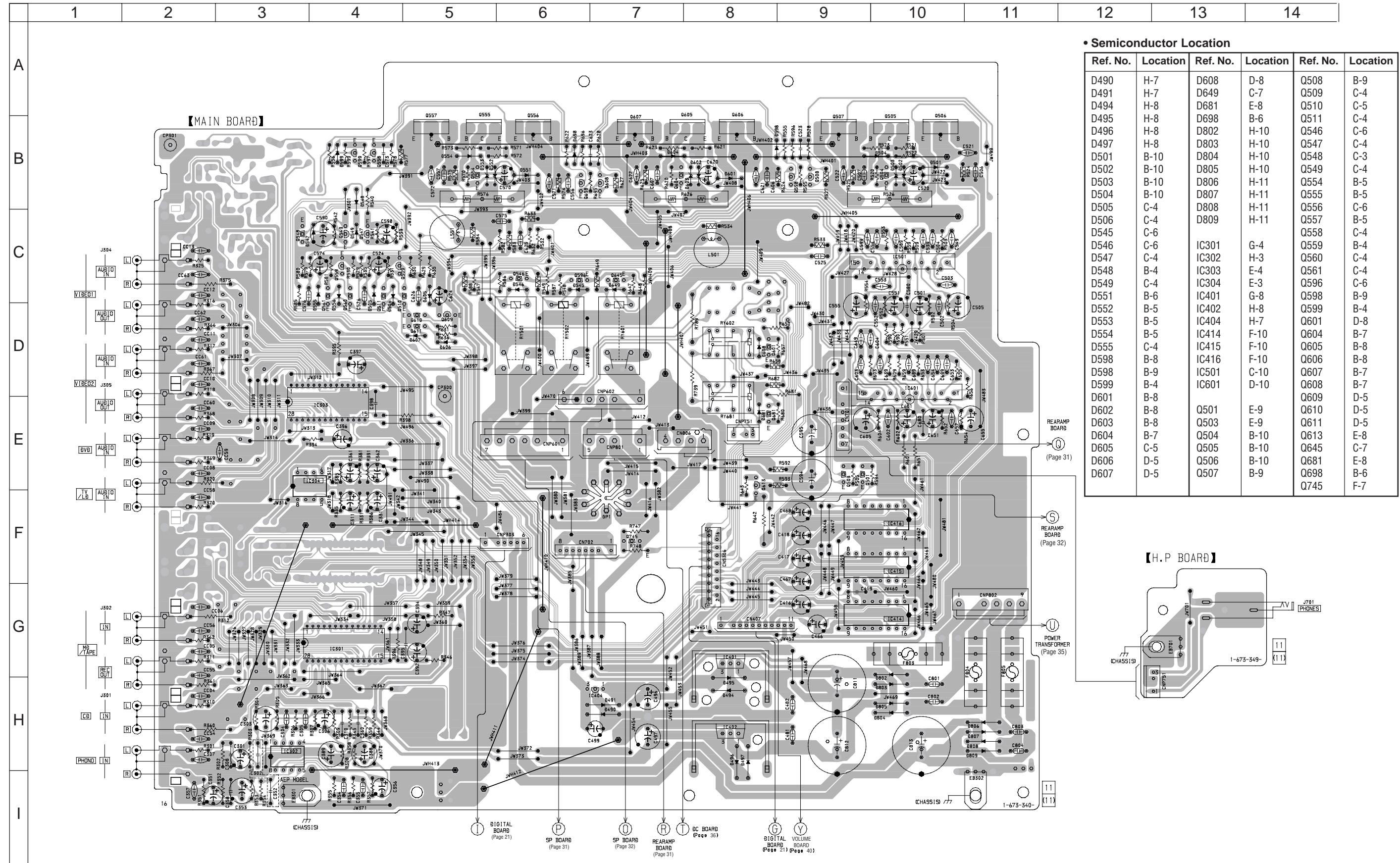


4-18. SCHEMATIC DIAGRAM VIDEO SECTION





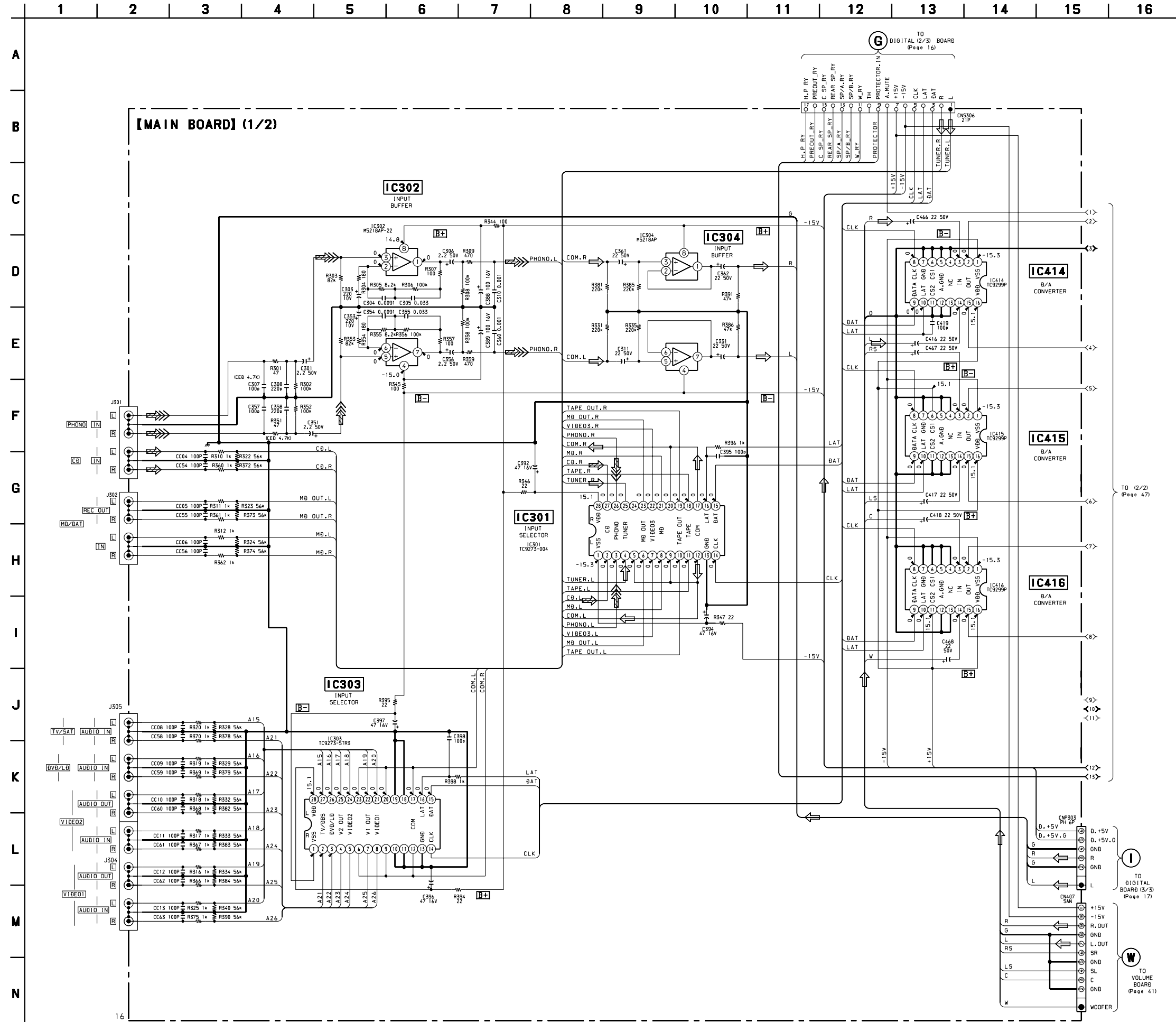
4-19. PRINTED WIRING BOARD MAIN SECTION • See page 11 for Circuit Boards Location.



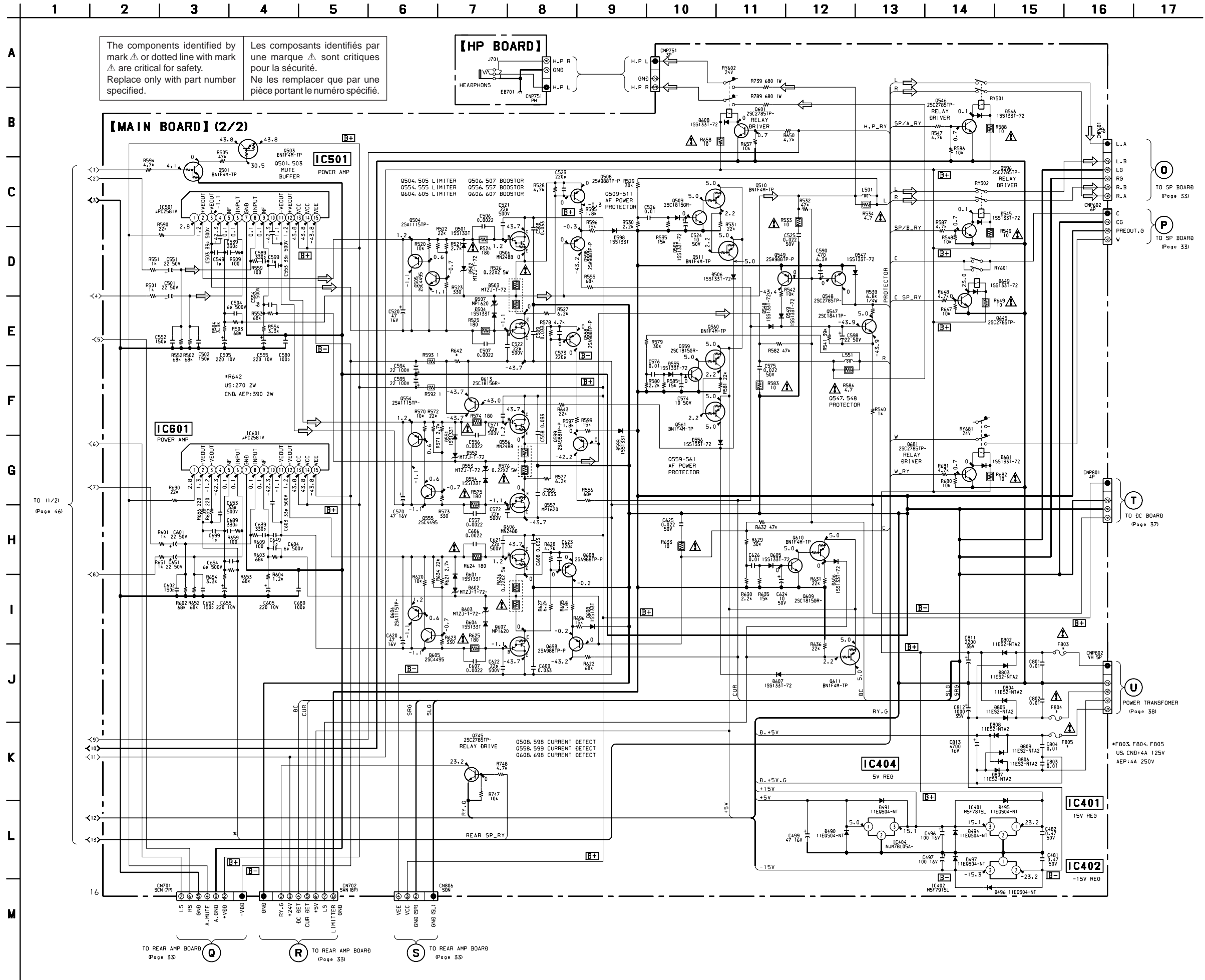
• Semiconductor Location

Ref. No.	Location	Ref. No.	Location	Ref. No.	Location
D490	H-7	D608	D-8	Q508	B-9
D491	H-7	D649	C-7	Q509	C-4
D494	H-8	D681	E-8	Q510	C-5
D495	H-8	D698	B-6	Q511	C-4
D496	H-8	D802	H-10	Q546	C-6
D497	H-8	D803	H-10	Q547	C-4
D501	B-10	D804	H-10	Q548	C-3
D502	B-10	D805	H-10	Q549	C-4
D503	B-10	D806	H-11	Q554	B-5
D504	B-10	D807	H-11	Q555	B-5
D505	C-4	D808	H-11	Q556	C-6
D506	C-4	D809	H-11	Q557	B-5
D545	C-6			Q558	C-4
D546	C-6	IC301	G-4	Q559	B-4
D547	C-4	IC302	H-3	Q560	C-4
D548	B-4	IC303	E-4	Q561	C-4
D549	C-4	IC304	E-3	Q596	C-6
D551	B-6	IC401	G-8	Q598	B-9
D552	B-5	IC402	H-8	Q599	B-4
D553	B-5	IC404	H-7	Q601	D-8
D554	B-5	IC414	F-10	Q604	B-7
D555	C-4	IC415	F-10	Q605	B-8
D598	B-8	IC416	F-10	Q606	B-8
D598	B-9	IC501	C-10	Q607	B-7
D599	B-4	IC601	D-10	Q608	B-7
D601	B-8			Q609	D-5
D602	B-8	Q501	E-9	Q610	D-5
D603	B-8	Q503	E-9	Q611	D-5
D604	B-7	Q504	B-10	Q613	E-8
D605	C-5	Q505	B-10	Q645	C-7
D606	D-5	Q506	B-10	Q681	E-8
D607	D-5	Q507	B-9	Q698	B-6
				Q745	F-7

4-20. SCHEMATIC DIAGRAM MAIN SECTION(1/2) • See page 61 for IC Block Diagrams.



4-21. SCHEMATIC DIAGRAM MAIN SECTION (2/2) • See page 43 for Printed Wiring Board. • See page 61 for IC Block Diagrams.



## 4-22. IC PIN FUNCTION DESCRIPTION

### IC1401 CXD2712R AUDIO DSP(DIGITAL BOARD)

Pin No.	Pin Name	I/O	Description
1	VSS3	—	Ground
2 – 5	SOA – SOD	O	Serial data output
6, 7	ECJ0, ECJ1	I	Conditional jump input terminal (7pin Connected to ground)
8	—	NC	No connection
9	XHDWR	I	HCIF data write
10	XHDRD	I	HCIF data read
11	Vss4	—	Ground
12	VDD2	—	+3.3V
13	HRDY	O	HCIF ready signal Open drain
14	XHDCS	I	HCIF chip select
15	HA0	I	HCIF address input
16 – 20	HD0 – HD4	I/O	HCIF data input/output
21	Vss5	—	Ground
22	VDD3	—	+3.3V
23 – 25	HD5 – HD7	I/O	HCIF data input/output
26	XRST	I	Reset input “L”: active
27 – 30	FGP0 – FGP3	O	Test data output
31	Vss6	—	Ground
32 – 40	ED0 – ED8	I/O	External RAM data input/output
41	Vss7	—	Ground
42	VDD4	—	+3.3V
43 – 49	ED9 – ED15	I/O	External RAM data input/output
50	TSTD	I	Test data input “L” = normal “H” = test (Connected to ground)
51	Vss8	—	Ground
52	VDD5	—	+3.3V
53 – 60	ED16 – ED23	I/O	External RAM data input/output
61	Vss9	—	Ground
62 – 69	ED24 – ED31	I/O	External RAM data input/output
70	XOE	O	External RAM output enable
71	Vss10	—	Ground
72	VDD6	—	+3.3V
73	CAS	O	External RAM column address strobe (Not used)
74	XWE	O	External RAM write enable (Not used)
75	RAS	O	External RAM raw address strobe
76 – 80	EA0 – EA4	I/O	External RAM address output/test data input
81	Vss11	—	Ground
82	VDD7	—	+3.3V
83 – 89	EA5 – EA11	I/O	External RAM address output/test data input
90	EA12	O	External RAM address output

Pin No.	Pin Name	I/O	Description
91	Vss0	—	Ground
92 – 94	EA13 – EA15	O	External RAM address output
95	EA16	O	Not used
96	TSTA	I	Test data input “L” = normal “H” = test (Connecting to ground)
97	PLDIVF	I	PLL input frequency select “L” = 256Fs “H” = 128Fs (Connecting to ground)
98	PLDIVB	O	PLL output frequency select “L” = 768Fs “H” = 1024Fs (Connecting to ground)
99	CLKI	I	Master clock input
100	CLKO	O	Master clock output (Not used)
101	Vss1	—	Ground
102	VDD0	—	+3.3V
103	AVss	—	Ground for PLL cell
104	AVDD	—	VDD for PLL cell
105	PLLCK	I/O	PLL output/test clock input
106	XPLEN	I	PLL cell oscillation enable “L” oscillation enable “H” oscillation stop (Connecting to ground)
107	TST	I	Test data input “L” = normal “H” = test (Connecting to ground)
108	LRCT	I	Frequency counter input (Connecting to ground)
109	LROUT	O	LRCK0 divider output
110	BKOUT	O	BCK0 divider output
111	Vss2	—	Ground
112	VDD1	—	+3.3V
113	BCK0	I	BCK input
114	BCK1	I	BCK input
115	LRCK0	I	LRCK input
116	LRCK1	I	LRCK input
117 – 120	SIA – SID	I	Serial data input



**IC1201 MB90573PFV-G-190-BND SYSTEM CONTROL(DIGITAL BOARD)**

Pin No.	Pin Name	I/O	Description
1	SCLK	O	To CXD9511Q clock
2	SI	I	To CXD9511Q data input
3	SO	O	To CXD9511Q data output
4	CS	O	To CXD9511Q chip select
5	IC	O	To CXD9511Q reset(Pull Down near CXD9511Q)
6	D.SIG	I	ZERO data detect
7	5.1CH	O	5.1CH muting.
8	VCC	—	Power supply +5 V
9	SIN0	I	UART input. Used for rewriting flash memory
10	SOT0	O	UART output. Used for rewriting flash memory
11	N.C	O	Not used (Connected to ground)
12	N.C	O	Not used (Connected to ground)
13	XHDWR	O	To CXD2712 data write
14	XHDRD	O	To CXD2712 data read
15	SOD	I	To CXD2712 LFE detection
16	XHDCS	O	To CXD2712 chip select
17	HD7	O	To CXD2712 HCIF data I/O
18	HD6	O	To CXD2712 HCIF data I/O
19	HD5	O	To CXD2712 HCIF data I/O
20	HD4	O	To CXD2712 HCIF data I/O
21	HD3	O	To CXD2712 HCIF data I/O
22	HD2	O	To CXD2712 HCIF data I/O
23	HD1	O	To CXD2712 HCIF data I/O
24	HD0	O	To CXD2712 HCIF data I/O
25	HA0	O	To CXD2712 address
26	XRST	O	To CXD2712 reset
27	HRDY	I	To CXD2712 ready
28	CS	O	To AK4526A chip select
29	CCLK	O	To AK4526A clock
30	CDTI	O	To AK4526A data input
31	CDTO	I	To AK4526A data output
32	PD	O	To AK4526A reset
33	VSS	—	Ground (Connected to ground)
34	C	—	External power regulator capacitor 0.1u is connected to this terminal.
35	96KHz	O	To AK4526A Dfs
36	N.C	I	Not used (Connected to ground)
37	N.C	I	Not used (Connected to ground)
38	DVCC	—	Digital power supply +5 V
39	DVSS	—	Digital ground (Connected to ground)
40	N.C	O	Not used (Connected to ground)
41	N.C	—	Not used (Connected to ground)
42	AVCC	—	Analog power supply +5 V
43	AVR+	—	Power supply +5 V
44	AVR-	—	Ground (Connected to ground)
45	AVSS	—	Ground (Connected to ground)
46	EVSTB	O	To TC9299 strobe
47	EVDATA	O	To TC9299 data
48	EVCLK	O	To TC9299 clock
49	DISPMR	I	Display master request (Connected to MCU U.MREQ)
50	DISPDATA	I	Display data (Connected to MCU U.DATA)

Pin No.	Pin Name	I/O	Description
51	SLVDTA/REQ	O	Slave data/request (Connected to MCU U.SREQ)
52	DISPCLK	I	Display clock (Connected to MCU U.CLOCK)
53	N.C	I	Not used (Connected to ground)
54	VCC	—	Power supply +5 V
55	S.LAT	O	To tuner latch
56	S.DATA	O	To tuner data
57	S.CLK	O	To tuner clock
58	DATA IN	I	PLL data in
59	AUSTOP	I	Auto stop input
60	STEREO	I	Stereo input
61	N.C	I	Not used (Connected to ground)
62	N.C	I	Not used (Connected to ground)
63	VSS	—	Ground (Connected to ground)
64	N.C	I	Not used (Connected to ground)
65	TH	I	TH Protector input
66	PROTEC	I	Protector input
67	STOP	I	AC power check
68	N.C	I	Not used (Connected to ground)
69	N.C	I	Not used (Connected to ground)
70	N.C	I	Not used (Connected to ground)
71	N.C	I	Not used (Connected to ground)
72	VIDEO(SW4)	O	Video select SW4
73	X1A	—	Not used
74	X0A	—	Not used
75	VIDEO(SW3)	O	Video select SW3
76	VIDEO(SW2)	O	Video select SW2
77	VIDEO(SW1)	O	Video select SW1
78	DIGITAL 1/4	I	Digital function
79	TAPE NO/ YES	I	Tape NO/YES input
80	VIDEO3 NO/ YES	I	I VIDEO3 NO/ YES input
81	DTS NO/ YES	I	DTS NO/ YES input
82	ACMUTE	O	Power amp mute ON/OFF output
83	96K NO/YES	I	96K NO/YES input
84	T.MUTE	O	Tuner muting
85	S.MUTE	O	Surround muting (Connected to ground)
86	HSTX	—	Hardware standby (Connected to power supply +5 V)
87	MD2	—	MD2 (To MCU MD2)
88	MD1	—	MD1 (Connect to power supply)
89	MD0	—	MD0 (To MCU MD0)
90	REST	I	Reset (Connected to MB90553 U.RESET)
91	VSS	—	Ground (Connected to ground)
92	XO	—	External ceramic filter 16MHz is connected to this terminal
93	XI	—	External ceramic filter 16MHz is connected to this terminal
94	VCC	—	Power supply +5V
95	PO0	I	Flash memory rewrite (Connected to ground)
96	PO1	I	Flash memory rewrite (Connected to ground)
97	RY-4/B	O	4/8 relay
98	RY-PRE	O	Pre relay
99	RY-FRONT/A	O	Front speaker A relay
100	RY-FRONT/B	O	Front speaker B relay

Pin No.	Pin Name	I/O	Description
101	RY-CENTER	O	Center speaker relay
102	RY-REAR	O	Rear speaker relay
103	RY-WOOFER	O	Sub Woofer relay
104	RY-HP	O	Head phone relay
105	RY-POWER	O	Power relay
106	ANG/DIG	O	Analog/digital selection
107	DIG-INB	O	Digital input select B
108	DIG-INA	O	Digital input select A
109	XMODE	O	Direct pass relay
110	CL	O	To LC89055 clock
111	CE	O	To LC89055 latch
112	DI	O	To LC89055 data
113	DO	I	To LC89055 C-bit
114	ERROR	I	Error output to LC89055
115	BYSYNC	I	Non PCM sync detect flag LC89055
116	AUTO	I	Non PCM data detect flag LC89056
117	CSFLAG	I	C-bit change flag LC89055
118	XSTATE	I	Xtal status Frag LC89055
119	VSS	—	Ground (Connected to ground)
120	N.C	—	Not used (Connected to ground)

**IC1503 AK4526A A/D,D/A CONVERTER (DIGITAL BOARD)**

Pin No.	Pin Name	I/O	Description
1	SDOS	I	SDTO source select pin “L”: internal ADC output, “H”: DAUX input ORed with serial control register if $P/\bar{S} = \text{“L”}$ (Connected to ground)
2	$\overline{\text{MCLK}}$	I	MCKO clock frequency select pin “L”: MCLK, “H”: MCLK/2. ORed with serial control register if $P/\bar{S} = \text{“L”}$ (Connected to ground)
3	$\bar{S}/\text{M}$	I	Audio data master/slave mode select pin “L”: slave mode, “H”: master mode (Connected to ground)
4	BCLK	I/O	Audio serial data clock pin
5	LRCK	I/O	Input/output channel clock pin
6	SDT11	I	DAC1 audio serial data input pin
7	SDT12	I	DAC2 audio serial data input pin
8	SDT13	I	DAC3 audio serial data input pin
9	SDTO	O	Audio serial data output pin
10	DAUX	I	AUX audio serial data input pin (Connected to ground)
11	DFS	I	Double speed sampling mode pin “L”: normal speed, “H”: double speed ORed with serial control register if $P/\bar{S} = \text{“L”}$ (Connected to ground)
12 – 13	DEM1 – DEM0	I	De-emphasis pin ORed with serial control register if $P/\bar{S} = \text{“L”}$ (Connected to ground)
14	MCKO	O	Master clock output pin (Not used)
15	D. 5V	—	Digital power supply pin
16	D. GND	—	Digital ground pin
17	$\overline{\text{PD}}$	I	Power-down & reset pin When “L”, the AK4526 is powered-down and the control registers are reset to default state. If the state of $P/\bar{S}$ , $M/\bar{S}$ , CAD0-1 changes, then the AK4526 must be reset by $\overline{\text{PD}}$ .
18	TEST	I	X’tal oscillator select/test mode pin “H”: X’tal oscillator selected “L”: External clock source selected “NC”: If pin is floating then test mode is enabled. (Connected to ground)
19	ICKS1	I	Input clock select 1 pin (Connected to ground)
20	ICKS0	I	Input clock select 0 pin (Connected to ground)
21	CAD1	I	Chip address pin Used during the serial control mode. (Connected to ground)
22	CAD0	I	Chip address pin Used during the serial control mode. (Connected to ground)
23	LOUT3	O	Lch #3 analog output pin
24	ROUT3	O	Rch #3 analog output pin
25	LOUT2	O	Lch #2 analog output pin
26	ROUT2	O	Rch #2 analog output pin
27	LOUT1	O	Lch #1 analog output pin
28	ROUT1	O	Rch #1 analog output pin
29	LIN–	I	Lch analog negative input pin
30	LIN+	I	Lch analog positive input pin

Pin No.	Pin Name	I/O	Description
31	RIN-	I	Rch analog negative input pin
32	RIN+	I	Rch analog positive input pin
33	VREFL	I	Negative voltage reference input pin, AVSS (Connected to gorund)
34	VCOM	O	Common voltage output pin, AVDD/2 Large external capacitor is used to reduce power-supply noise
35	VREFH	I	Positive voltage reference input pin, AVDD
36	A. 5V	—	Analog power supply pin
37	A. GND	—	Analog ground pin
38	XTI	I	X'tal input pin (Not used)
39	MCLKI	I	External master clock input pin if XTS = "L"
40	S/P	I	Parallel/serial select pin "L": serial control mode, "H": parallel control mode (Connected to ground)
41	CS	I	Chip select pin in serial mode
42	CCLK	I	Control data clock pin in serial mode
43	CDTI	I	Control data input in serial mode
44	CDTO	O	Control data output pin in serial mode

If pins TEST, ICKS0, ICKS1,  $\overline{PD}$ ,  $\overline{S/P}$ , DFS, DEM0, DEM1, CAD0, CAD1,  $\overline{S/M}$ ,  $\overline{MCLK}$ , SDOS are not driven, then TEST, ICKS0, ICKS1, CAD0, CAD1, must be tied to either AVSS or AVDD.  $\overline{PD}$ ,  $\overline{S/P}$ , DFS, DEM0, DEM1,  $\overline{S/M}$ ,  $\overline{MCLK}$ , SDOS must be tied to either DVSS or DVDD.



**IC102 MB90553APF-G-138-BND DISPLAY CONTROL(DISPLAY BOARD)**

Pin No.	Pin Name	I/O	Description
1	DCS	O	DCS logo display data output to LED.
2	EQ	O	EQ ON/OFF display data output to LED.
3	B.B	O	BASS BOOST display data output to LED.
4	MUTE	O	MUTING display data output to LED.
5	D.D	O	DOLBY DIGITAL display data output to LED.
6	VOLUME	O	VOLUME display data output to LED.
7	POWER RY	O	Power reay display.
8	5V CHECK	O	Power check (+5V)
9	—	—	Not used. (Connected to ground)
10	—	—	Not used. (Connected to ground)
11	VSS	—	Ground (Connected to ground)
12	—	—	Not used. (Connected to ground)
13	—	—	Not used. (Connected to ground)
14	—	—	Not used. (Connected to ground)
15	—	—	Not used. (Connected to ground)
16	—	—	Not used. (Connected to ground)
17	—	—	Not used. (Connected to ground)
18	—	—	Not used. (Connected to ground)
19	SOT0	O	UART data output to rewrite flash memory
20	SIN0	I	UART data input to rewrite flash memory
21	FL CLK	O	Clock output to flourescent display tube
22	FL DATA	O	Data output to flourescent display tube
23	VCC	—	Power supply +5 V
24	FL LAT	O	Fluorescent latch
25	FL CLEAR	O	Fluorescent clear
26	SIRCS IN	I	SIRCS input
27	C	—	External power regulator capacitor 0.1 $\mu$ is connected to this terminal.
28	—	—	Not used (Connected to ground)
29	—	—	Not used (Connected to ground)
30	—	—	Not used (Connected to ground)
31	—	—	Not used (Connected to ground)
32	—	—	Not used (Connected to gorund)
33	—	—	Not used (Connected to ground)
34	AVCC	—	Analog power supply +5 V
35	AVRH	—	AVRH (Connected to power supply +5 V)
36	AVRL	—	SVRL (Connected to ground)
37	AVSS	—	Ground (Connected to ground)
38	AD KEY IN 1	I	Key input 1
39	AD KEY IN 2	I	Key input 2
40	AD KEY IN 3	I	Key input 3
41	AD KEY IN 4	I	Key input 4
42	VSS	—	Ground (Connected to ground)
43	AD KEY IN 5	I	Key input 5
44	AD KEY IN 6	I	Key input 6
45	AD KEY IN 7	I	Key input 7
46	RDS SIGNAL	I	RDS signal input.
47	STOP	I	Stop input
48	—	—	Not used (Connected to ground)
49	MD 0	I	MD 0 (To MD0 of MB90573)
50	MD 1	I	MD 1 (Connected to power supply +5 V)

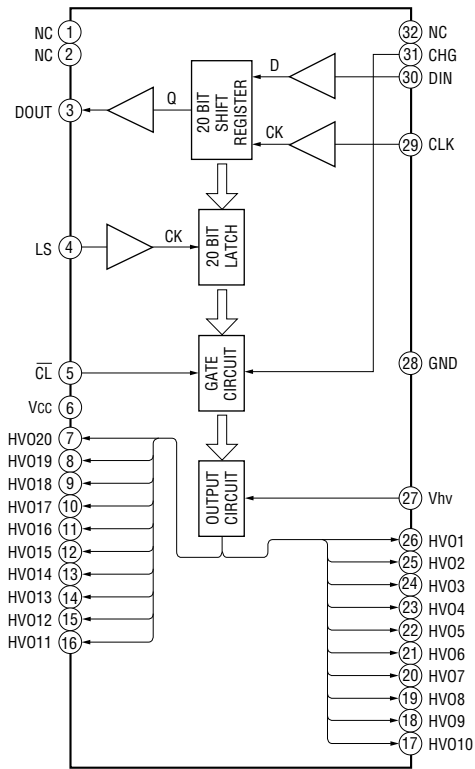
Pin No.	Pin Name	I/O	Description
51	MD 2	I	MD 2 (To MD2 of MB90573)
52	HSTX	I	Hardware STANDBY input
53	RDS CLOCK	I	RDS clock input
54	RDS DATA	I	RDS data input
55	VOL UP	O	Volume up data output
56	VOL DOWN	O	Volume down data output
57	—	—	Not used (Connected to ground)
58	U-RESET	O	Reset output (Connected to MB90573 RESET)
59	U-SREQ	I	Slave request and data input (Connected to MB90573 SLV DATA/REQ)
60	U-MREQ	O	Master request output (Connected to MB90573 DISPMR)
61	U-DATA	O	Master data output (Connected to MB90573 DISP DATA)
62	U-CLOCK	O	Master clock output (Connected to MB90573 DISPCLK)
63	AUBUS-IN	I	Audio bus input
64	SP-A	I	Speaker A signal input.
65	SP-B	I	Speaker B signal input.
66	POWER-KEY IN	I	POWER-KEY input.
67	AUBUS-OUT	O	Audio bus output
68	VIRSION IN1	I	Virision input.
69	VIRSION IN 2	I	Virision input.
70	VIRSION IN 3	I	Virision input.
71	VIRSION IN 4	I	Virision input.
72	VIRSION IN 5	I	Virision input.
73	VIRSION OUT 1	O	Virision output.
74	VIRSION OUT 2	O	Virision output.
75	JOG-UP	I	Function encoder up input.
76	JOG-DOWN	I	Function encoder down input.
77	RESET	I	Reset (Display MCU)
78	—	—	Not used (Connected to ground)
79	—	—	Not used (Connected to ground)
80	—	—	Not used (Connected to ground)
81	VSS	—	Ground (Connected to ground)
82	X0	—	External ceramic filter 4 MHz is connected to this terminal
83	X1	—	External ceramic filter 4 MHz is connected to this terminal
84	VCC	—	Power supply +5 V
85	—	—	Not used. (Connected to ground)
86	—	—	Not used. (Connected to ground)
87	LED CLK	I	LED clock input.
88	LED DATA	I	LED data input.
89	LED CE	I	LED chip enable input.
90	LED CLR	I	LED clear input.
91	—	—	Not used. (Connected to ground)
92	—	—	Not used. (Connected to ground)
93	MBUS-V1	I	V1 input from MBUS
94	MBUS-DVD	I	DVD input from MBUS
95	MBUS-TV	I	TV input from MBUS
96	MBUS-STATUS	I	STATUS input from MBUS
97	—	—	Not used. (Connected to ground)
98	LAT	O	Learning microprocessor latch output
99	—	—	Not used. (Connected to ground)
100	—	—	Not used. (Connected to ground)

**IC1101 LC89055W DIGITAL AUDIO I/F RECEIVER (DIGITAL BOARD)**

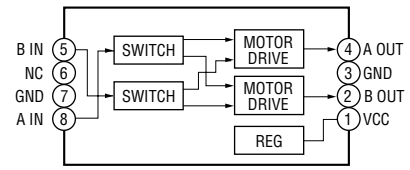
Pin No.	Pin Name	I/O	Description
1	DISEL	I	Input data select. (connected to ground.)
2	DOUT	O	EIAJ data and parity flag output terminal (Not used)
3	DIN0	I	Amplifier integrate data input terminal
4	DIN1	O	Amplifier integrate data input terminal (Connecting to ground)
5	DIN2	I	Amplifier integrate data input terminal (Connecting to ground)
6	D. GND	—	Digital ground
7	D. VDD	O	Digital power supply
8	R	I	Input terminal for VCO generator band adjustment
9	V IN	I	Input terminal for VCO self running frequency set
10	LPF	O	External LPF for PLL is connected to this terminal
11	A. VDD	—	Analog power supply
12	A. GND	—	Analog ground
13	CK OUT	—	256fs or 128fs clock output terminal (Select CLKMD terminal)
14	BCK	O	Bit clock output terminal
15	LRCK	O	L, R clock output terminal (L-ch: "H", R-ch: "L")
16	DATA O	O	Audio data output terminal
17	XSTATE	O	Xtal status frag output.
18	D. GND	—	Digital ground
19	D. VDD	—	Digital power supply
20	XMCK	—	Not used.
21	XOUT	O	Crystal oscillator output terminal (Not used.)
22	XIN	I	Crystal oscillator input terminal
23	EMPHA	O	Emphasis monitor output terminal ("H" = ON) (Not used.)
24	AUDIO	—	Not used.
25	CSFLAG	O	C-bit change frag output.
26	F0/P0/C0	—	Not used.
27	F1/P1/C1	—	Not used.
28	F2/P2/C2	—	Not used.
29	F3/P3/C3	—	Not used.
30	D. VDD	—	Digital power supply
31	D. GND	—	Digital ground
32	AUTO	O	Non PCM data detect flag output.
33	BPSYNC	O	Non PCM sync detect flag output.
34	ERROR	O	Error mute output terminal
35	DO	O	Microprocessor I/F. When CCB/SUB is "H", data output terminal (high level open drain output) (Not used)
36	DI	I	Microprocessor I/F. Data input terminal
37	CE	I	Microprocessor I/F. Chip enable/latch input terminal
38	CLK	I	Microprocessor I/F. Clock input terminal
39	XSEL	I	Xtal select. (Connected to +5V.)
40	MODE0	I	Mode 0 input. (Connected to ground.)
41	MODE1	I	Mode 1 input. (Connected to ground.)
42	D. GND	—	Digital ground
43	D. VDD	—	Digital power supply
44	DOSEL0	O	Output data select 0. (Connected to ground.)
45	DOSEL1	O	Output data select 1. (Connected to ground.)
46	CKSEL0	I	System clock select input 0. (Connected to ground.)
47	CKSEL1	I	System clock select input 1. (Connected to ground.)
48	XMODE	I	Reset input.

### 4-23. IC BLOCK DIAGRAMS

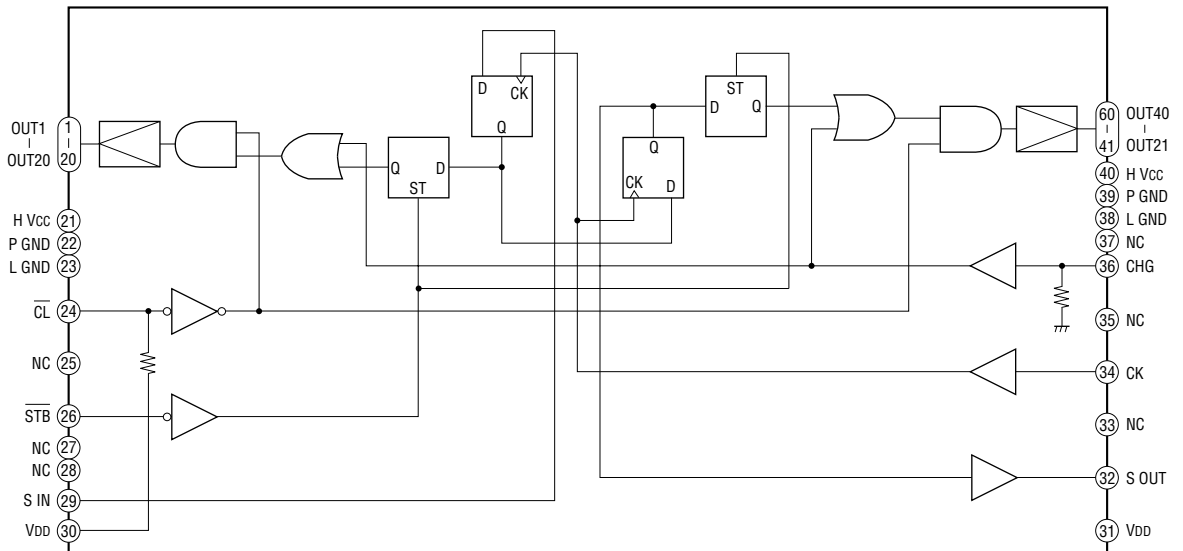
IC103 MSC1164GS-K (DISPLAY SECTION)



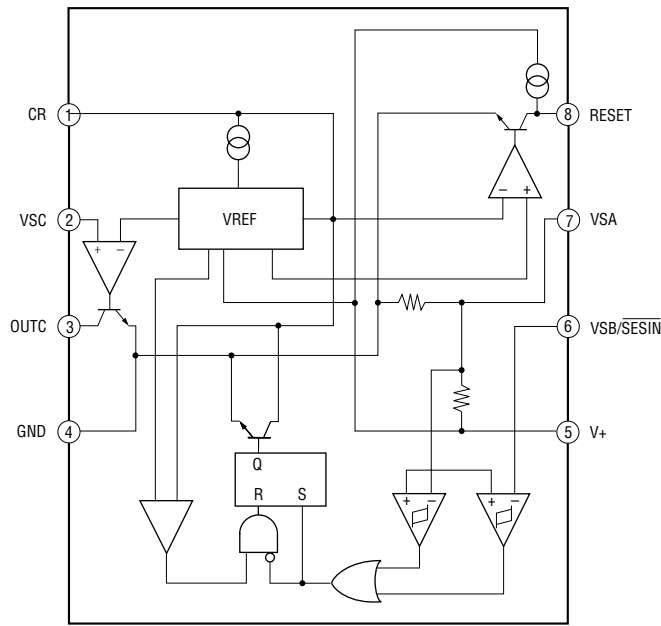
IC105 BA6208F (DISPLAY SECTION)



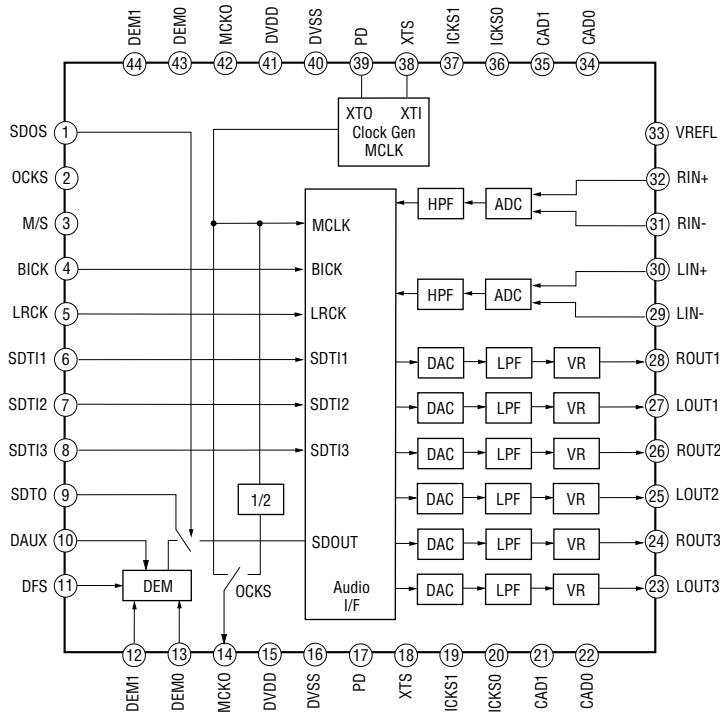
IC103 TD62C950RF (DISPLAY SECTION)



**IC1206 NJM2103 (DIGITAL SECTION)**

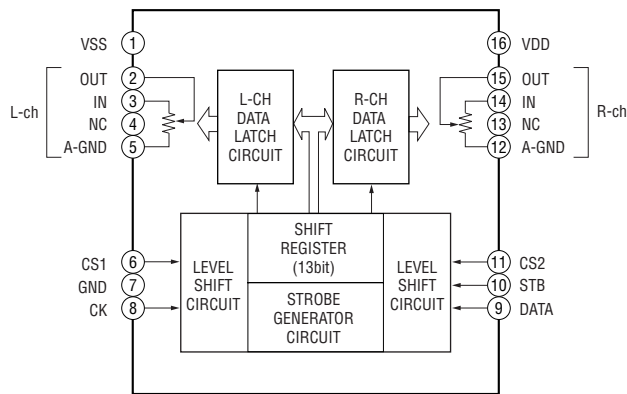


**IC1503 AK4526 (DIGITAL SECTION)**

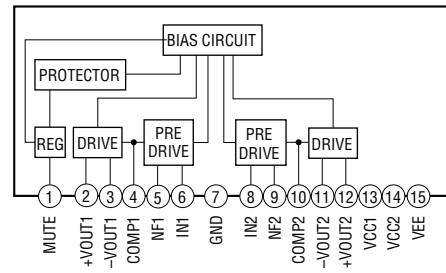




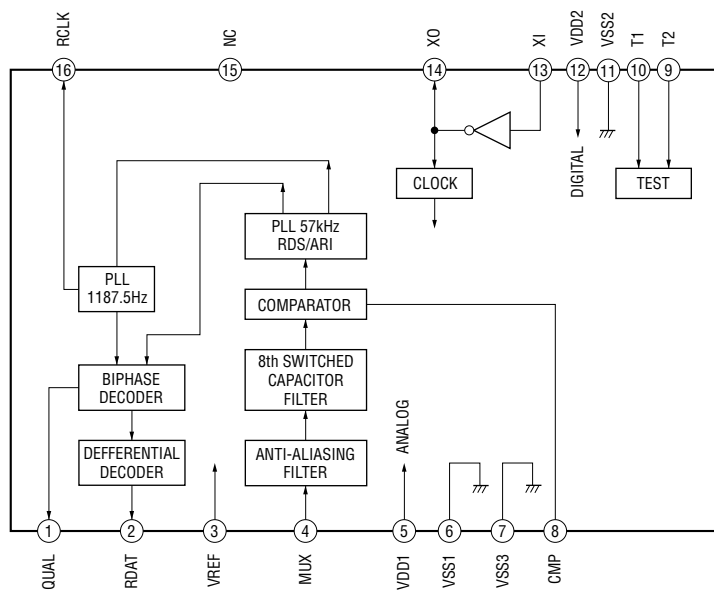
**IC414, 415, 416 TC9299P (MAIN SECTION)**



**IC501, 601  $\mu$ PC2581V (MAIN SECTION)  
IC701  $\mu$ PC2581V (REAR AMP SECTION)**



**IC1 BU1924F (TUNER SECTION)**



## SECTION 5 EXPLODED VIEWS

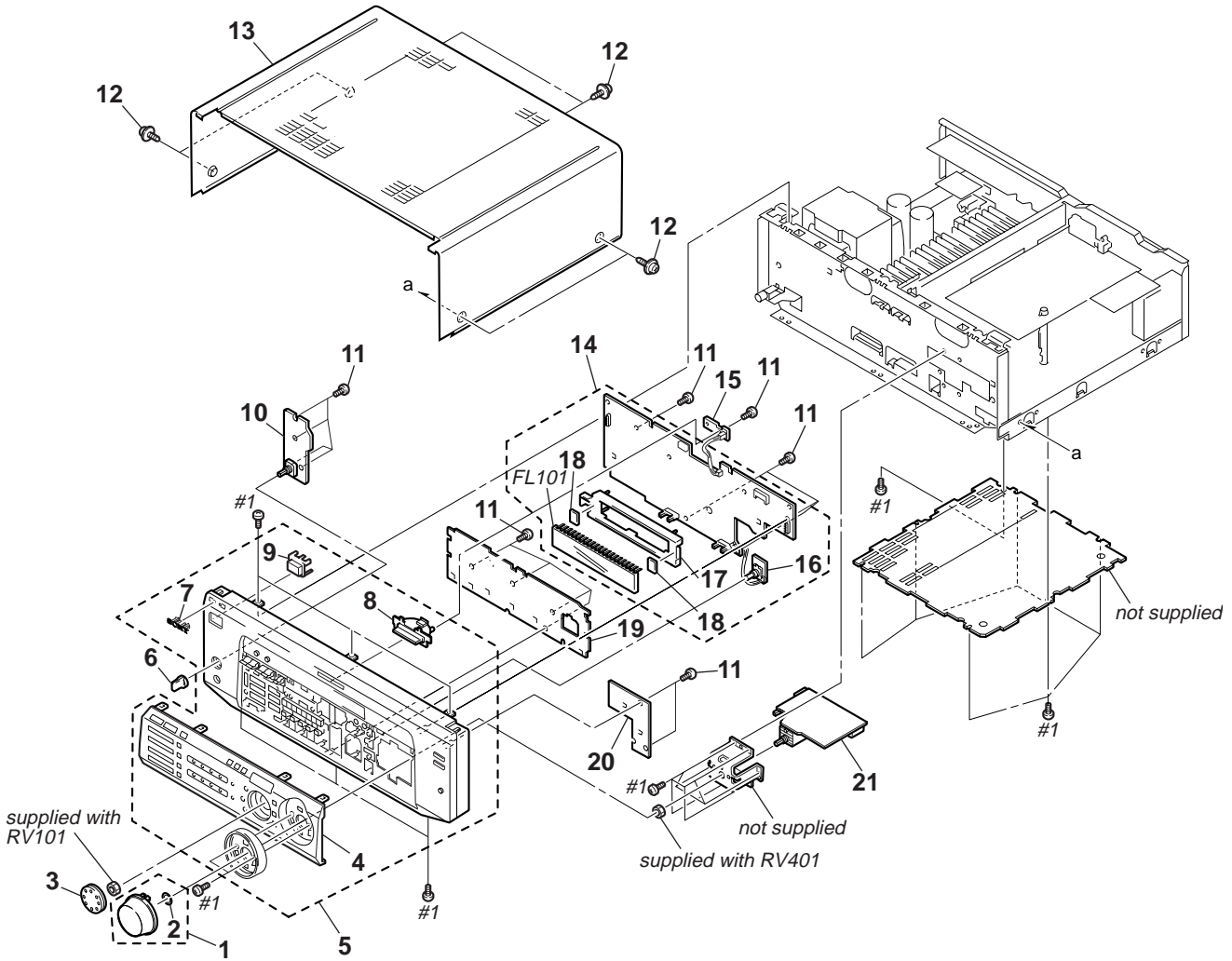
**NOTE:**

- -XX, -X mean standardized parts, so they may have some differences from the original one.
- Items marked “\*” are not stocked since they are seldom required for routine service. Some delay should be anticipated when ordering these items.
- The mechanical parts with no reference number in the exploded views are not supplied.
- Hardware (# mark) list and accessories and packing materials are given in the last of this parts list.
- Abbreviation  
CND : Canadian model

The components identified by mark  $\Delta$  or dotted line with mark  $\Delta$  are critical for safety. Replace only with part number specified.

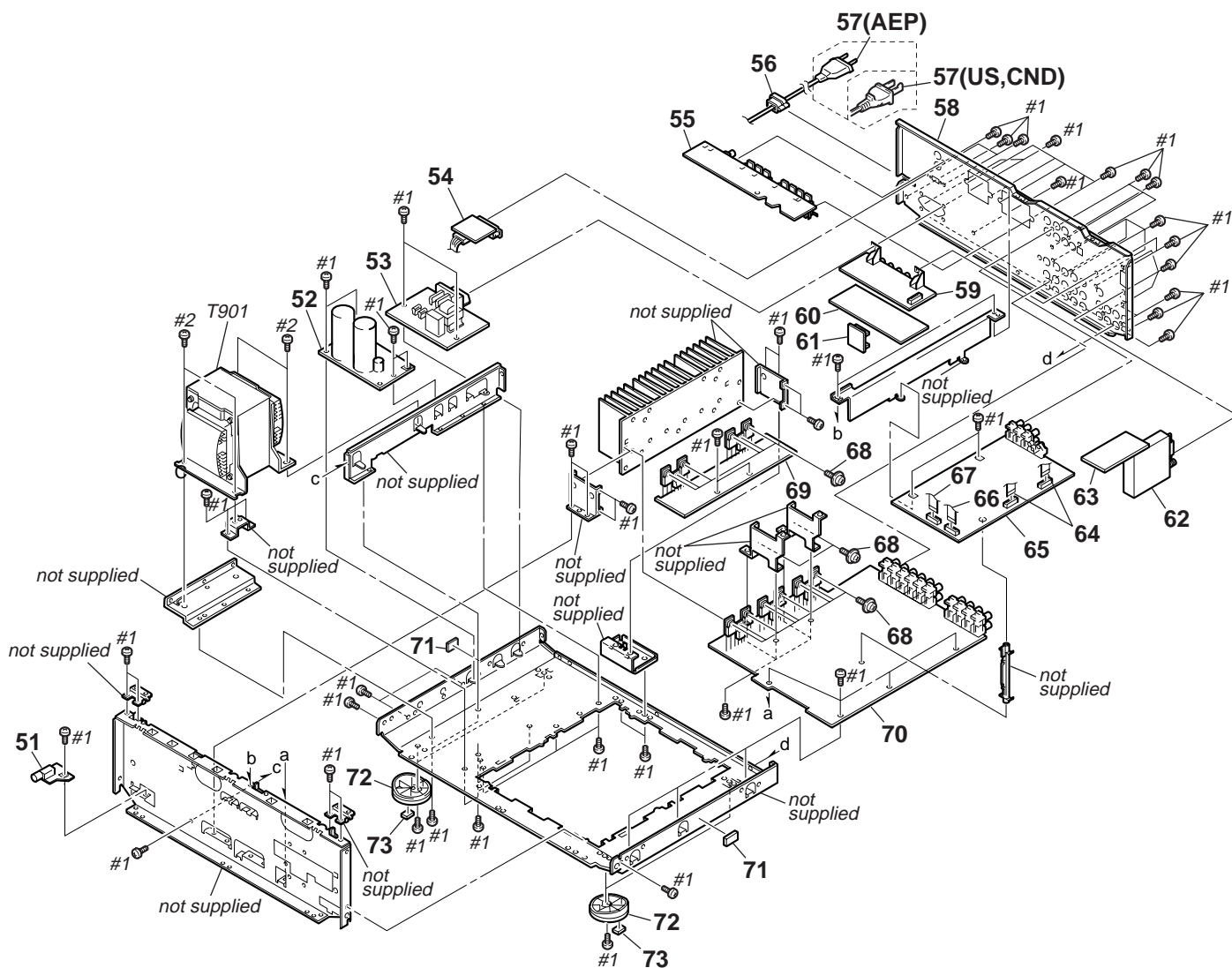
Les composants identifiés par une marque  $\Delta$  sont critiques pour la sécurité. Ne les remplacer que par une pièce portant le numéro spécifié.

### 5-1. FRONT PANEL SECTION



Ref. No.	Part No.	Description	Remarks	Ref. No.	Part No.	Description	Remarks
1	X-4951-035-1	KNOB (VOL) ASSY		* 13	4-982-682-01	CASE (414532) (US,CND)	
2	3-350-426-01	SPRING, RING		13	X-4947-722-1	CASE ASSY (AEP)	
3	4-221-474-01	KNOB (JOG)		* 14	A-4419-393-A	DISPLAY BOARD, COMPLETE(US,CND)	
4	4-217-853-11	ESCUTCHEON (US,CND)		* 14	A-4419-395-A	DISPLAY BOARD, COMPLETE(AEP)	
4	4-217-853-51	ESCUTCHEON (AEP)		* 15	1-673-350-11	LED BOARD	
5	X-4951-212-1	BASE (635U) ASSY, PANEL (US,CND)		* 16	1-673-348-11	ROTARY BOARD	
5	X-4951-252-1	BASE (635CED) ASSY, PANEL (AEP)		* 17	4-990-797-01	HOLDER (FL)	
6	4-957-383-01	KNOB (F14)		* 18	4-921-941-01	CUSHION (FL)	
7	4-996-698-01	EMBLEM, SONY		19	A-4419-404-A	SW BOARD, COMPLETE(US,CND)	
8	X-4951-572-1	ESCUTCHEON (WIN) ASSY		* 19	A-4419-405-A	SW BOARD, COMPLETE(AEP)	
9	4-996-683-21	BUTTON (POWER)		* 20	1-673-346-11	MUTING BOARD	
* 10	1-673-347-11	SP-SW BOARD		* 21	A-4419-407-A	VOLUME BOARD, COMPLETE(US,CND)	
11	4-951-620-01	SCREW (2.6 × 8), +BVTP		21	A-4426-060-A	VOLUME BOARD, COMPLETE(AEP)	
12	4-210-291-01	SCREW (CASE 3 TP2)		FL101	1-517-781-11	INDICATOR TUBE, FLUORESCENT	

## 5-2. CHASSIS SECTION



Ref. No.	Part No.	Description	Remarks	Ref. No.	Part No.	Description	Remarks
* 51	1-673-349-11	H.P BOARD		65	A-4426-045-A	DIGITAL BOARD, COMPLETE (AEP)	
* 52	1-673-354-11	DC BOARD		66	1-773-048-11	WIRE (FLAT TYPE) (17 CORE)	
* 53	1-673-353-11	AC BOARD		67	1-773-112-11	WIRE (FLAT TYPE) (19 CORE)	
* 54	1-673-359-11	4/8 BOARD		68	3-905-609-11	SCREW (TRANSISTOR)	
* 55	1-673-355-11	SP BOARD		69	A-4419-390-A	REAR-AMP BOARD, COMPLETE(US,CND)	
* 56	3-703-244-00	BUSHING (2104), CORD		* 69	A-4419-391-A	REAR-AMP BOARD, COMPLETE(AEP)	
△ 57	1-769-743-11	CORD, POWER (CND)		* 70	A-4419-379-A	MAIN BOARD, COMPLETE(US)	
△ 57	1-769-744-11	CORD, POWER (AEP)		* 70	A-4419-380-A	MAIN BOARD, COMPLETE(CND)	
△ 57	1-783-531-11	CORD, POWER (US)		* 70	A-4419-382-A	MAIN BOARD, COMPLETE(AEP)	
* 58	4-217-900-01	PANEL, BACK (US)		71	4-985-642-01	CUSHION	
* 58	4-217-900-21	PANEL, BACK (AEP)		72	X-4947-207-1	FOOT ASSY (F50150S) (AEP)	
* 58	4-218-334-01	PANEL, BACK (CND)		72	X-4947-208-1	FOOT ASSY (F50150S) (US,CND)	
* 59	1-673-357-11	S-VIDEO BOARD		73	4-977-358-11	CUSHION (US,CND)	
* 60	1-673-356-11	VIDEO BOARD		△ T901	1-433-771-11	TRANSFORMER, POWER (AEP)	
* 61	1-673-940-11	JOINT(H) BOARD		△ T901	1-433-884-11	TRANSFORMER, POWER (US)	
* 63	1-673-358-11	TUNER BOARD		△ T901	1-433-885-11	TRANSFORMER, POWER (CND)	
* 64	1-773-001-11	WIRE (FLAT TYPE) (15 CORE)		TU301	1-693-407-11	TUNER (US,CND)	
* 65	A-4419-439-A	DIGITAL BOARD, COMPLETE (US,CND)		TU301	1-693-409-11	TUNER (AEP)	

The components identified by mark △ or dotted line with mark △ are critical for safety. Replace only with part number specified.

Les composants identifiés par une marque △ sont critiques pour la sécurité. Ne les remplacer que par une pièce portant le numéro spécifié.

## SECTION 6 ELECTRICAL PARTS LIST

**NOTE:**

- Due to standardization, replacements in the parts list may be different from the parts specified in the diagrams or the components used on the set.
- -XX, -X mean standardized parts, so they may have some difference from the original one.
- Items marked "\*" are not stocked since they are seldom required for routine service. Some delay should be anticipated when ordering these items.
- CAPACITORS:  
uF: μF

- RESISTORS  
All resistors are in ohms.  
METAL: metal-film resistor  
METAL OXIDE: Metal Oxide-film resistor  
F: nonflammable
- COILS  
uH: μH
- Abbreviation  
CND : Canadian model

- SEMICONDUCTORS  
In each case, u: μ, for example:  
uA...: μA..., uPA..., μPA...,  
uPB..., μPB..., uPC..., μPC...,  
uPD..., μPD...

When indicating parts by reference number, please include the board name.

The components identified by mark Δ or dotted line with mark Δ are critical for safety. Replace only with part number specified.

Les composants identifiés par une marque Δ sont critiques pour la sécurité. Ne les remplacer que par une pièce portant le numéro spécifié.

Ref. No.	Part No.	Description	Remarks	Ref. No.	Part No.	Description	Remarks
*	1-673-359-11	4/8 BOARD *****				< TRANSISTOR >	
		< CONNECTOR >		Q901	8-729-230-49	TRANSISTOR 2SC2712-YG-TE85L	
		< DIODE >				< RESISTOR >	
* CNP805	1-564-216-00	PIN, CONNECTOR 5P		R901	1-202-725-00	SOLID 3.3M 10% 1/2W (US,CND)	
		< DIODE >		R902	1-216-073-00	METAL CHIP 10K 5% 1/10W	
D804	8-719-053-18	DIODE 1SR154-400TE-25		R903	1-216-065-91	RES,CHIP 4.7K 5% 1/10W	
D805	8-719-053-18	DIODE 1SR154-400TE-25				< RELAY >	
		< SWITCH >		RY901	1-755-298-11	RELAY	
S801	1-571-309-21	SWITCH (INPEDANCE SELECTOR)				< TRANSFORMER >	
*****							
*	1-673-353-11	AC BOARD *****		Δ T902	1-433-685-11	TRANSFORMER, POWER (AEP)	
		< CAPACITOR >		Δ T902	1-433-686-11	TRANSFORMER, POWER (US,CND)	
		< DIODE >		*****			
	1-533-217-41	FUSE HOLDER		*	1-673-354-11	DC BOARD *****	
C901	1-163-037-11	CERAMIC CHIP 0.022uF 10% 25V				< CAPACITOR >	
C902	1-163-037-11	CERAMIC CHIP 0.022uF 10% 25V			1-533-217-41	FUSE HOLDER	
C905	1-126-767-11	ELECT 1000uF 20% 16V				< CAPACITOR >	
		< CONNECTOR >		C801	1-104-664-11	ELECT 47uF 20% 25V	
Δ CNJ901	1-251-718-11	OUTLET (2 GANG), AC (AC OUTLET)(US,CND)		C803	1-125-897-11	ELECT 10000uF 20% 71V (US,CND)	
Δ CNJ901	1-785-285-11	OUTLET, AC (1P) (AC OUTLET)(AEP)		C803	1-125-997-11	ELECT 12000uF 20% 63V (AEP)	
CNP809	1-784-921-11	PIN, CONNECTOR 4P		C804	1-125-897-11	ELECT 10000uF 20% 71V (US,CND)	
CNV901	1-564-321-00	PIN, CONNECTOR 2P		C804	1-125-997-11	ELECT 12000uF 20% 63V (AEP)	
* CNV902	1-565-792-11	PIN, CONNECTOR 2P				< CAPACITOR >	
		< DIODE >		C805	1-130-781-00	FILM 0.22uF 10% 100V	
D901	8-719-053-18	DIODE 1SR154-400TE-25		C806	1-130-781-00	FILM 0.22uF 10% 100V	
D902	8-719-053-18	DIODE 1SR154-400TE-25		C807	1-128-555-91	ELECT 470uF 20% 63V	
D903	8-719-053-18	DIODE 1SR154-400TE-25		C808	1-126-967-11	ELECT 47uF 20% 50V	
D904	8-719-053-18	DIODE 1SR154-400TE-25		C809	1-126-967-11	ELECT 47uF 20% 50V	
D905	8-719-801-78	DIODE 1SS184-TE85L				< CONNECTOR >	
D907	8-719-016-74	DIODE 1SS352-TPH3		CNP801	1-785-102-21	PIN, CONNECTOR 4P	
		< FUSE >		CNP802	1-785-102-11	PIN, CONNECTOR 4P	
Δ F901	1-533-311-11	FUSE, GLASS CYLINDRICAL (DIA.5) 8A/125V (US,CND)		* CNP803	1-564-104-00	PIN, CONNECTOR (B3P-VH) 3P	
Δ F901	1-532-504-51	FUSE TIME LAG 4A/250V (AEP)		CNP804	1-779-978-11	PIN, CONNECTOR 3P	
Δ F903	1-532-464-51	FUSE TIME LAG 2.5A/250V (AEP)				< DIODE >	
		< EARTH TERMINAL >		D801	8-719-072-05	DIODE RBV-602LF-A	
* EB901	1-537-738-21	TERMINAL, EARTH (US,CND)		D806	8-719-070-30	DIODE PTZ-TE25-5.6A	
		< DIODE >		D810	8-719-074-75	DIODE PTZ-TE25-30B	

DC	DIGITAL
----	---------

Ref. No.	Part No.	Description	Remarks	Ref. No.	Part No.	Description	Remarks
		< EARTH TERMINAL >					
* EB801	1-537-738-21	TERMINAL, EARTH		C1156	1-163-021-91	CERAMIC CHIP 0.01uF	10% 50V
		< FUSE >		C1157	1-165-319-11	CERAMIC CHIP 0.1uF	50V
△F801	1-533-311-11	FUSE, GLASS CYLINDRICAL (DIA.5) 8A/125V		C1201	1-119-824-11	ELECT MELF 10uF	20% 50V
△F802	1-533-311-11	FUSE, GLASS CYLINDRICAL (DIA.5) 8A/125V		C1202	1-165-319-11	CERAMIC CHIP 0.1uF	50V
△F803	1-533-419-11	FUSE, GLASS CYLINDRICAL (DIA.5) 4A/125V	(US,CND)	C1203	1-165-319-11	CERAMIC CHIP 0.1uF	50V
		< TRANSISTOR >		C1204	1-165-319-11	CERAMIC CHIP 0.1uF	50V
Q801	8-729-048-78	TRANSISTOR 2SD1733-TL-QR		C1205	1-165-319-11	CERAMIC CHIP 0.1uF	50V
		< RESISTOR >		C1206	1-163-037-11	CERAMIC CHIP 0.022uF	10% 25V
△R801	1-247-727-11	CARBON 10 5% 1/2W F		C1207	1-104-664-11	ELECT 47uF	20% 16V
R802	1-249-401-11	CARBON 47 5% 1/4W F		C1208	1-165-319-11	CERAMIC CHIP 0.1uF	50V
R803	1-216-061-00	METAL CHIP 3.3K 5% 1/10W		C1209	1-165-319-11	CERAMIC CHIP 0.1uF	50V
R804	1-216-081-00	METAL CHIP 22K 5% 1/10W		C1210	1-104-664-11	ELECT 47uF	20% 16V
*****				C1211	1-163-251-11	CERAMIC CHIP 100PF	5% 50V
* A-4419-439-A		DIGITAL BOARD, COMPLETE (US,CND)		C1212	1-163-251-11	CERAMIC CHIP 100PF	5% 50V
		*****		C1213	1-165-319-11	CERAMIC CHIP 0.1uF	50V
A-4426-045-A		DIGITAL BOARD, COMPLETE (AEP)		C1214	1-104-664-11	ELECT 47uF	20% 16V
		*****		C1215	1-126-935-11	ELECT 470uF	20% 16V
		< CAPACITOR >		C1216	1-126-935-11	ELECT 470uF	20% 16V
C1001	1-165-319-11	CERAMIC CHIP 0.1uF	50V	C1217	1-126-935-11	ELECT 470uF	20% 16V
C1005	1-165-319-11	CERAMIC CHIP 0.1uF	50V	C1218	1-126-959-11	ELECT 0.47uF	20% 50V
C1006	1-126-935-11	ELECT 470uF	20% 6.3V	C1219	1-165-319-11	CERAMIC CHIP 0.1uF	50V
			(US,CND)	C1220	1-126-957-11	ELECT 0.22uF	20% 50V
C1006	1-128-834-11	ELECT 470uF	20% 10V	C1221	1-119-824-11	ELECT MELF 10uF	20% 50V
			(AEP)	C1222	1-165-319-11	CERAMIC CHIP 0.1uF	50V
C1007	1-126-965-11	ELECT 22uF	20% 50V	C1223	1-165-319-11	CERAMIC CHIP 0.1uF	50V
C1008	1-165-319-11	CERAMIC CHIP 0.1uF	50V	C1224	1-165-319-11	CERAMIC CHIP 0.1uF	50V
C1009	1-163-251-11	CERAMIC CHIP 100PF	5% 50V	C1225	1-165-319-11	CERAMIC CHIP 0.1uF	50V
C1010	1-163-217-11	CERAMIC CHIP 1PF	0.25PF 50V	C1226	1-126-960-11	ELECT 1uF	20% 50V
C1011	1-163-251-11	CERAMIC CHIP 100PF	5% 50V	C1227	1-104-664-11	ELECT 47uF	20% 16V
C1012	1-163-251-11	CERAMIC CHIP 100PF	5% 50V	C1228	1-163-021-91	CERAMIC CHIP 0.01uF	10% 50V
C1013	1-163-251-11	CERAMIC CHIP 100PF	5% 50V	C1229	1-126-935-11	ELECT 470uF	20% 16V
C1014	1-163-251-11	CERAMIC CHIP 100PF	5% 50V				(US,CND)(SUFFIX-12)
C1015	1-163-251-11	CERAMIC CHIP 100PF	5% 50V	C1229	1-127-720-91	ELECT 470uF	20% 16V
C1016	1-163-251-11	CERAMIC CHIP 100PF	5% 50V				(AEP)(SUFFIX-12)
C1017	1-163-021-91	CERAMIC CHIP 0.01uF	10% 50V	C1230	1-165-319-11	CERAMIC CHIP 0.1uF	50V
C1018	1-163-275-11	CERAMIC CHIP 0.001uF	5% 50V				(SUFFIX-12)
C1019	1-163-275-11	CERAMIC CHIP 0.001uF	5% 50V	C1301	1-165-319-11	CERAMIC CHIP 0.1uF	50V
C1020	1-163-243-11	CERAMIC CHIP 47PF	5% 50V	C1303	1-165-319-11	CERAMIC CHIP 0.1uF	50V
C1031	1-163-275-11	CERAMIC CHIP 0.001uF	5% 50V	C1304	1-165-319-11	CERAMIC CHIP 0.1uF	50V
C1101	1-165-319-11	CERAMIC CHIP 0.1uF	50V	C1305	1-104-664-11	ELECT 47uF	20% 16V
C1102	1-104-664-11	ELECT 47uF	20% 16V	C1306	1-163-133-00	CERAMIC CHIP 470PF	5% 50V
C1103	1-165-319-11	CERAMIC CHIP 0.1uF	50V	C1307	1-165-319-11	CERAMIC CHIP 0.1uF	50V
C1104	1-163-021-91	CERAMIC CHIP 0.01uF	10% 50V	C1309	1-126-935-11	ELECT 470uF	20% 6.3V
C1105	1-104-664-11	ELECT 47uF	20% 16V				(US,CND)
C1106	1-165-319-11	CERAMIC CHIP 0.1uF	50V	C1309	1-128-834-11	ELECT 470uF	20% 10V
C1107	1-163-021-91	CERAMIC CHIP 0.01uF	10% 50V				(AEP)
C1108	1-165-319-11	CERAMIC CHIP 0.1uF	50V	C1310	1-165-319-11	CERAMIC CHIP 0.1uF	50V
C1109	1-165-319-11	CERAMIC CHIP 0.1uF	50V	C1311	1-165-319-11	CERAMIC CHIP 0.1uF	50V
C1110	1-163-275-11	CERAMIC CHIP 0.001uF	5% 50V	C1312	1-165-319-11	CERAMIC CHIP 0.1uF	50V
C1111	1-165-319-11	CERAMIC CHIP 0.1uF	50V	C1313	1-165-319-11	CERAMIC CHIP 0.1uF	50V
				C1314	1-165-319-11	CERAMIC CHIP 0.1uF	50V
				C1315	1-163-021-91	CERAMIC CHIP 0.01uF	10% 50V
				C1401	1-165-319-11	CERAMIC CHIP 0.1uF	50V
				C1402	1-165-319-11	CERAMIC CHIP 0.1uF	50V
				C1403	1-163-275-11	CERAMIC CHIP 0.001uF	5% 50V

The components identified by mark △ or dotted line with mark △ are critical for safety. Replace only with part number specified.

Les composants identifiés par une marque △ sont critiques pour la sécurité. Ne les remplacer que par une pièce portant le numéro spécifié.



# DIGITAL

Ref. No.	Part No.	Description	Remarks	Ref. No.	Part No.	Description	Remarks
C1404	1-165-319-11	CERAMIC CHIP	0.1uF	50V	C1563	1-126-965-11	ELECT 22uF 20% 50V
C1405	1-165-319-11	CERAMIC CHIP	0.1uF	50V	C1564	1-126-965-11	ELECT 22uF 20% 50V
C1406	1-165-319-11	CERAMIC CHIP	0.1uF	50V	C1570	1-119-824-11	ELECT MELF 10uF 20% 50V
C1407	1-165-319-11	CERAMIC CHIP	0.1uF	50V	C1571	1-165-319-11	CERAMIC CHIP 0.1uF 50V
C1408	1-165-319-11	CERAMIC CHIP	0.1uF	50V	C1572	1-126-965-11	ELECT 22uF 20% 50V
C1409	1-104-664-11	ELECT	47uF	20% 16V	C1573	1-106-347-00	MYLAR 1500PF 5% 200V
C1410	1-165-319-11	CERAMIC CHIP	0.1uF	50V	C1574	1-126-965-11	ELECT 22uF 20% 50V
C1411	1-165-319-11	CERAMIC CHIP	0.1uF	50V	C1575	1-126-965-11	ELECT 22uF 20% 50V
C1412	1-165-319-11	CERAMIC CHIP	0.1uF	50V	C1576	1-126-965-11	ELECT 22uF 20% 50V
C1413	1-165-319-11	CERAMIC CHIP	0.1uF	50V	C3118	1-163-233-11	CERAMIC CHIP 18PF 5% 50V
C1414	1-104-664-11	ELECT	47uF	20% 16V	C3119	1-163-233-11	CERAMIC CHIP 18PF 5% 50V
C1416	1-104-664-11	ELECT	47uF	20% 16V			< CONNECTOR >
C1417	1-165-319-11	CERAMIC CHIP	0.1uF	50V	CNP1301	1-784-923-11	PIN, CONNECTOR 7P
C1501	1-104-664-11	ELECT	47uF	20% 16V	CNP1302	1-779-799-11	PIN, CONNECTOR 9P
C1502	1-104-664-11	ELECT	47uF	20% 16V	CNP1303	1-779-977-11	PIN, CONNECTOR 6P
C1503	1-163-251-11	CERAMIC CHIP	100PF	5% 50V	CNP1305	1-784-923-11	PIN, CONNECTOR 7P
C1504	1-104-664-11	ELECT	47uF	20% 16V	CNS1301	1-784-778-11	CONNECTOR, FFC 17P
C1505	1-104-664-11	ELECT	47uF	20% 16V			
C1508	1-126-965-11	ELECT	22uF	20% 50V	CNS1302	1-784-776-11	CONNECTOR, FFC 15P
C1509	1-104-664-11	ELECT	47uF	20% 16V	CNS1303	1-784-780-11	CONNECTOR, FFC 19P
C1510	1-126-965-11	ELECT	22uF	20% 50V	CNS1304	1-784-776-11	CONNECTOR, FFC 15P
C1511	1-126-965-11	ELECT	22uF	20% 50V			< DIODE >
C1512	1-104-664-11	ELECT	47uF	20% 16V	D1001	8-719-016-74	DIODE 1SS352-TPH3
C1513	1-126-964-11	ELECT	10uF	20% 50V	D1002	8-719-016-74	DIODE 1SS352-TPH3
C1514	1-165-319-11	CERAMIC CHIP	0.1uF	50V	D1101	8-719-016-74	DIODE 1SS352-TPH3
C1515	1-126-964-11	ELECT	10uF	20% 50V	D1102	8-719-016-74	DIODE 1SS352-TPH3
C1516	1-165-319-11	CERAMIC CHIP	0.1uF	50V	D1201	8-719-016-74	DIODE 1SS352-TPH3
C1517	1-126-965-11	ELECT	22uF	20% 50V			
C1518	1-165-319-11	CERAMIC CHIP	0.1uF	50V	D1202	8-719-016-74	DIODE 1SS352-TPH3
C1519	1-165-319-11	CERAMIC CHIP	0.1uF	50V	D1203	8-719-801-78	DIODE 1SS184-TE85L
C1520	1-126-965-11	ELECT	22uF	20% 50V	D1204	8-719-801-78	DIODE 1SS184-TE85L
C1522	1-106-347-00	MYLAR	1500PF	5% 200V	D1205	8-719-801-78	DIODE 1SS184-TE85L
C1524	1-126-965-11	ELECT	22uF	20% 50V	D1206	8-719-016-74	DIODE 1SS352-TPH3
C1525	1-126-965-11	ELECT	22uF	20% 50V			
C1526	1-126-965-11	ELECT	22uF	20% 50V	D1207	8-719-016-74	DIODE 1SS352-TPH3
C1527	1-163-239-11	CERAMIC CHIP	33PF	5% 50V	D1208	8-719-053-18	DIODE 1SR154-400TE-25
C1529	1-163-239-11	CERAMIC CHIP	33PF	5% 50V	D1209	8-719-801-78	DIODE 1SS184-TE85L
C1531	1-163-239-11	CERAMIC CHIP	33PF	5% 50V	D1210	8-719-016-74	DIODE 1SS352-TPH3
C1533	1-163-239-11	CERAMIC CHIP	33PF	5% 50V	D1211	8-719-053-18	DIODE 1SR154-400TE-25
C1535	1-163-239-11	CERAMIC CHIP	33PF	5% 50V			
C1537	1-163-239-11	CERAMIC CHIP	33PF	5% 50V	D1501	8-719-820-05	DIODE 1SS181-TE85L
C1539	1-104-664-11	ELECT	47uF	20% 16V	D1504	8-719-820-05	DIODE 1SS181-TE85L
C1540	1-104-664-11	ELECT	47uF	20% 16V	D1505	8-719-820-05	DIODE 1SS181-TE85L
C1541	1-104-664-11	ELECT	47uF	20% 16V			< EARTH TERMINAL >
C1542	1-163-227-11	CERAMIC CHIP	10PF	0.5PF 50V	* EB1001	1-537-738-21	TERMINAL, EARTH
C1543	1-126-965-11	ELECT	22uF	20% 50V	* EB1002	1-537-738-21	TERMINAL, EARTH
C1544	1-165-319-11	CERAMIC CHIP	0.1uF	50V			< FERRITE BEAD >
C1545	1-163-227-11	CERAMIC CHIP	10PF	0.5PF 50V	FB1101	1-414-813-11	FERRITE 0UH
C1546	1-126-965-11	ELECT	22uF	20% 50V	FB1102	1-414-813-11	FERRITE 0UH
C1547	1-163-227-11	CERAMIC CHIP	10PF	0.5PF 50V	FB1103	1-414-813-11	FERRITE 0UH
C1548	1-126-965-11	ELECT	22uF	20% 50V	FB1301	1-414-813-11	FERRITE 0UH
C1549	1-163-227-11	CERAMIC CHIP	10PF	0.5PF 50V	FB1302	1-414-813-11	FERRITE 0UH
C1550	1-126-965-11	ELECT	22uF	20% 50V			
C1551	1-163-227-11	CERAMIC CHIP	10PF	0.5PF 50V	FB1401	1-414-813-11	FERRITE 0UH
C1552	1-126-965-11	ELECT	22uF	20% 50V	FB1402	1-414-813-11	FERRITE 0UH
C1553	1-163-227-11	CERAMIC CHIP	10PF	0.5PF 50V	FB1403	1-414-813-11	FERRITE 0UH
C1554	1-126-965-11	ELECT	22uF	20% 50V			
C1561	1-126-965-11	ELECT	22uF	20% 50V			
C1562	1-126-965-11	ELECT	22uF	20% 50V			

DIGITAL

Ref. No.	Part No.	Description	Remarks	Ref. No.	Part No.	Description	Remarks
		< IC >				< RESISTOR >	
IC1001	8-749-923-05	TORX178A (OPT)		R1001	1-216-025-91	RES,CHIP 100	5% 1/10W
IC1005	8-759-926-17	IC TC74HC153AF(EL)		R1005	1-216-049-91	RES,CHIP 1K	5% 1/10W
IC1006	8-759-234-20	IC TC7S08F(TE85R)		R1006	1-216-025-91	RES,CHIP 100	5% 1/10W
IC1007	8-759-242-70	IC TC7WU04F(TE12R)		R1007	1-216-025-91	RES,CHIP 100	5% 1/10W
IC1101	8-759-581-19	IC LC89055W		R1008	1-216-022-00	METAL CHIP 75	5% 1/10W
IC1102	8-759-242-70	IC TC7WU04F(TE12R)		R1009	1-216-049-91	RES,CHIP 1K	5% 1/10W
IC1201	8-759-580-51	IC MB90573PFV-G-190-BND		R1010	1-216-081-00	METAL CHIP 22K	5% 1/10W
IC1202	8-759-186-30	IC TC74VHC14F(EL)		R1011	1-216-025-91	RES,CHIP 100	5% 1/10W
IC1203	8-759-445-59	IC BA033T		R1012	1-216-049-91	RES,CHIP 1K	5% 1/10W
IC1204	8-759-450-47	IC BA05T		R1013	1-216-115-00	METAL CHIP 560K	5% 1/10W
IC1205	8-759-231-53	IC M5F7805L		R1014	1-216-049-91	RES,CHIP 1K	5% 1/10W
IC1206	8-759-544-04	IC NJM2103M-TE2		R1015	1-216-049-91	RES,CHIP 1K	5% 1/10W
IC1207	8-759-450-47	IC BA05T(SUFFIX-12)		R1016	1-216-049-91	RES,CHIP 1K	5% 1/10W
IC1301	8-759-582-68	IC CXD9511Q		R1017	1-216-049-91	RES,CHIP 1K	5% 1/10W
IC1401	8-752-391-87	IC CXD2712R		R1018	1-216-065-91	RES,CHIP 4.7K	5% 1/10W
IC1402	8-759-538-16	IC IDT71V016S15PH-AUTL		R1019	1-216-081-00	METAL CHIP 22K	5% 1/10W
IC1403	8-759-524-32	IC TC74VHC367FT(EL)		R1021	1-216-089-91	RES,CHIP 47K	5% 1/10W
IC1404	8-759-242-70	IC TC7WU04F(TE12R)		R1022	1-216-121-91	RES,CHIP 1M	5% 1/10W
IC1501	8-759-231-53	IC M5F7805L		R1101	1-216-073-00	METAL CHIP 10K	5% 1/10W
IC1502	8-759-590-10	IC TC9273F-012(EL)		R1102	1-216-073-00	METAL CHIP 10K	5% 1/10W
IC1503	8-759-581-18	IC AK4526A		R1103	1-216-049-91	RES,CHIP 1K	5% 1/10W
IC1504	8-759-636-55	IC M5218AFP-T1		R1104	1-216-022-00	METAL CHIP 75	5% 1/10W
IC1505	8-759-636-55	IC M5218AFP-T1		R1105	1-216-066-00	METAL CHIP 5.1K	5% 1/10W
IC1506	8-759-636-55	IC M5218AFP-T1		R1106	1-216-071-00	METAL CHIP 8.2K	5% 1/10W
IC1507	8-759-636-55	IC M5218AFP-T1		R1107	1-216-049-91	RES,CHIP 1K	5% 1/10W
IC1508	8-759-636-55	IC M5218AFP-T1		R1108	1-216-025-91	RES,CHIP 100	5% 1/10W
IC1509	8-759-636-55	IC M5218AFP-T1		R1109	1-216-121-91	RES,CHIP 1M	5% 1/10W
IC1510	8-759-636-55	IC M5218AFP-T1		R1110	1-216-049-91	RES,CHIP 1K	5% 1/10W
IC1554	8-759-636-55	IC M5218AFP-T1		R1111	1-216-121-91	RES,CHIP 1M	5% 1/10W
		< JACK >		R1112	1-216-025-91	RES,CHIP 100	5% 1/10W
J1001	1-784-431-11	JACK, PIN 1P (COAX)		R1113	1-216-025-91	RES,CHIP 100	5% 1/10W
J1002	1-785-536-11	JACK, PIN (6P) (5.1CH INPUT)		R1114	1-216-025-91	RES,CHIP 100	5% 1/10W
		< JANPER WIRE >		R1115	1-216-073-00	METAL CHIP 10K	5% 1/10W
JW10	1-216-295-91	SHORT 0		R1131	1-216-066-00	METAL CHIP 5.1K	5% 1/10W
JW11	1-216-295-91	SHORT 0		R1160	1-216-049-91	RES,CHIP 1K	5% 1/10W
JW12	1-216-295-91	SHORT 0		R1192	1-216-049-91	RES,CHIP 1K	5% 1/10W
JW13	1-216-295-91	SHORT 0		R1193	1-216-049-91	RES,CHIP 1K	5% 1/10W
JW14	1-216-295-91	SHORT 0		R1201	1-216-097-91	RES,CHIP 100K	5% 1/10W
JW15	1-216-295-91	SHORT 0		R1202	1-216-049-91	RES,CHIP 1K	5% 1/10W
JW16	1-216-295-91	SHORT 0		R1203	1-216-049-91	RES,CHIP 1K	5% 1/10W
JW17	1-216-295-91	SHORT 0		R1204	1-216-049-91	RES,CHIP 1K	5% 1/10W
		< TRANSISTOR >		R1205	1-216-049-91	RES,CHIP 1K	5% 1/10W
Q1201	8-729-230-49	TRANSISTOR 2SC2712-YG-TE85L		R1206	1-216-049-91	RES,CHIP 1K	5% 1/10W
Q1202	8-729-230-49	TRANSISTOR 2SC2712-YG-TE85L		R1207	1-216-049-91	RES,CHIP 1K	5% 1/10W
Q1203	8-729-027-43	TRANSISTOR RT1N141C-TP-1		R1208	1-216-049-91	RES,CHIP 1K	5% 1/10W
Q1204	8-729-230-49	TRANSISTOR 2SC2712-YG-TE85L		R1209	1-216-049-91	RES,CHIP 1K	5% 1/10W
Q1205	8-729-048-78	TRANSISTOR 2SD1733-TL-QR		R1210	1-216-049-91	RES,CHIP 1K	5% 1/10W
Q1501	8-729-107-46	TRANSISTOR 2SC3624A-T1L15L16		R1211	1-216-049-91	RES,CHIP 1K	5% 1/10W
Q1502	8-729-107-46	TRANSISTOR 2SC3624A-T1L15L16		R1212	1-216-049-91	RES,CHIP 1K	5% 1/10W
Q1503	8-729-107-46	TRANSISTOR 2SC3624A-T1L15L16		R1213	1-216-049-91	RES,CHIP 1K	5% 1/10W
Q1504	8-729-107-46	TRANSISTOR 2SC3624A-T1L15L16		R1214	1-216-049-91	RES,CHIP 1K	5% 1/10W
Q1505	8-729-107-46	TRANSISTOR 2SC3624A-T1L15L16		R1215	1-216-025-91	RES,CHIP 100	5% 1/10W
Q1506	8-729-107-46	TRANSISTOR 2SC3624A-T1L15L16		R1216	1-216-025-91	RES,CHIP 100	5% 1/10W
Q1507	8-729-027-23	TRANSISTOR RT1P141C-TP-1		R1217	1-216-025-91	RES,CHIP 100	5% 1/10W
				R1218	1-216-049-91	RES,CHIP 1K	5% 1/10W

# DIGITAL

Ref. No.	Part No.	Description			Remarks	Ref. No.	Part No.	Description			Remarks
R1219	1-216-049-91	RES,CHIP	1K	5%	1/10W	R1284	1-216-105-91	RES,CHIP	220K	5%	1/10W
R1220	1-216-049-91	RES,CHIP	1K	5%	1/10W	R1285	1-216-049-91	RES,CHIP	1K	5%	1/10W
R1221	1-216-073-00	METAL CHIP	10K	5%	1/10W	R1286	1-216-049-91	RES,CHIP	1K	5%	1/10W
R1223	1-216-073-00	METAL CHIP	10K	5%	1/10W	R1287	1-216-097-91	RES,CHIP	100K	5%	1/10W
R1224	1-216-089-91	RES,CHIP	47K	5%	1/10W	R1288	1-216-049-91	RES,CHIP	1K	5%	1/10W
R1225	1-216-689-11	METAL CHIP	39K	0.5%	1/10W	R1289	1-216-049-91	RES,CHIP	1K	5%	1/10W
R1226	1-216-689-11	METAL CHIP	39K	0.5%	1/10W	R1290	1-216-093-91	RES,CHIP	68K	5%	1/10W
R1228	1-216-075-00	METAL CHIP	12K	5%	1/10W	R1291	1-216-073-00	METAL CHIP	10K	5%	1/10W
R1229	1-216-065-91	RES,CHIP	4.7K	5%	1/10W	R1292	1-216-049-91	RES,CHIP	1K	5%	1/10W
R1230	1-216-065-91	RES,CHIP	4.7K	5%	1/10W	R1294	1-216-073-00	METAL CHIP	10K	5%	1/10W
R1231	1-216-073-00	METAL CHIP	10K	5%	1/10W	R1301	1-216-073-00	METAL CHIP	10K	5%	1/10W
R1232	1-216-065-91	RES,CHIP	4.7K	5%	1/10W	R1302	1-216-073-00	METAL CHIP	10K	5%	1/10W
R1233	1-216-065-91	RES,CHIP	4.7K	5%	1/10W	R1401	1-216-025-91	RES,CHIP	100	5%	1/10W
R1234	1-216-065-91	RES,CHIP	4.7K	5%	1/10W	R1402	1-216-025-91	RES,CHIP	100	5%	1/10W
R1235	1-216-065-91	RES,CHIP	4.7K	5%	1/10W	R1403	1-216-025-91	RES,CHIP	100	5%	1/10W
R1236	1-216-065-91	RES,CHIP	4.7K	5%	1/10W	R1404	1-216-097-91	RES,CHIP	100K	5%	1/10W
R1237	1-216-065-91	RES,CHIP	4.7K	5%	1/10W	R1405	1-216-121-91	RES,CHIP	1M	5%	1/10W
R1238	1-216-065-91	RES,CHIP	4.7K	5%	1/10W	R1406	1-216-073-00	METAL CHIP	10K	5%	1/10W
R1239	1-216-073-00	METAL CHIP	10K	5%	1/10W	R1407	1-216-025-91	RES,CHIP	100	5%	1/10W
R1240	1-216-073-00	METAL CHIP	10K	5%	1/10W	R1408	1-216-025-91	RES,CHIP	100	5%	1/10W
R1241	1-216-073-00	METAL CHIP	10K	5%	1/10W	R1409	1-216-025-91	RES,CHIP	100	5%	1/10W
R1242	1-216-049-91	RES,CHIP	1K	5%	1/10W	R1410	1-216-295-91	SHORT	0		
R1243	1-216-073-00	METAL CHIP	10K	5%	1/10W	R1412	1-216-065-91	RES,CHIP	4.7K	5%	1/10W
R1244	1-216-049-91	RES,CHIP	1K	5%	1/10W	R1413	1-216-065-91	RES,CHIP	4.7K	5%	1/10W
R1245	1-216-049-91	RES,CHIP	1K	5%	1/10W	R1414	1-216-065-91	RES,CHIP	4.7K	5%	1/10W
R1246	1-216-049-91	RES,CHIP	1K	5%	1/10W	R1415	1-216-065-91	RES,CHIP	4.7K	5%	1/10W
R1247	1-216-073-00	METAL CHIP	10K	5%	1/10W	R1416	1-216-065-91	RES,CHIP	4.7K	5%	1/10W
R1248	1-216-073-00	METAL CHIP	10K	5%	1/10W	R1417	1-216-065-91	RES,CHIP	4.7K	5%	1/10W
R1249	1-216-049-91	RES,CHIP	1K	5%	1/10W	R1418	1-216-065-91	RES,CHIP	4.7K	5%	1/10W
R1250	1-216-025-91	RES,CHIP	100	5%	1/10W	R1419	1-216-065-91	RES,CHIP	4.7K	5%	1/10W
R1252	1-216-057-00	METAL CHIP	2.2K	5%	1/10W	R1420	1-216-065-91	RES,CHIP	4.7K	5%	1/10W
R1253	1-216-057-00	METAL CHIP	2.2K	5%	1/10W	R1421	1-216-065-91	RES,CHIP	4.7K	5%	1/10W
R1254	1-216-057-00	METAL CHIP	2.2K	5%	1/10W	R1422	1-216-025-91	RES,CHIP	100	5%	1/10W
R1255	1-216-057-00	METAL CHIP	2.2K	5%	1/10W	R1501	1-216-295-91	SHORT	0		
R1256	1-216-057-00	METAL CHIP	2.2K	5%	1/10W	R1502	1-216-295-91	SHORT	0		
R1257	1-216-057-00	METAL CHIP	2.2K	5%	1/10W	R1503	1-216-073-00	METAL CHIP	10K	5%	1/10W
R1258	1-216-057-00	METAL CHIP	2.2K	5%	1/10W	R1504	1-216-049-91	RES,CHIP	1K	5%	1/10W
R1259	1-216-073-00	METAL CHIP	10K	5%	1/10W	R1505	1-216-009-91	RES,CHIP	22	5%	1/10W
R1261	1-216-057-00	METAL CHIP	2.2K	5%	1/10W	R1506	1-216-009-91	RES,CHIP	22	5%	1/10W
R1262	1-216-057-00	METAL CHIP	2.2K	5%	1/10W	R1508	1-216-033-00	METAL CHIP	220	5%	1/10W
R1263	1-216-057-00	METAL CHIP	2.2K	5%	1/10W	R1509	1-216-097-91	RES,CHIP	100K	5%	1/10W
R1264	1-216-049-91	RES,CHIP	1K	5%	1/10W	R1510	1-216-033-00	METAL CHIP	220	5%	1/10W
R1265	1-216-049-91	RES,CHIP	1K	5%	1/10W	R1511	1-216-089-91	RES,CHIP	47K	5%	1/10W
R1266	1-216-049-91	RES,CHIP	1K	5%	1/10W	R1512	1-216-033-00	METAL CHIP	220	5%	1/10W
R1268	1-216-073-00	METAL CHIP	10K	5%	1/10W	R1513	1-216-033-00	METAL CHIP	220	5%	1/10W
R1269	1-216-093-91	RES,CHIP	68K	5%	1/10W	R1514	1-216-033-00	METAL CHIP	220	5%	1/10W
R1270	1-216-049-91	RES,CHIP	1K	5%	1/10W	R1515	1-216-033-00	METAL CHIP	220	5%	1/10W
R1271	1-216-073-00	METAL CHIP	10K	5%	1/10W	R1516	1-216-097-91	RES,CHIP	100K	5%	1/10W
R1272	1-216-073-00	METAL CHIP	10K	5%	1/10W	R1517	1-216-081-00	METAL CHIP	22K	5%	1/10W
R1273	1-216-049-91	RES,CHIP	1K	5%	1/10W	R1518	1-216-097-91	RES,CHIP	100K	5%	1/10W
R1274	1-216-065-91	RES,CHIP	4.7K	5%	1/10W	R1519	1-216-049-91	RES,CHIP	1K	5%	1/10W
R1275	1-216-049-91	RES,CHIP	1K	5%	1/10W	R1522	1-216-073-00	METAL CHIP	10K	5%	1/10W
R1276	1-216-049-91	RES,CHIP	1K	5%	1/10W	R1523	1-216-057-00	METAL CHIP	2.2K	5%	1/10W
R1277	1-216-049-91	RES,CHIP	1K	5%	1/10W	R1524	1-216-037-00	METAL CHIP	330	5%	1/10W
R1278	1-216-057-00	METAL CHIP	2.2K	5%	1/10W	R1525	1-216-073-00	METAL CHIP	10K	5%	1/10W
R1279	1-216-049-91	RES,CHIP	1K	5%	1/10W	R1526	1-216-037-00	METAL CHIP	330	5%	1/10W
R1280	1-216-081-00	METAL CHIP	22K	5%	1/10W	R1527	1-216-073-00	METAL CHIP	10K	5%	1/10W
R1281	1-216-049-91	RES,CHIP	1K	5%	1/10W	R1528	1-216-049-91	RES,CHIP	1K	5%	1/10W
R1282	1-216-049-91	RES,CHIP	1K	5%	1/10W	R1529	1-216-049-91	RES,CHIP	1K	5%	1/10W
R1283	1-216-073-00	METAL CHIP	10K	5%	1/10W	R1530	1-216-049-91	RES,CHIP	1K	5%	1/10W

DIGITAL

DISPLAY

Ref. No.	Part No.	Description	Remarks	Ref. No.	Part No.	Description	Remarks
R1532	1-216-085-00	METAL CHIP	33K 5% 1/10W	R1595	1-216-073-00	METAL CHIP	10K 5% 1/10W
R1533	1-216-089-91	RES,CHIP	47K 5% 1/10W	R1596	1-216-073-00	METAL CHIP	10K 5% 1/10W
R1534	1-216-089-91	RES,CHIP	47K 5% 1/10W	R1597	1-216-073-00	METAL CHIP	10K 5% 1/10W
R1535	1-216-089-91	RES,CHIP	47K 5% 1/10W	R1598	1-216-073-00	METAL CHIP	10K 5% 1/10W
R1536	1-216-089-91	RES,CHIP	47K 5% 1/10W	R1599	1-216-073-00	METAL CHIP	10K 5% 1/10W
R1537	1-216-085-00	METAL CHIP	33K 5% 1/10W	R3121	1-216-043-91	RES,CHIP	560 5% 1/10W
R1538	1-216-089-91	RES,CHIP	47K 5% 1/10W			< VIBRATOR >	
R1539	1-216-097-91	RES,CHIP	100K 5% 1/10W	X1201	1-781-356-21	VIBRATOR, CERAMIC(16MHZ)	
R1540	1-216-089-91	RES,CHIP	47K 5% 1/10W	X1401	1-781-464-21	VIBRATOR, CERAMIC(10MHZ)	
R1541	1-216-085-00	METAL CHIP	33K 5% 1/10W	X3501	1-781-465-21	VIBRATOR, CRYSTAL(12.288MHZ)	
R1542	1-216-089-91	RES,CHIP	47K 5% 1/10W	*****			
R1543	1-216-081-00	METAL CHIP	22K 5% 1/10W	*	A-4419-393-A	DISPLAY BOARD, COMPLETE (US,CND)	
R1544	1-216-089-91	RES,CHIP	47K 5% 1/10W			*****	
R1545	1-216-085-00	METAL CHIP	33K 5% 1/10W	*	A-4419-395-A	DISPLAY BOARD, COMPLETE (AEP)	
R1546	1-216-089-91	RES,CHIP	47K 5% 1/10W			*****	
R1547	1-216-097-91	RES,CHIP	100K 5% 1/10W				
R1548	1-216-089-91	RES,CHIP	47K 5% 1/10W				
R1549	1-216-085-00	METAL CHIP	33K 5% 1/10W	*	4-921-941-01	CUSHION (FL)	
R1550	1-216-089-91	RES,CHIP	47K 5% 1/10W	*	4-990-797-01	HOLDER (FL)	
R1551	1-216-089-91	RES,CHIP	47K 5% 1/10W			< CAPACITOR >	
R1552	1-216-089-91	RES,CHIP	47K 5% 1/10W	C101	1-126-786-11	ELECT	47uF 20% 16V
R1553	1-216-085-00	METAL CHIP	33K 5% 1/10W	C103	1-165-319-11	CERAMIC CHIP	0.1uF 50V
R1554	1-216-089-91	RES,CHIP	47K 5% 1/10W	C104	1-165-319-11	CERAMIC CHIP	0.1uF 50V
R1555	1-216-295-91	SHORT	0	C105	1-104-905-11	CAPACITOR	0.22F 5.5V
R1556	1-216-081-00	METAL CHIP	22K 5% 1/10W	C106	1-165-319-11	CERAMIC CHIP	0.1uF 50V
R1557	1-216-295-91	SHORT	0	C107	1-126-786-11	ELECT	47uF 20% 16V
R1558	1-216-025-91	RES,CHIP	100 5% 1/10W	C108	1-165-319-11	CERAMIC CHIP	0.1uF 50V
R1559	1-216-089-91	RES,CHIP	47K 5% 1/10W	C109	1-165-319-11	CERAMIC CHIP	0.1uF 50V
R1560	1-216-097-91	RES,CHIP	100K 5% 1/10W	C110	1-165-319-11	CERAMIC CHIP	0.1uF 50V
R1561	1-216-097-91	RES,CHIP	100K 5% 1/10W	C111	1-165-319-11	CERAMIC CHIP	0.1uF 50V
R1562	1-216-097-91	RES,CHIP	100K 5% 1/10W	C113	1-165-319-11	CERAMIC CHIP	0.1uF 50V
R1563	1-216-097-91	RES,CHIP	100K 5% 1/10W	C114	1-126-795-11	ELECT	10uF 20% 50V
R1564	1-216-097-91	RES,CHIP	100K 5% 1/10W	C115	1-163-021-91	CERAMIC CHIP	0.01uF 10% 50V
R1565	1-216-097-91	RES,CHIP	100K 5% 1/10W	C116	1-163-021-91	CERAMIC CHIP	0.01uF 10% 50V
R1566	1-216-097-91	RES,CHIP	100K 5% 1/10W	C117	1-165-319-11	CERAMIC CHIP	0.1uF 50V
R1568	1-216-081-00	METAL CHIP	22K 5% 1/10W	C118	1-165-319-11	CERAMIC CHIP	0.1uF 50V
R1569	1-216-097-91	RES,CHIP	100K 5% 1/10W	C119	1-165-319-11	CERAMIC CHIP	0.1uF 50V
R1570	1-216-065-91	RES,CHIP	4.7K 5% 1/10W	C120	1-126-786-11	ELECT	47uF 20% 16V
R1571	1-216-065-91	RES,CHIP	4.7K 5% 1/10W	C121	1-165-319-11	CERAMIC CHIP	0.1uF 50V
R1572	1-216-073-00	METAL CHIP	10K 5% 1/10W	C122	1-165-319-11	CERAMIC CHIP	0.1uF 50V
R1573	1-216-057-00	METAL CHIP	2.2K 5% 1/10W			< CONNECTOR >	
R1574	1-216-037-00	METAL CHIP	330 5% 1/10W	CNN1	1-564-718-11	PIN, CONNECTOR (SMALL TYPE) 2P (US,CND)	
R1575	1-216-073-00	METAL CHIP	10K 5% 1/10W	CNP104	1-784-919-11	CONNECTOR, PC BOARD (PLUG) 5P	
R1576	1-216-037-00	METAL CHIP	330 5% 1/10W	*	CNP105	1-564-719-11	PIN, CONNECTOR (SMALL TYPE) 3P
R1577	1-216-073-00	METAL CHIP	10K 5% 1/10W	CNP106	1-784-919-11	CONNECTOR, PC BOARD (PLUG) 5P	
R1578	1-216-049-91	RES,CHIP	1K 5% 1/10W	CNP110	1-785-821-11	CONNECTOR, BOARD TO BOARD 6P	
R1579	1-216-049-91	RES,CHIP	1K 5% 1/10W	CNP111	1-785-821-11	CONNECTOR, BOARD TO BOARD 6P	
R1580	1-216-049-91	RES,CHIP	1K 5% 1/10W	CNS101	1-569-308-11	SOCKET, CONNECTOR (L TYRE) 19P	
R1581	1-216-081-00	METAL CHIP	22K 5% 1/10W	CNS103	1-770-397-11	HOUSING, CONNECTOR(PC BOARD)4P	
R1582	1-216-089-91	RES,CHIP	47K 5% 1/10W			< DIODE >	
R1583	1-216-097-91	RES,CHIP	100K 5% 1/10W	D102	8-719-053-18	DIODE 1SR154-400TE-25	
R1584	1-216-089-91	RES,CHIP	47K 5% 1/10W	D103	8-719-016-74	DIODE 1SS352-TPH3	
R1585	1-216-081-00	METAL CHIP	22K 5% 1/10W	D104	8-719-075-59	DIODE SELS5B23CTP15 (DCS)	
R1586	1-216-105-91	RES,CHIP	220K 5% 1/10W	D105	8-719-313-45	DIODE SEL6810A-TH10 (EQUALIZER)	
R1587	1-216-105-91	RES,CHIP	220K 5% 1/10W	D106	8-719-313-45	DIODE SEL6810A-TH10 (BASS BOOST)	
R1588	1-216-105-91	RES,CHIP	220K 5% 1/10W				
R1589	1-216-105-91	RES,CHIP	220K 5% 1/10W				
R1590	1-216-105-91	RES,CHIP	220K 5% 1/10W				
R1591	1-216-105-91	RES,CHIP	220K 5% 1/10W				
R1594	1-216-073-00	METAL CHIP	10K 5% 1/10W				

<b>DISPLAY</b>	<b>H.P</b>	<b>JOINT</b>	<b>LED</b>
----------------	------------	--------------	------------

Ref. No.	Part No.	Description	Remarks
D107	8-719-016-74	DIODE 1SS352-TPH3	
D108	8-719-016-74	DIODE 1SS352-TPH3	
D113	8-719-016-74	DIODE 1SS352-TPH3 (AEP)	
D180	8-719-016-74	DIODE 1SS352-TPH3	
< FLUORESCENT INDICATOR TUBE >			
FL101	1-517-781-11	INDICATOR TUBE, FLUORESCENT	
< IC >			
IC101	8-759-459-85	IC NJL63H400A	
IC102	8-759-577-32	IC MB90553APF-G-138-BND	
IC103	8-759-075-35	IC TD62C950RF	
IC104	8-759-389-51	IC MSC1164GS-KR1	
IC105	8-759-589-67	IC BA6208F-E2	
< TRANSISTOR >			
Q101	8-729-216-22	TRANSISTOR 2SA1162-YG-TE85L	
Q102	8-729-027-23	TRANSISTOR RT1P141C-TP-1	
Q108	8-729-027-43	TRANSISTOR RT1N141C-TP-1	
Q109	8-729-230-49	TRANSISTOR 2SC2712-YG-TE85L	
QQ1	8-729-216-22	TRANSISTOR 2SA1162-YG-TE85L (US,CND)	
< RESISTOR >			
R101	1-216-049-91	RES,CHIP 1K	5% 1/10W
R102	1-216-049-91	RES,CHIP 1K	5% 1/10W
R103	1-216-049-91	RES,CHIP 1K	5% 1/10W
R104	1-216-037-00	METAL CHIP 330	5% 1/10W
R105	1-216-049-91	RES,CHIP 1K	5% 1/10W
R106	1-216-065-91	RES,CHIP 4.7K	5% 1/10W
R107	1-216-065-91	RES,CHIP 4.7K	5% 1/10W
R108	1-216-065-91	RES,CHIP 4.7K	5% 1/10W
R109	1-216-065-91	RES,CHIP 4.7K	5% 1/10W
R110	1-216-065-91	RES,CHIP 4.7K	5% 1/10W
R111	1-216-065-91	RES,CHIP 4.7K	5% 1/10W
R112	1-216-065-91	RES,CHIP 4.7K	5% 1/10W
R113	1-216-073-00	METAL CHIP 10K	5% 1/10W
R114	1-216-073-00	METAL CHIP 10K	5% 1/10W
R116	1-216-049-91	RES,CHIP 1K	5% 1/10W
R117	1-216-049-91	RES,CHIP 1K	5% 1/10W
R118	1-216-049-91	RES,CHIP 1K	5% 1/10W
R119	1-216-049-91	RES,CHIP 1K	5% 1/10W
R120	1-216-049-91	RES,CHIP 1K	5% 1/10W
R121	1-216-081-00	METAL CHIP 22K	5% 1/10W
R122	1-216-081-00	METAL CHIP 22K	5% 1/10W
R123	1-216-001-00	METAL CHIP 10	5% 1/10W
R124	1-216-073-00	METAL CHIP 10K	5% 1/10W
R125	1-216-065-91	RES,CHIP 4.7K	5% 1/10W
R126	1-216-073-00	METAL CHIP 10K	5% 1/10W
R127	1-216-037-00	METAL CHIP 330	5% 1/10W
R129	1-216-025-91	RES,CHIP 100	5% 1/10W
R130	1-216-097-91	RES,CHIP 100K	5% 1/10W
R137	1-216-073-00	METAL CHIP 10K	5% 1/10W
R138	1-216-049-91	RES,CHIP 1K	5% 1/10W
R141	1-216-065-91	RES,CHIP 4.7K	5% 1/10W
R142	1-216-049-91	RES,CHIP 1K	5% 1/10W
(AEP)			
R143	1-216-073-00	METAL CHIP 10K	5% 1/10W
R144	1-216-001-00	METAL CHIP 10	5% 1/10W
R145	1-216-089-91	RES,CHIP 47K	5% 1/10W

Ref. No.	Part No.	Description	Remarks
R146	1-216-081-00	METAL CHIP 22K	5% 1/10W
R147	1-216-089-91	RES,CHIP 47K	5% 1/10W
R148	1-249-385-11	CARBON 2.2	5% 1/6W F
R149	1-249-385-11	CARBON 2.2	5% 1/6W F
R190	1-216-097-91	RES,CHIP 100K	5% 1/10W
R191	1-216-097-91	RES,CHIP 100K	5% 1/10W
R192	1-216-097-91	RES,CHIP 100K	5% 1/10W
RR1	1-216-073-00	METAL CHIP 10K	5% 1/10W
(US,CND)			
RR24	1-216-089-91	RES,CHIP 47K	5% 1/10W
RR25	1-216-089-91	RES,CHIP 47K	5% 1/10W
RR26	1-216-089-91	RES,CHIP 47K	5% 1/10W
RR27	1-216-089-91	RES,CHIP 47K	5% 1/10W
RR28	1-216-089-91	RES,CHIP 47K	5% 1/10W
RR51	1-216-029-00	METAL CHIP 150	5% 1/10W
RR52	1-216-029-00	METAL CHIP 150	5% 1/10W
RR53	1-216-029-00	METAL CHIP 150	5% 1/10W
RR54	1-216-037-00	METAL CHIP 330	5% 1/10W
RR55	1-216-037-00	METAL CHIP 330	5% 1/10W
< SWITCH >			
S148	1-771-349-21	SWITCH, KEYBOARD (DISPLAY)	
S149	1-771-349-21	SWITCH, KEYBOARD (DIMMER)	
< VIBRATOR >			
X101	1-781-356-21	VIBRATOR, CERAMIC (16MHz)	
*****			
*	1-673-349-11	H.P BOARD	*****
< CAPACITOR >			
CNP751	1-779-978-11	PIN, CONNECTOR 3P	
< EARTH TERMINAL >			
* EB701	1-537-738-21	TERMINAL, EARTH	
< JACK >			
J701	1-750-735-11	JACK (LARGE TYPE)(PHONESE)	
*****			
	1-673-940-11	JOINT BOARD	*****
< CONNECTOR >			
CNP211	1-695-089-11	PIN, CONNECTOR (PC BOARD) 11P	
CNP212	1-695-089-11	PIN, CONNECTOR (PC BOARD) 11P	
*****			
*	1-673-350-11	LED BOARD	*****
< CAPACITOR >			
C125	1-165-319-11	CERAMIC CHIP 0.1uF	50V



Ref. No.	Part No.	Description	Remarks	Ref. No.	Part No.	Description	Remarks
		< LED >					
D100	8-719-070-83	LED SELU5E20C-TP15 (MULTI CANNEL DECORDER)		C504	1-107-586-11	CERAMIC	6PF 0.5PF 500V
		*****		C505	1-126-934-11	ELECT	220uF 20% 10V
				C506	1-106-351-00	MYLAR	2200PF 5% 200V
				C507	1-106-351-00	MYLAR	2200PF 5% 200V
				C520	1-104-664-11	ELECT	47uF 20% 16V
*	A-4419-379-A	MAIN BOARD, COMPLETE (US) *****		C521	1-107-597-11	CERAMIC	22PF 10% 500V
*	A-4419-380-A	MAIN BOARD, COMPLETE (CND) *****		C522	1-107-597-11	CERAMIC	22PF 10% 500V
*	A-4419-382-A	MAIN BOARD, COMPLETE (AEP) *****		C523	1-162-286-31	CERAMIC	220PF 10% 50V
		< CAPACITOR >		C524	1-126-964-11	ELECT	10uF 20% 50V
C301	1-126-961-11	ELECT	2.2uF 20% 50V	C525	1-136-157-00	FILM	0.022uF 5% 50V
C302	1-162-283-31	CERAMIC	120PF 10% 50V				
			(AEP)	C526	1-136-153-00	FILM	0.01uF 5% 50V
C303	1-126-934-11	ELECT	220uF 20% 10V	C539	1-164-079-11	CERAMIC	330PF 10% 50V
C304	1-125-896-91	MYLAR	0.0091uF 5% 50V	C549	1-102-934-00	CERAMIC	1.0PF 0.25PF 50V
C305	1-136-159-00	FILM	0.033uF 5% 50V	C551	1-126-965-11	ELECT	22uF 20% 50V
				C552	1-102-108-00	CERAMIC	150PF 10% 50V
C306	1-126-961-11	ELECT	2.2uF 20% 50V				
C307	1-164-070-11	CERAMIC	100PF 5% 50V	C553	1-102-233-00	CERAMIC	33PF 10% 500V
C308	1-162-286-31	CERAMIC	220PF 10% 50V	C554	1-107-586-11	CERAMIC	6PF 0.5PF 500V
C310	1-162-294-31	CERAMIC	0.001uF 10% 50V	C555	1-126-934-11	ELECT	220uF 20% 10V
C311	1-126-965-11	ELECT	22uF 20% 50V	C556	1-106-351-00	MYLAR	2200PF 5% 200V
				C557	1-106-351-00	MYLAR	2200PF 5% 200V
C331	1-126-965-11	ELECT	22uF 20% 50V	C570	1-104-664-11	ELECT	47uF 20% 16V
C351	1-126-961-11	ELECT	2.2uF 20% 50V	C571	1-107-597-11	CERAMIC	22PF 10% 500V
C352	1-162-283-31	CERAMIC	120PF 10% 50V	C572	1-107-597-11	CERAMIC	22PF 10% 500V
			(AEP)	C573	1-162-286-31	CERAMIC	220PF 10% 50V
C353	1-126-934-11	ELECT	220uF 20% 10V	C574	1-126-964-11	ELECT	10uF 20% 50V
C354	1-125-896-91	MYLAR	0.0091uF 5% 50V				
				C575	1-136-157-00	FILM	0.022uF 5% 50V
C355	1-136-159-00	FILM	0.033uF 5% 50V	C576	1-136-153-00	FILM	0.01uF 5% 50V
C356	1-126-961-11	ELECT	2.2uF 20% 50V	C580	1-162-282-31	CERAMIC	100PF 10% 50V
C357	1-164-070-11	CERAMIC	100PF 5% 50V	C589	1-164-079-11	CERAMIC	330PF 10% 50V
C358	1-162-286-31	CERAMIC	220PF 10% 50V	C590	1-126-935-11	ELECT	470uF 20% 6.3V
C360	1-162-294-31	CERAMIC	0.001uF 10% 50V				(US,CND)
				C590	1-128-834-11	ELECT	470uF 20% 10V
C361	1-126-965-11	ELECT	22uF 20% 50V				(AEP)
C362	1-126-965-11	ELECT	22uF 20% 50V	C594	1-128-560-11	ELECT	22uF 20% 100V
C388	1-126-933-11	ELECT	100uF 20% 16V	C595	1-128-560-11	ELECT	22uF 20% 100V
C389	1-126-933-11	ELECT	100uF 20% 16V	C598	1-126-965-11	ELECT	22uF 20% 50V
C392	1-104-664-11	ELECT	47uF 20% 16V	C599	1-102-934-00	CERAMIC	1.0PF 0.25PF 50V
C394	1-104-664-11	ELECT	47uF 20% 16V	C601	1-126-965-11	ELECT	22uF 20% 50V
C395	1-162-282-31	CERAMIC	100PF 10% 50V	C602	1-102-108-00	CERAMIC	150PF 10% 50V
C396	1-104-664-11	ELECT	47uF 20% 16V	C603	1-102-233-00	CERAMIC	33PF 10% 500V
C397	1-104-664-11	ELECT	47uF 20% 16V	C604	1-107-586-11	CERAMIC	6PF 0.5PF 500V
C398	1-162-282-31	CERAMIC	100PF 10% 50V	C605	1-126-934-11	ELECT	220uF 20% 10V
C416	1-126-965-11	ELECT	22uF 20% 50V	C606	1-106-351-00	MYLAR	2200PF 5% 200V
C417	1-126-965-11	ELECT	22uF 20% 50V	C607	1-106-351-00	MYLAR	2200PF 5% 200V
C418	1-126-965-11	ELECT	22uF 20% 50V	C620	1-104-664-11	ELECT	47uF 20% 16V
C419	1-162-282-31	CERAMIC	100PF 10% 50V	C621	1-107-597-11	CERAMIC	22PF 10% 500V
C466	1-126-965-11	ELECT	22uF 20% 50V	C622	1-107-597-11	CERAMIC	22PF 10% 500V
C467	1-126-965-11	ELECT	22uF 20% 50V	C623	1-162-286-31	CERAMIC	220PF 10% 50V
C468	1-126-965-11	ELECT	22uF 20% 50V	C624	1-126-964-11	ELECT	10uF 20% 50V
C481	1-136-173-00	FILM	0.47uF 5% 50V	C625	1-136-157-00	FILM	0.022uF 5% 50V
C482	1-136-173-00	FILM	0.47uF 5% 50V	C626	1-136-153-00	FILM	0.01uF 5% 50V
C496	1-126-933-11	ELECT	100uF 20% 16V	C639	1-164-079-11	CERAMIC	330PF 10% 50V
C497	1-126-933-11	ELECT	100uF 20% 16V	C649	1-102-934-00	CERAMIC	1.0PF 0.25PF 50V
C499	1-104-664-11	ELECT	47uF 20% 16V	C651	1-126-965-11	ELECT	22uF 20% 50V
C501	1-126-965-11	ELECT	22uF 20% 50V	C652	1-102-108-00	CERAMIC	150PF 10% 50V
C502	1-102-108-00	CERAMIC	150PF 10% 50V	C653	1-102-233-00	CERAMIC	33PF 10% 500V
C503	1-102-233-00	CERAMIC	33PF 10% 500V	C654	1-107-586-11	CERAMIC	6PF 0.5PF 500V



# MAIN

Ref. No.	Part No.	Description	Remarks	Ref. No.	Part No.	Description	Remarks
C655	1-126-934-11	ELECT	220uF 20% 10V	D554	8-719-911-19	DIODE 1SS133T-72	
C680	1-162-282-31	CERAMIC	100PF 10% 50V	D555	8-719-911-19	DIODE 1SS133T-72	
C689	1-164-079-11	CERAMIC	330PF 10% 50V	D556	8-719-911-19	DIODE 1SS133T-72	
C699	1-102-934-00	CERAMIC	1.0PF 0.25PF 50V	D598	8-719-911-19	DIODE 1SS133T-72	
C801	1-136-153-00	FILM	0.01uF 5% 50V	D599	8-719-911-19	DIODE 1SS133T-72	
C802	1-136-153-00	FILM	0.01uF 5% 50V	D601	8-719-911-19	DIODE 1SS133T-72	
C803	1-136-153-00	FILM	0.01uF 5% 50V	D602	8-719-109-51	DIODE MTZJ-T-72-2.2	
C804	1-136-153-00	FILM	0.01uF 5% 50V	D603	8-719-109-51	DIODE MTZJ-T-72-2.2	
C811	1-126-953-11	ELECT	2200uF 20% 35V	D604	8-719-911-19	DIODE 1SS133T-72	
C812	1-126-952-11	ELECT	1000uF 20% 35V	D605	8-719-911-19	DIODE 1SS133T-72	
C813	1-126-937-11	ELECT	4700uF 20% 16V	D606	8-719-911-19	DIODE 1SS133T-72	
C993	1-126-960-11	ELECT	1uF 20% 50V	D607	8-719-911-19	DIODE 1SS133T-72	
CC04	1-164-070-11	CERAMIC	100PF 5% 50V	D608	8-719-911-19	DIODE 1SS133T-72	
CC05	1-164-070-11	CERAMIC	100PF 5% 50V	D649	8-719-911-19	DIODE 1SS133T-72	
CC06	1-164-070-11	CERAMIC	100PF 5% 50V	D681	8-719-911-19	DIODE 1SS133T-72	
CC08	1-164-070-11	CERAMIC	100PF 5% 50V	D698	8-719-911-19	DIODE 1SS133T-72	
CC09	1-164-070-11	CERAMIC	100PF 5% 50V	D802	8-719-024-99	DIODE 11ES2-NTA2B	
CC10	1-164-070-11	CERAMIC	100PF 5% 50V	D803	8-719-024-99	DIODE 11ES2-NTA2B	
CC11	1-164-070-11	CERAMIC	100PF 5% 50V	D804	8-719-024-99	DIODE 11ES2-NTA2B	
CC12	1-164-070-11	CERAMIC	100PF 5% 50V	D805	8-719-024-99	DIODE 11ES2-NTA2B	
CC13	1-164-070-11	CERAMIC	100PF 5% 50V	D806	8-719-024-99	DIODE 11ES2-NTA2B	
CC54	1-164-070-11	CERAMIC	100PF 5% 50V	D807	8-719-024-99	DIODE 11ES2-NTA2B	
CC55	1-164-070-11	CERAMIC	100PF 5% 50V	D808	8-719-024-99	DIODE 11ES2-NTA2B	
CC56	1-164-070-11	CERAMIC	100PF 5% 50V	D809	8-719-024-99	DIODE 11ES2-NTA2B	
CC58	1-164-070-11	CERAMIC	100PF 5% 50V			< EARTH TERMINAL >	
CC59	1-164-070-11	CERAMIC	100PF 5% 50V	* EB301	1-537-738-21	TERMINAL, EARTH	
CC60	1-164-070-11	CERAMIC	100PF 5% 50V	* EB302	1-537-738-21	TERMINAL, EARTH	
CC61	1-164-070-11	CERAMIC	100PF 5% 50V			< FUSE >	
CC62	1-164-070-11	CERAMIC	100PF 5% 50V	△ F803	1-532-504-51	FUSE TIME LAG 4A/250V (AEP)	
CC63	1-164-070-11	CERAMIC	100PF 5% 50V	△ F804	1-533-419-11	FUSE, GLASS CYLINDRICAL (DIA.5) 4A/125V (US,CND)	
		< CONNECTOR >		△ F804	1-532-504-51	FUSE TIME LAG 4A/250V (AEP)	
CNP303	1-779-977-11	PIN, CONNECTOR 6P		△ F805	1-533-419-11	FUSE, GLASS CYLINDRICAL (DIA.5) 4A/125V (US,CND)	
CNP601	1-785-104-11	PIN, CONNECTOR 6P		△ F805	1-532-504-51	FUSE TIME LAG 4A/250V (AEP)	
CNP602	1-785-102-21	PIN, CONNECTOR 4P		△ F805	1-533-419-11	FUSE, GLASS CYLINDRICAL (DIA.5) 4A/125V (US,CND)	
CNP751	1-779-978-11	PIN, CONNECTOR 3P		△ F805	1-532-504-51	FUSE TIME LAG 4A/250V (AEP)	
CNP801	1-785-102-11	PIN, CONNECTOR 4P				< IC >	
CNP802	1-785-103-11	PIN, CONNECTOR 5P		IC301	8-759-582-64	IC TC9273N-004	
CNS306	1-784-778-11	CONNECTOR, FFC 17P		IC302	8-759-636-74	IC M5218AP-22	
		< DIODE >		IC303	8-759-582-65	IC TC9273N-014	
D490	8-719-210-21	DIODE 11EQS04-NTA2B		IC304	8-759-636-74	IC M5218AP-22	
D491	8-719-210-21	DIODE 11EQS04-NTA2B		IC401	8-759-231-59	IC M5F7815L	
D494	8-719-210-21	DIODE 11EQS04-NTA2B		IC402	8-759-245-87	IC M5F7915L	
D495	8-719-210-21	DIODE 11EQS04-NTA2B		IC404	8-759-708-05	IC NJM78L05A-T3	
D496	8-719-210-21	DIODE 11EQS04-NTA2B		IC414	8-759-534-63	IC TC9299P	
D497	8-719-210-21	DIODE 11EQS04-NTA2B		IC415	8-759-534-63	IC TC9299P	
D501	8-719-911-19	DIODE 1SS133T-72		IC416	8-759-534-63	IC TC9299P	
D502	8-719-109-51	DIODE MTZJ-T-72-2.2		IC501	8-759-326-52	IC uPC2581V	
D503	8-719-109-51	DIODE MTZJ-T-72-2.2		IC601	8-759-326-52	IC uPC2581V	
D504	8-719-911-19	DIODE 1SS133T-72				< JACK >	
D505	8-719-911-19	DIODE 1SS133T-72		J301	1-784-429-11	JACK, PIN 4P (PHONO/CD)	
D506	8-719-911-19	DIODE 1SS133T-72		J302	1-784-429-11	JACK, PIN 4P (MD/TAPE)	
D545	8-719-911-19	DIODE 1SS133T-72		J304	1-784-920-11	JACK, PIN 6P (TV/LD/DVD/VIDEO 2)	
D546	8-719-911-19	DIODE 1SS133T-72		J305	1-784-920-11	JACK, PIN 6P (VIDEO 2/VIDEO 1)	
D547	8-719-911-19	DIODE 1SS133T-72					
D548	8-719-911-19	DIODE 1SS133T-72					
D549	8-719-911-19	DIODE 1SS133T-72					
D551	8-719-911-19	DIODE 1SS133T-72					
D552	8-719-109-51	DIODE MTZJ-T-72-2.2					
D553	8-719-109-51	DIODE MTZJ-T-72-2.2					

The components identified by mark △ or dotted line with mark △ are critical for safety. Replace only with part number specified.	Les composants identifiés par une marque △ sont critiques pour la sécurité. Ne les remplacer que par une pièce portant le numéro spécifié.
--	--

Ref. No.	Part No.	Description	Remarks	Ref. No.	Part No.	Description	Remarks
		< COIL >		R310	1-249-417-11	CARBON 1K 5%	1/4W F
L501	1-411-906-11	COIL, AIR-CORE (AEP)		R311	1-249-417-11	CARBON 1K 5%	1/4W F
L501	1-420-872-00	COIL, AIR-CORE (US,CND)		R312	1-249-417-11	CARBON 1K 5%	1/4W F
L551	1-411-906-11	COIL, AIR-CORE (AEP)		R316	1-249-417-11	CARBON 1K 5%	1/4W F
L551	1-420-872-00	COIL, AIR-CORE (US,CND)		R317	1-249-417-11	CARBON 1K 5%	1/4W F
		< TRANSISTOR >		R318	1-249-417-11	CARBON 1K 5%	1/4W F
Q501	8-729-900-36	TRANSISTOR BA1F4M-TP		R319	1-249-417-11	CARBON 1K 5%	1/4W F
Q503	8-729-900-63	TRANSISTOR BN1F4M-TP		R320	1-249-417-11	CARBON 1K 5%	1/4W F
Q504	8-729-119-76	TRANSISTOR 2SA1115TP-EF		R325	1-249-417-11	CARBON 1K 5%	1/4W F
Q505	8-729-026-08	TRANSISTOR 2SC4495		R331	1-247-887-00	CARBON 220K 5%	1/4W
Q506	8-749-010-25	TRANSISTOR MN2488-OPY-M		R335	1-247-887-00	CARBON 220K 5%	1/4W
Q507	8-749-010-26	TRANSISTOR MP1620-OPY-M		R344	1-247-807-31	CARBON 100 5%	1/4W
Q508	8-729-140-82	TRANSISTOR 2SA988TP-PAFAEA		R345	1-247-807-31	CARBON 100 5%	1/4W
Q509	8-729-281-53	TRANSISTOR 2SC1815GR-TPE2		R346	1-249-397-11	CARBON 22 5%	1/4W F
Q510	8-729-900-63	TRANSISTOR BN1F4M-TP		R347	1-249-397-11	CARBON 22 5%	1/4W F
Q511	8-729-900-63	TRANSISTOR BN1F4M-TP		R351	1-249-401-11	CARBON 47 5%	1/4W F (US,CND)
Q546	8-729-119-79	TRANSISTOR 2SC2785TP-FEK		R351	1-249-425-11	CARBON 4.7K 5%	1/4W F (AEP)
Q547	8-729-140-84	TRANSISTOR 2SC1841TP-PAFAEA		R352	1-249-441-11	CARBON 100K 5%	1/4W
Q548	8-729-119-79	TRANSISTOR 2SC2785TP-FEK		R353	1-249-440-11	CARBON 82K 5%	1/4W
Q549	8-729-140-82	TRANSISTOR 2SA988TP-PAFAEA		R354	1-249-408-11	CARBON 180 5%	1/4W F
Q554	8-729-119-76	TRANSISTOR 2SA1115TP-EF		R355	1-249-428-11	CARBON 8.2K 5%	1/4W F
Q555	8-729-026-08	TRANSISTOR 2SC4495		R356	1-249-441-11	CARBON 100K 5%	1/4W
Q556	8-749-010-25	TRANSISTOR MN2488-OPY-M		R357	1-247-807-31	CARBON 100 5%	1/4W
Q557	8-749-010-26	TRANSISTOR MP1620-OPY-M		R358	1-249-441-11	CARBON 100K 5%	1/4W
Q558	8-729-140-82	TRANSISTOR 2SA988TP-PAFAEA		R359	1-249-413-11	CARBON 470 5%	1/4W F
Q559	8-729-281-53	TRANSISTOR 2SC1815GR-TPE2		R360	1-249-417-11	CARBON 1K 5%	1/4W F
Q560	8-729-900-63	TRANSISTOR BN1F4M-TP		R361	1-249-417-11	CARBON 1K 5%	1/4W F
Q561	8-729-900-63	TRANSISTOR BN1F4M-TP		R362	1-249-417-11	CARBON 1K 5%	1/4W F
Q596	8-729-119-79	TRANSISTOR 2SC2785TP-FEK		R366	1-249-417-11	CARBON 1K 5%	1/4W F
Q598	8-729-140-82	TRANSISTOR 2SA988TP-PAFAEA		R367	1-249-417-11	CARBON 1K 5%	1/4W F
Q599	8-729-140-82	TRANSISTOR 2SA988TP-PAFAEA		R368	1-249-417-11	CARBON 1K 5%	1/4W F
Q601	8-729-119-79	TRANSISTOR 2SC2785TP-FEK		R369	1-249-417-11	CARBON 1K 5%	1/4W F
Q604	8-729-119-76	TRANSISTOR 2SA1115TP-EF		R370	1-249-417-11	CARBON 1K 5%	1/4W F
Q605	8-729-026-08	TRANSISTOR 2SC4495		R375	1-249-417-11	CARBON 1K 5%	1/4W F
Q606	8-749-010-25	TRANSISTOR MN2488-OPY-M		R381	1-247-887-00	CARBON 220K 5%	1/4W
Q607	8-749-010-26	TRANSISTOR MP1620-OPY-M		R385	1-247-887-00	CARBON 220K 5%	1/4W
Q608	8-729-140-82	TRANSISTOR 2SA988TP-PAFAEA		R386	1-249-437-11	CARBON 47K 5%	1/4W
Q609	8-729-281-53	TRANSISTOR 2SC1815GR-TPE2		R391	1-249-437-11	CARBON 47K 5%	1/4W
Q610	8-729-900-63	TRANSISTOR BN1F4M-TP		R394	1-249-397-11	CARBON 22 5%	1/4W F
Q611	8-729-900-63	TRANSISTOR BN1F4M-TP		R395	1-249-397-11	CARBON 22 5%	1/4W F
Q613	8-729-281-53	TRANSISTOR 2SC1815GR-TPE2		R396	1-249-417-11	CARBON 1K 5%	1/4W F
Q645	8-729-119-79	TRANSISTOR 2SC2785TP-FEK		R398	1-249-417-11	CARBON 1K 5%	1/4W F
Q681	8-729-119-79	TRANSISTOR 2SC2785TP-FEK		R501	1-249-417-11	CARBON 1K 5%	1/4W F
Q698	8-729-140-82	TRANSISTOR 2SA988TP-PAFAEA		R502	1-249-439-11	CARBON 68K 5%	1/4W
Q745	8-729-119-79	TRANSISTOR 2SC2785TP-FEK		R503	1-249-439-11	CARBON 68K 5%	1/4W
Q992	8-729-119-79	TRANSISTOR 2SC2785TP-FEK		R504	1-247-843-11	CARBON 3.3K 5%	1/4W
		< RESISTOR >		R505	1-249-437-11	CARBON 47K 5%	1/4W
R301	1-249-401-11	CARBON 47 5%	1/4W F (US,CND)	R509	1-247-807-31	CARBON 100 5%	1/4W
R301	1-249-425-11	CARBON 4.7K 5%	1/4W F (AEP)	R520	1-249-429-11	CARBON 10K 5%	1/4W
R302	1-249-441-11	CARBON 100K 5%	1/4W	R521	1-249-422-11	CARBON 2.7K 5%	1/4W F
R303	1-249-440-11	CARBON 82K 5%	1/4W	R522	1-249-433-11	CARBON 22K 5%	1/4W
R304	1-249-408-11	CARBON 180 5%	1/4W F	R523	1-249-442-11	CARBON 510 5%	1/4W
R305	1-249-428-11	CARBON 8.2K 5%	1/4W F	△R524	1-249-408-11	CARBON 180 5%	1/4W F
R306	1-249-441-11	CARBON 100K 5%	1/4W	△R525	1-249-408-11	CARBON 180 5%	1/4W F
R307	1-247-807-31	CARBON 100 5%	1/4W	△R526	1-234-182-11	ENCAPSULATED COMPONENT	
R308	1-249-441-11	CARBON 100K 5%	1/4W				
R309	1-249-413-11	CARBON 470 5%	1/4W F				

The components identified by mark △ or dotted line with mark △ are critical for safety. Replace only with part number specified.	Les composants identifiés par une marque △ sont critiques pour la sécurité. Ne les remplacer que par une pièce portant le numéro spécifié.
--	--

# MAIN

Ref. No.	Part No.	Description			Remarks	Ref. No.	Part No.	Description			Remarks
R527	1-240-855-91	CARBON	6.2K	5%	1/4W	R620	1-249-429-11	CARBON	10K	5%	1/4W
R528	1-249-425-11	CARBON	4.7K	5%	1/4W F	R621	1-249-422-11	CARBON	2.7K	5%	1/4W F
R529	1-247-866-11	CARBON	30K	5%	1/4W	R622	1-247-881-00	CARBON	120K	5%	1/4W
R530	1-249-421-11	CARBON	2.2K	5%	1/4W F	R623	1-249-442-11	CARBON	510	5%	1/4W
R531	1-249-433-11	CARBON	22K	5%	1/4W	△ R624	1-249-408-11	CARBON	180	5%	1/4W F
R532	1-249-437-11	CARBON	47K	5%	1/4W	△ R625	1-249-408-11	CARBON	180	5%	1/4W F
△ R533	1-249-393-11	CARBON	10	5%	1/4W F	△ R626	1-234-182-11	ENCAPSULATED COMPONENT			
△ R534	1-249-389-11	CARBON	4.7	5%	1/4W F	R627	1-240-855-91	CARBON	6.2K	5%	1/4W
R535	1-249-431-11	CARBON	15K	5%	1/4W	R628	1-249-425-11	CARBON	4.7K	5%	1/4W F
R539	1-249-427-11	CARBON	6.8K	5%	1/4W F	R629	1-247-866-11	CARBON	30K	5%	1/4W
R540	1-249-417-11	CARBON	1K	5%	1/4W F	R630	1-249-421-11	CARBON	2.2K	5%	1/4W F
R541	1-249-429-11	CARBON	10K	5%	1/4W	R631	1-249-433-11	CARBON	22K	5%	1/4W
R542	1-249-429-11	CARBON	10K	5%	1/4W	R632	1-249-437-11	CARBON	47K	5%	1/4W
R547	1-249-425-11	CARBON	4.7K	5%	1/4W F	△ R633	1-249-393-11	CARBON	10	5%	1/4W F
R548	1-249-429-11	CARBON	10K	5%	1/4W	R635	1-249-431-11	CARBON	15K	5%	1/4W
△ R549	1-249-393-11	CARBON	10	5%	1/4W F	R636	1-249-433-11	CARBON	22K	5%	1/4W
R551	1-249-417-11	CARBON	1K	5%	1/4W F	R642	1-216-453-00	METAL OXIDE	270	5%	2W F (US)
R552	1-249-439-11	CARBON	68K	5%	1/4W	R642	1-216-454-11	METAL OXIDE	390	5%	2W F (CND,AEP)
R553	1-249-439-11	CARBON	68K	5%	1/4W	R643	1-249-433-11	CARBON	22K	5%	1/4W
R554	1-247-843-11	CARBON	3.3K	5%	1/4W	R647	1-249-429-11	CARBON	10K	5%	1/4W
R555	1-247-881-00	CARBON	120K	5%	1/4W	R648	1-249-425-11	CARBON	4.7K	5%	1/4W F
R556	1-247-881-00	CARBON	120K	5%	1/4W	△ R649	1-249-393-11	CARBON	10	5%	1/4W F
R559	1-247-807-31	CARBON	100	5%	1/4W	R650	1-249-425-11	CARBON	4.7K	5%	1/4W F
R570	1-249-429-11	CARBON	10K	5%	1/4W	R651	1-249-417-11	CARBON	1K	5%	1/4W F
R571	1-249-422-11	CARBON	2.7K	5%	1/4W F	R652	1-249-439-11	CARBON	68K	5%	1/4W
R572	1-249-433-11	CARBON	22K	5%	1/4W	R653	1-249-439-11	CARBON	68K	5%	1/4W
R573	1-249-442-11	CARBON	510	5%	1/4W	R654	1-247-843-11	CARBON	3.3K	5%	1/4W
△ R574	1-249-408-11	CARBON	180	5%	1/4W F	R655	1-249-409-11	CARBON	220	5%	1/4W F
△ R575	1-249-408-11	CARBON	180	5%	1/4W F	R656	1-249-409-11	CARBON	220	5%	1/4W F
△ R576	1-234-182-11	ENCAPSULATED COMPONENT				R657	1-249-429-11	CARBON	10K	5%	1/4W
R577	1-240-855-91	CARBON	6.2K	5%	1/4W	△ R658	1-249-393-11	CARBON	10	5%	1/4W F
R578	1-249-425-11	CARBON	4.7K	5%	1/4W F	R659	1-247-807-31	CARBON	100	5%	1/4W
R579	1-247-866-11	CARBON	30K	5%	1/4W	R672	1-249-433-11	CARBON	22K	5%	1/4W
R580	1-249-421-11	CARBON	2.2K	5%	1/4W F	R680	1-249-429-11	CARBON	10K	5%	1/4W
R581	1-249-433-11	CARBON	22K	5%	1/4W	R681	1-249-425-11	CARBON	4.7K	5%	1/4W F
R582	1-249-437-11	CARBON	47K	5%	1/4W	△ R682	1-249-393-11	CARBON	10	5%	1/4W F
△ R583	1-249-393-11	CARBON	10	5%	1/4W F	R690	1-249-433-11	CARBON	22K	5%	1/4W
△ R584	1-249-389-11	CARBON	4.7	5%	1/4W F	R695	1-249-419-11	CARBON	1.5K	5%	1/4W F
R585	1-249-431-11	CARBON	15K	5%	1/4W	R696	1-249-431-11	CARBON	15K	5%	1/4W
R586	1-249-429-11	CARBON	10K	5%	1/4W	R739	1-215-868-00	METAL OXIDE	680	5%	1W F
R587	1-249-425-11	CARBON	4.7K	5%	1/4W F	R747	1-249-429-11	CARBON	10K	5%	1/4W
R588	1-249-393-11	CARBON	10	5%	1/4W F	R748	1-249-425-11	CARBON	4.7K	5%	1/4W F
R590	1-249-433-11	CARBON	22K	5%	1/4W	R789	1-215-868-00	METAL OXIDE	680	5%	1W F
R592	1-249-381-11	CARBON	1	5%	1/4W F	R991	1-249-417-11	CARBON	1K	5%	1/4W F
R593	1-249-381-11	CARBON	1	5%	1/4W F	R992	1-249-439-11	CARBON	68K	5%	1/4W
R594	1-249-425-11	CARBON	4.7K	5%	1/4W F	R993	1-249-433-11	CARBON	22K	5%	1/4W
R595	1-249-419-11	CARBON	1.5K	5%	1/4W F	R995	1-249-441-11	CARBON	100K	5%	1/4W
R596	1-249-431-11	CARBON	15K	5%	1/4W	R996	1-249-429-11	CARBON	10K	5%	1/4W
R597	1-249-419-11	CARBON	1.5K	5%	1/4W F						
R599	1-249-431-11	CARBON	15K	5%	1/4W						
R601	1-249-417-11	CARBON	1K	5%	1/4W F						
R602	1-249-439-11	CARBON	68K	5%	1/4W						
R603	1-249-439-11	CARBON	68K	5%	1/4W						
R604	1-249-418-11	CARBON	1.2K	5%	1/4W F						
R609	1-247-807-31	CARBON	100	5%	1/4W						

The components identified by mark △ or dotted line with mark △ are critical for safety. Replace only with part number specified.

Les composants identifiés par une marque △ sont critiques pour la sécurité. Ne les remplacer que par une pièce portant le numéro spécifié.

MAIN

MUTING

REAR-AMP

Ref. No.	Part No.	Description	Remarks
		< RELAY >	
RY501	1-515-920-11	RELAY (24V)	
RY502	1-515-920-11	RELAY (24V)	
RY601	1-515-920-11	RELAY (24V)	
RY602	1-515-793-11	RELAY	
RY681	1-515-793-11	RELAY	
*****			
*	1-673-346-11	MUTING BOARD	*****
		< LED >	
D101	8-719-313-45	LED SEL6810A-TH10 (MUTING)	
		< RESISTOR >	
R134	1-216-041-00	METAL CHIP	470 5% 1/10W
R135	1-216-045-00	METAL CHIP	680 5% 1/10W
R136	1-216-049-91	RES.CHIP	1K 5% 1/10W
		< SWITCH >	
S145	1-771-349-21	SWITCH, KEYBOARD (EQUALIZER)	
S146	1-771-349-21	SWITCH, KEYBOARD (BASS BOOST)	
S147	1-771-349-21	SWITCH, KEYBOARD (MUTING)	
*****			
	A-4419-390-A	REAR-AMP BOARD, COMPLETE (US,CND)	*****
*	A-4419-391-A	REAR-AMP BOARD, COMPLETE (AEP)	*****
		< CONNECTOR >	
C701	1-126-965-11	ELECT	22uF 20% 50V
C702	1-128-811-11	CERAMIC	150PF 5% 50V
C703	1-102-233-00	CERAMIC	33PF 10% 500V
C704	1-107-586-11	CERAMIC	6PF 0.5PF 500V
C705	1-126-934-11	ELECT	220uF 20% 10V
C706	1-106-351-00	MYLAR	2200PF 5% 200V
C707	1-106-351-00	MYLAR	2200PF 5% 200V
C708	1-109-876-11	FILM	0.033uF 10% 250V
C720	1-104-664-11	ELECT	47uF 20% 16V
C721	1-107-597-11	CERAMIC	22PF 10% 500V
C722	1-107-597-11	CERAMIC	22PF 10% 500V
C723	1-162-286-31	CERAMIC	220PF 10% 50V
C724	1-126-964-11	ELECT	10uF 20% 50V
C725	1-136-157-00	FILM	0.022uF 5% 50V
C726	1-136-153-00	FILM	0.01uF 5% 50V
C739	1-162-288-31	CERAMIC	330PF 10% 50V
C749	1-102-934-00	CERAMIC	1.0PF 0.25PF 50V
C751	1-126-965-11	ELECT	22uF 20% 50V
C752	1-128-811-11	CERAMIC	150PF 5% 50V
C753	1-102-233-00	CERAMIC	33PF 10% 500V
C754	1-107-586-11	CERAMIC	6PF 0.5PF 500V
C755	1-126-934-11	ELECT	220uF 20% 10V
C756	1-106-351-00	MYLAR	2200PF 5% 200V
C757	1-106-351-00	MYLAR	2200PF 5% 200V
C758	1-109-876-11	FILM	0.033uF 10% 250V
C770	1-104-664-11	ELECT	47uF 20% 16V
C771	1-107-597-11	CERAMIC	22PF 10% 500V
C772	1-107-597-11	CERAMIC	22PF 10% 500V
C773	1-162-286-31	CERAMIC	220PF 10% 50V
C775	1-136-157-00	FILM	0.022uF 5% 50V

Ref. No.	Part No.	Description	Remarks
C779	1-102-934-00	CERAMIC	1.0PF 0.25PF 50V
C780	1-128-809-11	CERAMIC	100PF 5% 50V
C789	1-162-288-31	CERAMIC	330PF 10% 50V
C798	1-128-560-11	ELECT	22uF 20% 100V
C799	1-128-560-11	ELECT	22uF 20% 100V
		< CONNECTOR >	
CNP701	1-785-102-11	PIN, CONNECTOR 4P	
CNP711	1-784-923-11	PIN, CONNECTOR 7P	
CNP712	1-785-102-21	PIN, CONNECTOR 4P	
CNP713	-784-924-11	PIN, CONNECTOR 8P	
		< DIODE >	
D701	8-719-911-19	DIODE 1SS133T-72	
D702	8-719-109-51	DIODE MTZJ-T-72-2.2	
D703	8-719-109-51	DIODE MTZJ-T-72-2.2	
D704	8-719-911-19	DIODE 1SS133T-72	
D705	8-719-911-19	DIODE 1SS133T-72	
D706	8-719-911-19	DIODE 1SS133T-72	
D749	8-719-911-19	DIODE 1SS133T-72	
D751	8-719-911-19	DIODE 1SS133T-72	
D752	8-719-109-51	DIODE MTZJ-T-72-2.2	
D753	8-719-109-51	DIODE MTZJ-T-72-2.2	
D754	8-719-911-19	DIODE 1SS133T-72	
D798	8-719-911-19	DIODE 1SS133T-72	
D799	8-719-911-19	DIODE 1SS133T-72	
		< IC >	
IC701	8-759-326-52	IC uPC2581V	
		< TRANSISTOR >	
Q704	8-729-119-76	TRANSISTOR 2SA1115TP-EF	
Q705	8-729-026-08	TRANSISTOR 2SC4495	
Q706	8-749-010-25	TRANSISTOR MN2488-OPY-M	
Q707	8-749-010-26	TRANSISTOR MP1620-OPY-M	
Q708	8-729-140-82	TRANSISTOR 2SA988TP-PAFAEA	
Q709	8-729-281-53	TRANSISTOR 2SC1815GR-TPE2	
Q710	8-729-900-63	TRANSISTOR BN1F4M-TP	
Q754	8-729-119-76	TRANSISTOR 2SA1115TP-EF	
Q755	8-729-026-08	TRANSISTOR 2SC4495	
Q756	8-749-010-25	TRANSISTOR MN2488-OPY-M	
Q757	8-749-010-26	TRANSISTOR MP1620-OPY-M	
Q758	8-729-140-82	TRANSISTOR 2SA988TP-PAFAEA	
Q798	8-729-140-82	TRANSISTOR 2SA988TP-PAFAEA	
Q799	8-729-140-82	TRANSISTOR 2SA988TP-PAFAEA	
		< RESISTOR >	
R701	1-249-417-11	CARBON	1K 5% 1/4W F
R702	1-247-881-00	CARBON	120K 5% 1/4W
R703	1-249-439-11	CARBON	68K 5% 1/4W
R704	1-249-418-11	CARBON	1.2K 5% 1/4W F
R705	1-247-807-31	CARBON	100 5% 1/4W
R712	1-249-439-11	CARBON	68K 5% 1/4W
R720	1-249-429-11	CARBON	10K 5% 1/4W
R721	1-249-422-11	CARBON	2.7K 5% 1/4W F
R722	1-249-433-11	CARBON	22K 5% 1/4W
R723	1-249-442-11	CARBON	510 5% 1/4W

The components identified by mark $\Delta$ or dotted line with mark $\Delta$ are critical for safety. Replace only with part number specified.	Les composants identifiés par une marque $\Delta$ sont critiques pour la sécurité. Ne les remplacer que par une pièce portant le numéro spécifié.
--	---

<b>REAR-AMP</b>	<b>ROTARY</b>	<b>SP</b>	<b>SP-SW</b>	<b>SW</b>
-----------------	---------------	-----------	--------------	-----------

Ref. No.	Part No.	Description				Remarks
△ R724	1-249-408-11	CARBON	180	5%	1/4W	F
△ R725	1-249-408-11	CARBON	180	5%	1/4W	F
△ R726	1-234-182-11	ENCAPSULATED COMPONENT				
R727	1-240-855-91	CARBON	6.2K	5%	1/4W	
R728	1-249-425-11	CARBON	4.7K	5%	1/4W	F
R729	1-247-866-11	CARBON	30K	5%	1/4W	
R730	1-249-421-11	CARBON	2.2K	5%	1/4W	F
R731	1-249-433-11	CARBON	22K	5%	1/4W	
R732	1-249-437-11	CARBON	47K	5%	1/4W	
△ R733	1-249-393-11	CARBON	10	5%	1/4W	F
R735	1-249-431-11	CARBON	15K	5%	1/4W	
△ R749	1-249-393-11	CARBON	10	5%	1/4W	F
R751	1-249-417-11	CARBON	1K	5%	1/4W	F
R752	1-247-881-00	CARBON	120K	5%	1/4W	
R753	1-249-439-11	CARBON	68K	5%	1/4W	
R754	1-249-418-11	CARBON	1.2K	5%	1/4W	F
R755	1-247-807-31	CARBON	100	5%	1/4W	
R762	1-249-439-11	CARBON	68K	5%	1/4W	
R770	1-249-429-11	CARBON	10K	5%	1/4W	
R771	1-249-422-11	CARBON	2.7K	5%	1/4W	F
R772	1-249-433-11	CARBON	22K	5%	1/4W	
R773	1-249-442-11	CARBON	510	5%	1/4W	
△ R774	1-249-408-11	CARBON	180	5%	1/4W	F
△ R775	1-249-408-11	CARBON	180	5%	1/4W	F
△ R776	1-234-182-11	ENCAPSULATED COMPONENT				
R777	1-240-855-91	CARBON	6.2K	5%	1/4W	
R778	1-249-425-11	CARBON	4.7K	5%	1/4W	F
R782	1-249-437-11	CARBON	47K	5%	1/4W	
△ R783	1-249-393-11	CARBON	10	5%	1/4W	F
R790	1-249-433-11	CARBON	22K	5%	1/4W	
R795	1-249-419-11	CARBON	1.5K	5%	1/4W	F
R796	1-249-431-11	CARBON	15K	5%	1/4W	
R798	1-249-419-11	CARBON	1.5K	5%	1/4W	F
R799	1-249-431-11	CARBON	15K	5%	1/4W	
< RELAY >						
RY701	1-515-920-11	RELAY (24V)				
*****						
*	1-673-348-11	ROTARY BOARD				
*****						
< CONNECTOR >						
* CNP155	1-564-719-11	PIN, CONNECTOR (SMALL TYPE) 3P				
< VARIABLE RESISTOR >						
RV101	1-467-808-11	ENCODER, ROTARY (JOG DIAL)				
< CONNECTOR >						
* TP701	1-560-060-00	PIN, CONNECTOR 2P				
* TP751	1-560-060-00	PIN, CONNECTOR 2P				
*****						

Ref. No.	Part No.	Description				Remarks
*	1-673-355-11	SP BOARD				
*****						
< CAPACITOR >						
CC41	1-163-133-00	CERAMIC CHIP	470PF	5%	50V	
CC42	1-163-133-00	CERAMIC CHIP	470PF	5%	50V	
CC43	1-163-133-00	CERAMIC CHIP	470PF	5%	50V	
CC47	1-163-133-00	CERAMIC CHIP	470PF	5%	50V	
CC97	1-163-133-00	CERAMIC CHIP	470PF	5%	50V	
CC251	1-163-251-11	CERAMIC CHIP	100PF	5%	50V	
< JACK >						
JJ103	1-774-819-11	JACK, PIN 2P (WOOFER)				
< COIL >						
L601	1-420-872-00	COIL, AIR-CORE (US, CND)				
L701	1-420-872-00	COIL, AIR-CORE (US, CND)				
L751	1-420-872-00	COIL, AIR-CORE (US, CND)				
< RESISTOR >						
R634	1-249-389-11	CARBON	4.7	5%	1/4W	F
R734	1-249-389-11	CARBON	4.7	5%	1/4W	F
R784	1-249-389-11	CARBON	4.7	5%	1/4W	F
RR251	1-216-049-91	RES,CHIP	1K	5%	1/10W	
< TERMINAL BOARD >						
TM501	1-694-529-11	TERMINAL BOARD (SP)				
TM701	1-694-528-11	TERMINAL BOARD (SPEAKER) (6P)				
*****						
*	1-673-347-11	SP-SW BOARD				
*****						
< DIODE >						
D120	8-719-016-74	DIODE 1SS352-TPH3				
D121	8-719-016-74	DIODE 1SS352-TPH3				
< SWITCH >						
S150	1-771-349-21	SWITCH, KEYBOARD (POWER)				
S151	1-762-268-11	SWITCH, ROTARY (SPEAKERS)				
*****						
A-4419-404-A	SW BOARD, COMPLETE (US,CND)					
*****						
*	A-4419-405-A	SW BOARD, COMPLETE (AEP)				
*****						
< CAPACITOR >						
C151	1-165-319-11	CERAMIC CHIP	0.1uF		50V	
C152	1-165-319-11	CERAMIC CHIP	0.1uF		50V	
C153	1-165-319-11	CERAMIC CHIP	0.1uF		50V	
C154	1-165-319-11	CERAMIC CHIP	0.1uF		50V	
C155	1-165-319-11	CERAMIC CHIP	0.1uF		50V	
C156	1-165-319-11	CERAMIC CHIP	0.1uF		50V	
C158	1-165-319-11	CERAMIC CHIP	0.1uF		50V	
C159	1-163-251-11	CERAMIC CHIP	100PF	5%	50V	
C160	1-163-251-11	CERAMIC CHIP	100PF	5%	50V	

The components identified by mark △ or dotted line with mark △ are critical for safety. Replace only with part number specified.	Les composants identifiés par une marque △ sont critiques pour la sécurité. Ne les remplacer que par une pièce portant le numéro spécifié.
--	--



Ref. No.	Part No.	Description	Remarks	Ref. No.	Part No.	Description	Remarks
		< CONNECTOR >		R181	1-216-049-91	RES,CHIP 1K 5%	1/10W
CNS110	1-770-399-11	HOUSING, CONNECTOR(PC BOARD)6P		R182	1-216-053-00	METAL CHIP 1.5K 5%	1/10W
CNS111	1-770-399-11	HOUSING, CONNECTOR(PC BOARD)6P		R183	1-216-057-00	METAL CHIP 2.2K 5%	1/10W
		< LED >		R184	1-216-037-00	METAL CHIP 330 5%	1/10W
D151	8-719-063-91	LED SLR325DC-P-T32 (LEVEL)		R185	1-216-041-00	METAL CHIP 470 5%	1/10W
D152	8-719-063-91	LED SLR325DC-P-T32 (SUR)		R186	1-216-045-00	METAL CHIP 680 5%	1/10W
D154	8-719-032-98	LED SEL5820A-TP15 (A.F.D.)		R187	1-216-049-91	RES,CHIP 1K 5%	1/10W
D155	8-719-063-91	LED SLR325DC-P-T32 (MD/TAPE)		R188	1-216-053-00	METAL CHIP 1.5K 5%	1/10W
D156	8-719-032-98	LED SEL5820A-TP15 (2CH)		RR61	1-216-037-00	METAL CHIP 330 5%	1/10W
D157	8-719-063-91	LED SLR325DC-P-T32 (SET UP)		RR62	1-216-029-00	METAL CHIP 150 5%	1/10W
D158	8-719-063-91	LED SLR325DC-P-T32 (EQ)		RR63	1-216-037-00	METAL CHIP 330 5%	1/10W
D159	8-719-063-91	LED SLR325DC-P-T32 (5.1CH INPUT)		RR64	1-216-025-91	RES,CHIP 100 5%	1/10W
D160	8-719-063-91	LED SLR325DC-P-T32 (PHONO)		RR65	1-216-029-00	METAL CHIP 150 5%	1/10W
D161	8-719-063-91	LED SLR325DC-P-T32 (TUNER)		RR66	1-216-025-91	RES,CHIP 100 5%	1/10W
D162	8-719-063-91	LED SLR325DC-P-T32 (CD)		RR67	1-216-029-00	METAL CHIP 150 5%	1/10W
D164	8-719-073-95	LED SPR-335MDTT31 (VIDEO 1)		RR70	1-216-025-91	RES,CHIP 100 5%	1/10W
D165	8-719-073-95	LED SPR-335MDTT31 (VIDEO 2)		RR71	1-216-029-00	METAL CHIP 150 5%	1/10W
D167	8-719-073-95	LED SPR-335MDTT31 (DVD/LD)		RR72	1-216-025-91	RES,CHIP 100 5%	1/10W
D168	8-719-073-95	LED SPR-335MDTT31 (TV/SAT)		RR73	1-216-029-00	METAL CHIP 150 5%	1/10W
D169	8-719-063-91	LED SLR325DC-P-T32 (NAME)		RR74	1-216-037-00	METAL CHIP 330 5%	1/10W
D170	8-719-032-98	LED SEL5820A-TP15 (MODE)		RR75	1-216-037-00	METAL CHIP 330 5%	1/10W
		< IC >				< SWITCH >	
IC106	8-759-373-50	IC NJU3719L		S101	1-771-349-21	SWITCH, KEYBOARD (1)	
		< RESISTOR >		S102	1-771-349-21	SWITCH, KEYBOARD (2)	
R100	1-216-089-91	RES,CHIP 47K 5%	1/10W	S103	1-771-349-21	SWITCH, KEYBOARD (3)	
R151	1-216-037-00	METAL CHIP 330 5%	1/10W	S104	1-771-349-21	SWITCH, KEYBOARD (4)	
R152	1-216-041-00	METAL CHIP 470 5%	1/10W	S105	1-771-349-21	SWITCH, KEYBOARD (5)	
R153	1-216-045-00	METAL CHIP 680 5%	1/10W	S106	1-771-349-21	SWITCH, KEYBOARD (6)	
R154	1-216-049-91	RES,CHIP 1K 5%	1/10W	S107	1-771-349-21	SWITCH, KEYBOARD (7)	
R155	1-216-053-00	METAL CHIP 1.5K 5%	1/10W	S108	1-771-349-21	SWITCH, KEYBOARD (8)	
R156	1-216-057-00	METAL CHIP 2.2K 5%	1/10W	S109	1-771-349-21	SWITCH, KEYBOARD (9)	
R157	1-216-065-91	RES,CHIP 4.7K 5%	1/10W	S110	1-771-349-21	SWITCH, KEYBOARD (0)	
R158	1-216-037-00	METAL CHIP 330 5%	1/10W	S111	1-771-349-21	SWITCH, KEYBOARD (MEMORY)	
R159	1-216-041-00	METAL CHIP 470 5%	1/10W	S112	1-771-349-21	SWITCH, KEYBOARD (DIRECT)	
R160	1-216-045-00	METAL CHIP 680 5%	1/10W	S113	1-771-349-21	SWITCH, KEYBOARD (PRESET/PTY SELECT+)	
R161	1-216-049-91	RES,CHIP 1K 5%	1/10W	S114	1-771-349-21	SWITCH, KEYBOARD (SUR)	
R162	1-216-053-00	METAL CHIP 1.5K 5%	1/10W	S115	1-771-349-21	SWITCH, KEYBOARD (FM MODE)	
R163	1-216-057-00	METAL CHIP 2.2K 5%	1/10W	S116	1-771-349-21	SWITCH, KEYBOARD (RDSEON)	
R164	1-216-065-91	RES,CHIP 4.7K 5%	1/10W	S117	1-771-349-21	SWITCH, KEYBOARD (FM/AM)	
R165	1-216-037-00	METAL CHIP 330 5%	1/10W	S118	1-771-349-21	SWITCH, KEYBOARD (A.F.D.)	
R166	1-216-041-00	METAL CHIP 470 5%	1/10W	S119	1-771-349-21	SWITCH, KEYBOARD (SET UP)	
R167	1-216-045-00	METAL CHIP 680 5%	1/10W	S120	1-771-349-21	SWITCH, KEYBOARD (MD/TAPE)	
R168	1-216-049-91	RES,CHIP 1K 5%	1/10W	S121	1-771-349-21	SWITCH, KEYBOARD (VIDEO 1)	
R169	1-216-053-00	METAL CHIP 1.5K 5%	1/10W	S122	1-771-349-21	SWITCH, KEYBOARD (VIDEO 2)	
R170	1-216-057-00	METAL CHIP 2.2K 5%	1/10W	S123	1-771-349-21	SWITCH, KEYBOARD (CD)	
R171	1-216-065-91	RES,CHIP 4.7K 5%	1/10W	S125	1-771-349-21	SWITCH, KEYBOARD (RDS PTY)(AEP)	
R172	1-216-037-00	METAL CHIP 330 5%	1/10W	S127	1-771-349-21	SWITCH, KEYBOARD (TUNER)	
R173	1-216-041-00	METAL CHIP 470 5%	1/10W	S128	1-771-349-21	SWITCH, KEYBOARD (TV/LD)	
R174	1-216-045-00	METAL CHIP 680 5%	1/10W	S129	1-771-349-21	SWITCH, KEYBOARD (DVD)	
R175	1-216-049-91	RES,CHIP 1K 5%	1/10W (AEP)	S130	1-771-349-21	SWITCH, KEYBOARD (PHONO)	
R176	1-216-053-00	METAL CHIP 1.5K 5%	1/10W (AEP)	S131	1-771-349-21	SWITCH, KEYBOARD (INPUT MODE)	
R178	1-216-037-00	METAL CHIP 330 5%	1/10W	S132	1-771-349-21	SWITCH, KEYBOARD (5.1CH INPUT)	
R179	1-216-041-00	METAL CHIP 470 5%	1/10W	S133	1-771-349-21	SWITCH, KEYBOARD (EQ)	
R180	1-216-045-00	METAL CHIP 680 5%	1/10W	S134	1-771-349-21	SWITCH, KEYBOARD (MODE)	
				S135	1-771-349-21	SWITCH, KEYBOARD (2CH)	
				S136	1-771-349-21	SWITCH, KEYBOARD (>)	
				S137	1-771-349-21	SWITCH, KEYBOARD (<)	



<b>SW</b>	<b>S-VIDEO</b>	<b>TUNER</b>	<b>VIDEO</b>
-----------	----------------	--------------	--------------

Ref. No.	Part No.	Description	Remarks
S138	1-771-349-21	SWITCH, KEYBOARD (NAME)	
S139	1-771-349-21	SWITCH, KEYBOARD (ENTER)	
S140	1-771-349-21	SWITCH, KEYBOARD (SHIFT)	
S141	1-771-349-21	SWITCH, KEYBOARD (TUNING CHAR -)	
S142	1-771-349-21	SWITCH, KEYBOARD (TUNING CHAR +)	
S143	1-771-349-21	SWITCH, KEYBOARD (PRESET/PTY SELECT -)	
S144	1-771-349-21	SWITCH, KEYBOARD (LEVEL)	
*****			
*	1-673-357-11	S-VIDEO BOARD *****	
< CAPACITOR >			
C214	1-104-664-11	ELECT	47uF 20% 16V
C264	1-165-319-11	CERAMIC CHIP	0.1uF 50V
< CONNECTOR >			
CNS211	1-695-094-11	SOCKET, CONNECTOR 11P	
CNS215	1-784-776-11	CONNECTOR, FFC 15P	
< IC >			
IC202	8-759-245-79	IC M5F7905L	
*****			
*	1-673-358-11	TUNER BOARD *****	
< CAPACITOR >			
C1	1-163-263-11	CERAMIC CHIP	330PF 5% 50V (AEP)
C2	1-126-961-11	ELECT	2.2uF 20% 50V (AEP)
C3	1-126-964-11	ELECT	10uF 20% 50V (AEP)
C4	1-165-319-11	CERAMIC CHIP	0.1uF 50V (AEP)
C5	1-163-135-00	CERAMIC CHIP	560PF 5% 50V (AEP)
C6	1-163-249-11	CERAMIC CHIP	82PF 5% 50V (AEP)
C7	1-163-243-11	CERAMIC CHIP	47PF 5% 50V (AEP)
C381	1-165-319-11	CERAMIC CHIP	0.1uF 50V
C382	1-163-037-11	CERAMIC CHIP	0.022uF 10% 25V
C399	1-126-964-11	ELECT	10uF 20% 50V
< CONNECTOR >			
* CNS303	1-569-306-11	SOCKET, CONNECTOR (L TYRE) 15P	
CNS305	1-774-289-11	PIN, CONNECTOR (PC BOARD) 15P	
< IC >			
IC1	8-759-557-36	IC BU1924F-E2 (AEP)	
IC399	8-759-708-12	IC NJM78L12A-T3	
< COIL >			
L1	1-408-982-11	INDUCTOR	100uH (AEP)

Ref. No.	Part No.	Description	Remarks
< RESISTOR >			
R1	1-216-025-91	RES,CHIP	100 5% 1/10W (AEP)
R2	1-216-025-91	RES,CHIP	100 5% 1/10W (AEP)
R3	1-216-057-00	METAL CHIP	2.2K 5% 1/10W (AEP)
< VIBRATOR >			
X1	1-579-900-21	VIBRATOR, CRYSTAL (4.33MHz)(AEP)	
*****			
*	1-673-356-11	VIDEO BOARD *****	
< CAPACITOR >			
C201	1-126-964-11	ELECT	10uF 20% 50V
C202	1-126-964-11	ELECT	10uF 20% 50V
C203	1-126-964-11	ELECT	10uF 20% 50V
C204	1-126-964-11	ELECT	10uF 20% 50V
C205	1-163-243-11	CERAMIC CHIP	47PF 5% 50V
C206	1-163-243-11	CERAMIC CHIP	47PF 5% 50V
C207	1-163-243-11	CERAMIC CHIP	47PF 5% 50V
C208	1-126-964-11	ELECT	10uF 20% 50V
C209	1-165-319-11	CERAMIC CHIP	0.1uF 50V
C210	1-165-319-11	CERAMIC CHIP	0.1uF 50V
C211	1-165-319-11	CERAMIC CHIP	0.1uF 50V
C212	1-165-319-11	CERAMIC CHIP	0.1uF 50V
C213	1-104-664-11	ELECT	47uF 20% 16V
C215	1-165-319-11	CERAMIC CHIP	0.1uF 50V
C216	1-104-664-11	ELECT	47uF 20% 16V
< CONNECTOR >			
CNS212	1-695-094-11	SOCKET, CONNECTOR 11P	
< DIODE >			
D201	8-719-801-78	DIODE 1SS184-TE85L	
< IC >			
IC201	8-759-536-24	IC NJM-2296M-TE2	
< JACK >			
J201	1-785-867-11	JACK, PIN 1P (MONITOR)	
J202	1-785-866-11	JACK, PIN 3P (DVD/VIDEO2)	
J203	1-785-866-11	JACK, PIN 3P (VIDEO 2/VIDEO 1)	
J204	1-563-330-11	JACK (S-LINK)	
< RESISTOR >			
R201	1-216-022-00	METAL CHIP	75 5% 1/10W
R202	1-216-022-00	METAL CHIP	75 5% 1/10W
R203	1-216-022-00	METAL CHIP	75 5% 1/10W
R204	1-216-022-00	METAL CHIP	75 5% 1/10W
R205	1-216-022-00	METAL CHIP	75 5% 1/10W
R206	1-216-022-00	METAL CHIP	75 5% 1/10W
R207	1-216-022-00	METAL CHIP	75 5% 1/10W
R208	1-216-022-00	METAL CHIP	75 5% 1/10W
*****			

Ref. No.	Part No.	Description	Remarks	Ref. No.	Part No.	Description	Remarks
*	A-4419-407-A	VOLUME BOARD, COMPLETE (US,CND)				< VARIABLE RESISTOR >	
	A-4426-060-A	VOLUME BOARD, COMPLETE (AEP)		RV401	1-225-776-11	RES, VAR, CARBON 100K/100KX5 (MASTER VOLUME)	
		< CAPACITOR >				MISCELLANEOUS	
C401	1-126-966-11	ELECT	33uF 20% 16V			*****	
C402	1-126-966-11	ELECT	33uF 20% 16V				
C410	1-126-965-11	ELECT	22uF 20% 50V	△ 57	1-769-743-11	CORD, POWER (CND)	
C411	1-126-965-11	ELECT	22uF 20% 50V	△ 57	1-769-744-11	CORD, POWER (AEP)	
C412	1-126-965-11	ELECT	22uF 20% 50V	△ 57	1-783-531-11	CORD, POWER (US)	
C413	1-163-239-11	CERAMIC CHIP	33PF 5% 50V	64	1-773-001-11	WIRE (FLAT TYPE) (15 CORE)	
C414	1-163-239-11	CERAMIC CHIP	33PF 5% 50V	66	1-773-048-11	WIRE (FLAT TYPE) (17 CORE)	
C415	1-163-239-11	CERAMIC CHIP	33PF 5% 50V	67	1-773-112-11	WIRE (FLAT TYPE) (19 CORE)	
C421	1-163-259-91	CERAMIC CHIP	220PF 5% 50V	△ T902	1-433-771-11	TRANSFORMER, POWER (AEP)	
C422	1-163-259-91	CERAMIC CHIP	220PF 5% 50V	△ T902	1-433-884-11	TRANSFORMER, POWER (US)	
C423	1-163-259-91	CERAMIC CHIP	220PF 5% 50V	△ T902	1-433-885-11	TRANSFORMER, POWER (CND)	
C460	1-126-965-11	ELECT	22uF 20% 50V	TU301	1-693-407-11	TUNER (US,CND)	
C461	1-126-965-11	ELECT	22uF 20% 50V				
C462	1-126-965-11	ELECT	22uF 20% 50V	TU301	1-693-409-11	TUNER (AEP)	
C463	1-163-239-11	CERAMIC CHIP	33PF 5% 50V			*****	
C464	1-163-239-11	CERAMIC CHIP	33PF 5% 50V			ACCESORIES	
C465	1-163-239-11	CERAMIC CHIP	33PF 5% 50V			*****	
C471	1-163-259-91	CERAMIC CHIP	220PF 5% 50V			1-501-594-11	ANTENNA (FM)
C472	1-163-259-91	CERAMIC CHIP	220PF 5% 50V			1-501-721-11	ANTENNA (LOOP)
C473	1-163-259-91	CERAMIC CHIP	220PF 5% 50V			3-866-296-11	MANUAL, INSTRUCTION (RM-PP402) (ENGLISH)
		< CONNECTOR >				3-866-296-21	MANUAL, INSTRUCTION (RM-PP402) (FRENCH,SPANISH) (CND,AEP)
CNP101	1-770-388-11	PIN, CONNECTOR (PC BOARD) 4P				3-866-296-41	MANUAL, INSTRUCTION (RM-PP402) (DUTCH,SWEDISH,GERMAN,ITALIAN,PORTUGUESE) (AEP)
		< IC >				3-866-296-51	MANUAL, INSTRUCTION(RM-PP402) (DANISH,FINNISH) (AEP)
IC408	8-759-636-55	IC M5218AFP-T1				3-866-670-11	MANUAL,COMMONNESS INSTRUCTION (ENGLISH) (US)
IC409	8-759-636-55	IC M5218AFP-T1				3-866-670-21	MANUAL,COMMONNESS INSTRUCTION (ENGLISH,FRENCH,GERMAN,SPANISH,DUTCH) (CND,AEP)
IC410	8-759-636-55	IC M5218AFP-T1				3-866-670-11	MANUAL, INSTRUCTION(ENGLISH) (US,CND)
		< RESISTOR >				3-866-670-21	MANUAL, INSTRUCTION(FRENCH) (CND)
R413	1-216-097-91	RES,CHIP	100K 5% 1/10W			3-866-670-31	MANUAL, INSTRUCTION (ENGLISH,FRENCH,DUTCH,SWEDISH) (AEP)
R414	1-216-097-91	RES,CHIP	100K 5% 1/10W			3-866-670-41	MANUAL, INSTRUCTION (GERMAN,SPANISH,ITALIAN,PORTUGUESE) (AEP)
R415	1-216-097-91	RES,CHIP	100K 5% 1/10W			3-866-670-51	MANUAL, INSTRUCTION(DANISH,FINNISH) (AEP)
R416	1-216-067-00	METAL CHIP	5.6K 5% 1/10W			4-987-977-01	COVER BATTERY(FOR RM-PP402)
R417	1-216-067-00	METAL CHIP	5.6K 5% 1/10W			8-917-666-90	REMOTE COMMANDER(RM-PP402)
R418	1-216-089-91	RES,CHIP	47K 5% 1/10W			*****	
R419	1-216-089-91	RES,CHIP	47K 5% 1/10W			*****	
R420	1-216-089-91	RES,CHIP	47K 5% 1/10W			HARDWARE LIST	
R421	1-216-089-91	RES,CHIP	47K 5% 1/10W			*****	
R422	1-216-089-91	RES,CHIP	47K 5% 1/10W			*****	
R463	1-216-097-91	RES,CHIP	100K 5% 1/10W				
R464	1-216-097-91	RES,CHIP	100K 5% 1/10W				
R465	1-216-097-91	RES,CHIP	100K 5% 1/10W				
R466	1-216-067-00	METAL CHIP	5.6K 5% 1/10W				
R467	1-216-067-00	METAL CHIP	5.6K 5% 1/10W				
R468	1-216-067-00	METAL CHIP	5.6K 5% 1/10W				
R469	1-216-089-91	RES,CHIP	47K 5% 1/10W				
R470	1-216-089-91	RES,CHIP	47K 5% 1/10W				
R471	1-216-089-91	RES,CHIP	47K 5% 1/10W				
				#1	7-685-646-79	SCREW +BVTP 3 × 8 TYPE2 IT-3	
				#2	7-685-881-09	SCREW +BVTT 4 × 8 (S)	

The components identified by mark △ or dotted line with mark △ are critical for safety. Replace only with part number specified.	Les composants identifiés par une marque △ sont critiques pour la sécurité. Ne les remplacer que par une pièce portant le numéro spécifié.
--	--

