

STR-DE598/DE698/DV10

SERVICE MANUAL

Ver. 1.2 2006. 05



Photo: STR-DE698

US Model
STR-DE598/DE698/DV10
Canadian Model
AEP Model
UK Model
E Model
Australian Model
STR-DE598/DE698

Manufactured under license from Dolby Laboratories. "Dolby", "Pro Logic" and the double-D symbol are trademarks of Dolby Laboratories. "DTS", "DTS-ES", "Neo:6" and "DTS 96/24" are trademarks of Digital Theater Systems, Inc.

SPECIFICATIONS

AUDIO POWER SPECIFICATIONS

POWER OUTPUT AND TOTAL HARMONIC DISTORTION:

(Models of area code US only)

With 8 ohm loads, both channels driven, from 20 – 20,000 Hz; rated 90 watts per channel (DE598/DE698) or 80 watts per channel (DV10) minimum RMS power, with no more than 0.09 % total harmonic distortion from 250 milliwatts to rated output.

Amplifier section

Power Output

Models of area code US, CND

Rated Power Output at Stereo Mode

(8 ohms 20 Hz – 20 kHz, THD 0.09 %)

90 W + 90 W ¹⁾ (DE598/DE698)

80 W + 80 W ¹⁾ (DV10)

(8 ohms 1 kHz, THD 0.7 %)

100 W + 100 W ¹⁾ (DE598/DE698)

90 W + 90 W ¹⁾ (DV10)

(8 ohms 1 kHz, THD 10 %)

125 W + 125 W ¹⁾ (DE598/DE698)

115 W + 115 W ¹⁾ (DV10)

Reference Power Output ¹⁾

(8 ohms 20 Hz – 20 kHz, THD 0.09 %)

FRONT ²⁾: 90 W/ch (DE598/DE698)

80 W/ch (DV10)

CENTER ²⁾: 90 W (DE598/DE698)

80 W (DV10)

SURR ²⁾: 90 W/ch (DE598/DE698)

80 W/ch (DV10)

SURR BACK ²⁾: 90 W (DE598)

90 W/ch (DE698)

80 W/ch (DV10)

(8 ohms 1 kHz, THD 0.7 %)

FRONT ²⁾: 100 W/ch (DE598/DE698)

90 W/ch (DV10)

CENTER ²⁾: 100 W (DE598/DE698)

90 W (DV10)

SURR ²⁾: 100 W/ch (DE598/DE698)

90 W/ch (DV10)

SURR BACK ²⁾: 100 W (DE598)

100 W/ch (DE698)

90 W/ch (DV10)

(8 ohms 1 kHz, THD 10 %)

FRONT ²⁾: 125 W/ch (DE598/DE698)

115 W/ch (DV10)

CENTER ²⁾: 125 W (DE598/DE698)

115 W (DV10)

SURR ²⁾: 125 W/ch (DE598/DE698)

115 W/ch (DV10)

SURR BACK ²⁾: 125 W (DE598)

125 W/ch (DE698)

115 W/ch (DV10)

– Continued on next page –

FM STEREO/FM-AM RECEIVER

9-879-487-03

2006E04-1

© 2006. 05

Sony Corporation

Home Audio Division

Published by Sony Techno Create Corporation

SONY®

STR-DE598/DE698/DV10

Ver. 1.1

Models of area code AEP, UK, E2, AUS, AR, KR, TW

Rated Power Output at Stereo Mode

(8 ohms 20 Hz – 20 kHz, THD 0.09 %)

80 W + 80 W¹⁾

(EXCEPT AEP, UK)

90 W + 90 W¹⁾ (AEP, UK)

70 W + 70 W³⁾

(8 ohms 1 kHz, THD 0.7 %)

100 W + 100 W¹⁾

90 W + 90 W³⁾

(8 ohms 1 kHz, THD 10 %)

120 W + 120 W¹⁾

(EXCEPT AEP, UK)

125 W + 125 W¹⁾ (AEP, UK)

110 W + 110 W³⁾

Reference Power Output¹⁾

(8 ohms 20 Hz – 20 kHz, THD 0.09 %)

FRONT²⁾: 110 W/ch

CENTER²⁾: 110 W

SURR²⁾: 110 W/ch

SURR BACK²⁾:

110 W (DE598)

110 W/ch (DE698)

(8 ohms 1 kHz, THD 0.7 %)

FRONT²⁾: 120 W/ch

CENTER²⁾: 120 W

SURR²⁾: 120 W/ch

SURR BACK²⁾:

120 W (DE598)

120 W/ch (DE698)

(8 ohms 1 kHz, THD 10 %)

FRONT²⁾: 150 W/ch

CENTER²⁾: 150 W

SURR²⁾: 150 W/ch

SURR BACK²⁾:

150 W (DE598)

150 W/ch (DE698)

1) Measured under the following conditions:

Area code	Power requirements
US, CND	120 V AC, 60 Hz
AEP, UK, AR, KR	230 V AC, 50 Hz
E2, AUS	240 V AC, 50 Hz
TW	110 V AC, 60 Hz

2) Depending on the sound field settings and the source, there may be no sound output.

3) Measured under the following conditions:

Area code	Power requirements
AR, KR	220 V AC, 50 Hz

Frequency response

MULTI CH IN, SA-CD/ CD, MD/TAPE, DVD, AUX (DE698/DV10), VIDEO 1, 2, 3	10 Hz – 70 kHz +0.5/-2 dB (with sound field and tone (DE598) or equalizer (DE698/DV10) bypassed)
--	--

Inputs (Analog)

MULTI CH IN, SA-CD/ CD, MD/TAPE, DVD, AUX (DE698/DV10), VIDEO 1, 2, 3	Sensitivity: 500 mV Impedance: 50 k ohms S/N ⁴⁾ : 96 dB (A, 500 mV ⁵⁾)
--	--

4) INPUT SHORT (with sound field and tone (DE598) or equalizer (DE698/DV10) bypassed).

5) Weighted network, input level.

Inputs (Digital)

DVD, SA-CD/CD (DE698/ DV10) (Coaxial)	Sensitivity: – Impedance: 75 ohms S/N: 100 dB (A, 20 kHz LPF)
VIDEO 2, 3, MD/TAPE (DE698/ DV10), SA-CD/CD (Optical)	Sensitivity: – Impedance: – S/N: 100 dB (A, 20 kHz LPF)

Outputs (Analog)

MD/TAPE (OUT), VIDEO 1 (AUDIO OUT)	Voltage: 500 mV Impedance: 10 k ohms
SUB WOOFER	Voltage: 2 V Impedance: 1 k ohms

Outputs (Digital) (DE698/DV10)

MD/TAPE (Optical)	Sensitivity: –
-------------------	----------------

Tone (DE598).

Equalizer (DE698/DV10)

Gain levels	±6 dB, 1 dB step
-------------	------------------

FM tuner section

Tuning range	87.5 – 108.0 MHz
Antenna	FM wire antenna
Antenna terminals	75 ohms, unbalanced
Intermediate frequency	10.7 MHz
Sensitivity	
Mono:	18.3 dBf, 2.2 μV/75 ohms
Stereo:	38.3 dBf, 22.5 μV/75 ohms
Useable sensitivity	11.2 dBf, 1 μV/75 ohms
S/N	
Mono:	76 dB
Stereo:	70 dB
Harmonic distortion at 1 kHz	
Mono:	0.3%
Stereo:	0.5%
Separation	45 dB at 1 kHz
Frequency response	30 Hz – 15 kHz, +0.5/-2 dB
Selectivity	60 dB at 400 kHz

AM tuner section

Tuning range	
Models of area code US, CND	
With 10-kHz tuning scale:	530 – 1,710 kHz ⁶⁾
With 9-kHz tuning scale:	531 – 1,710 kHz ⁶⁾
Models of area code E2	
With 10-kHz tuning scale:	530 – 1,610 kHz ⁶⁾
With 9-kHz tuning scale:	531 – 1,602 kHz ⁶⁾
Models of area code AEP, UK, AUS, TW, KR	
With 9-kHz tuning scale:	531 – 1,602 kHz
Models of area code AR	
With 10-kHz tuning scale:	530 – 1,610 kHz
Antenna	Loop antenna
Intermediate frequency	450 kHz
Usable sensitivity	50 dB/m (at 1,000 kHz or 999 kHz)
S/N	54 dB (at 50 mV/m)
Harmonic distortion	0.5 % (50 mV/m, 400 Hz)
Selectivity	
At 9 kHz:	35 dB
At 10 kHz:	40 dB

6) You can change the AM tuning scale to 9 kHz or 10 kHz. After tuning in any AM station, turn off the receiver. While holding down PRESET TUNING + or TUNING +, press I/⏏. All preset stations will be erased when you change the tuning scale. To reset the scale to 10 kHz (or 9 kHz), repeat the procedure.

Video section

Inputs/Outputs	
Video:	1 Vp-p, 75 ohms
S-video:	Y: 1 Vp-p, 75 ohms C: 0.286 Vp-p, 75 ohms
COMPONENT VIDEO:	
(Except for models of area code DE598: AEP, UK)	
Y:	1 Vp-p, 75 ohms
P _B /C _B /B-Y:	0.7 Vp-p, 75 ohms
P _R /C _R /R-Y:	0.7 Vp-p, 75 ohms
80 MHz HD Pass Through	

General

Power requirements

Area code	Power requirements
US, CND	120 V AC, 60 Hz
AEP, UK	230 V AC, 50/60 Hz
AUS	240 V AC, 50 Hz
AR, KR	220 – 230 V AC, 50/60 Hz
E2	120/220/240 V AC, 50/60 Hz
TW	110 V AC, 50/60 Hz

Power consumption

Area code	Power consumption
DE598: US, AEP, UK, E2, AUS, KR, AR	220 W
DE598: CND	300 VA
DE598: TW	500 W
DE698/DV10: US, AEP, UK, E2, AUS, AR	230 W
DE698: CND	310 VA

Power consumption (during standby mode)
0.2 W

AC outlets (DE698: EXCEPT E2/DV10)

Area code	AC outlets
US, CND	1 switched, 120 W/1A MAX
AEP, UK, E2, AUS	1 switched, 100 W MAX

Dimensions (w/h/d) (Approx.)

DE598: 430 × 157.5 × 310 mm
(16 7/8 × 6 2/8 × 12 2/8 inches) including projecting parts and controls

DE698/DV10: 430 × 157.5 × 370 mm
(16 7/8 × 6 2/8 × 14 4/8 inches) including projecting parts and controls

Mass (Approx.)

DE598: 8.0 kg (17 lb 11 oz)
DE698/DV10: 9.0 kg (19 lb 14 oz)

Supplied accessories

- FM wire antenna (1)
- AM loop antenna (1)
- Remote commander RM-AAU001 (1) (DE598/DV10)
- Remote commander RM-AAP001 (1) (DE698)
- R6 (size-AA) batteries (2)

Design and specifications are subject to change without notice.

• Abbreviation

- CND : Canadian model
- E2 : AC 120 V area in E model
- AUS : Australian model
- AR : Argentina model
- KR : Korean model
- TW : Taiwan model

SAFETY CHECK-OUT (US MODEL)

After correcting the original service problem, perform the following safety check before releasing the set to the customer:

Check the antenna terminals, metal trim, “metallized” knobs, screws, and all other exposed metal parts for AC leakage. Check leakage as described below.

LEAKAGE TEST

The AC leakage from any exposed metal part to earth ground and from all exposed metal parts to any exposed metal part having a return to chassis, must not exceed 0.5 mA (500 microamperes.). Leakage current can be measured by any one of three methods.

1. A commercial leakage tester, such as the Simpson 229 or RCA WT-540A. Follow the manufacturers’ instructions to use these instruments.
2. A battery-operated AC milliammeter. The Data Precision 245 digital multimeter is suitable for this job.
3. Measuring the voltage drop across a resistor by means of a VOM or battery-operated AC voltmeter. The “limit” indication is 0.75 V, so analog meters must have an accurate low-voltage scale. The Simpson 250 and Sanwa SH-63Trd are examples of a passive VOM that is suitable. Nearly all battery operated digital multimeters that have a 2 V AC range are suitable. (See Fig. A)

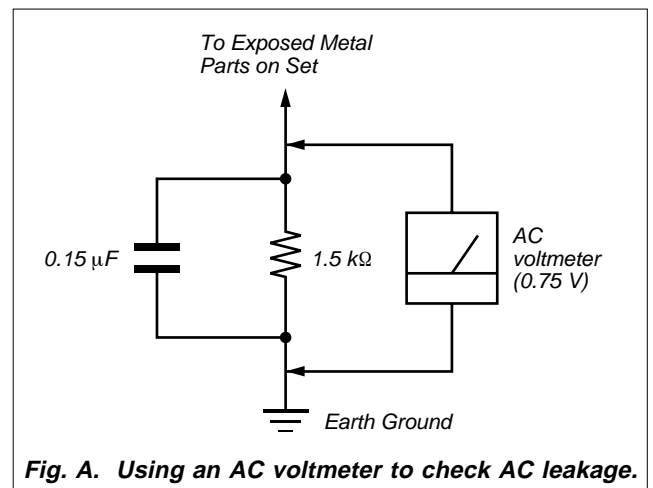


Fig. A. Using an AC voltmeter to check AC leakage.

SAFETY-RELATED COMPONENT WARNING!!

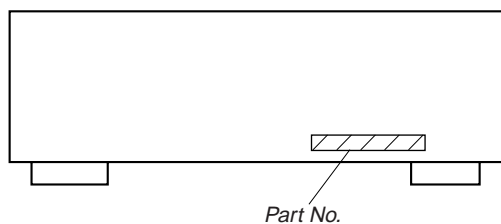
COMPONENTS IDENTIFIED BY MARK \triangle OR DOTTED LINE WITH MARK \triangle ON THE SCHEMATIC DIAGRAMS AND IN THE PARTS LIST ARE CRITICAL TO SAFE OPERATION. REPLACE THESE COMPONENTS WITH SONY PARTS WHOSE PART NUMBERS APPEAR AS SHOWN IN THIS MANUAL OR IN SUPPLEMENTS PUBLISHED BY SONY.

ATTENTION AU COMPOSANT AYANT RAPPORT À LA SÉCURITÉ!!

LES COMPOSANTS IDENTIFIÉS PAR UNE MARQUE \triangle SUR LES DIAGRAMMES SCHÉMATIQUES ET LA LISTE DES PIÈCES SONT CRITIQUES POUR LA SÉCURITÉ DE FONCTIONNEMENT. NE REMPLACER CES COMPOSANTS QUE PAR DES PIÈCES SONY DONT LES NUMÉROS SONT DONNÉS DANS CE MANUEL OU DANS LES SUPPLÉMENTS PUBLIÉS PAR SONY.

MODEL IDENTIFICATION

— BACK PANEL —



MODEL	PART No.
STR-DE598: US	2-515-627-0□
STR-DE598: CND	2-515-627-1□
STR-DE598: AEP, UK	2-515-627-3□
STR-DE598: AUS	2-515-627-4□
STR-DE598: TW	2-515-627-5□
STR-DE598: KR	2-515-627-6□
STR-DE598: E2	2-515-627-7□
STR-DE598: AR	2-515-627-8□
STR-DE698: US	2-541-614-0□
STR-DE698: CND	2-541-614-1□
STR-DE698: AEP, UK	2-541-614-3□
STR-DE698: AUS	2-541-614-4□
STR-DE698: E2	2-541-614-5□
STR-DE698: AR	2-541-614-6□
STR-DV10: US	2-541-614-7□

• Abbreviation

- CND : Canadian model
- E2 : AC 120 V area in E model
- AUS : Australian model
- AR : Argentina model
- KR : Korean model
- TW : Taiwan model

TABLE OF CONTENTS**1. GENERAL**

STR-DE598: Main unit	5
STR-DE598/DV10: Remote button description	6
STR-DE698/DV10: Main unit	7
STR-DE698: Remote button description	8

2. DISASSEMBLY

2-1. Case	9
2-2. Front Panel Section	10
2-3. Back Panel Section	10
2-4. Digital Board	11
2-5. Standby Board	11
2-6. Main Board	12
2-7. SB AMP Board	12

3. TEST MODE 13**4. DIAGRAMS**

4-1. Circuit Boards Location	14
4-2. Block Diagram – Tuner/Audio Section –	15
4-3. Block Diagram – Digital Section –	16
4-4. Block Diagram – Video Section –	17
4-5. Block Diagram – Key/Display Section –	18
4-6. Block Diagram – Power Section –	19
4-7. Printed Wiring Boards – Main Section –	21
4-8. Schematic Diagram – Main Section (1/2) –	22
4-9. Schematic Diagram – Main Section (2/2) –	23
4-10. Printed Wiring Board – Digital Section (1/2) –	24
4-11. Printed Wiring Board – Digital Section (2/2) –	25
4-12. Schematic Diagram – Digital Section (1/4) –	26
4-13. Schematic Diagram – Digital Section (2/4) –	27
4-14. Schematic Diagram – Digital Section (3/4) –	28
4-15. Schematic Diagram – Digital Section (4/4) –	29
4-16. Printed Wiring Boards – Speaker Section –	30
4-17. Schematic Diagram – Speaker Section –	31
4-18. Printed Wiring Boards – Video Section –	32
4-19. Schematic Diagram – Video Section –	33
4-20. Printed Wiring Board	
– S-video Up Convert Section (STR-DE698) –	34
4-21. Schematic Diagram	
– S-video Up Convert Section (STR-DE698) –	34
4-22. Printed Wiring Board	
– S-video Section (STR-DE698/DV10) –	35
4-23. Schematic Diagram	
– S-video Section (STR-DE698/DV10) –	35
4-24. Printed Wiring Boards – Panel Section –	36
4-25. Schematic Diagram – Panel Section –	37
4-26. Printed Wiring Board – Power Section –	38
4-27. Schematic Diagram – Power Section –	39

5. EXPLODED VIEWS

5-1. Case Section	46
5-2. Front Panel Section	47
5-3. Back Panel Section	48
5-4. Chassis Section	49

6. ELECTRICAL PARTS LIST 50

SECTION 1 GENERAL

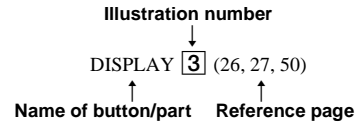
This section is extracted from instruction manual.

STR-DE598:

List of button locations and reference pages

How to use this page

Use this page to find the location of buttons that are mentioned in the text.



Main unit

ALPHABETICAL ORDER

A - H

- A.F.D. (button/indicator) **11** (31, 33)
- AM **21** (22, 23, 24, 25, 41)
- DIMMER **4** (27)
- DISPLAY **3** (26, 27, 50)
- Display **7** (26, 27)
- DVD **25** (22)
- ENTER **15** (17, 18, 41)
- FM **22** (22, 23, 24, 25, 41)
- FM MODE **32** (23)

I - O

- Input buttons **20** (22, 36, 40, 41, 50)
- INPUT MODE **17** (36)

- IR (receptor) **5** (44, 50)
- MAIN MENU **8** (18, 37, 38, 41)
- MASTER VOLUME \pm **16** (17, 21, 22, 49)
- MD/TAPE **24** (22)
- MEMORY **34** (24, 25)
- MOVIE (button/indicator) **12** (32, 33, 50)
- MULTI CHANNEL DECODING (indicator) **6** (23)
- MULTI CH IN **9** (23)
- MUSIC (button/indicator) **13** (33, 50)

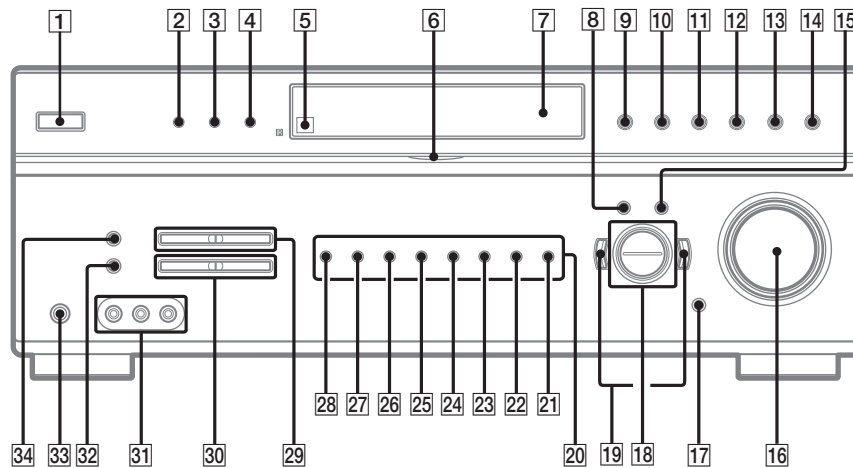
P - Z

- PHONES (jack) **33** (22, 49)
- PRESET TUNING \pm **29** (25, 53)

- SA-CD/CD **23** (22)
- SPEAKERS (OFF/A/B/A+B) **2** (16, 42, 49)
- SURR BACK DECODING **14** (34)
- TUNING \pm **30** (23, 53)
- VIDEO 1 **28** (22)
- VIDEO 2 **27** (22)
- VIDEO 3 **26** (22)
- VIDEO 3 IN/PORTABLE AV IN (jacks) **31** (13)

NUMBERS AND SYMBOLS

- 2CH (button/indicator) **10** (30, 33, 38)
- I/⏻ (power) **1** (17, 18, 24, 38, 53)
- </> **19** (18, 37, 38, 41)
- +/- **18** (18, 37, 39, 41)




STR-DE598/DV10:

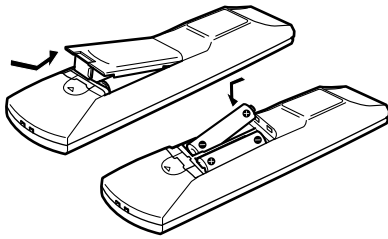
Operations Using the Remote RM-AAU001

You can use the remote RM-AAU001 to operate the components in your system.

Before you use your remote

Inserting batteries into the remote

Insert R6 (size-AA) batteries with the + and – properly oriented in the battery compartment. When using the remote, point it at the remote sensor  on the receiver.

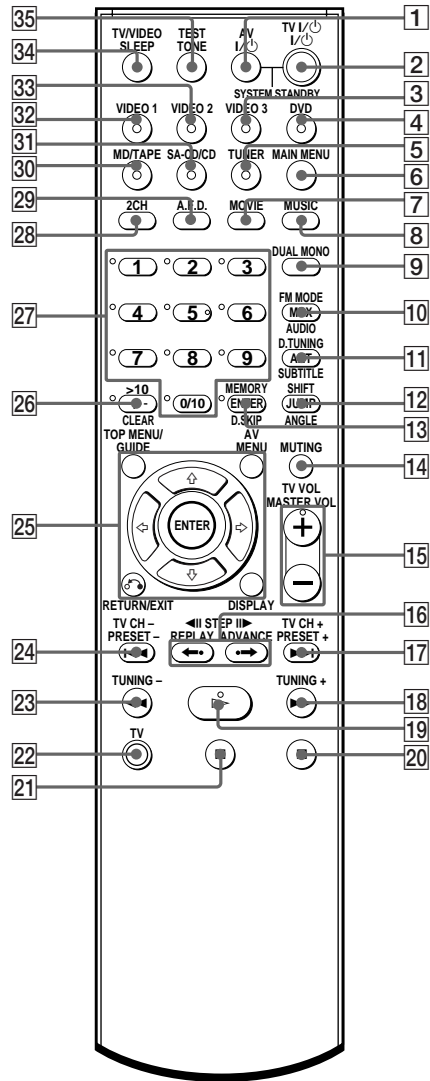


Tip
Under normal conditions, the batteries should last for about 6 months. When the remote no longer operates the receiver, replace all batteries with new ones.

Notes

- Do not leave the remote in an extremely hot or humid place.
- Do not use a new battery with an old one.
- Do not expose the remote sensor to direct sunlight or lighting apparatuses. Doing so may cause a malfunction.
- If you don't use the remote for an extended period of time, remove the batteries to avoid possible damage from battery leakage and corrosion.

Remote button description

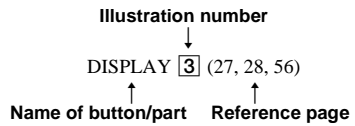


STR-DE698/DV10:

List of button locations and reference pages

How to use this page

Use this page to find the location of buttons that are mentioned in the text.



Main unit

ALPHABETICAL ORDER

A - H

- A.F.D. (button/indicator) **11** (32, 34)
- AUX **21** (23)
- DIMMER **4** (28)
- DISPLAY **3** (27, 28, 56)
- Display **7** (27, 28)
- DVD **25** (23)
- ENTER **15** (18, 42, 57)
- FM MODE **32** (24)

I - O

- Input buttons **20** (23, 37, 41, 42, 56)
- INPUT MODE **17** (37)

- IR (receptor) **5** (45, 57)
- MAIN MENU **8** (18, 38, 39, 42)
- MASTER VOLUME \pm **16** (18, 22, 23, 55)
- MD/TAPE **24** (23)
- MEMORY **34** (26)
- MOVIE (button/indicator) **12** (33, 34, 56)
- MULTI CHANNEL DECODING (indicator) **6** (24)
- MULTI CH IN **9** (24)
- MUSIC (button/indicator) **13** (34, 56)

P - Z

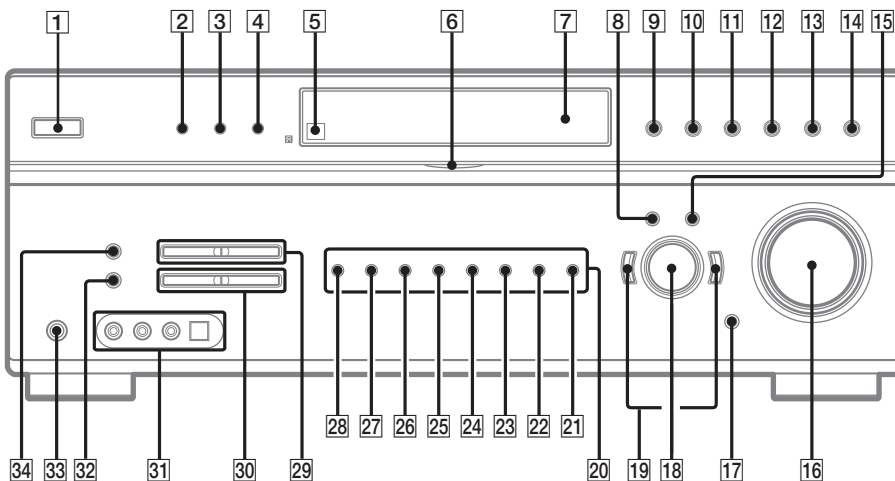
- PHONES (jack) **33** (23, 55)
- PRESET TUNING \pm **29** (26, 59)
- SA-CD/CD **23** (23)

- SPEAKERS (OFF/A/B/A+B) **2** (16, 43, 55)
- SURR BACK DECODING **14** (35)
- TUNER FM/AM **22** (23, 24, 25, 26, 42)
- TUNING \pm **30** (24, 59)
- VIDEO 1 **28** (23)
- VIDEO 2 **27** (23)
- VIDEO 3 **26** (23)
- VIDEO 3 IN/PORTABLE AV IN (jacks) **31** (13)

NUMBERS AND SYMBOLS

- 2CH (button/indicator) **10** (31, 34, 39)
- I/⏻ (power) **1** (18, 25, 39, 57, 59)
- </> **19** (18, 38, 39, 42)
- \pm jog dial **18** (18, 38, 39, 42)

Additional Information




STR-DE698:

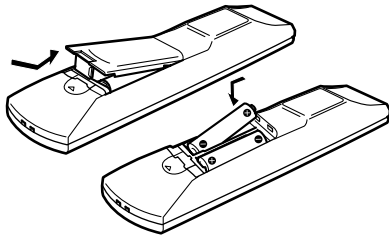
Operations Using the Remote RM-AAP001

You can use the remote RM-AAP001 to operate the components in your system.

Before you use your remote

Inserting batteries into the remote

Insert R6 (size-AA) batteries with the + and – properly oriented in the battery compartment. When using the remote, point it at the remote sensor  on the receiver.

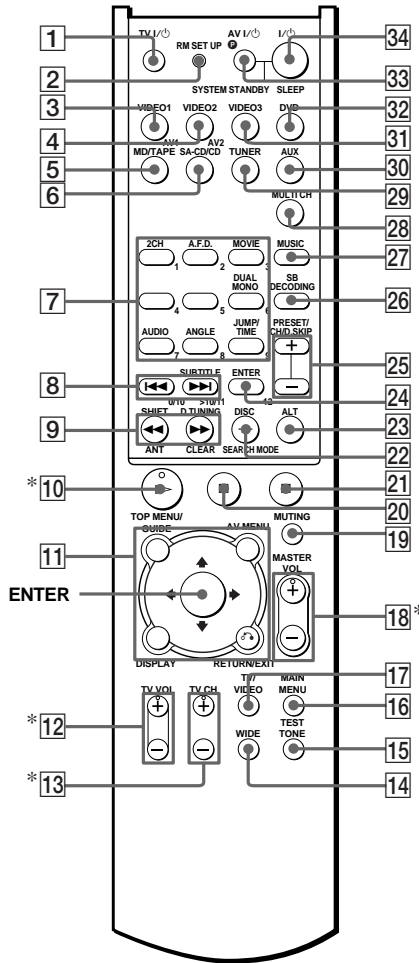


Tip
Under normal conditions, the batteries should last for about 6 months. When the remote no longer operates the receiver, replace all batteries with new ones.

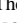
Notes

- Do not leave the remote in an extremely hot or humid place.
- Do not use a new battery with an old one.
- Do not expose the remote sensor to direct sunlight or lighting apparatuses. Doing so may cause a malfunction.
- If you don't use the remote for an extended period of time, remove the batteries to avoid possible damage from battery leakage and corrosion.

Remote button description



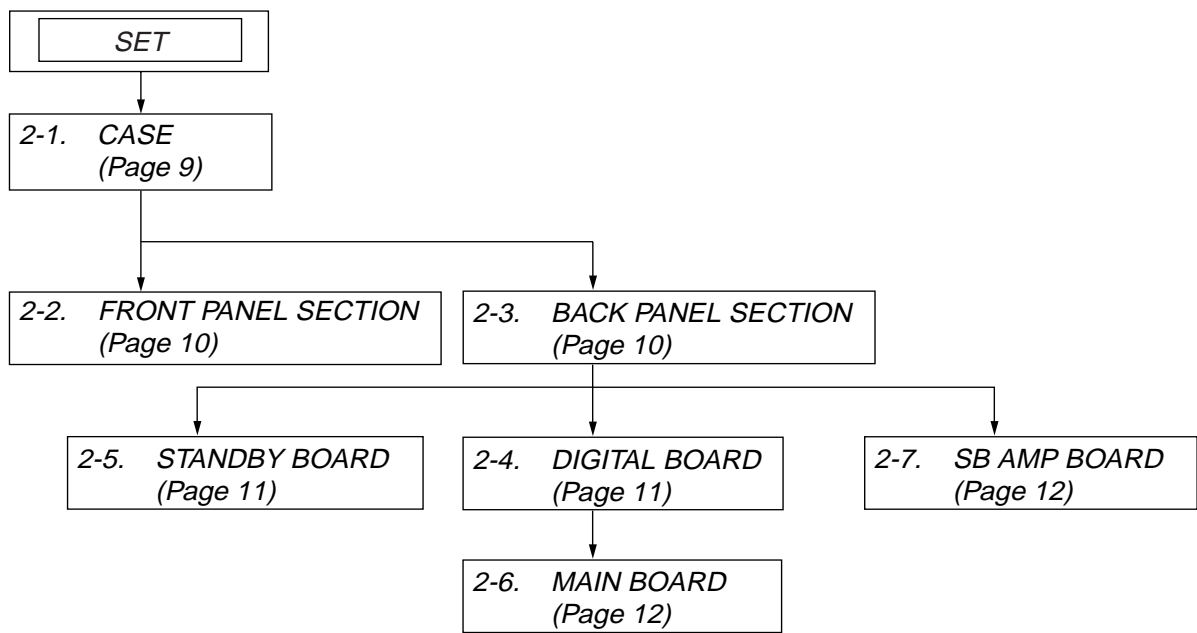
Operations Using the Remote RM-AAP001

* The , TV VOL +, TV CH + and MASTER VOL + buttons have a tactile dot. Use the tactile dot as a reference when operating the receiver and other audio/video components.

continued

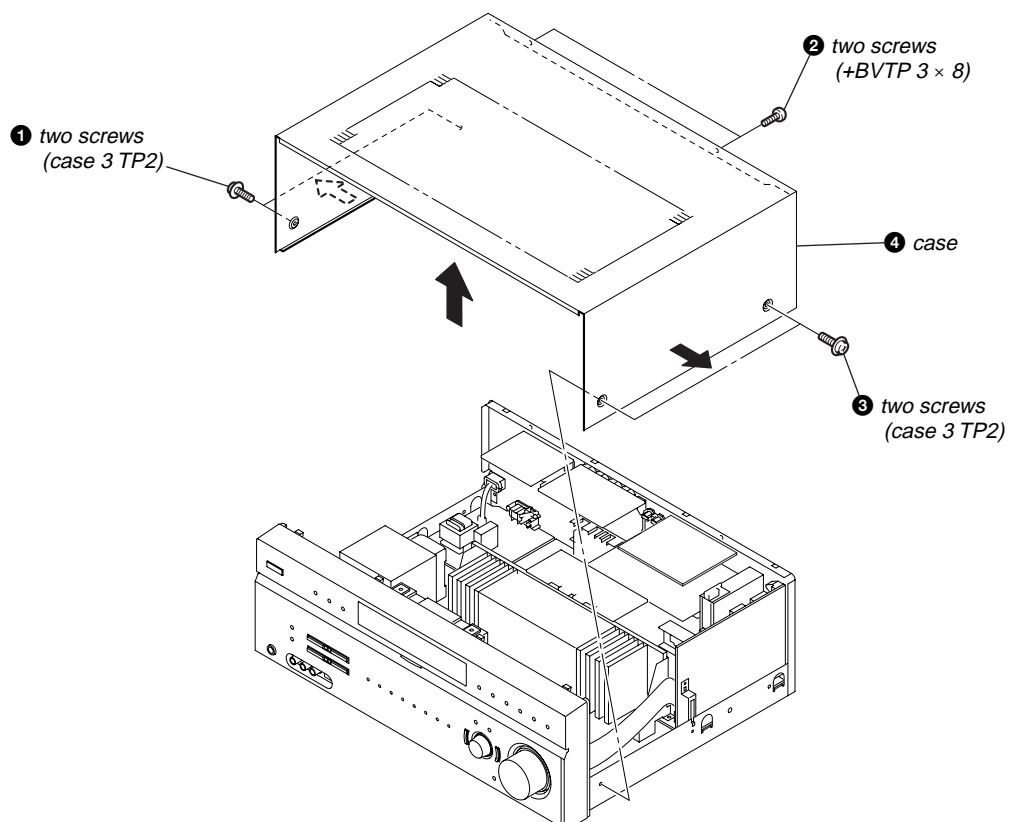
SECTION 2 DISASSEMBLY

Note : This set can be disassemble according to the following sequence.

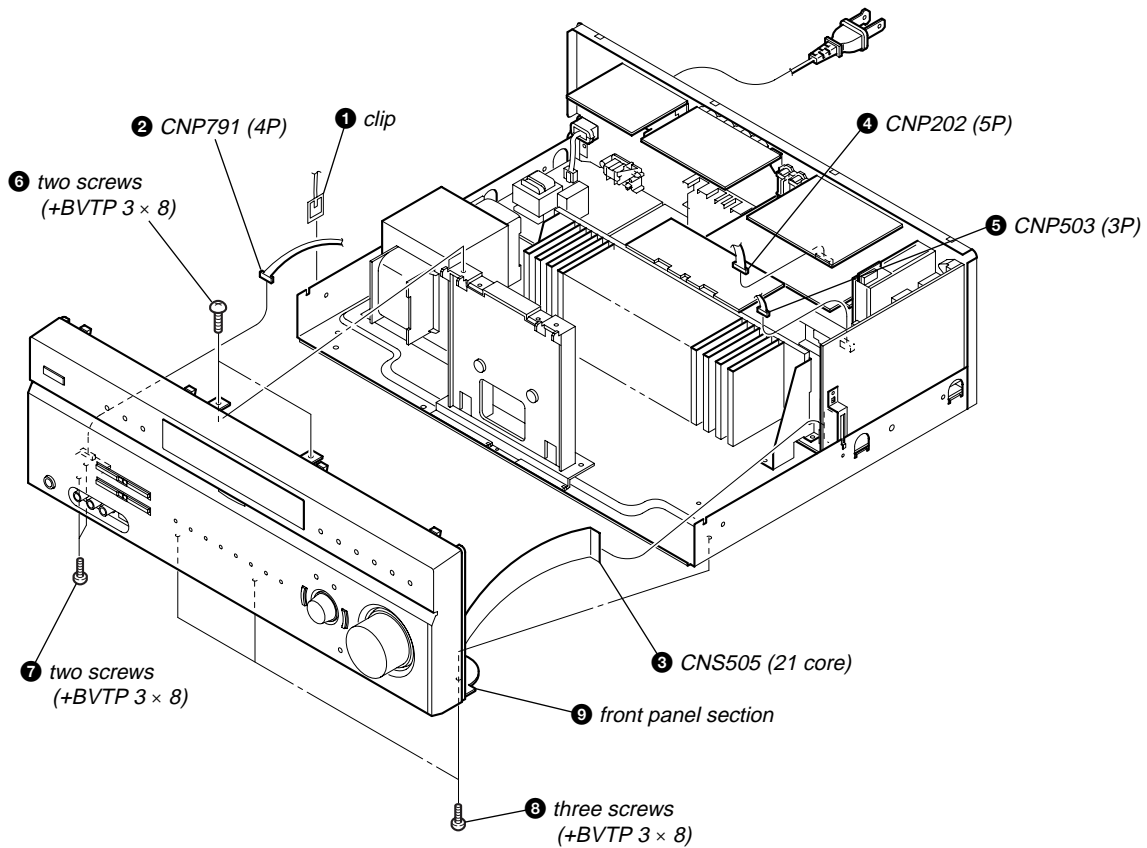


Note : Follow the disassembly procedure in the numerical order given.

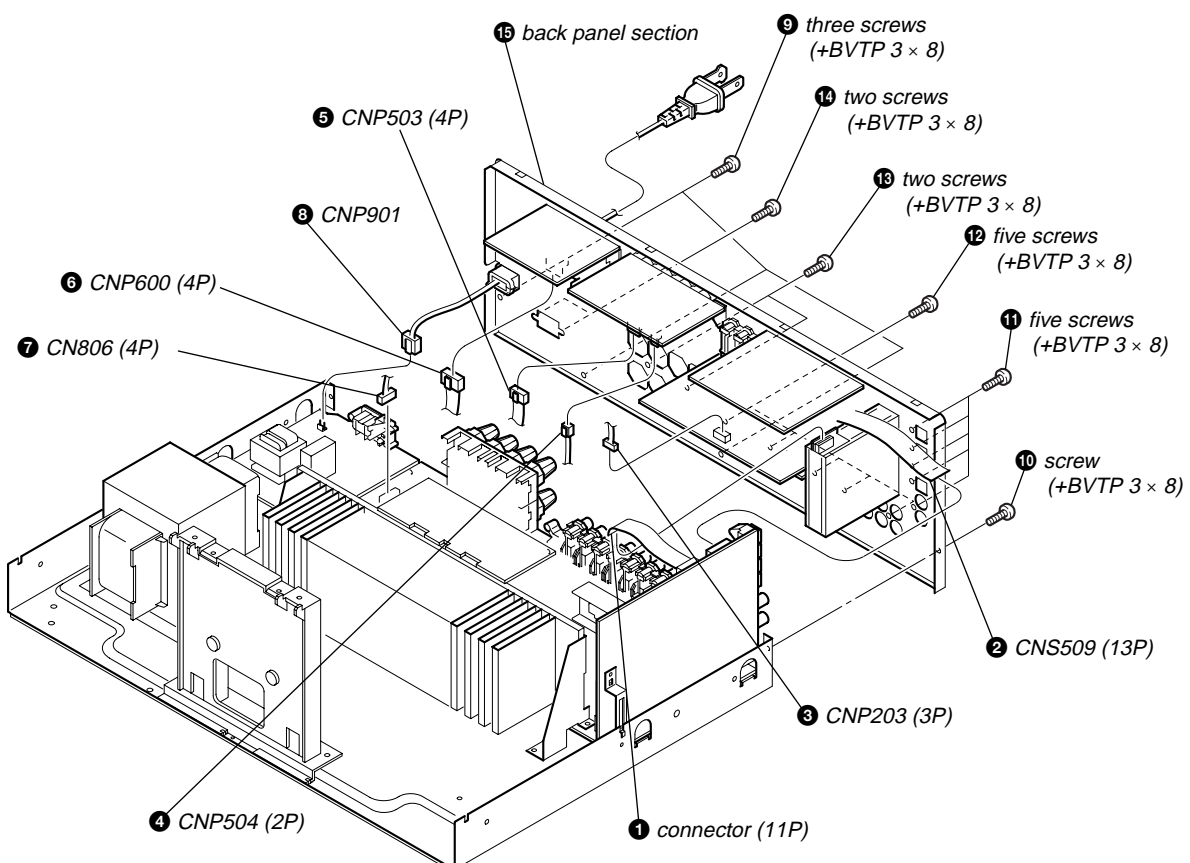
2-1. CASE



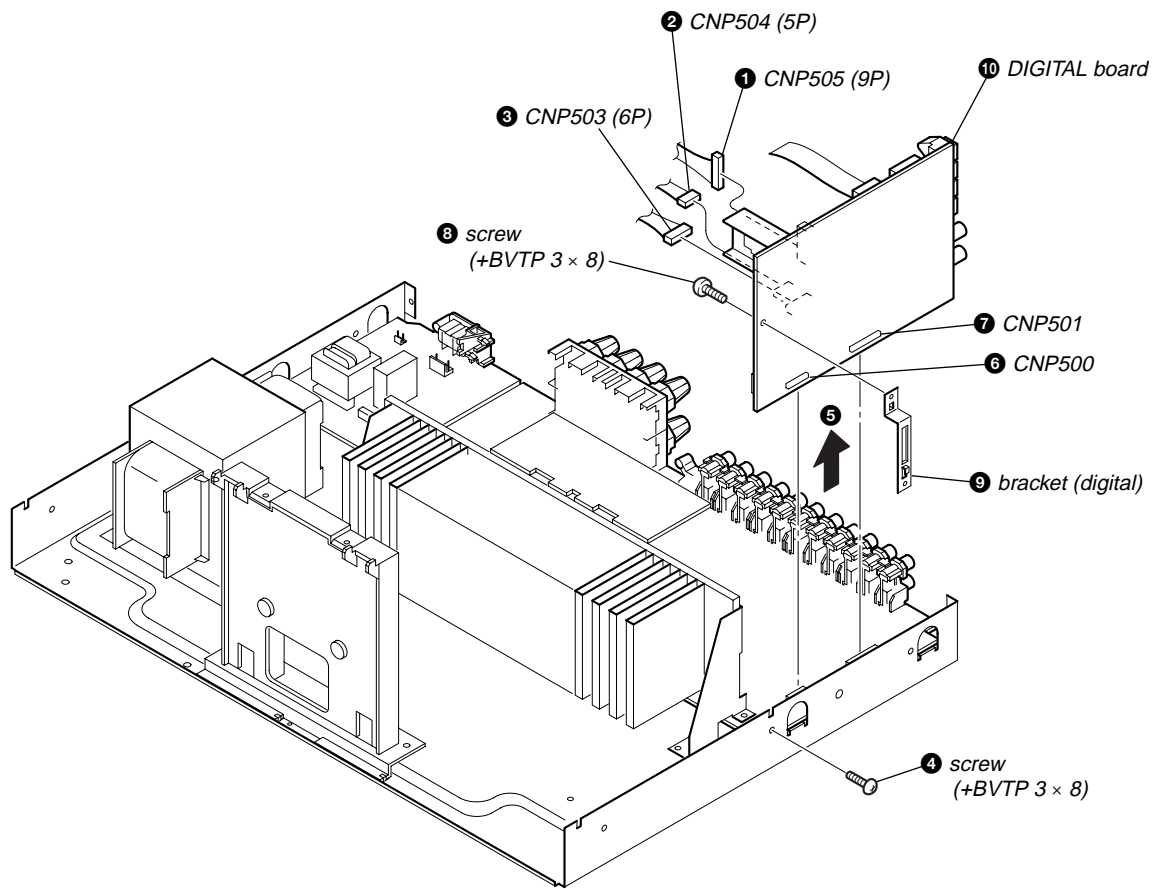
2-2. FRONT PANEL SECTION



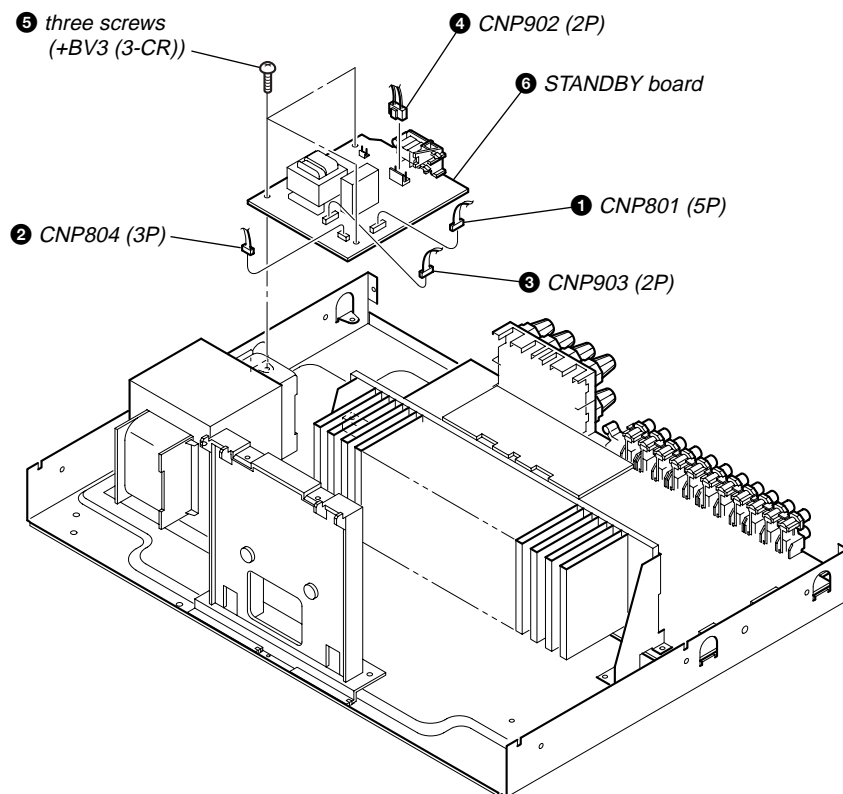
2-3. BACK PANEL SECTION



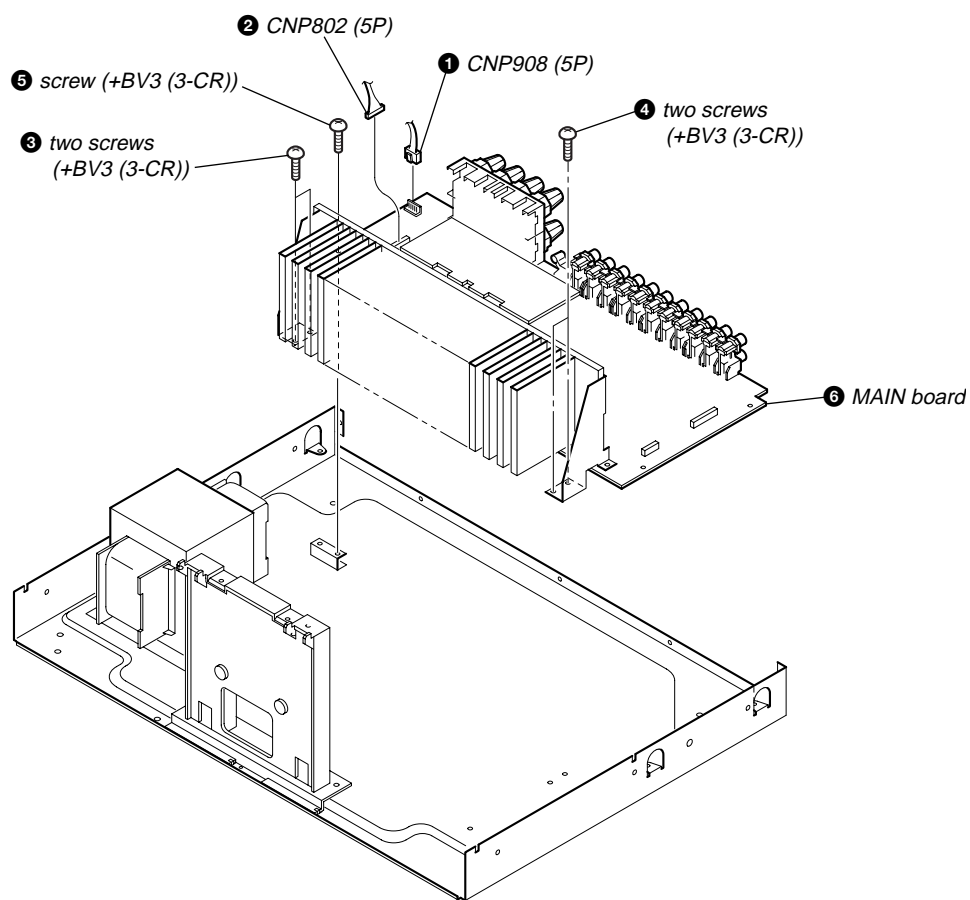
2-4. DIGITAL BOARD



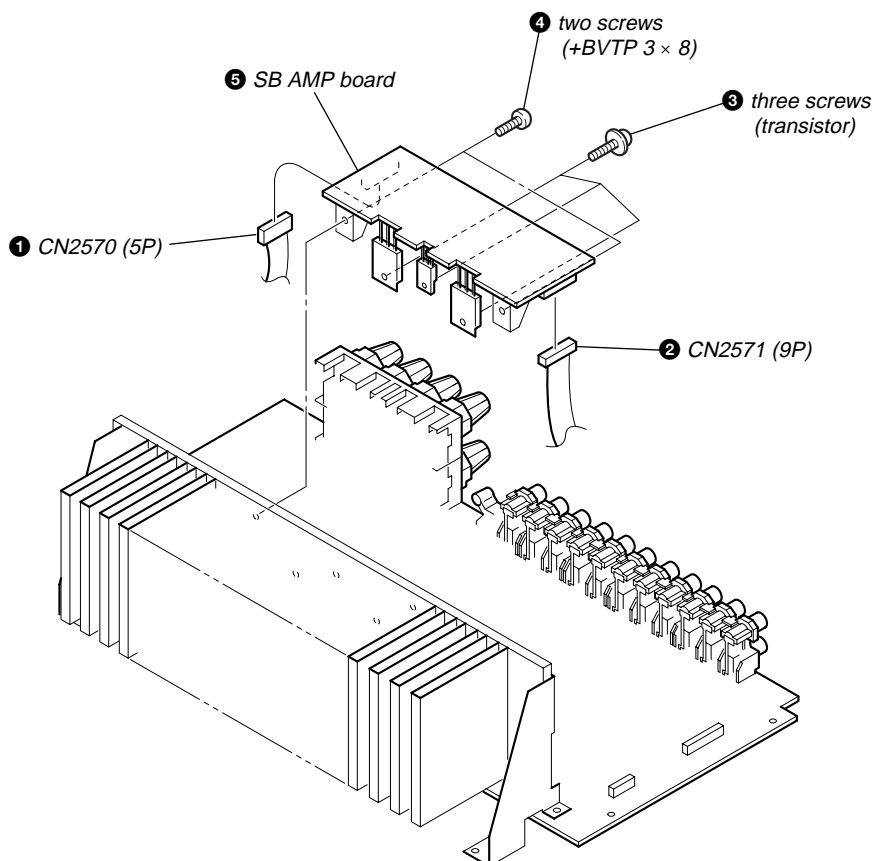
2-5. STANDBY BOARD



2-6. MAIN BOARD



2-7. SB AMP BOARD



SECTION 3 TEST MODE

FACTORY PRESET MODE

- * All preset contents are reset to the default setting.
- * Procedure:
While depressing the **[FM MODE]** and the **[DISPLAY]** buttons simultaneously, press the **[I/⏻]** button to turn on the main power. The message "FACTORY" appears for a moment and the present contents are reset to the default values.

AM CHANNEL STEP 9 kHz/10 kHz SELECTION MODE (US, Canadian, E2 model only)

- * Either the 9 kHz step or 10 kHz step can be selected for the AM channel step.
- * Procedure:
Press the **[AM]** (STR-DE598) or **[TUNER FM/AM]** (STR-DE698/DV10) button to set AM and press the **[I/⏻]** button to turn off the main power.
While depressing the **[PRESET TUNING +]** button or the **[TUNING +]** button, press the **[I/⏻]** button to turn on the main power.
Either the message "9k STEP" or "10k STEP" appears for a moment and select the desired step.

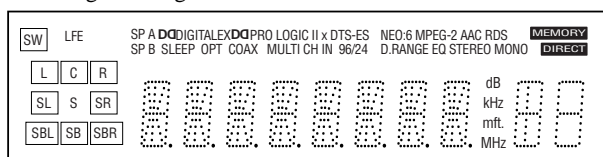
SPEAKER SIZE SELECTION MODE

- * Either the normal speaker or micro satellite speaker can be selected.
- * Procedure:
While depressing the **[DIMMER]** button, press the **[I/⏻]** button to turn on the main power.
Either the message "NORM. SP." or "MICRO SP." appears for a moment and select the desired speaker size.

FLUORESCENT INDICATOR TUBE TEST MODE

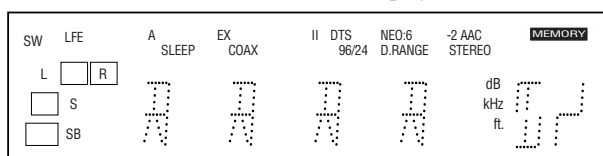
- * All fluorescent segments are tested.
When this test is activated, all segments light on at the same time, then each segment lights on one after another.
- * Procedure:
While depressing the **[TUNING -]** and the **[SPEAKERS (OFF/A/B/A+B)]** buttons simultaneously, press the **[I/⏻]** button to turn on the main power.

1. ALL segments light on.



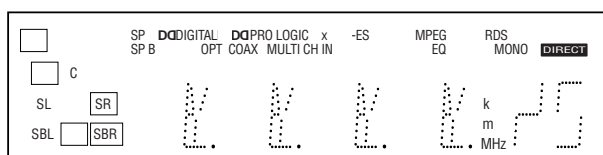
[2CH], **[A.F.D.]**, **[MOVIE]**, **[MUSIC]** and **[MULTI CHANNEL DECODING]** LED light on.

2. Press the **[VIDEO 1]** button, confirm display.



[A.F.D.] and **[MUSIC]** LED light on.

3. Press the **[VIDEO 1]** button, confirm display.



[2CH], **[MOVIE]** and **[MULTI CHANNEL DECODING]** LED light on.

4. Press the **[VIDEO 1]** button, all segments and all LEDs light off.
5. Every pressing the **[VIDEO 1]** button turns on each segment and LED one after another in the same order.
(Not only the **[VIDEO 1]** button, but also the other buttons such as **[VIDEO 2]**, **[VIDEO 3]**, **[DVD]**, **[MD/TAPE]**, **[SA-CD/CD]**, **[FM]** (STR-DE598) or **[TUNER FM/AM]** (STR-DE698/DV10) and **[AM]** (STR-DE598) or **[AUX]** (STR-DE698/DV10) can be used.)

SOUND FIELD CLEAR MODE

- * The preset sound field is cleared when this mode is activated.
Use this mode before returning the product to clients upon completion of repair.
- * Procedure:
While depressing the **[2CH]** button, press the **[I/⏻]** button to turn on the main power.
The message "SF. CLR." appears for a moment and initialization is performed.

SOFTWARE VERSION DISPLAY MODE

- * The software version is displayed.
- * Procedure:
While depressing the **[TUNING -]** and the **[DISPLAY]** buttons simultaneously, press the **[I/⏻]** button to turn on the main power. The model name, destination and the software version are displayed for a moment.

KEY CHECK MODE

- * Button check
- * Procedure:
While depressing the **[TUNING -]** and the **[MAIN MENU]** buttons simultaneously, press the **[I/⏻]** button to turn on the main power. Either the message "REST 30" (STR-DE598) or "REST 28" (STR-DE698/DV10) appears.
Every pressing of any button other than the **[I/⏻]** counts down the buttons. The buttons which are already counted once are not counted again. When all buttons are pressed "REST 00" appears.

AUTOBETICAL MODE (AEP, UK model only)

- * When this mode is used, the receiver scans the broadcasts that can be received by the tuner, and sets up the broadcasts.
Be sure to start scanning after connecting the antenna.
- * Procedure:
Check that the antenna is connected.
While depressing the **[MEMORY]** button, press the **[I/⏻]** button to turn on the main power.
The message "AUTO-BETICAL SELECT" appears for a moment and the receiver starts scanning.

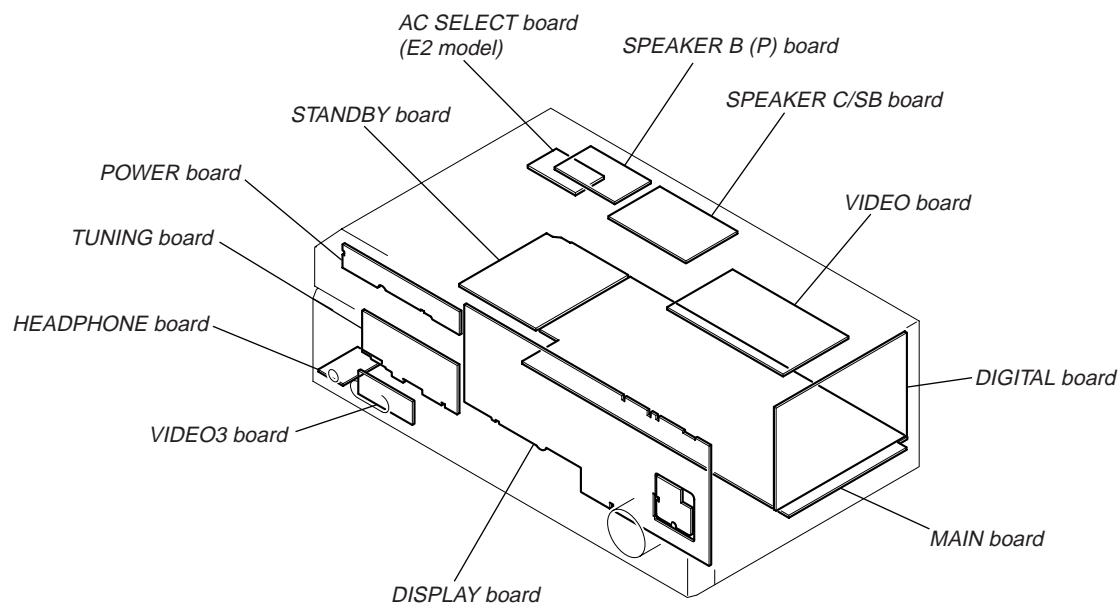
COMMAND MODE SELECTION MODE

- * The command mode (AV1 or AV2) of the remote commander can be selected.
- * Procedure:
While depressing the **[ENTER]** button, press the **[I/⏻]** button to turn on the main power.
Either the message "C.MODE.AV 1" or "C.MODE.AV 2" appears for a moment and select the desired mode.

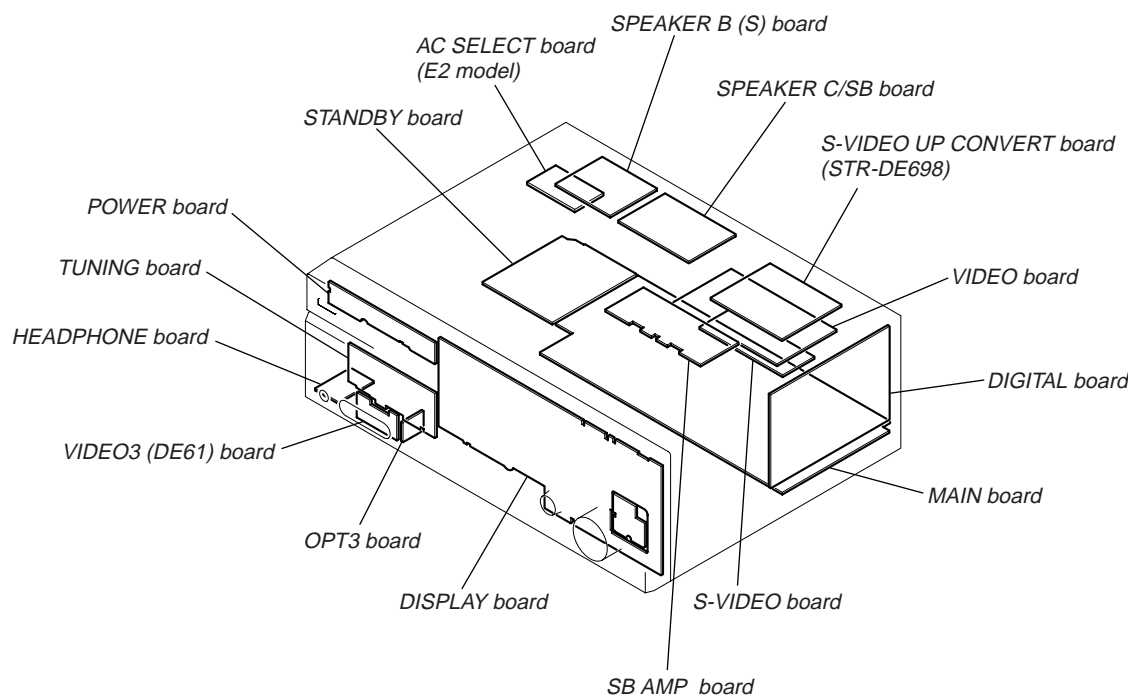
SECTION 4 DIAGRAMS

4-1. CIRCUIT BOARDS LOCATION

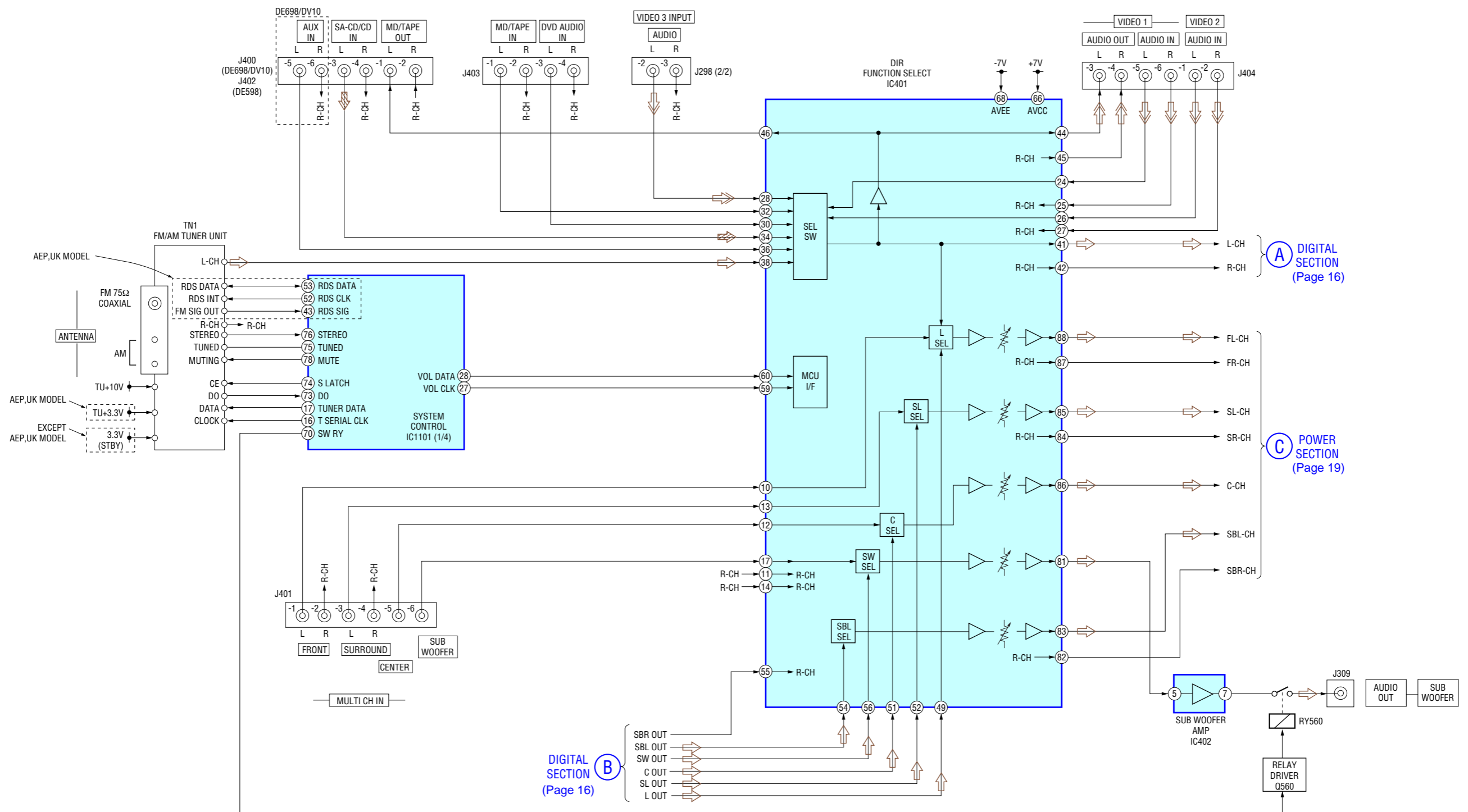
— STR-DE598 —



— STR-DE698/DV10 —

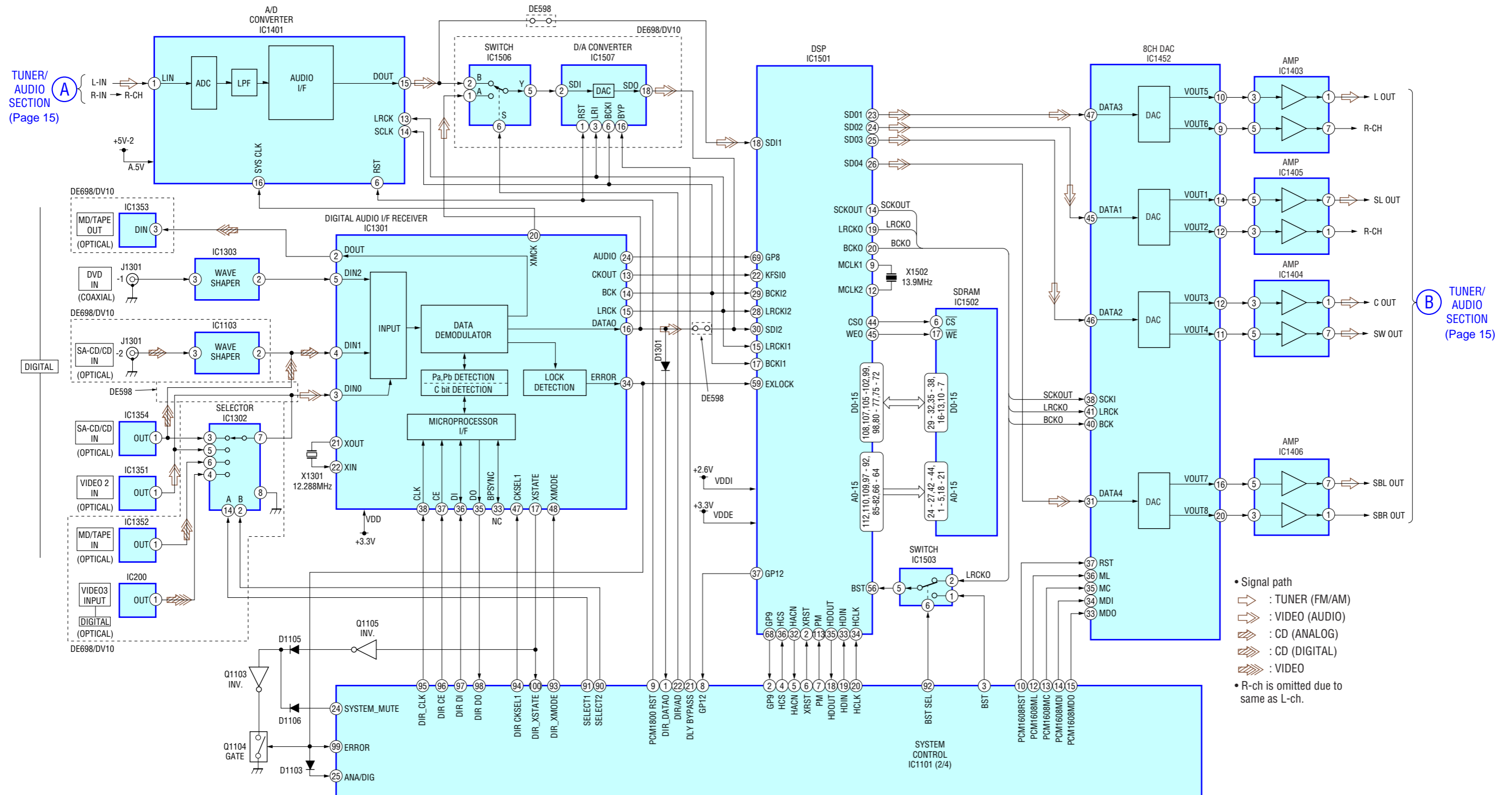


4-2. BLOCK DIAGRAM — TUNER/AUDIO SECTION —



- Signal path
 - ➔ : TUNER (FM/AM)
 - ➞ : VIDEO (AUDIO)
 - ➠ : CD (ANALOG)
- R-ch is omitted due to same as L-ch.

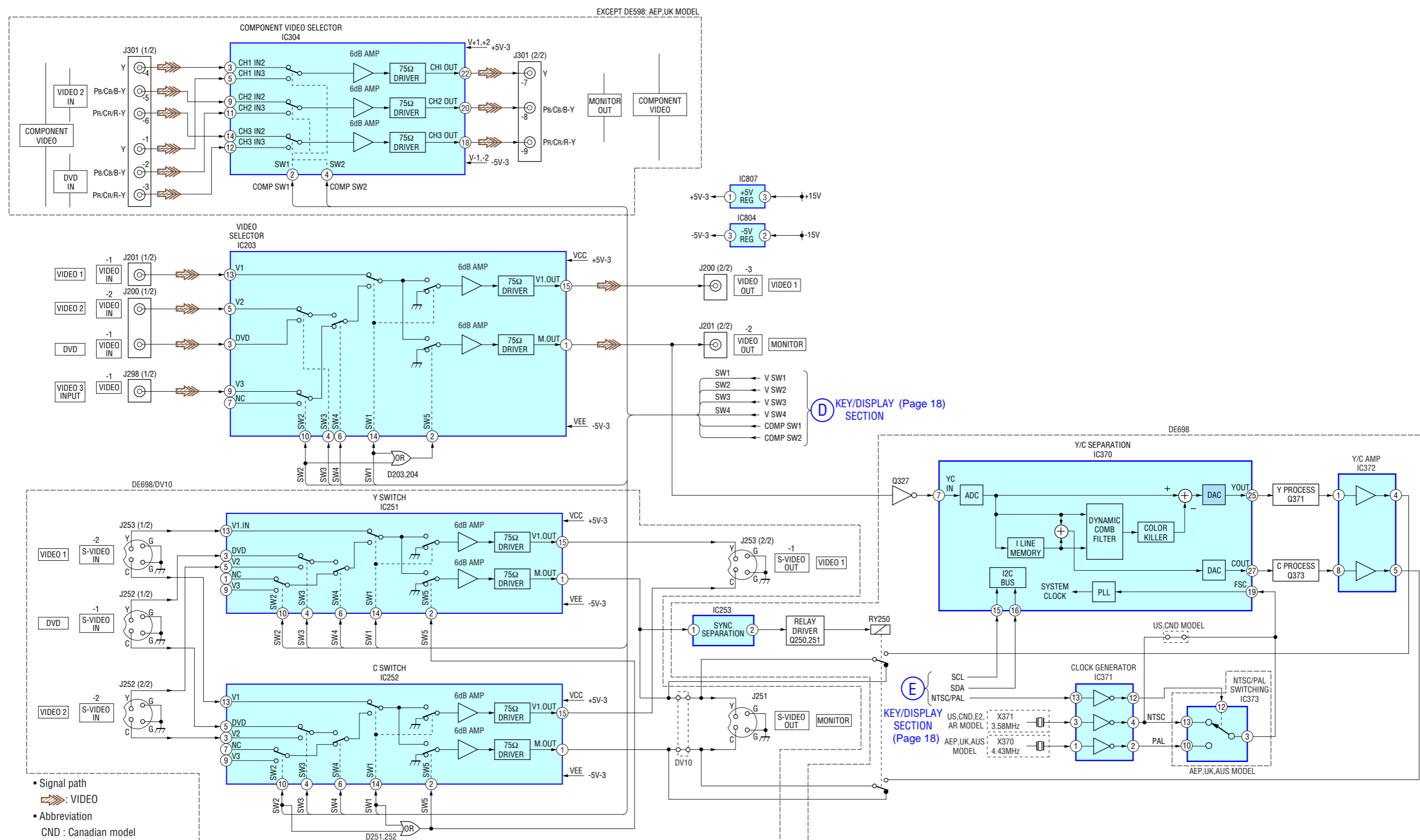
4-3. BLOCK DIAGRAM — DIGITAL SECTION —



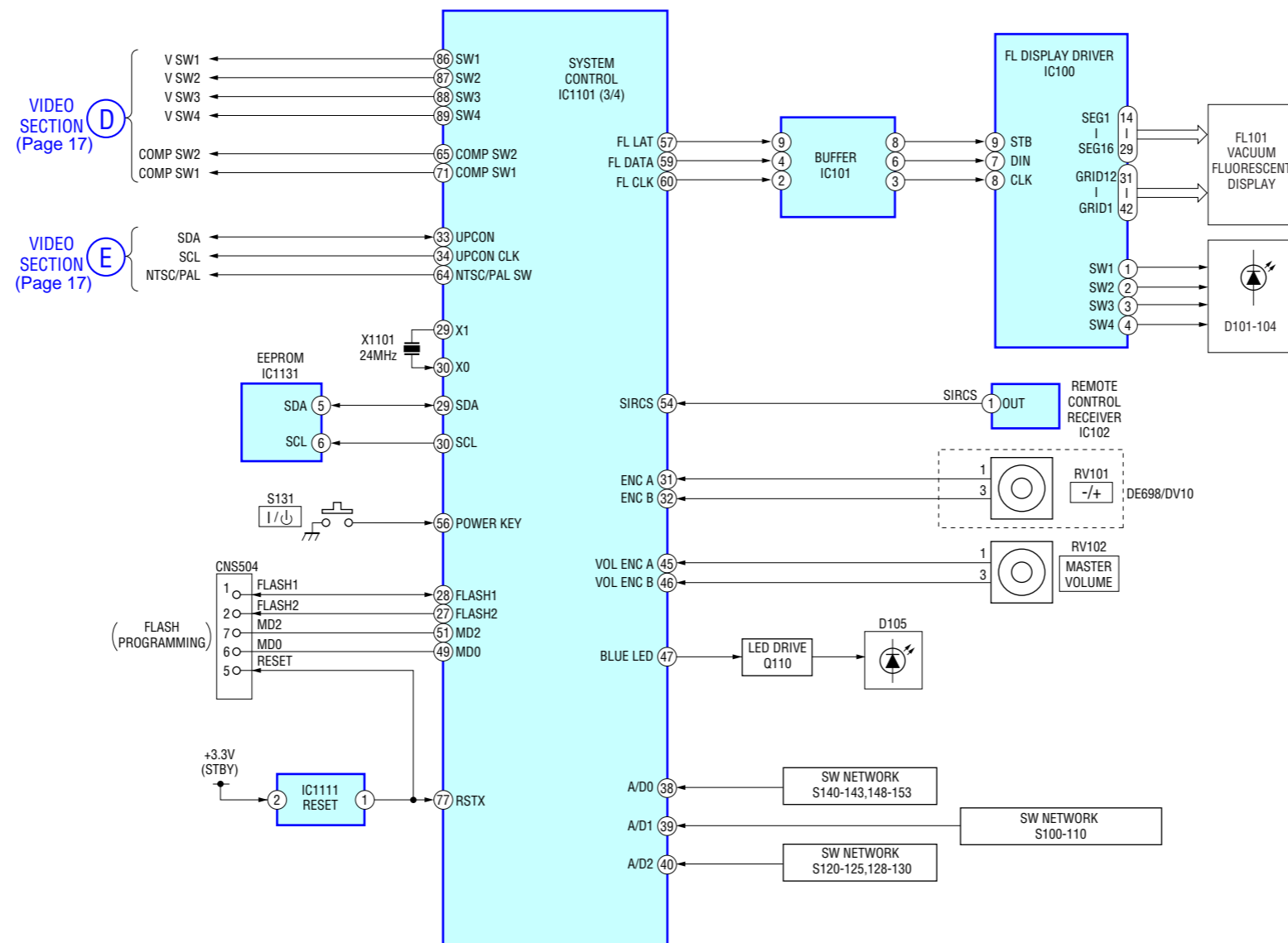
TUNER/AUDIO SECTION (Page 15)

TUNER/AUDIO SECTION (Page 15)

4-4. BLOCK DIAGRAM — VIDEO SECTION —

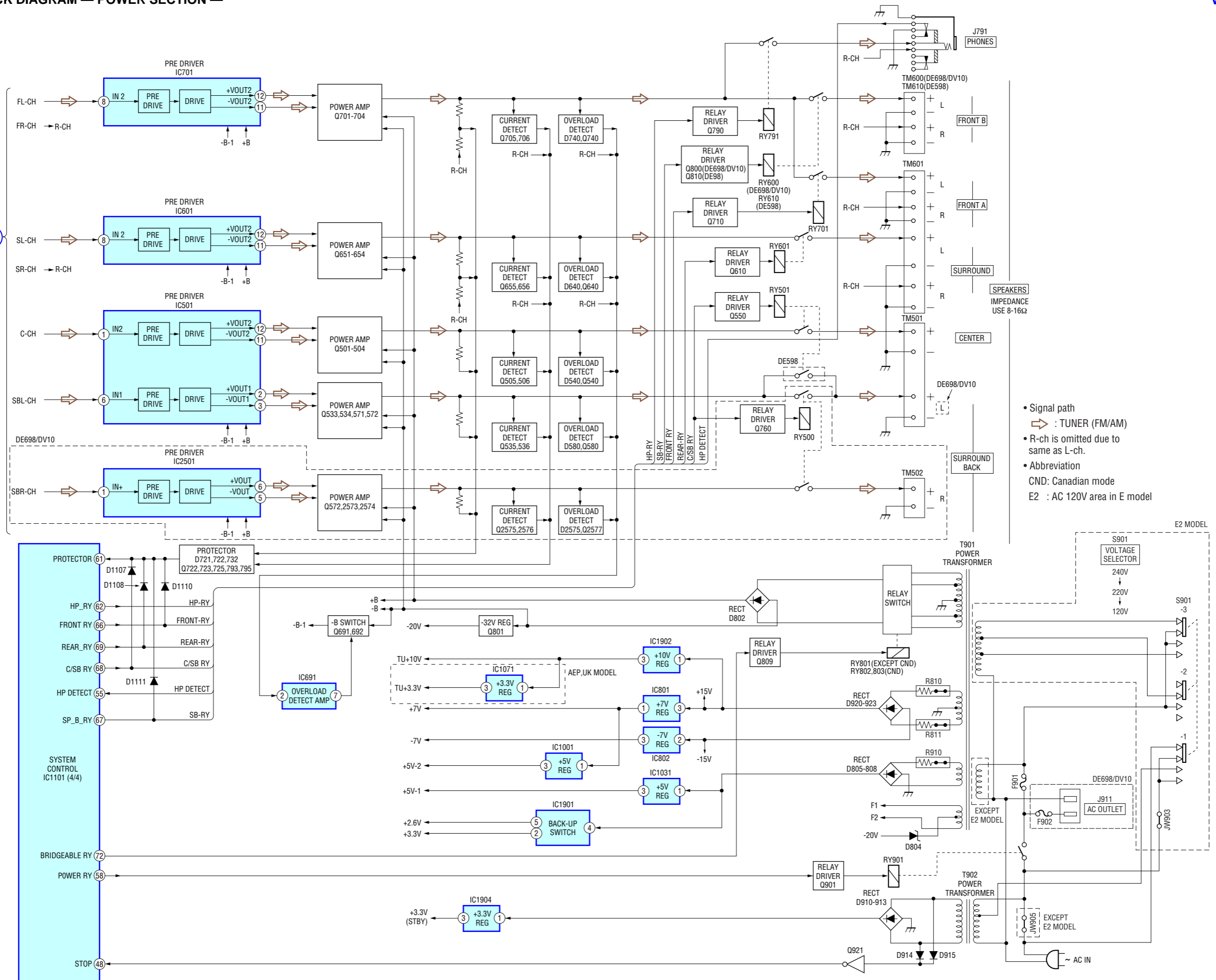


4-5. BLOCK DIAGRAM — KEY/DISPLAY SECTION —



4-6. BLOCK DIAGRAM — POWER SECTION —


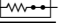

TUNER/
AUDIO SECTION
(Page 15)





- Signal path
➔ : TUNER (FM/AM)
- R-ch is omitted due to same as L-ch.
- Abbreviation
CND: Canadian mode
E2 : AC 120V area in E model

THIS NOTE IS COMMON FOR PRINTED WIRING BOARDS AND SCHEMATIC DIAGRAMS.
(In addition to this, the necessary note is printed in each block.)

for schematic diagram:

- All capacitors are in μF unless otherwise noted. (p: pF) 50 WV or less are not indicated except for electrolytics and tantalums.
- All resistors are in Ω and $\frac{1}{4} \text{W}$ or less unless otherwise specified.
- Δ : internal component.
-  : nonflammable resistor.
-  : fusible resistor.
-  : panel designation.

for printed wiring boards:

-  : parts extracted from the component side.
- Δ : internal component.
-  : Pattern from the side which enables seeing.

Caution:








Pattern face side: Parts on the pattern face side seen from the pattern face are indicated.
(Side B)
Parts face side: Parts on the parts face side seen from the parts face are indicated.
(Side A)

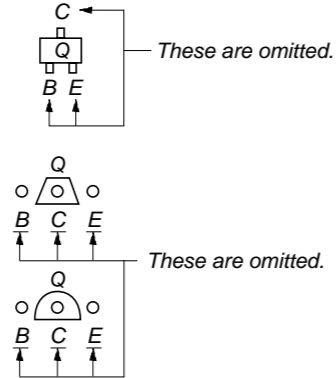
Abbreviation

- CND : Canadian model.
- E2 : AC 120 V area in E model.
- AUS : Australian model.
- AR : Argentina model.
- KR : Korean model.
- TW : Taiwan model.

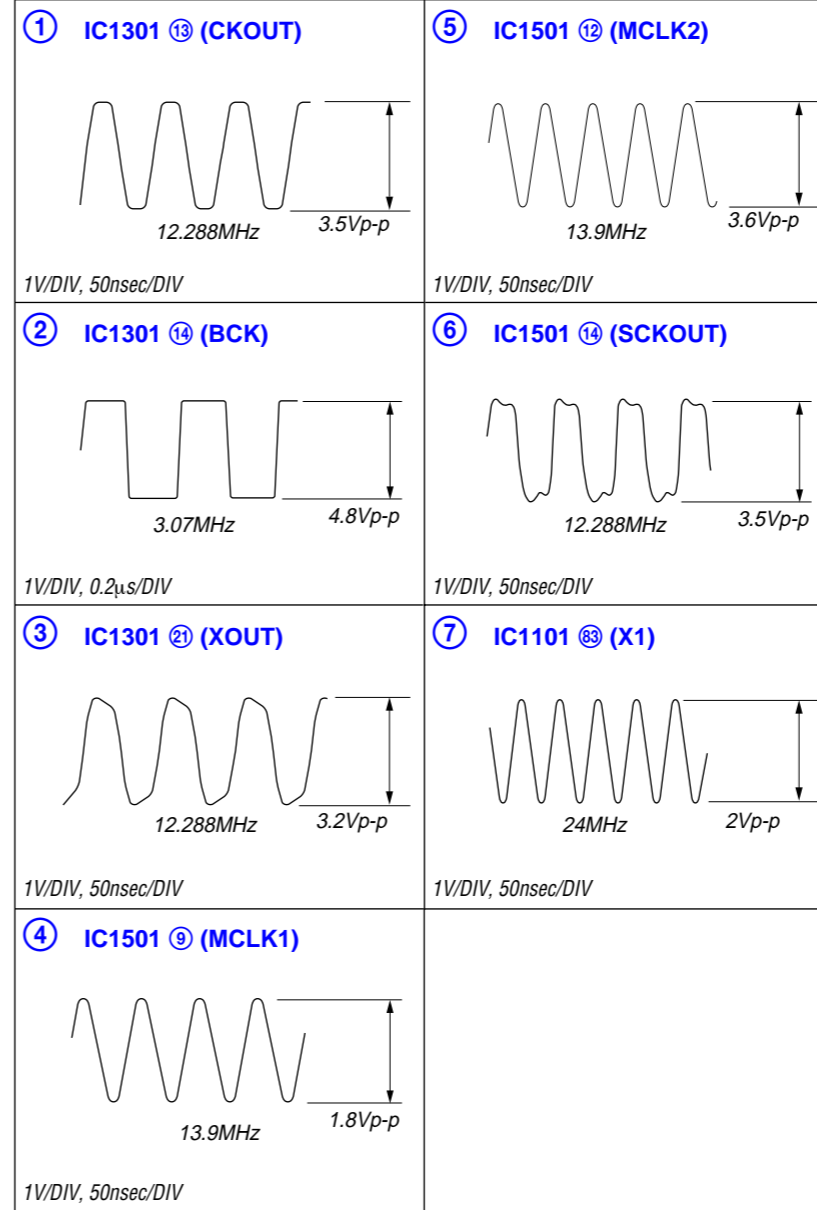
Note:
The components identified by mark Δ or dotted line with mark Δ are critical for safety.
Replace only with part number specified.

Note:
Les composants identifiés par une marque Δ sont critiques pour la sécurité.
Ne les remplacer que par une pièce portant le numéro spécifié.

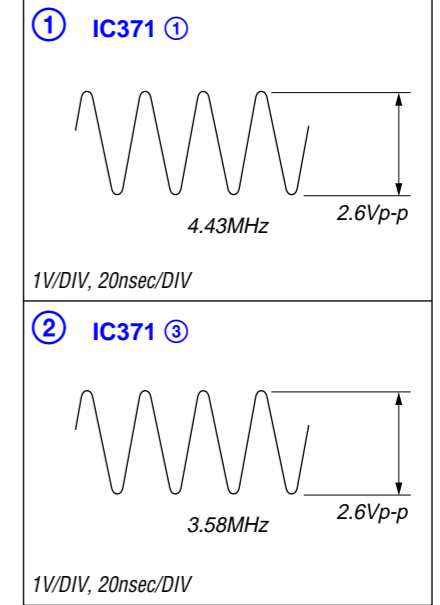
-  : B+ Line.
-  : B- Line.
- Voltage and waveforms are dc with respect to ground under no-signal (detuned) conditions.
no mark : FM
- Voltages are taken with a VOM (Input impedance 10 M Ω).
Voltage variations may be noted due to normal production tolerances.
- Waveforms are taken with a oscilloscope.
Voltage variations may be noted due to normal production tolerances.
- Circled numbers refer to waveforms.
- Signal path.
 : TUNER (FM/AM)
 : VIDEO (AUDIO)
 : VIDEO
 : CD (ANALOG)
 : CD (DIGITAL)
- Abbreviation
CND : Canadian model.
E2 : AC 120 V area in E model.
AUS : Australian model.
AR : Argentina model.
KR : Korean model.
TW : Taiwan model.



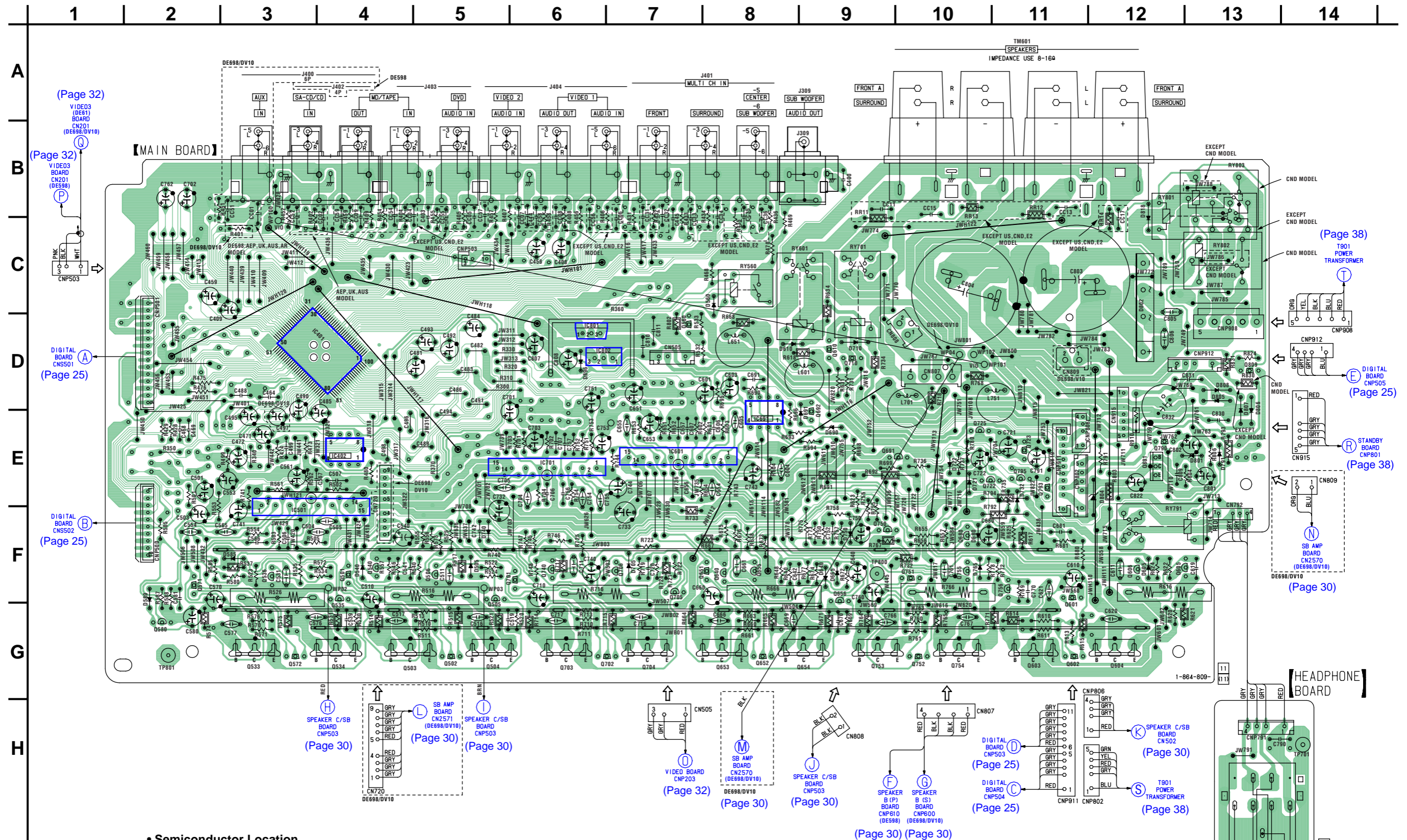
• Waveforms
— DIGITAL Board —



— S-VIDEO UP CONVERT Board —
(STR-DE698 only)



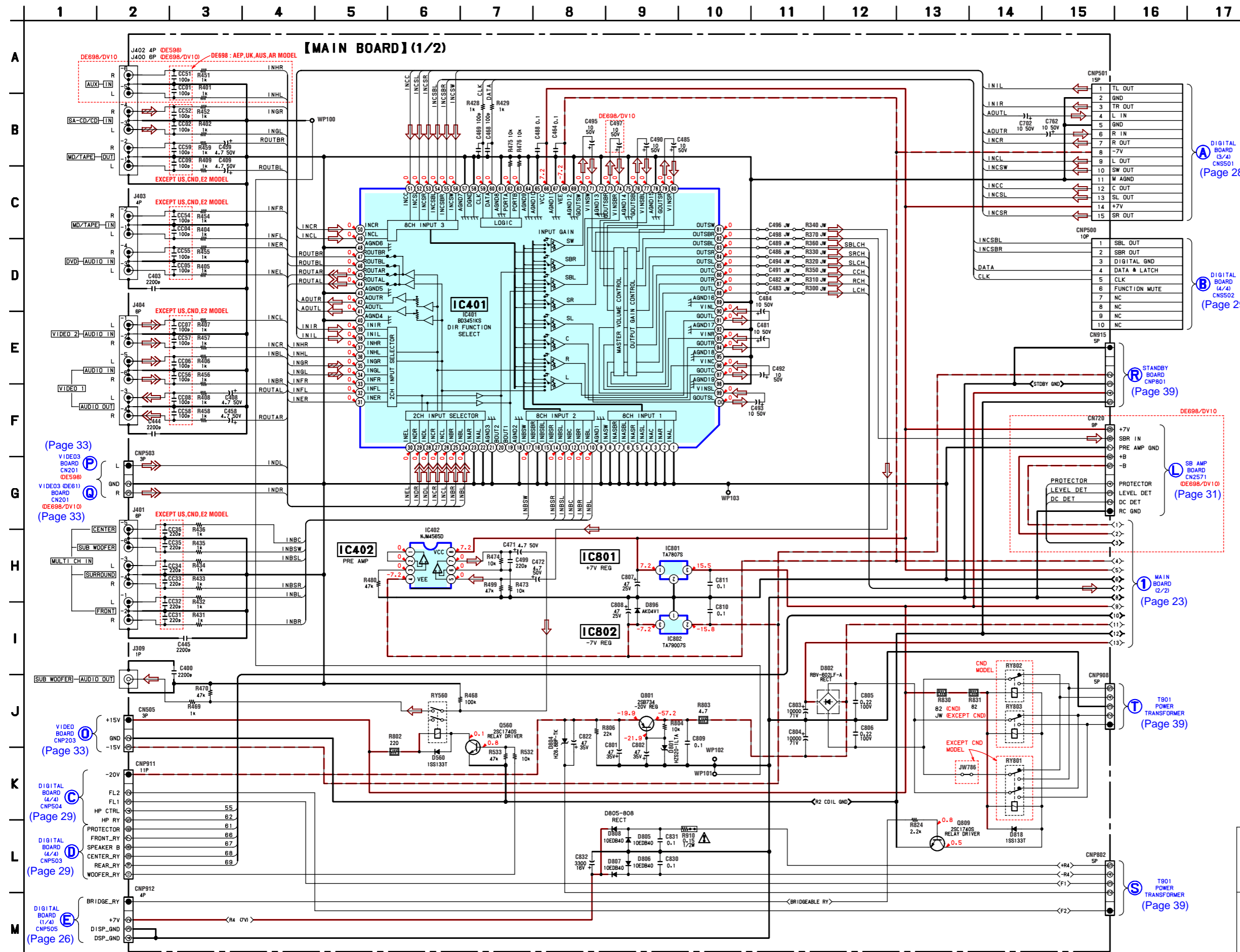
4-7. PRINTED WIRING BOARDS — MAIN SECTION — • Refer to page 14 for Circuit Boards Location.



• Semiconductor Location

Ref. No.	Location	Ref. No.	Location	Ref. No.	Location	Ref. No.	Location	Ref. No.	Location	Ref. No.	Location	Ref. No.	Location	Ref. No.	Location
D505	F-5	D705	F-7	D805	D-13	IC701	E-6	Q535	F-4	Q606	F-12	Q701	F-6	Q751	F-10
D540	F-4	D710	D-9	D806	D-13	IC801	D-6	Q536	F-3	Q610	D-9	Q702	G-6	Q752	G-10
D560	C-8	D721	E-10	D807	D-13	IC802	D-6	Q540	F-4	Q640	F-8	Q703	G-6	Q753	G-9
D580	F-2	D722	E-10	D808	D-13			Q560	D-7	Q651	F-8	Q704	G-7	Q754	G-10
D585	F-3	D732	E-11	D818	B-12	Q501	F-4	Q571	F-2	Q652	G-8	Q705	F-7	Q755	F-10
D605	F-12	D740	F-5	D896	D-6	Q502	G-5	Q572	G-3	Q653	G-8	Q706	F-7	Q756	F-11
D610	D-8	D750	F-9			Q503	G-4	Q580	G-2	Q654	G-9	Q710	D-9	Q790	E-12
D640	F-9	D765	F-10	IC401	D-4	Q504	G-5	Q601	F-11	Q655	F-8	Q722	E-11	Q793	E-11
D665	F-9	D791	E-13	IC402	E-4	Q505	F-5	Q602	G-11	Q656	F-9	Q723	E-11	Q795	E-11
D680	F-10	D801	E-13	IC501	F-3	Q506	F-5	Q603	G-11	Q680	F-10	Q725	E-10	Q801	E-12
D690	E-9	D802	C-12	IC601	E-7	Q533	G-3	Q604	G-12	Q691	E-10	Q740	F-6	Q809	D-13
D691	E-9	D804	E-12	IC691	E-8	Q534	G-4	Q605	F-12	Q692	E-9	Q750	F-9		

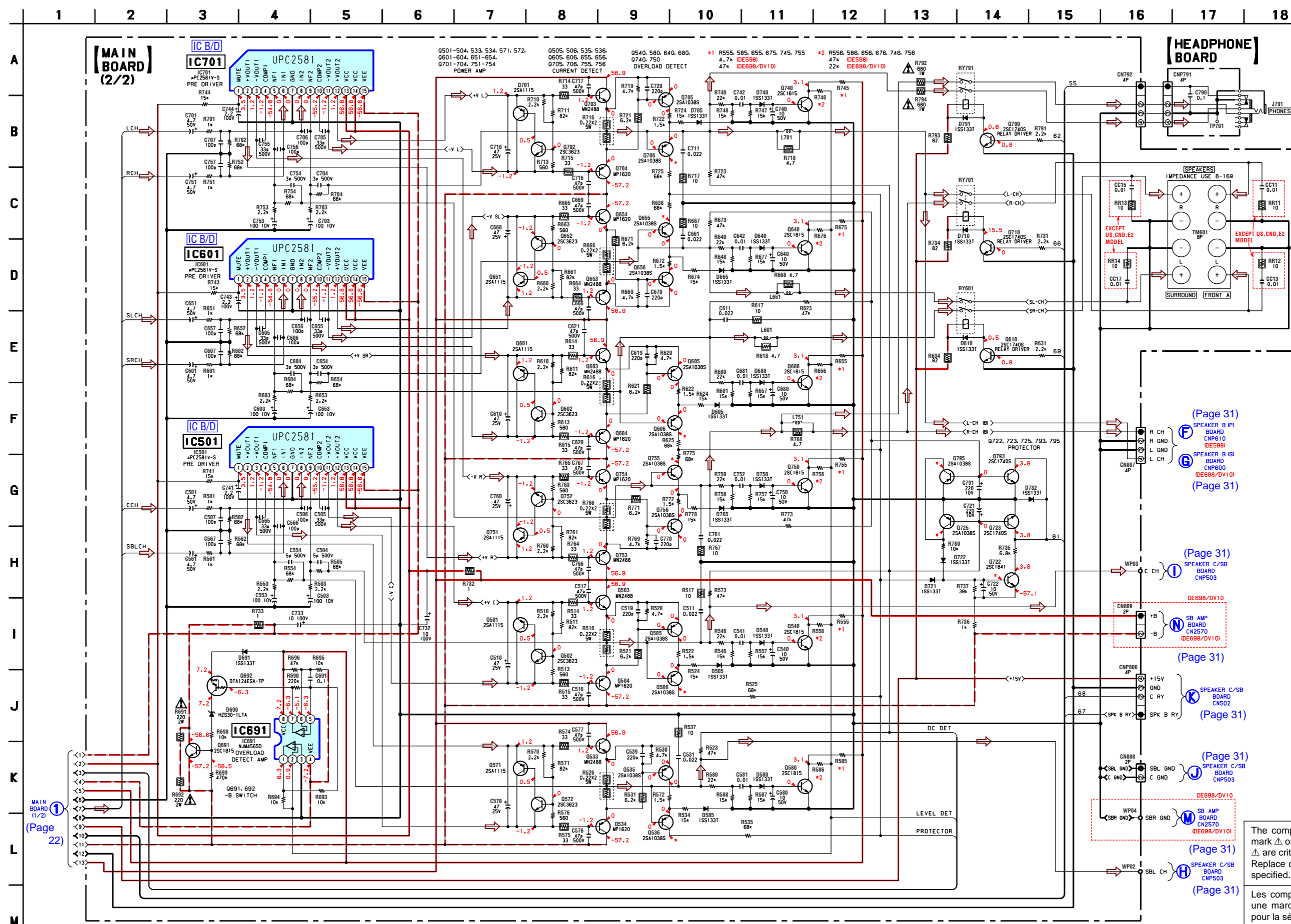
4-8. SCHEMATIC DIAGRAM — MAIN SECTION (1/2) —



The components identified by mark Δ or dotted line with mark Δ are critical for safety. Replace only with part number specified.

Les composants identifiés par une marque Δ sont critiques pour la sécurité. Ne les remplacer que par une pièce portant le numéro spécifié.

4-9. SCHEMATIC DIAGRAM — MAIN SECTION (2/2) — • Refer to page 40 for IC Block Diagrams.

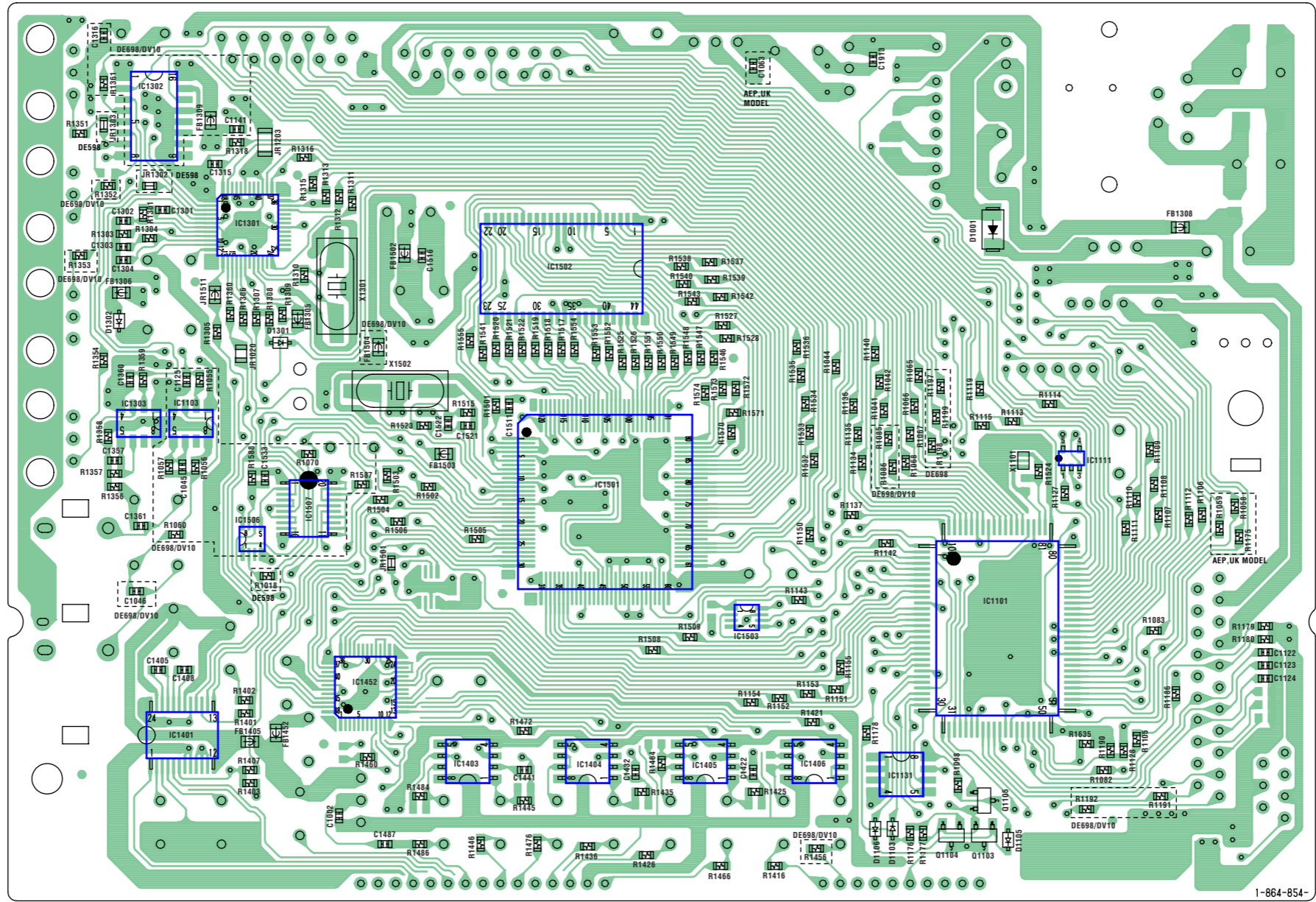


4-10. PRINTED WIRING BOARD — DIGITAL SECTION (1/2) — • Refer to page 14 for Circuit Boards Location.

12 | 11 | 10 | 9 | 8 | 7 | 6 | 5 | 4 | 3 | 2 | 1

A
B
C
D
E
F
G
H
I

【DIGITAL BOARD】(SIDE A)

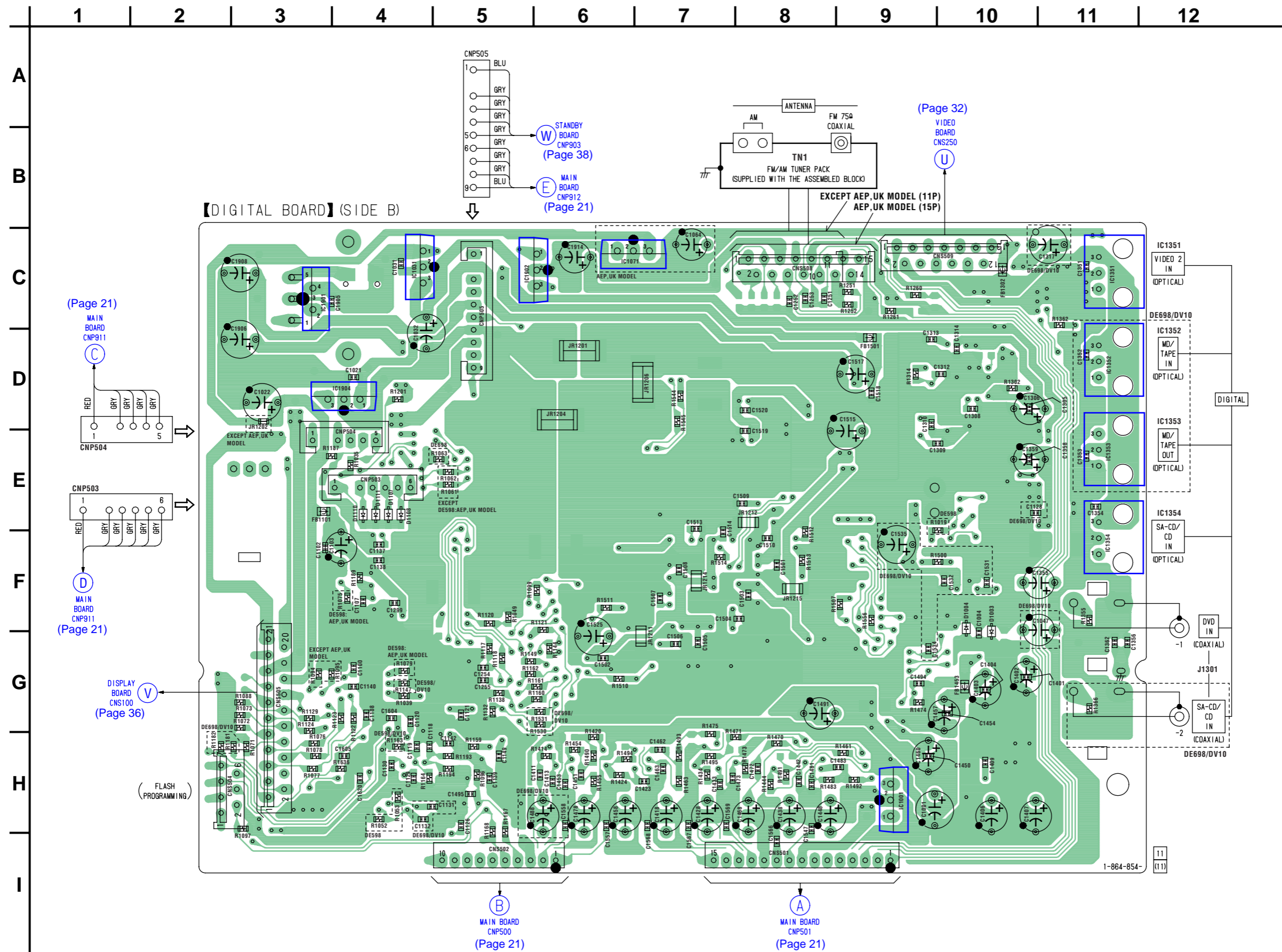


• Semiconductor Location (Side A)

Ref. No.	Location
D1001	D-5
D1103	I-5
D1105	I-4
D1106	I-5
D1301	E-10
D1302	E-11
IC1101	G-4
(IC1103)	E-10
IC1111	F-4
IC1131	H-5
IC1301	D-10
(IC1302)	C-11
IC1303	E-11
IC1401	H-10
IC1403	H-8
IC1404	H-7
IC1405	H-7
IC1406	H-6
IC1452	G-9
IC1501	F-7
IC1502	D-8
IC1503	G-6
(IC1506)	F-10
(IC1507)	F-9
Q1103	I-5
Q1104	I-5
Q1105	H-5

(): STR-DE698/DV10 only

4-11. PRINTED WIRING BOARD — DIGITAL SECTION (2/2) — • Refer to page 14 for Circuit Boards Location.

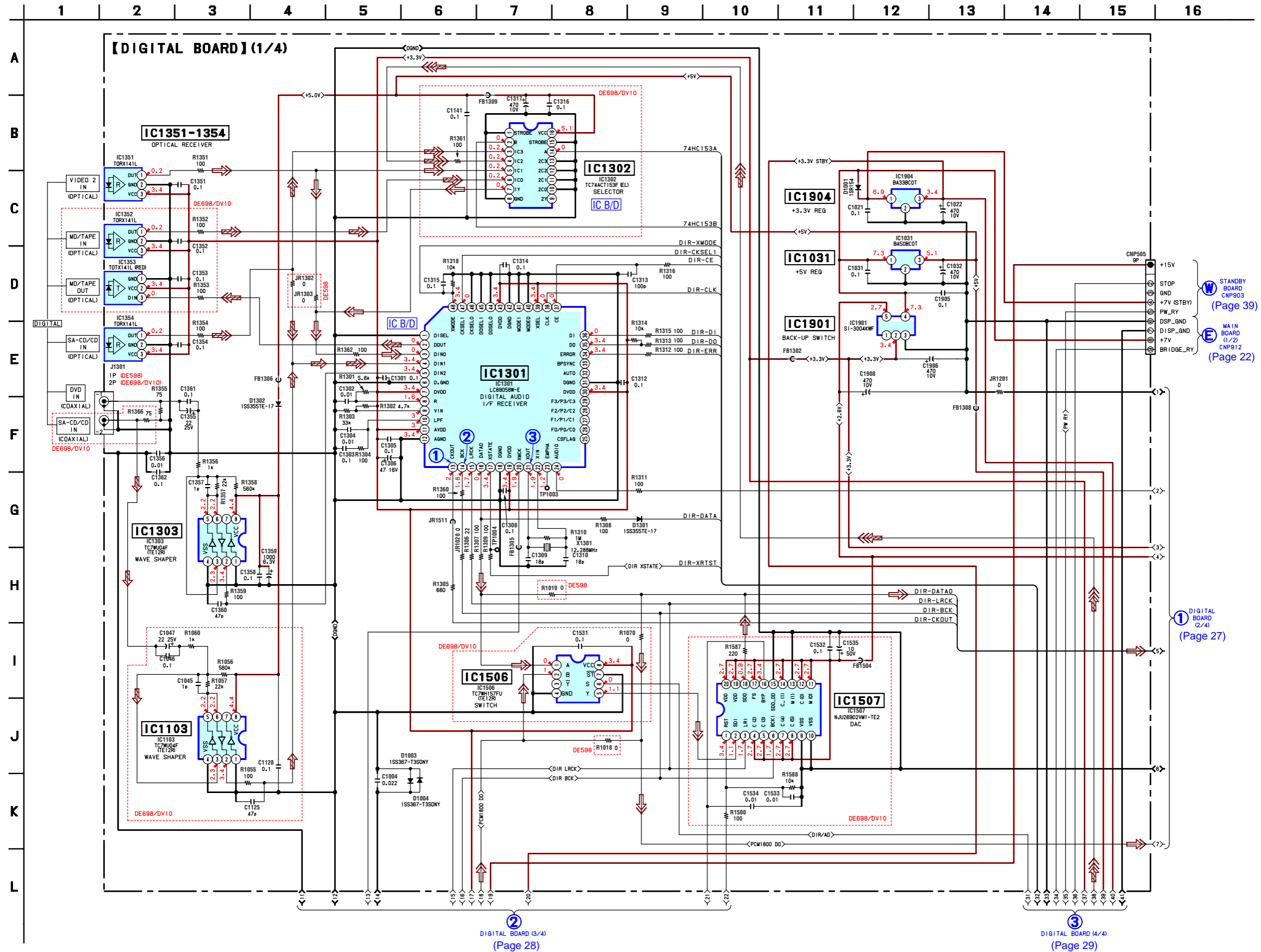


• Semiconductor Location (Side B)

Ref. No.	Location
D1003	F-10
D1004	F-10
D1107	E-4
D1108	E-4
D1110	E-4
D1111	E-4
IC1001	H-9
IC1031	C-4
(IC1071)	C-7
IC1351	C-12
<IC1352>	D-12
<IC1353>	E-12
IC1354	F-12
IC1901	C-3
IC1902	C-6
IC1904	D-4

(): AEP, UK model only
< > : STR-DE698/DV10 only

4-12. SCHEMATIC DIAGRAM — DIGITAL SECTION (1/4) — • Refer to page 20 for Waveforms and page 40 for IC Block Diagrams.



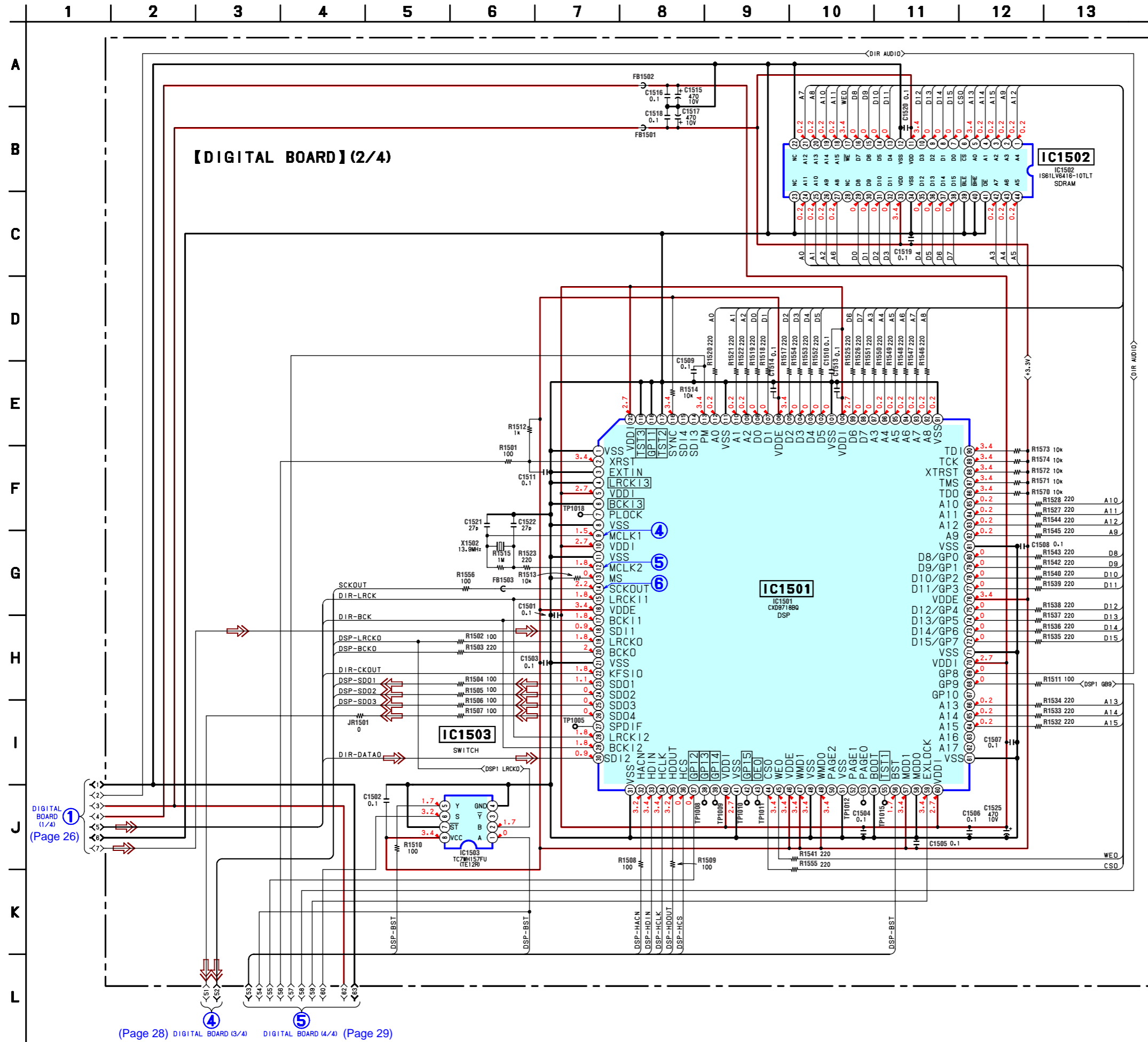
W STANDBY BOARD CNP903 (Page 39)
 E MAIN BOARD (1/2) CNP912 (Page 22)

1 DIGITAL BOARD (2/4) (Page 27)

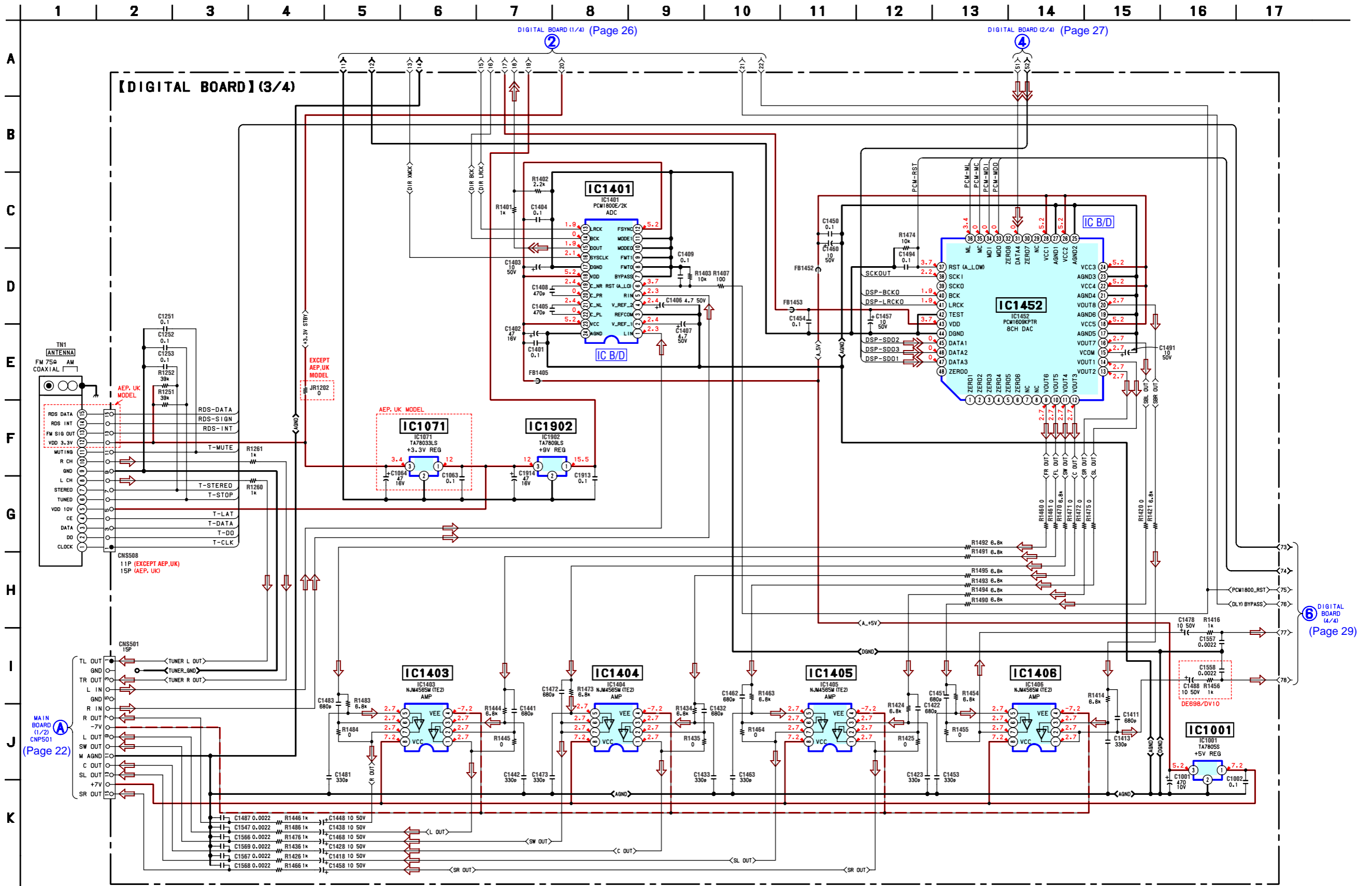
2 DIGITAL BOARD (3/4) (Page 28)

3 DIGITAL BOARD (4/4) (Page 29)

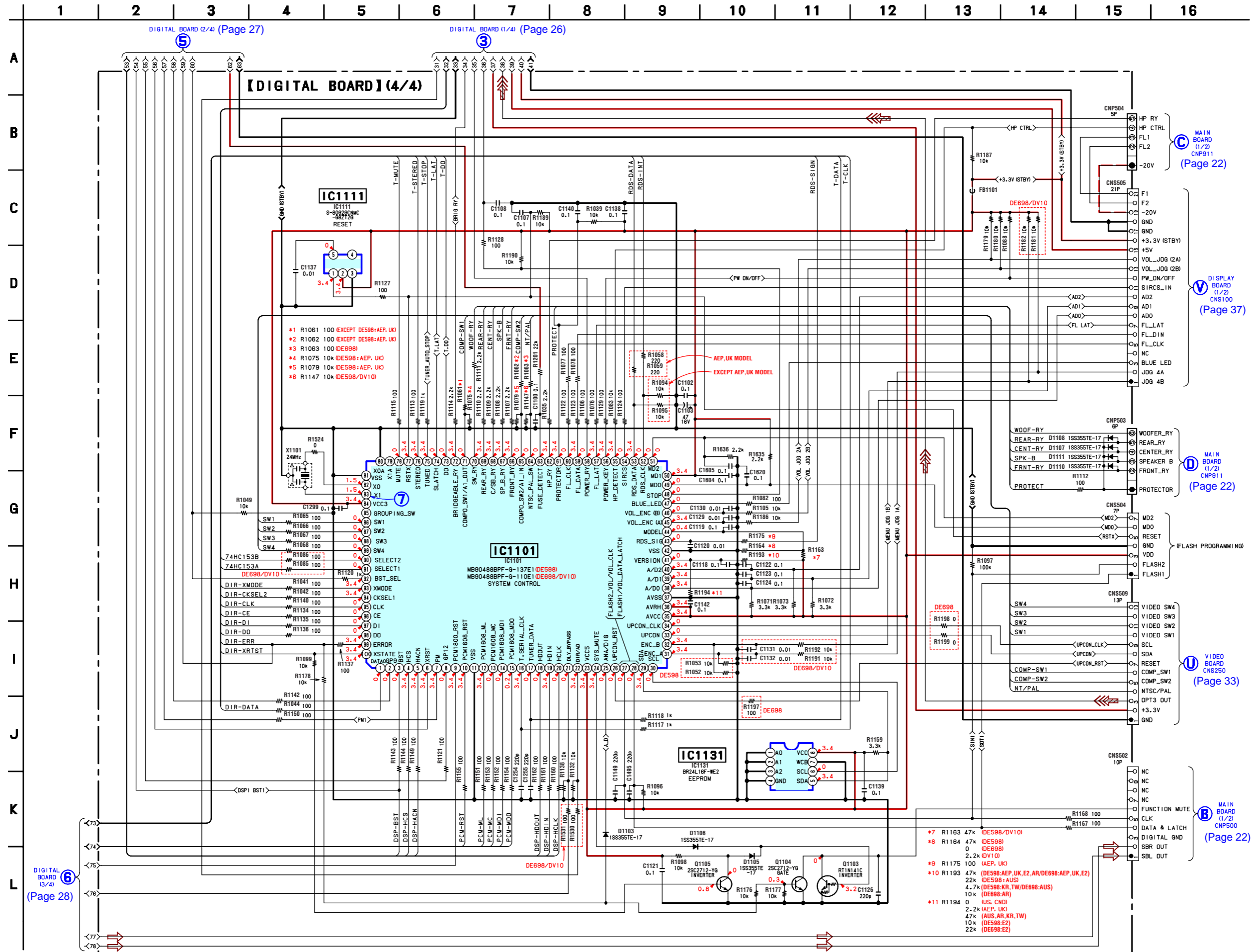
4-13. SCHEMATIC DIAGRAM — DIGITAL SECTION (2/4) — • Refer to page 20 for Waveforms. • Refer to page 42 for IC Pin Descriptions.



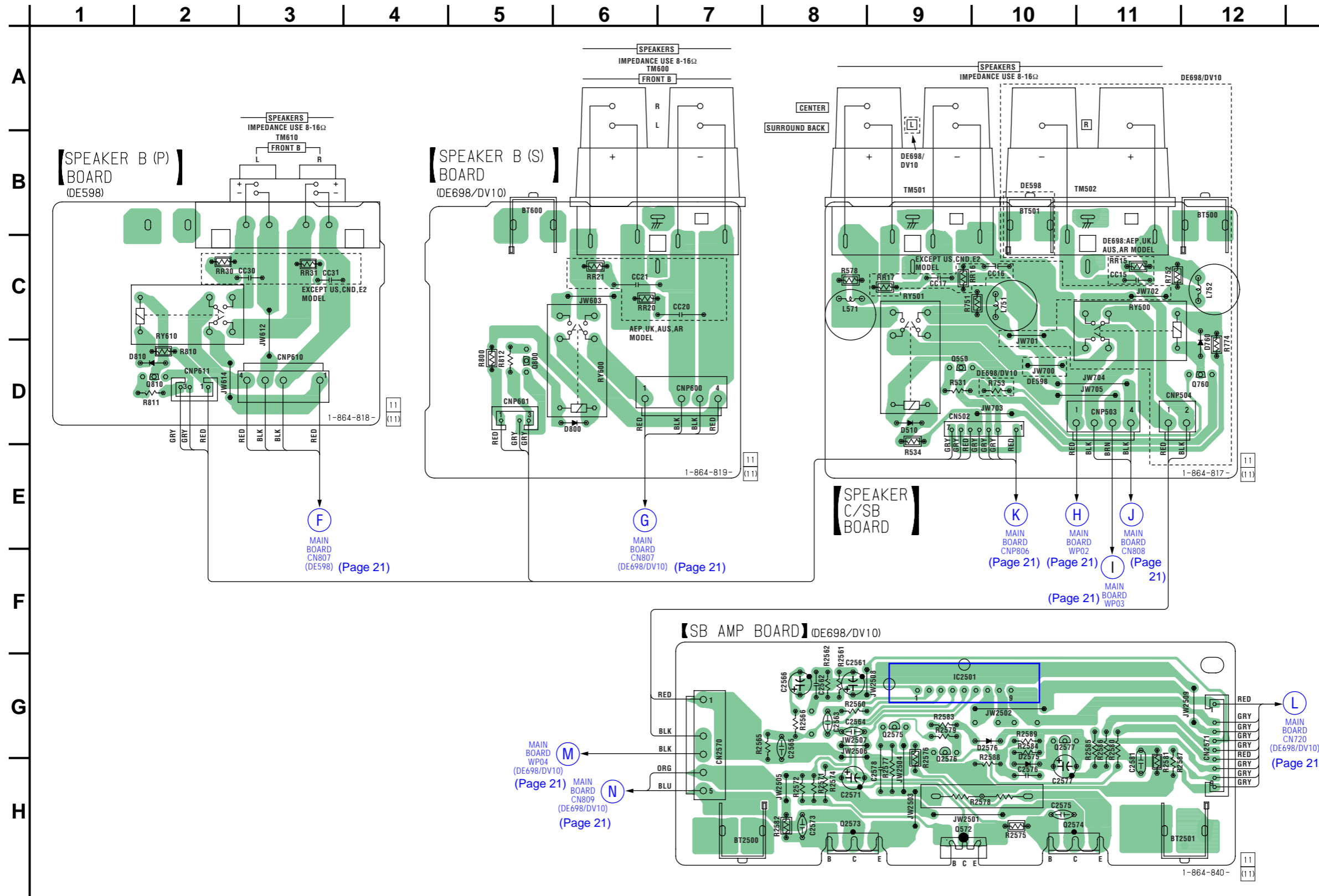
4-14. SCHEMATIC DIAGRAM — DIGITAL SECTION (3/4) — • Refer to page 40 for IC Block Diagrams.



4-15. SCHEMATIC DIAGRAM — DIGITAL SECTION (4/4) — • Refer to page 20 for Waveforms. • Refer to page 44 for IC Pin Descriptions.



4-16. PRINTED WIRING BOARDS — SPEAKER SECTION — • Refer to page 14 for Circuit Boards Location.

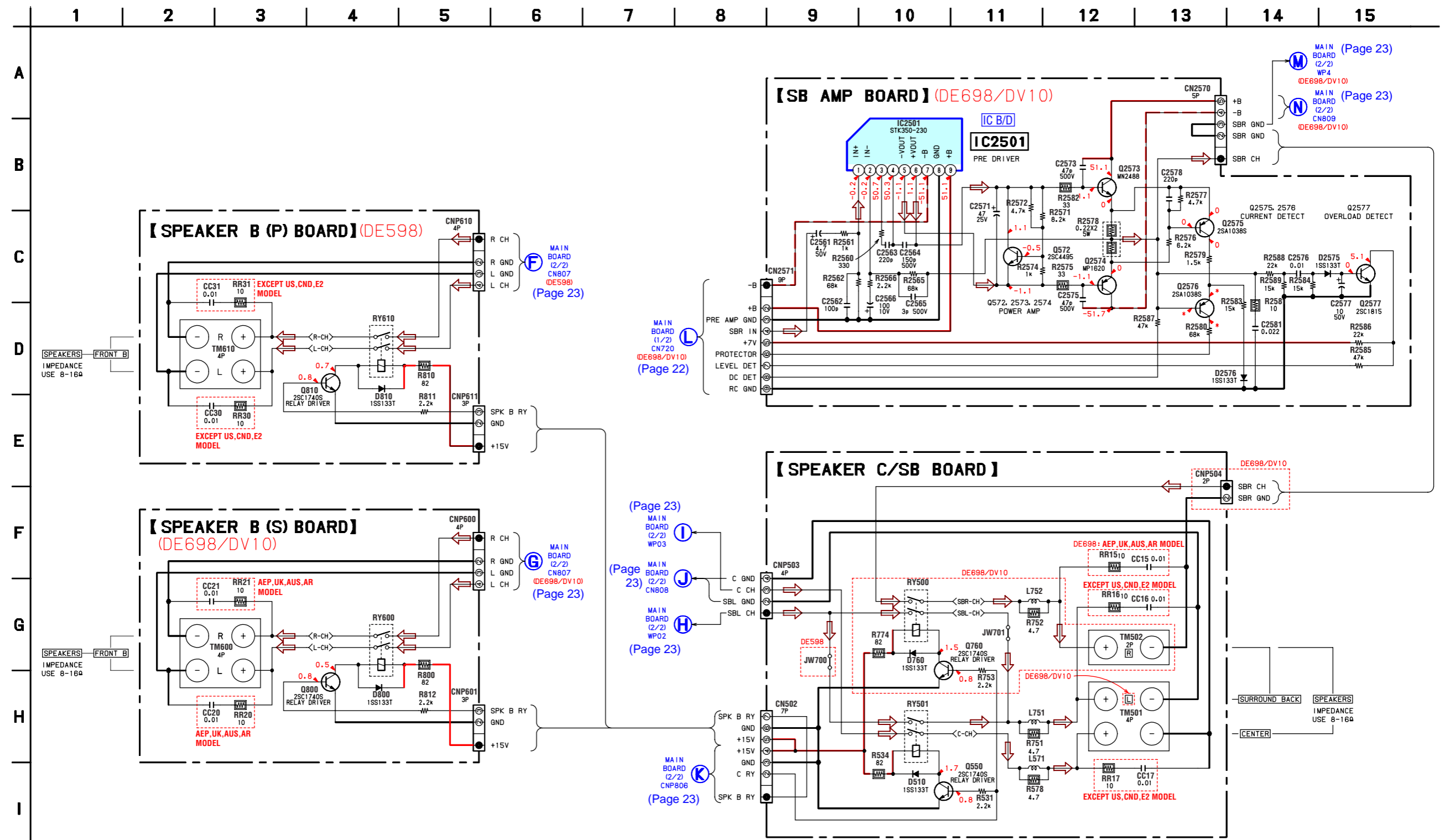


• Semiconductor Location

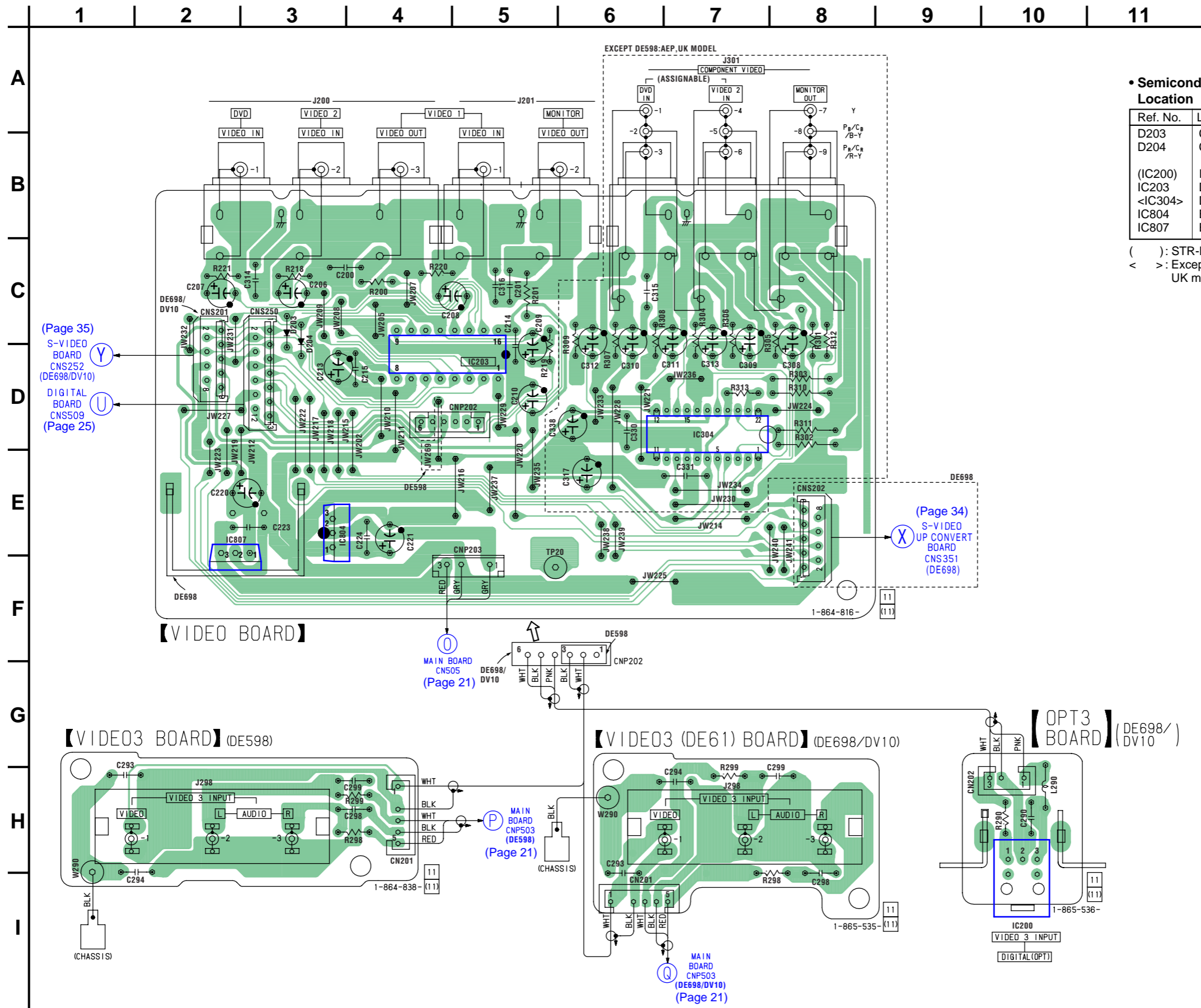
Ref. No.	Location
D510	D-9
(D760)	D-12
(D800)	D-6
<D810>	D-2
D2575	H-10
D2576	G-10
IC2501	G-9
Q550	D-9
(Q572)	H-9
(Q760)	D-12
(Q800)	D-5
<Q810>	D-2
(Q2573)	H-8
(Q2574)	H-11
Q2575	G-9
Q2576	G-9
Q2577	G-10

(): STR-DE698/DV10 only
< > : STR-DE598 only

4-17. SCHEMATIC DIAGRAM — SPEAKER SECTION — • Refer to page 40 for IC Block Diagrams.



4-18. PRINTED WIRING BOARDS — VIDEO SECTION — • Refer to page 14 for Circuit Boards Location.



• Semiconductor Location

Ref. No.	Location
D203	C-3
D204	C-3
(IC200)	I-10
IC203	D-5
<IC304>	D-7
IC804	E-3
IC807	E-3

(): STR-DE698/DV10 only
 < > : Except STR-DE598: AEP, UK model

(Page 35)
 S-VIDEO BOARD
 CNS252
 (DE698/DV10)

DIGITAL BOARD
 CNS509
 (Page 25)

(Page 34)
 S-VIDEO UP CONVERT BOARD
 CNS351
 (DE698)

【VIDEO3 BOARD】(DE598)

【VIDEO3 (DE61) BOARD】(DE698/DV10)

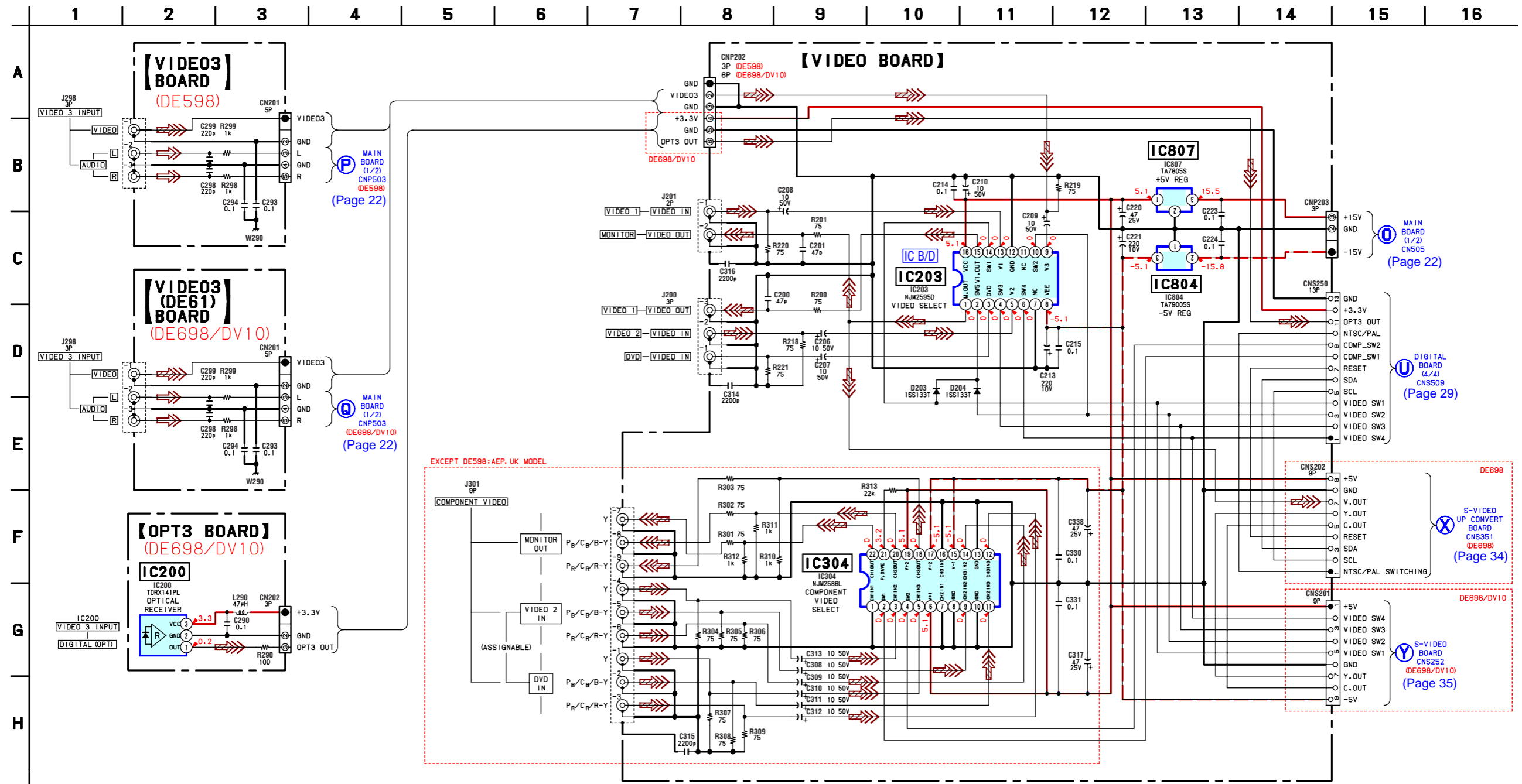
【OPT3 BOARD】(DE698/DV10)

MAIN BOARD CNS05 (DE698/DV10) (Page 21)

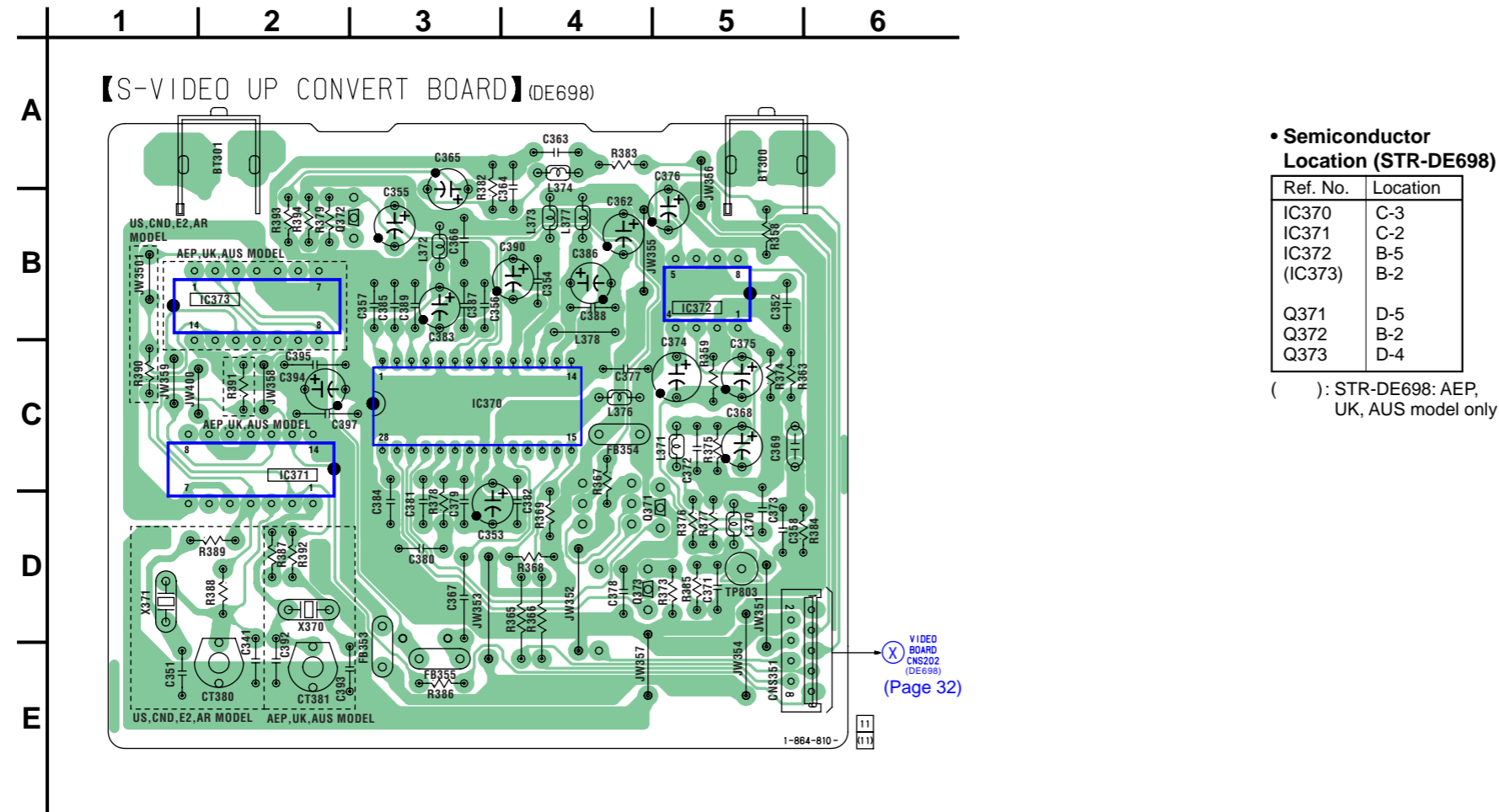
MAIN BOARD CNS03 (DE598) (Page 21)

MAIN BOARD CNS503 (DE698/DV10) (Page 21)

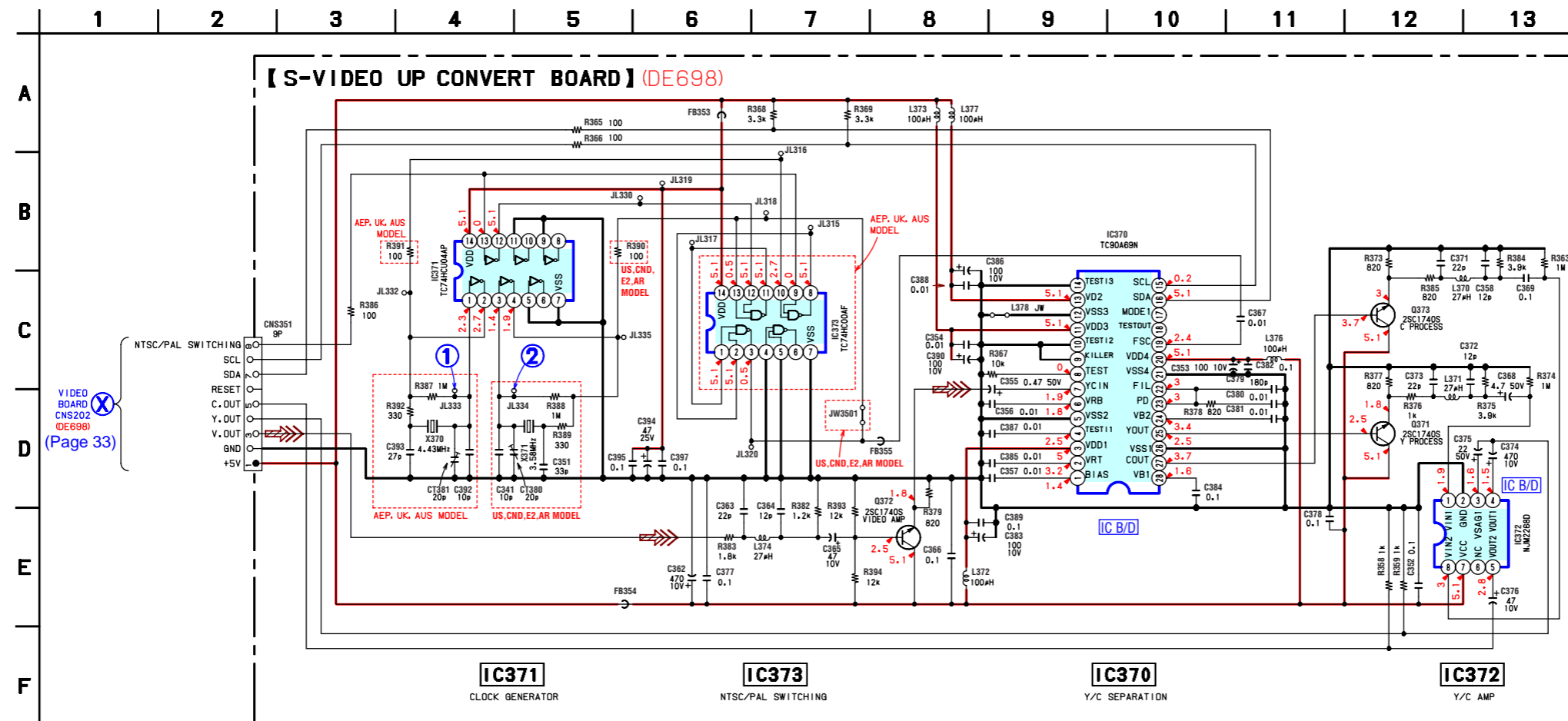
4-19. SCHEMATIC DIAGRAM — VIDEO SECTION — • Refer to page 41 for IC Block Diagrams.



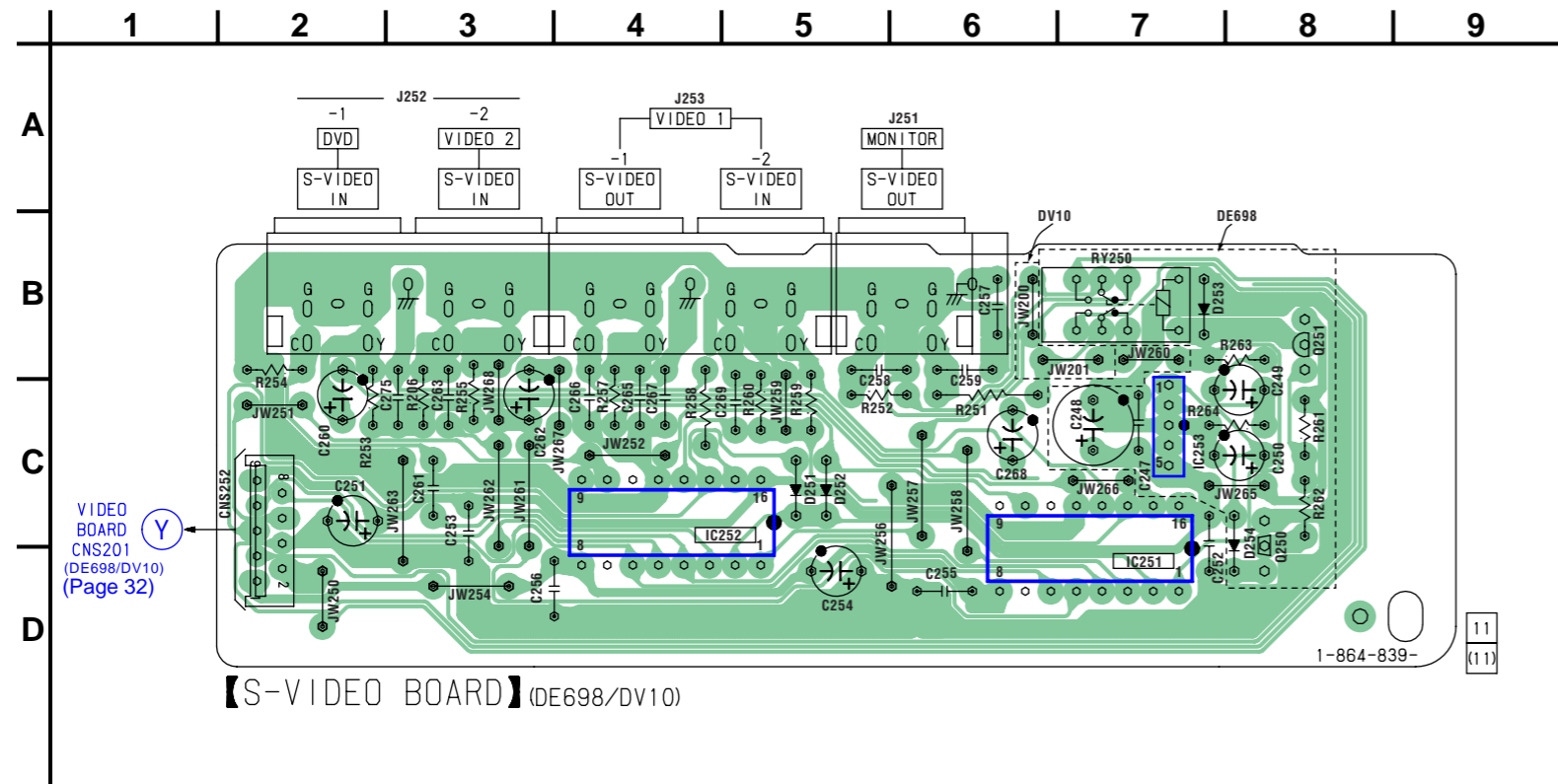
4-20. PRINTED WIRING BOARD — S-VIDEO UP CONVERT SECTION (STR-DE698) — • Refer to page 14 for Circuit Boards Location.



4-21. SCHEMATIC DIAGRAM — S-VIDEO UP CONVERT SECTION (STR-DE698) — • Refer to page 20 for Waveforms and page 41 for IC Block Diagrams.



4-22. PRINTED WIRING BOARD — S-VIDEO SECTION (STR-DE698/DV10) — • Refer to page 14 for Circuit Boards Location.

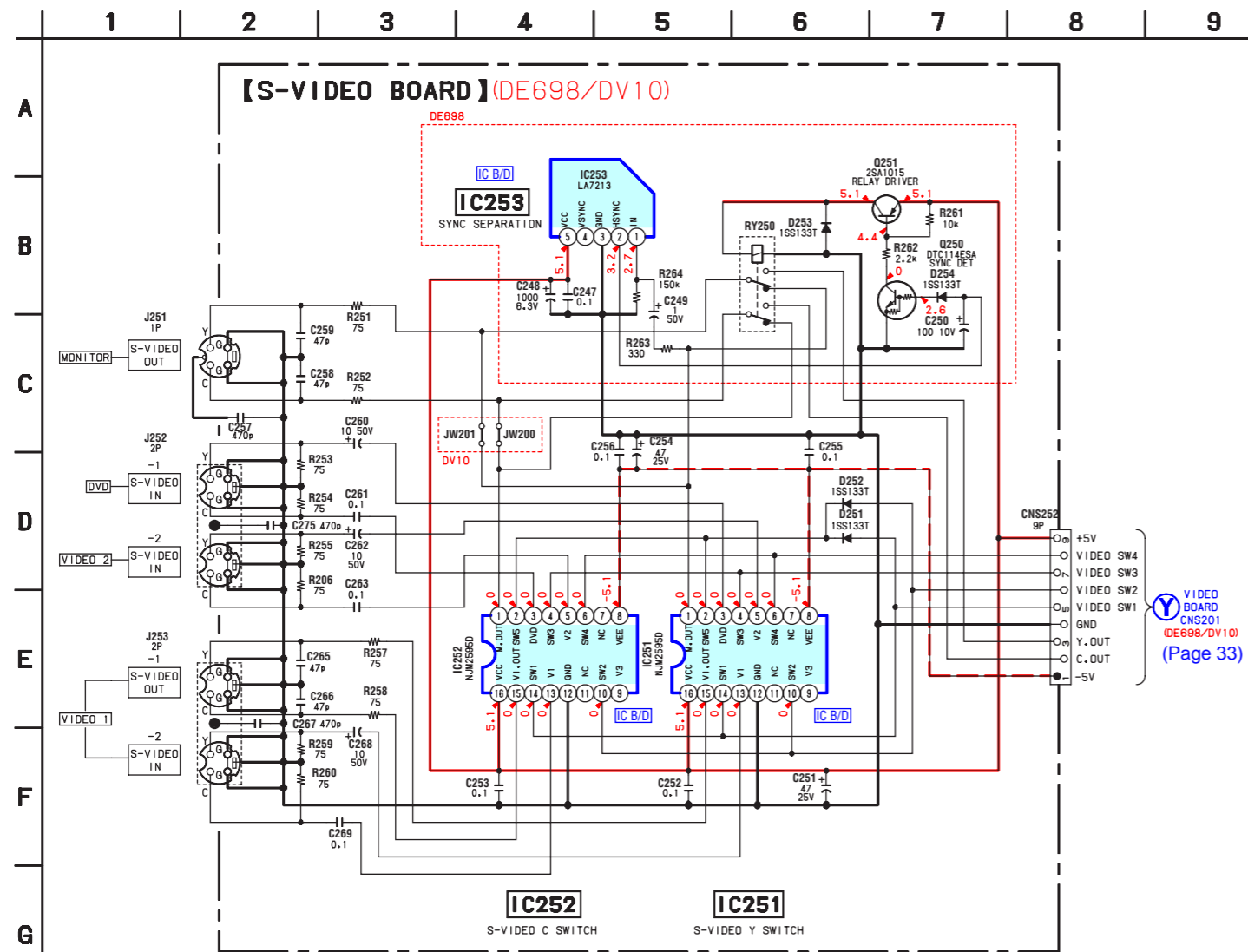


• Semiconductor Location (STR-DE698/DV10)

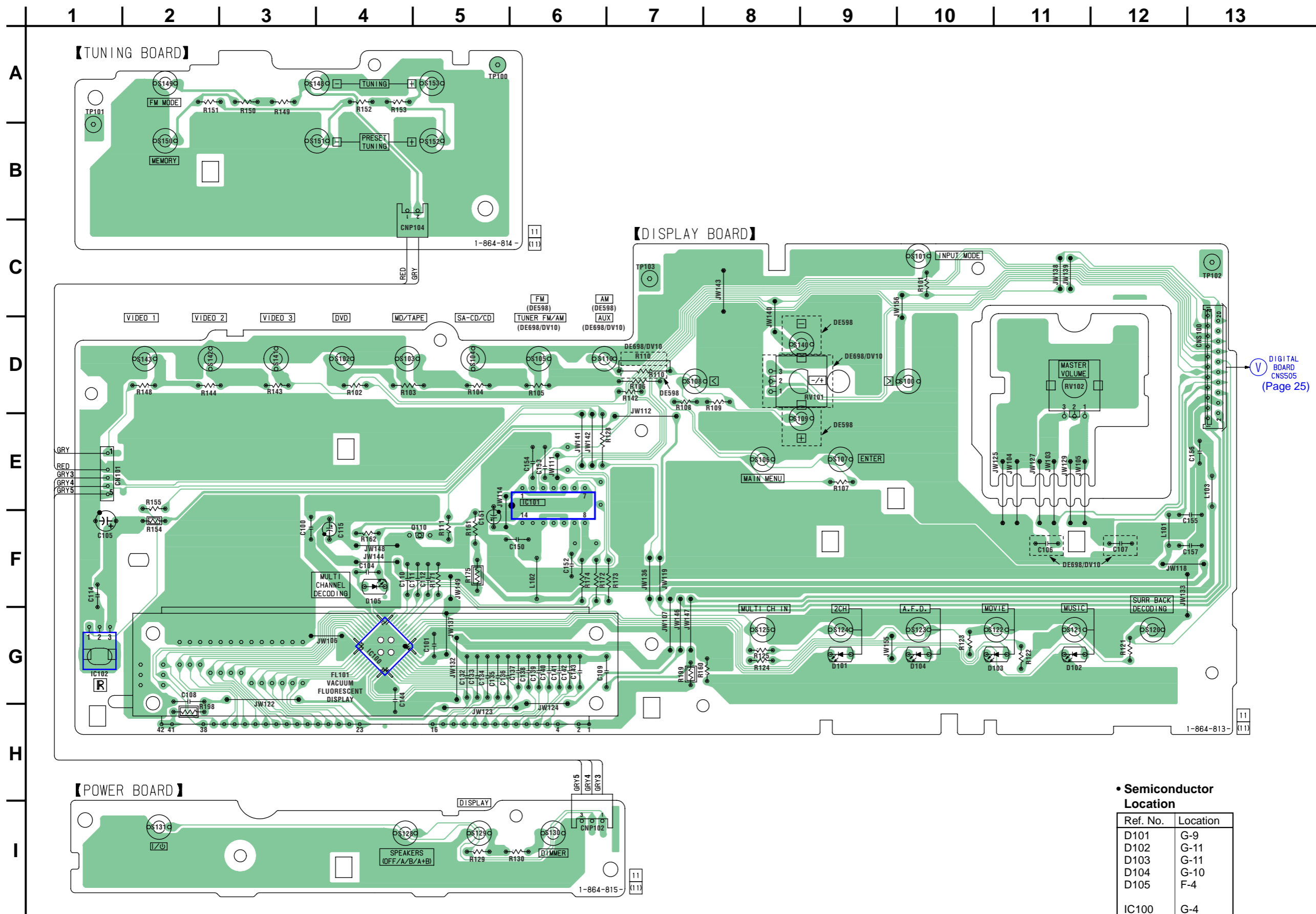
Ref. No.	Location
D251	C-5
D252	C-5
(D253)	B-7
(D254)	D-8
IC251	D-7
IC252	C-4
(IC253)	C-7
(Q250)	D-8
(Q251)	B-8

(): STR-DE698 only

4-23. SCHEMATIC DIAGRAM — S-VIDEO SECTION (STR-DE698/DV10) — • Refer to page 41 for IC Block Diagrams.



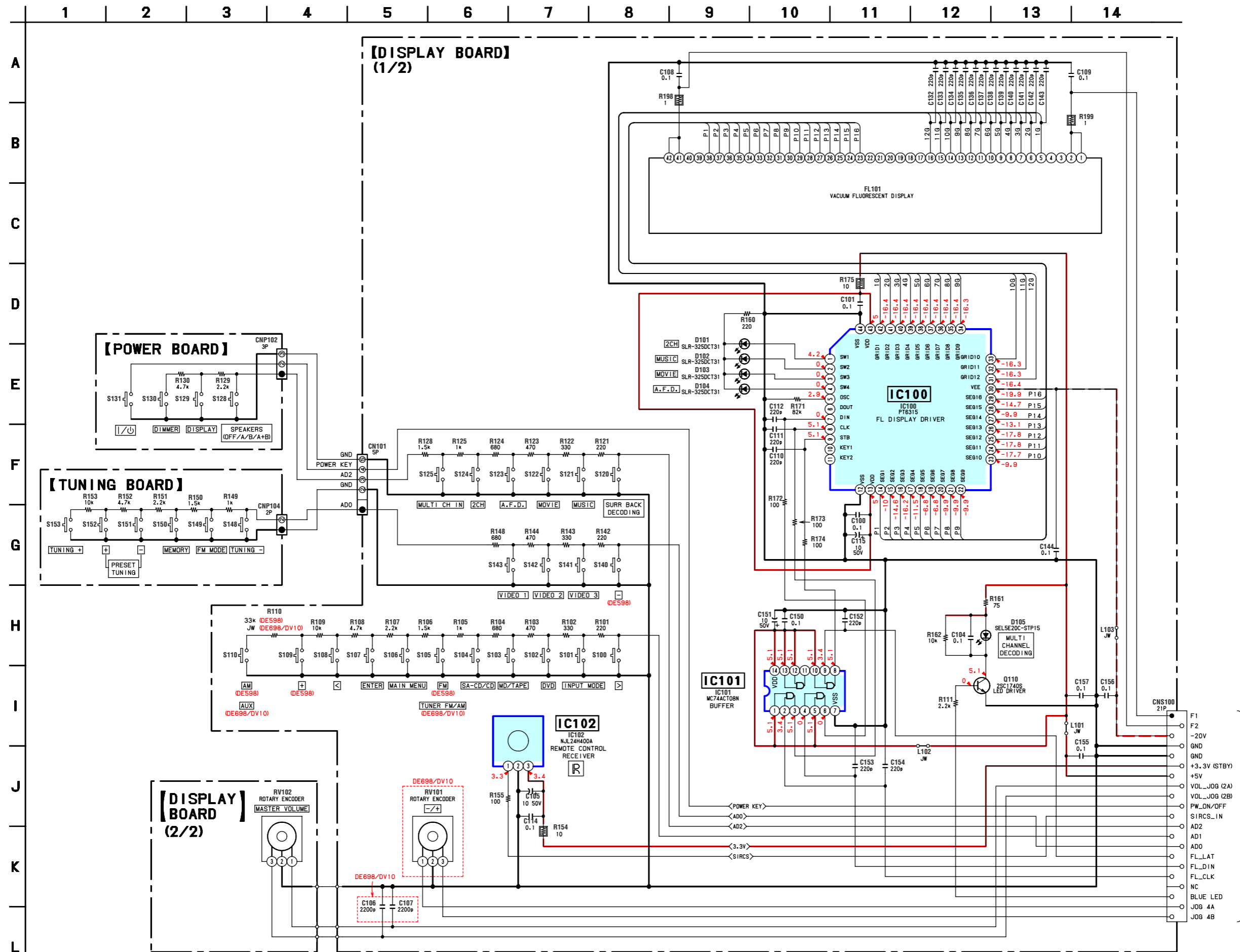
4-24. PRINTED WIRING BOARDS — PANEL SECTION — • Refer to page 14 for Circuit Boards Location.



• Semiconductor Location

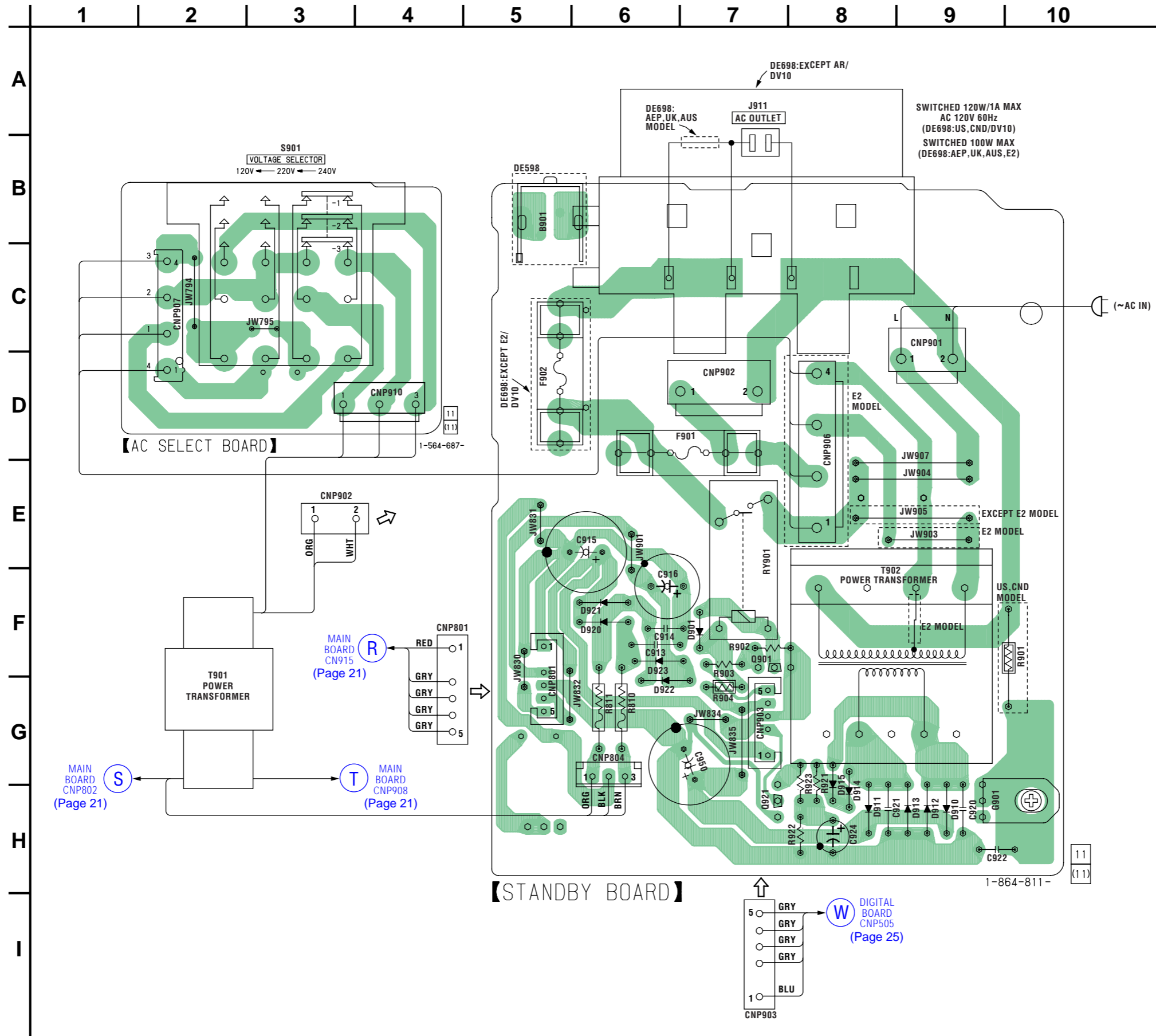
Ref. No.	Location
D101	G-9
D102	G-11
D103	G-11
D104	G-10
D105	F-4
IC100	G-4
IC101	E-6
IC102	G-1
Q110	F-5

4-25. SCHEMATIC DIAGRAM — PANEL SECTION —



DIGITAL BOARD (4/4) CNS505 (Page 29)

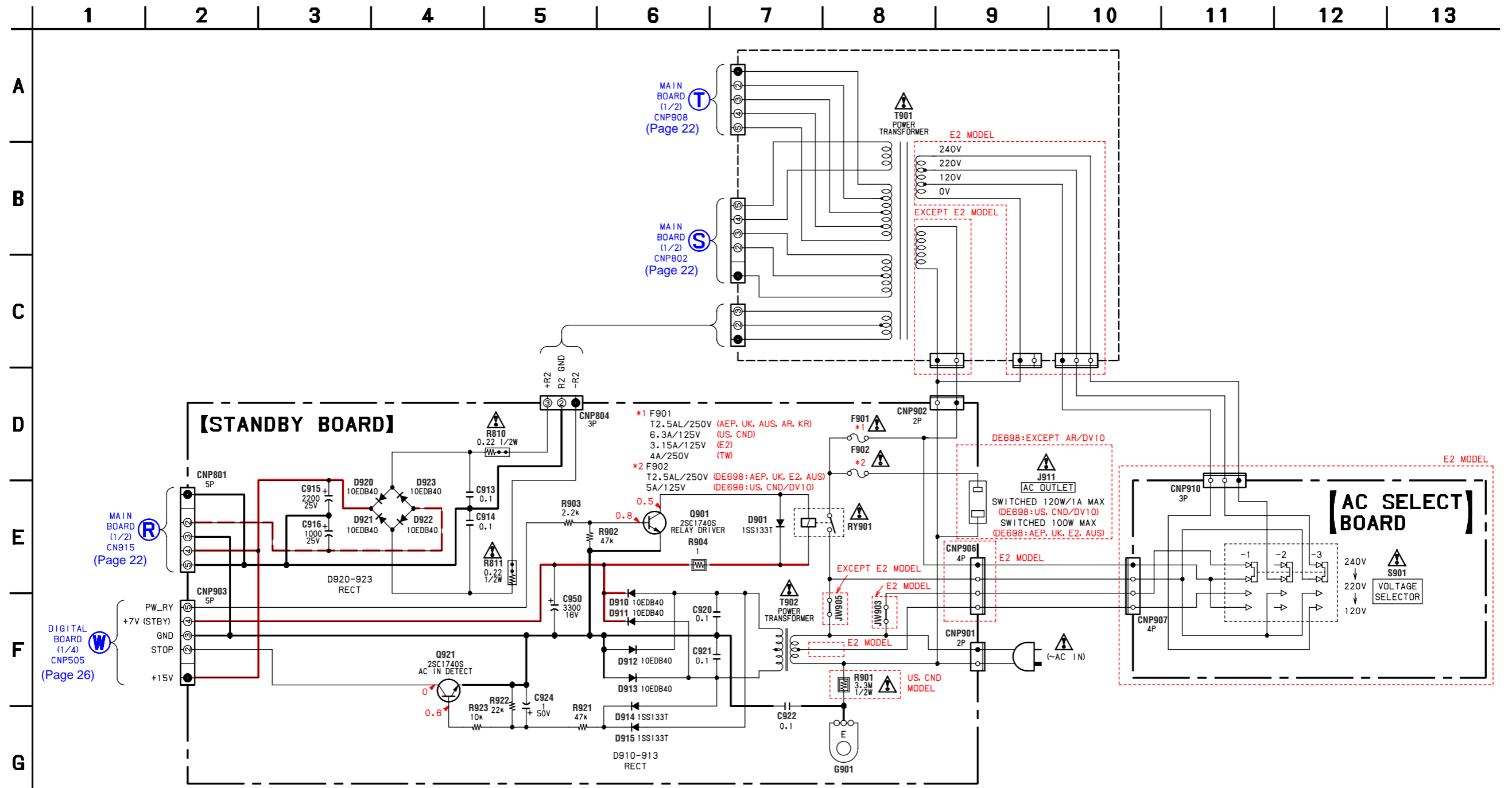
4-26. PRINTED WIRING BOARD — POWER SECTION — • Refer to page 14 for Circuit Boards Location.



• Semiconductor Location

Ref. No.	Location
D901	F-7
D910	H-9
D911	H-8
D912	H-9
D913	H-9
D914	H-8
D915	H-8
D920	F-6
D921	F-6
D922	G-6
D923	F-6
Q901	F-7
Q921	H-7

4-27. SCHEMATIC DIAGRAM — POWER SECTION —

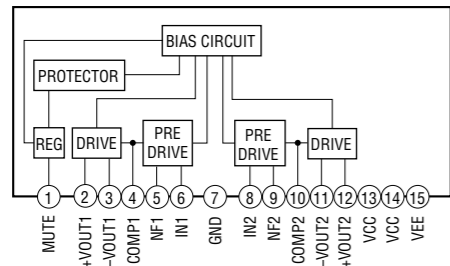


The components identified by mark \triangle or dotted line with mark \triangle are critical for safety. Replace only with part number specified.

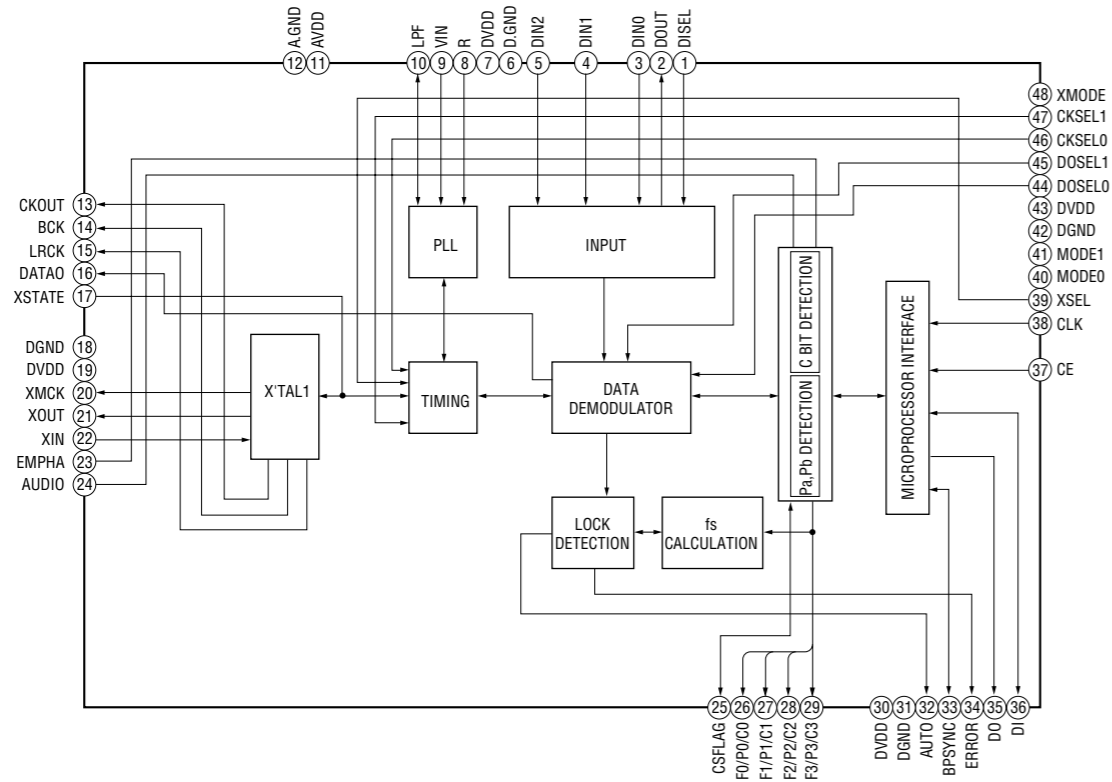
Les composants identifiés par une marque \triangle sont critiques pour la sécurité. Ne les remplacer que par une pièce portant le numéro spécifié.

• IC Block Diagrams

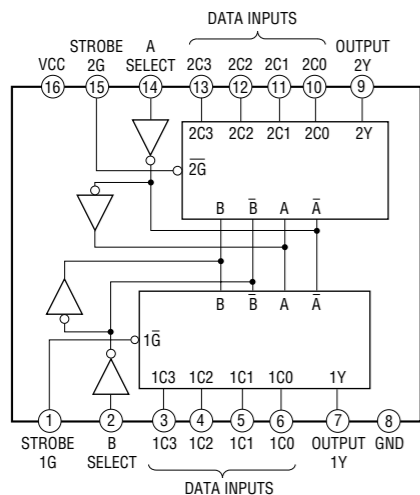
IC501 μ PC2581V-S (MAIN BOARD (2/2))
 IC601 μ PC2581V-S (MAIN BOARD (2/2))
 IC701 μ PC2581V-S (MAIN BOARD (2/2))



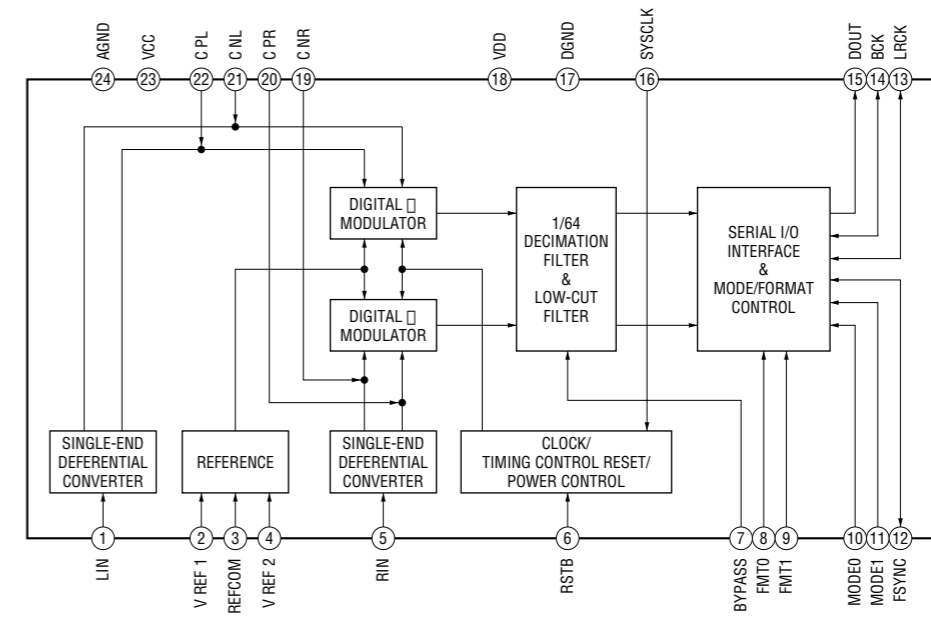
IC1301 LC89056W-E (DIGITAL BOARD (1/4))



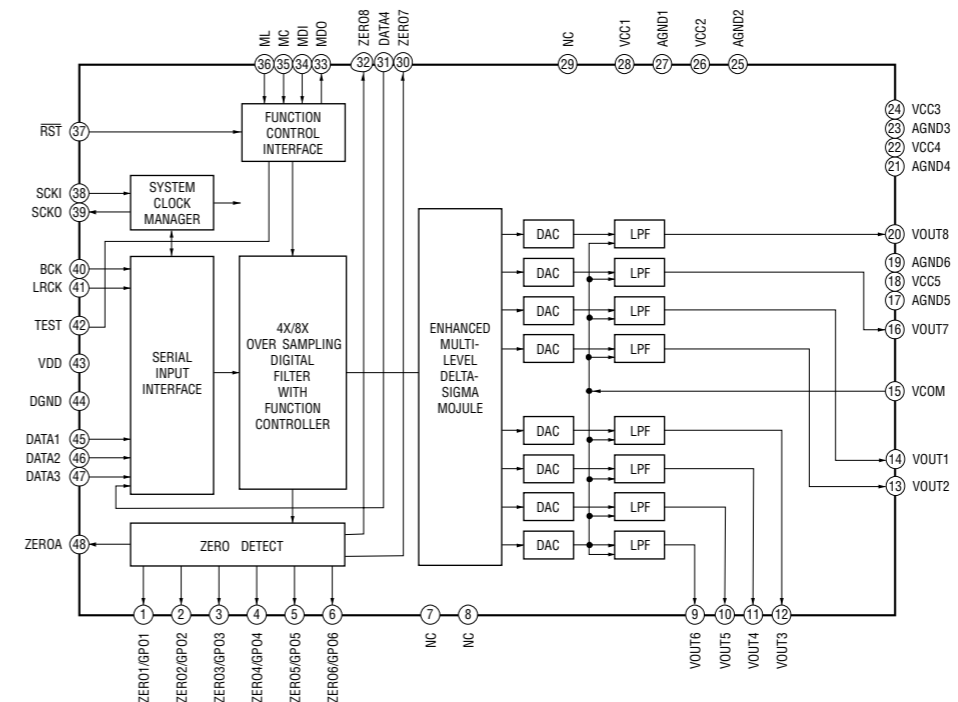
IC1302 TC74ACT153F(EL) (DIGITAL BOARD (1/4)) (STR-DE698/DV10)



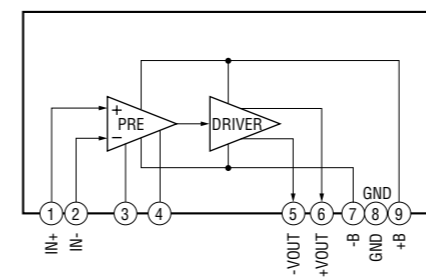
IC1401 PCM1800E/2K (DIGITAL BOARD (3/4))



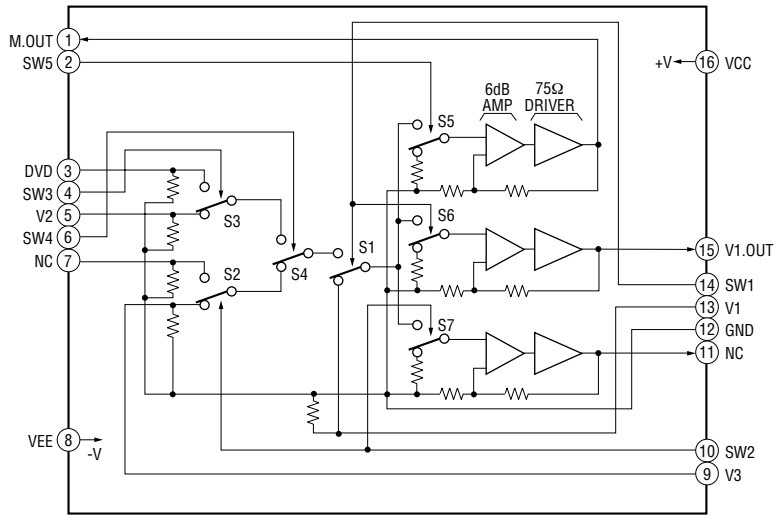
IC1452 PCM1609KPTR (DIGITAL BOARD (3/4))



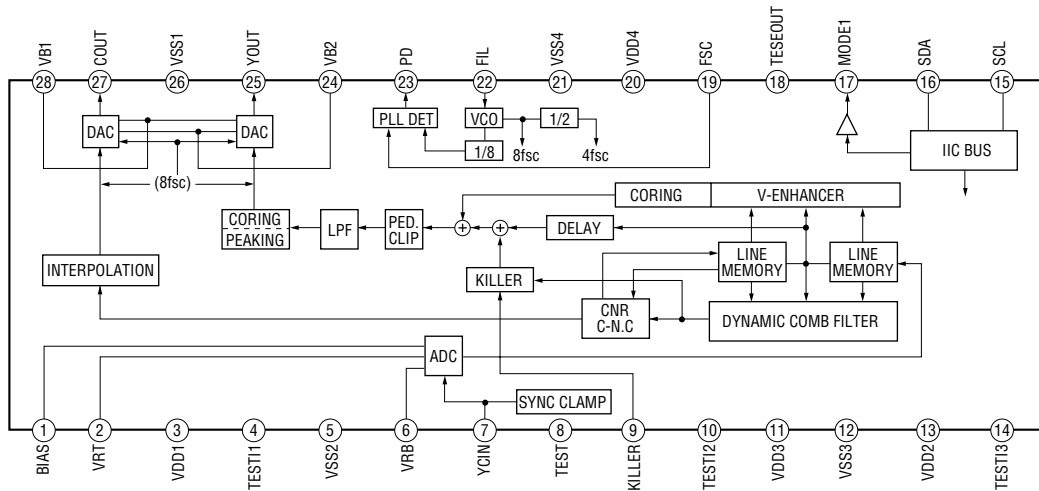
IC2501 STK350-230 (SB AMP BOARD) (STR-DE698/DV10)



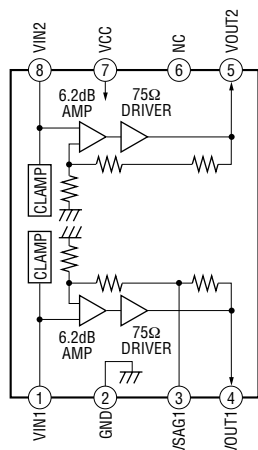
IC203 NJM2595D (VIDEO BOARD)
IC251 NJM2595D (S-VIDEO BOARD)
IC252 NJM2595D (S-VIDEO BOARD)



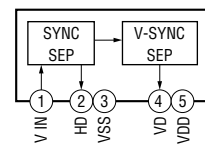
IC370 TC90A69N (S-VIDEO UP CONVERT BOARD) (STR-DE698)



IC372 NJM2268D (S-VIDEO UP CONVERT BOARD) (STR-DE698)



IC253 LA7213 (S-VIDEO BOARD) (STR-DE698)



• IC Pin Descriptions

IC1501 CXD9718BQ (DSP) (DIGITAL Board (2/4))

Pin No.	Pin Name	I/O	Pin Description
1	VSS	—	Ground
2	XRST	I	Reset signal input from SYSTEM CONTROL IC
3	EXTIN	I	Not used (Connect to ground)
4	LRCKI3	I	Not used (Connect to ground)
5	VDDI	I	Power supply pin (+2.7 V)
6	BCKI3	I	Not used (Connect to ground)
7	PLOCK	O	Not used (Open)
8	VSS	—	Ground
9	MCLK1	I	Clock signal input (13.9 MHz)
10	VDDI	I	Power supply pin (+2.7 V)
11	VSS	—	Ground
12	MCLK2	O	Clock signal output (13.9 MHz)
13	MS	I	Not used (Fixed at L)
14	SCKOUT	O	Internal system clock signal output for 8CH DAC IC
15	LRCKI1	I	Sampling clock signal input from ADC IC
16	VDDE	I	Power supply pin (+3.4 V)
17	BCKI1	I	Bit clock signal input from ADC IC
18	SDI1	I	Audio IF data input from ADC IC
19	LRCKO	O	Sampling clock signal output for 8CH DAC IC
20	BCKO	O	Bit clock signal output for 8CH DAC IC
21	VSS	—	Ground
22	KFSIO	I/O	Audio clock signal (384fs/256fs) input/output for DIR IC
23 to 26	SDO1 to SDO4	O	Digital audio serial data output for 8CH DAC IC
27	SPDIF	O	Not used (Open)
28	LRCKI2	I	Sampling clock signal input from ADC IC
29	BCKI2	I	Bit clock signal input from ADC IC
30	SDI2	I	Digital audio serial data input from DIR IC
31	VSS	—	Ground
32	HACN	O	Acknowledge signal output for SYSTEM CONTROL IC
33	HDIN	I	Serial data input from SYSTEM CONTROL IC
34	HCLK	I	Clock signal input from SYSTEM CONTROL IC
35	HDOUT	O	Serial data output for SYSTEM CONTROL IC
36	HCS	I	Chip select signal input from SYSTEM CONTROL IC
37	GP12	I	GP12 signal input from SYSTEM CONTROL IC
38, 39	GP13, GP14	O	Not used (Open)
40	VDDI	I	Power supply pin (+2.7 V)
41	VSS	—	Ground
42	GP15	O	Not used (Open)
43	OE0	O	Not used (Open)
44	CS0	O	External memory chip select signal output for D/A converter IC (SDRAM)
45	WE0	O	SDRAM write enable signal output for D/A converter IC (SDRAM)
46	VDDE	I	Power supply pin (+3.4 V)
47	WMD1	I	Not used (Fixed at H)
48	VSS	—	Ground
49	WMD0	I	Not used (Fixed at H)
50	PAGE2	O	Not used (Open)
51	VSS	—	Ground
52, 53	PAGE1, PAGE0	O	Not used (Open)
54	BOOT	I	Not used (Connect to ground)
55	TST1	O	Not used (Open)
56	BST	I	Boot stop signal input from SYSTEM CONTROL IC

Pin No.	Pin Name	I/O	Pin Description
57	MOD1	I	Operation mode signal input (L: 386fs, H: 256fs) (Fixed at H)
58	MOD0	I	Operation mode signal input (L: single chip mode, H: use prohibited) (Fixed at L)
59	EXLOCK	I	Error detection signal input from DIR IC
60	VDDI	I	Power supply pin (+2.7 V)
61	VSS	—	Ground
62, 63	A17, A16	O	Not used (Open)
64 to 66	A15 to A13	O	External memory address signal output for D/A converter IC (SDRAM)
67	GP10	O	Not used (Open)
68	GP9	O	GP9 signal output for SYSTEM CONTROL IC
69	GP8	I	Audio signal input from DIR IC
70	VDDI	I	Power supply pin (+2.7 V)
71	VSS	—	Ground
72 to 75	D15/GP7 to D12/GP4	I/O	External memory data input/output for D/A converter IC (general port)
76	VDDE	I	Power supply pin (+3.4 V)
77 to 80	D11/GP3 to D8/GP0	I/O	External memory data input/output for D/A converter IC (general port)
81	VSS	—	Ground
82	A9	O	External memory address signal output for D/A converter IC (SDRAM)
83 to 85	A12 to A10	O	External memory address signal output for D/A converter IC (SDRAM)
86	TDO	O	Not used (Fixed at H)
87	TMS	I	Not used (Fixed at H)
88	XTRST	I	Not used (Fixed at H)
89	TCK	I	Not used (Fixed at H)
90	TDI	I	Not used (Fixed at H)
91	VSS	—	Ground
92 to 97	A8 to A3	O	External memory address signal output for D/A converter IC (SDRAM)
98, 99	D7, D6	I/O	External memory data input/output for D/A converter IC (SDRAM)
100	VDDI	I	Power supply pin (+2.7 V)
101	VSS	—	Ground
102 to 105	D5 to D2	I/O	External memory data input/output for D/A converter IC (SDRAM)
106	VDDE	I	Power supply pin (+3.4 V)
107, 108	D1, D0	I/O	External memory data input/output for D/A converter IC (SDRAM)
109, 110	A2, A1	O	External memory address signal output for D/A converter IC (SDRAM)
111	VSS	—	Ground
112	A0	O	External memory address signal output for D/A converter IC (SDRAM)
113	PM	I	PLL initialization signal input from SYSTEM CONTROL IC
114, 115	SDI3, SDI4	I	Not used (Open)
116	SYNC	I	Sync/async select signal input (L: sync, H: async) (Fixed at H)
117	TST2	I	Not used (Connect to ground)
118	GP11	I	Not used (Connect to ground)
119	TST3	I	Not used (Connect to ground)
120	VDDI	I	Power supply pin (+2.7 V)

IC1101 MB90488BPF-G-137E1 (SYSTEM CONTROL) (DIGITAL Board (4/4)) (STR-DE598)

IC1101 MB90488BPF-G-110E1 (SYSTEM CONTROL) (DIGITAL Board (4/4)) (STR-DE698/DV10)

Pin No.	Pin Name	I/O	Pin Description
1	DATAO	I	Serial data line signal input from DIR IC
2	GP9	I	GP9 signal input from DSP IC
3	BST	O	Boot stop control signal output for DSP IC
4	HCS	O	Chip select signal output for DSP IC
5	HACN	I	Acknowledge signal input from DSP IC
6	XRST	O	Reset signal output for DSP IC
7	PM	O	PLL control signal output for DSP IC
8	GP12	O	GP12 signal output for DSP IC
9	PCM1800_RST	O	Reset signal output for ADC IC
10	PCM1608_RST	O	Reset signal output for 8CH DAC IC
11	VSS	—	Ground
12	PCM1608_ML	O	Serial latch signal output for 8CH DAC IC
13	PCM1608_MC	O	Serial clock signal output for 8CH DAC IC
14	PCM1608_MDI	O	Serial data output for 8CH DAC IC
15	PCM1608_MDO	I	Serial data input from 8CH DAC IC
16	T.SERIAL_CLK	O	Serial clock signal output for tuner pack
17	TUNER_DATA	O	Serial data output for tuner pack
18	HDOUT	I	Serial data input from DSP IC
19	HDIN	O	Serial data output for DSP IC
20	HCLK	O	Serial data clock signal output for DSP IC
21	DLY_BYPASS	O	Bypass signal output for DAC IC (STR-DE698/DV10 only)
22	DIR/AD	O	A/D port signal output for DIR IC (STR-DE698/DV10 only)
23	VCC5	—	Power supply pin (+3.4 V)
24	SYS_MUTE	O	System mute control signal output
25	ANA/DIG	O	Analog/Digital port signal output
26	UPCON_RST	O	Not used (Open)
27	FLASH2_VOL/VOL_CLK	O	Flash programming signal output 2/Volume clock signal output
28	FLASH1_VOL_DATA_LATCH	O	Flash programming signal output 1/Volume data latch signal output
29	SDA	I/O	Serial data input/output for EEPROM IC
30	SCL	O	Clock signal output for EEPROM IC
31	ENC_A	O	Menu encoder (A) signal output (STR-DE698/DV10 only)
32	ENC_B	O	Menu encoder (B) signal output (STR-DE698/DV10 only)
33	UPCON	O	Serial data output for Y/C separation IC (STR-DE698 only)
34	UPCON_CLK	O	Clock signal output for Y/C separation IC (STR-DE698 only)
35	AVCC	—	Power supply pin (+3.4 V)
36	AVRH	—	Power supply pin (+3.4 V)
37	AVSS	—	Ground
38 to 40	A/D0 to A/D2	I	Key signal input (A/D port)
41	VERSION	I	Destination detection signal input (Fixed at L: US, Canadian model, H: Except US, Canadian model)
42	VSS	—	Ground
43	RDS_SIG	I	RDS signal level input (AEP, UK model only)
44	MODEL	I	Model detection signal input (Fixed at L: STR-DE698, H: STR-DE598/DV10)
45	VOL_ENC (A)	I	Volume encoder (A) signal input
46	VOL_ENC (B)	I	Volume encoder (B) signal input
47	BLUE_LED	O	LED (MULTI CHANNEL DECODING) driver signal output
48	STOP	I	AC off detection signal input
49	MOD0	—	Selection of micon operation mode
50	MOD1	—	Not used (Connect to AVCC)
51	MOD2	—	Selection of micon operation mode
52	RDS_CLK	I	RDS data clock signal input (AEP, UK model only)

Pin No.	Pin Name	I/O	Pin Description
53	RDS_DATA	I	RDS data input (AEP, UK model only)
54	SIRCS	I	SIRCS signal input
55	HP_DETECT	I	Headphones detection signal input
56	POWER_KEY	I	Power key detection signal input
57	FL_LAT	O	Latch signal output for FL driver IC
58	POWER_RY	O	Power relay driver control signal output
59	FL_DATA	O	Serial data output for FL driver IC
60	FL_CLK	O	Clock signal output for FL driver IC
61	PROTECTOR	I	Protector detection signal input
62	HP_RY	O	Headphones relay driver control signal output
63	FUSE_DETECT	I	Fuse open detection signal input
64	NTSC_PAL_SW	O	NTSC/PAL switch signal output (STR-DE698 only)
65	COMPO_SW2/A1_IN	O	COMPONENT VIDEO switch 2 signal output (Except STR-DE598: AEP, UK model only)
66	FRONT_RY	O	Front speaker A relay driver control signal output
67	SP_B_RY	O	Front speaker B relay driver control signal output
68	C/SB_RY	O	Center speaker relay driver control signal output
69	REAR_RY	O	Surround speaker relay driver control signal output
70	SW_RY	O	Sub woofer relay driver control signal output
71	COMPO_SW1/A1_OUT	O	COMPONENT VIDEO switch 1 signal output (Except STR-DE598: AEP, UK model only)
72	BRIDGEABLE_RY	O	Bridgeable relay driver control signal output
73	DO	I	Tuner serial data input
74	SLATCH	O	Tuner latch signal output
75	TUNED	I	Tuned signal detection input
76	STEREO	I	Stereo signal detection input
77	RSTX	I	Reset signal input
78	MUTE	O	Tuner mute signal output
79	X1A	—	Not used (Open)
80	X0A	—	Not used (Connect to VSS)
81	VSS	—	Ground
82	X0	—	Clock signal input (24 MHz)
83	X1	—	Clock signal output (24 MHz)
84	VCC3	—	Power supply pin (+3.4 V)
85	GROUPING_SW	O	Not used (Open)
86 to 89	SW1 to SW4	O	Video select signal output
90	SELECT2	O	Digital input select 2 signal output (STR-DE698/DV10 only)
91	SELECT1	O	Digital input select 1 signal output (STR-DE698/DV10 only)
92	BST_SEL	O	96/24 signal output for DSP IC
93	XMODE	O	Xmode signal output for DIR IC
94	CKSEL1	O	Clock select signal output for DIR IC
95	CLK	O	Data clock signal output for DIR IC
96	CE	O	Latch signal output for DIR IC
97	DI	O	Data output for DIR IC
98	DO	I	Data input from DIR IC
99	ERROR	I	Error detection signal input from DIR IC
100	XSTATE	I	Xstate signal input from DIR IC

**SECTION 5
EXPLODED VIEWS**

NOTE:

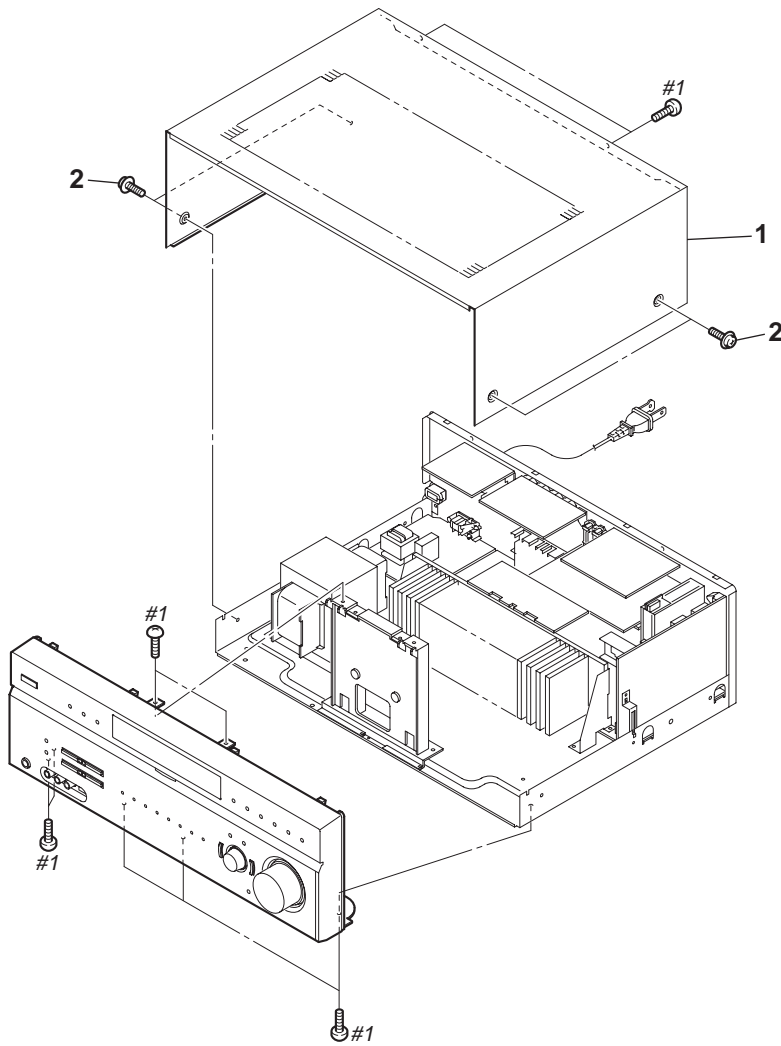
- The mechanical parts with no reference number in the exploded views are not supplied.
- Items marked “*” are not stocked since they are seldom required for routine service. Some delay should be anticipated when ordering these items.
- Abbreviation
 CND : Canadian model
 E2 : AC 120 V area in E model
 AUS : Australian model
 AR : Argentina model
 KR : Korean model
 TW : Taiwan model

- -XX and -X mean standardized parts, so they may have some difference from the original one.
- Color Indication of Appearance Parts
 Example :
 KNOB, BALANCE (WHITE) ... (RED)
 ↑ ↑
 Parts Color Cabinet's Color
- Accessories are given in the last of this parts list.

The components identified by mark \triangle or dotted line with mark \triangle are critical for safety. Replace only with part number specified.

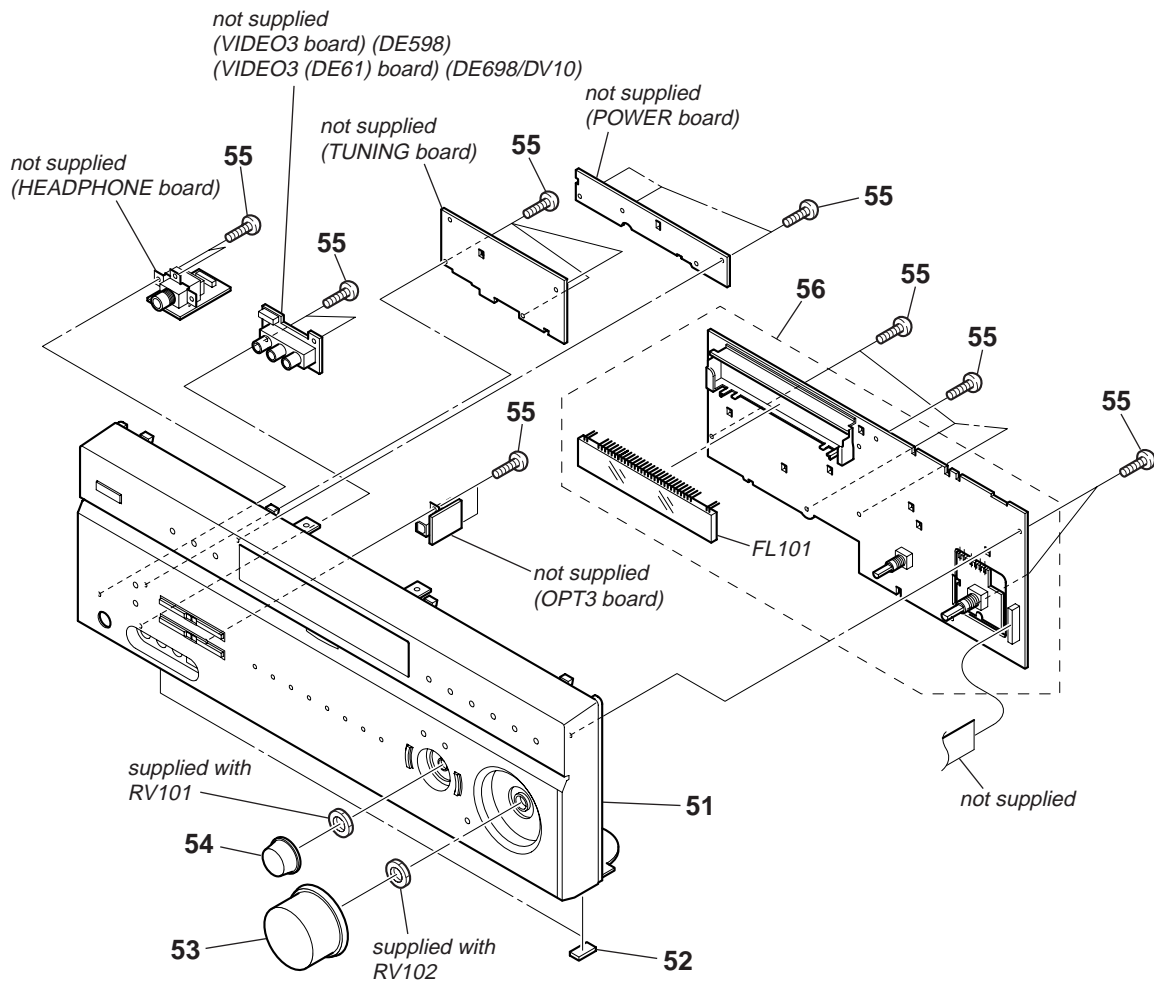
Les composants identifiés par une marque \triangle sont critiques pour la sécurité. Ne les remplacer que par une pièce portant le numéro spécifié.

5-1. CASE SECTION



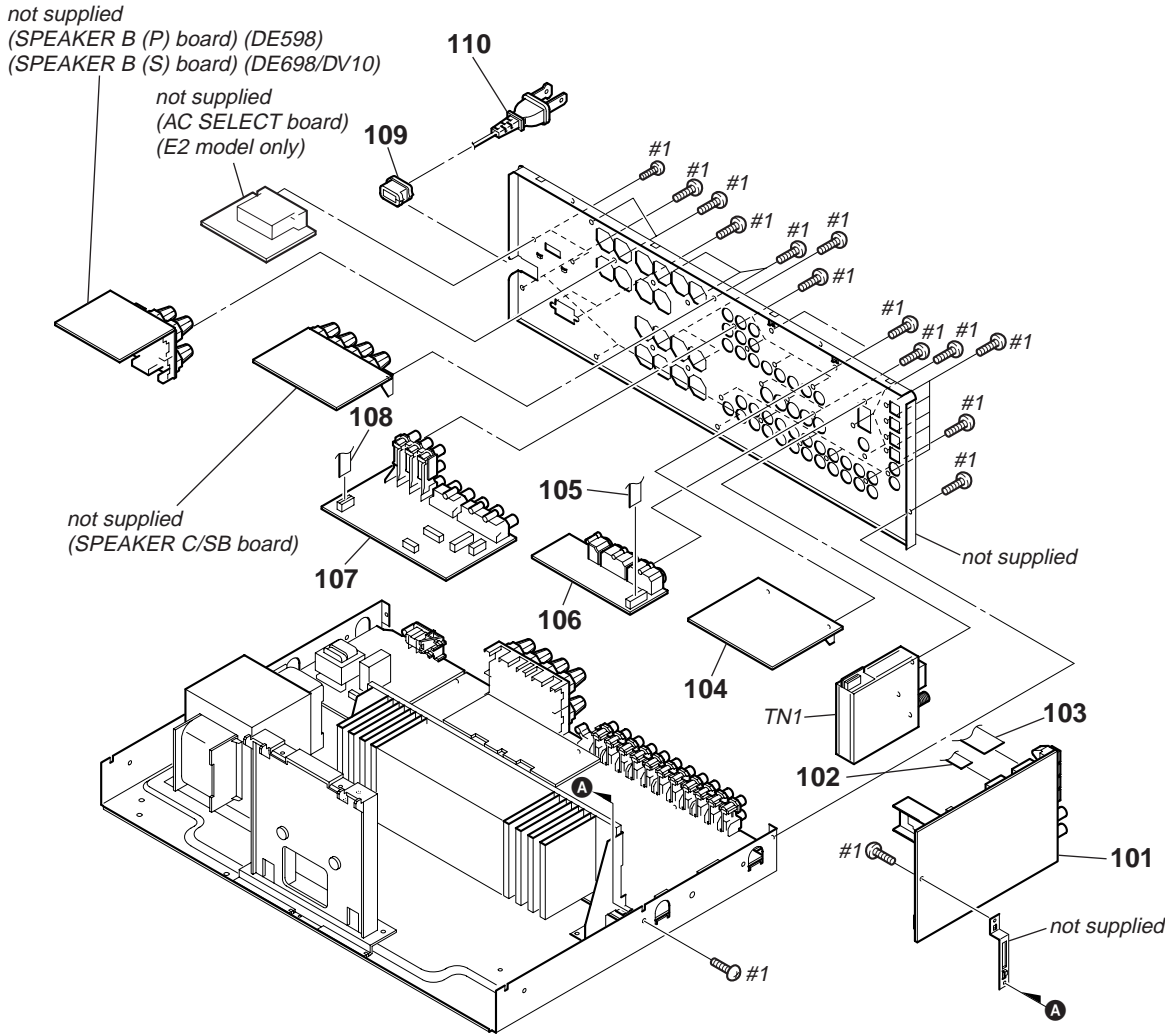
Ref. No.	Part No.	Description	Remark	Ref. No.	Part No.	Description	Remark
1	4-232-418-02	CASE (BLACK)...(BLACK) (DE598)		2	3-363-099-02	SCREW (CASE 3 TP2) (BLACK)...(BLACK)	
1	4-232-418-61	CASE (SILVER)...(SILVER) (DE598)		2	3-363-099-11	SCREW (CASE 3 TP2) (SILVER)...(SILVER)	
1	4-246-009-02	CASE (DE9) (BLACK)...(BLACK) (DE698)		#1	7-685-646-79	SCREW +BVTP 3X8 TYPE2 IT-3	
1	4-246-009-61	CASE (DE9) (SILVER)...(SILVER) (DE698/DV10)					

5-2. FRONT PANEL SECTION



Ref. No.	Part No.	Description	Remark	Ref. No.	Part No.	Description	Remark
51	X-2024-656-1	FRONT PANEL ASSY (BLACK)...(BLACK) (DE598:US)		52	4-977-358-01	CUSHION	
51	X-2024-658-1	FRONT PANEL ASSY (SILVER)...(SILVER) (DE598:US)		53	4-232-113-01	KNOB (VOL) (BLACK)...(BLACK)	
51	X-2024-659-1	FRONT PANEL ASSY (BLACK)...(BLACK) (DE598:CND,AUS)		53	4-232-113-31	KNOB (VOL) (SILVER)...(SILVER)	
51	X-2024-661-1	FRONT PANEL ASSY (BLACK)...(BLACK) (DE598:AEP,UK)		54	4-252-389-01	KNOB (MENU) (BLACK)...(BLACK) (DE698)	
51	X-2024-662-1	FRONT PANEL ASSY (SILVER)...(SILVER) (DE598:AEP,UK)		54	4-252-389-31	KNOB (MENU) (SILVER)...(SILVER) (DE698/DV10)	
51	X-2024-700-1	FRONT PANEL ASSY (SILVER)...(SILVER) (DE598:E2,AUS,AR,KR,TW)		55	3-087-053-01	+BVTP 2.6 (3CR)	
51	X-2024-728-1	FRONT PANEL ASSY (BLACK)...(BLACK) (DE698:US)		56	A-1084-338-A	DISPLAY BOARD, COMPLETE (DE598)	
51	X-2024-729-1	FRONT PANEL ASSY (BLACK)...(BLACK) (DE698:AUS)		56	A-1084-994-A	DISPLAY BOARD, COMPLETE (DE698/DV10)	
51	X-2024-730-1	FRONT PANEL ASSY (BLACK)...(BLACK) (DE698:AEP,UK)		FL101	1-518-966-11	VACUUM FLUORESCENT DISPLAY	
51	X-2024-743-1	FRONT PANEL ASSY (SILVER)...(SILVER) (DE698:AEP,UK)					
51	X-2024-755-1	FRONT PANEL ASSY (SILVER)...(SILVER) (DE698:CND,E2,AUS,AR)					
51	X-2025-424-1	FRONT PANEL ASSY (SILVER)...(SILVER) (DV10)					

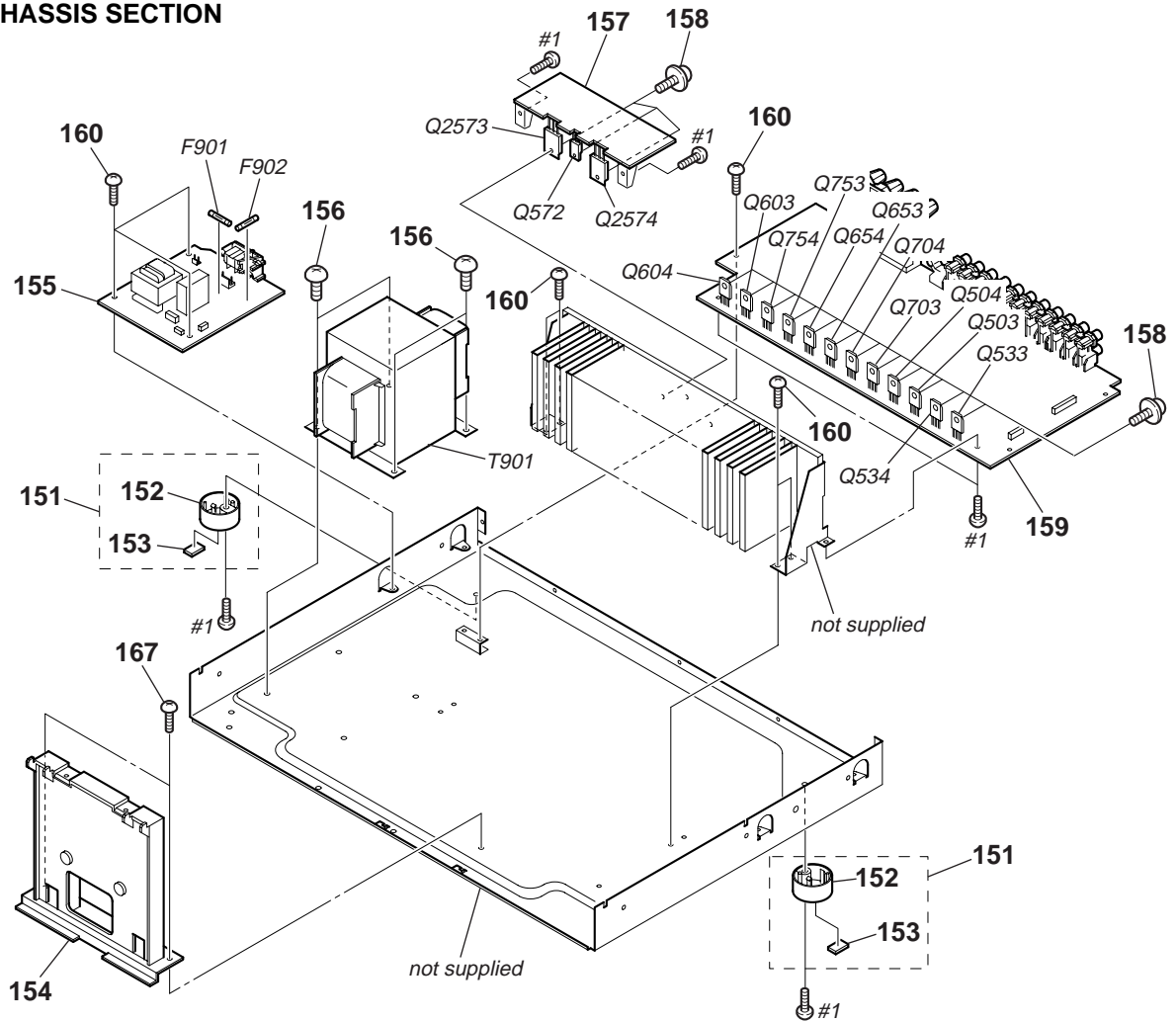
5-3. BACK PANEL SECTION



Ref. No.	Part No.	Description	Remark
101	A-1084-347-A	DIGITAL BOARD, COMPLETE (DE598:US,CND)	
101	A-1084-409-A	DIGITAL BOARD, COMPLETE (DE598:AEP,UK)	
101	A-1084-603-A	DIGITAL BOARD, COMPLETE (DE598:AUS)	
101	A-1084-706-A	DIGITAL BOARD, COMPLETE (DE598:KR,TW)	
101	A-1084-981-A	DIGITAL BOARD, COMPLETE (DE598:E2)	
101	A-1084-989-A	DIGITAL BOARD, COMPLETE (DE598:AR)	
101	A-1084-997-A	DIGITAL BOARD, COMPLETE (DE698:CND)	
101	A-1085-103-A	DIGITAL BOARD, COMPLETE (DE698:AEP,UK)	
101	A-1085-213-A	DIGITAL BOARD, COMPLETE (DE698:AUS)	
101	A-1085-252-A	DIGITAL BOARD, COMPLETE (DE698:E2)	
101	A-1089-520-A	DIGITAL BOARD, COMPLETE (DV10)	
101	A-1091-920-A	DIGITAL BOARD, COMPLETE (DE698:AR)	
101	A-1158-700-A	DIGITAL BOARD, COMPLETE (DE698:US)	
102	1-828-963-11	WIRE (FLAT TYPE) (11 CORE) (EXCEPT AEP,UK)	
102	1-828-980-11	WIRE (FLAT TYPE) (15 CORE) (AEP,UK)	
103	1-828-972-11	WIRE (FLAT TYPE) (13 CORE)	
104	A-1084-974-A	S-VIDEO UP CONVERT BOARD, COMPLETE (DE698:US,CND)	
104	A-1085-099-A	S-VIDEO UP CONVERT BOARD, COMPLETE (DE698:AEP,UK,AUS)	
104	A-1097-712-A	S-VIDEO UP CONVERT BOARD, COMPLETE (DE698:E2,AR)	
105	1-828-954-11	WIRE (FLAT TYPE) (9 CORE) (DE698)	
106	A-1084-978-A	S-VIDEO BOARD, COMPLETE (DE698)	
106	A-1098-467-A	S-VIDEO BOARD, COMPLETE (DV10)	

Ref. No.	Part No.	Description	Remark
107	A-1084-344-A	VIDEO BOARD, COMPLETE (DE598:EXCEPT AEP,UK)	
107	A-1084-408-A	VIDEO BOARD, COMPLETE (DE598:AEP,UK)	
107	A-1084-442-A	VIDEO BOARD, COMPLETE (DE698)	
107	A-1097-367-A	VIDEO BOARD, COMPLETE (DV10)	
108	1-828-954-11	WIRE (FLAT TYPE) (9 CORE) (DE698/DV10)	
* 109	3-703-244-00	BUSHING (2104), CORD	
△ 110	1-769-079-23	CORD, POWER (KR)	
△ 110	1-777-071-23	CORD, POWER (E2)	
△ 110	1-777-071-83	CORD, POWER (AEP,UK)	
△ 110	1-783-820-11	CORD, POWER (US,CND)	
△ 110	1-783-941-12	CORD, POWER (AR)	
△ 110	1-827-295-22	CORD, POWER (AUS)	
△ 110	1-827-597-41	CORD, POWER (TW)	
TN1	1-693-675-11	TUNER PACK (ANTENNA) (DE598:US,CND,E2)	
TN1	1-693-675-21	TUNER PACK (ANTENNA) (DE698:US,CND,E2/DV10)	
TN1	1-693-676-11	TUNER PACK (ANTENNA) (DE698:AEP,UK)	
TN1	1-693-676-21	TUNER PACK (ANTENNA) (DE598:AEP,UK)	
TN1	1-693-678-11	TUNER PACK (ANTENNA) (AUS,AR,KR,TW)	
#1	7-685-646-79	SCREW +BVTP 3X8 TYPE2 IT-3	

5-4. CHASSIS SECTION



Ref. No.	Part No.	Description	Remark	Ref. No.	Part No.	Description	Remark
151	X-4953-448-1	FOOT ASSY		△ F902	1-532-464-33	FUSE (T2.5AL/250V) (DE698:AEP,UK,E2,AUS)	
152	4-232-237-01	FOOT (DIA. 30)		△ F902	1-533-453-12	FUSE, GLASS TUBE (DIA. 5) (5A/125V) (DE698:US,CND/DV10)	
153	4-977-358-01	CUSHION		Q503	6-702-390-01	TRANSISTOR MN2488-OPY-MK	
154	4-233-263-01	SUB MOLD (DE9)		Q504	6-702-391-01	TRANSISTOR MP1620-OPY-MK	
155	A-1084-334-A	STANDBY BOARD, COMPLETE (DE598:US,CND)		Q533	6-702-390-01	TRANSISTOR MN2488-OPY-MK	
155	A-1084-405-A	STANDBY BOARD, COMPLETE (DE598:AEP,UK,AUS,AR,KR/DE698:AR)		Q534	6-702-391-01	TRANSISTOR MP1620-OPY-MK	
155	A-1084-703-A	STANDBY BOARD, COMPLETE (DE598:TW)		Q572	8-729-026-08	TRANSISTOR 2SC4495 (DE698/DV10)	
155	A-1084-969-A	STANDBY BOARD, COMPLETE (DE698:US,CND/DV10)		Q603	6-702-390-01	TRANSISTOR MN2488-OPY-MK	
155	A-1084-975-A	STANDBY BOARD, COMPLETE (DE598:E2)		Q604	6-702-391-01	TRANSISTOR MP1620-OPY-MK	
155	A-1085-098-A	STANDBY BOARD, COMPLETE (DE698:AEP,UK)		Q653	6-702-390-01	TRANSISTOR MN2488-OPY-MK	
155	A-1085-210-A	STANDBY BOARD, COMPLETE (DE698:AUS)		Q654	6-702-391-01	TRANSISTOR MP1620-OPY-MK	
155	A-1085-251-A	STANDBY BOARD, COMPLETE (DE698:E2)		Q703	6-702-390-01	TRANSISTOR MN2488-OPY-MK	
156	4-249-675-01	+BV SUMITITE S 4X6 ROUND		Q704	6-702-391-01	TRANSISTOR MP1620-OPY-MK	
157	A-1084-980-A	SB AMP BOARD, COMPLETE (DE698/DV10)		Q753	6-702-390-01	TRANSISTOR MN2488-OPY-MK	
158	3-905-609-01	SCREW (TRANSISTOR)		Q754	6-702-391-01	TRANSISTOR MP1620-OPY-MK	
159	A-1084-332-A	MAIN BOARD, COMPLETE (DE598:US,E2)		Q2573	6-702-390-01	TRANSISTOR MN2488-OPY-MK (DE698/DV10)	
159	A-1084-399-A	MAIN BOARD, COMPLETE (DE598:CND)		Q2754	6-702-391-01	TRANSISTOR MP1620-OPY-MK (DE698/DV10)	
159	A-1084-404-A	MAIN BOARD, COMPLETE (DE598:AEP,UK)		△ T901	1-439-550-21	TRANSFORMER, POWER (AEP,UK,AUS,AR,KR)	
159	A-1084-563-A	MAIN BOARD, COMPLETE (DE698:US,E2/DV10)		△ T901	1-439-552-21	TRANSFORMER, POWER (TW)	
159	A-1084-705-A	MAIN BOARD, COMPLETE (DE698:CND)		△ T901	1-439-553-21	TRANSFORMER, POWER (E2)	
159	A-1085-097-A	MAIN BOARD, COMPLETE (DE698:AEP,UK)		△ T901	1-439-611-11	TRANSFORMER, POWER (US,CND)	
159	A-1097-809-A	MAIN BOARD, COMPLETE (DE598:AUS,AR,KR,TW)		#1	7-685-646-79	SCREW +BVTP 3X8 TYPE2 IT-3	
160	3-077-331-21	+BV3 (3-CR)					
△ F901	1-532-464-33	FUSE (T2.5AL/250V) (AEP,UK,AUS,AR,KR)					
△ F901	1-532-465-33	FUSE (3.15A/125V) (E2)					
△ F901	1-532-504-33	FUSE (4A/250V) (TW)					
△ F901	1-533-454-12	FUSE, GLASS TUBE (DIA. 5) (6.3A/125V) (US,CND)					

SECTION 6
ELECTRICAL PARTS LIST

NOTE:

- Due to standardization, replacements in the parts list may be different from the parts specified in the diagrams or the components used on the set.
- -XX and -X mean standardized parts, so they may have some difference from the original one.
- RESISTORS
All resistors are in ohms.
METAL: Metal-film resistor.
METAL OXIDE: Metal oxide-film resistor.
F: nonflammable
- Items marked "*" are not stocked since they are seldom required for routine service. Some delay should be anticipated when ordering these items.

- SEMICONDUCTORS
In each case, u : μ , for example:
uA.. : μ A.. uPA.. : μ PA..
uPB.. : μ PB.. uPC.. : μ PC.. uPD.. : μ PD..
- CAPACITORS
uF : μ F
- COILS
uH : μ H
- Abbreviation
CND : Canadian model
E2 : AC 120 V area in E model
AUS : Australian model
AR : Argentina model
KR : Korean model
TW : Taiwan model

The components identified by mark Δ or dotted line with mark Δ are critical for safety. Replace only with part number specified.

Les composants identifiés par une marque Δ sont critiques pour la sécurité. Ne les remplacer que par une pièce portant le numéro spécifié.

When indicating parts by reference number, please include the board.

Ref. No.	Part No.	Description	Remark
		AC SELECT BOARD (E2)	

		< CONNECTOR >	
* CNP910	1-564-687-11	PIN, CONNECTOR (3.96mm PITCH) 3P	
		< SWITCH >	
Δ S901	1-571-437-21	SWITCH, POWER VOLTAGE (VOLTAGE SELECTOR)	

	A-1084-347-A	DIGITAL BOARD, COMPLETE (DE598:US,CND)	
	A-1084-409-A	DIGITAL BOARD, COMPLETE (DE598:AEP,UK)	
	A-1084-603-A	DIGITAL BOARD, COMPLETE (DE598:AUS)	
	A-1084-706-A	DIGITAL BOARD, COMPLETE (DE598:KR,TW)	
	A-1084-981-A	DIGITAL BOARD, COMPLETE (DE598:E2)	
	A-1084-989-A	DIGITAL BOARD, COMPLETE (DE598:AR)	
	A-1084-997-A	DIGITAL BOARD, COMPLETE (DE698:US,CND)	
	A-1085-103-A	DIGITAL BOARD, COMPLETE (DE698:AEP,UK)	
	A-1085-213-A	DIGITAL BOARD, COMPLETE (DE698:AUS)	
	A-1085-252-A	DIGITAL BOARD, COMPLETE (DE698:E2)	
	A-1089-520-A	DIGITAL BOARD, COMPLETE (DV10)	
	A-1091-920-A	DIGITAL BOARD, COMPLETE (DE698:AR)	

	7-685-646-79	SCREW +BVTP 3X8 TYPE2 IT-3	
		< CAPACITOR >	
C1001	1-126-925-11	ELECT 470uF 20% 10V	
C1002	1-100-566-11	CERAMIC CHIP 0.1uF 10% 25V	
C1004	1-164-227-11	CERAMIC CHIP 0.022uF 10% 25V	
C1021	1-100-566-11	CERAMIC CHIP 0.1uF 10% 25V	
C1022	1-126-925-11	ELECT 470uF 20% 10V	
C1031	1-100-566-11	CERAMIC CHIP 0.1uF 10% 25V	
C1032	1-126-925-11	ELECT 470uF 20% 10V	
C1045	1-162-905-11	CERAMIC CHIP 1PF 0.25PF 50V (DE698/DV10)	
C1046	1-100-566-11	CERAMIC CHIP 0.1uF 10% 25V (DE698/DV10)	
C1047	1-104-662-11	ELECT 22uF 20% 25V (DE698/DV10)	
C1063	1-100-566-11	CERAMIC CHIP 0.1uF 10% 25V (AEP,UK)	
C1064	1-126-947-11	ELECT 47uF 20% 35V (AEP,UK)	
C1100	1-100-566-11	CERAMIC CHIP 0.1uF 10% 25V	

Ref. No.	Part No.	Description	Remark
C1102	1-100-566-11	CERAMIC CHIP 0.1uF 10% 25V	
C1103	1-126-947-11	ELECT 47uF 20% 35V	
C1107	1-100-566-11	CERAMIC CHIP 0.1uF 10% 25V	
C1108	1-100-566-11	CERAMIC CHIP 0.1uF 10% 25V	
C1118	1-100-566-11	CERAMIC CHIP 0.1uF 10% 25V	
C1119	1-100-566-11	CERAMIC CHIP 0.1uF 10% 25V	
C1120	1-162-974-11	CERAMIC CHIP 0.01uF 50V	
C1121	1-100-566-11	CERAMIC CHIP 0.1uF 10% 25V	
C1122	1-100-566-11	CERAMIC CHIP 0.1uF 10% 25V	
C1123	1-100-566-11	CERAMIC CHIP 0.1uF 10% 25V	
C1124	1-100-566-11	CERAMIC CHIP 0.1uF 10% 25V	
C1125	1-162-923-11	CERAMIC CHIP 47PF 5% 50V (DE698/DV10)	
C1126	1-162-960-11	CERAMIC CHIP 220PF 10% 50V	
C1128	1-100-566-11	CERAMIC CHIP 0.1uF 10% 25V (DE698/DV10)	
C1129	1-162-974-11	CERAMIC CHIP 0.01uF 50V	
C1130	1-162-974-11	CERAMIC CHIP 0.01uF 50V	
C1131	1-162-974-11	CERAMIC CHIP 0.01uF 50V (DE698/DV10)	
C1132	1-162-974-11	CERAMIC CHIP 0.01uF 50V (DE698/DV10)	
C1137	1-162-970-11	CERAMIC CHIP 0.01uF 10% 25V	
C1138	1-100-566-11	CERAMIC CHIP 0.1uF 10% 25V	
C1139	1-100-566-11	CERAMIC CHIP 0.1uF 10% 25V	
C1140	1-100-566-11	CERAMIC CHIP 0.1uF 10% 25V	
C1141	1-100-566-11	CERAMIC CHIP 0.1uF 10% 25V (DE698/DV10)	
C1142	1-100-566-11	CERAMIC CHIP 0.1uF 10% 25V	
C1149	1-162-960-11	CERAMIC CHIP 220PF 10% 50V	
C1251	1-100-566-11	CERAMIC CHIP 0.1uF 10% 25V	
C1252	1-100-566-11	CERAMIC CHIP 0.1uF 10% 25V	
C1253	1-100-566-11	CERAMIC CHIP 0.1uF 10% 25V	
C1254	1-162-960-11	CERAMIC CHIP 220PF 10% 50V	
C1255	1-162-960-11	CERAMIC CHIP 220PF 10% 50V	
C1299	1-100-566-11	CERAMIC CHIP 0.1uF 10% 25V	
C1301	1-100-566-11	CERAMIC CHIP 0.1uF 10% 25V	
C1302	1-162-974-11	CERAMIC CHIP 0.01uF 50V	
C1303	1-100-566-11	CERAMIC CHIP 0.1uF 10% 25V	
C1304	1-162-974-11	CERAMIC CHIP 0.01uF 50V	
C1305	1-100-566-11	CERAMIC CHIP 0.1uF 10% 25V	
C1306	1-126-947-11	ELECT 47uF 20% 35V	
C1308	1-100-566-11	CERAMIC CHIP 0.1uF 10% 25V	
C1309	1-162-918-11	CERAMIC CHIP 18PF 5% 50V	
C1310	1-162-918-11	CERAMIC CHIP 18PF 5% 50V	

Ref. No.	Part No.	Description		Remark	Ref. No.	Part No.	Description		Remark
C1312	1-100-566-11	CERAMIC CHIP	0.1uF	10% 25V	C1488	1-126-964-11	ELECT	10uF	20% 50V
C1313	1-162-927-11	CERAMIC CHIP	100PF	5% 50V					(DE698/DV10)
C1314	1-100-566-11	CERAMIC CHIP	0.1uF	10% 25V	C1491	1-126-964-11	ELECT	10uF	20% 50V
C1315	1-100-566-11	CERAMIC CHIP	0.1uF	10% 25V	C1494	1-100-566-11	CERAMIC CHIP	0.1uF	10% 25V
C1316	1-100-566-11	CERAMIC CHIP	0.1uF	10% 25V	C1495	1-162-960-11	CERAMIC CHIP	220PF	10% 50V
				(DE698/DV10)	C1501	1-100-566-11	CERAMIC CHIP	0.1uF	10% 25V
C1317	1-126-925-11	ELECT	470uF	20% 10V	C1502	1-100-566-11	CERAMIC CHIP	0.1uF	10% 25V
				(DE698/DV10)	C1503	1-100-566-11	CERAMIC CHIP	0.1uF	10% 25V
C1351	1-100-566-11	CERAMIC CHIP	0.1uF	10% 25V	C1504	1-100-566-11	CERAMIC CHIP	0.1uF	10% 25V
C1352	1-100-566-11	CERAMIC CHIP	0.1uF	10% 25V	C1505	1-100-566-11	CERAMIC CHIP	0.1uF	10% 25V
				(DE698/DV10)	C1506	1-100-566-11	CERAMIC CHIP	0.1uF	10% 25V
C1353	1-100-566-11	CERAMIC CHIP	0.1uF	10% 25V	C1507	1-100-566-11	CERAMIC CHIP	0.1uF	10% 25V
				(DE698/DV10)	C1508	1-100-566-11	CERAMIC CHIP	0.1uF	10% 25V
C1354	1-100-566-11	CERAMIC CHIP	0.1uF	10% 25V	C1509	1-100-566-11	CERAMIC CHIP	0.1uF	10% 25V
C1355	1-104-662-11	ELECT	22uF	20% 25V	C1510	1-100-566-11	CERAMIC CHIP	0.1uF	10% 25V
C1356	1-162-974-11	CERAMIC CHIP	0.01uF	50V	C1511	1-100-566-11	CERAMIC CHIP	0.1uF	10% 25V
C1357	1-162-905-11	CERAMIC CHIP	1PF	0.25PF 50V	C1513	1-100-566-11	CERAMIC CHIP	0.1uF	10% 25V
C1358	1-100-566-11	CERAMIC CHIP	0.1uF	10% 25V	C1514	1-100-566-11	CERAMIC CHIP	0.1uF	10% 25V
C1359	1-126-916-11	ELECT	1000uF	20% 6.3V	C1515	1-126-925-11	ELECT	470uF	20% 10V
C1360	1-162-923-11	CERAMIC CHIP	47PF	5% 50V	C1516	1-100-566-11	CERAMIC CHIP	0.1uF	10% 25V
C1361	1-100-566-11	CERAMIC CHIP	0.1uF	10% 25V	C1517	1-126-925-11	ELECT	470uF	20% 10V
C1362	1-100-566-11	CERAMIC CHIP	0.1uF	10% 25V	C1518	1-100-566-11	CERAMIC CHIP	0.1uF	10% 25V
C1401	1-100-566-11	CERAMIC CHIP	0.1uF	10% 25V	C1519	1-100-566-11	CERAMIC CHIP	0.1uF	10% 25V
C1402	1-126-947-11	ELECT	47uF	20% 35V	C1520	1-100-566-11	CERAMIC CHIP	0.1uF	10% 25V
C1403	1-126-964-11	ELECT	10uF	20% 50V	C1521	1-162-920-11	CERAMIC CHIP	27PF	5% 50V
C1404	1-100-566-11	CERAMIC CHIP	0.1uF	10% 25V	C1522	1-162-920-11	CERAMIC CHIP	27PF	5% 50V
C1405	1-162-962-11	CERAMIC CHIP	470PF	10% 50V	C1525	1-126-925-11	ELECT	470uF	20% 10V
C1406	1-126-963-11	ELECT	4.7uF	20% 50V	C1531	1-100-566-11	CERAMIC CHIP	0.1uF	10% 25V
C1407	1-126-963-11	ELECT	4.7uF	20% 50V					(DE698/DV10)
C1408	1-162-962-11	CERAMIC CHIP	470PF	10% 50V	C1532	1-100-566-11	CERAMIC CHIP	0.1uF	10% 25V
C1409	1-100-566-11	CERAMIC CHIP	0.1uF	10% 25V					(DE698/DV10)
C1411	1-162-963-11	CERAMIC CHIP	680PF	10% 50V	C1533	1-162-970-11	CERAMIC CHIP	0.01uF	10% 25V
C1413	1-162-961-11	CERAMIC CHIP	330PF	10% 50V					(DE698/DV10)
C1418	1-126-964-11	ELECT	10uF	20% 50V	C1534	1-162-974-11	CERAMIC CHIP	0.01uF	50V
									(DE698/DV10)
C1422	1-162-963-11	CERAMIC CHIP	680PF	10% 50V	C1535	1-126-964-11	ELECT	10uF	20% 50V
C1423	1-162-961-11	CERAMIC CHIP	330PF	10% 50V					(DE698/DV10)
C1428	1-126-964-11	ELECT	10uF	20% 50V	C1547	1-162-966-11	CERAMIC CHIP	0.0022uF	10% 50V
C1432	1-162-963-11	CERAMIC CHIP	680PF	10% 50V	C1557	1-162-966-11	CERAMIC CHIP	0.0022uF	10% 50V
C1433	1-162-961-11	CERAMIC CHIP	330PF	10% 50V	C1558	1-162-966-11	CERAMIC CHIP	0.0022uF	10% 50V
									(DE698/DV10)
C1438	1-126-964-11	ELECT	10uF	20% 50V	C1566	1-162-966-11	CERAMIC CHIP	0.0022uF	10% 50V
C1441	1-162-963-11	CERAMIC CHIP	680PF	10% 50V	C1567	1-162-966-11	CERAMIC CHIP	0.0022uF	10% 50V
C1442	1-162-961-11	CERAMIC CHIP	330PF	10% 50V	C1568	1-162-966-11	CERAMIC CHIP	0.0022uF	10% 50V
C1448	1-126-964-11	ELECT	10uF	20% 50V	C1569	1-162-966-11	CERAMIC CHIP	0.0022uF	10% 50V
C1450	1-100-566-11	CERAMIC CHIP	0.1uF	10% 25V	C1604	1-100-566-11	CERAMIC CHIP	0.1uF	10% 25V
C1451	1-162-963-11	CERAMIC CHIP	680PF	10% 50V	C1605	1-100-566-11	CERAMIC CHIP	0.1uF	10% 25V
C1453	1-162-961-11	CERAMIC CHIP	330PF	10% 50V	C1620	1-100-566-11	CERAMIC CHIP	0.1uF	10% 25V
C1454	1-100-566-11	CERAMIC CHIP	0.1uF	10% 25V	C1905	1-100-566-11	CERAMIC CHIP	0.1uF	10% 25V
C1457	1-126-964-11	ELECT	10uF	20% 50V	C1906	1-126-925-11	ELECT	470uF	20% 10V
C1458	1-126-964-11	ELECT	10uF	20% 50V	C1908	1-126-925-11	ELECT	470uF	20% 10V
C1460	1-126-964-11	ELECT	10uF	20% 50V	C1913	1-100-566-11	CERAMIC CHIP	0.1uF	10% 25V
C1462	1-162-963-11	CERAMIC CHIP	680PF	10% 50V	C1914	1-126-947-11	ELECT	47uF	20% 35V
C1463	1-162-961-11	CERAMIC CHIP	330PF	10% 50V					< CONNECTOR >
C1468	1-126-964-11	ELECT	10uF	20% 50V	CNP503	1-779-977-11	PIN, CONNECTOR 6P		
C1472	1-162-963-11	CERAMIC CHIP	680PF	10% 50V	CNP504	1-784-922-11	PIN, CONNECTOR 5P		
C1473	1-162-961-11	CERAMIC CHIP	330PF	10% 50V	CNP505	1-779-799-11	PIN, CONNECTOR 9P		
C1478	1-126-964-11	ELECT	10uF	20% 50V	CNS501	1-573-829-11	CONNECTOR, BOARD TO BOARD 15P		
C1481	1-162-961-11	CERAMIC CHIP	330PF	10% 50V					
C1483	1-162-963-11	CERAMIC CHIP	680PF	10% 50V					
C1487	1-162-966-11	CERAMIC CHIP	0.0022uF	10% 50V					

STR-DE598/DE698/DV10

Ver. 1.1

DIGITAL

Ref. No.	Part No.	Description	Remark	Ref. No.	Part No.	Description	Remark
CNS502	1-766-719-41	CONNECTOR, BOARD TO BOARD 10P		IC1404	8-759-710-97	IC NJM4565M-D	
CNS504	1-568-826-11	CONNECTOR, FFC 7P		IC1405	8-759-710-97	IC NJM4565M-D	
CNS505	1-568-838-11	CONNECTOR, FFC 21P		IC1406	8-759-710-97	IC NJM4565M-D	
CNS508	1-568-830-11	CONNECTOR, FFC 11P (EXCEPT AEP,UK)		IC1452	6-703-787-01	IC PCM1609KPTR	
CNS508	1-784-776-11	CONNECTOR, FFC 15P (AEP,UK)		IC1501	6-705-900-01	IC CXD9718BQ	
CNS509	1-784-774-11	CONNECTOR, FFC 13P		IC1502	6-704-037-01	IC IC61LV6416-15TG	
		< DIODE >		IC1503	8-759-546-74	IC TC7WH157FU(TE12R)	
D1001	8-719-053-18	DIODE 1SR154-400TE-25		IC1506	8-759-546-74	IC TC7WH157FU(TE12R) (DE698/DV10)	
D1003	8-719-049-09	DIODE 1SS367-T3SONY		IC1507	6-707-666-01	IC NJU26902VM1-TE2 (DE698/DV10)	
D1004	8-719-049-09	DIODE 1SS367-T3SONY		IC1901	6-701-887-02	IC SI-3004KWF	
D1103	8-719-988-61	DIODE 1SS355TE-17		IC1902	6-703-550-01	IC TA7809LS	
D1105	8-719-988-61	DIODE 1SS355TE-17		IC1904	6-705-463-01	IC BA33BC0T	
D1106	8-719-988-61	DIODE 1SS355TE-17				< JACK >	
D1107	8-719-988-61	DIODE 1SS355TE-17		J1301	1-794-972-11	JACK, PIN 1P (DIGITAL DVD IN (COAXIAL))	(DE598)
D1108	8-719-988-61	DIODE 1SS355TE-17		J1301	1-818-314-11	JACK, PIN 2P (DIGITAL DVD IN (COAXIAL), SA-CD/CD IN (COAXIAL))	(DE698/DV10)
D1110	8-719-988-61	DIODE 1SS355TE-17				< JUMPER RESISTOR >	
D1111	8-719-988-61	DIODE 1SS355TE-17		JR1020	1-216-864-11	SHORT CHIP	0
D1301	8-719-988-61	DIODE 1SS355TE-17		JR1201	1-211-950-11	SHORT CHIP	0
D1302	8-719-988-61	DIODE 1SS355TE-17		JR1202	1-216-864-11	SHORT CHIP	0 (EXCEPT AEP,UK)
		< FERRITE BEAD >		JR1203	1-216-296-11	SHORT CHIP	0
FB1101	1-400-862-11	BEAD, FERRITE		JR1204	1-211-950-11	SHORT CHIP	0
FB1302	1-400-862-11	BEAD, FERRITE		JR1206	1-211-950-11	SHORT CHIP	0
FB1305	1-400-862-11	BEAD, FERRITE		JR1211	1-216-296-11	SHORT CHIP	0
FB1306	1-400-862-11	BEAD, FERRITE		JR1212	1-216-296-11	SHORT CHIP	0
FB1308	1-400-862-11	BEAD, FERRITE		JR1214	1-216-296-11	SHORT CHIP	0
FB1309	1-400-862-11	BEAD, FERRITE (DE698/DV10)		JR1215	1-216-296-11	SHORT CHIP	0
FB1405	1-400-862-11	BEAD, FERRITE		JR1302	1-216-864-11	SHORT CHIP	0 (DE598)
FB1452	1-400-862-11	BEAD, FERRITE		JR1303	1-216-864-11	SHORT CHIP	0 (DE598)
FB1453	1-400-862-11	BEAD, FERRITE		JR1501	1-216-864-11	SHORT CHIP	0
FB1501	1-400-862-11	BEAD, FERRITE		JR1511	1-400-862-11	BEAD, FERRITE	
FB1502	1-400-862-11	BEAD, FERRITE				< TRANSISTOR >	
FB1503	1-400-862-11	BEAD, FERRITE		Q1103	8-729-027-43	TRANSISTOR	DTC114EKA-T146
FB1504	1-400-862-11	BEAD, FERRITE (DE698/DV10)		Q1104	8-729-230-49	TRANSISTOR	2SC2712-YG
		< IC >		Q1105	8-729-230-49	TRANSISTOR	2SC2712-YG
IC1001	8-759-231-53	IC TA7805S				< RESISTOR >	
IC1031	6-705-464-01	IC BA50BC0T		R1018	1-216-864-11	SHORT CHIP	0 (DE598)
IC1071	6-702-771-01	IC TA78033LS (AEP,UK)		R1019	1-216-864-11	SHORT CHIP	0 (DE598)
IC1101	6-804-835-01	IC MB90488BPF-G-110E1 (DE698/DV10)		R1035	1-216-825-11	METAL CHIP	2.2K 5% 1/10W
IC1101	6-805-148-01	IC MB90488BPF-G-137E1 (DE598)		R1039	1-216-833-11	METAL CHIP	10K 5% 1/10W
IC1103	8-759-242-70	IC TC7WU04F (DE698/DV10)		R1041	1-216-809-11	METAL CHIP	100 5% 1/10W
IC1111	6-702-913-01	IC S-89029CNMC-G8ZT2G		R1042	1-216-809-11	METAL CHIP	100 5% 1/10W
IC1131	6-704-004-01	IC BR24L16F-WE2		R1044	1-216-809-11	METAL CHIP	100 5% 1/10W
IC1301	8-759-825-15	IC LC89056W-E		R1049	1-216-833-11	METAL CHIP	10K 5% 1/10W
IC1302	8-759-595-15	IC TC74ACT153F(EL) (DE698/DV10)		R1052	1-216-833-11	METAL CHIP	10K 5% 1/10W
IC1303	8-759-242-70	IC TC7WU04F		R1053	1-216-833-11	METAL CHIP	10K 5% 1/10W
IC1351	6-600-014-01	IC TORX141L (DIGITAL VIDEO 2 IN (OPTICAL))				(DE598)	
IC1352	6-600-014-01	IC TORX141L (DIGITAL MD/TAPE IN (OPTICAL)) (DE698/DV10)		R1055	1-216-809-11	METAL CHIP	100 5% 1/10W
IC1353	6-600-012-11	IC TOTX141L(RED) (DIGITAL MD/TAPE OUT (OPTICAL)) (DE698/DV10)				(DE698/DV10)	
IC1354	6-600-014-01	IC TORX141L (DIGITAL SA-CD/CD IN (OPTICAL))		R1056	1-216-854-11	METAL CHIP	560K 5% 1/10W
IC1401	8-759-560-56	IC PCM1800E/2K				(DE698/DV10)	
IC1403	8-759-710-97	IC NJM4565M-D		R1057	1-216-837-11	METAL CHIP	22K 5% 1/10W
						(DE698/DV10)	

Ref. No.	Part No.	Description	Remark	Ref. No.	Part No.	Description	Remark
R1058	1-216-813-11	METAL CHIP	220 5% 1/10W (AEP,UK)	R1124	1-216-809-11	METAL CHIP	100 5% 1/10W
R1059	1-216-813-11	METAL CHIP	220 5% 1/10W (AEP,UK)	R1127	1-216-809-11	METAL CHIP	100 5% 1/10W
R1060	1-216-821-11	METAL CHIP	1K 5% 1/10W (DE698/DV10)	R1128	1-216-809-11	METAL CHIP	100 5% 1/10W
R1061	1-216-809-11	METAL CHIP	100 5% 1/10W (EXCEPT DE598:AEP,UK)	R1129	1-216-809-11	METAL CHIP	100 5% 1/10W
R1062	1-216-809-11	METAL CHIP	100 5% 1/10W (EXCEPT DE598:AEP,UK)	R1132	1-216-833-11	METAL CHIP	10K 5% 1/10W
R1063	1-216-809-11	METAL CHIP	100 5% 1/10W (DE698)	R1134	1-216-809-11	METAL CHIP	100 5% 1/10W
R1065	1-216-809-11	METAL CHIP	100 5% 1/10W	R1135	1-216-809-11	METAL CHIP	100 5% 1/10W
R1066	1-216-809-11	METAL CHIP	100 5% 1/10W	R1136	1-216-809-11	METAL CHIP	100 5% 1/10W
R1067	1-216-809-11	METAL CHIP	100 5% 1/10W	R1137	1-216-809-11	METAL CHIP	100 5% 1/10W
R1068	1-216-809-11	METAL CHIP	100 5% 1/10W	R1138	1-216-833-11	METAL CHIP	10K 5% 1/10W
R1070	1-216-864-11	SHORT CHIP	0 (DE698/DV10)	R1140	1-216-809-11	METAL CHIP	100 5% 1/10W
R1071	1-216-827-11	METAL CHIP	3.3K 5% 1/10W	R1142	1-216-809-11	METAL CHIP	100 5% 1/10W
R1072	1-216-827-11	METAL CHIP	3.3K 5% 1/10W	R1143	1-216-809-11	METAL CHIP	100 5% 1/10W
R1073	1-216-827-11	METAL CHIP	3.3K 5% 1/10W	R1144	1-216-809-11	METAL CHIP	100 5% 1/10W
R1075	1-216-833-11	METAL CHIP	10K 5% 1/10W (DE598:AEP,UK)	R1147	1-216-833-11	METAL CHIP	10K 5% 1/10W (DE598/DV10)
R1076	1-216-809-11	METAL CHIP	100 5% 1/10W	R1149	1-216-809-11	METAL CHIP	100 5% 1/10W
R1077	1-216-809-11	METAL CHIP	100 5% 1/10W	R1150	1-216-809-11	METAL CHIP	100 5% 1/10W
R1078	1-216-809-11	METAL CHIP	100 5% 1/10W	R1151	1-216-809-11	METAL CHIP	100 5% 1/10W
R1079	1-216-833-11	METAL CHIP	10K 5% 1/10W (DE598:AEP,UK)	R1152	1-216-809-11	METAL CHIP	100 5% 1/10W
R1082	1-216-809-11	METAL CHIP	100 5% 1/10W	R1153	1-216-809-11	METAL CHIP	100 5% 1/10W
R1083	1-216-833-11	METAL CHIP	10K 5% 1/10W	R1154	1-216-809-11	METAL CHIP	100 5% 1/10W
R1085	1-216-809-11	METAL CHIP	100 5% 1/10W (DE698/DV10)	R1155	1-216-809-11	METAL CHIP	100 5% 1/10W
R1086	1-216-809-11	METAL CHIP	100 5% 1/10W (DE698/DV10)	R1159	1-216-827-11	METAL CHIP	3.3K 5% 1/10W
R1088	1-216-833-11	METAL CHIP	10K 5% 1/10W	R1160	1-216-809-11	METAL CHIP	100 5% 1/10W
R1094	1-216-833-11	METAL CHIP	10K 5% 1/10W (EXCEPT AEP,UK)	R1161	1-216-809-11	METAL CHIP	100 5% 1/10W
R1095	1-216-833-11	METAL CHIP	10K 5% 1/10W (EXCEPT AEP,UK)	R1162	1-216-809-11	METAL CHIP	100 5% 1/10W
R1096	1-216-833-11	METAL CHIP	10K 5% 1/10W	R1163	1-216-841-11	METAL CHIP	47K 5% 1/10W (DE598/DV10)
R1097	1-216-845-11	METAL CHIP	100K 5% 1/10W	R1164	1-216-825-11	METAL CHIP	2.2K 5% 1/10W (DV10)
R1098	1-216-833-11	METAL CHIP	10K 5% 1/10W	R1164	1-216-841-11	METAL CHIP	47K 5% 1/10W (DE598)
R1099	1-216-833-11	METAL CHIP	10K 5% 1/10W	R1164	1-216-864-11	SHORT CHIP	0 (DE698)
R1105	1-216-833-11	METAL CHIP	10K 5% 1/10W	R1167	1-216-809-11	METAL CHIP	100 5% 1/10W
R1106	1-216-809-11	METAL CHIP	100 5% 1/10W	R1168	1-216-809-11	METAL CHIP	100 5% 1/10W
R1107	1-216-825-11	METAL CHIP	2.2K 5% 1/10W	R1175	1-216-809-11	METAL CHIP	100 5% 1/10W (AEP,UK)
R1108	1-216-825-11	METAL CHIP	2.2K 5% 1/10W	R1176	1-216-833-11	METAL CHIP	10K 5% 1/10W
R1109	1-216-825-11	METAL CHIP	2.2K 5% 1/10W	R1177	1-216-833-11	METAL CHIP	10K 5% 1/10W
R1110	1-216-825-11	METAL CHIP	2.2K 5% 1/10W	R1178	1-216-833-11	METAL CHIP	10K 5% 1/10W
R1111	1-216-825-11	METAL CHIP	2.2K 5% 1/10W	R1179	1-216-833-11	METAL CHIP	10K 5% 1/10W
R1112	1-216-809-11	METAL CHIP	100 5% 1/10W	R1180	1-216-833-11	METAL CHIP	10K 5% 1/10W
R1113	1-216-809-11	METAL CHIP	100 5% 1/10W	R1181	1-216-833-11	METAL CHIP	10K 5% 1/10W (DE698/DV10)
R1114	1-216-825-11	METAL CHIP	2.2K 5% 1/10W	R1182	1-216-833-11	METAL CHIP	10K 5% 1/10W (DE698/DV10)
R1115	1-216-809-11	METAL CHIP	100 5% 1/10W	R1186	1-216-833-11	METAL CHIP	10K 5% 1/10W
R1117	1-216-821-11	METAL CHIP	1K 5% 1/10W	R1187	1-216-833-11	METAL CHIP	10K 5% 1/10W
R1118	1-216-821-11	METAL CHIP	1K 5% 1/10W	R1189	1-216-833-11	METAL CHIP	10K 5% 1/10W
R1119	1-216-821-11	METAL CHIP	1K 5% 1/10W	R1190	1-216-833-11	METAL CHIP	10K 5% 1/10W
R1120	1-216-821-11	METAL CHIP	1K 5% 1/10W	R1191	1-216-833-11	METAL CHIP	10K 5% 1/10W (DE698/DV10)
R1121	1-216-809-11	METAL CHIP	100 5% 1/10W	R1192	1-216-833-11	METAL CHIP	10K 5% 1/10W (DE698/DV10)
R1122	1-216-809-11	METAL CHIP	100 5% 1/10W	R1193	1-216-829-11	METAL CHIP	4.7K 5% 1/10W (DE598:KR,TW/DE698:AUS)
R1123	1-216-809-11	METAL CHIP	100 5% 1/10W	R1193	1-216-833-11	METAL CHIP	10K 5% 1/10W (DE698:AR)

STR-DE598/DE698/DV10

Ver. 1.1

DIGITAL

Ref. No.	Part No.	Description	Remark			Ref. No.	Part No.	Description	Remark		
R1193	1-216-837-11	METAL CHIP	22K	5%	1/10W (DE598:AUS)	R1414	1-218-867-11	METAL CHIP	6.8K	0.5%	1/10W
R1193	1-216-841-11	METAL CHIP	47K	5%	1/10W (DE598:AEP,UK,E2,AR/DE698:AEP,UK,E2)	R1416	1-216-821-11	METAL CHIP	1K	5%	1/10W
R1194	1-216-825-11	METAL CHIP	2.2K	5%	1/10W (AEP,UK)	R1420	1-216-864-11	SHORT CHIP	0		
R1194	1-216-833-11	METAL CHIP	10K	5%	1/10W (DE598:E2)	R1421	1-218-867-11	METAL CHIP	6.8K	0.5%	1/10W
R1194	1-216-837-11	METAL CHIP	22K	5%	1/10W (DE698:E2)	R1424	1-218-867-11	METAL CHIP	6.8K	0.5%	1/10W
R1194	1-216-841-11	METAL CHIP	47K	5%	1/10W (AUS,AR,KR,TW)	R1425	1-216-864-11	SHORT CHIP	0		
R1194	1-216-864-11	SHORT CHIP	0 (US,CND)			R1426	1-216-821-11	METAL CHIP	1K	5%	1/10W
R1197	1-216-809-11	METAL CHIP	100	5%	1/10W (DE698)	R1434	1-218-867-11	METAL CHIP	6.8K	0.5%	1/10W
R1198	1-216-864-11	SHORT CHIP	0 (DE698)			R1435	1-216-864-11	SHORT CHIP	0		
R1199	1-216-864-11	SHORT CHIP	0 (DE698)			R1436	1-216-821-11	METAL CHIP	1K	5%	1/10W
R1201	1-216-837-11	METAL CHIP	22K	5%	1/10W	R1444	1-218-867-11	METAL CHIP	6.8K	0.5%	1/10W
R1251	1-216-840-11	METAL CHIP	39K	5%	1/10W	R1445	1-216-864-11	SHORT CHIP	0		
R1252	1-216-840-11	METAL CHIP	39K	5%	1/10W	R1446	1-216-821-11	METAL CHIP	1K	5%	1/10W
R1260	1-216-821-11	METAL CHIP	1K	5%	1/10W	R1454	1-218-867-11	METAL CHIP	6.8K	0.5%	1/10W
R1261	1-216-821-11	METAL CHIP	1K	5%	1/10W	R1455	1-216-864-11	SHORT CHIP	0		
R1301	1-216-830-11	METAL CHIP	5.6K	5%	1/10W	R1456	1-216-821-11	METAL CHIP	1K	5%	1/10W (DE698/DV10)
R1302	1-216-829-11	METAL CHIP	4.7K	5%	1/10W	R1460	1-216-864-11	SHORT CHIP	0		
R1303	1-216-839-11	METAL CHIP	33K	5%	1/10W	R1461	1-216-864-11	SHORT CHIP	0		
R1304	1-216-809-11	METAL CHIP	100	5%	1/10W	R1463	1-218-867-11	METAL CHIP	6.8K	0.5%	1/10W
R1305	1-216-819-11	METAL CHIP	680	5%	1/10W	R1464	1-216-864-11	SHORT CHIP	0		
R1306	1-216-801-11	METAL CHIP	22	5%	1/10W	R1466	1-216-821-11	METAL CHIP	1K	5%	1/10W
R1307	1-216-809-11	METAL CHIP	100	5%	1/10W	R1470	1-218-867-11	METAL CHIP	6.8K	0.5%	1/10W
R1308	1-216-809-11	METAL CHIP	100	5%	1/10W	R1471	1-216-864-11	SHORT CHIP	0		
R1309	1-216-809-11	METAL CHIP	100	5%	1/10W	R1472	1-216-864-11	SHORT CHIP	0		
R1310	1-216-857-11	METAL CHIP	1M	5%	1/10W	R1473	1-218-867-11	METAL CHIP	6.8K	0.5%	1/10W
R1311	1-216-809-11	METAL CHIP	100	5%	1/10W	R1474	1-216-833-11	METAL CHIP	10K	5%	1/10W
R1312	1-216-809-11	METAL CHIP	100	5%	1/10W	R1475	1-216-864-11	SHORT CHIP	0		
R1313	1-216-809-11	METAL CHIP	100	5%	1/10W	R1476	1-216-821-11	METAL CHIP	1K	5%	1/10W
R1314	1-216-833-11	METAL CHIP	10K	5%	1/10W	R1483	1-218-867-11	METAL CHIP	6.8K	0.5%	1/10W
R1315	1-216-809-11	METAL CHIP	100	5%	1/10W	R1484	1-216-864-11	SHORT CHIP	0		
R1316	1-216-809-11	METAL CHIP	100	5%	1/10W	R1486	1-216-821-11	METAL CHIP	1K	5%	1/10W
R1318	1-216-833-11	METAL CHIP	10K	5%	1/10W	R1490	1-218-867-11	METAL CHIP	6.8K	0.5%	1/10W
R1351	1-216-809-11	METAL CHIP	100	5%	1/10W	R1491	1-218-867-11	METAL CHIP	6.8K	0.5%	1/10W
R1352	1-216-809-11	METAL CHIP	100	5%	1/10W (DE698/DV10)	R1492	1-218-867-11	METAL CHIP	6.8K	0.5%	1/10W
R1353	1-216-809-11	METAL CHIP	100	5%	1/10W (DE698/DV10)	R1493	1-218-867-11	METAL CHIP	6.8K	0.5%	1/10W
R1354	1-216-809-11	METAL CHIP	100	5%	1/10W	R1494	1-218-867-11	METAL CHIP	6.8K	0.5%	1/10W
R1355	1-218-285-11	METAL CHIP	75	5%	1/10W	R1495	1-218-867-11	METAL CHIP	6.8K	0.5%	1/10W
R1356	1-216-821-11	METAL CHIP	1K	5%	1/10W	R1500	1-216-809-11	METAL CHIP	100	5%	1/10W (DE698/DV10)
R1357	1-216-837-11	METAL CHIP	22K	5%	1/10W	R1501	1-216-809-11	METAL CHIP	100	5%	1/10W
R1358	1-216-854-11	METAL CHIP	560K	5%	1/10W	R1502	1-216-809-11	METAL CHIP	100	5%	1/10W
R1359	1-216-809-11	METAL CHIP	100	5%	1/10W	R1503	1-216-813-11	METAL CHIP	220	5%	1/10W
R1360	1-216-809-11	METAL CHIP	100	5%	1/10W	R1504	1-216-809-11	METAL CHIP	100	5%	1/10W
R1361	1-216-809-11	METAL CHIP	100	5%	1/10W (DE698/DV10)	R1505	1-216-809-11	METAL CHIP	100	5%	1/10W
R1362	1-216-809-11	METAL CHIP	100	5%	1/10W	R1506	1-216-809-11	METAL CHIP	100	5%	1/10W
R1366	1-218-285-11	METAL CHIP	75	5%	1/10W (DE698/DV10)	R1507	1-216-809-11	METAL CHIP	100	5%	1/10W
R1401	1-216-821-11	METAL CHIP	1K	5%	1/10W	R1508	1-216-809-11	METAL CHIP	100	5%	1/10W
R1402	1-216-825-11	METAL CHIP	2.2K	5%	1/10W	R1509	1-216-809-11	METAL CHIP	100	5%	1/10W
R1403	1-216-833-11	METAL CHIP	10K	5%	1/10W	R1510	1-216-809-11	METAL CHIP	100	5%	1/10W
R1407	1-216-809-11	METAL CHIP	100	5%	1/10W	R1511	1-216-809-11	METAL CHIP	100	5%	1/10W
						R1512	1-216-821-11	METAL CHIP	1K	5%	1/10W
						R1513	1-216-833-11	METAL CHIP	10K	5%	1/10W
						R1514	1-216-833-11	METAL CHIP	10K	5%	1/10W
						R1515	1-216-857-11	METAL CHIP	1M	5%	1/10W
						R1517	1-216-813-11	METAL CHIP	220	5%	1/10W
						R1518	1-216-813-11	METAL CHIP	220	5%	1/10W
						R1519	1-216-813-11	METAL CHIP	220	5%	1/10W

Ref. No.	Part No.	Description	Remark	Ref. No.	Part No.	Description	Remark
R1520	1-216-813-11	METAL CHIP	220 5% 1/10W		A-1084-338-A	DISPLAY BOARD, COMPLETE (DE598)	
R1521	1-216-813-11	METAL CHIP	220 5% 1/10W		A-1084-994-A	DISPLAY BOARD, COMPLETE (DE698/DV10)	
R1522	1-216-813-11	METAL CHIP	220 5% 1/10W			*****	
R1523	1-216-813-11	METAL CHIP	220 5% 1/10W				
R1524	1-216-864-11	SHORT CHIP	0			< CAPACITOR >	
R1525	1-216-813-11	METAL CHIP	220 5% 1/10W	C100	1-127-888-11	CERAMIC	0.1uF 10% 50V
R1526	1-216-813-11	METAL CHIP	220 5% 1/10W	C101	1-127-888-11	CERAMIC	0.1uF 10% 50V
R1527	1-216-813-11	METAL CHIP	220 5% 1/10W	C104	1-113-342-11	CERAMIC	0.1uF 50V (DE598)
R1528	1-216-813-11	METAL CHIP	220 5% 1/10W				
R1530	1-216-809-11	METAL CHIP	100 5% 1/10W (DE698/DV10)	C104	1-127-888-11	CERAMIC	0.1uF 10% 50V (DE698/DV10)
R1531	1-216-809-11	METAL CHIP	100 5% 1/10W (DE698/DV10)	C105	1-126-795-11	ELECT	10uF 20% 50V
R1532	1-216-813-11	METAL CHIP	220 5% 1/10W	C106	1-127-868-11	CERAMIC	0.0022uF 10% 50V (DE698/DV10)
R1533	1-216-813-11	METAL CHIP	220 5% 1/10W	C107	1-127-868-11	CERAMIC	0.0022uF 10% 50V (DE698/DV10)
R1534	1-216-813-11	METAL CHIP	220 5% 1/10W				
R1535	1-216-813-11	METAL CHIP	220 5% 1/10W	C108	1-127-888-11	CERAMIC	0.1uF 10% 50V
R1536	1-216-813-11	METAL CHIP	220 5% 1/10W	C109	1-127-888-11	CERAMIC	0.1uF 10% 50V
R1537	1-216-813-11	METAL CHIP	220 5% 1/10W	C110	1-162-286-31	CERAMIC	220PF 10% 50V
R1538	1-216-813-11	METAL CHIP	220 5% 1/10W	C111	1-162-286-31	CERAMIC	220PF 10% 50V
R1539	1-216-813-11	METAL CHIP	220 5% 1/10W	C112	1-162-286-31	CERAMIC	220PF 10% 50V
R1540	1-216-813-11	METAL CHIP	220 5% 1/10W	C114	1-127-888-11	CERAMIC	0.1uF 10% 50V
R1541	1-216-813-11	METAL CHIP	220 5% 1/10W	C115	1-126-795-11	ELECT	10uF 20% 50V
R1542	1-216-813-11	METAL CHIP	220 5% 1/10W	C132	1-162-286-31	CERAMIC	220PF 10% 50V
R1543	1-216-813-11	METAL CHIP	220 5% 1/10W				
R1544	1-216-813-11	METAL CHIP	220 5% 1/10W	C133	1-162-286-31	CERAMIC	220PF 10% 50V
R1545	1-216-813-11	METAL CHIP	220 5% 1/10W	C134	1-162-286-31	CERAMIC	220PF 10% 50V
R1546	1-216-813-11	METAL CHIP	220 5% 1/10W	C135	1-162-286-31	CERAMIC	220PF 10% 50V
R1547	1-216-813-11	METAL CHIP	220 5% 1/10W	C136	1-162-286-31	CERAMIC	220PF 10% 50V
R1548	1-216-813-11	METAL CHIP	220 5% 1/10W	C137	1-162-286-31	CERAMIC	220PF 10% 50V
R1549	1-216-813-11	METAL CHIP	220 5% 1/10W				
R1550	1-216-813-11	METAL CHIP	220 5% 1/10W	C138	1-162-286-31	CERAMIC	220PF 10% 50V
R1551	1-216-813-11	METAL CHIP	220 5% 1/10W	C139	1-162-286-31	CERAMIC	220PF 10% 50V
R1552	1-216-813-11	METAL CHIP	220 5% 1/10W	C140	1-162-286-31	CERAMIC	220PF 10% 50V
R1553	1-216-813-11	METAL CHIP	220 5% 1/10W	C141	1-162-286-31	CERAMIC	220PF 10% 50V
R1554	1-216-813-11	METAL CHIP	220 5% 1/10W	C142	1-162-286-31	CERAMIC	220PF 10% 50V
R1555	1-216-813-11	METAL CHIP	220 5% 1/10W				
R1556	1-216-809-11	METAL CHIP	100 5% 1/10W	C143	1-162-286-31	CERAMIC	220PF 10% 50V
R1570	1-216-833-11	METAL CHIP	10K 5% 1/10W	C144	1-127-888-11	CERAMIC	0.1uF 10% 50V
R1571	1-216-833-11	METAL CHIP	10K 5% 1/10W	C150	1-127-888-11	CERAMIC	0.1uF 10% 50V
R1572	1-216-833-11	METAL CHIP	10K 5% 1/10W	C151	1-126-795-11	ELECT	10uF 20% 50V
R1573	1-216-833-11	METAL CHIP	10K 5% 1/10W	C152	1-162-286-31	CERAMIC	220PF 10% 50V
R1574	1-216-833-11	METAL CHIP	10K 5% 1/10W				
R1587	1-216-813-11	METAL CHIP	220 5% 1/10W (DE698/DV10)				
R1588	1-216-833-11	METAL CHIP	10K 5% 1/10W (DE698/DV10)				
R1635	1-216-825-11	METAL CHIP	2.2K 5% 1/10W	CNS100	1-568-838-11	CONNECTOR, FFC 21P	
R1636	1-216-825-11	METAL CHIP	2.2K 5% 1/10W			< DIODE >	
		< VIBRATOR >					
X1101	1-813-448-21	OSCILLATOR, PIEZOELECTRIC (24MHz)		D101	8-719-061-96	LED SLR-325DCT31 (2CH)	
X1301	1-795-126-21	VIBRATOR, CRYSTAL (12.288MHz)		D102	8-719-061-96	LED SLR-325DCT31 (MUSIC)	
X1502	1-813-276-21	QUARTZ, CRYSTAL (13.9MHz)		D103	8-719-061-96	LED SLR-325DCT31 (MOVIE)	
		*****		D104	8-719-061-96	LED SLR-325DCT31 (A.F.D.)	
				D105	6-500-647-01	LED SEL5E20C-STP15 (MULTI CHANNEL DECODING)	
						< VACUUM FLUORESCENT DISPLAY >	
				FL101	1-518-966-11	VACUUM FLUORESCENT DISPLAY	

STR-DE598/DE698/DV10

Ver. 1.1

DISPLAY **HEADPHONE** **MAIN**

Ref. No.	Part No.	Description	Remark		
< IC >					
IC100	8-759-643-83	IC uPD16315GB-3BS			
IC101	8-759-036-90	IC MC74ACT08N			
IC102	6-600-349-31	IC NJL24H400A (IR)			
< TRANSISTOR >					
Q110	8-729-119-78	TRANSISTOR 2SC2785-HFE			
< RESISTOR >					
R101	1-249-409-11	CARBON	220	5%	1/4W
R102	1-249-411-11	CARBON	330	5%	1/4W
R103	1-249-413-11	CARBON	470	5%	1/4W
R104	1-249-415-11	CARBON	680	5%	1/4W
R105	1-247-831-00	CARBON	1K	5%	1/4W
R106	1-249-419-11	CARBON	1.5K	5%	1/4W
R107	1-249-421-11	CARBON	2.2K	5%	1/4W
R108	1-247-847-00	CARBON	4.7K	5%	1/4W
R109	1-249-429-11	CARBON	10K	5%	1/4W
R110	1-249-435-11	CARBON	33K	5%	1/4W (DE598)
R111	1-249-421-11	CARBON	2.2K	5%	1/4W
R121	1-249-409-11	CARBON	220	5%	1/4W
R122	1-249-411-11	CARBON	330	5%	1/4W
R123	1-249-413-11	CARBON	470	5%	1/4W
R124	1-249-415-11	CARBON	680	5%	1/4W
R125	1-247-831-00	CARBON	1K	5%	1/4W
R128	1-249-419-11	CARBON	1.5K	5%	1/4W
R142	1-249-409-11	CARBON	220	5%	1/4W
R143	1-249-411-11	CARBON	330	5%	1/4W
R144	1-249-413-11	CARBON	470	5%	1/4W
R148	1-249-415-11	CARBON	680	5%	1/4W
R154	1-249-393-11	CARBON	10	5%	1/4W F
R155	1-247-807-31	CARBON	100	5%	1/4W
R160	1-249-409-11	CARBON	220	5%	1/4W
R161	1-247-804-11	CARBON	75	5%	1/4W
R162	1-249-429-11	CARBON	10K	5%	1/4W
R171	1-249-440-11	CARBON	82K	5%	1/4W
R172	1-247-807-31	CARBON	100	5%	1/4W
R173	1-247-807-31	CARBON	100	5%	1/4W
R174	1-247-807-31	CARBON	100	5%	1/4W
R175	1-249-393-11	CARBON	10	5%	1/4W F
R198	1-249-381-11	CARBON	1	5%	1/4W F
R199	1-249-381-11	CARBON	1	5%	1/4W F
< ROTARY ENCODER >					
RV101	1-418-817-11	ENCODER, ROTARY (-/+) (DE698/DV10)			
RV102	1-418-725-41	ENCODER, ROTARY (12 TYPE) (MASTER VOLUME)			
< SWITCH >					
S100	1-771-410-21	SWITCH, TACTILE (>)			
S101	1-771-410-21	SWITCH, TACTILE (INPUT MODE)			
S102	1-771-410-21	SWITCH, TACTILE (DVD)			
S103	1-771-410-21	SWITCH, TACTILE (MD/TAPE)			
S104	1-771-410-21	SWITCH, TACTILE (SA-CD/CD)			
S105	1-771-410-21	SWITCH, TACTILE (FM) (DE598)			

Ref. No.	Part No.	Description	Remark		
S105	1-771-410-21	SWITCH, TACTILE (TUNER FM/AM) (DE698/DV10)			
S106	1-771-410-21	SWITCH, TACTILE (MAIN MENU)			
S107	1-771-410-21	SWITCH, TACTILE (ENTER)			
S108	1-771-410-21	SWITCH, TACTILE (<)			
S109	1-771-410-21	SWITCH, TACTILE (+) (DE598)			
S110	1-771-410-21	SWITCH, TACTILE (AM) (DE598)			
S110	1-771-410-21	SWITCH, TACTILE (AUX) (DE698/DV10)			
S120	1-771-410-21	SWITCH, TACTILE (SURR BACK DECODING)			
S121	1-771-410-21	SWITCH, TACTILE (MUSIC)			
S122	1-771-410-21	SWITCH, TACTILE (MOVIE)			
S123	1-771-410-21	SWITCH, TACTILE (A.F.D.)			
S124	1-771-410-21	SWITCH, TACTILE (2CH)			
S125	1-771-410-21	SWITCH, TACTILE (MULTI CH IN)			
S140	1-771-410-21	SWITCH, TACTILE (-) (DE598)			
S141	1-771-410-21	SWITCH, TACTILE (VIDEO 3)			
S142	1-771-410-21	SWITCH, TACTILE (VIDEO 2)			
S143	1-771-410-21	SWITCH, TACTILE (VIDEO 1)			

HEADPHONE BOARD					

< CAPACITOR >					
C790	1-127-888-11	CERAMIC	0.1uF	10%	50V
< CONNECTOR >					
CNP791	1-691-766-11	PLUG (MICRO CONNECTOR) 4P			
< JACK >					
J791	1-815-314-21	JACK (PHONES)			

A-1084-332-A	MAIN BOARD, COMPLETE (DE598:US,E2)				
A-1084-399-A	MAIN BOARD, COMPLETE (DE598:CND)				
A-1084-404-A	MAIN BOARD, COMPLETE (DE598:AEP,UK)				
A-1084-563-A	MAIN BOARD, COMPLETE (DE698:US,E2/DV10)				
A-1084-705-A	MAIN BOARD, COMPLETE (DE698:CND)				
A-1085-097-A	MAIN BOARD, COMPLETE (DE698:AEP,UK)				
A-1097-809-A	MAIN BOARD, COMPLETE (DE598:AUS,AR,KR,TW)				
A-1097-810-A	MAIN BOARD, COMPLETE (DE698:AUS,AR) *****				
7-685-646-79	SCREW +BVTP 3X8 TYPE2 IT-3				
< CAPACITOR >					
C400	1-127-868-11	CERAMIC	0.0022uF	10%	50V
C403	1-127-868-11	CERAMIC	0.0022uF	10%	50V
C408	1-126-963-11	ELECT	4.7uF	20%	50V
C409	1-126-963-11	ELECT	4.7uF	20%	50V
C444	1-127-868-11	CERAMIC	0.0022uF	10%	50V
C445	1-127-868-11	CERAMIC	0.0022uF	10%	50V
C458	1-126-963-11	ELECT	4.7uF	20%	50V
C459	1-126-963-11	ELECT	4.7uF	20%	50V
C464	1-127-888-11	CERAMIC	0.1uF	10%	50V
C468	1-162-282-31	CERAMIC	100PF	10%	50V
C469	1-162-282-31	CERAMIC	100PF	10%	50V
C471	1-126-963-11	ELECT	4.7uF	20%	50V

Ref. No.	Part No.	Description	Remark			Ref. No.	Part No.	Description	Remark		
C472	1-126-963-11	ELECT	4.7uF	20%	50V	C661	1-136-157-00	FILM	0.022uF	5%	50V
C481	1-126-964-11	ELECT	10uF	20%	50V	C666	1-162-815-11	CERAMIC	47PF	5%	500V
C484	1-126-964-11	ELECT	10uF	20%	50V	C669	1-162-815-11	CERAMIC	47PF	5%	500V
C485	1-126-964-11	ELECT	10uF	20%	50V	C670	1-162-286-31	CERAMIC	220PF	10%	50V
C488	1-127-888-11	CERAMIC	0.1uF	10%	50V	C680	1-126-964-11	ELECT	10uF	20%	50V
C490	1-126-964-11	ELECT	10uF	20%	50V	C681	1-127-876-11	CERAMIC	0.01uF	10%	50V
C492	1-126-964-11	ELECT	10uF	20%	50V	C691	1-127-888-11	CERAMIC	0.1uF	10%	50V
C493	1-126-964-11	ELECT	10uF	20%	50V	C701	1-126-963-11	ELECT	4.7uF	20%	50V
C495	1-126-964-11	ELECT	10uF	20%	50V	C702	1-126-964-11	ELECT	10uF	20%	50V
C497	1-126-964-11	ELECT	10uF	20%	50V	C703	1-104-658-11	ELECT	100uF	20%	10V
(DE698/DV10)						C704	1-107-583-11	CERAMIC	3PF	0.25PF	500V
C499	1-162-286-31	CERAMIC	220PF	10%	50V	C705	1-102-233-00	CERAMIC	33PF	10%	500V
C501	1-126-963-11	ELECT	4.7uF	20%	50V	C706	1-162-282-31	CERAMIC	100PF	10%	50V
C503	1-104-658-11	ELECT	100uF	20%	10V	C707	1-162-282-31	CERAMIC	100PF	10%	50V
C504	1-107-585-11	CERAMIC	5PF	0.25PF	500V	C710	1-126-947-11	ELECT	47uF	20%	35V
C505	1-102-233-00	CERAMIC	33PF	10%	500V	C711	1-136-157-00	FILM	0.022uF	5%	50V
C506	1-162-282-31	CERAMIC	100PF	10%	50V	C716	1-162-815-11	CERAMIC	47PF	5%	500V
C507	1-162-282-31	CERAMIC	100PF	10%	50V	C717	1-162-815-11	CERAMIC	47PF	5%	500V
C510	1-126-947-11	ELECT	47uF	20%	35V	C720	1-162-286-31	CERAMIC	220PF	10%	50V
C511	1-136-157-00	FILM	0.022uF	5%	50V	C721	1-126-923-11	ELECT	220uF	20%	10V
C516	1-162-815-11	CERAMIC	47PF	5%	500V	C722	1-126-964-11	ELECT	10uF	20%	50V
C517	1-162-815-11	CERAMIC	47PF	5%	500V	C732	1-128-582-11	ELECT	10uF	20%	100V
C519	1-162-286-31	CERAMIC	220PF	10%	50V	C733	1-128-582-11	ELECT	10uF	20%	100V
C531	1-136-157-00	FILM	0.022uF	5%	50V	C740	1-126-964-11	ELECT	10uF	20%	50V
C539	1-162-286-31	CERAMIC	220PF	10%	50V	C741	1-128-579-11	ELECT	2.2uF	20%	100V
C540	1-126-964-11	ELECT	10uF	20%	50V	C742	1-127-876-11	CERAMIC	0.01uF	10%	50V
C541	1-127-876-11	CERAMIC	0.01uF	10%	50V	C743	1-128-579-11	ELECT	2.2uF	20%	100V
C553	1-104-658-11	ELECT	100uF	20%	10V	C744	1-128-579-11	ELECT	2.2uF	20%	100V
C554	1-107-585-11	CERAMIC	5PF	0.25PF	500V	C750	1-126-964-11	ELECT	10uF	20%	50V
C561	1-126-963-11	ELECT	4.7uF	20%	50V	C751	1-126-963-11	ELECT	4.7uF	20%	50V
C565	1-102-233-00	CERAMIC	33PF	10%	500V	C752	1-127-876-11	CERAMIC	0.01uF	10%	50V
C566	1-162-282-31	CERAMIC	100PF	10%	50V	C753	1-104-658-11	ELECT	100uF	20%	10V
C567	1-162-282-31	CERAMIC	100PF	10%	50V	C754	1-107-583-11	CERAMIC	3PF	0.25PF	500V
C570	1-126-947-11	ELECT	47uF	20%	35V	C755	1-102-233-00	CERAMIC	33PF	10%	500V
C576	1-162-815-11	CERAMIC	47PF	5%	500V	C756	1-162-282-31	CERAMIC	100PF	10%	50V
C577	1-162-815-11	CERAMIC	47PF	5%	500V	C757	1-162-282-31	CERAMIC	100PF	10%	50V
C580	1-126-964-11	ELECT	10uF	20%	50V	C760	1-126-947-11	ELECT	47uF	20%	35V
C581	1-127-876-11	CERAMIC	0.01uF	10%	50V	C761	1-136-157-00	FILM	0.022uF	5%	50V
C601	1-126-963-11	ELECT	4.7uF	20%	50V	C762	1-126-964-11	ELECT	10uF	20%	50V
C603	1-104-658-11	ELECT	100uF	20%	10V	C766	1-162-815-11	CERAMIC	47PF	5%	500V
C604	1-107-583-11	CERAMIC	3PF	0.25PF	500V	C767	1-162-815-11	CERAMIC	47PF	5%	500V
C605	1-102-233-00	CERAMIC	33PF	10%	500V	C770	1-162-286-31	CERAMIC	220PF	10%	50V
C606	1-162-282-31	CERAMIC	100PF	10%	50V	C791	1-126-923-11	ELECT	220uF	20%	10V
C607	1-162-282-31	CERAMIC	100PF	10%	50V	C801	1-126-947-11	ELECT	47uF	20%	35V
C610	1-126-947-11	ELECT	47uF	20%	35V	C802	1-126-947-11	ELECT	47uF	20%	35V
C611	1-136-157-00	FILM	0.022uF	5%	50V	C803	1-109-932-14	ELECT(BLOCK)	10000uF	20%	71V
C619	1-162-286-31	CERAMIC	220PF	10%	50V	C804	1-109-932-14	ELECT(BLOCK)	10000uF	20%	71V
C620	1-162-815-11	CERAMIC	47PF	5%	500V	C805	1-135-851-21	MYLAR	0.22uF		100V
C621	1-162-815-11	CERAMIC	47PF	5%	500V	C806	1-135-851-21	MYLAR	0.22uF		100V
C640	1-126-964-11	ELECT	10uF	20%	50V	C807	1-126-947-11	ELECT	47uF	20%	35V
C642	1-127-876-11	CERAMIC	0.01uF	10%	50V	C808	1-126-947-11	ELECT	47uF	20%	35V
C651	1-126-963-11	ELECT	4.7uF	20%	50V	C809	1-127-888-11	CERAMIC	0.1uF	10%	50V
C653	1-104-658-11	ELECT	100uF	20%	10V	C810	1-127-888-11	CERAMIC	0.1uF	10%	50V
C654	1-107-583-11	CERAMIC	3PF	0.25PF	500V	C811	1-127-888-11	CERAMIC	0.1uF	10%	50V
C655	1-102-233-00	CERAMIC	33PF	10%	500V	C822	1-126-947-11	ELECT	47uF	20%	35V
C656	1-162-282-31	CERAMIC	100PF	10%	50V	C830	1-127-888-11	CERAMIC	0.1uF	10%	50V
C657	1-162-282-31	CERAMIC	100PF	10%	50V	C831	1-127-888-11	CERAMIC	0.1uF	10%	50V
C660	1-126-947-11	ELECT	47uF	20%	35V	C832	1-126-936-11	ELECT	3300uF	20%	16V

STR-DE598/DE698/DV10

Ver. 1.1

MAIN

Ref. No.	Part No.	Description	Remark	Ref. No.	Part No.	Description	Remark
CC01	1-162-282-31	CERAMIC	100PF 10% 50V (DE698:AEP,UK,AUS,AR)			< DIODE >	
CC02	1-162-282-31	CERAMIC	100PF 10% 50V (EXCEPT US,CND,E2)	D505	8-719-991-33	DIODE 1SS133T-77	
CC04	1-162-282-31	CERAMIC	100PF 10% 50V (EXCEPT US,CND,E2)	D540	8-719-991-33	DIODE 1SS133T-77	
CC05	1-162-282-31	CERAMIC	100PF 10% 50V (EXCEPT US,CND,E2)	D560	8-719-991-33	DIODE 1SS133T-77	
CC06	1-162-282-31	CERAMIC	100PF 10% 50V (EXCEPT US,CND,E2)	D580	8-719-991-33	DIODE 1SS133T-77	
CC07	1-162-282-31	CERAMIC	100PF 10% 50V (EXCEPT US,CND,E2)	D585	8-719-991-33	DIODE 1SS133T-77	
CC08	1-162-282-31	CERAMIC	100PF 10% 50V (EXCEPT US,CND,E2)	D605	8-719-991-33	DIODE 1SS133T-77	
CC09	1-162-282-31	CERAMIC	100PF 10% 50V (EXCEPT US,CND,E2)	D610	8-719-991-33	DIODE 1SS133T-77	
CC11	1-127-876-11	CERAMIC	0.01uF 10% 50V (EXCEPT US,CND,E2)	D640	8-719-991-33	DIODE 1SS133T-77	
CC13	1-127-876-11	CERAMIC	0.01uF 10% 50V (EXCEPT US,CND,E2)	D665	8-719-991-33	DIODE 1SS133T-77	
CC15	1-127-876-11	CERAMIC	0.01uF 10% 50V (EXCEPT US,CND,E2)	D680	8-719-991-33	DIODE 1SS133T-77	
CC17	1-127-876-11	CERAMIC	0.01uF 10% 50V (EXCEPT US,CND,E2)	D690	8-719-934-21	DIODE HZS30-1L	
CC31	1-162-286-31	CERAMIC	220PF 10% 50V (EXCEPT US,CND,E2)	D691	8-719-991-33	DIODE 1SS133T-77	
CC32	1-162-286-31	CERAMIC	220PF 10% 50V (EXCEPT US,CND,E2)	D705	8-719-991-33	DIODE 1SS133T-77	
CC33	1-162-286-31	CERAMIC	220PF 10% 50V (EXCEPT US,CND,E2)	D710	8-719-991-33	DIODE 1SS133T-77	
CC34	1-162-286-31	CERAMIC	220PF 10% 50V (EXCEPT US,CND,E2)	D721	8-719-991-33	DIODE 1SS133T-77	
CC35	1-162-286-31	CERAMIC	220PF 10% 50V (EXCEPT US,CND,E2)	D722	8-719-991-33	DIODE 1SS133T-77	
CC36	1-162-286-31	CERAMIC	220PF 10% 50V (EXCEPT US,CND,E2)	D732	8-719-991-33	DIODE 1SS133T-77	
CC51	1-162-282-31	CERAMIC	100PF 10% 50V (DE698:AEP,UK,AUS,AR)	D740	8-719-991-33	DIODE 1SS133T-77	
CC52	1-162-282-31	CERAMIC	100PF 10% 50V (EXCEPT US,CND,E2)	D750	8-719-991-33	DIODE 1SS133T-77	
CC54	1-162-282-31	CERAMIC	100PF 10% 50V (EXCEPT US,CND,E2)	D765	8-719-991-33	DIODE 1SS133T-77	
CC55	1-162-282-31	CERAMIC	100PF 10% 50V (EXCEPT US,CND,E2)	D791	8-719-991-33	DIODE 1SS133T-77	
CC56	1-162-282-31	CERAMIC	100PF 10% 50V (EXCEPT US,CND,E2)	D801	8-719-933-95	DIODE HZS20-1L	
CC57	1-162-282-31	CERAMIC	100PF 10% 50V (EXCEPT US,CND,E2)	D802	8-719-072-05	DIODE RBV-602LF-A	
CC58	1-162-282-31	CERAMIC	100PF 10% 50V (EXCEPT US,CND,E2)	D804	8-719-068-28	DIODE HZ6.8BP-TK	
CC59	1-162-282-31	CERAMIC	100PF 10% 50V (EXCEPT US,CND,E2)	D805	6-500-522-11	DIODE 10EDB40-TA2B5	
		< CONNECTOR >		D806	6-500-522-11	DIODE 10EDB40-TA2B5	
CNP500	1-766-715-21	CONNECTOR, BOARD TO BOARD 10P		D807	6-500-522-11	DIODE 10EDB40-TA2B5	
CNP501	1-573-847-11	CONNECTOR, BOARD TO BOARD 15P		D808	6-500-522-11	DIODE 10EDB40-TA2B5	
CNP503	1-779-978-11	PIN, CONNECTOR 3P		D818	8-719-991-33	DIODE 1SS133T-77	
CNP802	1-691-767-11	PLUG (MICRO CONNECTOR) 5P		D896	8-719-043-76	DIODE AK04V0	
CNP806	1-784-921-11	PIN, CONNECTOR 4P				< IC >	
* CNP908	1-564-242-00	PIN, CONNECTOR (3.96mm PITCH) 5P		IC401	6-707-362-01	IC BD3451KS	
CNP911	1-784-926-11	PIN, CONNECTOR 11P		IC402	8-759-167-88	IC NJM4565D	
CNP912	1-691-766-11	PLUG (MICRO CONNECTOR) 4P		IC501	6-700-943-01	IC uPC2581V-S	
				IC601	6-700-943-01	IC uPC2581V-S	
				IC691	8-759-167-88	IC NJM4565D	
				IC701	6-700-943-01	IC uPC2581V-S	
				IC801	8-759-071-48	IC TA7807S	
				IC802	8-759-071-47	IC TA79007S	
						< JACK >	
				J309	1-770-377-21	JACK, PIN 1P (SUB WOOFER AUDIO OUT)	
				J400	1-774-411-11	JACK, PIN 6P (MD/TAPE OUT,SA-CD/CD IN, AUX IN) (DE698/DV10)	
				J401	1-793-775-12	JACK, PIN 6P (MULTI CH IN FRONT,SURROUND,CENTER,SUB WOOFER)	
				J402	1-770-614-11	JACK, PIN 4P (MD/TAPE OUT,SA-CD/CD IN) (DE598)	
				J403	1-770-614-11	JACK, PIN 4P (MD/TAPE IN,DVD AUDIO IN)	
				J404	1-774-411-11	JACK, PIN 6P (VIDEO 2 AUDIO IN, VIDEO 1 AUDIO OUT/IN)	
						< COIL >	
				L601	1-420-872-52	COIL, AIR-CORE	
				L651	1-420-872-52	COIL, AIR-CORE	
				L701	1-420-872-52	COIL, AIR-CORE	

Ref. No.	Part No.	Description	Remark	Ref. No.	Part No.	Description	Remark
L751	1-420-872-52	COIL, AIR-CORE		R429	1-247-831-00	CARBON 1K 5%	1/4W
		< TRANSISTOR >		R431	1-247-831-00	CARBON 1K 5%	1/4W
Q501	8-729-119-76	TRANSISTOR 2SA1175-HFE		R432	1-247-831-00	CARBON 1K 5%	1/4W
Q502	8-729-141-30	TRANSISTOR 2SC3623A-LK		R433	1-247-831-00	CARBON 1K 5%	1/4W
Q505	8-729-042-09	TRANSISTOR 2SA1038S-RSE-TP		R434	1-247-831-00	CARBON 1K 5%	1/4W
Q506	8-729-042-09	TRANSISTOR 2SA1038S-RSE-TP		R435	1-247-831-00	CARBON 1K 5%	1/4W
Q535	8-729-042-09	TRANSISTOR 2SA1038S-RSE-TP		R436	1-247-831-00	CARBON 1K 5%	1/4W
				R451	1-247-831-00	CARBON 1K 5%	1/4W
Q536	8-729-042-09	TRANSISTOR 2SA1038S-RSE-TP		R452	1-247-831-00	CARBON 1K 5%	1/4W
Q540	8-729-281-53	TRANSISTOR 2SC1815-GR		R454	1-247-831-00	CARBON 1K 5%	1/4W
Q560	8-729-119-78	TRANSISTOR 2SC2785-HFE					(DE698/DV10)
Q571	8-729-119-76	TRANSISTOR 2SA1175-HFE		R455	1-247-831-00	CARBON 1K 5%	1/4W
Q572	8-729-141-30	TRANSISTOR 2SC3623A-LK		R456	1-247-831-00	CARBON 1K 5%	1/4W
				R457	1-247-831-00	CARBON 1K 5%	1/4W
Q580	8-729-281-53	TRANSISTOR 2SC1815-GR		R458	1-247-831-00	CARBON 1K 5%	1/4W
Q601	8-729-119-76	TRANSISTOR 2SA1175-HFE		R459	1-247-831-00	CARBON 1K 5%	1/4W
Q602	8-729-141-30	TRANSISTOR 2SC3623A-LK					
Q605	8-729-042-09	TRANSISTOR 2SA1038S-RSE-TP		R468	1-247-879-00	CARBON 100K 5%	1/4W
Q606	8-729-042-09	TRANSISTOR 2SA1038S-RSE-TP		R469	1-247-831-00	CARBON 1K 5%	1/4W
				R470	1-247-871-00	CARBON 47K 5%	1/4W
Q610	8-729-119-78	TRANSISTOR 2SC2785-HFE		R473	1-249-429-11	CARBON 10K 5%	1/4W
Q640	8-729-281-53	TRANSISTOR 2SC1815-GR		R474	1-249-429-11	CARBON 10K 5%	1/4W
Q651	8-729-119-76	TRANSISTOR 2SA1175-HFE					
Q652	8-729-141-30	TRANSISTOR 2SC3623A-LK		R475	1-249-429-11	CARBON 10K 5%	1/4W
Q655	8-729-042-09	TRANSISTOR 2SA1038S-RSE-TP		R476	1-249-429-11	CARBON 10K 5%	1/4W
				R480	1-247-871-00	CARBON 47K 5%	1/4W
Q656	8-729-042-09	TRANSISTOR 2SA1038S-RSE-TP		R499	1-247-871-00	CARBON 47K 5%	1/4W
Q680	8-729-281-53	TRANSISTOR 2SC1815-GR		R501	1-247-831-00	CARBON 1K 5%	1/4W
Q691	8-729-281-53	TRANSISTOR 2SC1815-GR					
Q692	8-729-029-40	TRANSISTOR DTA124ESA		R502	1-249-439-11	CARBON 68K 5%	1/4W
Q701	8-729-119-76	TRANSISTOR 2SA1175-HFE		R503	1-249-421-11	CARBON 2.2K 5%	1/4W
				R505	1-249-439-11	CARBON 68K 5%	1/4W
Q702	8-729-141-30	TRANSISTOR 2SC3623A-LK		R510	1-249-421-11	CARBON 2.2K 5%	1/4W
Q705	8-729-042-09	TRANSISTOR 2SA1038S-RSE-TP		R511	1-249-440-11	CARBON 82K 5%	1/4W
Q706	8-729-042-09	TRANSISTOR 2SA1038S-RSE-TP					
Q710	8-729-119-78	TRANSISTOR 2SC2785-HFE		R513	1-249-414-11	CARBON 560 5%	1/4W
Q722	8-729-140-84	TRANSISTOR 2SC1841-PAFAEA		R514	1-249-399-11	CARBON 33 5%	1/4W F
				R515	1-249-399-11	CARBON 33 5%	1/4W F
Q723	8-729-119-78	TRANSISTOR 2SC2785-HFE		R516	1-234-182-11	ENCAPSULATED COMPONENT 0.22X2 5W	
Q725	8-729-042-09	TRANSISTOR 2SA1038S-RSE-TP		R517	1-249-393-11	CARBON 10 5%	1/4W F
Q740	8-729-281-53	TRANSISTOR 2SC1815-GR					
Q750	8-729-281-53	TRANSISTOR 2SC1815-GR		R520	1-247-847-00	CARBON 4.7K 5%	1/4W
Q751	8-729-119-76	TRANSISTOR 2SA1175-HFE		R521	1-240-855-81	CARBON 6.2K 5%	1/4W F
				R522	1-249-419-11	CARBON 1.5K 5%	1/4W
Q752	8-729-141-30	TRANSISTOR 2SC3623A-LK		R523	1-247-871-00	CARBON 47K 5%	1/4W
Q755	8-729-042-09	TRANSISTOR 2SA1038S-RSE-TP		R524	1-249-431-11	CARBON 15K 5%	1/4W
Q756	8-729-042-09	TRANSISTOR 2SA1038S-RSE-TP					
Q790	8-729-119-78	TRANSISTOR 2SC2785-HFE		R525	1-249-439-11	CARBON 68K 5%	1/4W
Q793	8-729-119-78	TRANSISTOR 2SC2785-HFE		R526	1-234-182-11	ENCAPSULATED COMPONENT 0.22X2 5W	
				R530	1-247-847-00	CARBON 4.7K 5%	1/4W
Q795	8-729-042-09	TRANSISTOR 2SA1038S-RSE-TP		R531	1-240-855-81	CARBON 6.2K 5%	1/4W F
Q801	8-729-140-97	TRANSISTOR 2SB734-34		R532	1-249-429-11	CARBON 10K 5%	1/4W
Q809	8-729-119-78	TRANSISTOR 2SC2785-HFE					
		< RESISTOR >		R533	1-247-871-00	CARBON 47K 5%	1/4W
R401	1-247-831-00	CARBON 1K 5%	1/4W	R534	1-249-431-11	CARBON 15K 5%	1/4W
			(DE698/DV10)	R535	1-249-439-11	CARBON 68K 5%	1/4W
R402	1-247-831-00	CARBON 1K 5%	1/4W	R537	1-249-393-11	CARBON 10 5%	1/4W F
R404	1-247-831-00	CARBON 1K 5%	1/4W	R540	1-247-863-00	CARBON 22K 5%	1/4W
R405	1-247-831-00	CARBON 1K 5%	1/4W				
R406	1-247-831-00	CARBON 1K 5%	1/4W	R546	1-249-431-11	CARBON 15K 5%	1/4W
				R553	1-249-421-11	CARBON 2.2K 5%	1/4W
R407	1-247-831-00	CARBON 1K 5%	1/4W	R554	1-249-439-11	CARBON 68K 5%	1/4W
R408	1-247-831-00	CARBON 1K 5%	1/4W	R555	1-247-847-00	CARBON 4.7K 5%	1/4W
R409	1-247-831-00	CARBON 1K 5%	1/4W				(DE598)
R428	1-247-831-00	CARBON 1K 5%	1/4W	R555	1-247-871-00	CARBON 47K 5%	1/4W
							(DE698/DV10)

STR-DE598/DE698/DV10

Ver. 1.1

MAIN

Ref. No.	Part No.	Description	Remark	Ref. No.	Part No.	Description	Remark
R556	1-247-863-00	CARBON	22K 5% 1/4W (DE698/DV10)	R657	1-249-431-11	CARBON	15K 5% 1/4W
R556	1-247-871-00	CARBON	47K 5% 1/4W (DE598)	R660	1-249-421-11	CARBON	2.2K 5% 1/4W
R557	1-249-431-11	CARBON	15K 5% 1/4W	R661	1-249-440-11	CARBON	82K 5% 1/4W
R561	1-247-831-00	CARBON	1K 5% 1/4W	R663	1-249-414-11	CARBON	560 5% 1/4W
R562	1-249-439-11	CARBON	68K 5% 1/4W	R664	1-249-399-11	CARBON	33 5% 1/4W F
R570	1-249-421-11	CARBON	2.2K 5% 1/4W	R665	1-249-399-11	CARBON	33 5% 1/4W F
R571	1-249-440-11	CARBON	82K 5% 1/4W	R666	1-234-182-11	ENCAPSULATED COMPONENT 0.22X2 5W	
R572	1-249-419-11	CARBON	1.5K 5% 1/4W	R667	1-249-393-11	CARBON	10 5% 1/4W F
R573	1-247-871-00	CARBON	47K 5% 1/4W	R668	1-249-389-11	CARBON	4.7 5% 1/4W F
R574	1-249-399-11	CARBON	33 5% 1/4W F	R669	1-247-847-00	CARBON	4.7K 5% 1/4W
R575	1-249-399-11	CARBON	33 5% 1/4W F	R671	1-240-855-81	CARBON	6.2K 5% 1/4W F
R576	1-249-414-11	CARBON	560 5% 1/4W	R672	1-249-419-11	CARBON	1.5K 5% 1/4W
R580	1-247-863-00	CARBON	22K 5% 1/4W	R673	1-247-871-00	CARBON	47K 5% 1/4W
R585	1-247-847-00	CARBON	4.7K 5% 1/4W (DE598)	R674	1-249-431-11	CARBON	15K 5% 1/4W
R585	1-247-871-00	CARBON	47K 5% 1/4W (DE698/DV10)	R675	1-247-847-00	CARBON	4.7K 5% 1/4W (DE598)
R586	1-247-863-00	CARBON	22K 5% 1/4W (DE698/DV10)	R675	1-247-871-00	CARBON	47K 5% 1/4W (DE698/DV10)
R586	1-247-871-00	CARBON	47K 5% 1/4W (DE598)	R676	1-247-863-00	CARBON	22K 5% 1/4W (DE698/DV10)
R587	1-249-431-11	CARBON	15K 5% 1/4W	R676	1-247-871-00	CARBON	47K 5% 1/4W (DE598)
R588	1-249-431-11	CARBON	15K 5% 1/4W	R677	1-249-431-11	CARBON	15K 5% 1/4W
R601	1-247-831-00	CARBON	1K 5% 1/4W	R680	1-247-863-00	CARBON	22K 5% 1/4W
R602	1-249-439-11	CARBON	68K 5% 1/4W	R681	1-249-431-11	CARBON	15K 5% 1/4W
R603	1-249-421-11	CARBON	2.2K 5% 1/4W	R690	1-247-887-00	CARBON	220K 5% 1/4W
R604	1-249-439-11	CARBON	68K 5% 1/4W	△R691	1-215-888-00	METAL OXIDE	220 5% 2W F
R610	1-249-421-11	CARBON	2.2K 5% 1/4W	△R692	1-215-888-00	METAL OXIDE	220 5% 2W F
R611	1-249-440-11	CARBON	82K 5% 1/4W	R693	1-249-429-11	CARBON	10K 5% 1/4W
R613	1-249-414-11	CARBON	560 5% 1/4W	R694	1-249-429-11	CARBON	10K 5% 1/4W
R614	1-249-399-11	CARBON	33 5% 1/4W F	R695	1-249-429-11	CARBON	10K 5% 1/4W
R615	1-249-399-11	CARBON	33 5% 1/4W F	R696	1-247-871-00	CARBON	47K 5% 1/4W
R616	1-234-182-11	ENCAPSULATED COMPONENT 0.22X2 5W		R698	1-249-429-11	CARBON	10K 5% 1/4W
R617	1-249-393-11	CARBON	10 5% 1/4W F	R699	1-247-895-00	CARBON	470K 5% 1/4W
R618	1-249-389-11	CARBON	4.7 5% 1/4W F	R701	1-247-831-00	CARBON	1K 5% 1/4W
R620	1-247-847-00	CARBON	4.7K 5% 1/4W	R702	1-249-439-11	CARBON	68K 5% 1/4W
R621	1-240-855-81	CARBON	6.2K 5% 1/4W F	R703	1-249-421-11	CARBON	2.2K 5% 1/4W
R622	1-249-419-11	CARBON	1.5K 5% 1/4W	R704	1-249-439-11	CARBON	68K 5% 1/4W
R623	1-247-871-00	CARBON	47K 5% 1/4W	R710	1-249-421-11	CARBON	2.2K 5% 1/4W
R624	1-249-431-11	CARBON	15K 5% 1/4W	R711	1-249-440-11	CARBON	82K 5% 1/4W
R625	1-249-439-11	CARBON	68K 5% 1/4W	R713	1-249-414-11	CARBON	560 5% 1/4W
R631	1-249-421-11	CARBON	2.2K 5% 1/4W	R714	1-249-399-11	CARBON	33 5% 1/4W F
R634	1-249-404-00	CARBON	82 5% 1/4W F	R715	1-249-399-11	CARBON	33 5% 1/4W F
R638	1-249-439-11	CARBON	68K 5% 1/4W	R716	1-234-182-11	ENCAPSULATED COMPONENT 0.22X2 5W	
R640	1-247-863-00	CARBON	22K 5% 1/4W	R717	1-249-393-11	CARBON	10 5% 1/4W F
R648	1-249-431-11	CARBON	15K 5% 1/4W	R718	1-249-389-11	CARBON	4.7 5% 1/4W F
R651	1-247-831-00	CARBON	1K 5% 1/4W	R719	1-247-847-00	CARBON	4.7K 5% 1/4W
R652	1-249-439-11	CARBON	68K 5% 1/4W	R721	1-240-855-81	CARBON	6.2K 5% 1/4W F
R653	1-249-421-11	CARBON	2.2K 5% 1/4W	R722	1-249-419-11	CARBON	1.5K 5% 1/4W
R654	1-249-439-11	CARBON	68K 5% 1/4W	R723	1-247-871-00	CARBON	47K 5% 1/4W
R655	1-247-847-00	CARBON	4.7K 5% 1/4W (DE598)	R724	1-249-431-11	CARBON	15K 5% 1/4W
R655	1-247-871-00	CARBON	47K 5% 1/4W (DE698/DV10)	R725	1-249-439-11	CARBON	68K 5% 1/4W
R656	1-247-863-00	CARBON	22K 5% 1/4W (DE698/DV10)	R731	1-249-421-11	CARBON	2.2K 5% 1/4W
R656	1-247-871-00	CARBON	47K 5% 1/4W (DE598)	R732	1-249-381-11	CARBON	1 5% 1/4W F
				R733	1-249-381-11	CARBON	1 5% 1/4W F
				R734	1-249-404-00	CARBON	82 5% 1/4W F
				R735	1-249-427-11	CARBON	6.8K 5% 1/4W
				R736	1-247-831-00	CARBON	1K 5% 1/4W
				R737	1-249-436-11	CARBON	39K 5% 1/4W

Ref. No.	Part No.	Description	Remark	Ref. No.	Part No.	Description	Remark
R740	1-247-863-00	CARBON	22K 5% 1/4W	RR12	1-249-393-11	CARBON 10 5% 1/4W F	
R741	1-249-431-11	CARBON	15K 5% 1/4W				(EXCEPT US,CND,E2)
R743	1-249-431-11	CARBON	15K 5% 1/4W	RR13	1-249-393-11	CARBON 10 5% 1/4W F	
R744	1-249-431-11	CARBON	15K 5% 1/4W				(EXCEPT US,CND,E2)
R745	1-247-847-00	CARBON	4.7K 5% 1/4W (DE598)	RR14	1-249-393-11	CARBON 10 5% 1/4W F	(EXCEPT US,CND,E2)
R745	1-247-871-00	CARBON	47K 5% 1/4W (DE698/DV10)			< RELAY >	
R746	1-247-863-00	CARBON	22K 5% 1/4W (DE698/DV10)	RY560	1-755-267-11	RELAY	
R746	1-247-871-00	CARBON	47K 5% 1/4W (DE598)	RY601	1-755-170-11	RELAY (12V)	
R747	1-249-431-11	CARBON	15K 5% 1/4W	RY701	1-755-170-11	RELAY (12V)	
R748	1-249-431-11	CARBON	15K 5% 1/4W	RY791	1-755-170-11	RELAY (12V)	
R750	1-247-863-00	CARBON	22K 5% 1/4W	RY801	1-755-013-11	RELAY (EXCEPT CND)	
R751	1-247-831-00	CARBON	1K 5% 1/4W	RY802	1-755-494-11	RELAY (CND)	
R752	1-249-439-11	CARBON	68K 5% 1/4W	RY803	1-755-494-11	RELAY (CND)	
R753	1-249-421-11	CARBON	2.2K 5% 1/4W			< TERMINAL BOARD >	
R754	1-249-439-11	CARBON	68K 5% 1/4W	TM601	1-780-216-11	TERMINAL BOARD (8P) (SPEAKERS FRONT A,SURROUND)	
R755	1-247-847-00	CARBON	4.7K 5% 1/4W (DE598)			*****	
R755	1-247-871-00	CARBON	47K 5% 1/4W (DE698/DV10)			OPT3 BOARD (DE698/DV10) *****	
R756	1-247-863-00	CARBON	22K 5% 1/4W (DE698/DV10)			< CAPACITOR >	
R756	1-247-871-00	CARBON	47K 5% 1/4W (DE598)	C290	1-127-888-11	CERAMIC 0.1uF 10% 50V	
R757	1-249-431-11	CARBON	15K 5% 1/4W			< CONNECTOR >	
R758	1-249-431-11	CARBON	15K 5% 1/4W	CN202	1-779-978-21	PIN, CONNECTOR 3P	
R760	1-249-421-11	CARBON	2.2K 5% 1/4W			< IC >	
R761	1-249-440-11	CARBON	82K 5% 1/4W	IC200	6-600-057-01	IC TORX141PL (VIDEO 3 INPUT DIGITAL(OPT))	
R763	1-249-414-11	CARBON	560 5% 1/4W			< COIL >	
R764	1-249-399-11	CARBON	33 5% 1/4W F	L290	1-410-517-11	INDUCTOR 47uH	
R765	1-249-399-11	CARBON	33 5% 1/4W F			< RESISTOR >	
R766	1-234-182-11	ENCAPSULATED COMPONENT	0.22X2 5W	R290	1-247-807-31	CARBON 100 5% 1/4W	
R767	1-249-393-11	CARBON	10 5% 1/4W F			*****	
R768	1-249-389-11	CARBON	4.7 5% 1/4W F			POWER BOARD *****	
R769	1-247-847-00	CARBON	4.7K 5% 1/4W			< CONNECTOR >	
R771	1-240-855-81	CARBON	6.2K 5% 1/4W F	* CNP102	1-564-518-11	PLUG, CONNECTOR 3P	
R772	1-249-419-11	CARBON	1.5K 5% 1/4W			< RESISTOR >	
R773	1-247-871-00	CARBON	47K 5% 1/4W	R129	1-249-421-11	CARBON 2.2K 5% 1/4W	
R775	1-249-439-11	CARBON	68K 5% 1/4W	R130	1-247-847-00	CARBON 4.7K 5% 1/4W	
R778	1-249-431-11	CARBON	15K 5% 1/4W			< SWITCH >	
R780	1-249-429-11	CARBON	10K 5% 1/4W	S128	1-771-410-21	SWITCH, TACTILE (SPEAKERS (OFF/A/B/A+B))	
R791	1-249-421-11	CARBON	2.2K 5% 1/4W	S129	1-771-410-21	SWITCH, TACTILE (DISPLAY)	
△ R792	1-215-868-00	METAL OXIDE	680 5% 1W F	S130	1-771-410-21	SWITCH, TACTILE (DIMMER)	
R793	1-249-404-00	CARBON	82 5% 1/4W F	S131	1-771-410-21	SWITCH, TACTILE (I/⊕)	
△ R794	1-215-868-00	METAL OXIDE	680 5% 1W F			*****	
R802	1-249-409-11	CARBON	220 5% 1/4W F			< SWITCH >	
R803	1-249-389-11	CARBON	4.7 5% 1/4W F			S128	1-771-410-21
R804	1-249-429-11	CARBON	10K 5% 1/4W			S129	1-771-410-21
R806	1-247-863-00	CARBON	22K 5% 1/4W			S130	1-771-410-21
R824	1-249-421-11	CARBON	2.2K 5% 1/4W			S131	1-771-410-21
R830	1-249-404-00	CARBON	82 5% 1/4W F (CND)				
R831	1-249-404-00	CARBON	82 5% 1/4W F				
△ R910	1-240-877-11	FUSIBLE	0.15 5% 1/2W F				
RR11	1-249-393-11	CARBON	10 5% 1/4W F (EXCEPT US,CND,E2)				

STR-DE598/DE698/DV10

Ver. 1.1

SB AMP **SPEAKER C/SB**

Ref. No.	Part No.	Description	Remark			
	A-1084-980-A	SB AMP BOARD, COMPLETE (DE698/DV10)	*****			
		< CAPACITOR >				
C2561	1-126-963-11	ELECT	4.7uF	20%	50V	
C2562	1-162-282-31	CERAMIC	100PF	10%	50V	
C2563	1-102-978-00	CERAMIC	220PF	5%	50V	
C2564	1-107-616-11	CERAMIC	150PF	5%	500V	
C2565	1-107-583-11	CERAMIC	3PF	0.25PF	500V	
C2566	1-104-658-11	ELECT	100uF	20%	10V	
C2571	1-126-947-11	ELECT	47uF	20%	35V	
C2573	1-162-815-11	CERAMIC	47PF	5%	500V	
C2575	1-162-815-11	CERAMIC	47PF	5%	500V	
C2576	1-127-876-11	CERAMIC	0.01uF	10%	50V	
C2577	1-126-964-11	ELECT	10uF	20%	50V	
C2578	1-162-286-31	CERAMIC	220PF	10%	50V	
C2581	1-136-157-00	FILM	0.022uF	5%	50V	
		< CONNECTOR >				
CN2570	1-785-103-11	PIN, CONNECTOR (3.96mm PITCH) 5P				
CN2571	1-779-799-11	PIN, CONNECTOR 9P				
		< DIODE >				
D2575	8-719-991-33	DIODE 1SS133T-77				
D2576	8-719-991-33	DIODE 1SS133T-77				
		< IC >				
IC2501	8-749-011-16	IC STK350-230				
		< TRANSISTOR >				
Q2575	8-729-042-09	TRANSISTOR 2SA1038S-RSE-TP				
Q2576	8-729-042-09	TRANSISTOR 2SA1038S-RSE-TP				
Q2577	8-729-281-53	TRANSISTOR 2SC1815-GR				
		< RESISTOR >				
R2560	1-249-411-11	CARBON	330	5%	1/4W	
R2561	1-247-831-00	CARBON	1K	5%	1/4W	
R2562	1-249-439-11	CARBON	68K	5%	1/4W	
R2565	1-249-439-11	CARBON	68K	5%	1/4W	
R2566	1-249-421-11	CARBON	2.2K	5%	1/4W	
R2571	1-249-428-11	CARBON	8.2K	5%	1/4W	
R2572	1-247-847-00	CARBON	4.7K	5%	1/4W	
R2574	1-247-831-00	CARBON	1K	5%	1/4W	
R2575	1-249-399-11	CARBON	33	5%	1/4W	F
R2576	1-240-855-81	CARBON	6.2K	5%	1/4W	F
R2577	1-247-847-00	CARBON	4.7K	5%	1/4W	
R2578	1-234-182-11	ENCAPSULATED COMPONENT 0.22X2	5W			
R2579	1-249-419-11	CARBON	1.5K	5%	1/4W	
R2580	1-249-439-11	CARBON	68K	5%	1/4W	
R2581	1-249-393-11	CARBON	10	5%	1/4W	F
R2582	1-249-399-11	CARBON	33	5%	1/4W	F
R2583	1-249-431-11	CARBON	15K	5%	1/4W	
R2584	1-249-431-11	CARBON	15K	5%	1/4W	
R2585	1-247-871-00	CARBON	47K	5%	1/4W	
R2586	1-247-863-00	CARBON	22K	5%	1/4W	
R2587	1-247-871-00	CARBON	47K	5%	1/4W	
R2588	1-247-863-00	CARBON	22K	5%	1/4W	

Ref. No.	Part No.	Description	Remark			
R2589	1-249-431-11	CARBON	15K	5%	1/4W	

		SPEAKER C/SB BOARD	*****			
		< CAPACITOR >				
CC15	1-127-876-11	CERAMIC	0.01uF	10%	50V	(DE698:AEP,UK,AUS,AR)
CC16	1-127-876-11	CERAMIC	0.01uF	10%	50V	(EXCEPT US,CND,E2)
CC17	1-127-876-11	CERAMIC	0.01uF	10%	50V	(EXCEPT US,CND,E2)
		< CONNECTOR >				
* CNP503	1-564-241-11	PIN, CONNECTOR (3.96mm PITCH) 4P				
CNP504	1-564-320-00	PIN, CONNECTOR (3.96mm PITCH) 2P	(DE698/DV10)			
		< DIODE >				
D510	8-719-991-33	DIODE 1SS133T-77				
D760	8-719-991-33	DIODE 1SS133T-77 (DE698/DV10)				
		< COIL >				
L571	1-420-872-52	COIL, AIR-CORE				
L751	1-420-872-52	COIL, AIR-CORE				
L752	1-420-872-52	COIL, AIR-CORE (DE698/DV10)				
		< TRANSISTOR >				
Q550	8-729-119-78	TRANSISTOR 2SC2785-HFE				
Q760	8-729-119-78	TRANSISTOR 2SC2785-HFE (DE698/DV10)				
		< RESISTOR >				
R531	1-249-421-11	CARBON	2.2K	5%	1/4W	
R534	1-249-404-00	CARBON	82	5%	1/4W	F
R578	1-249-389-11	CARBON	4.7	5%	1/4W	F
R751	1-249-389-11	CARBON	4.7	5%	1/4W	F
R752	1-249-389-11	CARBON	4.7	5%	1/4W	F (DE698/DV10)
R753	1-249-421-11	CARBON	2.2K	5%	1/4W	(DE698/DV10)
R774	1-249-404-00	CARBON	82	5%	1/4W	F (DE698/DV10)
RR15	1-249-393-11	CARBON	10	5%	1/4W	F (DE698:AEP,UK,AUS,AR)
RR16	1-249-393-11	CARBON	10	5%	1/4W	F (EXCEPT US,CND,E2)
RR17	1-249-393-11	CARBON	10	5%	1/4W	F (EXCEPT US,CND,E2)
		< RELAY >				
RY500	1-755-170-11	RELAY (12V) (DE698/DV10)				
RY501	1-755-170-11	RELAY (12V)				
		< TERMINAL BOARD >				
TM501	1-780-215-11	TERMINAL BOARD (4P) (SPEAKERS SURROUND BACK,CENTER) (DE598)				
TM501	1-780-215-11	TERMINAL BOARD (4P) (SPEAKERS SURROUND BACK L,CENTER) (DE698/DV10)				

SPEAKER C/SB

SPEAKER B (P)

SPEAKER B (S)

STANDBY

Ref. No.	Part No.	Description	Remark	Ref. No.	Part No.	Description	Remark
TM502	1-780-217-11	TERMINAL BOARD (2P) (SPEAKERS SURROUND BACK R) (DE698/DV10)				< TRANSISTOR >	
*****				Q800	8-729-119-78	TRANSISTOR 2SC2785-HFE (DE698/DV10)	
		SPEAKER B (P) BOARD (DE598)				< RESISTOR >	
		*****		R800	1-249-404-00	CARBON 82 5% 1/4W F (DE698/DV10)	
		< CAPACITOR >		R812	1-249-421-11	CARBON 2.2K 5% 1/4W (DE698/DV10)	
CC30	1-127-876-11	CERAMIC 0.01uF 10% 50V (DE598:EXCEPT US,CND,E2)		RR20	1-249-393-11	CARBON 10 5% 1/4W F (DE698:AEP,UK,AUS,AR)	
CC31	1-127-876-11	CERAMIC 0.01uF 10% 50V (DE598:EXCEPT US,CND,E2)		RR21	1-249-393-11	CARBON 10 5% 1/4W F (DE698:AEP,UK,AUS,AR)	
		< CONNECTOR >				< RELAY >	
CNP610	1-785-102-11	PIN, CONNECTOR (3.96mm PITCH) 4P (DE598)		RY600	1-755-170-11	RELAY (12V) (DE698/DV10)	
CNP611	1-779-978-11	PIN, CONNECTOR 3P (DE598)				< TERMINAL BOARD >	
		< DIODE >		TM600	1-780-215-11	TERMINAL BOARD (4P) (SPEAKERS FRONT B) (DE698/DV10)	
D810	8-719-991-33	DIODE 1SS133T-77 (DE598)		*****			
		< TRANSISTOR >		A-1084-334-A	STANDBY BOARD, COMPLETE (DE598:US,CND)		
Q810	8-729-119-78	TRANSISTOR 2SC2785-HFE (DE598)		A-1084-405-A	STANDBY BOARD, COMPLETE (DE598:AEP,UK,AUS,AR,KR/DE698:AR)		
		< RESISTOR >		A-1084-703-A	STANDBY BOARD, COMPLETE (DE598:TW)		
R810	1-249-404-00	CARBON 82 5% 1/4W F (DE598)		A-1084-969-A	STANDBY BOARD, COMPLETE (DE698:US,CND/DV10)		
R811	1-249-421-11	CARBON 2.2K 5% 1/4W (DE598)		A-1084-975-A	STANDBY BOARD, COMPLETE (DE598:E2)		
RR30	1-249-393-11	CARBON 10 5% 1/4W F (DE598:EXCEPT US,CND,E2)		A-1085-098-A	STANDBY BOARD, COMPLETE (DE698:AEP,UK)		
RR31	1-249-393-11	CARBON 10 5% 1/4W F (DE598:EXCEPT US,CND,E2)		A-1085-210-A	STANDBY BOARD, COMPLETE (DE698:AUS)		
		< RELAY >		A-1085-251-A	STANDBY BOARD, COMPLETE (DE698:E2)		

RY610	1-755-170-11	RELAY (12V) (DE598)		1-533-217-41	HOLDER, FUSE		
		< TERMINAL BOARD >				< CAPACITOR >	
* TM610	1-537-240-21	TERMINAL BOARD (CHECKER PIN) (4P) (SPEAKERS FRONT B) (DE598)		C913	1-127-888-11	CERAMIC 0.1uF 10% 50V	
*****				C914	1-127-888-11	CERAMIC 0.1uF 10% 50V	
		SPEAKER B (S) BOARD (DE698/DV10)		C915	1-126-943-11	ELECT 2200uF 20% 25V	
		*****		C916	1-126-942-61	ELECT 1000uF 20% 25V	
		< CAPACITOR >		C920	1-127-888-11	CERAMIC 0.1uF 10% 50V	
CC20	1-127-876-11	CERAMIC 0.01uF 10% 50V (DE698:AEP,UK,AUS,AR)		C921	1-127-888-11	CERAMIC 0.1uF 10% 50V	
CC21	1-127-876-11	CERAMIC 0.01uF 10% 50V (DE698:AEP,UK,AUS,AR)		C922	1-127-888-11	CERAMIC 0.1uF 10% 50V	
		< CONNECTOR >		C924	1-126-960-11	ELECT 1uF 20% 50V	
CNP600	1-785-102-11	PIN, CONNECTOR (3.96mm PITCH) 4P (DE698/DV10)		C950	1-126-936-11	ELECT 3300uF 20% 16V	
CNP601	1-779-978-11	PIN, CONNECTOR 3P (DE698/DV10)				< CONNECTOR >	
		< DIODE >		CNP801	1-784-922-11	PIN, CONNECTOR 5P	
D800	8-719-991-33	DIODE 1SS133T-77 (DE698/DV10)		CNP804	1-564-506-11	PLUG, CONNECTOR 3P	
				CNP901	1-564-321-00	PIN, CONNECTOR (3.96mm PITCH) 2P	
				CNP902	1-794-577-21	PIN, CONNECTOR (POWER) 2P	
				CNP903	1-784-922-11	PIN, CONNECTOR 5P	
				CNP906	1-568-106-11	PIN, CONNECTOR (3.96mm PITCH) 4P (E2)	
						< DIODE >	
				D901	8-719-991-33	DIODE 1SS133T-77	
				D910	6-500-522-11	DIODE 10EDB40-TA2B5	
				D911	6-500-522-11	DIODE 10EDB40-TA2B5	
				D912	6-500-522-11	DIODE 10EDB40-TA2B5	

STR-DE598/DE698/DV10

Ver. 1.1

STANDBY **S-VIDEO**

Ref. No.	Part No.	Description	Remark
D913	6-500-522-11	DIODE 10EDB40-TA2B5	
D914	8-719-991-33	DIODE 1SS133T-77	
D915	8-719-991-33	DIODE 1SS133T-77	
D920	6-500-522-11	DIODE 10EDB40-TA2B5	
D921	6-500-522-11	DIODE 10EDB40-TA2B5	
D922	6-500-522-11	DIODE 10EDB40-TA2B5	
D923	6-500-522-11	DIODE 10EDB40-TA2B5	
< GROUND TERMINAL >			
G901	1-537-738-21	TERMINAL, GROUND	
< AC OUTLET >			
△J911	1-251-417-11	OUTLET, AC (1P) (AC OUTLET) (DE698:AUS)	
△J911	1-785-285-11	OUTLET, AC (1P) (AC OUTLET) (DE698:AEP,UK)	
△J911	1-785-834-11	OUTLET, AC (1P) (AC OUTLET) (DE698:US,CND,E2/DV10)	
< TRANSISTOR >			
Q901	8-729-119-78	TRANSISTOR 2SC2785-HFE	
Q921	8-729-119-78	TRANSISTOR 2SC2785-HFE	
< RESISTOR >			
△R810	1-243-634-11	FUSIBLE 0.22 5% 1/2W F	
△R811	1-243-634-11	FUSIBLE 0.22 5% 1/2W F	
△R901	1-219-237-11	SOLID 3.3M 20% 1/2W F (US,CND)	
R902	1-247-871-00	CARBON 47K 5% 1/4W	
R903	1-249-421-11	CARBON 2.2K 5% 1/4W	
R904	1-249-381-11	CARBON 1 5% 1/4W F	
R921	1-247-871-00	CARBON 47K 5% 1/4W	
R922	1-247-863-00	CARBON 22K 5% 1/4W	
R923	1-249-429-11	CARBON 10K 5% 1/4W	
< RELAY >			
△RY901	1-755-541-11	RELAY	
< TRANSFORMER >			
△T902	1-443-516-11	TRANSFORMER, POWER (US,CND)	
△T902	1-443-517-11	TRANSFORMER, POWER (AEP,UK,AUS,AR,KR)	
△T902	1-443-519-11	TRANSFORMER, POWER (TW)	
△T902	1-443-520-11	TRANSFORMER, POWER (E2)	

A-1084-978-A	S-VIDEO BOARD, COMPLETE (DE698)		
A-1098-467-A	S-VIDEO BOARD, COMPLETE (DV10)		

< CAPACITOR >			
C247	1-127-888-11	CERAMIC 0.1uF 10% 50V (DE698)	
C248	1-126-916-11	ELECT 1000uF 20% 6.3V (DE698)	
C249	1-126-960-11	ELECT 1uF 20% 50V (DE698)	
C250	1-104-658-11	ELECT 100uF 20% 10V (DE698)	
C251	1-126-947-11	ELECT 47uF 20% 35V (DE698/DV10)	

Ref. No.	Part No.	Description	Remark
C252	1-127-888-11	CERAMIC 0.1uF 10% 50V (DE698/DV10)	
C253	1-127-888-11	CERAMIC 0.1uF 10% 50V (DE698/DV10)	
C254	1-126-947-11	ELECT 47uF 20% 35V (DE698/DV10)	
C255	1-127-888-11	CERAMIC 0.1uF 10% 50V (DE698/DV10)	
C256	1-127-888-11	CERAMIC 0.1uF 10% 50V (DE698/DV10)	
C257	1-128-817-11	CERAMIC 470PF 5% 50V (DE698/DV10)	
C258	1-128-805-11	CERAMIC 47PF 5% 50V (DE698/DV10)	
C259	1-128-805-11	CERAMIC 47PF 5% 50V (DE698/DV10)	
C260	1-126-964-11	ELECT 10uF 20% 50V (DE698/DV10)	
C261	1-127-888-11	CERAMIC 0.1uF 10% 50V (DE698/DV10)	
C262	1-126-964-11	ELECT 10uF 20% 50V (DE698/DV10)	
C263	1-127-888-11	CERAMIC 0.1uF 10% 50V (DE698/DV10)	
C265	1-128-805-11	CERAMIC 47PF 5% 50V (DE698/DV10)	
C266	1-128-805-11	CERAMIC 47PF 5% 50V (DE698/DV10)	
C267	1-128-817-11	CERAMIC 470PF 5% 50V (DE698/DV10)	
C268	1-126-964-11	ELECT 10uF 20% 50V (DE698/DV10)	
C269	1-127-888-11	CERAMIC 0.1uF 10% 50V (DE698/DV10)	
C275	1-128-817-11	CERAMIC 470PF 5% 50V (DE698/DV10)	
< CONNECTOR >			
CNS252	1-568-442-11	SOCKET, CONNECTOR 9P (DE698/DV10)	
< DIODE >			
D251	8-719-991-33	DIODE 1SS133T-77 (DE698/DV10)	
D252	8-719-991-33	DIODE 1SS133T-77 (DE698/DV10)	
D253	8-719-991-33	DIODE 1SS133T-77 (DE698)	
D254	8-719-991-33	DIODE 1SS133T-77 (DE698)	
< IC >			
IC251	6-701-890-01	IC NJM2595D (DE698/DV10)	
IC252	6-701-890-01	IC NJM2595D (DE698/DV10)	
IC253	8-759-822-05	IC LA7213 (DE698)	
< CONNECTOR >			
J251	1-537-943-11	CONNECTOR (DIN) 1P (MONITOR S-VIDEO OUT) (DE698/DV10)	
J252	1-794-937-11	CONNECTOR (DIN) 2P (DVD S-VIDEO IN, VIDEO 2 S-VIDEO IN) (DE698/DV10)	
J253	1-794-937-11	CONNECTOR (DIN) 2P (VIDEO 1 S-VIDEO OUT/IN) (DE698/DV10)	
< TRANSISTOR >			
Q250	8-729-029-66	TRANSISTOR DTC114ESA (DE698)	

S-VIDEO

S-VIDEO UP CONVERT

Ref. No.	Part No.	Description	Remark	Ref. No.	Part No.	Description	Remark
Q251	8-729-201-53	TRANSISTOR 2SA1015-GR (DE698)		C362	1-126-925-11	ELECT 470uF 20%	10V (DE698)
		< RESISTOR >		C363	1-128-801-11	CERAMIC 22PF 5%	50V (DE698)
R206	1-247-804-11	CARBON 75 5% 1/4W (DE698/DV10)		C364	1-162-201-31	CERAMIC 12PF 5%	50V (DE698)
R251	1-247-804-11	CARBON 75 5% 1/4W (DE698/DV10)		C365	1-126-947-11	ELECT 47uF 20%	35V (DE698)
R252	1-247-804-11	CARBON 75 5% 1/4W (DE698/DV10)		C366	1-127-888-11	CERAMIC 0.1uF 10%	50V (DE698)
R253	1-247-804-11	CARBON 75 5% 1/4W (DE698/DV10)		C367	1-127-876-11	CERAMIC 0.01uF 10%	50V (DE698)
R254	1-247-804-11	CARBON 75 5% 1/4W (DE698/DV10)		C368	1-126-963-11	ELECT 4.7uF 20%	50V (DE698)
R255	1-247-804-11	CARBON 75 5% 1/4W (DE698/DV10)		C369	1-130-495-00	MYLAR 0.1uF 5%	50V (DE698)
R257	1-247-804-11	CARBON 75 5% 1/4W (DE698/DV10)		C371	1-128-801-11	CERAMIC 22PF 5%	50V (DE698)
R258	1-247-804-11	CARBON 75 5% 1/4W (DE698/DV10)		C372	1-162-201-31	CERAMIC 12PF 5%	50V (DE698)
R259	1-247-804-11	CARBON 75 5% 1/4W (DE698/DV10)		C373	1-128-801-11	CERAMIC 22PF 5%	50V (DE698)
R260	1-247-804-11	CARBON 75 5% 1/4W (DE698/DV10)		C374	1-126-925-11	ELECT 470uF 20%	10V (DE698)
R261	1-249-429-11	CARBON 10K 5% 1/4W (DE698)		C375	1-126-965-11	ELECT 22uF 20%	50V (DE698)
R262	1-249-421-11	CARBON 2.2K 5% 1/4W (DE698)		C376	1-126-947-11	ELECT 47uF 20%	35V (DE698)
R263	1-249-411-11	CARBON 330 5% 1/4W (DE698)		C377	1-127-888-11	CERAMIC 0.1uF 10%	50V (DE698)
R264	1-247-883-00	CARBON 150K 5% 1/4W (DE698)		C378	1-127-888-11	CERAMIC 0.1uF 10%	50V (DE698)
		< RELAY >		C379	1-128-812-11	CERAMIC 180PF 5%	50V (DE698)
RY250	1-755-184-11	RELAY (DE698)		C380	1-127-876-11	CERAMIC 0.01uF 10%	50V (DE698)
*****				C381	1-127-876-11	CERAMIC 0.01uF 10%	50V (DE698)
	A-1084-974-A	S-VIDEO UP CONVERT BOARD, COMPLETE (DE698:US,CND)		C382	1-127-888-11	CERAMIC 0.1uF 10%	50V (DE698)
	A-1085-099-A	S-VIDEO UP CONVERT BOARD, COMPLETE (DE698:AEP,UK,AUS)		C383	1-104-658-11	ELECT 100uF 20%	10V (DE698)
	A-1097-712-A	S-VIDEO UP CONVERT BOARD, COMPLETE (DE698:E2,AR)		C384	1-127-888-11	CERAMIC 0.1uF 10%	50V (DE698)
		*****		C385	1-127-876-11	CERAMIC 0.01uF 10%	50V (DE698)
		< CAPACITOR >		C386	1-104-658-11	ELECT 100uF 20%	10V (DE698)
C341	1-162-199-31	CERAMIC 10PF 5% 50V (DE698:US,CND,E2,AR)		C387	1-127-876-11	CERAMIC 0.01uF 10%	50V (DE698)
C351	1-162-211-31	CERAMIC 33PF 5% 50V (DE698:US,CND,E2,AR)		C388	1-127-876-11	CERAMIC 0.01uF 10%	50V (DE698)
C352	1-127-888-11	CERAMIC 0.1uF 10% 50V (DE698)		C389	1-127-888-11	CERAMIC 0.1uF 10%	50V (DE698)
C353	1-104-658-11	ELECT 100uF 20% 10V (DE698)		C390	1-104-658-11	ELECT 100uF 20%	10V (DE698)
C354	1-127-876-11	CERAMIC 0.01uF 10% 50V (DE698)		C392	1-162-199-31	CERAMIC 10PF 5%	50V (DE698:AEP,UK,AUS)
C355	1-126-959-11	ELECT 0.47uF 20% 50V (DE698)		C393	1-128-802-11	CERAMIC 27PF 5%	50V (DE698:AEP,UK,AUS)
C356	1-127-876-11	CERAMIC 0.01uF 10% 50V (DE698)		C394	1-126-947-11	ELECT 47uF 20%	35V (DE698)
C357	1-127-876-11	CERAMIC 0.01uF 10% 50V (DE698)					
C358	1-162-201-31	CERAMIC 12PF 5% 50V (DE698)					

STR-DE598/DE698/DV10

Ver. 1.1

S-VIDEO UP CONVERT TUNING

Ref. No.	Part No.	Description	Remark
C395	1-127-888-11	CERAMIC 0.1uF 10%	50V (DE698)
C397	1-127-888-11	CERAMIC 0.1uF 10%	50V (DE698)
< CONNECTOR >			
CNS351	1-568-442-11	SOCKET, CONNECTOR 9P	(DE698)
< TRIMMER CAPACITOR >			
CT380	1-141-442-91	CAP, CERAMIC TRIMMER 20PF	(DE698:US,CND,E2,AR)
CT381	1-141-442-91	CAP, CERAMIC TRIMMER 20PF	(DE698:AEP,UK,AUS)
< FERRITE BEAD >			
FB353	1-412-911-11	INDUCTOR, FERRITE BEAD	(DE698)
FB354	1-412-911-11	INDUCTOR, FERRITE BEAD	(DE698)
FB355	1-412-911-11	INDUCTOR, FERRITE BEAD	(DE698)
< IC >			
IC370	6-701-597-01	IC TC90A69N	(DE698)
IC371	8-759-917-18	IC SN74HCU04AN	(DE698)
IC372	6-803-031-01	IC NJM2268D	(DE698)
IC373	8-759-232-01	IC TC74HC00AP	(DE698:AEP,UK,AUS)
< COIL >			
L370	1-410-514-11	INDUCTOR 27uH	(DE698)
L371	1-410-514-11	INDUCTOR 27uH	(DE698)
L372	1-414-189-31	INDUCTOR 100uH	(DE698)
L373	1-414-189-31	INDUCTOR 100uH	(DE698)
L374	1-410-514-11	INDUCTOR 27uH	(DE698)
L376	1-414-189-31	INDUCTOR 100uH	(DE698)
L377	1-414-189-31	INDUCTOR 100uH	(DE698)
< TRANSISTOR >			
Q371	8-729-119-78	TRANSISTOR 2SC2785-HFE	(DE698)
Q372	8-729-119-78	TRANSISTOR 2SC2785-HFE	(DE698)
Q373	8-729-119-78	TRANSISTOR 2SC2785-HFE	(DE698)
< RESISTOR >			
R358	1-247-831-00	CARBON 1K 5%	1/4W (DE698)
R359	1-247-831-00	CARBON 1K 5%	1/4W (DE698)
R363	1-247-903-00	CARBON 1M 5%	1/4W (DE698)
R365	1-247-807-31	CARBON 100 5%	1/4W (DE698)
R366	1-247-807-31	CARBON 100 5%	1/4W (DE698)
R367	1-249-429-11	CARBON 10K 5%	1/4W (DE698)
R368	1-247-843-11	CARBON 3.3K 5%	1/4W (DE698)
R369	1-247-843-11	CARBON 3.3K 5%	1/4W (DE698)
R373	1-249-416-11	CARBON 820 5%	1/4W (DE698)
R374	1-247-903-00	CARBON 1M 5%	1/4W (DE698)

Ref. No.	Part No.	Description	Remark
R375	1-249-424-11	CARBON 3.9K 5%	1/4W (DE698)
R376	1-247-831-00	CARBON 1K 5%	1/4W (DE698)
R377	1-249-416-11	CARBON 820 5%	1/4W (DE698)
R378	1-249-416-11	CARBON 820 5%	1/4W (DE698)
R379	1-249-416-11	CARBON 820 5%	1/4W (DE698)
R382	1-249-418-11	CARBON 1.2K 5%	1/4W (DE698)
R383	1-249-420-11	CARBON 1.8K 5%	1/4W (DE698)
R384	1-249-424-11	CARBON 3.9K 5%	1/4W (DE698)
R385	1-249-416-11	CARBON 820 5%	1/4W (DE698)
R386	1-247-807-31	CARBON 100 5%	1/4W (DE698)
R387	1-247-903-00	CARBON 1M 5%	1/4W (DE698:AEP,UK,AUS)
R388	1-247-903-00	CARBON 1M 5%	1/4W (DE698:US,CND,E2,AR)
R389	1-249-411-11	CARBON 330 5%	1/4W (DE698:US,CND,E2,AR)
R390	1-247-807-31	CARBON 100 5%	1/4W (DE698:US,CND,E2,AR)
R391	1-247-807-31	CARBON 100 5%	1/4W (DE698:AEP,UK,AUS)
R392	1-249-411-11	CARBON 330 5%	1/4W (DE698:AEP,UK,AUS)
R393	1-249-430-11	CARBON 12K 5%	1/4W (DE698)
R394	1-249-430-11	CARBON 12K 5%	1/4W (DE698)
< VIBRATOR >			
X370	1-781-134-21	VIBRATOR, CRYSTAL (4.43MHz)	(DE698:AEP,UK,AUS)
X371	1-781-342-21	OSCILLATOR, CRYSTAL (3.58MHz)	(DE698:US,CND,E2,AR)

TUNING BOARD *****			
< CONNECTOR >			
* CNP104	1-564-517-11	PLUG, CONNECTOR 2P	
< RESISTOR >			
R149	1-247-831-00	CARBON 1K 5%	1/4W
R150	1-249-419-11	CARBON 1.5K 5%	1/4W
R151	1-249-421-11	CARBON 2.2K 5%	1/4W
R152	1-247-847-00	CARBON 4.7K 5%	1/4W
R153	1-249-429-11	CARBON 10K 5%	1/4W
< SWITCH >			
S148	1-771-410-21	SWITCH, TACTILE (TUNING -)	
S149	1-771-410-21	SWITCH, TACTILE (FM MODE)	
S150	1-771-410-21	SWITCH, TACTILE (MEMORY)	
S151	1-771-410-21	SWITCH, TACTILE (PRESET TUNING -)	

Ref. No.	Part No.	Description	Remark	Ref. No.	Part No.	Description	Remark
S152	1-771-410-21	SWITCH, TACTILE (PRESET TUNING +)				< DIODE >	
S153	1-771-410-21	SWITCH, TACTILE (TUNING +)					

A-1084-344-A	VIDEO BOARD, COMPLETE						
	(DE598:EXCEPT AEP,UK)						
A-1084-408-A	VIDEO BOARD, COMPLETE (DE598:AEP,UK)						
A-1084-442-A	VIDEO BOARD, COMPLETE (DE698)						
A-1097-367-A	VIDEO BOARD, COMPLETE (DV10)						

< CAPACITOR >							
C200	1-128-805-11	CERAMIC	47PF	5%	50V		
C201	1-128-805-11	CERAMIC	47PF	5%	50V		
C206	1-126-964-11	ELECT	10uF	20%	50V		
C207	1-126-964-11	ELECT	10uF	20%	50V		
C208	1-126-964-11	ELECT	10uF	20%	50V		
C209	1-126-964-11	ELECT	10uF	20%	50V		
C210	1-126-964-11	ELECT	10uF	20%	50V		
C213	1-126-923-11	ELECT	220uF	20%	10V		
C214	1-127-888-11	CERAMIC	0.1uF	10%	50V		
C215	1-127-888-11	CERAMIC	0.1uF	10%	50V		
C220	1-126-947-11	ELECT	47uF	20%	35V		
C221	1-126-923-11	ELECT	220uF	20%	10V		
C223	1-127-888-11	CERAMIC	0.1uF	10%	50V		
C224	1-127-888-11	CERAMIC	0.1uF	10%	50V		
C308	1-126-964-11	ELECT	10uF	20%	50V		
(EXCEPT DE598:AEP,UK)							
C309	1-126-964-11	ELECT	10uF	20%	50V		
(EXCEPT DE598:AEP,UK)							
C310	1-126-964-11	ELECT	10uF	20%	50V		
(EXCEPT DE598:AEP,UK)							
C311	1-126-964-11	ELECT	10uF	20%	50V		
(EXCEPT DE598:AEP,UK)							
C312	1-126-964-11	ELECT	10uF	20%	50V		
(EXCEPT DE598:AEP,UK)							
C313	1-126-964-11	ELECT	10uF	20%	50V		
(EXCEPT DE598:AEP,UK)							
C314	1-127-868-11	CERAMIC	0.0022uF	10%	50V		
C315	1-127-868-11	CERAMIC	0.0022uF	10%	50V		
(EXCEPT DE598:AEP,UK)							
C316	1-127-868-11	CERAMIC	0.0022uF	10%	50V		
C317	1-126-947-11	ELECT	47uF	20%	35V		
(EXCEPT DE598:AEP,UK)							
C330	1-127-888-11	CERAMIC	0.1uF	10%	50V		
(EXCEPT DE598:AEP,UK)							
C331	1-127-888-11	CERAMIC	0.1uF	10%	50V		
(EXCEPT DE598:AEP,UK)							
C338	1-126-947-11	ELECT	47uF	20%	35V		
(EXCEPT DE598:AEP,UK)							
< CONNECTOR >							
* CNP202	1-564-705-11	PIN, CONNECTOR (SMALL TYPE) 3P (DE598)					
* CNP202	1-564-708-11	PIN, CONNECTOR (SMALL TYPE) 6P					
(DE698/DV10)							
CNP203	1-691-765-11	PLUG (MICRO CONNECTOR) 3P					
CNS201	1-568-442-11	SOCKET, CONNECTOR 9P (DE698/DV10)					
CNS202	1-568-442-11	SOCKET, CONNECTOR 9P (DE698)					
CNS250	1-568-443-11	SOCKET, CONNECTOR 13P					
D203	8-719-991-33	DIODE 1SS133T-77					
D204	8-719-991-33	DIODE 1SS133T-77					
< IC >							
IC203	6-701-890-01	IC NJM2595D					
IC304	6-707-363-01	IC NJM2586L (EXCEPT DE598:AEP,UK)					
IC804	8-759-245-79	IC TA79005S					
IC807	8-759-231-53	IC TA7805S					
< JACK >							
J200	1-794-978-11	JACK, PIN 3P (DVD VIDEO IN, VIDEO 2 VIDEO IN,VIDEO 1 VIDEO OUT)					
J201	1-815-043-11	JACK, PIN 2P (VIDEO 1 VIDEO IN, MONITOR VIDEO OUT)					
J301	1-816-592-11	JACK, PIN 9P (COMPONENT VIDEO DVD IN (ASSIGNABLE), VIDEO 2 IN (ASSIGNABLE),MONITOR OUT) (EXCEPT DE598:AEP,UK)					
< RESISTOR >							
R200	1-247-804-11	CARBON	75	5%	1/4W		
R201	1-247-804-11	CARBON	75	5%	1/4W		
R218	1-247-804-11	CARBON	75	5%	1/4W		
R219	1-247-804-11	CARBON	75	5%	1/4W		
R220	1-247-804-11	CARBON	75	5%	1/4W		
R221	1-247-804-11	CARBON	75	5%	1/4W		
R301	1-247-804-11	CARBON	75	5%	1/4W		
(EXCEPT DE598:AEP,UK)							
R302	1-247-804-11	CARBON	75	5%	1/4W		
(EXCEPT DE598:AEP,UK)							
R303	1-247-804-11	CARBON	75	5%	1/4W		
(EXCEPT DE598:AEP,UK)							
R304	1-247-804-11	CARBON	75	5%	1/4W		
(EXCEPT DE598:AEP,UK)							
R305	1-247-804-11	CARBON	75	5%	1/4W		
(EXCEPT DE598:AEP,UK)							
R306	1-247-804-11	CARBON	75	5%	1/4W		
(EXCEPT DE598:AEP,UK)							
R307	1-247-804-11	CARBON	75	5%	1/4W		
(EXCEPT DE598:AEP,UK)							
R308	1-247-804-11	CARBON	75	5%	1/4W		
(EXCEPT DE598:AEP,UK)							
R309	1-247-804-11	CARBON	75	5%	1/4W		
(EXCEPT DE598:AEP,UK)							
R310	1-247-831-00	CARBON	1K	5%	1/4W		
(EXCEPT DE598:AEP,UK)							
R311	1-247-831-00	CARBON	1K	5%	1/4W		
(EXCEPT DE598:AEP,UK)							
R312	1-247-831-00	CARBON	1K	5%	1/4W		
(EXCEPT DE598:AEP,UK)							
R313	1-247-863-00	CARBON	22K	5%	1/4W		
(EXCEPT DE598:AEP,UK)							

STR-DE598/DE698/DV10

Ver. 1.1

VIDEO3 **VIDEO3 (DE61)**

Ref. No.	Part No.	Description	Remark
VIDEO3 BOARD (DE598)			

< CAPACITOR >			
C293	1-127-888-11	CERAMIC 0.1uF 10%	50V
C294	1-127-888-11	CERAMIC 0.1uF 10%	50V
C298	1-162-286-31	CERAMIC 220PF 10%	50V
C299	1-162-286-31	CERAMIC 220PF 10%	50V
< CONNECTOR >			
CN201	1-784-922-11	PIN, CONNECTOR 5P	
< JACK >			
J298	1-819-187-11	JACK, PIN 3P (VIDEO 3 INPUT VIDEO,AUDIO L/R)	
< RESISTOR >			
R298	1-247-831-00	CARBON 1K 5%	1/4W
R299	1-247-831-00	CARBON 1K 5%	1/4W
< LEAD WIRE >			
* W290	1-690-880-31	LEAD (WITH CONNECTOR)	

Ref. No.	Part No.	Description	Remark
VIDEO3 (DE61) BOARD (DE698/DV10)			

< CAPACITOR >			
C293	1-127-888-11	CERAMIC 0.1uF 10%	50V
C294	1-127-888-11	CERAMIC 0.1uF 10%	50V
C298	1-162-286-31	CERAMIC 220PF 10%	50V
C299	1-162-286-31	CERAMIC 220PF 10%	50V
< CONNECTOR >			
CN201	1-784-922-21	PIN, CONNECTOR 5P	
< JACK >			
J298	1-819-187-11	JACK, PIN 3P (VIDEO 3 INPUT VIDEO,AUDIO L/R)	
< RESISTOR >			
R298	1-247-831-00	CARBON 1K 5%	1/4W
R299	1-247-831-00	CARBON 1K 5%	1/4W
< LEAD WIRE >			
* W290	1-690-880-31	LEAD (WITH CONNECTOR)	

Ref. No.	Part No.	Description	Remark
MISCELLANEOUS			

102	1-828-963-11	WIRE (FLAT TYPE) (11 CORE) (EXCEPT AEP,UK)	
102	1-828-980-11	WIRE (FLAT TYPE) (15 CORE) (AEP,UK)	
103	1-828-972-11	WIRE (FLAT TYPE) (13 CORE)	
105	1-828-954-11	WIRE (FLAT TYPE) (9 CORE) (DE698)	
108	1-828-954-11	WIRE (FLAT TYPE) (9 CORE) (DE698/DV10)	
△ 110	1-769-079-23	CORD, POWER (KR)	
△ 110	1-777-071-23	CORD, POWER (E2)	
△ 110	1-777-071-83	CORD, POWER (AEP,UK)	
△ 110	1-783-820-11	CORD, POWER (US,CND)	
△ 110	1-783-941-12	CORD, POWER (AR)	
△ 110	1-827-295-22	CORD, POWER (AUS)	
△ 110	1-827-597-41	CORD, POWER (TW)	
△ F901	1-532-464-33	FUSE (T2.5AL/250V) (AEP,UK,AUS,AR,KR)	
△ F901	1-532-465-33	FUSE (3.15A/125V) (E2)	
△ F901	1-532-504-33	FUSE (4A/250V) (TW)	
△ F901	1-533-454-12	FUSE, GLASS TUBE (DIA. 5) (6.3A/125V) (US,CND)	
△ F902	1-532-464-33	FUSE (T2.5AL/250V) (DE698:AEP,UK,E2,AUS)	
△ F902	1-533-453-12	FUSE, GLASS TUBE (DIA. 5) (5A/125V) (DE698:US,CND/DV10)	
Q503	6-702-390-01	TRANSISTOR MN2488-OPY-MK	
Q504	6-702-391-01	TRANSISTOR MP1620-OPY-MK	
Q533	6-702-390-01	TRANSISTOR MN2488-OPY-MK	
Q534	6-702-391-01	TRANSISTOR MP1620-OPY-MK	
Q572	8-729-026-08	TRANSISTOR 2SC4495 (DE698/DV10)	
Q603	6-702-390-01	TRANSISTOR MN2488-OPY-MK	
Q604	6-702-391-01	TRANSISTOR MP1620-OPY-MK	
Q653	6-702-390-01	TRANSISTOR MN2488-OPY-MK	
Q654	6-702-391-01	TRANSISTOR MP1620-OPY-MK	
Q703	6-702-390-01	TRANSISTOR MN2488-OPY-MK	
Q704	6-702-391-01	TRANSISTOR MP1620-OPY-MK	
Q753	6-702-390-01	TRANSISTOR MN2488-OPY-MK	
Q754	6-702-391-01	TRANSISTOR MP1620-OPY-MK	
Q2573	6-702-390-01	TRANSISTOR MN2488-OPY-MK (DE698/DV10)	
Q2754	6-702-391-01	TRANSISTOR MP1620-OPY-MK (DE698/DV10)	
△ T901	1-439-550-21	TRANSFORMER, POWER (AEP,UK,AUS,AR,KR)	
△ T901	1-439-552-21	TRANSFORMER, POWER (TW)	
△ T901	1-439-553-21	TRANSFORMER, POWER (E2)	
△ T901	1-439-611-11	TRANSFORMER, POWER (US,CND)	
TN1	1-693-675-11	TUNER PACK (ANTENNA) (DE598:US,CND,E2)	
TN1	1-693-675-21	TUNER PACK (ANTENNA) (DE698:US,CND,E2/DV10)	
TN1	1-693-676-11	TUNER PACK (ANTENNA) (DE698:AEP,UK)	
TN1	1-693-676-21	TUNER PACK (ANTENNA) (DE598:AEP,UK)	
TN1	1-693-678-11	TUNER PACK (ANTENNA) (AUS,AR,KR,TW)	

Ref. No.	Part No.	Description	Remark
		ACCESSORIES *****	
	1-479-147-11	COMMANDER, STANDARD (RM-AAU001) (DE598/DV10)	
	1-479-150-11	COMMANDER, STANDARD (RM-AAP001) (DE698)	
	1-501-374-12	ANTENNA, LOOP (AM)	
	1-501-807-12	ANTENNA (FM) (EXCEPT US,CND,E2)	
△	1-569-008-22	ADAPTOR, CONVERSION 2P (E2)	
△	1-770-019-51	ADAPTOR, CONVERSION PLUG (UK)	
	1-793-184-23	CONNECTOR (F TYPE ADAPTOR) (FM) (US,CND,E2)	
	2-549-732-11	MANUAL, INSTRUCTION (ENGLISH) (DE598:EXCEPT KR)	
	2-549-732-21	MANUAL, INSTRUCTION (FRENCH) (DE598:CND,AEP,E2)	
	2-549-732-31	MANUAL, INSTRUCTION (SPANISH) (DE598:AEP,E2,AR)	
	2-549-732-41	MANUAL, INSTRUCTION (GERMAN,DUTCH, SWEDISH) (DE598:AEP)	
	2-549-732-51	MANUAL, INSTRUCTION (ITALIAN,POLISH) (DE598:AEP)	
	2-549-732-61	MANUAL, INSTRUCTION (TRADITIONAL CHINESE) (DE598:TW)	
	2-549-732-71	MANUAL, INSTRUCTION (KOREAN) (DE598:KR)	
	2-549-733-11	MANUAL, INSTRUCTION (DANISH,FINNISH) (DE598:AEP)	
	2-549-733-21	MANUAL, INSTRUCTION (PORTUGUESE) (DE598:AEP)	
	2-549-733-31	MANUAL, INSTRUCTION (RUSSIAN) (DE598:AEP)	
	2-549-733-41	MANUAL, INSTRUCTION (GREEK) (DE598:AEP)	
	2-549-733-51	MANUAL, INSTRUCTION (TURKISH) (DE598:AEP)	
	2-549-733-61	MANUAL, INSTRUCTION (SLOVAKIAN) (DE598:AEP)	
	2-549-733-71	MANUAL, INSTRUCTION (HUNGARIAN,CZECH) (DE598:AEP)	
	2-560-571-11	MANUAL, INSTRUCTION (ENGLISH) (DE698)	
	2-560-571-21	MANUAL, INSTRUCTION (FRENCH) (DE698:CND,AEP,E2)	
	2-560-571-31	MANUAL, INSTRUCTION (SPANISH) (DE698:AEP,E2,AR)	
	2-560-571-41	MANUAL, INSTRUCTION (GERMAN,DUTCH, SWEDISH) (DE698:AEP)	
	2-560-571-51	MANUAL, INSTRUCTION (ITALIAN,POLISH) (DE698:AEP)	
	2-560-572-11	MANUAL, INSTRUCTION (DANISH,FINNISH) (DE698:AEP)	
	2-560-572-21	MANUAL, INSTRUCTION (PORTUGUESE) (DE698:AEP)	
	2-560-572-31	MANUAL, INSTRUCTION (RUSSIAN) (DE698:AEP)	
	2-560-572-41	MANUAL, INSTRUCTION (GREEK) (DE698:AEP)	
	2-560-572-51	MANUAL, INSTRUCTION (TURKISH) (DE698:AEP)	
	2-560-572-61	MANUAL, INSTRUCTION (SLOVAKIAN) (DE698:AEP)	
	2-560-572-71	MANUAL, INSTRUCTION (HUNGARIAN,CZECH) (DE698:AEP)	
	2-560-573-11	MANUAL, INSTRUCTION (ENGLISH) (DV10)	

MEMO

STR-DE598/DE698/DV10

SONY®

SERVICE MANUAL

Ver. 1.2 2006. 05

US Model
STR-DE598/DE698/DV10
Canadian Model
AEP Model
UK Model
E Model
Australian Model
STR-DE598/DE698

SUPPLEMENT-1

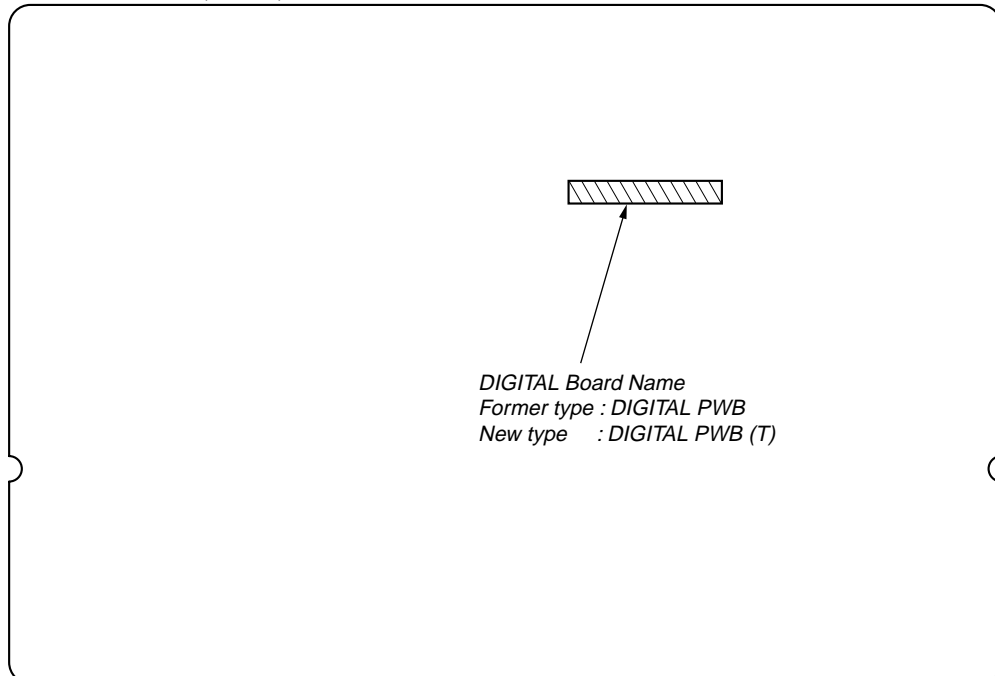
File this supplement with the service manual.

Subject : Change of DIGITAL Board (STR-DE698: US model)

Printed wiring board and schematic diagram of new type, and changed parts list are described in this Supplement-1.

When performing service and inspection, check the board name of the DIGITAL board.

– DIGITAL BOARD (SIDE A) –



THIS NOTE IS COMMON FOR PRINTED WIRING BOARDS AND SCHEMATIC DIAGRAMS.
(In addition to this, the necessary note is printed in each block.)

for schematic diagram:

- All capacitors are in μF unless otherwise noted. (p: pF) 50 WV or less are not indicated except for electrolytics and tantalums.
- All resistors are in Ω and $1/4\text{W}$ or less unless otherwise specified.
- \triangle : internal component.
- \square : panel designation.
- — : B+ Line.
- - - - : B- Line.
- Voltage and waveforms are dc with respect to ground under no-signal (detuned) conditions.
no mark : FM
- Voltages are taken with a VOM (Input impedance $10\text{M}\Omega$). Voltage variations may be noted due to normal production tolerances.
- Waveforms are taken with an oscilloscope. Voltage variations may be noted due to normal production tolerances.
- ○ : Circled numbers refer to waveforms.
- Signal path.
 - \Rightarrow : TUNER (FM/AM)
 - $\Rightarrow\Rightarrow$: VIDEO (AUDIO)
 - $\Rightarrow\Rightarrow\Rightarrow$: VIDEO
 - $\Rightarrow\Rightarrow$: CD (ANALOG)
 - $\Rightarrow\Rightarrow$: CD (DIGITAL)
- () : Page of service manual.
(()) : Page of service manual supplement-1.

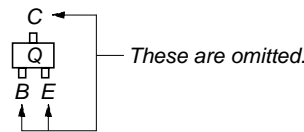
for printed wiring boards:

- \circ : parts extracted from the component side.
- \triangle : internal component.
- : Pattern from the side which enables seeing.

Caution:

Pattern face side: Parts on the pattern face side seen from the (Side B) pattern face are indicated.
 Parts face side: Parts on the parts face side seen from the (Side A) parts face are indicated.

- () : Page of service manual.
- (()) : Page of service manual supplement-1.

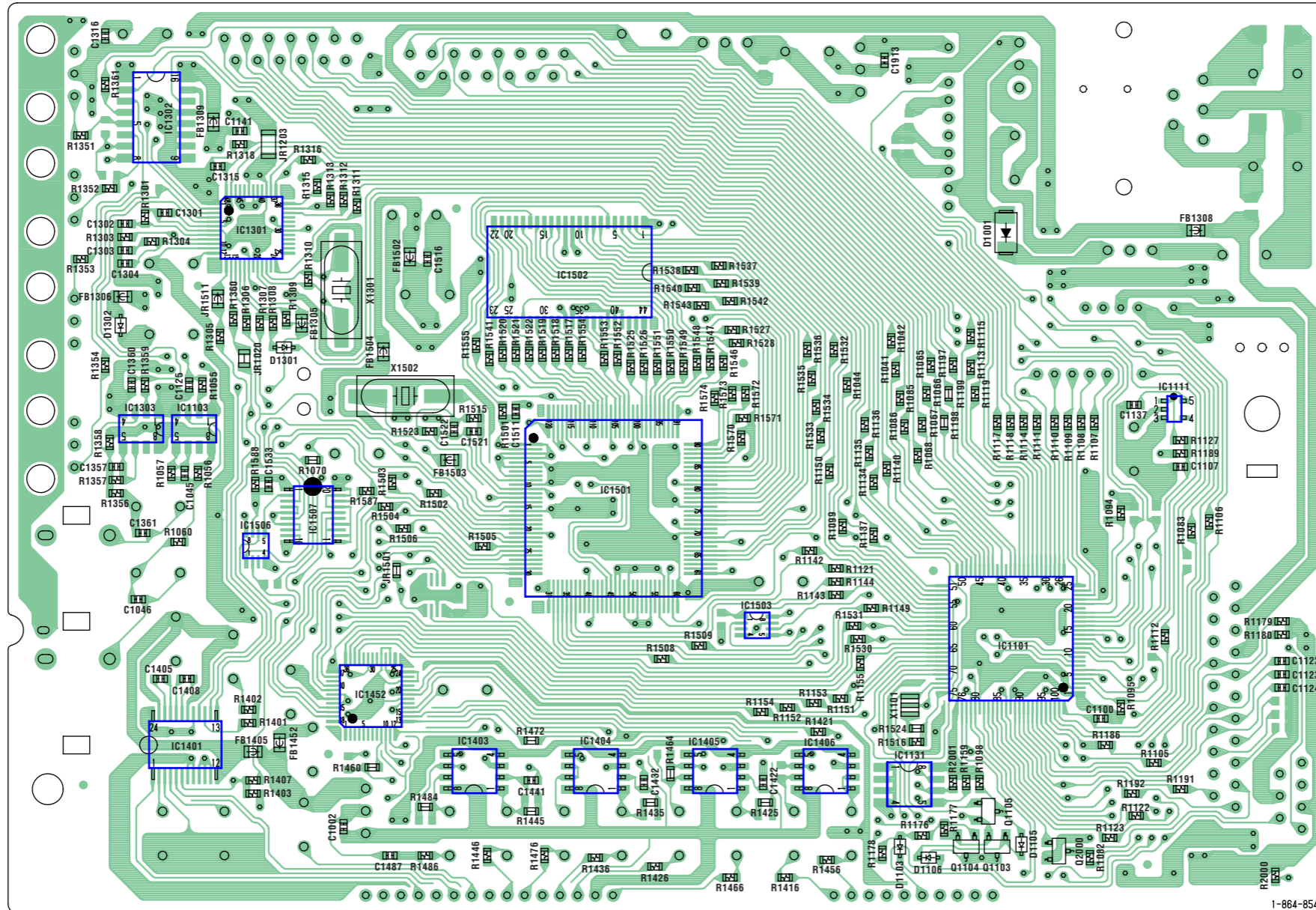


1. PRINTED WIRING BOARD — DIGITAL SECTION (1/2) (STR-DE698: US MODEL) — • Refer to page 14 of Service Manual for Circuit Boards Location.

12 | 11 | 10 | 9 | 8 | 7 | 6 | 5 | 4 | 3 | 2 | 1

A
B
C
D
E
F
G
H
I

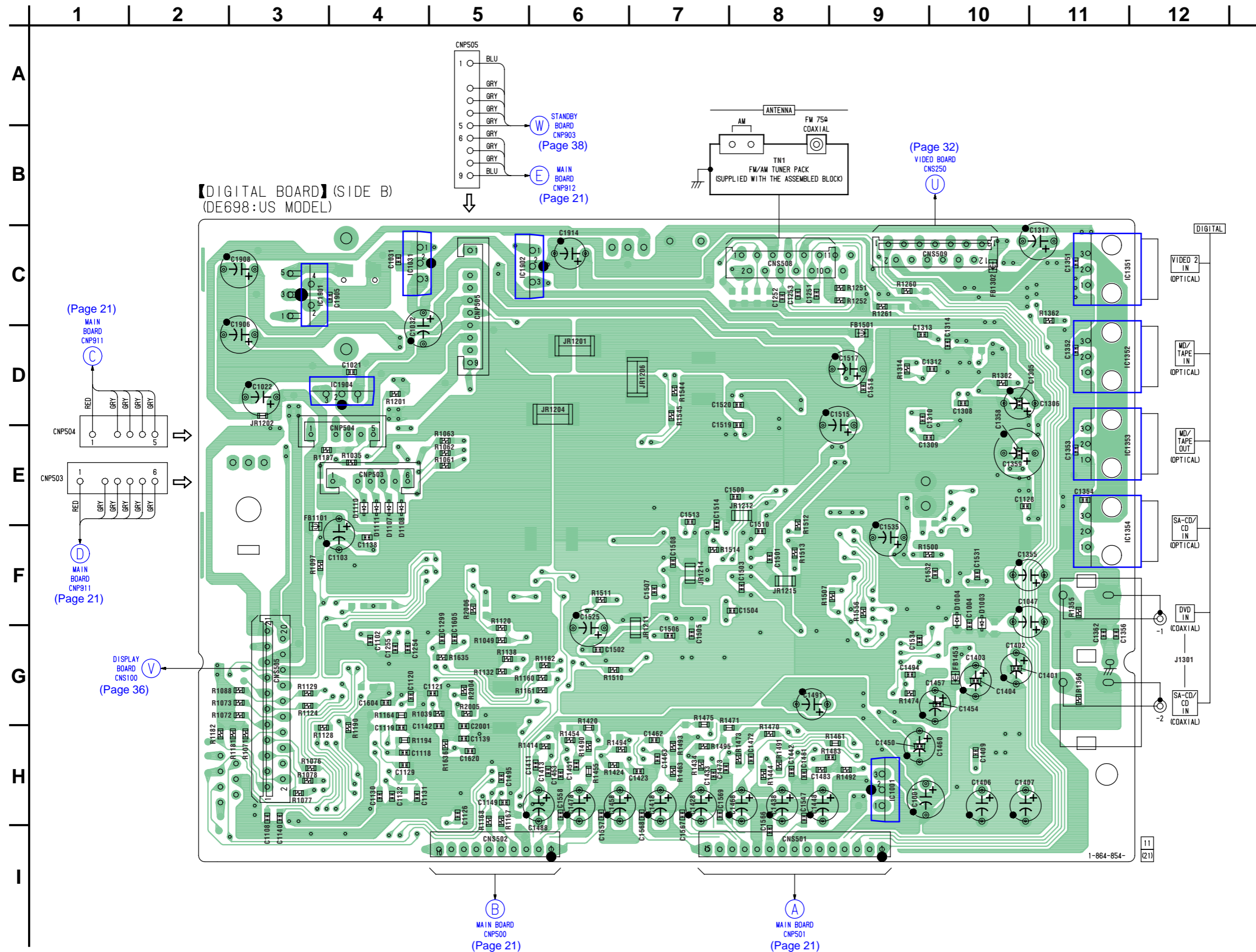
【DIGITAL BOARD】 (SIDE A) (DE698:US MODEL)



• Semiconductor Location (Side A)

Ref. No.	Location
D1001	D-5
D1103	H-5
D1105	H-4
D1106	H-5
D1301	E-10
D1302	E-11
IC1101	G-4
IC1103	E-10
IC1111	E-3
IC1131	H-5
IC1301	D-10
IC1302	C-10
IC1303	E-11
IC1401	H-10
IC1403	H-8
IC1404	H-7
IC1405	H-7
IC1406	H-6
IC1452	G-9
IC1501	F-7
IC1502	D-8
IC1503	G-6
IC1506	F-10
IC1507	F-9
Q1103	H-5
Q1104	H-5
Q1105	H-5
Q2000	H-4

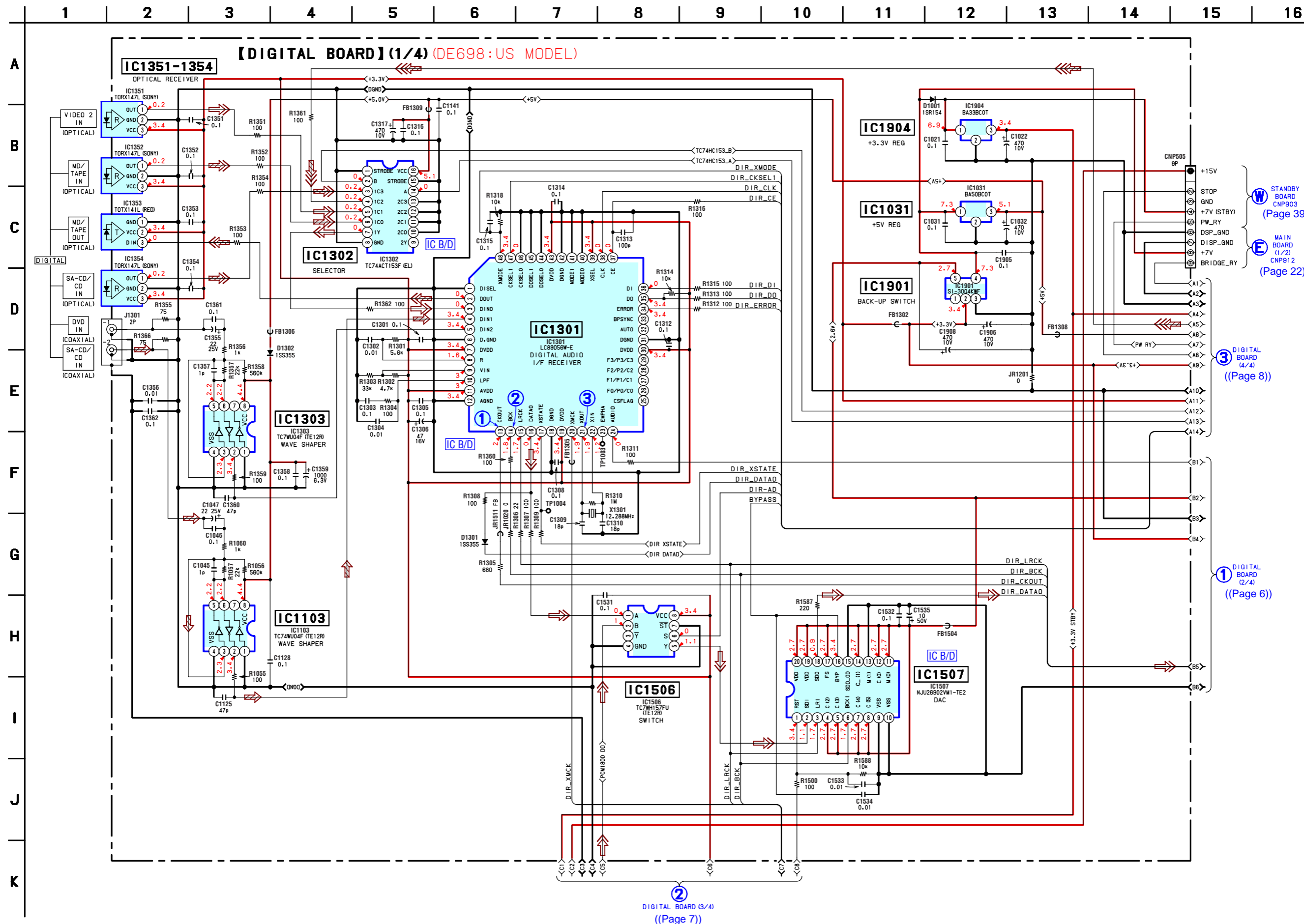
2. PRINTED WIRING BOARD — DIGITAL SECTION (2/2) (STR-DE698: US MODEL) — • Refer to page 14 of Service Manual for Circuit Boards Location.



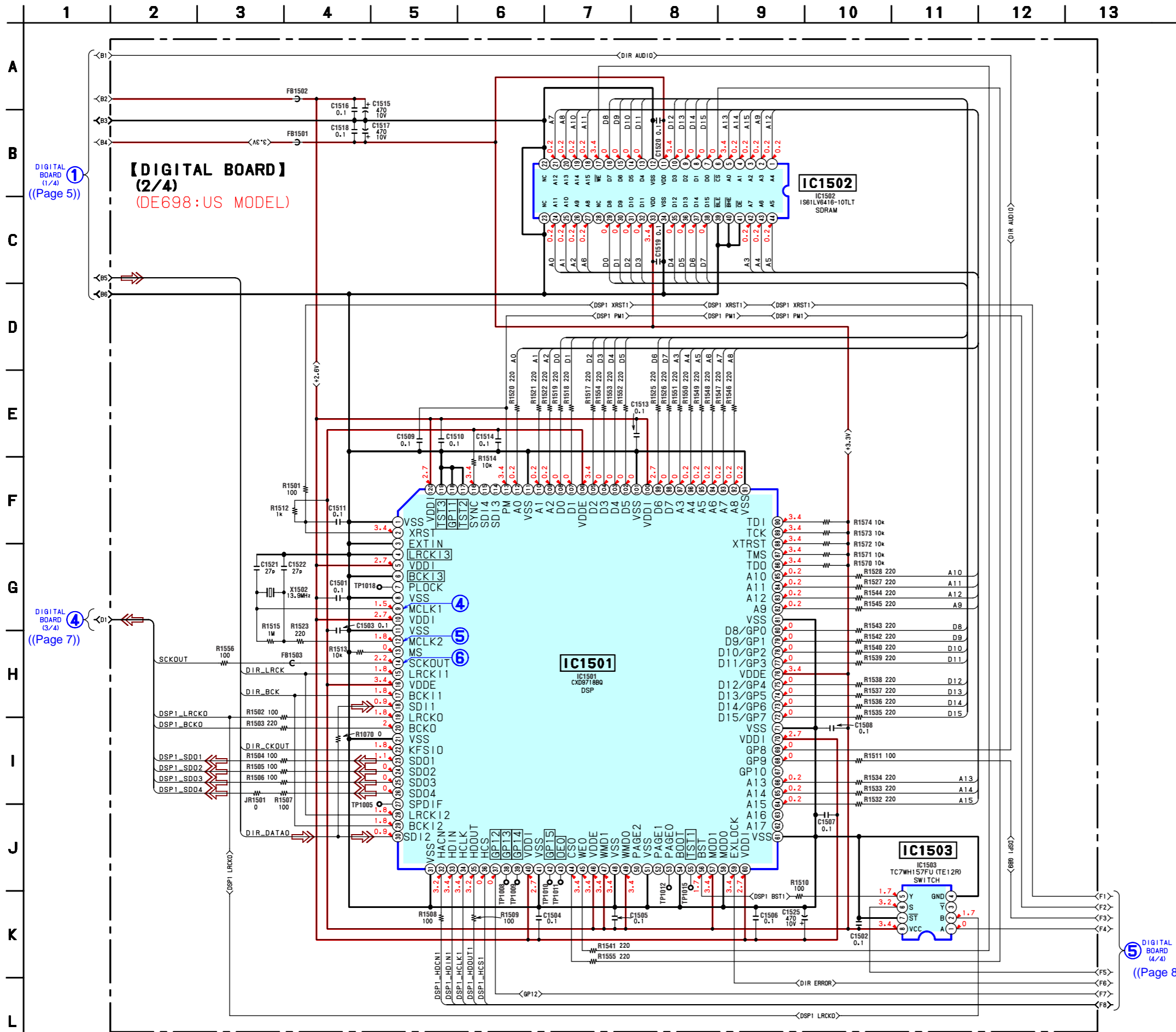
• Semiconductor Location (Side B)

Ref. No.	Location
D1003	F-10
D1004	F-10
D1107	E-4
D1108	E-4
D1110	E-4
D1111	E-4
IC1001	H-9
IC1031	C-4
IC1351	C-11
IC1352	D-11
IC1353	E-11
IC1354	F-11
IC1901	C-3
IC1902	C-5
IC1904	D-4

3. SCHEMATIC DIAGRAM — DIGITAL SECTION (1/4) (STR-DE698: US MODEL) — • Refer to page 9 of Service Manual Supplement-1 for Waveforms and page 40 of Service Manual for IC Block Diagrams.

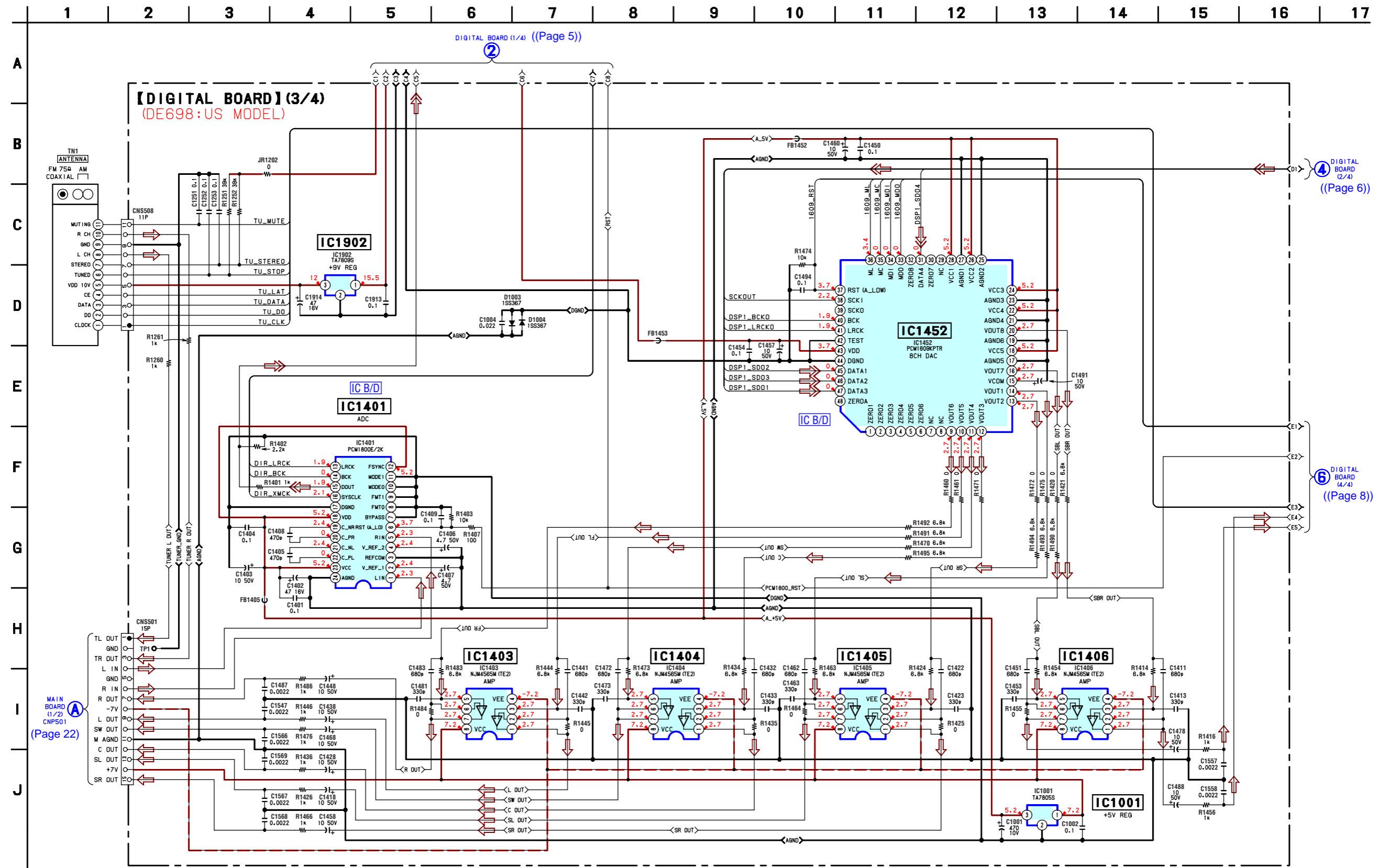


4. SCHEMATIC DIAGRAM — DIGITAL SECTION (2/4) (STR-DE698: US MODEL) — • Refer to page 9 of Service Manual Supplement-1 for Waveforms and page 42 of Service Manual for IC Pin Descriptions.

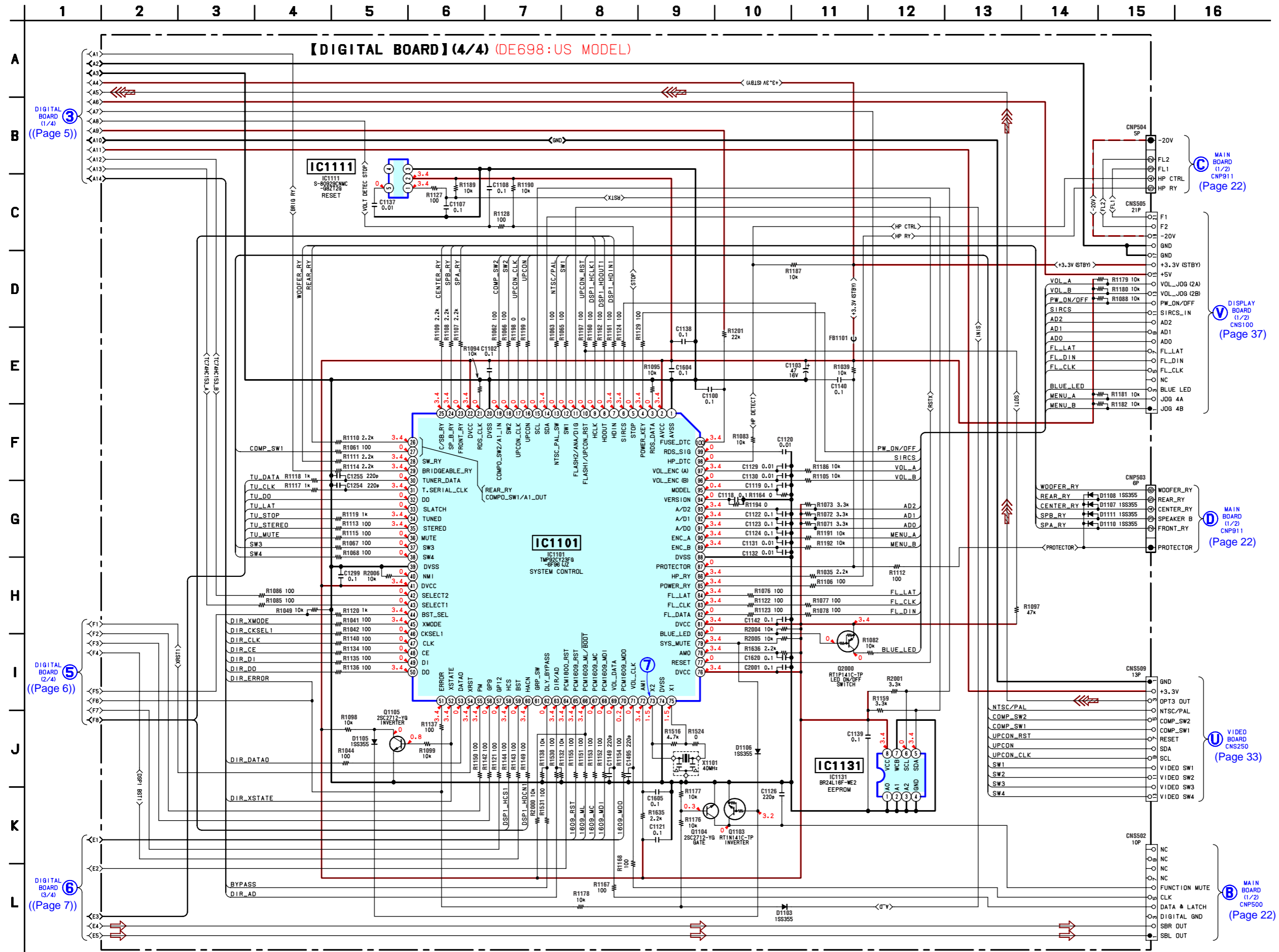


DIGITAL BOARD (4/4) ((Page 8))

5. SCHEMATIC DIAGRAM — DIGITAL SECTION (3/4) (STR-DE698: US MODEL) — • Refer to page 40 of Service Manual for IC Block Diagrams.

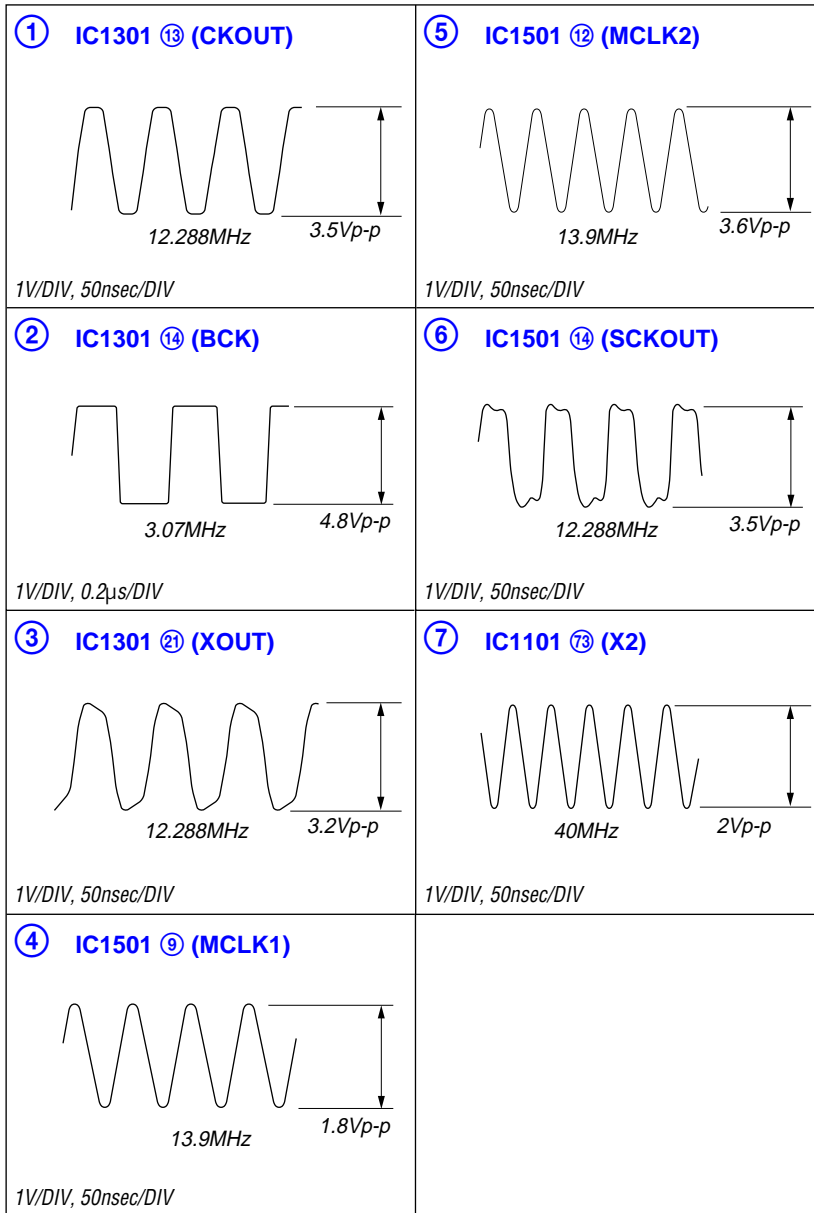


6. SCHEMATIC DIAGRAM — DIGITAL SECTION (4/4) (STR-DE698: US MODEL) — • Refer to page 9 of Service Manual Supplement-1 for Waveforms and page 10 of Service Manual Supplement-1 for IC Pin Description.



• Waveforms

— DIGITAL Board (STR-DE698: US model)—



• IC Pin Description

IC1101 TMP92CY23FG-6F96(JZ (SYSTEM CONTROL) (DIGITAL Board (4/4)) (STR-DE698: US model)

Pin No.	Pin Name	I/O	Pin Description
1	AVSS	—	Ground
2	AVCC	—	Power supply pin (+3.4 V)
3	RDS_DATA	I	RDS data input (Fixed at L)
4	POWER_KEY	I	Power key detection signal input
5	STOP	I	AC off detection signal input
6	SIRCS	I	SIRCS signal input
7	HDIN	O	Serial data output for DSP IC
8	HDOUT	I	Serial data input from DSP IC
9	HCLK	O	Serial data clock signal output for DSP IC
10	FLASH1/UPCON_RST	O	Flash programming signal output 1
11	FLASH2/ANA/DIG	O	Flash programming signal output 2/Analog/Digital port signal output
12	SW1	O	Video select signal output 1
13	NTSC_PAL_SW	O	NTSC/PAL switch signal output
14	SDA	I/O	Serial data input/output for EEPROM IC
15	SCL	O	Clock signal output for EEPROM IC
16	UPCON	I/O	Serial data input/output for Y/C separation IC
17	UPCON_CLK	O	Clock signal output for Y/C separation IC
18	SW2	O	Video select signal output 2
19	COMPO_SW2/A1_IN	O	COMPONENT VIDEO switch 2 signal output
20	DVSS	—	Ground
21	RDS_CLK	I	RDS data clock signal input (Fixed at L)
22	DVCC	—	Power supply pin (+3.4 V)
23	FRONT_RY	O	Front speaker A relay driver control signal output
24	SP_B_RY	O	Front speaker B relay driver control signal output
25	C/SB_RY	O	Center speaker relay driver control signal output
26	REAR_RY	O	Surround speaker relay driver control signal output
27	COMPO_SW1/A1_OUT	O	COMPONENT VIDEO switch 1 signal output
28	SW_RY	O	Sub woofer relay driver control signal output
29	BRIDGEABLE_RY	O	Bridgeable relay driver control signal output
30	TUNER_DATA	O	Serial data output for tuner pack
31	T.SERIAL_CLK	O	Serial clock signal output for tuner pack
32	DO	I	Tuner serial data input
33	SLATCH	O	Tuner latch signal output
34	TUNED	I	Tuned signal detection input
35	STEREO	I	Stereo signal detection input
36	MUTE	O	Tuner mute signal output
37, 38	SW3, SW4	O	Video select signal output 3, 4
39	DVSS	—	Ground
40	NMI	—	Not used (Fixed at L)
41	DVCC	—	Power supply pin (+3.4 V)
42	SELECT2	O	Digital input select 2 signal output
43	SELECT1	O	Digital input select 1 signal output
44	BST_SEL	O	96/24 signal output for DSP IC
45	XMODE	O	Xmode signal output for DIR IC
46	CKSEL1	O	Clock select signal output for DIR IC
47	CLK	O	Data clock signal output for DIR IC
48	CE	O	Latch signal output for DIR IC
49	DI	O	Data output for DIR IC
50	DO	I	Data input from DIR IC
51	ERROR	I	Error detection signal input from DIR IC
52	XSTATE	I	Xstate signal input from DIR IC

Pin No.	Pin Name	I/O	Pin Description
53	DATAO	I	Serial data line signal input from DIR IC
54	XRST	O	Reset signal output for DSP IC
55	PM	O	PLL control signal output for DSP IC
56	GP9	I	GP9 signal input from DSP IC
57	GP12	O	GP12 signal output for DSP IC
58	HCS	O	Chip select signal output for DSP IC
59	BST	O	Boot stop control signal output for DSP IC
60	HACN	I	Acknowledge signal input from DSP IC
61	GRP_SW	O	Not used (Open)
62	DLY_BYPASS	O	Bypass signal output for DAC IC
63	DIR/AD	O	A/D port signal output for DIR IC
64	PCM1800_RST	O	Reset signal output for ADC IC
65	PCM1609_RST	O	Reset signal output for 8CH DAC IC
66	PCM1609_ML/BOOT	O	Serial latch signal output for 8CH DAC IC/Boot signal output
67	PCM1609_MC	O	Serial clock signal output for 8CH DAC IC
68	PCM1609_MDI	O	Serial data output for 8CH DAC IC
69	VOL_DATA	O	Volume data latch signal output
70	PCM1609_MDO	I	Serial data input from 8CH DAC IC
71	VOL_CLK	O	Volume clock signal output
72	AM1	—	Not used (Fixed at H)
73	X2	—	Clock signal output (40 MHz)
74	DVSS	—	Ground
75	X1	—	Clock signal input (40 MHz)
76	DVCC	—	Power supply pin (+3.4 V)
77	RESET	I	Reset signal input
78	AM0	—	Not used (Fixed at H)
79	SYS_MUTE	O	System mute control signal output
80	BLUE_LED	O	LED (MULTI CHANNEL DECODING) driver signal output
81	DVCC	—	Power supply pin (+3.4 V)
82	FL_DATA	O	Serial data output for FL driver IC
83	FL_CLK	O	Clock signal output for FL driver IC
84	FL_LAT	O	Latch signal output for FL driver IC
85	POWER_RY	O	Power relay driver control signal output
86	HP_RY	O	Headphones relay driver control signal output
87	PROTECTOR	I	Protector detection signal input
88	DVSS	—	Ground
89	ENC_B	I	Menu encoder (B) signal input
90	ENC_A	I	Menu encoder (A) signal input
91 to 93	A/D0 to A/D2	I	Key signal input (A/D port)
94	VERSION	I	Destination detection signal input (Fixed at L)
95	MODEL	I	Model detection signal input (Fixed at L)
96	VOL_ENC (B)	I	Volume encoder (B) signal input
97	VOL_ENC (A)	I	Volume encoder (A) signal input
98	HP_DTC	I	Headphones detection signal input
99	RDS_SIG	I	RDS signal level input (Fixed at L)
100	FUSE_DTC	I	Fuse open detection signal input

DIGITAL

7. ELECTRICAL PARTS LIST (STR-DE698: US MODEL)

NOTE:

- Due to standardization, replacements in the parts list may be different from the parts specified in the diagrams or the components used on the set.
- -XX and -X mean standardized parts, so they may have some difference from the original one.
- RESISTORS
All resistors are in ohms.
METAL: Metal-film resistor.
METAL OXIDE: Metal oxide-film resistor.
F: nonflammable
- Items marked "***" are not stocked since they are seldom required for routine service. Some delay should be anticipated when ordering these items.
- SEMICONDUCTORS
In each case, u : μ , for example:
uA.. : μ A.. uPA.. : μ PA..
uPB.. : μ PB.. uPC.. : μ PC.. uPD.. : μ PD..
- CAPACITORS
uF : μ F
- COILS
uH : μ H

When indicating parts by reference number, please include the board.

Ref. No.	Part No.	Description	Remark	Ref. No.	Part No.	Description	Remark
	A-1158-700-A	DIGITAL BOARD, COMPLETE (DE698:US) *****		C1254	1-162-960-11	CERAMIC CHIP 220PF	10% 50V
	7-685-646-79	SCREW +BVTP 3X8 TYPE2 IT-3 < CAPACITOR >		C1255	1-162-960-11	CERAMIC CHIP 220PF	10% 50V
C1001	1-126-925-11	ELECT 470uF	20% 10V	C1299	1-100-566-11	CERAMIC CHIP 0.1uF	10% 25V
C1002	1-100-566-11	CERAMIC CHIP 0.1uF	10% 25V	C1301	1-100-566-11	CERAMIC CHIP 0.1uF	10% 25V
C1004	1-164-227-11	CERAMIC CHIP 0.022uF	10% 25V	C1302	1-162-974-11	CERAMIC CHIP 0.01uF	50V
C1021	1-100-566-11	CERAMIC CHIP 0.1uF	10% 25V	C1303	1-100-566-11	CERAMIC CHIP 0.1uF	10% 25V
C1022	1-126-925-11	ELECT 470uF	20% 10V	C1304	1-162-974-11	CERAMIC CHIP 0.01uF	50V
C1031	1-100-566-11	CERAMIC CHIP 0.1uF	10% 25V	C1305	1-100-566-11	CERAMIC CHIP 0.1uF	10% 25V
C1032	1-126-925-11	ELECT 470uF	20% 10V	C1306	1-126-947-11	ELECT 47uF	20% 35V
C1045	1-162-905-11	CERAMIC CHIP 1PF	0.25PF 50V	C1308	1-100-566-11	CERAMIC CHIP 0.1uF	10% 25V
C1046	1-100-566-11	CERAMIC CHIP 0.1uF	10% 25V	C1309	1-162-918-11	CERAMIC CHIP 18PF	5% 50V
C1047	1-104-662-11	ELECT 22uF	20% 25V	C1310	1-162-918-11	CERAMIC CHIP 18PF	5% 50V
C1100	1-100-566-11	CERAMIC CHIP 0.1uF	10% 25V	C1312	1-100-566-11	CERAMIC CHIP 0.1uF	10% 25V
C1102	1-100-566-11	CERAMIC CHIP 0.1uF	10% 25V	C1313	1-162-927-11	CERAMIC CHIP 100PF	5% 50V
C1103	1-126-947-11	ELECT 47uF	20% 35V	C1314	1-100-566-11	CERAMIC CHIP 0.1uF	10% 25V
C1107	1-100-566-11	CERAMIC CHIP 0.1uF	10% 25V	C1315	1-100-566-11	CERAMIC CHIP 0.1uF	10% 25V
C1108	1-100-566-11	CERAMIC CHIP 0.1uF	10% 25V	C1316	1-100-566-11	CERAMIC CHIP 0.1uF	10% 25V
C1118	1-100-566-11	CERAMIC CHIP 0.1uF	10% 25V	C1317	1-126-925-11	ELECT 470uF	20% 10V
C1119	1-100-566-11	CERAMIC CHIP 0.1uF	10% 25V	C1351	1-100-566-11	CERAMIC CHIP 0.1uF	10% 25V
C1120	1-162-974-11	CERAMIC CHIP 0.01uF	50V	C1352	1-100-566-11	CERAMIC CHIP 0.1uF	10% 25V
C1121	1-100-566-11	CERAMIC CHIP 0.1uF	10% 25V	C1353	1-100-566-11	CERAMIC CHIP 0.1uF	10% 25V
C1122	1-100-566-11	CERAMIC CHIP 0.1uF	10% 25V	C1354	1-100-566-11	CERAMIC CHIP 0.1uF	10% 25V
C1123	1-100-566-11	CERAMIC CHIP 0.1uF	10% 25V	C1355	1-104-662-11	ELECT 22uF	20% 25V
C1124	1-100-566-11	CERAMIC CHIP 0.1uF	10% 25V	C1356	1-162-974-11	CERAMIC CHIP 0.01uF	50V
C1125	1-162-923-11	CERAMIC CHIP 47PF	5% 50V	C1357	1-162-905-11	CERAMIC CHIP 1PF	0.25PF 50V
C1126	1-162-960-11	CERAMIC CHIP 220PF	10% 50V	C1358	1-100-566-11	CERAMIC CHIP 0.1uF	10% 25V
C1128	1-100-566-11	CERAMIC CHIP 0.1uF	10% 25V	C1359	1-126-916-11	ELECT 1000uF	20% 6.3V
C1129	1-162-974-11	CERAMIC CHIP 0.01uF	50V	C1360	1-162-923-11	CERAMIC CHIP 47PF	5% 50V
C1130	1-162-974-11	CERAMIC CHIP 0.01uF	50V	C1361	1-100-566-11	CERAMIC CHIP 0.1uF	10% 25V
C1131	1-162-974-11	CERAMIC CHIP 0.01uF	50V	C1362	1-100-566-11	CERAMIC CHIP 0.1uF	10% 25V
C1132	1-162-974-11	CERAMIC CHIP 0.01uF	50V	C1401	1-100-566-11	CERAMIC CHIP 0.1uF	10% 25V
C1137	1-162-970-11	CERAMIC CHIP 0.01uF	10% 25V	C1402	1-126-947-11	ELECT 47uF	20% 35V
C1138	1-100-566-11	CERAMIC CHIP 0.1uF	10% 25V	C1403	1-126-964-11	ELECT 10uF	20% 50V
C1139	1-100-566-11	CERAMIC CHIP 0.1uF	10% 25V	C1404	1-100-566-11	CERAMIC CHIP 0.1uF	10% 25V
C1140	1-100-566-11	CERAMIC CHIP 0.1uF	10% 25V	C1405	1-162-962-11	CERAMIC CHIP 470PF	10% 50V
C1141	1-100-566-11	CERAMIC CHIP 0.1uF	10% 25V	C1406	1-126-963-11	ELECT 4.7uF	20% 50V
C1142	1-100-566-11	CERAMIC CHIP 0.1uF	10% 25V	C1407	1-126-963-11	ELECT 4.7uF	20% 50V
C1149	1-162-960-11	CERAMIC CHIP 220PF	10% 50V	C1408	1-162-962-11	CERAMIC CHIP 470PF	10% 50V
C1251	1-100-566-11	CERAMIC CHIP 0.1uF	10% 25V	C1409	1-100-566-11	CERAMIC CHIP 0.1uF	10% 25V
C1252	1-100-566-11	CERAMIC CHIP 0.1uF	10% 25V	C1411	1-162-963-11	CERAMIC CHIP 680PF	10% 50V
C1253	1-100-566-11	CERAMIC CHIP 0.1uF	10% 25V	C1413	1-162-961-11	CERAMIC CHIP 330PF	10% 50V
				C1418	1-126-964-11	ELECT 10uF	20% 50V
				C1422	1-162-963-11	CERAMIC CHIP 680PF	10% 50V
				C1423	1-162-961-11	CERAMIC CHIP 330PF	10% 50V
				C1428	1-126-964-11	ELECT 10uF	20% 50V

Ref. No.	Part No.	Description	Remark	Ref. No.	Part No.	Description	Remark
C1432	1-162-963-11	CERAMIC CHIP	680PF 10% 50V	C1568	1-162-966-11	CERAMIC CHIP 0.0022uF 10% 50V	
C1433	1-162-961-11	CERAMIC CHIP	330PF 10% 50V	C1569	1-162-966-11	CERAMIC CHIP 0.0022uF 10% 50V	
C1438	1-126-964-11	ELECT	10uF 20% 50V	C1604	1-100-566-11	CERAMIC CHIP 0.1uF 10% 25V	
C1441	1-162-963-11	CERAMIC CHIP	680PF 10% 50V	C1605	1-100-566-11	CERAMIC CHIP 0.1uF 10% 25V	
C1442	1-162-961-11	CERAMIC CHIP	330PF 10% 50V	C1620	1-100-566-11	CERAMIC CHIP 0.1uF 10% 25V	
C1448	1-126-964-11	ELECT	10uF 20% 50V	C1905	1-100-566-11	CERAMIC CHIP 0.1uF 10% 25V	
C1450	1-100-566-11	CERAMIC CHIP	0.1uF 10% 25V	C1906	1-126-925-11	ELECT 470uF 20% 10V	
C1451	1-162-963-11	CERAMIC CHIP	680PF 10% 50V	C1908	1-126-925-11	ELECT 470uF 20% 10V	
C1453	1-162-961-11	CERAMIC CHIP	330PF 10% 50V	C1913	1-100-566-11	CERAMIC CHIP 0.1uF 10% 25V	
C1454	1-100-566-11	CERAMIC CHIP	0.1uF 10% 25V	C1914	1-126-947-11	ELECT 47uF 20% 35V	
C1457	1-126-964-11	ELECT	10uF 20% 50V	C2001	1-100-566-11	CERAMIC CHIP 0.1uF 10% 25V	
C1458	1-126-964-11	ELECT	10uF 20% 50V			< CONNECTOR >	
C1460	1-126-964-11	ELECT	10uF 20% 50V	CNP503	1-779-977-11	PIN, CONNECTOR 6P	
C1462	1-162-963-11	CERAMIC CHIP	680PF 10% 50V	CNP504	1-784-922-11	PIN, CONNECTOR 5P	
C1463	1-162-961-11	CERAMIC CHIP	330PF 10% 50V	CNP505	1-779-799-11	PIN, CONNECTOR 9P	
C1468	1-126-964-11	ELECT	10uF 20% 50V	CNS501	1-573-829-11	CONNECTOR, BOARD TO BOARD 15P	
C1472	1-162-963-11	CERAMIC CHIP	680PF 10% 50V	CNS502	1-766-719-41	CONNECTOR, BOARD TO BOARD 10P	
C1473	1-162-961-11	CERAMIC CHIP	330PF 10% 50V	CNS505	1-568-838-11	CONNECTOR, FFC 21P	
C1478	1-126-964-11	ELECT	10uF 20% 50V	CNS508	1-568-830-11	CONNECTOR, FFC 11P	
C1481	1-162-961-11	CERAMIC CHIP	330PF 10% 50V	CNS509	1-784-774-11	CONNECTOR, FFC 13P	
C1483	1-162-963-11	CERAMIC CHIP	680PF 10% 50V			< DIODE >	
C1487	1-162-966-11	CERAMIC CHIP	0.0022uF 10% 50V	D1001	8-719-053-18	DIODE 1SR154-400TE-25	
C1488	1-126-964-11	ELECT	10uF 20% 50V	D1003	8-719-049-09	DIODE 1SS367-T3SONY	
C1491	1-126-964-11	ELECT	10uF 20% 50V	D1004	8-719-049-09	DIODE 1SS367-T3SONY	
C1494	1-100-566-11	CERAMIC CHIP	0.1uF 10% 25V	D1103	8-719-988-61	DIODE 1SS355TE-17	
C1495	1-162-960-11	CERAMIC CHIP	220PF 10% 50V	D1105	8-719-988-61	DIODE 1SS355TE-17	
C1501	1-100-566-11	CERAMIC CHIP	0.1uF 10% 25V	D1106	8-719-988-61	DIODE 1SS355TE-17	
C1502	1-100-566-11	CERAMIC CHIP	0.1uF 10% 25V	D1107	8-719-988-61	DIODE 1SS355TE-17	
C1503	1-100-566-11	CERAMIC CHIP	0.1uF 10% 25V	D1108	8-719-988-61	DIODE 1SS355TE-17	
C1504	1-100-566-11	CERAMIC CHIP	0.1uF 10% 25V	D1110	8-719-988-61	DIODE 1SS355TE-17	
C1505	1-100-566-11	CERAMIC CHIP	0.1uF 10% 25V	D1111	8-719-988-61	DIODE 1SS355TE-17	
C1506	1-100-566-11	CERAMIC CHIP	0.1uF 10% 25V	D1301	8-719-988-61	DIODE 1SS355TE-17	
C1507	1-100-566-11	CERAMIC CHIP	0.1uF 10% 25V	D1302	8-719-988-61	DIODE 1SS355TE-17	
C1508	1-100-566-11	CERAMIC CHIP	0.1uF 10% 25V			< FERRITE BEAD >	
C1509	1-100-566-11	CERAMIC CHIP	0.1uF 10% 25V	FB1101	1-400-862-11	BEAD, FERRITE	
C1510	1-100-566-11	CERAMIC CHIP	0.1uF 10% 25V	FB1302	1-400-862-11	BEAD, FERRITE	
C1511	1-100-566-11	CERAMIC CHIP	0.1uF 10% 25V	FB1305	1-400-862-11	BEAD, FERRITE	
C1513	1-100-566-11	CERAMIC CHIP	0.1uF 10% 25V	FB1306	1-400-862-11	BEAD, FERRITE	
C1514	1-100-566-11	CERAMIC CHIP	0.1uF 10% 25V	FB1308	1-400-862-11	BEAD, FERRITE	
C1515	1-126-925-11	ELECT	470uF 20% 10V	FB1309	1-400-862-11	BEAD, FERRITE	
C1516	1-100-566-11	CERAMIC CHIP	0.1uF 10% 25V	FB1405	1-400-862-11	BEAD, FERRITE	
C1517	1-126-925-11	ELECT	470uF 20% 10V	FB1452	1-400-862-11	BEAD, FERRITE	
C1518	1-100-566-11	CERAMIC CHIP	0.1uF 10% 25V	FB1453	1-400-862-11	BEAD, FERRITE	
C1519	1-100-566-11	CERAMIC CHIP	0.1uF 10% 25V	FB1501	1-400-862-11	BEAD, FERRITE	
C1520	1-100-566-11	CERAMIC CHIP	0.1uF 10% 25V	FB1502	1-400-862-11	BEAD, FERRITE	
C1521	1-162-920-11	CERAMIC CHIP	27PF 5% 50V	FB1503	1-400-862-11	BEAD, FERRITE	
C1522	1-162-920-11	CERAMIC CHIP	27PF 5% 50V	FB1504	1-400-862-11	BEAD, FERRITE	
C1525	1-126-925-11	ELECT	470uF 20% 10V			< IC >	
C1531	1-100-566-11	CERAMIC CHIP	0.1uF 10% 25V	IC1001	8-759-231-53	IC TA7805S	
C1532	1-100-566-11	CERAMIC CHIP	0.1uF 10% 25V	IC1031	6-705-464-01	IC BA50BC0T	
C1533	1-162-970-11	CERAMIC CHIP	0.01uF 10% 25V	IC1101	6-806-168-01	IC TMP92CY23FG-6F96(JZ)	
C1534	1-162-974-11	CERAMIC CHIP	0.01uF 50V	IC1103	8-759-242-70	IC TC7WU04F	
C1535	1-126-964-11	ELECT	10uF 20% 50V	IC1111	6-702-913-01	IC S-80929CNMC-G8ZT2G	
C1547	1-162-966-11	CERAMIC CHIP	0.0022uF 10% 50V				
C1557	1-162-966-11	CERAMIC CHIP	0.0022uF 10% 50V				
C1558	1-162-966-11	CERAMIC CHIP	0.0022uF 10% 50V				
C1566	1-162-966-11	CERAMIC CHIP	0.0022uF 10% 50V				
C1567	1-162-966-11	CERAMIC CHIP	0.0022uF 10% 50V				

STR-DE598/DE698/DV10

DIGITAL

Ref. No.	Part No.	Description	Remark	Ref. No.	Part No.	Description	Remark
IC1131	6-704-004-01	IC BR24L16F-WE2		R1055	1-216-809-11	METAL CHIP	100 5% 1/10W
IC1301	8-759-825-15	IC LC89056W-E		R1056	1-216-854-11	METAL CHIP	560K 5% 1/10W
IC1302	8-759-595-15	IC TC74ACT153F(EL)		R1057	1-216-837-11	METAL CHIP	22K 5% 1/10W
IC1303	8-759-242-70	IC TC7WU04F		R1060	1-216-821-11	METAL CHIP	1K 5% 1/10W
IC1351	6-600-466-01	IC TORX147L(SONY) (DIGITAL VIDEO 2 IN (OPTICAL))		R1061	1-216-809-11	METAL CHIP	100 5% 1/10W
IC1352	6-600-466-01	IC TORX147L(SONY) (DIGITAL MD/TAPE IN (OPTICAL))		R1062	1-216-809-11	METAL CHIP	100 5% 1/10W
IC1353	6-600-012-11	IC TOTX141L(RED) (DIGITAL MD/TAPE OUT (OPTICAL))		R1063	1-216-809-11	METAL CHIP	100 5% 1/10W
IC1354	6-600-466-01	IC TORX147L(SONY) (DIGITAL SA-CD/CD IN (OPTICAL))		R1065	1-216-809-11	METAL CHIP	100 5% 1/10W
IC1401	8-759-560-56	IC PCM1800E/2K		R1066	1-216-809-11	METAL CHIP	100 5% 1/10W
IC1403	8-759-710-97	IC NJM4565M-D		R1067	1-216-809-11	METAL CHIP	100 5% 1/10W
IC1404	8-759-710-97	IC NJM4565M-D		R1068	1-216-809-11	METAL CHIP	100 5% 1/10W
IC1405	8-759-710-97	IC NJM4565M-D		R1070	1-216-864-11	SHORT CHIP	0
IC1406	8-759-710-97	IC NJM4565M-D		R1071	1-216-827-11	METAL CHIP	3.3K 5% 1/10W
IC1452	6-703-787-01	IC PCM1609KPTR		R1072	1-216-827-11	METAL CHIP	3.3K 5% 1/10W
IC1501	6-705-900-01	IC CXD9718BQ		R1073	1-216-827-11	METAL CHIP	3.3K 5% 1/10W
IC1502	6-704-832-01	IC IS61LV6416-10TLT		R1076	1-216-809-11	METAL CHIP	100 5% 1/10W
IC1503	8-759-546-74	IC TC7WH157FU(TE12R)		R1077	1-216-809-11	METAL CHIP	100 5% 1/10W
IC1506	8-759-546-74	IC TC7WH157FU(TE12R)		R1078	1-216-809-11	METAL CHIP	100 5% 1/10W
IC1507	6-707-666-01	IC NJU26902VM1-TE2		R1082	1-216-833-11	METAL CHIP	10K 5% 1/10W
IC1901	6-701-887-02	IC SI-3004KWF		R1083	1-216-833-11	METAL CHIP	10K 5% 1/10W
IC1902	8-759-701-59	IC NJM78M09FA		R1085	1-216-809-11	METAL CHIP	100 5% 1/10W
IC1904	6-705-463-01	IC BA33BC0T		R1086	1-216-809-11	METAL CHIP	100 5% 1/10W
		< JACK >		R1088	1-216-833-11	METAL CHIP	10K 5% 1/10W
J1301	1-818-314-11	JACK, PIN 2P (DIGITAL DVD IN (COAXIAL), SA-CD/CD IN (COAXIAL))		R1089	1-216-833-11	METAL CHIP	10K 5% 1/10W
		< JUMPER RESISTOR >		R1094	1-216-833-11	METAL CHIP	10K 5% 1/10W
JR1020	1-216-864-11	SHORT CHIP	0	R1095	1-216-833-11	METAL CHIP	10K 5% 1/10W
JR1201	1-211-950-11	SHORT CHIP	0	R1097	1-216-841-11	METAL CHIP	47K 5% 1/10W
JR1202	1-216-864-11	SHORT CHIP	0	R1098	1-216-833-11	METAL CHIP	10K 5% 1/10W
JR1203	1-216-296-11	SHORT CHIP	0	R1099	1-216-833-11	METAL CHIP	10K 5% 1/10W
JR1204	1-211-950-11	SHORT CHIP	0	R1105	1-216-833-11	METAL CHIP	10K 5% 1/10W
JR1206	1-211-950-11	SHORT CHIP	0	R1106	1-216-809-11	METAL CHIP	100 5% 1/10W
JR1211	1-216-296-11	SHORT CHIP	0	R1107	1-216-825-11	METAL CHIP	2.2K 5% 1/10W
JR1212	1-216-296-11	SHORT CHIP	0	R1108	1-216-825-11	METAL CHIP	2.2K 5% 1/10W
JR1214	1-216-296-11	SHORT CHIP	0	R1109	1-216-825-11	METAL CHIP	2.2K 5% 1/10W
JR1215	1-216-296-11	SHORT CHIP	0	R1110	1-216-825-11	METAL CHIP	2.2K 5% 1/10W
JR1501	1-216-864-11	SHORT CHIP	0	R1111	1-216-825-11	METAL CHIP	2.2K 5% 1/10W
JR1511	1-400-862-11	BEAD, FERRITE		R1112	1-216-809-11	METAL CHIP	100 5% 1/10W
		< TRANSISTOR >		R1113	1-216-809-11	METAL CHIP	100 5% 1/10W
Q1103	8-729-027-43	TRANSISTOR DTC114EKA-T146		R1114	1-216-825-11	METAL CHIP	2.2K 5% 1/10W
Q1104	8-729-230-49	TRANSISTOR 2SC2712-YG		R1115	1-216-809-11	METAL CHIP	100 5% 1/10W
Q1105	8-729-230-49	TRANSISTOR 2SC2712-YG		R1117	1-216-821-11	METAL CHIP	1K 5% 1/10W
Q2000	8-729-027-23	TRANSISTOR DTA114EKA-T146		R1118	1-216-821-11	METAL CHIP	1K 5% 1/10W
		< RESISTOR >		R1119	1-216-821-11	METAL CHIP	1K 5% 1/10W
R1035	1-216-825-11	METAL CHIP	2.2K 5% 1/10W	R1120	1-216-821-11	METAL CHIP	1K 5% 1/10W
R1039	1-216-833-11	METAL CHIP	10K 5% 1/10W	R1121	1-216-809-11	METAL CHIP	100 5% 1/10W
R1041	1-216-809-11	METAL CHIP	100 5% 1/10W	R1122	1-216-809-11	METAL CHIP	100 5% 1/10W
R1042	1-216-809-11	METAL CHIP	100 5% 1/10W	R1123	1-216-809-11	METAL CHIP	100 5% 1/10W
R1044	1-216-809-11	METAL CHIP	100 5% 1/10W	R1124	1-216-809-11	METAL CHIP	100 5% 1/10W
R1049	1-216-833-11	METAL CHIP	10K 5% 1/10W	R1127	1-216-809-11	METAL CHIP	100 5% 1/10W
				R1128	1-216-809-11	METAL CHIP	100 5% 1/10W
				R1129	1-216-809-11	METAL CHIP	100 5% 1/10W
				R1132	1-216-833-11	METAL CHIP	10K 5% 1/10W
				R1134	1-216-809-11	METAL CHIP	100 5% 1/10W
				R1135	1-216-809-11	METAL CHIP	100 5% 1/10W
				R1136	1-216-809-11	METAL CHIP	100 5% 1/10W
				R1137	1-216-809-11	METAL CHIP	100 5% 1/10W
				R1138	1-216-833-11	METAL CHIP	10K 5% 1/10W
				R1140	1-216-809-11	METAL CHIP	100 5% 1/10W
				R1142	1-216-809-11	METAL CHIP	100 5% 1/10W

Ref. No.	Part No.	Description			Remark	Ref. No.	Part No.	Description			Remark
R1143	1-216-809-11	METAL CHIP	100	5%	1/10W	R1354	1-216-809-11	METAL CHIP	100	5%	1/10W
R1144	1-216-809-11	METAL CHIP	100	5%	1/10W	R1355	1-218-285-11	METAL CHIP	75	5%	1/10W
R1149	1-216-809-11	METAL CHIP	100	5%	1/10W	R1356	1-216-821-11	METAL CHIP	1K	5%	1/10W
R1150	1-216-809-11	METAL CHIP	100	5%	1/10W	R1357	1-216-837-11	METAL CHIP	22K	5%	1/10W
R1151	1-216-809-11	METAL CHIP	100	5%	1/10W	R1358	1-216-854-11	METAL CHIP	560K	5%	1/10W
R1152	1-216-809-11	METAL CHIP	100	5%	1/10W	R1359	1-216-809-11	METAL CHIP	100	5%	1/10W
R1153	1-216-809-11	METAL CHIP	100	5%	1/10W	R1360	1-216-809-11	METAL CHIP	100	5%	1/10W
R1154	1-216-809-11	METAL CHIP	100	5%	1/10W	R1361	1-216-809-11	METAL CHIP	100	5%	1/10W
R1155	1-216-809-11	METAL CHIP	100	5%	1/10W	R1362	1-216-809-11	METAL CHIP	100	5%	1/10W
R1159	1-216-827-11	METAL CHIP	3.3K	5%	1/10W	R1366	1-218-285-11	METAL CHIP	75	5%	1/10W
R1160	1-216-809-11	METAL CHIP	100	5%	1/10W	R1401	1-216-821-11	METAL CHIP	1K	5%	1/10W
R1161	1-216-809-11	METAL CHIP	100	5%	1/10W	R1402	1-216-825-11	METAL CHIP	2.2K	5%	1/10W
R1162	1-216-809-11	METAL CHIP	100	5%	1/10W	R1403	1-216-833-11	METAL CHIP	10K	5%	1/10W
R1164	1-216-864-11	SHORT CHIP	0			R1407	1-216-809-11	METAL CHIP	100	5%	1/10W
R1167	1-216-809-11	METAL CHIP	100	5%	1/10W	R1414	1-218-867-11	METAL CHIP	6.8K	0.5%	1/10W
R1168	1-216-809-11	METAL CHIP	100	5%	1/10W	R1416	1-216-821-11	METAL CHIP	1K	5%	1/10W
R1176	1-216-833-11	METAL CHIP	10K	5%	1/10W	R1420	1-216-864-11	SHORT CHIP	0		
R1177	1-216-833-11	METAL CHIP	10K	5%	1/10W	R1421	1-218-867-11	METAL CHIP	6.8K	0.5%	1/10W
R1178	1-216-833-11	METAL CHIP	10K	5%	1/10W	R1424	1-218-867-11	METAL CHIP	6.8K	0.5%	1/10W
R1179	1-216-833-11	METAL CHIP	10K	5%	1/10W	R1425	1-216-864-11	SHORT CHIP	0		
R1180	1-216-833-11	METAL CHIP	10K	5%	1/10W	R1426	1-216-821-11	METAL CHIP	1K	5%	1/10W
R1181	1-216-833-11	METAL CHIP	10K	5%	1/10W	R1434	1-218-867-11	METAL CHIP	6.8K	0.5%	1/10W
R1182	1-216-833-11	METAL CHIP	10K	5%	1/10W	R1435	1-216-864-11	SHORT CHIP	0		
R1186	1-216-833-11	METAL CHIP	10K	5%	1/10W	R1436	1-216-821-11	METAL CHIP	1K	5%	1/10W
R1187	1-216-833-11	METAL CHIP	10K	5%	1/10W	R1444	1-218-867-11	METAL CHIP	6.8K	0.5%	1/10W
R1189	1-216-833-11	METAL CHIP	10K	5%	1/10W	R1445	1-216-864-11	SHORT CHIP	0		
R1190	1-216-833-11	METAL CHIP	10K	5%	1/10W	R1446	1-216-821-11	METAL CHIP	1K	5%	1/10W
R1191	1-216-833-11	METAL CHIP	10K	5%	1/10W	R1454	1-218-867-11	METAL CHIP	6.8K	0.5%	1/10W
R1192	1-216-833-11	METAL CHIP	10K	5%	1/10W	R1455	1-216-864-11	SHORT CHIP	0		
R1194	1-216-864-11	SHORT CHIP	0			R1456	1-216-821-11	METAL CHIP	1K	5%	1/10W
R1197	1-216-809-11	METAL CHIP	100	5%	1/10W	R1460	1-216-864-11	SHORT CHIP	0		
R1198	1-216-864-11	SHORT CHIP	0			R1461	1-216-864-11	SHORT CHIP	0		
R1199	1-216-864-11	SHORT CHIP	0			R1463	1-218-867-11	METAL CHIP	6.8K	0.5%	1/10W
R1201	1-216-837-11	METAL CHIP	22K	5%	1/10W	R1464	1-216-864-11	SHORT CHIP	0		
R1251	1-216-840-11	METAL CHIP	39K	5%	1/10W	R1466	1-216-821-11	METAL CHIP	1K	5%	1/10W
R1252	1-216-840-11	METAL CHIP	39K	5%	1/10W	R1470	1-218-867-11	METAL CHIP	6.8K	0.5%	1/10W
R1260	1-216-821-11	METAL CHIP	1K	5%	1/10W	R1471	1-216-864-11	SHORT CHIP	0		
R1261	1-216-821-11	METAL CHIP	1K	5%	1/10W	R1472	1-216-864-11	SHORT CHIP	0		
R1301	1-216-830-11	METAL CHIP	5.6K	5%	1/10W	R1473	1-218-867-11	METAL CHIP	6.8K	0.5%	1/10W
R1302	1-216-829-11	METAL CHIP	4.7K	5%	1/10W	R1474	1-216-833-11	METAL CHIP	10K	5%	1/10W
R1303	1-216-839-11	METAL CHIP	33K	5%	1/10W	R1475	1-216-864-11	SHORT CHIP	0		
R1304	1-216-809-11	METAL CHIP	100	5%	1/10W	R1476	1-216-821-11	METAL CHIP	1K	5%	1/10W
R1305	1-216-819-11	METAL CHIP	680	5%	1/10W	R1483	1-218-867-11	METAL CHIP	6.8K	0.5%	1/10W
R1306	1-216-801-11	METAL CHIP	22	5%	1/10W	R1484	1-216-864-11	SHORT CHIP	0		
R1307	1-216-809-11	METAL CHIP	100	5%	1/10W	R1486	1-216-821-11	METAL CHIP	1K	5%	1/10W
R1308	1-216-809-11	METAL CHIP	100	5%	1/10W	R1490	1-218-867-11	METAL CHIP	6.8K	0.5%	1/10W
R1309	1-216-809-11	METAL CHIP	100	5%	1/10W	R1491	1-218-867-11	METAL CHIP	6.8K	0.5%	1/10W
R1310	1-216-857-11	METAL CHIP	1M	5%	1/10W	R1492	1-218-867-11	METAL CHIP	6.8K	0.5%	1/10W
R1311	1-216-809-11	METAL CHIP	100	5%	1/10W	R1493	1-218-867-11	METAL CHIP	6.8K	0.5%	1/10W
R1312	1-216-809-11	METAL CHIP	100	5%	1/10W	R1494	1-218-867-11	METAL CHIP	6.8K	0.5%	1/10W
R1313	1-216-809-11	METAL CHIP	100	5%	1/10W	R1495	1-218-867-11	METAL CHIP	6.8K	0.5%	1/10W
R1314	1-216-833-11	METAL CHIP	10K	5%	1/10W	R1500	1-216-809-11	METAL CHIP	100	5%	1/10W
R1315	1-216-809-11	METAL CHIP	100	5%	1/10W	R1501	1-216-809-11	METAL CHIP	100	5%	1/10W
R1316	1-216-809-11	METAL CHIP	100	5%	1/10W	R1502	1-216-809-11	METAL CHIP	100	5%	1/10W
R1318	1-216-833-11	METAL CHIP	10K	5%	1/10W	R1503	1-216-813-11	METAL CHIP	220	5%	1/10W
R1351	1-216-809-11	METAL CHIP	100	5%	1/10W	R1504	1-216-809-11	METAL CHIP	100	5%	1/10W
R1352	1-216-809-11	METAL CHIP	100	5%	1/10W	R1505	1-216-809-11	METAL CHIP	100	5%	1/10W
R1353	1-216-809-11	METAL CHIP	100	5%	1/10W	R1506	1-216-809-11	METAL CHIP	100	5%	1/10W

STR-DE598/DE698/DV10

DIGITAL

Ref. No.	Part No.	Description			Remark	Ref. No.	Part No.	Description			Remark
R1507	1-216-809-11	METAL CHIP	100	5%	1/10W	R2000	1-216-833-11	METAL CHIP	10K	5%	1/10W
R1508	1-216-809-11	METAL CHIP	100	5%	1/10W	R2001	1-216-827-11	METAL CHIP	3.3K	5%	1/10W
R1509	1-216-809-11	METAL CHIP	100	5%	1/10W	R2004	1-216-833-11	METAL CHIP	10K	5%	1/10W
R1510	1-216-809-11	METAL CHIP	100	5%	1/10W	R2005	1-216-833-11	METAL CHIP	10K	5%	1/10W
R1511	1-216-809-11	METAL CHIP	100	5%	1/10W	R2006	1-216-833-11	METAL CHIP	10K	5%	1/10W
R1512	1-216-821-11	METAL CHIP	1K	5%	1/10W	< VIBRATOR >					
R1513	1-216-833-11	METAL CHIP	10K	5%	1/10W	X1101	1-781-544-11	VIBRATOR, CERAMIC (40MHz)			
R1514	1-216-833-11	METAL CHIP	10K	5%	1/10W	X1301	1-795-126-21	VIBRATOR, CRYSTAL (12.288MHz)			
R1515	1-216-857-11	METAL CHIP	1M	5%	1/10W	X1502	1-813-276-21	QUARTZ, CRYSTAL (13.9MHz)			
R1516	1-216-829-11	METAL CHIP	4.7K	5%	1/10W						
R1517	1-216-813-11	METAL CHIP	220	5%	1/10W						
R1518	1-216-813-11	METAL CHIP	220	5%	1/10W						
R1519	1-216-813-11	METAL CHIP	220	5%	1/10W						
R1520	1-216-813-11	METAL CHIP	220	5%	1/10W						
R1521	1-216-813-11	METAL CHIP	220	5%	1/10W						
R1522	1-216-813-11	METAL CHIP	220	5%	1/10W						
R1523	1-216-813-11	METAL CHIP	220	5%	1/10W						
R1524	1-216-864-11	SHORT CHIP	0								
R1525	1-216-813-11	METAL CHIP	220	5%	1/10W						
R1526	1-216-813-11	METAL CHIP	220	5%	1/10W						
R1527	1-216-813-11	METAL CHIP	220	5%	1/10W						
R1528	1-216-813-11	METAL CHIP	220	5%	1/10W						
R1530	1-216-809-11	METAL CHIP	100	5%	1/10W						
R1531	1-216-809-11	METAL CHIP	100	5%	1/10W						
R1532	1-216-813-11	METAL CHIP	220	5%	1/10W						
R1533	1-216-813-11	METAL CHIP	220	5%	1/10W						
R1534	1-216-813-11	METAL CHIP	220	5%	1/10W						
R1535	1-216-813-11	METAL CHIP	220	5%	1/10W						
R1536	1-216-813-11	METAL CHIP	220	5%	1/10W						
R1537	1-216-813-11	METAL CHIP	220	5%	1/10W						
R1538	1-216-813-11	METAL CHIP	220	5%	1/10W						
R1539	1-216-813-11	METAL CHIP	220	5%	1/10W						
R1540	1-216-813-11	METAL CHIP	220	5%	1/10W						
R1541	1-216-813-11	METAL CHIP	220	5%	1/10W						
R1542	1-216-813-11	METAL CHIP	220	5%	1/10W						
R1543	1-216-813-11	METAL CHIP	220	5%	1/10W						
R1544	1-216-813-11	METAL CHIP	220	5%	1/10W						
R1545	1-216-813-11	METAL CHIP	220	5%	1/10W						
R1546	1-216-813-11	METAL CHIP	220	5%	1/10W						
R1547	1-216-813-11	METAL CHIP	220	5%	1/10W						
R1548	1-216-813-11	METAL CHIP	220	5%	1/10W						
R1549	1-216-813-11	METAL CHIP	220	5%	1/10W						
R1550	1-216-813-11	METAL CHIP	220	5%	1/10W						
R1551	1-216-813-11	METAL CHIP	220	5%	1/10W						
R1552	1-216-813-11	METAL CHIP	220	5%	1/10W						
R1553	1-216-813-11	METAL CHIP	220	5%	1/10W						
R1554	1-216-813-11	METAL CHIP	220	5%	1/10W						
R1555	1-216-813-11	METAL CHIP	220	5%	1/10W						
R1556	1-216-809-11	METAL CHIP	100	5%	1/10W						
R1570	1-216-833-11	METAL CHIP	10K	5%	1/10W						
R1571	1-216-833-11	METAL CHIP	10K	5%	1/10W						
R1572	1-216-833-11	METAL CHIP	10K	5%	1/10W						
R1573	1-216-833-11	METAL CHIP	10K	5%	1/10W						
R1574	1-216-833-11	METAL CHIP	10K	5%	1/10W						
R1587	1-216-813-11	METAL CHIP	220	5%	1/10W						
R1588	1-216-833-11	METAL CHIP	10K	5%	1/10W						
R1635	1-216-825-11	METAL CHIP	2.2K	5%	1/10W						
R1636	1-216-825-11	METAL CHIP	2.2K	5%	1/10W						

MEMO

