

STR-D560Z/D660Z/DE615/DE715

SERVICE MANUAL


US Model
STR-D560Z/D660Z/DE615/DE715

Canadian Model
STR-DE615/DE715

Australian Model
STR-DE715



Photo : STR-DE615

Manufactured under license from Dolby Laboratories Licensing Corporation.
"Dolby", the double-D symbol  and "Pro Logic" are trademarks of Dolby Laboratories Licensing Corporation.

SPECIFICATIONS

AUDIO POWER SPECIFICATIONS

POWER OUTPUT AND TOTAL HARMONIC DISTORTION

With 8-ohm load, both channels driven, from 20 - 20,000 Hz, rated 100 watts per channel, minimum RMS power, with no more than 0.09% total harmonic distortion from 250 milliwatts to rated output (US model only).

Amplifier section

POWER OUTPUT

Stereo mode (8 ohms 20 Hz - 20 kHz, THD 0.09%)
100 W + 100 W

Surround mode (8 ohms at 1 kHz, THD 0.8%)

Front: 100 W/ch
Center (PRO LOGIC mode): 100W
Rear: 100 W/ch

5.1/DVD mode (8 ohms at 1 kHz, THD 0.8%)

Front: 100 W/ch
Center: 100W
Rear: 100 W/ch

Dynamic power output

155 W + 155 W, 8 ohms
110 W + 110 W, 4 ohms

Harmonic distortion at rated output
Less than 0.09%

Frequency response

PHONO: RIAA equalization curve ± 0.5 dB

CD, TAPE, DAT/MD, VIDEO 1, 2:
10 Hz - 50 kHz ± 1 dB

Inputs

	Sensitivity	Impedance	S/N (weighting network, input level)
PHONO	2.5 mV	50 kilohms	75 dB* (A, 2.5 mV)
CD	200 mV		
TAPE, DAT/MD, VIDEO 1, 2, TV/DBS	150 mV	50 kilohms	82 dB* (A, 150 mV)
5.1 INPUT	200 mV	50 kilohms	82 dB* (A, 150 mV)

* ± 78 IHF

Outputs

VIDEO 1, 2 AUDIO OUT:
Voltage: 150 mV, Impedance: 10 kilohms
WOOFER:
Voltage: 2 V
Impedance: 1 kilohms
PHONES:
Accepts low and high impedance headphones

BASS BOOST +10 dB at 70 Hz

TONE ± 8 dB at 100 Hz and 10 kHz

FM tuner section

Tuning range 87.5 - 108.0 MHz

Antenna terminals

75 ohms, unbalanced

Sensitivity Mono: 18.3 dBf, 4.5 μ V
Stereo: 38.3 dBf, 45 μ V

Usable sensitivity

11.2 dBf, 2 μ V (IHF)

S/N Mono: 76 dB
Stereo: 70 dB

Harmonic distortion at 1 kHz

Mono: 0.3%
Stereo: 0.5%

Separation 45 dB at 1 kHz

Frequency response

30 Hz - 15 kHz ± 1.5 dB

Selectivity 60 dB at 400 kHz

- Continued on page 2 -

FM STEREO/FM-AM RECEIVER



SONY®

AM tuner section

Tuning range US, Canadian model :
With 10 kHz interval**:
530 - 1710 kHz
With 9 kHz interval:
531 - 1710 kHz
Australian model :
531-1602 kHz

Antenna Loop antenna

Usable sensitivity

50 dB/m (at 1,000 kHz or
999 kHz)

S/N 54 dB (at 50 mV/m)

Harmonic distortion

0.5 % (50 mV/m,
400 kHz)

Selectivity At 9 kHz: 35 dB
At 10 kHz: 40 dB

** You can change the AM tuning interval to 9 kHz (US and Canadian model only). After tuning in any AM station, turn off the receiver. Hold down the PRESET TUNING + button and press the POWER button. All preset stations will be erased when you change the interval. To reset the interval to 10 kHz, repeat the procedure.

Video section

Inputs VIDEO 1, 2, TV/DBS,
5.1 INPUT:
1 V_{p-p} 75 ohms

Outputs VIDEO 1, 2, MONITOR:
1 V_{p-p} 75 ohms

General

System Tuner section:
PLL quartz-locked
digital synthesizer
system
Preamplifier section:
Low-noise NF type
equalizer
Power amplifier section:
Pure-complimentary
SEPP

Power requirements

Australian model:
240 V AC, 50 Hz
US, Canadian model :
120 V AC, 60 Hz

Power consumption

US model: 280 W
Canadian model:
480 VA
Australian model:
280 W

AC outlets Australian model:
1 switched, total
100 W
Other models:
2 switched, total
120 W

Dimensions 430 × 155 × 350 mm
(17 × 6 1/8 ×
13 7/8 inches)

Mass (Approx.) 9.8 kg (21 lb 9 oz)

Supplied accessories

See page 4.

Design and specifications are subject to change without notice.

TABLE OF CONTENTS

Specifications 1

1. GENERAL

Location and Function of Controls 4

2. DIAGRAMS

2-1. IC Pin Functions 6

2-2. Circuit Boards Locations 10

2-3. Printed Wiring Boards – AMP Section – 11

2-4. Schematic Diagram – AMP Section – 15

2-5. Schematic Diagram – Surround Section – 19

2-6. Printed Wiring Boards – Surround Section – 23

2-7. Schematic Diagram

– Display Section (STR-D560Z/DE615) – 26

2-8. Printed Wiring Boards

– Display Section (STR-D560Z/DE615) – 29

2-9. Printed Wiring Boards

– Display Section (STR-D660Z/DE715) – 33

2-10. Schematic Diagram

– Display Section (STR-D660Z/DE715) – 37

3. EXPLODED VIEWS

3-1. Front Panel Section 44

3-2. Chassis Section 46

3-3. Back Panel Section 47

4. ELECTRICAL PARTS LIST 48

SAFETY CHECK-OUT

After correcting the original service problem, perform the following safety check before releasing the set to the customer :
Check the antenna terminals, metal trim, "metallized" knobs, screws, and all other exposed metal parts for AC leakage. Check leakage as described below.

LEAKAGE TEST

The AC leakage from any exposed metal part to earth ground and from all exposed metal parts to any exposed metal part having a return to chassis, must not exceed 0.5mA (500 microampers). Leakage current can be measured by any one of three methods.

1. A commercial leakage tester, such as the Simpson 229 or RCAWT-540A. Follow the manufacturers' instructions to use these instruments.
2. A battery-operated AC milliammeter. The Data Precision 245 digital multimeter is suitable for this job.

3. Measuring the voltage drop across a resistor by means of a VOM or battery-operated AC voltmeter. The "limit" indication is 0.75V, so analog meters must have an accurate low-voltage scale. The Simpson 250 and Sanwa SH-63Trd are examples of a passive VOM that is suitable. Nearly all battery operated digital multimeters that have a 2V AC range are suitable. (See Fig. A)

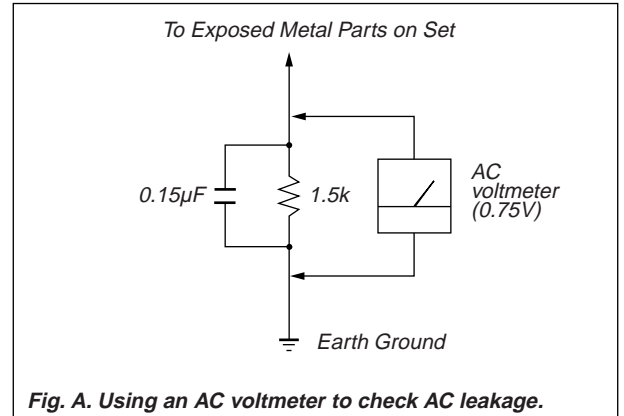


Fig. A. Using an AC voltmeter to check AC leakage.

SAFETY-RELATED COMPONENT WARNING!!

COMPONENTS IDENTIFIED BY MARK \triangle OR DOTTED LINE WITH MARK \triangle ON THE SCHEMATIC DIAGRAMS AND IN THE PARTS LIST ARE CRITICAL TO SAFE OPERATION. REPLACE THESE COMPONENTS WITH SONY PARTS WHOSE PART NUMBERS APPEAR AS SHOWN IN THIS MANUAL OR IN SUPPLEMENTS PUBLISHED BY SONY.

ATTENTION AU COMPOSANT AYANT RAPPORT À LA SÉCURITÉ!

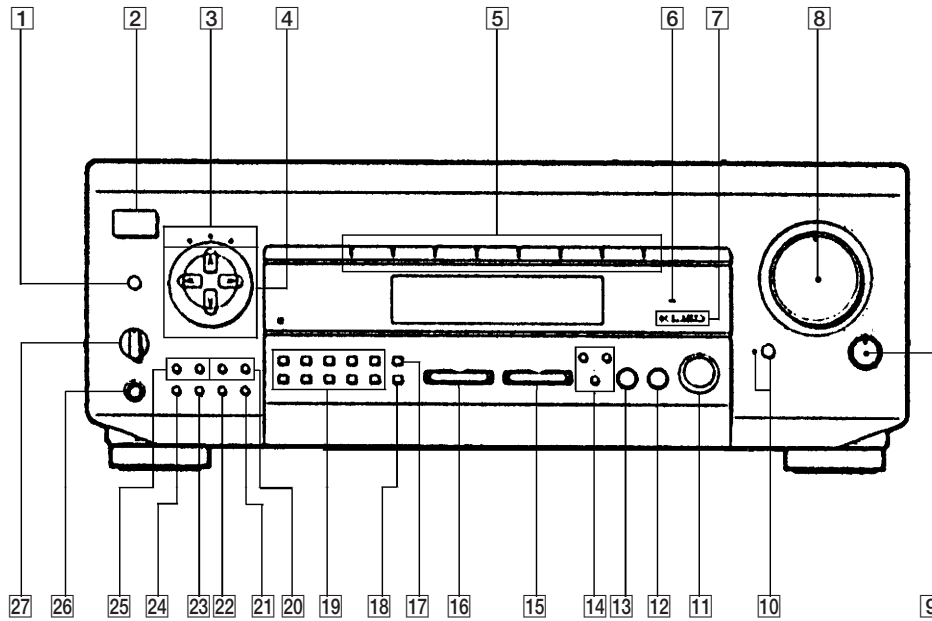
LES COMPOSANTS IDENTIFIÉS PAR UNE MARQUE \triangle SUR LES DIAGRAMMES SCHÉMATIQUES ET LA LISTE DES PIÈCES SONT CRITIQUES POUR LA SÉCURITÉ DE FONCTIONNEMENT. NE REMPLACER CES COMPOSANTS QUE PAR DES PIÈCES SONY DONT LES NUMÉROS SONT DONNÉS DANS CE MANUEL OU DANS LES SUPPLÉMENTS PUBLIÉS PAR SONY.

SECTION 1 GENERAL

This section is extracted from instruction manual.

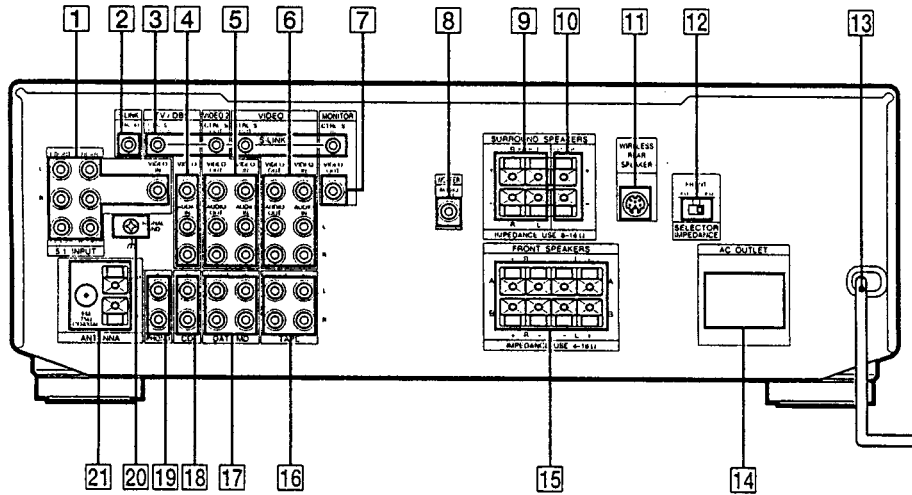
LOCATION AND FUNCTION OF CONTROLS

[FRONT PANEL]



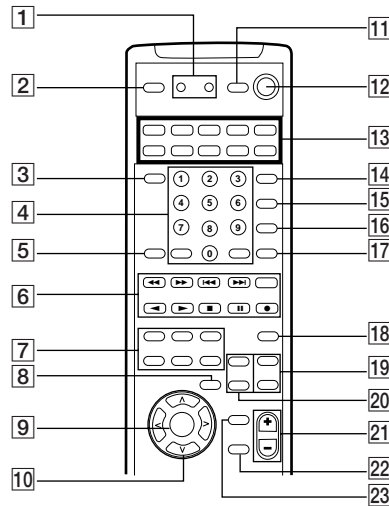
- | | |
|---|------------------------------|
| 1 DPC MODE button | 15 AUDIO FUNCTION buttons |
| 2 POWER switch | 16 VIDEO FUNCTION buttons |
| 3 SUR, TONE, INDEX indicators | 17 DIRECT button |
| 4 Digital processing control buttons | 18 SHIFT button |
| 5 Function indicators | 19 Numeric buttons |
| 6 DIRECT PASS indicator | 20 PRESET TUNING +,- buttons |
| 7 5.1 INPUT indicator | 21 MEMORY button |
| 8 MASTER VOLUME control | 22 DISPLAY button |
| 9 BALANCE control | 23 FM/AM button |
| 10 BASS BOOST button/indicator | 24 FM MODE button |
| 11 SOUND FIELD ON/OFF button | 25 TUNING +,- buttons |
| 12 MODE button | 26 PHONES jack |
| 13 GENRE button | 27 SPEAKERS switch |
| 14 DIRECT PASS, SET UP, 5.1/DVD INPUT buttons | |

[REAR PANEL]



- | | | |
|---|--|---|
| 1 5.1 INPUT | 8 WOOFER | 14 SWITCHED AC OUTLET(s)
(Outlet shape and position varies according to destination) |
| 2 S-LINK CTRL A1 (STR-DE715 :
US, Canadian model) | 9 SURROUND SPEAKERS
(REAR) | 15 FRONT SPEAKERS (A/B) |
| 3 CTRL S (STR-DE715 :
US, Canadian model) | 10 SURROUND SPEAKERS
(CENTER) | 16 TAPE |
| 4 TV/DBS | 11 WIRELESS REAR SPEAKER
(STR-DE715 and DE615 only) | 17 DAT/MD |
| 5 VIDEO 2 | 12 IMPEDANCE SELECTOR | 18 CD |
| 6 VIDEO 1 | 13 AC power cord | 19 PHONO |
| 7 MONITOR | | 20 ϕ SIGNAL GND |
| | | 21 ANTENNA (AM/FM) |

[REMOTE]



- | | |
|---------------------------------------|------------------------------------|
| 1 LEARN button/indicator | 13 SYSTEM CONTROL/FUNCTION buttons |
| 2 SLEEP button | 14 5.1/INPUT button |
| 3 TV CONTROL ON button | 15 TV/VIDEO button |
| 4 Numeric, ENTER buttons | 16 Direct TUNING button |
| 5 BACKGROUND button | 17 CH/PRESET button |
| 6 VCR/CD/DVD control buttons | 18 TEST TONE button |
| 7 SOUND FIELD buttons | 19 CENTER LEVEL +, - buttons |
| 8 DIRECT button | 20 REAR LEVEL +, - buttons |
| 9 DPC MODE button | 21 MASTER VOL buttons |
| 10 DIGITAL PROCESSING CONTROL buttons | 22 MUTING button |
| 11 VISUAL POWER button | 23 BASS BOOST button |
| 12 SYSTEM OFF button | |

SECTION 2 DIAGRAMS

2-1. IC PIN FUNCTION

IC103 MB90673PF-G-196-BND (SYSTEM CONTROL) (STR-D660Z/DE715)

Pin No.	Pin name	I/O	Description
1	AC MUTE	O	AC mute drive.
2	D. LAT	O	Data latch output.
3	T. LAT	O	Tuner function latch output.
4	S. CLK	O	Serial clock output.
5	S. DATA	O	Serial data output.
6	S. LAT	O	Serial latch output.
7	AUTO STOP	O	Tuner auto stop output.
8	T. MUTE	O	Tuner mute output.
9	STEREO	I	Stereo detect signal input.
10	IF DATA IN	I	IF data input.
11	V _{ss} (D)	–	Ground.
12	V-A	O	Video switch control output.
13	V-B	O	Video switch control output.
14	RM INPUT	I	Remote control signal input.
15	V-E	O	Video switch control output.
16	V-INH	–	Not used (Open).
17	LED DATA	O	LED data output.
18	LED CLR	O	LED clock signal output.
19	S. POWER	I	Power switch input.
20	RX (SIN)	–	Not used (Fixed at “ L ”)
21	TX (SOUT)	–	Not used (Open).
22	BUSY	–	Not used (Open).
23	FL CLEAR	O	FL reset signal output.
24	FL DATA	O	FL data output.
25	FL CLK	O	FL clock output.
26	FL LAT	O	FL latch signal output.
27	————	–	Not used (Ground).
28	V _{cc} (A)	–	Analog power supply (+4.9V).
29	+ AVR	–	Connect to V _{DD} (+5.1V).
30	– AVR	–	Not used (Ground).
31	GND (D)	–	Ground.
32	AD KEY IN1	I	Key input.
33	AD KEY IN2	I	Key input.
34	V _{ss} (D)	–	Ground.
35	AD KEY IN3	I	Key input.
36	AD KEY IN4	I	Key input.
37	AD KEY IN5	I	Key input.
38	AD VERSION	I	Model select.
39	VOL +	O	Volume up control output.
40	VOL –	O	Volume down control output.
41	MODE0	–	Not used (Fixed at “ H ”)
42	MODE1	–	Not used (Fixed at “ H ”)
43	MODE2	–	Not used (Ground).
44	STANDBY	–	Connect to V _{DD} (+5.1V).
45	STOP	O	Power ON/OFF control output.

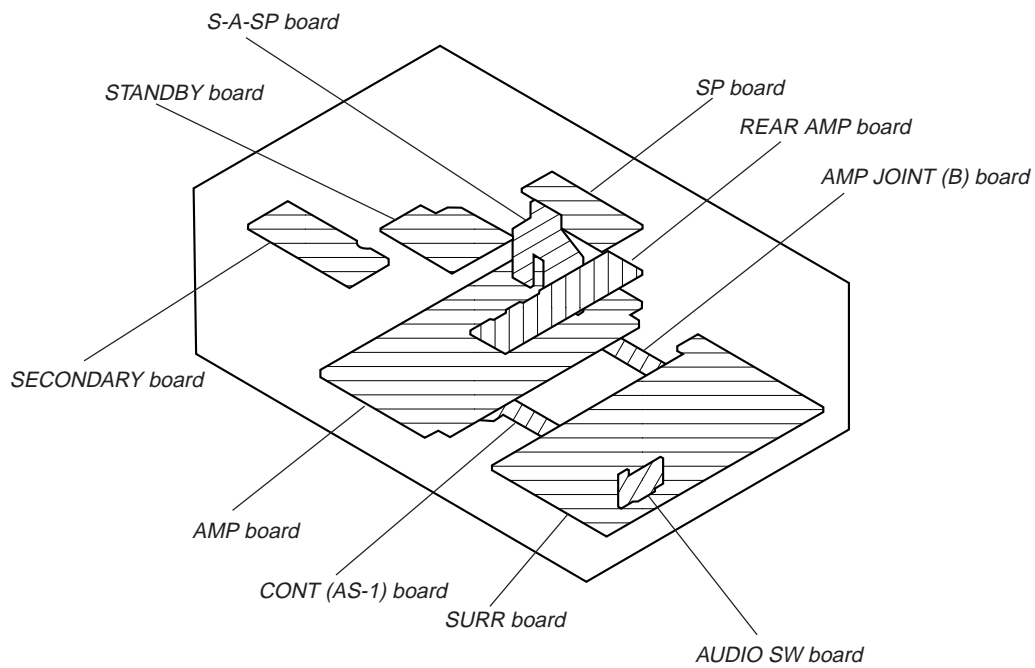
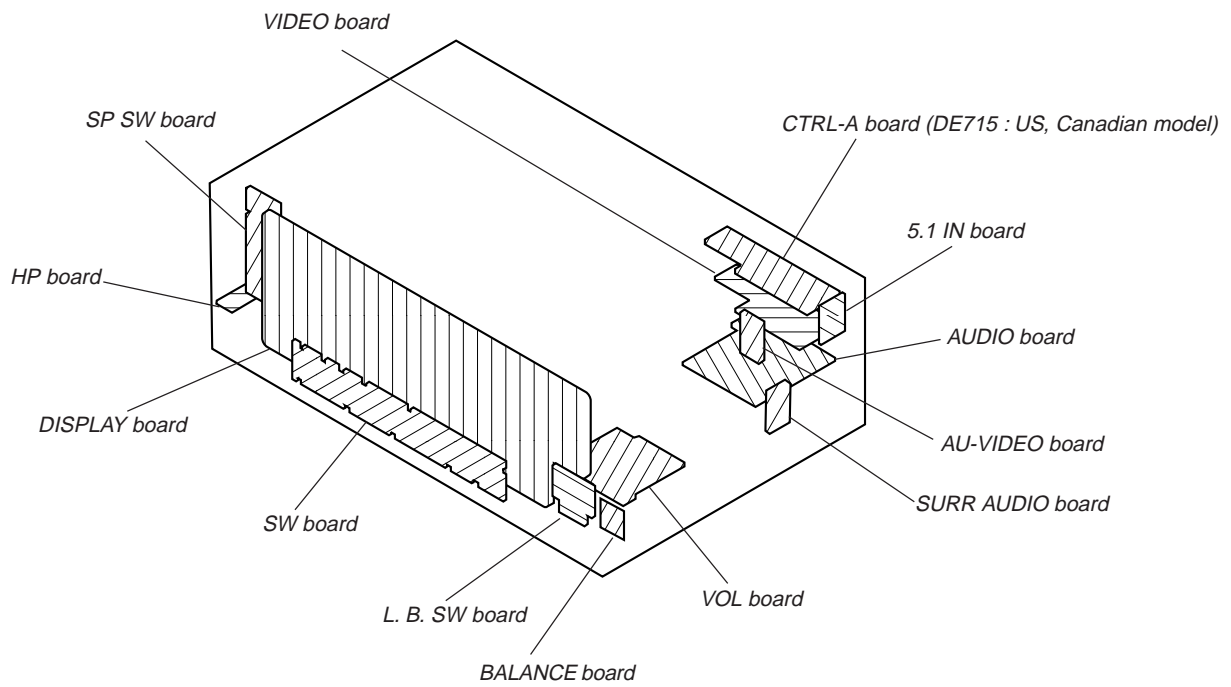
Pin No.	Pin name	I/O	Description
46	LERNING LED	–	Not used (Open).
47	—	–	Not used (Ground).
48	—	–	Not used (Ground).
49	CTR A IN	I	Control S signal input (DE715 : US, Canadian model).
50	STANDBY LED	–	Not used (Open).
51	VOL LED	O	Volume LED drive.
52	S-OUT	O	Control S signal output (DE715 : US, Canadian model).
53	CTR A OUT	O	Control S signal output (DE715 : US, Canadian model).
54	VIDEO1 (M-BUS)	O	VIDEO1 control signal output.
55	VIDEO2 (M-BUS)	O	VIDEO2 control signal output.
56	TV (M-BUS)	O	TV control signal output.
57	—	–	Not used (Ground).
58	SP OFF IN	I	Speaker switch input.
59	SIGNAL IN	–	Not used (Ground).
60	—	–	Not used (Ground).
61	—	–	Not used (Ground).
62	RESET	I	Reset terminal.
63	V _{ss} (D)	–	Ground.
64	XO	O	System clock (4.19MHZ).
65	XI	I	System clock (4.19MHZ).
66	V _{cc} (D)	–	Digital power supply (+4.9V).
67	—	–	Not used (Ground).
68	POWER RY	O	Power relay drive.
69	BRIDGE RY	–	Power key input.
70	SUR RY	O	Surround relay drive.
71	CENTER RY	O	Center relay drive.
72	FRONT RY (H,P)	O	Front (Headphone) relay drive.
73	MIX/SUB RY	O	Woofer relay drive.
74	4/8 IN	–	Not used (Ground).
75	PROTECT IN	I	Protector operation input.
76	DIRECT PASS	O	Direct pass relay drive.
77	BASS BOOST	O	Bass boost ON/OFF control.
78	F/C/W MUTE	O	Front, Center, Woofer mute drive.
79	SL MUTE	O	Surround L-CH mute drive.
80	SR MUTE	O	Surround R-CH mute drive.

IC103 μ PD780205GF-027-3BA (SYSTEM CONTROL) (STR-D560Z/DE615)

Pin No.	Pin name	I/O	Description
1	—	–	Not used (Connect to V _{DD}).
2 – 4	—	–	Not used (Connect to ground).
5	F/C/W. MUTE	O	Front, Center, Woofer mute drive.
6	SL MUTE	O	Surround L-CH mute drive.
7	SR MUTE	O	Surround R-CH mute drive.
8	AC MUTE	O	AC mute drive.
9	D LATCH	O	Data latch output.
10	RESET	I	Reset terminal.
11	X2	O	System clock (4.19MHZ).
12	X1	I	System clock (4.19MHZ).
13	VSS	–	Ground.
14	NP	–	Not used (Open).
15	—	–	Connect to reset terminal.
16	V _{DD}	–	Power supply (+5V).
17	T LATCH	O	Tuner function latch output.
18	S CLOCK	O	Serial clock output.
19	S DATA	O	Serial data output.
20	S LATCH	O	Serial latch output.
21	AUDIO. STOP	O	Tuner auto stop output.
22	TUNER MUTE	O	Tuner mute output.
23	STEREO	I	Stereo detect signal input.
24	IF DATA IN	I	IF data input.
25	GND A/D	–	Ground.
26	SIRCS	I	Remote control signal input.
27	POWER KEY	I	Power key input.
28	VERSION	I	Model select input.
29	KEY 5	I	Key input.
30	KEY 4	I	Key input.
31	KEY 3	I	Key input.
32	KEY 2	I	Key input.
33	KEY 1	I	Key input.
34	V _{DD} A/D	–	Power supply (+5V).
35	VREF A/D	I	Reference voltage input.
36	V-A	O	Video switch control output.
37	V-B	O	Video switch control output.
38	V-E	O	Video switch control output.
39	STOP	O	Power ON/OFF control output.
40	V _{SS}	–	Ground.
41	DIRECT PASS	O	Direct pass relay drive.
42	SUR RY	O	Surround relay drive.
43	CENTER RY	O	Center relay drive.
44	FRONT RY	O	Front relay drive.
45	MIX SUB RY	O	Woofer relay drive.

Pin No.	Pin name	I/O	Description
46	V _{DD}	–	Power supply (+5V).
47	PROTECTOR IN	I	Protector operation input.
48	POWER RY	O	Power relay drive.
49	BASS BOOST	O	Bass boost ON/OFF control.
50	SP OFF	I	Speaker switch input.
51	VOL –	O	Volume down control output.
52	VOL +	O	Volume up control output.
53	VOL LED	O	Volume LED drive.
54	STANDBY LED	–	Not used (Open).
55	—	–	Not used (Open).
56	BASS BOOST LED	O	BASS BOOST LED drive.
57	5.1 INPUT LED	O	5.1 INPUT LED drive.
58	DIRECT PASS LED	O	DIRECT PASS LED drive.
59	SUR LED	O	SUR LED drive.
60	TONE LED	O	TONE LED drive.
61	VIDEO 1 LED	O	VIDEO 1 LED drive.
62	INDEX LED	O	INDEX LED drive.
63	PHONO LED	O	PHONO LED drive.
64	TUNER LED	O	TUNER LED drive.
65	DAT MD LED	O	DAT/MD LED drive.
66	CD LED	O	CD LED drive.
67	TAPE LED	O	TAPE LED drive.
68	TV/DBS LED	O	TV/DBS LED drive.
69	VIDEO2 LED	O	VIDEO2 LED drive.
70 – 78	P1 – P9	O	FL segment drive.
79	V LOARD	–	FL power supply (– 35V).
80 – 87	P10 – P17	O	FL segment drive.
88 – 100	G1 – G13	O	FL segment drive.

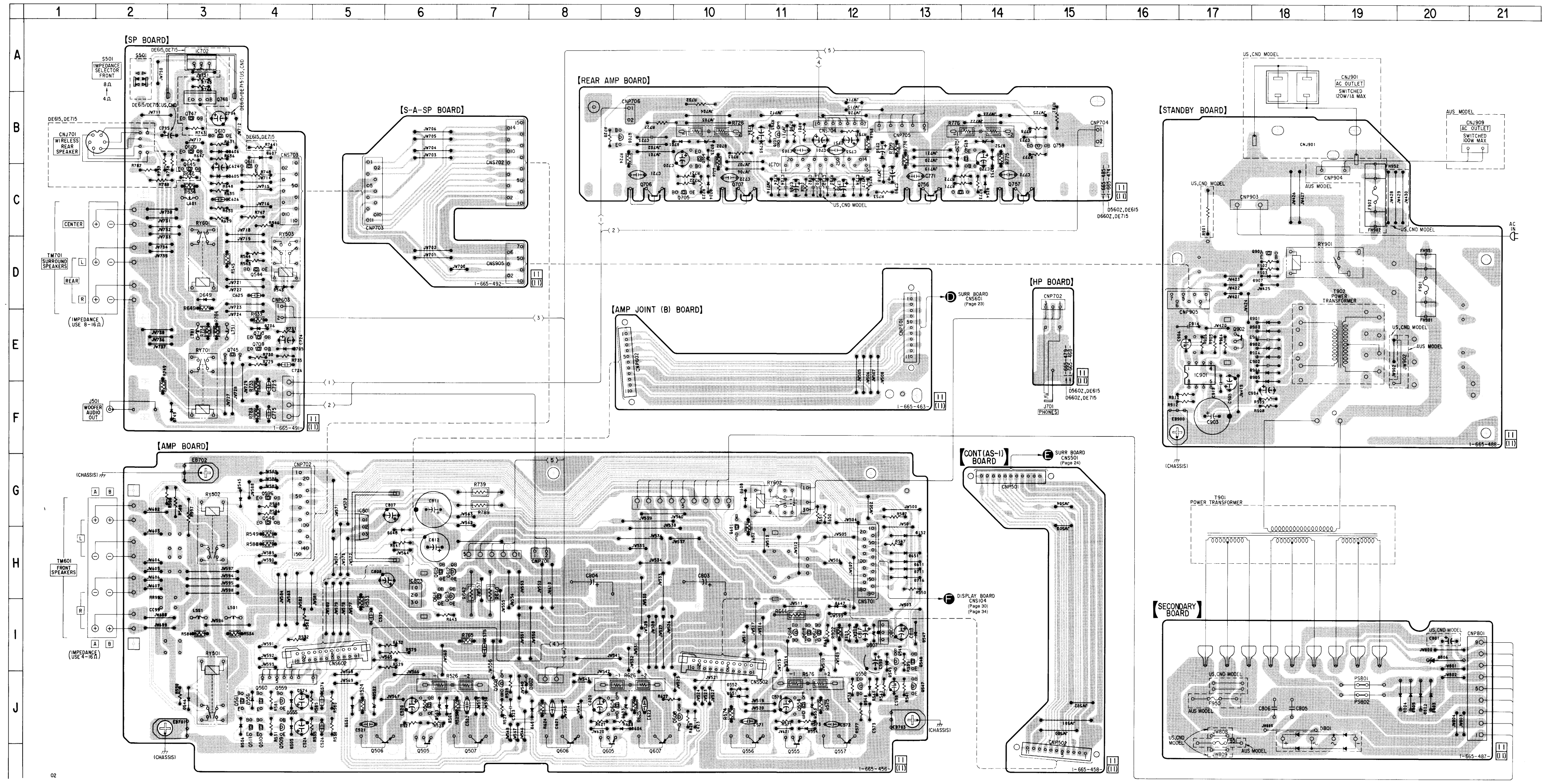
2-2. CIRCUIT BOARDS LOCATIONS

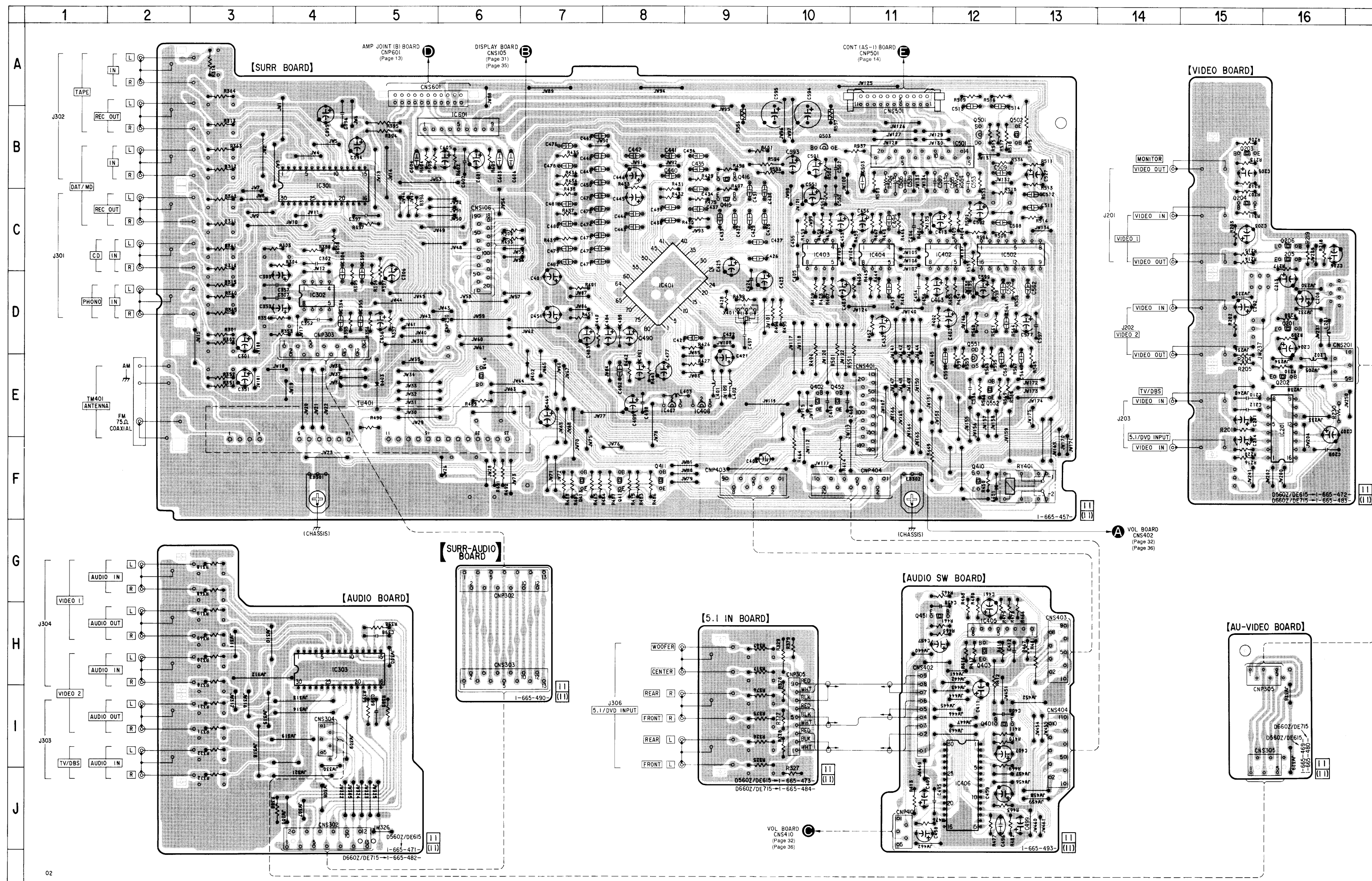


• SEMICONDUCTOR LOCATION

Ref. No.	Location	Ref. No.	Location	Ref. No.	Location
D152	H-13	D752	B-14	Q559	J-4
D501	J-5	D753	B-14	Q560	J-4
D502	J-5	D754	C-14		
D503	J-6			Q561	J-4
D504	J-6	D801	J-18	Q596	G-4
		D802	J-20	Q601	H-10
D505	J-4	D803	J-20	Q604	J-9
D506	J-4	D804	J-20	Q605	J-9
D543	D-4	D805	J-20		
D545	G-4			Q606	J-8
D546	J-3	D806	I-20	Q607	J-9
		D807	J-20	Q608	J-10
D547	I-13	D901	E-18	Q609	B-3
D548	J-12	D902	E-18	Q610	B-3
D549	I-12	D903	E-18		
D551	J-10			Q611	C-4
D552	J-10	D904	E-18	Q612	H-6
		D905	E-18	Q613	H-6
D553	J-11	D906	E-18	Q614	I-11
D554	J-11	D907	D-18	Q615	H-6
D555	J-4				
D556	J-4			Q616	H-6
D601	J-8	IC701	B-11	Q617	I-12
		IC702	A-3	Q618	I-11
D602	J-7	IC801	G-5	Q645	C-3
D603	J-9	IC803	H-6	Q651	
D604	J-9	IC901	E-17		
D605	C-3			Q703	B-11
D606	B-3			Q704	B-10
		Q504	J-6	Q705	C-10
D607	B-4	Q505	J-6	Q706	C-9
D608	G-10	Q506	J-5	Q707	C-10
D611	H-13	Q507	J-7		
D647	I-12	Q508	J-7	Q708	B-9
D648	H-6			Q709	E-4
		Q509	J-4	Q710	E-4
D649	D-3	Q510	J-4	Q745	E-3
D651	H-13	Q511	J-4	Q747	B-3
D701	B-10	Q544	D-4		
D702	B-10	Q546	G-4	Q748	B-3
D703	B-10			Q754	B-14
		Q547	J-13	Q755	C-13
D704	C-10	Q548	I-13	Q756	C-13
D705	E-4	Q549	I-13	Q757	C-14
D706	E-4	Q554	J-11		
D711	H-13	Q555	J-11	Q758	B-15
D716	H-13			Q801	I-12
		Q556	J-11	Q901	D-18
D749	F-3	Q557	J-12	Q902	E-17
D751	B-13	Q558	J-12		

Note:
• : parts extracted from the component side.
• : Pattern on the side which is seen.
• Abbreviation
CND : Canadian
AUS : Australian



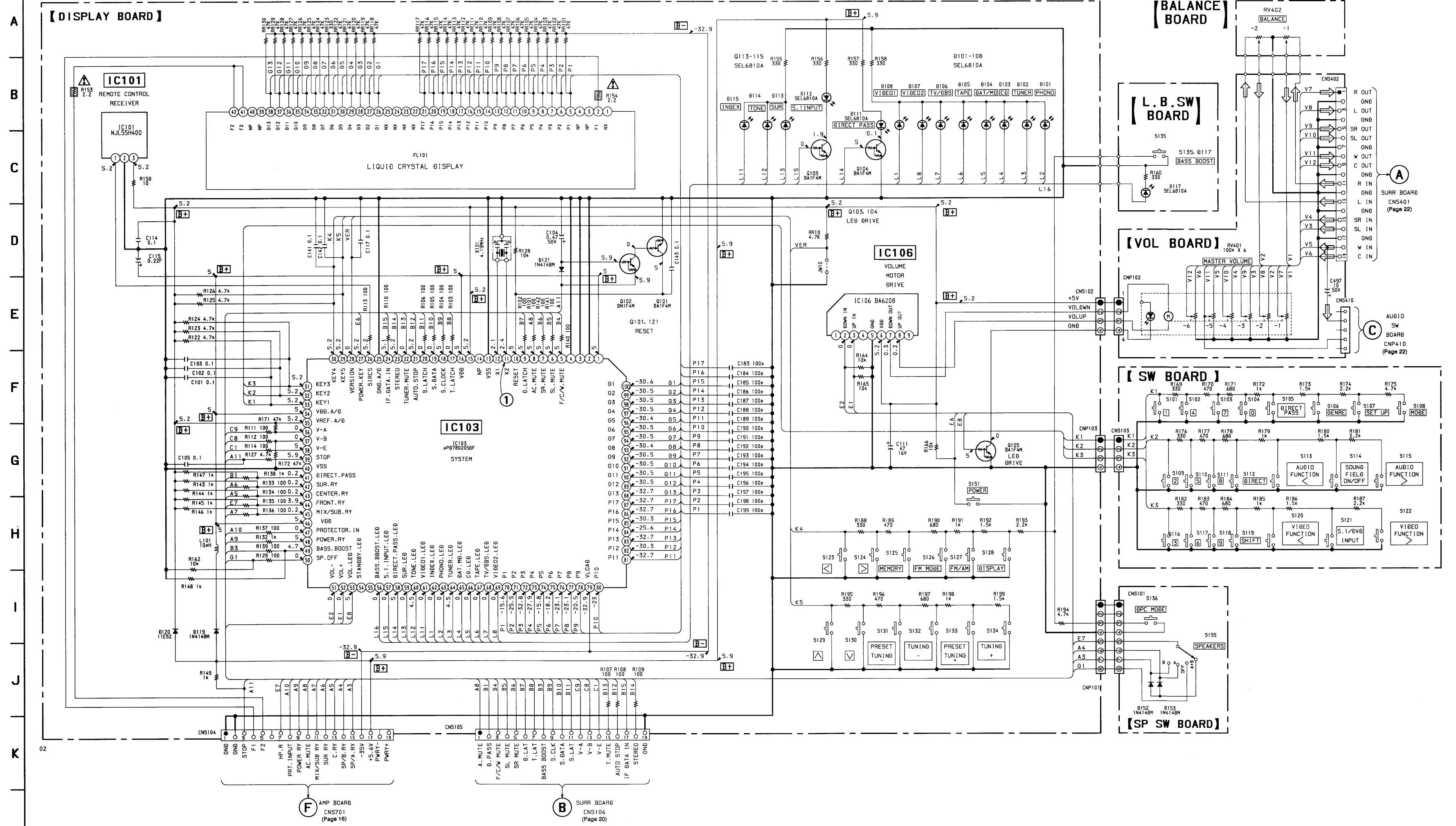
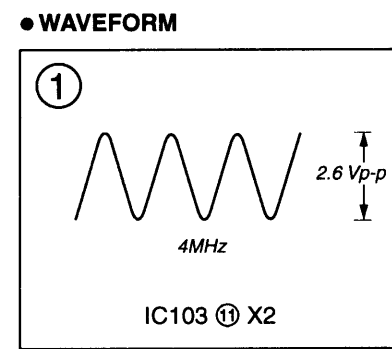


● SEMICONDUCTOR LOCATION

Ref. No.	Location
D401	F-12
D402	E-7
D403	E-5
IC201	E-16
IC301	B-4
IC302	D-4
IC303	H-4
IC401	D-8
IC402	C-12
IC403	C-10
IC404	C-11
IC405	H-12
IC406	J-12
IC407	E-8
IC408	E-9
IC501	B-11
IC502	C-12
IC601	B-6
Q201	D-16
Q202	E-16
Q203	B-15
Q204	C-15
Q205	C-16
Q206	C-16
Q401	I-12
Q402	E-10
Q403	H-12
Q410	F-12
Q411	F-8
Q412	F-8
Q413	F-7
Q414	E-6
Q415	C-9
Q416	B-9
Q417	
Q418	
Q451	H-12
Q452	E-10
Q501	B-12
Q502	B-13
Q503	B-10
Q551	E-12
Q552	E-12

Note:

- — parts extracted from the component side.
- — Pattern on the side which is seen.



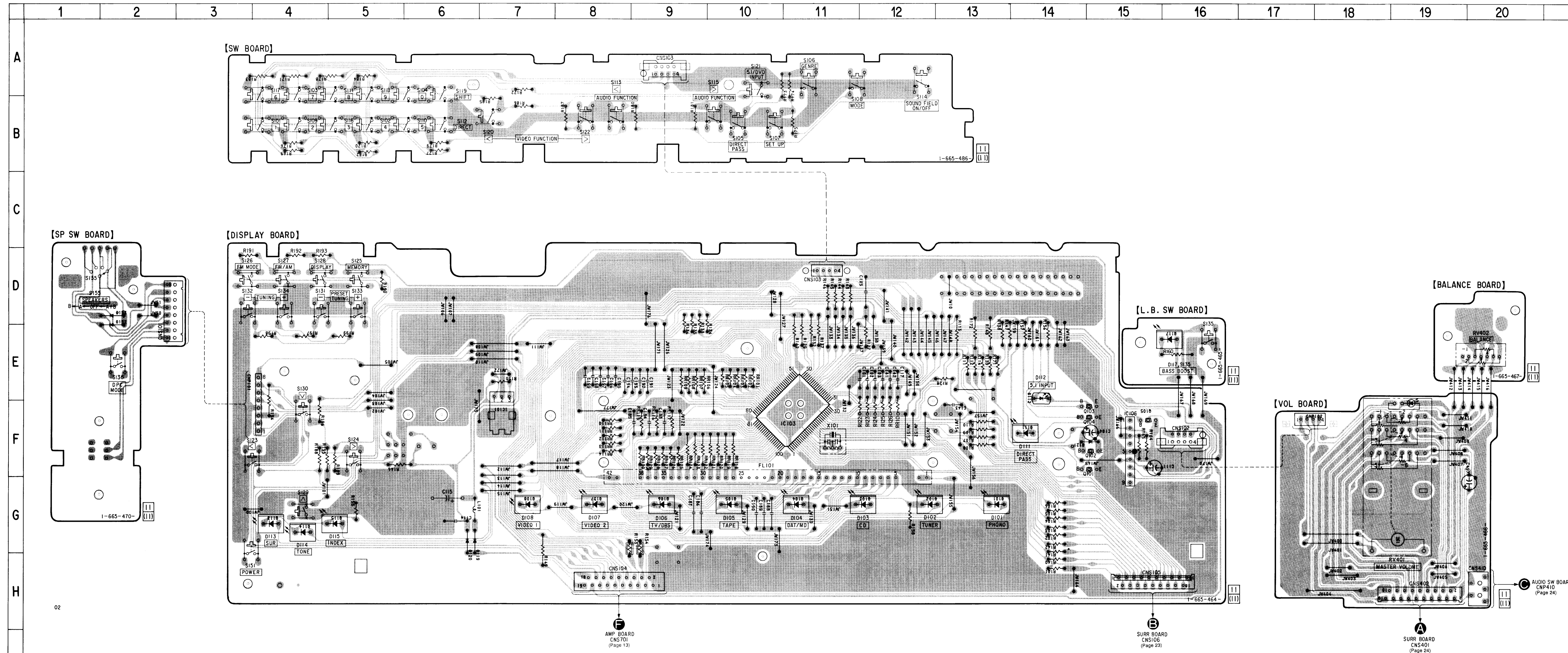
Note :

- All capacitors are in μF unless otherwise noted. pF ; μF ; μF 50WV or less are not indicated except for electrolytics and tantalums.
- All resistors are in Ω and $\frac{1}{4}W$ or less unless otherwise specified.
- Δ : internal component.
- \square : nonflammable resistor.

Note :
The components identified by mark Δ or dotted line with mark Δ are critical for safety. Replace only with part number specified.

Note :
Les composants identifiés par une marque Δ sont critiques pour la sécurité. Ne les remplacer que par une pièce portant le numéro spécifié.

- B+** : B+ Line
- B-** : B- Line
- Voltage and waveforms are dc with respect to ground under no-signal (detuned) conditions. no mark : FM
- Voltages are taken with a VOM (input impedance 10M Ω). Voltage variations may be noted due to normal production tolerances.
- Waveforms are taken with an oscilloscope. Voltage variations may be noted due to normal production tolerances.
- Circled numbers refer to waveforms.
- Signal path.
- \Rightarrow : FM
- Abbreviation
- CND : Canadian
- AUS : Australian



• SEMICONDUCTOR LOCATION

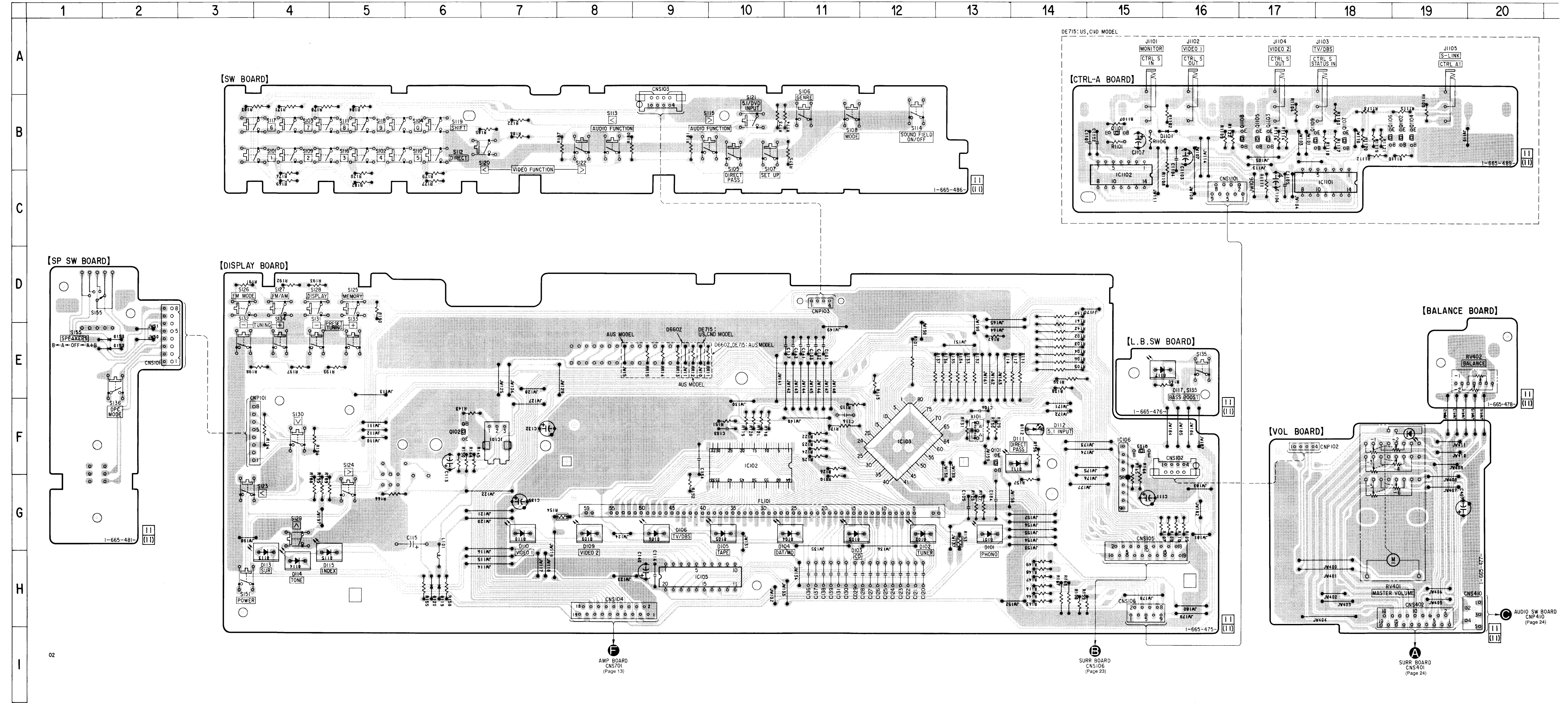
Ref. No.	Location
D101	G-13
D102	G-12
D103	G-12
D104	G-11
D105	G-10
D106	G-9
D107	G-8
D108	G-7
D111	F-14
D112	E-14
D113	G-4
D114	G-4
D115	G-5
D117	E-16
D119	G-6
D120	G-6
D121	F-15
D152	D-2
D153	D-2
IC101	F-7
IC103	F-11
IC106	F-15
Q101	F-15
Q102	F-15
Q103	F-15
Q104	F-15
Q105	F-15

Note:
 • ○ : parts extracted from the component side.
 • ▨ : Pattern on the side which is seen.
 • Abbreviation
 CND : Canadian
 AUS : Australian

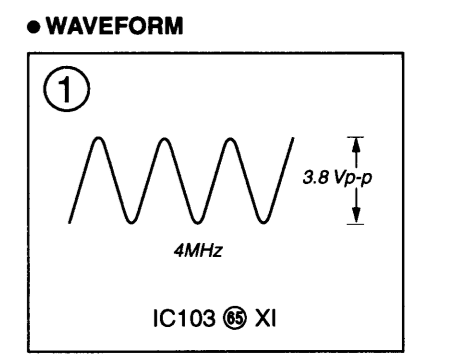
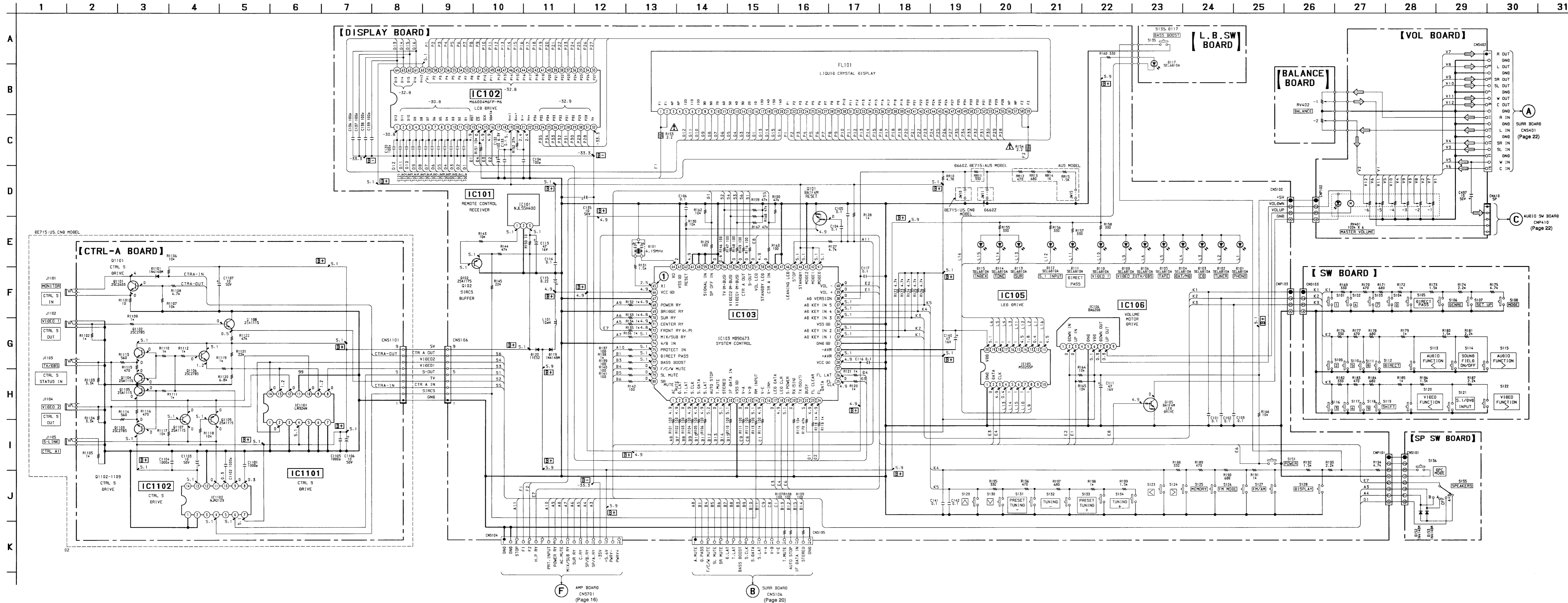
02

● SEMICONDUCTOR LOCATION

Ref. No.	Location
D101	G-13
D102	G-12
D103	G-11
D104	G-11
D105	G-10
D106	G-9
D109	G-8
D110	G-7
D111	F-14
D112	F-14
D113	H-4
D114	H-4
D115	H-4
D117	E-15
D119	H-6
D120	H-6
D152	E-2
D153	E-2
D1101	B-16
IC101	F-7
IC102	F-10
IC103	F-12
IC105	H-9
IC106	F-15
IC1101	C-18
IC1102	C-15
Q101	F-13
Q102	F-6
Q105	F-15
Q1101	B-15
Q1102	B-19
Q1103	B-17
Q1104	B-19
Q1105	B-17
Q1106	B-18
Q1107	B-18
Q1108	B-17
Q1109	B-18



2-10. SCHEMATIC DIAGRAM - DISPLAY SECTION (STR-D660Z/DE715) - Refer to page 43 for IC Block Diagrams.



Note:

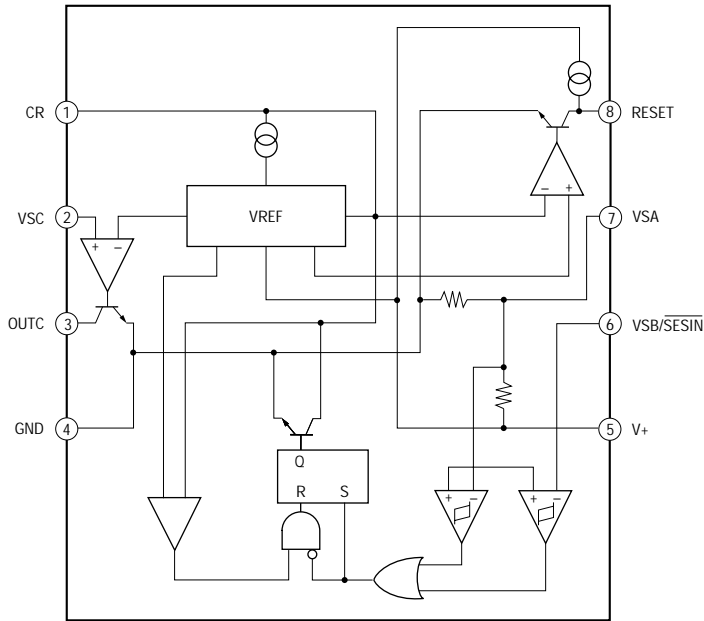
- All capacitors are in μF unless otherwise noted. pF: μpF
- 50WV or less are not indicated except for electrolytics and tantalums.
- All resistors are in Ω and $\frac{1}{4}\text{W}$ or less unless otherwise specified.
- Δ : Internal component.
- \square : nonflammable resistor.

Note:
The components identified by mark Δ or dotted line with mark Δ are critical for safety. Replace only with part number specified.

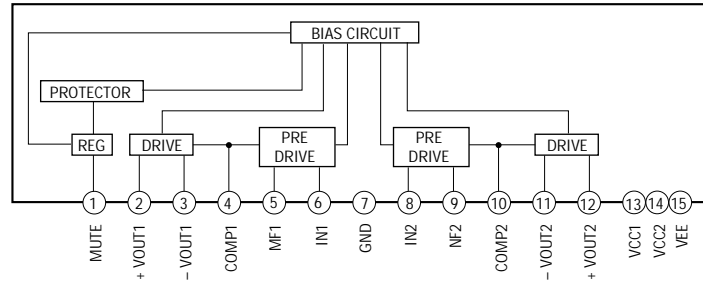
Note:
Les composants identifiés par une marque Δ sont critiques pour la sécurité. Ne les remplacer que par une pièce portant le numéro spécifié.

- B+**: B+ Line
- B-**: B- Line
- Voltage and waveforms are dc with respect to ground under no-signal (detuned) conditions. no mark: FM
- Voltages are taken with a VOM (Input impedance 10M Ω). Voltage variations may be noted due to normal production tolerances.
- Waveforms are taken with an oscilloscope. Voltage variations may be noted due to normal production tolerances.
- Circled numbers refer to waveforms.
- Signal path.
- \Rightarrow : FM
- Abbreviation
- CND: Canadian
- AUS: Australian

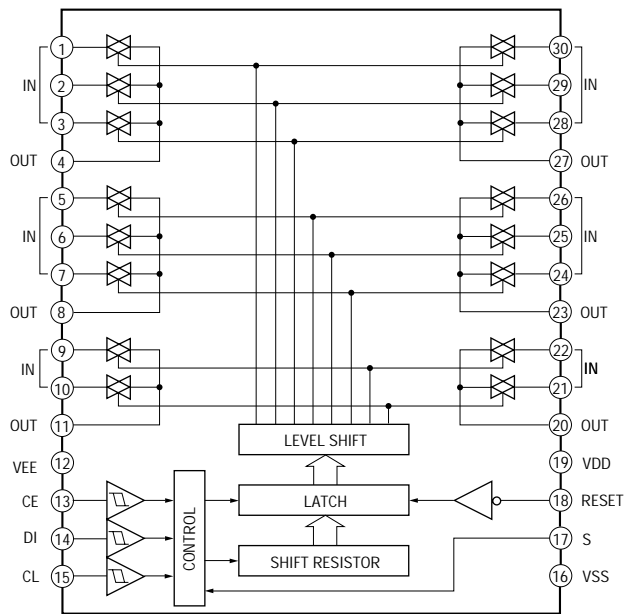
● IC BLOCK DIAGRAMS (AMP)
IC901 NJM2103D



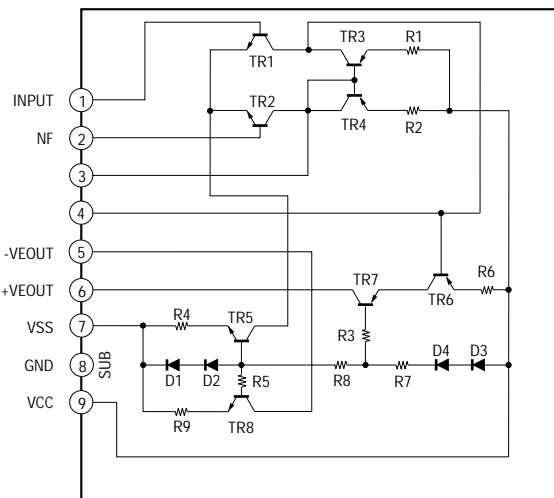
IC701 uPC2581V



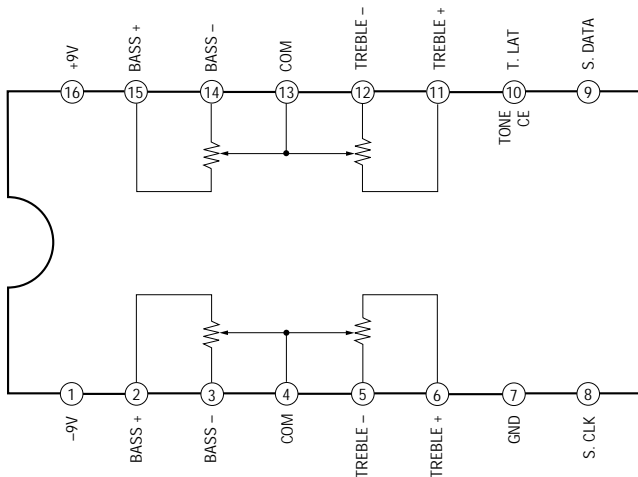
● IC BLOCK DIAGRAMS (SURROUND)
IC301, IC303 LC7822



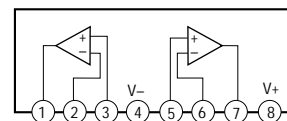
IC601 STK350-230



IC502 TC9184P

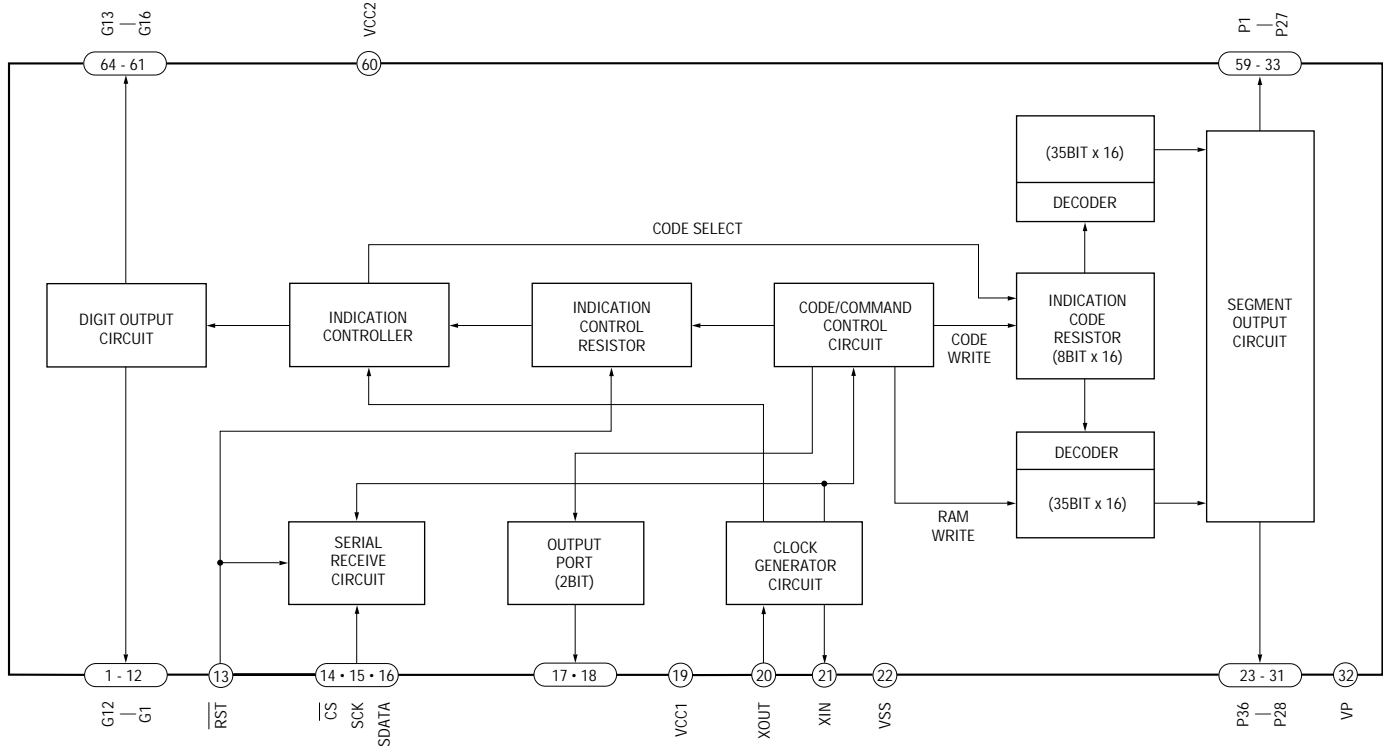


IC405 M5218AL

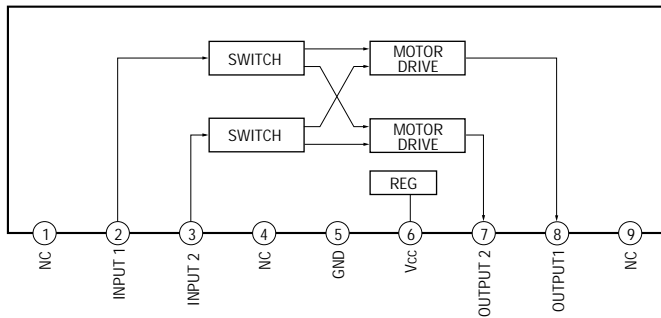


● IC BLOCK DIAGRAMS (DISPLAY)

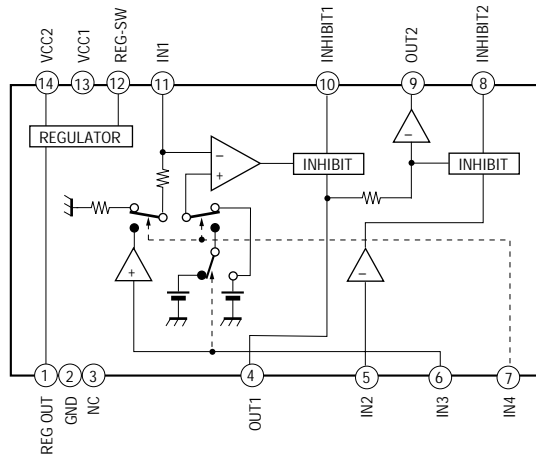
IC102 M66004FP-M6 (STR-D660Z/DE715)



IC106 BA6208 (STR-D550Z/D660Z/DE615/DE715)



IC1102 NJM2129D (STR-D660Z/DE715)



SECTION 3 EXPLODED VIEWS

NOTE :

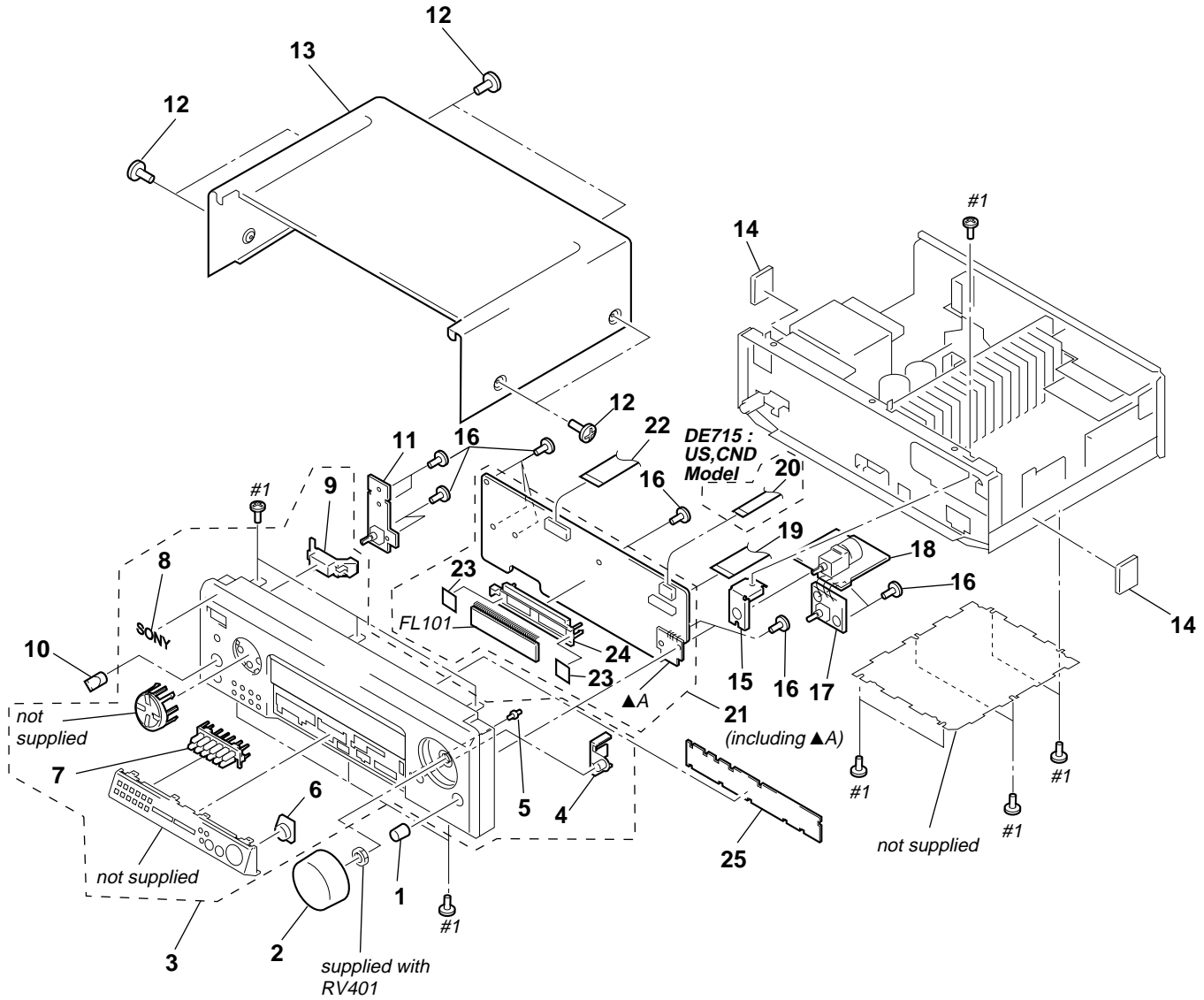
- -XX, -X mean standardized parts, so they may have some difference from the original one.
- Items marked “*” are not stocked since they are seldom required for routine service. Some delay should be anticipated when ordering these items.
- The mechanical parts with no reference number in the exploded views are not supplied.
- Hardware (# mark) list and accessories and packing materials are given in the last of this parts list.
- Abbreviation
CND : Canadian
AUS : Australian

The components identified by mark \triangle or dotted line with mark \triangle are critical for safety.
Replace only with part number specified.

Les composants identifiés par une marque \triangle sont critiques pour la sécurité.
Ne les remplacer que par une pièce portant le numéro spécifié.

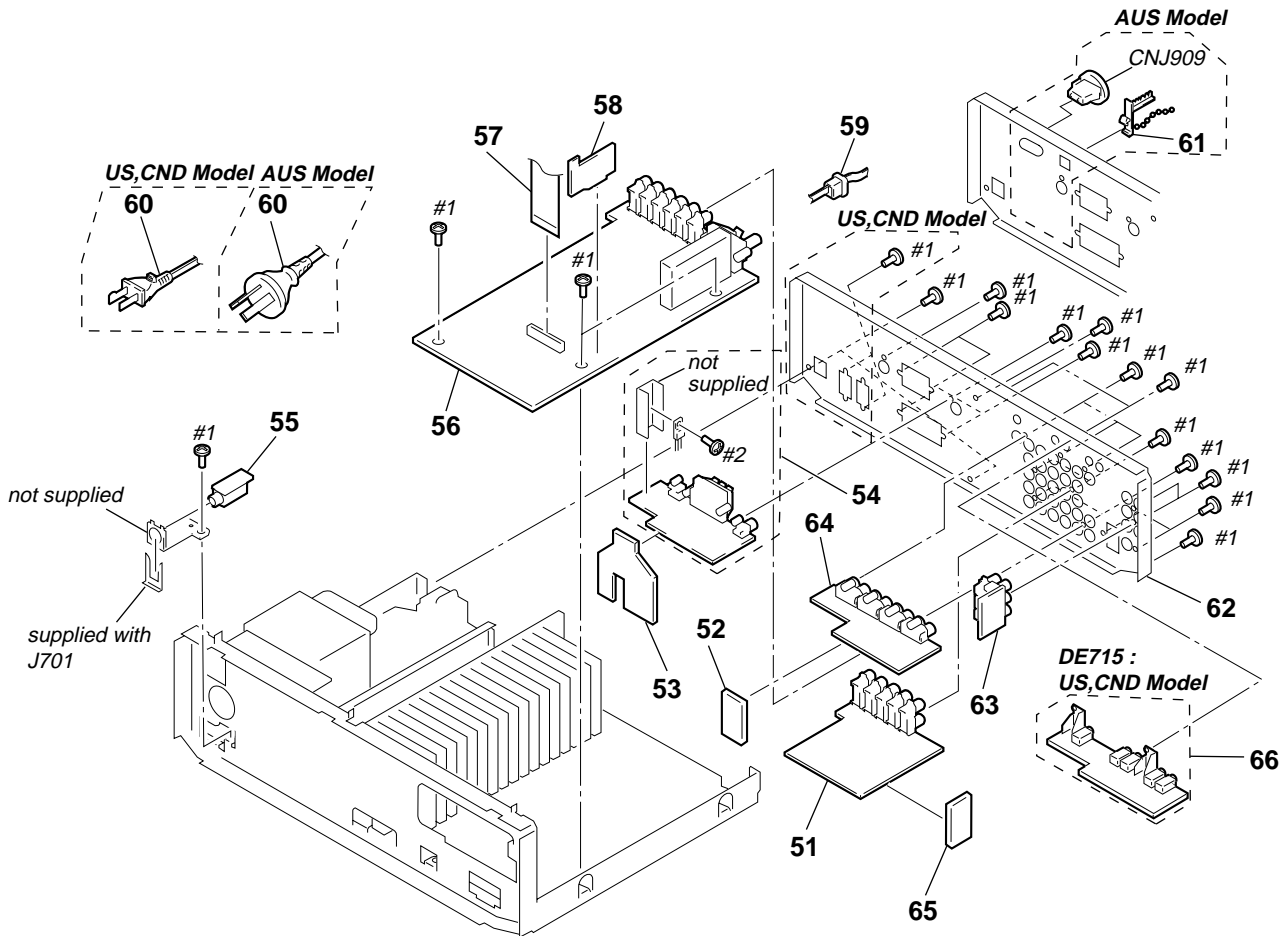
3-1. FRONT PANEL SECTION

\blacktriangle A : L.B. SW board



Ref. No.	Part No.	Description	Remark	Ref. No.	Part No.	Description	Remark
1	4-980-639-01	KNOB (R14)		* 17	1-665-478-11	BALANCE BOARD (D660Z/DE715)	
2	X-4946-873-1	KNOB (R48) ASSY		* 17	1-665-467-11	BALANCE BOARD (D560Z/DE615)	
3	X-4948-324-1	PANEL ASSY, FRONT (DE615)		* 18	1-665-477-11	VOL BOARD (D660Z/DE715)	
3	X-4948-325-1	PANEL ASSY, FRONT (D560Z)		* 18	1-665-466-11	VOL BOARD (D560Z/DE615)	
3	X-4948-328-1	PANEL ASSY, FRONT (DE715:US,CND)		19	1-773-130-11	WIRE (FLAT TYPE) (19 CORE) (100mm)	
3	X-4948-329-1	PANEL ASSY, FRONT (D660Z)		20	1-769-928-11	WIRE (FLAT TYPE) (9 CORE) (DE715:US,CND)	
3	X-4948-557-1	PANEL ASSY, FRONT (DE715:AUS)		* 21	A-4392-893-A	DISPLAY BOARD, COMPLETE (D560Z/DE615)	
4	4-989-850-01	BUTTON (BB)		* 21	A-4392-918-A	DISPLAY BOARD, COMPLETE (DE715:US,CND)	
5	4-989-842-01	INDICATOR (BB)		* 21	A-4392-919-A	DISPLAY BOARD, COMPLETE (DE715:AUS)	
6	4-989-852-01	RING (SUR)		* 21	A-4392-942-A	DISPLAY BOARD, COMPLETE (D660Z)	
7	4-989-846-01	BUTTON (12)		22	1-773-115-11	WIRE (FLAT TYPE) (19 CORE) (320mm)	
8	3-008-600-11	EMBLEM (5-AR), SONY		* 23	4-921-941-01	CUSHION (FL)	
9	4-989-843-01	BUTTON (P-T)		* 24	3-386-245-11	HOLDER (FL) (D560Z/DE615)	
10	4-957-383-01	KNOB (F14)		* 24	4-981-656-01	HOLDER (C), FL INDICATION TUBE	
* 11	1-665-481-11	SP.SW BOARD (D660Z/DE715)					(D660Z/DE715)
* 11	1-665-470-11	SP.SW BOARD (D560Z/DE615)		* 25	A-4392-908-A	SW BOARD, COMPLETE	
12	3-704-366-01	SCREW (CASE) (M3X8)		FL101	1-517-519-11	INDICATOR TUBE, FLUORESCENT	
* 13	4-982-682-01	CASE (414532)					(D660Z/DE715)
14	4-985-642-01	CUSHION		FL101	1-517-672-11	INDICATOR TUBE, FLUORESCENT	
* 15	4-989-878-01	BRACKET (VOL)					(D560Z/DE615)
16	4-951-620-01	SCREW (2.6X8), +BVTP					

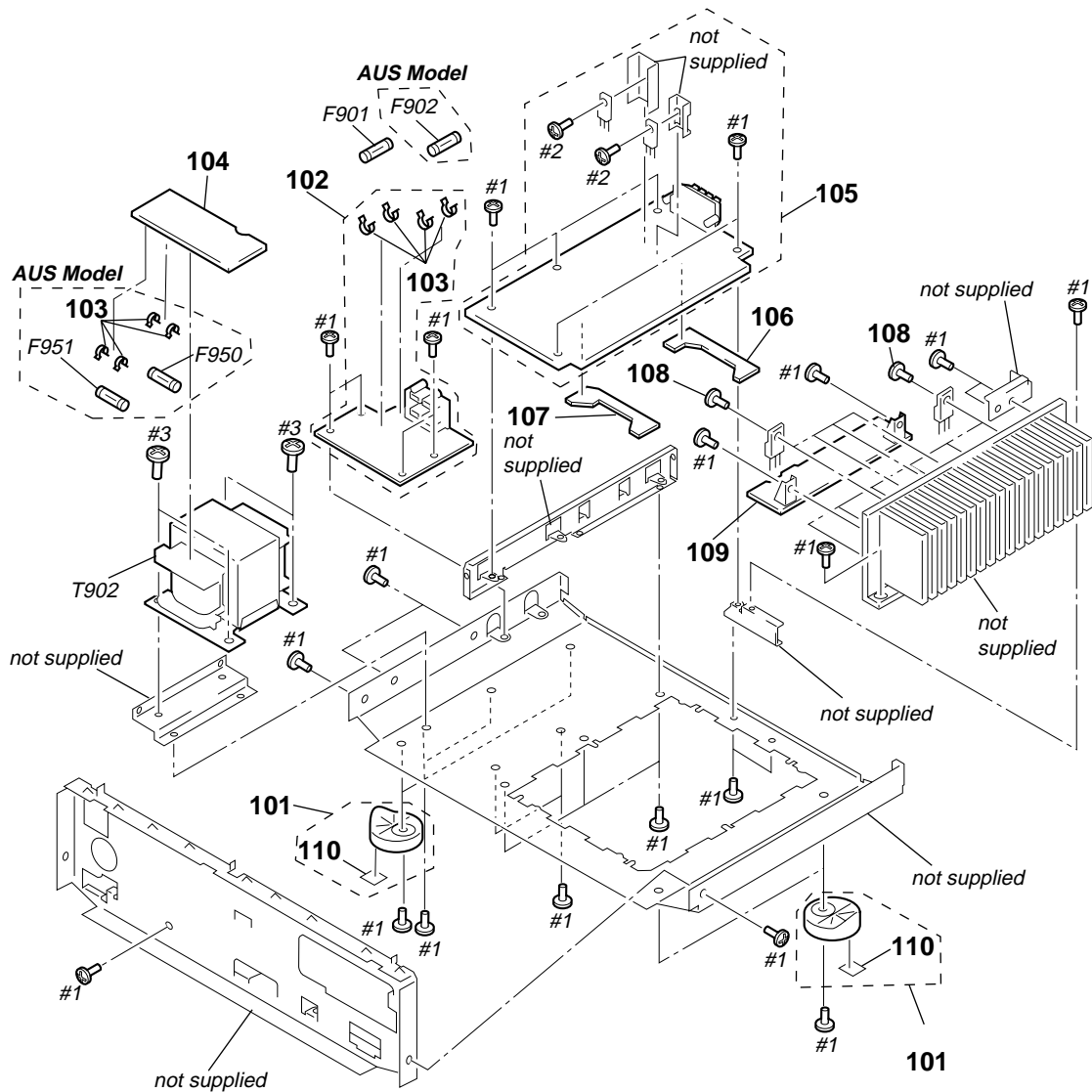
3-2. BACK PANEL SECTION



<p>The components identified by mark Δ or dotted line with mark Δ are critical for safety. Replace only with part number specified.</p>	<p>Les composants identifiés par une marque Δ sont critiques pour la sécurité. Ne les remplacer que par une pièce portant le numéro spécifié.</p>
---	---

Ref. No.	Part No.	Description	Remark	Ref. No.	Part No.	Description	Remark
* 51	A-4392-896-A	AUDIO BOARD, COMPLETE (D560Z/DE615)		Δ 60	1-769-743-11	CORD, POWER (US,CND)	
* 51	A-4392-923-A	AUDIO BOARD, COMPLETE (D660Z/DE715)		61	4-956-370-12	BAND, PLUG FIXED (AUS)	
* 52	1-665-480-11	AU-VIDEO BOARD (D660Z/DE715)		* 62	4-989-883-01	PANEL, BACK (DE615:US)	
* 52	1-665-469-11	AU-VIDEO BOARD (D560Z/DE615)		* 62	4-989-883-11	PANEL, BACK (DE615:CND)	
* 53	1-665-492-11	S-A-SP BOARD		* 62	4-989-883-21	PANEL, BACK (D560Z)	
* 54	A-4392-913-A	SP BOARD, COMPLETE (DE615/DE715:US,CND)		* 62	4-989-883-31	PANEL, BACK (DE715:US)	
* 54	A-4392-936-A	SP BOARD, COMPLETE (DE715:AUS)		* 62	4-989-883-41	PANEL, BACK (DE715:CND)	
* 54	A-4392-941-A	SP BOARD, COMPLETE (D560Z/D660Z)		* 62	4-989-883-51	PANEL, BACK (DE715:AUS)	
* 55	1-665-468-11	HP BOARD (D560Z/DE615)		* 62	4-989-883-61	PANEL, BACK (D660Z)	
* 55	1-665-479-11	HP BOARD (D660Z/DE715)		* 63	1-665-484-11	5.1 IN BOARD (D660Z/DE715)	
* 56	A-4392-905-A	SURR BOARD, COMPLETE (US,CND)		* 63	1-665-473-11	5.1 IN BOARD (D560Z/DE615)	
* 56	A-4392-931-A	SURR BOARD, COMPLETE (AUS)		* 64	A-4392-897-A	VIDEO BOARD, COMPLETE (D560Z/DE615)	
57	1-773-108-11	WIRE (FLAT TYPE) (19 CORE) (160mm)		* 64	A-4392-924-A	VIDEO BOARD, COMPLETE (D660Z/DE715)	
* 58	A-4392-917-A	SW AUDIO BOARD, COMPLETE		* 65	1-665-490-11	SURR-AUDIO BOARD	
* 59	3-703-244-00	BUSHING (2104), CORD		* 66	A-4392-933-A	CTRL-A BOARD, COMPLETE (DE715:US,CND)	
Δ 60	1-696-847-11	CORD, POWER (AUS)		Δ CNJ909	1-251-416-11	OUTLET, A.C. (AUS)	

3-3. CHASSIS SECTION



<p>The components identified by mark Δ or dotted line with mark Δ are critical for safety. Replace only with part number specified.</p>	<p>Les composants identifiés par une marque Δ sont critiques pour la sécurité. Ne les remplacer que par une pièce portant le numéro spécifié.</p>
---	---

Ref. No.	Part No.	Description	Remark	Ref. No.	Part No.	Description	Remark
101	X-4947-207-1	FOOT ASSY (F50150S) (AUS)		* 109	A-4392-920-A	REAR AMP BOARD, COMPLETE (D660Z/DE715:US,CND)	
101	X-4947-208-1	FOOT ASSY (F50150S) (US,CND)		* 109	A-4392-922-A	REAR AMP BOARD, COMPLETE (DE715:AUS)	
* 102	A-4392-915-A	STAND BY BOARD, COMPLETE (US,CND)		110	4-977-358-11	CUSHION (8X12.5) (US,CND)	
* 102	A-4392-939-A	STAND BY BOARD, COMPLETE (AUS)		Δ F901	1-532-506-51	FUSE, TIME LAG (T6.3AL/250V) (AUS)	
103	1-533-217-31	HOLDER, FUSE		Δ F901	1-533-310-11	FUSE, GLASS CYLINDRICAL(DIA.5) (6.3A/125V) (US,CND)	
* 104	1-665-487-11	SECONDARY BOARD		Δ F902	1-532-464-51	FUSE, TIME LAG (T2.5AL/250V) (AUS)	
* 105	A-4392-903-A	AMP BOARD, COMPLETE (US,CND)		Δ F950	1-532-506-51	FUSE, TIME LAG (T6.3AL/250V) (AUS)	
* 105	A-4392-930-A	AMP BOARD, COMPLETE (AUS)		Δ F951	1-532-506-51	FUSE, TIME LAG (T6.3AL/250V) (AUS)	
* 106	1-665-463-11	AMP JOINT (B) BOARD		Δ T902	1-431-274-11	TRANSFORMER, POWER (US,CND)	
* 107	1-665-458-11	CONT (AS-1) BOARD		Δ T902	1-431-288-11	TRANSFORMER, POWER (AUS)	
108	3-905-609-01	SCREW (TRANSISTOR)					
* 109	A-4392-894-A	REAR AMP BOARD, COMPLETE (D560Z/DE615)					

SECTION 4 ELECTRICAL PARTS LIST

NOTE :

- Due to standardization, replacements in the parts list may be different from the parts specified in the diagrams or the components used on the set.
- -XX, -X mean standardized parts, so they may have some difference from the original one.
- RESISTORS
All resistors are in ohms
METAL : Metal-film resistor
METAL OXIDE :Metal oxide-film resistor
F : nonflammable
- Items marked " * " are not stocked since they are seldom required for routine service. Some delay should be anticipated when ordering these items.

● SEMICONDUCTORS

In each case, u : μ , for example :
 uA.... : μ A.... , uPA.... : μ PA....
 uPB.... : μ PB.... , uPC.... : μ PC....
 uPD.... : μ PD....

● CAPACITORS

uF : μ F

● COILS

uH : μ H

● Abbreviation

CND : Canadian
 AUS : Australian

The components identified by mark Δ or dotted line with mark Δ are critical for safety.
 Replace only with part number specified.

Les composants identifiés par une marque Δ sont critiques pour la sécurité. Ne les remplacer que par une pièce portant le numéro spécifié.

When indicating parts by reference number, please include the board.

Ref. No.	Part No.	Description	Remark	Ref. No.	Part No.	Description	Remark
*	1-665-484-11	5.1 IN BOARD (D660Z/DE715)		C590	1-126-935-11	ELECT 470uF 20%	6.3V
*	1-665-473-11	5.1 IN BOARD (D560Z/DE615)		C598	1-126-965-11	ELECT 22uF 20%	50V
		*****		C620	1-126-967-11	ELECT 47uF 20%	16V
		< CONNECTOR >		C621	1-107-597-11	CERAMIC 22PF 10%	500V
CNP305	1-564-524-11	PLUG, CONNECTOR 9P		C622	1-107-597-11	CERAMIC 22PF 10%	500V
		< JACK >		C623	1-162-286-31	CERAMIC 220PF 10%	50V
J306	1-779-355-11	JACK, PIN 6P (5.1/DVD INPUT)		C803	1-109-932-11	ELECT 10000uF 20%	71V
		< RESISTOR >		C804	1-109-932-11	ELECT 10000uF 20%	71V
R317	1-249-421-11	CARBON 2.2K 5%	1/4W	C807	1-126-967-11	ELECT 47uF 20%	16V
R325	1-249-421-11	CARBON 2.2K 5%	1/4W	C808	1-126-967-11	ELECT 47uF 20%	16V
R326	1-249-421-11	CARBON 2.2K 5%	1/4W	C811	1-126-952-11	ELECT 1000uF 20%	35V
R327	1-249-429-11	CARBON 10K 5%	1/4W	C812	1-126-951-11	ELECT 470uF 20%	35V
R328	1-249-429-11	CARBON 10K 5%	1/4W	C817	1-126-967-11	ELECT 47uF 20%	50V
R329	1-249-429-11	CARBON 10K 5%	1/4W	C818	1-126-967-11	ELECT 47uF 20%	50V
R367	1-249-421-11	CARBON 2.2K 5%	1/4W			< CONNECTOR >	
R375	1-249-421-11	CARBON 2.2K 5%	1/4W	CNP701	1-564-320-00	PIN, CONNECTOR (B2P-VH) 2P	
R376	1-249-421-11	CARBON 2.2K 5%	1/4W	CNP702	1-695-091-11	PIN, CONNECTOR (PC BOARD) 15P	
R377	1-249-429-11	CARBON 10K 5%	1/4W	CNS502	1-770-404-11	HOUSING,CONNECTOR(PC BOARD)11P	
R378	1-249-429-11	CARBON 10K 5%	1/4W	CNS602	1-770-404-11	HOUSING,CONNECTOR(PC BOARD)11P	
R379	1-249-429-11	CARBON 10K 5%	1/4W	CNS701	1-569-323-11	SOCKET, CONNECTOR 19P	
		*****				< DIODE >	
*	A-4392-903-A	AMP BOARD, COMPLETE (US,CND)		D152	8-719-987-63	DIODE 1N4148M	
*	A-4392-930-A	AMP BOARD, COMPLETE (AUS)		D501	8-719-987-63	DIODE 1N4148M	
		*****		D502	8-719-010-06	DIODE UZ-2.2BS	
				D503	8-719-010-06	DIODE UZ-2.2BS	
*	1-537-738-21	TERMINAL, EARTH		D504	8-719-987-63	DIODE 1N4148M	
	7-685-872-09	SCREW +BVTT 3X8 (S)		D505	8-719-987-63	DIODE 1N4148M	
		< CAPACITOR >		D506	8-719-987-63	DIODE 1N4148M	
C520	1-126-967-11	ELECT 47uF 20%	16V	D545	8-719-987-63	DIODE 1N4148M	
C521	1-107-597-11	CERAMIC 22PF 10%	500V	D546	8-719-987-63	DIODE 1N4148M	
C522	1-107-597-11	CERAMIC 22PF 10%	500V	D547	8-719-987-63	DIODE 1N4148M	
C523	1-162-286-31	CERAMIC 220PF 10%	50V	D548	8-719-815-85	DIODE 1S1585	
C524	1-126-964-11	ELECT 10uF 20%	50V	D549	8-719-815-85	DIODE 1S1585	
C525	1-136-157-00	FILM 0.022uF 5%	50V	D551	8-719-987-63	DIODE 1N4148M	
C526	1-136-153-00	FILM 0.01uF 5%	50V	D552	8-719-010-06	DIODE UZ-2.2BS	
C570	1-126-967-11	ELECT 47uF 20%	16V	D553	8-719-010-06	DIODE UZ-2.2BS	
C571	1-107-597-11	CERAMIC 22PF 10%	500V	D554	8-719-987-63	DIODE 1N4148M	
C572	1-107-597-11	CERAMIC 22PF 10%	500V	D555	8-719-987-63	DIODE 1N4148M	
C573	1-162-286-31	CERAMIC 220PF 10%	50V	D556	8-719-987-63	DIODE 1N4148M	
C574	1-126-964-11	ELECT 10uF 20%	50V	D601	8-719-987-63	DIODE 1N4148M	
C575	1-136-157-00	FILM 0.022uF 5%	50V	D602	8-719-010-06	DIODE UZ-2.2BS	
C576	1-136-153-00	FILM 0.01uF 5%	50V	D603	8-719-010-06	DIODE UZ-2.2BS	
				D604	8-719-987-63	DIODE 1N4148M	
				D608	8-719-987-63	DIODE 1N4148M	

Ref. No.	Part No.	Description	Remark	Ref. No.	Part No.	Description	Remark
D611	8-719-987-63	DIODE 1N4148M				< RESISTOR >	
D647	8-719-987-63	DIODE 1N4148M					
D648	8-719-987-63	DIODE 1N4148M		R521	1-247-840-00	CARBON 2.4K	5% 1/4W
D651	8-719-987-63	DIODE 1N4148M		R523	1-249-414-11	CARBON 560	5% 1/4W
D711	8-719-987-63	DIODE 1N4148M		△R524	1-249-408-11	CARBON 180	5% 1/4W F
D716	8-719-987-63	DIODE 1N4148M		△R525	1-249-408-11	CARBON 180	5% 1/4W F
D807	8-719-934-22	DIODE HZS30-2L		△R526	1-233-352-41	ENCAPSULATED COMPONENT 0.22X2	2W F
		< IC >		R527	1-247-850-11	CARBON 6.2K	5% 1/4W
IC801	8-759-391-87	IC BA78M12P		R528	1-249-419-11	CARBON 1.5K	5% 1/4W
IC803	8-759-604-45	IC M5F79M12		R529	1-247-866-11	CARBON 30K	5% 1/4W
		< COIL >		R530	1-249-419-11	CARBON 1.5K	5% 1/4W
L501	1-420-872-00	COIL, AIR-CORE		R531	1-249-433-11	CARBON 22K	5% 1/4W
L551	1-420-872-00	COIL, AIR-CORE					
		< TRANSISTOR >		R532	1-249-437-11	CARBON 47K	5% 1/4W
Q504	8-729-119-76	TRANSISTOR 2SA1175-HFE		△R533	1-249-393-11	CARBON 10	5% 1/4W F
Q505	8-729-209-15	TRANSISTOR 2SD2012		△R534	1-249-389-11	CARBON 4.7	5% 1/4W F
Q506	8-749-010-25	IC MN2488-OPY-M		R535	1-249-431-11	CARBON 15K	5% 1/4W
Q507	8-749-010-26	IC MP1620-OPY-M		R539	1-249-427-11	CARBON 6.8K	5% 1/4W
Q508	8-729-140-82	TRANSISTOR 2SA988-PAFAEA					
Q509	8-729-281-53	TRANSISTOR 2SC1815-GR		R540	1-249-417-11	CARBON 1K	5% 1/4W
Q510	8-729-900-63	TRANSISTOR DTA124ES		R541	1-249-435-11	CARBON 33K	5% 1/4W
Q511	8-729-900-63	TRANSISTOR DTA124ES		R542	1-249-429-11	CARBON 10K	5% 1/4W
Q546	8-729-119-79	TRANSISTOR 2SC2785-FEK		R547	1-249-425-11	CARBON 4.7K	5% 1/4W
Q547	8-729-140-84	TRANSISTOR 2SC1841-PAFAEA		R548	1-249-429-11	CARBON 10K	5% 1/4W
Q548	8-729-119-79	TRANSISTOR 2SC2785-FEK		△R549	1-249-393-11	CARBON 10	5% 1/4W
Q549	8-729-140-82	TRANSISTOR 2SA988-PAFAEA		R550	1-249-429-11	CARBON 10K	5% 1/4W
Q554	8-729-119-76	TRANSISTOR 2SA1175-HFE		R571	1-247-840-00	CARBON 2.4K	5% 1/4W
Q555	8-729-209-15	TRANSISTOR 2SD2012		R573	1-249-414-11	CARBON 560	5% 1/4W
Q556	8-749-010-25	IC MN2488-OPY-M		△R574	1-249-408-11	CARBON 180	5% 1/4W F
Q557	8-749-010-26	IC MP1620-OPY-M		△R575	1-249-408-11	CARBON 180	5% 1/4W F
Q558	8-729-140-82	TRANSISTOR 2SA988-PAFAEA		△R576	1-233-352-41	ENCAPSULATED COMPONENT 0.22X2	2W F
Q559	8-729-281-53	TRANSISTOR 2SC1815-GR		R577	1-247-850-11	CARBON 6.2K	5% 1/4W
Q560	8-729-900-63	TRANSISTOR DTA124ES		R578	1-249-419-11	CARBON 1.5K	5% 1/4W
Q561	8-729-900-63	TRANSISTOR DTA124ES		R579	1-247-866-11	CARBON 30K	5% 1/4W
Q596	8-729-119-79	TRANSISTOR 2SC2785-FEK					
Q601	8-729-119-79	TRANSISTOR 2SC2785-FEK		R580	1-249-419-11	CARBON 1.5K	5% 1/4W
Q604	8-729-119-76	TRANSISTOR 2SA1175-HFE		R581	1-249-433-11	CARBON 22K	5% 1/4W
Q605	8-729-209-15	TRANSISTOR 2SD2012		R582	1-249-437-11	CARBON 47K	5% 1/4W
Q606	8-749-010-25	IC MN2488-OPY-M		△R584	1-249-389-11	CARBON 4.7	5% 1/4W F
Q607	8-749-010-26	IC MP1620-OPY-M		R585	1-249-431-11	CARBON 15K	5% 1/4W
Q608	8-729-140-82	TRANSISTOR 2SA988-PAFAEA					
Q612	8-729-281-53	TRANSISTOR 2SC1815-GR		R586	1-249-429-11	CARBON 10K	5% 1/4W
Q613	8-729-281-53	TRANSISTOR 2SC1815-GR		R587	1-249-425-11	CARBON 4.7K	5% 1/4W
Q614	8-729-201-53	TRANSISTOR 2SA1015-GR (US,CND)		△R588	1-249-393-11	CARBON 10	5% 1/4W F
Q614	8-729-140-82	TRANSISTOR 2SA988-PAFAEA (AUS)		R589	1-249-420-11	CARBON 1.8K	5% 1/4W
Q615	8-729-900-36	TRANSISTOR DTC124ES		R590	1-249-420-11	CARBON 1.8K	5% 1/4W
Q616	8-729-900-36	TRANSISTOR DTC124ES					
Q617	8-729-900-36	TRANSISTOR DTC124ES		R597	1-249-420-11	CARBON 1.8K	5% 1/4W
Q618	8-729-900-63	TRANSISTOR DTA124ES		R598	1-249-420-11	CARBON 1.8K	5% 1/4W
Q801	8-729-140-97	TRANSISTOR 2SB734-34		R621	1-247-840-00	CARBON 2.4K	5% 1/4W
				R623	1-249-414-11	CARBON 560	5% 1/4W
				△R624	1-249-393-11	CARBON 10	5% 1/4W F
				△R625	1-249-393-11	CARBON 10	5% 1/4W F
				△R626	1-233-352-41	ENCAPSULATED COMPONENT 0.22X2	2W F
				R627	1-247-850-11	CARBON 6.2K	5% 1/4W
				R628	1-249-419-11	CARBON 1.5K	5% 1/4W
				R632	1-249-437-11	CARBON 47K	5% 1/4W
				△R640	1-216-426-11	METAL OXIDE 82	5% 1W F
				R641	1-249-441-11	CARBON 100K	5% 1/4W
				△R642	1-215-889-00	METAL OXIDE 330	5% 2W F
				R643	1-249-441-11	CARBON 100K	5% 1/4W
				△R644	1-215-890-11	METAL OXIDE 470	5% 2W F

The components identified by mark △ or dotted line with mark △ are critical for safety. Replace only with part number specified.	Les composants identifiés par une marque △ sont critiques pour la sécurité. Ne les remplacer que par une pièce portant le numéro spécifié.
---	---

AMP**AMP JOINT (B)****AU-VIDEO****AUDIO****AUDIO SW**

Ref. No.	Part No.	Description	Remark
R645	1-249-441-11	CARBON 100K 5%	1/4W
R650	1-249-425-11	CARBON 4.7K 5%	1/4W
R651	1-249-429-11	CARBON 10K 5%	1/4W
△ R652	1-249-393-11	CARBON 10 5%	1/4W F
△ R739	1-215-868-00	METAL OXIDE 680 5%	1W F
< RELAY >			
△ R765	1-249-393-11	CARBON 10 5%	1/4W F
△ R789	1-215-868-00	METAL OXIDE 680 5%	1W F
△ R802	1-249-401-11	CARBON 47 5%	1/4W F
R803	1-247-843-11	CARBON 3.3K 5%	1/4W
< TERMINAL >			
RY501	1-515-920-11	RELAY (24V)	
RY502	1-515-920-11	RELAY (24V)	
RY602	1-515-793-11	RELAY	
< TERMINAL >			
TM601	1-537-922-11	TERMINAL BOARD (SP) (FRONT SPEAKERS)	

*	1-665-463-11	AMP JOINT (B) BOARD	

< CONNECTOR >			
CNP601	1-770-553-11	CONNECTOR, BOARD TO BOARD 11P	
CNP602	1-770-553-11	CONNECTOR, BOARD TO BOARD 11P	

*	1-665-480-11	AU-VIDEO BOARD (D660Z/DE715)	
*	1-665-469-11	AU-VIDEO BOARD (D560Z/DE615)	

< CONNECTOR >			
CNP305	1-750-180-11	PIN, CONNECTOR (PC BOARD) 5P	
CNS305	1-750-179-11	SOCKET, CONNECTOR 5P	

*	A-4392-896-A	AUDIO BOARD, COMPLETE (D560Z/DE615)	
*	A-4392-923-A	AUDIO BOARD, COMPLETE (D660Z/DE715)	

< CAPACITOR >			
C398	1-162-282-31	CERAMIC 100PF 10%	50V
C399	1-162-294-31	CERAMIC 0.001uF 10%	50V
< CONNECTOR >			
CNS302	1-695-095-11	SOCKET, CONNECTOR 13P	
CNS304	1-750-180-11	PIN, CONNECTOR (PC BOARD) 5P	
< IC >			
IC303	8-759-805-14	IC LC7822	
< JACK >			
J303	1-573-029-31	JACK, PIN 4P (VIDEO 2 AUDIO OUT,TV/DBS AUDIO IN/OUT)	
J304	1-770-015-11	JACK, PIN 6P (VIDEO 1 AUDIO IN/OUT,VIDEO 2 AUDIO IN)	

Ref. No.	Part No.	Description	Remark
< RESISTOR >			
R318	1-249-417-11	CARBON 1K 5%	1/4W
R319	1-249-417-11	CARBON 1K 5%	1/4W
R320	1-249-417-11	CARBON 1K 5%	1/4W
R321	1-249-417-11	CARBON 1K 5%	1/4W
R322	1-249-417-11	CARBON 1K 5%	1/4W
< CAPACITOR >			
C407	1-126-795-11	ELECT 10uF 20%	50V
C408	1-164-159-11	CERAMIC 0.1uF	50V
C409	1-126-795-11	ELECT 10uF 20%	50V
C411	1-126-795-11	ELECT 10uF 20%	50V
C412	1-164-159-11	CERAMIC 0.1uF	50V
C457	1-126-795-11	ELECT 10uF 20%	50V
C458	1-164-159-11	CERAMIC 0.1uF	50V
C459	1-126-795-11	ELECT 10uF 20%	50V
C461	1-126-795-11	ELECT 10uF 20%	50V
C495	1-162-294-31	CERAMIC 0.001uF 10%	50V
C496	1-162-282-31	CERAMIC 100PF 10%	50V
C498	1-126-786-11	ELECT 47uF 20%	16V
C499	1-126-786-11	ELECT 47uF 20%	16V
< CONNECTOR >			
CNP410	1-750-180-11	PIN, CONNECTOR (PC BOARD) 5P	
CNS403	1-695-093-11	SOCKET, CONNECTOR 9P	
CNS404	1-695-094-11	SOCKET, CONNECTOR 11P	
< IC >			
IC405	8-759-634-50	IC M5218AL	
IC406	8-759-805-15	IC LC7823	
< TRANSISTOR >			
Q401	8-729-922-37	TRANSISTOR 2SD2144S	
Q403	8-729-922-37	TRANSISTOR 2SD2144S	
Q451	8-729-922-37	TRANSISTOR 2SD2144S	
< RESISTOR >			
R410	1-249-441-11	CARBON 100K 5%	1/4W
R411	1-249-417-11	CARBON 1K 5%	1/4W
R412	1-249-425-11	CARBON 4.7K 5%	1/4W
R413	1-249-441-11	CARBON 100K 5%	1/4W
R416	1-249-441-11	CARBON 100K 5%	1/4W
R417	1-249-417-11	CARBON 1K 5%	1/4W
R418	1-249-425-11	CARBON 4.7K 5%	1/4W

The components identified by mark △ or dotted line with mark △ are critical for safety. Replace only with part number specified.	Les composants identifiés par une marque △ sont critiques pour la sécurité. Ne les remplacer que par une pièce portant le numéro spécifié.
---	---

AUDIO SW

BALANCE

CONT (AS-1)

CTRL-A

DISPLAY

L.B. SW

Ref. No.	Part No.	Description	Remark
R460	1-249-441-11	CARBON 100K 5%	1/4W
R461	1-249-417-11	CARBON 1K 5%	1/4W
R462	1-249-425-11	CARBON 4.7K 5%	1/4W
R463	1-249-441-11	CARBON 100K 5%	1/4W
R466	1-249-441-11	CARBON 100K 5%	1/4W
R467	1-249-417-11	CARBON 1K 5%	1/4W
R468	1-249-417-11	CARBON 1K 5%	1/4W
R469	1-249-441-11	CARBON 100K 5%	1/4W
R476	1-249-425-11	CARBON 4.7K 5%	1/4W
R477	1-249-417-11	CARBON 1K 5%	1/4W
R478	1-249-441-11	CARBON 100K 5%	1/4W
R479	1-249-429-11	CARBON 10K 5%	1/4W
R480	1-249-441-11	CARBON 100K 5%	1/4W
R481	1-247-807-31	CARBON 100 5%	1/4W
R482	1-247-807-31	CARBON 100 5%	1/4W

*	1-665-478-11	BALANCE BOARD (D660Z/DE715)	
*	1-665-467-11	BALANCE BOARD (D560Z/DE615)	

< VARIABLE RESISTOR >			
RV402	1-225-447-11	RES, VAR, CARBON 100K/100K (BALANCE)	

*	1-665-458-11	CONT (AS-1) BOARD	

< CONNECTOR >			
CNP501	1-770-553-11	CONNECTOR, BOARD TO BOARD 11P	
CNP502	1-770-553-11	CONNECTOR, BOARD TO BOARD 11P	

*	A-4392-933-A	CTRL-A BOARD, COMPLETE (DE715:US,CND)	

< CAPACITOR >			
C1101	1-162-294-31	CERAMIC 0.001uF 10% 50V	
C1102	1-162-294-31	CERAMIC 0.001uF 10% 50V	
C1103	1-126-964-11	ELECT 10uF 20% 50V	
C1104	1-162-294-31	CERAMIC 0.001uF 10% 50V	
C1105	1-162-294-31	CERAMIC 0.001uF 10% 50V	
C1106	1-126-964-11	ELECT 10uF 20% 50V	
C1107	1-126-964-11	ELECT 10uF 20% 50V	
< CONNECTOR >			
* CNS110	1-568-828-11	SOCKET, CONNECTOR 9P	
< DIODE >			
D1101	8-719-987-63	DIODE 1N4148M	
< IC >			
IC1101	8-759-912-77	IC LM324N	
IC1102	8-759-388-26	IC NJM2129D	
< JACK >			
J1101	1-563-330-11	JACK (MONITOR,CTRL S IN)	
J1102	1-563-330-11	JACK (VIDEO,CTRL S OUT)	
J1103	1-563-330-11	JACK (TV/DBS,CTRL S STATUS IN)	
J1104	1-563-330-11	JACK (VIDEO 2,CTRL S OUT)	

Ref. No.	Part No.	Description	Remark
J1105	1-563-330-11	JACK (S-LINK,CTRL A1)	
< TRANSISTOR >			
Q1101	8-729-620-05	TRANSISTOR 2SC2603-EF	
Q1102	8-729-119-79	TRANSISTOR 2SC2785-FEK	
Q1103	8-729-119-79	TRANSISTOR 2SC2785-FEK	
Q1104	8-729-119-76	TRANSISTOR 2SA1175-HFE	
Q1105	8-729-119-76	TRANSISTOR 2SA1175-HFE	
Q1106	8-729-119-79	TRANSISTOR 2SC2785-FEK	
Q1107	8-729-119-76	TRANSISTOR 2SA1175-HFE	
Q1108	8-729-119-76	TRANSISTOR 2SA1175-HFE	
Q1109	8-729-119-76	TRANSISTOR 2SA1175-HFE	
< RESISTOR >			
R1101	1-249-393-11	CARBON 10 5%	1/4W
R1102	1-249-417-11	CARBON 1K 5%	1/4W
R1103	1-247-843-11	CARBON 3.3K 5%	1/4W
R1104	1-247-843-11	CARBON 3.3K 5%	1/4W
R1105	1-249-417-11	CARBON 1K 5%	1/4W
R1106	1-249-429-11	CARBON 10K 5%	1/4W
R1107	1-249-429-11	CARBON 10K 5%	1/4W
R1108	1-249-425-11	CARBON 4.7K 5%	1/4W
R1109	1-249-417-11	CARBON 1K 5%	1/4W
R1110	1-249-417-11	CARBON 1K 5%	1/4W
R1111	1-249-417-11	CARBON 1K 5%	1/4W
R1112	1-249-417-11	CARBON 1K 5%	1/4W
R1113	1-249-414-11	CARBON 560 5%	1/4W
R1114	1-249-414-11	CARBON 560 5%	1/4W
R1115	1-249-413-11	CARBON 470 5%	1/4W
R1116	1-249-413-11	CARBON 470 5%	1/4W
R1117	1-249-429-11	CARBON 10K 5%	1/4W
R1118	1-249-429-11	CARBON 10K 5%	1/4W
R1119	1-249-417-11	CARBON 1K 5%	1/4W
R1120	1-249-427-11	CARBON 6.8K 5%	1/4W
R1121	1-249-433-11	CARBON 22K 5%	1/4W
R1122	1-249-437-11	CARBON 47K 5%	1/4W

*	A-4392-893-A	DISPLAY BOARD, COMPLETE (D560Z/DE615)	
*	A-4392-942-A	DISPLAY BOARD, COMPLETE (D660Z)	
*	A-4392-918-A	DISPLAY BOARD, COMPLETE (DE715:US,CND)	
*	A-4392-919-A	DISPLAY BOARD, COMPLETE (DE715:AUS)	

L.B. SW BOARD			

*	3-386-245-11	HOLDER (FL) (D560Z/DE615)	
*	4-921-941-01	CUSHION (FL)	
*	4-981-656-01	HOLDER (C), FL INDICATION TUBE	(D660Z/DE715)
< CAPACITOR >			
C029	1-162-282-31	CERAMIC 100PF 10% 50V	(D660Z/DE715)
C101	1-164-159-11	CERAMIC 0.1uF 50V	
C102	1-164-159-11	CERAMIC 0.1uF 50V	
C103	1-164-159-11	CERAMIC 0.1uF 50V	
C104	1-126-959-11	ELECT 0.47uF 20% 50V	(D560Z/DE615)
C104	1-164-159-11	CERAMIC 0.1uF 50V	(D660Z/DE715)

Ref. No.	Part No.	Description	Remark	Ref. No.	Part No.	Description	Remark
C105	1-164-159-11	CERAMIC	0.1uF 50V	C186	1-162-282-31	CERAMIC	100PF 10% 50V (D560Z/DE615)
C106	1-164-159-11	CERAMIC	0.1uF 50V (D660Z/DE715)	C187	1-162-282-31	CERAMIC	100PF 10% 50V (D560Z/DE615)
C111	1-126-967-11	ELECT	47uF 20% 16V (D560Z/DE615)	C188	1-162-282-31	CERAMIC	100PF 10% 50V (D560Z/DE615)
C111	1-126-786-11	ELECT	47uF 20% 16V (D660Z/DE715)	C189	1-162-282-31	CERAMIC	100PF 10% 50V (D560Z/DE615)
C113	1-126-786-11	ELECT	47uF 20% 16V (D660Z/DE715)	C190	1-162-282-31	CERAMIC	100PF 10% 50V (D560Z/DE615)
C114	1-164-159-11	CERAMIC	0.1uF 50V	C191	1-162-282-31	CERAMIC	100PF 10% 50V (D560Z/DE615)
C115	1-104-905-11	CAPACITOR	0.22F 5.5V	C192	1-162-282-31	CERAMIC	100PF 10% 50V (D560Z/DE615)
C116	1-164-159-11	CERAMIC	0.1uF 50V (D660Z/DE715)	C193	1-162-282-31	CERAMIC	100PF 10% 50V (D560Z/DE615)
C117	1-164-159-11	CERAMIC	0.1uF 50V	C194	1-162-282-31	CERAMIC	100PF 10% 50V (D560Z/DE615)
C120	1-162-282-31	CERAMIC	100PF 10% 50V (D660Z/DE715)	C195	1-162-282-31	CERAMIC	100PF 10% 50V (D560Z/DE615)
C121	1-162-282-31	CERAMIC	100PF 10% 50V (D660Z/DE715)	C196	1-162-282-31	CERAMIC	100PF 10% 50V (D560Z/DE615)
C122	1-162-282-31	CERAMIC	100PF 10% 50V (D660Z/DE715)	C197	1-162-282-31	CERAMIC	100PF 10% 50V (D560Z/DE615)
C123	1-162-282-31	CERAMIC	100PF 10% 50V (D660Z/DE715)	C198	1-162-282-31	CERAMIC	100PF 10% 50V (D560Z/DE615)
C124	1-162-282-31	CERAMIC	100PF 10% 50V (D660Z/DE715)	C199	1-162-282-31	CERAMIC	100PF 10% 50V (D560Z/DE615)
C125	1-162-282-31	CERAMIC	100PF 10% 50V (D660Z/DE715)	< CONNECTOR >			
C126	1-162-282-31	CERAMIC	100PF 10% 50V (D660Z/DE715)	CNP101	1-779-365-11	CONNECTOR, PC BOARD (PLUG) 8P	
C127	1-162-282-31	CERAMIC	100PF 10% 50V (D660Z/DE715)	CNP103	1-779-366-11	CONNECTOR, BOARD TO BOARD 4P	
C128	1-162-282-31	CERAMIC	100PF 10% 50V (D660Z/DE715)	CNS102	1-770-397-11	HOUSING, CONNECTOR(PC BOARD)4P	
C130	1-162-282-31	CERAMIC	100PF 10% 50V (D660Z/DE715)	* CNS104	1-568-862-11	SOCKET, CONNECTOR 19P (D560Z/DE615)	
C131	1-162-282-31	CERAMIC	100PF 10% 50V (D660Z/DE715)	CNS104	1-569-308-11	SOCKET, CONNECTOR (L TYRE) 19P (D660Z/DE715)	
C132	1-126-177-11	ELECT	100uF 20% 10V (D660Z/DE715)	CNS105	1-568-802-11	SOCKET, CONNECTOR 19P (D560Z/DE615)	
C133	1-164-159-11	CERAMIC	0.1uF 50V (D660Z/DE715)	CNS105	1-691-650-11	SOCKET, CONNECTOR 19P (D660Z/DE715)	
C134	1-162-282-31	CERAMIC	100PF 10% 50V (D660Z/DE715)	CNS106	1-568-441-11	SOCKET, CONNECTOR 9P (D660Z/DE715)	
C135	1-126-795-11	ELECT	10uF 20% 50V (D660Z/DE715)	< DIODE >			
C136	1-162-282-31	CERAMIC	100PF 10% 50V (D660Z/DE715)	D101	8-719-313-45	LED SEL6810A-TH10 (PHONO)	
C137	1-162-282-31	CERAMIC	100PF 10% 50V (D660Z/DE715)	D102	8-719-313-45	LED SEL6810A-TH10 (TUNER)	
C138	1-162-282-31	CERAMIC	100PF 10% 50V (D660Z/DE715)	D103	8-719-313-45	LED SEL6810A-TH10 (CD)	
C139	1-162-282-31	CERAMIC	100PF 10% 50V (D660Z/DE715)	D104	8-719-313-45	LED SEL6810A-TH10 (DAT/MD)	
C140	1-126-786-11	ELECT	47uF 20% 16V (D660Z/DE715)	D105	8-719-313-45	LED SEL6810A-TH10 (TAPE)	
C141	1-164-159-11	CERAMIC	0.1uF 50V	D106	8-719-313-45	LED SEL6810A-TH10 (TV/DBS)	
C142	1-164-159-11	CERAMIC	0.1uF 50V	D107	8-719-313-45	LED SEL6810A-TH10 (VIDEO 2) (D560Z/DE615)	
C143	1-164-159-11	CERAMIC	0.1uF 50V (D560Z/DE615)	D108	8-719-313-45	LED SEL6810A-TH10 (VIDEO 1) (D560Z/DE615)	
C183	1-162-282-31	CERAMIC	100PF 10% 50V (D560Z/DE615)	D109	8-719-313-45	LED SEL6810A-TH10 (VIDEO 2) (D660Z/DE715)	
C184	1-162-282-31	CERAMIC	100PF 10% 50V (D560Z/DE615)	D110	8-719-313-45	LED SEL6810A-TH10 (VIDEO 1) (D660Z/DE715)	
C185	1-162-282-31	CERAMIC	100PF 10% 50V (D560Z/DE615)	D111	8-719-313-45	LED SEL6810A-TH10 (DIRECT PASS)	
				D112	8-719-064-63	LED SELU5823A-TP15 (5.1 INPUT)	
				D113	8-719-313-45	LED SEL6810A-TH10 (SUR)	
				D114	8-719-313-45	LED SEL6810A-TH10 (TONE)	
				D115	8-719-313-45	LED SEL6810A-TH10 (INDEX)	
				D117	8-719-313-45	LED SEL6810A-TH10 (BASS BOOST)	
				D119	8-719-987-63	DIODE 1N4148M	
				D120	8-719-200-82	DIODE 11ES2 (D560Z/DE615)	

Ref. No.	Part No.	Description	Remark	Ref. No.	Part No.	Description	Remark
D120	8-719-024-99	DIODE 11ES2-NTA2B (D660Z/DE715)		R126	1-249-425-11	CARBON 4.7K	5% 1/4W
D121	8-719-987-63	DIODE 1N4148M (D560Z/DE615)		R127	1-249-425-11	CARBON 4.7K	5% 1/4W
		< FILTER >		R128	1-249-417-11	CARBON 1K	5% 1/4W (D660Z/DE715)
FL101	1-517-519-11	INDICATOR TUBE, FLUORESCENT (D660Z/DE715)		R128	1-249-429-11	CARBON 10K	5% 1/4W (D560Z/DE615)
FL101	1-517-672-11	INDICATOR TUBE, FLUORESCENT (D560Z/DE615)		R129	1-247-807-31	CARBON 100	5% 1/4W
		< IC >		R130	1-249-429-11	CARBON 10K	5% 1/4W (D660Z/DE715)
IC101	8-759-459-83	IC NJL55H400		R131	1-249-419-11	CARBON 1.5K	5% 1/4W (D660Z/DE715)
IC102	8-759-442-92	IC M66004AFP-M6 (D660Z/DE715)		R132	1-249-417-11	CARBON 1K	5% 1/4W
IC103	8-759-458-11	IC MB90673PF-G-196-BND (D660Z/DE715)		R133	1-249-417-11	CARBON 1K	5% 1/4W (D660Z/DE715)
IC103	8-759-460-14	IC uPD780205GF-027-3BA (D560Z/DE615)		R133	1-247-807-31	CARBON 100	5% 1/4W (D560Z/DE615)
IC105	8-759-634-84	IC M50255P (D660Z/DE715)					
IC106	8-759-962-08	IC BA6208		R134	1-249-417-11	CARBON 1K	5% 1/4W (D660Z/DE715)
		< COIL >		R134	1-247-807-31	CARBON 100	5% 1/4W (D560Z/DE615)
L101	1-410-509-11	INDUCTOR 10uH		R135	1-249-417-11	CARBON 1K	5% 1/4W (D660Z/DE715)
		< TRANSISTOR >		R135	1-247-807-31	CARBON 100	5% 1/4W (D560Z/DE615)
Q101	8-729-900-36	TRANSISTOR DTC124ES		R136	1-249-417-11	CARBON 1K	5% 1/4W (D660Z/DE715)
Q102	8-729-119-76	TRANSISTOR 2SA1175-HFE					
Q103	8-729-900-36	TRANSISTOR DTC124ES (D560Z/DE615)		R136	1-247-807-31	CARBON 100	5% 1/4W (D560Z/DE615)
Q104	8-729-900-36	TRANSISTOR DTC124ES (D560Z/DE615)		R137	1-247-807-31	CARBON 100	5% 1/4W
Q105	8-729-900-36	TRANSISTOR DTC124ES		R138	1-249-417-11	CARBON 1K	5% 1/4W
		< RESISTOR >		R139	1-247-807-31	CARBON 100	5% 1/4W
R100	1-249-437-11	CARBON 47K	5% 1/4W (D660Z/DE715)	R140	1-247-807-31	CARBON 100	5% 1/4W
R101	1-247-807-31	CARBON 100	5% 1/4W	R141	1-247-807-31	CARBON 100	5% 1/4W
R102	1-247-807-31	CARBON 100	5% 1/4W	R142	1-247-807-31	CARBON 100	5% 1/4W
R103	1-247-807-31	CARBON 100	5% 1/4W	R143	1-249-429-11	CARBON 10K	5% 1/4W (D660Z/DE715)
R104	1-247-807-31	CARBON 100	5% 1/4W	R143	1-249-417-11	CARBON 1K	5% 1/4W (D560Z/DE615)
R105	1-247-807-31	CARBON 100	5% 1/4W	R144	1-249-437-11	CARBON 47K	5% 1/4W (D660Z/DE715)
R106	1-247-807-31	CARBON 100	5% 1/4W				
R107	1-247-807-31	CARBON 100	5% 1/4W	R144	1-249-417-11	CARBON 1K	5% 1/4W (D560Z/DE615)
R108	1-247-807-31	CARBON 100	5% 1/4W	R145	1-249-433-11	CARBON 22K	5% 1/4W (D660Z/DE715)
R109	1-247-807-31	CARBON 100	5% 1/4W	R145	1-249-417-11	CARBON 1K	5% 1/4W (D560Z/DE615)
R110	1-247-807-31	CARBON 100	5% 1/4W	R146	1-247-807-31	CARBON 100	5% 1/4W (D660Z/DE715)
R111	1-247-807-31	CARBON 100	5% 1/4W	R146	1-249-417-11	CARBON 1K	5% 1/4W (D560Z/DE615)
R112	1-247-807-31	CARBON 100	5% 1/4W				
R113	1-247-807-31	CARBON 100	5% 1/4W	R147	1-247-807-31	CARBON 100	5% 1/4W (D660Z/DE715)
R114	1-247-807-31	CARBON 100	5% 1/4W	R147	1-249-417-11	CARBON 1K	5% 1/4W (D560Z/DE615)
R115	1-249-429-11	CARBON 10K	5% 1/4W (D660Z/DE715)	R148	1-247-807-31	CARBON 100	5% 1/4W (D660Z/DE715)
R116	1-247-807-31	CARBON 100	5% 1/4W (D660Z/DE715)	R148	1-249-417-11	CARBON 1K	5% 1/4W (D560Z/DE615)
R118	1-249-417-11	CARBON 1K	5% 1/4W (D660Z/DE715)	R149	1-247-807-31	CARBON 100	5% 1/4W (D660Z/DE715)
R119	1-249-417-11	CARBON 1K	5% 1/4W (D660Z/DE715)				
R120	1-249-417-11	CARBON 1K	5% 1/4W (D660Z/DE715)	R149	1-249-417-11	CARBON 1K	5% 1/4W (D560Z/DE615)
R121	1-249-417-11	CARBON 1K	5% 1/4W (D660Z/DE715)	R150	1-249-393-11	CARBON 10	5% 1/4W
R122	1-249-425-11	CARBON 4.7K	5% 1/4W				
R123	1-249-425-11	CARBON 4.7K	5% 1/4W				
R124	1-249-425-11	CARBON 4.7K	5% 1/4W				
R125	1-249-425-11	CARBON 4.7K	5% 1/4W				

Ref. No.	Part No.	Description	Remark	Ref. No.	Part No.	Description	Remark
R151	1-249-429-11	CARBON	10K 5% 1/4W (D660Z/DE715)	RR105	1-249-437-11	CARBON	47K 5% 1/4W (D560Z/DE615)
R152	1-249-434-11	CARBON	27K 5% 1/4W (D660Z/DE715)	RR106	1-249-437-11	CARBON	47K 5% 1/4W (D560Z/DE615)
△ R153	1-249-385-11	CARBON	2.2 5% 1/6W F	RR107	1-249-437-11	CARBON	47K 5% 1/4W (D560Z/DE615)
△ R154	1-249-385-11	CARBON	2.2 5% 1/6W F	RR108	1-249-437-11	CARBON	47K 5% 1/4W (D560Z/DE615)
R155	1-249-411-11	CARBON	330 5% 1/4W	RR109	1-249-437-11	CARBON	47K 5% 1/4W (D560Z/DE615)
R156	1-249-411-11	CARBON	330 5% 1/4W	RR110	1-249-437-11	CARBON	47K 5% 1/4W (D560Z/DE615)
R157	1-249-411-11	CARBON	330 5% 1/4W	RR111	1-249-437-11	CARBON	47K 5% 1/4W (D560Z/DE615)
R158	1-249-411-11	CARBON	330 5% 1/4W	RR112	1-249-437-11	CARBON	47K 5% 1/4W (D560Z/DE615)
R159	1-249-437-11	CARBON	47K 5% 1/4W (D660Z/DE715)	RR113	1-249-437-11	CARBON	47K 5% 1/4W (D560Z/DE615)
R160	1-249-411-11	CARBON	330 5% 1/4W	RR114	1-249-437-11	CARBON	47K 5% 1/4W (D560Z/DE615)
R162	1-249-429-11	CARBON	10K 5% 1/4W	RR115	1-249-437-11	CARBON	47K 5% 1/4W (D560Z/DE615)
R163	1-247-807-31	CARBON	100 5% 1/4W (D660Z/DE715)	RR116	1-249-437-11	CARBON	47K 5% 1/4W (D560Z/DE615)
R164	1-249-429-11	CARBON	10K 5% 1/4W	RR117	1-249-437-11	CARBON	47K 5% 1/4W (D560Z/DE615)
R165	1-249-429-11	CARBON	10K 5% 1/4W	RR118	1-249-437-11	CARBON	47K 5% 1/4W (D560Z/DE615)
R166	1-249-429-11	CARBON	10K 5% 1/4W	RR119	1-249-437-11	CARBON	47K 5% 1/4W (D560Z/DE615)
R167	1-249-437-11	CARBON	47K 5% 1/4W (D660Z/DE715)	RR120	1-249-437-11	CARBON	47K 5% 1/4W (D560Z/DE615)
R168	1-249-437-11	CARBON	47K 5% 1/4W (D660Z/DE715)	RR121	1-249-437-11	CARBON	47K 5% 1/4W (D560Z/DE615)
R170	1-249-437-11	CARBON	47K 5% 1/4W (D660Z/DE715)	RR122	1-249-437-11	CARBON	47K 5% 1/4W (D560Z/DE615)
R171	1-249-437-11	CARBON	47K 5% 1/4W (D560Z/DE615)	RR123	1-249-437-11	CARBON	47K 5% 1/4W (D560Z/DE615)
R172	1-249-437-11	CARBON	47K 5% 1/4W (D560Z/DE615)	RR124	1-249-437-11	CARBON	47K 5% 1/4W (D560Z/DE615)
R188	1-249-411-11	CARBON	330 5% 1/4W	RR125	1-249-437-11	CARBON	47K 5% 1/4W (D560Z/DE615)
R189	1-249-413-11	CARBON	470 5% 1/4W	RR126	1-249-437-11	CARBON	47K 5% 1/4W (D560Z/DE615)
R190	1-249-415-11	CARBON	680 5% 1/4W	RR127	1-249-437-11	CARBON	47K 5% 1/4W (D560Z/DE615)
R191	1-249-417-11	CARBON	1K 5% 1/4W	RR128	1-249-437-11	CARBON	47K 5% 1/4W (D560Z/DE615)
R192	1-249-419-11	CARBON	1.5K 5% 1/4W	RR129	1-249-437-11	CARBON	47K 5% 1/4W (D560Z/DE615)
R193	1-249-421-11	CARBON	2.2K 5% 1/4W	RR130	1-249-437-11	CARBON	47K 5% 1/4W (D560Z/DE615)
R194	1-249-425-11	CARBON	4.7K 5% 1/4W				< SWITCH >
R195	1-249-411-11	CARBON	330 5% 1/4W	S123	1-762-751-11	SWITCH, TACTILE (☒)	
R196	1-249-413-11	CARBON	470 5% 1/4W	S124	1-762-751-11	SWITCH, TACTILE (☒)	
R197	1-249-415-11	CARBON	680 5% 1/4W	S125	1-762-751-11	SWITCH, TACTILE (MEMORY)	
R198	1-249-417-11	CARBON	1K 5% 1/4W	S126	1-762-751-11	SWITCH, TACTILE (FM MODE)	
R199	1-249-419-11	CARBON	1.5K 5% 1/4W	S127	1-762-751-11	SWITCH, TACTILE (FM/AM)	
RR10	1-249-425-11	CARBON	4.7K 5% 1/4W	S128	1-762-751-11	SWITCH, TACTILE (DISPLAY)	
RR11	1-249-411-11	CARBON	330 5% 1/4W (D660Z/DE715:AUS)	S129	1-762-751-11	SWITCH, TACTILE (☒)	
RR12	1-249-413-11	CARBON	470 5% 1/4W (DE715:AUS)				
RR13	1-249-415-11	CARBON	680 5% 1/4W (DE715:AUS)				
RR14	1-249-417-11	CARBON	1K 5% 1/4W (DE715:AUS)				
RR15	1-249-419-11	CARBON	1.5K 5% 1/4W (DE715:AUS)				
RR101	1-249-437-11	CARBON	47K 5% 1/4W (D560Z/DE615)				
RR102	1-249-437-11	CARBON	47K 5% 1/4W (D560Z/DE615)				
RR103	1-249-437-11	CARBON	47K 5% 1/4W (D560Z/DE615)				
RR104	1-249-437-11	CARBON	47K 5% 1/4W (D560Z/DE615)				

The components identified by mark △ or dotted line with mark △ are critical for safety.
Replace only with part number specified.

Les composants identifiés par une marque △ sont critiques pour la sécurité.
Ne les remplacer que par une pièce portant le numéro spécifié.

DISPLAY

L.B. SW

HP

REAR AMP

Ref. No.	Part No.	Description	Remark
S130	1-762-751-11	SWITCH, TACTILE (▽)	
S131	1-762-751-11	SWITCH, TACTILE (PRESET TUNING -)	
S132	1-762-751-11	SWITCH, TACTILE (TUNING -)	
S133	1-762-751-11	SWITCH, TACTILE (PRESET TUNING +)	
S134	1-762-751-11	SWITCH, TACTILE (TUNING +)	
S135	1-762-751-11	SWITCH, TACTILE (BASS BOOST)	
S151	1-762-751-11	SWITCH, TACTILE (POWER)	
< VIBRATOR >			
X101	1-567-819-11	VIBRATOR, CERAMIC (4.19MHz) (D660Z/DE715)	
X101	1-577-101-11	VIBRATOR, CERAMIC (4.19MHz) (D560Z/DE615)	

*	1-665-468-11	HP BOARD (D560Z/DE615)	
*	1-665-479-11	HP BOARD (D660Z/DE715) *****	
< CONNECTOR >			
* CNP702	1-564-518-11	PLUG, CONNECTOR 3P	
< JACK >			
J701	1-568-519-41	JACK, LARGE TYPE (PHONES)	

*	A-4392-894-A	REAR AMP BOARD, COMPLETE (D560Z/DE615)	
*	A-4392-920-A	REAR AMP BOARD, COMPLETE (D660Z/DE715:US,CND)	
*	A-4392-922-A	REAR AMP BOARD, COMPLETE (DE715:AUS) *****	
< CAPACITOR >			
C700	1-162-294-31	CERAMIC	0.001uF 10% 50V (US,CND)
C701	1-126-964-11	ELECT	10uF 20% 50V
C702	1-162-282-31	CERAMIC	100PF 10% 50V
C703	1-102-233-00	CERAMIC	33PF 10% 500V
C704	1-162-282-31	CERAMIC	100PF 10% 50V
C705	1-126-933-11	ELECT	100uF 20% 10V
C720	1-126-967-11	ELECT	47uF 20% 16V
C721	1-107-597-11	CERAMIC	22PF 10% 500V
C722	1-107-597-11	CERAMIC	22PF 10% 500V
C723	1-162-286-31	CERAMIC	220PF 10% 50V
C751	1-126-964-11	ELECT	10uF 20% 50V
C752	1-162-282-31	CERAMIC	100PF 10% 50V
C753	1-102-233-00	CERAMIC	33PF 10% 500V
C754	1-162-282-31	CERAMIC	100PF 10% 50V
C755	1-126-933-11	ELECT	100uF 20% 10V
C770	1-126-967-11	ELECT	47uF 20% 16V
C771	1-107-597-11	CERAMIC	22PF 10% 500V
C772	1-107-597-11	CERAMIC	22PF 10% 500V
C773	1-162-286-31	CERAMIC	220PF 10% 50V
C793	1-126-923-11	ELECT	220uF 20% 10V
C798	1-128-560-11	ELECT	22uF 20% 100V
C799	1-128-560-11	ELECT	22uF 20% 100V

Ref. No.	Part No.	Description	Remark
< CONNECTOR >			
CNP704	1-564-320-00	PIN, CONNECTOR (B2P-VH) 2P	
* CNP705	1-564-242-00	PIN, CONNECTOR 5P	
CNP706	1-564-320-00	PIN, CONNECTOR (B2P-VH) 2P	
* CNS704	1-564-709-11	PIN, CONNECTOR (SMALL TYPE) 7P (AUS)	
CNS704	1-564-510-11	PLUG, CONNECTOR 7P (US,CND)	
< DIODE >			
D701	8-719-987-63	DIODE 1N4148M	
D702	8-719-010-06	DIODE UZ-2.2BS	
D703	8-719-010-06	DIODE UZ-2.2BS	
D704	8-719-987-63	DIODE 1N4148M	
D751	8-719-987-63	DIODE 1N4148M	
D752	8-719-010-06	DIODE UZ-2.2BS	
D753	8-719-010-06	DIODE UZ-2.2BS	
D754	8-719-987-63	DIODE 1N4148M	
< IC >			
IC701	8-759-326-52	IC uPC2581V	
< TRANSISTOR >			
Q703	8-729-140-84	TRANSISTOR 2SC1841-PAFAEA	
Q704	8-729-119-76	TRANSISTOR 2SA1175-HFE	
Q705	8-729-141-30	TRANSISTOR 2SC3623A-LK	
Q706	8-749-010-25	IC MN2488-OPY-M	
Q707	8-749-010-26	IC MP1620-OPY-M	
Q708	8-729-140-82	TRANSISTOR 2SA988-PAFAEA	
Q754	8-729-119-76	TRANSISTOR 2SA1175-HFE	
Q755	8-729-141-30	TRANSISTOR 2SC3623A-LK	
Q756	8-749-010-25	IC MN2488-OPY-M	
Q757	8-749-010-26	IC MP1620-OPY-M	
Q758	8-729-140-82	TRANSISTOR 2SA988-PAFAEA	
< RESISTOR >			
R701	1-249-417-11	CARBON	1K 5% 1/4W
R702	1-249-439-11	CARBON	68K 5% 1/4W
R703	1-249-439-11	CARBON	68K 5% 1/4W
R704	1-249-411-11	CARBON	330 5% 1/4W
R721	1-249-437-11	CARBON	47K 5% 1/4W
R722	1-249-421-11	CARBON	2.2K 5% 1/4W
R723	1-249-414-11	CARBON	560 5% 1/4W
△R724	1-249-408-11	CARBON	180 5% 1/4W F
△R725	1-249-408-11	CARBON	180 5% 1/4W F
△R726	1-233-352-41	ENCAPSULATED COMPONENT	0.22X2 2W F
R727	1-247-850-11	CARBON	6.2K 5% 1/4W
R728	1-249-419-11	CARBON	1.5K 5% 1/4W
R732	1-249-437-11	CARBON	47K 5% 1/4W
R751	1-249-417-11	CARBON	1K 5% 1/4W
R752	1-249-439-11	CARBON	68K 5% 1/4W
R753	1-249-439-11	CARBON	68K 5% 1/4W
R754	1-249-411-11	CARBON	330 5% 1/4W
R771	1-249-437-11	CARBON	47K 5% 1/4W
R772	1-249-421-11	CARBON	2.2K 5% 1/4W
R773	1-249-414-11	CARBON	560 5% 1/4W
△R774	1-249-408-11	CARBON	180 5% 1/4W F
△R775	1-249-408-11	CARBON	180 5% 1/4W F

The components identified by mark △ or dotted line with mark △ are critical for safety. Replace only with part number specified.	Les composants identifiés par une marque △ sont critiques pour la sécurité. Ne les remplacer que par une pièce portant le numéro spécifié.
---	---

REAR AMP

S-A-SP

SECONDARY

SP

Ref. No.	Part No.	Description	Remark
△ R776	1-233-352-41	ENCAPSULATED COMPONENT 0.22X2 2W	F
R777	1-247-850-11	CARBON 6.2K 5%	1/4W
R778	1-249-419-11	CARBON 1.5K 5%	1/4W
R782	1-249-437-11	CARBON 47K 5%	1/4W
R790	1-249-417-11	CARBON 1K 5%	1/4W
R793	1-249-435-11	CARBON 33K 5%	1/4W
R794	1-249-425-11	CARBON 4.7K 5%	1/4W
△ R798	1-249-393-11	CARBON 10 5%	1/4W F
△ R799	1-249-393-11	CARBON 10 5%	1/4W F

*	1-665-492-11	S-A-SP BOARD	

		< CONNECTOR >	
CNP703	1-695-089-11	PIN, CONNECTOR (PC BOARD) 11P	
CNS702	1-695-096-11	SOCKET, CONNECTOR 15P	
CNS905	1-695-092-11	SOCKET, CONNECTOR 7P	

*	1-665-487-11	SECONDARY BOARD	

	1-533-217-31	HOLDER, FUSE (AUS)	
		< CAPACITOR >	
C801	1-126-964-11	ELECT 10uF 20%	50V (US,CND)
C805	1-137-420-11	FILM 0.047uF 10%	100V (US,CND)
C805	1-130-781-00	FILM 0.22uF 10%	100V (AUS)
C806	1-137-420-11	FILM 0.047uF 10%	100V (US,CND)
C806	1-130-781-00	FILM 0.22uF 10%	100V (AUS)
		< CONNECTOR >	
* CNP801	1-564-905-11	PIN, CONNECTOR 9P	
		< DIODE >	
D801	8-719-302-38	DIODE RBV-602-01	
D802	8-719-024-99	DIODE 11ES2-NTA2B	
D803	8-719-024-99	DIODE 11ES2-NTA2B	
D804	8-719-024-99	DIODE 11ES2-NTA2B	
D805	8-719-024-99	DIODE 11ES2-NTA2B	
D806	8-719-014-66	DIODE UZP-5.6B	
		< FUSE >	
△ F950	1-532-506-51	FUSE, TIME LAG (T6.3AL/250V) (AUS)	
△ F951	1-532-506-51	FUSE, TIME LAG (T6.3AL/250V) (AUS)	
△ PS801	1-533-909-11	MICRO FUSE 4.0A	
△ PS802	1-533-909-11	MICRO FUSE 4.0A	

Ref. No.	Part No.	Description	Remark
*	A-4392-941-A	SP BOARD, COMPLETE (D560Z/D660Z)	
*	A-4392-913-A	SP BOARD, COMPLETE	
		(DE615/DE715:US,CND)	
*	A-4392-936-A	SP BOARD, COMPLETE (DE715 : AUS)	

		< CAPACITOR >	
C624	1-126-964-11	ELECT 10uF 20%	50V
C625	1-136-157-00	FILM 0.022uF 5%	50V
C626	1-136-153-00	FILM 0.01uF 5%	50V
C724	1-126-964-11	ELECT 10uF 20%	50V
C725	1-136-157-00	FILM 0.022uF 5%	50V
C726	1-136-153-00	FILM 0.01uF 5%	50V
C775	1-136-157-00	FILM 0.022uF 5%	50V
C794	1-126-967-11	ELECT 47uF 20%	50V
C795	1-126-941-11	ELECT 470uF 20%	25V
		< JACK >	
CNJ701	1-774-136-11	CONNECTOR, ROUND TYPE 6P	
		(WIRELESS REAR SPEAKER) (DE615/DE715)	
		< CONNECTOR >	
CNP603	1-564-320-00	PIN, CONNECTOR (B2P-VH) 2P	
CNS703	1-695-094-11	SOCKET, CONNECTOR 11P	
		< DIODE >	
D543	8-719-987-63	DIODE 1N4148M	
D605	8-719-987-63	DIODE 1N4148M	
D606	8-719-987-63	DIODE 1N4148M	
D607	8-719-987-63	DIODE 1N4148M	
D649	8-719-987-63	DIODE 1N4148M	
D705	8-719-987-63	DIODE 1N4148M	
D706	8-719-987-63	DIODE 1N4148M	
D749	8-719-987-63	DIODE 1N4148M	
		< IC >	
IC702	8-759-605-01	IC M5F78M18L (DE615/DE715:US,CND)	
IC702	8-759-634-65	IC M5278D09 (DE715 : AUS)	
		< JACK >	
J501	1-770-377-31	JACK, PIN 1P (WOOFER AUDIO OUT)	
		< COIL >	
L601	1-420-872-00	COIL, AIR-CORE	
L701	1-420-872-00	COIL, AIR-CORE	
L751	1-420-872-00	COIL, AIR-CORE	
		< TRANSISTOR >	
Q544	8-729-119-79	TRANSISTOR 2SC2785-FEK	
Q609	8-729-281-53	TRANSISTOR 2SC1815-GR	
Q610	8-729-900-63	TRANSISTOR DTA124ES	
Q611	8-729-900-63	TRANSISTOR DTA124ES	
Q645	8-729-119-79	TRANSISTOR 2SC2785-FEK	
Q709	8-729-281-53	TRANSISTOR 2SC1815-GR	
Q710	8-729-900-63	TRANSISTOR DTA124ES	
Q745	8-729-119-79	TRANSISTOR 2SC2785-FEK	
Q747	8-729-119-79	TRANSISTOR 2SC2785-FEK (DE615/DE715)	

The components identified by mark △ or dotted line with mark △ are critical for safety. Replace only with part number specified.	Les composants identifiés par une marque △ sont critiques pour la sécurité. Ne les remplacer que par une pièce portant le numéro spécifié.
--	--

Ref. No.	Part No.	Description	Remark	Ref. No.	Part No.	Description	Remark
Q748	8-729-030-19	TRANSISTOR 2SB1640 (DE615/DE715)		*	1-665-481-11	SP.SW BOARD (D660Z/DE715)	
		< RESISTOR >		*	1-665-470-11	SP.SW BOARD (D560Z/DE615)	

R543	1-249-429-11	CARBON	10K 5% 1/4W			< CONNECTOR >	
R544	1-249-425-11	CARBON	4.7K 5% 1/4W				
△R545	1-249-393-11	CARBON	10 5% 1/4W F	* CNS101	1-695-808-11	CONNECTOR, PC BOARD 8P	
R546	1-249-421-11	CARBON	2.2K 5% 1/4W			< DIODE >	
R629	1-247-866-11	CARBON	30K 5% 1/4W				
R630	1-249-421-11	CARBON	2.2K 5% 1/4W	D152	8-719-987-63	DIODE 1N4148M	
R631	1-249-433-11	CARBON	22K 5% 1/4W	D153	8-719-987-63	DIODE 1N4148M	
△R633	1-249-393-11	CARBON	10 5% 1/4W F			< SWITCH >	
△R634	1-249-389-11	CARBON	4.7 5% 1/4W F				
R635	1-249-431-11	CARBON	15K 5% 1/4W	S136	1-762-751-11	SWITCH, TACTILE (DPC MODE)	
R636	1-249-433-11	CARBON	22K 5% 1/4W	S155	1-762-268-11	SWITCH, ROTARY (SPEAKERS)	
R646	1-249-432-11	CARBON	18K 5% 1/4W			*****	
R647	1-249-429-11	CARBON	10K 5% 1/4W				
R648	1-249-425-11	CARBON	4.7K 5% 1/4W	*	A-4392-915-A	STAND BY BOARD, COMPLETE (US,CND)	
△R649	1-249-393-11	CARBON	10 5% 1/4W F	*	A-4392-939-A	STAND BY BOARD, COMPLETE (AUS)	

R729	1-247-866-11	CARBON	30K 5% 1/4W				
R730	1-249-421-11	CARBON	2.2K 5% 1/4W			1-533-217-31	HOLDER, FUSE
R731	1-249-433-11	CARBON	22K 5% 1/4W			< CAPACITOR >	
△R733	1-249-393-11	CARBON	10 5% 1/4W F				
△R734	1-249-389-11	CARBON	4.7 5% 1/4W F				
R735	1-249-431-11	CARBON	15K 5% 1/4W	C901	1-136-157-00	FILM 0.022uF 5% 50V	
R737	1-249-417-11	CARBON	1K 5% 1/4W	C902	1-136-157-00	FILM 0.022uF 5% 50V	
			(DE615/DE715)	C903	1-126-768-11	ELECT 2200uF 20% 16V	
R738	1-247-886-11	CARBON	200K 5% 1/4W	C904	1-126-960-11	ELECT 1uF 20% 50V	
			(DE615/DE715)	C905	1-126-959-11	ELECT 0.47uF 20% 50V	
R743	1-249-425-11	CARBON	4.7K 5% 1/4W	C906	1-124-464-11	ELECT 0.22uF 20% 50V	
			(DE615/DE715)	C913	1-164-159-11	CERAMIC 0.1uF 50V	
R744	1-249-425-11	CARBON	4.7K 5% 1/4W	C914	1-164-159-11	CERAMIC 0.1uF 50V	
			(DE615/DE715)			< JACK >	
R745	1-249-421-11	CARBON	2.2K 5% 1/4W				
			(DE615/DE715)	△CNJ901	1-540-060-11	OUTLET, AC (POLAR) (AC OUTLET) (US,CND)	
R746	1-249-421-11	CARBON	2.2K 5% 1/4W			< CONNECTOR >	
			(DE615/DE715)				
R747	1-249-429-11	CARBON	10K 5% 1/4W	CNP903	1-564-321-00	PIN, CONNECTOR 2P	
R748	1-249-425-11	CARBON	4.7K 5% 1/4W	* CNP904	1-580-230-21	PIN, CONNECTOR (PC BOARD) 2P (AUS)	
△R749	1-249-393-11	CARBON	10 5% 1/4W F	CNP905	1-695-087-11	PIN, CONNECTOR (PC BOARD) 7P	
△R783	1-249-393-11	CARBON	10 5% 1/4W F			< DIODE >	
△R784	1-249-389-11	CARBON	4.7 5% 1/4W F				
R787	1-249-417-11	CARBON	1K 5% 1/4W	D901	8-719-024-99	DIODE 11ES2-NTA2B	
			(DE615/DE715)	D902	8-719-024-99	DIODE 11ES2-NTA2B	
R788	1-247-886-11	CARBON	200K 5% 1/4W	D903	8-719-024-99	DIODE 11ES2-NTA2B	
			(DE615/DE715)	D904	8-719-024-99	DIODE 11ES2-NTA2B	
				D905	8-719-987-63	DIODE 1N4148M	
		< RELAY >		D906	8-719-987-63	DIODE 1N4148M	
RY503	1-515-793-11	RELAY		D907	8-719-987-63	DIODE 1N4148M	
RY601	1-515-920-11	RELAY (24V)				< TERMINAL, EARTH >	
RY701	1-515-920-11	RELAY (24V)		* EB900	1-537-738-21	TERMINAL, EARTH	
		< SWITCH >				< FUSE >	
S501	1-692-196-11	SWITCH, SLIDE (IMPEDANCE SELECTOR FRONT)		△F901	1-532-506-51	FUSE, TIME LAG (T6.3AL/250V) (AUS)	
		< TERMINAL >		△F901	1-533-310-11	FUSE, GLASS CYLINDRICAL(DIA.5) (6.3A/125V) (US,CND)	
TM701	1-537-510-11	TERMINAL BOARD (SPEAKER) (6P)		△F902	1-532-464-51	FUSE, TIME LAG (T2.5AL/250V) (AUS)	

The components identified by mark △ or dotted line with mark △ are critical for safety. Replace only with part number specified.	Les composants identifiés par une marque △ sont critiques pour la sécurité. Ne les remplacer que par une pièce portant le numéro spécifié.
---	---

STAND BY

SURR

Ref. No.	Part No.	Description	Remark		
		< IC >			
IC901	8-759-333-83	IC NJM2103D			
		< TRANSISTOR >			
Q901	8-729-119-79	TRANSISTOR 2SC2785-FEK			
Q902	8-729-030-18	TRANSISTOR 2SD2525			
		< RESISTOR >			
△ R901	1-202-725-00	SOLID	3.3M	10%	1/2W (US,CND)
R902	1-249-429-11	CARBON	10K	5%	1/4W
R903	1-249-425-11	CARBON	4.7K	5%	1/4W
R904	1-249-417-11	CARBON	1K	5%	1/4W
R905	1-249-428-11	CARBON	8.2K	5%	1/4W
R906	1-249-421-11	CARBON	2.2K	5%	1/4W
R908	1-249-433-11	CARBON	22K	5%	1/4W
R909	1-249-439-11	CARBON	68K	5%	1/4W
R910	1-249-437-11	CARBON	47K	5%	1/4W
R912	1-249-430-11	CARBON	12K	5%	1/4W
		< RELAY >			
△ RY901	1-515-999-11	RELAY, POWER			
		< TRANSFORMER >			
△ T902	1-450-361-11	TRANSFORMER, POWER (US,CND)			
△ T902	1-450-358-11	TRANSFORMER, POWER (AUS)			

*	A-4392-905-A	SURR BOARD, COMPLETE (US,CND)			
*	A-4392-931-A	SURR BOARD, COMPLETE (AUS)			

		< CAPACITOR >			
C301	1-126-963-11	ELECT	4.7uF	20%	50V
C302	1-162-282-31	CERAMIC	100PF	10%	50V
C303	1-126-967-11	ELECT	47uF	20%	16V
C304	1-130-480-00	MYLAR	0.0056uF	5%	50V
C305	1-130-473-00	MYLAR	0.0015uF	5%	50V
C306	1-126-960-11	ELECT	1uF	20%	50V
C307	1-164-159-11	CERAMIC	0.1uF		50V
C351	1-126-963-11	ELECT	4.7uF	20%	50V
C352	1-162-282-31	CERAMIC	100PF	10%	50V
C353	1-126-967-11	ELECT	47uF	20%	16V
C354	1-130-480-00	MYLAR	0.0056uF	5%	50V
C355	1-130-473-00	MYLAR	0.0015uF	5%	50V
C356	1-126-960-11	ELECT	1uF	20%	50V
C357	1-164-159-11	CERAMIC	0.1uF		50V
C394	1-126-967-11	ELECT	47uF	20%	16V
C395	1-126-967-11	ELECT	47uF	20%	16V
C396	1-162-282-31	CERAMIC	100PF	10%	50V
C397	1-162-294-31	CERAMIC	0.001uF	10%	50V
C401	1-126-964-11	ELECT	10uF	20%	50V
C402	1-126-964-11	ELECT	10uF	20%	50V
C403	1-126-964-11	ELECT	10uF	20%	50V
C404	1-162-199-31	CERAMIC	10PF	5%	50V
C405	1-162-199-31	CERAMIC	10PF	5%	50V
C406	1-126-964-11	ELECT	10uF	20%	50V

Ref. No.	Part No.	Description	Remark		
C410	1-164-159-11	CERAMIC	0.1uF		50V
C413	1-126-964-11	ELECT	10uF	20%	50V
C420	1-136-165-00	FILM	0.1uF	5%	50V
C421	1-126-933-11	ELECT	100uF	20%	16V
C422	1-164-159-11	CERAMIC	0.1uF		50V
C423	1-126-933-11	ELECT	100uF	20%	16V
C424	1-164-159-11	CERAMIC	0.1uF		50V
C425	1-128-551-11	ELECT	22uF	20%	25V
C426	1-136-177-00	FILM	1uF	5%	50V
C427	1-136-153-00	FILM	0.01uF	5%	50V
C428	1-130-474-00	MYLAR	0.0018uF	5%	50V
C429	1-136-163-00	FILM	0.068uF	5%	50V
C430	1-136-165-00	FILM	0.1uF	5%	50V
C431	1-136-165-00	FILM	0.1uF	5%	50V
C432	1-136-163-00	FILM	0.068uF	5%	50V
C433	1-136-153-00	FILM	0.01uF	5%	50V
C434	1-130-474-00	MYLAR	0.0018uF	5%	50V
C435	1-136-163-00	FILM	0.068uF	5%	50V
C436	1-136-165-00	FILM	0.1uF	5%	50V
C437	1-130-467-00	MYLAR	470PF	5%	50V
C438	1-136-165-00	FILM	0.1uF	5%	50V
C439	1-130-470-00	MYLAR	820PF	5%	50V
C440	1-130-480-00	MYLAR	0.0056uF	5%	50V
C441	1-136-161-00	FILM	0.047uF	5%	50V
C442	1-136-175-00	FILM	0.68uF	5%	50V
C443	1-136-169-00	FILM	0.22uF	5%	50V
C444	1-136-169-00	FILM	0.22uF	5%	50V
C445	1-126-963-11	ELECT	4.7uF	20%	50V
C446	1-126-963-11	ELECT	4.7uF	20%	50V
C447	1-136-169-00	FILM	0.22uF	5%	50V
C448	1-136-169-00	FILM	0.22uF	5%	50V
C449	1-136-165-00	FILM	0.1uF	5%	50V
C450	1-136-161-00	FILM	0.047uF	5%	50V
C451	1-126-964-11	ELECT	10uF	20%	50V
C452	1-126-964-11	ELECT	10uF	20%	50V
C453	1-126-964-11	ELECT	10uF	20%	50V
C454	1-162-199-31	CERAMIC	10PF	5%	50V
C455	1-162-199-31	CERAMIC	10PF	5%	50V
C456	1-126-964-11	ELECT	10uF	20%	50V
C460	1-164-159-11	CERAMIC	0.1uF		50V
C463	1-126-964-11	ELECT	10uF	20%	50V
C469	1-126-963-11	ELECT	4.7uF	20%	50V
C470	1-136-161-00	FILM	0.047uF	5%	50V
C471	1-136-165-00	FILM	0.1uF	5%	50V
C472	1-136-165-00	FILM	0.1uF	5%	50V
C473	1-136-157-00	FILM	0.022uF	5%	50V
C474	1-136-157-00	FILM	0.022uF	5%	50V
C475	1-136-165-00	FILM	0.1uF	5%	50V
C476	1-130-469-00	MYLAR	680PF	5%	50V
C477	1-126-967-11	ELECT	47uF	20%	16V
C478	1-136-165-00	FILM	0.1uF	5%	50V
C479	1-136-165-00	FILM	0.1uF	5%	50V
C480	1-130-469-00	MYLAR	680PF	5%	50V
C481	1-136-165-00	FILM	0.1uF	5%	50V
C482	1-136-165-00	FILM	0.1uF	5%	50V
C483	1-126-967-11	ELECT	47uF	20%	16V

The components identified by mark △ or dotted line with mark △ are critical for safety. Replace only with part number specified.	Les composants identifiés par une marque △ sont critiques pour la sécurité. Ne les remplacer que par une pièce portant le numéro spécifié.
---	---

Ref. No.	Part No.	Description	Remark	Ref. No.	Part No.	Description	Remark
C484	1-126-933-11	ELECT	100uF 20% 16V	D403	8-719-024-99	DIODE 11ES2-NTA2B	
C489	1-164-159-11	CERAMIC	0.1uF 50V			< IC >	
C490	1-126-923-11	ELECT	220uF 20% 10V	IC301	8-759-805-14	IC LC7822	
C491	1-126-963-11	ELECT	4.7uF 20% 50V	IC302	8-759-636-74	IC M5218AP-22	
C492	1-130-481-00	MYLAR	0.0068uF 5% 50V	IC401	8-759-392-97	IC M62460FP	
C493	1-136-165-00	FILM	0.1uF 5% 50V	IC402	8-759-634-51	IC M5218AP	
C494	1-136-165-00	FILM	0.1uF 5% 50V	IC403	8-759-634-51	IC M5218AP	
C497	1-162-215-31	CERAMIC	47PF 5% 50V	IC404	8-759-634-51	IC M5218AP	
C498	1-164-159-11	CERAMIC	0.1uF 50V	IC407	8-759-168-20	IC TA78L09S	
C499	1-126-964-11	ELECT	10uF 20% 50V	IC408	8-759-708-05	IC NJM78L05A	
C501	1-126-964-11	ELECT	10uF 20% 50V	IC501	8-759-326-52	IC uPC2581V	
C502	1-162-282-31	CERAMIC	100PF 10% 50V	IC502	8-759-072-32	IC TC9184P	
C503	1-107-601-11	CERAMIC	33PF 5% 500V	IC601	8-749-011-16	IC STK350-230	
C505	1-126-933-11	ELECT	100uF 20% 16V			< JACK >	
C508	1-136-163-00	FILM	0.068uF 5% 50V	J301	1-770-015-11	JACK, PIN 6P (DAT/MD REC OUT, CD IN, PHONO IN)	
C509	1-136-154-00	FILM	0.012uF 5% 50V	J302	1-774-411-11	JACK, PIN 6P (TAPE IN/OUT, DAT/MD IN)	
C511	1-130-476-00	MYLAR	0.0027uF 5% 50V			< COIL >	
C512	1-136-157-00	FILM	0.022uF 5% 50V	L401	1-410-509-11	INDUCTOR 10uH	
C513	1-136-171-00	FILM	0.33uF 5% 50V	L402	1-410-509-11	INDUCTOR 10uH	
C514	1-136-159-00	FILM	0.033uF 5% 50V	L403	1-410-509-11	INDUCTOR 10uH	
C527	1-126-964-11	ELECT	10uF 20% 50V			< TRANSISTOR >	
C539	1-162-282-31	CERAMIC	100PF 10% 50V	Q402	8-729-922-37	TRANSISTOR 2SD2144S	
C551	1-126-964-11	ELECT	10uF 20% 50V	Q410	8-729-119-79	TRANSISTOR 2SC2785-FEK	
C552	1-162-282-31	CERAMIC	100PF 10% 50V	Q411	8-729-900-63	TRANSISTOR DTA124ES	
C553	1-107-601-11	CERAMIC	33PF 5% 500V	Q412	8-729-900-63	TRANSISTOR DTA124ES	
C555	1-126-933-11	ELECT	100uF 20% 16V	Q413	8-729-900-63	TRANSISTOR DTA124ES	
C558	1-136-163-00	FILM	0.068uF 5% 50V	Q414	8-729-900-63	TRANSISTOR DTA124ES	
C559	1-136-154-00	FILM	0.012uF 5% 50V	Q415	8-729-900-36	TRANSISTOR DTC124ES	
C561	1-130-476-00	MYLAR	0.0027uF 5% 50V	Q416	8-729-900-36	TRANSISTOR DTC124ES	
C562	1-136-157-00	FILM	0.022uF 5% 50V	Q452	8-729-922-37	TRANSISTOR 2SD2144S	
C563	1-136-171-00	FILM	0.33uF 5% 50V	Q501	8-729-202-67	TRANSISTOR 2SK246-GR3	
C564	1-136-159-00	FILM	0.033uF 5% 50V	Q502	8-729-141-30	TRANSISTOR 2SC3623A-LK	
C577	1-126-964-11	ELECT	10uF 20% 50V	Q503	8-729-140-84	TRANSISTOR 2SC1841-PAFAEA	
C589	1-162-282-31	CERAMIC	100PF 10% 50V	Q551	8-729-202-67	TRANSISTOR 2SK246-GR3	
C592	1-126-967-11	ELECT	47uF 20% 16V	Q552	8-729-141-30	TRANSISTOR 2SC3623A-LK	
C593	1-126-923-11	ELECT	220uF 20% 10V			< RESISTOR >	
C594	1-128-560-11	ELECT	22uF 20% 100V	R301	1-249-409-11	CARBON 220 5% 1/4W	
C595	1-128-560-11	ELECT	22uF 20% 100V	R302	1-249-441-11	CARBON 100K 5% 1/4W	
C596	1-164-159-11	CERAMIC	0.1uF 50V	R303	1-249-441-11	CARBON 100K 5% 1/4W	
C597	1-162-282-31	CERAMIC	100PF 10% 50V	R304	1-249-416-11	CARBON 820 5% 1/4W	
C599	1-126-967-11	ELECT	47uF 20% 16V	R305	1-247-897-11	CARBON 560K 5% 1/4W	
C601	1-126-964-11	ELECT	10uF 20% 50V	R306	1-249-437-11	CARBON 47K 5% 1/4W	
C602	1-162-282-31	CERAMIC	100PF 10% 50V	R307	1-249-441-11	CARBON 100K 5% 1/4W	
C603	1-102-989-00	CERAMIC	68PF 5% 500V	R308	1-247-807-31	CARBON 100 5% 1/4W	
C604	1-164-040-11	CERAMIC	4PF 0.25PF 50V	R310	1-249-421-11	CARBON 2.2K 5% 1/4W	
C605	1-126-967-11	ELECT	47uF 20% 16V	R311	1-249-417-11	CARBON 1K 5% 1/4W	
C606	1-102-989-00	CERAMIC	68PF 5% 500V	R312	1-249-417-11	CARBON 1K 5% 1/4W	
		< CONNECTOR >		R313	1-249-417-11	CARBON 1K 5% 1/4W	
CNP303	1-695-090-11	PIN, CONNECTOR (PC BOARD)	13P	R314	1-249-417-11	CARBON 1K 5% 1/4W	
CNP403	1-695-088-11	PIN, CONNECTOR (PC BOARD)	9P	R315	1-249-429-11	CARBON 10K 5% 1/4W	
CNP404	1-695-089-11	PIN, CONNECTOR (PC BOARD)	11P	R351	1-249-409-11	CARBON 220 5% 1/4W	
CNS106	1-569-323-11	SOCKET, CONNECTOR	19P			< DIODE >	
CNS401	1-569-323-11	SOCKET, CONNECTOR	19P	R352	1-249-441-11	CARBON 100K 5% 1/4W	
CNS501	1-770-404-11	HOUSING, CONNECTOR (PC BOARD)	11P	R353	1-249-441-11	CARBON 100K 5% 1/4W	
CNS601	1-770-404-11	HOUSING, CONNECTOR (PC BOARD)	11P				
D401	8-719-987-63	DIODE 1N4148M					
D402	8-719-987-63	DIODE 1N4148M					

SURR

Ref. No.	Part No.	Description			Remark	Ref. No.	Part No.	Description			Remark	
R354	1-249-416-11	CARBON	820	5%	1/4W	R457	1-249-441-11	CARBON	100K	5%	1/4W	
R355	1-247-897-11	CARBON	560K	5%	1/4W							
R356	1-249-437-11	CARBON	47K	5%	1/4W	R458	1-249-429-11	CARBON	10K	5%	1/4W	
						R459	1-249-433-11	CARBON	22K	5%	1/4W	
R357	1-249-441-11	CARBON	100K	5%	1/4W	R464	1-249-417-11	CARBON	1K	5%	1/4W	
R358	1-247-807-31	CARBON	100	5%	1/4W	R465	1-249-425-11	CARBON	4.7K	5%	1/4W	
R360	1-249-421-11	CARBON	2.2K	5%	1/4W	R475	1-247-872-11	CARBON	51K	5%	1/4W	
R361	1-249-417-11	CARBON	1K	5%	1/4W							
R362	1-249-417-11	CARBON	1K	5%	1/4W	R483	1-249-441-11	CARBON	100K	5%	1/4W	
						R484	1-249-441-11	CARBON	100K	5%	1/4W	
R363	1-249-417-11	CARBON	1K	5%	1/4W	R485	1-249-441-11	CARBON	100K	5%	1/4W	
R364	1-249-417-11	CARBON	1K	5%	1/4W	R486	1-249-437-11	CARBON	47K	5%	1/4W	
R365	1-249-429-11	CARBON	10K	5%	1/4W	R487	1-249-437-11	CARBON	47K	5%	1/4W	
R394	1-247-807-31	CARBON	100	5%	1/4W							
R395	1-247-807-31	CARBON	100	5%	1/4W	R488	1-249-437-11	CARBON	47K	5%	1/4W	
						R489	1-249-437-11	CARBON	47K	5%	1/4W	
R396	1-249-417-11	CARBON	1K	5%	1/4W	R490	1-249-433-11	CARBON	22K	5%	1/4W	
R397	1-249-425-11	CARBON	4.7K	5%	1/4W	R491	1-249-429-11	CARBON	10K	5%	1/4W	
R401	1-249-433-11	CARBON	22K	5%	1/4W	R492	1-249-416-11	CARBON	820	5%	1/4W	
R402	1-249-434-11	CARBON	27K	5%	1/4W							
R403	1-249-417-11	CARBON	1K	5%	1/4W	R493	1-249-417-11	CARBON	1K	5%	1/4W	
						R494	1-249-417-11	CARBON	1K	5%	1/4W	
R404	1-249-425-11	CARBON	4.7K	5%	1/4W	R495	1-249-421-11	CARBON	2.2K	5%	1/4W	
R405	1-249-440-11	CARBON	82K	5%	1/4W	R496	1-249-421-11	CARBON	2.2K	5%	1/4W	
R406	1-247-895-00	CARBON	470K	5%	1/4W	R497	1-247-887-00	CARBON	220K	5%	1/4W	
R407	1-249-441-11	CARBON	100K	5%	1/4W							
R408	1-249-429-11	CARBON	10K	5%	1/4W	R498	1-247-887-00	CARBON	220K	5%	1/4W	
						R499	1-249-417-11	CARBON	1K	5%	1/4W	
R409	1-249-433-11	CARBON	22K	5%	1/4W	R500	1-249-417-11	CARBON	1K	5%	1/4W	
R414	1-249-417-11	CARBON	1K	5%	1/4W	R501	1-249-417-11	CARBON	1K	5%	1/4W	
R415	1-249-425-11	CARBON	4.7K	5%	1/4W	R502	1-249-439-11	CARBON	68K	5%	1/4W	
R426	1-249-429-11	CARBON	10K	5%	1/4W							
R427	1-249-429-11	CARBON	10K	5%	1/4W	R503	1-249-439-11	CARBON	68K	5%	1/4W	
						R504	1-249-411-11	CARBON	330	5%	1/4W	
R428	1-247-903-00	CARBON	1M	5%	1/4W	R508	1-249-436-11	CARBON	39K	5%	1/4W	
R429	1-247-872-11	CARBON	51K	5%	1/4W	R509	1-247-903-00	CARBON	1M	5%	1/4W	
R430	1-247-887-00	CARBON	220K	5%	1/4W	R510	1-249-425-11	CARBON	4.7K	5%	1/4W	
R431	1-247-864-11	CARBON	24K	5%	1/4W							
R432	1-247-864-11	CARBON	24K	5%	1/4W	R511	1-249-434-11	CARBON	27K	5%	1/4W	
						R513	1-249-426-11	CARBON	5.6K	5%	1/4W	
R433	1-247-891-00	CARBON	330K	5%	1/4W	R514	1-249-418-11	CARBON	1.2K	5%	1/4W	
R434	1-249-437-11	CARBON	47K	5%	1/4W	R515	1-249-441-11	CARBON	100K	5%	1/4W	
R435	1-249-431-11	CARBON	15K	5%	1/4W	R516	1-247-843-11	CARBON	3.3K	5%	1/4W	
R436	1-247-852-11	CARBON	7.5K	5%	1/4W							
R437	1-249-437-11	CARBON	47K	5%	1/4W	R517	1-247-883-00	CARBON	150K	5%	1/4W	
						R518	1-249-427-11	CARBON	6.8K	5%	1/4W	
R438	1-249-431-11	CARBON	15K	5%	1/4W	R519	1-249-413-11	CARBON	470	5%	1/4W	
R439	1-247-852-11	CARBON	7.5K	5%	1/4W	R536	1-247-897-11	CARBON	560K	5%	1/4W	
R440	1-259-880-11	CARBON	2.2M	5%	1/4W	R537	1-249-417-11	CARBON	1K	5%	1/4W	
R441	1-249-441-11	CARBON	100K	5%	1/4W							
R442	1-247-883-00	CARBON	150K	5%	1/4W	R551	1-249-417-11	CARBON	1K	5%	1/4W	
						R552	1-249-439-11	CARBON	68K	5%	1/4W	
R443	1-249-431-11	CARBON	15K	5%	1/4W	R553	1-249-439-11	CARBON	68K	5%	1/4W	
R444	1-249-429-11	CARBON	10K	5%	1/4W	R554	1-249-411-11	CARBON	330	5%	1/4W	
R445	1-249-429-11	CARBON	10K	5%	1/4W	R555	1-249-419-11	CARBON	1.5K	5%	1/4W	
R446	1-249-419-11	CARBON	1.5K	5%	1/4W							
R447	1-249-429-11	CARBON	10K	5%	1/4W	△ R556	1-249-393-11	CARBON	10	5%	1/4W	F
						△ R557	1-249-393-11	CARBON	10	5%	1/4W	F
R448	1-249-429-11	CARBON	10K	5%	1/4W	R558	1-249-436-11	CARBON	39K	5%	1/4W	
R449	1-249-425-11	CARBON	4.7K	5%	1/4W	R559	1-247-903-00	CARBON	1M	5%	1/4W	
R450	1-249-441-11	CARBON	100K	5%	1/4W	R560	1-249-425-11	CARBON	4.7K	5%	1/4W	
R451	1-249-433-11	CARBON	22K	5%	1/4W							
R452	1-249-434-11	CARBON	27K	5%	1/4W	R561	1-249-434-11	CARBON	27K	5%	1/4W	
						R563	1-249-426-11	CARBON	5.6K	5%	1/4W	
R453	1-249-417-11	CARBON	1K	5%	1/4W	R564	1-249-418-11	CARBON	1.2K	5%	1/4W	
R454	1-249-425-11	CARBON	4.7K	5%	1/4W	R565	1-249-441-11	CARBON	100K	5%	1/4W	
R455	1-249-440-11	CARBON	82K	5%	1/4W	R566	1-247-843-11	CARBON	3.3K	5%	1/4W	
R456	1-247-895-00	CARBON	470K	5%	1/4W							

The components identified by mark △ or dotted line with mark △ are critical for safety. Replace only with part number specified.	Les composants identifiés par une marque △ sont critiques pour la sécurité. Ne les remplacer que par une pièce portant le numéro spécifié.
---	---

SURR

SURR-AUDIO

SW

VIDEO

Ref. No.	Part No.	Description	Remark
R567	1-247-883-00	CARBON 150K 5%	1/4W
R568	1-249-427-11	CARBON 6.8K 5%	1/4W
R569	1-249-413-11	CARBON 470 5%	1/4W
R591	1-247-897-11	CARBON 560K 5%	1/4W
R592	1-249-425-11	CARBON 4.7K 5%	1/4W
R593	1-249-435-11	CARBON 33K 5%	1/4W
R594	1-249-425-11	CARBON 4.7K 5%	1/4W
R595	1-247-903-00	CARBON 1M 5%	1/4W
R596	1-249-419-11	CARBON 1.5K 5%	1/4W
R599	1-249-425-11	CARBON 4.7K 5%	1/4W
R601	1-249-417-11	CARBON 1K 5%	1/4W
R602	1-249-439-11	CARBON 68K 5%	1/4W
R603	1-249-411-11	CARBON 330 5%	1/4W
R604	1-249-439-11	CARBON 68K 5%	1/4W
R605	1-249-413-11	CARBON 470 5%	1/4W
< RELAY >			
RY401	1-515-614-11	RELAY	
< TERMINAL >			
TM401	1-694-265-11	TERMINAL BOARD, ANT (ANTENNA) (US,CND)	
TM401	1-694-266-11	TERMINAL BOARD, ANT (ANTENNA) (AUS)	
< TUNER >			
TU401	1-233-592-11	TUNER (US,CND)	
TU401	1-693-377-11	TUNER (AUS)	
< VIBRATOR >			
X401	1-567-819-11	VIBRATOR, CERAMIC (4MHz)	

*	1-665-490-11	SURR-AUDIO BOARD	

< CONNECTOR >			
CNP302	1-695-090-11	PIN, CONNECTOR (PC BOARD) 13P	
CNS303	1-695-095-11	SOCKET, CONNECTOR 13P	

*	A-4392-908-A	SW BOARD, COMPLETE	

< CONNECTOR >			
CNS103	1-770-397-11	HOUSING, CONNECTOR(PC BOARD)4P	
< RESISTOR >			
R169	1-249-411-11	CARBON 330 5%	1/4W
R170	1-249-413-11	CARBON 470 5%	1/4W
R171	1-249-415-11	CARBON 680 5%	1/4W
R172	1-249-417-11	CARBON 1K 5%	1/4W
R173	1-249-419-11	CARBON 1.5K 5%	1/4W
R174	1-249-421-11	CARBON 2.2K 5%	1/4W
R175	1-249-425-11	CARBON 4.7K 5%	1/4W
R176	1-249-411-11	CARBON 330 5%	1/4W
R177	1-249-413-11	CARBON 470 5%	1/4W
R178	1-249-415-11	CARBON 680 5%	1/4W
R179	1-249-417-11	CARBON 1K 5%	1/4W
R180	1-249-419-11	CARBON 1.5K 5%	1/4W
R181	1-249-421-11	CARBON 2.2K 5%	1/4W

Ref. No.	Part No.	Description	Remark
R182	1-249-411-11	CARBON 330 5%	1/4W
R183	1-249-413-11	CARBON 470 5%	1/4W
R184	1-249-415-11	CARBON 680 5%	1/4W
R185	1-249-417-11	CARBON 1K 5%	1/4W
R186	1-249-419-11	CARBON 1.5K 5%	1/4W
R187	1-249-421-11	CARBON 2.2K 5%	1/4W
< SWITCH >			
S101	1-762-751-11	SWITCH, TACTILE (1)	
S102	1-762-751-11	SWITCH, TACTILE (4)	
S103	1-762-751-11	SWITCH, TACTILE (7)	
S104	1-762-751-11	SWITCH, TACTILE (0)	
S105	1-762-751-11	SWITCH, TACTILE (DIRECT PASS)	
S106	1-762-751-11	SWITCH, TACTILE (GENRE)	
S107	1-762-751-11	SWITCH, TACTILE (SET UP)	
S108	1-762-751-11	SWITCH, TACTILE (MODE)	
S109	1-762-751-11	SWITCH, TACTILE (2)	
S110	1-762-751-11	SWITCH, TACTILE (5)	
S111	1-762-751-11	SWITCH, TACTILE (8)	
S112	1-762-751-11	SWITCH, TACTILE (DIRECT)	
S113	1-762-751-11	SWITCH, TACTILE (AUDIO FUNCTION <)	
S114	1-762-751-11	SWITCH, TACTILE (SOUND FIELD ON/OFF)	
S115	1-762-751-11	SWITCH, TACTILE (AUDIO FUNCTION >)	
S116	1-762-751-11	SWITCH, TACTILE (3)	
S117	1-762-751-11	SWITCH, TACTILE (6)	
S118	1-762-751-11	SWITCH, TACTILE (9)	
S119	1-762-751-11	SWITCH, TACTILE (SHIFT)	
S120	1-762-751-11	SWITCH, TACTILE (VIDEO FUNCTION <)	
S121	1-762-751-11	SWITCH, TACTILE (5.1/DVD INPUT)	
S122	1-762-751-11	SWITCH, TACTILE (VIDEO FUNCTION >)	

*	A-4392-897-A	VIDEO BOARD, COMPLETE (D560Z/DE615)	
*	A-4392-924-A	VIDEO BOARD, COMPLETE (D660Z/DE715)	

< CAPACITOR >			
C201	1-126-960-11	ELECT 1uF 20%	50V
C202	1-126-960-11	ELECT 1uF 20%	50V
C203	1-126-960-11	ELECT 1uF 20%	50V
C204	1-126-964-11	ELECT 10uF 20%	50V
C205	1-126-964-11	ELECT 10uF 20%	50V
C206	1-126-964-11	ELECT 10uF 20%	50V
C207	1-126-933-11	ELECT 100uF 20%	16V
C208	1-126-933-11	ELECT 100uF 20%	16V
C209	1-164-159-11	CERAMIC 0.1uF	50V
C210	1-164-159-11	CERAMIC 0.1uF	50V
C212	1-164-159-11	CERAMIC 0.1uF	50V
C214	1-126-960-11	ELECT 1uF 20%	50V
< CONNECTOR >			
CNS201	1-750-179-11	SOCKET, CONNECTOR 5P	
< IC >			
IC201	8-759-061-95	IC SN761200	
< JACK >			
J201	1-766-399-11	JACK, PIN 3P (MONITOR VIDEO OUT, VIDEO1 VIDEO IN OUT)	

VIDEO

VOL

Ref. No.	Part No.	Description	Remark
J202	1-766-400-11	JACK, PIN 2P (VIDEO2 VIDEO IN OUT)	
J203	1-766-400-11	JACK, PIN 2P (TV/DBS VIDEO IN, 5.1/DVD VIDEO IN)	
		< COIL >	
L201	1-410-521-11	INDUCTOR 100uH	
L202	1-410-521-11	INDUCTOR 100uH	
		< TRANSISTOR >	
Q201	8-729-119-76	TRANSISTOR 2SA1175-HFE	
Q202	8-729-620-05	TRANSISTOR 2SC2603-EF	
Q203	8-729-620-05	TRANSISTOR 2SC2603-EF	
Q204	8-729-119-76	TRANSISTOR 2SA1175-HFE	
Q205	8-729-119-76	TRANSISTOR 2SA1175-HFE	
Q206	8-729-620-05	TRANSISTOR 2SC2603-EF	
		< RESISTOR >	
R201	1-249-403-11	CARBON 68 5% 1/4W	
R202	1-249-403-11	CARBON 68 5% 1/4W	
R203	1-249-403-11	CARBON 68 5% 1/4W	
R204	1-249-403-11	CARBON 68 5% 1/4W	
R205	1-249-403-11	CARBON 68 5% 1/4W	
R206	1-249-403-11	CARBON 68 5% 1/4W	
R207	1-249-403-11	CARBON 68 5% 1/4W	
R208	1-249-430-11	CARBON 12K 5% 1/4W	
R209	1-249-419-11	CARBON 1.5K 5% 1/4W	
R210	1-249-426-11	CARBON 5.6K 5% 1/4W	
R211	1-249-430-11	CARBON 12K 5% 1/4W	
R212	1-249-419-11	CARBON 1.5K 5% 1/4W	
R213	1-249-426-11	CARBON 5.6K 5% 1/4W	
R214	1-249-403-11	CARBON 68 5% 1/4W	
R215	1-249-403-11	CARBON 68 5% 1/4W	
R216	1-247-807-31	CARBON 100 5% 1/4W	
R217	1-249-430-11	CARBON 12K 5% 1/4W	
R218	1-249-419-11	CARBON 1.5K 5% 1/4W	
R219	1-249-426-11	CARBON 5.6K 5% 1/4W	
R220	1-249-403-11	CARBON 68 5% 1/4W	

*	1-665-477-11	VOL BOARD (D660Z/DE715)	
*	1-665-466-11	VOL BOARD (D560Z/DE615) *****	
		< CAPACITOR >	
C497	1-126-964-11	ELECT 10uF 20% 50V	
		< CONNECTOR >	
CNP102	1-770-388-11	PIN, CONNECTOR (PC BOARD) 4P	
CNS402	1-569-323-11	SOCKET, CONNECTOR 19P	
CNS410	1-750-179-11	SOCKET, CONNECTOR 5P	
		< VARIABLE RESISTOR >	
RV401	1-225-445-11	RES, VAR, CARBON 100KX6 (MASTER VOLUME)	

Ref. No.	Part No.	Description	Remark
		MISCELLANEOUS *****	
19	1-773-130-11	WIRE (FLAT TYPE) (19 CORE) (100mm)	
20	1-769-928-11	WIRE (FLAT TYPE) (9 CORE) (DE715:US,CND)	
22	1-773-115-11	WIRE (FLAT TYPE) (19 CORE) (320mm)	
57	1-773-108-11	WIRE (FLAT TYPE) (19 CORE) (160mm)	
△60	1-696-847-11	CORD, POWER (AUS)	
△60	1-769-743-11	CORD, POWER (US,CND)	
103	1-533-217-31	HOLDER, FUSE	
△CNJ909	1-251-416-11	OUTLET, A.C. (AUS)	
△F901	1-532-506-51	FUSE, TIME LAG (T6.3AL/250V) (AUS)	
△F901	1-533-310-11	FUSE, GLASS CYLINDRICAL (DIA.5) (6.3A/125V) (US,CND)	
△F902	1-532-464-51	FUSE, TIME LAG (T2.5AL/250V) (AUS)	
△F950	1-532-506-51	FUSE, TIME LAG (T6.3AL/250V) (AUS)	
△F951	1-532-506-51	FUSE, TIME LAG (T6.3AL/250V) (AUS)	
FL101	1-517-519-11	INDICATOR TUBE, FLUORESCENT (D660Z/DE715)	
FL101	1-517-672-11	INDICATOR TUBE, FLUORESCENT (D560Z/DE615)	
△T902	1-431-274-11	TRANSFORMER, POWER (US,CND)	
△T902	1-431-288-11	TRANSFORMER, POWER (AUS)	

ACCESSORIES & PACKING MATERIALS *****			
	1-475-134-11	REMOTE COMMANDER (RM-P501) (D660Z/DE715)	
	1-475-135-11	REMOTE COMMANDER (RM-U501) (D560Z/DE615)	
	1-501-721-11	ANTENNA (LOOP)	
	1-776-258-11	CORD, AVC CONNECTION (AUDIO,VIDEO, CONTROL S,150cm) (DE715:US,CND)	
	1-777-172-11	CORD, CONNECTION (CONTROL A1,100cm) (DE715:US,CND)	
	3-810-765-11	MANUAL,COMMONNESS INSTRUCTION (CONTROL A1) (ENGLISH) (DE715:US)	
	3-810-765-21	MANUAL,COMMONNESS INSTRUCTION (CONTROL A1) (ENGLISH,FRENCH,GERMAN, SWEDISH,DUTCH,SPANISH,ITALIAN, PORTUGUESE,CHINESE) (DE715:CND)	
	3-860-516-11	MANUAL, INSTRUCTION (ENGLISH)	
	3-860-516-21	MANUAL, INSTRUCTION (FRENCH) (CND)	
	4-983-536-01	LID,BATTERY (FOR RM-P501,U501)	

***** HARDWARE LIST *****			
#1	7-685-646-79	SCREW +BVTP 3X8 TYPE2 TT(B)	
#2	7-685-872-09	SCREW +BVTT 3X8 (S)	
#3	7-685-881-09	SCREW +BVTT 4X8 (S)	

The components identified by mark △ or dotted line with mark △ are critical for safety. Replace only with part number specified.	Les composants identifiés par une marque △ sont critiques pour la sécurité. Ne les remplacer que par une pièce portant le numéro spécifié.
---	---

STR-DA4300ES

SERVICE MANUAL

Ver. 1.1 2007.10

US Model
Canadian Model



This receiver incorporates Dolby* Digital and Pro Logic Surround and the DTS** Digital Surround System.

* Manufactured under license from Dolby Laboratories.

Dolby, Pro Logic, Surround EX, and the double-D symbol are trademarks of Dolby Laboratories.

** Manufactured under license from DTS, Inc.

"DTS", "DTS-ES" and "Neo:6" are registered trademarks of DTS, Inc. and "DTS-HD Master Audio", "DTS-HD High Resolution Audio" and "DTS 96/24" are trademarks of DTS, Inc.

SPECIFICATIONS

AUDIO POWER SPECIFICATIONS (US model)

POWER OUTPUT AND TOTAL HARMONIC DISTORTION:

With 8 ohm loads, both channels driven, from 20 – 20,000 Hz; rated 100 watts per channel minimum RMS power, with no more than 0.09% total harmonic distortion from 250 milliwatts to rated output.

Amplifier section POWER OUTPUT

Rated Power Output at Stereo Mode^{1) 2)}
(8 ohms 20 Hz – 20 kHz,
THD 0.09%): 100W + 100W

Reference Power Output at Stereo Mode
(4 ohms 20 Hz – 20 kHz,
THD 0.15%): 85W + 85W

Reference Power Output
(8 ohms 1 kHz, THD 0.7%)
FRONT²⁾: 110W + 110W
CENTER²⁾: 110 W
SURROUND²⁾: 110W + 110W
SUR BACK²⁾: 110W + 110W

Reference Power Output

(4 ohms 1 kHz, THD 0.7%)
FRONT²⁾: 100W + 100W
CENTER²⁾: 100 W
SURROUND²⁾: 100W + 100W
SUR BACK²⁾: 100W + 100W

¹⁾ Depending on the sound field settings and the source, there may be no sound output.

²⁾ Measured under the following conditions:
Power requirements: 120 V AC, 60 Hz

Frequency response

PHONO RIAA equalization curve
± 0.5 dB

MULTI CHANNEL
INPUT, SA-CD/CD,
MD/TAPE, DVD/BD,
TV, SAT/CATV,
VIDEO 1/2/3 ± 3 dB

Inputs (Analog)

PHONO Sensitivity: 2.5 mV
Impedance: 50 kohms
S/N: 90dB (A, 20 kHz
LPF)

MULTI CHANNEL
INPUT, SA-CD/CD,
MD/TAPE, DVD/BD,
TV, SAT/CATV,
VIDEO 1/2/3 Sensitivity: 150 mV
Impedance: 50 kohms
S/N: 100 dB (A, 20 kHz
LPF)

Inputs (Digital)

DVD/BD, VIDEO 2, Impedance: 75 ohms
SA-CD/CD (Coaxial) S/N: 96 dB (A, 20 kHz
LPF)

VIDEO 1, VIDEO 3, S/N: 96 dB
SAT/CATV, TV, MD/
TAPE (Optical) (A, 20 kHz LPF)

Outputs

MD/TAPE (REC OUT), Voltage: 150 mV
VIDEO 1 (AUDIO OUT) Impedance: 1 kohm

FRONT L/R, CENTER, Voltage: 2 V
SURROUND L/R, Impedance: 1 kohm
SUR BACK L/R, SUB
WOOFER

EQUALIZER

Gain levels ±10 dB, 1 dB step

FM tuner section

Tuning range 87.5 – 108.0 MHz
Antenna (aerial) FM wire antenna (aerial)
Antenna (aerial) terminals
75 ohms, unbalanced

– Continued on next page –

MULTI CHANNEL AV RECEIVER

9-887-785-02
2007J05-1
© 2007.10

Sony Corporation
Home Audio Division
Published by Sony Techno Create Corporation

SONY®

AM tuner section

Tuning range

With 10-kHz tuning scale
530 – 1,710 kHz³⁾

With 9-kHz tuning scale
531 – 1,710 kHz³⁾

Antenna (aerial) Loop antenna (aerial)

³⁾You can change the AM tuning scale to either 9 kHz or 10 kHz. After tuning in any AM station, turn off the receiver. While holding down TUNING MODE, press POWER on the receiver. All preset stations will be erased when you change the tuning scale. To reset the scale to 10 kHz (or 9 kHz), repeat the procedure.

Video section

Inputs/Outputs

Video: 1 Vp-p, 75 ohms

COMPONENT VIDEO:

Y: 1 Vp-p, 75 ohms

P_B/C_B: 0.7 Vp-p, 75 ohms

P_R/C_R: 0.7 Vp-p, 75 ohms

80 MHz HD Pass Through

HDMI Video

Input/Output (HDMI Repeater block)

640 × 480p@60Hz
720 × 480p@59.94/60Hz
1440 × 480p@59.94/60Hz (pixel sent 2times)
1280 × 720p@59.94/60Hz
1920 × 1080i@59.94/60Hz
1920 × 1080p@59.94/60Hz
720 × 576p@50Hz
1440 × 576p@50Hz (pixel sent 2times)
1280 × 720p@50Hz
1920 × 1080i@50Hz
1920 × 1080p@50Hz
1920 × 1080p@24Hz

General

Power requirements 120 V AC, 60 Hz

Power output (DIGITAL MEDIA PORT)

DC OUT: 5 V, 700 mA

Power consumption 350 W/480 VA (US/Canada)

Power consumption (during standby mode)

0.7 W (when “HDMI Control” and “RS-232C Control” are set to “OFF”)

Dimensions 430 × 175 × 430 mm
(width/height/depth)
including projecting parts and controls

Mass (Approx.) 14.5 kg

Supplied accessories

Operating Instructions

Quick Setup Guide (1)

HDMI CONTROL Guide (1)

GUI Menu List (1)

Optimizer microphone ECM-AC2 (1)

FM wire antenna (aerial) (1)

AM loop antenna (aerial) (1)

AC power cord (mains lead) (1)

Remote commander RM-AAL011 (1)

Remote commander RM-AAU018 (1)

R6 (size-AA) batteries (4)

Design and specifications are subject to change without notice.

Notes on chip component replacement

- Never reuse a disconnected chip component.
- Notice that the minus side of a tantalum capacitor may be damaged by heat.

SAFETY CHECK-OUT

After correcting the original service problem, perform the following safety check before releasing the set to the customer:

Check the antenna terminals, metal trim, “metallized” knobs, screws, and all other exposed metal parts for AC leakage.

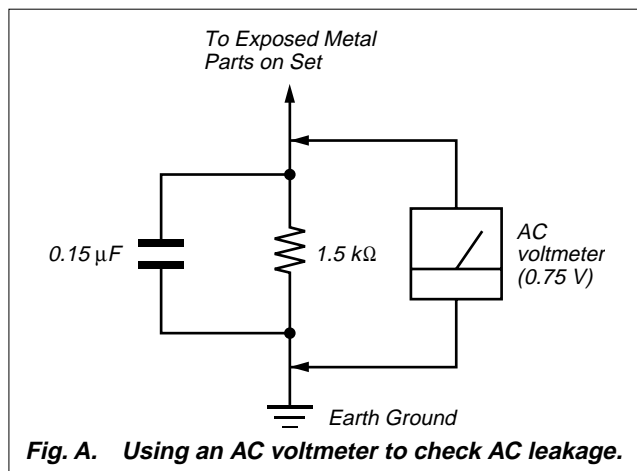
Check leakage as described below.

LEAKAGE TEST

The AC leakage from any exposed metal part to earth ground and from all exposed metal parts to any exposed metal part having a return to chassis, must not exceed 0.5 mA (500 microamperes.).

Leakage current can be measured by any one of three methods.

1. A commercial leakage tester, such as the Simpson 229 or RCA WT-540A. Follow the manufacturers’ instructions to use these instruments.
2. A battery-operated AC milliammeter. The Data Precision 245 digital multimeter is suitable for this job.
3. Measuring the voltage drop across a resistor by means of a VOM or battery-operated AC voltmeter. The “limit” indication is 0.75 V, so analog meters must have an accurate low-voltage scale. The Simpson 250 and Sanwa SH-63Trd are examples of a passive VOM that is suitable. Nearly all battery operated digital multimeters that have a 2 V AC range are suitable. (See Fig. A)

**SAFETY-RELATED COMPONENT WARNING!!**

COMPONENTS IDENTIFIED BY MARK \triangle OR DOTTED LINE WITH MARK \triangle ON THE SCHEMATIC DIAGRAMS AND IN THE PARTS LIST ARE CRITICAL TO SAFE OPERATION. REPLACE THESE COMPONENTS WITH SONY PARTS WHOSE PART NUMBERS APPEAR AS SHOWN IN THIS MANUAL OR IN SUPPLEMENTS PUBLISHED BY SONY.

ATTENTION AU COMPOSANT AYANT RAPPORT À LA SÉCURITÉ!

LES COMPOSANTS IDENTIFIÉS PAR UNE MARQUE \triangle SUR LES DIAGRAMMES SCHÉMATIQUES ET LA LISTE DES PIÈCES SONT CRITIQUES POUR LA SÉCURITÉ DE FONCTIONNEMENT. NE REMPLACER CES COM- POSANTS QUE PAR DES PIÈCES SONY DONT LES NUMÉROS SONT DONNÉS DANS CE MANUEL OU DANS LES SUPPLÉMENTS PUBLIÉS PAR SONY.

TABLE OF CONTENTS

1. SERVICING NOTES	5
2. GENERAL	8
3. DISASSEMBLY	
3-1. Disassembly Flow	12
3-2. Case	13
3-3. Front Panel Block	13
3-4. CIS Board, Tuner (FM/AM)	14
3-5. D.AUDIO Board, DSP Board	14
3-6. TUNER Board, CONTROL Board	15
3-7. PREOUT Board, S_SPTM Board	15
3-8. D_VIDEO Board	16
3-9. A_VIDEO Board	16
3-10. MAIN Board, C_SPTM Board	17
3-11. AC Board, Power Transformer (T001)	18
3-12. Power AMP Block	18
4. TEST MODE	19
5. ELECTRICAL ADJUSTMENTS	23
6. DIAGRAMS	
6-1. Block Diagram – CONTROL Section –	25
6-2. Block Diagram – DSP Section –	26
6-3. Block Diagram – DIGITAL AUDIO Section –	27
6-4. Block Diagram – HDMI Section –	28
6-5. Block Diagram – VIDEO PROCESS Section –	29
6-6. Block Diagram – ANALOG AUDIO Section –	30
6-7. Block Diagram – POWER AMP Section –	31
6-8. Block Diagram – VIDEO Section –	32
6-9. Block Diagram – PANEL, CIS, XM/ SIRIUS RECEIVER, DMPORT Section –	33
6-10. Block Diagram – POWER SUPPLY Section –	34
6-11. Schematic Diagram – MAIN Board (1/4) –	36
6-12. Schematic Diagram – MAIN Board (2/4) –	37
6-13. Schematic Diagram – MAIN Board (3/4) –	38
6-14. Schematic Diagram – MAIN Board (4/4) –	39
6-15. Printed Wiring Board – MAIN Board –	40
6-16. Schematic Diagram – D.AUDIO Board (1/5) –	41
6-17. Schematic Diagram – D.AUDIO Board (2/5) –	42
6-18. Schematic Diagram – D.AUDIO Board (3/5) –	43
6-19. Schematic Diagram – D.AUDIO Board (4/5) –	44
6-20. Schematic Diagram – D.AUDIO Board (5/5) –	45
6-21. Printed Wiring Board – D.AUDIO Board (Component Side) –	46
6-22. Printed Wiring Board – D.AUDIO Board (Conductor Side) –	47
6-23. Printed Wiring Board – TUNER Board (Component Side) –	48
6-24. Printed Wiring Board – TUNER Board (Conductor Side) –	49
6-25. Schematic Diagram – TUNER Board (1/2) –	50
6-26. Schematic Diagram – TUNER Board (2/2) –	51
6-27. Printed Wiring Board – DSP Board (Side A) –	52
6-28. Printed Wiring Board – DSP Board (Side B) –	53
6-29. Schematic Diagram – DSP Board (1/4) –	54
6-30. Schematic Diagram – DSP Board (2/4) –	55
6-31. Schematic Diagram – DSP Board (3/4) –	56
6-32. Schematic Diagram – DSP Board (4/4) –	57
6-33. Printed Wiring Boards – CONNECTOR Section –	58
6-34. Schematic Diagram – CONNECTOR Section –	59
6-35. Printed Wiring Board – TEMPERATURE DETECTION Board –	60

6-36. Schematic Diagram	
– TEMPERATURE DETECTION Board –	60
6-37. Printed Wiring Board – A CLASS AMP Board –	61
6-38. Schematic Diagram – A CLASS AMP Board (1/2) –	62
6-39. Schematic Diagram – A CLASS AMP Board (2/2) –	63
6-40. Printed Wiring Board – POWER AMP Board –	64
6-41. Schematic Diagram – POWER AMP Board –	65
6-42. Printed Wiring Board – PROTECTOR (F-C) Board – ...	66
6-43. Schematic Diagram – PROTECTOR (F-C) Board –	67
6-44. Printed Wiring Boards	
– PROTECTOR (SB/SURR) Section –	68
6-45. Schematic Diagram	
– PROTECTOR (SB/SURR) Section –	69
6-46. Printed Wiring Board – BIAS Board –	70
6-47. Schematic Diagram – BIAS Board –	71
6-48. Printed Wiring Board – PREOUT Board –	72
6-49. Schematic Diagram – PREOUT Board –	73
6-50. Printed Wiring Boards – SPEAKER Section –	74
6-51. Schematic Diagram – SPEAKER Section –	75
6-52. Printed Wiring Board	
– D_VIDEO Board (Component Side) –	76
6-53. Printed Wiring Board	
– D_VIDEO Board (Conductor Side) –	77
6-54. Schematic Diagram – D_VIDEO Board (1/10) –	78
6-55. Schematic Diagram – D_VIDEO Board (2/10) –	79
6-56. Schematic Diagram – D_VIDEO Board (3/10) –	80
6-57. Schematic Diagram – D_VIDEO Board (4/10) –	81
6-58. Schematic Diagram – D_VIDEO Board (5/10) –	82
6-59. Schematic Diagram – D_VIDEO Board (6/10) –	83
6-60. Schematic Diagram – D_VIDEO Board (7/10) –	84
6-61. Schematic Diagram – D_VIDEO Board (8/10) –	85
6-62. Schematic Diagram – D_VIDEO Board (9/10) –	86
6-63. Schematic Diagram – D_VIDEO Board (10/10) –	87
6-64. Printed Wiring Board	
– A_VIDEO Board (Component Side) –	88
6-65. Printed Wiring Board	
– A_VIDEO Board (Conductor Side) –	89
6-66. Schematic Diagram – A_VIDEO Board (1/4) –	90
6-67. Schematic Diagram – A_VIDEO Board (2/4) –	91
6-68. Schematic Diagram – A_VIDEO Board (3/4) –	92
6-69. Schematic Diagram – A_VIDEO Board (4/4) –	93
6-70. Printed Wiring Board – VIDEO3 Board –	94
6-71. Schematic Diagram – VIDEO3 Board –	95
6-72. Printed Wiring Board	
– CONTROL Board (Component Side) –	96
6-73. Printed Wiring Board	
– CONTROL Board (Conductor Side) –	97
6-74. Schematic Diagram – CONTROL Board (1/2) –	98
6-75. Schematic Diagram – CONTROL Board (2/2) –	99
6-76. Printed Wiring Board – CIS Board –	100
6-77. Schematic Diagram – CIS Board –	101
6-78. Printed Wiring Board – DISPLAY Board –	102
6-79. Schematic Diagram – DISPLAY Board –	103
6-80. Printed Wiring Boards – PANEL Section –	104
6-81. Schematic Diagram – PANEL Section –	105
6-82. Printed Wiring Board – DC-DC Board –	106
6-83. Schematic Diagram – DC-DC Board –	107
6-84. Printed Wiring Board – AC Board –	108
6-85. Schematic Diagram – AC Board –	109

7. EXPLODED VIEWS

7-1. Case Section	156
7-2. DISPLAY Board Section	157
7-3. Front Panel Section	158
7-4. AC/DC-DC Boards Section	159
7-5. D.AUDIO/D_VIDEO Boards Section	160
7-6. A_VIDEO Board Section	161
7-7. Heat Sink Section	162
7-8. MAIN Board Section	163

8. ELECTRICAL PARTS LIST 164

SECTION 1 SERVICING NOTES

UNLEADED SOLDER

Boards requiring use of unleaded solder are printed with the lead-free mark (LF) indicating the solder contains no lead.
(Caution: Some printed circuit boards may not come printed with the lead free mark due to their particular size)

LF: LEAD FREE MARK

Unleaded solder has the following characteristics.

- Unleaded solder melts at a temperature about 40 °C higher than ordinary solder.
Ordinary soldering irons can be used but the iron tip has to be applied to the solder joint for a slightly longer time.
Soldering irons using a temperature regulator should be set to about 350 °C.
Caution: The printed pattern (copper foil) may peel away if the heated tip is applied for too long, so be careful!
- Strong viscosity
Unleaded solder is more viscous (sticky, less prone to flow) than ordinary solder so use caution not to let solder bridges occur such as on IC pins, etc.
- Usable with ordinary solder
It is best to use only unleaded solder but unleaded solder may also be added to ordinary solder.

NOTE OF REPLACING THE IC3511 AND IC3513 ON THE D_VIDEO BOARD

IC3511 and IC3513 on the D_VIDEO board cannot exchange with single. When IC3511 and IC3513 on the D_VIDEO board are damaged, exchange the entire mounted board.

NOTE OF REPLACING THE IC5002 AND IC5202 ON THE DSP BOARD

IC5002 and IC5202 on the DSP board cannot exchange with single. When IC5002 and IC5202 on the DSP board are damaged, exchange the entire mounted board.

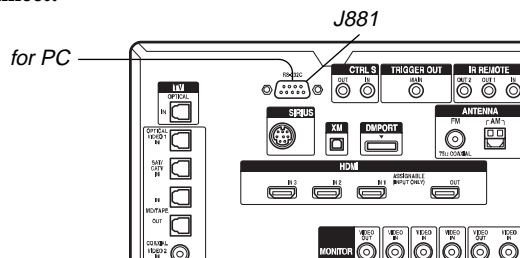
NOTE OF REPLACING THE IC3601 ON THE D_VIDEO BOARD

Replacement of IC3601 on the D_VIDEO board used in this set requires a special tool.

UPDATE OF SOFTWARE OF IC2003 ON THE CONTROL BOARD, IC3610 ON THE D_VIDEO BOARD AND IC5208 ON THE DSP BOARD

Perform operation of the following when the update of software of the IC2003 on the CONTROL board, IC3610 on the D_VIDEO board and IC5208 on the DSP board is necessary.

Connect:



Procedure:

1. Connect J881 on the CIS board and PC by using the RS-232C cable.
2. Turn on the main power.
3. The update is executed by using PC.
4. When the update ends, turn off the main power.
5. Remove the RS-232C cable from the J881 on the CIS board and PC.

ERROR MESSAGES

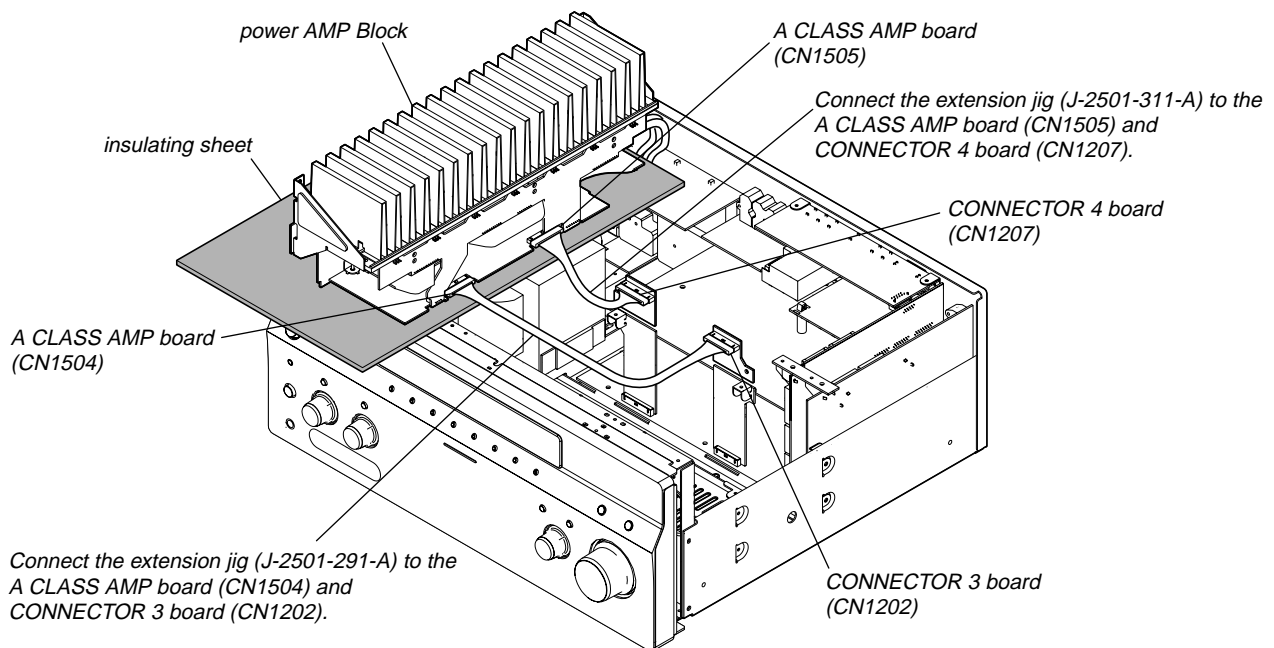
If there is a malfunction, the display shows a code of two numbers and a message. You can check the condition of the system by the message. Refer to the following table to solve the problem.

messages	cause and response
PROTECTOR	Irregular current is output to the speakers, or the upper panel of the receiver is covered with something. The receiver will automatically turn off after a few seconds. Check the speakers connection and turn on the power again.

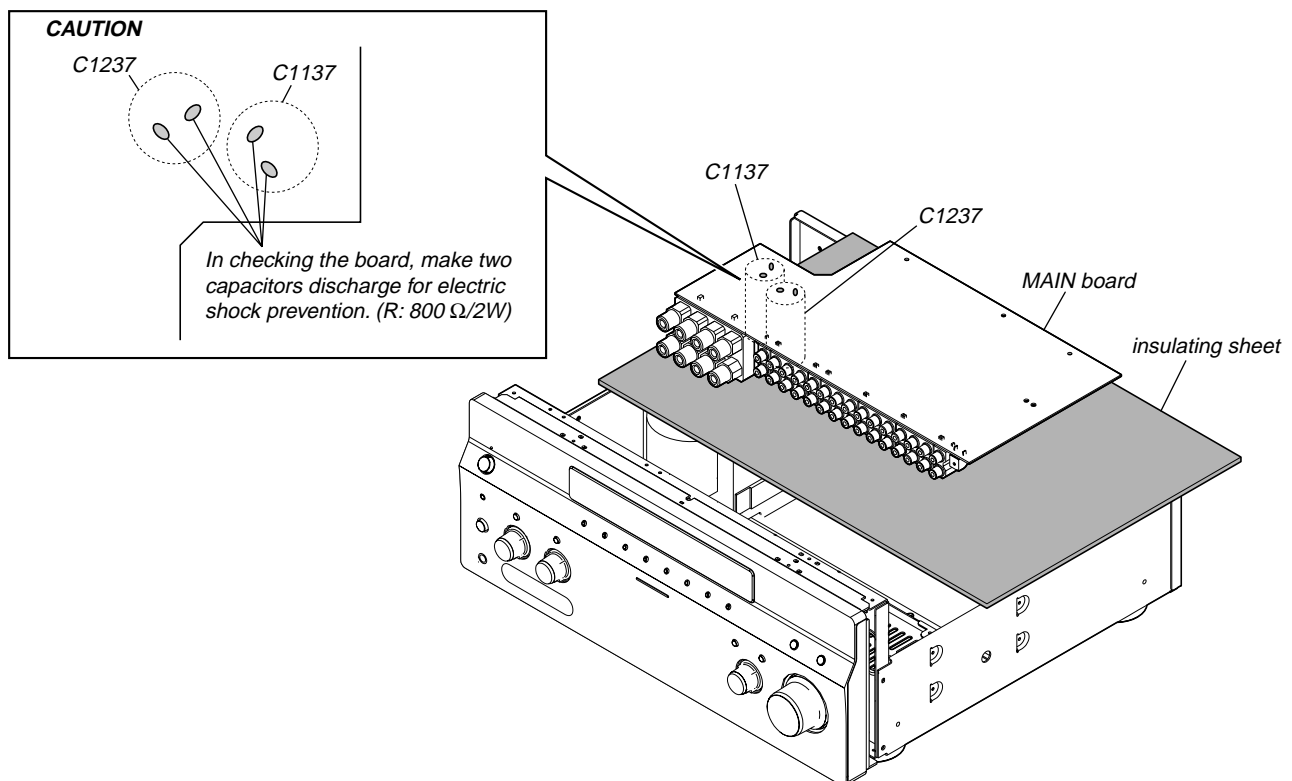
STR-DA4300ES

POWER AMP BLOCK SERVICE POSITION

In checking the Power AMP block, prepare jig (extension cable J-2501-291-A: 2 mm Pitch, 12 cores, Length 300 mm/J-2501-311-A: 2 mm Pitch, 15 cores, Length 300 mm).

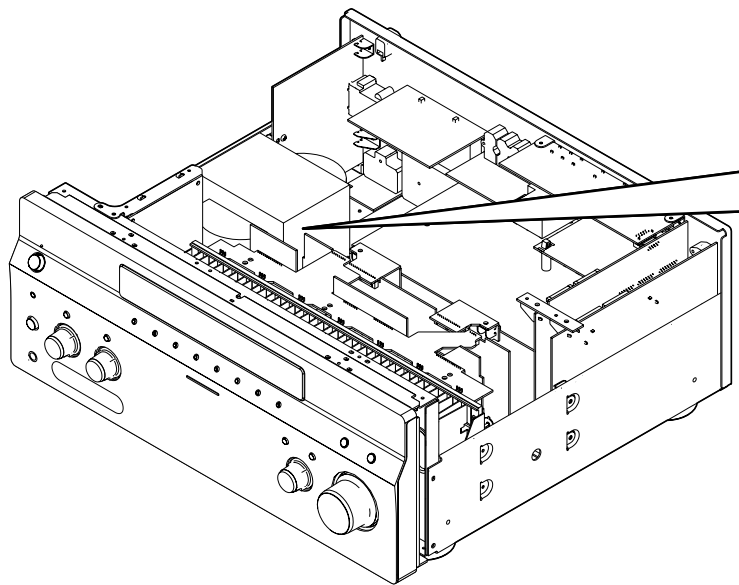


MAIN BOARD SERVICE POSITION

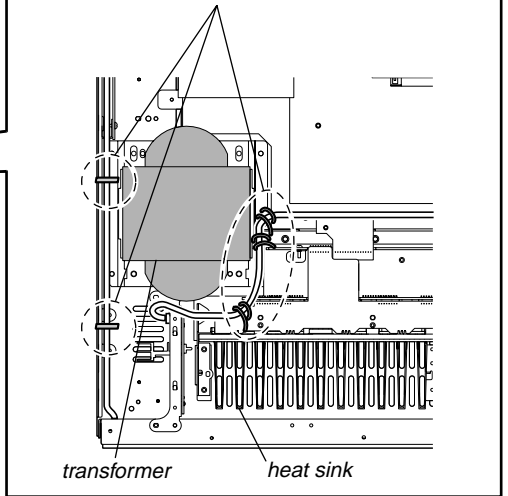


LEAD WIRE SETTING

The lead wire must not come in contact with the transformer and the heat sink.



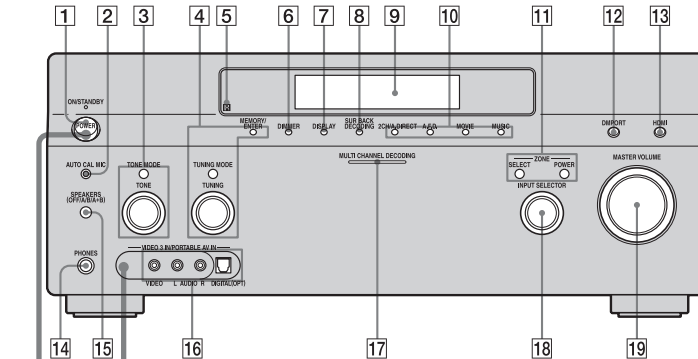
Please band together so that a primary side cable cannot touch a power transformer and heat sink.





Getting Started

Description and location of parts

Front panel



To remove the cover
Press PUSH.
When you remove the cover, keep it out of reach from children.

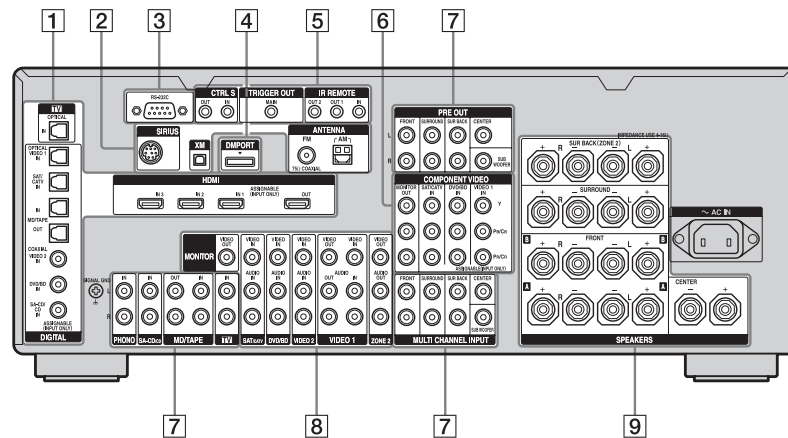
- Status of the POWER button**
-  **Off**
The receiver is turned off (initial setting).
Press POWER to turn the receiver on.
You cannot turn the receiver on using the remote.
 -  **On/Standby**
Press I/⏻ on the remote to turn the receiver on or set it to the standby mode.
When you press POWER on the receiver, the receiver will be turned off.

Name	Function
1 POWER	Press to turn the receiver on or off.
2 AUTO CAL MIC jack	Connects to the supplied optimizer microphone for the Digital Cinema Auto Calibration function.
3 TONE MODE TONE	Adjusts FRONT/CENTER/SURROUND/SURROUND BACK BASS and TREBLE. Press TONE MODE repeatedly to select BASS or TREBLE, then turn TONE to adjust the level.
4 MEMORY/ENTER TUNING MODE TUNING	Press to operate a tuner (FM/AM) and satellite radio (XM/SIRIUS).
5 Remote sensor	Receives signals from remote commander.
6 DIMMER	Press repeatedly to adjust brightness of the display.
7 DISPLAY	Press repeatedly to select information displayed on the display.
8 SUR BACK DECODING	Press to activate SB DECODING.




Name	Function
9 Display window	The current status of the selected component or a list of selectable items appears here.
10 2CH/A.DIRECT A.F.D. MOVIE MUSIC	Press to select sound field.
11 ZONE/POWER, SELECT	Press SELECT repeatedly to select zone 2 or main zone. Each time you press POWER, the output signals for the selected zone will be turned on or off.
12 DMPORT	Press to select the audio/video input signal from the component connected to the DIGITAL MEDIA PORT adapter.
13 HDMI	Press to select input source from the component connected to the HDMI IN jack.
14 PHONES jack	Connects to headphones.
15 SPEAKERS (OFF/A/B/A+B)	Switch to OFF, A, B, A+B of the front speakers.

Name	Function
16 VIDEO 3 IN/ PORTABLE AV IN jacks	Connect to a portable audio/video component such as a camcorder or video game.
17 MULTI CHANNEL DECODING lamp	Lights up when multi-channel audio signals are decoded.
18 INPUT SELECTOR	Turn to select the input source to play back. To select the input source for zone 2, press ZONE/SELECT (11) to select zone 2 first ("ZONE 2 INPUT" appears on the display), then turn INPUT SELECTOR to select the input source.
19 MASTER VOLUME	Turn to adjust the volume level of all speakers at the same time.





Rear panel



1 DIGITAL INPUT/OUTPUT section

-  OPTICAL IN/OUT jacks Connect to a DVD player, Super Audio CD player, etc. The COAXIAL jack provides a better quality sound.
-  COAXIAL IN jacks
-  HDMI IN/OUT* jacks Connect to a DVD player, Blu-ray Disc Player, or a satellite tuner. An image and the sound are output to TV or a projector.

2 ANTENNA section

-  FM ANTENNA jack Connects to the FM wire antenna (aerial) supplied with this receiver.
-  AM ANTENNA jack Connects to the AM loop antenna (aerial) supplied with this receiver.
-  XM jack Connects to the XM Mini Tuner and Home Dock (not supplied).
-  SIRIUS jack Connects to a SiriusConnect Home tuner (not supplied).




3 RS-232C port

-  Used for maintenance and service.




4 DMPORT

-  Connects to a Sony DIGITAL MEDIA PORT adapter.





5 Control jack for Sony equipment and other external components

-  CTRL S IN/OUT jacks Connect to Sony TV, DVD player or VCR with CONTROL S jack.
-  TRIGGER OUT jack Connect to interlock on/off of the power supply of other 12V TRIGGER compliant components, or the amplifier/receiver of zone 2.
-  IR REMOTE IN/OUT jacks Connect an IR repeater.






6 COMPONENT VIDEO INPUT/OUTPUT section

-  Y, P_B/C_B, P_R/C_R IN/OUT* jacks Connect to a DVD player, TV, or a satellite tuner.
-  P_B/C_B
-  P_R/C_R

7 AUDIO INPUT/OUTPUT section

-  L AUDIO IN/OUT jacks Connect to a tape deck or MD deck, etc.
-  R
-  MULTI CHANNEL INPUT jacks Connect to a Super Audio CD player or DVD player with an analog audio jack for 7.1 channel or 5.1 channel sound.
-  PRE OUT jacks Connect to an external power amplifier.

8 VIDEO/AUDIO INPUT/OUTPUT section

-  L AUDIO IN/OUT jacks Connect to a VCR or a DVD player etc.
-  R
-  VIDEO IN/OUT* jacks
-  AUDIO OUT jacks Connect to the component in zone 2.
-  VIDEO OUT jack

9 SPEAKERS section

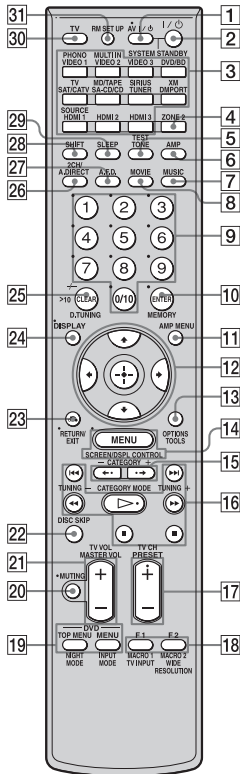
-  Connects to speakers.

* You can watch the selected input image when you connect the MONITOR VIDEO OUT jack to a TV. You can operate this receiver using a GUI (Graphical User Interface).

Remote commander

You can use the supplied remote RM-AAL011 to operate the receiver and to control the Sony audio/video components that the remote is assigned to operate.

RM-AAL011



Name	Function
1 AV I/⏻ (on/standby)	Press to turn on or off the audio/video components that the remote is assigned to operate. If you press the I/⏻ (2) at the same time, it will turn off the receiver and other Sony components (SYSTEM STANDBY). Note The function of the AV I/⏻ switch changes automatically each time you press the input button (3).
2 I/⏻ (on/standby)	Press to turn the receiver on or off. If ZONE 2 is selected, only the main receiver is turned on or off with this button. To turn off all components including an amplifier in zone 2, press I/⏻ and AV I/⏻ (1) at the same time (SYSTEM STANDBY).
3 Input buttons	Press one of the buttons to select the component you want to use. Press a pink-labeled button after pressing SHIFT (28). When you press any of the input buttons, the receiver turns on. The buttons are factory assigned to control Sony components. You can program the remote to control non-Sony components following the steps in "Programming the remote".
4 ZONE 2	Press to enable the zone 2 operation.
5 TEST TONE	Press to output the test tone from each speaker.
6 AMP	Press to enable the receiver operation.
7 MUSIC	Press to select sound field.

Name	Function
8 MOVIE	Press to select sound field.
9 Numeric buttons	Press to - preset/tune to preset stations. - select track numbers of the CD player, DVD player, Blu-ray Disc Player or MD deck. Press 0/10 to select track number 10. - select channel numbers of the VCR or satellite tuner. - After pressing TV (30), press the numeric buttons to select the TV channels.
10 ENTER	Press to enter the value after selecting a channel, disc or track using the numeric buttons.
MEMORY	Press to store a station during tuner operation.
11 AMP MENU	Press to display the menu to operate the receiver.
12	Press /// to select the menu items. Then press to enter the selection.
13 OPTIONS	Press to display and select items from option menus for receiver and DVD player, Blu-ray Disc Player.
TOOLS	Press to display and select items from the option menus for DVD player or Blu-ray Disc Player, etc.
14 MENU	Press to display the menu to operate the audio/video components.
SCREEN/DSPL CONTROL	Press SHIFT (28), then press MENU to switch the display mode of the menu between SCREEN (to display the menu on the TV screen) and DSPL (to display the menu in the display window).
15 CATEGORY +/-	Press to select the category for satellite tuner.
16	Press to operate the DVD player, Blu-ray Disc Player, CD player, MD deck, tape deck, or component connected to the DIGITAL MEDIA PORT adapter etc.
CATEGORY MODE	Press to select the category mode for satellite tuner.
TUNING +/-	Press to select station.
17 PRESET + b)/-	Press to register FM/AM/satellite tuner stations or to select preset stations.
TV CH +/-	Press TV (30), then press TV CH +/- to operate the TV, satellite tuner, VCR, etc.
18 F1/F2	Press TV (30), then press F1 or F2 to select a component to operate. • HDD recorder F1: HDD F2: DVD player, Blu-ray Disc Player • DVD/VHS combo player F1: DVD player, Blu-ray Disc Player F2: VHS
MACRO1, MACRO2	Press AMP (6), then press MACRO 1 or MACRO 2 to set up the macro function.
TV/INPUT	Press TV/INPUT and TV (30) at the same time to select the input signal (TV input or video input).
WIDE	Press repeatedly to select the wide picture mode.
RESOLUTION	Press SHIFT (28), then press RESOLUTION repeatedly to change the resolution of signals output from the HDMI OUT or COMPONENT VIDEO MONITOR OUT jack.

Name	Function
19 DVD/TOP MENU, MENU	Press to display the menus of the DVD player on the TV screen. Then use / and to perform a menu operation.
NIGHT MODE	Press AMP (6), then press NIGHT MODE to activate the NIGHT MODE function.
INPUT MODE	Press AMP (6), then press INPUT MODE to select the input mode when the same components are connected to both digital and analog jacks.
20 MUTING	Press to turn off the sound temporarily. Press the button again to restore the sound.
21 MASTER VOL +/-	Press to adjust the volume level of all speakers at the same time.
TV VOL +/-	Press TV (30), then press TV VOL +/- to adjust the volume level of the TV.
22 DISC SKIP	Press to skip a disc when using a multi-disc changer.
23 RETURN/EXIT	Press to return to the previous menu or exit the menu while the menu or on-screen guide of the VCR, DVD player, or satellite tuner is displayed on the TV screen.
24 DISPLAY	Press to select information displayed in the display window, TV screen of the VCR, satellite tuner, CD player, DVD player, Blu-ray Disc Player, or MD deck. Note In the SCREEN mode, press the button to display the menu on the TV screen.
25 CLEAR	Press to - clear a mistake when you press the incorrect numeric button. - return to continuous playback, etc. of the satellite tuner or DVD player.
>10	Press to select - track numbers over 10 of the VCR, satellite tuner, CD player or MD deck. - channel numbers of the Digital CATV terminal.
D.TUNING	Press to enter direct tuning mode.
26 2CH/A.DIRECT	Press to select sound field or to switch the audio of the selected input to analog signal without any adjustment.
27 A.F.D.	Press to select sound field.
28 SHIFT	Press to light up the button. It changes the remote button function to activate the buttons with pink printing.
29 SLEEP	Press to activate the sleep timer function and the duration which the receiver turns off automatically.
30 TV	Press to enable the TV operation.
31 RM SET UP	Press to set up the remote.

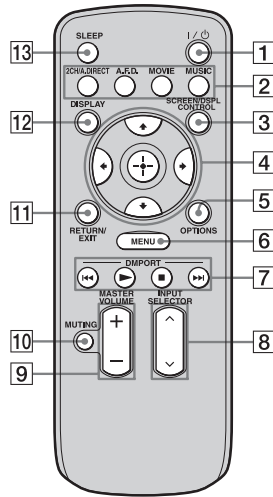
a) See the table on page 123 for information on the buttons that you can use to control each component.
 b) The tactile dot is attached to these buttons (). PRESET+). Use as a mark of operation.



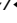



Notes




- Some functions explained in this section may not work depending on the model.
- The above explanation is intended to serve as an example only. Therefore, depending on the component, the above operation may not be possible or may operate differently than described.

RM-AAU018

This remote can only be used to operate the receiver. You can control the main functions of the receiver with simple operations using this remote.




Name	Function
1 I/O (on/standby)	Press to turn a receiver on or off.
2 2CH/ A.DIRECT A.F.D. MOVIE MUSIC	Press to select sound field.
3 SCREEN/ DSPL CONTROL	Press to switch the display mode of the menu between SCREEN (to display the menu on the TV screen) and DSPL (to display the menu in the display window).
4 	After pressing SCREEN/DSPL CONTROL (3), press  /  /  /  to select the menu item. Then press  to enter the selection.

Name	Function
5 OPTIONS	Press to display and select items from option menus.
6 MENU	Press to display the menu to operate the receiver.
7 DMPORT	Press to operate the component connected to the DIGITAL MEDIA PORT adapter.
	Starts play.
	Stops play.
	Skips tracks.
8 INPUT SELECTOR	Press to select the input source to play back.
9 MASTER VOLUME +/-	Press to adjust the volume level.
10 MUTING	Press to turn off the sound temporarily. Press the button again to restore the sound.
11 RETURN/EXIT	Press to return to the previous menu or exit the menu.
12 DISPLAY	Press to select information displayed in the display window. Note In the SCREEN mode, press the button to display the menu on the TV screen.
13 SLEEP	Press to activate the sleep timer function and the duration which the receiver turns off automatically.

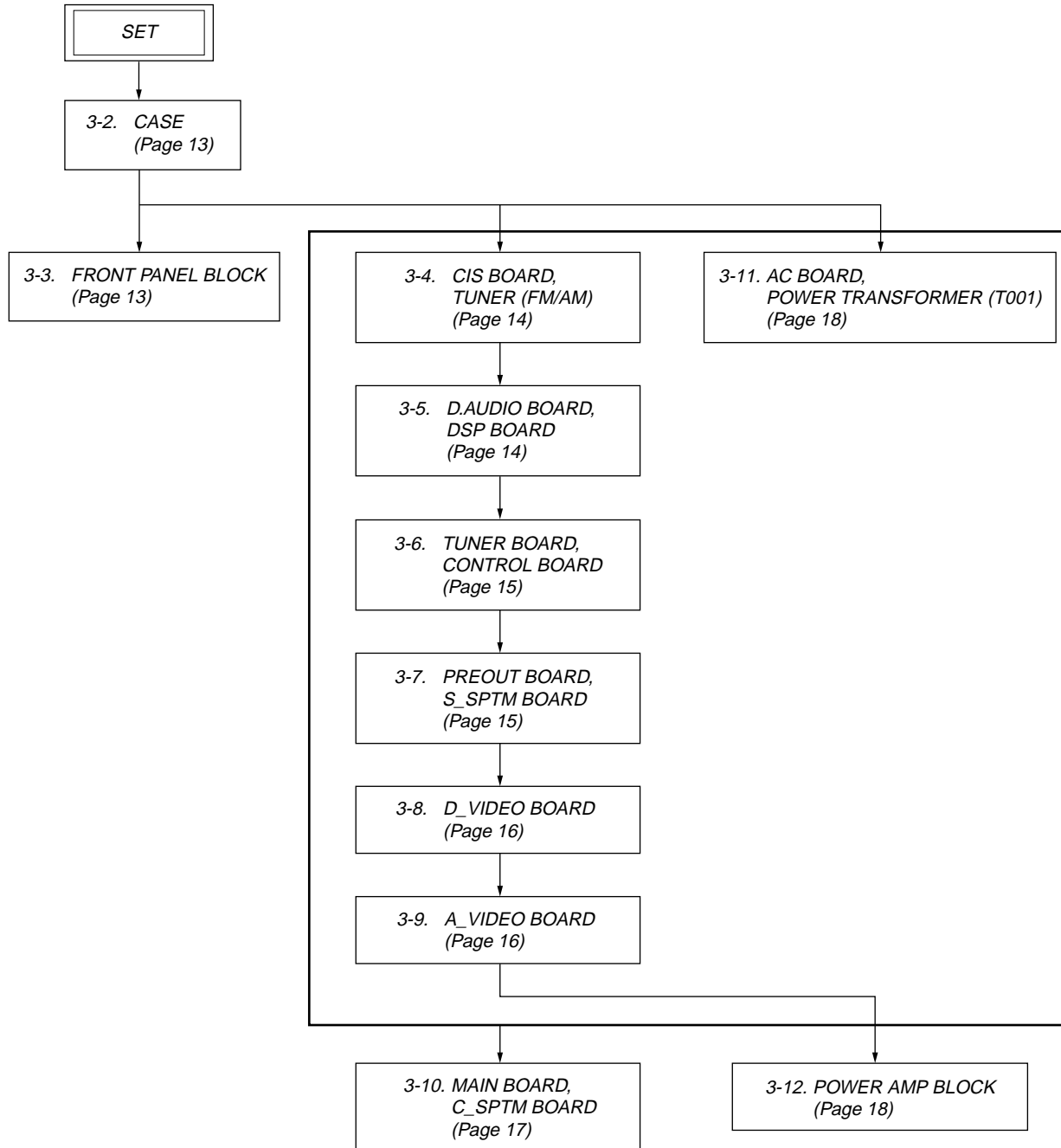
SECTION 3 DISASSEMBLY

- This set can be disassembled in the order shown below.

3-1. DISASSEMBLY FLOW

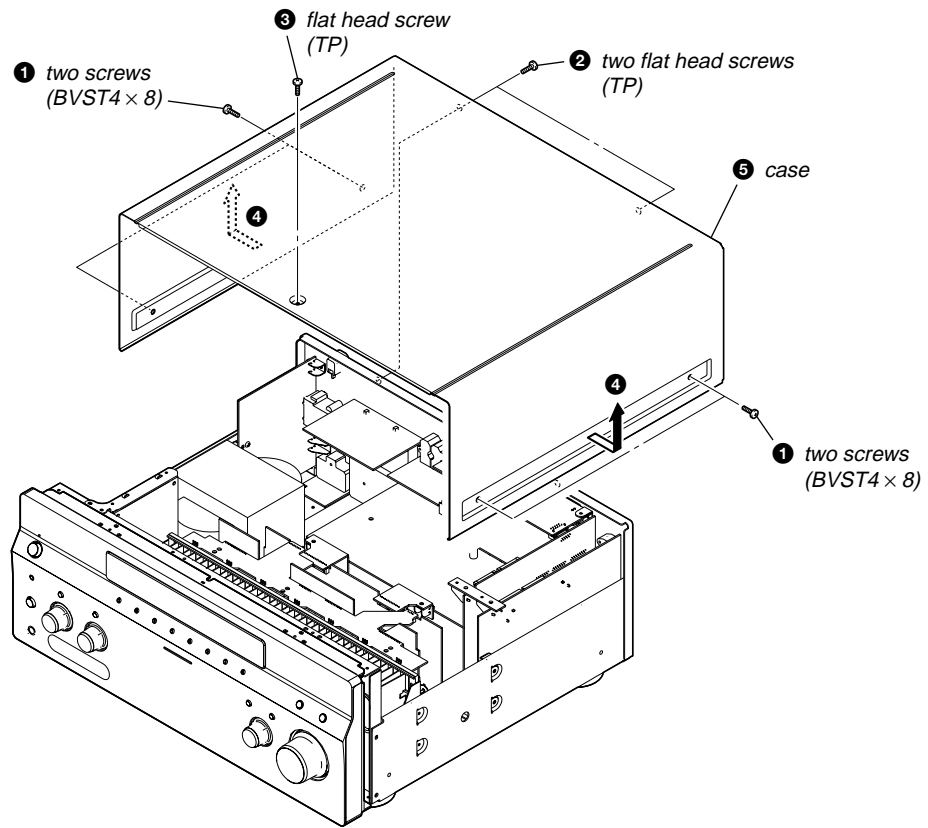
Note 1: The process described in  can be performed in any order.

Note 2: Without completing the process described in , the next process can not be performed.

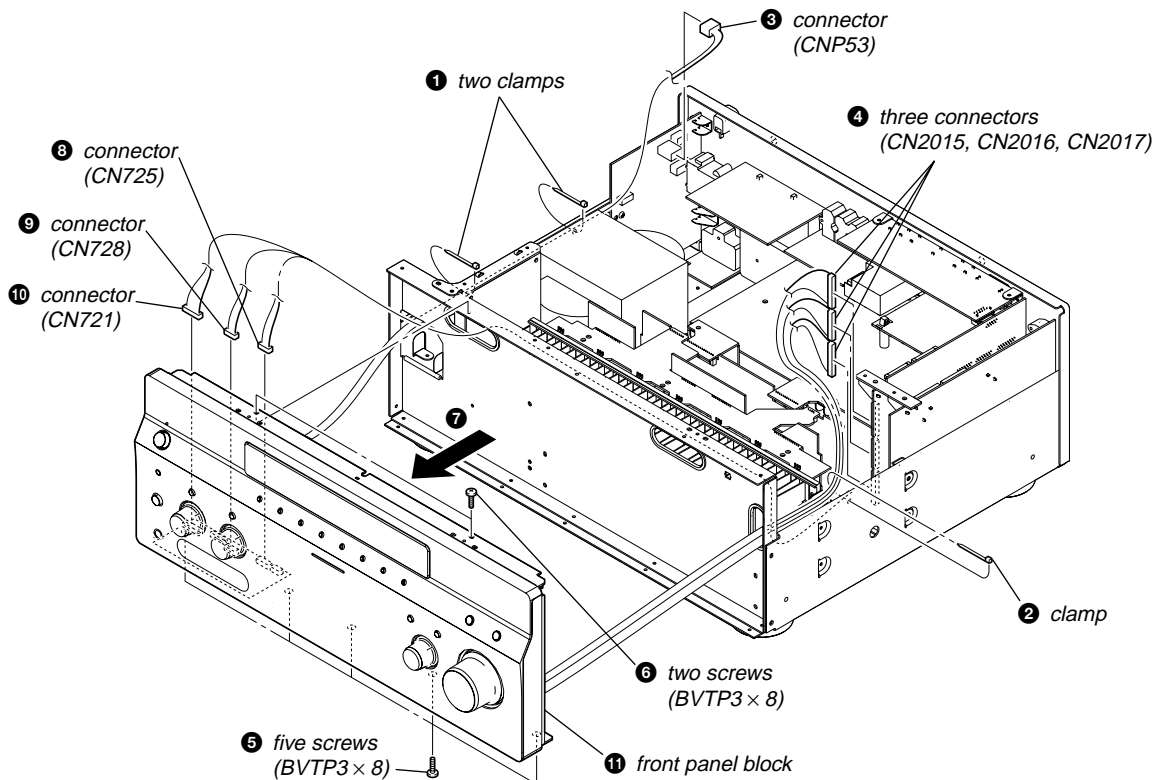


Note: Follow the disassembly procedure in the numerical order given.

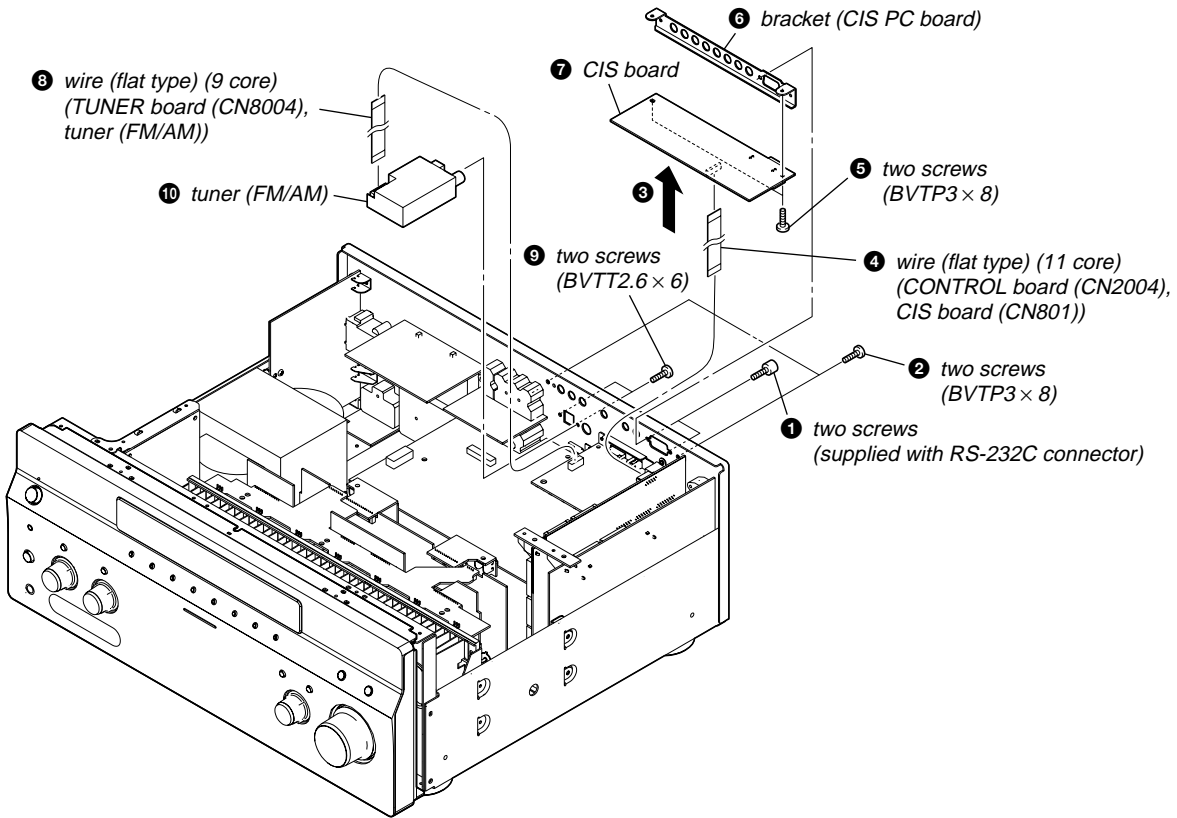
3-2. CASE



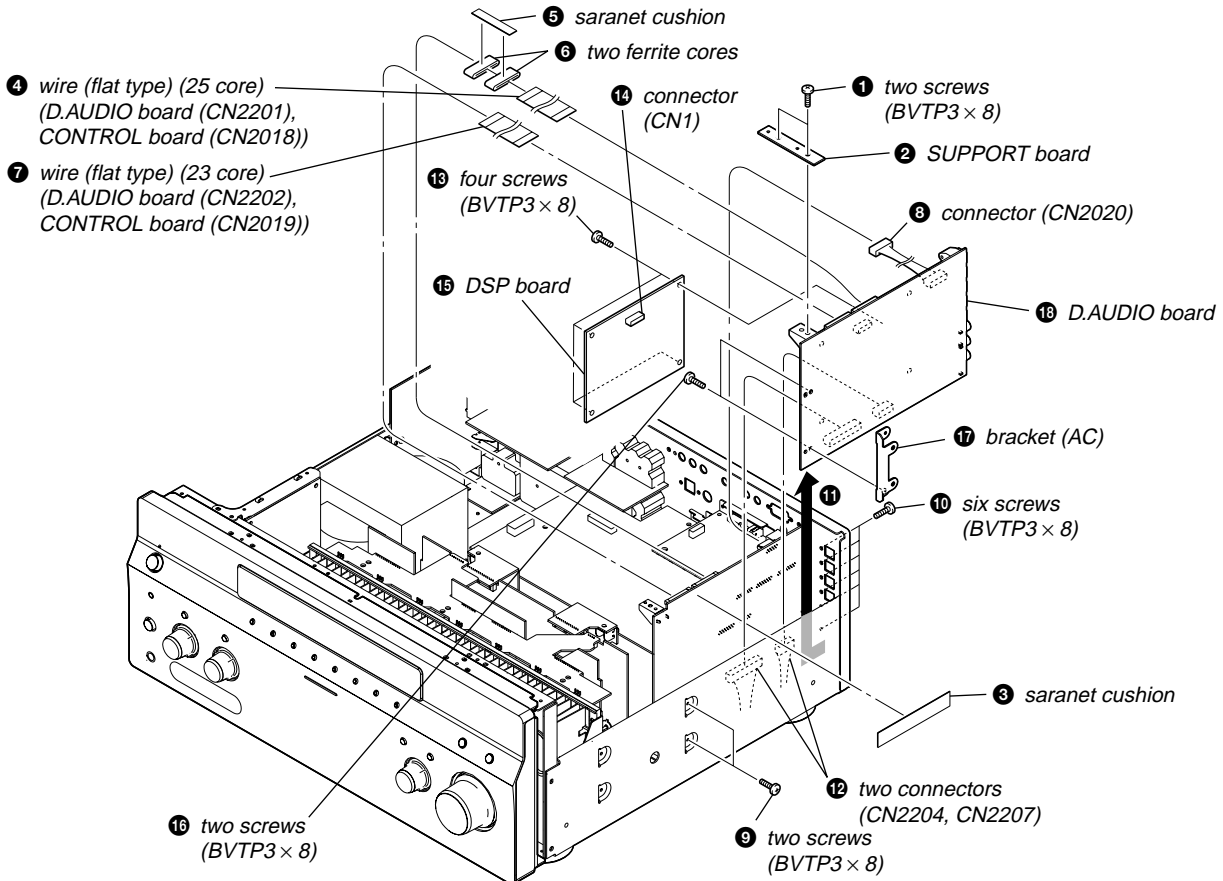
3-3. FRONT PANEL BLOCK



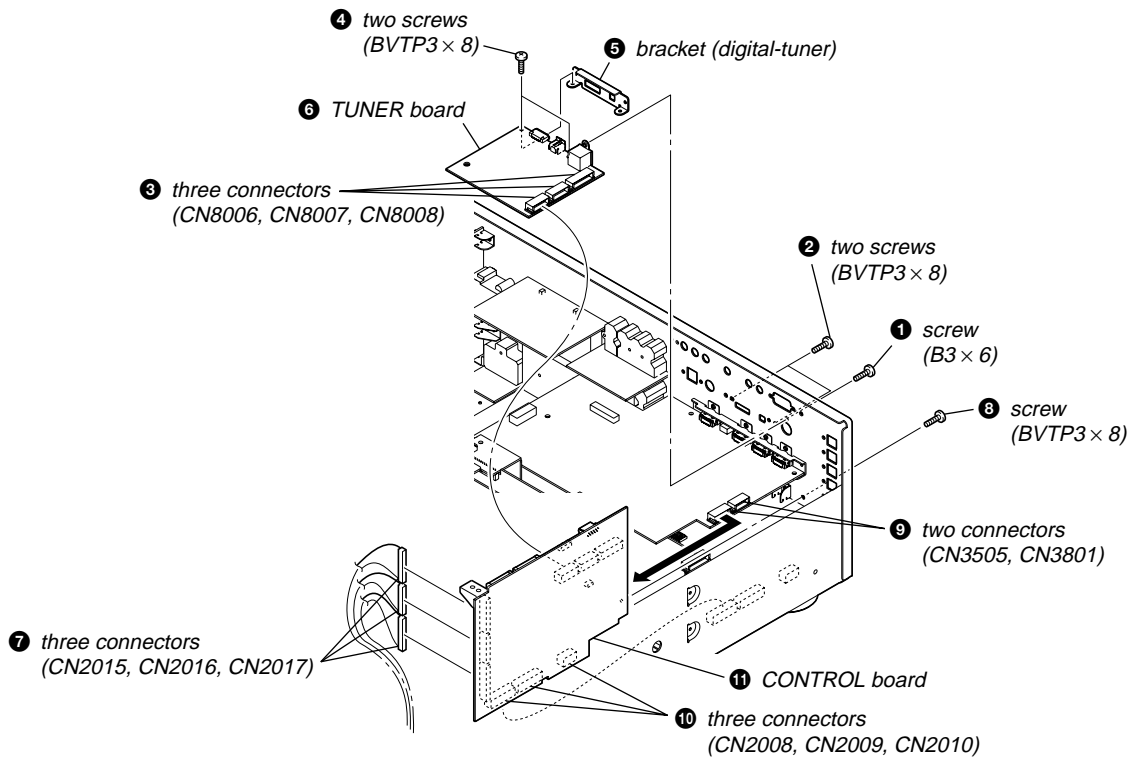
3-4. CIS BOARD, TUNER (FM/AM)



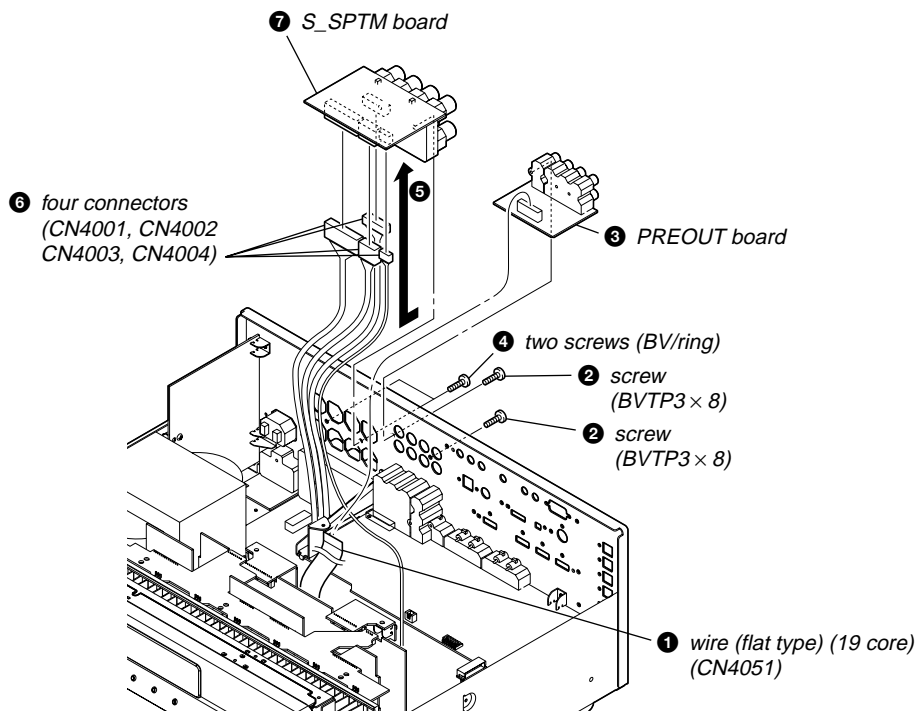
3-5. D.AUDIO BOARD, DSP BOARD



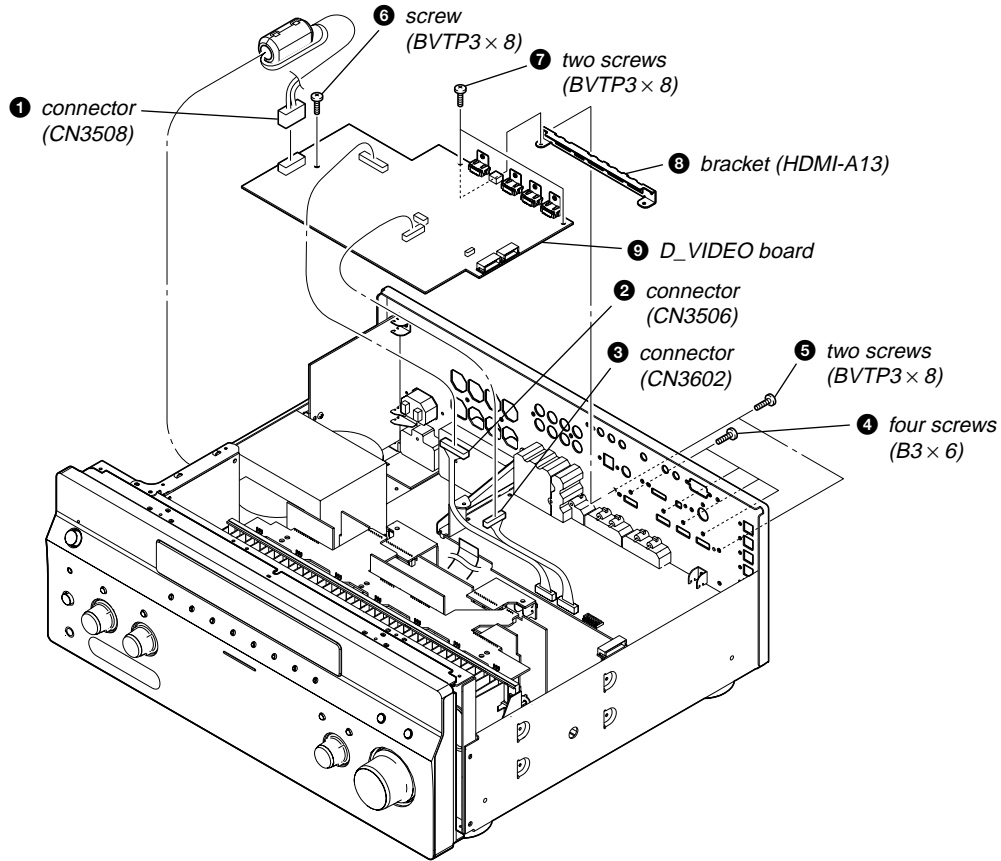
3-6. TUNER BOARD, CONTROL BOARD



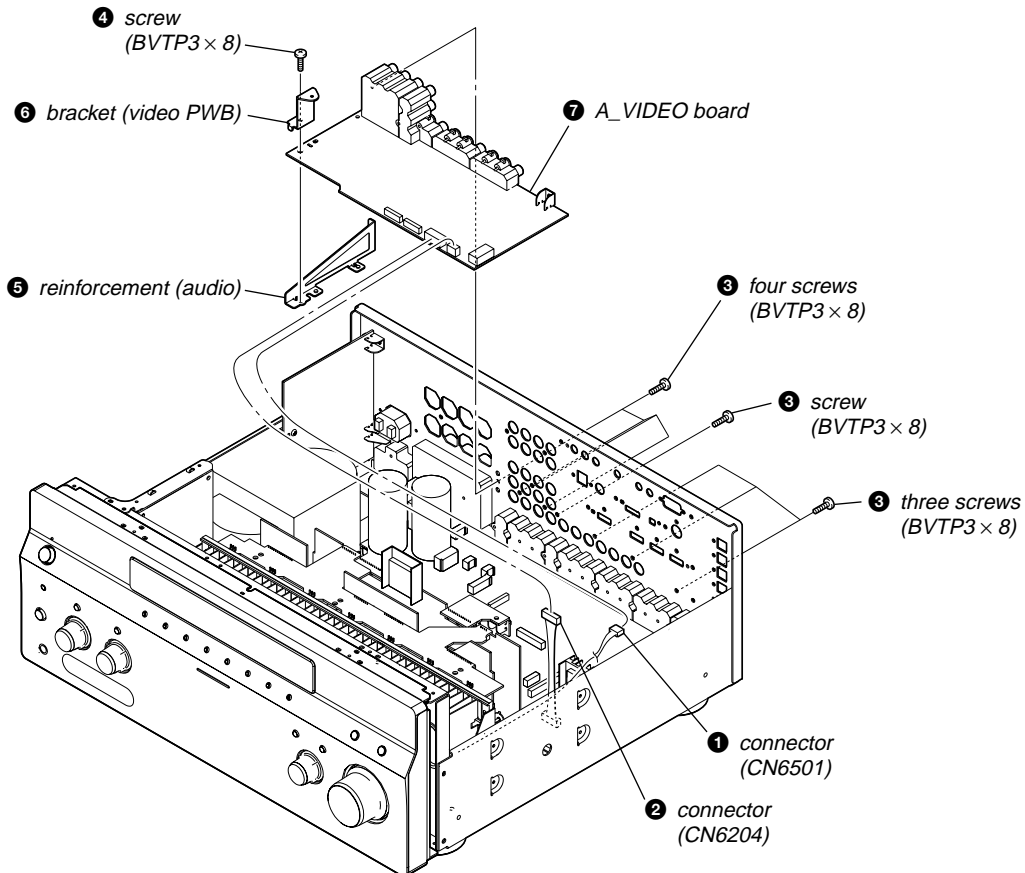
3-7. PREOUT BOARD, S_SPTM BOARD



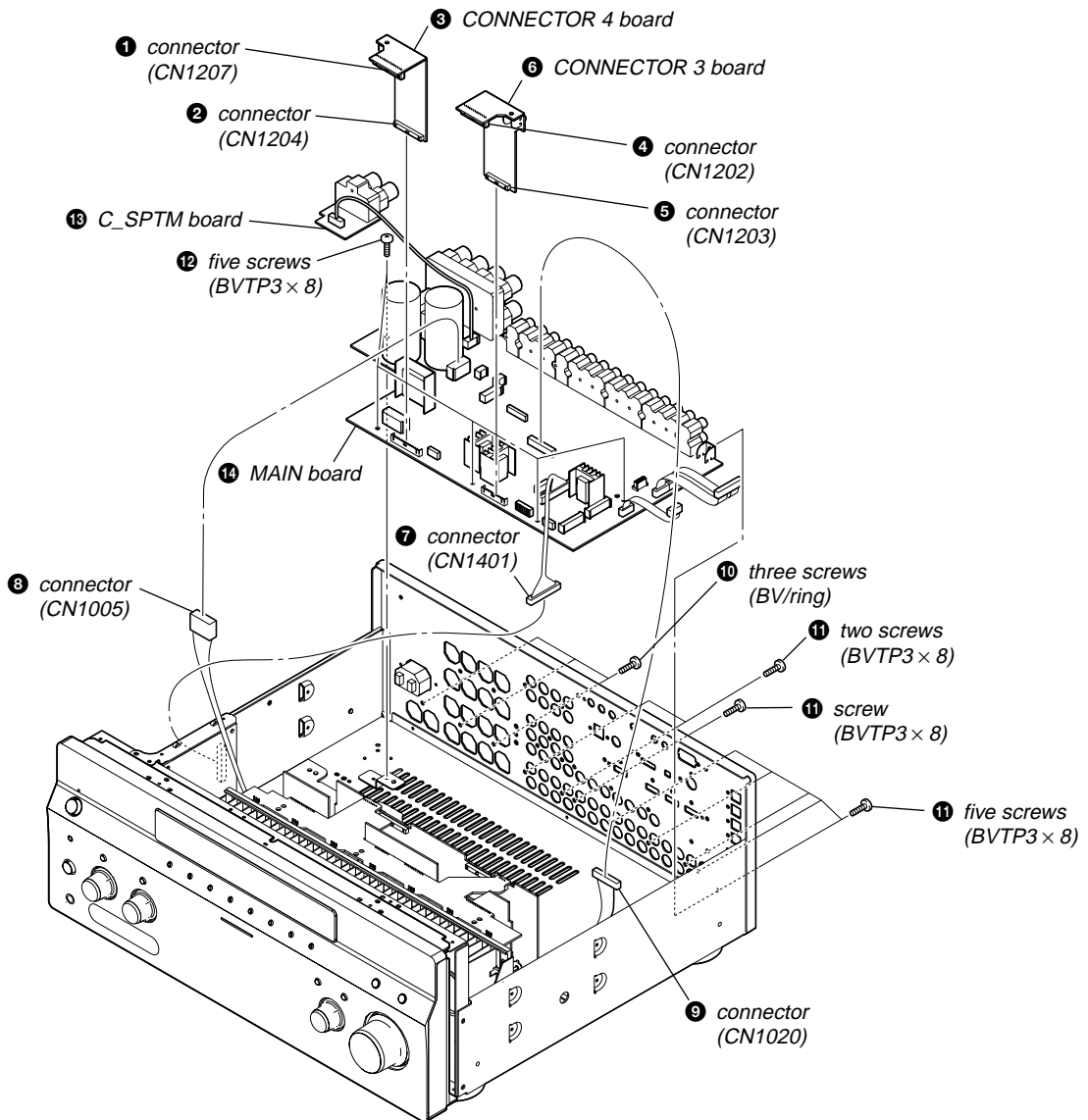
3-8. D_VIDEO BOARD



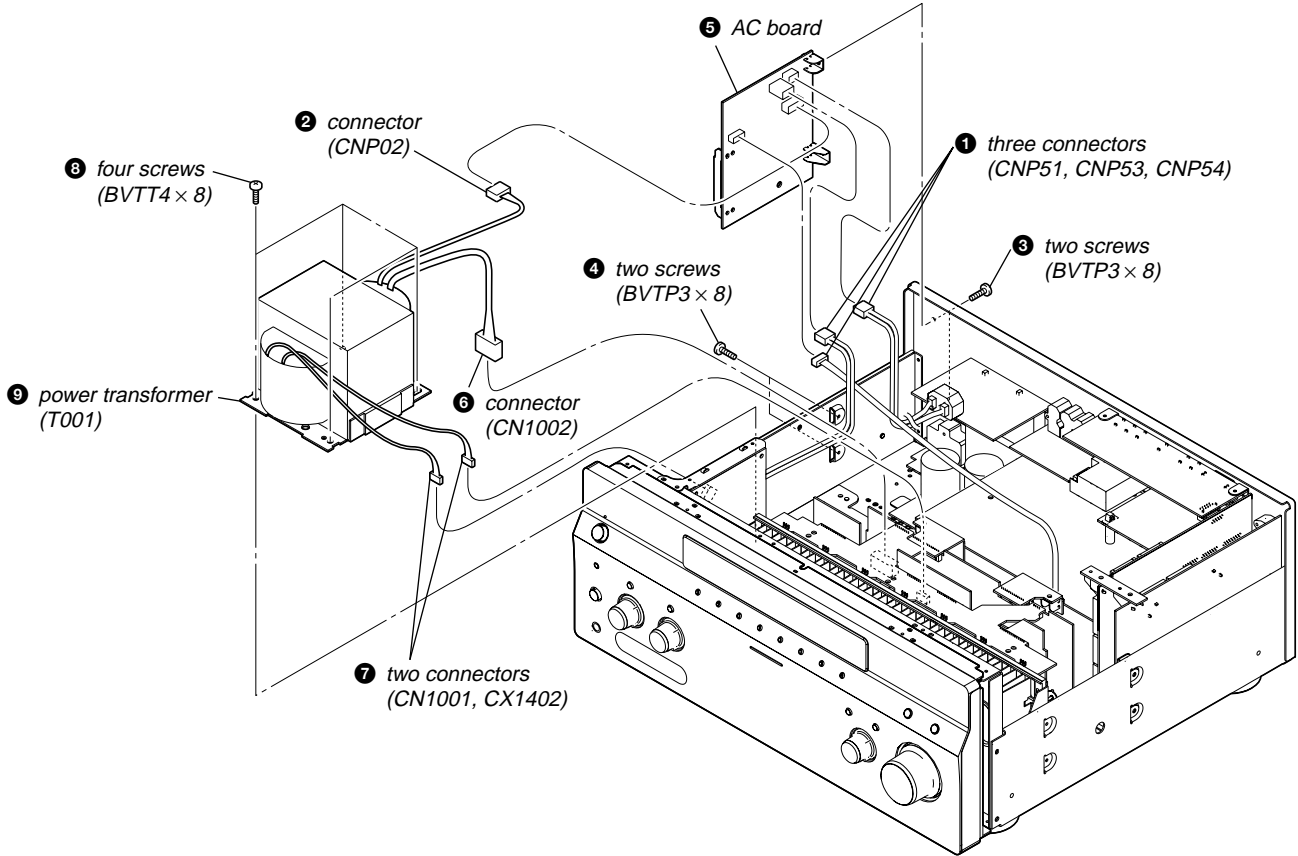
3-9. A_VIDEO BOARD



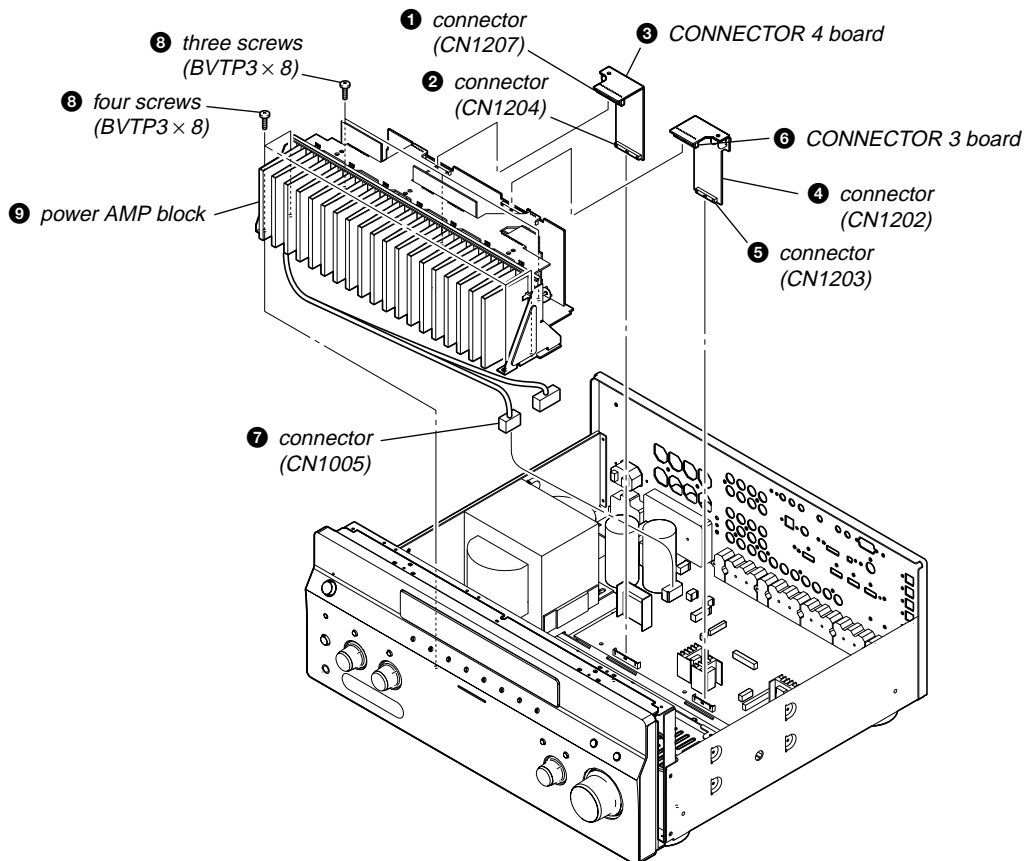
3-10. MAIN BOARD, C_SPTM BOARD



3-11. AC BOARD, POWER TRANSFORMER (T001)



3-12. POWER AMP BLOCK



SECTION 4 TEST MODE

MEMORY CLEARING MODE

All preset contents are cleared when this mode is activated. Use this mode before returning the product to clients upon completion of repair.

Procedure:

1. While pressing the **[TONE MODE]** and **[DMPORT]** buttons, press the **[POWER]** button to turn on the main power.
2. The message "MEMORY CLEARING***" appears and the memories are reset to the default values.
3. When done, the message "MEMORY CLEARED*" appears.

FLUORESCENT INDICATOR TUBE PATTERN CHECK MODE

All fluorescent segments are tested. When this test is activated, all segments turn on at the same time, then each segment turns on one after another.

Procedure:

1. While pressing the **[MOVIE]** and **[DMPORT]** buttons, press the **[POWER]** button to turn on the main power.
2. All segments and all LEDs turn on.

SOUND FIELD CLEAR MODE

The preset sound field is cleared when this mode is activated. Use this mode before returning the product to clients upon completion of repair.

Procedure:

1. While pressing the **[MUSIC]** button, press the **[POWER]** button to turn on the main power.
2. The message "S. F. Initialize" appears and initialization is performed.

TUNER AM STEP CHANGE (9 kHz/10 kHz) MODE

Either the 9 kHz step or 10 kHz step can be selected for the AM channel step.

Procedure:

1. Press the **[POWER]** button to turn on the main power.
2. Turn the **[INPUT SELECTOR]** dial to select the "AM".
3. Press the **[POWER]** button to turn off the main power.
4. While pressing the **[TUNING MODE]** button, press the **[POWER]** button to turn on the main power.
5. Either the message "AM 9kHz Step" or "AM 10kHz Step" appears, select the desired step.

COMMAND MODE CHANGE MODE

The command mode of the remote-commander which this set receives can be changed.

Procedure:

1. While pressing the **[2CH/A. DIRECT]** button, press the **[POWER]** button to turn on the main power.
2. Either the message "COMMAND MODE [AV1]" or "COMMAND MODE [AV2]" appears. Select the desired mode.

SF LOCK ON/OFF CHANGE MODE

Procedure:

1. While pressing the **[MUSIC]** and **[DMPORT]** buttons, press the **[POWER]** button to turn on the main power.
2. Either the message "SF LOCK [OFF]" or "SF LOCK [ON]" appears.

XM FACTORY TEST MODE

Mode to confirm operation of XM. Doing display of ID of XM antenna and output of audio signal that XM antenna generates, it is confirmed that there are no problems in the communication of the XM antenna and the transmission of the audio signal.

Procedure:

1. The XM antenna was connected, while pressing the **[TUNING MODE]** and **[MOVIE]** buttons, press the **[POWER]** button to turn on the main power.
2. Whenever the **[DISPLAY]** button is pressed, the output of the audio signal of 1 kHz L/R, 20 Hz L/R, 5 kHz L/R, muting, 1 kHz L and 1kHz R are switched.

SIRIUS FACTORY TEST MODE

Mode to confirm operation of SIRIUS. Doing display of ID of SIRIUS antenna and output of audio signal that SIRIUS antenna generates, it is confirmed that there are no problems in the communication of the SIRIUS antenna and the transmission of the audio signal.

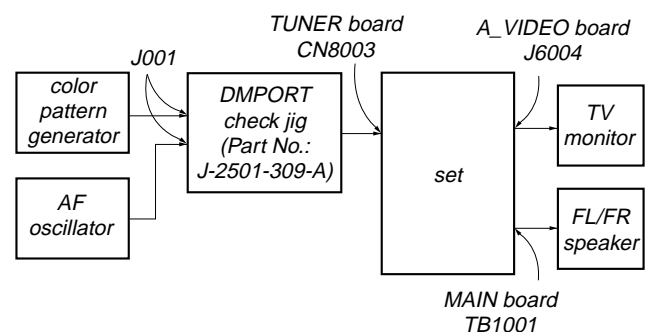
Procedure:

1. The SIRIUS antenna was connected, while pressing the **[TUNING MODE]** and **[A.F.D.]** buttons, press the **[POWER]** button to turn on the main power.
2. Whenever the **[DISPLAY]** button is pressed, the output of the audio signal of 1 kHz L/R, 20 Hz L/R, 5 kHz L/R, muting, 1 kHz L and 1 kHz R are switched.

DIGITAL MEIDA PORT TEST

Procedure:

1. Connect the DMPORT check jig (P/N: J-2501-309-A) with the DMPORT jack (CN8003) on the TUNER board.
2. While pressing the **[A.F.D.]** and **[DMPORT]** buttons, press the **[POWER]** button to turn on the main power.
3. The message "DMPORT OK." appears on the fluorescent indicator tube and enter the digital media port test mode. (Confirmation of communication line)
When "NO DETECT", "UART NG" and "UART TO" are displayed on the fluorescent indicator tube, confirm the connection of the DMPORT check jig, and enter the mode again.
Each time the **[▶▶]** button on the remote commander is pressed, the connect check and adaptor version check are switched. Press the **[◀◀]** button on the remote commander, connected confirmation of the DMPORT check jig is done again.
4. To a pinjack of the DMPORT check jig input information relevant to audio signal (sine-wave 1.0V rms) and composite video signal (white 100% 1.0Vp-p, color bar, etc.).
5. Confirm the output of speakers and monitor TV. (Confirmation of analog signal)
6. To exit from this mode, press the **[■]** button on the remote



HISTORY MODE

The state that the set is used is memorized.

Procedure:

1. While pressing the **MUSIC** and **MEMORY/ENTER** buttons, press the **POWER** button to turn on the power and "HISTORY MODE" is displayed.
2. Each time the **↑** **↓** key of remote commander is pressed, the item is switched in order as follows.


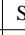
Items	Display
Number of protector is generated	PRCT COUNT: XXX
Total use time	TTL_TIME: XXXXH XXM
Sound field setting	XXXXXXXXXXXXXXXXXX
Input when protect is detected	INPUT: XXXXXXXXXXX
Input mode setting	INMODE: XXXXXXXXXXX
Input mode under lick state	DSEL: XXXXXXXXXXX
Stream under input	STREAM: XXXXXXXX
Channel information	CONFIG:XXXXXXXX
State of headphone	HEAD PHONES: XXX
Volume	VOL: XXXdB
EQ setting value	BASS: XXXdB
	TREB: XXXdB
Level collection value each channel	Lv FL/FR XXXX/XXXX
	Lv SL/SR XXXX/XXXX
	Lv CT/SW XXXX/XXXX
	Lv BL/BR XXXX/XXXX
Total time of power on	TTL_P_ON: XXXXH XXM

SPECIAL MENU MODE

Procedure:

1. Press the **[POWER]** button to turn on the main power, then while pressing the **[TONE MODE]** button, press the **[A.F.D.]**, **[2CH/A. DIRECT]**, **[MUSIC]**, **[MOVIE]** button in order, the message "MENU SPECIALIZED!" appears.
2. Press the **[↑/↓]** button of the remote commander, the message "<<< SPECIAL >>>" appears.
3. Press the **[→]** button of the remote commander, the item is appears.
4. Each time the **[↑/↓]** button of the remote commander is pressed, the item is switched in order as follows.
Some items can change the content. Display the cursor by pressing the **[→]** button of the remote commander, and changing the content by pressing the **[↑/↓]** button of the remote commander, and fix the content by pressing the **[←]** button of the remote commander when you want to change the content of the item.
5. To release from this mode, while pressing the **[TONE MODE]** button, press the **[A.F.D.]**, **[2CH/A. DIRECT]**, **[MUSIC]**, **[MOVIE]** button in order again, the message "MENU SPECIALIZED OFF" appears.

Items	Display	Remark
Video factory menu	<VIDEO FACTORY MENU>	Menu mode to enter video calibration menu and DDR access check menu If the [ENTER] button of the remote commander is pressed, entering the menu, and operating two the following menu become possible
Video calibration (Video factory menu)	V.CALIBRATION START?	Procedure: 1. "DVD" is selected by using [INPUT SELECTOR] jog. 2. Connect a color pattern generator to the COMPONENT VIDEO DVD/BD IN jack (J6001) and DVD/BD VIDEO IN jack (J6004) on the A_VIDEO board. 3. Input 100% color bars signal from the color pattern generator. 4. Menu that measures individual difference of hardness by automatic operation in pressing the [ENTER] button of the remote commander, and corrects reference value. In a measurement once, only one of NTSC/PAL/HD can be measured "Check XXXX V-IN" at display: Video signal necessary for the measurement while measuring it last time was not detected and it became an error Confirm the input of the video of the terminal connection etc. , and measure the [ENTER] button of the remote commander again pressing
DDR access check (Video factory menu)	DDR CHECK [XX] sec	XX: Time to do access check on DDR (for design evaluation)
Auto cal mic test	SPEAKER OUT [XXXXXX]	XXXXXX: Selection of speaker output audio [SOURCE]: nomally mode, [MIC]: mode that output audio from mic from speaker
FL display fonts test	FL FONT [0x ** = X]	** : 20 to FE, X: character
FL display test	ALL ON	Each time DISPLAY button to change as follows all on → test pattern 1 → test pattern 2 → all off → all on
HDCP key read	HDCP KEY READ [XXX]	XXX: ON or OFF
DSP SRAM check	<DSP SRAM CHECK> ↓ [ENTER] button of the remote commander ↓ commander SRAM1 [XX] SRAM2 [XX]	XX: OK or NG OK: success access SRAM, NG: fail access to SRAM
Model version display	##### ** vX.XX @@@@	#####: Model ** : Destination X.XX: System controller software version @@@@: Sum value of flash memory in the system controller
Video Ucom version display	Video Ucom Ver X.XX	X.XX: Video system controller software version
FAROUDJA version display	FAROUDJA Ver X.XX	X.XX: Video Processor software version
DSP Ucom version display	DSP Ucom Ver X.XX	X.XX: DSP controller version
DSP serial flash version display	DSP SFLASH Ver X.XX	X.XX: Serial flash software version
DSP parallel flash version display	DSP PFLASH Ver X.XX	X.XX: DSP parallel flash version
DSP Version display	DSP Ver S: **, P: XXX	** : DSP decoder patch version, XXX: DSP post process version
DSP halt	DSP HALT [XXX]	XXX: ON or OFF
DSP RAM	[*****]=XXXXXXXXXX	Mode that refers to internal RAM of DSP (for design evaluation)

Items	Display	Remark
Super reset	SUPER RESET [XXX]	Not used for the servicing If super reset is performed, “up convert signal level adjustment” will also be initialized When EEPROM initialization is required, perform the “memory clearing mode”
RAM watch menu	XXX	XXX: For monitor of various internal RAM (for design evaluation)
EERROM debug	EEPROM [****] [XX]	****: EEPROM address, XX: EEPROM data
Protector on/off	PROTECTOR ON/OFF [XXX]	XXX: ON or OFF
Model/destination change	MODEL [##### * * * *] X X	#####: Model, ****: Destination, XX: At or fx
Audio swap	SWAP [XXXXXXXXXXXX]	Switching with   button of the remote commander
Decoder select	DECODER SEL [XXXX]	XXXX: AUTO, LEGACY, DDPLUS, TRUEHD, DTSEXP, MP3SUR (for debug)
Volume value display (FL/FR)	FL**** FR XXXX	****: Front L-ch volume value, XXXX: Front R-ch volume value
Volume value display (SL/SR)	SL**** SR XXXX	****: Surround L-ch volume value, XXXX: Surround R-ch volume value
Volume value display (CT/SW)	CT**** SW XXXX	****: Center volume value, XXXX: Sub woofer volume value
Volume value display (SBL/SBR)	SBL**** SBR XXXX	****: Surround back L-ch volume value, XXXX: Surround back R-ch volume value
DAC mute information disclosure 1	DAC MUTE U XXXXXXXXX	Display of module information to demand muting in system controller (for design evaluation)
DAC mute information disclosure 2	DAC MUTE L XXXXXXXXX	Display of module information to demand muting in system controller (for design evaluation)
2nd volume value display	2nd VOLUME XXX	XXX: 2nd room volume value (00 to ∞)
FL display duty change	DARK OUT DUTY [XXX%]	XXX: Duty value of FL display (0% to 100%)
DMPORT debug	DMP KEY DEBUG [XXX]	XXX: ON or OFF (for debug)
Bus overflow debug HA link (receive)	OVERFLOW HAL R [XX]	XX: Counter of overflow receive buffer
Bus overflow debug HA link (transmit)	OVERFLOW HAL S [XX]	XX: Counter of overflow transmit buffer
Bus overflow debug DMPORT	OVERFLOW CLA [XX]	XX: Counter of overflow CLA transmit buffer

SECTION 5 ELECTRICAL ADJUSTMENTS

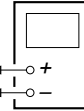
BIAS ALIGNMENT ADJUSTMENT

Note: Afer 10 minutes or more have passed since the power supply was turned on, this adjustment is done.

Connection:

digital voltmeter

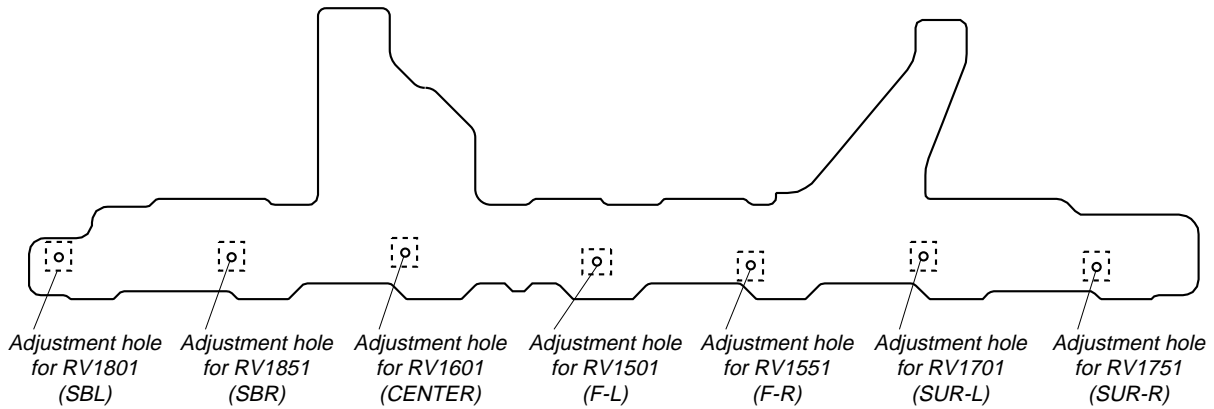
CN1561 (CN1611, CN1761, CN1861) pin ①, CN1561 (CN1761, CN1861) pin ③
 CN1561 (CN1611, CN1761, CN1861) pin ②, CN1561 (CN1761, CN1861) pin ④



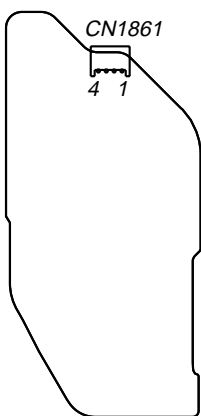
Procedure:

1. Connect a digital voltmeter to the CN1561 (CN1611, CN1761, CN1861).
2. Press the **[POWER]** button to turn on the main power.
3. Adjust the RV1501 (RV1551, RV1601, RV1701, RV1751, RV1801, RV1851) so that the digital voltmeter reading is 5 mV to 20 mV.

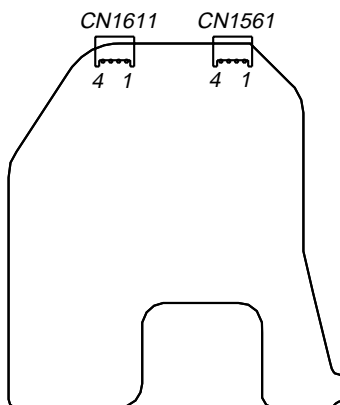
Adjustment and Connection Location:
 – BIAS Board (Conductor Side) –



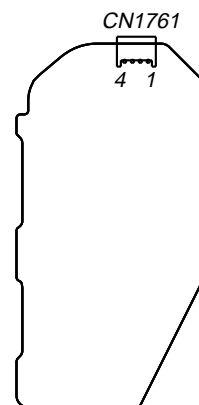
– PROTECTOR (SB) Board (Component Side) –



– PROTECTOR (F-C) Board (Component Side) –



– PROTECTOR (SURR) Board (Component Side) –

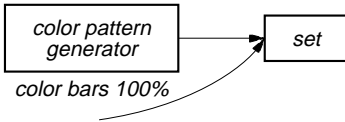


VIDEO CALIBRATION ADJUSTMENT

Adjustment to decide the standard of the video input signal.

Note: After replacing D_VIDEO board, or after “SUPER RESET” of the special menu mode is executed, perform this adjustment.

Connection:



A_VIDEO board COMPONENT VIDEO DVD/BD IN jack (J6001)
DVD/BD VIDEO IN jack (J6004)

Procedure:

1. “DVD” is selected by using [INPUT SELECTOR] jog.
2. Connect a color pattern generator to the COMPONENT VIDEO DVD/BD IN jack (J6001) on the A_VIDEO board and DVD/BD VIDEO IN jack (J6004) on the A_VIDEO board.
3. Input NTSC color bars signal from the color pattern generator.
4. Press the [POWER] button to turn off the main power
5. While pressing the [MEMORY/ENTER], [MUSIC] and [DMPORT] buttons, press the [POWER] button to turn on the main power. It enters the test mode, and display as below.

```

U.CALIBRATION START? ↔ NTSC : M $\omega$ --____
(PAL input) PAL : M $\omega$ --____
(HD input) HD-U : M $\omega$ --____
  
```

6. In state of step 5, press the [MEMORY/ENTER] button. The adjustment is automatically completed, and result is written in the EEPROM, and display as below.

```

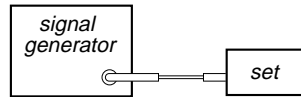
(NTSC input) NTSC : M $\omega$  OK C_U__
(PAL input) PAL : M $\omega$  OK C_U__
(HD input) HD-U : M $\omega$  OK C_U__
  
```

When “Check XXXX V-IN” is displayed, Video signal necessary for the measurement while measuring it last time was not detected and it became an error. Confirm the input of the video of the terminal connection etc., and measure the [MEMORY/ENTER] button again pressing.

7. Input PAL color bars signal from the color pattern generator.
8. Perform step 4 to 6.
9. Input HD color bars signal (720p or 1080p) from the color pattern generator.
10. Perform step 4 to 6.
11. When all the adjustments end, display as below.

```
U.CAL COMPLETE N:P:H
```

FM AUTO STOP CHECK



Procedure:

1. Turn on the set.
2. Input the following signal from signal generator to FM antenna input directly.

Carrier frequency: A = 87.5 MHz, B = 98 MHz, C = 108 MHz

Deviation : 75 kHz

Modulation : 1 kHz

ANT input : 35 dBu (EMF)

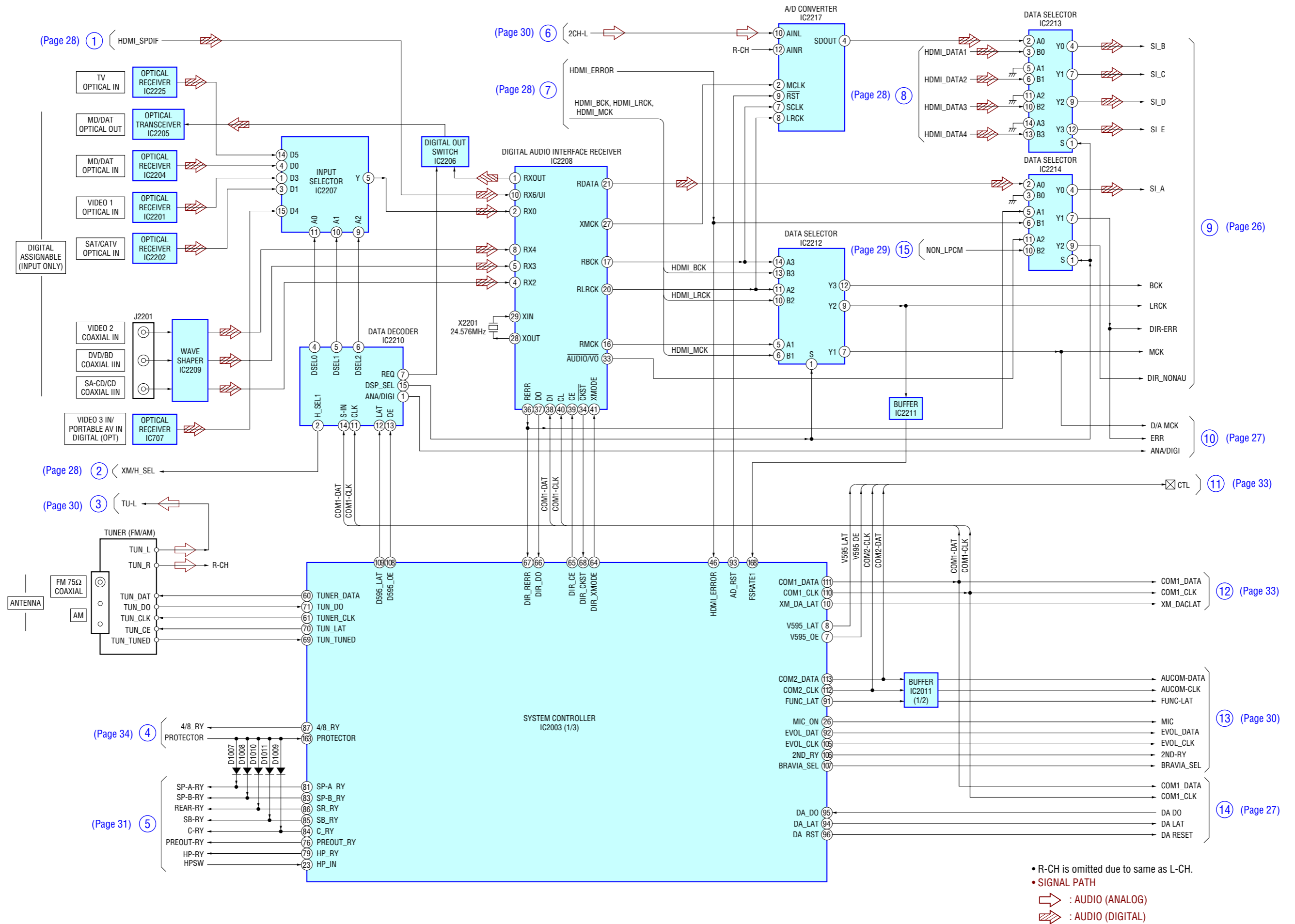
Note: Use 75 ohm coaxial cable to connect signal generator and the set.
You cannot use video cable for checking.
Use signal generator whose output impedance is 75 ohm.

3. Set to FM tuner function and scan the input FM signal with automatic scanning.
4. Confirm that input frequency of A, B and C are detected and automatic scanning stops.

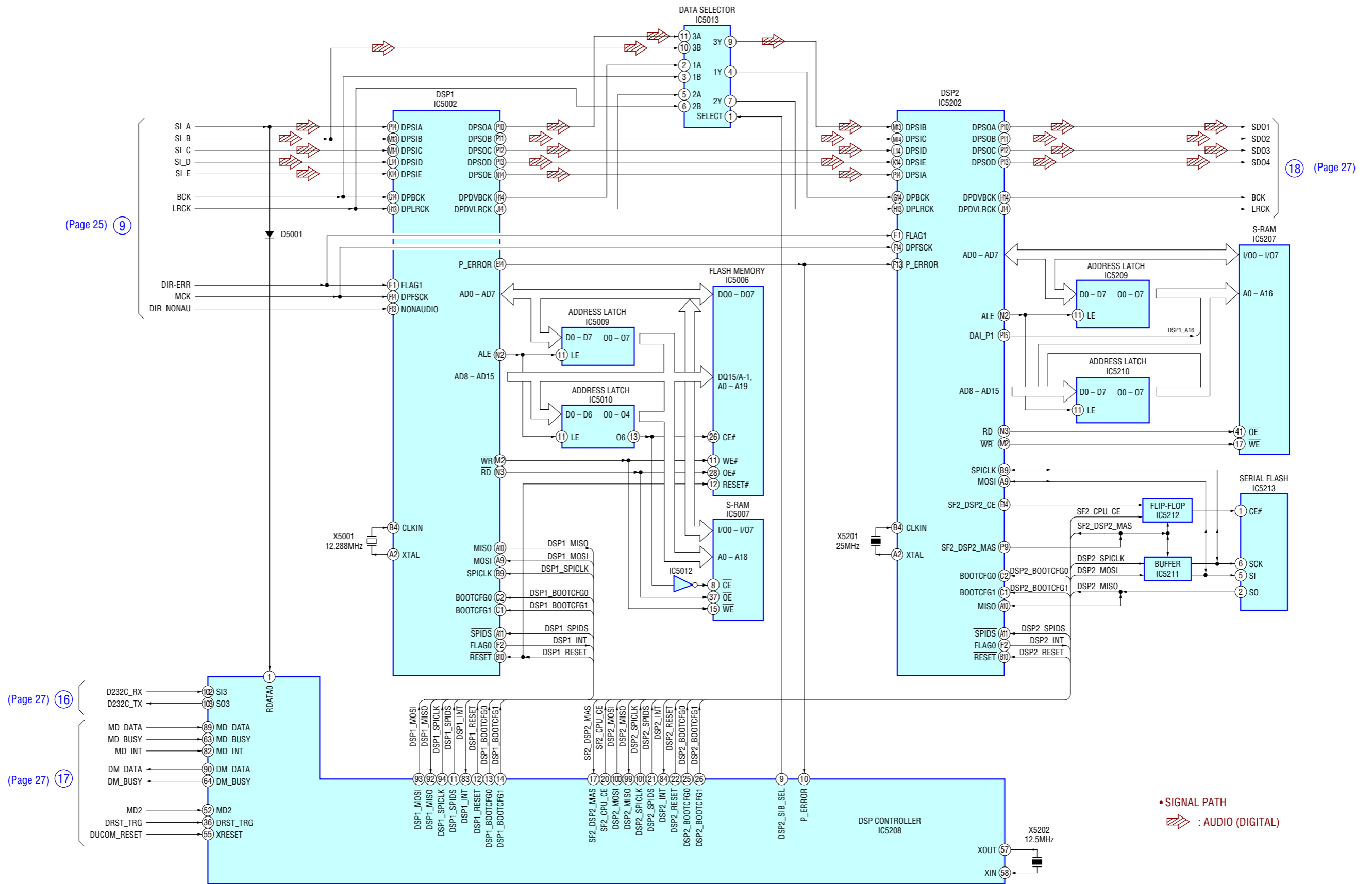
When the station signal is received in good condition, automatic scanning stops.

SECTION 6
DIAGRAMS

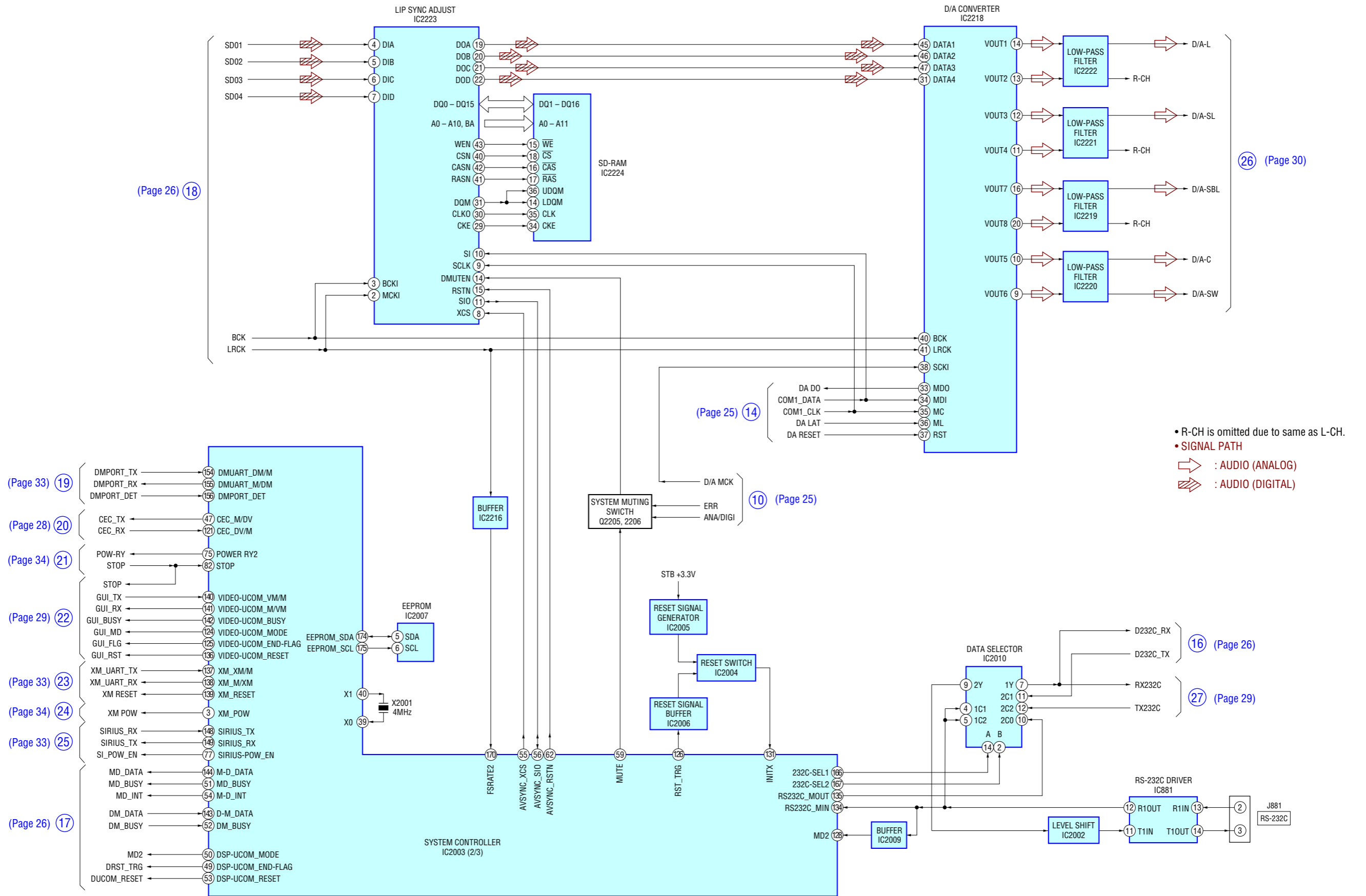
6-1. BLOCK DIAGRAM – CONTROL Section –



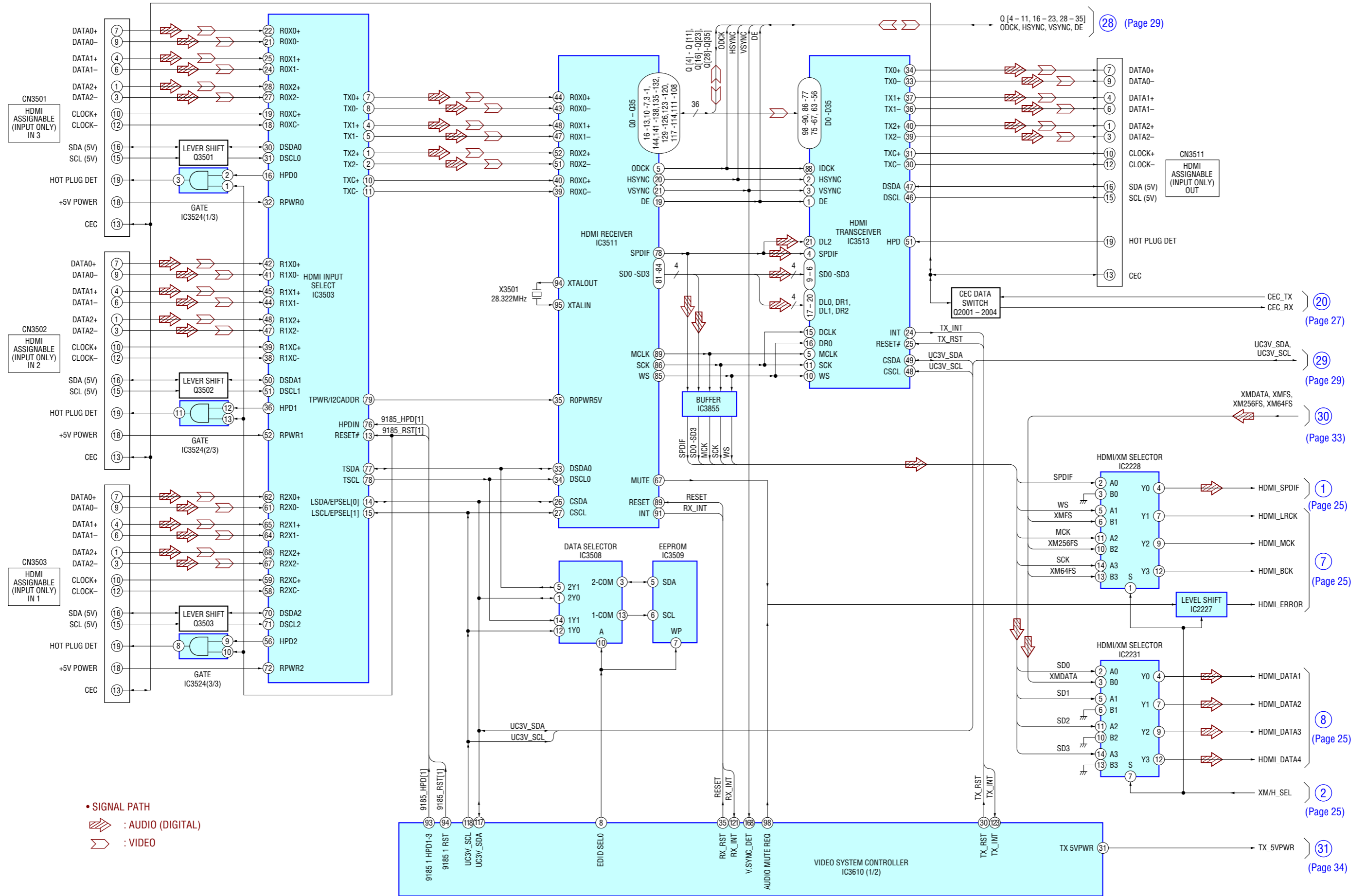
6-2. BLOCK DIAGRAM – DSP Section –



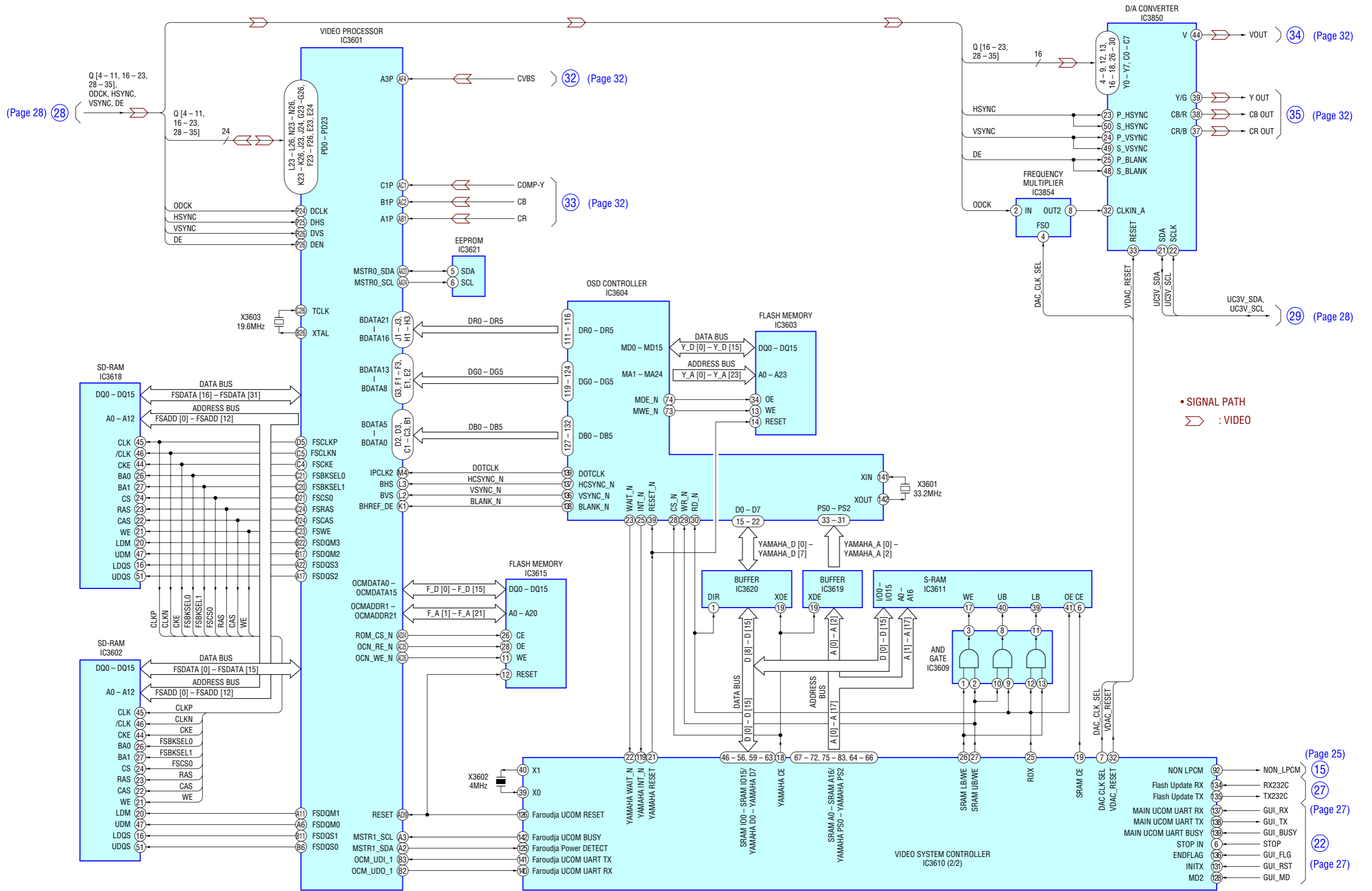
6-3. BLOCK DIAGRAM – DIGITAL AUDIO Section –



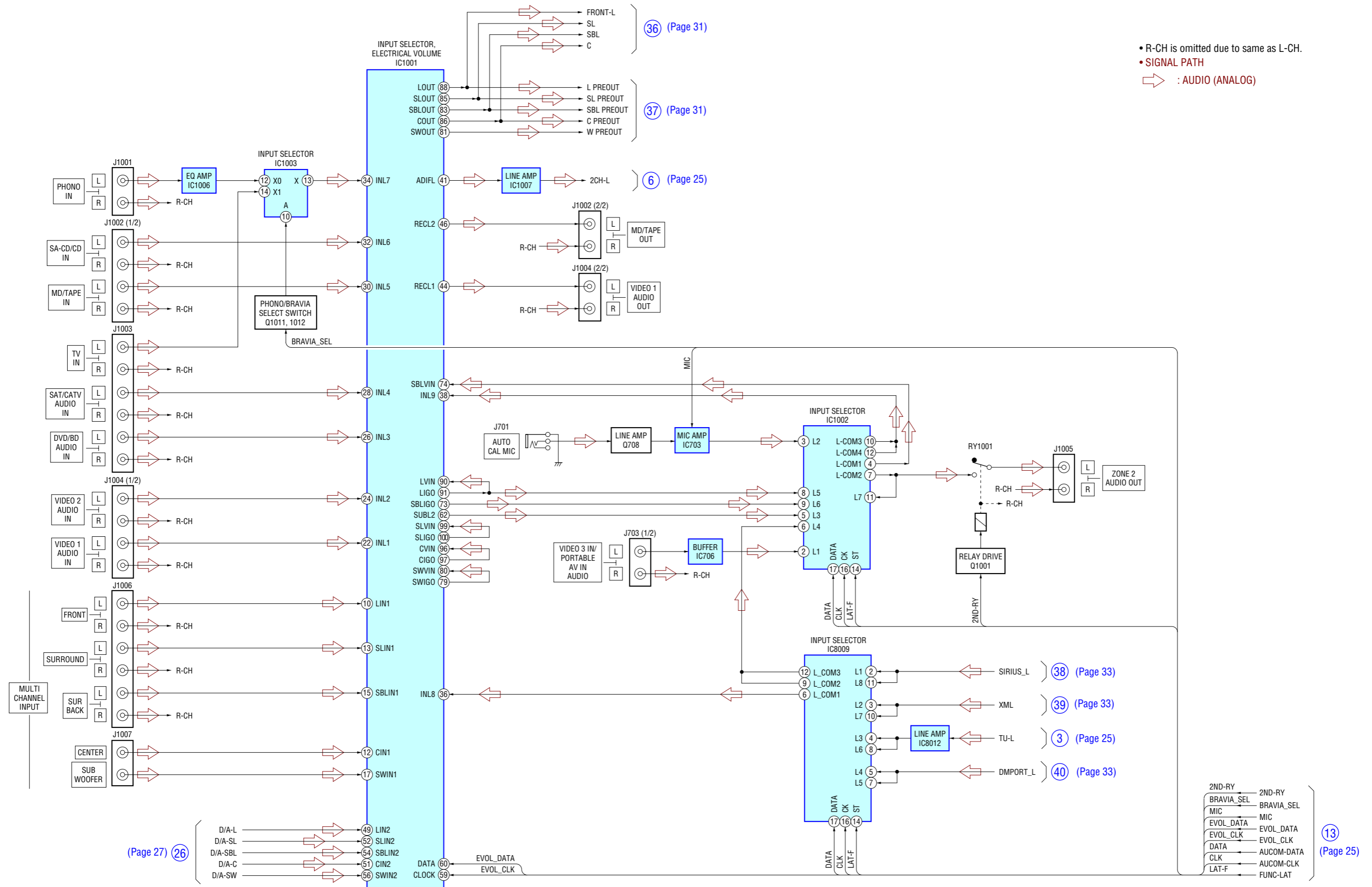
6-4. BLOCK DIAGRAM – HDMI Section –



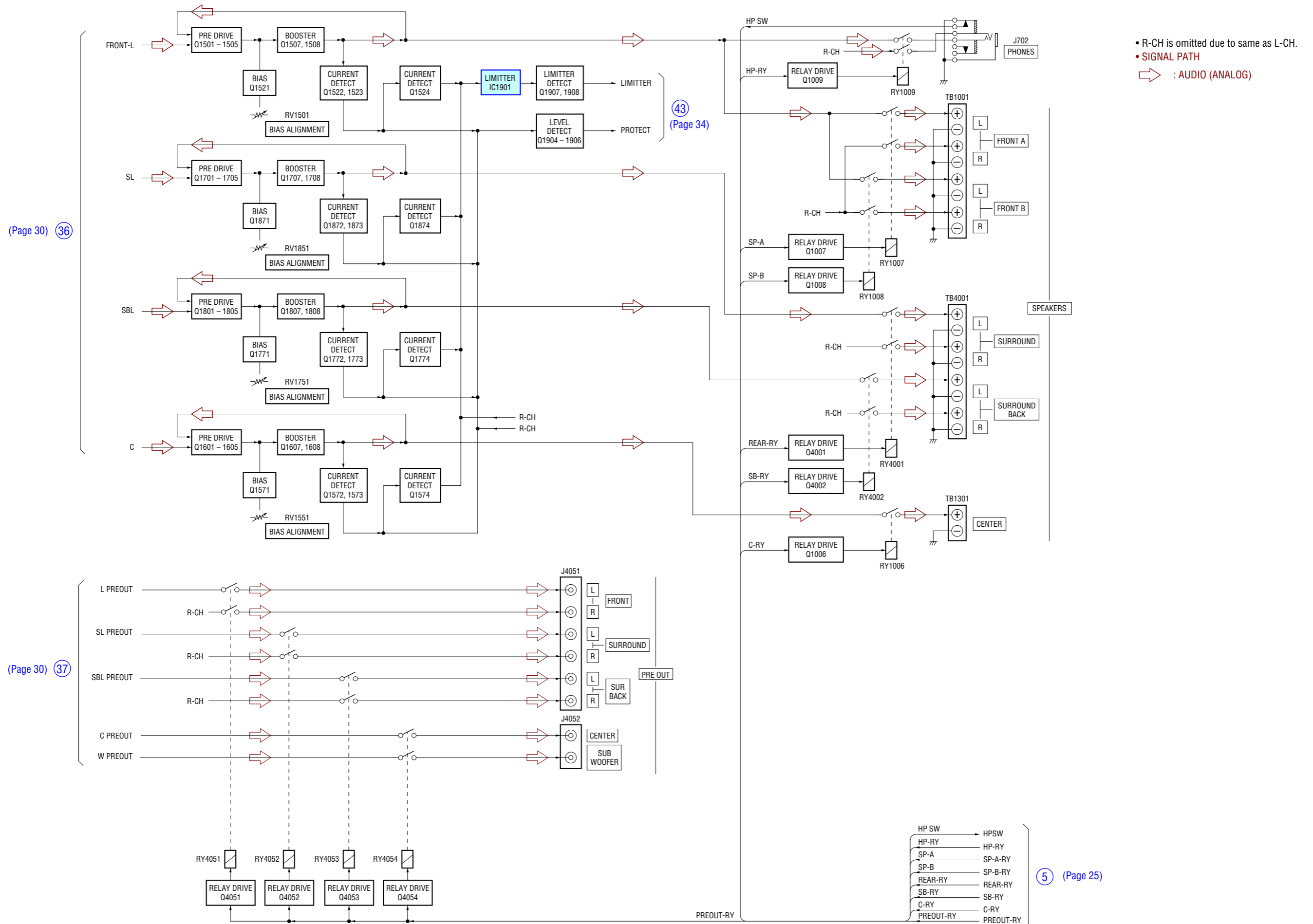
6-5. BLOCK DIAGRAM – VIDEO PROCESS Section –



6-6. BLOCK DIAGRAM – ANALOG AUDIO Section –

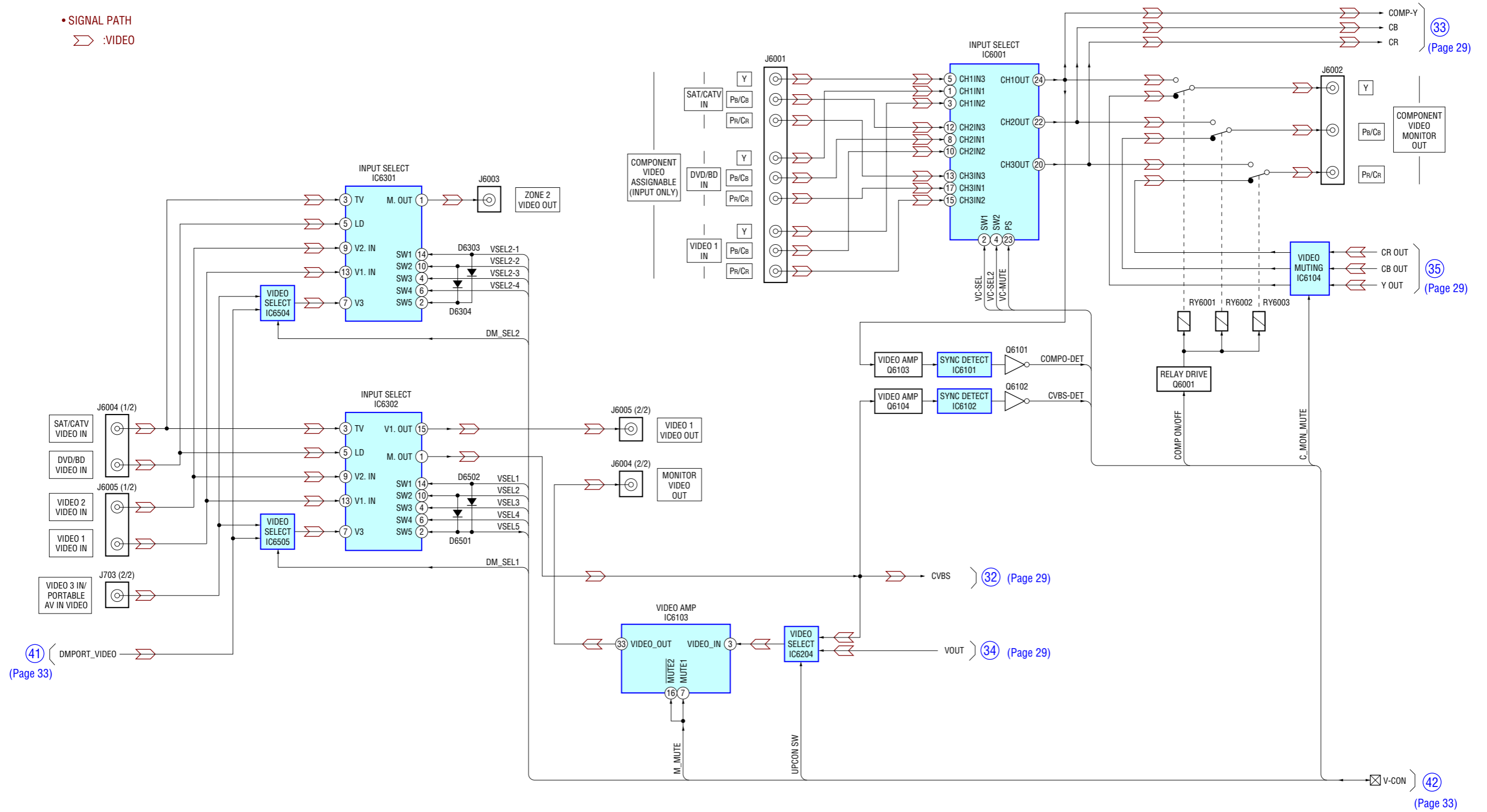


6-7. BLOCK DIAGRAM – POWER AMP Section –

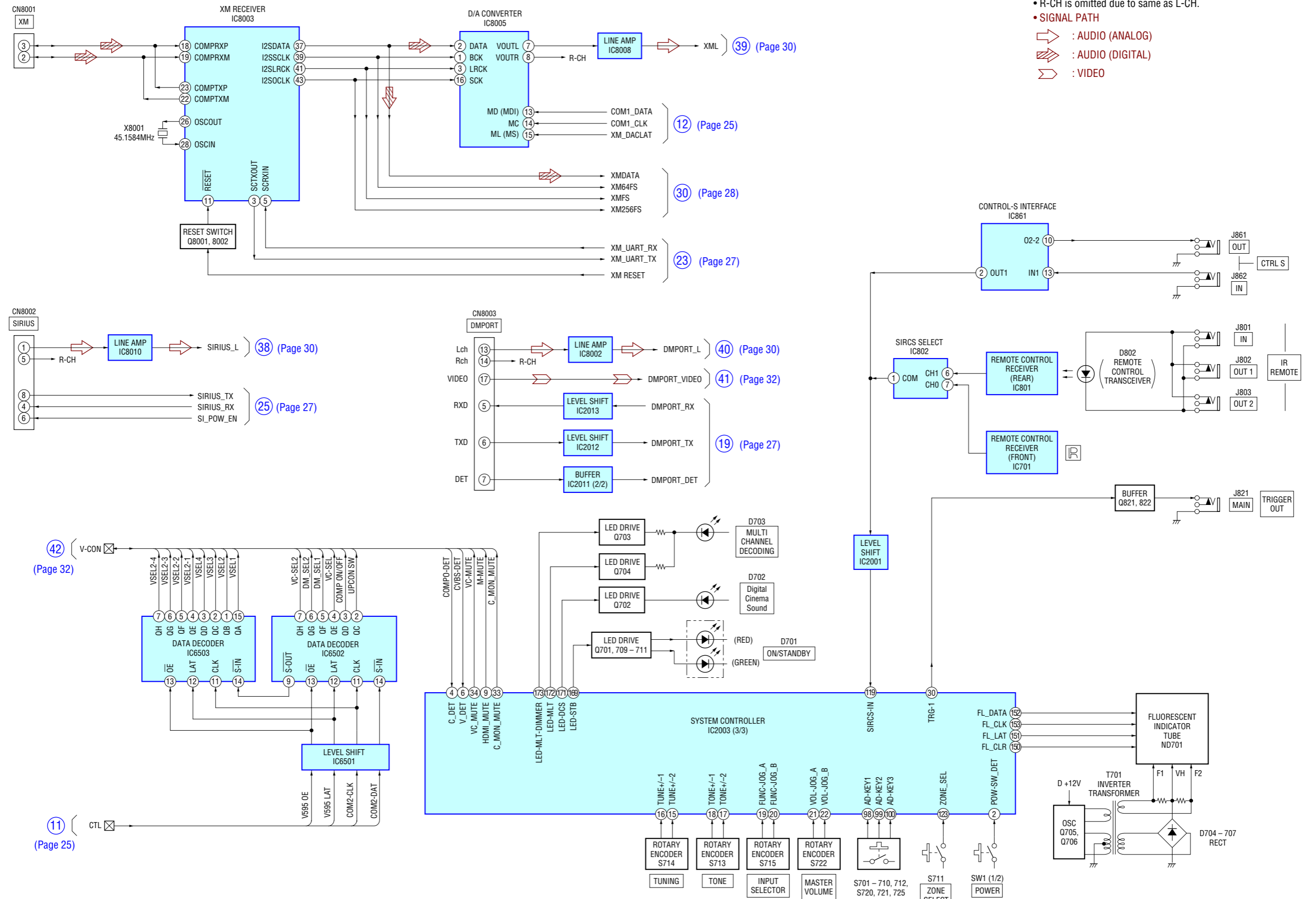


6-8. BLOCK DIAGRAM – VIDEO Section –

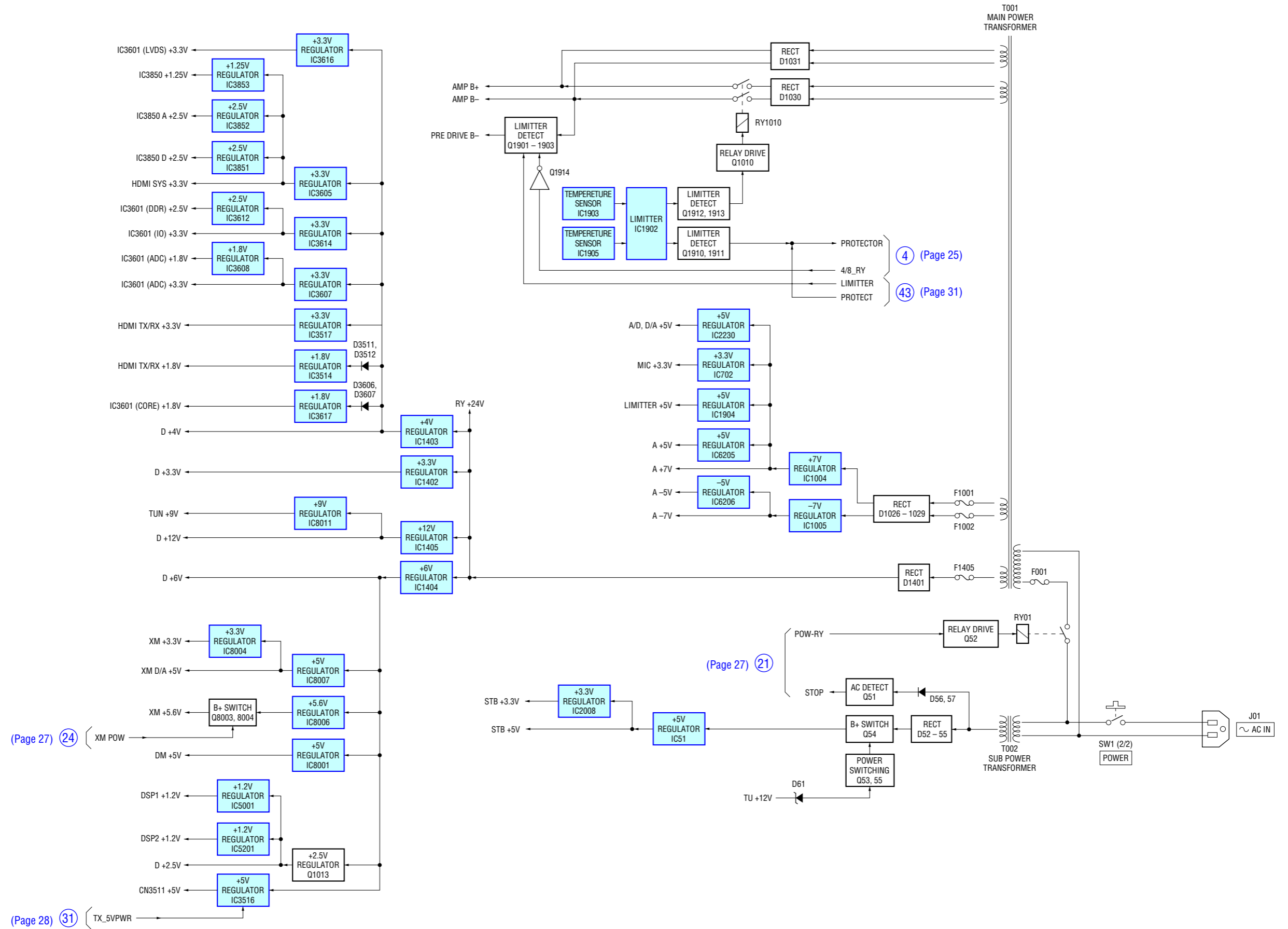
• SIGNAL PATH
 >> :VIDEO



6-9. BLOCK DIAGRAM – PANEL, CIS, XM/SIRIUS RECEIVER, DMPORT Section –



6-10. BLOCK DIAGRAM – POWER SUPPLY Section –



• Note for Printed Wiring Boards and Schematic Diagrams

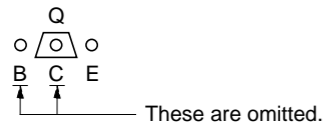
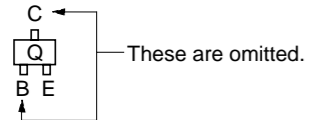
Note on Printed Wiring Board:

- : parts extracted from the component side.
- : parts extracted from the conductor side.
- △ : internal component.
- : Pattern from the side which enables seeing. (The other layers' patterns are not indicated.)

Caution:
 Pattern face side: Parts on the pattern face side seen from the pattern face are indicated.
 (Conductor Side)
 Parts face side: Parts on the parts face side seen from the parts face are indicated.
 (Component Side)

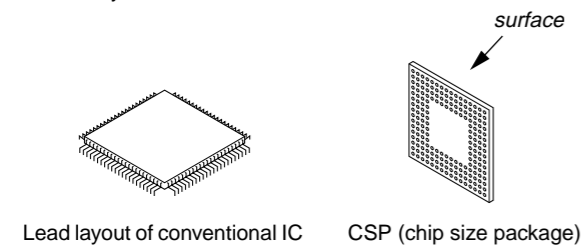
Caution:
 Pattern face side: Parts on the pattern face side seen from the pattern face are indicated.
 (Side B)
 Parts face side: Parts on the parts face side seen from the parts face are indicated.
 (Side A)

- D_VIDEO and DSP boards are multi-layer printed board. However, the patterns of intermediate-layers have not been included in this diagrams.
- Indication of transistor



* Replacement of IC3601 on the D-VIDEO board used in this set requires a special tool.

• Lead Layouts



Note on Schematic Diagram:

- All capacitors are in μF unless otherwise noted. (p: pF) 50 WV or less are not indicated except for electrolytics and tantalums.
- All resistors are in Ω and $1/4 W$ or less unless otherwise specified.
- △ : internal component.
- : nonflammable resistor.
- : panel designation.

Note:

The components identified by mark △ or dotted line with mark △ are critical for safety. Replace only with part number specified.

Note:

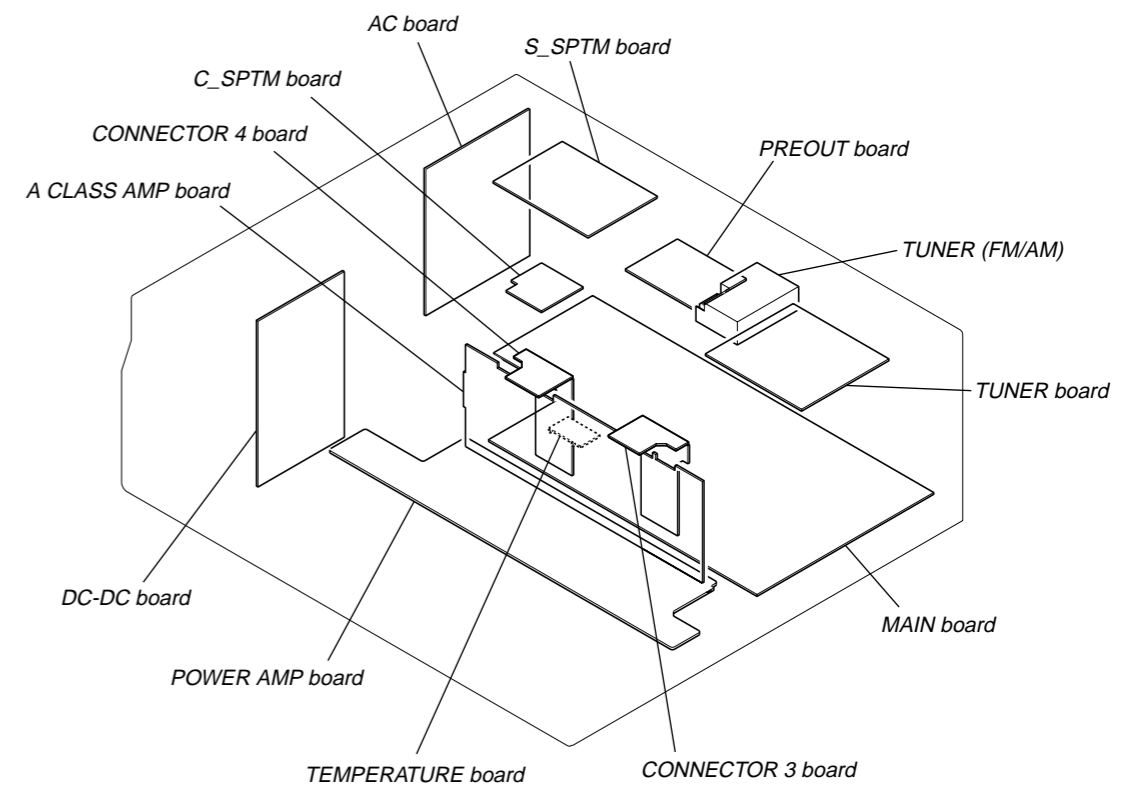
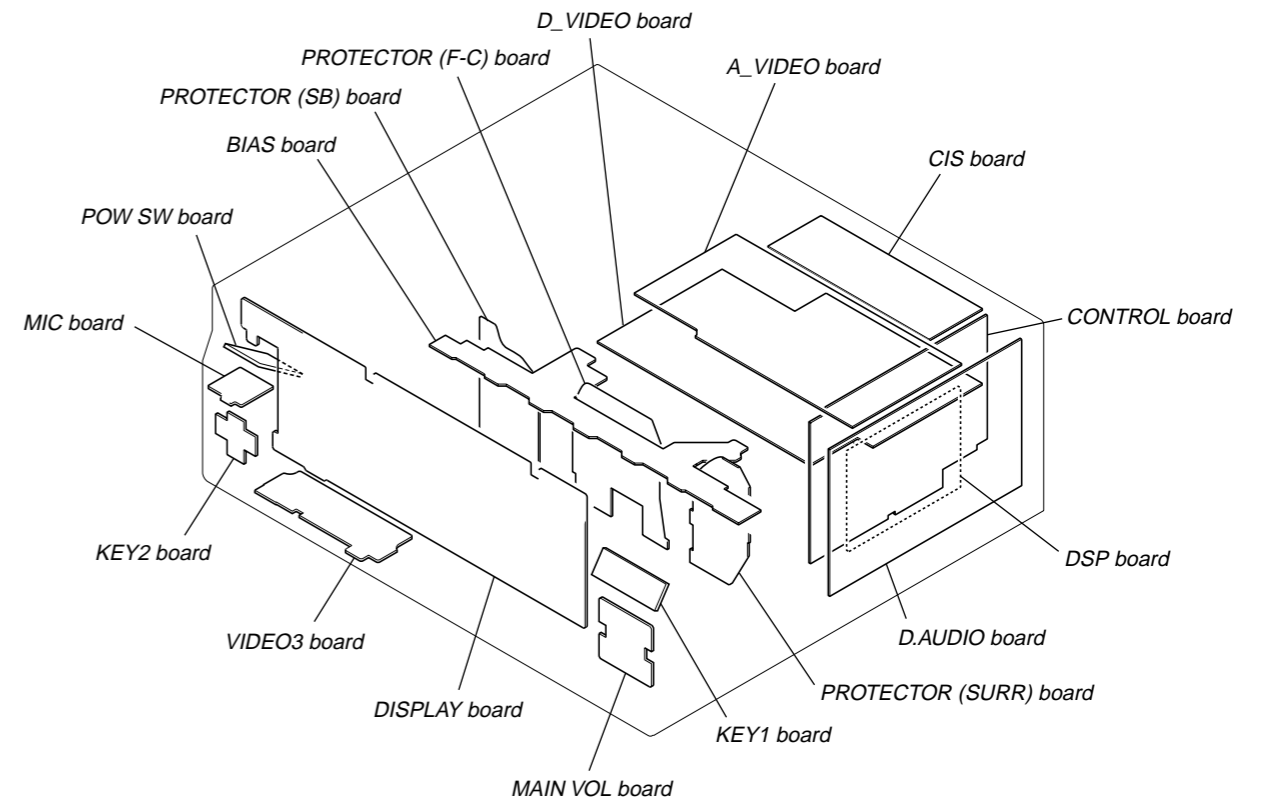
Les composants identifiés par une marque △ sont critiques pour la sécurité. Ne les remplacer que par une pièce portant le numéro spécifié.

- : B+ Line.
- - - : B- Line.
- : adjustment for repair.
- Voltages and waveforms are dc with respect to ground under no-signal (detuned) conditions.
 - D_VIDEO and A_VIDEO boards - no mark : VIDEO 1 mode
 - Other boards - no mark : TUNER
- Voltages are taken with a VOM (Input impedance 10 M Ω). Voltage variations may be noted due to normal production tolerances.
- Waveforms are taken with a oscilloscope. Voltage variations may be noted due to normal production tolerances.
- Circled numbers refer to waveforms.
- Signal path.
 - ⇒ : AUDIO (ANALOG)
 - ⇒ : AUDIO (DIGITAL)
 - ⇒ : VIDEO

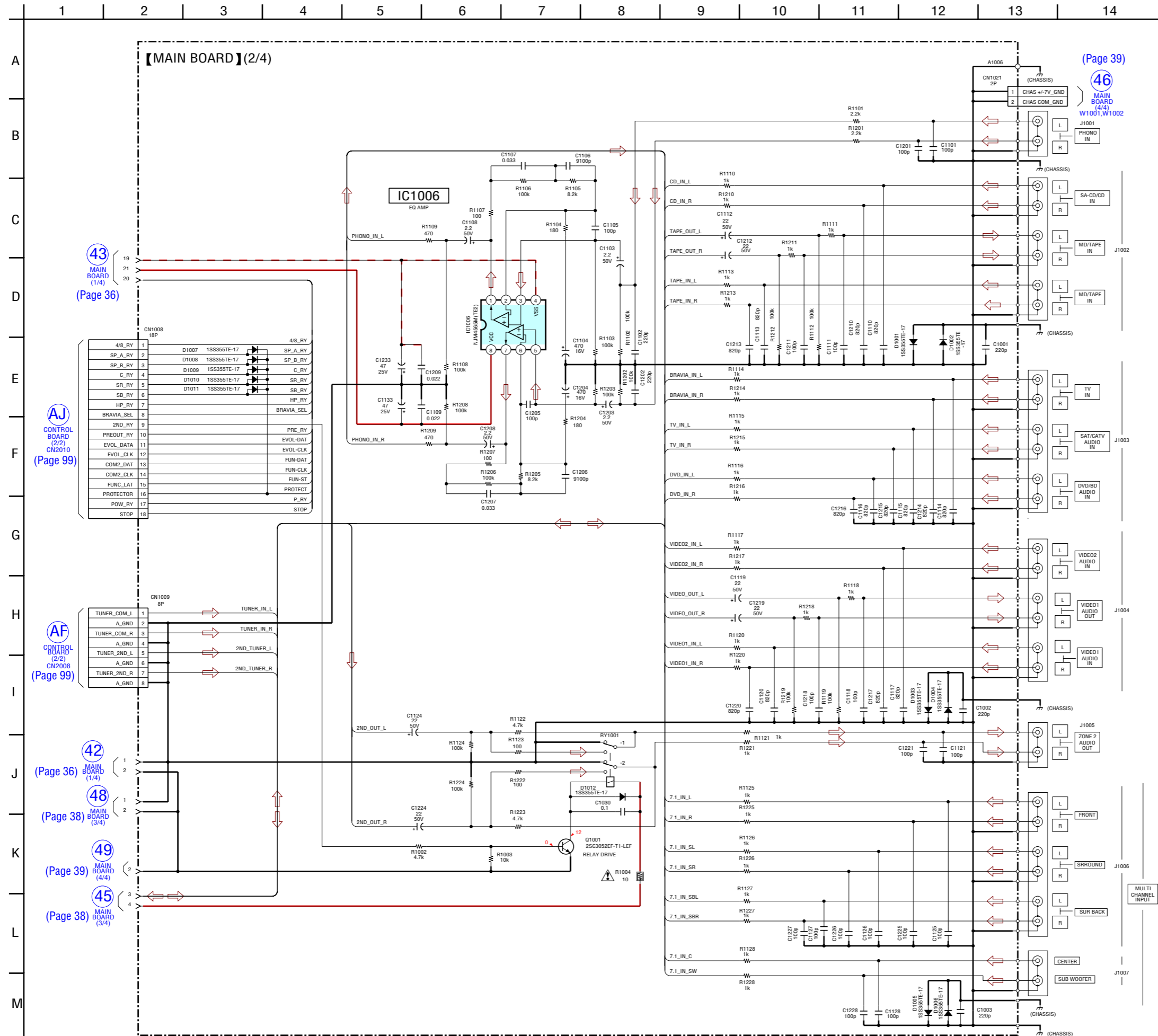
* Replacement of IC3601 on the D-VIDEO board used in this set requires a special tool.

- The voltage and waveform of CSP (chip size package) cannot be measured, because its lead layout is different from that of conventional IC.

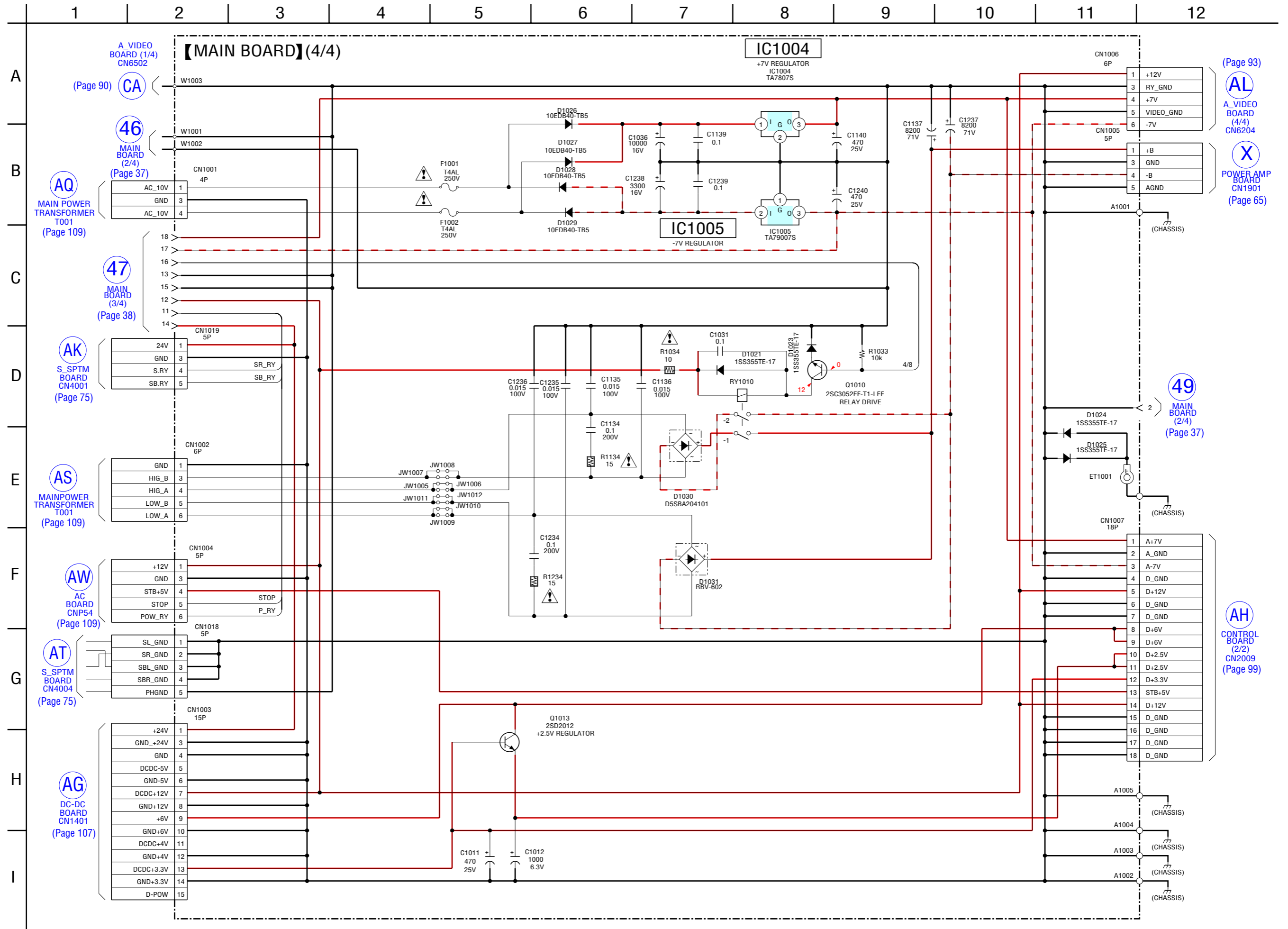
• Circuit Boards Location




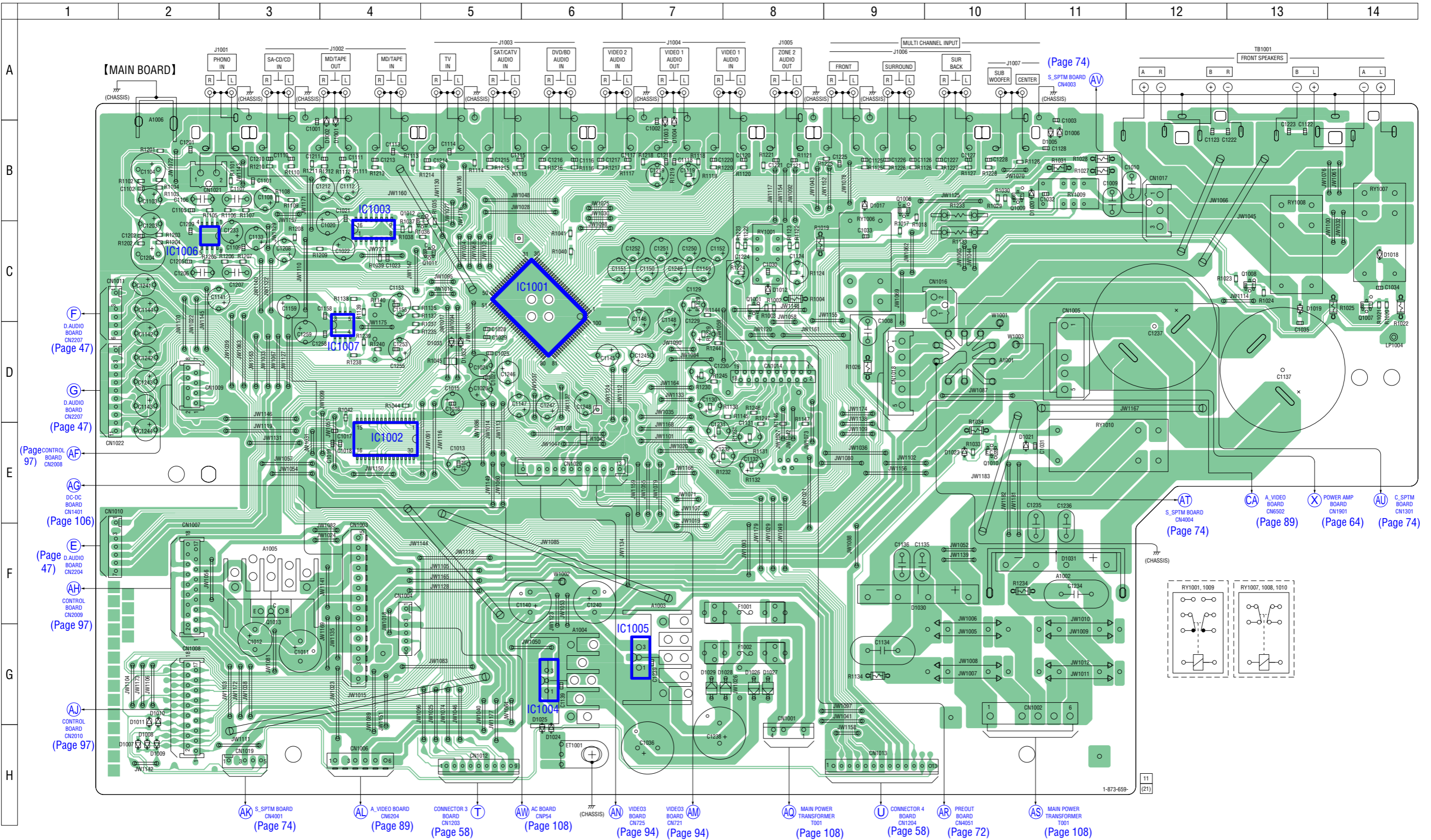
6-12. SCHEMATIC DIAGRAM – MAIN Board (2/4) –



6-14. SCHEMATIC DIAGRAM – MAIN Board (4/4) –



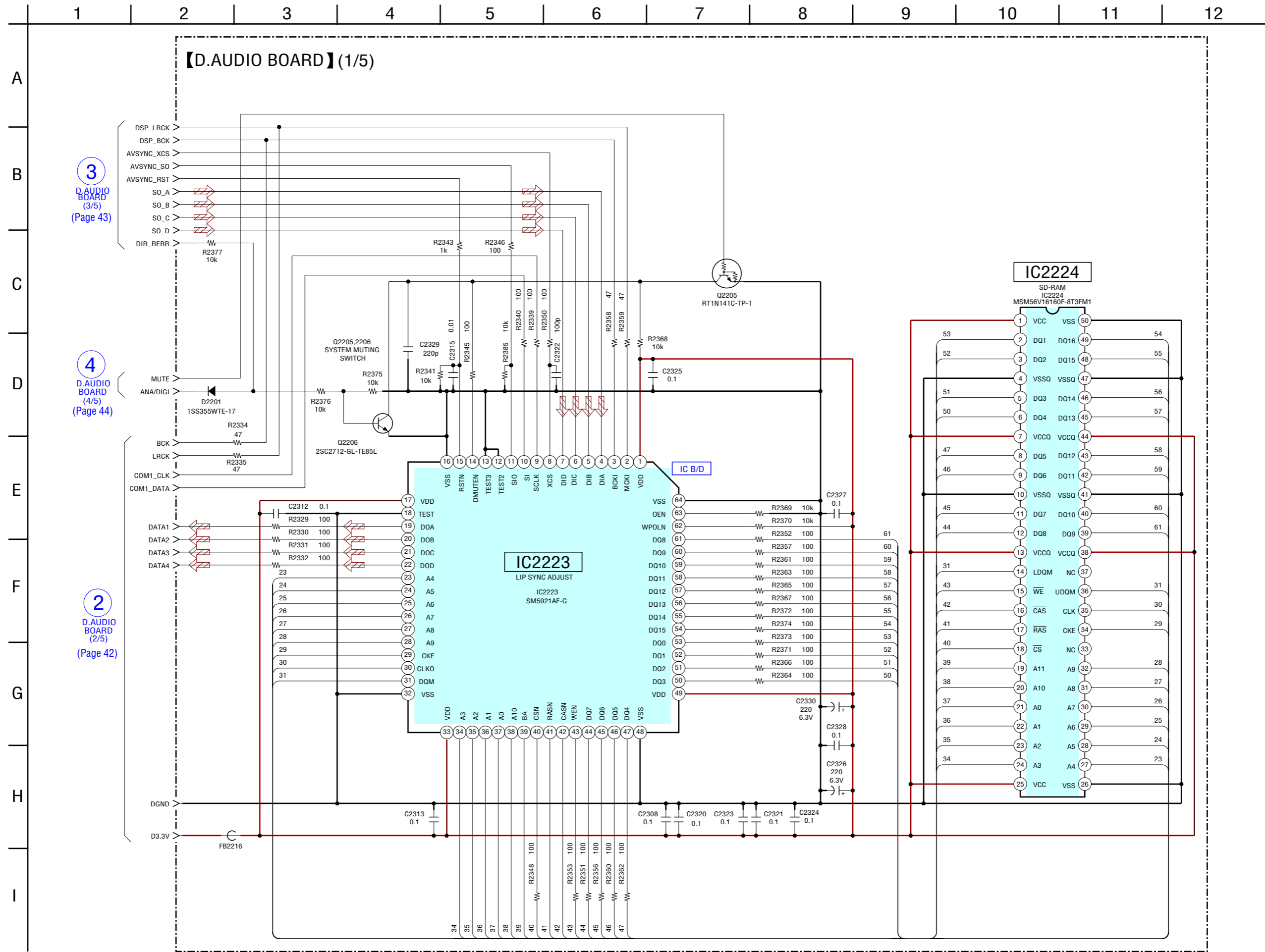
6-15. PRINTED WIRING BOARD – MAIN Board – • See page 35 for Circuit Boards Location.  : Uses unleaded solder.



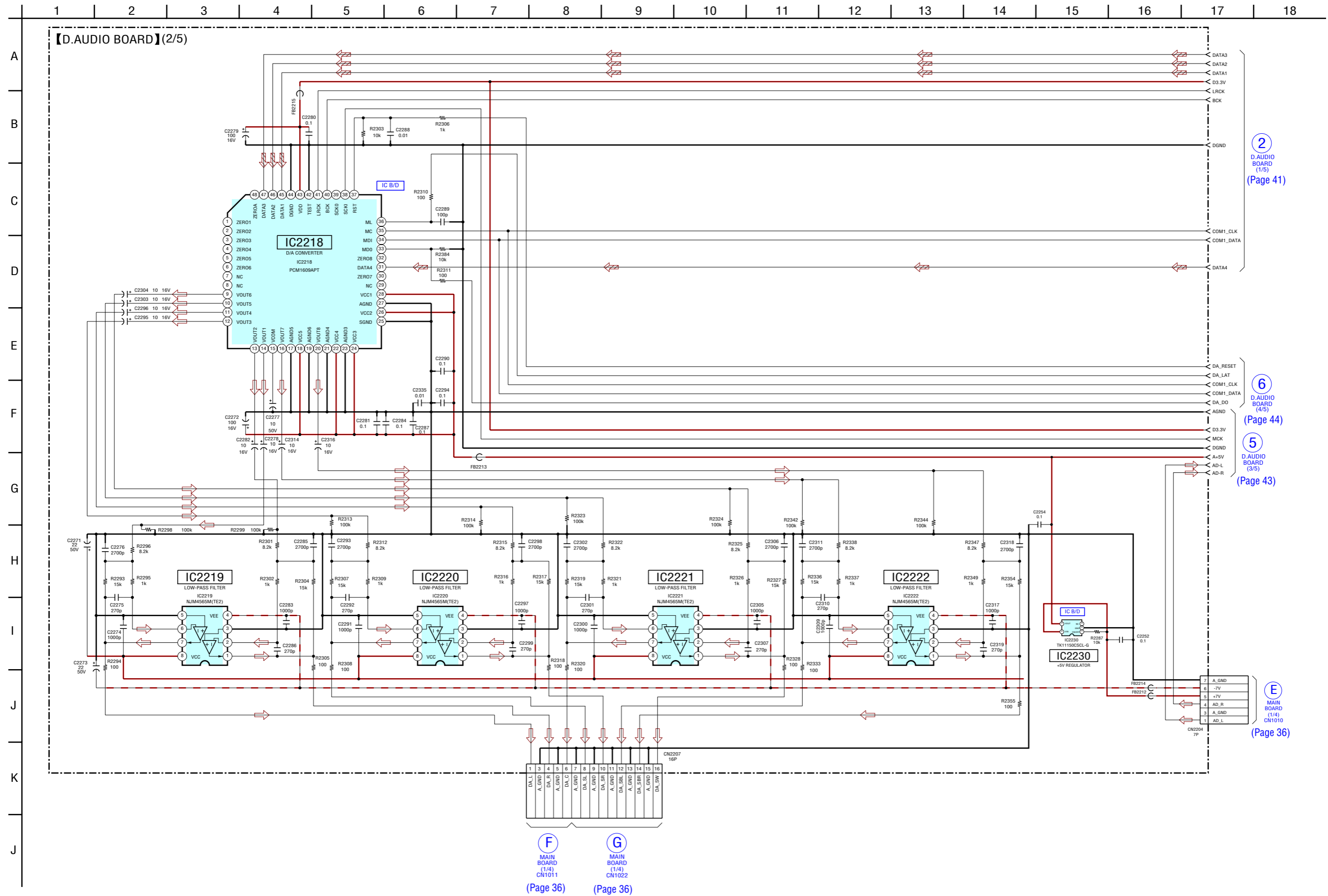
• Semiconductor Location

Ref. No.	Location	Ref. No.	Location	Ref. No.	Location	Ref. No.	Location	Ref. No.	Location
D1001	B-4	D1011	G-2	D1026	G-8	IC1002	E-4	Q1008	C-13
D1002	B-4	D1012	C-8	D1027	G-8	IC1003	C-4	Q1009	B-10
D1003	B-7	D1017	B-9	D1028	G-8	IC1004	G-6	Q1010	E-10
D1004	B-7	D1018	C-14	D1029	G-7	IC1005	G-7	Q1011	C-5
D1005	B-11	D1019	C-13	D1030	F-9	IC1006	C-2	Q1012	C-5
D1006	B-11	D1020	B-11	D1031	F-11	IC1007	D-4	Q1013	F-3
D1007	H-2	D1021	E-11	D1032	D-5				
D1008	H-2	D1023	E-10	D1033	D-5	Q1001	C-8		
D1009	H-2	D1024	H-6			Q1006	B-9		
D1010	G-2	D1025	H-6	IC1001	C-6	Q1007	C-14		

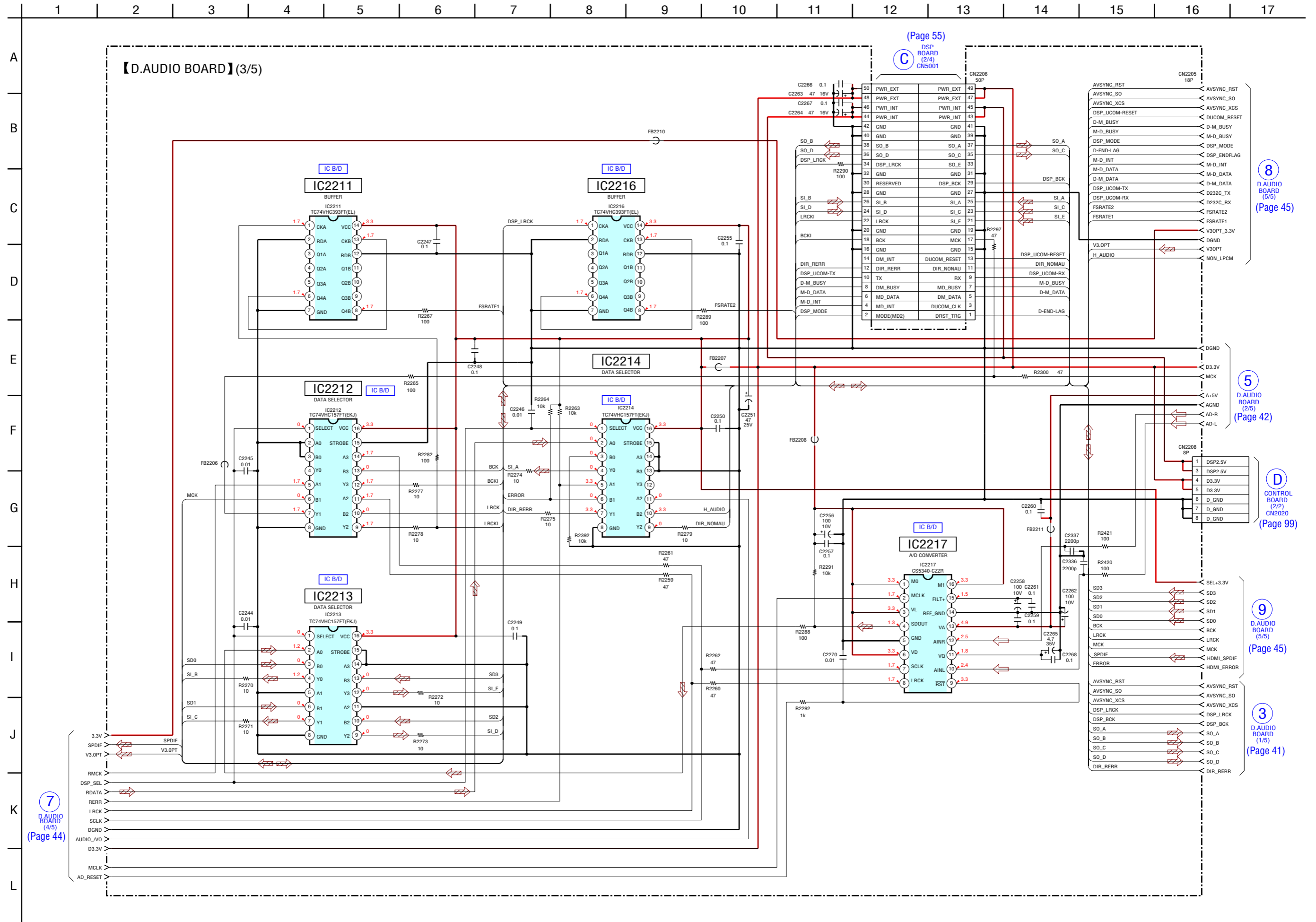
6-16. SCHEMATIC DIAGRAM – D.AUDIO Board (1/5) – • See page 110 for IC Block Diagrams.



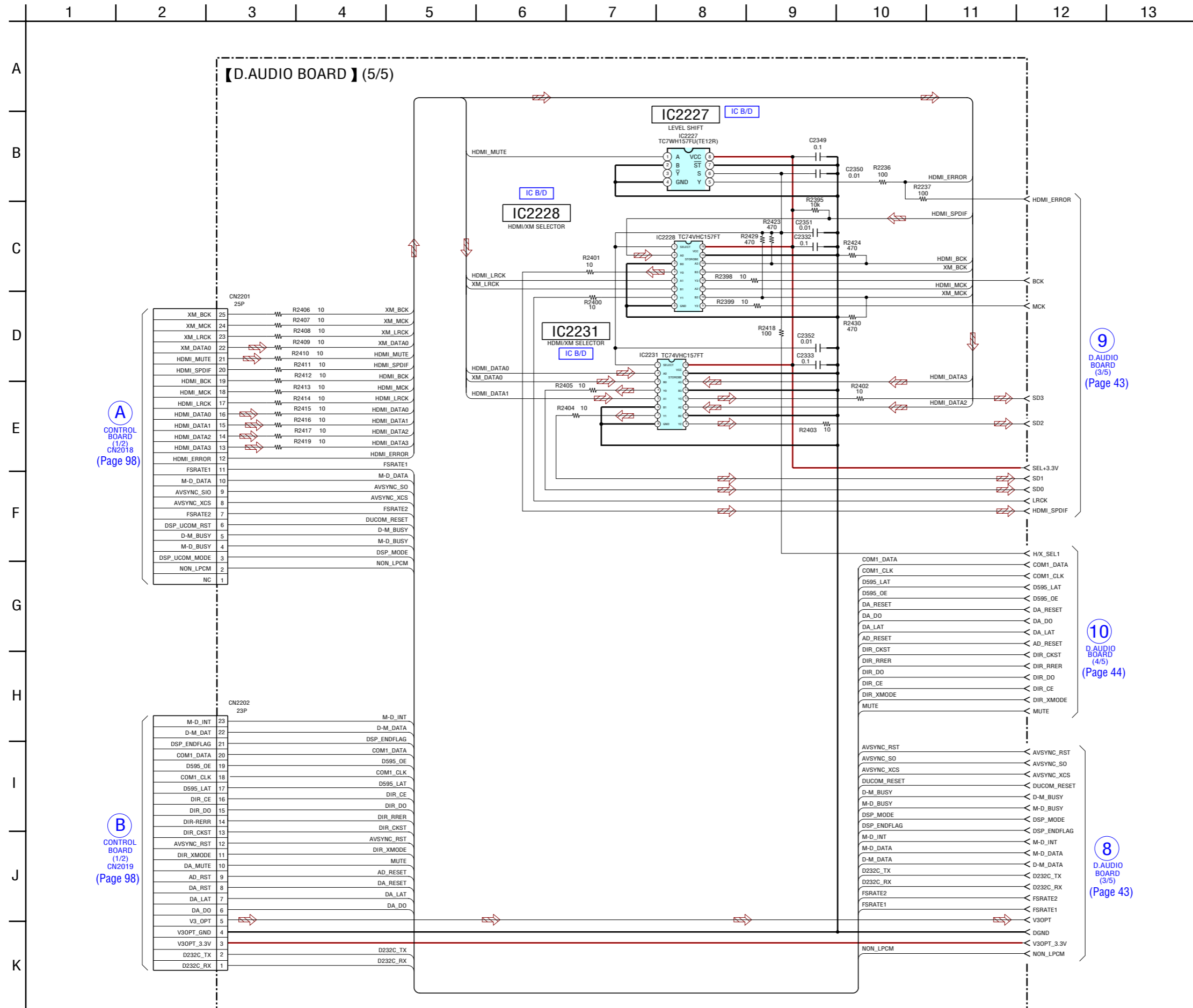
6-17. SCHEMATIC DIAGRAM – D.AUDIO Board (2/5) – • See page 110 for IC Block Diagrams.




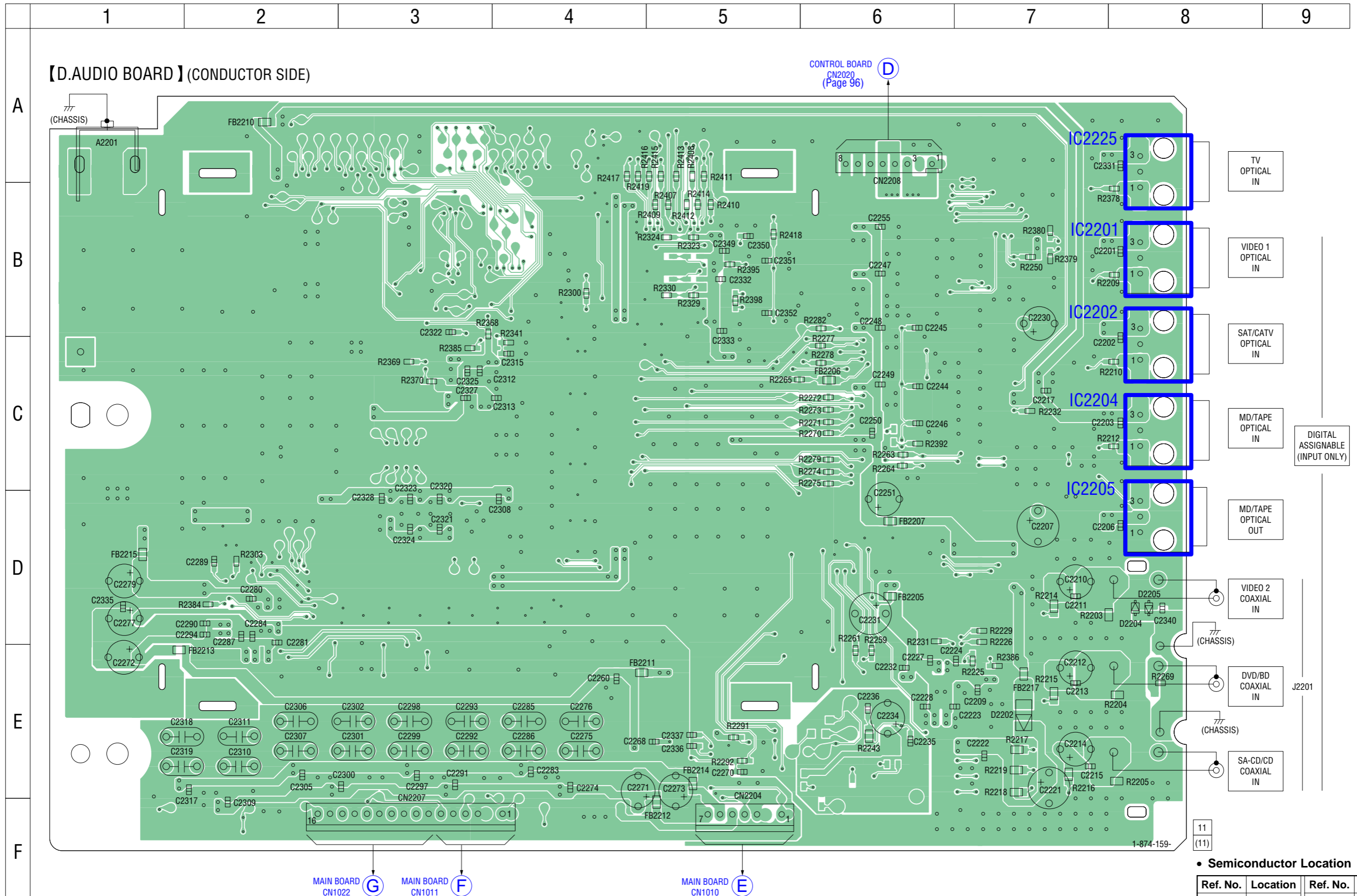
6-18. SCHEMATIC DIAGRAM – D.AUDIO Board (3/5) – • See page 110 for IC Block Diagrams.



6-20. SCHEMATIC DIAGRAM – D.AUDIO Board (5/5) – • See page 110 for IC Block Diagrams.




6-22. PRINTED WIRING BOARD – D.AUDIO Board (Conductor Side) – • See page 35 for Circuit Boards Location.  : Uses unleaded solder.



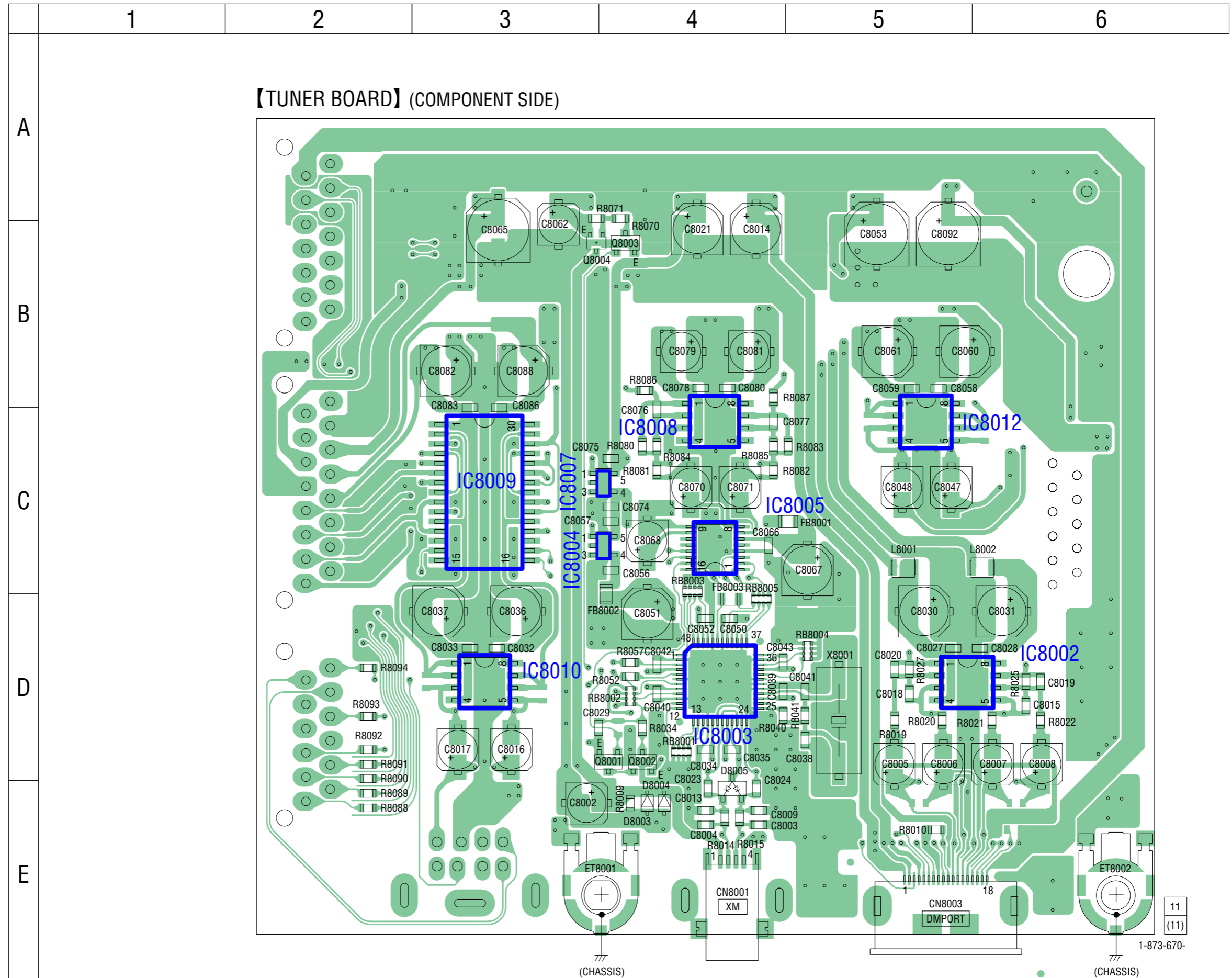
• Semiconductor Location


Ref. No.	Location	Ref. No.	Location
D2202	E-7	IC2202	C-8
D2204	D-8	IC2204	C-8
D2205	D-8	IC2205	D-8
IC2201	B-8	IC2225	A-8

6-23. PRINTED WIRING BOARD – TUNER Board (Component Side) – See page 35 for Circuit Boards Location.  : Uses unleaded solder.

• Semiconductor Location

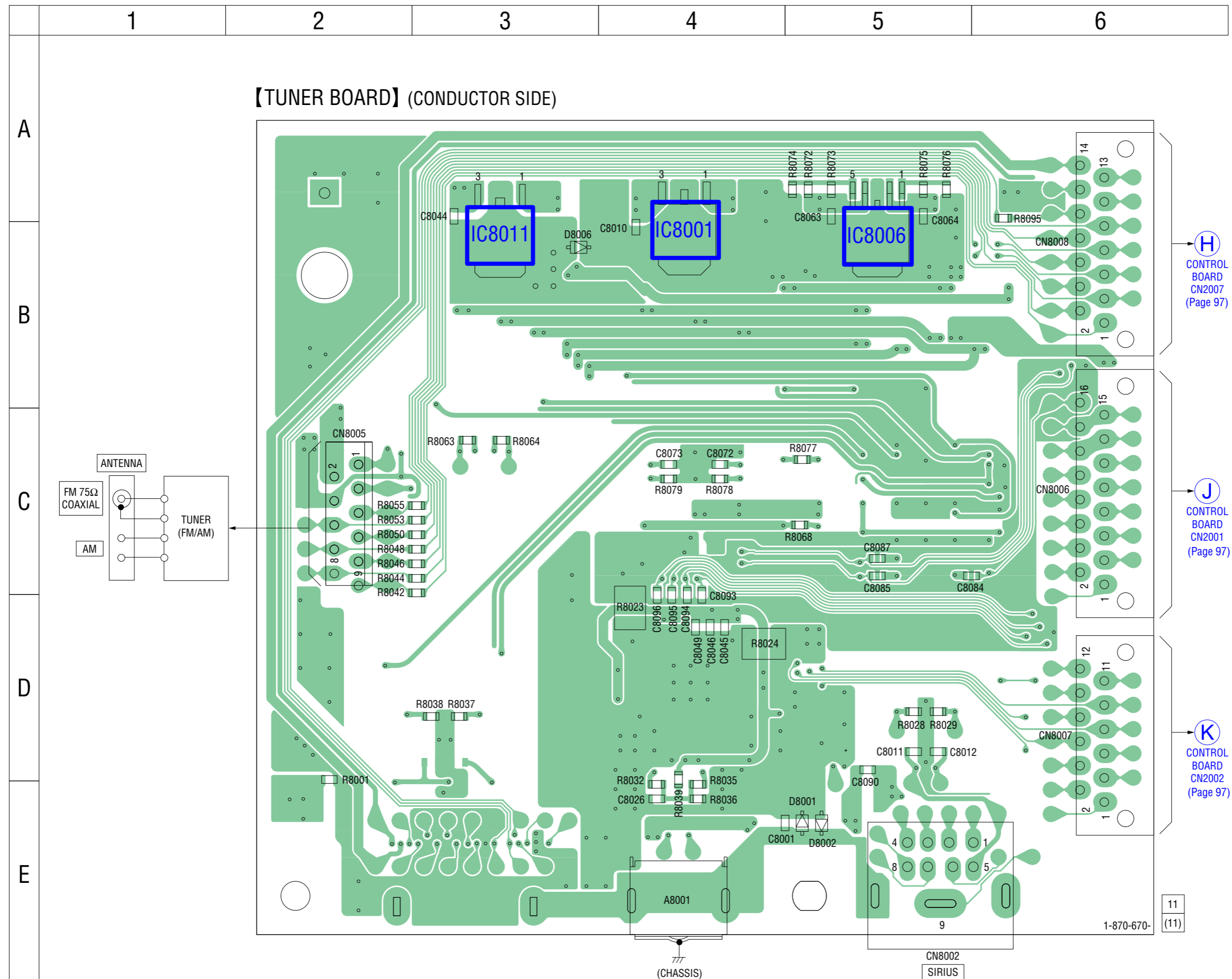
Ref. No.	Location
D8003	E-4
D8004	E-4
D8005	E-4
IC8002	D-5
IC8003	D-4
IC8004	C-4
IC8005	C-4
IC8007	C-4
IC8008	C-4
IC8009	C-3
IC8010	D-3
IC8012	C-5
Q8001	D-4
Q8002	D-4
Q8003	B-4
Q8004	B-3



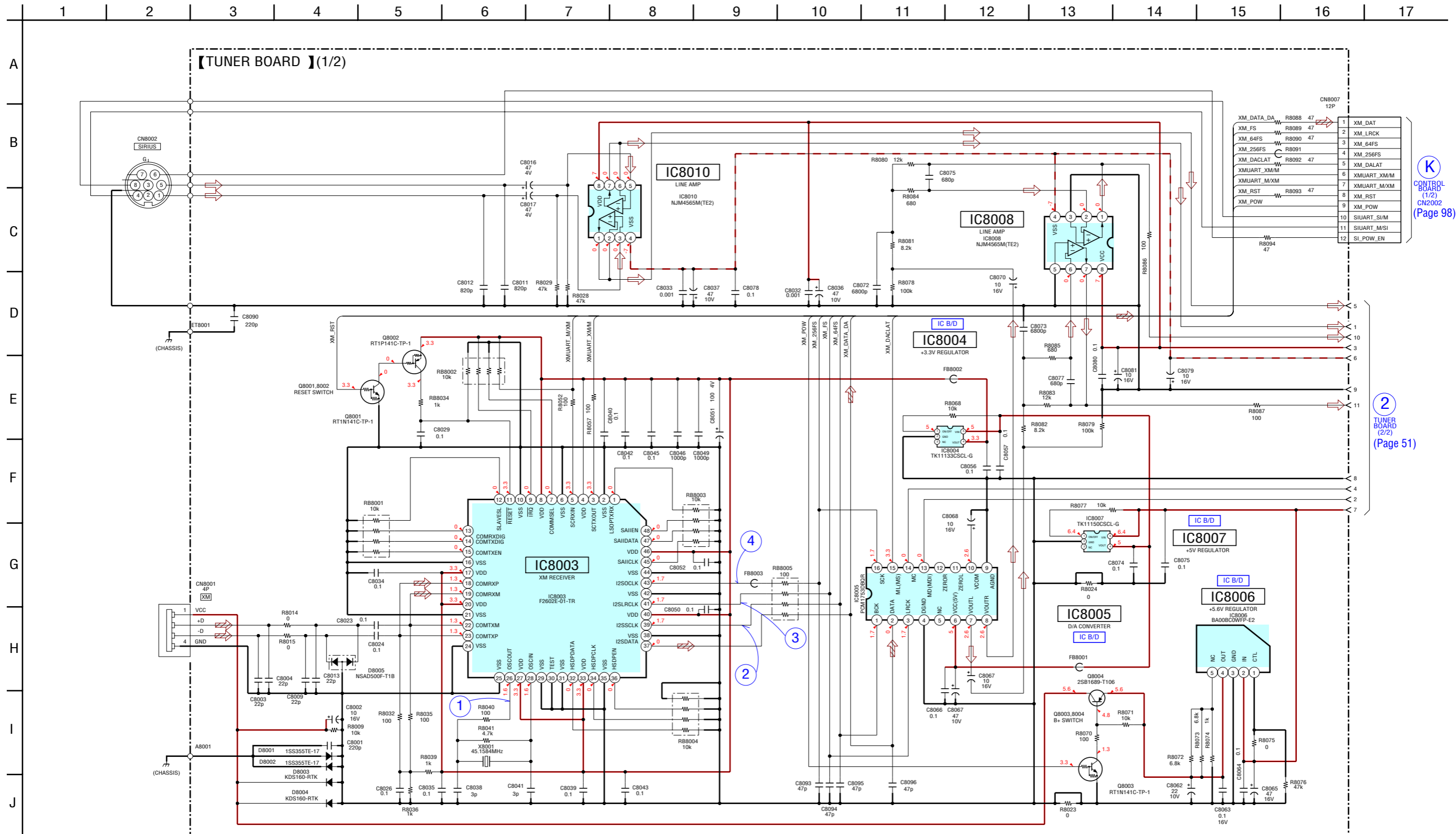
6-24. PRINTED WIRING BOARD – TUNER Board (Conductor Side) – • See page 35 for Circuit Boards Location.  : Uses unleaded solder.

• Semiconductor Location

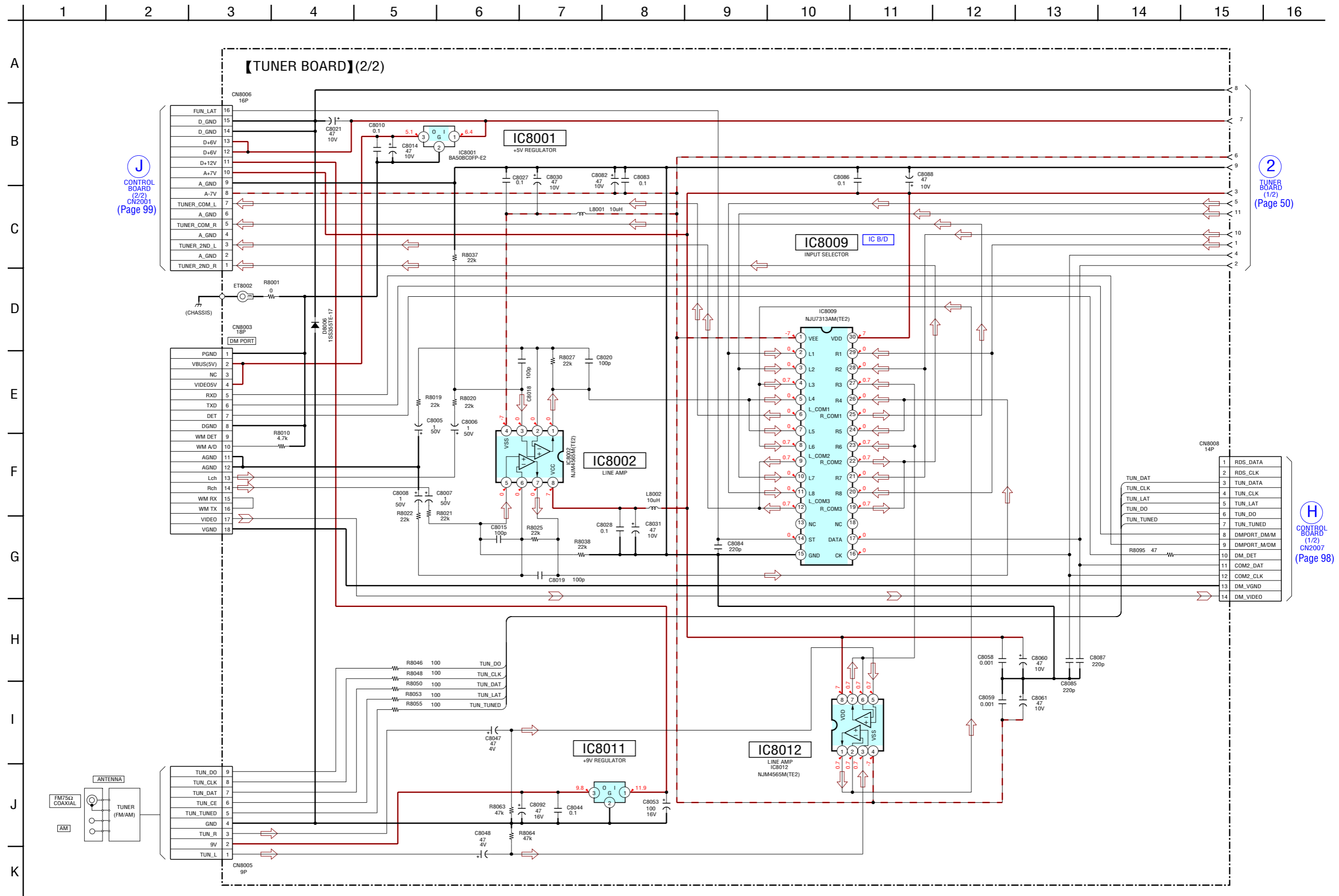
Ref. No.	Location
D8001	E-5
D8002	E-5
D8006	B-3
IC8001	B-4
IC8006	B-5
IC8011	B-3



6-25. SCHEMATIC DIAGRAM – TUNER Board (1/2) – • See page 110 for Waveforms. • See page 110 for IC Block Diagrams. • See page 123 for IC Pin Function Description.



6-26. SCHEMATIC DIAGRAM – TUNER Board (2/2) – • See page 110 for IC Block Diagrams.



J
CONTROL BOARD (2/2)
CN2001
(Page 99)

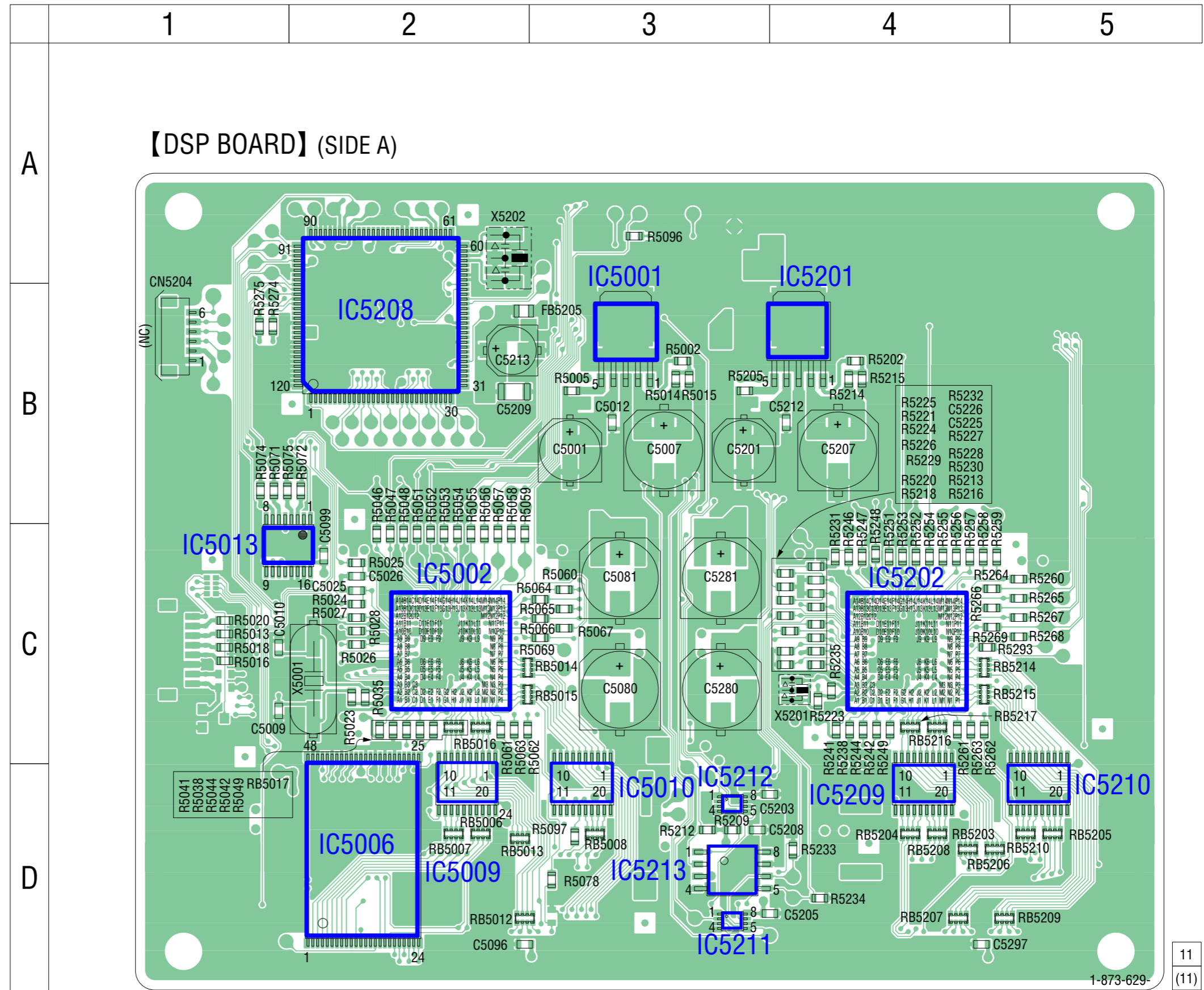
2
TUNER BOARD (1/2)
(Page 50)

H
CONTROL BOARD (1/2)
CN2007
(Page 98)


• Semiconductor Location

Ref. No.	Location
IC5001	B-3
IC5002	C-2
IC5006	D-2
IC5009	D-2
IC5010	D-3
IC5013	C-1
IC5201	B-4
IC5202	C-4
IC5208	B-2
IC5209	D-4
IC5210	D-5
IC5211	D-3
IC5212	D-3
IC5213	D-3

6-27. PRINTED WIRING BOARD – DSP Board (Side A) – • See page 35 for Circuit Boards Location.  : Uses unleaded solder.

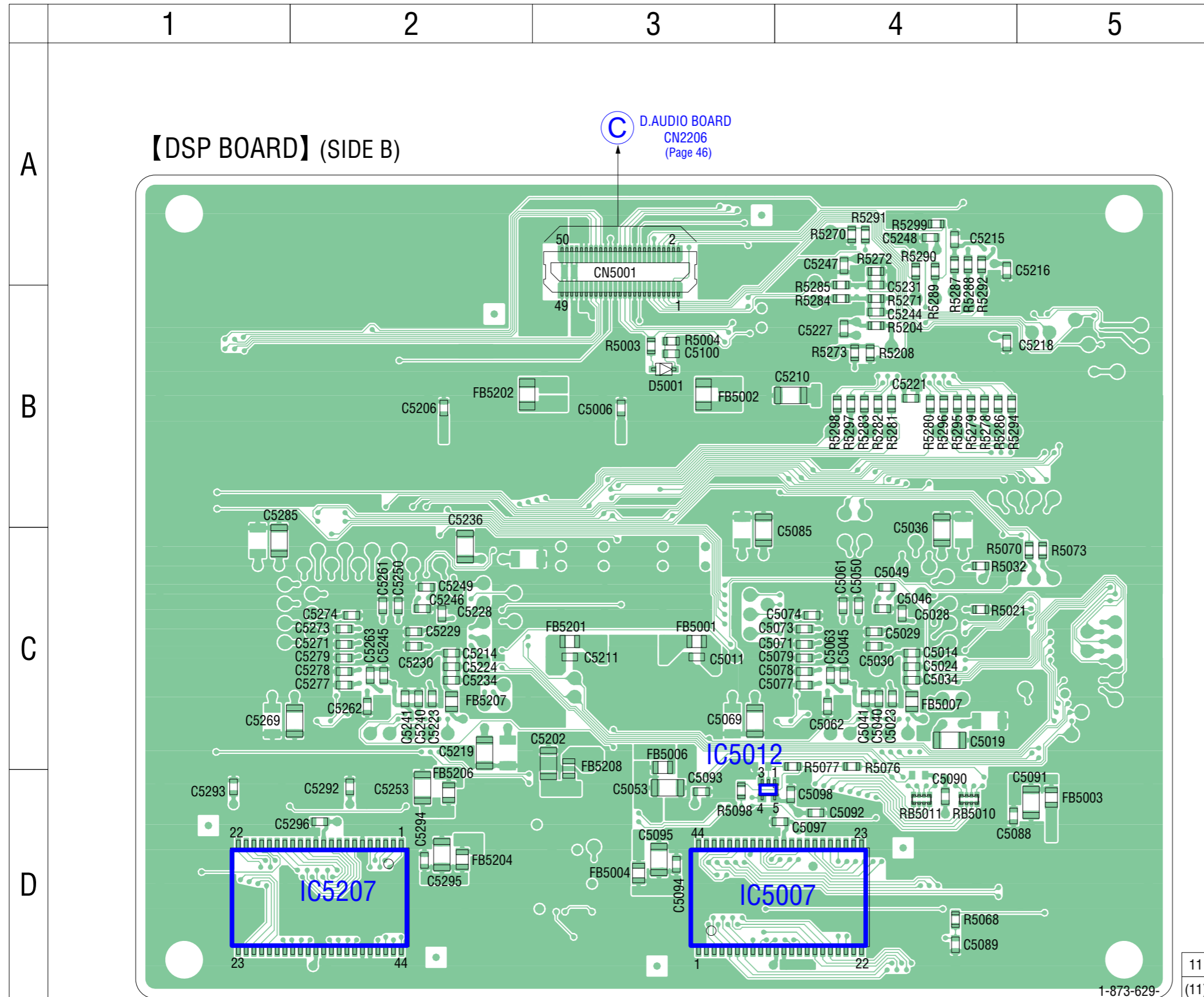


Note: IC5002 and IC5202 cannot exchange with single. When IC5002 and IC5202 are damaged, exchange the entire mounted board.

6-28. PRINTED WIRING BOARD – DSP Board (Side B) – • See page 35 for Circuit Boards Location.  : Uses unleaded solder.

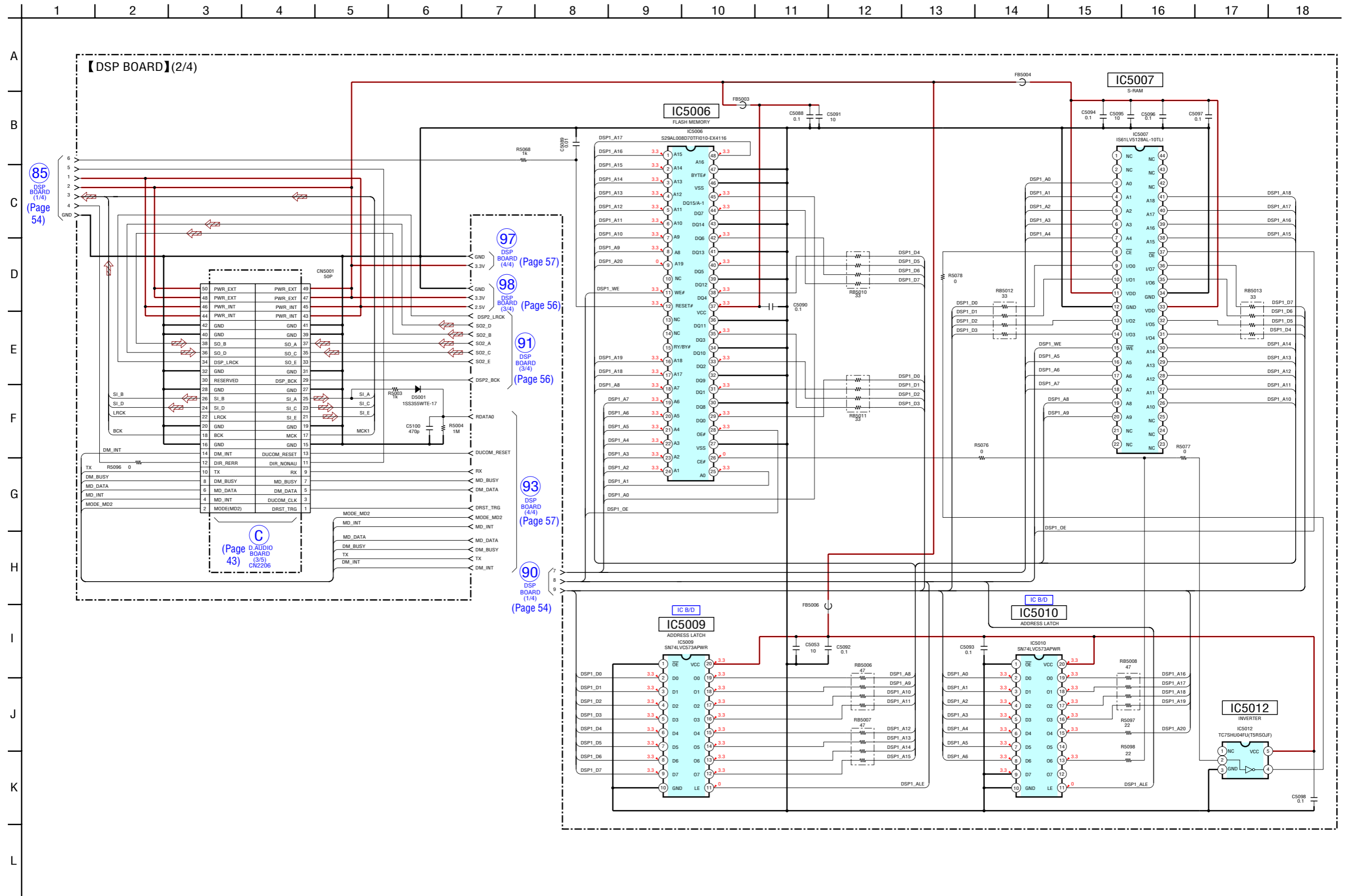
• Semiconductor Location

Ref. No.	Location
D5001	B-3
IC5007	D-4
IC5012	D-3
IC5207	D-2

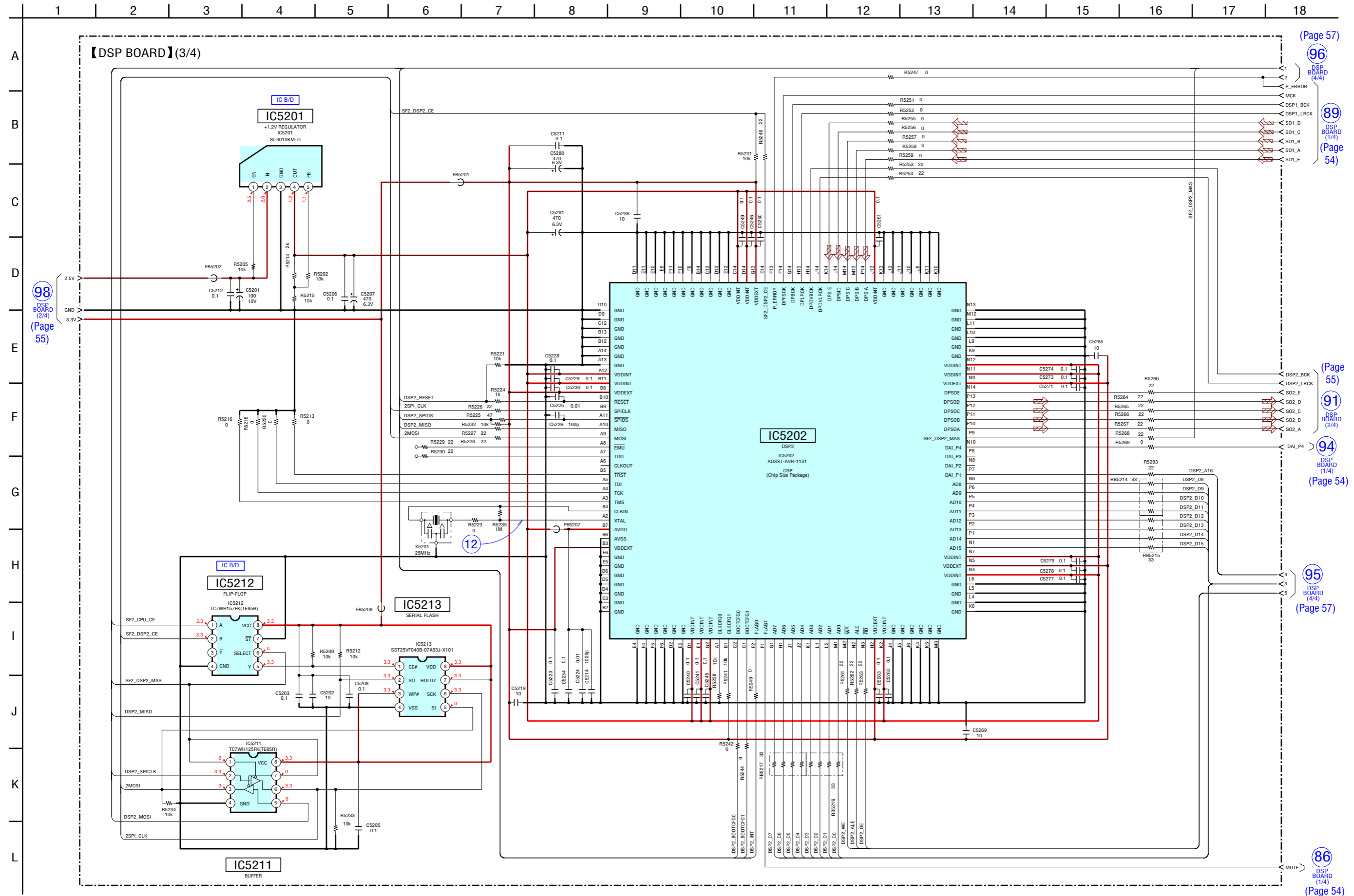


11
(11)

6-30. SCHEMATIC DIAGRAM – DSP Board (2/4) – • See page 110 for IC Block Diagrams.

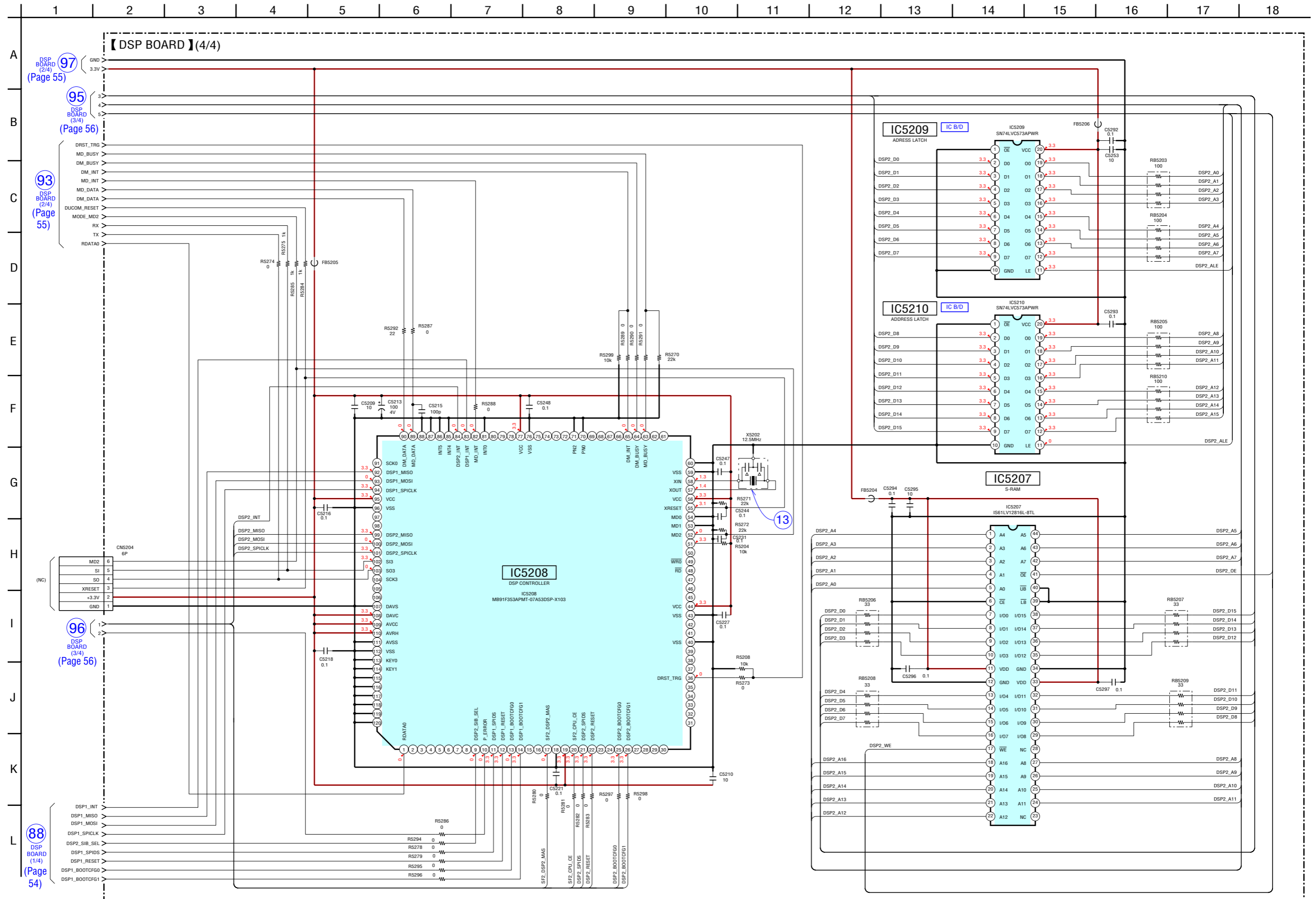


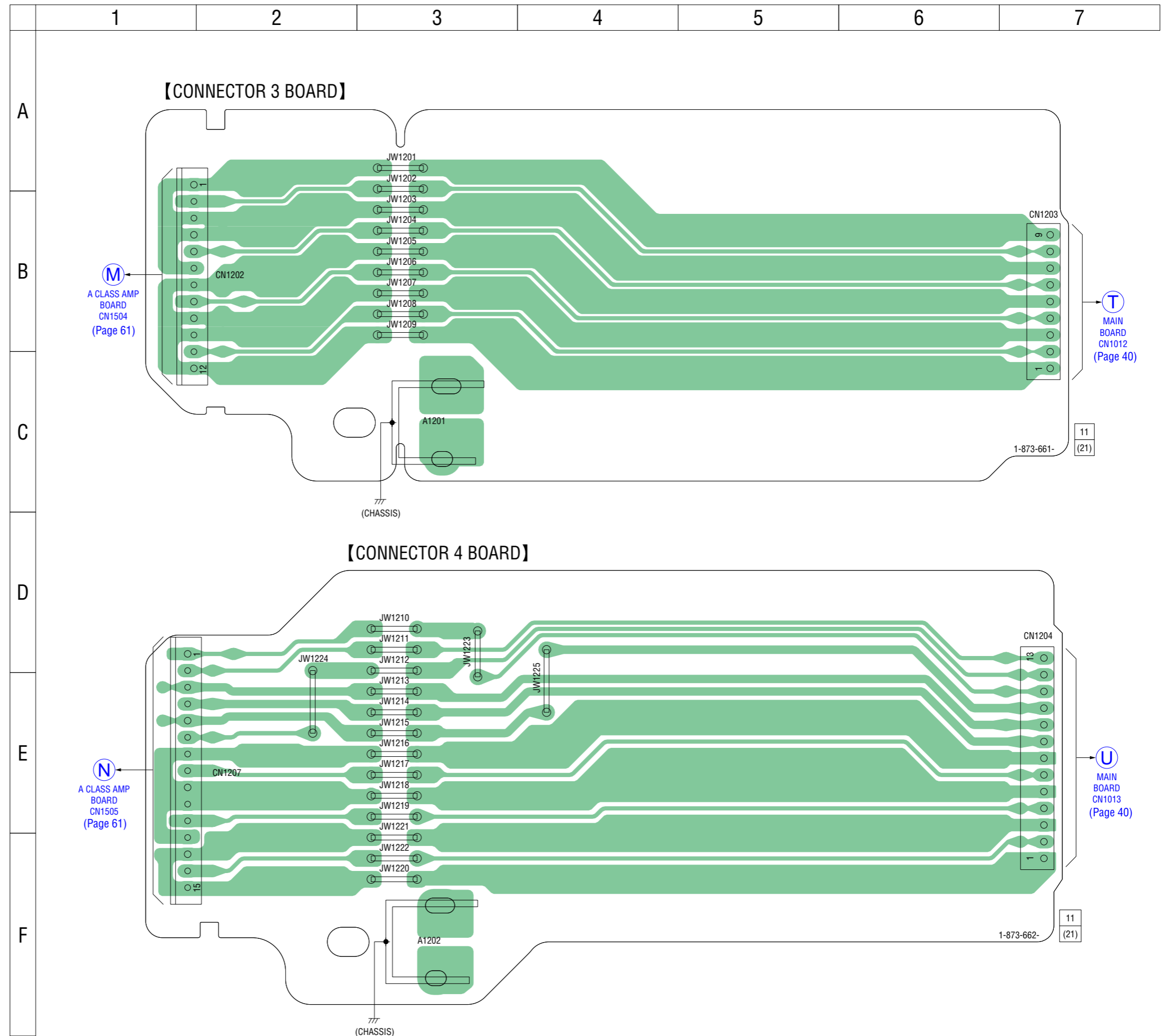
6-31. SCHEMATIC DIAGRAM – DSP Board (3/4) – • See page 110 for Waveforms. • See page 110 for IC Block Diagrams. • See page 123 for IC Pin Function Description.



Note: IC5202 cannot exchange with single. When IC5202 is damaged, exchange the entire mounted board.

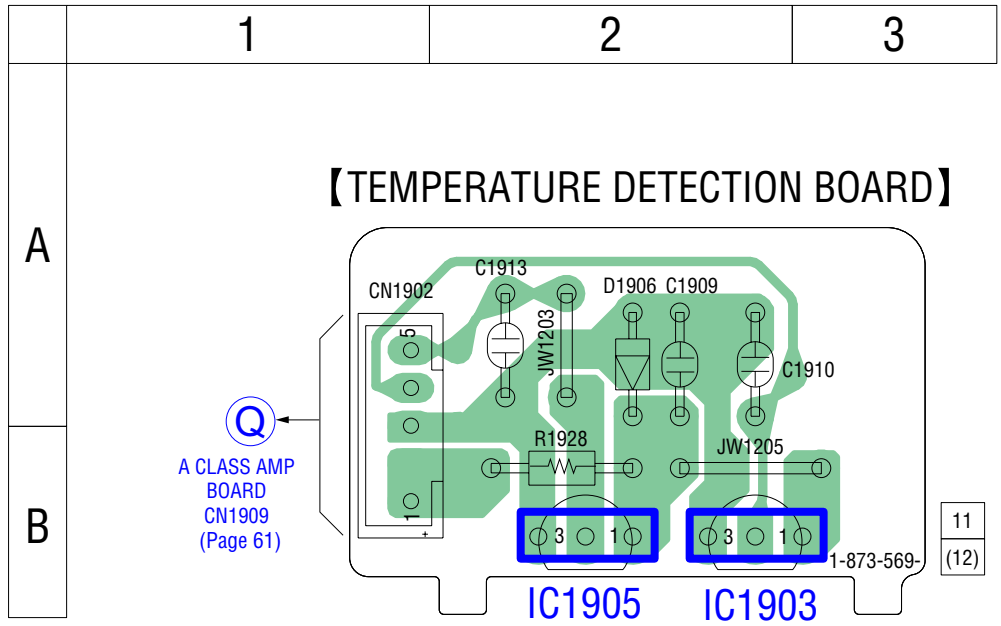
6-32. SCHEMATIC DIAGRAM – DSP Board (4/4) – • See page 110 for Waveforms. • See page 110 for IC Block Diagrams. • See page 123 for IC Pin Function Description.



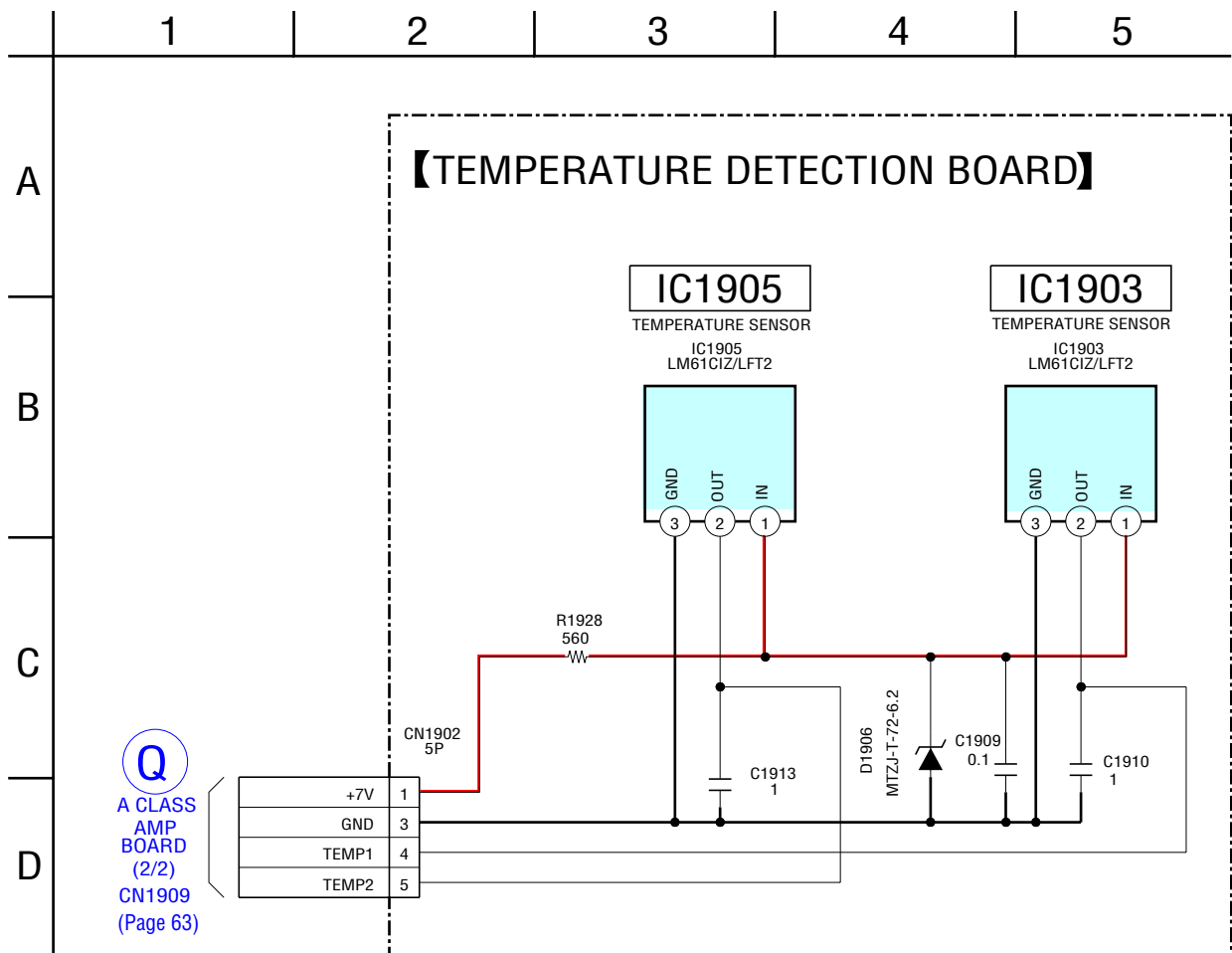


6-35. PRINTED WIRING BOARD – TEMPERATURE DETECTION Board –

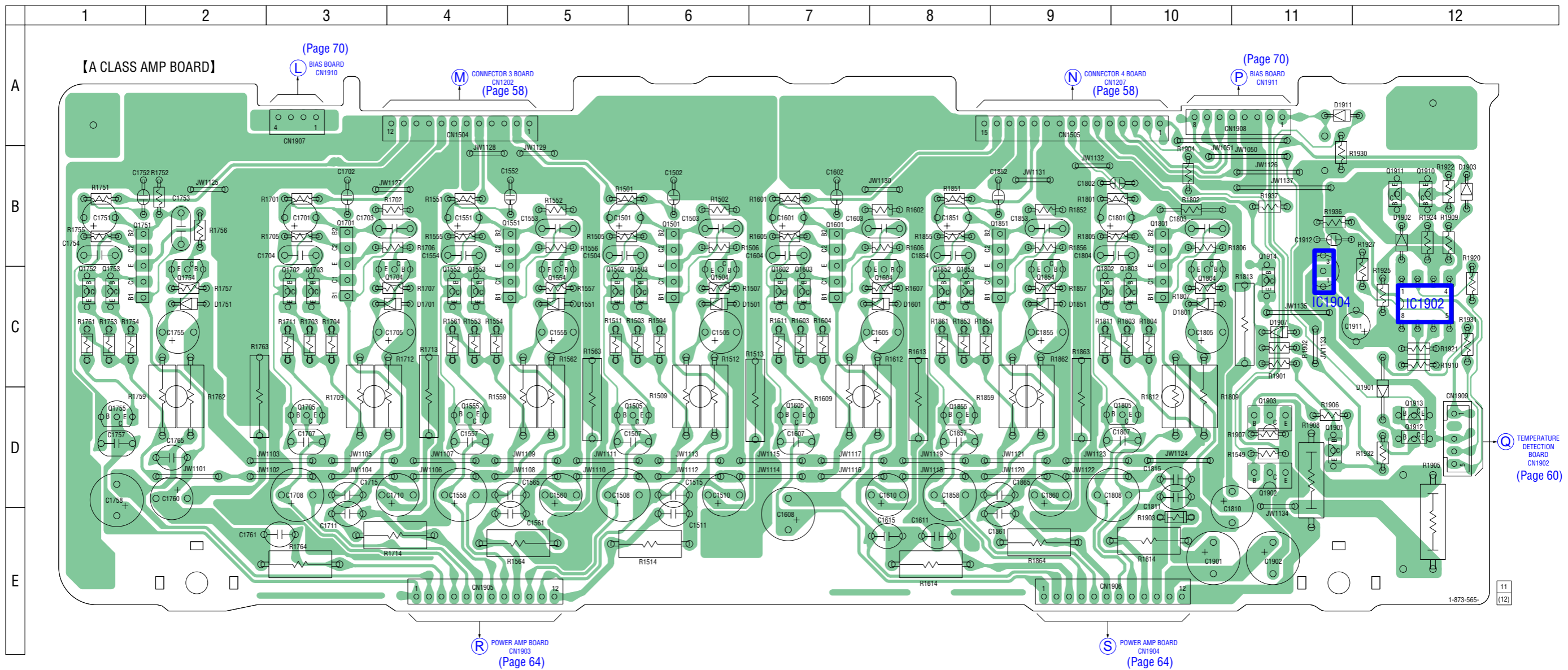
• See page 35 for Circuit Boards Location.  : Uses unleaded solder.



6-36. SCHEMATIC DIAGRAM – TEMPERATURE DETECTION Board –



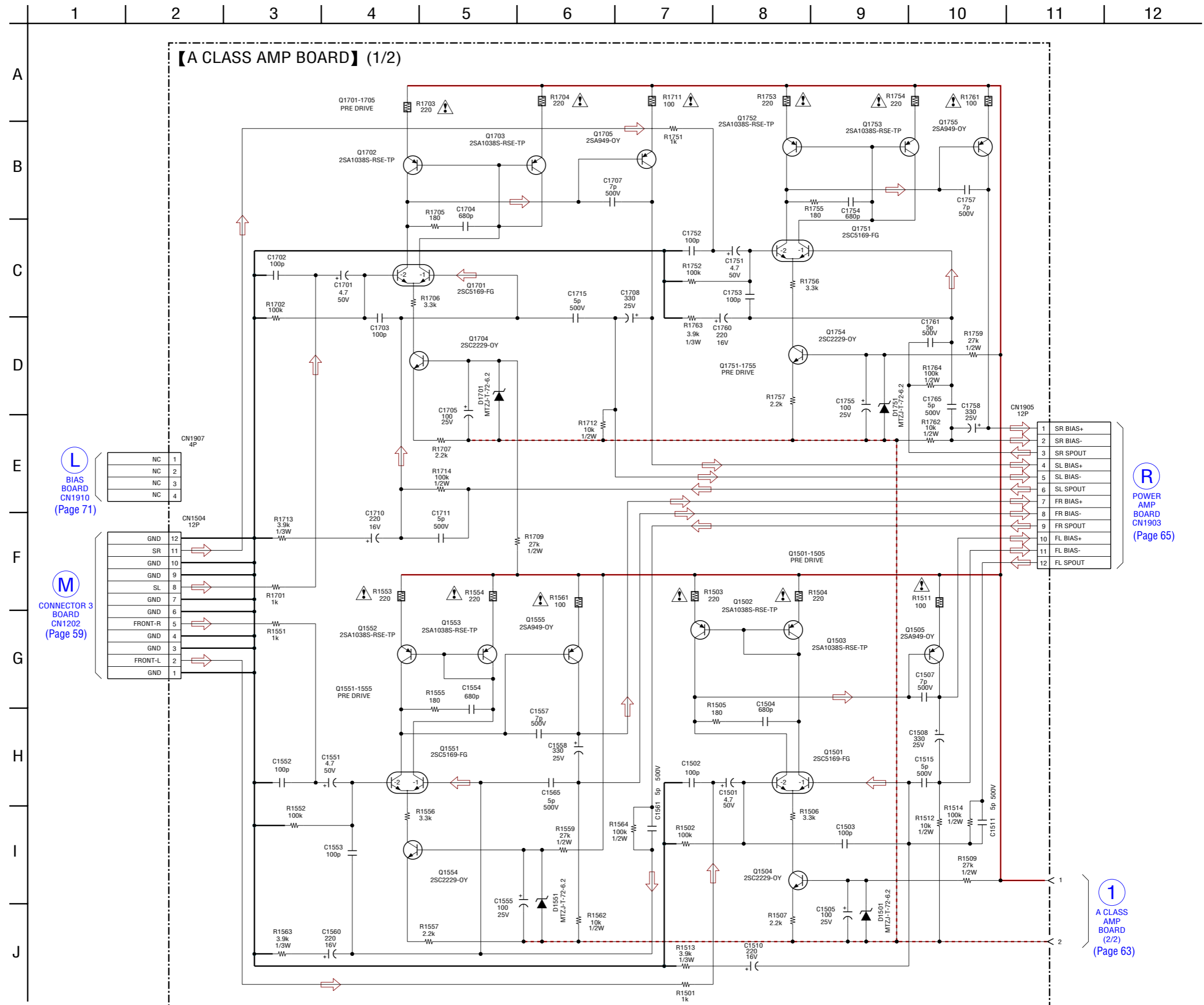
6-37. PRINTED WIRING BOARD – A CLASS AMP Board – • See page 35 for Circuit Boards Location.  : Uses unleaded solder.



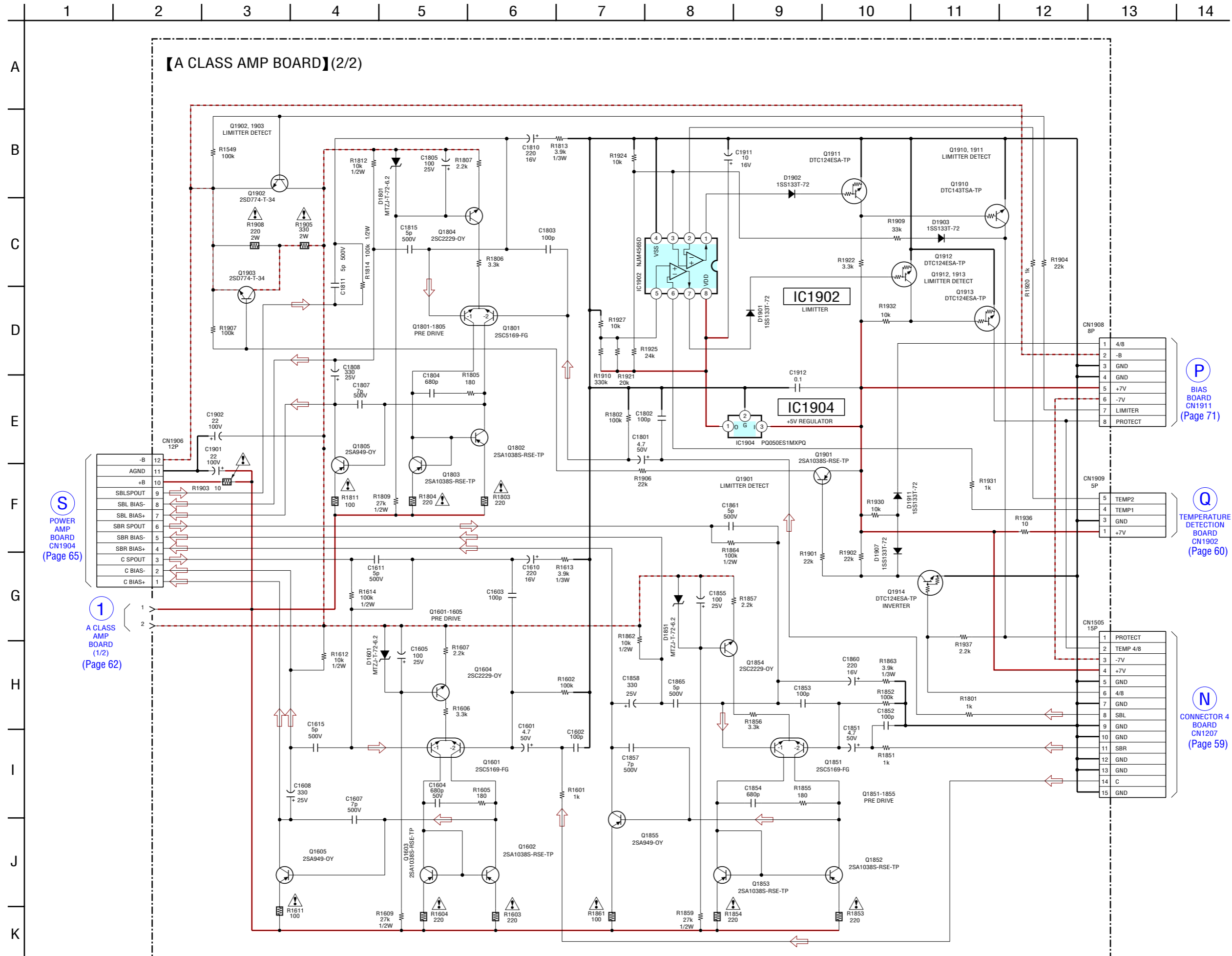
• Semiconductor Location


Ref. No.	Location	Ref. No.	Location	Ref. No.	Location	Ref. No.	Location
D1501	C-6	Q1501	B-6	Q1701	B-3	Q1851	B-9
D1551	C-5	Q1502	C-5	Q1702	C-3	Q1852	C-8
D1601	C-8	Q1503	C-6	Q1703	C-3	Q1853	C-8
D1701	C-4	Q1504	C-6	Q1704	C-4	Q1854	C-9
D1751	C-2	Q1505	D-6	Q1705	D-3	Q1855	D-8
D1801	C-10	Q1551	B-5	Q1751	B-1	Q1901	D-11
D1851	C-9	Q1552	C-4	Q1752	C-1	Q1902	D-11
D1901	D-12	Q1553	C-4	Q1753	C-1	Q1903	D-11
D1902	B-12	Q1554	C-5	Q1754	C-2	Q1910	B-12
D1903	B-12	Q1555	D-4	Q1755	D-1	Q1911	B-12
D1907	C-11	Q1601	B-7	Q1801	B-10	Q1912	D-12
D1911	A-11	Q1602	C-7	Q1802	C-9	Q1913	D-12
		Q1603	C-7	Q1803	C-10	Q1914	C-11
IC1902	C-12	Q1604	C-8	Q1804	C-10		
IC1904	C-11	Q1605	D-7	Q1805	D-10		

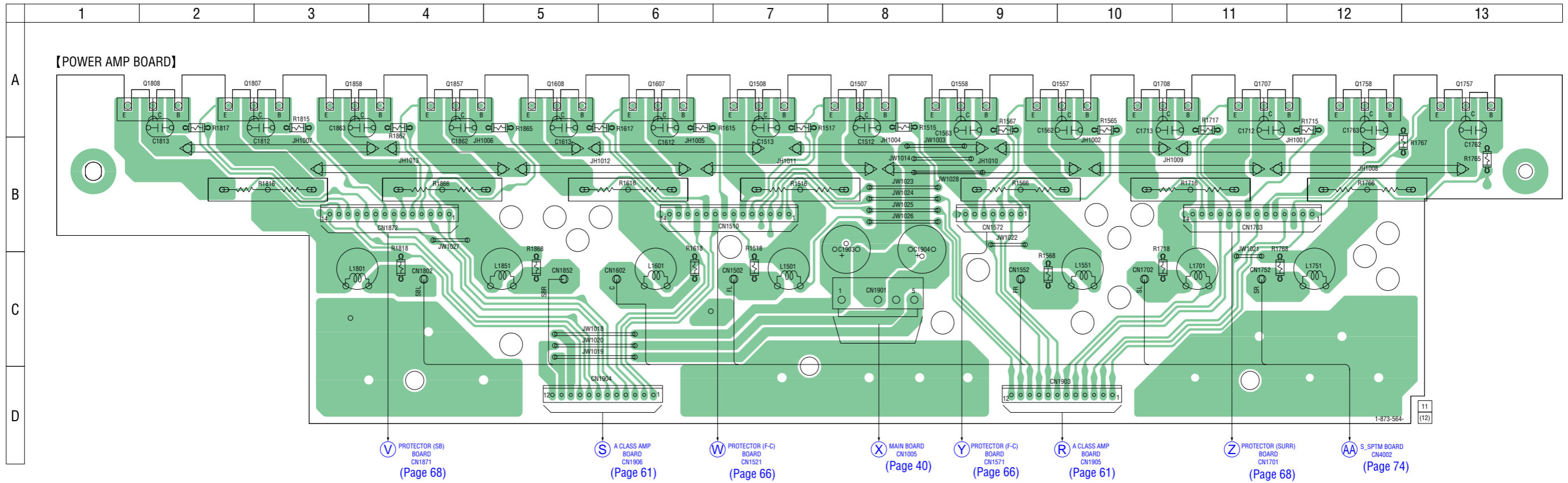
6-38. SCHEMATIC DIAGRAM – A CLASS AMP Board (1/2) –



6-39. SCHEMATIC DIAGRAM – A CLASS AMP Board (2/2) –



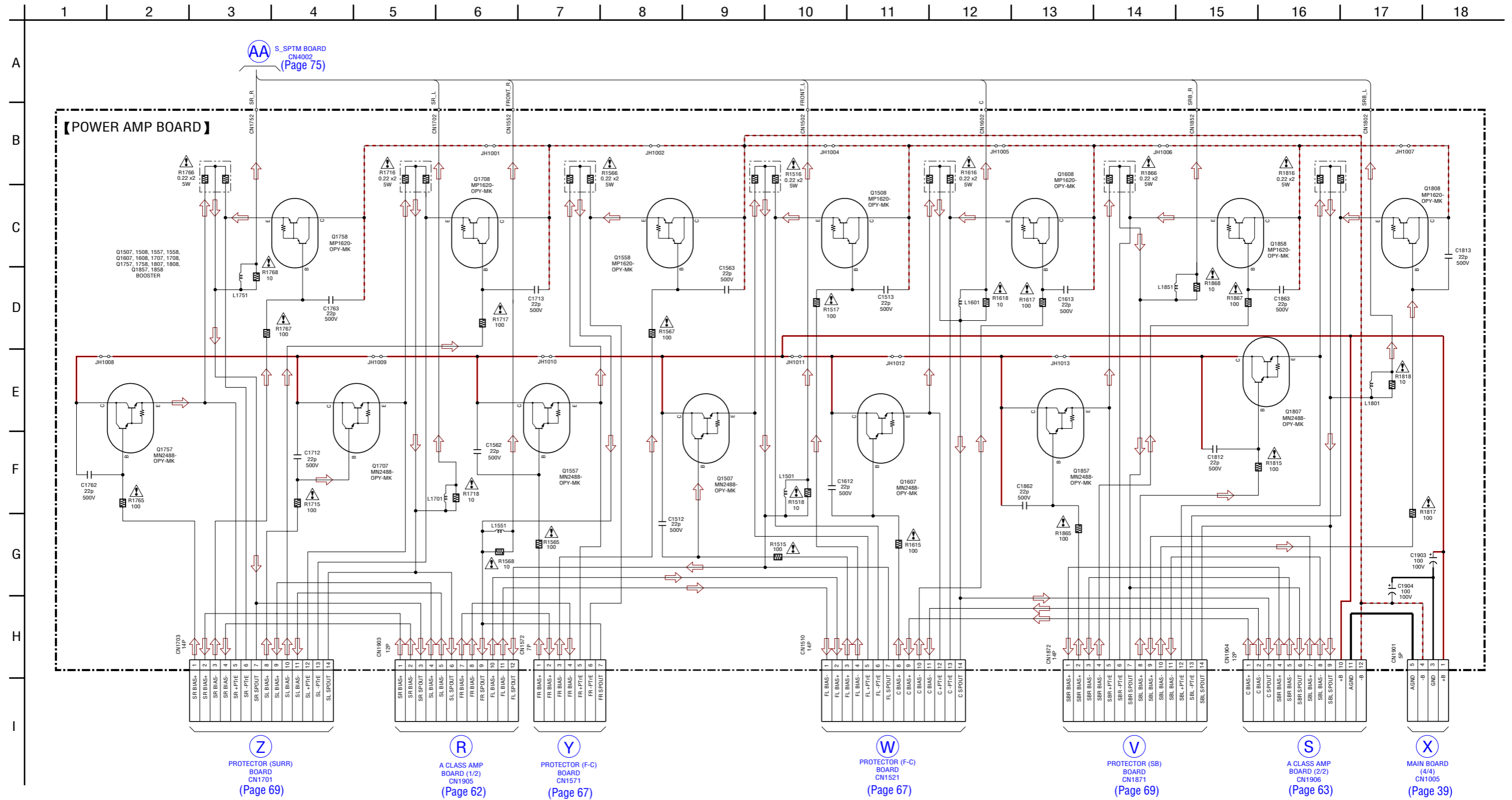
6-40. PRINTED WIRING BOARD – POWER AMP Board – • See page 35 for Circuit Boards Location.  : Uses unleaded solder.



• Semiconductor Location

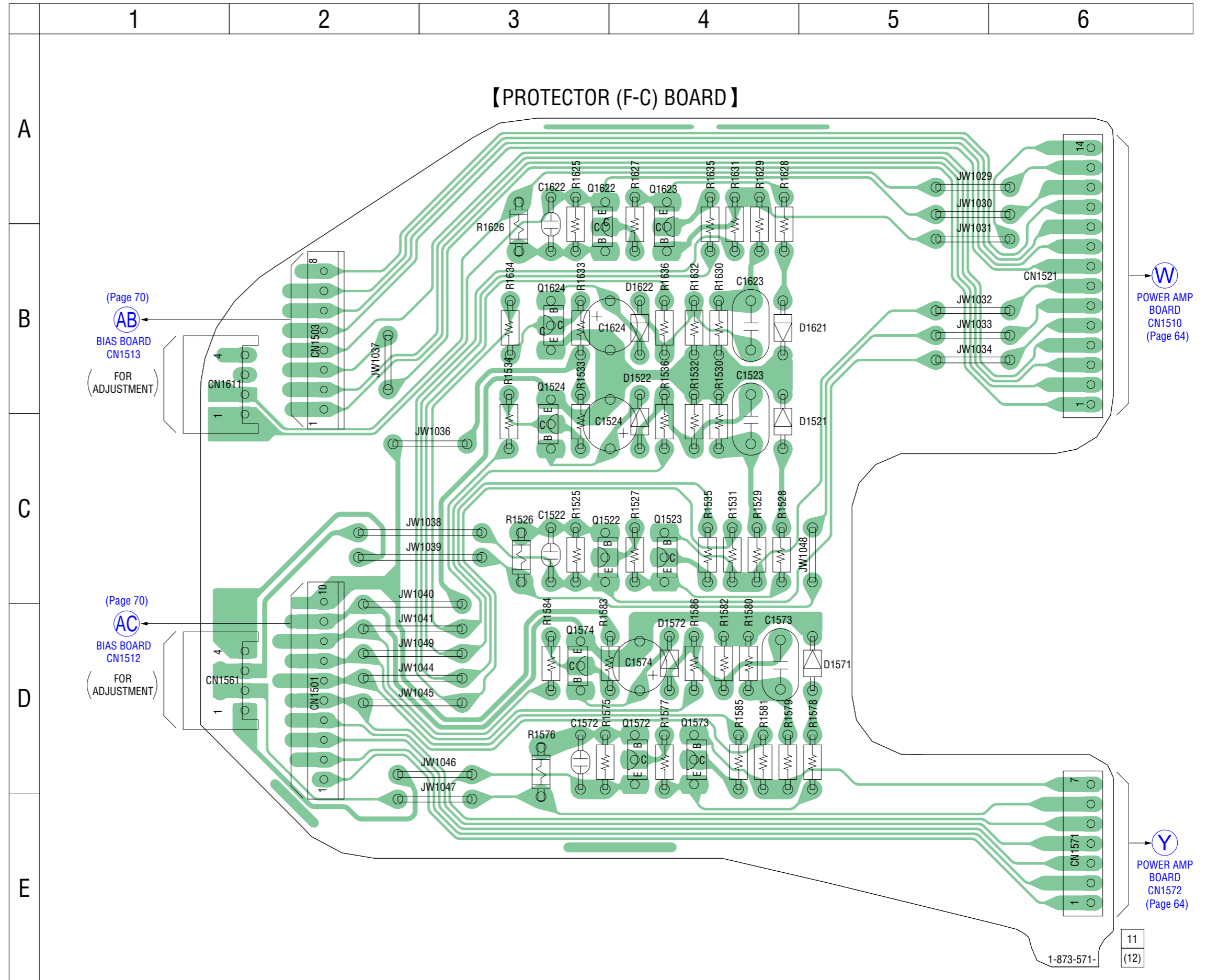
Ref. No.	Location
Q1507	A-8
Q1508	A-7
Q1557	A-10
Q1558	A-9
Q1607	A-6
Q1608	A-5
Q1707	A-11
Q1708	A-10
Q1757	A-13
Q1758	A-12
Q1807	A-2
Q1808	A-2
Q1857	A-4
Q1858	A-3

6-41. SCHEMATIC DIAGRAM – POWER AMP Board –

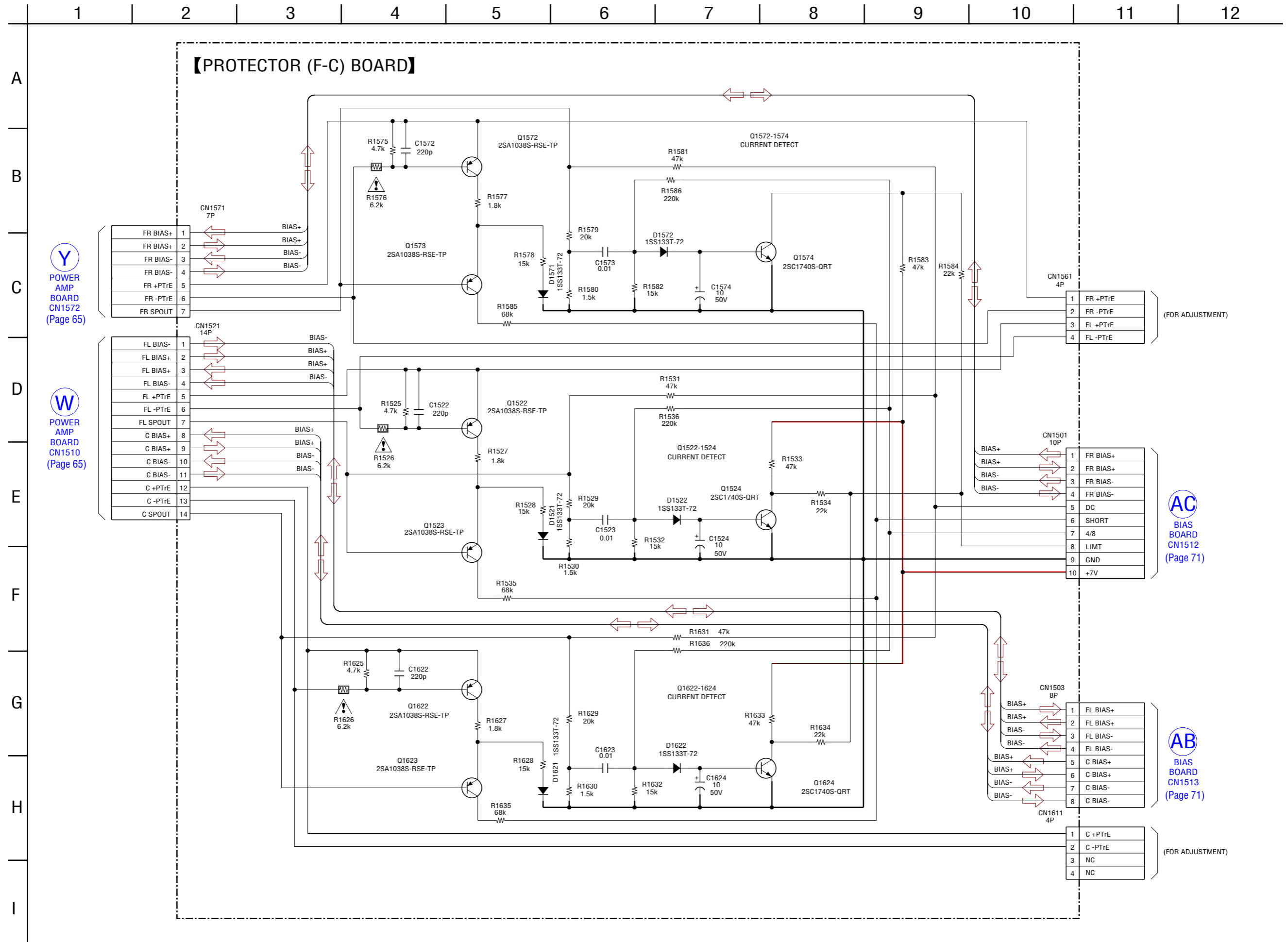


• Semiconductor Location

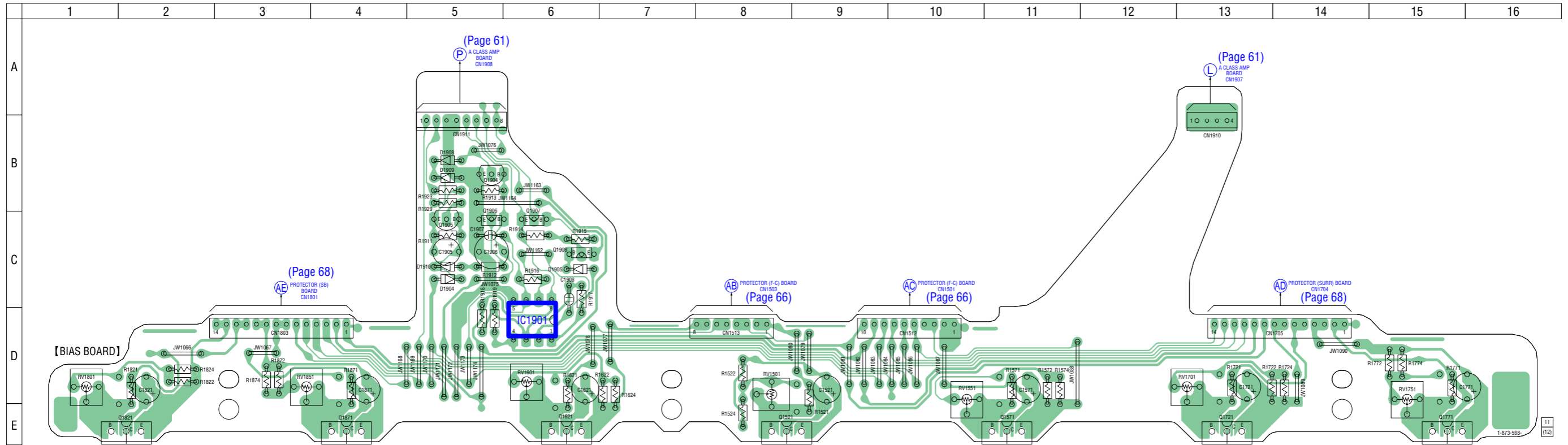
Ref. No.	Location
D1521	C-4
D1522	C-4
D1571	D-5
D1572	D-4
D1621	B-4
D1622	B-4
Q1522	C-3
Q1523	C-4
Q1524	C-3
Q1572	D-4
Q1573	D-4
Q1574	D-3
Q1622	B-3
Q1623	B-4
Q1624	B-3



6-43. SCHEMATIC DIAGRAM – PROTECTOR (F-C) Board –



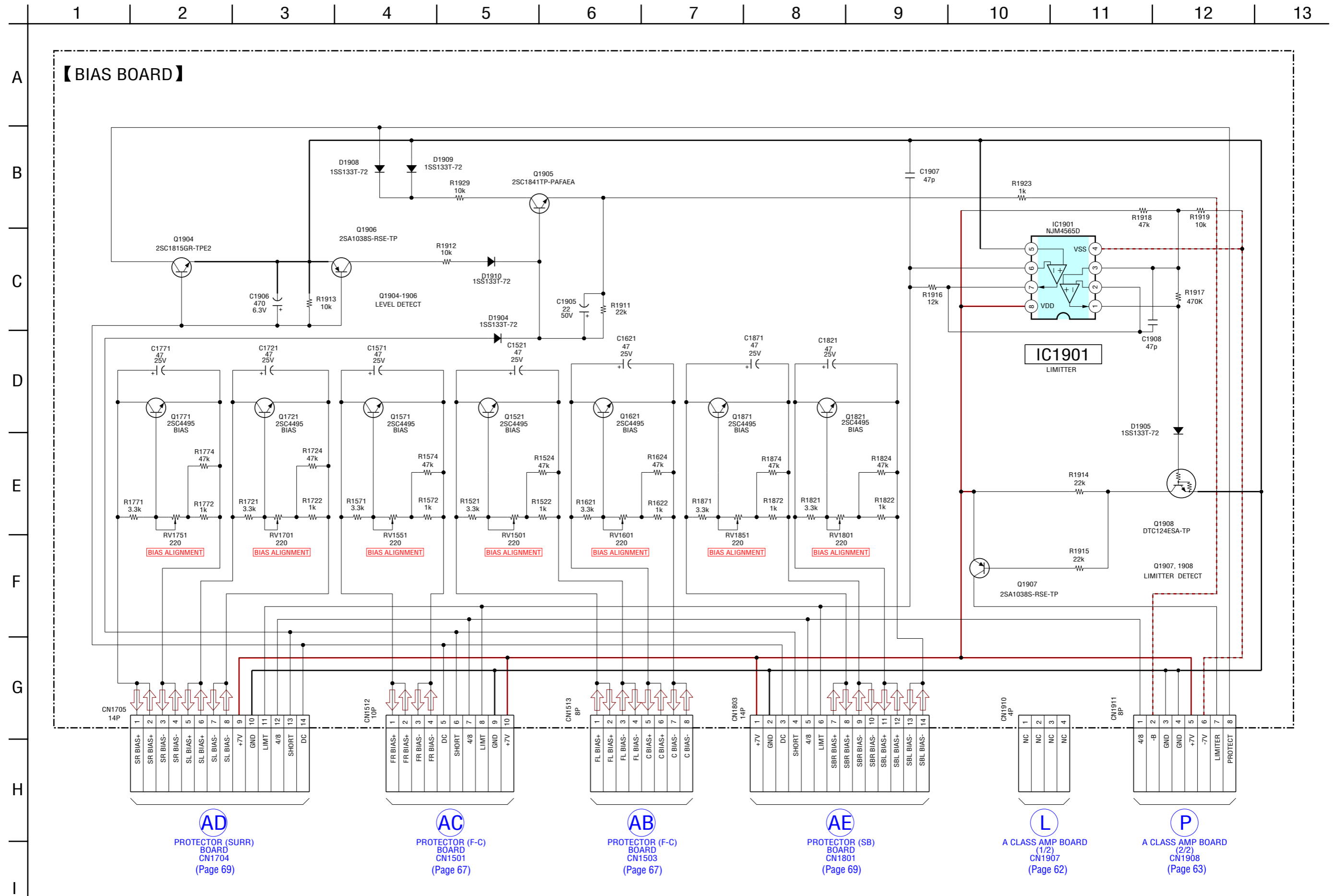
6-46. PRINTED WIRING BOARD – BIAS Board – • See page 35 for Circuit Boards Location.  : Uses unleaded solder.



• Semiconductor Location

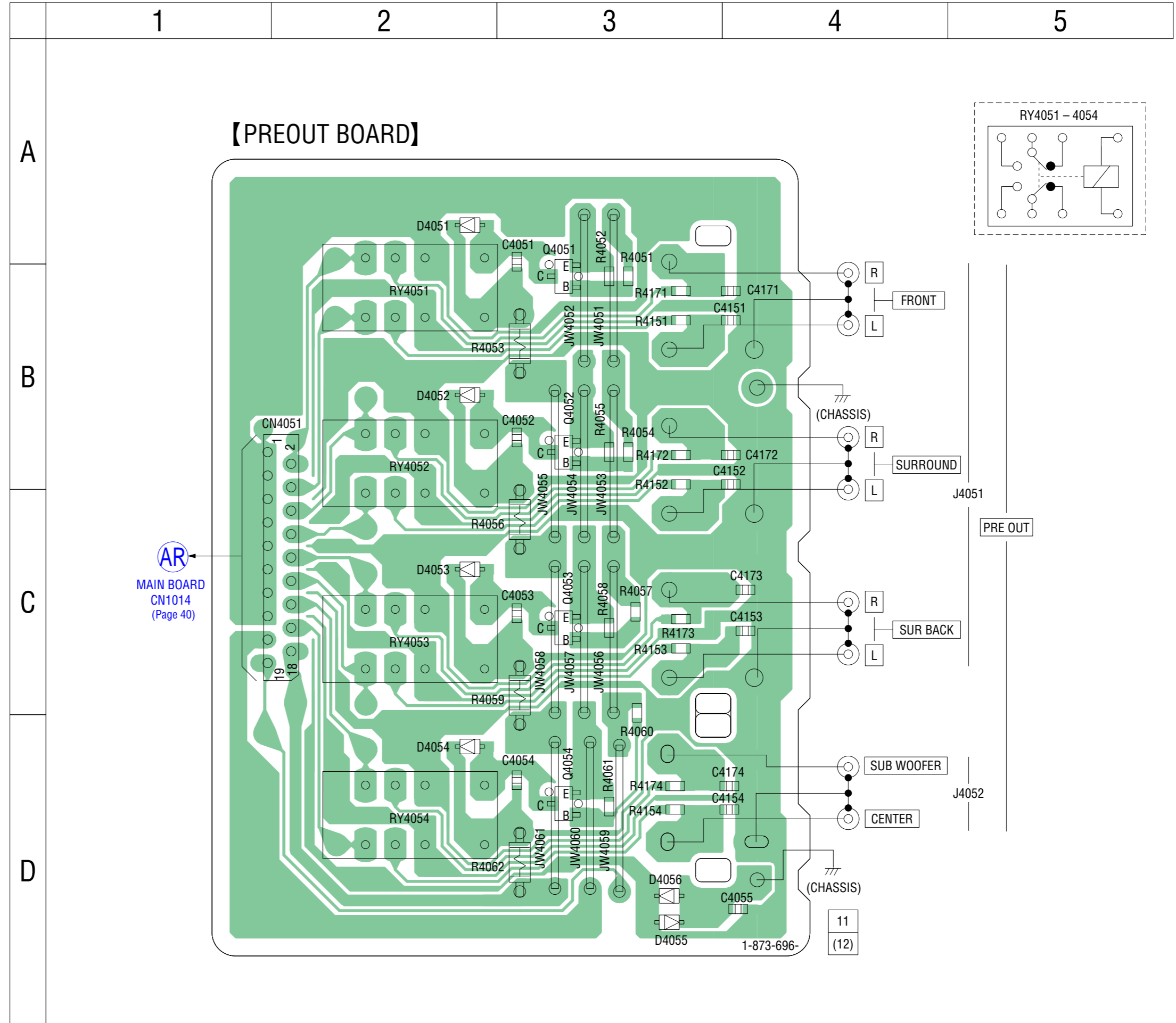
Ref. No.	Location
D1904	C-5
D1905	C-6
D1908	B-5
D1909	B-5
D1910	C-5
IC1901	D-6
Q1521	E-8
Q1571	E-11
Q1621	E-6
Q1721	E-13
Q1771	E-15
Q1821	E-2
Q1871	E-4
Q1904	B-5
Q1905	C-5
Q1906	C-5
Q1907	C-6
Q1908	C-6

6-47. SCHEMATIC DIAGRAM – BIAS Board –

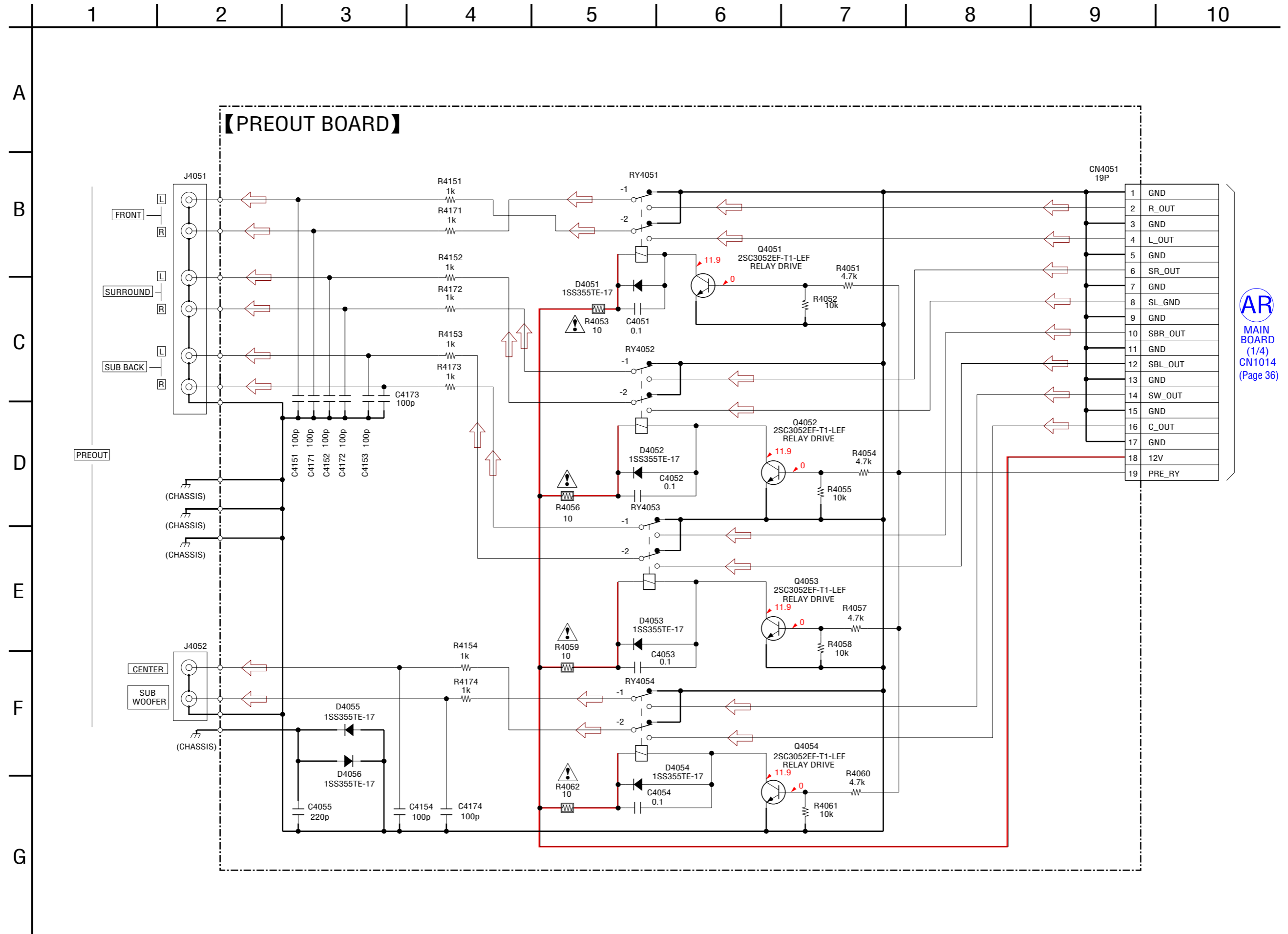


• Semiconductor Location


Ref. No.	Location
D4051	A-2
D4052	B-2
D4053	C-2
D4054	D-2
D4055	D-3
D4056	D-3
Q4051	B-3
Q4052	B-3
Q4053	C-3
Q4054	D-3

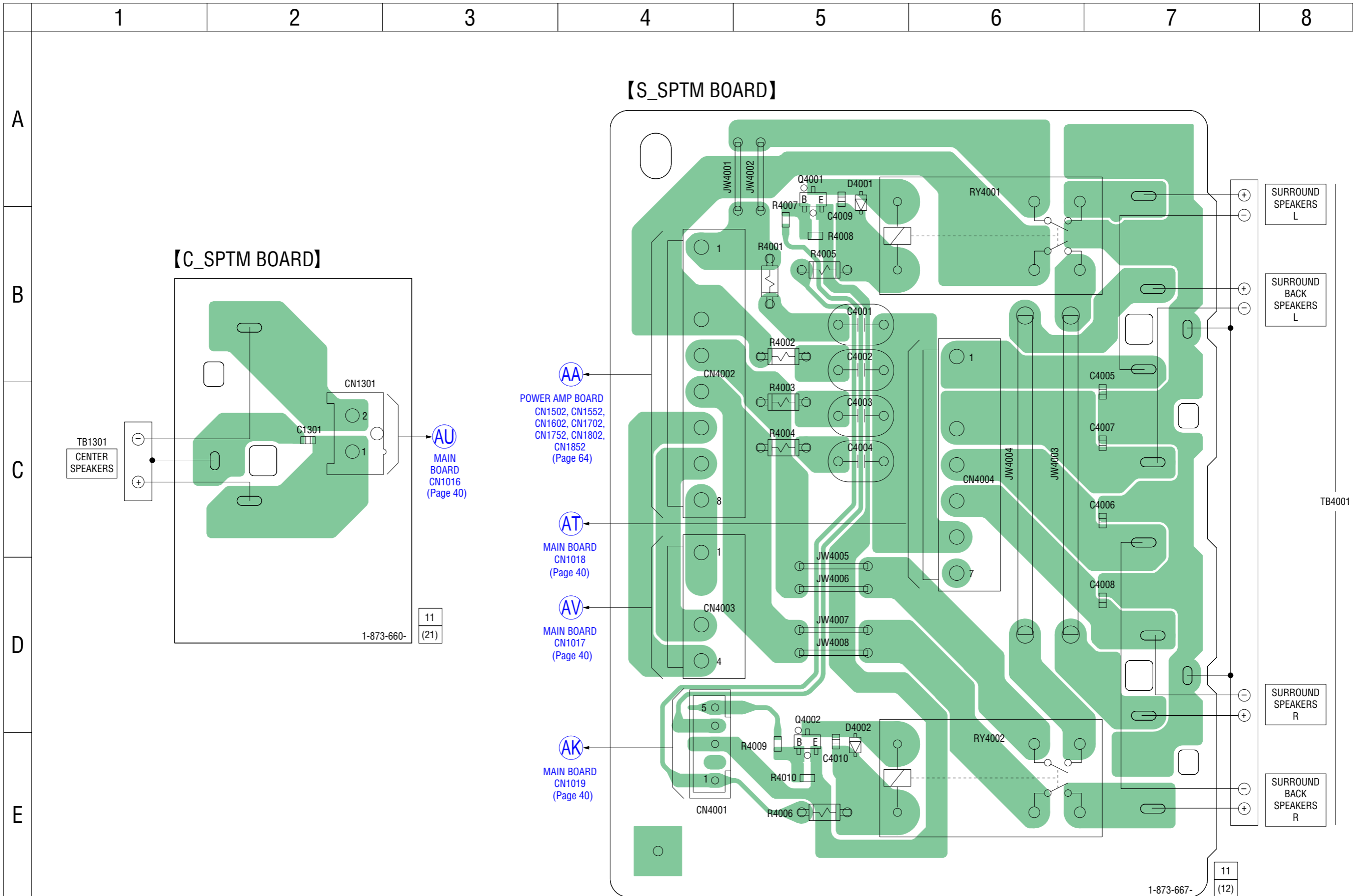


6-49. SCHEMATIC DIAGRAM – PREOUT Board –

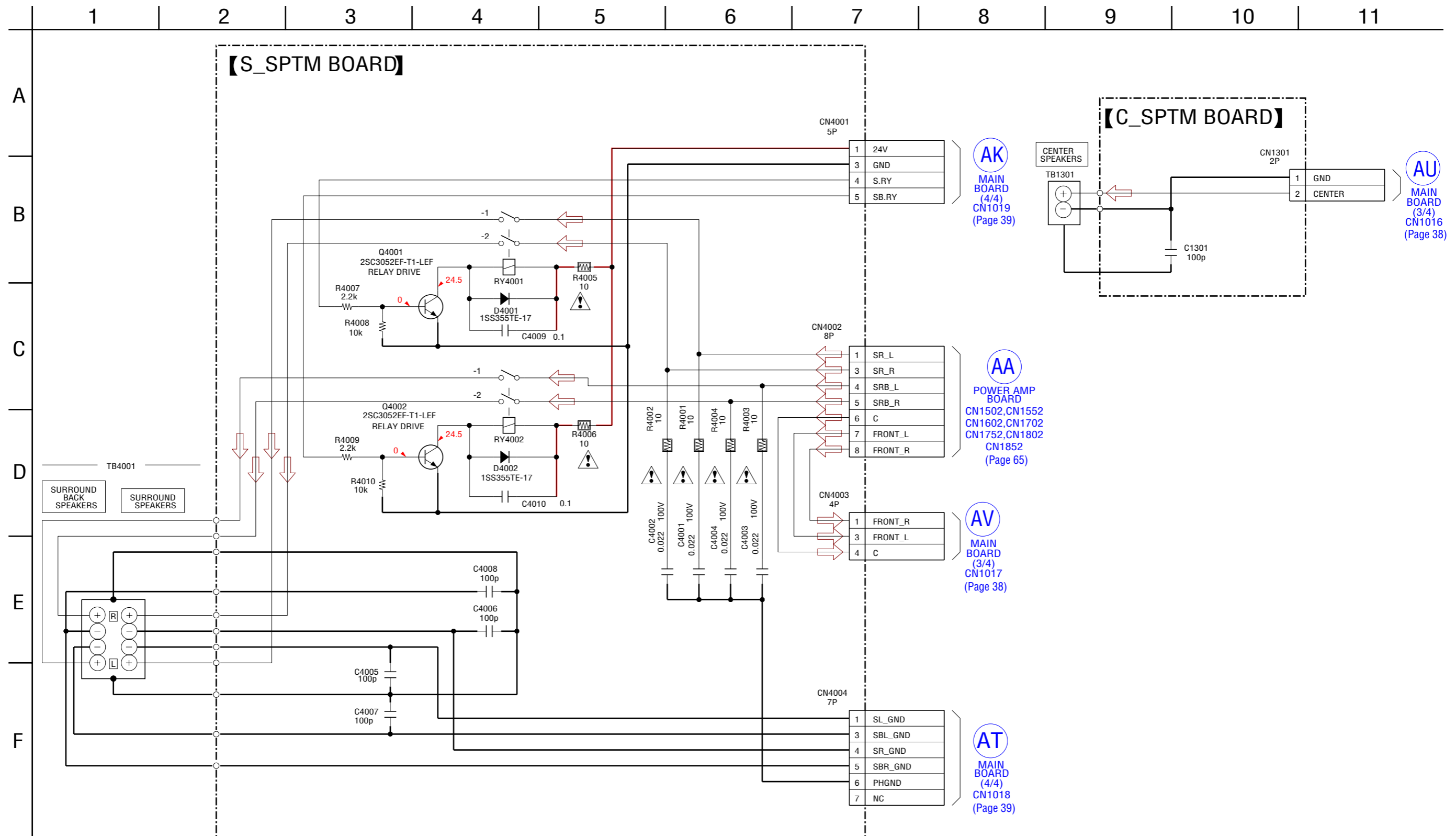


AR
MAIN BOARD (1/4)
CN1014 (Page 36)


6-50. PRINTED WIRING BOARDS – SPEAKER Section – • See page 35 for Circuit Boards Location.  : Uses unleaded solder.



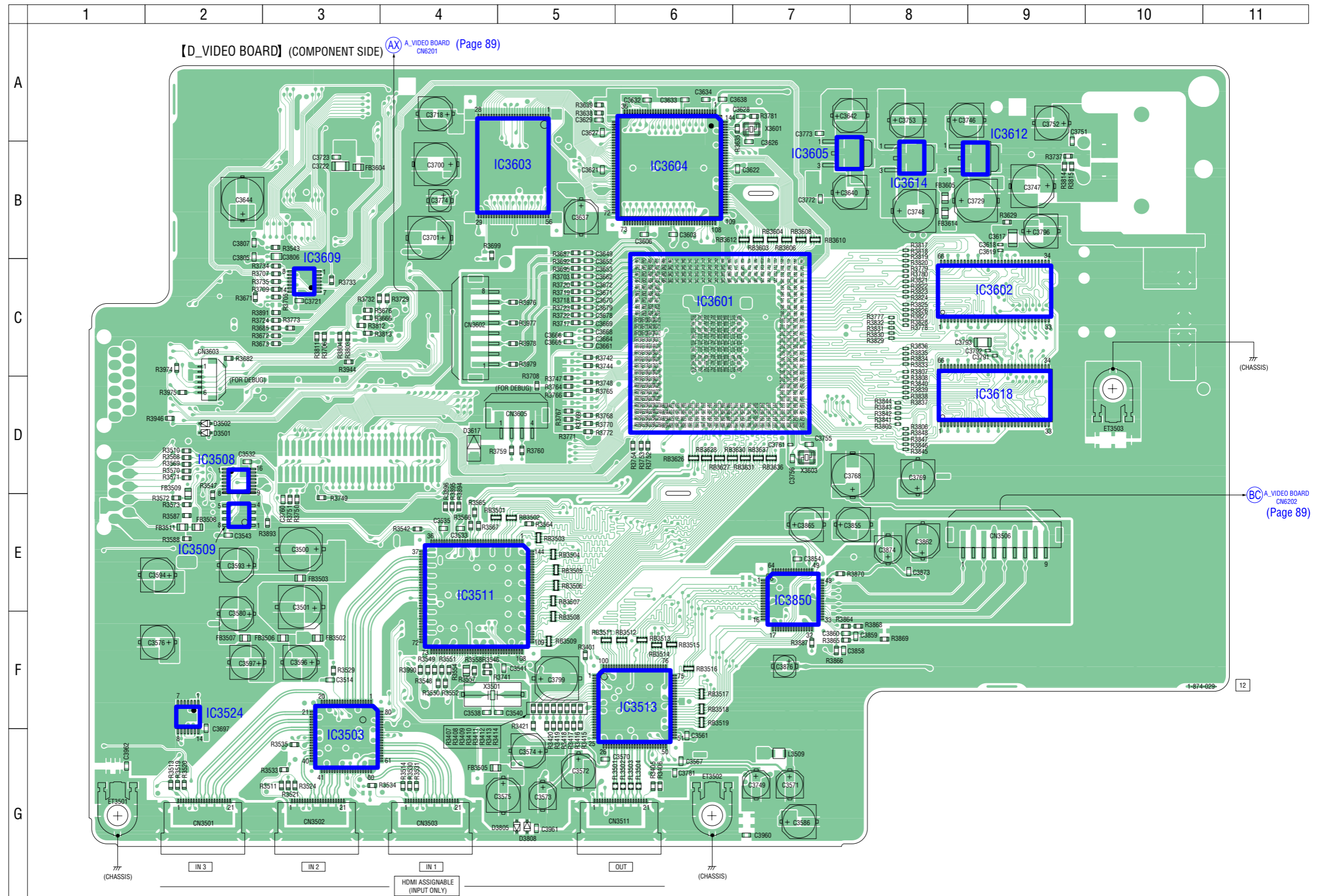
6-51. SCHEMATIC DIAGRAM – SPEAKER Section –




• Semiconductor Location

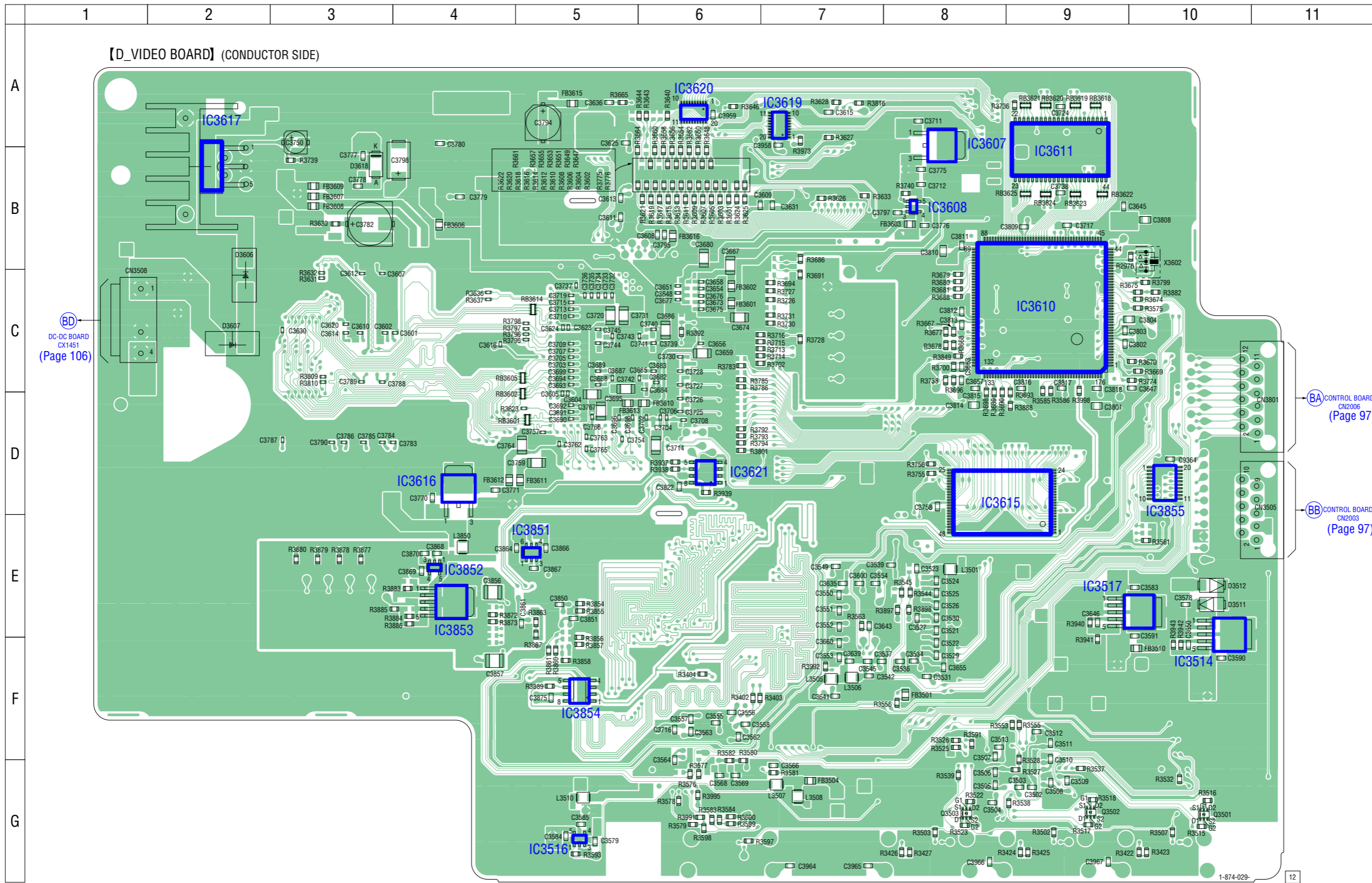
6-52. PRINTED WIRING BOARD – D_VIDEO Board (Component Side) – • See page 35 for Circuit Boards Location.  : Uses unleaded solder.

Ref. No.	Location
D3501	D-2
D3502	D-2
D3617	D-4
D3805	G-5
D3808	G-5
IC3503	G-3
IC3508	D-2
IC3509	E-2
IC3511	E-4
IC3513	F-6
IC3524	F-2
IC3601	C-6
IC3602	C-9
IC3603	B-5
IC3604	B-6
IC3605	B-7
IC3609	C-3
IC3612	B-3
IC3614	B-8
IC3618	D-9
IC3850	E-7



Note: IC3511 and IC3513 cannot exchange with single. When IC3511 and IC3513 are damaged, exchange the entire mounted board.

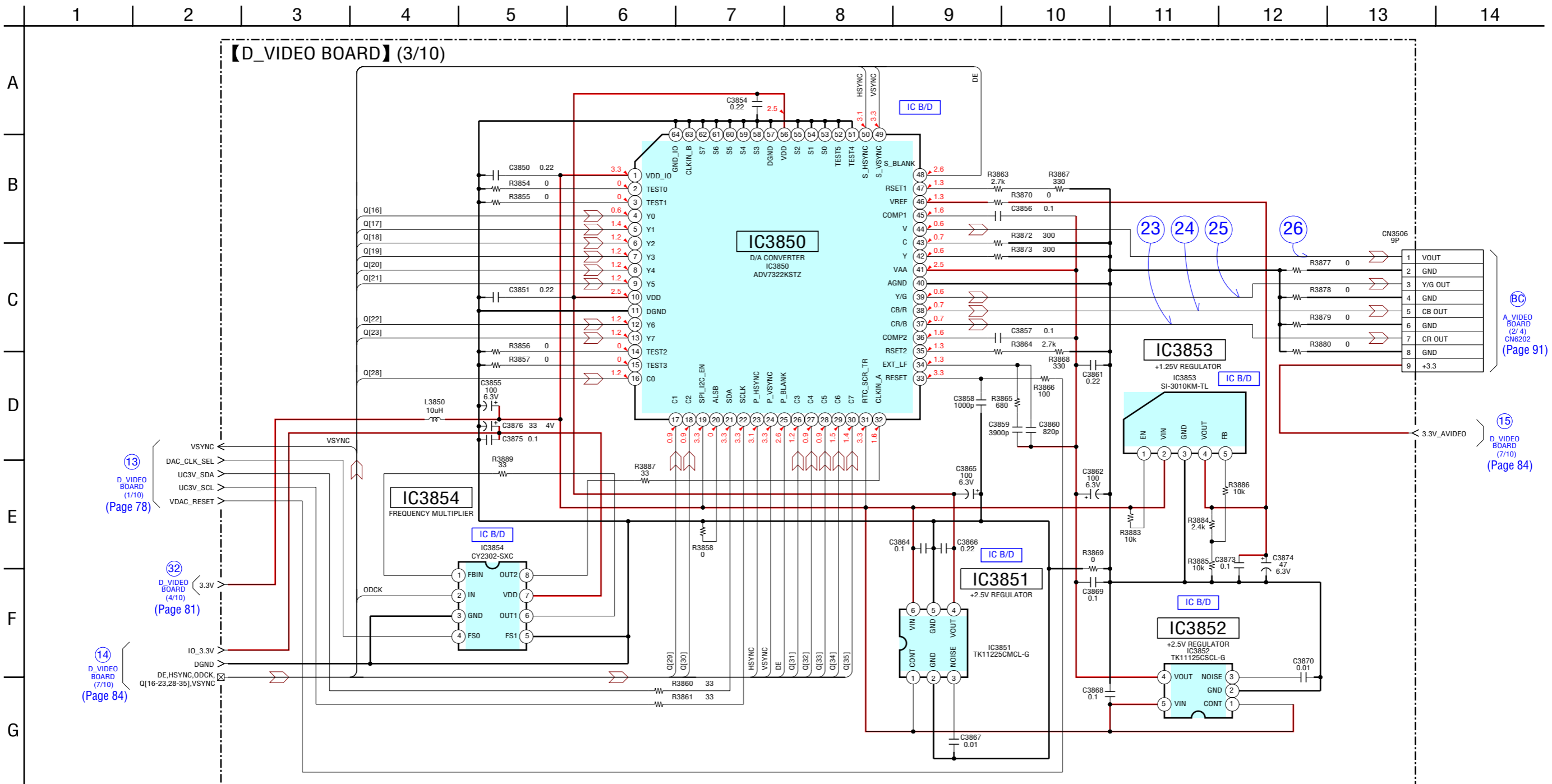
6-53. PRINTED WIRING BOARD – D_VIDEO Board (Conductor Side) – • See page 35 for Circuit Boards Location.  : Uses unleaded solder.



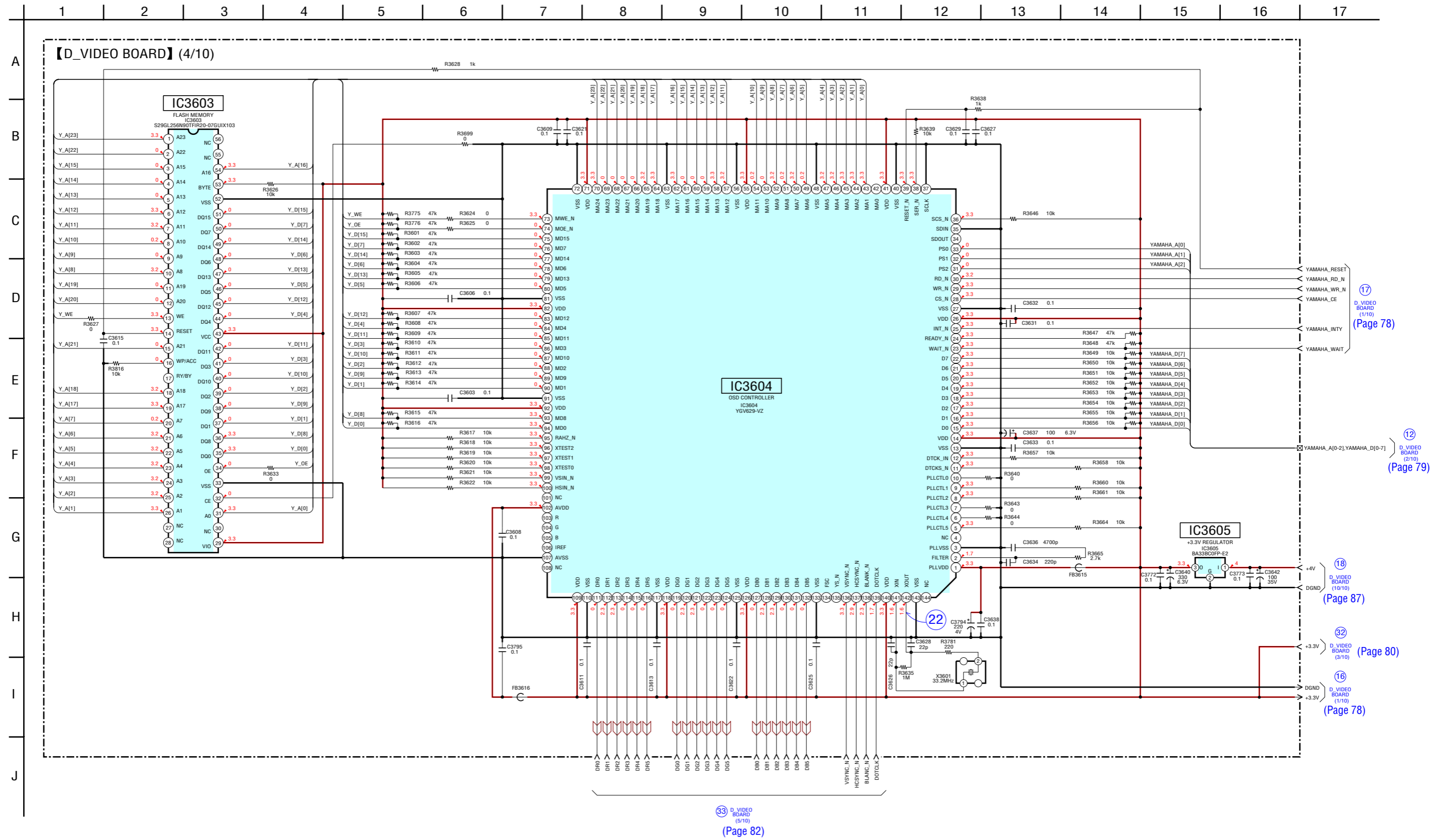
• Semiconductor Location

Ref. No.	Location
D3511	E-10
D3512	E-10
D3606	C-2
D3607	C-2
D3618	B-3
IC3514	E-10
IC3516	G-5
IC3517	E-10
IC3607	A-8
IC3608	B-8
IC3610	C-9
IC3611	B-9
IC3615	D-8
IC3616	D-4
IC3617	B-2
IC3619	A-7
IC3620	A-6
IC3621	D-6
IC3851	E-5
IC3852	E-4
IC3853	E-4
IC3854	F-5
IC3855	D-10
Q3501	G-10
Q3502	G-9
Q3503	G-8

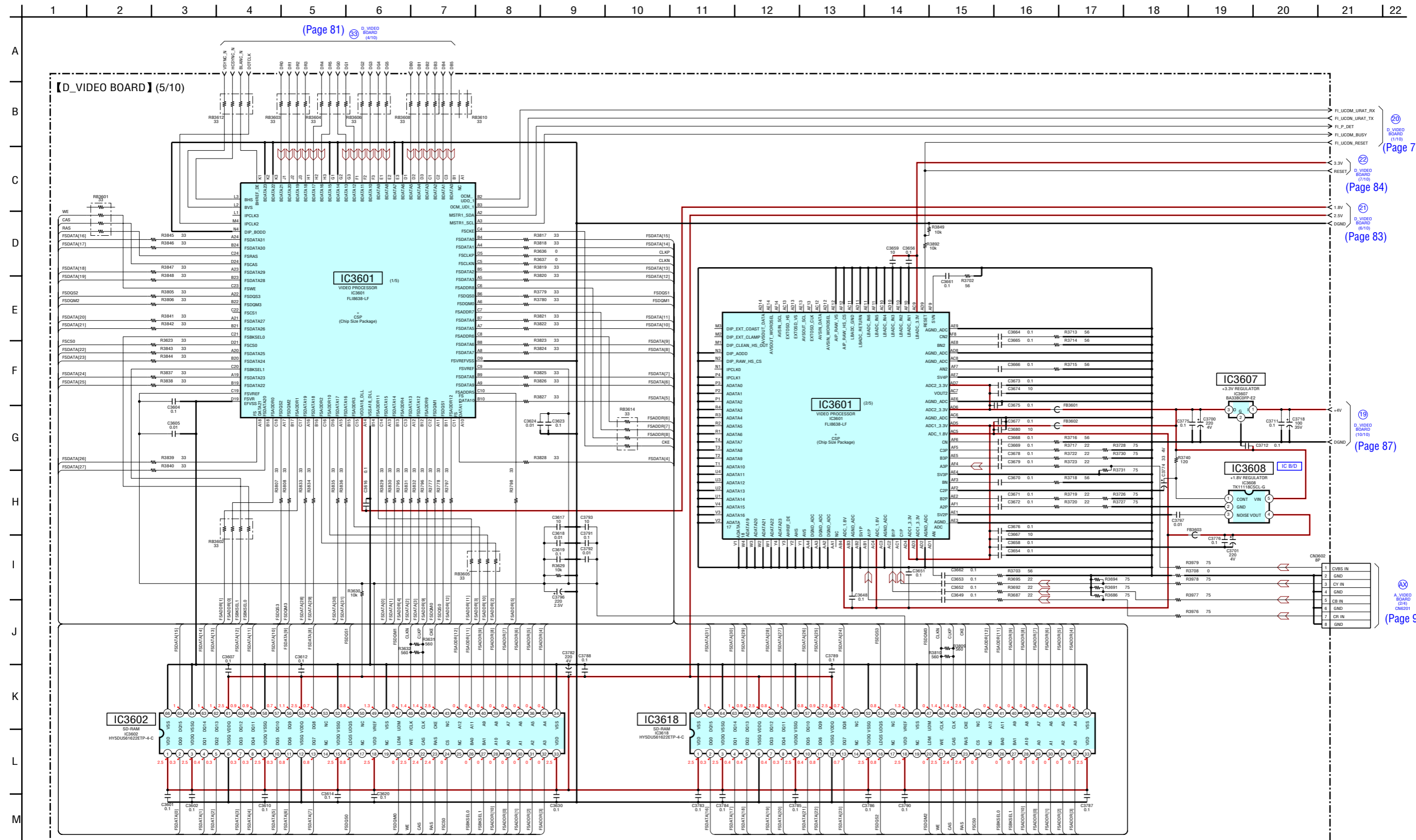
6-56. SCHEMATIC DIAGRAM – D_VIDEO Board (3/10) – • See page 110 for Waveforms. • See page 110 for IC Block Diagrams.



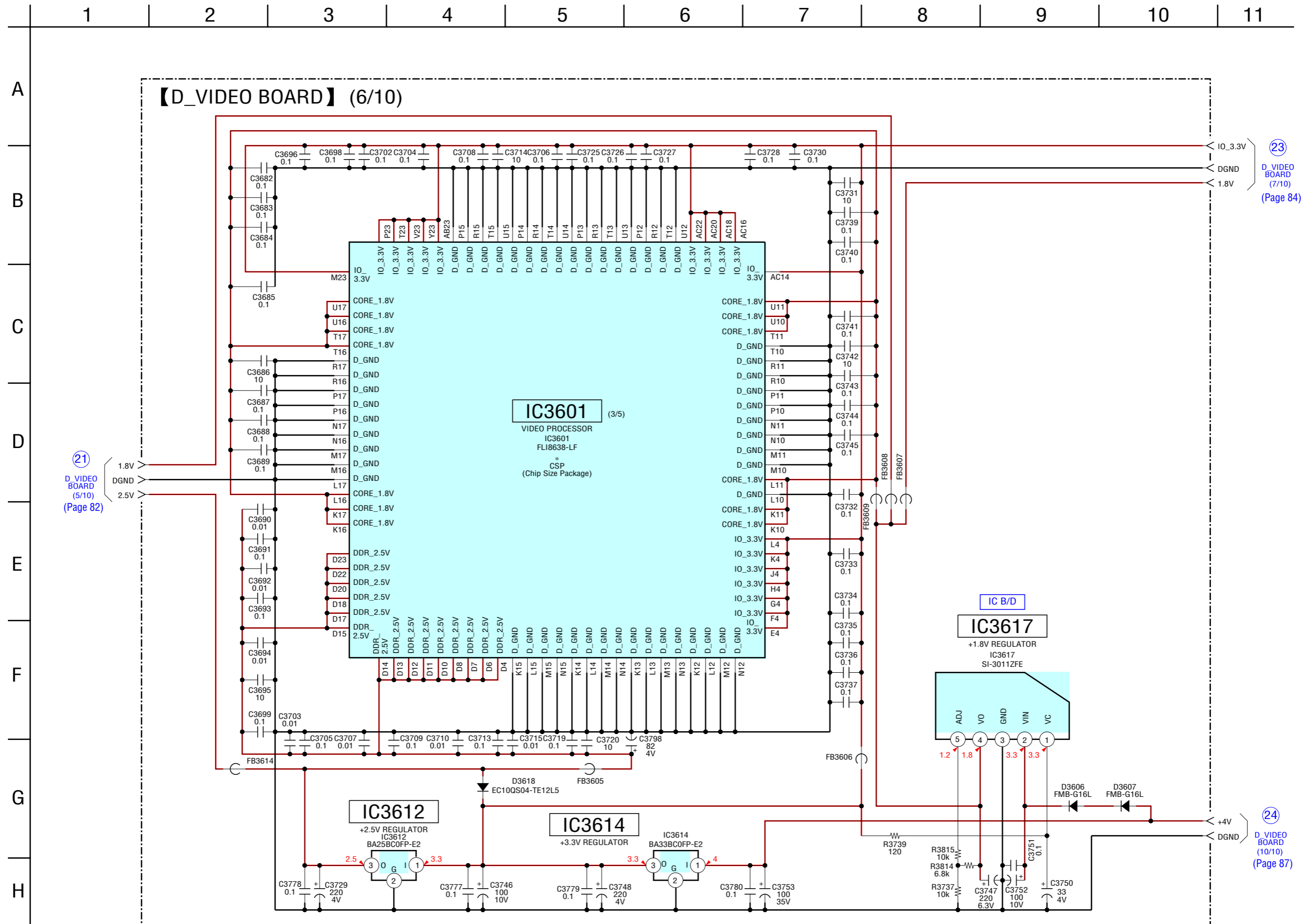
6-57. SCHEMATIC DIAGRAM – D_VIDEO Board (4/10) – • See page 110 for Waveforms. • See page 123 for IC Pin Function Description.



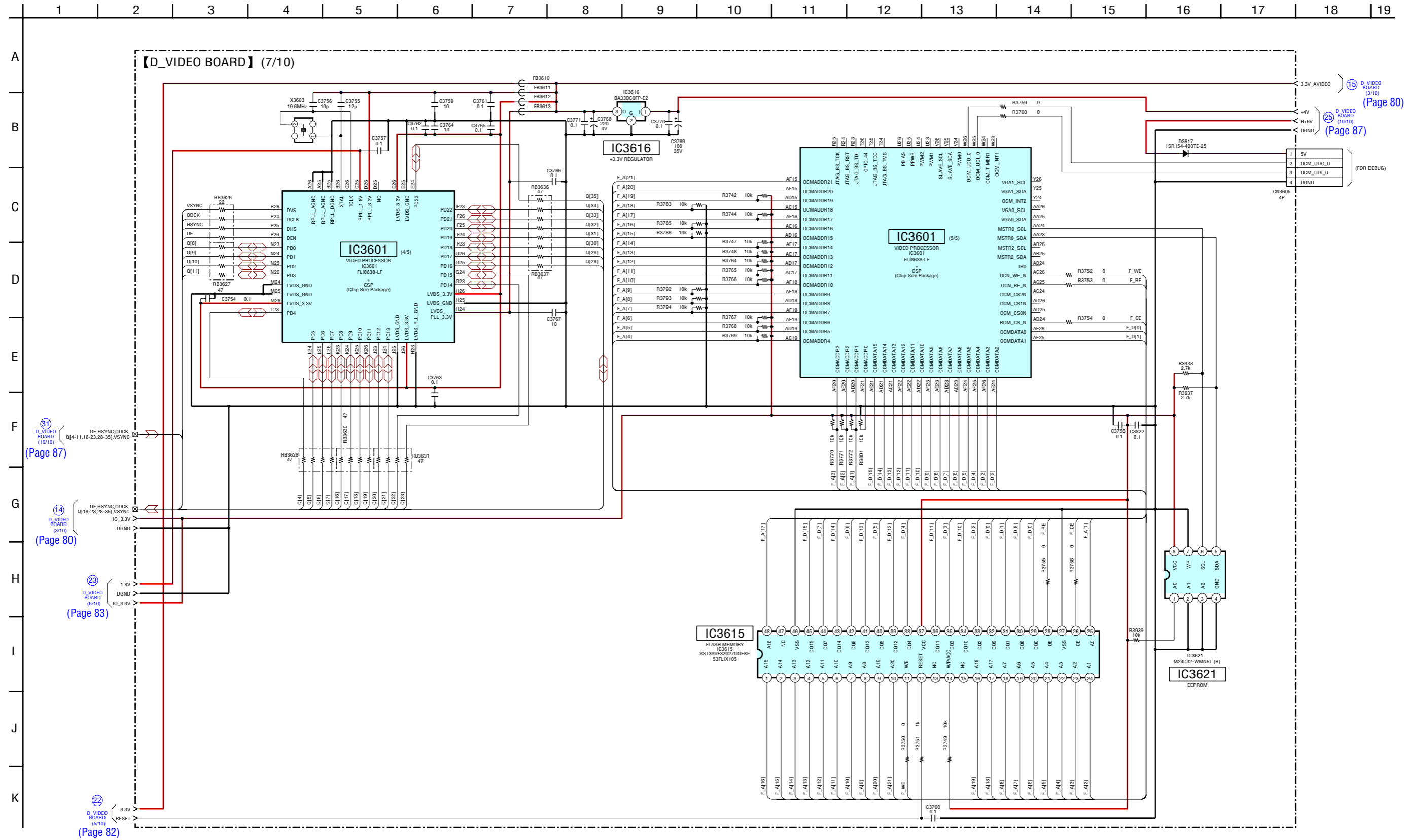
6-58. SCHEMATIC DIAGRAM – D_VIDEO Board (5/10) – • See page 110 for IC Block Diagrams. • See page 123 for IC Pin Function Description.



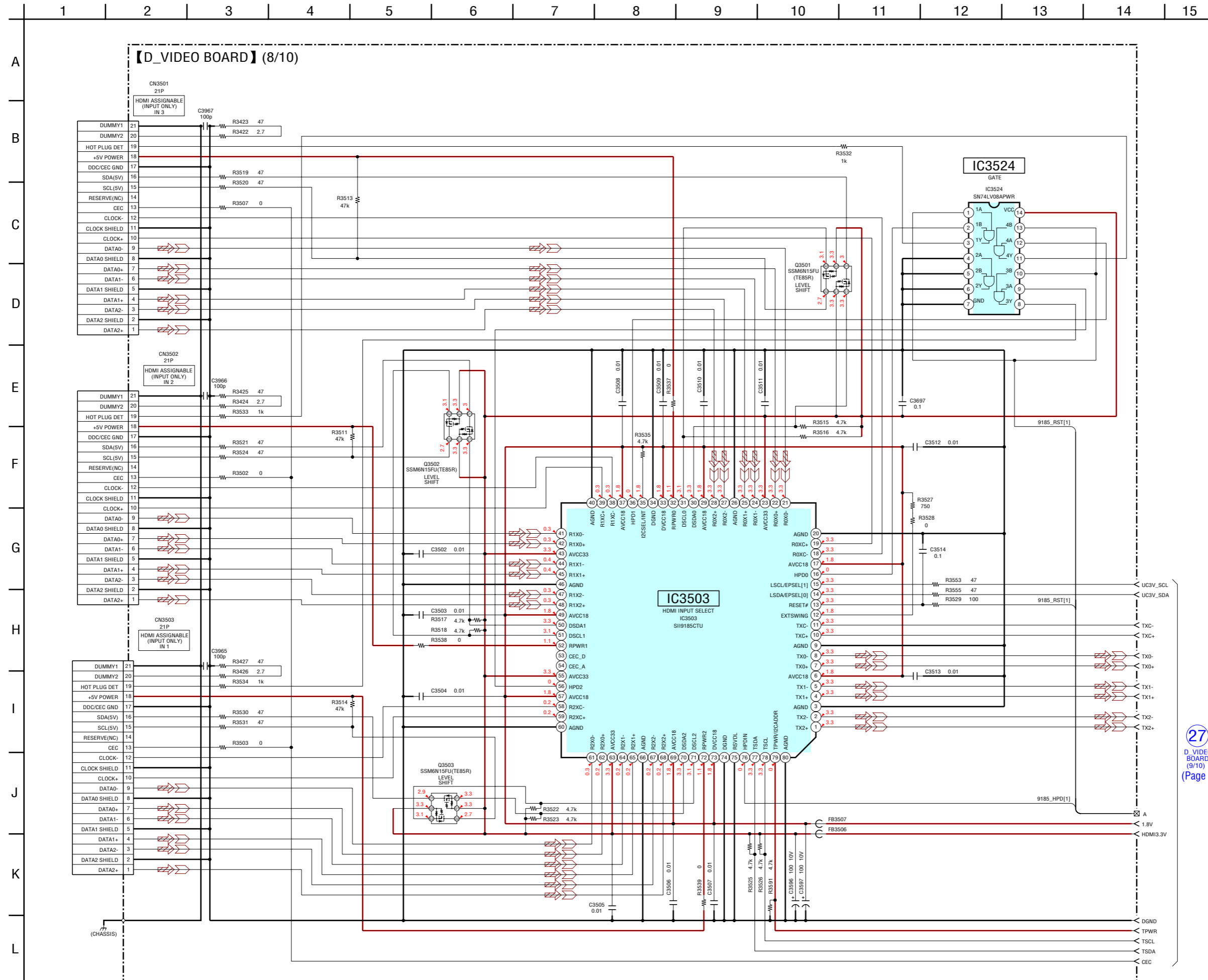
6-59. SCHEMATIC DIAGRAM – D_VIDEO Board (6/10) – • See page 110 for IC Block Diagrams. • See page 123 for IC Pin Function Description.



6-60. SCHEMATIC DIAGRAM – D_VIDEO Board (7/10) – • See page 123 for IC Pin Function Description.

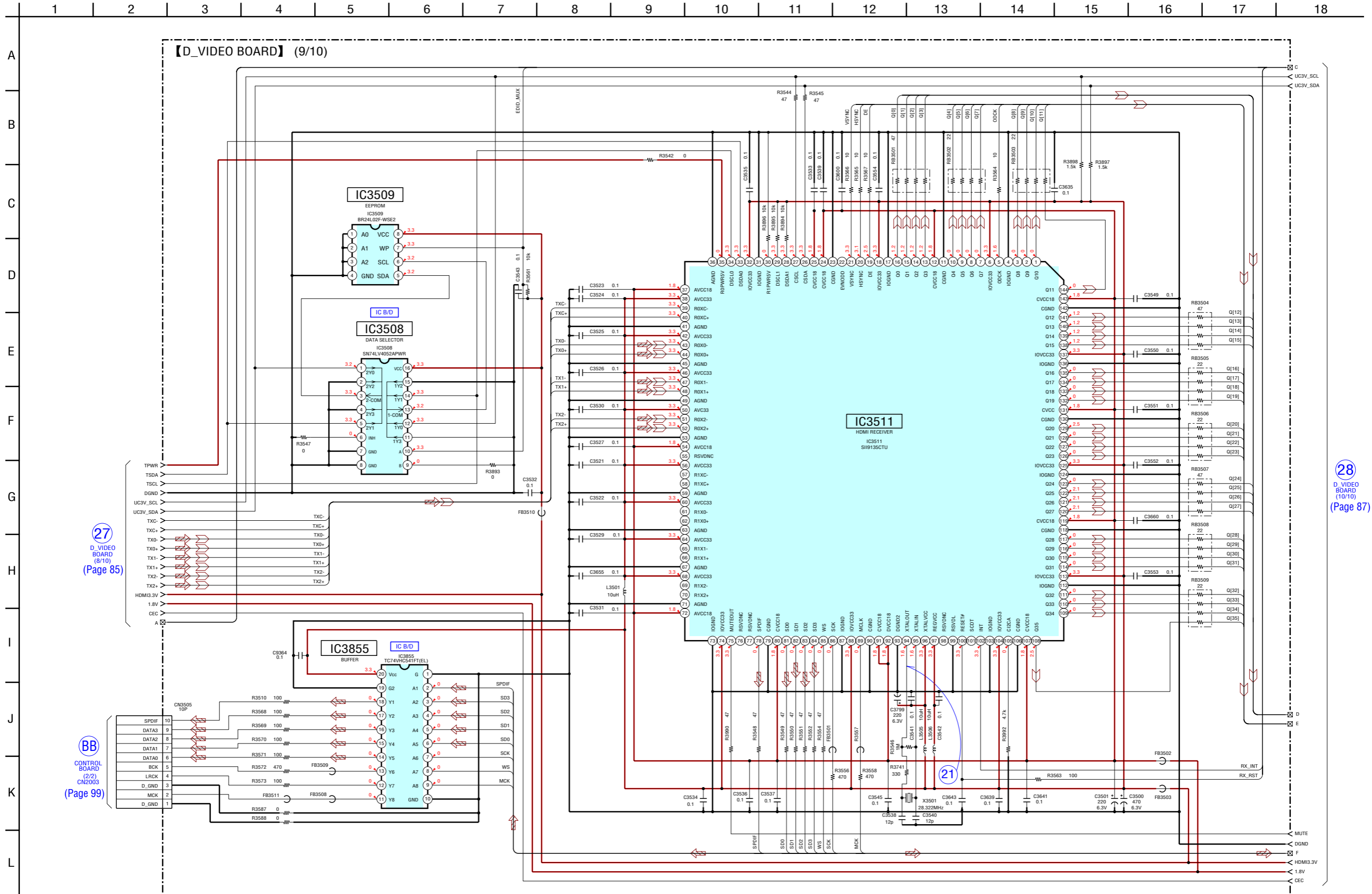


6-61. SCHEMATIC DIAGRAM – D_VIDEO Board (8/10) – • See page 123 for IC Pin Function Description.



27
D_VIDEO BOARD (9/10)
(Page 86)

6-62. SCHEMATIC DIAGRAM – D_VIDEO Board (9/10) – See page 110 for Waveforms. See page 110 for IC Block Diagrams. See page 123 for IC Pin Function Description.



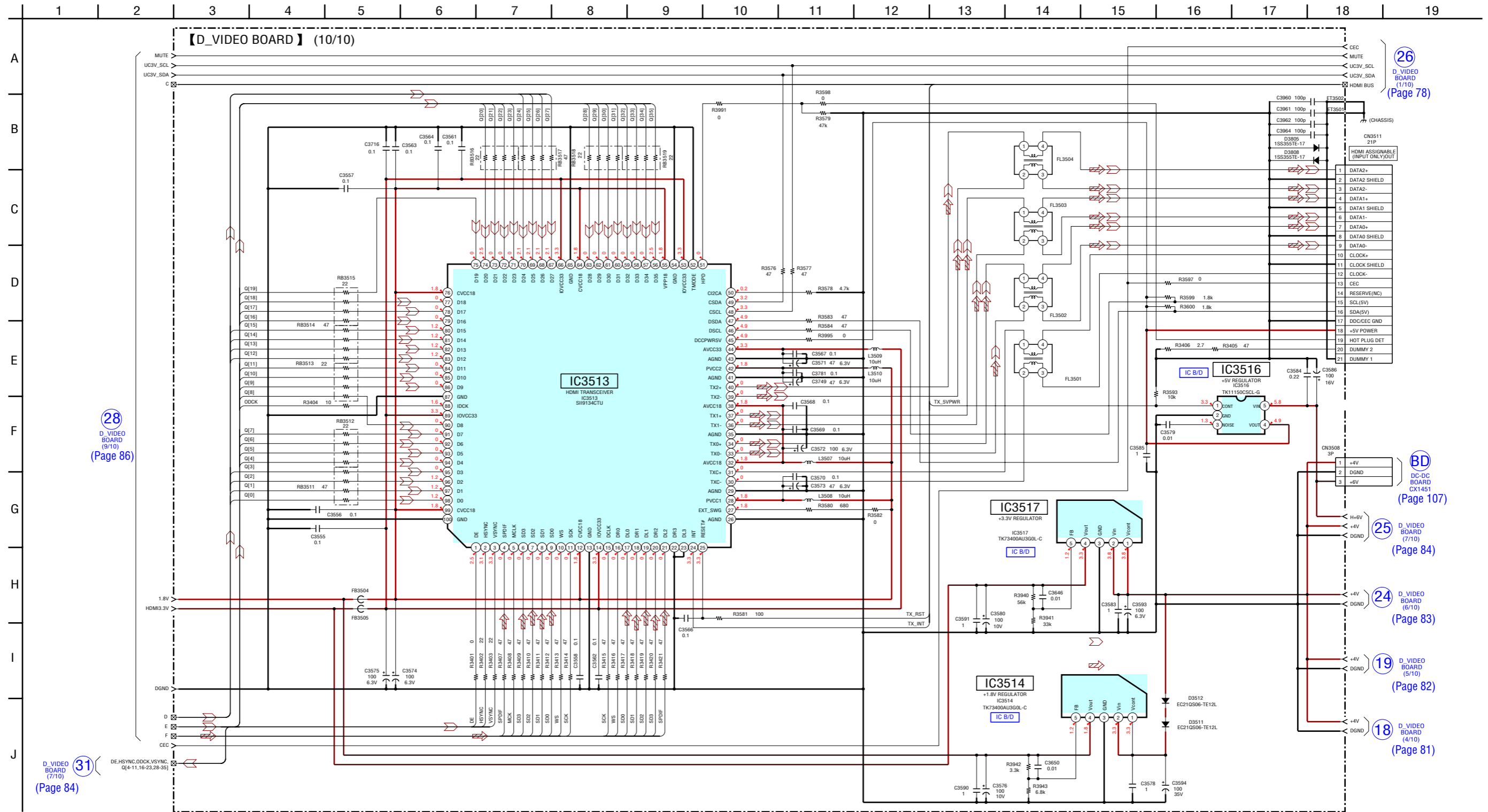
28 D_VIDEO BOARD (10/10) (Page 87)


27 D_VIDEO BOARD (8/10) (Page 85)

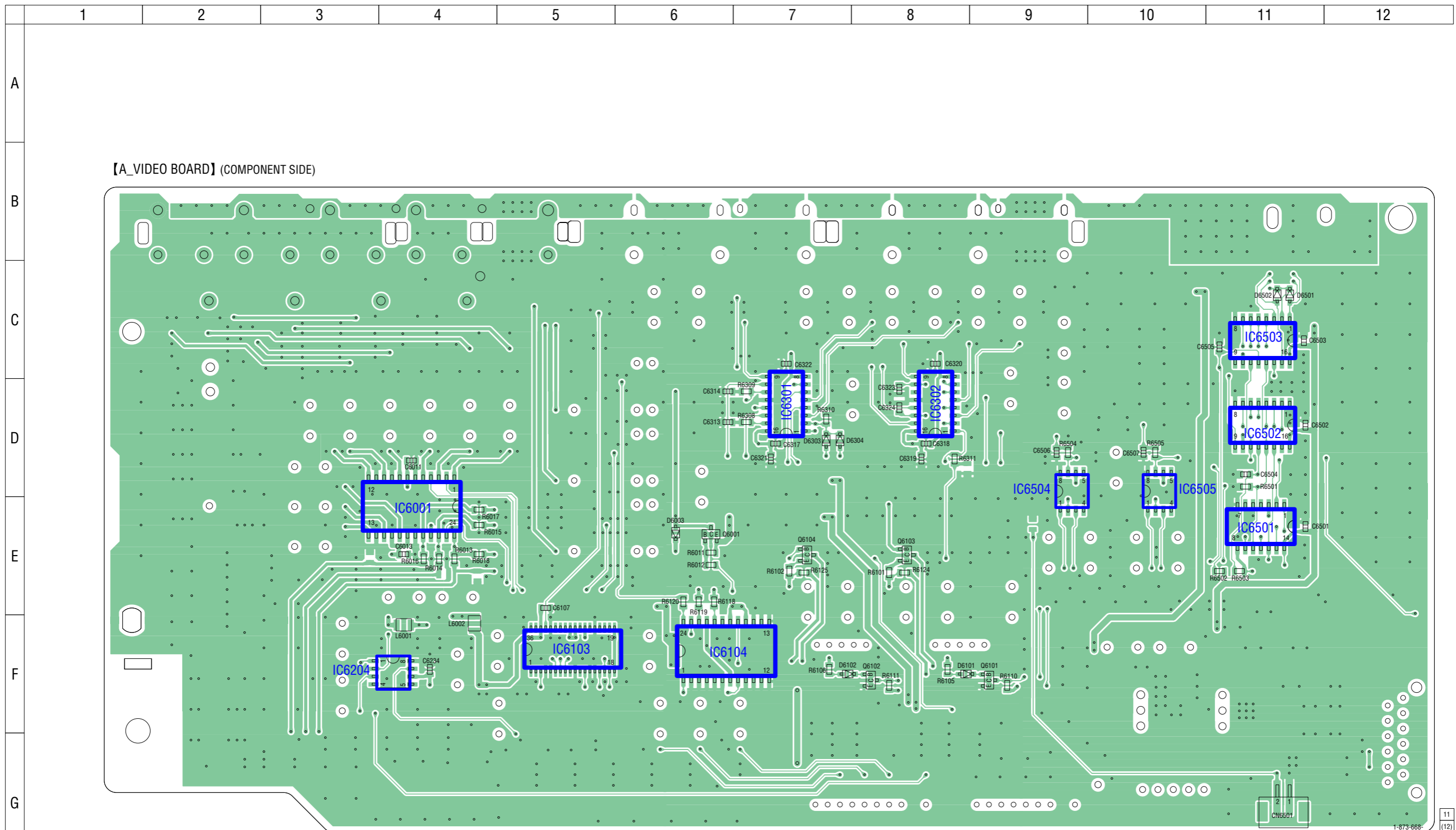
BB CONTROL BOARD (2/2) CN2003 (Page 99)

Note: IC3511 cannot exchange with single. When IC3511 is damaged, exchange the entire mounted board.

6-63. SCHEMATIC DIAGRAM – D_VIDEO Board (10/10) – • See page 110 for IC Block Diagrams. • See page 123 for IC Pin Function Description.




6-64. PRINTED WIRING BOARD – A_VIDEO Board (Component Side) – • See page 35 for Circuit Boards Location.  : Uses unleaded solder.

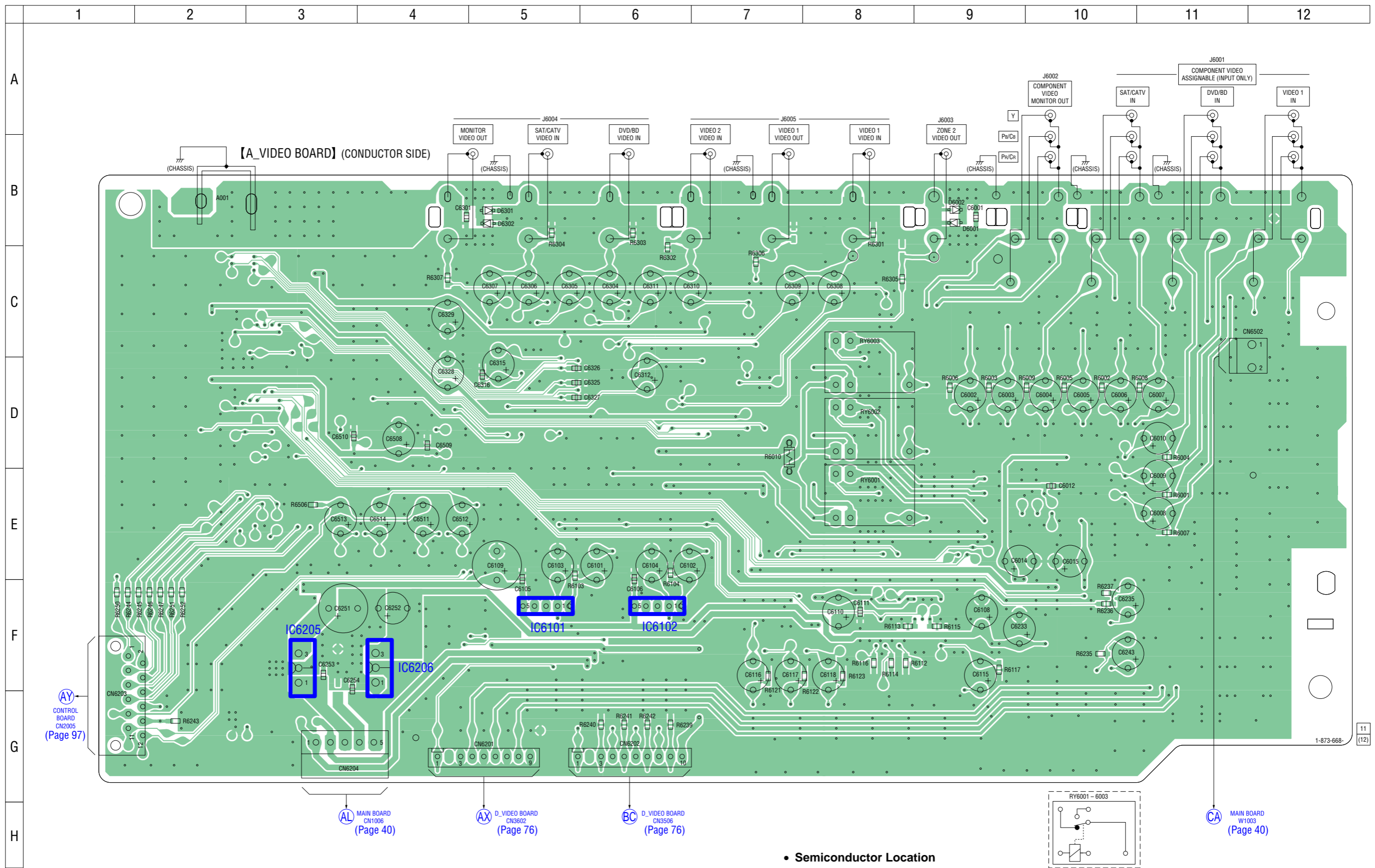


• Semiconductor Location

Ref. No.	Location	Ref. No.	Location	Ref. No.	Location
D6003	E-6	IC6103	F-5	IC6505	D-10
D6101	F-8	IC6104	F-6		
D6102	F-7	IC6204	F-4	Q6001	E-6
D6303	D-7	IC6301	D-7	Q6101	F-9
D6304	D-7	IC6302	D-8	Q6102	F-8
D6501	C-11	IC6501	E-11	Q6103	E-8
D6502	C-11	IC6502	D-11	Q6104	E-7
		IC6503	C-11		
IC6001	E-4	IC6504	D-9		

 VIDEO 3 BOARD
CN728
(Page 94)

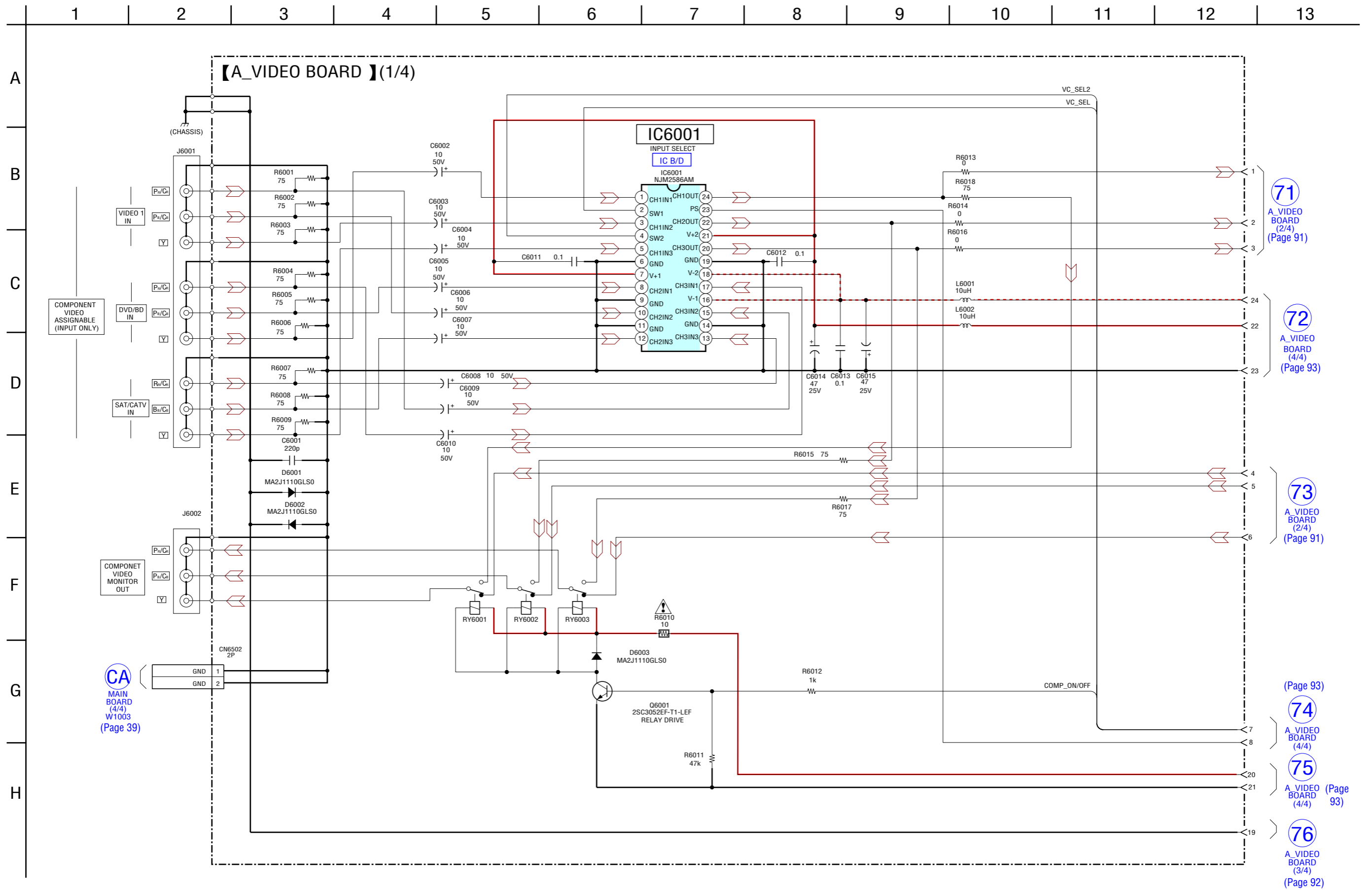
6-65. PRINTED WIRING BOARD – A_VIDEO Board (Conductor Side) – • See page 35 for Circuit Boards Location.  : Uses unleaded solder.



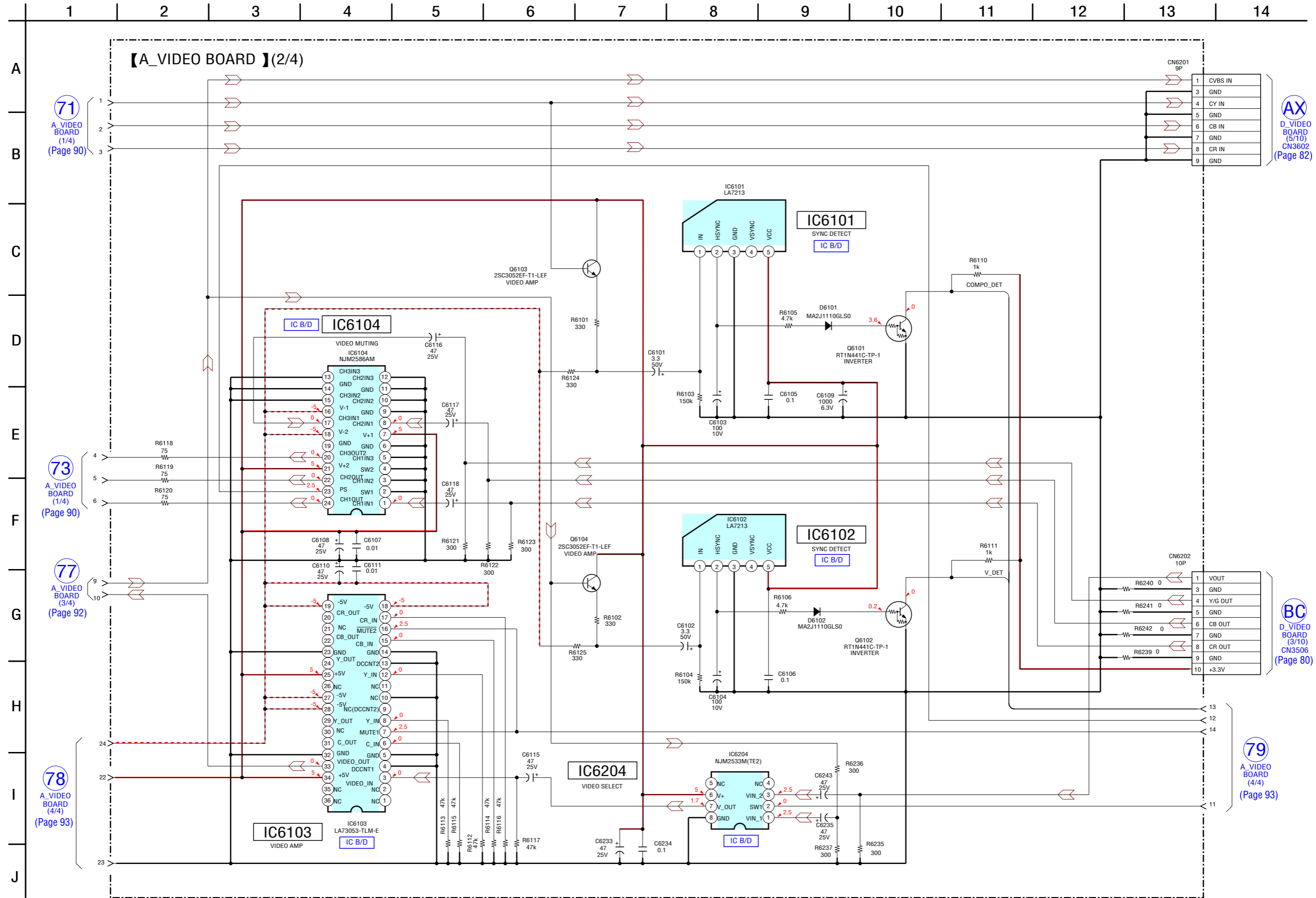
• Semiconductor Location

Ref. No.	Location	Ref. No.	Location
D6001	B-9	IC6101	F-5
D6002	B-9	IC6102	F-6
D6301	B-5	IC6205	F-3
D6302	B-5	IC6206	F-4

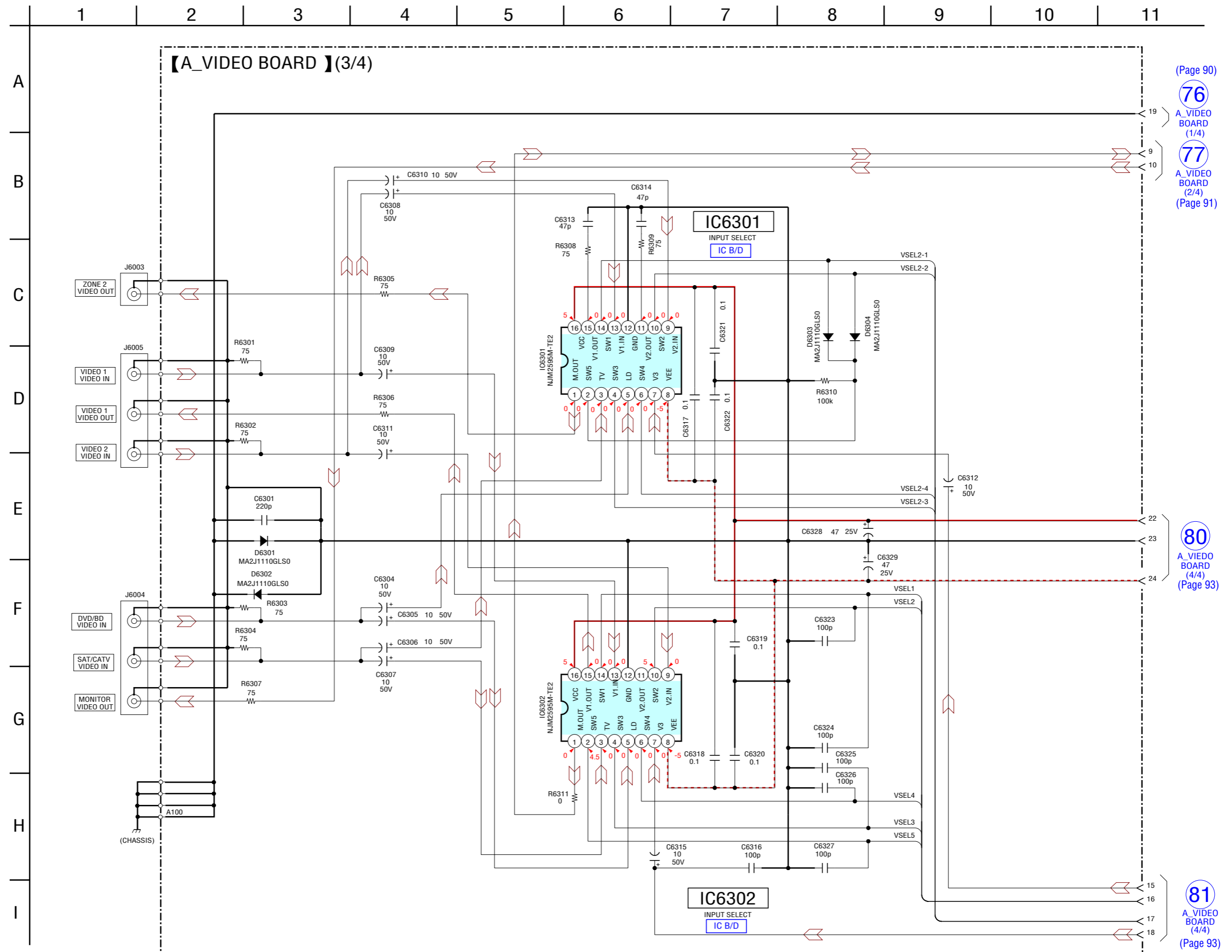
6-66. SCHEMATIC DIAGRAM – A_VIDEO Board (1/4) – • See page 110 for IC Block Diagrams.



6-67. SCHEMATIC DIAGRAM – A_VIDEO Board (2/4) – See page 110 for IC Block Diagrams.



6-68. SCHEMATIC DIAGRAM – A_VIDEO Board (3/4) – • See page 110 for IC Block Diagrams.



(Page 90)

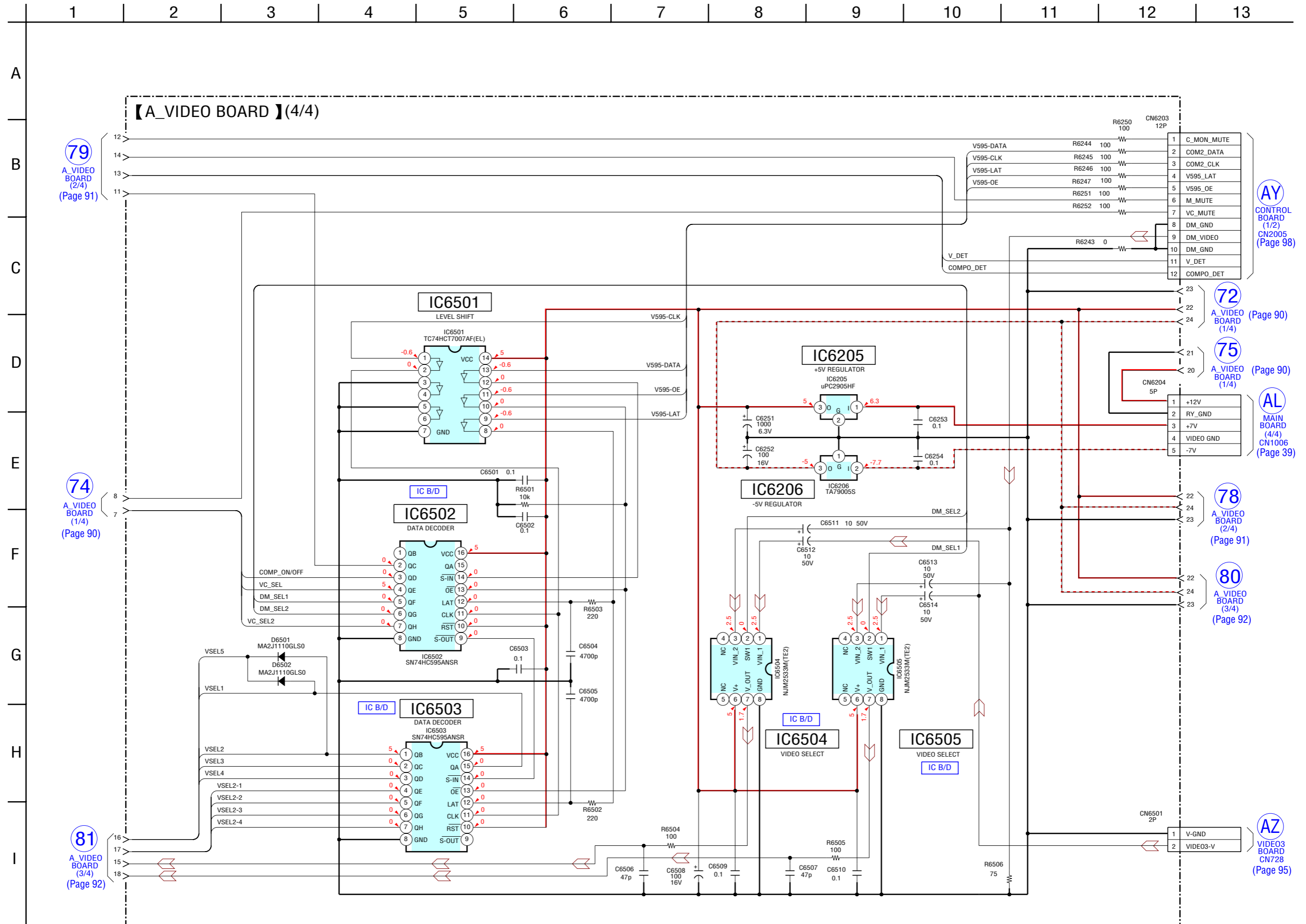
76
A_VIDEO BOARD (1/4)

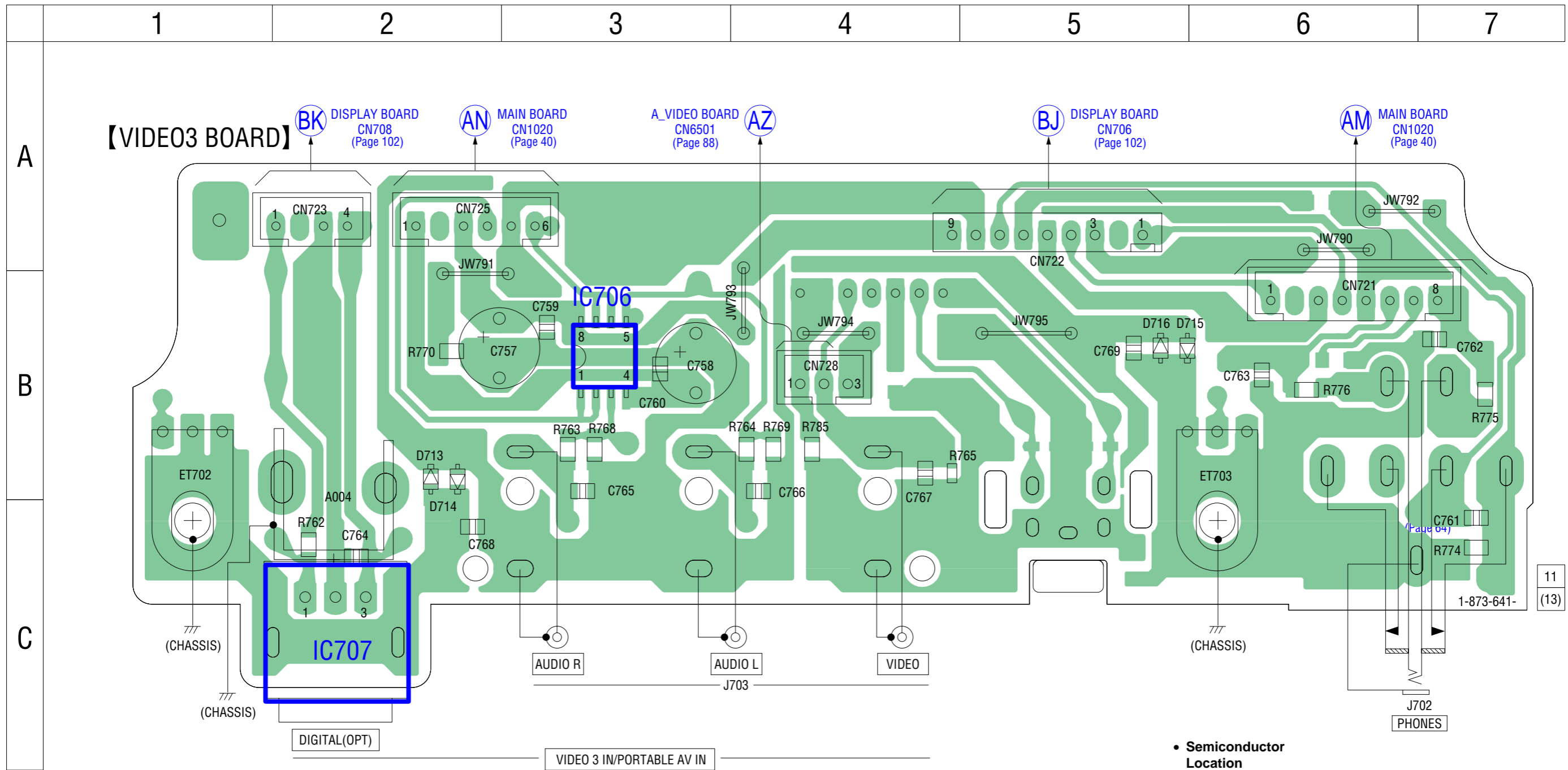
77
A_VIDEO BOARD (2/4)
(Page 91)

80
A_VIDEO BOARD (4/4)
(Page 93)

81
A_VIDEO BOARD (4/4)
(Page 93)

6-69. SCHEMATIC DIAGRAM – A_VIDEO Board (4/4) – • See page 110 for IC Block Diagrams.

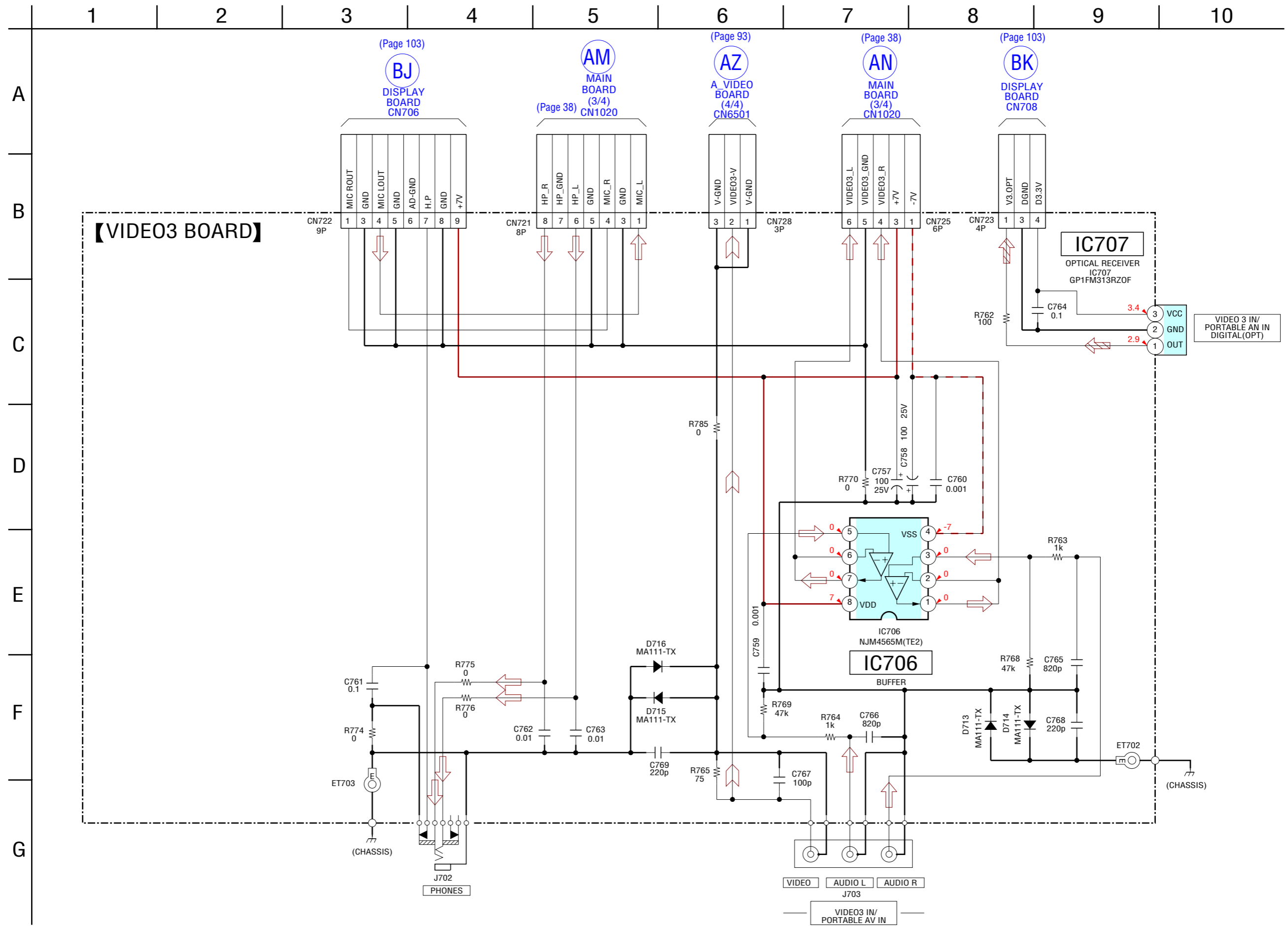




• Semiconductor Location

Ref. No.	Location
D713	B-2
D714	B-2
D715	B-5
D716	B-5
IC706	B-3
IC707	C-2

6-71. SCHEMATIC DIAGRAM – VIDEO3 Board –

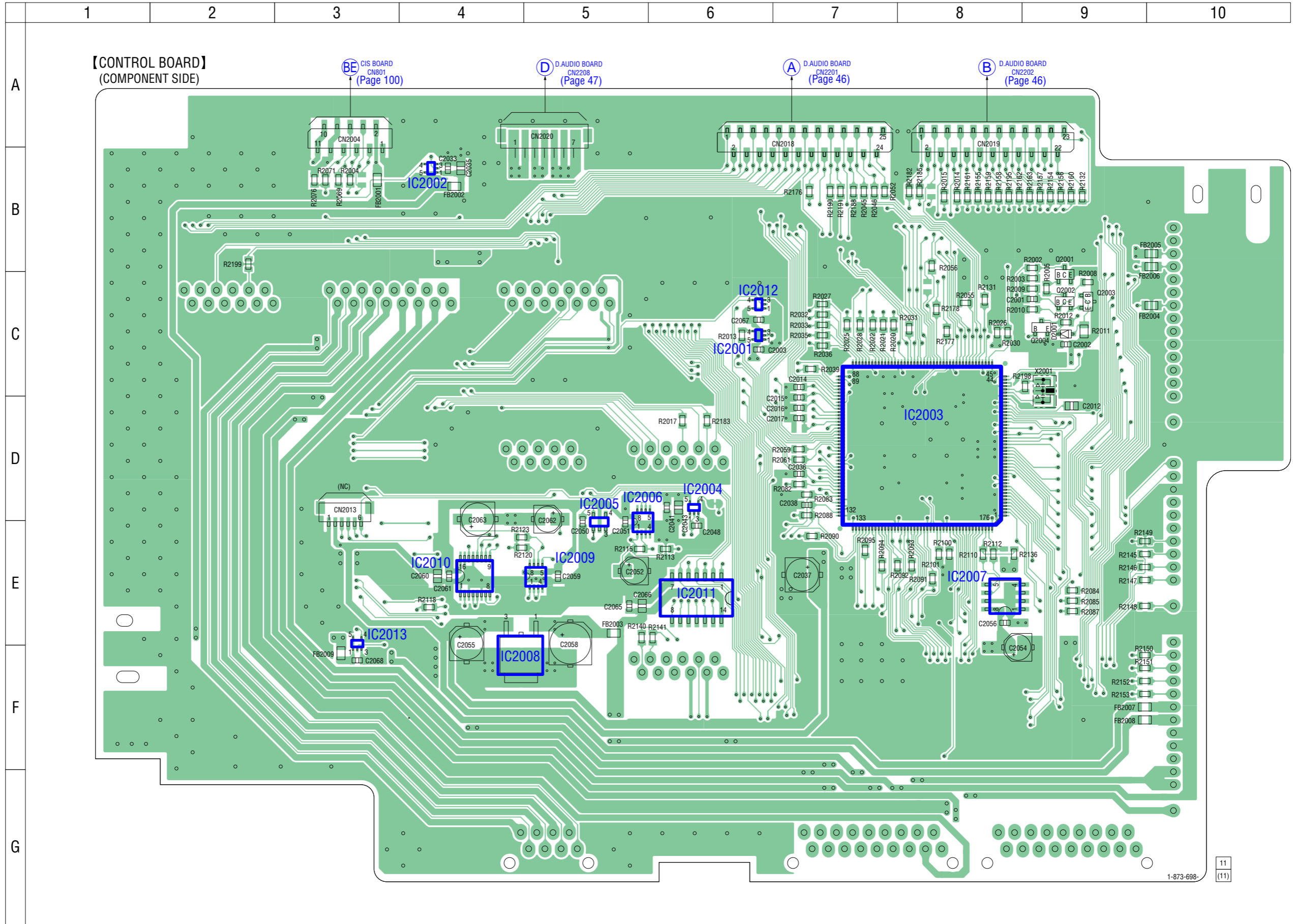


• Semiconductor Location

Ref. No.	Location
D2001	C-9
IC2001	C-6
IC2002	B-4
IC2003	D-8
IC2004	D-6
IC2005	E-5
IC2006	E-5
IC2007	E-8
IC2008	F-4
IC2009	E-5
IC2010	E-4
IC2011	E-6
IC2012	C-6
IC2013	E-3
Q2001	C-9
Q2002	C-9
Q2003	C-9
Q2004	C-9


6-72. PRINTED WIRING BOARD – CONTROL Board (Component Side) – • See page 35 for Circuit Boards Location.

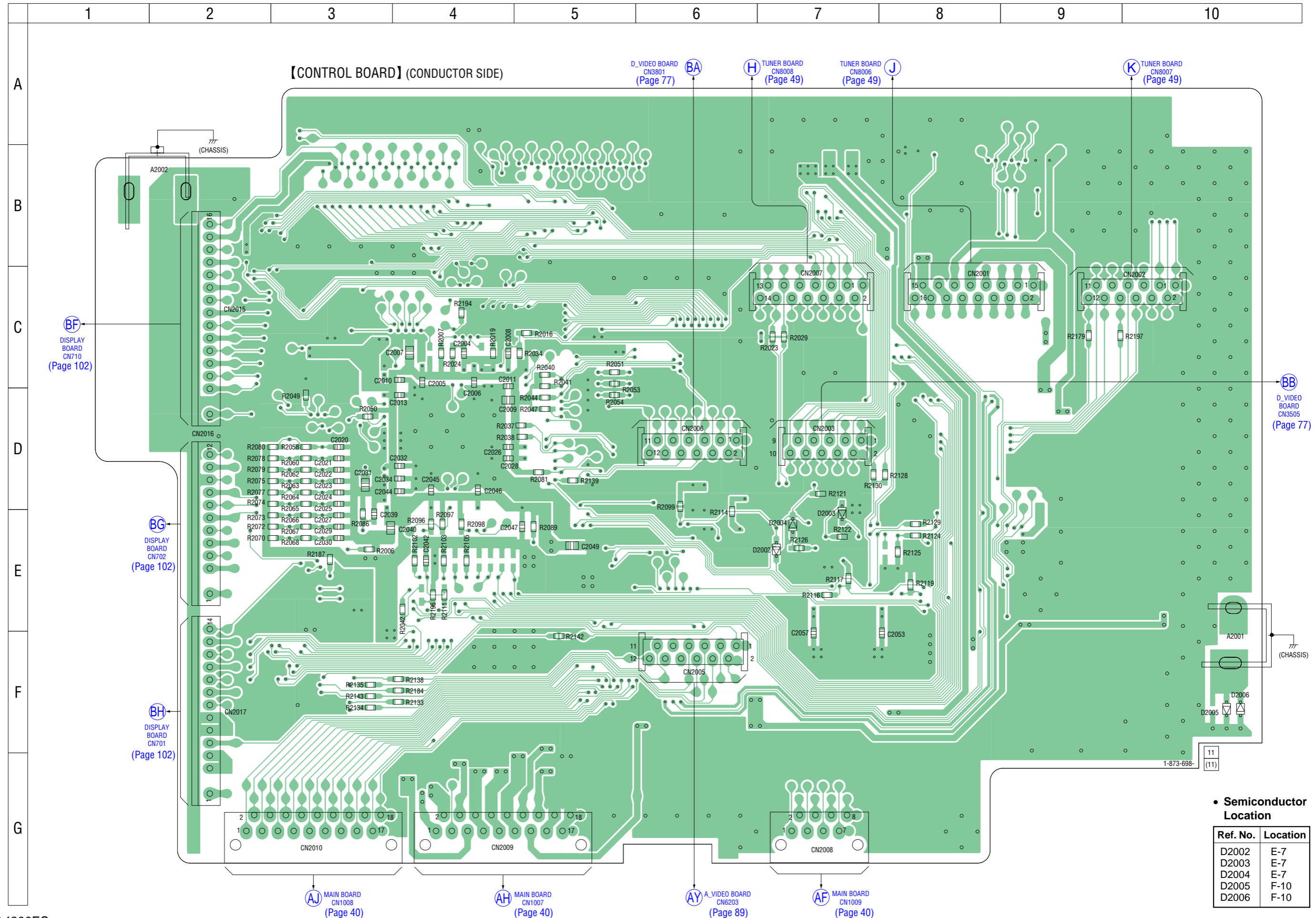
 : Uses unleaded solder.



1-873-698-

11
(11)

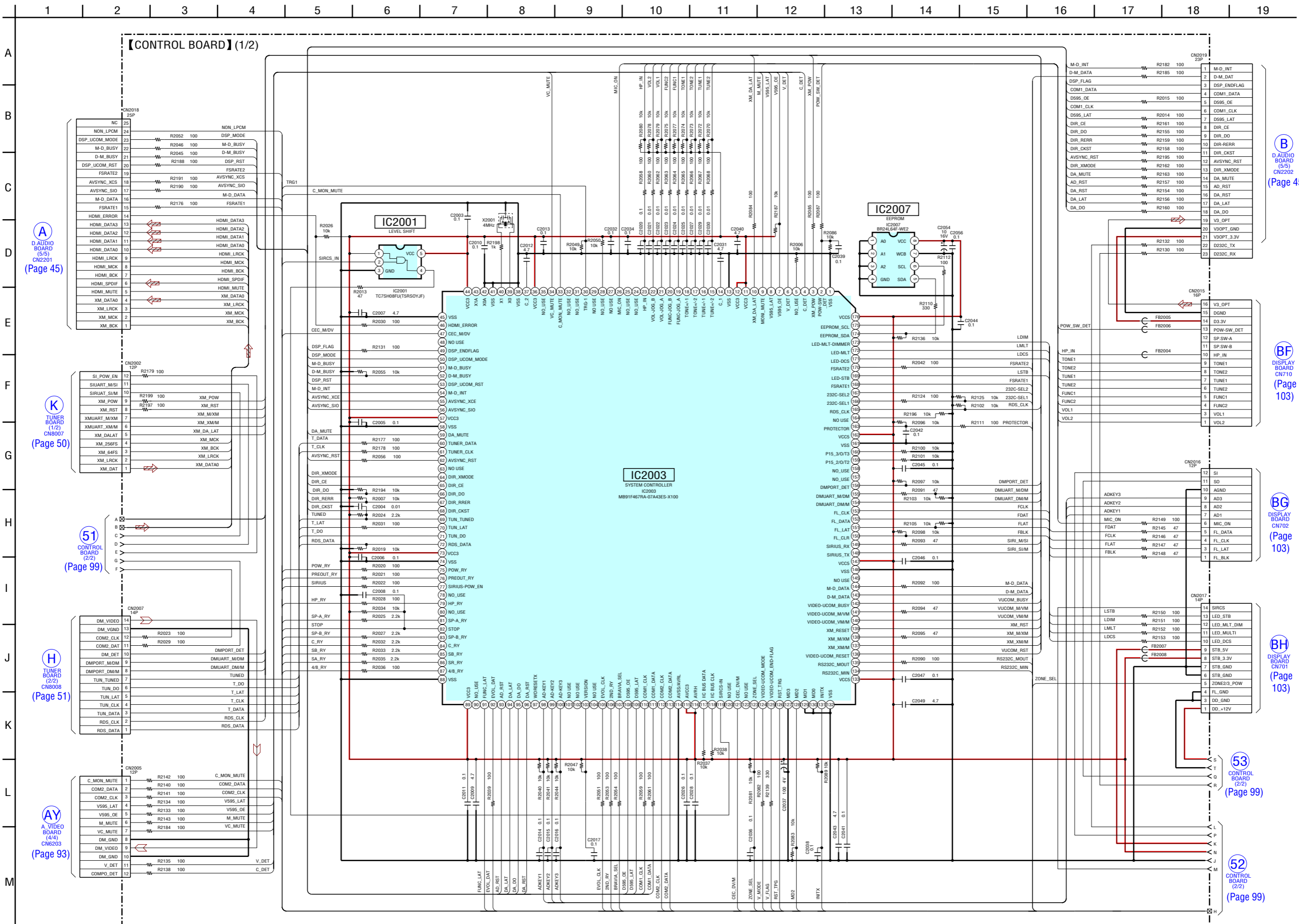
6-73. PRINTED WIRING BOARD – CONTROL Board (Conductor Side) – • See page 35 for Circuit Boards Location.  : Uses unleaded solder.



• Semiconductor Location

Ref. No.	Location
D2002	E-7
D2003	E-7
D2004	E-7
D2005	F-10
D2006	F-10

6-74. SCHEMATIC DIAGRAM – CONTROL Board (1/2) – • See page 123 for IC Pin Function Description.



(A) D AUDIO BOARD (5/5) CN2201 (Page 45)

(K) TUNER BOARD (1/2) CN8007 (Page 50)

(51) CONTROL BOARD (2/2) (Page 99)

(H) TUNER BOARD (2/2) CN8008 (Page 51)

(AY) A VIDEO BOARD (4/4) CN6203 (Page 93)

(B) D AUDIO BOARD (5/5) CN2202 (Page 45)

(BF) DISPLAY BOARD CN710 (Page 103)

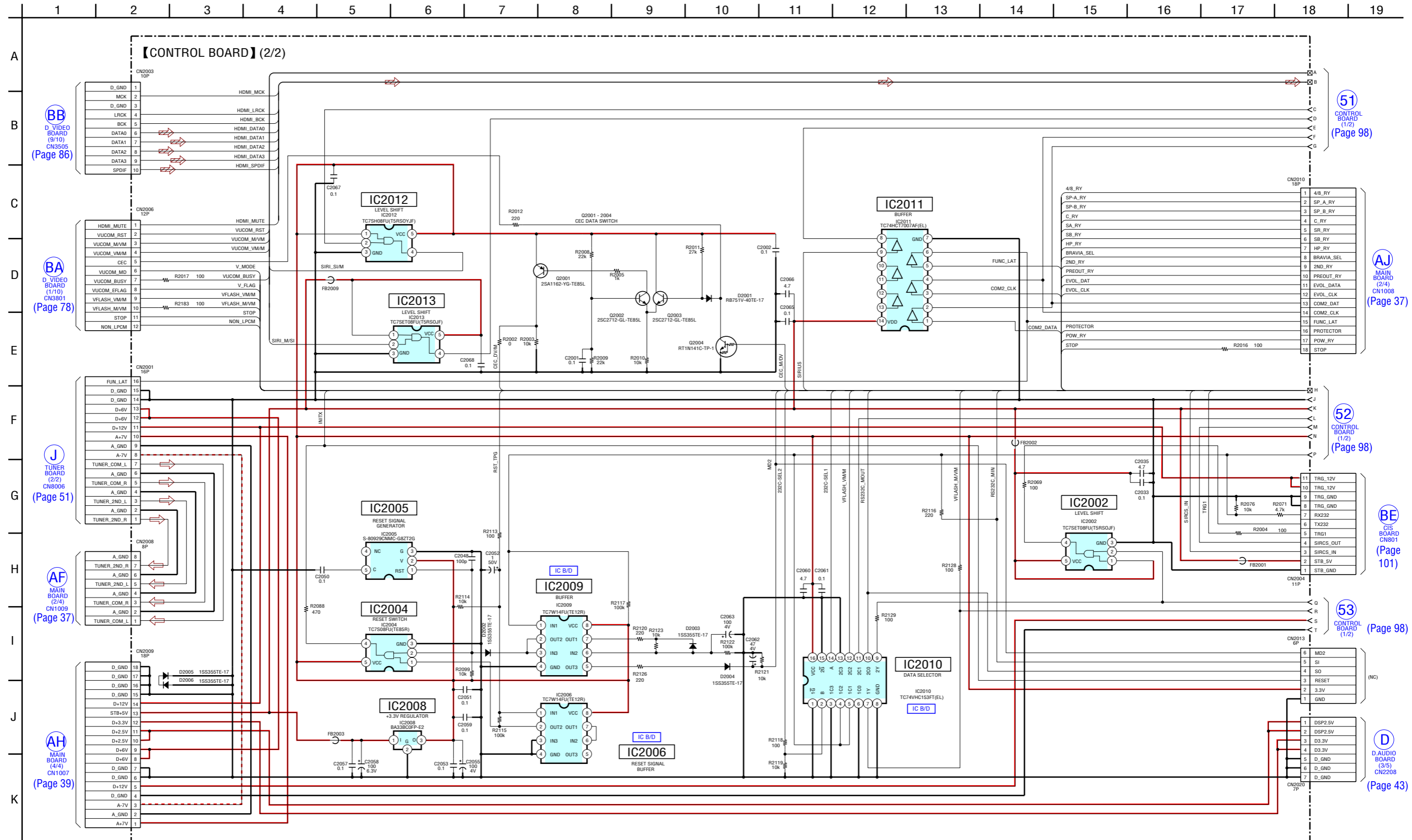
(BG) DISPLAY BOARD CN702 (Page 103)

(BH) DISPLAY BOARD CN701 (Page 103)

(53) CONTROL BOARD (2/2) (Page 99)

(52) CONTROL BOARD (2/2) (Page 99)

6-75. SCHEMATIC DIAGRAM – CONTROL Board (2/2) – • See page 110 for IC Block Diagrams.



BB
D VIDEO BOARD (8/10) CN3505 (Page 86)

BA
D VIDEO BOARD (1/10) CN3801 (Page 78)

J
TUNER BOARD (2/2) CN8006 (Page 51)

AF
MAIN BOARD (2/4) CN1009 (Page 37)

AH
MAIN BOARD (4/4) CN1007 (Page 39)

51
CONTROL BOARD (1/2) (Page 98)

AJ
MAIN BOARD (2/4) CN1008 (Page 37)

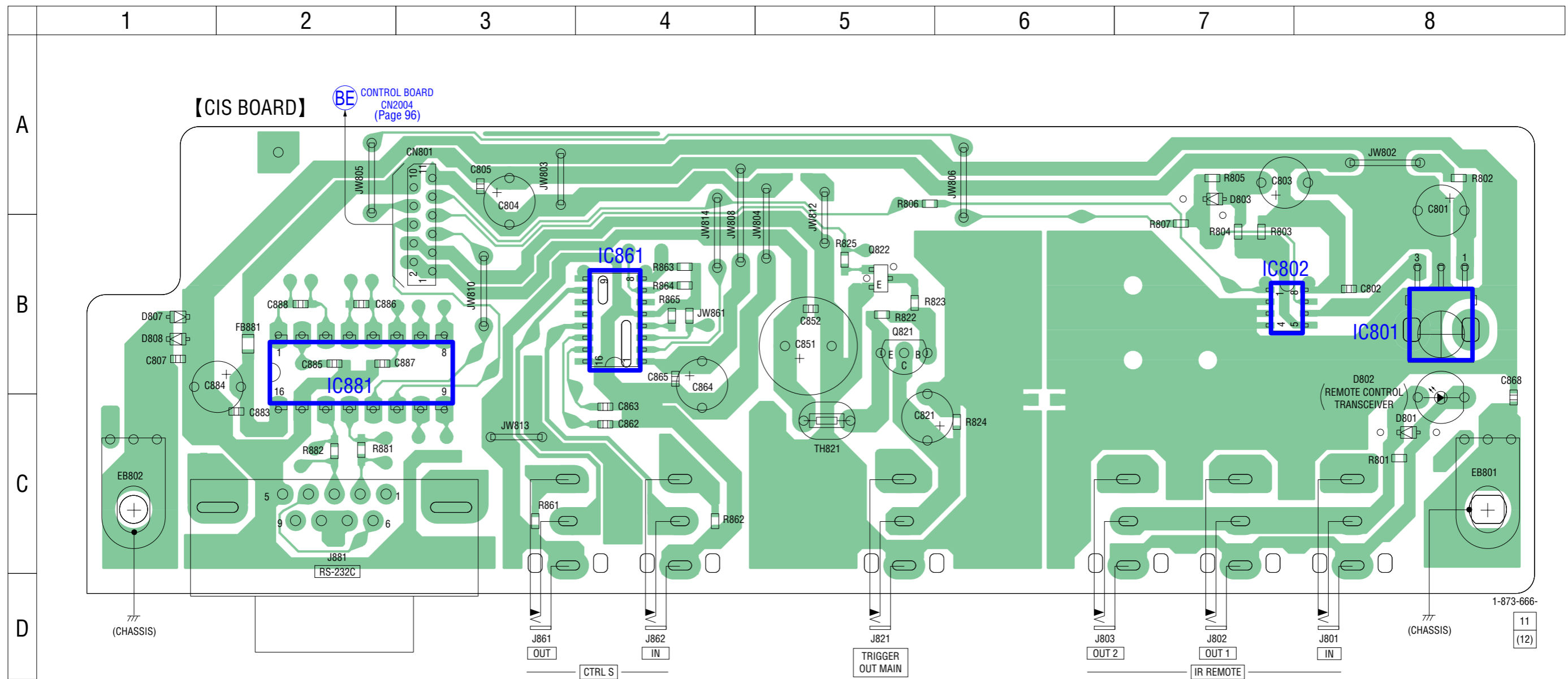
52
CONTROL BOARD (1/2) (Page 98)

BE
CIS BOARD CN801 (Page 101)

53
CONTROL BOARD (1/2) (Page 98)

D
D AUDIO BOARD (3/5) CN2208 (Page 43)

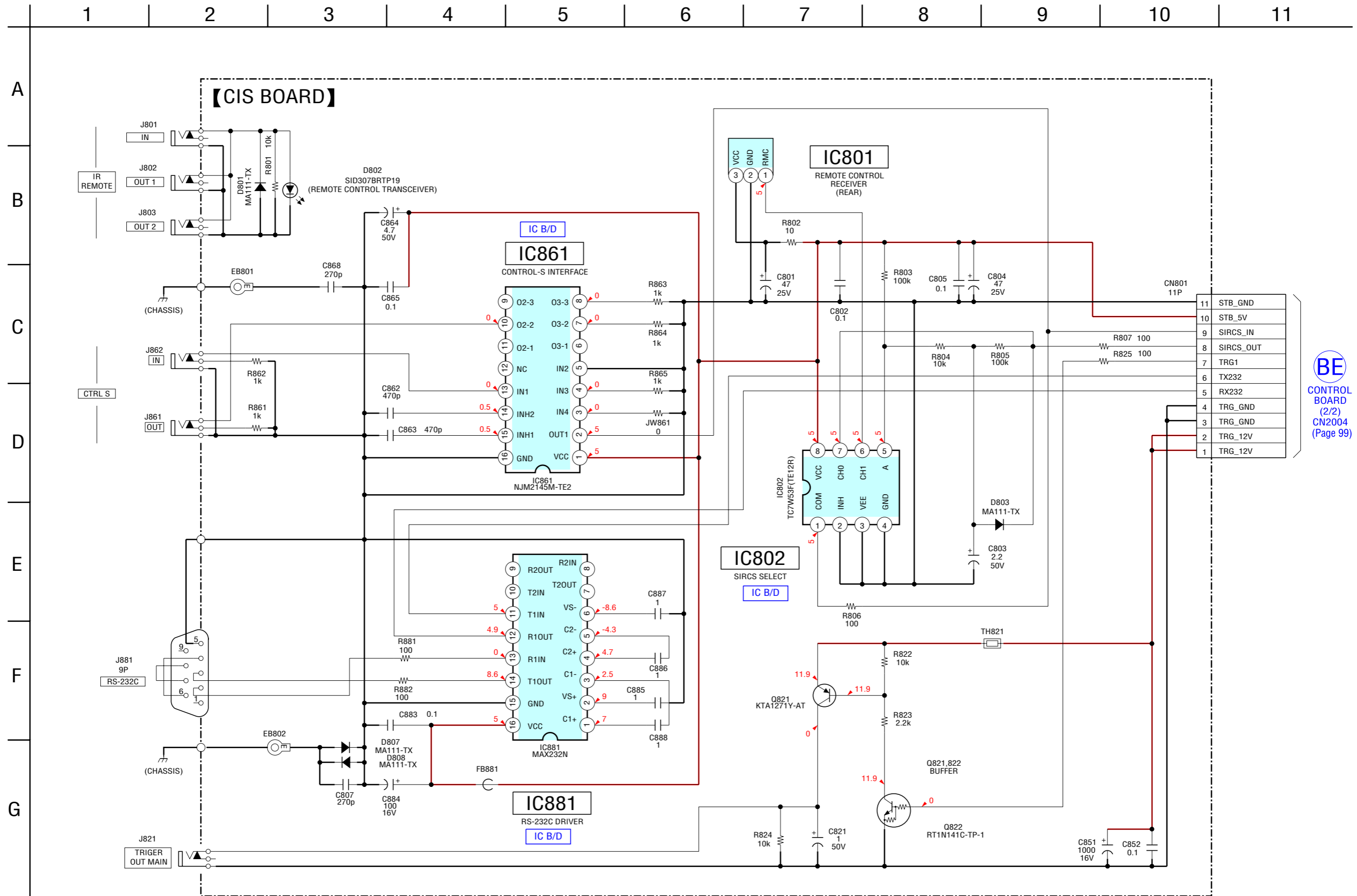
6-76. PRINTED WIRING BOARD – CIS Board – • See page 35 for Circuit Boards Location.  : Uses unleaded solder.




• Semiconductor Location

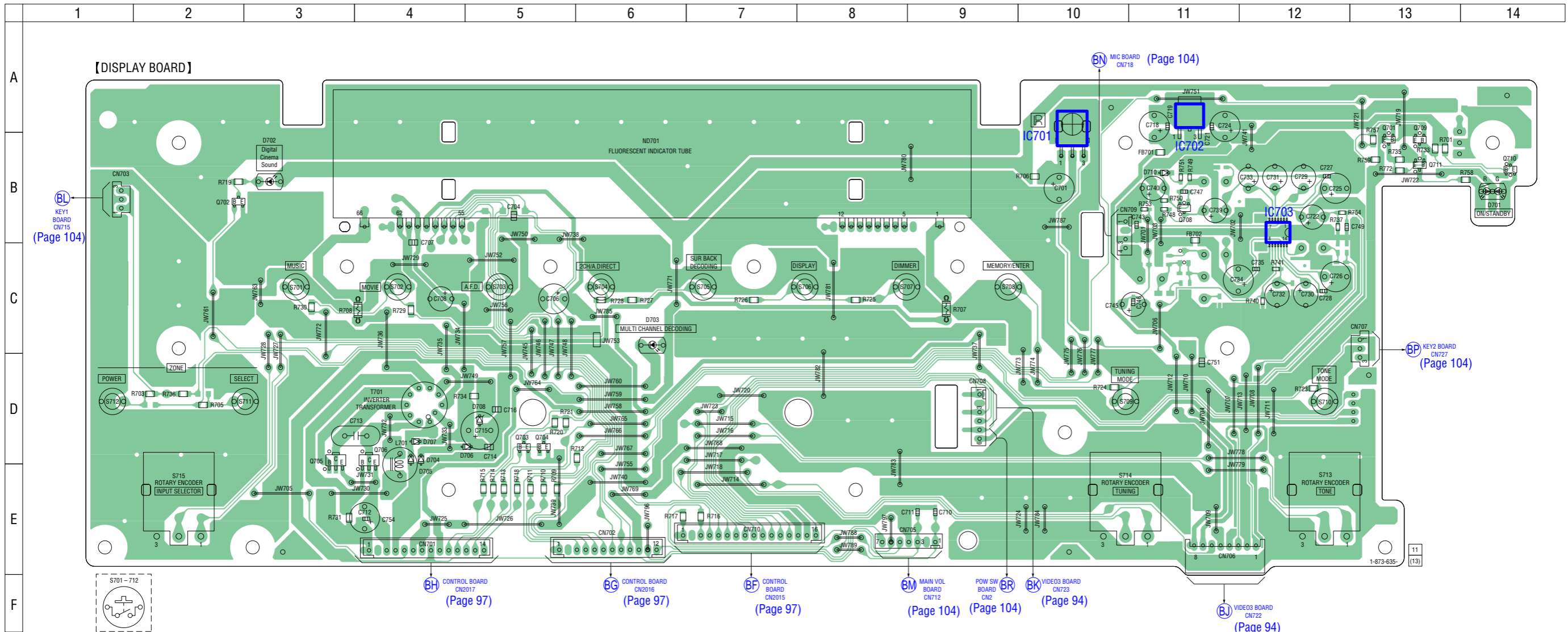
Ref. No.	Location
D801	C-8
D802	C-8
D803	A-7
D807	B-1
D808	B-1
IC801	B-8
IC802	B-7
IC861	B-4
IC881	B-2
Q821	B-5
Q822	B-5

6-77. SCHEMATIC DIAGRAM – CIS Board – • See page 110 for IC Block Diagrams.



BE
CONTROL BOARD (2/2)
CN2004 (Page 99)

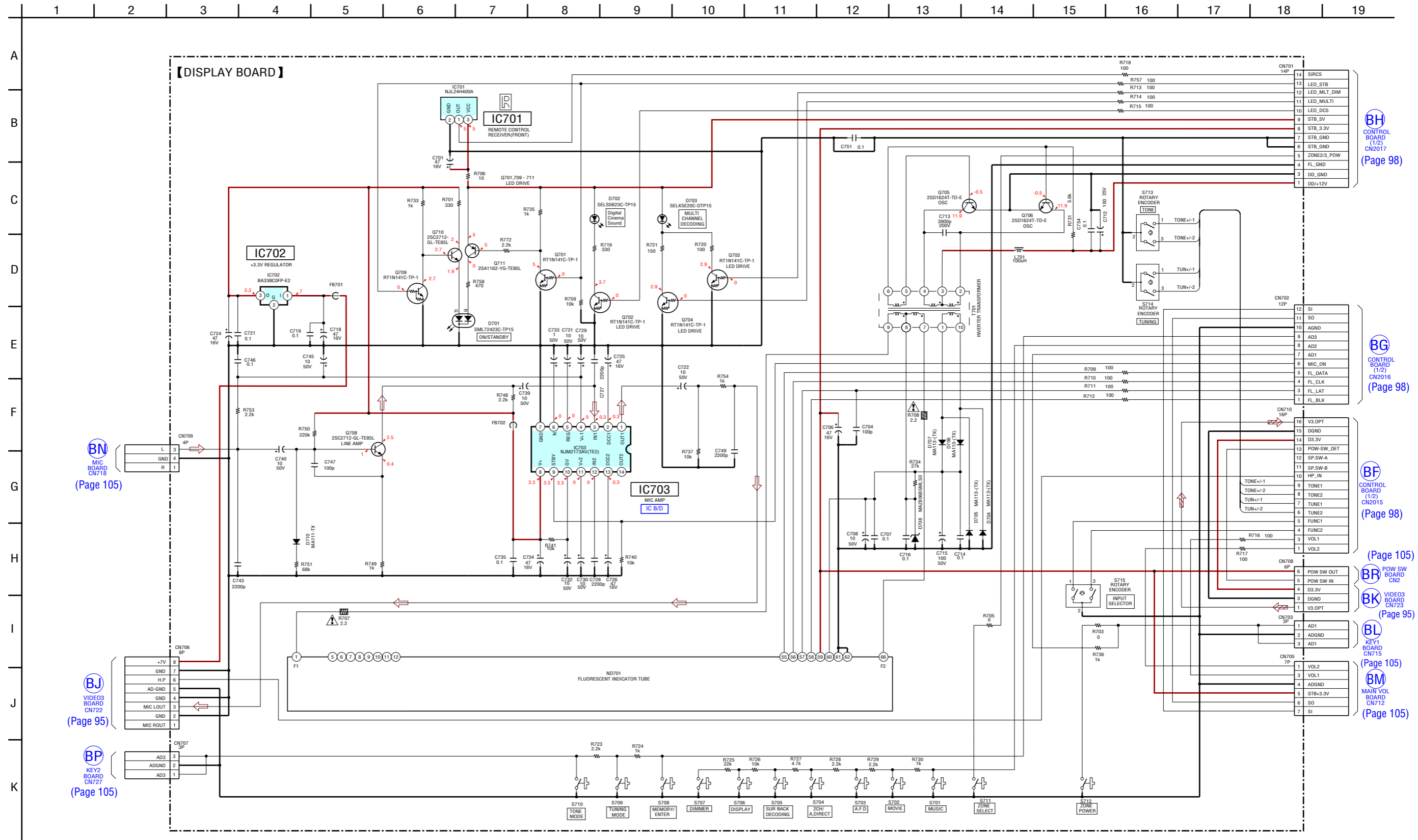
6-78. PRINTED WIRING BOARD – DISPLAY Board – • See page 35 for Circuit Boards Location.  : Uses unleaded solder.



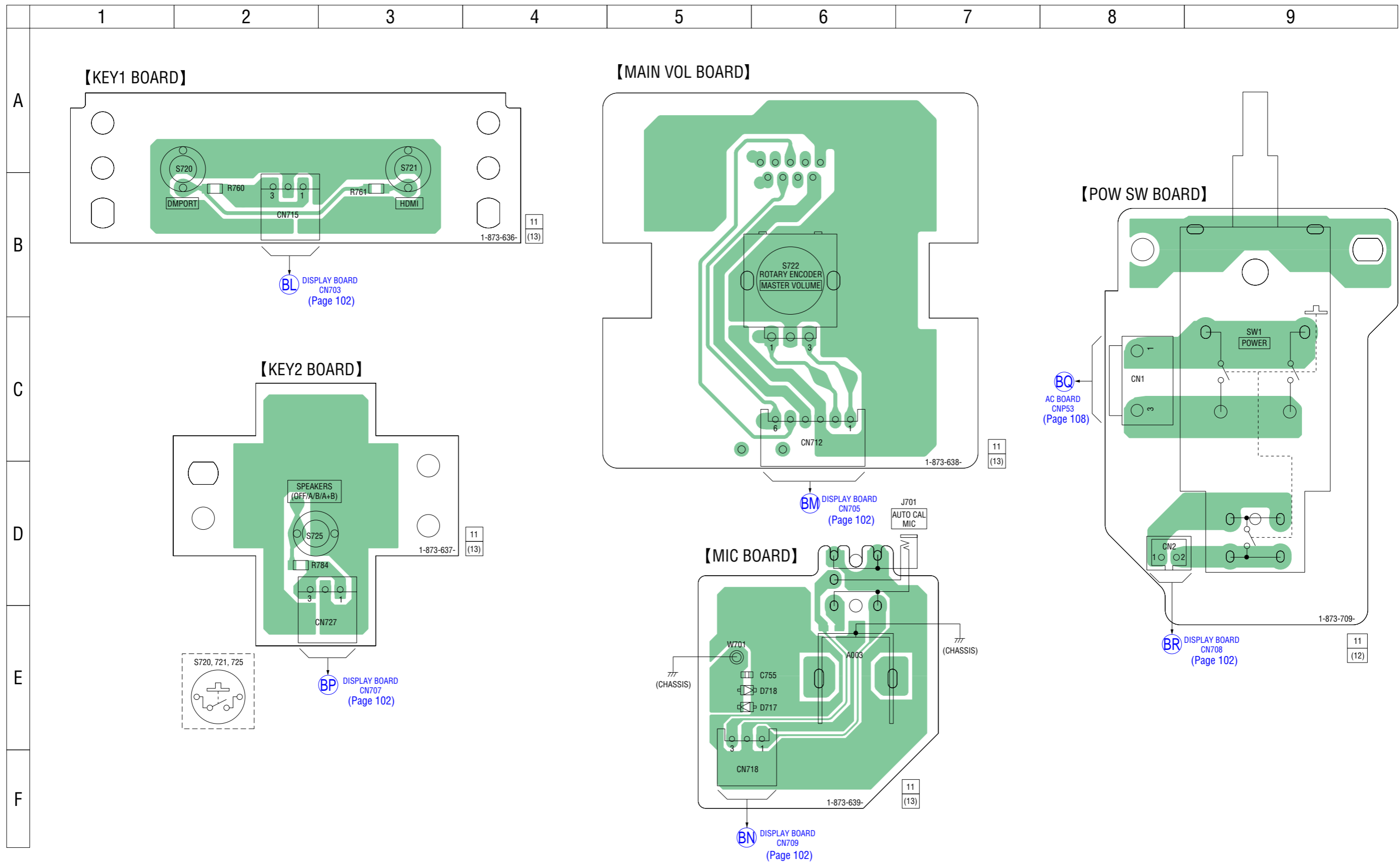
• Semiconductor Location

Ref. No.	Location
D701	B-14
D702	B-3
D703	C-6
D704	D-4
D705	D-4
D706	D-5
D707	D-4
D708	D-5
D710	B-11
IC701	B-10
IC702	B-11
IC703	B-12
Q701	B-13
Q702	B-2
Q703	D-5
Q704	D-5
Q705	D-3
Q706	D-4
Q708	B-11
Q709	B-13
Q710	B-14
Q711	B-13

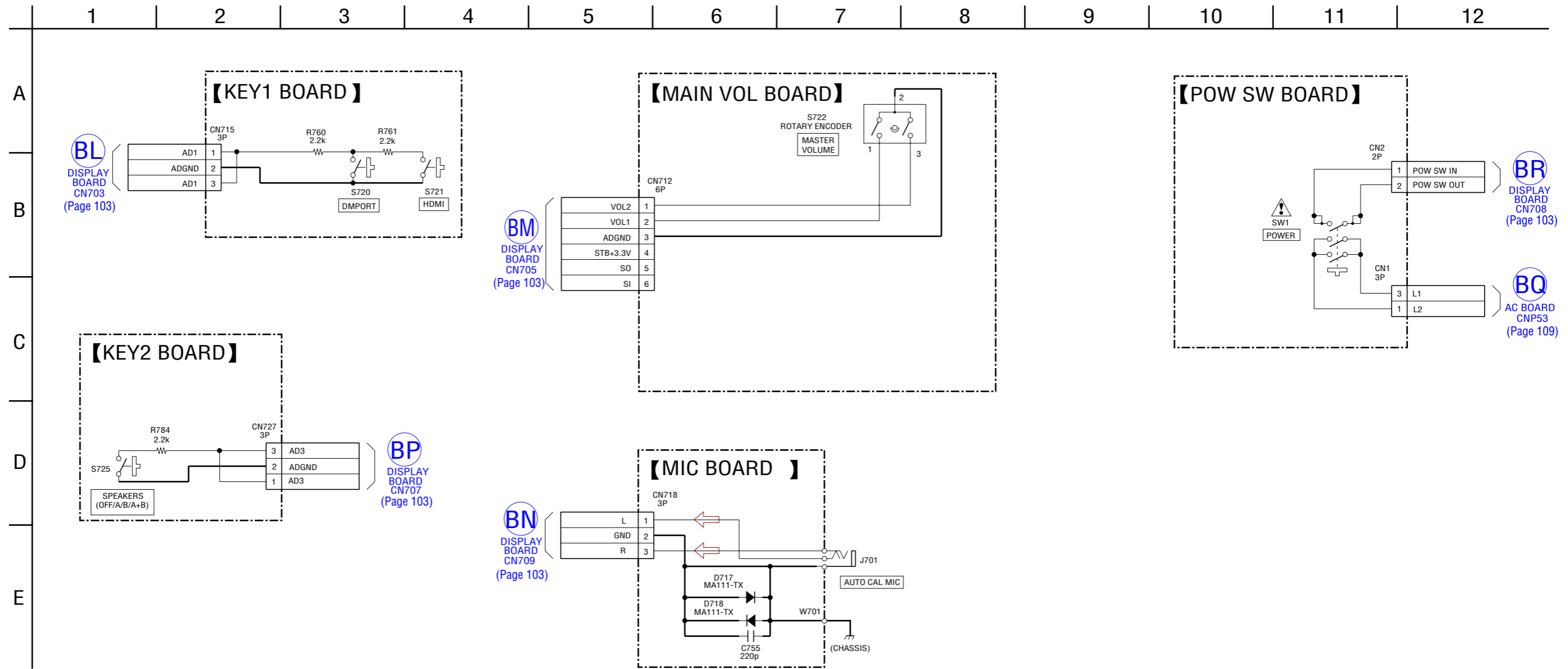
6-79. SCHEMATIC DIAGRAM – DISPLAY Board – • See page 110 for IC Block Diagrams.



6-80. PRINTED WIRING BOARDS – PANEL Section – • See page 35 for Circuit Boards Location.  :Uses unleaded solder.

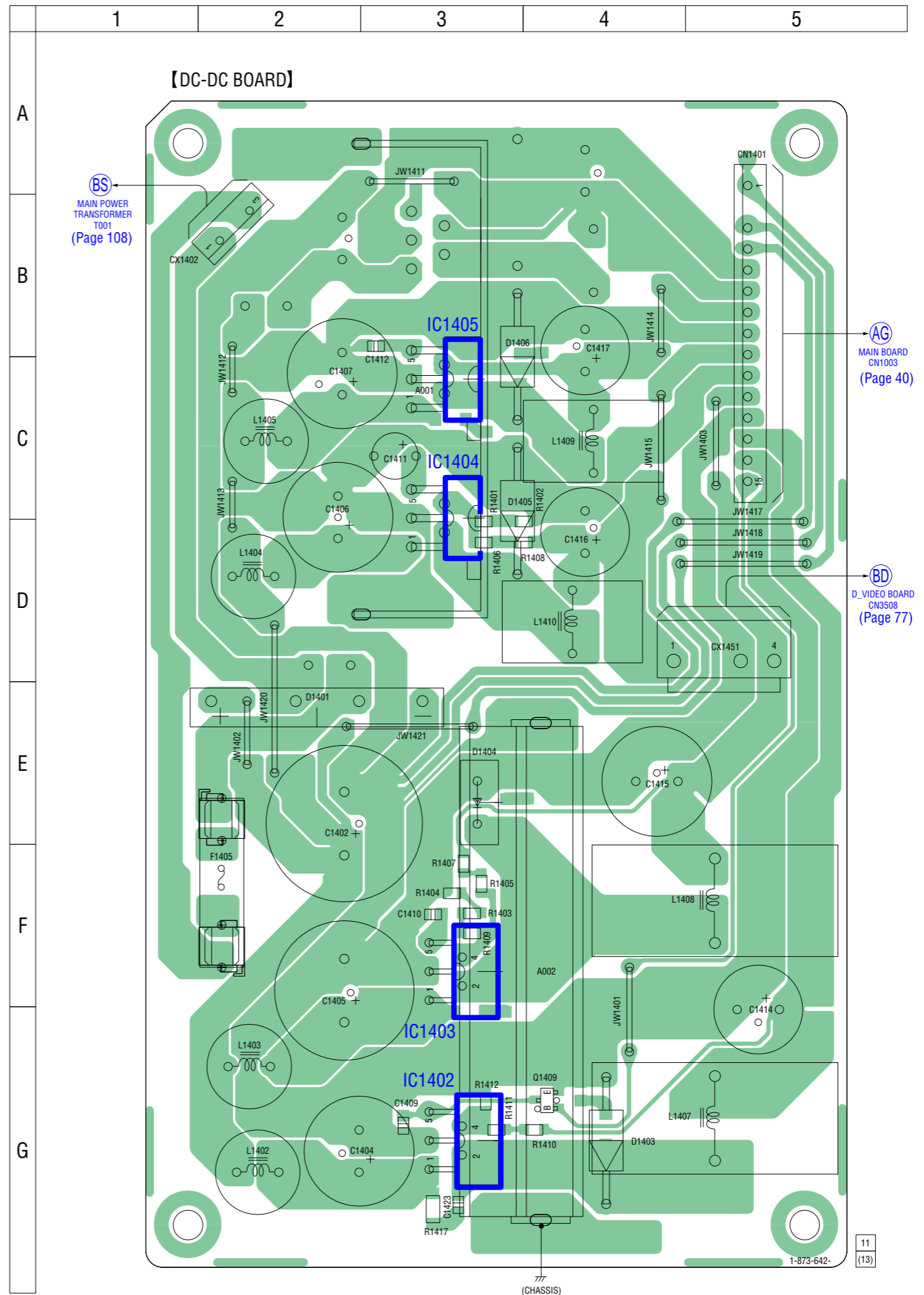


6-81. SCHEMATIC DIAGRAM – PANEL Section –



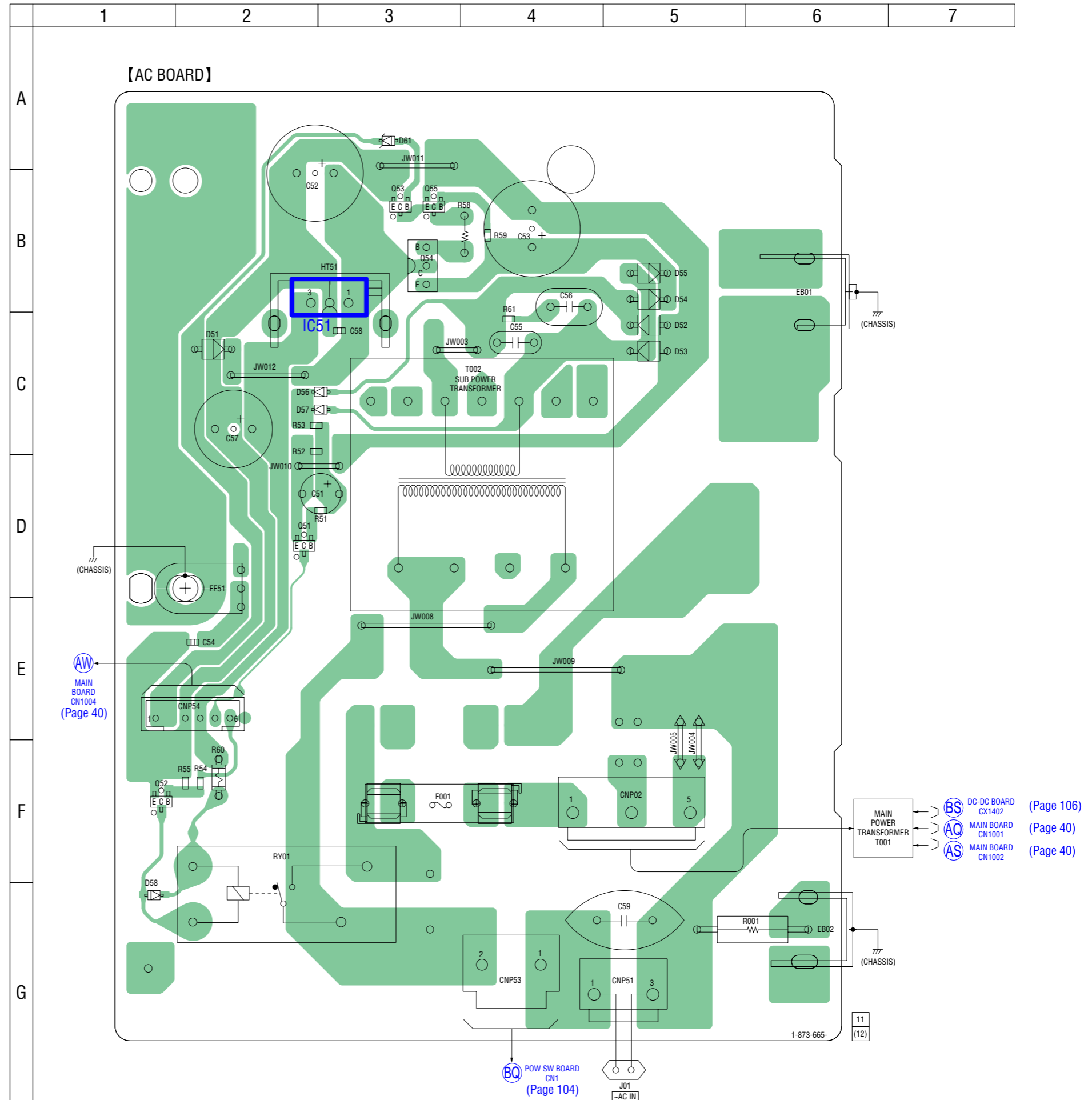
• Semiconductor Location

Ref. No.	Location
D1401	E-2
D1403	G-4
D1404	E-3
D1405	C-3
D1406	B-3
IC1402	G-3
IC1403	F-3
IC1404	C-3
IC1405	C-3
Q1409	G-4

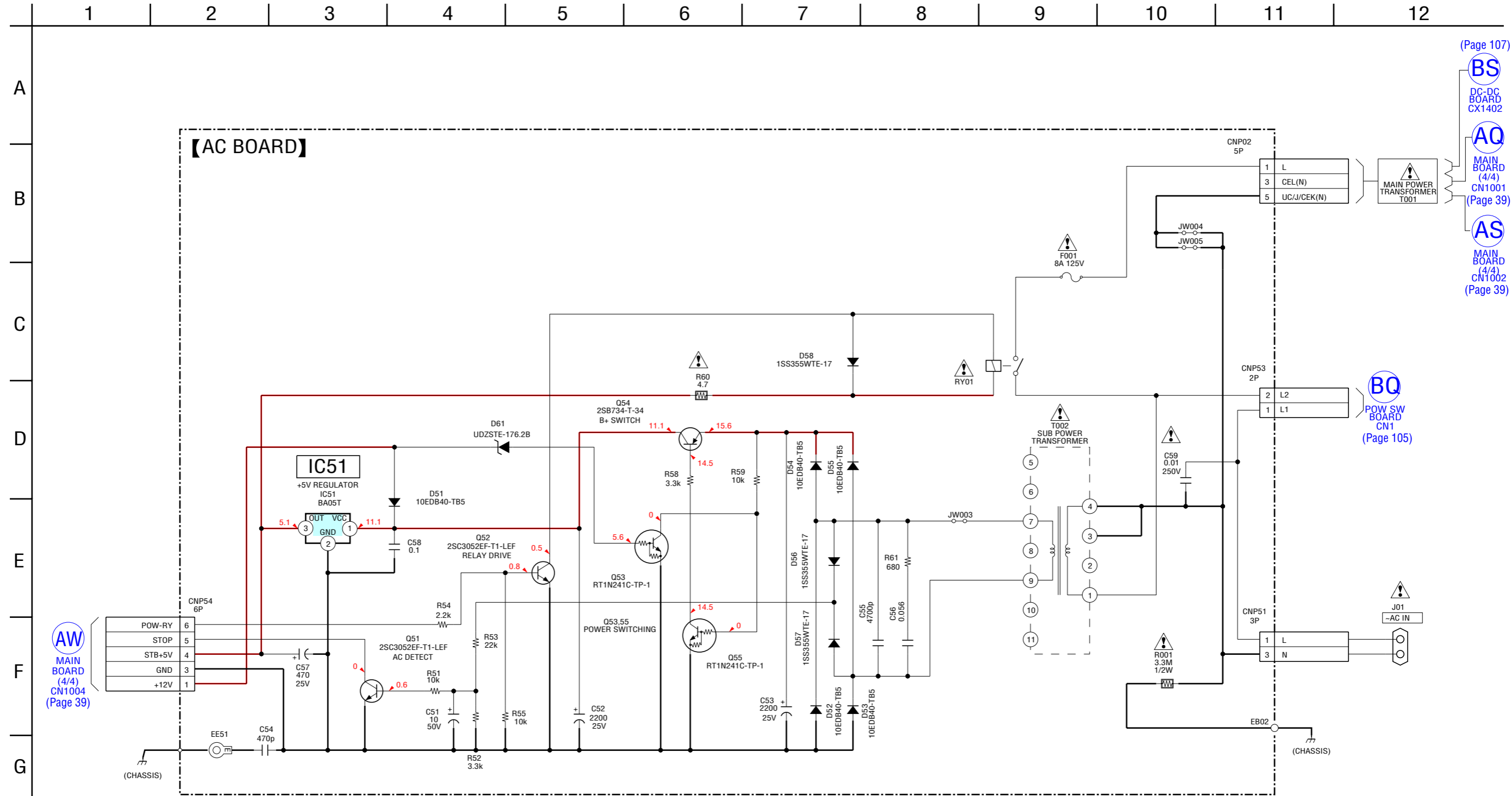


• Semiconductor Location

Ref. No.	Location
D51	C-2
D52	C-5
D53	C-5
D54	B-5
D55	B-5
D56	C-3
D57	C-3
D58	G-1
D61	A-3
IC51	B-3
Q51	D-2
Q52	F-1
Q53	B-3
Q54	B-3
Q55	B-3



6-85. SCHEMATIC DIAGRAM – AC Board –



AW
MAIN BOARD
(4/4)
CN1004
(Page 39)

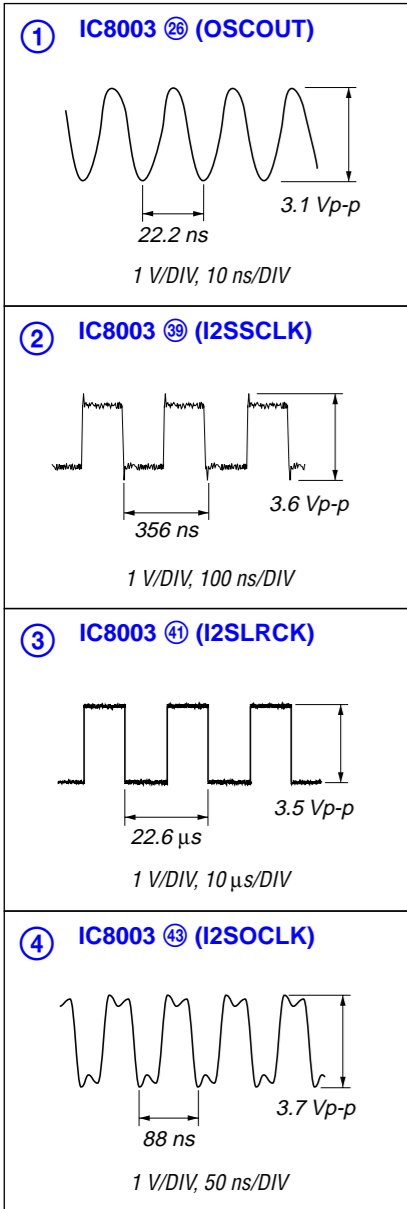
(Page 107)
BS
DC-DC BOARD
CX1402

AQ
MAIN BOARD
(4/4)
CN1001
(Page 39)

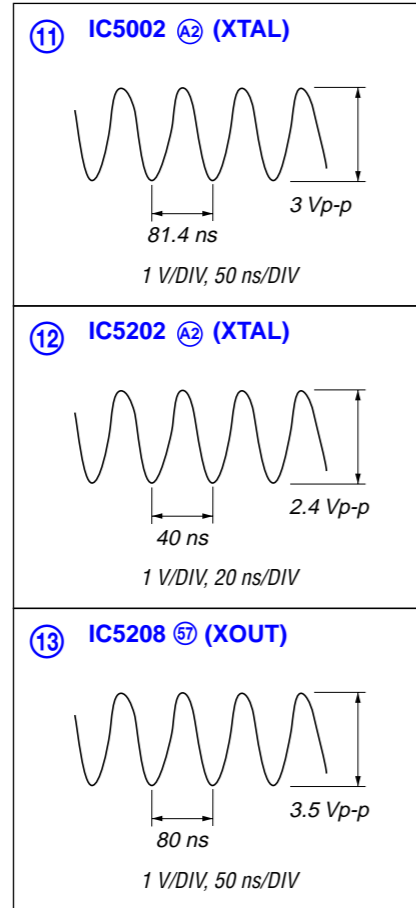
AS
MAIN BOARD
(4/4)
CN1002
(Page 39)

BQ
POW SW BOARD
CN1
(Page 105)

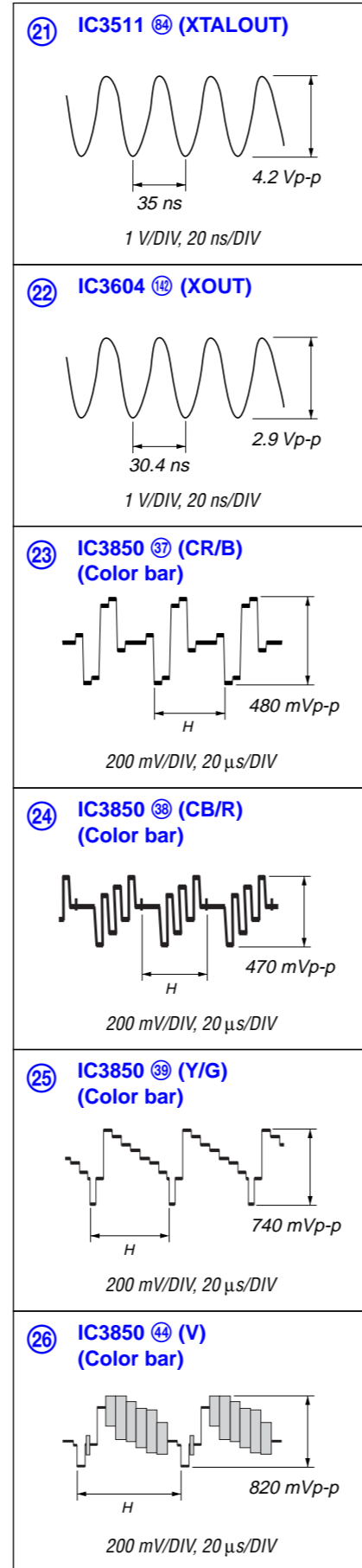
• Waveforms
– TUNER Board –



– DSP Board –

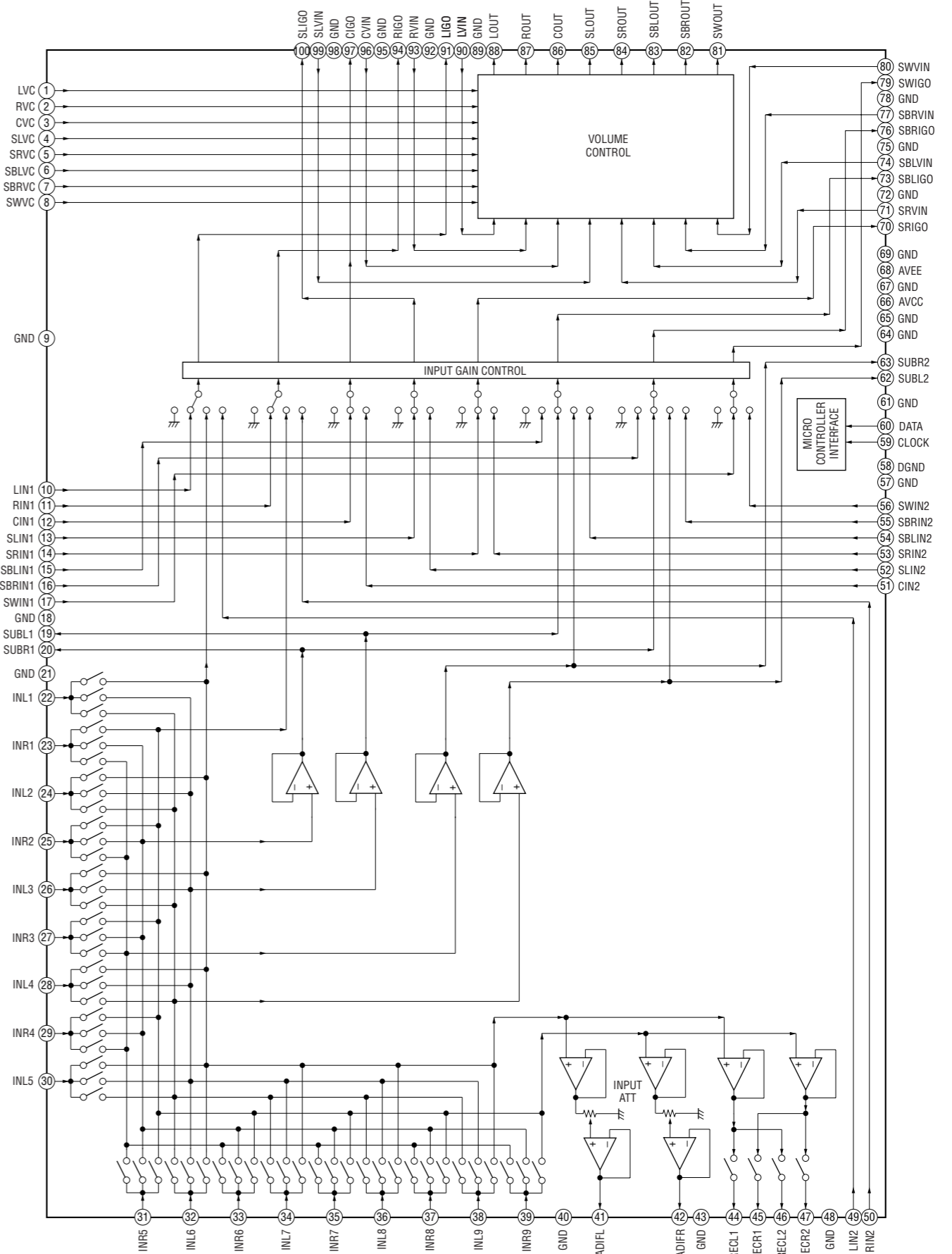


– D_VIDEO Board –

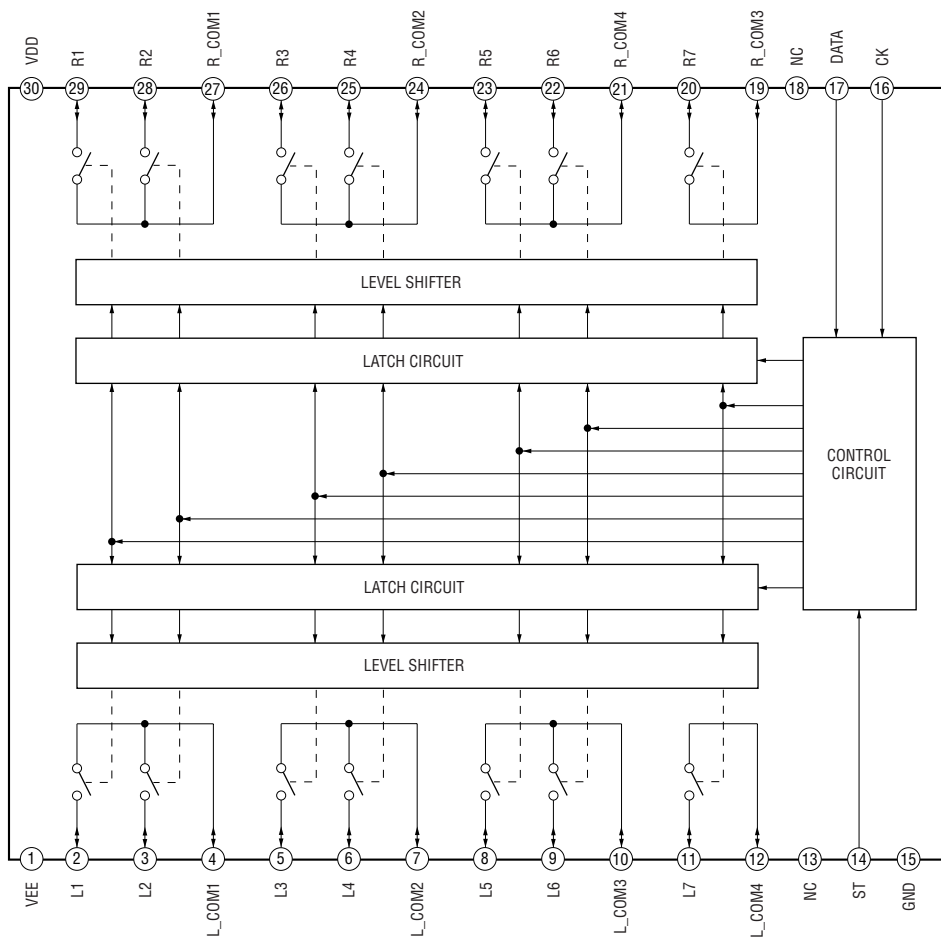


• IC Block Diagrams
– MAIN Board –

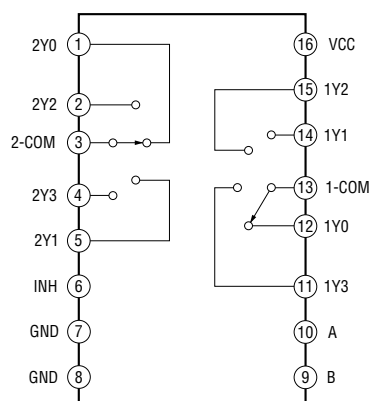
IC1001 R2S15206FP



IC1002 NJU7311AM (TE2)

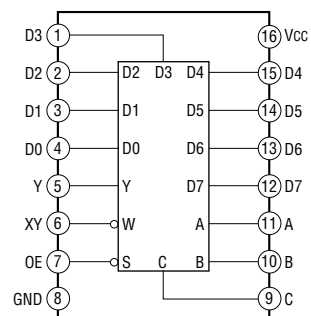


IC1003 MC14052 BDR2

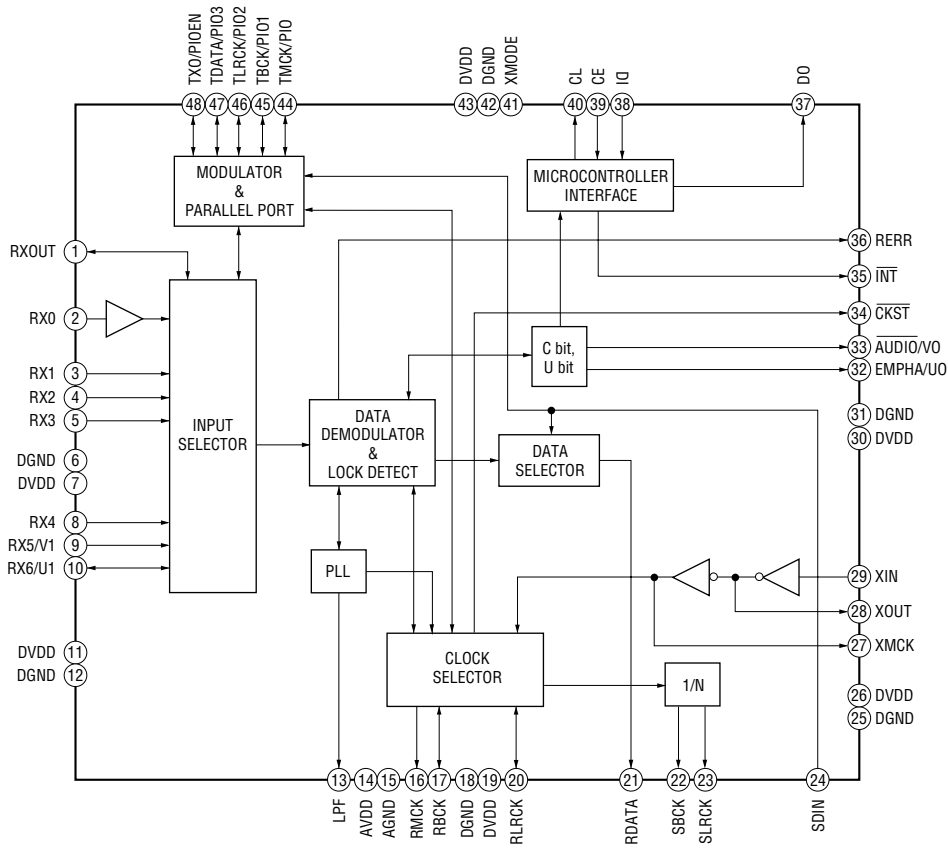


- D.AUDIO Board -

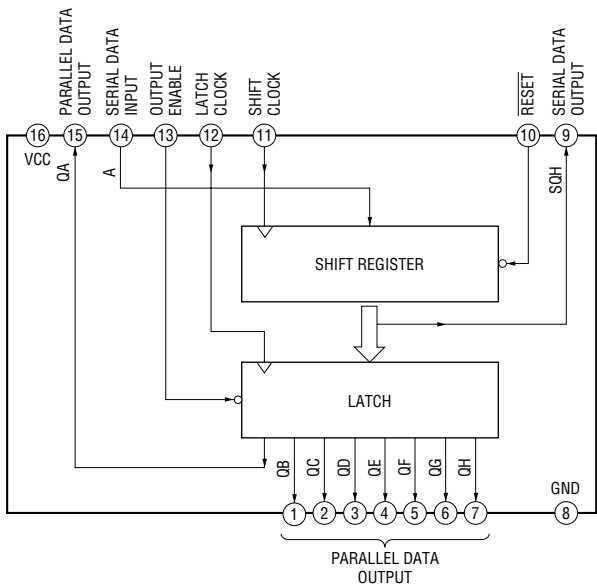
IC2207 TC74HC151AF (EL)



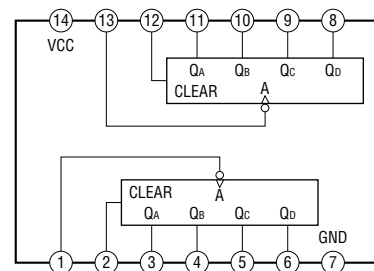
IC2208 LC89057W-VF4A-E



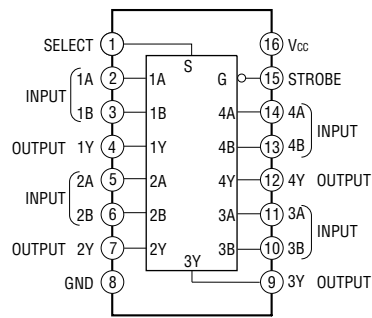
IC2210 SN74HC595ANS



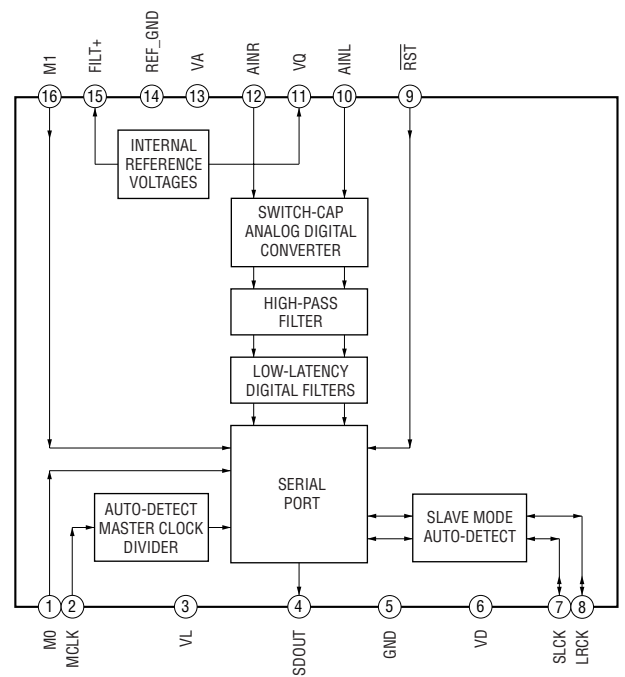
IC2211, 2216 TC74VHC393FT (EL)



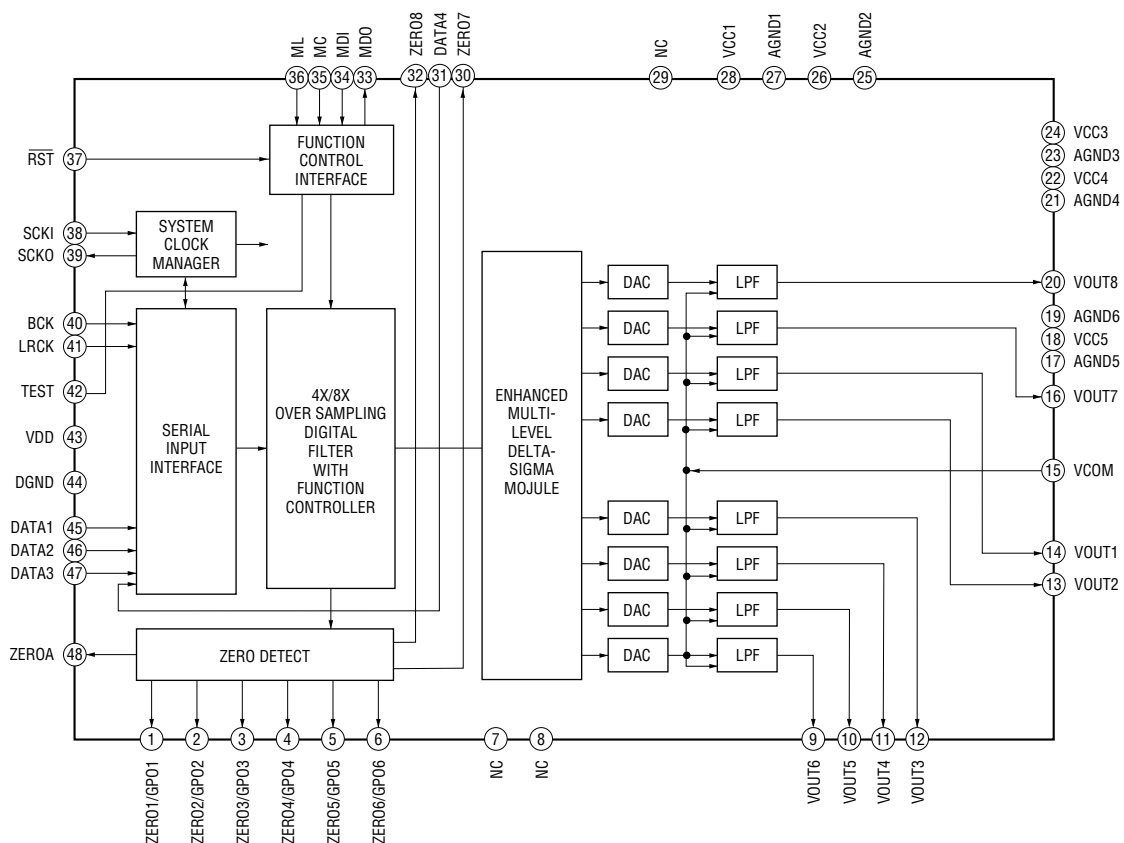
IC2212 – 2214, 2228, 2231 TC74VHC157FT (EKJ)



IC2217 CS5340-CZZR

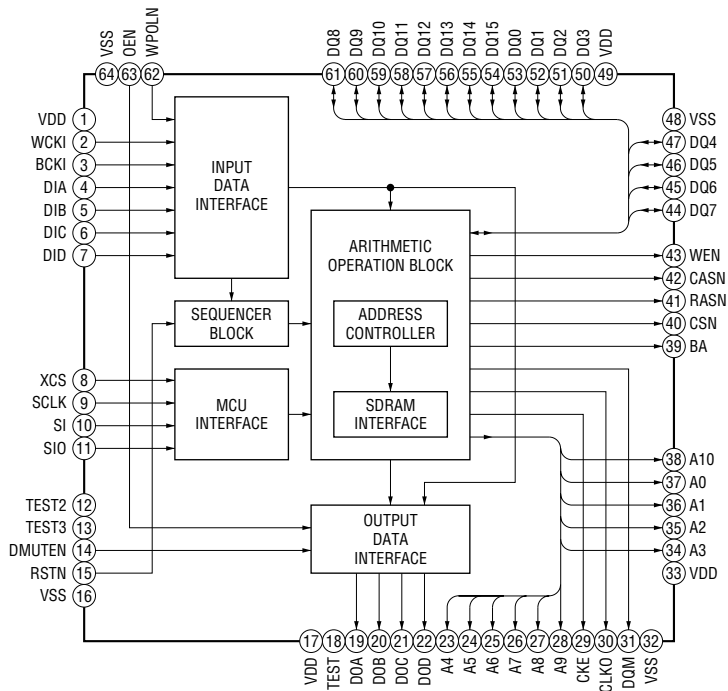


IC2218 PCM1609APT

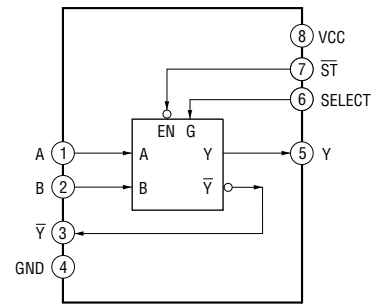


STR-DA4300ES

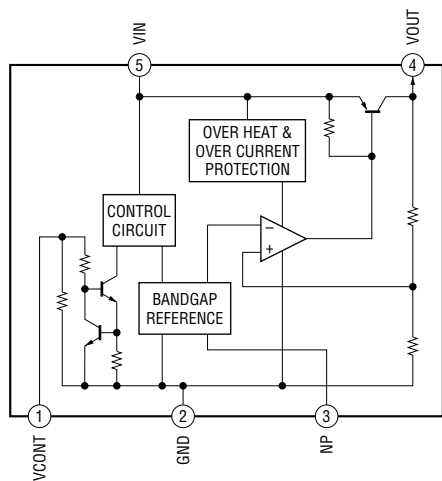
IC2223 SM5921AF-G



IC2227 TC7WH157FU (TE12R)

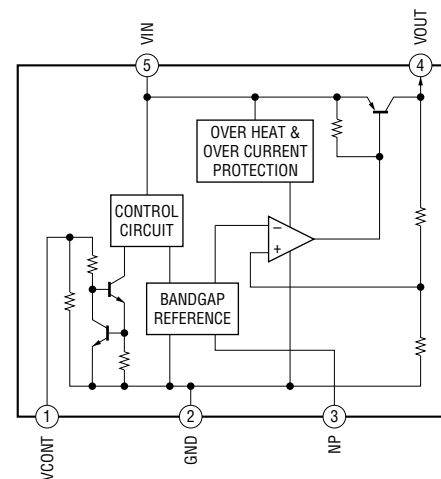


IC2230 TK11150CSCL-G

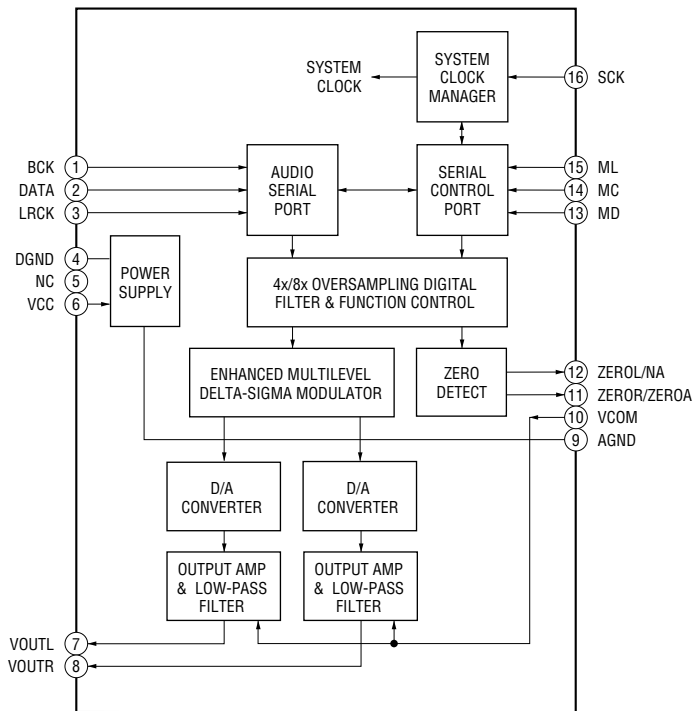


- TUNER Board -

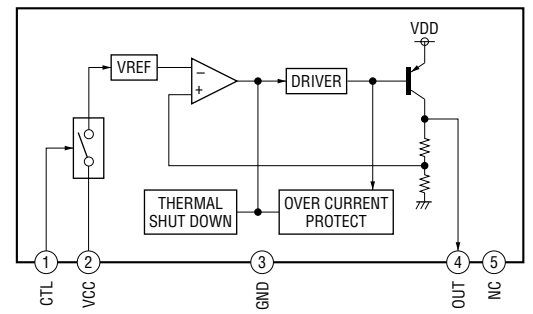
IC8004 TK11133CSCL-G IC8007 TK11150CSCL-G



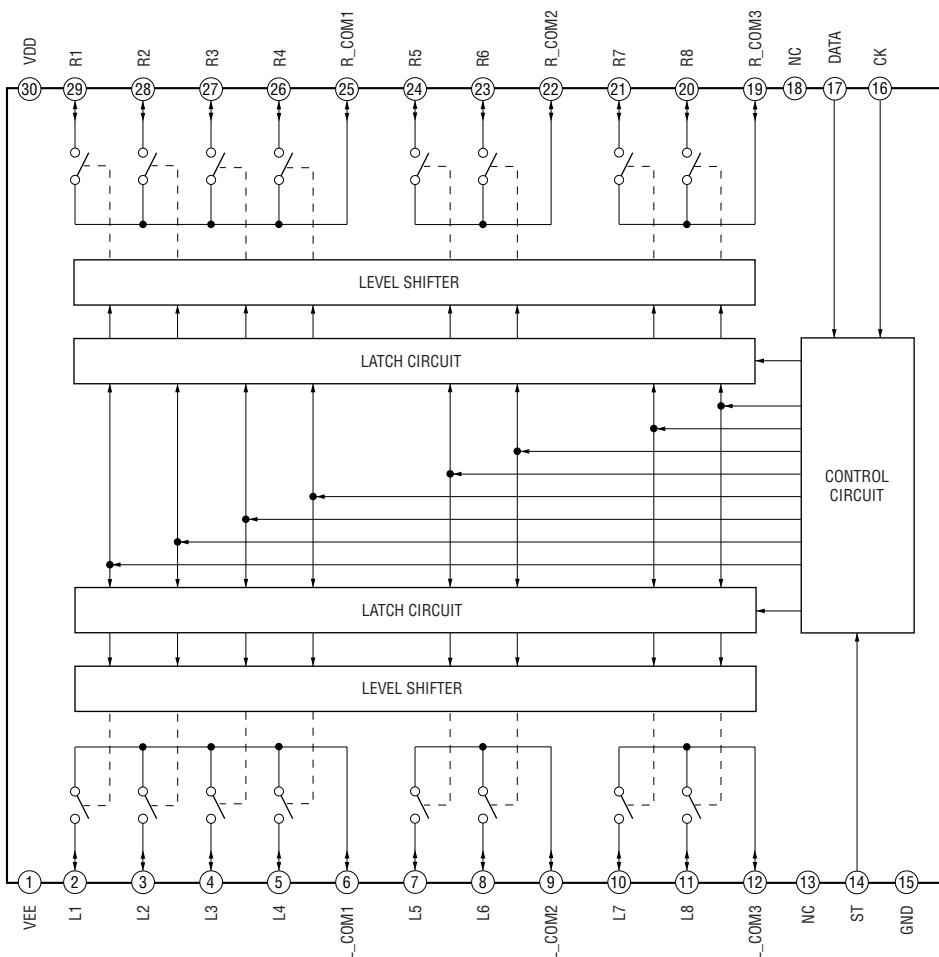
IC8005 PCM1753DBQR



IC8006 BA00BC0WFP-E2



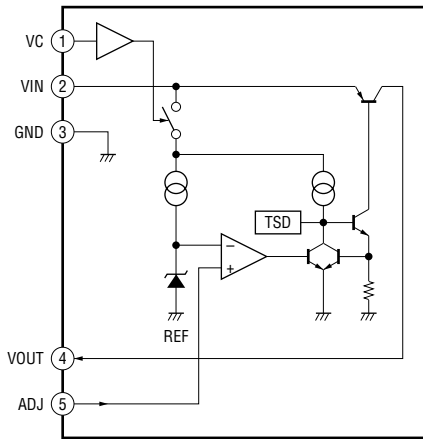
IC8009 NJU7313AM (TE2)



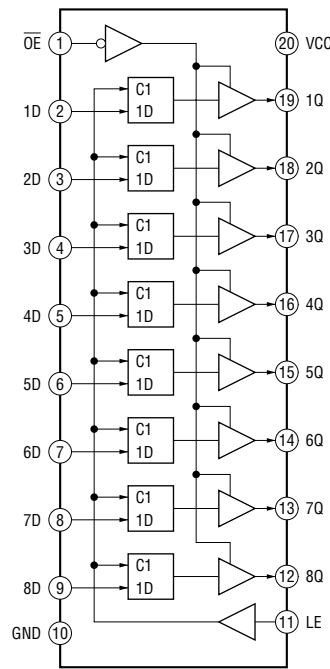
STR-DA4300ES

– DSP Board –

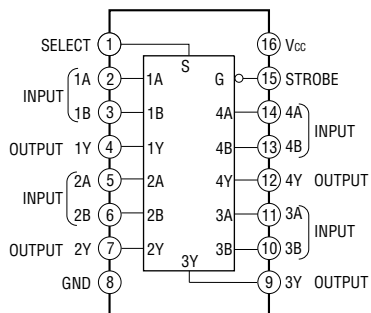
IC5001, 5201 SI-3010KM-TL



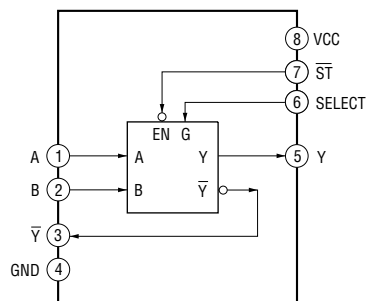
IC5009, 5010, 5209, 5210 SN74LVC573APWR



IC5013 TC74VHC157FT (EKJ)

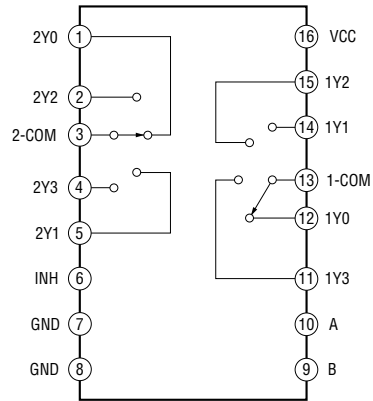


IC5212 TC7WH157FK (TE85R)

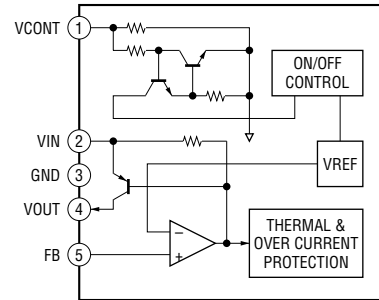


- D_VIDEO Board -

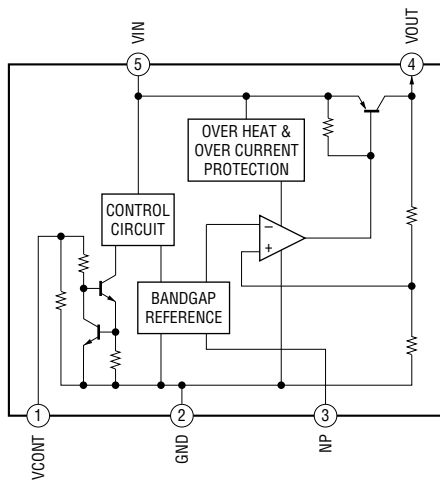
IC3508 SN74LV4052APWR



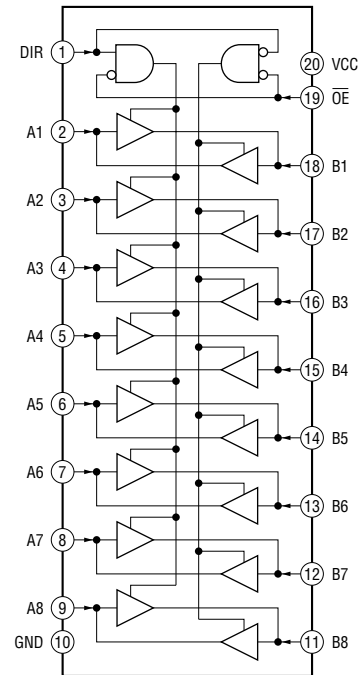
IC3514, 3517 TK73400AU3G0L-C



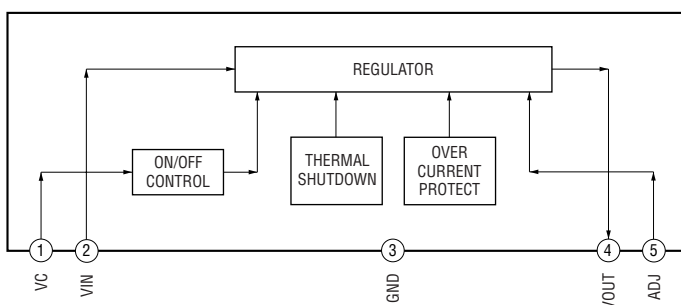
IC3516 TK11150CSCL-G
 IC3608 TK11118CSCL-G
 IC3852 TK11125CSCL-G



IC3619, 3620 TC74LCX245FK (EL)

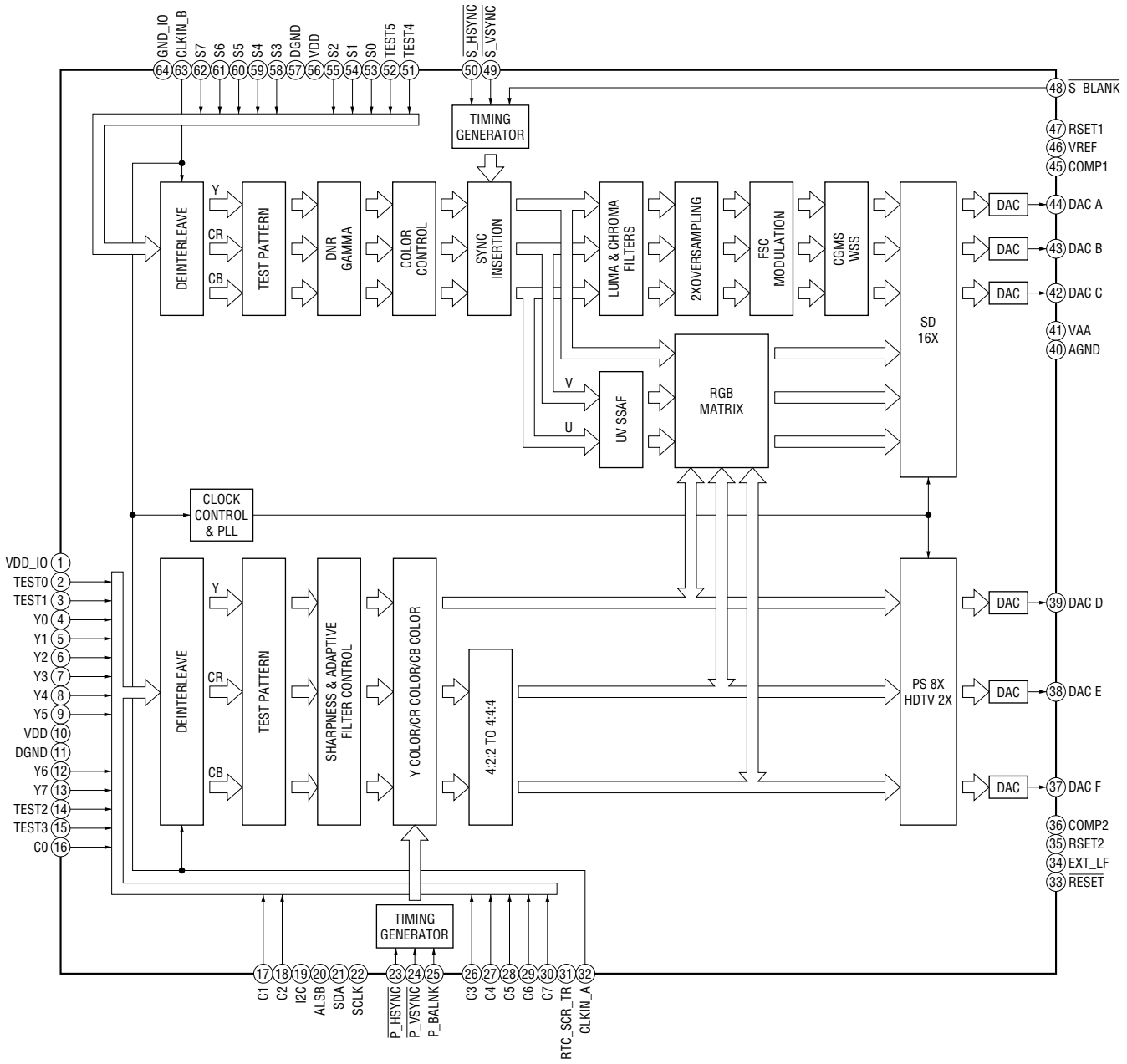


IC3617 SI-3011ZFE

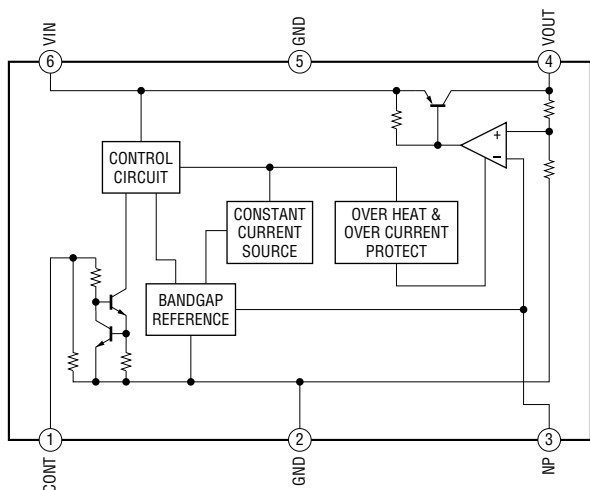


STR-DA4300ES

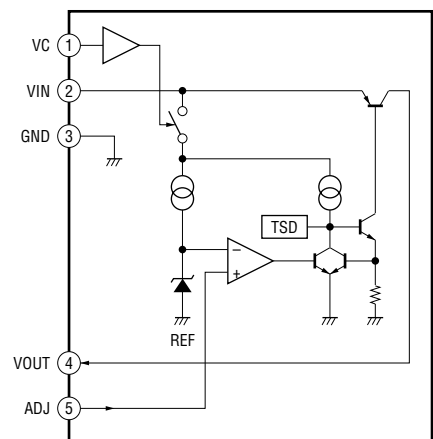
IC3850 ADV7322KSTZ



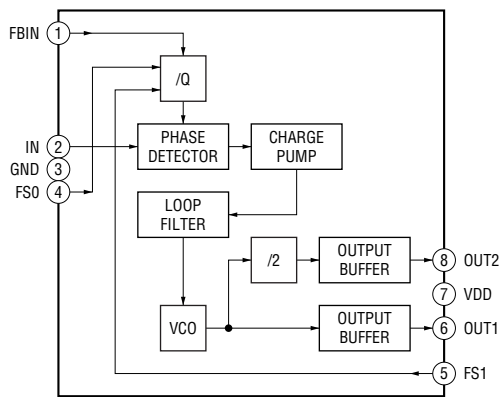
IC3851 TK11225CMCL-G



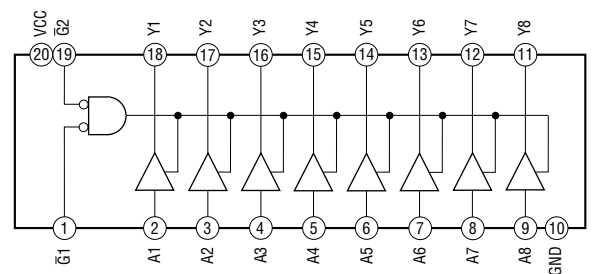
IC3853 SI-3010KM-TL



IC3854 CY2302-SXC-1T

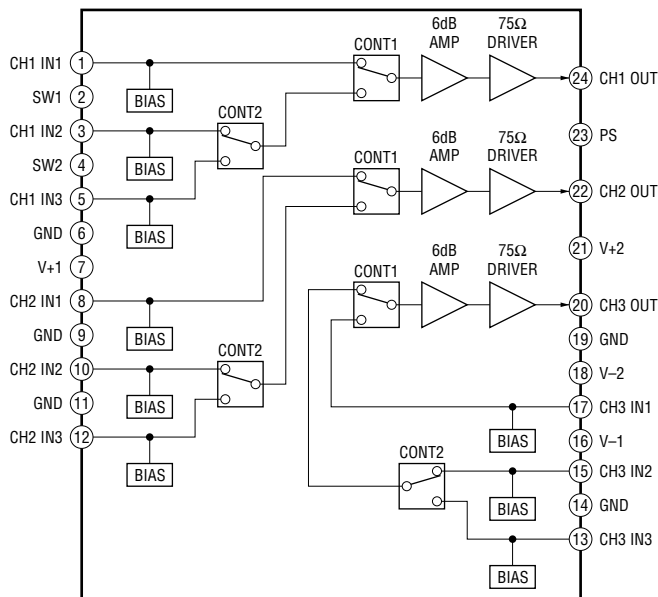


IC3855 TC74VHC541FT(EL)

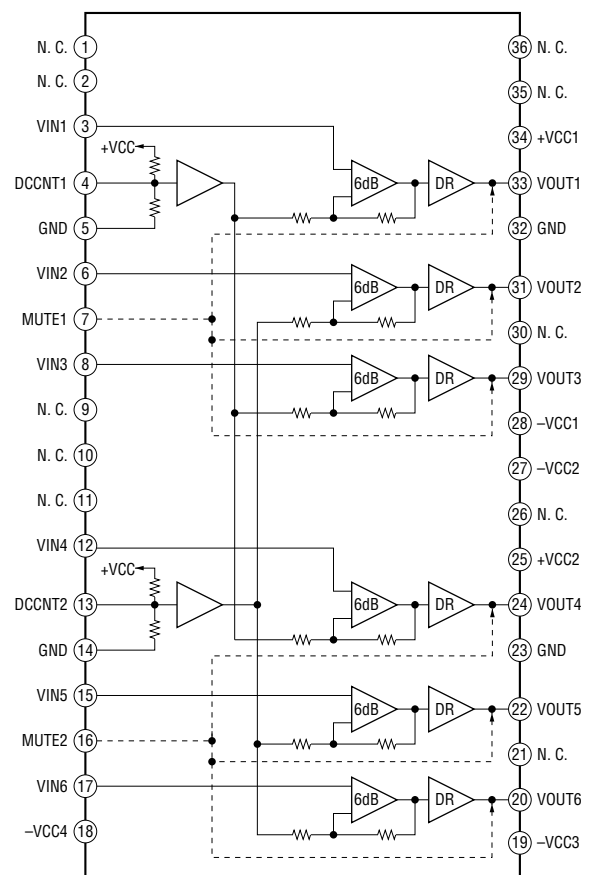


- A_VIDEO Board -

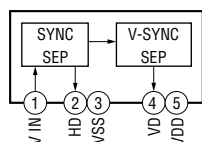
IC6001, 6104 NJM2586AM



IC6103 LA73053-TLM-E

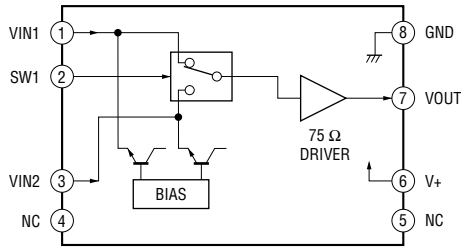


IC6101, 6102 LA7213

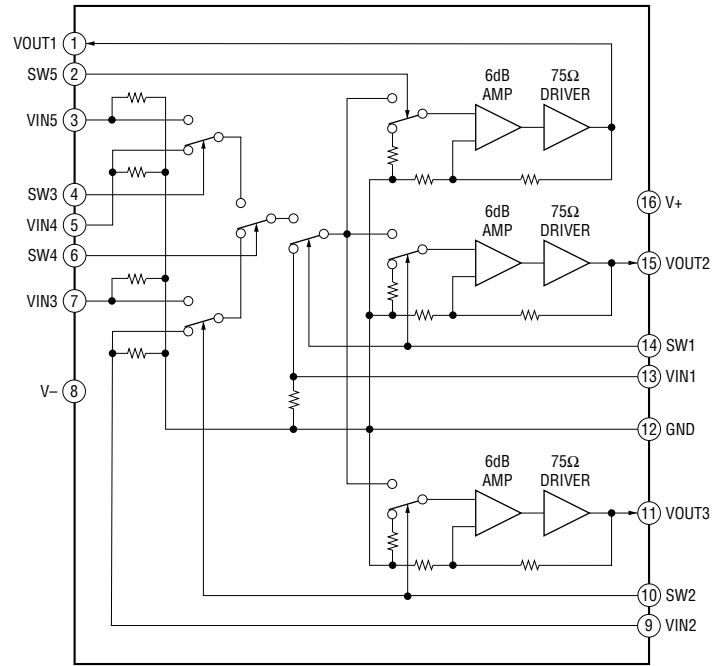


STR-DA4300ES

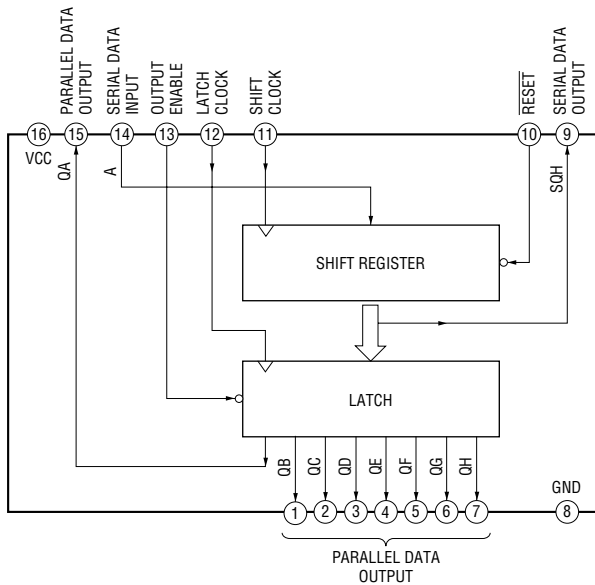
IC6204, 6504, 6505 NJM2533M (TE2)



IC6301, 6302 NJM2595M-TE2

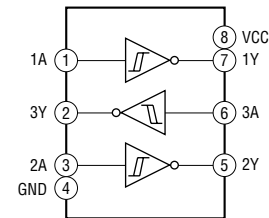


IC6502, 6503 SN74HC595ANS

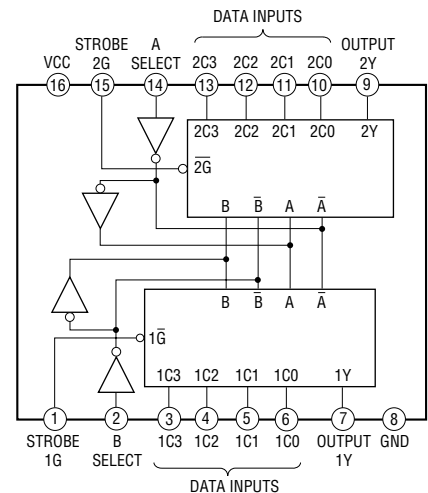


- CONTROL Board -

IC2006, 2009 TC7W14FU (TE12R)

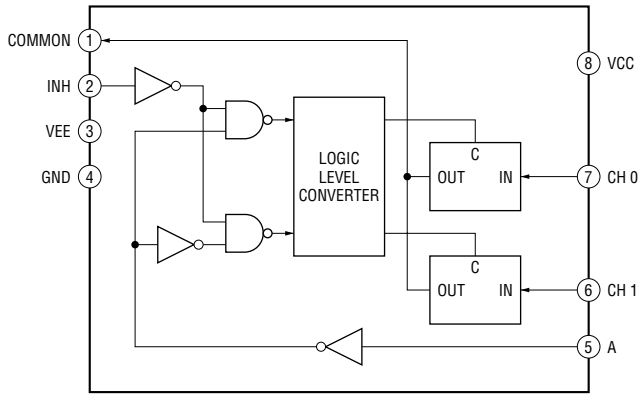


IC2010 TC74VHC153FT (EL)

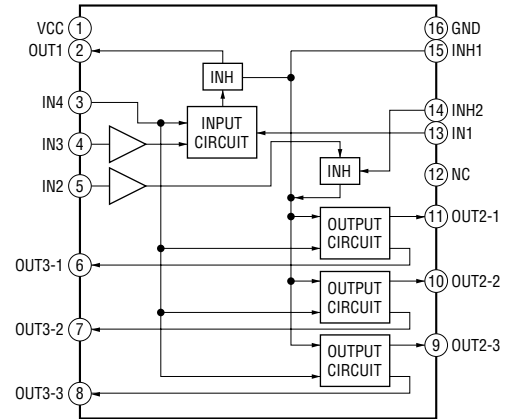


- CIS Board -

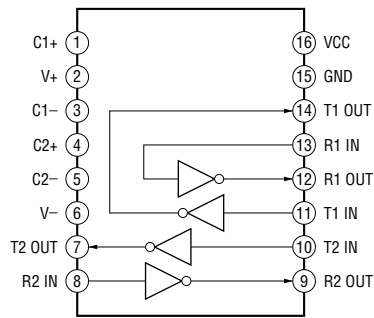
IC802 TC7W53F (TE12R)



IC861 NJM2145M-TE2

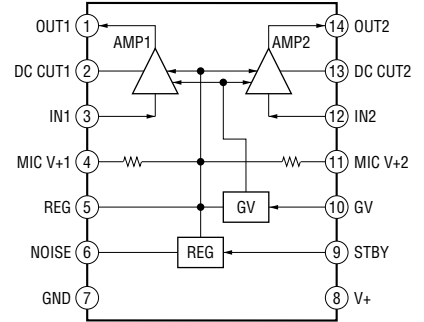


IC881 MAX232N



- DISPLAY Board -

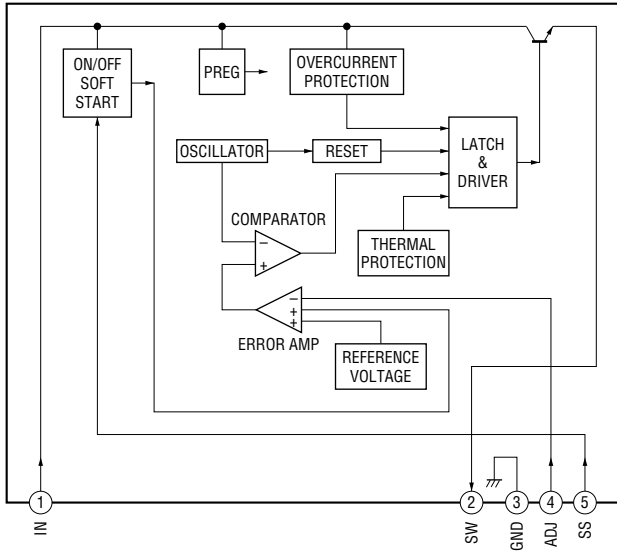
IC703 NJM2173AV (TE2)



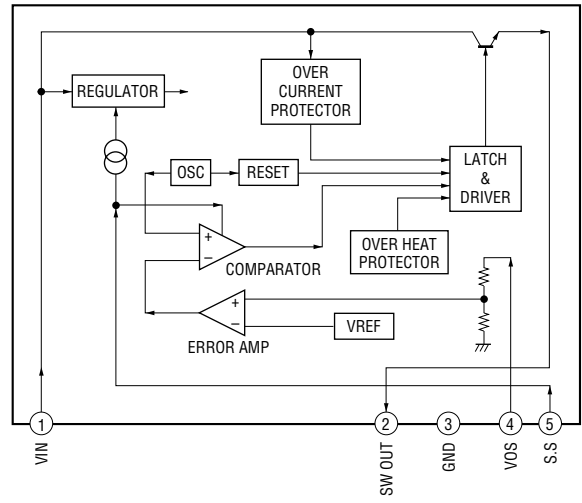
STR-DA4300ES

– DC-DC Board –

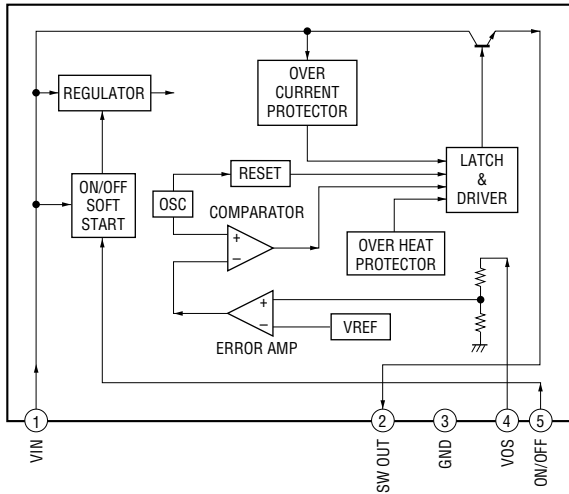
IC1402, 1403 SI-8008HFE



IC1404 SI-8050S-LF1101



IC1405 SI-8120JF



• IC Pin Function Description
TUNER BOARD IC8003 F2602E-01-TR (XM RECEIVER)

Pin No.	Pin Name	I/O	Description
1	LSOPTXRX	-	Not used
2	VSS	-	Ground terminal
3	SCTXOUT	O	Serial data output to the system controller
4	VDD	-	Power supply terminal (+3.3V)
5	SCRXIN	I	Serial data input from the system controller
6	VSS	-	Ground terminal
7	COMMSEL	I	Command mode selection signal input terminal Not used
8	VDD	-	Power supply terminal (+3.3V)
9	$\overline{\text{IRQ}}$	O	Interrupt request signal output terminal Not used
10	VSS	-	Ground terminal
11	$\overline{\text{RESET}}$	I	Reset signal input from the system controller "L": reset
12	SLAVESL	I	Master/slave mode setting terminal "L": master mode, "H": slave mode Fixed at "L" in this set
13	COMRXDIG	-	Not used
14	COMTXDIG	-	Not used
15	COMTXEN	-	Not used
16	VSS	-	Ground terminal
17	VDD	-	Power supply terminal (+3.3V)
18	COMRXP	I	XM receiver differential signal (positive) input terminal
19	COMRXM	I	XM receiver differential signal (negative) input terminal
20	VDD	-	Power supply terminal (+3.3V)
21	VSS	-	Ground terminal
22	COMTXM	O	XM transmitter differential signal (negative) output terminal
23	COMTXP	O	XM transmitter differential signal (positive) output terminal
24, 25	VSS	-	Ground terminal
26	OSCOUT	O	System clock output terminal (45.1584 MHz)
27	VDD	-	Power supply terminal (+3.3V)
28	OSCIN	I	System clock input terminal (45.1584 MHz)
29	VSS	-	Ground terminal
30	TEST	-	Not used
31	VSS	-	Ground terminal
32	HSDPDATA	-	Not used
33	VDD	-	Power supply terminal (+3.3V)
34	HSDPCLK	-	Not used
35	VSS	-	Ground terminal
36	HSDPEN	-	Not used
37	I2SDATA	O	I2S digital audio data output to the D/A converter and DSP1 and DSP2
38	VSS	-	Ground terminal
39	I2SSCLK	O	I2S bit clock signal output to the D/A converter and DSP1 and DSP2
40	VDD	-	Power supply terminal (+3.3V)
41	I2SLRCLK	O	I2S L/R sampling clock signal output to the D/A converter and DSP1 and DSP2
42	VSS	-	Ground terminal
43	I2SOCLK	O	I2S over sample clock signal output to the D/A converter and DSP1 and DSP2
44	VSS	-	Ground terminal
45	SAICLK	-	Not used
46	VDD	-	Power supply terminal (+3.3V)

STR-DA4300ES

Pin No.	Pin Name	I/O	Description
47	SAIIDATA	-	Not used
48	SAIIEN	-	Not used

DSP BOARD IC5002 ADSST-AVR-1132 (DSP1)

Pin No.	Pin Name	I/O	Description
A1	CLKCFG0	I	Clock frequency setting terminal
A2	XTAL	O	System clock output terminal (12.288 MHz)
A3	TMS	-	Not used
A4	TCK	-	Not used
A5	TDI	-	Not used
A6	CLKOUT	-	Not used
A7	TDO	-	Not used
A8	$\overline{\text{EMU}}$	-	Not used
A9	MOSI	I	Serial data input from the DSP controller
A10	$\overline{\text{MISO}}$	O	Serial data output to the DSP controller
A11	$\overline{\text{SPIDS}}$	I	Serial data latch pulse signal input from the DSP controller
A12	VDDINT	-	Power supply terminal (+1.2V)
A13, A14	GND	-	Ground terminal
B1	CLKCFG1	I	Clock frequency setting terminal
B2	GND	-	Ground terminal
B3	VDDEXT	-	Power supply terminal (+3.3V)
B4	CLKIN	I	System clock input terminal (12.288 MHz)
B5	$\overline{\text{TRST}}$	-	Not used
B6	AVSS	-	Ground terminal
B7	AVDD	-	Power supply terminal (+1.2V)
B8	VDDEXT	-	Power supply terminal (+3.3V)
B9	SPICLK	I	Serial data transfer clock signal input from the DSP controller
B10	$\overline{\text{RESET}}$	I	Reset signal input from the DSP controller "L": reset
B11	VDDINT	-	Power supply terminal (+1.2V)
B12 to B14	GND	-	Ground terminal
C1, C2	BOOTCFG1, BOOTCFG0	I	Boot mode setting signal input from the DSP controller
C3, C12, C13	GND	-	Ground terminal
C14, D1	VDDINT	-	Power supply terminal (+1.2V)
D2, D4 to D6, D9 to D11, D13	GND	-	Ground terminal
D14, E1	VDDINT	-	Power supply terminal (+1.2V)
E2, E4 to E6, E9 to E11, E13	GND	-	Ground terminal
E14	P_ERROR	O	PLL lock error signal and data error flag output to the DSP2 and DSP controller
F1	FLAG1	I	Audio muting control signal input from the digital audio interface receiver, video system controller or HDMI receiver
F2	FLAG0	O	Interrupt request signal output to the DSP controller
F4 to F6, F9 to F11	GND	-	Ground terminal
F13	NONAUDIO	I	PCM audio data input from the digital audio interface receiver or video system controller
F14	DPFSCK	I	Master clock signal input from the digital audio interface receiver, HDMI receiver or XM receiver
G1	AD7	I/O	Two-way data bus with S-RAM and flash memory and address signal output to the address latch

Pin No.	Pin Name	I/O	Description
G2	VDDINT	-	Power supply terminal (+1.2V)
G13	VDDEXT	-	Power supply terminal (+3.3V)
G14	DPBCK	I	Bit clock signal input for PCM audio input from the digital audio interface receiver, HDMI receiver or XM receiver
H1	AD6	I/O	Two-way data bus with S-RAM and flash memory and address signal output to the address latch
H2	VDDEXT	-	Power supply terminal (+3.3V)
H13	DPLRCK	I	L/R sampling clock signal input for PCM audio input from the digital audio interface receiver, HDMI receiver or XM receiver
H14	DPDV BCK	O	Bit clock signal output for PCM audio output to the DSP2
J1, J2	AD5, AD4	I/O	Two-way data bus with S-RAM and flash memory and address signal output to the address latch
J4 to J6, J9 to J11	GND	-	Ground terminal
J13	VDDINT	-	Power supply terminal (+1.2V)
J14	DPDVL RCK	O	L/R sampling clock signal output for PCM audio output to the DSP2
K1	AD3	I/O	Two-way data bus with S-RAM and flash memory and address signal output to the address latch
K2	VDDINT	-	Power supply terminal (+1.2V)
K4 to K6, K9 to K11, K13	GND	-	Ground terminal
K14	DPSIE	I	PCM audio signal (surround back L/R) input from the HDMI receiver
L1, L2	AD2, AD1	I/O	Two-way data bus with S-RAM and flash memory and address signal output to the address latch
L4 to L6, L9 to L11, L13	GND	-	Ground terminal
L14	DPSID	I	PCM audio signal (center, sub woofer) input from the HDMI receiver
M1	AD0	I/O	Two-way data bus with S-RAM and flash memory and address signal output to the address latch
M2	$\overline{\text{WR}}$	O	Data write enable signal output to the S-RAM and flash memory
M3, M12	GND	-	Ground terminal
M13	DPSIB	I	PCM audio signal (front L/R) input from the A/D converter, HDMI receiver or XM receiver
M14	DPSIC	I	PCM audio signal (surround L/R) input from the HDMI receiver
N1	AD15	O	Address signal output to the S-RAM and flash memory
N2	ALE	O	Address latch enable signal output terminal
N3	$\overline{\text{RD}}$	O	Data read enable signal output to the S-RAM and flash memory
N4	VDDINT	-	Power supply terminal (+1.2V)
N5	VDDEXT	-	Power supply terminal (+3.3V)
N6	AD8	O	Address signal output to the S-RAM, flash memory and address latch
N7	VDDINT	-	Power supply terminal (+1.2V)
N8	DAI_P2	-	Not used
N9	VDDEXT	-	Power supply terminal (+3.3V)
N10	DAI_P4	-	Not used
N11, N12	VDDINT	-	Power supply terminal (+1.2V)
N13	GND	-	Ground terminal
N14	DPSOE	O	PCM audio signal output to the DSP2
P1 to P6	AD14 to AD9	O	Address signal output to the S-RAM, flash memory and address latch
P7, P8, P9	DAI_P1, DAI_P3, DAI_P5	-	Not used
P10	DPSOA	O	PCM audio signal (front L/R) output to the DSP2
P11	DPSOB	O	PCM audio signal (surround L/R) output to the DSP2

Pin No.	Pin Name	I/O	Description
P12	DPSOC	O	PCM audio signal (center, sub woofer) output to the DSP2
P13	DPSOD	O	PCM audio signal (surround back L/R) output to the DSP2
P14	DPSIA	I	PCM audio signal (digital input) input from the digital audio interface receiver

DSP BOARD IC5202 ADSST-AVR-1131 (DSP2)

Pin No.	Pin Name	I/O	Description
A1	CLKCFG0	I	Clock frequency setting terminal
A2	XTAL	O	System clock output terminal (25 MHz)
A3	TMS	-	Not used
A4	TCK	-	Not used
A5	TDI	-	Not used
A6	CLKOUT	-	Not used
A7	TDO	-	Not used
A8	$\overline{\text{EMU}}$	-	Not used
A9	MOSI	I/O	When DSP2 is master: Serial data output to the serial flash When DSP2 is slave: Serial data input from the DSP controller
A10	MISO	I/O	When DSP2 is master: Serial data input from the serial flash When DSP2 is slave: Serial data output to the DSP controller
A11	$\overline{\text{SPIDS}}$	I	Serial data latch pulse signal input from the DSP controller
A12	VDDINT	-	Power supply terminal (+1.2V)
A13, A14	GND	-	Ground terminal
B1	CLKCFG1	I	Clock frequency setting terminal
B2	GND	-	Ground terminal
B3	VDDEXT	-	Power supply terminal (+3.3V)
B4	CLKIN	I	System clock input terminal (25 MHz)
B5	$\overline{\text{TRST}}$	-	Not used
B6	AVSS	-	Ground terminal
B7	AVDD	-	Power supply terminal (+1.2V)
B8	VDDEXT	-	Power supply terminal (+3.3V)
B9	SPICLK	I/O	When DSP2 is master: Serial data transfer clock signal input from the DSP controller When DSP2 is slave: Serial data transfer clock signal output to the serial flash
B10	$\overline{\text{RESET}}$	I	Reset signal input from the DSP controller "L": reset
B11	VDDINT	-	Power supply terminal (+1.2V)
B12 to B14	GND	-	Ground terminal
C1, C2	BOOTCFG1, BOOTCFG0	I	Boot mode setting signal input from the DSP controller
C3, C12, C13	GND	-	Ground terminal
C14, D1	VDDINT	-	Power supply terminal (+1.2V)
D2, D4 to D6, D9 to D11, D13	GND	-	Ground terminal
D14, E1	VDDINT	-	Power supply terminal (+1.2V)
E2, E4 to E6, E9 to E11, E13	GND	-	Ground terminal
E14	SF2_DSP2_CE	O	Chip enable signal output to the serial flash
F1	FLAG1	I	Audio muting control signal input from the digital audio interface receiver, video system controller or HDMI receiver
F2	FLAG0	O	Interrupt request signal output to the DSP controller
F4 to F6, F9 to F11	GND	-	Ground terminal
F13	P_ERROR	I	PLL lock error signal and data error flag input from the DSP1

Pin No.	Pin Name	I/O	Description
F14	DPFSCK	I	Master clock signal input from the digital audio interface receiver, HDMI receiver or XM receiver
G1	AD7	I/O	Two-way data bus with S-RAM and address signal output to the address latch
G2	VDDINT	-	Power supply terminal (+1.2V)
G13	VDDEXT	-	Power supply terminal (+3.3V)
G14	DPBCK	I	Bit clock signal input for PCM audio input from the DSP1, digital audio interface receiver, HDMI receiver or XM receiver
H1	AD6	I/O	Two-way data bus with S-RAM and address signal output to the address latch
H2	VDDEXT	-	Power supply terminal (+3.3V)
H13	DPLRCK	I	L/R sampling clock signal input for PCM audio input from the DSP1, digital audio interface receiver, HDMI receiver or XM receiver
H14	DPDVCK	O	Bit clock signal output for PCM audio output to the lip sync adjust and D/A converter
J1, J2	AD5, AD4	I/O	Two-way data bus with S-RAM and address signal output to the address latch
J4 to J6, J9 to J11	GND	-	Ground terminal
J13	VDDINT	-	Power supply terminal (+1.2V)
J14	DPDVLCK	O	L/R sampling clock signal output for PCM audio output to the lip sync adjust and D/A converter
K1	AD3	I/O	Two-way data bus with S-RAM and address signal output to the address latch
K2	VDDINT	-	Power supply terminal (+1.2V)
K4 to K6, K9 to K11, K13	GND	-	Ground terminal
K14	DPSIE	I	PCM audio signal (surround back L/R) input from the DSP1
L1, L2	AD2, AD1	I/O	Two-way data bus with S-RAM and address signal output to the address latch
L4 to L6, L9 to L11, L13	GND	-	Ground terminal
L14	DPSID	I	PCM audio signal (center, sub woofer) input from the DSP1
M1	AD0	I/O	Two-way data bus with S-RAM and address signal output to the address latch
M2	\overline{WR}	O	Data write enable signal output to the S-RAM
M3, M12	GND	-	Ground terminal
M13	DPSIB	I	PCM audio signal (front L/R) input from the A/D converter, HDMI receiver, XM receiver or DSP1
M14	DPSIC	I	PCM audio signal (surround L/R) input from the DSP1
N1	AD15	O	Address signal output to the S-RAM and address latch
N2	ALE	O	Address latch enable signal output terminal
N3	\overline{RD}	O	Data read enable signal output to the S-RAM
N4	VDDINT	-	Power supply terminal (+1.2V)
N5	VDDEXT	-	Power supply terminal (+3.3V)
N6	AD8	O	Address signal output to the S-RAM and address latch
N7	VDDINT	-	Power supply terminal (+1.2V)
N8	DAI_P2	-	Not used
N9	VDDEXT	-	Power supply terminal (+3.3V)
N10	DAI_P4	-	Not used
N11, N12	VDDINT	-	Power supply terminal (+1.2V)
N13	GND	-	Ground terminal
N14	DPSOE	O	PCM audio signal output terminal Not used
P1 to P6	AD14 to AD9	O	Address signal output to the S-RAM and address latch
P7	DAI_P1	O	Address signal output to the S-RAM

Pin No.	Pin Name	I/O	Description
P8	DAI_P3	-	Not used
P9	SF2_DSP2_MAS	O	Master/slave selection signal output terminal
P10	DPSOA	O	PCM audio signal (front L/R) output to the lip sync adjust
P11	DPSOB	O	PCM audio signal (surround L/R) output to the lip sync adjust
P12	DPSOC	O	PCM audio signal (center, sub woofer) output to the lip sync adjust
P13	DPSOD	O	PCM audio signal (surround back L/R) output to the lip sync adjust
P14	DPSIA	I	PCM audio signal (digital input) input from the DSP1

DSP BOARD IC5208 MB91F353APMT-07A53DSP-X103 (DSP CONTROLLER)

Pin No.	Pin Name	I/O	Description
1	RDATA0	I	Audio serial data input from the digital audio interface receiver
2 to 8	-	-	Not used
9	DSP2_SIB_SEL	O	Data selection signal output to the data selector
10	P_ERROR	I	PLL lock error signal and data error flag input from the DSP1
11	DSP1_SPIDS	O	Serial data latch pulse signal output to the DSP1
12	DSP1_RESET	O	Reset signal output to the DSP1 and flash memory "L": reset
13, 14	DSP1_ BOOTCFG0, DSP1_ BOOTCFG1	O	Boot mode setting signal output to the DSP1
15, 16	-	-	Not used
17	SF2_DSP2_MAS	I	Master/slave selection signal input from the DSP2
18, 19	-	-	Not used
20	SF2_CPU_CE	O	Chip enable signal output to the serial flash
21	DSP2_SPIDS	O	Serial data latch pulse signal output to the DSP2
22	DSP2_RESET	O	Reset signal output to the DSP2 "L": reset
23, 24	-	-	Not used
25, 26	DSP2_ BOOTCFG0, DSP2_ BOOTCFG1	O	Boot mode setting signal output to the DSP2
27 to 35	-	-	Not used
36	DRST_TRG	I	Programming end flag input from the system controller
37 to 39	-	-	Not used
40	VSS	-	Ground terminal
41, 42	-	-	Not used
43	VSS	-	Ground terminal
44	VCC	-	Power supply terminal (+3.3V)
45 to 47	-	-	Not used
48	$\overline{\text{RD}}$	-	Not used
49	$\overline{\text{WR0}}$	-	Not used
50, 51	-	-	Not used
52	MD2	I	Programming mode signal input from the system controller
53, 54	MD1, MD0	I	Programming mode signal input terminal Not used
55	XRESET	I	Reset signal input from the system controller "L": reset
56	VCC	-	Power supply terminal (+3.3V)
57	XOUT	O	System clock output terminal (12.5 MHz)
58	XIN	I	System clock input terminal (12.5 MHz)
59	VSS	-	Ground terminal
60 to 62	-	-	Not used
63	MD_BUSY	I	Busy signal input from the system controller
64	DM_BUSY	O	Busy signal output to the system controller
65	DM_INT	O	Interrupt request signal output terminal Not used
66 to 69	-	-	Not used
70, 71	PN0, PN2	-	Not used
72 to 75	-	-	Not used
76	VSS	-	Ground terminal

Pin No.	Pin Name	I/O	Description
77	VCC	-	Power supply terminal (+3.3V)
78 to 80	-	-	Not used
81	INT0	-	Not used
82	MD_INT	I	Interrupt request signal input from the system controller
83	DSP1_INT	I	Interrupt request signal input from the DSP1
84	DSP2_INT	I	Interrupt request signal input from the DSP2
85, 86	INT4, INT5	-	Not used
87, 88	-	-	Not used
89	MD_DATA	I	Serial data input from the system controller
90	DM_DATA	O	Serial data output to the system controller
91	SCK0	-	Not used
92	DSP1_MISO	I	Serial data input from the DSP1
93	DSP1_MOSI	O	Serial data output to the DSP1
94	DSP1_SPICLK	O	Serial data transfer clock signal output to the DSP1
95	VCC	-	Power supply terminal (+3.3V)
96	VSS	-	Ground terminal
97, 98	-	-	Not used
99	DSP2_MISO	I	Serial data input from the DSP2 or serial flash
100	DSP2_MOSI	O	Serial data output to the DSP2 or serial flash
101	DSP2_SPICLK	O	Serial data transfer clock signal output to the DSP2 or serial flash
102	SI3	I	Serial data input terminal
103	SO3	O	Serial data output terminal
104	SCK3	-	Not used
105, 106	-	-	Not used
107	DAVS	-	Ground terminal
108	DAVC	-	Power supply terminal (+3.3V)
109	AVCC	-	Power supply terminal (+3.3V)
110	AVRH	I	Reference voltage input terminal (+3.3V)
111	AVSS	-	Ground terminal
112	VSS	-	Ground terminal
113, 114	KEY0, KEY1	-	Not used
115 to 120	-	-	Not used

D_VIDEO BOARD IC3503 SII9185CTU (HDMI INPUT SELECT)

Pin No.	Pin Name	I/O	Description
1	TX2+	O	TMDS data (positive) output to the HDMI receiver
2	TX2-	O	TMDS data (negative) output to the HDMI receiver
3	AGND	-	Ground terminal
4	TX1+	O	TMDS data (positive) output to the HDMI receiver
5	TX1-	O	TMDS data (negative) output to the HDMI receiver
6	AVCC18	-	Power supply terminal (+1.8V)
7	TX0+	O	TMDS data (positive) output to the HDMI receiver
8	TX0-	O	TMDS data (negative) output to the HDMI receiver
9	AGND	-	Ground terminal
10	TXC+	O	TMDS clock (positive) output to the HDMI receiver
11	TXC-	O	TMDS clock (negative) output to the HDMI receiver
12	EXTSWING	-	Not used
13	RESET#	I	Reset signal input from the video system controller "L": reset
14	LSDA/EPSEL[0]	I/O	I2C two-way data bus with the video system controller, EEPROM, HDMI receiver, HDMI transceiver and D/A converter
15	LSCL/EPSEL[1]	I	I2C clock signal input from the video system controller
16	HPD0	O	Hot plug detection signal output to the HDMI ASSIGNABLE (INPUT ONLY) IN jack
17	AVCC18	-	Power supply terminal (+1.8V)
18	R0XC-	I	TMDS clock signal (negative) input from the HDMI ASSIGNABLE (INPUT ONLY) IN jack
19	R0XC+	I	TMDS clock signal (positive) input from the HDMI ASSIGNABLE (INPUT ONLY) IN jack
20	AGND	-	Ground terminal
21	R0X0-	I	TMDS data (negative) input from the HDMI ASSIGNABLE (INPUT ONLY) IN jack
22	R0X0+	I	TMDS data (positive) input from the HDMI ASSIGNABLE (INPUT ONLY) IN jack
23	AVCC33	-	Power supply terminal (+3.3V)
24	R0X1-	I	TMDS data (negative) input from the HDMI ASSIGNABLE (INPUT ONLY) IN jack
25	R0X1+	I	TMDS data (positive) input from the HDMI ASSIGNABLE (INPUT ONLY) IN jack
26	AGND	-	Ground terminal
27	R0X2-	I	TMDS data (negative) input from the HDMI ASSIGNABLE (INPUT ONLY) IN jack
28	R0X2+	I	TMDS data (positive) input from the HDMI ASSIGNABLE (INPUT ONLY) IN jack
29	AVCC18	-	Power supply terminal (+1.8V)
30	DSDA0	I/O	I2C two-way data bus with the HDMI ASSIGNABLE (INPUT ONLY) IN jack
31	DSCL0	I	I2C clock signal input from the HDMI ASSIGNABLE (INPUT ONLY) IN jack
32	RPWR0	I	Power supply voltage (+5V) input from the HDMI ASSIGNABLE (INPUT ONLY) IN jack
33	DVCC18	-	Power supply terminal (+1.8V)
34	DGND	-	Ground terminal
35	I2CSEL/INT	-	Not used
36	HPD1	O	Hot plug detection signal output to the HDMI ASSIGNABLE (INPUT ONLY) IN jack
37	AVCC18	-	Power supply terminal (+1.8V)
38	R1XC-	I	TMDS clock signal (negative) input from the HDMI ASSIGNABLE (INPUT ONLY) IN jack
39	R1XC+	I	TMDS clock signal (positive) input from the HDMI ASSIGNABLE (INPUT ONLY) IN jack
40	AGND	-	Ground terminal
41	R1X0-	I	TMDS data (negative) input from the HDMI ASSIGNABLE (INPUT ONLY) IN jack
42	R1X0+	I	TMDS data (positive) input from the HDMI ASSIGNABLE (INPUT ONLY) IN jack
43	AVCC33	-	Power supply terminal (+3.3V)
44	R1X1-	I	TMDS data (negative) input from the HDMI ASSIGNABLE (INPUT ONLY) IN jack
45	R1X1+	I	TMDS data (positive) input from the HDMI ASSIGNABLE (INPUT ONLY) IN jack

Pin No.	Pin Name	I/O	Description
46	AGND	-	Ground terminal
47	R1X2-	I	TMDS data (negative) input from the HDMI ASSIGNABLE (INPUT ONLY) IN jack
48	R1X2+	I	TMDS data (positive) input from the HDMI ASSIGNABLE (INPUT ONLY) IN jack
49	AVCC18	-	Power supply terminal (+1.8V)
50	DSDA1	I/O	I2C two-way data bus with the HDMI ASSIGNABLE (INPUT ONLY) IN jack
51	DSCL1	I	I2C clock signal input from the HDMI ASSIGNABLE (INPUT ONLY) IN jack
52	RPWR1	I	Power supply voltage (+5V) input from the HDMI ASSIGNABLE (INPUT ONLY) IN jack
53, 54	CEC_D, CEC_A	-	Not used
55	AVCC33	-	Power supply terminal (+3.3V)
56	HPD2	O	Hot plug detection signal output to the HDMI ASSIGNABLE (INPUT ONLY) IN jack
57	AVCC18	-	Power supply terminal (+1.8V)
58	R2XC-	I	TMDS clock signal (negative) input from the HDMI ASSIGNABLE (INPUT ONLY) IN jack
59	R2XC+	I	TMDS clock signal (positive) input from the HDMI ASSIGNABLE (INPUT ONLY) IN jack
60	AGND	-	Ground terminal
61	R2X0-	I	TMDS data (negative) input from the HDMI ASSIGNABLE (INPUT ONLY) IN jack
62	R2X0+	I	TMDS data (positive) input from the HDMI ASSIGNABLE (INPUT ONLY) IN jack
63	AVCC33	-	Power supply terminal (+3.3V)
64	R2X1-	I	TMDS data (negative) input from the HDMI ASSIGNABLE (INPUT ONLY) IN jack
65	R2X1+	I	TMDS data (positive) input from the HDMI ASSIGNABLE (INPUT ONLY) IN jack
66	AGND	-	Ground terminal
67	R2X2-	I	TMDS data (negative) input from the HDMI ASSIGNABLE (INPUT ONLY) IN jack
68	R2X2+	I	TMDS data (positive) input from the HDMI ASSIGNABLE (INPUT ONLY) IN jack
69	AVCC18	-	Power supply terminal (+1.8V)
70	DSDA2	I/O	I2C two-way data bus with the HDMI ASSIGNABLE (INPUT ONLY) IN jack
71	DSCL2	I	I2C clock signal input from the HDMI ASSIGNABLE (INPUT ONLY) IN jack
72	RPWR2	I	Power supply voltage (+5V) input from the HDMI ASSIGNABLE (INPUT ONLY) IN jack
73	DVCC18	-	Power supply terminal (+1.8V)
74	DGND	-	Ground terminal
75	RSVDL	-	Not used
76	HPDIN	I	Hot plug detection signal input from the video system controller
77	TSDA	I/O	I2C two-way data bus with the EEPROM and HDMI receiver
78	TSCL	O	I2C clock signal output to the EEPROM and HDMI receiver
79	TPWR/I2CADDR	O	Power supply voltage (+5V) output to the HDMI receiver
80	AGND	-	Ground terminal

D_VIDEO BOARD IC3511 SII9135CTU (HDMI RECEIVER)

Pin No.	Pin Name	I/O	Description
1 to 3	Q10 to Q8	O	Serial data output to the HDMI transceiver and video processor
4	I0GND	-	Ground terminal
5	ODCK	O	Output data clock signal output to the HDMI transceiver, video processor and D/A converter
6	IOVCC33	-	Power supply terminal (+3.3V)
7 to 10	Q7 to Q4	O	Serial data output to the HDMI transceiver and video processor
11	CGND	-	Ground terminal
12	CVCC18	-	Power supply terminal (+1.8V)
13 to 16	Q3 to Q0	O	Serial data output to the HDMI transceiver
17	I0GND	-	Ground terminal
18	IOVCC33	-	Power supply terminal (+3.3V)
19	DE	O	Data enable signal output to the HDMI transceiver, video processor and D/A converter
20	HSYNC	O	Horizontal sync signal output to the HDMI transceiver, video processor and D/A converter
21	VSYNC	O	Vertical sync signal output to the HDMI transceiver, video system controller, video processor and D/A converter
22	EVNODD	-	Not used
23	CGND	-	Ground terminal
24, 25	CVCC18	-	Power supply terminal (+1.8V)
26	CSDA	I/O	I2C two-way data bus with the EEPROM, HDMI input select, HDMI transceiver, video system controller and D/A converter
27	CSCL	I	I2C clock signal input from the video system controller
28	DSDA1	I/O	I2C two-way data bus terminal Not used
29	DSCL1	I	I2C clock signal input terminal Not used
30	R1PWR5V	I	Power supply voltage (+5V) input terminal Not used
31	I0GND	-	Ground terminal
32	IOVCC33	-	Power supply terminal (+3.3V)
33	DSDA0	I/O	I2C two-way data bus with the HDMI input select and EEPROM
34	DSCL0	I	I2C clock signal input from the HDMI input select
35	R0PWR5V	I	Power supply voltage (+5V) input from the HDMI input select
36	AGND	-	Ground terminal
37	AVCC18	-	Power supply terminal (+1.8V)
38	AVCC33	-	Power supply terminal (+3.3V)
39	R0XC-	I	TMDS clock (negative) signal input from the HDMI input select
40	R0XC+	I	TMDS clock (positive) signal input from the HDMI input select
41	AGND	-	Ground terminal
42	AVCC33	-	Power supply terminal (+3.3V)
43	R0X0-	I	TMDS data (negative) input from the HDMI input select
44	R0X0+	I	TMDS data (positive) input from the HDMI input select
45	AGND	-	Ground terminal
46	AVCC33	-	Power supply terminal (+3.3V)
47	R0X1-	I	TMDS data (negative) input from the HDMI input select
48	R0X1+	I	TMDS data (positive) input from the HDMI input select
49	AGND	-	Ground terminal
50	AVCC33	-	Power supply terminal (+3.3V)
51	R0X2-	I	TMDS data (negative) input from the HDMI input select
52	R0X2+	I	TMDS data (positive) input from the HDMI input select
53	AGND	-	Ground terminal
54	AVCC18	-	Power supply terminal (+1.8V)

Pin No.	Pin Name	I/O	Description
55	RSVDNC	-	Not used
56	AVCC33	-	Power supply terminal (+3.3V)
57	R1XC-	I	TMDS clock (negative) signal input terminal Not used
58	R1XC+	I	TMDS clock (positive) signal input terminal Not used
59	AGND	-	Ground terminal
60	AVCC33	-	Power supply terminal (+3.3V)
61	R1X0-	I	TMDS data (negative) input terminal Not used
62	R1X0+	I	TMDS data (positive) input terminal Not used
63	AGND	-	Ground terminal
64	AVCC33	-	Power supply terminal (+3.3V)
65	R1X1-	I	TMDS data (negative) input terminal Not used
66	R1X1+	I	TMDS data (positive) input terminal Not used
67	AGND	-	Ground terminal
68	AVCC33	-	Power supply terminal (+3.3V)
69	R1X2-	I	TMDS data (negative) input terminal Not used
70	R1X2+	I	TMDS data (positive) input terminal Not used
71	AGND	-	Ground terminal
72	AVCC18	-	Power supply terminal (+1.8V)
73	IOGND	-	Ground terminal
74	IOVCC33	-	Power supply terminal (+3.3V)
75	MUTEOUT	O	Audio muting control signal output terminal
76, 77	RSVDNC	-	Not used
78	SPDIF	O	S/PDIF signal output to the digital audio interface receiver and HDMI transceiver
79	CGND	-	Ground terminal
80	CVCC18	-	Power supply terminal (+1.8V)
81	SD0	O	PCM audio signal output to the DSP1, DSP2 and HDMI transceiver
82 to 84	SD1 to SD3	O	PCM audio signal output to the DSP1 and HDMI transceiver
85	WS	O	L/R sampling clock signal output to the DSP1, DSP2 and HDMI transceiver
86	SCK	O	Bit clock signal output to the DSP1, DSP2 and HDMI transceiver
87	IOGND	-	Ground terminal
88	IOVCC33	-	Power supply terminal (+3.3V)
89	MCLK	O	Master clock signal output to the DSP1, DSP2 and HDMI transceiver
90	CGND	-	Ground terminal
91	CVCC18	-	Power supply terminal (+1.8V)
92	DVCC18	-	Power supply terminal (+1.8V)
93	DGND2	-	Ground terminal
94	XTALOUT	O	System clock output terminal (28.322 MHz)
95	XTALIN	I	System clock input terminal (28.322 MHz)
96	XTALVCC	-	Power supply terminal (+3.3V)
97	REGVCC	-	Power supply terminal (+3.3V)
98	RSVDNC	-	Not used
99	RSVDL	-	Not used
100	RESET#	I	Reset signal input from the video system controller "L": reset
101	SCDT	-	Not used
102	INT	O	Interrupt signal output to the video system controller
103	IOGND	-	Ground terminal
104	IOVCC33	-	Power supply terminal (+3.3V)

Pin No.	Pin Name	I/O	Description
105	CI2CA	-	Not used
106	CGND	-	Ground terminal
107	CVCC18	-	Power supply terminal (+1.8V)
108 to 111	Q35 to Q32	O	Serial data output to the HDMI transceiver, video processor and D/A converter
112	IOGND	-	Ground terminal
113	IOVCC33	-	Power supply terminal (+3.3V)
114 to 117	Q31 to Q28	O	Serial data output to the HDMI transceiver, video processor and D/A converter
118	CGND	-	Ground terminal
119	CVCC18	-	Power supply terminal (+1.8V)
120 to 123	Q27 to Q24	O	Serial data output to the HDMI transceiver
124	IOGND	-	Ground terminal
125	IOVCC33	-	Power supply terminal (+3.3V)
126 to 129	Q23 to Q20	O	Serial data output to the HDMI transceiver, video processor and D/A converter
130	CGND	-	Ground terminal
131	CVCC	-	Power supply terminal (+1.8V)
132 to 135	Q19 to Q16	O	Serial data output to the HDMI transceiver, video processor and D/A converter
136	IOGND	-	Ground terminal
137	IOVCC33	-	Power supply terminal (+3.3V)
138 to 141	Q15 to Q12	O	Serial data output to the HDMI transceiver
142	CGND	-	Ground terminal
143	CVCC18	-	Power supply terminal (+1.8V)
144	Q11	O	Serial data output to the HDMI transceiver and video processor

D_VIDEO BOARD IC3513 SII9134CTU (HDMI TRANSCEIVER)

Pin No.	Pin Name	I/O	Description
1	DE	I	Data enable signal input from the HDMI receiver
2	HSYNC	I	Horizontal sync signal input from the HDMI receiver
3	VSYNC	I	Vertical sync signal input from the HDMI receiver
4	SPDIF	I	S/PDIF signal input from the HDMI receiver
5	MCLK	I	Master clock signal input from the HDMI receiver
6 to 9	SD3 to SD0	I	PCM audio signal input from the HDMI receiver
10	WS	I	L/R sampling clock signal input from the HDMI receiver
11	SCK	I	Bit clock signal input from the HDMI receiver
12	CVCC18	-	Power supply terminal (+1.8V)
13	GND	-	Ground terminal
14	IOVCC33	-	Power supply terminal (+3.3V)
15	DCLK	I	Bit clock signal input from the HDMI receiver
16	DR0	I	L/R sampling clock signal input from the HDMI receiver
17 to 20	DL0, DR1, DL1, DR2	I	PCM audio signal input from the HDMI receiver
21	DL2	I	S/PDIF signal input from the HDMI receiver
22, 23	DR3, DL3	-	Not used
24	INT	O	Interrupt signal output to the video system controller
25	RESET#	I	Reset signal input from the video system controller "L": reset
26	AGND	-	Ground terminal
27	EXT_SWG	-	Not used
28	PVCC1	-	Power supply terminal (+1.8V)
29	AGND	-	Ground terminal
30	TXC-	O	TMDS clock (negative) output to the HDMI ASSIGNABLE (INPUT ONLY) OUT jack
31	TXC+	O	TMDS clock (positive) output to the HDMI ASSIGNABLE (INPUT ONLY) OUT jack
32	AVCC18	-	Power supply terminal (+1.8V)
33	TX0-	O	TMDS data (negative) output to the HDMI ASSIGNABLE (INPUT ONLY) OUT jack
34	TX0+	O	TMDS data (positive) output to the HDMI ASSIGNABLE (INPUT ONLY) OUT jack
35	AGND	-	Ground terminal
36	TX1-	O	TMDS data (negative) output to the HDMI ASSIGNABLE (INPUT ONLY) OUT jack
37	TX1+	O	TMDS data (positive) output to the HDMI ASSIGNABLE (INPUT ONLY) OUT jack
38	AVCC18	-	Power supply terminal (+1.8V)
39	TX2-	O	TMDS data (negative) output to the HDMI ASSIGNABLE (INPUT ONLY) OUT jack
40	TX2+	O	TMDS data (positive) output to the HDMI ASSIGNABLE (INPUT ONLY) OUT jack
41	AGND	-	Ground terminal
42	PVCC2	-	Power supply terminal (+1.8V)
43	AGND	-	Ground terminal
44	AVCC33	-	Power supply terminal (+3.3V)
45	DCCPWR5V	I	Power supply voltage (+5V) input terminal
46	DSCL	O	I2C clock signal output to the HDMI ASSIGNABLE (INPUT ONLY) OUT jack
47	DSDA	I/O	I2C two-way data bus with the HDMI ASSIGNABLE (INPUT ONLY) OUT jack
48	CSCL	I	I2C clock signal input from the video system controller
49	CSDA	I/O	I2C two-way data bus with the EEPROM, HDMI input select, HDMI receiver, video system controller and D/A converter
50	CI2CA	-	Not used
51	HPD	I	Hot plug detection signal input from the HDMI ASSIGNABLE (INPUT ONLY) OUT jack
52	TMODE	-	Not used

Pin No.	Pin Name	I/O	Description
53	IOVCC33	-	Power supply terminal (+3.3V)
54	GND	-	Ground terminal
55	VPP18	-	Power supply terminal (+1.8V)
56 to 63	D35 to D28	I	Serial data input from the HDMI receiver and video processor
64	CVCC18	-	Power supply terminal (+1.8V)
65	GND	-	Ground terminal
66	IOVCC33	-	Power supply terminal (+3.3V)
67 to 70	D27 to D24	I	Serial data input from the HDMI receiver
71 to 75	D23 to D19	I	Serial data input from the HDMI receiver and video processor
76	CVCC18	-	Power supply terminal (+1.8V)
77 to 79	D18 to D16	I	Serial data input from the HDMI receiver and video processor
80 to 83	D15 to D12	I	Serial data input from the HDMI receiver
84 to 86	D11 to D9	I	Serial data input from the HDMI receiver and video processor
87	GND	-	Ground terminal
88	IDCK	I	Output data clock signal input from the HDMI receiver
89	IOVCC33	-	Power supply terminal (+3.3V)
90 to 94	D8 to D4	I	Serial data input from the HDMI receiver and video processor
95 to 98	D3 to D0	I	Serial data input from the HDMI receiver
99	CVCC18	-	Power supply terminal (+1.8V)
100	GND	-	Ground terminal

D_VIDEO BOARD IC3601 FLI8638-LF (VIDEO PROCESSOR)

Pin No.	Pin Name	I/O	Description
A1	NC	-	Not used
A2	MSTR1_SDA	O	Power detection signal output to the video system controller
A3	MSTR1_SCL	I	Busy signal input from the video system controller
A4, A5	FSDATA1, FSDATA3	I/O	Two-way data bus with the SD-RAM
A6	FSDQM0	O	Lower data mask signal output to the SD-RAM
A7 to A10	FSDATA5, FSDATA7, FSDATA9, FSDATA11	I/O	Two-way data bus with the SD-RAM
A11	FSDQM1	O	Upper data mask signal output to the SD-RAM
A12, A13	FSDATA13, FSDATA15	I/O	Two-way data bus with the SD-RAM
A14	VDDA18_DLL	-	Power supply terminal (+1.8V)
A15, A16	FSDATA17, FSDATA19	I/O	Two-way data bus with the SD-RAM
A17	FSDQS2	O	Upper data strobe signal output to the SD-RAM
A18 to A21	FSDATA21, FSDATA23, FSDATA25, FSDATA27	I/O	Two-way data bus with the SD-RAM
A22	FSDQS3	O	Lower data strobe signal output to the SD-RAM
A23, A24	FSDATA29, FSDATA31	I/O	Two-way data bus with the SD-RAM
A25, A26	RPLL_AGND	-	Ground terminal
B1	BDATA0	I	Digital video signal (B) input from the OSD controller
B2	OCM_UDO_1	O	UART communication transfer data output to the video system controller
B3	OCM_UDI_1	I	UART communication transfer data input from the video system controller
B4, B5	FSDATA0, FSDATA2	I/O	Two-way data bus with the SD-RAM
B6	FSDQS0	O	Upper data strobe signal output to the SD-RAM
B7 to B10	FSDATA4, FSDATA6, FSDATA8, FSDATA10	I/O	Two-way data bus with the SD-RAM
B11	FSDQS1	O	Lower data strobe signal output to the SD-RAM
B12, B13	FSDATA12, FSDATA14	I/O	Two-way data bus with the SD-RAM
B14	VSSA18_DLL	-	Ground terminal
B15, B16	FSDATA16, FSDATA18	I/O	Two-way data bus with the SD-RAM
B17	FSDQM2	O	Lower data mask signal output to the SD-RAM
B18 to B21	FSDATA20, FSDATA22, FSDATA24, FSDATA26	I/O	Two-way data bus with the SD-RAM
B22	FSDQM3	O	Upper data mask signal output to the SD-RAM
B23, B24	FSDATA28, FSDATA30	I/O	Two-way data bus with the SD-RAM

Pin No.	Pin Name	I/O	Description
B25	RPLL_DGND	-	Ground terminal
B26	XTAL	O	System clock output terminal (19.6 MHz)
C1 to C3	BDATA3 to BDATA1	I	Digital video signal (B) input from the OSD controller
C4	FSCKE	O	Clock enable signal output to the SD-RAM
C5	FSCLKN	O	Clock signal (negative) output to the SD-RAM
C6 to C8	FSADDR8 to FSADDR6	O	Address signal output to the SD-RAM
C9	FSVREF	O	Reference voltage output to the SD-RAM
C10 to C18	FSADDR5, FSADDR12, FSADDR9, FSADDR4, FSADDR11, FSADDR3 to FSADDR0	O	Address signal output to the SD-RAM
C19	FSVREF	O	Reference voltage output to the SD-RAM
C20, C21	FSBKSEL1, FSBKSEL0	O	Bank select signal output to the SD-RAM
C22	FSCS1	O	Chip select signal output terminal Not used
C23	FSWE	O	Write enable signal output to the SD-RAM
C24	FSRAS	O	Row address strobe signal output to the SD-RAM
C25	RPLL_1.8V	-	Power supply terminal (+1.8V)
C26	TCLK	I	System clock input terminal (19.6 MHz)
D1	BDATA6	I	Digital video signal input terminal Not used
D2, D3	BDATA5, BDATA4	I	Digital video signal (B) input from the OSD controller
D4	DDR_2.5V	-	Power supply terminal (+2.5V)
D5	FSCLKP	O	Clock signal (positive) output to the SD-RAM
D6 to D8	DDR_2.5V	-	Power supply terminal (+2.5V)
D9	FSVREFVSS	-	Ground terminal
D10 to D15	DDR_2.5V	-	Power supply terminal (+2.5V)
D16	FSADDR10	O	Address signal output to the SD-RAM
D17, D18	DDR_2.5V	-	Power supply terminal (+2.5V)
D19	FSVREFVSS	-	Ground terminal
D20	DDR_2.5V	-	Power supply terminal (+2.5V)
D21	FSCS0	O	Chip select signal output to the SD-RAM
D22, D23	DDR_2.5V	-	Power supply terminal (+2.5V)
D24	FSCAS	O	Column address strobe signal output to the SD-RAM
D25	NC	-	Not used
D26	RPLL_3.3V	-	Power supply terminal (+3.3V)
E1, E2	BDATA9, BDATA8	I	Digital video signal (G) input from the OSD controller
E3	BDATA7	I	Digital video signal input terminal Not used
E4	IO_3.3V	-	Power supply terminal (+3.3V)
E23, E24	PD22, PD23	I/O	Serial data input from the HDMI receiver and serial data output to the HDMI transmitter and D/A converter
E25	LVDS_GND	-	Ground terminal
E26	LVDS_3.3V	-	Power supply terminal (+3.3V)

Pin No.	Pin Name	I/O	Description
F1 to F3	BDATA12 to BDATA10	I	Digital video signal (G) input from the OSD controller
F4	IO_3.3V	-	Power supply terminal (+3.3V)
F23 to F26	PD18 to PD21	I/O	Serial data input from the HDMI receiver and serial data output to the HDMI transmitter and D/A converter
G1, G2	BDATA15, BDATA14	I	Digital video signal input terminal Not used
G3	BDATA13	I	Digital video signal (G) input from the OSD controller
G4	IO_3.3V	-	Power supply terminal (+3.3V)
G23 to G26	PD14 to PD17	I/O	Serial data input from the HDMI receiver and serial data output to the HDMI transmitter and D/A converter
H1 to H3	BDATA18 to BDATA16	I	Digital video signal (R) input from the OSD controller
H4	IO_3.3V	-	Power supply terminal (+3.3V)
H23	LVDS_PLL_GND	-	Ground terminal
H24	LVDS_PLL_3.3V	-	Power supply terminal (+3.3V)
H25	LVDS_GND	-	Ground terminal
H26	LVDS_3.3V	-	Power supply terminal (+3.3V)
J1 to J3	BDATA21 to BDATA19	I	Digital video signal (R) input from the OSD controller
J4	IO_3.3V	-	Power supply terminal (+3.3V)
J23, J24	PD12, PD13	I/O	Serial data input from the HDMI receiver and serial data output to the HDMI transmitter and D/A converter
J25	LVDS_GND	-	Ground terminal
J26	LVDS_3.3V	-	Power supply terminal (+3.3V)
K1	BHREF_DE	I	Blanking period signal input from the OSD controller
K2, K3	BDATA23, BDATA22	I	Digital video signal input terminal Not used
K4	IO_3.3V	-	Power supply terminal (+3.3V)
K10, K11	CORE_1.8V	-	Power supply terminal (+1.8V)
K12 to K15	D_GND	-	Ground terminal
K16, K17	CORE_1.8V	-	Power supply terminal (+1.8V)
K23 to K26	PD8 to PD11	I/O	Serial data input from the HDMI receiver and serial data output to the HDMI transmitter and D/A converter
L1	IPCLK3	I	Clock signal input terminal Not used
L2	BVS	I	Vertical sync signal input from the OSD controller
L3	BHS	I	Horizontal sync signal input from the OSD controller
L4	IO_3.3V	-	Power supply terminal (+3.3V)
L10	D_GND	-	Ground terminal
L11	CORE_1.8V	-	Power supply terminal (+1.8V)
L12 to L15	D_GND	-	Ground terminal
L16	CORE_1.8V	-	Power supply terminal (+1.8V)
L17	D_GND	-	Ground terminal
L23 to L26	PD4 to PD7	I/O	Serial data input from the HDMI receiver and serial data output to the HDMI transmitter
M1	DIP_CLEAN_HS_OUT	O	Horizontal sync signal output terminal Not used
M2	DIP_EXT_CLAMP	-	Not used

Pin No.	Pin Name	I/O	Description
M3	DIP_EXT_COAST	-	Not used
M4	IPCLK2	I	Dot clock signal input from the OSD controller
M10 to M17	D_GND	-	Ground terminal
M23	IO_3.3V	-	Power supply terminal (+3.3V)
M24, M25	LVDS_GND	-	Ground terminal
M26	LVDS_3.3V	-	Power supply terminal (+3.3V)
N1	IPCLK0	I	Clock signal input terminal Not used
N2	DIP_RAW_HS_CS	-	Not used
N3	DIP_AODD	-	Not used
N4	DIP_BODD	-	Not used
N10 to N17	D_GND	-	Ground terminal
N23 to N26	PD0 to PD3	I/O	Serial data input from the HDMI receiver and serial data output to the HDMI transmitter
P1 to P3	ADATA2 to ADATA0	-	Not used
P4	IPCLK1	I	Clock signal input terminal Not used
P10 to P17	D_GND	-	Ground terminal
P23	IO_3.3V	-	Power supply terminal (+3.3V)
P24	DCLK	I	Output data clock signal input from the HDMI receiver
P25	DHS	I	Horizontal sync signal input from the HDMI receiver
P26	DEN	I	Data enable signal input from the HDMI receiver
R1 to R4	ADATA6 to ADATA3	-	Not used
R10 to R17	D_GND	-	Ground terminal
R23	JTAG_BS_TDI	-	Not used
R24	JTAG_BS_RST	-	Not used
R25	JTAG_BS_TCK	-	Not used
R26	DVS	I	Vertical sync signal input from the HDMI receiver
T1 to T4	ADATA10 to ADATA7	-	Not used
T10	D_GND	-	Ground terminal
T11	CORE_1.8V	-	Power supply terminal (+1.8V)
T12 to T15	D_GND	-	Ground terminal
T16, T17	CORE_1.8V	-	Power supply terminal (+1.8V)
T23	IO_3.3V	-	Power supply terminal (+3.3V)
T24	JTAG_BS_TMS	-	Not used
T25	JTAG_BS_TDO	-	Not used
T26	GPIO_44	-	Not used
U1 to U4	ADATA14 to ADATA11	-	Not used
U10, U11	CORE_1.8V	-	Power supply terminal (+1.8V)
U12 to U15	D_GND	-	Ground terminal
U16, U17	CORE_1.8V	-	Power supply terminal (+1.8V)
U23, U24	PWM1, PWM2	-	Not used
U25	PPWR	-	Not used
U26	PBIAS	-	Not used
V1 to V4	ADATA18 to ADATA15	-	Not used

Pin No.	Pin Name	I/O	Description
V23	IO_3.3V	-	Power supply terminal (+3.3V)
V24	PWM0	-	Not used
V25	SLAVE_SDA	-	Not used
V26	SLAVE_SCL	-	Not used
W1 to W4	ADATA22 to ADATA19	-	Not used
W23	OCM_INT1	-	Not used
W24	OCM_TIMER1	-	Not used
W25	OCM_UDI_0	-	Not used
W26	OCM_UDO_0	-	Not used
Y1	AVS	-	Not used
Y2	AHS	-	Not used
Y3	AHREF_DE	-	Not used
Y4	ADATA23	-	Not used
Y23	IO_3.3V	-	Power supply terminal (+3.3V)
Y24	OCM_INT2	-	Not used
Y25	VGA1_SDA	-	Not used
Y26	VGA1_SCL	-	Not used
AA1	NC	-	Not used
AA2 to AA4	DGND_ADC	-	Ground terminal
AA23	MSTR0_SDA	I/O	Two-way data bus with the EEPROM
AA24	MSTR0_SCL	O	Serial clock signal output to the EEPROM
AA25	VGA0_SDA	-	Not used
AA26	VGA0_SCL	-	Not used
AB1	A1P	I	Video signal input (P _R /C _R) from the COMPONENT VIDEO ASSIGNABLE (INPUT ONLY) jack
AB2	SV1P	-	Not used
AB3	AGND_ADC	-	Ground terminal
AB4	ADC_1.8V	-	Power supply terminal (+1.8V)
AB23	IO_3.3V	-	Power supply terminal (+3.3V)
AB24	IRO	-	Not used
AB25	MSTR2_SDA	I/O	Not used
AB26	MSTR2_SCL	O	Not used
AC1	C1P	I	Video signal input (Y) from the COMPONENT VIDEO ASSIGNABLE (INPUT ONLY) jack
AC2	B1P	I	Video signal input (P _B /C _B) from the COMPONENT VIDEO ASSIGNABLE (INPUT ONLY) jack
AC3	AGND_ADC	-	Ground terminal
AC4, AC5	ADC_1.8V	-	Power supply terminal (+1.8V)
AC6	AGND_ADC	-	Ground terminal
AC7	VOUT2	-	Not used
AC8	AGND_ADC	-	Ground terminal
AC9	LBADC_3.3V	-	Power supply terminal (+3.3V)
AC10	LBADC_IN4	-	Not used
AC11	LBADC_GND	-	Ground terminal
AC12	AVSIN_DATA	-	Not used
AC13	EXTOSD_HS	-	Not used
AC14	IO_3.3V	-	Power supply terminal (+3.3V)
AC15	OCMADDR18	O	Address signal output to the flash memory
AC16	IO_3.3V	-	Power supply terminal (+3.3V)

Pin No.	Pin Name	I/O	Description
AC17	OCMADDR11	O	Address signal output to the flash memory
AC18	IO_3.3V	-	Power supply terminal (+3.3V)
AC19	OCMADDR4	O	Address signal output to the flash memory
AC20	IO_3.3V	-	Power supply terminal (+3.3V)
AC21	OCMDATA13	I/O	Two-way data bus with the flash memory
AC22	IO_3.3V	-	Power supply terminal (+3.3V)
AC23	OCMDATA6	I/O	Two-way data bus with the flash memory
AC24	OCM_CS2N	O	Chip select signal output terminal Not used
AC25	OCN_RE_N	O	Read enable signal output to the flash memory
AC26	OCN_WE_N	O	Write enable signal output to the flash memory
AD1	AN	-	Not used
AD2	AGND_ADC	-	Ground terminal
AD3 to AD5	ADC1_3.3V	-	Power supply terminal (+3.3V)
AD6, AD7	ADC2_3.3V	-	Power supply terminal (+3.3V)
AD8	AGND_ADC	-	Ground terminal
AD9	RESET	I	Reset signal input from the video system controller "L": reset
AD10	LBADC_IN3	-	Not used
AD11	LBADC_RETURN	-	Not used
AD12	AVSIN_WORDSEL	-	Not used
AD13	EXTOSD_VS	-	Not used
AD14	AVSOUT_DATA	-	Not used
AD15 to AD20	OCMADDR19, OCMADDR15, OCMADDR12, OCMADDR8, OCMADDR5, OCMADDR1	O	Address signal output to the flash memory
AD21 to AD23	OCMDATA14, OCMDATA10, OCMDATA7	I/O	Two-way data bus with the flash memory
AD24	ROM_CS_N	O	Chip enable signal output to the flash memory
AD25, AD26	OCM_CS0N, OCM_CS1N	O	Chip select signal output terminal Not used
AE1	SV2P	-	Not used
AE2	B2P	-	Not used
AE3	AGND_ADC	-	Ground terminal
AE4	SV3P	-	Not used
AE5	B3P	-	Not used
AE6	AGND_ADC	-	Ground terminal
AE7	SV4P	-	Not used
AE8	BN2	-	Not used
AE9	AGND_ADC	-	Ground terminal
AE10, AE11	LBADC_IN2, LBADC_IN6	-	Not used
AE12	AIP_RAW_VS	-	Not used
AE13	AVSOUT_SCL	-	Not used
AE14	AVSOUT_WORDSEL	-	Not used

Pin No.	Pin Name	I/O	Description
AE15 to AE20	OCMADDR20, OCMADDR16, OCMADDR13, OCMADDR9, OCMADDR6, OCMADDR2	O	Address signal output to the flash memory
AE21 to AE26	OCMDATA15, OCMDATA11, OCMDATA8, OCMDATA2 to OCMDATA0	I/O	Two-way data bus with the flash memory
AF1	A2P	-	Not used
AF2	C2P	-	Not used
AF3	BN	-	Not used
AF4	A3P	I	Video signal input (CVBS) from VIDEO IN jack
AF5	C3P	-	Not used
AF6	CN	-	Not used
AF7	AN2	-	Not used
AF8	CN2	-	Not used
AF9	SVN	-	Not used
AF10, AF11	LBADC_IN1, LBADC_IN5	-	Not used
AF12	AIP_RAW_HS_CS	-	Not used
AF13	EXTOSD_CLK	-	Not used
AF14	AVSIN_SCL	-	Not used
AF15 to AF20	OCMADDR21, OCMADDR17, OCMADDR14, OCMADDR10, OCMADDR7, OCMADDR3	O	Address signal output to the flash memory
AF21	OCMADDR0	O	Address signal output terminal Not used
AE22 to AE26	OCMDATA12, OCMDATA9 OCMDATA5 to OCMDATA3	I/O	Two-way data bus with the flash memory

D_VIDEOBOARD IC3604 YGV629-VZ (OSD CONTROLLER)

Pin No.	Pin Name	I/O	Description
1	PLLVD	-	Power supply terminal (+3.3V)
2	FILTER	I	Filter connection terminal for internal PLL
3	PLLVSS	-	Ground terminal
4	NC	-	Not used
5 to 10	PLLCTL5 to PLLCTL0	I	PLL setting terminal
11	DTCKS_N	I	Clock signal input terminal Not used
12	DTCK_IN	I	Clock signal input terminal Not used
13	VSS	-	Ground terminal
14	VDD	-	Power supply terminal (+3.3V)
15 to 22	D0 to D7	I/O	Two-way data bus with the video system controller and S-RAM
23	WAIT_N	O	Wait signal output to the video system controller
24	READY_N	-	Not used
25	INT_N	O	Internal status output to the video system controller
26	VDD	-	Power supply terminal (+3.3V)
27	VSS	-	Ground terminal
28	CS_N	I	Chip select signal input from the video system controller
29	WR_N	I	Write enable signal input from the video system controller
30	RD_N	I	Read enable signal input from the video system controller
31 to 33	PS2 to PS0	I	Address signal input from the video system controller
34	SDOUT	O	Serial data output terminal Not used
35	SDIN	I	Serial data input terminal Not used
36	SCS_N	I	Chip select signal input terminal Not used
37	SCLK	I	Serial data transfer clock signal input terminal Not used
38	SER_N	I	CPU interface select setting terminal Fixed at "H" in this set
39	RESET_N	I	Reset signal input from the video system controller "L": reset
40	VSS	-	Ground terminal
41	VDD	-	Power supply terminal (+3.3V)
42	MA0	O	Address signal output terminal Not used
43 to 47	MA1 to MA5	O	Address signal output to the flash memory
48	VSS	-	Ground terminal
49 to 54	MA6 to MA11	O	Address signal output to the flash memory
55	VDD	-	Power supply terminal (+3.3V)
56	VSS	-	Ground terminal
57 to 62	MA12 to MA17	O	Address signal output to the flash memory
63	VSS	-	Ground terminal
64 to 70	MA18 to MA24	O	Address signal output to the flash memory
71	VDD	-	Power supply terminal (+3.3V)
72	VSS	-	Ground terminal
73	MWE_N	O	Write enable signal output to the flash memory
74	MOE_N	O	Output enable signal output to the flash memory
75 to 80	MD15, MD7, MD14, MD6, MD13, MD5	I/O	Two-way data bus with the flash memory
81	VSS	-	Ground terminal
82	VDD	-	Power supply terminal (+3.3V)

Pin No.	Pin Name	I/O	Description
83 to 90	MD12, MD4, MD11, MD3, MD10, MD2, MD9, MD1	I/O	Two-way data bus with the flash memory
91	VSS	-	Ground terminal
92	VDD	-	Power supply terminal (+3.3V)
93, 94	MD8, MD0	I/O	Two-way data bus with the flash memory
95	RAHZ_N	-	Not used
96 to 98	XTEST2 to XTEST0	-	Not used
99	VSIN_N	I	Vertical sync signal input terminal Not used
100	HSIN_N	I	Horizontal sync signal input terminal Not used
101	NC	-	Not used
102	AVDD	-	Power supply terminal (+3.3V)
103	R	O	Analog video signal (R) output terminal Not used
104	G	O	Analog video signal (G) output terminal Not used
105	B	O	Analog video signal (B) output terminal Not used
106	IREF	-	Not used
107	AVSS	-	Ground terminal
108	NC	-	Not used
109	VDD	-	Power supply terminal (+3.3V)
110	VSS	-	Ground terminal
111 to 116	DR0 to DR5	O	Digital video signal (R) output to the video processor
117	VSS	-	Ground terminal
118	VDD	-	Power supply terminal (+3.3V)
119 to 124	DG0 to DG5	O	Digital video signal (G) output to the video processor
125	VSS	-	Ground terminal
126	VDD	-	Power supply terminal (+3.3V)
127 to 132	DB0 to DB5	O	Digital video signal (B) output to the video processor
133	VSS	-	Ground terminal
134	FSC	-	Not used
135	YS_N	-	Not used
136	VSYNC_N	O	Vertical sync signal output to the video processor
137	HSYNC_N	O	Horizontal sync signal output to the video processor
138	BLANK_N	O	Blanking period signal output to the video processor
139	DOTCLK	O	Dot clock signal output to the video processor
140	VDD	-	Power supply terminal (+3.3V)
141	XIN	I	System clock input terminal (33.2 MHz)
142	XOUT	O	System clock output terminal (33.2 MHz)
143	VSS	-	Ground terminal
144	NC	-	Not used

D_VIDEO BOARD IC3610 MB91F467RA-07A43GUI-X100 (VIDEO SYSTEM CONTROLLER)

Pin No.	Pin Name	I/O	Description
1	VSS GND	-	Ground terminal
2 to 5	NO USE	-	Not used
6	STOP IN	I	AC off detection signal input terminal
7	DAC CLK SEL	O	Clock on/off control signal output terminal for D/A converter
8	EDID SEL0	O	I2C line selection signal output terminal for EEPROM
9, 10	NO USE	-	Not used
11, 12	VCC3 +3.3V	-	Power supply terminal (+3.3V)
13	VSS GND	-	Ground terminal
14	C_1	-	Not used
15	YAMAHA FLASH CE	O	Not used
16	NO USE	-	Not used
17	EXT_ROM CE	O	Not used
18	YAMAHA CE	O	Chip enable signal output to the OSD controller
19	SRAM CE	O	Chip enable signal output to the S-RAM
20	NO USE	-	Not used
21	YAMAHA_RESET	O	Reset signal output to the flash memory and OSD controller "L": reset
22	YAMAHA _WAIT_N	I	Wait signal input from the OSD controller
23	YAMAHA _READY_N	I	Not used
24	NO USE	-	Not used
25	RDX	O	Read enable signal output to the S-RAM and OSD controller
26	SRAM LB/WE	O	Lower-byte control signal and write enable signal output to the S-RAM
27	SRAM UB/WE	O	Upper-byte control signal and write enable signal output to the S-RAM, and write enable signal output to the OSD controller
28, 29	NO USE	-	Not used
30	TX_RST	O	Reset signal output to the HDMI transceiver "L": reset
31	TX_5VPWR	O	Power on/off control signal output terminal for the HDMI ASSIGNABLE (INPUT ONLY) OUT jack "H": power on
32	VDAC_RESET	O	Reset signal output to the D/A converter "L": reset
33, 34	NO USE	-	Not used
35	RX_RST	O	Reset signal output to the HDMI receiver "L": reset
36	VCC3 +3.3V	-	Power supply terminal (+3.3V)
37	C_2	-	Not used
38	VSS GND	-	Ground terminal
39	X0	I	System clock input terminal (4 MHz)
40	X1	O	System clock output terminal (4 MHz)
41	VSS GND	-	Ground terminal
42	X0A	I	System clock input terminal Not used
43	X1A	O	System clock output terminal Not used
44	VCC3 +3.3V	-	Power supply terminal (+3.3V)
45	VSS GND	-	Ground terminal
46 to 53	SRAM IO0 to SRAM IO7	I/O	Two-way data bus with the S-RAM

Pin No.	Pin Name	I/O	Description
54 to 56	SRAM IO8/ YAMAHA D0 to SRAM IO10/ YAMAHA D2	I/O	Two-way data bus with the OSD controller and S-RAM
57	VCC3 +3.3V	-	Power supply terminal (+3.3V)
58	VSS GND	-	Ground terminal
59 to 63	SRAM IO11/ YAMAHA D3 to SRAM IO15/ YAMAHA D7	I/O	Two-way data bus with the OSD controller and S-RAM
64	YAMAHA PS0	O	Address signal output to the OSD controller
65, 66	SRAM A0/ YAMAHA PS1, SRAM A1/ YAMAHA PS2	O	Address signal output to the OSD controller and S-RAM
67 to 72	SRAM A2 to SRAM A7	O	Address signal output to the S-RAM
73	VCC3 +3.3V	-	Power supply terminal (+3.3V)
74	VSS GND	-	Ground terminal
75 to 83	SRAM A8 to SRAM A16	O	Address signal output to the S-RAM
84	EXR_ROMA17	O	Not used
85 to 87	NO USE	-	Not used
88	VSS GND	-	Ground terminal
89	VCC3 +3.3V	-	Power supply terminal (+3.3V)
90, 91	NO USE	-	Not used
92	NON LPCM	O	PCM audio data output to the DSP1
93	9185 1 HPD1-3	O	Hot plug detection signal output to the HDMI input select
94	9185 1 RST	O	Reset signal output to the HDMI input select "L": reset
95 to 97	NO USE	-	Not used
98	AUDIO MUTE REQ	O	Audio muting control signal output terminal
99 to 113	NO USE	-	Not used
114	VSS GND	-	Ground terminal
115, 116	VCC3 +3.3V	-	Power supply terminal (+3.3V)
117	UC3V_SDA	I/O	I2C two-way data bus with the EEPROM, HDMI input select, HDMI receiver, HDMI transceiver and D/A converter
118	UC3V_SCL	O	I2C clock signal output to the EEPROM, HDMI input select, HDMI receiver, HDMI transceiver and D/A converter
119	YAMAHA_INT_N	I	Interrupt status input from the OSD controller
120	NO USE	-	Not used
121	RX_INT	I	Interrupt status input from the HDMI receiver
122	NO USE	-	Not used
123	TX_INT	I	Interrupt status input from the HDMI transceiver
124	NO USE	-	Not used
125	Faroudja Power DETECT	I	Power detection signal input from the video processor
126	Faroudja UCOM RESET	O	Reset signal output to the video processor and flash memory "L": reset
127	MD3	-	Mode setting terminal Fixed at "L" in this set

Pin No.	Pin Name	I/O	Description
128	MD2	I	Programming mode signal input from the system controller
129, 130	MD1, MD0	-	Mode setting terminal Fixed at "L" in this set
131	INITX	I	Reset signal input from the system controller "L": reset
132	VSS GND	-	Ground terminal
133	VCC5 +5V	-	Power supply terminal (+3.3V)
134	Flash Update RX	I	Serial data input terminal
135	Flash Update TX	O	Serial data output terminal
136	ENDFLAG	I	Programming end flag input from the system controller
137	MAIN UCOM UART RX	I	Serial data input from the system controller
138	MAIN UCOM UART TX	O	Serial data output to the system controller
139	MAIN UCOM UART BUSY	I	Busy signal input from the system controller
140	Faroudja UCOM UART RX	I	UART communication transfer data input from the video processor
141	Faroudja UCOM UART TX	O	UART communication transfer data output to the video processor
142	Faroudja UCOM BUSY	O	Busy signal output to the video processor
143 to 145	NO USE	-	Not used
146	VSS GND	-	Ground terminal
147	VCC5 +5V	-	Power supply terminal (+3.3V)
148 to 160	NO USE	-	Not used
161	VSS GND	-	Ground terminal
162	VCC5 +5V	-	Power supply terminal (+3.3V)
163 to 167	NO USE	-	Not used
168	V.SYNC_DET	I	Vertical sync signal input from the HDMI receiver
169 to 175	NO USE	-	Not used
176	VCC5	-	Power supply terminal (+3.3V)

CONTROL BOARD IC2003 MB91F467RA-07A43ES-X100 (SYSTEM CONTROLLER)

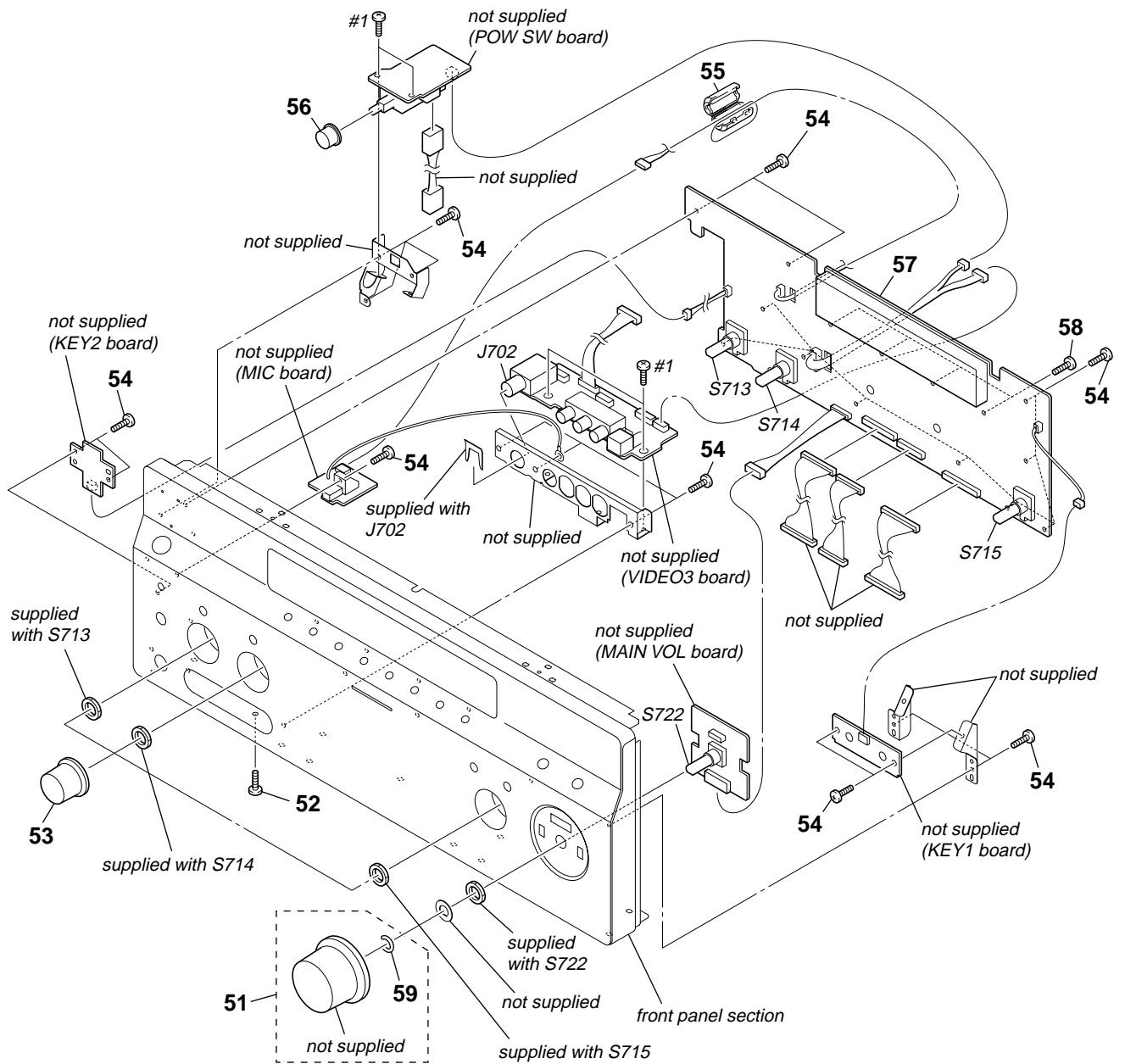
Pin No.	Pin Name	I/O	Description
1	VSS	-	Ground terminal
2	POW-SW_DET	I	POWER switch input terminal
3	XM_POW	O	Power supply on/off control signal output terminal for XM section "H": power on
4	C_DET	I	Component video signal detection signal input terminal
5	NO_USE	-	Not used
6	V_DET	I	CVBS video signal detection signal input terminal
7	V595_OE	O	Output enable signal output to the data decoder
8	V595_LAT	O	Serial data latch pulse signal output to the data decoder
9	HDMI_MUTE	O	Monitor video out muting on/off control signal output to the video amplifier "H": muting on
10	XM_DA_LAT	O	Serial data latch pulse signal output to the D/A converter
11, 12	VCC3	-	Power supply terminal (+3.3V)
13	VSS	-	Ground terminal
14	C_1	-	External capacitor connection terminal for internal regulator
15, 16	TUNE+/-2, TUNE+/-1	I	Jog dial pulse input from the rotary encoder (for TUNING)
17, 18	TONE+/-2, TONE+/-1	I	Jog dial pulse input from the rotary encoder (for TONE)
19, 20	FUNC-JOG_A, FUNC-JOG_B	I	Jog dial pulse input from the rotary encoder (for INPUT SELECTOR)
21, 22	VOL-JOG_A, VOL-JOG_B	I	Jog dial pulse input from the rotary encoder (for MASTER VOLUME)
23	HP_IN	I	Headphone detection signal input terminal "H": headphone is connected
24, 25	NO_USE	-	Not used
26	MIC_ON	O	Enable signal output to the mic amplifier
27 to 29	NO_USE	-	Not used
30	TRG-1	O	Trigger signal output terminal
31, 32	NO_USE	-	Not used
33	C_MON_MUTE	O	Component video monitor out muting on/off control signal output terminal "H": muting on
34	VC_MUTE	O	Component video muting on/off control signal output to the input select (for component video) "H": muting on
35	NO_USE	-	Not used
36	VCC3	-	Power supply terminal (+3.3V)
37	C_2	-	External capacitor connection terminal for internal regulator
38	VSS	-	Ground terminal
39	X0	I	Main system clock input terminal (4 MHz)
40	X1	O	Main system clock output terminal (4 MHz)
41	VSS	-	Ground terminal
42	X0A	I	Sub system clock input terminal Not used
43	X1A	O	Sub system clock output terminal Not used
44	VCC3	-	Power supply terminal (+3.3V)
45	VSS	-	Ground terminal
46	HDMI_ERROR	I	HDMI audio error signal input terminal
47	CEC_M/DV	O	CEC data output terminal
48	NO_USE	-	Not used
49	DSP_ENDFLAG	O	Programming end flag output to the DSP controller
50	DSP_UCOM _MODE	O	Programming mode signal output to the DSP controller

Pin No.	Pin Name	I/O	Description
51	M-D_BUSY	O	Busy signal output to the DSP controller
52	D-M_BUSY	I	Busy signal input from the DSP controller
53	DSP_UCOM_RST	O	Reset signal output to the DSP controller "L": reset
54	M-D_INT	I	Interrupt request signal input from the DSP controller
55	AVSYNC_XCS	O	Chip enable signal output to the lip sync adjust
56	AVSYNC_SIO	I/O	Two-way data bus with the lip sync adjust
57	VCC3	-	Power supply terminal (+3.3V)
58	VSS	-	Ground terminal
59	D/A MUTE	O	Audio muting on/off control signal output terminal "H": muting on
60	TUNER_DATA	O	Serial data output to the tuner (FM/AM)
61	TUNER_CLK	O	Serial data transfer clock signal output to the tuner (FM/AM)
62	AVSYNC_RST	O	Reset signal output to the lip sync adjust "L": reset
63	NO USE	-	Not used
64	DIR_XMODE	O	Reset signal output to the digital audio interface receiver "L": reset
65	DIR_CE	O	Chip enable signal output to the digital audio interface receiver
66	DIR_DO	I	Serial data input from the digital audio interface receiver
67	DIR_RERR	I	PLL lock error signal and data error flag input from the digital audio interface receiver
68	DIR_CKST	I	Clock select signal input from the digital audio interface receiver
69	TUN_TUNED	I	Tuned detection signal input from the tuner (FM/AM)
70	TUN_LAT	O	Serial data latch pulse signal output to the tuner (FM/AM)
71	TUN_DO	I	Serial data input from the tuner (FM/AM)
72	RDS_DATA	I	RDS serial data input from the tuner (FM/AM)
73	VCC3	-	Power supply terminal (+3.3V)
74	VSS	-	Ground terminal
75	POW_RY	O	Relay drive signal (for main power) output terminal "H": relay on
76	PREOUT_RY	O	Relay drive signal (for pre out) output terminal "H": relay on
77	SIRIUS-POW_EN	O	Power enable signal output to the SIRIUS connector
78	NO_USE	-	Not used
79	HP_RY	O	Relay drive signal (for headphone) output terminal "H": relay on
80	NO_USE	-	Not used
81	SP-A_RY	O	Relay drive signal (for front A) output terminal "H": relay on
82	STOP	I	AC cut detection signal input terminal
83	SP-B_RY	O	Relay drive signal (for front B) output terminal "H": relay on
84	C_RY	O	Relay drive signal (for center) output terminal "H": relay on
85	SB_RY	O	Relay drive signal (for surround back) output terminal "H": relay on
86	SR_RY	O	Relay drive signal (for surround) output terminal "H": relay on
87	4/8_RY	O	Impedance 4/8 ohm selection signal output terminal
88	VSS	-	Ground terminal
89	VCC3	-	Power supply terminal (+3.3V)
90	NO_USE	-	Not used
91	FUNC_LAT	O	Serial data latch pulse signal output to the input selector (for analog audio)
92	EVOL_DAT	O	Serial data output to the electrical volume
93	AD_RST	O	Reset signal output to the A/D converter "L": reset
94	D/A_LAT	O	Serial data latch pulse signal output to the D/A converter
95	D/A_DO	I	Serial data input from the D/A converter
96	D/A_RST	O	Reset signal output to the D/A converter "L": reset
97	WDRESETX	I	Watch dog timer reset signal output terminal Not used

Pin No.	Pin Name	I/O	Description
98 to100	AD-KEY1 to AD-KEY3	I	Front panel key input terminal (A/D input)
101, 102	NO_USE	-	Not used
103	VERSION	I	Model and destination detection terminal
104	NO_USE	-	Not used
105	2ND_RY	O	Relay drive signal (for zone 2) output terminal "H": relay on
106	BRAVIA_SEL	O	PHONO IN/TV IN selection signal output terminal "L": PHONO IN, "H": TV IN
107	EVOL_CLK	O	Serial data transfer clock signal output to the electrical volume
108	D595_OE	O	Output enable signal output to the data decoder
109	D595_LAT	O	Serial data latch pulse signal output to the data decoder
110	COM1_CLK	O	Serial data transfer clock signal output to the digital audio interface receiver, data decoder and D/A converter
111	COM1_DATA	O	Serial data output to the digital audio interface receiver, data decoder and D/A converter
112	COM2_CLK	O	Serial data transfer clock signal output to the input selector (for analog audio) and data decoder
113	COM2_DATA	O	Serial data output to the input selector (for analog audio) and data decoder
114	AVSS/AVRL	-	Ground terminal
115	AVCC3	-	Power supply terminal (+3.3V)
116	AVRH	I	Reference voltage input terminal (+3.3V)
117	IIC BUS DATA	I/O	I2C data bus terminal Not used
118	IIC BUS CLK	I/O	I2C clock bus terminal Not used
119	SIRCS-IN	I	SIRCS signal input terminal
120	NO_USE	-	Not used
121	CEC_DV/M	I	CEC data input terminal
122	NO_USE	-	Not used
123	ZONE_SEL	I	ZONE SELECT switch input terminal
124	VIDEO-UCOM _MODE	O	Programming mode signal output to the video system controller
125	VIDEO-UCOM _END-FLAG	O	Programming end flag output to the video system controller
126	RST_TRG	O	Reset signal output terminal for the system controller "L": reset
127	MD3	-	Mode setting terminal Fixed at "L" in this set
128	MD2	I	Serial data input terminal
129, 130	MD1, MD0	-	Mode setting terminal Fixed at "L" in this set
131	INITX	I	System reset signal input from the reset signal generator "L": reset For several hundreds msec. after the power supply rises, "L" is input, then it changes to "H"
132	VSS	-	Ground terminal
133	VCC5	-	Power supply terminal (+5V)
134	RS232C_MIN	I	Serial data input terminal
135	RS232C_MOUT	O	Serial data output terminal
136	VIDEO-UCOM _RESET	O	Reset signal output to the video system controller "L": reset
137	XM_XM/M	I	Serial data input from the XM receiver
138	XM_M/XM	O	Serial data output to the XM receiver
139	XM_RESET	O	Reset signal output to the XM receiver "L": reset
140	VIDEO-UCOM _VM/M	I	Serial data input from the video system controller
141	VIDEO-UCOM _M/VM	O	Serial data output to the video system controller

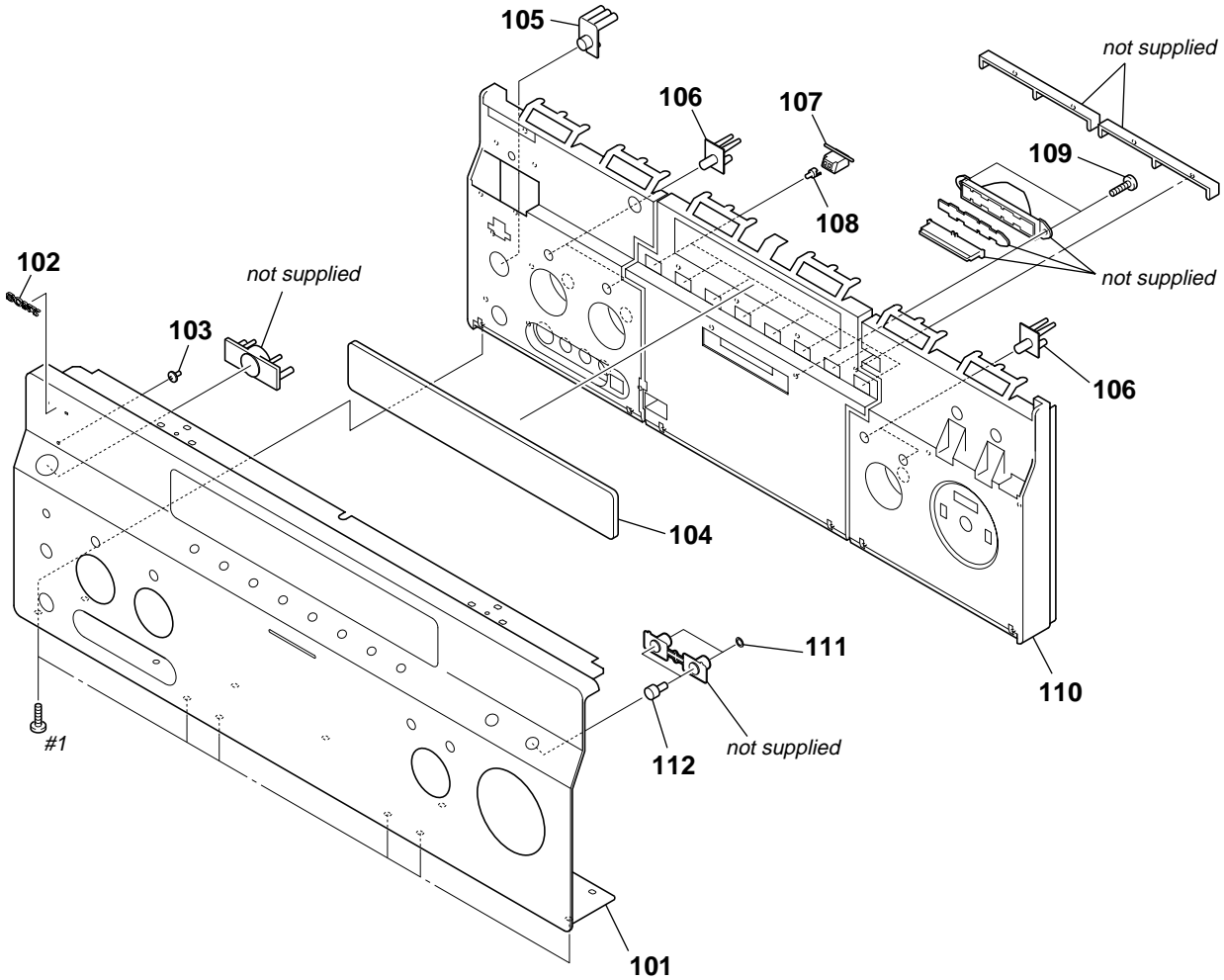
Pin No.	Pin Name	I/O	Description
142	VIDEO-UCOM_BUSY	O	Busy signal output to the video system controller
143	D-M_DATA	I	Serial data input from the DSP controller
144	M-D_DATA	O	Serial data output to the DSP controller
145	NO_USE	-	Not used
146	VSS	-	Ground terminal
147	VCC5	-	Power supply terminal (+5V)
148	SIRIUS_TX	I	Serial data input from the SIRIUS connector
149	SIRIUS_RX	O	Serial data output to the SIRIUS connector
150	FL_CLR	O	Blanking period signal output to the fluorescent indicator tube
151	FL_LAT	O	Serial data latch pulse signal output to the fluorescent indicator tube
152	FL_DATA	O	Serial data output to the fluorescent indicator tube
153	FL_CLK	O	Serial data transfer clock signal output to the fluorescent indicator tube
154	DMUART_DM/M	I	Serial data input from the DMPORT connector
155	DMUART_M/DM	O	Serial data output to the DMPORT connector
156	DMPORT_DET	I	DMPORT detection signal input terminal
157, 158	NO_USE	-	Not used
159	P15_2/O/T2	-	Not used
160	P15_3/O/T3	-	Not used
161	VSS	-	Ground terminal
162	VCC5	-	Power supply terminal (+5V)
163	PROTECTOR	I	Protect signal input terminal
164	NO_USE	-	Not used
165	RDS_CLK	I	RDS serial data transfer clock signal input from the tuner (FM/AM)
166, 167	232C-SEL1, 232C-SEL2	O	Data selection signal output to the data selector
168	FSRATE1	I	L/R sampling clock signal input terminal
169	LED-STB	O	LED drive signal output terminal for ON/STANDBY indicator "H": LED on
170	FSRATE2	I	L/R sampling clock signal input terminal
171	LED-DCS	O	LED drive signal output terminal for Digital Cinema Sound indicator "H": LED on
172	LED-MLT	O	LED drive signal output terminal MULTI CHANNEL DECODING indicator "H": LED on
173	LED-MLT-DIMMER	O	LED dimmer control signal output terminal for MULTI CHANNEL DECODING indicator "H": dimmer on
174	EEPROM_SDA	I/O	Two-way data bus with the EEPROM
175	EEPROM_SCL	O	Serial data transfer clock signal output to the EEPROM
176	VCC5	-	Power supply terminal (+5V)

7-2. DISPLAY BOARD SECTION



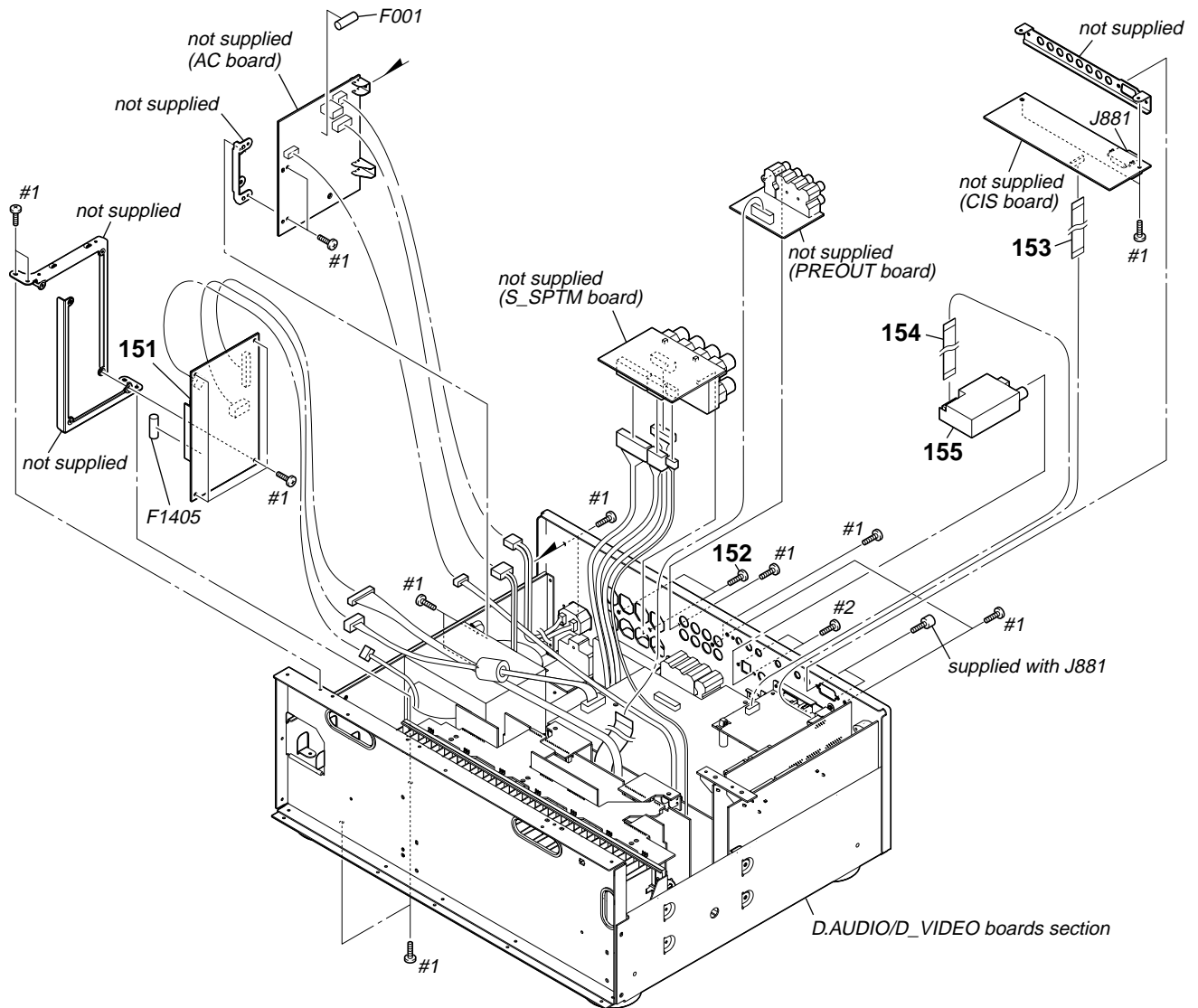
Ref. No.	Part No.	Description	Remark	Ref. No.	Part No.	Description	Remark
51	X-2176-946-1	KNOB (VOL) ASSY		59	3-350-426-01	SPRING, RING	
52	3-704-515-22	SCREW (BV/RING)		J702	1-815-313-11	JACK (PHONES)	
53	2-661-141-31	MENU KNOB		S713	1-418-400-11	ENCODER, ROTARY (TONE)	
54	3-087-053-01	+BVTP2.6 (3CR)		S714	1-418-400-11	ENCODER, ROTARY (TUNING)	
55	1-543-793-41	FILTER, CLAMP (FERRITE CORE)		S715	1-418-400-11	ENCODER, ROTARY (INPUT SELECTOR)	
56	3-113-929-01	BUTTON (POWER-A13)		S722	1-418-725-41	ENCODER, ROTARY (12 TYPE)	
57	A-1257-022-A	DISPLAY BOARD, COMPLETE				(MASTER VOLUME)	
58	3-087-053-11	+BVTP2.6 (3CR)		#1	7-685-646-79	SCREW +BVTP 3X8 TYPE2 IT-3	

7-3. FRONT PANEL SECTION



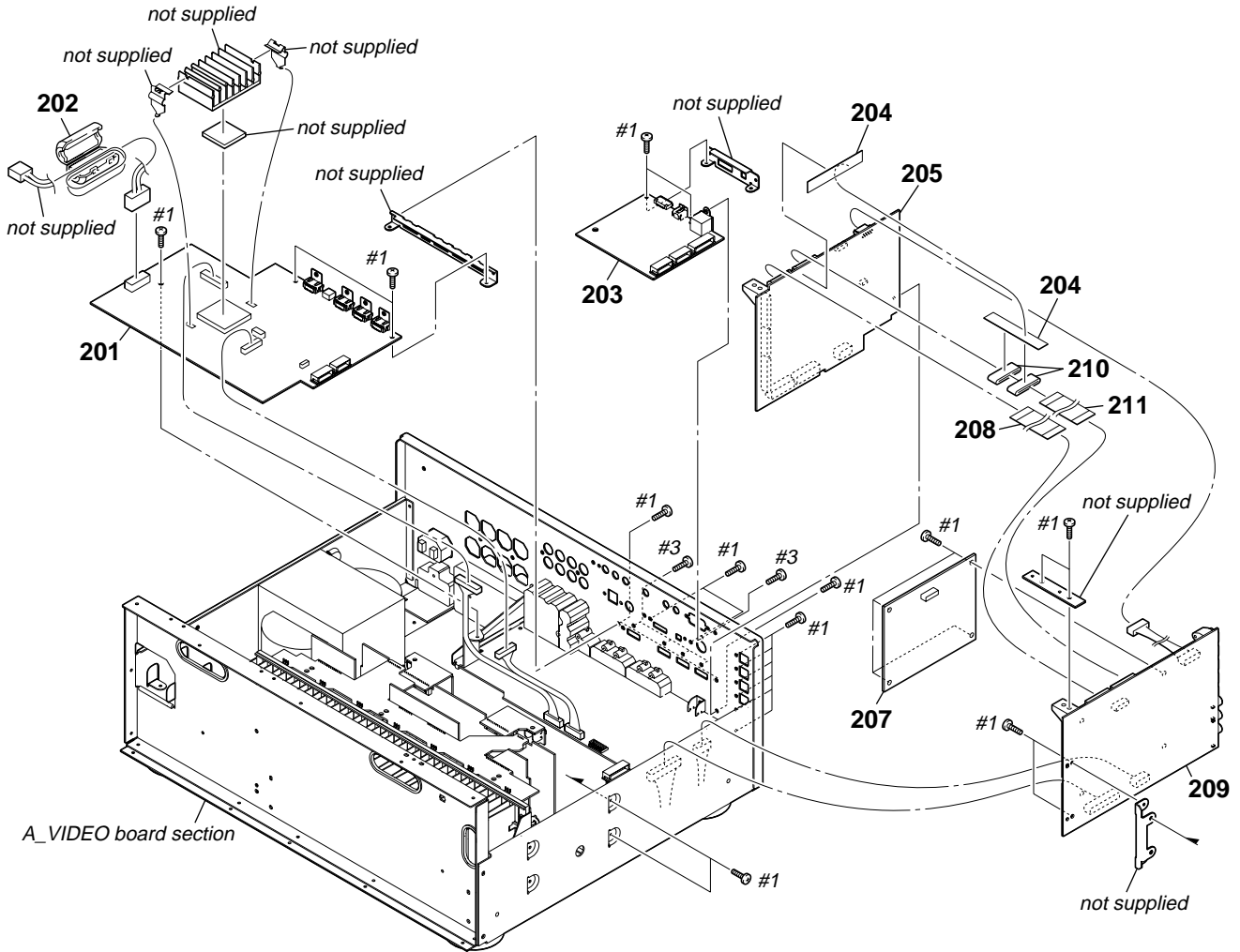
Ref. No.	Part No.	Description	Remark	Ref. No.	Part No.	Description	Remark
101	3-196-055-81	PANEL (A13), FRONT		108	2-676-727-01	BUTTON (MUSIC-A)	
102	4-942-568-41	EMBLEM (NO.5), SONY		109	3-087-053-01	+BVTP2.6 (3CR)	
103	X-4950-462-1	LENS ASSY, LED		110	2-668-108-21	BASE, PANEL (A2)	
104	2-668-128-01	PLATE (A2), INDICATION		111	3-325-697-21	WASHER	
105	4-245-434-01	BUTTON (SP)		112	3-198-582-01	BUTTON (DIA. 7-A23)	
106	2-668-113-01	BUTTON (ZONE)		#1	7-685-646-79	SCREW +BVTP 3X8 TYPE2 IT-3	
107	2-676-728-01	BUTTON (MUSIC-B)					

7-4. AC/DC-DC BOARDS SECTION



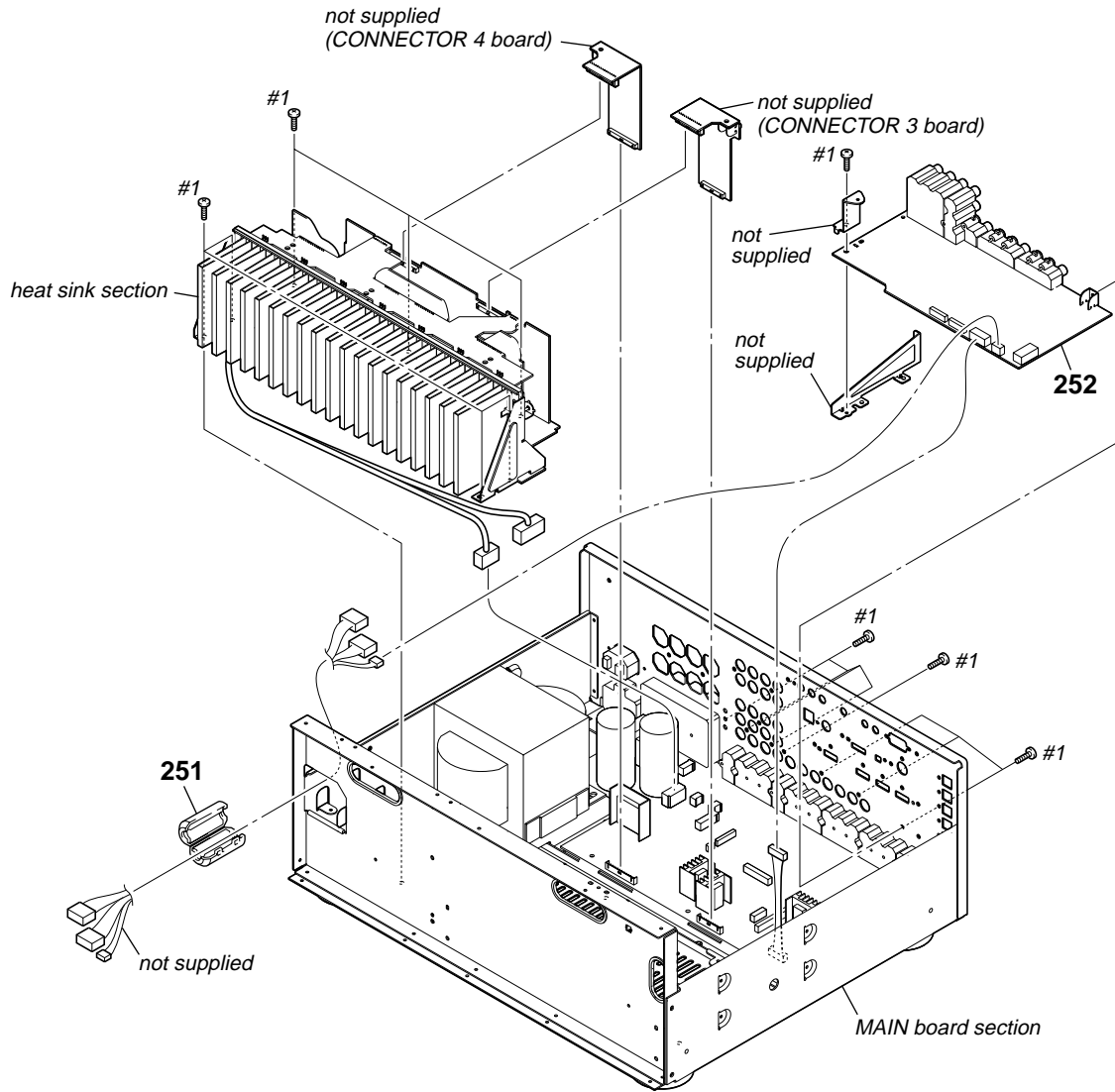
Ref. No.	Part No.	Description	Remark	Ref. No.	Part No.	Description	Remark
151	A-1252-444-A	DC-DC BOARD, COMPLETE		△ F001	1-533-311-12	FUSE, GLASS CYLINDRICAL (DIA.5) (8A/125V)	
152	3-704-515-51	SCREW (BV/RING)		△ F1405	1-532-506-33	FUSE (T6.3AL/250V)	
153	1-828-318-51	WIRE (FLAT TYPE) (11 CORE)		J881	1-815-737-11	CONNECTOR, (D) SUB 9P (RS-232C)	
154	1-828-954-51	WIRE (FLAT TYPE) (9 CORE)		#1	7-685-646-79	SCREW +BVTP 3X8 TYPE2 IT-3	
155	1-693-728-11	TUNER (FM/AM)		#2	7-685-862-01	SCREW +BVTT 2.6X6 (S)	

7-5. D.AUDIO/D_VIDEO BOARDS SECTION



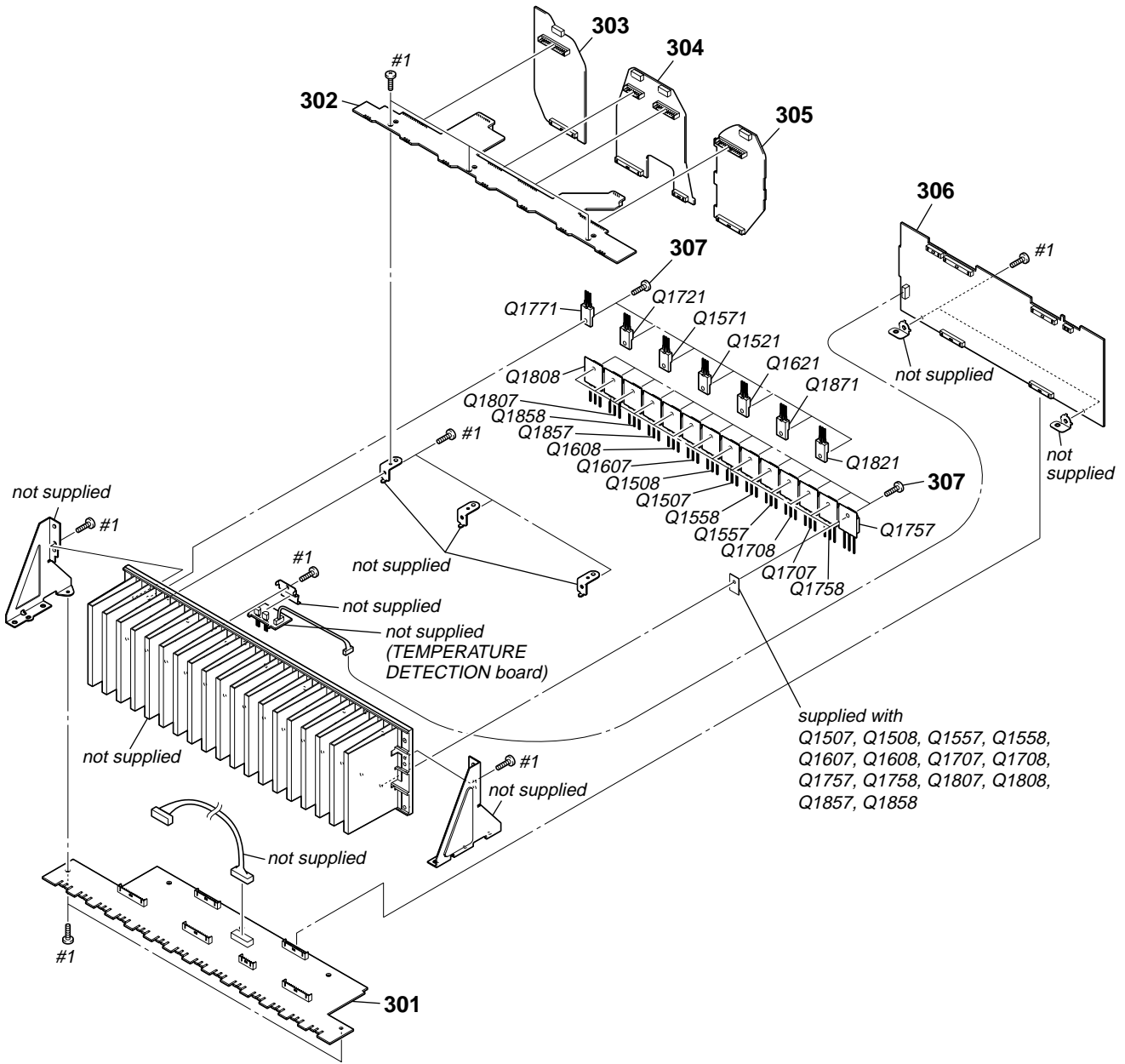
Ref. No.	Part No.	Description	Remark	Ref. No.	Part No.	Description	Remark
201	A-1313-290-A	D_VIDEO BOARD, COMPLETE (for SERVICE)		208	1-832-623-11	WIRE (FLAT TYPE) (23 CORE)	
202	1-500-386-11	FILTER, CLAMP (FERRITE CORE)		209	A-1274-400-A	D.AUDIO BOARD, COMPLETE	
203	A-1382-222-A	TUNER BOARD, COMPLETE		* 210	1-469-435-11	CORE, FERRITE	
204	3-378-109-12	CUSHION, SARANET		211	1-828-387-51	WIRE (FLAT TYPE) (25 CORE)	
205	A-1274-399-A	CONTROL BOARD, COMPLETE		#1	7-685-646-79	SCREW +BVTP 3X8 TYPE2 IT-3	
207	A-1439-542-A	DSP BOARD, COMPLETE		#3	7-682-547-04	SCREW +B 3X6	

7-6. A_VIDEO BOARD SECTION



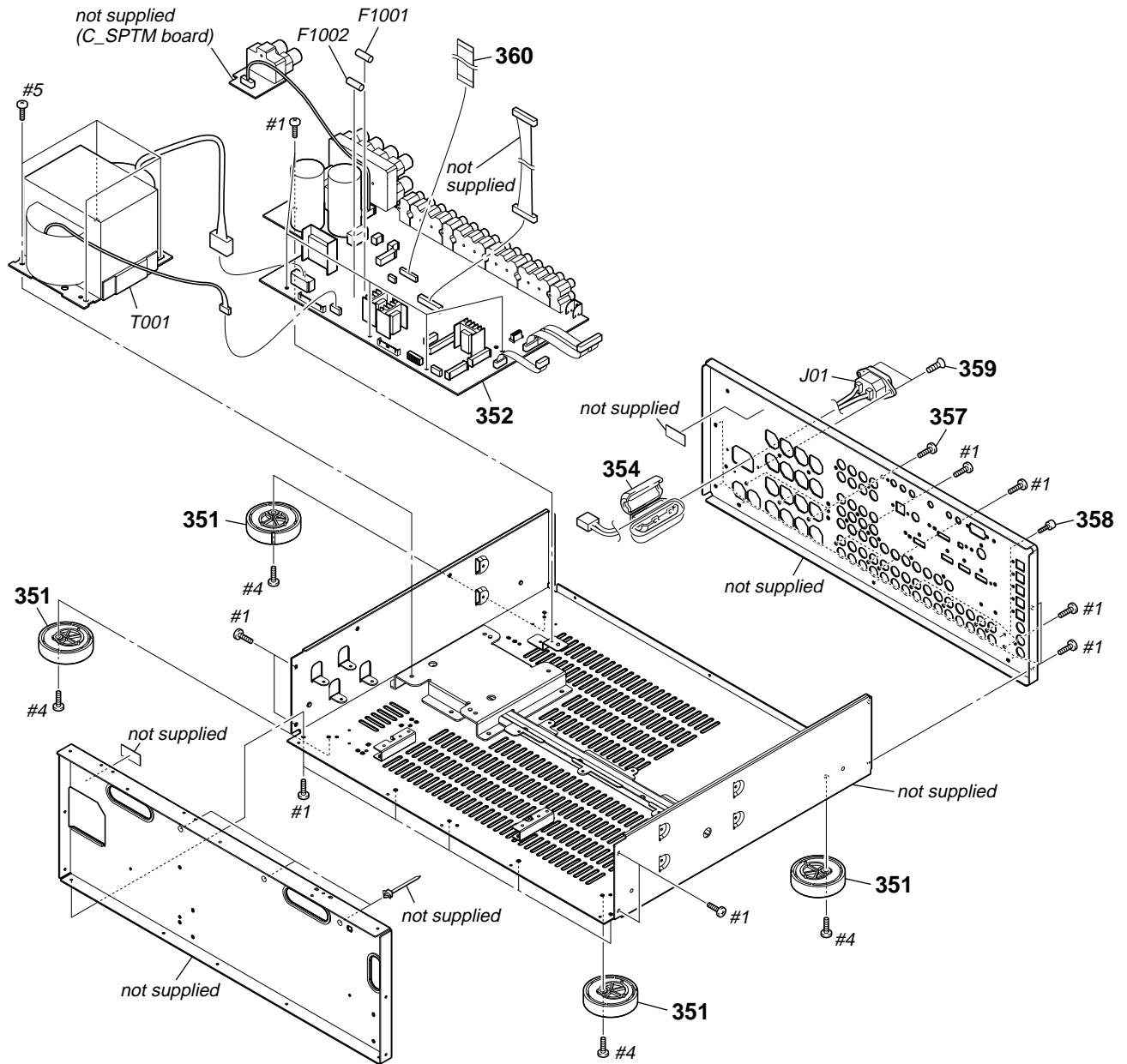
Ref. No.	Part No.	Description	Remark	Ref. No.	Part No.	Description	Remark
251	1-500-386-11	FILTER, CLAMP (FERRITE CORE)		#1	7-685-646-79	SCREW +BVTP 3X8 TYPE2 IT-3	
252	A-1254-399-A	A_VIDEO BOARD, COMPLETE					

7-7. HEAT SINK SECTION



Ref. No.	Part No.	Description	Remark	Ref. No.	Part No.	Description	Remark
301	A-1254-657-A	POWER AMP BOARD, COMPLETE		Q1621	8-729-026-08	TRANSISTOR	2SC4495
302	A-1254-659-A	BIAS BOARD, COMPLETE		Q1707	6-702-390-01	TRANSISTOR	MN2488-OPY-MK
303	A-1252-369-A	PROTECTOR (SB) BOARD, COMPLETE		Q1708	6-702-391-01	TRANSISTOR	MP1620-OPY-MK
304	A-1252-367-A	PROTECTOR (F-C) BOARD, COMPLETE		Q1721	8-729-026-08	TRANSISTOR	2SC4495
305	A-1252-368-A	PROTECTOR (SURR) BOARD, COMPLETE		Q1757	6-702-390-01	TRANSISTOR	MN2488-OPY-MK
306	A-1254-660-A	A CLASS AMP BOARD, COMPLETE		Q1758	6-702-391-01	TRANSISTOR	MP1620-OPY-MK
307	3-905-609-13	SCREW (TRANSISTOR)		Q1771	8-729-026-08	TRANSISTOR	2SC4495
Q1507	6-702-390-01	TRANSISTOR	MN2488-OPY-MK	Q1807	6-702-390-01	TRANSISTOR	MN2488-OPY-MK
Q1508	6-702-391-01	TRANSISTOR	MP1620-OPY-MK	Q1808	6-702-391-01	TRANSISTOR	MP1620-OPY-MK
Q1521	8-729-026-08	TRANSISTOR	2SC4495	Q1821	8-729-026-08	TRANSISTOR	2SC4495
Q1557	6-702-390-01	TRANSISTOR	MN2488-OPY-MK	Q1857	6-702-390-01	TRANSISTOR	MN2488-OPY-MK
Q1558	6-702-391-01	TRANSISTOR	MP1620-OPY-MK	Q1858	6-702-391-01	TRANSISTOR	MP1620-OPY-MK
Q1571	8-729-026-08	TRANSISTOR	2SC4495	Q1871	8-729-026-08	TRANSISTOR	2SC4495
Q1607	6-702-390-01	TRANSISTOR	MN2488-OPY-MK	#1	7-685-646-79	SCREW +BVTP 3X8 TYPE2 IT-3	
Q1608	6-702-391-01	TRANSISTOR	MP1620-OPY-MK				

7-8. MAIN BOARD SECTION



Ref. No.	Part No.	Description	Remark	Ref. No.	Part No.	Description	Remark
351	X-4955-348-1	FOOT ASSY		△F1001	1-532-504-33	FUSE (T4AL/250V)	
352	A-1314-646-A	MAIN BOARD, COMPLETE		△F1002	1-532-504-33	FUSE (T4AL/250V)	
354	1-500-386-11	FILTER, CLAMP (FERRITE CORE)		△J01	1-821-082-21	INLET, AC 2P (∼AC IN)	
357	3-704-515-51	SCREW (BV/RING)		△T001	1-445-232-11	TRANSFORMER, POWER	
358	4-947-010-01	SCREW, FEEDER FIXED		#1	7-685-646-79	SCREW +BVTP 3X8 TYPE2 IT-3	
359	2-580-644-01	SCREW, +KTP2 3X8		#4	7-685-885-09	SCREW +BVTT 4X16 (S)	
360	1-828-362-51	WIRE (FLAT TYPE) (19 CORE)		#5	7-685-881-09	SCREW +BVTT 4X8 (S)	

**SECTION 8
ELECTRICAL PARTS LIST**

A CLASS AMP

NOTE:

- Due to standardization, replacements in the parts list may be different from the parts specified in the diagrams or the components used on the set.
- -XX and -X mean standardized parts, so they may have some difference from the original one.
- Items marked "***" are not stocked since they are seldom required for routine service. Some delay should be anticipated when ordering these items.
- CAPACITORS
uF: μF
- COILS
uH: μH

- RESISTORS
All resistors are in ohms.
METAL: Metal-film resistor.
METAL OXIDE: Metal oxide-film resistor.
F: nonflammable
- SEMICONDUCTORS
In each case, u: μ, for example:
uA... : μA... uPA... : μPA...
uPB... : μPB... uPC... : μPC...
uPD... : μPD...

When indicating parts by reference number, please include the board.

The components identified by mark \triangle or dotted line with mark \triangle are critical for safety. Replace only with part number specified.

Les composants identifiés par une marque \triangle sont critiques pour la sécurité. Ne les remplacer que par une pièce portant le numéro spécifié.

The components identified by mark \square contain confidential information. Strictly follow the instructions whenever the components are repaired and/or replaced.

Les composants identifiés par la marque \square contiennent des informations confidentielles. Suivre scrupuleusement les instructions chaque fois qu'un composant est remplacé et/ou réparé.

Ref. No.	Part No.	Description	Remark	Ref. No.	Part No.	Description	Remark
	A-1254-660-A	A CLASS AMP BOARD, COMPLETE *****		C1711	1-107-585-11	CERAMIC 5PF	0.25PF 500V
		< CAPACITOR >		C1715	1-107-585-11	CERAMIC 5PF	0.25PF 500V
C1501	1-126-963-11	ELECT	4.7uF 20% 50V	C1751	1-126-963-11	ELECT	4.7uF 20% 50V
C1502	1-128-809-11	CERAMIC	100PF 5% 50V	C1752	1-128-809-11	CERAMIC	100PF 5% 50V
C1503	1-137-503-11	FILM	100PF 5% 100V	C1753	1-137-503-11	FILM	100PF 5% 100V
C1504	1-136-357-11	FILM	680PF 5% 100V	C1754	1-136-357-11	FILM	680PF 5% 100V
C1505	1-104-665-11	ELECT	100uF 20% 25V	C1755	1-104-665-11	ELECT	100uF 20% 25V
C1507	1-107-587-11	CERAMIC	7PF 0.5PF 500V	C1757	1-107-587-11	CERAMIC	7PF 0.5PF 500V
C1508	1-126-940-11	ELECT	330uF 20% 25V	C1758	1-126-940-11	ELECT	330uF 20% 25V
C1510	1-126-934-11	ELECT	220uF 20% 16V	C1760	1-126-934-11	ELECT	220uF 20% 16V
C1511	1-107-585-11	CERAMIC	5PF 0.25PF 500V	C1761	1-107-585-11	CERAMIC	5PF 0.25PF 500V
C1515	1-107-585-11	CERAMIC	5PF 0.25PF 500V	C1765	1-107-585-11	CERAMIC	5PF 0.25PF 500V
C1551	1-126-963-11	ELECT	4.7uF 20% 50V	C1801	1-126-963-11	ELECT	4.7uF 20% 50V
C1552	1-128-809-11	CERAMIC	100PF 5% 50V	C1802	1-128-809-11	CERAMIC	100PF 5% 50V
C1553	1-137-503-11	FILM	100PF 5% 100V	C1803	1-137-503-11	FILM	100PF 5% 100V
C1554	1-136-357-11	FILM	680PF 5% 100V	C1804	1-136-357-11	FILM	680PF 5% 100V
C1555	1-104-665-11	ELECT	100uF 20% 25V	C1805	1-104-665-11	ELECT	100uF 20% 25V
C1557	1-107-587-11	CERAMIC	7PF 0.5PF 500V	C1807	1-107-587-11	CERAMIC	7PF 0.5PF 500V
C1558	1-126-940-11	ELECT	330uF 20% 25V	C1808	1-126-940-11	ELECT	330uF 20% 25V
C1560	1-126-934-11	ELECT	220uF 20% 16V	C1810	1-126-934-11	ELECT	220uF 20% 16V
C1561	1-107-585-11	CERAMIC	5PF 0.25PF 500V	C1811	1-107-585-11	CERAMIC	5PF 0.25PF 500V
C1565	1-107-585-11	CERAMIC	5PF 0.25PF 500V	C1815	1-107-585-11	CERAMIC	5PF 0.25PF 500V
C1601	1-126-963-11	ELECT	4.7uF 20% 50V	C1851	1-126-963-11	ELECT	4.7uF 20% 50V
C1602	1-128-809-11	CERAMIC	100PF 5% 50V	C1852	1-128-809-11	CERAMIC	100PF 5% 50V
C1603	1-137-503-11	FILM	100PF 5% 100V	C1853	1-137-503-11	FILM	100PF 5% 100V
C1604	1-136-357-11	FILM	680PF 5% 100V	C1854	1-136-357-11	FILM	680PF 5% 100V
C1605	1-104-665-11	ELECT	100uF 20% 25V	C1855	1-104-665-11	ELECT	100uF 20% 25V
C1607	1-107-587-11	CERAMIC	7PF 0.5PF 500V	C1857	1-107-587-11	CERAMIC	7PF 0.5PF 500V
C1608	1-126-940-11	ELECT	330uF 20% 25V	C1858	1-126-940-11	ELECT	330uF 20% 25V
C1610	1-126-934-11	ELECT	220uF 20% 16V	C1860	1-126-934-11	ELECT	220uF 20% 16V
C1611	1-107-585-11	CERAMIC	5PF 0.25PF 500V	C1861	1-107-585-11	CERAMIC	5PF 0.25PF 500V
C1615	1-107-585-11	CERAMIC	5PF 0.25PF 500V	C1865	1-107-585-11	CERAMIC	5PF 0.25PF 500V
C1701	1-126-963-11	ELECT	4.7uF 20% 50V	C1901	1-128-560-11	ELECT	22uF 20% 100V
C1702	1-128-809-11	CERAMIC	100PF 5% 50V	C1902	1-128-560-11	ELECT	22uF 20% 100V
C1703	1-137-503-11	FILM	100PF 5% 100V	C1911	1-126-791-11	ELECT	10uF 20% 35V
C1704	1-136-357-11	FILM	680PF 5% 100V	C1912	1-127-888-11	CERAMIC	0.1uF 10% 50V
C1705	1-104-665-11	ELECT	100uF 20% 25V			< CONNECTOR >	
C1707	1-107-587-11	CERAMIC	7PF 0.5PF 500V	CN1504	1-764-864-41	CONNECTOR, BOARD TO BOARD 12P	
C1708	1-126-940-11	ELECT	330uF 20% 25V	CN1505	1-573-829-11	CONNECTOR, BOARD TO BOARD 15P	
C1710	1-126-934-11	ELECT	220uF 20% 16V	CN1905	1-764-864-41	CONNECTOR, BOARD TO BOARD 12P	
				CN1906	1-764-864-41	CONNECTOR, BOARD TO BOARD 12P	

Ref. No.	Part No.	Description	Remark	Ref. No.	Part No.	Description	Remark
CN1907	1-770-011-41	CONNECTOR, BOARD TO BOARD 4P		Q1855	8-729-021-74	TRANSISTOR 2SA949-OY	
CN1908	1-784-031-41	CONNECTOR, BOARD TO BOARD 8P		Q1901	8-729-042-09	TRANSISTOR 2SA1038S-RSE-TP	
CN1909	1-784-921-11	PIN, CONNECTOR 4P		Q1902	8-729-140-96	TRANSISTOR 2SD774-34	
		< DIODE >		Q1903	8-729-140-96	TRANSISTOR 2SD774-34	
D1501	8-719-109-93	DIODE RD6.2ESB2		Q1910	8-729-029-94	TRANSISTOR DTC143TSA	
D1551	8-719-109-93	DIODE RD6.2ESB2		Q1911	8-729-029-86	TRANSISTOR DTC124ESA	
D1601	8-719-109-93	DIODE RD6.2ESB2		Q1912	8-729-029-86	TRANSISTOR DTC124ESA	
D1701	8-719-109-93	DIODE RD6.2ESB2		Q1913	8-729-029-86	TRANSISTOR DTC124ESA	
D1751	8-719-109-93	DIODE RD6.2ESB2		Q1914	8-729-029-86	TRANSISTOR DTC124ESA	
		< IC >				< RESISTOR >	
D1801	8-719-109-93	DIODE RD6.2ESB2		R1501	1-259-428-61	CARBON 1K 5%	1/6W
D1851	8-719-109-93	DIODE RD6.2ESB2		R1502	1-259-476-61	CARBON 100K 5%	1/6W
D1901	8-719-991-33	DIODE 1SS133T-77		△R1503	1-249-409-11	CARBON 220 5%	1/4W F
D1902	8-719-991-33	DIODE 1SS133T-77		△R1504	1-249-409-11	CARBON 220 5%	1/4W F
D1903	8-719-991-33	DIODE 1SS133T-77		R1505	1-259-410-61	CARBON 180 5%	1/6W
D1907	8-719-991-33	DIODE 1SS133T-77		R1506	1-259-440-61	CARBON 3.3K 5%	1/6W
D1911	8-719-991-33	DIODE 1SS133T-77		R1507	1-259-436-61	CARBON 2.2K 5%	1/6W
		< IC >		R1509	1-260-116-11	CARBON 27K 5%	1/2W
IC1902	8-759-167-88	IC NJM4565D		△R1511	1-249-405-11	CARBON 100 5%	1/4W F
IC1904	6-711-698-01	IC PQ050ES1MXPQ		R1512	1-247-764-11	CARBON 10K 5%	1/2W
		< TRANSISTOR >		R1513	1-247-759-11	CARBON 3.9K 5%	1/2W
Q1501	8-729-045-15	TRANSISTOR 2SC5169-FG		R1514	1-249-496-11	CARBON 100K 5%	1/2W
Q1502	8-729-042-09	TRANSISTOR 2SA1038S-RSE-TP		R1549	1-259-476-61	CARBON 100K 5%	1/6W
Q1503	8-729-042-09	TRANSISTOR 2SA1038S-RSE-TP		R1551	1-259-428-61	CARBON 1K 5%	1/6W
Q1504	8-729-021-73	TRANSISTOR 2SC2229-OY		R1552	1-259-476-61	CARBON 100K 5%	1/6W
Q1505	8-729-021-74	TRANSISTOR 2SA949-OY		△R1553	1-249-409-11	CARBON 220 5%	1/4W F
Q1551	8-729-045-15	TRANSISTOR 2SC5169-FG		△R1554	1-249-409-11	CARBON 220 5%	1/4W F
Q1552	8-729-042-09	TRANSISTOR 2SA1038S-RSE-TP		R1555	1-259-410-61	CARBON 180 5%	1/6W
Q1553	8-729-042-09	TRANSISTOR 2SA1038S-RSE-TP		R1556	1-259-440-61	CARBON 3.3K 5%	1/6W
Q1554	8-729-021-73	TRANSISTOR 2SC2229-OY		R1557	1-259-436-61	CARBON 2.2K 5%	1/6W
Q1555	8-729-021-74	TRANSISTOR 2SA949-OY		R1559	1-260-116-11	CARBON 27K 5%	1/2W
Q1601	8-729-045-15	TRANSISTOR 2SC5169-FG		△R1561	1-249-405-11	CARBON 100 5%	1/4W F
Q1602	8-729-042-09	TRANSISTOR 2SA1038S-RSE-TP		R1562	1-247-764-11	CARBON 10K 5%	1/2W
Q1603	8-729-042-09	TRANSISTOR 2SA1038S-RSE-TP		R1563	1-247-759-11	CARBON 3.9K 5%	1/2W
Q1604	8-729-021-73	TRANSISTOR 2SC2229-OY		R1564	1-249-496-11	CARBON 100K 5%	1/2W
Q1605	8-729-021-74	TRANSISTOR 2SA949-OY		R1601	1-259-428-61	CARBON 1K 5%	1/6W
Q1701	8-729-045-15	TRANSISTOR 2SC5169-FG		R1602	1-259-476-61	CARBON 100K 5%	1/6W
Q1702	8-729-042-09	TRANSISTOR 2SA1038S-RSE-TP		△R1603	1-249-409-11	CARBON 220 5%	1/4W F
Q1703	8-729-042-09	TRANSISTOR 2SA1038S-RSE-TP		△R1604	1-249-409-11	CARBON 220 5%	1/4W F
Q1704	8-729-021-73	TRANSISTOR 2SC2229-OY		R1605	1-259-410-61	CARBON 180 5%	1/6W
Q1705	8-729-021-74	TRANSISTOR 2SA949-OY		R1606	1-259-440-61	CARBON 3.3K 5%	1/6W
Q1751	8-729-045-15	TRANSISTOR 2SC5169-FG		R1607	1-259-436-61	CARBON 2.2K 5%	1/6W
Q1752	8-729-042-09	TRANSISTOR 2SA1038S-RSE-TP		R1609	1-260-116-11	CARBON 27K 5%	1/2W
Q1753	8-729-042-09	TRANSISTOR 2SA1038S-RSE-TP		△R1611	1-249-405-11	CARBON 100 5%	1/4W F
Q1754	8-729-021-73	TRANSISTOR 2SC2229-OY		R1612	1-247-764-11	CARBON 10K 5%	1/2W
Q1755	8-729-021-74	TRANSISTOR 2SA949-OY		R1613	1-247-759-11	CARBON 3.9K 5%	1/2W
Q1801	8-729-045-15	TRANSISTOR 2SC5169-FG		R1614	1-249-496-11	CARBON 100K 5%	1/2W
Q1802	8-729-042-09	TRANSISTOR 2SA1038S-RSE-TP		R1701	1-259-428-61	CARBON 1K 5%	1/6W
Q1803	8-729-042-09	TRANSISTOR 2SA1038S-RSE-TP		R1702	1-259-476-61	CARBON 100K 5%	1/6W
Q1804	8-729-021-73	TRANSISTOR 2SC2229-OY		△R1703	1-249-409-11	CARBON 220 5%	1/4W F
Q1805	8-729-021-74	TRANSISTOR 2SA949-OY		△R1704	1-249-409-11	CARBON 220 5%	1/4W F
Q1851	8-729-045-15	TRANSISTOR 2SC5169-FG		R1705	1-259-410-61	CARBON 180 5%	1/6W
Q1852	8-729-042-09	TRANSISTOR 2SA1038S-RSE-TP		R1706	1-259-440-61	CARBON 3.3K 5%	1/6W
Q1853	8-729-042-09	TRANSISTOR 2SA1038S-RSE-TP		R1707	1-259-436-61	CARBON 2.2K 5%	1/6W
Q1854	8-729-021-73	TRANSISTOR 2SC2229-OY		R1709	1-260-116-11	CARBON 27K 5%	1/2W
				△R1711	1-249-405-11	CARBON 100 5%	1/4W F

STR-DA4300ES

A CLASS AMP **A_VIDEO**

Ref. No.	Part No.	Description			Remark
R1712	1-247-764-11	CARBON	10K	5%	1/2W
R1713	1-247-759-11	CARBON	3.9K	5%	1/2W
R1714	1-249-496-11	CARBON	100K	5%	1/2W
R1751	1-259-428-61	CARBON	1K	5%	1/6W
R1752	1-259-476-61	CARBON	100K	5%	1/6W
△R1753	1-249-409-11	CARBON	220	5%	1/4W F
△R1754	1-249-409-11	CARBON	220	5%	1/4W F
R1755	1-259-410-61	CARBON	180	5%	1/6W
R1756	1-259-440-61	CARBON	3.3K	5%	1/6W
R1757	1-259-436-61	CARBON	2.2K	5%	1/6W
R1759	1-260-116-11	CARBON	27K	5%	1/2W
△R1761	1-249-405-11	CARBON	100	5%	1/4W F
R1762	1-247-764-11	CARBON	10K	5%	1/2W
R1763	1-247-759-11	CARBON	3.9K	5%	1/2W
R1764	1-249-496-11	CARBON	100K	5%	1/2W
R1801	1-259-428-61	CARBON	1K	5%	1/6W
R1802	1-259-476-61	CARBON	100K	5%	1/6W
△R1803	1-249-409-11	CARBON	220	5%	1/4W F
△R1804	1-249-409-11	CARBON	220	5%	1/4W F
R1805	1-259-410-61	CARBON	180	5%	1/6W
R1806	1-259-440-61	CARBON	3.3K	5%	1/6W
R1807	1-259-436-61	CARBON	2.2K	5%	1/6W
R1809	1-260-116-11	CARBON	27K	5%	1/2W
△R1811	1-249-405-11	CARBON	100	5%	1/4W F
R1812	1-247-764-11	CARBON	10K	5%	1/2W
R1813	1-247-759-11	CARBON	3.9K	5%	1/2W
R1814	1-249-496-11	CARBON	100K	5%	1/2W
R1851	1-259-428-61	CARBON	1K	5%	1/6W
R1852	1-259-476-61	CARBON	100K	5%	1/6W
△R1853	1-249-409-11	CARBON	220	5%	1/4W F
△R1854	1-249-409-11	CARBON	220	5%	1/4W F
R1855	1-259-410-61	CARBON	180	5%	1/6W
R1856	1-259-440-61	CARBON	3.3K	5%	1/6W
R1857	1-259-436-61	CARBON	2.2K	5%	1/6W
R1859	1-260-116-11	CARBON	27K	5%	1/2W
△R1861	1-249-405-11	CARBON	100	5%	1/4W F
R1862	1-247-764-11	CARBON	10K	5%	1/2W
R1863	1-247-759-11	CARBON	3.9K	5%	1/2W
R1864	1-249-496-11	CARBON	100K	5%	1/2W
R1901	1-259-460-61	CARBON	22K	5%	1/6W
R1902	1-259-460-61	CARBON	22K	5%	1/6W
△R1903	1-249-393-11	CARBON	10	5%	1/4W F
R1904	1-259-460-61	CARBON	22K	5%	1/6W
△R1905	1-215-889-00	METAL OXIDE	330	5%	2W F
R1906	1-259-460-61	CARBON	22K	5%	1/6W
R1907	1-259-476-61	CARBON	100K	5%	1/6W
△R1908	1-215-888-00	METAL OXIDE	220	5%	2W F
R1909	1-249-435-11	CARBON	33K	5%	1/4W
R1910	1-247-891-00	CARBON	330K	5%	1/4W
R1920	1-247-831-91	CARBON	1K	5%	1/4W
R1921	1-247-862-11	CARBON	20K	5%	1/4W
R1922	1-247-843-11	CARBON	3.3K	5%	1/4W
R1924	1-249-429-11	CARBON	10K	5%	1/4W
R1925	1-247-864-11	CARBON	24K	5%	1/4W
R1927	1-249-429-11	CARBON	10K	5%	1/4W
R1930	1-249-429-11	CARBON	10K	5%	1/4W
R1931	1-247-831-91	CARBON	1K	5%	1/4W
R1932	1-249-429-11	CARBON	10K	5%	1/4W

Ref. No.	Part No.	Description			Remark
R1936	1-249-393-11	CARBON	10	5%	1/4W
R1937	1-249-421-11	CARBON	2.2K	5%	1/4W

	A-1254-399-A	A_VIDEO BOARD, COMPLETE			

		< CAPACITOR >			
C6001	1-162-960-11	CERAMIC CHIP	220PF	10%	50V
C6002	1-126-964-11	ELECT	10uF	20%	50V
C6003	1-126-964-11	ELECT	10uF	20%	50V
C6004	1-126-964-11	ELECT	10uF	20%	50V
C6005	1-126-964-11	ELECT	10uF	20%	50V
C6006	1-126-964-11	ELECT	10uF	20%	50V
C6007	1-126-964-11	ELECT	10uF	20%	50V
C6008	1-126-964-11	ELECT	10uF	20%	50V
C6009	1-126-964-11	ELECT	10uF	20%	50V
C6010	1-126-964-11	ELECT	10uF	20%	50V
C6011	1-107-826-11	CERAMIC CHIP	0.1uF	10%	16V
C6012	1-107-826-11	CERAMIC CHIP	0.1uF	10%	16V
C6013	1-107-826-11	CERAMIC CHIP	0.1uF	10%	16V
C6014	1-126-947-11	ELECT	47uF	20%	35V
C6015	1-126-947-11	ELECT	47uF	20%	35V
C6101	1-126-962-11	ELECT	3.3uF	20%	50V
C6102	1-126-962-11	ELECT	3.3uF	20%	50V
C6103	1-104-658-91	ELECT	100uF	20%	10V
C6104	1-104-658-91	ELECT	100uF	20%	10V
C6105	1-107-826-11	CERAMIC CHIP	0.1uF	10%	16V
C6106	1-107-826-11	CERAMIC CHIP	0.1uF	10%	16V
C6107	1-162-970-11	CERAMIC CHIP	0.01uF	10%	25V
C6108	1-126-947-11	ELECT	47uF	20%	35V
C6109	1-126-916-11	ELECT	1000uF	20%	6.3V
C6110	1-126-947-11	ELECT	47uF	20%	35V
C6111	1-162-970-11	CERAMIC CHIP	0.01uF	10%	25V
C6115	1-126-947-11	ELECT	47uF	20%	35V
C6116	1-126-947-11	ELECT	47uF	20%	35V
C6117	1-126-947-11	ELECT	47uF	20%	35V
C6118	1-126-947-11	ELECT	47uF	20%	35V
C6233	1-126-947-11	ELECT	47uF	20%	35V
C6234	1-107-826-11	CERAMIC CHIP	0.1uF	10%	16V
C6235	1-126-947-11	ELECT	47uF	20%	35V
C6243	1-126-947-11	ELECT	47uF	20%	35V
C6251	1-126-916-11	ELECT	1000uF	20%	6.3V
C6252	1-126-933-11	ELECT	100uF	20%	16V
C6253	1-107-826-11	CERAMIC CHIP	0.1uF	10%	16V
C6254	1-107-826-11	CERAMIC CHIP	0.1uF	10%	16V
C6301	1-162-960-11	CERAMIC CHIP	220PF	10%	50V
C6304	1-126-964-11	ELECT	10uF	20%	50V
C6305	1-126-964-11	ELECT	10uF	20%	50V
C6306	1-126-964-11	ELECT	10uF	20%	50V
C6307	1-126-964-11	ELECT	10uF	20%	50V
C6308	1-126-964-11	ELECT	10uF	20%	50V
C6309	1-126-964-11	ELECT	10uF	20%	50V
C6310	1-126-964-11	ELECT	10uF	20%	50V
C6311	1-126-964-11	ELECT	10uF	20%	50V
C6312	1-126-964-11	ELECT	10uF	20%	50V
C6313	1-162-923-11	CERAMIC CHIP	47PF	5%	50V
C6314	1-162-923-11	CERAMIC CHIP	47PF	5%	50V

Ref. No.	Part No.	Description	Remark	Ref. No.	Part No.	Description	Remark
C6315	1-126-964-11	ELECT	10uF 20% 50V	IC6206	8-759-245-79	IC TA79005S	
C6316	1-162-927-11	CERAMIC CHIP	100PF 5% 50V	IC6301	6-704-199-01	IC NJM2595M-TE2	
C6317	1-107-826-11	CERAMIC CHIP	0.1uF 10% 16V	IC6302	6-704-199-01	IC NJM2595M-TE2	
C6318	1-107-826-11	CERAMIC CHIP	0.1uF 10% 16V	IC6501	8-759-238-47	IC TC74HCT7007AF (EL)	
C6319	1-107-826-11	CERAMIC CHIP	0.1uF 10% 16V	IC6502	8-759-268-29	IC SN74HC595ANS	
C6320	1-107-826-11	CERAMIC CHIP	0.1uF 10% 16V	IC6503	8-759-268-29	IC SN74HC595ANS	
C6321	1-107-826-11	CERAMIC CHIP	0.1uF 10% 16V	IC6504	8-759-353-02	IC NJM2533M (TE2)	
C6322	1-107-826-11	CERAMIC CHIP	0.1uF 10% 16V	IC6505	8-759-353-02	IC NJM2533M (TE2)	
C6323	1-162-927-11	CERAMIC CHIP	100PF 5% 50V			< JACK >	
C6324	1-162-927-11	CERAMIC CHIP	100PF 5% 50V	J6001	1-816-592-11	JACK, PIN 9P (COMPONENT VIDEO ASSIGNABLE (INPUT ONLY) VIDEO 1/ DVD/BD/SAT/CATV IN)	
C6325	1-162-927-11	CERAMIC CHIP	100PF 5% 50V	J6002	1-821-278-12	JACK 3P (COMPONENT VIDEO MONITOR OUT)	
C6326	1-162-927-11	CERAMIC CHIP	100PF 5% 50V	J6003	1-774-227-41	JACK, PIN 1P (ZONE 2 VIDEO OUT)	
C6327	1-162-927-11	CERAMIC CHIP	100PF 5% 50V	J6004	1-794-978-11	JACK, PIN 3P (VIDEO 1/VIDEO 2 VIDEO IN, VIDEO 1 VIDEO OUT)	
C6328	1-126-947-11	ELECT	47uF 20% 35V	J6005	1-794-978-11	JACK, PIN 3P (DVD/BD/SAT/CATV VIDEO IN, MONITOR VIDEO OUT)	
C6329	1-126-947-11	ELECT	47uF 20% 35V			< COIL >	
C6501	1-107-826-11	CERAMIC CHIP	0.1uF 10% 16V	L6001	1-469-525-91	INDUCTOR 10uH	
C6502	1-107-826-11	CERAMIC CHIP	0.1uF 10% 16V	L6002	1-469-525-91	INDUCTOR 10uH	
C6503	1-107-826-11	CERAMIC CHIP	0.1uF 10% 16V			< TRANSISTOR >	
C6504	1-162-968-11	CERAMIC CHIP	0.0047uF 10% 50V	Q6001	8-729-620-07	TRANSISTOR 2SC3052EF-T1-LEF	
C6505	1-162-968-11	CERAMIC CHIP	0.0047uF 10% 50V	Q6101	8-729-038-28	TRANSISTOR RT1N441C-TP-1	
C6506	1-162-923-11	CERAMIC CHIP	47PF 5% 50V	Q6102	8-729-038-28	TRANSISTOR RT1N441C-TP-1	
C6507	1-162-923-11	CERAMIC CHIP	47PF 5% 50V	Q6103	8-729-620-07	TRANSISTOR 2SC3052EF-T1-LEF	
C6508	1-126-933-11	ELECT	100uF 20% 16V	Q6104	8-729-620-07	TRANSISTOR 2SC3052EF-T1-LEF	
C6509	1-107-826-11	CERAMIC CHIP	0.1uF 10% 16V			< RESISTOR >	
C6510	1-107-826-11	CERAMIC CHIP	0.1uF 10% 16V	R6001	1-211-990-11	METAL CHIP 75 0.5% 1/10W	
C6511	1-126-964-11	ELECT	10uF 20% 50V	R6002	1-211-990-11	METAL CHIP 75 0.5% 1/10W	
C6512	1-126-964-11	ELECT	10uF 20% 50V	R6003	1-211-990-11	METAL CHIP 75 0.5% 1/10W	
C6513	1-126-964-11	ELECT	10uF 20% 50V	R6004	1-211-990-11	METAL CHIP 75 0.5% 1/10W	
C6514	1-126-964-11	ELECT	10uF 20% 50V	R6005	1-211-990-11	METAL CHIP 75 0.5% 1/10W	
		< CONNECTOR >		R6006	1-211-990-11	METAL CHIP 75 0.5% 1/10W	
CN6203	1-770-407-11	CONNECTOR, BOARD TO BOARD 12P		R6007	1-211-990-11	METAL CHIP 75 0.5% 1/10W	
* CN6204	1-564-520-11	PLUG, CONNECTOR 5P		R6008	1-211-990-11	METAL CHIP 75 0.5% 1/10W	
CN6501	1-770-469-21	PIN, CONNECTOR (PC BOARD) 2P		R6009	1-211-990-11	METAL CHIP 75 0.5% 1/10W	
CN6502	1-564-320-00	PIN, CONNECTOR (3.96mm PITCH) 2P		△R6010	1-249-393-11	CARBON 10 5% 1/4W F	
		< DIODE >		R6011	1-216-841-11	METAL CHIP 47K 5% 1/10W	
D6001	6-501-817-01	DIODE MA2J1110GLS0		R6012	1-216-821-11	METAL CHIP 1K 5% 1/10W	
D6002	6-501-817-01	DIODE MA2J1110GLS0		R6013	1-216-864-11	SHORT CHIP 0	
D6003	6-501-817-01	DIODE MA2J1110GLS0		R6014	1-216-864-11	SHORT CHIP 0	
D6101	6-501-817-01	DIODE MA2J1110GLS0		R6015	1-211-990-11	METAL CHIP 75 0.5% 1/10W	
D6102	6-501-817-01	DIODE MA2J1110GLS0		R6016	1-216-864-11	SHORT CHIP 0	
D6301	6-501-817-01	DIODE MA2J1110GLS0		R6017	1-211-990-11	METAL CHIP 75 0.5% 1/10W	
D6302	6-501-817-01	DIODE MA2J1110GLS0		R6018	1-211-990-11	METAL CHIP 75 0.5% 1/10W	
D6303	6-501-817-01	DIODE MA2J1110GLS0		R6101	1-216-815-11	METAL CHIP 330 5% 1/10W	
D6304	6-501-817-01	DIODE MA2J1110GLS0		R6102	1-216-815-11	METAL CHIP 330 5% 1/10W	
D6501	6-501-817-01	DIODE MA2J1110GLS0		R6103	1-216-847-11	METAL CHIP 150K 5% 1/10W	
D6502	6-501-817-01	DIODE MA2J1110GLS0		R6104	1-216-847-11	METAL CHIP 150K 5% 1/10W	
		< IC >		R6105	1-216-829-11	METAL CHIP 4.7K 5% 1/10W	
IC6001	6-706-767-01	IC NJM2586AM		R6106	1-216-829-11	METAL CHIP 4.7K 5% 1/10W	
IC6101	8-759-822-05	IC LA7213		R6110	1-216-821-11	METAL CHIP 1K 5% 1/10W	
IC6102	8-759-822-05	IC LA7213		R6111	1-216-821-11	METAL CHIP 1K 5% 1/10W	
IC6103	6-701-820-01	IC LA73053-TLM-E		R6112	1-216-841-11	METAL CHIP 47K 5% 1/10W	
IC6104	6-706-767-01	IC NJM2586AM					
IC6204	8-759-353-02	IC NJM2533M (TE2)					
IC6205	8-759-647-11	IC uPC2905HF					

STR-DA4300ES

A_VIDEO **AC**

Ref. No.	Part No.	Description	Remark
R6113	1-216-841-11	METAL CHIP	47K 5% 1/10W
R6114	1-216-841-11	METAL CHIP	47K 5% 1/10W
R6115	1-216-841-11	METAL CHIP	47K 5% 1/10W
R6116	1-216-841-11	METAL CHIP	47K 5% 1/10W
R6117	1-216-841-11	METAL CHIP	47K 5% 1/10W
R6118	1-211-990-11	METAL CHIP	75 0.5% 1/10W
R6119	1-211-990-11	METAL CHIP	75 0.5% 1/10W
R6120	1-211-990-11	METAL CHIP	75 0.5% 1/10W
R6121	1-218-834-11	METAL CHIP	300 0.5% 1/10W
R6122	1-218-834-11	METAL CHIP	300 0.5% 1/10W
R6123	1-218-834-11	METAL CHIP	300 0.5% 1/10W
R6124	1-216-815-11	METAL CHIP	330 5% 1/10W
R6125	1-216-815-11	METAL CHIP	330 5% 1/10W
R6235	1-218-834-11	METAL CHIP	300 0.5% 1/10W
R6236	1-218-834-11	METAL CHIP	300 0.5% 1/10W
R6237	1-218-834-11	METAL CHIP	300 0.5% 1/10W
R6239	1-216-864-11	SHORT CHIP	0
R6240	1-216-864-11	SHORT CHIP	0
R6241	1-216-864-11	SHORT CHIP	0
R6242	1-216-864-11	SHORT CHIP	0
R6243	1-216-864-11	SHORT CHIP	0
R6244	1-216-809-11	METAL CHIP	100 5% 1/10W
R6245	1-216-809-11	METAL CHIP	100 5% 1/10W
R6246	1-216-809-11	METAL CHIP	100 5% 1/10W
R6247	1-216-809-11	METAL CHIP	100 5% 1/10W
R6250	1-216-809-11	METAL CHIP	100 5% 1/10W
R6251	1-216-809-11	METAL CHIP	100 5% 1/10W
R6252	1-216-809-11	METAL CHIP	100 5% 1/10W
R6301	1-211-990-11	METAL CHIP	75 0.5% 1/10W
R6302	1-211-990-11	METAL CHIP	75 0.5% 1/10W
R6303	1-211-990-11	METAL CHIP	75 0.5% 1/10W
R6304	1-211-990-11	METAL CHIP	75 0.5% 1/10W
R6305	1-211-990-11	METAL CHIP	75 0.5% 1/10W
R6306	1-211-990-11	METAL CHIP	75 0.5% 1/10W
R6307	1-211-990-11	METAL CHIP	75 0.5% 1/10W
R6308	1-211-990-11	METAL CHIP	75 0.5% 1/10W
R6309	1-211-990-11	METAL CHIP	75 0.5% 1/10W
R6310	1-216-845-11	METAL CHIP	100K 5% 1/10W
R6311	1-216-864-11	SHORT CHIP	0
R6501	1-216-833-11	METAL CHIP	10K 5% 1/10W
R6502	1-216-813-11	METAL CHIP	220 5% 1/10W
R6503	1-216-813-11	METAL CHIP	220 5% 1/10W
R6504	1-216-809-11	METAL CHIP	100 5% 1/10W
R6505	1-216-809-11	METAL CHIP	100 5% 1/10W
R6506	1-211-990-11	METAL CHIP	75 0.5% 1/10W
< RELAY >			
RY6001	1-755-267-11	RELAY	
RY6002	1-755-267-11	RELAY	
RY6003	1-755-267-11	RELAY	

AC BOARD			

7-685-646-79	SCREW +BVTP 3X8 TYPE2 IT-3		

Ref. No.	Part No.	Description	Remark
< CAPACITOR >			
C51	1-126-964-11	ELECT	10uF 20% 50V
C52	1-126-943-11	ELECT	2200uF 20% 25V
C53	1-126-943-11	ELECT	2200uF 20% 25V
C54	1-164-315-11	CERAMIC CHIP	470PF 5% 50V
C55	1-136-287-11	FILM	0.0047uF 5% 100V
C56	1-137-465-11	MYLAR	0.056uF 5% 100V
C57	1-126-941-11	ELECT	470uF 20% 25V
C58	1-100-566-91	CERAMIC CHIP	0.1uF 10% 25V
△C59	1-113-925-11	CERAMIC	0.01uF 20% 250V
< CONNECTOR >			
* CNP02	1-564-687-11	PIN, CONNECTOR (3.96mm PITCH) 3P	
CNP51	1-564-321-00	PIN, CONNECTOR (3.96mm PITCH) 2P	
CNP53	1-774-108-11	PIN, CONNECTOR (PC BOARD)	
CNP54	1-784-922-11	PIN, CONNECTOR 5P	
< DIODE >			
D51	6-500-522-31	DIODE 10EDB40-TB5	
D52	6-500-522-31	DIODE 10EDB40-TB5	
D53	6-500-522-31	DIODE 10EDB40-TB5	
D54	6-500-522-31	DIODE 10EDB40-TB5	
D55	6-500-522-31	DIODE 10EDB40-TB5	
D56	6-501-193-01	DIODE 1SS355WTE-17	
D57	6-501-193-01	DIODE 1SS355WTE-17	
D58	6-501-193-01	DIODE 1SS355WTE-17	
D61	8-719-069-56	DIODE UDZSNPTE-176.2B	
< EARTH TERMINAL >			
* EE51	1-537-738-21	TERMINAL, EARTH	
< FUSE HOLDER >			
FH01	1-533-313-11	FUSE HOLDER	
FH02	1-533-313-11	FUSE HOLDER	
< IC >			
IC51	8-759-450-47	IC BA05T	
< TRANSISTOR >			
Q51	8-729-620-07	TRANSISTOR 2SC3052EF-T1-LEF	
Q52	8-729-620-07	TRANSISTOR 2SC3052EF-T1-LEF	
Q53	8-729-027-52	TRANSISTOR DTC124EKA-T146	
Q54	8-729-140-97	TRANSISTOR 2SB734-34	
Q55	8-729-027-52	TRANSISTOR DTC124EKA-T146	
< RESISTOR >			
△R001	1-219-237-11	SOLID	3.3M 20% 1/2W F
R51	1-216-833-11	METAL CHIP	10K 5% 1/10W
R52	1-216-827-11	METAL CHIP	3.3K 5% 1/10W
R53	1-216-837-11	METAL CHIP	22K 5% 1/10W
R54	1-216-825-11	METAL CHIP	2.2K 5% 1/10W
R55	1-216-833-11	METAL CHIP	10K 5% 1/10W
R58	1-259-179-31	CARBON	3.3K 5% 1/4W
R59	1-216-833-11	METAL CHIP	10K 5% 1/10W
△R60	1-249-389-11	CARBON	4.7 5% 1/4W F
R61	1-216-819-11	METAL CHIP	680 5% 1/10W

AC	BIAS	C_SPTM	CIS
----	------	--------	-----

Ref. No.	Part No.	Description	Remark	Ref. No.	Part No.	Description	Remark
		< RELAY >		R1624	1-259-468-61	CARBON 47K 5%	1/6W
△ RY01	1-755-266-11	RELAY, AC POWER		R1721	1-259-440-61	CARBON 3.3K 5%	1/6W
		< TRANSFORMER >		R1722	1-259-428-61	CARBON 1K 5%	1/6W
△ T002	1-445-212-11	TRANSFORMER, POWER		R1724	1-259-468-61	CARBON 47K 5%	1/6W
*****				R1771	1-259-440-61	CARBON 3.3K 5%	1/6W
	A-1254-659-A	BIAS BOARD, COMPLETE		R1772	1-259-428-61	CARBON 1K 5%	1/6W
		*****		R1774	1-259-468-61	CARBON 47K 5%	1/6W
		< CAPACITOR >		R1821	1-259-440-61	CARBON 3.3K 5%	1/6W
C1521	1-126-947-11	ELECT 47uF 20%	35V	R1822	1-259-428-61	CARBON 1K 5%	1/6W
C1571	1-126-947-11	ELECT 47uF 20%	35V	R1824	1-259-468-61	CARBON 47K 5%	1/6W
C1621	1-126-947-11	ELECT 47uF 20%	35V	R1871	1-259-440-61	CARBON 3.3K 5%	1/6W
C1721	1-126-947-11	ELECT 47uF 20%	35V	R1872	1-259-428-61	CARBON 1K 5%	1/6W
C1771	1-126-947-11	ELECT 47uF 20%	35V	R1874	1-259-468-61	CARBON 47K 5%	1/6W
C1821	1-126-947-11	ELECT 47uF 20%	35V	R1911	1-247-863-91	CARBON 22K 5%	1/4W
C1871	1-126-947-11	ELECT 47uF 20%	35V	R1912	1-249-429-11	CARBON 10K 5%	1/4W
C1905	1-126-965-91	ELECT 22uF 20%	50V	R1913	1-249-429-11	CARBON 10K 5%	1/4W
C1906	1-104-655-91	ELECT 470uF 20%	6.3V	R1914	1-247-863-91	CARBON 22K 5%	1/4W
C1907	1-128-805-11	CERAMIC 47PF 5%	50V	R1915	1-247-863-91	CARBON 22K 5%	1/4W
C1908	1-128-805-11	CERAMIC 47PF 5%	50V	R1916	1-249-430-11	CARBON 12K 5%	1/4W
		< CONNECTOR >		R1917	1-247-895-00	CARBON 470K 5%	1/4W
CN1512	1-766-719-41	CONNECTOR, BOARD TO BOARD 10P		R1918	1-247-871-91	CARBON 47K 5%	1/4W
CN1513	1-784-031-41	CONNECTOR, BOARD TO BOARD 8P		R1919	1-249-429-11	CARBON 10K 5%	1/4W
* CN1705	1-573-828-11	CONNECTOR, BOARD TO BOARD 14P		R1923	1-247-831-91	CARBON 1K 5%	1/4W
* CN1803	1-573-828-11	CONNECTOR, BOARD TO BOARD 14P		R1929	1-249-429-11	CARBON 10K 5%	1/4W
CN1910	1-770-010-21	CONNECTOR, BOARD TO BOARD 4P				< VARIABLE RESISTOR >	
* CN1911	1-774-876-21	CONNECTOR, BOARD TO BOARD 8P		RV1501	1-238-595-11	RES, ADJ, CARBON 220	
		< DIODE >		RV1551	1-238-595-11	RES, ADJ, CARBON 220	
D1904	8-719-991-33	DIODE 1SS133T-77		RV1601	1-238-595-11	RES, ADJ, CARBON 220	
D1905	8-719-991-33	DIODE 1SS133T-77		RV1701	1-238-595-11	RES, ADJ, CARBON 220	
D1908	8-719-991-33	DIODE 1SS133T-77		RV1751	1-238-595-11	RES, ADJ, CARBON 220	
D1909	8-719-991-33	DIODE 1SS133T-77		RV1801	1-238-595-11	RES, ADJ, CARBON 220	
D1910	8-719-991-33	DIODE 1SS133T-77		RV1851	1-238-595-11	RES, ADJ, CARBON 220	
		< IC >		*****			
IC1901	8-759-167-88	IC NJM4565D				C_SPTM BOARD	
		< TRANSISTOR >				*****	
Q1904	8-729-281-53	TRANSISTOR 2SC1815-GR				< CAPACITOR >	
Q1905	8-729-140-84	TRANSISTOR 2SC1841-PAFAEA		C1301	1-162-927-11	CERAMIC CHIP 100PF 5%	50V
Q1906	8-729-042-09	TRANSISTOR 2SA1038S-RSE-TP				< TERMINAL >	
Q1907	8-729-042-09	TRANSISTOR 2SA1038S-RSE-TP		TB1301	1-780-405-11	TERMINAL BOARD (SP) (2P)	(CENTER SPEAKERS)
Q1908	8-729-029-86	TRANSISTOR DTC124ESA		*****			
		< RESISTOR >				CIS BOARD	
R1521	1-259-440-61	CARBON 3.3K 5%	1/6W			*****	
R1522	1-259-428-61	CARBON 1K 5%	1/6W			< CAPACITOR >	
R1524	1-259-468-61	CARBON 47K 5%	1/6W	C801	1-126-947-11	ELECT 47uF 20%	35V
R1571	1-259-440-61	CARBON 3.3K 5%	1/6W	C802	1-107-826-11	CERAMIC CHIP 0.1uF 10%	16V
R1572	1-259-428-61	CARBON 1K 5%	1/6W	C803	1-126-961-11	ELECT 2.2uF 20%	50V
R1574	1-259-468-61	CARBON 47K 5%	1/6W	C804	1-126-947-11	ELECT 47uF 20%	35V
R1621	1-259-440-61	CARBON 3.3K 5%	1/6W	C805	1-107-826-11	CERAMIC CHIP 0.1uF 10%	16V
R1622	1-259-428-61	CARBON 1K 5%	1/6W	C807	1-164-388-91	CERAMIC CHIP 270PF 5%	50V
				C821	1-126-960-11	ELECT 1uF 20%	50V
				C851	1-126-767-11	ELECT 1000uF 20%	16V

STR-DA4300ES

CIS **CONNECTOR 3** **CONNECTOR 4** **CONTROL**

Ref. No.	Part No.	Description	Remark
C852	1-107-826-11	CERAMIC CHIP 0.1uF 10%	16V
C862	1-164-315-11	CERAMIC CHIP 470PF 5%	50V
C863	1-164-315-11	CERAMIC CHIP 470PF 5%	50V
C864	1-126-963-11	ELECT 4.7uF 20%	50V
C865	1-107-826-11	CERAMIC CHIP 0.1uF 10%	16V
C868	1-164-388-91	CERAMIC CHIP 270PF 5%	50V
C883	1-100-597-91	CERAMIC CHIP 0.1uF 10%	25V
C884	1-126-933-11	ELECT 100uF 20%	16V
C885	1-115-156-11	CERAMIC CHIP 1uF	10V
C886	1-115-156-11	CERAMIC CHIP 1uF	10V
C887	1-115-156-11	CERAMIC CHIP 1uF	10V
C888	1-115-156-11	CERAMIC CHIP 1uF	10V
< CONNECTOR >			
CN801	1-779-279-11	CONNECTOR, FFC (LIF (NON-ZIF)) 11P	
< DIODE >			
D801	8-719-404-50	DIODE MA111-TX	
D802	8-719-075-86	LED SID307BRTP19 (REMOTE CONTROL TRANSCEIVER)	
D803	8-719-404-50	DIODE MA111-TX	
D807	8-719-404-50	DIODE MA111-TX	
D808	8-719-404-50	DIODE MA111-TX	
< EARTH TERMINAL >			
EB801	1-537-738-21	TERMINAL, GROUND	
EB802	1-537-738-21	TERMINAL, GROUND	
< FERRITE BEAD >			
FB881	1-469-152-11	FERRITE, EMI (SMD) (2012)	
< IC >			
IC801	6-600-349-21	IC NJL23H400A	
IC802	6-700-587-01	IC TC7W53F (TE12R)	
IC861	8-759-470-63	IC NJM2145M-TE2	
IC881	8-759-065-85	IC MAX232N	
< JACK/CONNECTOR >			
J801	1-563-330-31	JACK (IR REMOTE IN)	
J802	1-563-330-31	JACK (IR REMOTE OUT1)	
J803	1-563-330-31	JACK (IR REMOTE OUT2)	
J821	1-563-330-31	JACK (TRIGGER OUT MAIN)	
J861	1-563-330-31	JACK (CTRL S OUT)	
J862	1-563-330-31	JACK (CTRL S IN)	
J881	1-815-737-11	CONNECTOR, (D) SUB 9P (RS-232C)	
< JUMPER RESISTOR >			
JW861	1-216-864-11	SHORT CHIP 0	
< TRANSISTOR >			
Q821	8-729-037-13	TRANSISTOR KTA1271Y	
Q822	8-729-027-43	TRANSISTOR DTC114EKA-T146	
< RESISTOR >			
R801	1-216-833-11	METAL CHIP 10K 5%	1/10W
R802	1-216-797-11	METAL CHIP 10 5%	1/10W
R803	1-216-845-11	METAL CHIP 100K 5%	1/10W

Ref. No.	Part No.	Description	Remark
R804	1-216-833-11	METAL CHIP 10K 5%	1/10W
R805	1-216-845-11	METAL CHIP 100K 5%	1/10W
R806	1-216-809-11	METAL CHIP 100 5%	1/10W
R807	1-216-809-11	METAL CHIP 100 5%	1/10W
R822	1-216-833-11	METAL CHIP 10K 5%	1/10W
R823	1-216-825-11	METAL CHIP 2.2K 5%	1/10W
R824	1-216-833-11	METAL CHIP 10K 5%	1/10W
R825	1-216-809-11	METAL CHIP 100 5%	1/10W
R861	1-216-821-11	METAL CHIP 1K 5%	1/10W
R862	1-216-821-11	METAL CHIP 1K 5%	1/10W
R863	1-216-821-11	METAL CHIP 1K 5%	1/10W
R864	1-216-821-11	METAL CHIP 1K 5%	1/10W
R865	1-216-821-11	METAL CHIP 1K 5%	1/10W
R881	1-216-809-11	METAL CHIP 100 5%	1/10W
R882	1-216-809-11	METAL CHIP 100 5%	1/10W
< THERMISTOR >			
TH821	1-801-726-11	THERMISTOR, POSITIVE	

CONNECTOR 3 BOARD			

< CONNECTOR >			
CN1202	1-573-844-11	CONNECTOR, BOARD TO BOARD 12P	
CN1203	1-784-041-41	CONNECTOR, BOARD TO BOARD 9P	

CONNECTOR 4 BOARD			

< CONNECTOR >			
CN1204	1-764-865-41	CONNECTOR, BOARD TO BOARD 13P	
CN1207	1-573-847-11	CONNECTOR, BOARD TO BOARD 15P	

A-1274-399-A		CONTROL BOARD, COMPLETE	

< CAPACITOR >			
C2001	1-107-826-11	CERAMIC CHIP 0.1uF 10%	16V
C2002	1-107-826-11	CERAMIC CHIP 0.1uF 10%	16V
C2003	1-107-826-11	CERAMIC CHIP 0.1uF 10%	16V
C2004	1-162-974-11	CERAMIC CHIP 0.01uF	50V
C2005	1-107-826-11	CERAMIC CHIP 0.1uF 10%	16V
C2006	1-107-826-11	CERAMIC CHIP 0.1uF 10%	16V
C2007	1-117-720-11	CERAMIC CHIP 4.7uF	10V
C2008	1-107-826-11	CERAMIC CHIP 0.1uF 10%	16V
C2009	1-117-720-11	CERAMIC CHIP 4.7uF	10V
C2010	1-107-826-11	CERAMIC CHIP 0.1uF 10%	16V
C2011	1-107-826-11	CERAMIC CHIP 0.1uF 10%	16V
C2012	1-117-720-11	CERAMIC CHIP 4.7uF	10V
C2013	1-107-826-11	CERAMIC CHIP 0.1uF 10%	16V
C2014	1-107-826-11	CERAMIC CHIP 0.1uF 10%	16V
C2015	1-107-826-11	CERAMIC CHIP 0.1uF 10%	16V
C2016	1-107-826-11	CERAMIC CHIP 0.1uF 10%	16V
C2017	1-107-826-11	CERAMIC CHIP 0.1uF 10%	16V
C2020	1-107-826-11	CERAMIC CHIP 0.1uF 10%	16V
C2021	1-162-974-11	CERAMIC CHIP 0.01uF	50V

Ref. No.	Part No.	Description	Remark	Ref. No.	Part No.	Description	Remark
C2022	1-162-974-11	CERAMIC CHIP	0.01uF	50V			
C2023	1-162-974-11	CERAMIC CHIP	0.01uF	50V			
C2024	1-162-974-11	CERAMIC CHIP	0.01uF	50V			
C2025	1-162-974-11	CERAMIC CHIP	0.01uF	50V			
C2026	1-107-826-11	CERAMIC CHIP	0.1uF	10%	16V		
C2027	1-162-974-11	CERAMIC CHIP	0.01uF	50V			
C2028	1-107-826-11	CERAMIC CHIP	0.1uF	10%	16V		
C2029	1-162-974-11	CERAMIC CHIP	0.01uF	50V			
C2030	1-162-974-11	CERAMIC CHIP	0.01uF	50V			
C2031	1-117-720-11	CERAMIC CHIP	4.7uF	10V			
C2032	1-107-826-11	CERAMIC CHIP	0.1uF	10%	16V		
C2033	1-107-826-11	CERAMIC CHIP	0.1uF	10%	16V		
C2034	1-107-826-11	CERAMIC CHIP	0.1uF	10%	16V		
C2035	1-117-720-11	CERAMIC CHIP	4.7uF	10V			
C2036	1-107-826-11	CERAMIC CHIP	0.1uF	10%	16V		
C2037	1-126-209-11	ELECT CHIP	100uF	20%	4V		
C2038	1-107-826-11	CERAMIC CHIP	0.1uF	10%	16V		
C2039	1-107-826-11	CERAMIC CHIP	0.1uF	10%	16V		
C2040	1-117-720-11	CERAMIC CHIP	4.7uF	10V			
C2041	1-107-826-11	CERAMIC CHIP	0.1uF	10%	16V		
C2042	1-107-826-11	CERAMIC CHIP	0.1uF	10%	16V		
C2043	1-117-720-11	CERAMIC CHIP	4.7uF	10V			
C2044	1-107-826-11	CERAMIC CHIP	0.1uF	10%	16V		
C2045	1-107-826-11	CERAMIC CHIP	0.1uF	10%	16V		
C2046	1-107-826-11	CERAMIC CHIP	0.1uF	10%	16V		
C2047	1-107-826-11	CERAMIC CHIP	0.1uF	10%	16V		
C2048	1-162-927-11	CERAMIC CHIP	100PF	5%	50V		
C2049	1-117-720-11	CERAMIC CHIP	4.7uF	10V			
C2050	1-107-826-11	CERAMIC CHIP	0.1uF	10%	16V		
C2051	1-107-826-11	CERAMIC CHIP	0.1uF	10%	16V		
C2052	1-126-193-11	ELECT CHIP	1uF	20%	50V		
C2053	1-107-826-11	CERAMIC CHIP	0.1uF	10%	16V		
C2054	1-124-779-00	ELECT CHIP	10uF	20%	16V		
C2055	1-126-209-11	ELECT CHIP	100uF	20%	4V		
C2056	1-107-826-11	CERAMIC CHIP	0.1uF	10%	16V		
C2057	1-107-826-11	CERAMIC CHIP	0.1uF	10%	16V		
C2058	1-126-206-11	ELECT CHIP	100uF	20%	6.3V		
C2059	1-107-826-11	CERAMIC CHIP	0.1uF	10%	16V		
C2060	1-117-720-11	CERAMIC CHIP	4.7uF	10V			
C2061	1-107-826-11	CERAMIC CHIP	0.1uF	10%	16V		
C2062	1-126-208-21	ELECT CHIP	47uF	20%	4V		
C2063	1-126-209-11	ELECT CHIP	100uF	20%	4V		
C2065	1-107-826-11	CERAMIC CHIP	0.1uF	10%	16V		
C2066	1-117-720-11	CERAMIC CHIP	4.7uF	10V			
C2067	1-107-826-11	CERAMIC CHIP	0.1uF	10%	16V		
C2068	1-107-826-11	CERAMIC CHIP	0.1uF	10%	16V		
< CONNECTOR >							
CN2001	1-770-384-21	CONNECTOR, BOARD TO BOARD	16P				
CN2002	1-770-382-11	CONNECTOR, BOARD TO BOARD	12P				
CN2003	1-770-381-11	CONNECTOR, BOARD TO BOARD	10P				
CN2004	1-784-370-51	CONNECTOR, FFC/FPC	11P				
CN2005	1-770-382-11	CONNECTOR, BOARD TO BOARD	12P				
CN2006	1-770-382-11	CONNECTOR, BOARD TO BOARD	12P				
CN2007	1-770-383-11	CONNECTOR, BOARD TO BOARD	14P				
CN2008	1-770-405-11	CONNECTOR, BOARD TO BOARD	8P				
CN2009	1-770-410-11	CONNECTOR, BOARD TO BOARD	18P				
CN2010	1-770-410-11	CONNECTOR, BOARD TO BOARD	18P				
* CN2013	1-785-125-21	CONNECTOR	6P				
CN2015	1-784-930-11	PIN, CONNECTOR	15P				
CN2016	1-784-926-11	PIN, CONNECTOR	11P				
CN2017	1-784-928-11	PIN, CONNECTOR	13P				
CN2018	1-784-382-51	CONNECTOR, FFC/FPC	25P				
CN2019	1-784-380-51	CONNECTOR, FFC/FPC	23P				
CN2020	1-764-177-11	PIN, CONNECTOR (SMD)	(1.5mm) 7P				
< DIODE >							
D2001	8-719-060-48	DIODE	RB751V-40TE-17				
D2002	8-719-988-61	DIODE	1SS355TE-17				
D2003	8-719-988-61	DIODE	1SS355TE-17				
D2004	8-719-988-61	DIODE	1SS355TE-17				
D2005	8-719-988-61	DIODE	1SS355TE-17				
D2006	8-719-988-61	DIODE	1SS355TE-17				
< FERRITE BEAD >							
FB2001	1-469-152-11	FERRITE, EMI (SMD)	(2012)				
FB2002	1-469-152-11	FERRITE, EMI (SMD)	(2012)				
FB2003	1-469-152-11	FERRITE, EMI (SMD)	(2012)				
FB2004	1-469-152-11	FERRITE, EMI (SMD)	(2012)				
FB2005	1-469-152-11	FERRITE, EMI (SMD)	(2012)				
FB2006	1-469-152-11	FERRITE, EMI (SMD)	(2012)				
FB2007	1-469-152-11	FERRITE, EMI (SMD)	(2012)				
FB2008	1-469-152-11	FERRITE, EMI (SMD)	(2012)				
FB2009	1-469-152-11	FERRITE, EMI (SMD)	(2012)				
< IC >							
IC2001	6-706-487-01	IC	TC7SH08FU (T5RSOYJF)				
IC2002	6-706-478-01	IC	TC7SET08FU (T5RSOJF)				
IC2003	6-807-612-01	IC	MB91F467RA-07A43ES-X100				
IC2004	8-759-058-62	IC	TC7S08FU (TE85R)				
IC2005	6-702-913-01	IC	S-80929CNMC-G8ZT2G				
IC2006	8-759-277-63	IC	TC7W14FU (TE12R)				
IC2007	6-704-006-01	IC	BR24L64F-WE2				
IC2008	6-705-468-01	IC	BA33BC0FP-E2				
IC2009	8-759-277-63	IC	TC7W14FU (TE12R)				
IC2010	8-759-524-09	IC	TC74VHC153FT (EL)				
IC2011	8-759-238-47	IC	TC74HCT7007AF (EL)				
IC2012	6-706-487-01	IC	TC7SH08FU (T5RSOYJF)				
IC2013	6-706-478-01	IC	TC7SET08FU (T5RSOJF)				
< TRANSISTOR >							
Q2001	8-729-216-22	TRANSISTOR	2SA1162-G				
Q2002	8-729-024-91	TRANSISTOR	2SC2712-GL-TE85L				
Q2003	8-729-024-91	TRANSISTOR	2SC2712-GL-TE85L				
Q2004	8-729-027-43	TRANSISTOR	DTC114EKA-T146				
< RESISTOR >							
R2002	1-216-864-11	SHORT CHIP	0				
R2003	1-216-833-11	METAL CHIP	10K	5%	1/10W		
R2004	1-216-809-11	METAL CHIP	100	5%	1/10W		
R2005	1-216-821-11	METAL CHIP	1K	5%	1/10W		
R2006	1-216-833-11	METAL CHIP	10K	5%	1/10W		
R2007	1-216-833-11	METAL CHIP	10K	5%	1/10W		
R2008	1-216-837-11	METAL CHIP	22K	5%	1/10W		
R2009	1-216-837-11	METAL CHIP	22K	5%	1/10W		

CONTROL

D.AUDIO

Ref. No.	Part No.	Description	Remark	Ref. No.	Part No.	Description	Remark
R2135	1-216-809-11	METAL CHIP	100 5% 1/10W	C2206	1-107-826-11	CERAMIC CHIP 0.1uF 10% 16V	
R2136	1-216-833-11	METAL CHIP	10K 5% 1/10W	C2207	1-112-080-11	ELECT 470uF 20% 10V	
R2138	1-216-809-11	METAL CHIP	100 5% 1/10W	C2208	1-162-970-11	CERAMIC CHIP 0.01uF 10% 25V	
R2139	1-216-815-11	METAL CHIP	330 5% 1/10W	C2209	1-107-826-11	CERAMIC CHIP 0.1uF 10% 16V	
R2140	1-216-809-11	METAL CHIP	100 5% 1/10W	C2210	1-112-089-11	ELECT 47uF 20% 25V	
R2141	1-216-809-11	METAL CHIP	100 5% 1/10W	C2211	1-107-826-11	CERAMIC CHIP 0.1uF 10% 16V	
R2142	1-216-809-11	METAL CHIP	100 5% 1/10W	C2212	1-112-089-11	ELECT 47uF 20% 25V	
R2143	1-216-809-11	METAL CHIP	100 5% 1/10W	C2213	1-107-826-11	CERAMIC CHIP 0.1uF 10% 16V	
R2145	1-216-805-11	METAL CHIP	47 5% 1/10W	C2214	1-112-089-11	ELECT 47uF 20% 25V	
R2146	1-216-805-11	METAL CHIP	47 5% 1/10W	C2215	1-107-826-11	CERAMIC CHIP 0.1uF 10% 16V	
R2147	1-216-805-11	METAL CHIP	47 5% 1/10W	C2216	1-107-826-11	CERAMIC CHIP 0.1uF 10% 16V	
R2148	1-216-805-11	METAL CHIP	47 5% 1/10W	C2217	1-107-826-11	CERAMIC CHIP 0.1uF 10% 16V	
R2149	1-216-809-11	METAL CHIP	100 5% 1/10W	C2221	1-112-080-11	ELECT 470uF 20% 10V	
R2150	1-216-809-11	METAL CHIP	100 5% 1/10W	C2222	1-107-826-11	CERAMIC CHIP 0.1uF 10% 16V	
R2151	1-216-809-11	METAL CHIP	100 5% 1/10W	C2223	1-107-826-11	CERAMIC CHIP 0.1uF 10% 16V	
R2152	1-216-809-11	METAL CHIP	100 5% 1/10W	C2224	1-107-826-11	CERAMIC CHIP 0.1uF 10% 16V	
R2153	1-216-809-11	METAL CHIP	100 5% 1/10W	C2225	1-162-910-11	CERAMIC CHIP 5PF 0.25PF 50V	
R2154	1-216-809-11	METAL CHIP	100 5% 1/10W	C2226	1-162-911-11	CERAMIC CHIP 6PF 0.5PF 50V	
R2155	1-216-809-11	METAL CHIP	100 5% 1/10W	C2227	1-107-826-11	CERAMIC CHIP 0.1uF 10% 16V	
R2156	1-216-809-11	METAL CHIP	100 5% 1/10W	C2228	1-107-826-11	CERAMIC CHIP 0.1uF 10% 16V	
R2157	1-216-809-11	METAL CHIP	100 5% 1/10W	C2229	1-107-826-11	CERAMIC CHIP 0.1uF 10% 16V	
R2158	1-216-809-11	METAL CHIP	100 5% 1/10W	C2230	1-112-100-11	ELECT 10uF 20% 50V	
R2159	1-216-809-11	METAL CHIP	100 5% 1/10W	C2231	1-112-080-11	ELECT 470uF 20% 10V	
R2160	1-216-809-11	METAL CHIP	100 5% 1/10W	C2232	1-107-826-11	CERAMIC CHIP 0.1uF 10% 16V	
R2161	1-216-809-11	METAL CHIP	100 5% 1/10W	C2233	1-107-826-11	CERAMIC CHIP 0.1uF 10% 16V	
R2162	1-216-809-11	METAL CHIP	100 5% 1/10W	C2234	1-112-083-11	ELECT 100uF 20% 16V	
R2163	1-216-809-11	METAL CHIP	100 5% 1/10W	C2235	1-164-227-11	CERAMIC CHIP 0.022uF 10% 25V	
R2176	1-216-809-11	METAL CHIP	100 5% 1/10W	C2236	1-107-826-11	CERAMIC CHIP 0.1uF 10% 16V	
R2177	1-216-809-11	METAL CHIP	100 5% 1/10W	C2237	1-162-927-11	CERAMIC CHIP 100PF 5% 50V	
R2178	1-216-809-11	METAL CHIP	100 5% 1/10W	C2238	1-162-970-11	CERAMIC CHIP 0.01uF 10% 25V	
R2179	1-216-809-11	METAL CHIP	100 5% 1/10W	C2244	1-162-970-11	CERAMIC CHIP 0.01uF 10% 25V	
R2182	1-216-809-11	METAL CHIP	100 5% 1/10W	C2245	1-162-970-11	CERAMIC CHIP 0.01uF 10% 25V	
R2183	1-216-809-11	METAL CHIP	100 5% 1/10W	C2246	1-162-970-11	CERAMIC CHIP 0.01uF 10% 25V	
R2184	1-216-809-11	METAL CHIP	100 5% 1/10W	C2247	1-107-826-11	CERAMIC CHIP 0.1uF 10% 16V	
R2185	1-216-809-11	METAL CHIP	100 5% 1/10W	C2248	1-107-826-11	CERAMIC CHIP 0.1uF 10% 16V	
R2187	1-216-833-11	METAL CHIP	10K 5% 1/10W	C2249	1-107-826-11	CERAMIC CHIP 0.1uF 10% 16V	
R2188	1-216-809-11	METAL CHIP	100 5% 1/10W	C2250	1-107-826-11	CERAMIC CHIP 0.1uF 10% 16V	
R2190	1-216-809-11	METAL CHIP	100 5% 1/10W	C2251	1-112-089-11	ELECT 47uF 20% 25V	
R2191	1-216-809-11	METAL CHIP	100 5% 1/10W	C2252	1-107-826-11	CERAMIC CHIP 0.1uF 10% 16V	
R2194	1-216-833-11	METAL CHIP	10K 5% 1/10W	C2254	1-107-826-11	CERAMIC CHIP 0.1uF 10% 16V	
R2195	1-216-809-11	METAL CHIP	100 5% 1/10W	C2255	1-107-826-11	CERAMIC CHIP 0.1uF 10% 16V	
R2196	1-216-833-11	METAL CHIP	10K 5% 1/10W	C2256	1-100-669-11	ELECT CHIP 100uF 20% 10V	
R2197	1-216-809-11	METAL CHIP	100 5% 1/10W	C2257	1-107-826-11	CERAMIC CHIP 0.1uF 10% 16V	
R2198	1-216-821-11	METAL CHIP	1K 5% 1/10W	C2258	1-100-669-11	ELECT CHIP 100uF 20% 10V	
R2199	1-216-809-11	METAL CHIP	100 5% 1/10W	C2259	1-107-826-11	CERAMIC CHIP 0.1uF 10% 16V	
		< VIBRATOR >		C2260	1-107-826-11	CERAMIC CHIP 0.1uF 10% 16V	
X2001	1-781-646-21	VIBRATOR, CERAMIC (4MHz)		C2261	1-107-826-11	CERAMIC CHIP 0.1uF 10% 16V	
*****				C2262	1-100-669-11	ELECT CHIP 100uF 20% 10V	
	A-1274-400-A	D.AUDIO BOARD, COMPLETE		C2263	1-112-075-11	ELECT CHIP 47uF 20% 16V	
*****				C2264	1-112-075-11	ELECT CHIP 47uF 20% 16V	
		< CAPACITOR >		C2265	1-100-382-11	ELECT CHIP 4.7uF 20% 35V	
C2201	1-107-826-11	CERAMIC CHIP	0.1uF 10% 16V	C2266	1-107-826-11	CERAMIC CHIP 0.1uF 10% 16V	
C2202	1-107-826-11	CERAMIC CHIP	0.1uF 10% 16V	C2267	1-107-826-11	CERAMIC CHIP 0.1uF 10% 16V	
C2203	1-107-826-11	CERAMIC CHIP	0.1uF 10% 16V	C2268	1-107-826-11	CERAMIC CHIP 0.1uF 10% 16V	
C2204	1-107-826-11	CERAMIC CHIP	0.1uF 10% 16V	C2270	1-162-970-11	CERAMIC CHIP 0.01uF 10% 25V	
				C2271	1-112-114-11	ELECT 22uF 20% 50V	
				C2272	1-112-083-11	ELECT 100uF 20% 16V	

STR-DA4300ES

D.AUDIO

Ref. No.	Part No.	Description			Remark
C2273	1-112-114-11	ELECT	22uF	20%	50V
C2274	1-115-416-11	CERAMIC CHIP	0.001uF	5%	25V
C2275	1-137-429-11	MYLAR	270PF	5%	50V
C2276	1-137-457-11	MYLAR	0.0027uF	5%	100V
C2277	1-112-100-11	ELECT	10uF	20%	50V
C2278	1-100-381-11	ELECT CHIP	10uF	20%	16V
C2279	1-112-083-11	ELECT	100uF	20%	16V
C2280	1-107-826-11	CERAMIC CHIP	0.1uF	10%	16V
C2281	1-107-826-11	CERAMIC CHIP	0.1uF	10%	16V
C2282	1-100-381-11	ELECT CHIP	10uF	20%	16V
C2283	1-115-416-11	CERAMIC CHIP	0.001uF	5%	25V
C2284	1-107-826-11	CERAMIC CHIP	0.1uF	10%	16V
C2285	1-137-457-11	MYLAR	0.0027uF	5%	100V
C2286	1-137-429-11	MYLAR	270PF	5%	50V
C2287	1-107-826-11	CERAMIC CHIP	0.1uF	10%	16V
C2288	1-162-970-11	CERAMIC CHIP	0.01uF	10%	25V
C2289	1-162-927-11	CERAMIC CHIP	100PF	5%	50V
C2290	1-107-826-11	CERAMIC CHIP	0.1uF	10%	16V
C2291	1-115-416-11	CERAMIC CHIP	0.001uF	5%	25V
C2292	1-137-429-11	MYLAR	270PF	5%	50V
C2293	1-137-457-11	MYLAR	0.0027uF	5%	100V
C2294	1-107-826-11	CERAMIC CHIP	0.1uF	10%	16V
C2295	1-100-381-11	ELECT CHIP	10uF	20%	16V
C2296	1-100-381-11	ELECT CHIP	10uF	20%	16V
C2297	1-115-416-11	CERAMIC CHIP	0.001uF	5%	25V
C2298	1-137-457-11	MYLAR	0.0027uF	5%	100V
C2299	1-137-429-11	MYLAR	270PF	5%	50V
C2300	1-115-416-11	CERAMIC CHIP	0.001uF	5%	25V
C2301	1-137-429-11	MYLAR	270PF	5%	50V
C2302	1-137-457-11	MYLAR	0.0027uF	5%	100V
C2303	1-100-381-11	ELECT CHIP	10uF	20%	16V
C2304	1-100-381-11	ELECT CHIP	10uF	20%	16V
C2305	1-115-416-11	CERAMIC CHIP	0.001uF	5%	25V
C2306	1-137-457-11	MYLAR	0.0027uF	5%	100V
C2307	1-137-429-11	MYLAR	270PF	5%	50V
C2308	1-107-826-11	CERAMIC CHIP	0.1uF	10%	16V
C2309	1-115-416-11	CERAMIC CHIP	0.001uF	5%	25V
C2310	1-137-429-11	MYLAR	270PF	5%	50V
C2311	1-137-457-11	MYLAR	0.0027uF	5%	100V
C2312	1-107-826-11	CERAMIC CHIP	0.1uF	10%	16V
C2313	1-107-826-11	CERAMIC CHIP	0.1uF	10%	16V
C2314	1-100-381-11	ELECT CHIP	10uF	20%	16V
C2315	1-162-970-11	CERAMIC CHIP	0.01uF	10%	25V
C2316	1-100-381-11	ELECT CHIP	10uF	20%	16V
C2317	1-115-416-11	CERAMIC CHIP	0.001uF	5%	25V
C2318	1-137-457-11	MYLAR	0.0027uF	5%	100V
C2319	1-137-429-11	MYLAR	270PF	5%	50V
C2320	1-107-826-11	CERAMIC CHIP	0.1uF	10%	16V
C2321	1-107-826-11	CERAMIC CHIP	0.1uF	10%	16V
C2322	1-162-927-11	CERAMIC CHIP	100PF	5%	50V
C2323	1-107-826-11	CERAMIC CHIP	0.1uF	10%	16V
C2324	1-107-826-11	CERAMIC CHIP	0.1uF	10%	16V
C2325	1-107-826-11	CERAMIC CHIP	0.1uF	10%	16V
C2326	1-112-071-11	ELECT CHIP	220uF	20%	6.3V
C2327	1-107-826-11	CERAMIC CHIP	0.1uF	10%	16V
C2328	1-107-826-11	CERAMIC CHIP	0.1uF	10%	16V
C2329	1-100-153-91	CERAMIC CHIP	220PF	5%	100V
C2330	1-112-071-11	ELECT CHIP	220uF	20%	6.3V

Ref. No.	Part No.	Description			Remark
C2331	1-107-826-11	CERAMIC CHIP	0.1uF	10%	16V
C2332	1-107-826-11	CERAMIC CHIP	0.1uF	10%	16V
C2333	1-107-826-11	CERAMIC CHIP	0.1uF	10%	16V
C2335	1-162-970-11	CERAMIC CHIP	0.01uF	10%	25V
C2336	1-162-966-11	CERAMIC CHIP	0.0022uF	10%	50V
C2337	1-162-966-11	CERAMIC CHIP	0.0022uF	10%	50V
C2340	1-162-960-11	CERAMIC CHIP	220PF	10%	50V
C2349	1-107-826-11	CERAMIC CHIP	0.1uF	10%	16V
C2350	1-162-970-11	CERAMIC CHIP	0.01uF	10%	25V
C2351	1-162-970-11	CERAMIC CHIP	0.01uF	10%	25V
C2352	1-162-970-11	CERAMIC CHIP	0.01uF	10%	25V
< CONNECTOR >					
CN2201	1-784-382-51	CONNECTOR, FFC/FPC 25P			
CN2202	1-784-380-51	CONNECTOR, FFC/FPC 23P			
CN2204	1-779-977-11	PIN, CONNECTOR 6P			
CN2206	1-785-910-21	CONNECTOR, BOARD TO BOARD 50P			
CN2207	1-784-930-11	PIN, CONNECTOR 15P			
< DIODE >					
D2201	6-501-193-01	DIODE 1SS355WTE-17			
D2202	8-719-053-18	DIODE 1SR154-400TE-25			
D2204	8-719-988-61	DIODE 1SS355TE-17			
D2205	8-719-988-61	DIODE 1SS355TE-17			
< FERRITE BEAD >					
FB2201	1-469-152-11	FERRITE, EMI (SMD) (2012)			
FB2202	1-469-152-11	FERRITE, EMI (SMD) (2012)			
FB2203	1-469-139-21	FERRITE, EMI (SMD) (2012)			
FB2204	1-469-139-21	FERRITE, EMI (SMD) (2012)			
FB2205	1-469-152-11	FERRITE, EMI (SMD) (2012)			
FB2206	1-469-139-21	FERRITE, EMI (SMD) (2012)			
FB2207	1-469-152-11	FERRITE, EMI (SMD) (2012)			
FB2208	1-469-152-11	FERRITE, EMI (SMD) (2012)			
FB2210	1-469-152-11	FERRITE, EMI (SMD) (2012)			
FB2211	1-469-152-11	FERRITE, EMI (SMD) (2012)			
FB2212	1-469-152-11	FERRITE, EMI (SMD) (2012)			
FB2213	1-469-152-11	FERRITE, EMI (SMD) (2012)			
FB2214	1-469-152-11	FERRITE, EMI (SMD) (2012)			
FB2215	1-469-152-11	FERRITE, EMI (SMD) (2012)			
FB2216	1-469-152-11	FERRITE, EMI (SMD) (2012)			
FB2217	1-469-152-11	FERRITE, EMI (SMD) (2012)			
< IC >					
IC2201	6-600-466-01	IC TORX147L (SONY) (DIGITAL ASSIGNABLE (INPUT ONLY) OPTICAL VIDEO 1 IN)			
IC2202	6-600-466-01	IC TORX147L (SONY) (DIGITAL ASSIGNABLE (INPUT ONLY) OPTICAL SAT/CATV IN)			
IC2204	6-600-466-01	IC TORX147L (SONY) (DIGITAL ASSIGNABLE (INPUT ONLY) OPTICAL MD/DAT IN)			
IC2205	6-600-461-11	IC TOTX147L (R) (DIGITAL ASSIGNABLE (INPUT ONLY) OPTICAL MD/DAT OUT)			
IC2206	8-759-058-62	IC TC7S08FU (TE85R)			
IC2207	8-759-236-19	IC TC74HC151AF (EL)			
IC2208	6-708-025-01	IC LC89057W-VF4A-E			
IC2209	8-759-233-64	IC TC74HCU04AF			
IC2210	8-759-268-29	IC SN74HC595ANS			
IC2211	8-759-524-48	IC TC74VHC393FT (EL)			

Ref. No.	Part No.	Description	Remark	Ref. No.	Part No.	Description	Remark
IC2212	6-707-870-01	IC TC74VHC157FT (EKJ)		R2232	1-216-833-11	METAL CHIP 10K 5%	1/10W
IC2213	6-707-870-01	IC TC74VHC157FT (EKJ)		R2233	1-216-857-11	METAL CHIP 1M 5%	1/10W
IC2214	6-707-870-01	IC TC74VHC157FT (EKJ)		R2234	1-216-809-11	METAL CHIP 100 5%	1/10W
IC2216	8-759-524-48	IC TC74VHC393FT (EL)		R2235	1-216-813-11	METAL CHIP 220 5%	1/10W
IC2217	6-711-060-01	IC CS5340-CZZR		R2236	1-216-809-11	METAL CHIP 100 5%	1/10W
IC2218	6-708-785-01	IC PCM1609APT		R2237	1-216-809-11	METAL CHIP 100 5%	1/10W
IC2219	8-759-710-97	IC NJM4565M-D		R2238	1-216-815-11	METAL CHIP 330 5%	1/10W
IC2220	8-759-710-97	IC NJM4565M-D		R2239	1-216-809-11	METAL CHIP 100 5%	1/10W
IC2221	8-759-710-97	IC NJM4565M-D		R2240	1-216-805-11	METAL CHIP 47 5%	1/10W
IC2222	8-759-710-97	IC NJM4565M-D		R2241	1-216-809-11	METAL CHIP 100 5%	1/10W
IC2223	6-711-059-01	IC SM5921AF-G		R2242	1-216-805-11	METAL CHIP 47 5%	1/10W
IC2224	6-703-791-01	IC MSM56V16160F-8T3FM1		R2243	1-216-635-11	METAL CHIP 220 0.5%	1/10W
IC2225	6-600-466-01	IC TORX147L (SONY) (TV OPTICAL IN)		R2246	1-216-815-11	METAL CHIP 330 5%	1/10W
IC2227	8-759-546-74	IC TC7WH157FU (TE12R)		R2248	1-216-821-11	METAL CHIP 1K 5%	1/10W
IC2228	6-707-870-01	IC TC74VHC157FT (EKJ)		R2249	1-216-821-11	METAL CHIP 1K 5%	1/10W
IC2230	6-705-337-01	IC TK11150CSCL-G		R2250	1-216-833-11	METAL CHIP 10K 5%	1/10W
IC2231	6-707-870-01	IC TC74VHC157FT (EKJ)		R2251	1-216-809-11	METAL CHIP 100 5%	1/10W
		< JACK >		R2252	1-216-809-11	METAL CHIP 100 5%	1/10W
J2201	1-820-614-21	JACK, PIN 3P (DIGITAL ASSIGNABLE (INPUT ONLY) COAXIAL VIDEO 2/DVD/BD/SA-CD/CD IN)		R2256	1-216-809-11	METAL CHIP 100 5%	1/10W
		< TRANSISTOR >		R2257	1-216-809-11	METAL CHIP 100 5%	1/10W
Q2205	8-729-027-43	TRANSISTOR DTC114EKA-T146		R2258	1-216-809-11	METAL CHIP 100 5%	1/10W
Q2206	8-729-024-91	TRANSISTOR 2SC2712-GL-TE85L		R2259	1-216-805-11	METAL CHIP 47 5%	1/10W
		< RESISTOR >		R2260	1-216-805-11	METAL CHIP 47 5%	1/10W
R2201	1-216-821-11	METAL CHIP 1K 5%	1/10W	R2261	1-216-805-11	METAL CHIP 47 5%	1/10W
R2202	1-216-833-11	METAL CHIP 10K 5%	1/10W	R2262	1-216-805-11	METAL CHIP 47 5%	1/10W
R2203	1-208-755-11	METAL CHIP 75 0.5%	1/10W	R2263	1-216-833-11	METAL CHIP 10K 5%	1/10W
R2204	1-208-755-11	METAL CHIP 75 0.5%	1/10W	R2264	1-216-833-11	METAL CHIP 10K 5%	1/10W
R2205	1-208-755-11	METAL CHIP 75 0.5%	1/10W	R2265	1-216-809-11	METAL CHIP 100 5%	1/10W
R2206	1-216-809-11	METAL CHIP 100 5%	1/10W	R2267	1-216-809-11	METAL CHIP 100 5%	1/10W
R2207	1-216-809-11	METAL CHIP 100 5%	1/10W	R2269	1-216-864-11	SHORT CHIP 0	
R2208	1-216-809-11	METAL CHIP 100 5%	1/10W	R2270	1-216-797-11	METAL CHIP 10 5%	1/10W
R2209	1-216-809-11	METAL CHIP 100 5%	1/10W	R2271	1-216-797-11	METAL CHIP 10 5%	1/10W
R2210	1-216-809-11	METAL CHIP 100 5%	1/10W	R2272	1-216-797-11	METAL CHIP 10 5%	1/10W
R2212	1-216-809-11	METAL CHIP 100 5%	1/10W	R2273	1-216-797-11	METAL CHIP 10 5%	1/10W
R2213	1-216-833-11	METAL CHIP 10K 5%	1/10W	R2274	1-216-797-11	METAL CHIP 10 5%	1/10W
R2214	1-208-774-11	METAL CHIP 470 0.5%	1/10W	R2275	1-216-797-11	METAL CHIP 10 5%	1/10W
R2215	1-208-774-11	METAL CHIP 470 0.5%	1/10W	R2277	1-216-797-11	METAL CHIP 10 5%	1/10W
R2216	1-208-774-11	METAL CHIP 470 0.5%	1/10W	R2278	1-216-797-11	METAL CHIP 10 5%	1/10W
R2217	1-208-550-41	RES-CHIP 470K 2%	1/10W	R2279	1-216-797-11	METAL CHIP 10 5%	1/10W
R2218	1-208-550-41	RES-CHIP 470K 2%	1/10W	R2282	1-216-809-11	METAL CHIP 100 5%	1/10W
R2219	1-208-550-41	RES-CHIP 470K 2%	1/10W	R2287	1-216-833-11	METAL CHIP 10K 5%	1/10W
R2220	1-216-809-11	METAL CHIP 100 5%	1/10W	R2288	1-216-809-11	METAL CHIP 100 5%	1/10W
R2221	1-208-526-41	RES-CHIP 47K 2%	1/10W	R2289	1-216-809-11	METAL CHIP 100 5%	1/10W
R2222	1-208-526-41	RES-CHIP 47K 2%	1/10W	R2291	1-216-833-11	METAL CHIP 10K 5%	1/10W
R2223	1-208-526-41	RES-CHIP 47K 2%	1/10W	R2292	1-216-821-11	METAL CHIP 1K 5%	1/10W
R2224	1-216-809-11	METAL CHIP 100 5%	1/10W	R2293	1-216-835-11	METAL CHIP 15K 5%	1/10W
R2225	1-216-833-11	METAL CHIP 10K 5%	1/10W	R2294	1-216-809-11	METAL CHIP 100 5%	1/10W
R2226	1-216-833-11	METAL CHIP 10K 5%	1/10W	R2295	1-216-821-11	METAL CHIP 1K 5%	1/10W
R2227	1-216-809-11	METAL CHIP 100 5%	1/10W	R2296	1-216-832-11	METAL CHIP 8.2K 5%	1/10W
R2228	1-216-809-11	METAL CHIP 100 5%	1/10W	R2297	1-216-805-11	METAL CHIP 47 5%	1/10W
R2229	1-216-833-11	METAL CHIP 10K 5%	1/10W	R2298	1-216-845-11	METAL CHIP 100K 5%	1/10W
R2230	1-216-809-11	METAL CHIP 100 5%	1/10W	R2299	1-216-845-11	METAL CHIP 100K 5%	1/10W
R2231	1-216-833-11	METAL CHIP 10K 5%	1/10W	R2300	1-216-805-11	METAL CHIP 47 5%	1/10W
				R2301	1-216-832-11	METAL CHIP 8.2K 5%	1/10W
				R2302	1-216-821-11	METAL CHIP 1K 5%	1/10W
				R2303	1-216-833-11	METAL CHIP 10K 5%	1/10W
				R2304	1-216-835-11	METAL CHIP 15K 5%	1/10W

STR-DA4300ES

D.AUDIO

Ref. No.	Part No.	Description	Quantity	Unit	Percentage	Remark	Ref. No.	Part No.	Description	Quantity	Unit	Percentage	Remark
R2305	1-216-809-11	METAL CHIP	100		5%	1/10W	R2362	1-216-809-11	METAL CHIP	100		5%	1/10W
R2306	1-216-821-11	METAL CHIP	1K		5%	1/10W	R2363	1-216-809-11	METAL CHIP	100		5%	1/10W
R2307	1-216-835-11	METAL CHIP	15K		5%	1/10W	R2364	1-216-809-11	METAL CHIP	100		5%	1/10W
R2308	1-216-809-11	METAL CHIP	100		5%	1/10W	R2365	1-216-809-11	METAL CHIP	100		5%	1/10W
R2309	1-216-821-11	METAL CHIP	1K		5%	1/10W	R2366	1-216-809-11	METAL CHIP	100		5%	1/10W
R2310	1-216-809-11	METAL CHIP	100		5%	1/10W	R2367	1-216-809-11	METAL CHIP	100		5%	1/10W
R2311	1-216-809-11	METAL CHIP	100		5%	1/10W	R2368	1-216-833-11	METAL CHIP	10K		5%	1/10W
R2312	1-216-832-11	METAL CHIP	8.2K		5%	1/10W	R2369	1-216-833-11	METAL CHIP	10K		5%	1/10W
R2313	1-216-845-11	METAL CHIP	100K		5%	1/10W	R2370	1-216-833-11	METAL CHIP	10K		5%	1/10W
R2314	1-216-845-11	METAL CHIP	100K		5%	1/10W	R2371	1-216-809-11	METAL CHIP	100		5%	1/10W
R2315	1-216-832-11	METAL CHIP	8.2K		5%	1/10W	R2372	1-216-809-11	METAL CHIP	100		5%	1/10W
R2316	1-216-821-11	METAL CHIP	1K		5%	1/10W	R2373	1-216-809-11	METAL CHIP	100		5%	1/10W
R2317	1-216-835-11	METAL CHIP	15K		5%	1/10W	R2374	1-216-809-11	METAL CHIP	100		5%	1/10W
R2318	1-216-809-11	METAL CHIP	100		5%	1/10W	R2375	1-216-833-11	METAL CHIP	10K		5%	1/10W
R2319	1-216-835-11	METAL CHIP	15K		5%	1/10W	R2376	1-216-833-11	METAL CHIP	10K		5%	1/10W
R2320	1-216-809-11	METAL CHIP	100		5%	1/10W	R2377	1-216-833-11	METAL CHIP	10K		5%	1/10W
R2321	1-216-821-11	METAL CHIP	1K		5%	1/10W	R2378	1-216-809-11	METAL CHIP	100		5%	1/10W
R2322	1-216-832-11	METAL CHIP	8.2K		5%	1/10W	R2379	1-216-833-11	METAL CHIP	10K		5%	1/10W
R2323	1-216-845-11	METAL CHIP	100K		5%	1/10W	R2380	1-216-833-11	METAL CHIP	10K		5%	1/10W
R2324	1-216-845-11	METAL CHIP	100K		5%	1/10W	R2384	1-216-833-11	METAL CHIP	10K		5%	1/10W
R2325	1-216-832-11	METAL CHIP	8.2K		5%	1/10W	R2385	1-216-833-11	METAL CHIP	10K		5%	1/10W
R2326	1-216-821-11	METAL CHIP	1K		5%	1/10W	R2386	1-216-833-11	METAL CHIP	10K		5%	1/10W
R2327	1-216-835-11	METAL CHIP	15K		5%	1/10W	R2387	1-216-809-11	METAL CHIP	100		5%	1/10W
R2328	1-216-809-11	METAL CHIP	100		5%	1/10W	R2392	1-216-833-11	METAL CHIP	10K		5%	1/10W
R2329	1-216-809-11	METAL CHIP	100		5%	1/10W	R2395	1-216-833-11	METAL CHIP	10K		5%	1/10W
R2330	1-216-809-11	METAL CHIP	100		5%	1/10W	R2398	1-216-797-11	METAL CHIP	10		5%	1/10W
R2331	1-216-809-11	METAL CHIP	100		5%	1/10W	R2399	1-216-797-11	METAL CHIP	10		5%	1/10W
R2332	1-216-809-11	METAL CHIP	100		5%	1/10W	R2400	1-216-797-11	METAL CHIP	10		5%	1/10W
R2333	1-216-809-11	METAL CHIP	100		5%	1/10W	R2401	1-216-797-11	METAL CHIP	10		5%	1/10W
R2334	1-216-805-11	METAL CHIP	47		5%	1/10W	R2402	1-216-797-11	METAL CHIP	10		5%	1/10W
R2335	1-216-805-11	METAL CHIP	47		5%	1/10W	R2403	1-216-797-11	METAL CHIP	10		5%	1/10W
R2336	1-216-835-11	METAL CHIP	15K		5%	1/10W	R2404	1-216-797-11	METAL CHIP	10		5%	1/10W
R2337	1-216-821-11	METAL CHIP	1K		5%	1/10W	R2405	1-216-797-11	METAL CHIP	10		5%	1/10W
R2338	1-216-832-11	METAL CHIP	8.2K		5%	1/10W	R2406	1-216-797-11	METAL CHIP	10		5%	1/10W
R2339	1-216-809-11	METAL CHIP	100		5%	1/10W	R2407	1-216-797-11	METAL CHIP	10		5%	1/10W
R2340	1-216-809-11	METAL CHIP	100		5%	1/10W	R2408	1-216-797-11	METAL CHIP	10		5%	1/10W
R2341	1-216-833-11	METAL CHIP	10K		5%	1/10W	R2409	1-216-797-11	METAL CHIP	10		5%	1/10W
R2342	1-216-845-11	METAL CHIP	100K		5%	1/10W	R2410	1-216-797-11	METAL CHIP	10		5%	1/10W
R2343	1-216-821-11	METAL CHIP	1K		5%	1/10W	R2411	1-216-797-11	METAL CHIP	10		5%	1/10W
R2344	1-216-845-11	METAL CHIP	100K		5%	1/10W	R2412	1-216-797-11	METAL CHIP	10		5%	1/10W
R2345	1-216-809-11	METAL CHIP	100		5%	1/10W	R2413	1-216-797-11	METAL CHIP	10		5%	1/10W
R2346	1-216-809-11	METAL CHIP	100		5%	1/10W	R2414	1-216-797-11	METAL CHIP	10		5%	1/10W
R2347	1-216-832-11	METAL CHIP	8.2K		5%	1/10W	R2415	1-216-797-11	METAL CHIP	10		5%	1/10W
R2348	1-216-809-11	METAL CHIP	100		5%	1/10W	R2416	1-216-797-11	METAL CHIP	10		5%	1/10W
R2349	1-216-821-11	METAL CHIP	1K		5%	1/10W	R2417	1-216-797-11	METAL CHIP	10		5%	1/10W
R2350	1-216-809-11	METAL CHIP	100		5%	1/10W	R2418	1-216-809-11	METAL CHIP	100		5%	1/10W
R2351	1-216-809-11	METAL CHIP	100		5%	1/10W	R2419	1-216-797-11	METAL CHIP	10		5%	1/10W
R2352	1-216-809-11	METAL CHIP	100		5%	1/10W	R2420	1-216-809-11	METAL CHIP	100		5%	1/10W
R2353	1-216-809-11	METAL CHIP	100		5%	1/10W	R2421	1-216-809-11	METAL CHIP	100		5%	1/10W
R2354	1-216-835-11	METAL CHIP	15K		5%	1/10W	R2423	1-216-817-11	METAL CHIP	470		5%	1/10W
R2355	1-216-809-11	METAL CHIP	100		5%	1/10W	R2424	1-216-817-11	METAL CHIP	470		5%	1/10W
R2356	1-216-809-11	METAL CHIP	100		5%	1/10W	R2429	1-216-817-11	METAL CHIP	470		5%	1/10W
R2357	1-216-809-11	METAL CHIP	100		5%	1/10W	R2430	1-216-817-11	METAL CHIP	470		5%	1/10W
R2358	1-216-805-11	METAL CHIP	47		5%	1/10W	< VIBRATOR >						
R2359	1-216-805-11	METAL CHIP	47		5%	1/10W	X2201	1-795-219-21	VIBRATOR, CRYSTAL (24.576MHz)				
R2360	1-216-809-11	METAL CHIP	100		5%	1/10W	*****						
R2361	1-216-809-11	METAL CHIP	100		5%	1/10W	*****						

Ref. No.	Part No.	Description	Remark	Ref. No.	Part No.	Description	Remark
Ⓔ	A-1313-290-A	D_VIDEO BOARD, COMPLETE (for SERVICE) *****		C3566	1-107-826-11	CERAMIC CHIP 0.1uF	10% 16V
				C3567	1-107-826-11	CERAMIC CHIP 0.1uF	10% 16V
				C3568	1-107-826-11	CERAMIC CHIP 0.1uF	10% 16V
	7-685-646-79	SCREW +BVTP 3X8 TYPE2 IT-3 < CAPACITOR >		C3569	1-107-826-11	CERAMIC CHIP 0.1uF	10% 16V
				C3570	1-107-826-11	CERAMIC CHIP 0.1uF	10% 16V
				C3571	1-126-205-11	ELECT CHIP 47uF	20% 6.3V
C3500	1-112-071-11	ELECT CHIP 220uF	20% 6.3V	C3572	1-126-206-11	ELECT CHIP 100uF	20% 6.3V
C3501	1-112-071-11	ELECT CHIP 220uF	20% 6.3V	C3573	1-126-205-11	ELECT CHIP 47uF	20% 6.3V
C3502	1-162-970-11	CERAMIC CHIP 0.01uF	10% 25V	C3574	1-126-206-11	ELECT CHIP 100uF	20% 6.3V
C3503	1-162-970-11	CERAMIC CHIP 0.01uF	10% 25V	C3575	1-126-206-11	ELECT CHIP 100uF	20% 6.3V
C3504	1-162-970-11	CERAMIC CHIP 0.01uF	10% 25V	C3576	1-100-669-11	ELECT CHIP 100uF	20% 10V
C3505	1-162-970-11	CERAMIC CHIP 0.01uF	10% 25V	C3578	1-125-837-91	CERAMIC CHIP 1uF	10% 6.3V
C3506	1-162-970-11	CERAMIC CHIP 0.01uF	10% 25V	C3579	1-162-970-11	CERAMIC CHIP 0.01uF	10% 25V
C3507	1-162-970-11	CERAMIC CHIP 0.01uF	10% 25V	C3580	1-100-669-11	ELECT CHIP 100uF	20% 10V
C3508	1-162-970-11	CERAMIC CHIP 0.01uF	10% 25V	C3583	1-125-837-91	CERAMIC CHIP 1uF	10% 6.3V
C3509	1-162-970-11	CERAMIC CHIP 0.01uF	10% 25V	C3584	1-115-467-11	CERAMIC CHIP 0.22uF	10% 10V
C3510	1-162-970-11	CERAMIC CHIP 0.01uF	10% 25V	C3585	1-165-908-11	CERAMIC CHIP 1uF	10% 10V
C3511	1-162-970-11	CERAMIC CHIP 0.01uF	10% 25V	C3586	1-117-681-11	ELECT CHIP 100uF	20% 16V
C3512	1-162-970-11	CERAMIC CHIP 0.01uF	10% 25V	C3590	1-125-837-91	CERAMIC CHIP 1uF	10% 6.3V
C3513	1-162-970-11	CERAMIC CHIP 0.01uF	10% 25V	C3591	1-125-837-91	CERAMIC CHIP 1uF	10% 6.3V
C3514	1-107-826-11	CERAMIC CHIP 0.1uF	10% 16V	C3593	1-126-206-11	ELECT CHIP 100uF	20% 6.3V
C3521	1-107-826-11	CERAMIC CHIP 0.1uF	10% 16V	C3594	1-126-206-11	ELECT CHIP 100uF	20% 6.3V
C3522	1-107-826-11	CERAMIC CHIP 0.1uF	10% 16V	C3596	1-100-669-11	ELECT CHIP 100uF	20% 10V
C3523	1-107-826-11	CERAMIC CHIP 0.1uF	10% 16V	C3597	1-100-669-11	ELECT CHIP 100uF	20% 10V
C3524	1-107-826-11	CERAMIC CHIP 0.1uF	10% 16V	C3600	1-107-826-11	CERAMIC CHIP 0.1uF	10% 16V
C3525	1-107-826-11	CERAMIC CHIP 0.1uF	10% 16V	C3601	1-125-777-11	CERAMIC CHIP 0.1uF	10% 10V
C3526	1-107-826-11	CERAMIC CHIP 0.1uF	10% 16V	C3602	1-125-777-11	CERAMIC CHIP 0.1uF	10% 10V
C3527	1-107-826-11	CERAMIC CHIP 0.1uF	10% 16V	C3603	1-107-826-11	CERAMIC CHIP 0.1uF	10% 16V
C3529	1-107-826-11	CERAMIC CHIP 0.1uF	10% 16V	C3604	1-125-777-11	CERAMIC CHIP 0.1uF	10% 10V
C3530	1-107-826-11	CERAMIC CHIP 0.1uF	10% 16V	C3605	1-100-567-81	CERAMIC CHIP 0.01uF	10% 25V
C3531	1-107-826-11	CERAMIC CHIP 0.1uF	10% 16V	C3606	1-107-826-11	CERAMIC CHIP 0.1uF	10% 16V
C3532	1-107-826-11	CERAMIC CHIP 0.1uF	10% 16V	C3607	1-125-777-11	CERAMIC CHIP 0.1uF	10% 10V
C3533	1-107-826-11	CERAMIC CHIP 0.1uF	10% 16V	C3608	1-107-826-11	CERAMIC CHIP 0.1uF	10% 16V
C3534	1-107-826-11	CERAMIC CHIP 0.1uF	10% 16V	C3609	1-107-826-11	CERAMIC CHIP 0.1uF	10% 16V
C3535	1-107-826-11	CERAMIC CHIP 0.1uF	10% 16V	C3610	1-125-777-11	CERAMIC CHIP 0.1uF	10% 10V
C3536	1-107-826-11	CERAMIC CHIP 0.1uF	10% 16V	C3611	1-107-826-11	CERAMIC CHIP 0.1uF	10% 16V
C3537	1-107-826-11	CERAMIC CHIP 0.1uF	10% 16V	C3612	1-125-777-11	CERAMIC CHIP 0.1uF	10% 10V
C3538	1-162-916-11	CERAMIC CHIP 12PF	5% 50V	C3613	1-107-826-11	CERAMIC CHIP 0.1uF	10% 16V
C3539	1-107-826-11	CERAMIC CHIP 0.1uF	10% 16V	C3614	1-125-777-11	CERAMIC CHIP 0.1uF	10% 10V
C3540	1-162-916-11	CERAMIC CHIP 12PF	5% 50V	C3615	1-107-826-11	CERAMIC CHIP 0.1uF	10% 16V
C3541	1-107-826-11	CERAMIC CHIP 0.1uF	10% 16V	C3616	1-125-777-11	CERAMIC CHIP 0.1uF	10% 10V
C3542	1-107-826-11	CERAMIC CHIP 0.1uF	10% 16V	C3617	1-165-875-11	CERAMIC CHIP 10uF	10% 10V
C3543	1-107-826-11	CERAMIC CHIP 0.1uF	10% 16V	C3618	1-100-567-81	CERAMIC CHIP 0.01uF	10% 25V
C3545	1-107-826-11	CERAMIC CHIP 0.1uF	10% 16V	C3619	1-125-777-11	CERAMIC CHIP 0.1uF	10% 10V
C3549	1-107-826-11	CERAMIC CHIP 0.1uF	10% 16V	C3620	1-125-777-11	CERAMIC CHIP 0.1uF	10% 10V
C3550	1-107-826-11	CERAMIC CHIP 0.1uF	10% 16V	C3621	1-107-826-11	CERAMIC CHIP 0.1uF	10% 16V
C3551	1-107-826-11	CERAMIC CHIP 0.1uF	10% 16V	C3622	1-107-826-11	CERAMIC CHIP 0.1uF	10% 16V
C3552	1-107-826-11	CERAMIC CHIP 0.1uF	10% 16V	C3623	1-125-777-11	CERAMIC CHIP 0.1uF	10% 10V
C3553	1-107-826-11	CERAMIC CHIP 0.1uF	10% 16V	C3624	1-100-567-81	CERAMIC CHIP 0.01uF	10% 25V
C3554	1-107-826-11	CERAMIC CHIP 0.1uF	10% 16V	C3625	1-107-826-11	CERAMIC CHIP 0.1uF	10% 16V
C3555	1-107-826-11	CERAMIC CHIP 0.1uF	10% 16V	C3626	1-162-919-11	CERAMIC CHIP 22PF	5% 50V
C3556	1-107-826-11	CERAMIC CHIP 0.1uF	10% 16V	C3627	1-107-826-11	CERAMIC CHIP 0.1uF	10% 16V
C3557	1-107-826-11	CERAMIC CHIP 0.1uF	10% 16V	C3628	1-162-919-11	CERAMIC CHIP 22PF	5% 50V
C3558	1-107-826-11	CERAMIC CHIP 0.1uF	10% 16V	C3629	1-107-826-11	CERAMIC CHIP 0.1uF	10% 16V
C3561	1-107-826-11	CERAMIC CHIP 0.1uF	10% 16V	C3630	1-125-777-11	CERAMIC CHIP 0.1uF	10% 10V
C3562	1-107-826-11	CERAMIC CHIP 0.1uF	10% 16V	C3631	1-107-826-11	CERAMIC CHIP 0.1uF	10% 16V
C3563	1-107-826-11	CERAMIC CHIP 0.1uF	10% 16V	C3632	1-107-826-11	CERAMIC CHIP 0.1uF	10% 16V
C3564	1-107-826-11	CERAMIC CHIP 0.1uF	10% 16V	C3633	1-107-826-11	CERAMIC CHIP 0.1uF	10% 16V

STR-DA4300ES

D_VIDEO

Ref. No.	Part No.	Description	Remark	Ref. No.	Part No.	Description	Remark
C3634	1-164-230-11	CERAMIC CHIP	220PF 5%	50V	C3692	1-100-567-81	CERAMIC CHIP 0.01uF 10% 25V
C3635	1-107-826-11	CERAMIC CHIP	0.1uF 10%	16V	C3693	1-125-777-11	CERAMIC CHIP 0.1uF 10% 10V
C3636	1-162-968-11	CERAMIC CHIP	0.0047uF 10%	50V	C3694	1-100-567-81	CERAMIC CHIP 0.01uF 10% 25V
C3637	1-126-206-11	ELECT CHIP	100uF 20%	6.3V	C3695	1-165-875-11	CERAMIC CHIP 10uF 10% 10V
C3638	1-107-826-11	CERAMIC CHIP	0.1uF 10%	16V	C3696	1-125-777-11	CERAMIC CHIP 0.1uF 10% 10V
C3639	1-107-826-11	CERAMIC CHIP	0.1uF 10%	16V	C3697	1-107-826-11	CERAMIC CHIP 0.1uF 10% 16V
C3640	1-112-788-11	ELECT CHIP	330uF 20%	6.3V	C3698	1-125-777-11	CERAMIC CHIP 0.1uF 10% 10V
C3641	1-107-826-11	CERAMIC CHIP	0.1uF 10%	16V	C3699	1-125-777-11	CERAMIC CHIP 0.1uF 10% 10V
C3642	1-114-552-21	ELECT CHIP	100uF 20%	35V	C3700	1-165-662-21	ELECT CHIP 220uF 20% 4V
C3643	1-107-826-11	CERAMIC CHIP	0.1uF 10%	16V	C3701	1-165-662-21	ELECT CHIP 220uF 20% 4V
C3644	1-135-474-21	ELECT CHIP	330uF 20%	6.3V	C3702	1-125-777-11	CERAMIC CHIP 0.1uF 10% 10V
C3645	1-107-826-11	CERAMIC CHIP	0.1uF 10%	16V	C3703	1-100-567-81	CERAMIC CHIP 0.01uF 10% 25V
C3646	1-107-726-91	CERAMIC CHIP	0.01uF 10%	16V	C3704	1-125-777-11	CERAMIC CHIP 0.1uF 10% 10V
C3647	1-107-826-11	CERAMIC CHIP	0.1uF 10%	16V	C3705	1-125-777-11	CERAMIC CHIP 0.1uF 10% 10V
C3648	1-125-777-11	CERAMIC CHIP	0.1uF 10%	10V	C3706	1-125-777-11	CERAMIC CHIP 0.1uF 10% 10V
C3649	1-107-826-11	CERAMIC CHIP	0.1uF 10%	16V	C3707	1-100-567-81	CERAMIC CHIP 0.01uF 10% 25V
C3650	1-107-726-91	CERAMIC CHIP	0.01uF 10%	16V	C3708	1-125-777-11	CERAMIC CHIP 0.1uF 10% 10V
C3651	1-125-777-11	CERAMIC CHIP	0.1uF 10%	10V	C3709	1-125-777-11	CERAMIC CHIP 0.1uF 10% 10V
C3652	1-107-826-11	CERAMIC CHIP	0.1uF 10%	16V	C3710	1-100-567-81	CERAMIC CHIP 0.01uF 10% 25V
C3653	1-107-826-11	CERAMIC CHIP	0.1uF 10%	16V	C3711	1-107-826-11	CERAMIC CHIP 0.1uF 10% 16V
C3654	1-125-777-11	CERAMIC CHIP	0.1uF 10%	10V	C3712	1-107-826-11	CERAMIC CHIP 0.1uF 10% 16V
C3655	1-107-826-11	CERAMIC CHIP	0.1uF 10%	16V	C3713	1-125-777-11	CERAMIC CHIP 0.1uF 10% 10V
C3656	1-125-777-11	CERAMIC CHIP	0.1uF 10%	10V	C3714	1-165-875-11	CERAMIC CHIP 10uF 10% 10V
C3657	1-107-826-11	CERAMIC CHIP	0.1uF 10%	16V	C3715	1-100-567-81	CERAMIC CHIP 0.01uF 10% 25V
C3658	1-125-777-11	CERAMIC CHIP	0.1uF 10%	10V	C3716	1-107-826-11	CERAMIC CHIP 0.1uF 10% 16V
C3659	1-165-875-11	CERAMIC CHIP	10uF 10%	10V	C3717	1-107-826-11	CERAMIC CHIP 0.1uF 10% 16V
C3660	1-107-826-11	CERAMIC CHIP	0.1uF 10%	16V	C3718	1-114-552-21	ELECT CHIP 100uF 20% 35V
C3661	1-107-826-11	CERAMIC CHIP	0.1uF 10%	16V	C3719	1-125-777-11	CERAMIC CHIP 0.1uF 10% 10V
C3662	1-107-826-11	CERAMIC CHIP	0.1uF 10%	16V	C3720	1-165-875-11	CERAMIC CHIP 10uF 10% 10V
C3663	1-107-826-11	CERAMIC CHIP	0.1uF 10%	16V	C3721	1-107-826-11	CERAMIC CHIP 0.1uF 10% 16V
C3664	1-107-826-11	CERAMIC CHIP	0.1uF 10%	16V	C3722	1-165-875-11	CERAMIC CHIP 10uF 10% 10V
C3665	1-107-826-11	CERAMIC CHIP	0.1uF 10%	16V	C3723	1-107-826-11	CERAMIC CHIP 0.1uF 10% 16V
C3666	1-107-826-11	CERAMIC CHIP	0.1uF 10%	16V	C3724	1-107-826-11	CERAMIC CHIP 0.1uF 10% 16V
C3667	1-165-875-11	CERAMIC CHIP	10uF 10%	10V	C3725	1-125-777-11	CERAMIC CHIP 0.1uF 10% 10V
C3668	1-107-826-11	CERAMIC CHIP	0.1uF 10%	16V	C3726	1-125-777-11	CERAMIC CHIP 0.1uF 10% 10V
C3669	1-107-826-11	CERAMIC CHIP	0.1uF 10%	16V	C3727	1-125-777-11	CERAMIC CHIP 0.1uF 10% 10V
C3670	1-107-826-11	CERAMIC CHIP	0.1uF 10%	16V	C3728	1-125-777-11	CERAMIC CHIP 0.1uF 10% 10V
C3671	1-107-826-11	CERAMIC CHIP	0.1uF 10%	16V	C3729	1-165-662-21	ELECT CHIP 220uF 20% 4V
C3672	1-107-826-11	CERAMIC CHIP	0.1uF 10%	16V	C3730	1-125-777-11	CERAMIC CHIP 0.1uF 10% 10V
C3673	1-125-777-11	CERAMIC CHIP	0.1uF 10%	10V	C3731	1-165-875-11	CERAMIC CHIP 10uF 10% 10V
C3674	1-165-875-11	CERAMIC CHIP	10uF 10%	10V	C3732	1-125-777-11	CERAMIC CHIP 0.1uF 10% 10V
C3675	1-125-777-11	CERAMIC CHIP	0.1uF 10%	10V	C3733	1-125-777-11	CERAMIC CHIP 0.1uF 10% 10V
C3676	1-125-777-11	CERAMIC CHIP	0.1uF 10%	10V	C3734	1-125-777-11	CERAMIC CHIP 0.1uF 10% 10V
C3677	1-125-777-11	CERAMIC CHIP	0.1uF 10%	10V	C3735	1-125-777-11	CERAMIC CHIP 0.1uF 10% 10V
C3678	1-107-826-11	CERAMIC CHIP	0.1uF 10%	16V	C3736	1-125-777-11	CERAMIC CHIP 0.1uF 10% 10V
C3679	1-107-826-11	CERAMIC CHIP	0.1uF 10%	16V	C3737	1-125-777-11	CERAMIC CHIP 0.1uF 10% 10V
C3680	1-165-875-11	CERAMIC CHIP	10uF 10%	10V	C3738	1-107-826-11	CERAMIC CHIP 0.1uF 10% 16V
C3682	1-125-777-11	CERAMIC CHIP	0.1uF 10%	10V	C3739	1-125-777-11	CERAMIC CHIP 0.1uF 10% 10V
C3683	1-125-777-11	CERAMIC CHIP	0.1uF 10%	10V	C3740	1-125-777-11	CERAMIC CHIP 0.1uF 10% 10V
C3684	1-125-777-11	CERAMIC CHIP	0.1uF 10%	10V	C3741	1-125-777-11	CERAMIC CHIP 0.1uF 10% 10V
C3685	1-125-777-11	CERAMIC CHIP	0.1uF 10%	10V	C3742	1-165-875-11	CERAMIC CHIP 10uF 10% 10V
C3686	1-165-875-11	CERAMIC CHIP	10uF 10%	10V	C3743	1-125-777-11	CERAMIC CHIP 0.1uF 10% 10V
C3687	1-125-777-11	CERAMIC CHIP	0.1uF 10%	10V	C3744	1-125-777-11	CERAMIC CHIP 0.1uF 10% 10V
C3688	1-125-777-11	CERAMIC CHIP	0.1uF 10%	10V	C3745	1-125-777-11	CERAMIC CHIP 0.1uF 10% 10V
C3689	1-125-777-11	CERAMIC CHIP	0.1uF 10%	10V	C3746	1-128-995-21	ELECT CHIP 100uF 20% 10V
C3690	1-100-567-81	CERAMIC CHIP	0.01uF 10%	25V	C3747	1-165-669-21	ELECT CHIP 220uF 20% 6.3V
C3691	1-125-777-11	CERAMIC CHIP	0.1uF 10%	10V	C3748	1-165-662-21	ELECT CHIP 220uF 20% 4V
					C3749	1-126-205-11	ELECT CHIP 47uF 20% 6.3V

Ref. No.	Part No.	Description	Remark	Ref. No.	Part No.	Description	Remark
C3750	1-126-207-11	ELECT CHIP	33uF 20% 4V	C3808	1-117-720-11	CERAMIC CHIP	4.7uF 10V
C3751	1-107-826-11	CERAMIC CHIP	0.1uF 10% 16V	C3809	1-107-826-11	CERAMIC CHIP	0.1uF 10% 16V
C3752	1-128-995-21	ELECT CHIP	100uF 20% 10V	C3810	1-117-720-11	CERAMIC CHIP	4.7uF 10V
C3753	1-114-552-21	ELECT CHIP	100uF 20% 35V	C3811	1-107-826-11	CERAMIC CHIP	0.1uF 10% 16V
C3754	1-125-777-11	CERAMIC CHIP	0.1uF 10% 10V	C3812	1-107-826-11	CERAMIC CHIP	0.1uF 10% 16V
C3755	1-162-916-11	CERAMIC CHIP	12PF 5% 50V	C3813	1-107-826-11	CERAMIC CHIP	0.1uF 10% 16V
C3756	1-162-915-11	CERAMIC CHIP	10PF 0.5PF 50V	C3814	1-117-720-11	CERAMIC CHIP	4.7uF 10V
C3757	1-125-777-11	CERAMIC CHIP	0.1uF 10% 10V	C3815	1-107-826-11	CERAMIC CHIP	0.1uF 10% 16V
C3758	1-107-826-11	CERAMIC CHIP	0.1uF 10% 16V	C3816	1-107-826-11	CERAMIC CHIP	0.1uF 10% 16V
C3759	1-165-875-11	CERAMIC CHIP	10uF 10% 10V	C3817	1-107-826-11	CERAMIC CHIP	0.1uF 10% 16V
C3760	1-107-826-11	CERAMIC CHIP	0.1uF 10% 16V	C3818	1-107-826-11	CERAMIC CHIP	0.1uF 10% 16V
C3761	1-125-777-11	CERAMIC CHIP	0.1uF 10% 10V	C3822	1-107-826-11	CERAMIC CHIP	0.1uF 10% 16V
C3762	1-125-777-11	CERAMIC CHIP	0.1uF 10% 10V	C3850	1-115-467-11	CERAMIC CHIP	0.22uF 10% 10V
C3763	1-125-777-11	CERAMIC CHIP	0.1uF 10% 10V	C3851	1-115-467-11	CERAMIC CHIP	0.22uF 10% 10V
C3764	1-165-875-11	CERAMIC CHIP	10uF 10% 10V	C3854	1-115-467-11	CERAMIC CHIP	0.22uF 10% 10V
C3765	1-125-777-11	CERAMIC CHIP	0.1uF 10% 10V	C3855	1-126-206-11	ELECT CHIP	100uF 20% 6.3V
C3766	1-125-777-11	CERAMIC CHIP	0.1uF 10% 10V	C3856	1-127-956-21	FILM CHIP	0.1uF 5% 16V
C3767	1-165-875-11	CERAMIC CHIP	10uF 10% 10V	C3857	1-127-956-21	FILM CHIP	0.1uF 5% 16V
C3768	1-165-662-21	ELECT CHIP	220uF 20% 4V	C3858	1-162-964-11	CERAMIC CHIP	0.001uF 10% 50V
C3769	1-114-552-21	ELECT CHIP	100uF 20% 35V	C3859	1-164-173-11	CERAMIC CHIP	0.0039uF 10% 50V
C3770	1-107-826-11	CERAMIC CHIP	0.1uF 10% 16V	C3860	1-164-733-11	CERAMIC CHIP	820PF 10% 50V
C3771	1-107-826-11	CERAMIC CHIP	0.1uF 10% 16V	C3861	1-115-467-11	CERAMIC CHIP	0.22uF 10% 10V
C3772	1-107-826-11	CERAMIC CHIP	0.1uF 10% 16V	C3862	1-126-206-11	ELECT CHIP	100uF 20% 6.3V
C3773	1-107-826-11	CERAMIC CHIP	0.1uF 10% 16V	C3864	1-107-826-11	CERAMIC CHIP	0.1uF 10% 16V
C3774	1-126-207-11	ELECT CHIP	33uF 20% 4V	C3865	1-126-206-11	ELECT CHIP	100uF 20% 6.3V
C3775	1-107-826-11	CERAMIC CHIP	0.1uF 10% 16V	C3866	1-115-467-11	CERAMIC CHIP	0.22uF 10% 10V
C3776	1-107-826-11	CERAMIC CHIP	0.1uF 10% 16V	C3867	1-162-970-11	CERAMIC CHIP	0.01uF 10% 25V
C3777	1-107-826-11	CERAMIC CHIP	0.1uF 10% 16V	C3868	1-107-826-11	CERAMIC CHIP	0.1uF 10% 16V
C3778	1-107-826-11	CERAMIC CHIP	0.1uF 10% 16V	C3869	1-107-826-11	CERAMIC CHIP	0.1uF 10% 16V
C3779	1-107-826-11	CERAMIC CHIP	0.1uF 10% 16V	C3870	1-162-970-11	CERAMIC CHIP	0.01uF 10% 25V
C3780	1-107-826-11	CERAMIC CHIP	0.1uF 10% 16V	C3873	1-107-826-11	CERAMIC CHIP	0.1uF 10% 16V
C3781	1-107-826-11	CERAMIC CHIP	0.1uF 10% 16V	C3874	1-126-205-11	ELECT CHIP	47uF 20% 6.3V
C3782	1-165-662-21	ELECT CHIP	220uF 20% 4V	C3875	1-107-826-11	CERAMIC CHIP	0.1uF 10% 16V
C3783	1-125-777-11	CERAMIC CHIP	0.1uF 10% 10V	C3876	1-126-207-11	ELECT CHIP	33uF 20% 4V
C3784	1-125-777-11	CERAMIC CHIP	0.1uF 10% 10V	C3958	1-107-826-11	CERAMIC CHIP	0.1uF 10% 16V
C3785	1-125-777-11	CERAMIC CHIP	0.1uF 10% 10V	C3959	1-107-826-11	CERAMIC CHIP	0.1uF 10% 16V
C3786	1-125-777-11	CERAMIC CHIP	0.1uF 10% 10V	C3960	1-162-927-11	CERAMIC CHIP	100PF 5% 50V
C3787	1-125-777-11	CERAMIC CHIP	0.1uF 10% 10V	C3961	1-162-927-11	CERAMIC CHIP	100PF 5% 50V
C3788	1-125-777-11	CERAMIC CHIP	0.1uF 10% 10V	C3962	1-162-927-11	CERAMIC CHIP	100PF 5% 50V
C3789	1-125-777-11	CERAMIC CHIP	0.1uF 10% 10V	C3964	1-162-927-11	CERAMIC CHIP	100PF 5% 50V
C3790	1-125-777-11	CERAMIC CHIP	0.1uF 10% 10V	C3965	1-162-927-11	CERAMIC CHIP	100PF 5% 50V
C3791	1-125-777-11	CERAMIC CHIP	0.1uF 10% 10V	C3966	1-162-927-11	CERAMIC CHIP	100PF 5% 50V
C3792	1-100-567-81	CERAMIC CHIP	0.01uF 10% 25V	C3967	1-162-927-11	CERAMIC CHIP	100PF 5% 50V
C3793	1-165-875-11	CERAMIC CHIP	10uF 10% 10V	C9364	1-107-826-11	CERAMIC CHIP	0.1uF 10% 16V
C3794	1-126-210-21	ELECT CHIP	220uF 20% 4V	< CONNECTOR >			
C3795	1-107-826-11	CERAMIC CHIP	0.1uF 10% 16V	CN3501	1-820-668-11	HDMI CONNECTOR (HDMI ASSIGNABLE (INPUT ONLY) IN 3)	
C3796	1-165-880-21	ELECT CHIP	220uF 20% 2.5V	CN3502	1-820-668-11	HDMI CONNECTOR (HDMI ASSIGNABLE (INPUT ONLY) IN 2)	
C3797	1-162-970-11	CERAMIC CHIP	0.01uF 10% 25V	CN3503	1-820-668-11	HDMI CONNECTOR (HDMI ASSIGNABLE (INPUT ONLY) IN 1)	
C3798	1-100-635-21	ELECT CHIP	82uF 20% 4V	CN3505	1-770-406-11	CONNECTOR, BOARD TO BOARD 10P	
C3799	1-112-071-11	ELECT CHIP	220uF 20% 6.3V	CN3506	1-816-296-21	PIN, CONNECTOR (PC BOARD) 9P	
C3801	1-117-720-11	CERAMIC CHIP	4.7uF 10V	CN3508	1-785-101-11	PIN, CONNECTOR (3.96mm PITCH) 3P	
C3802	1-107-826-11	CERAMIC CHIP	0.1uF 10% 16V	CN3511	1-820-668-11	HDMI CONNECTOR (HDMI ASSIGNABLE (INPUT ONLY) OUT)	
C3803	1-107-826-11	CERAMIC CHIP	0.1uF 10% 16V	CN3602	1-779-992-11	PIN, CONNECTOR (PWB) 8P	
C3804	1-117-720-11	CERAMIC CHIP	4.7uF 10V				
C3805	1-107-826-11	CERAMIC CHIP	0.1uF 10% 16V				
C3806	1-117-720-11	CERAMIC CHIP	4.7uF 10V				
C3807	1-107-826-11	CERAMIC CHIP	0.1uF 10% 16V				

STR-DA4300ES

D_VIDEO

Ref. No.	Part No.	Description	Remark
* CN3603	1-785-125-21	CONNECTOR 6P	
* CN3605	1-764-250-11	PIN, CONNECTOR (PC BOARD) 4P	
CN3801	1-770-407-11	CONNECTOR, BOARD TO BOARD 12P	
< DIODE >			
D3501	8-719-988-61	DIODE 1SS355TE-17	
D3502	8-719-988-61	DIODE 1SS355TE-17	
D3511	8-719-073-81	DIODE EC21QS06-TE12L	
D3512	8-719-073-81	DIODE EC21QS06-TE12L	
D3606	8-719-312-08	DIODE FMB-G16L	
D3607	8-719-312-08	DIODE FMB-G16L	
D3617	8-719-053-18	DIODE 1SR154-400TE-25	
D3618	8-719-210-39	DIODE EC10QS-04	
D3805	8-719-988-61	DIODE 1SS355TE-17	
D3808	8-719-988-61	DIODE 1SS355TE-17	
< EARTH TERMINAL >			
ET3501	1-780-318-11	TERMINAL	
ET3502	1-780-318-11	TERMINAL	
< FERRITE BEAD >			
FB3501	1-469-139-21	FERRITE, EMI (SMD) (2012)	
FB3502	1-414-234-22	INDUCTOR, FERRITE BEAD	
FB3503	1-414-234-22	INDUCTOR, FERRITE BEAD	
FB3504	1-469-152-11	FERRITE, EMI (SMD) (2012)	
FB3505	1-469-152-11	FERRITE, EMI (SMD) (2012)	
FB3506	1-414-234-22	INDUCTOR, FERRITE BEAD	
FB3507	1-414-234-22	INDUCTOR, FERRITE BEAD	
FB3508	1-469-139-21	FERRITE, EMI (SMD) (2012)	
FB3509	1-469-139-21	FERRITE, EMI (SMD) (2012)	
FB3510	1-469-152-11	FERRITE, EMI (SMD) (2012)	
FB3601	1-469-152-11	FERRITE, EMI (SMD) (2012)	
FB3602	1-414-234-22	INDUCTOR, FERRITE BEAD	
FB3603	1-469-152-11	FERRITE, EMI (SMD) (2012)	
FB3604	1-414-234-22	INDUCTOR, FERRITE BEAD	
FB3605	1-469-152-11	FERRITE, EMI (SMD) (2012)	
FB3606	1-469-152-11	FERRITE, EMI (SMD) (2012)	
FB3607	1-469-152-11	FERRITE, EMI (SMD) (2012)	
FB3608	1-469-152-11	FERRITE, EMI (SMD) (2012)	
FB3609	1-469-324-21	FERRITE, EMI (SMD) (2012)	
FB3610	1-469-152-11	FERRITE, EMI (SMD) (2012)	
FB3611	1-469-152-11	FERRITE, EMI (SMD) (2012)	
FB3612	1-469-152-11	FERRITE, EMI (SMD) (2012)	
FB3613	1-469-152-11	FERRITE, EMI (SMD) (2012)	
FB3614	1-414-234-22	INDUCTOR, FERRITE BEAD	
FB3615	1-469-152-11	FERRITE, EMI (SMD) (2012)	
FB3616	1-469-152-11	FERRITE, EMI (SMD) (2012)	
< COIL >			
* FL3501	1-813-880-11	COMMON MODE CHOKE COIL	
* FL3502	1-813-880-11	COMMON MODE CHOKE COIL	
* FL3503	1-813-880-11	COMMON MODE CHOKE COIL	
* FL3504	1-813-880-11	COMMON MODE CHOKE COIL	
< IC >			
IC3503	6-711-088-01	IC SII9185CTU	
IC3508	8-759-596-39	IC SN74LV4052APWR	

Ref. No.	Part No.	Description	Remark
IC3509	6-704-001-01	IC BR24L02F-WSE2	
IC3511	(Not supplied)	IC SII9135CTU	
IC3513	(Not supplied)	IC SII9134CTU	
IC3514	6-708-913-01	IC TK73400AU3G0L-C	
IC3516	6-705-337-01	IC TK11150CSCL-G	
IC3517	6-708-913-01	IC TK73400AU3G0L-C	
IC3524	8-759-548-99	IC SN74LV08APWR	
@ IC3601	6-711-139-01	IC FLI8638-LF	
IC3602	6-710-521-11	IC HY5DU561622ETP-4-C	
IC3603	6-807-428-11	IC S29GL256N90TFIR20-07GUIX103	
IC3604	6-709-564-01	IC YGV629-VZ	
IC3605	6-705-468-01	IC BA33BC0FP-E2	
IC3607	6-705-468-01	IC BA33BC0FP-E2	
IC3608	6-702-300-01	IC TK11118CSCL-G	
IC3609	6-707-842-01	IC TC74LCX08FT (EKJ)	
IC3610	6-807-535-01	IC MB91F467RA-07A43GUI-X100	
IC3611	6-710-003-01	IC IS61LV12816L-8TL	
IC3612	6-700-394-01	IC BA25BC0FP-E2	
IC3614	6-705-468-01	IC BA33BC0FP-E2	
IC3615	6-807-714-01	IC SST39VF3202704IEKE53FLIX105	
IC3616	6-705-468-01	IC BA33BC0FP-E2	
IC3617	6-600-632-01	IC SI-3011ZFE	
IC3618	6-710-521-11	IC HY5DU561622ETP-4-C	
IC3619	6-710-050-01	IC TC74LCX245FK (EL)	
IC3620	6-710-050-01	IC TC74LCX245FK (EL)	
IC3621	6-704-573-01	IC M24C32-WMM6T (B)	
IC3850	6-709-565-01	IC ADV7322KSTZ	
IC3851	6-704-261-01	IC TK11225CMCL-G	
IC3852	6-702-301-01	IC TK11125CSCL-G	
IC3853	6-705-308-01	IC SI-3010KM-TL	
IC3854	6-710-444-01	IC CY2302-SXC-1T	
IC3855	8-759-524-50	IC TC74VHC541FT (EL)	
< COIL >			
L3501	1-469-525-91	INDUCTOR	10uH
L3505	1-469-525-91	INDUCTOR	10uH
L3506	1-469-525-91	INDUCTOR	10uH
L3507	1-469-525-91	INDUCTOR	10uH
L3508	1-469-525-91	INDUCTOR	10uH
L3509	1-469-525-91	INDUCTOR	10uH
L3510	1-469-525-91	INDUCTOR	10uH
L3850	1-469-525-91	INDUCTOR	10uH
< FET >			
Q3501	6-550-014-01	FET	SSM6N15FU (TE85R)
Q3502	6-550-014-01	FET	SSM6N15FU (TE85R)
Q3503	6-550-014-01	FET	SSM6N15FU (TE85R)
< RESISTOR/FERRITE BEAD >			
R2976	1-216-821-11	METAL CHIP	1K 5% 1/10W
R3401	1-216-864-11	SHORT CHIP	0
R3402	1-216-801-11	METAL CHIP	22 5% 1/10W
R3403	1-216-801-11	METAL CHIP	22 5% 1/10W
R3404	1-216-797-11	METAL CHIP	10 5% 1/10W
R3405	1-216-805-11	METAL CHIP	47 5% 1/10W
R3406	1-216-790-11	METAL CHIP	2.7 5% 1/10W
R3407	1-216-805-11	METAL CHIP	47 5% 1/10W
R3408	1-216-805-11	METAL CHIP	47 5% 1/10W

Note: IC3511 and IC3513 cannot exchange with single. When IC3511 and IC3513 are damaged, exchange the entire mounted board.

@ Replacement of IC3601 used in this set requires a special tool.

Ref. No.	Part No.	Description	Remark	Ref. No.	Part No.	Description	Remark
R3409	1-216-805-11	METAL CHIP	47 5% 1/10W	R3549	1-216-805-11	METAL CHIP	47 5% 1/10W
R3410	1-216-805-11	METAL CHIP	47 5% 1/10W	R3550	1-216-805-11	METAL CHIP	47 5% 1/10W
R3411	1-216-805-11	METAL CHIP	47 5% 1/10W	R3551	1-216-805-11	METAL CHIP	47 5% 1/10W
R3412	1-216-805-11	METAL CHIP	47 5% 1/10W	R3552	1-216-805-11	METAL CHIP	47 5% 1/10W
R3413	1-216-805-11	METAL CHIP	47 5% 1/10W	R3553	1-216-805-11	METAL CHIP	47 5% 1/10W
R3414	1-216-805-11	METAL CHIP	47 5% 1/10W	R3554	1-216-805-11	METAL CHIP	47 5% 1/10W
R3415	1-216-805-11	METAL CHIP	47 5% 1/10W	R3555	1-216-805-11	METAL CHIP	47 5% 1/10W
R3416	1-216-805-11	METAL CHIP	47 5% 1/10W	R3556	1-216-817-11	METAL CHIP	470 5% 1/10W
R3417	1-216-805-11	METAL CHIP	47 5% 1/10W	R3557	1-469-139-21	FERRITE, EMI (SMD) (2012)	
R3418	1-216-805-11	METAL CHIP	47 5% 1/10W	R3558	1-216-817-11	METAL CHIP	470 5% 1/10W
R3419	1-216-805-11	METAL CHIP	47 5% 1/10W	R3561	1-216-833-11	METAL CHIP	10K 5% 1/10W
R3420	1-216-805-11	METAL CHIP	47 5% 1/10W	R3563	1-216-809-11	METAL CHIP	100 5% 1/10W
R3421	1-216-805-11	METAL CHIP	47 5% 1/10W	R3564	1-216-797-11	METAL CHIP	10 5% 1/10W
R3422	1-216-790-11	METAL CHIP	2.7 5% 1/10W	R3565	1-216-797-11	METAL CHIP	10 5% 1/10W
R3423	1-216-805-11	METAL CHIP	47 5% 1/10W	R3566	1-216-797-11	METAL CHIP	10 5% 1/10W
R3424	1-216-790-11	METAL CHIP	2.7 5% 1/10W	R3567	1-216-797-11	METAL CHIP	10 5% 1/10W
R3425	1-216-805-11	METAL CHIP	47 5% 1/10W	R3568	1-216-809-11	METAL CHIP	100 5% 1/10W
R3426	1-216-790-11	METAL CHIP	2.7 5% 1/10W	R3569	1-216-809-11	METAL CHIP	100 5% 1/10W
R3427	1-216-805-11	METAL CHIP	47 5% 1/10W	R3570	1-216-809-11	METAL CHIP	100 5% 1/10W
R3502	1-216-864-11	SHORT CHIP	0	R3571	1-216-809-11	METAL CHIP	100 5% 1/10W
R3503	1-216-864-11	SHORT CHIP	0	R3572	1-216-817-11	METAL CHIP	470 5% 1/10W
R3507	1-216-864-11	SHORT CHIP	0	R3573	1-216-809-11	METAL CHIP	100 5% 1/10W
R3510	1-216-809-11	METAL CHIP	100 5% 1/10W	R3574	1-414-813-11	FERRITE, EMI (SMD) (2012)	
R3511	1-216-841-11	METAL CHIP	47K 5% 1/10W	R3575	1-216-833-11	METAL CHIP	10K 5% 1/10W
R3513	1-216-841-11	METAL CHIP	47K 5% 1/10W	R3576	1-216-805-11	METAL CHIP	47 5% 1/10W
R3514	1-216-841-11	METAL CHIP	47K 5% 1/10W	R3577	1-216-805-11	METAL CHIP	47 5% 1/10W
R3515	1-216-829-11	METAL CHIP	4.7K 5% 1/10W	R3578	1-216-829-11	METAL CHIP	4.7K 5% 1/10W
R3516	1-216-829-11	METAL CHIP	4.7K 5% 1/10W	R3579	1-216-841-11	METAL CHIP	47K 5% 1/10W
R3517	1-216-829-11	METAL CHIP	4.7K 5% 1/10W	R3580	1-218-843-11	METAL CHIP	680 0.5% 1/10W
R3518	1-216-829-11	METAL CHIP	4.7K 5% 1/10W	R3581	1-216-809-11	METAL CHIP	100 5% 1/10W
R3519	1-216-805-11	METAL CHIP	47 5% 1/10W	R3582	1-216-864-11	SHORT CHIP	0
R3520	1-216-805-11	METAL CHIP	47 5% 1/10W	R3583	1-216-805-11	METAL CHIP	47 5% 1/10W
R3521	1-216-805-11	METAL CHIP	47 5% 1/10W	R3584	1-216-805-11	METAL CHIP	47 5% 1/10W
R3522	1-216-829-11	METAL CHIP	4.7K 5% 1/10W	R3585	1-216-833-11	METAL CHIP	10K 5% 1/10W
R3523	1-216-829-11	METAL CHIP	4.7K 5% 1/10W	R3586	1-216-833-11	METAL CHIP	10K 5% 1/10W
R3524	1-216-805-11	METAL CHIP	47 5% 1/10W	R3587	1-216-864-11	SHORT CHIP	0
R3525	1-216-829-11	METAL CHIP	4.7K 5% 1/10W	R3588	1-216-864-11	SHORT CHIP	0
R3526	1-216-829-11	METAL CHIP	4.7K 5% 1/10W	R3591	1-216-829-11	METAL CHIP	4.7K 5% 1/10W
R3527	1-218-484-11	METAL CHIP	750 5% 1/10W	R3593	1-216-833-11	METAL CHIP	10K 5% 1/10W
R3528	1-216-864-11	SHORT CHIP	0	R3597	1-216-864-11	SHORT CHIP	0
R3529	1-216-809-11	METAL CHIP	100 5% 1/10W	R3598	1-216-864-11	SHORT CHIP	0
R3530	1-216-805-11	METAL CHIP	47 5% 1/10W	R3599	1-216-824-11	METAL CHIP	1.8K 5% 1/10W
R3531	1-216-805-11	METAL CHIP	47 5% 1/10W	R3600	1-216-824-11	METAL CHIP	1.8K 5% 1/10W
R3532	1-216-821-11	METAL CHIP	1K 5% 1/10W	R3601	1-216-841-11	METAL CHIP	47K 5% 1/10W
R3533	1-216-821-11	METAL CHIP	1K 5% 1/10W	R3602	1-216-841-11	METAL CHIP	47K 5% 1/10W
R3534	1-216-821-11	METAL CHIP	1K 5% 1/10W	R3603	1-216-841-11	METAL CHIP	47K 5% 1/10W
R3535	1-216-829-11	METAL CHIP	4.7K 5% 1/10W	R3604	1-216-841-11	METAL CHIP	47K 5% 1/10W
R3537	1-216-864-11	SHORT CHIP	0	R3605	1-216-841-11	METAL CHIP	47K 5% 1/10W
R3538	1-216-864-11	SHORT CHIP	0	R3606	1-216-841-11	METAL CHIP	47K 5% 1/10W
R3539	1-216-864-11	SHORT CHIP	0	R3607	1-216-841-11	METAL CHIP	47K 5% 1/10W
R3542	1-216-864-11	SHORT CHIP	0	R3608	1-216-841-11	METAL CHIP	47K 5% 1/10W
R3543	1-216-833-11	METAL CHIP	10K 5% 1/10W	R3609	1-216-841-11	METAL CHIP	47K 5% 1/10W
R3544	1-216-805-11	METAL CHIP	47 5% 1/10W	R3610	1-216-841-11	METAL CHIP	47K 5% 1/10W
R3545	1-216-805-11	METAL CHIP	47 5% 1/10W	R3611	1-216-841-11	METAL CHIP	47K 5% 1/10W
R3546	1-216-857-11	METAL CHIP	1M 5% 1/10W	R3612	1-216-841-11	METAL CHIP	47K 5% 1/10W
R3547	1-216-864-11	SHORT CHIP	0	R3613	1-216-841-11	METAL CHIP	47K 5% 1/10W
R3548	1-216-805-11	METAL CHIP	47 5% 1/10W	R3614	1-216-841-11	METAL CHIP	47K 5% 1/10W
				R3615	1-216-841-11	METAL CHIP	47K 5% 1/10W

STR-DA4300ES

D_VIDEO

Ref. No.	Part No.	Description	Quantity	Unit	Remark	Ref. No.	Part No.	Description	Quantity	Unit	Remark
R3616	1-216-841-11	METAL CHIP	47K	5%	1/10W	R3680	1-216-805-11	METAL CHIP	47	5%	1/10W
R3617	1-216-833-11	METAL CHIP	10K	5%	1/10W	R3681	1-216-805-11	METAL CHIP	47	5%	1/10W
R3618	1-216-833-11	METAL CHIP	10K	5%	1/10W	R3682	1-216-833-11	METAL CHIP	10K	5%	1/10W
R3619	1-216-833-11	METAL CHIP	10K	5%	1/10W	R3685	1-216-809-11	METAL CHIP	100	5%	1/10W
R3620	1-216-833-11	METAL CHIP	10K	5%	1/10W	R3686	1-211-990-11	METAL CHIP	75	0.5%	1/10W
R3621	1-216-833-11	METAL CHIP	10K	5%	1/10W	R3687	1-211-977-11	METAL CHIP	22	0.5%	1/10W
R3622	1-216-833-11	METAL CHIP	10K	5%	1/10W	R3688	1-216-805-11	METAL CHIP	47	5%	1/10W
R3623	1-208-647-11	METAL CHIP	33	0.5%	1/16W	R3689	1-216-821-11	METAL CHIP	1K	5%	1/10W
R3624	1-216-864-11	SHORT CHIP	0			R3690	1-216-864-11	SHORT CHIP	0		
R3625	1-216-864-11	SHORT CHIP	0			R3691	1-211-990-11	METAL CHIP	75	0.5%	1/10W
R3626	1-216-833-11	METAL CHIP	10K	5%	1/10W	R3692	1-211-977-11	METAL CHIP	22	0.5%	1/10W
R3627	1-216-864-11	SHORT CHIP	0			R3693	1-216-864-11	SHORT CHIP	0		
R3628	1-216-821-11	METAL CHIP	1K	5%	1/10W	R3694	1-211-990-11	METAL CHIP	75	0.5%	1/10W
R3629	1-218-871-11	METAL CHIP	10K	0.5%	1/10W	R3695	1-211-977-11	METAL CHIP	22	0.5%	1/10W
R3630	1-218-871-11	METAL CHIP	10K	0.5%	1/10W	R3696	1-216-833-11	METAL CHIP	10K	5%	1/10W
R3631	1-208-677-11	METAL CHIP	560	0.5%	1/16W	R3698	1-216-833-11	METAL CHIP	10K	5%	1/10W
R3632	1-208-677-11	METAL CHIP	560	0.5%	1/16W	R3699	1-216-864-11	SHORT CHIP	0		
R3633	1-216-864-11	SHORT CHIP	0			R3700	1-216-837-11	METAL CHIP	22K	5%	1/10W
R3635	1-216-857-11	METAL CHIP	1M	5%	1/10W	R3702	1-211-987-11	METAL CHIP	56	0.5%	1/10W
R3636	1-218-990-81	SHORT CHIP	0			R3703	1-211-987-11	METAL CHIP	56	0.5%	1/10W
R3637	1-218-990-81	SHORT CHIP	0			R3705	1-216-864-11	SHORT CHIP	0		
R3638	1-216-821-11	METAL CHIP	1K	5%	1/10W	R3706	1-216-864-11	SHORT CHIP	0		
R3639	1-216-833-11	METAL CHIP	10K	5%	1/10W	R3707	1-216-864-11	SHORT CHIP	0		
R3640	1-216-864-11	SHORT CHIP	0			R3708	1-216-864-11	SHORT CHIP	0		
R3643	1-216-864-11	SHORT CHIP	0			R3709	1-216-864-11	SHORT CHIP	0		
R3644	1-216-864-11	SHORT CHIP	0			R3713	1-211-987-11	METAL CHIP	56	0.5%	1/10W
R3646	1-216-833-11	METAL CHIP	10K	5%	1/10W	R3714	1-211-987-11	METAL CHIP	56	0.5%	1/10W
R3647	1-216-841-11	METAL CHIP	47K	5%	1/10W	R3715	1-211-987-11	METAL CHIP	56	0.5%	1/10W
R3648	1-216-841-11	METAL CHIP	47K	5%	1/10W	R3716	1-211-987-11	METAL CHIP	56	0.5%	1/10W
R3649	1-216-833-11	METAL CHIP	10K	5%	1/10W	R3717	1-211-977-11	METAL CHIP	22	0.5%	1/10W
R3650	1-216-833-11	METAL CHIP	10K	5%	1/10W	R3718	1-211-987-11	METAL CHIP	56	0.5%	1/10W
R3651	1-216-833-11	METAL CHIP	10K	5%	1/10W	R3719	1-211-977-11	METAL CHIP	22	0.5%	1/10W
R3652	1-216-833-11	METAL CHIP	10K	5%	1/10W	R3720	1-211-977-11	METAL CHIP	22	0.5%	1/10W
R3653	1-216-833-11	METAL CHIP	10K	5%	1/10W	R3722	1-211-977-11	METAL CHIP	22	0.5%	1/10W
R3654	1-216-833-11	METAL CHIP	10K	5%	1/10W	R3723	1-211-977-11	METAL CHIP	22	0.5%	1/10W
R3655	1-216-833-11	METAL CHIP	10K	5%	1/10W	R3724	1-216-864-11	SHORT CHIP	0		
R3656	1-216-833-11	METAL CHIP	10K	5%	1/10W	R3726	1-211-990-11	METAL CHIP	75	0.5%	1/10W
R3657	1-216-833-11	METAL CHIP	10K	5%	1/10W	R3727	1-211-990-11	METAL CHIP	75	0.5%	1/10W
R3658	1-216-833-11	METAL CHIP	10K	5%	1/10W	R3728	1-211-990-11	METAL CHIP	75	0.5%	1/10W
R3660	1-216-833-11	METAL CHIP	10K	5%	1/10W	R3729	1-216-805-11	METAL CHIP	47	5%	1/10W
R3661	1-216-833-11	METAL CHIP	10K	5%	1/10W	R3730	1-211-990-11	METAL CHIP	75	0.5%	1/10W
R3664	1-216-833-11	METAL CHIP	10K	5%	1/10W	R3731	1-211-990-11	METAL CHIP	75	0.5%	1/10W
R3665	1-216-826-11	METAL CHIP	2.7K	5%	1/10W	R3732	1-216-805-11	METAL CHIP	47	5%	1/10W
R3666	1-216-833-11	METAL CHIP	10K	5%	1/10W	R3733	1-216-864-11	SHORT CHIP	0		
R3667	1-216-833-11	METAL CHIP	10K	5%	1/10W	R3734	1-216-864-11	SHORT CHIP	0		
R3668	1-216-833-11	METAL CHIP	10K	5%	1/10W	R3735	1-216-864-11	SHORT CHIP	0		
R3669	1-216-805-11	METAL CHIP	47	5%	1/10W	R3736	1-216-803-11	METAL CHIP	33	5%	1/10W
R3670	1-216-805-11	METAL CHIP	47	5%	1/10W	R3737	1-218-871-11	METAL CHIP	10K	0.5%	1/10W
R3671	1-216-864-11	SHORT CHIP	0			R3738	1-216-817-11	METAL CHIP	470	5%	1/10W
R3672	1-216-864-11	SHORT CHIP	0			R3739	1-216-810-11	METAL CHIP	120	5%	1/10W
R3673	1-216-864-11	SHORT CHIP	0			R3740	1-216-810-11	METAL CHIP	120	5%	1/10W
R3674	1-216-864-11	SHORT CHIP	0			R3741	1-216-815-11	METAL CHIP	330	5%	1/10W
R3675	1-216-805-11	METAL CHIP	47	5%	1/10W	R3742	1-216-833-11	METAL CHIP	10K	5%	1/10W
R3676	1-216-864-11	SHORT CHIP	0			R3744	1-216-833-11	METAL CHIP	10K	5%	1/10W
R3677	1-216-864-11	SHORT CHIP	0			R3747	1-216-833-11	METAL CHIP	10K	5%	1/10W
R3678	1-216-864-11	SHORT CHIP	0			R3748	1-216-833-11	METAL CHIP	10K	5%	1/10W
R3679	1-216-805-11	METAL CHIP	47	5%	1/10W	R3749	1-216-833-11	METAL CHIP	10K	5%	1/10W
						R3750	1-216-864-11	SHORT CHIP	0		

Ref. No.	Part No.	Description			Remark	Ref. No.	Part No.	Description			Remark
R3751	1-216-821-11	METAL CHIP	1K	5%	1/10W	R3822	1-208-647-11	METAL CHIP	33	0.5%	1/16W
R3752	1-216-864-11	SHORT CHIP	0			R3823	1-208-647-11	METAL CHIP	33	0.5%	1/16W
R3753	1-216-864-11	SHORT CHIP	0			R3824	1-208-647-11	METAL CHIP	33	0.5%	1/16W
R3754	1-216-864-11	SHORT CHIP	0			R3825	1-208-647-11	METAL CHIP	33	0.5%	1/16W
R3755	1-216-864-11	SHORT CHIP	0			R3826	1-208-647-11	METAL CHIP	33	0.5%	1/16W
R3756	1-216-864-11	SHORT CHIP	0			R3827	1-208-647-11	METAL CHIP	33	0.5%	1/16W
R3759	1-216-864-11	SHORT CHIP	0			R3828	1-208-647-11	METAL CHIP	33	0.5%	1/16W
R3760	1-216-864-11	SHORT CHIP	0			R3829	1-208-647-11	METAL CHIP	33	0.5%	1/16W
R3764	1-216-833-11	METAL CHIP	10K	5%	1/10W	R3830	1-208-647-11	METAL CHIP	33	0.5%	1/16W
R3765	1-216-833-11	METAL CHIP	10K	5%	1/10W	R3831	1-208-647-11	METAL CHIP	33	0.5%	1/16W
R3766	1-216-833-11	METAL CHIP	10K	5%	1/10W	R3832	1-208-647-11	METAL CHIP	33	0.5%	1/16W
R3767	1-216-833-11	METAL CHIP	10K	5%	1/10W	R3833	1-208-647-11	METAL CHIP	33	0.5%	1/16W
R3768	1-216-833-11	METAL CHIP	10K	5%	1/10W	R3834	1-208-647-11	METAL CHIP	33	0.5%	1/16W
R3769	1-216-833-11	METAL CHIP	10K	5%	1/10W	R3835	1-208-647-11	METAL CHIP	33	0.5%	1/16W
R3770	1-216-833-11	METAL CHIP	10K	5%	1/10W	R3836	1-208-647-11	METAL CHIP	33	0.5%	1/16W
R3771	1-216-833-11	METAL CHIP	10K	5%	1/10W	R3837	1-208-647-11	METAL CHIP	33	0.5%	1/16W
R3772	1-216-833-11	METAL CHIP	10K	5%	1/10W	R3838	1-208-647-11	METAL CHIP	33	0.5%	1/16W
R3773	1-216-833-11	METAL CHIP	10K	5%	1/10W	R3839	1-208-647-11	METAL CHIP	33	0.5%	1/16W
R3774	1-216-833-11	METAL CHIP	10K	5%	1/10W	R3840	1-208-647-11	METAL CHIP	33	0.5%	1/16W
R3775	1-216-841-11	METAL CHIP	47K	5%	1/10W	R3841	1-208-647-11	METAL CHIP	33	0.5%	1/16W
R3776	1-216-841-11	METAL CHIP	47K	5%	1/10W	R3842	1-208-647-11	METAL CHIP	33	0.5%	1/16W
R3777	1-208-647-11	METAL CHIP	33	0.5%	1/16W	R3843	1-208-647-11	METAL CHIP	33	0.5%	1/16W
R3778	1-208-647-11	METAL CHIP	33	0.5%	1/16W	R3844	1-208-647-11	METAL CHIP	33	0.5%	1/16W
R3779	1-208-647-11	METAL CHIP	33	0.5%	1/16W	R3845	1-208-647-11	METAL CHIP	33	0.5%	1/16W
R3780	1-208-647-11	METAL CHIP	33	0.5%	1/16W	R3846	1-208-647-11	METAL CHIP	33	0.5%	1/16W
R3781	1-216-813-11	METAL CHIP	220	5%	1/10W	R3847	1-208-647-11	METAL CHIP	33	0.5%	1/16W
R3783	1-216-833-11	METAL CHIP	10K	5%	1/10W	R3848	1-208-647-11	METAL CHIP	33	0.5%	1/16W
R3785	1-216-833-11	METAL CHIP	10K	5%	1/10W	R3849	1-216-833-11	METAL CHIP	10K	5%	1/10W
R3786	1-216-833-11	METAL CHIP	10K	5%	1/10W	R3854	1-216-864-11	SHORT CHIP	0		
R3792	1-216-833-11	METAL CHIP	10K	5%	1/10W	R3855	1-216-864-11	SHORT CHIP	0		
R3793	1-216-833-11	METAL CHIP	10K	5%	1/10W	R3856	1-216-864-11	SHORT CHIP	0		
R3794	1-216-833-11	METAL CHIP	10K	5%	1/10W	R3857	1-216-864-11	SHORT CHIP	0		
R3795	1-208-647-11	METAL CHIP	33	0.5%	1/16W	R3858	1-216-864-11	SHORT CHIP	0		
R3796	1-208-647-11	METAL CHIP	33	0.5%	1/16W	R3860	1-216-803-11	METAL CHIP	33	5%	1/10W
R3797	1-208-647-11	METAL CHIP	33	0.5%	1/16W	R3861	1-216-803-11	METAL CHIP	33	5%	1/10W
R3798	1-208-647-11	METAL CHIP	33	0.5%	1/16W	R3863	1-216-826-11	METAL CHIP	2.7K	5%	1/10W
R3799	1-216-833-11	METAL CHIP	10K	5%	1/10W	R3864	1-216-826-11	METAL CHIP	2.7K	5%	1/10W
R3801	1-216-833-11	METAL CHIP	10K	5%	1/10W	R3865	1-216-819-11	METAL CHIP	680	5%	1/10W
R3803	1-216-864-11	SHORT CHIP	0			R3866	1-216-809-11	METAL CHIP	100	5%	1/10W
R3804	1-216-864-11	SHORT CHIP	0			R3867	1-216-815-11	METAL CHIP	330	5%	1/10W
R3805	1-208-647-11	METAL CHIP	33	0.5%	1/16W	R3868	1-216-815-11	METAL CHIP	330	5%	1/10W
R3806	1-208-647-11	METAL CHIP	33	0.5%	1/16W	R3869	1-216-864-11	SHORT CHIP	0		
R3807	1-208-647-11	METAL CHIP	33	0.5%	1/16W	R3870	1-216-864-11	SHORT CHIP	0		
R3808	1-208-647-11	METAL CHIP	33	0.5%	1/16W	R3872	1-218-834-11	METAL CHIP	300	0.5%	1/10W
R3809	1-208-677-11	METAL CHIP	560	0.5%	1/16W	R3873	1-218-834-11	METAL CHIP	300	0.5%	1/10W
R3810	1-208-677-11	METAL CHIP	560	0.5%	1/16W	R3877	1-216-864-11	SHORT CHIP	0		
R3811	1-216-833-11	METAL CHIP	10K	5%	1/10W	R3878	1-216-864-11	SHORT CHIP	0		
R3812	1-216-833-11	METAL CHIP	10K	5%	1/10W	R3879	1-216-864-11	SHORT CHIP	0		
R3813	1-216-864-11	SHORT CHIP	0			R3880	1-216-864-11	SHORT CHIP	0		
R3814	1-218-867-11	METAL CHIP	6.8K	0.5%	1/10W	R3882	1-216-833-11	METAL CHIP	10K	5%	1/10W
R3815	1-218-871-11	METAL CHIP	10K	0.5%	1/10W	R3883	1-216-833-11	METAL CHIP	10K	5%	1/10W
R3816	1-216-833-11	METAL CHIP	10K	5%	1/10W	R3884	1-218-856-11	METAL CHIP	2.4K	0.5%	1/10W
R3817	1-208-647-11	METAL CHIP	33	0.5%	1/16W	R3885	1-218-871-11	METAL CHIP	10K	0.5%	1/10W
R3818	1-208-647-11	METAL CHIP	33	0.5%	1/16W	R3886	1-216-833-11	METAL CHIP	10K	5%	1/10W
R3819	1-208-647-11	METAL CHIP	33	0.5%	1/16W	R3887	1-216-803-11	METAL CHIP	33	5%	1/10W
R3820	1-208-647-11	METAL CHIP	33	0.5%	1/16W	R3888	1-216-833-11	METAL CHIP	10K	5%	1/10W
R3821	1-208-647-11	METAL CHIP	33	0.5%	1/16W	R3889	1-216-803-11	METAL CHIP	33	5%	1/10W
						R3891	1-216-864-11	SHORT CHIP	0		

STR-DA4300ES

D_VIDEO **DC-DC**

Ref. No.	Part No.	Description	Remark
R3892	1-216-833-11	METAL CHIP 10K 5%	1/10W
R3893	1-216-864-11	SHORT CHIP 0	
R3894	1-216-833-11	METAL CHIP 10K 5%	1/10W
R3895	1-216-833-11	METAL CHIP 10K 5%	1/10W
R3896	1-216-833-11	METAL CHIP 10K 5%	1/10W
R3897	1-216-823-11	METAL CHIP 1.5K 5%	1/10W
R3898	1-216-823-11	METAL CHIP 1.5K 5%	1/10W
R3937	1-216-826-11	METAL CHIP 2.7K 5%	1/10W
R3938	1-216-826-11	METAL CHIP 2.7K 5%	1/10W
R3939	1-216-833-11	METAL CHIP 10K 5%	1/10W
R3940	1-218-889-11	METAL CHIP 56K 0.5%	1/10W
R3941	1-218-883-11	METAL CHIP 33K 0.5%	1/10W
R3942	1-218-859-11	METAL CHIP 3.3K 0.5%	1/10W
R3943	1-218-867-11	METAL CHIP 6.8K 0.5%	1/10W
R3944	1-216-833-11	METAL CHIP 10K 5%	1/10W
R3946	1-216-833-11	METAL CHIP 10K 5%	1/10W
R3973	1-216-833-11	METAL CHIP 10K 5%	1/10W
R3974	1-216-817-11	METAL CHIP 470 5%	1/10W
R3975	1-216-817-11	METAL CHIP 470 5%	1/10W
R3976	1-211-990-11	METAL CHIP 75 0.5%	1/10W
R3977	1-211-990-11	METAL CHIP 75 0.5%	1/10W
R3978	1-211-990-11	METAL CHIP 75 0.5%	1/10W
R3979	1-211-990-11	METAL CHIP 75 0.5%	1/10W
R3990	1-216-805-11	METAL CHIP 47 5%	1/10W
R3991	1-216-864-11	SHORT CHIP 0	
R3992	1-216-829-11	METAL CHIP 4.7K 5%	1/10W
R3995	1-216-864-11	SHORT CHIP 0	
R3998	1-216-805-11	METAL CHIP 47 5%	1/10W
< COMPOSITION CIRCUIT BLOCK >			
RB3501	1-234-371-21	RES, NETWORK 47 (1005X4)	
RB3502	1-234-370-21	RES, NETWORK 22 (1005X4)	
RB3503	1-234-370-21	RES, NETWORK 22 (1005X4)	
RB3504	1-234-371-21	RES, NETWORK 47 (1005X4)	
RB3505	1-234-370-21	RES, NETWORK 22 (1005X4)	
RB3506	1-234-370-21	RES, NETWORK 22 (1005X4)	
RB3507	1-234-371-21	RES, NETWORK 47 (1005X4)	
RB3508	1-234-370-21	RES, NETWORK 22 (1005X4)	
RB3509	1-234-370-21	RES, NETWORK 22 (1005X4)	
RB3511	1-234-371-21	RES, NETWORK 47 (1005X4)	
RB3512	1-234-370-21	RES, NETWORK 22 (1005X4)	
RB3513	1-234-370-21	RES, NETWORK 22 (1005X4)	
RB3514	1-234-371-21	RES, NETWORK 47 (1005X4)	
RB3515	1-234-370-21	RES, NETWORK 22 (1005X4)	
RB3516	1-234-370-21	RES, NETWORK 22 (1005X4)	
RB3517	1-234-371-21	RES, NETWORK 47 (1005X4)	
RB3518	1-234-370-21	RES, NETWORK 22 (1005X4)	
RB3519	1-234-370-21	RES, NETWORK 22 (1005X4)	
RB3601	1-242-963-21	RES, NETWORK 33 (1005X4)	
RB3602	1-242-963-21	RES, NETWORK 33 (1005X4)	
RB3603	1-242-963-21	RES, NETWORK 33 (1005X4)	
RB3604	1-242-963-21	RES, NETWORK 33 (1005X4)	
RB3605	1-242-963-21	RES, NETWORK 33 (1005X4)	
RB3606	1-242-963-21	RES, NETWORK 33 (1005X4)	
RB3608	1-242-963-21	RES, NETWORK 33 (1005X4)	
RB3610	1-242-963-21	RES, NETWORK 33 (1005X4)	
RB3612	1-242-963-21	RES, NETWORK 33 (1005X4)	

Ref. No.	Part No.	Description	Remark
RB3614	1-242-963-21	RES, NETWORK 33 (1005X4)	
RB3618	1-242-963-21	RES, NETWORK 33 (1005X4)	
RB3619	1-242-963-21	RES, NETWORK 33 (1005X4)	
RB3620	1-242-963-21	RES, NETWORK 33 (1005X4)	
RB3621	1-242-963-21	RES, NETWORK 33 (1005X4)	
RB3622	1-242-963-21	RES, NETWORK 33 (1005X4)	
RB3623	1-242-963-21	RES, NETWORK 33 (1005X4)	
RB3624	1-242-963-21	RES, NETWORK 33 (1005X4)	
RB3625	1-242-963-21	RES, NETWORK 33 (1005X4)	
RB3626	1-234-370-21	RES, NETWORK 22 (1005X4)	
RB3627	1-234-371-21	RES, NETWORK 47 (1005X4)	
RB3628	1-234-371-21	RES, NETWORK 47 (1005X4)	
RB3630	1-234-371-21	RES, NETWORK 47 (1005X4)	
RB3631	1-234-371-21	RES, NETWORK 47 (1005X4)	
RB3636	1-234-371-21	RES, NETWORK 47 (1005X4)	
RB3637	1-234-371-21	RES, NETWORK 47 (1005X4)	
< VIBRATOR >			
X3501	1-813-570-21	VIBRATOR, CRYSTAL (28.322MHZ)	
X3601	1-813-807-11	VIBRATOR, CRYSTAL 33.2MHZ (33.2MHZ)	
X3602	1-781-646-21	VIBRATOR, CERAMIC (4MHZ)	
X3603	1-813-808-11	VIBRATOR, CRYSTAL 19.6608MHZ (19.6MHZ)	

A-1252-444-A		DC-DC BOARD, COMPLETE	

7-685-646-79		SCREW +BVTP 3X8 TYPE2 IT-3	
< CAPACITOR >			
C1402	1-128-549-11	ELECT 3300uF 20% 35V	
C1404	1-128-959-21	ELECT 1000uF 20% 35V	
C1405	1-100-924-21	ELECT 2200uF 20% 35V	
C1406	1-128-959-21	ELECT 1000uF 20% 35V	
C1407	1-128-959-21	ELECT 1000uF 20% 35V	
C1409	1-115-339-11	CERAMIC CHIP 0.1uF 10% 50V	
C1410	1-115-339-11	CERAMIC CHIP 0.1uF 10% 50V	
C1411	1-126-964-11	ELECT 10uF 20% 50V	
C1412	1-115-339-11	CERAMIC CHIP 0.1uF 10% 50V	
C1414	1-128-950-21	ELECT 1000uF 20% 16V	
C1415	1-128-951-21	ELECT 2200uF 20% 16V	
C1416	1-128-950-21	ELECT 1000uF 20% 16V	
C1417	1-128-950-21	ELECT 1000uF 20% 16V	
C1423	1-164-161-11	CERAMIC CHIP 0.0022uF 10% 50V	
< CONNECTOR >			
CN1401	1-691-776-11	PLUG (MICRO CONNECTOR) 14P	
CX1402	1-778-293-11	PLUG (MICRO CONNECTOR) 2P	
CX1451	1-785-101-11	PIN, CONNECTOR (3.96mm PITCH) 3P	
< DIODE >			
D1401	8-719-072-05	DIODE RBV-602LF-A	
D1403	8-719-301-45	DIODE RK14	
D1404	8-719-312-08	DIODE FMB-G16L	
D1405	8-719-301-45	DIODE RK14	
D1406	8-719-301-45	DIODE RK14	

Ref. No.	Part No.	Description	Remark	Ref. No.	Part No.	Description	Remark
		< FUSE HOLDER >					
FH1403	1-533-313-11	FUSE HOLDER		C722	1-126-795-11	ELECT 10uF 20%	50V
FH1404	1-533-313-11	FUSE HOLDER		C724	1-104-957-11	ELECT 47uF 20%	25V
		< IC >					
IC1402	6-711-058-01	IC SI-8008HFE		C725	1-104-957-11	ELECT 47uF 20%	25V
IC1403	6-711-058-01	IC SI-8008HFE		C726	1-104-957-11	ELECT 47uF 20%	25V
IC1404	8-759-474-09	IC SI-8050S-LF1101		C727	1-162-966-11	CERAMIC CHIP 0.0022uF 10%	50V
IC1405	6-701-021-01	IC SI-8120JF		C728	1-162-966-11	CERAMIC CHIP 0.0022uF 10%	50V
		< COIL >		C729	1-126-795-11	ELECT 10uF 20%	50V
L1402	1-456-545-11	INDUCTOR 100uH		C730	1-126-795-11	ELECT 10uF 20%	50V
L1403	1-456-545-11	INDUCTOR 100uH		C731	1-126-795-11	ELECT 10uF 20%	50V
L1404	1-456-545-11	INDUCTOR 100uH		C732	1-126-795-11	ELECT 10uF 20%	50V
L1405	1-456-545-11	INDUCTOR 100uH		C733	1-107-925-11	ELECT 1uF 20%	100V
L1407	1-481-254-11	INDUCTOR 0.1mH		C734	1-104-957-11	ELECT 47uF 20%	25V
L1408	1-481-254-11	INDUCTOR 0.1mH					
L1409	1-457-508-11	INDUCTOR 0.1mH		C735	1-100-566-91	CERAMIC CHIP 0.1uF 10%	25V
L1410	1-457-508-11	INDUCTOR 0.1mH		C739	1-126-795-11	ELECT 10uF 20%	50V
		< TRANSISTOR >		C740	1-126-795-11	ELECT 10uF 20%	50V
Q1409	8-729-027-52	TRANSISTOR DTC124EKA-T146		C743	1-162-966-11	CERAMIC CHIP 0.0022uF 10%	50V
		< RESISTOR >		C745	1-126-795-11	ELECT 10uF 20%	50V
R1401	1-216-037-00	RES-CHIP 330 5% 1/10W					
R1402	1-216-037-00	RES-CHIP 330 5% 1/10W		C746	1-107-826-11	CERAMIC CHIP 0.1uF 10%	16V
R1403	1-216-033-00	RES-CHIP 220 5% 1/10W		C747	1-162-927-11	CERAMIC CHIP 100PF 5%	50V
R1404	1-216-041-00	RES-CHIP 470 5% 1/10W		C749	1-162-966-11	CERAMIC CHIP 0.0022uF 10%	50V
R1405	1-216-057-00	RES-CHIP 2.2K 5% 1/10W		C751	1-165-319-11	CERAMIC CHIP 0.1uF	50V
R1406	1-216-022-00	RES-CHIP 75 5% 1/10W		C754	1-100-566-91	CERAMIC CHIP 0.1uF 10%	25V
R1407	1-216-049-11	RES-CHIP 1K 5% 1/10W					
R1408	1-216-025-11	RES-CHIP 100 5% 1/10W					
R1409	1-216-025-11	RES-CHIP 100 5% 1/10W					
R1410	1-216-025-11	RES-CHIP 100 5% 1/10W					
R1411	1-216-049-11	RES-CHIP 1K 5% 1/10W					
R1412	1-216-037-00	RES-CHIP 330 5% 1/10W					
R1417	1-216-158-00	RES-CHIP 22 5% 1/8W					

A-1257-022-A		DISPLAY BOARD, COMPLETE					

2-389-320-01		CUSHION					
		< CAPACITOR >					
C701	1-104-957-11	ELECT 47uF 20%	25V				
C704	1-163-251-11	CERAMIC CHIP 100PF 5%	50V				
C706	1-104-957-11	ELECT 47uF 20%	25V				
C707	1-165-319-11	CERAMIC CHIP 0.1uF	50V				
C708	1-126-795-11	ELECT 10uF 20%	50V				
C712	1-165-733-31	ELECT 100uF 20%	25V				
C713	1-107-378-11	MYLAR 0.0039uF 5%	200V				
C714	1-165-319-11	CERAMIC CHIP 0.1uF	50V				
C715	1-137-807-31	ELECT 100uF 20%	50V				
C716	1-165-319-11	CERAMIC CHIP 0.1uF	50V				
C718	1-104-957-11	ELECT 47uF 20%	25V				
C719	1-100-566-91	CERAMIC CHIP 0.1uF 10%	25V				
C721	1-100-566-91	CERAMIC CHIP 0.1uF 10%	25V				
		< CONNECTOR >					
				CN701	1-784-928-11	PIN, CONNECTOR 13P	
				CN702	1-784-926-11	PIN, CONNECTOR 11P	
				* CN706	1-564-724-11	PIN, CONNECTOR (SMALL TYPE) 8P	
				CN710	1-784-930-11	PIN, CONNECTOR 15P	
		< DIODE >					
				D701	8-719-056-11	LED SML72423C-TP15 (ON/STANDBY)	
				D702	8-719-075-59	LED SELS5B23C-TP15 (Digital Cinema Sound)	
				D703	6-501-539-01	LED SELK5E20C-DTP15 (MULTI CHANNEL DECODING)	
				D704	8-719-041-97	DIODE MA113-(TX)	
				D705	8-719-041-97	DIODE MA113-(TX)	
				D706	8-719-041-97	DIODE MA113-(TX)	
				D707	8-719-041-97	DIODE MA113-(TX)	
				D708	6-501-743-01	DIODE MAZ8068GMLSO	
				D710	8-719-404-50	DIODE MA111-TX	
		< FERRITE BEAD >					
				FB701	1-469-152-11	FERRITE, EMI (SMD) (2012)	
				FB702	1-469-152-11	FERRITE, EMI (SMD) (2012)	
		< IC >					
				IC701	6-600-349-31	IC NJL24H400A	
				IC702	6-705-468-01	IC BA33BC0FP-E2	
				IC703	8-759-825-56	IC NJM2173AV (TE2)	
		< JUMPER RESISTOR >					
				JW753	1-216-296-11	SHORT CHIP 0	
		< COIL >					
				L701	1-421-967-11	INDUCTOR 100uH	

STR-DA4300ES

Ver. 1.1

DISPLAY **DSP**

Ref. No.	Part No.	Description	Remark
< FLUORESCENT INDICATOR TUBE >			
ND701	1-519-954-11	INDICATOR TUBE, FLUORESCENT	
< TRANSISTOR >			
Q701	8-729-027-43	TRANSISTOR DTC114EKA-T146	
Q702	8-729-027-43	TRANSISTOR DTC114EKA-T146	
Q703	8-729-027-43	TRANSISTOR DTC114EKA-T146	
Q704	8-729-027-43	TRANSISTOR DTC114EKA-T146	
Q705	8-729-808-42	TRANSISTOR 2SD1624-T	
Q706	8-729-808-42	TRANSISTOR 2SD1624-T	
Q708	8-729-024-91	TRANSISTOR 2SC2712-GL-TE85L	
Q709	8-729-027-43	TRANSISTOR DTC114EKA-T146	
Q710	8-729-024-91	TRANSISTOR 2SC2712-GL-TE85L	
Q711	8-729-216-22	TRANSISTOR 2SA1162-G	
< RESISTOR >			
R701	1-216-037-00	RES-CHIP 330	5% 1/10W
R703	1-216-295-91	SHORT CHIP 0	
R705	1-216-295-91	SHORT CHIP 0	
R706	1-216-001-00	RES-CHIP 10	5% 1/10W
△ R707	1-249-385-11	CARBON 2.2	5% 1/4W F
△ R708	1-249-385-11	CARBON 2.2	5% 1/4W F
R709	1-216-025-11	RES-CHIP 100	5% 1/10W
R710	1-216-025-11	RES-CHIP 100	5% 1/10W
R711	1-216-025-11	RES-CHIP 100	5% 1/10W
R712	1-216-025-11	RES-CHIP 100	5% 1/10W
R713	1-216-025-11	RES-CHIP 100	5% 1/10W
R714	1-216-025-11	RES-CHIP 100	5% 1/10W
R715	1-216-025-11	RES-CHIP 100	5% 1/10W
R716	1-216-025-11	RES-CHIP 100	5% 1/10W
R717	1-216-025-11	RES-CHIP 100	5% 1/10W
R718	1-216-025-11	RES-CHIP 100	5% 1/10W
R719	1-216-037-00	RES-CHIP 330	5% 1/10W
R720	1-216-025-11	RES-CHIP 100	5% 1/10W
R721	1-216-029-00	RES-CHIP 150	5% 1/10W
R723	1-216-057-00	RES-CHIP 2.2K	5% 1/10W
R724	1-216-049-11	RES-CHIP 1K	5% 1/10W
R725	1-216-081-00	RES-CHIP 22K	5% 1/10W
R726	1-216-073-91	RES-CHIP 10K	5% 1/10W
R727	1-216-065-91	RES-CHIP 4.7K	5% 1/10W
R728	1-216-057-00	RES-CHIP 2.2K	5% 1/10W
R729	1-216-057-00	RES-CHIP 2.2K	5% 1/10W
R730	1-216-049-11	RES-CHIP 1K	5% 1/10W
R731	1-216-067-00	RES-CHIP 5.6K	5% 1/10W
R733	1-216-049-11	RES-CHIP 1K	5% 1/10W
R734	1-216-083-00	RES-CHIP 27K	5% 1/10W
R735	1-216-049-11	RES-CHIP 1K	5% 1/10W
R736	1-216-049-11	RES-CHIP 1K	5% 1/10W
R737	1-216-833-11	METAL CHIP 10K	5% 1/10W
R740	1-216-833-11	METAL CHIP 10K	5% 1/10W
R741	1-216-833-11	METAL CHIP 10K	5% 1/10W
R748	1-216-825-11	METAL CHIP 2.2K	5% 1/10W
R749	1-216-821-11	METAL CHIP 1K	5% 1/10W
R750	1-216-849-11	METAL CHIP 220K	5% 1/10W
R751	1-216-843-11	METAL CHIP 68K	5% 1/10W
R753	1-216-825-11	METAL CHIP 2.2K	5% 1/10W
R754	1-216-821-11	METAL CHIP 1K	5% 1/10W

Ref. No.	Part No.	Description	Remark
R757	1-216-025-11	RES-CHIP 100	5% 1/10W
R758	1-216-041-00	RES-CHIP 470	5% 1/10W
R759	1-216-073-91	RES-CHIP 10K	5% 1/10W
R772	1-216-057-00	RES-CHIP 2.2K	5% 1/10W
< SWITCH/ROTARY ENCODER >			
S701	1-771-349-21	SWITCH, KEYBOARD (MUSIC)	
S702	1-771-349-21	SWITCH, KEYBOARD (MOVIE)	
S703	1-771-349-21	SWITCH, KEYBOARD (A.F.D.)	
S704	1-771-349-21	SWITCH, KEYBOARD (2CH/A.DIRECT)	
S705	1-771-349-21	SWITCH, KEYBOARD (SUR BACK DECODING)	
S706	1-771-349-21	SWITCH, KEYBOARD (DISPLAY)	
S707	1-771-349-21	SWITCH, KEYBOARD (DIMMER)	
S708	1-771-349-21	SWITCH, KEYBOARD (MEMORY/ENTER)	
S709	1-771-349-21	SWITCH, KEYBOARD (TUNING MODE)	
S710	1-771-349-21	SWITCH, KEYBOARD (TONE MODE)	
S711	1-771-349-21	SWITCH, KEYBOARD (ZONE SELECT)	
S712	1-771-349-21	SWITCH, KEYBOARD (ZONE POWER)	
S713	1-418-400-11	ENCODER, ROTARY (TONE)	
S714	1-418-400-11	ENCODER, ROTARY (TUNING)	
S715	1-418-400-11	ENCODER, ROTARY (INPUT SELECTOR)	
< TRANSFORMER >			
T701	1-445-015-11	TRANSFORMER, DC-DC CONVERTER	

A-1439-542-A	DSP BOARD, COMPLETE		

< CAPACITOR >			
C5001	1-100-669-11	ELECT CHIP 100uF	20% 10V
C5006	1-107-826-11	CERAMIC CHIP 0.1uF	10% 16V
C5007	1-114-385-11	ELECT CHIP 470uF	20% 6.3V
C5009	1-162-915-11	CERAMIC CHIP 10PF	0.5PF 50V
C5010	1-162-915-11	CERAMIC CHIP 10PF	0.5PF 50V
C5011	1-107-826-11	CERAMIC CHIP 0.1uF	10% 16V
C5012	1-107-826-11	CERAMIC CHIP 0.1uF	10% 16V
C5014	1-115-416-11	CERAMIC CHIP 0.001uF	5% 25V
C5019	1-117-370-11	CERAMIC CHIP 10uF	10V
C5023	1-107-826-11	CERAMIC CHIP 0.1uF	10% 16V
C5024	1-162-970-11	CERAMIC CHIP 0.01uF	10% 25V
C5025	1-162-970-11	CERAMIC CHIP 0.01uF	10% 25V
C5026	1-162-927-11	CERAMIC CHIP 100PF	5% 50V
C5028	1-107-826-11	CERAMIC CHIP 0.1uF	10% 16V
C5029	1-107-826-11	CERAMIC CHIP 0.1uF	10% 16V
C5030	1-107-826-11	CERAMIC CHIP 0.1uF	10% 16V
C5034	1-107-826-11	CERAMIC CHIP 0.1uF	10% 16V
C5036	1-117-370-11	CERAMIC CHIP 10uF	10V
C5040	1-107-826-11	CERAMIC CHIP 0.1uF	10% 16V
C5041	1-107-826-11	CERAMIC CHIP 0.1uF	10% 16V
C5045	1-107-826-11	CERAMIC CHIP 0.1uF	10% 16V
C5046	1-107-826-11	CERAMIC CHIP 0.1uF	10% 16V
C5049	1-107-826-11	CERAMIC CHIP 0.1uF	10% 16V
C5050	1-107-826-11	CERAMIC CHIP 0.1uF	10% 16V
C5053	1-117-370-11	CERAMIC CHIP 10uF	10V
C5061	1-107-826-11	CERAMIC CHIP 0.1uF	10% 16V
C5062	1-107-826-11	CERAMIC CHIP 0.1uF	10% 16V
C5063	1-107-826-11	CERAMIC CHIP 0.1uF	10% 16V
C5069	1-117-370-11	CERAMIC CHIP 10uF	10V

Ref. No.	Part No.	Description	Remark	Ref. No.	Part No.	Description	Remark
C5071	1-107-826-11	CERAMIC CHIP	0.1uF 10% 16V	C5248	1-107-826-11	CERAMIC CHIP	0.1uF 10% 16V
C5073	1-107-826-11	CERAMIC CHIP	0.1uF 10% 16V	C5249	1-107-826-11	CERAMIC CHIP	0.1uF 10% 16V
C5074	1-107-826-11	CERAMIC CHIP	0.1uF 10% 16V	C5250	1-107-826-11	CERAMIC CHIP	0.1uF 10% 16V
C5077	1-107-826-11	CERAMIC CHIP	0.1uF 10% 16V	C5253	1-117-370-11	CERAMIC CHIP	10uF 10V
C5078	1-107-826-11	CERAMIC CHIP	0.1uF 10% 16V	C5261	1-107-826-11	CERAMIC CHIP	0.1uF 10% 16V
C5079	1-107-826-11	CERAMIC CHIP	0.1uF 10% 16V	C5262	1-107-826-11	CERAMIC CHIP	0.1uF 10% 16V
C5080	1-114-385-11	ELECT CHIP	470uF 20% 6.3V	C5263	1-107-826-11	CERAMIC CHIP	0.1uF 10% 16V
C5081	1-114-385-11	ELECT CHIP	470uF 20% 6.3V	C5269	1-117-370-11	CERAMIC CHIP	10uF 10V
C5085	1-117-370-11	CERAMIC CHIP	10uF 10V	C5271	1-107-826-11	CERAMIC CHIP	0.1uF 10% 16V
C5088	1-107-826-11	CERAMIC CHIP	0.1uF 10% 16V	C5273	1-107-826-11	CERAMIC CHIP	0.1uF 10% 16V
C5089	1-162-970-11	CERAMIC CHIP	0.01uF 10% 25V	C5274	1-107-826-11	CERAMIC CHIP	0.1uF 10% 16V
C5090	1-107-826-11	CERAMIC CHIP	0.1uF 10% 16V	C5277	1-107-826-11	CERAMIC CHIP	0.1uF 10% 16V
C5091	1-117-370-11	CERAMIC CHIP	10uF 10V	C5278	1-107-826-11	CERAMIC CHIP	0.1uF 10% 16V
C5092	1-107-826-11	CERAMIC CHIP	0.1uF 10% 16V	C5279	1-107-826-11	CERAMIC CHIP	0.1uF 10% 16V
C5093	1-107-826-11	CERAMIC CHIP	0.1uF 10% 16V	C5280	1-114-385-11	ELECT CHIP	470uF 20% 6.3V
C5094	1-107-826-11	CERAMIC CHIP	0.1uF 10% 16V	C5281	1-114-385-11	ELECT CHIP	470uF 20% 6.3V
C5095	1-117-370-11	CERAMIC CHIP	10uF 10V	C5285	1-117-370-11	CERAMIC CHIP	10uF 10V
C5096	1-107-826-11	CERAMIC CHIP	0.1uF 10% 16V	C5292	1-107-826-11	CERAMIC CHIP	0.1uF 10% 16V
C5097	1-107-826-11	CERAMIC CHIP	0.1uF 10% 16V	C5293	1-107-826-11	CERAMIC CHIP	0.1uF 10% 16V
C5098	1-107-826-11	CERAMIC CHIP	0.1uF 10% 16V	C5294	1-107-826-11	CERAMIC CHIP	0.1uF 10% 16V
C5099	1-107-826-11	CERAMIC CHIP	0.1uF 10% 16V	C5295	1-117-370-11	CERAMIC CHIP	10uF 10V
C5100	1-164-315-11	CERAMIC CHIP	470PF 5% 50V	C5296	1-107-826-11	CERAMIC CHIP	0.1uF 10% 16V
C5201	1-100-669-11	ELECT CHIP	100uF 20% 10V	C5297	1-107-826-11	CERAMIC CHIP	0.1uF 10% 16V
C5202	1-117-370-11	CERAMIC CHIP	10uF 10V			< CONNECTOR >	
C5203	1-107-826-11	CERAMIC CHIP	0.1uF 10% 16V	CN5001	1-815-136-21	CONNECTOR, BOARD TO BOARD	
C5205	1-107-826-11	CERAMIC CHIP	0.1uF 10% 16V	* CN5204	1-785-125-21	CONNECTOR 6P	
C5206	1-107-826-11	CERAMIC CHIP	0.1uF 10% 16V			< DIODE >	
C5207	1-114-385-11	ELECT CHIP	470uF 20% 6.3V	D5001	6-501-193-01	DIODE 1SS355WTE-17	
C5208	1-107-826-11	CERAMIC CHIP	0.1uF 10% 16V			< FERRITE BEAD >	
C5209	1-117-370-11	CERAMIC CHIP	10uF 10V	FB5001	1-469-152-11	FERRITE, EMI (SMD) (2012)	
C5210	1-117-370-11	CERAMIC CHIP	10uF 10V	FB5002	1-400-703-21	(3216, EMI FERRITE (SMD)	
C5211	1-107-826-11	CERAMIC CHIP	0.1uF 10% 16V	FB5003	1-469-152-11	FERRITE, EMI (SMD) (2012)	
C5212	1-107-826-11	CERAMIC CHIP	0.1uF 10% 16V	FB5004	1-469-152-11	FERRITE, EMI (SMD) (2012)	
C5213	1-126-209-11	ELECT CHIP	100uF 20% 4V	FB5006	1-469-152-11	FERRITE, EMI (SMD) (2012)	
C5214	1-115-416-11	CERAMIC CHIP	0.001uF 5% 25V	FB5007	1-469-152-11	FERRITE, EMI (SMD) (2012)	
C5215	1-162-927-11	CERAMIC CHIP	100PF 5% 50V	FB5201	1-469-152-11	FERRITE, EMI (SMD) (2012)	
C5216	1-107-826-11	CERAMIC CHIP	0.1uF 10% 16V	FB5202	1-400-703-21	(3216, EMI FERRITE (SMD)	
C5218	1-107-826-11	CERAMIC CHIP	0.1uF 10% 16V	FB5204	1-469-152-11	FERRITE, EMI (SMD) (2012)	
C5219	1-117-370-11	CERAMIC CHIP	10uF 10V	FB5205	1-469-152-11	FERRITE, EMI (SMD) (2012)	
C5221	1-107-826-11	CERAMIC CHIP	0.1uF 10% 16V	FB5206	1-469-152-11	FERRITE, EMI (SMD) (2012)	
C5223	1-107-826-11	CERAMIC CHIP	0.1uF 10% 16V	FB5207	1-469-152-11	FERRITE, EMI (SMD) (2012)	
C5224	1-162-970-11	CERAMIC CHIP	0.01uF 10% 25V	FB5208	1-469-152-11	FERRITE, EMI (SMD) (2012)	
C5225	1-162-970-11	CERAMIC CHIP	0.01uF 10% 25V			< IC >	
C5226	1-162-927-11	CERAMIC CHIP	100PF 5% 50V	IC5001	6-705-308-01	IC SI-3010KM-TL	
C5227	1-107-826-11	CERAMIC CHIP	0.1uF 10% 16V	IC5002	(Not supplied)	IC ADSST-AVR-1132	
C5228	1-107-826-11	CERAMIC CHIP	0.1uF 10% 16V	IC5006	6-807-374-04	IC S29AL008D70TFI010-EX4116	
C5229	1-107-826-11	CERAMIC CHIP	0.1uF 10% 16V	IC5007	6-710-529-01	IC IS61LV5128AL-10TLI	
C5230	1-107-826-11	CERAMIC CHIP	0.1uF 10% 16V	IC5009	6-701-992-01	IC SN74LVC573APWR	
C5231	1-107-826-11	CERAMIC CHIP	0.1uF 10% 16V	IC5010	6-701-992-01	IC SN74LVC573APWR	
C5234	1-107-826-11	CERAMIC CHIP	0.1uF 10% 16V	IC5012	6-706-492-01	IC TC7SHU04FU (T5RSOJF)	
C5236	1-117-370-11	CERAMIC CHIP	10uF 10V	IC5013	6-707-870-01	IC TC74VHC157FT (EKJ)	
C5240	1-107-826-11	CERAMIC CHIP	0.1uF 10% 16V	IC5201	6-705-308-01	IC SI-3010KM-TL	
C5241	1-107-826-11	CERAMIC CHIP	0.1uF 10% 16V	IC5202	(Not supplied)	IC ADSST-AVR-1131	
C5244	1-107-826-11	CERAMIC CHIP	0.1uF 10% 16V				
C5245	1-107-826-11	CERAMIC CHIP	0.1uF 10% 16V				
C5246	1-107-826-11	CERAMIC CHIP	0.1uF 10% 16V				
C5247	1-107-826-11	CERAMIC CHIP	0.1uF 10% 16V				

Note: IC5002 and IC5202 cannot exchange with single. When IC5002 and IC5202 are damaged, exchange the entire mounted board.

STR-DA4300ES

DSP

Ref. No.	Part No.	Description	Remark			Ref. No.	Part No.	Description	Remark		
IC5207	6-710-003-01	IC IS61LV12816L-8TL				R5073	1-216-801-11	METAL CHIP	22	5%	1/10W
IC5208	6-807-422-01	IC MB91F353APMT-07A53DSP-X103				R5074	1-216-801-11	METAL CHIP	22	5%	1/10W
IC5209	6-701-992-01	IC SN74LVC573APWR				R5075	1-216-801-11	METAL CHIP	22	5%	1/10W
IC5210	6-701-992-01	IC SN74LVC573APWR				R5076	1-216-864-11	SHORT CHIP	0		
IC5211	8-759-831-52	IC TC7WH125FK (TE85R)				R5077	1-216-864-11	SHORT CHIP	0		
IC5212	8-759-680-48	IC TC7WH157FK (TE85R)				R5078	1-216-864-11	SHORT CHIP	0		
IC5213	6-807-854-01	IC SST25VF040B-07A53J-X101									
		< RESISTOR >									
R5002	1-216-833-11	METAL CHIP	10K	5%	1/10W	R5096	1-216-864-11	SHORT CHIP	0		
R5003	1-216-821-11	METAL CHIP	1K	5%	1/10W	R5097	1-216-801-11	METAL CHIP	22	5%	1/10W
R5004	1-216-857-11	METAL CHIP	1M	5%	1/10W	R5098	1-216-801-11	METAL CHIP	22	5%	1/10W
R5005	1-216-833-11	METAL CHIP	10K	5%	1/10W	R5202	1-216-833-11	METAL CHIP	10K	5%	1/10W
R5013	1-216-864-11	SHORT CHIP	0			R5204	1-216-833-11	METAL CHIP	10K	5%	1/10W
R5014	1-218-854-11	METAL CHIP	2K	0.5%	1/10W	R5205	1-216-833-11	METAL CHIP	10K	5%	1/10W
R5015	1-218-871-11	METAL CHIP	10K	0.5%	1/10W	R5208	1-216-833-11	METAL CHIP	10K	5%	1/10W
R5016	1-216-864-11	SHORT CHIP	0			R5209	1-216-833-11	METAL CHIP	10K	5%	1/10W
R5018	1-216-864-11	SHORT CHIP	0			R5212	1-216-833-11	METAL CHIP	10K	5%	1/10W
R5020	1-216-864-11	SHORT CHIP	0			R5213	1-216-864-11	SHORT CHIP	0		
R5021	1-216-833-11	METAL CHIP	10K	5%	1/10W	R5214	1-218-854-11	METAL CHIP	2K	0.5%	1/10W
R5023	1-216-805-11	METAL CHIP	47	5%	1/10W	R5215	1-218-871-11	METAL CHIP	10K	0.5%	1/10W
R5024	1-216-821-11	METAL CHIP	1K	5%	1/10W	R5216	1-216-864-11	SHORT CHIP	0		
R5025	1-216-805-11	METAL CHIP	47	5%	1/10W	R5218	1-216-864-11	SHORT CHIP	0		
R5026	1-216-801-11	METAL CHIP	22	5%	1/10W	R5220	1-216-864-11	SHORT CHIP	0		
R5027	1-216-801-11	METAL CHIP	22	5%	1/10W	R5221	1-216-833-11	METAL CHIP	10K	5%	1/10W
R5028	1-216-801-11	METAL CHIP	22	5%	1/10W	R5223	1-216-864-11	SHORT CHIP	0		
R5032	1-216-833-11	METAL CHIP	10K	5%	1/10W	R5224	1-216-821-11	METAL CHIP	1K	5%	1/10W
R5035	1-216-857-11	METAL CHIP	1M	5%	1/10W	R5225	1-216-805-11	METAL CHIP	47	5%	1/10W
R5038	1-216-833-11	METAL CHIP	10K	5%	1/10W	R5226	1-216-801-11	METAL CHIP	22	5%	1/10W
R5041	1-216-833-11	METAL CHIP	10K	5%	1/10W	R5227	1-216-801-11	METAL CHIP	22	5%	1/10W
R5042	1-216-864-11	SHORT CHIP	0			R5228	1-216-801-11	METAL CHIP	22	5%	1/10W
R5044	1-216-864-11	SHORT CHIP	0			R5229	1-216-801-11	METAL CHIP	22	5%	1/10W
R5046	1-216-864-11	SHORT CHIP	0			R5230	1-216-801-11	METAL CHIP	22	5%	1/10W
R5047	1-216-864-11	SHORT CHIP	0			R5231	1-216-833-11	METAL CHIP	10K	5%	1/10W
R5048	1-216-801-11	METAL CHIP	22	5%	1/10W	R5232	1-216-833-11	METAL CHIP	10K	5%	1/10W
R5049	1-216-864-11	SHORT CHIP	0			R5233	1-216-833-11	METAL CHIP	10K	5%	1/10W
R5051	1-216-864-11	SHORT CHIP	0			R5234	1-216-833-11	METAL CHIP	10K	5%	1/10W
R5052	1-216-864-11	SHORT CHIP	0			R5235	1-216-857-11	METAL CHIP	1M	5%	1/10W
R5053	1-216-801-11	METAL CHIP	22	5%	1/10W	R5238	1-216-833-11	METAL CHIP	10K	5%	1/10W
R5054	1-216-801-11	METAL CHIP	22	5%	1/10W	R5241	1-216-833-11	METAL CHIP	10K	5%	1/10W
R5055	1-216-864-11	SHORT CHIP	0			R5242	1-216-864-11	SHORT CHIP	0		
R5056	1-216-864-11	SHORT CHIP	0			R5244	1-216-864-11	SHORT CHIP	0		
R5057	1-216-864-11	SHORT CHIP	0			R5246	1-216-801-11	METAL CHIP	22	5%	1/10W
R5058	1-216-864-11	SHORT CHIP	0			R5247	1-216-864-11	SHORT CHIP	0		
R5059	1-216-864-11	SHORT CHIP	0			R5248	1-216-801-11	METAL CHIP	22	5%	1/10W
R5060	1-216-801-11	METAL CHIP	22	5%	1/10W	R5249	1-216-864-11	SHORT CHIP	0		
R5061	1-216-801-11	METAL CHIP	22	5%	1/10W	R5251	1-216-864-11	SHORT CHIP	0		
R5062	1-216-801-11	METAL CHIP	22	5%	1/10W	R5252	1-216-864-11	SHORT CHIP	0		
R5063	1-216-801-11	METAL CHIP	22	5%	1/10W	R5253	1-216-801-11	METAL CHIP	22	5%	1/10W
R5064	1-216-801-11	METAL CHIP	22	5%	1/10W	R5254	1-216-801-11	METAL CHIP	22	5%	1/10W
R5065	1-216-801-11	METAL CHIP	22	5%	1/10W	R5255	1-216-864-11	SHORT CHIP	0		
R5066	1-216-801-11	METAL CHIP	22	5%	1/10W	R5256	1-216-864-11	SHORT CHIP	0		
R5067	1-216-801-11	METAL CHIP	22	5%	1/10W	R5257	1-216-864-11	SHORT CHIP	0		
R5068	1-216-821-11	METAL CHIP	1K	5%	1/10W	R5258	1-216-864-11	SHORT CHIP	0		
R5069	1-216-801-11	METAL CHIP	22	5%	1/10W	R5259	1-216-864-11	SHORT CHIP	0		
R5070	1-216-864-11	SHORT CHIP	0			R5260	1-216-801-11	METAL CHIP	22	5%	1/10W
R5071	1-216-864-11	SHORT CHIP	0			R5261	1-216-801-11	METAL CHIP	22	5%	1/10W
R5072	1-216-864-11	SHORT CHIP	0			R5262	1-216-801-11	METAL CHIP	22	5%	1/10W
						R5263	1-216-801-11	METAL CHIP	22	5%	1/10W
						R5264	1-216-801-11	METAL CHIP	22	5%	1/10W

Ref. No.	Part No.	Description	Remark	Ref. No.	Part No.	Description	Remark
R5265	1-216-801-11	METAL CHIP	22 5% 1/10W				
R5266	1-216-801-11	METAL CHIP	22 5% 1/10W			< VIBRATOR >	
R5267	1-216-801-11	METAL CHIP	22 5% 1/10W				
R5268	1-216-801-11	METAL CHIP	22 5% 1/10W	X5001	1-795-843-11	VIBRATOR, CRYSTAL (12.288MHz)	
				X5201	1-813-967-21	PIEZOELECTRIC OSCILLAT (25MHz)	
				X5202	1-781-893-21	VIBRATOR, CERAMIC (CHIP TYPE) (12.5MHz)	
R5269	1-216-864-11	SHORT CHIP	0	*****			
R5270	1-216-837-11	METAL CHIP	22K 5% 1/10W			KEY1 BOARD	
R5271	1-216-837-11	METAL CHIP	22K 5% 1/10W			*****	
R5272	1-216-837-11	METAL CHIP	22K 5% 1/10W			< CONNECTOR >	
R5273	1-216-864-11	SHORT CHIP	0				
R5274	1-216-864-11	SHORT CHIP	0			< CONNECTOR >	
R5275	1-216-821-11	METAL CHIP	1K 5% 1/10W				
R5278	1-216-864-11	SHORT CHIP	0	* CN715	1-568-941-11	PIN, CONNECTOR 3P	
R5279	1-216-864-11	SHORT CHIP	0			< RESISTOR >	
R5280	1-216-864-11	SHORT CHIP	0				
R5281	1-216-864-11	SHORT CHIP	0	R760	1-216-057-00	RES-CHIP 2.2K 5% 1/10W	
R5282	1-216-864-11	SHORT CHIP	0	R761	1-216-057-00	RES-CHIP 2.2K 5% 1/10W	
R5283	1-216-864-11	SHORT CHIP	0			< SWITCH >	
R5284	1-216-821-11	METAL CHIP	1K 5% 1/10W				
R5285	1-216-821-11	METAL CHIP	1K 5% 1/10W	S720	1-771-349-21	SWITCH, KEYBOARD (DMPOR)	
				S721	1-771-349-21	SWITCH, KEYBOARD (HDMI)	
R5286	1-216-864-11	SHORT CHIP	0	*****			
R5287	1-216-864-11	SHORT CHIP	0			KEY2 BOARD	
R5288	1-216-864-11	SHORT CHIP	0			*****	
R5289	1-216-864-11	SHORT CHIP	0			< CONNECTOR >	
R5290	1-216-864-11	SHORT CHIP	0				
R5291	1-216-864-11	SHORT CHIP	0			< CONNECTOR >	
R5292	1-216-801-11	METAL CHIP	22 5% 1/10W				
R5293	1-216-801-11	METAL CHIP	22 5% 1/10W	* CN727	1-568-941-11	PIN, CONNECTOR 3P	
R5294	1-216-864-11	SHORT CHIP	0			< RESISTOR >	
R5295	1-216-864-11	SHORT CHIP	0				
R5296	1-216-864-11	SHORT CHIP	0	R784	1-216-057-00	RES-CHIP 2.2K 5% 1/10W	
R5297	1-216-864-11	SHORT CHIP	0			< SWITCH >	
R5298	1-216-864-11	SHORT CHIP	0				
R5299	1-216-833-11	METAL CHIP	10K 5% 1/10W	S725	1-771-349-21	SWITCH, KEYBOARD (SPEAKERS (OFF/A/B/A+B))	

		< COMPOSITION CIRCUIT BLOCK >					
RB5006	1-234-371-21	RES, NETWORK	47 (1005X4)				
RB5007	1-234-371-21	RES, NETWORK	47 (1005X4)		A-1314-646-A	MAIN BOARD, COMPLETE	
RB5008	1-234-371-21	RES, NETWORK	47 (1005X4)			*****	
RB5010	1-242-963-21	RES, NETWORK	33 (1005X4)				
RB5011	1-242-963-21	RES, NETWORK	33 (1005X4)		7-685-646-79	SCREW +BVTP 3X8 TYPE2 IT-3	
RB5012	1-242-963-21	RES, NETWORK	33 (1005X4)			< HEAT SINK >	
RB5013	1-242-963-21	RES, NETWORK	33 (1005X4)				
RB5014	1-242-963-21	RES, NETWORK	33 (1005X4)	* A1005	4-363-146-71	HEAT SINK, V.OUT	
RB5015	1-242-963-21	RES, NETWORK	33 (1005X4)			< CAPACITOR >	
RB5016	1-242-963-21	RES, NETWORK	33 (1005X4)				
RB5017	1-242-963-21	RES, NETWORK	33 (1005X4)	C1001	1-164-230-11	CERAMIC CHIP 220PF 5% 50V	
RB5203	1-234-372-11	RES, NETWORK	100 (1005X4)	C1002	1-164-230-11	CERAMIC CHIP 220PF 5% 50V	
RB5204	1-234-372-11	RES, NETWORK	100 (1005X4)	C1003	1-164-230-11	CERAMIC CHIP 220PF 5% 50V	
RB5205	1-234-372-11	RES, NETWORK	100 (1005X4)	C1008	1-137-395-91	MYLAR 0.022uF 5% 100V	
RB5206	1-242-963-21	RES, NETWORK	33 (1005X4)	C1009	1-137-395-91	MYLAR 0.022uF 5% 100V	
RB5207	1-242-963-21	RES, NETWORK	33 (1005X4)	C1010	1-137-395-91	MYLAR 0.022uF 5% 100V	
RB5208	1-242-963-21	RES, NETWORK	33 (1005X4)	C1011	1-126-941-11	ELECT 470uF 20% 25V	
RB5209	1-242-963-21	RES, NETWORK	33 (1005X4)	C1012	1-126-916-11	ELECT 1000uF 20% 6.3V	
RB5210	1-234-372-11	RES, NETWORK	100 (1005X4)	C1013	1-126-933-11	ELECT 100uF 20% 16V	
RB5214	1-242-963-21	RES, NETWORK	33 (1005X4)	C1014	1-100-597-91	CERAMIC CHIP 0.1uF 10% 25V	
RB5215	1-242-963-21	RES, NETWORK	33 (1005X4)	C1015	1-126-933-11	ELECT 100uF 20% 16V	
RB5216	1-242-963-21	RES, NETWORK	33 (1005X4)	C1016	1-100-597-91	CERAMIC CHIP 0.1uF 10% 25V	
RB5217	1-242-963-21	RES, NETWORK	33 (1005X4)	C1017	1-164-230-11	CERAMIC CHIP 220PF 5% 50V	

STR-DA4300ES

MAIN

Ref. No.	Part No.	Description			Remark	Ref. No.	Part No.	Description			Remark
C1018	1-164-230-11	CERAMIC CHIP	220PF	5%	50V	C1140	1-126-941-11	ELECT	470uF	20%	25V
C1019	1-164-230-11	CERAMIC CHIP	220PF	5%	50V	C1141	1-126-964-11	ELECT	10uF	20%	50V
C1020	1-126-933-11	ELECT	100uF	20%	16V	C1142	1-126-964-11	ELECT	10uF	20%	50V
C1021	1-100-597-91	CERAMIC CHIP	0.1uF	10%	25V	C1143	1-126-964-11	ELECT	10uF	20%	50V
C1022	1-126-933-11	ELECT	100uF	20%	16V	C1144	1-126-964-11	ELECT	10uF	20%	50V
C1023	1-100-597-91	CERAMIC CHIP	0.1uF	10%	25V	C1145	1-126-964-11	ELECT	10uF	20%	50V
C1024	1-126-933-11	ELECT	100uF	20%	16V	C1146	1-126-964-11	ELECT	10uF	20%	50V
C1025	1-100-597-91	CERAMIC CHIP	0.1uF	10%	25V	C1147	1-126-964-11	ELECT	10uF	20%	50V
C1026	1-126-933-11	ELECT	100uF	20%	16V	C1148	1-126-964-11	ELECT	10uF	20%	50V
C1027	1-100-597-91	CERAMIC CHIP	0.1uF	10%	25V	C1149	1-126-964-11	ELECT	10uF	20%	50V
C1028	1-164-230-11	CERAMIC CHIP	220PF	5%	50V	C1150	1-126-964-11	ELECT	10uF	20%	50V
C1029	1-164-230-11	CERAMIC CHIP	220PF	5%	50V	C1151	1-126-964-11	ELECT	10uF	20%	50V
C1030	1-100-597-91	CERAMIC CHIP	0.1uF	10%	25V	C1152	1-126-964-11	ELECT	10uF	20%	50V
C1031	1-100-597-91	CERAMIC CHIP	0.1uF	10%	25V	C1153	1-126-965-91	ELECT	22uF	20%	50V
C1032	1-100-597-91	CERAMIC CHIP	0.1uF	10%	25V	C1155	1-162-966-11	CERAMIC CHIP	0.0022uF	10%	50V
C1033	1-131-992-91	CERAMIC CHIP	100000PF		35V	C1158	1-164-227-11	CERAMIC CHIP	0.022uF	10%	25V
C1034	1-131-992-91	CERAMIC CHIP	100000PF		35V	C1159	1-126-947-11	ELECT	47uF	20%	35V
C1035	1-131-992-91	CERAMIC CHIP	100000PF		35V	C1201	1-162-927-11	CERAMIC CHIP	100PF	5%	50V
C1036	1-126-939-11	ELECT	10000uF	20%	16V	C1202	1-164-230-11	CERAMIC CHIP	220PF	5%	50V
C1101	1-162-927-11	CERAMIC CHIP	100PF	5%	50V	C1203	1-126-961-11	ELECT	2.2uF	20%	50V
C1102	1-164-230-11	CERAMIC CHIP	220PF	5%	50V	C1204	1-126-935-11	ELECT	470uF	20%	16V
C1103	1-126-961-11	ELECT	2.2uF	20%	50V	C1205	1-162-927-11	CERAMIC CHIP	100PF	5%	50V
C1104	1-126-935-11	ELECT	470uF	20%	16V	C1206	1-125-896-91	MYLAR	0.0091uF	5%	50V
C1105	1-162-927-11	CERAMIC CHIP	100PF	5%	50V	C1207	1-136-159-00	MYLAR	0.033uF	5%	50V
C1106	1-125-896-91	MYLAR	0.0091uF	5%	50V	C1208	1-126-961-11	ELECT	2.2uF	20%	50V
C1107	1-136-159-00	MYLAR	0.033uF	5%	50V	C1209	1-164-227-11	CERAMIC CHIP	0.022uF	10%	25V
C1108	1-126-961-11	ELECT	2.2uF	20%	50V	C1210	1-115-414-11	CERAMIC CHIP	820PF	5%	25V
C1109	1-164-227-11	CERAMIC CHIP	0.022uF	10%	25V	C1211	1-162-927-11	CERAMIC CHIP	100PF	5%	50V
C1110	1-115-414-11	CERAMIC CHIP	820PF	5%	25V	C1212	1-126-965-91	ELECT	22uF	20%	50V
C1111	1-162-927-11	CERAMIC CHIP	100PF	5%	50V	C1213	1-115-414-11	CERAMIC CHIP	820PF	5%	25V
C1112	1-126-965-91	ELECT	22uF	20%	50V	C1214	1-115-414-11	CERAMIC CHIP	820PF	5%	25V
C1113	1-115-414-11	CERAMIC CHIP	820PF	5%	25V	C1215	1-115-414-11	CERAMIC CHIP	820PF	5%	25V
C1114	1-115-414-11	CERAMIC CHIP	820PF	5%	25V	C1216	1-115-414-11	CERAMIC CHIP	820PF	5%	25V
C1115	1-115-414-11	CERAMIC CHIP	820PF	5%	25V	C1217	1-115-414-11	CERAMIC CHIP	820PF	5%	25V
C1116	1-115-414-11	CERAMIC CHIP	820PF	5%	25V	C1218	1-162-927-11	CERAMIC CHIP	100PF	5%	50V
C1117	1-115-414-11	CERAMIC CHIP	820PF	5%	25V	C1219	1-126-965-91	ELECT	22uF	20%	50V
C1118	1-162-927-11	CERAMIC CHIP	100PF	5%	50V	C1220	1-115-414-11	CERAMIC CHIP	820PF	5%	25V
C1119	1-126-965-91	ELECT	22uF	20%	50V	C1221	1-162-927-11	CERAMIC CHIP	100PF	5%	50V
C1120	1-115-414-11	CERAMIC CHIP	820PF	5%	25V	C1222	1-162-927-11	CERAMIC CHIP	100PF	5%	50V
C1121	1-162-927-11	CERAMIC CHIP	100PF	5%	50V	C1223	1-162-927-11	CERAMIC CHIP	100PF	5%	50V
C1122	1-162-927-11	CERAMIC CHIP	100PF	5%	50V	C1224	1-126-965-91	ELECT	22uF	20%	50V
C1123	1-162-927-11	CERAMIC CHIP	100PF	5%	50V	C1225	1-162-927-11	CERAMIC CHIP	100PF	5%	50V
C1124	1-126-965-91	ELECT	22uF	20%	50V	C1226	1-162-927-11	CERAMIC CHIP	100PF	5%	50V
C1125	1-162-927-11	CERAMIC CHIP	100PF	5%	50V	C1227	1-162-927-11	CERAMIC CHIP	100PF	5%	50V
C1126	1-162-927-11	CERAMIC CHIP	100PF	5%	50V	C1228	1-162-927-11	CERAMIC CHIP	100PF	5%	50V
C1127	1-162-927-11	CERAMIC CHIP	100PF	5%	50V	C1229	1-126-965-91	ELECT	22uF	20%	50V
C1128	1-162-927-11	CERAMIC CHIP	100PF	5%	50V	C1230	1-126-965-91	ELECT	22uF	20%	50V
C1129	1-126-965-91	ELECT	22uF	20%	50V	C1231	1-126-965-91	ELECT	22uF	20%	50V
C1130	1-126-965-91	ELECT	22uF	20%	50V	C1232	1-126-965-91	ELECT	22uF	20%	50V
C1131	1-126-965-91	ELECT	22uF	20%	50V	C1233	1-126-947-11	ELECT	47uF	20%	35V
C1132	1-126-965-91	ELECT	22uF	20%	50V	C1234	1-104-999-11	MYLAR	0.1uF	5%	200V
C1133	1-126-947-11	ELECT	47uF	20%	35V	C1235	1-137-350-11	FILM	0.015uF	5%	100V
C1134	1-104-999-11	MYLAR	0.1uF	5%	200V	C1236	1-137-350-11	FILM	0.015uF	5%	100V
C1135	1-137-350-11	FILM	0.015uF	5%	100V	C1237	1-114-537-11	ELECT (BLOCK)	8200uF	20%	71V
C1136	1-137-350-11	FILM	0.015uF	5%	100V	C1238	1-126-936-11	ELECT	3300uF	20%	16V
C1137	1-114-537-11	ELECT (BLOCK)	8200uF	20%	71V	C1239	1-100-597-91	CERAMIC CHIP	0.1uF	10%	25V
C1139	1-100-597-91	CERAMIC CHIP	0.1uF	10%	25V	C1240	1-126-941-11	ELECT	470uF	20%	25V
						C1241	1-126-964-11	ELECT	10uF	20%	50V

STR-DA4300ES

MAIN

Ref. No.	Part No.	Description	Quantity	Unit	Remark	Ref. No.	Part No.	Description	Quantity	Unit	Remark
△R1028	1-249-393-11	CARBON	10	5%	1/4W F	R1145	1-216-809-11	METAL CHIP	100	5%	1/10W
R1029	1-216-829-11	METAL CHIP	4.7K	5%	1/10W	R1146	1-216-809-11	METAL CHIP	100	5%	1/10W
R1030	1-216-833-11	METAL CHIP	10K	5%	1/10W	R1147	1-216-809-11	METAL CHIP	100	5%	1/10W
△R1031	1-249-393-11	CARBON	10	5%	1/4W F	R1201	1-216-825-11	METAL CHIP	2.2K	5%	1/10W
R1033	1-216-833-11	METAL CHIP	10K	5%	1/10W	R1202	1-216-845-11	METAL CHIP	100K	5%	1/10W
△R1034	1-249-393-11	CARBON	10	5%	1/4W F	R1203	1-216-845-11	METAL CHIP	100K	5%	1/10W
R1035	1-216-829-11	METAL CHIP	4.7K	5%	1/10W	R1204	1-216-812-11	METAL CHIP	180	5%	1/10W
R1036	1-216-837-11	METAL CHIP	22K	5%	1/10W	R1205	1-216-832-11	METAL CHIP	8.2K	5%	1/10W
R1037	1-216-833-11	METAL CHIP	10K	5%	1/10W	R1206	1-216-845-11	METAL CHIP	100K	5%	1/10W
R1038	1-216-833-11	METAL CHIP	10K	5%	1/10W	R1207	1-216-809-11	METAL CHIP	100	5%	1/10W
R1039	1-216-833-11	METAL CHIP	10K	5%	1/10W	R1208	1-216-845-11	METAL CHIP	100K	5%	1/10W
R1040	1-216-833-11	METAL CHIP	10K	5%	1/10W	R1209	1-216-817-11	METAL CHIP	470	5%	1/10W
R1041	1-216-833-11	METAL CHIP	10K	5%	1/10W	R1210	1-216-821-11	METAL CHIP	1K	5%	1/10W
R1042	1-216-864-11	SHORT CHIP	0			R1211	1-216-821-11	METAL CHIP	1K	5%	1/10W
R1043	1-216-296-11	SHORT CHIP	0			R1212	1-216-845-11	METAL CHIP	100K	5%	1/10W
R1044	1-216-864-11	SHORT CHIP	0			R1213	1-216-821-11	METAL CHIP	1K	5%	1/10W
R1045	1-216-296-11	SHORT CHIP	0			R1214	1-216-821-11	METAL CHIP	1K	5%	1/10W
R1101	1-216-825-11	METAL CHIP	2.2K	5%	1/10W	R1215	1-216-821-11	METAL CHIP	1K	5%	1/10W
R1102	1-216-845-11	METAL CHIP	100K	5%	1/10W	R1216	1-216-821-11	METAL CHIP	1K	5%	1/10W
R1103	1-216-845-11	METAL CHIP	100K	5%	1/10W	R1217	1-216-821-11	METAL CHIP	1K	5%	1/10W
R1104	1-216-812-11	METAL CHIP	180	5%	1/10W	R1218	1-216-821-11	METAL CHIP	1K	5%	1/10W
R1105	1-216-832-11	METAL CHIP	8.2K	5%	1/10W	R1219	1-216-845-11	METAL CHIP	100K	5%	1/10W
R1106	1-216-845-11	METAL CHIP	100K	5%	1/10W	R1220	1-216-821-11	METAL CHIP	1K	5%	1/10W
R1107	1-216-809-11	METAL CHIP	100	5%	1/10W	R1221	1-216-821-11	METAL CHIP	1K	5%	1/10W
R1108	1-216-845-11	METAL CHIP	100K	5%	1/10W	R1222	1-216-809-11	METAL CHIP	100	5%	1/10W
R1109	1-216-817-11	METAL CHIP	470	5%	1/10W	R1223	1-216-829-11	METAL CHIP	4.7K	5%	1/10W
R1110	1-216-821-11	METAL CHIP	1K	5%	1/10W	R1224	1-216-845-11	METAL CHIP	100K	5%	1/10W
R1111	1-216-821-11	METAL CHIP	1K	5%	1/10W	R1225	1-216-821-11	METAL CHIP	1K	5%	1/10W
R1112	1-216-845-11	METAL CHIP	100K	5%	1/10W	R1226	1-216-821-11	METAL CHIP	1K	5%	1/10W
R1113	1-216-821-11	METAL CHIP	1K	5%	1/10W	R1227	1-216-821-11	METAL CHIP	1K	5%	1/10W
R1114	1-216-821-11	METAL CHIP	1K	5%	1/10W	R1228	1-216-821-11	METAL CHIP	1K	5%	1/10W
R1115	1-216-821-11	METAL CHIP	1K	5%	1/10W	R1229	1-216-845-11	METAL CHIP	100K	5%	1/10W
R1116	1-216-821-11	METAL CHIP	1K	5%	1/10W	R1230	1-216-845-11	METAL CHIP	100K	5%	1/10W
R1117	1-216-821-11	METAL CHIP	1K	5%	1/10W	R1231	1-216-845-11	METAL CHIP	100K	5%	1/10W
R1118	1-216-821-11	METAL CHIP	1K	5%	1/10W	R1232	1-216-845-11	METAL CHIP	100K	5%	1/10W
R1119	1-216-845-11	METAL CHIP	100K	5%	1/10W	△R1233	1-215-867-00	METAL OXIDE	470	5%	1W F
R1120	1-216-821-11	METAL CHIP	1K	5%	1/10W	△R1234	1-249-395-11	CARBON	15	5%	1/4W F
R1121	1-216-821-11	METAL CHIP	1K	5%	1/10W	R1235	1-216-825-11	METAL CHIP	2.2K	5%	1/10W
R1122	1-216-829-11	METAL CHIP	4.7K	5%	1/10W	R1237	1-216-825-11	METAL CHIP	2.2K	5%	1/10W
R1123	1-216-809-11	METAL CHIP	100	5%	1/10W	R1238	1-216-813-11	METAL CHIP	220	5%	1/10W
R1124	1-216-845-11	METAL CHIP	100K	5%	1/10W	R1239	1-216-832-11	METAL CHIP	8.2K	5%	1/10W
R1125	1-216-821-11	METAL CHIP	1K	5%	1/10W	R1240	1-216-829-11	METAL CHIP	4.7K	5%	1/10W
R1126	1-216-821-11	METAL CHIP	1K	5%	1/10W	R1244	1-216-809-11	METAL CHIP	100	5%	1/10W
R1127	1-216-821-11	METAL CHIP	1K	5%	1/10W	R1245	1-216-809-11	METAL CHIP	100	5%	1/10W
R1128	1-216-821-11	METAL CHIP	1K	5%	1/10W	R1246	1-216-809-11	METAL CHIP	100	5%	1/10W
R1129	1-216-845-11	METAL CHIP	100K	5%	1/10W	R1247	1-216-809-11	METAL CHIP	100	5%	1/10W
R1130	1-216-845-11	METAL CHIP	100K	5%	1/10W	< RELAY >					
R1131	1-216-845-11	METAL CHIP	100K	5%	1/10W	RY1001	1-755-486-11	RELAY			
R1132	1-216-845-11	METAL CHIP	100K	5%	1/10W	RY1006	1-515-920-11	RELAY (24V)			
△R1133	1-215-867-00	METAL OXIDE	470	5%	1W F	RY1007	1-515-920-11	RELAY (24V)			
△R1134	1-249-395-11	CARBON	15	5%	1/4W F	RY1008	1-515-920-11	RELAY (24V)			
R1135	1-216-825-11	METAL CHIP	2.2K	5%	1/10W	RY1009	1-755-486-11	RELAY			
R1137	1-216-825-11	METAL CHIP	2.2K	5%	1/10W	RY1010	1-755-031-11	RELAY			
R1138	1-216-813-11	METAL CHIP	220	5%	1/10W						
R1139	1-216-832-11	METAL CHIP	8.2K	5%	1/10W						
R1140	1-216-829-11	METAL CHIP	4.7K	5%	1/10W						
R1144	1-216-809-11	METAL CHIP	100	5%	1/10W						

MAIN

MAIN VOL

MIC

POW SW

POWER AMP

Ref. No.	Part No.	Description	Remark	Ref. No.	Part No.	Description	Remark
		< TERMINAL >		C1712	1-107-597-11	CERAMIC 22PF 5%	500V
TB1001	1-780-404-11	TERMINAL BOARD (SP) (8P) (FRONT SPEAKERS)		C1713	1-107-597-11	CERAMIC 22PF 5%	500V
*****				C1762	1-107-597-11	CERAMIC 22PF 5%	500V
		MAIN VOL BOARD *****		C1763	1-107-597-11	CERAMIC 22PF 5%	500V
		< CONNECTOR >		C1812	1-107-597-11	CERAMIC 22PF 5%	500V
CN712	1-564-722-11	PIN, CONNECTOR (SMALL TYPE) 6P		C1813	1-107-597-11	CERAMIC 22PF 5%	500V
		< ROTARY ENCODER >		C1862	1-107-597-11	CERAMIC 22PF 5%	500V
S722	1-418-725-41	ENCODER, ROTARY (12 TYPE) (MASTER VOLUME)		C1863	1-107-597-11	CERAMIC 22PF 5%	500V
*****				C1903	1-128-563-11	ELECT 100uF 20%	100V
		MIC BOARD *****		C1904	1-128-563-11	ELECT 100uF 20%	100V
		< CAPACITOR >				< CONNECTOR >	
C755	1-164-230-11	CERAMIC CHIP 220PF 5% 50V		CN1510	1-573-846-11	CONNECTOR, BOARD TO BOARD 14P	
		< CONNECTOR >		CN1572	1-766-600-21	CONNECTOR, BOARD TO BOARD 7P	
CN718	1-564-719-11	PIN, CONNECTOR (SMALL TYPE) 3P		CN1703	1-573-846-11	CONNECTOR, BOARD TO BOARD 14P	
		< DIODE >		CN1872	1-573-846-11	CONNECTOR, BOARD TO BOARD 14P	
D717	8-719-404-50	DIODE MA111-TX		CN1901	1-785-102-11	PIN, CONNECTOR (3.96mm PITCH) 4P	
D718	8-719-404-50	DIODE MA111-TX		CN1903	1-573-844-11	CONNECTOR, BOARD TO BOARD 12P	
		< JACK >		CN1904	1-573-844-11	CONNECTOR, BOARD TO BOARD 12P	
J701	1-820-056-11	SMALL TYPE JACK (AUTO CAL MIC)				< COIL >	
		< LEAD >		L1501	1-420-872-52	COIL, AIR-CORE	
W701	1-775-377-21	LEAD (WITH CONNECTOR)		L1551	1-420-872-52	COIL, AIR-CORE	
*****				L1601	1-420-872-52	COIL, AIR-CORE	
		POW SW BOARD *****		L1701	1-420-872-52	COIL, AIR-CORE	
		< CONNECTOR >		L1751	1-420-872-52	COIL, AIR-CORE	
CN1	1-564-321-00	PIN, CONNECTOR (3.96mm PITCH) 2P		L1801	1-420-872-52	COIL, AIR-CORE	
CN2	1-564-704-41	PIN, CONNECTOR (SMALL TYPE) 2P		L1851	1-420-872-52	COIL, AIR-CORE	
		< SWITCH >				< RESISTOR >	
△SW1	1-786-377-11	SWITCH, POWER (POWER)		△R1515	1-249-405-11	CARBON 100 5%	1/4W F
*****				△R1516	1-234-572-21	ENCAPSULATED COMPONENT 0.22	5W F
		A-1254-657-A POWER AMP BOARD, COMPLETE *****		△R1517	1-249-405-11	CARBON 100 5%	1/4W F
		< CAPACITOR >		△R1518	1-249-393-11	CARBON 10 5%	1/4W F
C1512	1-107-597-11	CERAMIC 22PF 5% 500V		△R1565	1-249-405-11	CARBON 100 5%	1/4W F
C1513	1-107-597-11	CERAMIC 22PF 5% 500V		△R1566	1-234-572-21	ENCAPSULATED COMPONENT 0.22	5W F
C1562	1-107-597-11	CERAMIC 22PF 5% 500V		△R1567	1-249-405-11	CARBON 100 5%	1/4W F
C1563	1-107-597-11	CERAMIC 22PF 5% 500V		△R1568	1-249-393-11	CARBON 10 5%	1/4W F
C1612	1-107-597-11	CERAMIC 22PF 5% 500V		△R1615	1-249-405-11	CARBON 100 5%	1/4W F
C1613	1-107-597-11	CERAMIC 22PF 5% 500V		△R1616	1-234-572-21	ENCAPSULATED COMPONENT 0.22	5W F
				△R1617	1-249-405-11	CARBON 100 5%	1/4W F
				△R1618	1-249-393-11	CARBON 10 5%	1/4W F
				△R1715	1-249-405-11	CARBON 100 5%	1/4W F
				△R1716	1-234-572-21	ENCAPSULATED COMPONENT 0.22	5W F
				△R1717	1-249-405-11	CARBON 100 5%	1/4W F
				△R1718	1-249-393-11	CARBON 10 5%	1/4W F
				△R1765	1-249-405-11	CARBON 100 5%	1/4W F
				△R1766	1-234-572-21	ENCAPSULATED COMPONENT 0.22	5W F
				△R1767	1-249-405-11	CARBON 100 5%	1/4W F
				△R1768	1-249-393-11	CARBON 10 5%	1/4W F
				△R1815	1-249-405-11	CARBON 100 5%	1/4W F
				△R1816	1-234-572-21	ENCAPSULATED COMPONENT 0.22	5W F
				△R1817	1-249-405-11	CARBON 100 5%	1/4W F
				△R1818	1-249-393-11	CARBON 10 5%	1/4W F
				△R1865	1-249-405-11	CARBON 100 5%	1/4W F
				△R1866	1-234-572-21	ENCAPSULATED COMPONENT 0.22	5W F
				△R1867	1-249-405-11	CARBON 100 5%	1/4W F

STR-DA4300ES

POWER AMP	PREOUT	PROTECTOR (F-C)
-----------	--------	-----------------

Ref. No.	Part No.	Description	Remark		
△ R1868	1-249-393-11	CARBON	10	5%	1/4W F

PREOUT BOARD					

< CAPACITOR >					
C4051	1-100-597-91	CERAMIC CHIP	0.1uF	10%	25V
C4052	1-100-597-91	CERAMIC CHIP	0.1uF	10%	25V
C4053	1-100-597-91	CERAMIC CHIP	0.1uF	10%	25V
C4054	1-100-597-91	CERAMIC CHIP	0.1uF	10%	25V
C4055	1-164-230-11	CERAMIC CHIP	220PF	5%	50V
C4151	1-162-927-11	CERAMIC CHIP	100PF	5%	50V
C4152	1-162-927-11	CERAMIC CHIP	100PF	5%	50V
C4153	1-162-927-11	CERAMIC CHIP	100PF	5%	50V
C4154	1-162-927-11	CERAMIC CHIP	100PF	5%	50V
C4171	1-162-927-11	CERAMIC CHIP	100PF	5%	50V
C4172	1-162-927-11	CERAMIC CHIP	100PF	5%	50V
C4173	1-162-927-11	CERAMIC CHIP	100PF	5%	50V
C4174	1-162-927-11	CERAMIC CHIP	100PF	5%	50V
< CONNECTOR >					
CN4051	1-779-287-11	CONNECTOR, FFC (LIF (NON-ZIF))	19P		
< DIODE >					
D4051	8-719-988-61	DIODE 1SS355TE-17			
D4052	8-719-988-61	DIODE 1SS355TE-17			
D4053	8-719-988-61	DIODE 1SS355TE-17			
D4054	8-719-988-61	DIODE 1SS355TE-17			
D4055	8-719-988-61	DIODE 1SS355TE-17			
D4056	8-719-988-61	DIODE 1SS355TE-17			
< JACK >					
J4051	1-774-411-11	JACK, PIN 6P			(PRE OUT FRONT/SURROUND/SUR BACK)
J4052	1-793-777-12	JACK, PIN 2P			(PRE OUT CENTER/SUB WOOFER)
< TRANSISTOR >					
Q4051	8-729-620-07	TRANSISTOR	2SC3052EF-T1-LEF		
Q4052	8-729-620-07	TRANSISTOR	2SC3052EF-T1-LEF		
Q4053	8-729-620-07	TRANSISTOR	2SC3052EF-T1-LEF		
Q4054	8-729-620-07	TRANSISTOR	2SC3052EF-T1-LEF		
< RESISTOR >					
R4051	1-216-829-11	METAL CHIP	4.7K	5%	1/10W
R4052	1-216-833-11	METAL CHIP	10K	5%	1/10W
△ R4053	1-249-393-11	CARBON	10	5%	1/4W F
R4054	1-216-829-11	METAL CHIP	4.7K	5%	1/10W
R4055	1-216-833-11	METAL CHIP	10K	5%	1/10W
△ R4056	1-249-393-11	CARBON	10	5%	1/4W F
R4057	1-216-829-11	METAL CHIP	4.7K	5%	1/10W
R4058	1-216-833-11	METAL CHIP	10K	5%	1/10W
△ R4059	1-249-393-11	CARBON	10	5%	1/4W F
R4060	1-216-829-11	METAL CHIP	4.7K	5%	1/10W
R4061	1-216-833-11	METAL CHIP	10K	5%	1/10W
△ R4062	1-249-393-11	CARBON	10	5%	1/4W F
R4151	1-216-821-11	METAL CHIP	1K	5%	1/10W

Ref. No.	Part No.	Description	Remark		
R4152	1-216-821-11	METAL CHIP	1K	5%	1/10W
R4153	1-216-821-11	METAL CHIP	1K	5%	1/10W
R4154	1-216-821-11	METAL CHIP	1K	5%	1/10W
R4171	1-216-821-11	METAL CHIP	1K	5%	1/10W
R4172	1-216-821-11	METAL CHIP	1K	5%	1/10W
R4173	1-216-821-11	METAL CHIP	1K	5%	1/10W
R4174	1-216-821-11	METAL CHIP	1K	5%	1/10W
< RELAY >					
RY4051	1-755-486-11	RELAY			
RY4052	1-755-486-11	RELAY			
RY4053	1-755-486-11	RELAY			
RY4054	1-755-486-11	RELAY			

A-1252-367-A PROTECTOR (F-C) BOARD, COMPLETE					

< CAPACITOR >					
C1522	1-128-813-11	CERAMIC	220PF	5%	50V
C1523	1-136-153-00	MYLAR	0.01uF	5%	50V
C1524	1-126-964-11	ELECT	10uF	20%	50V
C1572	1-128-813-11	CERAMIC	220PF	5%	50V
C1573	1-136-153-00	MYLAR	0.01uF	5%	50V
C1574	1-126-964-11	ELECT	10uF	20%	50V
C1622	1-128-813-11	CERAMIC	220PF	5%	50V
C1623	1-136-153-00	MYLAR	0.01uF	5%	50V
C1624	1-126-964-11	ELECT	10uF	20%	50V
< CONNECTOR >					
CN1501	1-766-715-21	CONNECTOR, BOARD TO BOARD	10P		
* CN1503	1-774-876-21	CONNECTOR, BOARD TO BOARD	8P		
* CN1521	1-573-828-11	CONNECTOR, BOARD TO BOARD	14P		
* CN1561	1-564-720-11	PIN, CONNECTOR (SMALL TYPE)	4P		
CN1571	1-766-724-11	CONNECTOR, BOARD TO BOARD	7P		
* CN1611	1-564-720-11	PIN, CONNECTOR (SMALL TYPE)	4P		
< DIODE >					
D1521	8-719-991-33	DIODE 1SS133T-77			
D1522	8-719-991-33	DIODE 1SS133T-77			
D1571	8-719-991-33	DIODE 1SS133T-77			
D1572	8-719-991-33	DIODE 1SS133T-77			
D1621	8-719-991-33	DIODE 1SS133T-77			
D1622	8-719-991-33	DIODE 1SS133T-77			
< TRANSISTOR >					
Q1522	8-729-042-09	TRANSISTOR	2SA1038S-RSE-TP		
Q1523	8-729-042-09	TRANSISTOR	2SA1038S-RSE-TP		
Q1524	8-729-119-78	TRANSISTOR	2SC2785-HFE		
Q1572	8-729-042-09	TRANSISTOR	2SA1038S-RSE-TP		
Q1573	8-729-042-09	TRANSISTOR	2SA1038S-RSE-TP		
Q1574	8-729-119-78	TRANSISTOR	2SC2785-HFE		
Q1622	8-729-042-09	TRANSISTOR	2SA1038S-RSE-TP		
Q1623	8-729-042-09	TRANSISTOR	2SA1038S-RSE-TP		
Q1624	8-729-119-78	TRANSISTOR	2SC2785-HFE		
< RESISTOR >					
R1525	1-247-847-91	CARBON	4.7K	5%	1/4W

PROTECTOR (F-C)

PROTECTOR (SB)

PROTECTOR (SURRE)

Ref. No.	Part No.	Description	Remark	Ref. No.	Part No.	Description	Remark
△ R1526	1-240-855-91	CARBON	6.2K 5% 1/4W F				
R1527	1-249-420-11	CARBON	1.8K 5% 1/4W			< TRANSISTOR >	
R1528	1-249-431-11	CARBON	15K 5% 1/4W				
R1529	1-247-862-11	CARBON	20K 5% 1/4W				
R1530	1-249-419-11	CARBON	1.5K 5% 1/4W				
R1531	1-247-871-91	CARBON	47K 5% 1/4W				
R1532	1-249-431-11	CARBON	15K 5% 1/4W				
R1533	1-247-871-91	CARBON	47K 5% 1/4W				
R1534	1-247-863-91	CARBON	22K 5% 1/4W				
R1535	1-249-439-11	CARBON	68K 5% 1/4W			< RESISTOR >	
R1536	1-247-887-00	CARBON	220K 5% 1/4W				
R1575	1-247-847-91	CARBON	4.7K 5% 1/4W				
△ R1576	1-240-855-91	CARBON	6.2K 5% 1/4W F	△ R1825	1-247-847-91	CARBON	4.7K 5% 1/4W
R1577	1-249-420-11	CARBON	1.8K 5% 1/4W	△ R1826	1-240-855-91	CARBON	6.2K 5% 1/4W F
R1578	1-249-431-11	CARBON	15K 5% 1/4W	R1827	1-249-420-11	CARBON	1.8K 5% 1/4W
R1579	1-247-862-11	CARBON	20K 5% 1/4W	R1828	1-249-431-11	CARBON	15K 5% 1/4W
R1580	1-249-419-11	CARBON	1.5K 5% 1/4W	R1829	1-247-862-11	CARBON	20K 5% 1/4W
R1581	1-247-871-91	CARBON	47K 5% 1/4W	R1830	1-249-419-11	CARBON	1.5K 5% 1/4W
R1582	1-249-431-11	CARBON	15K 5% 1/4W	R1831	1-247-871-91	CARBON	47K 5% 1/4W
R1583	1-247-871-91	CARBON	47K 5% 1/4W	R1832	1-249-431-11	CARBON	15K 5% 1/4W
R1584	1-247-863-91	CARBON	22K 5% 1/4W	R1833	1-247-871-91	CARBON	47K 5% 1/4W
R1585	1-249-439-11	CARBON	68K 5% 1/4W	R1834	1-247-863-91	CARBON	22K 5% 1/4W
R1586	1-247-887-00	CARBON	220K 5% 1/4W	R1835	1-249-439-11	CARBON	68K 5% 1/4W
R1625	1-247-847-91	CARBON	4.7K 5% 1/4W	R1836	1-247-887-00	CARBON	220K 5% 1/4W
△ R1626	1-240-855-91	CARBON	6.2K 5% 1/4W F	R1875	1-247-847-91	CARBON	4.7K 5% 1/4W
R1627	1-249-420-11	CARBON	1.8K 5% 1/4W	△ R1876	1-240-855-91	CARBON	6.2K 5% 1/4W F
R1628	1-249-431-11	CARBON	15K 5% 1/4W	R1877	1-249-420-11	CARBON	1.8K 5% 1/4W
R1629	1-247-862-11	CARBON	20K 5% 1/4W	R1878	1-249-431-11	CARBON	15K 5% 1/4W
R1630	1-249-419-11	CARBON	1.5K 5% 1/4W	R1879	1-247-862-11	CARBON	20K 5% 1/4W
R1631	1-247-871-91	CARBON	47K 5% 1/4W	R1880	1-249-419-11	CARBON	1.5K 5% 1/4W
R1632	1-249-431-11	CARBON	15K 5% 1/4W	R1881	1-247-871-91	CARBON	47K 5% 1/4W
R1633	1-247-871-91	CARBON	47K 5% 1/4W	R1882	1-249-431-11	CARBON	15K 5% 1/4W
R1634	1-247-863-91	CARBON	22K 5% 1/4W	R1883	1-247-871-91	CARBON	47K 5% 1/4W
R1635	1-249-439-11	CARBON	68K 5% 1/4W	R1884	1-247-863-91	CARBON	22K 5% 1/4W
R1636	1-247-887-00	CARBON	220K 5% 1/4W	R1885	1-249-439-11	CARBON	68K 5% 1/4W
*****				R1886	1-247-887-00	CARBON	220K 5% 1/4W
*****				*****			
A-1252-369-A PROTECTOR (SB) BOARD, COMPLETE				A-1252-368-A PROTECTOR (SURRE) BOARD, COMPLETE			
*****				*****			
< CAPACITOR >				< CAPACITOR >			
C1822	1-128-813-11	CERAMIC	220PF 5% 50V	C1722	1-128-813-11	CERAMIC	220PF 5% 50V
C1823	1-136-153-00	MYLAR	0.01uF 5% 50V	C1723	1-136-153-00	MYLAR	0.01uF 5% 50V
C1824	1-126-964-11	ELECT	10uF 20% 50V	C1724	1-126-964-11	ELECT	10uF 20% 50V
C1872	1-128-813-11	CERAMIC	220PF 5% 50V	C1772	1-128-813-11	CERAMIC	220PF 5% 50V
C1873	1-136-153-00	MYLAR	0.01uF 5% 50V	C1773	1-136-153-00	MYLAR	0.01uF 5% 50V
C1874	1-126-964-11	ELECT	10uF 20% 50V	C1774	1-126-964-11	ELECT	10uF 20% 50V
< CONNECTOR >				< CONNECTOR >			
CN1801	1-573-846-11	CONNECTOR, BOARD TO BOARD 14P		* CN1701	1-573-828-11	CONNECTOR, BOARD TO BOARD 14P	
* CN1861	1-564-720-11	PIN, CONNECTOR (SMALL TYPE) 4P		CN1704	1-573-846-11	CONNECTOR, BOARD TO BOARD 14P	
* CN1871	1-573-828-11	CONNECTOR, BOARD TO BOARD 14P		* CN1761	1-564-720-11	PIN, CONNECTOR (SMALL TYPE) 4P	
< DIODE >				< DIODE >			
D1821	8-719-991-33	DIODE 1SS133T-77		D1721	8-719-991-33	DIODE 1SS133T-77	
D1822	8-719-991-33	DIODE 1SS133T-77		D1722	8-719-991-33	DIODE 1SS133T-77	
D1871	8-719-991-33	DIODE 1SS133T-77		D1771	8-719-991-33	DIODE 1SS133T-77	
D1872	8-719-991-33	DIODE 1SS133T-77		D1772	8-719-991-33	DIODE 1SS133T-77	

STR-DA4300ES

PROTECTOR (SURR) **S_SPTM** **TEMPERATURE DETECTION** **TUNER**

Ref. No.	Part No.	Description	Remark
< TRANSISTOR >			
Q1722	8-729-042-09	TRANSISTOR	2SA1038S-RSE-TP
Q1723	8-729-042-09	TRANSISTOR	2SA1038S-RSE-TP
Q1724	8-729-119-78	TRANSISTOR	2SC2785-HFE
Q1772	8-729-042-09	TRANSISTOR	2SA1038S-RSE-TP
Q1773	8-729-042-09	TRANSISTOR	2SA1038S-RSE-TP
Q1774	8-729-119-78	TRANSISTOR	2SC2785-HFE
< RESISTOR >			
R1725	1-247-847-91	CARBON	4.7K 5% 1/4W
△R1726	1-240-855-91	CARBON	6.2K 5% 1/4W F
R1727	1-249-420-11	CARBON	1.8K 5% 1/4W
R1728	1-249-431-11	CARBON	15K 5% 1/4W
R1729	1-247-862-11	CARBON	20K 5% 1/4W
R1730	1-249-419-11	CARBON	1.5K 5% 1/4W
R1731	1-247-871-91	CARBON	47K 5% 1/4W
R1732	1-249-431-11	CARBON	15K 5% 1/4W
R1733	1-247-871-91	CARBON	47K 5% 1/4W
R1734	1-247-863-91	CARBON	22K 5% 1/4W
R1735	1-249-439-11	CARBON	68K 5% 1/4W
R1736	1-247-887-00	CARBON	220K 5% 1/4W
R1775	1-247-847-91	CARBON	4.7K 5% 1/4W
△R1776	1-240-855-91	CARBON	6.2K 5% 1/4W F
R1777	1-249-420-11	CARBON	1.8K 5% 1/4W
R1778	1-249-431-11	CARBON	15K 5% 1/4W
R1779	1-247-862-11	CARBON	20K 5% 1/4W
R1780	1-249-419-11	CARBON	1.5K 5% 1/4W
R1781	1-247-871-91	CARBON	47K 5% 1/4W
R1782	1-249-431-11	CARBON	15K 5% 1/4W
R1783	1-247-871-91	CARBON	47K 5% 1/4W
R1784	1-247-863-91	CARBON	22K 5% 1/4W
R1785	1-249-439-11	CARBON	68K 5% 1/4W
R1786	1-247-887-00	CARBON	220K 5% 1/4W

S_SPTM BOARD			

< CAPACITOR >			
C4001	1-137-395-91	MYLAR	0.022uF 5% 100V
C4002	1-137-395-91	MYLAR	0.022uF 5% 100V
C4003	1-137-395-91	MYLAR	0.022uF 5% 100V
C4004	1-137-395-91	MYLAR	0.022uF 5% 100V
C4005	1-162-927-11	CERAMIC CHIP	100PF 5% 50V
C4006	1-162-927-11	CERAMIC CHIP	100PF 5% 50V
C4007	1-162-927-11	CERAMIC CHIP	100PF 5% 50V
C4008	1-162-927-11	CERAMIC CHIP	100PF 5% 50V
C4009	1-131-992-91	CERAMIC CHIP	100000PF 35V
C4010	1-131-992-91	CERAMIC CHIP	100000PF 35V
< CONNECTOR >			
CN4001	1-784-921-11	PIN, CONNECTOR	4P
CN4002	1-785-105-11	PIN, CONNECTOR (3.96mm PITCH)	7P
CN4003	1-785-101-11	PIN, CONNECTOR (3.96mm PITCH)	3P
CN4004	1-785-104-11	PIN, CONNECTOR (3.96mm PITCH)	6P
< DIODE >			
D4001	8-719-988-61	DIODE	1SS355TE-17

Ref. No.	Part No.	Description	Remark
D4002	8-719-988-61	DIODE	1SS355TE-17
< TRANSISTOR >			
Q4001	8-729-620-07	TRANSISTOR	2SC3052EF-T1-LEF
Q4002	8-729-620-07	TRANSISTOR	2SC3052EF-T1-LEF
< RESISTOR >			
△R4001	1-249-393-11	CARBON	10 5% 1/4W F
△R4002	1-249-393-11	CARBON	10 5% 1/4W F
△R4003	1-249-393-11	CARBON	10 5% 1/4W F
△R4004	1-249-393-11	CARBON	10 5% 1/4W F
△R4005	1-249-393-11	CARBON	10 5% 1/4W F
△R4006	1-249-393-11	CARBON	10 5% 1/4W F
R4007	1-216-825-11	METAL CHIP	2.2K 5% 1/10W
R4008	1-216-833-11	METAL CHIP	10K 5% 1/10W
R4009	1-216-825-11	METAL CHIP	2.2K 5% 1/10W
R4010	1-216-833-11	METAL CHIP	10K 5% 1/10W
< RELAY >			
RY4001	1-515-920-11	RELAY (24V)	
RY4002	1-515-920-11	RELAY (24V)	
< TERMINAL >			
TB4001	1-780-404-11	TERMINAL BOARD (SP) (8P) (SURROUND/	SURROUND BACK SPEAKERS)

TEMPERATURE DETECTION BOARD			

< CAPACITOR >			
C1909	1-127-888-11	CERAMIC	0.1uF 10% 50V
C1910	1-135-800-11	CERAMIC	1uF 50V
C1913	1-135-800-11	CERAMIC	1uF 50V
< DIODE >			
D1906	8-719-109-93	DIODE	RD6.2ESB2
< IC >			
IC1903	6-710-072-01	IC	LM61CIZ/LFT2
IC1905	6-710-072-01	IC	LM61CIZ/LFT2
< RESISTOR >			
R1928	1-249-414-11	CARBON	560 5% 1/4W

A-1382-222-A TUNER BOARD, COMPLETE			

< CAPACITOR >			
C8001	1-162-960-11	CERAMIC CHIP	220PF 10% 50V
C8002	1-124-779-00	ELECT CHIP	10uF 20% 16V
C8003	1-162-919-11	CERAMIC CHIP	22PF 5% 50V
C8004	1-162-919-11	CERAMIC CHIP	22PF 5% 50V
C8005	1-126-193-11	ELECT CHIP	1uF 20% 50V
C8006	1-126-193-11	ELECT CHIP	1uF 20% 50V
C8007	1-126-193-11	ELECT CHIP	1uF 20% 50V
C8008	1-126-193-11	ELECT CHIP	1uF 20% 50V

Ref. No.	Part No.	Description	Remark	Ref. No.	Part No.	Description	Remark
C8009	1-162-919-11	CERAMIC CHIP	22PF 5% 50V	C8071	1-124-779-00	ELECT CHIP	10uF 20% 16V
C8010	1-107-826-11	CERAMIC CHIP	0.1uF 10% 16V	C8072	1-162-969-11	CERAMIC CHIP	0.0068uF 10% 25V
C8011	1-164-733-11	CERAMIC CHIP	820PF 10% 50V	C8073	1-162-969-11	CERAMIC CHIP	0.0068uF 10% 25V
C8012	1-164-733-11	CERAMIC CHIP	820PF 10% 50V	C8074	1-107-826-11	CERAMIC CHIP	0.1uF 10% 16V
C8013	1-162-919-11	CERAMIC CHIP	22PF 5% 50V	C8075	1-107-826-11	CERAMIC CHIP	0.1uF 10% 16V
C8014	1-128-994-21	ELECT CHIP	47uF 20% 10V	C8076	1-115-412-11	CERAMIC CHIP	680PF 5% 25V
C8015	1-162-927-11	CERAMIC CHIP	100PF 5% 50V	C8077	1-115-412-11	CERAMIC CHIP	680PF 5% 25V
C8016	1-126-208-21	ELECT CHIP	47uF 20% 4V	C8078	1-107-826-11	CERAMIC CHIP	0.1uF 10% 16V
C8017	1-126-208-21	ELECT CHIP	47uF 20% 4V	C8079	1-124-779-00	ELECT CHIP	10uF 20% 16V
C8018	1-162-927-11	CERAMIC CHIP	100PF 5% 50V	C8080	1-107-826-11	CERAMIC CHIP	0.1uF 10% 16V
C8019	1-162-927-11	CERAMIC CHIP	100PF 5% 50V	C8081	1-124-779-00	ELECT CHIP	10uF 20% 16V
C8020	1-162-927-11	CERAMIC CHIP	100PF 5% 50V	C8082	1-128-994-21	ELECT CHIP	47uF 20% 10V
C8021	1-128-994-21	ELECT CHIP	47uF 20% 10V	C8083	1-107-826-11	CERAMIC CHIP	0.1uF 10% 16V
C8023	1-107-826-11	CERAMIC CHIP	0.1uF 10% 16V	C8084	1-164-230-11	CERAMIC CHIP	220PF 5% 50V
C8024	1-107-826-11	CERAMIC CHIP	0.1uF 10% 16V	C8085	1-164-230-11	CERAMIC CHIP	220PF 5% 50V
C8026	1-107-826-11	CERAMIC CHIP	0.1uF 10% 16V	C8086	1-107-826-11	CERAMIC CHIP	0.1uF 10% 16V
C8027	1-107-826-11	CERAMIC CHIP	0.1uF 10% 16V	C8087	1-164-230-11	CERAMIC CHIP	220PF 5% 50V
C8028	1-107-826-11	CERAMIC CHIP	0.1uF 10% 16V	C8088	1-128-994-21	ELECT CHIP	47uF 20% 10V
C8029	1-107-826-11	CERAMIC CHIP	0.1uF 10% 16V	C8090	1-162-960-11	CERAMIC CHIP	220PF 10% 50V
C8030	1-128-994-21	ELECT CHIP	47uF 20% 10V	C8092	1-126-204-11	ELECT CHIP	47uF 20% 16V
C8031	1-128-994-21	ELECT CHIP	47uF 20% 10V	C8093	1-162-923-11	CERAMIC CHIP	47PF 5% 50V
C8032	1-162-971-11	CERAMIC CHIP	0.001uF 10% 50V	C8094	1-162-923-11	CERAMIC CHIP	47PF 5% 50V
C8033	1-162-971-11	CERAMIC CHIP	0.001uF 10% 50V	C8095	1-162-923-11	CERAMIC CHIP	47PF 5% 50V
C8034	1-107-826-11	CERAMIC CHIP	0.1uF 10% 16V	C8096	1-162-923-11	CERAMIC CHIP	47PF 5% 50V
C8035	1-107-826-11	CERAMIC CHIP	0.1uF 10% 16V	< CONNECTOR >			
C8036	1-128-994-21	ELECT CHIP	47uF 20% 10V	CN8001	1-793-642-21	CONNECTOR (USB) (4P), SQUARE (XM)	
C8037	1-128-994-21	ELECT CHIP	47uF 20% 10V	CN8002	1-821-182-11	SOCKET, DIN 8P (SIRIUS)	
C8038	1-162-908-11	CERAMIC CHIP	3PF 0.25PF 50V	CN8003	1-817-615-21	CONNECTOR BOARD TO BOARD 18P	
C8039	1-107-826-11	CERAMIC CHIP	0.1uF 10% 16V	CN8005	1-568-828-11	CONNECTOR, FFC 9P	
C8040	1-107-826-11	CERAMIC CHIP	0.1uF 10% 16V	CN8006	1-770-409-11	CONNECTOR, BOARD TO BOARD 16P	
C8041	1-162-908-11	CERAMIC CHIP	3PF 0.25PF 50V	CN8007	1-770-407-11	CONNECTOR, BOARD TO BOARD 12P	
C8042	1-107-826-11	CERAMIC CHIP	0.1uF 10% 16V	CN8008	1-770-408-11	CONNECTOR, BOARD TO BOARD 14P	
C8043	1-107-826-11	CERAMIC CHIP	0.1uF 10% 16V	< DIODE >			
C8044	1-107-826-11	CERAMIC CHIP	0.1uF 10% 16V	D8001	8-719-988-61	DIODE 1SS355TE-17	
C8045	1-107-826-11	CERAMIC CHIP	0.1uF 10% 16V	D8002	8-719-988-61	DIODE 1SS355TE-17	
C8046	1-115-416-11	CERAMIC CHIP	0.001uF 5% 25V	D8003	8-719-083-02	DIODE KDS160-RTK	
C8047	1-126-208-21	ELECT CHIP	47uF 20% 4V	D8004	8-719-083-02	DIODE KDS160-RTK	
C8048	1-126-208-21	ELECT CHIP	47uF 20% 4V	D8005	6-500-462-01	DIODE NSAD500F-T1B	
C8049	1-115-416-11	CERAMIC CHIP	0.001uF 5% 25V	D8006	8-719-988-61	DIODE 1SS355TE-17	
C8050	1-107-826-11	CERAMIC CHIP	0.1uF 10% 16V	< EARTH TERMINAL >			
C8051	1-126-209-11	ELECT CHIP	100uF 20% 4V	ET8001	1-780-318-11	TERMINAL	
C8052	1-107-826-11	CERAMIC CHIP	0.1uF 10% 16V	ET8002	1-780-318-11	TERMINAL	
C8053	1-117-681-11	ELECT CHIP	100uF 20% 16V	< FERRITE BEAD >			
C8056	1-107-826-11	CERAMIC CHIP	0.1uF 10% 16V	FB8001	1-469-152-11	FERRITE, EMI (SMD) (2012)	
C8057	1-107-826-11	CERAMIC CHIP	0.1uF 10% 16V	FB8002	1-469-152-11	FERRITE, EMI (SMD) (2012)	
C8058	1-162-971-11	CERAMIC CHIP	0.001uF 10% 50V	FB8003	1-414-813-11	FERRITE, EMI (SMD) (2012)	
C8059	1-162-971-11	CERAMIC CHIP	0.001uF 10% 50V	< IC >			
C8060	1-128-994-21	ELECT CHIP	47uF 20% 10V	IC8001	6-705-469-01	IC BA50BC0FP-E2	
C8061	1-128-994-21	ELECT CHIP	47uF 20% 10V	IC8002	8-759-710-97	IC NJM4565M-D	
C8062	1-128-993-21	ELECT CHIP	22uF 20% 10V	IC8003	6-709-251-01	IC F2602E-01-TR	
C8063	1-107-826-11	CERAMIC CHIP	0.1uF 10% 16V	IC8004	6-702-302-01	IC TK11133CSCL-G	
C8064	1-107-826-11	CERAMIC CHIP	0.1uF 10% 16V	IC8005	6-707-111-01	IC PCM1753DBQR	
C8065	1-126-204-11	ELECT CHIP	47uF 20% 16V				
C8066	1-107-826-11	CERAMIC CHIP	0.1uF 10% 16V				
C8067	1-128-994-21	ELECT CHIP	47uF 20% 10V				
C8068	1-124-779-00	ELECT CHIP	10uF 20% 16V				
C8070	1-124-779-00	ELECT CHIP	10uF 20% 16V				

STR-DA4300ES

TUNER **VIDEO3**

Ref. No.	Part No.	Description	Remark
IC8006	6-706-740-01	IC BA00BCOWFP-E2	
IC8007	6-705-337-01	IC TK11150CSCL-G	
IC8008	8-759-710-97	IC NJM4565M-D	
IC8009	6-711-170-01	IC NJU7313AM (TE2)	
IC8010	8-759-710-97	IC NJM4565M-D	
IC8011	6-709-800-01	IC TA7809AF-(T6L1SONQ	
IC8012	8-759-710-97	IC NJM4565M-D	
< COIL >			
L8001	1-469-525-91	INDUCTOR	10uH
L8002	1-469-525-91	INDUCTOR	10uH
< TRANSISTOR >			
Q8001	8-729-027-43	TRANSISTOR	DTC114EKA-T146
Q8002	8-729-027-23	TRANSISTOR	DTA114EKA-T146
Q8003	8-729-027-43	TRANSISTOR	DTC114EKA-T146
Q8004	6-550-044-01	TRANSISTOR	2SB1689-T106
< RESISTOR/FERRITE BEAD >			
R8001	1-216-864-11	SHORT CHIP	0
R8009	1-216-833-11	METAL CHIP	10K 5% 1/10W
R8010	1-216-829-11	METAL CHIP	4.7K 5% 1/10W
R8014	1-216-864-11	SHORT CHIP	0
R8015	1-216-864-11	SHORT CHIP	0
R8019	1-216-837-11	METAL CHIP	22K 5% 1/10W
R8020	1-216-837-11	METAL CHIP	22K 5% 1/10W
R8021	1-216-837-11	METAL CHIP	22K 5% 1/10W
R8022	1-216-837-11	METAL CHIP	22K 5% 1/10W
R8023	1-219-365-11	SHORT CHIP	0
R8024	1-219-365-11	SHORT CHIP	0
R8025	1-216-837-11	METAL CHIP	22K 5% 1/10W
R8027	1-216-837-11	METAL CHIP	22K 5% 1/10W
R8028	1-216-841-11	METAL CHIP	47K 5% 1/10W
R8029	1-216-841-11	METAL CHIP	47K 5% 1/10W
R8032	1-216-809-11	METAL CHIP	100 5% 1/10W
R8034	1-216-821-11	METAL CHIP	1K 5% 1/10W
R8035	1-216-809-11	METAL CHIP	100 5% 1/10W
R8036	1-216-821-11	METAL CHIP	1K 5% 1/10W
R8037	1-216-837-11	METAL CHIP	22K 5% 1/10W
R8038	1-216-837-11	METAL CHIP	22K 5% 1/10W
R8039	1-216-821-11	METAL CHIP	1K 5% 1/10W
R8040	1-216-809-11	METAL CHIP	100 5% 1/10W
R8041	1-216-829-11	METAL CHIP	4.7K 5% 1/10W
R8046	1-216-809-11	METAL CHIP	100 5% 1/10W
R8048	1-216-809-11	METAL CHIP	100 5% 1/10W
R8050	1-216-809-11	METAL CHIP	100 5% 1/10W
R8052	1-216-809-11	METAL CHIP	100 5% 1/10W
R8053	1-216-809-11	METAL CHIP	100 5% 1/10W
R8055	1-216-809-11	METAL CHIP	100 5% 1/10W
R8057	1-216-809-11	METAL CHIP	100 5% 1/10W
R8063	1-216-841-11	METAL CHIP	47K 5% 1/10W
R8064	1-216-841-11	METAL CHIP	47K 5% 1/10W
R8068	1-216-833-11	METAL CHIP	10K 5% 1/10W
R8070	1-216-809-11	METAL CHIP	100 5% 1/10W
R8071	1-216-833-11	METAL CHIP	10K 5% 1/10W
R8072	1-218-867-11	METAL CHIP	6.8K 0.5% 1/10W
R8073	1-218-867-11	METAL CHIP	6.8K 0.5% 1/10W
R8074	1-216-821-11	METAL CHIP	1K 5% 1/10W

Ref. No.	Part No.	Description	Remark
R8075	1-216-864-11	SHORT CHIP	0
R8076	1-216-841-11	METAL CHIP	47K 5% 1/10W
R8077	1-216-833-11	METAL CHIP	10K 5% 1/10W
R8078	1-216-845-11	METAL CHIP	100K 5% 1/10W
R8079	1-216-845-11	METAL CHIP	100K 5% 1/10W
R8080	1-216-834-11	METAL CHIP	12K 5% 1/10W
R8081	1-216-832-11	METAL CHIP	8.2K 5% 1/10W
R8082	1-216-832-11	METAL CHIP	8.2K 5% 1/10W
R8083	1-216-834-11	METAL CHIP	12K 5% 1/10W
R8084	1-216-819-11	METAL CHIP	680 5% 1/10W
R8085	1-216-819-11	METAL CHIP	680 5% 1/10W
R8086	1-216-809-11	METAL CHIP	100 5% 1/10W
R8087	1-216-809-11	METAL CHIP	100 5% 1/10W
R8088	1-216-805-11	METAL CHIP	47 5% 1/10W
R8089	1-216-805-11	METAL CHIP	47 5% 1/10W
R8090	1-216-805-11	METAL CHIP	47 5% 1/10W
R8091	1-500-238-11	BEAD, FERRITE (CHIP) (1608)	
R8092	1-216-805-11	METAL CHIP	47 5% 1/10W
R8093	1-216-805-11	METAL CHIP	47 5% 1/10W
R8094	1-216-805-11	METAL CHIP	47 5% 1/10W
R8095	1-216-805-11	METAL CHIP	47 5% 1/10W
< COMPOSITION CIRCUIT BLOCK >			
RB8001	1-234-378-21	RES, NETWORK	10K (1005X4)
RB8002	1-234-378-21	RES, NETWORK	10K (1005X4)
RB8003	1-234-378-21	RES, NETWORK	10K (1005X4)
RB8004	1-234-378-21	RES, NETWORK	10K (1005X4)
RB8005	1-234-372-11	RES, NETWORK	100 (1005X4)
< VIBRATOR >			
X8001	1-760-841-11	VIBRATOR, CRYSTAL (45.1584MHz)	

VIDEO3 BOARD			

< CAPACITOR >			
C757	1-104-665-11	ELECT	100uF 20% 25V
C758	1-104-665-11	ELECT	100uF 20% 25V
C759	1-163-025-11	CERAMIC CHIP	0.001uF 50V
C760	1-163-025-11	CERAMIC CHIP	0.001uF 50V
C761	1-165-319-11	CERAMIC CHIP	0.1uF 50V
C762	1-163-021-91	CERAMIC CHIP	0.01uF 10% 50V
C763	1-163-021-91	CERAMIC CHIP	0.01uF 10% 50V
C764	1-165-319-11	CERAMIC CHIP	0.1uF 50V
C765	1-163-139-00	CERAMIC CHIP	820PF 5% 50V
C766	1-163-139-00	CERAMIC CHIP	820PF 5% 50V
C767	1-163-251-11	CERAMIC CHIP	100PF 5% 50V
C768	1-163-259-91	CERAMIC CHIP	220PF 5% 50V
C769	1-163-259-91	CERAMIC CHIP	220PF 5% 50V
< CONNECTOR >			
CN721	1-784-923-11	PIN, CONNECTOR 7P	
CN723	1-779-978-11	PIN, CONNECTOR 3P	
CN725	1-784-922-11	PIN, CONNECTOR 5P	
CN728	1-564-705-11	PIN, CONNECTOR (SMALL TYPE) 3P	

Ref. No.	Part No.	Description	Remark	Ref. No.	Part No.	Description	Remark
		< DIODE >		Q1571	8-729-026-08	TRANSISTOR	2SC4495
D713	8-719-404-50	DIODE MA111-TX		Q1607	6-702-390-01	TRANSISTOR	MN2488-OPY-MK
D714	8-719-404-50	DIODE MA111-TX		Q1608	6-702-391-01	TRANSISTOR	MP1620-OPY-MK
D715	8-719-404-50	DIODE MA111-TX		Q1621	8-729-026-08	TRANSISTOR	2SC4495
D716	8-719-404-50	DIODE MA111-TX		Q1707	6-702-390-01	TRANSISTOR	MN2488-OPY-MK
		< EARTH TERMINAL >		Q1708	6-702-391-01	TRANSISTOR	MP1620-OPY-MK
* ET702	1-537-738-21	TERMINAL, EARTH		Q1721	8-729-026-08	TRANSISTOR	2SC4495
* ET703	1-537-738-21	TERMINAL, EARTH		Q1757	6-702-390-01	TRANSISTOR	MN2488-OPY-MK
		< IC >		Q1758	6-702-391-01	TRANSISTOR	MP1620-OPY-MK
IC706	8-759-710-97	IC NJM4565M-D		Q1771	8-729-026-08	TRANSISTOR	2SC4495
IC707	6-600-219-01	IC GP1FM313RZ0F (VIDEO 3 IN/PORTABLE AV IN DIGITAL (OPT))		Q1807	6-702-390-01	TRANSISTOR	MN2488-OPY-MK
		< JACK >		Q1808	6-702-391-01	TRANSISTOR	MP1620-OPY-MK
J702	1-815-313-11	JACK (PHONES)		Q1821	8-729-026-08	TRANSISTOR	2SC4495
J703	1-770-571-11	JACK BLOCK, PIN (L TYPE) 3P (VIDEO 3 IN/PORTABLE AV IN AUDIO/VIDEO)		Q1857	6-702-390-01	TRANSISTOR	MN2488-OPY-MK
		< RESISTOR >		Q1858	6-702-391-01	TRANSISTOR	MP1620-OPY-MK
R762	1-216-025-11	RES-CHIP 100 5% 1/10W		Q1871	8-729-026-08	TRANSISTOR	2SC4495
R763	1-216-049-11	RES-CHIP 1K 5% 1/10W		△ T001	1-445-232-11	TRANSFORMER, POWER	
R764	1-216-049-11	RES-CHIP 1K 5% 1/10W		*****			
R765	1-211-990-11	METAL CHIP 75 0.5% 1/10W		ACCESSORIES			
R768	1-216-089-91	RES-CHIP 47K 5% 1/10W		*****			
R769	1-216-089-91	RES-CHIP 47K 5% 1/10W		1-480-201-11	REMOTE COMMANDER (RM-AAL011) (Full)		
R770	1-216-295-91	SHORT CHIP 0		1-480-276-11	COMMANDER, STANDARD (RM-AAU018) (Simple)		
R774	1-216-295-91	SHORT CHIP 0		1-501-374-12	ANTENNA, LOOP (AM loop antenna (aerial))		
R775	1-216-295-91	SHORT CHIP 0		1-542-670-11	MEASUREMENT MIC (MONO) (Optimizer microphone: ECM-AC2)		
R776	1-216-295-91	SHORT CHIP 0		1-793-184-23	CONNECTOR (F TYPE ADAPTOR) (FM wire antenna (aerial))		
R785	1-216-295-91	SHORT CHIP 0		△	1-834-508-11	POWER CORD (AC power cord (mains lead))	
*****					3-209-655-11	MANUAL, INSTRUCTION (ENGLISH, FRENCH)	
MISCELLANEOUS				*****			
55	1-543-793-41	FILTER, CLAMP (FERRITE CORE)					
153	1-828-318-51	WIRE (FLAT TYPE) (11 CORE)					
154	1-828-954-51	WIRE (FLAT TYPE) (9 CORE)					
155	1-693-728-11	TUNER (FM/AM)					
202	1-500-386-11	FILTER, CLAMP (FERRITE CORE)					
208	1-832-623-11	WIRE (FLAT TYPE) (23 CORE)					
* 210	1-469-435-11	CORE, FERRITE					
211	1-828-387-51	WIRE (FLAT TYPE) (25 CORE)					
251	1-500-386-11	FILTER, CLAMP (FERRITE CORE)					
354	1-500-386-11	FILTER, CLAMP (FERRITE CORE)					
360	1-828-362-51	WIRE (FLAT TYPE) (19 CORE)					
△ F001	1-533-311-12	FUSE, GLASS CYLINDRICAL (DIA.5) (8A/125V)					
△ F1001	1-532-504-33	FUSE (T4AL/250V)					
△ F1002	1-532-504-33	FUSE (T4AL/250V)					
△ F1405	1-532-506-33	FUSE (T6.3AL/250V)					
△ J01	1-821-082-21	INLET, AC 2P (～AC IN)					
Q1507	6-702-390-01	TRANSISTOR MN2488-OPY-MK					
Q1508	6-702-391-01	TRANSISTOR MP1620-OPY-MK					
Q1521	8-729-026-08	TRANSISTOR 2SC4495					
Q1557	6-702-390-01	TRANSISTOR MN2488-OPY-MK					
Q1558	6-702-391-01	TRANSISTOR MP1620-OPY-MK					

MEMO

STR-DA4300ES

SONY®

SERVICE MANUAL

Ver. 1.1 2007.10

US Model
Canadian Model

SUPPLEMENT-1

File this supplement with the service manual.

**Subject: Change of DSP board (Combined Suffix-12)
Change of TUNER board (Combined Suffix-12/
-13)**

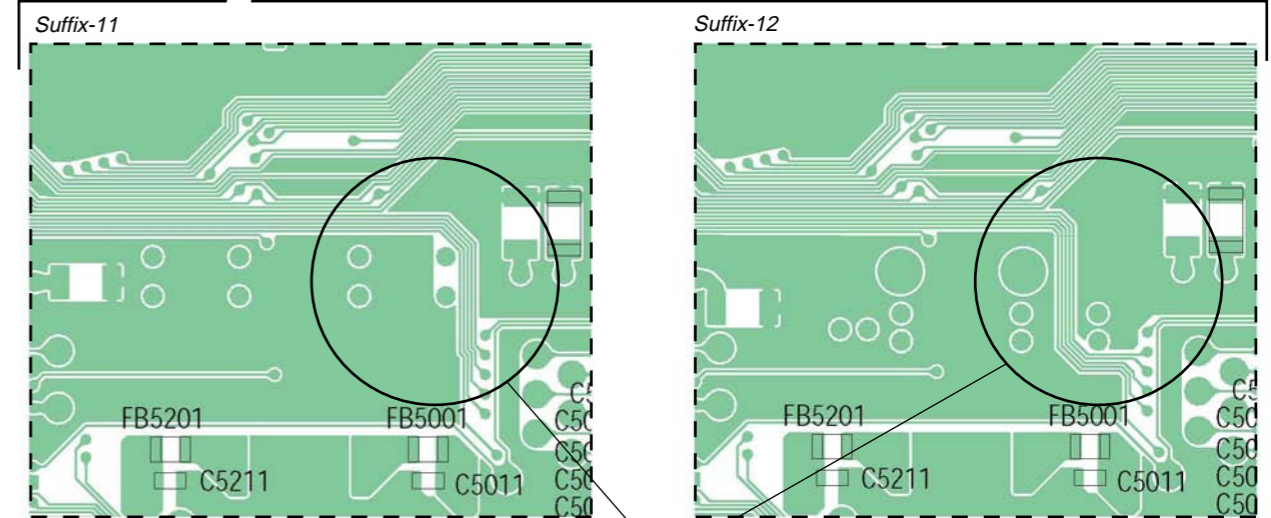
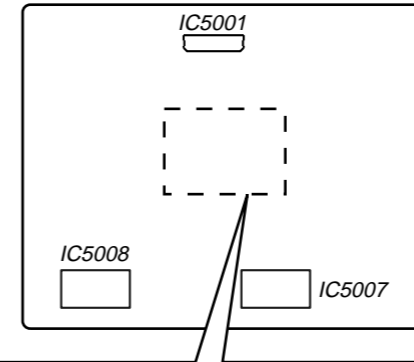
In this set, DSP and TUNER boards have been changed in the midway of production.
Printed wiring board, schematic diagram and electrical parts list of new type are described in this supplement-1.
Refer to original service manual for other information.

TABLE OF CONTENTS

1. NEW/FORMER DISCRIMINATION	1
2. DIAGRAMS	
2-1. Printed Wiring Board – TUNER Board (Component Side) (Suffix-12) –	3
2-2. Printed Wiring Board – TUNER Board (Conductor Side) (Suffix-12) –	4
2-3. Printed Wiring Board – TUNER Board (Component Side) (Suffix-13) –	5
2-4. Printed Wiring Board – TUNER Board (Conductor Side) (Suffix-13) –	6
2-5. Schematic Diagram – TUNER Board (1/2) –	7
2-6. Schematic Diagram – TUNER Board (2/2) –	8
2-7. Printed Wiring Board – DSP Board (Side A) –	9
2-8. Printed Wiring Board – DSP Board (Side B) –	10
2-9. Schematic Diagram – DSP Board (1/4) –	11
2-10. Schematic Diagram – DSP Board (2/4) –	12
2-11. Schematic Diagram – DSP Board (3/4) –	13
2-12. Schematic Diagram – DSP Board (4/4) –	14
3. ELECTRICAL PARTS LIST	15

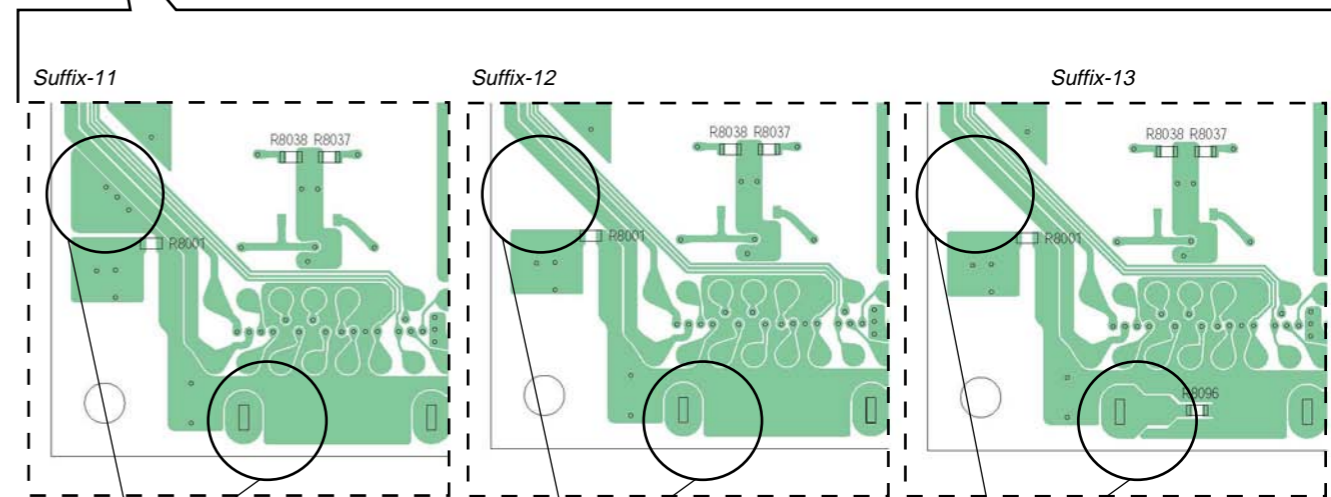
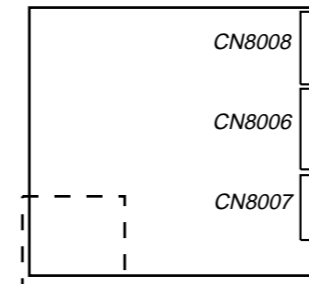
1. NEW/FORMER DISCRIMINATION

– DSP Board (Side B) –



pattern is different.

– TUNER Board (Conductor Side) –



Pattern is not connected.

Pattern is not connected.

Pattern is connected.

Three through holes are open.

Three through holes are not open.

Three through holes are not open.

2. DIAGRAMS

• Note for Printed Wiring Boards and Schematic Diagrams

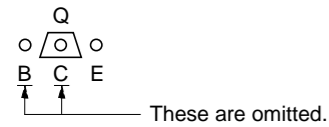
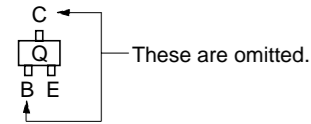
Note on Printed Wiring Board:

- — : parts extracted from the component side.
- : parts extracted from the conductor side.
- △ : internal component.
- : Pattern from the side which enables seeing.
(The other layers' patterns are not indicated.)

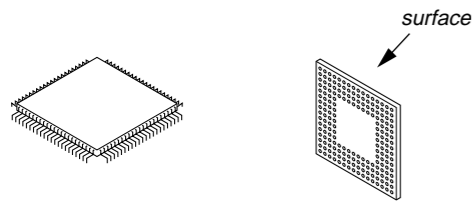
Caution:
 Pattern face side: Parts on the pattern face side seen from the pattern face are indicated.
 (Conductor Side)
 Parts face side: Parts on the parts face side seen from the parts face are indicated.
 (Component Side)

Caution:
 Pattern face side: Parts on the pattern face side seen from the pattern face are indicated.
 (Side B)
 Parts face side: Parts on the parts face side seen from the parts face are indicated.
 (Side A)

- DSP board is multi-layer printed board. However, the patterns of intermediate-layers have not been included in this diagrams.
- Indication of transistor



• Lead Layouts

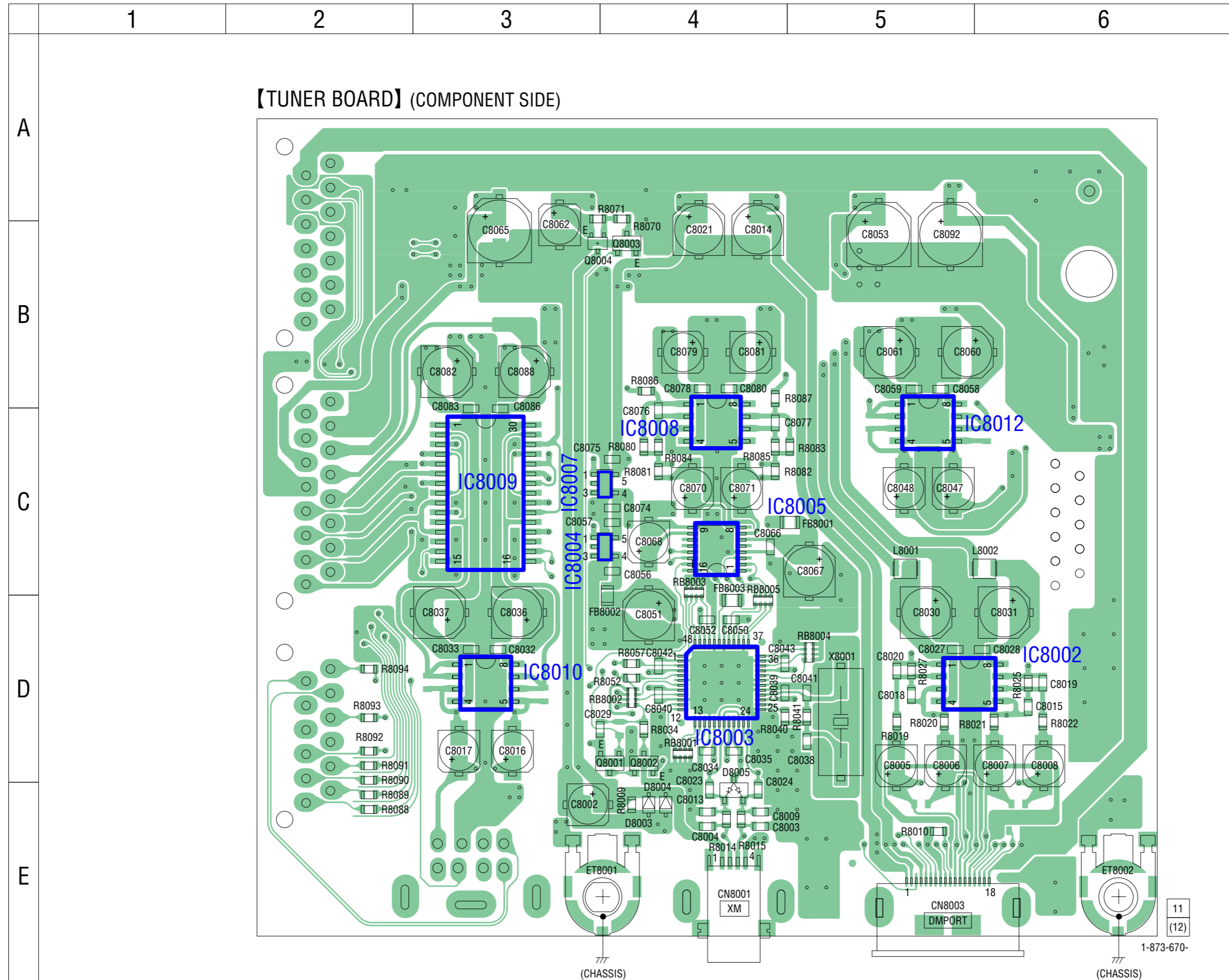


Lead layout of conventional IC CSP (chip size package)

Note on Schematic Diagram:

- All capacitors are in μF unless otherwise noted. (p: pF) 50 WV or less are not indicated except for electrolytics and tantalums.
- All resistors are in Ω and $1/4 W$ or less unless otherwise specified.
- △ : internal component.
- : panel designation.
- : B+ Line.
- - - : B- Line.
- Voltages are dc with respect to ground under no-signal (detuned) conditions.
no mark : TUNER
- Voltages are taken with a VOM (Input impedance 10 M Ω). Voltage variations may be noted due to normal production tolerances.
- Signal path.
⇒ : AUDIO (ANALOG)
⇒ : AUDIO (DIGITAL)
Σ : VIDEO
- The voltage and waveform of CSP (chip size package) cannot be measured, because its lead layout is different from that of conventional IC.

2-1. PRINTED WIRING BOARD –TUNER Board (Component Side) (Suffix-12) –  : Uses unleaded solder.



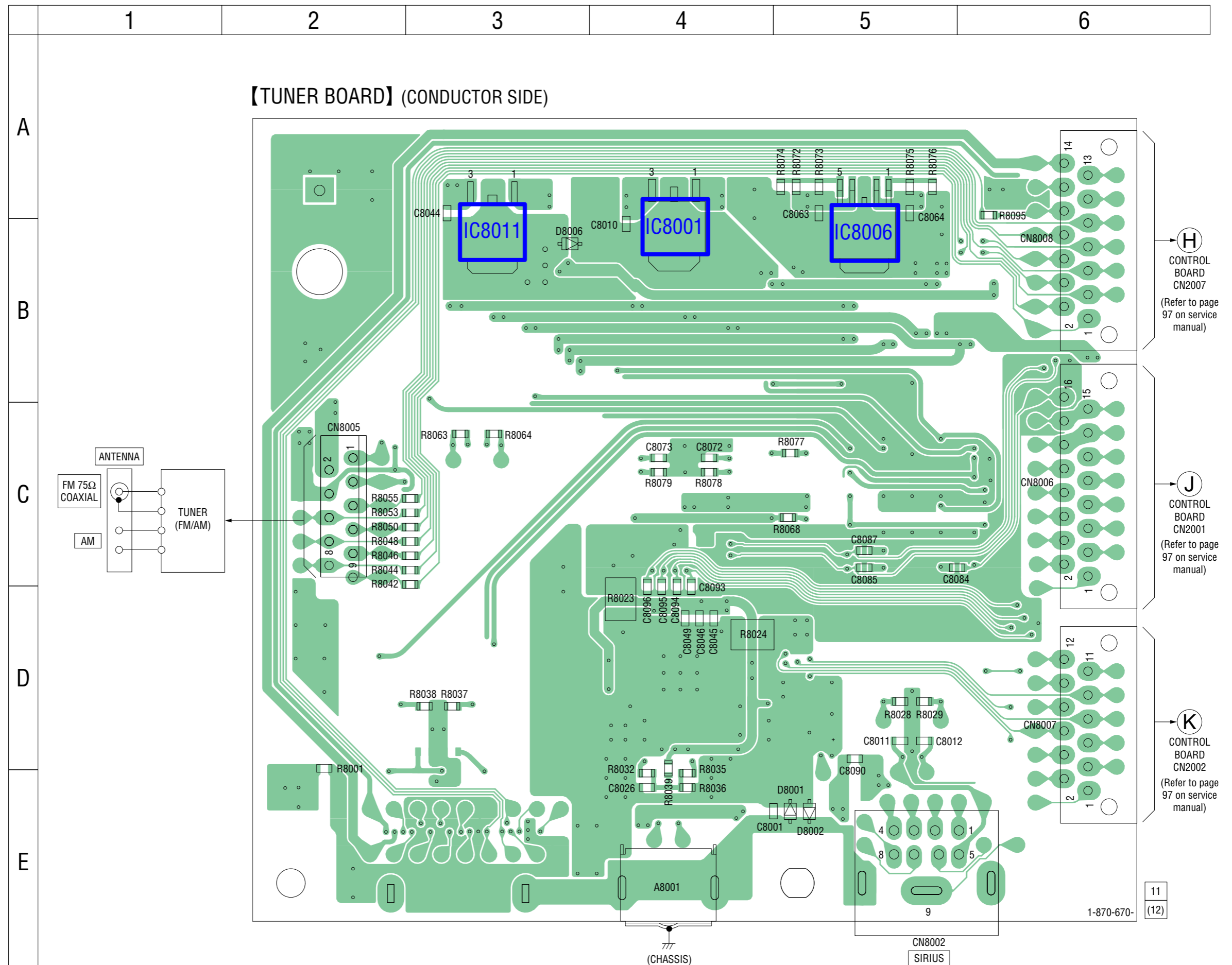
• Semiconductor Location

Ref. No.	Location
D8003	E-4
D8004	E-4
D8005	E-4
IC8002	D-5
IC8003	D-4
IC8004	C-4
IC8005	C-4
IC8007	C-4
IC8008	C-4
IC8009	C-3
IC8010	D-3
IC8012	C-5
Q8001	D-4
Q8002	D-4
Q8003	B-4
Q8004	B-3

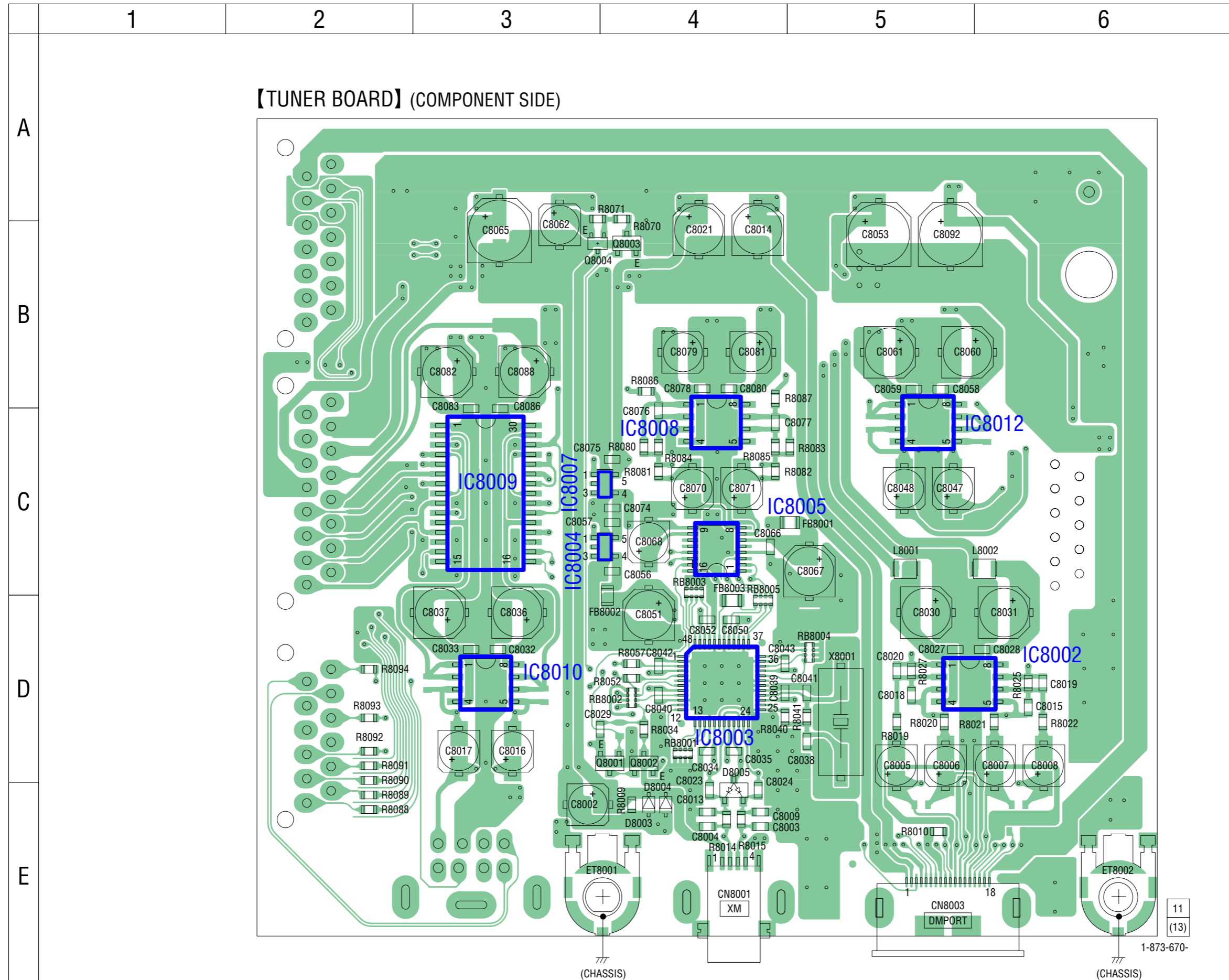
2-2. PRINTED WIRING BOARD – TUNER Board (Conductor Side) (Suffix-12) –  : Uses unleaded solder.

• Semiconductor Location

Ref. No.	Location
D8001	E-5
D8002	E-5
D8006	B-3
IC8001	B-4
IC8006	B-5
IC8011	B-3



2-3. PRINTED WIRING BOARD –TUNER Board (Component Side) (Suffix-13) –  : Uses unleaded solder.



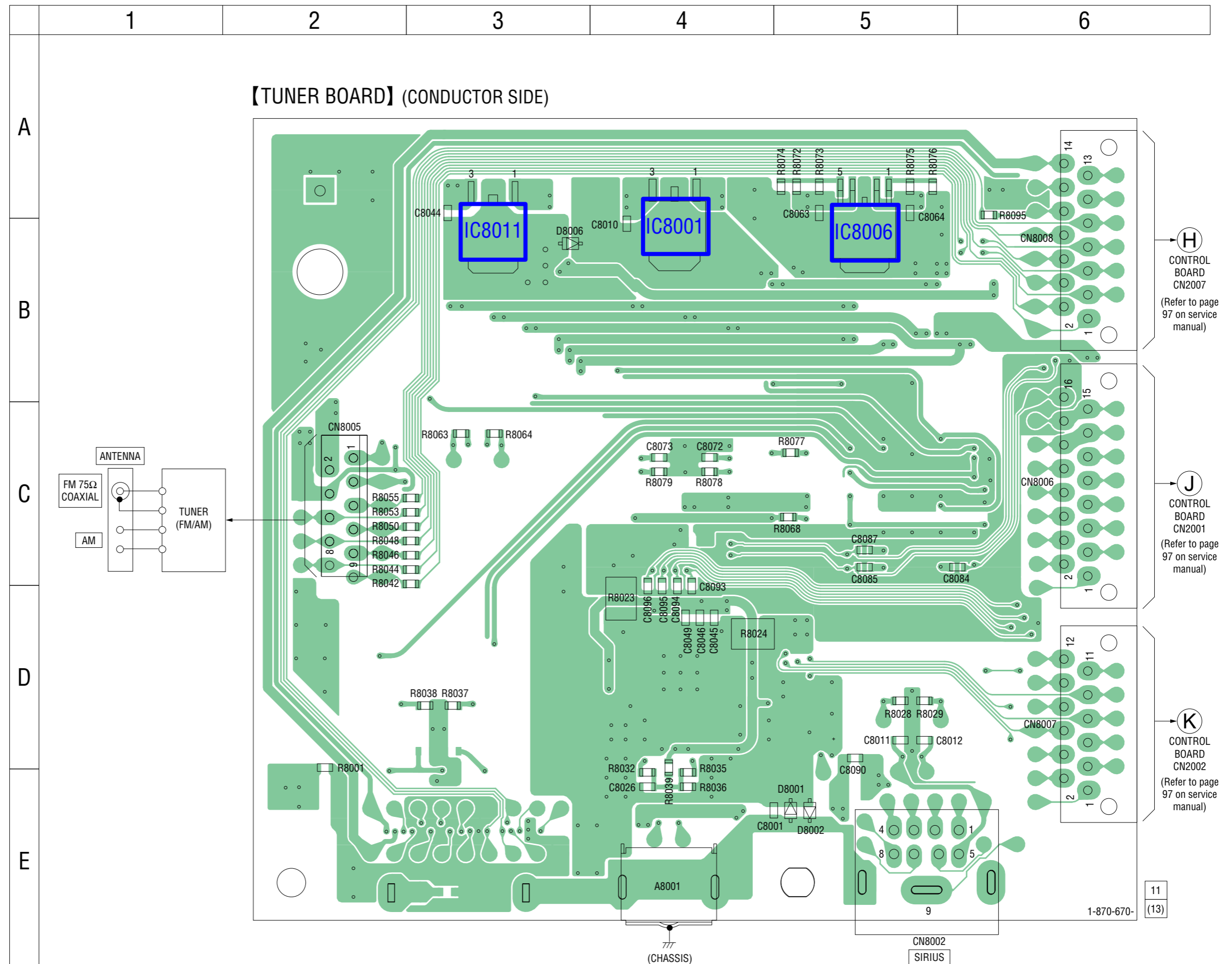
• Semiconductor Location

Ref. No.	Location
D8003	E-4
D8004	E-4
D8005	E-4
IC8002	D-5
IC8003	D-4
IC8004	C-4
IC8005	C-4
IC8007	C-4
IC8008	C-4
IC8009	C-3
IC8010	D-3
IC8012	C-5
Q8001	D-4
Q8002	D-4
Q8003	B-4
Q8004	B-3

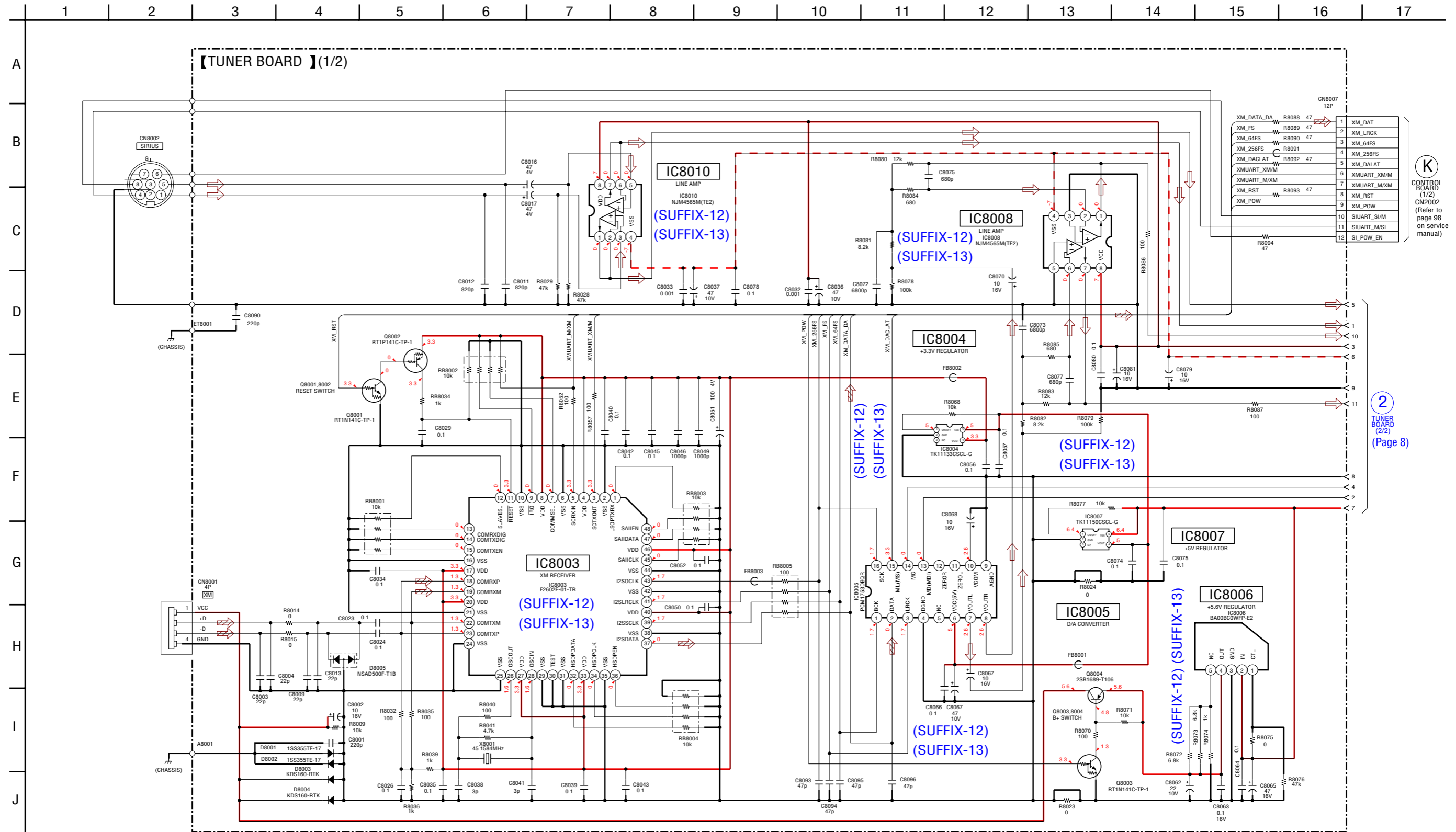
2-4. PRINTED WIRING BOARD – TUNER Board (Conductor Side) (Suffix-13) –  : Uses unleaded solder.

• Semiconductor Location

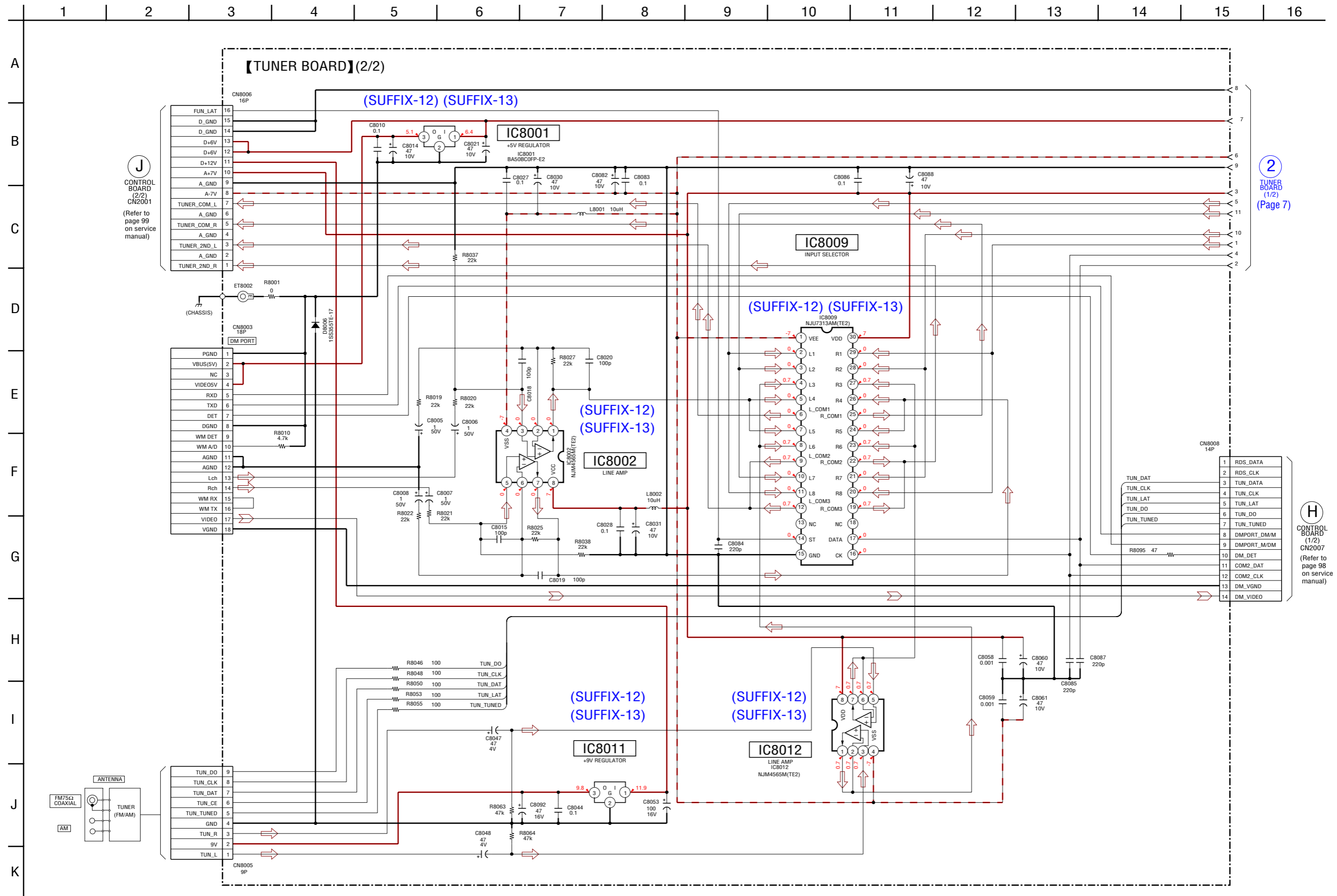
Ref. No.	Location
D8001	E-5
D8002	E-5
D8006	B-3
IC8001	B-4
IC8006	B-5
IC8011	B-3



2-5. SCHEMATIC DIAGRAM – TUNER Board (1/2) –



2-6. SCHEMATIC DIAGRAM – TUNER Board (2/2) –

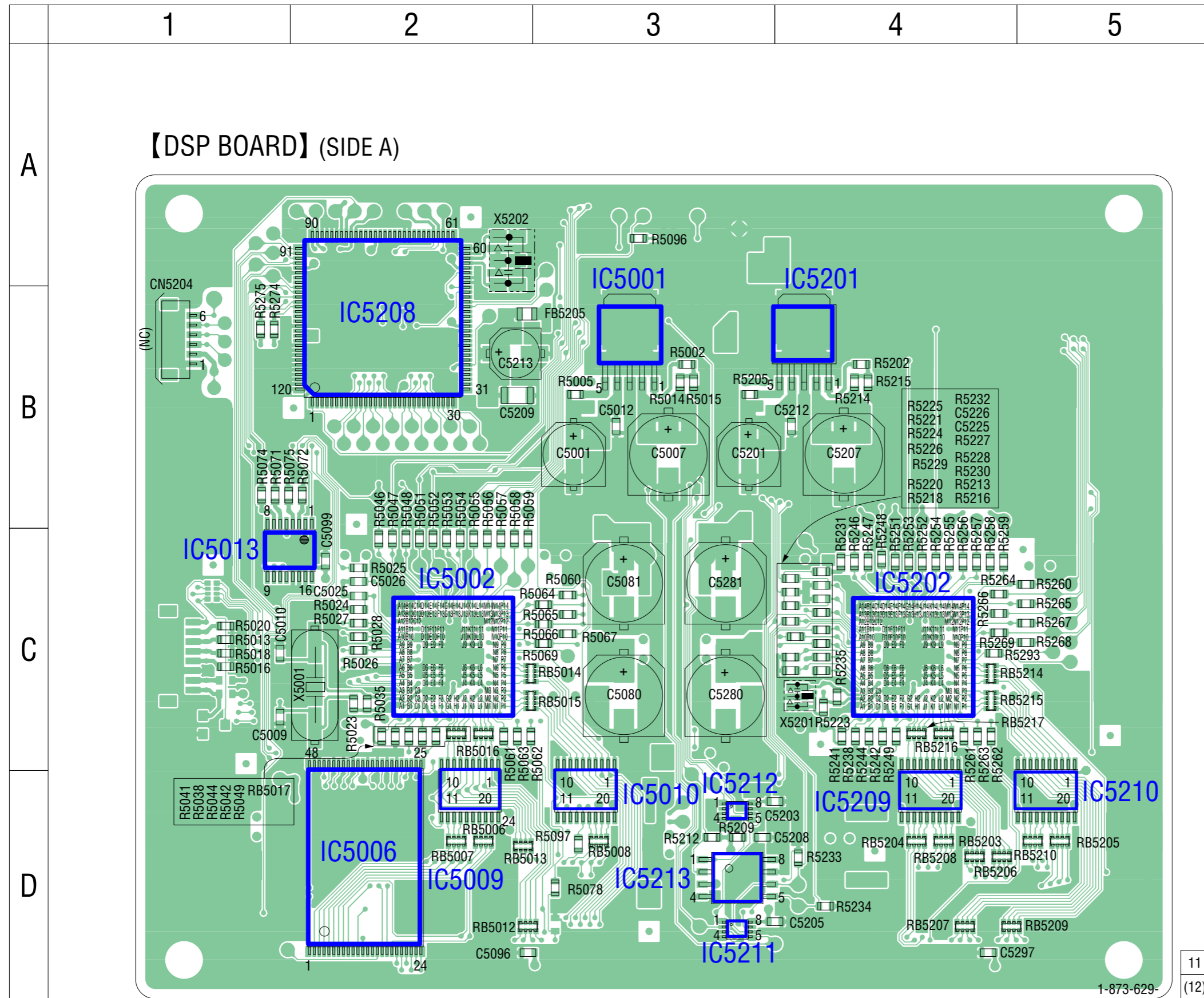


J
CONTROL BOARD (2/2) CN2001
(Refer to page 99 on service manual)

2
TUNER BOARD (1/2)
(Page 7)

H
CONTROL BOARD (1/2) CN2007
(Refer to page 98 on service manual)

2-7. PRINTED WIRING BOARD – DSP Board (Side A) –  : Uses unleaded solder.



• Semiconductor Location

Ref. No.	Location
IC5001	B-3
IC5002	C-2
IC5006	D-2
IC5009	D-2
IC5010	D-3
IC5013	C-1
IC5201	B-4
IC5202	C-4
IC5208	B-2
IC5209	D-4
IC5210	D-5
IC5211	D-3
IC5212	D-3
IC5213	D-3

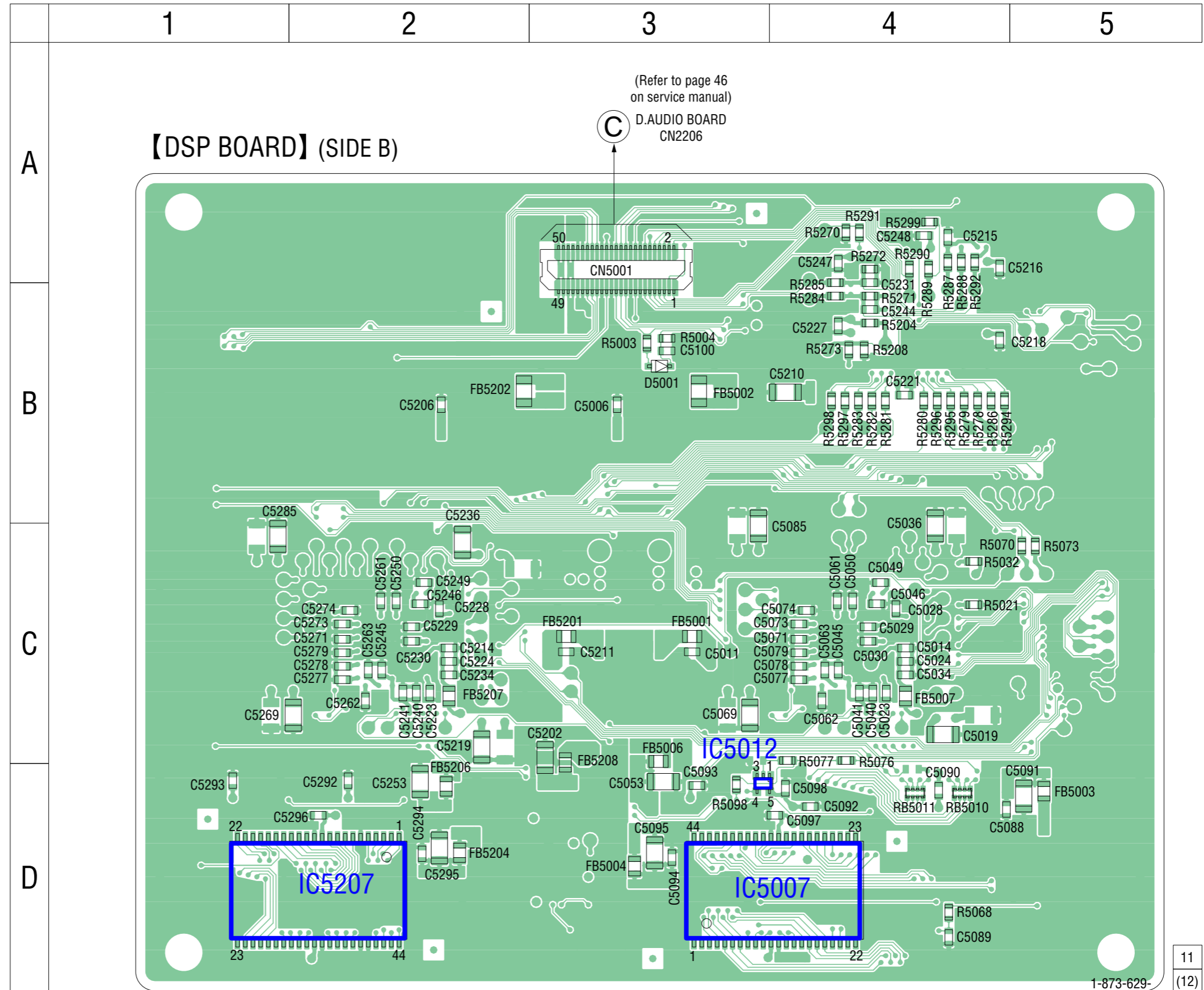
11
(12)

Note: IC5002 and IC5202 cannot exchange with single. When IC5002 and IC5202 are damaged, exchange the entire mounted board.

2-8. PRINTED WIRING BOARD – DSP Board (Side B) –  : Uses unleaded solder.

• Semiconductor Location

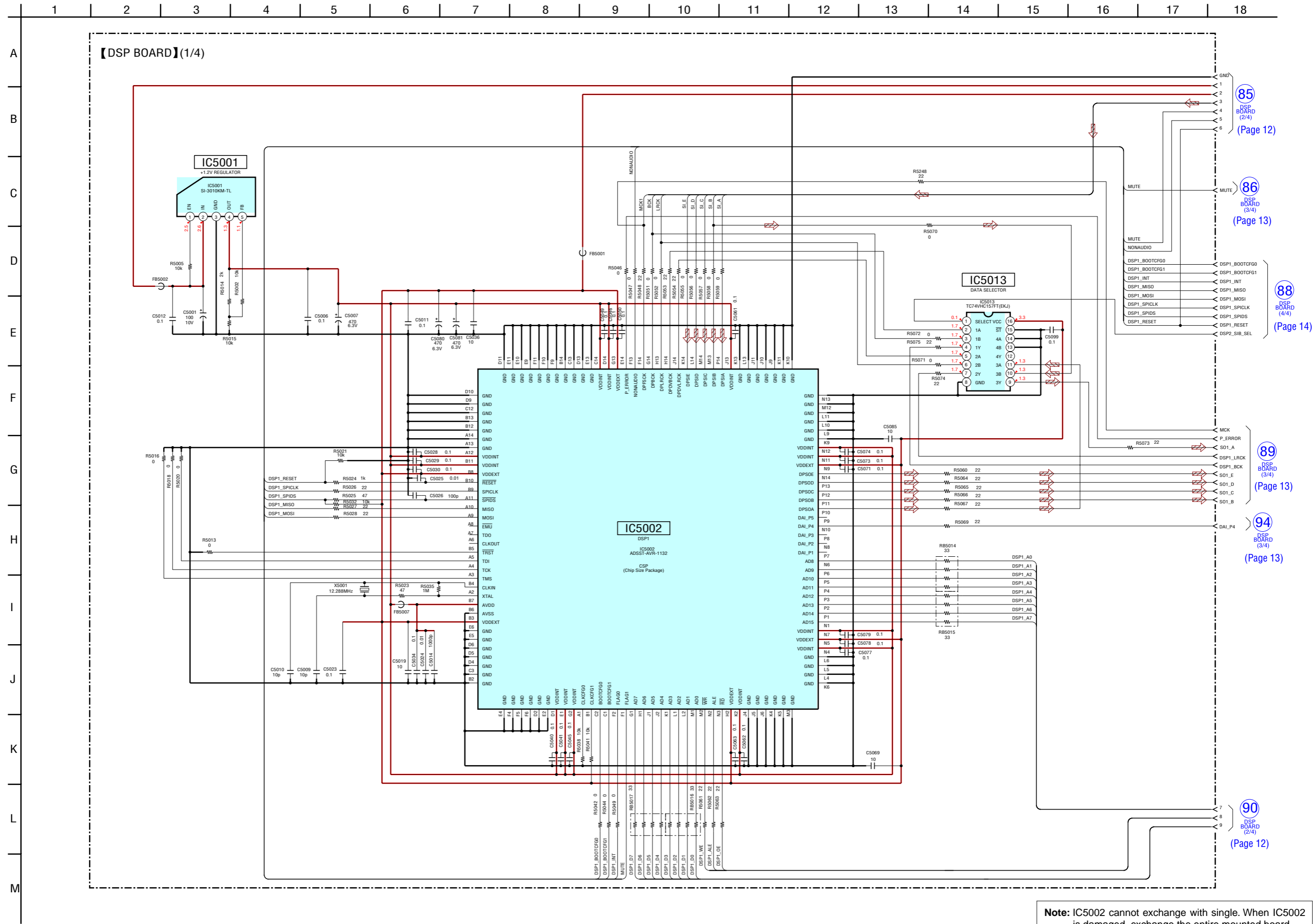
Ref. No.	Location
D5001	B-3
IC5007	D-4
IC5012	D-3
IC5207	D-2



1-873-629-

11
(12)

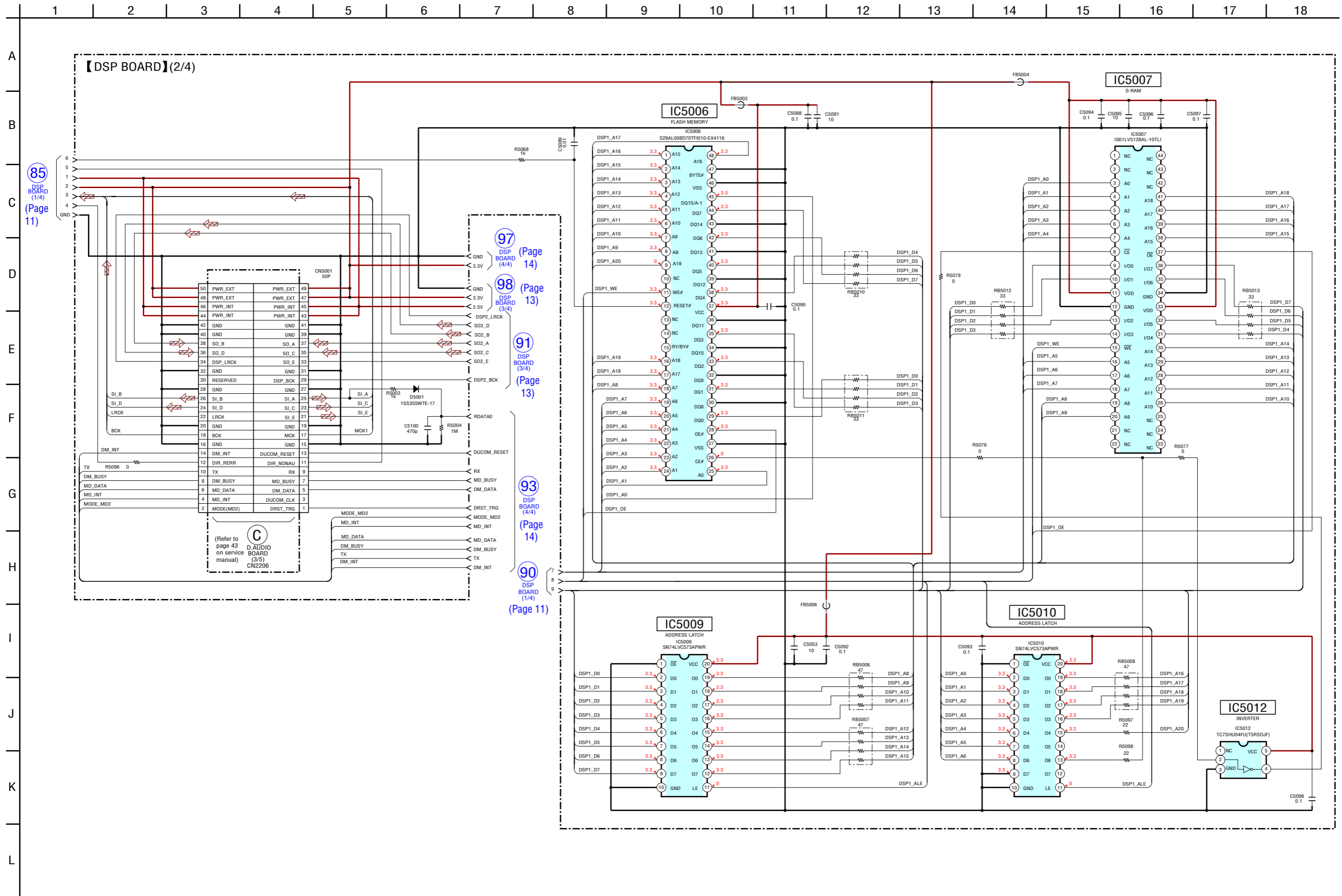
2-9. SCHEMATIC DIAGRAM – DSP Board (1/4) –



- 85 DSP BOARD (2/4) (Page 12)
- 86 DSP BOARD (3/4) (Page 13)
- 88 DSP BOARD (4/4) (Page 14)
- 89 DSP BOARD (3/4) (Page 13)
- 94 DSP BOARD (3/4) (Page 13)
- 90 DSP BOARD (2/4) (Page 12)

Note: IC5002 cannot exchange with single. When IC5002 is damaged, exchange the entire mounted board.

2-10. SCHEMATIC DIAGRAM – DSP Board (2/4) –



3. ELECTRICAL PARTS LIST

NOTE:

- Due to standardization, replacements in the parts list may be different from the parts specified in the diagrams or the components used on the set.
- -XX and -X mean standardized parts, so they may have some difference from the original one.
- Items marked "*" are not stocked since they are seldom required for routine service. Some delay should be anticipated when ordering these items.
- CAPACITORS
uF: μ F
- COILS
uH: μ H

- RESISTORS
All resistors are in ohms.
METAL: Metal-film resistor.
METAL OXIDE: Metal oxide-film resistor.
F: nonflammable
- SEMICONDUCTORS
In each case, u: μ , for example:
uA... : μ A... uPA... : μ PA...
uPB... : μ PB... uPC... : μ PC...
uPD... : μ PD...

When indicating parts by reference number, please include the board.

Ref. No.	Part No.	Description	Remark	Ref. No.	Part No.	Description	Remark
	A-1439-542-A	DSP BOARD, COMPLETE *****		C5089	1-162-970-11	CERAMIC CHIP 0.01uF 10%	25V
		< CAPACITOR >		C5090	1-107-826-11	CERAMIC CHIP 0.1uF 10%	16V
C5001	1-100-669-11	ELECT CHIP 100uF 20%	10V	C5091	1-117-370-11	CERAMIC CHIP 10uF	10V
C5006	1-107-826-11	CERAMIC CHIP 0.1uF 10%	16V	C5092	1-107-826-11	CERAMIC CHIP 0.1uF 10%	16V
C5007	1-114-385-11	ELECT CHIP 470uF 20%	6.3V	C5093	1-107-826-11	CERAMIC CHIP 0.1uF 10%	16V
C5009	1-162-915-11	CERAMIC CHIP 10PF 0.5PF	50V	C5094	1-107-826-11	CERAMIC CHIP 0.1uF 10%	16V
C5010	1-162-915-11	CERAMIC CHIP 10PF 0.5PF	50V	C5095	1-117-370-11	CERAMIC CHIP 10uF	10V
C5011	1-107-826-11	CERAMIC CHIP 0.1uF 10%	16V	C5096	1-107-826-11	CERAMIC CHIP 0.1uF 10%	16V
C5012	1-107-826-11	CERAMIC CHIP 0.1uF 10%	16V	C5097	1-107-826-11	CERAMIC CHIP 0.1uF 10%	16V
C5014	1-115-416-11	CERAMIC CHIP 0.001uF 5%	25V	C5098	1-107-826-11	CERAMIC CHIP 0.1uF 10%	16V
C5019	1-117-370-11	CERAMIC CHIP 10uF	10V	C5099	1-107-826-11	CERAMIC CHIP 0.1uF 10%	16V
C5023	1-107-826-11	CERAMIC CHIP 0.1uF 10%	16V	C5100	1-164-315-11	CERAMIC CHIP 470PF 5%	50V
C5024	1-162-970-11	CERAMIC CHIP 0.01uF 10%	25V	C5201	1-100-669-11	ELECT CHIP 100uF 20%	10V
C5025	1-162-970-11	CERAMIC CHIP 0.01uF 10%	25V	C5202	1-117-370-11	CERAMIC CHIP 10uF	10V
C5026	1-162-927-11	CERAMIC CHIP 100PF 5%	50V	C5203	1-107-826-11	CERAMIC CHIP 0.1uF 10%	16V
C5028	1-107-826-11	CERAMIC CHIP 0.1uF 10%	16V	C5205	1-107-826-11	CERAMIC CHIP 0.1uF 10%	16V
C5029	1-107-826-11	CERAMIC CHIP 0.1uF 10%	16V	C5206	1-107-826-11	CERAMIC CHIP 0.1uF 10%	16V
C5030	1-107-826-11	CERAMIC CHIP 0.1uF 10%	16V	C5207	1-114-385-11	ELECT CHIP 470uF 20%	6.3V
C5034	1-107-826-11	CERAMIC CHIP 0.1uF 10%	16V	C5208	1-107-826-11	CERAMIC CHIP 0.1uF 10%	16V
C5036	1-117-370-11	CERAMIC CHIP 10uF	10V	C5209	1-117-370-11	CERAMIC CHIP 10uF	10V
C5040	1-107-826-11	CERAMIC CHIP 0.1uF 10%	16V	C5210	1-117-370-11	CERAMIC CHIP 10uF	10V
C5041	1-107-826-11	CERAMIC CHIP 0.1uF 10%	16V	C5211	1-107-826-11	CERAMIC CHIP 0.1uF 10%	16V
C5045	1-107-826-11	CERAMIC CHIP 0.1uF 10%	16V	C5212	1-107-826-11	CERAMIC CHIP 0.1uF 10%	16V
C5046	1-107-826-11	CERAMIC CHIP 0.1uF 10%	16V	C5213	1-126-209-11	ELECT CHIP 100uF 20%	4V
C5049	1-107-826-11	CERAMIC CHIP 0.1uF 10%	16V	C5214	1-115-416-11	CERAMIC CHIP 0.001uF 5%	25V
C5050	1-107-826-11	CERAMIC CHIP 0.1uF 10%	16V	C5215	1-162-927-11	CERAMIC CHIP 100PF 5%	50V
C5053	1-117-370-11	CERAMIC CHIP 10uF	10V	C5216	1-107-826-11	CERAMIC CHIP 0.1uF 10%	16V
C5061	1-107-826-11	CERAMIC CHIP 0.1uF 10%	16V	C5218	1-107-826-11	CERAMIC CHIP 0.1uF 10%	16V
C5062	1-107-826-11	CERAMIC CHIP 0.1uF 10%	16V	C5219	1-117-370-11	CERAMIC CHIP 10uF	10V
C5063	1-107-826-11	CERAMIC CHIP 0.1uF 10%	16V	C5221	1-107-826-11	CERAMIC CHIP 0.1uF 10%	16V
C5069	1-117-370-11	CERAMIC CHIP 10uF	10V	C5223	1-107-826-11	CERAMIC CHIP 0.1uF 10%	16V
C5071	1-107-826-11	CERAMIC CHIP 0.1uF 10%	16V	C5224	1-162-970-11	CERAMIC CHIP 0.01uF 10%	25V
C5073	1-107-826-11	CERAMIC CHIP 0.1uF 10%	16V	C5225	1-162-970-11	CERAMIC CHIP 0.01uF 10%	25V
C5074	1-107-826-11	CERAMIC CHIP 0.1uF 10%	16V	C5226	1-162-927-11	CERAMIC CHIP 100PF 5%	50V
C5077	1-107-826-11	CERAMIC CHIP 0.1uF 10%	16V	C5227	1-107-826-11	CERAMIC CHIP 0.1uF 10%	16V
C5078	1-107-826-11	CERAMIC CHIP 0.1uF 10%	16V	C5228	1-107-826-11	CERAMIC CHIP 0.1uF 10%	16V
C5079	1-107-826-11	CERAMIC CHIP 0.1uF 10%	16V	C5229	1-107-826-11	CERAMIC CHIP 0.1uF 10%	16V
C5080	1-114-385-11	ELECT CHIP 470uF 20%	6.3V	C5230	1-107-826-11	CERAMIC CHIP 0.1uF 10%	16V
C5081	1-114-385-11	ELECT CHIP 470uF 20%	6.3V	C5231	1-107-826-11	CERAMIC CHIP 0.1uF 10%	16V
C5085	1-117-370-11	CERAMIC CHIP 10uF	10V	C5234	1-107-826-11	CERAMIC CHIP 0.1uF 10%	16V
C5088	1-107-826-11	CERAMIC CHIP 0.1uF 10%	16V	C5236	1-117-370-11	CERAMIC CHIP 10uF	10V
				C5240	1-107-826-11	CERAMIC CHIP 0.1uF 10%	16V

STR-DA4300ES

DSP

Ref. No.	Part No.	Description	Remark	Ref. No.	Part No.	Description	Remark
C5241	1-107-826-11	CERAMIC CHIP	0.1uF 10% 16V	IC5010	6-701-992-01	IC SN74LVC573APWR	
C5244	1-107-826-11	CERAMIC CHIP	0.1uF 10% 16V	IC5012	6-706-492-01	IC TC7SHU04FU (T5RSOJF)	
C5245	1-107-826-11	CERAMIC CHIP	0.1uF 10% 16V	IC5013	6-707-870-01	IC TC74VHC157FT (EKJ)	
C5246	1-107-826-11	CERAMIC CHIP	0.1uF 10% 16V	IC5201	6-705-308-01	IC SI-3010KM-TL	
				IC5202	(Not supplied)	IC ADSST-AVR-1131	
C5247	1-107-826-11	CERAMIC CHIP	0.1uF 10% 16V	IC5207	6-710-003-01	IC IS61LV12816L-8TL	
C5248	1-107-826-11	CERAMIC CHIP	0.1uF 10% 16V	IC5208	6-807-422-01	IC MB91F353APMT-07A53DSP-X103	
C5249	1-107-826-11	CERAMIC CHIP	0.1uF 10% 16V	IC5209	6-701-992-01	IC SN74LVC573APWR	
C5250	1-107-826-11	CERAMIC CHIP	0.1uF 10% 16V	IC5210	6-701-992-01	IC SN74LVC573APWR	
C5253	1-117-370-11	CERAMIC CHIP	10uF 10V	IC5211	8-759-831-52	IC TC7WH125FK (TE85R)	
C5261	1-107-826-11	CERAMIC CHIP	0.1uF 10% 16V	IC5212	8-759-680-48	IC TC7WH157FK (TE85R)	
C5262	1-107-826-11	CERAMIC CHIP	0.1uF 10% 16V	IC5213	6-807-854-01	IC SST25VF040B-07A53J-X101	
C5263	1-107-826-11	CERAMIC CHIP	0.1uF 10% 16V			< RESISTOR >	
C5269	1-117-370-11	CERAMIC CHIP	10uF 10V	R5002	1-216-833-11	METAL CHIP	10K 5% 1/10W
C5271	1-107-826-11	CERAMIC CHIP	0.1uF 10% 16V	R5003	1-216-821-11	METAL CHIP	1K 5% 1/10W
C5273	1-107-826-11	CERAMIC CHIP	0.1uF 10% 16V	R5004	1-216-857-11	METAL CHIP	1M 5% 1/10W
C5274	1-107-826-11	CERAMIC CHIP	0.1uF 10% 16V	R5005	1-216-833-11	METAL CHIP	10K 5% 1/10W
C5277	1-107-826-11	CERAMIC CHIP	0.1uF 10% 16V	R5013	1-216-864-11	SHORT CHIP	0
C5278	1-107-826-11	CERAMIC CHIP	0.1uF 10% 16V	R5014	1-218-854-11	METAL CHIP	2K 0.5% 1/10W
C5279	1-107-826-11	CERAMIC CHIP	0.1uF 10% 16V	R5015	1-218-871-11	METAL CHIP	10K 0.5% 1/10W
C5280	1-114-385-11	ELECT CHIP	470uF 20% 6.3V	R5016	1-216-864-11	SHORT CHIP	0
C5281	1-114-385-11	ELECT CHIP	470uF 20% 6.3V	R5018	1-216-864-11	SHORT CHIP	0
C5285	1-117-370-11	CERAMIC CHIP	10uF 10V	R5020	1-216-864-11	SHORT CHIP	0
C5292	1-107-826-11	CERAMIC CHIP	0.1uF 10% 16V	R5021	1-216-833-11	METAL CHIP	10K 5% 1/10W
C5293	1-107-826-11	CERAMIC CHIP	0.1uF 10% 16V	R5023	1-216-805-11	METAL CHIP	47 5% 1/10W
C5294	1-107-826-11	CERAMIC CHIP	0.1uF 10% 16V	R5024	1-216-821-11	METAL CHIP	1K 5% 1/10W
C5295	1-117-370-11	CERAMIC CHIP	10uF 10V	R5025	1-216-805-11	METAL CHIP	47 5% 1/10W
C5296	1-107-826-11	CERAMIC CHIP	0.1uF 10% 16V	R5026	1-216-801-11	METAL CHIP	22 5% 1/10W
C5297	1-107-826-11	CERAMIC CHIP	0.1uF 10% 16V	R5027	1-216-801-11	METAL CHIP	22 5% 1/10W
		< CONNECTOR >		R5028	1-216-801-11	METAL CHIP	22 5% 1/10W
CN5001	1-815-136-21	CONNECTOR, BOARD TO BOARD		R5032	1-216-833-11	METAL CHIP	10K 5% 1/10W
* CN5204	1-785-125-21	CONNECTOR 6P		R5035	1-216-857-11	METAL CHIP	1M 5% 1/10W
		< DIODE >		R5038	1-216-833-11	METAL CHIP	10K 5% 1/10W
D5001	6-501-193-01	DIODE 1SS355WTE-17		R5041	1-216-833-11	METAL CHIP	10K 5% 1/10W
		< FERRITE BEAD >		R5042	1-216-864-11	SHORT CHIP	0
FB5001	1-469-152-11	FERRITE, EMI (SMD) (2012)		R5044	1-216-864-11	SHORT CHIP	0
FB5002	1-400-703-21	(3216, EMI FERRITE (SMD)		R5046	1-216-864-11	SHORT CHIP	0
FB5003	1-469-152-11	FERRITE, EMI (SMD) (2012)		R5047	1-216-864-11	SHORT CHIP	0
FB5004	1-469-152-11	FERRITE, EMI (SMD) (2012)		R5048	1-216-801-11	METAL CHIP	22 5% 1/10W
FB5006	1-469-152-11	FERRITE, EMI (SMD) (2012)		R5049	1-216-864-11	SHORT CHIP	0
FB5007	1-469-152-11	FERRITE, EMI (SMD) (2012)		R5051	1-216-864-11	SHORT CHIP	0
FB5201	1-469-152-11	FERRITE, EMI (SMD) (2012)		R5052	1-216-864-11	SHORT CHIP	0
FB5202	1-400-703-21	(3216, EMI FERRITE (SMD)		R5053	1-216-801-11	METAL CHIP	22 5% 1/10W
FB5204	1-469-152-11	FERRITE, EMI (SMD) (2012)		R5054	1-216-801-11	METAL CHIP	22 5% 1/10W
FB5205	1-469-152-11	FERRITE, EMI (SMD) (2012)		R5055	1-216-864-11	SHORT CHIP	0
FB5206	1-469-152-11	FERRITE, EMI (SMD) (2012)		R5056	1-216-864-11	SHORT CHIP	0
FB5207	1-469-152-11	FERRITE, EMI (SMD) (2012)		R5057	1-216-864-11	SHORT CHIP	0
FB5208	1-469-152-11	FERRITE, EMI (SMD) (2012)		R5058	1-216-864-11	SHORT CHIP	0
		< IC >		R5059	1-216-864-11	SHORT CHIP	0
IC5001	6-705-308-01	IC SI-3010KM-TL		R5060	1-216-801-11	METAL CHIP	22 5% 1/10W
IC5002	(Not supplied)	IC ADSST-AVR-1132		R5061	1-216-801-11	METAL CHIP	22 5% 1/10W
IC5006	6-807-374-04	IC S29AL008D70TFI010-EX4116		R5062	1-216-801-11	METAL CHIP	22 5% 1/10W
IC5007	6-710-529-01	IC IS61LV5128AL-10TLI		R5063	1-216-801-11	METAL CHIP	22 5% 1/10W
IC5009	6-701-992-01	IC SN74LVC573APWR		R5064	1-216-801-11	METAL CHIP	22 5% 1/10W
				R5065	1-216-801-11	METAL CHIP	22 5% 1/10W
				R5066	1-216-801-11	METAL CHIP	22 5% 1/10W
				R5067	1-216-801-11	METAL CHIP	22 5% 1/10W

Note: IC5002 and IC5202 cannot exchange with single. When IC5002 and IC5202 are damaged, exchange the entire mounted board.

Ref. No.	Part No.	Description	Remark	Ref. No.	Part No.	Description	Remark
R5068	1-216-821-11	METAL CHIP	1K 5% 1/10W	R5260	1-216-801-11	METAL CHIP	22 5% 1/10W
R5069	1-216-801-11	METAL CHIP	22 5% 1/10W	R5261	1-216-801-11	METAL CHIP	22 5% 1/10W
R5070	1-216-864-11	SHORT CHIP	0	R5262	1-216-801-11	METAL CHIP	22 5% 1/10W
R5071	1-216-864-11	SHORT CHIP	0	R5263	1-216-801-11	METAL CHIP	22 5% 1/10W
R5072	1-216-864-11	SHORT CHIP	0	R5264	1-216-801-11	METAL CHIP	22 5% 1/10W
R5073	1-216-801-11	METAL CHIP	22 5% 1/10W	R5265	1-216-801-11	METAL CHIP	22 5% 1/10W
R5074	1-216-801-11	METAL CHIP	22 5% 1/10W	R5266	1-216-801-11	METAL CHIP	22 5% 1/10W
R5075	1-216-801-11	METAL CHIP	22 5% 1/10W	R5267	1-216-801-11	METAL CHIP	22 5% 1/10W
R5076	1-216-864-11	SHORT CHIP	0	R5268	1-216-801-11	METAL CHIP	22 5% 1/10W
R5077	1-216-864-11	SHORT CHIP	0	R5269	1-216-864-11	SHORT CHIP	0
R5078	1-216-864-11	SHORT CHIP	0	R5270	1-216-837-11	METAL CHIP	22K 5% 1/10W
R5096	1-216-864-11	SHORT CHIP	0	R5271	1-216-837-11	METAL CHIP	22K 5% 1/10W
R5097	1-216-801-11	METAL CHIP	22 5% 1/10W	R5272	1-216-837-11	METAL CHIP	22K 5% 1/10W
R5098	1-216-801-11	METAL CHIP	22 5% 1/10W	R5273	1-216-864-11	SHORT CHIP	0
R5202	1-216-833-11	METAL CHIP	10K 5% 1/10W	R5274	1-216-864-11	SHORT CHIP	0
R5204	1-216-833-11	METAL CHIP	10K 5% 1/10W	R5275	1-216-821-11	METAL CHIP	1K 5% 1/10W
R5205	1-216-833-11	METAL CHIP	10K 5% 1/10W	R5278	1-216-864-11	SHORT CHIP	0
R5208	1-216-833-11	METAL CHIP	10K 5% 1/10W	R5279	1-216-864-11	SHORT CHIP	0
R5209	1-216-833-11	METAL CHIP	10K 5% 1/10W	R5280	1-216-864-11	SHORT CHIP	0
R5212	1-216-833-11	METAL CHIP	10K 5% 1/10W	R5281	1-216-864-11	SHORT CHIP	0
R5213	1-216-864-11	SHORT CHIP	0	R5282	1-216-864-11	SHORT CHIP	0
R5214	1-218-854-11	METAL CHIP	2K 0.5% 1/10W	R5283	1-216-864-11	SHORT CHIP	0
R5215	1-218-871-11	METAL CHIP	10K 0.5% 1/10W	R5284	1-216-821-11	METAL CHIP	1K 5% 1/10W
R5216	1-216-864-11	SHORT CHIP	0	R5285	1-216-821-11	METAL CHIP	1K 5% 1/10W
R5218	1-216-864-11	SHORT CHIP	0	R5286	1-216-864-11	SHORT CHIP	0
R5220	1-216-864-11	SHORT CHIP	0	R5287	1-216-864-11	SHORT CHIP	0
R5221	1-216-833-11	METAL CHIP	10K 5% 1/10W	R5288	1-216-864-11	SHORT CHIP	0
R5223	1-216-864-11	SHORT CHIP	0	R5289	1-216-864-11	SHORT CHIP	0
R5224	1-216-821-11	METAL CHIP	1K 5% 1/10W	R5290	1-216-864-11	SHORT CHIP	0
R5225	1-216-805-11	METAL CHIP	47 5% 1/10W	R5291	1-216-864-11	SHORT CHIP	0
R5226	1-216-801-11	METAL CHIP	22 5% 1/10W	R5292	1-216-801-11	METAL CHIP	22 5% 1/10W
R5227	1-216-801-11	METAL CHIP	22 5% 1/10W	R5293	1-216-801-11	METAL CHIP	22 5% 1/10W
R5228	1-216-801-11	METAL CHIP	22 5% 1/10W	R5294	1-216-864-11	SHORT CHIP	0
R5229	1-216-801-11	METAL CHIP	22 5% 1/10W	R5295	1-216-864-11	SHORT CHIP	0
R5230	1-216-801-11	METAL CHIP	22 5% 1/10W	R5296	1-216-864-11	SHORT CHIP	0
R5231	1-216-833-11	METAL CHIP	10K 5% 1/10W	R5297	1-216-864-11	SHORT CHIP	0
R5232	1-216-833-11	METAL CHIP	10K 5% 1/10W	R5298	1-216-864-11	SHORT CHIP	0
R5233	1-216-833-11	METAL CHIP	10K 5% 1/10W	R5299	1-216-833-11	METAL CHIP	10K 5% 1/10W
R5234	1-216-833-11	METAL CHIP	10K 5% 1/10W	< COMPOSITION CIRCUIT BLOCK >			
R5235	1-216-857-11	METAL CHIP	1M 5% 1/10W	RB5006	1-234-371-21	RES, NETWORK	47 (1005X4)
R5238	1-216-833-11	METAL CHIP	10K 5% 1/10W	RB5007	1-234-371-21	RES, NETWORK	47 (1005X4)
R5241	1-216-833-11	METAL CHIP	10K 5% 1/10W	RB5008	1-234-371-21	RES, NETWORK	47 (1005X4)
R5242	1-216-864-11	SHORT CHIP	0	RB5010	1-242-963-21	RES, NETWORK	33 (1005X4)
R5244	1-216-864-11	SHORT CHIP	0	RB5011	1-242-963-21	RES, NETWORK	33 (1005X4)
R5246	1-216-801-11	METAL CHIP	22 5% 1/10W	RB5012	1-242-963-21	RES, NETWORK	33 (1005X4)
R5247	1-216-864-11	SHORT CHIP	0	RB5013	1-242-963-21	RES, NETWORK	33 (1005X4)
R5248	1-216-801-11	METAL CHIP	22 5% 1/10W	RB5014	1-242-963-21	RES, NETWORK	33 (1005X4)
R5249	1-216-864-11	SHORT CHIP	0	RB5015	1-242-963-21	RES, NETWORK	33 (1005X4)
R5251	1-216-864-11	SHORT CHIP	0	RB5016	1-242-963-21	RES, NETWORK	33 (1005X4)
R5252	1-216-864-11	SHORT CHIP	0	RB5017	1-242-963-21	RES, NETWORK	33 (1005X4)
R5253	1-216-801-11	METAL CHIP	22 5% 1/10W	RB5203	1-234-372-11	RES, NETWORK	100 (1005X4)
R5254	1-216-801-11	METAL CHIP	22 5% 1/10W	RB5204	1-234-372-11	RES, NETWORK	100 (1005X4)
R5255	1-216-864-11	SHORT CHIP	0	RB5205	1-234-372-11	RES, NETWORK	100 (1005X4)
R5256	1-216-864-11	SHORT CHIP	0	RB5206	1-242-963-21	RES, NETWORK	33 (1005X4)
R5257	1-216-864-11	SHORT CHIP	0	RB5207	1-242-963-21	RES, NETWORK	33 (1005X4)
R5258	1-216-864-11	SHORT CHIP	0	RB5208	1-242-963-21	RES, NETWORK	33 (1005X4)
R5259	1-216-864-11	SHORT CHIP	0	RB5209	1-242-963-21	RES, NETWORK	33 (1005X4)

STR-DA4300ES

DSP TUNER

Ref. No.	Part No.	Description	Remark
RB5210	1-234-372-11	RES, NETWORK	100 (1005X4)
RB5214	1-242-963-21	RES, NETWORK	33 (1005X4)
RB5215	1-242-963-21	RES, NETWORK	33 (1005X4)
RB5216	1-242-963-21	RES, NETWORK	33 (1005X4)
RB5217	1-242-963-21	RES, NETWORK	33 (1005X4)
< VIBRATOR >			
X5001	1-795-843-11	VIBRATOR, CRYSTAL (12.288MHz)	
X5201	1-813-967-21	PIEZOELECTRIC OSCILLAT (25MHz)	
X5202	1-781-893-21	VIBRATOR, CERAMIC (CHIP TYPE) (12.5MHz)	

A-1382-222-A	TUNER BOARD, COMPLETE		

< CAPACITOR >			
C8001	1-162-960-11	CERAMIC CHIP	220PF 10% 50V
C8002	1-124-779-00	ELECT CHIP	10uF 20% 16V
C8003	1-162-919-11	CERAMIC CHIP	22PF 5% 50V
C8004	1-162-919-11	CERAMIC CHIP	22PF 5% 50V
C8005	1-126-193-11	ELECT CHIP	1uF 20% 50V
C8006	1-126-193-11	ELECT CHIP	1uF 20% 50V
C8007	1-126-193-11	ELECT CHIP	1uF 20% 50V
C8008	1-126-193-11	ELECT CHIP	1uF 20% 50V
C8009	1-162-919-11	CERAMIC CHIP	22PF 5% 50V
C8010	1-107-826-11	CERAMIC CHIP	0.1uF 10% 16V
C8011	1-164-733-11	CERAMIC CHIP	820PF 10% 50V
C8012	1-164-733-11	CERAMIC CHIP	820PF 10% 50V
C8013	1-162-919-11	CERAMIC CHIP	22PF 5% 50V
C8014	1-128-994-21	ELECT CHIP	47uF 20% 10V
C8015	1-162-927-11	CERAMIC CHIP	100PF 5% 50V
C8016	1-126-208-21	ELECT CHIP	47uF 20% 4V
C8017	1-126-208-21	ELECT CHIP	47uF 20% 4V
C8018	1-162-927-11	CERAMIC CHIP	100PF 5% 50V
C8019	1-162-927-11	CERAMIC CHIP	100PF 5% 50V
C8020	1-162-927-11	CERAMIC CHIP	100PF 5% 50V
C8021	1-128-994-21	ELECT CHIP	47uF 20% 10V
C8023	1-107-826-11	CERAMIC CHIP	0.1uF 10% 16V
C8024	1-107-826-11	CERAMIC CHIP	0.1uF 10% 16V
C8026	1-107-826-11	CERAMIC CHIP	0.1uF 10% 16V
C8027	1-107-826-11	CERAMIC CHIP	0.1uF 10% 16V
C8028	1-107-826-11	CERAMIC CHIP	0.1uF 10% 16V
C8029	1-107-826-11	CERAMIC CHIP	0.1uF 10% 16V
C8030	1-128-994-21	ELECT CHIP	47uF 20% 10V
C8031	1-128-994-21	ELECT CHIP	47uF 20% 10V
C8032	1-162-971-11	CERAMIC CHIP	0.001uF 10% 50V
C8033	1-162-971-11	CERAMIC CHIP	0.001uF 10% 50V
C8034	1-107-826-11	CERAMIC CHIP	0.1uF 10% 16V
C8035	1-107-826-11	CERAMIC CHIP	0.1uF 10% 16V
C8036	1-128-994-21	ELECT CHIP	47uF 20% 10V
C8037	1-128-994-21	ELECT CHIP	47uF 20% 10V
C8038	1-162-908-11	CERAMIC CHIP	3PF 0.25PF 50V
C8039	1-107-826-11	CERAMIC CHIP	0.1uF 10% 16V
C8040	1-107-826-11	CERAMIC CHIP	0.1uF 10% 16V
C8041	1-162-908-11	CERAMIC CHIP	3PF 0.25PF 50V
C8042	1-107-826-11	CERAMIC CHIP	0.1uF 10% 16V
C8043	1-107-826-11	CERAMIC CHIP	0.1uF 10% 16V
C8044	1-107-826-11	CERAMIC CHIP	0.1uF 10% 16V

Ref. No.	Part No.	Description	Remark
C8045	1-107-826-11	CERAMIC CHIP	0.1uF 10% 16V
C8046	1-115-416-11	CERAMIC CHIP	0.001uF 5% 25V
C8047	1-126-208-21	ELECT CHIP	47uF 20% 4V
C8048	1-126-208-21	ELECT CHIP	47uF 20% 4V
C8049	1-115-416-11	CERAMIC CHIP	0.001uF 5% 25V
C8050	1-107-826-11	CERAMIC CHIP	0.1uF 10% 16V
C8051	1-126-209-11	ELECT CHIP	100uF 20% 4V
C8052	1-107-826-11	CERAMIC CHIP	0.1uF 10% 16V
C8053	1-117-681-11	ELECT CHIP	100uF 20% 16V
C8056	1-107-826-11	CERAMIC CHIP	0.1uF 10% 16V
C8057	1-107-826-11	CERAMIC CHIP	0.1uF 10% 16V
C8058	1-162-971-11	CERAMIC CHIP	0.001uF 10% 50V
C8059	1-162-971-11	CERAMIC CHIP	0.001uF 10% 50V
C8060	1-128-994-21	ELECT CHIP	47uF 20% 10V
C8061	1-128-994-21	ELECT CHIP	47uF 20% 10V
C8062	1-128-993-21	ELECT CHIP	22uF 20% 10V
C8063	1-107-826-11	CERAMIC CHIP	0.1uF 10% 16V
C8064	1-107-826-11	CERAMIC CHIP	0.1uF 10% 16V
C8065	1-126-204-11	ELECT CHIP	47uF 20% 16V
C8066	1-107-826-11	CERAMIC CHIP	0.1uF 10% 16V
C8067	1-128-994-21	ELECT CHIP	47uF 20% 10V
C8068	1-124-779-00	ELECT CHIP	10uF 20% 16V
C8070	1-124-779-00	ELECT CHIP	10uF 20% 16V
C8071	1-124-779-00	ELECT CHIP	10uF 20% 16V
C8072	1-162-969-11	CERAMIC CHIP	0.0068uF 10% 25V
C8073	1-162-969-11	CERAMIC CHIP	0.0068uF 10% 25V
C8074	1-107-826-11	CERAMIC CHIP	0.1uF 10% 16V
C8075	1-107-826-11	CERAMIC CHIP	0.1uF 10% 16V
C8076	1-115-412-11	CERAMIC CHIP	680PF 5% 25V
C8077	1-115-412-11	CERAMIC CHIP	680PF 5% 25V
C8078	1-107-826-11	CERAMIC CHIP	0.1uF 10% 16V
C8079	1-124-779-00	ELECT CHIP	10uF 20% 16V
C8080	1-107-826-11	CERAMIC CHIP	0.1uF 10% 16V
C8081	1-124-779-00	ELECT CHIP	10uF 20% 16V
C8082	1-128-994-21	ELECT CHIP	47uF 20% 10V
C8083	1-107-826-11	CERAMIC CHIP	0.1uF 10% 16V
C8084	1-164-230-11	CERAMIC CHIP	220PF 5% 50V
C8085	1-164-230-11	CERAMIC CHIP	220PF 5% 50V
C8086	1-107-826-11	CERAMIC CHIP	0.1uF 10% 16V
C8087	1-164-230-11	CERAMIC CHIP	220PF 5% 50V
C8088	1-128-994-21	ELECT CHIP	47uF 20% 10V
C8090	1-162-960-11	CERAMIC CHIP	220PF 10% 50V
C8092	1-126-204-11	ELECT CHIP	47uF 20% 16V
C8093	1-162-923-11	CERAMIC CHIP	47PF 5% 50V
C8094	1-162-923-11	CERAMIC CHIP	47PF 5% 50V
C8095	1-162-923-11	CERAMIC CHIP	47PF 5% 50V
C8096	1-162-923-11	CERAMIC CHIP	47PF 5% 50V
< CONNECTOR >			
CN8001	1-793-642-21	CONNECTOR (USB) (4P), SQUARE (XM)	
CN8002	1-821-182-11	SOCKET, DIN 8P (SIRIUS)	
CN8003	1-817-615-21	CONNECTOR BOARD TO BOARD 18P	
CN8005	1-568-828-11	CONNECTOR, FFC 9P	
CN8006	1-770-409-11	CONNECTOR, BOARD TO BOARD 16P	
CN8007	1-770-407-11	CONNECTOR, BOARD TO BOARD 12P	
CN8008	1-770-408-11	CONNECTOR, BOARD TO BOARD 14P	

