

STR-DA3300ES/DG1100

SERVICE MANUAL

Ver. 1.2 2007.10

US Model
STR-DA3300ES/DG1100
Canadian Model
AEP Model
UK Model
STR-DA3300ES



Photo: STR-DA3300ES

This receiver incorporates Dolby* Digital and Pro Logic Surround and the DTS** Digital Surround System.

* Manufactured under license from Dolby Laboratories.

Dolby, Pro Logic, Surround EX, and the double-D symbol are trademarks of Dolby Laboratories.

** Manufactured under license from DTS, Inc.

“DTS”, “DTS-ES” and “Neo:6” are registered trademarks of DTS, Inc. “DTS 96/24” is a trademark of DTS, Inc.

SPECIFICATIONS

AUDIO POWER SPECIFICATIONS (US model)

POWER OUTPUT AND TOTAL HARMONIC DISTORTION:

With 8 ohm loads, both channels driven, from 20 – 20,000 Hz; rated 100 watts per channel minimum RMS power, with no more than 0.09% total harmonic distortion from 250 milliwatts to rated output.

Amplifier section

POWER OUTPUT

DA3300ES: US and Canadian models/
DG1100:

Rated Power Output at Stereo Mode^{1) 2)}
(8 ohms 20 Hz – 20 kHz,
THD 0.09%):
100 W + 100 W

Reference Power Output at Stereo Mode
(4 ohms 20 Hz – 20 kHz,
THD 0.15%):
85 W + 85 W

Reference Power Output
(8 ohms 1 kHz, THD 0.7%)
FRONT²⁾:
110 W + 110 W
CENTER²⁾: 110 W
SURROUND²⁾:
110 W + 110 W
SUR BACK²⁾:
110 W + 110 W

Reference Power Output

(4 ohms 1 kHz, THD 0.7%)
FRONT²⁾:
100 W + 100 W
CENTER²⁾: 100 W
SURROUND²⁾:
100 W + 100 W
SUR BACK²⁾:
100 W + 100 W

¹⁾ Depending on the sound field settings and the source, there may be no sound output

²⁾ Measured under the following conditions:

Power requirements: 120 V AC, 60 Hz

Frequency response

PHONO	RIAA equalization curve ± 0.5 dB
MULTI CHANNEL INPUT, SA-CD/CD, MD/TAPE, DVD/BD, TV, SAT/CATV VIDEO 1/2/3	10 Hz – 100 kHz ± 3 dB

DA3300ES: AEP, Russian, Ukrainian and
UK models:

Rated Power Output at Stereo Mode^{1) 2)}
(8 ohms 1 kHz, THD
0.7%):
105 W + 105 W

Reference Power Output at Stereo Mode²⁾
(4 ohms 1 kHz, THD
0.7%):
105 W + 105 W

Reference Power Output

(8 ohms 20 Hz – 20 kHz,
THD 0.09%):
FRONT²⁾:
100 W + 100 W
CENTER²⁾:
100 W
SURROUND²⁾:
100 W + 100 W
SURROUND BACK²⁾:
100 W + 100 W

Reference Power Output

(4 ohms 20 Hz – 20 kHz,
THD 0.7%)
FRONT²⁾:
100 W + 100 W
CENTER²⁾:
100 W
SURROUND²⁾:
100 W + 100 W
SURROUND BACK²⁾:
100 W + 100 W

Reference Power Output at Stereo Mode
(8 ohms 1 kHz, THD
10%):
130 W + 130 W

Reference Power Output at Stereo Mode
(4 ohms 1 kHz, THD
10%):
130 W + 130 W

– Continued on next page –

MULTI CHANNEL AV RECEIVER

9-887-742-03
2007J05-1
© 2007.10

Sony Corporation
Home Audio Division
Published by Sony Techno Create Corporation

SONY®

STR-DA3300ES/DG1100

Ver. 1.2

Reference Power Output

(8 ohms 1 kHz, THD 10%)
FRONT²⁾:
130 W + 130 W
CENTER²⁾:
130 W
SURROUND²⁾:
130 W + 130 W
SURROUND BACK²⁾:
130 W + 130 W

Reference Power Output

(4 ohms 1 kHz, THD 10%)
FRONT²⁾:
130 W + 130 W
CENTER²⁾:
130 W
SURROUND²⁾:
130 W + 130 W
SURROUND BACK²⁾:
130 W + 130 W

¹⁾ Depending on the sound field settings and the source, there may be no sound output

²⁾ Measured under the following conditions:

Power requirements: 230 V AC, 50/60 Hz
(in countries/area in Europe other than the U.K.)
240 V AC, 50/60 Hz
(in the U.K. and general area)

Frequency response

PHONO	RIAA equalization curve ± 0.5 dB
MULTI CHANNEL INPUT, SA-CD/CD, MD/TAPE, DVD/BD, TV, SAT/CATV, VIDEO 1/2/3	10 Hz – 100 kHz ± 3 dB

Inputs (Analog)

PHONO	Sensitivity: 2.5 mV Impedance: 50 kohms S/N: 90 dB (A, 20 kHz LPF)
MULTI CHANNEL INPUT, SA-CD/CD, MD/TAPE, DVD/BD, TV, SAT/CATV, VIDEO 1/2/3	Sensitivity: 150 mV Impedance: 50 kohms S/N: 100 dB (A, 20 kHz LPF)

Inputs (Digital)

DVD/BD, VIDEO 2, SA-CD/CD (Coaxial)	Impedance: 75 ohms S/N: 96 dB (A, 20 kHz LPF)
VIDEO 1, VIDEO 3, SAT/CATV, TV, MD/TAPE (Optical)	S/N: 96 dB (A, 20 kHz LPF)

Outputs

MD/TAPE (REC OUT), VIDEO 1 (AUDIO OUT)	Voltage: 150 mV Impedance: 1 kohm
FRONT L/R, CENTER, SURROUND L/R, SUR BACK L/R, SUB WOOFER	Voltage: 2 V Impedance: 1 kohm

EQUALIZER

Gain levels	±10 dB, 1 dB step
-------------	-------------------

FM tuner section

Tuning range	87.5 – 108.0 MHz
Antenna (aerial)	FM wire antenna (aerial)
Antenna (aerial) terminals	75 ohms, unbalanced

AM tuner section

DA3300ES: US and Canadian models/DG1100:
Tuning range

With 10-kHz tuning scale
530 – 1,710 kHz³⁾

With 9-kHz tuning scale
531 – 1,710 kHz³⁾

Antenna (aerial) Loop antenna (aerial)

³⁾ You can change the AM tuning scale to either 9 kHz or 10 kHz. After tuning in any AM station, turn off the receiver. While holding down TUNING MODE, press POWER on the receiver. All preset stations will be erased when you change the tuning scale. To reset the scale to 10 kHz (or 9 kHz), repeat the procedure.

DA3300ES: AEP, Russian, Ukrainian and UK models:

Tuning range 531 – 1,602 kHz
(With 9-kHz tuning scale)

Antenna (aerial) Loop antenna (aerial)

Video section

Inputs/Outputs

Video: 1 Vp-p, 75 ohms

COMPONENT VIDEO:
Y: 1 Vp-p, 75 ohms
P_B/C_B: 0.7 Vp-p, 75 ohms
P_R/C_R: 0.7 Vp-p, 75 ohms
80 MHz HD Pass Through

HDMI Video

Input/Output (HDMI Repeater block)

640 × 480p@60 Hz
720 × 480p@59.94/60 Hz
1440 × 480p@59.94/60 Hz (pixel sent 2times)
1280 × 720p@59.94/60 Hz
1920 × 1080i@59.94/60 Hz
1920 × 1080p@59.94/60 Hz
720 × 576p@50 Hz
1440 × 576p@50 Hz (pixel sent 2times)
1280 × 720p@50 Hz
1920 × 1080i@50 Hz
1920 × 1080p@50 Hz
1920 × 1080p@24 Hz

General

Power requirements
DA3300ES: US and Canadian models/DG1100:
120 V AC, 60 Hz
DA3300ES: AEP, Russian, Ukrainian and UK models:
230 V AC, 50/60 Hz
(in countries/area in Europe other than the U.K.)
230 – 240 V AC, 50/60 Hz
(in the U.K. and general area)

Power output (DIGITAL MEDIA PORT)
DC OUT: 5 V, 700 mA

Power consumption
DA3300ES: US and Canadian models/DG1100:
350 W/480 VA (US/Canada)
DA3300ES: AEP, Russian, Ukrainian and UK models:
390 W

Power consumption (during standby mode)
0.7 W (when “HDMI Control” and “RS-232C Control” are set to “OFF”)

Dimensions 430 × 175 × 430 mm
(width/height/depth)
including projecting parts and controls

Mass (Approx.) 14.5 kg

Supplied accessories

Operating Instructions
Quick Setup Guide (1)
HDMI CONTROL Guide (1)
GUI Menu List (1)
Optimizer microphone ECM-AC2 (1)
FM wire antenna (aerial) (1)
AM loop antenna (aerial) (1)
AC power cord (mains lead) (1) (DA3300ES)
Remote commander RM-AAL011 (1)
(DA3300ES: US and Canadian models)
Remote commander RM-AAP019 (1)
(DA3300ES: AEP, Russian, Ukrainian and UK models)
Remote commander RM-AAU018 (1)
(DA3300ES)
Remote commander RM-AAP018 (1)
(DG1100)
R6 (size-AA) batteries
(4 (DA3300ES) or 2 (DG1100))
Design and specifications are subject to change without notice.

Notes on chip component replacement

- Never reuse a disconnected chip component.
- Notice that the minus side of a tantalum capacitor may be damaged by heat.

SAFETY CHECK-OUT

After correcting the original service problem, perform the following safety check before releasing the set to the customer:

Check the antenna terminals, metal trim, “metallized” knobs, screws, and all other exposed metal parts for AC leakage.

Check leakage as described below.

LEAKAGE TEST

The AC leakage from any exposed metal part to earth ground and from all exposed metal parts to any exposed metal part having a return to chassis, must not exceed 0.5 mA (500 microamperes.).

Leakage current can be measured by any one of three methods.

1. A commercial leakage tester, such as the Simpson 229 or RCA WT-540A. Follow the manufacturers’ instructions to use these instruments.
2. A battery-operated AC milliammeter. The Data Precision 245 digital multimeter is suitable for this job.
3. Measuring the voltage drop across a resistor by means of a VOM or battery-operated AC voltmeter. The “limit” indication is 0.75 V, so analog meters must have an accurate low-voltage scale. The Simpson 250 and Sanwa SH-63Trd are examples of a passive VOM that is suitable. Nearly all battery operated digital multimeters that have a 2 V AC range are suitable. (See Fig. A)

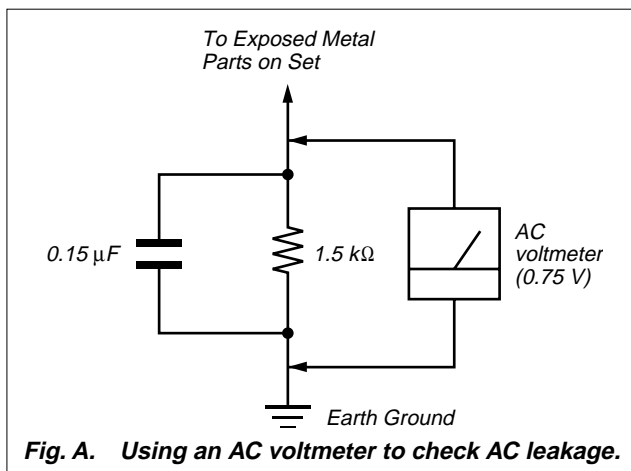


Fig. A. Using an AC voltmeter to check AC leakage.

SAFETY-RELATED COMPONENT WARNING!!

COMPONENTS IDENTIFIED BY MARK \triangle OR DOTTED LINE WITH MARK \triangle ON THE SCHEMATIC DIAGRAMS AND IN THE PARTS LIST ARE CRITICAL TO SAFE OPERATION. REPLACE THESE COMPONENTS WITH SONY PARTS WHOSE PART NUMBERS APPEAR AS SHOWN IN THIS MANUAL OR IN SUPPLEMENTS PUBLISHED BY SONY.

ATTENTION AU COMPOSANT AYANT RAPPORT À LA SÉCURITÉ!

LES COMPOSANTS IDENTIFIÉS PAR UNE MARQUE \triangle SUR LES DIAGRAMMES SCHÉMATIQUES ET LA LISTE DES PIÈCES SONT CRITIQUES POUR LA SÉCURITÉ DE FONCTIONNEMENT. NE REMPLACER CES COM- POSANTS QUE PAR DES PIÈCES SONY DONT LES NUMÉROS SONT DONNÉS DANS CE MANUEL OU DANS LES SUPPLÉMENTS PUBLIÉS PAR SONY.

TABLE OF CONTENTS

1. SERVICING NOTES	5	6-25. Schematic Diagram	
2. GENERAL	11	– TEMPERATURE DETECTION BOARD –	52
3. DISASSEMBLY		6-26. Printed Wiring Board – A CLASS AMP Board –	53
3-1. Disassembly Flow	16	6-27. Schematic Diagram – A CLASS AMP Board (1/2) –	54
3-2. Case	17	6-28. Schematic Diagram – A CLASS AMP Board (2/2) –	55
3-3. Front Panel Block	17	6-29. Printed Wiring Board – POWER AMP Board –	56
3-4. CIS Board (DA3300ES: US and Canadian models), Tuner (FM/AM)	18	6-30. Schematic Diagram – POWER AMP Board –	57
3-5. D_AUDIO Board, DSP Board	18	6-31. Printed Wiring Board – PROTECTOR (F-C) Board – ...	58
3-6. TUNER Board, CONTROL Board	19	6-32. Schematic Diagram – PROTECTOR (F-C) Board –	59
3-7. PREOUT Board (DA3300ES), SUB WOOFER Board (DG1100) and S_SPTM Board	19	6-33. Printed Wiring Boards	
3-8. D_VIDEO Board	20	– PROTECTOR (SB/SURR) Section –	60
3-9. A_VIDEO Board	20	6-34. Schematic Diagram	
3-10. MAIN Board, C_SPTM Board	21	– PROTECTOR (SB/SURR) Section –	61
3-11. AC Board, Power Transformer (T001)	22	6-35. Printed Wiring Board – BIAS Board –	62
3-12. Power AMP Block	22	6-36. Schematic Diagram – BIAS Board –	63
4. TEST MODE	23	6-37. Printed Wiring Boards – SPEAKER Section –	64
5. ELECTRICAL ADJUSTMENTS	27	6-38. Schematic Diagram – SPEAKER Section –	65
6. DIAGRAMS		6-39. Printed Wiring Boards – PREOUT Section –	66
6-1. Block Diagram – CONTROL Section –	28	6-40. Schematic Diagram – PREOUT Section –	67
6-2. Block Diagram – DSP Section –	29	6-41. Schematic Diagram – MAIN Board (1/4) –	68
6-3. Block Diagram – HDMI Section –	30	6-42. Schematic Diagram – MAIN Board (2/4) –	69
6-4. Block Diagram – VIDEO PROCESS Section –	31	6-43. Schematic Diagram – MAIN Board (3/4) –	70
6-5. Block Diagram – ANALOG AUDIO Section –	32	6-44. Schematic Diagram – MAIN Board (4/4) –	71
6-6. Block Diagram – POWER AMP Section –	33	6-45. Printed Wiring Board – MAIN Board –	72
6-7. Block Diagram – VIDEO Section –	34	6-46. Schematic Diagram – D_VIDEO Board (1/9) –	73
6-8. Block Diagram – PANEL, CIS, XM/ SIRIUS RECEIVER, DMPORT Section –	35	6-47. Schematic Diagram – D_VIDEO Board (2/9) –	74
6-9. Block Diagram – POWER SUPPLY Section –	36	6-48. Schematic Diagram – D_VIDEO Board (3/9) –	75
6-10. Printed Wiring Board		6-49. Schematic Diagram – D_VIDEO Board (4/9) –	76
– D_AUDIO Board (Component Side) –	38	6-50. Schematic Diagram – D_VIDEO Board (5/9) –	77
6-11. Printed Wiring Board		6-51. Schematic Diagram – D_VIDEO Board (6/9) –	78
– D_AUDIO Board (Conductor Side) –	39	6-52. Schematic Diagram – D_VIDEO Board (7/9) –	79
6-12. Schematic Diagram – D_AUDIO Board (1/4) –	40	6-53. Schematic Diagram – D_VIDEO Board (8/9) –	80
6-13. Schematic Diagram – D_AUDIO Board (2/4) –	41	6-54. Schematic Diagram – D_VIDEO Board (9/9) –	81
6-14. Schematic Diagram – D_AUDIO Board (3/4) –	42	6-55. Printed Wiring Board	
6-15. Schematic Diagram – D_AUDIO Board (4/4) –	43	– D_VIDEO Board (Component Side) –	82
6-16. Printed Wiring Board		6-56. Printed Wiring Board	
– TUNER Board (Component Side) –	44	– D_VIDEO Board (Conductor Side) –	83
6-17. Printed Wiring Board		6-57. Printed Wiring Board	
– TUNER Board (Conductor Side) –	45	– A_VIDEO Board (Component Side) –	84
6-18. Schematic Diagram – TUNER Board (1/2) –	46	6-58. Printed Wiring Board	
6-19. Schematic Diagram – TUNER Board (2/2) –	47	– A_VIDEO Board (Conductor Side) –	85
6-20. Printed Wiring Board – DSP Board –	48	6-59. Schematic Diagram – A_VIDEO Board (1/4) –	86
6-21. Schematic Diagram – DSP Board –	49	6-60. Schematic Diagram – A_VIDEO Board (2/4) –	87
6-22. Printed Wiring Boards – CONNECTOR Section –	50	6-61. Schematic Diagram – A_VIDEO Board (3/4) –	88
6-23. Schematic Diagram – CONNECTOR Section –	51	6-62. Schematic Diagram – A_VIDEO Board (4/4) –	89
6-24. Printed Wiring Board		6-63. Printed Wiring Board – VIDEO3 Board –	90
– TEMPERATURE DETECTION BOARD –	52	6-64. Schematic Diagram – VIDEO3 Board –	91
		6-65. Printed Wiring Board	
		– CONTROL Board (Component Side) –	92
		6-66. Printed Wiring Board	
		– CONTROL Board (Conductor Side) –	93
		6-67. Schematic Diagram – CONTROL Board (1/2) –	94
		6-68. Schematic Diagram – CONTROL Board (2/2) –	95
		6-69. Printed Wiring Board – CIS Board	
		(DA3300ES: US and Canadian models) –	96

6-70. Schematic Diagram – CIS Board
 (DA3300ES: US and Canadian models) – 97
 6-71. Printed Wiring Board – DISPLAY Board – 98
 6-72. Schematic Diagram – DISPLAY Board – 99
 6-73. Printed Wiring Boards – PANEL Section – 100
 6-74. Schematic Diagram – PANEL Section – 101
 6-75. Printed Wiring Board – DC-DC Board – 102
 6-76. Schematic Diagram – DC-DC Board – 103
 6-77. Printed Wiring Board – AC Board – 104
 6-78. Schematic Diagram – AC Board – 105

7. EXPLODED VIEWS

7-1. Case Section 146
 7-2. DISPLAY Board Section 147
 7-3. Front Panel Section 148
 7-4. AC/DC-DC Boards Section 149
 7-5. D_AUDIO/D_VIDEO Boards Section 150
 7-6. A_VIDEO Board Section 151
 7-7. Heat Sink Section 152
 7-8. MAIN Board Section 153

8. ELECTRICAL PARTS LIST 154

Note: Refer to SUPPLEMENT-1 for the A_VIDEO and AC boards of printed wiring boards, schematic diagrams and electrical parts list of DA3300ES: AEP, Russian, Ukrainian and UK models.
 Refer to SUPPLEMENT-1/SUPPLEMENT-2 for the MAIN board of printed wiring board, schematic diagrams and electrical parts list of DA3300ES: AEP and UK models.
 Refer to SUPPLEMENT-2 for the MAIN and TUNER boards of printed wiring boards, schematic diagrams and electrical parts list of DA3300ES: Russian and Ukrainian models.
 When repairing the set of DA3300ES: US, Canadian, AEP and UK models/DG1100, refer to either of original service manual/SUPPLEMENT-1/SUPPLEMENT-2 according to the set.

UNLEADED SOLDER

Boards requiring use of unleaded solder are printed with the lead-free mark (LF) indicating the solder contains no lead.
 (Caution: Some printed circuit boards may not come printed with the lead free mark due to their particular size)

LF: LEAD FREE MARK

Unleaded solder has the following characteristics.

- Unleaded solder melts at a temperature about 40 °C higher than ordinary solder.
 Ordinary soldering irons can be used but the iron tip has to be applied to the solder joint for a slightly longer time.
 Soldering irons using a temperature regulator should be set to about 350 °C.
 Caution: The printed pattern (copper foil) may peel away if the heated tip is applied for too long, so be careful!
- Strong viscosity
 Unleaded solder is more viscous (sticky, less prone to flow) than ordinary solder so use caution not to let solder bridges occur such as on IC pins, etc.
- Usable with ordinary solder
 It is best to use only unleaded solder but unleaded solder may also be added to ordinary solder.

• **MODEL IDENTIFICATION**

– Back Panel –



Model	PART No.
DA3300ES: AEP model	3-113-925-0□
DA3300ES: UK model	3-113-925-1□
DA3300ES: US and Canadian models	3-113-925-2□
DG1100	3-113-925-3□
DA3300ES: Russian and Ukrainian models	3-113-925-6□

NOTE OF REPLACING THE IC3511 AND IC3513 ON THE D_VIDEO BOARD

IC3511 and IC3513 on the D_VIDEO board cannot exchange with single. When IC3511 and IC3513 on the D_VIDEO board are damaged, exchange the entire mounted board.

NOTE OF REPLACING THE IC3601 ON THE D_VIDEO BOARD

Replacement of IC3601 on the D_VIDEO board used in this set requires a special tool.

STR-DA3300ES/DG1100

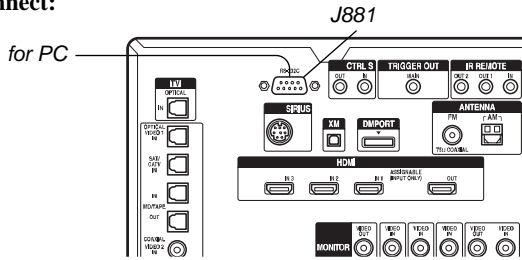
Ver. 1.2

UPDATE OF SOFTWARE OF IC2003 ON THE CONTROL BOARD AND IC3610 ON THE D_VIDEO BOARD

Perform operation of the following when the update of software of the IC2003 on the CONTROL board and IC3610 on the D_VIDEO board is necessary.

- DA3300ES: US and Canadian models

Connect:

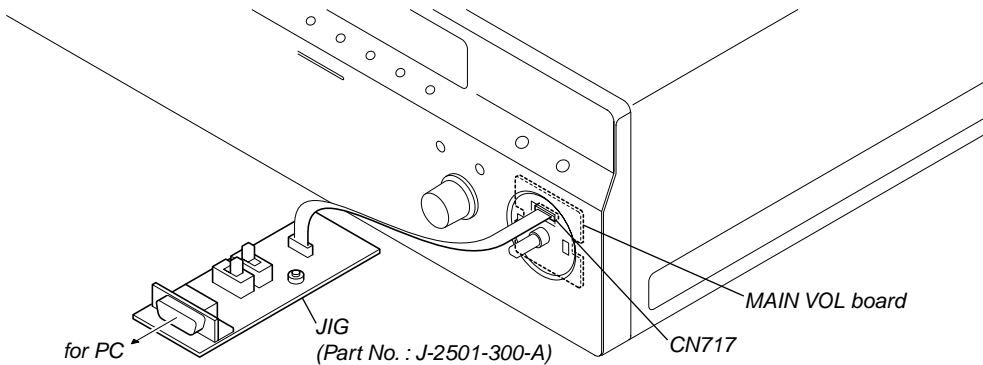


Procedure:

1. Connect J881 on the CIS board and PC by using the RS-232C cable.
2. Turn on the main power.
3. The update is executed by using PC.
4. When the update ends, turn off the main power.
5. Remove the RS-232C cable from the J881 on the CIS board and PC.

- DA3300ES: AEP, Russian, Ukrainian and UK models/DG1100

Connect:



Procedure:

1. Remove the KNOB (VOL) ASSY and connect CN717 on the MAIN VOL board and PC by using the jig.
2. Turn on the main power.
3. The update is executed by using PC.
4. When the update ends, turn off the main power.
5. Remove the jig from the CN717 on the MAIN VOL board and PC.

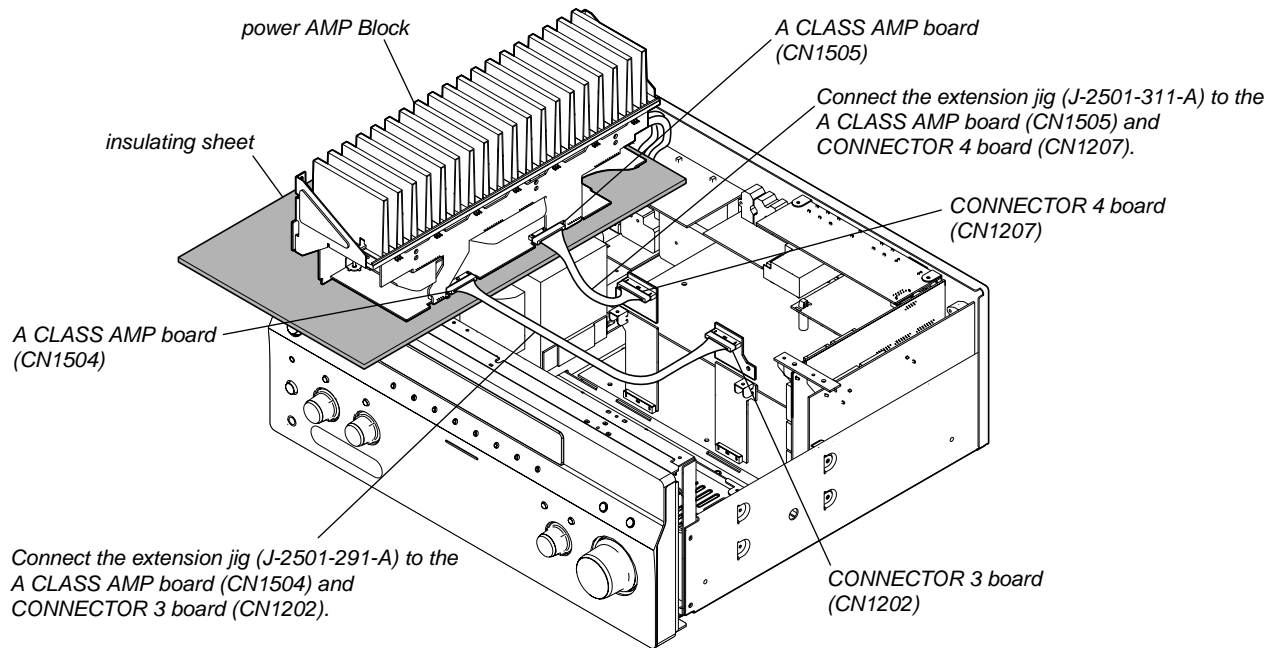
ERROR MESSAGES

If there is a malfunction, the display shows a code of two numbers and a message. You can check the condition of the system by the message. Refer to the following table to solve the problem.

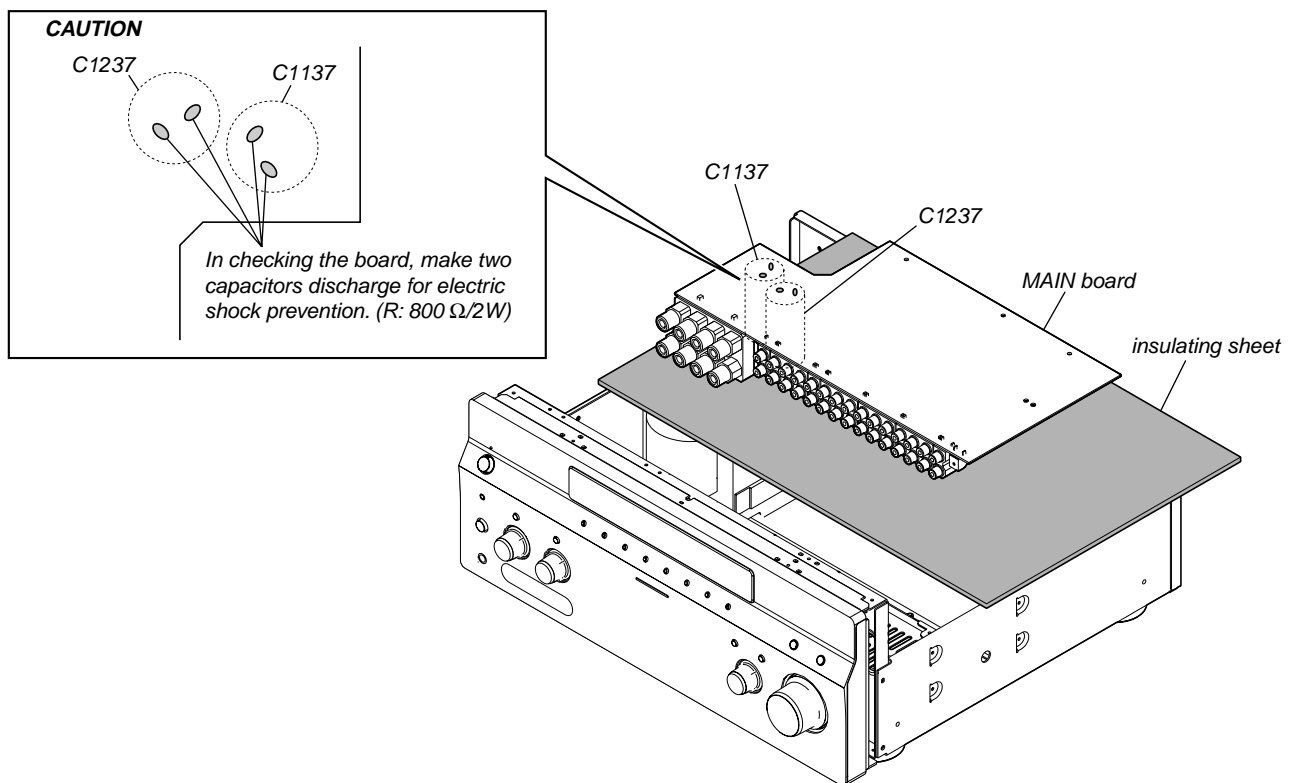
messages	cause and response
PROTECTOR	Irregular current is output to the speakers, or the upper panel of the receiver is covered with something. The receiver will automatically turn off after a few seconds. Check the speakers connection and turn on the power again.

POWER AMP BLOCK SERVICE POSITION

In checking the Power AMP block, prepare jig (extension cable J-2501-291-A: 2 mm Pitch, 12 cores, Length 300 mm/J-2501-311-A: 2 mm Pitch, 15 cores, Length 300 mm).

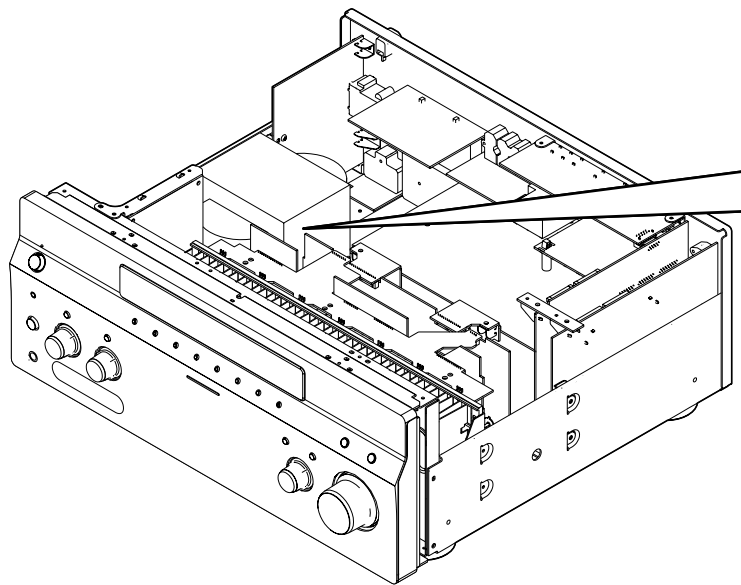


MAIN BOARD SERVICE POSITION

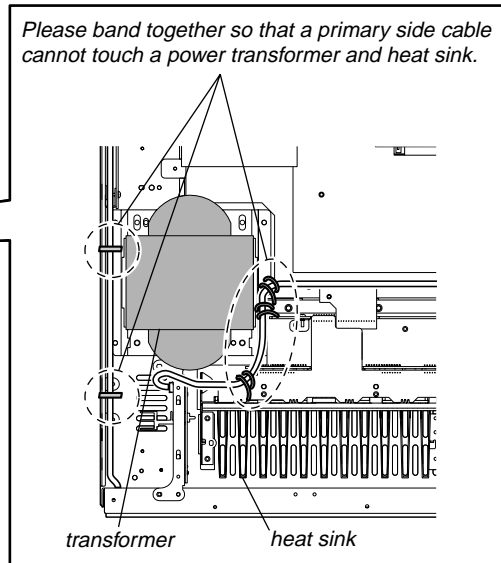


LEAD WIRE SETTING

The lead wire must not come in contact with the transformer and the heat sink.



Please band together so that a primary side cable cannot touch a power transformer and heat sink.



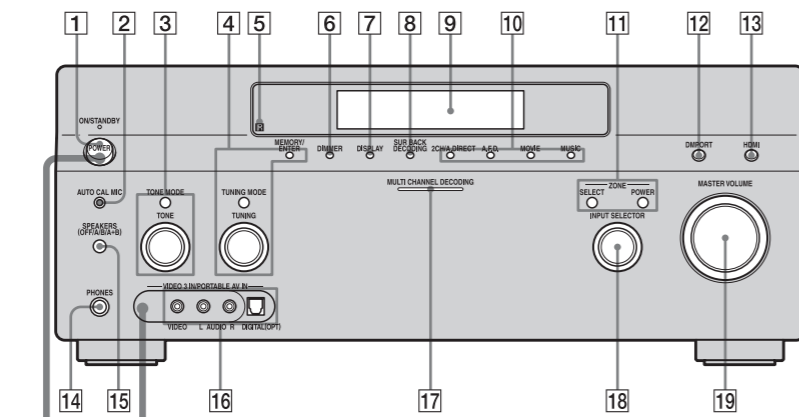
SECTION 2
GENERAL

This section is extracted from instruction manual.

Getting Started

Description and location of parts
(DA3300ES: US and Canadian models)

Front panel



To remove the cover
Press PUSH.
When you remove the cover, keep it out of reach from children.

Status of the POWER button



Off
The receiver is turned off (initial setting).
Press POWER to turn the receiver on. You cannot turn the receiver on using the remote.



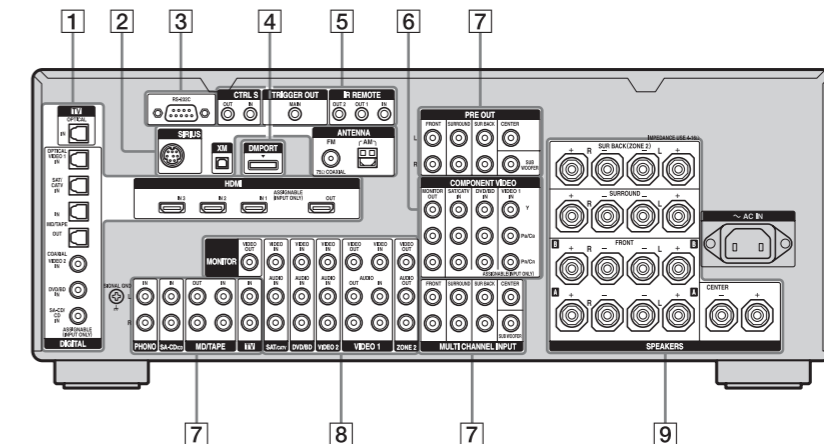
On/Standby
Press I/⏻ on the remote to turn the receiver on or set it to the standby mode. When you press POWER on the receiver, the receiver will be turned off.

Name	Function
1 POWER	Press to turn the receiver on or off.
2 AUTO CAL MIC jack	Connects to the supplied optimizer microphone for the Digital Cinema Auto Calibration function.
3 TONE MODE TONE	Adjusts FRONT/CENTER/SURROUND/SURROUND BACK BASS and TREBLE. Press TONE MODE repeatedly to select BASS or TREBLE, then turn TONE to adjust the level.
4 MEMORY/ENTER TUNING MODE TUNING	Press to operate a tuner (FM/AM) and satellite radio (XM/SIRIUS).
5 Remote sensor	Receives signals from remote commander.
6 DIMMER	Press repeatedly to adjust brightness of the display.
7 DISPLAY	Press repeatedly to select information displayed on the display.

Name	Function
8 SUR BACK DECODING	Press to activate SB DECODING.
9 Display window	The current status of the selected component or a list of selectable items appears here.
10 2CH/A.DIRECT A.F.D. MOVIE MUSIC	Press to select sound field.
11 ZONE/POWER, SELECT	Press SELECT repeatedly to select zone 2 or main zone. Each time you press POWER, the output signals for the selected zone will be turned on or off.
12 DMPORT	Press to select the audio/video input signal from the component connected to the DIGITAL MEDIA PORT adapter.
13 HDMI	Press to select input source from the component connected to the HDMI IN jack.

Name	Function
14 PHONES jack	Connects to headphones.
15 SPEAKERS (OFF/A/B/A+B)	Switch to OFF, A, B, A+B of the front speakers.
16 VIDEO 3 IN/PORTABLE AV IN jacks	Connect to a portable audio/video component such as a camcorder or video game.
17 MULTI CHANNEL DECODING lamp	Lights up when multi-channel audio signals are decoded.
18 INPUT SELECTOR	Turn to select the input source to play back. To select the input source for zone 2, press ZONE/SELECT (11) to select zone 2 first ("ZONE 2 INPUT" appears on the display), then turn INPUT SELECTOR to select the input source.
19 MASTER VOLUME	Turn to adjust the volume level of all speakers at the same time.

Rear panel



1 DIGITAL INPUT/OUTPUT section

	OPTICAL IN/OUT jacks	Connect to a DVD player, Super Audio CD player, etc. The COAXIAL jack provides a better quality sound.
	COAXIAL IN jacks	
	HDMI IN/OUT* jacks	Connect to a DVD player, Blu-ray Disc Player, or a satellite tuner. An image and the sound are output to TV or a projector.

4 DMPORT

		Connects to a Sony DIGITAL MEDIA PORT adapter.
--	--	--

5 Control jack for Sony equipment and other external components

	CTRL S IN/OUT jacks	Connect to Sony TV, DVD player or VCR with CONTROL S jack.
	TRIGGER OUT jack	Connects to interlock on/off of the power supply of other 12V TRIGGER compliant components, or the amplifier/receiver of zone 2.

2 ANTENNA section

	FM ANTENNA jack	Connects to the FM wire antenna (aerial) supplied with this receiver.
	AM ANTENNA jack	Connects to the AM loop antenna (aerial) supplied with this receiver.
	XM jack	Connects to the XM Mini Tuner and Home Dock (not supplied).
	SIRIUS jack	Connects to a SiriusConnect Home tuner (not supplied).

3 RS-232C port

		Used for maintenance and service.
--	--	-----------------------------------

6 COMPONENT VIDEO INPUT/OUTPUT section

	Y, P_B/C_B, P_R/C_R IN/OUT* jacks	Connect to a DVD player, TV, or a satellite tuner.
--	--	--

7 AUDIO INPUT/OUTPUT section

	AUDIO IN/OUT jacks	Connect to a tape deck or MD deck, etc.

	MULTI CHANNEL INPUT jacks	Connect to a Super Audio CD player or DVD player with an analog audio jack for 7.1 channel or 5.1 channel sound.
--	----------------------------------	--

	PRE OUT jacks	Connect to an external power amplifier.
--	----------------------	---

8 VIDEO/AUDIO INPUT/OUTPUT section

	AUDIO IN/OUT jacks	Connect to a VCR or a DVD player etc.

	VIDEO IN/OUT* jacks	
--	----------------------------	--

	AUDIO OUT jacks	Connect to the component in zone 2.
	VIDEO OUT jack	

9 SPEAKERS section

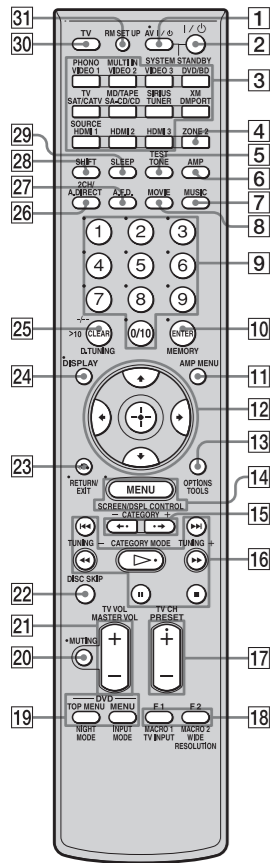
		Connects to speakers.
--	--	-----------------------

* You can watch the selected input image when you connect the MONITOR VIDEO OUT jack to a TV. You can operate this receiver using a GUI (Graphical User Interface).

Remote commander

You can use the supplied remote RM-AAL011 to operate the receiver and to control the Sony audio/video components that the remote is assigned to operate

RM-AAL011



Name	Function
1 AV I/⏻ (on/standby)	Press to turn on or off the audio/video components that the remote is assigned to operate. If you press the I/⏻ (2) at the same time, it will turn off the receiver and other Sony components (SYSTEM STANDBY) Note The function of the AV I/⏻ switch changes automatically each time you press the input button (3)
2 I/⏻ (on/standby)	Press to turn the receiver on or off. If ZONE 2 is selected, only the main receiver is turned on or off with this button. To turn off all components including an amplifier in zone 2, press I/⏻ and AV I/⏻ (1) at the same time (SYSTEM STANDBY)
3 Input buttons	Press one of the buttons to select the component you want to use. Press a pink-labeled button after pressing SHIFT (28). When you press any of the input buttons, the receiver turns on. The buttons are factory assigned to control Sony components. You can program the remote to control non-Sony components following the steps in "Programming the remote"
4 ZONE 2	Press to enable the zone 2 operation
5 TEST TONE	Press to output the test tone from each speaker
6 AMP	Press to enable the receiver operation

Name	Function
7 MUSIC	Press to select sound field
8 MOVIE	Press to select sound field
9 Numeric buttons	Press to - preset/tune to preset stations - select track numbers of the CD player, DVD player, Blu-ray Disc Player or MD deck - Press 0/10 to select track number 10 - select channel numbers of the VCR or satellite tuner - After pressing TV (30), press the numeric buttons to select the TV channels
10 ENTER	Press to enter the value after selecting a channel, disc or track using the numeric buttons
MEMORY	Press to store a station during tuner operation
11 AMP MENU	Press to display the menu to operate the receiver
12	Press $\blacktriangleleft/\blacktriangleright/\blacktriangleup/\blacktriangledown$ to select the menu items. Then press \oplus to enter the selection
13 OPTIONS	Press to display and select items from option menus for receiver and DVD player, Blu-ray Disc Player
TOOLS	Press to display and select items from the option menus for DVD player or Blu-ray Disc Player, etc
14 MENU	Press to display the menu to operate the audio/video components
SCREEN/DSPL CONTROL	Press SHIFT (28), then press MENU to switch the display mode of the menu between SCREEN (to display the menu on the TV screen) and DSPL (to display the menu in the display window)
15 CATEGORY +/-	Press to select the category for satellite tuner
16	Press to operate the DVD player, Blu-ray Disc Player, CD player, MD deck, tape deck, or component connected to the DIGITAL MEDIA PORT adapter etc
CATEGORY MODE	Press to select the category mode for satellite tuner
TUNING +/-	Press to select station
17 PRESET +/-	Press to register FM/AM/satellite tuner stations or to select preset stations
TV CH +/-	Press TV (30), then press TV CH +/- to operate the TV, satellite tuner, VCR, etc
18 F1/F2	Press TV (30), then press F1 or F2 to select a component to operate • HDD recorder F1: HDD F2: DVD player, Blu-ray Disc Player • DVD/VHS combo player F1: DVD player, Blu-ray Disc Player F2: VHS
MACRO1, MACRO2	Press AMP (6), then press MACRO1 or MACRO2 to set up the macro function
TV/INPUT	Press TV/INPUT and TV (30) at the same time to select the input signal (TV input or video input)
WIDE	Press repeatedly to select the wide picture mode
RESOLUTION	Press SHIFT (28) then press RESOLUTION repeatedly to change the resolution of signals output from the HDMI OUT or COMPONENT VIDEO MONITOR OUT jack

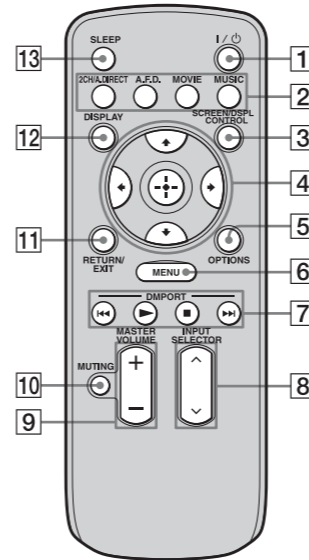
Name	Function
19 DVD/TOP MENU, MENU	Press to display the menus of the DVD player on the TV screen. Then use $\blacktriangleleft/\blacktriangleright/\blacktriangleup/\blacktriangledown$ and \oplus to perform a menu operation
NIGHT MODE	Press AMP (6), then press NIGHT MODE to activate the NIGHT MODE function
INPUT MODE	Press AMP (6), then press INPUT MODE to select the input mode when the same components are connected to both digital and analog jacks
20 MUTING	Press to turn off the sound temporarily. Press the button again to restore the sound
21 MASTER VOL +/-	Press to adjust the volume level of all speakers at the same time
TV VOL +/-	Press TV (30), then press TV VOL +/- to adjust the volume level of the TV
22 DISC SKIP	Press to skip a disc when using a multi-disc changer
23 RETURN/EXIT	Press to return to the previous menu or exit the menu while the menu or on-screen guide of the VCR, DVD player, or satellite tuner is displayed on the TV screen
24 DISPLAY	Press to select information displayed in the display window, TV screen of the VCR, satellite tuner, CD player, DVD player, Blu-ray Disc Player, or MD deck Note In the SCREEN mode, press the button to display the menu on the TV screen
25 CLEAR	Press to - clear a mistake when you press the incorrect numeric button - return to continuous playback, etc. of the satellite tuner or DVD player
>10	Press to select - track numbers over 10 of the VCR, satellite tuner, CD player or MD deck - channel numbers of the Digital CATV terminal
D.TUNING	Press to enter direct tuning mode
26 2CH/A.DIRECT	Press to select sound field or to switch the audio of the selected input to analog signal without any adjustment
27 A.F.D.	Press to select sound field
28 SHIFT	Press to light up the button. It changes the remote button function to activate the buttons with pink printing
29 SLEEP	Press to activate the sleep timer function and the duration which the receiver turns off automatically
30 TV	Press to enable the TV operation
31 RM SET UP	Press to set up the remote

^{a)} See the table for information on the buttons that you can use to control each component
^{b)} The tactile dot is attached to these buttons (▷, PRESET+) Use as a mark of operation

Notes
• Some functions explained in this section may not work depending on the model
• The above explanation is intended to serve as an example only. Therefore, depending on the component, the above operation may not be possible or may operate differently than described

RM-AAU018

This remote can only be used to operate the receiver. You can control the main functions of the receiver with simple operations using this remote.



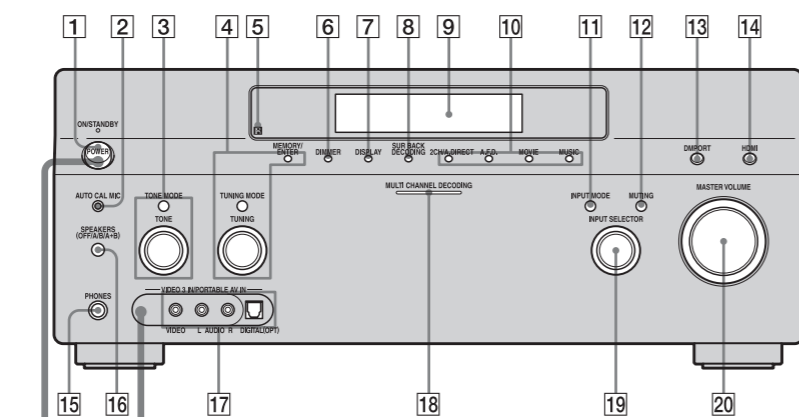
Name	Function
1 I/⏻ (on/standby)	Press to turn a receiver on or off.
2 2CH/A.DIRECT	Press to select sound field.
A.F.D.	
MOVIE	
MUSIC	
3 SCREEN/DSPL CONTROL	Press to switch the display mode of the menu between SCREEN (to display the menu on the TV screen) and DSPL (to display the menu in the display window).
4	After pressing SCREEN/DSPL CONTROL (3), press $\blacktriangleleft/\blacktriangleright/\blacktriangleup/\blacktriangledown$ to select the menu items. Then press \oplus to enter the selection.
5 OPTIONS	Press to display and select items from option menus.
6 MENU	Press to display the menu to operate the receiver.
7 DMPORT	Press to operate component connected to the DIGITAL MEDIA PORT adapter.
▶	Starts play.
■	Stops play.
◀▶	Skips tracks.

Name	Function
8 INPUT SELECTOR	Press to select the input source to play back.
9 MASTER VOLUME +/-	Press to adjust the volume level.
10 MUTING	Press to turn off the sound temporarily. Press the button again to restore the sound.
11 RETURN/EXIT	Press to return to the previous menu or exit the menu.
12 DISPLAY	Press to select information displayed in the display window. Note In the SCREEN mode, press the button to display the menu on the TV screen.
13 SLEEP	Press to activate the sleep timer function and the duration which the receiver turns off automatically.

Getting Started

Description and location of parts
(DA3300ES: AEP, Russian, Ukrainian and UK models)

Front panel



To remove the cover

Press PUSH.
When you remove the cover, keep it out of reach from children.

Status of the POWER button

Off
The receiver is turned off (initial setting).
Press POWER to turn the receiver on.
You cannot turn the receiver on using the remote.

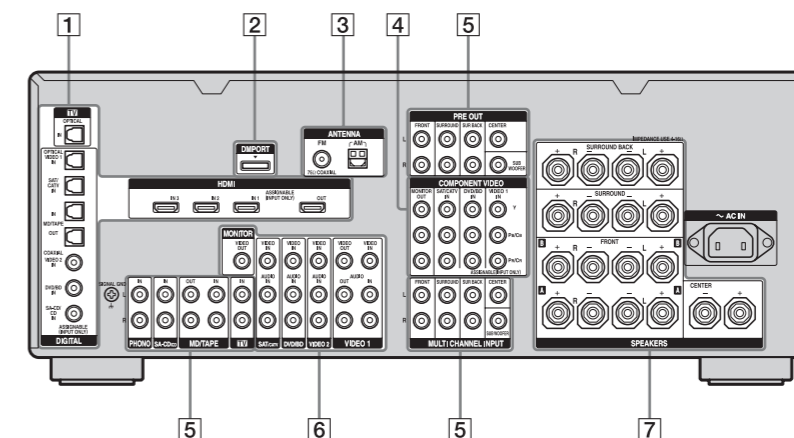
On/Standby
Press I/⏻ on the remote to turn the receiver on or set it to the standby mode.
When you press POWER on the receiver, the receiver will be turned off.

Name	Function
1 POWER	Press to turn the receiver on or off.
2 AUTO CAL MIC jack	Connects to the supplied optimizer microphone for the Digital Cinema Auto Calibration function.
3 TONE MODE TONE	Adjusts FRONT/CENTER/SURROUND/SURROUND BACK BASS and TREBLE. Press TONE MODE repeatedly to select BASS or TREBLE, then turn TONE to adjust the level.
4 MEMORY/ENTER TUNING MODE TUNING	Press to operate a tuner (FM/AM).
5 Remote sensor	Receives signals from remote commander.
6 DIMMER	Press repeatedly to adjust brightness of the display.
7 DISPLAY	Press repeatedly to select information displayed on the display.

Name	Function
8 SUR BACK DECODING	Press to activate SB DECODING.
9 Display window	The current status of the selected component or a list of selectable items appears here.
10 2CH/A.DIRECT A.F.D. MOVIE MUSIC	Press to select sound field.
11 INPUT MODE	Press to select the input mode when the same components are connected to both digital and analog jacks.
12 MUTING	Press to turn off the sound temporarily. Press the button again to restore the sound.
13 DMPORT	Press to select the audio/video input signal from the component connected to the DIGITAL MEDIA PORT adapter.
14 HDMI	Press to select input source from the component connected to the HDMI IN jack.

Name	Function
15 PHONES jack	Connects to headphones.
16 SPEAKERS (OFF/A/B/A+B)	Switch to OFF, A, B, A+B of the front speakers.
17 VIDEO 3 IN/PORTABLE AV IN jacks	Connect to a portable audio/video component such as a camcorder or video game.
18 MULTI CHANNEL DECODING lamp	Lights up when multi-channel audio signals are decoded.
19 INPUT SELECTOR	Turn to select the input source to play back.
20 MASTER VOLUME	Turn to adjust the volume level of all speakers at the same time.

Rear panel



1 DIGITAL INPUT/OUTPUT section

- OPTICAL IN/OUT jacks** Connect to a DVD player, Super Audio CD player, etc. The COAXIAL jack provides a better quality sound.
- COAXIAL IN jacks**
- HDMI IN/OUT* jacks** Connect to a DVD player, Blu-ray Disc Player, or a satellite tuner. An image and the sound are output to TV or a projector.

2 DMPORT

- Connects to a Sony DIGITAL MEDIA PORT adapter.

3 ANTENNA section

- FM ANTENNA jack** Connects to the FM wire antenna (aerial) supplied with this receiver.
- AM ANTENNA jack** Connects to the AM loop antenna (aerial) supplied with this receiver.

4 COMPONENT VIDEO INPUT/OUTPUT section

- Y, P_B/C_B, P_R/C_R IN/OUT* jacks** Connect to a DVD player, TV, or a satellite tuner.

5 AUDIO INPUT/OUTPUT section

- AUDIO IN/OUT jacks** L Connect to a tape deck or MD deck, etc.
- R

MULTI CHANNEL INPUT jacks

Connect to a Super Audio CD player or DVD player with an analog audio jack for 7.1 channel or 5.1 channel sound.

PRE OUT jacks

Connect to an external power amplifier.

6 VIDEO/AUDIO INPUT/OUTPUT section

- AUDIO IN/OUT jacks** L Connect to a VCR or a DVD player etc.
- R
- VIDEO IN/OUT* jacks**

7 SPEAKERS section

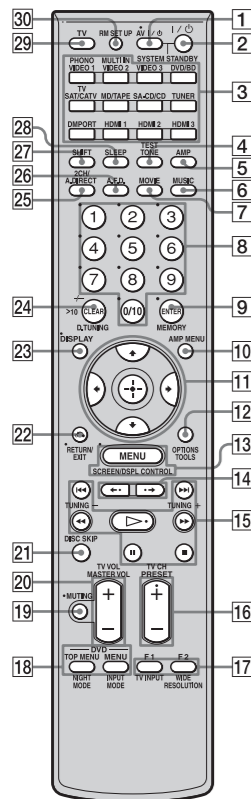
Connects to speakers.

* You can watch the selected input image when you connect the MONITOR VIDEO OUT jack to a TV. You can operate this receiver using a GUI (Graphical User Interface).

Remote commander

You can use the supplied remote RM-AAP019 to operate the receiver and to control the Sony audio/video components that the remote is assigned to operate

RM-AAP019



Name	Function
1 AV I/⏻ (on/standby)	Press to turn on or off the audio/video components that the remote is assigned to operate If you press the I/⏻ (2) at the same time, it will turn off the receiver and other Sony components (SYSTEM STANDBY) Note The function of the AV I/⏻ switch changes automatically each time you press the input button (3)
2 I/⏻ (on/standby)	Press to turn the receiver on or off To turn off all components, press I/⏻ and AV I/⏻ (1) at the same time (SYSTEM STANDBY) Saving the power in standby mode. When "HDMI Control" is set to "OFF"
3 Input buttons	Press one of the buttons to select the component you want to use. Press a pink-labeled button after pressing SHIFT (27). When you press any of the input buttons, the receiver turns on. The buttons are factory assigned to control Sony components. You can program the remote to control non-Sony components following the steps in "Programming the remote"
4 TEST TONE	Press to output the test tone from each speaker
5 AMP	Press to enable the receiver operation

Name	Function
6 MUSIC	Press to select sound field
7 MOVIE	Press to select sound field
8 Numeric buttons	Press to – preset/tune to preset stations – select track numbers of the CD player, DVD player, Blu-ray Disc Player or MD deck Press 0/10 to select track number 10 – select channel numbers of the VCR or satellite tuner – After pressing TV (29), press the numeric buttons to select the TV channels
9 ENTER	Press to enter the value after selecting a channel, disc or track using the numeric buttons
MEMORY	Press to store a station during tuner operation
10 AMP MENU	Press to display the menu to operate the receiver
11	Press /// to select the menu items. Then press to enter the selection
12 OPTIONS	Press to display and select items from option menus for receiver and DVD player, Blu-ray Disc Player
TOOLS	Press to display and select items from the option menus for DVD player or Blu-ray Disc Player, etc
13 MENU	Press to display the menu to operate the audio/video components
SCREEN/DSPL CONTROL	Press SHIFT (27), then press MENU to switch the display mode of the menu between SCREEN (to display the menu on the TV screen) and DSPL (to display the menu in the display window)
14	Press to select the album
15 a) a) b) b)	Press to operate the DVD player, Blu-ray Disc Player, CD player, MD deck, tape deck, or component connected to the DIGITAL MEDIA PORT adapter etc
TUNING +/-	Press to select station
16 PRESET	Press to register FM/AM or to select preset stations
TV CH +/-	Press TV (29), then press TV CH +/- to operate the TV, satellite tuner, VCR, etc
17 F1/F2	Press TV (29), then press F1 or F2 to select a component to operate • HDD recorder F1: HDD F2: DVD player, Blu-ray Disc Player • DVD/VHS combo player F1: DVD player, Blu-ray Disc Player F2: VHS
TV/INPUT	Press TV/INPUT and TV (29) at the same time to select the input signal (TV input or video input)
WIDE	Press repeatedly to select the wide picture mode
RESOLUTION	Press SHIFT (27) then press RESOLUTION repeatedly to change the resolution of signals output from the HDMI OUT or COMPONENT VIDEO MONITOR OUT jack
18 DVD/TOP MENU, MENU	Press to display the menus of the DVD player on the TV screen. Then use /// and to perform a menu operations

Name	Function
NIGHT MODE	Press AMP (5), then press NIGHT MODE to activate the NIGHT MODE function
INPUT MODE	Press AMP (5), then press INPUT MODE to select the input mode when the same components are connected to both digital and analog jacks
19 MUTING	Press to turn off the sound temporarily. Press the button again to restore the sound
20 MASTER VOL +/-	Press to adjust the volume level of all speakers at the same time
TV VOL +/-	Press TV (29), then press TV VOL +/- to adjust the volume level of the TV
21 DISC SKIP	Press to skip a disc when using a multi-disc changer
22 RETURN/EXIT	Press to return to the previous menu or exit the menu while the menu or on-screen guide of the VCR, DVD player, or satellite tuner is displayed on the TV screen
23 DISPLAY	Press to select information displayed in the display window, TV screen of the VCR, satellite tuner, CD player, DVD player, Blu-ray Disc Player, or MD deck Note In the SCREEN mode, press the button to display the menu on the TV screen
24 CLEAR	Press to – clear a mistake when you press the incorrect numeric button – return to continuous playback, etc. of the satellite tuner or DVD player
>10	Press to select – track numbers over 10 of the VCR, satellite tuner, CD player or MD deck – channel numbers of the Digital CATV terminal
D.TUNING	Press to enter direct tuning mode
25 2CH/A.DIRECT	Press to select sound field or to switch the audio of the selected input to analog signal without any adjustment
26 A.F.D.	Press to select sound field
27 SHIFT	Press to light up the button. It changes the remote button function to activate the buttons with pink printing
28 SLEEP	Press to activate the sleep timer function and the duration which the receiver turns off automatically
29 TV	Press to enable the TV operation
30 RM SET UP	Press to set up the remote

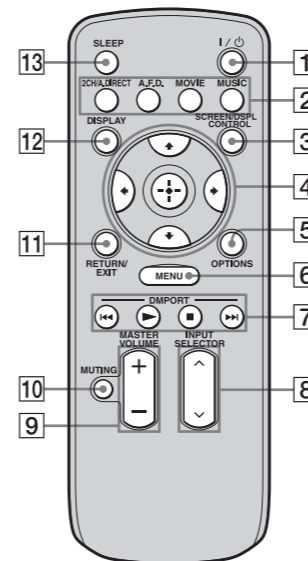
a) See the table for information on the buttons that you can use to control each component b) The tactile dot is attached to these buttons (▷, PRESET+) Use as a mark of operation

Notes

- Some functions explained in this section may not work depending on the model
- The above explanation is intended to serve as an example only. Therefore, depending on the component, the above operation may not be possible or may operate differently than described

RM-AAU018

This remote can only be used to operate the receiver. You can control the main functions of the receiver with simple operations using this remote.



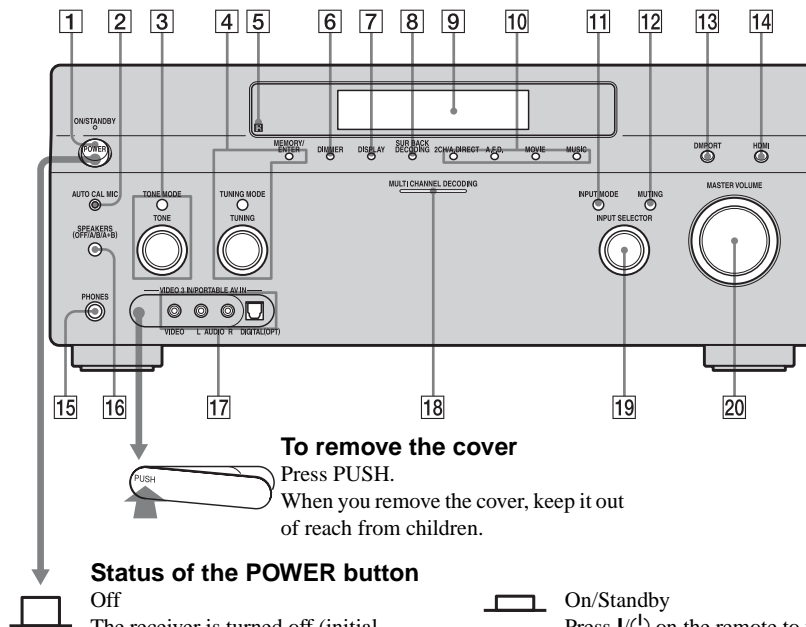
Name	Function
1 I/⏻ (on/standby)	Press to turn a receiver on or off.
2 2CH/A.DIRECT	Press to select sound field.
A.F.D.	
MOVIE	
MUSIC	
3 SCREEN/DSPL CONTROL	Press to switch the display mode of the menu between SCREEN (to display the menu on the TV screen) and DSPL (to display the menu in the display window).
4	After pressing SCREEN/DSPL CONTROL (3), press /// to select the menu items. Then press to enter the selection.
5 OPTIONS	Press to display and select items from option menus.
6 MENU	Press to display the menu to operate the receiver.
7 DMPORT	Press to operate component connected to the DIGITAL MEDIA PORT adapter.
	Starts play.
	Stops play.
	Skips tracks.

Name	Function
8 INPUT SELECTOR	Press to select the input source to play back.
9 MASTER VOLUME +/-	Press to adjust the volume level.
10 MUTING	Press to turn off the sound temporarily. Press the button again to restore the sound.
11 RETURN/EXIT	Press to return to the previous menu or exit the menu.
12 DISPLAY	Press to select information displayed in the display window. Note In the SCREEN mode, press the button to display the menu on the TV screen.
13 SLEEP	Press to activate the sleep timer function and the duration which the receiver turns off automatically.

Getting Started

Description and location of parts (DG1100)

Front panel

**To remove the cover**

Press PUSH.

When you remove the cover, keep it out of reach from children.

Status of the POWER button

Off

The receiver is turned off (initial setting).

Press POWER to turn the receiver on. You cannot turn the receiver on using the remote.



On/Standby

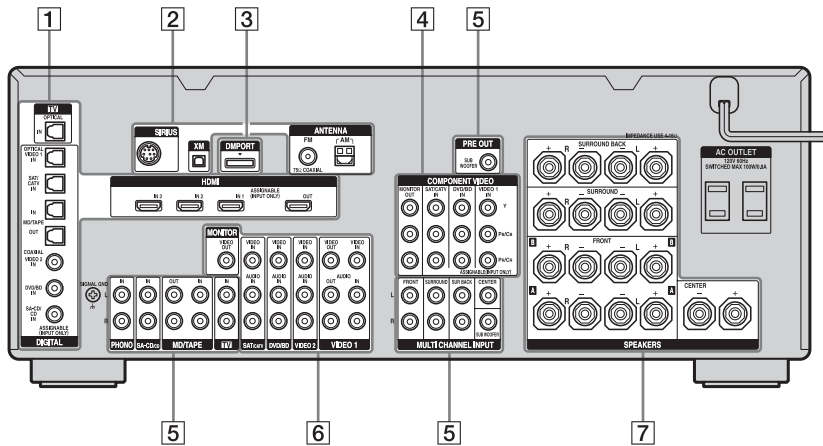
Press I/⏻ on the remote to turn the receiver on or set it to the standby mode. When you press POWER on the receiver, the receiver will be turned off.

Name	Function
1 POWER	Press to turn the receiver on or off.
2 AUTO CAL MIC jack	Connects to the supplied optimizer microphone for the Digital Cinema Auto Calibration function.
3 TONE MODE TONE	Adjusts FRONT/CENTER/SURROUND/SURROUND BACK BASS and TREBLE. Press TONE MODE repeatedly to select BASS or TREBLE, then turn TONE to adjust the level.
4 MEMORY/ ENTER TUNING MODE TUNING	Press to operate a tuner (FM/AM) and satellite radio (XM/SIRIUS).
5 Remote sensor	Receives signals from remote commander.
6 DIMMER	Press repeatedly to adjust brightness of the display.
7 DISPLAY	Press repeatedly to select information displayed on the display.




Name	Function
8 SUR BACK DECODING	Press to activate SB DECODING.
9 Display window	The current status of the selected component or a list of selectable items appears here.
10 2CH/A.DIRECT A.F.D. MOVIE MUSIC	Press to select sound field.
11 INPUT MODE	Press to select the input mode when the same components are connected to both digital and analog jacks.
12 MUTING	Press to turn off the sound temporarily. Press the button again to restore the sound.
13 DMPORT	Press to select the audio/video input signal from the component connected to the DIGITAL MEDIA PORT adapter.

Name	Function
14 HDMI	Press to select input source from the component connected to the HDMI IN jack.
15 PHONES jack	Connects to headphones.
16 SPEAKERS (OFF/A/B/A+B)	Switch to OFF, A, B, A+B of the front speakers.
17 VIDEO 3 IN/ PORTABLE AV IN jacks	Connect to a portable audio/video component such as a camcorder or video game.
18 MULTI CHANNEL DECODING lamp	Lights up when multi-channel audio signals are decoded.
19 INPUT SELECTOR	Turn to select the input source to play back.
20 MASTER VOLUME	Turn to adjust the volume level of all speakers at the same time.





Rear panel



1 DIGITAL INPUT/OUTPUT section

-  OPTICAL IN/OUT jacks Connect to a DVD player, Super Audio CD player, etc The COAXIAL IN jack provides a better quality sound
-  COAXIAL IN jacks
-  HDMI IN/OUT* jacks Connect to a DVD player, Blu-ray Disc Player, or a satellite tuner An image and the sound are output to TV or a projector




2 ANTENNA section

-  FM ANTENNA jack Connects to the FM wire antenna (aerial) supplied with this receiver
-  AM ANTENNA jack Connects to the AM loop antenna (aerial) supplied with this receiver
-  XM jack Connects to the XM Mini Tuner and Home Dock (not supplied)
-  SIRIUS jack Connects to a SiriusConnect Home tuner (not supplied)



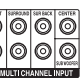

3 DMPORT

 Connects to a Sony DIGITAL MEDIA PORT adapter




4 COMPONENT VIDEO INPUT/OUTPUT section

-  Y, P_B/C_B, P_R/C_R IN/OUT* jacks Connect to a DVD player, TV, or a satellite tuner
-  P_B/C_B
-  P_R/C_R

5 AUDIO INPUT/OUTPUT section

-  L AUDIO IN/OUT jacks Connect to a tape deck or MD deck, etc
-  R
-  MULTI CHANNEL INPUT jacks Connect to a Super Audio CD player or DVD player with an analog audio jack for 7.1 channel or 5.1 channel sound
-  PRE OUT jack Connects to an active sub woofer

6 VIDEO/AUDIO INPUT/OUTPUT section

-  L AUDIO IN/OUT jacks Connect to a VCR or a DVD player etc
-  R
-  VIDEO IN/OUT* jacks

7 SPEAKERS section

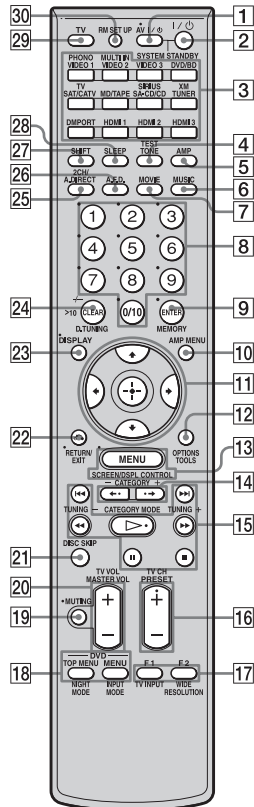
 Connects to speakers

* You can watch the selected input image when you connect the MONITOR VIDEO OUT jack to a TV You can operate this receiver using a GUI (Graphical User Interface)

Remote commander

You can use the supplied remote RM-AAP018 to operate the receiver and to control the Sony audio/video components that the remote is assigned to operate

RM-AAP018



Name	Function
1 AV I/⏻ (on/standby)	Press to turn on or off the audio/video components that the remote is assigned to operate. If you press the I/⏻ (2) at the same time, it will turn off the receiver and other Sony components (SYSTEM STANDBY) Note The function of the AV I/⏻ switch changes automatically each time you press the input button (3)
2 I/⏻ (on/standby)	Press to turn the receiver on or off To turn off all components, press I/⏻ and AV I/⏻ (1) at the same time (SYSTEM STANDBY)
3 Input buttons	Press one of the buttons to select the component you want to use. Press a pink-labeled button after pressing SHIFT (27). When you press any of the input buttons, the receiver turns on. The buttons are factory assigned to control Sony components. You can program the remote to control non-Sony components following the steps in "Programming the remote"
4 TEST TONE	Press to output the test tone from each speaker
5 AMP	Press to enable the receiver operation
6 MUSIC	Press to select sound field
7 MOVIE	Press to select sound field

Name	Function
8 Numeric buttons	Press to <ul style="list-style-type: none"> – preset/tune to preset stations – select track numbers of the CD player, DVD player, Blu-ray Disc Player or MD deck – Press 0/10 to select track number 10 – select channel numbers of the VCR or satellite tuner – After pressing TV (29), press the numeric buttons to select the TV channels
9 ENTER	Press to enter the value after selecting a channel, disc or track using the numeric buttons
MEMORY	Press to store a station during tuner operation
10 AMP MENU	Press to display the menu to operate the receiver
11	Press to select the menu items. Then press to enter the selection
12 OPTIONS	Press to display and select items from option menus for receiver and DVD player, Blu-ray Disc Player
TOOLS	Press to display and select items from the option menus for DVD player or Blu-ray Disc Player, etc
13 MENU	Press to display the menu to operate the audio/video components
SCREEN/DSPL CONTROL	Press SHIFT (27), then press MENU to switch the display mode of the menu between SCREEN (to display the menu on the TV screen) and DSPL (to display the menu in the display window)
14 CATEGORY +/-	Press to select the category for satellite tuner
15	Press to operate the DVD player, Blu-ray Disc Player, CD player, MD deck, tape deck, or component connected to the DIGITAL MEDIA PORT adapter etc
CATEGORY MODE	Press to select the category mode for satellite tuner
TUNING +/-	Press to select station
16 PRESET + ^{b)} /-	Press to register FM/AM/satellite tuner stations or to select preset stations
TV CH +/-	Press TV (29), then press TV CH +/- to operate the TV, satellite tuner, VCR, etc
17 F1/F2	Press TV (29), then press F1 or F2 to select a component to operate <ul style="list-style-type: none"> • HDD recorder F1: HDD F2: DVD player, Blu-ray Disc Player • DVD/VHS combo player F1: DVD player, Blu-ray Disc Player F2: VHS
TV/INPUT	Press TV/INPUT and TV (29) at the same time to select the input signal (TV input or video input)
WIDE	Press repeatedly to select the wide picture mode
RESOLUTION	Press SHIFT (27) then press RESOLUTION repeatedly to change the resolution of signals output from the HDMI OUT or COMPONENT VIDEO MONITOR OUT jack

Name	Function
18 DVD/TOP MENU, MENU	Press to display the menus of the DVD player on the TV screen. Then use and to perform a menu operation
NIGHT MODE	Press AMP (5), then press NIGHT MODE to activate the NIGHT MODE function
INPUT MODE	Press AMP (5), then press INPUT MODE to select the input mode when the same components are connected to both digital and analog jacks
19 MUTING	Press to turn off the sound temporarily. Press the button again to restore the sound
20 MASTER VOL +/-	Press to adjust the volume level of all speakers at the same time
TV VOL +/-	Press TV (29), then press TV VOL +/- to adjust the volume level of the TV
21 DISC SKIP	Press to skip a disc when using a multi-disc changer
22 RETURN/EXIT	Press to return to the previous menu or exit the menu while the menu or on-screen guide of the VCR, DVD player, or satellite tuner is displayed on the TV screen
23 DISPLAY	Press to select information displayed in the display window, TV screen of the VCR, satellite tuner, CD player, DVD player, Blu-ray Disc Player, or MD deck Note In the SCREEN mode, press the button to display the menu on the TV screen
24 CLEAR	Press to <ul style="list-style-type: none"> – clear a mistake when you press the incorrect numeric button – return to continuous playback, etc. of the satellite tuner or DVD player
>10	Press to select <ul style="list-style-type: none"> – track numbers over 10 of the VCR, satellite tuner, CD player or MD deck – channel numbers of the Digital CATV terminal
D.TUNING	Press to enter direct tuning mode
25 2CH/A.DIRECT	Press to select sound field or to switch the audio of the selected input to analog signal without any adjustment
26 A.F.D.	Press to select sound field
27 SHIFT	Press to light up the button. It changes the remote button function to activate the buttons with pink printing
28 SLEEP	Press to activate the sleep timer function and the duration which the receiver turns off automatically
29 TV	Press to enable the TV operation
30 RM SET UP	Press to set up the remote

^{a)} See the table for information on the buttons that you can use to control each component

^{b)} The tactile dot is attached to these buttons (, PRESET+). Use as a mark of operation

Notes

- Some functions explained in this section may not work depending on the model
- The above explanation is intended to serve as an example only. Therefore, depending on the component, the above operation may not be possible or may operate differently than described

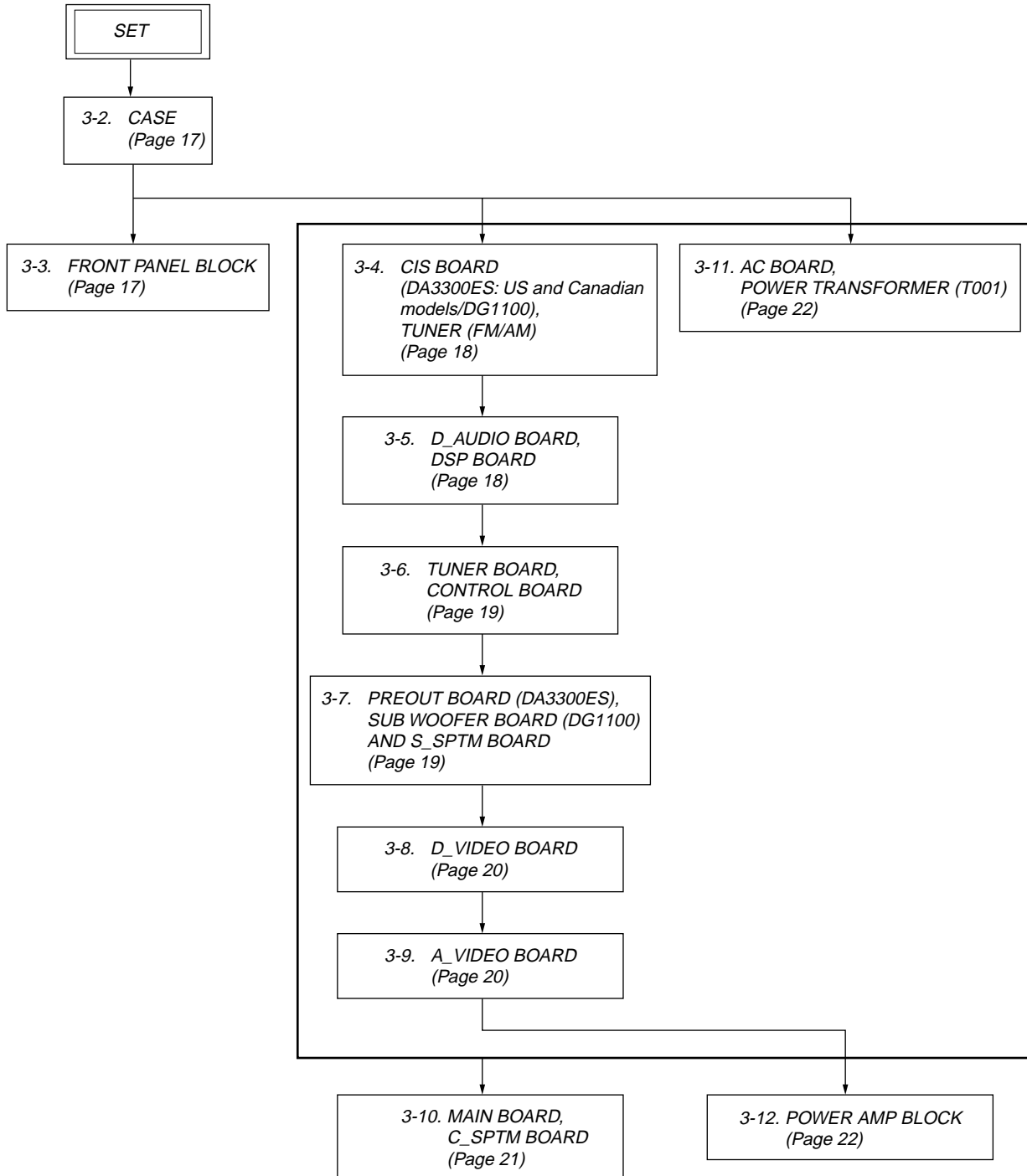
SECTION 3 DISASSEMBLY

- This set can be disassembled in the order shown below.

3-1. DISASSEMBLY FLOW

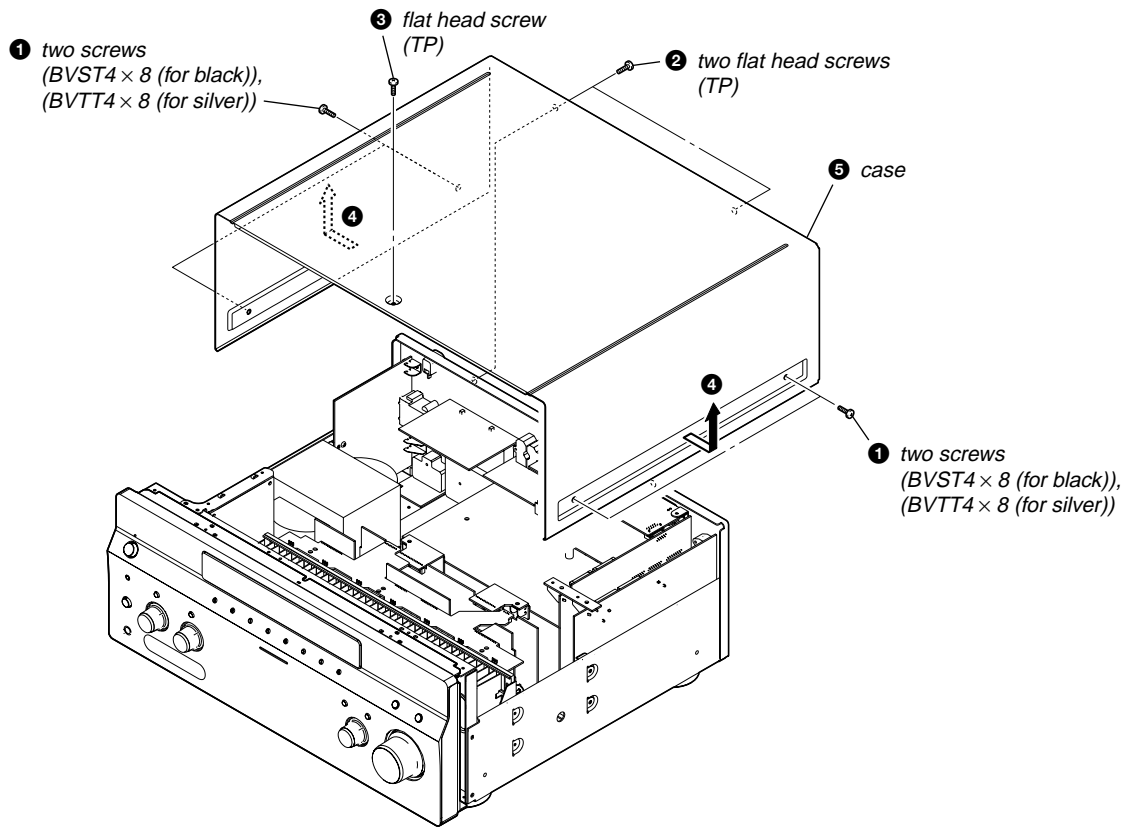
Note 1: The process described in [] can be performed in any order.

Note 2: Without completing the process described in [], the next process can not be performed.

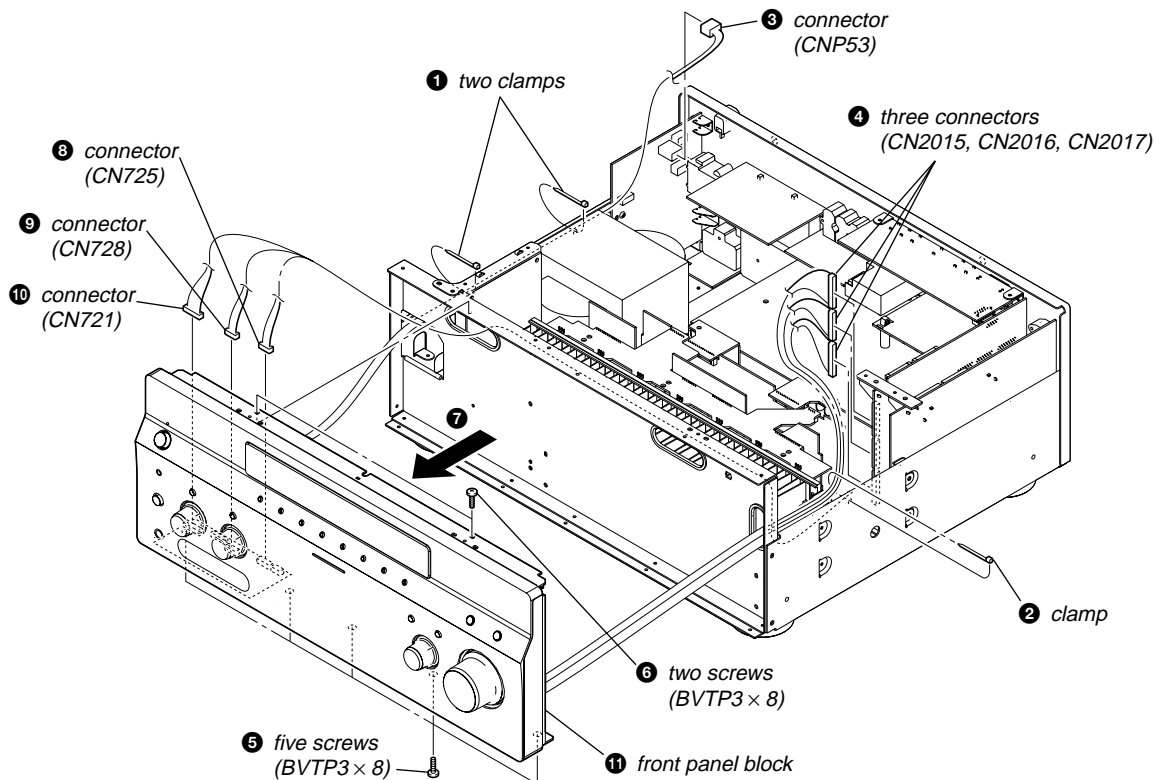


Note: Follow the disassembly procedure in the numerical order given.

3-2. CASE

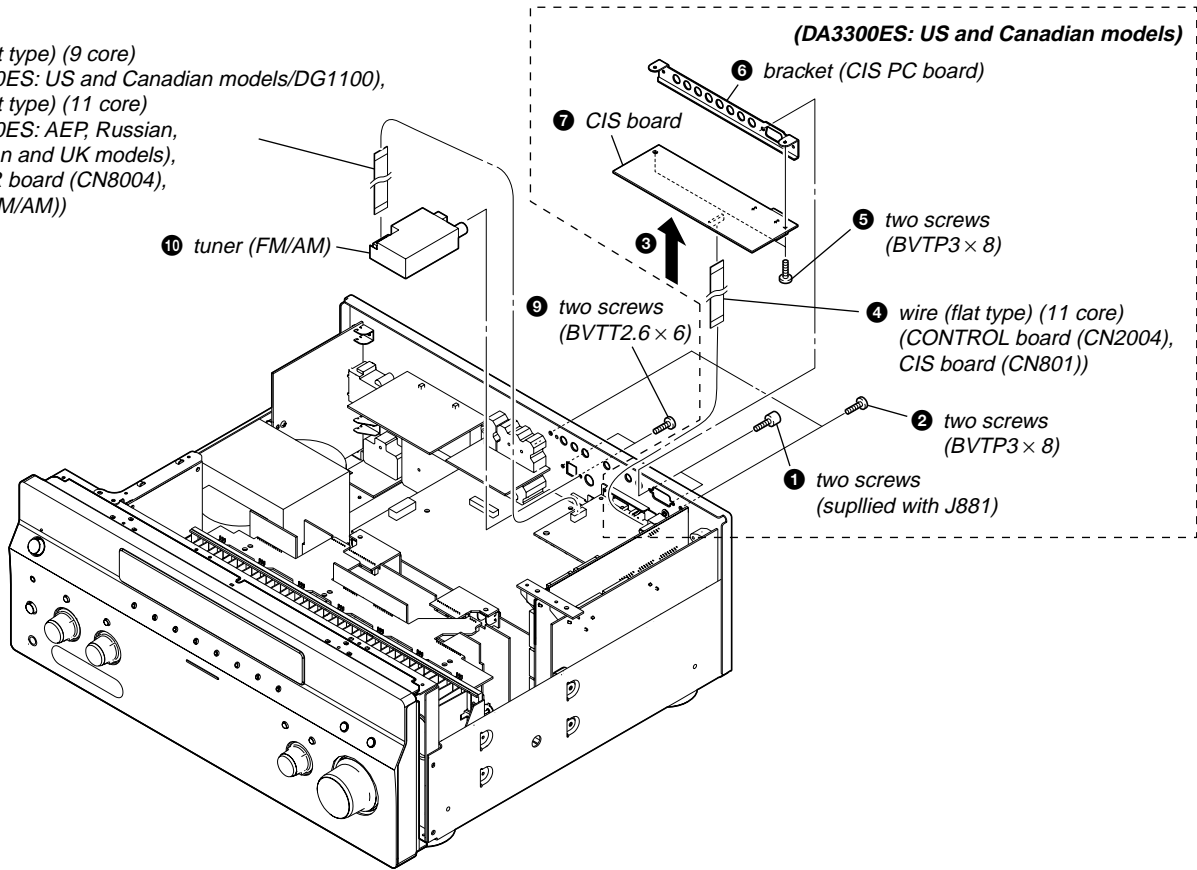


3-3. FRONT PANEL BLOCK

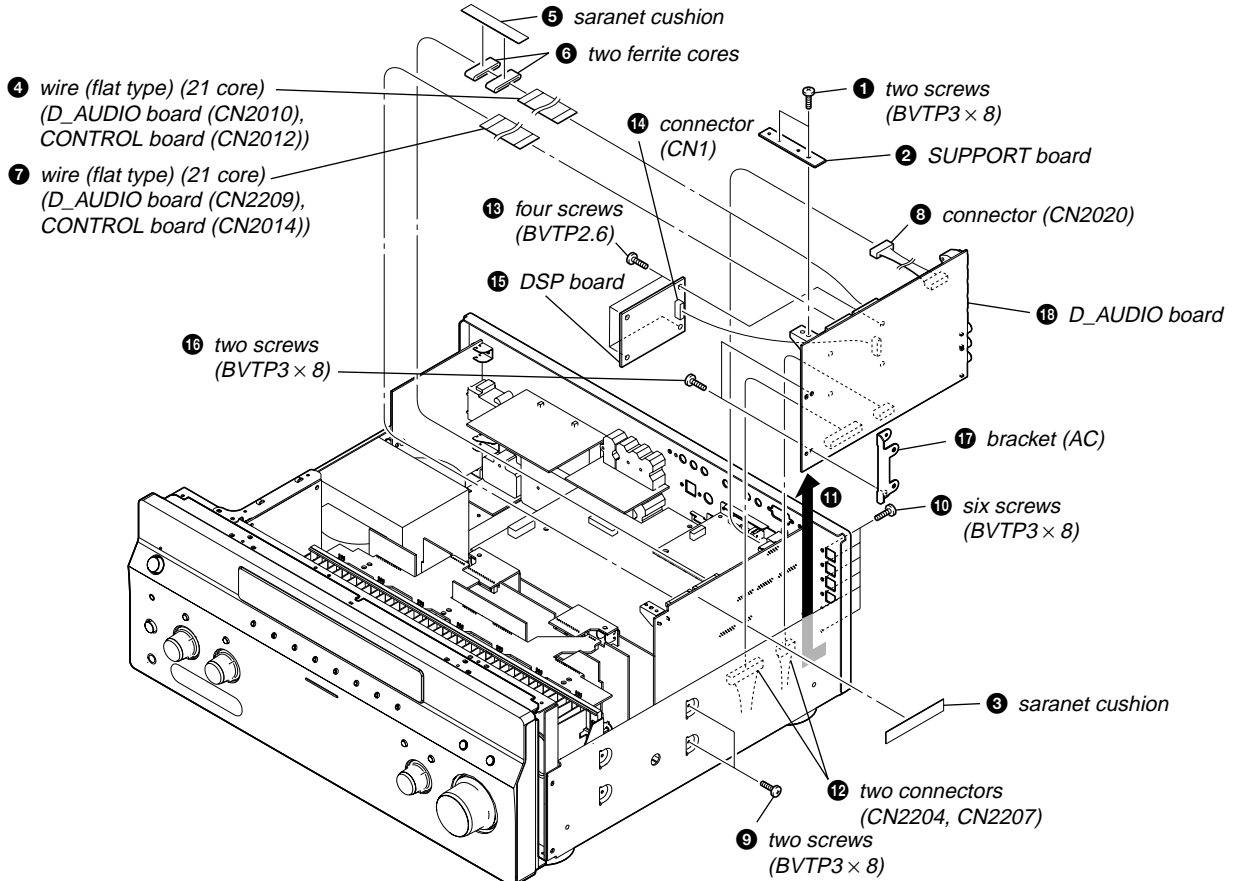


3-4. CIS BOARD (DA3300ES: US and Canadian models), TUNER (FM/AM)

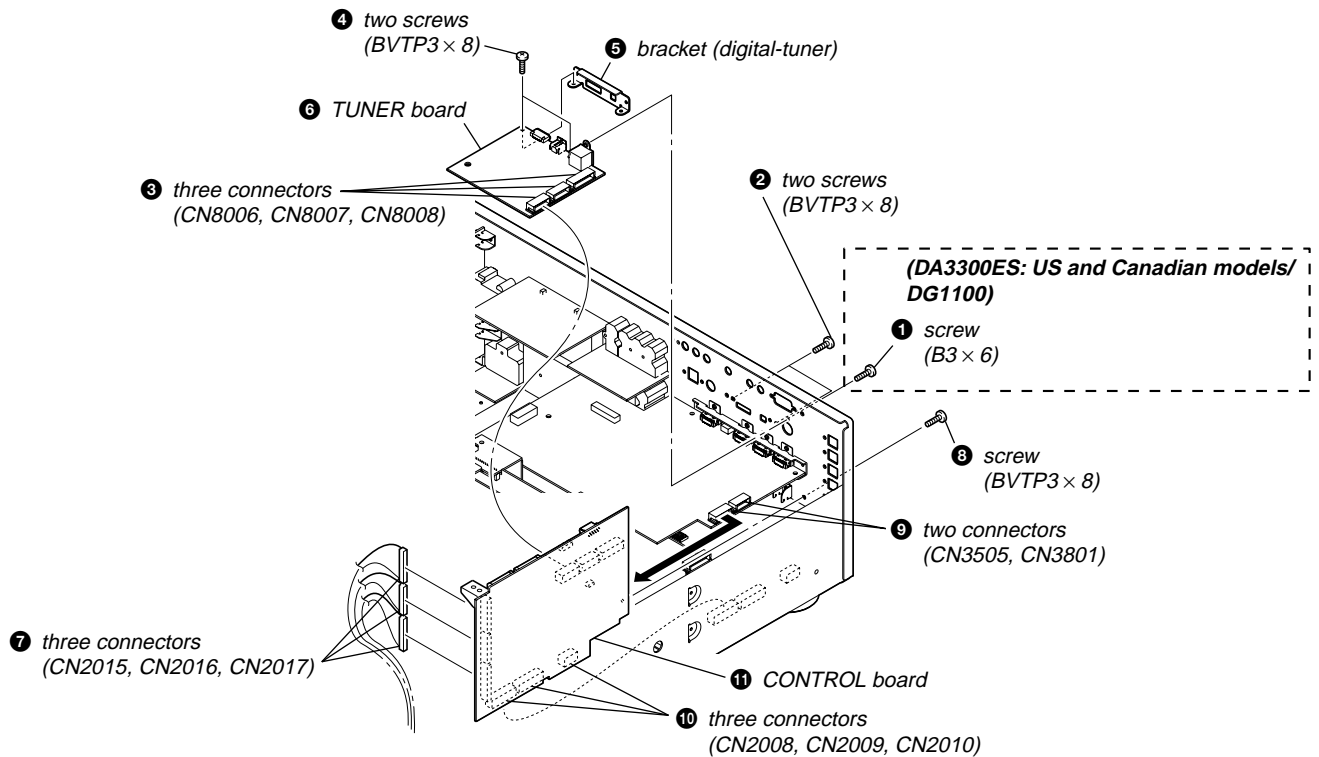
- ⑧ wire (flat type) (9 core)
(DA3300ES: US and Canadian models/DG1100),
wire (flat type) (11 core)
(DA3300ES: AEP, Russian,
Ukrainian and UK models),
(TUNER board (CN8004),
tuner (FM/AM))



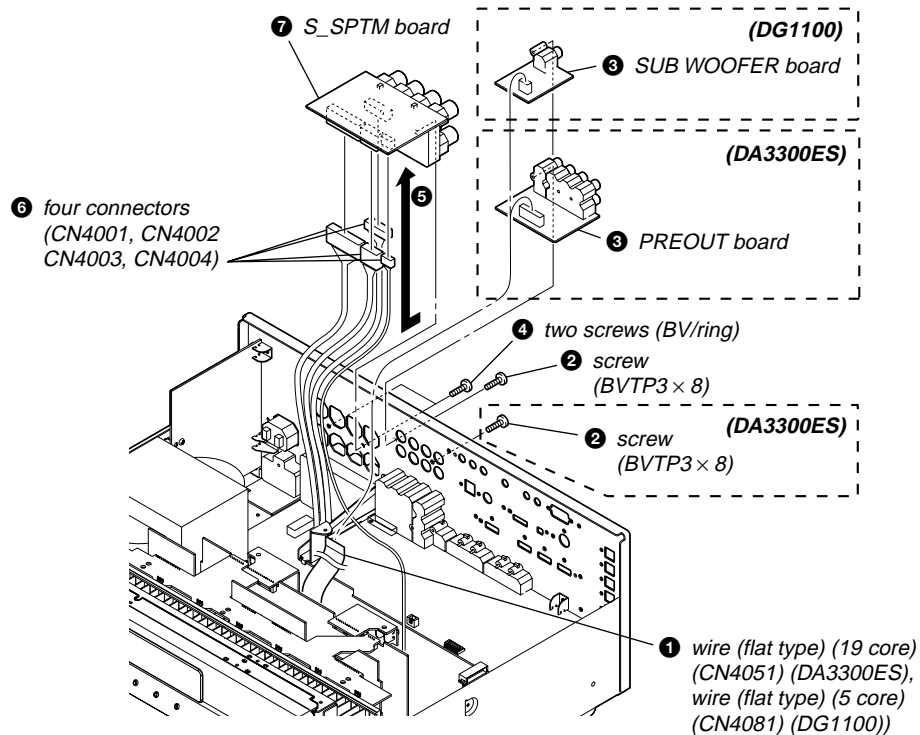
3-5. D_AUDIO BOARD, DSP BOARD



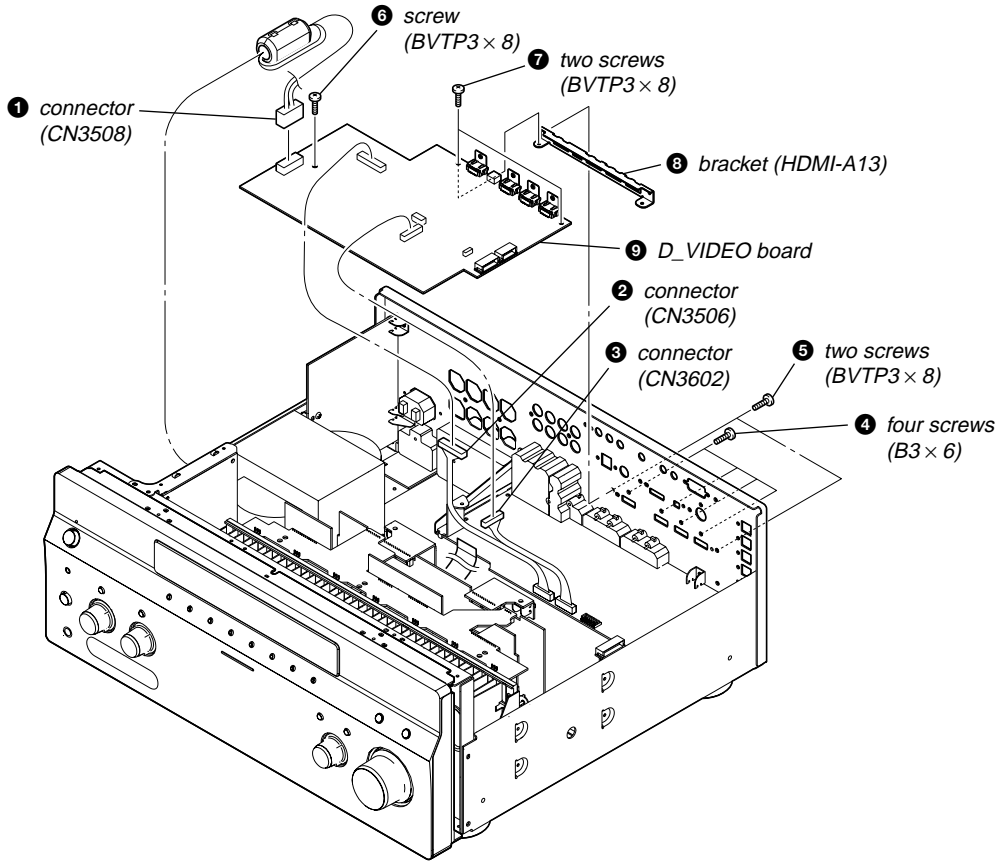
3-6. TUNER BOARD, CONTROL BOARD



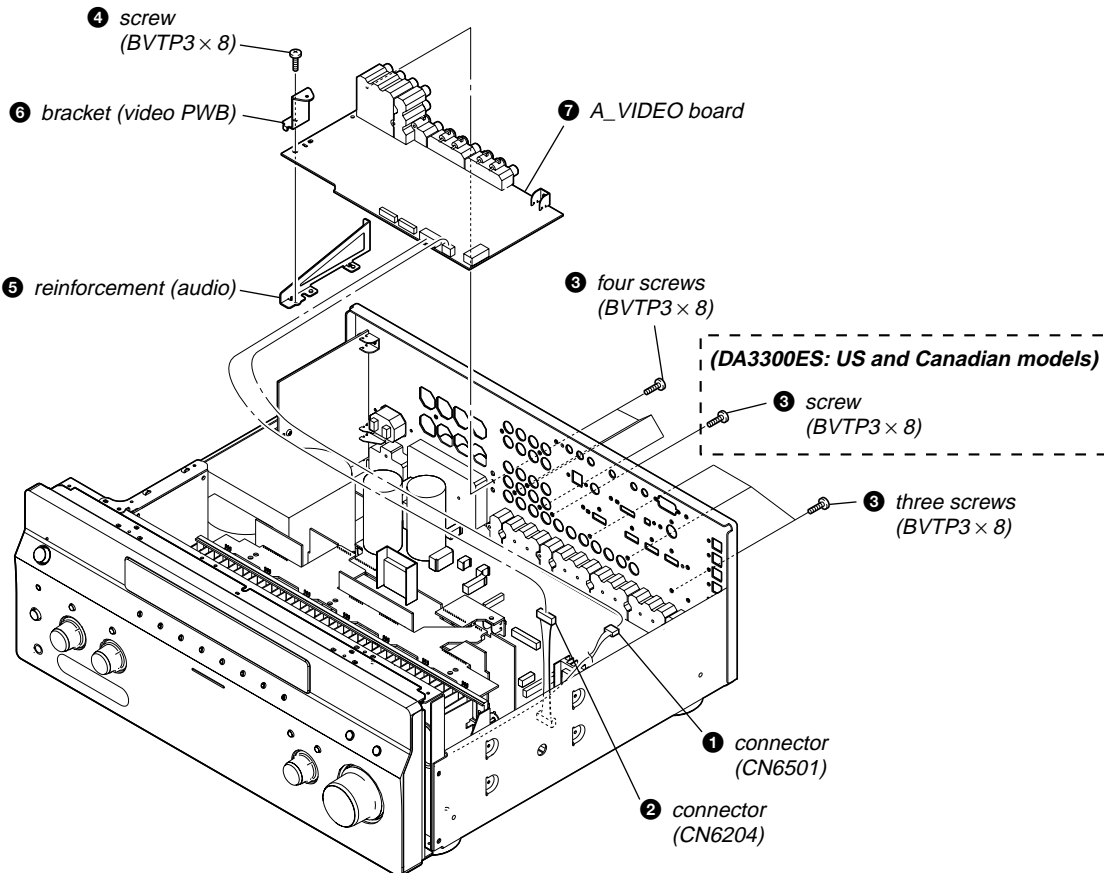
3-7. PREOUT BOARD (DA3300ES), SUB WOOFER BOARD (DG1100) AND S_SPTM BOARD



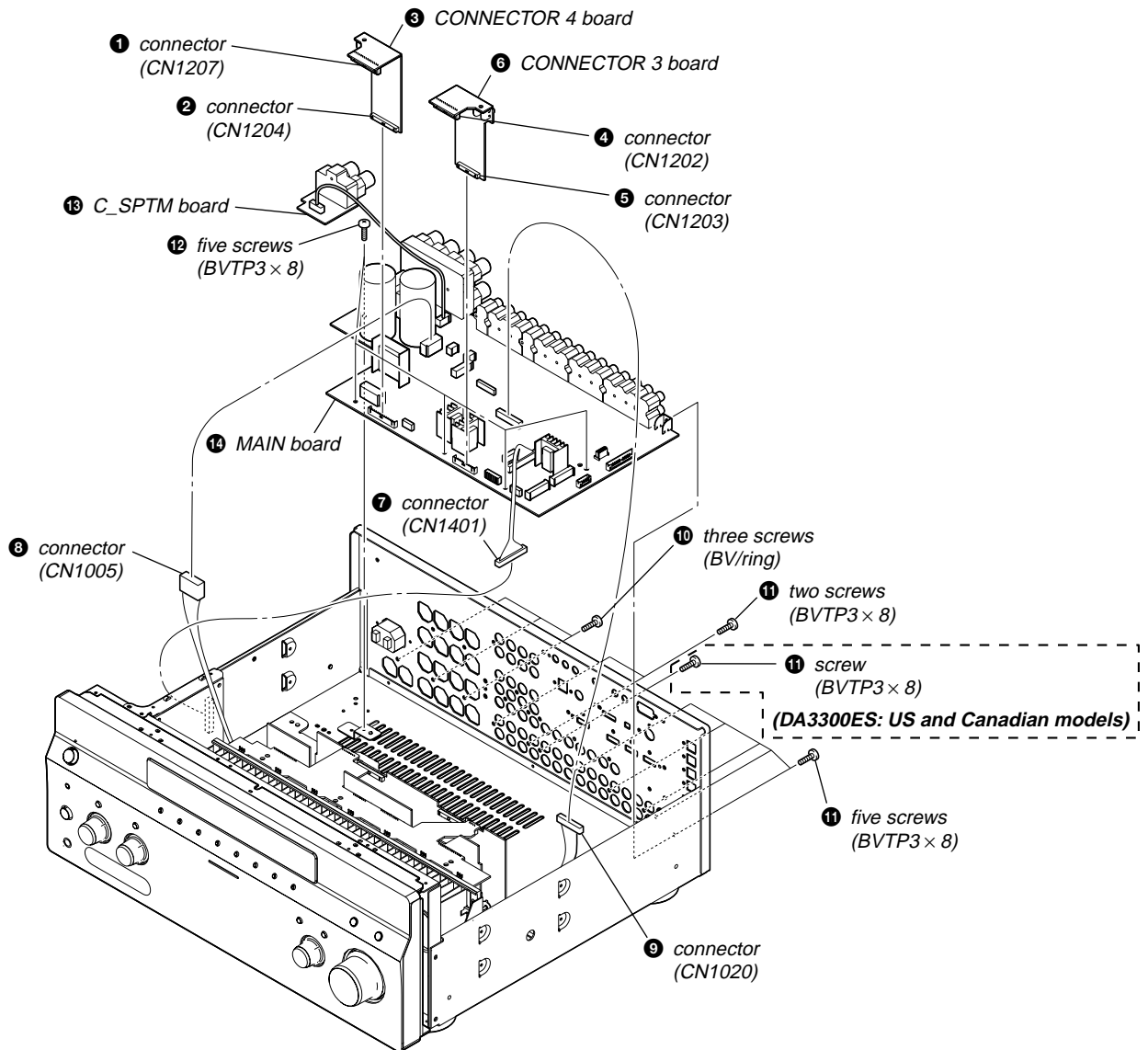
3-8. D_VIDEO BOARD



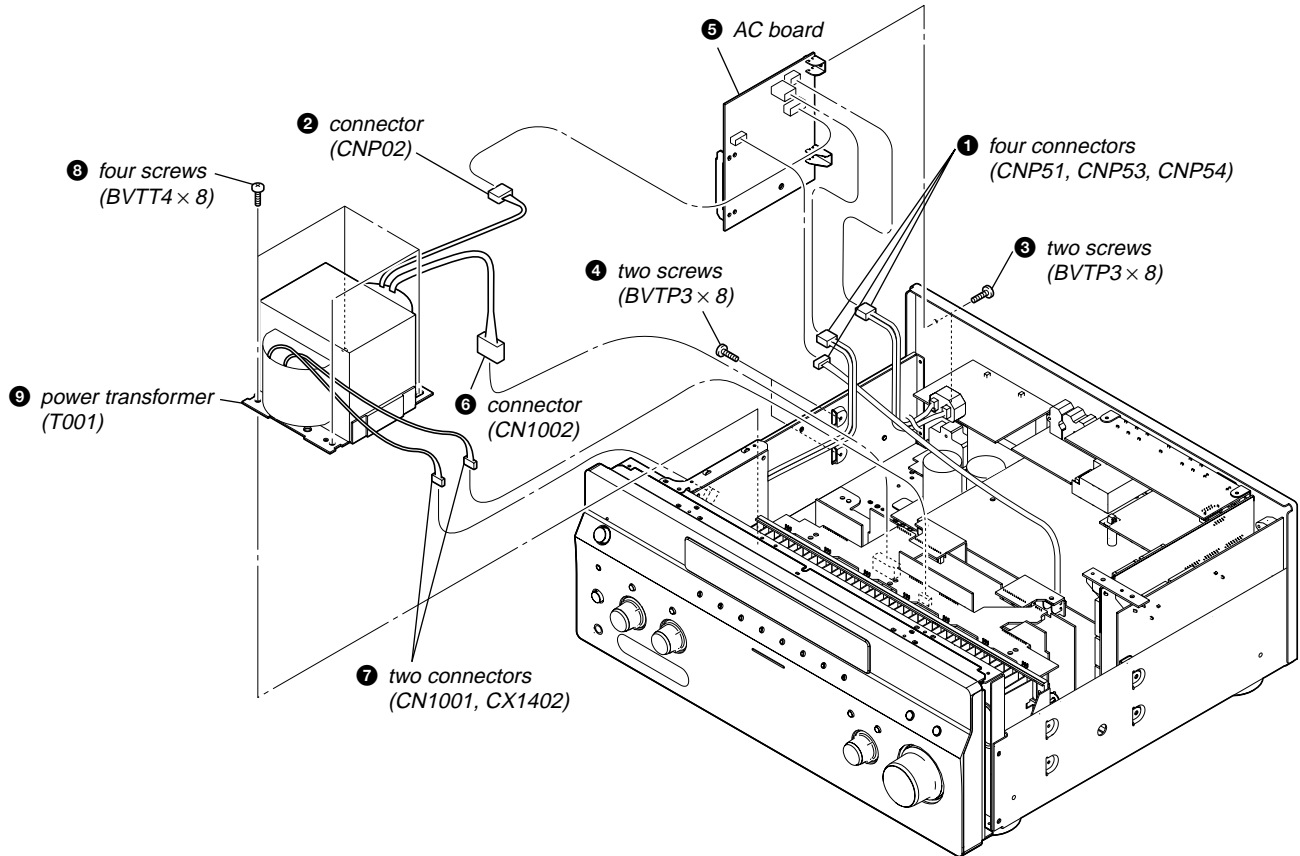
3-9. A_VIDEO BOARD



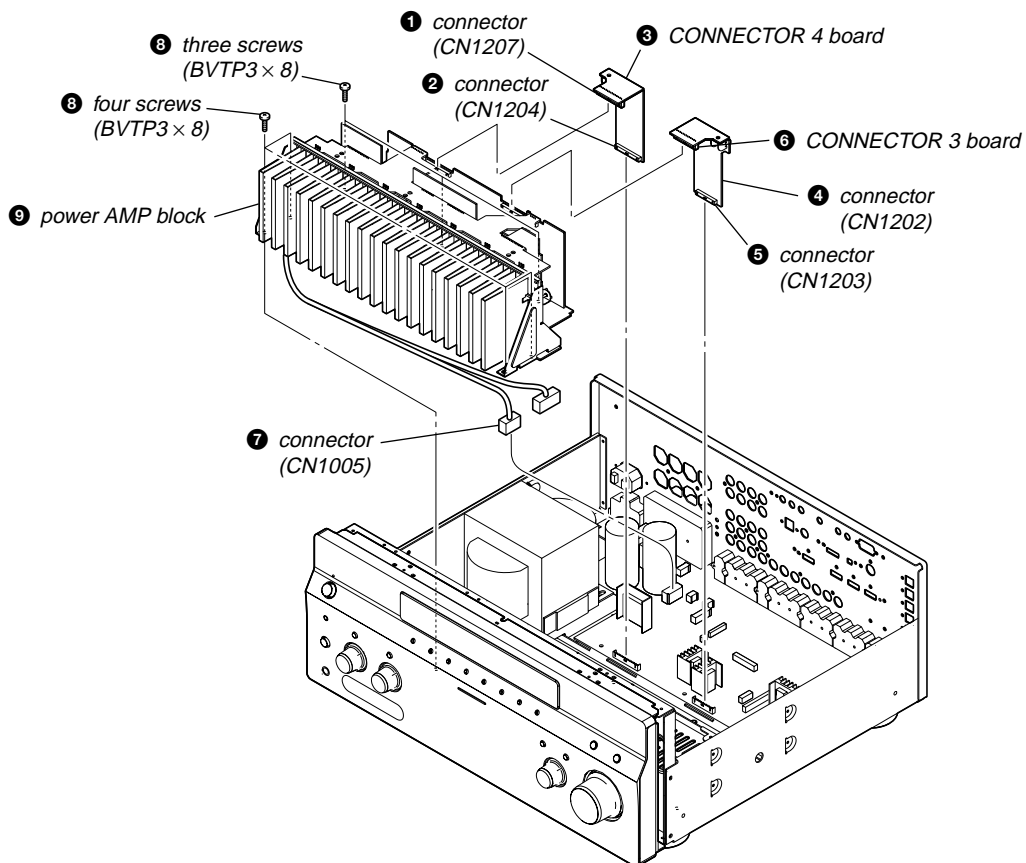
3-10. MAIN BOARD, C_SPTM BOARD



3-11. AC BOARD, POWER TRANSFORMER (T001)



3-12. POWER AMP BLOCK



SECTION 4 TEST MODE

MEMORY CLEARING MODE

All preset contents are cleared when this mode is activated. Use this mode before returning the product to clients upon completion of repair.

Procedure:

1. While pressing the **[TONE MODE]** and **[DMPORT]** buttons, press the **[POWER]** button to turn on the main power.
2. The message "MEMORY CLEARING***" appears and the memories are reset to the default values.
3. When done, the message "MEMORY CLEARED*" appears.

FLUORESCENT INDICATOR TUBE PATTERN CHECK MODE

All fluorescent segments are tested. When this test is activated, all segments turn on at the same time, then each segment turns on one after another.

Procedure:

1. While pressing the **[MOVIE]** and **[DMPORT]** buttons, press the **[POWER]** button to turn on the main power.
2. All segments and all LEDs turn on.

SOUND FIELD CLEAR MODE

The preset sound field is cleared when this mode is activated. Use this mode before returning the product to clients upon completion of repair.

Procedure:

1. While pressing the **[MUSIC]** button, press the **[POWER]** button to turn on the main power.
2. The message "S. F. Initialize" appears and initialization is performed.

TUNER AM STEP CHANGE (9 kHz/10 kHz) MODE (DA3300ES: US and Canadian models/DG1100)

Either the 9 kHz step or 10 kHz step can be selected for the AM channel step.

Procedure:

1. Press the **[POWER]** button to turn on the main power.
2. Turn the **[INPUT SELECTOR]** dial to select the "AM".
3. Press the **[POWER]** button to turn off the main power.
4. While pressing the **[TUNING MODE]** button, press the **[POWER]** button to turn on the main power.
5. Either the message "AM 9kHz Step" or "AM 10kHz Step" appears, select the desired step.

COMMAND MODE CHANGE MODE

The command mode of the remote-commander which this set receives can be changed.

Procedure:

1. While pressing the **[2CH/A. DIRECT]** button, press the **[POWER]** button to turn on the main power.
2. Either the message "COMMAND MODE [AV1]" or "COMMAND MODE [AV2]" appears. Select the desired mode.

SF LOCK ON/OFF CHANGE MODE

Procedure:

1. While pressing the **[MUSIC]** and **[DMPORT]** buttons, press the **[POWER]** button to turn on the main power.
2. Either the message "SF LOCK [OFF]" or "SF LOCK [ON]" appears.

XM FACTORY TEST MODE

(DA3300ES: US and Canadian models/DG1100)

Mode to confirm operation of XM. Doing display of ID of XM antenna and output of audio signal that XM antenna generates, it is confirmed that there are no problems in the communication of the XM antenna and the transmission of the audio signal.

Procedure:

1. The XM antenna was connected, while pressing the **[TUNING MODE]** and **[MOVIE]** buttons, press the **[POWER]** button to turn on the main power.
2. Whenever the **[DISPLAY]** button is pressed, the output of the audio signal of 1 kHz L/R, 20 Hz L/R, 5 kHz L/R, muting, 1 kHz L and 1kHz R are switched.

SIRIUS FACTORY TEST MODE

(DA3300ES: US and Canadian models/DG1100)

Mode to confirm operation of SIRIUS. Doing display of ID of SIRIUS antenna and output of audio signal that SIRIUS antenna generates, it is confirmed that there are no problems in the communication of the SIRIUS antenna and the transmission of the audio signal.

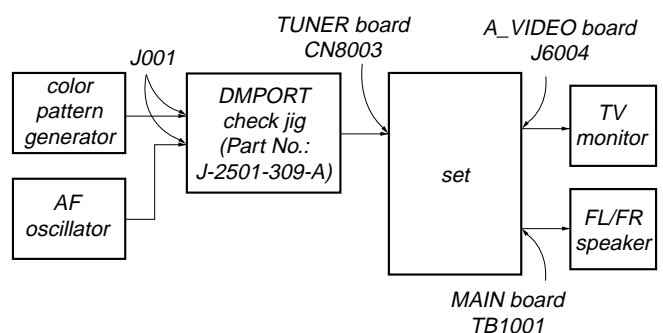
Procedure:

1. The SIRIUS antenna was connected, while pressing the **[TUNING MODE]** and **[A.F.D.]** buttons, press the **[POWER]** button to turn on the main power.
2. Whenever the **[DISPLAY]** button is pressed, the output of the audio signal of 1 kHz L/R, 20 Hz L/R, 5 kHz L/R, muting, 1 kHz L and 1 kHz R are switched.

DIGITAL MEIDA PORT TEST

Procedure:

1. Connect the DMPORT check jig (P/N: J-2501-309-A) with the DMPORT jack (CN8003) on the TUNER board.
2. While pressing the **[A.F.D.]** and **[DMPORT]** buttons, press the **[POWER]** button to turn on the main power.
3. The message "DMPORT OK." appears on the fluorescent indicator tube and enter the digital media port test mode. (Confirmation of communication line)
When "NO DETECT", "UART NG" and "UART TO" are displayed on the fluorescent indicator tube, confirm the connection of the DMPORT check jig, and enter the mode again.
Each time the **[▶▶]** button on the remote commander is pressed, the connect check and adaptor version check are switched. Press the **[◀◀]** button on the remote commander, connected confirmation of the DMPORT check jig is done again.
4. To a pinjack of the DMPORT check jig input information relevant to audio signal (sine-wave 1.0V rms) and composite video signal (white 100% 1.0Vp-p, color bar, etc.).
5. Confirm the output of speakers and monitor TV. (Confirmation of analog signal)
6. To exit from this mode, press the **[■]** button on the remote



HISTORY MODE

The state that the set is used is memorized.

Procedure:

1. While pressing the **MUSIC** and **MEMORY/ENTER** buttons, press the **POWER** button to turn on the power and "HISTORY MODE" is displayed.
2. Each time the **↑** **↓** key of remote commander is pressed, the item is switched in order as follows.



Items	Display
Number of protector is generated	PRCT COUNT: XXX
Total use time	TTL_TIME: XXXXH XXM
Sound field setting	XXXXXXXXXXXXXXXXXX
Input when protect is detected	INPUT: XXXXXXXXXXX
Input mode setting	INMODE: XXXXXXXXXXX
Input mode under lick state	DSEL: XXXXXXXXXXX
Stream under input	STREAM: XXXXXXX
Channel information	CONFIG:XXXXXXXX
State of headphone	HEAD PHONES: XXX
Volume	VOL: XXXdB
EQ setting value	BASS: XXXdB
	TREB: XXXdB
Level collection value each channel	Lv FL/FR XXXX/XXXX
	Lv SL/SR XXXX/XXXX
	Lv CT/SW XXXX/XXXX
	Lv BL/BR XXXX/XXXX
Total time of power on	TTL_P_ON: XXXXH XXM

SPECIAL MENU MODE

Procedure:

1. Press the [POWER] button to turn on the main power, then while pressing the [TONE MODE] button, press the [A.F.D.], [2CH/A. DIRECT], [MUSIC], [MOVIE] button in order, the message "MENU SPECIALIZED!" appears.
2. Press the [↑/↓] button of the remote commander, the message "<<< SPECIAL >>>" appears.
3. Press the [→] button of the remote commander, the item is appears.
4. Each time the [↑/↓] button of the remote commander is pressed, the item is switched in order as follows.
Some items can change the content. Display the cursor by pressing the [→] button of the remote commander, and changing the content by pressing the [↑/↓] button of the remote commander, and fix the content by pressing the [←] button of the remote commander when you want to change the content of the item.
5. To release from this mode, while pressing the [TONE MODE] button, press the [A.F.D.], [2CH/A. DIRECT], [MUSIC], [MOVIE] button in order again, the message "MENU SPECIALIZED OFF" appears.

Items	Display	Remark
Video factory menu	<VIDEO FACTORY MENU>	Menu mode to enter video calibration menu and DDR access check menu If the [ENTER] button of the remote commander is pressed, entering the menu, and operating two the following menu become possible
Video calibration (Video factory menu)	V.CALIBRATION START?	Procedure: 1. "DVD" is selected by using [INPUT SELECTOR] jog. 2. Connect a color pattern generator to the COMPONENT VIDEO DVD/BD IN jack (J6001) and DVD/BD VIDEO IN jack (J6004) on the A_VIDEO board. 3. Input 100% color bars signal from the color pattern generator. 4. Menu that measures individual difference of hardness by automatic operation in pressing the [ENTER] button of the remote commander, and corrects reference value. In a measurement once, only one of NTSC/PAL/HD can be measured "Check XXXX V-IN" at display: Video signal necessary for the measurement while measuring it last time was not detected and it became an error Confirm the input of the video of the terminal connection etc. , and measure the [ENTER] button of the remote commander again pressing
DDR access check (Video factory menu)	DDR CHECK [XX] sec	XX: Time to do access check on DDR (for design evaluation)
Auto cal mic test	SPEAKER OUT [XXXXXX]	XXXXXX: Selection of speaker output audio [SOURCE]: nomally mode, [MIC]: mode that output audio from mic from speaker
FL display fonts test	FL FONT [0x ** = X]	** : 20 to FE, X: character
FL display test	ALL ON	Each time DISPLAY button to change as follows all on → test pattern 1 → test pattern 2 → all off → all on
HDCP key read	HDCP KEY READ [XXX]	XXX: ON or OFF
FAROUDJA update	FAROUDJA UPDATE [XXX]	XXX: ON or OFF
Model version display	##### ** vX.XX @@@@	#####: Model ** : Destination X.XX: System controller software version @@@@: Sum value of flash memory in the system controller
Video Ucom version display	Video Ucom Ver X.XX	X.XX: Video system controller software version
FAROUDJA version display	FAROUDJA Ver X.XX	X.XX: Video Processor software version
GUI CG-ROM version display	GUI CGROM Ver X.XX	X.XX: CG-ROM software version
DSP serial flash version display	DSP SFLASH Ver X.XX	X.XX: Serial flash software version
DSP Version display	DSP Ver S: **, P: XXX	** : DSP decoder patch version, XXX: DSP post process version
DSP halt	DSP HALT [XXX]	XXX: ON or OFF
DSP RAM	[*****]=XXXXXXXX	Mode that refers to internal RAM of DSP (for design evaluation)
Super reset	SUPER RESET [XXX]	Not used for the servicing If super reset is performed, "up convert signal level adjustment" will also be initialized When EEPROM initialization is required, perform the "memory clearing mode"
RAM watch menu	XXX	XXX: For monitor of various internal RAM (for design evaluation)
EERROM debug	EEPROM [*****] [XX]	*****: EEPROM address, XX: EEPROM data

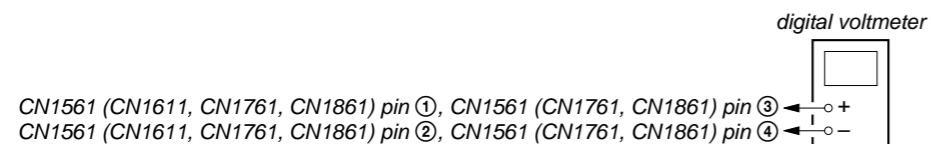
Items	Display	Remark
Protector on/off	PROTECTOR ON/OFF [XXX]	XXX: ON or OFF
Model/destination change	MODEL [##### * * * *] X X	#####: Model, ****: Destination, XX: At or fx
Audio swap	SWAP [XXXXXXXXXXXXX]	Switching with   button of the remote commander
Volume value display (FL/FR)	FL**** FR XXXX	****: Front L-ch volume value, XXXX: Front R-ch volume value
Volume value display (SL/SR)	SL**** SR XXXX	****: Surround L-ch volume value, XXXX: Surround R-ch volume value
Volume value display (CT/SW)	CT**** SW XXXX	****: Center volume value, XXXX: Sub woofer volume value
Volume value display (SBL/SBR)	SBL**** SBR XXXX	****: Surround back L-ch volume value, XXXX: Surround back R-ch volume value
DAC mute information disclosure 1	DAC MUTE U XXXXXXXXX	Display of module information to demand muting in system controller (for design evaluation)
DAC mute information disclosure 2	DAC MUTE L XXXXXXXXX	Display of module information to demand muting in system controller (for design evaluation)
2nd volume value display	2nd VOLUME XXX	XXX: 2nd room volume value (00 to ∞)
FL display duty change	DARK OUT DUTY [XXX%]	XXX: Duty value of FL display (0% to 100%)
DMPORT debug	DMP KEY DEBUG [XXX]	XXX: ON or OFF (for debug)
Bus overflow debug HA link (receive)	OVERFLOW HAL R [XX]	XX: Counter of overflow receive buffer
Bus overflow debug HA link (transmit)	OVERFLOW HAL S [XX]	XX: Counter of overflow transmit buffer
Bus overflow debug DMPORT	OVERFLOW CLA [XX]	XX: Counter of overflow CLA transmit buffer

SECTION 5 ELECTRICAL ADJUSTMENTS

BIAS ALIGNMENT ADJUSTMENT

Note: After 10 minutes or more have passed since the power supply was turned on, this adjustment is done.

Connection:

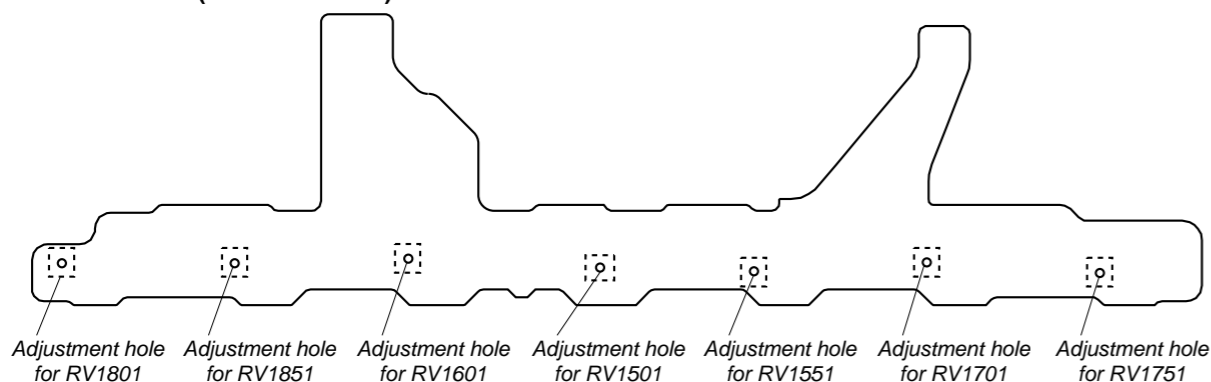


Procedure:

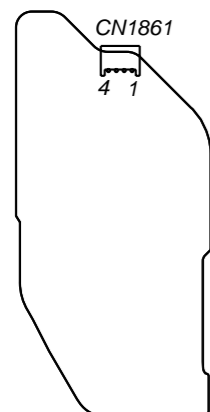
1. Connect a digital voltmeter to the CN1561 (CN1611, CN1761, CN1861).
2. Press the **[POWER]** button to turn on the main power.
3. Adjust the RV1501 (RV1551, RV1601, RV1701, RV1751, RV1801, RV1851) so that the digital voltmeter reading is 5 mV to 20 mV.

Adjustment and Connection Location:

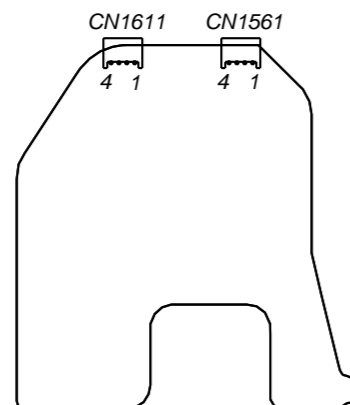
– BIAS Board (Conductor Side) –



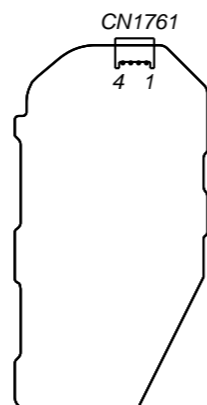
– PROTECTOR (SB) Board (Component Side) –



– PROTECTOR (F-C) Board (Component Side) –



– PROTECTOR (SURRE) Board (Component Side) –

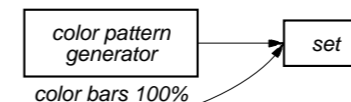


VIDEO CALIBRATION ADJUSTMENT

Adjustment to decide the standard of the video input signal.

Note: After replacing D_VIDEO board, or after "SUPER RESET" of the special menu mode is executed, perform this adjustment.

Connection:



A_VIDEO board COMPONENT VIDEO DVD/BD IN jack (J6001)
DVD/BD VIDEO IN jack (J6004)

Procedure:

1. "DVD" is selected by using **[INPUT SELECTOR]** jog.
2. Connect a color pattern generator to the COMPONENT VIDEO DVD/BD IN jack (J6001) on the A_VIDEO board and DVD/BD VIDEO IN jack (J6004) on the A_VIDEO board.
3. Input NTSC color bars signal from the color pattern generator.
4. Press the **[POWER]** button to turn off the main power
5. While pressing the **[MEMORY/ENTER]**, **[MUSIC]** and **[DMPORT]** buttons, press the **[POWER]** button to turn on the main power. It enters the test mode, and display as below.

V.CALIBRATION START? ↔ NTSC : MW--____
(PAL input) PAL : MW--____
(HD input) HD-U : MW--____

6. In state of step 5, press the **[MEMORY/ENTER]** button. The adjustment is automatically completed, and result is written in the EEPROM, and display as below.

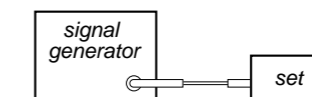
(NTSC input) NTSC : MW OK C_U__
(PAL input) PAL : MW OK C_U__
(HD input) HD-U : MW OK C_U__

When "Check XXXX V-IN" is displayed, Video signal necessary for the measurement while measuring it last time was not detected and it became an error. Confirm the input of the video of the terminal connection etc., and measure the **[MEMORY/ENTER]** button again pressing.

7. Input PAL color bars signal from the color pattern generator.
8. Perform step 4 to 6.
9. Input HD color bars signal (720p or 1080p) from the color pattern generator.
10. Perform step 4 to 6.
11. When all the adjustments end, display as below.

V.CAL COMPLETE N:P:H

FM AUTO STOP CHECK



Procedure:

1. Turn on the set.
2. Input the following signal from signal generator to FM antenna input directly.

Carrier frequency: A = 87.5 MHz, B = 98 MHz, C = 108 MHz

Deviation : 75 kHz
Modulation : 1 kHz
ANT input : 35 dBu (EMF)

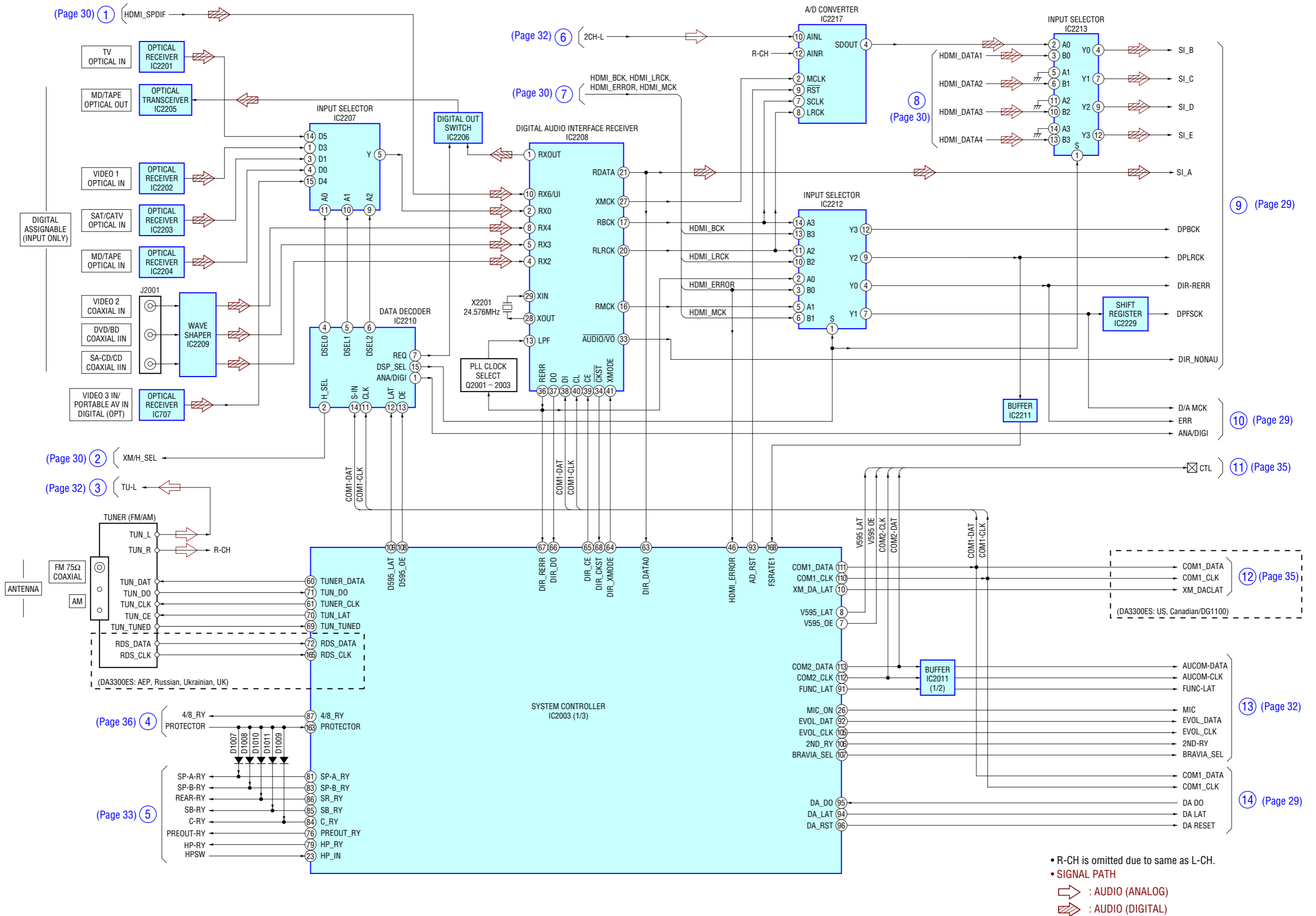
Note: Use 75 ohm coaxial cable to connect signal generator and the set. You cannot use video cable for checking. Use signal generator whose output impedance is 75 ohm.

3. Set to FM tuner function and scan the input FM signal with automatic scanning.
4. Confirm that input frequency of A, B and C are detected and automatic scanning stops.

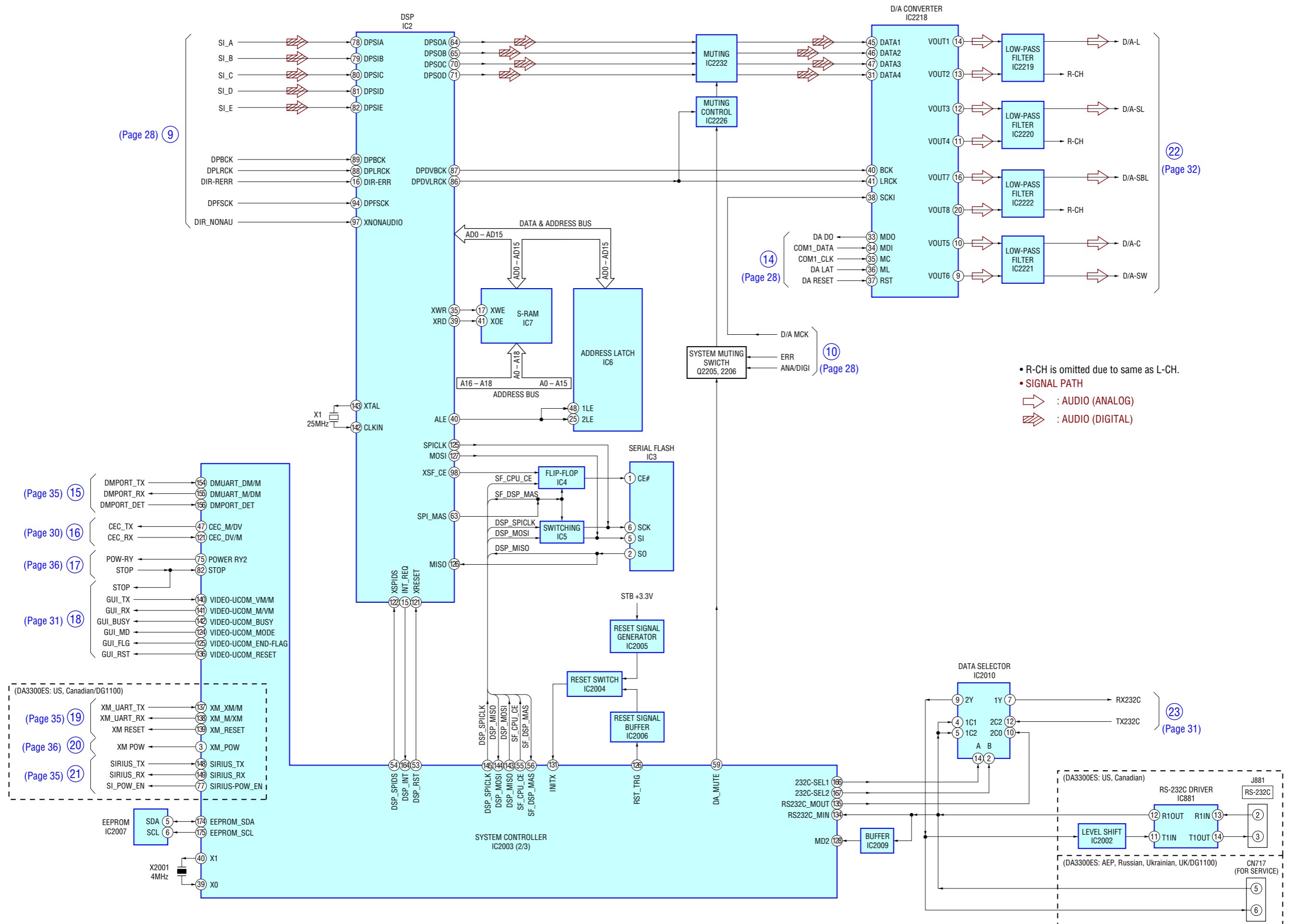
When the station signal is received in good condition, automatic scanning stops.

SECTION 6
DIAGRAMS

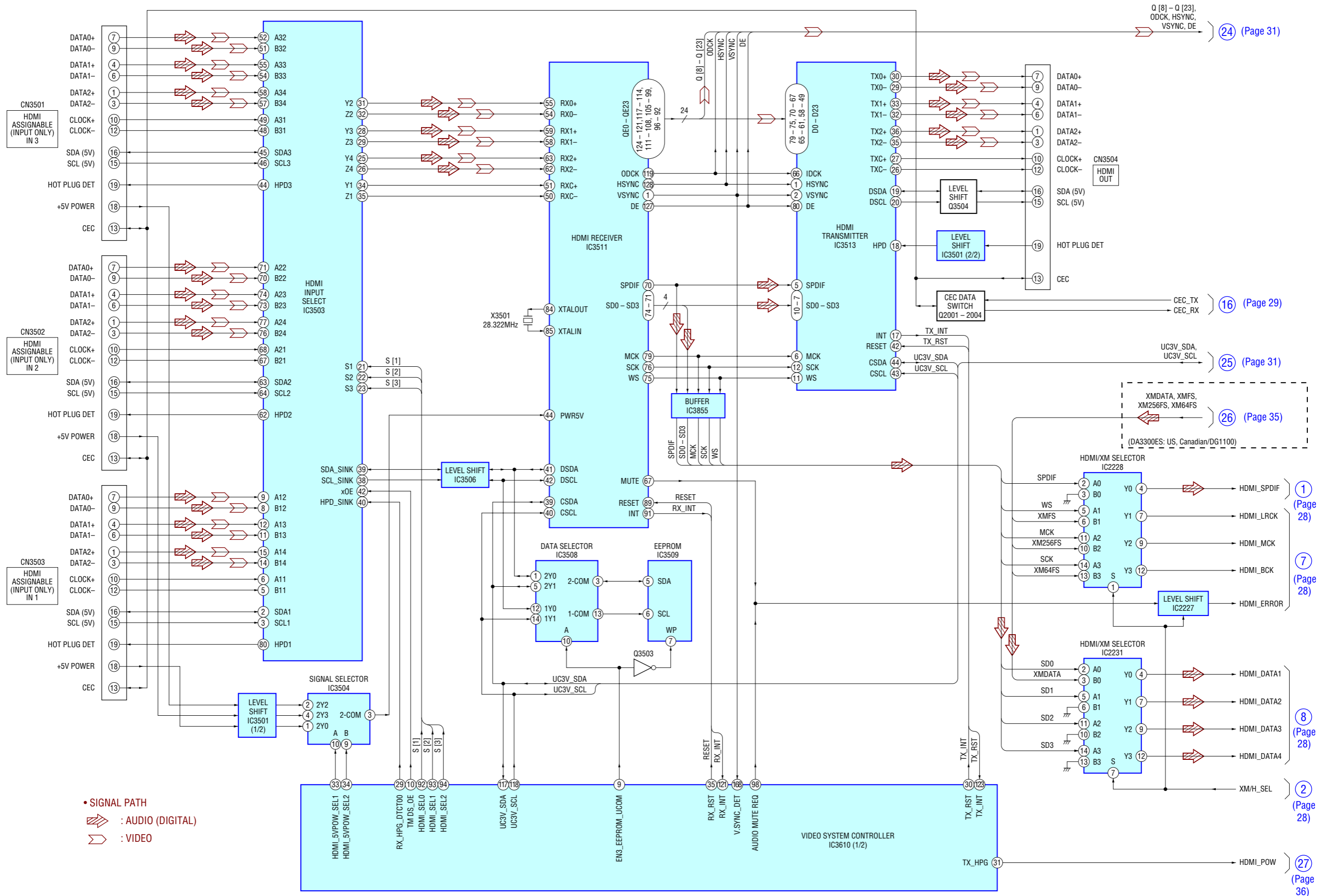
6-1. BLOCK DIAGRAM – CONTROL Section –



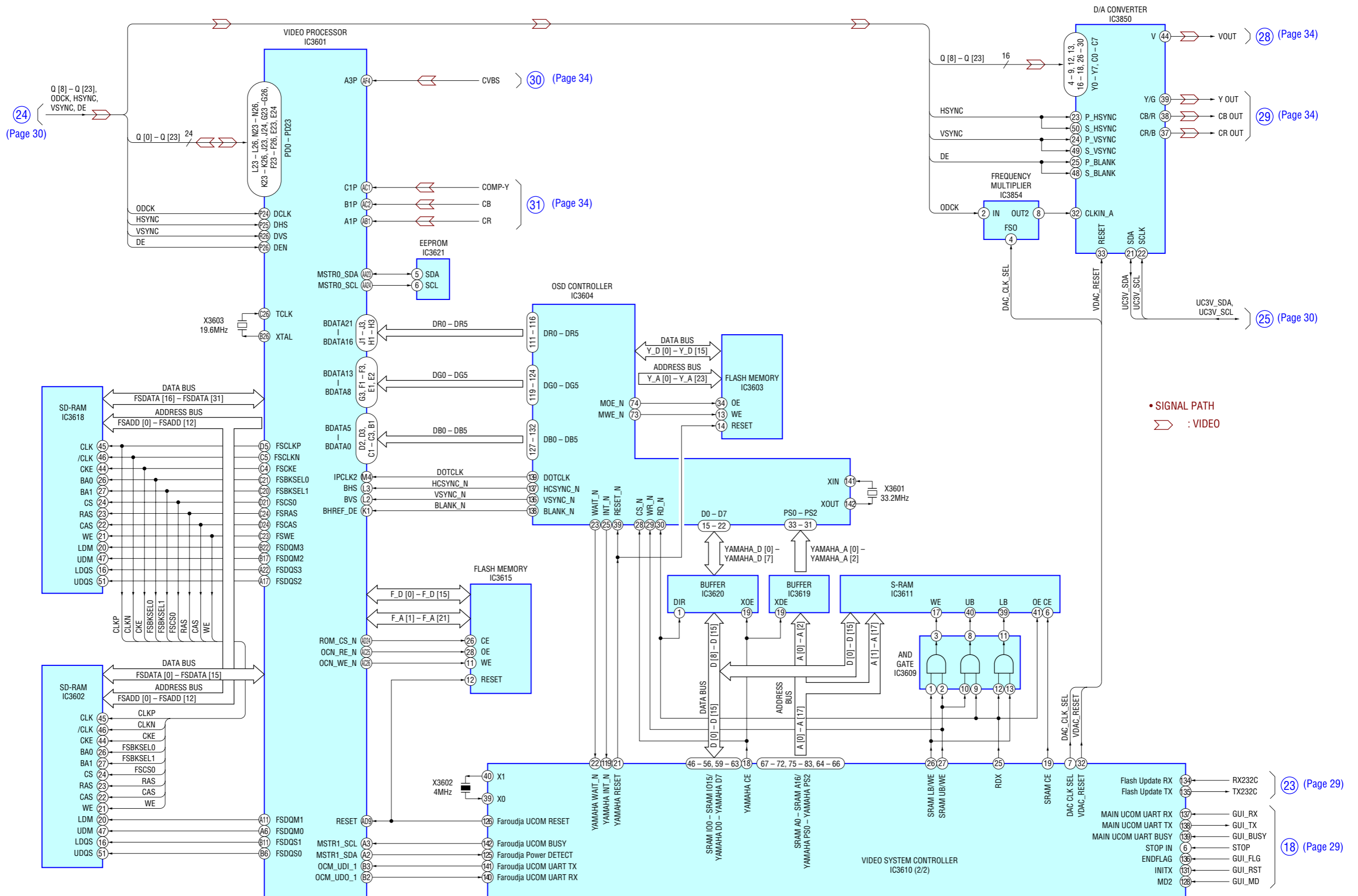
6-2. BLOCK DIAGRAM – DSP Section –



6-3. BLOCK DIAGRAM – HDMI Section –

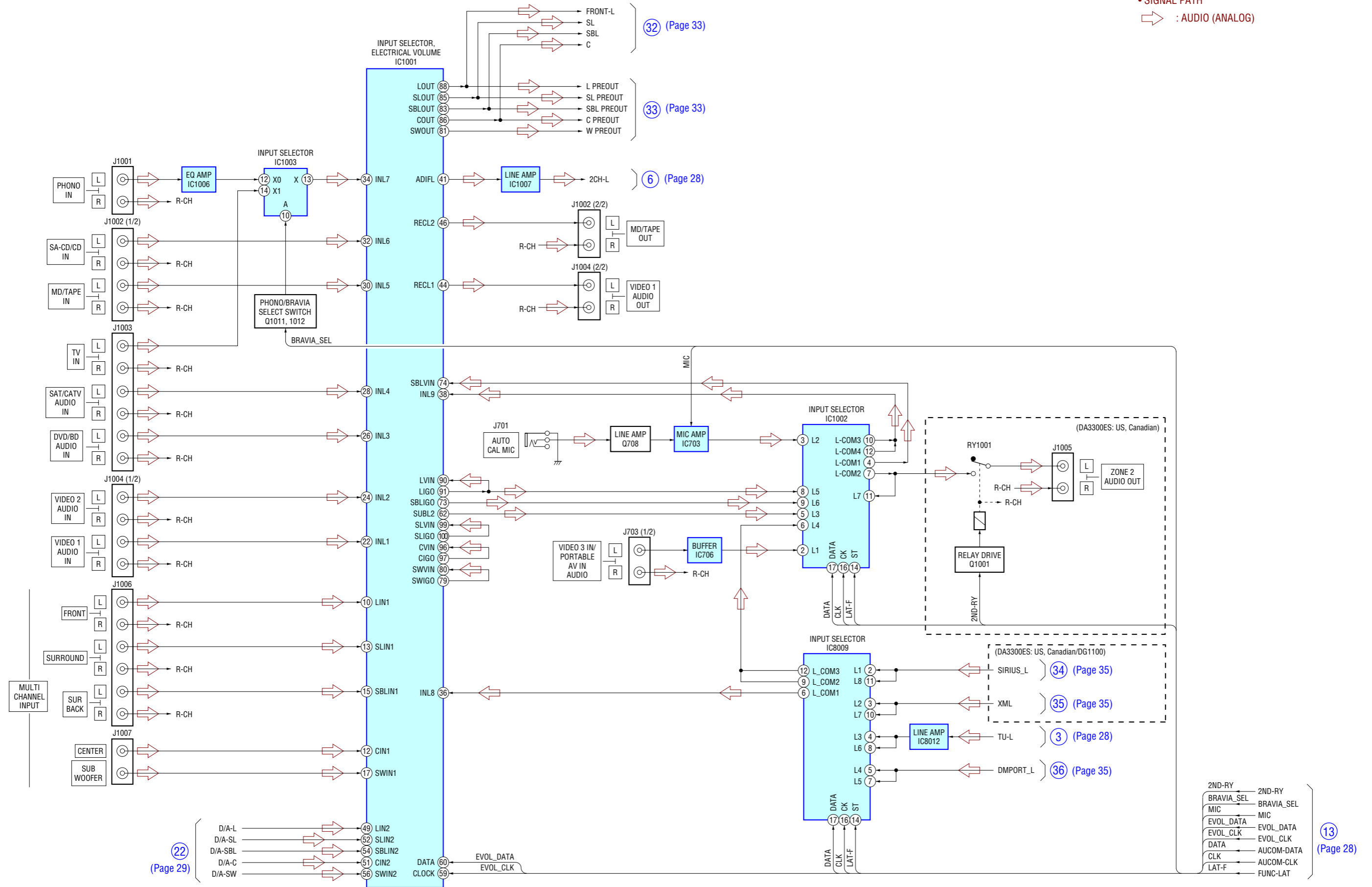


6-4. BLOCK DIAGRAM – VIDEO PROCESS Section –

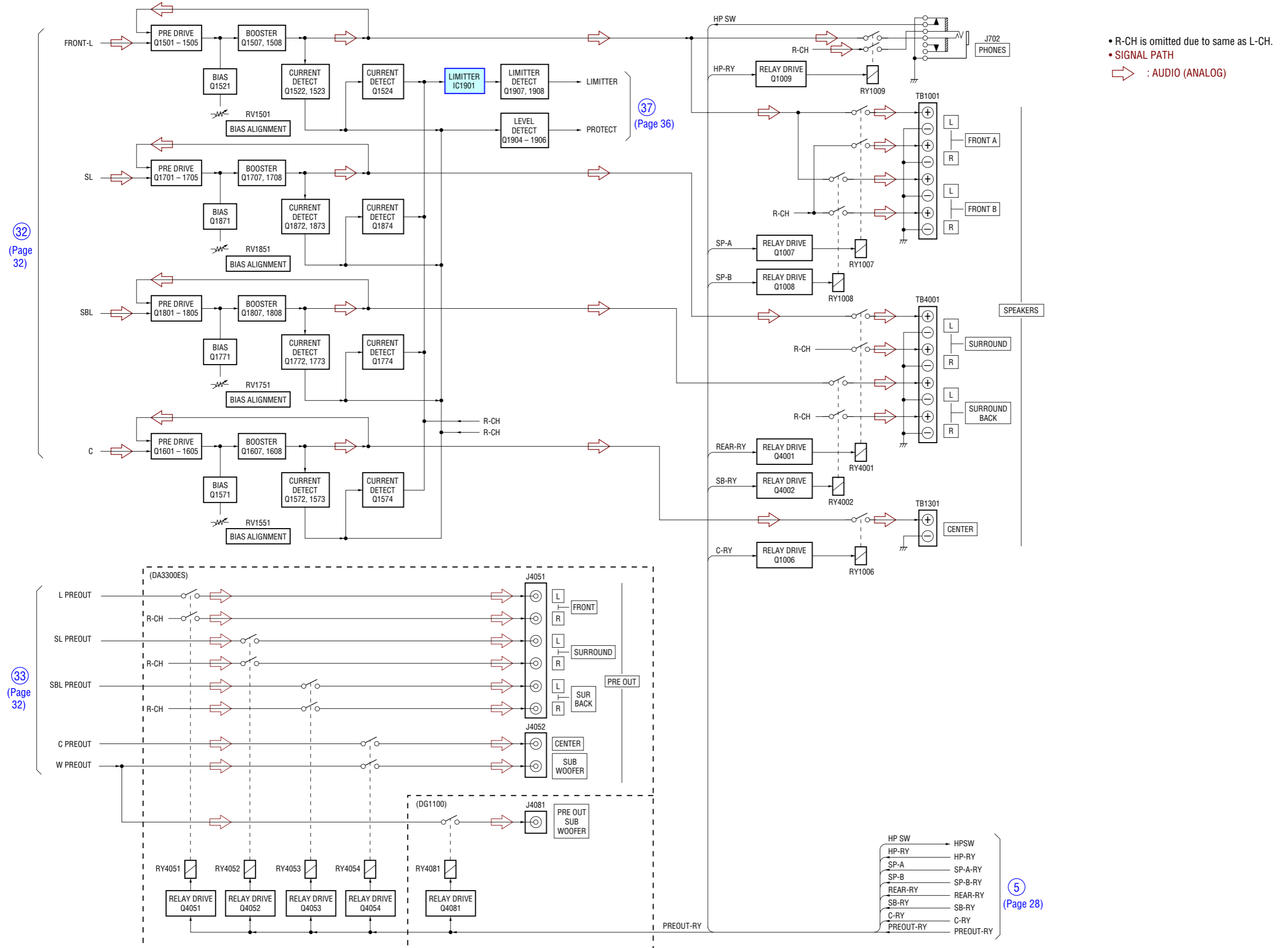


6-5. BLOCK DIAGRAM – ANALOG AUDIO Section –

• R-CH is omitted due to same as L-CH.
• SIGNAL PATH
⇒ : AUDIO (ANALOG)

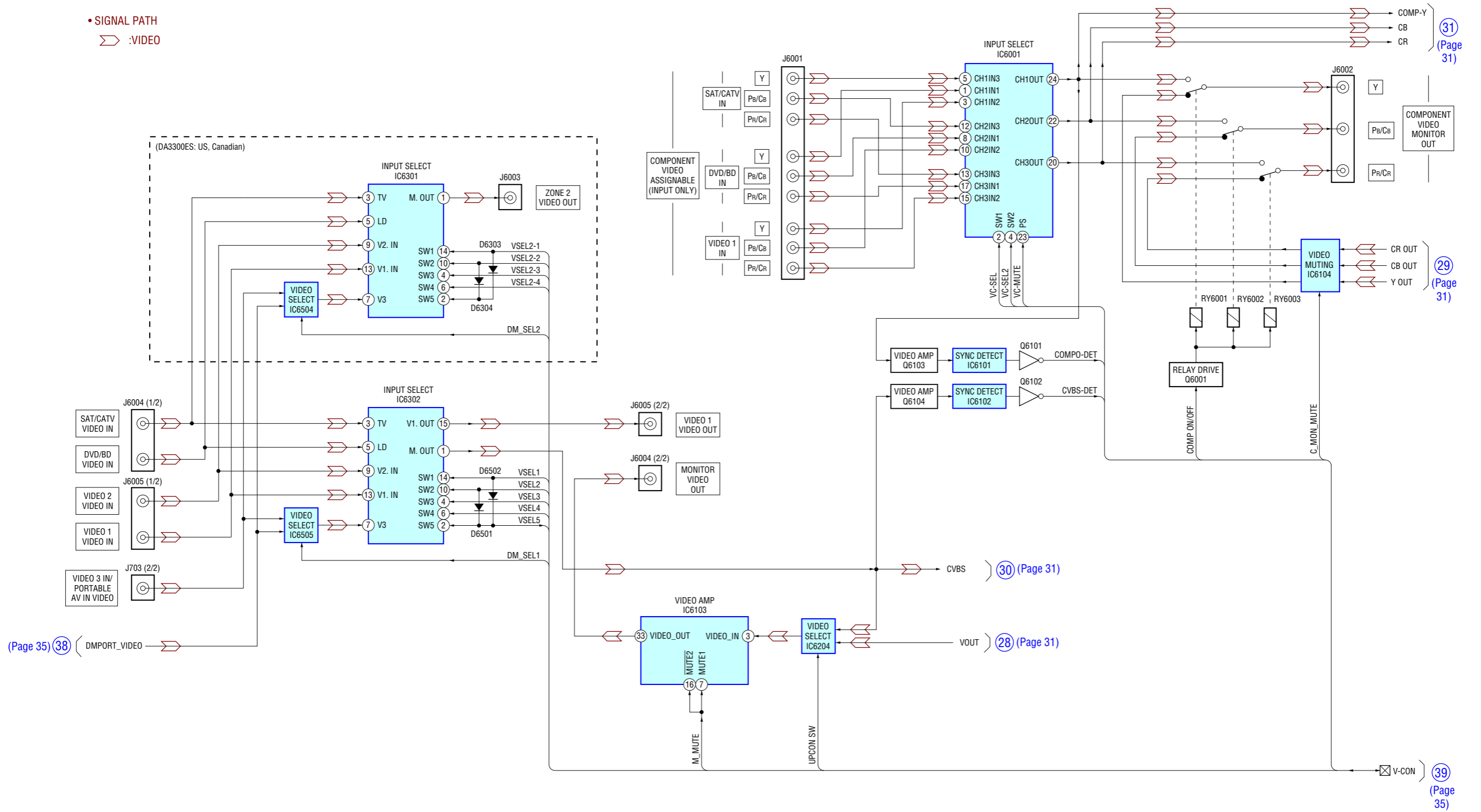


6-6. BLOCK DIAGRAM - POWER AMP Section -

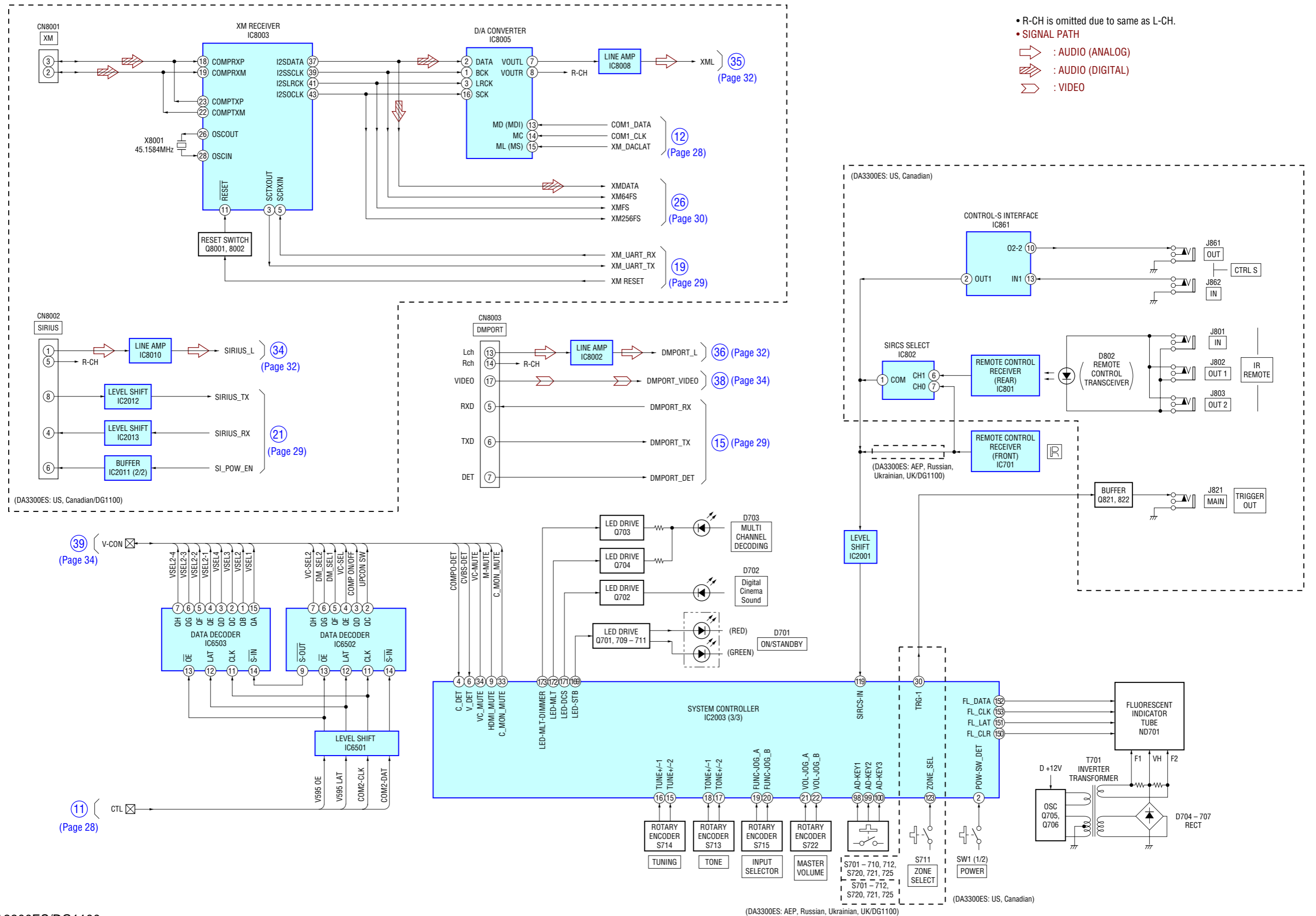


6-7. BLOCK DIAGRAM – VIDEO Section –

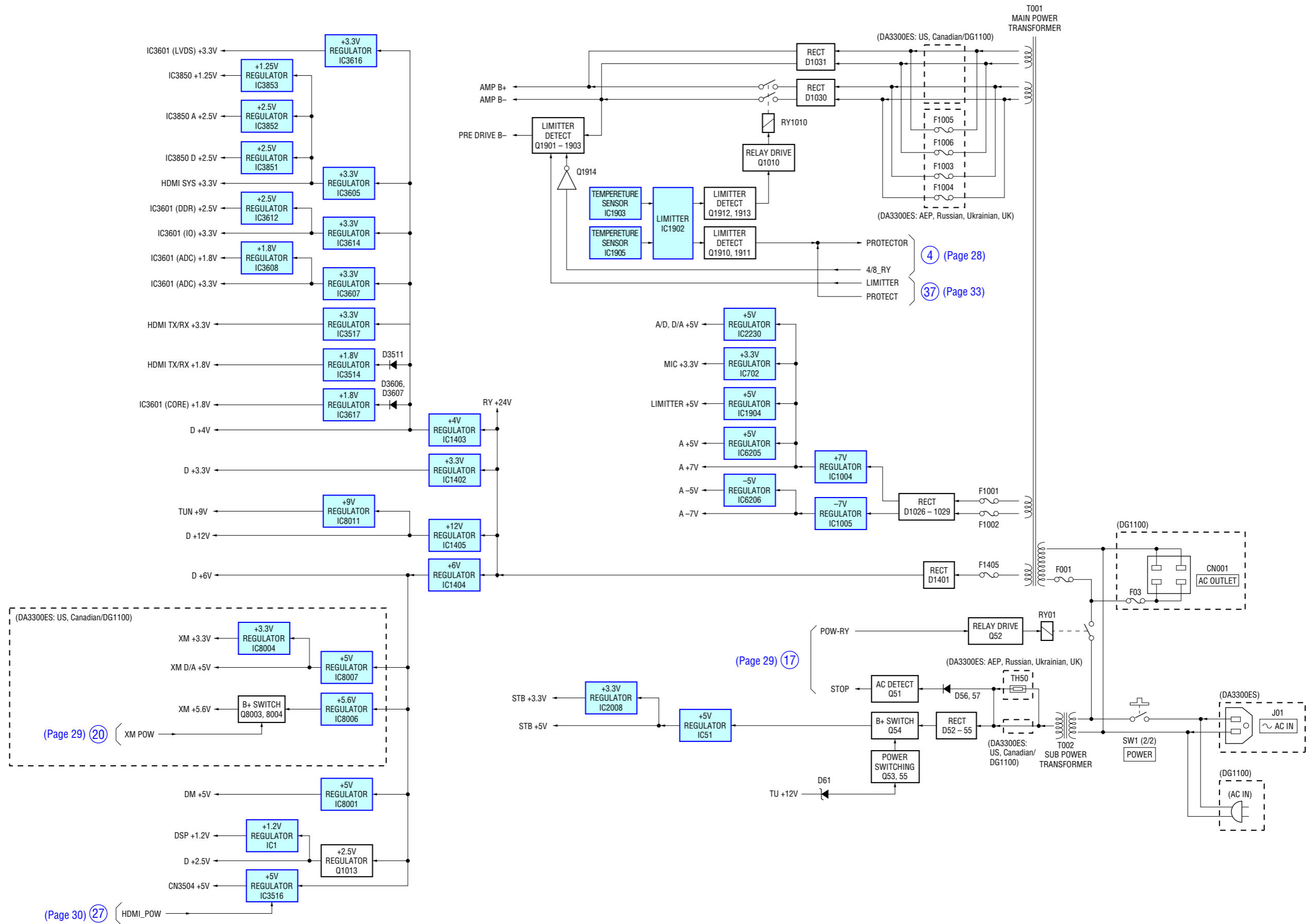
• SIGNAL PATH
▷ :VIDEO



6-8. BLOCK DIAGRAM – PANEL, CIS, XM/SIRIUS RECEIVER, DMPORT Section –



6-9. BLOCK DIAGRAM – POWER SUPPLY Section –



• Note for Printed Wiring Boards and Schematic Diagrams

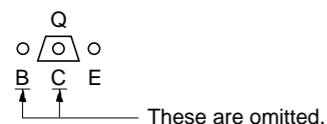
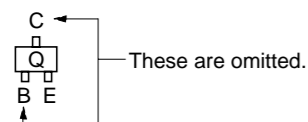
Note on Printed Wiring Board:

- : parts extracted from the component side.
- : parts extracted from the conductor side.
- △ : internal component.
- : Pattern from the side which enables seeing. (The other layers' patterns are not indicated.)

Caution:
Pattern face side: Parts on the pattern face side seen from the pattern face are indicated.
(Conductor Side)
Parts face side: Parts on the parts face side seen from the parts face are indicated.
(Component Side)

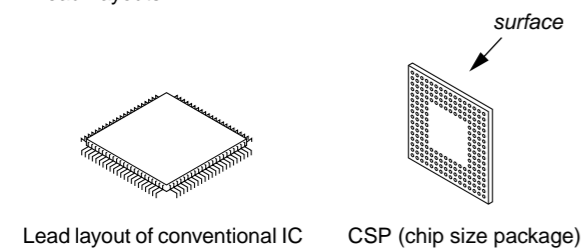
Caution:
Pattern face side: Parts on the pattern face side seen from the pattern face are indicated.
(Side B)
Parts face side: Parts on the parts face side seen from the parts face are indicated.
(Side A)

- D_VIDEO board is multi-layer printed board. However, the patterns of intermediate-layers have not been included in this diagrams.
- Indication of transistor



* Replacement of IC3601 on the HDMI board and IC084 on the USB board used in this set requires a special tool.

• Lead Layouts



Note on Schematic Diagram:

- All capacitors are in μF unless otherwise noted. (p: pF) 50 WV or less are not indicated except for electrolytics and tantalums.
- All resistors are in Ω and $1/4 W$ or less unless otherwise specified.
- △ : internal component.
- : nonflammable resistor.
- : panel designation.

Note:

The components identified by mark △ or dotted line with mark △ are critical for safety. Replace only with part number specified.

Note:

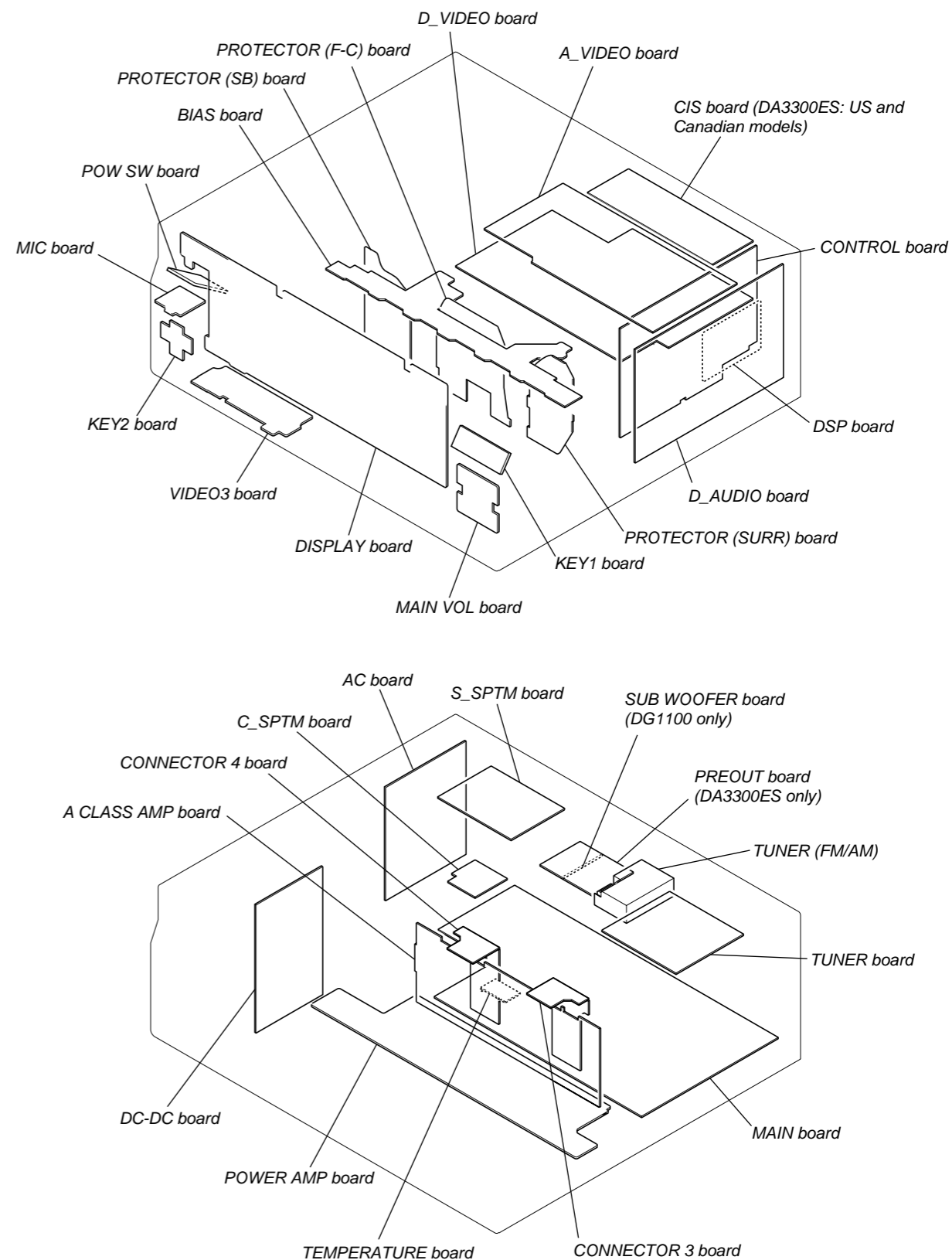
Les composants identifiés par une marque △ sont critiques pour la sécurité. Ne les remplacer que par une pièce portant le numéro spécifié.

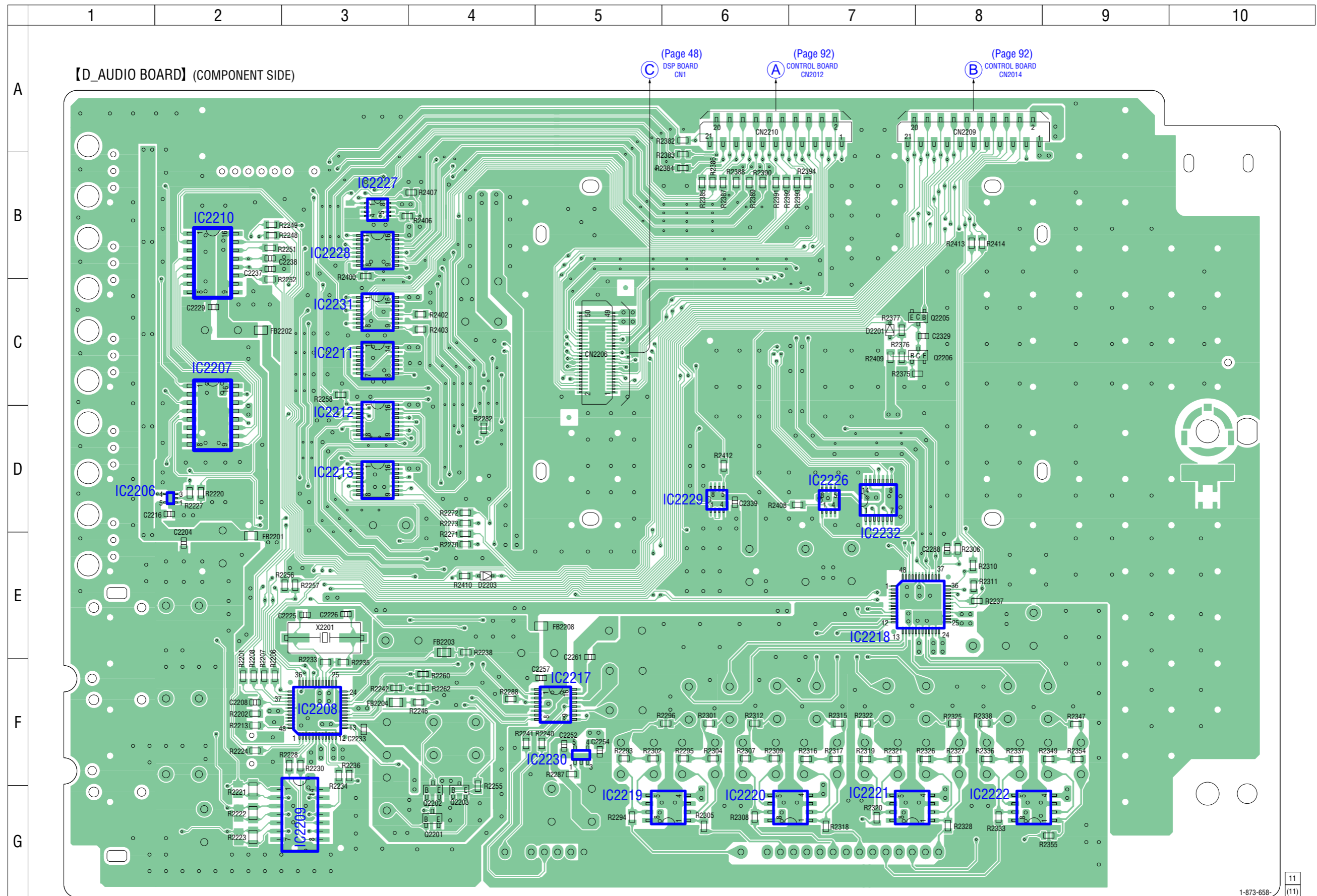
- : B+ Line.
- - - : B- Line.
- : adjustment for repair.
- Voltages and waveforms are dc with respect to ground under no-signal (detuned) conditions.
 - D_VIDEO and A_VIDEO boards - no mark : VIDEO 1 mode
 - * : Impossible to measure
 - Other boards - no mark : TUNER
- Voltages are taken with a VOM (Input impedance 10 MW). Voltage variations may be noted due to normal production tolerances.
- Waveforms are taken with a oscilloscope. Voltage variations may be noted due to normal production tolerances.
- Circled numbers refer to waveforms.
- Signal path.
 - ⇒ : AUDIO (ANALOG)
 - ⇒ : AUDIO (DIGITAL)
 - ⇒ : VIDEO

* Replacement of IC3601 on the HDMI board used in this set requires a special tool.

- The voltage and waveform of CSP (chip size package) cannot be measured, because its lead layout is different from that of conventional IC.
- Abbreviation
 - CND : Canadian model
 - ECE : Russian and Ukrainian models


• Circuit Boards Location

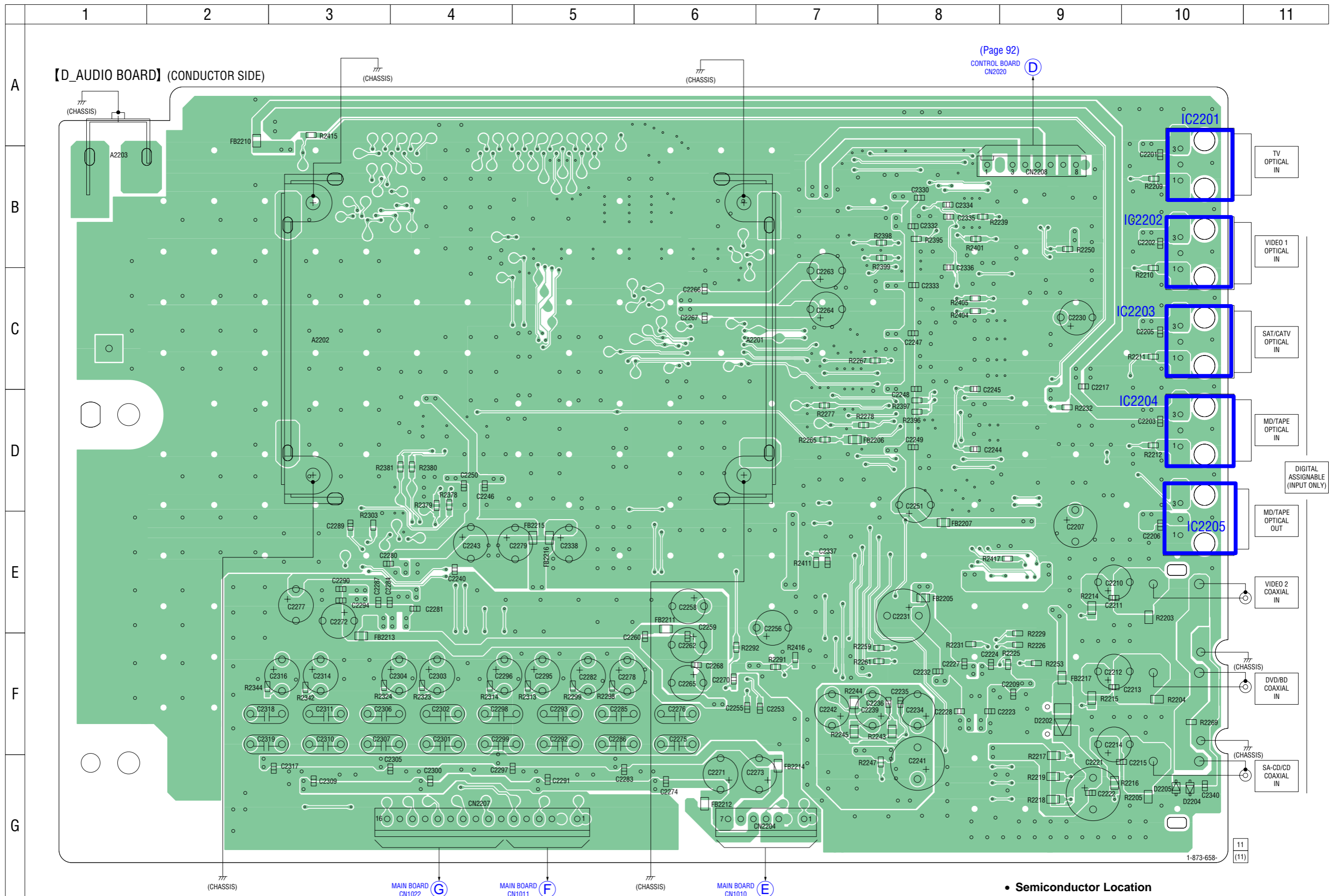




• Semiconductor Location

Ref. No.	Location	Ref. No.	Location	Ref. No.	Location	Ref. No.	Location	Ref. No.	Location
D2201	C-7	IC2209	G-3	IC2218	E-8	IC2227	B-3	Q2201	G-4
D2203	E-4	IC2210	B-2	IC2219	G-6	IC2228	B-3	Q2202	G-4
IC2206	D-2	IC2211	C-3	IC2220	G-7	IC2229	D-6	Q2203	G-4
IC2207	D-2	IC2212	D-3	IC2221	G-7	IC2230	F-5	Q2205	C-8
IC2208	F-3	IC2213	D-3	IC2222	G-8	IC2231	C-3	Q2206	C-8
		IC2217	F-5	IC2226	D-7	IC2232	E-7		

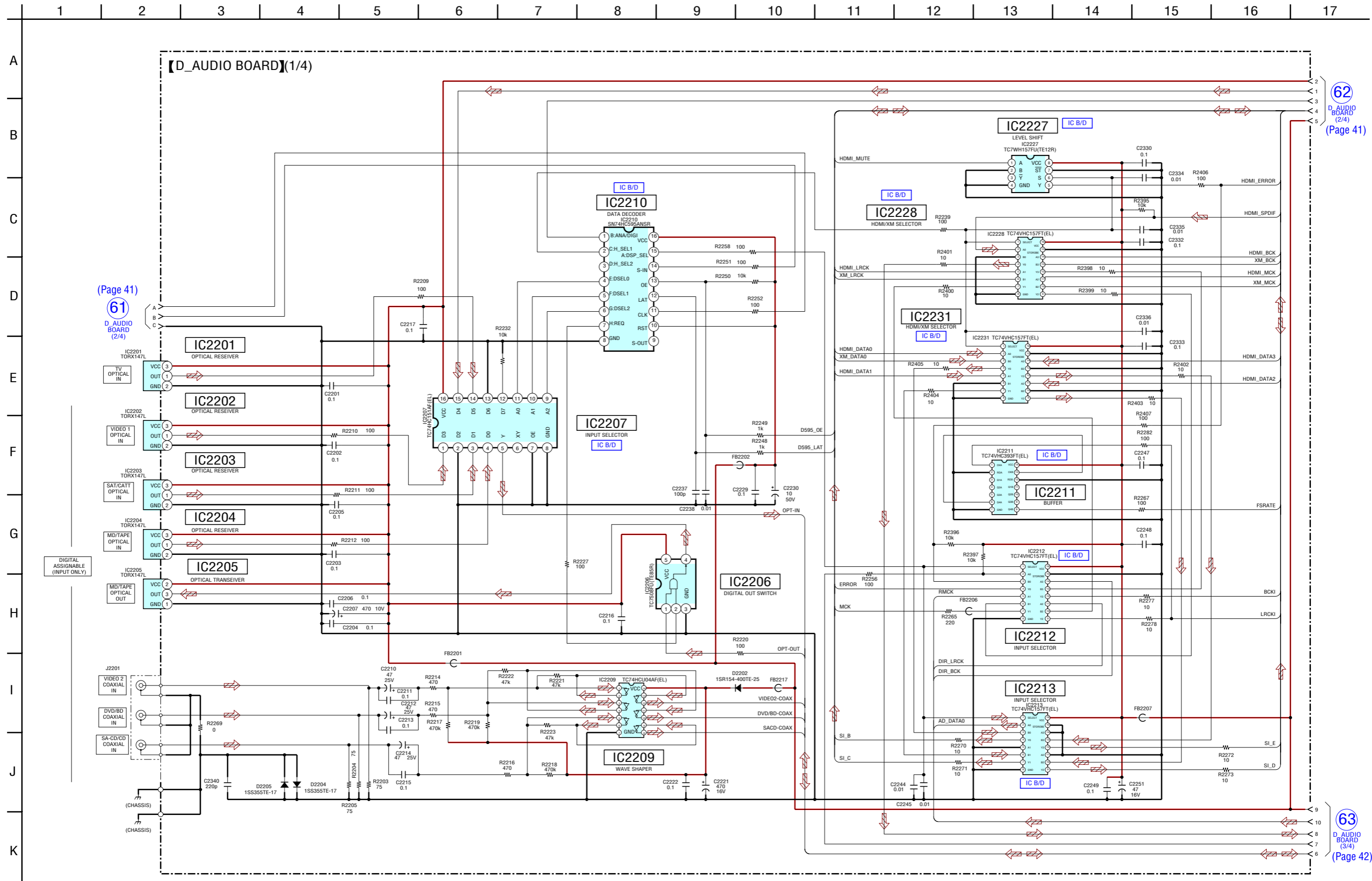
6-11. PRINTED WIRING BOARD – D_AUDIO Board (Conductor Side) – • See page 37 for Circuit Boards Location.  : Uses unleaded solder.



• Semiconductor Location

Ref. No.	Location	Ref. No.	Location
D2202	F-9	IC2202	B-10
D2204	G-10	IC2203	C-10
D2205	G-10	IC2204	D-10
IC2201	B-10	IC2205	E-10

6-12. SCHEMATIC DIAGRAM – D_AUDIO Board (1/4) – • See page 106 for IC Block Diagrams.

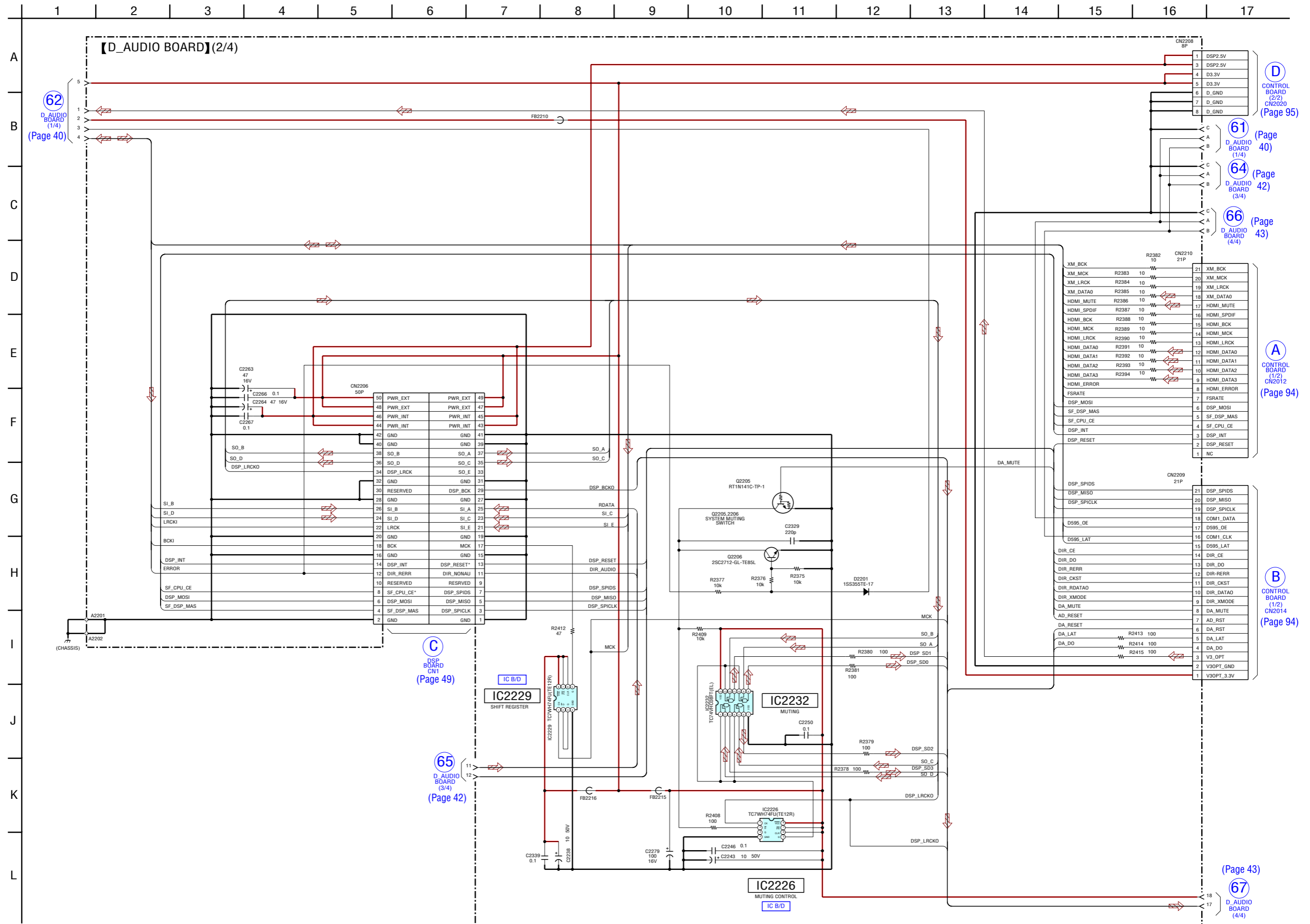


(Page 41)
61
D_AUDIO BOARD (2/4)

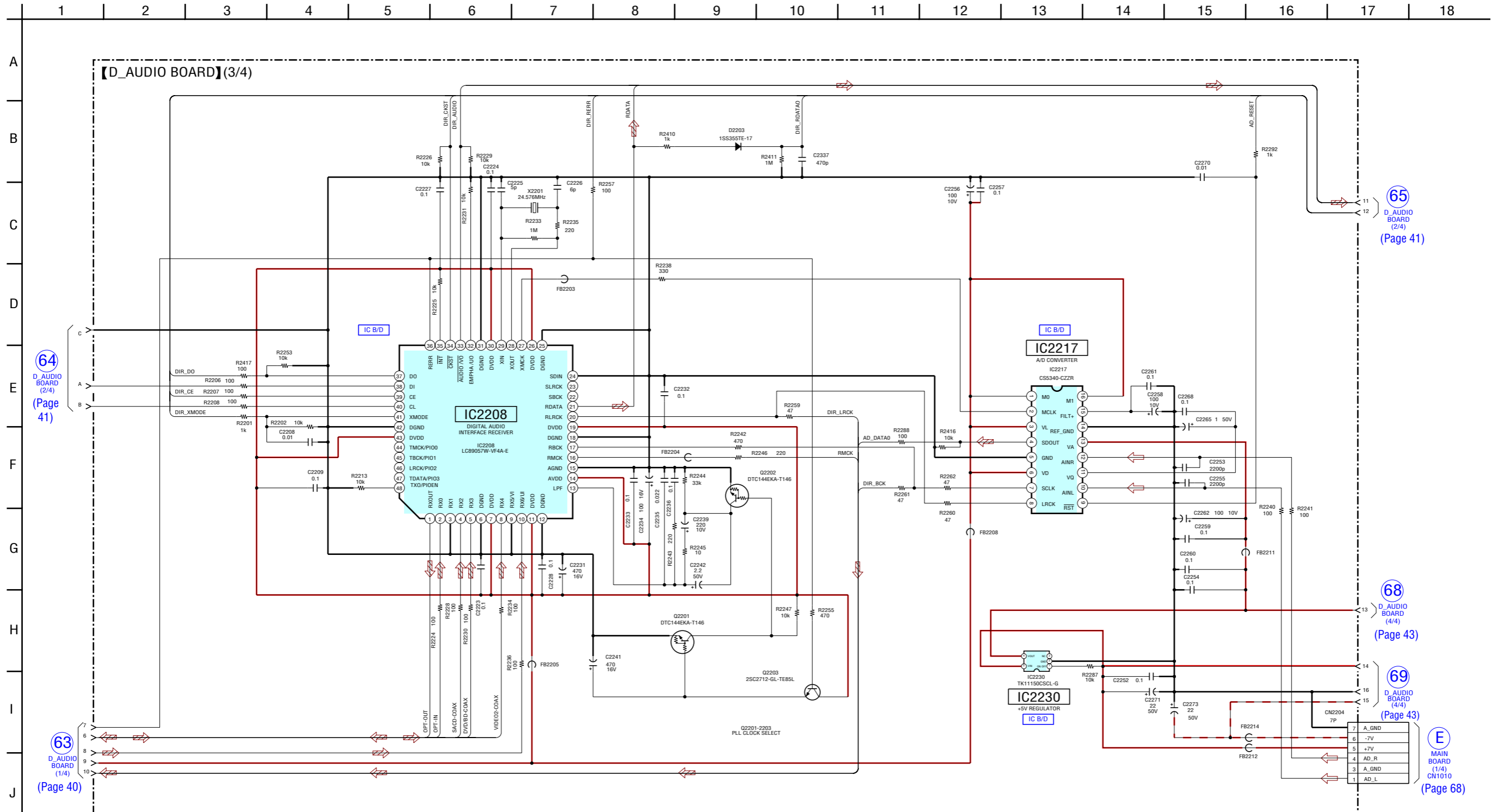
62
D_AUDIO BOARD (2/4)
(Page 41)

63
D_AUDIO BOARD (3/4)
(Page 42)

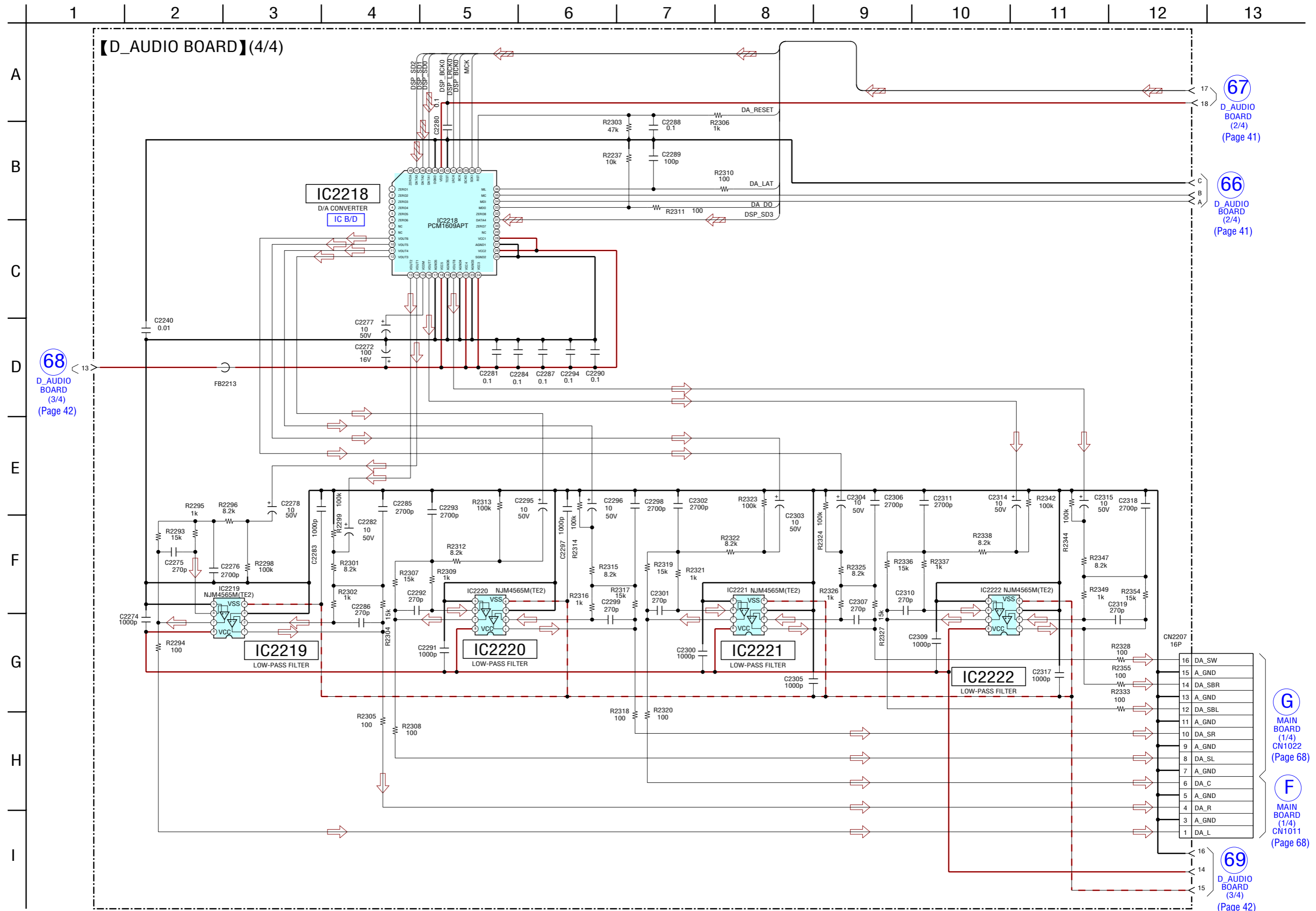
6-13. SCHEMATIC DIAGRAM – D_AUDIO Board (2/4) – • See page 106 for IC Block Diagrams.




6-14. SCHEMATIC DIAGRAM – D_AUDIO Board (3/4) – • See page 106 for IC Block Diagrams.



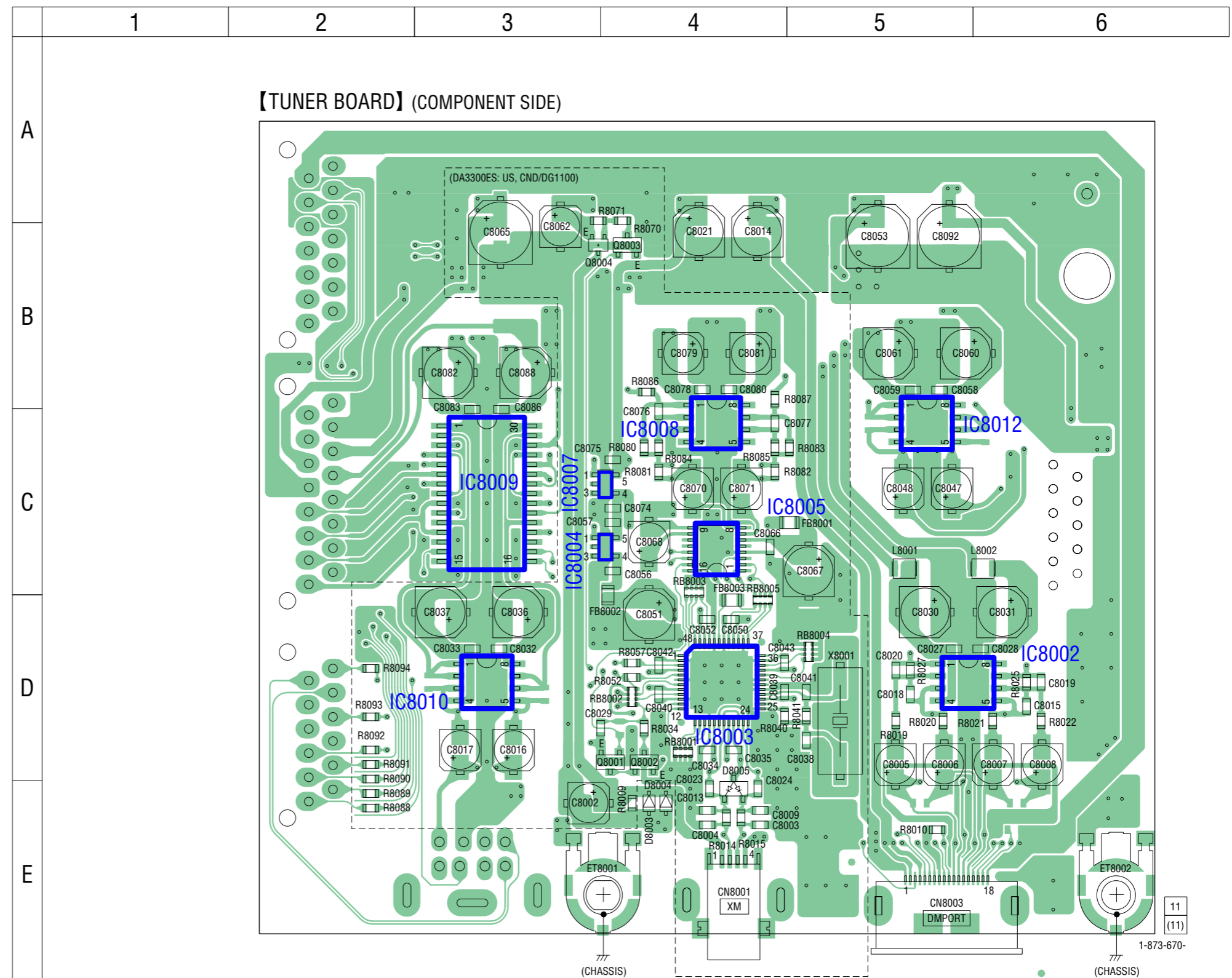
6-15. SCHEMATIC DIAGRAM – D_AUDIO Board (4/4) – • See page 106 for IC Block Diagrams.




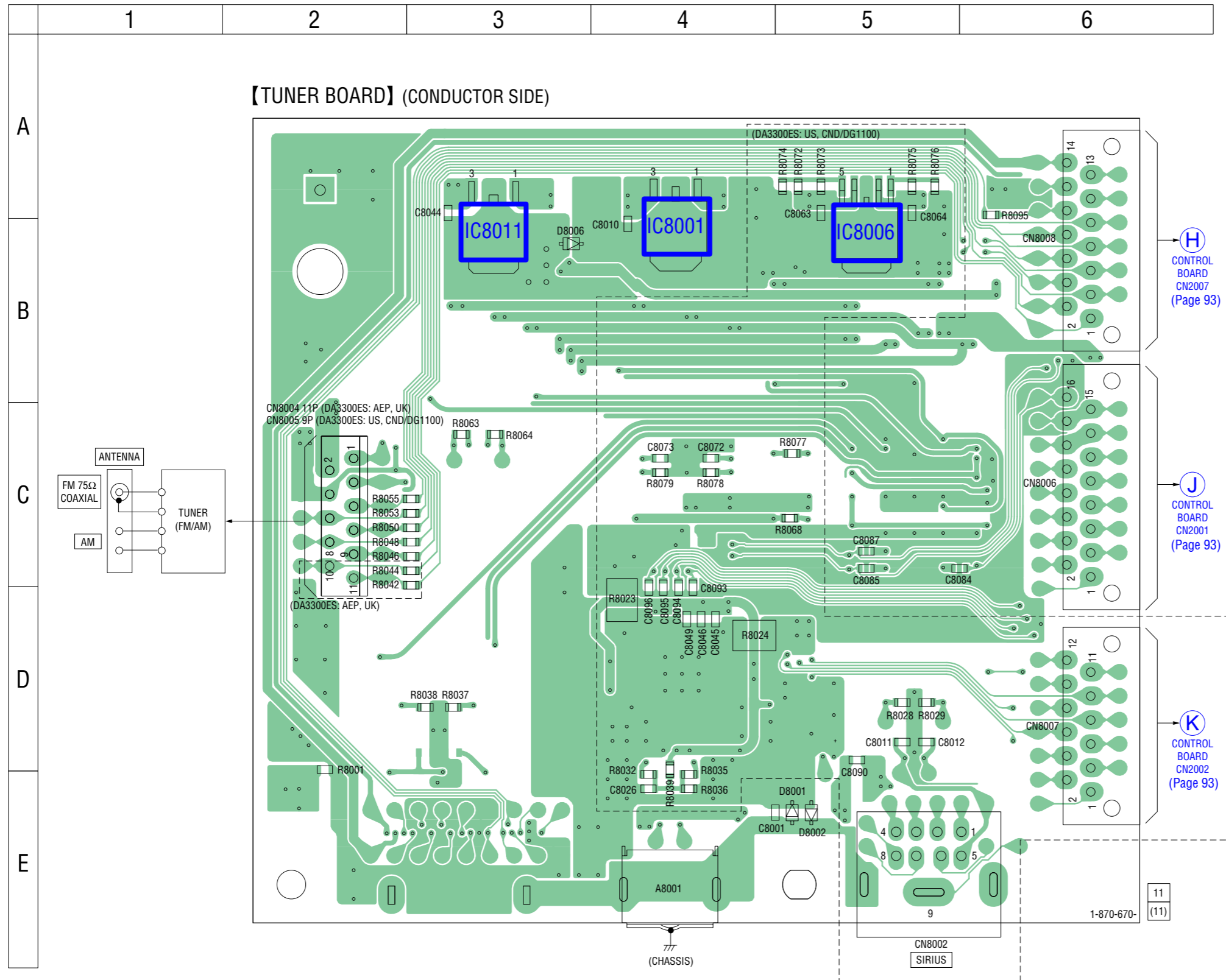
6-16. PRINTED WIRING BOARD – TUNER Board (Component Side) – • See page 37 for Circuit Boards Location.  : Uses unleaded solder.

• Semiconductor Location

Ref. No.	Location
D8003	E-4
D8004	E-4
D8005	E-4
IC8002	D-5
IC8003	D-4
IC8004	C-4
IC8005	C-4
IC8007	C-4
IC8008	C-4
IC8009	C-3
IC8010	D-3
IC8012	C-5
Q8001	D-4
Q8002	D-4
Q8003	B-4
Q8004	B-3



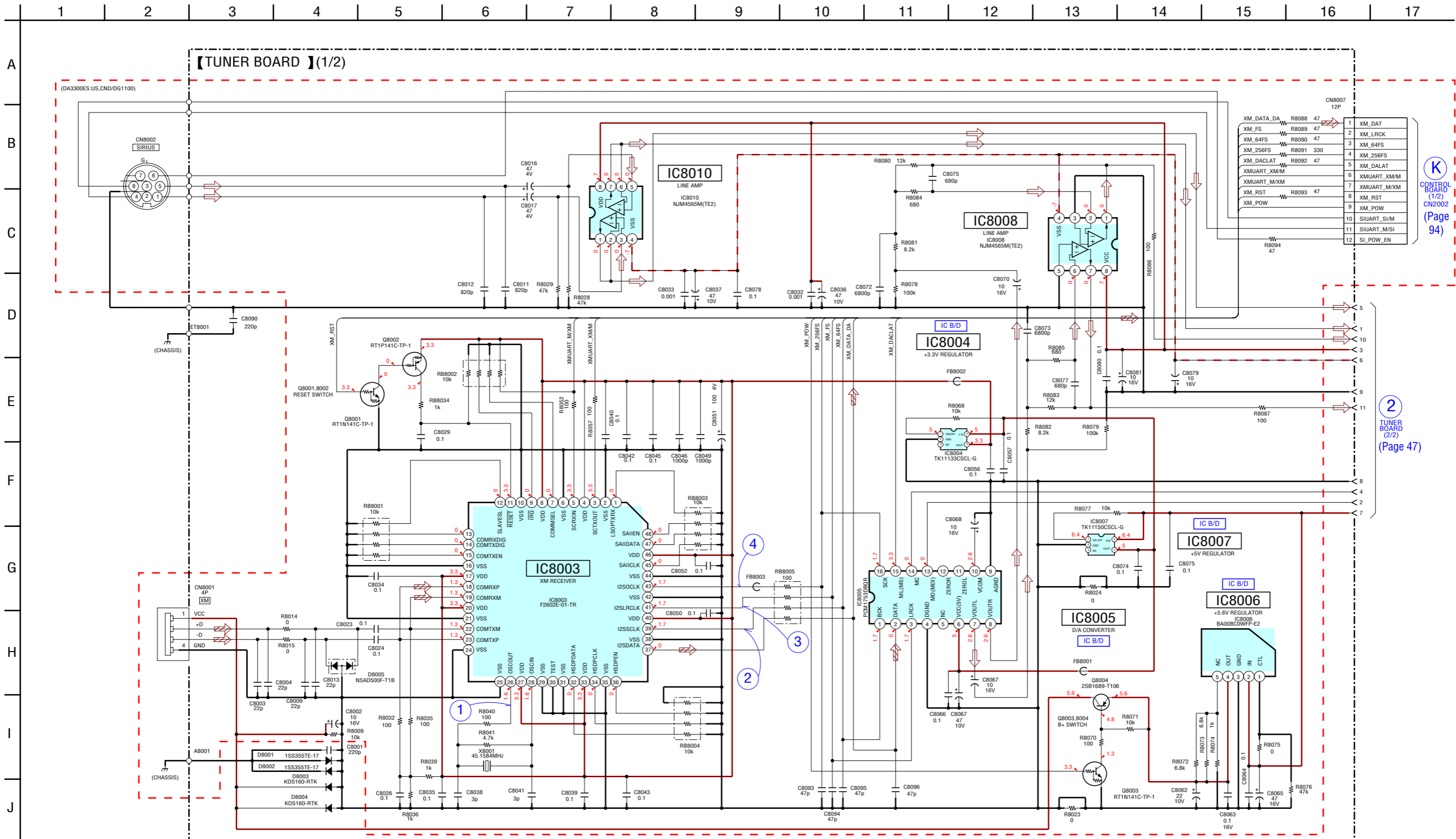
6-17. PRINTED WIRING BOARD – TUNER Board (Conductor Side) – • See page 37 for Circuit Boards Location.  : Uses unleaded solder.



• Semiconductor Location

Ref. No.	Location
D8001	E-5
D8002	E-5
D8006	B-3
IC8001	B-4
IC8006	B-5
IC8011	B-3

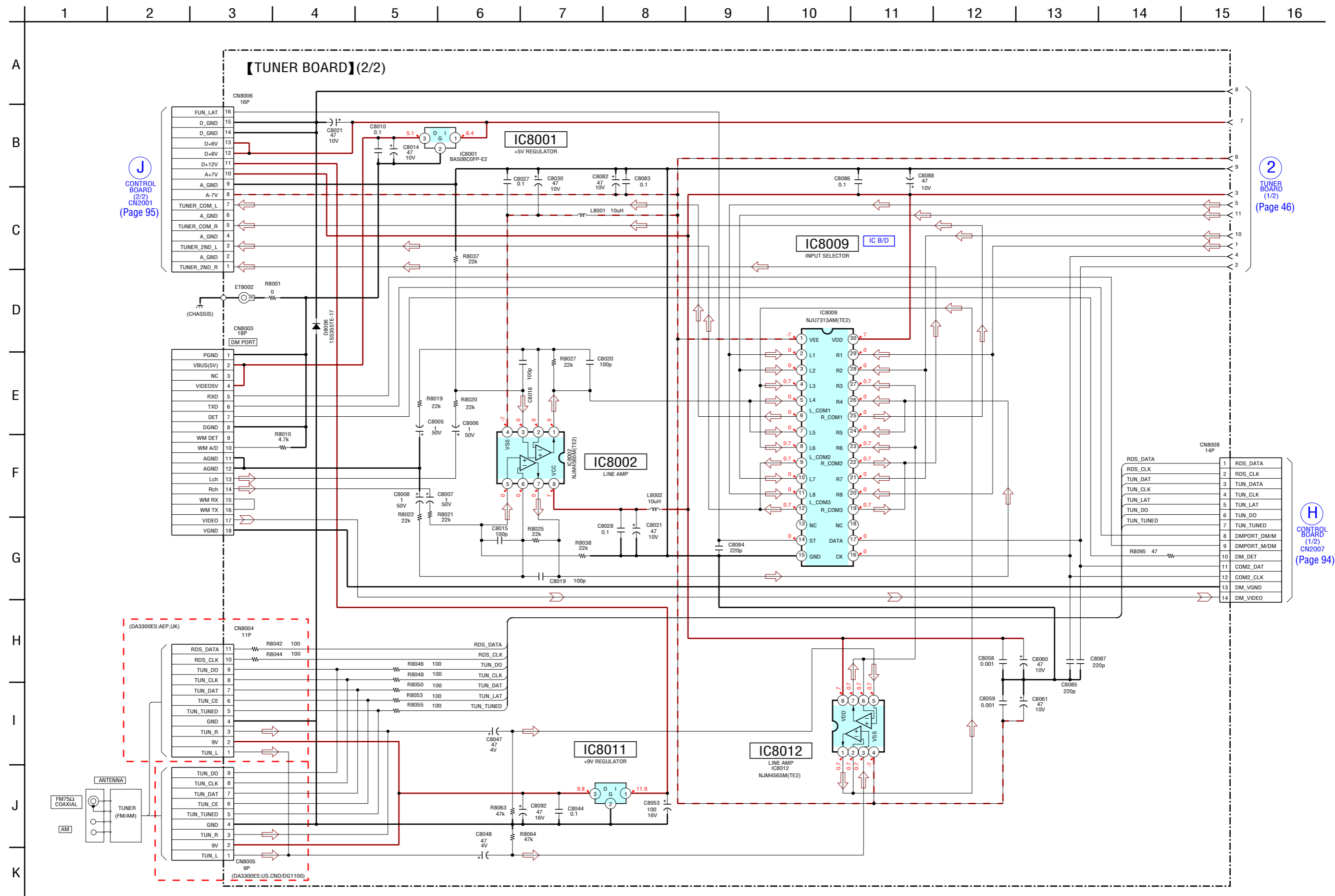
6-18. SCHEMATIC DIAGRAM – TUNER Board (1/2) – • See page 106 for Waveforms. • See page 106 for IC Block Diagrams. • See page 121 for IC Pin Function Description.



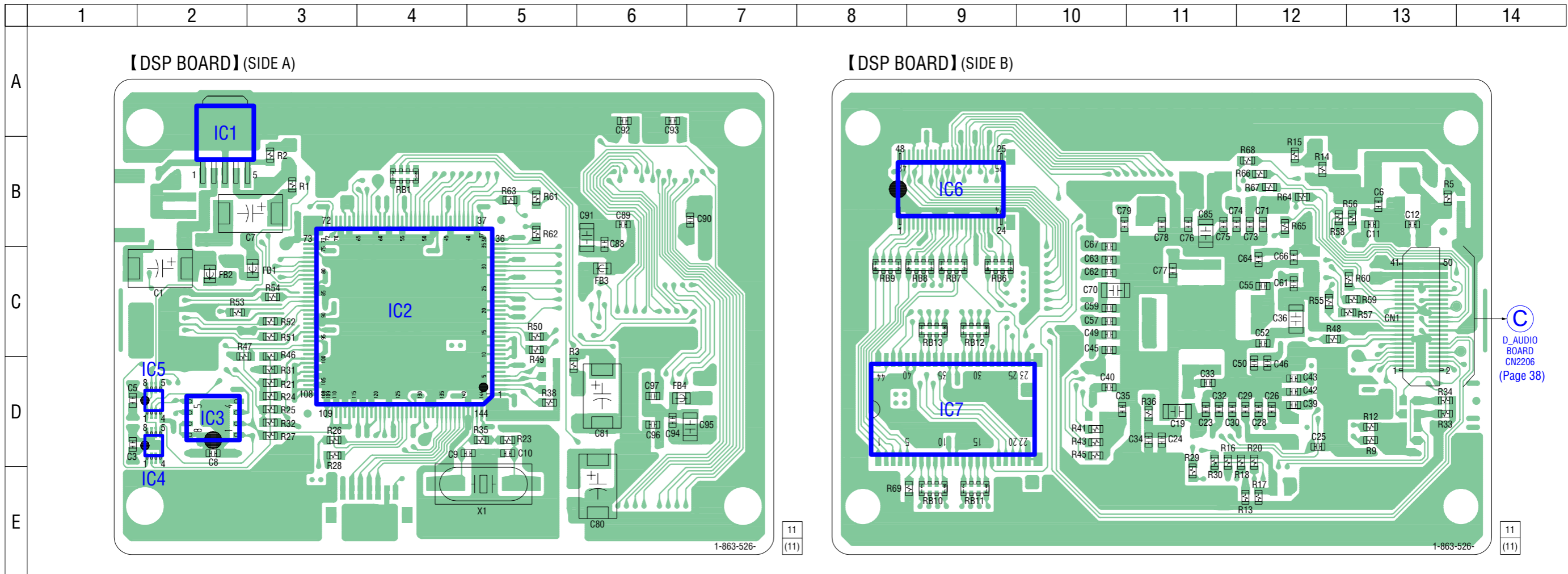
(K) CONTROL BOARD (1/2) CN2002 (Page 94)

(2) TUNER BOARD (2/2) (Page 47)

6-19. SCHEMATIC DIAGRAM – TUNER Board (2/2) – • See page 106 for IC Block Diagrams.



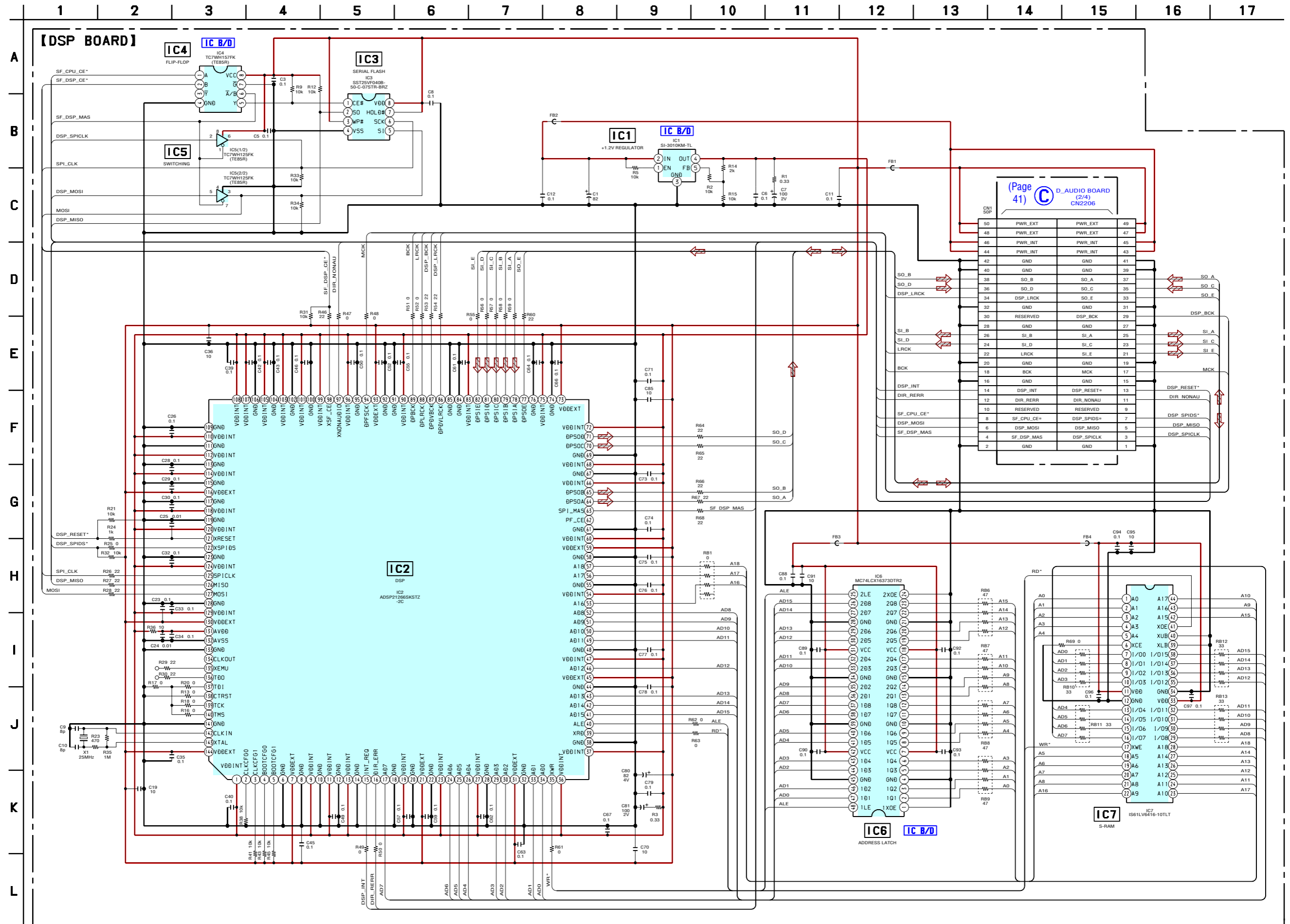
6-20. PRINTED WIRING BOARD – DSP Board – • See page 37 for Circuit Boards Location.  : Uses unleaded solder.




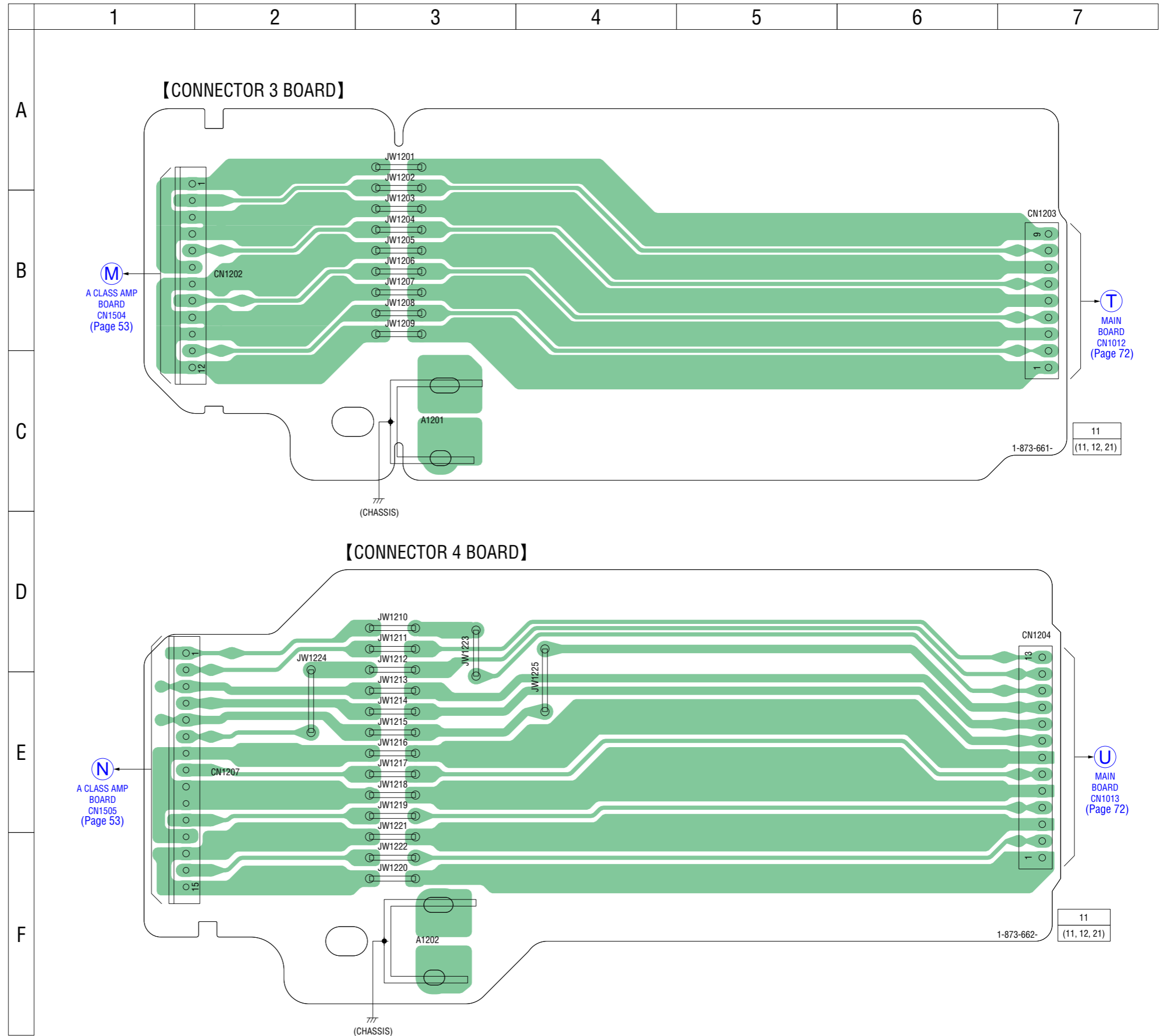
• Semiconductor Location

Ref. No.	Location
IC1	B-2
IC2	C-4
IC3	D-2
IC4	D-2
IC5	D-2
IC6	B-9
IC7	D-9

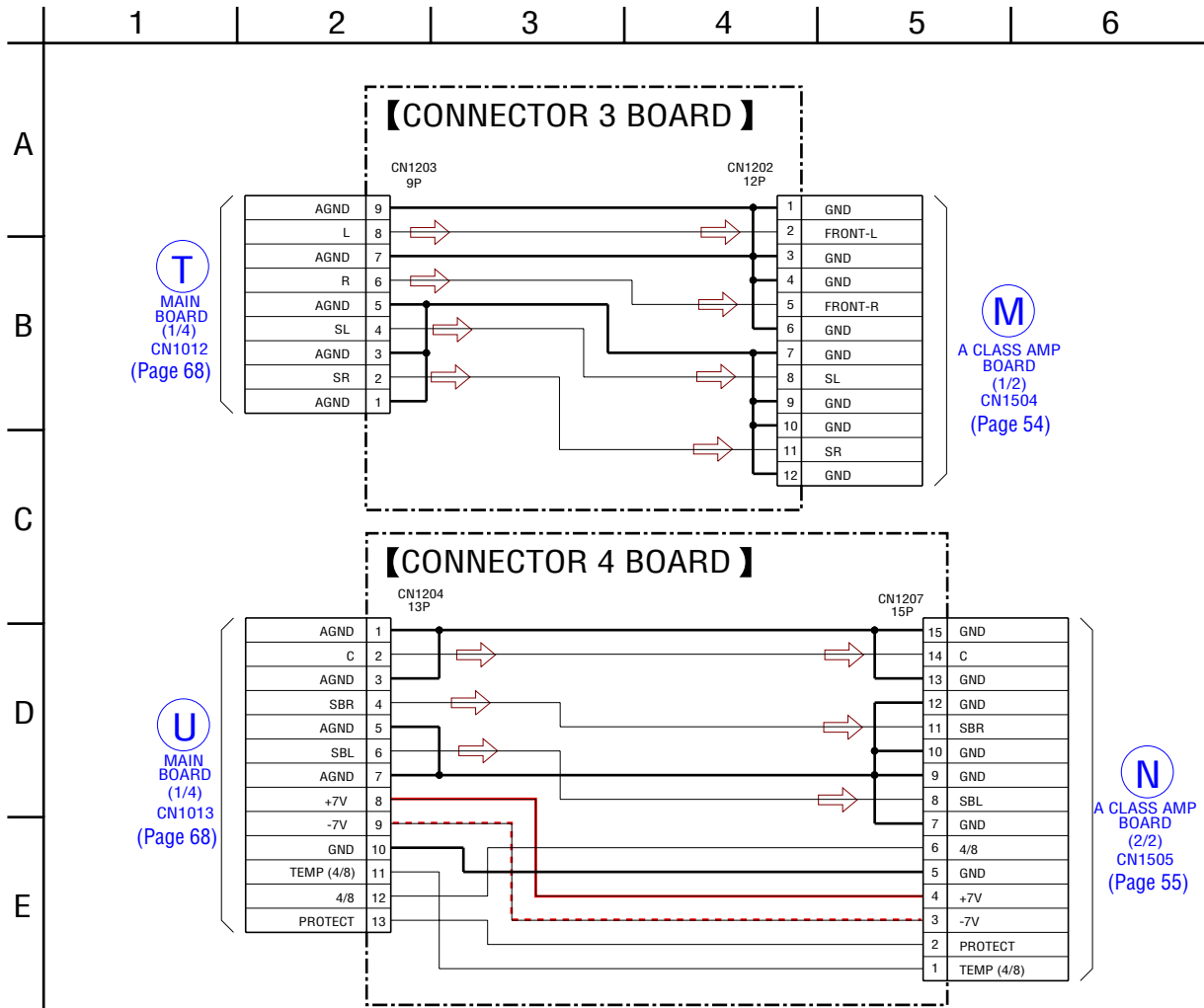
6-21. SCHEMATIC DIAGRAM – DSP Board – • See page 106 for IC Block Diagrams. • See page 121 for IC Pin Function Description.



6-22. PRINTED WIRING BOARDS – CONNECTOR Section – • See page 37 for Circuit Boards Location.  : Uses unleaded solder.

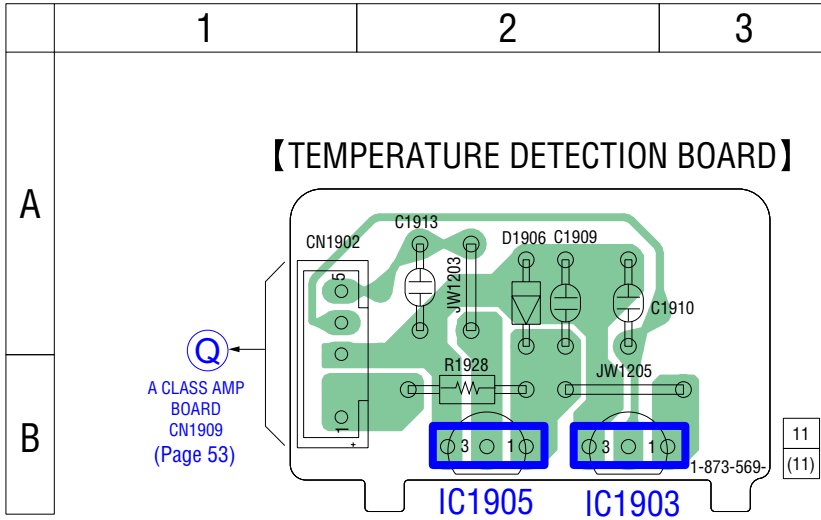


6-23. SCHEMATIC DIAGRAM – CONNECTOR Section –

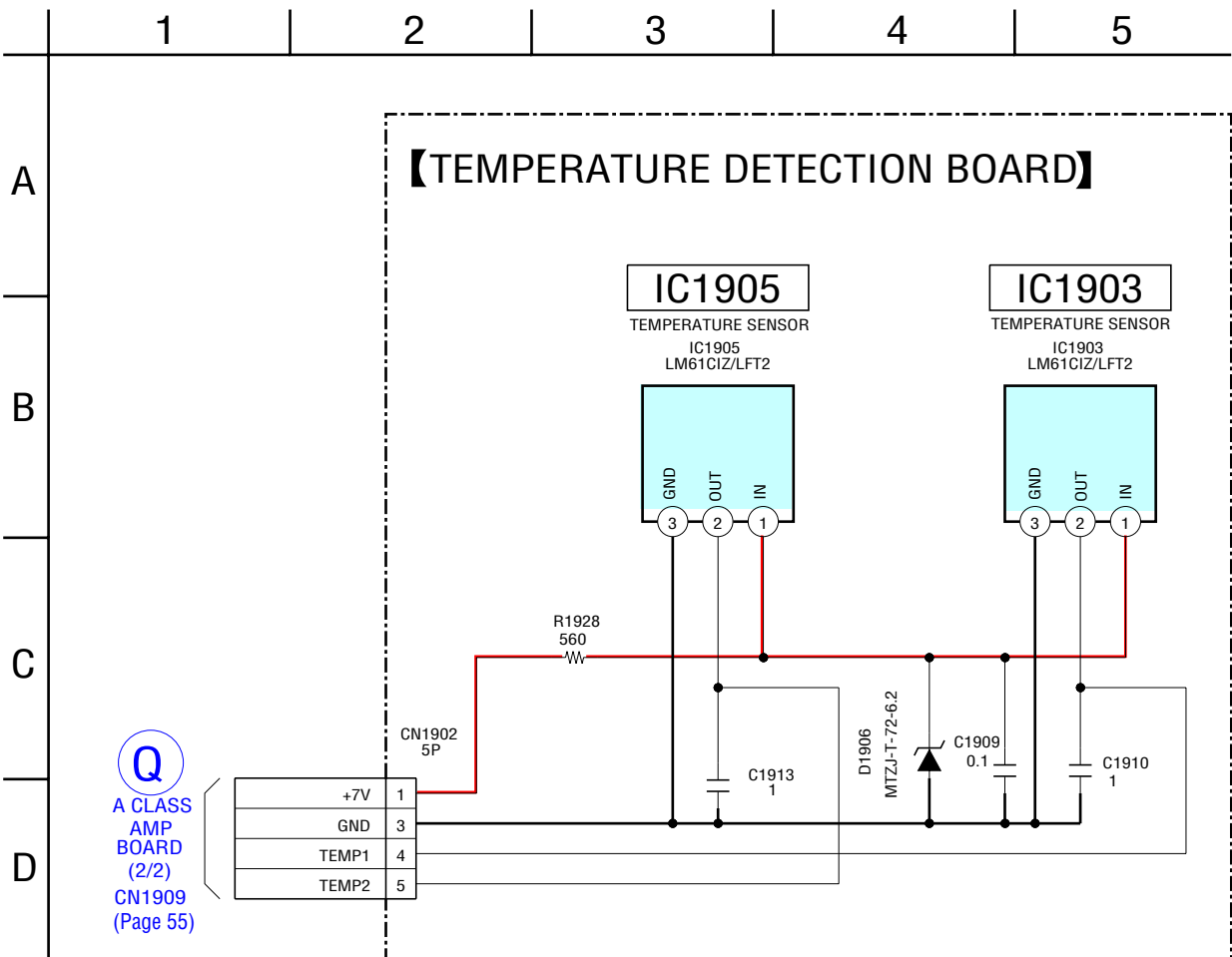


6-24. PRINTED WIRING BOARD – TEMPERATURE DETECTION BOARD –

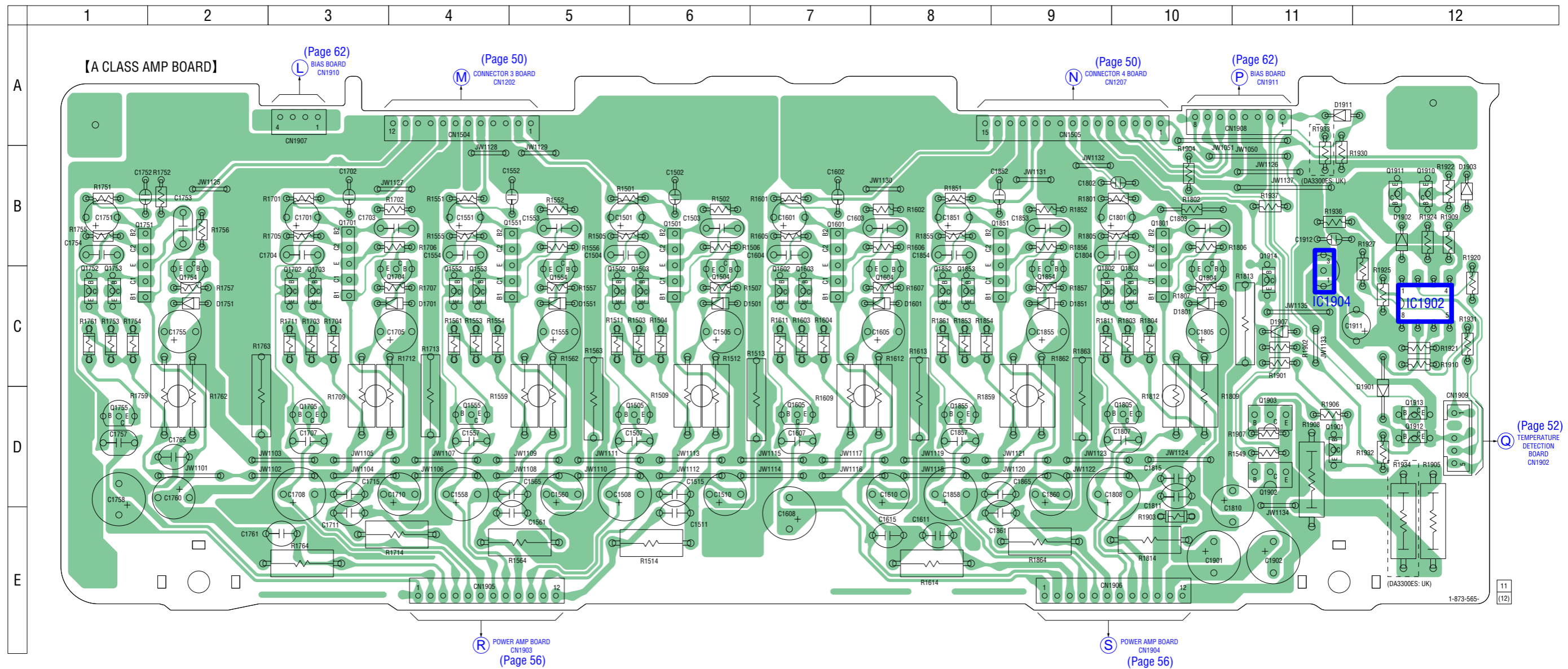
• See page 37 for Circuit Boards Location.  : Uses unleaded solder.



6-25. SCHEMATIC DIAGRAM – TEMPERATURE DETECTION BOARD –



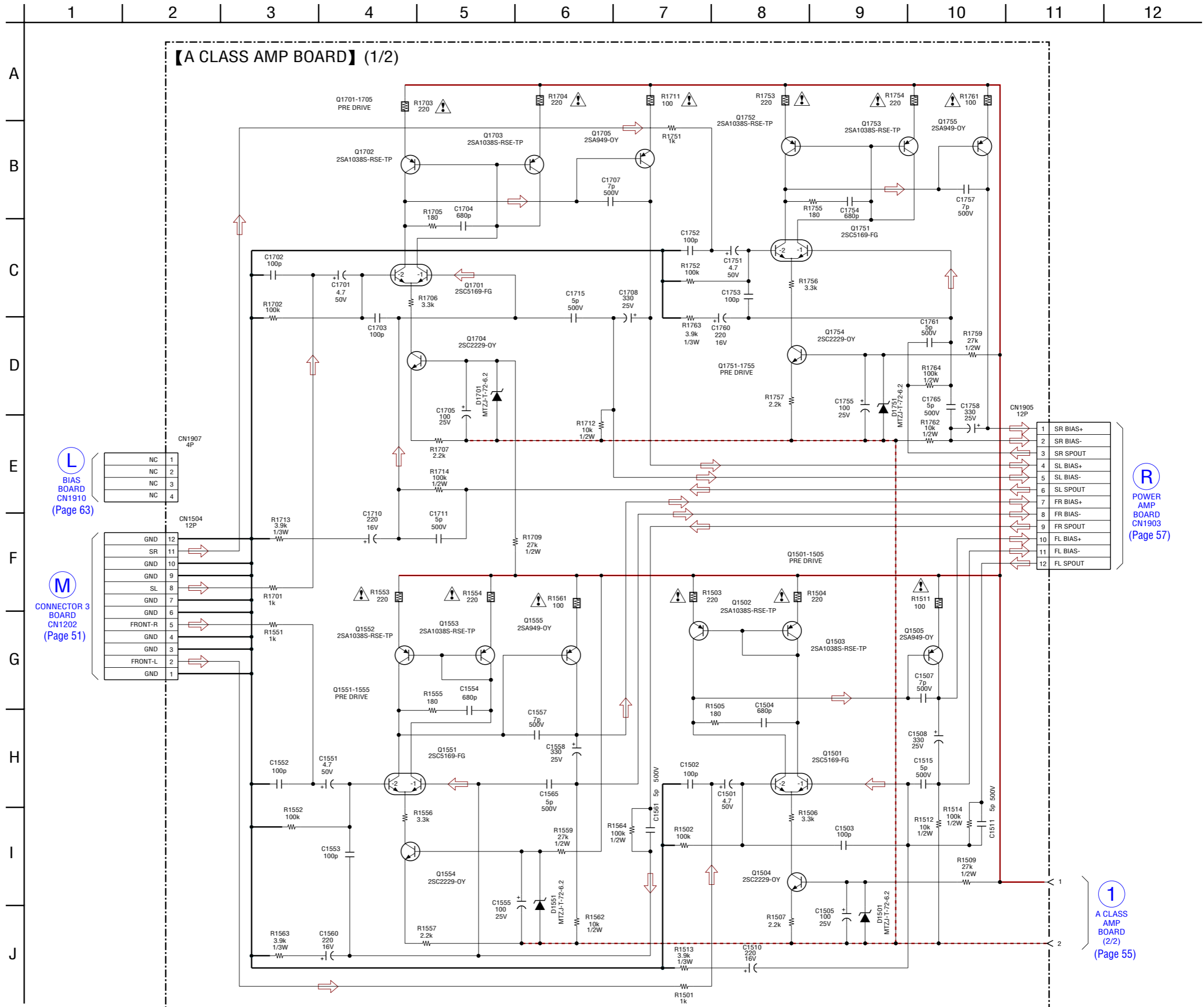
6-26. PRINTED WIRING BOARD – A CLASS AMP Board – • See page 37 for Circuit Boards Location.  : Uses unleaded solder.



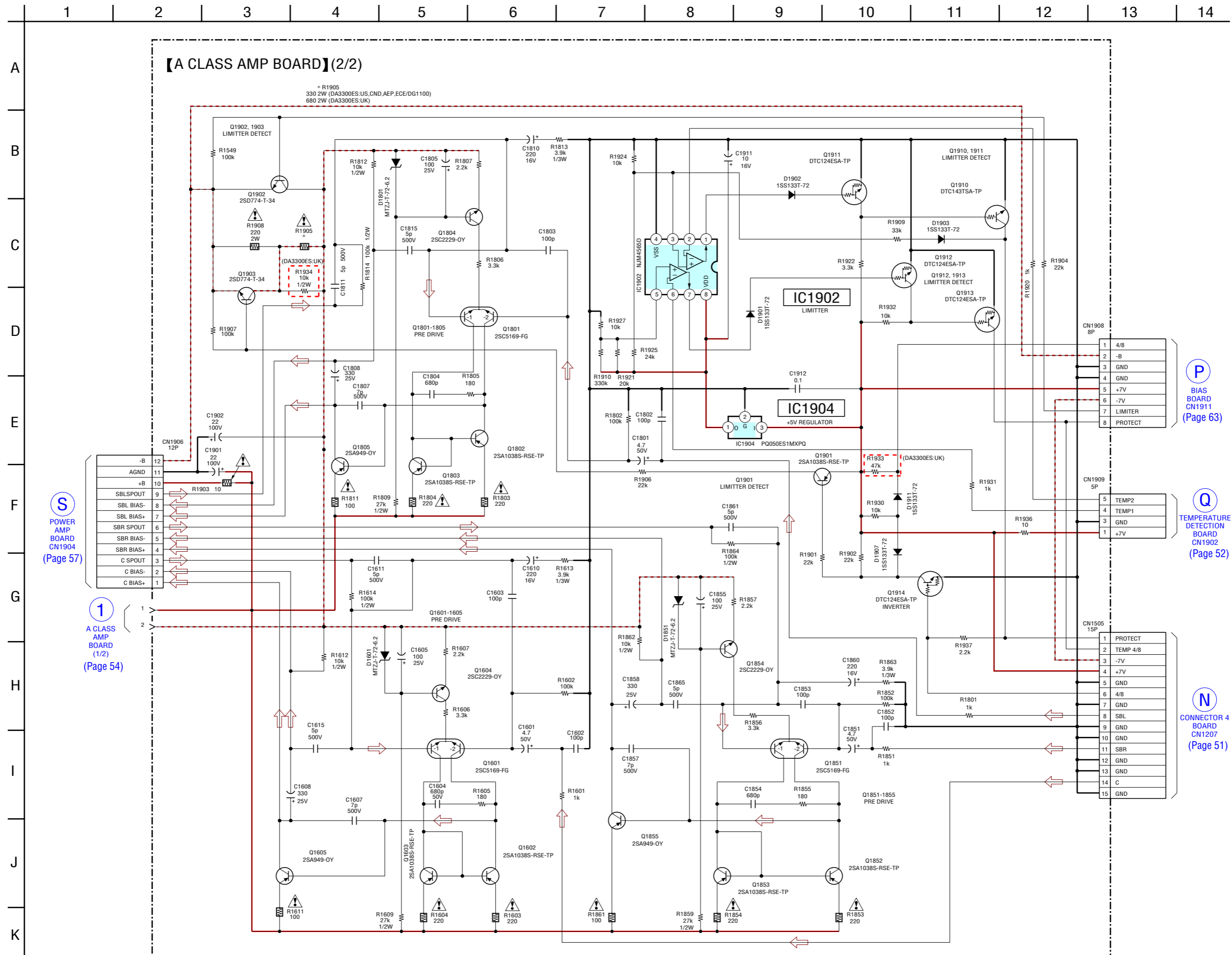
• Semiconductor Location

Ref. No.	Location	Ref. No.	Location	Ref. No.	Location	Ref. No.	Location
D1501	C-6	Q1501	B-6	Q1605	D-7	Q1805	D-10
D1601	C-8	Q1502	C-5	Q1701	B-3	Q1851	B-9
D1701	C-4	Q1503	C-6	Q1702	C-3	Q1852	C-8
D1751	C-2	Q1504	C-6	Q1703	C-3	Q1853	C-8
D1801	C-10	Q1505	D-6	Q1704	C-4	Q1854	C-9
D1851	C-9	Q1551	B-5	Q1705	D-3	Q1855	D-8
D1901	D-12	Q1552	C-4	Q1751	B-1	Q1901	D-11
D1902	B-12	Q1553	C-4	Q1752	C-1	Q1902	D-11
D1903	B-12	Q1554	C-5	Q1753	C-1	Q1903	D-11
D1907	C-11	Q1555	D-4	Q1754	C-2	Q1910	B-12
D1911	A-11	Q1601	B-7	Q1755	D-1	Q1911	B-12
IC1902	C-12	Q1602	C-7	Q1801	B-10	Q1912	D-12
IC1904	C-11	Q1603	C-7	Q1802	C-9	Q1913	D-12
		Q1604	C-8	Q1803	C-10	Q1914	C-11
				Q1804	C-10		

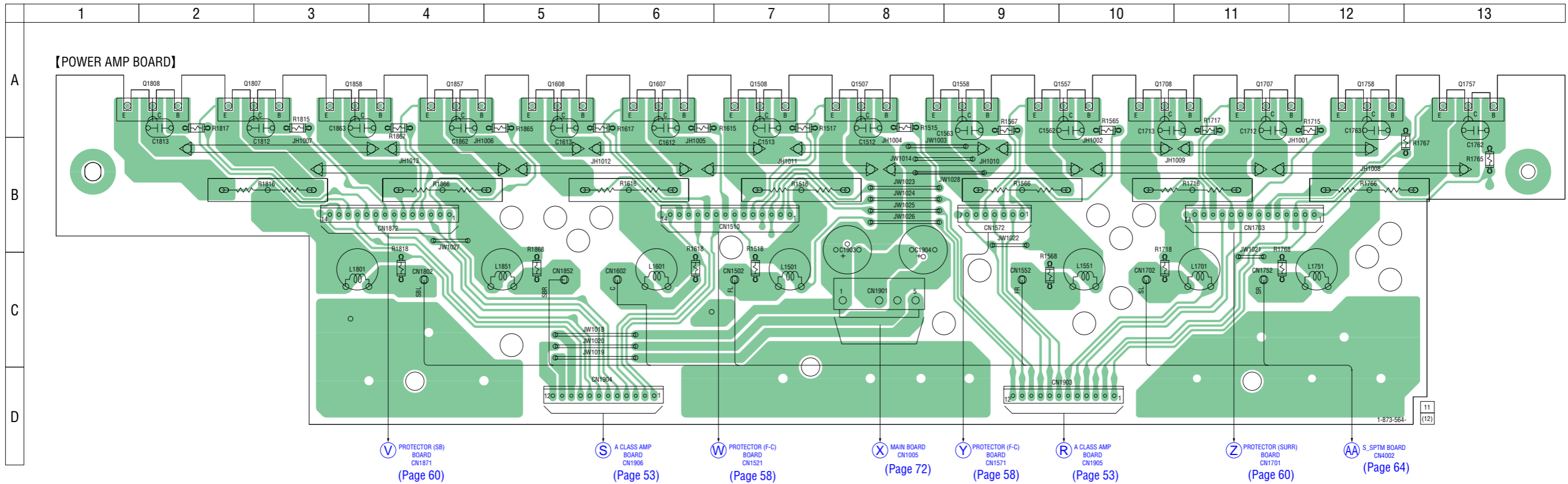
6-27. SCHEMATIC DIAGRAM – A CLASS AMP Board (1/2) –



6-28. SCHEMATIC DIAGRAM – A CLASS AMP Board (2/2) –



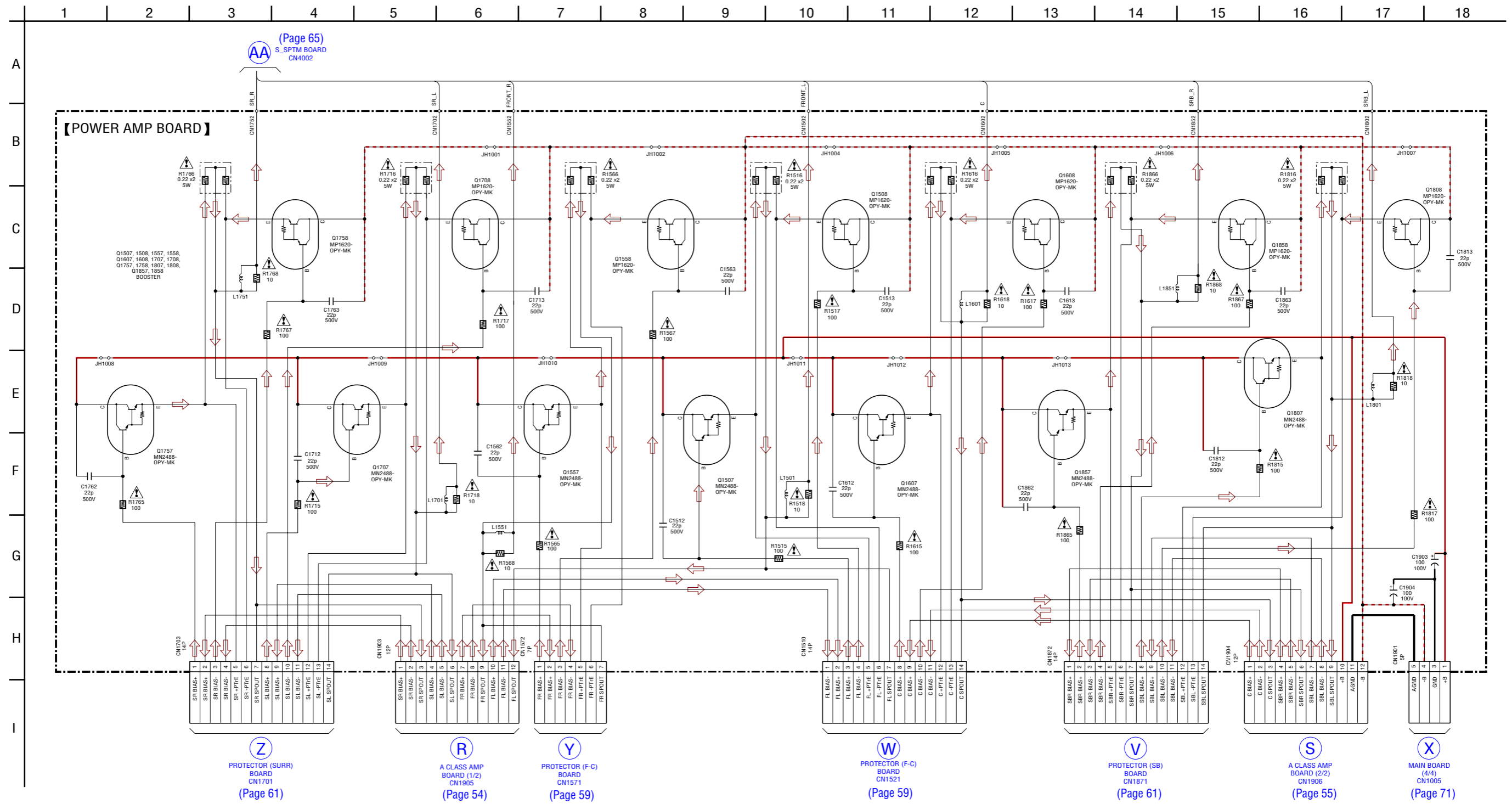
6-29. PRINTED WIRING BOARD – POWER AMP Board – • See page 37 for Circuit Boards Location.  : Uses unleaded solder.




• Semiconductor Location

Ref. No.	Location
Q1507	A-8
Q1508	A-7
Q1557	A-10
Q1558	A-9
Q1607	A-6
Q1608	A-5
Q1707	A-11
Q1708	A-10
Q1757	A-13
Q1758	A-12
Q1807	A-2
Q1808	A-2
Q1857	A-4
Q1858	A-3

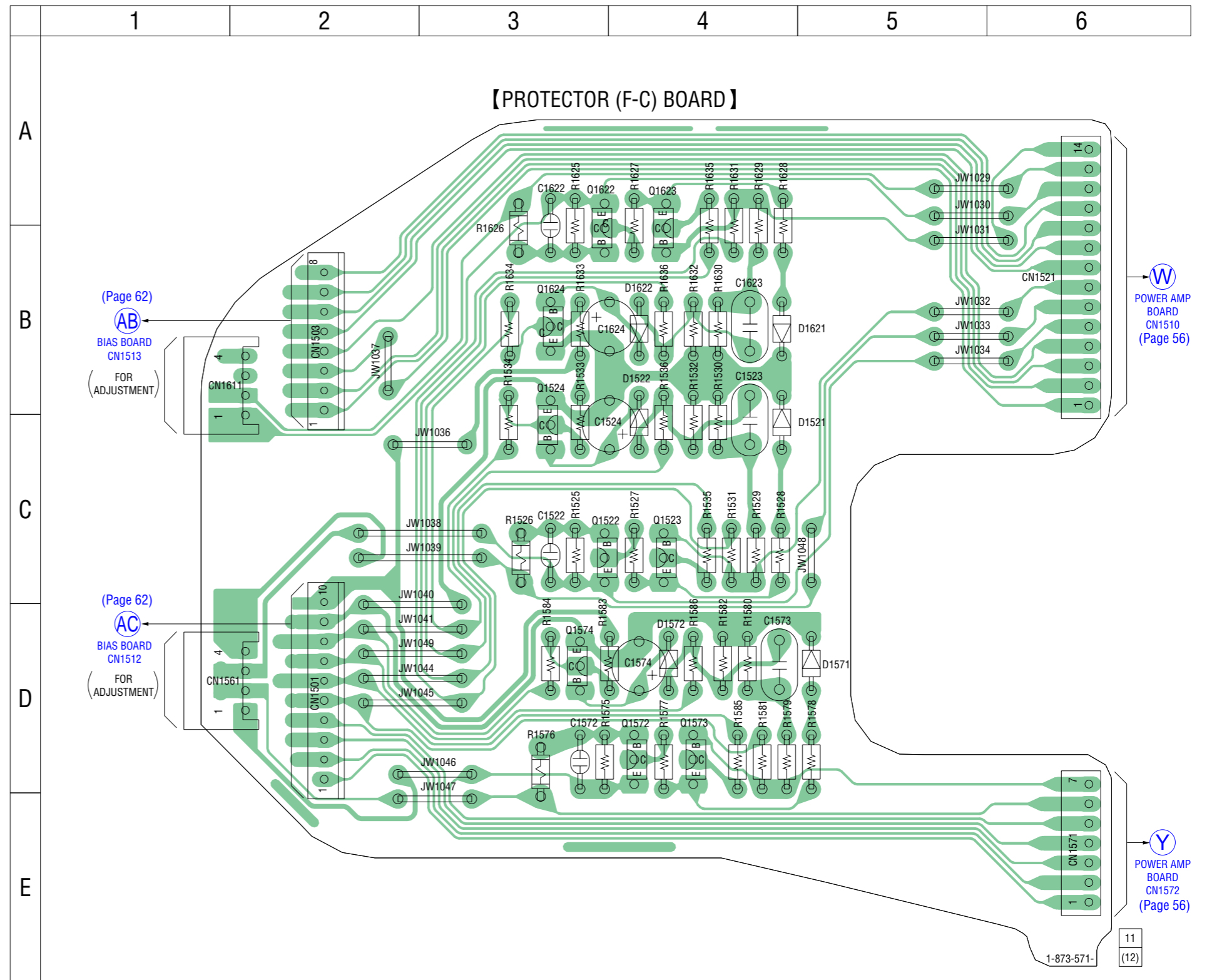
6-30. SCHEMATIC DIAGRAM – POWER AMP Board –



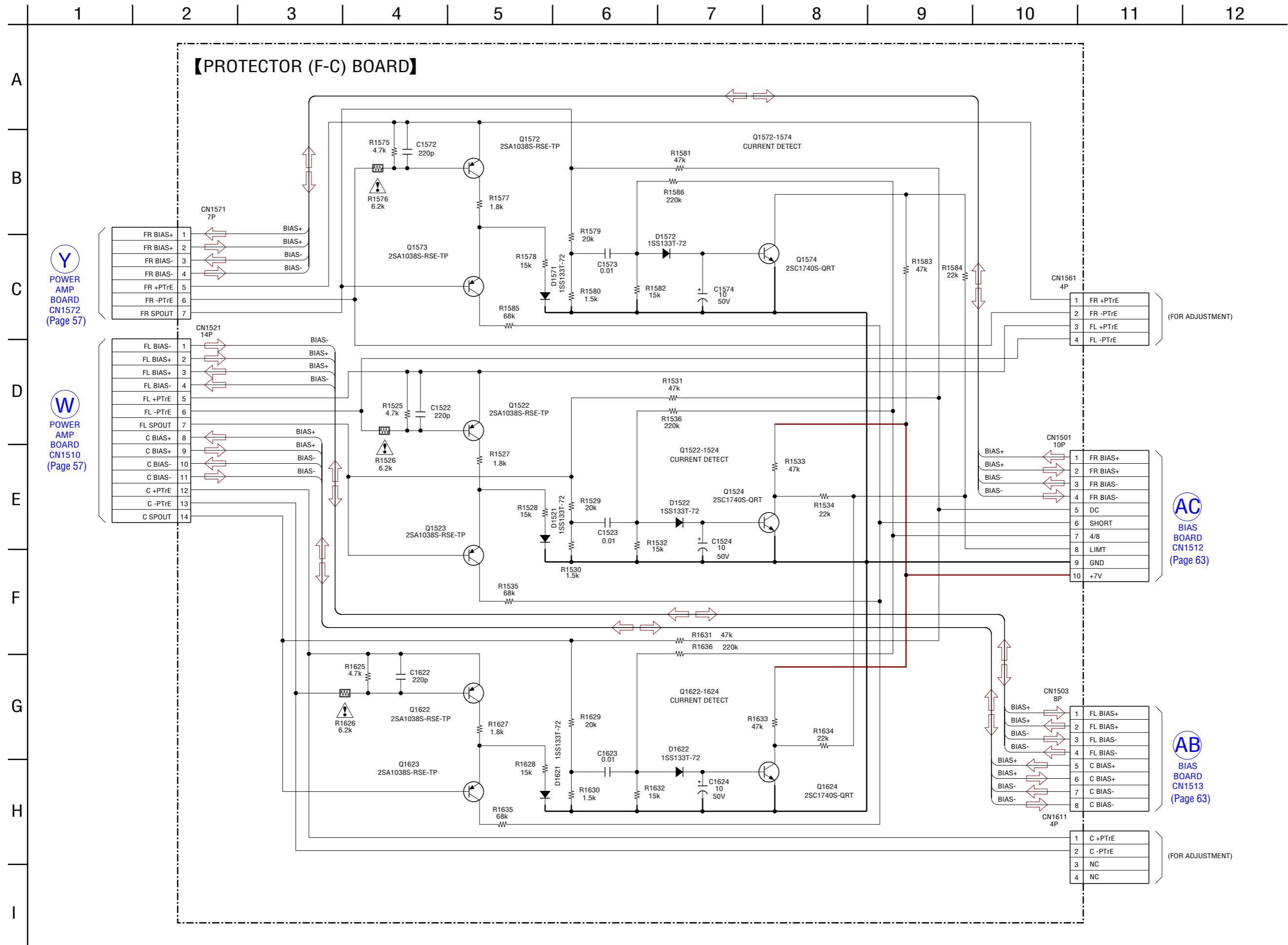
6-31. PRINTED WIRING BOARD – PROTECTOR (F-C) Board – • See page 37 for Circuit Boards Location.  : Uses unleaded solder.


• Semiconductor Location

Ref. No.	Location
D1521	C-4
D1522	C-4
D1571	D-5
D1572	D-4
D1621	B-4
D1622	B-4
Q1522	C-3
Q1523	C-4
Q1524	C-3
Q1572	D-4
Q1573	D-4
Q1574	D-3
Q1622	B-3
Q1623	B-4
Q1624	B-3



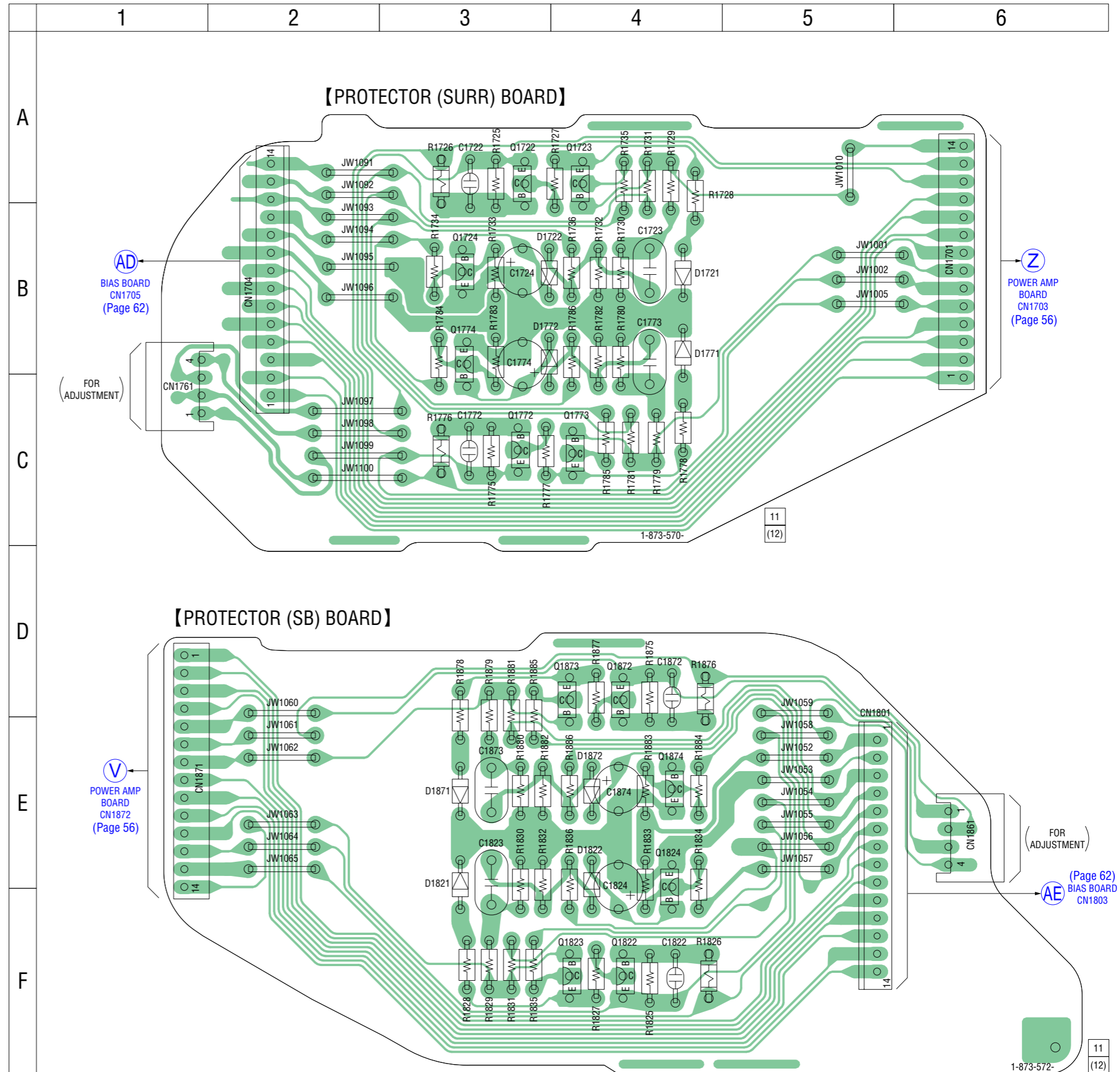
6-32. SCHEMATIC DIAGRAM – PROTECTOR (F-C) Board –



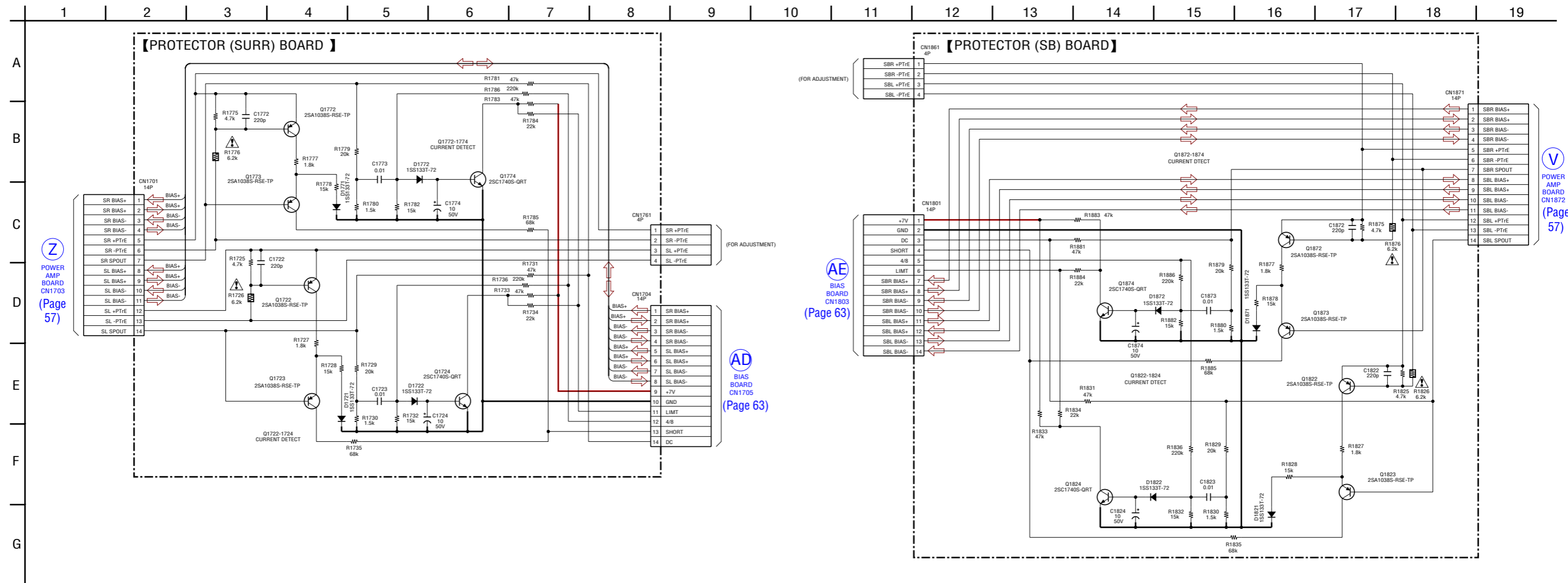
6-33. PRINTED WIRING BOARDS – PROTECTOR (SB/SURR) Section – • See page 37 for Circuit Boards Location.  : Uses unleaded solder.

• Semiconductor Location

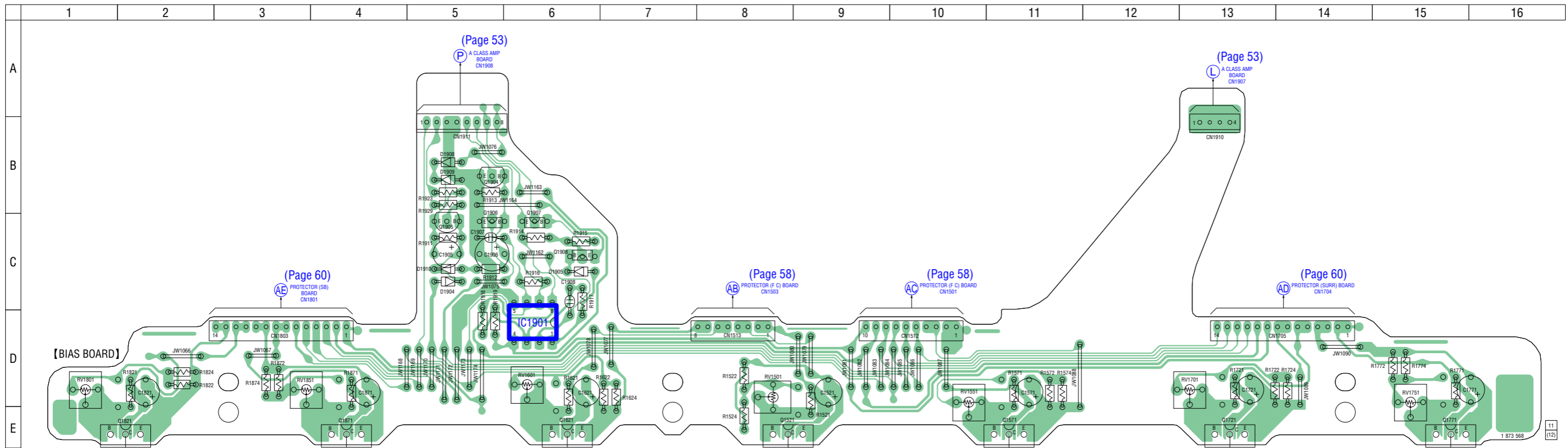
Ref. No.	Location
D1721	B-4
D1722	B-3
D1771	B-4
D1772	B-3
D1821	E-3
D1822	E-4
D1871	E-3
D1872	E-4
Q1722	A-3
Q1723	A-4
Q1724	B-3
Q1772	C-3
Q1773	C-4
Q1774	B-3
Q1822	F-4
Q1823	F-4
Q1824	E-4
Q1872	D-4
Q1873	D-4
Q1874	E-4



6-34. SCHEMATIC DIAGRAM – PROTECTOR (SB/SURR) Section –



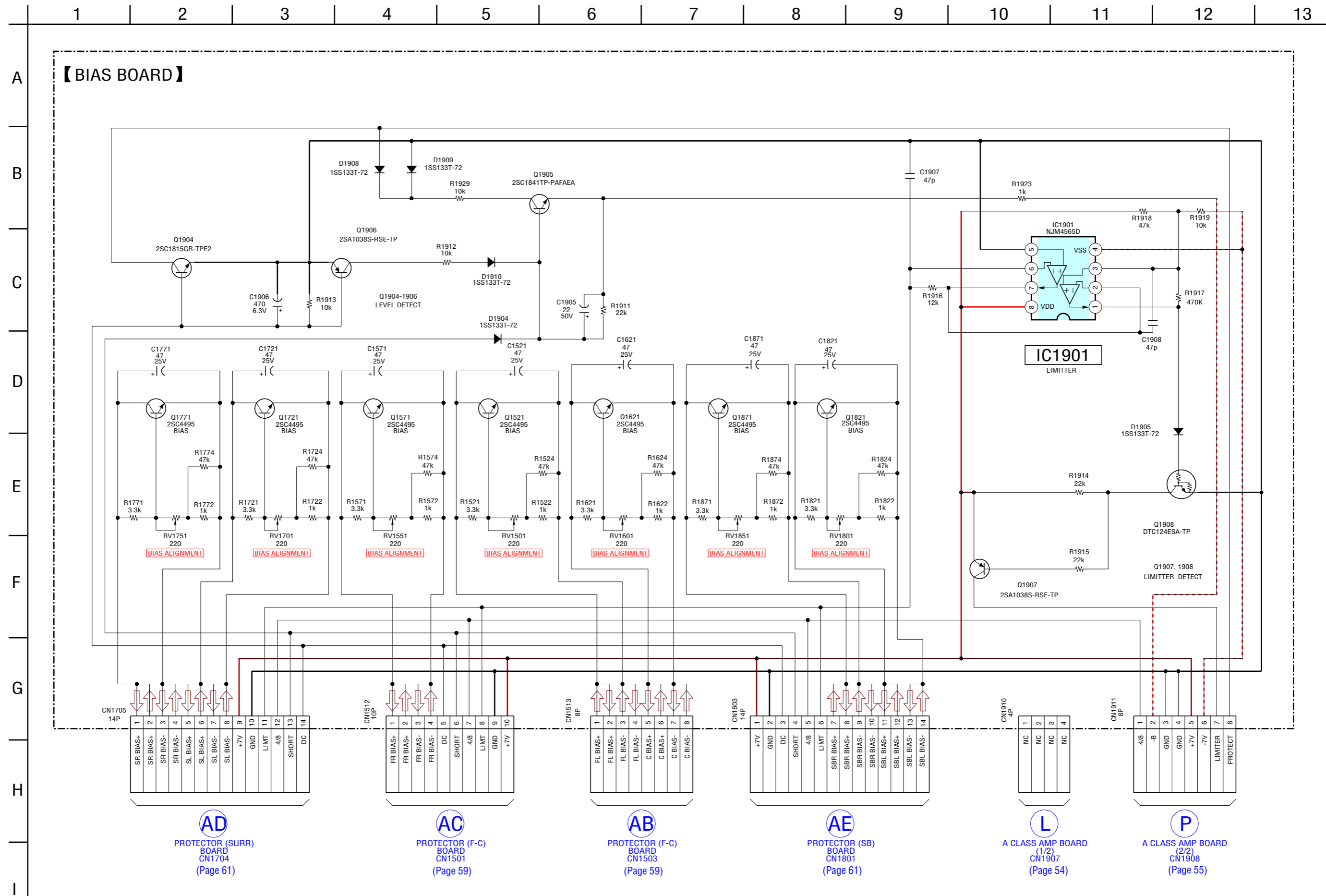
6-35. PRINTED WIRING BOARD – BIAS Board – • See page 37 for Circuit Boards Location.  : Uses unleaded solder.



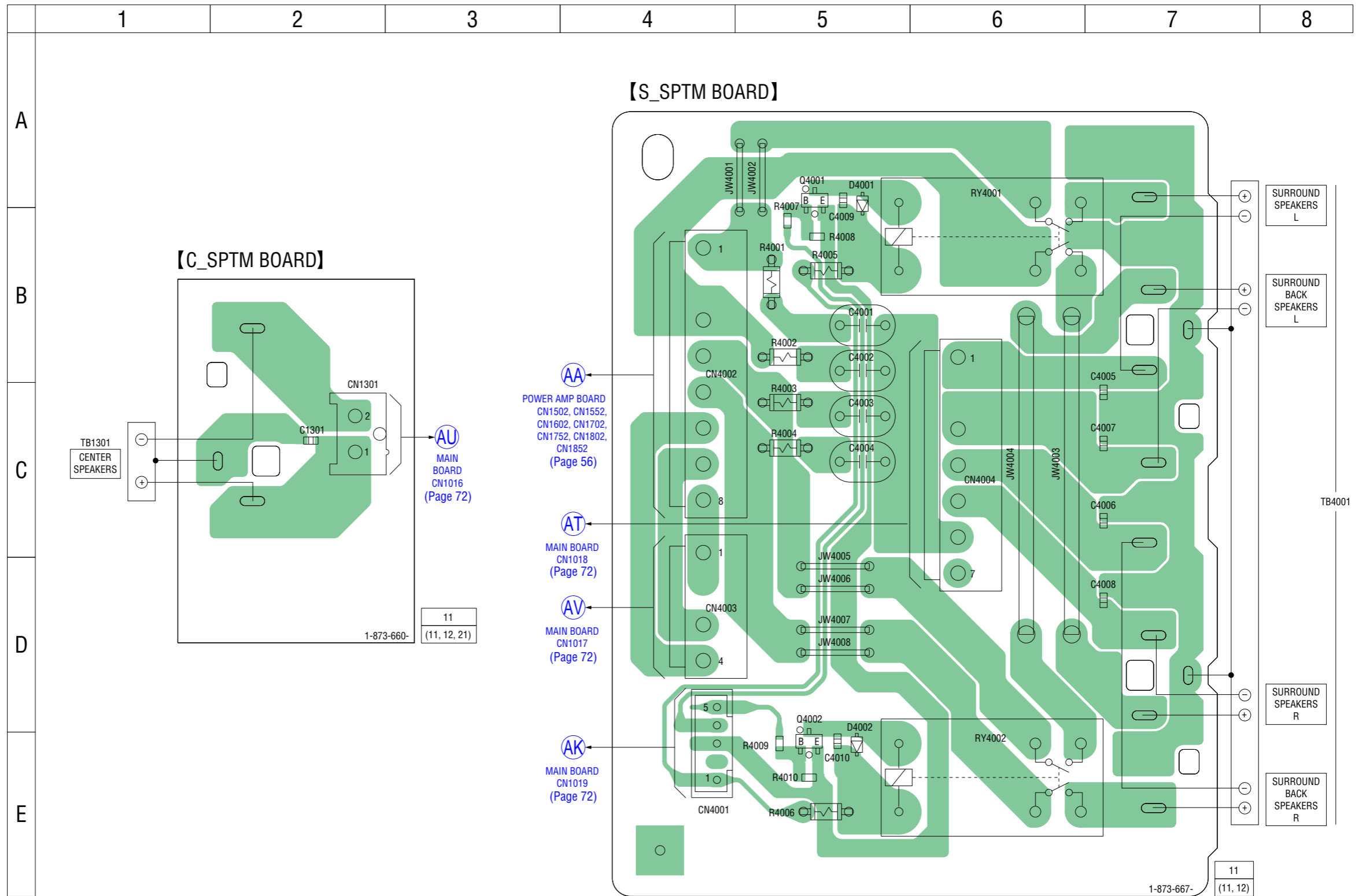
• Semiconductor Location

Ref. No.	Location
D1904	C-5
D1905	C-6
D1908	B-5
D1909	B-5
D1910	C-5
IC1901	D-6
Q1521	E-8
Q1571	E-11
Q1621	E-6
Q1721	E-13
Q1771	E-15
Q1821	E-2
Q1871	E-4
Q1904	B-5
Q1905	C-5
Q1906	C-5
Q1907	C-6
Q1908	C-6

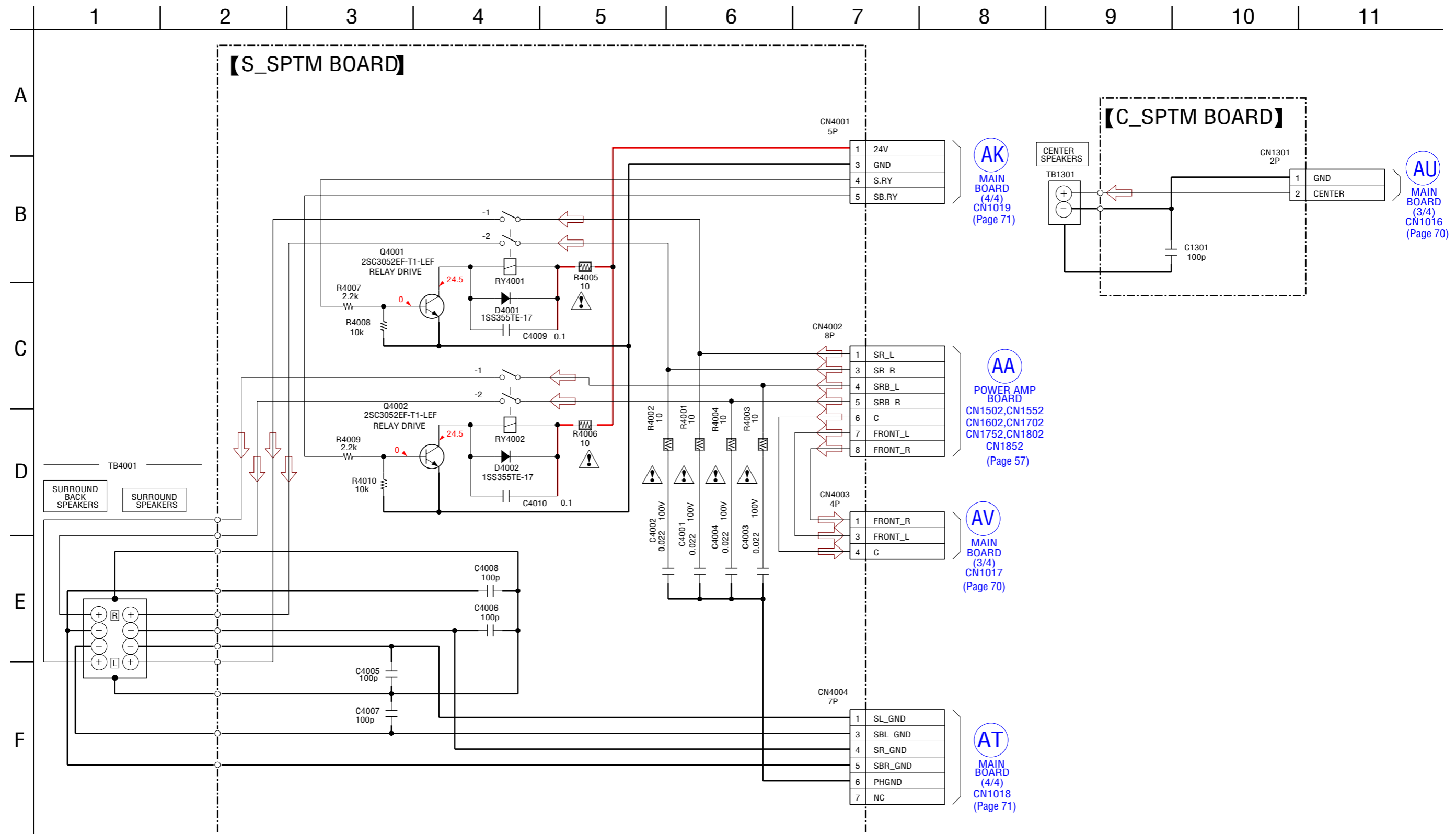
6-36. SCHEMATIC DIAGRAM – BIAS Board –



6-37. PRINTED WIRING BOARDS – SPEAKER Section – • See page 37 for Circuit Boards Location.  : Uses unleaded solder.



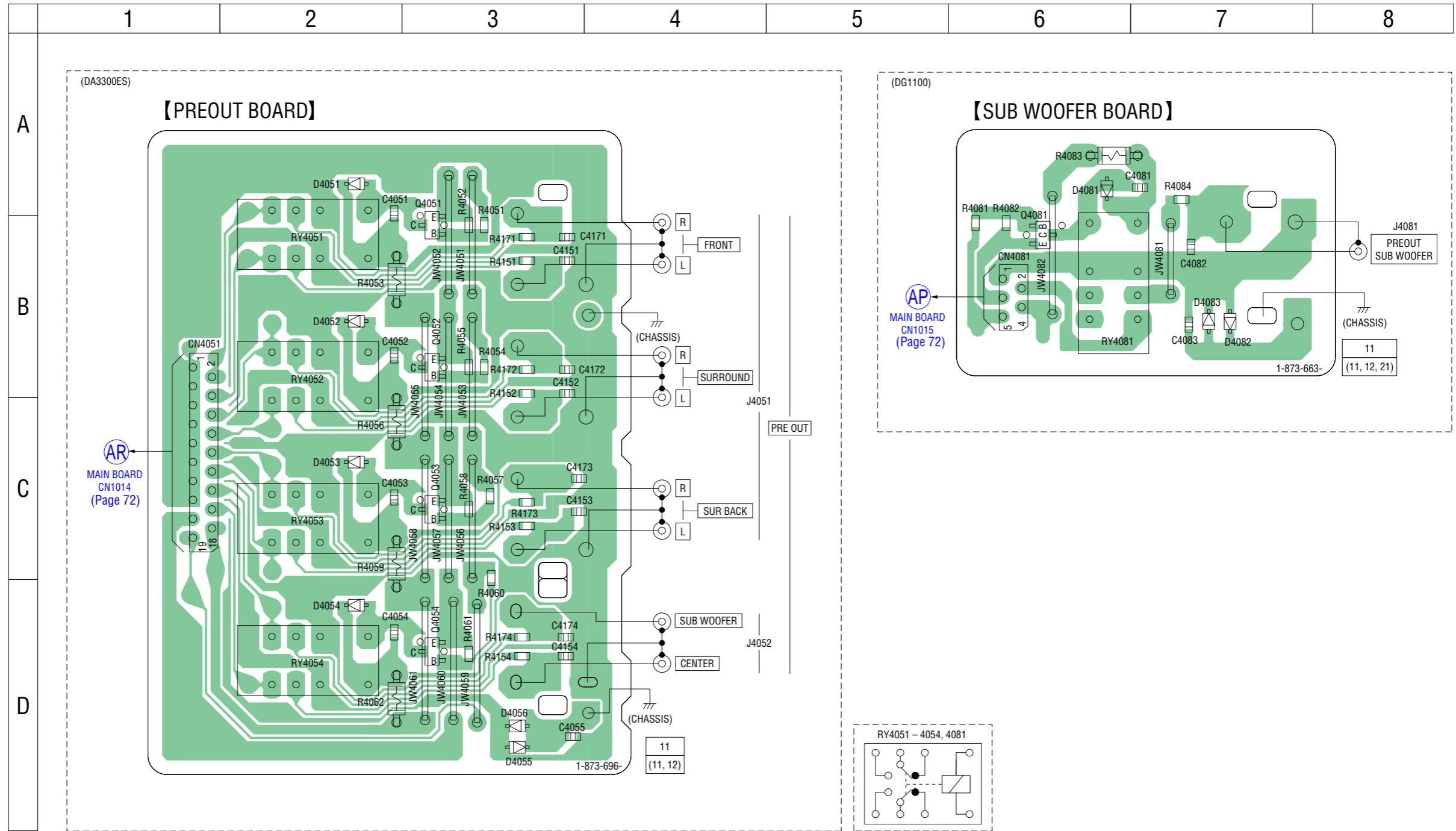
6-38. SCHEMATIC DIAGRAM – SPEAKER Section –



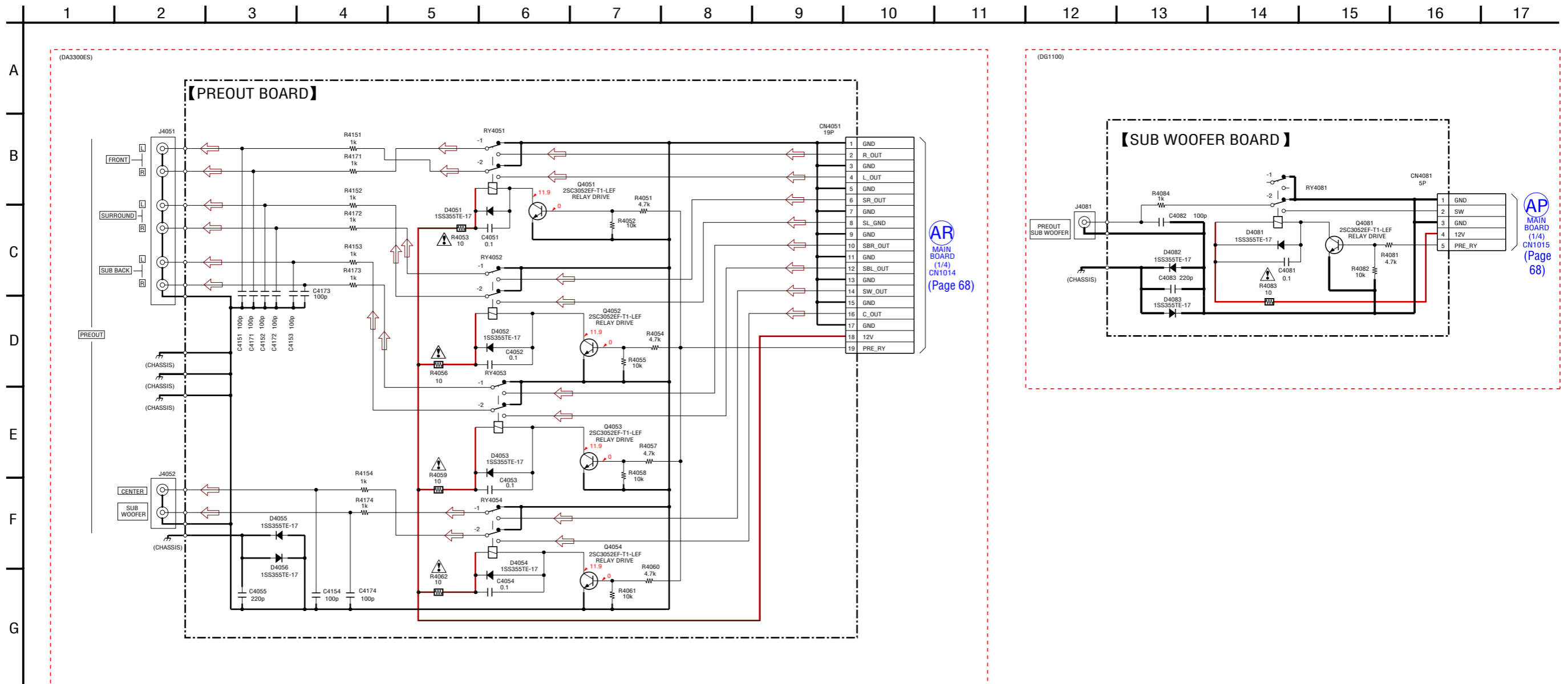
6-39. PRINTED WIRING BOARDS – PREOUT Section – • See page 37 for Circuit Boards Location.  : Uses unleaded solder.

• Semiconductor Location

Ref. No.	Location
D4051	A-2
D4052	B-2
D4053	C-2
D4054	D-2
D4055	D-3
D4056	D-3
D4081	A-6
D4082	B-7
D4083	B-7
Q4051	B-3
Q4052	B-3
Q4053	C-3
Q4054	D-3
Q4081	B-6



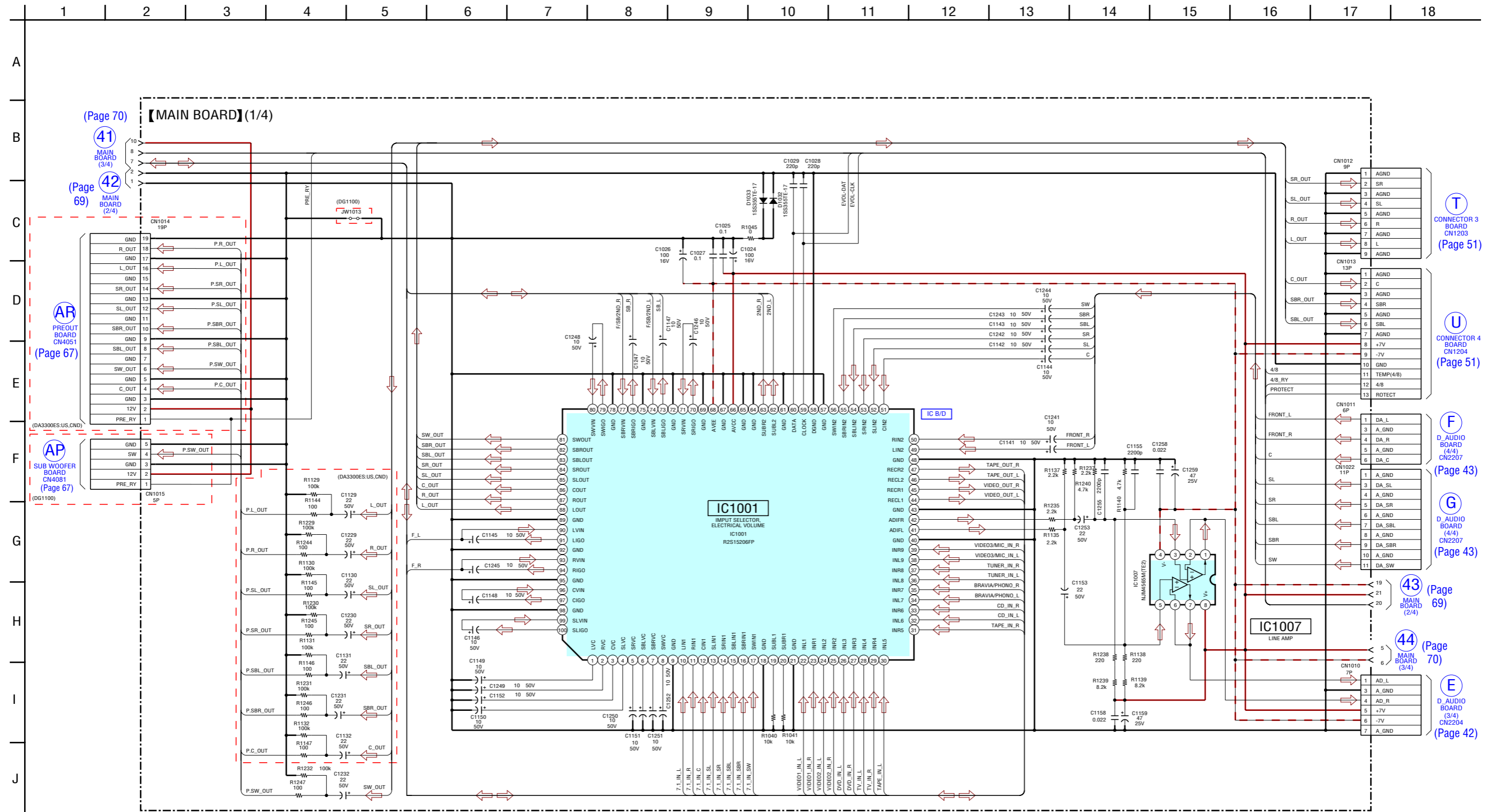
6-40. SCHEMATIC DIAGRAM – PREOUT Section –



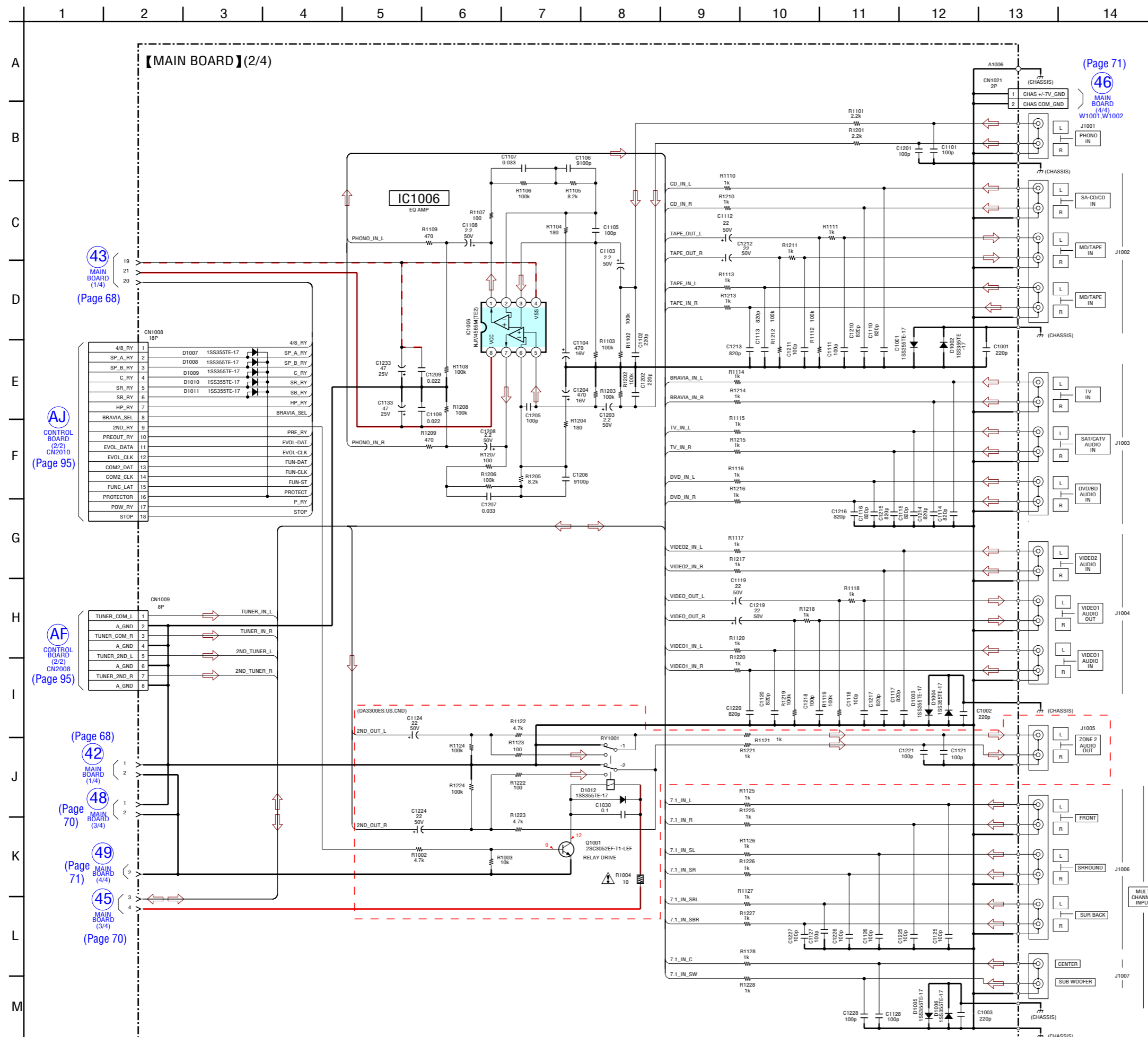
AR
MAIN BOARD
(1/4)
CN1014
(Page 68)

AP
MAIN BOARD
(1/4)
CN1015
(Page 68)

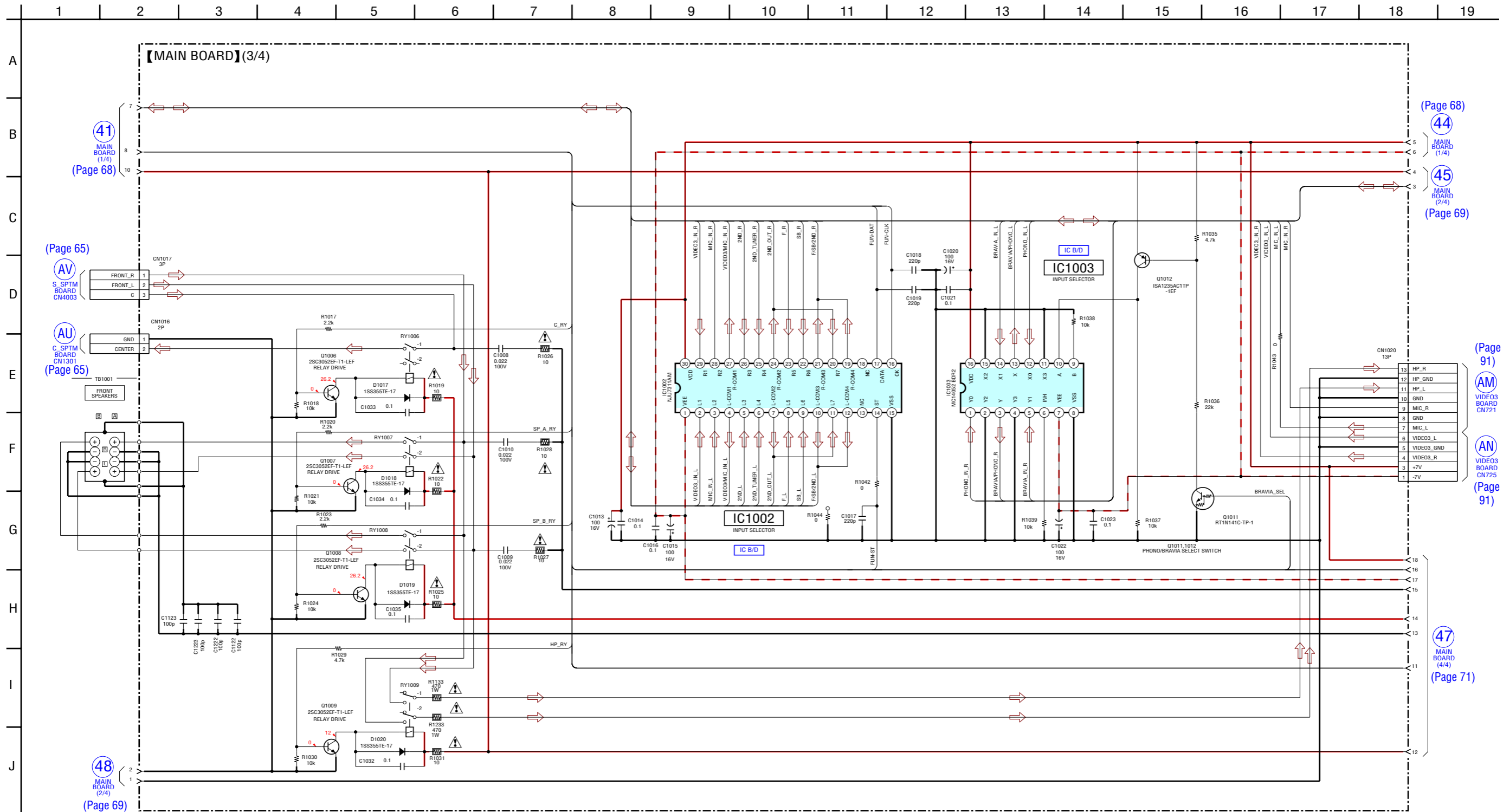
6-41. SCHEMATIC DIAGRAM – MAIN Board (1/4) – • See page 106 for IC Block Diagrams.



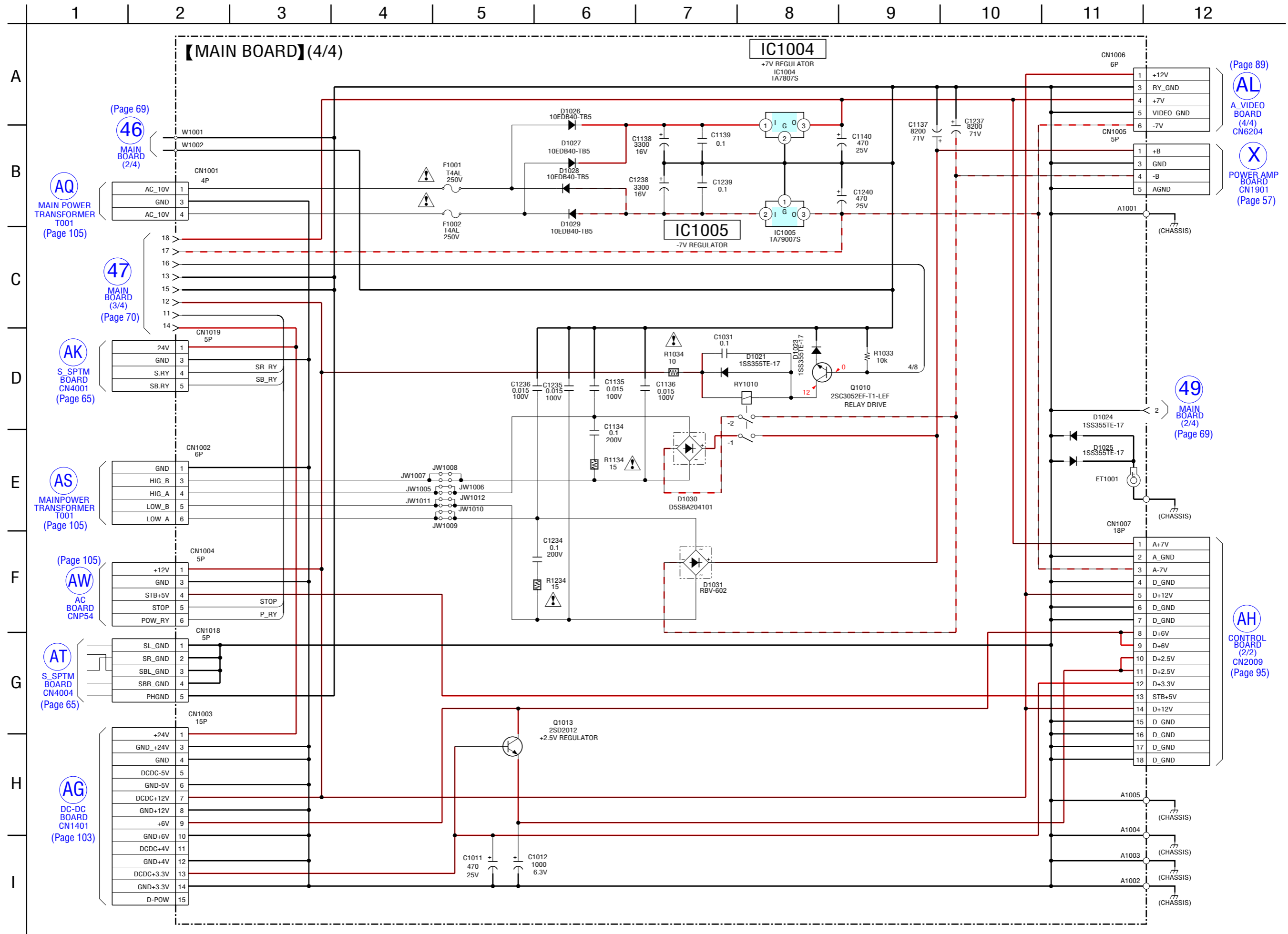
6-42. SCHEMATIC DIAGRAM – MAIN Board (2/4) –



6-43. SCHEMATIC DIAGRAM – MAIN Board (3/4) – • See page 106 for IC Block Diagrams.



6-44. SCHEMATIC DIAGRAM – MAIN Board (4/4) –



(Page 89)
AL
A_VIDEO BOARD (4/4) CN6204

X
POWER AMP BOARD CN1901 (Page 57)

49
MAIN BOARD (2/4) (Page 69)

AH
CONTROL BOARD (2/2) CN2009 (Page 95)

(Page 69)
46
MAIN BOARD (2/4)

47
MAIN BOARD (3/4) (Page 70)


AK
S_SPTM BOARD CN4001 (Page 65)

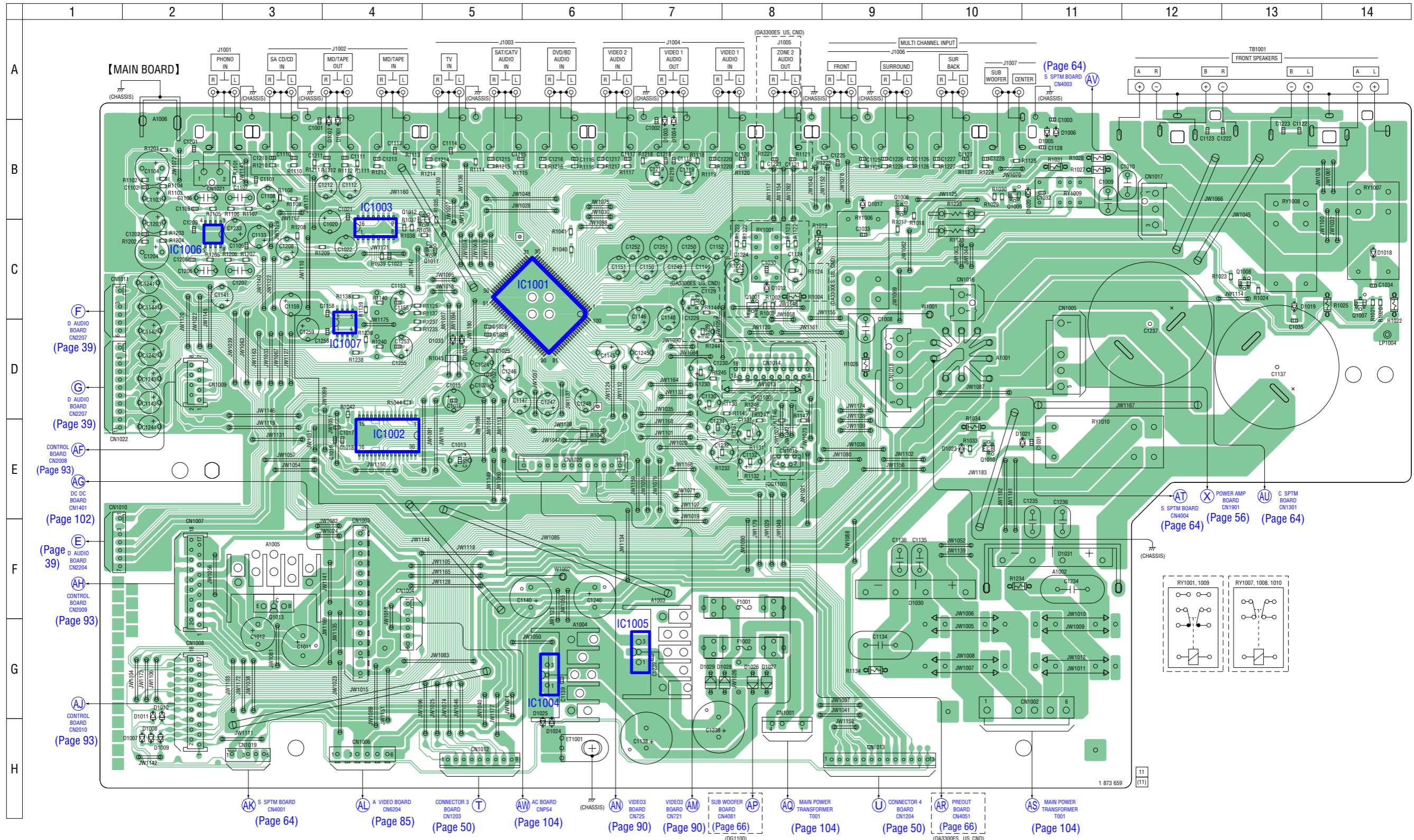
AS
MAINPOWER TRANSFORMER T001 (Page 105)

(Page 105)
AW
AC BOARD CNP54

AT
S_SPTM BOARD CN4004 (Page 65)

AG
DC-DC BOARD CN1401 (Page 103)

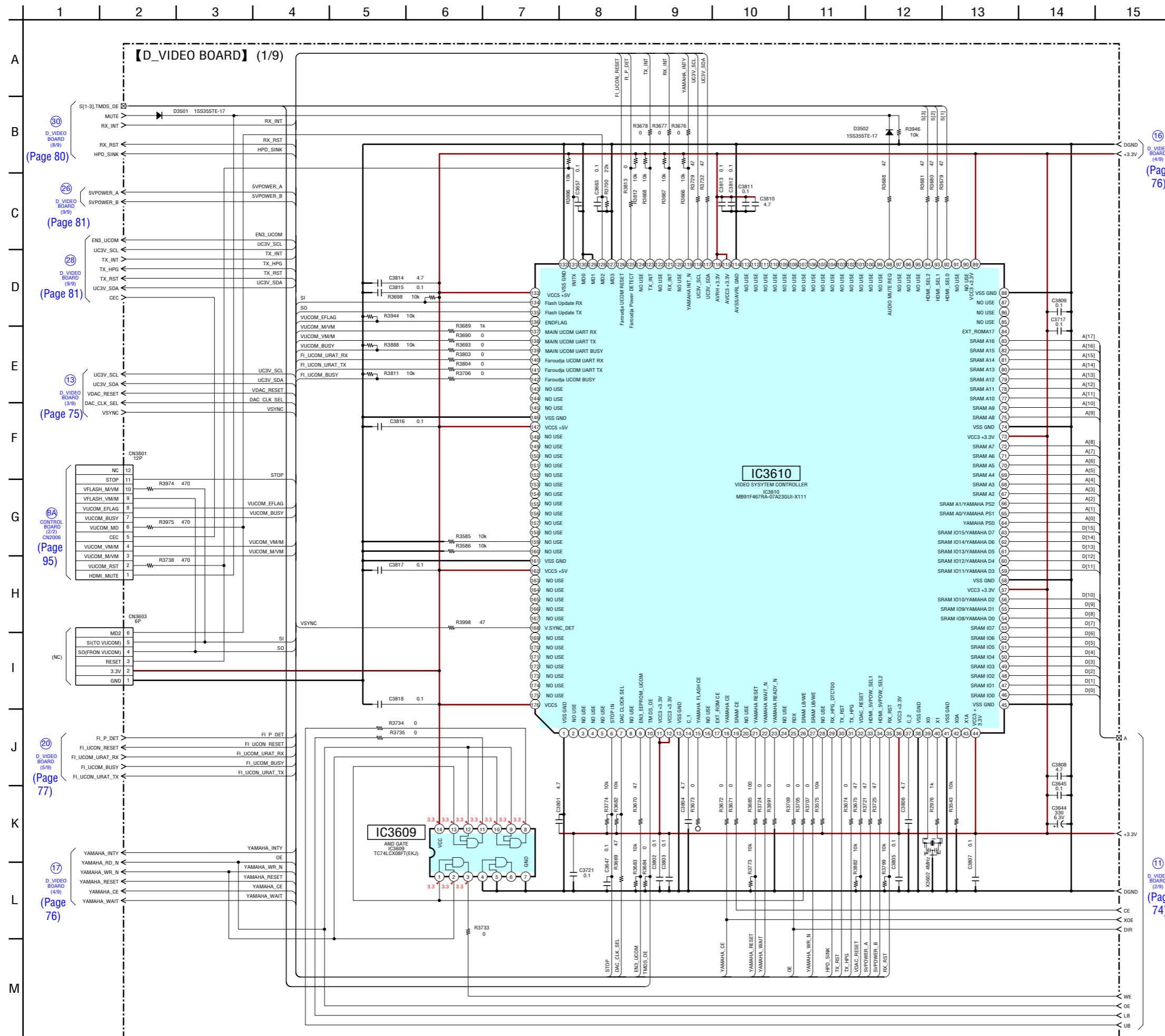
6-45. PRINTED WIRING BOARD – MAIN Board – • See page 37 for Circuit Boards Location.  : Uses unleaded solder.

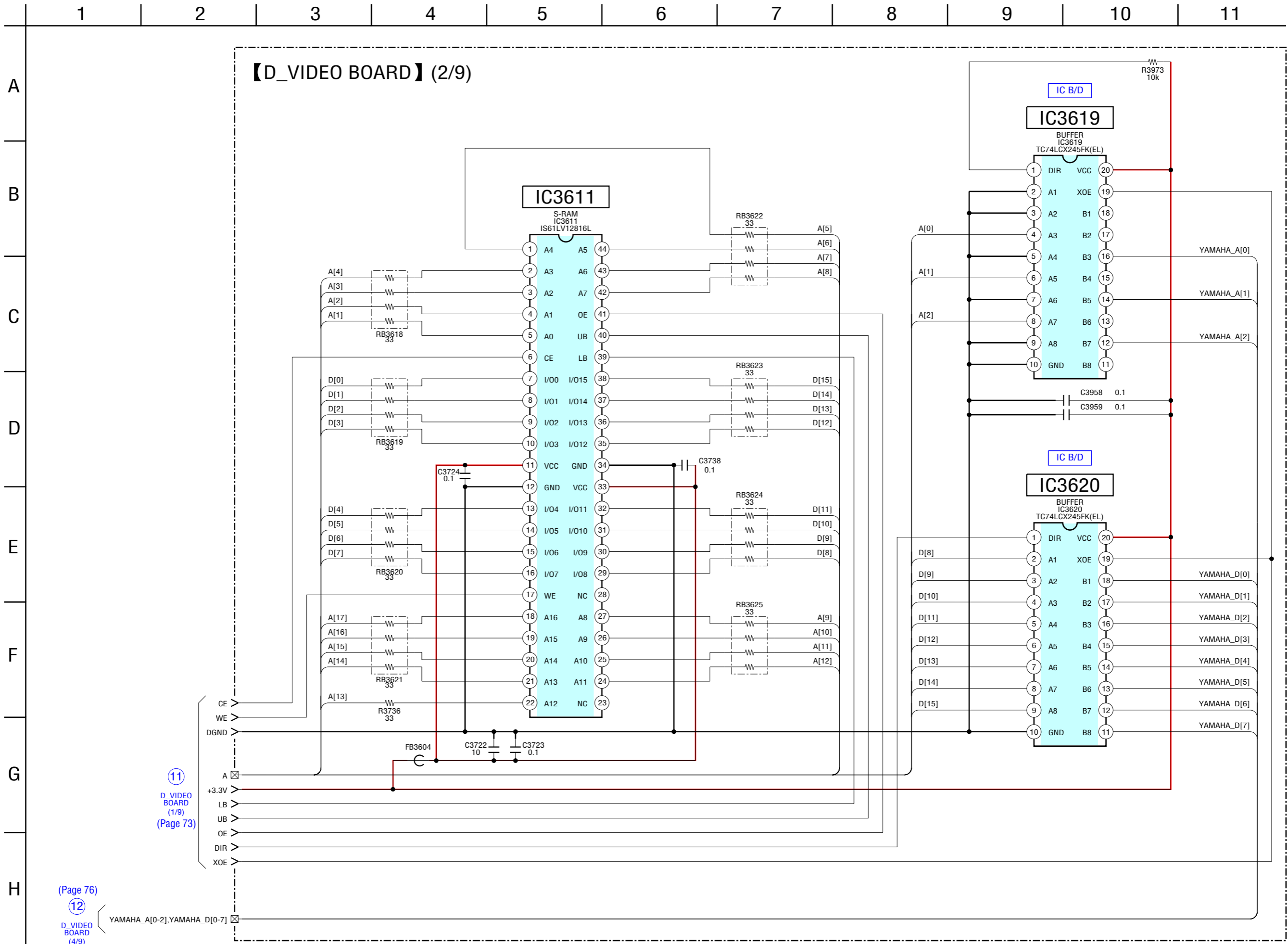


• Semiconductor Location

Ref. No.	Location	Ref. No.	Location	Ref. No.	Location	Ref. No.	Location	Ref. No.	Location
D1001	B-4	D1010	G-2	D1024	H-6	D1033	D-5	Q1001	C-8
D1002	B-4	D1011	G-2	D1025	H-6			Q1006	B-9
D1003	B-7	D1012	C-8	D1026	G-8	IC1001	C-6	Q1007	C-14
D1004	B-7	D1017	B-9	D1027	G-8	IC1002	E-4	Q1008	C-13
D1005	B-11	D1018	C-14	D1028	G-8	IC1003	C-4	Q1009	B-10
D1006	B-11	D1019	C-13	D1029	G-7	IC1004	G-6	Q1010	E-10
D1007	H-2	D1020	B-11	D1030	F-9	IC1005	G-7	Q1011	C-5
D1008	H-2	D1021	E-11	D1031	F-11	IC1006	C-2	Q1012	C-5
D1009	H-2	D1023	E-10	D1032	D-5	IC1007	D-4	Q1013	F-3

6-46. SCHEMATIC DIAGRAM – D_VIDEO Board (1/9) – • See page 121 for IC Pin Function Description.



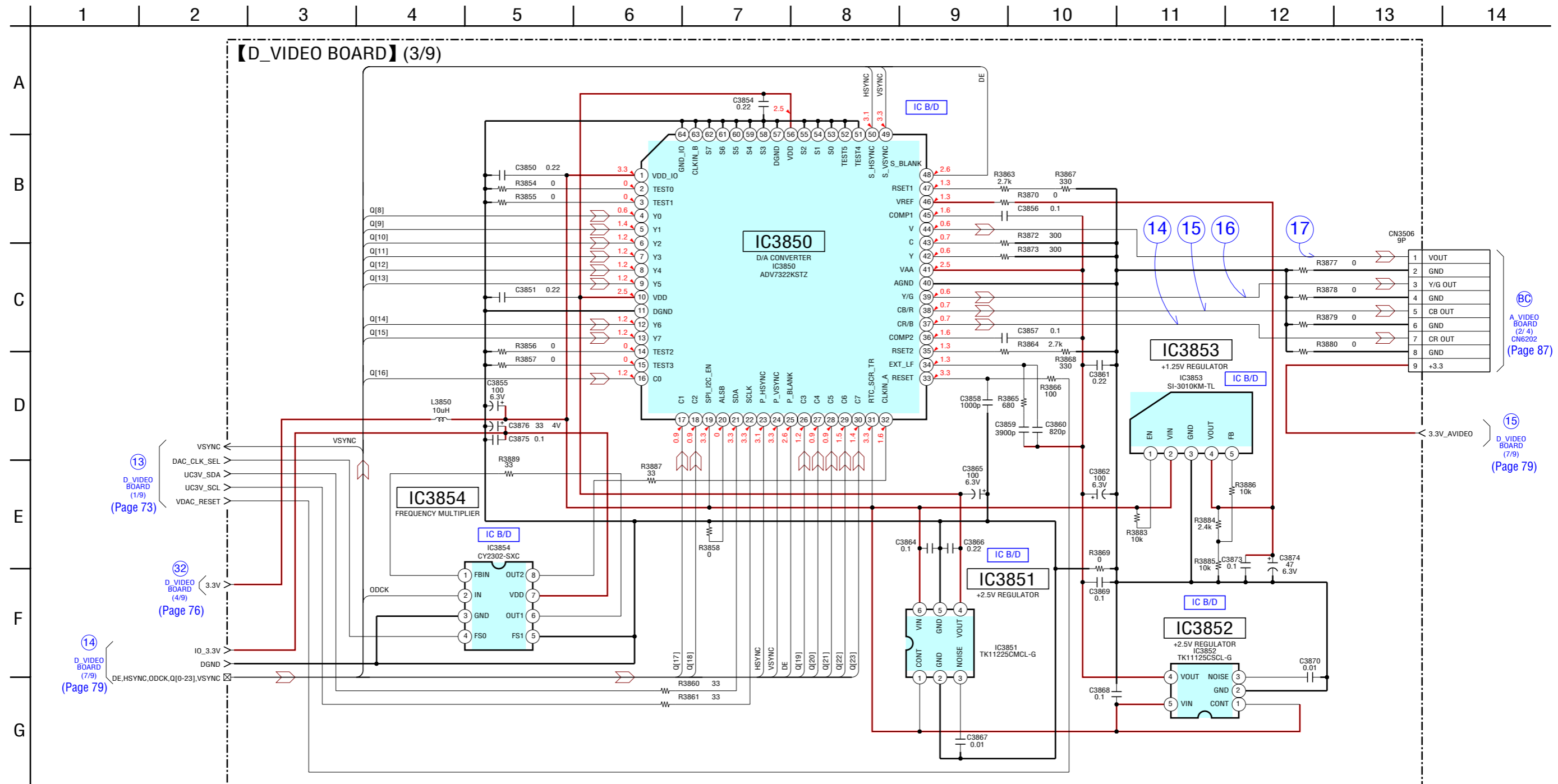


(Page 76)

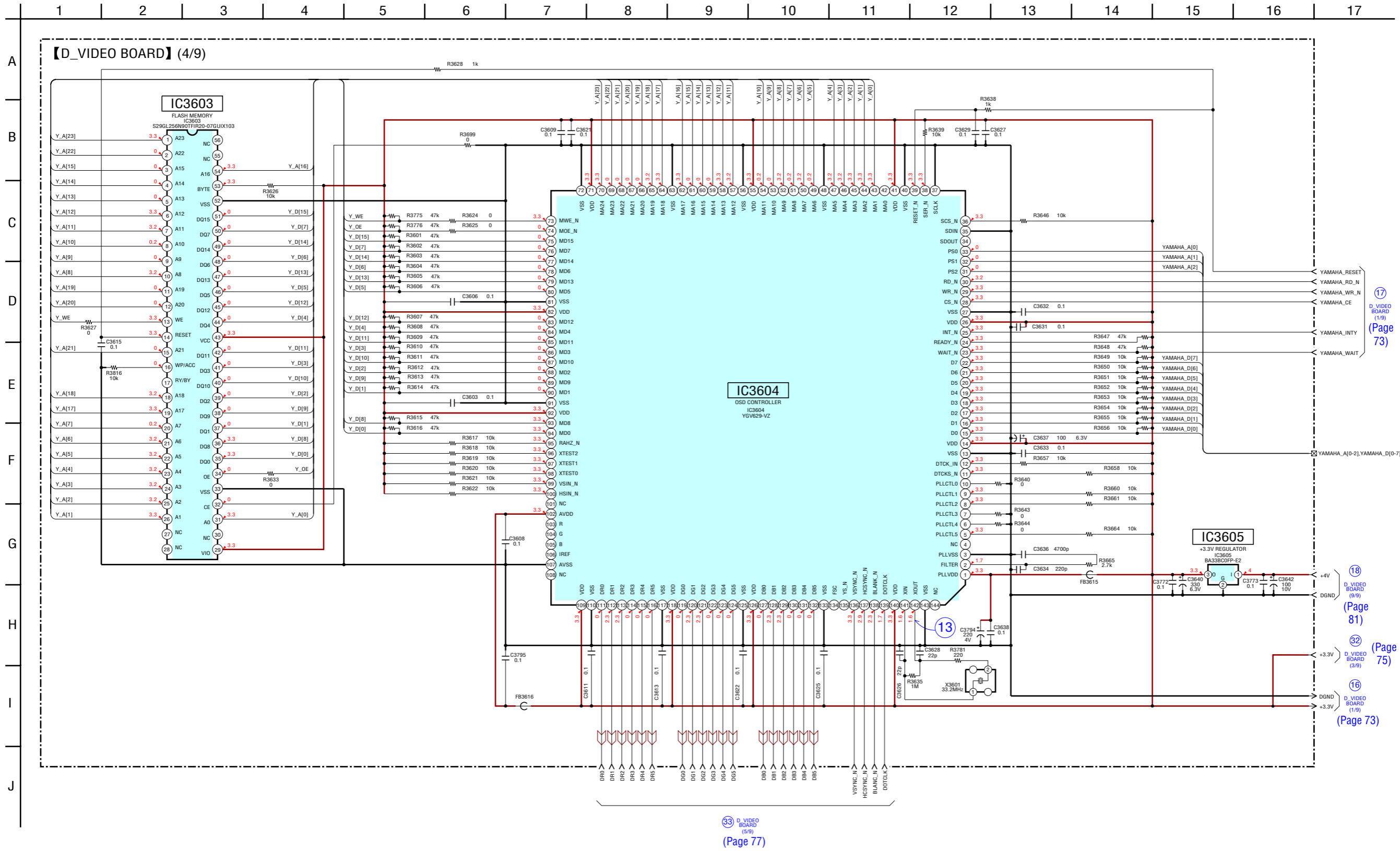
12
D_VIDEO BOARD (4/9)

YAMAHA_A[0-2], YAMAHA_D[0-7]

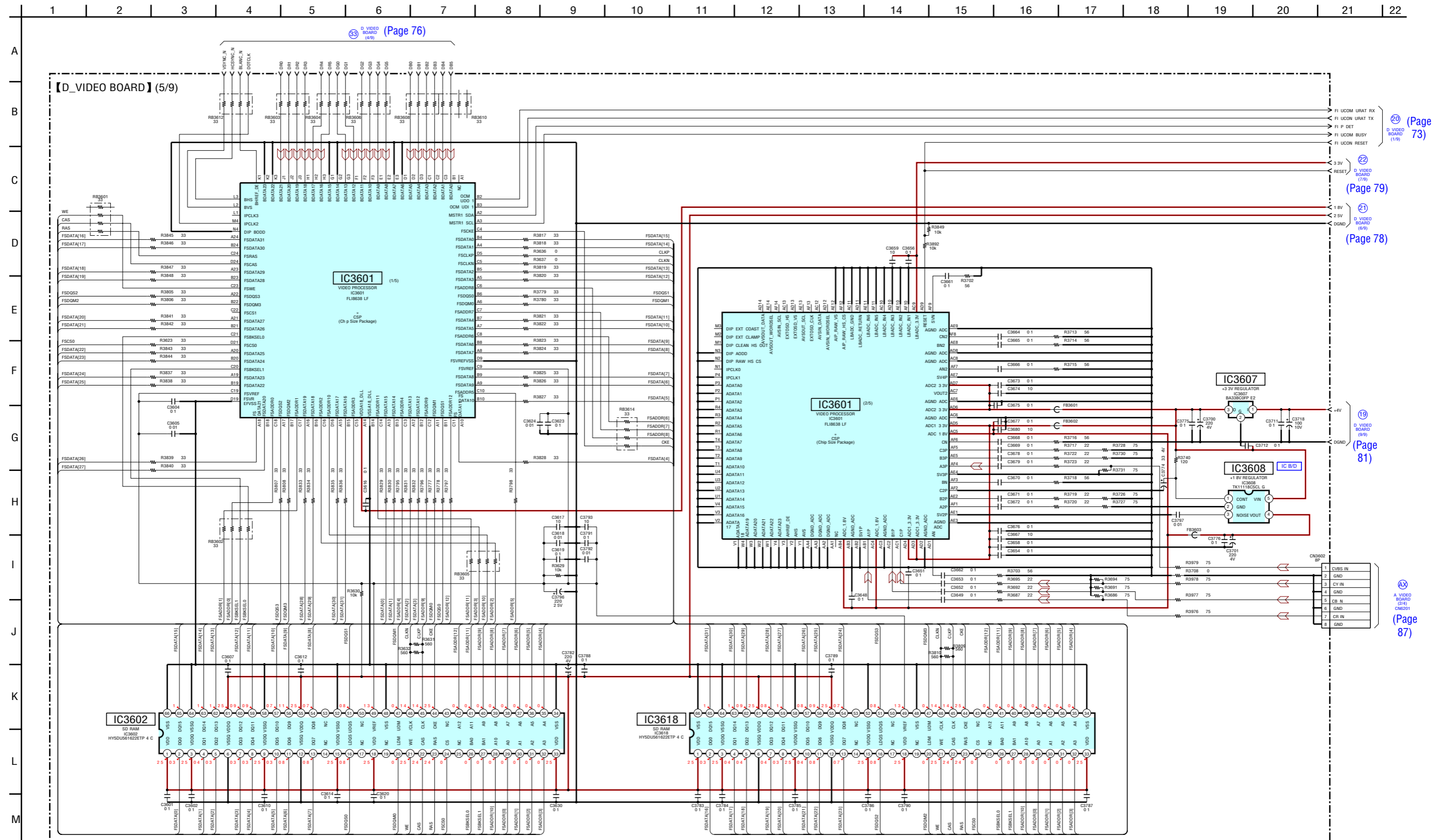
6-48. SCHEMATIC DIAGRAM – D_VIDEO Board (3/9) – • See page 106 for Waveforms. • See page 106 for IC Block Diagrams.



6-49. SCHEMATIC DIAGRAM – D_VIDEO Board (4/9) – • See page 106 for Waveforms. • See page 121 for IC Pin Function Description.



6-50. SCHEMATIC DIAGRAM – D_VIDEO Board (5/9) – • See page 106 for IC Block Diagrams. • See page 121 for IC Pin Function Description.



(Page 73)

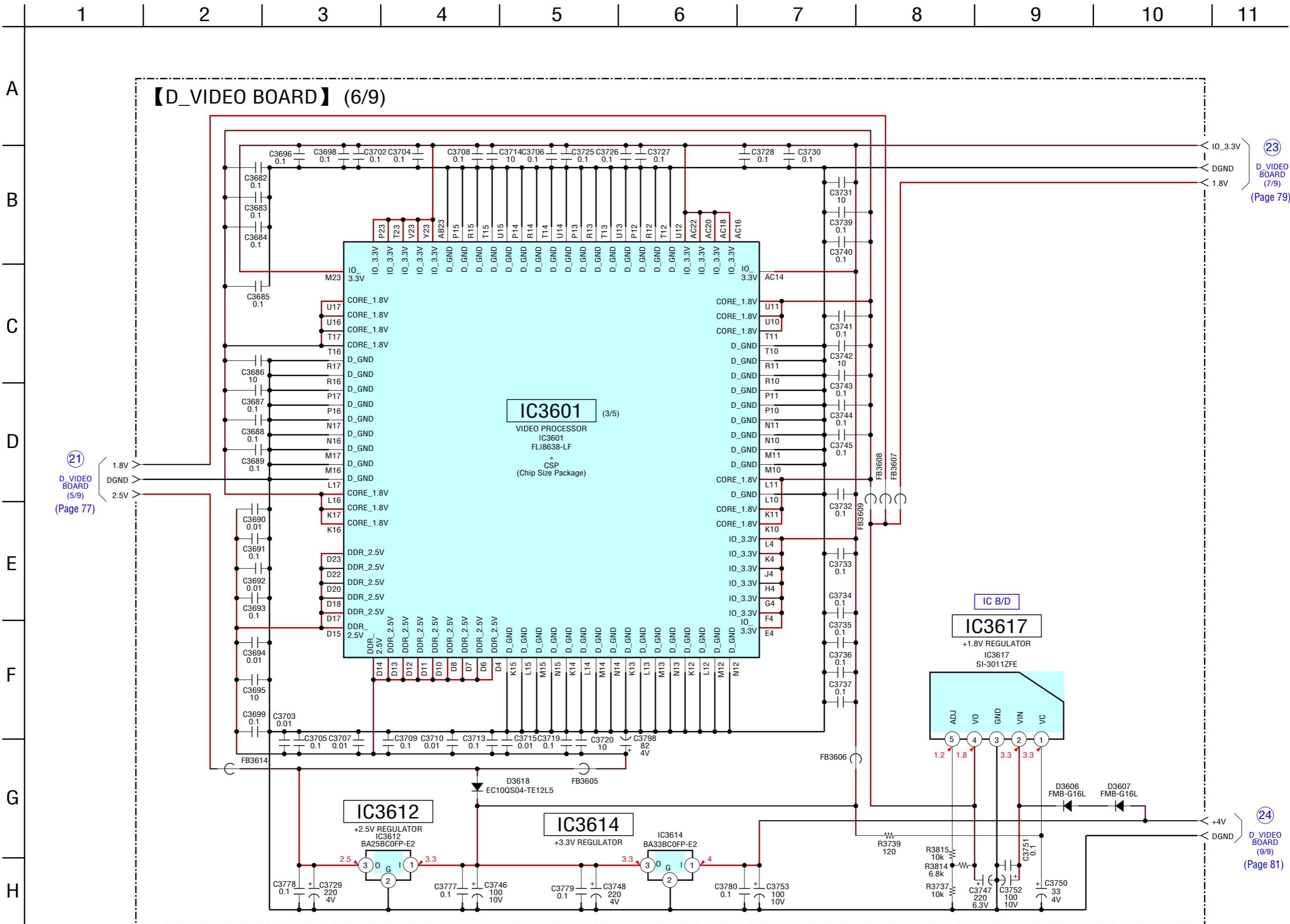
(Page 79)

(Page 78)

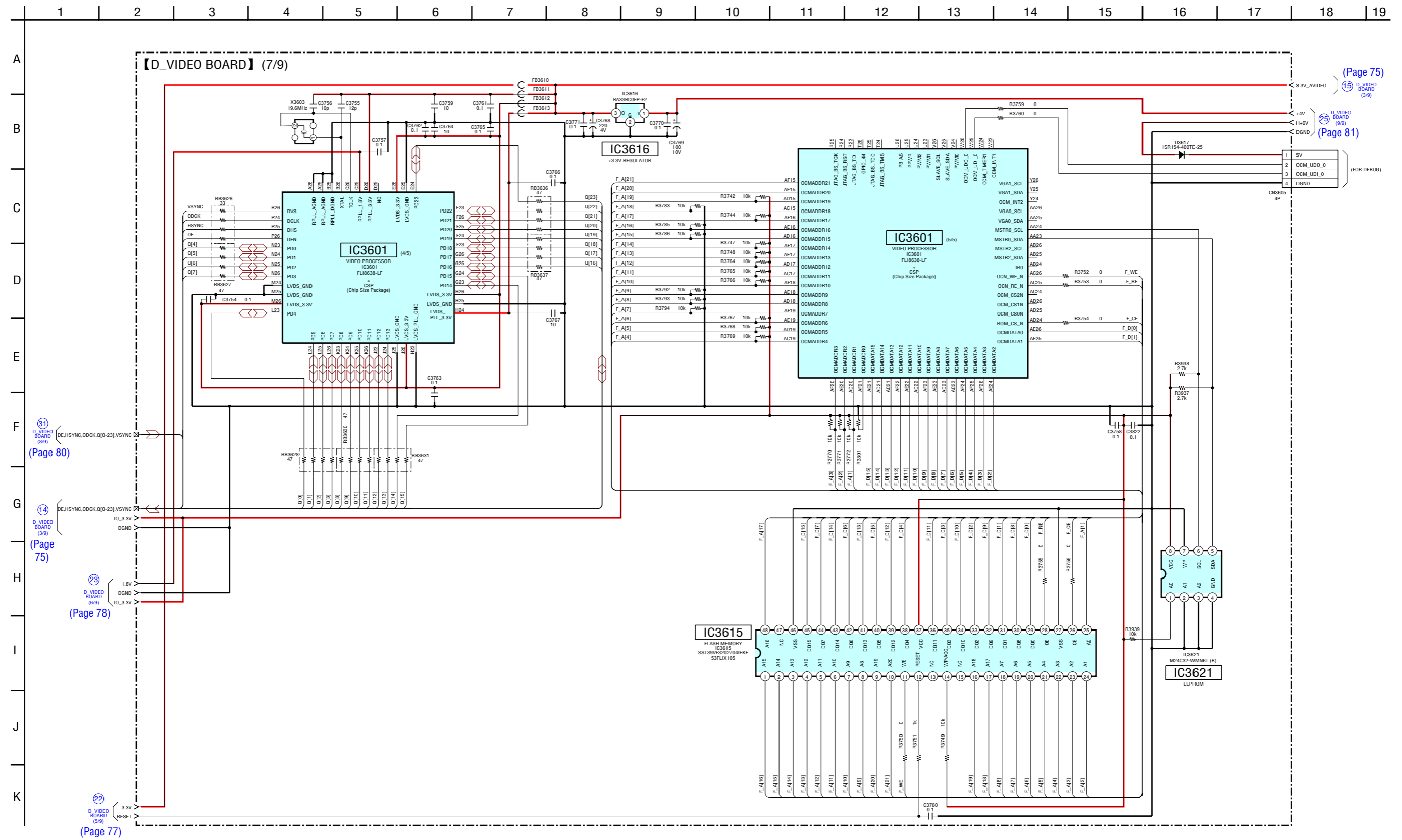
(Page 81)

(Page 87)

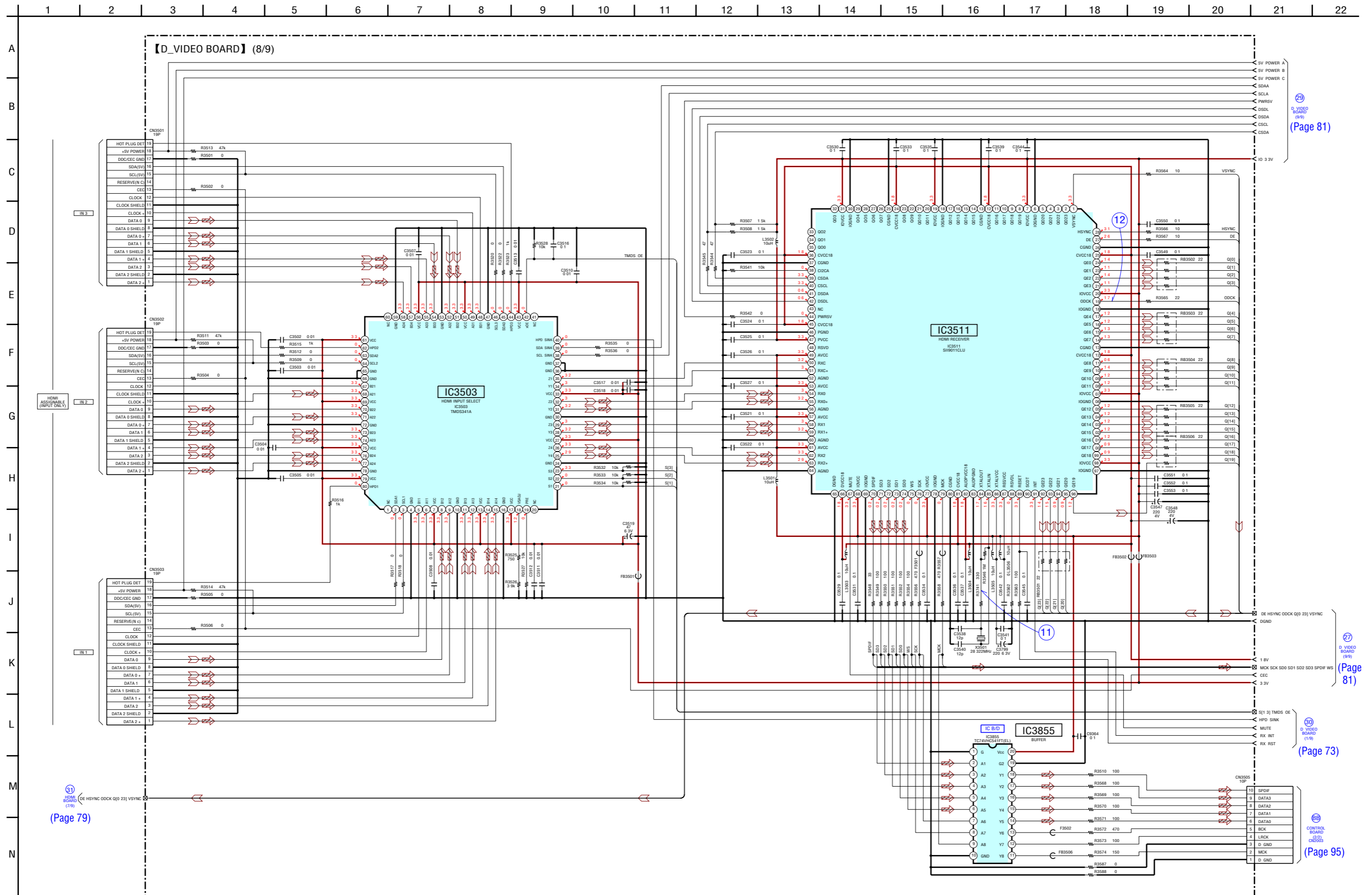
6-51. SCHEMATIC DIAGRAM – D_VIDEO Board (6/9) – • See page 106 for IC Block Diagrams. • See page 121 for IC Pin Function Description.



6-52. SCHEMATIC DIAGRAM – D_VIDEO Board (7/9) – • See page 121 for IC Pin Function Description.



6-53. SCHEMATIC DIAGRAM – D_VIDEO Board (8/9) – • See page 106 for Waveforms. • See page 106 for IC Block Diagrams. • See page 121 for IC Pin Function Description.



25
D_VIDEO BOARD (8/9)
(Page 81)

27
D_VIDEO BOARD (8/9)
(Page 81)

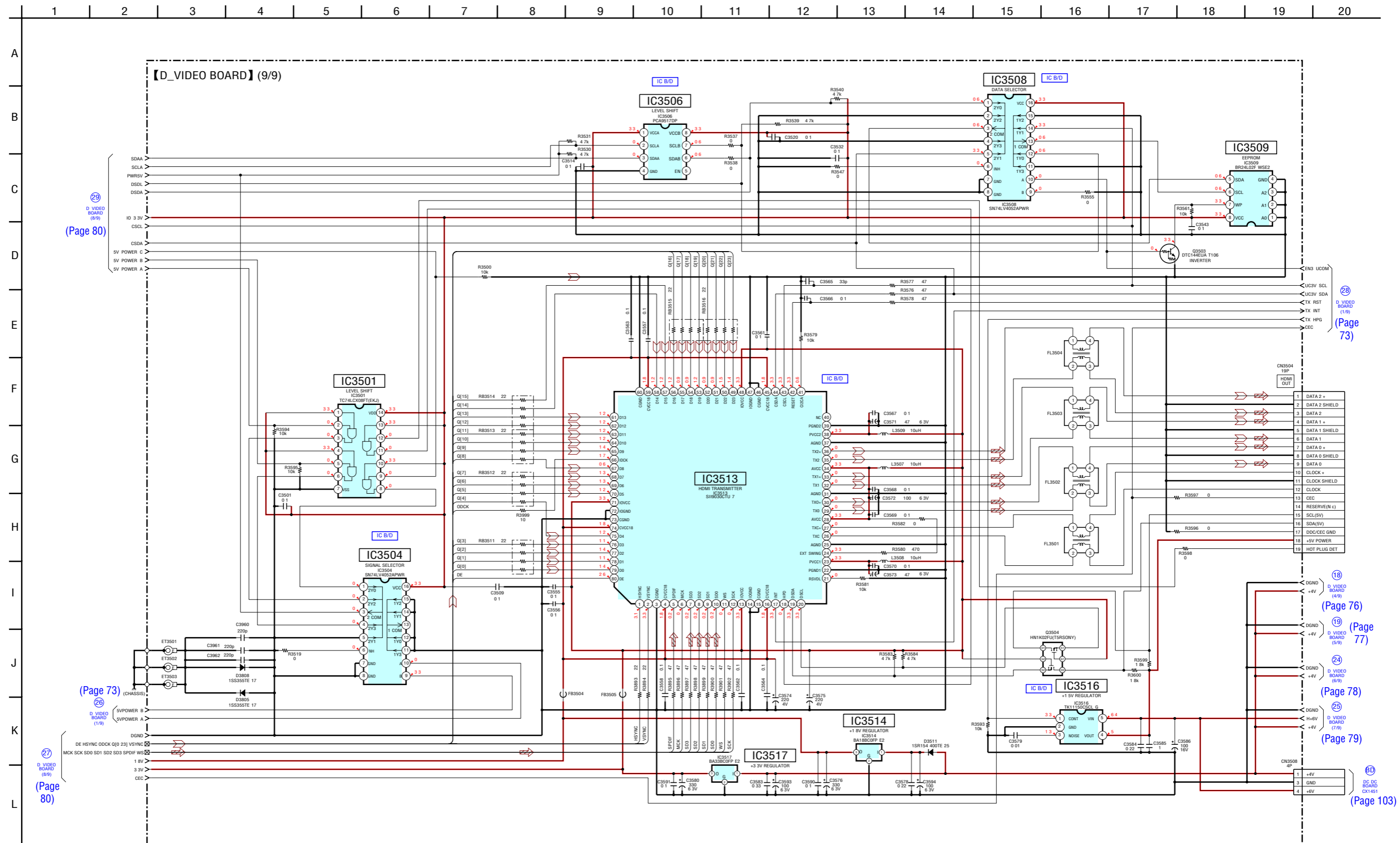
30
D_VIDEO BOARD (1/9)
(Page 73)

31
HDMI ASSIGNABLE (INPUT ONLY)
(Page 79)


32
CONTROL BOARD (2/2)
(Page 95)

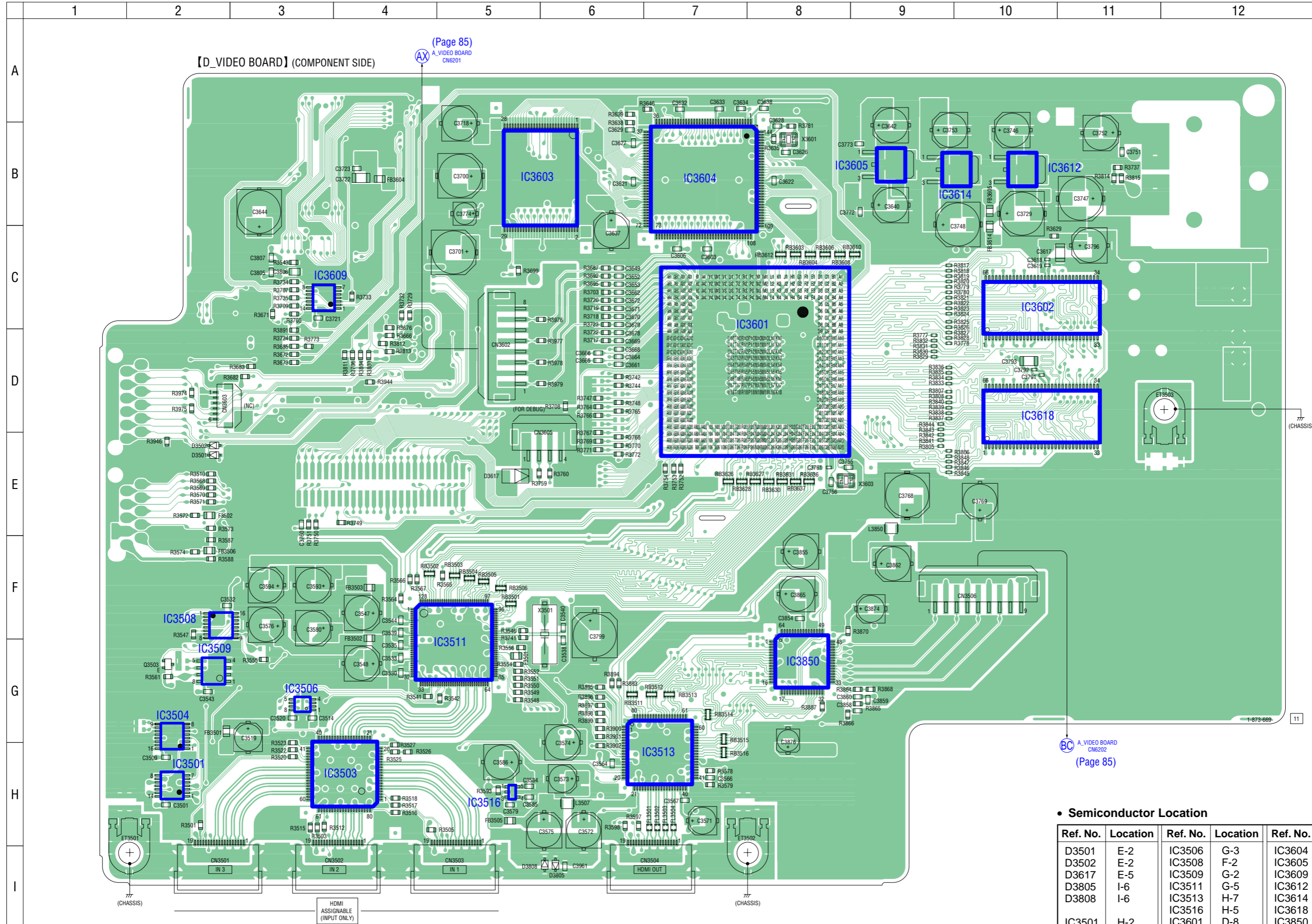
Note: IC3511 cannot exchange with single. When IC3511 is damaged, exchange the entire mounted board.

6-54. SCHEMATIC DIAGRAM – D_VIDEO Board (9/9) – • See page 106 for IC Block Diagrams.



Note: IC3513 cannot exchange with single. When IC3513 is damaged, exchange the entire mounted board.


6-55. PRINTED WIRING BOARD – D_VIDEO Board (Component Side) – • See page 37 for Circuit Boards Location.  : Uses unleaded solder.

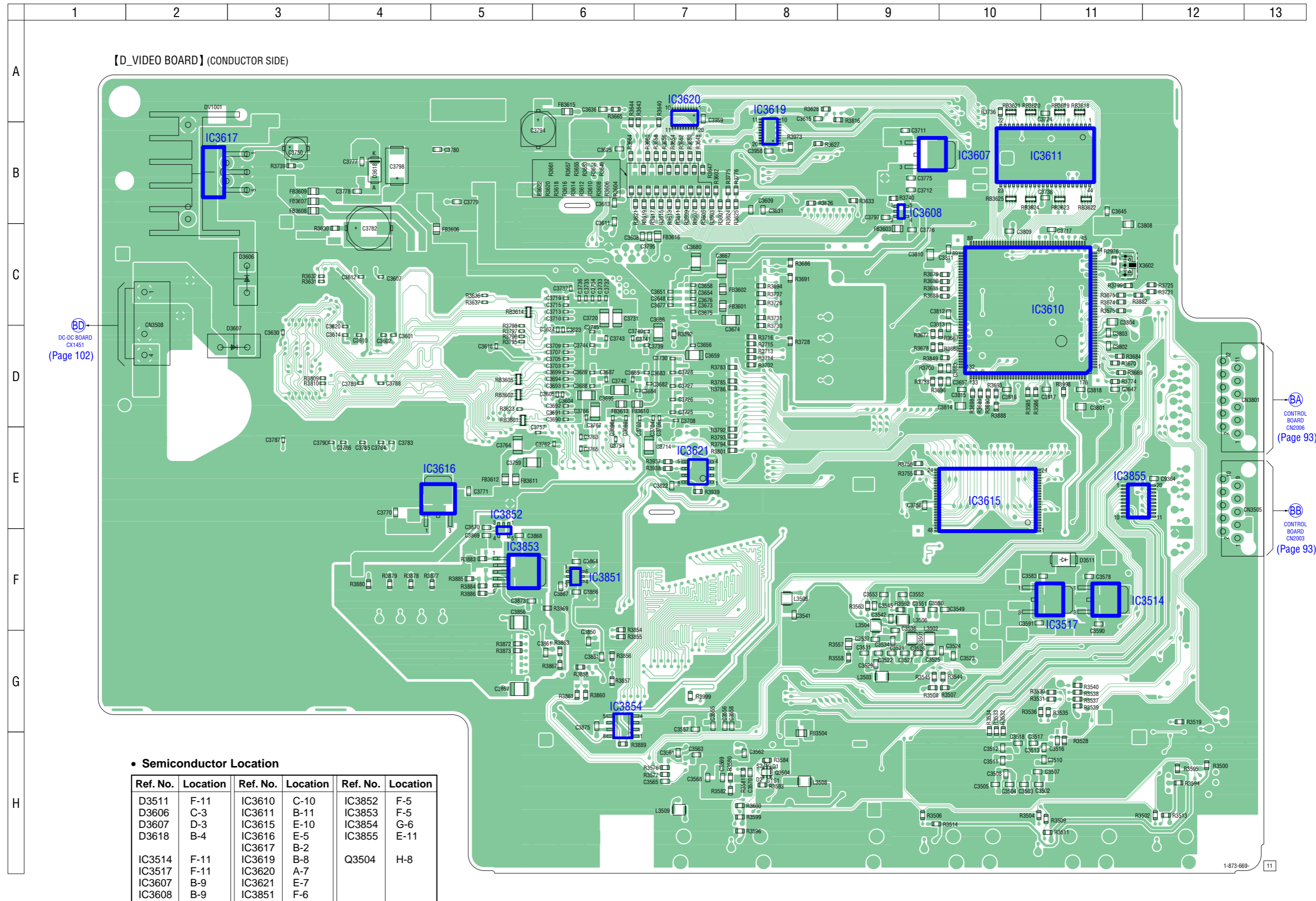


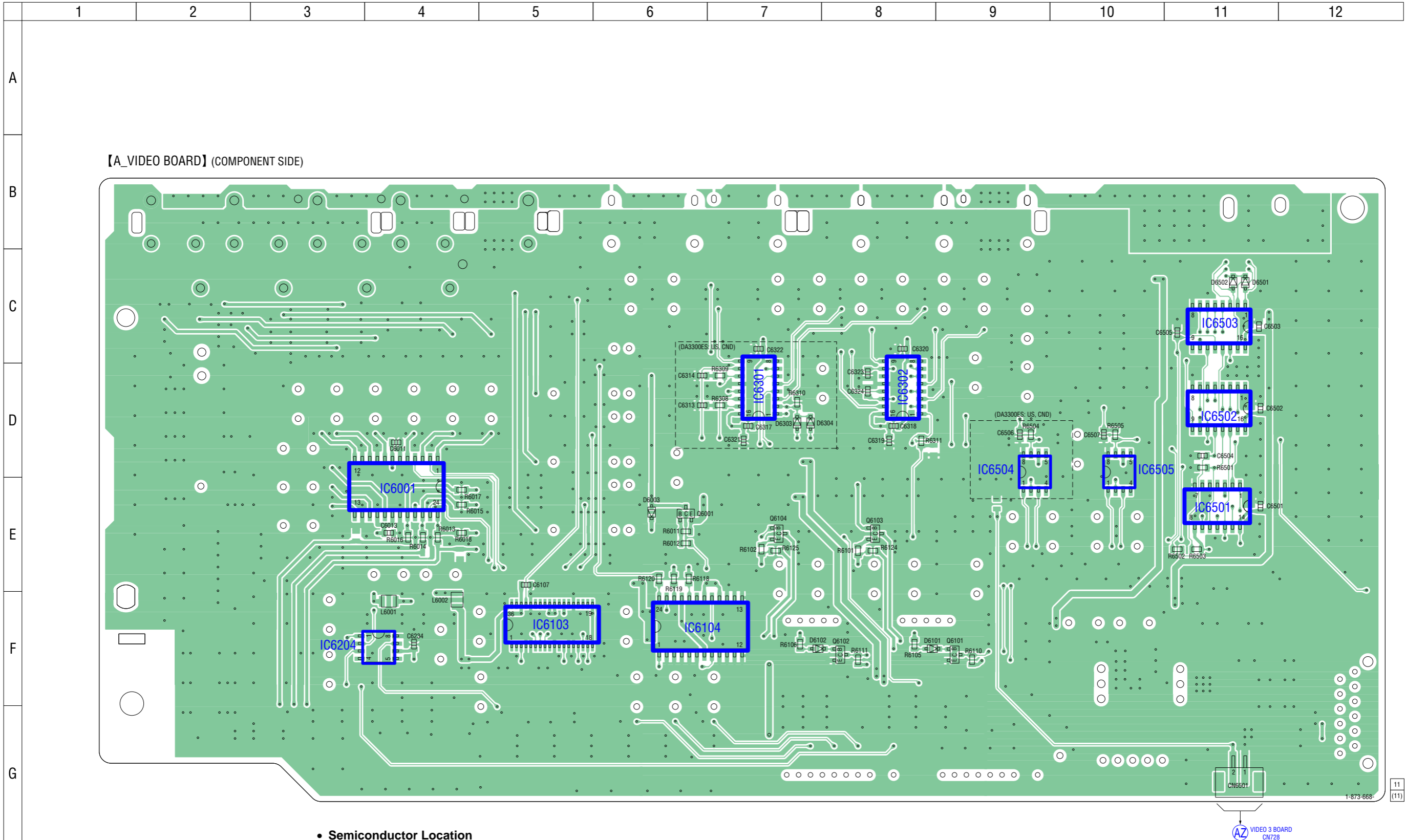
• Semiconductor Location

Ref. No.	Location	Ref. No.	Location	Ref. No.	Location
D3501	E-2	IC3506	G-3	IC3604	B-7
D3502	E-2	IC3508	F-2	IC3605	B-9
D3617	E-5	IC3509	G-2	IC3609	C-3
D3805	I-6	IC3511	G-5	IC3612	B-10
D3808	I-6	IC3513	H-7	IC3614	B-9
		IC3516	H-5	IC3618	D-10
IC3501	H-2	IC3601	D-8	IC3850	G-8
IC3503	H-4	IC3602	C-10		
IC3504	G-2	IC3603	B-5	Q3503	G-2

Note: IC3511 and IC3513 cannot exchange with single. When IC3511 and IC3513 are damaged, exchange the entire mounted board.

6-56. PRINTED WIRING BOARD – D_VIDEO Board (Conductor Side) – • See page 37 for Circuit Boards Location.  : Uses unleaded solder.




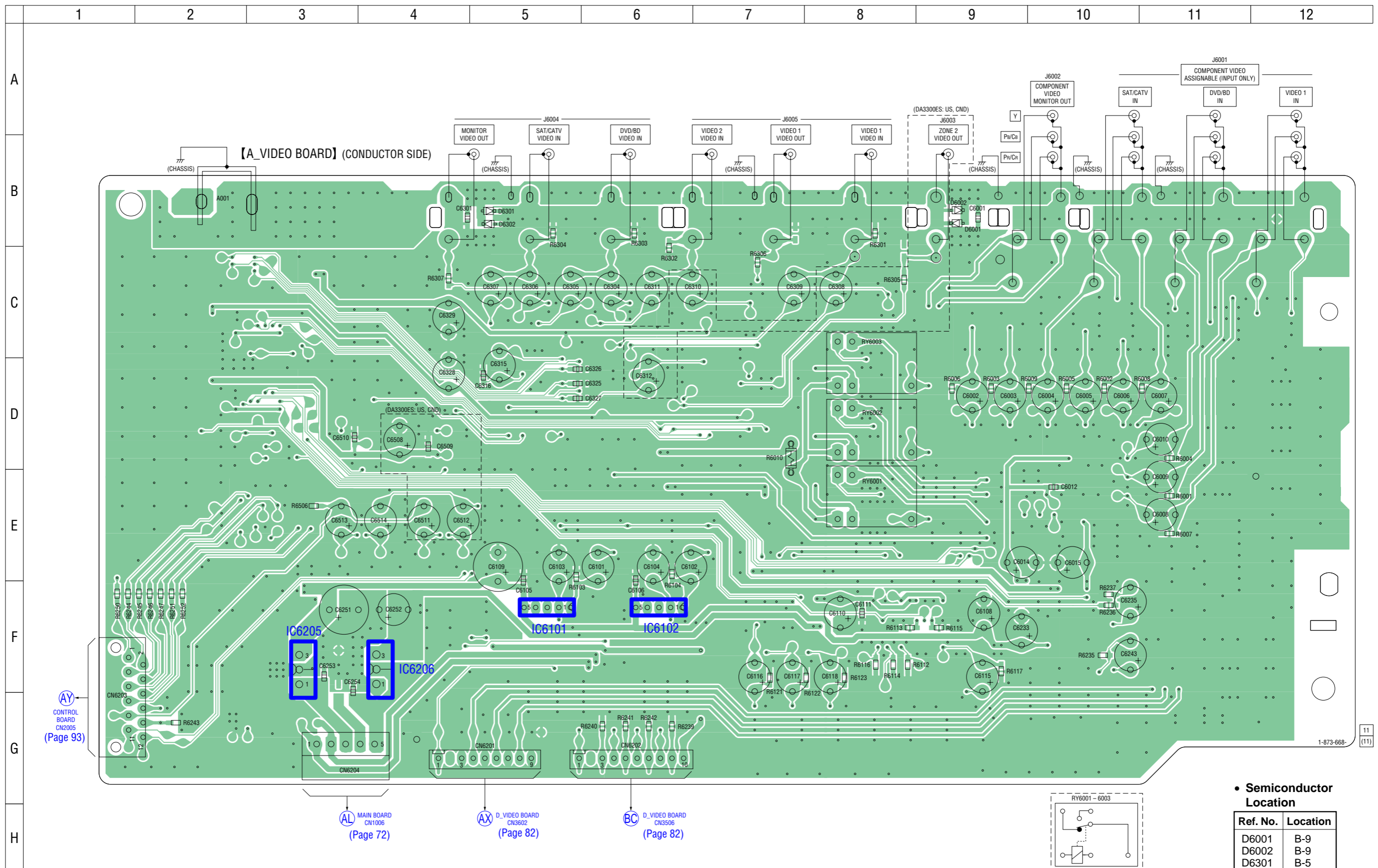


• Semiconductor Location

Ref. No.	Location	Ref. No.	Location	Ref. No.	Location
D6003	E-6	IC6103	F-5	IC6505	D-10
D6101	F-8	IC6104	F-6		
D6102	F-7	IC6204	F-4	Q6001	E-6
D6303	D-7	IC6301	D-7	Q6101	F-9
D6304	D-7	IC6302	D-8	Q6102	F-8
D6501	C-11	IC6501	E-11	Q6103	E-8
D6502	C-11	IC6502	D-11	Q6104	E-7
		IC6503	C-11		
IC6001	E-4	IC6504	D-9		

 VIDEO 3 BOARD
CN728
(Page 90)

6-58. PRINTED WIRING BOARD – A_VIDEO Board (Conductor Side) – • See page 37 for Circuit Boards Location.  : Uses unleaded solder.



AY CONTROL BOARD CN2005 (Page 93)

AL MAIN BOARD CN1006 (Page 72)

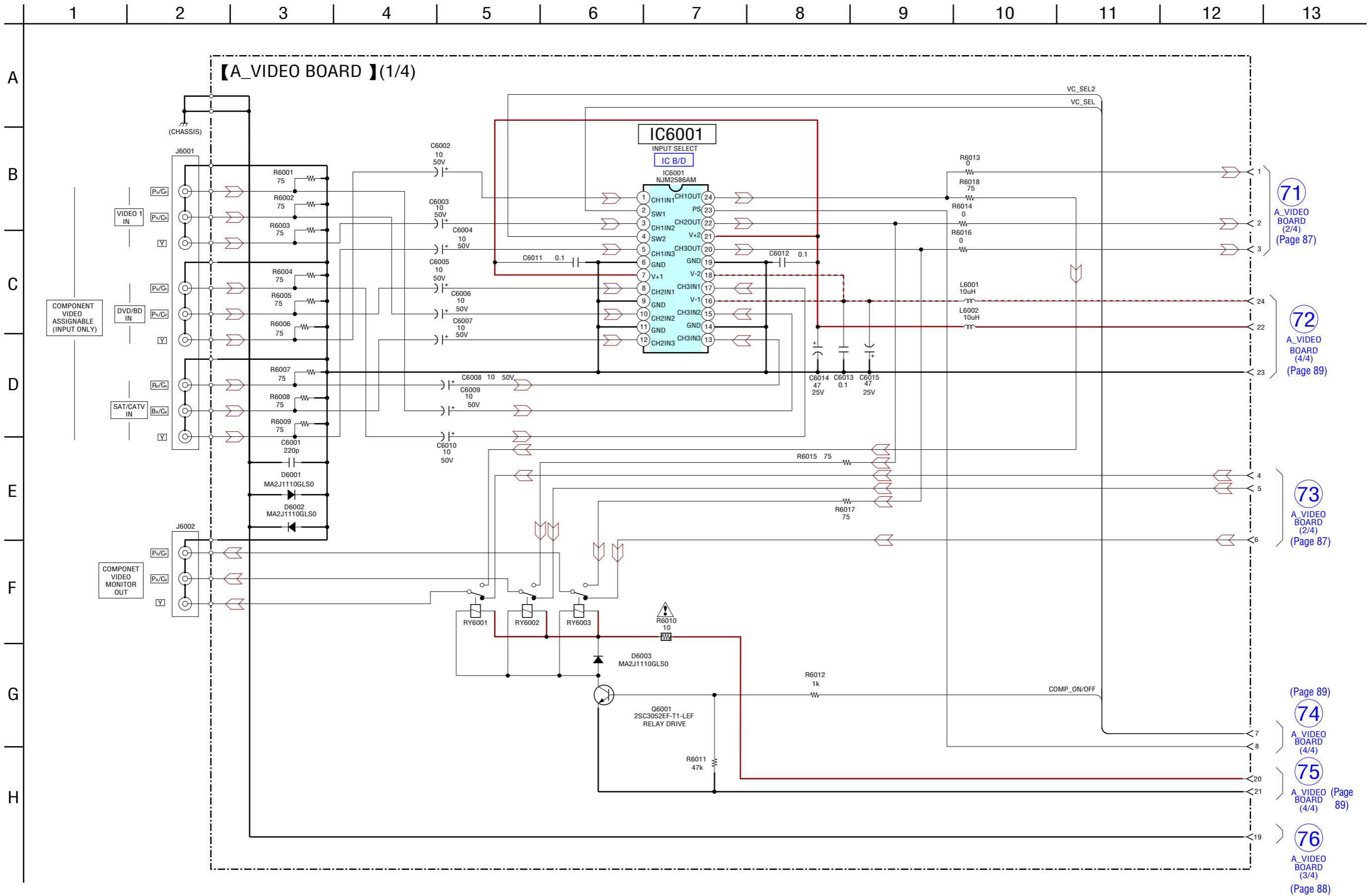
AX D_VIDEO BOARD CN3602 (Page 82)

BC D_VIDEO BOARD CN3506 (Page 82)

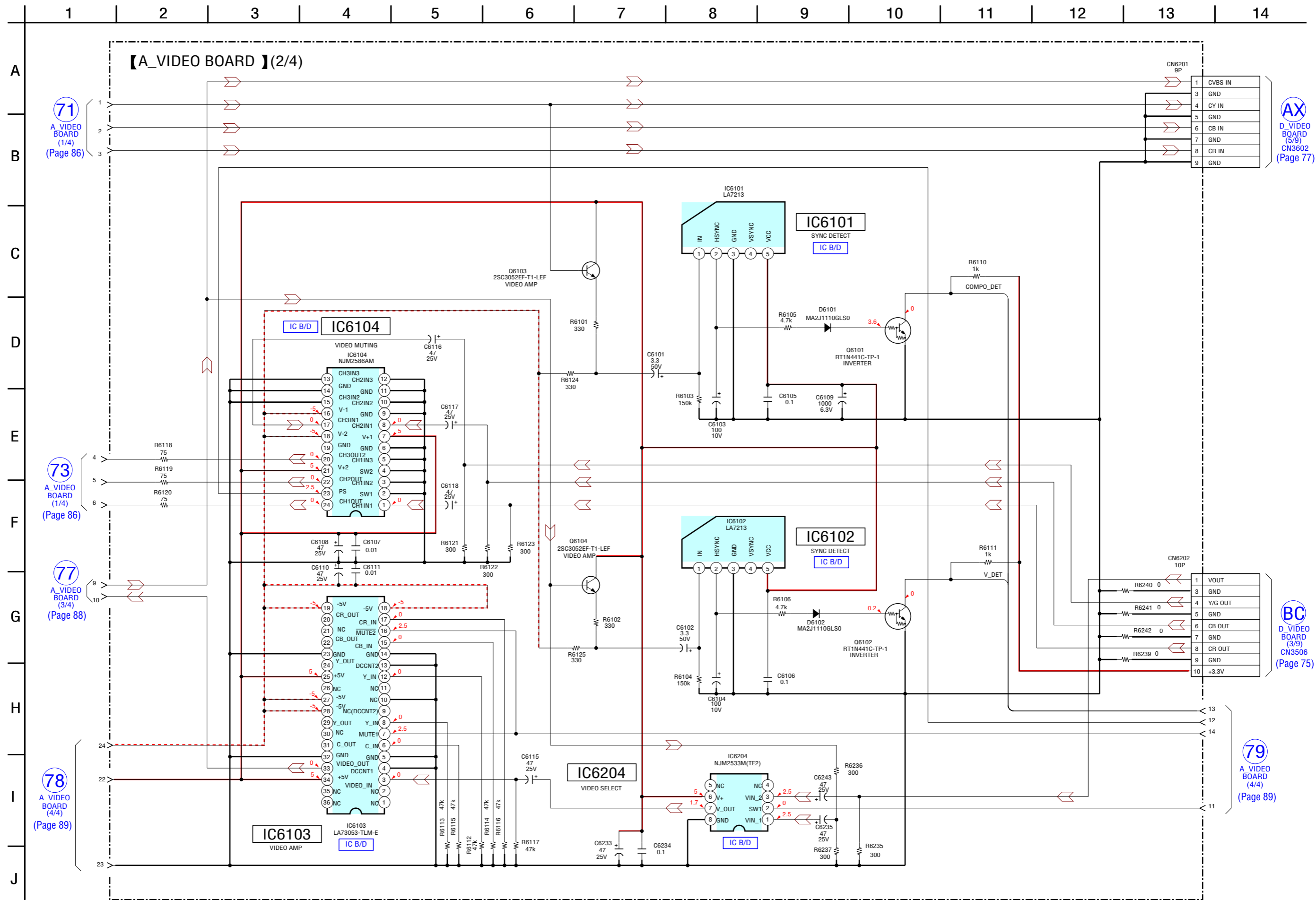
• Semiconductor Location

Ref. No.	Location
D6001	B-9
D6002	B-9
D6301	B-5
D6302	B-5
IC6101	F-5
IC6102	F-6
IC6205	F-3
IC6206	F-4

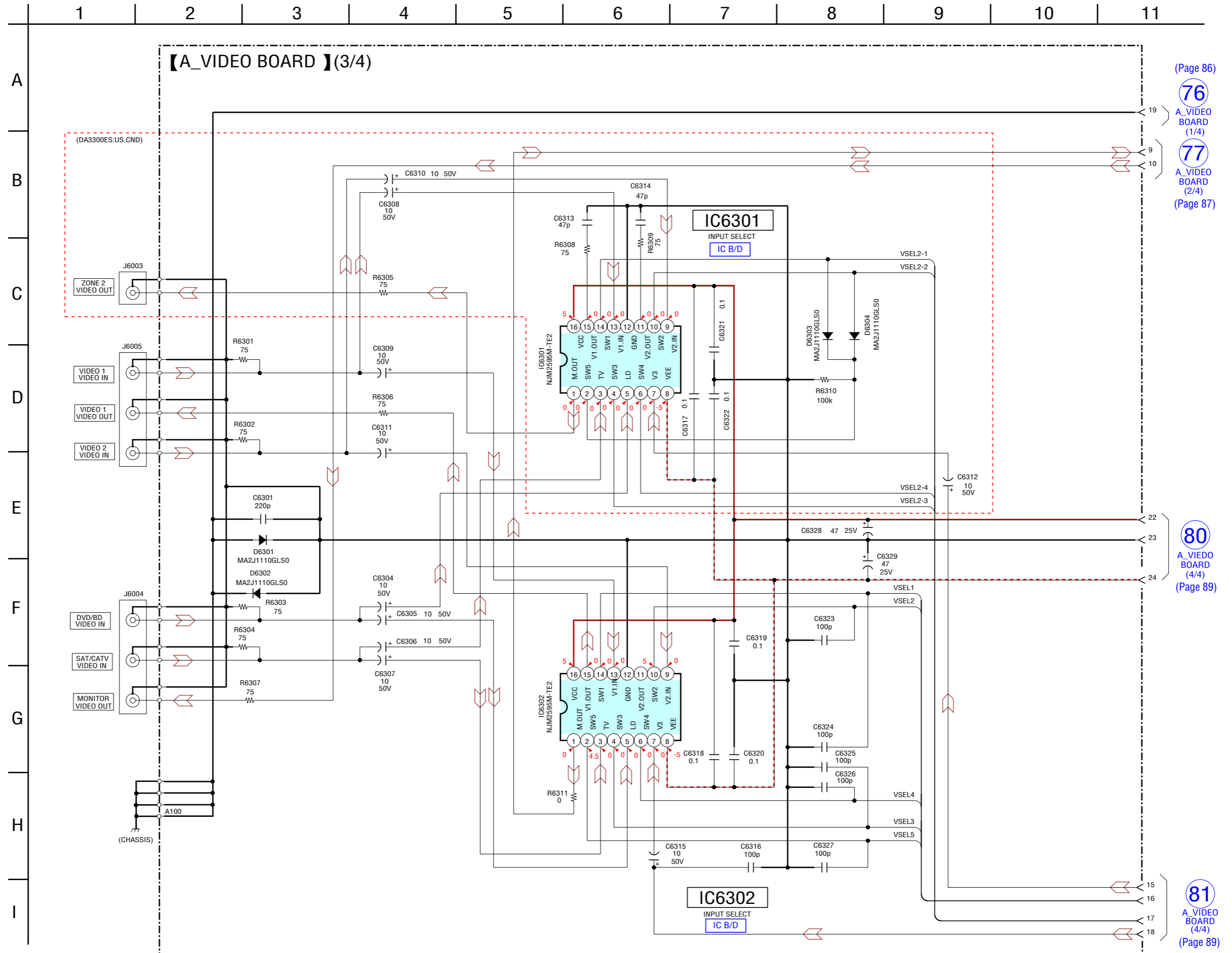
6-59. SCHEMATIC DIAGRAM – A_VIDEO Board (1/4) – • See page 106 for IC Block Diagrams.



6-60. SCHEMATIC DIAGRAM – A_VIDEO Board (2/4) – • See page 106 for IC Block Diagrams.



6-61. SCHEMATIC DIAGRAM – A_VIDEO Board (3/4) – • See page 106 for IC Block Diagrams.



(Page 86)

76

A_VIDEO BOARD (1/4)

77

A_VIDEO BOARD (2/4)

(Page 87)

80

A_VIDEO BOARD (4/4)

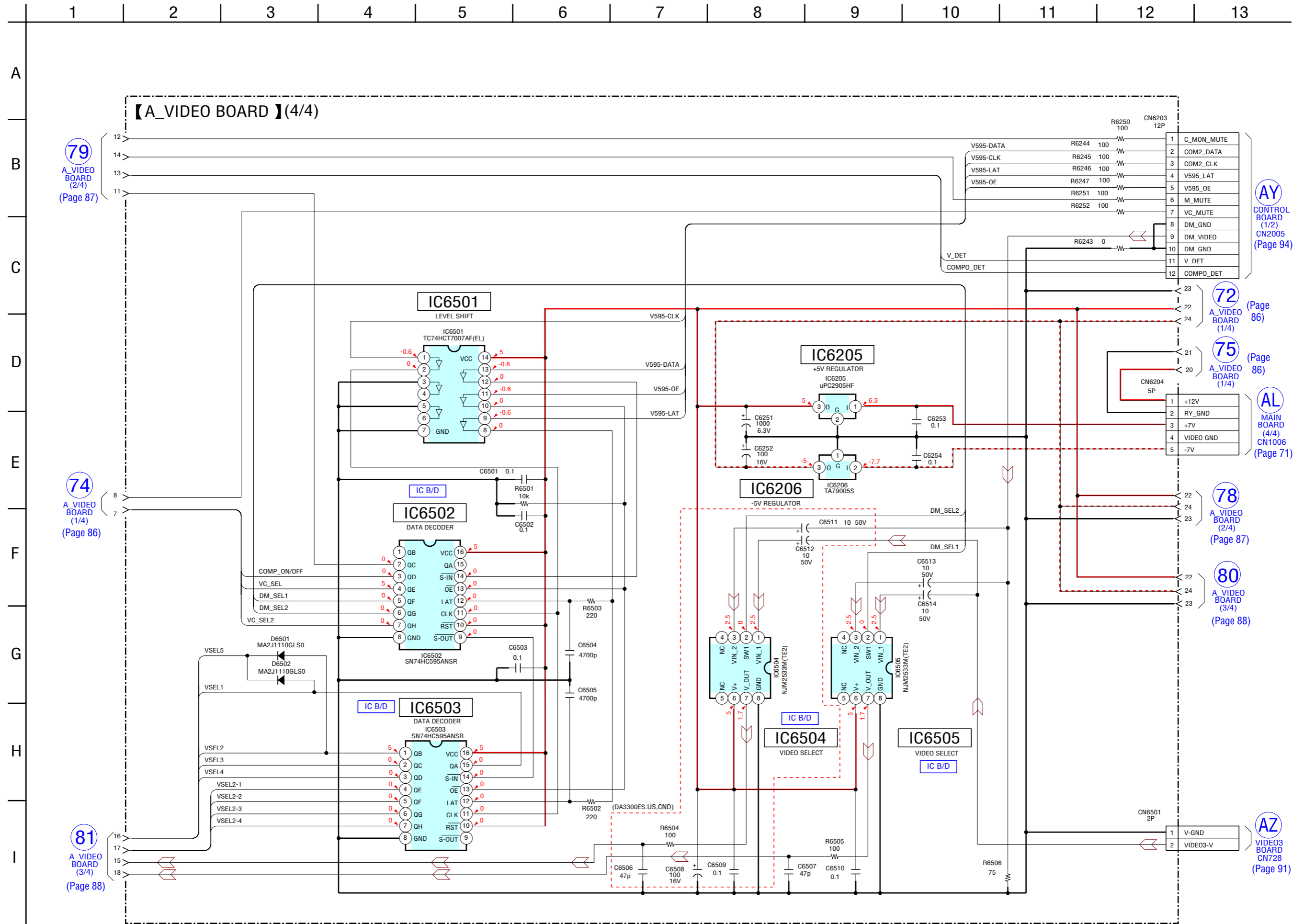
(Page 89)

81

A_VIDEO BOARD (4/4)

(Page 89)

6-62. SCHEMATIC DIAGRAM – A_VIDEO Board (4/4) – • See page 106 for IC Block Diagrams.



79 A_VIDEO BOARD (2/4) (Page 87)

72 A_VIDEO BOARD (1/4) (Page 86)

75 A_VIDEO BOARD (1/4) (Page 86)

AL MAIN BOARD (4/4) CN1006 (Page 71)


78 A_VIDEO BOARD (2/4) (Page 87)

80 A_VIDEO BOARD (3/4) (Page 88)

AZ VIDEO3 BOARD CN728 (Page 91)

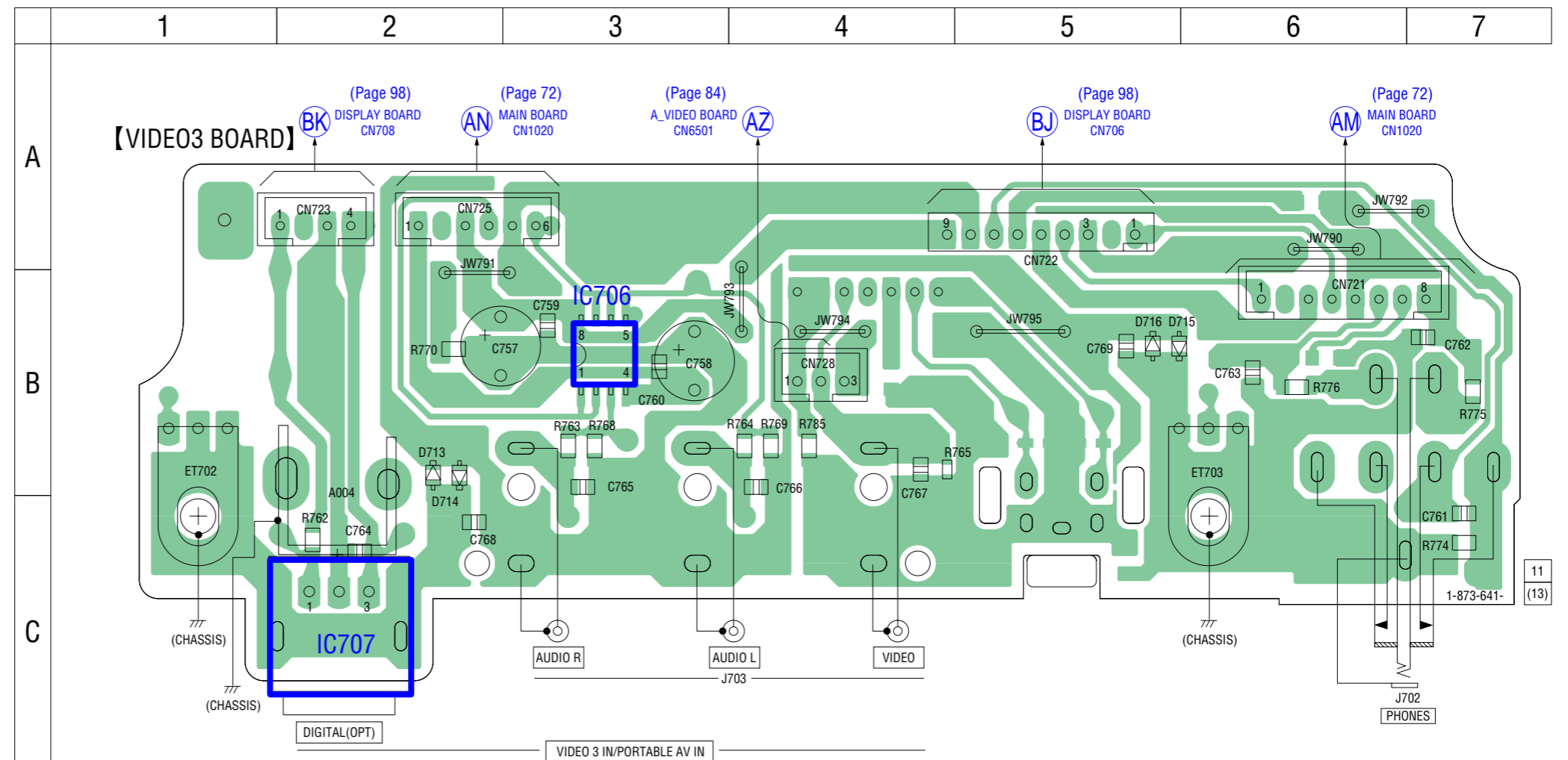
74 A_VIDEO BOARD (1/4) (Page 86)

81 A_VIDEO BOARD (3/4) (Page 88)

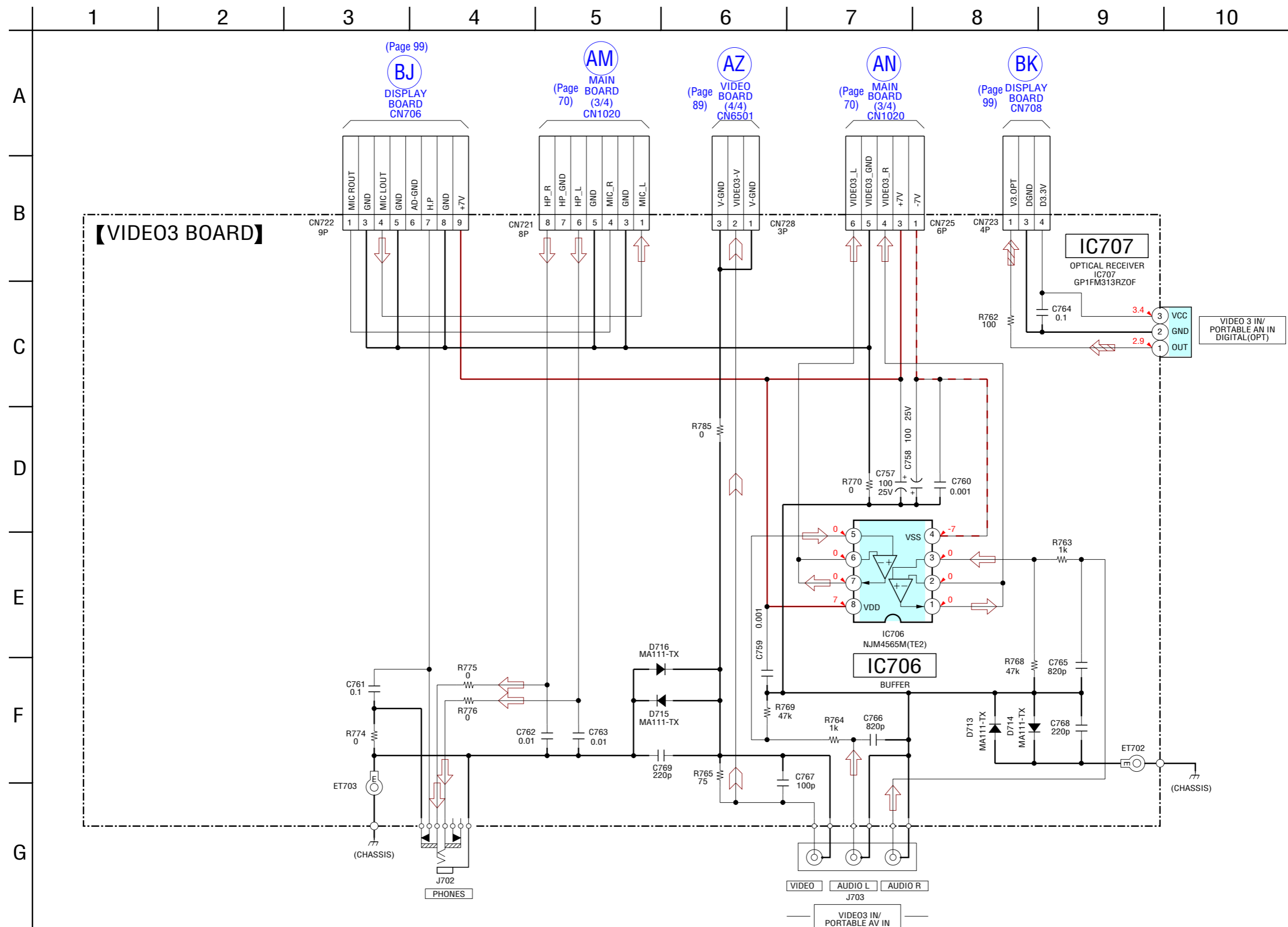
6-63. PRINTED WIRING BOARD – VIDEO3 Board – • See page 37 for Circuit Boards Location.  : Uses unleaded solder.


• Semiconductor Location

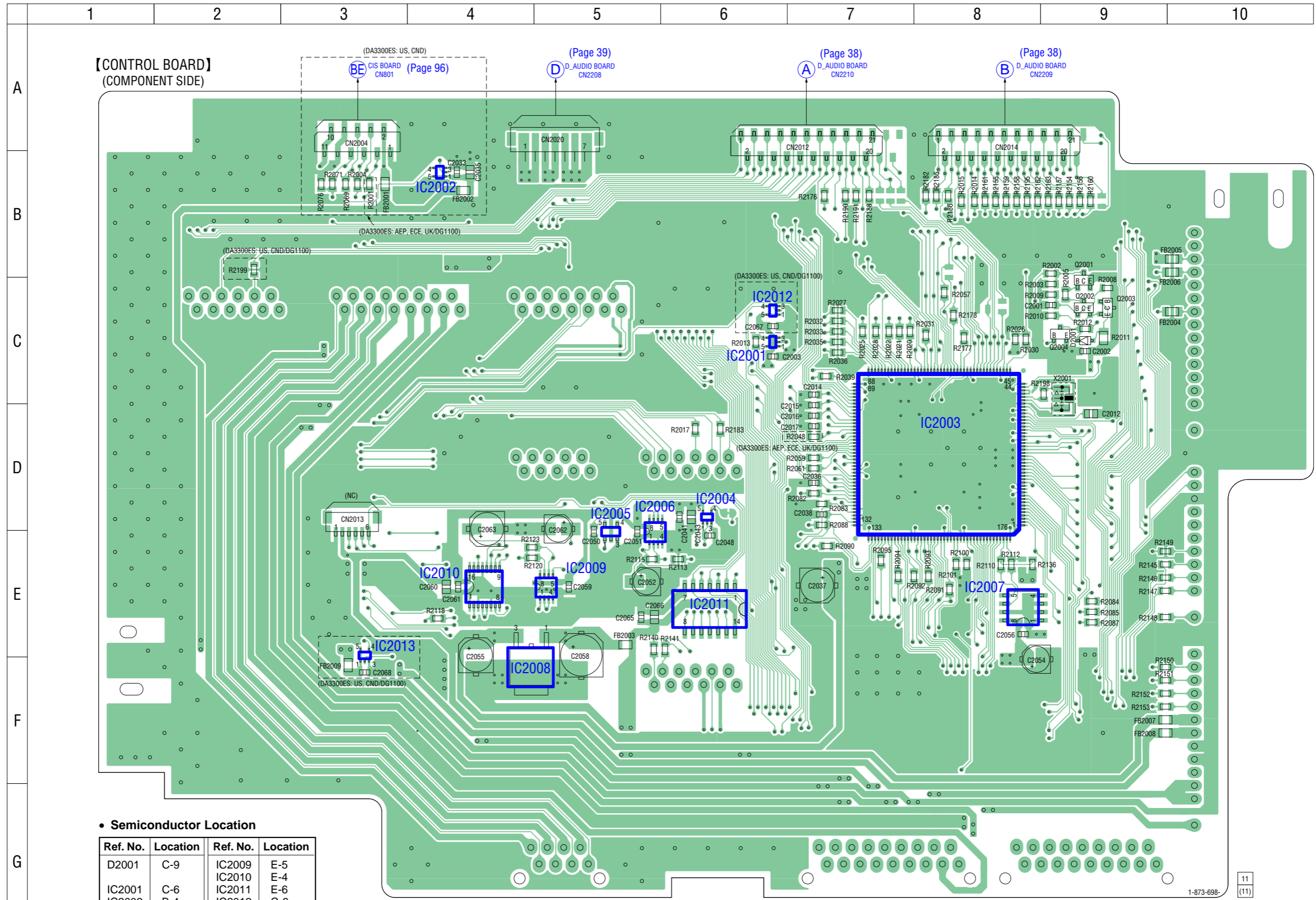
Ref. No.	Location
D713	B-2
D714	B-2
D715	B-5
D716	B-5
IC706	B-3
IC707	C-2



6-64. SCHEMATIC DIAGRAM – VIDEO3 Board –



6-65. PRINTED WIRING BOARD – CONTROL Board (Component Side) – • See page 37 for Circuit Boards Location.  : Uses unleaded solder.



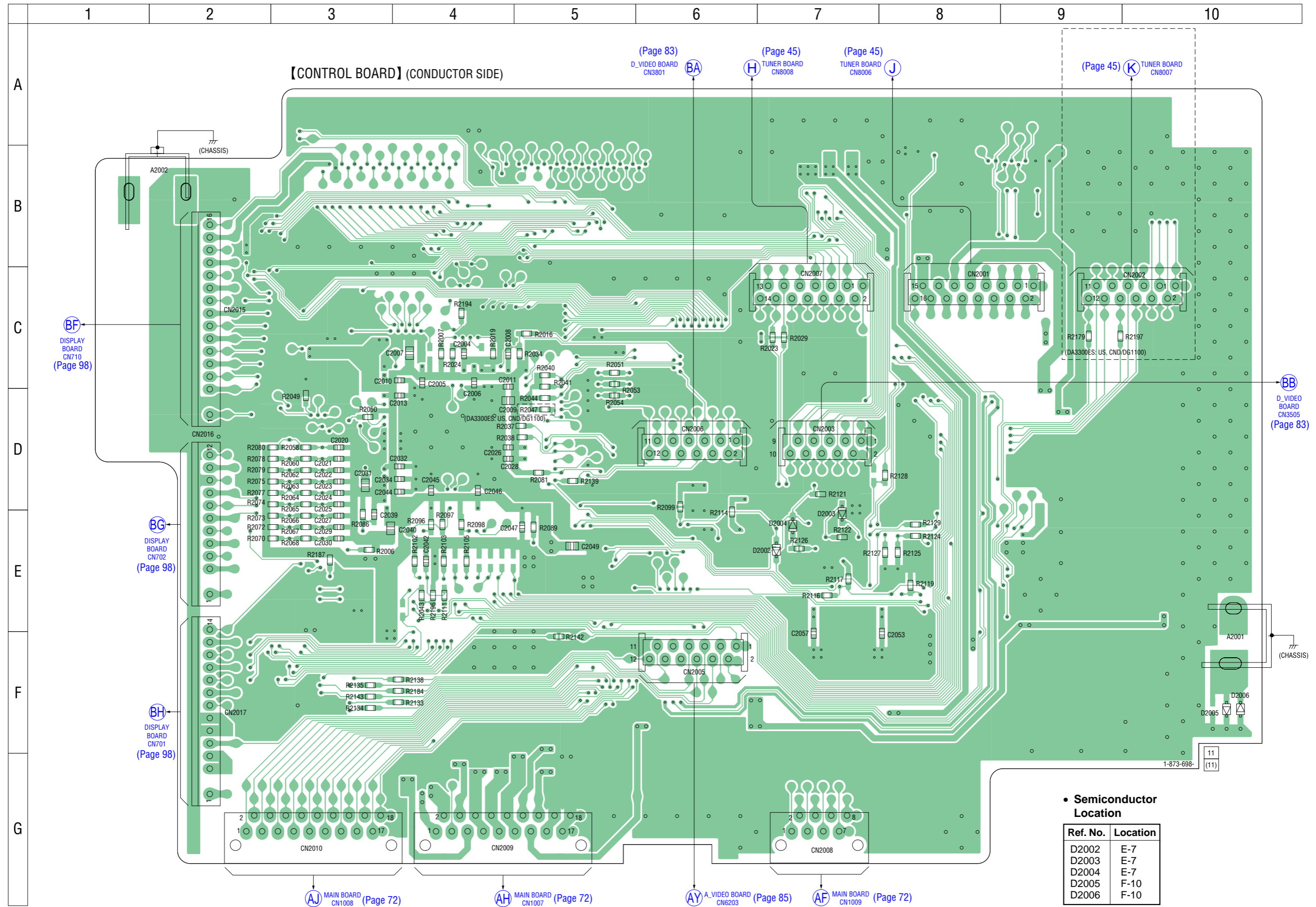
• Semiconductor Location

Ref. No.	Location	Ref. No.	Location
D2001	C-9	IC2009	E-5
IC2001	C-6	IC2010	E-4
IC2002	B-4	IC2011	E-6
IC2003	D-8	IC2012	C-6
IC2004	D-6	IC2013	E-3
IC2005	E-5	Q2001	C-9
IC2006	E-5	Q2002	C-9
IC2007	E-8	Q2003	C-9
IC2008	F-4	Q2004	C-9

1-873-698-

11
(11)

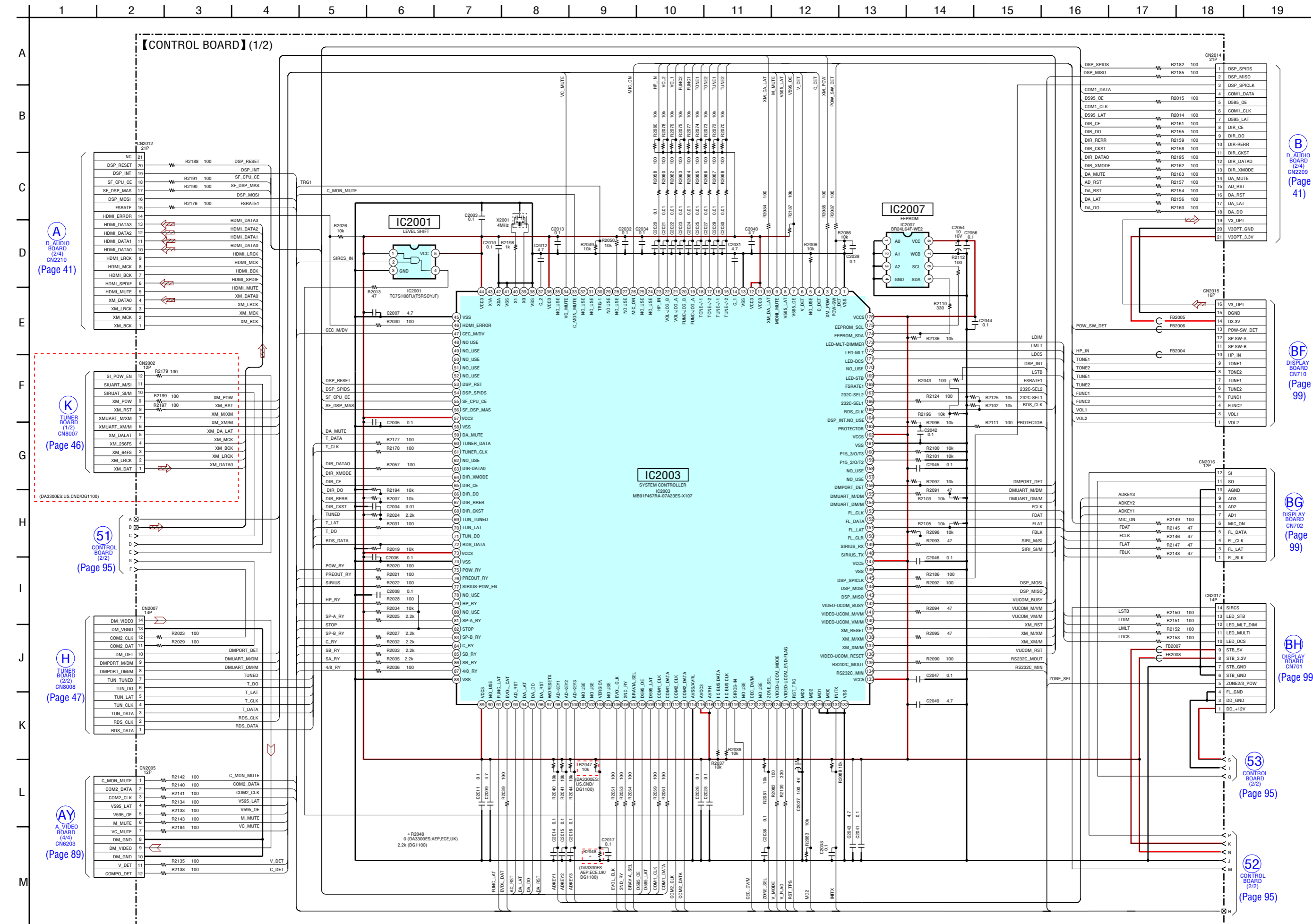
6-66. PRINTED WIRING BOARD – CONTROL Board (Conductor Side) – • See page 37 for Circuit Boards Location. **LF** : Uses unleaded solder.



• Semiconductor Location

Ref. No.	Location
D2002	E-7
D2003	E-7
D2004	E-7
D2005	F-10
D2006	F-10

6-67. SCHEMATIC DIAGRAM – CONTROL Board (1/2) – See page 121 for IC Pin Function Description.



(A) D AUDIO BOARD (2/4) CN2210 (Page 41)

(K) TUNER BOARD (1/2) CN8007 (Page 46)

(51) CONTROL BOARD (2/2) (Page 95)

(H) TUNER BOARD (2/2) CN8008 (Page 47)

(AY) A VIDEO BOARD (4/4) CN6203 (Page 89)

(B) D AUDIO BOARD (2/4) CN2209 (Page 41)

(BF) DISPLAY BOARD CN710 (Page 99)

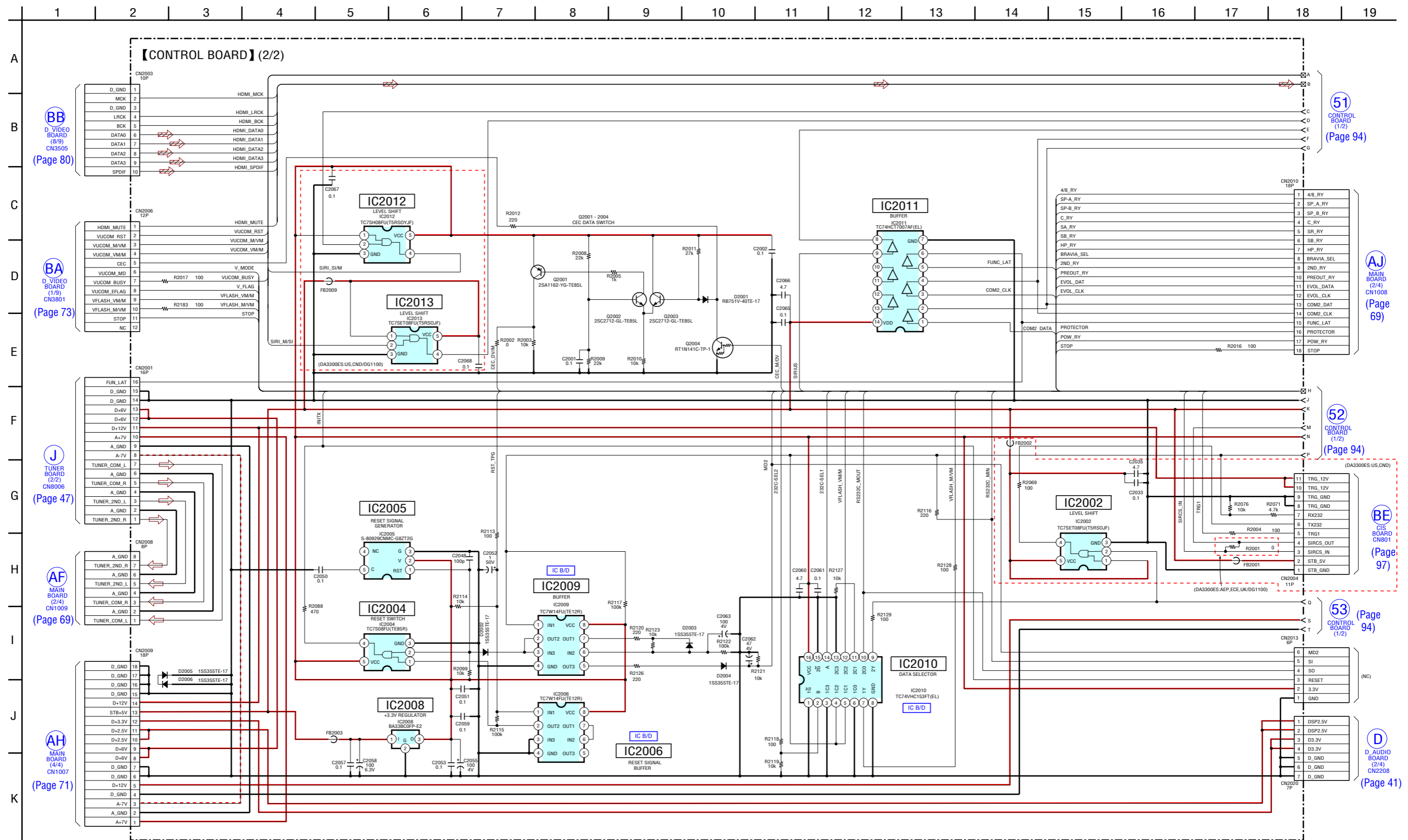
(BG) DISPLAY BOARD CN702 (Page 99)

(BH) DISPLAY BOARD CN701 (Page 99)

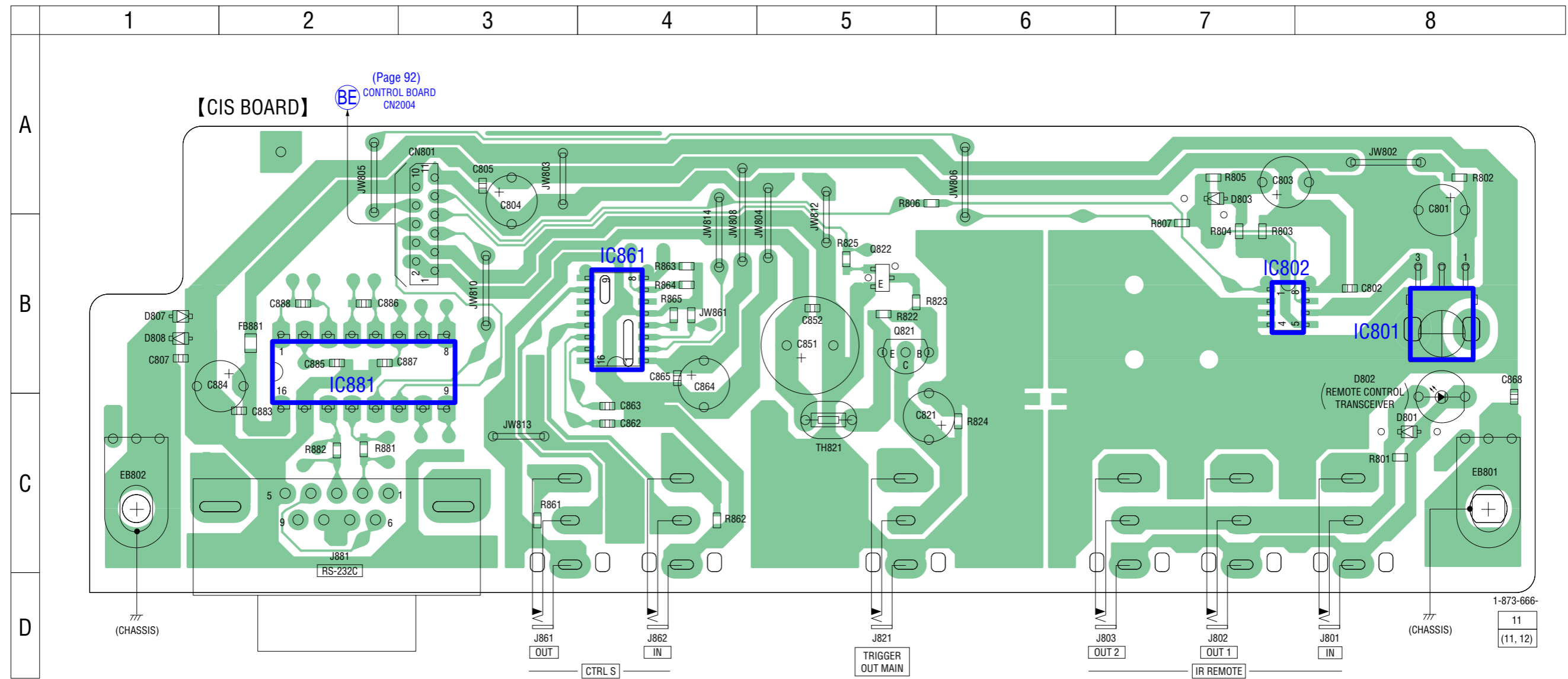
(53) CONTROL BOARD (2/2) (Page 95)

(52) CONTROL BOARD (2/2) (Page 95)

6-68. SCHEMATIC DIAGRAM – CONTROL Board (2/2) – • See page 106 for IC Block Diagrams.



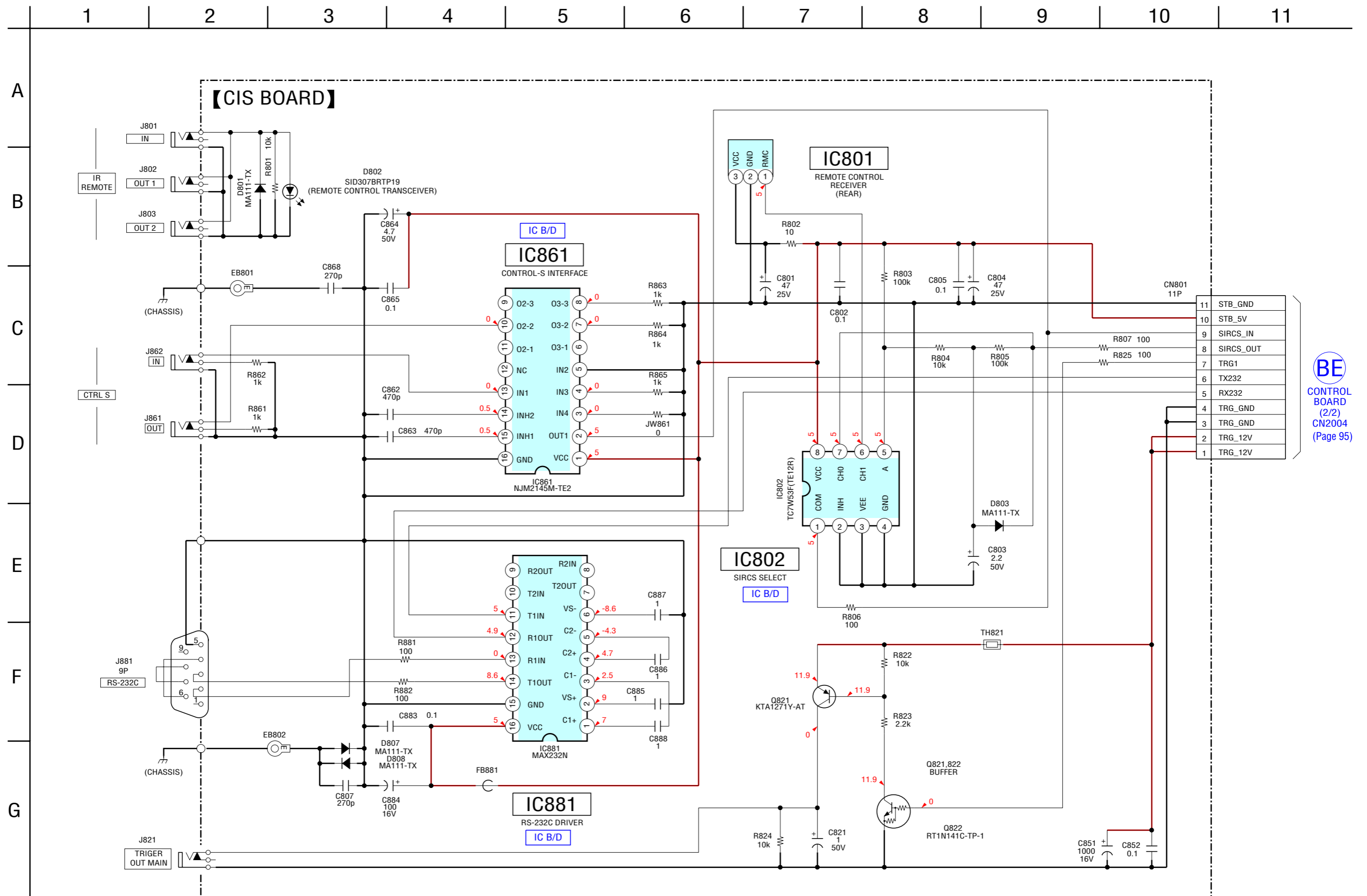
6-69. PRINTED WIRING BOARD – CIS Board (DA3300ES: US and Canadian models) – • See page 37 for Circuit Boards Location.  :Uses unleaded solder.




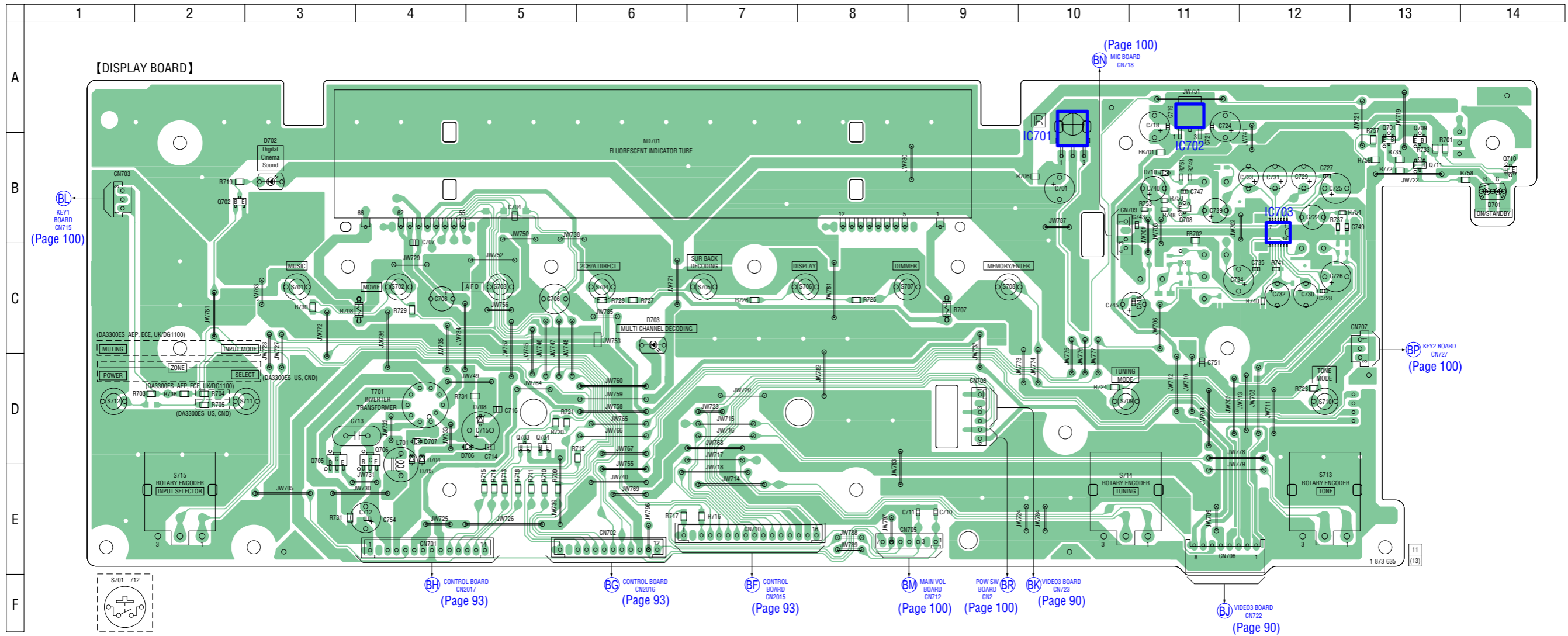
• Semiconductor Location

Ref. No.	Location
D801	C-8
D802	C-8
D803	A-7
D807	B-1
D808	B-1
IC801	B-8
IC802	B-7
IC861	B-4
IC881	B-2
Q821	B-5
Q822	B-5

6-70. SCHEMATIC DIAGRAM – CIS Board (DA3300ES: US and Canadian models) – • See page 106 for IC Block Diagrams.



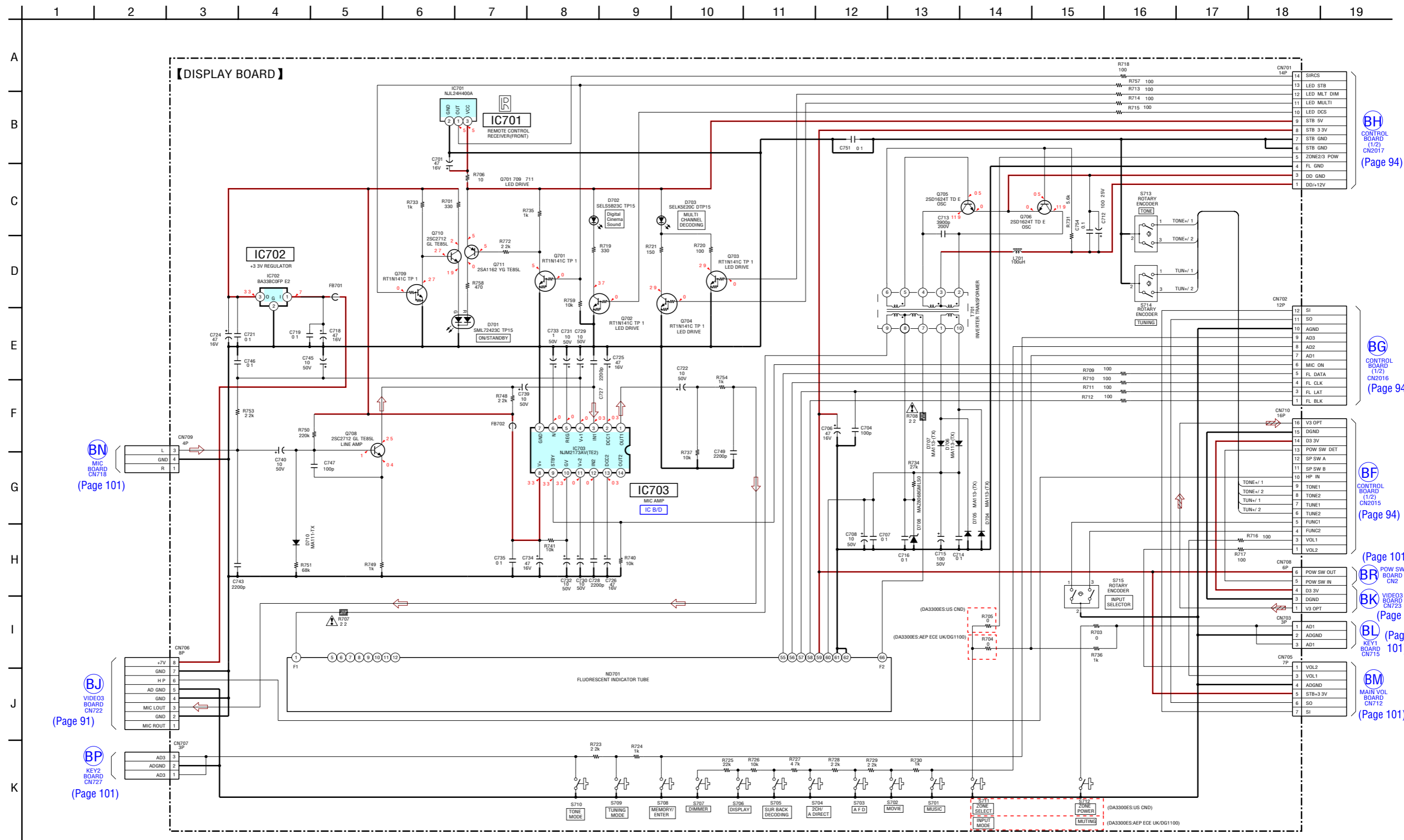
6-71. PRINTED WIRING BOARD – DISPLAY Board – • See page 37 for Circuit Boards Location.  :Uses unleaded solder.




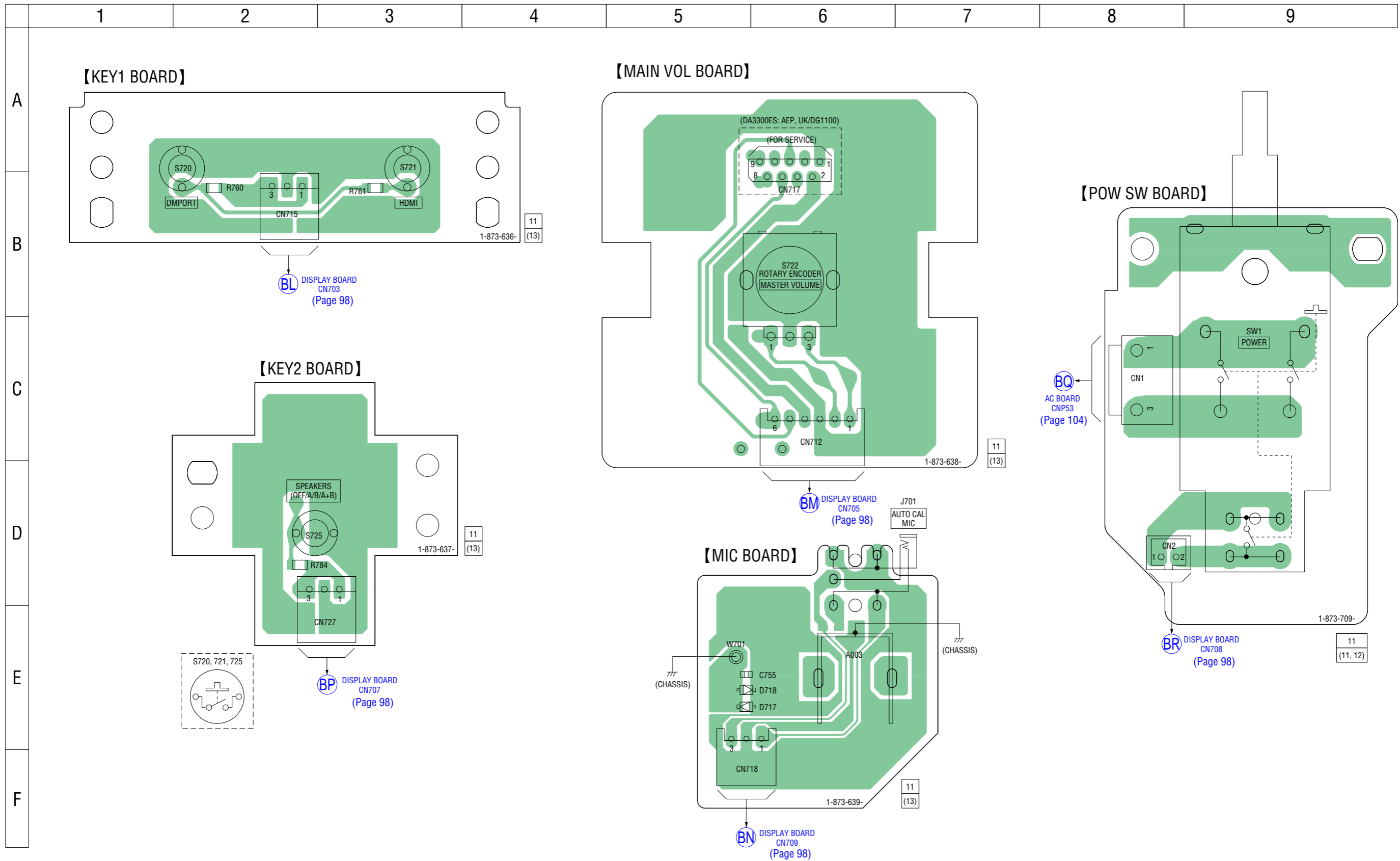
• Semiconductor Location

Ref. No.	Location	Ref. No.	Location
D701	B-14	IC703	B-12
D702	B-3	Q701	B-13
D703	C-6	Q702	B-2
D704	D-4	Q703	D-5
D705	D-4	Q704	D-5
D706	D-5	Q705	D-3
D707	D-4	Q706	D-4
D708	D-5	Q708	B-11
D710	B-11	Q709	B-13
IC701	B-10	Q710	B-14
IC702	B-11	Q711	B-13

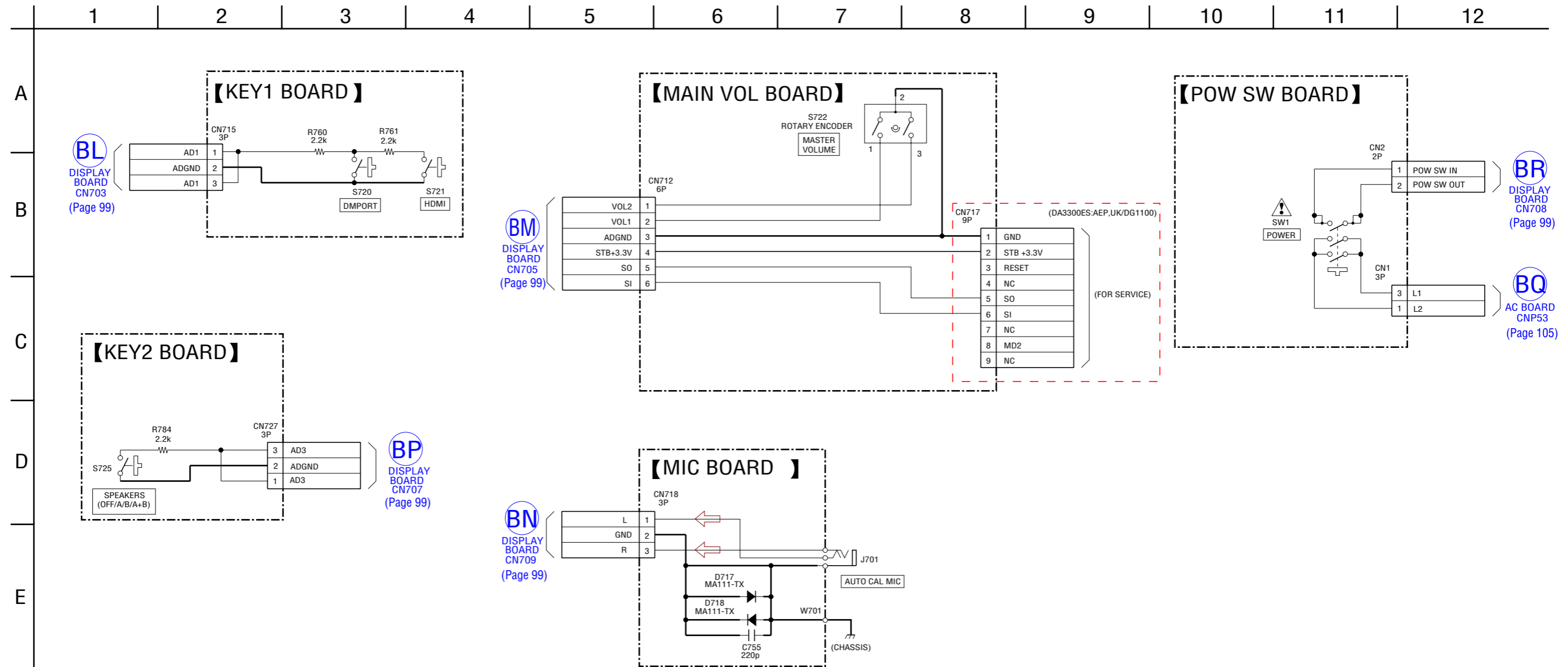
6-72. SCHEMATIC DIAGRAM – DISPLAY Board – • See page 106 for IC Block Diagrams.



6-73. PRINTED WIRING BOARDS – PANEL Section – • See page 37 for Circuit Boards Location.  :Uses unleaded solder.



6-74. SCHEMATIC DIAGRAM – PANEL Section –

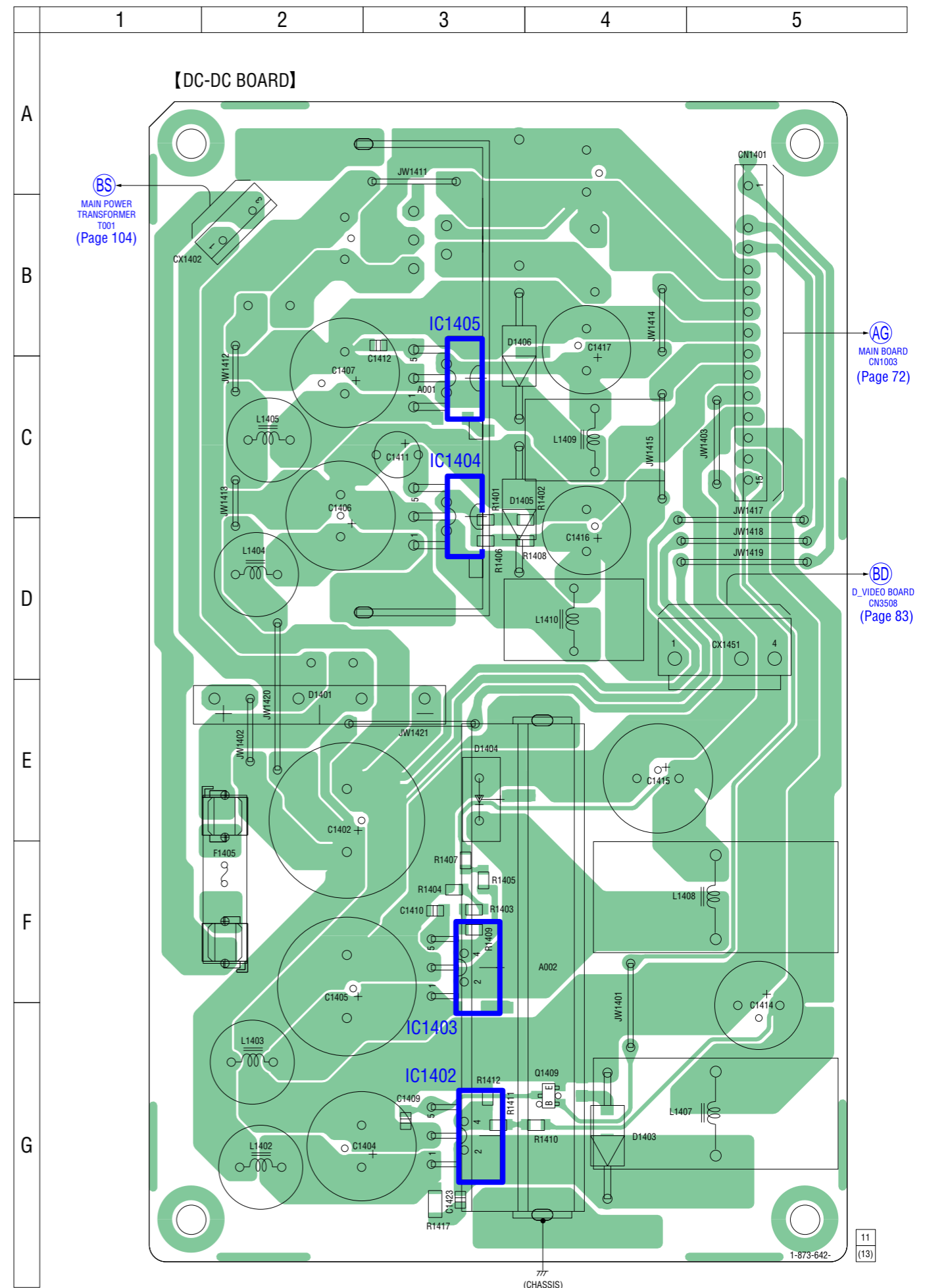


6-75. PRINTED WIRING BOARD – DC-DC Board –

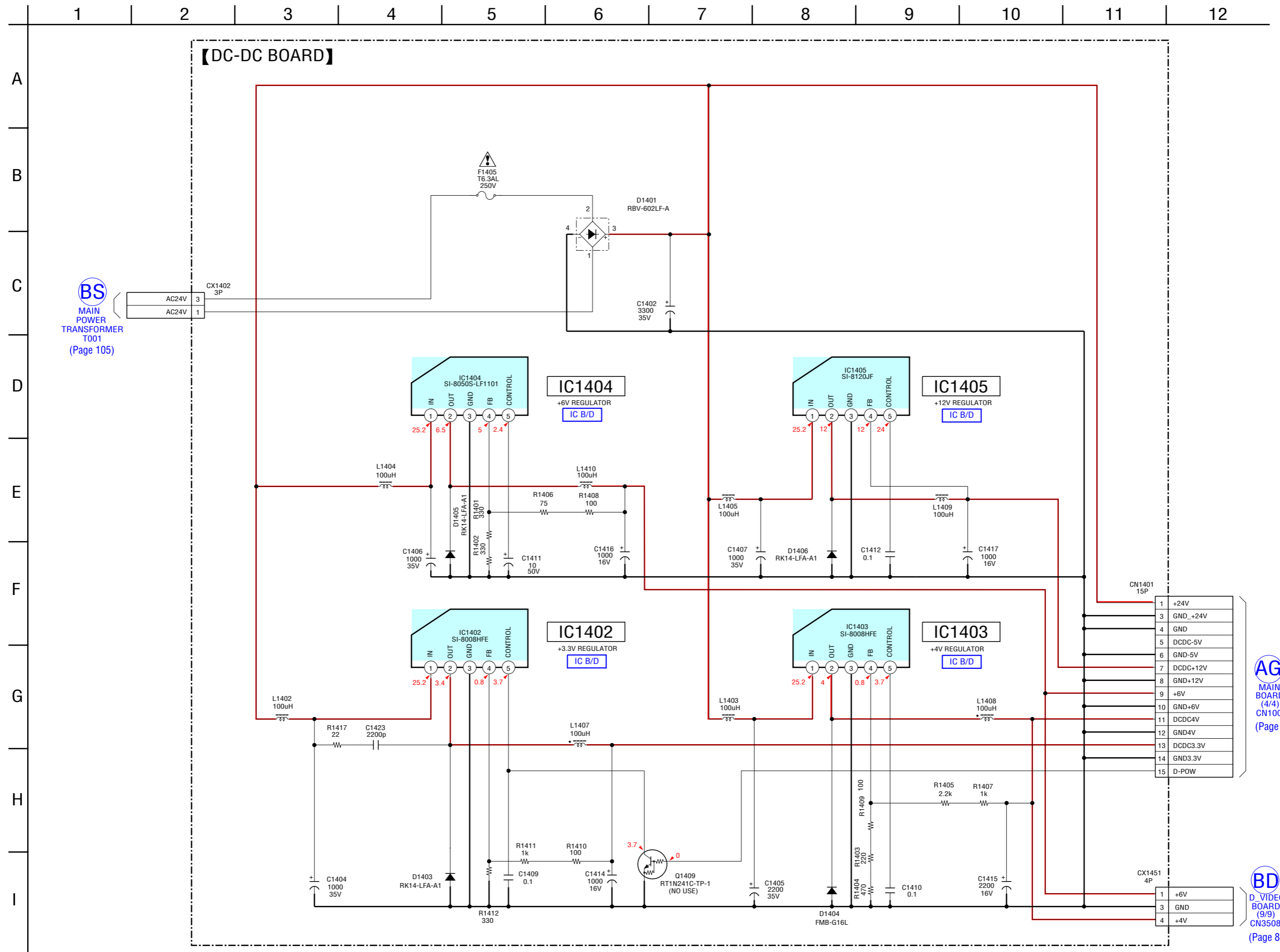
• See page 37 for Circuit Boards Location.  :Uses unleaded solder.

• Semiconductor Location

Ref. No.	Location
D1401	E-2
D1403	G-4
D1404	E-3
D1405	C-3
D1406	B-3
IC1402	G-3
IC1403	F-3
IC1404	C-3
IC1405	C-3
Q1409	G-4



6-76. SCHEMATIC DIAGRAM – DC-DC Board – • See page 106 for IC Block Diagrams.

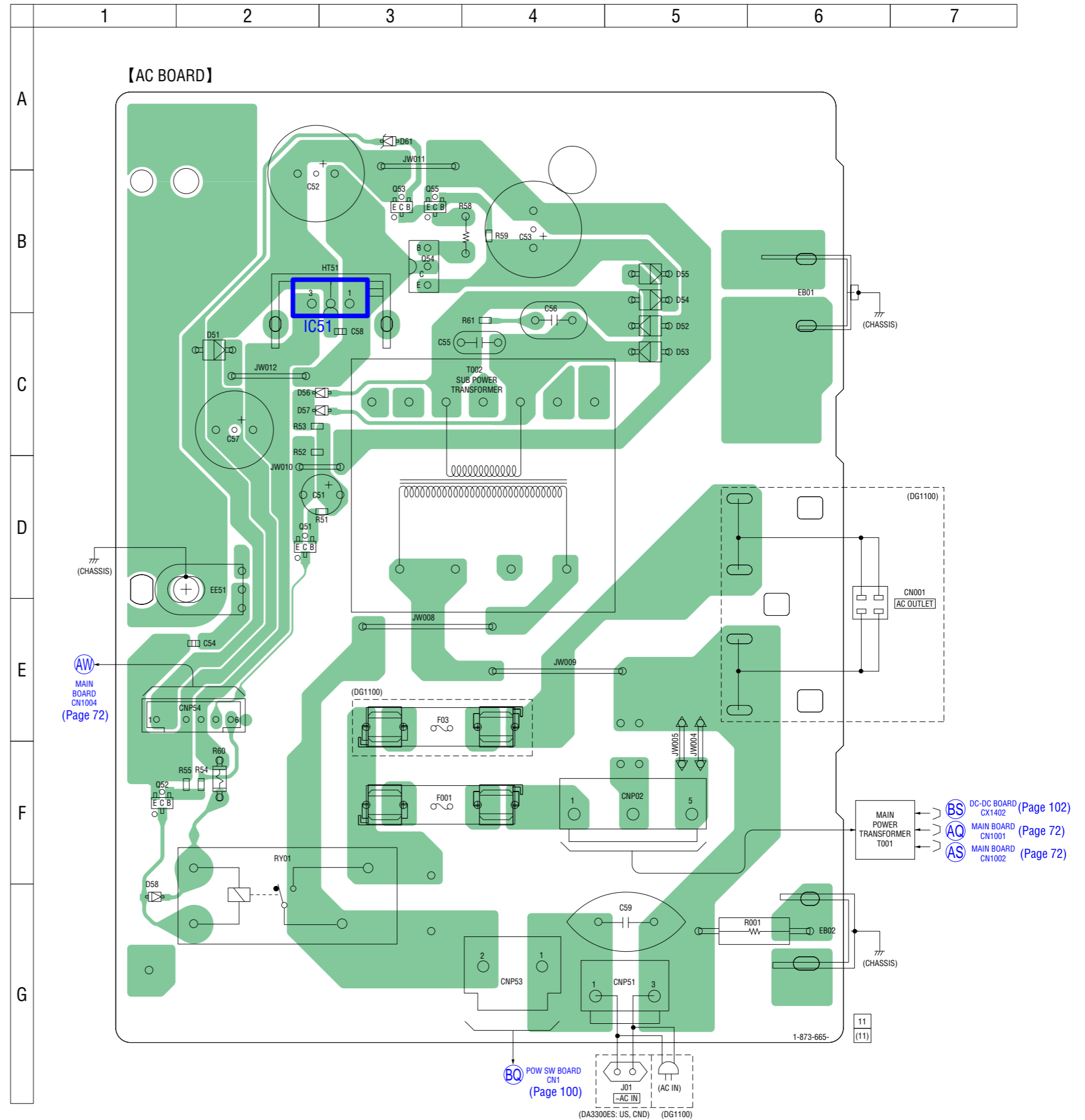


AG
MAIN BOARD (4/4)
CN1003
(Page 71)

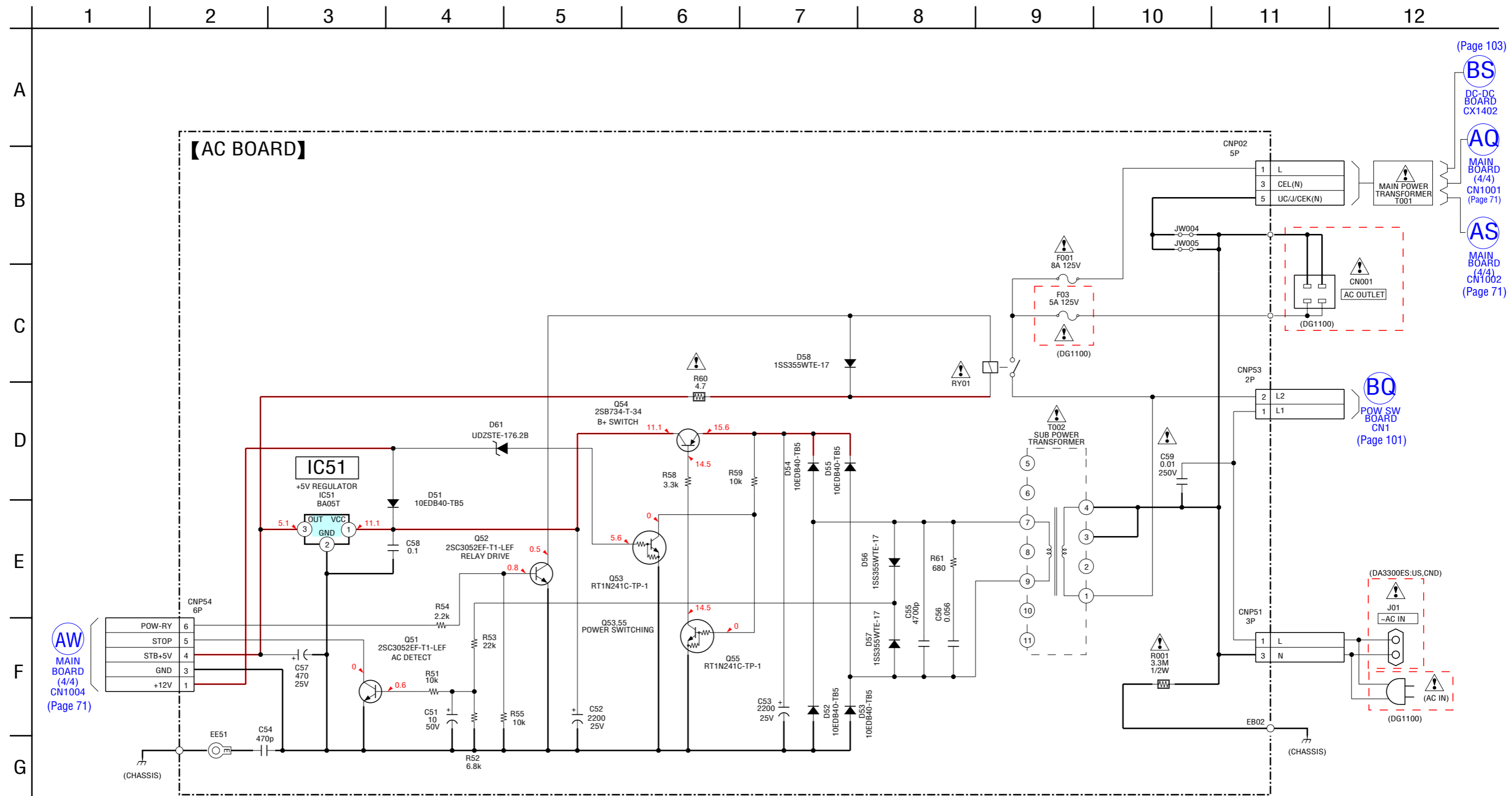
BD
D.VIDEO BOARD (9/9)
CN3508
(Page 81)

• Semiconductor Location

Ref. No.	Location
D51	C-2
D52	C-5
D53	C-5
D54	B-5
D55	B-5
D56	C-3
D57	C-3
D58	G-1
D61	A-3
IC51	B-3
Q51	D-2
Q52	F-1
Q53	B-3
Q54	B-3
Q55	B-3



6-78. SCHEMATIC DIAGRAM – AC Board –



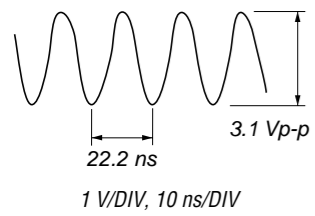
(Page 103)
BS
DC-DC BOARD
CX1402
AQ
MAIN BOARD (4/4)
CN1001 (Page 71)
AS
MAIN BOARD (4/4)
CN1002 (Page 71)

BQ
POW SW BOARD
CN1 (Page 101)

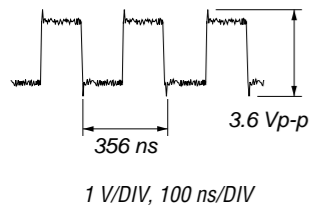
AW
MAIN BOARD (4/4)
CN1004 (Page 71)

• Waveforms
- TUNER Board -

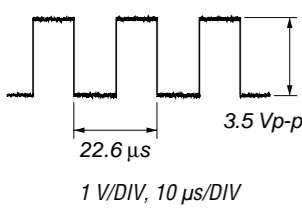
① IC8003 ②⑥ (OSCOUT)



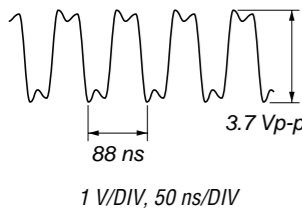
② IC8003 ③⑨ (I2SSCLK)



③ IC8003 ④① (I2SLRCK)

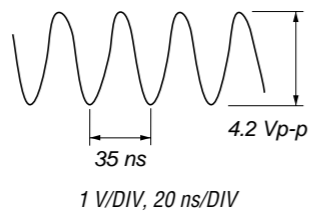


④ IC8003 ④③ (I2SOCLK)

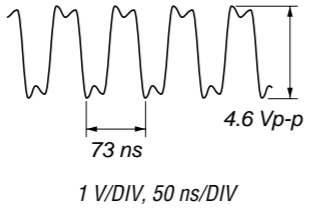


- D_VIDEO Board -

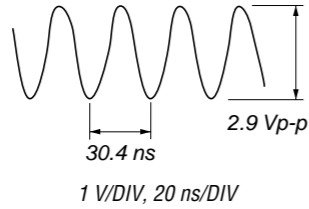
⑪ IC3511 ⑥④ (XTALOUT)



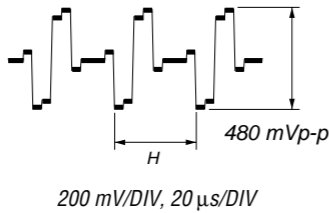
⑫ IC3511 ①⑨ (ODCK)



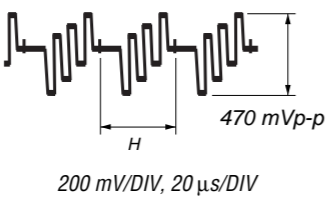
⑬ IC3604 ①⑩ (XOUT)



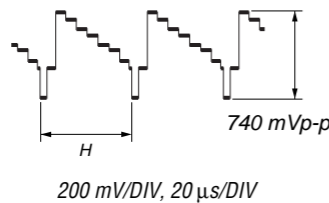
⑭ IC3850 ③⑦ (CR/B) (Color bar)



⑮ IC3850 ③⑧ (CB/R) (Color bar)

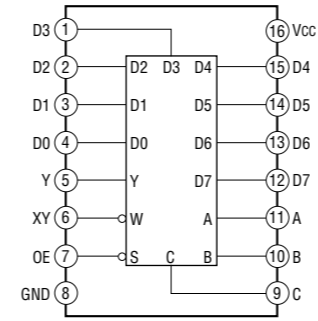


⑯ IC3850 ③⑨ (Y/G) (Color bar)

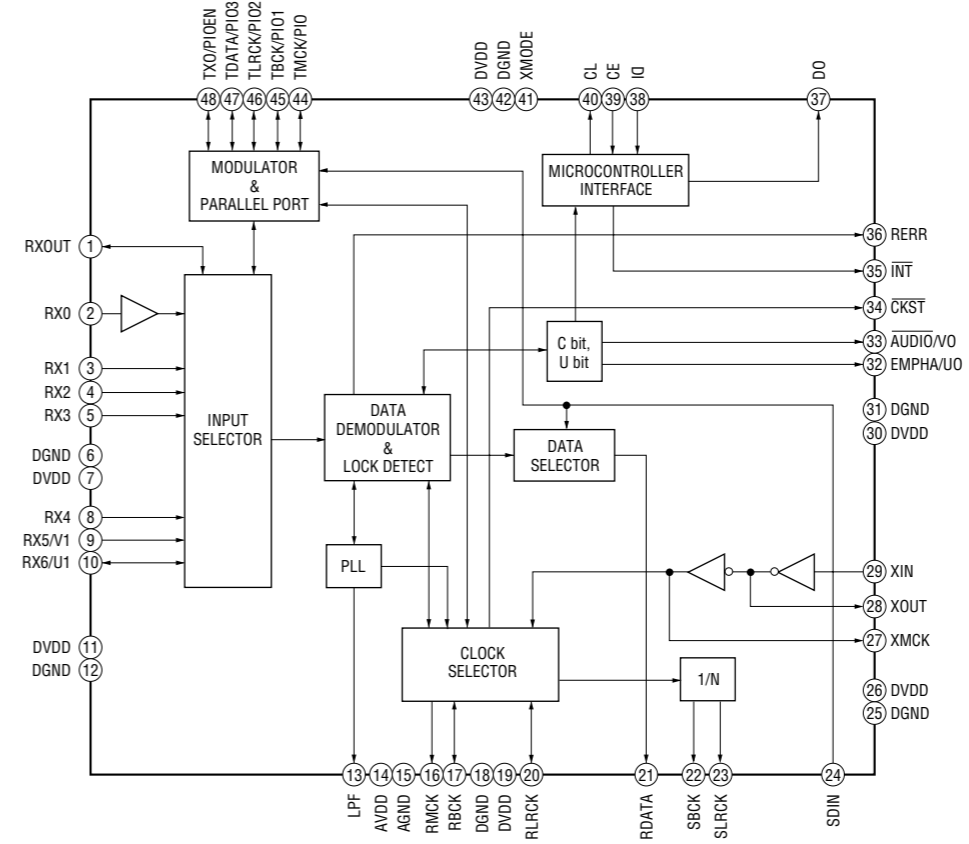


• IC Block Diagrams
- D_AUDIO Board -

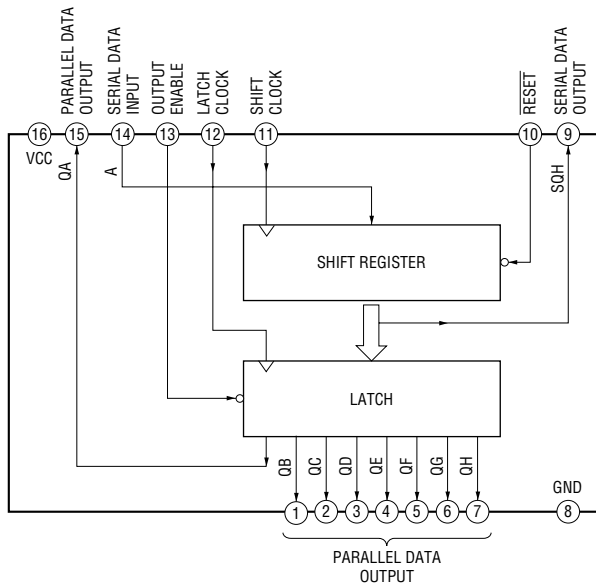
IC2207 TC74HC151AF (EL)



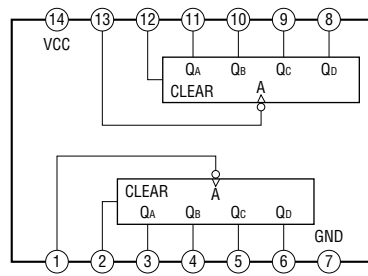
IC2208 LC89057W-VF4A-E



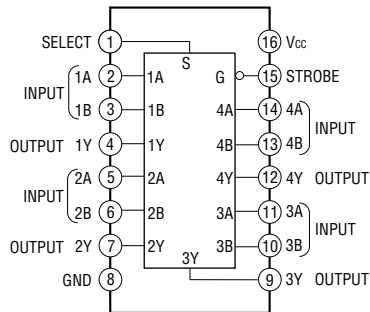
IC2210 SN74HC595ANS



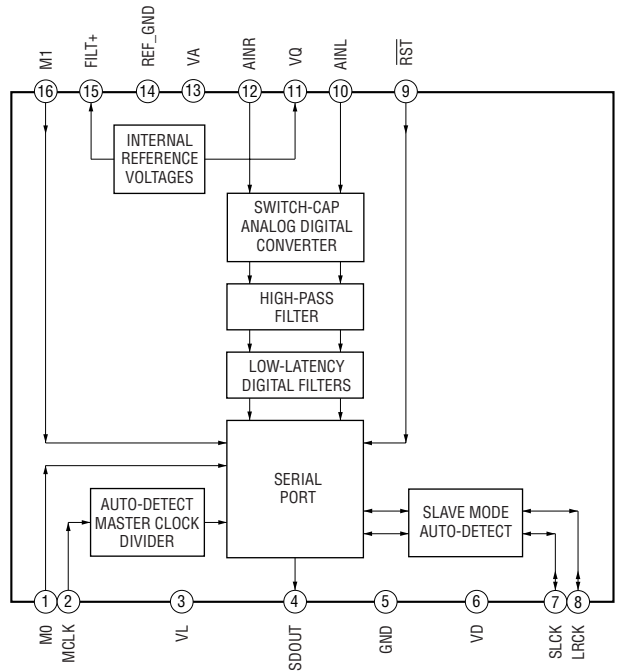
IC2211 TC74VHC393FT (EL)



IC2212, 2213, 2228, 2231 TC74VHC157FT (EL)

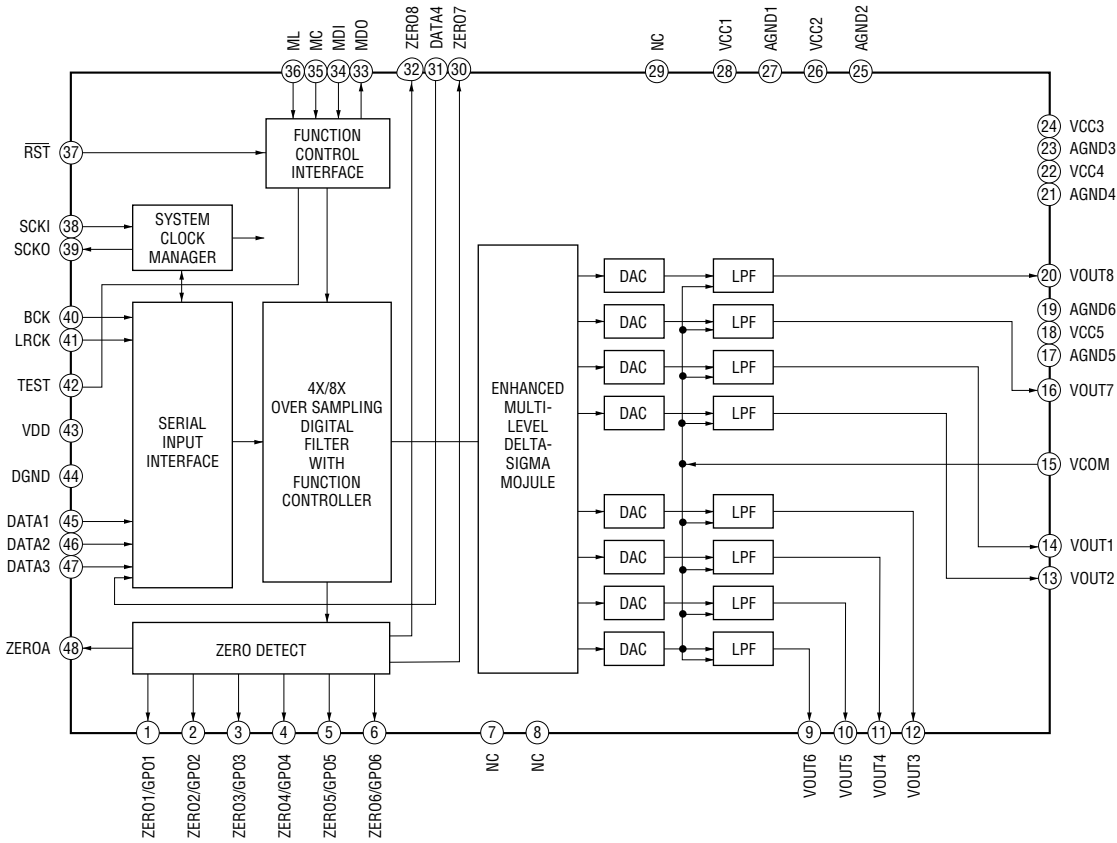


IC2217 CS5340-CZZR

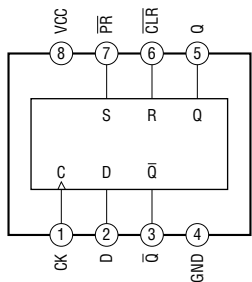


STR-DA3300ES/DG1100

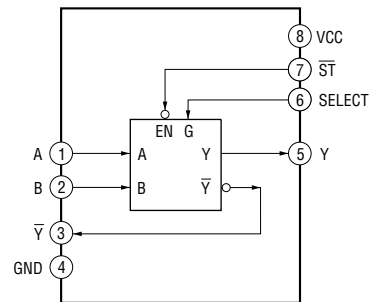
IC2218 PCM1609APT



IC2226, 2229 TC7WH74FU (TE12R)

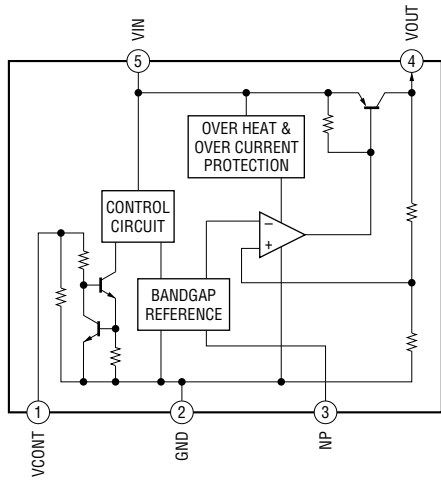


IC2227 TC7WH157FU (TE12R)

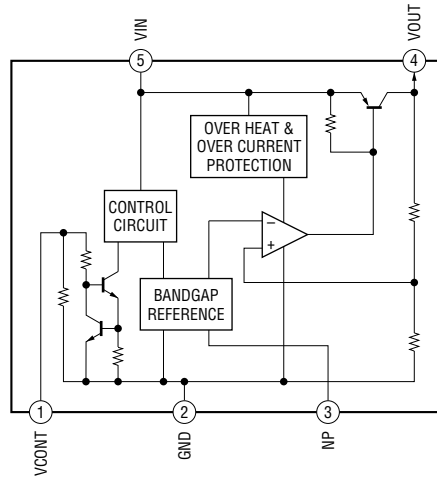


- TUNER Board -

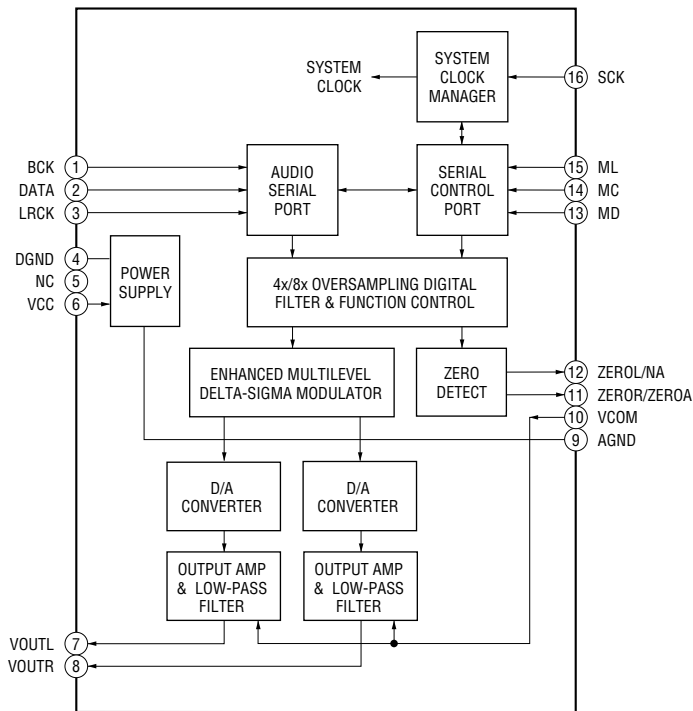
IC2230 TK11150CSCL-G



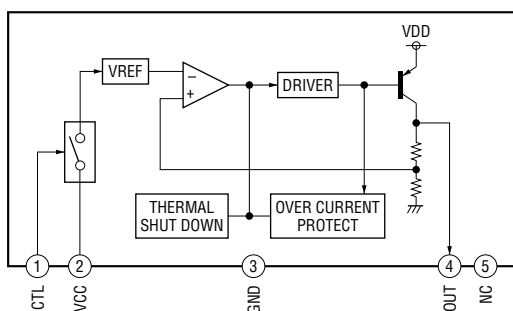
IC8004 TK11133CSCL-G
IC8007 TK11150CSCL-G



IC8005 PCM1753DBQR

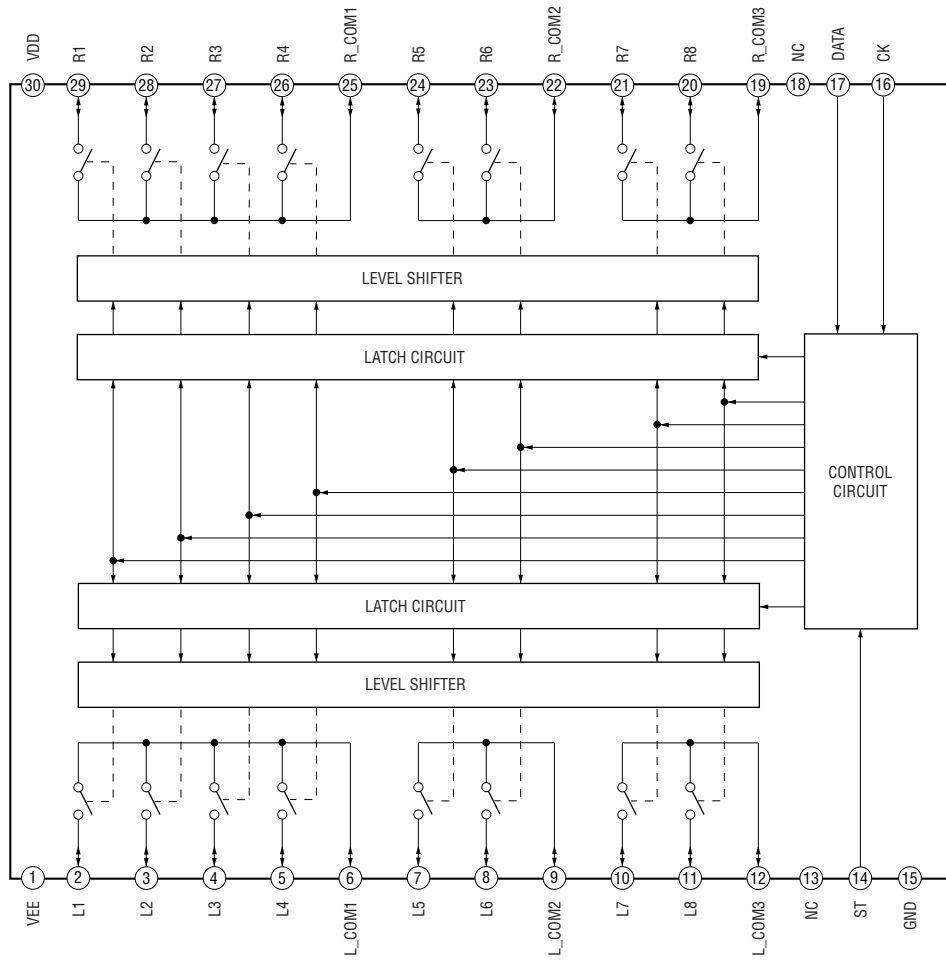


IC8006 BA00BC0WFP-E2



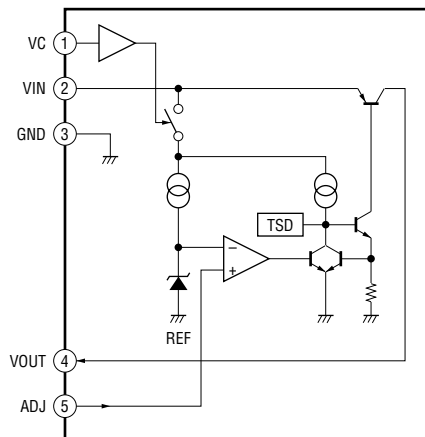
STR-DA3300ES/DG1100

IC8009 NJU7313AM (TE2)

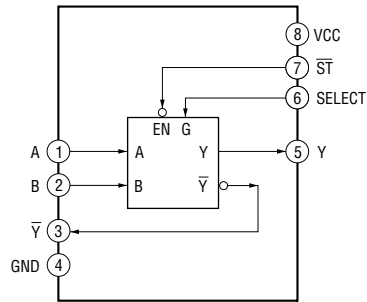


- DSP Board -

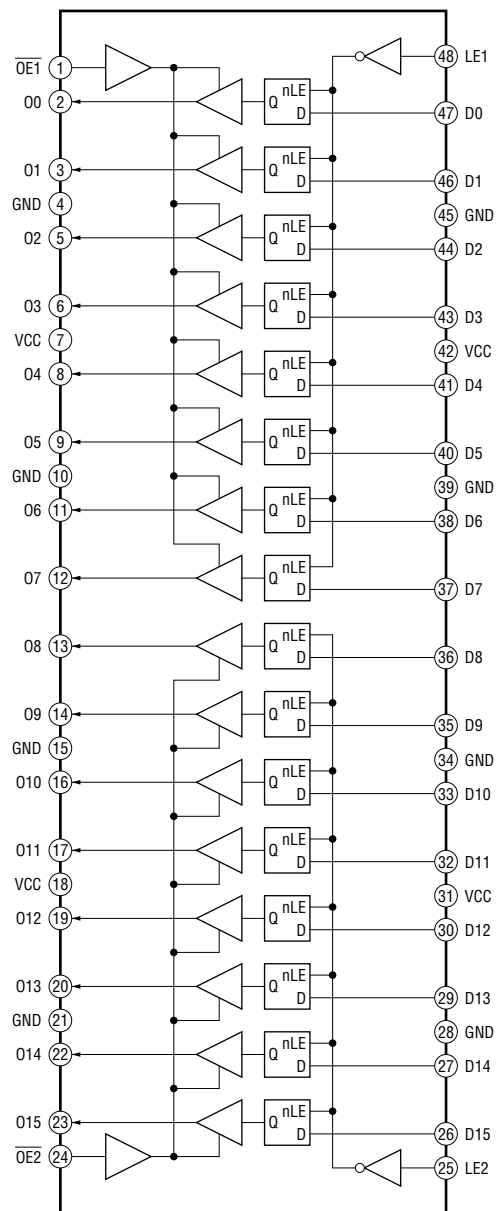
IC1 SI-3010KM-TL



IC4 TC7WH157FK (TE85R)



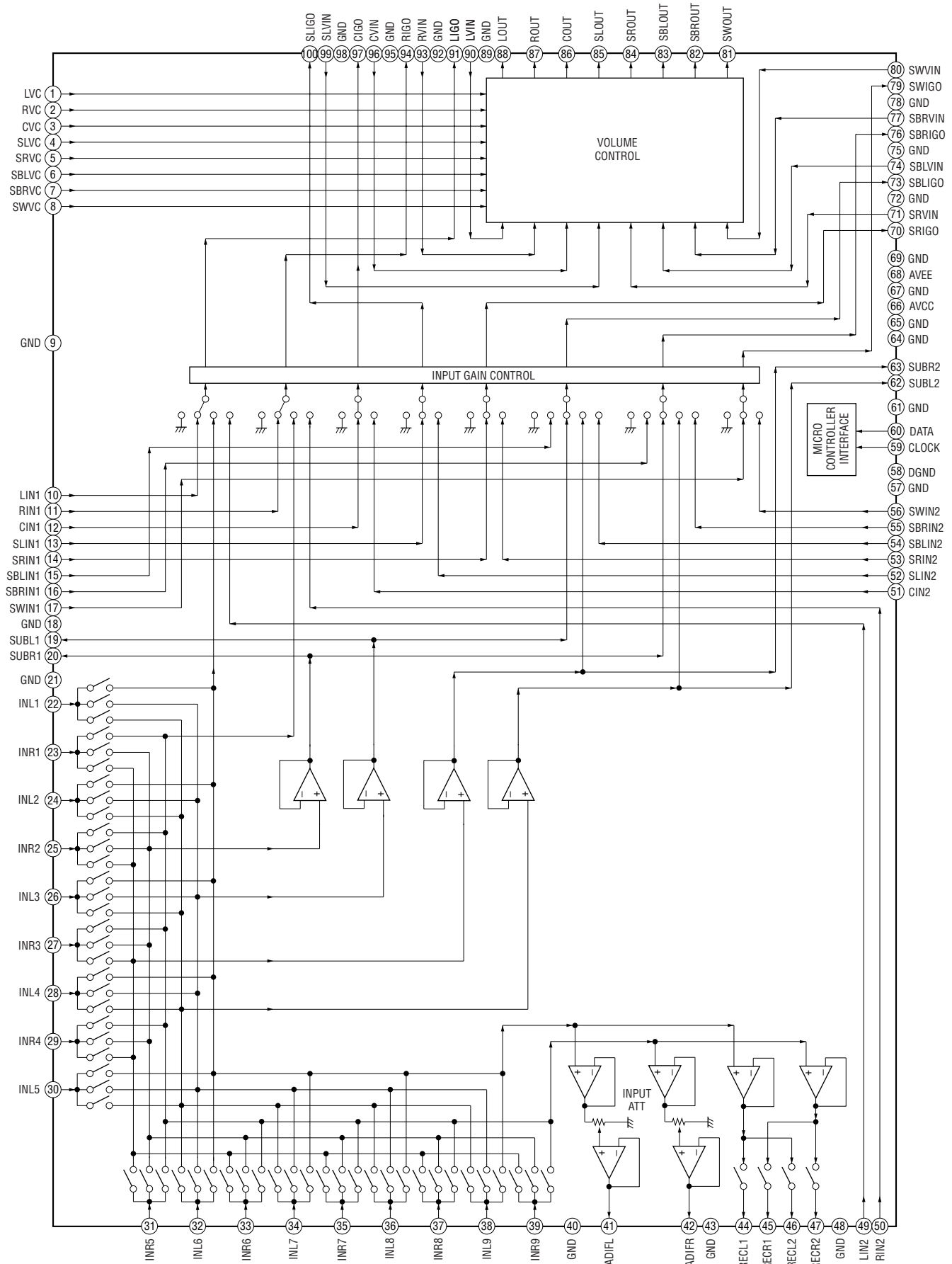
IC6 MC74LCX16373DTR2



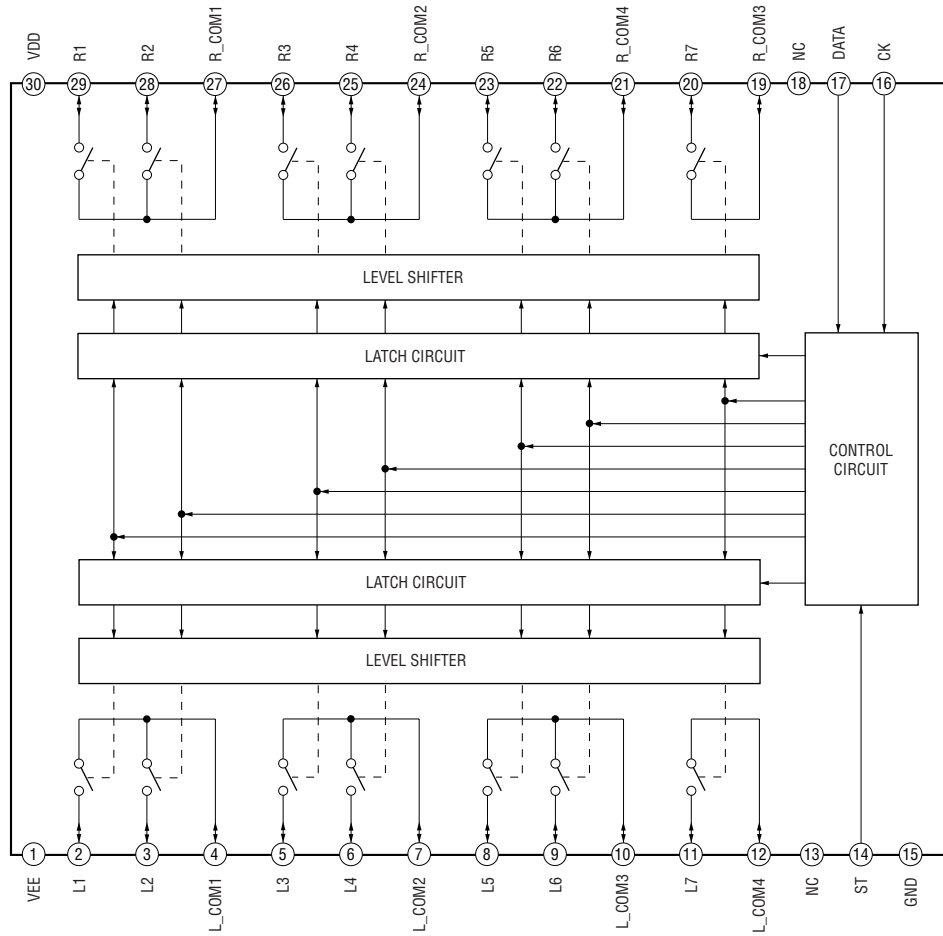
STR-DA3300ES/DG1100

- MAIN Board -

IC1001 R2S15206FP

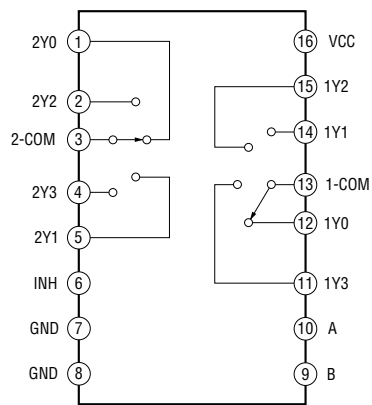


IC1002 NJU7311AM (TE2)

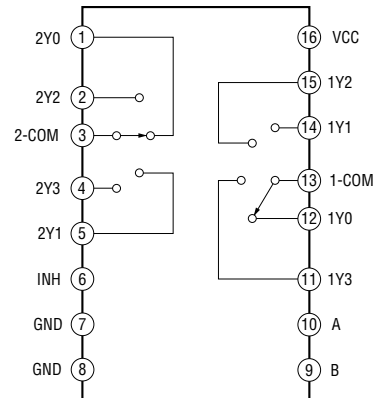


- D_VIDEO Board -

IC1003 MC14052 BDR2

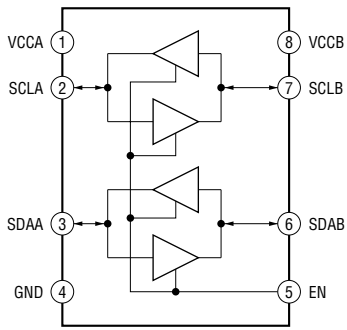


IC3504, 3508 SN74LV4052APWR

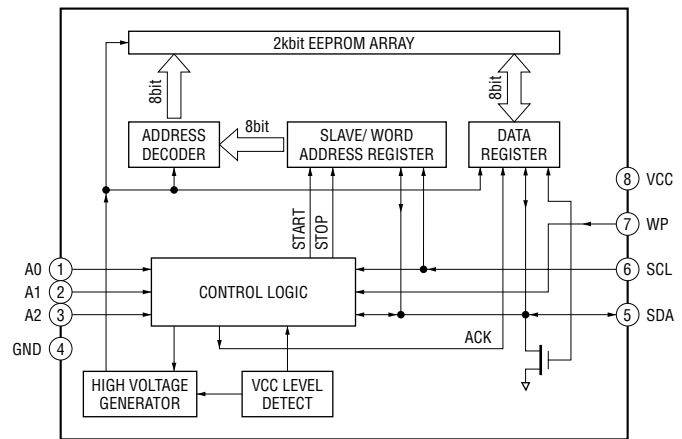


STR-DA3300ES/DG1100

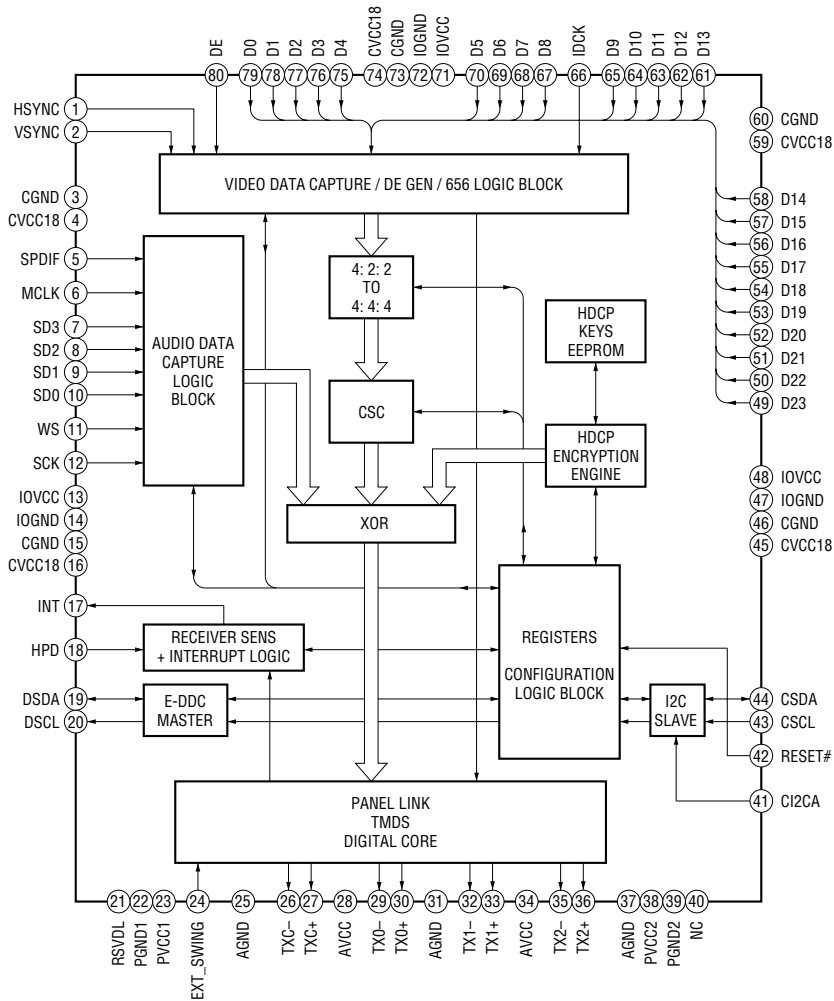
IC3506 PCA9517DP.118



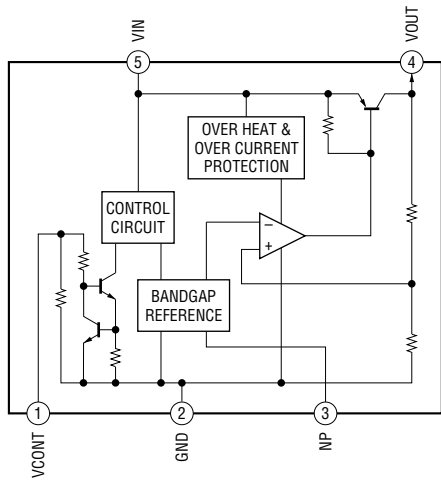
IC3509 BR24L02F-WE2



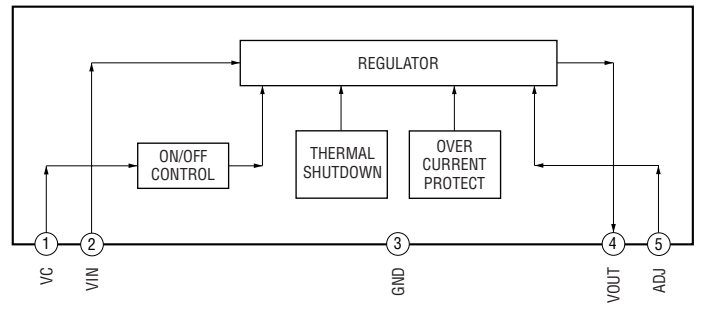
IC3513 SII9030CTU-7



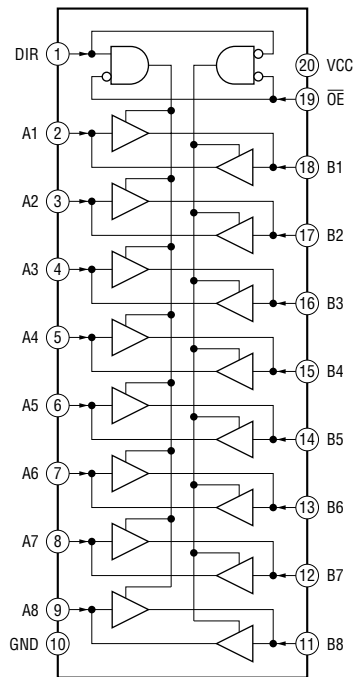
IC3516 TK11150CSCL-G
 IC3608 TK11118CSCL-G
 IC3852 TK11125CSCL-G



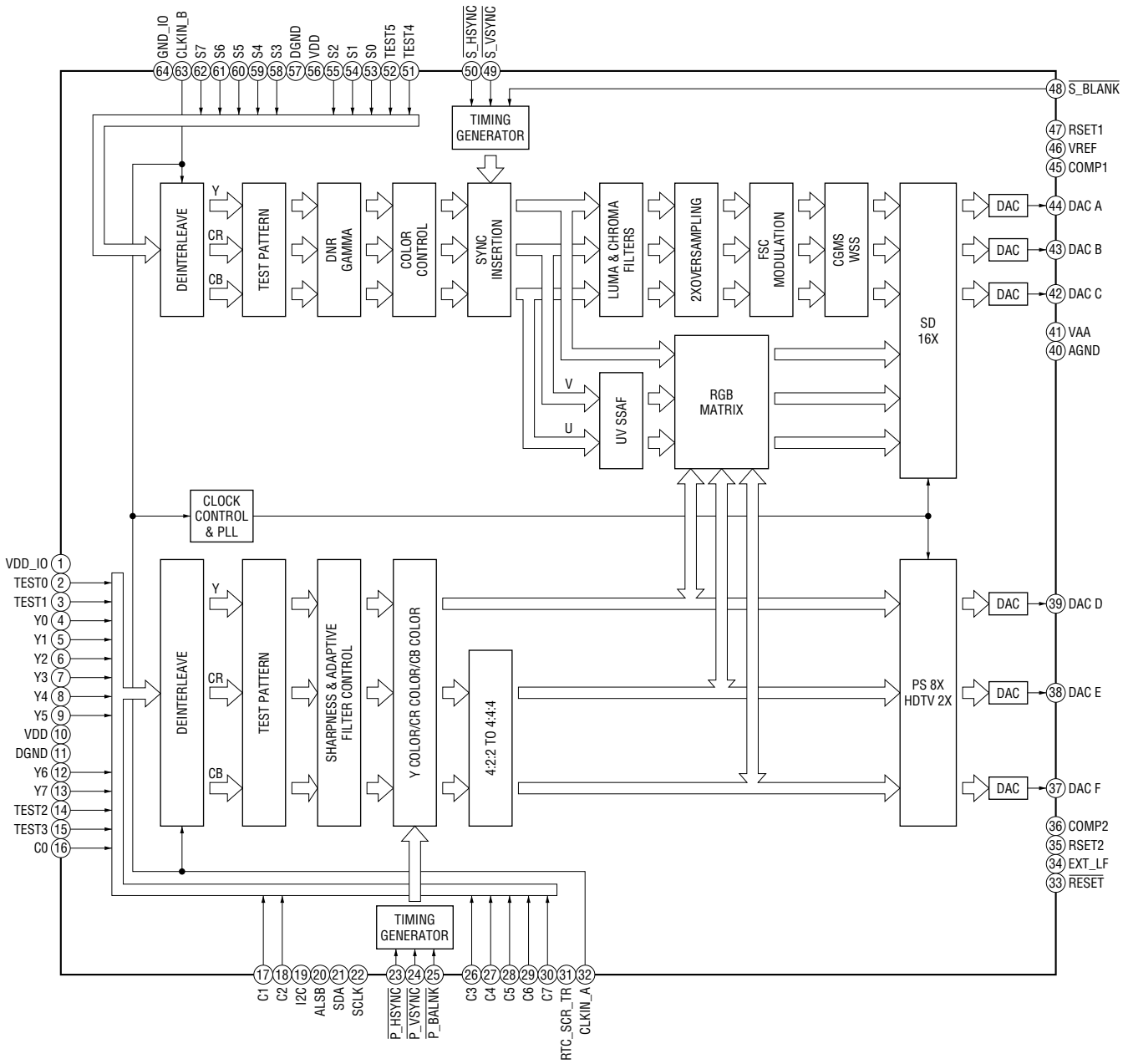
IC3617 SI-3011ZFE



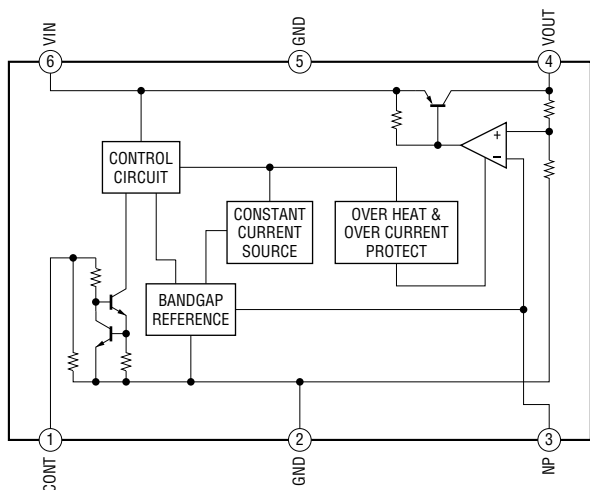
IC3619, 3620 TC74LCX245FK (EL)



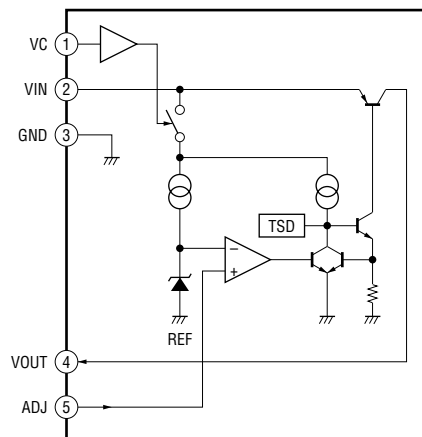
IC3850 ADV7322KSTZ



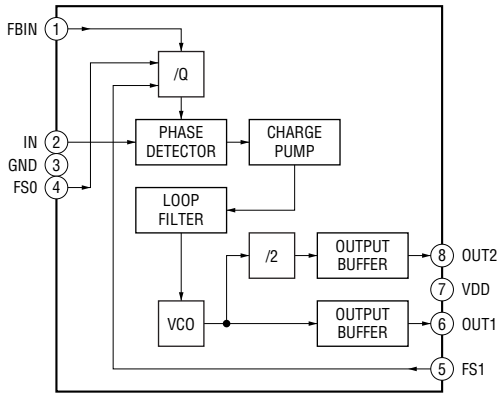
IC3851 TK11225CMCL-G



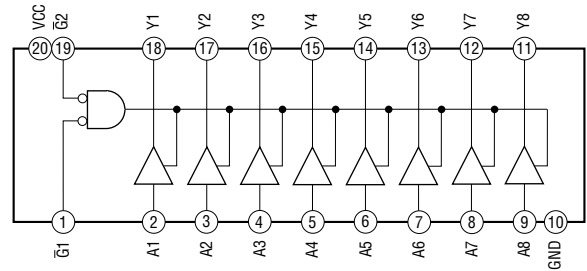
IC3853 SI-3010KM-TL



IC3854 CY2302-SXC-1T

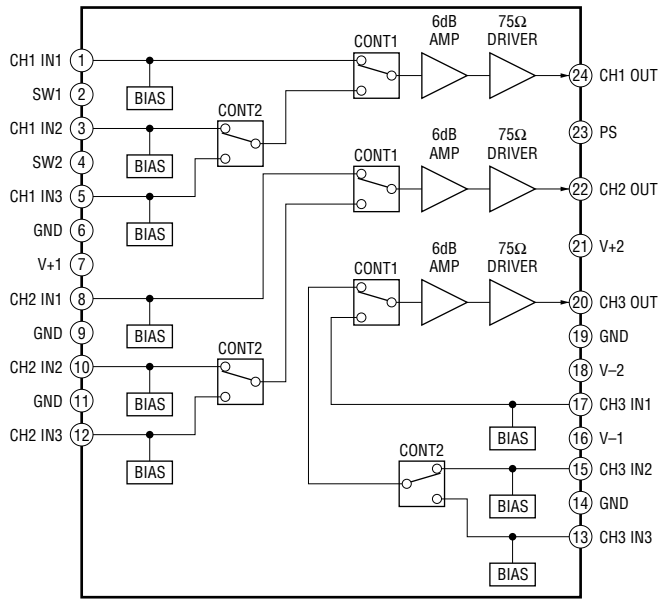


IC3855 TC74VHC541FT (EL)

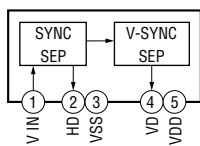


- A_VIDEO Board -

IC6001, 6104 NJM2586AM

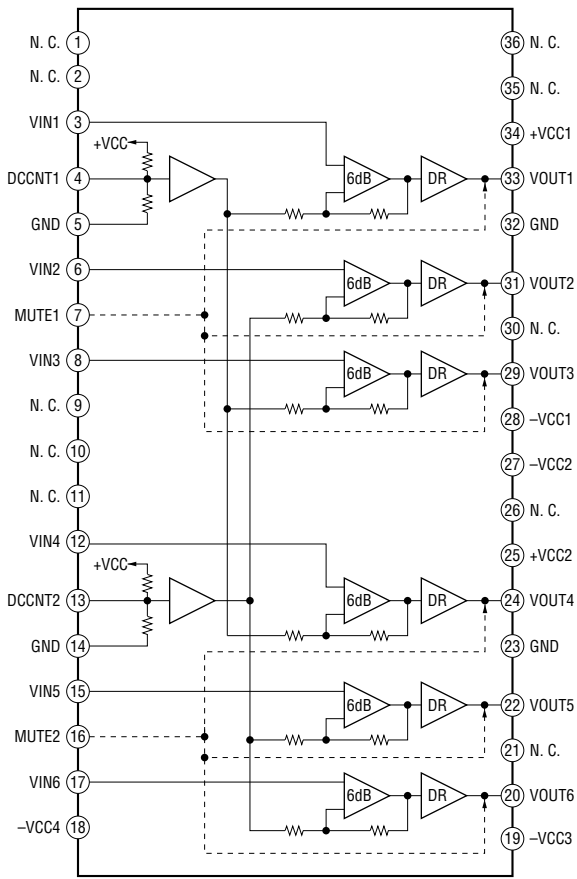


IC6101, 6102 LA7213

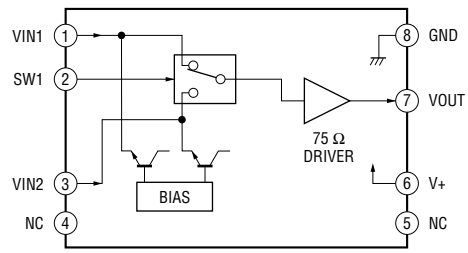


STR-DA3300ES/DG1100

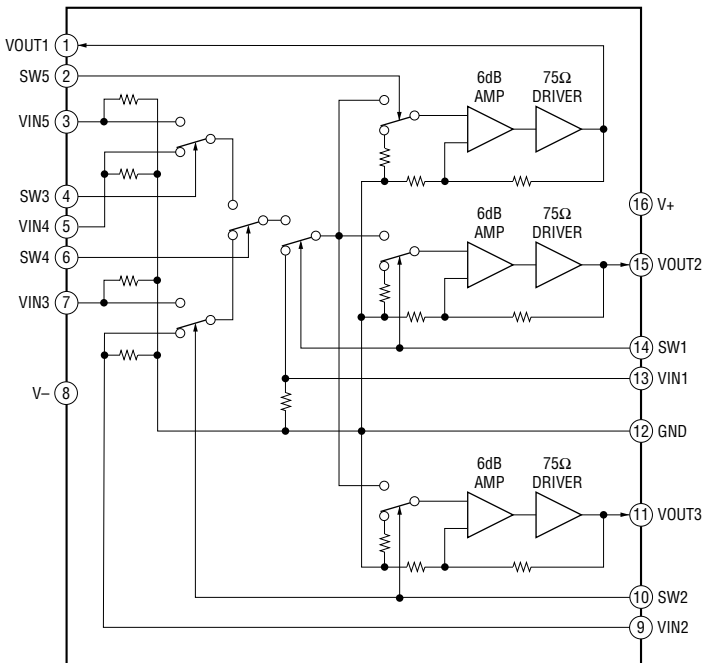
IC6103 LA73053-TLM-E



IC6204, 6504, 6505 NJM2533M (TE2)

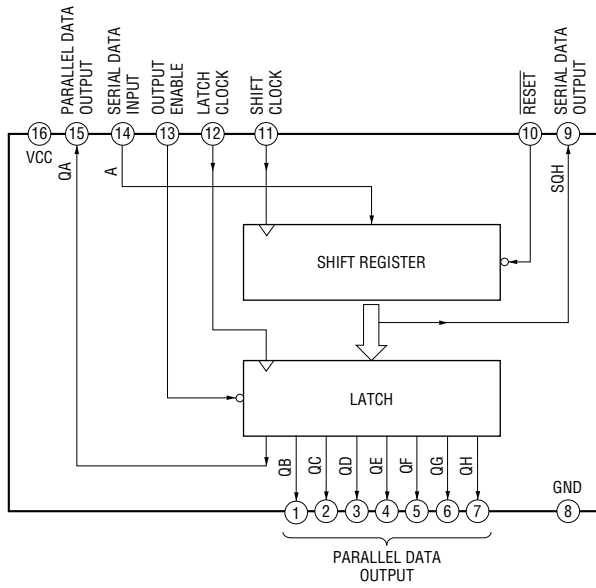


IC6301, 6302 NJM2595M-TE2

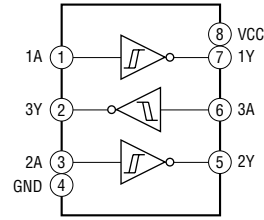


– CONTROL Board –

IC6502, 6503 SN74HC595ANS

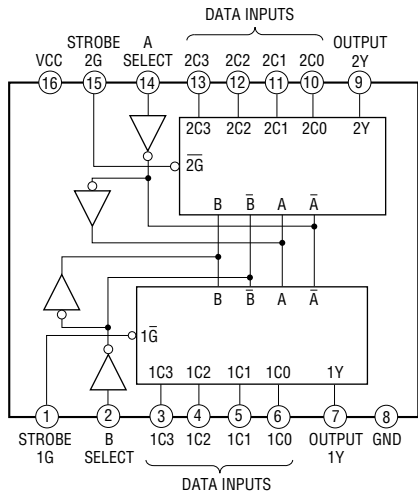


IC2006, 2009 TC7W14FU (TE12R)

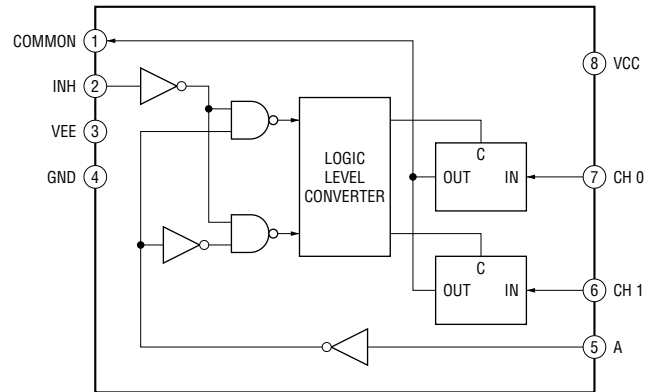


– CIS Board –

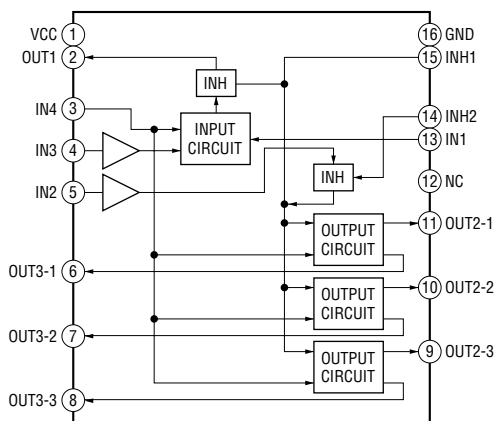
IC2010 TC74VHC153FT (EL)



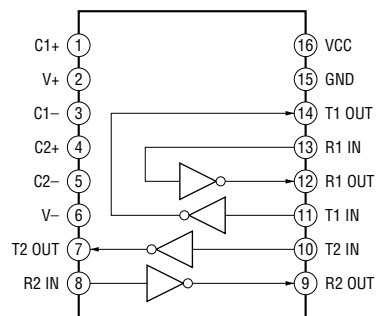
IC802 TC7W53FU (TE12R)



IC861 NJM2145M-TE2



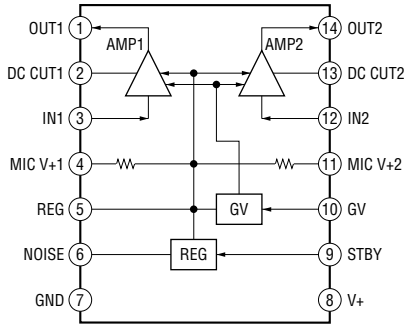
IC881 MAX232N



STR-DA3300ES/DG1100

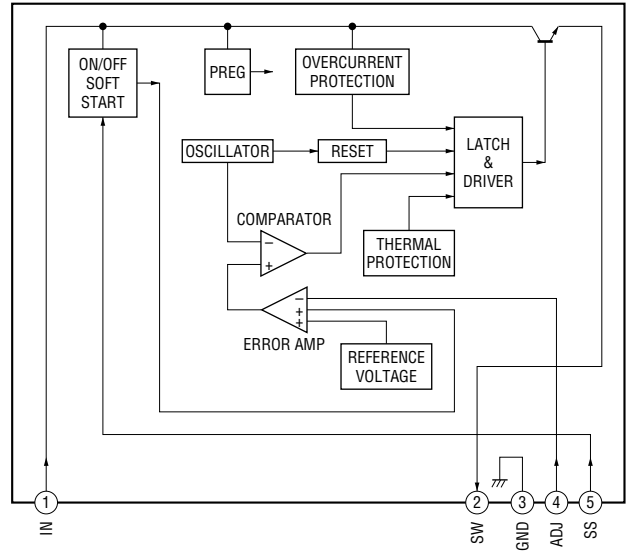
- DISPLAY Board -

IC703 NJM2173AV (TE2)

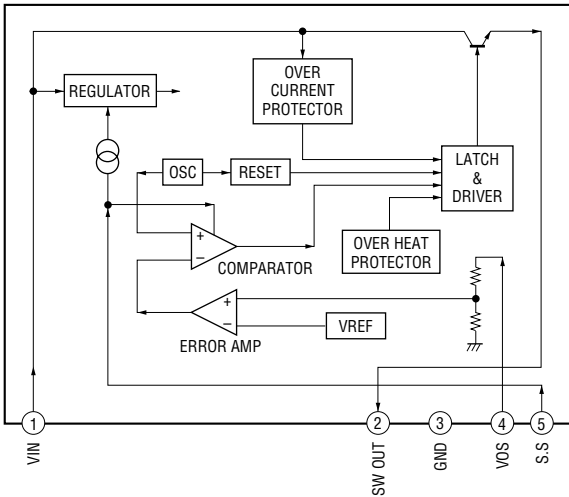


- DC-DC Board -

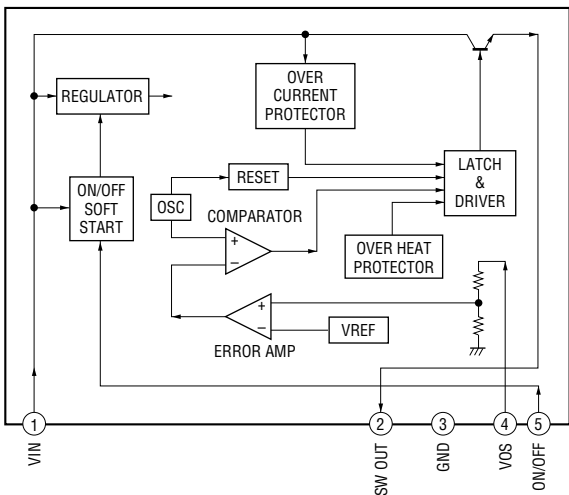
IC1402, 1403 SI-8008HFE



IC1404 SI-8050S-LF1101



IC1405 SI-8120JF



• IC Pin Function Description
TUNER BOARD IC8003 F2602E-01-TR (XM RECEIVER)

Pin No.	Pin Name	I/O	Description
1	LSOPTXRX	-	Not used
2	VSS	-	Ground terminal
3	SCTXOUT	O	Serial data output to the system controller
4	VDD	-	Power supply terminal (+3.3V)
5	SCRXIN	I	Serial data input from the system controller
6	VSS	-	Ground terminal
7	COMMSEL	I	Command mode selection signal input terminal Not used
8	VDD	-	Power supply terminal (+3.3V)
9	$\overline{\text{IRQ}}$	O	Interrupt request signal output terminal Not used
10	VSS	-	Ground terminal
11	$\overline{\text{RESET}}$	I	Reset signal input from the system controller "L": reset
12	SLAVESL	I	Master/slave mode setting terminal "L": master mode, "H": slave mode Fixed at "L" in this set
13	COMRXDIG	-	Not used
14	COMTXDIG	-	Not used
15	COMTXEN	-	Not used
16	VSS	-	Ground terminal
17	VDD	-	Power supply terminal (+3.3V)
18	COMRXP	I	XM receiver differential signal (positive) input terminal
19	COMRXM	I	XM receiver differential signal (negative) input terminal
20	VDD	-	Power supply terminal (+3.3V)
21	VSS	-	Ground terminal
22	COMTXM	O	XM transmitter differential signal (negative) output terminal
23	COMTXP	O	XM transmitter differential signal (positive) output terminal
24, 25	VSS	-	Ground terminal
26	OSCOUT	O	System clock output terminal (45.1584 MHz)
27	VDD	-	Power supply terminal (+3.3V)
28	OSCIN	I	System clock input terminal (45.1584 MHz)
29	VSS	-	Ground terminal
30	TEST	-	Not used
31	VSS	-	Ground terminal
32	HSDPDATA	-	Not used
33	VDD	-	Power supply terminal (+3.3V)
34	HSDPCLK	-	Not used
35	VSS	-	Ground terminal
36	HSDPEN	-	Not used
37	I2SDATA	O	I2S digital audio data output to the D/A converter and DSP
38	VSS	-	Ground terminal
39	I2SSCLK	O	I2S bit clock signal output to the D/A converter and DSP
40	VDD	-	Power supply terminal (+3.3V)
41	I2SLRCLK	O	I2S L/R sampling clock signal output to the D/A converter and DSP
42	VSS	-	Ground terminal
43	I2SOCLK	O	I2S over sample clock signal output to the D/A converter and DSP
44	VSS	-	Ground terminal
45	SAIICLK	-	Not used
46	VDD	-	Power supply terminal (+3.3V)

STR-DA3300ES/DG1100

Pin No.	Pin Name	I/O	Description
47	SAIIDATA	-	Not used
48	SAIEN	-	Not used

DSP BOARD IC2 ADSP21266SKSTZ-2C (DSP)

Pin No.	Pin Name	I/O	Description
1	VDDINT	-	Power supply terminal (+1.2V)
2, 3	CLKCFG0, CLKCFG1	I	Clock frequency setting terminal
4, 5	BOOTCFG0, BOOTCFG1	I	Boot mode setting terminal for DSP
6	GND	-	Ground terminal
7	VDDEXT	-	Power supply terminal (+3.3V)
8	GND	-	Ground terminal
9	VDDINT	-	Power supply terminal (+1.2V)
10	GND	-	Ground terminal
11	VDDINT	-	Power supply terminal (+1.2V)
12	GND	-	Ground terminal
13	VDDINT	-	Power supply terminal (+1.2V)
14	GND	-	Ground terminal
15	INT_REQ	O	Interrupt request signal output to the system controller
16	DIR_ERR	I	PLL lock error signal and data error flag input from the digital audio interface receiver
17	AD7	I/O	Two-way data bus with S-RAM and address signal output to the S-RAM
18	GND	-	Ground terminal
19	VDDINT	-	Power supply terminal (+1.2V)
20	GND	-	Ground terminal
21	VDDEXT	-	Power supply terminal (+3.3V)
22	GND	-	Ground terminal
23	VDDINT	-	Power supply terminal (+1.2V)
24 to 26	AD6 to AD4	I/O	Two-way data bus with S-RAM and address signal output to the S-RAM
27	VDDINT	-	Power supply terminal (+1.2V)
28	GND	-	Ground terminal
29, 30	AD3, AD2	I/O	Two-way data bus with S-RAM and address signal output to the S-RAM
31	VDDEXT	-	Power supply terminal (+3.3V)
32	GND	-	Ground terminal
33, 34	AD1, AD0	I/O	Two-way data bus with S-RAM and address signal output to the S-RAM
35	XWR	O	Data write enable signal output to the S-RAM
36, 37	VDDINT	-	Power supply terminal (+1.2V)
38	GND	-	Ground terminal
39	XRD	O	Data read enable signal output to the S-RAM
40	ALE	O	Address latch enable signal output terminal
41 to 43	AD15 to AD13	I/O	Two-way data bus with S-RAM and address signal output to the S-RAM
44	GND	-	Ground terminal
45	VDDEXT	-	Power supply terminal (+3.3V)
46	AD12	I/O	Two-way data bus with S-RAM and address signal output to the S-RAM
47	VDDINT	-	Power supply terminal (+1.2V)
48	GND	-	Ground terminal
49 to 52	AD11 to AD8	I/O	Two-way data bus with S-RAM and address signal output to the S-RAM
53	A16	O	Address signal output to the S-RAM
54	VDDINT	-	Power supply terminal (+1.2V)
55	GND	-	Ground terminal
56, 57	A17, A18	O	Address signal output to the S-RAM

Pin No.	Pin Name	I/O	Description
58	GND	-	Ground terminal
59	VDDEXT	-	Power supply terminal (+3.3V)
60	VDDINT	-	Power supply terminal (+1.2V)
61	GND	-	Ground terminal
62	PF_CE	I/O	Chip enable signal input/output terminal Not used
63	SPL_MAS	O	Master/slave selection signal output to the system controller "L": DSP is master
64	DPSOA	O	PCM audio signal (front L/R) output to the D/A converter
65	DPSOB	O	PCM audio signal (surround L/R) output to the D/A converter
66	VDDINT	-	Power supply terminal (+1.2V)
67	GND	-	Ground terminal
68	VDDINT	-	Power supply terminal (+1.2V)
69	GND	-	Ground terminal
70	DPSOC	O	PCM audio signal (center, sub woofer) output to the D/A converter
71	DPSOD	O	PCM audio signal (surround back L/R) output to the D/A converter
72	VDDINT	-	Power supply terminal (+1.2V)
73	VDDEXT	-	Power supply terminal (+3.3V)
74	GND	-	Ground terminal
75	VDDINT	-	Power supply terminal (+1.2V)
76	GND	-	Ground terminal
77	DPSOE	O	PCM audio signal output terminal Not used
78	DPSIA	I	PCM audio signal (digital input) input from the digital audio interface receiver
79	DPSIB	I	PCM audio signal (front L/R) input from the A/D converter, HDMI receiver or XM receiver
80	DPSIC	I	PCM audio signal (surround L/R) input from the HDMI receiver
81	DPSID	I	PCM audio signal (center, sub woofer) input from the HDMI receiver
82	DPSIE	I	PCM audio signal (surround back L/R) input from the HDMI receiver
83	VDDINT	-	Power supply terminal (+1.2V)
84, 85	GND	-	Ground terminal
86	DPDVLCK	O	L/R sampling clock signal output for PCM audio output to the D/A converter
87	DPDVCK	O	Bit clock signal output for PCM audio output to the D/A converter
88	DPLCK	I	L/R sampling clock signal input for PCM audio input from the digital audio interface receiver, HDMI receiver or XM receiver
89	DPBCK	I	Bit clock signal input for PCM audio input from the digital audio interface receiver, HDMI receiver or XM receiver
90	VDDINT	-	Power supply terminal (+1.2V)
91, 92	GND	-	Ground terminal
93	VDDEXT	-	Power supply terminal (+3.3V)
94	DPFCK	I	Master clock signal input from the digital audio interface receiver, HDMI receiver or XM receiver
95	GND	-	Ground terminal
96	VDDINT	-	Power supply terminal (+1.2V)
97	XNONAUDIO	I	PCM audio data input from the digital audio interface receiver
98	XSF_CE	O	Chip enable signal output to the serial flash
99	VDDINT	-	Power supply terminal (+1.2V)
100	GND	-	Ground terminal
101	VDDINT	-	Power supply terminal (+1.2V)
102	GND	-	Ground terminal
103	VDDINT	-	Power supply terminal (+1.2V)
104	GND	-	Ground terminal
105	VDDINT	-	Power supply terminal (+1.2V)

Pin No.	Pin Name	I/O	Description
106	GND	-	Ground terminal
107, 108	VDDINT	-	Power supply terminal (+1.2V)
109	GND	-	Ground terminal
110	VDDINT	-	Power supply terminal (+1.2V)
111	GND	-	Ground terminal
112	VDDINT	-	Power supply terminal (+1.2V)
113	GND	-	Ground terminal
114	VDDINT	-	Power supply terminal (+1.2V)
115	GND	-	Ground terminal
116	VDDEXT	-	Power supply terminal (+3.3V)
117	GND	-	Ground terminal
118	VDDINT	-	Power supply terminal (+1.2V)
119	GND	-	Ground terminal
120	VDDINT	-	Power supply terminal (+1.2V)
121	XRESET	I	Reset signal input from the system controller "L": reset
122	XSPIDS	I	Serial data latch pulse signal input from the system controller
123	GND	-	Ground terminal
124	VDDINT	-	Power supply terminal (+1.2V)
125	SPICLK	O	Serial data transfer clock signal output to the serial flash
126	MISO	I	Serial data input from the serial flash
127	MOSI	O	Serial data output to the serial flash
128	GND	-	Ground terminal
129	VDDINT	-	Power supply terminal (+1.2V)
130	VDDEXT	-	Power supply terminal (+3.3V)
131	AVDD	-	Power supply terminal (+3.3V)
132	AVSS	-	Ground terminal
133	GND	-	Ground terminal
134	CLKOUT	-	Not used
135	XEMU	-	Not used
136	TDO	-	Not used
137	TDI	-	Not used
138	CTRST	-	Not used
139	TCK	-	Not used
140	TMS	-	Not used
141	GND	-	Ground terminal
142	CLKIN	I	System clock input terminal (25 MHz)
143	XTAL	O	System clock output terminal (25 MHz)
144	VDDEXT	-	Power supply terminal (+3.3V)

D_VIDEO BOARD IC3503 TMDS341PFCR (HDMI INPUT SELECT)

Pin No.	Pin Name	I/O	Description
1	NC	-	Not used
2	SDA1	I/O	I2C two-way data bus with the HDMI ASSIGNABLE (INPUT ONLY) IN 1 jack
3	SCL1	I	I2C clock signal input from the HDMI ASSIGNABLE (INPUT ONLY) IN 1 jack
4	GND	-	Ground terminal
5	B11	I	TMDS clock signal (negative) input from the HDMI ASSIGNABLE (INPUT ONLY) IN 1 jack
6	A11	I	TMDS clock signal (positive) input from the HDMI ASSIGNABLE (INPUT ONLY) IN 1 jack
7	VCC	-	Power supply terminal (+3.3V)
8	B12	I	TMDS data (negative) input from the HDMI ASSIGNABLE (INPUT ONLY) IN 1 jack
9	A12	I	TMDS data (positive) input from the HDMI ASSIGNABLE (INPUT ONLY) IN 1 jack
10	GND	-	Ground terminal
11	B13	I	TMDS data (negative) input from the HDMI ASSIGNABLE (INPUT ONLY) IN 1 jack
12	A13	I	TMDS data (positive) input from the HDMI ASSIGNABLE (INPUT ONLY) IN 1 jack
13	VCC	-	Power supply terminal (+3.3V)
14	B14	I	TMDS data (negative) input from the HDMI ASSIGNABLE (INPUT ONLY) IN 1 jack
15	A14	I	TMDS data (positive) input from the HDMI ASSIGNABLE (INPUT ONLY) IN 1 jack
16	GND	-	Ground terminal
17	VCC	-	Power supply terminal (+3.3V)
18	VSADJ	I	TMDS compliant voltage swing control signal input terminal Not used
19	PRE	I	Output de-emphasis setting terminal "L": 0 dB, "H": 3 dB Fixed at "L" in this set
20	NC	-	Not used
21 to 23	S1 to S3	I	Source selection signal input from the video system controller
24	GND	-	Ground terminal
25	Y4	O	TMDS data (positive) output to the HDMI receiver
26	Z4	O	TMDS data (negative) output to the HDMI receiver
27	VCC	-	Power supply terminal (+3.3V)
28	Y3	O	TMDS data (positive) output to the HDMI receiver
29	Z3	O	TMDS data (negative) output to the HDMI receiver
30	GND	-	Ground terminal
31	Y2	O	TMDS data (positive) output to the HDMI receiver
32	Z2	O	TMDS data (negative) output to the HDMI receiver
33	VCC	-	Power supply terminal (+3.3V)
34	Y1	O	TMDS data (positive) output to the HDMI receiver
35	Z1	O	TMDS data (negative) output to the HDMI receiver
36, 37	GND	-	Ground terminal
38	SCL_SINK	O	I2C clock signal output to the EEPROM and HDMI receiver
39	SDA_SINK	I/O	I2C two-way data bus with the EEPROM and HDMI receiver
40	HPD_SINK	I	Hot plug detection signal input from the video system controller
41	NC	-	Not used
42	xOE	I	Chip enable signal input from the video system controller
43	VCC	-	Power supply terminal (+3.3V)
44	HPD3	O	Hot plug detection signal output to the HDMI ASSIGNABLE (INPUT ONLY) IN 3 jack
45	SDA3	I/O	I2C two-way data bus with the HDMI ASSIGNABLE (INPUT ONLY) IN 3 jack
46	SCL3	I	I2C clock signal input from the HDMI ASSIGNABLE (INPUT ONLY) IN 3 jack
47	GND	-	Ground terminal
48	B31	I	TMDS clock signal (negative) input from the HDMI ASSIGNABLE (INPUT ONLY) IN 3 jack
49	A31	I	TMDS clock signal (positive) input from the HDMI ASSIGNABLE (INPUT ONLY) IN 3 jack

Pin No.	Pin Name	I/O	Description
50	VCC	-	Power supply terminal (+3.3V)
51	B32	I	TMDS data (negative) input from the HDMI ASSIGNABLE (INPUT ONLY) IN 3 jack
52	A32	I	TMDS data (positive) input from the HDMI ASSIGNABLE (INPUT ONLY) IN 3 jack
53	GND	-	Ground terminal
54	B33	I	TMDS data (negative) input from the HDMI ASSIGNABLE (INPUT ONLY) IN 3 jack
55	A33	I	TMDS data (positive) input from the HDMI ASSIGNABLE (INPUT ONLY) IN 3 jack
56	VCC	-	Power supply terminal (+3.3V)
57	B34	I	TMDS data (negative) input from the HDMI ASSIGNABLE (INPUT ONLY) IN 3 jack
58	A34	I	TMDS data (positive) input from the HDMI ASSIGNABLE (INPUT ONLY) IN 3 jack
59	GND	-	Ground terminal
60	NC	-	Not used
61	VCC	-	Power supply terminal (+3.3V)
62	HPD3	O	Hot plug detection signal output to the HDMI ASSIGNABLE (INPUT ONLY) IN 2 jack
63	SDA3	I/O	I2C two-way data bus with the HDMI ASSIGNABLE (INPUT ONLY) IN 2 jack
64	SCL3	I	I2C clock signal input from the HDMI ASSIGNABLE (INPUT ONLY) IN 2 jack
65	GND	-	Ground terminal
66	B31	I	TMDS clock signal (negative) input from the HDMI ASSIGNABLE (INPUT ONLY) IN 2 jack
67	A31	I	TMDS clock signal (positive) input from the HDMI ASSIGNABLE (INPUT ONLY) IN 2 jack
68	VCC	-	Power supply terminal (+3.3V)
69	B32	I	TMDS data (negative) input from the HDMI ASSIGNABLE (INPUT ONLY) IN 2 jack
70	A32	I	TMDS data (positive) input from the HDMI ASSIGNABLE (INPUT ONLY) IN 2 jack
71	GND	-	Ground terminal
72	B33	I	TMDS data (negative) input from the HDMI ASSIGNABLE (INPUT ONLY) IN 2 jack
73	A33	I	TMDS data (positive) input from the HDMI ASSIGNABLE (INPUT ONLY) IN 2 jack
74	VCC	-	Power supply terminal (+3.3V)
75	B34	I	TMDS data (negative) input from the HDMI ASSIGNABLE (INPUT ONLY) IN 2 jack
76	A34	I	TMDS data (positive) input from the HDMI ASSIGNABLE (INPUT ONLY) IN 2 jack
77	GND	-	Ground terminal
78	NC	-	Not used
79	VCC	-	Power supply terminal (+3.3V)
80	HPD1	O	Hot plug detection signal output to the HDMI ASSIGNABLE (INPUT ONLY) IN 1 jack

D_VIDEO BOARD IC3511 SII9011CLU (HDMI RECEIVER)

Pin No.	Pin Name	I/O	Description
1	VSYNC	O	Vertical sync signal output to the HDMI transmitter, video processor, video system controller
2 to 5	QO23 to QO20	-	Not used
6	IOGND	-	Ground terminal
7	IOVCC	-	Power supply terminal (+3.3V)
8 to 11	QO19 to QO16	-	Not used
12	CVCC18	-	Power supply terminal (+1.8V)
13	CGND	-	Ground terminal
14 to 17	QO15 to QO12	-	Not used
18	IOGND	-	Ground terminal
19	IOVCC	-	Power supply terminal (+3.3V)
20 to 23	QO11 to QO8	-	Not used
24	CVCC18	-	Power supply terminal (+1.8V)
25	CGND	-	Ground terminal
26 to 29	QO7 to QO4	-	Not used
30	IOGND	-	Ground terminal
31	IOVCC	-	Power supply terminal (+3.3V)
32 to 35	QO3 to QO0	-	Not used
36	CVCC18	-	Power supply terminal (+1.8V)
37	CGND	-	Ground terminal
38	CI2CA	-	Not used
39	CSDA	I/O	I2C two-way data bus with the EEPROM, HDMI transmitter, video system controller and D/A converter
40	CSCL	I	I2C clock signal input from the video system controller
41	DSDA	I/O	I2C two-way data bus with the HDMI input select and EEPROM
42	DSCL	I	I2C clock signal input from the HDMI input select and EEPROM
43	NC	-	Not used
44	PWR5V	I	HDMI ASSIGNABLE (INPUT ONLY) IN jack detection signal input terminal
45	CVCC18	-	Power supply terminal (+1.8V)
46	PGND	-	Ground terminal
47	PVCC	-	Power supply terminal (+3.3V)
48	RSVD	-	Not used
49	AVCC	-	Power supply terminal (+3.3V)
50	RXC-	I	TMDS clock signal input from the HDMI input select
51	RXC+	I	TMDS clock signal input from the HDMI input select
52	AGND	-	Ground terminal
53	AVCC	-	Power supply terminal (+3.3V)
54	RX0-	I	TMDS data input from the HDMI input select
55	RX0+	I	TMDS data input from the HDMI input select
56	AGND	-	Ground terminal
57	AVCC	-	Power supply terminal (+3.3V)
58	RX1-	I	TMDS data input from the HDMI input select
59	RX1+	I	TMDS data input from the HDMI input select
60	AGND	-	Ground terminal
61	AVCC	-	Power supply terminal (+3.3V)
62	RX2-	I	TMDS data input from the HDMI input select
63	RX2+	I	TMDS data input from the HDMI input select

Pin No.	Pin Name	I/O	Description
64	AGND	-	Ground terminal
65	DGND	-	Ground terminal
66	DVCC18	-	Power supply terminal (+1.8V)
67	MUTE	O	Audio muting control signal output terminal
68	IOVCC	-	Power supply terminal (+3.3V)
69	IOGND	-	Ground terminal
70	SPDIF	O	S/PDIF signal output to the digital audio interface receiver and HDMI transmitter
71 to 74	SD3 to SD0	O	Serial data output to the DSP and HDMI transmitter
75	WS	O	Word select signal output to the DSP and HDMI transmitter
76	SCK	O	Serial clock signal output to the DSP and HDMI transmitter
77	IOVCC	-	Power supply terminal (+3.3V)
78	IOGND	-	Ground terminal
79	MCLK	O	Audio master clock signal output to the DSP and HDMI transmitter
80	CGND	-	Ground terminal
81	CVCC18	-	Power supply terminal (+1.8V)
82	AUDPVCC18	-	Power supply terminal (+1.8V)
83	AUDPGND	-	Ground terminal
84	XTALOUT	O	System clock output terminal (28.322 MHz)
85	XTALIN	I	System clock input terminal (28.322 MHz)
86	XTALVCC	-	Power supply terminal (+3.3V)
87	REGVCC	-	Power supply terminal (+3.3V)
88	RSVDL	-	Not used
89	RESET	I	Reset signal input from the video system controller "L": reset
90	SCDT	-	Not used
91	INT	O	Interrupt signal output to the video system controller
92 to 96	QE23 to QE19	O	Serial data output to the HDMI transmitter, video processor and D/A converter
97	IOGND	-	Ground terminal
98	IOVCC	-	Power supply terminal (+3.3V)
99 to 105	QE18 to QE12	O	Serial data output to the HDMI transmitter, video processor and D/A converter
106	IOGND	-	Ground terminal
107	IOVCC	-	Power supply terminal (+3.3V)
108 to 111	QE11 to QE8	O	Serial data output to the HDMI transmitter, video processor and D/A converter
112	CVCC18	-	Power supply terminal (+1.8V)
113	CGND	-	Ground terminal
114 to 117	QE7 to QE4	O	Serial data output to the HDMI transmitter and video processor
118	IOGND	-	Ground terminal
119	ODCK	O	Output data clock signal output to the HDMI transmitter, video processor and D/A converter
120	IOVCC	-	Power supply terminal (+3.3V)
121 to 124	QE3 to QE0	O	Serial data output to the HDMI transmitter and video processor
125	CGND	-	Ground terminal
126	CVCC18	-	Power supply terminal (+1.8V)
127	DE	O	Data enable signal output to the HDMI transmitter, video processor and D/A converter
128	HSYNC	O	Horizontal sync signal output to the HDMI transmitter, video processor and D/A converter

D_VIDEO BOARD IC3601 FLI8638-LF (VIDEO PROCESSOR)

Pin No.	Pin Name	I/O	Description
A1	NC	-	Not used
A2	MSTR1_SDA	O	Power detection signal output to the video system controller
A3	MSTR1_SCL	I	Busy signal input from the video system controller
A4, A5	FSDATA1, FSDATA3	I/O	Two-way data bus with the SD-RAM
A6	FSDQM0	O	Lower data mask signal output to the SD-RAM
A7 to A10	FSDATA5, FSDATA7, FSDATA9, FSDATA11	I/O	Two-way data bus with the SD-RAM
A11	FSDQM1	O	Upper data mask signal output to the SD-RAM
A12, A13	FSDATA13, FSDATA15	I/O	Two-way data bus with the SD-RAM
A14	VDDA18_DLL	-	Power supply terminal (+1.8V)
A15, A16	FSDATA17, FSDATA19	I/O	Two-way data bus with the SD-RAM
A17	FSDQS2	O	Upper data strobe signal output to the SD-RAM
A18 to A21	FSDATA21, FSDATA23, FSDATA25, FSDATA27	I/O	Two-way data bus with the SD-RAM
A22	FSDQS3	O	Lower data strobe signal output to the SD-RAM
A23, A24	FSDATA29, FSDATA31	I/O	Two-way data bus with the SD-RAM
A25, A26	RPLL_AGND	-	Ground terminal
B1	BDATA0	I	Digital video signal (B) input from the OSD controller
B2	OCM_UDO_1	O	UART communication transfer data output to the video system controller
B3	OCM_UDI_1	I	UART communication transfer data input from the video system controller
B4, B5	FSDATA0, FSDATA2	I/O	Two-way data bus with the SD-RAM
B6	FSDQS0	O	Upper data strobe signal output to the SD-RAM
B7 to B10	FSDATA4, FSDATA6, FSDATA8, FSDATA10	I/O	Two-way data bus with the SD-RAM
B11	FSDQS1	O	Lower data strobe signal output to the SD-RAM
B12, B13	FSDATA12, FSDATA14	I/O	Two-way data bus with the SD-RAM
B14	VSSA18_DLL	-	Ground terminal
B15, B16	FSDATA16, FSDATA18	I/O	Two-way data bus with the SD-RAM
B17	FSDQM2	O	Lower data mask signal output to the SD-RAM
B18 to B21	FSDATA20, FSDATA22, FSDATA24, FSDATA26	I/O	Two-way data bus with the SD-RAM
B22	FSDQM3	O	Upper data mask signal output to the SD-RAM
B23, B24	FSDATA28, FSDATA30	I/O	Two-way data bus with the SD-RAM

Pin No.	Pin Name	I/O	Description
B25	RPLL_DGND	-	Ground terminal
B26	XTAL	O	System clock output terminal (19.6 MHz)
C1 to C3	BDATA3 to BDATA1	I	Digital video signal (B) input from the OSD controller
C4	FSCKE	O	Clock enable signal output to the SD-RAM
C5	FSCLKN	O	Clock signal (negative) output to the SD-RAM
C6 to C8	FSADDR8 to FSADDR6	O	Address signal output to the SD-RAM
C9	FSVREF	O	Reference voltage output to the SD-RAM
C10 to C18	FSADDR5, FSADDR12, FSADDR9, FSADDR4, FSADDR11, FSADDR3 to FSADDR0	O	Address signal output to the SD-RAM
C19	FSVREF	O	Reference voltage output to the SD-RAM
C20, C21	FSBKSEL1, FSBKSEL0	O	Bank select signal output to the SD-RAM
C22	FSCS1	O	Chip select signal output terminal Not used
C23	FSWE	O	Write enable signal output to the SD-RAM
C24	FSRAS	O	Row address strobe signal output to the SD-RAM
C25	RPLL_1.8V	-	Power supply terminal (+1.8V)
C26	TCLK	I	System clock input terminal (19.6 MHz)
D1	BDATA6	I	Digital video signal input terminal Not used
D2, D3	BDATA5, BDATA4	I	Digital video signal (B) input from the OSD controller
D4	DDR_2.5V	-	Power supply terminal (+2.5V)
D5	FSCLKP	O	Clock signal (positive) output to the SD-RAM
D6 to D8	DDR_2.5V	-	Power supply terminal (+2.5V)
D9	FSVREFVSS	-	Ground terminal
D10 to D15	DDR_2.5V	-	Power supply terminal (+2.5V)
D16	FSADDR10	O	Address signal output to the SD-RAM
D17, D18	DDR_2.5V	-	Power supply terminal (+2.5V)
D19	FSVREFVSS	-	Ground terminal
D20	DDR_2.5V	-	Power supply terminal (+2.5V)
D21	FSCS0	O	Chip select signal output to the SD-RAM
D22, D23	DDR_2.5V	-	Power supply terminal (+2.5V)
D24	FSCAS	O	Column address strobe signal output to the SD-RAM
D25	NC	-	Not used
D26	RPLL_3.3V	-	Power supply terminal (+3.3V)
E1, E2	BDATA9, BDATA8	I	Digital video signal (G) input from the OSD controller
E3	BDATA7	I	Digital video signal input terminal Not used
E4	IO_3.3V	-	Power supply terminal (+3.3V)
E23, E24	PD22, PD23	I/O	Serial data input from the HDMI receiver and serial data output to the HDMI transmitter and D/A converter
E25	LVDS_GND	-	Ground terminal
E26	LVDS_3.3V	-	Power supply terminal (+3.3V)

Pin No.	Pin Name	I/O	Description
F1 to F3	BDATA12 to BDATA10	I	Digital video signal (G) input from the OSD controller
F4	IO_3.3V	-	Power supply terminal (+3.3V)
F23 to F26	PD18 to PD21	I/O	Serial data input from the HDMI receiver and serial data output to the HDMI transmitter and D/A converter
G1, G2	BDATA15, BDATA14	I	Digital video signal input terminal Not used
G3	BDATA13	I	Digital video signal (G) input from the OSD controller
G4	IO_3.3V	-	Power supply terminal (+3.3V)
G23 to G26	PD14 to PD17	I/O	Serial data input from the HDMI receiver and serial data output to the HDMI transmitter and D/A converter
H1 to H3	BDATA18 to BDATA16	I	Digital video signal (R) input from the OSD controller
H4	IO_3.3V	-	Power supply terminal (+3.3V)
H23	LVDS_PLL_GND	-	Ground terminal
H24	LVDS_PLL_3.3V	-	Power supply terminal (+3.3V)
H25	LVDS_GND	-	Ground terminal
H26	LVDS_3.3V	-	Power supply terminal (+3.3V)
J1 to J3	BDATA21 to BDATA19	I	Digital video signal (R) input from the OSD controller
J4	IO_3.3V	-	Power supply terminal (+3.3V)
J23, J24	PD12, PD13	I/O	Serial data input from the HDMI receiver and serial data output to the HDMI transmitter and D/A converter
J25	LVDS_GND	-	Ground terminal
J26	LVDS_3.3V	-	Power supply terminal (+3.3V)
K1	BHREF_DE	I	Blanking period signal input from the OSD controller
K2, K3	BDATA23, BDATA22	I	Digital video signal input terminal Not used
K4	IO_3.3V	-	Power supply terminal (+3.3V)
K10, K11	CORE_1.8V	-	Power supply terminal (+1.8V)
K12 to K15	D_GND	-	Ground terminal
K16, K17	CORE_1.8V	-	Power supply terminal (+1.8V)
K23 to K26	PD8 to PD11	I/O	Serial data input from the HDMI receiver and serial data output to the HDMI transmitter and D/A converter
L1	IPCLK3	I	Clock signal input terminal Not used
L2	BVS	I	Vertical sync signal input from the OSD controller
L3	BHS	I	Horizontal sync signal input from the OSD controller
L4	IO_3.3V	-	Power supply terminal (+3.3V)
L10	D_GND	-	Ground terminal
L11	CORE_1.8V	-	Power supply terminal (+1.8V)
L12 to L15	D_GND	-	Ground terminal
L16	CORE_1.8V	-	Power supply terminal (+1.8V)
L17	D_GND	-	Ground terminal
L23 to L26	PD4 to PD7	I/O	Serial data input from the HDMI receiver and serial data output to the HDMI transmitter
M1	DIP_CLEAN_HS_OUT	O	Horizontal sync signal output terminal Not used
M2	DIP_EXT_CLAMP	-	Not used

Pin No.	Pin Name	I/O	Description
M3	DIP_EXT_COAST	-	Not used
M4	IPCLK2	I	Dot clock signal input from the OSD controller
M10 to M17	D_GND	-	Ground terminal
M23	IO_3.3V	-	Power supply terminal (+3.3V)
M24, M25	LVDS_GND	-	Ground terminal
M26	LVDS_3.3V	-	Power supply terminal (+3.3V)
N1	IPCLK0	I	Clock signal input terminal Not used
N2	DIP_RAW_HS_CS	-	Not used
N3	DIP_AODD	-	Not used
N4	DIP_BODD	-	Not used
N10 to N17	D_GND	-	Ground terminal
N23 to N26	PD0 to PD3	I/O	Serial data input from the HDMI receiver and serial data output to the HDMI transmitter
P1 to P3	ADATA2 to ADATA0	-	Not used
P4	IPCLK1	I	Clock signal input terminal Not used
P10 to P17	D_GND	-	Ground terminal
P23	IO_3.3V	-	Power supply terminal (+3.3V)
P24	DCLK	I	Output data clock signal input from the HDMI receiver
P25	DHS	I	Horizontal sync signal input from the HDMI receiver
P26	DEN	I	Data enable signal input from the HDMI receiver
R1 to R4	ADATA6 to ADATA3	-	Not used
R10 to R17	D_GND	-	Ground terminal
R23	JTAG_BS_TDI	-	Not used
R24	JTAG_BS_RST	-	Not used
R25	JTAG_BS_TCK	-	Not used
R26	DVS	I	Vertical sync signal input from the HDMI receiver
T1 to T4	ADATA10 to ADATA7	-	Not used
T10	D_GND	-	Ground terminal
T11	CORE_1.8V	-	Power supply terminal (+1.8V)
T12 to T15	D_GND	-	Ground terminal
T16, T17	CORE_1.8V	-	Power supply terminal (+1.8V)
T23	IO_3.3V	-	Power supply terminal (+3.3V)
T24	JTAG_BS_TMS	-	Not used
T25	JTAG_BS_TDO	-	Not used
T26	GPIO_44	-	Not used
U1 to U4	ADATA14 to ADATA11	-	Not used
U10, U11	CORE_1.8V	-	Power supply terminal (+1.8V)
U12 to U15	D_GND	-	Ground terminal
U16, U17	CORE_1.8V	-	Power supply terminal (+1.8V)
U23, U24	PWM1, PWM2	-	Not used
U25	PPWR	-	Not used
U26	PBIAS	-	Not used
V1 to V4	ADATA18 to ADATA15	-	Not used

Pin No.	Pin Name	I/O	Description
V23	IO_3.3V	-	Power supply terminal (+3.3V)
V24	PWM0	-	Not used
V25	SLAVE_SDA	-	Not used
V26	SLAVE_SCL	-	Not used
W1 to W4	ADATA22 to ADATA19	-	Not used
W23	OCM_INT1	-	Not used
W24	OCM_TIMER1	-	Not used
W25	OCM_UDI_0	-	Not used
W26	OCM_UDO_0	-	Not used
Y1	AVS	-	Not used
Y2	AHS	-	Not used
Y3	AHREF_DE	-	Not used
Y4	ADATA23	-	Not used
Y23	IO_3.3V	-	Power supply terminal (+3.3V)
Y24	OCM_INT2	-	Not used
Y25	VGA1_SDA	-	Not used
Y26	VGA1_SCL	-	Not used
AA1	NC	-	Not used
AA2 to AA4	DGND_ADC	-	Ground terminal
AA23	MSTR0_SDA	I/O	Two-way data bus with the EEPROM
AA24	MSTR0_SCL	O	Serial clock signal output to the EEPROM
AA25	VGA0_SDA	-	Not used
AA26	VGA0_SCL	-	Not used
AB1	A1P	I	Video signal input (Pr/Cr) from the COMPONENT VIDEO ASSIGNABLE (INPUT ONLY) jack
AB2	SV1P	-	Not used
AB3	AGND_ADC	-	Ground terminal
AB4	ADC_1.8V	-	Power supply terminal (+1.8V)
AB23	IO_3.3V	-	Power supply terminal (+3.3V)
AB24	IRO	-	Not used
AB25	MSTR2_SDA	I/O	Not used
AB26	MSTR2_SCL	O	Not used
AC1	C1P	I	Video signal input (Y) from the COMPONENT VIDEO ASSIGNABLE (INPUT ONLY) jack
AC2	B1P	I	Video signal input (Pb/Cb) from the COMPONENT VIDEO ASSIGNABLE (INPUT ONLY) jack
AC3	AGND_ADC	-	Ground terminal
AC4, AC5	ADC_1.8V	-	Power supply terminal (+1.8V)
AC6	AGND_ADC	-	Ground terminal
AC7	VOUT2	-	Not used
AC8	AGND_ADC	-	Ground terminal
AC9	LBADC_3.3V	-	Power supply terminal (+3.3V)
AC10	LBADC_IN4	-	Not used
AC11	LBADC_GND	-	Ground terminal
AC12	AVSIN_DATA	-	Not used
AC13	EXTOSD_HS	-	Not used
AC14	IO_3.3V	-	Power supply terminal (+3.3V)
AC15	OCMADDR18	O	Address signal output to the flash memory
AC16	IO_3.3V	-	Power supply terminal (+3.3V)

Pin No.	Pin Name	I/O	Description
AC17	OCMADDR11	O	Address signal output to the flash memory
AC18	IO_3.3V	-	Power supply terminal (+3.3V)
AC19	OCMADDR4	O	Address signal output to the flash memory
AC20	IO_3.3V	-	Power supply terminal (+3.3V)
AC21	OCMDATA13	I/O	Two-way data bus with the flash memory
AC22	IO_3.3V	-	Power supply terminal (+3.3V)
AC23	OCMDATA6	I/O	Two-way data bus with the flash memory
AC24	OCM_CS2N	O	Chip select signal output terminal Not used
AC25	OCN_RE_N	O	Read enable signal output to the flash memory
AC26	OCN_WE_N	O	Write enable signal output to the flash memory
AD1	AN	-	Not used
AD2	AGND_ADC	-	Ground terminal
AD3 to AD5	ADC1_3.3V	-	Power supply terminal (+3.3V)
AD6, AD7	ADC2_3.3V	-	Power supply terminal (+3.3V)
AD8	AGND_ADC	-	Ground terminal
AD9	RESET	I	Reset signal input from the video system controller "L": reset
AD10	LBADC_IN3	-	Not used
AD11	LBADC_RETURN	-	Not used
AD12	AVSIN_WORDSEL	-	Not used
AD13	EXTOSD_VS	-	Not used
AD14	AVSOUT_DATA	-	Not used
AD15 to AD20	OCMADDR19, OCMADDR15, OCMADDR12, OCMADDR8, OCMADDR5, OCMADDR1	O	Address signal output to the flash memory
AD21 to AD23	OCMDATA14, OCMDATA10, OCMDATA7	I/O	Two-way data bus with the flash memory
AD24	ROM_CS_N	O	Chip enable signal output to the flash memory
AD25, AD26	OCM_CS0N, OCM_CS1N	O	Chip select signal output terminal Not used
AE1	SV2P	-	Not used
AE2	B2P	-	Not used
AE3	AGND_ADC	-	Ground terminal
AE4	SV3P	-	Not used
AE5	B3P	-	Not used
AE6	AGND_ADC	-	Ground terminal
AE7	SV4P	-	Not used
AE8	BN2	-	Not used
AE9	AGND_ADC	-	Ground terminal
AE10, AE11	LBADC_IN2, LBADC_IN6	-	Not used
AE12	AIP_RAW_VS	-	Not used
AE13	AVSOUT_SCL	-	Not used
AE14	AVSOUT_WORDSEL	-	Not used

Pin No.	Pin Name	I/O	Description
AE15 to AE20	OCMADDR20, OCMADDR16, OCMADDR13, OCMADDR9, OCMADDR6, OCMADDR2	O	Address signal output to the flash memory
AE21 to AE26	OCMDATA15, OCMDATA11, OCMDATA8, OCMDATA2 to OCMDATA0	I/O	Two-way data bus with the flash memory
AF1	A2P	-	Not used
AF2	C2P	-	Not used
AF3	BN	-	Not used
AF4	A3P	I	Video signal input (CVBS) from VIDEO IN jack
AF5	C3P	-	Not used
AF6	CN	-	Not used
AF7	AN2	-	Not used
AF8	CN2	-	Not used
AF9	SVN	-	Not used
AF10, AF11	LBADC_IN1, LBADC_IN5	-	Not used
AF12	AIP_RAW_HS_CS	-	Not used
AF13	EXTOSD_CLK	-	Not used
AF14	AVSIN_SCL	-	Not used
AF15 to AF20	OCMADDR21, OCMADDR17, OCMADDR14, OCMADDR10, OCMADDR7, OCMADDR3	O	Address signal output to the flash memory
AF21	OCMADDR0	O	Address signal output terminal Not used
AE22 to AE26	OCMDATA12, OCMDATA9 OCMDATA5 to OCMDATA3	I/O	Two-way data bus with the flash memory

D_VIDEO BOARD IC3604 YGV629-VZ (OSD CONTROLLER)

Pin No.	Pin Name	I/O	Description
1	PLLVD	-	Power supply terminal (+3.3V)
2	FILTER	I	Filter connection terminal for internal PLL
3	PLLVSS	-	Ground terminal
4	NC	-	Not used
5 to 10	PLLCTL5 to PLLCTL0	I	PLL setting terminal
11	DTCKS_N	I	Clock signal input terminal Not used
12	DTCK_IN	I	Clock signal input terminal Not used
13	VSS	-	Ground terminal
14	VDD	-	Power supply terminal (+3.3V)
15 to 22	D0 to D7	I/O	Two-way data bus with the video system controller and S-RAM
23	WAIT_N	O	Wait signal output to the video system controller
24	READY_N	-	Not used
25	INT_N	O	Internal status output to the video system controller
26	VDD	-	Power supply terminal (+3.3V)
27	VSS	-	Ground terminal
28	CS_N	I	Chip select signal input from the video system controller
29	WR_N	I	Write enable signal input from the video system controller
30	RD_N	I	Read enable signal input from the video system controller
31 to 33	PS2 to PS0	I	Address signal input from the video system controller
34	SDOUT	O	Serial data output terminal Not used
35	SDIN	I	Serial data input terminal Not used
36	SCS_N	I	Chip select signal input terminal Not used
37	SCLK	I	Serial data transfer clock signal input terminal Not used
38	SER_N	I	CPU interface select setting terminal Fixed at "H" in this set
39	RESET_N	I	Reset signal input from the video system controller "L": reset
40	VSS	-	Ground terminal
41	VDD	-	Power supply terminal (+3.3V)
42	MA0	O	Address signal output terminal Not used
43 to 47	MA1 to MA5	O	Address signal output to the flash memory
48	VSS	-	Ground terminal
49 to 54	MA6 to MA11	O	Address signal output to the flash memory
55	VDD	-	Power supply terminal (+3.3V)
56	VSS	-	Ground terminal
57 to 62	MA12 to MA17	O	Address signal output to the flash memory
63	VSS	-	Ground terminal
64 to 70	MA18 to MA24	O	Address signal output to the flash memory
71	VDD	-	Power supply terminal (+3.3V)
72	VSS	-	Ground terminal
73	MWE_N	O	Write enable signal output to the flash memory
74	MOE_N	O	Output enable signal output to the flash memory
75 to 80	MD15, MD7, MD14, MD6, MD13, MD5	I/O	Two-way data bus with the flash memory
81	VSS	-	Ground terminal
82	VDD	-	Power supply terminal (+3.3V)

Pin No.	Pin Name	I/O	Description
83 to 90	MD12, MD4, MD11, MD3, MD10, MD2, MD9, MD1	I/O	Two-way data bus with the flash memory
91	VSS	-	Ground terminal
92	VDD	-	Power supply terminal (+3.3V)
93, 94	MD8, MD0	I/O	Two-way data bus with the flash memory
95	RAHZ_N	-	Not used
96 to 98	XTEST2 to XTEST0	-	Not used
99	VSIN_N	I	Vertical sync signal input terminal Not used
100	HSIN_N	I	Horizontal sync signal input terminal Not used
101	NC	-	Not used
102	AVDD	-	Power supply terminal (+3.3V)
103	R	O	Analog video signal (R) output terminal Not used
104	G	O	Analog video signal (G) output terminal Not used
105	B	O	Analog video signal (B) output terminal Not used
106	IREF	-	Not used
107	AVSS	-	Ground terminal
108	NC	-	Not used
109	VDD	-	Power supply terminal (+3.3V)
110	VSS	-	Ground terminal
111 to 116	DR0 to DR5	O	Digital video signal (R) output to the video processor
117	VSS	-	Ground terminal
118	VDD	-	Power supply terminal (+3.3V)
119 to 124	DG0 to DG5	O	Digital video signal (G) output to the video processor
125	VSS	-	Ground terminal
126	VDD	-	Power supply terminal (+3.3V)
127to 132	DB0 to DB5	O	Digital video signal (B) output to the video processor
133	VSS	-	Ground terminal
134	FSC	-	Not used
135	YS_N	-	Not used
136	VSYNC_N	O	Vertical sync signal output to the video processor
137	HSYNC_N	O	Horizontal sync signal output to the video processor
138	BLANK_N	O	Blanking period signal output to the video processor
139	DOTCLK	O	Dot clock signal output to the video processor
140	VDD	-	Power supply terminal (+3.3V)
141	XIN	I	System clock input terminal (33.2 MHz)
142	XOUT	O	System clock output terminal (33.2 MHz)
143	VSS	-	Ground terminal
144	NC	-	Not used

D_VIDEO BOARD IC3610 MB91F467RA-07A23GUI-X111 (VIDEO SYSTEM CONTROLLER)

Pin No.	Pin Name	I/O	Description
1	VSS GND	-	Ground terminal
2 to 5	NO USE	-	Not used
6	STOP IN	I	AC off detection signal input terminal
7	DAC CLK SEL	O	Clock on/off control signal output terminal for D/A converter
8	NO USE	-	Not used
9	EN3_EEPROM_UCOM	O	I2C line selection signal output terminal for EEPROM
10	TM_DS_OE	O	Output enable signal output to the HDMI input select
11, 12	VCC3 +3.3V	-	Power supply terminal (+3.3V)
13	VSS GND	-	Ground terminal
14	C_1	-	Not used
15	YAMAHA_FLASH_CE	O	Not used
16	NO USE	-	Not used
17	EXT_ROM_CE	O	Not used
18	YAMAHA_CE	O	Chip enable signal output to the OSD controller
19	SRAM_CE	O	Chip enable signal output to the S-RAM
20	NO USE	-	Not used
21	YAMAHA_RESET	O	Reset signal output to the flash memory and OSD controller "L": reset
22	YAMAHA_WAIT_N	I	Wait signal input from the OSD controller
23	YAMAHA_READY_N	I	Not used
24	NO USE	-	Not used
25	RDX	O	Read enable signal output to the S-RAM and OSD controller
26	SRAM_LB/WE	O	Lower-byte control signal and write enable signal output to the S-RAM
27	SRAM_UB/WE	O	Upper-byte control signal and write enable signal output to the S-RAM, and write enable signal output to the OSD controller
28	NO USE	-	Not used
29	RX_HPG_DTCT00	O	Hot plug detection signal output to the HDMI input select
30	TX_RST	O	Reset signal output to the HDMI transmitter "L": reset
31	TX_HPG	O	Power on/off control signal output terminal for the HDMI OUT jack "H": power on
32	VDAC_RESET	O	Reset signal output to the D/A converter "L": reset
33, 34	HDMI_5VPOW_SEL1, HDMI_5VPOW_SEL2	O	HDMI ASSIGNABLE (INPUT ONLY) IN1/2/3 jack detection signal selection signal output terminal
35	RX_RST	O	Reset signal output to the HDMI receiver "L": reset
36	VCC3 +3.3V	-	Power supply terminal (+3.3V)
37	C_2	-	Not used
38	VSS GND	-	Ground terminal
39	X0	I	System clock input terminal (4 MHz)
40	X1	O	System clock output terminal (4 MHz)
41	VSS GND	-	Ground terminal
42	X0A	I	System clock input terminal Not used
43	X1A	O	System clock output terminal Not used
44	VCC3 +3.3V	-	Power supply terminal (+3.3V)

Pin No.	Pin Name	I/O	Description
45	VSS GND	-	Ground terminal
46 to 53	SRAM IO0 to SRAM IO7	I/O	Two-way data bus with the S-RAM
54 to 56	SRAM IO8/ YAMAHA D0 to SRAM IO10/ YAMAHA D2	I/O	Two-way data bus with the OSD controller and S-RAM
57	VCC3 +3.3V	-	Power supply terminal (+3.3V)
58	VSS GND	-	Ground terminal
59 to 63	SRAM IO11/ YAMAHA D3 to SRAM IO15/ YAMAHA D7	I/O	Two-way data bus with the OSD controller and S-RAM
64	YAMAHA PS0	O	Address signal output to the OSD controller
65, 66	SRAM A0/ YAMAHA PS1, SRAM A1/ YAMAHA PS2	O	Address signal output to the OSD controller and S-RAM
67 to 72	SRAM A2 to SRAM A7	O	Address signal output to the S-RAM
73	VCC3 +3.3V	-	Power supply terminal (+3.3V)
74	VSS GND	-	Ground terminal
75 to 83	SRAM A8 to SRAM A16	O	Address signal output to the S-RAM
84	EXT_ROMA17	O	Not used
85 to 87	NO USE	-	Not used
88	VSS GND	-	Ground terminal
89	VCC3 +3.3V	-	Power supply terminal (+3.3V)
90, 91	NO USE	-	Not used
92 to 94	HDMI_SEL0 to HDMI_SEL2	I	Source selection signal output to the HDMI input select
95 to 97	NO USE	-	Not used
98	AUDIO MUTE REQ	O	Audio muting control signal output terminal
99 to 113	NO USE	-	Not used
114	VSS GND	-	Ground terminal
115, 116	VCC3 +3.3V	-	Power supply terminal (+3.3V)
117	UC3V_SDA	I/O	I2C two-way data bus with the EEPROM, HDMI receiver, HDMI transmitter and D/A converter
118	UC3V_SCL	O	I2C clock signal output to the EEPROM, HDMI receiver, HDMI transmitter and D/A converter
119	YAMAHA_INT_N	I	Interrupt status input from the OSD controller
120	NO USE	-	Not used
121	RX_INT	I	Interrupt status input from the HDMI receiver
122	NO USE	-	Not used
123	TX_INT	I	Interrupt status input from the HDMI transmitter
124	NO USE	-	Not used
125	Faroudja Power DETECT	I	Power detection signal input from the video processor
126	Faroudja UCOM RESET	O	Reset signal output to the video processor and flash memory "L": reset
127	MD3	-	Mode setting terminal Fixed at "L" in this set

Pin No.	Pin Name	I/O	Description
128	MD2	I	Programming mode signal input from the system controller
129, 130	MD1, MD0	-	Mode setting terminal Fixed at "L" in this set
131	INITX	I	Reset signal input from the system controller "L": reset
132	VSS GND	-	Ground terminal
133	VCC5 +5V	-	Power supply terminal (+3.3V)
134	Flash Update RX	I	Serial data input terminal
135	Flash Update TX	O	Serial data output terminal
136	ENDFLAG	I	Programming end flag input from the system controller
137	MAIN UCOM UART RX	I	Serial data input from the system controller
138	MAIN UCOM UART TX	O	Serial data output to the system controller
139	MAIN UCOM UART BUSY	I	Busy signal input from the system controller
140	Faroudja UCOM UART RX	I	UART communication transfer data input from the video processor
141	Faroudja UCOM UART TX	O	UART communication transfer data output to the video processor
142	Faroudja UCOM BUSY	O	Busy signal output to the video processor
143 to 145	NO USE	-	Not used
146	VSS GND	-	Ground terminal
147	VCC5 +5V	-	Power supply terminal (+3.3V)
148 to 160	NO USE	-	Not used
161	VSS GND	-	Ground terminal
162	VCC5 +5V	-	Power supply terminal (+3.3V)
163 to 167	NO USE	-	Not used
168	V.SYNC_DET	I	Vertical sync signal input from the HDMI receiver
169 to 175	NO USE	-	Not used
176	VCC5	-	Power supply terminal (+3.3V)

CONTROL BOARD IC2003 MB91F467RA-07A23ES-X107 (SYSTEM CONTROLLER)

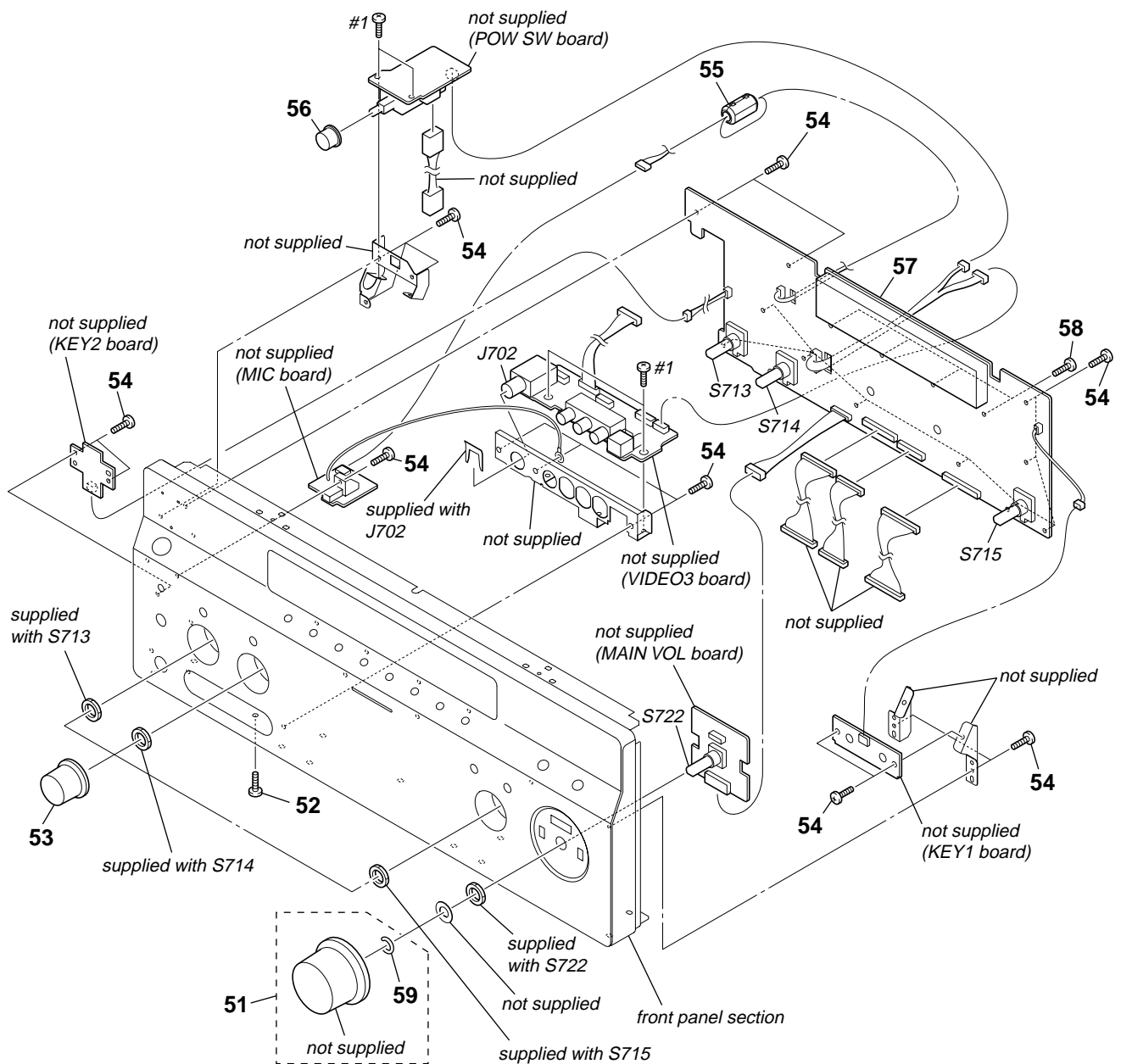
Pin No.	Pin Name	I/O	Description
1	VSS	-	Ground terminal
2	POW-SW_DET	I	POWER switch input terminal
3	XM_POW	O	Power supply on/off control signal output terminal for XM section "H": power on (DA3300ES: US and Canadian models/DG1100 only)
4	C_DET	I	Component video signal detection signal input terminal
5	NO_USE	-	Not used
6	V_DET	I	CVBS video signal detection signal input terminal
7	V595_OE	O	Output enable signal output to the data decoder
8	V595_LAT	O	Serial data latch pulse signal output to the data decoder
9	HDMI_MUTE	O	Monitor video out muting on/off control signal output to the video amplifier "H": muting on
10	XM_DA_LAT	O	Serial data latch pulse signal output to the D/A converter (DA3300ES: US and Canadian models/DG1100 only)
11, 12	VCC3	-	Power supply terminal (+3.3V)
13	VSS	-	Ground terminal
14	C_1	-	External capacitor connection terminal for internal regulator
15, 16	TUNE+/-2, TUNE+/-1	I	Jog dial pulse input from the rotary encoder (for TUNING)
17, 18	TONE+/-2, TONE+/-1	I	Jog dial pulse input from the rotary encoder (for TONE)
19, 20	FUNC-JOG_A, FUNC-JOG_B	I	Jog dial pulse input from the rotary encoder (for INPUT SELECTOR)
21, 22	VOL-JOG_A, VOL-JOG_B	I	Jog dial pulse input from the rotary encoder (for MASTER VOLUME)
23	HP_IN	I	Headphone detection signal input terminal "H": headphone is connected
24, 25	NO_USE	-	Not used
26	MIC_ON	O	Enable signal output to the mic amplifier
27 to 29	NO_USE	-	Not used
30	TRG-1	O	Trigger signal output terminal (DA3300ES: US and Canadian models only)
31, 32	NO_USE	-	Not used
33	C_MON_MUTE	O	Component video monitor out muting on/off control signal output terminal "H": muting on
34	VC_MUTE	O	Component video muting on/off control signal output to the input select (for component video) "H": muting on
35	NO_USE	-	Not used
36	VCC3	-	Power supply terminal (+3.3V)
37	C_2	-	External capacitor connection terminal for internal regulator
38	VSS	-	Ground terminal
39	X0	I	Main system clock input terminal (4 MHz)
40	X1	O	Main system clock output terminal (4 MHz)
41	VSS	-	Ground terminal
42	X0A	I	Sub system clock input terminal Not used
43	X1A	O	Sub system clock output terminal Not used
44	VCC3	-	Power supply terminal (+3.3V)
45	VSS	-	Ground terminal
46	HDMI_ERROR	I	HDMI audio error signal input terminal
47	CEC_M/DV	O	CEC data output terminal
48 to 52	NO_USE	-	Not used
53	DSP_RST	O	Reset signal output to the DSP "L": reset

Pin No.	Pin Name	I/O	Description
54	DSP_SPIDS	O	Serial data latch pulse signal output to the DSP
55	SF_CPU_CE	O	Chip enable signal output to the serial flash
56	SF_DSP_MAS	I	Master/slave selection signal input from the DSP "H": DSP is master
57	VCC3	-	Power supply terminal (+3.3V)
58	VSS	-	Ground terminal
59	D/A MUTE	O	Audio muting on/off control signal output terminal "H": muting on
60	TUNER_DATA	O	Serial data output to the tuner (FM/AM)
61	TUNER_CLK	O	Serial data transfer clock signal output to the tuner (FM/AM)
62	NO_USE	-	Not used
63	DIR_DATA0	I	Audio serial data input from the digital audio interface receiver
64	DIR_XMODE	O	Reset signal output to the digital audio interface receiver "L": reset
65	DIR_CE	O	Chip enable signal output to the digital audio interface receiver
66	DIR_DO	I	Serial data input from the digital audio interface receiver
67	DIR_RERR	I	PLL lock error signal and data error flag input from the digital audio interface receiver
68	DIR_CKST	I	Clock select signal input from the digital audio interface receiver
69	TUN_TUNED	I	Tuned detection signal input from the tuner (FM/AM)
70	TUN_LAT	O	Serial data latch pulse signal output to the tuner (FM/AM)
71	TUN_DO	I	Serial data input from the tuner (FM/AM)
72	RDS_DATA	I	RDS serial data input from the tuner (FM/AM) (DA3300ES: AEP, Russian, Ukrainian and UK models only)
73	VCC3	-	Power supply terminal (+3.3V)
74	VSS	-	Ground terminal
75	POW_RY	O	Relay drive signal (for main power) output terminal "H": relay on
76	PREOUT_RY	O	Relay drive signal (for pre out) output terminal "H": relay on
77	SIRIUS-POW_EN	O	Power enable signal output to the SIRIUS connector (DA3300ES: US and Canadian models/DG1100 only)
78	NO_USE	-	Not used
79	HP_RY	O	Relay drive signal (for headphone) output terminal "H": relay on
80	NO_USE	-	Not used
81	SP-A_RY	O	Relay drive signal (for front A) output terminal "H": relay on
82	STOP	I	AC cut detection signal input terminal
83	SP-B_RY	O	Relay drive signal (for front B) output terminal "H": relay on
84	C_RY	O	Relay drive signal (for center) output terminal "H": relay on
85	SB_RY	O	Relay drive signal (for surround back) output terminal "H": relay on
86	SR_RY	O	Relay drive signal (for surround) output terminal "H": relay on
87	4/8_RY	O	Impedance 4/8 ohm selection signal output terminal
88	VSS	-	Ground terminal
89	VCC3	-	Power supply terminal (+3.3V)
90	NO_USE	-	Not used
91	FUNC_LAT	O	Serial data latch pulse signal output to the input selector (for analog audio)
92	EVOL_DAT	O	Serial data output to the electrical volume
93	AD_RST	O	Reset signal output to the A/D converter "L": reset
94	D/A_LAT	O	Serial data latch pulse signal output to the D/A converter
95	D/A_DO	I	Serial data input from the D/A converter
96	D/A_RST	O	Reset signal output to the D/A converter "L": reset
97	WDRESETX	I	Watch dog timer reset signal output terminal Not used
98 to 100	AD-KEY1 to AD-KEY3	I	Front panel key input terminal (A/D input)

Pin No.	Pin Name	I/O	Description
101, 102	NO_USE	-	Not used
103	VERSION	I	Model and destination detection terminal
104	NO_USE	-	Not used
105	2ND_RY	O	Relay drive signal (for zone 2) output terminal "H": relay on (DA3300ES: US and Canadian models only)
106	BRAVIA_SEL	O	PHONO IN/TV IN selection signal output terminal "L": PHONO IN, "H": TV IN
107	EVOL_CLK	O	Serial data transfer clock signal output to the electrical volume
108	D595_OE	O	Output enable signal output to the data decoder
109	D595_LAT	O	Serial data latch pulse signal output to the data decoder
110	COM1_CLK	O	Serial data transfer clock signal output to the digital audio interface receiver, data decoder and D/A converter
111	COM1_DATA	O	Serial data output to the digital audio interface receiver, data decoder and D/A converter
112	COM2_CLK	O	Serial data transfer clock signal output to the input selector (for analog audio) and data decoder
113	COM2_DATA	O	Serial data output to the input selector (for analog audio) and data decoder
114	AVSS/AVRL	-	Ground terminal
115	AVCC3	-	Power supply terminal (+3.3V)
116	AVRH	I	Reference voltage input terminal (+3.3V)
117	IIC BUS DATA	I/O	I2C data bus terminal Not used
118	IIC BUS CLK	I/O	I2C clock bus terminal Not used
119	SIRCS-IN	I	SIRCS signal input terminal
120	NO_USE	-	Not used
121	CEC_DV/M	I	CEC data input terminal
122	NO_USE	-	Not used
123	ZONE_SEL	I	ZONE SELECT switch input terminal (DA3300ES: US and Canadian models only)
124	VIDEO-UCOM_MODE	O	Programming mode signal output to the video system controller
125	VIDEO-UCOM_END-FLAG	O	Programming end flag output to the video system controller
126	RST_TRG	O	Reset signal output terminal for the system controller "L": reset
127	MD3	-	Mode setting terminal Fixed at "L" in this set
128	MD2	I	Serial data input terminal
129, 130	MD1, MD0	-	Mode setting terminal Fixed at "L" in this set
131	INITX	I	System reset signal input from the reset signal generator "L": reset For several hundreds msec. after the power supply rises, "L" is input, then it changes to "H"
132	VSS	-	Ground terminal
133	VCC5	-	Power supply terminal (+5V)
134	RS232C_MIN	I	Serial data input terminal
135	RS232C_MOUT	O	Serial data output terminal
136	VIDEO-UCOM_RESET	O	Reset signal output to the video system controller "L": reset
137	XM_XM/M	I	Serial data input from the XM receiver (DA3300ES: US and Canadian models/DG1100 only)
138	XM_M/XM	O	Serial data output to the XM receiver (DA3300ES: US and Canadian models/DG1100 only)
139	XM_RESET	O	Reset signal output to the XM receiver "L": reset (DA3300ES: US and Canadian models/DG1100 only)
140	VIDEO-UCOM_VM/M	I	Serial data input from the video system controller
141	VIDEO-UCOM_M/VM	O	Serial data output to the video system controller

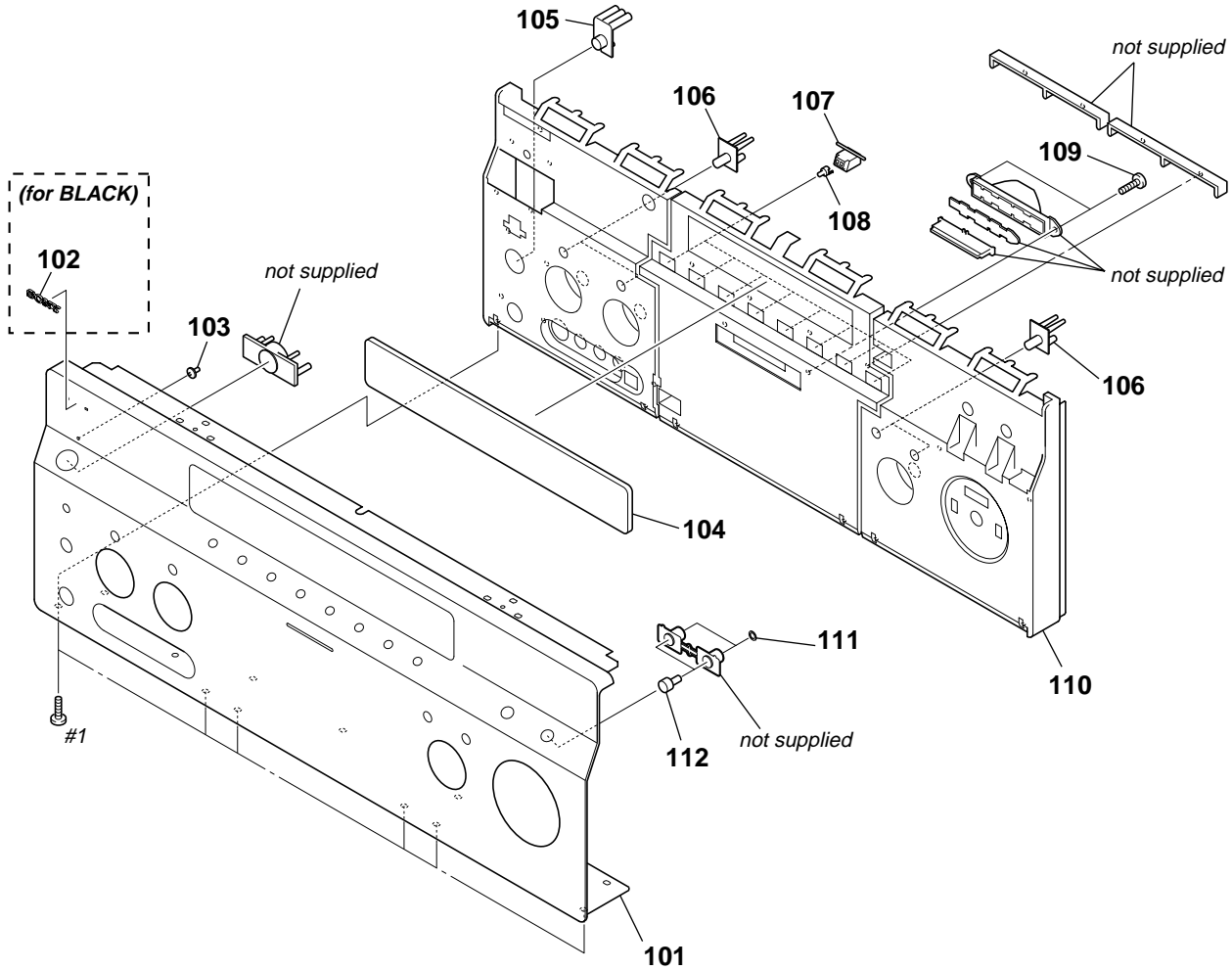
Pin No.	Pin Name	I/O	Description
142	VIDEO-UCOM_BUSY	O	Busy signal output to the video system controller
143	DSP_MISO	I	Serial data input from the serial flash
144	DSP_MOSI	O	Serial data output to the serial flash
145	DSP_CLK	O	Serial data transfer clock signal output to the serial flash
146	VSS	-	Ground terminal
147	VCC5	-	Power supply terminal (+5V)
148	SIRIUS_TX	I	Serial data input from the SIRIUS connector (DA3300ES: US and Canadian models/DG1100 only)
149	SIRIUS_RX	O	Serial data output to the SIRIUS connector (DA3300ES: US and Canadian models/DG1100 only)
150	FL_CLR	O	Blanking period signal output to the fluorescent indicator tube
151	FL_LAT	O	Serial data latch pulse signal output to the fluorescent indicator tube
152	FL_DATA	O	Serial data output to the fluorescent indicator tube
153	FL_CLK	O	Serial data transfer clock signal output to the fluorescent indicator tube
154	DMUART_DM/M	I	Serial data input from the DMPORT connector
155	DMUART_M/DM	O	Serial data output to the DMPORT connector
156	DMPORT_DET	I	DMPORT detection signal input terminal
157, 158	NO_USE	-	Not used
159	P15_2/O/T2	-	Not used
160	P15_3/O/T3	-	Not used
161	VSS	-	Ground terminal
162	VCC5	-	Power supply terminal (+5V)
163	PROTECTOR	I	Protect signal input terminal
164	DSP_INT	I	Interrupt request signal input from the DSP
165	RDS_CLK	I	RDS serial data transfer clock signal input from the tuner (FM/AM) (DA3300ES: AEP, Russian, Ukrainian and UK models only)
166, 167	232C-SEL1, 232C-SEL2	O	Data selection signal output to the data selector
168	FSRATE1	I	L/R sampling clock signal input terminal
169	LED-STB	O	LED drive signal output terminal for ON/STANDBY indicator "H": LED on
170	NO_USE	-	Not used
171	LED-DCS	O	LED drive signal output terminal for Digital Cinema Sound indicator "H": LED on
172	LED-MLT	O	LED drive signal output terminal MULTI CHANNEL DECODING indicator "H": LED on
173	LED-MLT-DIMMER	O	LED dimmer control signal output terminal for MULTI CHANNEL DECODING indicator "H": dimmer on
174	EEPROM_SDA	I/O	Two-way data bus with the EEPROM
175	EEPROM_SCL	O	Serial data transfer clock signal output to the EEPROM
176	VCC5	-	Power supply terminal (+5V)

7-2. DISPLAY BOARD SECTION



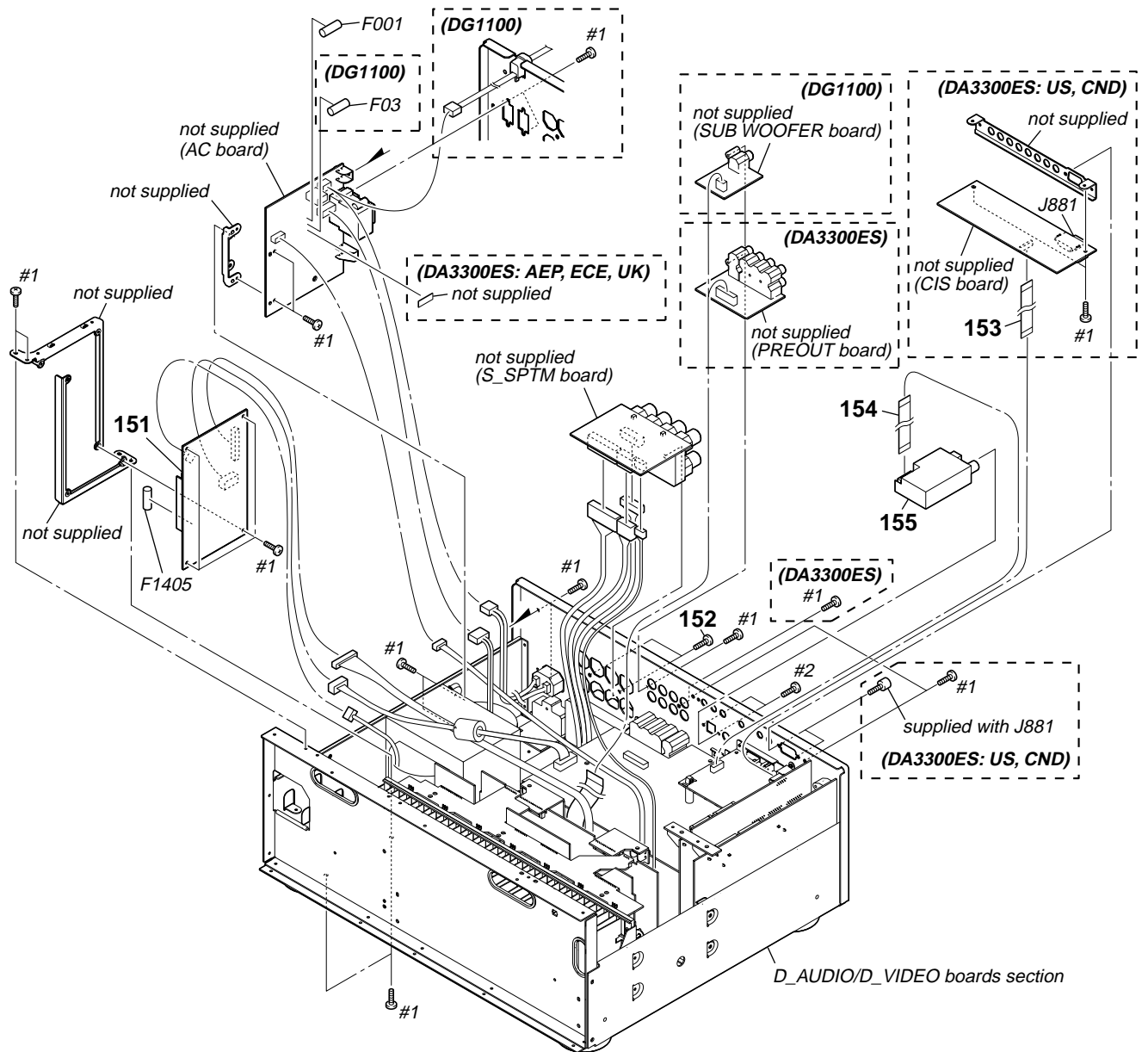
Ref. No.	Part No.	Description	Remark	Ref. No.	Part No.	Description	Remark
51	X-2176-946-1	KNOB (VOL) ASSY (BLACK)		57	A-1257-022-A	DISPLAY BOARD, COMPLETE	(DA3300ES: US, CND)
51	X-2176-947-1	KNOB (VOL) ASSY (SILVER)		58	3-087-053-11	+BVTP2.6 (3CR)	
52	3-704-515-22	SCREW (BV/RING)		59	3-350-426-01	SPRING, RING	
53	2-661-141-31	MENU KNOB (BLACK)		J702	1-815-313-11	JACK (PHONES)	
53	2-661-141-41	MENU KNOB (SILVER)		S713	1-418-400-11	ENCODER, ROTARY (TONE)	
54	3-087-053-01	+BVTP2.6 (3CR)		S714	1-418-400-11	ENCODER, ROTARY (TUNING)	
55	1-543-793-41	FILTER, CLAMP (FERRITE CORE)		S715	1-418-400-11	ENCODER, ROTARY (INPUT SELECTOR)	
56	3-113-929-01	BUTTON (POWER-A13) (BLACK)		S722	1-418-725-41	ENCODER, ROTARY (12 TYPE)	
56	3-113-929-11	BUTTON (POWER-A13) (SILVER)				(MASTER VOLUME)	
57	A-1254-406-A	DISPLAY BOARD, COMPLETE	(DA3300ES: AEP, ECE, UK/DG1100)	#1	7-685-646-79	SCREW +BVTP 3X8 TYPE2 IT-3	

7-3. FRONT PANEL SECTION



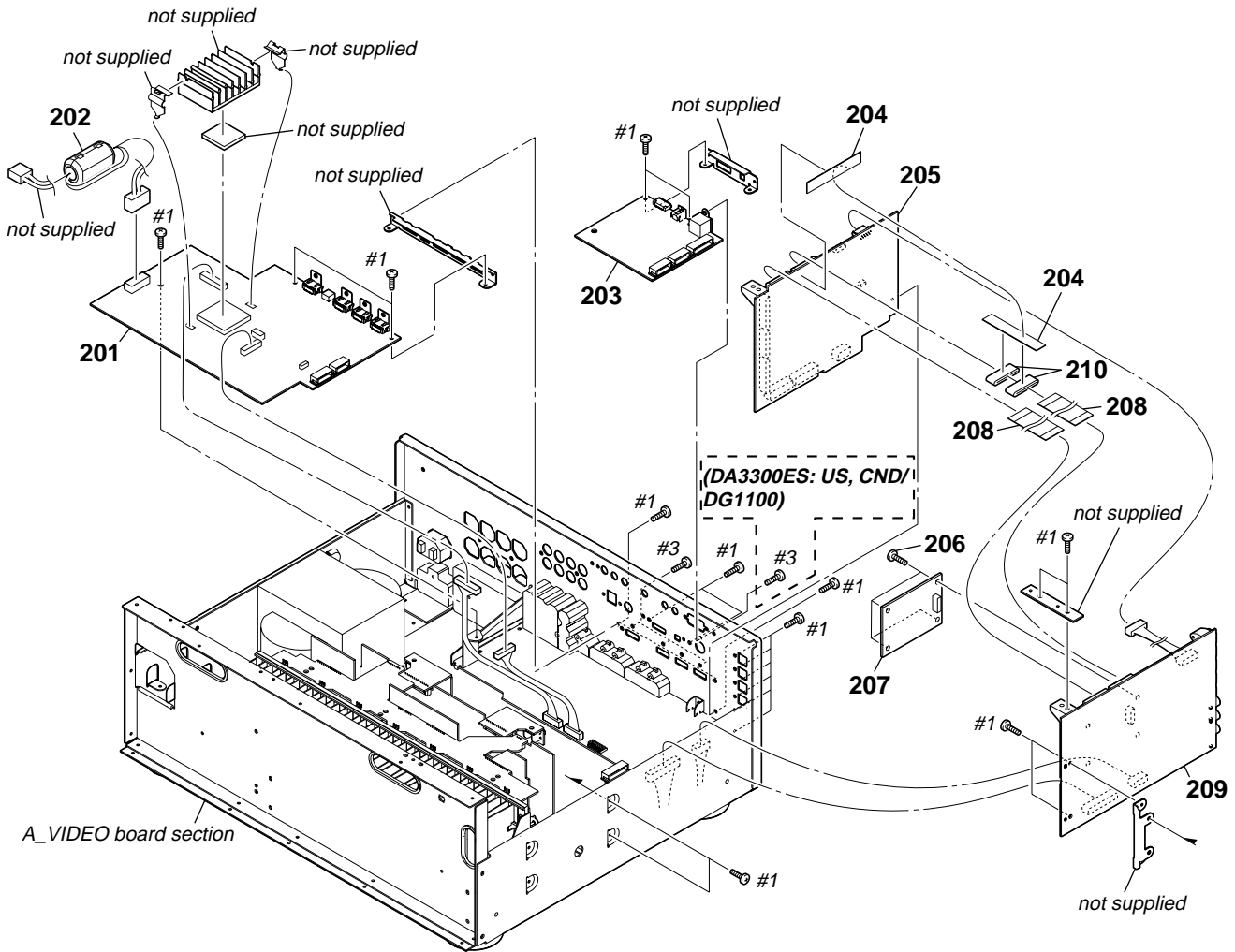
Ref. No.	Part No.	Description	Remark	Ref. No.	Part No.	Description	Remark
101	3-196-055-01	PANEL (A13), FRONT (BLACK) (DA3300ES: AEP, ECE, UK)		106	2-668-113-01	BUTTON (ZONE) (BLACK)	
101	3-196-055-11	PANEL (A13), FRONT (SILVER) (DA3300ES: AEP, ECE)		106	2-668-113-11	BUTTON (ZONE) (SILVER)	
101	3-196-055-21	PANEL (A13), FRONT (DA3300ES: US, CND)		107	2-676-728-01	BUTTON (MUSIC-B)	
101	3-196-055-31	PANEL (A13), FRONT (DG1100)		108	2-676-727-01	BUTTON (MUSIC-A)	
102	4-942-568-41	EMBLEM (NO.5), SONY (for BLACK)		109	3-087-053-01	+BVTP2.6 (3CR)	
103	X-4950-462-1	LENS ASSY, LED		110	2-668-108-21	BASE, PANEL (A2) (BLACK)	
104	2-668-128-01	PLATE (A2), INDICATION (for BLACK)		110	2-668-108-31	BASE, PANEL (A2) (SILVER)	
104	2-668-128-11	PLATE (A2), INDICATION (for SILVER)		111	3-325-697-21	WASHER	
105	4-245-434-01	BUTTON (SP) (BLACK)		112	3-198-582-01	BUTTON (DIA. 7-A23) (BLACK)	
105	4-245-434-41	BUTTON (SP) (SILVER)		112	3-198-582-11	BUTTON (DIA. 7-A23) (SILVER)	
				#1	7-685-646-79	SCREW +BVTP 3X8 TYPE2 IT-3	

7-4. AC/DC-DC BOARDS SECTION



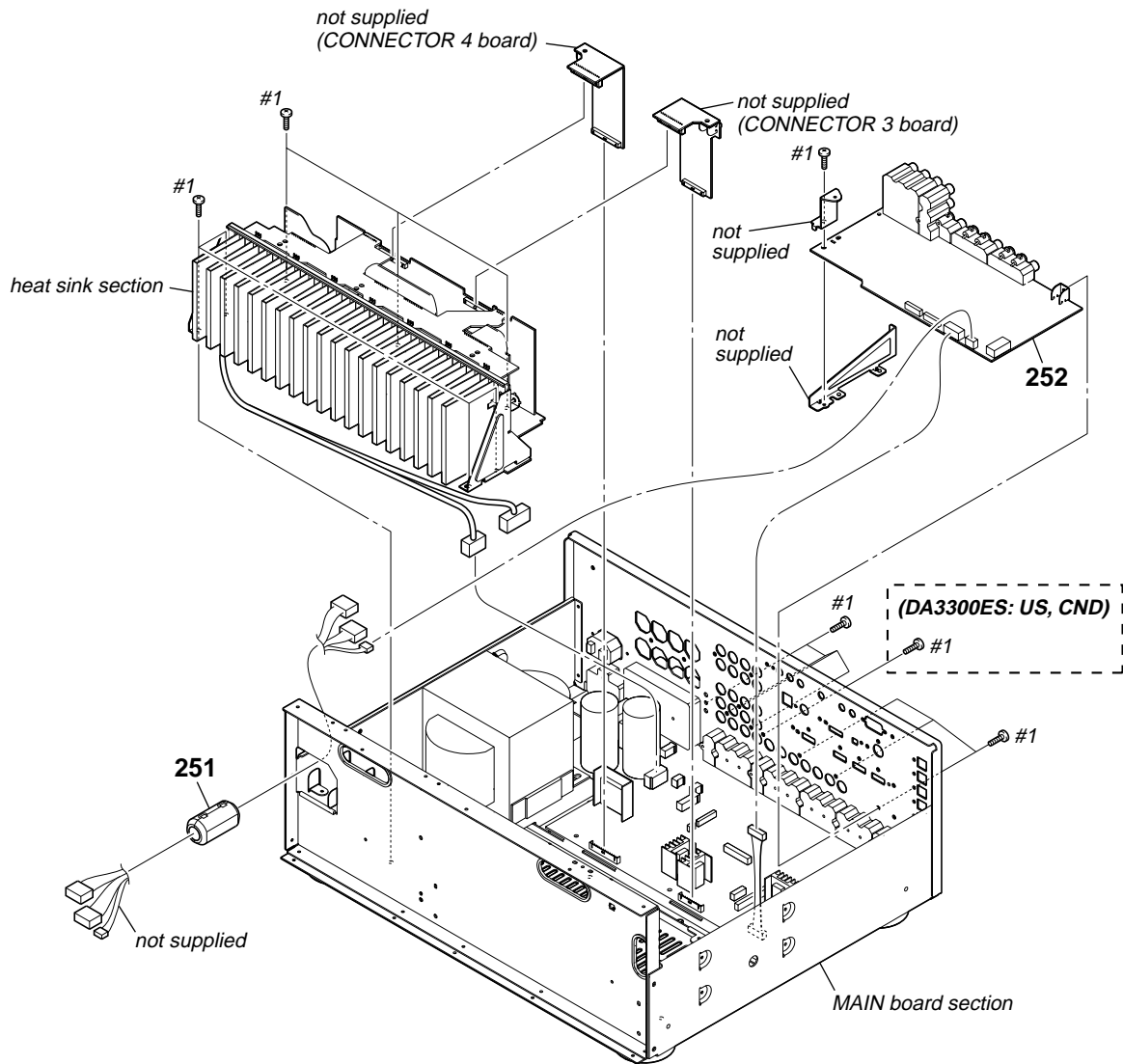
Ref. No.	Part No.	Description	Remark	Ref. No.	Part No.	Description	Remark
151	A-1252-444-A	DC-DC BOARD, COMPLETE		△ F001	1-532-504-33	FUSE (T4AL/250V) (DA3300ES: AEP, ECE, UK)	
152	3-704-515-51	SCREW (BV/RING)		△ F001	1-533-311-12	FUSE, GLASS CYLINDRICAL (DIA.5) (8A/125V)	
153	1-828-318-51	WIRE (FLAT TYPE) (11 CORE)	(DA3300ES: US, CND)	△ F03	1-533-420-12	FUSE, GLASS CYLINDRICAL(DIA.5) (5A/125V)	(DG1100)
154	1-828-954-51	WIRE (FLAT TYPE) (9 CORE)	(DA3300ES: US, CND/DG1100)	△ F1405	1-532-506-33	FUSE (T6.3AL/250V)	
154	1-828-964-51	WIRE (FLAT TYPE) (11 CORE)	(DA3300ES: AEP, ECE, UK)	J881	1-815-737-11	CONNECTOR, (D) SUB 9P (RS-232C)	(DA3300ES: US, CND)
155	1-693-728-11	TUNER (FM/AM)	(DA3300ES: US, CND/DG1100)	#1	7-685-646-79	SCREW +BVTP 3X8 TYPE2 IT-3	
155	1-693-737-11	TUNER (FM/AM) (DA3300ES: AEP, ECE, UK)		#2	7-685-862-01	SCREW +BVTT 2.6X6 (S)	

7-5. D_AUDIO/D_VIDEO BOARDS SECTION



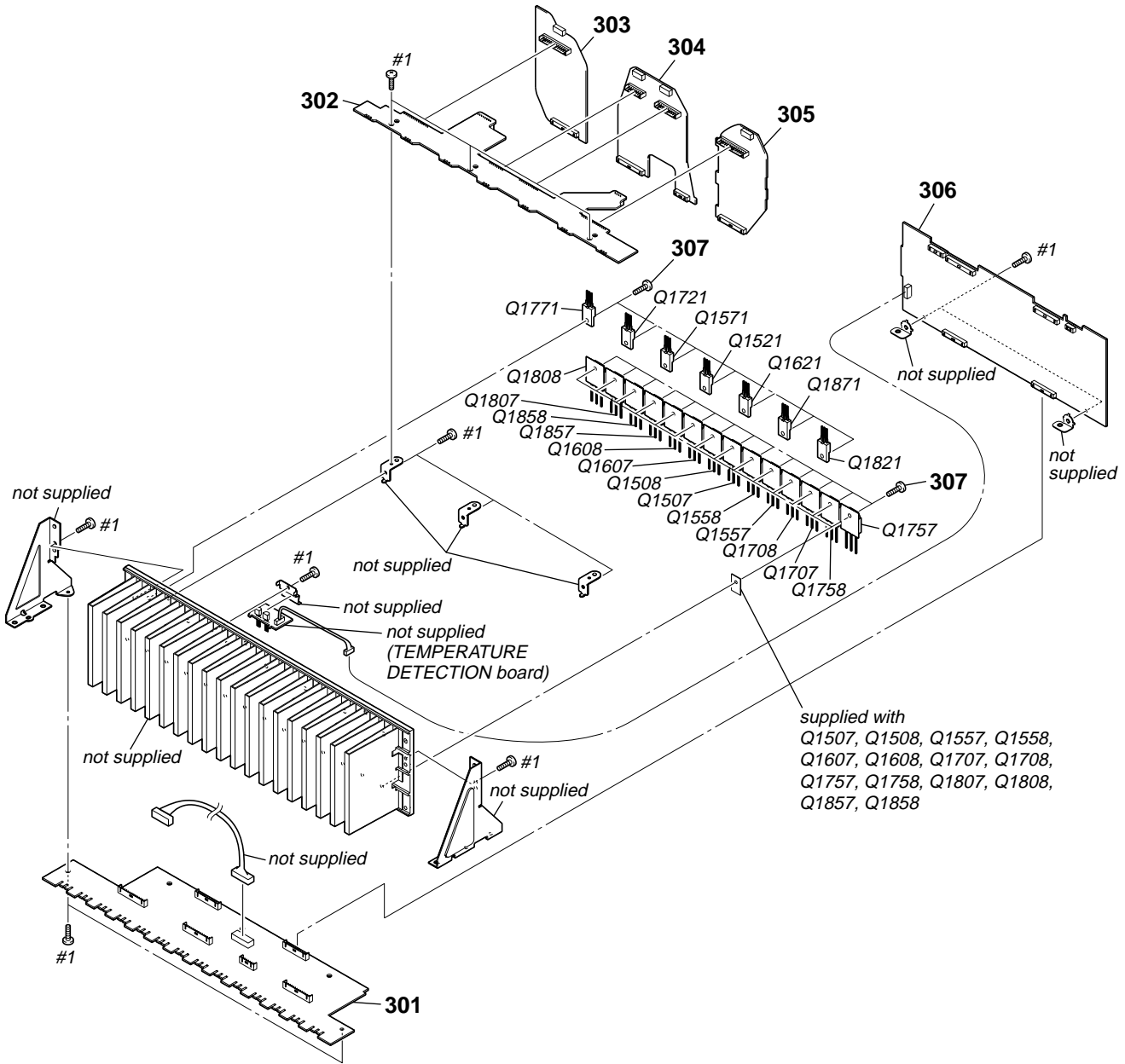
Ref. No.	Part No.	Description	Remark	Ref. No.	Part No.	Description	Remark
201	A-1313-289-A	D_VIDEO BOARD, COMPLETE (for SERVICE)		206	3-087-053-01	+BVTP2.6 (3CR)	
202	1-500-386-11	FILTER, CLAMP (FERRITE CORE)		207	A-1253-114-A	DSP BOARD, COMPLETE	
203	A-1252-458-A	TUNER BOARD, COMPLETE		208	1-828-367-51	WIRE (FLAT TYPE) (21 CORE)	
		(DA3300ES: AEP, ECE, UK)		209	A-1252-437-A	D_AUDIO BOARD, COMPLETE	
203	A-1254-402-A	TUNER BOARD, COMPLETE				(DA3300ES: AEP, ECE, UK)	
		(DA3300ES: US, CND/DG1100)		209	A-1254-390-A	D_AUDIO BOARD, COMPLETE	
204	3-378-109-12	CUSHION, SARANET				(DA3300ES: US, CND/DG1100)	
205	A-1254-389-A	CONTROL BOARD, COMPLETE		* 210	1-481-077-11	CORE, FERRITE	
		(DA3300ES: US, CND)		#1	7-685-646-79	SCREW +BVTP 3X8 TYPE2 IT-3	
205	A-1254-408-A	CONTROL BOARD, COMPLETE		#3	7-682-547-04	SCREW +B 3X6	
		(DA3300ES: AEP, ECE, UK)					
205	A-1254-658-A	CONTROL BOARD, COMPLETE (DG1100)					

7-6. A_VIDEO BOARD SECTION



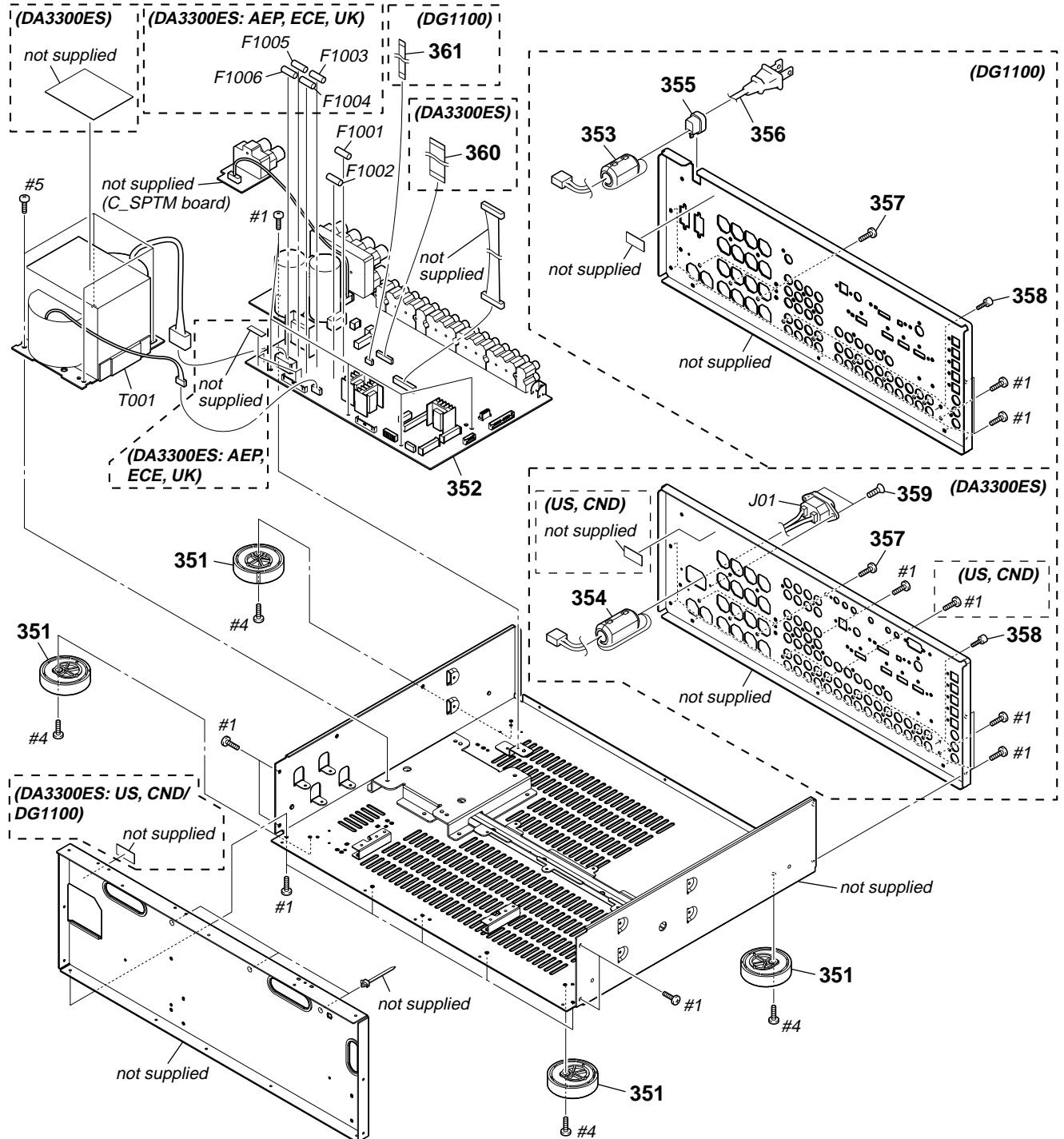
Ref. No.	Part No.	Description	Remark	Ref. No.	Part No.	Description	Remark
251	1-500-386-11	FILTER, CLAMP (FERRITE CORE)		252	A-1254-422-A	A_VIDEO BOARD, COMPLETE (DG1100)	
252	A-1254-399-A	A_VIDEO BOARD, COMPLETE (DA3300ES: US, CND)		#1	7-685-646-79	SCREW +BVTP 3X8 TYPE2 IT-3	
252	A-1254-410-A	A_VIDEO BOARD, COMPLETE (DA3300ES: AEP, ECE, UK)					

7-7. HEAT SINK SECTION



Ref. No.	Part No.	Description	Remark	Ref. No.	Part No.	Description	Remark
301	A-1252-449-A	POWER AMP BOARD, COMPLETE (DA3300ES: AEP, ECE, UK)		Q1557	6-702-390-01	TRANSISTOR	MN2488-OPY-MK
301	A-1254-657-A	POWER AMP BOARD, COMPLETE (DA3300ES: US, CND/DG1100)		Q1558	6-702-391-01	TRANSISTOR	MP1620-OPY-MK
302	A-1252-453-A	BIAS BOARD, COMPLETE (DA3300ES: AEP, ECE, UK)		Q1571	8-729-026-08	TRANSISTOR	2SC4495
302	A-1254-659-A	BIAS BOARD, COMPLETE (DA3300ES: US, CND/DG1100)		Q1607	6-702-390-01	TRANSISTOR	MN2488-OPY-MK
303	A-1252-369-A	PROTECTOR (SB) BOARD, COMPLETE		Q1608	6-702-391-01	TRANSISTOR	MP1620-OPY-MK
304	A-1252-367-A	PROTECTOR (F-C) BOARD, COMPLETE		Q1621	8-729-026-08	TRANSISTOR	2SC4495
305	A-1252-368-A	PROTECTOR (SURR) BOARD, COMPLETE		Q1707	6-702-390-01	TRANSISTOR	MN2488-OPY-MK
306	A-1252-451-A	A CLASS AMP BOARD, COMPLETE (DA3300ES: AEP, ECE)		Q1708	6-702-391-01	TRANSISTOR	MP1620-OPY-MK
306	A-1254-660-A	A CLASS AMP BOARD, COMPLETE (DA3300ES: US, CND/DG1100)		Q1721	8-729-026-08	TRANSISTOR	2SC4495
306	A-1273-985-A	A CLASS AMP BOARD, COMPLETE (DA3300ES: UK)		Q1757	6-702-390-01	TRANSISTOR	MN2488-OPY-MK
307	3-905-609-13	SCREW (TRANSISTOR)		Q1758	6-702-391-01	TRANSISTOR	MP1620-OPY-MK
Q1507	6-702-390-01	TRANSISTOR	MN2488-OPY-MK	Q1771	8-729-026-08	TRANSISTOR	2SC4495
Q1508	6-702-391-01	TRANSISTOR	MP1620-OPY-MK	Q1807	6-702-390-01	TRANSISTOR	MN2488-OPY-MK
Q1521	8-729-026-08	TRANSISTOR	2SC4495	Q1808	6-702-391-01	TRANSISTOR	MP1620-OPY-MK
				Q1821	8-729-026-08	TRANSISTOR	2SC4495
				Q1857	6-702-390-01	TRANSISTOR	MN2488-OPY-MK
				Q1858	6-702-391-01	TRANSISTOR	MP1620-OPY-MK
				Q1871	8-729-026-08	TRANSISTOR	2SC4495
				#1	7-685-646-79	SCREW +BVTP 3X8 TYPE2 IT-3	

7-8. MAIN BOARD SECTION



Ref. No.	Part No.	Description	Remark	Ref. No.	Part No.	Description	Remark
351	X-4955-348-1	FOOT ASSY		△ F1001	1-532-504-33	FUSE (T4AL/250V)	
352	A-1252-439-A	MAIN BOARD, COMPLETE (DA3300ES: AEP, ECE, UK)		△ F1002	1-532-504-33	FUSE (T4AL/250V)	
352	A-1254-392-A	MAIN BOARD, COMPLETE (DA3300ES: US, CND)		△ F1003	1-532-506-33	FUSE (T6.3AL/250V) (DA3300ES: AEP, ECE, UK)	
352	A-1254-418-A	MAIN BOARD, COMPLETE (DG1100)		△ F1004	1-532-506-33	FUSE (T6.3AL/250V) (DA3300ES: AEP, ECE, UK)	
353	1-500-497-21	FILTER, CLAMP (FERRITE CORE) (DG1100)		△ F1005	1-532-506-33	FUSE (T6.3AL/250V) (DA3300ES: AEP, ECE, UK)	
354	1-500-386-11	FILTER, CLAMP (FERRITE CORE) (DA3300ES)		△ F1006	1-532-506-33	FUSE (T6.3AL/250V) (DA3300ES: AEP, ECE, UK)	
355	3-703-244-00	BUSHING (2104), CORD (DG1100)		△ J01	1-821-082-21	INLET, AC 2P (～AC IN) (DA3300ES)	
△ 356	1-783-820-11	CORD, POWER (DG1100)		△ T001	1-445-232-11	TRANSFORMER, POWER (DA3300ES: US, CND/DG1100)	
357	3-704-515-51	SCREW (BV/RING)		△ T001	1-445-233-11	TRANSFORMER, POWER (DA3300ES: AEP, ECE, UK)	
358	4-947-010-01	SCREW, FEEDER FIXED		#1	7-685-646-79	SCREW +BVTP 3X8 TYPE2 IT-3	
359	2-580-644-01	SCREW, +KTP2 3X8 (DA3300ES)		#4	7-685-885-09	SCREW +BVTT 4X16 (S)	
360	1-828-362-51	WIRE (FLAT TYPE) (19 CORE) (DA3300ES)		#5	7-685-881-09	SCREW +BVTT 4X8 (S)	
361	1-828-292-51	WIRE (FLAT TYPE) (5 CORE) (DG1100)					

SECTION 8
ELECTRICAL PARTS LIST

NOTE:

- Due to standardization, replacements in the parts list may be different from the parts specified in the diagrams or the components used on the set.
- -XX and -X mean standardized parts, so they may have some difference from the original one.
- Items marked "*" are not stocked since they are seldom required for routine service. Some delay should be anticipated when ordering these items.
- CAPACITORS
uF: μF
- COILS
uH: μH

- RESISTORS
All resistors are in ohms.
METAL: Metal-film resistor.
METAL OXIDE: Metal oxide-film resistor.
F: nonflammable
- SEMICONDUCTORS
In each case, u: μ, for example:
uA... : μA... uPA... : μPA...
uPB... : μPB... uPC... : μPC...
uPD... : μPD...
- Abbreviation
CND : Canadian model
ECE : Russian and Ukrainian models

When indicating parts by reference number, please include the board.

The components identified by mark △ or dotted line with mark △ are critical for safety. Replace only with part number specified.

Les composants identifiés par une marque △ sont critiques pour la sécurité. Ne les remplacer que par une pièce portant le numéro spécifié.

The components identified by mark ⊠ contain confidential information. Strictly follow the instructions whenever the components are repaired and/or replaced.

Les composants identifiés par la marque ⊠ contiennent des informations confidentielles. Suivre scrupuleusement les instructions chaque fois qu'un composant est remplacé et/ou réparé.

Ref. No.	Part No.	Description	Remark	Ref. No.	Part No.	Description	Remark
	A-1252-451-A	A CLASS AMP BOARD, COMPLETE (DA3300ES: AEP, ECE)		C1558	1-126-940-11	ELECT 330uF 20% 25V (DA3300ES: US, CND/DG1100)	
	A-1254-660-A	A CLASS AMP BOARD, COMPLETE (DA3300ES: US, CND/DG1100)		C1560	1-112-416-11	ELECT 220uF 20% 16V (DA3300ES: AEP, ECE, UK)	
	A-1273-985-A	A CLASS AMP BOARD, COMPLETE (DA3300ES: UK)		C1560	1-126-934-11	ELECT 220uF 20% 16V (DA3300ES: US, CND/DG1100)	
		***** < CAPACITOR >		C1561	1-107-585-11	CERAMIC 5PF 0.25PF 500V	
C1501	1-112-099-11	ELECT 4.7uF 20% 50V (DA3300ES: AEP, ECE, UK)		C1565	1-107-585-11	CERAMIC 5PF 0.25PF 500V	
C1501	1-126-963-11	ELECT 4.7uF 20% 50V (DA3300ES: US, CND/DG1100)		C1601	1-112-099-11	ELECT 4.7uF 20% 50V (DA3300ES: AEP, ECE, UK)	
C1502	1-128-809-11	CERAMIC 100PF 5% 50V		C1601	1-126-963-11	ELECT 4.7uF 20% 50V (DA3300ES: US, CND/DG1100)	
C1503	1-137-503-11	FILM 100PF 5% 100V		C1602	1-128-809-11	CERAMIC 100PF 5% 50V	
C1504	1-136-357-11	FILM 680PF 5% 100V		C1603	1-137-503-11	FILM 100PF 5% 100V	
C1505	1-104-665-11	ELECT 100uF 20% 25V (DA3300ES: US, CND/DG1100)		C1604	1-136-357-11	FILM 680PF 5% 100V	
C1505	1-112-090-11	ELECT 100uF 20% 25V (DA3300ES: AEP, ECE, UK)		C1605	1-104-665-11	ELECT 100uF 20% 25V (DA3300ES: US, CND/DG1100)	
C1507	1-107-587-11	CERAMIC 7PF 0.5PF 500V		C1605	1-112-090-11	ELECT 100uF 20% 25V (DA3300ES: AEP, ECE, UK)	
C1508	1-112-421-11	ELECT 330uF 20% 25V (DA3300ES: AEP, ECE, UK)		C1607	1-107-587-11	CERAMIC 7PF 0.5PF 500V	
C1508	1-126-940-11	ELECT 330uF 20% 25V (DA3300ES: US, CND/DG1100)		C1608	1-112-421-11	ELECT 330uF 20% 25V (DA3300ES: AEP, ECE, UK)	
C1510	1-112-416-11	ELECT 220uF 20% 16V (DA3300ES: AEP, ECE, UK)		C1608	1-126-940-11	ELECT 330uF 20% 25V (DA3300ES: US, CND/DG1100)	
C1510	1-126-934-11	ELECT 220uF 20% 16V (DA3300ES: US, CND/DG1100)		C1610	1-112-416-11	ELECT 220uF 20% 16V (DA3300ES: AEP, ECE, UK)	
C1511	1-107-585-11	CERAMIC 5PF 0.25PF 500V		C1610	1-126-934-11	ELECT 220uF 20% 16V (DA3300ES: US, CND/DG1100)	
C1515	1-107-585-11	CERAMIC 5PF 0.25PF 500V		C1611	1-107-585-11	CERAMIC 5PF 0.25PF 500V	
C1551	1-112-099-11	ELECT 4.7uF 20% 50V (DA3300ES: AEP, ECE, UK)		C1615	1-107-585-11	CERAMIC 5PF 0.25PF 500V	
C1551	1-126-963-11	ELECT 4.7uF 20% 50V (DA3300ES: US, CND/DG1100)		C1701	1-112-099-11	ELECT 4.7uF 20% 50V (DA3300ES: AEP, ECE, UK)	
C1552	1-128-809-11	CERAMIC 100PF 5% 50V		C1701	1-126-963-11	ELECT 4.7uF 20% 50V (DA3300ES: US, CND/DG1100)	
C1553	1-137-503-11	FILM 100PF 5% 100V		C1702	1-128-809-11	CERAMIC 100PF 5% 50V	
C1554	1-136-357-11	FILM 680PF 5% 100V		C1703	1-137-503-11	FILM 100PF 5% 100V	
C1555	1-104-665-11	ELECT 100uF 20% 25V (DA3300ES: US, CND/DG1100)		C1704	1-136-357-11	FILM 680PF 5% 100V	
C1555	1-112-090-11	ELECT 100uF 20% 25V (DA3300ES: AEP, ECE, UK)		C1705	1-104-665-11	ELECT 100uF 20% 25V (DA3300ES: US, CND/DG1100)	
C1557	1-107-587-11	CERAMIC 7PF 0.5PF 500V		C1705	1-112-090-11	ELECT 100uF 20% 25V (DA3300ES: AEP, ECE, UK)	
C1558	1-112-421-11	ELECT 330uF 20% 25V (DA3300ES: AEP, ECE, UK)		C1707	1-107-587-11	CERAMIC 7PF 0.5PF 500V	
				C1708	1-112-421-11	ELECT 330uF 20% 25V (DA3300ES: AEP, ECE, UK)	

Ref. No.	Part No.	Description	Remark	Ref. No.	Part No.	Description	Remark
C1708	1-126-940-11	ELECT	330uF 20% 25V (DA3300ES: US, CND/DG1100)	C1855	1-112-090-11	ELECT	100uF 20% 25V (DA3300ES: AEP, ECE, UK)
C1710	1-112-416-11	ELECT	220uF 20% 16V (DA3300ES: AEP, ECE, UK)	C1857	1-107-587-11	CERAMIC	7PF 0.5PF 500V
C1710	1-126-934-11	ELECT	220uF 20% 16V (DA3300ES: US, CND/DG1100)	C1858	1-112-421-11	ELECT	330uF 20% 25V (DA3300ES: AEP, ECE, UK)
C1711	1-107-585-11	CERAMIC	5PF 0.25PF 500V	C1858	1-126-940-11	ELECT	330uF 20% 25V (DA3300ES: US, CND/DG1100)
C1715	1-107-585-11	CERAMIC	5PF 0.25PF 500V	C1860	1-112-416-11	ELECT	220uF 20% 16V (DA3300ES: AEP, ECE, UK)
C1751	1-112-099-11	ELECT	4.7uF 20% 50V (DA3300ES: AEP, ECE, UK)	C1860	1-126-934-11	ELECT	220uF 20% 16V (DA3300ES: US, CND/DG1100)
C1751	1-126-963-11	ELECT	4.7uF 20% 50V (DA3300ES: US, CND/DG1100)	C1861	1-107-585-11	CERAMIC	5PF 0.25PF 500V
C1752	1-128-809-11	CERAMIC	100PF 5% 50V	C1865	1-107-585-11	CERAMIC	5PF 0.25PF 500V
C1753	1-137-503-11	FILM	100PF 5% 100V	C1901	1-112-109-11	ELECT	22uF 20% 100V (DA3300ES: AEP, ECE, UK)
C1754	1-136-357-11	FILM	680PF 5% 100V	C1901	1-128-560-11	ELECT	22uF 20% 100V (DA3300ES: US, CND/DG1100)
C1755	1-104-665-11	ELECT	100uF 20% 25V (DA3300ES: US, CND/DG1100)	C1902	1-112-109-11	ELECT	22uF 20% 100V (DA3300ES: AEP, ECE, UK)
C1755	1-112-090-11	ELECT	100uF 20% 25V (DA3300ES: AEP, ECE, UK)	C1902	1-128-560-11	ELECT	22uF 20% 100V (DA3300ES: US, CND/DG1100)
C1757	1-107-587-11	CERAMIC	7PF 0.5PF 500V	C1911	1-126-791-11	ELECT	10uF 20% 35V
C1758	1-112-421-11	ELECT	330uF 20% 25V (DA3300ES: AEP, ECE, UK)	C1912	1-127-888-11	CERAMIC	0.1uF 10% 50V
C1758	1-126-940-11	ELECT	330uF 20% 25V (DA3300ES: US, CND/DG1100)			< CONNECTOR >	
C1760	1-112-416-11	ELECT	220uF 20% 16V (DA3300ES: AEP, ECE, UK)	CN1504	1-764-864-41	CONNECTOR, BOARD TO BOARD 12P	
C1760	1-126-934-11	ELECT	220uF 20% 16V (DA3300ES: US, CND/DG1100)	CN1505	1-573-829-11	CONNECTOR, BOARD TO BOARD 15P	
C1761	1-107-585-11	CERAMIC	5PF 0.25PF 500V	CN1905	1-764-864-41	CONNECTOR, BOARD TO BOARD 12P	
C1765	1-107-585-11	CERAMIC	5PF 0.25PF 500V	CN1906	1-764-864-41	CONNECTOR, BOARD TO BOARD 12P	
C1801	1-112-099-11	ELECT	4.7uF 20% 50V (DA3300ES: AEP, ECE, UK)	CN1907	1-770-011-41	CONNECTOR, BOARD TO BOARD 4P	
C1801	1-126-963-11	ELECT	4.7uF 20% 50V (DA3300ES: US, CND/DG1100)	CN1908	1-784-031-41	CONNECTOR, BOARD TO BOARD 8P	
C1802	1-128-809-11	CERAMIC	100PF 5% 50V	CN1909	1-784-921-11	PIN, CONNECTOR 4P	
C1803	1-137-503-11	FILM	100PF 5% 100V			< DIODE >	
C1804	1-136-357-11	FILM	680PF 5% 100V	D1501	8-719-109-93	DIODE RD6.2ESB2	
C1805	1-104-665-11	ELECT	100uF 20% 25V (DA3300ES: US, CND/DG1100)	D1551	8-719-109-93	DIODE RD6.2ESB2	
C1805	1-112-090-11	ELECT	100uF 20% 25V (DA3300ES: AEP, ECE, UK)	D1601	8-719-109-93	DIODE RD6.2ESB2	
C1807	1-107-587-11	CERAMIC	7PF 0.5PF 500V	D1701	8-719-109-93	DIODE RD6.2ESB2	
C1808	1-112-421-11	ELECT	330uF 20% 25V (DA3300ES: AEP, ECE, UK)	D1751	8-719-109-93	DIODE RD6.2ESB2	
C1808	1-126-940-11	ELECT	330uF 20% 25V (DA3300ES: US, CND/DG1100)	D1801	8-719-109-93	DIODE RD6.2ESB2	
C1810	1-112-416-11	ELECT	220uF 20% 16V (DA3300ES: AEP, ECE, UK)	D1851	8-719-109-93	DIODE RD6.2ESB2	
C1810	1-126-934-11	ELECT	220uF 20% 16V (DA3300ES: US, CND/DG1100)	D1901	8-719-991-33	DIODE 1SS133T-77	
C1811	1-107-585-11	CERAMIC	5PF 0.25PF 500V	D1902	8-719-991-33	DIODE 1SS133T-77	
C1815	1-107-585-11	CERAMIC	5PF 0.25PF 500V	D1903	8-719-991-33	DIODE 1SS133T-77	
C1851	1-112-099-11	ELECT	4.7uF 20% 50V (DA3300ES: AEP, ECE, UK)	D1907	8-719-991-33	DIODE 1SS133T-77	
C1851	1-126-963-11	ELECT	4.7uF 20% 50V (DA3300ES: US, CND/DG1100)	D1911	8-719-991-33	DIODE 1SS133T-77	
C1852	1-128-809-11	CERAMIC	100PF 5% 50V			< IC >	
C1853	1-137-503-11	FILM	100PF 5% 100V	IC1902	8-759-167-88	IC NJM4565D	
C1854	1-136-357-11	FILM	680PF 5% 100V	IC1904	6-711-698-01	IC PQ050ES1MXPQ	
C1855	1-104-665-11	ELECT	100uF 20% 25V (DA3300ES: US, CND/DG1100)			< TRANSISTOR >	
C1855	1-126-963-11	ELECT	4.7uF 20% 50V (DA3300ES: US, CND/DG1100)	Q1501	8-729-045-15	TRANSISTOR 2SC5169-FG	
C1852	1-128-809-11	CERAMIC	100PF 5% 50V	Q1502	8-729-042-09	TRANSISTOR 2SA1038S-RSE-TP	
C1853	1-137-503-11	FILM	100PF 5% 100V	Q1503	8-729-042-09	TRANSISTOR 2SA1038S-RSE-TP	
C1854	1-136-357-11	FILM	680PF 5% 100V	Q1504	8-729-021-73	TRANSISTOR 2SC2229-OY	
C1855	1-104-665-11	ELECT	100uF 20% 25V (DA3300ES: US, CND/DG1100)	Q1505	8-729-021-74	TRANSISTOR 2SA949-OY	
C1855	1-126-963-11	ELECT	4.7uF 20% 50V (DA3300ES: US, CND/DG1100)	Q1551	8-729-045-15	TRANSISTOR 2SC5169-FG	
C1852	1-128-809-11	CERAMIC	100PF 5% 50V	Q1552	8-729-042-09	TRANSISTOR 2SA1038S-RSE-TP	

STR-DA3300ES/DG1100

A CLASS AMP

Ref. No.	Part No.	Description	Remark	Ref. No.	Part No.	Description	Remark
Q1553	8-729-042-09	TRANSISTOR	2SA1038S-RSE-TP				
Q1554	8-729-021-73	TRANSISTOR	2SC2229-OY	R1559	1-260-116-11	CARBON	27K 5% 1/2W
Q1555	8-729-021-74	TRANSISTOR	2SA949-OY	△R1561	1-249-405-11	CARBON	100 5% 1/4W F
				R1562	1-247-764-11	CARBON	10K 5% 1/2W
Q1601	8-729-045-15	TRANSISTOR	2SC5169-FG	R1563	1-247-759-11	CARBON	3.9K 5% 1/2W
Q1602	8-729-042-09	TRANSISTOR	2SA1038S-RSE-TP	R1564	1-249-496-11	CARBON	100K 5% 1/2W
Q1603	8-729-042-09	TRANSISTOR	2SA1038S-RSE-TP				
Q1604	8-729-021-73	TRANSISTOR	2SC2229-OY	R1601	1-259-428-61	CARBON	1K 5% 1/6W
Q1605	8-729-021-74	TRANSISTOR	2SA949-OY	R1602	1-259-476-61	CARBON	100K 5% 1/6W
				△R1603	1-249-409-11	CARBON	220 5% 1/4W F
Q1701	8-729-045-15	TRANSISTOR	2SC5169-FG	△R1604	1-249-409-11	CARBON	220 5% 1/4W F
Q1702	8-729-042-09	TRANSISTOR	2SA1038S-RSE-TP	R1605	1-259-410-61	CARBON	180 5% 1/6W
Q1703	8-729-042-09	TRANSISTOR	2SA1038S-RSE-TP				
Q1704	8-729-021-73	TRANSISTOR	2SC2229-OY	R1606	1-259-440-61	CARBON	3.3K 5% 1/6W
Q1705	8-729-021-74	TRANSISTOR	2SA949-OY	R1607	1-259-436-61	CARBON	2.2K 5% 1/6W
				R1609	1-260-116-11	CARBON	27K 5% 1/2W
Q1751	8-729-045-15	TRANSISTOR	2SC5169-FG	△R1611	1-249-405-11	CARBON	100 5% 1/4W F
Q1752	8-729-042-09	TRANSISTOR	2SA1038S-RSE-TP	R1612	1-247-764-11	CARBON	10K 5% 1/2W
Q1753	8-729-042-09	TRANSISTOR	2SA1038S-RSE-TP				
Q1754	8-729-021-73	TRANSISTOR	2SC2229-OY	R1613	1-247-759-11	CARBON	3.9K 5% 1/2W
Q1755	8-729-021-74	TRANSISTOR	2SA949-OY	R1614	1-249-496-11	CARBON	100K 5% 1/2W
				R1701	1-259-428-61	CARBON	1K 5% 1/6W
Q1801	8-729-045-15	TRANSISTOR	2SC5169-FG	R1702	1-259-476-61	CARBON	100K 5% 1/6W
Q1802	8-729-042-09	TRANSISTOR	2SA1038S-RSE-TP	△R1703	1-249-409-11	CARBON	220 5% 1/4W F
Q1803	8-729-042-09	TRANSISTOR	2SA1038S-RSE-TP				
Q1804	8-729-021-73	TRANSISTOR	2SC2229-OY	△R1704	1-249-409-11	CARBON	220 5% 1/4W F
Q1805	8-729-021-74	TRANSISTOR	2SA949-OY	R1705	1-259-410-61	CARBON	180 5% 1/6W
				R1706	1-259-440-61	CARBON	3.3K 5% 1/6W
Q1851	8-729-045-15	TRANSISTOR	2SC5169-FG	R1707	1-259-436-61	CARBON	2.2K 5% 1/6W
Q1852	8-729-042-09	TRANSISTOR	2SA1038S-RSE-TP	R1709	1-260-116-11	CARBON	27K 5% 1/2W
Q1853	8-729-042-09	TRANSISTOR	2SA1038S-RSE-TP				
Q1854	8-729-021-73	TRANSISTOR	2SC2229-OY	△R1711	1-249-405-11	CARBON	100 5% 1/4W F
Q1855	8-729-021-74	TRANSISTOR	2SA949-OY	R1712	1-247-764-11	CARBON	10K 5% 1/2W
				R1713	1-247-759-11	CARBON	3.9K 5% 1/2W
Q1901	8-729-042-09	TRANSISTOR	2SA1038S-RSE-TP	R1714	1-249-496-11	CARBON	100K 5% 1/2W
Q1902	8-729-140-96	TRANSISTOR	2SD774-34	R1751	1-259-428-61	CARBON	1K 5% 1/6W
Q1903	8-729-140-96	TRANSISTOR	2SD774-34				
Q1910	8-729-029-94	TRANSISTOR	DTC143TSA	R1752	1-259-476-61	CARBON	100K 5% 1/6W
Q1911	8-729-029-86	TRANSISTOR	DTC124ESA	△R1753	1-249-409-11	CARBON	220 5% 1/4W F
				△R1754	1-249-409-11	CARBON	220 5% 1/4W F
Q1912	8-729-029-86	TRANSISTOR	DTC124ESA	R1755	1-259-410-61	CARBON	180 5% 1/6W
Q1913	8-729-029-86	TRANSISTOR	DTC124ESA	R1756	1-259-440-61	CARBON	3.3K 5% 1/6W
Q1914	8-729-029-86	TRANSISTOR	DTC124ESA				
				R1757	1-259-436-61	CARBON	2.2K 5% 1/6W
				R1759	1-260-116-11	CARBON	27K 5% 1/2W
				△R1761	1-249-405-11	CARBON	100 5% 1/4W F
R1501	1-259-428-61	CARBON	1K 5% 1/6W	R1762	1-247-764-11	CARBON	10K 5% 1/2W
R1502	1-259-476-61	CARBON	100K 5% 1/6W	R1763	1-247-759-11	CARBON	3.9K 5% 1/2W
△R1503	1-249-409-11	CARBON	220 5% 1/4W F				
△R1504	1-249-409-11	CARBON	220 5% 1/4W F	R1764	1-249-496-11	CARBON	100K 5% 1/2W
R1505	1-259-410-61	CARBON	180 5% 1/6W	R1801	1-259-428-61	CARBON	1K 5% 1/6W
				R1802	1-259-476-61	CARBON	100K 5% 1/6W
R1506	1-259-440-61	CARBON	3.3K 5% 1/6W	△R1803	1-249-409-11	CARBON	220 5% 1/4W F
R1507	1-259-436-61	CARBON	2.2K 5% 1/6W	△R1804	1-249-409-11	CARBON	220 5% 1/4W F
R1509	1-260-116-11	CARBON	27K 5% 1/2W				
△R1511	1-249-405-11	CARBON	100 5% 1/4W F	R1805	1-259-410-61	CARBON	180 5% 1/6W
R1512	1-247-764-11	CARBON	10K 5% 1/2W	R1806	1-259-440-61	CARBON	3.3K 5% 1/6W
				R1807	1-259-436-61	CARBON	2.2K 5% 1/6W
R1513	1-247-759-11	CARBON	3.9K 5% 1/2W	R1809	1-260-116-11	CARBON	27K 5% 1/2W
R1514	1-249-496-11	CARBON	100K 5% 1/2W	△R1811	1-249-405-11	CARBON	100 5% 1/4W F
R1549	1-259-476-61	CARBON	100K 5% 1/6W				
R1551	1-259-428-61	CARBON	1K 5% 1/6W	R1812	1-247-764-11	CARBON	10K 5% 1/2W
R1552	1-259-476-61	CARBON	100K 5% 1/6W	R1813	1-247-759-11	CARBON	3.9K 5% 1/2W
				R1814	1-249-496-11	CARBON	100K 5% 1/2W
△R1553	1-249-409-11	CARBON	220 5% 1/4W F	R1851	1-259-428-61	CARBON	1K 5% 1/6W
△R1554	1-249-409-11	CARBON	220 5% 1/4W F	R1852	1-259-476-61	CARBON	100K 5% 1/6W
R1555	1-259-410-61	CARBON	180 5% 1/6W				
R1556	1-259-440-61	CARBON	3.3K 5% 1/6W	△R1853	1-249-409-11	CARBON	220 5% 1/4W F
R1557	1-259-436-61	CARBON	2.2K 5% 1/6W	△R1854	1-249-409-11	CARBON	220 5% 1/4W F

Ref. No.	Part No.	Description	Remark	Ref. No.	Part No.	Description	Remark
R1855	1-259-410-61	CARBON	180 5% 1/6W	C6101	1-126-962-11	ELECT 3.3uF 20% 50V	
R1856	1-259-440-61	CARBON	3.3K 5% 1/6W	C6102	1-126-962-11	ELECT 3.3uF 20% 50V	
R1857	1-259-436-61	CARBON	2.2K 5% 1/6W	C6103	1-104-658-91	ELECT 100uF 20% 10V	
R1859	1-260-116-11	CARBON	27K 5% 1/2W	C6104	1-104-658-91	ELECT 100uF 20% 10V	
△R1861	1-249-405-11	CARBON	100 5% 1/4W F	C6105	1-107-826-11	CERAMIC CHIP 0.1uF 10% 16V	
R1862	1-247-764-11	CARBON	10K 5% 1/2W	C6106	1-107-826-11	CERAMIC CHIP 0.1uF 10% 16V	
R1863	1-247-759-11	CARBON	3.9K 5% 1/2W	C6107	1-162-970-11	CERAMIC CHIP 0.01uF 10% 25V	
R1864	1-249-496-11	CARBON	100K 5% 1/2W	C6108	1-126-947-11	ELECT 47uF 20% 35V	
R1901	1-259-460-61	CARBON	22K 5% 1/6W	C6109	1-126-916-11	ELECT 1000uF 20% 6.3V	
R1902	1-259-460-61	CARBON	22K 5% 1/6W	C6110	1-126-947-11	ELECT 47uF 20% 35V	
△R1903	1-249-393-11	CARBON	10 5% 1/4W F	C6111	1-162-970-11	CERAMIC CHIP 0.01uF 10% 25V	
R1904	1-259-460-61	CARBON	22K 5% 1/6W	C6115	1-126-947-11	ELECT 47uF 20% 35V	
△R1905	1-215-889-00	METAL OXIDE	330 5% 2W F	C6116	1-126-947-11	ELECT 47uF 20% 35V	
			(DA3300ES: US, CND, AEP, ECE/DG1100)	C6117	1-126-947-11	ELECT 47uF 20% 35V	
△R1905	1-215-891-11	METAL OXIDE	680 5% 2W F	C6118	1-126-947-11	ELECT 47uF 20% 35V	
			(DA3300ES: UK)	C6233	1-126-947-11	ELECT 47uF 20% 35V	
R1906	1-259-460-61	CARBON	22K 5% 1/6W	C6234	1-107-826-11	CERAMIC CHIP 0.1uF 10% 16V	
R1907	1-259-476-61	CARBON	100K 5% 1/6W	C6235	1-126-947-11	ELECT 47uF 20% 35V	
△R1908	1-215-888-00	METAL OXIDE	220 5% 2W F	C6243	1-126-947-11	ELECT 47uF 20% 35V	
R1909	1-249-435-11	CARBON	33K 5% 1/4W	C6251	1-126-916-11	ELECT 1000uF 20% 6.3V	
R1910	1-247-891-00	CARBON	330K 5% 1/4W	C6252	1-126-933-11	ELECT 100uF 20% 16V	
R1920	1-247-831-91	CARBON	1K 5% 1/4W	C6253	1-107-826-11	CERAMIC CHIP 0.1uF 10% 16V	
R1921	1-247-862-11	CARBON	20K 5% 1/4W	C6254	1-107-826-11	CERAMIC CHIP 0.1uF 10% 16V	
R1922	1-247-843-11	CARBON	3.3K 5% 1/4W	C6301	1-162-960-11	CERAMIC CHIP 220PF 10% 50V	
R1924	1-249-429-11	CARBON	10K 5% 1/4W	C6304	1-126-964-11	ELECT 10uF 20% 50V	
R1925	1-247-864-11	CARBON	24K 5% 1/4W	C6305	1-126-964-11	ELECT 10uF 20% 50V	
R1927	1-249-429-11	CARBON	10K 5% 1/4W	C6306	1-126-964-11	ELECT 10uF 20% 50V	
R1930	1-249-429-11	CARBON	10K 5% 1/4W	C6307	1-126-964-11	ELECT 10uF 20% 50V	
R1931	1-247-831-91	CARBON	1K 5% 1/4W	C6308	1-126-964-11	ELECT 10uF 20% 50V	
R1932	1-249-429-11	CARBON	10K 5% 1/4W				(DA3300ES: US, CND)
R1933	1-247-871-91	CARBON	47K 5% 1/4W	C6309	1-126-964-11	ELECT 10uF 20% 50V	
			(DA3300ES: UK)	C6310	1-126-964-11	ELECT 10uF 20% 50V	
R1934	1-247-764-11	CARBON	10K 5% 1/2W				(DA3300ES: US, CND)
			(DA3300ES: UK)	C6311	1-126-964-11	ELECT 10uF 20% 50V	
R1936	1-249-393-11	CARBON	10 5% 1/4W	C6312	1-126-964-11	ELECT 10uF 20% 50V	
R1937	1-249-421-11	CARBON	2.2K 5% 1/4W				(DA3300ES: US, CND)

A-1254-399-A	A_VIDEO BOARD, COMPLETE			C6313	1-162-923-11	CERAMIC CHIP 47PF 5% 50V	(DA3300ES: US, CND)
			(DA3300ES: US, CND)	C6314	1-162-923-11	CERAMIC CHIP 47PF 5% 50V	(DA3300ES: US, CND)
A-1254-422-A	A_VIDEO BOARD, COMPLETE (DG1100)						
			*****	C6315	1-126-964-11	ELECT 10uF 20% 50V	
			< CAPACITOR >	C6316	1-162-927-11	CERAMIC CHIP 100PF 5% 50V	
C6001	1-162-960-11	CERAMIC CHIP	220PF 10% 50V	C6317	1-107-826-11	CERAMIC CHIP 0.1uF 10% 16V	(DA3300ES: US, CND)
C6002	1-126-964-11	ELECT	10uF 20% 50V	C6318	1-107-826-11	CERAMIC CHIP 0.1uF 10% 16V	
C6003	1-126-964-11	ELECT	10uF 20% 50V	C6319	1-107-826-11	CERAMIC CHIP 0.1uF 10% 16V	
C6004	1-126-964-11	ELECT	10uF 20% 50V	C6320	1-107-826-11	CERAMIC CHIP 0.1uF 10% 16V	
C6005	1-126-964-11	ELECT	10uF 20% 50V	C6321	1-107-826-11	CERAMIC CHIP 0.1uF 10% 16V	(DA3300ES: US, CND)
C6006	1-126-964-11	ELECT	10uF 20% 50V	C6322	1-107-826-11	CERAMIC CHIP 0.1uF 10% 16V	(DA3300ES: US, CND)
C6007	1-126-964-11	ELECT	10uF 20% 50V	C6323	1-162-927-11	CERAMIC CHIP 100PF 5% 50V	
C6008	1-126-964-11	ELECT	10uF 20% 50V	C6324	1-162-927-11	CERAMIC CHIP 100PF 5% 50V	
C6009	1-126-964-11	ELECT	10uF 20% 50V				
C6010	1-126-964-11	ELECT	10uF 20% 50V	C6325	1-162-927-11	CERAMIC CHIP 100PF 5% 50V	
C6011	1-107-826-11	CERAMIC CHIP	0.1uF 10% 16V	C6326	1-162-927-11	CERAMIC CHIP 100PF 5% 50V	
C6012	1-107-826-11	CERAMIC CHIP	0.1uF 10% 16V	C6327	1-162-927-11	CERAMIC CHIP 100PF 5% 50V	
C6013	1-107-826-11	CERAMIC CHIP	0.1uF 10% 16V	C6328	1-126-947-11	ELECT 47uF 20% 35V	
C6014	1-126-947-11	ELECT	47uF 20% 35V	C6329	1-126-947-11	ELECT 47uF 20% 35V	
C6015	1-126-947-11	ELECT	47uF 20% 35V				
				C6501	1-107-826-11	CERAMIC CHIP 0.1uF 10% 16V	

STR-DA3300ES/DG1100

Ver. 1.1

A_VIDEO

Ref. No.	Part No.	Description	Remark
C6502	1-107-826-11	CERAMIC CHIP 0.1uF 10% 16V	
C6503	1-107-826-11	CERAMIC CHIP 0.1uF 10% 16V	
C6504	1-162-968-11	CERAMIC CHIP 0.0047uF 10% 50V	
C6505	1-162-968-11	CERAMIC CHIP 0.0047uF 10% 50V	
C6506	1-162-923-11	CERAMIC CHIP 47PF 5% 50V (DA3300ES: US, CND)	
C6507	1-162-923-11	CERAMIC CHIP 47PF 5% 50V	
C6508	1-126-933-11	ELECT 100uF 20% 16V (DA3300ES: US, CND)	
C6509	1-107-826-11	CERAMIC CHIP 0.1uF 10% 16V (DA3300ES: US, CND)	
C6510	1-107-826-11	CERAMIC CHIP 0.1uF 10% 16V	
C6511	1-126-964-11	ELECT 10uF 20% 50V (DA3300ES: US, CND)	
C6512	1-126-964-11	ELECT 10uF 20% 50V (DA3300ES: US, CND)	
C6513	1-126-964-11	ELECT 10uF 20% 50V	
C6514	1-126-964-11	ELECT 10uF 20% 50V	
< CONNECTOR >			
CN6203	1-770-407-11	CONNECTOR, BOARD TO BOARD 12P	
* CN6204	1-564-520-11	PLUG, CONNECTOR 5P	
CN6501	1-770-469-21	PIN, CONNECTOR (PC BOARD) 2P	
< DIODE >			
D6001	6-501-817-01	DIODE MA2J1110GLS0	
D6002	6-501-817-01	DIODE MA2J1110GLS0	
D6003	6-501-817-01	DIODE MA2J1110GLS0	
D6101	6-501-817-01	DIODE MA2J1110GLS0	
D6102	6-501-817-01	DIODE MA2J1110GLS0	
D6301	6-501-817-01	DIODE MA2J1110GLS0	
D6302	6-501-817-01	DIODE MA2J1110GLS0	
D6303	6-501-817-01	DIODE MA2J1110GLS0 (DA3300ES: US, CND)	
D6304	6-501-817-01	DIODE MA2J1110GLS0 (DA3300ES: US, CND)	
D6501	6-501-817-01	DIODE MA2J1110GLS0	
D6502	6-501-817-01	DIODE MA2J1110GLS0	
< IC >			
IC6001	6-706-767-01	IC NJM2586AM	
IC6101	8-759-822-05	IC LA7213	
IC6102	8-759-822-05	IC LA7213	
IC6103	6-701-820-01	IC LA73053-TLM-E	
IC6104	6-706-767-01	IC NJM2586AM	
IC6204	8-759-353-02	IC NJM2533M (TE2)	
IC6205	8-759-647-11	IC uPC2905HF	
IC6206	8-759-245-79	IC TA79005S	
IC6301	6-704-199-01	IC NJM2595M-TE2 (DA3300ES: US, CND)	
IC6302	6-704-199-01	IC NJM2595M-TE2	
IC6501	8-759-238-47	IC TC74HCT7007AF (EL)	
IC6502	8-759-268-29	IC SN74HC595ANS	
IC6503	8-759-268-29	IC SN74HC595ANS	
IC6504	8-759-353-02	IC NJM2533M (TE2) (DA3300ES: US, CND)	
IC6505	8-759-353-02	IC NJM2533M (TE2)	
< JACK >			
J6001	1-816-592-11	JACK, PIN 9P (COMPONENT VIDEO ASSIGNABLE (INPUT ONLY) VIDEO 1/ DVD/BD/SAT/CATV IN)	
J6002	1-821-278-12	JACK 3P (COMPONENT VIDEO MONITOR OUT)	

Ref. No.	Part No.	Description	Remark
J6003	1-774-227-41	JACK, PIN 1P (ZONE 2 VIDEO OUT) (DA3300ES: US, CND)	
J6004	1-794-978-11	JACK, PIN 3P (VIDEO 1/VIDEO 2 VIDEO IN, VIDEO 1 VIDEO OUT)	
J6005	1-794-978-11	JACK, PIN 3P (DVD/BD/SAT/CATV VIDEO IN, MONITOR VIDEO OUT)	
< COIL >			
L6001	1-469-525-11	INDUCTOR 10uH	
L6002	1-469-525-11	INDUCTOR 10uH	
< TRANSISTOR >			
Q6001	8-729-620-07	TRANSISTOR 2SC3052EF-T1-LEF	
Q6101	8-729-038-28	TRANSISTOR RT1N441C-TP-1	
Q6102	8-729-038-28	TRANSISTOR RT1N441C-TP-1	
Q6103	8-729-620-07	TRANSISTOR 2SC3052EF-T1-LEF	
Q6104	8-729-620-07	TRANSISTOR 2SC3052EF-T1-LEF	
< RESISTOR >			
R6001	1-211-990-11	METAL CHIP 75 0.5% 1/10W	
R6002	1-211-990-11	METAL CHIP 75 0.5% 1/10W	
R6003	1-211-990-11	METAL CHIP 75 0.5% 1/10W	
R6004	1-211-990-11	METAL CHIP 75 0.5% 1/10W	
R6005	1-211-990-11	METAL CHIP 75 0.5% 1/10W	
R6006	1-211-990-11	METAL CHIP 75 0.5% 1/10W	
R6007	1-211-990-11	METAL CHIP 75 0.5% 1/10W	
R6008	1-211-990-11	METAL CHIP 75 0.5% 1/10W	
R6009	1-211-990-11	METAL CHIP 75 0.5% 1/10W	
△R6010	1-249-393-11	CARBON 10 5% 1/4W F	
R6011	1-216-841-11	METAL CHIP 47K 5% 1/10W	
R6012	1-216-821-11	METAL CHIP 1K 5% 1/10W	
R6013	1-216-864-11	SHORT CHIP 0	
R6014	1-216-864-11	SHORT CHIP 0	
R6015	1-211-990-11	METAL CHIP 75 0.5% 1/10W	
R6016	1-216-864-11	SHORT CHIP 0	
R6017	1-211-990-11	METAL CHIP 75 0.5% 1/10W	
R6018	1-211-990-11	METAL CHIP 75 0.5% 1/10W	
R6101	1-216-815-11	METAL CHIP 330 5% 1/10W	
R6102	1-216-815-11	METAL CHIP 330 5% 1/10W	
R6103	1-216-847-11	METAL CHIP 150K 5% 1/10W	
R6104	1-216-847-11	METAL CHIP 150K 5% 1/10W	
R6105	1-216-829-11	METAL CHIP 4.7K 5% 1/10W	
R6106	1-216-829-11	METAL CHIP 4.7K 5% 1/10W	
R6110	1-216-821-11	METAL CHIP 1K 5% 1/10W	
R6111	1-216-821-11	METAL CHIP 1K 5% 1/10W	
R6112	1-216-841-11	METAL CHIP 47K 5% 1/10W	
R6113	1-216-841-11	METAL CHIP 47K 5% 1/10W	
R6114	1-216-841-11	METAL CHIP 47K 5% 1/10W	
R6115	1-216-841-11	METAL CHIP 47K 5% 1/10W	
R6116	1-216-841-11	METAL CHIP 47K 5% 1/10W	
R6117	1-216-841-11	METAL CHIP 47K 5% 1/10W	
R6118	1-211-990-11	METAL CHIP 75 0.5% 1/10W	
R6119	1-211-990-11	METAL CHIP 75 0.5% 1/10W	
R6120	1-211-990-11	METAL CHIP 75 0.5% 1/10W	
R6121	1-218-834-11	METAL CHIP 300 0.5% 1/10W	
R6122	1-218-834-11	METAL CHIP 300 0.5% 1/10W	
R6123	1-218-834-11	METAL CHIP 300 0.5% 1/10W	
R6124	1-216-815-11	METAL CHIP 330 5% 1/10W	
R6125	1-216-815-11	METAL CHIP 330 5% 1/10W	

Ref. No.	Part No.	Description	Remark	Ref. No.	Part No.	Description	Remark
R6235	1-218-834-11	METAL CHIP	300 0.5% 1/10W			< AC OUTLET >	
R6236	1-218-834-11	METAL CHIP	300 0.5% 1/10W				
R6237	1-218-834-11	METAL CHIP	300 0.5% 1/10W	△ CN001	1-251-718-11	OUTLET (2 GANG), AC (~ AC OUTLET)	(DG1100)
R6239	1-216-864-11	SHORT CHIP	0				
R6240	1-216-864-11	SHORT CHIP	0			< CONNECTOR >	
R6241	1-216-864-11	SHORT CHIP	0				
R6242	1-216-864-11	SHORT CHIP	0	* CNP02	1-564-687-11	PIN, CONNECTOR (3.96mm PITCH) 3P	
R6243	1-216-864-11	SHORT CHIP	0	CNP51	1-564-321-00	PIN, CONNECTOR (3.96mm PITCH) 2P	
R6244	1-216-809-11	METAL CHIP	100 5% 1/10W	CNP53	1-774-108-11	PIN, CONNECTOR (PC BOARD)	
R6245	1-216-809-11	METAL CHIP	100 5% 1/10W	CNP54	1-784-922-11	PIN, CONNECTOR 5P	
R6246	1-216-809-11	METAL CHIP	100 5% 1/10W			< DIODE >	
R6247	1-216-809-11	METAL CHIP	100 5% 1/10W	D51	6-500-522-31	DIODE 10EDB40-TB5	
R6250	1-216-809-11	METAL CHIP	100 5% 1/10W	D52	6-500-522-31	DIODE 10EDB40-TB5	
R6251	1-216-809-11	METAL CHIP	100 5% 1/10W	D53	6-500-522-31	DIODE 10EDB40-TB5	
R6252	1-216-809-11	METAL CHIP	100 5% 1/10W	D54	6-500-522-31	DIODE 10EDB40-TB5	
R6301	1-211-990-11	METAL CHIP	75 0.5% 1/10W	D55	6-500-522-31	DIODE 10EDB40-TB5	
R6302	1-211-990-11	METAL CHIP	75 0.5% 1/10W				
R6303	1-211-990-11	METAL CHIP	75 0.5% 1/10W	D56	6-501-193-01	DIODE 1SS355WTE-17	
R6304	1-211-990-11	METAL CHIP	75 0.5% 1/10W	D57	6-501-193-01	DIODE 1SS355WTE-17	
R6305	1-211-990-11	METAL CHIP	75 0.5% 1/10W	D58	6-501-193-01	DIODE 1SS355WTE-17	
			(DA3300ES: US, CND)	D61	8-719-069-56	DIODE UZSSTE-176.2B	
R6306	1-211-990-11	METAL CHIP	75 0.5% 1/10W			< EARTH TERMINAL >	
R6307	1-211-990-11	METAL CHIP	75 0.5% 1/10W	* EE51	1-537-738-21	TERMINAL, EARTH	
R6308	1-211-990-11	METAL CHIP	75 0.5% 1/10W			< FUSE HOLDER >	
			(DA3300ES: US, CND)				
R6309	1-211-990-11	METAL CHIP	75 0.5% 1/10W				
			(DA3300ES: US, CND)	FH01	1-533-313-11	FUSE HOLDER	
R6310	1-216-845-11	METAL CHIP	100K 5% 1/10W	FH02	1-533-313-11	FUSE HOLDER	
			(DA3300ES: US, CND)	FH03	1-533-313-11	FUSE HOLDER (DG1100)	
R6311	1-216-864-11	SHORT CHIP	0	FH04	1-533-313-11	FUSE HOLDER (DG1100)	
R6501	1-216-833-11	METAL CHIP	10K 5% 1/10W			< IC >	
R6502	1-216-813-11	METAL CHIP	220 5% 1/10W	IC51	8-759-450-47	IC BA05T	
R6503	1-216-813-11	METAL CHIP	220 5% 1/10W			< TRANSISTOR >	
R6504	1-216-809-11	METAL CHIP	100 5% 1/10W				
			(DA3300ES: US, CND)	Q51	8-729-620-07	TRANSISTOR 2SC3052EF-T1-LEF	
R6505	1-216-809-11	METAL CHIP	100 5% 1/10W	Q52	8-729-620-07	TRANSISTOR 2SC3052EF-T1-LEF	
R6506	1-211-990-11	METAL CHIP	75 0.5% 1/10W	Q53	8-729-027-52	TRANSISTOR DTC124EKA-T146	
		< RELAY >		Q54	8-729-140-97	TRANSISTOR 2SB734-34	
RY6001	1-755-267-11	RELAY		Q55	8-729-027-52	TRANSISTOR DTC124EKA-T146	
RY6002	1-755-267-11	RELAY				< RESISTOR >	
RY6003	1-755-267-11	RELAY		△ R001	1-219-237-11	SOLID 3.3M 20% 1/2W F	
		AC BOARD		R51	1-216-833-11	METAL CHIP 10K 5% 1/10W	
		*****		R52	1-218-867-11	METAL CHIP 6.8K 0.5% 1/10W	
	7-685-646-79	SCREW +BVTP 3X8 TYPE2 IT-3		R53	1-216-837-11	METAL CHIP 22K 5% 1/10W	
		< CAPACITOR >		R54	1-216-825-11	METAL CHIP 2.2K 5% 1/10W	
C51	1-126-964-11	ELECT	10uF 20% 50V	R55	1-216-833-11	METAL CHIP 10K 5% 1/10W	
C52	1-126-943-11	ELECT	2200uF 20% 25V	R58	1-259-179-31	CARBON 3.3K 5% 1/4W	
C53	1-126-943-11	ELECT	2200uF 20% 25V	R59	1-216-833-11	METAL CHIP 10K 5% 1/10W	
C54	1-164-315-11	CERAMIC CHIP	470PF 5% 50V	△ R60	1-249-389-11	CARBON 4.7 5% 1/4W F	
C55	1-136-287-11	FILM	0.0047uF 5% 100V	R61	1-216-819-11	METAL CHIP 680 5% 1/10W	
C56	1-137-465-11	MYLAR	0.056uF 5% 100V			< RELAY >	
C57	1-126-941-11	ELECT	470uF 20% 25V	△ RY01	1-755-266-11	RELAY, AC POWER	
C58	1-100-566-91	CERAMIC CHIP	0.1uF 10% 25V				
△ C59	1-113-925-11	CERAMIC	0.01uF 20% 250V				

STR-DA3300ES/DG1100

Ver. 1.2

AC **BIAS**

Ref. No.	Part No.	Description	Remark
< TRANSFORMER >			
△ T002	1-445-212-11	TRANSFORMER, POWER	

	A-1252-453-A	BIAS BOARD, COMPLETE (DA3300ES: AEP, ECE, UK)	
	A-1254-659-A	BIAS BOARD, COMPLETE (DA3300ES: US, CND/DG1100)	

< CAPACITOR >			
C1521	1-112-089-11	ELECT 47uF 20% 25V (DA3300ES: AEP, ECE, UK)	
C1521	1-126-947-11	ELECT 47uF 20% 35V (DA3300ES: US, CND/DG1100)	
C1571	1-112-089-11	ELECT 47uF 20% 25V (DA3300ES: AEP, ECE, UK)	
C1571	1-126-947-11	ELECT 47uF 20% 35V (DA3300ES: US, CND/DG1100)	
C1621	1-112-089-11	ELECT 47uF 20% 25V (DA3300ES: AEP, ECE, UK)	
C1621	1-126-947-11	ELECT 47uF 20% 35V (DA3300ES: US, CND/DG1100)	
C1721	1-112-089-11	ELECT 47uF 20% 25V (DA3300ES: AEP, ECE, UK)	
C1721	1-126-947-11	ELECT 47uF 20% 35V (DA3300ES: US, CND/DG1100)	
C1771	1-112-089-11	ELECT 47uF 20% 25V (DA3300ES: AEP, ECE, UK)	
C1771	1-126-947-11	ELECT 47uF 20% 35V (DA3300ES: US, CND/DG1100)	
C1821	1-112-089-11	ELECT 47uF 20% 25V (DA3300ES: AEP, ECE, UK)	
C1821	1-126-947-11	ELECT 47uF 20% 35V (DA3300ES: US, CND/DG1100)	
C1871	1-112-089-11	ELECT 47uF 20% 25V (DA3300ES: AEP, ECE, UK)	
C1871	1-126-947-11	ELECT 47uF 20% 35V (DA3300ES: US, CND/DG1100)	
C1905	1-126-965-91	ELECT 22uF 20% 50V	
C1906	1-104-655-91	ELECT 470uF 20% 6.3V (DA3300ES: US, CND/DG1100)	
C1906	1-112-402-11	ELECT 470uF 20% 6.3V (DA3300ES: AEP, ECE, UK)	
C1907	1-128-805-11	CERAMIC 47PF 5% 50V	
C1908	1-128-805-11	CERAMIC 47PF 5% 50V	
< CONNECTOR >			
CN1512	1-766-719-41	CONNECTOR, BOARD TO BOARD 10P	
CN1513	1-784-031-41	CONNECTOR, BOARD TO BOARD 8P	
* CN1705	1-573-828-11	CONNECTOR, BOARD TO BOARD 14P	
* CN1803	1-573-828-11	CONNECTOR, BOARD TO BOARD 14P	
CN1910	1-770-010-21	CONNECTOR, BOARD TO BOARD 4P	
* CN1911	1-774-876-21	CONNECTOR, BOARD TO BOARD 8P	
< DIODE >			
D1904	8-719-991-33	DIODE 1SS133T-77	
D1905	8-719-991-33	DIODE 1SS133T-77	
D1908	8-719-991-33	DIODE 1SS133T-77	

Ref. No.	Part No.	Description	Remark
D1909	8-719-991-33	DIODE 1SS133T-77	
D1910	8-719-991-33	DIODE 1SS133T-77	
< IC >			
IC1901	8-759-167-88	IC NJM4565D	
< TRANSISTOR >			
Q1904	8-729-281-53	TRANSISTOR 2SC1815-GR	
Q1905	8-729-140-84	TRANSISTOR 2SC1841-PAFAEA	
Q1906	8-729-042-09	TRANSISTOR 2SA1038S-RSE-TP	
Q1907	8-729-042-09	TRANSISTOR 2SA1038S-RSE-TP	
Q1908	8-729-029-86	TRANSISTOR DTC124ESA	
< RESISTOR >			
R1521	1-259-440-61	CARBON 3.3K 5% 1/6W	
R1522	1-259-428-61	CARBON 1K 5% 1/6W	
R1524	1-259-468-61	CARBON 47K 5% 1/6W	
R1571	1-259-440-61	CARBON 3.3K 5% 1/6W	
R1572	1-259-428-61	CARBON 1K 5% 1/6W	
R1574	1-259-468-61	CARBON 47K 5% 1/6W	
R1621	1-259-440-61	CARBON 3.3K 5% 1/6W	
R1622	1-259-428-61	CARBON 1K 5% 1/6W	
R1624	1-259-468-61	CARBON 47K 5% 1/6W	
R1721	1-259-440-61	CARBON 3.3K 5% 1/6W	
R1722	1-259-428-61	CARBON 1K 5% 1/6W	
R1724	1-259-468-61	CARBON 47K 5% 1/6W	
R1771	1-259-440-61	CARBON 3.3K 5% 1/6W	
R1772	1-259-428-61	CARBON 1K 5% 1/6W	
R1774	1-259-468-61	CARBON 47K 5% 1/6W	
R1821	1-259-440-61	CARBON 3.3K 5% 1/6W	
R1822	1-259-428-61	CARBON 1K 5% 1/6W	
R1824	1-259-468-61	CARBON 47K 5% 1/6W	
R1871	1-259-440-61	CARBON 3.3K 5% 1/6W	
R1872	1-259-428-61	CARBON 1K 5% 1/6W	
R1874	1-259-468-61	CARBON 47K 5% 1/6W	
R1911	1-247-863-91	CARBON 22K 5% 1/4W	
R1912	1-249-429-11	CARBON 10K 5% 1/4W	
R1913	1-249-429-11	CARBON 10K 5% 1/4W	
R1914	1-247-863-91	CARBON 22K 5% 1/4W	
R1915	1-247-863-91	CARBON 22K 5% 1/4W	
R1916	1-249-430-11	CARBON 12K 5% 1/4W	
R1917	1-247-895-00	CARBON 470K 5% 1/4W	
R1918	1-247-871-91	CARBON 47K 5% 1/4W	
R1919	1-249-429-11	CARBON 10K 5% 1/4W	
R1923	1-247-831-91	CARBON 1K 5% 1/4W	
R1929	1-249-429-11	CARBON 10K 5% 1/4W	
< VARIABLE RESISTOR >			
RV1501	1-238-595-11	RES, ADJ, CARBON 220	
RV1551	1-238-595-11	RES, ADJ, CARBON 220	
RV1601	1-238-595-11	RES, ADJ, CARBON 220	
RV1701	1-238-595-11	RES, ADJ, CARBON 220	
RV1751	1-238-595-11	RES, ADJ, CARBON 220	
RV1801	1-238-595-11	RES, ADJ, CARBON 220	
RV1851	1-238-595-11	RES, ADJ, CARBON 220	

C_SPTM

CIS

CONNECTOR 3

CONNECTOR 4

Ref. No.	Part No.	Description	Remark	Ref. No.	Part No.	Description	Remark
		C_SPTM BOARD *****		IC861	8-759-470-63	IC NJM2145M-TE2	
				IC881	8-759-065-85	IC MAX232N	
		< CAPACITOR >				< JACK >	
C1301	1-162-927-11	CERAMIC CHIP	100PF 5% 50V	J801	1-563-330-31	JACK (IR REMOTE IN)	
		< TERMINAL >		J802	1-563-330-31	JACK (IR REMOTE OUT1)	
TB1301	1-780-405-11	TERMINAL BOARD (SP) (2P) (CENTER SPEAKERS)		J803	1-563-330-31	JACK (IR REMOTE OUT2)	
		*****		J821	1-563-330-31	JACK (TRIGGER OUT MAIN)	
		CIS BOARD (DA3300ES: US, CND) *****		J861	1-563-330-31	JACK (CTRL S OUT)	
		< CAPACITOR >		J862	1-563-330-31	JACK (CTRL S IN)	
C801	1-126-947-11	ELECT	47uF 20% 35V	J881	1-815-737-11	CONNECTOR, (D) SUB 9P (RS-232C)	
C802	1-107-826-11	CERAMIC CHIP	0.1uF 10% 16V			< JUMPER RESISTOR >	
C803	1-126-961-11	ELECT	2.2uF 20% 50V	JW861	1-216-864-11	SHORT CHIP 0	
C804	1-126-947-11	ELECT	47uF 20% 35V			< TRANSISTOR >	
C805	1-107-826-11	CERAMIC CHIP	0.1uF 10% 16V	Q821	8-729-037-13	TRANSISTOR KTA1271Y	
				Q822	8-729-027-43	TRANSISTOR DTC114EKA-T146	
C807	1-164-388-91	CERAMIC CHIP	270PF 5% 50V			< RESISTOR >	
C821	1-126-960-11	ELECT	1uF 20% 50V	R801	1-216-833-11	METAL CHIP 10K 5% 1/10W	
C851	1-126-767-11	ELECT	1000uF 20% 16V	R802	1-216-797-11	METAL CHIP 10 5% 1/10W	
C852	1-107-826-11	CERAMIC CHIP	0.1uF 10% 16V	R803	1-216-845-11	METAL CHIP 100K 5% 1/10W	
C862	1-164-315-11	CERAMIC CHIP	470PF 5% 50V	R804	1-216-833-11	METAL CHIP 10K 5% 1/10W	
				R805	1-216-845-11	METAL CHIP 100K 5% 1/10W	
C863	1-164-315-11	CERAMIC CHIP	470PF 5% 50V	R806	1-216-809-11	METAL CHIP 100 5% 1/10W	
C864	1-126-963-11	ELECT	4.7uF 20% 50V	R807	1-216-809-11	METAL CHIP 100 5% 1/10W	
C865	1-107-826-11	CERAMIC CHIP	0.1uF 10% 16V	R822	1-216-833-11	METAL CHIP 10K 5% 1/10W	
C868	1-164-388-91	CERAMIC CHIP	270PF 5% 50V	R823	1-216-825-11	METAL CHIP 2.2K 5% 1/10W	
C883	1-100-597-91	CERAMIC CHIP	0.1uF 10% 25V	R824	1-216-833-11	METAL CHIP 10K 5% 1/10W	
				R825	1-216-809-11	METAL CHIP 100 5% 1/10W	
C884	1-126-933-11	ELECT	100uF 20% 16V	R861	1-216-821-11	METAL CHIP 1K 5% 1/10W	
C885	1-115-156-11	CERAMIC CHIP	1uF 10V	R862	1-216-821-11	METAL CHIP 1K 5% 1/10W	
C886	1-115-156-11	CERAMIC CHIP	1uF 10V	R863	1-216-821-11	METAL CHIP 1K 5% 1/10W	
C887	1-115-156-11	CERAMIC CHIP	1uF 10V	R864	1-216-821-11	METAL CHIP 1K 5% 1/10W	
C888	1-115-156-11	CERAMIC CHIP	1uF 10V			< THERMISTOR >	
		< CONNECTOR >		R865	1-216-821-11	METAL CHIP 1K 5% 1/10W	
CN801	1-779-279-11	CONNECTOR, FFC (LIF (NON-ZIF)) 11P		R881	1-216-809-11	METAL CHIP 100 5% 1/10W	
		< DIODE >		R882	1-216-809-11	METAL CHIP 100 5% 1/10W	
D801	8-719-404-50	DIODE MA111-TX				TH821	1-801-726-11 THERMISTOR, POSITIVE
D802	8-719-075-86	LED SID307BRTP19 (REMOTE CONTROL TRANSCEIVER)					*****
D803	8-719-404-50	DIODE MA111-TX					CONNECTOR 3 BOARD
D807	8-719-404-50	DIODE MA111-TX					*****
D808	8-719-404-50	DIODE MA111-TX					< CONNECTOR >
		< EARTH TERMINAL >		CN1202	1-573-844-11	CONNECTOR, BOARD TO BOARD 12P	
EB801	1-537-738-21	TERMINAL, GROUND		CN1203	1-784-041-41	CONNECTOR, BOARD TO BOARD 9P	
EB802	1-537-738-21	TERMINAL, GROUND				*****	
		< FERRITE BEAD >				CONNECTOR 4 BOARD	
FB881	1-469-152-11	FERRITE, EMI (SMD) (2012)				*****	
		< IC >				< CONNECTOR >	
IC801	6-600-349-21	IC NJL23H400A		CN1204	1-764-865-41	CONNECTOR, BOARD TO BOARD 13P	
IC802	6-700-587-01	IC TC7W53F (TE12R)		CN1207	1-573-847-11	CONNECTOR, BOARD TO BOARD 15P	

STR-DA3300ES/DG1100

Ver. 1.2

CONTROL

Ref. No.	Part No.	Description	Remark
	A-1254-389-A	CONTROL BOARD, COMPLETE (DA3300ES: US, CND)	
	A-1254-408-A	CONTROL BOARD, COMPLETE (DA3300ES: AEP, ECE, UK)	
	A-1254-658-A	CONTROL BOARD, COMPLETE (DG1100) *****	
< CAPACITOR >			
C2001	1-107-826-11	CERAMIC CHIP 0.1uF	10% 16V
C2002	1-107-826-11	CERAMIC CHIP 0.1uF	10% 16V
C2003	1-107-826-11	CERAMIC CHIP 0.1uF	10% 16V
C2004	1-162-974-11	CERAMIC CHIP 0.01uF	50V
C2005	1-107-826-11	CERAMIC CHIP 0.1uF	10% 16V
C2006	1-107-826-11	CERAMIC CHIP 0.1uF	10% 16V
C2007	1-117-720-11	CERAMIC CHIP 4.7uF	10V
C2008	1-107-826-11	CERAMIC CHIP 0.1uF	10% 16V
C2009	1-117-720-11	CERAMIC CHIP 4.7uF	10V
C2010	1-107-826-11	CERAMIC CHIP 0.1uF	10% 16V
C2011	1-107-826-11	CERAMIC CHIP 0.1uF	10% 16V
C2012	1-117-720-11	CERAMIC CHIP 4.7uF	10V
C2013	1-107-826-11	CERAMIC CHIP 0.1uF	10% 16V
C2014	1-107-826-11	CERAMIC CHIP 0.1uF	10% 16V
C2015	1-107-826-11	CERAMIC CHIP 0.1uF	10% 16V
C2016	1-107-826-11	CERAMIC CHIP 0.1uF	10% 16V
C2017	1-107-826-11	CERAMIC CHIP 0.1uF	10% 16V
C2020	1-107-826-11	CERAMIC CHIP 0.1uF	10% 16V
C2021	1-162-974-11	CERAMIC CHIP 0.01uF	50V
C2022	1-162-974-11	CERAMIC CHIP 0.01uF	50V
C2023	1-162-974-11	CERAMIC CHIP 0.01uF	50V
C2024	1-162-974-11	CERAMIC CHIP 0.01uF	50V
C2025	1-162-974-11	CERAMIC CHIP 0.01uF	50V
C2026	1-107-826-11	CERAMIC CHIP 0.1uF	10% 16V
C2027	1-162-974-11	CERAMIC CHIP 0.01uF	50V
C2028	1-107-826-11	CERAMIC CHIP 0.1uF	10% 16V
C2029	1-162-974-11	CERAMIC CHIP 0.01uF	50V
C2030	1-162-974-11	CERAMIC CHIP 0.01uF	50V
C2031	1-117-720-11	CERAMIC CHIP 4.7uF	10V
C2032	1-107-826-11	CERAMIC CHIP 0.1uF	10% 16V
C2033	1-107-826-11	CERAMIC CHIP 0.1uF	10% 16V (DA3300ES: US, CND)
C2034	1-107-826-11	CERAMIC CHIP 0.1uF	10% 16V
C2035	1-117-720-11	CERAMIC CHIP 4.7uF	10V (DA3300ES: US, CND)
C2036	1-107-826-11	CERAMIC CHIP 0.1uF	10% 16V
C2037	1-126-209-11	ELECT CHIP 100uF	20% 4V
C2038	1-107-826-11	CERAMIC CHIP 0.1uF	10% 16V
C2039	1-107-826-11	CERAMIC CHIP 0.1uF	10% 16V
C2040	1-117-720-11	CERAMIC CHIP 4.7uF	10V
C2041	1-107-826-11	CERAMIC CHIP 0.1uF	10% 16V
C2042	1-107-826-11	CERAMIC CHIP 0.1uF	10% 16V
C2043	1-117-720-11	CERAMIC CHIP 4.7uF	10V
C2044	1-107-826-11	CERAMIC CHIP 0.1uF	10% 16V
C2045	1-107-826-11	CERAMIC CHIP 0.1uF	10% 16V
C2046	1-107-826-11	CERAMIC CHIP 0.1uF	10% 16V
C2047	1-107-826-11	CERAMIC CHIP 0.1uF	10% 16V
C2048	1-162-927-11	CERAMIC CHIP 100PF	5% 50V
C2049	1-117-720-11	CERAMIC CHIP 4.7uF	10V
C2050	1-107-826-11	CERAMIC CHIP 0.1uF	10% 16V

Ref. No.	Part No.	Description	Remark
C2051	1-107-826-11	CERAMIC CHIP 0.1uF	10% 16V
C2052	1-126-193-11	ELECT CHIP 1uF	20% 50V
C2053	1-107-826-11	CERAMIC CHIP 0.1uF	10% 16V
C2054	1-124-779-00	ELECT CHIP 10uF	20% 16V
C2055	1-126-209-11	ELECT CHIP 100uF	20% 4V
C2056	1-107-826-11	CERAMIC CHIP 0.1uF	10% 16V
C2057	1-107-826-11	CERAMIC CHIP 0.1uF	10% 16V
C2058	1-126-206-11	ELECT CHIP 100uF	20% 6.3V
C2059	1-107-826-11	CERAMIC CHIP 0.1uF	10% 16V
C2060	1-117-720-11	CERAMIC CHIP 4.7uF	10V
C2061	1-107-826-11	CERAMIC CHIP 0.1uF	10% 16V
C2062	1-126-208-21	ELECT CHIP 47uF	20% 4V
C2063	1-126-209-11	ELECT CHIP 100uF	20% 4V
C2065	1-107-826-11	CERAMIC CHIP 0.1uF	10% 16V
C2066	1-117-720-11	CERAMIC CHIP 4.7uF	10V
C2067	1-107-826-11	CERAMIC CHIP 0.1uF	10% 16V (DA3300ES: US, CND/DG1100)
C2068	1-107-826-11	CERAMIC CHIP 0.1uF	10% 16V (DA3300ES: US, CND/DG1100)
< CONNECTOR >			
CN2001	1-770-384-21	CONNECTOR, BOARD TO BOARD 16P	
CN2002	1-770-382-11	CONNECTOR, BOARD TO BOARD 12P (DA3300ES: US, CND/DG1100)	
CN2003	1-770-381-11	CONNECTOR, BOARD TO BOARD 10P	
CN2004	1-784-370-51	CONNECTOR, FFC/FPC 11P (DA3300ES: US, CND)	
CN2005	1-770-382-11	CONNECTOR, BOARD TO BOARD 12P	
CN2006	1-770-382-11	CONNECTOR, BOARD TO BOARD 12P	
CN2007	1-770-383-11	CONNECTOR, BOARD TO BOARD 14P	
CN2008	1-770-405-11	CONNECTOR, BOARD TO BOARD 8P	
CN2009	1-770-410-11	CONNECTOR, BOARD TO BOARD 18P	
CN2010	1-770-410-11	CONNECTOR, BOARD TO BOARD 18P	
CN2012	1-778-692-51	CONNECTOR, FFC/FPC 21P	
* CN2013	1-785-125-21	CONNECTOR 6P	
CN2014	1-778-692-51	CONNECTOR, FFC/FPC 21P	
CN2015	1-784-930-11	PIN, CONNECTOR 15P	
CN2016	1-784-926-11	PIN, CONNECTOR 11P	
CN2017	1-784-928-11	PIN, CONNECTOR 13P	
CN2020	1-764-177-11	PIN, CONNECTOR (SMD) (1.5mm) 7P	
< DIODE >			
D2001	8-719-060-48	DIODE RB751V-40TE-17	
D2002	8-719-988-61	DIODE 1SS355TE-17	
D2003	8-719-988-61	DIODE 1SS355TE-17	
D2004	8-719-988-61	DIODE 1SS355TE-17	
D2005	8-719-988-61	DIODE 1SS355TE-17	
D2006	8-719-988-61	DIODE 1SS355TE-17	
< FERRITE BEAD >			
FB2001	1-469-152-11	FERRITE, EMI (SMD) (2012) (DA3300ES: US, CND)	
FB2002	1-469-152-11	FERRITE, EMI (SMD) (2012) (DA3300ES: US, CND)	
FB2003	1-469-152-11	FERRITE, EMI (SMD) (2012)	
FB2004	1-469-152-11	FERRITE, EMI (SMD) (2012)	
FB2005	1-469-152-11	FERRITE, EMI (SMD) (2012)	
FB2006	1-469-152-11	FERRITE, EMI (SMD) (2012)	

Ref. No.	Part No.	Description	Remark	Ref. No.	Part No.	Description	Remark
FB2007	1-469-152-11	FERRITE, EMI (SMD) (2012)		R2029	1-216-809-11	METAL CHIP	100 5% 1/10W
FB2008	1-469-152-11	FERRITE, EMI (SMD) (2012)		R2030	1-216-809-11	METAL CHIP	100 5% 1/10W
FB2009	1-469-152-11	FERRITE, EMI (SMD) (2012)		R2031	1-216-809-11	METAL CHIP	100 5% 1/10W
		(DA3300ES: US, CND/DG1100)					
		< IC >		R2032	1-216-825-11	METAL CHIP	2.2K 5% 1/10W
IC2001	6-706-487-01	IC TC7SH08FU (T5RSOYJF)		R2033	1-216-825-11	METAL CHIP	2.2K 5% 1/10W
IC2002	6-706-478-01	IC TC7SET08FU (T5RSOJF)		R2034	1-216-833-11	METAL CHIP	10K 5% 1/10W
		(DA3300ES: US, CND)		R2035	1-216-825-11	METAL CHIP	2.2K 5% 1/10W
IC2003	6-807-430-01	IC MB91F467RA-07A23ES-X107		R2036	1-216-809-11	METAL CHIP	100 5% 1/10W
IC2004	8-759-058-62	IC TC7S08FU (TE85R)		R2037	1-216-833-11	METAL CHIP	10K 5% 1/10W
IC2005	6-702-913-01	IC S-80929CNMC-G8ZT2G		R2038	1-216-833-11	METAL CHIP	10K 5% 1/10W
IC2006	8-759-277-63	IC TC7W14FU (TE12R)		R2039	1-216-809-11	METAL CHIP	100 5% 1/10W
IC2007	6-704-006-01	IC BR24L64F-WE2		R2040	1-216-833-11	METAL CHIP	10K 5% 1/10W
IC2008	6-705-468-01	IC BA33BC0FP-E2		R2041	1-216-833-11	METAL CHIP	10K 5% 1/10W
IC2009	8-759-277-63	IC TC7W14FU (TE12R)		R2043	1-216-809-11	METAL CHIP	100 5% 1/10W
IC2010	8-759-524-09	IC TC74VHC153FT (EL)		R2044	1-216-833-11	METAL CHIP	10K 5% 1/10W
IC2011	8-759-238-47	IC TC74HCT7007AF (EL)		R2047	1-216-833-11	METAL CHIP	10K 5% 1/10W
IC2012	6-706-487-01	IC TC7SH08FU (T5RSOYJF)				(DA3300ES: US, CND/DG1100)	
		(DA3300ES: US, CND/DG1100)		R2048	1-216-825-11	METAL CHIP	2.2K 5% 1/10W
IC2013	6-706-478-01	IC TC7SET08FU (T5RSOJF)				(DG1100)	
		(DA3300ES: US, CND/DG1100)		R2048	1-216-864-11	SHORT CHIP	0 (DA3300ES: AEP, ECE, UK)
		< TRANSISTOR >		R2049	1-216-833-11	METAL CHIP	10K 5% 1/10W
Q2001	8-729-216-22	TRANSISTOR 2SA1162-G		R2050	1-216-833-11	METAL CHIP	10K 5% 1/10W
Q2002	8-729-024-91	TRANSISTOR 2SC2712-GL-TE85L		R2051	1-216-809-11	METAL CHIP	100 5% 1/10W
Q2003	8-729-024-91	TRANSISTOR 2SC2712-GL-TE85L		R2053	1-216-809-11	METAL CHIP	100 5% 1/10W
Q2004	8-729-027-43	TRANSISTOR DTC114EKA-T146		R2054	1-216-809-11	METAL CHIP	100 5% 1/10W
		< RESISTOR >		R2057	1-216-809-11	METAL CHIP	100 5% 1/10W
R2001	1-216-864-11	SHORT CHIP 0		R2058	1-216-809-11	METAL CHIP	100 5% 1/10W
		(DA3300ES: AEP, ECE, UK/DG1100)		R2059	1-216-809-11	METAL CHIP	100 5% 1/10W
R2002	1-216-864-11	SHORT CHIP 0		R2060	1-216-809-11	METAL CHIP	100 5% 1/10W
R2003	1-216-833-11	METAL CHIP	10K 5% 1/10W	R2061	1-216-809-11	METAL CHIP	100 5% 1/10W
R2004	1-216-809-11	METAL CHIP	100 5% 1/10W	R2062	1-216-809-11	METAL CHIP	100 5% 1/10W
		(DA3300ES: US, CND)		R2063	1-216-809-11	METAL CHIP	100 5% 1/10W
R2005	1-216-821-11	METAL CHIP	1K 5% 1/10W	R2064	1-216-809-11	METAL CHIP	100 5% 1/10W
R2006	1-216-833-11	METAL CHIP	10K 5% 1/10W	R2065	1-216-809-11	METAL CHIP	100 5% 1/10W
R2007	1-216-833-11	METAL CHIP	10K 5% 1/10W	R2066	1-216-809-11	METAL CHIP	100 5% 1/10W
R2008	1-216-837-11	METAL CHIP	22K 5% 1/10W	R2067	1-216-809-11	METAL CHIP	100 5% 1/10W
R2009	1-216-837-11	METAL CHIP	22K 5% 1/10W	R2068	1-216-809-11	METAL CHIP	100 5% 1/10W
R2010	1-216-833-11	METAL CHIP	10K 5% 1/10W	R2069	1-216-809-11	METAL CHIP	100 5% 1/10W
R2011	1-216-685-11	METAL CHIP	27K 0.5% 1/10W			(DA3300ES: US, CND)	
R2012	1-216-813-11	METAL CHIP	220 5% 1/10W	R2070	1-216-833-11	METAL CHIP	10K 5% 1/10W
R2013	1-216-805-11	METAL CHIP	47 5% 1/10W	R2071	1-216-829-11	METAL CHIP	4.7K 5% 1/10W
R2014	1-216-809-11	METAL CHIP	100 5% 1/10W			(DA3300ES: US, CND)	
R2015	1-216-809-11	METAL CHIP	100 5% 1/10W	R2072	1-216-833-11	METAL CHIP	10K 5% 1/10W
R2016	1-216-809-11	METAL CHIP	100 5% 1/10W	R2073	1-216-833-11	METAL CHIP	10K 5% 1/10W
R2017	1-216-809-11	METAL CHIP	100 5% 1/10W	R2074	1-216-833-11	METAL CHIP	10K 5% 1/10W
R2019	1-216-833-11	METAL CHIP	10K 5% 1/10W	R2075	1-216-833-11	METAL CHIP	10K 5% 1/10W
R2020	1-216-809-11	METAL CHIP	100 5% 1/10W	R2076	1-216-833-11	METAL CHIP	10K 5% 1/10W
R2021	1-216-809-11	METAL CHIP	100 5% 1/10W			(DA3300ES: US, CND)	
R2022	1-216-809-11	METAL CHIP	100 5% 1/10W	R2077	1-216-833-11	METAL CHIP	10K 5% 1/10W
R2023	1-216-809-11	METAL CHIP	100 5% 1/10W	R2078	1-216-833-11	METAL CHIP	10K 5% 1/10W
R2024	1-216-825-11	METAL CHIP	2.2K 5% 1/10W	R2079	1-216-833-11	METAL CHIP	10K 5% 1/10W
R2025	1-216-825-11	METAL CHIP	2.2K 5% 1/10W	R2080	1-216-833-11	METAL CHIP	10K 5% 1/10W
R2026	1-216-833-11	METAL CHIP	10K 5% 1/10W	R2081	1-216-833-11	METAL CHIP	10K 5% 1/10W
R2027	1-216-825-11	METAL CHIP	2.2K 5% 1/10W	R2082	1-216-809-11	METAL CHIP	100 5% 1/10W
R2028	1-216-809-11	METAL CHIP	100 5% 1/10W	R2083	1-216-833-11	METAL CHIP	10K 5% 1/10W
				R2084	1-216-809-11	METAL CHIP	100 5% 1/10W
				R2085	1-216-809-11	METAL CHIP	100 5% 1/10W
				R2086	1-216-833-11	METAL CHIP	10K 5% 1/10W

STR-DA3300ES/DG1100

Ver. 1.2

CONTROL **D_AUDIO**

Ref. No.	Part No.	Description	Remark
R2087	1-216-809-11	METAL CHIP	100 5% 1/10W
R2088	1-216-817-11	METAL CHIP	470 5% 1/10W
R2089	1-216-833-11	METAL CHIP	10K 5% 1/10W
R2090	1-216-809-11	METAL CHIP	100 5% 1/10W
R2091	1-216-805-11	METAL CHIP	47 5% 1/10W
R2092	1-216-809-11	METAL CHIP	100 5% 1/10W
R2093	1-216-805-11	METAL CHIP	47 5% 1/10W
R2094	1-216-805-11	METAL CHIP	47 5% 1/10W
R2095	1-216-805-11	METAL CHIP	47 5% 1/10W
R2096	1-216-833-11	METAL CHIP	10K 5% 1/10W
R2097	1-216-833-11	METAL CHIP	10K 5% 1/10W
R2098	1-216-833-11	METAL CHIP	10K 5% 1/10W
R2099	1-216-833-11	METAL CHIP	10K 5% 1/10W
R2100	1-216-833-11	METAL CHIP	10K 5% 1/10W
R2101	1-216-833-11	METAL CHIP	10K 5% 1/10W
R2102	1-216-833-11	METAL CHIP	10K 5% 1/10W
R2103	1-216-833-11	METAL CHIP	10K 5% 1/10W
R2105	1-216-833-11	METAL CHIP	10K 5% 1/10W
R2110	1-216-815-11	METAL CHIP	330 5% 1/10W
R2111	1-216-809-11	METAL CHIP	100 5% 1/10W
R2112	1-216-809-11	METAL CHIP	100 5% 1/10W
R2113	1-216-809-11	METAL CHIP	100 5% 1/10W
R2114	1-216-833-11	METAL CHIP	10K 5% 1/10W
R2115	1-216-845-11	METAL CHIP	100K 5% 1/10W
R2116	1-216-813-11	METAL CHIP	220 5% 1/10W
R2117	1-216-845-11	METAL CHIP	100K 5% 1/10W
R2118	1-216-809-11	METAL CHIP	100 5% 1/10W
R2119	1-216-833-11	METAL CHIP	10K 5% 1/10W
R2120	1-216-813-11	METAL CHIP	220 5% 1/10W
R2121	1-216-833-11	METAL CHIP	10K 5% 1/10W
R2122	1-216-845-11	METAL CHIP	100K 5% 1/10W
R2123	1-216-833-11	METAL CHIP	10K 5% 1/10W
R2124	1-216-809-11	METAL CHIP	100 5% 1/10W
R2125	1-216-833-11	METAL CHIP	10K 5% 1/10W
R2126	1-216-813-11	METAL CHIP	220 5% 1/10W
R2127	1-216-833-11	METAL CHIP	10K 5% 1/10W
R2128	1-216-809-11	METAL CHIP	100 5% 1/10W
R2129	1-216-809-11	METAL CHIP	100 5% 1/10W
R2133	1-216-809-11	METAL CHIP	100 5% 1/10W
R2134	1-216-809-11	METAL CHIP	100 5% 1/10W
R2135	1-216-809-11	METAL CHIP	100 5% 1/10W
R2136	1-216-833-11	METAL CHIP	10K 5% 1/10W
R2138	1-216-809-11	METAL CHIP	100 5% 1/10W
R2139	1-216-815-11	METAL CHIP	330 5% 1/10W
R2140	1-216-809-11	METAL CHIP	100 5% 1/10W
R2141	1-216-809-11	METAL CHIP	100 5% 1/10W
R2142	1-216-809-11	METAL CHIP	100 5% 1/10W
R2143	1-216-809-11	METAL CHIP	100 5% 1/10W
R2145	1-216-805-11	METAL CHIP	47 5% 1/10W
R2146	1-216-805-11	METAL CHIP	47 5% 1/10W
R2147	1-216-805-11	METAL CHIP	47 5% 1/10W
R2148	1-216-805-11	METAL CHIP	47 5% 1/10W
R2149	1-216-809-11	METAL CHIP	100 5% 1/10W
R2150	1-216-809-11	METAL CHIP	100 5% 1/10W
R2151	1-216-809-11	METAL CHIP	100 5% 1/10W
R2152	1-216-809-11	METAL CHIP	100 5% 1/10W
R2153	1-216-809-11	METAL CHIP	100 5% 1/10W
R2154	1-216-809-11	METAL CHIP	100 5% 1/10W

Ref. No.	Part No.	Description	Remark
R2155	1-216-809-11	METAL CHIP	100 5% 1/10W
R2156	1-216-809-11	METAL CHIP	100 5% 1/10W
R2157	1-216-809-11	METAL CHIP	100 5% 1/10W
R2158	1-216-809-11	METAL CHIP	100 5% 1/10W
R2159	1-216-809-11	METAL CHIP	100 5% 1/10W
R2160	1-216-809-11	METAL CHIP	100 5% 1/10W
R2161	1-216-809-11	METAL CHIP	100 5% 1/10W
R2162	1-216-809-11	METAL CHIP	100 5% 1/10W
R2163	1-216-809-11	METAL CHIP	100 5% 1/10W
R2176	1-216-809-11	METAL CHIP	100 5% 1/10W
R2177	1-216-809-11	METAL CHIP	100 5% 1/10W
R2178	1-216-809-11	METAL CHIP	100 5% 1/10W
R2179	1-216-809-11	METAL CHIP	100 5% 1/10W (DA3300ES: US, CND/DG1100)
R2182	1-216-809-11	METAL CHIP	100 5% 1/10W
R2183	1-216-809-11	METAL CHIP	100 5% 1/10W
R2184	1-216-809-11	METAL CHIP	100 5% 1/10W
R2185	1-216-809-11	METAL CHIP	100 5% 1/10W
R2186	1-216-809-11	METAL CHIP	100 5% 1/10W
R2187	1-216-833-11	METAL CHIP	10K 5% 1/10W
R2188	1-216-809-11	METAL CHIP	100 5% 1/10W
R2190	1-216-809-11	METAL CHIP	100 5% 1/10W
R2191	1-216-809-11	METAL CHIP	100 5% 1/10W
R2194	1-216-833-11	METAL CHIP	10K 5% 1/10W
R2195	1-216-809-11	METAL CHIP	100 5% 1/10W
R2196	1-216-833-11	METAL CHIP	10K 5% 1/10W
R2197	1-216-809-11	METAL CHIP	100 5% 1/10W (DA3300ES: US, CND/DG1100)
R2198	1-216-821-11	METAL CHIP	1K 5% 1/10W
R2199	1-216-809-11	METAL CHIP	100 5% 1/10W (DA3300ES: US, CND/DG1100)
< VIBRATOR >			
X2001	1-781-646-21	VIBRATOR, CERAMIC (4MHz)	

A-1252-437-A	D_AUDIO BOARD, COMPLETE		(DA3300ES: AEP, ECE, UK)
A-1254-390-A	D_AUDIO BOARD, COMPLETE		(DA3300ES: US, CND/DG1100)

< CAPACITOR >			
C2201	1-107-826-11	CERAMIC CHIP	0.1uF 10% 16V
C2202	1-107-826-11	CERAMIC CHIP	0.1uF 10% 16V
C2203	1-107-826-11	CERAMIC CHIP	0.1uF 10% 16V
C2204	1-107-826-11	CERAMIC CHIP	0.1uF 10% 16V
C2205	1-107-826-11	CERAMIC CHIP	0.1uF 10% 16V
C2206	1-107-826-11	CERAMIC CHIP	0.1uF 10% 16V
C2207	1-126-925-91	ELECT	470uF 20% 10V
C2208	1-162-970-11	CERAMIC CHIP	0.01uF 10% 25V
C2209	1-107-826-11	CERAMIC CHIP	0.1uF 10% 16V
C2210	1-112-089-11	ELECT	47uF 20% 25V (DA3300ES: AEP, ECE, UK)
C2210	1-126-947-11	ELECT	47uF 20% 35V (DA3300ES: US, CND/DG1100)
C2211	1-107-826-11	CERAMIC CHIP	0.1uF 10% 16V
C2212	1-112-089-11	ELECT	47uF 20% 25V (DA3300ES: AEP, ECE, UK)

Ref. No.	Part No.	Description	Remark	Ref. No.	Part No.	Description	Remark
C2212	1-126-947-11	ELECT	47uF 20% 35V (DA3300ES: US, CND/DG1100)	C2253	1-162-966-11	CERAMIC CHIP	0.0022uF 10% 50V
C2213	1-107-826-11	CERAMIC CHIP	0.1uF 10% 16V	C2254	1-107-826-11	CERAMIC CHIP	0.1uF 10% 16V
C2214	1-112-089-11	ELECT	47uF 20% 25V (DA3300ES: AEP, ECE, UK)	C2255	1-162-966-11	CERAMIC CHIP	0.0022uF 10% 50V
C2214	1-126-947-11	ELECT	47uF 20% 35V (DA3300ES: US, CND/DG1100)	C2256	1-104-658-91	ELECT	100uF 20% 10V
C2215	1-107-826-11	CERAMIC CHIP	0.1uF 10% 16V	C2257	1-107-826-11	CERAMIC CHIP	0.1uF 10% 16V
C2216	1-107-826-11	CERAMIC CHIP	0.1uF 10% 16V	C2258	1-104-658-91	ELECT	100uF 20% 10V
C2217	1-107-826-11	CERAMIC CHIP	0.1uF 10% 16V	C2259	1-107-826-11	CERAMIC CHIP	0.1uF 10% 16V
C2221	1-112-084-11	ELECT	470uF 20% 16V (DA3300ES: AEP, ECE, UK)	C2260	1-107-826-11	CERAMIC CHIP	0.1uF 10% 16V
C2221	1-126-935-11	ELECT	470uF 20% 16V (DA3300ES: US, CND/DG1100)	C2261	1-107-826-11	CERAMIC CHIP	0.1uF 10% 16V
C2222	1-107-826-11	CERAMIC CHIP	0.1uF 10% 16V	C2262	1-104-658-91	ELECT	100uF 20% 10V
C2223	1-107-826-11	CERAMIC CHIP	0.1uF 10% 16V	C2263	1-126-947-11	ELECT	47uF 20% 35V
C2224	1-107-826-11	CERAMIC CHIP	0.1uF 10% 16V	C2264	1-126-947-11	ELECT	47uF 20% 35V
C2225	1-162-910-11	CERAMIC CHIP	5PF 0.25PF 50V	C2265	1-126-960-11	ELECT	1uF 20% 50V
C2226	1-162-911-11	CERAMIC CHIP	6PF 0.5PF 50V	C2266	1-107-826-11	CERAMIC CHIP	0.1uF 10% 16V
C2227	1-107-826-11	CERAMIC CHIP	0.1uF 10% 16V	C2267	1-107-826-11	CERAMIC CHIP	0.1uF 10% 16V
C2228	1-107-826-11	CERAMIC CHIP	0.1uF 10% 16V	C2268	1-107-826-11	CERAMIC CHIP	0.1uF 10% 16V
C2229	1-107-826-11	CERAMIC CHIP	0.1uF 10% 16V	C2270	1-162-970-11	CERAMIC CHIP	0.01uF 10% 25V
C2230	1-126-964-11	ELECT	10uF 20% 50V	C2271	1-112-114-11	ELECT	22uF 20% 50V (DA3300ES: AEP, ECE, UK)
C2231	1-112-084-11	ELECT	470uF 20% 16V (DA3300ES: AEP, ECE, UK)	C2271	1-126-965-91	ELECT	22uF 20% 50V (DA3300ES: US, CND/DG1100)
C2231	1-126-935-11	ELECT	470uF 20% 16V (DA3300ES: US, CND/DG1100)	C2272	1-112-083-11	ELECT	100uF 20% 16V (DA3300ES: AEP, ECE, UK)
C2232	1-107-826-11	CERAMIC CHIP	0.1uF 10% 16V	C2272	1-126-933-11	ELECT	100uF 20% 16V (DA3300ES: US, CND/DG1100)
C2233	1-107-826-11	CERAMIC CHIP	0.1uF 10% 16V	C2273	1-112-114-11	ELECT	22uF 20% 50V (DA3300ES: AEP, ECE, UK)
C2234	1-112-083-11	ELECT	100uF 20% 16V (DA3300ES: AEP, ECE, UK)	C2273	1-126-965-91	ELECT	22uF 20% 50V (DA3300ES: US, CND/DG1100)
C2234	1-126-933-11	ELECT	100uF 20% 16V (DA3300ES: US, CND/DG1100)	C2274	1-115-416-11	CERAMIC CHIP	0.001uF 5% 25V
C2235	1-164-227-11	CERAMIC CHIP	0.022uF 10% 25V	C2275	1-137-429-11	MYLAR	270PF 5% 50V
C2236	1-107-826-11	CERAMIC CHIP	0.1uF 10% 16V	C2276	1-137-457-11	MYLAR	0.0027uF 5% 100V
C2237	1-162-927-11	CERAMIC CHIP	100PF 5% 50V	C2277	1-112-100-11	ELECT	10uF 20% 50V (DA3300ES: AEP, ECE, UK)
C2238	1-162-970-11	CERAMIC CHIP	0.01uF 10% 25V	C2277	1-126-964-11	ELECT	10uF 20% 50V (DA3300ES: US, CND/DG1100)
C2239	1-112-079-11	ELECT	220uF 20% 10V (DA3300ES: AEP, ECE, UK)	C2278	1-112-100-11	ELECT	10uF 20% 50V (DA3300ES: AEP, ECE, UK)
C2239	1-126-923-91	ELECT	220uF 20% 10V (DA3300ES: US, CND/DG1100)	C2278	1-126-964-11	ELECT	10uF 20% 50V (DA3300ES: US, CND/DG1100)
C2240	1-162-970-11	CERAMIC CHIP	0.01uF 10% 25V	C2279	1-112-083-11	ELECT	100uF 20% 16V (DA3300ES: AEP, ECE, UK)
C2241	1-112-084-11	ELECT	470uF 20% 16V (DA3300ES: AEP, ECE, UK)	C2279	1-126-933-11	ELECT	100uF 20% 16V (DA3300ES: US, CND/DG1100)
C2241	1-126-935-11	ELECT	470uF 20% 16V (DA3300ES: US, CND/DG1100)	C2280	1-107-826-11	CERAMIC CHIP	0.1uF 10% 16V
C2242	1-112-097-11	ELECT	2.2uF 20% 50V (DA3300ES: AEP, ECE, UK)	C2281	1-107-826-11	CERAMIC CHIP	0.1uF 10% 16V
C2242	1-126-961-11	ELECT	2.2uF 20% 50V (DA3300ES: US, CND/DG1100)	C2282	1-112-100-11	ELECT	10uF 20% 50V (DA3300ES: AEP, ECE, UK)
C2243	1-126-964-11	ELECT	10uF 20% 50V	C2282	1-126-964-11	ELECT	10uF 20% 50V (DA3300ES: US, CND/DG1100)
C2244	1-162-970-11	CERAMIC CHIP	0.01uF 10% 25V	C2283	1-115-416-11	CERAMIC CHIP	0.001uF 5% 25V
C2245	1-162-970-11	CERAMIC CHIP	0.01uF 10% 25V	C2284	1-107-826-11	CERAMIC CHIP	0.1uF 10% 16V
C2246	1-107-826-11	CERAMIC CHIP	0.1uF 10% 16V	C2285	1-137-457-11	MYLAR	0.0027uF 5% 100V
C2247	1-107-826-11	CERAMIC CHIP	0.1uF 10% 16V	C2286	1-137-429-11	MYLAR	270PF 5% 50V
C2248	1-107-826-11	CERAMIC CHIP	0.1uF 10% 16V	C2287	1-107-826-11	CERAMIC CHIP	0.1uF 10% 16V
C2249	1-107-826-11	CERAMIC CHIP	0.1uF 10% 16V	C2288	1-107-826-11	CERAMIC CHIP	0.1uF 10% 16V
C2250	1-107-826-11	CERAMIC CHIP	0.1uF 10% 16V	C2289	1-162-927-11	CERAMIC CHIP	100PF 5% 50V
C2251	1-126-947-11	ELECT	47uF 20% 35V	C2290	1-107-826-11	CERAMIC CHIP	0.1uF 10% 16V
C2252	1-107-826-11	CERAMIC CHIP	0.1uF 10% 16V	C2291	1-115-416-11	CERAMIC CHIP	0.001uF 5% 25V
				C2292	1-137-429-11	MYLAR	270PF 5% 50V

STR-DA3300ES/DG1100

Ver. 1.2

D_AUDIO

Ref. No.	Part No.	Description	Remark	Ref. No.	Part No.	Description	Remark
C2293	1-137-457-11	MYLAR	0.0027uF 5% 100V	CN2209	1-778-692-51	CONNECTOR, FFC/FPC 21P	
C2294	1-107-826-11	CERAMIC CHIP	0.1uF 10% 16V	CN2210	1-778-692-51	CONNECTOR, FFC/FPC 21P	
C2295	1-112-100-11	ELECT	10uF 20% 50V (DA3300ES: AEP, ECE, UK)			< DIODE >	
C2295	1-126-964-11	ELECT	10uF 20% 50V (DA3300ES: US, CND/DG1100)	D2201	8-719-988-61	DIODE 1SS355TE-17	
C2296	1-112-100-11	ELECT	10uF 20% 50V (DA3300ES: AEP, ECE, UK)	D2202	8-719-053-18	DIODE 1SR154-400TE-25	
C2296	1-126-964-11	ELECT	10uF 20% 50V (DA3300ES: US, CND/DG1100)	D2203	8-719-988-61	DIODE 1SS355TE-17	
C2297	1-115-416-11	CERAMIC CHIP	0.001uF 5% 25V	D2204	8-719-988-61	DIODE 1SS355TE-17	
C2298	1-137-457-11	MYLAR	0.0027uF 5% 100V	D2205	8-719-988-61	DIODE 1SS355TE-17	
C2299	1-137-429-11	MYLAR	270PF 5% 50V			< FERRITE BEAD >	
C2300	1-115-416-11	CERAMIC CHIP	0.001uF 5% 25V	FB2201	1-469-152-11	FERRITE, EMI (SMD) (2012)	
C2301	1-137-429-11	MYLAR	270PF 5% 50V	FB2202	1-469-152-11	FERRITE, EMI (SMD) (2012)	
C2302	1-137-457-11	MYLAR	0.0027uF 5% 100V	FB2203	1-469-139-21	FERRITE, EMI (SMD) (2012)	
C2303	1-112-100-11	ELECT	10uF 20% 50V (DA3300ES: AEP, ECE, UK)	FB2204	1-469-139-21	FERRITE, EMI (SMD) (2012)	
C2303	1-126-964-11	ELECT	10uF 20% 50V (DA3300ES: US, CND/DG1100)	FB2205	1-469-152-11	FERRITE, EMI (SMD) (2012)	
C2304	1-112-100-11	ELECT	10uF 20% 50V (DA3300ES: AEP, ECE, UK)	FB2206	1-469-139-21	FERRITE, EMI (SMD) (2012)	
C2304	1-126-964-11	ELECT	10uF 20% 50V (DA3300ES: US, CND/DG1100)	FB2207	1-469-152-11	FERRITE, EMI (SMD) (2012)	
C2305	1-115-416-11	CERAMIC CHIP	0.001uF 5% 25V	FB2208	1-469-152-11	FERRITE, EMI (SMD) (2012)	
C2306	1-137-457-11	MYLAR	0.0027uF 5% 100V	FB2210	1-469-152-11	FERRITE, EMI (SMD) (2012)	
C2307	1-137-429-11	MYLAR	270PF 5% 50V	FB2211	1-469-152-11	FERRITE, EMI (SMD) (2012)	
C2309	1-115-416-11	CERAMIC CHIP	0.001uF 5% 25V	FB2212	1-469-152-11	FERRITE, EMI (SMD) (2012)	
C2310	1-137-429-11	MYLAR	270PF 5% 50V	FB2213	1-469-152-11	FERRITE, EMI (SMD) (2012)	
C2311	1-137-457-11	MYLAR	0.0027uF 5% 100V	FB2214	1-469-152-11	FERRITE, EMI (SMD) (2012)	
C2314	1-112-100-11	ELECT	10uF 20% 50V (DA3300ES: AEP, ECE, UK)	FB2215	1-469-152-11	FERRITE, EMI (SMD) (2012)	
C2314	1-126-964-11	ELECT	10uF 20% 50V (DA3300ES: US, CND/DG1100)	FB2216	1-469-152-11	FERRITE, EMI (SMD) (2012)	
C2316	1-112-100-11	ELECT	10uF 20% 50V (DA3300ES: AEP, ECE, UK)	FB2217	1-469-152-11	FERRITE, EMI (SMD) (2012)	
C2316	1-126-964-11	ELECT	10uF 20% 50V (DA3300ES: US, CND/DG1100)			< IC >	
C2317	1-115-416-11	CERAMIC CHIP	0.001uF 5% 25V	IC2201	6-600-466-01	IC TORX147L (SONY) (DIGITAL ASSIGNABLE (INPUT ONLY) TV OPTICAL IN)	
C2318	1-137-457-11	MYLAR	0.0027uF 5% 100V	IC2202	6-600-466-01	IC TORX147L (SONY) (DIGITAL ASSIGNABLE (INPUT ONLY) VIDEO 1 OPTICAL IN)	
C2319	1-137-429-11	MYLAR	270PF 5% 50V	IC2203	6-600-466-01	IC TORX147L (SONY) (DIGITAL ASSIGNABLE (INPUT ONLY) SAT/CATV OPTICAL IN)	
C2329	1-164-816-11	CERAMIC CHIP	220PF 2% 50V	IC2204	6-600-466-01	IC TORX147L (SONY) (DIGITAL ASSIGNABLE (INPUT ONLY) MD/TAPE OPTICAL IN)	
C2330	1-107-826-11	CERAMIC CHIP	0.1uF 10% 16V	IC2205	6-600-461-11	IC TOTX147L (R) (DIGITAL ASSIGNABLE (INPUT ONLY) MD/TAPE OPTICAL OUT)	
C2332	1-107-826-11	CERAMIC CHIP	0.1uF 10% 16V	IC2206	8-759-058-62	IC TC7S08FU (TE85R)	
C2333	1-107-826-11	CERAMIC CHIP	0.1uF 10% 16V	IC2207	8-759-236-19	IC TC74HC151AF (EL)	
C2334	1-162-970-11	CERAMIC CHIP	0.01uF 10% 25V	IC2208	6-708-025-01	IC LC89057W-VF4A-E	
C2335	1-162-970-11	CERAMIC CHIP	0.01uF 10% 25V	IC2209	8-759-233-64	IC TC74HCU04AF	
C2336	1-162-970-11	CERAMIC CHIP	0.01uF 10% 25V	IC2210	8-759-268-29	IC SN74HC595ANS	
C2337	1-162-962-11	CERAMIC CHIP	470PF 10% 50V	IC2211	8-759-524-48	IC TC74VHC393FT (EL)	
C2338	1-112-100-11	ELECT	10uF 20% 50V (DA3300ES: AEP, ECE, UK)	IC2212	8-759-524-10	IC TC74VHC157FT (EL)	
C2338	1-126-964-11	ELECT	10uF 20% 50V (DA3300ES: US, CND/DG1100)	IC2213	8-759-524-10	IC TC74VHC157FT (EL)	
C2339	1-107-826-11	CERAMIC CHIP	0.1uF 10% 16V	IC2217	6-711-060-01	IC CS5340-CZZR	
C2340	1-162-960-11	CERAMIC CHIP	220PF 10% 50V	IC2218	6-708-785-01	IC PCM1609APT	
		< CONNECTOR >		IC2219	8-759-710-97	IC NJM4565M-D	
CN2204	1-779-977-11	PIN, CONNECTOR 6P		IC2220	8-759-710-97	IC NJM4565M-D	
CN2206	1-785-910-21	CONNECTOR, BOARD TO BOARD 50P		IC2221	8-759-710-97	IC NJM4565M-D	
CN2207	1-784-930-11	PIN, CONNECTOR 15P		IC2222	8-759-710-97	IC NJM4565M-D	
				IC2226	8-759-447-77	IC TC7WH74FU (TE12R)	
				IC2227	8-759-546-74	IC TC7WH157FU (TE12R)	
				IC2228	8-759-524-10	IC TC74VHC157FT (EL)	
				IC2229	8-759-447-77	IC TC7WH74FU (TE12R)	
				IC2230	6-705-337-01	IC TK11150CSCL-G	
				IC2231	8-759-524-10	IC TC74VHC157FT (EL)	

Ref. No.	Part No.	Description	Remark	Ref. No.	Part No.	Description	Remark
IC2232	8-759-523-81	IC TC74VHC08FT (EL)		R2243	1-216-635-11	METAL CHIP	220 0.5% 1/10W
		< JACK >		R2244	1-216-687-11	METAL CHIP	33K 0.5% 1/10W
J2201	1-820-614-21	JACK, PIN 3P (DIGITAL ASSIGNABLE (INPUT ONLY) VIDEO 2/DVD/BD/SA-CD/ CD COAXIAL IN)		R2245	1-216-603-11	METAL CHIP	10 0.5% 1/10W
		< TRANSISTOR >		R2246	1-216-813-11	METAL CHIP	220 5% 1/10W
Q2201	8-729-027-59	TRANSISTOR DTC144EKA-T146		R2247	1-216-833-11	METAL CHIP	10K 5% 1/10W
Q2202	8-729-027-59	TRANSISTOR DTC144EKA-T146		R2248	1-216-821-11	METAL CHIP	1K 5% 1/10W
Q2203	8-729-024-91	TRANSISTOR 2SC2712-GL-TE85L		R2249	1-216-821-11	METAL CHIP	1K 5% 1/10W
Q2205	8-729-027-43	TRANSISTOR DTC114EKA-T146		R2250	1-216-833-11	METAL CHIP	10K 5% 1/10W
Q2206	8-729-024-91	TRANSISTOR 2SC2712-GL-TE85L		R2251	1-216-809-11	METAL CHIP	100 5% 1/10W
		< RESISTOR >		R2252	1-216-809-11	METAL CHIP	100 5% 1/10W
R2201	1-216-821-11	METAL CHIP	1K 5% 1/10W	R2253	1-216-833-11	METAL CHIP	10K 5% 1/10W
R2202	1-216-833-11	METAL CHIP	10K 5% 1/10W	R2255	1-216-817-11	METAL CHIP	470 5% 1/10W
R2203	1-208-755-11	METAL CHIP	75 0.5% 1/10W	R2256	1-216-809-11	METAL CHIP	100 5% 1/10W
R2204	1-208-755-11	METAL CHIP	75 0.5% 1/10W	R2257	1-216-809-11	METAL CHIP	100 5% 1/10W
R2205	1-208-755-11	METAL CHIP	75 0.5% 1/10W	R2258	1-216-809-11	METAL CHIP	100 5% 1/10W
R2206	1-216-809-11	METAL CHIP	100 5% 1/10W	R2259	1-216-805-11	METAL CHIP	47 5% 1/10W
R2207	1-216-809-11	METAL CHIP	100 5% 1/10W	R2260	1-216-805-11	METAL CHIP	47 5% 1/10W
R2208	1-216-809-11	METAL CHIP	100 5% 1/10W	R2261	1-216-805-11	METAL CHIP	47 5% 1/10W
R2209	1-216-809-11	METAL CHIP	100 5% 1/10W	R2262	1-216-805-11	METAL CHIP	47 5% 1/10W
R2210	1-216-809-11	METAL CHIP	100 5% 1/10W	R2265	1-216-813-11	METAL CHIP	220 5% 1/10W
R2211	1-216-809-11	METAL CHIP	100 5% 1/10W	R2267	1-216-809-11	METAL CHIP	100 5% 1/10W
R2212	1-216-809-11	METAL CHIP	100 5% 1/10W	R2269	1-216-864-11	SHORT CHIP	0
R2213	1-216-833-11	METAL CHIP	10K 5% 1/10W	R2270	1-216-797-11	METAL CHIP	10 5% 1/10W
R2214	1-208-774-11	METAL CHIP	470 0.5% 1/10W	R2271	1-216-797-11	METAL CHIP	10 5% 1/10W
R2215	1-208-774-11	METAL CHIP	470 0.5% 1/10W	R2272	1-216-797-11	METAL CHIP	10 5% 1/10W
R2216	1-208-774-11	METAL CHIP	470 0.5% 1/10W	R2273	1-216-797-11	METAL CHIP	10 5% 1/10W
R2217	1-208-550-41	RES-CHIP	470K 2% 1/10W	R2277	1-216-797-11	METAL CHIP	10 5% 1/10W
R2218	1-208-550-41	RES-CHIP	470K 2% 1/10W	R2278	1-216-797-11	METAL CHIP	10 5% 1/10W
R2219	1-208-550-41	RES-CHIP	470K 2% 1/10W	R2282	1-216-809-11	METAL CHIP	100 5% 1/10W
R2220	1-216-809-11	METAL CHIP	100 5% 1/10W	R2287	1-216-833-11	METAL CHIP	10K 5% 1/10W
R2221	1-208-526-41	RES-CHIP	47K 2% 1/10W	R2288	1-216-809-11	METAL CHIP	100 5% 1/10W
R2222	1-208-526-41	RES-CHIP	47K 2% 1/10W	R2292	1-216-821-11	METAL CHIP	1K 5% 1/10W
R2223	1-208-526-41	RES-CHIP	47K 2% 1/10W	R2293	1-216-835-11	METAL CHIP	15K 5% 1/10W
R2224	1-216-809-11	METAL CHIP	100 5% 1/10W	R2294	1-216-809-11	METAL CHIP	100 5% 1/10W
R2225	1-216-833-11	METAL CHIP	10K 5% 1/10W	R2295	1-216-821-11	METAL CHIP	1K 5% 1/10W
R2226	1-216-833-11	METAL CHIP	10K 5% 1/10W	R2296	1-216-832-11	METAL CHIP	8.2K 5% 1/10W
R2227	1-216-809-11	METAL CHIP	100 5% 1/10W	R2298	1-216-845-11	METAL CHIP	100K 5% 1/10W
R2228	1-216-809-11	METAL CHIP	100 5% 1/10W	R2299	1-216-845-11	METAL CHIP	100K 5% 1/10W
R2229	1-216-833-11	METAL CHIP	10K 5% 1/10W	R2301	1-216-832-11	METAL CHIP	8.2K 5% 1/10W
R2230	1-216-809-11	METAL CHIP	100 5% 1/10W	R2302	1-216-821-11	METAL CHIP	1K 5% 1/10W
R2231	1-216-833-11	METAL CHIP	10K 5% 1/10W	R2303	1-216-841-11	METAL CHIP	47K 5% 1/10W
R2232	1-216-833-11	METAL CHIP	10K 5% 1/10W	R2304	1-216-835-11	METAL CHIP	15K 5% 1/10W
R2233	1-216-857-11	METAL CHIP	1M 5% 1/10W	R2305	1-216-809-11	METAL CHIP	100 5% 1/10W
R2234	1-216-809-11	METAL CHIP	100 5% 1/10W	R2306	1-216-821-11	METAL CHIP	1K 5% 1/10W
R2235	1-216-813-11	METAL CHIP	220 5% 1/10W	R2307	1-216-835-11	METAL CHIP	15K 5% 1/10W
R2236	1-216-809-11	METAL CHIP	100 5% 1/10W	R2308	1-216-809-11	METAL CHIP	100 5% 1/10W
R2237	1-216-833-11	METAL CHIP	10K 5% 1/10W	R2309	1-216-821-11	METAL CHIP	1K 5% 1/10W
R2238	1-216-815-11	METAL CHIP	330 5% 1/10W	R2310	1-216-809-11	METAL CHIP	100 5% 1/10W
R2239	1-216-809-11	METAL CHIP	100 5% 1/10W	R2311	1-216-809-11	METAL CHIP	100 5% 1/10W
R2240	1-216-809-11	METAL CHIP	100 5% 1/10W	R2312	1-216-832-11	METAL CHIP	8.2K 5% 1/10W
R2241	1-216-809-11	METAL CHIP	100 5% 1/10W	R2313	1-216-845-11	METAL CHIP	100K 5% 1/10W
R2242	1-216-817-11	METAL CHIP	470 5% 1/10W	R2314	1-216-845-11	METAL CHIP	100K 5% 1/10W
				R2315	1-216-832-11	METAL CHIP	8.2K 5% 1/10W
				R2316	1-216-821-11	METAL CHIP	1K 5% 1/10W
				R2317	1-216-835-11	METAL CHIP	15K 5% 1/10W
				R2318	1-216-809-11	METAL CHIP	100 5% 1/10W
				R2319	1-216-835-11	METAL CHIP	15K 5% 1/10W
				R2320	1-216-809-11	METAL CHIP	100 5% 1/10W

STR-DA3300ES/DG1100

D_AUDIO **D_VIDEO**

Ref. No.	Part No.	Description	Quantity	Power	Remark
R2321	1-216-821-11	METAL CHIP	1K	5%	1/10W
R2322	1-216-832-11	METAL CHIP	8.2K	5%	1/10W
R2323	1-216-845-11	METAL CHIP	100K	5%	1/10W
R2324	1-216-845-11	METAL CHIP	100K	5%	1/10W
R2325	1-216-832-11	METAL CHIP	8.2K	5%	1/10W
R2326	1-216-821-11	METAL CHIP	1K	5%	1/10W
R2327	1-216-835-11	METAL CHIP	15K	5%	1/10W
R2328	1-216-809-11	METAL CHIP	100	5%	1/10W
R2333	1-216-809-11	METAL CHIP	100	5%	1/10W
R2336	1-216-835-11	METAL CHIP	15K	5%	1/10W
R2337	1-216-821-11	METAL CHIP	1K	5%	1/10W
R2338	1-216-832-11	METAL CHIP	8.2K	5%	1/10W
R2342	1-216-845-11	METAL CHIP	100K	5%	1/10W
R2344	1-216-845-11	METAL CHIP	100K	5%	1/10W
R2347	1-216-832-11	METAL CHIP	8.2K	5%	1/10W
R2349	1-216-821-11	METAL CHIP	1K	5%	1/10W
R2354	1-216-835-11	METAL CHIP	15K	5%	1/10W
R2355	1-216-809-11	METAL CHIP	100	5%	1/10W
R2375	1-216-833-11	METAL CHIP	10K	5%	1/10W
R2376	1-216-833-11	METAL CHIP	10K	5%	1/10W
R2377	1-216-833-11	METAL CHIP	10K	5%	1/10W
R2378	1-216-809-11	METAL CHIP	100	5%	1/10W
R2379	1-216-809-11	METAL CHIP	100	5%	1/10W
R2380	1-216-809-11	METAL CHIP	100	5%	1/10W
R2381	1-216-809-11	METAL CHIP	100	5%	1/10W
R2382	1-216-797-11	METAL CHIP	10	5%	1/10W
R2383	1-216-797-11	METAL CHIP	10	5%	1/10W
R2384	1-216-797-11	METAL CHIP	10	5%	1/10W
R2385	1-216-797-11	METAL CHIP	10	5%	1/10W
R2386	1-216-797-11	METAL CHIP	10	5%	1/10W
R2387	1-216-797-11	METAL CHIP	10	5%	1/10W
R2388	1-216-797-11	METAL CHIP	10	5%	1/10W
R2389	1-216-797-11	METAL CHIP	10	5%	1/10W
R2390	1-216-797-11	METAL CHIP	10	5%	1/10W
R2391	1-216-797-11	METAL CHIP	10	5%	1/10W
R2392	1-216-797-11	METAL CHIP	10	5%	1/10W
R2393	1-216-797-11	METAL CHIP	10	5%	1/10W
R2394	1-216-797-11	METAL CHIP	10	5%	1/10W
R2395	1-216-833-11	METAL CHIP	10K	5%	1/10W
R2396	1-216-833-11	METAL CHIP	10K	5%	1/10W
R2397	1-216-833-11	METAL CHIP	10K	5%	1/10W
R2398	1-216-797-11	METAL CHIP	10	5%	1/10W
R2399	1-216-797-11	METAL CHIP	10	5%	1/10W
R2400	1-216-797-11	METAL CHIP	10	5%	1/10W
R2401	1-216-797-11	METAL CHIP	10	5%	1/10W
R2402	1-216-797-11	METAL CHIP	10	5%	1/10W
R2403	1-216-797-11	METAL CHIP	10	5%	1/10W
R2404	1-216-797-11	METAL CHIP	10	5%	1/10W
R2405	1-216-797-11	METAL CHIP	10	5%	1/10W
R2406	1-216-809-11	METAL CHIP	100	5%	1/10W
R2407	1-216-809-11	METAL CHIP	100	5%	1/10W
R2408	1-216-809-11	METAL CHIP	100	5%	1/10W
R2409	1-216-833-11	METAL CHIP	10K	5%	1/10W
R2410	1-216-821-11	METAL CHIP	1K	5%	1/10W
R2411	1-216-857-11	METAL CHIP	1M	5%	1/10W
R2412	1-216-805-11	METAL CHIP	47	5%	1/10W
R2413	1-216-809-11	METAL CHIP	100	5%	1/10W

Ref. No.	Part No.	Description	Quantity	Power	Remark
R2414	1-216-809-11	METAL CHIP	100	5%	1/10W
R2415	1-216-809-11	METAL CHIP	100	5%	1/10W
R2416	1-216-833-11	METAL CHIP	10K	5%	1/10W
R2417	1-216-809-11	METAL CHIP	100	5%	1/10W
< VIBRATOR >					
X2201	1-795-219-21	VIBRATOR, CRYSTAL (24.576MHz)			

Ⓔ	A-1313-289-A	D_VIDEO BOARD, COMPLETE (for SERVICE)			

	7-685-646-79	SCREW +BVTP 3X8 TYPE2 IT-3			
< CAPACITOR >					
C3501	1-107-826-11	CERAMIC CHIP	0.1uF	10%	16V
C3502	1-162-970-11	CERAMIC CHIP	0.01uF	10%	25V
C3503	1-162-970-11	CERAMIC CHIP	0.01uF	10%	25V
C3504	1-162-970-11	CERAMIC CHIP	0.01uF	10%	25V
C3505	1-162-970-11	CERAMIC CHIP	0.01uF	10%	25V
C3507	1-162-970-11	CERAMIC CHIP	0.01uF	10%	25V
C3508	1-162-970-11	CERAMIC CHIP	0.01uF	10%	25V
C3509	1-107-826-11	CERAMIC CHIP	0.1uF	10%	16V
C3510	1-162-970-11	CERAMIC CHIP	0.01uF	10%	25V
C3511	1-162-970-11	CERAMIC CHIP	0.01uF	10%	25V
C3512	1-162-970-11	CERAMIC CHIP	0.01uF	10%	25V
C3513	1-162-970-11	CERAMIC CHIP	0.01uF	10%	25V
C3514	1-107-826-11	CERAMIC CHIP	0.1uF	10%	16V
C3516	1-107-826-11	CERAMIC CHIP	0.1uF	10%	16V
C3517	1-162-970-11	CERAMIC CHIP	0.01uF	10%	25V
C3518	1-162-970-11	CERAMIC CHIP	0.01uF	10%	25V
C3519	1-126-205-11	ELECT CHIP	47uF	20%	6.3V
C3520	1-107-826-11	CERAMIC CHIP	0.1uF	10%	16V
C3521	1-107-826-11	CERAMIC CHIP	0.1uF	10%	16V
C3522	1-107-826-11	CERAMIC CHIP	0.1uF	10%	16V
C3523	1-107-826-11	CERAMIC CHIP	0.1uF	10%	16V
C3524	1-107-826-11	CERAMIC CHIP	0.1uF	10%	16V
C3525	1-107-826-11	CERAMIC CHIP	0.1uF	10%	16V
C3526	1-107-826-11	CERAMIC CHIP	0.1uF	10%	16V
C3527	1-107-826-11	CERAMIC CHIP	0.1uF	10%	16V
C3529	1-107-826-11	CERAMIC CHIP	0.1uF	10%	16V
C3530	1-107-826-11	CERAMIC CHIP	0.1uF	10%	16V
C3531	1-107-826-11	CERAMIC CHIP	0.1uF	10%	16V
C3532	1-107-826-11	CERAMIC CHIP	0.1uF	10%	16V
C3533	1-107-826-11	CERAMIC CHIP	0.1uF	10%	16V
C3534	1-107-826-11	CERAMIC CHIP	0.1uF	10%	16V
C3535	1-107-826-11	CERAMIC CHIP	0.1uF	10%	16V
C3536	1-107-826-11	CERAMIC CHIP	0.1uF	10%	16V
C3537	1-107-826-11	CERAMIC CHIP	0.1uF	10%	16V
C3538	1-162-916-11	CERAMIC CHIP	12PF	5%	50V
C3539	1-107-826-11	CERAMIC CHIP	0.1uF	10%	16V
C3540	1-162-916-11	CERAMIC CHIP	12PF	5%	50V
C3541	1-107-826-11	CERAMIC CHIP	0.1uF	10%	16V
C3542	1-107-826-11	CERAMIC CHIP	0.1uF	10%	16V
C3543	1-107-826-11	CERAMIC CHIP	0.1uF	10%	16V
C3544	1-107-826-11	CERAMIC CHIP	0.1uF	10%	16V
C3545	1-107-826-11	CERAMIC CHIP	0.1uF	10%	16V
C3547	1-126-210-21	ELECT CHIP	220uF	20%	4V

Ref. No.	Part No.	Description			Remark	Ref. No.	Part No.	Description			Remark
C3548	1-126-210-21	ELECT CHIP	220uF	20%	4V	C3621	1-107-826-11	CERAMIC CHIP	0.1uF	10%	16V
C3549	1-107-826-11	CERAMIC CHIP	0.1uF	10%	16V	C3622	1-107-826-11	CERAMIC CHIP	0.1uF	10%	16V
C3550	1-107-826-11	CERAMIC CHIP	0.1uF	10%	16V	C3623	1-125-777-11	CERAMIC CHIP	0.1uF	10%	10V
C3551	1-107-826-11	CERAMIC CHIP	0.1uF	10%	16V	C3624	1-100-567-81	CERAMIC CHIP	0.01uF	10%	25V
C3552	1-107-826-11	CERAMIC CHIP	0.1uF	10%	16V	C3625	1-107-826-11	CERAMIC CHIP	0.1uF	10%	16V
C3553	1-107-826-11	CERAMIC CHIP	0.1uF	10%	16V	C3626	1-162-919-11	CERAMIC CHIP	22PF	5%	50V
C3555	1-107-826-11	CERAMIC CHIP	0.1uF	10%	16V	C3627	1-107-826-11	CERAMIC CHIP	0.1uF	10%	16V
C3556	1-107-826-11	CERAMIC CHIP	0.1uF	10%	16V	C3628	1-162-919-11	CERAMIC CHIP	22PF	5%	50V
C3557	1-107-826-11	CERAMIC CHIP	0.1uF	10%	16V	C3629	1-107-826-11	CERAMIC CHIP	0.1uF	10%	16V
C3558	1-107-826-11	CERAMIC CHIP	0.1uF	10%	16V	C3630	1-125-777-11	CERAMIC CHIP	0.1uF	10%	10V
C3561	1-107-826-11	CERAMIC CHIP	0.1uF	10%	16V	C3631	1-107-826-11	CERAMIC CHIP	0.1uF	10%	16V
C3562	1-107-826-11	CERAMIC CHIP	0.1uF	10%	16V	C3632	1-107-826-11	CERAMIC CHIP	0.1uF	10%	16V
C3563	1-107-826-11	CERAMIC CHIP	0.1uF	10%	16V	C3633	1-107-826-11	CERAMIC CHIP	0.1uF	10%	16V
C3564	1-107-826-11	CERAMIC CHIP	0.1uF	10%	16V	C3634	1-164-230-11	CERAMIC CHIP	220PF	5%	50V
C3565	1-162-921-11	CERAMIC CHIP	33PF	5%	50V	C3636	1-162-968-11	CERAMIC CHIP	0.0047uF	10%	50V
C3566	1-107-826-11	CERAMIC CHIP	0.1uF	10%	16V	C3637	1-126-206-11	ELECT CHIP	100uF	20%	6.3V
C3567	1-107-826-11	CERAMIC CHIP	0.1uF	10%	16V	C3638	1-107-826-11	CERAMIC CHIP	0.1uF	10%	16V
C3568	1-107-826-11	CERAMIC CHIP	0.1uF	10%	16V	C3640	1-112-788-11	ELECT CHIP	330uF	20%	6.3V
C3569	1-107-826-11	CERAMIC CHIP	0.1uF	10%	16V	C3642	1-114-552-21	ELECT CHIP	100uF	20%	35V
C3570	1-107-826-11	CERAMIC CHIP	0.1uF	10%	16V	C3644	1-135-474-21	ELECT CHIP	330uF	20%	6.3V
C3571	1-126-205-11	ELECT CHIP	47uF	20%	6.3V	C3645	1-107-826-11	CERAMIC CHIP	0.1uF	10%	16V
C3572	1-126-206-11	ELECT CHIP	100uF	20%	6.3V	C3647	1-107-826-11	CERAMIC CHIP	0.1uF	10%	16V
C3573	1-126-205-11	ELECT CHIP	47uF	20%	6.3V	C3648	1-125-777-11	CERAMIC CHIP	0.1uF	10%	10V
C3574	1-126-210-21	ELECT CHIP	220uF	20%	4V	C3649	1-107-826-11	CERAMIC CHIP	0.1uF	10%	16V
C3575	1-126-210-21	ELECT CHIP	220uF	20%	4V	C3651	1-125-777-11	CERAMIC CHIP	0.1uF	10%	10V
C3576	1-112-788-11	ELECT CHIP	330uF	20%	6.3V	C3652	1-107-826-11	CERAMIC CHIP	0.1uF	10%	16V
C3578	1-115-467-11	CERAMIC CHIP	0.22uF	10%	10V	C3653	1-107-826-11	CERAMIC CHIP	0.1uF	10%	16V
C3579	1-162-970-11	CERAMIC CHIP	0.01uF	10%	25V	C3654	1-125-777-11	CERAMIC CHIP	0.1uF	10%	10V
C3580	1-112-788-11	ELECT CHIP	330uF	20%	6.3V	C3656	1-125-777-11	CERAMIC CHIP	0.1uF	10%	10V
C3583	1-128-934-11	CERAMIC CHIP	0.33uF	20%	10V	C3657	1-107-826-11	CERAMIC CHIP	0.1uF	10%	16V
C3584	1-115-467-11	CERAMIC CHIP	0.22uF	10%	10V	C3658	1-125-777-11	CERAMIC CHIP	0.1uF	10%	10V
C3585	1-165-908-11	CERAMIC CHIP	1uF	10%	10V	C3659	1-165-875-11	CERAMIC CHIP	10uF	10%	10V
C3586	1-117-681-11	ELECT CHIP	100uF	20%	16V	C3661	1-107-826-11	CERAMIC CHIP	0.1uF	10%	16V
C3590	1-107-826-11	CERAMIC CHIP	0.1uF	10%	16V	C3662	1-107-826-11	CERAMIC CHIP	0.1uF	10%	16V
C3591	1-107-826-11	CERAMIC CHIP	0.1uF	10%	16V	C3663	1-107-826-11	CERAMIC CHIP	0.1uF	10%	16V
C3593	1-126-206-11	ELECT CHIP	100uF	20%	6.3V	C3664	1-107-826-11	CERAMIC CHIP	0.1uF	10%	16V
C3594	1-126-206-11	ELECT CHIP	100uF	20%	6.3V	C3665	1-107-826-11	CERAMIC CHIP	0.1uF	10%	16V
C3601	1-125-777-11	CERAMIC CHIP	0.1uF	10%	10V	C3666	1-107-826-11	CERAMIC CHIP	0.1uF	10%	16V
C3602	1-125-777-11	CERAMIC CHIP	0.1uF	10%	10V	C3667	1-165-875-11	CERAMIC CHIP	10uF	10%	10V
C3603	1-107-826-11	CERAMIC CHIP	0.1uF	10%	16V	C3668	1-107-826-11	CERAMIC CHIP	0.1uF	10%	16V
C3604	1-125-777-11	CERAMIC CHIP	0.1uF	10%	10V	C3669	1-107-826-11	CERAMIC CHIP	0.1uF	10%	16V
C3605	1-100-567-81	CERAMIC CHIP	0.01uF	10%	25V	C3670	1-107-826-11	CERAMIC CHIP	0.1uF	10%	16V
C3606	1-107-826-11	CERAMIC CHIP	0.1uF	10%	16V	C3671	1-107-826-11	CERAMIC CHIP	0.1uF	10%	16V
C3607	1-125-777-11	CERAMIC CHIP	0.1uF	10%	10V	C3672	1-107-826-11	CERAMIC CHIP	0.1uF	10%	16V
C3608	1-107-826-11	CERAMIC CHIP	0.1uF	10%	16V	C3673	1-125-777-11	CERAMIC CHIP	0.1uF	10%	10V
C3609	1-107-826-11	CERAMIC CHIP	0.1uF	10%	16V	C3674	1-165-875-11	CERAMIC CHIP	10uF	10%	10V
C3610	1-125-777-11	CERAMIC CHIP	0.1uF	10%	10V	C3675	1-125-777-11	CERAMIC CHIP	0.1uF	10%	10V
C3611	1-107-826-11	CERAMIC CHIP	0.1uF	10%	16V	C3676	1-125-777-11	CERAMIC CHIP	0.1uF	10%	10V
C3612	1-125-777-11	CERAMIC CHIP	0.1uF	10%	10V	C3677	1-125-777-11	CERAMIC CHIP	0.1uF	10%	10V
C3613	1-107-826-11	CERAMIC CHIP	0.1uF	10%	16V	C3678	1-107-826-11	CERAMIC CHIP	0.1uF	10%	16V
C3614	1-125-777-11	CERAMIC CHIP	0.1uF	10%	10V	C3679	1-107-826-11	CERAMIC CHIP	0.1uF	10%	16V
C3615	1-107-826-11	CERAMIC CHIP	0.1uF	10%	16V	C3680	1-165-875-11	CERAMIC CHIP	10uF	10%	10V
C3616	1-125-777-11	CERAMIC CHIP	0.1uF	10%	10V	C3682	1-125-777-11	CERAMIC CHIP	0.1uF	10%	10V
C3617	1-165-875-11	CERAMIC CHIP	10uF	10%	10V	C3683	1-125-777-11	CERAMIC CHIP	0.1uF	10%	10V
C3618	1-100-567-81	CERAMIC CHIP	0.01uF	10%	25V	C3684	1-125-777-11	CERAMIC CHIP	0.1uF	10%	10V
C3619	1-125-777-11	CERAMIC CHIP	0.1uF	10%	10V	C3685	1-125-777-11	CERAMIC CHIP	0.1uF	10%	10V
C3620	1-125-777-11	CERAMIC CHIP	0.1uF	10%	10V	C3686	1-165-875-11	CERAMIC CHIP	10uF	10%	10V
						C3687	1-125-777-11	CERAMIC CHIP	0.1uF	10%	10V

STR-DA3300ES/DG1100

D_VIDEO

Ref. No.	Part No.	Description			Remark	Ref. No.	Part No.	Description			Remark
C3688	1-125-777-11	CERAMIC CHIP	0.1uF	10%	10V	C3747	1-165-669-21	ELECT CHIP	220uF	20%	6.3V
C3689	1-125-777-11	CERAMIC CHIP	0.1uF	10%	10V	C3748	1-165-662-21	ELECT CHIP	220uF	20%	4V
C3690	1-100-567-81	CERAMIC CHIP	0.01uF	10%	25V	C3750	1-126-207-11	ELECT CHIP	33uF	20%	4V
C3691	1-125-777-11	CERAMIC CHIP	0.1uF	10%	10V	C3751	1-107-826-11	CERAMIC CHIP	0.1uF	10%	16V
C3692	1-100-567-81	CERAMIC CHIP	0.01uF	10%	25V	C3752	1-128-995-21	ELECT CHIP	100uF	20%	10V
C3693	1-125-777-11	CERAMIC CHIP	0.1uF	10%	10V	C3753	1-114-552-21	ELECT CHIP	100uF	20%	35V
C3694	1-100-567-81	CERAMIC CHIP	0.01uF	10%	25V	C3754	1-125-777-11	CERAMIC CHIP	0.1uF	10%	10V
C3695	1-165-875-11	CERAMIC CHIP	10uF	10%	10V	C3755	1-162-916-11	CERAMIC CHIP	12PF	5%	50V
C3696	1-125-777-11	CERAMIC CHIP	0.1uF	10%	10V	C3756	1-162-915-11	CERAMIC CHIP	10PF	0.5PF	50V
C3698	1-125-777-11	CERAMIC CHIP	0.1uF	10%	10V	C3757	1-125-777-11	CERAMIC CHIP	0.1uF	10%	10V
C3699	1-125-777-11	CERAMIC CHIP	0.1uF	10%	10V	C3758	1-107-826-11	CERAMIC CHIP	0.1uF	10%	16V
C3700	1-165-662-21	ELECT CHIP	220uF	20%	4V	C3759	1-165-875-11	CERAMIC CHIP	10uF	10%	10V
C3701	1-165-662-21	ELECT CHIP	220uF	20%	4V	C3760	1-107-826-11	CERAMIC CHIP	0.1uF	10%	16V
C3702	1-125-777-11	CERAMIC CHIP	0.1uF	10%	10V	C3761	1-125-777-11	CERAMIC CHIP	0.1uF	10%	10V
C3703	1-100-567-81	CERAMIC CHIP	0.01uF	10%	25V	C3762	1-125-777-11	CERAMIC CHIP	0.1uF	10%	10V
C3704	1-125-777-11	CERAMIC CHIP	0.1uF	10%	10V	C3763	1-125-777-11	CERAMIC CHIP	0.1uF	10%	10V
C3705	1-125-777-11	CERAMIC CHIP	0.1uF	10%	10V	C3764	1-165-875-11	CERAMIC CHIP	10uF	10%	10V
C3706	1-125-777-11	CERAMIC CHIP	0.1uF	10%	10V	C3765	1-125-777-11	CERAMIC CHIP	0.1uF	10%	10V
C3707	1-100-567-81	CERAMIC CHIP	0.01uF	10%	25V	C3766	1-125-777-11	CERAMIC CHIP	0.1uF	10%	10V
C3708	1-125-777-11	CERAMIC CHIP	0.1uF	10%	10V	C3767	1-165-875-11	CERAMIC CHIP	10uF	10%	10V
C3709	1-125-777-11	CERAMIC CHIP	0.1uF	10%	10V	C3768	1-165-662-21	ELECT CHIP	220uF	20%	4V
C3710	1-100-567-81	CERAMIC CHIP	0.01uF	10%	25V	C3769	1-114-552-21	ELECT CHIP	100uF	20%	35V
C3711	1-107-826-11	CERAMIC CHIP	0.1uF	10%	16V	C3770	1-107-826-11	CERAMIC CHIP	0.1uF	10%	16V
C3712	1-107-826-11	CERAMIC CHIP	0.1uF	10%	16V	C3771	1-107-826-11	CERAMIC CHIP	0.1uF	10%	16V
C3713	1-125-777-11	CERAMIC CHIP	0.1uF	10%	10V	C3772	1-107-826-11	CERAMIC CHIP	0.1uF	10%	16V
C3714	1-165-875-11	CERAMIC CHIP	10uF	10%	10V	C3773	1-107-826-11	CERAMIC CHIP	0.1uF	10%	16V
C3715	1-100-567-81	CERAMIC CHIP	0.01uF	10%	25V	C3774	1-126-207-11	ELECT CHIP	33uF	20%	4V
C3717	1-107-826-11	CERAMIC CHIP	0.1uF	10%	16V	C3775	1-107-826-11	CERAMIC CHIP	0.1uF	10%	16V
C3718	1-114-552-21	ELECT CHIP	100uF	20%	35V	C3776	1-107-826-11	CERAMIC CHIP	0.1uF	10%	16V
C3719	1-125-777-11	CERAMIC CHIP	0.1uF	10%	10V	C3777	1-107-826-11	CERAMIC CHIP	0.1uF	10%	16V
C3720	1-165-875-11	CERAMIC CHIP	10uF	10%	10V	C3778	1-107-826-11	CERAMIC CHIP	0.1uF	10%	16V
C3721	1-107-826-11	CERAMIC CHIP	0.1uF	10%	16V	C3779	1-107-826-11	CERAMIC CHIP	0.1uF	10%	16V
C3722	1-165-875-11	CERAMIC CHIP	10uF	10%	10V	C3780	1-107-826-11	CERAMIC CHIP	0.1uF	10%	16V
C3723	1-107-826-11	CERAMIC CHIP	0.1uF	10%	16V	C3782	1-165-662-21	ELECT CHIP	220uF	20%	4V
C3724	1-107-826-11	CERAMIC CHIP	0.1uF	10%	16V	C3783	1-125-777-11	CERAMIC CHIP	0.1uF	10%	10V
C3725	1-125-777-11	CERAMIC CHIP	0.1uF	10%	10V	C3784	1-125-777-11	CERAMIC CHIP	0.1uF	10%	10V
C3726	1-125-777-11	CERAMIC CHIP	0.1uF	10%	10V	C3785	1-125-777-11	CERAMIC CHIP	0.1uF	10%	10V
C3727	1-125-777-11	CERAMIC CHIP	0.1uF	10%	10V	C3786	1-125-777-11	CERAMIC CHIP	0.1uF	10%	10V
C3728	1-125-777-11	CERAMIC CHIP	0.1uF	10%	10V	C3787	1-125-777-11	CERAMIC CHIP	0.1uF	10%	10V
C3729	1-165-662-21	ELECT CHIP	220uF	20%	4V	C3788	1-125-777-11	CERAMIC CHIP	0.1uF	10%	10V
C3730	1-125-777-11	CERAMIC CHIP	0.1uF	10%	10V	C3789	1-125-777-11	CERAMIC CHIP	0.1uF	10%	10V
C3731	1-165-875-11	CERAMIC CHIP	10uF	10%	10V	C3790	1-125-777-11	CERAMIC CHIP	0.1uF	10%	10V
C3732	1-125-777-11	CERAMIC CHIP	0.1uF	10%	10V	C3791	1-125-777-11	CERAMIC CHIP	0.1uF	10%	10V
C3733	1-125-777-11	CERAMIC CHIP	0.1uF	10%	10V	C3792	1-100-567-81	CERAMIC CHIP	0.01uF	10%	25V
C3734	1-125-777-11	CERAMIC CHIP	0.1uF	10%	10V	C3793	1-165-875-11	CERAMIC CHIP	10uF	10%	10V
C3735	1-125-777-11	CERAMIC CHIP	0.1uF	10%	10V	C3794	1-126-210-21	ELECT CHIP	220uF	20%	4V
C3736	1-125-777-11	CERAMIC CHIP	0.1uF	10%	10V	C3795	1-107-826-11	CERAMIC CHIP	0.1uF	10%	16V
C3737	1-125-777-11	CERAMIC CHIP	0.1uF	10%	10V	C3796	1-165-880-21	ELECT CHIP	220uF	20%	2.5V
C3738	1-107-826-11	CERAMIC CHIP	0.1uF	10%	16V	C3797	1-162-970-11	CERAMIC CHIP	0.01uF	10%	25V
C3739	1-125-777-11	CERAMIC CHIP	0.1uF	10%	10V	C3798	1-100-635-21	ELECT CHIP	82uF	20%	4V
C3740	1-125-777-11	CERAMIC CHIP	0.1uF	10%	10V	C3799	1-112-071-11	ELECT CHIP	220uF	20%	6.3V
C3741	1-125-777-11	CERAMIC CHIP	0.1uF	10%	10V	C3801	1-117-720-11	CERAMIC CHIP	4.7uF		10V
C3742	1-165-875-11	CERAMIC CHIP	10uF	10%	10V	C3802	1-107-826-11	CERAMIC CHIP	0.1uF	10%	16V
C3743	1-125-777-11	CERAMIC CHIP	0.1uF	10%	10V	C3803	1-107-826-11	CERAMIC CHIP	0.1uF	10%	16V
C3744	1-125-777-11	CERAMIC CHIP	0.1uF	10%	10V	C3804	1-117-720-11	CERAMIC CHIP	4.7uF		10V
C3745	1-125-777-11	CERAMIC CHIP	0.1uF	10%	10V	C3805	1-107-826-11	CERAMIC CHIP	0.1uF	10%	16V
C3746	1-128-995-21	ELECT CHIP	100uF	20%	10V	C3806	1-117-720-11	CERAMIC CHIP	4.7uF		10V
						C3807	1-107-826-11	CERAMIC CHIP	0.1uF	10%	16V

Ref. No.	Part No.	Description	Remark	Ref. No.	Part No.	Description	Remark	
C3808	1-117-720-11	CERAMIC CHIP	4.7uF	10V		< DIODE >		
C3809	1-107-826-11	CERAMIC CHIP	0.1uF	10%	16V			
C3810	1-117-720-11	CERAMIC CHIP	4.7uF	10V	D3501	8-719-988-61	DIODE 1SS355TE-17	
C3811	1-107-826-11	CERAMIC CHIP	0.1uF	10%	16V	D3502	8-719-988-61	DIODE 1SS355TE-17
C3812	1-107-826-11	CERAMIC CHIP	0.1uF	10%	16V	D3511	8-719-053-18	DIODE 1SR154-400TE-25
C3813	1-107-826-11	CERAMIC CHIP	0.1uF	10%	16V	D3606	8-719-312-08	DIODE FMB-G16L
C3814	1-117-720-11	CERAMIC CHIP	4.7uF	10V	D3607	8-719-312-08	DIODE FMB-G16L	
C3815	1-107-826-11	CERAMIC CHIP	0.1uF	10%	16V	D3617	8-719-053-18	DIODE 1SR154-400TE-25
C3816	1-107-826-11	CERAMIC CHIP	0.1uF	10%	16V	D3618	8-719-210-39	DIODE EC10QS-04
C3817	1-107-826-11	CERAMIC CHIP	0.1uF	10%	16V	D3805	8-719-988-61	DIODE 1SS355TE-17
C3818	1-107-826-11	CERAMIC CHIP	0.1uF	10%	16V	D3808	8-719-988-61	DIODE 1SS355TE-17
C3822	1-107-826-11	CERAMIC CHIP	0.1uF	10%	16V		< EARTH TERMINAL >	
C3850	1-115-467-11	CERAMIC CHIP	0.22uF	10%	10V	ET3501	1-780-318-11	TERMINAL
C3851	1-115-467-11	CERAMIC CHIP	0.22uF	10%	10V	ET3502	1-780-318-11	TERMINAL
C3854	1-115-467-11	CERAMIC CHIP	0.22uF	10%	10V	ET3503	1-780-318-11	TERMINAL
C3855	1-126-206-11	ELECT CHIP	100uF	20%	6.3V		< FERRITE BEAD >	
C3856	1-127-956-21	FILM CHIP	0.1uF	5%	16V	F3501	1-469-139-21	FERRITE, EMI (SMD) (2012)
C3857	1-127-956-21	FILM CHIP	0.1uF	5%	16V	F3502	1-469-139-21	FERRITE, EMI (SMD) (2012)
C3858	1-162-964-11	CERAMIC CHIP	0.001uF	10%	50V	FB3501	1-414-234-22	INDUCTOR, FERRITE BEAD
C3859	1-164-173-11	CERAMIC CHIP	0.0039uF	10%	50V	FB3502	1-414-234-22	INDUCTOR, FERRITE BEAD
C3860	1-164-733-11	CERAMIC CHIP	820PF	10%	50V	FB3503	1-414-234-22	INDUCTOR, FERRITE BEAD
C3861	1-115-467-11	CERAMIC CHIP	0.22uF	10%	10V	FB3504	1-469-152-11	FERRITE, EMI (SMD) (2012)
C3862	1-126-206-11	ELECT CHIP	100uF	20%	6.3V	FB3505	1-469-152-11	FERRITE, EMI (SMD) (2012)
C3864	1-107-826-11	CERAMIC CHIP	0.1uF	10%	16V	FB3506	1-469-139-21	FERRITE, EMI (SMD) (2012)
C3865	1-126-206-11	ELECT CHIP	100uF	20%	6.3V	FB3601	1-469-152-11	FERRITE, EMI (SMD) (2012)
C3866	1-115-467-11	CERAMIC CHIP	0.22uF	10%	10V	FB3602	1-414-234-22	INDUCTOR, FERRITE BEAD
C3867	1-162-970-11	CERAMIC CHIP	0.01uF	10%	25V	FB3603	1-469-152-11	FERRITE, EMI (SMD) (2012)
C3868	1-107-826-11	CERAMIC CHIP	0.1uF	10%	16V	FB3604	1-414-234-22	INDUCTOR, FERRITE BEAD
C3869	1-107-826-11	CERAMIC CHIP	0.1uF	10%	16V	FB3605	1-469-152-11	FERRITE, EMI (SMD) (2012)
C3870	1-162-970-11	CERAMIC CHIP	0.01uF	10%	25V	FB3606	1-469-152-11	FERRITE, EMI (SMD) (2012)
C3873	1-107-826-11	CERAMIC CHIP	0.1uF	10%	16V	FB3607	1-469-152-11	FERRITE, EMI (SMD) (2012)
C3874	1-126-205-11	ELECT CHIP	47uF	20%	6.3V	FB3608	1-469-152-11	FERRITE, EMI (SMD) (2012)
C3875	1-107-826-11	CERAMIC CHIP	0.1uF	10%	16V	FB3609	1-469-324-21	FERRITE, EMI (SMD) (2012)
C3876	1-126-207-11	ELECT CHIP	33uF	20%	4V	FB3610	1-469-152-11	FERRITE, EMI (SMD) (2012)
C3958	1-107-826-11	CERAMIC CHIP	0.1uF	10%	16V	FB3611	1-469-152-11	FERRITE, EMI (SMD) (2012)
C3959	1-107-826-11	CERAMIC CHIP	0.1uF	10%	16V	FB3612	1-469-152-11	FERRITE, EMI (SMD) (2012)
C3960	1-162-960-11	CERAMIC CHIP	220PF	10%	50V	FB3613	1-469-152-11	FERRITE, EMI (SMD) (2012)
C3961	1-162-960-11	CERAMIC CHIP	220PF	10%	50V	FB3614	1-414-234-22	INDUCTOR, FERRITE BEAD
C3962	1-162-960-11	CERAMIC CHIP	220PF	10%	50V	FB3615	1-469-152-11	FERRITE, EMI (SMD) (2012)
C9364	1-107-826-11	CERAMIC CHIP	0.1uF	10%	16V	FB3616	1-469-152-11	FERRITE, EMI (SMD) (2012)
		< CONNECTOR >					< COIL >	
CN3501	1-818-086-61	HDMI CONNECTOR (HDMI ASSIGNABLE (INPUT ONLY) IN 1)				* FL3501	1-813-880-11	COMMON MODE CHOKE COIL
CN3502	1-818-086-61	HDMI CONNECTOR (HDMI ASSIGNABLE (INPUT ONLY) IN 2)				* FL3502	1-813-880-11	COMMON MODE CHOKE COIL
CN3503	1-818-086-61	HDMI CONNECTOR (HDMI ASSIGNABLE (INPUT ONLY) IN 3)				* FL3503	1-813-880-11	COMMON MODE CHOKE COIL
CN3504	1-818-086-61	HDMI CONNECTOR (HDMI OUT)				* FL3504	1-813-880-11	COMMON MODE CHOKE COIL
CN3505	1-770-406-11	CONNECTOR, BOARD TO BOARD 10P					< IC >	
CN3506	1-816-296-21	PIN, CONNECTOR (PC BOARD) 9P				IC3501	6-707-842-01	IC TC74LCX08FT (EKJ)
CN3508	1-785-101-11	PIN, CONNECTOR (3.96mm PITCH) 3P				IC3503	6-710-819-01	IC TMDS341APFCR
CN3602	1-779-992-11	PIN, CONNECTOR (PWB) 8P				IC3504	8-759-596-39	IC SN74LV4052APWR
CN3603	1-785-125-21	CONNECTOR 6P				IC3506	6-708-758-01	IC PCA9517DP.118
* CN3605	1-764-250-11	PIN, CONNECTOR (PC BOARD) 4P				IC3508	8-759-596-39	IC SN74LV4052APWR
CN3801	1-770-407-11	CONNECTOR, BOARD TO BOARD 12P				IC3509	6-704-001-01	IC BR24L02F-WSE2
						IC3511	(Not supplied)	IC SII9011CLU
						IC3513	(Not supplied)	IC SII9030CTU-7
						IC3514	8-759-832-05	IC BA18BC0FP-E2

Note: IC3511 and IC3513 cannot exchange with single. When IC3511 and IC3513 are damaged, exchange the entire mounted board.

STR-DA3300ES/DG1100

D_VIDEO

Ref. No.	Part No.	Description	Remark	Ref. No.	Part No.	Description	Remark
IC3516	6-705-337-01	IC TK11150CSCL-G		R3511	1-216-841-11	METAL CHIP 47K	5% 1/10W
IC3517	6-705-468-01	IC BA33BC0FP-E2		R3512	1-216-864-11	SHORT CHIP 0	
@ IC3601	6-711-139-01	IC FLI8638-LF		R3513	1-216-841-11	METAL CHIP 47K	5% 1/10W
IC3602	6-710-521-11	IC HY5DU561622ETP-4-C		R3514	1-216-841-11	METAL CHIP 47K	5% 1/10W
IC3603	6-807-428-11	IC S29GL256N90TFIR20-07GUIX103		R3515	1-216-821-11	METAL CHIP 1K	5% 1/10W
IC3604	6-709-564-01	IC YGV629-VZ		R3516	1-216-821-11	METAL CHIP 1K	5% 1/10W
IC3605	6-705-468-01	IC BA33BC0FP-E2		R3517	1-216-864-11	SHORT CHIP 0	
IC3607	6-705-468-01	IC BA33BC0FP-E2		R3518	1-216-864-11	SHORT CHIP 0	
IC3608	6-702-300-01	IC TK11118CSCL-G		R3519	1-216-864-11	SHORT CHIP 0	
IC3609	6-707-842-01	IC TC74LCX08FT (EKJ)		R3520	1-216-864-11	SHORT CHIP 0	
IC3610	6-807-423-01	IC MB91F467RA-07A23GUI-X111		R3522	1-216-864-11	SHORT CHIP 0	
IC3611	6-710-003-01	IC IS61LV12816L-8TL		R3523	1-216-821-11	METAL CHIP 1K	5% 1/10W
IC3612	6-700-394-01	IC BA25BC0FP-E2		R3525	1-218-844-11	METAL CHIP 750	0.5% 1/10W
IC3614	6-705-468-01	IC BA33BC0FP-E2		R3526	1-218-861-11	METAL CHIP 3.9K	0.5% 1/10W
IC3615	6-807-714-01	IC SST39VF3202704EKE53FLIX105		R3527	1-216-833-11	METAL CHIP 10K	5% 1/10W
IC3616	6-705-468-01	IC BA33BC0FP-E2		R3528	1-216-833-11	METAL CHIP 10K	5% 1/10W
IC3617	6-600-632-01	IC SI-3011ZFE		R3530	1-216-829-11	METAL CHIP 4.7K	5% 1/10W
IC3618	6-710-521-11	IC HY5DU561622ETP-4-C		R3531	1-216-829-11	METAL CHIP 4.7K	5% 1/10W
IC3619	6-710-050-01	IC TC74LCX245FK (EL)		R3532	1-216-833-11	METAL CHIP 10K	5% 1/10W
IC3620	6-710-050-01	IC TC74LCX245FK (EL)		R3533	1-216-833-11	METAL CHIP 10K	5% 1/10W
IC3621	6-704-573-01	IC M24C32-WMN6T (B)		R3534	1-216-833-11	METAL CHIP 10K	5% 1/10W
IC3850	6-709-565-01	IC ADV7322KSTZ		R3535	1-216-864-11	SHORT CHIP 0	
IC3851	6-704-261-01	IC TK11225CMCL-G		R3536	1-216-864-11	SHORT CHIP 0	
IC3852	6-702-301-01	IC TK11125CSCL-G		R3537	1-216-864-11	SHORT CHIP 0	
IC3853	6-705-308-01	IC SI-3010KM-TL		R3538	1-216-864-11	SHORT CHIP 0	
IC3854	6-710-444-01	IC CY2302-SXC-1T		R3539	1-216-829-11	METAL CHIP 4.7K	5% 1/10W
IC3855	8-759-524-50	IC TC74VHC541FT (EL)		R3540	1-216-829-11	METAL CHIP 4.7K	5% 1/10W
		< COIL >		R3541	1-216-833-11	METAL CHIP 10K	5% 1/10W
L3501	1-469-525-91	INDUCTOR 10uH		R3542	1-216-864-11	SHORT CHIP 0	
L3502	1-469-525-91	INDUCTOR 10uH		R3543	1-216-833-11	METAL CHIP 10K	5% 1/10W
L3503	1-469-525-91	INDUCTOR 10uH		R3544	1-216-805-11	METAL CHIP 47	5% 1/10W
L3504	1-469-525-91	INDUCTOR 10uH		R3545	1-216-805-11	METAL CHIP 47	5% 1/10W
L3505	1-469-525-91	INDUCTOR 10uH		R3546	1-216-857-11	METAL CHIP 1M	5% 1/10W
L3506	1-469-525-91	INDUCTOR 10uH		R3547	1-216-864-11	SHORT CHIP 0	
L3507	1-469-525-91	INDUCTOR 10uH		R3548	1-216-803-11	METAL CHIP 33	5% 1/10W
L3508	1-469-525-91	INDUCTOR 10uH		R3549	1-216-809-11	METAL CHIP 100	5% 1/10W
L3509	1-469-525-91	INDUCTOR 10uH		R3550	1-216-809-11	METAL CHIP 100	5% 1/10W
L3850	1-469-525-91	INDUCTOR 10uH		R3551	1-216-809-11	METAL CHIP 100	5% 1/10W
		< TRANSISTOR >		R3552	1-216-809-11	METAL CHIP 100	5% 1/10W
Q3503	8-729-029-14	TRANSISTOR DTC144EUA-T106		R3554	1-216-809-11	METAL CHIP 100	5% 1/10W
Q3504	8-729-038-05	FET HN1K02FU (T5RSONY)		R3555	1-216-864-11	SHORT CHIP 0	
		< RESISTOR/FERRITE BEAD >		R3556	1-216-817-11	METAL CHIP 470	5% 1/10W
R2976	1-216-821-11	METAL CHIP 1K	5% 1/10W	R3557	1-469-139-21	FERRITE, EMI (SMD) (2012)	
R3500	1-216-833-11	METAL CHIP 10K	5% 1/10W	R3558	1-216-817-11	METAL CHIP 470	5% 1/10W
R3501	1-216-864-11	SHORT CHIP 0		R3561	1-216-833-11	METAL CHIP 10K	5% 1/10W
R3502	1-216-864-11	SHORT CHIP 0		R3562	1-216-864-11	SHORT CHIP 0	
R3503	1-216-864-11	SHORT CHIP 0		R3563	1-216-809-11	METAL CHIP 100	5% 1/10W
R3504	1-216-864-11	SHORT CHIP 0		R3564	1-216-797-11	METAL CHIP 10	5% 1/10W
R3505	1-216-864-11	SHORT CHIP 0		R3565	1-216-801-11	METAL CHIP 22	5% 1/10W
R3506	1-216-864-11	SHORT CHIP 0		R3566	1-216-797-11	METAL CHIP 10	5% 1/10W
R3507	1-216-823-11	METAL CHIP 1.5K	5% 1/10W	R3567	1-216-797-11	METAL CHIP 10	5% 1/10W
R3508	1-216-823-11	METAL CHIP 1.5K	5% 1/10W	R3568	1-216-809-11	METAL CHIP 100	5% 1/10W
R3509	1-216-864-11	SHORT CHIP 0		R3569	1-216-809-11	METAL CHIP 100	5% 1/10W
R3510	1-216-809-11	METAL CHIP 100	5% 1/10W	R3570	1-216-809-11	METAL CHIP 100	5% 1/10W
				R3571	1-216-809-11	METAL CHIP 100	5% 1/10W
				R3572	1-216-817-11	METAL CHIP 470	5% 1/10W
				R3573	1-216-809-11	METAL CHIP 100	5% 1/10W
				R3574	1-216-811-11	METAL CHIP 150	5% 1/10W

@ Replacement of IC3601 used in this set requires a special tool.

Ref. No.	Part No.	Description	Remark	Ref. No.	Part No.	Description	Remark
R3575	1-216-833-11	METAL CHIP	10K 5% 1/10W	R3637	1-218-990-81	SHORT CHIP	0
R3576	1-216-805-11	METAL CHIP	47 5% 1/10W	R3638	1-216-821-11	METAL CHIP	1K 5% 1/10W
R3577	1-216-805-11	METAL CHIP	47 5% 1/10W	R3639	1-216-833-11	METAL CHIP	10K 5% 1/10W
R3578	1-216-805-11	METAL CHIP	47 5% 1/10W	R3640	1-216-864-11	SHORT CHIP	0
R3579	1-216-833-11	METAL CHIP	10K 5% 1/10W	R3643	1-216-864-11	SHORT CHIP	0
R3580	1-218-839-11	METAL CHIP	470 0.5% 1/10W	R3644	1-216-864-11	SHORT CHIP	0
R3581	1-216-833-11	METAL CHIP	10K 5% 1/10W	R3646	1-216-833-11	METAL CHIP	10K 5% 1/10W
R3582	1-216-864-11	SHORT CHIP	0	R3647	1-216-841-11	METAL CHIP	47K 5% 1/10W
R3583	1-216-829-11	METAL CHIP	4.7K 5% 1/10W	R3648	1-216-841-11	METAL CHIP	47K 5% 1/10W
R3584	1-216-829-11	METAL CHIP	4.7K 5% 1/10W	R3649	1-216-833-11	METAL CHIP	10K 5% 1/10W
R3585	1-216-833-11	METAL CHIP	10K 5% 1/10W	R3650	1-216-833-11	METAL CHIP	10K 5% 1/10W
R3586	1-216-833-11	METAL CHIP	10K 5% 1/10W	R3651	1-216-833-11	METAL CHIP	10K 5% 1/10W
R3587	1-216-864-11	SHORT CHIP	0	R3652	1-216-833-11	METAL CHIP	10K 5% 1/10W
R3588	1-216-864-11	SHORT CHIP	0	R3653	1-216-833-11	METAL CHIP	10K 5% 1/10W
R3593	1-216-833-11	METAL CHIP	10K 5% 1/10W	R3654	1-216-833-11	METAL CHIP	10K 5% 1/10W
R3594	1-216-833-11	METAL CHIP	10K 5% 1/10W	R3655	1-216-833-11	METAL CHIP	10K 5% 1/10W
R3595	1-216-833-11	METAL CHIP	10K 5% 1/10W	R3656	1-216-833-11	METAL CHIP	10K 5% 1/10W
R3596	1-216-864-11	SHORT CHIP	0	R3657	1-216-833-11	METAL CHIP	10K 5% 1/10W
R3597	1-216-864-11	SHORT CHIP	0	R3658	1-216-833-11	METAL CHIP	10K 5% 1/10W
R3598	1-216-864-11	SHORT CHIP	0	R3660	1-216-833-11	METAL CHIP	10K 5% 1/10W
R3599	1-216-824-11	METAL CHIP	1.8K 5% 1/10W	R3661	1-216-833-11	METAL CHIP	10K 5% 1/10W
R3600	1-216-824-11	METAL CHIP	1.8K 5% 1/10W	R3664	1-216-833-11	METAL CHIP	10K 5% 1/10W
R3601	1-216-841-11	METAL CHIP	47K 5% 1/10W	R3665	1-216-826-11	METAL CHIP	2.7K 5% 1/10W
R3602	1-216-841-11	METAL CHIP	47K 5% 1/10W	R3666	1-216-833-11	METAL CHIP	10K 5% 1/10W
R3603	1-216-841-11	METAL CHIP	47K 5% 1/10W	R3667	1-216-833-11	METAL CHIP	10K 5% 1/10W
R3604	1-216-841-11	METAL CHIP	47K 5% 1/10W	R3668	1-216-833-11	METAL CHIP	10K 5% 1/10W
R3605	1-216-841-11	METAL CHIP	47K 5% 1/10W	R3669	1-216-805-11	METAL CHIP	47 5% 1/10W
R3606	1-216-841-11	METAL CHIP	47K 5% 1/10W	R3670	1-216-805-11	METAL CHIP	47 5% 1/10W
R3607	1-216-841-11	METAL CHIP	47K 5% 1/10W	R3671	1-216-864-11	SHORT CHIP	0
R3608	1-216-841-11	METAL CHIP	47K 5% 1/10W	R3672	1-216-864-11	SHORT CHIP	0
R3609	1-216-841-11	METAL CHIP	47K 5% 1/10W	R3673	1-216-864-11	SHORT CHIP	0
R3610	1-216-841-11	METAL CHIP	47K 5% 1/10W	R3674	1-216-864-11	SHORT CHIP	0
R3611	1-216-841-11	METAL CHIP	47K 5% 1/10W	R3675	1-216-805-11	METAL CHIP	47 5% 1/10W
R3612	1-216-841-11	METAL CHIP	47K 5% 1/10W	R3676	1-216-864-11	SHORT CHIP	0
R3613	1-216-841-11	METAL CHIP	47K 5% 1/10W	R3677	1-216-864-11	SHORT CHIP	0
R3614	1-216-841-11	METAL CHIP	47K 5% 1/10W	R3678	1-216-864-11	SHORT CHIP	0
R3615	1-216-841-11	METAL CHIP	47K 5% 1/10W	R3679	1-216-805-11	METAL CHIP	47 5% 1/10W
R3616	1-216-841-11	METAL CHIP	47K 5% 1/10W	R3680	1-216-805-11	METAL CHIP	47 5% 1/10W
R3617	1-216-833-11	METAL CHIP	10K 5% 1/10W	R3681	1-216-805-11	METAL CHIP	47 5% 1/10W
R3618	1-216-833-11	METAL CHIP	10K 5% 1/10W	R3682	1-216-833-11	METAL CHIP	10K 5% 1/10W
R3619	1-216-833-11	METAL CHIP	10K 5% 1/10W	R3683	1-216-833-11	METAL CHIP	10K 5% 1/10W
R3620	1-216-833-11	METAL CHIP	10K 5% 1/10W	R3684	1-216-864-11	SHORT CHIP	0
R3621	1-216-833-11	METAL CHIP	10K 5% 1/10W	R3685	1-216-809-11	METAL CHIP	100 5% 1/10W
R3622	1-216-833-11	METAL CHIP	10K 5% 1/10W	R3686	1-211-990-11	METAL CHIP	75 0.5% 1/10W
R3623	1-208-647-11	METAL CHIP	33 0.5% 1/16W	R3687	1-211-977-11	METAL CHIP	22 0.5% 1/10W
R3624	1-216-864-11	SHORT CHIP	0	R3688	1-216-805-11	METAL CHIP	47 5% 1/10W
R3625	1-216-864-11	SHORT CHIP	0	R3689	1-216-821-11	METAL CHIP	1K 5% 1/10W
R3626	1-216-833-11	METAL CHIP	10K 5% 1/10W	R3690	1-216-864-11	SHORT CHIP	0
R3627	1-216-864-11	SHORT CHIP	0	R3691	1-211-990-11	METAL CHIP	75 0.5% 1/10W
R3628	1-216-821-11	METAL CHIP	1K 5% 1/10W	R3692	1-211-977-11	METAL CHIP	22 0.5% 1/10W
R3629	1-218-871-11	METAL CHIP	10K 0.5% 1/10W	R3693	1-216-864-11	SHORT CHIP	0
R3630	1-218-871-11	METAL CHIP	10K 0.5% 1/10W	R3694	1-211-990-11	METAL CHIP	75 0.5% 1/10W
R3631	1-208-677-11	METAL CHIP	560 0.5% 1/16W	R3695	1-211-977-11	METAL CHIP	22 0.5% 1/10W
R3632	1-208-677-11	METAL CHIP	560 0.5% 1/16W	R3696	1-216-833-11	METAL CHIP	10K 5% 1/10W
R3633	1-216-864-11	SHORT CHIP	0	R3698	1-216-833-11	METAL CHIP	10K 5% 1/10W
R3635	1-216-857-11	METAL CHIP	1M 5% 1/10W	R3699	1-216-864-11	SHORT CHIP	0
R3636	1-218-990-81	SHORT CHIP	0	R3700	1-216-837-11	METAL CHIP	22K 5% 1/10W
				R3702	1-211-987-11	METAL CHIP	56 0.5% 1/10W

STR-DA3300ES/DG1100

D_VIDEO

Ref. No.	Part No.	Description		Remark	Ref. No.	Part No.	Description		Remark
R3703	1-211-987-11	METAL CHIP	56	0.5%	1/10W	R3772	1-216-833-11	METAL CHIP	10K 5% 1/10W
R3705	1-216-864-11	SHORT CHIP	0			R3773	1-216-833-11	METAL CHIP	10K 5% 1/10W
R3706	1-216-864-11	SHORT CHIP	0			R3774	1-216-833-11	METAL CHIP	10K 5% 1/10W
R3707	1-216-864-11	SHORT CHIP	0			R3775	1-216-841-11	METAL CHIP	47K 5% 1/10W
R3708	1-216-864-11	SHORT CHIP	0			R3776	1-216-841-11	METAL CHIP	47K 5% 1/10W
R3709	1-216-864-11	SHORT CHIP	0			R3777	1-208-647-11	METAL CHIP	33 0.5% 1/16W
R3713	1-211-987-11	METAL CHIP	56	0.5%	1/10W	R3778	1-208-647-11	METAL CHIP	33 0.5% 1/16W
R3714	1-211-987-11	METAL CHIP	56	0.5%	1/10W	R3779	1-208-647-11	METAL CHIP	33 0.5% 1/16W
R3715	1-211-987-11	METAL CHIP	56	0.5%	1/10W	R3780	1-208-647-11	METAL CHIP	33 0.5% 1/16W
R3716	1-211-987-11	METAL CHIP	56	0.5%	1/10W	R3781	1-216-813-11	METAL CHIP	220 5% 1/10W
R3717	1-211-977-11	METAL CHIP	22	0.5%	1/10W	R3783	1-216-833-11	METAL CHIP	10K 5% 1/10W
R3718	1-211-987-11	METAL CHIP	56	0.5%	1/10W	R3785	1-216-833-11	METAL CHIP	10K 5% 1/10W
R3719	1-211-977-11	METAL CHIP	22	0.5%	1/10W	R3786	1-216-833-11	METAL CHIP	10K 5% 1/10W
R3720	1-211-977-11	METAL CHIP	22	0.5%	1/10W	R3792	1-216-833-11	METAL CHIP	10K 5% 1/10W
R3721	1-216-805-11	METAL CHIP	47	5%	1/10W	R3793	1-216-833-11	METAL CHIP	10K 5% 1/10W
R3722	1-211-977-11	METAL CHIP	22	0.5%	1/10W	R3794	1-216-833-11	METAL CHIP	10K 5% 1/10W
R3723	1-211-977-11	METAL CHIP	22	0.5%	1/10W	R3795	1-208-647-11	METAL CHIP	33 0.5% 1/16W
R3724	1-216-864-11	SHORT CHIP	0			R3796	1-208-647-11	METAL CHIP	33 0.5% 1/16W
R3725	1-216-805-11	METAL CHIP	47	5%	1/10W	R3797	1-208-647-11	METAL CHIP	33 0.5% 1/16W
R3726	1-211-990-11	METAL CHIP	75	0.5%	1/10W	R3798	1-208-647-11	METAL CHIP	33 0.5% 1/16W
R3727	1-211-990-11	METAL CHIP	75	0.5%	1/10W	R3799	1-216-833-11	METAL CHIP	10K 5% 1/10W
R3728	1-211-990-11	METAL CHIP	75	0.5%	1/10W	R3801	1-216-833-11	METAL CHIP	10K 5% 1/10W
R3729	1-216-805-11	METAL CHIP	47	5%	1/10W	R3803	1-216-864-11	SHORT CHIP	0
R3730	1-211-990-11	METAL CHIP	75	0.5%	1/10W	R3804	1-216-864-11	SHORT CHIP	0
R3731	1-211-990-11	METAL CHIP	75	0.5%	1/10W	R3805	1-208-647-11	METAL CHIP	33 0.5% 1/16W
R3732	1-216-805-11	METAL CHIP	47	5%	1/10W	R3806	1-208-647-11	METAL CHIP	33 0.5% 1/16W
R3733	1-216-864-11	SHORT CHIP	0			R3807	1-208-647-11	METAL CHIP	33 0.5% 1/16W
R3734	1-216-864-11	SHORT CHIP	0			R3808	1-208-647-11	METAL CHIP	33 0.5% 1/16W
R3735	1-216-864-11	SHORT CHIP	0			R3809	1-208-677-11	METAL CHIP	560 0.5% 1/16W
R3736	1-216-803-11	METAL CHIP	33	5%	1/10W	R3810	1-208-677-11	METAL CHIP	560 0.5% 1/16W
R3737	1-218-871-11	METAL CHIP	10K	0.5%	1/10W	R3811	1-216-833-11	METAL CHIP	10K 5% 1/10W
R3738	1-216-817-11	METAL CHIP	470	5%	1/10W	R3812	1-216-833-11	METAL CHIP	10K 5% 1/10W
R3739	1-216-810-11	METAL CHIP	120	5%	1/10W	R3813	1-216-864-11	SHORT CHIP	0
R3740	1-216-810-11	METAL CHIP	120	5%	1/10W	R3814	1-218-867-11	METAL CHIP	6.8K 0.5% 1/10W
R3741	1-216-815-11	METAL CHIP	330	5%	1/10W	R3815	1-218-871-11	METAL CHIP	10K 0.5% 1/10W
R3742	1-216-833-11	METAL CHIP	10K	5%	1/10W	R3816	1-216-833-11	METAL CHIP	10K 5% 1/10W
R3744	1-216-833-11	METAL CHIP	10K	5%	1/10W	R3817	1-208-647-11	METAL CHIP	33 0.5% 1/16W
R3747	1-216-833-11	METAL CHIP	10K	5%	1/10W	R3818	1-208-647-11	METAL CHIP	33 0.5% 1/16W
R3748	1-216-833-11	METAL CHIP	10K	5%	1/10W	R3819	1-208-647-11	METAL CHIP	33 0.5% 1/16W
R3749	1-216-833-11	METAL CHIP	10K	5%	1/10W	R3820	1-208-647-11	METAL CHIP	33 0.5% 1/16W
R3750	1-216-864-11	SHORT CHIP	0			R3821	1-208-647-11	METAL CHIP	33 0.5% 1/16W
R3751	1-216-821-11	METAL CHIP	1K	5%	1/10W	R3822	1-208-647-11	METAL CHIP	33 0.5% 1/16W
R3752	1-216-864-11	SHORT CHIP	0			R3823	1-208-647-11	METAL CHIP	33 0.5% 1/16W
R3753	1-216-864-11	SHORT CHIP	0			R3824	1-208-647-11	METAL CHIP	33 0.5% 1/16W
R3754	1-216-864-11	SHORT CHIP	0			R3825	1-208-647-11	METAL CHIP	33 0.5% 1/16W
R3755	1-216-864-11	SHORT CHIP	0			R3826	1-208-647-11	METAL CHIP	33 0.5% 1/16W
R3756	1-216-864-11	SHORT CHIP	0			R3827	1-208-647-11	METAL CHIP	33 0.5% 1/16W
R3759	1-216-864-11	SHORT CHIP	0			R3828	1-208-647-11	METAL CHIP	33 0.5% 1/16W
R3760	1-216-864-11	SHORT CHIP	0			R3829	1-208-647-11	METAL CHIP	33 0.5% 1/16W
R3764	1-216-833-11	METAL CHIP	10K	5%	1/10W	R3830	1-208-647-11	METAL CHIP	33 0.5% 1/16W
R3765	1-216-833-11	METAL CHIP	10K	5%	1/10W	R3831	1-208-647-11	METAL CHIP	33 0.5% 1/16W
R3766	1-216-833-11	METAL CHIP	10K	5%	1/10W	R3832	1-208-647-11	METAL CHIP	33 0.5% 1/16W
R3767	1-216-833-11	METAL CHIP	10K	5%	1/10W	R3833	1-208-647-11	METAL CHIP	33 0.5% 1/16W
R3768	1-216-833-11	METAL CHIP	10K	5%	1/10W	R3834	1-208-647-11	METAL CHIP	33 0.5% 1/16W
R3769	1-216-833-11	METAL CHIP	10K	5%	1/10W	R3835	1-208-647-11	METAL CHIP	33 0.5% 1/16W
R3770	1-216-833-11	METAL CHIP	10K	5%	1/10W	R3836	1-208-647-11	METAL CHIP	33 0.5% 1/16W
R3771	1-216-833-11	METAL CHIP	10K	5%	1/10W	R3837	1-208-647-11	METAL CHIP	33 0.5% 1/16W
						R3838	1-208-647-11	METAL CHIP	33 0.5% 1/16W

Ref. No.	Part No.	Description	Remark	Ref. No.	Part No.	Description	Remark
R3839	1-208-647-11	METAL CHIP	33 0.5% 1/16W	R3973	1-216-833-11	METAL CHIP	10K 5% 1/10W
R3840	1-208-647-11	METAL CHIP	33 0.5% 1/16W	R3974	1-216-817-11	METAL CHIP	470 5% 1/10W
R3841	1-208-647-11	METAL CHIP	33 0.5% 1/16W	R3975	1-216-817-11	METAL CHIP	470 5% 1/10W
R3842	1-208-647-11	METAL CHIP	33 0.5% 1/16W	R3976	1-211-990-11	METAL CHIP	75 0.5% 1/10W
R3843	1-208-647-11	METAL CHIP	33 0.5% 1/16W	R3977	1-211-990-11	METAL CHIP	75 0.5% 1/10W
R3844	1-208-647-11	METAL CHIP	33 0.5% 1/16W	R3978	1-211-990-11	METAL CHIP	75 0.5% 1/10W
R3845	1-208-647-11	METAL CHIP	33 0.5% 1/16W	R3979	1-211-990-11	METAL CHIP	75 0.5% 1/10W
R3846	1-208-647-11	METAL CHIP	33 0.5% 1/16W	R3998	1-216-805-11	METAL CHIP	47 5% 1/10W
R3847	1-208-647-11	METAL CHIP	33 0.5% 1/16W	R3999	1-216-797-11	METAL CHIP	10 5% 1/10W
R3848	1-208-647-11	METAL CHIP	33 0.5% 1/16W	< COMPOSITION CIRCUIT BLOCK >			
R3849	1-216-833-11	METAL CHIP	10K 5% 1/10W	RB3501	1-234-370-21	RES, NETWORK	22 (1005X4)
R3854	1-216-864-11	SHORT CHIP	0	RB3502	1-234-370-21	RES, NETWORK	22 (1005X4)
R3855	1-216-864-11	SHORT CHIP	0	RB3503	1-234-370-21	RES, NETWORK	22 (1005X4)
R3856	1-216-864-11	SHORT CHIP	0	RB3504	1-234-370-21	RES, NETWORK	22 (1005X4)
R3857	1-216-864-11	SHORT CHIP	0	RB3505	1-234-370-21	RES, NETWORK	22 (1005X4)
R3858	1-216-864-11	SHORT CHIP	0	RB3506	1-234-370-21	RES, NETWORK	22 (1005X4)
R3860	1-216-803-11	METAL CHIP	33 5% 1/10W	RB3511	1-234-370-21	RES, NETWORK	22 (1005X4)
R3861	1-216-803-11	METAL CHIP	33 5% 1/10W	RB3512	1-234-370-21	RES, NETWORK	22 (1005X4)
R3863	1-216-826-11	METAL CHIP	2.7K 5% 1/10W	RB3513	1-234-370-21	RES, NETWORK	22 (1005X4)
R3864	1-216-826-11	METAL CHIP	2.7K 5% 1/10W	RB3514	1-234-370-21	RES, NETWORK	22 (1005X4)
R3865	1-216-819-11	METAL CHIP	680 5% 1/10W	RB3515	1-234-370-21	RES, NETWORK	22 (1005X4)
R3866	1-216-809-11	METAL CHIP	100 5% 1/10W	RB3516	1-234-370-21	RES, NETWORK	22 (1005X4)
R3867	1-216-815-11	METAL CHIP	330 5% 1/10W	RB3601	1-242-963-21	RES, NETWORK	33 (1005X4)
R3868	1-216-815-11	METAL CHIP	330 5% 1/10W	RB3602	1-242-963-21	RES, NETWORK	33 (1005X4)
R3869	1-216-864-11	SHORT CHIP	0	RB3603	1-242-963-21	RES, NETWORK	33 (1005X4)
R3870	1-216-864-11	SHORT CHIP	0	RB3604	1-242-963-21	RES, NETWORK	33 (1005X4)
R3872	1-218-834-11	METAL CHIP	300 0.5% 1/10W	RB3605	1-242-963-21	RES, NETWORK	33 (1005X4)
R3873	1-218-834-11	METAL CHIP	300 0.5% 1/10W	RB3606	1-242-963-21	RES, NETWORK	33 (1005X4)
R3877	1-216-864-11	SHORT CHIP	0	RB3608	1-242-963-21	RES, NETWORK	33 (1005X4)
R3878	1-216-864-11	SHORT CHIP	0	RB3610	1-242-963-21	RES, NETWORK	33 (1005X4)
R3879	1-216-864-11	SHORT CHIP	0	RB3612	1-242-963-21	RES, NETWORK	33 (1005X4)
R3880	1-216-864-11	SHORT CHIP	0	RB3614	1-242-963-21	RES, NETWORK	33 (1005X4)
R3882	1-216-833-11	METAL CHIP	10K 5% 1/10W	RB3618	1-242-963-21	RES, NETWORK	33 (1005X4)
R3883	1-216-833-11	METAL CHIP	10K 5% 1/10W	RB3619	1-242-963-21	RES, NETWORK	33 (1005X4)
R3884	1-218-856-11	METAL CHIP	2.4K 0.5% 1/10W	RB3620	1-242-963-21	RES, NETWORK	33 (1005X4)
R3885	1-218-871-11	METAL CHIP	10K 0.5% 1/10W	RB3621	1-242-963-21	RES, NETWORK	33 (1005X4)
R3886	1-216-833-11	METAL CHIP	10K 5% 1/10W	RB3622	1-242-963-21	RES, NETWORK	33 (1005X4)
R3887	1-216-803-11	METAL CHIP	33 5% 1/10W	RB3623	1-242-963-21	RES, NETWORK	33 (1005X4)
R3888	1-216-833-11	METAL CHIP	10K 5% 1/10W	RB3624	1-242-963-21	RES, NETWORK	33 (1005X4)
R3889	1-216-803-11	METAL CHIP	33 5% 1/10W	RB3625	1-242-963-21	RES, NETWORK	33 (1005X4)
R3891	1-216-864-11	SHORT CHIP	0	RB3626	1-242-963-21	RES, NETWORK	33 (1005X4)
R3892	1-216-833-11	METAL CHIP	10K 5% 1/10W	RB3627	1-234-371-21	RES, NETWORK	47 (1005X4)
R3893	1-216-801-11	METAL CHIP	22 5% 1/10W	RB3628	1-234-371-21	RES, NETWORK	47 (1005X4)
R3894	1-216-801-11	METAL CHIP	22 5% 1/10W	RB3630	1-234-371-21	RES, NETWORK	47 (1005X4)
R3895	1-216-805-11	METAL CHIP	47 5% 1/10W	RB3631	1-234-371-21	RES, NETWORK	47 (1005X4)
R3896	1-216-805-11	METAL CHIP	47 5% 1/10W	RB3636	1-234-371-21	RES, NETWORK	47 (1005X4)
R3897	1-216-805-11	METAL CHIP	47 5% 1/10W	RB3637	1-234-371-21	RES, NETWORK	47 (1005X4)
R3898	1-216-805-11	METAL CHIP	47 5% 1/10W	< VIBRATOR >			
R3899	1-216-805-11	METAL CHIP	47 5% 1/10W	X3501	1-813-570-21	VIBRATOR, CRYSTAL (28.322MHZ)	
R3900	1-216-805-11	METAL CHIP	47 5% 1/10W	X3601	1-813-807-11	VIBRATOR, CRYSTAL 33.2MHZ (33.2MHZ)	
R3901	1-216-805-11	METAL CHIP	47 5% 1/10W	X3602	1-781-646-21	VIBRATOR, CERAMIC (4MHZ)	
R3902	1-216-805-11	METAL CHIP	47 5% 1/10W	X3603	1-813-808-11	VIBRATOR, CRYSTAL 19.6608MHZ (19.6MHZ)	
R3937	1-216-826-11	METAL CHIP	2.7K 5% 1/10W	*****			
R3938	1-216-826-11	METAL CHIP	2.7K 5% 1/10W				
R3939	1-216-833-11	METAL CHIP	10K 5% 1/10W				
R3944	1-216-833-11	METAL CHIP	10K 5% 1/10W				
R3946	1-216-833-11	METAL CHIP	10K 5% 1/10W				

STR-DA3300ES/DG1100

Ver. 1.2

DC-DC **DISPLAY**

Ref. No.	Part No.	Description	Remark
	A-1252-444-A	DC-DC BOARD, COMPLETE *****	
	7-685-646-79	SCREW +BVTP 3X8 TYPE2 IT-3 < CAPACITOR >	
C1402	1-128-549-11	ELECT 3300uF 20%	35V
C1404	1-128-959-21	ELECT 1000uF 20%	35V
C1405	1-100-924-21	ELECT 2200uF 20%	35V
C1406	1-128-959-21	ELECT 1000uF 20%	35V
C1407	1-128-959-21	ELECT 1000uF 20%	35V
C1409	1-115-339-11	CERAMIC CHIP 0.1uF 10%	50V
C1410	1-115-339-11	CERAMIC CHIP 0.1uF 10%	50V
C1411	1-126-964-11	ELECT 10uF 20%	50V
C1412	1-115-339-11	CERAMIC CHIP 0.1uF 10%	50V
C1414	1-128-950-21	ELECT 1000uF 20%	16V
C1415	1-128-951-21	ELECT 2200uF 20%	16V
C1416	1-128-950-21	ELECT 1000uF 20%	16V
C1417	1-128-950-21	ELECT 1000uF 20%	16V
C1423	1-164-161-11	CERAMIC CHIP 0.0022uF 10%	50V
		< CONNECTOR >	
CN1401	1-691-776-11	PLUG (MICRO CONNECTOR) 14P	
CX1402	1-778-293-11	PLUG (MICRO CONNECTOR) 2P	
CX1451	1-785-101-11	PIN, CONNECTOR (3.96mm PITCH) 3P	
		< DIODE >	
D1401	8-719-072-05	DIODE RBV-602LF-A	
D1403	8-719-301-45	DIODE RK14	
D1404	8-719-312-08	DIODE FMB-G16L	
D1405	8-719-301-45	DIODE RK14	
D1406	8-719-301-45	DIODE RK14	
		< FUSE HOLDER >	
FH1403	1-533-313-11	FUSE HOLDER	
FH1404	1-533-313-11	FUSE HOLDER	
		< IC >	
IC1402	6-711-058-01	IC SI-8008HFE	
IC1403	6-711-058-01	IC SI-8008HFE	
IC1404	8-759-474-09	IC SI-8050S-LF1101	
IC1405	6-701-021-01	IC SI-8120JF	
		< COIL >	
L1402	1-456-545-11	INDUCTOR 100uH	
L1403	1-456-545-11	INDUCTOR 100uH	
L1404	1-456-545-11	INDUCTOR 100uH	
L1405	1-456-545-11	INDUCTOR 100uH	
L1407	1-481-254-11	INDUCTOR 0.1mH	
L1408	1-481-254-11	INDUCTOR 0.1mH	
L1409	1-457-508-11	INDUCTOR 0.1mH	
L1410	1-457-508-11	INDUCTOR 0.1mH	
		< TRANSISTOR >	
Q1409	8-729-027-52	TRANSISTOR DTC124EKA-T146	
		< RESISTOR >	
R1401	1-216-037-00	RES-CHIP 330 5%	1/10W

Ref. No.	Part No.	Description	Remark
R1402	1-216-037-00	RES-CHIP 330 5%	1/10W
R1403	1-216-033-00	RES-CHIP 220 5%	1/10W
R1404	1-216-041-00	RES-CHIP 470 5%	1/10W
R1405	1-216-057-00	RES-CHIP 2.2K 5%	1/10W
R1406	1-216-022-00	RES-CHIP 75 5%	1/10W
R1407	1-216-049-11	RES-CHIP 1K 5%	1/10W
R1408	1-216-025-11	RES-CHIP 100 5%	1/10W
R1409	1-216-025-11	RES-CHIP 100 5%	1/10W
R1410	1-216-025-11	RES-CHIP 100 5%	1/10W
R1411	1-216-049-11	RES-CHIP 1K 5%	1/10W
R1412	1-216-037-00	RES-CHIP 330 5%	1/10W
R1417	1-216-158-00	RES-CHIP 22 5%	1/8W

	A-1254-406-A	DISPLAY BOARD, COMPLETE (DA3300ES: AEP, ECE, UK/DG1100)	
	A-1257-022-A	DISPLAY BOARD, COMPLETE (DA3300ES: US, CND) *****	
	2-389-320-01	CUSHION < CAPACITOR >	
C701	1-104-957-11	ELECT 47uF 20%	25V
C704	1-163-251-11	CERAMIC CHIP 100PF 5%	50V
C706	1-104-957-11	ELECT 47uF 20%	25V
C707	1-165-319-11	CERAMIC CHIP 0.1uF 50V	
C708	1-126-795-11	ELECT 10uF 20%	50V
C712	1-165-733-31	ELECT 100uF 20%	25V
C713	1-107-378-11	MYLAR 0.0039uF 5%	200V
C714	1-165-319-11	CERAMIC CHIP 0.1uF 50V	
C715	1-137-807-31	ELECT 100uF 20%	50V
C716	1-165-319-11	CERAMIC CHIP 0.1uF 50V	
C718	1-104-957-11	ELECT 47uF 20%	25V
C719	1-100-566-91	CERAMIC CHIP 0.1uF 10%	25V
C721	1-100-566-91	CERAMIC CHIP 0.1uF 10%	25V
C722	1-126-795-11	ELECT 10uF 20%	50V
C724	1-104-957-11	ELECT 47uF 20%	25V
C725	1-104-957-11	ELECT 47uF 20%	25V
C726	1-104-957-11	ELECT 47uF 20%	25V
C727	1-162-966-11	CERAMIC CHIP 0.0022uF 10%	50V
C728	1-162-966-11	CERAMIC CHIP 0.0022uF 10%	50V
C729	1-126-795-11	ELECT 10uF 20%	50V
C730	1-126-795-11	ELECT 10uF 20%	50V
C731	1-126-795-11	ELECT 10uF 20%	50V
C732	1-126-795-11	ELECT 10uF 20%	50V
C733	1-107-925-11	ELECT 1uF 20%	100V
C734	1-104-957-11	ELECT 47uF 20%	25V
C735	1-100-566-91	CERAMIC CHIP 0.1uF 10%	25V
C739	1-126-795-11	ELECT 10uF 20%	50V
C740	1-126-795-11	ELECT 10uF 20%	50V
C743	1-162-966-11	CERAMIC CHIP 0.0022uF 10%	50V
C745	1-126-795-11	ELECT 10uF 20%	50V
C746	1-107-826-11	CERAMIC CHIP 0.1uF 10%	16V
C747	1-162-927-11	CERAMIC CHIP 100PF 5%	50V
C749	1-162-966-11	CERAMIC CHIP 0.0022uF 10%	50V
C751	1-165-319-11	CERAMIC CHIP 0.1uF 50V	
C754	1-100-566-91	CERAMIC CHIP 0.1uF 10%	25V

Ref. No.	Part No.	Description	Remark	Ref. No.	Part No.	Description	Remark
		< CONNECTOR >		R709	1-216-025-11	RES-CHIP 100 5%	1/10W
CN701	1-784-928-11	PIN, CONNECTOR 13P		R710	1-216-025-11	RES-CHIP 100 5%	1/10W
CN702	1-784-926-11	PIN, CONNECTOR 11P		R711	1-216-025-11	RES-CHIP 100 5%	1/10W
* CN706	1-564-724-11	PIN, CONNECTOR (SMALL TYPE) 8P		R712	1-216-025-11	RES-CHIP 100 5%	1/10W
CN710	1-784-930-11	PIN, CONNECTOR 15P		R713	1-216-025-11	RES-CHIP 100 5%	1/10W
		< DIODE >		R714	1-216-025-11	RES-CHIP 100 5%	1/10W
D701	8-719-056-11	LED SML72423C-TP15 (ON/STANDBY)		R715	1-216-025-11	RES-CHIP 100 5%	1/10W
D702	8-719-075-59	LED SELS5B23C-TP15 (Digital Cinema Sound)		R716	1-216-025-11	RES-CHIP 100 5%	1/10W
D703	6-501-539-01	LED SELK5E20C-DTP15 (MULTI CHANNEL DECODING)		R717	1-216-025-11	RES-CHIP 100 5%	1/10W
D704	8-719-041-97	DIODE MA113- (TX)		R718	1-216-025-11	RES-CHIP 100 5%	1/10W
D705	8-719-041-97	DIODE MA113- (TX)		R719	1-216-037-00	RES-CHIP 330 5%	1/10W
D706	8-719-041-97	DIODE MA113- (TX)		R720	1-216-025-11	RES-CHIP 100 5%	1/10W
D707	8-719-041-97	DIODE MA113- (TX)		R721	1-216-029-00	RES-CHIP 150 5%	1/10W
D708	6-501-743-01	DIODE MAZ8068GMLSO		R723	1-216-057-00	RES-CHIP 2.2K 5%	1/10W
D710	8-719-404-50	DIODE MA111-TX		R724	1-216-049-11	RES-CHIP 1K 5%	1/10W
		< FERRITE BEAD >		R725	1-216-081-00	RES-CHIP 22K 5%	1/10W
FB701	1-469-152-11	FERRITE, EMI (SMD) (2012)		R726	1-216-073-91	RES-CHIP 10K 5%	1/10W
FB702	1-469-152-11	FERRITE, EMI (SMD) (2012)		R727	1-216-065-91	RES-CHIP 4.7K 5%	1/10W
		< IC >		R728	1-216-057-00	RES-CHIP 2.2K 5%	1/10W
IC701	6-600-349-31	IC NJL24H400A		R729	1-216-057-00	RES-CHIP 2.2K 5%	1/10W
IC702	6-705-468-01	IC BA33BC0FP-E2		R730	1-216-049-11	RES-CHIP 1K 5%	1/10W
IC703	8-759-825-56	IC NJM2173AV (TE2)		R731	1-216-067-00	RES-CHIP 5.6K 5%	1/10W
		< JUMPER RESISTOR >		R733	1-216-049-11	RES-CHIP 1K 5%	1/10W
JW753	1-216-296-11	SHORT CHIP 0		R734	1-216-083-00	RES-CHIP 27K 5%	1/10W
		< COIL >		R735	1-216-049-11	RES-CHIP 1K 5%	1/10W
L701	1-421-967-11	INDUCTOR 100uH		R736	1-216-049-11	RES-CHIP 1K 5%	1/10W
		< FLUORESCENT INDICATOR TUBE >		R737	1-216-833-11	METAL CHIP 10K 5%	1/10W
ND701	1-519-954-11	INDICATOR TUBE, FLUORESCENT		R740	1-216-833-11	METAL CHIP 10K 5%	1/10W
		< TRANSISTOR >		R741	1-216-833-11	METAL CHIP 10K 5%	1/10W
Q701	8-729-027-43	TRANSISTOR DTC114EKA-T146		R748	1-216-825-11	METAL CHIP 2.2K 5%	1/10W
Q702	8-729-027-43	TRANSISTOR DTC114EKA-T146		R749	1-216-821-11	METAL CHIP 1K 5%	1/10W
Q703	8-729-027-43	TRANSISTOR DTC114EKA-T146		R750	1-216-849-11	METAL CHIP 220K 5%	1/10W
Q704	8-729-027-43	TRANSISTOR DTC114EKA-T146		R751	1-216-843-11	METAL CHIP 68K 5%	1/10W
Q705	8-729-808-42	TRANSISTOR 2SD1624-T		R753	1-216-825-11	METAL CHIP 2.2K 5%	1/10W
Q706	8-729-808-42	TRANSISTOR 2SD1624-T		R754	1-216-821-11	METAL CHIP 1K 5%	1/10W
Q708	8-729-024-91	TRANSISTOR 2SC2712-GL-TE85L		R757	1-216-025-11	RES-CHIP 100 5%	1/10W
Q709	8-729-027-43	TRANSISTOR DTC114EKA-T146		R758	1-216-041-00	RES-CHIP 470 5%	1/10W
Q710	8-729-024-91	TRANSISTOR 2SC2712-GL-TE85L		R759	1-216-073-91	RES-CHIP 10K 5%	1/10W
Q711	8-729-216-22	TRANSISTOR 2SA1162-G		R772	1-216-057-91	RES-CHIP 2.2K 5%	1/10W
		< RESISTOR >				< SWITCH/ROTARY ENCODER >	
R701	1-216-037-00	RES-CHIP 330 5%	1/10W	S701	1-771-349-21	SWITCH, KEYBOARD (MUSIC)	
R703	1-216-295-91	SHORT CHIP 0		S702	1-771-349-21	SWITCH, KEYBOARD (MOVIE)	
R704	1-216-295-91	SHORT CHIP 0		S703	1-771-349-21	SWITCH, KEYBOARD (A.F.D.)	
		(DA3300ES: AEP, ECE, UK/DG1100)		S704	1-771-349-21	SWITCH, KEYBOARD (2CH/A.DIRECT)	
R705	1-216-295-91	SHORT CHIP 0 (DA3300ES: US, CND)		S705	1-771-349-21	SWITCH, KEYBOARD (SUR BACK DECODING)	
R706	1-216-001-00	RES-CHIP 10 5%	1/10W	S706	1-771-349-21	SWITCH, KEYBOARD (DISPLAY)	
△ R707	1-249-385-11	CARBON 2.2 5%	1/4W F	S707	1-771-349-21	SWITCH, KEYBOARD (DIMMER)	
△ R708	1-249-385-11	CARBON 2.2 5%	1/4W F	S708	1-771-349-21	SWITCH, KEYBOARD (MEMORY/ENTER)	
				S709	1-771-349-21	SWITCH, KEYBOARD (TUNING MODE)	
				S710	1-771-349-21	SWITCH, KEYBOARD (TONE MODE)	
				S711	1-771-349-21	SWITCH, KEYBOARD (ZONE SELECT)	(DA3300ES: US, CND)
				S711	1-771-349-21	SWITCH, KEYBOARD (INPUT MODE)	(DA3300ES: AEP, ECE, UK/DG1100)
				S712	1-771-349-21	SWITCH, KEYBOARD (ZONE POWER)	(DA3300ES: US, CND)

STR-DA3300ES/DG1100

Ver. 1.2

DISPLAY **DSP**

Ref. No.	Part No.	Description	Remark
S712	1-771-349-21	SWITCH, KEYBOARD (MUTING) (DA3300ES: AEP, ECE, UK/DG1100)	
S713	1-418-400-11	ENCODER, ROTARY (TONE)	
S714	1-418-400-11	ENCODER, ROTARY (TUNING)	
S715	1-418-400-11	ENCODER, ROTARY (INPUT SELECTOR)	
< TRANSFORMER >			
T701	1-445-015-11	TRANSFORMER, DC-DC CONVERTER	

A-1253-114-A	DSP BOARD, COMPLETE		*****
< CAPACITOR >			
C1	1-100-635-21	ELECT CHIP 82uF 20% 4V	
C3	1-107-826-11	CERAMIC CHIP 0.1uF 10% 16V	
C5	1-107-826-11	CERAMIC CHIP 0.1uF 10% 16V	
C6	1-107-826-11	CERAMIC CHIP 0.1uF 10% 16V	
C7	1-165-628-21	ELECT CHIP 100uF 20% 2V	
C8	1-107-826-11	CERAMIC CHIP 0.1uF 10% 16V	
C9	1-162-913-11	CERAMIC CHIP 8PF 0.5PF 50V	
C10	1-162-913-11	CERAMIC CHIP 8PF 0.5PF 50V	
C11	1-107-826-11	CERAMIC CHIP 0.1uF 10% 16V	
C12	1-107-826-11	CERAMIC CHIP 0.1uF 10% 16V	
C19	1-117-370-11	CERAMIC CHIP 10uF 10V	
C23	1-107-826-11	CERAMIC CHIP 0.1uF 10% 16V	
C24	1-162-970-11	CERAMIC CHIP 0.01uF 10% 25V	
C25	1-162-970-11	CERAMIC CHIP 0.01uF 10% 25V	
C26	1-107-826-11	CERAMIC CHIP 0.1uF 10% 16V	
C28	1-107-826-11	CERAMIC CHIP 0.1uF 10% 16V	
C29	1-107-826-11	CERAMIC CHIP 0.1uF 10% 16V	
C30	1-107-826-11	CERAMIC CHIP 0.1uF 10% 16V	
C32	1-107-826-11	CERAMIC CHIP 0.1uF 10% 16V	
C33	1-107-826-11	CERAMIC CHIP 0.1uF 10% 16V	
C34	1-107-826-11	CERAMIC CHIP 0.1uF 10% 16V	
C35	1-107-826-11	CERAMIC CHIP 0.1uF 10% 16V	
C36	1-117-370-11	CERAMIC CHIP 10uF 10V	
C39	1-107-826-11	CERAMIC CHIP 0.1uF 10% 16V	
C40	1-107-826-11	CERAMIC CHIP 0.1uF 10% 16V	
C42	1-107-826-11	CERAMIC CHIP 0.1uF 10% 16V	
C43	1-107-826-11	CERAMIC CHIP 0.1uF 10% 16V	
C45	1-107-826-11	CERAMIC CHIP 0.1uF 10% 16V	
C46	1-107-826-11	CERAMIC CHIP 0.1uF 10% 16V	
C49	1-107-826-11	CERAMIC CHIP 0.1uF 10% 16V	
C50	1-107-826-11	CERAMIC CHIP 0.1uF 10% 16V	
C52	1-107-826-11	CERAMIC CHIP 0.1uF 10% 16V	
C55	1-107-826-11	CERAMIC CHIP 0.1uF 10% 16V	
C57	1-107-826-11	CERAMIC CHIP 0.1uF 10% 16V	
C59	1-107-826-11	CERAMIC CHIP 0.1uF 10% 16V	
C61	1-107-826-11	CERAMIC CHIP 0.1uF 10% 16V	
C62	1-107-826-11	CERAMIC CHIP 0.1uF 10% 16V	
C63	1-107-826-11	CERAMIC CHIP 0.1uF 10% 16V	
C64	1-107-826-11	CERAMIC CHIP 0.1uF 10% 16V	
C66	1-107-826-11	CERAMIC CHIP 0.1uF 10% 16V	
C67	1-107-826-11	CERAMIC CHIP 0.1uF 10% 16V	
C70	1-117-370-11	CERAMIC CHIP 10uF 10V	
C71	1-107-826-11	CERAMIC CHIP 0.1uF 10% 16V	
C73	1-107-826-11	CERAMIC CHIP 0.1uF 10% 16V	

Ref. No.	Part No.	Description	Remark
C74	1-107-826-11	CERAMIC CHIP 0.1uF 10% 16V	
C75	1-107-826-11	CERAMIC CHIP 0.1uF 10% 16V	
C76	1-107-826-11	CERAMIC CHIP 0.1uF 10% 16V	
C77	1-107-826-11	CERAMIC CHIP 0.1uF 10% 16V	
C78	1-107-826-11	CERAMIC CHIP 0.1uF 10% 16V	
C79	1-107-826-11	CERAMIC CHIP 0.1uF 10% 16V	
C80	1-100-635-21	ELECT CHIP 82uF 20% 4V	
C81	1-165-628-21	ELECT CHIP 100uF 20% 2V	
C85	1-117-370-11	CERAMIC CHIP 10uF 10V	
C88	1-107-826-11	CERAMIC CHIP 0.1uF 10% 16V	
C89	1-107-826-11	CERAMIC CHIP 0.1uF 10% 16V	
C90	1-107-826-11	CERAMIC CHIP 0.1uF 10% 16V	
C91	1-117-370-11	CERAMIC CHIP 10uF 10V	
C92	1-107-826-11	CERAMIC CHIP 0.1uF 10% 16V	
C93	1-107-826-11	CERAMIC CHIP 0.1uF 10% 16V	
C94	1-107-826-11	CERAMIC CHIP 0.1uF 10% 16V	
C95	1-117-370-11	CERAMIC CHIP 10uF 10V	
C96	1-107-826-11	CERAMIC CHIP 0.1uF 10% 16V	
C97	1-107-826-11	CERAMIC CHIP 0.1uF 10% 16V	
< CONNECTOR >			
CN1	1-815-136-21	CONNECTOR, BOARD TO BOARD	
< FERRITE BEAD >			
FB1	1-469-324-21	FERRITE, EMI (SMD) (2012)	
FB2	1-469-324-21	FERRITE, EMI (SMD) (2012)	
FB3	1-469-324-21	FERRITE, EMI (SMD) (2012)	
FB4	1-469-324-21	FERRITE, EMI (SMD) (2012)	
< IC >			
IC1	6-705-308-01	IC SI-3010KM-TL	
IC2	6-706-764-01	IC ADSP21266SKSTZ-2C	
IC3	6-807-459-01	IC SST25VF040B-50-C-07STR-BRZ	
IC4	8-759-680-48	IC TC7WH157FK (TE85R)	
IC5	8-759-831-52	IC TC7WH125FK (TE85R)	
IC6	6-701-373-01	IC MC74LCX16373DTR2	
IC7	6-704-832-01	IC IS61LV6416-10TLT	
< RESISTOR >			
R1	1-243-227-91	RES-CHIP 0.33 1% 1/8W	
R2	1-216-833-11	METAL CHIP 10K 5% 1/10W	
R3	1-243-227-91	RES-CHIP 0.33 1% 1/8W	
R5	1-216-833-11	METAL CHIP 10K 5% 1/10W	
R9	1-216-833-11	METAL CHIP 10K 5% 1/10W	
R12	1-216-833-11	METAL CHIP 10K 5% 1/10W	
R13	1-216-864-11	SHORT CHIP 0	
R14	1-218-854-11	METAL CHIP 2K 0.5% 1/10W	
R15	1-218-871-11	METAL CHIP 10K 0.5% 1/10W	
R16	1-216-864-11	SHORT CHIP 0	
R17	1-216-864-11	SHORT CHIP 0	
R18	1-216-864-11	SHORT CHIP 0	
R20	1-216-864-11	SHORT CHIP 0	
R21	1-216-833-11	METAL CHIP 10K 5% 1/10W	
R23	1-216-817-11	METAL CHIP 470 5% 1/10W	
R24	1-216-821-11	METAL CHIP 1K 5% 1/10W	
R25	1-216-864-11	SHORT CHIP 0	
R26	1-216-801-11	METAL CHIP 22 5% 1/10W	

Ref. No.	Part No.	Description	Remark	Ref. No.	Part No.	Description	Remark
R27	1-216-801-11	METAL CHIP	22 5% 1/10W			KEY1 BOARD	
R28	1-216-801-11	METAL CHIP	22 5% 1/10W			*****	
R29	1-216-801-11	METAL CHIP	22 5% 1/10W			< CONNECTOR >	
R30	1-216-801-11	METAL CHIP	22 5% 1/10W				
R31	1-216-833-11	METAL CHIP	10K 5% 1/10W	* CN715	1-568-941-11	PIN, CONNECTOR 3P	
R32	1-216-833-11	METAL CHIP	10K 5% 1/10W			< RESISTOR >	
R33	1-216-833-11	METAL CHIP	10K 5% 1/10W				
R34	1-216-833-11	METAL CHIP	10K 5% 1/10W	R760	1-216-057-00	RES-CHIP 2.2K 5% 1/10W	
R35	1-216-857-11	METAL CHIP	1M 5% 1/10W	R761	1-216-057-00	RES-CHIP 2.2K 5% 1/10W	
R36	1-216-797-11	METAL CHIP	10 5% 1/10W			< SWITCH >	
R38	1-216-833-11	METAL CHIP	10K 5% 1/10W	S720	1-771-349-21	SWITCH, KEYBOARD (DMPORT)	
R41	1-216-833-11	METAL CHIP	10K 5% 1/10W	S721	1-771-349-21	SWITCH, KEYBOARD (HDMI)	
R43	1-216-833-11	METAL CHIP	10K 5% 1/10W	*****			
R45	1-216-833-11	METAL CHIP	10K 5% 1/10W			KEY2 BOARD	
R46	1-216-801-11	METAL CHIP	22 5% 1/10W			*****	
R47	1-216-864-11	SHORT CHIP	0			< CONNECTOR >	
R48	1-216-864-11	SHORT CHIP	0	* CN727	1-568-941-11	PIN, CONNECTOR 3P	
R49	1-216-864-11	SHORT CHIP	0			< RESISTOR >	
R50	1-216-864-11	SHORT CHIP	0	R784	1-216-057-00	RES-CHIP 2.2K 5% 1/10W	
R51	1-216-864-11	SHORT CHIP	0			< SWITCH >	
R52	1-216-864-11	SHORT CHIP	0	S725	1-771-349-21	SWITCH, KEYBOARD	
R53	1-216-801-11	METAL CHIP	22 5% 1/10W	(SPEAKERS (OFF/A/B/A+B))			
R54	1-216-801-11	METAL CHIP	22 5% 1/10W	*****			
R55	1-216-864-11	SHORT CHIP	0	A-1254-392-A	MAIN BOARD, COMPLETE		
R56	1-216-864-11	SHORT CHIP	0	(DA3300ES: US, CND)			
R57	1-216-864-11	SHORT CHIP	0	A-1254-418-A	MAIN BOARD, COMPLETE (DG1100)		
R58	1-216-864-11	SHORT CHIP	0	*****			
R59	1-216-864-11	SHORT CHIP	0	7-685-646-79	SCREW +BVTP 3X8 TYPE2 IT-3		
R60	1-216-801-11	METAL CHIP	22 5% 1/10W			< CAPACITOR >	
R61	1-216-864-11	SHORT CHIP	0	C1001	1-164-230-11	CERAMIC CHIP 220PF 5% 50V	
R62	1-216-864-11	SHORT CHIP	0	C1002	1-164-230-11	CERAMIC CHIP 220PF 5% 50V	
R63	1-216-864-11	SHORT CHIP	0	C1003	1-164-230-11	CERAMIC CHIP 220PF 5% 50V	
R64	1-216-801-11	METAL CHIP	22 5% 1/10W	C1008	1-137-395-91	MYLAR 0.022uF 5% 100V	
R65	1-216-801-11	METAL CHIP	22 5% 1/10W	C1009	1-137-395-91	MYLAR 0.022uF 5% 100V	
R66	1-216-801-11	METAL CHIP	22 5% 1/10W	C1010	1-137-395-91	MYLAR 0.022uF 5% 100V	
R67	1-216-801-11	METAL CHIP	22 5% 1/10W	C1011	1-126-941-11	ELECT 470uF 20% 25V	
R68	1-216-801-11	METAL CHIP	22 5% 1/10W	C1012	1-126-916-11	ELECT 1000uF 20% 6.3V	
R69	1-216-864-11	SHORT CHIP	0	C1013	1-126-933-11	ELECT 100uF 20% 16V	
< COMPOSITION CIRCUIT BLOCK >				C1014	1-100-597-91	CERAMIC CHIP 0.1uF 10% 25V	
RB1	1-234-523-21	RES, CHIP NETWORK 0 (3216)		C1015	1-126-933-11	ELECT 100uF 20% 16V	
RB6	1-239-409-11	RES, CHIP NETWORK 47 (3216)		C1016	1-100-597-91	CERAMIC CHIP 0.1uF 10% 25V	
RB7	1-239-409-11	RES, CHIP NETWORK 47 (3216)		C1017	1-164-230-11	CERAMIC CHIP 220PF 5% 50V	
RB8	1-239-409-11	RES, CHIP NETWORK 47 (3216)		C1018	1-164-230-11	CERAMIC CHIP 220PF 5% 50V	
RB9	1-239-409-11	RES, CHIP NETWORK 47 (3216)		C1019	1-164-230-11	CERAMIC CHIP 220PF 5% 50V	
RB10	1-234-524-21	RES, CHIP NETWORK 33 (3216)		C1020	1-126-933-11	ELECT 100uF 20% 16V	
RB11	1-234-524-21	RES, CHIP NETWORK 33 (3216)		C1021	1-100-597-91	CERAMIC CHIP 0.1uF 10% 25V	
RB12	1-234-524-21	RES, CHIP NETWORK 33 (3216)		C1022	1-126-933-11	ELECT 100uF 20% 16V	
RB13	1-234-524-21	RES, CHIP NETWORK 33 (3216)		C1023	1-100-597-91	CERAMIC CHIP 0.1uF 10% 25V	
< VIBRATOR >				C1024	1-126-933-11	ELECT 100uF 20% 16V	
X1	1-795-807-11	VIBRATOR, CRYSTAL (25MHZ)		C1025	1-100-597-91	CERAMIC CHIP 0.1uF 10% 25V	

STR-DA3300ES/DG1100

Ver. 1.1

MAIN

Ref. No.	Part No.	Description	Remark
C1026	1-126-933-11	ELECT	100uF 20% 16V
C1027	1-100-597-91	CERAMIC CHIP	0.1uF 10% 25V
C1028	1-164-230-11	CERAMIC CHIP	220PF 5% 50V
C1029	1-164-230-11	CERAMIC CHIP	220PF 5% 50V
C1030	1-100-597-91	CERAMIC CHIP	0.1uF 10% 25V (DA3300ES: US, CND)
C1031	1-100-597-91	CERAMIC CHIP	0.1uF 10% 25V
C1032	1-100-597-91	CERAMIC CHIP	0.1uF 10% 25V
C1033	1-131-992-11	CERAMIC CHIP	100000PF 35V
C1034	1-131-992-11	CERAMIC CHIP	100000PF 35V
C1035	1-131-992-11	CERAMIC CHIP	100000PF 35V
C1101	1-162-927-11	CERAMIC CHIP	100PF 5% 50V
C1102	1-164-230-11	CERAMIC CHIP	220PF 5% 50V
C1103	1-126-961-11	ELECT	2.2uF 20% 50V
C1104	1-126-935-11	ELECT	470uF 20% 16V
C1105	1-162-927-11	CERAMIC CHIP	100PF 5% 50V
C1106	1-125-896-91	MYLAR	0.0091uF 5% 50V
C1107	1-136-159-00	MYLAR	0.033uF 5% 50V
C1108	1-126-961-11	ELECT	2.2uF 20% 50V
C1109	1-164-227-11	CERAMIC CHIP	0.022uF 10% 25V
C1110	1-115-414-11	CERAMIC CHIP	820PF 5% 25V
C1111	1-162-927-11	CERAMIC CHIP	100PF 5% 50V
C1112	1-126-965-11	ELECT	22uF 20% 50V
C1113	1-115-414-11	CERAMIC CHIP	820PF 5% 25V
C1114	1-115-414-11	CERAMIC CHIP	820PF 5% 25V
C1115	1-115-414-11	CERAMIC CHIP	820PF 5% 25V
C1116	1-115-414-11	CERAMIC CHIP	820PF 5% 25V
C1117	1-115-414-11	CERAMIC CHIP	820PF 5% 25V
C1118	1-162-927-11	CERAMIC CHIP	100PF 5% 50V
C1119	1-126-965-11	ELECT	22uF 20% 50V
C1120	1-115-414-11	CERAMIC CHIP	820PF 5% 25V
C1121	1-162-927-11	CERAMIC CHIP	100PF 5% 50V (DA3300ES: US, CND)
C1122	1-162-927-11	CERAMIC CHIP	100PF 5% 50V
C1123	1-162-927-11	CERAMIC CHIP	100PF 5% 50V
C1124	1-126-965-11	ELECT	22uF 20% 50V (DA3300ES: US, CND)
C1125	1-162-927-11	CERAMIC CHIP	100PF 5% 50V
C1126	1-162-927-11	CERAMIC CHIP	100PF 5% 50V
C1127	1-162-927-11	CERAMIC CHIP	100PF 5% 50V
C1128	1-162-927-11	CERAMIC CHIP	100PF 5% 50V
C1129	1-126-965-11	ELECT	22uF 20% 50V (DA3300ES: US, CND)
C1130	1-126-965-11	ELECT	22uF 20% 50V (DA3300ES: US, CND)
C1131	1-126-965-11	ELECT	22uF 20% 50V (DA3300ES: US, CND)
C1132	1-126-965-11	ELECT	22uF 20% 50V (DA3300ES: US, CND)
C1133	1-126-947-11	ELECT	47uF 20% 35V
C1134	1-104-999-11	MYLAR	0.1uF 5% 200V
C1135	1-137-350-11	FILM	0.015uF 5% 100V
C1136	1-137-350-11	FILM	0.015uF 5% 100V
C1137	1-114-537-11	ELECT (BLOCK)	8200uF 20% 71V
C1138	1-126-936-11	ELECT	3300uF 20% 16V
C1139	1-100-597-91	CERAMIC CHIP	0.1uF 10% 25V
C1140	1-126-941-11	ELECT	470uF 20% 25V
C1141	1-126-964-11	ELECT	10uF 20% 50V
C1142	1-126-964-11	ELECT	10uF 20% 50V

Ref. No.	Part No.	Description	Remark
C1143	1-126-964-11	ELECT	10uF 20% 50V
C1144	1-126-964-11	ELECT	10uF 20% 50V
C1145	1-126-964-11	ELECT	10uF 20% 50V
C1146	1-126-964-11	ELECT	10uF 20% 50V
C1147	1-126-964-11	ELECT	10uF 20% 50V
C1148	1-126-964-11	ELECT	10uF 20% 50V
C1149	1-126-964-11	ELECT	10uF 20% 50V
C1150	1-126-964-11	ELECT	10uF 20% 50V
C1151	1-126-964-11	ELECT	10uF 20% 50V
C1152	1-126-964-11	ELECT	10uF 20% 50V
C1153	1-126-965-11	ELECT	22uF 20% 50V
C1155	1-162-966-11	CERAMIC CHIP	0.0022uF 10% 50V
C1158	1-164-227-11	CERAMIC CHIP	0.022uF 10% 25V
C1159	1-126-947-11	ELECT	47uF 20% 35V
C1201	1-162-927-11	CERAMIC CHIP	100PF 5% 50V
C1202	1-164-230-11	CERAMIC CHIP	220PF 5% 50V
C1203	1-126-961-11	ELECT	2.2uF 20% 50V
C1204	1-126-935-11	ELECT	470uF 20% 16V
C1205	1-162-927-11	CERAMIC CHIP	100PF 5% 50V
C1206	1-125-896-91	MYLAR	0.0091uF 5% 50V
C1207	1-136-159-00	MYLAR	0.033uF 5% 50V
C1208	1-126-961-11	ELECT	2.2uF 20% 50V
C1209	1-164-227-11	CERAMIC CHIP	0.022uF 10% 25V
C1210	1-115-414-11	CERAMIC CHIP	820PF 5% 25V
C1211	1-162-927-11	CERAMIC CHIP	100PF 5% 50V
C1212	1-126-965-11	ELECT	22uF 20% 50V
C1213	1-115-414-11	CERAMIC CHIP	820PF 5% 25V
C1214	1-115-414-11	CERAMIC CHIP	820PF 5% 25V
C1215	1-115-414-11	CERAMIC CHIP	820PF 5% 25V
C1216	1-115-414-11	CERAMIC CHIP	820PF 5% 25V
C1217	1-115-414-11	CERAMIC CHIP	820PF 5% 25V
C1218	1-162-927-11	CERAMIC CHIP	100PF 5% 50V
C1219	1-126-965-11	ELECT	22uF 20% 50V
C1220	1-115-414-11	CERAMIC CHIP	820PF 5% 25V
C1221	1-162-927-11	CERAMIC CHIP	100PF 5% 50V (DA3300ES: US, CND)
C1222	1-162-927-11	CERAMIC CHIP	100PF 5% 50V
C1223	1-162-927-11	CERAMIC CHIP	100PF 5% 50V
C1224	1-126-965-11	ELECT	22uF 20% 50V (DA3300ES: US, CND)
C1225	1-162-927-11	CERAMIC CHIP	100PF 5% 50V
C1226	1-162-927-11	CERAMIC CHIP	100PF 5% 50V
C1227	1-162-927-11	CERAMIC CHIP	100PF 5% 50V
C1228	1-162-927-11	CERAMIC CHIP	100PF 5% 50V
C1229	1-126-965-11	ELECT	22uF 20% 50V (DA3300ES: US, CND)
C1230	1-126-965-11	ELECT	22uF 20% 50V (DA3300ES: US, CND)
C1231	1-126-965-11	ELECT	22uF 20% 50V (DA3300ES: US, CND)
C1232	1-126-965-11	ELECT	22uF 20% 50V
C1233	1-126-947-11	ELECT	47uF 20% 35V
C1234	1-104-999-11	MYLAR	0.1uF 5% 200V
C1235	1-137-350-11	FILM	0.015uF 5% 100V
C1236	1-137-350-11	FILM	0.015uF 5% 100V
C1237	1-114-537-11	ELECT (BLOCK)	8200uF 20% 71V
C1238	1-126-936-11	ELECT	3300uF 20% 16V
C1239	1-100-597-91	CERAMIC CHIP	0.1uF 10% 25V

Ref. No.	Part No.	Description	Remark	Ref. No.	Part No.	Description	Remark
C1240	1-126-941-11	ELECT	470uF 20% 25V				
C1241	1-126-964-11	ELECT	10uF 20% 50V	D1031	8-719-302-37	DIODE RBV-602	
C1242	1-126-964-11	ELECT	10uF 20% 50V	D1032	8-719-988-61	DIODE 1SS355TE-17	
C1243	1-126-964-11	ELECT	10uF 20% 50V	D1033	8-719-988-61	DIODE 1SS355TE-17	
						< EARTH TERMINAL >	
C1244	1-126-964-11	ELECT	10uF 20% 50V	* ET1001	1-537-738-21	TERMINAL, EARTH	
C1245	1-126-964-11	ELECT	10uF 20% 50V			< FUSE HOLDER >	
C1246	1-126-964-11	ELECT	10uF 20% 50V	FH1001	1-533-313-11	FUSE HOLDER	
C1247	1-126-964-11	ELECT	10uF 20% 50V	FH1002	1-533-313-11	FUSE HOLDER	
C1248	1-126-964-11	ELECT	10uF 20% 50V	FH1003	1-533-313-11	FUSE HOLDER	
				FH1004	1-533-313-11	FUSE HOLDER	
						< IC >	
C1249	1-126-964-11	ELECT	10uF 20% 50V	IC1001	6-710-586-01	IC R2S15206FP	
C1250	1-126-964-11	ELECT	10uF 20% 50V	IC1002	6-711-163-01	IC NJU7311AM (TE2)	
C1251	1-126-964-11	ELECT	10uF 20% 50V	IC1003	8-759-385-76	IC MC14052 BDR2	
C1252	1-126-964-11	ELECT	10uF 20% 50V	IC1004	8-759-071-48	IC TA7807S	
C1253	1-126-965-11	ELECT	22uF 20% 50V	IC1005	8-759-071-47	IC TA79007S	
				IC1006	8-759-710-97	IC NJM4565M-D	
C1255	1-162-966-11	CERAMIC CHIP	0.0022uF 10% 50V	IC1007	8-759-710-97	IC NJM4565M-D	
C1258	1-164-227-11	CERAMIC CHIP	0.022uF 10% 25V			< JACK >	
C1259	1-126-947-11	ELECT	47uF 20% 35V				
		< CONNECTOR >					
CN1001	1-691-765-11	PLUG (MICRO CONNECTOR) 3P					
CN1002	1-785-103-11	PIN, CONNECTOR (3.96mm PITCH) 5P					
CN1005	1-785-102-11	PIN, CONNECTOR (3.96mm PITCH) 4P					
CN1007	1-770-385-11	CONNECTOR, BOARD TO BOARD 18P					
CN1008	1-770-385-11	CONNECTOR, BOARD TO BOARD 18P					
CN1009	1-770-380-11	CONNECTOR, BOARD TO BOARD 8P		J1001	1-815-045-11	JACK, PIN 2P (PHONO IN)	
CN1012	1-784-038-21	CONNECTOR, BOARD TO BOARD 9P		J1002	1-774-411-11	JACK, PIN 6P	
CN1013	1-573-845-11	CONNECTOR, BOARD TO BOARD 13P				(SA-CD/CD/MD/TAPE IN, MD/TAPE OUT)	
CN1014	1-779-287-11	CONNECTOR, FFC (LIF (NON-ZIF)) 19P		J1003	1-774-411-11	JACK, PIN 6P	
		(DA3300ES: US, CND)				(TV IN, SAT/CATV/DVD/BD AUDIO IN)	
CN1015	1-779-273-11	CONNECTOR, FFC (LIF (NON-ZIF)) 5P (DG1100)		J1004	1-774-411-11	JACK, PIN 6P (VIDEO 2/VIDEO 1 AUDIO IN, VIDEO 1 AUDIO OUT)	
				J1005	1-815-045-11	JACK, PIN 2P (ZONE 2 AUDIO OUT)	
CN1020	1-784-927-11	PIN, CONNECTOR 12P				(DA3300ES: US, CND)	
		< DIODE >		J1006	1-774-411-11	JACK, PIN 6P (MULTI CHANNEL INPUT FRONT/SURROUND/SUR BACK)	
D1001	8-719-988-61	DIODE 1SS355TE-17		J1007	1-793-777-12	JACK, PIN 2P (MULTI CHANNEL INPUT CENTER/SUB WOOFER)	
D1002	8-719-988-61	DIODE 1SS355TE-17				< TRANSISTOR >	
D1003	8-719-988-61	DIODE 1SS355TE-17		Q1001	8-729-620-07	TRANSISTOR 2SC3052EF-T1-LEF	
D1004	8-719-988-61	DIODE 1SS355TE-17				(DA3300ES: US, CND)	
D1005	8-719-988-61	DIODE 1SS355TE-17		Q1006	8-729-620-07	TRANSISTOR 2SC3052EF-T1-LEF	
				Q1007	8-729-620-07	TRANSISTOR 2SC3052EF-T1-LEF	
D1006	8-719-988-61	DIODE 1SS355TE-17		Q1008	8-729-620-07	TRANSISTOR 2SC3052EF-T1-LEF	
D1007	8-719-988-61	DIODE 1SS355TE-17		Q1009	8-729-620-07	TRANSISTOR 2SC3052EF-T1-LEF	
D1008	8-719-988-61	DIODE 1SS355TE-17					
D1009	8-719-988-61	DIODE 1SS355TE-17		Q1010	8-729-620-07	TRANSISTOR 2SC3052EF-T1-LEF	
D1010	8-719-988-61	DIODE 1SS355TE-17		Q1011	8-729-027-43	TRANSISTOR DTC114EKA-T146	
				Q1012	6-551-696-01	TRANSISTOR ISA1235AC1TP-1EF	
D1011	8-719-988-61	DIODE 1SS355TE-17		Q1013	8-729-209-15	TRANSISTOR 2SD2012	
D1012	8-719-988-61	DIODE 1SS355TE-17 (DA3300ES: US, CND)				< RESISTOR >	
D1017	8-719-988-61	DIODE 1SS355TE-17		R1002	1-216-829-11	METAL CHIP 4.7K 5% 1/10W	
D1018	8-719-988-61	DIODE 1SS355TE-17				(DA3300ES: US, CND)	
D1019	8-719-988-61	DIODE 1SS355TE-17		R1003	1-216-833-11	METAL CHIP 10K 5% 1/10W	
						(DA3300ES: US, CND)	
D1020	8-719-988-61	DIODE 1SS355TE-17		△ R1004	1-249-393-11	CARBON 10 5% 1/4W F	
D1021	8-719-988-61	DIODE 1SS355TE-17				(DA3300ES: US, CND)	
D1023	8-719-988-61	DIODE 1SS355TE-17		R1017	1-216-825-11	METAL CHIP 2.2K 5% 1/10W	
D1024	8-719-988-61	DIODE 1SS355TE-17		R1018	1-216-833-11	METAL CHIP 10K 5% 1/10W	
D1025	8-719-988-61	DIODE 1SS355TE-17					
D1026	6-500-522-31	DIODE 10EDB40-TB5					
D1027	6-500-522-31	DIODE 10EDB40-TB5					
D1028	6-500-522-31	DIODE 10EDB40-TB5					
D1029	6-500-522-31	DIODE 10EDB40-TB5					
D1030	8-719-510-68	DIODE D5SBA204101					

STR-DA3300ES/DG1100

Ver. 1.1

MAIN

Ref. No.	Part No.	Description	Remark
△R1019	1-249-393-11	CARBON	10 5% 1/4W F
R1020	1-216-825-11	METAL CHIP	2.2K 5% 1/10W
R1021	1-216-833-11	METAL CHIP	10K 5% 1/10W
△R1022	1-249-393-11	CARBON	10 5% 1/4W F
R1023	1-216-825-11	METAL CHIP	2.2K 5% 1/10W
R1024	1-216-833-11	METAL CHIP	10K 5% 1/10W
△R1025	1-249-393-11	CARBON	10 5% 1/4W F
△R1026	1-249-393-11	CARBON	10 5% 1/4W F
△R1027	1-249-393-11	CARBON	10 5% 1/4W F
△R1028	1-249-393-11	CARBON	10 5% 1/4W F
R1029	1-216-829-11	METAL CHIP	4.7K 5% 1/10W
R1030	1-216-833-11	METAL CHIP	10K 5% 1/10W
△R1031	1-249-393-11	CARBON	10 5% 1/4W F
R1033	1-216-833-11	METAL CHIP	10K 5% 1/10W
△R1034	1-249-393-11	CARBON	10 5% 1/4W F
R1035	1-216-829-11	METAL CHIP	4.7K 5% 1/10W
R1036	1-216-837-11	METAL CHIP	22K 5% 1/10W
R1037	1-216-833-11	METAL CHIP	10K 5% 1/10W
R1038	1-216-833-11	METAL CHIP	10K 5% 1/10W
R1039	1-216-833-11	METAL CHIP	10K 5% 1/10W
R1040	1-216-833-11	METAL CHIP	10K 5% 1/10W
R1041	1-216-833-11	METAL CHIP	10K 5% 1/10W
R1042	1-216-864-11	SHORT CHIP	0
R1043	1-216-296-11	SHORT CHIP	0
R1044	1-216-864-11	SHORT CHIP	0
R1045	1-216-296-11	SHORT CHIP	0
R1101	1-216-825-11	METAL CHIP	2.2K 5% 1/10W
R1102	1-216-845-11	METAL CHIP	100K 5% 1/10W
R1103	1-216-845-11	METAL CHIP	100K 5% 1/10W
R1104	1-216-812-11	METAL CHIP	180 5% 1/10W
R1105	1-216-832-11	METAL CHIP	8.2K 5% 1/10W
R1106	1-216-845-11	METAL CHIP	100K 5% 1/10W
R1107	1-216-809-11	METAL CHIP	100 5% 1/10W
R1108	1-216-845-11	METAL CHIP	100K 5% 1/10W
R1109	1-216-817-11	METAL CHIP	470 5% 1/10W
R1110	1-216-821-11	METAL CHIP	1K 5% 1/10W
R1111	1-216-821-11	METAL CHIP	1K 5% 1/10W
R1112	1-216-845-11	METAL CHIP	100K 5% 1/10W
R1113	1-216-821-11	METAL CHIP	1K 5% 1/10W
R1114	1-216-821-11	METAL CHIP	1K 5% 1/10W
R1115	1-216-821-11	METAL CHIP	1K 5% 1/10W
R1116	1-216-821-11	METAL CHIP	1K 5% 1/10W
R1117	1-216-821-11	METAL CHIP	1K 5% 1/10W
R1118	1-216-821-11	METAL CHIP	1K 5% 1/10W
R1119	1-216-845-11	METAL CHIP	100K 5% 1/10W
R1120	1-216-821-11	METAL CHIP	1K 5% 1/10W
R1121	1-216-821-11	METAL CHIP	1K 5% 1/10W
R1122	1-216-829-11	METAL CHIP	4.7K 5% 1/10W (DA3300ES: US, CND)
R1123	1-216-809-11	METAL CHIP	100 5% 1/10W (DA3300ES: US, CND)
R1124	1-216-845-11	METAL CHIP	100K 5% 1/10W (DA3300ES: US, CND)
R1125	1-216-821-11	METAL CHIP	1K 5% 1/10W
R1126	1-216-821-11	METAL CHIP	1K 5% 1/10W
R1127	1-216-821-11	METAL CHIP	1K 5% 1/10W
R1128	1-216-821-11	METAL CHIP	1K 5% 1/10W

Ref. No.	Part No.	Description	Remark
R1129	1-216-845-11	METAL CHIP	100K 5% 1/10W (DA3300ES: US, CND)
R1130	1-216-845-11	METAL CHIP	100K 5% 1/10W (DA3300ES: US, CND)
R1131	1-216-845-11	METAL CHIP	100K 5% 1/10W (DA3300ES: US, CND)
R1132	1-216-845-11	METAL CHIP	100K 5% 1/10W (DA3300ES: US, CND)
△R1133	1-215-867-00	METAL OXIDE	470 5% 1W F
△R1134	1-249-395-11	CARBON	15 5% 1/4W F
R1135	1-216-825-11	METAL CHIP	2.2K 5% 1/10W
R1137	1-216-825-11	METAL CHIP	2.2K 5% 1/10W
R1138	1-216-813-11	METAL CHIP	220 5% 1/10W
R1139	1-216-832-11	METAL CHIP	8.2K 5% 1/10W
R1140	1-216-829-11	METAL CHIP	4.7K 5% 1/10W
R1144	1-216-809-11	METAL CHIP	100 5% 1/10W (DA3300ES: US, CND)
R1145	1-216-809-11	METAL CHIP	100 5% 1/10W (DA3300ES: US, CND)
R1146	1-216-809-11	METAL CHIP	100 5% 1/10W (DA3300ES: US, CND)
R1147	1-216-809-11	METAL CHIP	100 5% 1/10W (DA3300ES: US, CND)
R1201	1-216-825-11	METAL CHIP	2.2K 5% 1/10W
R1202	1-216-845-11	METAL CHIP	100K 5% 1/10W
R1203	1-216-845-11	METAL CHIP	100K 5% 1/10W
R1204	1-216-812-11	METAL CHIP	180 5% 1/10W
R1205	1-216-832-11	METAL CHIP	8.2K 5% 1/10W
R1206	1-216-845-11	METAL CHIP	100K 5% 1/10W
R1207	1-216-809-11	METAL CHIP	100 5% 1/10W
R1208	1-216-845-11	METAL CHIP	100K 5% 1/10W
R1209	1-216-817-11	METAL CHIP	470 5% 1/10W
R1210	1-216-821-11	METAL CHIP	1K 5% 1/10W
R1211	1-216-821-11	METAL CHIP	1K 5% 1/10W
R1212	1-216-845-11	METAL CHIP	100K 5% 1/10W
R1213	1-216-821-11	METAL CHIP	1K 5% 1/10W
R1214	1-216-821-11	METAL CHIP	1K 5% 1/10W
R1215	1-216-821-11	METAL CHIP	1K 5% 1/10W
R1216	1-216-821-11	METAL CHIP	1K 5% 1/10W
R1217	1-216-821-11	METAL CHIP	1K 5% 1/10W
R1218	1-216-821-11	METAL CHIP	1K 5% 1/10W
R1219	1-216-845-11	METAL CHIP	100K 5% 1/10W
R1220	1-216-821-11	METAL CHIP	1K 5% 1/10W
R1221	1-216-821-11	METAL CHIP	1K 5% 1/10W (DA3300ES: US, CND)
R1222	1-216-809-11	METAL CHIP	100 5% 1/10W (DA3300ES: US, CND)
R1223	1-216-829-11	METAL CHIP	4.7K 5% 1/10W (DA3300ES: US, CND)
R1224	1-216-845-11	METAL CHIP	100K 5% 1/10W (DA3300ES: US, CND)
R1225	1-216-821-11	METAL CHIP	1K 5% 1/10W
R1226	1-216-821-11	METAL CHIP	1K 5% 1/10W
R1227	1-216-821-11	METAL CHIP	1K 5% 1/10W
R1228	1-216-821-11	METAL CHIP	1K 5% 1/10W
R1229	1-216-845-11	METAL CHIP	100K 5% 1/10W (DA3300ES: US, CND)
R1230	1-216-845-11	METAL CHIP	100K 5% 1/10W (DA3300ES: US, CND)

MAIN

MAIN VOL

MIC

POW SW

POWER AMP

Ref. No.	Part No.	Description	Remark	Ref. No.	Part No.	Description	Remark
R1231	1-216-845-11	METAL CHIP	100K 5% 1/10W (DA3300ES: US, CND)			< JACK >	
R1232	1-216-845-11	METAL CHIP	100K 5% 1/10W	J701	1-820-056-11	SMALL TYPE JACK (AUTO CAL MIC)	
△R1233	1-215-867-00	METAL OXIDE	470 5% 1W F			< LEAD >	
△R1234	1-249-395-11	CARBON	15 5% 1/4W F				
R1235	1-216-825-11	METAL CHIP	2.2K 5% 1/10W	W701	1-775-377-21	LEAD (WITH CONNECTOR)	
R1237	1-216-825-11	METAL CHIP	2.2K 5% 1/10W	*****			
						POW SW BOARD	

R1238	1-216-813-11	METAL CHIP	220 5% 1/10W			< CONNECTOR >	
R1239	1-216-832-11	METAL CHIP	8.2K 5% 1/10W				
R1240	1-216-829-11	METAL CHIP	4.7K 5% 1/10W				
R1244	1-216-809-11	METAL CHIP	100 5% 1/10W (DA3300ES: US, CND)	CN1	1-564-321-00	PIN, CONNECTOR (3.96mm PITCH) 2P	
R1245	1-216-809-11	METAL CHIP	100 5% 1/10W (DA3300ES: US, CND)	CN2	1-564-704-41	PIN, CONNECTOR (SMALL TYPE) 2P	
						< SWITCH >	
R1246	1-216-809-11	METAL CHIP	100 5% 1/10W (DA3300ES: US, CND)	△SW1	1-786-377-11	SWITCH, POWER (POWER)	
R1247	1-216-809-11	METAL CHIP	100 5% 1/10W	*****			
		< RELAY >				A-1252-449-A	POWER AMP BOARD, COMPLETE (DA3300ES: AEP, ECE, UK)
RY1001	1-755-486-11	RELAY (DA3300ES: US, CND)				A-1254-657-A	POWER AMP BOARD, COMPLETE (DA3300ES: US, CND/DG1100)
RY1006	1-515-920-11	RELAY (24V)		*****			
RY1007	1-515-920-11	RELAY (24V)				< CAPACITOR >	
RY1008	1-515-920-11	RELAY (24V)					
RY1009	1-755-486-11	RELAY		C1512	1-107-597-11	CERAMIC	22PF 5% 500V
				C1513	1-107-597-11	CERAMIC	22PF 5% 500V
RY1010	1-755-031-11	RELAY		C1562	1-107-597-11	CERAMIC	22PF 5% 500V
		< TERMINAL >		C1563	1-107-597-11	CERAMIC	22PF 5% 500V
TB1001	1-780-404-11	TERMINAL BOARD (SP) (8P) (FRONT SPEAKERS)		C1612	1-107-597-11	CERAMIC	22PF 5% 500V

		MAIN VOL BOARD		C1613	1-107-597-11	CERAMIC	22PF 5% 500V
		*****		C1712	1-107-597-11	CERAMIC	22PF 5% 500V
		< CONNECTOR >		C1713	1-107-597-11	CERAMIC	22PF 5% 500V
				C1762	1-107-597-11	CERAMIC	22PF 5% 500V
CN712	1-564-722-11	PIN, CONNECTOR (SMALL TYPE) 6P		C1763	1-107-597-11	CERAMIC	22PF 5% 500V
CN717	1-779-277-11	CONNECTOR, FFC (LIF (NON-ZIF)) 9P (DA3300ES: AEP, UK/DG1100)		C1812	1-107-597-11	CERAMIC	22PF 5% 500V
		< ROTARY ENCODER >		C1813	1-107-597-11	CERAMIC	22PF 5% 500V
				C1862	1-107-597-11	CERAMIC	22PF 5% 500V
S722	1-418-725-41	ENCODER, ROTARY (12 TYPE) (MASTER VOLUME)		C1863	1-107-597-11	CERAMIC	22PF 5% 500V
*****				C1903	1-112-857-21	ELECT	100uF 20% 100V (DA3300ES: AEP, ECE, UK)
		MIC BOARD		C1903	1-128-563-11	ELECT	100uF 20% 100V (DA3300ES: US, CND/DG1100)

		< CAPACITOR >		C1904	1-112-857-21	ELECT	100uF 20% 100V (DA3300ES: AEP, ECE, UK)
				C1904	1-128-563-11	ELECT	100uF 20% 100V (DA3300ES: US, CND/DG1100)
						< CONNECTOR >	
C755	1-164-230-11	CERAMIC CHIP	220PF 5% 50V	CN1510	1-573-846-11	CONNECTOR, BOARD TO BOARD 14P	
		< CONNECTOR >		CN1572	1-766-600-21	CONNECTOR, BOARD TO BOARD 7P	
				CN1703	1-573-846-11	CONNECTOR, BOARD TO BOARD 14P	
CN718	1-564-719-11	PIN, CONNECTOR (SMALL TYPE) 3P		CN1872	1-573-846-11	CONNECTOR, BOARD TO BOARD 14P	
		< DIODE >		CN1901	1-785-102-11	PIN, CONNECTOR (3.96mm PITCH) 4P	
D717	8-719-404-50	DIODE MA111-TX		CN1903	1-573-844-11	CONNECTOR, BOARD TO BOARD 12P	
D718	8-719-404-50	DIODE MA111-TX		CN1904	1-573-844-11	CONNECTOR, BOARD TO BOARD 12P	

STR-DA3300ES/DG1100

POWER AMP **PREOUT** **PROTECTOR (F-C)**

Ref. No.	Part No.	Description	Remark		
< COIL >					
L1501	1-420-872-52	COIL, AIR-CORE			
L1551	1-420-872-52	COIL, AIR-CORE			
L1601	1-420-872-52	COIL, AIR-CORE			
L1701	1-420-872-52	COIL, AIR-CORE			
L1751	1-420-872-52	COIL, AIR-CORE			
L1801	1-420-872-52	COIL, AIR-CORE			
L1851	1-420-872-52	COIL, AIR-CORE			
< RESISTOR >					
△R1515	1-249-405-11	CARBON	100	5%	1/4W F
△R1516	1-234-572-21	ENCAPSULATED COMPONENT	0.22		5W F
△R1517	1-249-405-11	CARBON	100	5%	1/4W F
△R1518	1-249-393-11	CARBON	10	5%	1/4W F
△R1565	1-249-405-11	CARBON	100	5%	1/4W F
△R1566	1-234-572-21	ENCAPSULATED COMPONENT	0.22		5W F
△R1567	1-249-405-11	CARBON	100	5%	1/4W F
△R1568	1-249-393-11	CARBON	10	5%	1/4W F
△R1615	1-249-405-11	CARBON	100	5%	1/4W F
△R1616	1-234-572-21	ENCAPSULATED COMPONENT	0.22		5W F
△R1617	1-249-405-11	CARBON	100	5%	1/4W F
△R1618	1-249-393-11	CARBON	10	5%	1/4W F
△R1715	1-249-405-11	CARBON	100	5%	1/4W F
△R1716	1-234-572-21	ENCAPSULATED COMPONENT	0.22		5W F
△R1717	1-249-405-11	CARBON	100	5%	1/4W F
△R1718	1-249-393-11	CARBON	10	5%	1/4W F
△R1765	1-249-405-11	CARBON	100	5%	1/4W F
△R1766	1-234-572-21	ENCAPSULATED COMPONENT	0.22		5W F
△R1767	1-249-405-11	CARBON	100	5%	1/4W F
△R1768	1-249-393-11	CARBON	10	5%	1/4W F
△R1815	1-249-405-11	CARBON	100	5%	1/4W F
△R1816	1-234-572-21	ENCAPSULATED COMPONENT	0.22		5W F
△R1817	1-249-405-11	CARBON	100	5%	1/4W F
△R1818	1-249-393-11	CARBON	10	5%	1/4W F
△R1865	1-249-405-11	CARBON	100	5%	1/4W F
△R1866	1-234-572-21	ENCAPSULATED COMPONENT	0.22		5W F
△R1867	1-249-405-11	CARBON	100	5%	1/4W F
△R1868	1-249-393-11	CARBON	10	5%	1/4W F

PREOUT BOARD (DA3300ES)					

< CAPACITOR >					
C4051	1-100-597-91	CERAMIC CHIP	0.1uF	10%	25V
C4052	1-100-597-91	CERAMIC CHIP	0.1uF	10%	25V
C4053	1-100-597-91	CERAMIC CHIP	0.1uF	10%	25V
C4054	1-100-597-91	CERAMIC CHIP	0.1uF	10%	25V
C4055	1-164-230-11	CERAMIC CHIP	220PF	5%	50V
C4151	1-162-927-11	CERAMIC CHIP	100PF	5%	50V
C4152	1-162-927-11	CERAMIC CHIP	100PF	5%	50V
C4153	1-162-927-11	CERAMIC CHIP	100PF	5%	50V
C4154	1-162-927-11	CERAMIC CHIP	100PF	5%	50V
C4171	1-162-927-11	CERAMIC CHIP	100PF	5%	50V
C4172	1-162-927-11	CERAMIC CHIP	100PF	5%	50V
C4173	1-162-927-11	CERAMIC CHIP	100PF	5%	50V
C4174	1-162-927-11	CERAMIC CHIP	100PF	5%	50V

Ref. No.	Part No.	Description	Remark		
< CONNECTOR >					
CN4051	1-779-287-11	CONNECTOR, FFC (LIF (NON-ZIF)) 19P			
< DIODE >					
D4051	8-719-988-61	DIODE 1SS355TE-17			
D4052	8-719-988-61	DIODE 1SS355TE-17			
D4053	8-719-988-61	DIODE 1SS355TE-17			
D4054	8-719-988-61	DIODE 1SS355TE-17			
D4055	8-719-988-61	DIODE 1SS355TE-17			
D4056	8-719-988-61	DIODE 1SS355TE-17			
< JACK >					
J4051	1-774-411-11	JACK, PIN 6P (PRE OUT FRONT/SURROUND/SUR BACK)			
J4052	1-793-777-12	JACK, PIN 2P (PRE OUT CENTER/SUB WOOFER)			
< TRANSISTOR >					
Q4051	8-729-620-07	TRANSISTOR 2SC3052EF-T1-LEF			
Q4052	8-729-620-07	TRANSISTOR 2SC3052EF-T1-LEF			
Q4053	8-729-620-07	TRANSISTOR 2SC3052EF-T1-LEF			
Q4054	8-729-620-07	TRANSISTOR 2SC3052EF-T1-LEF			
< RESISTOR >					
R4051	1-216-829-11	METAL CHIP	4.7K	5%	1/10W
R4052	1-216-833-11	METAL CHIP	10K	5%	1/10W
△R4053	1-249-393-11	CARBON	10	5%	1/4W F
R4054	1-216-829-11	METAL CHIP	4.7K	5%	1/10W
R4055	1-216-833-11	METAL CHIP	10K	5%	1/10W
△R4056	1-249-393-11	CARBON	10	5%	1/4W F
R4057	1-216-829-11	METAL CHIP	4.7K	5%	1/10W
R4058	1-216-833-11	METAL CHIP	10K	5%	1/10W
△R4059	1-249-393-11	CARBON	10	5%	1/4W F
R4060	1-216-829-11	METAL CHIP	4.7K	5%	1/10W
R4061	1-216-833-11	METAL CHIP	10K	5%	1/10W
△R4062	1-249-393-11	CARBON	10	5%	1/4W F
R4151	1-216-821-11	METAL CHIP	1K	5%	1/10W
R4152	1-216-821-11	METAL CHIP	1K	5%	1/10W
R4153	1-216-821-11	METAL CHIP	1K	5%	1/10W
R4154	1-216-821-11	METAL CHIP	1K	5%	1/10W
R4171	1-216-821-11	METAL CHIP	1K	5%	1/10W
R4172	1-216-821-11	METAL CHIP	1K	5%	1/10W
R4173	1-216-821-11	METAL CHIP	1K	5%	1/10W
R4174	1-216-821-11	METAL CHIP	1K	5%	1/10W
< RELAY >					
RY4051	1-755-486-11	RELAY			
RY4052	1-755-486-11	RELAY			
RY4053	1-755-486-11	RELAY			
RY4054	1-755-486-11	RELAY			

A-1252-367-A PROTECTOR (F-C) BOARD, COMPLETE					

< CAPACITOR >					
C1522	1-128-813-11	CERAMIC	220PF	5%	50V
C1523	1-136-153-00	MYLAR	0.01uF	5%	50V

PROTECTOR (F-C)

PROTECTOR (SB)

Ref. No.	Part No.	Description	Remark	Ref. No.	Part No.	Description	Remark
C1524	1-126-964-11	ELECT	10uF 20% 50V	R1584	1-247-863-91	CARBON	22K 5% 1/4W
C1572	1-128-813-11	CERAMIC	220PF 5% 50V	R1585	1-249-439-11	CARBON	68K 5% 1/4W
C1573	1-136-153-00	MYLAR	0.01uF 5% 50V	R1586	1-247-887-00	CARBON	220K 5% 1/4W
C1574	1-126-964-11	ELECT	10uF 20% 50V	R1625	1-247-847-91	CARBON	4.7K 5% 1/4W
C1622	1-128-813-11	CERAMIC	220PF 5% 50V	△ R1626	1-240-855-91	CARBON	6.2K 5% 1/4W F
C1623	1-136-153-00	MYLAR	0.01uF 5% 50V	R1627	1-249-420-11	CARBON	1.8K 5% 1/4W
C1624	1-126-964-11	ELECT	10uF 20% 50V	R1628	1-249-431-11	CARBON	15K 5% 1/4W
< CONNECTOR >				R1629	1-247-862-11	CARBON	20K 5% 1/4W
CN1501	1-766-715-21	CONNECTOR, BOARD TO BOARD 10P		R1630	1-249-419-11	CARBON	1.5K 5% 1/4W
* CN1503	1-774-876-21	CONNECTOR, BOARD TO BOARD 8P		R1631	1-247-871-91	CARBON	47K 5% 1/4W
* CN1521	1-573-828-11	CONNECTOR, BOARD TO BOARD 14P		R1632	1-249-431-11	CARBON	15K 5% 1/4W
* CN1561	1-564-720-11	PIN, CONNECTOR (SMALL TYPE) 4P		R1633	1-247-871-91	CARBON	47K 5% 1/4W
CN1571	1-766-724-11	CONNECTOR, BOARD TO BOARD 7P		R1634	1-247-863-91	CARBON	22K 5% 1/4W
* CN1611	1-564-720-11	PIN, CONNECTOR (SMALL TYPE) 4P		R1635	1-249-439-11	CARBON	68K 5% 1/4W
< DIODE >				R1636	1-247-887-00	CARBON	220K 5% 1/4W
D1521	8-719-991-33	DIODE 1SS133T-77		*****			
D1522	8-719-991-33	DIODE 1SS133T-77		A-1252-369-A PROTECTOR (SB) BOARD, COMPLETE			
D1571	8-719-991-33	DIODE 1SS133T-77		*****			
D1572	8-719-991-33	DIODE 1SS133T-77		< CAPACITOR >			
D1621	8-719-991-33	DIODE 1SS133T-77		C1822	1-128-813-11	CERAMIC	220PF 5% 50V
D1622	8-719-991-33	DIODE 1SS133T-77		C1823	1-136-153-00	MYLAR	0.01uF 5% 50V
< TRANSISTOR >				C1824	1-126-964-11	ELECT	10uF 20% 50V
Q1522	8-729-042-09	TRANSISTOR 2SA1038S-RSE-TP		C1872	1-128-813-11	CERAMIC	220PF 5% 50V
Q1523	8-729-042-09	TRANSISTOR 2SA1038S-RSE-TP		C1873	1-136-153-00	MYLAR	0.01uF 5% 50V
Q1524	8-729-119-78	TRANSISTOR 2SC2785-HFE		C1874	1-126-964-11	ELECT	10uF 20% 50V
Q1572	8-729-042-09	TRANSISTOR 2SA1038S-RSE-TP		< CONNECTOR >			
Q1573	8-729-042-09	TRANSISTOR 2SA1038S-RSE-TP		CN1801	1-573-846-11	CONNECTOR, BOARD TO BOARD 14P	
Q1574	8-729-119-78	TRANSISTOR 2SC2785-HFE		* CN1861	1-564-720-11	PIN, CONNECTOR (SMALL TYPE) 4P	
Q1622	8-729-042-09	TRANSISTOR 2SA1038S-RSE-TP		* CN1871	1-573-828-11	CONNECTOR, BOARD TO BOARD 14P	
Q1623	8-729-042-09	TRANSISTOR 2SA1038S-RSE-TP		< DIODE >			
Q1624	8-729-119-78	TRANSISTOR 2SC2785-HFE		D1821	8-719-991-33	DIODE 1SS133T-77	
< RESISTOR >				D1822	8-719-991-33	DIODE 1SS133T-77	
R1525	1-247-847-91	CARBON	4.7K 5% 1/4W	D1871	8-719-991-33	DIODE 1SS133T-77	
△ R1526	1-240-855-91	CARBON	6.2K 5% 1/4W F	D1872	8-719-991-33	DIODE 1SS133T-77	
R1527	1-249-420-11	CARBON	1.8K 5% 1/4W	< TRANSISTOR >			
R1528	1-249-431-11	CARBON	15K 5% 1/4W	Q1822	8-729-042-09	TRANSISTOR 2SA1038S-RSE-TP	
R1529	1-247-862-11	CARBON	20K 5% 1/4W	Q1823	8-729-042-09	TRANSISTOR 2SA1038S-RSE-TP	
R1530	1-249-419-11	CARBON	1.5K 5% 1/4W	Q1824	8-729-119-78	TRANSISTOR 2SC2785-HFE	
R1531	1-247-871-91	CARBON	47K 5% 1/4W	Q1872	8-729-042-09	TRANSISTOR 2SA1038S-RSE-TP	
R1532	1-249-431-11	CARBON	15K 5% 1/4W	Q1873	8-729-042-09	TRANSISTOR 2SA1038S-RSE-TP	
R1533	1-247-871-91	CARBON	47K 5% 1/4W	Q1874	8-729-119-78	TRANSISTOR 2SC2785-HFE	
R1534	1-247-863-91	CARBON	22K 5% 1/4W	< RESISTOR >			
R1535	1-249-439-11	CARBON	68K 5% 1/4W	R1825	1-247-847-91	CARBON	4.7K 5% 1/4W
R1536	1-247-887-00	CARBON	220K 5% 1/4W	△ R1826	1-240-855-91	CARBON	6.2K 5% 1/4W F
R1575	1-247-847-91	CARBON	4.7K 5% 1/4W	R1827	1-249-420-11	CARBON	1.8K 5% 1/4W
△ R1576	1-240-855-91	CARBON	6.2K 5% 1/4W F	R1828	1-249-431-11	CARBON	15K 5% 1/4W
R1577	1-249-420-11	CARBON	1.8K 5% 1/4W	R1829	1-247-862-11	CARBON	20K 5% 1/4W
R1578	1-249-431-11	CARBON	15K 5% 1/4W	R1830	1-249-419-11	CARBON	1.5K 5% 1/4W
R1579	1-247-862-11	CARBON	20K 5% 1/4W	R1831	1-247-871-91	CARBON	47K 5% 1/4W
R1580	1-249-419-11	CARBON	1.5K 5% 1/4W	R1832	1-249-431-11	CARBON	15K 5% 1/4W
R1581	1-247-871-91	CARBON	47K 5% 1/4W	R1833	1-247-871-91	CARBON	47K 5% 1/4W
R1582	1-249-431-11	CARBON	15K 5% 1/4W	R1834	1-247-863-91	CARBON	22K 5% 1/4W
R1583	1-247-871-91	CARBON	47K 5% 1/4W				

STR-DA3300ES/DG1100

PROTECTOR (SB) **PROTECTOR (SURR)** **S_SPTM**

Ref. No.	Part No.	Description	Remark
R1835	1-249-439-11	CARBON 68K 5%	1/4W
R1836	1-247-887-00	CARBON 220K 5%	1/4W
R1875	1-247-847-91	CARBON 4.7K 5%	1/4W
△R1876	1-240-855-91	CARBON 6.2K 5%	1/4W F
R1877	1-249-420-11	CARBON 1.8K 5%	1/4W
R1878	1-249-431-11	CARBON 15K 5%	1/4W
R1879	1-247-862-11	CARBON 20K 5%	1/4W
R1880	1-249-419-11	CARBON 1.5K 5%	1/4W
R1881	1-247-871-91	CARBON 47K 5%	1/4W
R1882	1-249-431-11	CARBON 15K 5%	1/4W
R1883	1-247-871-91	CARBON 47K 5%	1/4W
R1884	1-247-863-91	CARBON 22K 5%	1/4W
R1885	1-249-439-11	CARBON 68K 5%	1/4W
R1886	1-247-887-00	CARBON 220K 5%	1/4W

A-1252-368-A PROTECTOR (SURR) BOARD, COMPLETE			

< CAPACITOR >			
C1722	1-128-813-11	CERAMIC 220PF 5%	50V
C1723	1-136-153-00	MYLAR 0.01uF 5%	50V
C1724	1-126-964-11	ELECT 10uF 20%	50V
C1772	1-128-813-11	CERAMIC 220PF 5%	50V
C1773	1-136-153-00	MYLAR 0.01uF 5%	50V
C1774	1-126-964-11	ELECT 10uF 20%	50V
< CONNECTOR >			
* CN1701	1-573-828-11	CONNECTOR, BOARD TO BOARD	14P
CN1704	1-573-846-11	CONNECTOR, BOARD TO BOARD	14P
* CN1761	1-564-720-11	PIN, CONNECTOR (SMALL TYPE)	4P
< DIODE >			
D1721	8-719-991-33	DIODE 1SS133T-77	
D1722	8-719-991-33	DIODE 1SS133T-77	
D1771	8-719-991-33	DIODE 1SS133T-77	
D1772	8-719-991-33	DIODE 1SS133T-77	
< TRANSISTOR >			
Q1722	8-729-042-09	TRANSISTOR 2SA1038S-RSE-TP	
Q1723	8-729-042-09	TRANSISTOR 2SA1038S-RSE-TP	
Q1724	8-729-119-78	TRANSISTOR 2SC2785-HFE	
Q1772	8-729-042-09	TRANSISTOR 2SA1038S-RSE-TP	
Q1773	8-729-042-09	TRANSISTOR 2SA1038S-RSE-TP	
Q1774	8-729-119-78	TRANSISTOR 2SC2785-HFE	
< RESISTOR >			
R1725	1-247-847-91	CARBON 4.7K 5%	1/4W
△R1726	1-240-855-91	CARBON 6.2K 5%	1/4W F
R1727	1-249-420-11	CARBON 1.8K 5%	1/4W
R1728	1-249-431-11	CARBON 15K 5%	1/4W
R1729	1-247-862-11	CARBON 20K 5%	1/4W
R1730	1-249-419-11	CARBON 1.5K 5%	1/4W
R1731	1-247-871-91	CARBON 47K 5%	1/4W
R1732	1-249-431-11	CARBON 15K 5%	1/4W
R1733	1-247-871-91	CARBON 47K 5%	1/4W
R1734	1-247-863-91	CARBON 22K 5%	1/4W

Ref. No.	Part No.	Description	Remark
R1735	1-249-439-11	CARBON 68K 5%	1/4W
R1736	1-247-887-00	CARBON 220K 5%	1/4W
R1775	1-247-847-91	CARBON 4.7K 5%	1/4W
△R1776	1-240-855-91	CARBON 6.2K 5%	1/4W F
R1777	1-249-420-11	CARBON 1.8K 5%	1/4W
R1778	1-249-431-11	CARBON 15K 5%	1/4W
R1779	1-247-862-11	CARBON 20K 5%	1/4W
R1780	1-249-419-11	CARBON 1.5K 5%	1/4W
R1781	1-247-871-91	CARBON 47K 5%	1/4W
R1782	1-249-431-11	CARBON 15K 5%	1/4W
R1783	1-247-871-91	CARBON 47K 5%	1/4W
R1784	1-247-863-91	CARBON 22K 5%	1/4W
R1785	1-249-439-11	CARBON 68K 5%	1/4W
R1786	1-247-887-00	CARBON 220K 5%	1/4W

S_SPTM BOARD			

< CAPACITOR >			
C4001	1-137-395-91	MYLAR 0.022uF 5%	100V
C4002	1-137-395-91	MYLAR 0.022uF 5%	100V
C4003	1-137-395-91	MYLAR 0.022uF 5%	100V
C4004	1-137-395-91	MYLAR 0.022uF 5%	100V
C4005	1-162-927-11	CERAMIC CHIP 100PF 5%	50V
C4006	1-162-927-11	CERAMIC CHIP 100PF 5%	50V
C4007	1-162-927-11	CERAMIC CHIP 100PF 5%	50V
C4008	1-162-927-11	CERAMIC CHIP 100PF 5%	50V
C4009	1-131-992-91	CERAMIC CHIP 100000PF	35V
C4010	1-131-992-91	CERAMIC CHIP 100000PF	35V
< CONNECTOR >			
CN4001	1-784-921-11	PIN, CONNECTOR 4P	
CN4002	1-785-105-11	PIN, CONNECTOR (3.96mm PITCH) 7P	
CN4003	1-785-101-11	PIN, CONNECTOR (3.96mm PITCH) 3P	
CN4004	1-785-104-11	PIN, CONNECTOR (3.96mm PITCH) 6P	
< DIODE >			
D4001	8-719-988-61	DIODE 1SS355TE-17	
D4002	8-719-988-61	DIODE 1SS355TE-17	
< TRANSISTOR >			
Q4001	8-729-620-07	TRANSISTOR 2SC3052EF-T1-LEF	
Q4002	8-729-620-07	TRANSISTOR 2SC3052EF-T1-LEF	
< RESISTOR >			
△R4001	1-249-393-11	CARBON 10 5%	1/4W F
△R4002	1-249-393-11	CARBON 10 5%	1/4W F
△R4003	1-249-393-11	CARBON 10 5%	1/4W F
△R4004	1-249-393-11	CARBON 10 5%	1/4W F
△R4005	1-249-393-11	CARBON 10 5%	1/4W F
△R4006	1-249-393-11	CARBON 10 5%	1/4W F
R4007	1-216-825-11	METAL CHIP 2.2K 5%	1/10W
R4008	1-216-833-11	METAL CHIP 10K 5%	1/10W
R4009	1-216-825-11	METAL CHIP 2.2K 5%	1/10W
R4010	1-216-833-11	METAL CHIP 10K 5%	1/10W
< RELAY >			
RY4001	1-515-920-11	RELAY (24V)	

S_SPTM

SUB WOOFER

TEMPERATURE DETECTION

TUNER

Ref. No.	Part No.	Description	Remark	Ref. No.	Part No.	Description	Remark
RY4002	1-515-920-11	RELAY (24V)					
		< TERMINAL >			A-1252-458-A	TUNER BOARD, COMPLETE	(DA3300ES: AEP, UK)
TB4001	1-780-404-11	TERMINAL BOARD (SP) (8P) (SURROUND/SURROUND BACK SPEAKERS)			A-1254-402-A	TUNER BOARD, COMPLETE	(DA3300ES: US, CND/DG1100)
*****				*****			
		SUB WOOFER BOARD (DG1100)				< CAPACITOR >	
		*****			C8001	1-162-960-11	CERAMIC CHIP 220PF 10% 50V
		< CAPACITOR >			C8002	1-124-779-00	ELECT CHIP 10uF 20% 16V
		*****					(DA3300ES: US, CND/DG1100)
C4081	1-100-597-91	CERAMIC CHIP 0.1uF 10% 25V			C8003	1-162-919-11	CERAMIC CHIP 22PF 5% 50V
C4082	1-162-927-11	CERAMIC CHIP 100PF 5% 50V					(DA3300ES: US, CND/DG1100)
C4083	1-164-230-11	CERAMIC CHIP 220PF 5% 50V			C8004	1-162-919-11	CERAMIC CHIP 22PF 5% 50V
		< CONNECTOR >					(DA3300ES: US, CND/DG1100)
CN4081	1-779-273-11	CONNECTOR, FFC (LIF (NON-ZIF)) 5P			C8005	1-126-193-11	ELECT CHIP 1uF 20% 50V
		< DIODE >			C8006	1-126-193-11	ELECT CHIP 1uF 20% 50V
D4081	8-719-988-61	DIODE 1SS355TE-17			C8007	1-126-193-11	ELECT CHIP 1uF 20% 50V
D4082	8-719-988-61	DIODE 1SS355TE-17			C8008	1-126-193-11	ELECT CHIP 1uF 20% 50V
D4083	8-719-988-61	DIODE 1SS355TE-17			C8009	1-162-919-11	CERAMIC CHIP 22PF 5% 50V
		< JACK >					(DA3300ES: US, CND/DG1100)
J4081	1-774-785-11	JACK, PIN 1P (PRE OUT SUB WOOFER)			C8010	1-107-826-11	CERAMIC CHIP 0.1uF 10% 16V
		< TRANSISTOR >			C8011	1-164-733-11	CERAMIC CHIP 820PF 10% 50V
Q4081	8-729-620-07	TRANSISTOR 2SC3052EF-T1-LEF					(DA3300ES: US, CND/DG1100)
		< RESISTOR >			C8012	1-164-733-11	CERAMIC CHIP 820PF 10% 50V
R4081	1-216-829-11	METAL CHIP 4.7K 5% 1/10W					(DA3300ES: US, CND/DG1100)
R4082	1-216-833-11	METAL CHIP 10K 5% 1/10W			C8013	1-162-919-11	CERAMIC CHIP 22PF 5% 50V
△R4083	1-249-393-11	CARBON 10 5% 1/4W F					(DA3300ES: US, CND/DG1100)
R4084	1-216-821-11	METAL CHIP 1K 5% 1/10W			C8014	1-128-994-21	ELECT CHIP 47uF 20% 10V
		< RELAY >			C8015	1-162-927-11	CERAMIC CHIP 100PF 5% 50V
RY4081	1-755-486-11	RELAY					(DA3300ES: US, CND/DG1100)
*****					C8016	1-126-208-21	ELECT CHIP 47uF 20% 4V
		TEMPERATURE DETECTION BOARD					(DA3300ES: US, CND/DG1100)
		*****			C8017	1-126-208-21	ELECT CHIP 47uF 20% 4V
		< CAPACITOR >					(DA3300ES: US, CND/DG1100)
C1909	1-127-888-11	CERAMIC 0.1uF 10% 50V			C8018	1-162-927-11	CERAMIC CHIP 100PF 5% 50V
C1910	1-135-800-11	CERAMIC 1uF 50V			C8019	1-162-927-11	CERAMIC CHIP 100PF 5% 50V
C1913	1-135-800-11	CERAMIC 1uF 50V			C8020	1-162-927-11	CERAMIC CHIP 100PF 5% 50V
		< DIODE >					(DA3300ES: US, CND/DG1100)
D1906	8-719-109-93	DIODE RD6.2ESB2			C8021	1-128-994-21	ELECT CHIP 47uF 20% 10V
		< IC >			C8023	1-107-826-11	CERAMIC CHIP 0.1uF 10% 16V
IC1903	6-710-072-01	IC LM61CIZ/LFT2					(DA3300ES: US, CND/DG1100)
IC1905	6-710-072-01	IC LM61CIZ/LFT2			C8024	1-107-826-11	CERAMIC CHIP 0.1uF 10% 16V
		< RESISTOR >					(DA3300ES: US, CND/DG1100)
R1928	1-249-414-11	CARBON 560 5% 1/4W			C8026	1-107-826-11	CERAMIC CHIP 0.1uF 10% 16V
*****							(DA3300ES: US, CND/DG1100)
					C8027	1-107-826-11	CERAMIC CHIP 0.1uF 10% 16V
							(DA3300ES: US, CND/DG1100)
					C8028	1-107-826-11	CERAMIC CHIP 0.1uF 10% 16V
					C8029	1-107-826-11	CERAMIC CHIP 0.1uF 10% 16V
							(DA3300ES: US, CND/DG1100)
					C8030	1-128-994-21	ELECT CHIP 47uF 20% 10V
					C8031	1-128-994-21	ELECT CHIP 47uF 20% 10V
					C8032	1-162-971-11	CERAMIC CHIP 0.001uF 10% 50V
							(DA3300ES: US, CND/DG1100)
					C8033	1-162-971-11	CERAMIC CHIP 0.001uF 10% 50V
							(DA3300ES: US, CND/DG1100)
					C8034	1-107-826-11	CERAMIC CHIP 0.1uF 10% 16V
							(DA3300ES: US, CND/DG1100)
					C8035	1-107-826-11	CERAMIC CHIP 0.1uF 10% 16V
							(DA3300ES: US, CND/DG1100)
					C8036	1-128-994-21	ELECT CHIP 47uF 20% 10V
							(DA3300ES: US, CND/DG1100)
					C8037	1-128-994-21	ELECT CHIP 47uF 20% 10V
							(DA3300ES: US, CND/DG1100)

STR-DA3300ES/DG1100

Ver. 1.1

TUNER

Ref. No.	Part No.	Description	Remark	Ref. No.	Part No.	Description	Remark
C8038	1-162-908-11	CERAMIC CHIP	3PF 0.25PF 50V (DA3300ES: US, CND/DG1100)	C8076	1-115-412-11	CERAMIC CHIP	680PF 5% 25V (DA3300ES: US, CND/DG1100)
C8039	1-107-826-11	CERAMIC CHIP	0.1uF 10% 16V (DA3300ES: US, CND/DG1100)	C8077	1-115-412-11	CERAMIC CHIP	680PF 5% 25V (DA3300ES: US, CND/DG1100)
C8040	1-107-826-11	CERAMIC CHIP	0.1uF 10% 16V (DA3300ES: US, CND/DG1100)	C8078	1-107-826-11	CERAMIC CHIP	0.1uF 10% 16V (DA3300ES: US, CND/DG1100)
C8041	1-162-908-11	CERAMIC CHIP	3PF 0.25PF 50V (DA3300ES: US, CND/DG1100)	C8079	1-124-779-00	ELECT CHIP	10uF 20% 16V (DA3300ES: US, CND/DG1100)
C8042	1-107-826-11	CERAMIC CHIP	0.1uF 10% 16V (DA3300ES: US, CND/DG1100)	C8080	1-107-826-11	CERAMIC CHIP	0.1uF 10% 16V (DA3300ES: US, CND/DG1100)
C8043	1-107-826-11	CERAMIC CHIP	0.1uF 10% 16V (DA3300ES: US, CND/DG1100)	C8081	1-124-779-00	ELECT CHIP	10uF 20% 16V (DA3300ES: US, CND/DG1100)
C8044	1-107-826-11	CERAMIC CHIP	0.1uF 10% 16V	C8082	1-128-994-21	ELECT CHIP	47uF 20% 10V
C8045	1-107-826-11	CERAMIC CHIP	0.1uF 10% 16V (DA3300ES: US, CND/DG1100)	C8083	1-107-826-11	CERAMIC CHIP	0.1uF 10% 16V
C8046	1-115-416-11	CERAMIC CHIP	0.001uF 5% 25V (DA3300ES: US, CND/DG1100)	C8084	1-164-230-11	CERAMIC CHIP	220PF 5% 50V
C8047	1-126-208-21	ELECT CHIP	47uF 20% 4V	C8085	1-164-230-11	CERAMIC CHIP	220PF 5% 50V
C8048	1-126-208-21	ELECT CHIP	47uF 20% 4V	C8086	1-107-826-11	CERAMIC CHIP	0.1uF 10% 16V
C8049	1-115-416-11	CERAMIC CHIP	0.001uF 5% 25V (DA3300ES: US, CND/DG1100)	C8087	1-164-230-11	CERAMIC CHIP	220PF 5% 50V
C8050	1-107-826-11	CERAMIC CHIP	0.1uF 10% 16V (DA3300ES: US, CND/DG1100)	C8088	1-128-994-21	ELECT CHIP	47uF 20% 10V
C8051	1-126-209-11	ELECT CHIP	100uF 20% 4V (DA3300ES: US, CND/DG1100)	C8089	1-162-960-11	CERAMIC CHIP	220PF 10% 50V
C8052	1-107-826-11	CERAMIC CHIP	0.1uF 10% 16V (DA3300ES: US, CND/DG1100)	C8092	1-126-204-11	ELECT CHIP	47uF 20% 16V
C8053	1-117-681-11	ELECT CHIP	100uF 20% 16V	C8093	1-162-923-11	CERAMIC CHIP	47PF 5% 50V (DA3300ES: US, CND/DG1100)
C8056	1-107-826-11	CERAMIC CHIP	0.1uF 10% 16V (DA3300ES: US, CND/DG1100)	C8094	1-162-923-11	CERAMIC CHIP	47PF 5% 50V (DA3300ES: US, CND/DG1100)
C8057	1-107-826-11	CERAMIC CHIP	0.1uF 10% 16V (DA3300ES: US, CND/DG1100)	C8095	1-162-923-11	CERAMIC CHIP	47PF 5% 50V (DA3300ES: US, CND/DG1100)
C8058	1-162-971-11	CERAMIC CHIP	0.001uF 10% 50V	C8096	1-162-923-11	CERAMIC CHIP	47PF 5% 50V (DA3300ES: US, CND/DG1100)
C8059	1-162-971-11	CERAMIC CHIP	0.001uF 10% 50V			< CONNECTOR >	
C8060	1-128-994-21	ELECT CHIP	47uF 20% 10V	CN8001	1-793-642-21	CONNECTOR (USB) (4P), SQUARE (XM)	(DA3300ES: US, CND/DG1100)
C8061	1-128-994-21	ELECT CHIP	47uF 20% 10V	CN8002	1-821-182-11	SOCKET, DIN 8P (SIRIUS)	
C8062	1-128-993-21	ELECT CHIP	22uF 20% 10V (DA3300ES: US, CND/DG1100)	CN8003	1-817-615-21	CONNECTOR BOARD TO BOARD 18P	
C8063	1-107-826-11	CERAMIC CHIP	0.1uF 10% 16V (DA3300ES: US, CND/DG1100)	CN8004	1-568-830-11	CONNECTOR, FFC 11P (DA3300ES: AEP, UK)	
C8064	1-107-826-11	CERAMIC CHIP	0.1uF 10% 16V (DA3300ES: US, CND/DG1100)	CN8005	1-568-828-11	CONNECTOR, FFC 9P (DA3300ES: US, CND/DG1100)	
C8065	1-126-204-11	ELECT CHIP	47uF 20% 16V (DA3300ES: US, CND/DG1100)	CN8006	1-770-409-11	CONNECTOR, BOARD TO BOARD 16P	
C8066	1-107-826-11	CERAMIC CHIP	0.1uF 10% 16V (DA3300ES: US, CND/DG1100)	CN8007	1-770-407-11	CONNECTOR, BOARD TO BOARD 12P (DA3300ES: US, CND/DG1100)	
C8067	1-128-994-21	ELECT CHIP	47uF 20% 10V (DA3300ES: US, CND/DG1100)	CN8008	1-770-408-11	CONNECTOR, BOARD TO BOARD 14P	
C8068	1-124-779-00	ELECT CHIP	10uF 20% 16V (DA3300ES: US, CND/DG1100)			< DIODE >	
C8070	1-124-779-00	ELECT CHIP	10uF 20% 16V (DA3300ES: US, CND/DG1100)	D8001	8-719-988-61	DIODE 1SS355TE-17	
C8071	1-124-779-00	ELECT CHIP	10uF 20% 16V (DA3300ES: US, CND/DG1100)	D8002	8-719-988-61	DIODE 1SS355TE-17	
C8072	1-162-969-11	CERAMIC CHIP	0.0068uF 10% 25V (DA3300ES: US, CND/DG1100)	D8003	8-719-083-02	DIODE KDS160-RTK	
C8073	1-162-969-11	CERAMIC CHIP	0.0068uF 10% 25V (DA3300ES: US, CND/DG1100)	D8004	8-719-083-02	DIODE KDS160-RTK	
C8074	1-107-826-11	CERAMIC CHIP	0.1uF 10% 16V (DA3300ES: US, CND/DG1100)	D8005	6-500-462-01	DIODE NSAD500F-T1B (DA3300ES: US, CND/DG1100)	
C8075	1-107-826-11	CERAMIC CHIP	0.1uF 10% 16V (DA3300ES: US, CND/DG1100)	D8006	8-719-988-61	DIODE 1SS355TE-17	
						< EARTH TERMINAL >	
				ET8001	1-780-318-11	TERMINAL	
				ET8002	1-780-318-11	TERMINAL	
						< FERRITE BEAD >	
				FB8001	1-469-152-11	FERRITE, EMI (SMD) (2012) (DA3300ES: US, CND/DG1100)	

Ref. No.	Part No.	Description	Remark	Ref. No.	Part No.	Description	Remark
FB8002	1-469-152-11	FERRITE, EMI (SMD) (2012) (DA3300ES: US, CND/DG1100)		R8029	1-216-841-11	METAL CHIP 47K 5% 1/10W (DA3300ES: US, CND/DG1100)	
FB8003	1-469-139-21	FERRITE, EMI (SMD) (2012) (DA3300ES: US, CND/DG1100)		R8032	1-216-809-11	METAL CHIP 100 5% 1/10W (DA3300ES: US, CND/DG1100)	
		< IC >		R8034	1-216-821-11	METAL CHIP 1K 5% 1/10W (DA3300ES: US, CND/DG1100)	
IC8001	6-705-469-01	IC BA50BC0FP-E2		R8035	1-216-809-11	METAL CHIP 100 5% 1/10W (DA3300ES: US, CND/DG1100)	
IC8002	8-759-710-97	IC NJM4565M-D		R8036	1-216-821-11	METAL CHIP 1K 5% 1/10W (DA3300ES: US, CND/DG1100)	
IC8003	6-709-251-01	IC F2602E-01-TR (DA3300ES: US, CND/DG1100)		R8037	1-216-837-11	METAL CHIP 22K 5% 1/10W	
IC8004	6-702-302-01	IC TK11133CSCL-G (DA3300ES: US, CND/DG1100)		R8038	1-216-837-11	METAL CHIP 22K 5% 1/10W	
IC8005	6-707-111-01	IC PCM1753DBQR (DA3300ES: US, CND/DG1100)		R8039	1-216-821-11	METAL CHIP 1K 5% 1/10W (DA3300ES: US, CND/DG1100)	
IC8006	6-706-740-01	IC BA00BC0WFP-E2 (DA3300ES: US, CND/DG1100)		R8040	1-216-809-11	METAL CHIP 100 5% 1/10W (DA3300ES: US, CND/DG1100)	
IC8007	6-705-337-01	IC TK11150CSCL-G (DA3300ES: US, CND/DG1100)		R8041	1-216-829-11	METAL CHIP 4.7K 5% 1/10W (DA3300ES: US, CND/DG1100)	
IC8008	8-759-710-97	IC NJM4565M-D (DA3300ES: US, CND/DG1100)		R8042	1-216-809-11	METAL CHIP 100 5% 1/10W (DA3300ES: AEP, UK)	
IC8009	6-711-170-01	IC NJU7313AM (TE2)		R8044	1-216-809-11	METAL CHIP 100 5% 1/10W (DA3300ES: AEP, UK)	
IC8010	8-759-710-97	IC NJM4565M-D (DA3300ES: US, CND/DG1100)		R8046	1-216-809-11	METAL CHIP 100 5% 1/10W	
IC8011	6-709-800-01	IC TA7809AF- (T6L1SONQ)		R8048	1-216-809-11	METAL CHIP 100 5% 1/10W	
IC8012	8-759-710-97	IC NJM4565M-D		R8050	1-216-809-11	METAL CHIP 100 5% 1/10W	
		< COIL >		R8052	1-216-809-11	METAL CHIP 100 5% 1/10W (DA3300ES: US, CND/DG1100)	
L8001	1-469-525-91	INDUCTOR 10uH		R8053	1-216-809-11	METAL CHIP 100 5% 1/10W	
L8002	1-469-525-91	INDUCTOR 10uH		R8055	1-216-809-11	METAL CHIP 100 5% 1/10W	
		< TRANSISTOR >		R8057	1-216-809-11	METAL CHIP 100 5% 1/10W	
Q8001	8-729-027-43	TRANSISTOR DTC114EKA-T146 (DA3300ES: US, CND/DG1100)		R8063	1-216-841-11	METAL CHIP 47K 5% 1/10W	
Q8002	8-729-027-23	TRANSISTOR DTA114EKA-T146 (DA3300ES: US, CND/DG1100)		R8064	1-216-841-11	METAL CHIP 47K 5% 1/10W	
Q8003	8-729-027-43	TRANSISTOR DTC114EKA-T146 (DA3300ES: US, CND/DG1100)		R8068	1-216-833-11	METAL CHIP 10K 5% 1/10W (DA3300ES: US, CND/DG1100)	
Q8004	6-550-044-01	TRANSISTOR 2SB1689-T106 (DA3300ES: US, CND/DG1100)		R8070	1-216-809-11	METAL CHIP 100 5% 1/10W (DA3300ES: US, CND/DG1100)	
		< RESISTOR >		R8071	1-216-833-11	METAL CHIP 10K 5% 1/10W (DA3300ES: US, CND/DG1100)	
R8001	1-216-864-11	SHORT CHIP 0		R8072	1-218-867-11	METAL CHIP 6.8K 0.5% 1/10W (DA3300ES: US, CND/DG1100)	
R8009	1-216-833-11	METAL CHIP 10K 5% 1/10W (DA3300ES: US, CND/DG1100)		R8073	1-218-867-11	METAL CHIP 6.8K 0.5% 1/10W (DA3300ES: US, CND/DG1100)	
R8010	1-216-829-11	METAL CHIP 4.7K 5% 1/10W		R8074	1-216-821-11	METAL CHIP 1K 5% 1/10W (DA3300ES: US, CND/DG1100)	
R8014	1-216-864-11	SHORT CHIP 0 (DA3300ES: US, CND/DG1100)		R8075	1-216-864-11	SHORT CHIP 0 (DA3300ES: US, CND/DG1100)	
R8015	1-216-864-11	SHORT CHIP 0 (DA3300ES: US, CND/DG1100)		R8076	1-216-841-11	METAL CHIP 47K 5% 1/10W (DA3300ES: US, CND/DG1100)	
R8019	1-216-837-11	METAL CHIP 22K 5% 1/10W		R8077	1-216-833-11	METAL CHIP 10K 5% 1/10W (DA3300ES: US, CND/DG1100)	
R8020	1-216-837-11	METAL CHIP 22K 5% 1/10W		R8078	1-216-845-11	METAL CHIP 100K 5% 1/10W (DA3300ES: US, CND/DG1100)	
R8021	1-216-837-11	METAL CHIP 22K 5% 1/10W		R8079	1-216-845-11	METAL CHIP 100K 5% 1/10W (DA3300ES: US, CND/DG1100)	
R8022	1-216-837-11	METAL CHIP 22K 5% 1/10W		R8080	1-216-834-11	METAL CHIP 12K 5% 1/10W (DA3300ES: US, CND/DG1100)	
R8023	1-219-365-11	SHORT CHIP 0 (DA3300ES: US, CND/DG1100)		R8081	1-216-832-11	METAL CHIP 8.2K 5% 1/10W (DA3300ES: US, CND/DG1100)	
R8024	1-219-365-11	SHORT CHIP 0 (DA3300ES: US, CND/DG1100)		R8082	1-216-832-11	METAL CHIP 8.2K 5% 1/10W (DA3300ES: US, CND/DG1100)	
R8025	1-216-837-11	METAL CHIP 22K 5% 1/10W		R8083	1-216-834-11	METAL CHIP 12K 5% 1/10W (DA3300ES: US, CND/DG1100)	
R8027	1-216-837-11	METAL CHIP 22K 5% 1/10W					
R8028	1-216-841-11	METAL CHIP 47K 5% 1/10W (DA3300ES: US, CND/DG1100)					

STR-DA3300ES/DG1100

Ver. 1.1

TUNER

VIDEO3

Ref. No.	Part No.	Description	Remark		
R8084	1-216-819-11	METAL CHIP	680	5%	1/10W (DA3300ES: US, CND/DG1100)
R8085	1-216-819-11	METAL CHIP	680	5%	1/10W (DA3300ES: US, CND/DG1100)
R8086	1-216-809-11	METAL CHIP	100	5%	1/10W (DA3300ES: US, CND/DG1100)
R8087	1-216-809-11	METAL CHIP	100	5%	1/10W (DA3300ES: US, CND/DG1100)
R8088	1-216-805-11	METAL CHIP	47	5%	1/10W (DA3300ES: US, CND/DG1100)
R8089	1-216-805-11	METAL CHIP	47	5%	1/10W (DA3300ES: US, CND/DG1100)
R8090	1-216-805-11	METAL CHIP	47	5%	1/10W (DA3300ES: US, CND/DG1100)
R8091	1-216-819-11	METAL CHIP	680	5%	1/10W (DA3300ES: US, CND/DG1100)
R8092	1-216-805-11	METAL CHIP	47	5%	1/10W (DA3300ES: US, CND/DG1100)
R8093	1-216-805-11	METAL CHIP	47	5%	1/10W (DA3300ES: US, CND/DG1100)
R8094	1-216-805-11	METAL CHIP	47	5%	1/10W (DA3300ES: US, CND/DG1100)
R8095	1-216-805-11	METAL CHIP	47	5%	1/10W
< COMPOSITION CIRCUIT BLOCK >					
RB8001	1-234-378-21	RES, NETWORK	10K (1005X4)	(DA3300ES: US, CND/DG1100)	
RB8002	1-234-378-21	RES, NETWORK	10K (1005X4)	(DA3300ES: US, CND/DG1100)	
RB8003	1-234-378-21	RES, NETWORK	10K (1005X4)	(DA3300ES: US, CND/DG1100)	
RB8004	1-234-378-21	RES, NETWORK	10K (1005X4)	(DA3300ES: US, CND/DG1100)	
RB8005	1-234-372-11	RES, NETWORK	100 (1005X4)	(DA3300ES: US, CND/DG1100)	
< VIBRATOR >					
X8001	1-760-841-11	VIBRATOR, CRYSTAL (45.1584MHz)	(DA3300ES: US, CND/DG1100)		

VIDEO3 BOARD

< CAPACITOR >

C757	1-104-665-11	ELECT	100uF	20%	25V
C758	1-104-665-11	ELECT	100uF	20%	25V
C759	1-163-025-11	CERAMIC CHIP	0.001uF		50V
C760	1-163-025-11	CERAMIC CHIP	0.001uF		50V
C761	1-165-319-11	CERAMIC CHIP	0.1uF		50V
C762	1-163-021-91	CERAMIC CHIP	0.01uF	10%	50V
C763	1-163-021-91	CERAMIC CHIP	0.01uF	10%	50V
C764	1-165-319-11	CERAMIC CHIP	0.1uF		50V
C765	1-163-139-00	CERAMIC CHIP	820PF	5%	50V
C766	1-163-139-00	CERAMIC CHIP	820PF	5%	50V
C767	1-163-251-11	CERAMIC CHIP	100PF	5%	50V
C768	1-163-259-91	CERAMIC CHIP	220PF	5%	50V
C769	1-163-259-91	CERAMIC CHIP	220PF	5%	50V

< CONNECTOR >

CN721 1-784-923-11 PIN, CONNECTOR 7P

Ref. No.	Part No.	Description	Remark		
CN723	1-779-978-11	PIN, CONNECTOR 3P			
CN725	1-784-922-11	PIN, CONNECTOR 5P			
CN728	1-564-705-11	PIN, CONNECTOR (SMALL TYPE) 3P			
< DIODE >					
D713	8-719-404-50	DIODE MA111-TX			
D714	8-719-404-50	DIODE MA111-TX			
D715	8-719-404-50	DIODE MA111-TX			
D716	8-719-404-50	DIODE MA111-TX			
< EARTH TERMINAL >					
* ET702	1-537-738-21	TERMINAL, EARTH			
* ET703	1-537-738-21	TERMINAL, EARTH			
< IC >					
IC706	8-759-710-97	IC NJM4565M-D			
IC707	6-600-219-01	IC GP1FM313RZ0F (VIDEO 3 IN/ PORTABLE AV IN DIGITAL (OPT))			
< JACK >					
J702	1-815-313-11	JACK (PHONES)			
J703	1-770-571-11	JACK BLOCK, PIN (L TYPE) 3P (VIDEO 3 IN/PORTABLE AV IN AUDIO/VIDEO)			
< RESISTOR >					
R762	1-216-025-11	RES-CHIP	100	5%	1/10W
R763	1-216-049-11	RES-CHIP	1K	5%	1/10W
R764	1-216-049-11	RES-CHIP	1K	5%	1/10W
R765	1-211-990-11	METAL CHIP	75	0.5%	1/10W
R768	1-216-089-91	RES-CHIP	47K	5%	1/10W
R769	1-216-089-91	RES-CHIP	47K	5%	1/10W
R770	1-216-295-91	SHORT CHIP	0		
R774	1-216-295-91	SHORT CHIP	0		
R775	1-216-295-91	SHORT CHIP	0		
R776	1-216-295-91	SHORT CHIP	0		
R785	1-216-295-91	SHORT CHIP	0		

Ref. No.	Part No.	Description	Remark	Ref. No.	Part No.	Description	Remark
		MISCELLANEOUS *****		△ T001	1-445-233-11	TRANSFORMER, POWER (DA3300ES: AEP, ECE, UK) *****	
55	1-543-793-41	FILTER, CLAMP (FERRITE CORE)				ACCESSORIES *****	
153	1-828-318-51	WIRE (FLAT TYPE) (11 CORE) (DA3300ES: US, CND)		1-480-201-11	REMOTE COMMANDER (RM-AAL011) (Full) (DA3300ES: US, CND)		
154	1-828-954-51	WIRE (FLAT TYPE) (9 CORE) (DA3300ES: US, CND/DG1100)		1-480-202-11	REMOTE COMMANDER (RM-AAP018) (DG1100)		
154	1-828-964-51	WIRE (FLAT TYPE) (11 CORE) (DA3300ES: AEP, ECE, UK)		1-480-203-11	REMOTE COMMANDER (RM-AAP019) (Full) (DA3300ES: AEP, ECE, UK)		
155	1-693-728-11	TUNER (FM/AM) (DA3300ES: US, CND/DG1100)		1-480-276-11	COMMANDER, STANDARD (RM-AAU018) (Simple) (DA3300ES)		
155	1-693-737-11	TUNER (FM/AM) (DA3300ES: AEP, ECE, UK)		1-501-374-12	ANTENNA, LOOP (AM loop antenna (aerial))		
202	1-500-386-11	FILTER, CLAMP (FERRITE CORE)		1-501-807-12	ANTENNA (FM) (FM wire antenna (aerial)) (DA3300ES: AEP, ECE, UK)		
208	1-828-367-51	WIRE (FLAT TYPE) (21 CORE)		1-542-670-11	MEASUREMENT MIC (MONO) (Optimizer microphone: ECM-AC2)		
* 210	1-481-077-11	CORE, FERRITE		1-793-184-23	CONNECTOR (F TYPE ADAPTOR) (FM wire antenna (aerial)) (DA3300ES: US, CND/DG1100)		
251	1-500-386-11	FILTER, CLAMP (FERRITE CORE)		△	1-831-474-11	CORD, POWER (AC power cord (mains lead)) (DA3300ES: AEP, ECE)	
353	1-500-497-21	FILTER, CLAMP (FERRITE CORE) (DG1100)		△	1-833-794-11	CORD, POWER (AC power cord (mains lead)) (DA3300ES: UK)	
354	1-500-386-11	FILTER, CLAMP (FERRITE CORE) (DA3300ES)		△	1-834-508-11	CORD, POWER (AC power cord (mains lead)) (DA3300ES: US, CND)	
△ 356	1-783-820-11	CORD, POWER (DG1100)		3-209-648-11	MANUAL, INSTRUCTION (ENGLISH, FRENCH) (DA3300ES: US, CND)		
360	1-828-362-51	WIRE (FLAT TYPE) (19 CORE) (DA3300ES)		3-209-649-12	MANUAL, INSTRUCTION (ENGLISH) (DA3300ES: AEP, ECE, UK)		
361	1-828-292-51	WIRE (FLAT TYPE) (5 CORE) (DG1100)		3-209-649-22	MANUAL, INSTRUCTION (FRENCH, SPANISH) (DA3300ES: AEP, ECE)		
△ F001	1-532-504-33	FUSE (T4AL/250V) (DA3300ES: AEP, ECE, UK)		3-209-649-32	MANUAL, INSTRUCTION (GERMAN, DUTCH, ITALIAN) (DA3300ES: AEP, ECE)		
△ F001	1-533-311-12	FUSE, GLASS CYLINDRICAL (DIA.5) (8A/125V) (DA3300ES: US, CND/DG1100)		3-209-649-42	MANUAL, INSTRUCTION (SWEDISH, POLISH) (DA3300ES: AEP, ECE)		
△ F03	1-533-420-12	FUSE, GLASS CYLINDRICAL (DIA.5) (5A/125V) (DG1100)		3-209-649-51	MANUAL, INSTRUCTION (DANISH, FINNISH) (DA3300ES: AEP, ECE)		
△ F1001	1-532-504-33	FUSE (T4AL/250V)		3-209-649-61	MANUAL, INSTRUCTION (PORTUGUESE) (DA3300ES: AEP, ECE)		
△ F1002	1-532-504-33	FUSE (T4AL/250V)		3-209-649-71	MANUAL, INSTRUCTION (RUSSIAN) (DA3300ES: AEP, ECE)		
△ F1003	1-532-506-33	FUSE (T6.3AL/250V) (DA3300ES: AEP, ECE, UK)		3-209-650-11	MANUAL, INSTRUCTION (GREEK) (DA3300ES: AEP, ECE)		
△ F1004	1-532-506-33	FUSE (T6.3AL/250V) (DA3300ES: AEP, ECE, UK)		3-209-650-21	MANUAL, INSTRUCTION (HUNGARIAN, CZECH) (DA3300ES: AEP, ECE)		
△ F1005	1-532-506-33	FUSE (T6.3AL/250V) (DA3300ES: AEP, ECE, UK)		3-209-650-31	MANUAL, INSTRUCTION (TURKISH) (DA3300ES: AEP, ECE)		
△ F1006	1-532-506-33	FUSE (T6.3AL/250V) (DA3300ES: AEP, ECE, UK)		3-209-650-41	MANUAL, INSTRUCTION (SLOVAKIAN) (DA3300ES: AEP, ECE)		
△ F1405	1-532-506-33	FUSE (T6.3AL/250V)		3-209-654-12	MANUAL, INSTRUCTION (ENGLISH) (DG1100)		
△ J01	1-821-082-21	INLET, AC 2P (~AC IN) (DA3300ES)					
Q1507	6-702-390-01	TRANSISTOR MN2488-OPY-MK					
Q1508	6-702-391-01	TRANSISTOR MP1620-OPY-MK					
Q1521	8-729-026-08	TRANSISTOR 2SC4495					
Q1557	6-702-390-01	TRANSISTOR MN2488-OPY-MK					
Q1558	6-702-391-01	TRANSISTOR MP1620-OPY-MK					
Q1571	8-729-026-08	TRANSISTOR 2SC4495					
Q1607	6-702-390-01	TRANSISTOR MN2488-OPY-MK					
Q1608	6-702-391-01	TRANSISTOR MP1620-OPY-MK					
Q1621	8-729-026-08	TRANSISTOR 2SC4495					
Q1707	6-702-390-01	TRANSISTOR MN2488-OPY-MK					
Q1708	6-702-391-01	TRANSISTOR MP1620-OPY-MK					
Q1721	8-729-026-08	TRANSISTOR 2SC4495					
Q1757	6-702-390-01	TRANSISTOR MN2488-OPY-MK					
Q1758	6-702-391-01	TRANSISTOR MP1620-OPY-MK					
Q1771	8-729-026-08	TRANSISTOR 2SC4495					
Q1807	6-702-390-01	TRANSISTOR MN2488-OPY-MK					
Q1808	6-702-391-01	TRANSISTOR MP1620-OPY-MK					
Q1821	8-729-026-08	TRANSISTOR 2SC4495					
Q1857	6-702-390-01	TRANSISTOR MN2488-OPY-MK					
Q1858	6-702-391-01	TRANSISTOR MP1620-OPY-MK					
Q1871	8-729-026-08	TRANSISTOR 2SC4495					
△ T001	1-445-232-11	TRANSFORMER, POWER (DA3300ES: US, CND/DG1100)					

MEMO

STR-DA3300ES/DG1100

SONY®

SERVICE MANUAL

Ver. 1.1 2007.08

US Model
STR-DA3300ES/DG1100
Canadian Model
AEP Model
UK Model
STR-DA3300ES

SUPPLEMENT-1

File this supplement with the service manual.

**Subject: Change of A_VIDEO, AC and MAIN boards
(Combined Suffix-12)**

In this set, A_VIDEO, AC and MAIN boards have been changed in the midway of production.

Printed wiring board, schematic diagram and electrical parts list of new type are described in this supplement-1.

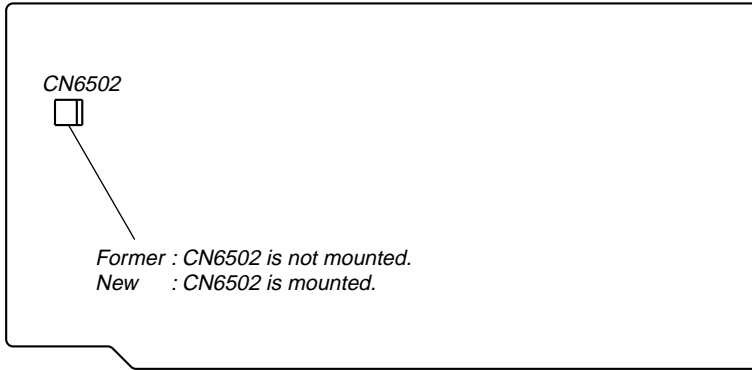
Refer to original service manual for other information.

TABLE OF CONTENTS

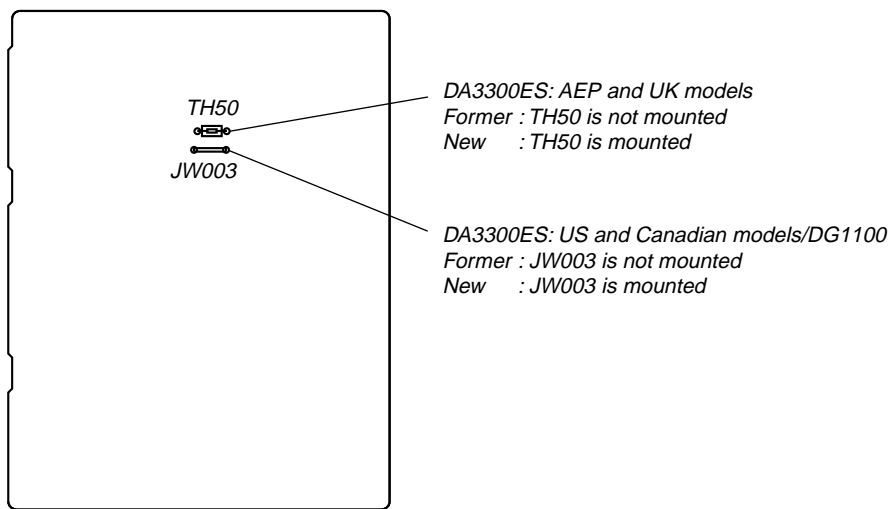
1. NEW/FORMER DISCRIMINATION	2
2. DIAGRAMS	
2-1. Printed Wiring Board	
– A_VIDEO Board (Component Side) –	4
2-2. Printed Wiring Board	
– A_VIDEO Board (Conductor Side) –	5
2-3. Schematic Diagram – A_VIDEO Board (1/4) –	6
2-4. Schematic Diagram – A_VIDEO Board (2/4) –	7
2-5. Schematic Diagram – A_VIDEO Board (3/4) –	8
2-6. Schematic Diagram – A_VIDEO Board (4/4) –	9
2-7. Printed Wiring Board – AC Board –	10
2-8. Schematic Diagram – AC Board –	11
2-9. Schematic Diagram – MAIN Board (1/4) –	12
2-10. Schematic Diagram – MAIN Board (2/4) –	13
2-11. Schematic Diagram – MAIN Board (3/4) –	14
2-12. Schematic Diagram – MAIN Board (4/4) –	15
2-13. Printed Wiring Board – MAIN Board –	16
3. ELECTRICAL PARTS LIST	17

1. NEW/FORMER DISCRIMINATION

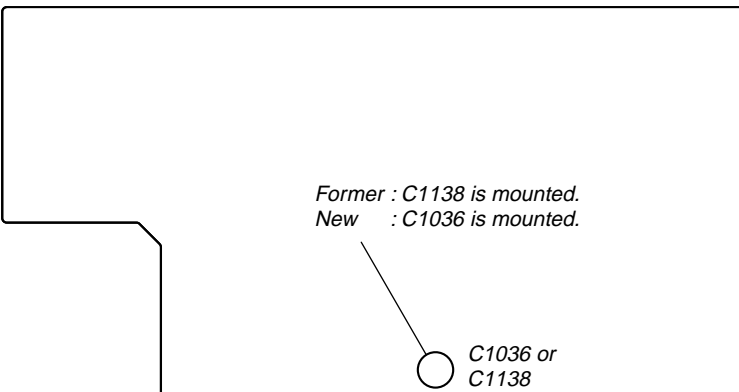
– A_VIDEO Board (Component Side) –



– AC Board (Component Side) –



– MAIN Board (Component Side) –



2. DIAGRAMS

• Note for Printed Wiring Boards and Schematic Diagrams

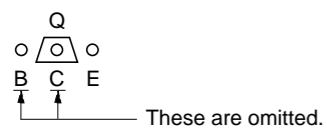
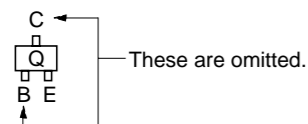
Note on Printed Wiring Board:

- : parts extracted from the component side.
- : parts extracted from the conductor side.
- : Pattern from the side which enables seeing.

(The other layers' patterns are not indicated.)

Caution:
 Pattern face side: Parts on the pattern face side seen from the pattern face are indicated.
 (Conductor Side)
 Parts face side: Parts on the parts face side seen from the parts face are indicated.
 (Component Side)

- Indication of transistor



Note on Schematic Diagram:

- All capacitors are in μF unless otherwise noted. (p: pF) 50 WV or less are not indicated except for electrolytics and tantalums.
- All resistors are in Ω and $1/4\text{W}$ or less unless otherwise specified.
- : nonflammable resistor.
- : panel designation.

Note:

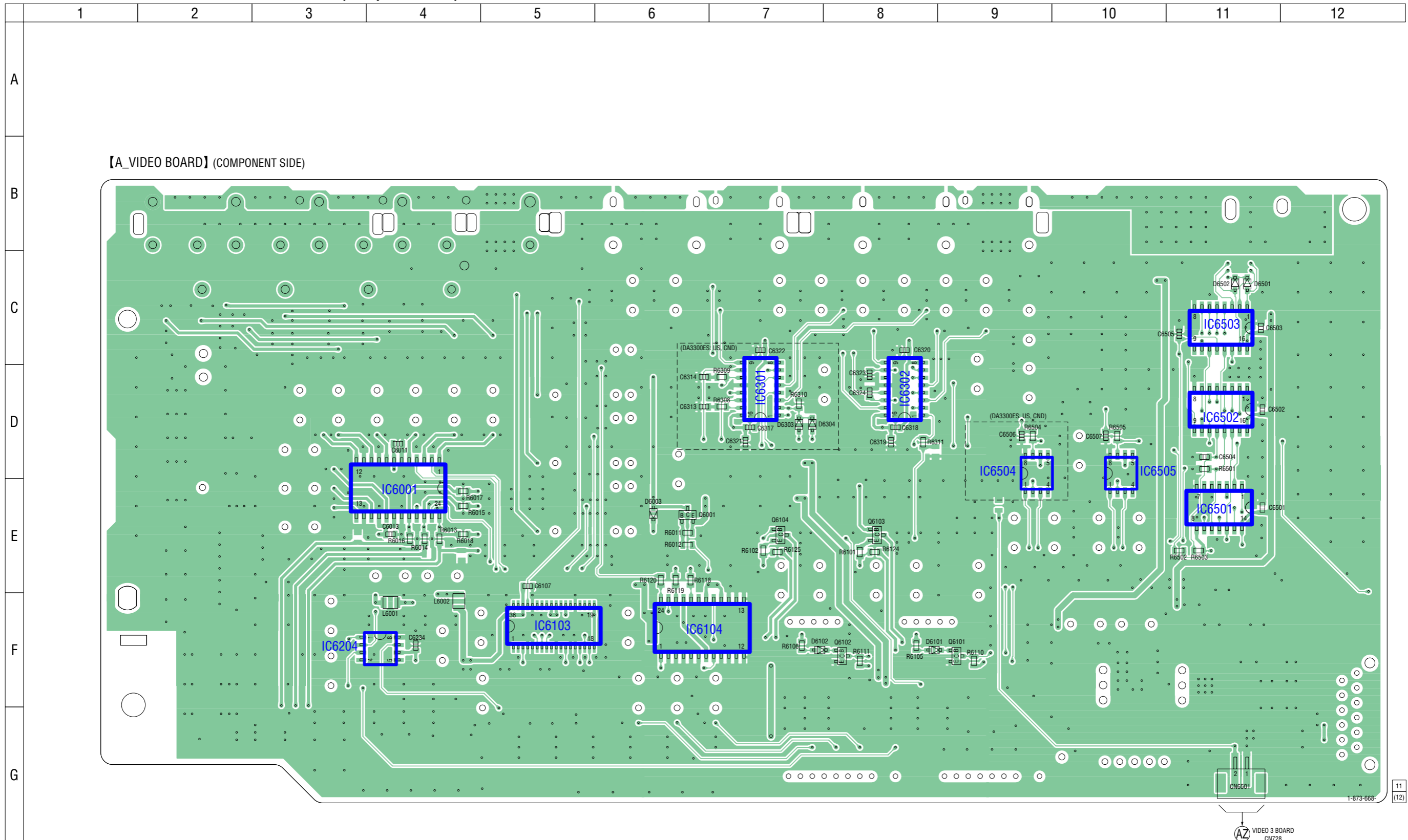
The components identified by mark \triangle or dotted line with mark \triangle are critical for safety. Replace only with part number specified.

Note:

Les composants identifiés par une marque \triangle sont critiques pour la sécurité. Ne les remplacer que par une pièce portant le numéro spécifié.

- : B+ Line.
- : B- Line.
- Voltages are dc with respect to ground under no-signal (detuned) conditions.
 - A_VIDEO board –
no mark : VIDEO 1 mode
 - Other boards –
no mark : TUNER
- Voltages are taken with a VOM (Input impedance 10 MW). Voltage variations may be noted due to normal production tolerances.
- Signal path.
 - : AUDIO (ANALOG)
 - : VIDEO

2-1. PRINTED WIRING BOARD – A_VIDEO Board (Component Side) –  : Uses unleaded solder.

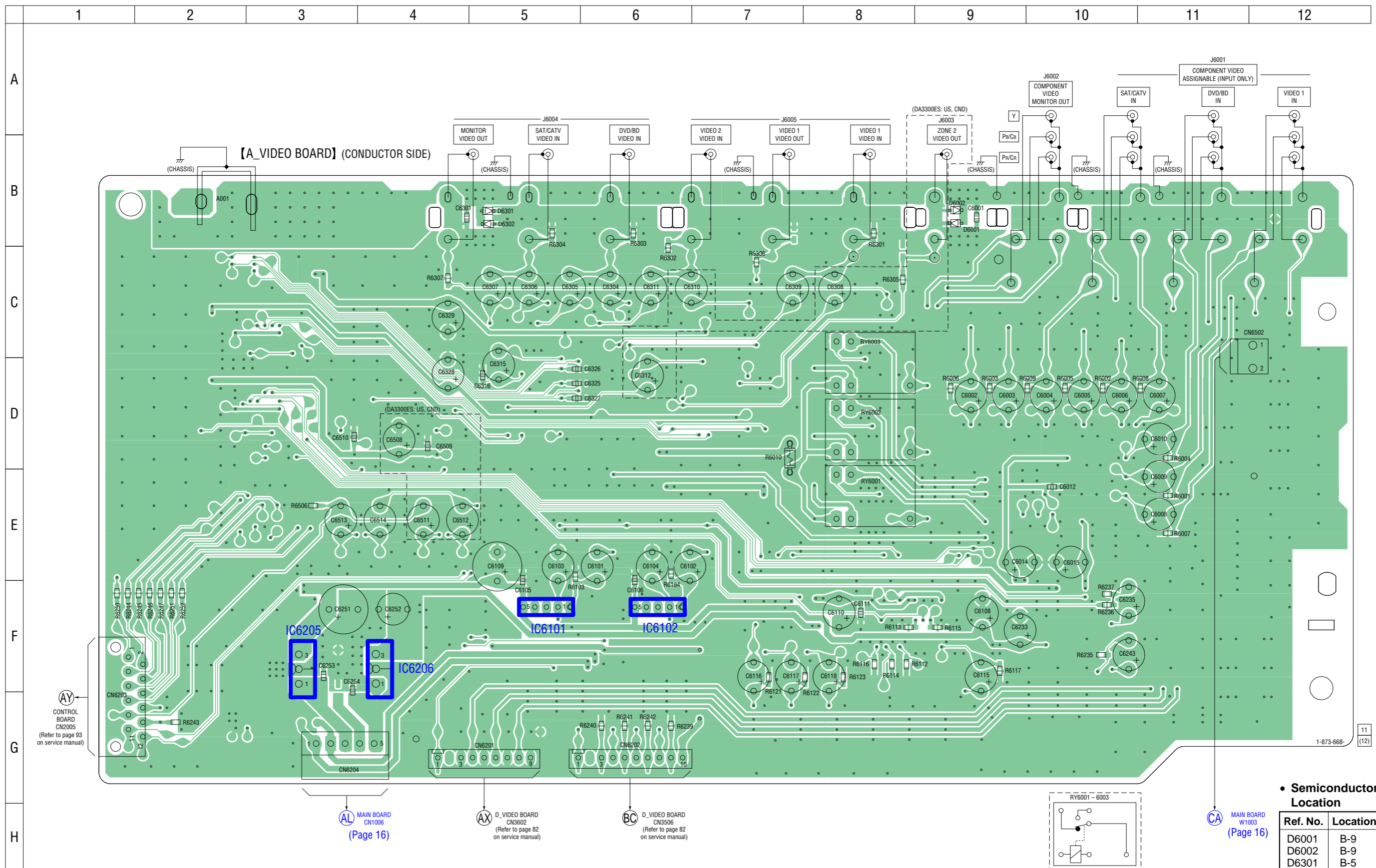


• Semiconductor Location

Ref. No.	Location	Ref. No.	Location	Ref. No.	Location
D6003	E-6	IC6103	F-5	IC6505	D-10
D6101	F-8	IC6104	F-6	Q6001	E-6
D6102	F-7	IC6204	F-4	Q6101	F-9
D6303	D-7	IC6301	D-7	Q6102	F-8
D6304	D-7	IC6302	D-8	Q6103	E-8
D6501	C-11	IC6501	E-11	Q6104	E-7
D6502	C-11	IC6502	D-11		
		IC6503	C-11		
IC6001	E-4	IC6504	D-9		

 VIDEO 3 BOARD
CN728
(Refer to page 90
on service manual)

2-2. PRINTED WIRING BOARD – A_VIDEO Board (Conductor Side) –  : Uses unleaded solder.



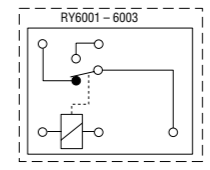
AY CONTROL BOARD CN2005 (Refer to page 93 on service manual)

AL MAIN BOARD CN1006 (Page 16)

AX D_VIDEO BOARD CN3602 (Refer to page 82 on service manual)

BC D_VIDEO BOARD CN3506 (Refer to page 82 on service manual)

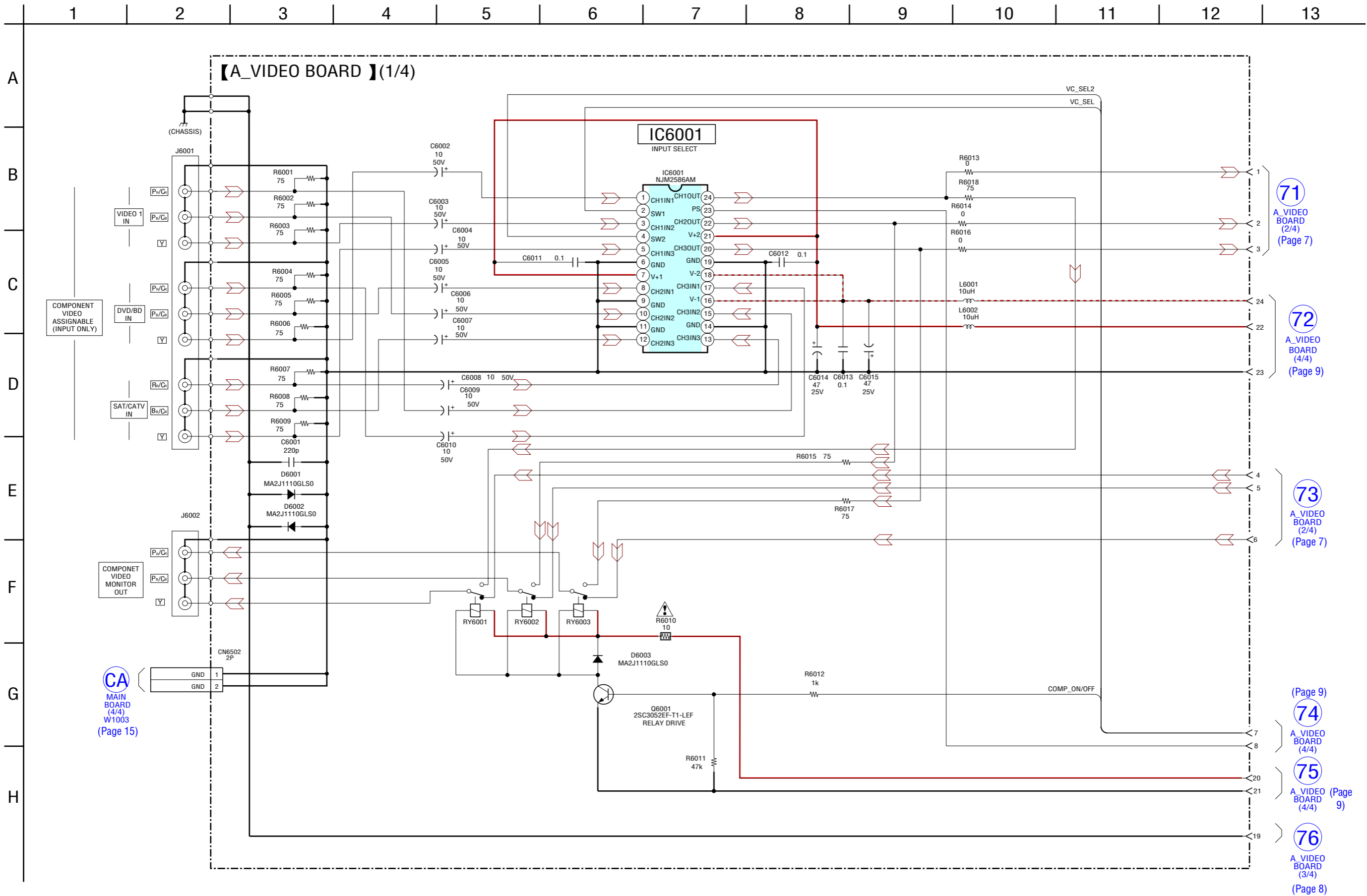
CA MAIN BOARD W1003 (Page 16)



• Semiconductor Location

Ref. No.	Location
D6001	B-9
D6002	B-9
D6301	B-5
D6302	B-5
IC6101	F-5
IC6102	F-6
IC6205	F-3
IC6206	F-4

2-3. SCHEMATIC DIAGRAM – A_VIDEO Board (1/4) –



71
A_VIDEO BOARD (2/4)
(Page 7)

72
A_VIDEO BOARD (4/4)
(Page 9)

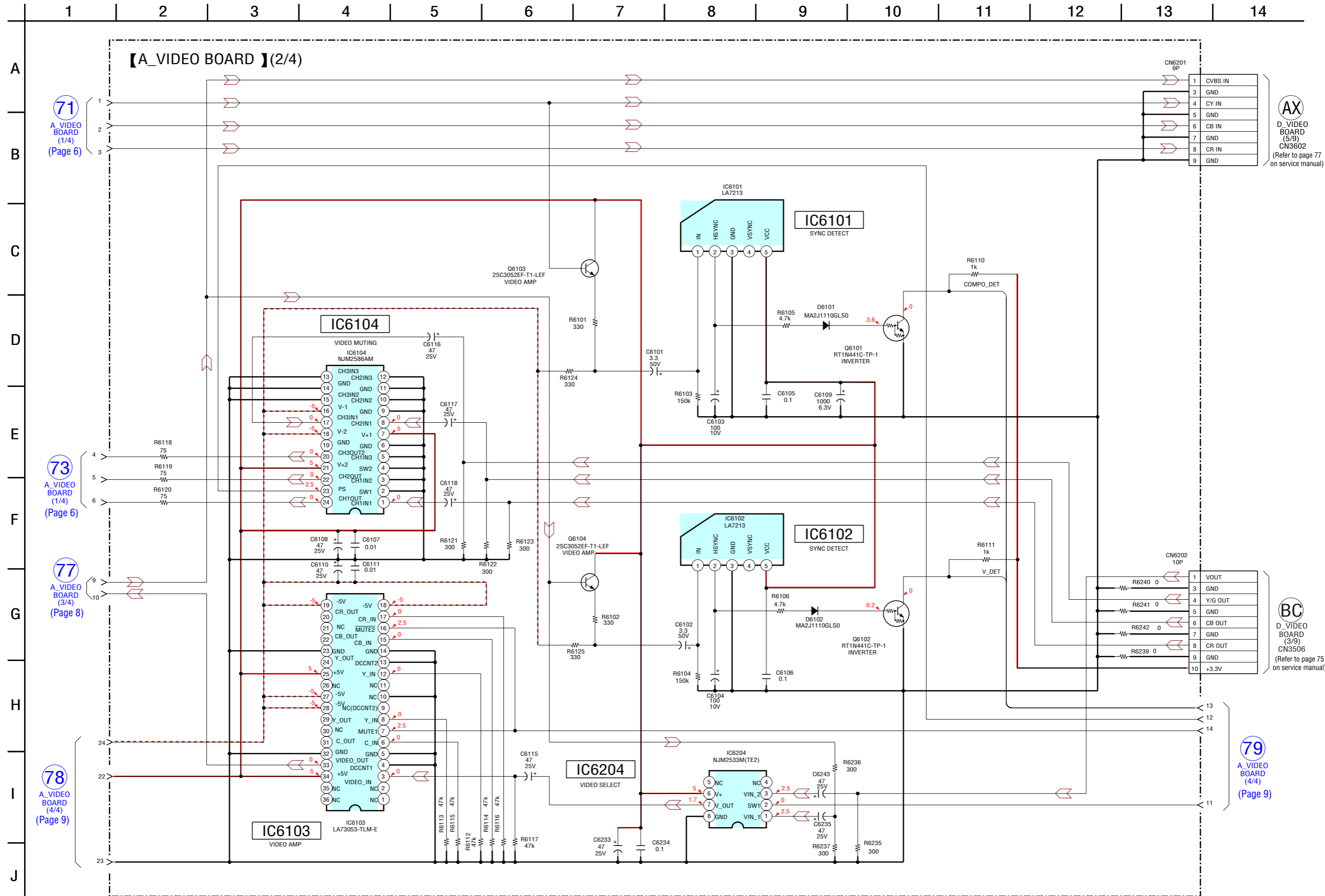
73
A_VIDEO BOARD (2/4)
(Page 7)

(Page 9)
74
A_VIDEO BOARD (4/4)

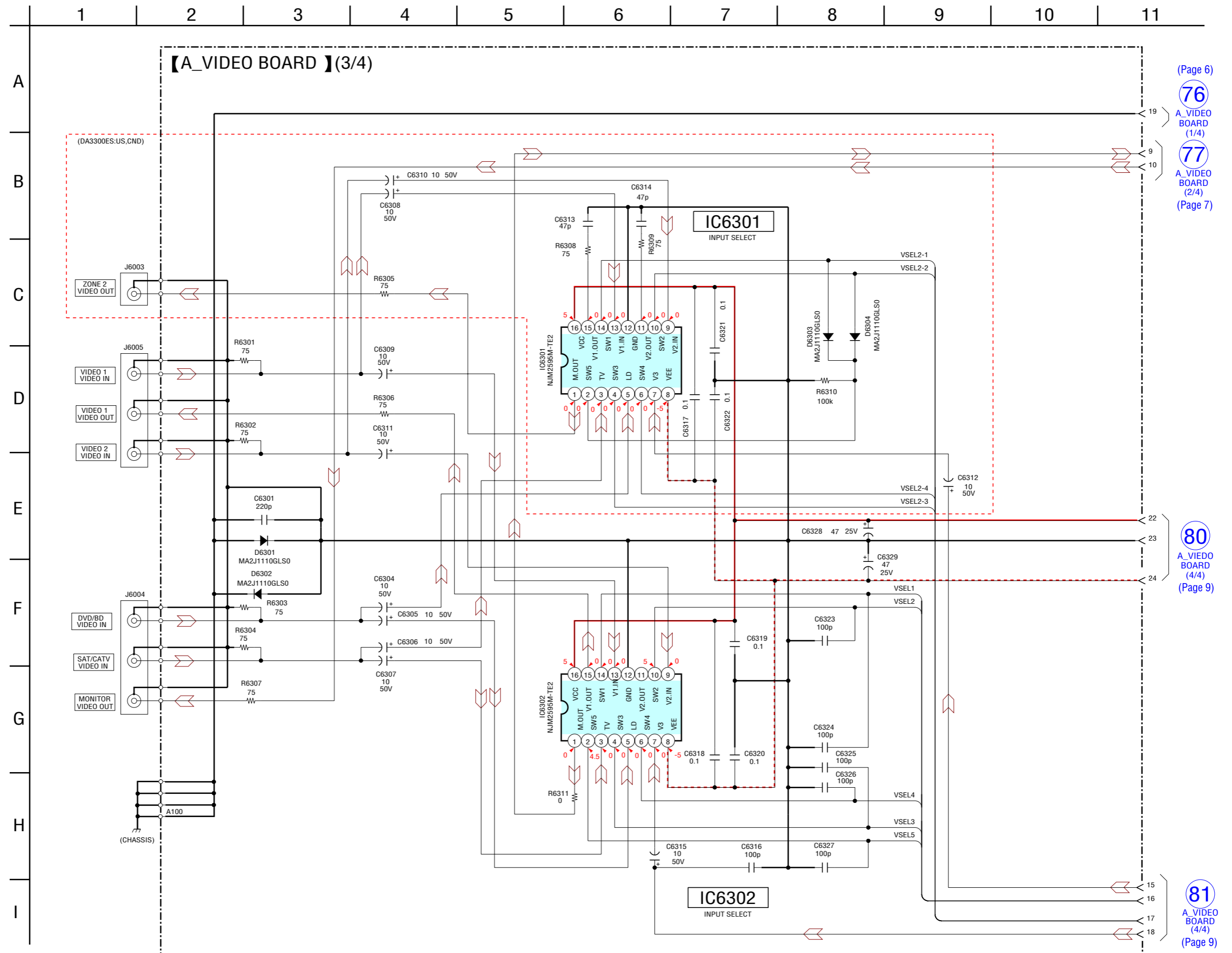
75
A_VIDEO BOARD (4/4)
(Page 9)

76
A_VIDEO BOARD (3/4)
(Page 8)

2-4. SCHEMATIC DIAGRAM – A_VIDEO Board (2/4) –



2-5. SCHEMATIC DIAGRAM – A_VIDEO Board (3/4) –



(Page 6)

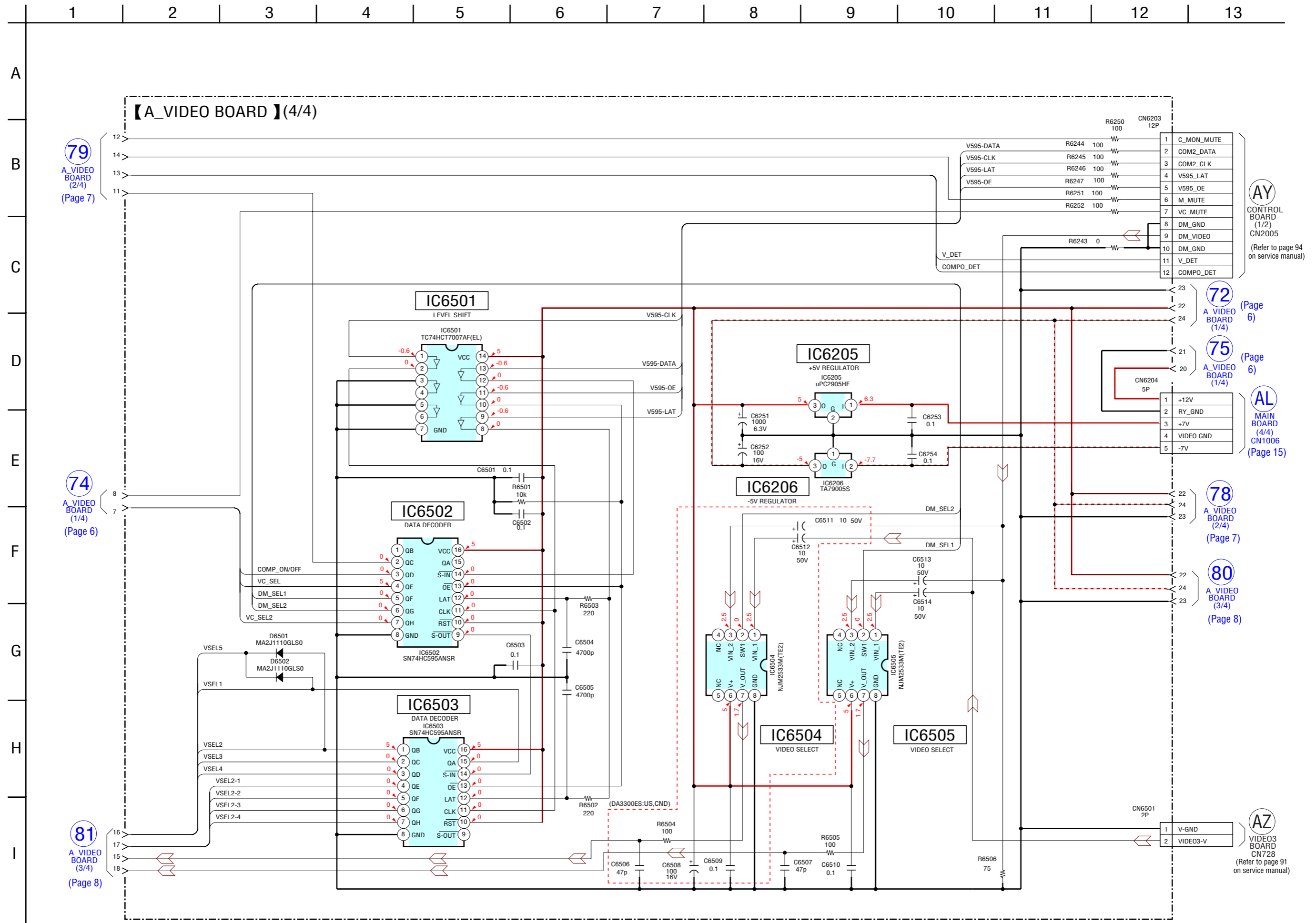
76
A_VIDEO BOARD (1/4)

77
A_VIDEO BOARD (2/4)
(Page 7)

80
A_VIEDO BOARD (4/4)
(Page 9)

81
A_VIDEO BOARD (4/4)
(Page 9)

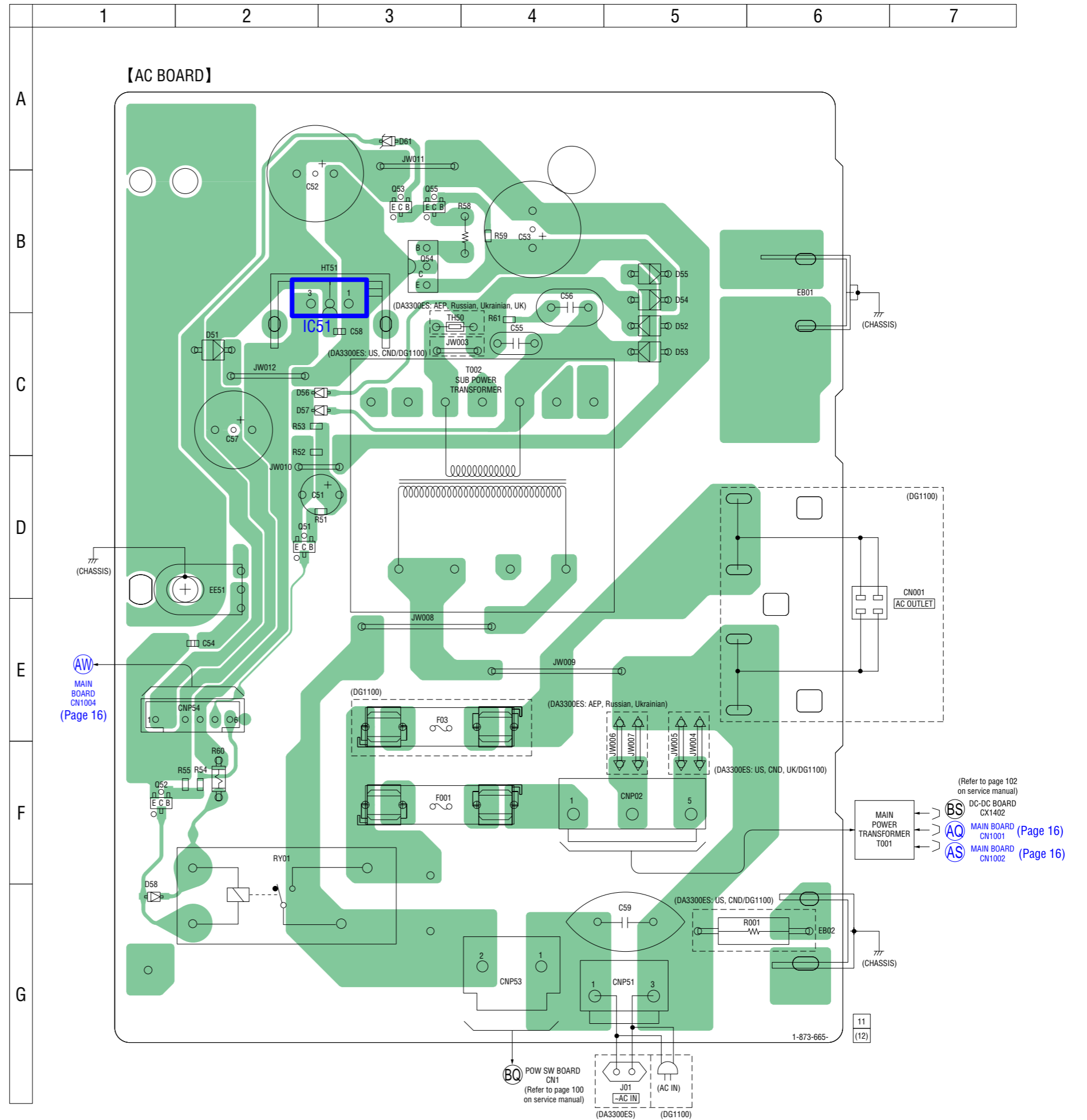
2-6. SCHEMATIC DIAGRAM – A_VIDEO Board (4/4) –



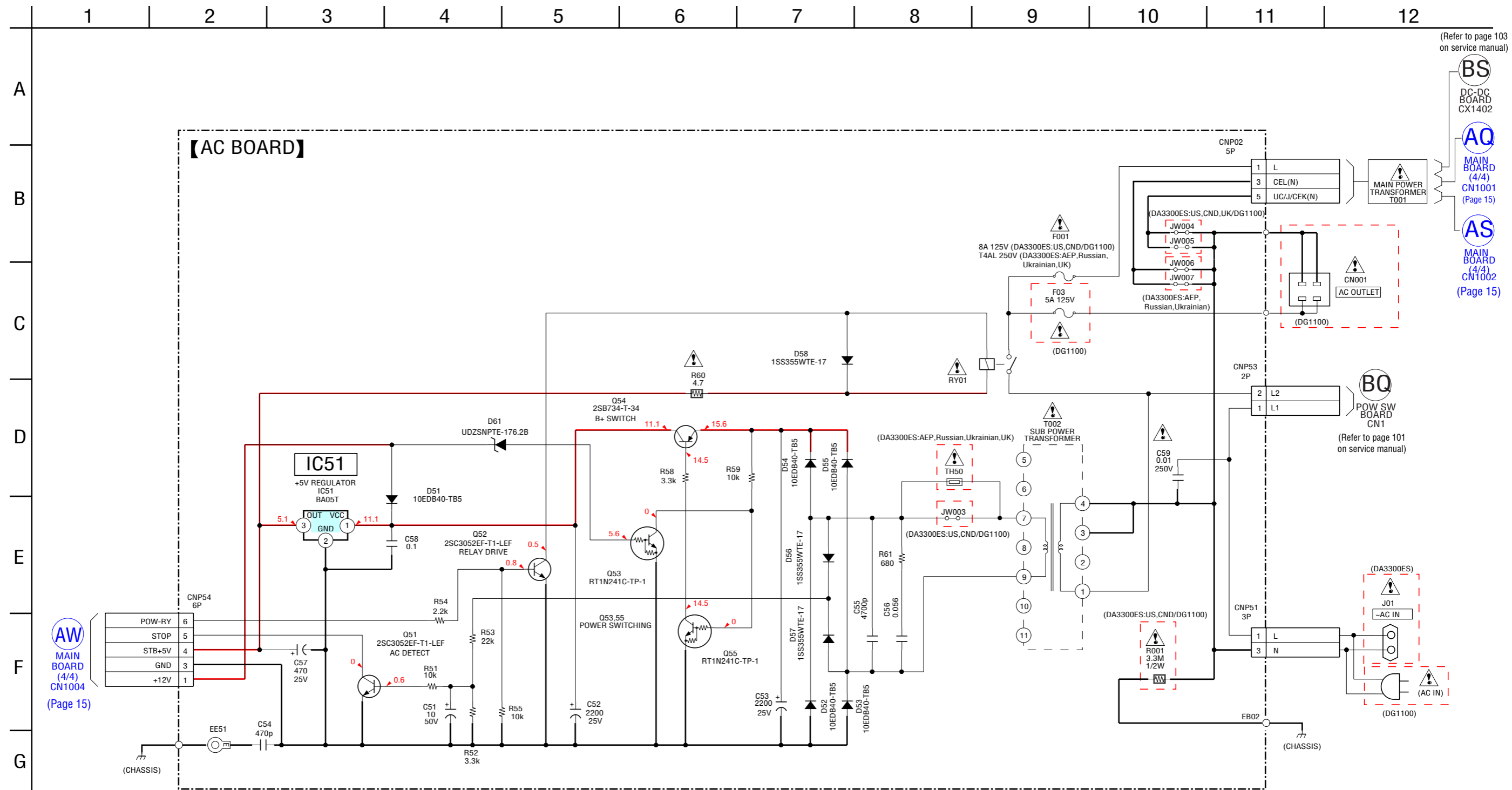
2-7. PRINTED WIRING BOARD – AC Board –  :Uses unleaded solder.

• Semiconductor Location

Ref. No.	Location
D51	C-2
D52	C-5
D53	C-5
D54	B-5
D55	B-5
D56	C-3
D57	C-3
D58	G-1
D61	A-3
IC51	B-3
Q51	D-2
Q52	F-1
Q53	B-3
Q54	B-3
Q55	B-3



2-8. SCHEMATIC DIAGRAM – AC Board –



(Refer to page 103 on service manual)

BS
DC-DC BOARD
CX1402

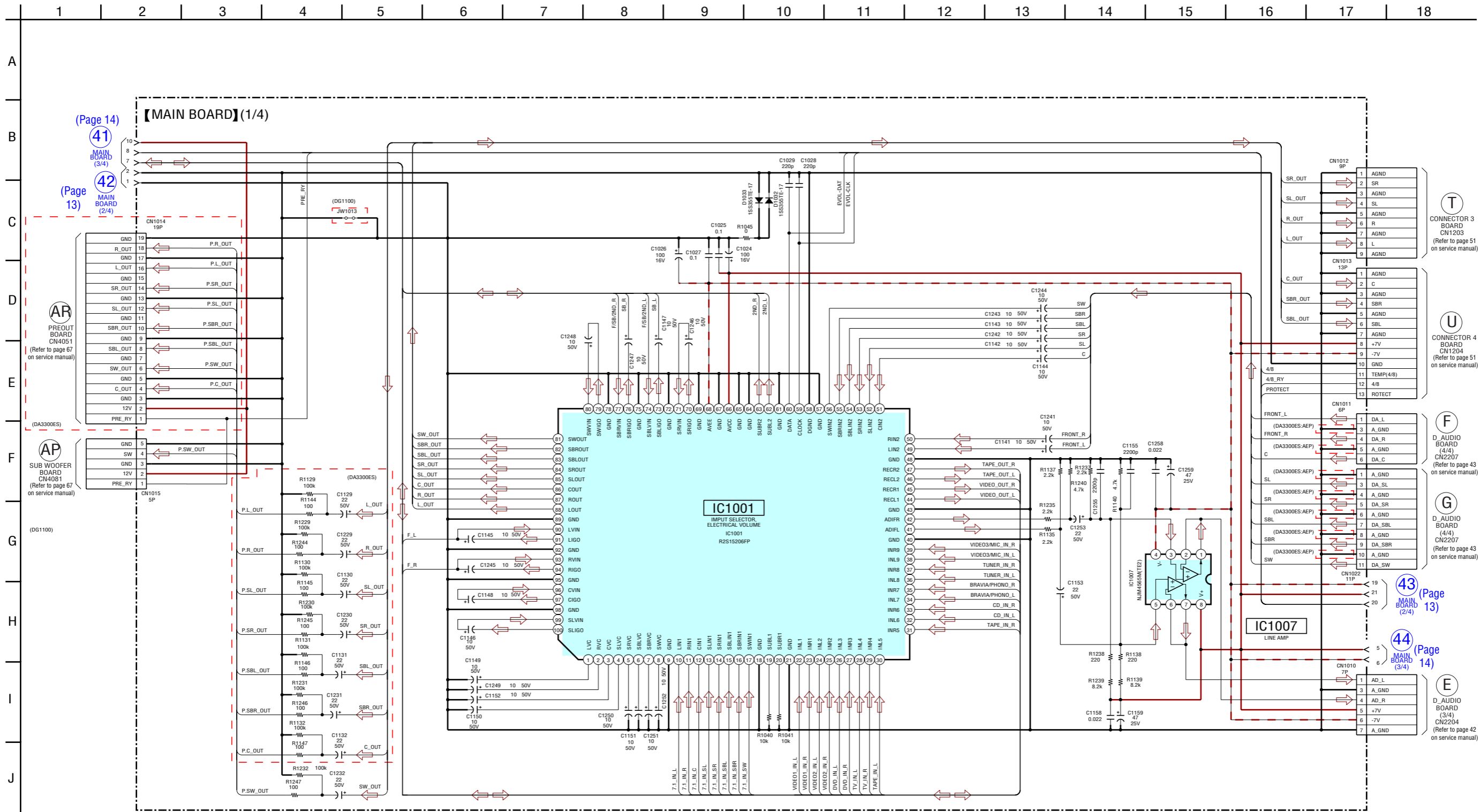
AQ
MAIN BOARD (4/4)
CN1001
(Page 15)

AS
MAIN BOARD (4/4)
CN1002
(Page 15)

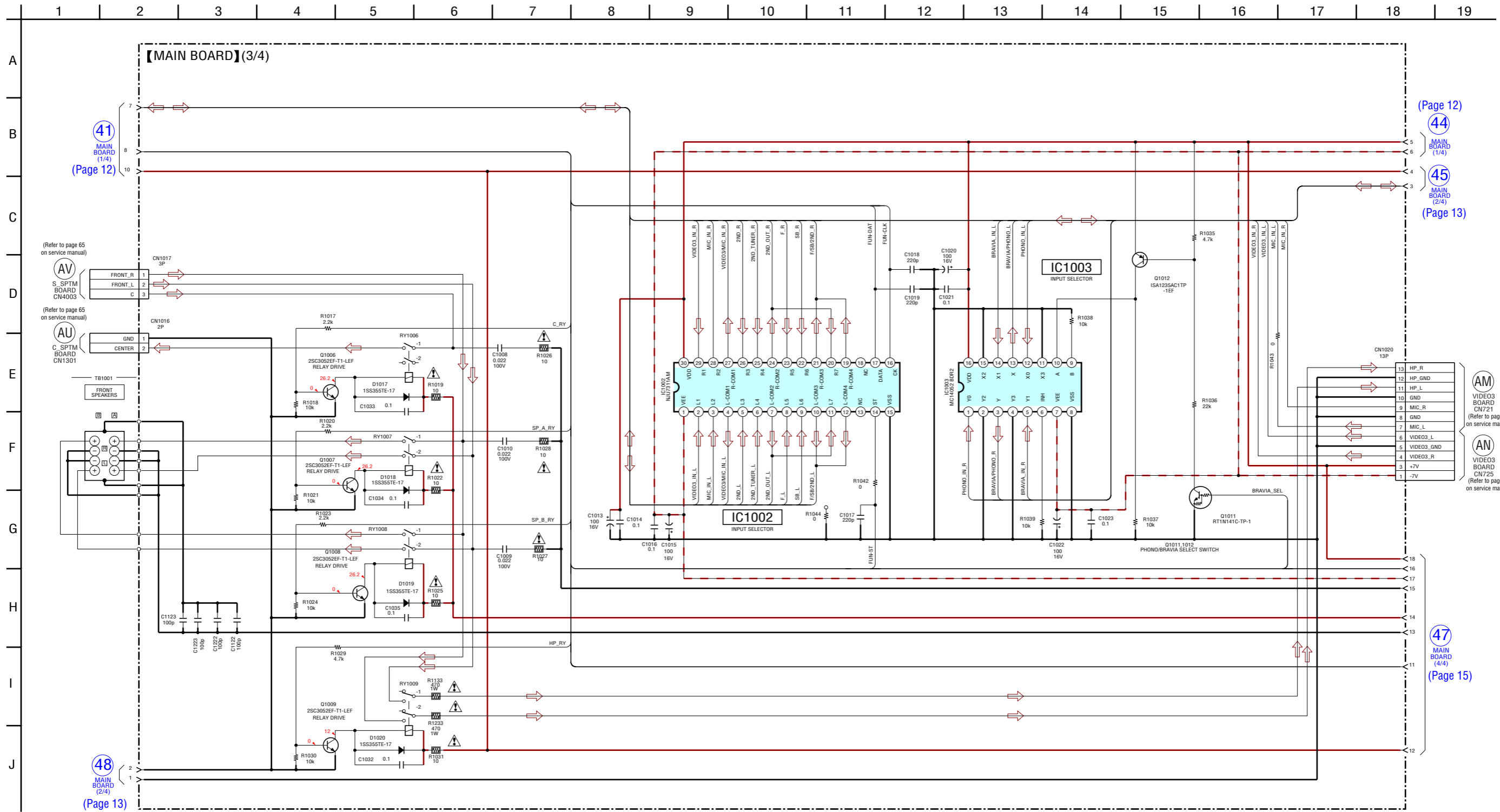
BQ
POW SW BOARD
CN1
(Refer to page 101 on service manual)

AW
MAIN BOARD (4/4)
CN1004
(Page 15)

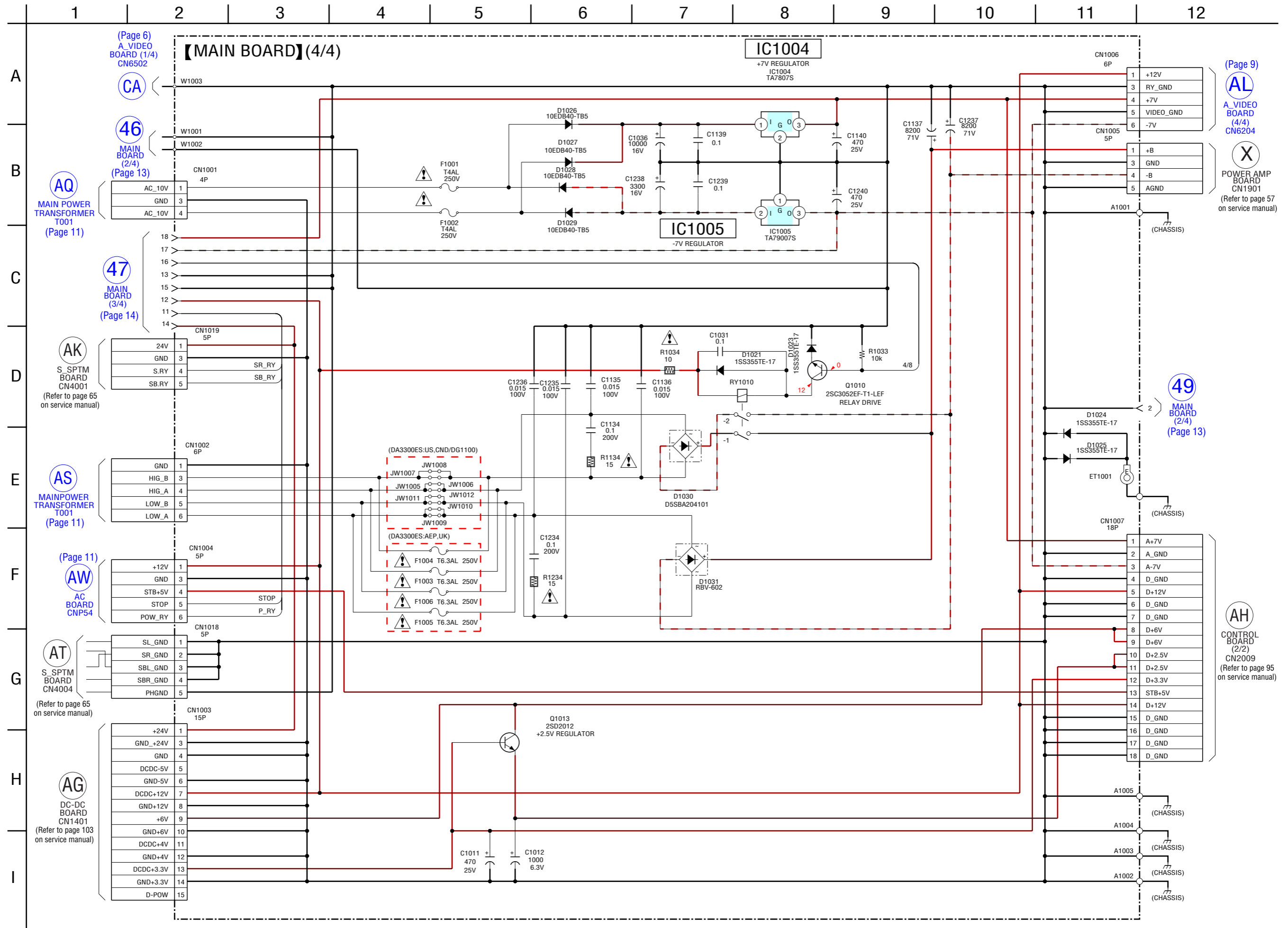
2-9. SCHEMATIC DIAGRAM – MAIN Board (1/4) –



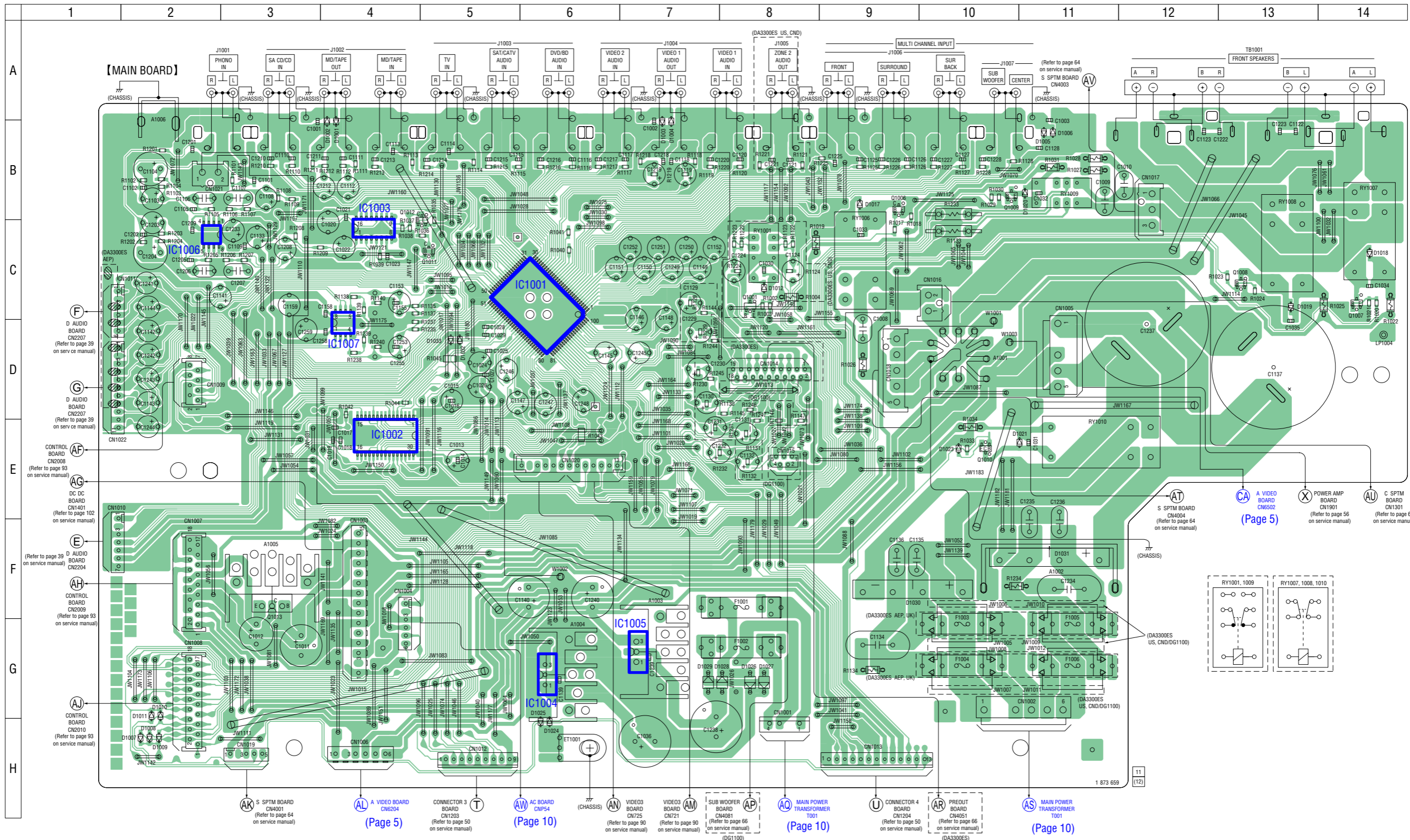
2-11. SCHEMATIC DIAGRAM – MAIN Board (3/4) –



2-12. SCHEMATIC DIAGRAM – MAIN Board (4/4) –



2-13. PRINTED WIRING BOARD – MAIN Board –  : Uses unleaded solder.



• Semiconductor Location

Ref. No.	Location	Ref. No.	Location	Ref. No.	Location	Ref. No.	Location	Ref. No.	Location
D1001	B-4	D1010	G-2	D1024	H-6	D1033	D-5	Q1001	C-8
D1002	B-4	D1011	G-2	D1025	H-6			Q1006	B-9
D1003	B-7	D1012	C-8	D1026	G-8	IC1001	C-6	Q1007	C-14
D1004	B-7	D1017	B-9	D1027	G-8	IC1002	E-4	Q1008	C-13
D1005	B-11	D1018	C-14	D1028	G-8	IC1003	C-4	Q1009	B-10
D1006	B-11	D1019	C-13	D1029	G-7	IC1004	G-6	Q1010	E-10
D1007	H-2	D1020	B-11	D1030	F-9	IC1005	G-7	Q1011	C-5
D1008	H-2	D1021	E-11	D1031	F-11	IC1006	C-2	Q1012	C-5
D1009	H-2	D1023	E-10	D1032	D-5	IC1007	D-4	Q1013	F-3

3. ELECTRICAL PARTS LIST

NOTE:

- Due to standardization, replacements in the parts list may be different from the parts specified in the diagrams or the components used on the set.
- -XX and -X mean standardized parts, so they may have some difference from the original one.
- Items marked “*” are not stocked since they are seldom required for routine service. Some delay should be anticipated when ordering these items.
- CAPACITORS
uF: μ F
- COILS
uH: μ H
- RESISTORS
All resistors are in ohms.
METAL: Metal-film resistor.
METAL OXIDE: Metal oxide-film resistor.
F: nonflammable
- SEMICONDUCTORS
In each case, u: μ , for example:
uA... : μ A... uPA... : μ PA...
uPB... : μ PB... uPC... : μ PC...
uPD... : μ PD...
- Abbreviation
CND : Canadian model
ECE : Russian and Ukrainian models

The components identified by mark \triangle or dotted line with mark \triangle are critical for safety. Replace only with part number specified.

Les composants identifiés par une marque \triangle sont critiques pour la sécurité. Ne les remplacer que par une pièce portant le numéro spécifié.

When indicating parts by reference number, please include the board.

Ref. No.	Part No.	Description	Remark	Ref. No.	Part No.	Description	Remark
	A-1254-399-A	A_VIDEO BOARD, COMPLETE (DA3300ES: US, CND)		C6253	1-107-826-11	CERAMIC CHIP 0.1uF 10%	16V
	A-1254-410-A	A_VIDEO BOARD, COMPLETE (DA3300ES: AEP, ECE, UK)		C6254	1-107-826-11	CERAMIC CHIP 0.1uF 10%	16V
	A-1254-422-A	A_VIDEO BOARD, COMPLETE (DG1100) ***** < CAPACITOR >		C6301	1-162-960-11	CERAMIC CHIP 220PF 10%	50V
C6001	1-162-960-11	CERAMIC CHIP 220PF	10% 50V	C6304	1-126-964-11	ELECT 10uF 20%	50V
C6002	1-126-964-11	ELECT 10uF	20% 50V				
C6003	1-126-964-11	ELECT 10uF	20% 50V	C6305	1-126-964-11	ELECT 10uF 20%	50V
C6004	1-126-964-11	ELECT 10uF	20% 50V	C6306	1-126-964-11	ELECT 10uF 20%	50V
C6005	1-126-964-11	ELECT 10uF	20% 50V	C6307	1-126-964-11	ELECT 10uF 20%	50V
				C6308	1-126-964-11	ELECT 10uF 20%	50V
C6006	1-126-964-11	ELECT 10uF	20% 50V				(DA3300ES: US, CND)
C6007	1-126-964-11	ELECT 10uF	20% 50V	C6309	1-126-964-11	ELECT 10uF 20%	50V
C6008	1-126-964-11	ELECT 10uF	20% 50V				
C6009	1-126-964-11	ELECT 10uF	20% 50V	C6310	1-126-964-11	ELECT 10uF 20%	50V
C6010	1-126-964-11	ELECT 10uF	20% 50V				(DA3300ES: US, CND)
C6011	1-107-826-11	CERAMIC CHIP 0.1uF	10% 16V	C6311	1-126-964-11	ELECT 10uF 20%	50V
C6012	1-107-826-11	CERAMIC CHIP 0.1uF	10% 16V	C6312	1-126-964-11	ELECT 10uF 20%	50V
C6013	1-107-826-11	CERAMIC CHIP 0.1uF	10% 16V				(DA3300ES: US, CND)
C6014	1-126-947-11	ELECT 47uF	20% 35V	C6313	1-162-923-11	CERAMIC CHIP 47PF 5%	50V
C6015	1-126-947-11	ELECT 47uF	20% 35V				(DA3300ES: US, CND)
				C6314	1-162-923-11	CERAMIC CHIP 47PF 5%	50V
C6101	1-126-962-11	ELECT 3.3uF	20% 50V				(DA3300ES: US, CND)
C6102	1-126-962-11	ELECT 3.3uF	20% 50V	C6315	1-126-964-11	ELECT 10uF 20%	50V
C6103	1-104-658-91	ELECT 100uF	20% 10V	C6316	1-162-927-11	CERAMIC CHIP 100PF 5%	50V
C6104	1-104-658-91	ELECT 100uF	20% 10V	C6317	1-107-826-11	CERAMIC CHIP 0.1uF 10%	16V
C6105	1-107-826-11	CERAMIC CHIP 0.1uF	10% 16V				(DA3300ES: US, CND)
C6106	1-107-826-11	CERAMIC CHIP 0.1uF	10% 16V	C6318	1-107-826-11	CERAMIC CHIP 0.1uF 10%	16V
C6107	1-162-970-11	CERAMIC CHIP 0.01uF	10% 25V	C6319	1-107-826-11	CERAMIC CHIP 0.1uF 10%	16V
C6108	1-126-947-11	ELECT 47uF	20% 35V				
C6109	1-126-916-11	ELECT 1000uF	20% 6.3V	C6320	1-107-826-11	CERAMIC CHIP 0.1uF 10%	16V
C6110	1-126-947-11	ELECT 47uF	20% 35V	C6321	1-107-826-11	CERAMIC CHIP 0.1uF 10%	16V
							(DA3300ES: US, CND)
C6111	1-162-970-11	CERAMIC CHIP 0.01uF	10% 25V	C6322	1-107-826-11	CERAMIC CHIP 0.1uF 10%	16V
C6115	1-126-947-11	ELECT 47uF	20% 35V				(DA3300ES: US, CND)
C6116	1-126-947-11	ELECT 47uF	20% 35V	C6323	1-162-927-11	CERAMIC CHIP 100PF 5%	50V
C6117	1-126-947-11	ELECT 47uF	20% 35V	C6324	1-162-927-11	CERAMIC CHIP 100PF 5%	50V
C6118	1-126-947-11	ELECT 47uF	20% 35V				
C6233	1-126-947-11	ELECT 47uF	20% 35V	C6325	1-162-927-11	CERAMIC CHIP 100PF 5%	50V
C6234	1-107-826-11	CERAMIC CHIP 0.1uF	10% 16V	C6326	1-162-927-11	CERAMIC CHIP 100PF 5%	50V
C6235	1-126-947-11	ELECT 47uF	20% 35V	C6327	1-162-927-11	CERAMIC CHIP 100PF 5%	50V
C6243	1-126-947-11	ELECT 47uF	20% 35V	C6328	1-126-947-11	ELECT 47uF 20%	35V
C6251	1-126-916-11	ELECT 1000uF	20% 6.3V	C6329	1-126-947-11	ELECT 47uF 20%	35V
C6252	1-126-933-11	ELECT 100uF	20% 16V	C6501	1-107-826-11	CERAMIC CHIP 0.1uF 10%	16V
				C6502	1-107-826-11	CERAMIC CHIP 0.1uF 10%	16V
				C6503	1-107-826-11	CERAMIC CHIP 0.1uF 10%	16V
				C6504	1-162-968-11	CERAMIC CHIP 0.0047uF 10%	50V
				C6505	1-162-968-11	CERAMIC CHIP 0.0047uF 10%	50V
				C6506	1-162-923-11	CERAMIC CHIP 47PF 5%	50V
							(DA3300ES: US, CND)
				C6507	1-162-923-11	CERAMIC CHIP 47PF 5%	50V

STR-DA3300ES/DG1100

A_VIDEO

Ref. No.	Part No.	Description	Remark	Ref. No.	Part No.	Description	Remark
C6508	1-126-933-11	ELECT	100uF 20% 16V (DA3300ES: US, CND)			< COIL >	
C6509	1-107-826-11	CERAMIC CHIP	0.1uF 10% 16V (DA3300ES: US, CND)	L6001	1-469-525-91	INDUCTOR	10uH
C6510	1-107-826-11	CERAMIC CHIP	0.1uF 10% 16V	L6002	1-469-525-91	INDUCTOR	10uH
C6511	1-126-964-11	ELECT	10uF 20% 50V (DA3300ES: US, CND)			< TRANSISTOR >	
C6512	1-126-964-11	ELECT	10uF 20% 50V (DA3300ES: US, CND)	Q6001	8-729-620-07	TRANSISTOR	2SC3052EF-T1-LEF
C6513	1-126-964-11	ELECT	10uF 20% 50V	Q6101	8-729-038-28	TRANSISTOR	RT1N441C-TP-1
C6514	1-126-964-11	ELECT	10uF 20% 50V	Q6102	8-729-038-28	TRANSISTOR	RT1N441C-TP-1
		< CONNECTOR >		Q6103	8-729-620-07	TRANSISTOR	2SC3052EF-T1-LEF
CN6203	1-770-407-11	CONNECTOR, BOARD TO BOARD 12P		Q6104	8-729-620-07	TRANSISTOR	2SC3052EF-T1-LEF
* CN6204	1-564-520-11	PLUG, CONNECTOR 5P				< RESISTOR >	
CN6501	1-770-469-21	PIN, CONNECTOR (PC BOARD) 2P		R6001	1-211-990-11	METAL CHIP	75 0.5% 1/10W
CN6502	1-564-320-00	PIN, CONNECTOR (3.96mm PITCH) 2P		R6002	1-211-990-11	METAL CHIP	75 0.5% 1/10W
		< DIODE >		R6003	1-211-990-11	METAL CHIP	75 0.5% 1/10W
D6001	6-501-817-01	DIODE MA2J1110GLS0		R6004	1-211-990-11	METAL CHIP	75 0.5% 1/10W
D6002	6-501-817-01	DIODE MA2J1110GLS0		R6005	1-211-990-11	METAL CHIP	75 0.5% 1/10W
D6003	6-501-817-01	DIODE MA2J1110GLS0		R6006	1-211-990-11	METAL CHIP	75 0.5% 1/10W
D6101	6-501-817-01	DIODE MA2J1110GLS0		R6007	1-211-990-11	METAL CHIP	75 0.5% 1/10W
D6102	6-501-817-01	DIODE MA2J1110GLS0		R6008	1-211-990-11	METAL CHIP	75 0.5% 1/10W
				R6009	1-211-990-11	METAL CHIP	75 0.5% 1/10W
D6301	6-501-817-01	DIODE MA2J1110GLS0		△R6010	1-249-393-11	CARBON	10 5% 1/4W F
D6302	6-501-817-01	DIODE MA2J1110GLS0		R6011	1-216-841-11	METAL CHIP	47K 5% 1/10W
D6303	6-501-817-01	DIODE MA2J1110GLS0 (DA3300ES)		R6012	1-216-821-11	METAL CHIP	1K 5% 1/10W
D6304	6-501-817-01	DIODE MA2J1110GLS0 (DA3300ES)		R6013	1-216-864-11	SHORT CHIP	0
D6501	6-501-817-01	DIODE MA2J1110GLS0		R6014	1-216-864-11	SHORT CHIP	0
				R6015	1-211-990-11	METAL CHIP	75 0.5% 1/10W
D6502	6-501-817-01	DIODE MA2J1110GLS0		R6016	1-216-864-11	SHORT CHIP	0
		< IC >		R6017	1-211-990-11	METAL CHIP	75 0.5% 1/10W
IC6001	6-706-767-01	IC NJM2586AM		R6018	1-211-990-11	METAL CHIP	75 0.5% 1/10W
IC6101	8-759-822-05	IC LA7213		R6101	1-216-815-11	METAL CHIP	330 5% 1/10W
IC6102	8-759-822-05	IC LA7213		R6102	1-216-815-11	METAL CHIP	330 5% 1/10W
IC6103	6-701-820-01	IC LA73053-TLM-E		R6103	1-216-847-11	METAL CHIP	150K 5% 1/10W
IC6104	6-706-767-01	IC NJM2586AM		R6104	1-216-847-11	METAL CHIP	150K 5% 1/10W
				R6105	1-216-829-11	METAL CHIP	4.7K 5% 1/10W
IC6204	8-759-353-02	IC NJM2533M (TE2)		R6106	1-216-829-11	METAL CHIP	4.7K 5% 1/10W
IC6205	8-759-647-11	IC uPC2905HF		R6110	1-216-821-11	METAL CHIP	1K 5% 1/10W
IC6206	8-759-245-79	IC TA79005S		R6111	1-216-821-11	METAL CHIP	1K 5% 1/10W
IC6301	6-704-199-01	IC NJM2595M-TE2 (DA3300ES)		R6112	1-216-841-11	METAL CHIP	47K 5% 1/10W
IC6302	6-704-199-01	IC NJM2595M-TE2		R6113	1-216-841-11	METAL CHIP	47K 5% 1/10W
				R6114	1-216-841-11	METAL CHIP	47K 5% 1/10W
IC6501	8-759-238-47	IC TC74HCT7007AF (EL)		R6115	1-216-841-11	METAL CHIP	47K 5% 1/10W
IC6502	8-759-268-29	IC SN74HC595ANS		R6116	1-216-841-11	METAL CHIP	47K 5% 1/10W
IC6503	8-759-268-29	IC SN74HC595ANS		R6117	1-216-841-11	METAL CHIP	47K 5% 1/10W
IC6504	8-759-353-02	IC NJM2533M (TE2) (DA3300ES)		R6118	1-211-990-11	METAL CHIP	75 0.5% 1/10W
IC6505	8-759-353-02	IC NJM2533M (TE2)		R6119	1-211-990-11	METAL CHIP	75 0.5% 1/10W
				R6120	1-211-990-11	METAL CHIP	75 0.5% 1/10W
		< JACK >		R6121	1-218-834-11	METAL CHIP	300 0.5% 1/10W
J6001	1-816-592-11	JACK, PIN 9P (COMPONENT VIDEO ASSIGNABLE (INPUT ONLY) VIDEO 1/ DVD/BD/SAT/CATV IN)		R6122	1-218-834-11	METAL CHIP	300 0.5% 1/10W
J6002	1-821-278-12	JACK 3P (COMPONENT VIDEO MONITOR OUT)		R6123	1-218-834-11	METAL CHIP	300 0.5% 1/10W
J6003	1-774-227-41	JACK, PIN 1P (ZONE 2 VIDEO OUT) (DA3300ES: US, CND)		R6124	1-216-815-11	METAL CHIP	330 5% 1/10W
J6004	1-794-978-11	JACK, PIN 3P (VIDEO 1/VIDEO 2 VIDEO IN, VIDEO 1 VIDEO OUT)		R6125	1-216-815-11	METAL CHIP	330 5% 1/10W
J6005	1-794-978-11	JACK, PIN 3P (DVD/BD/SAT/CATV VIDEO IN, MONITOR VIDEO OUT)		R6235	1-218-834-11	METAL CHIP	300 0.5% 1/10W
				R6236	1-218-834-11	METAL CHIP	300 0.5% 1/10W
				R6237	1-218-834-11	METAL CHIP	300 0.5% 1/10W
				R6239	1-216-864-11	SHORT CHIP	0
				R6240	1-216-864-11	SHORT CHIP	0

Ref. No.	Part No.	Description	Remark	Ref. No.	Part No.	Description	Remark
R6241	1-216-864-11	SHORT CHIP	0				
R6242	1-216-864-11	SHORT CHIP	0			< AC OUTLET >	
R6243	1-216-864-11	SHORT CHIP	0				
R6244	1-216-809-11	METAL CHIP	100	5%	1/10W		
R6245	1-216-809-11	METAL CHIP	100	5%	1/10W		
R6246	1-216-809-11	METAL CHIP	100	5%	1/10W		
R6247	1-216-809-11	METAL CHIP	100	5%	1/10W		
R6250	1-216-809-11	METAL CHIP	100	5%	1/10W		
R6251	1-216-809-11	METAL CHIP	100	5%	1/10W		
R6252	1-216-809-11	METAL CHIP	100	5%	1/10W		
R6301	1-211-990-11	METAL CHIP	75	0.5%	1/10W		
R6302	1-211-990-11	METAL CHIP	75	0.5%	1/10W		
R6303	1-211-990-11	METAL CHIP	75	0.5%	1/10W		
R6304	1-211-990-11	METAL CHIP	75	0.5%	1/10W		
R6305	1-211-990-11	METAL CHIP	75	0.5%	1/10W		
						(DA3300ES: US, CND)	
R6306	1-211-990-11	METAL CHIP	75	0.5%	1/10W		
R6307	1-211-990-11	METAL CHIP	75	0.5%	1/10W		
R6308	1-211-990-11	METAL CHIP	75	0.5%	1/10W		
						(DA3300ES: US, CND)	
R6309	1-211-990-11	METAL CHIP	75	0.5%	1/10W		
						(DA3300ES: US, CND)	
R6310	1-216-845-11	METAL CHIP	100K	5%	1/10W		
						(DA3300ES: US, CND)	
R6311	1-216-864-11	SHORT CHIP	0				
R6501	1-216-833-11	METAL CHIP	10K	5%	1/10W		
R6502	1-216-813-11	METAL CHIP	220	5%	1/10W		
R6503	1-216-813-11	METAL CHIP	220	5%	1/10W		
R6504	1-216-809-11	METAL CHIP	100	5%	1/10W		
						(DA3300ES: US, CND)	
R6505	1-216-809-11	METAL CHIP	100	5%	1/10W		
R6506	1-211-990-11	METAL CHIP	75	0.5%	1/10W		
		< RELAY >					
RY6001	1-755-267-11	RELAY					
RY6002	1-755-267-11	RELAY					
RY6003	1-755-267-11	RELAY					

		AC BOARD					

	7-685-646-79	SCREW +BVTP 3X8 TYPE2 IT-3					
		< CAPACITOR >					
C51	1-126-964-11	ELECT	10uF	20%	50V		
C52	1-112-093-11	ELECT	2200uF	20%	25V		
						(DA3300ES: AEP, ECE, UK)	
C52	1-126-943-11	ELECT	2200uF	20%	25V		
						(DA3300ES: US, CND/DG1100)	
C53	1-112-093-11	ELECT	2200uF	20%	25V		
						(DA3300ES: AEP, ECE, UK)	
C53	1-126-943-11	ELECT	2200uF	20%	25V		
						(DA3300ES: US, CND/DG1100)	
C54	1-164-315-11	CERAMIC CHIP	470PF	5%	50V		
C55	1-136-287-11	FILM	0.0047uF	5%	100V		
C56	1-137-465-11	MYLAR	0.056uF	5%	100V		
C57	1-126-941-11	ELECT	470uF	20%	25V		
C58	1-100-566-91	CERAMIC CHIP	0.1uF	10%	25V		
△C59	1-113-925-11	CERAMIC	0.01uF	20%	250V		
△CN001	1-251-718-11	OUTLET (2 GANG), AC (~ AC OUTLET)					(DG1100)
		< CONNECTOR >					
* CNP02	1-564-687-11	PIN, CONNECTOR (3.96mm PITCH) 3P					
CNP51	1-564-321-00	PIN, CONNECTOR (3.96mm PITCH) 2P					
CNP53	1-774-108-11	PIN, CONNECTOR (PC BOARD)					
CNP54	1-784-922-11	PIN, CONNECTOR 5P					
		< DIODE >					
D51	6-500-522-31	DIODE 10EDB40-TB5					
D52	6-500-522-31	DIODE 10EDB40-TB5					
D53	6-500-522-31	DIODE 10EDB40-TB5					
D54	6-500-522-31	DIODE 10EDB40-TB5					
D55	6-500-522-31	DIODE 10EDB40-TB5					
D56	6-501-193-01	DIODE 1SS355WTE-17					
D57	6-501-193-01	DIODE 1SS355WTE-17					
D58	6-501-193-01	DIODE 1SS355WTE-17					
D61	8-719-069-56	DIODE UDZSNPTE-176.2B					
		< EARTH TERMINAL >					
* EE51	1-537-738-21	TERMINAL, EARTH					
		< FUSE HOLDER >					
FH01	1-533-313-11	FUSE HOLDER					
FH02	1-533-313-11	FUSE HOLDER					
FH03	1-533-313-11	FUSE HOLDER (DG1100)					
FH04	1-533-313-11	FUSE HOLDER (DG1100)					
		< IC >					
IC51	8-759-450-47	IC BA05T					
		< TRANSISTOR >					
Q51	8-729-620-07	TRANSISTOR 2SC3052EF-T1-LEF					
Q52	8-729-620-07	TRANSISTOR 2SC3052EF-T1-LEF					
Q53	8-729-027-52	TRANSISTOR DTC124EKA-T146					
Q54	8-729-140-97	TRANSISTOR 2SB734-34					
Q55	8-729-027-52	TRANSISTOR DTC124EKA-T146					
		< RESISTOR >					
△R001	1-219-237-11	SOLID	3.3M	20%	1/2W F		(DA3300ES: US, CND/DG1100)
R51	1-216-833-11	METAL CHIP	10K	5%	1/10W		
R52	1-216-827-11	METAL CHIP	3.3K	5%	1/10W		
R53	1-216-837-11	METAL CHIP	22K	5%	1/10W		
R54	1-216-825-11	METAL CHIP	2.2K	5%	1/10W		
R55	1-216-833-11	METAL CHIP	10K	5%	1/10W		
R58	1-259-179-31	CARBON	3.3K	5%	1/4W		
R59	1-216-833-11	METAL CHIP	10K	5%	1/10W		
△R60	1-249-389-11	CARBON	4.7	5%	1/4W F		
R61	1-216-819-11	METAL CHIP	680	5%	1/10W		
		< RELAY >					
△RY01	1-755-266-11	RELAY, AC POWER					

STR-DA3300ES/DG1100

Ver. 1.2

AC **MAIN**

Ref. No.	Part No.	Description	Remark
< TRANSFORMER >			
△ T002	1-445-212-11	TRANSFORMER, POWER (DA3300ES: US, CND/DG1100)	
△ T002	1-445-213-11	TRANSFORMER, POWER (DA3300ES: AEP, ECE, UK)	
< THERMISTOR >			
△ TH50	1-804-046-11	THERMISTOR, POSITIVE (RXE030) (DA3300ES: AEP, ECE, UK)	

	A-1252-439-A	MAIN BOARD, COMPLETE (DA3300ES: AEP, UK)	
	A-1254-392-A	MAIN BOARD, COMPLETE (DA3300ES: US, CND)	
	A-1254-418-A	MAIN BOARD, COMPLETE (DG1100) *****	
	7-685-646-79	SCREW +BVTP 3X8 TYPE2 IT-3	
< CAPACITOR >			
C1001	1-164-230-11	CERAMIC CHIP 220PF 5% 50V	
C1002	1-164-230-11	CERAMIC CHIP 220PF 5% 50V	
C1003	1-164-230-11	CERAMIC CHIP 220PF 5% 50V	
C1008	1-137-395-91	MYLAR 0.022uF 5% 100V	
C1009	1-137-395-91	MYLAR 0.022uF 5% 100V	
C1010	1-137-395-91	MYLAR 0.022uF 5% 100V	
C1011	1-112-422-11	ELECT 470uF 20% 25V (DA3300ES: AEP, UK)	
C1011	1-126-941-11	ELECT 470uF 20% 25V (DA3300ES: US, CND/DG1100)	
C1012	1-112-077-11	ELECT 1000uF 20% 6.3V (DA3300ES: AEP, UK)	
C1012	1-126-916-11	ELECT 1000uF 20% 6.3V (DA3300ES: US, CND/DG1100)	
C1013	1-112-083-11	ELECT 100uF 20% 16V (DA3300ES: AEP, UK)	
C1013	1-126-933-11	ELECT 100uF 20% 16V (DA3300ES: US, CND/DG1100)	
C1014	1-100-597-91	CERAMIC CHIP 0.1uF 10% 25V	
C1015	1-112-083-11	ELECT 100uF 20% 16V (DA3300ES: AEP, UK)	
C1015	1-126-933-11	ELECT 100uF 20% 16V (DA3300ES: US, CND/DG1100)	
C1016	1-100-597-91	CERAMIC CHIP 0.1uF 10% 25V	
C1017	1-164-230-11	CERAMIC CHIP 220PF 5% 50V	
C1018	1-164-230-11	CERAMIC CHIP 220PF 5% 50V	
C1019	1-164-230-11	CERAMIC CHIP 220PF 5% 50V	
C1020	1-112-083-11	ELECT 100uF 20% 16V (DA3300ES: AEP, UK)	
C1020	1-126-933-11	ELECT 100uF 20% 16V (DA3300ES: US, CND/DG1100)	
C1021	1-100-597-91	CERAMIC CHIP 0.1uF 10% 25V	
C1022	1-112-083-11	ELECT 100uF 20% 16V (DA3300ES: AEP, UK)	
C1022	1-126-933-11	ELECT 100uF 20% 16V (DA3300ES: US, CND/DG1100)	
C1023	1-100-597-91	CERAMIC CHIP 0.1uF 10% 25V	
C1024	1-112-083-11	ELECT 100uF 20% 16V (DA3300ES: AEP, UK)	
C1024	1-126-933-11	ELECT 100uF 20% 16V	

Ref. No.	Part No.	Description	Remark
(DA3300ES: US, CND/DG1100)			
C1025	1-100-597-91	CERAMIC CHIP 0.1uF 10% 25V	
C1026	1-112-083-11	ELECT 100uF 20% 16V (DA3300ES: AEP, UK)	
C1026	1-126-933-11	ELECT 100uF 20% 16V (DA3300ES: US, CND/DG1100)	
C1027	1-100-597-91	CERAMIC CHIP 0.1uF 10% 25V	
C1028	1-164-230-11	CERAMIC CHIP 220PF 5% 50V	
C1029	1-164-230-11	CERAMIC CHIP 220PF 5% 50V	
C1030	1-100-597-91	CERAMIC CHIP 0.1uF 10% 25V (DA3300ES: US, CND)	
C1031	1-100-597-91	CERAMIC CHIP 0.1uF 10% 25V	
C1032	1-100-597-91	CERAMIC CHIP 0.1uF 10% 25V	
C1033	1-131-992-91	CERAMIC CHIP 100000PF 35V	
C1034	1-131-992-91	CERAMIC CHIP 100000PF 35V	
C1035	1-131-992-91	CERAMIC CHIP 100000PF 35V	
C1036	1-112-088-11	ELECT 10000uF 20% 16V (DA300ES: AEP, UK)	
C1036	1-126-939-11	ELECT 10000uF 20% 16V (DA300ES: US, CND/DG1100)	
C1101	1-162-927-11	CERAMIC CHIP 100PF 5% 50V	
C1102	1-164-230-11	CERAMIC CHIP 220PF 5% 50V	
C1103	1-112-097-11	ELECT 2.2uF 20% 50V (DA3300ES: AEP, UK)	
C1103	1-126-961-11	ELECT 2.2uF 20% 50V (DA3300ES: US, CND/DG1100)	
C1104	1-112-084-11	ELECT 470uF 20% 16V (DA3300ES: AEP, UK)	
C1104	1-126-935-11	ELECT 470uF 20% 16V (DA3300ES: US, CND/DG1100)	
C1105	1-162-927-11	CERAMIC CHIP 100PF 5% 50V	
C1106	1-125-896-91	MYLAR 0.0091uF 5% 50V	
C1107	1-136-159-00	MYLAR 0.033uF 5% 50V	
C1108	1-112-097-11	ELECT 2.2uF 20% 50V (DA3300ES: AEP, UK)	
C1108	1-126-961-11	ELECT 2.2uF 20% 50V (DA3300ES: US, CND/DG1100)	
C1109	1-164-227-11	CERAMIC CHIP 0.022uF 10% 25V	
C1110	1-115-414-11	CERAMIC CHIP 820PF 5% 25V	
C1111	1-162-927-11	CERAMIC CHIP 100PF 5% 50V	
C1112	1-112-114-11	ELECT 22uF 20% 50V (DA3300ES: AEP, UK)	
C1112	1-126-965-91	ELECT 22uF 20% 50V (DA3300ES: US, CND/DG1100)	
C1113	1-115-414-11	CERAMIC CHIP 820PF 5% 25V	
C1114	1-115-414-11	CERAMIC CHIP 820PF 5% 25V	
C1115	1-115-414-11	CERAMIC CHIP 820PF 5% 25V	
C1116	1-115-414-11	CERAMIC CHIP 820PF 5% 25V	
C1117	1-115-414-11	CERAMIC CHIP 820PF 5% 25V	
C1118	1-162-927-11	CERAMIC CHIP 100PF 5% 50V	
C1119	1-112-114-11	ELECT 22uF 20% 50V (DA3300ES: AEP, UK)	
C1119	1-126-965-91	ELECT 22uF 20% 50V (DA3300ES: US, CND/DG1100)	
C1120	1-115-414-11	CERAMIC CHIP 820PF 5% 25V	
C1121	1-162-927-11	CERAMIC CHIP 100PF 5% 50V (DA3300ES: US, CND)	
C1122	1-162-927-11	CERAMIC CHIP 100PF 5% 50V	
C1123	1-162-927-11	CERAMIC CHIP 100PF 5% 50V	
C1124	1-126-965-91	ELECT 22uF 20% 50V (DA3300ES: US, CND)	

Ref. No.	Part No.	Description	Remark	Ref. No.	Part No.	Description	Remark
C1125	1-162-927-11	CERAMIC CHIP	100PF 5% 50V	C1148	1-112-100-11	ELECT	10uF 20% 50V (DA3300ES: AEP, UK)
C1126	1-162-927-11	CERAMIC CHIP	100PF 5% 50V	C1148	1-126-964-11	ELECT	10uF 20% 50V (DA3300ES: US, CND/DG1100)
C1127	1-162-927-11	CERAMIC CHIP	100PF 5% 50V	C1149	1-112-100-11	ELECT	10uF 20% 50V (DA3300ES: AEP, UK)
C1128	1-162-927-11	CERAMIC CHIP	100PF 5% 50V	C1149	1-126-964-11	ELECT	10uF 20% 50V (DA3300ES: US, CND/DG1100)
C1129	1-112-114-11	ELECT	22uF 20% 50V (DA3300ES: AEP, UK)	C1150	1-112-100-11	ELECT	10uF 20% 50V (DA3300ES: AEP, UK)
C1129	1-126-965-91	ELECT	22uF 20% 50V (DA3300ES: US, CND)	C1150	1-126-964-11	ELECT	10uF 20% 50V (DA3300ES: US, CND/DG1100)
C1130	1-112-114-11	ELECT	22uF 20% 50V (DA3300ES: AEP, UK)	C1151	1-112-100-11	ELECT	10uF 20% 50V (DA3300ES: AEP, UK)
C1130	1-126-965-91	ELECT	22uF 20% 50V (DA3300ES: US, CND)	C1151	1-126-964-11	ELECT	10uF 20% 50V (DA3300ES: US, CND/DG1100)
C1131	1-112-114-11	ELECT	22uF 20% 50V (DA3300ES: AEP, UK)	C1152	1-112-100-11	ELECT	10uF 20% 50V (DA3300ES: AEP, UK)
C1131	1-126-965-91	ELECT	22uF 20% 50V (DA3300ES: US, CND)	C1152	1-126-964-11	ELECT	10uF 20% 50V (DA3300ES: US, CND/DG1100)
C1132	1-112-114-11	ELECT	22uF 20% 50V (DA3300ES: AEP, UK)	C1153	1-112-114-11	ELECT	22uF 20% 50V (DA3300ES: AEP, UK)
C1132	1-126-965-91	ELECT	22uF 20% 50V (DA3300ES: US, CND)	C1153	1-126-965-91	ELECT	22uF 20% 50V (DA3300ES: US, CND/DG1100)
C1133	1-112-089-11	ELECT	47uF 20% 25V (DA3300ES: AEP, UK)	C1155	1-162-966-11	CERAMIC CHIP	0.0022uF 10% 50V
C1133	1-126-947-11	ELECT	47uF 20% 35V (DA3300ES: US, CND/DG1100)	C1158	1-164-227-11	CERAMIC CHIP	0.022uF 10% 25V
C1134	1-104-999-11	MYLAR	0.1uF 5% 200V	C1159	1-112-089-11	ELECT	47uF 20% 25V (DA3300ES: AEP, UK)
C1135	1-137-350-11	FILM	0.015uF 5% 100V	C1159	1-126-947-11	ELECT	47uF 20% 35V (DA3300ES: US, CND/DG1100)
C1136	1-137-350-11	FILM	0.015uF 5% 100V	C1201	1-162-927-11	CERAMIC CHIP	100PF 5% 50V
C1137	1-114-537-11	ELECT (BLOCK)	8200uF 20% 71V	C1202	1-164-230-11	CERAMIC CHIP	220PF 5% 50V
C1139	1-100-597-91	CERAMIC CHIP	0.1uF 10% 25V	C1203	1-112-097-11	ELECT	2.2uF 20% 50V (DA3300ES: AEP, UK)
C1140	1-112-422-11	ELECT	470uF 20% 25V (DA3300ES: AEP, UK)	C1203	1-126-961-11	ELECT	2.2uF 20% 50V (DA3300ES: US, CND/DG1100)
C1140	1-126-941-11	ELECT	470uF 20% 25V (DA3300ES: US, CND/DG1100)	C1204	1-112-084-11	ELECT	470uF 20% 16V (DA3300ES: AEP, UK)
C1141	1-112-100-11	ELECT	10uF 20% 50V (DA3300ES: AEP, UK)	C1204	1-126-935-11	ELECT	470uF 20% 16V (DA3300ES: US, CND/DG1100)
C1141	1-126-964-11	ELECT	10uF 20% 50V (DA3300ES: US, CND/DG1100)	C1205	1-162-927-11	CERAMIC CHIP	100PF 5% 50V
C1142	1-112-100-11	ELECT	10uF 20% 50V (DA3300ES: AEP, UK)	C1206	1-125-896-91	MYLAR	0.0091uF 5% 50V
C1142	1-126-964-11	ELECT	10uF 20% 50V (DA3300ES: US, CND/DG1100)	C1207	1-136-159-00	MYLAR	0.033uF 5% 50V
C1143	1-112-100-11	ELECT	10uF 20% 50V (DA3300ES: AEP, UK)	C1208	1-112-097-11	ELECT	2.2uF 20% 50V (DA3300ES: AEP, UK)
C1143	1-126-964-11	ELECT	10uF 20% 50V (DA3300ES: US, CND/DG1100)	C1208	1-126-961-11	ELECT	2.2uF 20% 50V (DA3300ES: US, CND/DG1100)
C1144	1-112-100-11	ELECT	10uF 20% 50V (DA3300ES: AEP, UK)	C1209	1-164-227-11	CERAMIC CHIP	0.022uF 10% 25V
C1144	1-126-964-11	ELECT	10uF 20% 50V (DA3300ES: US, CND/DG1100)	C1210	1-115-414-11	CERAMIC CHIP	820PF 5% 25V
C1145	1-112-100-11	ELECT	10uF 20% 50V (DA3300ES: AEP, UK)	C1211	1-162-927-11	CERAMIC CHIP	100PF 5% 50V
C1145	1-126-964-11	ELECT	10uF 20% 50V (DA3300ES: US, CND/DG1100)	C1212	1-112-114-11	ELECT	22uF 20% 50V (DA3300ES: AEP, UK)
C1146	1-112-100-11	ELECT	10uF 20% 50V (DA3300ES: AEP, UK)	C1212	1-126-965-91	ELECT	22uF 20% 50V (DA3300ES: US, CND/DG1100)
C1146	1-126-964-11	ELECT	10uF 20% 50V (DA3300ES: US, CND/DG1100)	C1213	1-115-414-11	CERAMIC CHIP	820PF 5% 25V
C1147	1-112-100-11	ELECT	10uF 20% 50V (DA3300ES: AEP, UK)	C1214	1-115-414-11	CERAMIC CHIP	820PF 5% 25V
C1147	1-126-964-11	ELECT	10uF 20% 50V (DA3300ES: US, CND/DG1100)	C1215	1-115-414-11	CERAMIC CHIP	820PF 5% 25V
				C1216	1-115-414-11	CERAMIC CHIP	820PF 5% 25V
				C1217	1-115-414-11	CERAMIC CHIP	820PF 5% 25V
				C1218	1-162-927-11	CERAMIC CHIP	100PF 5% 50V
				C1219	1-112-114-11	ELECT	22uF 20% 50V (DA3300ES: AEP, UK)

STR-DA3300ES/DG1100

MAIN

Ref. No.	Part No.	Description	Remark	Ref. No.	Part No.	Description	Remark
C1219	1-126-965-91	ELECT	22uF 20% 50V (DA3300ES: US, CND/DG1100)	C1244	1-126-964-11	ELECT	10uF 20% 50V (DA3300ES: US, CND/DG1100)
C1220	1-115-414-11	CERAMIC CHIP	820PF 5% 25V	C1245	1-112-100-11	ELECT	10uF 20% 50V (DA3300ES: AEP, UK)
C1221	1-162-927-11	CERAMIC CHIP	100PF 5% 50V (DA3300ES: US, CND)	C1245	1-126-964-11	ELECT	10uF 20% 50V (DA3300ES: US, CND/DG1100)
C1222	1-162-927-11	CERAMIC CHIP	100PF 5% 50V	C1246	1-112-100-11	ELECT	10uF 20% 50V (DA3300ES: AEP, UK)
C1223	1-162-927-11	CERAMIC CHIP	100PF 5% 50V	C1246	1-126-964-11	ELECT	10uF 20% 50V (DA3300ES: US, CND/DG1100)
C1224	1-126-965-91	ELECT	22uF 20% 50V (DA3300ES: US, CND)	C1247	1-112-100-11	ELECT	10uF 20% 50V (DA3300ES: AEP, UK)
C1225	1-162-927-11	CERAMIC CHIP	100PF 5% 50V	C1247	1-126-964-11	ELECT	10uF 20% 50V (DA3300ES: US, CND/DG1100)
C1226	1-162-927-11	CERAMIC CHIP	100PF 5% 50V	C1248	1-112-100-11	ELECT	10uF 20% 50V (DA3300ES: AEP, UK)
C1227	1-162-927-11	CERAMIC CHIP	100PF 5% 50V	C1248	1-126-964-11	ELECT	10uF 20% 50V (DA3300ES: US, CND/DG1100)
C1228	1-162-927-11	CERAMIC CHIP	100PF 5% 50V	C1249	1-112-100-11	ELECT	10uF 20% 50V (DA3300ES: AEP, UK)
C1229	1-112-114-11	ELECT	22uF 20% 50V (DA3300ES: AEP, UK)	C1249	1-126-964-11	ELECT	10uF 20% 50V (DA3300ES: US, CND/DG1100)
C1229	1-126-965-91	ELECT	22uF 20% 50V (DA3300ES: US, CND)	C1250	1-112-100-11	ELECT	10uF 20% 50V (DA3300ES: AEP, UK)
C1230	1-112-114-11	ELECT	22uF 20% 50V (DA3300ES: AEP, UK)	C1250	1-126-964-11	ELECT	10uF 20% 50V (DA3300ES: US, CND/DG1100)
C1230	1-126-965-91	ELECT	22uF 20% 50V (DA3300ES: US, CND)	C1251	1-112-100-11	ELECT	10uF 20% 50V (DA3300ES: AEP, UK)
C1231	1-112-114-11	ELECT	22uF 20% 50V (DA3300ES: AEP, UK)	C1251	1-126-964-11	ELECT	10uF 20% 50V (DA3300ES: US, CND/DG1100)
C1231	1-126-965-91	ELECT	22uF 20% 50V (DA3300ES: US, CND)	C1252	1-112-100-11	ELECT	10uF 20% 50V (DA3300ES: AEP, UK)
C1232	1-112-114-11	ELECT	22uF 20% 50V (DA3300ES: AEP, UK)	C1252	1-126-964-11	ELECT	10uF 20% 50V (DA3300ES: US, CND/DG1100)
C1232	1-126-965-91	ELECT	22uF 20% 50V (DA3300ES: US, CND/DG1100)	C1253	1-112-114-11	ELECT	22uF 20% 50V (DA3300ES: AEP, UK)
C1233	1-112-089-11	ELECT	47uF 20% 25V (DA3300ES: AEP, UK)	C1253	1-126-965-91	ELECT	22uF 20% 50V (DA3300ES: US, CND/DG1100)
C1233	1-126-947-11	ELECT	47uF 20% 35V (DA3300ES: US, CND/DG1100)	C1255	1-162-966-11	CERAMIC CHIP	0.0022uF 10% 50V
C1234	1-104-999-11	MYLAR	0.1uF 5% 200V	C1258	1-164-227-11	CERAMIC CHIP	0.022uF 10% 25V
C1235	1-137-350-11	FILM	0.015uF 5% 100V	C1259	1-112-089-11	ELECT	47uF 20% 25V (DA3300ES: AEP, UK)
C1236	1-137-350-11	FILM	0.015uF 5% 100V	C1259	1-126-947-11	ELECT	47uF 20% 35V (DA3300ES: US, CND/DG1100)
C1237	1-114-537-11	ELECT (BLOCK)	8200uF 20% 71V				< CONNECTOR >
C1238	1-112-362-11	ELECT	3300uF 20% 16V (DA3300ES: AEP, UK)	CN1001	1-691-765-11	PLUG (MICRO CONNECTOR) 3P	
C1238	1-126-936-11	ELECT	3300uF 20% 16V (DA3300ES: US, CND/DG1100)	CN1002	1-785-103-11	PIN, CONNECTOR (3.96mm PITCH) 5P	
C1239	1-100-597-91	CERAMIC CHIP	0.1uF 10% 25V	CN1005	1-785-102-11	PIN, CONNECTOR (3.96mm PITCH) 4P	
C1240	1-112-422-11	ELECT	470uF 20% 25V (DA3300ES: AEP, UK)	CN1007	1-770-385-11	CONNECTOR, BOARD TO BOARD 18P	
C1240	1-126-941-11	ELECT	470uF 20% 25V (DA3300ES: US, CND/DG1100)	CN1008	1-770-385-11	CONNECTOR, BOARD TO BOARD 18P	
C1241	1-112-100-11	ELECT	10uF 20% 50V (DA3300ES: AEP, UK)	CN1009	1-770-380-11	CONNECTOR, BOARD TO BOARD 8P	
C1241	1-126-964-11	ELECT	10uF 20% 50V (DA3300ES: US, CND/DG1100)	CN1012	1-784-038-21	CONNECTOR, BOARD TO BOARD 9P	
C1242	1-112-100-11	ELECT	10uF 20% 50V (DA3300ES: AEP, UK)	CN1013	1-573-845-11	CONNECTOR, BOARD TO BOARD 13P	
C1242	1-126-964-11	ELECT	10uF 20% 50V (DA3300ES: US, CND/DG1100)	CN1014	1-779-287-11	CONNECTOR, FFC (LIF (NON-ZIF)) 19P (DA3300ES)	
C1243	1-112-100-11	ELECT	10uF 20% 50V (DA3300ES: AEP, UK)	CN1015	1-779-273-11	CONNECTOR, FFC (LIF (NON-ZIF)) 5P (DG1100)	
C1243	1-126-964-11	ELECT	10uF 20% 50V (DA3300ES: US, CND/DG1100)	CN1020	1-784-927-11	PIN, CONNECTOR 12P	
C1244	1-112-100-11	ELECT	10uF 20% 50V (DA3300ES: AEP, UK)				< DIODE >
				D1001	8-719-988-61	DIODE 1SS355TE-17	

Ref. No.	Part No.	Description	Remark	Ref. No.	Part No.	Description	Remark
D1002	8-719-988-61	DIODE 1SS355TE-17		J1002	1-774-411-11	JACK, PIN 6P	
D1003	8-719-988-61	DIODE 1SS355TE-17				(SA-CD/CD/MD/TAPE IN, MD/TAPE OUT)	
D1004	8-719-988-61	DIODE 1SS355TE-17		J1003	1-774-411-11	JACK, PIN 6P	
D1005	8-719-988-61	DIODE 1SS355TE-17				(TV IN, SAT/CATV/DVD/BD AUDIO IN)	
D1006	8-719-988-61	DIODE 1SS355TE-17		J1004	1-774-411-11	JACK, PIN 6P (VIDEO 2/VIDEO 1 AUDIO IN,	
D1007	8-719-988-61	DIODE 1SS355TE-17				VIDEO 1 AUDIO OUT)	
D1008	8-719-988-61	DIODE 1SS355TE-17		J1005	1-815-045-11	JACK, PIN 2P (ZONE 2 AUDIO OUT)	
D1009	8-719-988-61	DIODE 1SS355TE-17				(DA3300ES: US, CND)	
D1010	8-719-988-61	DIODE 1SS355TE-17		J1006	1-774-411-11	JACK, PIN 6P (MULTI CHANNEL INPUT FRONT/ SURROUND/SUR BACK)	
D1011	8-719-988-61	DIODE 1SS355TE-17		J1007	1-793-777-12	JACK, PIN 2P (MULTI CHANNEL INPUT CENTER/SUB WOOFER)	
D1012	8-719-988-61	DIODE 1SS355TE-17 (DA3300ES: US, CND)					
D1017	8-719-988-61	DIODE 1SS355TE-17				< TRANSISTOR >	
D1018	8-719-988-61	DIODE 1SS355TE-17		Q1001	8-729-620-07	TRANSISTOR 2SC3052EF-T1-LEF	
D1019	8-719-988-61	DIODE 1SS355TE-17				(DA3300ES: US, CND)	
D1020	8-719-988-61	DIODE 1SS355TE-17		Q1006	8-729-620-07	TRANSISTOR 2SC3052EF-T1-LEF	
D1021	8-719-988-61	DIODE 1SS355TE-17		Q1007	8-729-620-07	TRANSISTOR 2SC3052EF-T1-LEF	
D1023	8-719-988-61	DIODE 1SS355TE-17		Q1008	8-729-620-07	TRANSISTOR 2SC3052EF-T1-LEF	
D1024	8-719-988-61	DIODE 1SS355TE-17		Q1009	8-729-620-07	TRANSISTOR 2SC3052EF-T1-LEF	
D1025	8-719-988-61	DIODE 1SS355TE-17					
D1026	6-500-522-31	DIODE 10EDB40-TB5		Q1010	8-729-620-07	TRANSISTOR 2SC3052EF-T1-LEF	
D1027	6-500-522-31	DIODE 10EDB40-TB5		Q1011	8-729-027-43	TRANSISTOR DTC114EKA-T146	
D1028	6-500-522-31	DIODE 10EDB40-TB5		Q1012	6-551-696-01	TRANSISTOR ISA1235AC1TP-1EF	
D1029	6-500-522-31	DIODE 10EDB40-TB5		Q1013	8-729-209-15	TRANSISTOR 2SD2012	
D1030	8-719-510-68	DIODE D5SBA204101				< RESISTOR >	
D1031	8-719-302-37	DIODE RBV-602		R1002	1-216-829-11	METAL CHIP 4.7K 5% 1/10W	
D1032	8-719-988-61	DIODE 1SS355TE-17				(DA3300ES: US, CND)	
D1033	8-719-988-61	DIODE 1SS355TE-17		R1003	1-216-833-11	METAL CHIP 10K 5% 1/10W	
		< EARTH TERMINAL >				(DA3300ES: US, CND)	
* ET1001	1-537-738-21	TERMINAL, EARTH		△R1004	1-249-393-11	CARBON 10 5% 1/4W F	
		< FUSE HOLDER >				(DA3300ES: US, CND)	
FH1001	1-533-313-11	FUSE HOLDER		R1017	1-216-825-11	METAL CHIP 2.2K 5% 1/10W	
FH1002	1-533-313-11	FUSE HOLDER		R1018	1-216-833-11	METAL CHIP 10K 5% 1/10W	
FH1003	1-533-313-11	FUSE HOLDER		△R1019	1-249-393-11	CARBON 10 5% 1/4W F	
FH1004	1-533-313-11	FUSE HOLDER		R1020	1-216-825-11	METAL CHIP 2.2K 5% 1/10W	
FH1005	1-533-313-11	FUSE HOLDER (DA3300ES: AEP, UK)		R1021	1-216-833-11	METAL CHIP 10K 5% 1/10W	
FH1006	1-533-313-11	FUSE HOLDER (DA3300ES: AEP, UK)		△R1022	1-249-393-11	CARBON 10 5% 1/4W F	
FH1007	1-533-313-11	FUSE HOLDER (DA3300ES: AEP, UK)		R1023	1-216-825-11	METAL CHIP 2.2K 5% 1/10W	
FH1008	1-533-313-11	FUSE HOLDER (DA3300ES: AEP, UK)					
FH1009	1-533-313-11	FUSE HOLDER (DA3300ES: AEP, UK)		R1024	1-216-833-11	METAL CHIP 10K 5% 1/10W	
FH1010	1-533-313-11	FUSE HOLDER (DA3300ES: AEP, UK)		△R1025	1-249-393-11	CARBON 10 5% 1/4W F	
FH1011	1-533-313-11	FUSE HOLDER (DA3300ES: AEP, UK)		△R1026	1-249-393-11	CARBON 10 5% 1/4W F	
FH1012	1-533-313-11	FUSE HOLDER (DA3300ES: AEP, UK)		△R1027	1-249-393-11	CARBON 10 5% 1/4W F	
		< IC >		△R1028	1-249-393-11	CARBON 10 5% 1/4W F	
IC1001	6-710-586-01	IC R2S15206FP					
IC1002	6-711-163-01	IC NJU7311AM (TE2)		R1029	1-216-829-11	METAL CHIP 4.7K 5% 1/10W	
IC1003	8-759-385-76	IC MC14052 BDR2		R1030	1-216-833-11	METAL CHIP 10K 5% 1/10W	
IC1004	8-759-071-48	IC TA7807S		△R1031	1-249-393-11	CARBON 10 5% 1/4W F	
IC1005	8-759-071-47	IC TA79007S		R1033	1-216-833-11	METAL CHIP 10K 5% 1/10W	
IC1006	8-759-710-97	IC NJM4565M-D		△R1034	1-249-393-11	CARBON 10 5% 1/4W F	
IC1007	8-759-710-97	IC NJM4565M-D					
		< JACK >		R1035	1-216-829-11	METAL CHIP 4.7K 5% 1/10W	
J1001	1-815-045-11	JACK, PIN 2P (PHONO IN)		R1036	1-216-837-11	METAL CHIP 22K 5% 1/10W	
				R1037	1-216-833-11	METAL CHIP 10K 5% 1/10W	
				R1038	1-216-833-11	METAL CHIP 10K 5% 1/10W	
				R1039	1-216-833-11	METAL CHIP 10K 5% 1/10W	
				R1040	1-216-833-11	METAL CHIP 10K 5% 1/10W	
				R1041	1-216-833-11	METAL CHIP 10K 5% 1/10W	
				R1042	1-216-864-11	SHORT CHIP 0	
				R1043	1-216-296-11	SHORT CHIP 0	
				R1044	1-216-864-11	SHORT CHIP 0	

STR-DA3300ES/DG1100

MAIN

Ref. No.	Part No.	Description	Remark	Ref. No.	Part No.	Description	Remark
R1045	1-216-296-11	SHORT CHIP	0	R1205	1-216-832-11	METAL CHIP	8.2K 5% 1/10W
R1101	1-216-825-11	METAL CHIP	2.2K 5% 1/10W	R1206	1-216-845-11	METAL CHIP	100K 5% 1/10W
R1102	1-216-845-11	METAL CHIP	100K 5% 1/10W	R1207	1-216-809-11	METAL CHIP	100 5% 1/10W
R1103	1-216-845-11	METAL CHIP	100K 5% 1/10W	R1208	1-216-845-11	METAL CHIP	100K 5% 1/10W
R1104	1-216-812-11	METAL CHIP	180 5% 1/10W	R1209	1-216-817-11	METAL CHIP	470 5% 1/10W
R1105	1-216-832-11	METAL CHIP	8.2K 5% 1/10W	R1210	1-216-821-11	METAL CHIP	1K 5% 1/10W
R1106	1-216-845-11	METAL CHIP	100K 5% 1/10W	R1211	1-216-821-11	METAL CHIP	1K 5% 1/10W
R1107	1-216-809-11	METAL CHIP	100 5% 1/10W	R1212	1-216-845-11	METAL CHIP	100K 5% 1/10W
R1108	1-216-845-11	METAL CHIP	100K 5% 1/10W	R1213	1-216-821-11	METAL CHIP	1K 5% 1/10W
R1109	1-216-817-11	METAL CHIP	470 5% 1/10W	R1214	1-216-821-11	METAL CHIP	1K 5% 1/10W
R1110	1-216-821-11	METAL CHIP	1K 5% 1/10W	R1215	1-216-821-11	METAL CHIP	1K 5% 1/10W
R1111	1-216-821-11	METAL CHIP	1K 5% 1/10W	R1216	1-216-821-11	METAL CHIP	1K 5% 1/10W
R1112	1-216-845-11	METAL CHIP	100K 5% 1/10W	R1217	1-216-821-11	METAL CHIP	1K 5% 1/10W
R1113	1-216-821-11	METAL CHIP	1K 5% 1/10W	R1218	1-216-821-11	METAL CHIP	1K 5% 1/10W
R1114	1-216-821-11	METAL CHIP	1K 5% 1/10W	R1219	1-216-845-11	METAL CHIP	100K 5% 1/10W
R1115	1-216-821-11	METAL CHIP	1K 5% 1/10W	R1220	1-216-821-11	METAL CHIP	1K 5% 1/10W
R1116	1-216-821-11	METAL CHIP	1K 5% 1/10W	R1221	1-216-821-11	METAL CHIP	1K 5% 1/10W
R1117	1-216-821-11	METAL CHIP	1K 5% 1/10W				(DA3300ES: US, CND)
R1118	1-216-821-11	METAL CHIP	1K 5% 1/10W	R1222	1-216-809-11	METAL CHIP	100 5% 1/10W
R1119	1-216-845-11	METAL CHIP	100K 5% 1/10W				(DA3300ES: US, CND)
R1120	1-216-821-11	METAL CHIP	1K 5% 1/10W	R1223	1-216-829-11	METAL CHIP	4.7K 5% 1/10W
R1121	1-216-821-11	METAL CHIP	1K 5% 1/10W				(DA3300ES: US, CND)
R1122	1-216-829-11	METAL CHIP	4.7K 5% 1/10W	R1224	1-216-845-11	METAL CHIP	100K 5% 1/10W
			(DA3300ES: US, CND)				(DA3300ES: US, CND)
R1123	1-216-809-11	METAL CHIP	100 5% 1/10W	R1225	1-216-821-11	METAL CHIP	1K 5% 1/10W
			(DA3300ES: US, CND)	R1226	1-216-821-11	METAL CHIP	1K 5% 1/10W
R1124	1-216-845-11	METAL CHIP	100K 5% 1/10W	R1227	1-216-821-11	METAL CHIP	1K 5% 1/10W
			(DA3300ES: US, CND)	R1228	1-216-821-11	METAL CHIP	1K 5% 1/10W
R1125	1-216-821-11	METAL CHIP	1K 5% 1/10W	R1229	1-216-845-11	METAL CHIP	100K 5% 1/10W
R1126	1-216-821-11	METAL CHIP	1K 5% 1/10W				(DA3300ES)
R1127	1-216-821-11	METAL CHIP	1K 5% 1/10W	R1230	1-216-845-11	METAL CHIP	100K 5% 1/10W
R1128	1-216-821-11	METAL CHIP	1K 5% 1/10W				(DA3300ES)
R1129	1-216-845-11	METAL CHIP	100K 5% 1/10W	R1231	1-216-845-11	METAL CHIP	100K 5% 1/10W
			(DA3300ES)				(DA3300ES)
R1130	1-216-845-11	METAL CHIP	100K 5% 1/10W	R1232	1-216-845-11	METAL CHIP	100K 5% 1/10W
			(DA3300ES)	△R1233	1-215-867-00	METAL OXIDE	470 5% 1W F
R1131	1-216-845-11	METAL CHIP	100K 5% 1/10W	△R1234	1-249-395-11	CARBON	15 5% 1/4W F
			(DA3300ES)	R1235	1-216-825-11	METAL CHIP	2.2K 5% 1/10W
R1132	1-216-845-11	METAL CHIP	100K 5% 1/10W	R1237	1-216-825-11	METAL CHIP	2.2K 5% 1/10W
			(DA3300ES)	R1238	1-216-813-11	METAL CHIP	220 5% 1/10W
△R1133	1-215-867-00	METAL OXIDE	470 5% 1W F	R1239	1-216-832-11	METAL CHIP	8.2K 5% 1/10W
△R1134	1-249-395-11	CARBON	15 5% 1/4W F	R1240	1-216-829-11	METAL CHIP	4.7K 5% 1/10W
R1135	1-216-825-11	METAL CHIP	2.2K 5% 1/10W	R1244	1-216-809-11	METAL CHIP	100 5% 1/10W
R1137	1-216-825-11	METAL CHIP	2.2K 5% 1/10W				(DA3300ES)
R1138	1-216-813-11	METAL CHIP	220 5% 1/10W	R1245	1-216-809-11	METAL CHIP	100 5% 1/10W
R1139	1-216-832-11	METAL CHIP	8.2K 5% 1/10W				(DA3300ES)
R1140	1-216-829-11	METAL CHIP	4.7K 5% 1/10W	R1246	1-216-809-11	METAL CHIP	100 5% 1/10W
							(DA3300ES)
R1144	1-216-809-11	METAL CHIP	100 5% 1/10W	R1247	1-216-809-11	METAL CHIP	100 5% 1/10W
			(DA3300ES)				< RELAY >
R1145	1-216-809-11	METAL CHIP	100 5% 1/10W				
			(DA3300ES)	RY1001	1-755-486-11	RELAY (DA3300ES: US, CND)	
R1146	1-216-809-11	METAL CHIP	100 5% 1/10W	RY1006	1-515-920-11	RELAY (24V)	
			(DA3300ES)	RY1007	1-515-920-11	RELAY (24V)	
R1147	1-216-809-11	METAL CHIP	100 5% 1/10W	RY1008	1-515-920-11	RELAY (24V)	
			(DA3300ES)	RY1009	1-755-486-11	RELAY	
R1201	1-216-825-11	METAL CHIP	2.2K 5% 1/10W				
R1202	1-216-845-11	METAL CHIP	100K 5% 1/10W	RY1010	1-755-031-11	RELAY	
R1203	1-216-845-11	METAL CHIP	100K 5% 1/10W				
R1204	1-216-812-11	METAL CHIP	180 5% 1/10W				

Ref. No.	Part No.	Description	Remark
		< TERMINAL >	
TB1001	1-780-404-11	TERMINAL BOARD (SP) (8P) (FRONT SPEAKERS)	

MISCELLANEOUS *****			
△356	1-783-820-11	CORD, POWER (DG1100)	
△F001	1-532-504-33	FUSE (T4AL/250V) (DA3300ES: AEP, ECE, UK)	
△F001	1-533-311-12	FUSE, GLASS CYLINDRICAL (DIA.5) (8A/125V) (DA3300ES: US, CND/DG1100)	
△F03	1-533-420-12	FUSE, GLASS CYLINDRICAL (DIA.5) (5A/125V) (DG1100)	
△F1001	1-532-504-33	FUSE (T4AL/250V)	
△F1002	1-532-504-33	FUSE (T4AL/250V)	
△F1003	1-532-506-33	FUSE (T6.3AL/250V) (DA3300ES: AEP, UK)	
△F1004	1-532-506-33	FUSE (T6.3AL/250V) (DA3300ES: AEP, UK)	
△F1005	1-532-506-33	FUSE (T6.3AL/250V) (DA3300ES: AEP, UK)	
△F1006	1-532-506-33	FUSE (T6.3AL/250V) (DA3300ES: AEP, UK)	
△J01	1-821-082-21	INLET, AC 2P (～AC IN) (DA3300ES)	
△T001	1-445-232-11	TRANSFORMER, POWER (DA3300ES: US, CND/DG1100)	
△T001	1-445-233-11	TRANSFORMER, POWER (DA3300ES: AEP, ECE, UK)	

MEMO

STR-DA3300ES/DG1100

SONY®

SERVICE MANUAL

Ver. 1.2 2007.10

US Model
STR-DA3300ES/DG1100
Canadian Model
AEP Model
UK Model
STR-DA3300ES

SUPPLEMENT-2

File this supplement with the service manual.

**Subject: Change of TUNER board
(Combined Suffix-12/-13)
Change of MAIN board (Combined Suffix-21)**

In this set, MAIN and TUNER boards have been changed in the midway of production.

Printed wiring board, schematic diagram and electrical parts list of new type are described in this supplement-2.

Refer to original service manual and supplement-1 for other information.

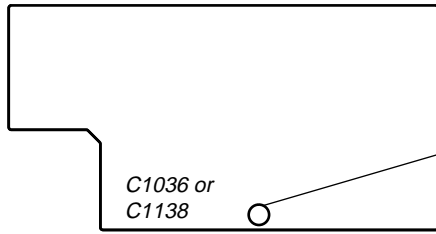
TABLE OF CONTENTS

1. NEW/FORMER DISCRIMINATION	2
2. DIAGRAMS	
2-1. Printed Wiring Board	
– TUNER Board (Component Side) (Suffix-12) –	4
2-2. Printed Wiring Board	
– TUNER Board (Conductor Side) (Suffix-12) –	5
2-3. Printed Wiring Board	
– TUNER Board (Component Side) (Suffix-13) –	6
2-4. Printed Wiring Board	
– TUNER Board (Conductor Side) (Suffix-13) –	7
2-5. Schematic Diagram – TUNER Board (1/2) –	8
2-6. Schematic Diagram – TUNER Board (2/2) –	9
2-7. Schematic Diagram – MAIN Board (1/4) –	10
2-8. Schematic Diagram – MAIN Board (2/4) –	11
2-9. Schematic Diagram – MAIN Board (3/4) –	12
2-10. Schematic Diagram – MAIN Board (4/4) –	13
2-11. Printed Wiring Board – MAIN Board –	14
3. ELECTRICAL PARTS LIST	15

1. NEW/FORMER DISCRIMINATION

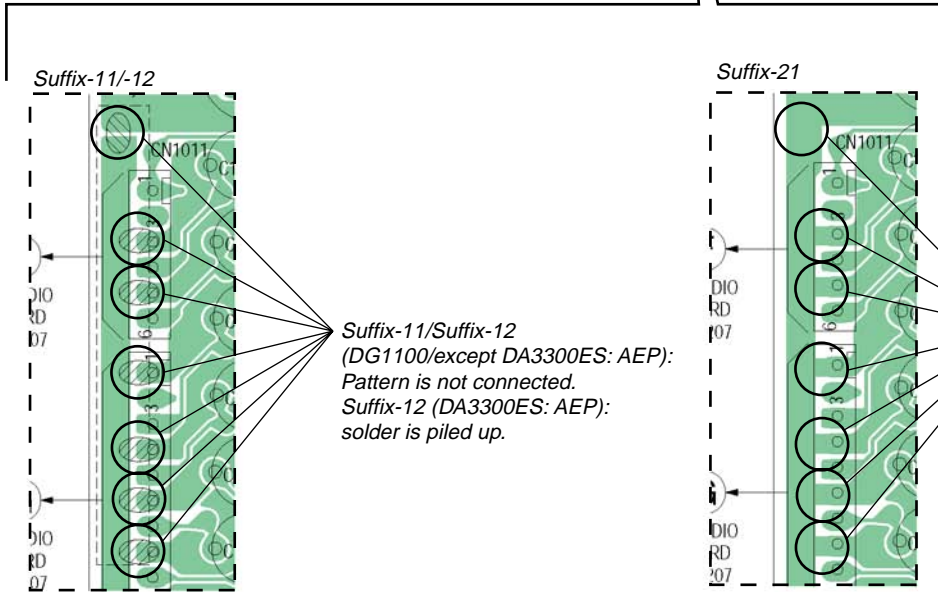
Note: TUNER board of Russian and Ukrainian models uses only suffix-13.

– MAIN Board (Component Side) –



Suffix-11
C1138 is mounted.
Suffix-12/-13
C1036 is mounted.

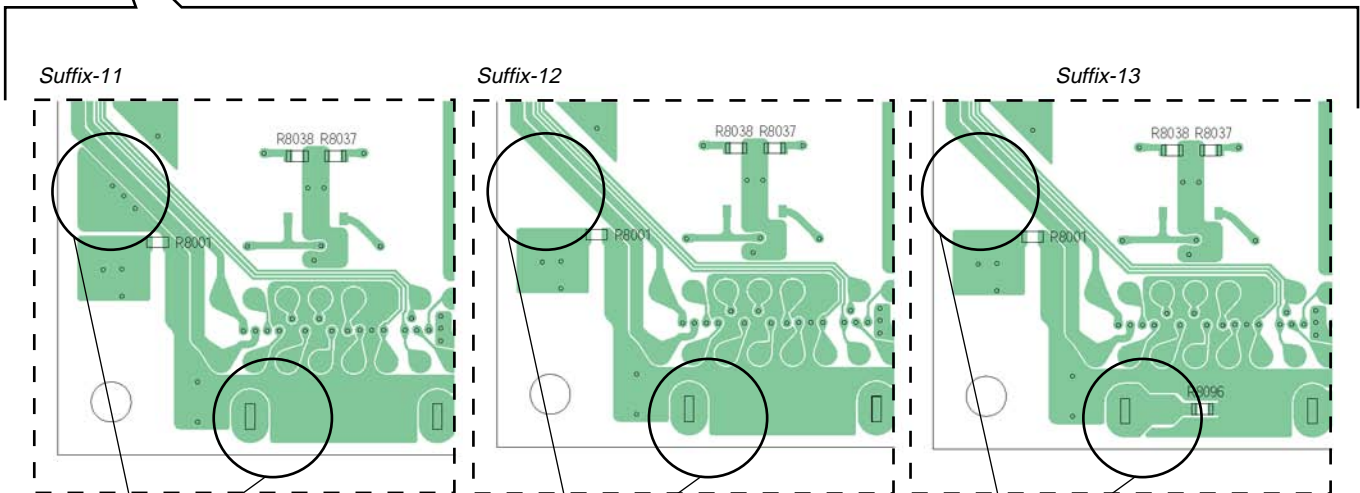
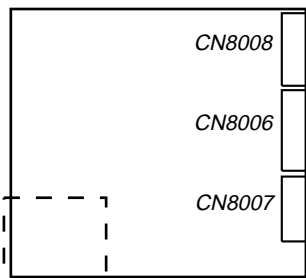
– MAIN Board (Conductor Side) –



Suffix-11/Suffix-12
(DG1100/except DA3300ES: AEP):
Pattern is not connected.
Suffix-12 (DA3300ES: AEP):
solder is piled up.

Pattern is connected.

– TUNER Board (Conductor Side) –



Pattern is not connected.

Pattern is not connected.

Pattern is connected.

Three through holes are open.

Three through holes are not open.

Three through holes are not open.

2. DIAGRAMS

• Note for Printed Wiring Boards and Schematic Diagrams

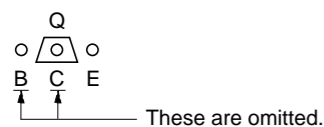
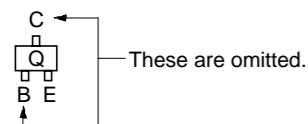
Note on Printed Wiring Board:

- : parts extracted from the component side.
- : parts extracted from the conductor side.
- : Pattern from the side which enables seeing.

(The other layers' patterns are not indicated.)

Caution:
 Pattern face side: Parts on the pattern face side seen from the pattern face are indicated.
 (Conductor Side)
 Parts face side: Parts on the parts face side seen from the parts face are indicated.
 (Component Side)

- Indication of transistor



Note on Schematic Diagram:

- All capacitors are in μF unless otherwise noted. (p: pF) 50 WV or less are not indicated except for electrolytics and tantalums.
- All resistors are in Ω and $1/4\text{W}$ or less unless otherwise specified.
- : nonflammable resistor.
- : panel designation.

Note:

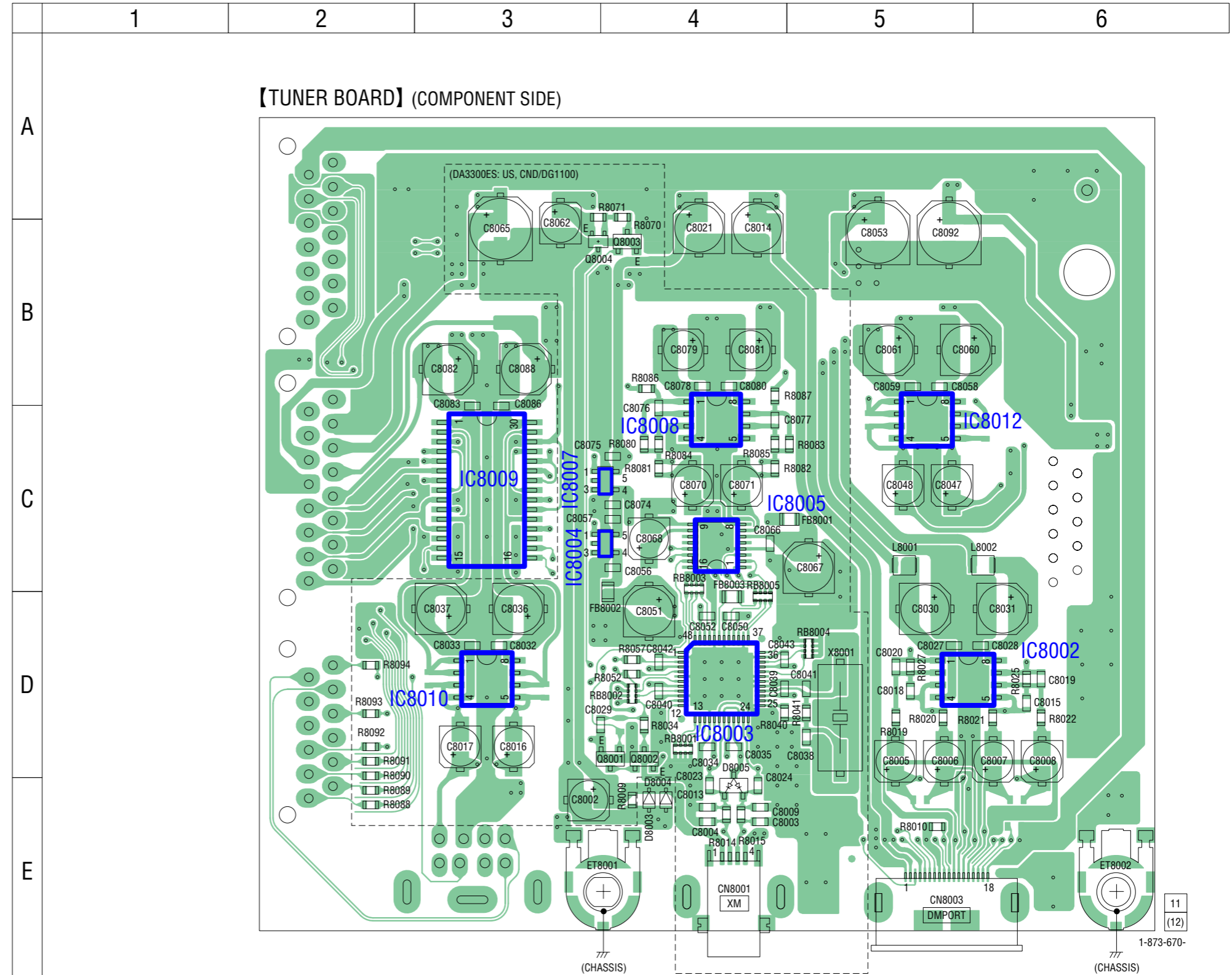
The components identified by mark Δ or dotted line with mark Δ are critical for safety. Replace only with part number specified.

Note:

Les composants identifiés par une marque Δ sont critiques pour la sécurité. Ne les remplacer que par une pièce portant le numéro spécifié.


- : B+ Line.
- : B- Line.
- Voltages are dc with respect to ground under no-signal (detuned) conditions.
no mark : TUNER
- Voltages are taken with a VOM (Input impedance 10 MW).
Voltage variations may be noted due to normal production tolerances.
- Signal path.
 : AUDIO (ANALOG)
 : AUDIO (DIGITAL)
 : VIDEO
- Abbreviation
CND : Canadian model
ECE : Russian and Ukrainian models

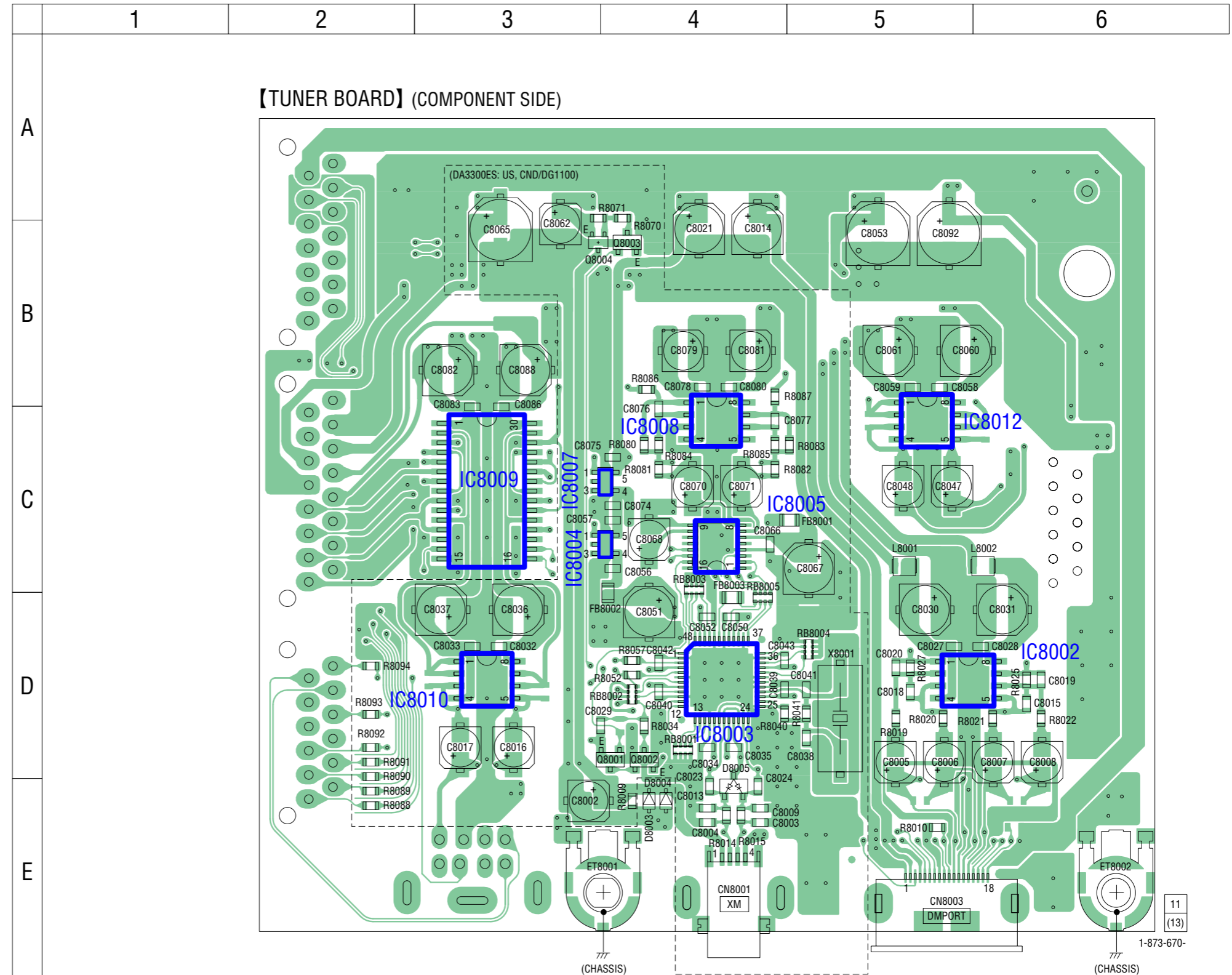
2-1. PRINTED WIRING BOARD –TUNER Board (Component Side) (Suffix-12) –  : Uses unleaded solder.



• Semiconductor Location

Ref. No.	Location	Ref. No.	Location
D8003	E-4	IC8008	C-4
D8004	E-4	IC8009	C-3
D8005	E-4	IC8010	D-3
		IC8012	C-5
IC8002	D-5		
IC8003	D-4	Q8001	D-4
IC8004	C-4	Q8002	D-4
IC8005	C-4	Q8003	B-4
IC8007	C-4	Q8004	B-3

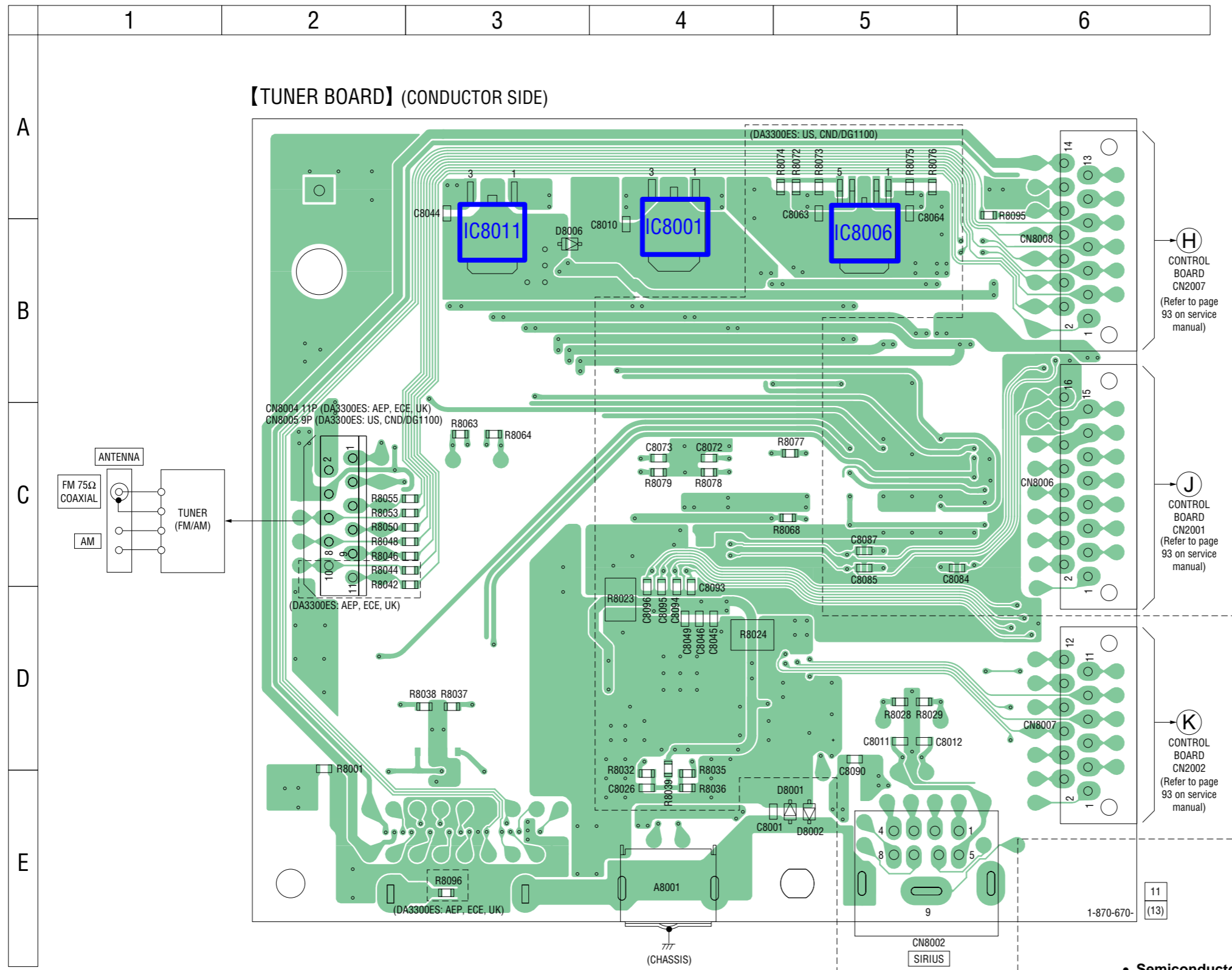
2-3. PRINTED WIRING BOARD –TUNER Board (Component Side) (Suffix-13) –  : Uses unleaded solder.



• Semiconductor Location

Ref. No.	Location	Ref. No.	Location
D8003	E-4	IC8008	C-4
D8004	E-4	IC8009	C-3
D8005	E-4	IC8010	D-3
		IC8012	C-5
IC8002	D-5		
IC8003	D-4	Q8001	D-4
IC8004	C-4	Q8002	D-4
IC8005	C-4	Q8003	B-4
IC8007	C-4	Q8004	B-3

2-4. PRINTED WIRING BOARD –TUNER Board (Conductor Side) (Suffix-13) –  : Uses unleaded solder.



H
CONTROL BOARD CN2007
(Refer to page 93 on service manual)

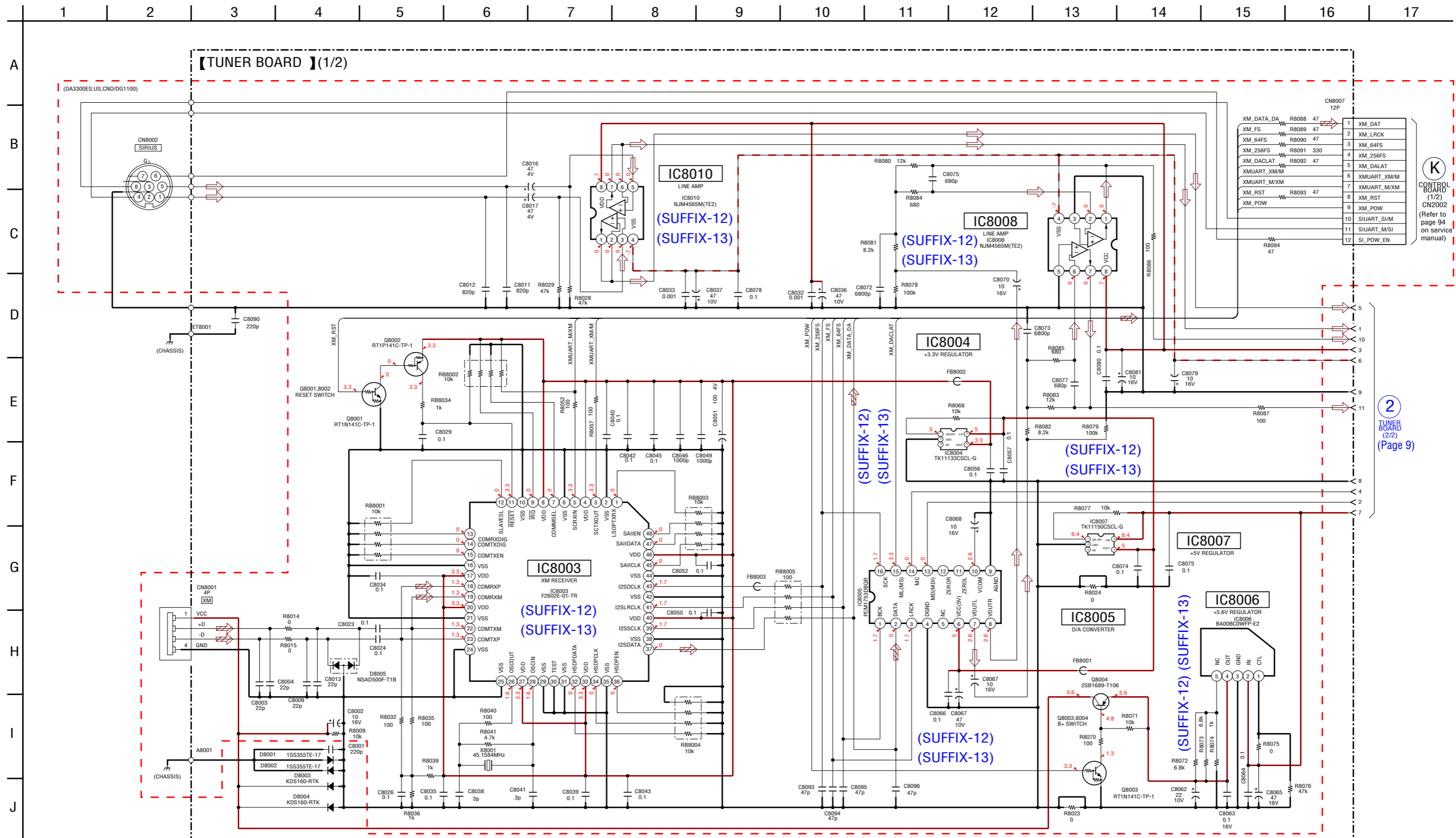
J
CONTROL BOARD CN2001
(Refer to page 93 on service manual)

K
CONTROL BOARD CN2002
(Refer to page 93 on service manual)

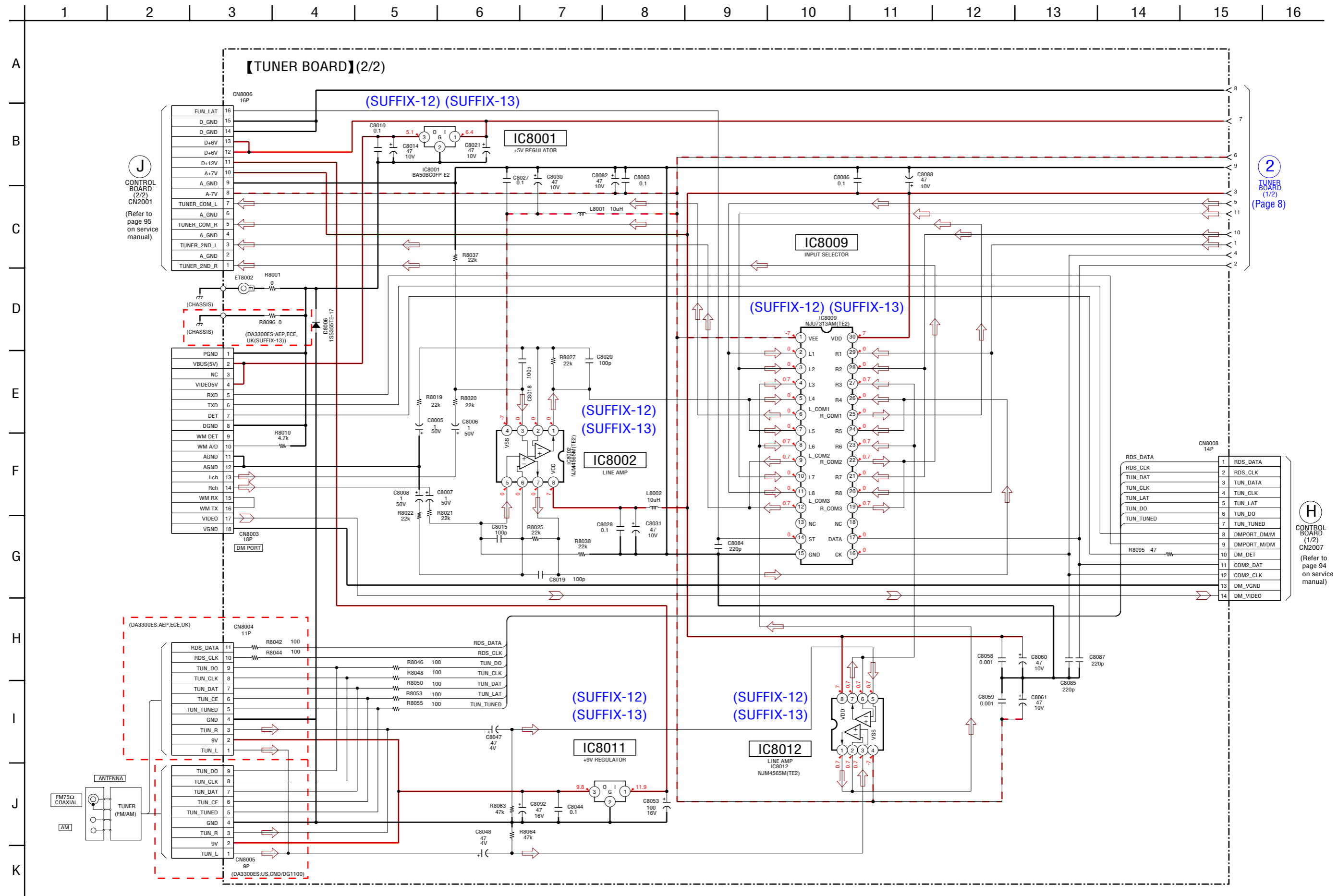
• Semiconductor Location

Ref. No.	Location
D8001	E-5
D8002	E-5
D8006	B-3
IC8001	B-4
IC8006	B-5
IC8011	B-3

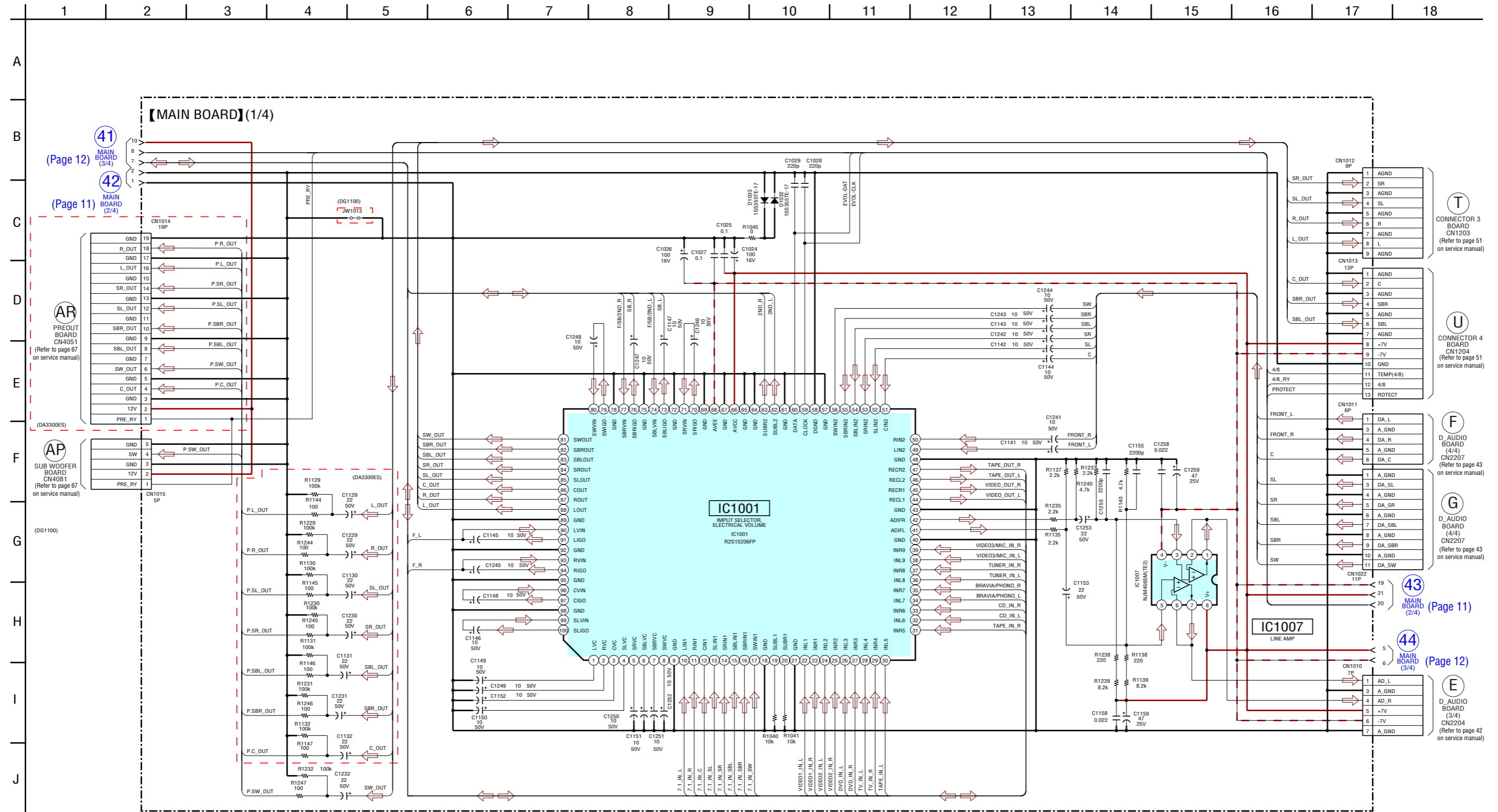
2-5. SCHEMATIC DIAGRAM – TUNER Board (1/2) –



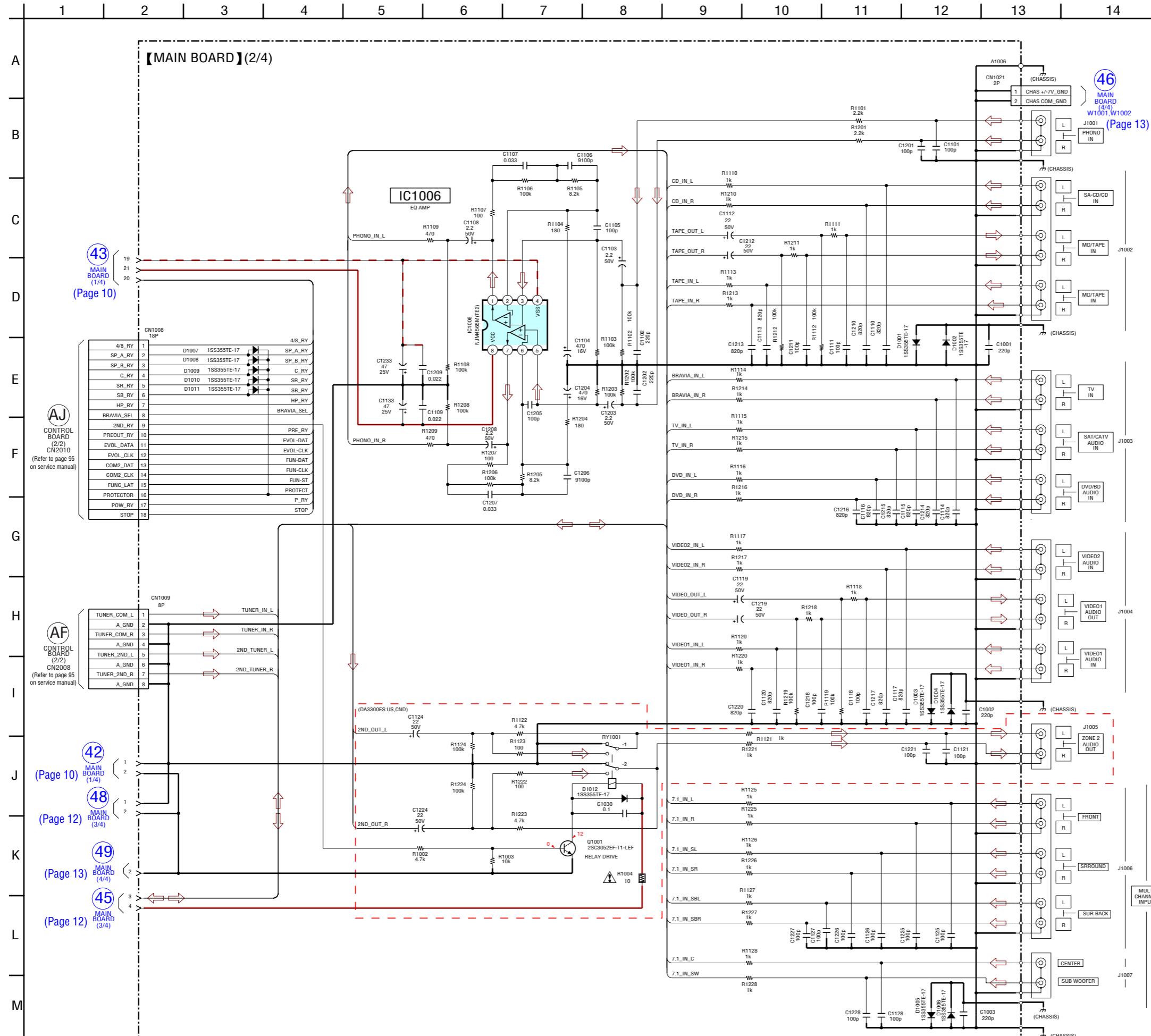
2-6. SCHEMATIC DIAGRAM – TUNER Board (2/2) –



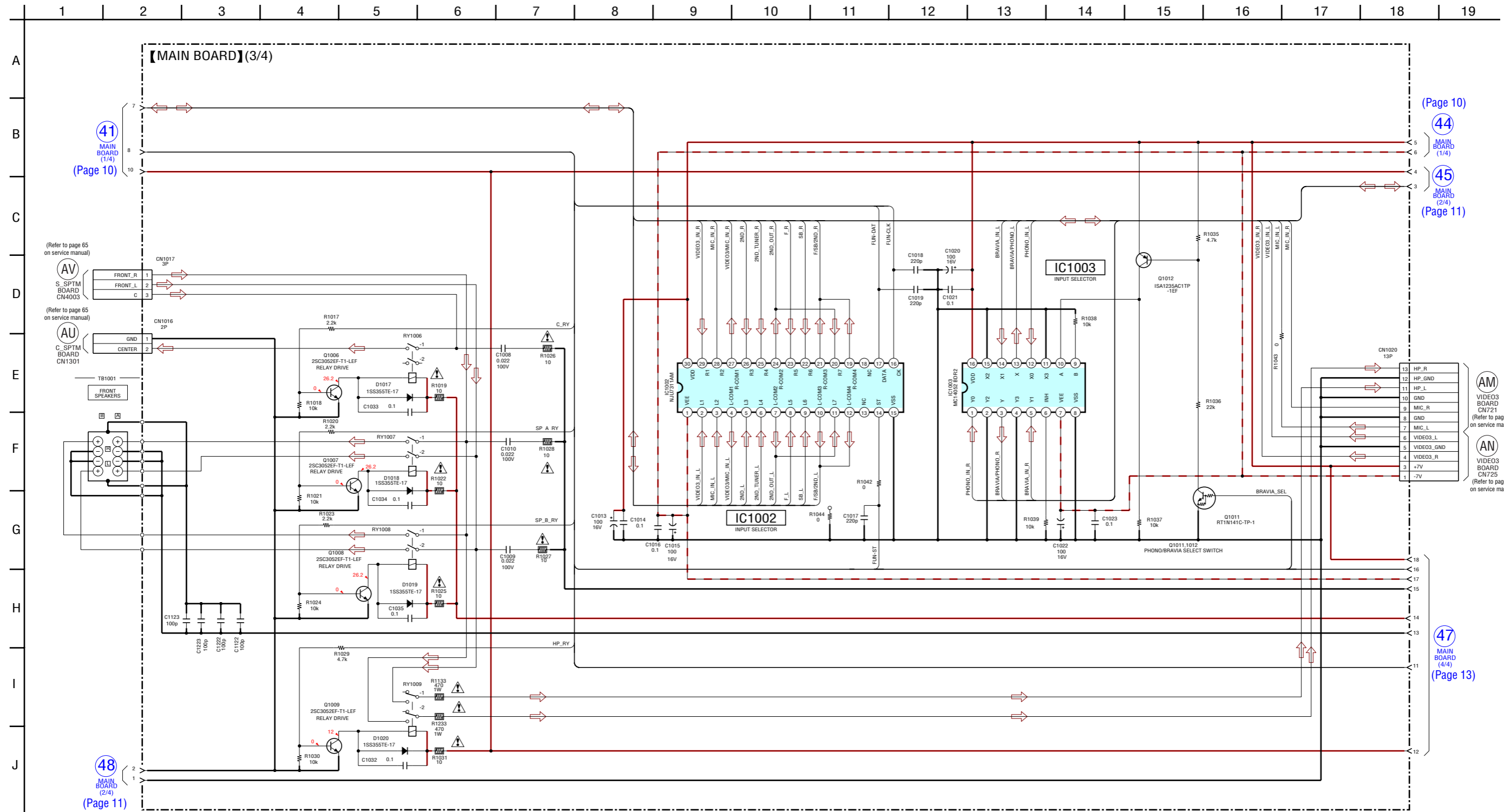
2-7. SCHEMATIC DIAGRAM – MAIN Board (1/4) –



2-8. SCHEMATIC DIAGRAM – MAIN Board (2/4) –



2-9. SCHEMATIC DIAGRAM – MAIN Board (3/4) –



(Page 10)

44 MAIN BOARD (1/4)

45 MAIN BOARD (2/4)

(Page 11)

(AM)

VIDE03 BOARD CN721

(Refer to page 91 on service manual)

(AN)

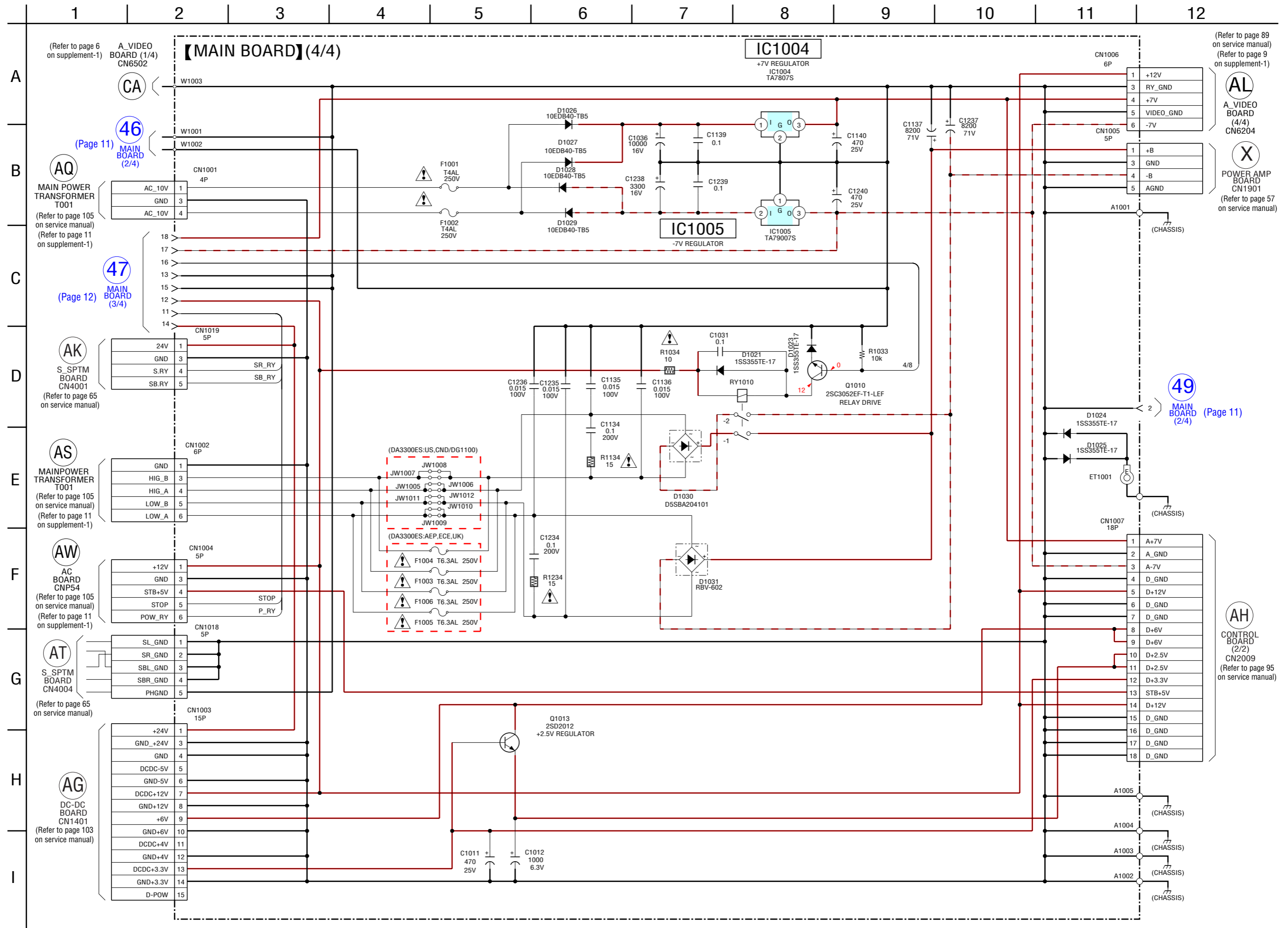
VIDE03 BOARD CN725

(Refer to page 91 on service manual)

47 MAIN BOARD (4/4)

(Page 13)

2-10. SCHEMATIC DIAGRAM – MAIN Board (4/4) –



(Refer to page 6 on supplement-1) A_VIDEO BOARD (1/4) CN6502

(Page 11) 46 MAIN BOARD (2/4)

MAIN POWER TRANSFORMER T001 (Refer to page 105 on service manual) (Refer to page 11 on supplement-1)

(Page 12) 47 MAIN BOARD (3/4)

S_SPTM BOARD CN4001 (Refer to page 65 on service manual)

MAINPOWER TRANSFORMER T001 (Refer to page 105 on service manual) (Refer to page 11 on supplement-1)

AC BOARD CNP54 (Refer to page 105 on service manual) (Refer to page 11 on supplement-1)

S_SPTM BOARD CN4004 (Refer to page 65 on service manual)

DC-DC BOARD CN1401 (Refer to page 103 on service manual)

(Refer to page 89 on service manual) (Refer to page 9 on supplement-1)

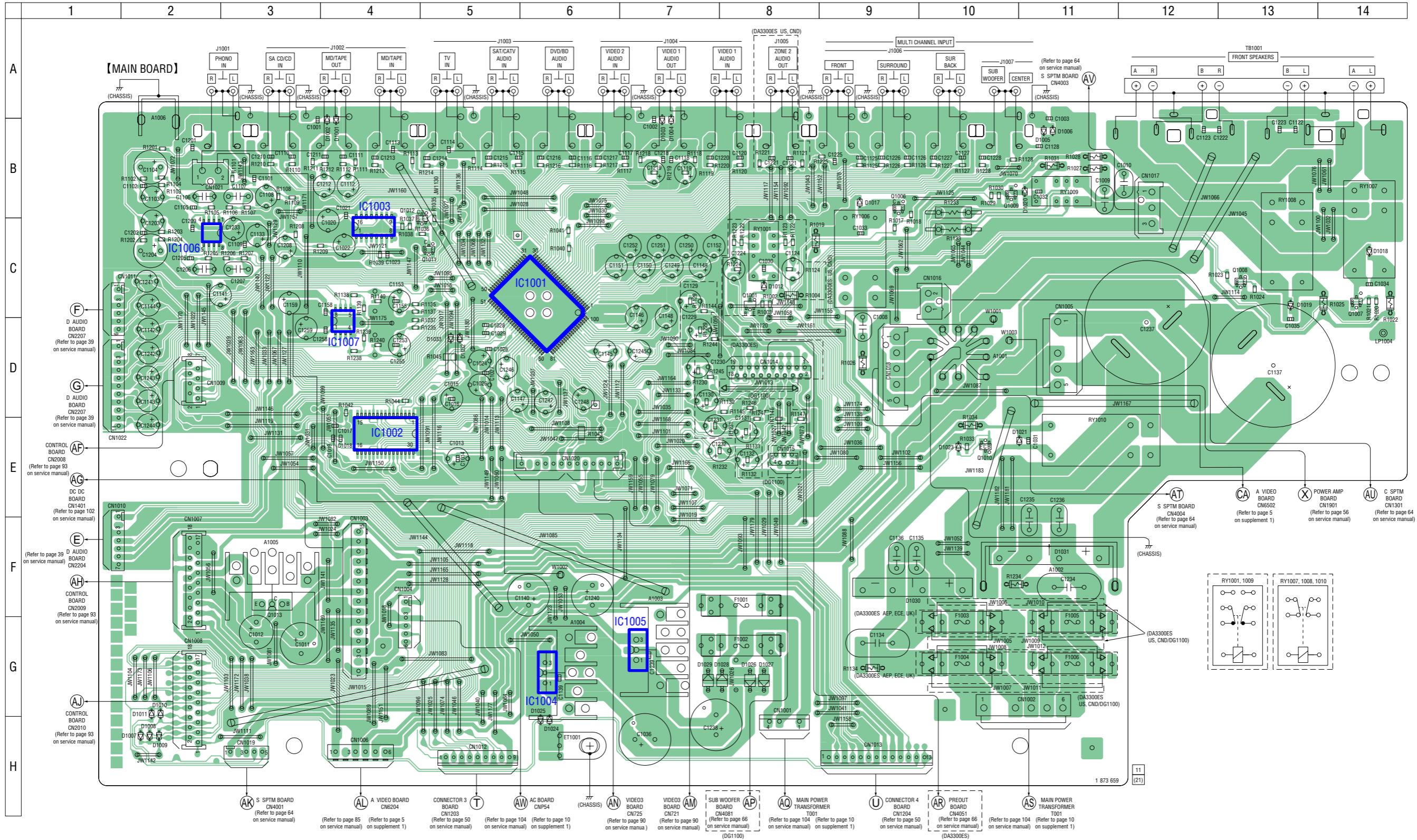
A_VIDEO BOARD (4/4) CN6204

POWER AMP BOARD CN1901 (Refer to page 57 on service manual)

49 MAIN BOARD (2/4) (Page 11)

CONTROL BOARD (2/2) CN2009 (Refer to page 95 on service manual)

2-11. PRINTED WIRING BOARD – MAIN Board –  : Uses unleaded solder.



• Semiconductor Location

Ref. No.	Location	Ref. No.	Location	Ref. No.	Location	Ref. No.	Location	Ref. No.	Location
D1001	B-4	D1010	G-2	D1024	H-6	D1033	D-5	Q1001	C-8
D1002	B-4	D1011	G-2	D1025	H-6			Q1006	B-9
D1003	B-7	D1012	C-8	D1026	G-8	IC1001	C-6	Q1007	C-14
D1004	B-7	D1017	B-9	D1027	G-8	IC1002	E-4	Q1008	C-13
D1005	B-11	D1018	C-14	D1028	G-8	IC1003	C-4	Q1009	B-10
D1006	B-11	D1019	C-13	D1029	G-7	IC1004	G-6	Q1010	E-10
D1007	H-2	D1020	B-11	D1030	F-9	IC1005	G-7	Q1011	C-5
D1008	H-2	D1021	E-11	D1031	F-11	IC1006	C-2	Q1012	C-5
D1009	H-2	D1023	E-10	D1032	D-5	IC1007	D-4	Q1013	F-3

3. ELECTRICAL PARTS LIST

NOTE:

- Due to standardization, replacements in the parts list may be different from the parts specified in the diagrams or the components used on the set.
- -XX and -X mean standardized parts, so they may have some difference from the original one.
- Items marked “*” are not stocked since they are seldom required for routine service. Some delay should be anticipated when ordering these items.
- CAPACITORS
uF: μF
- COILS
uH: μH

- RESISTORS
All resistors are in ohms.
METAL: Metal-film resistor.
METAL OXIDE: Metal oxide-film resistor.
F: nonflammable
- SEMICONDUCTORS
In each case, u: μ, for example:
uA... : μA... uPA... : μPA...
uPB... : μPB... uPC... : μPC...
uPD... : μPD...
- Abbreviation
CND : Canadian model
ECE : Russian and Ukrainian models

The components identified by mark \triangle or dotted line with mark \triangle are critical for safety. Replace only with part number specified.

Les composants identifiés par une marque \triangle sont critiques pour la sécurité. Ne les remplacer que par une pièce portant le numéro spécifié.

When indicating parts by reference number, please include the board.

Ref. No.	Part No.	Description	Remark	Ref. No.	Part No.	Description	Remark
	A-1252-439-A	MAIN BOARD, COMPLETE (DA3300ES: AEP, ECE, UK)		C1024	1-112-083-11	ELECT 100uF 20% 16V (DA3300ES: AEP, ECE, UK)	
	A-1254-392-A	MAIN BOARD, COMPLETE (DA3300ES: US, CND)		C1024	1-126-933-11	ELECT 100uF 20% 16V (DA3300ES: US, CND/DG1100)	
	A-1254-418-A	MAIN BOARD, COMPLETE (DG1100) *****		C1025	1-100-597-91	CERAMIC CHIP 0.1uF 10% 25V	
	7-685-646-79	SCREW +BVTP 3X8 TYPE2 IT-3		C1026	1-112-083-11	ELECT 100uF 20% 16V (DA3300ES: AEP, ECE, UK)	
		< CAPACITOR >		C1026	1-126-933-11	ELECT 100uF 20% 16V (DA3300ES: US, CND/DG1100)	
C1001	1-164-230-11	CERAMIC CHIP 220PF 5% 50V		C1027	1-100-597-91	CERAMIC CHIP 0.1uF 10% 25V	
C1002	1-164-230-11	CERAMIC CHIP 220PF 5% 50V		C1028	1-164-230-11	CERAMIC CHIP 220PF 5% 50V	
C1003	1-164-230-11	CERAMIC CHIP 220PF 5% 50V		C1029	1-164-230-11	CERAMIC CHIP 220PF 5% 50V	
C1008	1-137-395-91	MYLAR 0.022uF 5% 100V		C1030	1-100-597-91	CERAMIC CHIP 0.1uF 10% 25V (DA3300ES: US, CND)	
C1009	1-137-395-91	MYLAR 0.022uF 5% 100V		C1031	1-100-597-91	CERAMIC CHIP 0.1uF 10% 25V	
C1010	1-137-395-91	MYLAR 0.022uF 5% 100V		C1032	1-100-597-91	CERAMIC CHIP 0.1uF 10% 25V	
C1011	1-112-422-11	ELECT 470uF 20% 25V (DA3300ES: AEP, ECE, UK)		C1033	1-131-992-91	CERAMIC CHIP 100000PF 35V	
C1011	1-126-941-11	ELECT 470uF 20% 25V (DA3300ES: US, CND/DG1100)		C1034	1-131-992-91	CERAMIC CHIP 100000PF 35V	
C1012	1-112-077-11	ELECT 1000uF 20% 6.3V (DA3300ES: AEP, ECE, UK)		C1035	1-131-992-91	CERAMIC CHIP 100000PF 35V	
C1012	1-126-916-11	ELECT 1000uF 20% 6.3V (DA3300ES: US, CND/DG1100)		C1036	1-112-088-11	ELECT 10000uF 20% 16V (DA3300ES: AEP, ECE, UK)	
C1013	1-112-083-11	ELECT 100uF 20% 16V (DA3300ES: AEP, ECE, UK)		C1036	1-126-939-11	ELECT 10000uF 20% 16V (DA3300ES: US, CND/DG1100)	
C1013	1-126-933-11	ELECT 100uF 20% 16V (DA3300ES: US, CND/DG1100)		C1101	1-162-927-11	CERAMIC CHIP 100PF 5% 50V	
C1014	1-100-597-91	CERAMIC CHIP 0.1uF 10% 25V		C1102	1-164-230-11	CERAMIC CHIP 220PF 5% 50V	
C1015	1-112-083-11	ELECT 100uF 20% 16V (DA3300ES: AEP, ECE, UK)		C1103	1-112-097-11	ELECT 2.2uF 20% 50V (DA3300ES: AEP, ECE, UK)	
C1015	1-126-933-11	ELECT 100uF 20% 16V (DA3300ES: US, CND/DG1100)		C1103	1-126-961-11	ELECT 2.2uF 20% 50V (DA3300ES: US, CND/DG1100)	
C1016	1-100-597-91	CERAMIC CHIP 0.1uF 10% 25V		C1104	1-112-084-11	ELECT 470uF 20% 16V (DA3300ES: AEP, ECE, UK)	
C1017	1-164-230-11	CERAMIC CHIP 220PF 5% 50V		C1104	1-126-935-11	ELECT 470uF 20% 16V (DA3300ES: US, CND/DG1100)	
C1018	1-164-230-11	CERAMIC CHIP 220PF 5% 50V		C1105	1-162-927-11	CERAMIC CHIP 100PF 5% 50V	
C1019	1-164-230-11	CERAMIC CHIP 220PF 5% 50V		C1106	1-125-896-91	MYLAR 0.0091uF 5% 50V	
C1020	1-112-083-11	ELECT 100uF 20% 16V (DA3300ES: AEP, ECE, UK)		C1107	1-136-159-00	MYLAR 0.033uF 5% 50V	
C1020	1-126-933-11	ELECT 100uF 20% 16V (DA3300ES: US, CND/DG1100)		C1108	1-112-097-11	ELECT 2.2uF 20% 50V (DA3300ES: AEP, ECE, UK)	
C1021	1-100-597-91	CERAMIC CHIP 0.1uF 10% 25V		C1108	1-126-961-11	ELECT 2.2uF 20% 50V (DA3300ES: US, CND/DG1100)	
C1022	1-112-083-11	ELECT 100uF 20% 16V (DA3300ES: AEP, ECE, UK)		C1109	1-164-227-11	CERAMIC CHIP 0.022uF 10% 25V	
C1022	1-126-933-11	ELECT 100uF 20% 16V (DA3300ES: US, CND/DG1100)		C1110	1-115-414-11	CERAMIC CHIP 820PF 5% 25V	
C1023	1-100-597-91	CERAMIC CHIP 0.1uF 10% 25V		C1111	1-162-927-11	CERAMIC CHIP 100PF 5% 50V	
				C1112	1-112-114-11	ELECT 22uF 20% 50V (DA3300ES: AEP, ECE, UK)	

STR-DA3300ES/DG1100

MAIN

Ref. No.	Part No.	Description	Remark		
C1112	1-126-965-91	ELECT	22uF	20%	50V (DA3300ES: US, CND/DG1100)
C1113	1-115-414-11	CERAMIC CHIP	820PF	5%	25V
C1114	1-115-414-11	CERAMIC CHIP	820PF	5%	25V
C1115	1-115-414-11	CERAMIC CHIP	820PF	5%	25V
C1116	1-115-414-11	CERAMIC CHIP	820PF	5%	25V
C1117	1-115-414-11	CERAMIC CHIP	820PF	5%	25V
C1118	1-162-927-11	CERAMIC CHIP	100PF	5%	50V
C1119	1-112-114-11	ELECT	22uF	20%	50V (DA3300ES: AEP, ECE, UK)
C1119	1-126-965-91	ELECT	22uF	20%	50V (DA3300ES: US, CND/DG1100)
C1120	1-115-414-11	CERAMIC CHIP	820PF	5%	25V
C1121	1-162-927-11	CERAMIC CHIP	100PF	5%	50V (DA3300ES: US, CND)
C1122	1-162-927-11	CERAMIC CHIP	100PF	5%	50V
C1123	1-162-927-11	CERAMIC CHIP	100PF	5%	50V
C1124	1-126-965-91	ELECT	22uF	20%	50V (DA3300ES: US, CND)
C1125	1-162-927-11	CERAMIC CHIP	100PF	5%	50V
C1126	1-162-927-11	CERAMIC CHIP	100PF	5%	50V
C1127	1-162-927-11	CERAMIC CHIP	100PF	5%	50V
C1128	1-162-927-11	CERAMIC CHIP	100PF	5%	50V
C1129	1-112-114-11	ELECT	22uF	20%	50V (DA3300ES: AEP, ECE, UK)
C1129	1-126-965-91	ELECT	22uF	20%	50V (DA3300ES: US, CND)
C1130	1-112-114-11	ELECT	22uF	20%	50V (DA3300ES: AEP, ECE, UK)
C1130	1-126-965-91	ELECT	22uF	20%	50V (DA3300ES: US, CND)
C1131	1-112-114-11	ELECT	22uF	20%	50V (DA3300ES: AEP, ECE, UK)
C1131	1-126-965-91	ELECT	22uF	20%	50V (DA3300ES: US, CND)
C1132	1-112-114-11	ELECT	22uF	20%	50V (DA3300ES: AEP, ECE, UK)
C1132	1-126-965-91	ELECT	22uF	20%	50V (DA3300ES: US, CND)
C1133	1-112-089-11	ELECT	47uF	20%	25V (DA3300ES: AEP, ECE, UK)
C1133	1-126-947-11	ELECT	47uF	20%	35V (DA3300ES: US, CND/DG1100)
C1134	1-104-999-11	MYLAR	0.1uF	5%	200V
C1135	1-137-350-11	FILM	0.015uF	5%	100V
C1136	1-137-350-11	FILM	0.015uF	5%	100V
C1137	1-114-537-11	ELECT (BLOCK)	8200uF	20%	71V
C1139	1-100-597-91	CERAMIC CHIP	0.1uF	10%	25V
C1140	1-112-422-11	ELECT	470uF	20%	25V (DA3300ES: AEP, ECE, UK)
C1140	1-126-941-11	ELECT	470uF	20%	25V (DA3300ES: US, CND/DG1100)
C1141	1-112-100-11	ELECT	10uF	20%	50V (DA3300ES: AEP, ECE, UK)
C1141	1-126-964-11	ELECT	10uF	20%	50V (DA3300ES: US, CND/DG1100)
C1142	1-112-100-11	ELECT	10uF	20%	50V (DA3300ES: AEP, ECE, UK)
C1142	1-126-964-11	ELECT	10uF	20%	50V (DA3300ES: US, CND/DG1100)

Ref. No.	Part No.	Description	Remark		
C1143	1-112-100-11	ELECT	10uF	20%	50V (DA3300ES: AEP, ECE, UK)
C1143	1-126-964-11	ELECT	10uF	20%	50V (DA3300ES: US, CND/DG1100)
C1144	1-112-100-11	ELECT	10uF	20%	50V (DA3300ES: AEP, ECE, UK)
C1144	1-126-964-11	ELECT	10uF	20%	50V (DA3300ES: US, CND/DG1100)
C1145	1-112-100-11	ELECT	10uF	20%	50V (DA3300ES: AEP, ECE, UK)
C1145	1-126-964-11	ELECT	10uF	20%	50V (DA3300ES: US, CND/DG1100)
C1146	1-112-100-11	ELECT	10uF	20%	50V (DA3300ES: AEP, ECE, UK)
C1146	1-126-964-11	ELECT	10uF	20%	50V (DA3300ES: US, CND/DG1100)
C1147	1-112-100-11	ELECT	10uF	20%	50V (DA3300ES: AEP, ECE, UK)
C1147	1-126-964-11	ELECT	10uF	20%	50V (DA3300ES: US, CND/DG1100)
C1148	1-112-100-11	ELECT	10uF	20%	50V (DA3300ES: AEP, ECE, UK)
C1148	1-126-964-11	ELECT	10uF	20%	50V (DA3300ES: US, CND/DG1100)
C1149	1-112-100-11	ELECT	10uF	20%	50V (DA3300ES: AEP, ECE, UK)
C1149	1-126-964-11	ELECT	10uF	20%	50V (DA3300ES: US, CND/DG1100)
C1150	1-112-100-11	ELECT	10uF	20%	50V (DA3300ES: AEP, ECE, UK)
C1150	1-126-964-11	ELECT	10uF	20%	50V (DA3300ES: US, CND/DG1100)
C1151	1-112-100-11	ELECT	10uF	20%	50V (DA3300ES: AEP, ECE, UK)
C1151	1-126-964-11	ELECT	10uF	20%	50V (DA3300ES: US, CND/DG1100)
C1152	1-112-100-11	ELECT	10uF	20%	50V (DA3300ES: AEP, ECE, UK)
C1152	1-126-964-11	ELECT	10uF	20%	50V (DA3300ES: US, CND/DG1100)
C1153	1-112-114-11	ELECT	22uF	20%	50V (DA3300ES: AEP, ECE, UK)
C1153	1-126-965-91	ELECT	22uF	20%	50V (DA3300ES: US, CND/DG1100)
C1155	1-162-966-11	CERAMIC CHIP	0.0022uF	10%	50V
C1158	1-164-227-11	CERAMIC CHIP	0.022uF	10%	25V
C1159	1-112-089-11	ELECT	47uF	20%	25V (DA3300ES: AEP, ECE, UK)
C1159	1-126-947-11	ELECT	47uF	20%	35V (DA3300ES: US, CND/DG1100)
C1201	1-162-927-11	CERAMIC CHIP	100PF	5%	50V
C1202	1-164-230-11	CERAMIC CHIP	220PF	5%	50V
C1203	1-112-097-11	ELECT	2.2uF	20%	50V (DA3300ES: AEP, ECE, UK)
C1203	1-126-961-11	ELECT	2.2uF	20%	50V (DA3300ES: US, CND/DG1100)
C1204	1-112-084-11	ELECT	470uF	20%	16V (DA3300ES: AEP, ECE, UK)
C1204	1-126-935-11	ELECT	470uF	20%	16V (DA3300ES: US, CND/DG1100)
C1205	1-162-927-11	CERAMIC CHIP	100PF	5%	50V
C1206	1-125-896-91	MYLAR	0.0091uF	5%	50V
C1207	1-136-159-00	MYLAR	0.033uF	5%	50V

Ref. No.	Part No.	Description	Remark	Ref. No.	Part No.	Description	Remark
C1208	1-112-097-11	ELECT	2.2uF 20% 50V (DA3300ES: AEP, ECE, UK)	C1239	1-100-597-91	CERAMIC CHIP	0.1uF 10% 25V
C1208	1-126-961-11	ELECT	2.2uF 20% 50V (DA3300ES: US, CND/DG1100)	C1240	1-112-422-11	ELECT	470uF 20% 25V (DA3300ES: AEP, ECE, UK)
C1209	1-164-227-11	CERAMIC CHIP	0.022uF 10% 25V	C1240	1-126-941-11	ELECT	470uF 20% 25V (DA3300ES: US, CND/DG1100)
C1210	1-115-414-11	CERAMIC CHIP	820PF 5% 25V	C1241	1-112-100-11	ELECT	10uF 20% 50V (DA3300ES: AEP, ECE, UK)
C1211	1-162-927-11	CERAMIC CHIP	100PF 5% 50V	C1241	1-126-964-11	ELECT	10uF 20% 50V (DA3300ES: US, CND/DG1100)
C1212	1-112-114-11	ELECT	22uF 20% 50V (DA3300ES: AEP, ECE, UK)	C1242	1-112-100-11	ELECT	10uF 20% 50V (DA3300ES: AEP, ECE, UK)
C1212	1-126-965-91	ELECT	22uF 20% 50V (DA3300ES: US, CND/DG1100)	C1242	1-126-964-11	ELECT	10uF 20% 50V (DA3300ES: US, CND/DG1100)
C1213	1-115-414-11	CERAMIC CHIP	820PF 5% 25V	C1243	1-112-100-11	ELECT	10uF 20% 50V (DA3300ES: AEP, ECE, UK)
C1214	1-115-414-11	CERAMIC CHIP	820PF 5% 25V	C1243	1-126-964-11	ELECT	10uF 20% 50V (DA3300ES: US, CND/DG1100)
C1215	1-115-414-11	CERAMIC CHIP	820PF 5% 25V	C1244	1-112-100-11	ELECT	10uF 20% 50V (DA3300ES: AEP, ECE, UK)
C1216	1-115-414-11	CERAMIC CHIP	820PF 5% 25V	C1244	1-126-964-11	ELECT	10uF 20% 50V (DA3300ES: US, CND/DG1100)
C1217	1-115-414-11	CERAMIC CHIP	820PF 5% 25V	C1245	1-112-100-11	ELECT	10uF 20% 50V (DA3300ES: AEP, ECE, UK)
C1218	1-162-927-11	CERAMIC CHIP	100PF 5% 50V	C1245	1-126-964-11	ELECT	10uF 20% 50V (DA3300ES: US, CND/DG1100)
C1219	1-112-114-11	ELECT	22uF 20% 50V (DA3300ES: AEP, ECE, UK)	C1246	1-112-100-11	ELECT	10uF 20% 50V (DA3300ES: AEP, ECE, UK)
C1219	1-126-965-91	ELECT	22uF 20% 50V (DA3300ES: US, CND/DG1100)	C1246	1-126-964-11	ELECT	10uF 20% 50V (DA3300ES: US, CND/DG1100)
C1220	1-115-414-11	CERAMIC CHIP	820PF 5% 25V	C1247	1-112-100-11	ELECT	10uF 20% 50V (DA3300ES: AEP, ECE, UK)
C1221	1-162-927-11	CERAMIC CHIP	100PF 5% 50V (DA3300ES: US, CND)	C1247	1-126-964-11	ELECT	10uF 20% 50V (DA3300ES: US, CND/DG1100)
C1222	1-162-927-11	CERAMIC CHIP	100PF 5% 50V	C1248	1-112-100-11	ELECT	10uF 20% 50V (DA3300ES: AEP, ECE, UK)
C1223	1-162-927-11	CERAMIC CHIP	100PF 5% 50V	C1248	1-126-964-11	ELECT	10uF 20% 50V (DA3300ES: US, CND/DG1100)
C1224	1-126-965-91	ELECT	22uF 20% 50V (DA3300ES: US, CND)	C1249	1-112-100-11	ELECT	10uF 20% 50V (DA3300ES: AEP, ECE, UK)
C1225	1-162-927-11	CERAMIC CHIP	100PF 5% 50V	C1249	1-126-964-11	ELECT	10uF 20% 50V (DA3300ES: US, CND/DG1100)
C1226	1-162-927-11	CERAMIC CHIP	100PF 5% 50V	C1250	1-112-100-11	ELECT	10uF 20% 50V (DA3300ES: AEP, ECE, UK)
C1227	1-162-927-11	CERAMIC CHIP	100PF 5% 50V	C1250	1-126-964-11	ELECT	10uF 20% 50V (DA3300ES: US, CND/DG1100)
C1228	1-162-927-11	CERAMIC CHIP	100PF 5% 50V	C1251	1-112-100-11	ELECT	10uF 20% 50V (DA3300ES: AEP, ECE, UK)
C1229	1-112-114-11	ELECT	22uF 20% 50V (DA3300ES: AEP, ECE, UK)	C1251	1-126-964-11	ELECT	10uF 20% 50V (DA3300ES: US, CND/DG1100)
C1229	1-126-965-91	ELECT	22uF 20% 50V (DA3300ES: US, CND)	C1252	1-112-100-11	ELECT	10uF 20% 50V (DA3300ES: AEP, ECE, UK)
C1230	1-112-114-11	ELECT	22uF 20% 50V (DA3300ES: AEP, ECE, UK)	C1252	1-126-964-11	ELECT	10uF 20% 50V (DA3300ES: US, CND/DG1100)
C1230	1-126-965-91	ELECT	22uF 20% 50V (DA3300ES: US, CND)	C1253	1-112-114-11	ELECT	22uF 20% 50V (DA3300ES: AEP, ECE, UK)
C1231	1-112-114-11	ELECT	22uF 20% 50V (DA3300ES: AEP, ECE, UK)	C1253	1-126-965-91	ELECT	22uF 20% 50V (DA3300ES: US, CND/DG1100)
C1231	1-126-965-91	ELECT	22uF 20% 50V (DA3300ES: US, CND)	C1255	1-162-966-11	CERAMIC CHIP	0.0022uF 10% 50V
C1232	1-112-114-11	ELECT	22uF 20% 50V (DA3300ES: AEP, ECE, UK)	C1258	1-164-227-11	CERAMIC CHIP	0.022uF 10% 25V
C1232	1-126-965-91	ELECT	22uF 20% 50V (DA3300ES: US, CND/DG1100)	C1259	1-112-089-11	ELECT	47uF 20% 25V (DA3300ES: AEP, ECE, UK)
C1233	1-112-089-11	ELECT	47uF 20% 25V (DA3300ES: AEP, ECE, UK)	C1259	1-126-947-11	ELECT	47uF 20% 35V (DA3300ES: US, CND/DG1100)
C1233	1-126-947-11	ELECT	47uF 20% 35V (DA3300ES: US, CND/DG1100)				
C1234	1-104-999-11	MYLAR	0.1uF 5% 200V				
C1235	1-137-350-11	FILM	0.015uF 5% 100V				
C1236	1-137-350-11	FILM	0.015uF 5% 100V				
C1237	1-114-537-11	ELECT (BLOCK)	8200uF 20% 71V				
C1238	1-112-362-11	ELECT	3300uF 20% 16V (DA3300ES: AEP, ECE, UK)				
C1238	1-126-936-11	ELECT	3300uF 20% 16V (DA3300ES: US, CND/DG1100)				

STR-DA3300ES/DG1100

MAIN

Ref. No.	Part No.	Description	Remark	Ref. No.	Part No.	Description	Remark
		< CONNECTOR >					
CN1001	1-691-765-11	PLUG (MICRO CONNECTOR) 3P		FH1009	1-533-313-11	FUSE HOLDER (DA3300ES: AEP, ECE, UK)	
CN1002	1-785-103-11	PIN, CONNECTOR (3.96mm PITCH) 5P		FH1010	1-533-313-11	FUSE HOLDER (DA3300ES: AEP, ECE, UK)	
CN1005	1-785-102-11	PIN, CONNECTOR (3.96mm PITCH) 4P					
CN1007	1-770-385-11	CONNECTOR, BOARD TO BOARD 18P		FH1011	1-533-313-11	FUSE HOLDER (DA3300ES: AEP, ECE, UK)	
CN1008	1-770-385-11	CONNECTOR, BOARD TO BOARD 18P		FH1012	1-533-313-11	FUSE HOLDER (DA3300ES: AEP, ECE, UK)	
						< IC >	
				IC1001	6-710-586-01	IC R2S15206FP	
				IC1002	6-711-163-01	IC NJU7311AM (TE2)	
				IC1003	8-759-385-76	IC MC14052 BDR2	
				IC1004	8-759-071-48	IC TA7807S	
				IC1005	8-759-071-47	IC TA79007S	
				IC1006	8-759-710-97	IC NJM4565M-D	
				IC1007	8-759-710-97	IC NJM4565M-D	
						< JACK >	
				J1001	1-815-045-11	JACK, PIN 2P (PHONO IN)	
				J1002	1-774-411-11	JACK, PIN 6P (SA-CD/CD/MD/TAPE IN, MD/TAPE OUT)	
				J1003	1-774-411-11	JACK, PIN 6P (TV IN, SAT/CATV/DVD/BD AUDIO IN)	
				J1004	1-774-411-11	JACK, PIN 6P (VIDEO 2/VIDEO 1 AUDIO IN, VIDEO 1 AUDIO OUT)	
				J1005	1-815-045-11	JACK, PIN 2P (ZONE 2 AUDIO OUT) (DA3300ES: US, CND)	
				J1006	1-774-411-11	JACK, PIN 6P (MULTI CHANNEL INPUT FRONT/ SURROUND/SUR BACK)	
				J1007	1-793-777-12	JACK, PIN 2P (MULTI CHANNEL INPUT CENTER/SUB WOOFER)	
						< TRANSISTOR >	
				Q1001	8-729-620-07	TRANSISTOR 2SC3052EF-T1-LEF (DA3300ES: US, CND)	
				Q1006	8-729-620-07	TRANSISTOR 2SC3052EF-T1-LEF	
				Q1007	8-729-620-07	TRANSISTOR 2SC3052EF-T1-LEF	
				Q1008	8-729-620-07	TRANSISTOR 2SC3052EF-T1-LEF	
				Q1009	8-729-620-07	TRANSISTOR 2SC3052EF-T1-LEF	
				Q1010	8-729-620-07	TRANSISTOR 2SC3052EF-T1-LEF	
				Q1011	8-729-027-43	TRANSISTOR DTC114EKA-T146	
				Q1012	6-551-696-01	TRANSISTOR ISA1235AC1TP-1EF	
				Q1013	8-729-209-15	TRANSISTOR 2SD2012	
						< RESISTOR >	
				R1002	1-216-829-11	METAL CHIP 4.7K 5% 1/10W (DA3300ES: US, CND)	
				R1003	1-216-833-11	METAL CHIP 10K 5% 1/10W (DA3300ES: US, CND)	
				△R1004	1-249-393-11	CARBON 10 5% 1/4W F (DA3300ES: US, CND)	
				R1017	1-216-825-11	METAL CHIP 2.2K 5% 1/10W	
				R1018	1-216-833-11	METAL CHIP 10K 5% 1/10W	
				△R1019	1-249-393-11	CARBON 10 5% 1/4W F	
				R1020	1-216-825-11	METAL CHIP 2.2K 5% 1/10W	
				R1021	1-216-833-11	METAL CHIP 10K 5% 1/10W	
				△R1022	1-249-393-11	CARBON 10 5% 1/4W F	
				R1023	1-216-825-11	METAL CHIP 2.2K 5% 1/10W	
				R1024	1-216-833-11	METAL CHIP 10K 5% 1/10W	
				△R1025	1-249-393-11	CARBON 10 5% 1/4W F	
				△R1026	1-249-393-11	CARBON 10 5% 1/4W F	
				△R1027	1-249-393-11	CARBON 10 5% 1/4W F	
		< DIODE >					
D1001	8-719-988-61	DIODE 1SS355TE-17					
D1002	8-719-988-61	DIODE 1SS355TE-17					
D1003	8-719-988-61	DIODE 1SS355TE-17					
D1004	8-719-988-61	DIODE 1SS355TE-17					
D1005	8-719-988-61	DIODE 1SS355TE-17					
D1006	8-719-988-61	DIODE 1SS355TE-17					
D1007	8-719-988-61	DIODE 1SS355TE-17					
D1008	8-719-988-61	DIODE 1SS355TE-17					
D1009	8-719-988-61	DIODE 1SS355TE-17					
D1010	8-719-988-61	DIODE 1SS355TE-17					
D1011	8-719-988-61	DIODE 1SS355TE-17					
D1012	8-719-988-61	DIODE 1SS355TE-17 (DA3300ES: US, CND)					
D1017	8-719-988-61	DIODE 1SS355TE-17					
D1018	8-719-988-61	DIODE 1SS355TE-17					
D1019	8-719-988-61	DIODE 1SS355TE-17					
D1020	8-719-988-61	DIODE 1SS355TE-17					
D1021	8-719-988-61	DIODE 1SS355TE-17					
D1023	8-719-988-61	DIODE 1SS355TE-17					
D1024	8-719-988-61	DIODE 1SS355TE-17					
D1025	8-719-988-61	DIODE 1SS355TE-17					
D1026	6-500-522-31	DIODE 10EDB40-TB5					
D1027	6-500-522-31	DIODE 10EDB40-TB5					
D1028	6-500-522-31	DIODE 10EDB40-TB5					
D1029	6-500-522-31	DIODE 10EDB40-TB5					
D1030	8-719-510-68	DIODE D5SBA204101					
D1031	8-719-302-37	DIODE RBV-602					
D1032	8-719-988-61	DIODE 1SS355TE-17					
D1033	8-719-988-61	DIODE 1SS355TE-17					
		< EARTH TERMINAL >					
* ET1001	1-537-738-21	TERMINAL, EARTH					
		< FUSE HOLDER >					
FH1001	1-533-313-11	FUSE HOLDER					
FH1002	1-533-313-11	FUSE HOLDER					
FH1003	1-533-313-11	FUSE HOLDER					
FH1004	1-533-313-11	FUSE HOLDER					
FH1005	1-533-313-11	FUSE HOLDER (DA3300ES: AEP, ECE, UK)					
FH1006	1-533-313-11	FUSE HOLDER (DA3300ES: AEP, ECE, UK)					
FH1007	1-533-313-11	FUSE HOLDER (DA3300ES: AEP, ECE, UK)					
FH1008	1-533-313-11	FUSE HOLDER (DA3300ES: AEP, ECE, UK)					

Ref. No.	Part No.	Description	Quantity	Material	Remark	Ref. No.	Part No.	Description	Quantity	Material	Remark
△ R1028	1-249-393-11	CARBON	10	5%	1/4W F	R1135	1-216-825-11	METAL CHIP	2.2K	5%	1/10W
R1029	1-216-829-11	METAL CHIP	4.7K	5%	1/10W	R1137	1-216-825-11	METAL CHIP	2.2K	5%	1/10W
R1030	1-216-833-11	METAL CHIP	10K	5%	1/10W	R1138	1-216-813-11	METAL CHIP	220	5%	1/10W
△ R1031	1-249-393-11	CARBON	10	5%	1/4W F	R1139	1-216-832-11	METAL CHIP	8.2K	5%	1/10W
R1033	1-216-833-11	METAL CHIP	10K	5%	1/10W	R1140	1-216-829-11	METAL CHIP	4.7K	5%	1/10W
△ R1034	1-249-393-11	CARBON	10	5%	1/4W F	R1144	1-216-809-11	METAL CHIP	100	5%	1/10W (DA3300ES)
R1035	1-216-829-11	METAL CHIP	4.7K	5%	1/10W	R1145	1-216-809-11	METAL CHIP	100	5%	1/10W (DA3300ES)
R1036	1-216-837-11	METAL CHIP	22K	5%	1/10W	R1146	1-216-809-11	METAL CHIP	100	5%	1/10W (DA3300ES)
R1037	1-216-833-11	METAL CHIP	10K	5%	1/10W	R1147	1-216-809-11	METAL CHIP	100	5%	1/10W (DA3300ES)
R1038	1-216-833-11	METAL CHIP	10K	5%	1/10W	R1201	1-216-825-11	METAL CHIP	2.2K	5%	1/10W
R1039	1-216-833-11	METAL CHIP	10K	5%	1/10W	R1202	1-216-845-11	METAL CHIP	100K	5%	1/10W
R1040	1-216-833-11	METAL CHIP	10K	5%	1/10W	R1203	1-216-845-11	METAL CHIP	100K	5%	1/10W
R1041	1-216-833-11	METAL CHIP	10K	5%	1/10W	R1204	1-216-812-11	METAL CHIP	180	5%	1/10W
R1042	1-216-864-11	SHORT CHIP	0			R1205	1-216-832-11	METAL CHIP	8.2K	5%	1/10W
R1043	1-216-296-11	SHORT CHIP	0			R1206	1-216-845-11	METAL CHIP	100K	5%	1/10W
R1044	1-216-864-11	SHORT CHIP	0			R1207	1-216-809-11	METAL CHIP	100	5%	1/10W
R1045	1-216-296-11	SHORT CHIP	0			R1208	1-216-845-11	METAL CHIP	100K	5%	1/10W
R1101	1-216-825-11	METAL CHIP	2.2K	5%	1/10W	R1209	1-216-817-11	METAL CHIP	470	5%	1/10W
R1102	1-216-845-11	METAL CHIP	100K	5%	1/10W	R1210	1-216-821-11	METAL CHIP	1K	5%	1/10W
R1103	1-216-845-11	METAL CHIP	100K	5%	1/10W	R1211	1-216-821-11	METAL CHIP	1K	5%	1/10W
R1104	1-216-812-11	METAL CHIP	180	5%	1/10W	R1212	1-216-845-11	METAL CHIP	100K	5%	1/10W
R1105	1-216-832-11	METAL CHIP	8.2K	5%	1/10W	R1213	1-216-821-11	METAL CHIP	1K	5%	1/10W
R1106	1-216-845-11	METAL CHIP	100K	5%	1/10W	R1214	1-216-821-11	METAL CHIP	1K	5%	1/10W
R1107	1-216-809-11	METAL CHIP	100	5%	1/10W	R1215	1-216-821-11	METAL CHIP	1K	5%	1/10W
R1108	1-216-845-11	METAL CHIP	100K	5%	1/10W	R1216	1-216-821-11	METAL CHIP	1K	5%	1/10W
R1109	1-216-817-11	METAL CHIP	470	5%	1/10W	R1217	1-216-821-11	METAL CHIP	1K	5%	1/10W
R1110	1-216-821-11	METAL CHIP	1K	5%	1/10W	R1218	1-216-821-11	METAL CHIP	1K	5%	1/10W
R1111	1-216-821-11	METAL CHIP	1K	5%	1/10W	R1219	1-216-845-11	METAL CHIP	100K	5%	1/10W
R1112	1-216-845-11	METAL CHIP	100K	5%	1/10W	R1220	1-216-821-11	METAL CHIP	1K	5%	1/10W
R1113	1-216-821-11	METAL CHIP	1K	5%	1/10W	R1221	1-216-821-11	METAL CHIP	1K	5%	1/10W (DA3300ES: US, CND)
R1114	1-216-821-11	METAL CHIP	1K	5%	1/10W	R1222	1-216-809-11	METAL CHIP	100	5%	1/10W (DA3300ES: US, CND)
R1115	1-216-821-11	METAL CHIP	1K	5%	1/10W	R1223	1-216-829-11	METAL CHIP	4.7K	5%	1/10W (DA3300ES: US, CND)
R1116	1-216-821-11	METAL CHIP	1K	5%	1/10W	R1224	1-216-845-11	METAL CHIP	100K	5%	1/10W (DA3300ES: US, CND)
R1117	1-216-821-11	METAL CHIP	1K	5%	1/10W	R1225	1-216-821-11	METAL CHIP	1K	5%	1/10W
R1118	1-216-821-11	METAL CHIP	1K	5%	1/10W	R1226	1-216-821-11	METAL CHIP	1K	5%	1/10W
R1119	1-216-845-11	METAL CHIP	100K	5%	1/10W	R1227	1-216-821-11	METAL CHIP	1K	5%	1/10W
R1120	1-216-821-11	METAL CHIP	1K	5%	1/10W	R1228	1-216-821-11	METAL CHIP	1K	5%	1/10W
R1121	1-216-821-11	METAL CHIP	1K	5%	1/10W (DA3300ES: US, CND)	R1229	1-216-845-11	METAL CHIP	100K	5%	1/10W (DA3300ES)
R1122	1-216-829-11	METAL CHIP	4.7K	5%	1/10W (DA3300ES: US, CND)	R1230	1-216-845-11	METAL CHIP	100K	5%	1/10W (DA3300ES)
R1123	1-216-809-11	METAL CHIP	100	5%	1/10W (DA3300ES: US, CND)	R1231	1-216-845-11	METAL CHIP	100K	5%	1/10W (DA3300ES)
R1124	1-216-845-11	METAL CHIP	100K	5%	1/10W (DA3300ES: US, CND)	R1232	1-216-845-11	METAL CHIP	100K	5%	1/10W
R1125	1-216-821-11	METAL CHIP	1K	5%	1/10W	△ R1233	1-215-867-00	METAL OXIDE	470	5%	1W F
R1126	1-216-821-11	METAL CHIP	1K	5%	1/10W	△ R1234	1-249-395-11	CARBON	15	5%	1/4W F
R1127	1-216-821-11	METAL CHIP	1K	5%	1/10W	R1235	1-216-825-11	METAL CHIP	2.2K	5%	1/10W
R1128	1-216-821-11	METAL CHIP	1K	5%	1/10W	R1237	1-216-825-11	METAL CHIP	2.2K	5%	1/10W
R1129	1-216-845-11	METAL CHIP	100K	5%	1/10W (DA3300ES)	R1238	1-216-813-11	METAL CHIP	220	5%	1/10W
R1130	1-216-845-11	METAL CHIP	100K	5%	1/10W (DA3300ES)	R1239	1-216-832-11	METAL CHIP	8.2K	5%	1/10W
R1131	1-216-845-11	METAL CHIP	100K	5%	1/10W (DA3300ES)	R1240	1-216-829-11	METAL CHIP	4.7K	5%	1/10W
R1132	1-216-845-11	METAL CHIP	100K	5%	1/10W (DA3300ES)						
△ R1133	1-215-867-00	METAL OXIDE	470	5%	1W F						
△ R1134	1-249-395-11	CARBON	15	5%	1/4W F						

STR-DA3300ES/DG1100

MAIN TUNER

Ref. No.	Part No.	Description	Remark
R1244	1-216-809-11	METAL CHIP	100 5% 1/10W (DA3300ES)
R1245	1-216-809-11	METAL CHIP	100 5% 1/10W (DA3300ES)
R1246	1-216-809-11	METAL CHIP	100 5% 1/10W (DA3300ES)
R1247	1-216-809-11	METAL CHIP	100 5% 1/10W
< RELAY >			
RY1001	1-755-486-11	RELAY (DA3300ES: US, CND)	
RY1006	1-515-920-11	RELAY (24V)	
RY1007	1-515-920-11	RELAY (24V)	
RY1008	1-515-920-11	RELAY (24V)	
RY1009	1-755-486-11	RELAY	
RY1010	1-755-031-11	RELAY	
< TERMINAL >			
TB1001	1-780-404-11	TERMINAL BOARD (SP) (8P) (FRONT SPEAKERS)	

A-1252-458-A TUNER BOARD, COMPLETE (DA3300ES: AEP, ECE, UK)			
A-1254-402-A TUNER BOARD, COMPLETE (DA3300ES: US, CND/DG1100)			

< CAPACITOR >			
C8001	1-162-960-11	CERAMIC CHIP	220PF 10% 50V
C8002	1-124-779-00	ELECT CHIP	10uF 20% 16V (DA3300ES: US, CND/DG1100)
C8003	1-162-919-11	CERAMIC CHIP	22PF 5% 50V (DA3300ES: US, CND/DG1100)
C8004	1-162-919-11	CERAMIC CHIP	22PF 5% 50V (DA3300ES: US, CND/DG1100)
C8005	1-126-193-11	ELECT CHIP	1uF 20% 50V
C8006	1-126-193-11	ELECT CHIP	1uF 20% 50V
C8007	1-126-193-11	ELECT CHIP	1uF 20% 50V
C8008	1-126-193-11	ELECT CHIP	1uF 20% 50V
C8009	1-162-919-11	CERAMIC CHIP	22PF 5% 50V (DA3300ES: US, CND/DG1100)
C8010	1-107-826-11	CERAMIC CHIP	0.1uF 10% 16V
C8011	1-164-733-11	CERAMIC CHIP	820PF 10% 50V (DA3300ES: US, CND/DG1100)
C8012	1-164-733-11	CERAMIC CHIP	820PF 10% 50V (DA3300ES: US, CND/DG1100)
C8013	1-162-919-11	CERAMIC CHIP	22PF 5% 50V (DA3300ES: US, CND/DG1100)
C8014	1-128-994-21	ELECT CHIP	47uF 20% 10V
C8015	1-162-927-11	CERAMIC CHIP	100PF 5% 50V
C8016	1-126-208-21	ELECT CHIP	47uF 20% 4V (DA3300ES: US, CND/DG1100)
C8017	1-126-208-21	ELECT CHIP	47uF 20% 4V (DA3300ES: US, CND/DG1100)
C8018	1-162-927-11	CERAMIC CHIP	100PF 5% 50V
C8019	1-162-927-11	CERAMIC CHIP	100PF 5% 50V
C8020	1-162-927-11	CERAMIC CHIP	100PF 5% 50V
C8021	1-128-994-21	ELECT CHIP	47uF 20% 10V
C8023	1-107-826-11	CERAMIC CHIP	0.1uF 10% 16V (DA3300ES: US, CND/DG1100)

Ref. No.	Part No.	Description	Remark
C8024	1-107-826-11	CERAMIC CHIP	0.1uF 10% 16V (DA3300ES: US, CND/DG1100)
C8026	1-107-826-11	CERAMIC CHIP	0.1uF 10% 16V (DA3300ES: US, CND/DG1100)
C8027	1-107-826-11	CERAMIC CHIP	0.1uF 10% 16V
C8028	1-107-826-11	CERAMIC CHIP	0.1uF 10% 16V
C8029	1-107-826-11	CERAMIC CHIP	0.1uF 10% 16V (DA3300ES: US, CND/DG1100)
C8030	1-128-994-21	ELECT CHIP	47uF 20% 10V
C8031	1-128-994-21	ELECT CHIP	47uF 20% 10V
C8032	1-162-971-11	CERAMIC CHIP	0.001uF 10% 50V (DA3300ES: US, CND/DG1100)
C8033	1-162-971-11	CERAMIC CHIP	0.001uF 10% 50V (DA3300ES: US, CND/DG1100)
C8034	1-107-826-11	CERAMIC CHIP	0.1uF 10% 16V (DA3300ES: US, CND/DG1100)
C8035	1-107-826-11	CERAMIC CHIP	0.1uF 10% 16V (DA3300ES: US, CND/DG1100)
C8036	1-128-994-21	ELECT CHIP	47uF 20% 10V (DA3300ES: US, CND/DG1100)
C8037	1-128-994-21	ELECT CHIP	47uF 20% 10V (DA3300ES: US, CND/DG1100)
C8038	1-162-908-11	CERAMIC CHIP	3PF 0.25PF 50V (DA3300ES: US, CND/DG1100)
C8039	1-107-826-11	CERAMIC CHIP	0.1uF 10% 16V (DA3300ES: US, CND/DG1100)
C8040	1-107-826-11	CERAMIC CHIP	0.1uF 10% 16V (DA3300ES: US, CND/DG1100)
C8041	1-162-908-11	CERAMIC CHIP	3PF 0.25PF 50V (DA3300ES: US, CND/DG1100)
C8042	1-107-826-11	CERAMIC CHIP	0.1uF 10% 16V (DA3300ES: US, CND/DG1100)
C8043	1-107-826-11	CERAMIC CHIP	0.1uF 10% 16V (DA3300ES: US, CND/DG1100)
C8044	1-107-826-11	CERAMIC CHIP	0.1uF 10% 16V
C8045	1-107-826-11	CERAMIC CHIP	0.1uF 10% 16V (DA3300ES: US, CND/DG1100)
C8046	1-115-416-11	CERAMIC CHIP	0.001uF 5% 25V (DA3300ES: US, CND/DG1100)
C8047	1-126-208-21	ELECT CHIP	47uF 20% 4V
C8048	1-126-208-21	ELECT CHIP	47uF 20% 4V
C8049	1-115-416-11	CERAMIC CHIP	0.001uF 5% 25V (DA3300ES: US, CND/DG1100)
C8050	1-107-826-11	CERAMIC CHIP	0.1uF 10% 16V (DA3300ES: US, CND/DG1100)
C8051	1-126-209-11	ELECT CHIP	100uF 20% 4V (DA3300ES: US, CND/DG1100)
C8052	1-107-826-11	CERAMIC CHIP	0.1uF 10% 16V (DA3300ES: US, CND/DG1100)
C8053	1-117-681-11	ELECT CHIP	100uF 20% 16V
C8056	1-107-826-11	CERAMIC CHIP	0.1uF 10% 16V (DA3300ES: US, CND/DG1100)
C8057	1-107-826-11	CERAMIC CHIP	0.1uF 10% 16V (DA3300ES: US, CND/DG1100)
C8058	1-162-971-11	CERAMIC CHIP	0.001uF 10% 50V
C8059	1-162-971-11	CERAMIC CHIP	0.001uF 10% 50V
C8060	1-128-994-21	ELECT CHIP	47uF 20% 10V
C8061	1-128-994-21	ELECT CHIP	47uF 20% 10V
C8062	1-128-993-21	ELECT CHIP	22uF 20% 10V (DA3300ES: US, CND/DG1100)
C8063	1-107-826-11	CERAMIC CHIP	0.1uF 10% 16V (DA3300ES: US, CND/DG1100)

Ref. No.	Part No.	Description	Remark	Ref. No.	Part No.	Description	Remark
C8064	1-107-826-11	CERAMIC CHIP	0.1uF 10% 16V (DA3300ES: US, CND/DG1100)	CN8007	1-770-407-11	CONNECTOR, BOARD TO BOARD 12P (DA3300ES: US, CND/DG1100)	
C8065	1-126-204-11	ELECT CHIP	47uF 20% 16V (DA3300ES: US, CND/DG1100)	CN8008	1-770-408-11	CONNECTOR, BOARD TO BOARD 14P	
C8066	1-107-826-11	CERAMIC CHIP	0.1uF 10% 16V (DA3300ES: US, CND/DG1100)			< DIODE >	
C8067	1-128-994-21	ELECT CHIP	47uF 20% 10V (DA3300ES: US, CND/DG1100)	D8001	8-719-988-61	DIODE 1SS355TE-17	
C8068	1-124-779-00	ELECT CHIP	10uF 20% 16V (DA3300ES: US, CND/DG1100)	D8002	8-719-988-61	DIODE 1SS355TE-17	
C8070	1-124-779-00	ELECT CHIP	10uF 20% 16V (DA3300ES: US, CND/DG1100)	D8003	8-719-083-02	DIODE KDS160-RTK	
C8071	1-124-779-00	ELECT CHIP	10uF 20% 16V (DA3300ES: US, CND/DG1100)	D8004	8-719-083-02	DIODE KDS160-RTK	
C8072	1-162-969-11	CERAMIC CHIP	0.0068uF 10% 25V (DA3300ES: US, CND/DG1100)	D8005	6-500-462-01	DIODE NSAD500F-T1B (DA3300ES: US, CND/DG1100)	
C8073	1-162-969-11	CERAMIC CHIP	0.0068uF 10% 25V (DA3300ES: US, CND/DG1100)	D8006	8-719-988-61	DIODE 1SS355TE-17	
C8074	1-107-826-11	CERAMIC CHIP	0.1uF 10% 16V (DA3300ES: US, CND/DG1100)			< EARTH TERMINAL >	
C8075	1-107-826-11	CERAMIC CHIP	0.1uF 10% 16V (DA3300ES: US, CND/DG1100)	ET8001	1-780-318-11	TERMINAL	
C8076	1-115-412-11	CERAMIC CHIP	680PF 5% 25V (DA3300ES: US, CND/DG1100)	ET8002	1-780-318-11	TERMINAL	
C8077	1-115-412-11	CERAMIC CHIP	680PF 5% 25V (DA3300ES: US, CND/DG1100)			< FERRITE BEAD >	
C8078	1-107-826-11	CERAMIC CHIP	0.1uF 10% 16V (DA3300ES: US, CND/DG1100)	FB8001	1-469-152-11	FERRITE, EMI (SMD) (2012) (DA3300ES: US, CND/DG1100)	
C8079	1-124-779-00	ELECT CHIP	10uF 20% 16V (DA3300ES: US, CND/DG1100)	FB8002	1-469-152-11	FERRITE, EMI (SMD) (2012) (DA3300ES: US, CND/DG1100)	
C8080	1-107-826-11	CERAMIC CHIP	0.1uF 10% 16V (DA3300ES: US, CND/DG1100)	FB8003	1-469-139-21	FERRITE, EMI (SMD) (2012) (DA3300ES: US, CND/DG1100)	
C8081	1-124-779-00	ELECT CHIP	10uF 20% 16V (DA3300ES: US, CND/DG1100)			< IC >	
C8082	1-128-994-21	ELECT CHIP	47uF 20% 10V	IC8001	6-705-469-01	IC BA50BC0FP-E2	
C8083	1-107-826-11	CERAMIC CHIP	0.1uF 10% 16V	IC8002	8-759-710-97	IC NJM4565M-D	
C8084	1-164-230-11	CERAMIC CHIP	220PF 5% 50V	IC8003	6-709-251-01	IC F2602E-01-TR (DA3300ES: US, CND/DG1100)	
C8085	1-164-230-11	CERAMIC CHIP	220PF 5% 50V	IC8004	6-702-302-01	IC TK11133CSCL-G (DA3300ES: US, CND/DG1100)	
C8086	1-107-826-11	CERAMIC CHIP	0.1uF 10% 16V	IC8005	6-707-111-01	IC PCM1753DBQR (DA3300ES: US, CND/DG1100)	
C8087	1-164-230-11	CERAMIC CHIP	220PF 5% 50V	IC8006	6-706-740-01	IC BA00BC0WFP-E2 (DA3300ES: US, CND/DG1100)	
C8088	1-128-994-21	ELECT CHIP	47uF 20% 10V	IC8007	6-705-337-01	IC TK11150CSCL-G (DA3300ES: US, CND/DG1100)	
C8090	1-162-960-11	CERAMIC CHIP	220PF 10% 50V	IC8008	8-759-710-97	IC NJM4565M-D (DA3300ES: US, CND/DG1100)	
C8092	1-126-204-11	ELECT CHIP	47uF 20% 16V	IC8009	6-711-170-01	IC NJU7313AM (TE2)	
C8093	1-162-923-11	CERAMIC CHIP	47PF 5% 50V (DA3300ES: US, CND/DG1100)	IC8010	8-759-710-97	IC NJM4565M-D (DA3300ES: US, CND/DG1100)	
C8094	1-162-923-11	CERAMIC CHIP	47PF 5% 50V (DA3300ES: US, CND/DG1100)	IC8011	6-709-800-01	IC TA7809AF- (T6L1SONQ	
C8095	1-162-923-11	CERAMIC CHIP	47PF 5% 50V (DA3300ES: US, CND/DG1100)	IC8012	8-759-710-97	IC NJM4565M-D	
C8096	1-162-923-11	CERAMIC CHIP	47PF 5% 50V (DA3300ES: US, CND/DG1100)			< COIL >	
		< CONNECTOR >		L8001	1-469-525-91	INDUCTOR 10uH	
CN8001	1-793-642-21	CONNECTOR (USB) (4P), SQUARE (XM) (DA3300ES: US, CND/DG1100)		L8002	1-469-525-91	INDUCTOR 10uH	
CN8002	1-821-182-11	SOCKET, DIN 8P (SIRIUS)				< TRANSISTOR >	
CN8003	1-817-615-21	CONNECTOR BOARD TO BOARD 18P		Q8001	8-729-027-43	TRANSISTOR DTC114EKA-T146 (DA3300ES: US, CND/DG1100)	
CN8004	1-568-830-11	CONNECTOR, FFC 11P (DA3300ES: AEP, ECE, UK)		Q8002	8-729-027-23	TRANSISTOR DTA114EKA-T146 (DA3300ES: US, CND/DG1100)	
CN8005	1-568-828-11	CONNECTOR, FFC 9P (DA3300ES: US, CND/DG1100)		Q8003	8-729-027-43	TRANSISTOR DTC114EKA-T146 (DA3300ES: US, CND/DG1100)	
CN8006	1-770-409-11	CONNECTOR, BOARD TO BOARD 16P		Q8004	6-550-044-01	TRANSISTOR 2SB1689-T106 (DA3300ES: US, CND/DG1100)	

STR-DA3300ES/DG1100

TUNER

Ref. No.	Part No.	Description	Remark
< RESISTOR >			
R8001	1-216-864-11	SHORT CHIP	0
R8009	1-216-833-11	METAL CHIP	10K 5% 1/10W (DA3300ES: US, CND/DG1100)
R8010	1-216-829-11	METAL CHIP	4.7K 5% 1/10W
R8014	1-216-864-11	SHORT CHIP	0 (DA3300ES: US, CND/DG1100)
R8015	1-216-864-11	SHORT CHIP	0 (DA3300ES: US, CND/DG1100)
R8019	1-216-837-11	METAL CHIP	22K 5% 1/10W
R8020	1-216-837-11	METAL CHIP	22K 5% 1/10W
R8021	1-216-837-11	METAL CHIP	22K 5% 1/10W
R8022	1-216-837-11	METAL CHIP	22K 5% 1/10W
R8023	1-219-365-11	SHORT CHIP	0 (DA3300ES: US, CND/DG1100)
R8024	1-219-365-11	SHORT CHIP	0 (DA3300ES: US, CND/DG1100)
R8025	1-216-837-11	METAL CHIP	22K 5% 1/10W
R8027	1-216-837-11	METAL CHIP	22K 5% 1/10W
R8028	1-216-841-11	METAL CHIP	47K 5% 1/10W (DA3300ES: US, CND/DG1100)
R8029	1-216-841-11	METAL CHIP	47K 5% 1/10W (DA3300ES: US, CND/DG1100)
R8032	1-216-809-11	METAL CHIP	100 5% 1/10W (DA3300ES: US, CND/DG1100)
R8034	1-216-821-11	METAL CHIP	1K 5% 1/10W (DA3300ES: US, CND/DG1100)
R8035	1-216-809-11	METAL CHIP	100 5% 1/10W (DA3300ES: US, CND/DG1100)
R8036	1-216-821-11	METAL CHIP	1K 5% 1/10W (DA3300ES: US, CND/DG1100)
R8037	1-216-837-11	METAL CHIP	22K 5% 1/10W
R8038	1-216-837-11	METAL CHIP	22K 5% 1/10W
R8039	1-216-821-11	METAL CHIP	1K 5% 1/10W (DA3300ES: US, CND/DG1100)
R8040	1-216-809-11	METAL CHIP	100 5% 1/10W (DA3300ES: US, CND/DG1100)
R8041	1-216-829-11	METAL CHIP	4.7K 5% 1/10W (DA3300ES: US, CND/DG1100)
R8042	1-216-809-11	METAL CHIP	100 5% 1/10W (DA3300ES: AEP, ECE, UK)
R8044	1-216-809-11	METAL CHIP	100 5% 1/10W (DA3300ES: AEP, ECE, UK)
R8046	1-216-809-11	METAL CHIP	100 5% 1/10W
R8048	1-216-809-11	METAL CHIP	100 5% 1/10W
R8050	1-216-809-11	METAL CHIP	100 5% 1/10W
R8052	1-216-809-11	METAL CHIP	100 5% 1/10W (DA3300ES: US, CND/DG1100)
R8053	1-216-809-11	METAL CHIP	100 5% 1/10W
R8055	1-216-809-11	METAL CHIP	100 5% 1/10W
R8057	1-216-809-11	METAL CHIP	100 5% 1/10W
R8063	1-216-841-11	METAL CHIP	47K 5% 1/10W
R8064	1-216-841-11	METAL CHIP	47K 5% 1/10W
R8068	1-216-833-11	METAL CHIP	10K 5% 1/10W (DA3300ES: US, CND/DG1100)
R8070	1-216-809-11	METAL CHIP	100 5% 1/10W (DA3300ES: US, CND/DG1100)
R8071	1-216-833-11	METAL CHIP	10K 5% 1/10W (DA3300ES: US, CND/DG1100)

Ref. No.	Part No.	Description	Remark
R8072	1-218-867-11	METAL CHIP	6.8K 0.5% 1/10W (DA3300ES: US, CND/DG1100)
R8073	1-218-867-11	METAL CHIP	6.8K 0.5% 1/10W (DA3300ES: US, CND/DG1100)
R8074	1-216-821-11	METAL CHIP	1K 5% 1/10W (DA3300ES: US, CND/DG1100)
R8075	1-216-864-11	SHORT CHIP	0 (DA3300ES: US, CND/DG1100)
R8076	1-216-841-11	METAL CHIP	47K 5% 1/10W (DA3300ES: US, CND/DG1100)
R8077	1-216-833-11	METAL CHIP	10K 5% 1/10W (DA3300ES: US, CND/DG1100)
R8078	1-216-845-11	METAL CHIP	100K 5% 1/10W (DA3300ES: US, CND/DG1100)
R8079	1-216-845-11	METAL CHIP	100K 5% 1/10W (DA3300ES: US, CND/DG1100)
R8080	1-216-834-11	METAL CHIP	12K 5% 1/10W (DA3300ES: US, CND/DG1100)
R8081	1-216-832-11	METAL CHIP	8.2K 5% 1/10W (DA3300ES: US, CND/DG1100)
R8082	1-216-832-11	METAL CHIP	8.2K 5% 1/10W (DA3300ES: US, CND/DG1100)
R8083	1-216-834-11	METAL CHIP	12K 5% 1/10W (DA3300ES: US, CND/DG1100)
R8084	1-216-819-11	METAL CHIP	680 5% 1/10W (DA3300ES: US, CND/DG1100)
R8085	1-216-819-11	METAL CHIP	680 5% 1/10W (DA3300ES: US, CND/DG1100)
R8086	1-216-809-11	METAL CHIP	100 5% 1/10W (DA3300ES: US, CND/DG1100)
R8087	1-216-809-11	METAL CHIP	100 5% 1/10W (DA3300ES: US, CND/DG1100)
R8088	1-216-805-11	METAL CHIP	47 5% 1/10W (DA3300ES: US, CND/DG1100)
R8089	1-216-805-11	METAL CHIP	47 5% 1/10W (DA3300ES: US, CND/DG1100)
R8090	1-216-805-11	METAL CHIP	47 5% 1/10W (DA3300ES: US, CND/DG1100)
R8091	1-216-819-11	METAL CHIP	680 5% 1/10W (DA3300ES: US, CND/DG1100)
R8092	1-216-805-11	METAL CHIP	47 5% 1/10W (DA3300ES: US, CND/DG1100)
R8093	1-216-805-11	METAL CHIP	47 5% 1/10W (DA3300ES: US, CND/DG1100)
R8094	1-216-805-11	METAL CHIP	47 5% 1/10W (DA3300ES: US, CND/DG1100)
R8095	1-216-805-11	METAL CHIP	47 5% 1/10W
R8096	1-216-864-11	SHORT CHIP	0 (DA3300ES: AEP, ECE, UK)
< COMPOSITION CIRCUIT BLOCK >			
RB8001	1-234-378-21	RES, NETWORK	10K (1005X4) (DA3300ES: US, CND/DG1100)
RB8002	1-234-378-21	RES, NETWORK	10K (1005X4) (DA3300ES: US, CND/DG1100)
RB8003	1-234-378-21	RES, NETWORK	10K (1005X4) (DA3300ES: US, CND/DG1100)
RB8004	1-234-378-21	RES, NETWORK	10K (1005X4) (DA3300ES: US, CND/DG1100)
RB8005	1-234-372-11	RES, NETWORK	100 (1005X4) (DA3300ES: US, CND/DG1100)

<u>Ref. No.</u>	<u>Part No.</u>	<u>Description</u>	<u>Remark</u>
		< VIBRATOR >	
X8001	1-760-841-11	VIBRATOR, CRYSTAL (45.1584MHz) (DA3300ES: US, CND/DG1100)	

		MISCELLANEOUS *****	
△F1001	1-532-504-33	FUSE (T4AL/250V)	
△F1002	1-532-504-33	FUSE (T4AL/250V)	
△F1003	1-532-506-33	FUSE (T6.3AL/250V) (DA3300ES: AEP, ECE, UK)	
△F1004	1-532-506-33	FUSE (T6.3AL/250V) (DA3300ES: AEP, ECE, UK)	
△F1005	1-532-506-33	FUSE (T6.3AL/250V) (DA3300ES: AEP, ECE, UK)	
△F1006	1-532-506-33	FUSE (T6.3AL/250V) (DA3300ES: AEP, ECE, UK)	

