

STR-DE575/K502/K502P

SERVICE MANUAL

Ver 1.0 2001.04

US Model
STR-DE575/K502/K502P

Canadian Model
STR-DE575/K502P

E Model
Australian Model
STR-K502P



Photo : STR-DE575

Dolby Laboratories Licensing Corporation.
“DOLBY” the double-D symbol $\square\square$ “AC-3” and “PRO LOGIC”
are trademarks of Dolby Laboratories Licensing Corporation.

SPECIFICATIONS

AUDIO POWER SPECIFICATIONS

POWER OUTPUT AND TOTAL HARMONIC DISTORTION:
With 8 ohm loads, both channels driven, from 20 - 20,000 Hz; rated 100 watts per channel minimum RMS power, with no more than 0.09% total harmonic distortion from 250 milliwatts to rated output (USA model only).

Amplifier section

Rated Power Output at Stereo mode
(8 ohms 20 Hz - 20 kHz,
THD 0.09%)
100 W + 100 W

Reference Power Output
(8 ohms at 1 kHz, THD 0.7%)
Front¹⁾: 100 W/ch
Center¹⁾: 100 W
Surround¹⁾: 100 W/ch

¹⁾ Depending on the sound field settings and sources, there may be no sound output.

Frequency response

MULTI CH IN, CD,
MD/TAPE, DVD/
LD, TV/SAT,
VIDEO*, AUX:
10 Hz - 50 kHz +0.5/
-2 dB (with sound
field and equalizer
bypassed)

Inputs (Analog)

MULTI CH IN, CD,
DVD/LD, MD/
TAPE, TV/SAT,
VIDEO*, AUX:

Sensitivity: 250 mV
Impedance: 50
kilohms
S/N^{a)}: 96 dB (A, 250
mV^{b)})

a) Input short.

b) Weighted network, input level.

Inputs (Digital)

DVD/LD (coaxial):
Sensitivity: -
Impedance: 75 ohms
S/N: 100 dB (A, 20
kHz LPF)

DVD/LD, TV/SAT

(Optical):
Sensitivity: -
Impedance: -
S/N: 100 dB (A, 20
kHz LPF)

Outputs

MD/TAPE, (OUT);
VIDEO*,
(AUDIO OUT):
Voltage: 250 mV,
Impedance: 10
kilohms
SUB WOOFER:
Voltage: 2 V
Impedance: 1
kilohms
PHONES:
Accepts low- and
high-impedance
headphones

EQ

±6 dB

Sampling Frequency

48 kHz (TV/SAT, MD/
TAPE OPTICAL IN)
96 kHz (DVD/LD
OPTICAL IN,
COAXIAL IN)

— Continued on next page —

FM STEREO FM-AM RECEIVER

9-873-862-11
2001D1600-1
© 2001.4

Sony Corporation
Audio Entertainment Group
General Engineering Dept.

SONY®

STR-DE575/K502/K502P

FM tuner section

Tuning range	87.5 - 108.0 MHz
Antenna terminals	75 ohms, unbalanced
Intermediate frequency	10.7 MHz
Sensitivity	Mono: 18.3 dBf, 2.2 μ V/75 ohms Stereo: 38.3 dBf 22.5 μ V/75 ohms
Usable sensitivity	11.2 dBf, 1 μ V/75 ohms
S/N	Mono: 76 dB Stereo: 70 dB
Harmonic distortion at 1 kHz	Mono: 0.3% Stereo: 0.5%
Separation	45 dB at 1 kHz
Frequency response	30 Hz - 15 kHz +0.5/-2 dB
Selectivity	60 dB at 400 kHz

AM tuner section

Tuning range	With 10-kHz tuning scale: 530 - 1710 kHz ^{c)} With 9-kHz tuning scale: 531 - 1710 kHz ^{c)}
Antenna	Loop antenna
Intermediate frequency	450 kHz
Usable sensitivity	50 dB/m (at 1,000 kHz or 999 kHz)

S/N 54 dB (at 50 mV/m)

Harmonic distortion
0.5 % (50 mV/m, 400 kHz)

Selectivity At 9 kHz: 35 dB
At 10 kHz: 40 dB

c) You can change the AM tuning interval to 9 kHz. After tuning in any AM station, turn off the receiver. Hold down the TUNING + button and press the $\sqrt{\text{ON}}$ button. All preset stations will be erased when you change the tuning interval. To reset the scale to 10 kHz, repeat the procedure.

Video section

Inputs	Video: 1 Vp-p 75 ohms S-video***: Y: 1 Vp-p 75 ohms C: 0.286 Vp-p 75 ohms
Outputs	Video: 1 Vp-p 75 ohms S-video***: Y: 1 Vp-p 75 ohms C: 0.286 Vp-p 75 ohms

*** STR-DE575 only

General

System	Tuner section: PLL quartz-locked digital synthesizer system Preamplifier section: Low-noise NF type equalizer Power amplifier section: Pure-complementary SEPP
---------------	---

Power requirements
120 V AC, 60 Hz

Power consumption
Models of area code U:
220W
In standby condition:
1 W
Models of area code CA:
315 VA
In standby condition:
1 W

AC outlets 1 switched, total
120 W/1A Max

Dimensions 430 \times 308.5 \times 157.5 mm
(14.5 \times 10.4 \times 5.3 in.)
including projecting parts and controls

Mass (Approx.)
7.5 kg (16 lbs. 9 oz.)
7.4 kg (16 lbs. 6 oz.)

Supplied accessories

- FM wire antenna (1)
- AM loop antenna (1)
- R6 (size-AA) batteries (2)
- STR-DE575 only
 - Model of area code U only
 - Remote commander RM-U305 (remote) (1)
 - Model of area code CA only
 - Remote commander RM-PP505 (remote) (1)
- STR-K502 only
 - Remote commander RM-U305 (remote) (1)

Design and specifications are subject to change without notice.

SAFETY CHECK-OUT

After correcting the original service problem, perform the following safety checks before releasing the set to the customer: Check the antenna terminals, metal trim, "metallized" knobs, screws, and all other exposed metal parts for AC leakage. Check leakage as described below.

LEAKAGE

The AC leakage from any exposed metal part to earth ground and from all exposed metal parts to any exposed metal part having a return to chassis, must not exceed 0.5 mA (500 microamperes). Leakage current can be measured by any one of three methods.

1. A commercial leakage tester, such as the Simpson 229 or RCA WT-540A. Follow the manufacturers' instructions to use these instruments.
2. A battery-operated AC milliammeter. The Data Precision 245 digital multimeter is suitable for this job.
3. Measuring the voltage drop across a resistor by means of a VOM or battery-operated AC voltmeter. The "limit" indication is 0.75 V, so analog meters must have an accurate low-voltage scale. The Simpson 250 and Sanwa SH-63Trd are examples of a passive VOM that is suitable. Nearly all battery operated digital multimeters that have a 2V AC range are suitable. (See Fig. A)

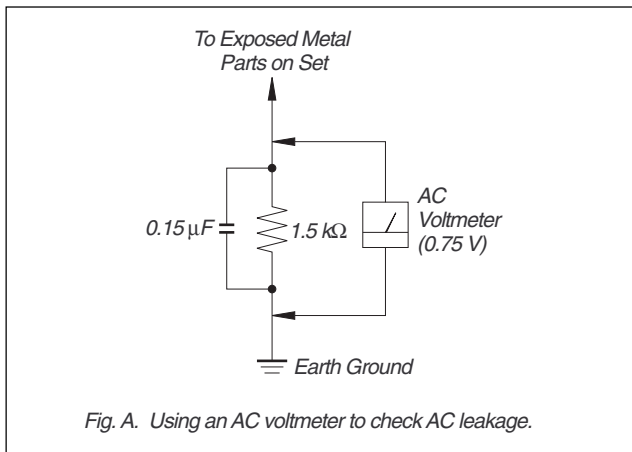
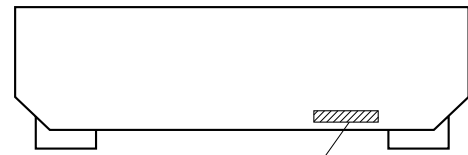


Fig. A. Using an AC voltmeter to check AC leakage.

MODEL IDENTIFICATION

— BACK PANEL —



MODEL	PARTS No.
DE575 : US	4-232-240-0□
DE575 : Canadian	4-232-240-1□
K502P : US	4-232-240-3□
K502P : Canadian	4-232-240-4□
K502P : Australian	4-232-240-5□
K502P : Singapore	4-232-240-6□
K502P : Mexican	4-232-240-7□
K502 : US	4-232-240-8□

SAFETY-RELATED COMPONENT WARNING!!

COMPONENTS IDENTIFIED BY MARK \triangle OR DOTTED LINE WITH MARK \triangle ON THE SCHEMATIC DIAGRAMS AND IN THE PARTS LIST ARE CRITICAL TO SAFE OPERATION. REPLACE THESE COMPONENTS WITH SONY PARTS WHOSE PART NUMBERS APPEAR AS SHOWN IN THIS MANUAL OR IN SUPPLEMENTS PUBLISHED BY SONY.

ATTENTION AU COMPOSANT AYANT RAPPORT À LA SÉCURITÉ!

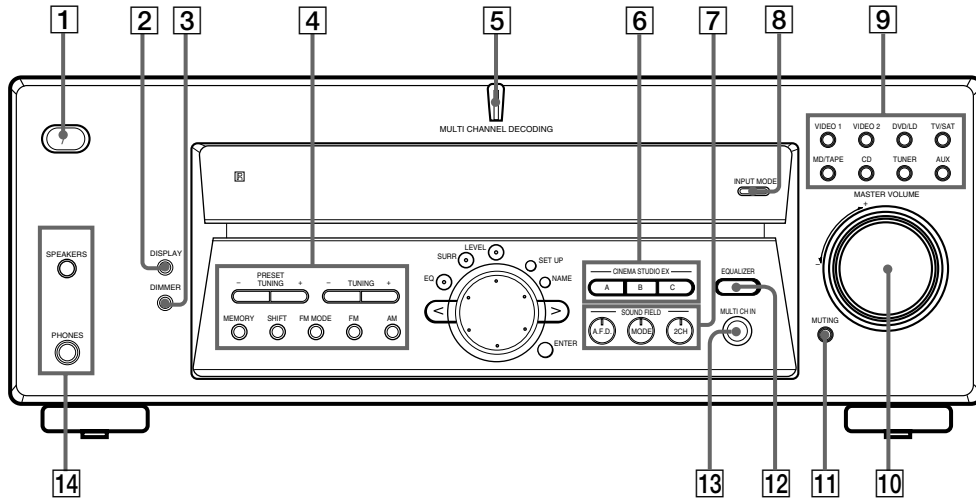
LES COMPOSANTS IDENTIFIÉS PAR UNE MARQUE \triangle SUR LES DIAGRAMMES SCHÉMATIQUES ET LA LISTE DES PIÈCES SONT CRITIQUES POUR LA SÉCURITÉ DE FONCTIONNEMENT. NE REMPLACER CES COMPOSANTS QUE PAR DES PIÈCES SONY DONT LES NUMÉROS SONT DONNÉS DANS CE MANUEL OU DANS LES SUPPLÉMENTS PUBLIÉS PAR SONY.

TABLE OF CONTENTS

1. GENERAL	5
2. TEST MODE	7
3. DIAGRAMS	
3-1. Circuit Boards Location	9
3-2. Block Diagrams	10
• Main Section	10
• Display/Power Section	11
3-3. Printed Wiring Board – Digital Section –	12
3-4. Schematic Diagram – Digital Section (1/3) –	13
3-5. Schematic Diagram – Digital Section (2/3) –	14
3-6. Schematic Diagram – Digital Section (3/3) –	15
3-7. Printed Wiring Board – Main Section –	16
3-8. Schematic Diagram – Main Section (1/3) –	17
3-9. Schematic Diagram – Main Section (2/3) –	18
3-10. Schematic Diagram – Main Section (3/3) –	19
3-11. Printed Wiring Board – Display Section –	20
3-12. Schematic Diagram – Display Section –	21
3-13. Printed Wiring Board – Video Section –	22
3-14. Schematic Diagram – Video Section –	23
3-15. Schematic Diagram – Power Section –	24
3-16. IC Block Diagrams	25
3-17. IC Pin Function Description	27
4. EXPLODED VIEWS	
4-1. Front Panel Section	29
4-2. Chassis Section	30
5. ELECTRICAL PARTS LIST	32

SECTION 1 GENERAL

This section is extracted from instruction manual.



- 1 I/⏻ switch**
Press to turn the receiver on and off.
- 2 DISPLAY button**
Press repeatedly to change the information on the display window as follows:
- Index name of the component or the preset station*

↓

FUNCTION button indication or frequency**

↓

Sound field applied to the program source

* Index name appears only when you have assigned one to the component or preset station (see page 41). Index name does not appear when only blank spaces have been entered, or it is the same as the function button.
** Frequency appears only when the tuner is selected.

- 3 DIMMER button**
Press repeatedly to adjust the brightness of the display. When you want to turn off the display, set in the "DIM.RANGE" parameter in the SET UP menu (page 45).
- 4** The following buttons operate the built-in tuner. For details, see "Receiving Broadcasts" starting from page 38.
- PRESET TUNING +/- buttons**
Scan all preset stations.
- TUNING +/- buttons**
Scan all the available radio stations.
- MEMORY button**
Press to memorize a preset station.
- SHIFT button**
Selects a memory page for preset stations.
- FM MODE button**
If "STEREO" flashes in the display and the FM stereo reception is poor, press this button. You will not have the stereo effect but the sound is improved.
- FM button**
Selects the FM band.
- AM button**
Selects the AM band.

- 5 MULTI CHANNEL DECODING indicator**
This indicator lights up when the unit is decoding signals recorded in a multi channel format.
- 6** Use the CINEMA STUDIO EX buttons to enjoy the CINEMA STUDIO EX sound effects.
- A/B/C buttons**
Press to activate the CINEMA STUDIO EX A, B or C sound field (page 29).

- 7** Use the SOUND FIELD buttons to enjoy surround sound. For details, see "Enjoying Surround Sound" starting from page 27.
- A.F.D. button / indicator**
Press to set the receiver to automatically detect the type of audio signal being input and perform proper decoding (if necessary).
- MODE button / indicator**
Press to activate the sound field selection mode (page 28).
- 2CH button / indicator**
Press to output sound from only the front (left and right) speakers.

- 8 INPUT MODE button**
Press to select the input mode for your digital components (DVD/LD, TV/SAT). Each press switches the input mode of the currently selected component.
- | Select | To |
|-------------------|--|
| AUTO | Give priority to digital signals when there are both digital and analog connections. If there are no digital signals, analog is selected |
| DIGITAL (OPTICAL) | Specify the digital audio signals input to the DIGITAL OPTICAL input jacks |
| DIGITAL (COAXIAL) | Specify the digital audio signals input to the DIGITAL COAXIAL input jacks (DVD/LD only) |
| ANALOG | Specify the analog audio signals input to the AUDIO IN (L and R) jacks |

Note
If 96 kHz digital signal is input, the tone, sound field and surround parameters do not function.

- 9 Function buttons**
Press one of the buttons to select the component you want to use.
- | To select | Press |
|-----------------------|---------|
| VCR | VIDEO |
| DVD or LD player | DVD/LD |
| TV or satellite tuner | TV/SAT |
| MD or Tape deck | MD/TAPE |
| CD player | CD |
| Built in tuner | TUNER |
| An audio component | AUX |

After selecting the component, turn on the component you selected and play the program source.

- After selecting VCR, DVD player, or LD player, turn on the TV and set the TV's video input to match the component you selected.

- 10 MASTER VOLUME control**
After turning on the component you selected, rotate to adjust the volume.

- 11 MUTING button**
Press to mute the sound. MUTING appears in the display when the sound is muted.

- 12 EQUALIZER button**
Press to turn the equalizer on or off. The EQ indicator in the display lights when the equalizer is turned on. When you adjust the equalizer using the EQ parameters (page 36) the settings are stored automatically and can be reproduced wherever you turn on the equalizer.

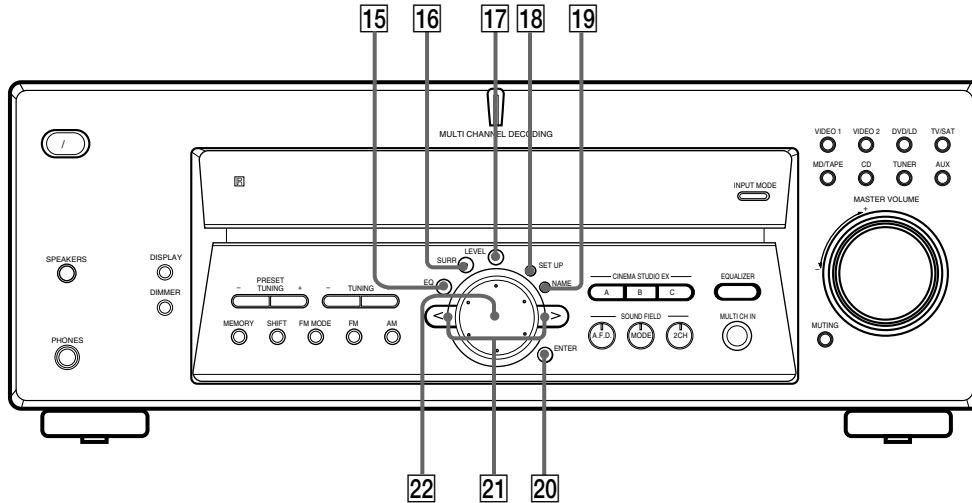
- The equalizer is not compatible with 96 kHz digital audio signals and during MULTI CH IN input.

- When you want to listen to an analog source without any digital processing**
Do the following to bypass the sound field and equalizer circuits.
- Press 2CH.
 - Press EQ to turn off the EQ indicator.
- The result will be a sound that is highly faithful to the program source.

- 13 MULTI CH IN button**
Press to enjoy the audio source connected to the MULTI CH IN jacks with the video from the selected component. Press again to cancel MULTI CH IN.
- When the MULTI CH IN is selected, the tone, equalizer, and sound field effects do not function.

- 14 SPEAKERS button**
Press SPEAKERS button to ON.

- PHONES jack**
Connects headphones.
- When you connect the headphones, no sound will come from the speakers.



15 EQ button

Press to activate the equalizer parameters (page 36). The indicator on the button lights up and you can adjust the various equalizer parameters.

16 SURR button

Press to activate the surround parameters (page 34). The indicator on the button lights up and you can adjust the various surround parameters (effect level, wall type, etc.).

17 LEVEL button

Press to activate the speaker level parameters (page 35). The indicator on the button lights up and you can adjust the various speaker level parameters (front balance, surround balance, etc.).

18 SET UP button

Press to activate the setup mode, then use the cursor buttons (21) to select any of the following indications. You can then make various settings using the jog dial (22).

When you select	You can
Speaker type	Specify the type of speakers. (page 17)
Speaker setup	Specify the front, center, surround speaker sizes, the surround speaker position, and whether or not you are using a sub woofer. (page 17)

When you select	You can
Speaker Distance	Specify the front, center, and surround speaker distances. (page 19)
MULTI CH IN video input	Specify the video input to be used with the audio signals from the MULTI CH IN jacks. (page 45)
Dimmer range	Specify the display to turn off when you press the DIMMER button several times. (page 45)

19 NAME button

Press to activate the name function and enter names for preset stations and program sources (page 43).

20 ENTER button

Press to enter individual characters for the preset station and program source names.

21 Cursor buttons (</>)

Press to select various speaker level, surround, and equalizer parameters (etc.).

22 Jog dial

Turn to adjust the selected speaker level, surround, and equalizer parameters (etc.).

SECTION 2 TEST MODE

FACTORY PRESET MODE

- * All preset contents are reset to the default setting.
- * Procedure:
While depressing the **VIDEO** and the **2CH** buttons simultaneously, press the power **I/O** button to turn on the main power. The message **FACTORY** appears and switch off the set.
While depressing the **VIDEO** and the **2CH** buttons simultaneously, press the power **I/O** button again. The message **FACTORY** appears and the present contents are reset to the default values.

AM CHANNEL STEP 9 KHZ/10 KHZ SELECTION MODE

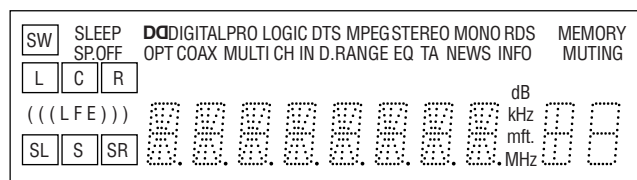
- * Either the 9 kHz step or 10 kHz step can be selected for the AM channel step.
- * Procedure:
Set the **FUNCTION** to **AM**. Turn off the main power.
While depressing the **TUNING+** button or the **PRESET TUNING+** button, press the power **I/O** button to turn on the main power. Either the message **9 k STEP** or **10 k STEP** appears. Select the desired step.
- * For US/Canadian/E model only

DSP VERSION DISPLAY MODE

- * DSP version is displayed.
- * Procedure :
While depressing the **MD/TAPE** and the **A.F.D** buttons simultaneously, press the power **I/O** button to turn on the main power. "DSP" and the version are displayed.

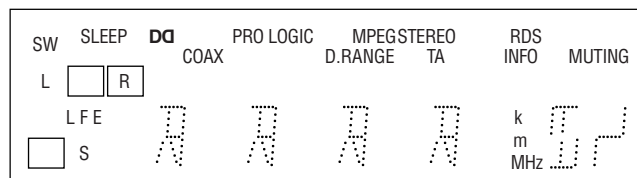
FLUORESCENT INDICATOR TUBE TEST MODE

- * All fluorescent segments are tested. When this test is activated, all segments turn on at the same time, then each segment turns on one after another.
 - * Procedure:
While depressing the **MD/TAPE** and the **SHIFT** buttons simultaneously, press the power **I/O** button to turn on the main power.
- All segments turn on.



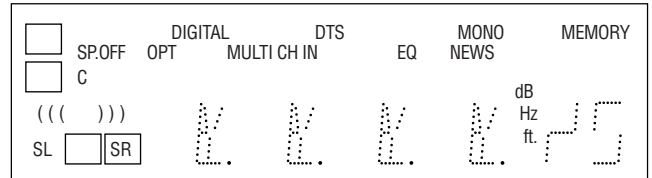
All LED turn on.

- Press the **VIDEO** button, confirm display



MULTI CHANNEL DECODING (blue), **Digital Cinema Sound**, **LEVEL**, **SET UP**, **A.F.D** and **MODE** LED turn on.

- Press the **VIDEO** button, confirm display



EQ, **SUR**, **NAME** and **2CH** LED turn on.

- Press the **VIDEO** button, All segments turn off.
- Every pressing of the **VIDEO** button turns on each segment and LED one after another in the same order. (Not only the **VIDEO** button, but also the other buttons such as **DVD/LD**, **TV/SAT**, **MD/TAPE**, **CD**, **TUNER** and **AUX** can be used.)

SOUND FIELD CLEAR MODE

- * The preset sound field is cleared when this mode is activated. Use this mode before returning the product to clients upon completion of repair.
- * Procedure:
While depressing the **SOUND FIELD MODE** button, press the power **I/O** button to turn on the main power. The message **SURR. CLR.** appears and initialization is performed.

DEMONSTRATION MODE

- * Demonstration is performed.
- * Procedure :
While depressing the **SET UP** button, press the power **I/O** button. The message appears and demonstration is performed.
- * To finish **DEMONSTRATION MODE**, press the power **I/O** button while the introduction message appears in the display.

SOFTWARE VERSION DISPLAY MODE

- * The software version is displayed.
- * Procedure:
While depressing the **TUNER** and the **SHIFT** buttons simultaneously, press the power **I/O** button to turn on the main power. The model name, destination and the software version are displayed.

KEY CHECK MODE

- * Button check
- * Procedure:
While depressing the **VIDEO** and the **SHIFT** buttons simultaneously, press the power **I/O** button to turn on the main power.
"REST 36" appears.
Every pressing of any button other than **I/O** and **SPEAKERS** counts down the buttons. The buttons which are already counted once are not counted again. When all buttons are pressed "REST 00" appears.
When **MASTER VOLUME** is rotated in clockwise direction, "VOL MIN", "VOL 1" to "VOL 48", "VOL MAX" appear.

DSP TEST MODE

* DSP tests are performed.

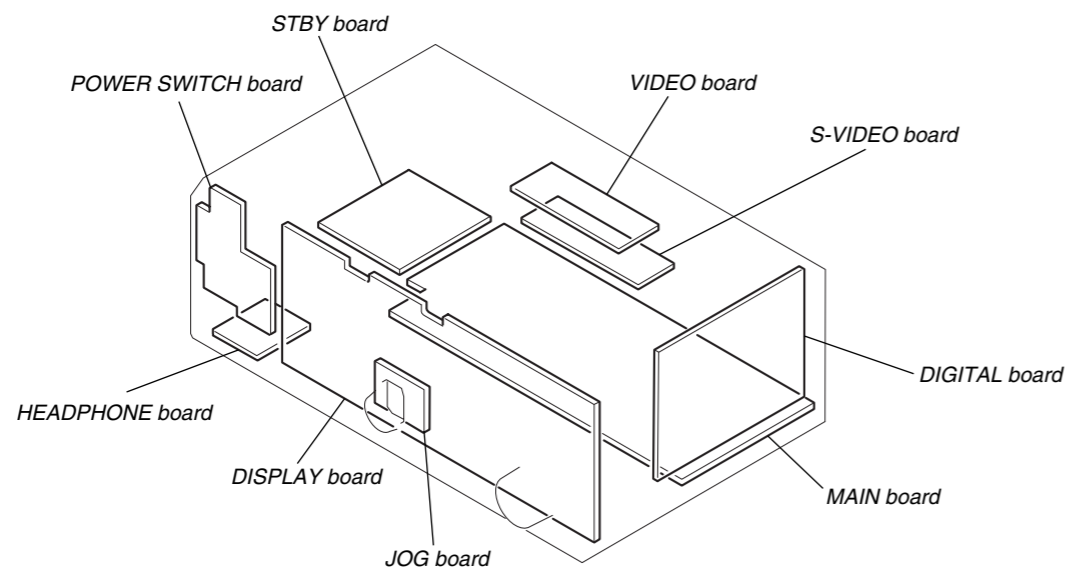
* Procedure :

1. While depressing the **LEVEL** and **CD** buttons simultaneously, press the power **I/O** Button to turn on the main power.
2. Press the **NAME** button.
3. Select the item by pressing Cursor button (**◀** or **▶**).
4. Select the function by turning Jog dial if selection is necessary.

Items	Function	Description	Remark
SWAP	NORM	Normal channel output	Selection of setting output channels
	ALL	Left input → Front Left, Surround Left, Center channel output	
		Right input → Front Right, Surround Right, Sub Woofer channel output	
	C SW	Left input → Center channel output	
Right input → Sub Woofer channel output			
SLSR	Left input → Surround Left channel output		
	Right input → Surround Right channel output		
DSP communication	–	When this item is selected the message will be displayed “ OK ” if the checking is correct. “ ERROR ” will be displayed in a case of an error.	Checking communication between DSP and microcom
Bass Management	–	Not used for service	
Main Speaker cut off Freq.	–	Not used for service	
LFE cut off Freq.	–	Not used for service	
Co-ef. Read Address	–	Not used for service	
Co-ef. Read Data	–	Not used for service	
Co-ef. Write Address	–	Not used for service	
Co-ef. Write Data	–	Not used for service	
SRAM	OFF	“ RAMC. OFF ” will be displayed in a case of no checking.	Checking communication between DSP and SRAM
	ON	By turning Jog dial “ RAMC. EXE ” will be displayed during the checking. After a while “ RAMC. PASS ” will be displayed if the checking is good. “ RAMC. NG ” will be displayed if an error occurs.	

SECTION 3 DIAGRAMS

3-1. CIRCUIT BOARDS LOCATION



THIS NOTE IS COMMON FOR PRINTED WIRING BOARDS AND SCHEMATIC DIAGRAMS.
(In addition to this necessary note is printed in each block.)

For schematic diagrams.

Note:

- All capacitors are in μF unless otherwise noted. pF: $\mu\mu\text{F}$ 50 WV or less are not indicated except for electrolytics and tantalums.
- All resistors are in Ω and $1/4\text{W}$ or less unless otherwise specified.
- % : indicates tolerance.
- Δ : internal component.
- : nonflammable resistor.
- : fusible resistor.
- : panel designation.

Note:

The components identified by mark Δ or dotted line with mark Δ are critical for safety. Replace only with part number specified.

Note:

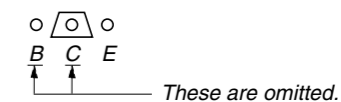
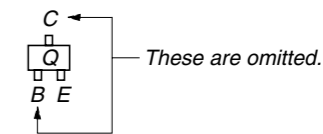
Les composants identifiés par une marque Δ sont critiques pour la sécurité. Ne les remplacer que par une pièce portant le numéro spécifié.

- : B+ Line.
- : B- Line.
- : adjustment for repair.
- Voltages and waveforms are dc with respect to ground under no-signal (detuned) conditions.
No mark : FM
- Voltages are taken with a VOM (Input impedance 10 M Ω). Voltage variations may be noted due to normal production tolerances.
- Waveforms are taken with a oscilloscope.
- Circled numbers refer to waveforms.
- **Signal path.**
 - : FM
 - : CD (ANALOG)
 - : DVD (DIGITAL)
- Abbreviation
 - CND : Canadian model
 - MY : Malaysia model
 - SP : Singapore model
 - MX : Mexican model
 - AUS : Australian model

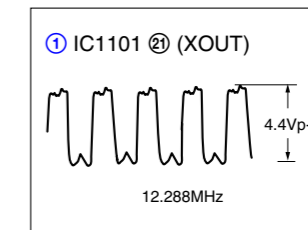
For printed wiring boards.

Note:

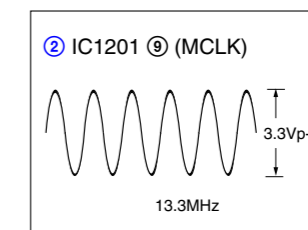
- : parts extracted from the component side.
- : Through hole.
- : internal component.
- : Pattern from the side which enables seeing.



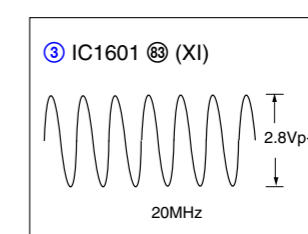
**• Waveform
DIGITAL Board**



DIGITAL Board

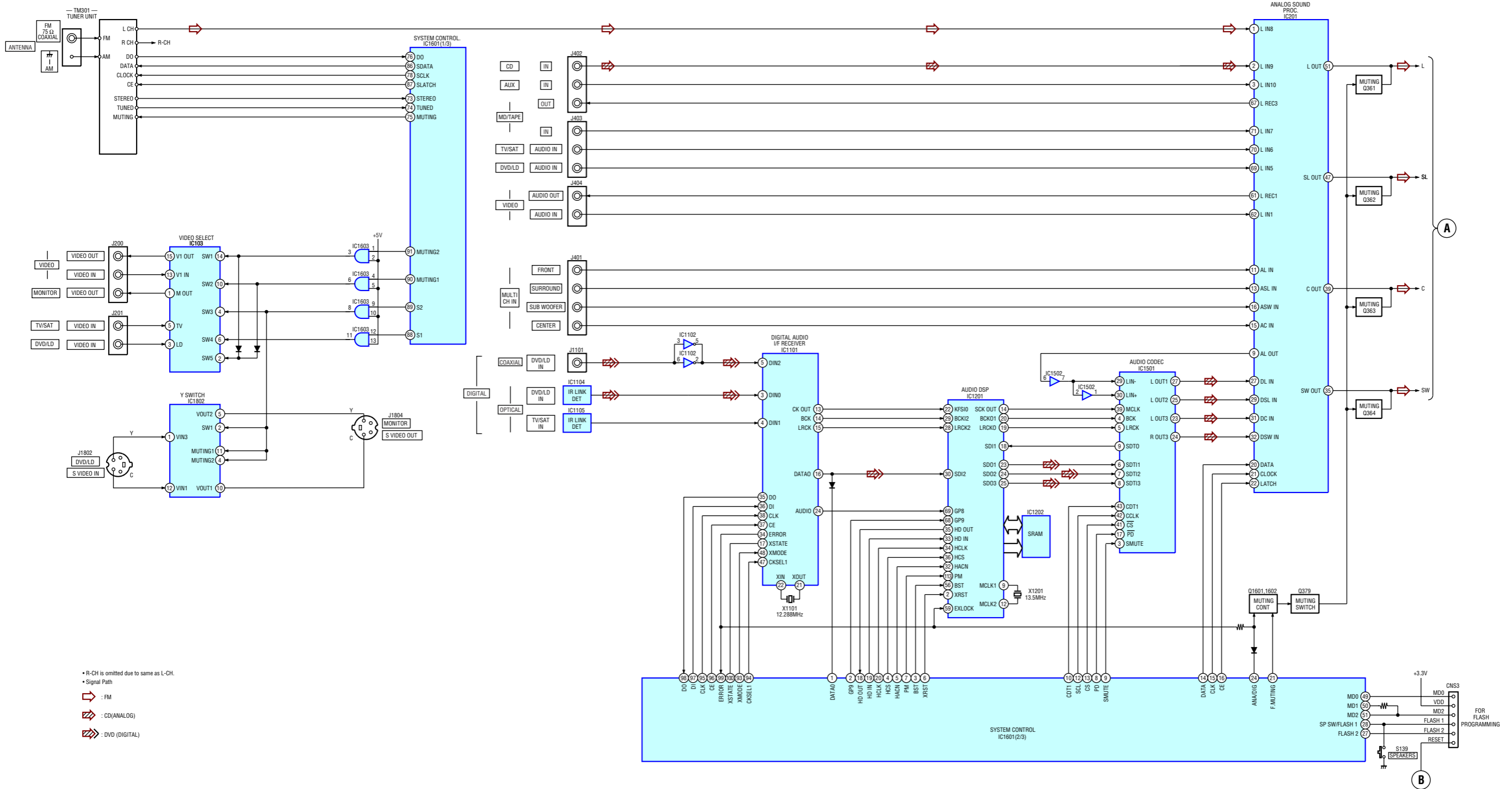


DIGITAL Board

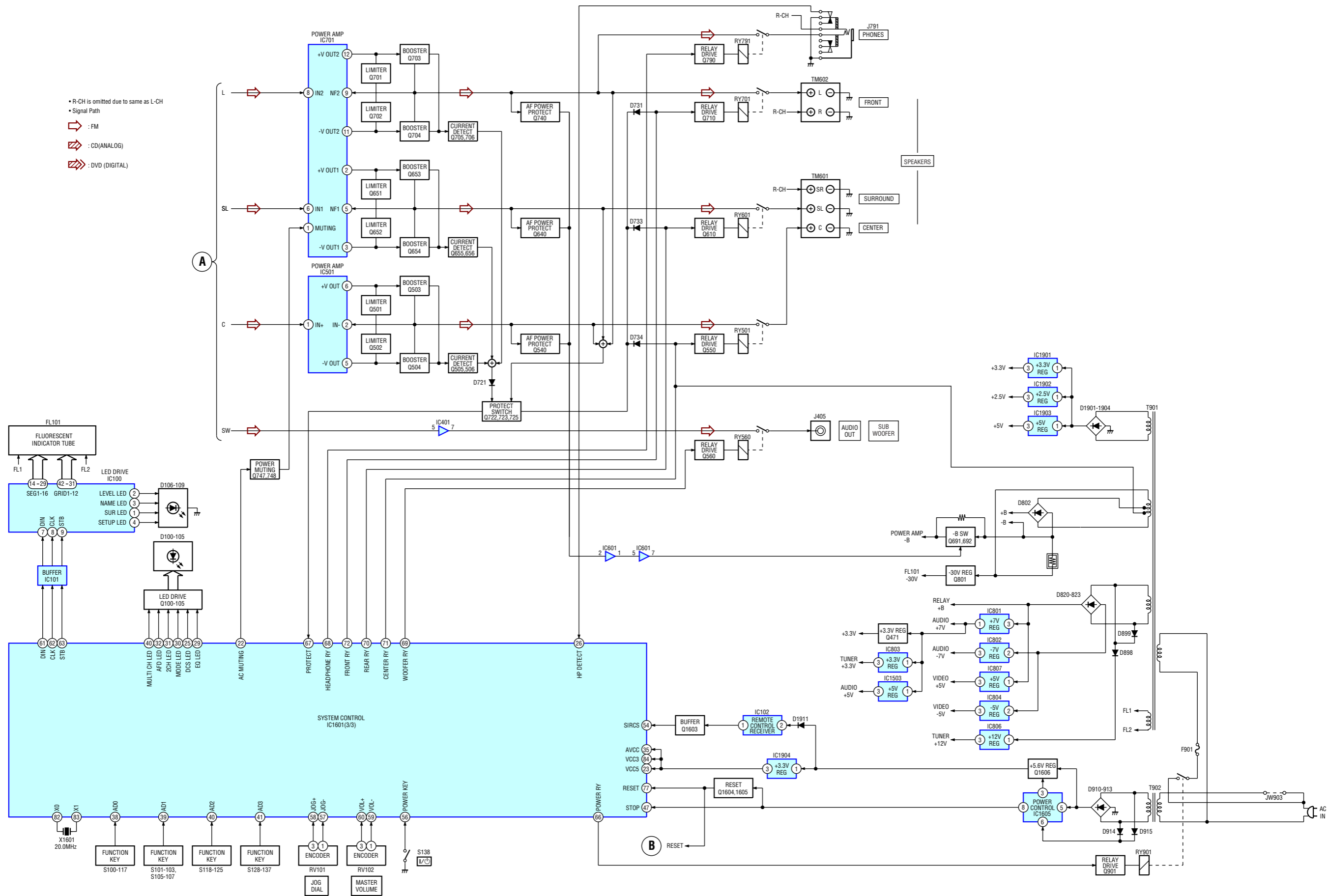


STR-DE575/K502/K502P

3-2. BLOCK DIAGRAMS – MAIN SECTION –



- DISPLAY/POWER SECTION -



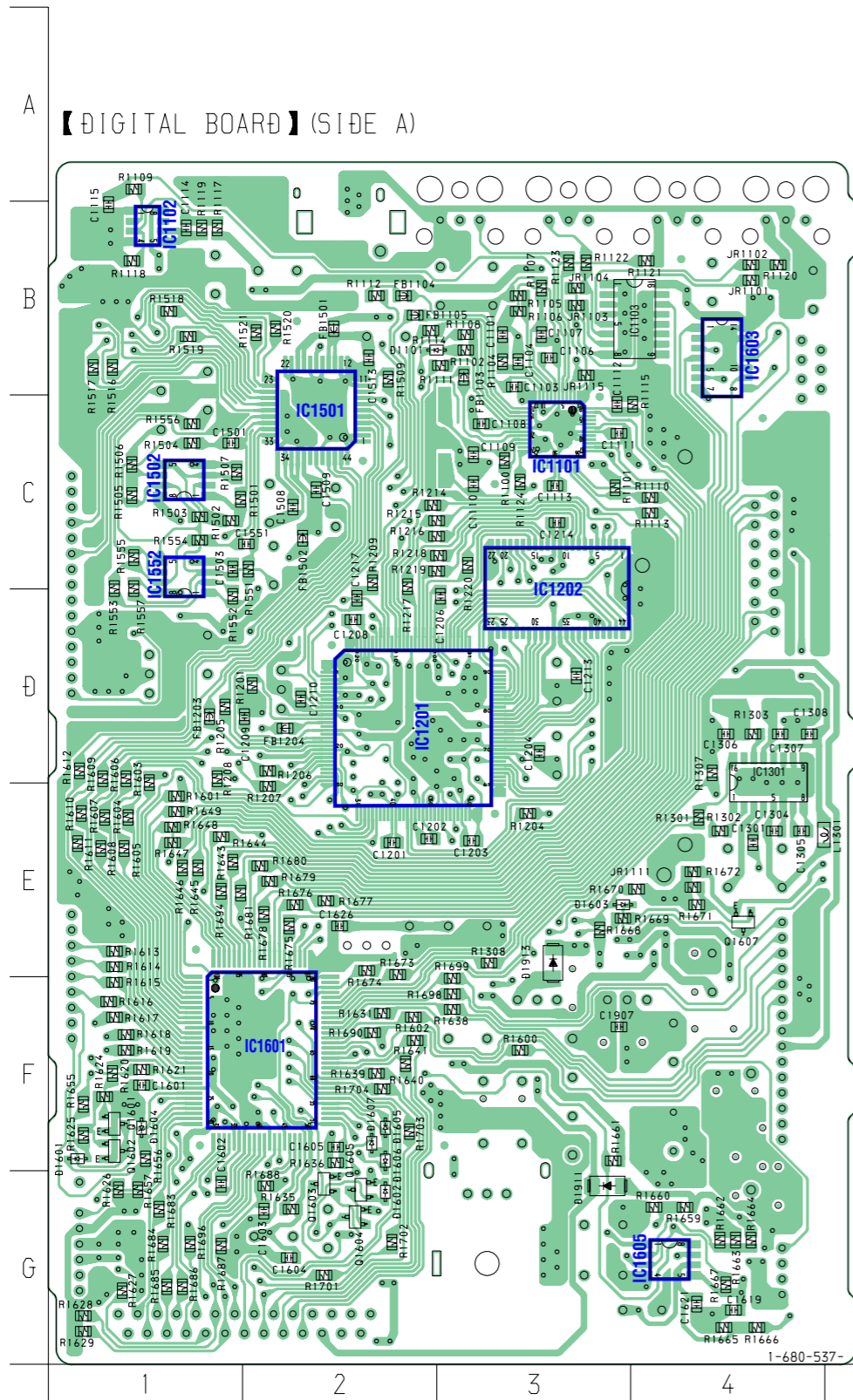
3-3. PRINTED WIRING BOARD – DIGITAL SECTION –

• See page 9 for Circuit Boards Location.

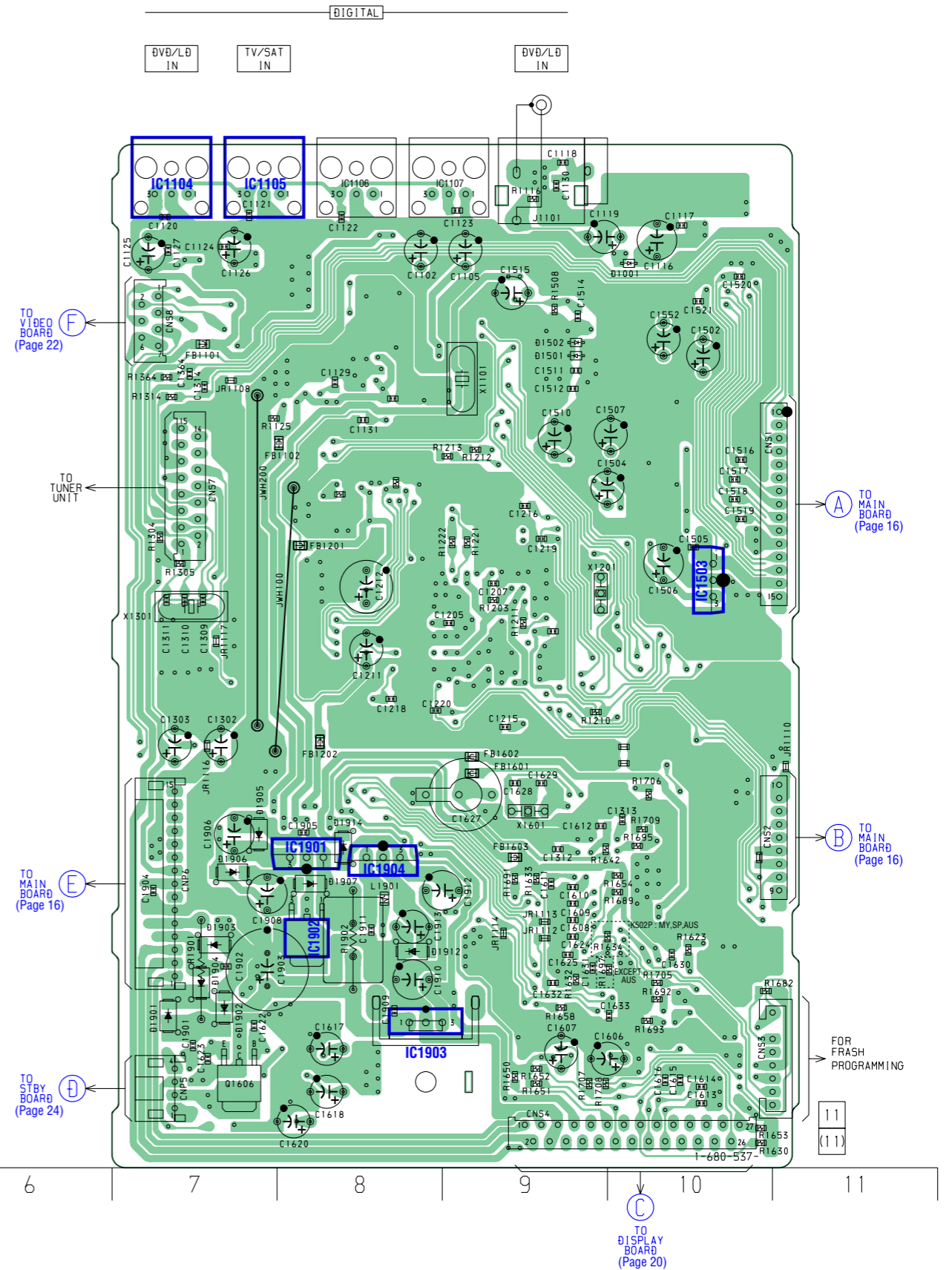
There are a few cases that the part printed on this diagram isn't mounted in this model.

• Semiconductor Location

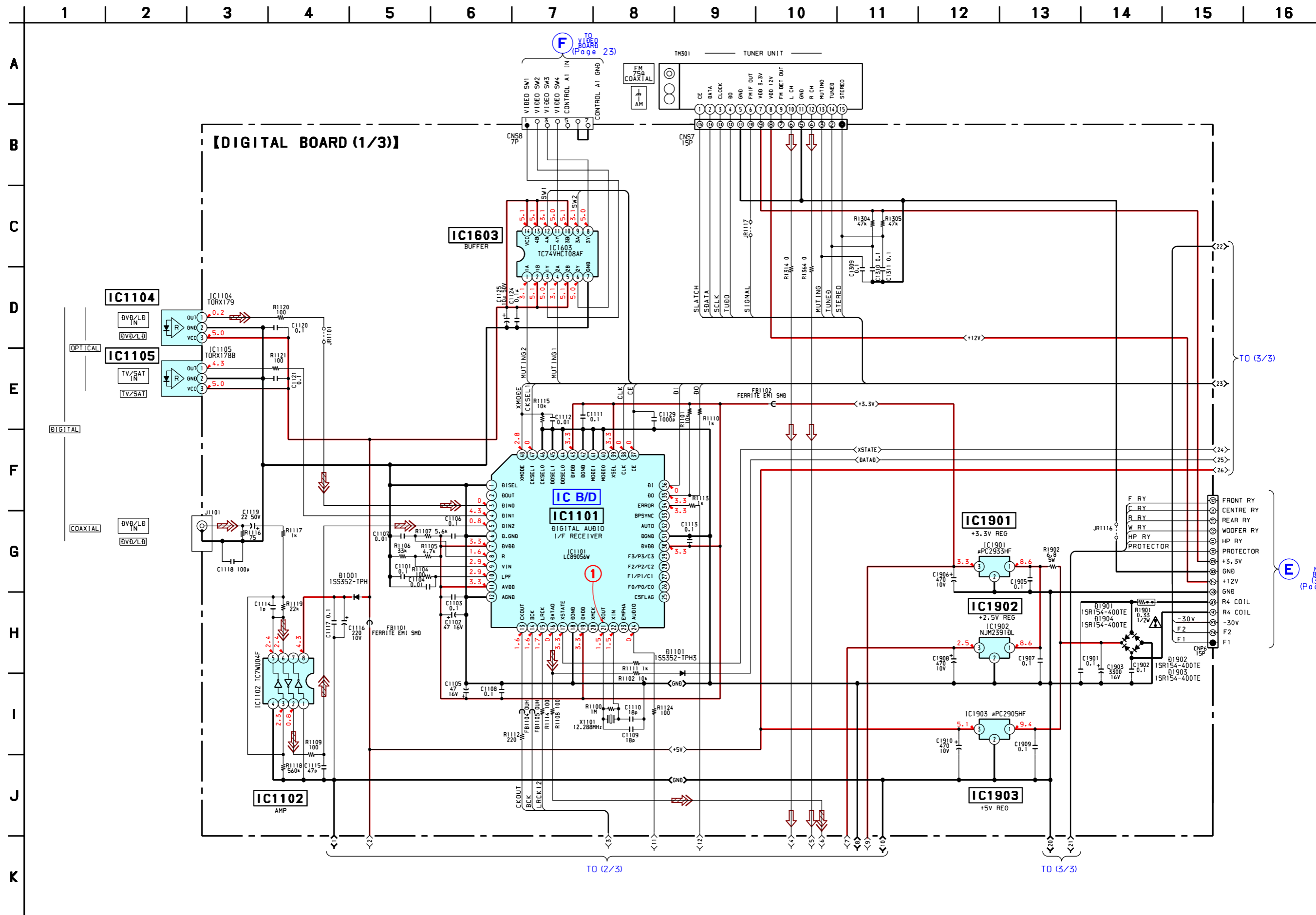
Ref. No.	Location
D1001	B-10
D1101	B-2
D1501	C-9
D1502	C-9
D1601	F-1
D1602	G-2
D1901	G-7
D1902	G-7
D1903	F-7
D1904	F-7
D1911	G-3
D1912	F-8
D1913	E-3
D1914	E-8
IC1101	C-3
IC1102	B-1
IC1104	B-7
IC1105	B-8
IC1201	D-2
IC1202	C-3
IC1501	C-2
IC1502	C-1
IC1503	D-10
IC1552	C-1
IC1601	F-2
IC1603	B-4
IC1605	G-4
IC1901	F-8
IC1902	F-8
IC1903	G-8
IC1904	F-8
Q1601	F-1
Q1602	F-1
Q1603	G-2
Q1604	G-2
Q1605	G-2
Q1606	G-7



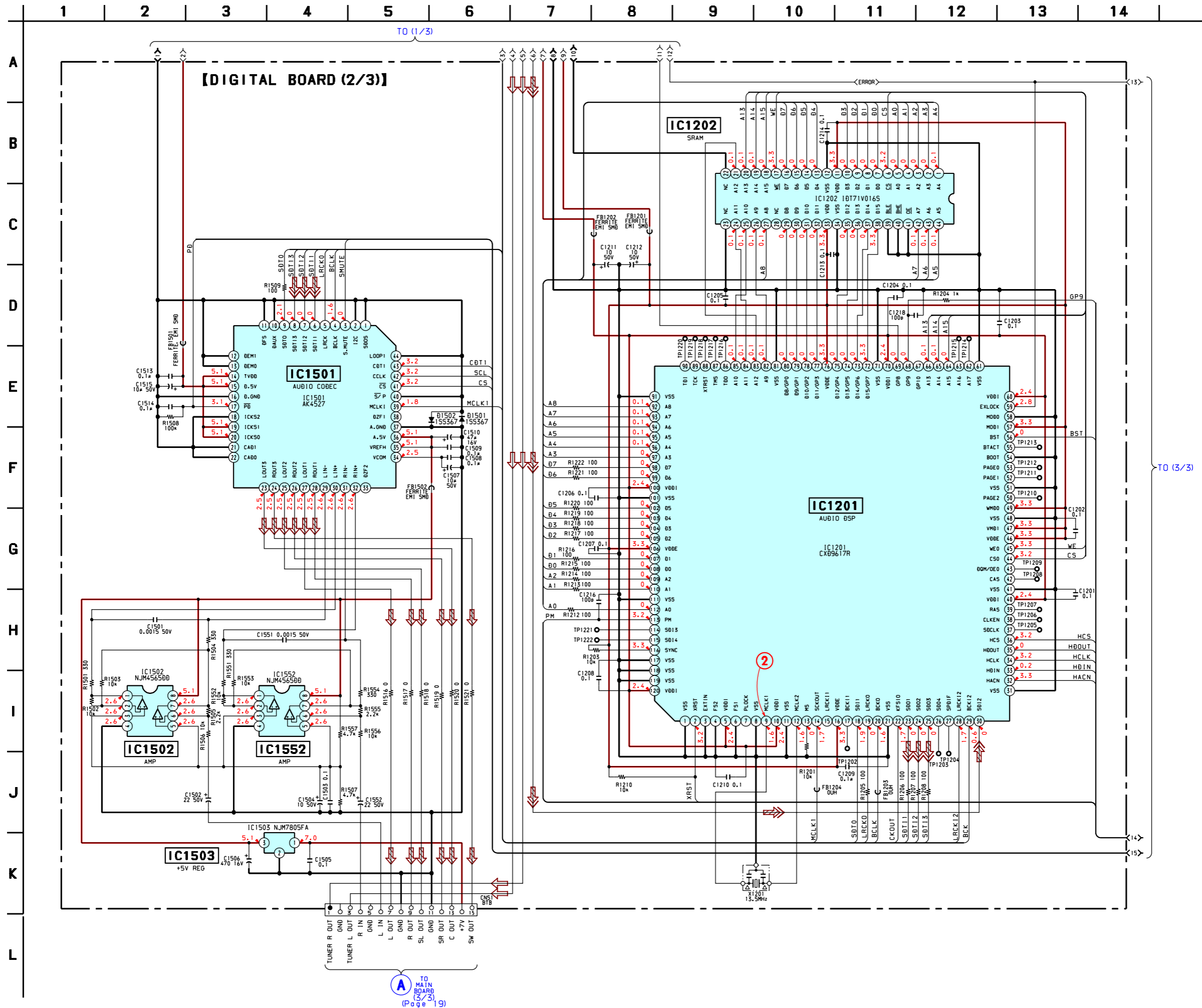
【DIGITAL BOARD】(SIDE B)



3-4. SCHEMATIC DIAGRAM – DIGITAL SECTION (1/3) – • See page 9 for Waveform. • See page 25 for IC Block Diagrams.



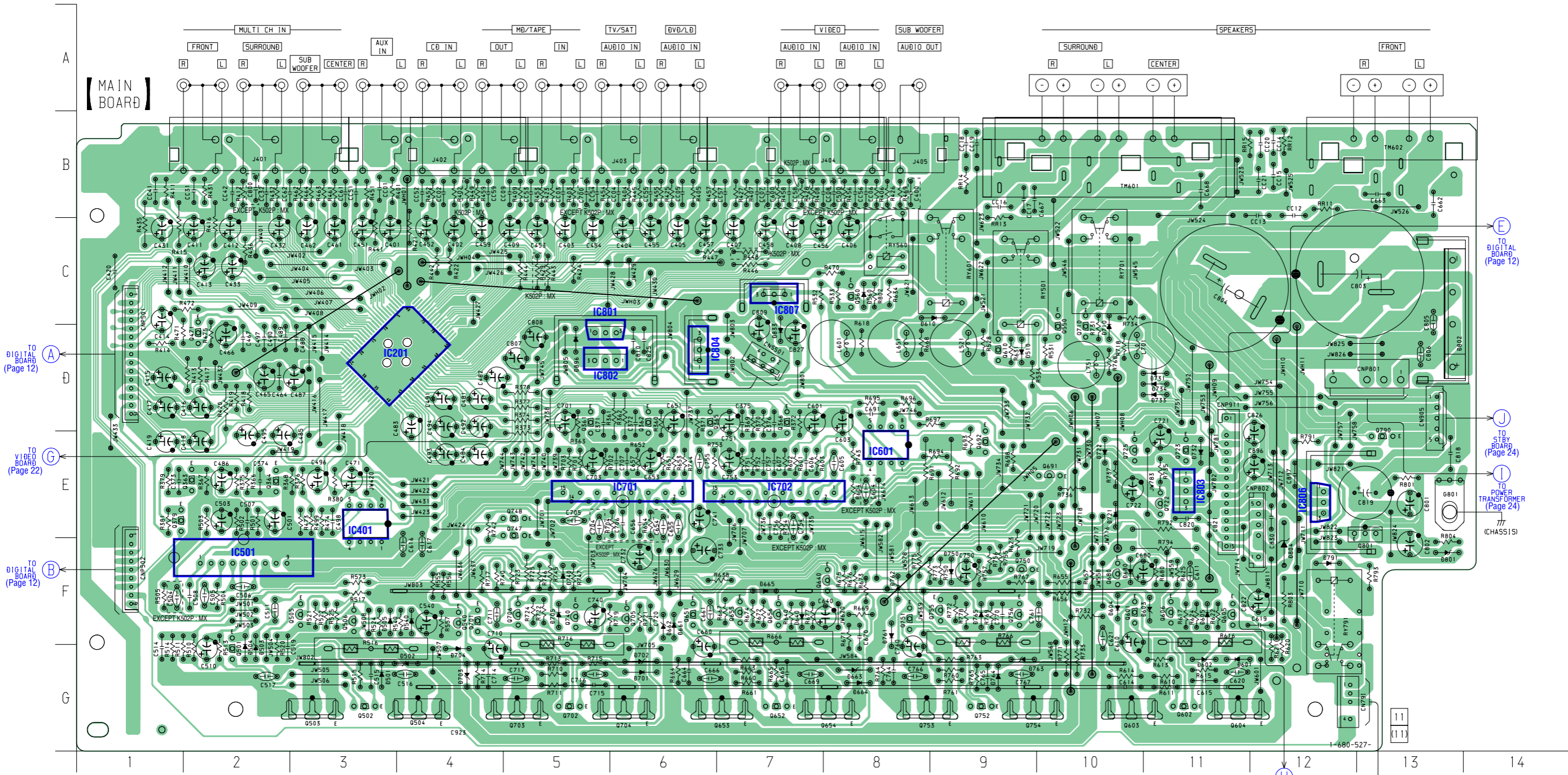
E TO MAIN BOARD (3/3) (Page 19)



3-7. PRINTED WIRING BOARD – MAIN SECTION –

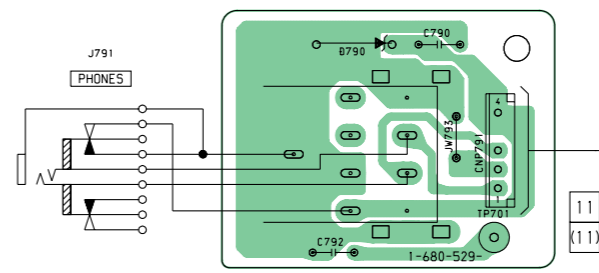
• See page 9 for Circuit Boards Location.

There are a few cases that the part printed on this diagram isn't mounted in this model.



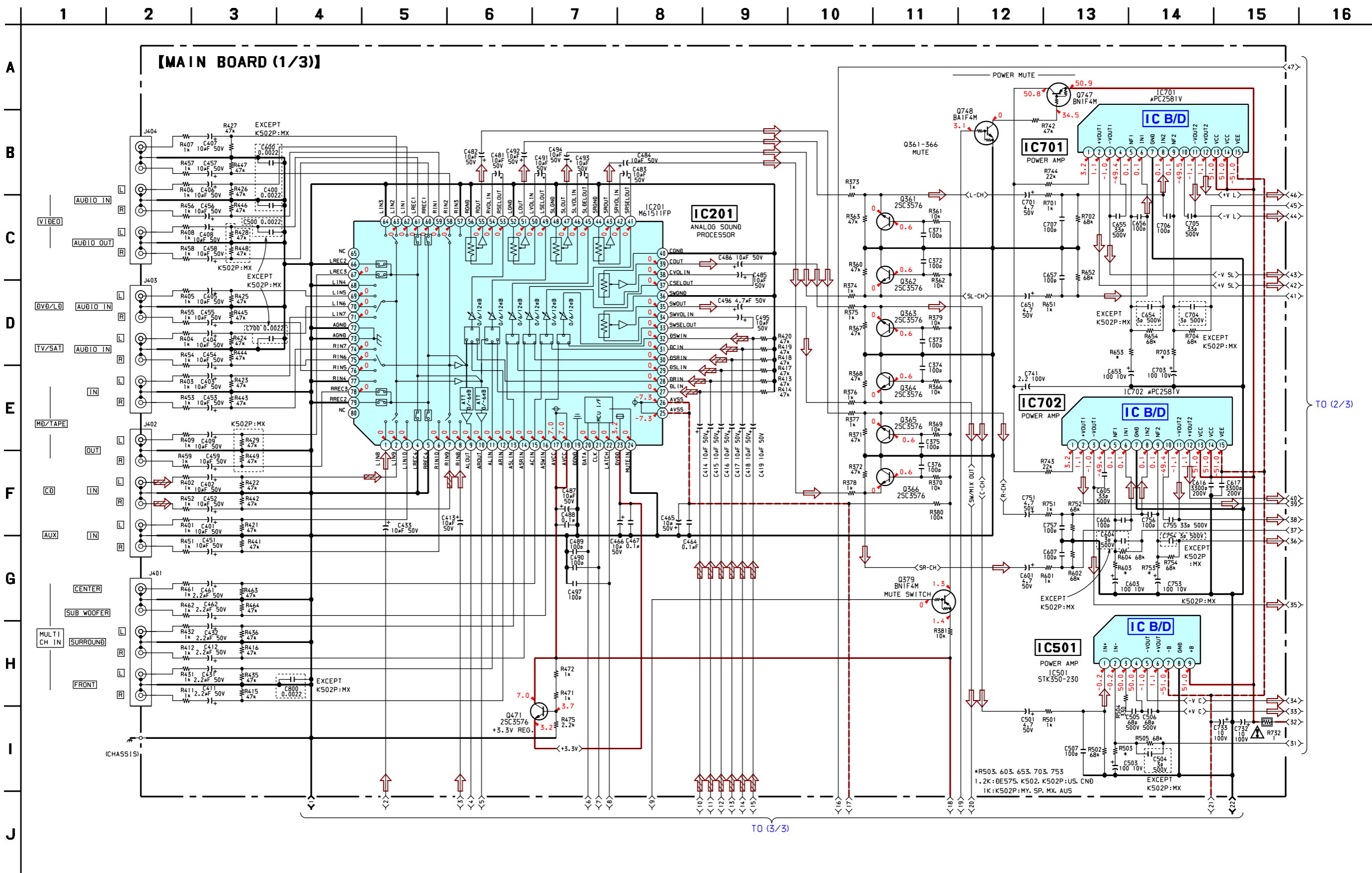
Ref. No.	Location	Ref. No.	Location	Ref. No.	Location	Ref. No.	Location	Ref. No.	Location
D505	F-2	D791	F-12	Q361	D-5	Q604	G-11	Q710	D-10
D510	D-9	D801	F-13	Q362	D-6	Q605	F-11	Q722	E-11
D540	F-4	D802	D-13	Q363	E-2	Q606	F-11	Q723	E-11
D560	C-8	D804	F-12	Q364	E-2	Q610	D-9	Q725	E-10
D605	F-11	D833	D-7	Q365	D-6	Q640	F-8	Q740	F-5
D610	C-8	D896	D-5	Q366	D-7	Q651	F-6	Q747	E-5
D640	F-7			Q379	E-1	Q652	G-7	Q748	E-5
D665	F-7	IC201	D-4	Q471	D-2	Q653	G-7	Q750	F-9
D680	F-10	IC401	E-3	Q501	G-2	Q654	G-8	Q751	F-8
D705	F-5	IC501	F-2	Q502	G-3	Q655	F-7	Q752	G-9
D710	D-10	IC601	E-8	Q503	G-3	Q656	F-7	Q753	G-9
D721	E-10	IC701	E-6	Q504	G-4	Q680	F-10	Q754	G-9
D722	E-10	IC702	E-7	Q505	F-3	Q691	E-9	Q755	F-9
D731	D-11	IC801	C-5	Q506	F-3	Q692	E-9	Q756	F-9
D732	E-11	IC802	D-5	Q540	F-4	Q701	F-4	Q790	E-13
D733	D-11	IC803	E-11	Q550	D-10	Q702	G-5	Q801	F-13
D734	D-11	IC804	D-6	Q560	C-8	Q703	G-5		
D740	F-5	IC806	E-12	Q601	F-10	Q704	G-6		
D750	F-9	IC807	C-7	Q602	G-11	Q705	F-6		
D765	F-9			Q603	G-10	Q706	F-5		

【 HEADPHONE BOARD 】



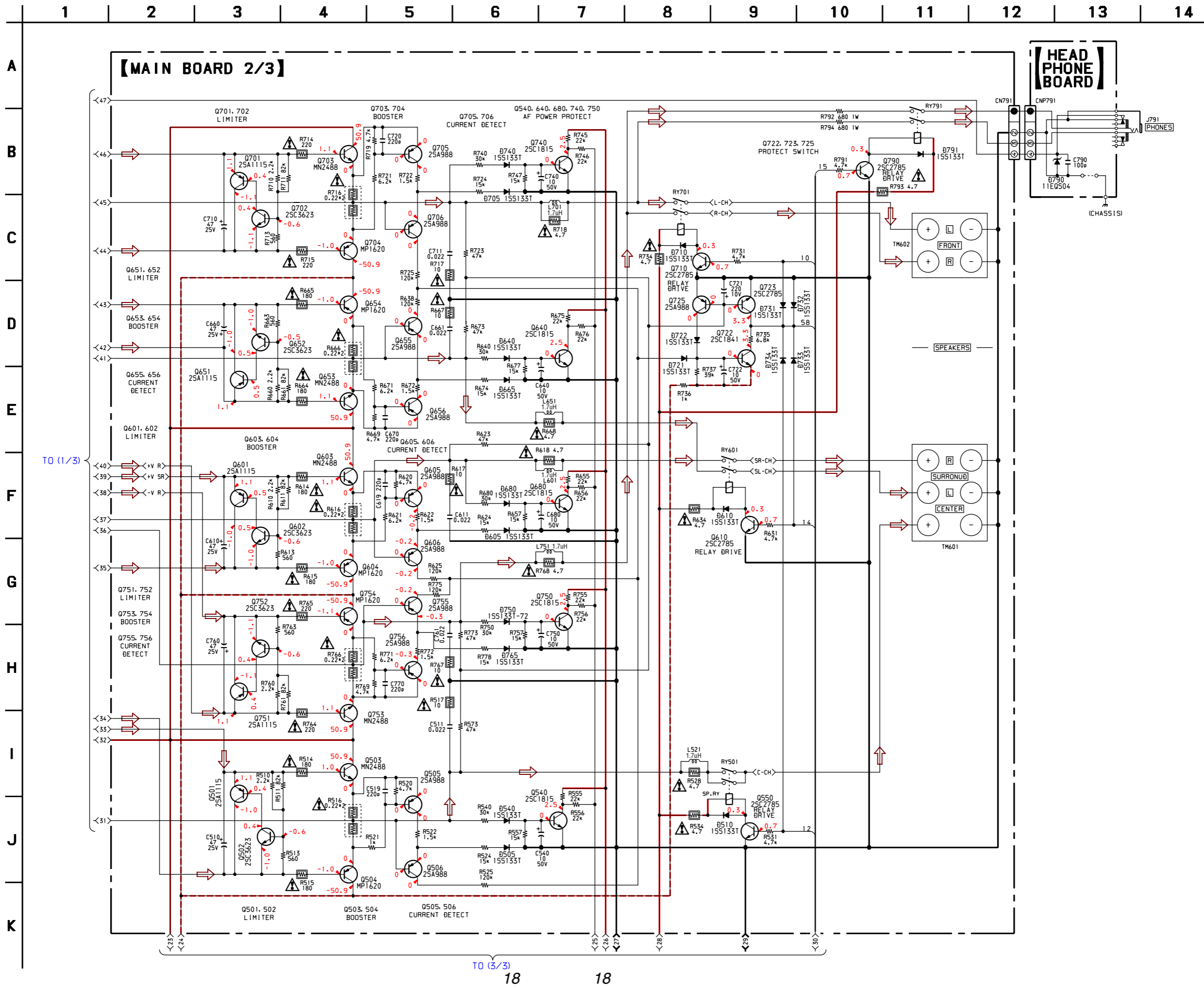
3-8. SCHEMATIC DIAGRAM – MAIN SECTION (1/3) –

• See page 26 for IC Block Diagrams.



TO (2/3)

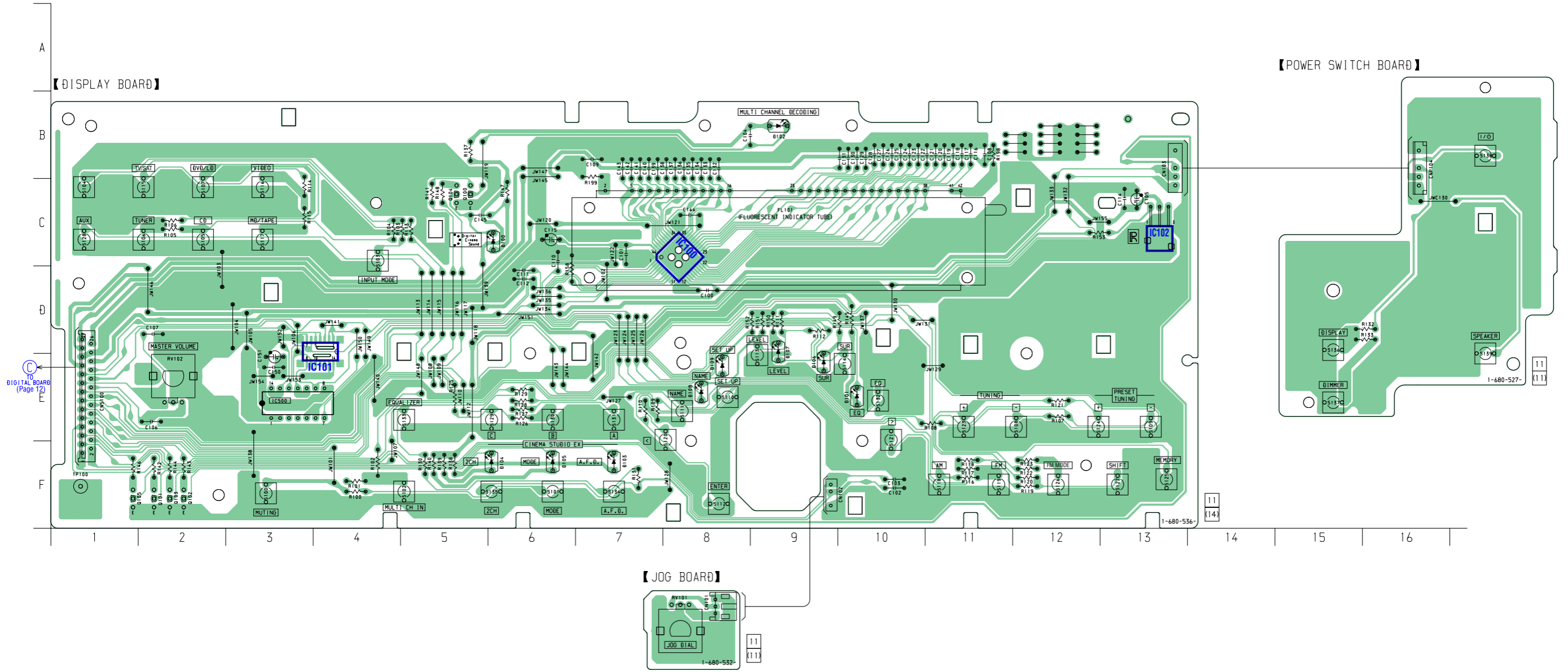
TO (3/3)



3-11. PRINTED WIRING BOARD – DISPLAY SECTION –

• See page 9 for Circuit Boards Location.

There are a few cases that the part printed on this diagram isn't mounted in this model.

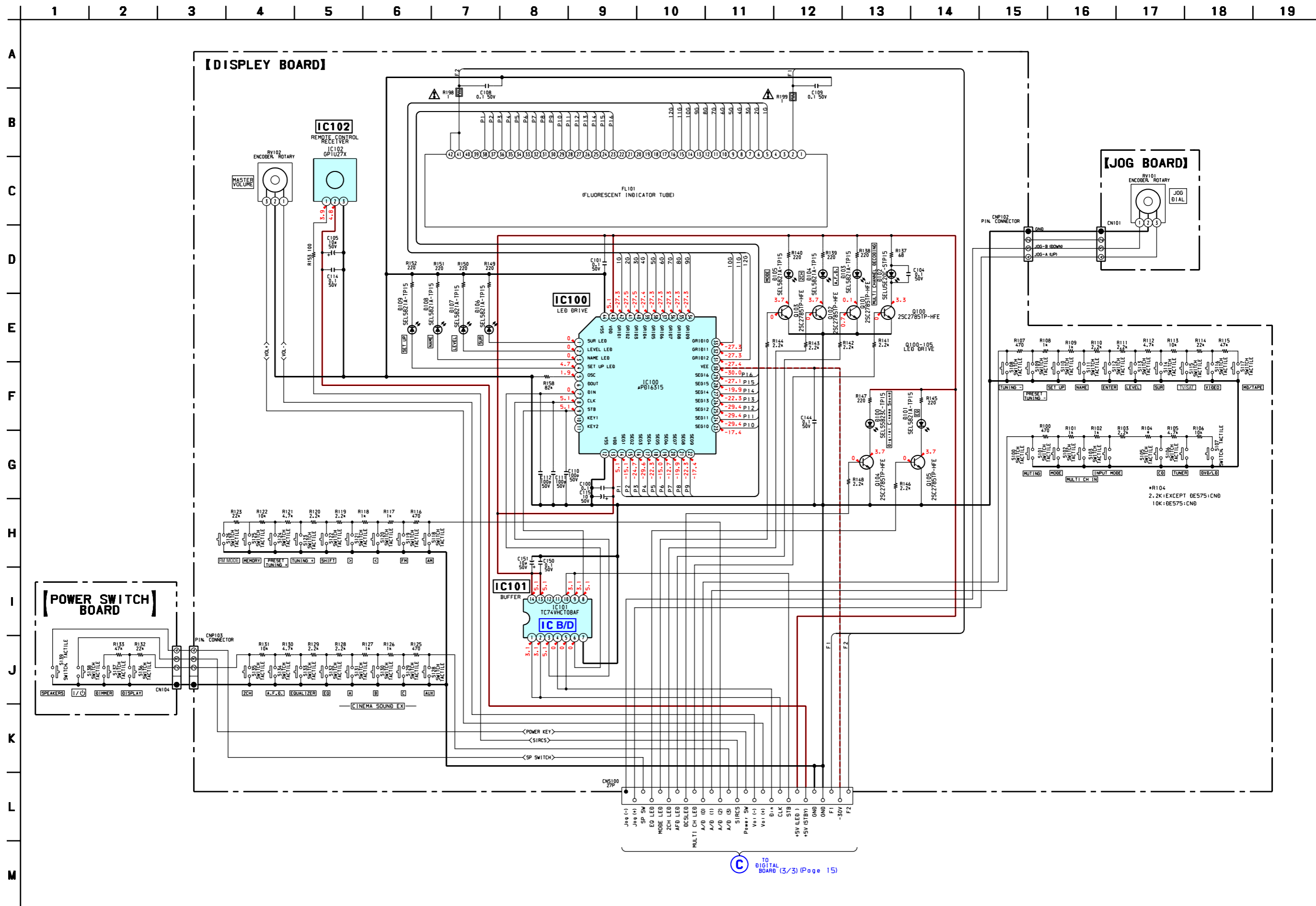


• Semiconductor Location

Ref. No.	Location
D100	C-6
D101	E-10
D102	B-9
D103	F-7
D104	F-6
D105	F-6
D106	E-9
D107	E-9
D108	E-8
D109	E-8
IC100	C-8
IC101	E-4
IC102	C-13
Q100	C-5
Q101	F-2
Q102	F-2
Q103	F-2
Q104	C-5
Q105	F-1

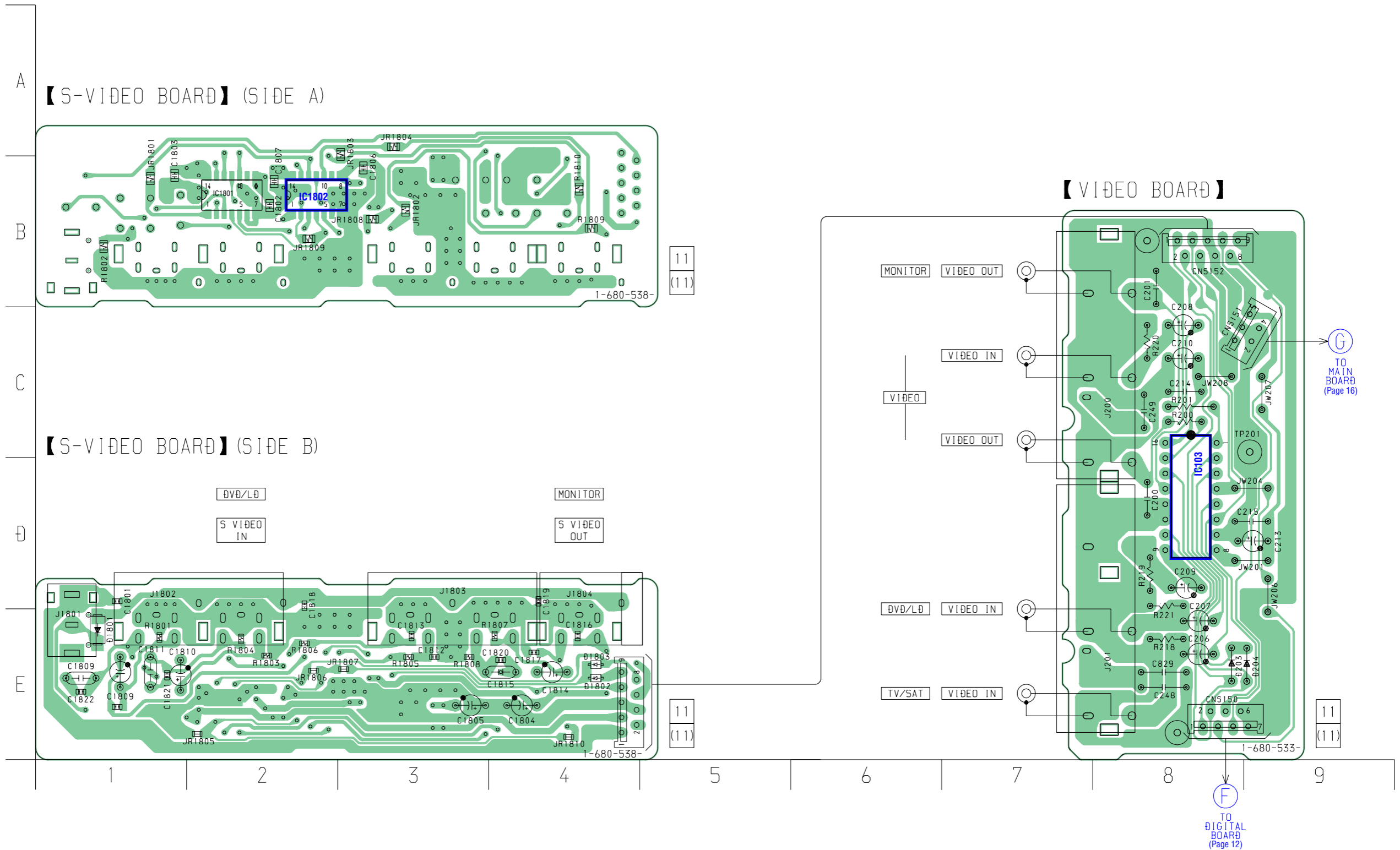
3-12. SCHEMATIC DIAGRAM – DISPLAY SECTION –

• See page 9 for Waveform. • See page 26 for IC Block Diagrams.



TO DIGITAL BOARD (3/3) (Page 15)

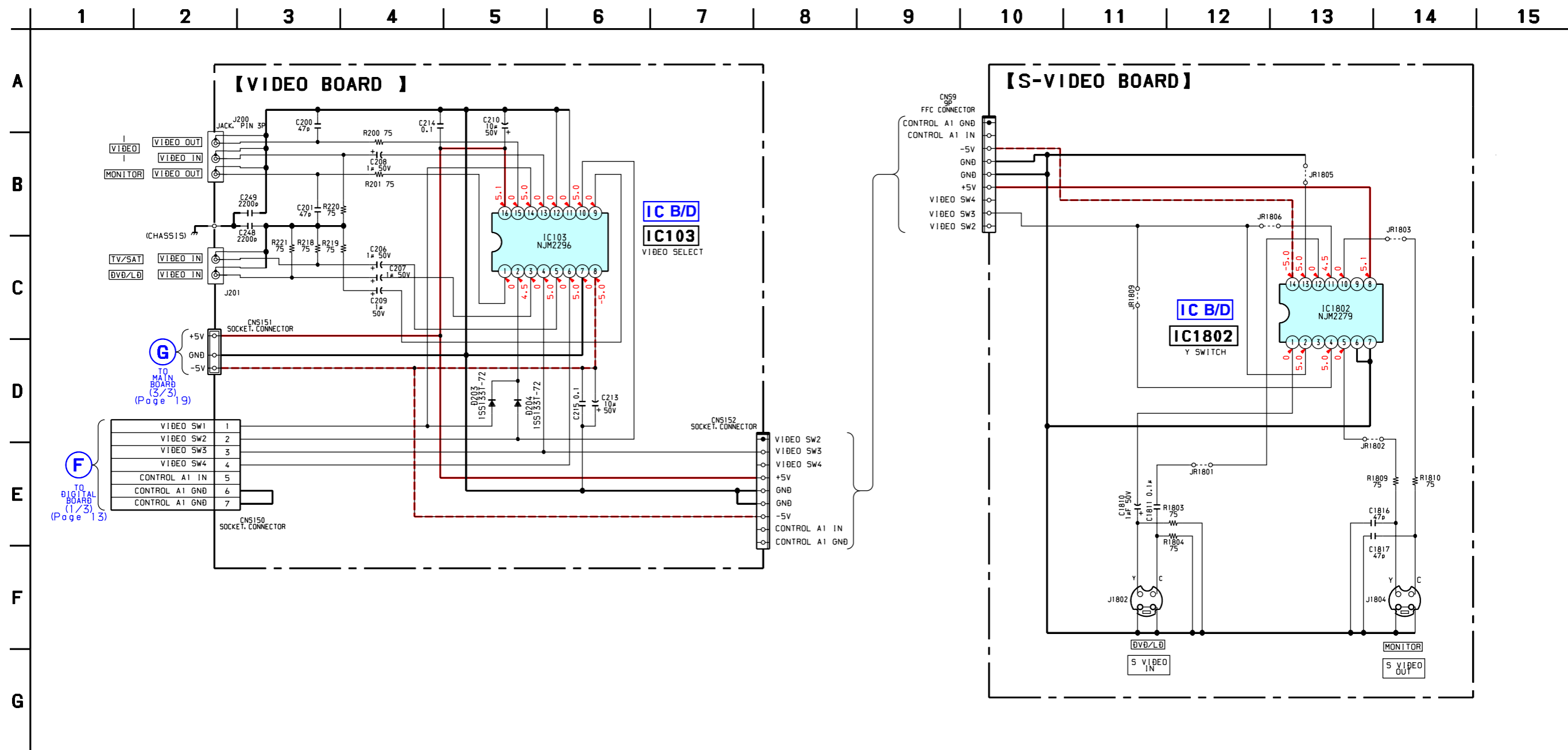
There are a few cases that the part printed on this diagram isn't mounted in this model.



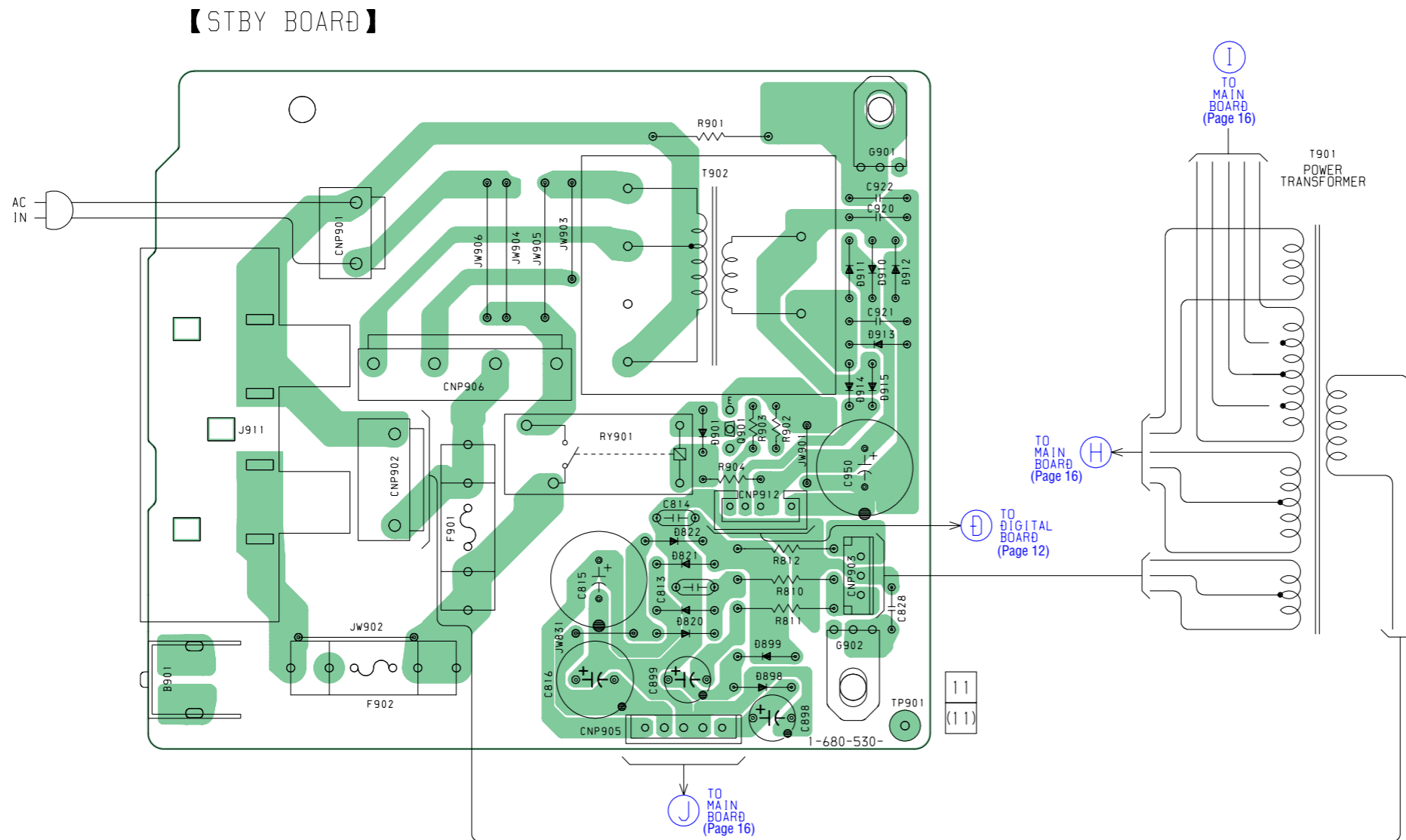
• Semiconductor Location

Ref. No.	Location
D203	E-8
D204	E-8
IC103	D-8
IC1802	B-2

3-14. SCHEMATIC DIAGRAM – VIDEO SECTION – • See page 26 for IC Block Diagrams.

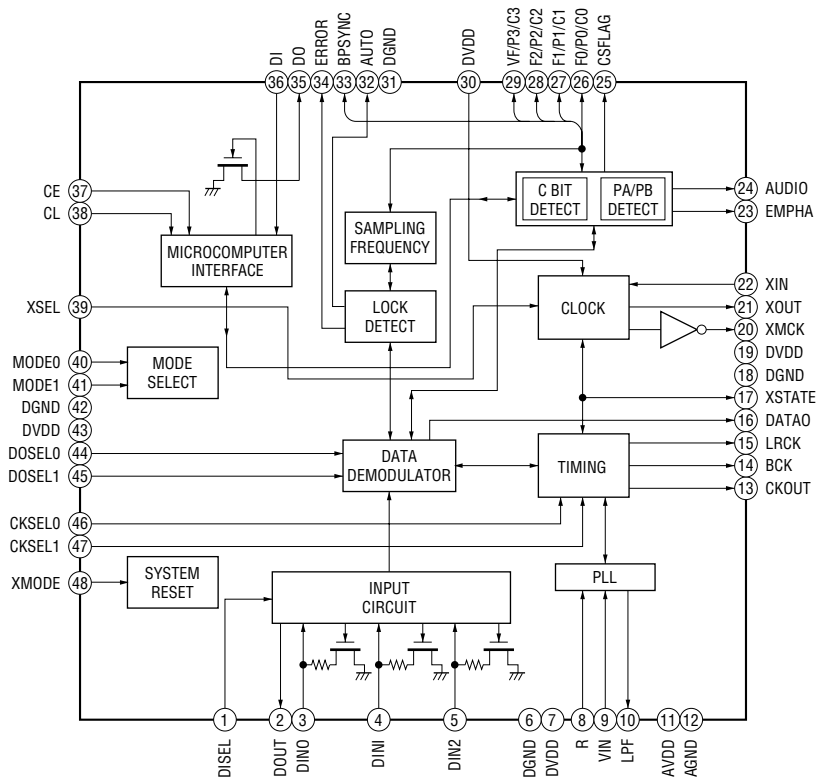


There are a few cases that the part printed on this diagram isn't mounted in this model.

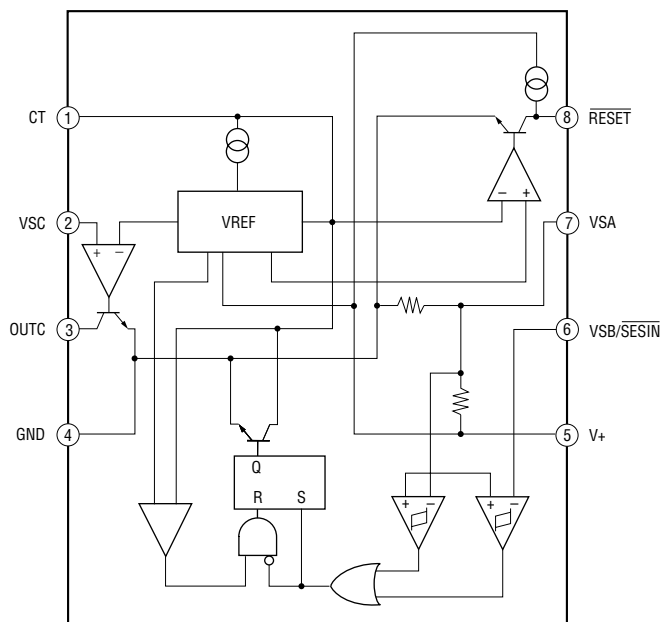


3-16. IC BLOCK DIAGRAMS

IC1101 LC89056W-E (DIGITAL BOARD)

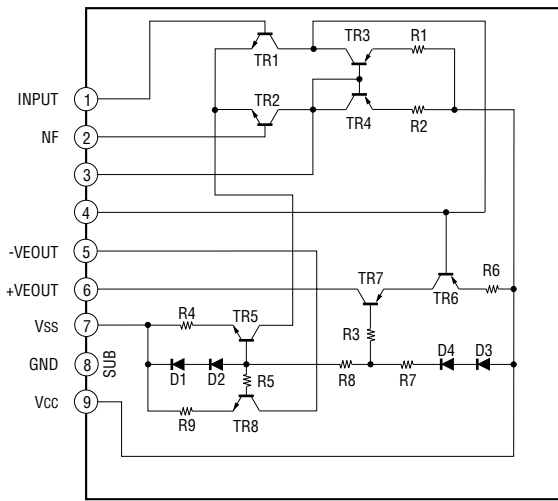


IC1605 NJM2103M-TE2 (DIGITAL BOARD)

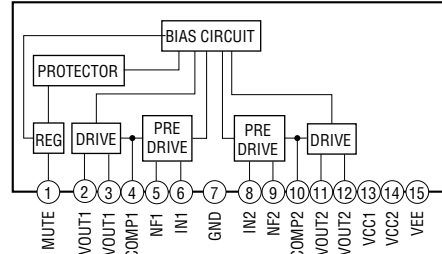


STR-DE575/K502/K502P

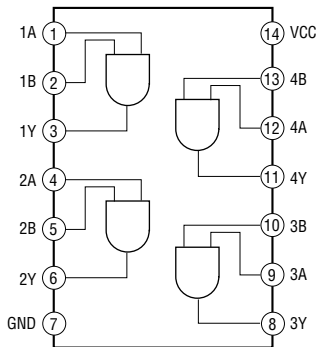
IC501 STK350-230 (MAIN BOARD)



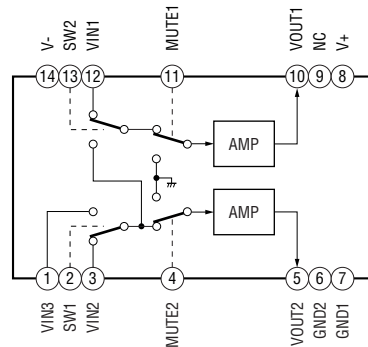
IC701 μ PC2581V (MAIN BOARD)
IC702 μ PC2581V (MAIN BOARD)



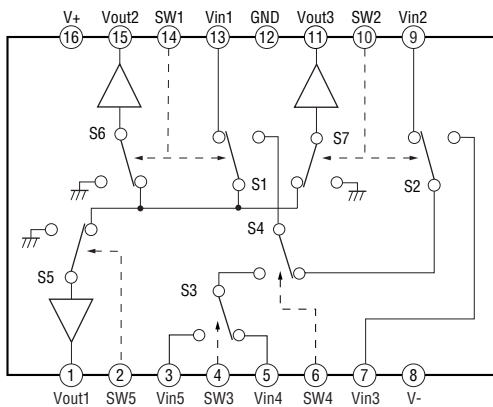
IC101 TC74VHC08AF(EL) (DISPLAY BOARD)



IC1802 NJM2279D (S-VIDEO BOARD)



IC103 NJM2296D (VIDEO BOARD)



3-17. IC PIN FUNCTION DESCRIPTIONS**• IC1601 MB90478PF-G-101-BND (SYSTEM CONTROL)**

Pin No.	Pin Name	I/O	Description
1	DATAO	I	Audio data signal input from DIR
2	GP9	I	GP9 signal input from DSP
3	BST	O	BST signal output to DSP
4	HCS	O	HCS signal output to DSP
5	HACN	I	HACN signal input from DSP
6	XRST	O	Reset signal output to DSP
7	PM	O	PM signal output to DSP
8	PD	O	Power down signal output to AUDIO CODEC
9	SMUTE	O	Muting signal output to AUDIO CODEC
10	CDT1	O	Control data signal output to AUDIO CODEC
11	VSS	—	Ground
12	SCL	O	Clock signal output to AUDIO CODEC
13	CS	O	Chip select signal output to AUDIO CODEC
14	DATA	O	Control data signal output to the sound processor
15	CLK	O	Clock signal output to the sound processor
16	LATCH	O	Latch signal output to the sound processor
17	MUTING IN	O	Muting signal output to the sound processor
18	HDOUT	I	HDOUT signal input from DSP
19	HDIN	O	HDIN signal output to DSP
20	HCLK	O	Clock signal output to DSP
21	F.MUTE	O	Muting signal output
22	AC MUTING	O	Muting signal output to the power amplifier
23	VCC5	—	Power supply
24	ANA/DIG	I	Muting and error signal input
25	DCS LED	O	DCS LED control signal output
26	HP DETECT	I	Headphone switch detect signal input
27	FLASH2	O	Terminal for FLASH programming
28	SP SWITCH/FLASH1	I/O	Speaker ON/OFF switch signal input / Terminal for FLASH programming
29	EQ	O	EQ LED control signal output
30	MODE	O	MODE LED control signal output
31	2CH	O	2CH LED control signal output
32	AFD	O	AFD LED control signal output
33	—	I	Not used
34	—	I	Not used
35	AVCC	—	Analog power supply
36	AVRH	—	Analog reference voltage input
37	AVSS	—	Analog ground
38	A/D0	I	Function key push signal input
39	A/D1	I	Function key push signal input
40	A/D2	I	Function key push signal input
41	A/D3	I	Function key push signal input
42	VSS	—	Ground
43	RDS SIGNAL	I	RDS signal detect input
44	MODEL	I	Version setting input (MODEL)
45	VERSION	I	Version setting input (DESTINATION)
46	MULTI CH LED	O	MULTI CH LED control signal output
47	STOP	I	AC off detect signal input
48	GND (F)	I	Terminal for FLASH programming (Ground)
49	MD0	—	Operation mode setting input
50	MD1	—	Operation mode setting input

STR-DE575/K502/K502P

Pin No.	Pin Name	I/O	Description
51	MD2	—	Operation mode setting input
52	RDS CLOCK	I	RDS clock signal input (Not used)
53	RDS DATA	I	RDS data signal input (Not used)
54	SIRCS	I	Data signal input from the remote control sensor
55	SLEEP	I	Not used
56	POWER KEY	I	Power switch key detect signal input
57	JOG-	I	Jog dial signal input from the rotary encoder
58	JOG+	I	Jog dial signal input from the rotary encoder
59	VOL-	I	Volume signal input from the rotary encoder
60	VOL+	I	Volume signal input from the rotary encoder
61	DIN	O	Data signal output to the FL tube driver
62	CLK	O	Clock signal output to the FL tube driver
63	STB	O	Strobe signal output to the FL tube driver
64	CONTROL A1 OUT	O	Control A1 signal output
65	CONTROL A1 IN	I	Control A1 signal input
66	POWER RELAY	O	Power relay control signal output
67	PROTECTOR	I	Protector status detect signal input
68	HEADPHONE RELAY	O	Headphone relay control signal output
69	WOOFER RELAY	O	Woofers relay control signal output
70	REAR RELAY	O	Rear speaker relay control signal output
71	CENTRE RELAY	O	Centre speaker relay control signal output
72	FRONT RELAY	O	Front speaker relay control signal output
73	STEREO	I	Stereo tuning signal input from the tuner
74	TUNED	I	Tuning a frequency signal input from the tuner
75	MUTING	O	Muting signal output to the tuner
76	DO	I	Frequency data signal input from the tuner
77	RSTX	—	System reset
78	SCLK	O	Clock signal output to the tuner
79	X1A	—	Not used
80	X0A	—	Not used
81	VSS	—	Ground
82	X0	—	Connection for a crystal resonator
83	X1	—	Connection for a crystal resonator
84	VCC3	—	Power supply
85	—	—	Not used
86	SDATA	O	Data signal output to the tuner
87	SLATCH	O	Latch signal output to the tuner
88	S1	O	Video select control signal output
89	S2	O	Video select control signal output
90	MUTING1	O	Video muting control signal output
91	MUTING2	O	Video muting control signal output
92	OPTICAL IN SELECT	O	Optical in selector control signal output (Not used)
93	XMODE	O	Reset signal output to DIR
94	CKSEL 1	O	CKSEL control signal to DIR
95	CLK	O	Clock signal output to DIR
96	CE	O	Chip enable signal output to DIR
97	DI	O	Data signal output to DIR
98	DO	I	Data signal input from DIR
99	ERROR	I	PLL error muting signal input from DIR
100	XSTATE	I	XSTATE data signal input from DIR

SECTION 4 EXPLODED VIEWS

NOTE:

- -XX, -X mean standardized parts, so they may have some differences from the original one.
- Items marked “*” are not stocked since they are seldom required for routine service. Some delay should be anticipated when ordering these items.
- Color Indication of Appearance Parts Example:
KNOB, BALANCE (WHITE) . . . (RED)

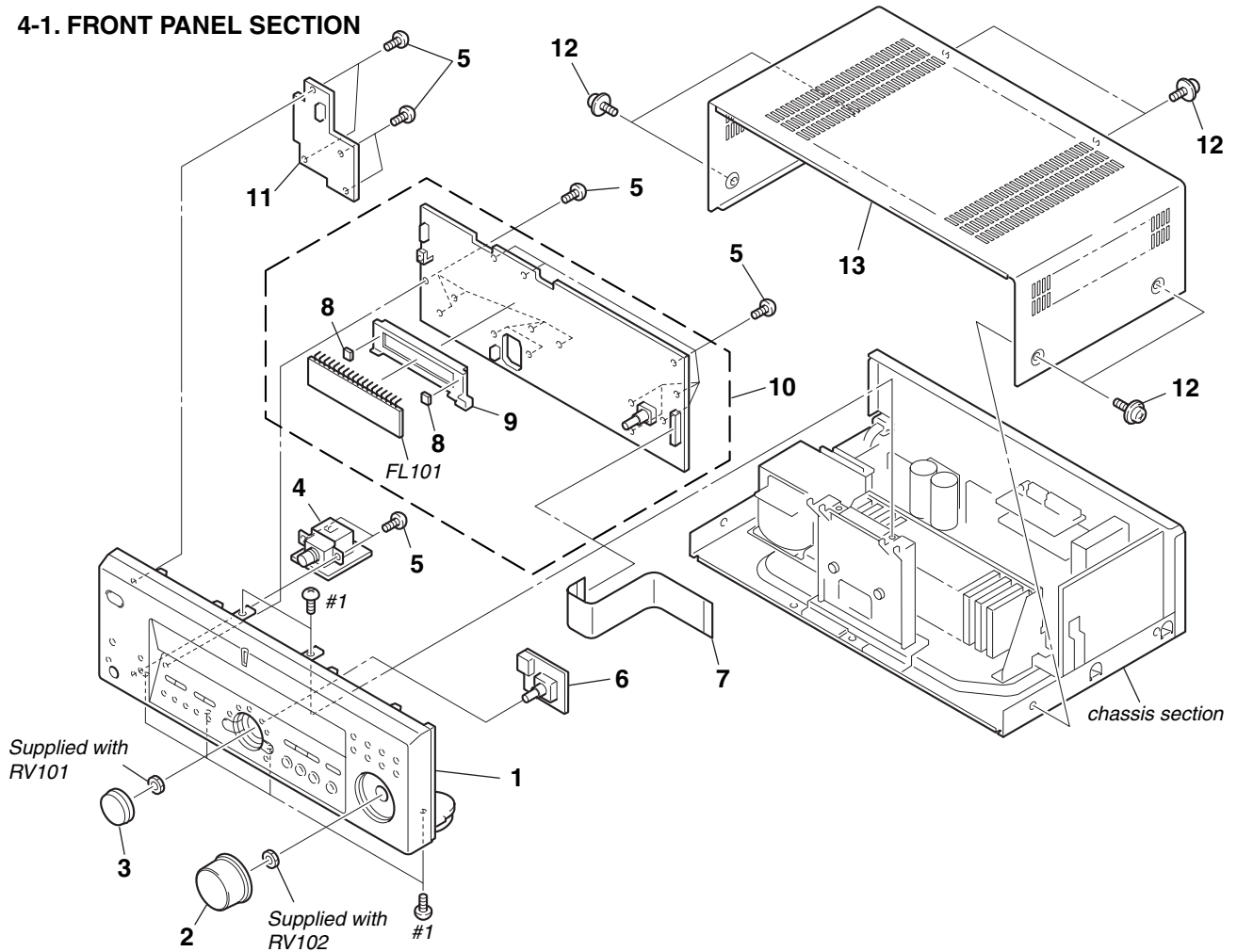
↑ Parts of Color ↑ Cabinet's Color

- The mechanical parts with no reference number in the exploded views are not supplied.
- Accessories and packing materials are given in the last of this parts list.
- Abbreviation
 CND : Canadian model
 MY : Malaysia model
 SP : Singapore model
 MX : Mexican model
 AUS : Australian model

The components identified by mark Δ or dotted line with mark Δ are critical for safety. Replace only with part number specified.

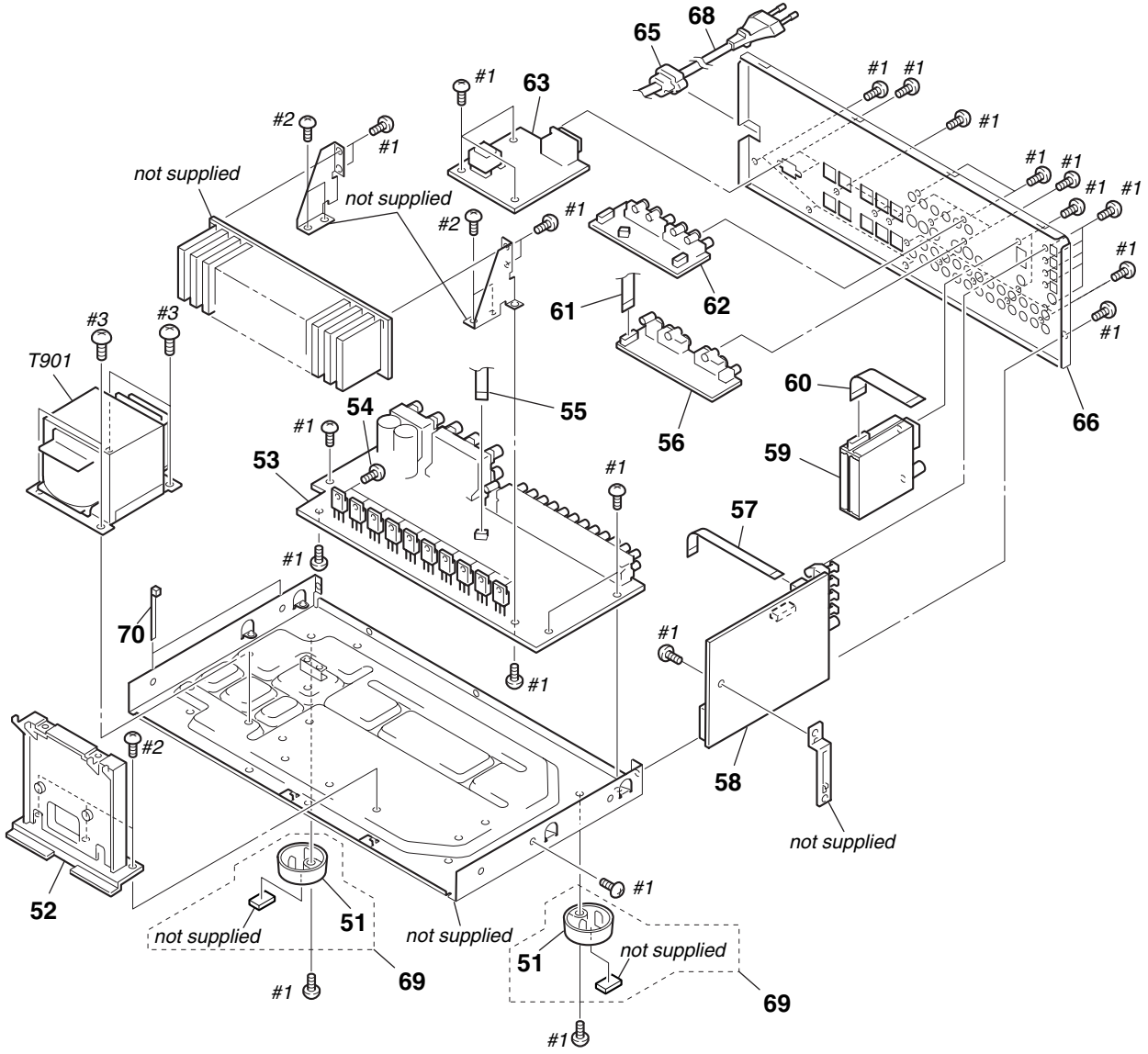
Les composants identifiés par une marque Δ sont critiques pour la sécurité. Ne les remplacer que par une pièce portant le numéro spécifié.

4-1. FRONT PANEL SECTION



Ref. No.	Part No.	Description	Remarks	Ref. No.	Part No.	Description	Remarks
1	X-4953-461-1	FRONT PANEL ASSY (BLACK) (DE575:US)		* 9	3-386-245-11	HOLDER (FL)	
1	X-4953-524-1	FRONT PANEL ASSY (BLACK) (DE575:CND)		10	A-4475-897-A	DISPLAY BOARD, COMPLETE (DE575:US/K502/K502P:US)	
1	X-4953-660-1	FRONT PANEL ASSY (BLACK) (K502P:US,CND)		10	A-4475-905-A	DISPLAY BOARD, COMPLETE (DE575:CND)	
1	X-4953-661-1	FRONT PANEL ASSY (SILVER) (K502P:US,CND,MY,SP,MX,AUS)		10	A-4476-963-A	DISPLAY BOARD, COMPLETE (K502P:MY,SP,AUS)	
1	X-4953-896-1	FRONT PANEL ASSY (BLACK) (K502)		10	A-4476-967-A	DISPLAY BOARD, COMPLETE (K502P:CND)	
2	4-232-113-01	KNOB (VOL) (BLACK) (DE575/K502/K502P:US,CND)		10	A-4476-970-A	DISPLAY BOARD, COMPLETE (K502P:MX)	
2	4-232-113-11	KNOB (VOL) (SILVER) (K502P:US,CND,MY,SP,MX,AUS)		11	1-680-528-11	POWER SWITCH BOARD	
3	4-232-239-01	KNOB (JOG) (BLACK) (DE575/K502/K502P:US,CND)		12	4-210-291-01	SCREW (CASE 3 TP2) (FOR BLACK) (DE575/K502/K502P:US,CND)	
3	4-232-239-21	KNOB (JOG) (SILVER) (K502P:US,CND,MY,SP,MX,AUS)		12	4-210-291-11	SCREW (CASE 3 TP2) (FOR SILVER) (K502P:US,CND,MY,SP,MX,AUS)	
4	1-680-529-11	HEADPHONE BOARD		13	4-232-418-01	CASE (BLACK)(DE575/K502/K502P:US,CND)	
5	4-951-620-01	SCREW (2.6X8), +BVTP		13	4-232-418-21	CASE (SILVER)(K502P:US,CND,MY,SP,MX,AUS)	
6	1-680-532-11	JOG BOARD		FL101	1-518-718-11	INDICATOR TUBE, FLUORESCENT	
7	1-773-250-11	WIRE (FLAT TYPE) (27 CORE)		#1	7-685-646-79	SCREW +BVTP 3X8 TYPE2 IT-3	
* 8	4-921-941-01	CUSHION (FL)					

4-2. CHASSIS SECTION



Ref. No.	Part No.	Description	Remarks	Ref. No.	Part No.	Description	Remarks
51	4-232-237-01	FOOT (DIA. 30)		63	A-4476-958-A	STBY BOARD,COMPLETE (K502P:MY,SP)	
52	4-233-263-01	SUB MOLD (DE9)		63	A-4476-964-A	STBY BOARD,COMPLETE (K502P:AUS)	
53	A-4475-895-A	MAIN BOARD,COMPLETE (DE575:US/K502/K502P:US)		63	A-4476-969-A	STBY BOARD,COMPLETE (K502P:MX)	
53	A-4475-904-A	MAIN BOARD,COMPLETE (DE575:CND/K502P:CND)		* 65	3-703-244-00	BUSHING (2104), CORD	
53	A-4476-957-A	MAIN BOARD,COMPLETE (K502P:MY,SP,AUS)		66	4-232-240-01	BACK PANEL (DE5) (DE575:US)	
53	A-4476-968-A	MAIN BOARD,COMPLETE (K502P:MX)		66	4-232-240-11	BACK PANEL (DE5) (DE575:CND)	
54	3-905-609-01	SCREW (TRANSISTOR)		66	4-232-240-31	BACK PANEL (DE5) (K502P:US)	
55	1-769-844-11	WIRE (FLAT TYPE) (5 CORE)		66	4-232-240-41	BACK PANEL (DE5) (K502P:CND)	
56	1-680-538-11	S-VIDEO BOARD		66	4-232-240-51	BACK PANEL (DE5) (K502P:AUS)	
57	1-765-314-11	WIRE (FLAT TYPE) (7 CORE)		66	4-232-240-61	BACK PANEL (DE5) (K502P:MY,SP)	
58	A-4475-900-A	DIGITAL BOARD,COMPLETE (DE575:US/K502/K502P:US,MX)		66	4-232-240-71	BACK PANEL (DE5) (K502P:MX)	
58	A-4475-908-A	DIGITAL BOARD,COMPLETE (DE575:CND/K502P:CND)		66	4-232-240-81	BACK PANEL (DE5) (K502)	
58	A-4476-965-A	DIGITAL BOARD,COMPLETE (K502P:AUS)		△ 68	1-783-820-11	CORD, POWER	
58	A-4476-959-A	DIGITAL BOARD,COMPLETE (K502P:MY,SP)		69	X-4953-448-1	FOOT ASSY	
59	1-693-407-21	TUNER UNIT (K502,K502P)		70	3-701-748-00	CLAMP	
59	1-693-539-11	TUNER UNIT(DE575)		△ T901	1-435-902-11	POWER TRANSFORMER (AUS)	
60	1-773-004-11	WIRE (FLAT TYPE) (15 CORE)		△ T901	1-435-903-11	POWER TRANSFORMER (MY,SP)	
61	1-769-905-11	WIRE (FLAT TYPE) (9 CORE)		△ T901	1-435-905-11	POWER TRANSFORMER (DE575:CND/K502P:CND)	
62	1-680-533-11	VIDEO BOARD		△ T901	1-435-906-11	POWER TRANSFORMER (DE575:US/K502/K502P:US,MX)	
63	A-4475-896-A	STBY BOARD,COMPLETE (DE575/K502/K502P:US,CND)		#1	7-685-646-79	SCREW +BVTP 3X8 TYPE2 IT-3	
				#2	7-685-645-79	SCREW +BVTP 3X6 TYPE2 N-S	
				#3	7-685-880-09	SCREW +BVTT 4X6 (S)	

The components identified by mark △ or dotted line with mark △ are critical for safety. Replace only with part number specified.

Les composants identifiés par une marque △ sont critiques pour la sécurité. Ne les remplacer que par une pièce portant le numéro spécifié.

SECTION 5
ELECTRICAL PARTS LIST

DIGITAL

NOTE:

- Due to standardization, replacements in the parts list may be different from the parts specified in the diagrams or the components used on the set.
- -XX, -X mean standardized parts, so they may have some difference from the original one.
- Items marked “**” are not stocked since they are seldom required for routine service. Some delay should be anticipated when ordering these items.
- RESISTORS
All resistors are in ohms.
METAL: metal-film resistor
METAL OXIDE: Metal Oxide-film resistor
F: nonflammable

- COILS
uH: μ H
- CAPACITORS:
uF: μ F
- SEMICONDUCTORS
In each case, μ : for example:
uA...: μ A... , uPA... , μ PA... ,
uPB... , μ PB... , uPC... , μ PC... ,
uPD... , μ PD...
- Abbreviation
CND : Canadian model
MY : Malaysia model
SP : Singapore model
MX : Mexican model
AUS : Australian model

When indicating parts by reference number, please include the board name.

The components identified by mark Δ or dotted line with mark Δ are critical for safety. Replace only with part number specified.

Les composants identifiés par une marque Δ sont critiques pour la sécurité. Ne les remplacer que par une pièce portant le numéro spécifié.

Ref. No.	Part No.	Description	Remarks	Ref. No.	Part No.	Description	Remarks
	A-4475-900-A	DIGITAL BOARD, COMPLETE ***** (DE575:US/K502/K502P:US,MX)		C1212	1-126-964-11	ELECT 10uF	20.00% 50V
	A-4475-908-A	DIGITAL BOARD, COMPLETE ***** (DE575:CND/K502P:CND)		C1213	1-163-038-11	CERAMIC CHIP 0.1uF	25V
	A-4476-959-A	DIGITAL BOARD, COMPLETE (K502P:MY,SP) *****		C1214	1-163-038-11	CERAMIC CHIP 0.1uF	25V
	A-4476-965-A	DIGITAL BOARD, COMPLETE (K502P:AUS) *****		C1216	1-162-927-11	CERAMIC CHIP 100PF	5% 50V
		< CAPACITOR >		C1218	1-162-927-11	CERAMIC CHIP 100PF	5% 50V
C1101	1-163-038-11	CERAMIC CHIP 0.1uF	25V	C1309	1-164-156-11	CERAMIC CHIP 0.1uF	25V
C1102	1-104-664-11	ELECT 47uF	20.00% 16V	C1310	1-164-156-11	CERAMIC CHIP 0.1uF	25V
C1103	1-163-038-11	CERAMIC CHIP 0.1uF	25V	C1311	1-164-156-11	CERAMIC CHIP 0.1uF	25V
C1104	1-162-974-11	CERAMIC CHIP 0.01uF	50V	C1312	1-163-259-11	CERAMIC CHIP 220PF	5.00% 50V
C1105	1-104-664-11	ELECT 47uF	20.00% 16V	C1313	1-163-259-11	CERAMIC CHIP 220PF	5.00% 50V
C1106	1-163-038-11	CERAMIC CHIP 0.1uF	25V	C1501	1-162-965-11	CERAMIC CHIP 0.0015uF	10% 50V
C1107	1-162-974-11	CERAMIC CHIP 0.01uF	50V	C1502	1-126-965-11	ELECT 22uF	20.00% 50V
C1108	1-163-038-11	CERAMIC CHIP 0.1uF	25V	C1503	1-163-038-11	CERAMIC CHIP 0.1uF	25V
C1109	1-162-918-11	CERAMIC CHIP 18PF	5.00% 50V	C1504	1-126-964-11	ELECT 10uF	20.00% 50V
C1110	1-162-918-11	CERAMIC CHIP 18PF	5.00% 50V	C1505	1-164-156-11	CERAMIC CHIP 0.1uF	25V
C1111	1-163-038-11	CERAMIC CHIP 0.1uF	25V	C1506	1-126-935-11	ELECT 470uF	20.00% 16V
C1112	1-162-974-11	CERAMIC CHIP 0.01uF	50V	C1507	1-126-964-11	ELECT 10uF	20.00% 50V
C1113	1-163-038-11	CERAMIC CHIP 0.1uF	25V	C1508	1-163-038-11	CERAMIC CHIP 0.1uF	25V
C1114	1-162-905-11	CERAMIC CHIP 1PF	0.25PF 50V	C1509	1-163-038-11	CERAMIC CHIP 0.1uF	25V
C1115	1-162-923-11	CERAMIC CHIP 47PF	5% 50V	C1510	1-104-664-11	ELECT 47uF	20.00% 16V
C1116	1-126-934-11	ELECT 220uF	20.00% 10V	C1513	1-163-038-11	CERAMIC CHIP 0.1uF	25V
C1117	1-164-156-11	CERAMIC CHIP 0.1uF	25V	C1514	1-164-156-11	CERAMIC CHIP 0.1uF	25V
C1118	1-162-927-11	CERAMIC CHIP 100PF	5% 50V	C1515	1-126-964-11	ELECT 10uF	20.00% 50V
C1119	1-126-965-11	ELECT 22uF	20.00% 50V	C1551	1-162-965-11	CERAMIC CHIP 0.0015uF	10% 50V
C1120	1-164-156-11	CERAMIC CHIP 0.1uF	25V	C1552	1-126-965-11	ELECT 22uF	20.00% 50V
C1121	1-164-156-11	CERAMIC CHIP 0.1uF	25V	C1601	1-163-038-11	CERAMIC CHIP 0.1uF	25V
C1122	1-164-156-11	CERAMIC CHIP 0.1uF	25V	C1602	1-163-038-11	CERAMIC CHIP 0.1uF	25V
C1125	1-126-964-11	ELECT 10uF	20.00% 50V	C1603	1-163-038-11	CERAMIC CHIP 0.1uF	25V
C1129	1-162-964-11	CERAMIC CHIP 0.001uF	10% 50V	C1604	1-163-038-11	CERAMIC CHIP 0.1uF	25V
C1201	1-163-038-11	CERAMIC CHIP 0.1uF	25V	C1605	1-163-038-11	CERAMIC CHIP 0.1uF	25V
C1202	1-163-038-11	CERAMIC CHIP 0.1uF	25V	C1606	1-104-664-11	ELECT 47uF	20.00% 16V
C1203	1-163-038-11	CERAMIC CHIP 0.1uF	25V	C1607	1-126-963-11	ELECT 4.7uF	20.00% 50V
C1204	1-163-038-11	CERAMIC CHIP 0.1uF	25V	C1608	1-162-974-11	CERAMIC CHIP 0.01uF	50V
C1205	1-164-156-11	CERAMIC CHIP 0.1uF	25V	C1609	1-162-974-11	CERAMIC CHIP 0.01uF	50V
C1206	1-164-156-11	CERAMIC CHIP 0.1uF	25V	C1610	1-162-974-11	CERAMIC CHIP 0.01uF	50V
C1207	1-164-156-11	CERAMIC CHIP 0.1uF	25V	C1611	1-162-974-11	CERAMIC CHIP 0.01uF	50V
C1208	1-163-038-11	CERAMIC CHIP 0.1uF	25V	C1612	1-164-156-11	CERAMIC CHIP 0.1uF	25V
C1209	1-163-038-11	CERAMIC CHIP 0.1uF	25V	C1613	1-162-995-11	CERAMIC CHIP 0.022uF	50V
C1210	1-163-038-11	CERAMIC CHIP 0.1uF	25V	C1614	1-162-995-11	CERAMIC CHIP 0.022uF	50V
C1211	1-126-964-11	ELECT 10uF	20.00% 50V	C1615	1-162-995-11	CERAMIC CHIP 0.022uF	50V
				C1616	1-162-995-11	CERAMIC CHIP 0.022uF	50V
				C1617	1-126-957-11	ELECT 0.22uF	20.00% 50V
				C1618	1-126-964-11	ELECT 10uF	20.00% 50V
				C1619	1-163-038-11	CERAMIC CHIP 0.1uF	25V
				C1620	1-126-960-11	ELECT 1uF	20.00% 50V

Ref. No.	Part No.	Description	Remarks	Ref. No.	Part No.	Description	Remarks
C1621	1-163-038-11	CERAMIC CHIP 0.1uF	25V	FB1601	1-414-813-11	FERRITE OUH	
C1622	1-164-156-11	CERAMIC CHIP 0.1uF	25V	FB1602	1-414-813-11	FERRITE OUH	
C1623	1-164-156-11	CERAMIC CHIP 0.1uF	25V	FB1603	1-414-813-11	FERRITE OUH	
C1626	1-163-038-11	CERAMIC CHIP 0.1uF	25V				
C1627	1-104-905-11	CAPACITOR 0.22F	5.5V			< IC >	
C1628	1-162-908-11	CERAMIC CHIP 3PF	0.25PF 50V	IC1101	8-759-825-15	IC LC89056W-E	
C1629	1-162-908-11	CERAMIC CHIP 3PF	0.25PF 50V	IC1102	8-759-242-70	IC TC7WU04F(TE12R)	
C1901	1-164-156-11	CERAMIC CHIP 0.1uF	25V	IC1104	8-749-017-36	IC TORX-179 (DVD/LD IN)	
C1902	1-164-156-11	CERAMIC CHIP 0.1uF	25V	IC1105	8-749-923-05	TORX178B (TV/SAT IN)	
C1903	1-126-936-11	ELECT 3300uF	20.00% 16V	IC1201	8-759-698-76	IC CXD9617R	
C1905	1-164-156-11	CERAMIC CHIP 0.1uF	25V	IC1202	8-759-538-16	IC IDT71V016S15PH-AUTL	
C1906	1-126-935-11	ELECT 470uF	20.00% 10V	IC1501	8-759-657-47	IC AK4527	
C1907	1-163-038-11	CERAMIC CHIP 0.1uF	25V	IC1502	8-759-636-74	IC NJM4565DD	
C1908	1-126-935-11	ELECT 470uF	20.00% 10V	IC1503	8-759-701-75	IC NJM7805FA	
C1909	1-164-156-11	CERAMIC CHIP 0.1uF	25V	IC1552	8-759-636-74	IC NJM4565DD	
C1910	1-126-935-11	ELECT 470uF	20.00% 10V	IC1601	8-759-832-67	IC MB90478PF-G-101-BND	
C1911	1-164-156-11	CERAMIC CHIP 0.1uF	25V	IC1603	8-759-491-33	IC TC74VHCT08AF(EL)	
C1912	1-126-935-11	ELECT 470uF	20.00% 10V	IC1605	8-759-544-04	IC NJM2103M-TE2	
C1913	1-126-964-11	ELECT 10uF	20.00% 50V	IC1901	8-759-647-10	IC uPC2933HF	
		< CONNECTOR >		IC1902	8-759-835-63	IC NJM2391DL1-26-TE1	
* CNP5	1-564-720-11	PIN, CONNECTOR (SMALL TYPE) 4P		IC1903	8-759-647-11	IC uPC2905HF	
* CNP6	1-564-731-11	PIN, CONNECTOR (SMALL TYPE) 15P		IC1904	8-759-647-10	IC uPC2933HF	
* CNS1	1-573-829-11	CONNECTOR, BOARD TO BOARD 15P				< JACK >	
* CNS2	1-784-041-11	CONNECTOR, BOARD TO BOARD 9P		J1101	1-778-228-11	JACK, PIN 1P (DVD/LD IN)	
* CNS3	1-564-710-11	PIN, CONNECTOR (SMALL TYPE) 8P				< JUMPER RESISTOR >	
CNS4	1-569-327-11	SOCKET, CONNECTOR 27P		JR1101	1-216-295-11	SHORT 0	
CNS7	1-569-321-11	SOCKET, CONNECTOR 15P		JR1111	1-216-295-11	SHORT 0	
CNS8	1-568-439-11	SOCKET, CONNECTOR 7P		JR1116	1-216-295-11	SHORT 0	
		< DIODE >				< JUMPER >	
D1001	8-719-016-74	DIODE 1SS352-TPH3		JWH200	1-164-124-11	CERAMIC 300PF 5.00% 50V	
D1101	8-719-016-74	DIODE 1SS352-TPH3				< COIL >	
D1501	8-719-049-09	DIODE 1SS367-T3SONY		L1901	1-216-295-11	SHORT 0	
D1502	8-719-049-09	DIODE 1SS367-T3SONY				< TRANSISTOR >	
D1601	8-719-016-74	DIODE 1SS352-TPH3		Q1601	8-729-027-43	TRANSISTOR RT1N141C-TP-1	
D1602	8-719-016-74	DIODE 1SS352-TPH3		Q1602	8-729-230-49	TRANSISTOR 2SC2712-YG-TE85L	
D1901	8-719-053-18	DIODE 1SR154-400TE-25		Q1603	8-729-230-49	TRANSISTOR 2SC2712-YG-TE85L	
D1902	8-719-053-18	DIODE 1SR154-400TE-25		Q1604	8-729-027-43	TRANSISTOR RT1N141C-TP-1	
D1903	8-719-053-18	DIODE 1SR154-400TE-25		Q1605	8-729-113-69	TRANSISTOR FN1F4M-T1M32	
D1904	8-719-053-18	DIODE 1SR154-400TE-25		Q1606	8-729-048-78	TRANSISTOR 2SD1733-TL-QR	
D1911	8-719-053-18	DIODE 1SR154-400TE-25				< RESISTOR >	
D1912	8-719-053-18	DIODE 1SR154-400TE-25		R1100	1-216-121-11	RES-CHIP 1M 5% 1/10W	
D1913	8-719-053-18	DIODE 1SR154-400TE-25		R1101	1-216-073-00	METAL CHIP 10K 5% 1/10W	
D1914	8-719-053-18	DIODE 1SR154-400TE-25		R1102	1-216-073-00	METAL CHIP 10K 5% 1/10W	
		< FERRITE BEAD >		R1104	1-216-025-11	RES-CHIP 100 5% 1/10W	
FB1101	1-414-813-11	FERRITE OUH		R1105	1-216-065-11	RES-CHIP 4.7K 5% 1/10W	
FB1102	1-414-813-11	FERRITE OUH		R1106	1-216-085-00	METAL CHIP 33K 5% 1/10W	
FB1104	1-469-152-11	FERRITE OUH		R1107	1-216-067-00	METAL CHIP 5.6K 5% 1/10W	
FB1105	1-469-152-11	FERRITE OUH		R1108	1-216-025-11	RES-CHIP 100 5% 1/10W	
FB1201	1-414-813-11	FERRITE OUH		R1109	1-216-025-11	RES-CHIP 100 5% 1/10W	
FB1202	1-414-813-11	FERRITE OUH		R1110	1-216-049-11	RES-CHIP 1K 5% 1/10W	
FB1203	1-469-152-11	FERRITE OUH					
FB1204	1-469-152-11	FERRITE OUH					
FB1501	1-414-813-11	FERRITE OUH					
FB1502	1-414-813-11	FERRITE OUH					

STR-DE575/K502/K502P

DIGITAL

Ref. No.	Part No.	Description	Quantity	Unit	Remarks	Ref. No.	Part No.	Description	Quantity	Unit	Remarks
R1111	1-216-049-11	RES-CHIP	1K	5%	1/10W	R1602	1-216-065-11	RES-CHIP	4.7K	5%	1/10W
R1112	1-216-033-00	METAL CHIP	220	5%	1/10W	R1603	1-216-049-11	RES-CHIP	1K	5%	1/10W
R1113	1-216-049-11	RES-CHIP	1K	5%	1/10W	R1604	1-216-809-91	RES-CHIP	100	5%	1/16W
R1114	1-216-025-11	RES-CHIP	100	5%	1/10W	R1605	1-216-809-91	RES-CHIP	100	5%	1/16W
R1115	1-216-073-00	METAL CHIP	10K	5%	1/10W	R1606	1-216-049-11	RES-CHIP	1K	5%	1/10W
R1116	1-216-022-00	METAL CHIP	75	5%	1/10W	R1607	1-216-049-11	RES-CHIP	1K	5%	1/10W
R1117	1-216-049-11	RES-CHIP	1K	5%	1/10W	R1608	1-216-049-11	RES-CHIP	1K	5%	1/10W
R1118	1-216-115-00	METAL CHIP	560K	5%	1/10W	R1609	1-216-049-11	RES-CHIP	1K	5%	1/10W
R1119	1-216-081-00	METAL CHIP	22K	5%	1/10W	R1610	1-216-049-11	RES-CHIP	1K	5%	1/10W
R1120	1-216-025-11	RES-CHIP	100	5%	1/10W	R1611	1-216-049-11	RES-CHIP	1K	5%	1/10W
R1121	1-216-025-11	RES-CHIP	100	5%	1/10W	R1612	1-216-049-11	RES-CHIP	1K	5%	1/10W
R1124	1-216-025-11	RES-CHIP	100	5%	1/10W	R1613	1-216-049-11	RES-CHIP	1K	5%	1/10W
R1201	1-216-073-00	METAL CHIP	10K	5%	1/10W	R1614	1-216-049-11	RES-CHIP	1K	5%	1/10W
R1203	1-216-073-00	METAL CHIP	10K	5%	1/10W	R1615	1-216-049-11	RES-CHIP	1K	5%	1/10W
R1204	1-216-049-11	RES-CHIP	1K	5%	1/10W	R1616	1-216-049-11	RES-CHIP	1K	5%	1/10W
R1205	1-216-025-11	RES-CHIP	100	5%	1/10W	R1617	1-216-809-91	RES-CHIP	100	5%	1/16W
R1206	1-216-025-11	RES-CHIP	100	5%	1/10W	R1618	1-216-809-91	RES-CHIP	100	5%	1/16W
R1207	1-216-025-11	RES-CHIP	100	5%	1/10W	R1619	1-216-809-91	RES-CHIP	100	5%	1/16W
R1208	1-216-025-11	RES-CHIP	100	5%	1/10W	R1620	1-216-049-11	RES-CHIP	1K	5%	1/10W
R1210	1-216-073-00	METAL CHIP	10K	5%	1/10W	R1621	1-216-049-11	RES-CHIP	1K	5%	1/10W
R1212	1-216-809-91	RES-CHIP	100		1/16W	R1623	1-216-073-00	METAL CHIP	10K	5%	1/10W
R1213	1-216-809-91	RES-CHIP	100		1/16W	R1624	1-216-073-00	METAL CHIP	10K	5%	1/10W
R1214	1-216-809-91	RES-CHIP	100		1/16W	R1625	1-216-073-00	METAL CHIP	10K	5%	1/10W
R1215	1-216-809-91	RES-CHIP	100		1/16W	R1626	1-216-073-00	METAL CHIP	10K	5%	1/10W
R1216	1-216-809-91	RES-CHIP	100		1/16W	R1627	1-216-073-00	METAL CHIP	10K	5%	1/10W
R1217	1-216-809-91	RES-CHIP	100		1/16W	R1628	1-216-073-00	METAL CHIP	10K	5%	1/10W
R1218	1-216-809-91	RES-CHIP	100		1/16W	R1629	1-216-073-00	METAL CHIP	10K	5%	1/10W
R1219	1-216-809-91	RES-CHIP	100		1/16W	R1630	1-216-073-00	METAL CHIP	10K	5%	1/10W
R1220	1-216-809-91	RES-CHIP	100		1/16W	R1631	1-216-065-91	RES-CHIP	4.7K	5%	1/10W
R1221	1-216-809-91	RES-CHIP	100		1/16W	R1632	1-216-057-00	METAL CHIP	2.2K	5%	1/10W
R1222	1-216-809-91	RES-CHIP	100		1/16W						(DE575/K502/K502P:US,CND,MX)
R1304	1-216-089-11	RES-CHIP	47K	5%	1/10W	R1632	1-216-045-00	METAL CHIP	680	5%	1/10W
R1305	1-216-089-11	RES-CHIP	47K	5%	1/10W						(K502P:MY,SP,AUS)
R1308	1-216-049-11	RES-CHIP	1K	5%	1/10W	R1633	1-216-081-00	METAL CHIP	22K	5%	1/10W
R1314	1-216-295-11	SHORT	0								(DE575/K502/K502P:US,CND,MX)
R1364	1-216-295-11	SHORT	0			R1633	1-216-077-11	RES-CHIP	15K	5%	1/10W
R1501	1-216-037-00	METAL CHIP	330	5%	1/10W						(K502P:MY,SP,AUS)
R1502	1-216-073-00	METAL CHIP	10K	5%	1/10W	R1634	1-216-085-00	METAL CHIP	33K	5%	1/10W
R1503	1-216-073-00	METAL CHIP	10K	5%	1/10W						(K502P:AUS)
R1504	1-216-037-00	METAL CHIP	330	5%	1/10W	R1634	1-216-081-00	METAL CHIP	22K	5%	1/10W
R1505	1-216-057-00	METAL CHIP	2.2K	5%	1/10W						(K502P:MY,SP)
R1506	1-216-073-00	METAL CHIP	10K	5%	1/10W	R1635	1-216-073-00	METAL CHIP	10K	5%	1/10W
R1507	1-216-065-91	RES-CHIP	4.7K	5%	1/10W	R1636	1-216-073-00	METAL CHIP	10K	5%	1/10W
R1508	1-216-097-11	RES-CHIP	100K	5%	1/10W	R1638	1-216-065-11	RES-CHIP	4.7K	5%	1/10W
R1509	1-216-025-11	RES-CHIP	100	5%	1/10W	R1639	1-216-049-11	RES-CHIP	1K	5%	1/10W
R1516	1-216-295-11	SHORT	0			R1640	1-216-049-11	RES-CHIP	1K	5%	1/10W
R1517	1-216-295-11	SHORT	0			R1641	1-216-049-11	RES-CHIP	1K	5%	1/10W
R1518	1-216-295-11	SHORT	0			R1642	1-216-073-00	METAL CHIP	10K	5%	1/10W
R1519	1-216-295-11	SHORT	0			R1643	1-216-049-11	RES-CHIP	1K	5%	1/10W
R1520	1-216-295-11	SHORT	0			R1644	1-216-049-11	RES-CHIP	1K	5%	1/10W
R1521	1-216-295-11	SHORT	0			R1645	1-216-049-11	RES-CHIP	1K	5%	1/10W
R1551	1-216-037-00	METAL CHIP	330	5%	1/10W	R1646	1-216-049-11	RES-CHIP	1K	5%	1/10W
R1552	1-216-073-00	METAL CHIP	10K	5%	1/10W	R1647	1-216-049-11	RES-CHIP	1K	5%	1/10W
R1553	1-216-073-00	METAL CHIP	10K	5%	1/10W	R1648	1-216-049-11	RES-CHIP	1K	5%	1/10W
R1554	1-216-037-00	METAL CHIP	330	5%	1/10W	R1649	1-216-049-11	RES-CHIP	1K	5%	1/10W
R1555	1-216-057-00	METAL CHIP	2.2K	5%	1/10W	R1650	1-216-073-00	METAL CHIP	10K	5%	1/10W
R1556	1-216-073-00	METAL CHIP	10K	5%	1/10W	R1651	1-216-073-00	METAL CHIP	10K	5%	1/10W
R1557	1-216-065-11	RES-CHIP	4.7K	5%	1/10W	R1652	1-216-073-00	METAL CHIP	10K	5%	1/10W
R1600	1-216-065-11	RES-CHIP	4.7K	5%	1/10W	R1653	1-216-073-00	METAL CHIP	10K	5%	1/10W
R1601	1-216-049-11	RES-CHIP	1K	5%	1/10W	R1654	1-216-073-00	METAL CHIP	10K	5%	1/10W
						R1655	1-216-073-00	METAL CHIP	10K	5%	1/10W

DIGITAL

DISPLAY

Ref. No.	Part No.	Description	Remarks	Ref. No.	Part No.	Description	Remarks
R1656	1-216-073-00	METAL CHIP	10K 5% 1/10W		A-4475-897-A	DISPLAY BOARD, COMPLETE (DE575:US/K502/K502P:US)	
R1657	1-216-073-00	METAL CHIP	10K 5% 1/10W			*****	
R1658	1-216-097-11	RES-CHIP	100K 5% 1/10W		A-4475-905-A	DISPLAY BOARD, COMPLETE (DE575:CND)	
R1659	1-216-049-11	RES-CHIP	1K 5% 1/10W			*****	
R1660	1-216-061-00	METAL CHIP	3.3K 5% 1/10W		A-4476-963-A	DISPLAY BOARD, COMPLETE (K502P:MY,SP,AUS)	
R1661	1-216-073-00	METAL CHIP	10K 5% 1/10W			*****	
R1662	1-216-077-11	RES-CHIP	15K 5% 1/10W		A-4476-967-A	DISPLAY BOARD, COMPLETE (K502P:CND)	
R1663	1-216-059-00	METAL CHIP	2.7K 5% 1/10W			*****	
R1664	1-216-071-00	METAL CHIP	8.2K 5% 1/10W		A-4476-970-A	DISPLAY BOARD, COMPLETE (K502P:MX)	
R1665	1-216-081-00	METAL CHIP	22K 5% 1/10W			*****	
R1666	1-216-089-11	RES-CHIP	47K 5% 1/10W				
R1667	1-216-057-00	METAL CHIP	2.2K 5% 1/10W	*	3-386-245-12	HOLDER (FL)	
R1668	1-216-067-00	METAL CHIP	5.6K 5% 1/10W	*	4-921-941-01	CUSHION (FL)	
R1669	1-216-065-11	RES-CHIP	4.7K 5% 1/10W			< CAPACITOR >	
R1670	1-216-073-00	METAL CHIP	10K 5% 1/10W		C100	1-164-159-11 CERAMIC	0.1uF 50V
R1673	1-216-049-11	RES-CHIP	1K 5% 1/10W		C101	1-164-159-11 CERAMIC	0.1uF 50V
R1674	1-216-049-11	RES-CHIP	1K 5% 1/10W		C104	1-164-159-11 CERAMIC	0.1uF 50V
R1675	1-216-049-11	RES-CHIP	1K 5% 1/10W		C105	1-126-795-11 ELECT	10uF 20.00% 50V
R1676	1-216-049-11	RES-CHIP	1K 5% 1/10W		C108	1-164-159-11 CERAMIC	0.1uF 50V
R1677	1-216-049-11	RES-CHIP	1K 5% 1/10W		C109	1-164-159-11 CERAMIC	0.1uF 50V
R1678	1-216-049-11	RES-CHIP	1K 5% 1/10W		C110	1-128-809-11 CERAMIC	100PF 5% 50V
R1679	1-216-049-11	RES-CHIP	1K 5% 1/10W		C111	1-128-809-11 CERAMIC	100PF 5% 50V
R1680	1-216-049-11	RES-CHIP	1K 5% 1/10W		C112	1-128-809-11 CERAMIC	100PF 5% 50V
R1682	1-216-097-11	RES-CHIP	100K 5% 1/10W		C114	1-164-159-11 CERAMIC	0.1uF 50V
R1683	1-216-073-00	METAL CHIP	10K 5% 1/10W		C115	1-126-795-11 ELECT	10uF 20.00% 50V
R1684	1-216-073-00	METAL CHIP	10K 5% 1/10W		C144	1-164-159-11 CERAMIC	0.1uF 50V
R1685	1-216-073-00	METAL CHIP	10K 5% 1/10W		C150	1-164-159-11 CERAMIC	0.1uF 50V
R1686	1-216-073-00	METAL CHIP	10K 5% 1/10W		C151	1-126-795-11 ELECT	10uF 20.00% 50V
R1688	1-216-295-11	SHORT	0			< CONNECTOR >	
R1690	1-216-049-11	RES-CHIP	1K 5% 1/10W		CNP102	1-691-765-11 PLUG (MICRO CONNECTOR) 3P	
R1691	1-216-073-00	METAL CHIP	10K 5% 1/10W		CNS100	1-569-327-11 SOCKET, CONNECTOR 27P	
R1692	1-216-073-00	METAL CHIP	10K 5% 1/10W			< DIODE >	
R1693	1-216-073-00	METAL CHIP	10K 5% 1/10W		D100	8-719-075-59 DIODE SELS5B23C-TP15 (Digital Cinema Sound)	
R1694	1-216-049-11	RES-CHIP	1K 5% 1/10W		D101	8-719-046-39 DIODE SEL5821A-TP15 (EQ)	
R1696	1-216-073-00	METAL CHIP	10K 5% 1/10W		D102	8-719-084-07 DIODE SEL5E20CTP15 (MULTI CHANNEL DECODING)	
R1697	1-216-295-11	SHORT	0 (DE575/K502/K502P:US,CND,MX)		D103	8-719-046-39 DIODE SEL5821A-TP15 (A.F.D.)	
R1697	1-216-057-00	METAL CHIP	2.2K 5% 1/10W (K502P:MY,SP)		D104	8-719-046-39 DIODE SEL5821A-TP15 (2CH)	
R1698	1-216-065-11	RES-CHIP	4.7K 5% 1/10W		D105	8-719-046-39 DIODE SEL5821A-TP15 (MODE)	
R1699	1-216-065-11	RES-CHIP	4.7K 5% 1/10W		D106	8-719-046-39 DIODE SEL5821A-TP15 (SUR)	
R1701	1-216-073-00	METAL CHIP	10K 5% 1/10W		D107	8-719-046-39 DIODE SEL5821A-TP15 (LEVEL)	
R1702	1-216-073-00	METAL CHIP	10K 5% 1/10W		D108	8-719-046-39 DIODE SEL5821A-TP15 (NAME)	
R1703	1-216-073-00	METAL CHIP	10K 5% 1/10W		D109	8-719-046-39 DIODE SEL5821A-TP15 (SET UP)	
R1704	1-216-073-00	METAL CHIP	10K 5% 1/10W			< FILTER >	
△ R1901	1-243-635-11	FUSIBLE	0.33 5% 1/2W		FL101	1-518-718-11 INDICATOR TUBE, FLUORESCENT	
R1902	1-220-753-11	CEMENTED	6.8 5% 5W			< IC >	
		< VIBRATOR >			IC100	8-759-643-83 IC uPD16315GB-3BS	
X1101	1-781-465-21	VIBRATOR, CRYSTAL	12.288MHZ		IC101	8-759-491-33 IC TC74VHCT08AF(EL)	
X1201	1-795-264-21	VIBRATOR, CERAMIC	13.5MHZ		IC102	8-749-011-22 IC GP1U27X (REMOTE CONTROL)	
X1601	1-795-318-11	OSCILLATOR, CERAMIC	20.0MHZ				

The components identified by mark △ or dotted line with mark △ are critical for safety. Replace only with part number specified.

Les composants identifiés par une marque △ sont critiques pour la sécurité. Ne les remplacer que par une pièce portant le numéro spécifié.

DISPLAY

Ref. No.	Part No.	Description	Remarks	Ref. No.	Part No.	Description	Remarks
< TRANSISTOR >				R145	1-249-409-11	CARBON	220 5% 1/4W F
Q100	8-729-119-78	TRANSISTOR	2SC2785TP-HFE	R146	1-249-421-11	CARBON	2.2K 5% 1/4W F
Q101	8-729-119-78	TRANSISTOR	2SC2785TP-HFE	R147	1-249-409-11	CARBON	220 5% 1/4W F
Q102	8-729-119-78	TRANSISTOR	2SC2785TP-HFE	R148	1-249-421-11	CARBON	2.2K 5% 1/4W F
Q103	8-729-119-78	TRANSISTOR	2SC2785TP-HFE	R149	1-249-409-11	CARBON	220 5% 1/4W F
Q104	8-729-119-78	TRANSISTOR	2SC2785TP-HFE	R150	1-249-409-11	CARBON	220 5% 1/4W F
Q105	8-729-119-78	TRANSISTOR	2SC2785TP-HFE	R151	1-249-409-11	CARBON	220 5% 1/4W F
< RESISTOR >				R152	1-249-409-11	CARBON	220 5% 1/4W F
R100	1-249-413-11	CARBON	470 5% 1/4W F	R153	1-247-807-31	CARBON	100 5% 1/4W
R101	1-249-417-11	CARBON	1K 5% 1/4W F	R158	1-249-440-11	CARBON	82K 5% 1/4W
R102	1-249-417-11	CARBON	1K 5% 1/4W F	△R198	1-249-381-11	CARBON	1 5% 1/4W F
R103	1-249-421-11	CARBON	2.2K 5% 1/4W F	△R199	1-249-381-11	CARBON	1 5% 1/4W F
R104	1-249-421-11	CARBON	2.2K 5% 1/4W F	< VARIABLE RESISTOR >			
(EXCEPT DE575:CND)				RV102	1-418-773-11	ENCODER, ROTARY (MASTER VOLUME)	
R104	1-249-429-11	CARBON	10K 5% 1/4W (DE575:CND)	< SWITCH >			
R105	1-249-425-11	CARBON	4.7K 5% 1/4W F	S100	1-771-410-21	SWITCH, TACTILE (MUTING)	
R106	1-249-429-11	CARBON	10K 5% 1/4W	S101	1-771-410-21	SWITCH, TACTILE (MODE)	
R107	1-249-413-11	CARBON	470 5% 1/4W F	S102	1-771-410-21	SWITCH, TACTILE (MULTI CH IN)	
R108	1-249-417-11	CARBON	1K 5% 1/4W F	S103	1-771-410-21	SWITCH, TACTILE (INPUT MODE)	
R109	1-249-417-11	CARBON	1K 5% 1/4W F	S105	1-771-410-21	SWITCH, TACTILE (CD)	
R110	1-249-421-11	CARBON	2.2K 5% 1/4W F	S106	1-771-410-21	SWITCH, TACTILE (TUNER)	
R111	1-249-421-11	CARBON	2.2K 5% 1/4W F	S107	1-771-410-21	SWITCH, TACTILE (DVD/LD)	
R112	1-249-425-11	CARBON	4.7K 5% 1/4W F	S108	1-771-410-21	SWITCH, TACTILE (TUNING -)	
R113	1-249-429-11	CARBON	10K 5% 1/4W	S109	1-771-410-21	SWITCH, TACTILE (PRESET TUNING -)	
R114	1-249-433-11	CARBON	22K 5% 1/4W	S110	1-771-410-21	SWITCH, TACTILE (SET UP)	
R115	1-249-437-11	CARBON	47K 5% 1/4W	S111	1-771-410-21	SWITCH, TACTILE (NAME)	
R116	1-249-413-11	CARBON	470 5% 1/4W F	S112	1-771-410-21	SWITCH, TACTILE (ENTER)	
R117	1-249-417-11	CARBON	1K 5% 1/4W F	S113	1-771-410-21	SWITCH, TACTILE (LEVEL)	
R118	1-249-417-11	CARBON	1K 5% 1/4W F	S114	1-771-410-21	SWITCH, TACTILE (SUR)	
R119	1-249-421-11	CARBON	2.2K 5% 1/4W F	S115	1-771-410-21	SWITCH, TACTILE (TV/SAT)	
R120	1-249-421-11	CARBON	2.2K 5% 1/4W F	S116	1-771-410-21	SWITCH, TACTILE (VIDEO)	
R121	1-249-425-11	CARBON	4.7K 5% 1/4W F	S117	1-771-410-21	SWITCH, TACTILE (MD/TAPE)	
R122	1-249-429-11	CARBON	10K 5% 1/4W	S118	1-771-410-21	SWITCH, TACTILE (AM)	
R123	1-249-433-11	CARBON	22K 5% 1/4W	S119	1-771-410-21	SWITCH, TACTILE (FM)	
R125	1-249-413-11	CARBON	470 5% 1/4W F	S120	1-771-410-21	SWITCH, TACTILE (<)	
R126	1-249-417-11	CARBON	1K 5% 1/4W F	S121	1-771-410-21	SWITCH, TACTILE (>)	
R127	1-249-417-11	CARBON	1K 5% 1/4W F	S122	1-771-410-21	SWITCH, TACTILE (SHIFT)	
R128	1-249-421-11	CARBON	2.2K 5% 1/4W F	S123	1-771-410-21	SWITCH, TACTILE (TUNING +)	
R129	1-249-421-11	CARBON	2.2K 5% 1/4W F	S124	1-771-410-21	SWITCH, TACTILE (PRESET TUNING +)	
R130	1-249-425-11	CARBON	4.7K 5% 1/4W F	S125	1-771-410-21	SWITCH, TACTILE (MEMORY)	
R131	1-249-429-11	CARBON	10K 5% 1/4W	S126	1-762-875-21	SWITCH, TACTILE (FM MODE)	
R137	1-249-403-11	CARBON	68 5% 1/4W F	S128	1-771-410-21	SWITCH, TACTILE (AUX)	
R138	1-249-409-11	CARBON	220 5% 1/4W F	S129	1-771-410-21	SWITCH, TACTILE (CINEMA STUDIO C)	
R139	1-249-409-11	CARBON	220 5% 1/4W F	S130	1-771-410-21	SWITCH, TACTILE (CINEMA STUDIO B)	
R140	1-249-409-11	CARBON	220 5% 1/4W F	S131	1-771-410-21	SWITCH, TACTILE (CINEMA STUDIO A)	
R141	1-249-421-11	CARBON	2.2K 5% 1/4W F	S132	1-771-410-21	SWITCH, TACTILE (EQ)	
R142	1-249-421-11	CARBON	2.2K 5% 1/4W F	S133	1-771-410-21	SWITCH, TACTILE (EQUALIZER)	
R143	1-249-421-11	CARBON	2.2K 5% 1/4W F	S134	1-771-410-21	SWITCH, TACTILE (A.F.D.)	
R144	1-249-421-11	CARBON	2.2K 5% 1/4W F	S135	1-771-410-21	SWITCH, TACTILE (2CH)	

The components identified by mark △ or dotted line with mark △ are critical for safety. Replace only with part number specified.	Les composants identifiés par une marque △ sont critiques pour la sécurité. Ne les remplacer que par une pièce portant le numéro spécifié.
--	--

HEADPHONE

JOG

MAIN

Ref. No.	Part No.	Description	Remarks	Ref. No.	Part No.	Description	Remarks
	1-680-529-11	HEADPHONE BOARD *****		C415	1-126-964-11	ELECT	10uF 20.00% 50V
		< CAPACITOR >		C416	1-126-964-11	ELECT	10uF 20.00% 50V
C790	1-128-809-11	CERAMIC 100PF 5% 50V		C417	1-126-964-11	ELECT	10uF 20.00% 50V
		< CONNECTOR >		C418	1-126-964-11	ELECT	10uF 20.00% 50V
CNP791	1-691-766-11	PLUG (MICRO CONNECTOR) 4P		C419	1-126-964-11	ELECT	10uF 20.00% 50V
		< DIODE >		C431	1-126-961-11	ELECT	2.2uF 20.00% 50V
D790	8-719-210-21	DIODE 11EQS04-NTA2B		C432	1-126-961-11	ELECT	2.2uF 20.00% 50V
		< JACK >		C433	1-126-964-11	ELECT	10uF 20.00% 50V
J791	1-815-314-21	JACK (PHONES)		C451	1-126-964-11	ELECT	10uF 20.00% 50V
		*****		C452	1-126-964-11	ELECT	10uF 20.00% 50V
	1-680-532-11	JOG BOARD *****		C453	1-126-964-11	ELECT	10uF 20.00% 50V
		< CONNECTOR >		C454	1-126-964-11	ELECT	10uF 20.00% 50V
* CN101	1-564-719-11	PIN, CONNECTOR (SMALL TYPE) 3P		C455	1-126-964-11	ELECT	10uF 20.00% 50V
		< VARIABLE RESISTOR >		C456	1-126-964-11	ELECT	10uF 20.00% 50V
RV101	1-418-817-11	ENCODER, ROTARY (JOG DIAL)		C457	1-126-964-11	ELECT	10uF 20.00% 50V
		*****		C458	1-126-964-11	ELECT	10uF 20.00% 50V
	A-4475-895-A	MAIN BOARD, COMPLETE ***** (DE575:US/K502/K502P:US)		C459	1-126-964-11	ELECT	10uF 20.00% 50V
	A-4475-904-A	MAIN BOARD, COMPLETE ***** (DE575:CND/K502P:CND)		C461	1-126-961-11	ELECT	2.2uF 20.00% 50V
	A-4476-957-A	MAIN BOARD, COMPLETE (K502P:MY,SP,PAUS) *****		C462	1-126-961-11	ELECT	2.2uF 20.00% 50V
	A-4476-968-A	MAIN BOARD, COMPLETE (K502P:MX) *****		C464	1-164-159-11	CERAMIC	0.1uF 50V
	7-685-646-79	SCREW +BVTP 3X8 TYPE2 IT-3		C465	1-126-964-11	ELECT	10uF 20.00% 50V
		< CAPACITOR >		C466	1-126-964-11	ELECT	10uF 20.00% 50V
C371	1-128-809-11	CERAMIC 100PF 5% 50V		C467	1-164-159-11	CERAMIC	0.1uF 50V
C372	1-128-809-11	CERAMIC 100PF 5% 50V		C471	1-126-963-11	ELECT	4.7uF 20.00% 50V
C373	1-128-809-11	CERAMIC 100PF 5% 50V		C481	1-126-964-11	ELECT	10uF 20.00% 50V
C374	1-128-809-11	CERAMIC 100PF 5% 50V		C482	1-126-964-11	ELECT	10uF 20.00% 50V
C375	1-128-809-11	CERAMIC 100PF 5% 50V		C483	1-126-964-11	ELECT	10uF 20.00% 50V
C376	1-128-809-11	CERAMIC 100PF 5% 50V		C484	1-126-964-11	ELECT	10uF 20.00% 50V
C400	1-162-302-11	CERAMIC 0.0022uF 20.00% 16V (EXCEPT K502P:MX)		C485	1-126-964-11	ELECT	10uF 20.00% 50V
C401	1-126-964-11	ELECT 10uF 20.00% 50V		C486	1-126-964-11	ELECT	10uF 20.00% 50V
C402	1-126-964-11	ELECT 10uF 20.00% 50V		C487	1-126-964-11	ELECT	10uF 20.00% 50V
C403	1-126-964-11	ELECT 10uF 20.00% 50V		C488	1-164-159-11	CERAMIC	0.1uF 50V
C404	1-126-964-11	ELECT 10uF 20.00% 50V		C489	1-128-809-11	CERAMIC	100PF 5% 50V
C405	1-126-964-11	ELECT 10uF 20.00% 50V		C490	1-128-809-11	CERAMIC	100PF 5% 50V
C406	1-126-964-11	ELECT 10uF 20.00% 50V		C491	1-126-964-11	ELECT	10uF 20.00% 50V
C407	1-126-964-11	ELECT 10uF 20.00% 50V		C492	1-126-964-11	ELECT	10uF 20.00% 50V
C408	1-126-964-11	ELECT 10uF 20.00% 50V		C493	1-126-964-11	ELECT	10uF 20.00% 50V
C409	1-126-964-11	ELECT 10uF 20.00% 50V		C494	1-126-964-11	ELECT	10uF 20.00% 50V
C411	1-126-961-11	ELECT 2.2uF 20.00% 50V		C495	1-126-964-11	ELECT	10uF 20.00% 50V
C412	1-126-961-11	ELECT 2.2uF 20.00% 50V		C496	1-126-963-11	ELECT	4.7uF 20.00% 50V
C413	1-126-964-11	ELECT 10uF 20.00% 50V		C497	1-128-809-11	CERAMIC	100PF 5% 50V
C414	1-126-964-11	ELECT 10uF 20.00% 50V		C498	1-128-805-11	CERAMIC	47PF 5% 50V
				C500	1-162-302-11	CERAMIC	0.0022uF 20.00% 16V (EXCEPT K502P:MX)
				C501	1-126-963-11	ELECT	4.7uF 20.00% 50V
				C503	1-104-665-11	ELECT	100uF 20.00% 10V
				C504	1-107-583-11	CERAMIC	3PF 0.25PF 500V (EXCEPT K502P:MX)
				C505	1-102-989-00	CERAMIC	68PF 5.00% 500V
				C506	1-102-989-00	CERAMIC	68PF 5.00% 500V
				C507	1-128-809-11	CERAMIC	100PF 5% 50V
				C510	1-104-664-11	ELECT	47uF 20.00% 25V
				C511	1-136-157-00	FILM	0.022uF 5.00% 50V
				C519	1-128-813-11	CERAMIC	220PF 5% 50V
				C540	1-126-964-11	ELECT	10uF 20.00% 50V
				C600	1-162-302-11	CERAMIC	0.0022uF 20.00% 16V (EXCEPT K502P:MX)
				C601	1-126-963-11	ELECT	4.7uF 20.00% 50V

STR-DE575/K502/K502P

MAIN

Ref. No.	Part No.	Description	Remarks
C603	1-104-665-11	ELECT	100uF 20.00% 10V
C604	1-107-583-11	CERAMIC	3PF 0.25PF 500V (EXCEPT K502P:MX)
C605	1-102-233-00	CERAMIC	33PF 10.00% 500V
C606	1-128-809-11	CERAMIC	100PF 5% 50V
C607	1-128-809-11	CERAMIC	100PF 5% 50V
C610	1-104-664-11	ELECT	47uF 20.00% 25V
C611	1-136-157-00	FILM	0.022uF 5.00% 50V
C616	1-106-355-12	MYLAR	3300PF 5% 200V
C617	1-106-355-12	MYLAR	3300PF 5% 200V
C619	1-128-813-11	CERAMIC	220PF 5% 50V
C640	1-126-964-11	ELECT	10uF 20.00% 50V
C651	1-126-963-11	ELECT	4.7uF 20.00% 50V
C653	1-104-665-11	ELECT	100uF 20.00% 10V
C654	1-107-583-11	CERAMIC	3PF 0.25PF 500V (EXCEPT K502P:MX)
C655	1-102-233-00	CERAMIC	33PF 10.00% 500V
C656	1-128-809-11	CERAMIC	100PF 5% 50V
C657	1-128-809-11	CERAMIC	100PF 5% 50V
C660	1-104-664-11	ELECT	47uF 20.00% 25V
C661	1-136-157-00	FILM	0.022uF 5.00% 50V
C670	1-128-813-11	CERAMIC	220PF 5% 50V
C680	1-126-964-11	ELECT	10uF 20.00% 50V
C691	1-164-159-11	CERAMIC	0.1uF 50V
C700	1-162-302-11	CERAMIC	0.0022uF 20.00% 16V (EXCEPT K502P:MX)
C701	1-126-963-11	ELECT	4.7uF 20.00% 50V
C703	1-104-665-11	ELECT	100uF 20.00% 10V
C704	1-107-583-11	CERAMIC	3PF 0.25PF 500V (EXCEPT K502P:MX)
C705	1-102-233-00	CERAMIC	33PF 10.00% 500V
C706	1-128-809-11	CERAMIC	100PF 5% 50V
C707	1-128-809-11	CERAMIC	100PF 5% 50V
C710	1-104-664-11	ELECT	47uF 20.00% 25V
C711	1-136-157-00	FILM	0.022uF 5.00% 50V
C720	1-128-813-11	CERAMIC	220PF 5% 50V
C721	1-126-934-11	ELECT	220uF 20.00% 10V
C722	1-126-964-11	ELECT	10uF 20.00% 50V
C732	1-128-582-11	ELECT	10uF 20.00% 100V
C733	1-128-582-11	ELECT	10uF 20.00% 100V
C740	1-126-964-11	ELECT	10uF 20.00% 50V
C741	1-128-579-11	ELECT	2.2uF 20.00% 100V
C750	1-126-964-11	ELECT	10uF 20.00% 50V
C751	1-126-963-11	ELECT	4.7uF 20.00% 50V
C753	1-104-665-11	ELECT	100uF 20.00% 10V
C754	1-107-583-11	CERAMIC	3PF 0.25PF 500V (EXCEPT K502P:MX)
C755	1-102-233-00	CERAMIC	33PF 10.00% 500V
C756	1-128-809-11	CERAMIC	100PF 5% 50V
C757	1-128-809-11	CERAMIC	100PF 5% 50V
C760	1-104-664-11	ELECT	47uF 20.00% 25V
C761	1-136-157-00	FILM	0.022uF 5.00% 50V
C770	1-128-813-11	CERAMIC	220PF 5% 50V
C800	1-162-302-11	CERAMIC	0.0022uF 20.00% 16V (EXCEPT K502P:MX)
C801	1-126-947-11	ELECT	47uF 20.00% 35V
C802	1-126-947-11	ELECT	47uF 20.00% 35V
C803	1-109-932-11	ELECT(BLOCK)	10000uF 20.00% 71V
C804	1-109-932-11	ELECT(BLOCK)	10000uF 20.00% 71V
C805	1-135-851-21	MYLAR	0.22uF 100V
C806	1-135-851-21	MYLAR	0.22uF 100V

Ref. No.	Part No.	Description	Remarks
C807	1-104-665-11	ELECT	100uF 20.00% 10V
C808	1-104-665-11	ELECT	100uF 20.00% 10V
C809	1-104-665-11	ELECT	100uF 20.00% 10V
C810	1-164-159-11	CERAMIC	0.1uF 50V
C825	1-164-159-11	CERAMIC	0.1uF 50V
C826	1-104-664-11	ELECT	47uF 20.00% 25V
C827	1-104-664-11	ELECT	47uF 20.00% 25V
C896	1-104-664-11	ELECT	47uF 20.00% 16V
C897	1-164-159-11	CERAMIC	0.1uF 50V
< CONNECTOR >			
* CN791	1-564-706-11	PIN, CONNECTOR (SMALL TYPE) 4P	
CN905	1-766-200-11	SOCKET, CONNECTOR PIN 5P	
* CNP501	1-573-847-11	CONNECTOR, BOARD TO BOARD 15P	
CNP502	1-784-038-11	CONNECTOR, BOARD TO BOARD 9P	
* CNP801	1-564-242-00	PIN, CONNECTOR 5P	
CNP802	1-691-767-11	PLUG (MICRO CONNECTOR) 5P	
CNP911	1-784-930-11	PIN, CONNECTOR 15P (EXCEPT K502P:MX)	
* CNP911	1-564-717-11	PIN, CONNECTOR (SMALL TYPE) 15P	(K502P:MX)
CNS501	1-569-315-11	SOCKET, CONNECTOR 5P	
< DIODE >			
D505	8-719-911-19	DIODE 1SS133T-72	
D510	8-719-911-19	DIODE 1SS133T-72	
D540	8-719-911-19	DIODE 1SS133T-72	
D560	8-719-911-19	DIODE 1SS133T-72	
D605	8-719-911-19	DIODE 1SS133T-72	
D610	8-719-911-19	DIODE 1SS133T-72	
D640	8-719-911-19	DIODE 1SS133T-72	
D665	8-719-911-19	DIODE 1SS133T-72	
D680	8-719-911-19	DIODE 1SS133T-72	
D705	8-719-911-19	DIODE 1SS133T-72	
D710	8-719-911-19	DIODE 1SS133T-72	
D721	8-719-911-19	DIODE 1SS133T-72	
D722	8-719-911-19	DIODE 1SS133T-72	
D731	8-719-911-19	DIODE 1SS133T-72	
D732	8-719-911-19	DIODE 1SS133T-72	
D733	8-719-911-19	DIODE 1SS133T-72	
D734	8-719-911-19	DIODE 1SS133T-72	
D740	8-719-911-19	DIODE 1SS133T-72	
D750	8-719-911-19	DIODE 1SS133T-72	
D765	8-719-911-19	DIODE 1SS133T-72	
D791	8-719-911-19	DIODE 1SS133T-72	
D801	8-719-934-21	DIODE HZS30-1LTA (DE575/K502/K502P:US,CND)	
D801	8-719-074-75	DIODE PTZ-TE25-30B (K502P:MY,SP,MX,AUS)	
D802	8-719-072-05	DIODE RBV-602LF-A	
D804	8-719-160-26	DIODE HZ5.6BP-TK	
D833	8-719-043-76	DIODE AK04V1	
D896	8-719-043-76	DIODE AK04V1	
< IC >			
IC201	8-759-827-92	IC M61511FP	
IC401	8-759-636-74	IC NJM4565DD	
IC501	8-749-011-16	IC STK350-230	
IC601	8-759-636-74	IC NJM4565DD	
IC701	8-759-326-52	IC uPC2581V	

Ref. No.	Part No.	Description	Remarks	Ref. No.	Part No.	Description	Remarks
IC702	8-759-326-52	IC uPC2581V		Q656	8-729-140-82	TRANSISTOR	2SA988TP-PAFAEA
IC801	8-759-605-00	IC M5F78M07L		Q680	8-729-281-53	TRANSISTOR	2SC1815GR-TPE2
IC802	8-759-604-95	IC M5F79M07L		Q691	8-729-281-53	TRANSISTOR	2SC1815GR-TPE2
IC803	8-759-647-10	IC uPC2933HF		Q692	8-729-900-63	TRANSISTOR	BN1F4M-TP
IC804	8-759-701-65	IC NJM79M05FA		Q701	8-729-119-76	TRANSISTOR	2SA1115TP-EF
IC806	8-759-231-58	IC NJM78M12FA		Q702	8-729-141-30	TRANSISTOR	2SC3623ATP-LK
IC807	8-759-039-69	IC uPC7805AHF		Q703	8-749-010-25	TRANSISTOR	MN2488-OPY-M
		< JACK >		Q704	8-749-010-26	TRANSISTOR	MP1620-OPY-M
J401	1-779-380-11	JACK, PIN 6P (MULTI CH IN,AUX IN)		Q705	8-729-140-82	TRANSISTOR	2SA988TP-PAFAEA
J402	1-774-411-11	JACK, PIN 6P (CD IN,MD/TAPE OUT) (DE575/K502/K502P:US,CND,MY,SP,AUS)		Q706	8-729-140-82	TRANSISTOR	2SA988TP-PAFAEA
J402	1-779-380-11	JACK, PIN 6P (CD IN,MD/TAPE OUT) (K502P:MX)		Q710	8-729-119-79	TRANSISTOR	2SC2785TP-FEK
J403	1-774-411-11	JACK, PIN 6P (MD/TAPE IN,TV/SAT IN,DVD/ LD IN) (DE575/K502/K502P:US,CND,MY,SP,AUS)		Q722	8-729-140-84	TRANSISTOR	2SC1841TP-PAFAEA
J403	1-779-380-11	JACK, PIN 6P (MD/TAPE IN,TV/SAT IN, DVD/LD IN)(K502P:MX)		Q723	8-729-119-79	TRANSISTOR	2SC2785TP-FEK
J404	1-770-614-11	JACK, PIN 4P (VIDEO OUT, VIDEO IN)		Q725	8-729-140-82	TRANSISTOR	2SA988TP-PAFAEA
J405	1-774-843-11	JACK, PIN 1P (SUB WOOFER)		Q740	8-729-281-53	TRANSISTOR	2SC1815GR-TPE2
		< COIL >		Q747	8-729-900-63	TRANSISTOR	BN1F4M-TP
L521	1-420-872-00	COIL, AIR-CORE 1.7uH		Q748	8-729-900-36	TRANSISTOR	BA1F4M-TP
L601	1-420-872-00	COIL, AIR-CORE 1.7uH		Q750	8-729-281-53	TRANSISTOR	2SC1815GR-TPE2
L651	1-420-872-00	COIL, AIR-CORE 1.7uH		Q751	8-729-119-76	TRANSISTOR	2SA1115TP-EF
L701	1-420-872-00	COIL, AIR-CORE 1.7uH		Q752	8-729-141-30	TRANSISTOR	2SC3623ATP-LK
L751	1-420-872-00	COIL, AIR-CORE 1.7uH		Q753	8-749-010-25	TRANSISTOR	MN2488-OPY-M
		< TRANSISTOR >		Q754	8-749-010-26	TRANSISTOR	MP1620-OPY-M
Q361	8-729-823-22	TRANSISTOR 2SC3576-AC		Q755	8-729-140-82	TRANSISTOR	2SA988TP-PAFAEA
Q362	8-729-823-22	TRANSISTOR 2SC3576-AC		Q756	8-729-140-82	TRANSISTOR	2SA988TP-PAFAEA
Q363	8-729-823-22	TRANSISTOR 2SC3576-AC		Q790	8-729-119-79	TRANSISTOR	2SC2785TP-FEK
Q364	8-729-823-22	TRANSISTOR 2SC3576-AC		Q801	8-729-140-97	TRANSISTOR	2SB734-T-34
Q365	8-729-823-22	TRANSISTOR 2SC3576-AC				< RESISTOR >	
Q366	8-729-823-22	TRANSISTOR 2SC3576-AC		R360	1-249-437-11	CARBON	47K 5% 1/4W
Q379	8-729-900-63	TRANSISTOR BN1F4M-TP		R361	1-249-429-11	CARBON	10K 5% 1/4W
Q471	8-729-823-22	TRANSISTOR 2SC3576-AC		R362	1-249-429-11	CARBON	10K 5% 1/4W
Q501	8-729-119-76	TRANSISTOR 2SA1115TP-EF		R363	1-249-437-11	CARBON	47K 5% 1/4W
Q502	8-729-141-30	TRANSISTOR 2SC3623ATP-LK		R366	1-249-429-11	CARBON	10K 5% 1/4W
Q503	8-749-010-25	TRANSISTOR MN2488-OPY-M		R367	1-249-437-11	CARBON	47K 5% 1/4W
Q504	8-749-010-26	TRANSISTOR MP1620-OPY-M		R368	1-249-437-11	CARBON	47K 5% 1/4W
Q505	8-729-140-82	TRANSISTOR 2SA988TP-PAFAEA		R369	1-249-429-11	CARBON	10K 5% 1/4W
Q506	8-729-140-82	TRANSISTOR 2SA988TP-PAFAEA		R370	1-249-429-11	CARBON	10K 5% 1/4W
Q540	8-729-281-53	TRANSISTOR 2SC1815GR-TPE2		R371	1-249-437-11	CARBON	47K 5% 1/4W
Q550	8-729-119-79	TRANSISTOR 2SC2785TP-FEK		R372	1-249-437-11	CARBON	47K 5% 1/4W
Q560	8-729-119-79	TRANSISTOR 2SC2785TP-FEK		R373	1-249-417-11	CARBON	1K 5% 1/4W F
Q601	8-729-119-76	TRANSISTOR 2SA1115TP-EF		R374	1-249-417-11	CARBON	1K 5% 1/4W F
Q602	8-729-141-30	TRANSISTOR 2SC3623ATP-LK		R375	1-249-417-11	CARBON	1K 5% 1/4W F
Q603	8-749-010-25	TRANSISTOR MN2488-OPY-M		R376	1-249-417-11	CARBON	1K 5% 1/4W F
Q604	8-749-010-26	TRANSISTOR MP1620-OPY-M		R377	1-249-417-11	CARBON	1K 5% 1/4W F
Q605	8-729-140-82	TRANSISTOR 2SA988TP-PAFAEA		R378	1-249-417-11	CARBON	1K 5% 1/4W F
Q606	8-729-140-82	TRANSISTOR 2SA988TP-PAFAEA		R379	1-249-429-11	CARBON	10K 5% 1/4W
Q610	8-729-119-79	TRANSISTOR 2SC2785TP-FEK		R380	1-249-441-11	CARBON	100K 5% 1/4W
Q640	8-729-281-53	TRANSISTOR 2SC1815GR-TPE2		R381	1-249-429-11	CARBON	10K 5% 1/4W
Q651	8-729-119-76	TRANSISTOR 2SA1115TP-EF		R401	1-249-417-11	CARBON	1K 5% 1/4W F
Q652	8-729-141-30	TRANSISTOR 2SC3623ATP-LK		R402	1-249-417-11	CARBON	1K 5% 1/4W F
Q653	8-749-010-25	TRANSISTOR MN2488-OPY-M		R403	1-249-417-11	CARBON	1K 5% 1/4W F
Q654	8-749-010-26	TRANSISTOR MP1620-OPY-M		R404	1-249-417-11	CARBON	1K 5% 1/4W F
Q655	8-729-140-82	TRANSISTOR 2SA988TP-PAFAEA		R405	1-249-417-11	CARBON	1K 5% 1/4W F
				R406	1-249-417-11	CARBON	1K 5% 1/4W F
				R407	1-249-417-11	CARBON	1K 5% 1/4W F
				R408	1-249-417-11	CARBON	1K 5% 1/4W F
				R409	1-249-417-11	CARBON	1K 5% 1/4W F
				R411	1-249-417-11	CARBON	1K 5% 1/4W F

STR-DE575/K502/K502P

MAIN

Ref. No.	Part No.	Description	Remarks	Ref. No.	Part No.	Description	Remarks
R412	1-249-417-11	CARBON	1K 5% 1/4W F	R503	1-249-417-11	CARBON	1K 5% 1/4W F (K502P:MY,SP,MX,AUS)
R413	1-249-437-11	CARBON	47K 5% 1/4W	R504	1-249-411-11	CARBON	330 5% 1/4W
R414	1-249-437-11	CARBON	47K 5% 1/4W	R505	1-249-439-11	CARBON	68K 5% 1/4W
R415	1-249-437-11	CARBON	47K 5% 1/4W	R510	1-249-421-11	CARBON	2.2K 5% 1/4W F
R416	1-249-437-11	CARBON	47K 5% 1/4W	R511	1-249-440-11	CARBON	82K 5% 1/4W
R417	1-249-437-11	CARBON	47K 5% 1/4W	R513	1-249-414-11	CARBON	560 5% 1/4W F
R418	1-249-437-11	CARBON	47K 5% 1/4W	△ R514	1-249-408-11	CARBON	180 5% 1/4W F
R419	1-249-437-11	CARBON	47K 5% 1/4W	△ R515	1-249-408-11	CARBON	180 5% 1/4W F
R420	1-249-437-11	CARBON	47K 5% 1/4W	△ R516	1-234-182-11	ENCAPSULATED COMPONENT	
R421	1-249-437-11	CARBON	47K 5% 1/4W	△ R517	1-249-393-11	CARBON	10 5% 1/4W F
R422	1-249-437-11	CARBON	47K 5% 1/4W	R520	1-249-425-11	CARBON	4.7K 5% 1/4W F
R423	1-249-437-11	CARBON	47K 5% 1/4W	R521	1-249-417-11	CARBON	1K 5% 1/4W F
R424	1-249-437-11	CARBON	47K 5% 1/4W	R522	1-249-419-11	CARBON	1.5K 5% 1/4W F
R425	1-249-437-11	CARBON	47K 5% 1/4W	R524	1-249-431-11	CARBON	15K 5% 1/4W
R426	1-249-437-11	CARBON	47K 5% 1/4W	R525	1-247-881-00	CARBON	120K 5% 1/4W
R427	1-249-437-11	CARBON	47K 5% 1/4W	△ R528	1-249-389-11	CARBON	4.7 5% 1/4W F
R428	1-249-437-11	CARBON	47K 5% 1/4W (K502P:MX)	R531	1-249-425-11	CARBON	4.7K 5% 1/4W F
R429	1-249-437-11	CARBON	47K 5% 1/4W (K502P:MX)	R532	1-249-425-11	CARBON	4.7K 5% 1/4W F
R431	1-249-417-11	CARBON	1K 5% 1/4W F	R533	1-249-437-11	CARBON	47K 5% 1/4W
R432	1-249-417-11	CARBON	1K 5% 1/4W F	△ R534	1-249-389-11	CARBON	4.7 5% 1/4W F
R435	1-249-437-11	CARBON	47K 5% 1/4W	R540	1-247-866-11	CARBON	30K 5% 1/4W
R436	1-249-437-11	CARBON	47K 5% 1/4W	R555	1-249-433-11	CARBON	22K 5% 1/4W
R441	1-249-437-11	CARBON	47K 5% 1/4W	R556	1-249-433-11	CARBON	22K 5% 1/4W
R442	1-249-437-11	CARBON	47K 5% 1/4W	R557	1-249-431-11	CARBON	15K 5% 1/4W
R443	1-249-437-11	CARBON	47K 5% 1/4W	R573	1-249-437-11	CARBON	47K 5% 1/4W
R444	1-249-437-11	CARBON	47K 5% 1/4W	R601	1-249-417-11	CARBON	1K 5% 1/4W F
R445	1-249-437-11	CARBON	47K 5% 1/4W	R602	1-249-439-11	CARBON	68K 5% 1/4W
R446	1-249-437-11	CARBON	47K 5% 1/4W	R603	1-249-418-11	CARBON	1.2K 5% 1/4W F (DE575/K502/K502P:US,CND)
R447	1-249-437-11	CARBON	47K 5% 1/4W	R603	1-249-417-11	CARBON	1K 5% 1/4W F (K502P:MY,SP,MX,AUS)
R448	1-249-437-11	CARBON	47K 5% 1/4W (K502P:MX)	R604	1-249-439-11	CARBON	68K 5% 1/4W
R449	1-249-437-11	CARBON	47K 5% 1/4W (K502P:MX)	R610	1-249-421-11	CARBON	2.2K 5% 1/4W F
R451	1-249-417-11	CARBON	1K 5% 1/4W F	R611	1-249-440-11	CARBON	82K 5% 1/4W
R452	1-249-417-11	CARBON	1K 5% 1/4W F	R613	1-249-414-11	CARBON	560 5% 1/4W F
R453	1-249-417-11	CARBON	1K 5% 1/4W F	△ R614	1-249-408-11	CARBON	180 5% 1/4W F
R454	1-249-417-11	CARBON	1K 5% 1/4W F	△ R615	1-249-408-11	CARBON	180 5% 1/4W F
R455	1-249-417-11	CARBON	1K 5% 1/4W F	△ R616	1-234-182-11	ENCAPSULATED COMPONENT	
R456	1-249-417-11	CARBON	1K 5% 1/4W F	△ R617	1-249-393-11	CARBON	10 5% 1/4W F
R457	1-249-417-11	CARBON	1K 5% 1/4W F	△ R618	1-249-389-11	CARBON	4.7 5% 1/4W F
R458	1-249-417-11	CARBON	1K 5% 1/4W F	R620	1-249-425-11	CARBON	4.7K 5% 1/4W F
R459	1-249-417-11	CARBON	1K 5% 1/4W F	R621	1-247-850-11	CARBON	6.2K 5% 1/4W
R461	1-249-417-11	CARBON	1K 5% 1/4W F	R622	1-249-419-11	CARBON	1.5K 5% 1/4W F
R462	1-249-417-11	CARBON	1K 5% 1/4W F	R623	1-249-437-11	CARBON	47K 5% 1/4W
R463	1-249-437-11	CARBON	47K 5% 1/4W	R624	1-249-431-11	CARBON	15K 5% 1/4W
R464	1-249-437-11	CARBON	47K 5% 1/4W	R625	1-247-881-00	CARBON	120K 5% 1/4W
R469	1-249-417-11	CARBON	1K 5% 1/4W F	R631	1-249-425-11	CARBON	4.7K 5% 1/4W F
R470	1-249-437-11	CARBON	47K 5% 1/4W	△ R634	1-249-389-11	CARBON	4.7 5% 1/4W F
R471	1-249-417-11	CARBON	1K 5% 1/4W F	R638	1-247-881-00	CARBON	120K 5% 1/4W
R472	1-249-417-11	CARBON	1K 5% 1/4W F	R640	1-247-866-11	CARBON	30K 5% 1/4W
R473	1-249-421-11	CARBON	2.2K 5% 1/4W F	R651	1-249-417-11	CARBON	1K 5% 1/4W F
R474	1-249-429-11	CARBON	10K 5% 1/4W	R652	1-249-439-11	CARBON	68K 5% 1/4W
R475	1-249-421-11	CARBON	2.2K 5% 1/4W F				
R499	1-249-437-11	CARBON	47K 5% 1/4W				
R501	1-249-417-11	CARBON	1K 5% 1/4W F				
R502	1-249-439-11	CARBON	68K 5% 1/4W				
R503	1-249-418-11	CARBON	1.2K 5% 1/4W F (DE575/K502/K502P:US,CND)				

The components identified by mark △ or dotted line with mark △ are critical for safety. Replace only with part number specified.

Les composants identifiés par une marque △ sont critiques pour la sécurité. Ne les remplacer que par une pièce portant le numéro spécifié.

Ref. No.	Part No.	Description	Remarks	Ref. No.	Part No.	Description	Remarks
R653	1-249-418-11	CARBON	1.2K 5% 1/4W F (DE575/K502/K502P:US,CND)	R736	1-249-417-11	CARBON	1K 5% 1/4W F
R653	1-249-417-11	CARBON	1K 5% 1/4W F (K502P:MY,SP,MX,AUS)	R737	1-249-436-11	CARBON	39K 5% 1/4W
R654	1-249-439-11	CARBON	68K 5% 1/4W	R740	1-247-866-11	CARBON	30K 5% 1/4W
R655	1-249-433-11	CARBON	22K 5% 1/4W	R742	1-249-437-11	CARBON	47K 5% 1/4W
R656	1-249-433-11	CARBON	22K 5% 1/4W	R743	1-249-433-11	CARBON	22K 5% 1/4W
R657	1-249-431-11	CARBON	15K 5% 1/4W	R744	1-249-433-11	CARBON	22K 5% 1/4W
R660	1-249-421-11	CARBON	2.2K 5% 1/4W F	R745	1-249-433-11	CARBON	22K 5% 1/4W
R661	1-249-440-11	CARBON	82K 5% 1/4W	R746	1-249-433-11	CARBON	22K 5% 1/4W
R663	1-249-414-11	CARBON	560 5% 1/4W F	R747	1-249-431-11	CARBON	15K 5% 1/4W
△ R664	1-249-408-11	CARBON	180 5% 1/4W F	R750	1-247-866-11	CARBON	30K 5% 1/4W
△ R665	1-249-408-11	CARBON	180 5% 1/4W F	R751	1-249-417-11	CARBON	1K 5% 1/4W F
△ R666	1-234-182-11	ENCAPSULATED COMPONENT		R752	1-249-439-11	CARBON	68K 5% 1/4W
△ R667	1-249-393-11	CARBON	10 5% 1/4W F	R753	1-249-418-11	CARBON	1.2K 5% 1/4W F (DE575/K502/K502P:US,CND)
△ R668	1-249-389-11	CARBON	4.7 5% 1/4W F	R753	1-249-417-11	CARBON	1K 5% 1/4W F (K502P:MY,SP,MX,AUS)
R669	1-249-425-11	CARBON	4.7K 5% 1/4W F	R754	1-249-439-11	CARBON	68K 5% 1/4W
R671	1-247-850-11	CARBON	6.2K 5% 1/4W	R755	1-249-433-11	CARBON	22K 5% 1/4W
R672	1-249-419-11	CARBON	1.5K 5% 1/4W F	R756	1-249-433-11	CARBON	22K 5% 1/4W
R673	1-249-437-11	CARBON	47K 5% 1/4W	R757	1-249-431-11	CARBON	15K 5% 1/4W
R674	1-249-431-11	CARBON	15K 5% 1/4W	R760	1-249-421-11	CARBON	2.2K 5% 1/4W F
R675	1-249-433-11	CARBON	22K 5% 1/4W	R761	1-249-440-11	CARBON	82K 5% 1/4W
R676	1-249-433-11	CARBON	22K 5% 1/4W	R763	1-249-414-11	CARBON	560 5% 1/4W F
R677	1-249-431-11	CARBON	15K 5% 1/4W	△ R764	1-249-409-11	CARBON	220 5% 1/4W F
R680	1-247-866-11	CARBON	30K 5% 1/4W	△ R765	1-249-409-11	CARBON	220 5% 1/4W F
R691	1-215-888-00	METAL OXIDE	220 5% 2W	△ R766	1-234-182-11	ENCAPSULATED COMPONENT	
R692	1-215-888-00	METAL OXIDE	220 5% 2W	△ R767	1-249-393-11	CARBON	10 5% 1/4W F
R693	1-249-429-11	CARBON	10K 5% 1/4W	△ R768	1-249-389-11	CARBON	4.7 5% 1/4W F
R694	1-249-429-11	CARBON	10K 5% 1/4W	R769	1-249-425-11	CARBON	4.7K 5% 1/4W F
R695	1-249-434-11	CARBON	27K 5% 1/4W	R771	1-247-850-11	CARBON	6.2K 5% 1/4W
R696	1-249-429-11	CARBON	10K 5% 1/4W	R772	1-249-419-11	CARBON	1.5K 5% 1/4W F
R697	1-249-441-11	CARBON	100K 5% 1/4W	R773	1-249-437-11	CARBON	47K 5% 1/4W
R698	1-249-429-11	CARBON	10K 5% 1/4W	R775	1-247-881-00	CARBON	120K 5% 1/4W
R701	1-249-417-11	CARBON	1K 5% 1/4W F	R778	1-249-431-11	CARBON	15K 5% 1/4W
R702	1-249-439-11	CARBON	68K 5% 1/4W	R791	1-249-425-11	CARBON	4.7K 5% 1/4W F
R703	1-249-418-11	CARBON	1.2K 5% 1/4W F (DE575/K502/K502P:US,CND)	R792	1-215-868-00	METAL OXIDE	680 5% 1W
R703	1-249-417-11	CARBON	1K 5% 1/4W F (K502P:MY,SP,MX,AUS)	△ R793	1-249-389-11	CARBON	4.7 5% 1/4W F
R704	1-249-439-11	CARBON	68K 5% 1/4W	R794	1-215-868-00	METAL OXIDE	680 5% 1W
R710	1-249-421-11	CARBON	2.2K 5% 1/4W F	R801	1-240-877-11	FUSIBLE	0.15 5% 1/2W
R711	1-249-440-11	CARBON	82K 5% 1/4W	△ R802	1-249-381-11	CARBON	1 5% 1/4W F
R713	1-249-414-11	CARBON	560 5% 1/4W F	△ R803	1-249-389-11	CARBON	4.7 5% 1/4W F
△ R714	1-249-409-11	CARBON	220 5% 1/4W F	R804	1-249-426-11	CARBON	5.6K 5% 1/4W
△ R715	1-249-409-11	CARBON	220 5% 1/4W F			< RELAY >	
△ R716	1-234-182-11	ENCAPSULATED COMPONENT		RY501	1-755-170-11	RELAY (12V)	
△ R717	1-249-393-11	CARBON	10 5% 1/4W F	RY560	1-755-267-11	RELAY	
△ R718	1-249-389-11	CARBON	4.7 5% 1/4W F	RY601	1-755-170-11	RELAY (12V)	
R719	1-249-425-11	CARBON	4.7K 5% 1/4W F	RY701	1-755-170-11	RELAY (12V)	
R721	1-247-850-11	CARBON	6.2K 5% 1/4W	RY791	1-755-170-11	RELAY (12V)	
R722	1-249-419-11	CARBON	1.5K 5% 1/4W F			< TERMINAL >	
R723	1-249-437-11	CARBON	47K 5% 1/4W	TM601	1-537-923-11	TERMINAL BOARD (SPEAKER) (6P) (SPEAKERS SURROUND,CENTER)	
R724	1-249-431-11	CARBON	15K 5% 1/4W	TM602	1-537-925-61	TERMINAL BOARD (SPEAKERS FRONT) (DE575/K502/K502P:US,CND)	
R725	1-247-881-00	CARBON	120K 5% 1/4W	TM602	1-694-652-11	TERMINAL BOARD (SP) (SPEAKERS FRONT) (K502P:MY,SP,MX,AUS)	
R731	1-249-425-11	CARBON	4.7K 5% 1/4W F			*****	
△ R732	1-249-381-11	CARBON	1 5% 1/4W F				
△ R733	1-249-381-11	CARBON	1 5% 1/4W F				
△ R734	1-249-389-11	CARBON	4.7 5% 1/4W F				
R735	1-249-427-11	CARBON	6.8K 5% 1/4W F				

The components identified by mark △ or dotted line with mark △ are critical for safety. Replace only with part number specified.

Les composants identifiés par une marque △ sont critiques pour la sécurité. Ne les remplacer que par une pièce portant le numéro spécifié.

STR-DE575/K502/K502P

POWER SWITCH	STBY	S-VIDEO
---------------------	-------------	----------------

Ref. No.	Part No.	Description	Remarks
	1-680-528-11	POWER SWITCH BOARD *****	
		< CONNECTOR >	
* CN104	1-564-519-11	PLUG, CONNECTOR 4P < RESISTOR >	
R132	1-249-433-11	CARBON 22K 5% 1/4W	
R133	1-249-437-11	CARBON 47K 5% 1/4W	
		< SWITCH >	
S136	1-771-410-21	SWITCH, TACTILE (DISPLAY)	
S137	1-771-410-21	SWITCH, TACTILE (DIMMER)	
S138	1-771-410-21	SWITCH, TACTILE (I/⏻)	
S139	1-771-410-21	SWITCH, TACTILE (SPEAKERS)	

A-4475-896-A		STBY BOARD, COMPLETE ***** (DE575/K502/K502P:US,CND)	
A-4476-958-A		STBY BOARD, COMPLETE (K502P:MY,SP) *****	
A-4476-964-A		STBY BOARD, COMPLETE (K502P:AUS) *****	
A-4476-969-A		STBY BOARD, COMPLETE (K502P:MX) *****	
	1-533-293-11	FUSE HOLDER < CAPACITOR >	
C813	1-164-159-11	CERAMIC 0.1uF 50V	
C814	1-164-159-11	CERAMIC 0.1uF 50V	
C815	1-126-943-11	ELECT 2200uF 20.00% 25V	
C816	1-126-941-11	ELECT 470uF 20.00% 25V	
C898	1-126-949-11	ELECT 220uF 20.00% 35V	
C899	1-126-948-11	ELECT 100uF 20.00% 35V	
C920	1-164-159-11	CERAMIC 0.1uF 50V	
C921	1-164-159-11	CERAMIC 0.1uF 50V	
C950	1-126-936-11	ELECT 3300uF 20.00% 16V	
		< CONNECTOR >	
CNP901	1-564-321-00	PIN, CONNECTOR 2P	
* CNP902	1-565-792-11	PIN, CONNECTOR 2P	
CNP903	1-564-506-11	PLUG, CONNECTOR 3P	
CNP905	1-766-203-11	PLUG,CONNECTOR PIN(PC BOARD)5P	
CNP912	1-784-921-11	PIN, CONNECTOR 4P	
		< FUSE >	
△ F901	1-576-193-11	FUSE (6.3/125V) < DIODE >	
D820	8-719-024-99	DIODE 11ES2-NTA2B	
D821	8-719-024-99	DIODE 11ES2-NTA2B	
D822	8-719-024-99	DIODE 11ES2-NTA2B	
D823	8-719-024-99	DIODE 11ES2-NTA2B	
D898	8-719-024-99	DIODE 11ES2-NTA2B	
D899	8-719-024-99	DIODE 11ES2-NTA2B	
D901	8-719-911-19	DIODE 1SS133T-72	
D910	8-719-024-99	DIODE 11ES2-NTA2B	
D911	8-719-024-99	DIODE 11ES2-NTA2B	
D912	8-719-024-99	DIODE 11ES2-NTA2B	

Ref. No.	Part No.	Description	Remarks
D913	8-719-024-99	DIODE 11ES2-NTA2B	
D914	8-719-911-19	DIODE 1SS133T-72	
D915	8-719-911-19	DIODE 1SS133T-72	
		< EARTH >	
* G901	1-537-738-21	TERMINAL, EARTH < TRANSISTOR >	
Q901	8-729-119-79	TRANSISTOR 2SC2785TP-FEK < RESISTOR >	
△ R810	1-240-877-11	FUSIBLE 0.15 5% 1/2W	
△ R811	1-240-877-11	FUSIBLE 0.15 5% 1/2W	
△ R812	1-240-877-11	FUSIBLE 0.15 5% 1/2W	
△ R901	1-202-725-00	SOLID 3.3M 10% 1/2W	
R902	1-249-437-11	CARBON 47K 5% 1/4W	
R903	1-249-425-11	CARBON 4.7K 5% 1/4W F	
△ R904	1-249-381-11	CARBON 1 5% 1/4W F	
		< RELAY >	
△ RY901	1-755-298-11	RELAY < TRANSFORMER >	
△ T902	1-435-436-11	TRANSFORMER, POWER *****	
	1-680-538-11	S-VIDEO BOARD *****	
		< CAPACITOR >	
C1810	1-126-960-11	ELECT 1uF 20.00% 50V	
C1811	1-163-038-11	CERAMIC CHIP 0.1uF 25V	
C1816	1-162-923-11	CERAMIC CHIP 47PF 5% 50V	
C1817	1-162-923-11	CERAMIC CHIP 47PF 5% 50V	
		< CONNECTOR >	
CNS9	1-568-442-11	SOCKET, CONNECTOR 9P < IC >	
IC1802	8-759-474-37	IC NJM2279M-TE2 < JACK >	
J1802	1-537-943-11	TERMINAL, S (TV/SAT IN,DVD/LD IN)	
J1804	1-537-943-11	TERMINAL, S (MONITOR OUT) < JUMPER RESISTOR >	
JR1801	1-216-295-11	SHORT 0	
JR1802	1-216-295-11	SHORT 0	
JR1803	1-216-295-11	SHORT 0	
JR1805	1-216-295-11	SHORT 0	
JR1806	1-216-295-11	SHORT 0	
JR1807	1-216-295-11	SHORT 0	
JR1809	1-216-295-11	SHORT 0	

The components identified by mark △ or dotted line with mark △ are critical for safety. Replace only with part number specified.	Les composants identifiés par une marque △ sont critiques pour la sécurité. Ne les remplacer que par une pièce portant le numéro spécifié.
--	--

Ref. No.	Part No.	Description	Remarks
< RESISTOR >			
R1803	1-216-022-00	METAL CHIP 75 5%	1/10W
R1804	1-216-022-00	METAL CHIP 75 5%	1/10W
R1809	1-216-022-00	METAL CHIP 75 5%	1/10W
R1810	1-216-022-00	METAL CHIP 75 5%	1/10W

	1-680-533-11	VIDEO BOARD	*****
< CAPACITOR >			
C200	1-128-805-11	CERAMIC 47PF 5%	50V
C201	1-128-805-11	CERAMIC 47PF 5%	50V
C206	1-126-960-11	ELECT 1uF 20.00%	50V
C207	1-126-960-11	ELECT 1uF 20.00%	50V
C208	1-126-960-11	ELECT 1uF 20.00%	50V
C209	1-126-960-11	ELECT 1uF 20.00%	50V
C210	1-126-964-11	ELECT 10uF 20.00%	50V
C213	1-126-964-11	ELECT 10uF 20.00%	50V
C214	1-164-159-11	CERAMIC 0.1uF	50V
C215	1-164-159-11	CERAMIC 0.1uF	50V
C248	1-128-825-11	CERAMIC 2200PF 5%	50V
C249	1-128-825-11	CERAMIC 2200PF 5%	50V
< CONNECTOR >			
CNS150	1-568-439-11	SOCKET, CONNECTOR 7P	
CNS151	1-569-315-11	SOCKET, CONNECTOR 5P	
CNS152	1-568-442-11	SOCKET, CONNECTOR 9P	
< DIODE >			
D203	8-719-911-19	DIODE 1SS133T-72	
D204	8-719-911-19	DIODE 1SS133T-72	
< IC >			
IC103	8-759-529-20	IC NJM2296D	
< JACK >			
J200	1-770-337-11	JACK, PIN 3P (MONITOR OUT,VIDEO IN,VIDEO OUT)	
J201	1-695-317-11	JACK, PIN 2P (DVD/LD IN,TV/SAT IN)	
< RESISTOR >			
R200	1-247-804-11	CARBON 75 5%	1/4W
R201	1-247-804-11	CARBON 75 5%	1/4W
R218	1-247-804-11	CARBON 75 5%	1/4W
R219	1-247-804-11	CARBON 75 5%	1/4W
R220	1-247-804-11	CARBON 75 5%	1/4W
R221	1-247-804-11	CARBON 75 5%	1/4W

Ref. No.	Part No.	Description	Remarks
MISCELLANEOUS			

7	1-773-250-11	WIRE (FLAT TYPE) (27 CORE)	
55	1-769-844-11	WIRE (FLAT TYPE) (5 CORE)	
57	1-765-314-11	WIRE (FLAT TYPE) (7 CORE)	
59	1-693-407-45	TUNER UNIT (K502/K502P)	
59	1-693-539-11	TUNER UNIT (DE575)	
60	1-773-004-11	WIRE (FLAT TYPE) (15 CORE)	
61	1-769-905-11	WIRE (FLAT TYPE) (9 CORE)	
△ 68	1-783-820-11	CORD, POWER	
△ T901	1-435-902-11	POWER TRANSFORMER (AUS)	
△ T901	1-435-903-11	POWER TRANSFORMER (MY,SP)	
△ T901	1-435-905-11	POWER TRANSFORMER (DE575:CND/K502P:CND)	
△ T901	1-435-906-11	POWER TRANSFORMER (DE575:US/K502/K502P:US,MX)	
ACCESSORIES & PACKING MATERIALS			

	1-476-552-11	COMMANDER, STANDARD (RM-U305) (DE575:US/K502/K502P:US,CND,MY,SP,MX,AUS)	
	1-476-606-11	REMOTE COMMANDER (RM-PP505) (DE575:CND)	
	1-501-374-11	ANTENNA, LOOP (AM) (DE575/K502)	
	1-793-184-21	CONNECTOR (F TYPE ADAPTOR)(DE575/K502)	
	4-228-696-01	COVER, BATTERY (FOR RM-U305) (DE575:US/K502,K502P:US,CND,MY,SP,MX,AUS)	
	4-233-598-11	INSTRUCTION MANUAL (ENGLISH)(DE575/K502)	
	4-233-598-21	INSTRUCTION MANUAL (FRENCH) (DE575:CND)	
	4-983-536-11	COVER, BATTERY (FOR RM-PP505) (DE575:CND)	
*	3-703-044-26	LABEL, CAUTION (DE575/K502/K502P:US,CND)	

<p>The components identified by mark △ or dotted line with mark △ are critical for safety. Replace only with part number specified.</p>	<p>Les composants identifiés par une marque △ sont critiques pour la sécurité. Ne les remplacer que par une pièce portant le numéro spécifié.</p>
---	---

