

STR-DE335/SE391/V323

SERVICE MANUAL



Photo: STR-DE335 US model

US Model

STR-DE335/SE391

Canadian Model

AEP Model

E Model

Australian Model

STR-DE335

Chinese Model

STR-V323

SPECIFICATIONS

Audio power specifications (US model)

POWER OUTPUT AND TOTAL HARMONIC DISTORTION

With 8-ohm load, both channels driven, from 20^{a)} – 20,000 Hz, rated 100 watts per channel minimum RMS power, with no more than 0.09 %^{b)} total harmonic distortion from 250 milliwatts to rated output.

STR-SE391:

- a) 40Hz
- b) 0.5 %

Amplifier section

Power output

Stereo mode

STR-DE335/V323

US, Canadian models:
(8 ohms at 20 Hz – 20 kHz
less than 0.09 % total
harmonic distortion)
100 W + 100 W

AEP model:
(DIN 1 kHz, 4 ohms)
80 W + 80 W

Malaysia, Singapore,
Chinese, Australian
models:

Rated power:
(8 ohms at 1 kHz,
THD 0.7 %)
80 W + 80 W

Reference power:
(8 ohms at 20 Hz – 20 kHz,
less than 0.09 % total
harmonic distortion)
70 W + 70 W

E model:

Rated power: (8 ohms at
1kHz, THD 0.7 %)
100 W + 100 W

Reference power:

(8 ohms at 20 Hz – 20 kHz,
less than 0.09 % total
harmonic distortion)
95 W + 95 W

STR-SE391

(8 ohms at 40 Hz – 20 kHz,
less than 0.5 % total
harmonic distortion)
100 W + 100 W

STR-DE335/V323

US, Canadian models:
(8 ohms at 1 kHz, THD
0.8%)

Front: 80 W/ch
Center: (Pro Logic mode)
80 W

Rear: 80 W/ch
AEP model:
(DIN 1 kHz, 4 ohms)
Front: 70 W/ch

Center: 70 W
(only in PRO LOGIC
mode)

Rear: 70 W/ch
E, Malaysia, Singapore,
Chinese, Australian
models:

Rated power: (8 ohms at
1 kHz, THD 0.7 %)
Front: 80 W/ch
Center: (Pro Logic mode)
80 W
Rear: 80 W/ch

Surround mode
and 5.1 CH/DVD
mode
(Reference)

Frequency
response

STR-SE391

(8 ohms at 1 kHz,
THD 0.5 %)
Front: 80 W/ch
Center: (Pro Logic mode)
80 W
Rear: 80 W/ch
Reference power:
(8 ohms 20 Hz – 20 kHz,
less than 0.09 % total
harmonic distortion)
Front: 70 W/ch
Center: (Pro Logic mode)
70 W
Rear: 70 W/ch

RMS power:
(8 ohms at 1 kHz,
THD 10 %)
Front: 100 W/ch
Center: (Pro Logic mode)
100 W
Rear: 100 W/ch
PHONO: RIAA
equalization curve ± 0.5 dB
(STR-SE391)
TV/SAT (TV/LD), CD,
MD/TAPE, VIDEO
5.1 CH/DVD:
10 Hz – 50 kHz ± 1 dB

– Continued on next page –

FM STEREO/FM-AM RECEIVER



SONY®

Inputs	Sensitivity	Impedance	S/N
PHONO (STR-SE391)	4 mV	50 kilohms	70 dB
CD, 5.1 CH/DVD, (AEP model)	150 mV		
MD/TAPE, 250 mV (EXCEPT AEP models)	250 mV	50 kilohms	80 dB
TV/SAT, (TV/LD) VIDEO			

Outputs	
MD/TAPE REC OUT:	Voltage: 150 mV, (US, AEP models)
	Voltage: 250 mV, (Canadian, E, Malaysia, Singapore, Australian and Chinese models)
	Impedance: 10 kilohms
VIDEO AUDIO OUT:	Voltage: 150 mV, (US, AEP models)
	Voltage: 250 mV, (Canadian, E, Malaysia Singapore, Australian and Chinese models)
	Impedance: 10 kilohms
WOOFER:	Voltage: 2V
	Impedance: 1 kilohms
PHONES:	Accepts low and high impedance headphones
Muting	Full mute
BASS BOOST	+ 10 dB at 70 Hz
TONE	± 8 dB at 100 Hz and 10 kHz

Tuner Section

FM stereo, FM/AM superheterodyne tuner

FM tuner section

Tuning range	87.5 – 108.0 MHz
Antenna terminals	75 ohms, unbalanced
Intermediate frequency	10.7 MHz
Sensitivity	Mono: 18.3 dBf, 2.2 µV/75 ohms Stereo: 38.3 dBf, 22.5 µV/75 ohms (AEP model) Mono: 18.3 dBf, 4.5 µV Stereo: 38.3 dBf, 45 µV (EXCEPT AEP models)
Usable sensitivity	11.2 dBf, 2 µV (IHF) (US model) 11.2 dBf, 1 µV/75 ohms (IHF) (AEP model) 11.2 dBf, 1 µV (IHF) (EXCEPT US, AEP models)
S/N	Mono: 76 dB Stereo: 70 dB
Harmonic distortion at 1 kHz	Mono: 0.3 % Stereo: 0.5 %
Separation	45 dB at 1kHz
Frequency response	30 Hz – 15 kHz ^{+0.5} ₋₂ dB
Selectivity	60 dB at 400 kHz

AM tuner section

Tuning range	AEP, Malaysia, Singapore, Australian and Chinese model: 531 – 1602 kHz (9 kHz step) US model: 530 – 1710 kHz (10kHz step)** 531 – 1710 kHz (9 kHz step) Canadian, E models: 530 – 1610 kHz (10kHz step)** 531 – 1602 kHz (9 kHz step)
Antenna	Loop antenna
Intermediate frequency	450 kHz
Usable sensitivity	50 dB/m (at 1,000kHz or 999 kHz) (US model) 50 dB/m (at 999 kHz) (EXCEPT US models)
S/N	54 dB (at 50 mV/m)
Harmonic distortion	0.5 % (50 mV/m, 400Hz)
Selectivity	At 9 kHz: 35 dB At 10 kHz: 40 dB

** You can change the AM tuning interval between 9 kHz and 10 kHz. Turn off the receiver and press I/⏻ (power) for more than 4 seconds until “INITIAL” appears.

- 1) After tuning in any AM station, turn off the receiver.
- 2) Hold down PRESET TUNING + button and press the I/⏻ (power) button. “9k STEP” appears.

To change to 10k Step, repeat step 1 and 2 until “10k STEP” appears. Note that all preset stations, index names and sound field are cleared after you make the procedure above.

Video section (STR-DE335/V323)

Inputs	VIDEO, TV/SAT (TV/LD), 5.1 CH/DVD: 1 Vp-p 75 ohms
Output	VIDEO, MONITOR: 1 Vp-p 75 ohms

General

System	Tuner section: PLL quartz-locked digital synthesizer system Preamplifier section: Low-noise NF type equalizer Power amplifier section: Pure-complementary SEPP
Power requirements	US, Canadian models: 120 V AC, 60 Hz Australian model: 240 V AC, 50 Hz AEP, Malaysia, Singapore and Chinese models: 230 V AC, 50/60 Hz E model 120/220/240 V AC, 50/60 Hz
Power consumption	US model: 230 W Canadian model: 325 VA AEP model: 225 W Malaysia, Singapore and Australian and Chinese models: 235 W E model 245 W

AC outlets	STR-DE335 US, Canadian models: 1 switched, 120 W/1A max STR-DE335 AEP, E, Malaysia, Singapore, Australian models: STR-V323 1 switched, 100 W max STR-SE391 2 switched, total 120 W/1A max
Dimensions	430 × 144 × 306 mm
Mass (Approx.)	STR-DE335: US model 8.7 kg STR-DE335: AEP model 7.7 kg EXCEPT DE335: US, AEP models 8.8 kg
Supplied accessories	FM wire antenna (1) AM loop antenna (1) Remote commander (remote) (1) Size AA (R6) batteries (2)

The specification measured is under

- 230 AC, 50Hz condition (AEP, Malaysia, Singapore and Chinese models)
- 240 AC, 50Hz condition (Australian model)

Design and specifications are subject to change without notice.

TABLE OF CONTENTS

1.	SERVICING NOTES	4
2.	GENERAL	5
3.	DISASSEMBLY	7
4.	TEST MODE	9
5.	DIAGRAMS	
5-1.	Block Diagram – MAIN Section (1/2) –	11
5-2.	Block Diagram – MAIN Section (2/2) –	13
5-3.	Block Diagram – DISPLAY/ POWER SUPPLY Section –	15
5-4.	Note for Printed Wiring Boards and Schematic Diagrams	17
5-5.	Printed Wiring Board – MAIN Board –	21
5-6.	Printed Wiring Boards – REAR AMP Board/ SP SW Board/SECONDARY Board/ STANDBY Board/PRIMARY Board/ VOL SEL Board –	23
5-7.	Schematic Diagram – MAIN Board (1/4)/ REAR AMP Board –	25
5-8.	Schematic Diagram – MAIN Board (2/4)/ SP SW Board –	27
5-9.	Schematic Diagram – MAIN Board (3/4) –	29
5-10.	Schematic Diagram – MAIN Board (4/4)/ SECONDARY Board /STANDBY board/ PRIMARY Board/VOL SEL Board–	31
5-11.	Printed Wiring Board – PANEL Section –	33
5-12.	Schematic Diagram – PANEL Section –	35
5-13.	Printed Wiring Boards – VOLUME Board/ TONE Board/VIDEO Board/PHONO Board –	37
5-14.	Schematic Diagram – VOLUME Board/ TONE Board/VIDEO Board/PHONO Board –	39
5-15.	IC Pin Function Description	44
6.	EXPLODED VIEWS	46
7.	ELECTRICAL PARTS LIST	50

与安全有关的零部件须知

在原理图上用阴影及 △ 标记来识别的零部件在安全操作上是具有关键性的。这些零部件要用本手册中所示的部件号对应的索尼零部件进行更换。

在安全操作上具有关键性的电路调整与索尼公司出版的维修手册完全一致。在更换关键零部件时或怀疑动作失常时，请进行这些调整操作。

SAFETY-RELATED COMPONENT WARNING!!

COMPONENTS IDENTIFIED BY MARK △ OR DOTTED LINE WITH MARK △ ON THE SCHEMATIC DIAGRAMS AND IN THE PARTS LIST ARE CRITICAL TO SAFE OPERATION. REPLACE THESE COMPONENTS WITH SONY PARTS WHOSE PART NUMBERS APPEAR AS SHOWN IN THIS MANUAL OR IN SUPPLEMENTS PUBLISHED BY SONY.

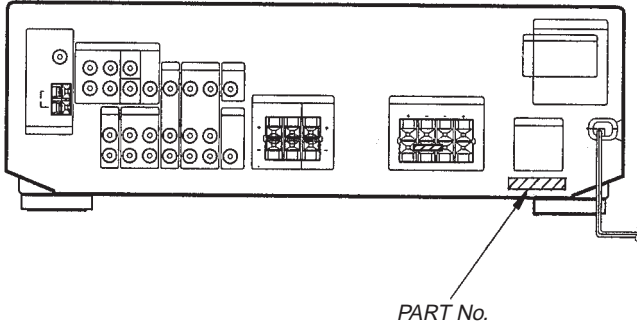
ATTENTION AU COMPOSANT AYANT RAPPORT À LA SÉCURITÉ!

LES COMPOSANTS IDENTIFIÉS PAR UNE MARQUE △ SUR LES DIAGRAMMES SCHÉMATIQUES ET LA LISTE DES PIÈCES SONT CRITIQUES POUR LA SÉCURITÉ DE FONCTIONNEMENT. NE REMPLACER CES COMPOSANTS QUE PAR DES PIÈCES SONY DONT LES NUMÉROS SONT DONNÉS DANS CE MANUEL OU DANS LES SUPPLÉMENTS PUBLIÉS PAR SONY.

SECTION 1 SERVICING NOTES

MODEL IDENTIFICATION

– Rear view –



MODEL	PART No.
DE 335: US model	4-218-844-0□
DE 335: Canadian model	4-218-844-1□
DE 335: Australian model	4-218-844-2□
DE 335: Malaysia, Singapore models	4-218-844-3□
V 323	4-218-844-4□
DE 335: E model	4-218-844-5□
DE 335: AEP model	4-218-844-6□
SE 391	4-218-844-7□

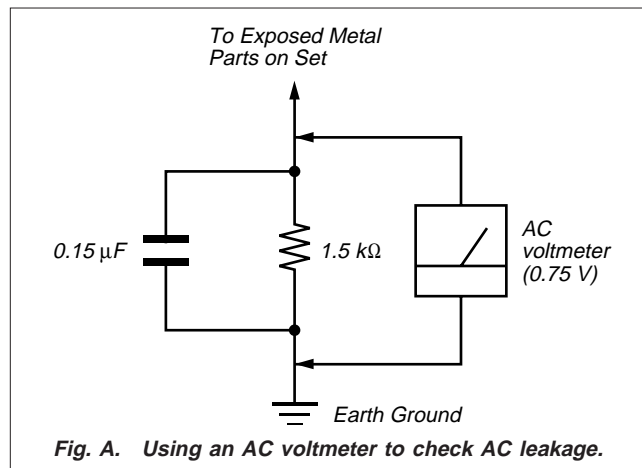
SAFETY CHECK-OUT

After correcting the original service problem, perform the following safety check before releasing the set to the customer: Check the antenna terminals, metal trim, “metallized” knobs, screws, and all other exposed metal parts for AC leakage. Check leakage as described below.

LEAKAGE TEST

The AC leakage from any exposed metal part to earth ground and from all exposed metal parts to any exposed metal part having a return to chassis, must not exceed 0.5 mA (500 microamperes). Leakage current can be measured by any one of three methods.

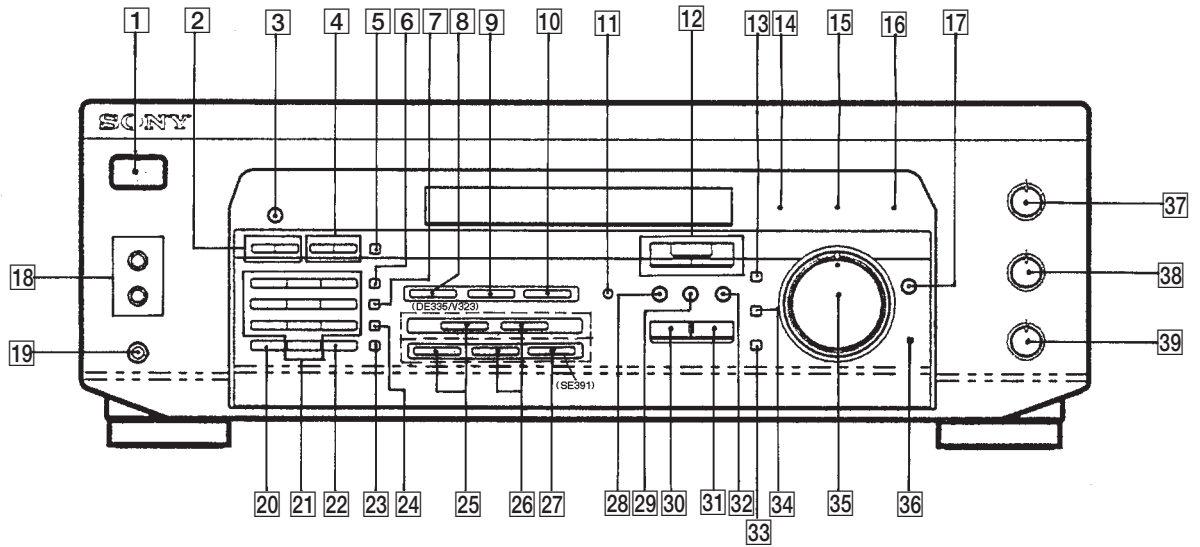
1. A commercial leakage tester, such as the Simpson 229 or RCA WT-540A. Follow the manufacturers’ instructions to use these instruments.
2. A battery-operated AC milliammeter. The Data Precision 245 digital multimeter is suitable for this job.
3. Measuring the voltage drop across a resistor by means of a VOM or battery-operated AC voltmeter. The “limit” indication is 0.75 V, so analog meters must have an accurate low-voltage scale. The Simpson 250 and Sanwa SH-63Trd are examples of a passive VOM that is suitable. Nearly all battery operated digital multimeters that have a 2 V AC range are suitable. (See Fig. A)



SECTION 2 GENERAL

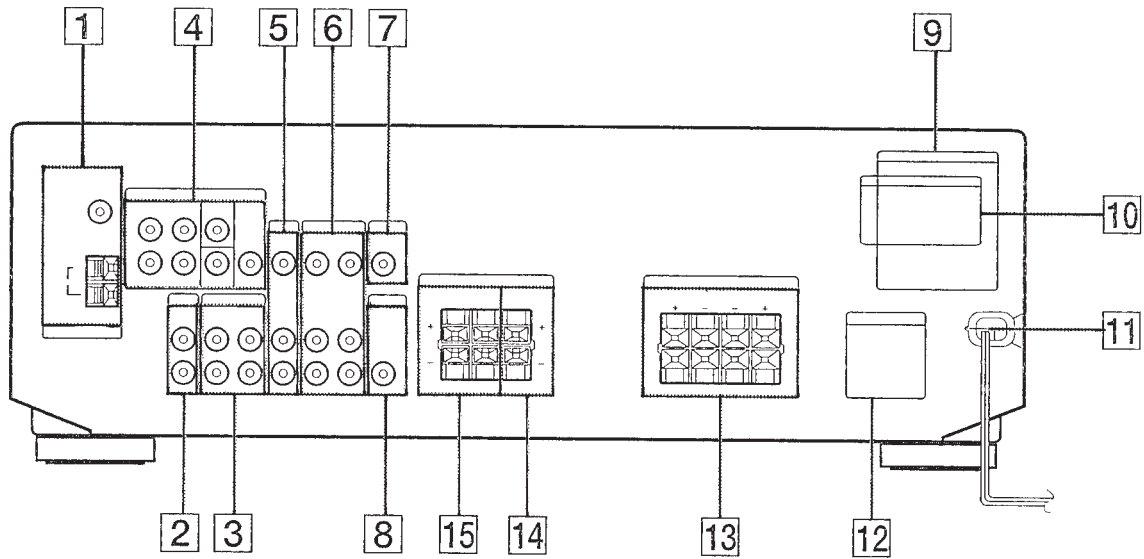
Location of controls

– Front view –



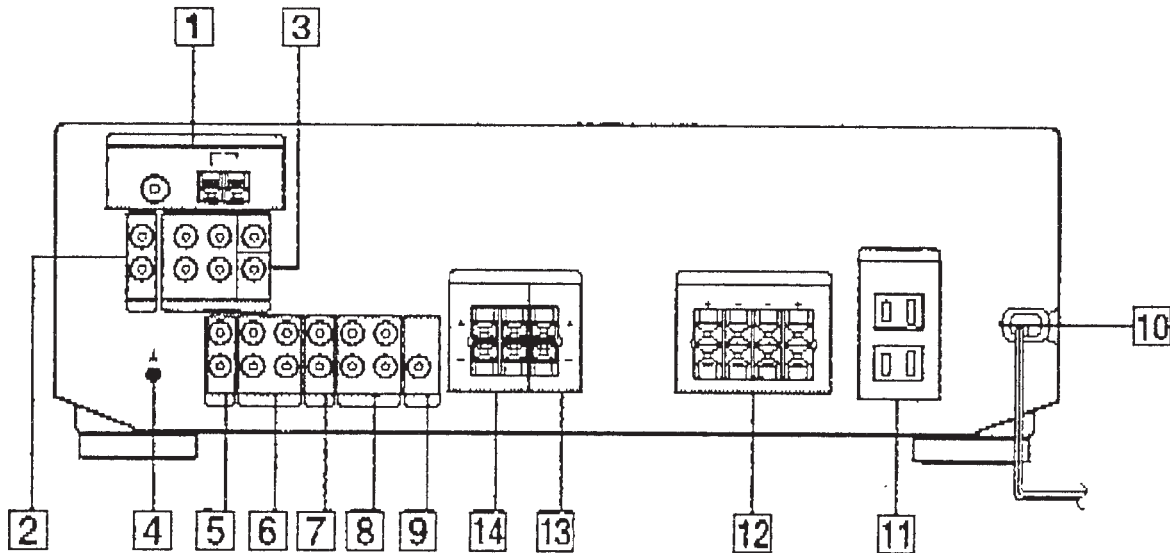
- | | | |
|---|--|--|
| <p>1 I/⏻ button</p> <p>2 TUNING +, – buttons</p> <p>3 DISPLAY button</p> <p>4 PRESET/TUNING +, – buttons
(EXCEPT AEP model)
PRESET/PTY SELECT +, – buttons
(AEP model)</p> <p>5 RDS PTY button (AEP model)</p> <p>6 AM button (EXCEPT AEP models)
RDS EON button (AEP model)</p> <p>7 FM button (EXCEPT AEP models)
FM/AM button (AEP model)</p> <p>8 VIDEO button</p> <p>9 TV/SAT button
(US, Canadian, Australian models)
TV/LD button
(AEP, E, Malaysia, Singapore,
Chinese models)</p> | <p>10 MD/TAPE button</p> <p>11 5.1 CH/DVD button and indicator</p> <p>12 SOUND FIELD + MODE, ON/OFF,
– MODE buttons</p> <p>13 SET UP button and indicator</p> <p>14 CINEMA indicator</p> <p>15 VIRTUAL indicator</p> <p>16 MUSIC indicator</p> <p>17 BASS BOOST button and indicator</p> <p>18 SPEAKERS A, B ON/OFF buttons</p> <p>19 PHONES jack</p> <p>20 SHIFT button</p> <p>21 Numeric buttons</p> <p>22 DIRECT button</p> <p>23 MEMORY button</p> <p>24 FM MODE button</p> | <p>25 CD button</p> <p>26 TUNER button</p> <p>27 PHONO button (SE391)</p> <p>28 EFFECT/DELAY button and indicator</p> <p>29 CENTER button and indicator</p> <p>30 – button</p> <p>31 + button</p> <p>32 REAR button and indicator</p> <p>33 ENTER button</p> <p>34 NAME button and indicator</p> <p>35 VOLUME control</p> <p>36 MUTING button and indicator</p> <p>37 TREBLE control</p> <p>38 BASS control</p> <p>39 BALANCE control</p> |
|---|--|--|

– Rear View –
STR-DE335/V323



- | | | |
|--|---|---|
| 1 ANTENNA (AM/FM) | 6 VIDEO | 11 AC power cord |
| 2 CD | 7 MONITOR | 12 SWITCHED AC OUTLET
(US, Canadian, E, Chinese models) |
| 3 MD/TAPE | 8 WOOFER | 13 SPEAKERS FRONT (A/B) |
| 4 5.1 CH/DVD | 9 SWITCHED AC OUTLET
(Malaysia, Singapore, Australian,
Chinese models) | 14 SPEAKERS CENTER |
| 5 TV/SAT (US, Canadian,
Australian models)
TV/LD (AEP, E, Malaysia, Singapore,
Chinese models) | 10 VOLTAGE SELECTOR (E model) | 15 SPEAKERS REAR |

STR-SE391

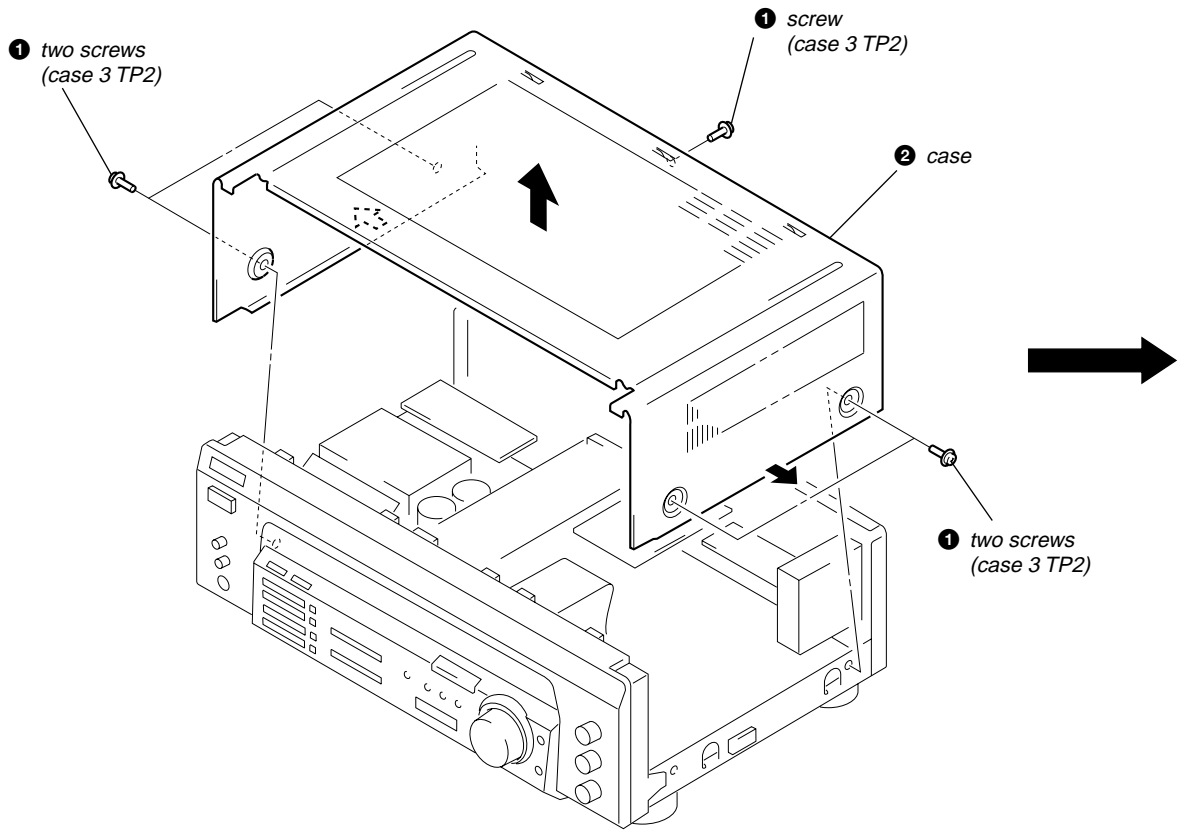


- | | | |
|----------------------------------|-------------------------|--------------------------------|
| 1 ANTENNA (AM/FM) | 6 MD/TAPE | 11 SWITCHED AC OUTLET |
| 2 PHONO | 7 TV/SAT | 12 SPEAKERS FRONT (A/B) |
| 3 5.1 CH/DVD | 8 VIDEO | 13 SPEAKERS CENTER |
| 4 \perp ground terminal | 9 WOOFER | 14 SPEAKERS REAR |
| 5 CD | 10 AC power cord | |

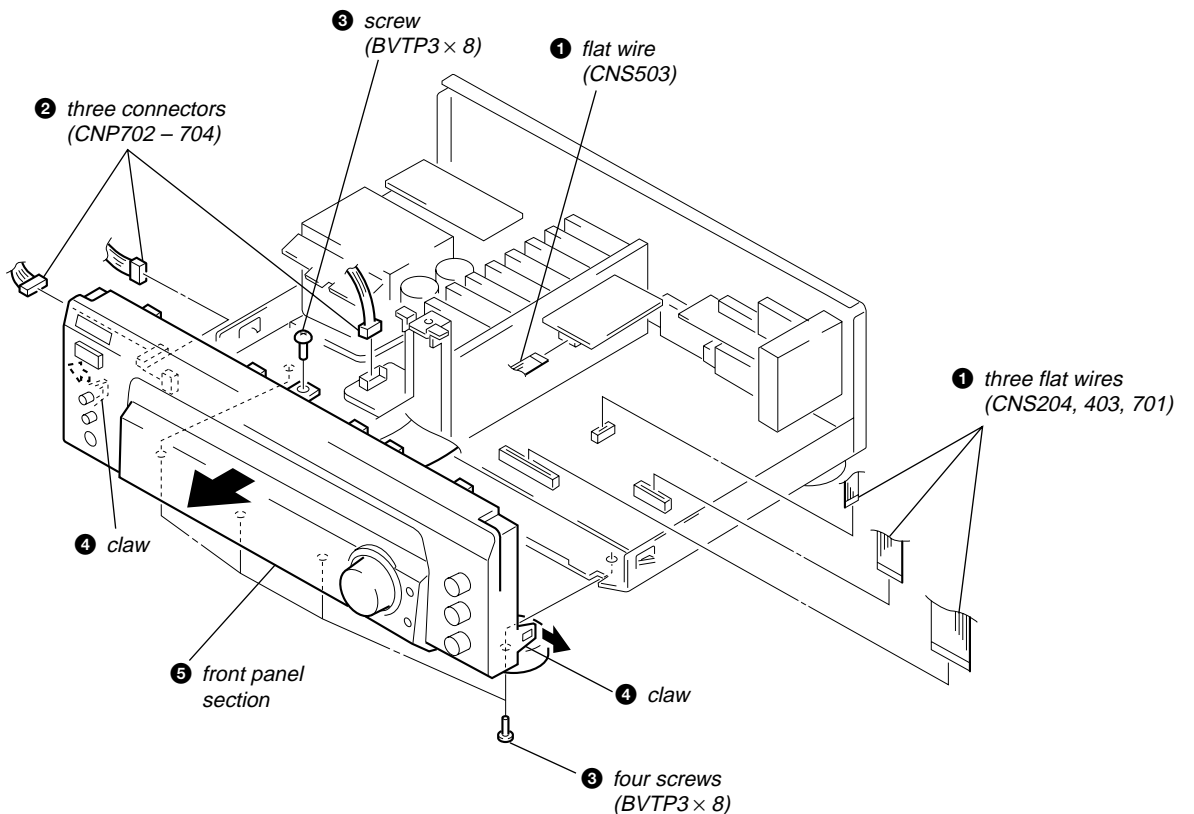
SECTION 3 DISASSEMBLY

Note: Follow the disassembly procedure in the numerical order given.

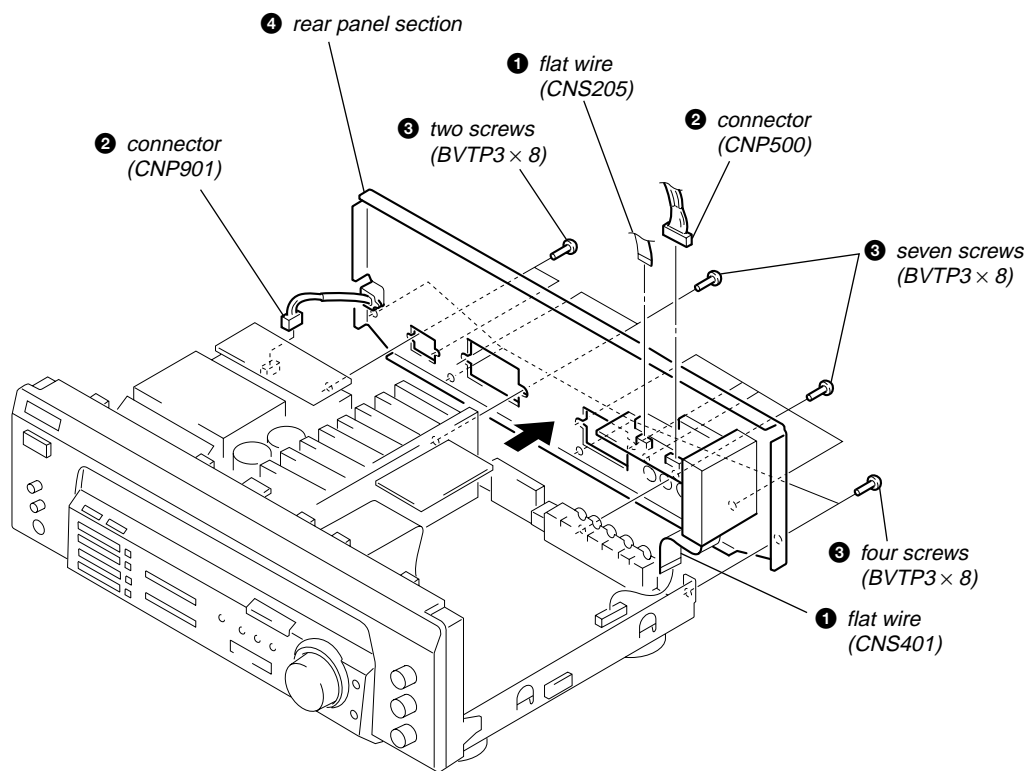
CASE



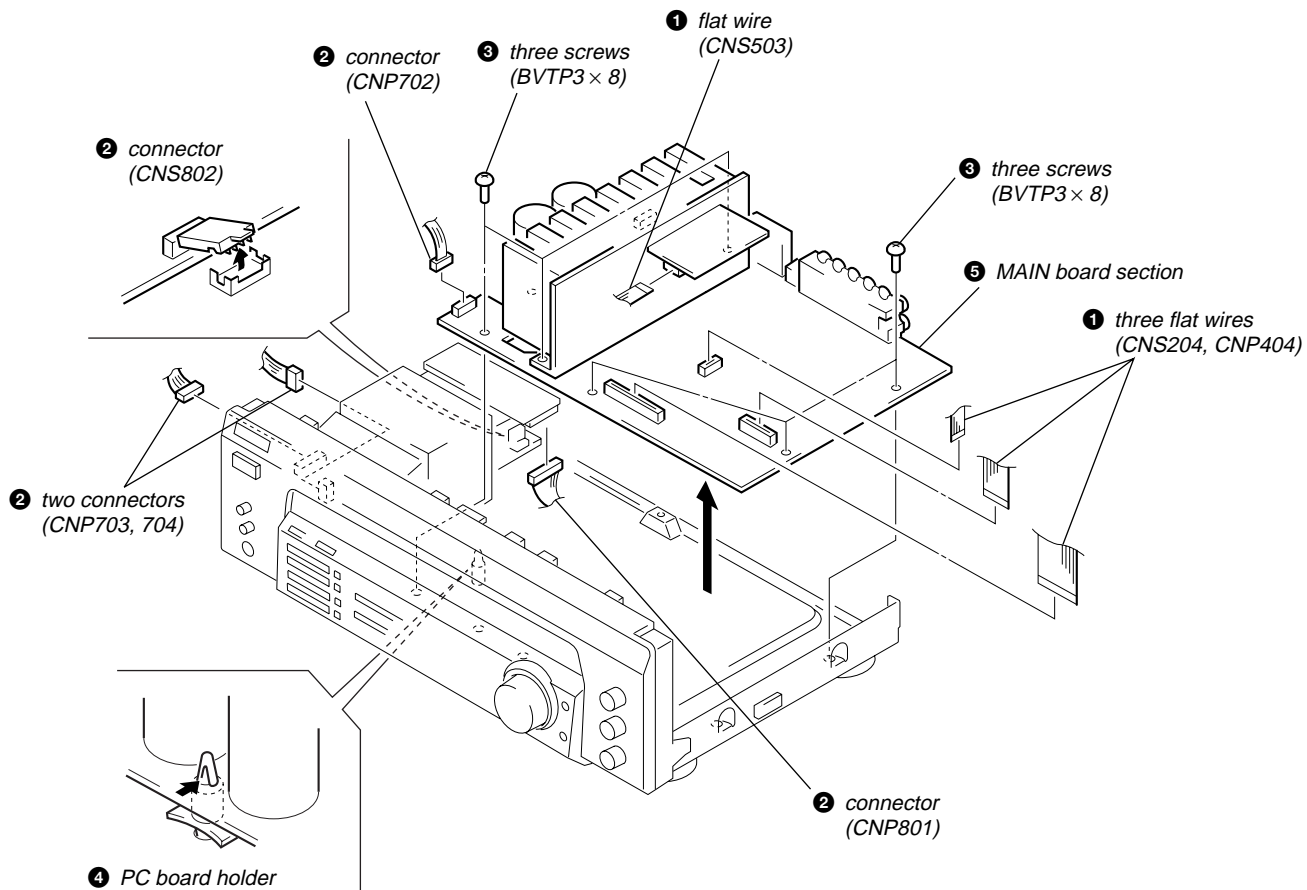
FRONT PANEL SECTION



REAR PANEL SECTION



MAIN BOARD SECTION



SECTION 4 TEST MODE

Initialization Mode

All preset contents are cleared when this mode is activated. When returning the unit to the customer after completing repairs, perform this operation to clear the unit.

Procedure:

1. While pressing two buttons of **TUNER** and **MD/TAPE** simultaneously, press the **I/⏻** button to turn the power ON.
2. The message "INITIAL" appears and initialization is performed.

Fluorescent Indicator Tube Test Mode

All fluorescent segments are tested. When this test is activated, all segments turn on at the same time, then each segment turns on one after another.

Procedure:

1. While pressing two buttons of **TV/SAT** (US, Canadian and Australian models)* and **DIRECT** simultaneously, press the **I/⏻** button to turn the power ON.
2. All segments turn on at the same time, then each segment and LED turns on one after another.
3. The message "FINISH" appears when this test is complete.

*) Except US, Canadian and Australian models are **TV/LD**

AUTO-BETICAL Check Mode (AEP model)

To auto-scanning and memories of RDS station.

Procedure:

1. While pressing the **MEMORY** button, press the **I/⏻** button to turn the power ON.
2. The message "AUTO BET" appears and each function is selected one after another.

AM Tuning Interval Selection Mode (US, Canadian and E models)

Either 9 kHz step or 10 kHz step can be selected for the AM tuning interval.

Procedure:

1. Set the FUNCTION to AM.
2. Press the **I/⏻** button to turn the power OFF.
3. While pressing the **TUNING+** or **PRESET+** button, press the **I/⏻** button to turn the power ON.
4. Either the message "10 k STEP" or "10k STEP" appears.
5. Select the desired step.

Software Version Display Mode

The software version is displayed.

Procedure:

1. While pressing two the buttons of **MD/TAPE** and **DIRECT** simultaneously, press the **I/⏻** button to turn the power ON.
2. The software version is displayed.

SOUND FIELD Setting Clear Mode

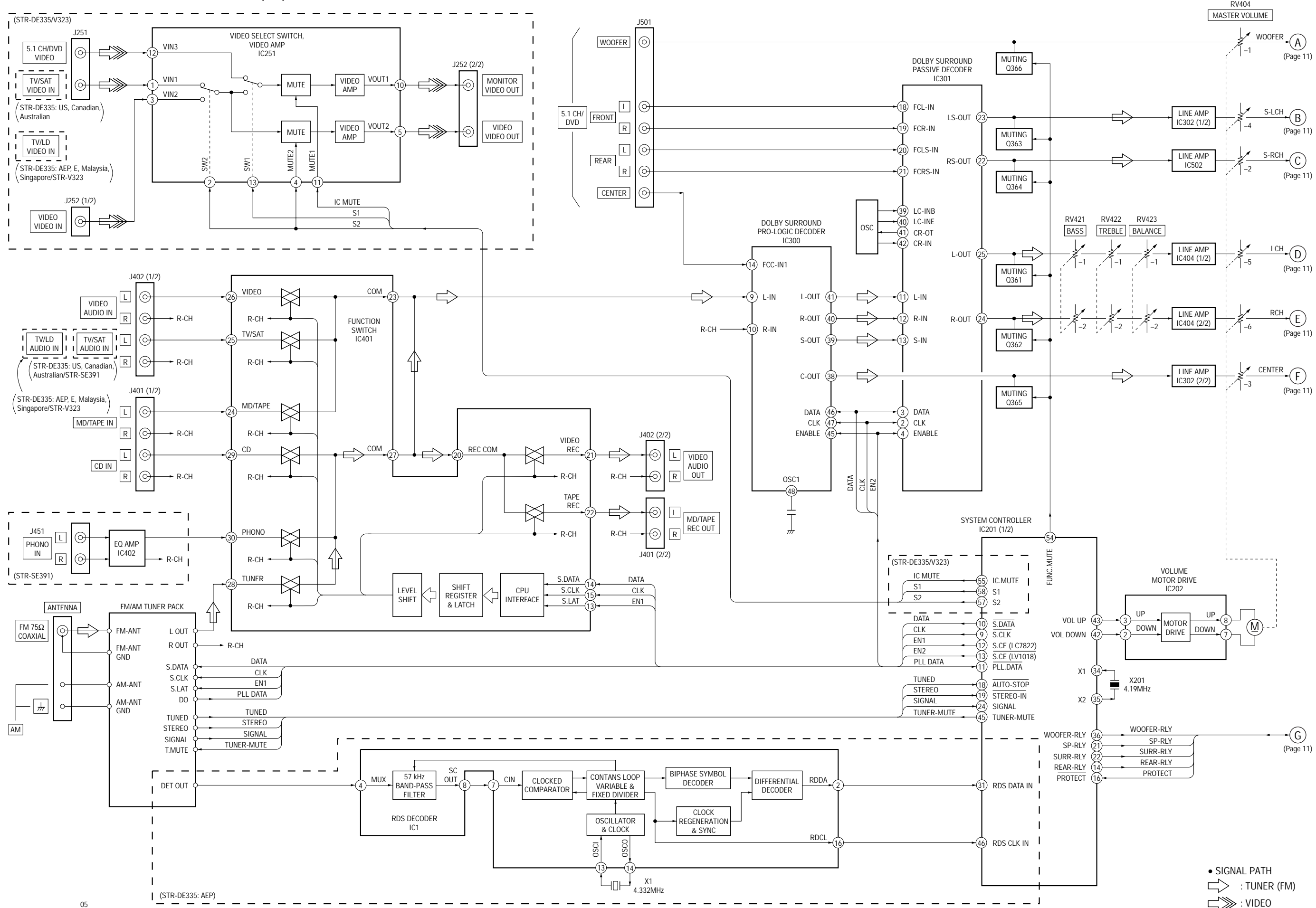
All SOUND FIELD setting are cleared.

Procedure:

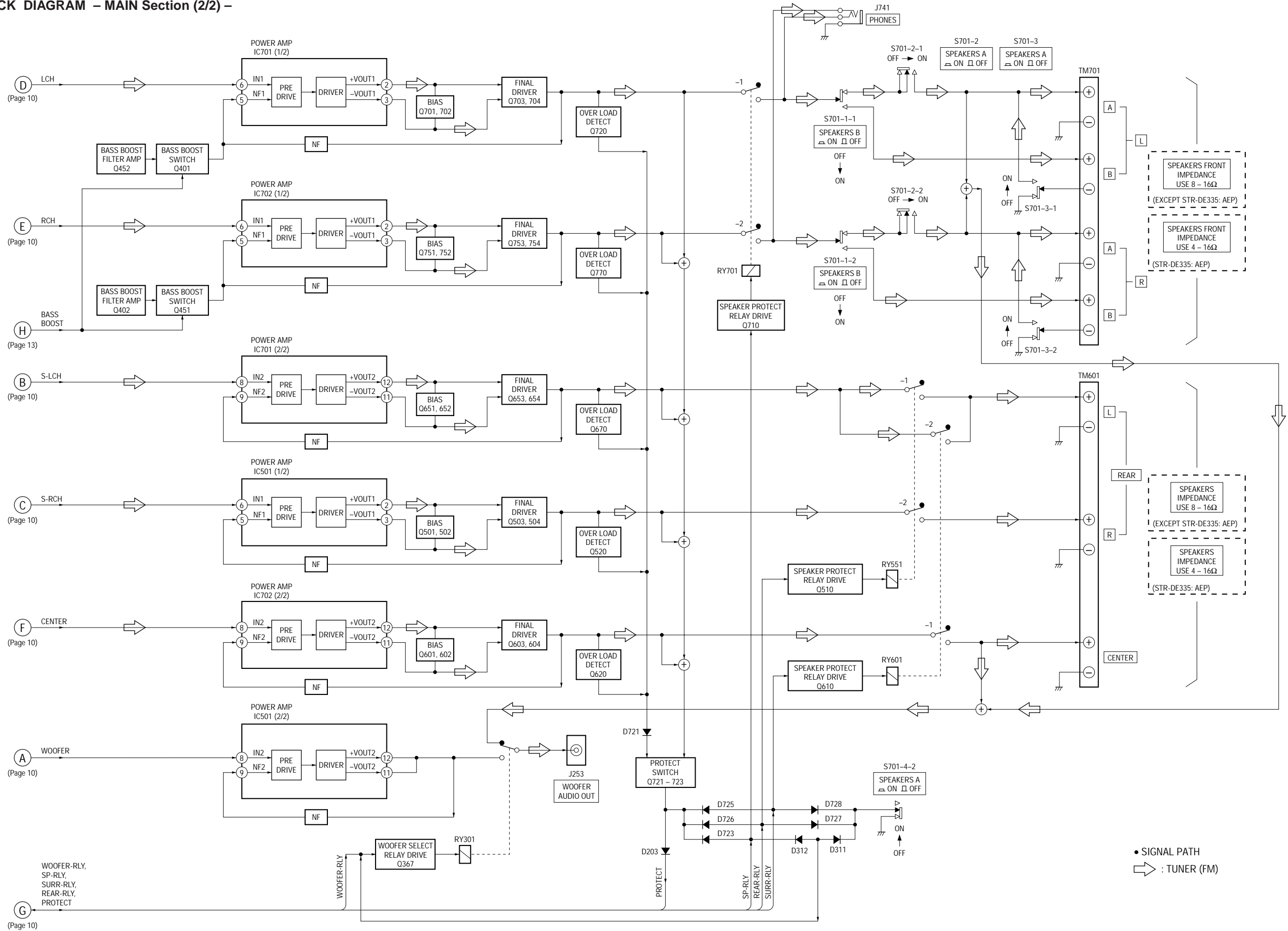
1. While pressing the **SOUND FIELD ON/OFF** button, press the **I/⏻** button to turn the power ON.
2. The message "SURR CLR" appears and all SOUND FIELD setting are cleared.

SECTION 5
DIAGRAMS

5-1. BLOCK DIAGRAM – MAIN Section (1/2) –

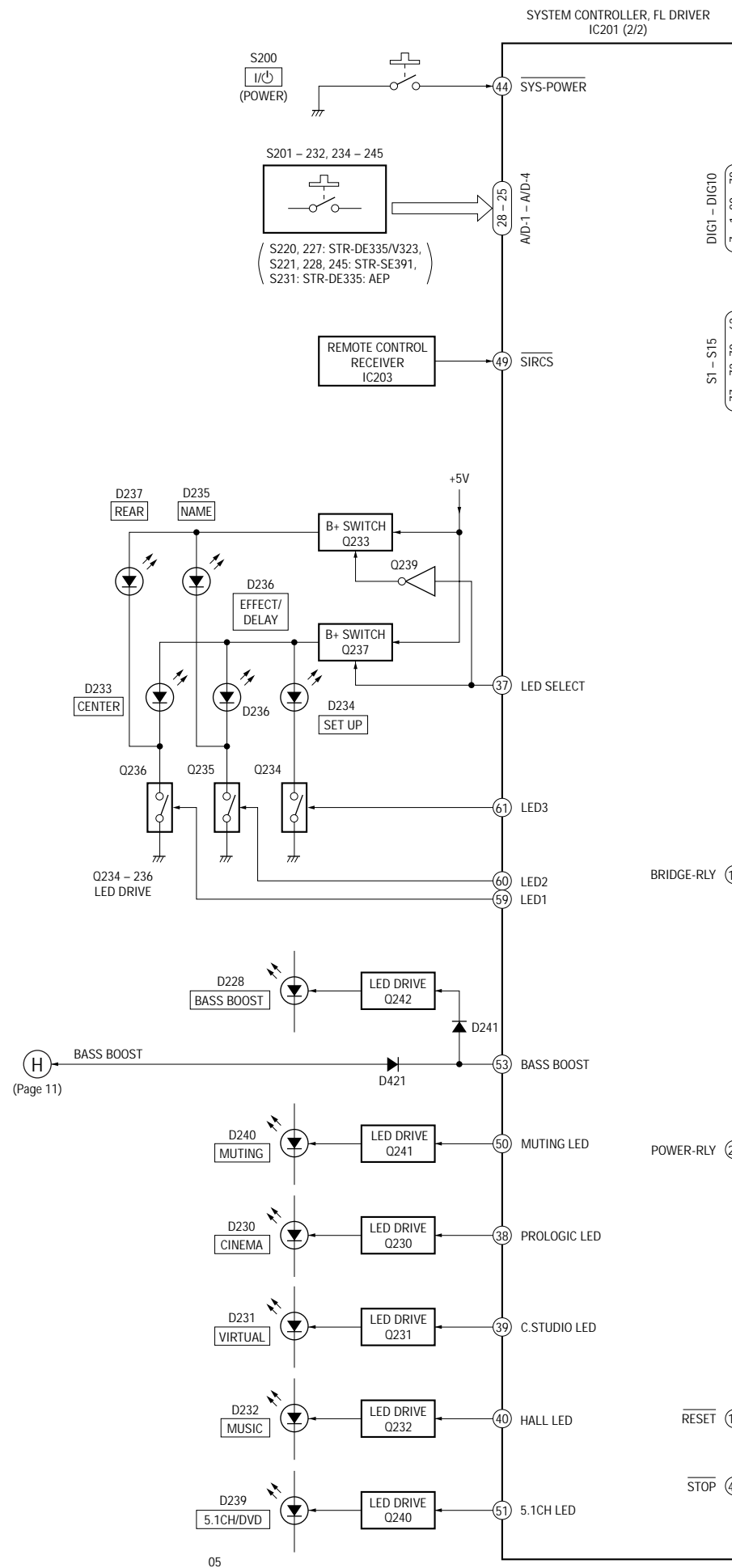


5-2. BLOCK DIAGRAM - MAIN Section (2/2) -



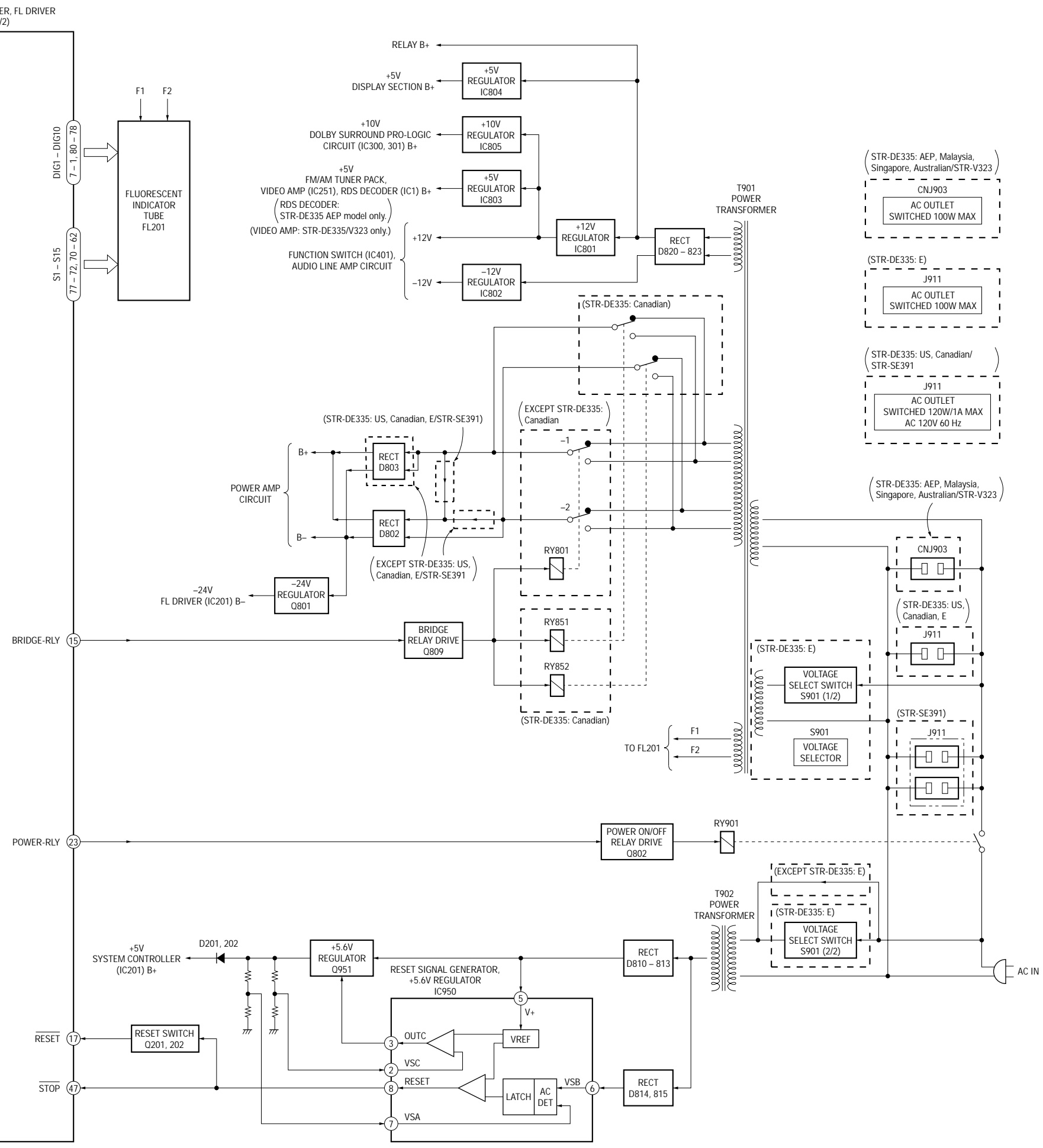
• SIGNAL PATH
 ⇨ : TUNER (FM)

5-3. BLOCK DIAGRAM – DISPLAY/POWER SUPPLY Section –



(Page 11)

05

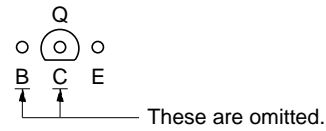
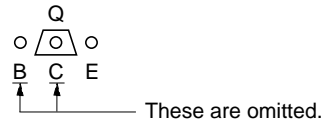


5-4. NOTE FOR PRINTED WIRING BOARDS AND SCHEMATIC DIAGRAMS

Note on Printed Wiring Board:

- : parts extracted from the component side.
- ▨ : Pattern from the side which enables seeing. (The other layers' patterns are not indicated.)

Indication of transistor.



Note on Schematic Diagram:

- All capacitors are in μF unless otherwise noted. pF: μpF 50 WV or less are not indicated except for electrolytics and tantalums.
- All resistors are in Ω and $\frac{1}{4}W$ or less unless otherwise specified.
- \triangle : internal component.
- \square : nonflammable resistor.
- \square : fusible resistor.
- \square : panel designation.

Note:
The components identified by mark \triangle or dotted line with mark \triangle are critical for safety. Replace only with part number specified.

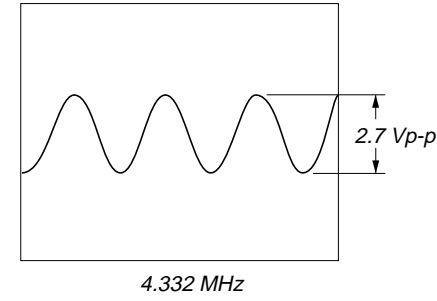
Note:
Les composants identifiés par une marque \triangle sont critiques pour la sécurité. Ne les remplacer que par une pièce portant le numéro spécifié.

以阴影和 \triangle 标志来识别的零部件在安全方面具有关键性。因此只能以规定号码的零部件来更换。

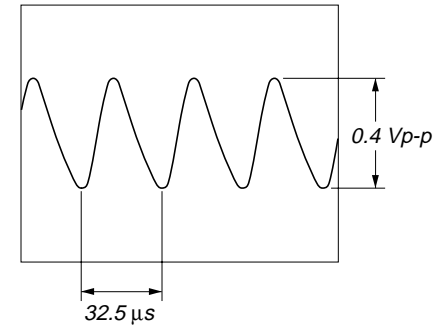
- \square : B+ Line.
- \square : B- Line.
- Voltages and waveforms are dc with respect to ground under no-signal (detuned) conditions.
- no mark : TUNER (FM)
- Voltages are taken with a VOM (Input impedance 10 M Ω). Voltage variations may be noted due to normal production tolerances.
- Waveforms are taken with a oscilloscope. Voltage variations may be noted due to normal production tolerances.
- Circled numbers refer to waveforms.
- Signal path.
- \Rightarrow : TUNER (FM)
- \Rightarrow : VIDEO
- Abbreviation
- AUS : Australian model
- CND : Canadian model
- MY : Malaysia model
- SP : Singapore model

Waveforms - MAIN Board -

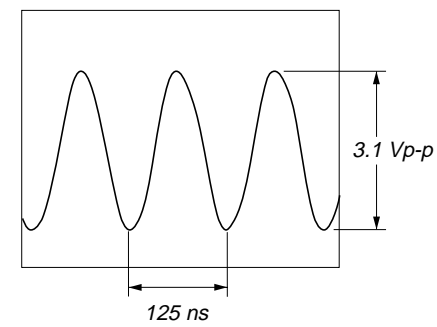
1 IC1 ⑬ (OSCI)



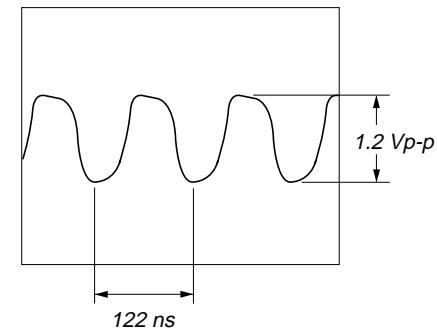
2 IC300 ④ (OSC1) (Change DOLBY Mode)



3 IC301 ⑩ (LC-INE)

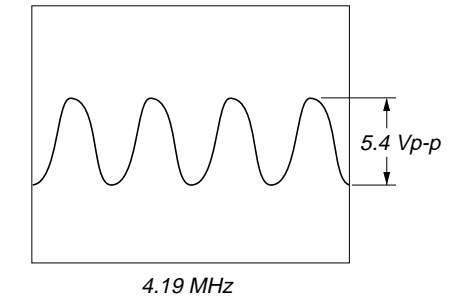


4 IC301 ⑪ (CR-OT)

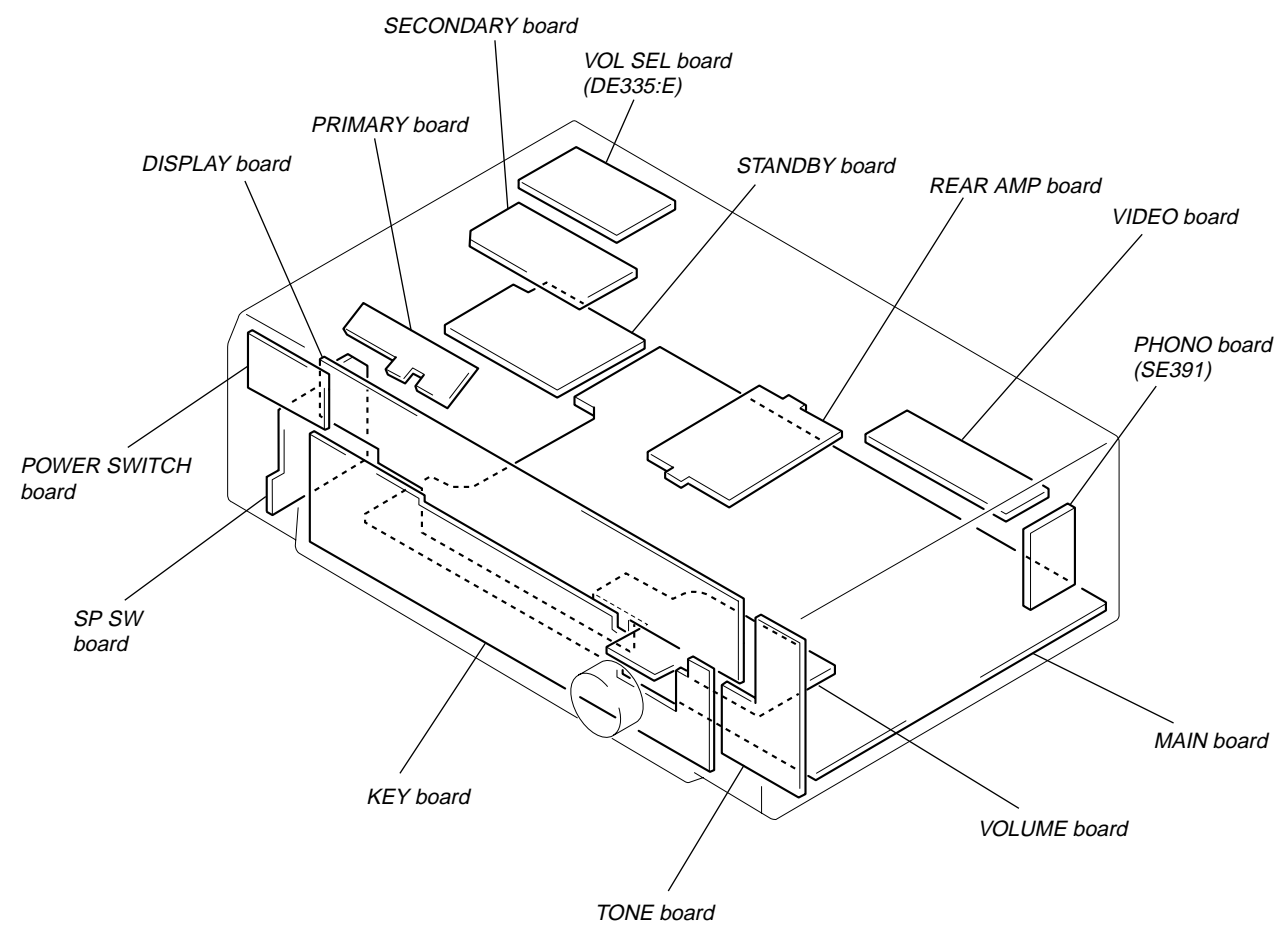


- DISPLAY Board -

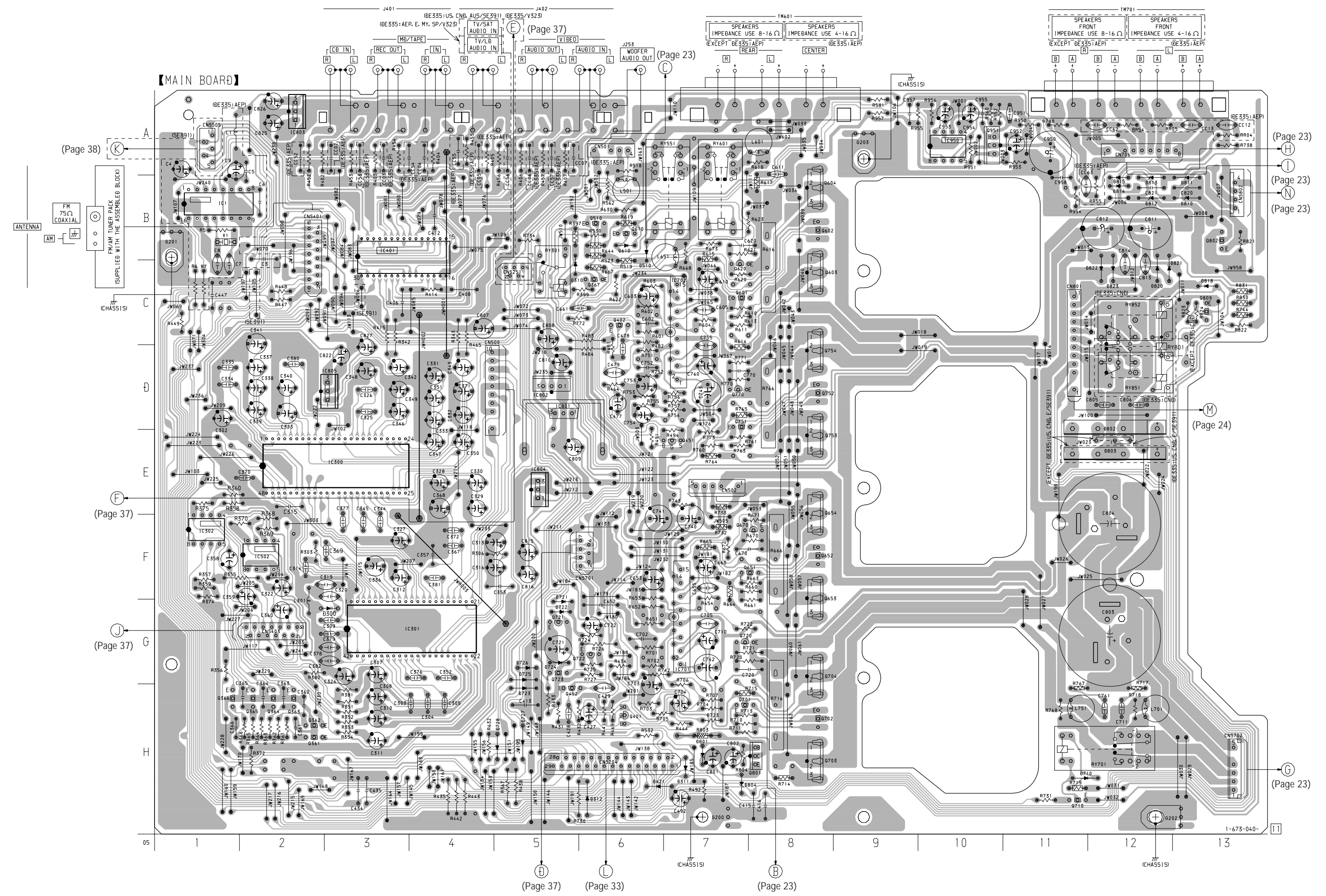
1 IC201 ③ (X2)



• **Circuit Boards Location**



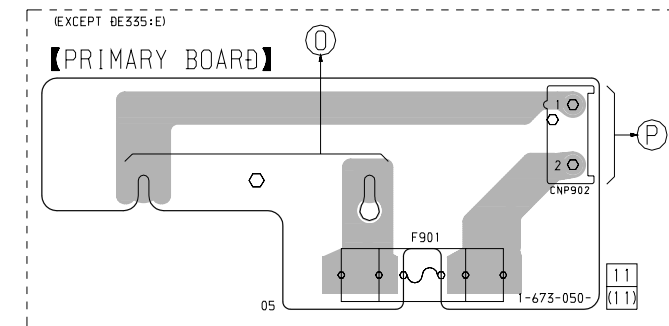
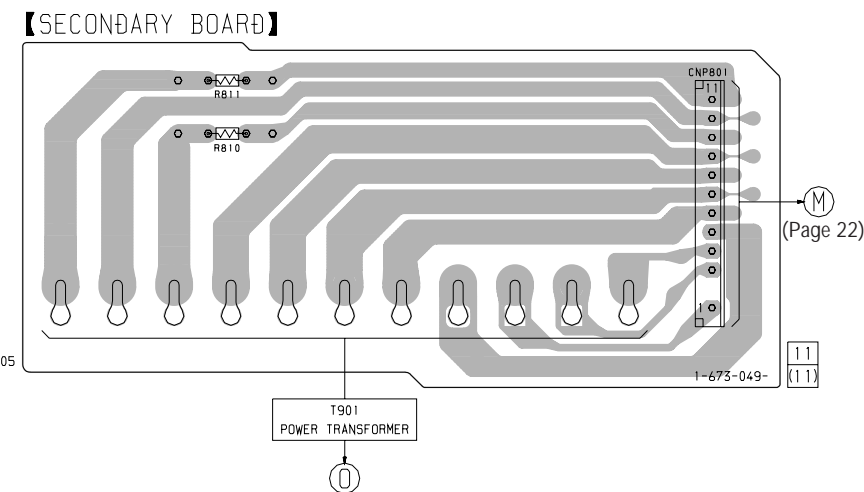
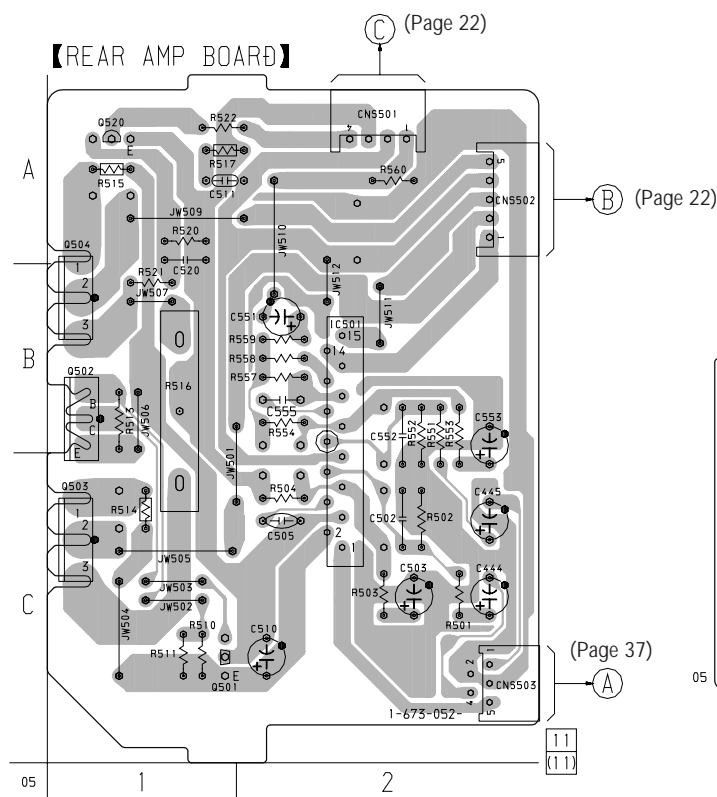
5-5. PRINTED WIRING BOARD – MAIN Board – • See page 19 for Circuit Boards Location.



5-6. PRINTED WIRING BOARDS – REAR AMP Board/SP SW Board/SECONDARY Board/STANDBY Board/ PRIMARY Board/VOL SEL Board – • See page 19 for Circuit Boards Location.

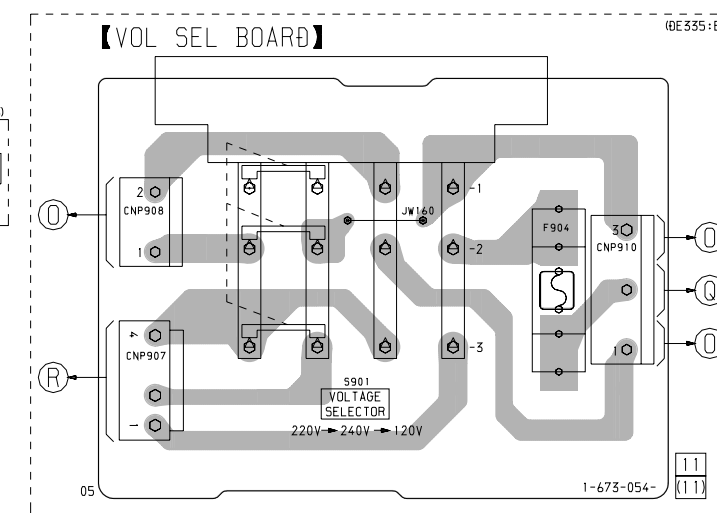
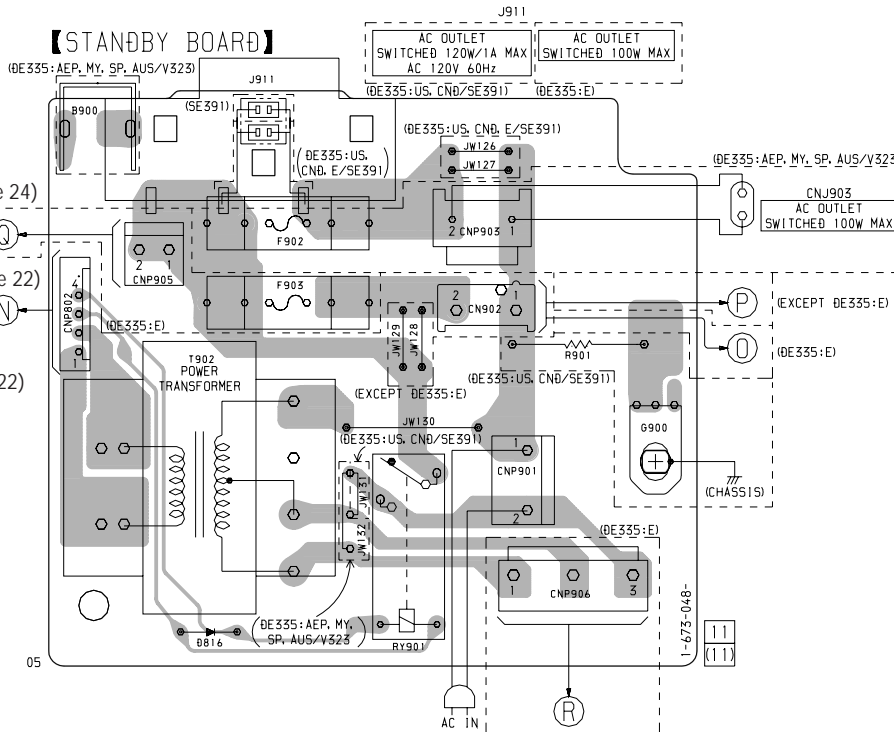
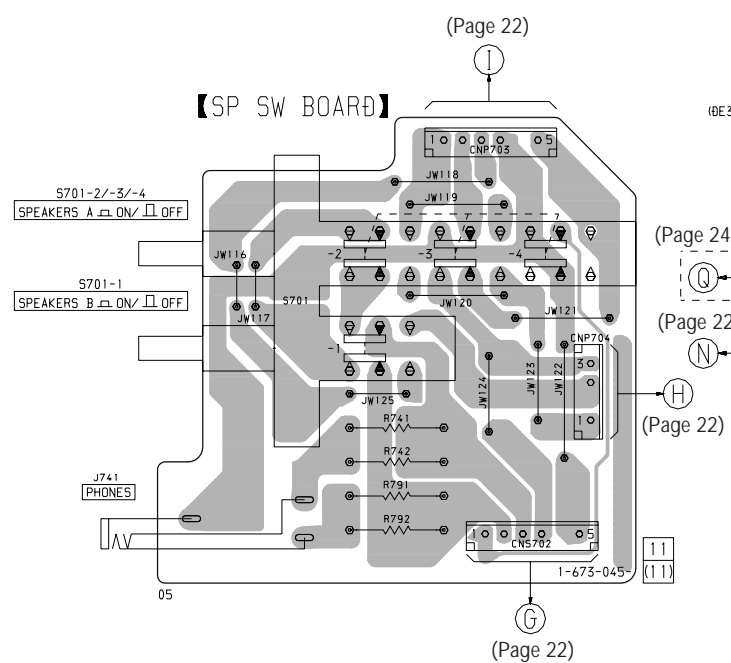
• Semiconductor Location

Ref. No.	Location
IC501	B-2
Q501	C-1
Q502	B-1
Q503	C-1
Q504	B-1
Q520	A-1

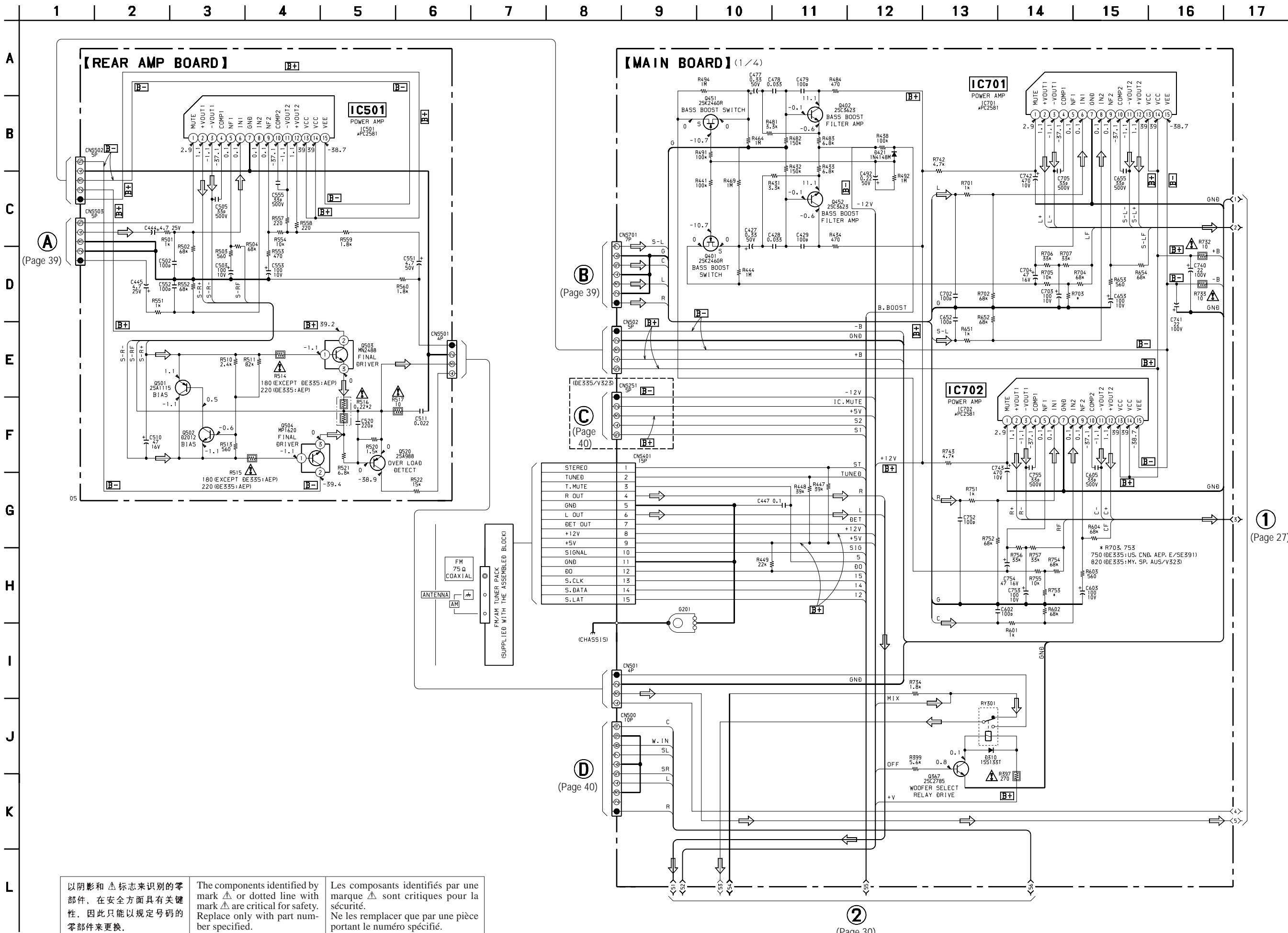


• Semiconductor Location

Ref. No.	Location	Ref. No.	Location
D300	G-3	IC805	D-3
D310	C-5	IC950	A-10
D311	H-7		
D312	H-6	Q361	H-2
D421	H-6	Q362	H-2
D510	B-6	Q363	H-2
D610	B-6	Q364	H-2
D710	H-11	Q365	H-2
D721	G-5	Q366	H-1
D722	G-5	Q367	C-6
D723	H-5	Q401	H-6
D724	G-5	Q402	C-6
D725	G-5	Q451	E-7
D726	G-5	Q452	H-5
D727	H-5	Q510	B-6
D728	H-5	Q601	C-7
D801	H-7	Q602	B-8
D802	D-12	Q603	C-8
D803	E-12	Q604	B-8
D804	H-7	Q610	B-6
D810	B-13	Q620	C-7
D811	B-13	Q651	F-8
D812	B-12	Q652	F-8
D813	B-12	Q653	F-8
D814	B-12	Q654	E-8
D815	B-12	Q670	F-8
D818	C-13	Q701	H-7
D820	C-12	Q702	H-8
D821	C-12	Q703	H-8
D822	C-12	Q704	G-8
D823	C-12	Q710	H-11
		Q720	G-7
IC1	B-1	Q721	G-5
IC300	E-3	Q722	G-6
IC301	G-4	Q723	G-5
IC302	F-1	Q751	D-7
IC401	B-3	Q752	D-8
IC502	F-2	Q753	E-8
IC701	G-7	Q754	D-8
IC702	C-7	Q770	D-7
IC801	D-5	Q801	H-8
IC802	D-5	Q802	B-13
IC803	A-2	Q809	C-13
IC804	E-5	Q951	A-10



5-7. SCHEMATIC DIAGRAM – MAIN Board (1/4)/REAR AMP Board – • See page 42 for IC Block Diagrams.

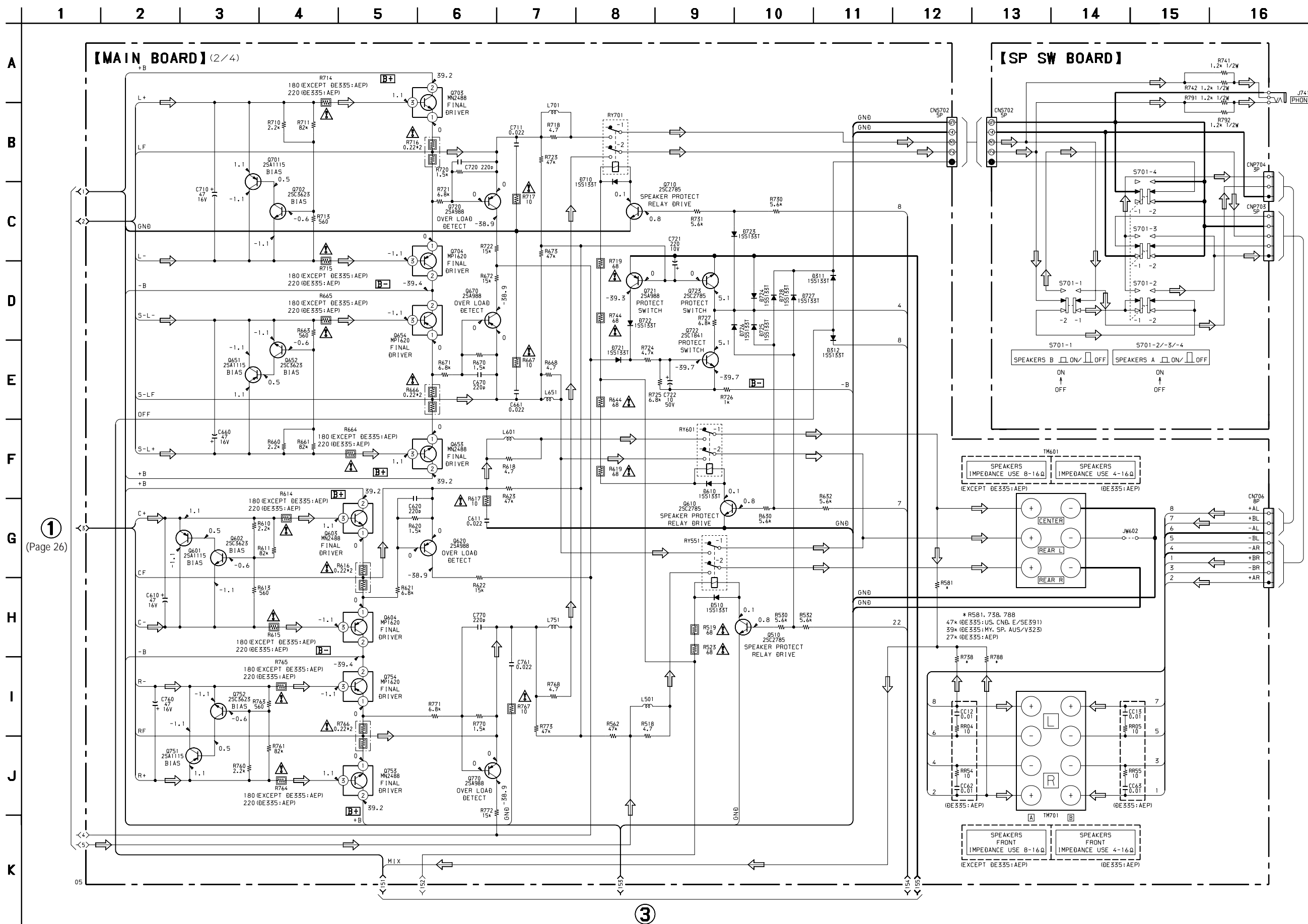


以阴影和 \triangle 标志来识别的零部件，在安全方面具有关键性。因此只能以规定号码的零部件来更换。

The components identified by mark \triangle or dotted line with mark \triangle are critical for safety. Replace only with part number specified.

Les composants identifiés par une marque \triangle sont critiques pour la sécurité. Ne les remplacer que par une pièce portant le numéro spécifié.

5-8. SCHEMATIC DIAGRAM – MAIN Board (2/4)/SP SW Board –

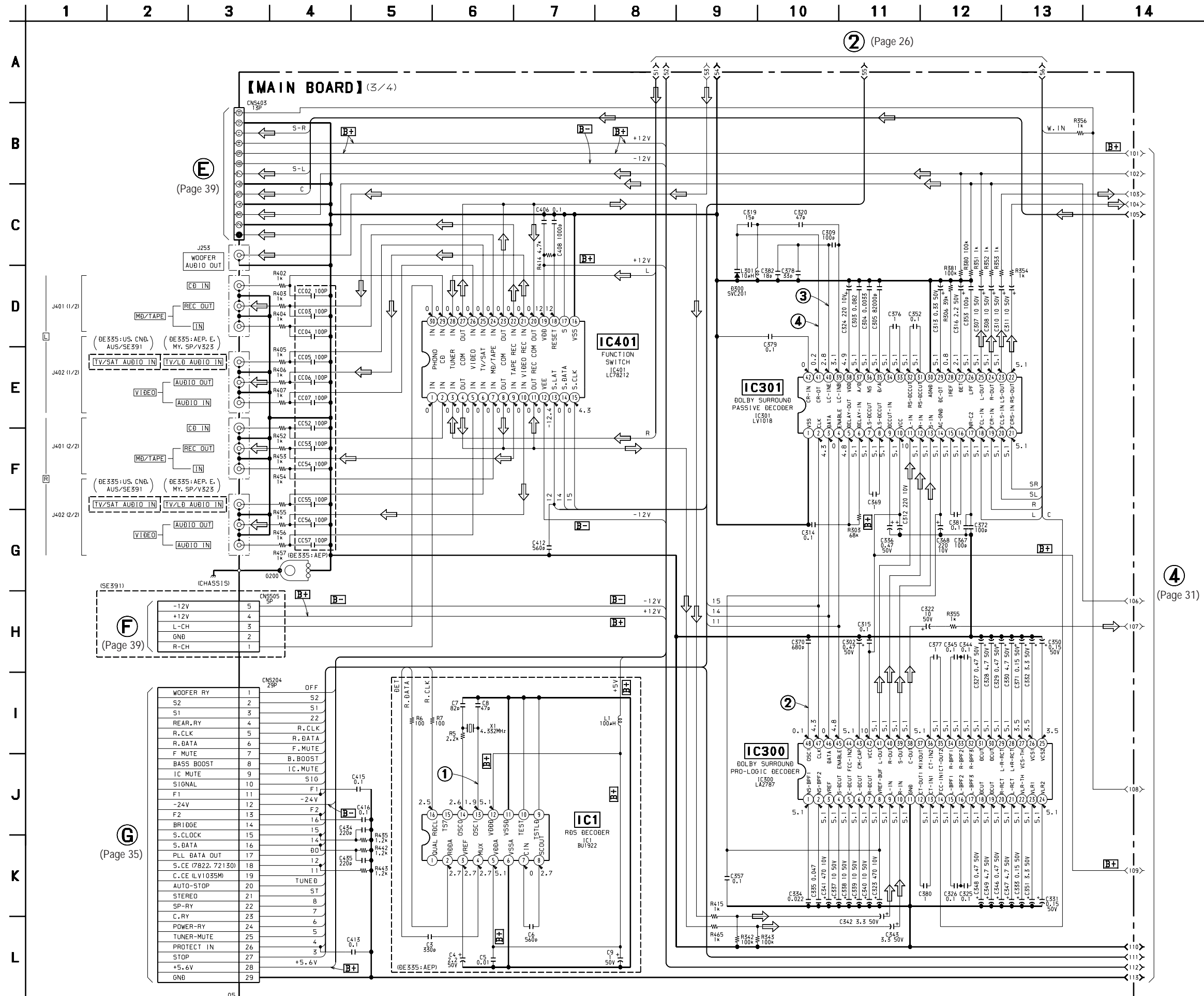


① (Page 26)

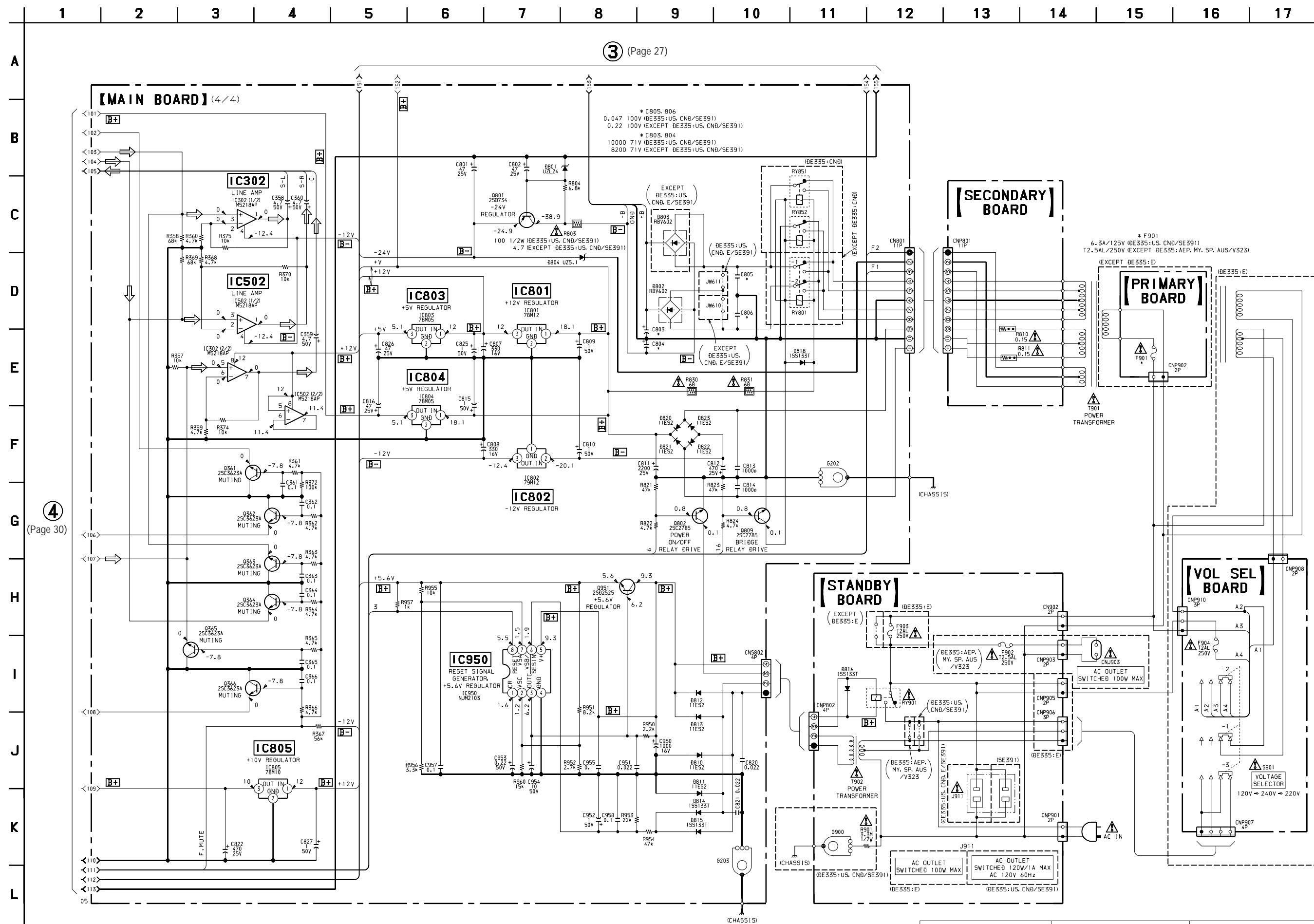
③ (Page 31)

<p>以阴影和 Δ 标志来识别的零部件，在安全方面具有关键性。因此只能以规定号码的零部件来更换。</p>	<p>The components identified by mark Δ or dotted line with mark Δ are critical for safety. Replace only with part number specified.</p>	<p>Les composants identifiés par une marque Δ sont critiques pour la sécurité. Ne les remplacer que par une pièce portant le numéro spécifié.</p>
--	---	---

5-9. SCHEMATIC DIAGRAM – MAIN Board (3/4) – • See page 18 for Waveforms. • See page 41 for IC Block Diagrams.



5-10. SCHEMATIC DIAGRAM – MAIN Board (4/4)/SECONDARY Board/STANDBY Board/PRIMARY Board/VOL SEL Board – • See page 43 for IC Block Diagram.

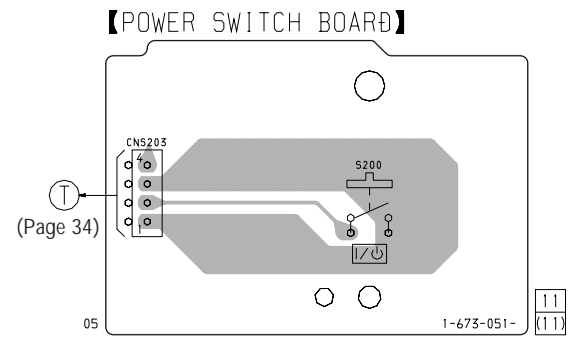
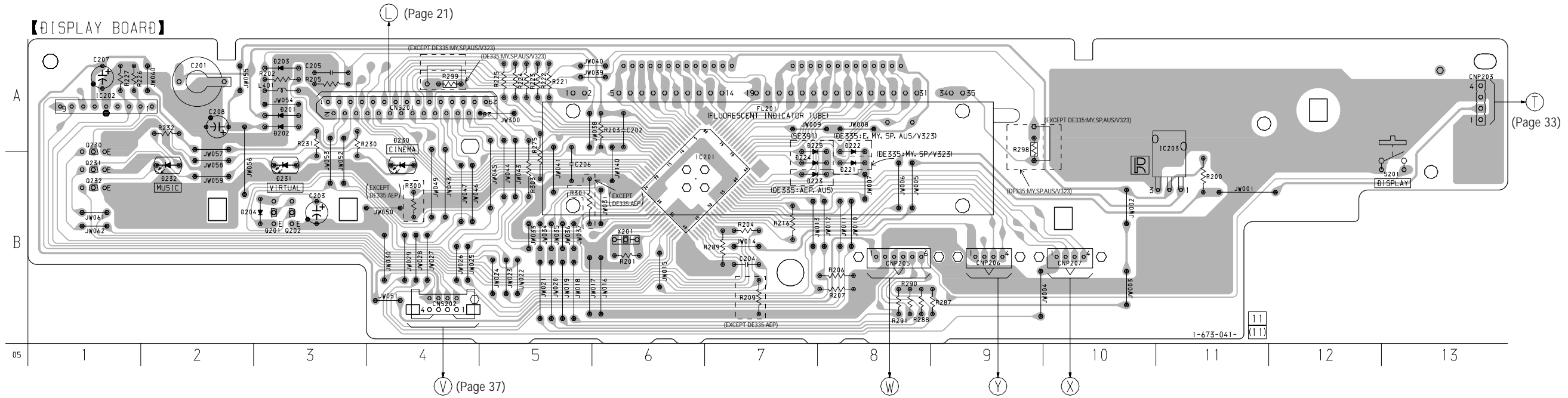


<p>以阴影和 Δ 标志来识别的零 部件，在安全方面具有关键 性。因此只能以规定号码的 零部件来更换。</p>	<p>The components identified by mark Δ or dotted line with are critical for safety. Replace only with part num- ber specified.</p>	<p>Les composants identifiés par une marque Δ sont critiques pour la sécurité. Ne les remplacer que par une pièce portant le numéro spécifié.</p>
---	--	---

5-11. PRINTED WIRING BOARD – PANEL Section – • See page 19 for Circuit Boards Location.

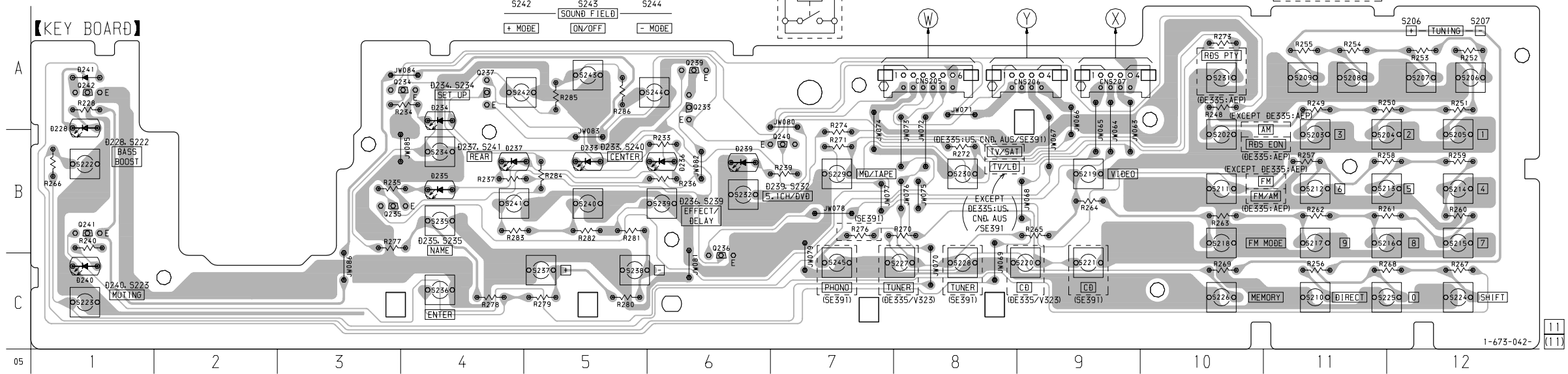
• Semiconductor Location

Ref. No.	Location	Ref. No.	Location	Ref. No.	Location
D201	A-3	D225	A-7	Q201	B-3
D202	A-3	D230	B-4	Q202	B-3
D203	A-3	D231	B-3	Q230	A-1
D204	B-3	D232	B-2	Q231	B-1
D221	B-8			Q232	B-1
D222	A-8	IC201	B-6		
D223	B-7	IC202	A-1		
D224	B-7	IC203	B-11		

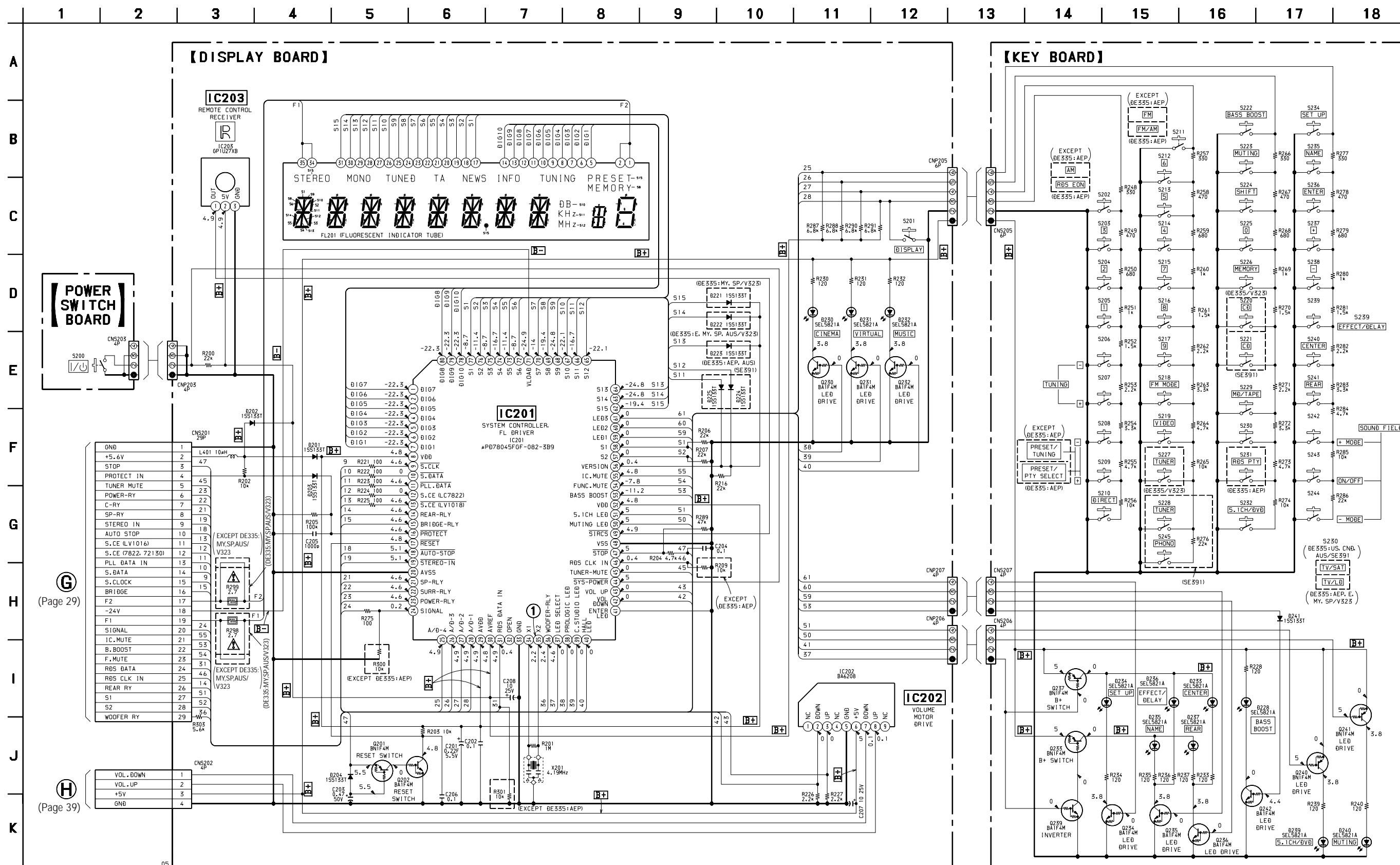


• Semiconductor Location

Ref. No.	Location	Ref. No.	Location
D228	A-1	Q233	A-6
D233	B-5	Q234	A-4
D234	A-4	Q235	B-3
D235	B-4	Q236	C-6
D236	B-6	Q237	A-4
D237	B-4	Q239	A-6
D239	B-6	Q240	B-7
D240	C-1	Q241	B-1
D241	A-1	Q242	A-1



5-12. SCHEMATIC DIAGRAM – PANEL Section – • See page 18 for Waveform. • See page 43 for IC Block Diagram.



(Page 29)

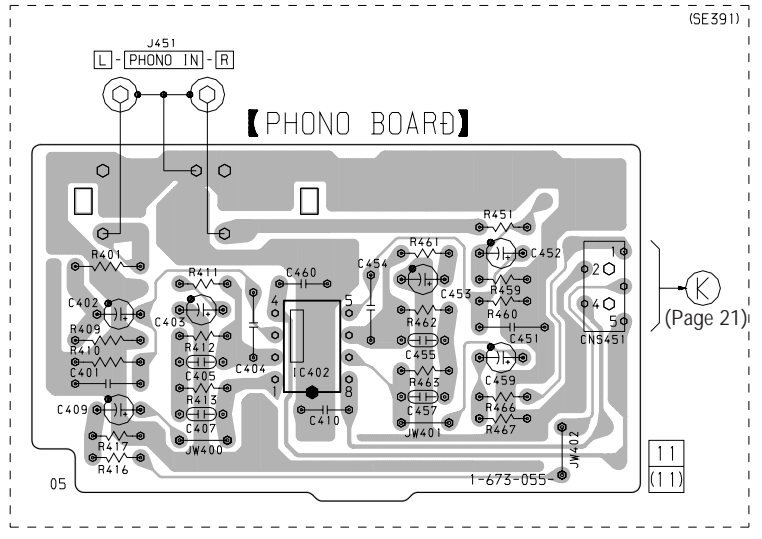
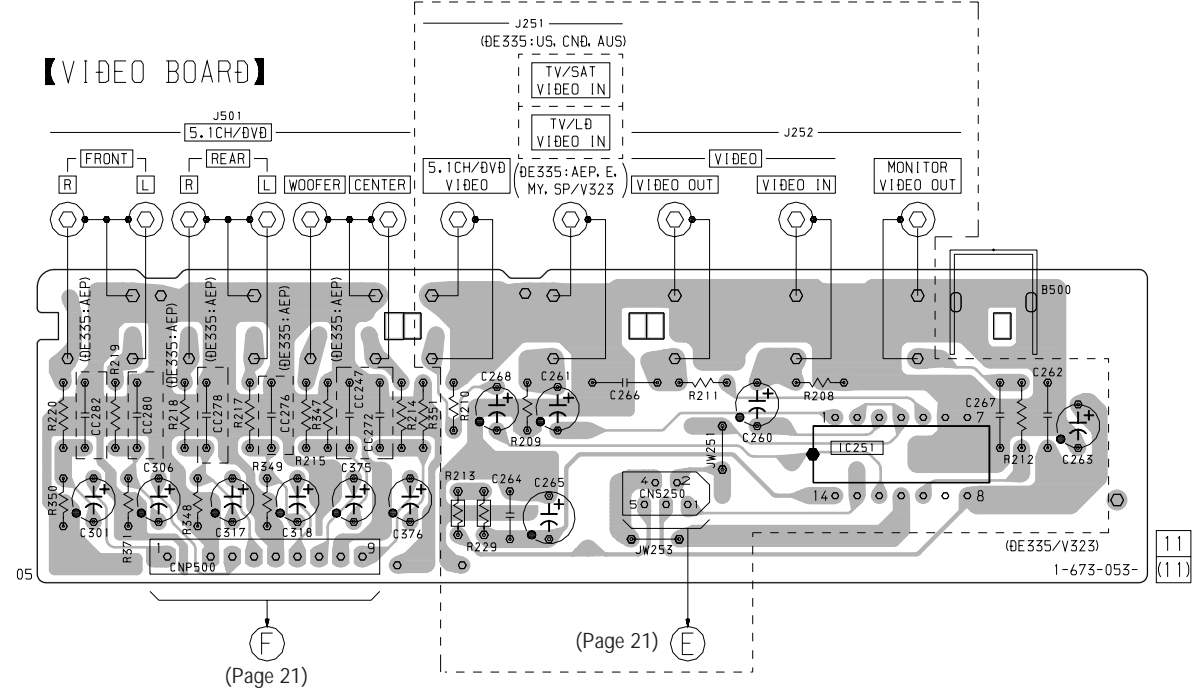
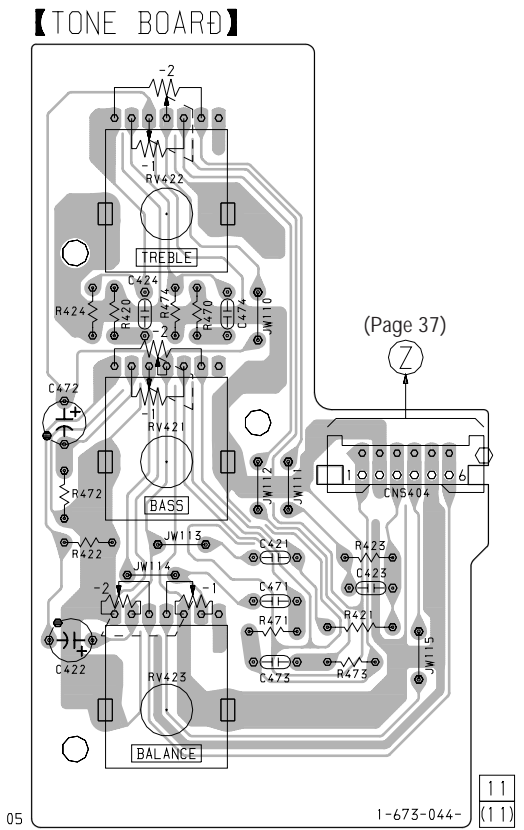
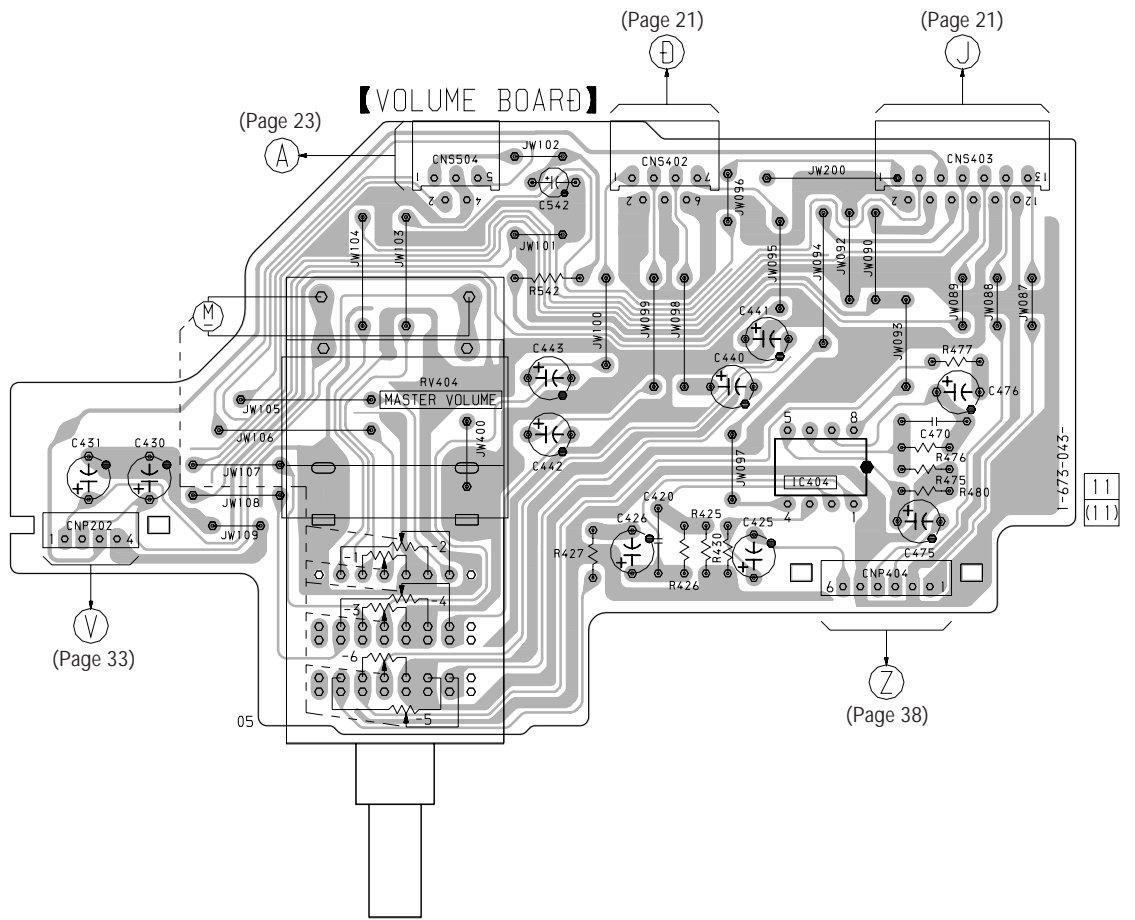
(Page 39)

以阴影和 Δ 标志来识别的零
部件，在安全方面具有关键
性。因此只能以规定号码的
零部件来更换。

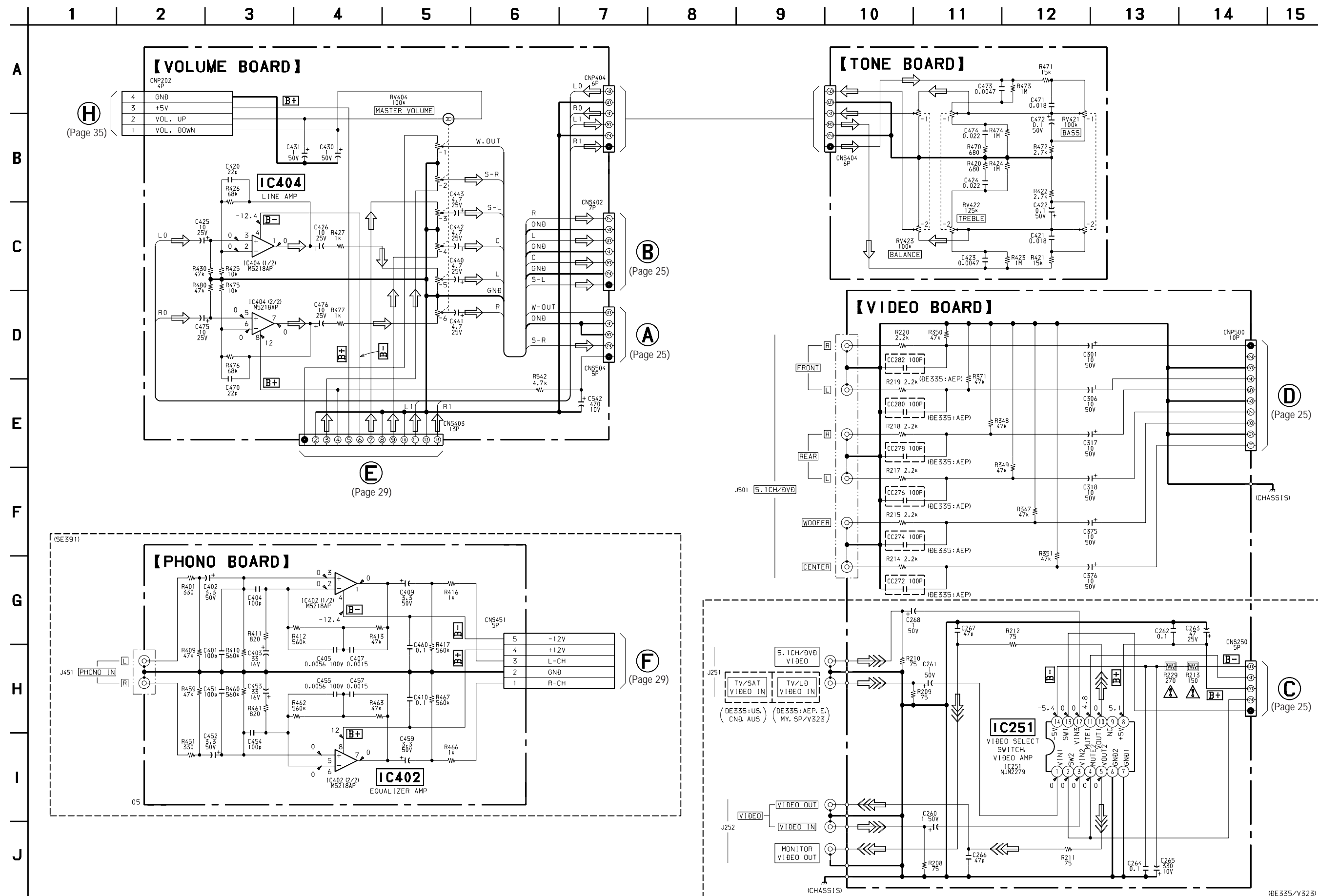
The components identified by
mark Δ or dotted line with
are critical for safety.
Replace only with part num-
ber specified.

Les composants identifiés par une
marque Δ sont critiques pour la
sécurité.
Ne les remplacer que par une pièce
portant le numéro spécifié.

5-13. PRINTED WIRING BOARDS – VOLUME Board/TONE Board/VIDEO Board/PHONO Board – • See page 19 for Circuit Boards Location.



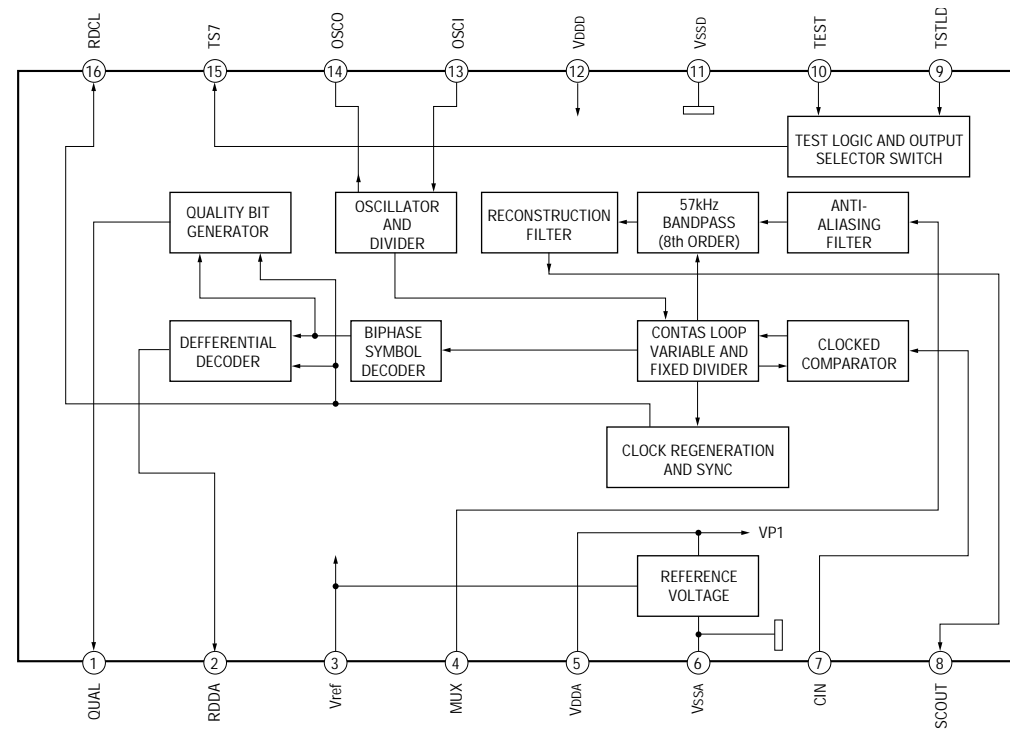
5-14. SCHEMATIC DIAGRAM – VOLUME Board/TONE Board/VIDEO Board/PHONO Board – • See page 43 for IC Block Diagram.



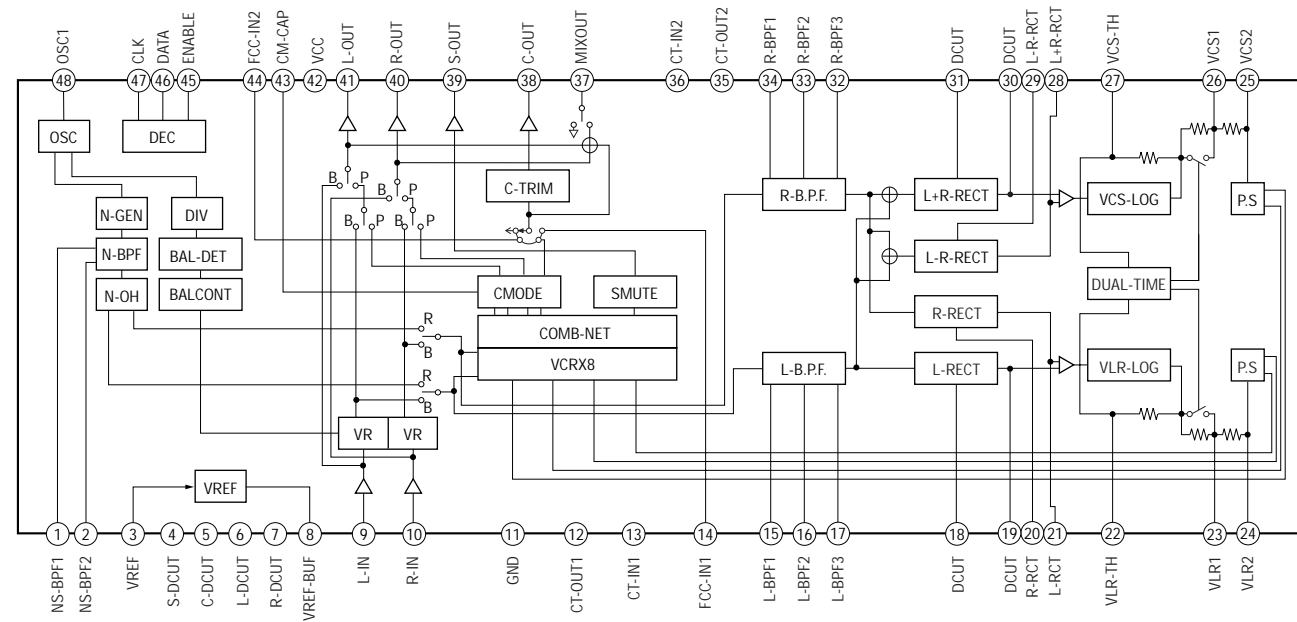
<p>以阴影和 Δ 标志来识别的零部件，在安全方面具有关键性。因此只能以规定号码的零部件来更换。</p>	<p>The components identified by mark Δ or dotted line with mark Δ are critical for safety. Replace only with part number specified.</p>	<p>Les composants identifiés par une marque Δ sont critiques pour la sécurité. Ne les remplacer que par une pièce portant le numéro spécifié.</p>
--	---	---

• IC Block Diagrams
– MAIN BOARD –

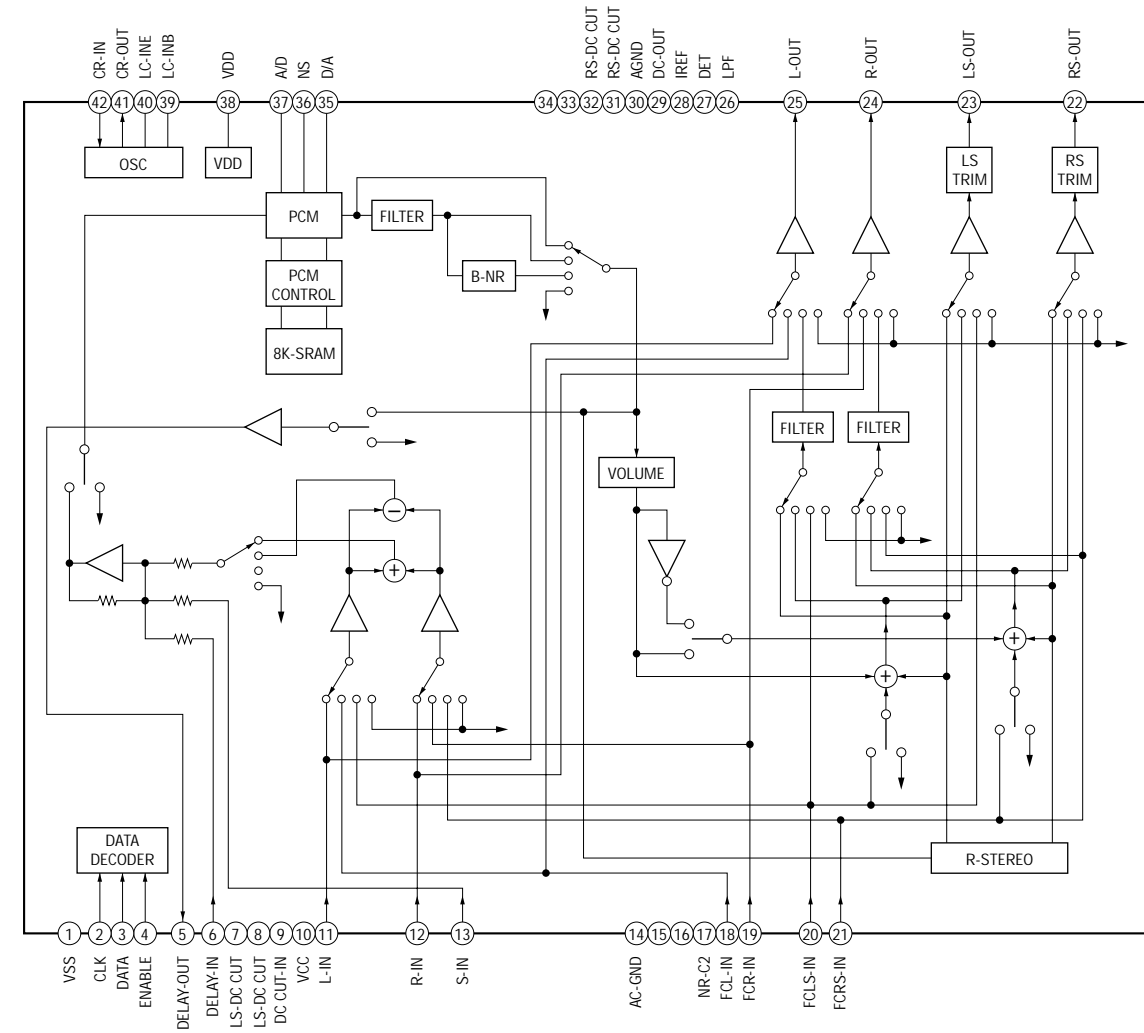
IC1 BU1922 (STR-DE335: AEP model)



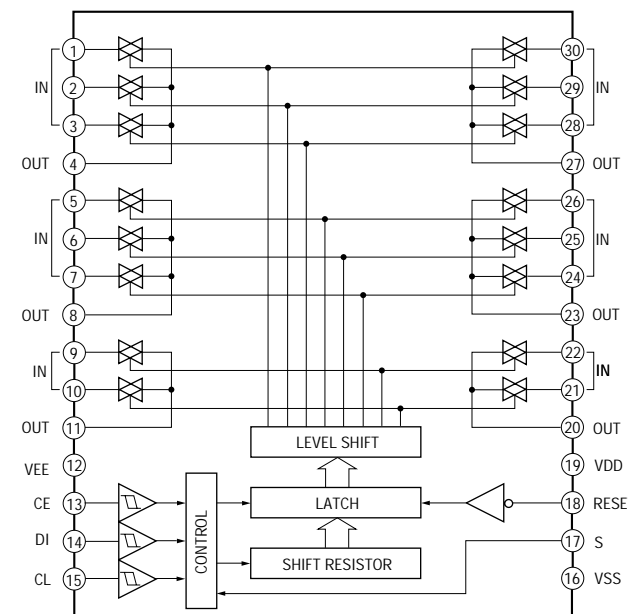
IC300 CXA8079S



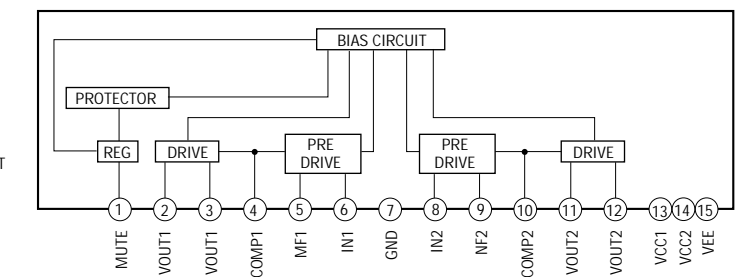
IC301 LV1018



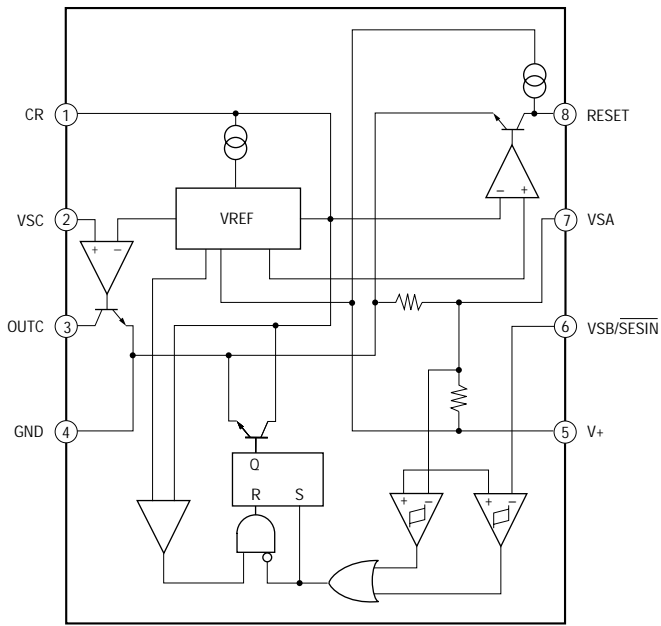
IC401 LC78212



IC701, 702 μPC2581V

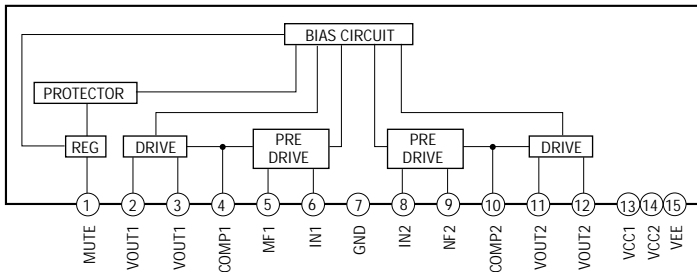


IC950 NJM2103D



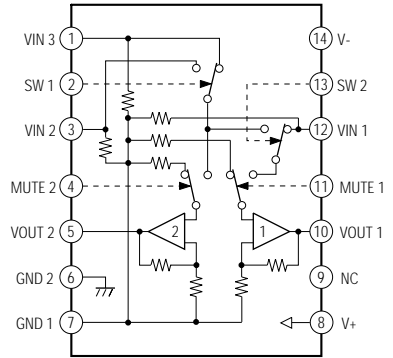
– REAR AMP Board –

IC501 μPC2581V



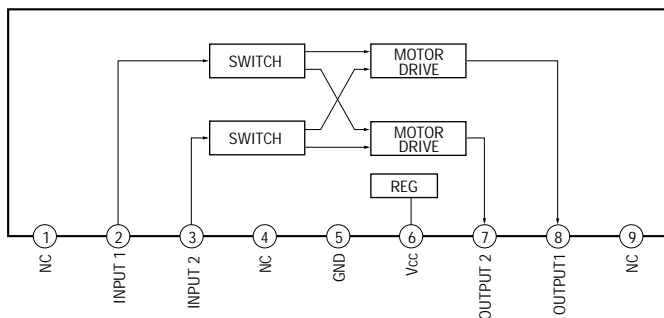
– VIDEO Board (STR-DE335/V323) –

IC251 NJM2279D



– DISPLAY Board –

IC202 BA6208



5-15. IC PIN FUNCTION DESCRIPTION

• DISPLAY BOARD IC201 μ PD78045FGF-082-3B9 (SYSTEM CONTROLLER, FL DRIVER)

Pin No.	Pin Name	I/O	Description
1 to 7	DIG7 to DIG1	O	Digit drive signal output to the fluorescent indicator tube (FL201)
8	VDD	—	Power supply terminal (+5V)
9	$\overline{\text{S.CLK}}$	O	Serial data transfer clock signal output to the dolby surround pro-logic circuit (IC300, 301), LC78212 (IC401) and PLL IC on FM/AM tuner pack “L” active
10	$\overline{\text{S.DATA}}$	O	Serial data output to the dolby surround pro-logic circuit (IC300, 301), LC78212 (IC401) and PLL IC on FM/AM tuner pack “L” active
11	$\overline{\text{PLL.DATA}}$	I	Serial data input from the PLL IC on FM/AM tuner pack “L” active
12	S.CE (LC7822)	O	Serial chip enable signal output to the LC78212 (IC401), PLL IC on FM/AM tuner pack “H” active
13	$\overline{\text{S.CE}}$ (LV1018)	O	Serial chip enable signal output to the dolby surround pro-logic circuit (IC300, 301) “L” active
14	REAR-RLY	O	Speaker protect relay drive signal output for the rear side speaker “H”: relay on
15	BRIDGE-RLY	O	Bridgeable relay drive signal output terminal “H”: relay on
16	$\overline{\text{PROTECT}}$	I	Over load detect signal input from the protect circuit “L”: protect detect
17	$\overline{\text{RESET}}$	I	System reset signal input from the reset signal generator (IC950, Q201) “L”: reset For several hundreds msec. after the power supply rises, “L” is input, then it changes to “H”
18	$\overline{\text{AUTO-STOP}}$	I	Tuned display detection signal input from the FM/AM tuner pack “L”: tuned
19	$\overline{\text{STEREO-IN}}$	I	Stereo detection signal input from the FM/AM tuner pack “L”: stereo
20	AVSS	—	Ground terminal (for A/D converter analog system)
21	SP-RLY	O	Speaker protect relay drive signal output for the front side speaker “H”: relay on
22	SURR-RLY	O	Speaker protect relay drive signal output for the surround speaker “H”: relay on
23	POWER-RLY	O	Relay drive signal output for the power on/off control “H”: relay on
24	SIGNAL	I	FM and AM signal meter voltage detection signal input from the FM/AM tuner pack
25	A/D-4	I	Key input terminal (A/D input) S234 to S244 (SET UP, NAME, ENTER, +, -, EFFECT/DELAY, CENTER, REAR, MODE +, SOUND FIELD ON/OFF, MODE -) keys input
26	A/D-3	I	Key input terminal (A/D input) S222 to S226, S220, S221, S229 to S232 (BASS BOOST, MUTING, SHIFT, 0, MEMORY, CD, MD/TAPE, TV/SAT or TV/LD, RDS PTY, 5.1CH/DVD) keys input (S220 CD key: used for the except STR-SE391) (S221 CD key: used for the STR-SE391 only) (S231 RDS PTY key: used for the STR-DE335 AEP model only)
27	A/D-2	I	Key input terminal (A/D input) S211 to S219, S227, S228, S245 (FM or FM/AM, 6, 5, 4, 7, 8, 9, FM MODE, VIDEO, TUNER, PHONO) keys input (S227 TUNER key: used for the except STR-SE391) (S228 TUNER key: used for the STR-SE391 only) (S245 PNONO key: used for the STR-SE391 only)
28	A/D-1	I	Key input terminal (A/D input) S201 to S210 (DISPLAY, AM or RDS EON, 3, 2, 1, TUNING -/+, PRESET TUNING -/+ or PRESET/PTY SELECT -/+, DIRECT) keys input
29	AVDD	—	Power supply terminal (+5V) (for A/D converter analog system)
30	AVREF	I	Reference voltage (+5V) input terminal (for A/D converter)
31	RDS DATA IN	I	RDS data input from the RDS decoder (IC1) (Used for the STR-DE335 AEP model only) Except STR-DE335 AEP model: Not used (fixed at “L”)
32	OPEN	—	Not used (open)
33	GND	—	Ground terminal
34	X1	I	Main system clock input terminal (4.19 MHz)
35	X2	O	Main system clock output terminal (4.19 MHz)
36	WOOFER-RLY	O	Relay drive signal output for the woofer speaker “H”: relay on
37	LED SELECT	O	LED select signal output terminal “H” active

Pin No.	Pin Name	I/O	Description
38	PROLOGIC LED	O	LED drive signal output of the CINEMA (D230) indicator "H": LED on
39	C.STUDIO LED	O	LED drive signal output of the VIRTUAL (D231) indicator "H": LED on
40	HALL LED	O	LED drive signal output of the MUSIC (D232) indicator "H": LED on
41	ENTER LED	I	Not used (fixed at "L")
42	VOL DOWN	O	Motor drive signal (volume down direction) output to the volume motor drive (IC202) "H" active
43	VOL UP	O	Motor drive signal (volume up direction) output to the volume motor drive (IC202) "H" active
44	$\overline{\text{SYS-POWER}}$	I	Power on/off switch (S200 I/⏻) input terminal "L" is input when key pressing
45	TUNER-MUTE	O	Muting control signal output to the FM/AM tuner pack "H": muting on
46	RDS CLK IN	I	RDS serial clock signal input from the RDS decoder (IC1) (Used for the STR-DE335 AEP model only) Except STR-DE335 AEP model: Not used (fixed at "L")
47	$\overline{\text{STOP}}$	I	Power down detection signal input from the reset signal generator (IC950) "L": power down, normally: "H"
48	VSS	—	Ground terminal
49	$\overline{\text{SIRCS}}$	I	Sircs remote control signal input from the remote control receiver (IC203)
50	MUTING LED	O	LED drive signal output of the MUTING indicator (D240) "L": LED on
51	5.1CH LED	O	LED drive signal output of the 5.1CH/DVD (D239) indicator "L": LED on
52	VDD	—	Power supply terminal (+5V)
53	BASS BOOST	O	Control signal output of the BASS BOOST circuit and LED drive signal output of the BASS BOOST indicator (D228) "H": BASS BOOST on (LED on)
54	FUNC. MUTE	O	Audio line muting on/off control signal output terminal "H": muting on
55	IC. MUTE	O	Muting on/off control signal output to the NJM2279D (IC251) "H": muting on (Used for the STR-DE335 and STR-V323 only)
56	VERSION	I	Setting terminal for the version
57	S2	O	Video input select signal output to the NJM2279D (IC251) *1 (Used for the STR-DE335 and STR-V323 only)
58	S1	O	Video input select signal output to the NJM2279D (IC251) *1 (Used for the STR-DE335 and STR-V323 only)
59	LED1	O	LED drive signal output of the CENTER (D233) and REAR (D237) indicators "H": LED on
60	LED2	O	LED drive signal output of the NAME (D235) and EFFECT/DELAY (D236) indicators "H": LED on
61	LED3	O	LED drive signal output of the SET UP (D234) indicator "H": LED on
62 to 70	S15 to S7	O	Segment drive signal output to the fluorescent indicator tube (FL201)
71	VLOAD	—	Negative power supply terminal for the fluorescent indicator tube drive (-24V)
72 to 77	S6 to S1	O	Segment drive signal output to the fluorescent indicator tube (FL201)
78 to 80	DIG10 to DIG8	O	Digit drive signal output to the fluorescent indicator tube (FL201)

*1 video input select signal

Terminal \ Input	TV/SAT (TV/LD)	VIDEO	5.1CH/DVD
S1 (pin ⑤)	"H"	"H"	"L"
S2 (pin ⑥)	"H"	"L"	"L"

TV/SAT: STR-DE335: US, Canadian, Australian

TV/LD: STR-DE335: AEP, E, Malaysia, Singapore/STR-V323

SECTION 6 EXPLODED VIEWS

NOTE:

- XX and -X mean standardized parts, so they may have some difference from the original one.

- Color Indication of Appearance Parts

Example:

KNOB, BALANCE (WHITE) . . . (RED)

↑
↑
 Parts Color Cabinet's Color

- Abbreviation

AUS : Australian model MY : Malaysia model
 CND : Canadian model SP : Singapore model

- Items marked “*” are not stocked since they are seldom required for routine service. Some delay should be anticipated when ordering these items.

- The mechanical parts with no reference number in the exploded views are not supplied.

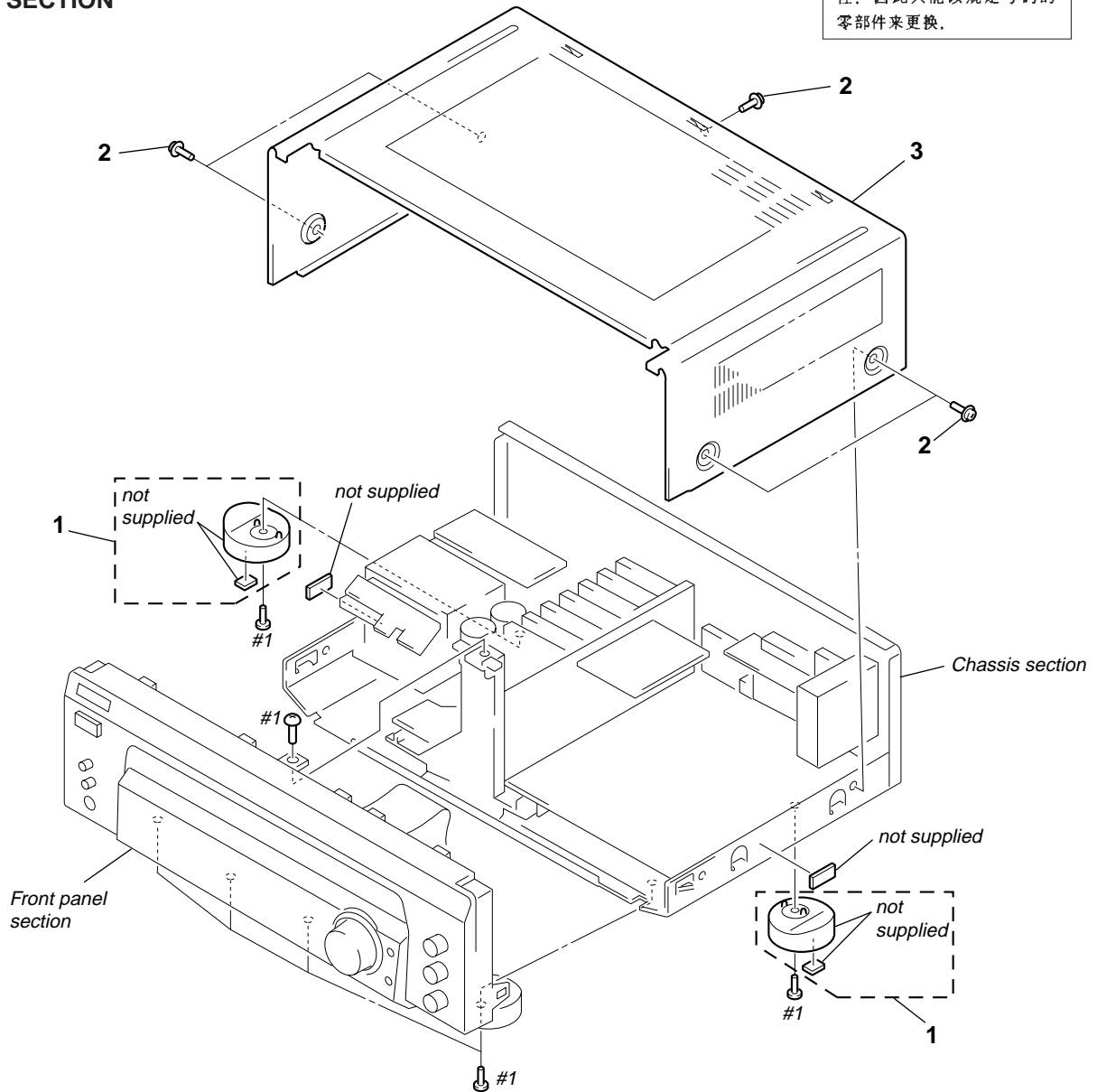
- Hardware (# mark) list and accessories and packing materials are given in the last of the electrical parts list.

The components identified by mark \triangle or dotted line with mark \triangle are critical for safety. Replace only with part number specified.

Les composants identifiés par une marque \triangle sont critiques pour la sécurité. Ne les remplacer que par une pièce portant le numéro spécifié.

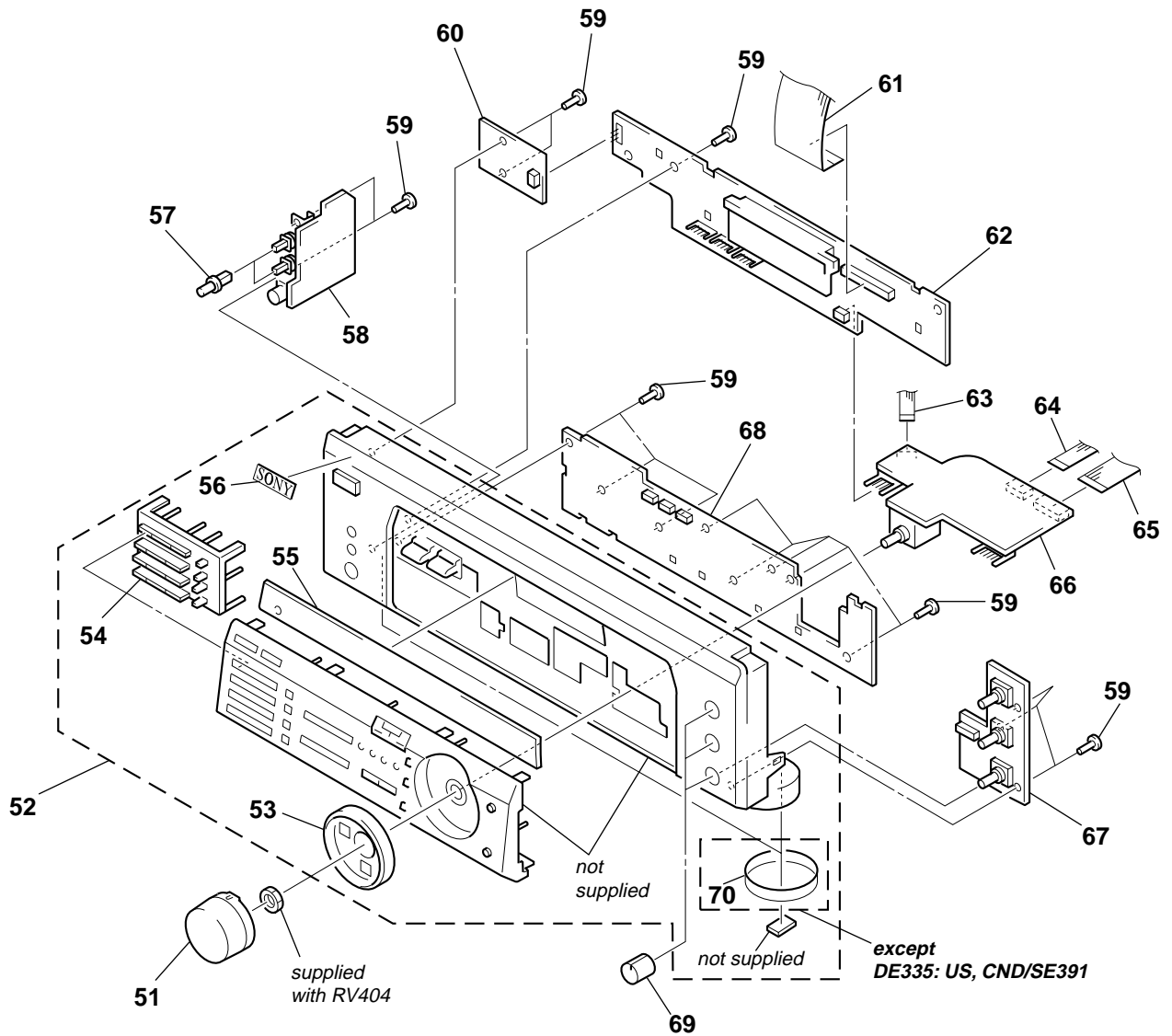
以阴影和 \triangle 标志来识别的零部件，在安全方面具有关键性。因此只能以规定号码的零部件来更换。

(1) CASE SECTION



Ref. No.	Part No.	Description	Remark	Ref. No.	Part No.	Description	Remark
1	X-4947-207-1	FOOT ASSY (F50150S) (DE335: AEP, E, MY, SP, AUS/V323)		2	4-210-291-01	SCREW (CASE 3 TP2)	
1	X-4947-208-1	FOOT ASSY (F50150S) (DE335: US, CND/SE391)		* 3	4-998-206-01	CASE (413226)	

(2) FRONT PANEL SECTION



Ref. No.	Part No.	Description	Remark	Ref. No.	Part No.	Description	Remark
51	X-4951-035-1	KNOB (VOL) ASSY		62	A-4419-135-A	DISPLAY BOARD, COMPLETE (DE335: E)	
52	X-4951-032-1	FRONT PANEL ASSY (DE335: CND)		62	A-4419-182-A	DISPLAY BOARD, COMPLETE (SE391)	
52	X-4951-075-1	FRONT PANEL ASSY (DE335: AUS)		62	A-4419-472-A	DISPLAY BOARD, COMPLETE	
52	X-4951-076-1	FRONT PANEL ASSY (DE335: E, MY)					(DE335: US, CND))
52	X-4951-089-1	FRONT PANEL ASSY (V323)		62	A-4419-744-A	DISPLAY BOARD, COMPLETE (DE335: AEP)	
				62	A-4419-752-A	DISPLAY BOARD, COMPLETE	(DE335: MY, SP/V323)
52	X-4951-424-1	FRONT PANEL ASSY (DE335: US)		63	1-575-662-31	WIRE (FLAT TYPE) (5 CORE)	
52	X-4951-426-1	FRONT PANEL ASSY (SE391)		64	1-765-314-11	WIRE (FLAT TYPE) (7 CORE)	
52	X-4951-499-1	FRONT PANEL ASSY (DE335: AEP)		65	1-769-972-11	WIRE (FLAT TYPE) (13 CORE)	
52	X-4951-500-1	FRONT PANEL ASSY (DE335: SP)		66	1-673-043-11	VOLUME BOARD	
53	4-216-792-01	RING (VOL)		67	1-673-044-11	TONE BOARD	
54	4-216-779-01	BUTTON (KEY)		68	A-4419-187-A	KEY BOARD, COMPLETE (SE391)	
55	4-216-794-01	PLATE INDICATION		68	A-4419-477-A	KEY BOARD, COMPLETE	(EXCEPT DE335: AEP/SE391)
56	4-996-698-01	EMBLEM, SONY		68	A-4419-746-A	KEY BOARD, COMPLETE (DE335: AEP)	
57	4-951-801-01	BUTTON (S)		69	4-998-717-01	KNOB (BAL)	
58	1-673-045-11	SP SW BOARD		70	4-977-593-01	RING (DIA. 50) ORNAMENTAL	(EXCEPT DE335: US, CND/SE391)
59	4-951-620-01	SCREW (2.6X8), +BVTP					
60	1-673-051-11	POWER SWITCH BOARD					
61	1-765-403-11	WIRE (FLAT TYPE) (29 CORE)					
62	A-4419-129-A	DISPLAY BOARD, COMPLETE (DE335: AUS)					

Ref. No.	Part No.	Description	Remark	Ref. No.	Part No.	Description	Remark
101	4-217-872-11	BOTTOM COVER		111	4-218-846-01	BACK PANEL (DE335: US)	
102	4-216-798-11	SUB (MOLD)		111	4-218-846-11	BACK PANEL (DE335: AEP)	
103	1-673-050-11	PRIMARY BOARD (EXCEPT DE335: E))		111	4-218-846-21	BACK PANEL (E30) (DE335: SP)	
104	1-673-049-11	SECONDARY BOARD		112	1-693-407-43	TUNER PACK (DE335: US, CND, E/SE391)	
105	1-673-048-11	STANDBY BOARD		112	1-693-408-43	TUNER PACK (DE335: AEP, MY, SP, AUS/V323)	
106	A-4419-137-A	REAR AMP BOARD, COMPLETE (DE335: E)		113	1-773-001-11	WIRE (FLAT TYPE) (15 CORE)	
106	A-4419-192-A	REAR AMP BOARD, COMPLETE (SE391)		114	1-673-053-11	VIDEO BOARD	
106	A-4419-481-A	REAR AMP BOARD, COMPLETE (DE335: US, CND)		115	1-769-844-11	WIRE (FLAT TYPE) (5 CORE)	
106	A-4419-747-A	REAR AMP BOARD, COMPLETE (DE335: AEP)		116	A-4419-127-A	MAIN BOARD, COMPLETE (DE335: CND)	
106	A-4419-750-A	REAR AMP BOARD, COMPLETE (DE335: MY, SP, AUS/V323)		116	A-4419-138-A	MAIN BOARD, COMPLETE (DE335: E)	
* 107	3-703-244-00	BUSHING (2104), CORD		116	A-4419-194-A	MAIN BOARD, COMPLETE (SE391)	
△ 108	1-777-070-21	CORD, POWER (DE335: CND)		116	A-4419-483-A	MAIN BOARD, COMPLETE (DE335: US)	
△ 108	1-777-071-21	CORD, POWER (DE335: AEP, E, MY, SP)		116	A-4419-749-A	MAIN BOARD, COMPLETE (DE335: AEP)	
△ 108	1-783-203-11	CORD, POWER (DE335: AUS)		116	A-4419-753-A	MAIN BOARD, COMPLETE (DE335: MY, SP, AUS/V323)	
△ 108	1-783-205-11	CORD, POWER (V323)		117	4-924-098-01	HOLDER, PC BOARD	
△ 108	1-783-820-11	CORD, POWER (DE335: US/SE391)		118	4-956-370-12	BAND, PLUG FIXED (DE335: AUS)	
△ 109	1-569-008-21	ADAPTOR, CONVERSION 2P (DE335: E)		119	1-673-054-11	VOL SEL BOARD (DE335: E)	
△ 110	1-251-416-11	OUTLET, AC (DE335: AUS)		120	1-673-055-11	PHONO BOARD (SE391)	
△ 110	1-526-794-11	OUTLET, AC (DE335: AEP, MY, SP)		△ T901	1-433-713-11	TRANSFORMER, POWER (DE335: US)	
△ 110	1-526-882-00	OUTLET, AC (V323)		△ T901	1-433-714-11	TRANSFORMER, POWER (DE335: CND)	
111	4-218-844-11	BACK PANEL (E30) (DE335: CND)		△ T901	1-433-713-21	TRANSFORMER, POWER (SE391)	
111	4-218-844-21	BACK PANEL (E30) (DE335: AUS)		△ T901	1-433-715-11	TRANSFORMER, POWER (DE335: AUS)	
111	4-218-844-31	BACK PANEL (E30) (DE335: MY)		△ T901	1-433-716-11	TRANSFORMER, POWER (DE335: MY, SP/V323)	
111	4-218-844-41	BACK PANEL (E30) (V323)		△ T901	1-433-717-11	TRANSFORMER, POWER (DE335: AEP)	
111	4-218-844-51	BACK PANEL (E30) (DE335: E)		△ T901	1-433-718-11	TRANSFORMER, POWER (DE335: E)	
111	4-218-844-71	BACK PANEL (E30) (SE391)					

以阴影和 △ 标志来识别的零部件，在安全方面具有关键性。因此只能以规定号码的零部件来更换。

The components identified by mark △ or dotted line with mark △ are critical for safety. Replace only with part number specified.

Les composants identifiés par une marque △ sont critiques pour la sécurité. Ne les remplacer que par une pièce portant le numéro spécifié.

DISPLAY

SECTION 7 ELECTRICAL PARTS LIST

NOTE:

- Due to standardization, replacements in the parts list may be different from the parts specified in the diagrams or the components used on the set.
- -XX and -X mean standardized parts, so they may have some difference from the original one.
- RESISTORS
All resistors are in ohms.
METAL: Metal-film resistor.
METAL OXIDE: Metal oxide-film resistor.
F: nonflammable
- Abbreviation
CND : Canadian model
MY : Malaysia model
SP : Singapore model
AUS : Australian model

- Items marked “*” are not stocked since they are seldom required for routine service. Some delay should be anticipated when ordering these items.
- SEMICONDUCTORS
In each case, u: μ , for example:
uA. . : μ A. . uPA. . : μ PA. .
uPB. . : μ PB. . uPC. . : μ PC. .
uPD. . : μ PD. .
- CAPACITORS
uF: μ F
uH: μ H

When indicating parts by reference number, please include the board.

The components identified by mark Δ or dotted line with mark Δ are critical for safety. Replace only with part number specified.

Les composants identifiés par une marque Δ sont critiques pour la sécurité. Ne les remplacer que par une pièce portant le numéro spécifié.

以阴影和 Δ 标志来识别的零部件，在安全方面具有关键性。因此只能以规定号码的零部件来更换。

Ref. No.	Part No.	Description	Remark	Ref. No.	Part No.	Description	Remark
	A-4419-129-A	DISPLAY BOARD, COMPLETE (DE335: AUS)					
	A-4419-135-A	DISPLAY BOARD, COMPLETE (DE335: E)		D231	8-719-046-39	LED SEL5821A-TH15 (VIRTUAL)	
	A-4419-182-A	DISPLAY BOARD, COMPLETE (SE391)		D232	8-719-046-39	LED SEL5821A-TH15 (MUSIC)	
	A-4419-472-A	DISPLAY BOARD, COMPLETE (DE335: US, CND)				< FLUORESCENT INDICATOR TUBE >	
	A-4419-744-A	DISPLAY BOARD, COMPLETE (DE335: AEP)		FL201	1-517-662-11	INDICATOR TUBE, FLUORESCENT	
	A-4419-752-A	DISPLAY BOARD, COMPLETE (DE335: MY, SP/V323)				< IC >	

*	4-921-941-01	CUSHION (FL)		IC201	8-759-577-78	IC uPD78045FGF-082-3B9	
*	4-943-107-11	HOLDER (FL TUBE)		IC202	8-759-962-08	IC BA6208	
		< CAPACITOR >		IC203	8-759-332-18	IC GP1U27XB (REMOTE CONTROL RECEIVER)	
	C201	1-125-486-11	DOUBLE LAYERS 0.22F	5.5V		< COIL >	
	C202	1-164-159-11	CERAMIC 0.1uF	50V			
	C203	1-124-465-00	ELECT 0.47uF	20% 50V	L401	1-410-509-11	INDUCTOR 10uH
	C204	1-164-159-11	CERAMIC 0.1uF	50V		< TRANSISTOR >	
	C205	1-162-294-31	CERAMIC 0.001uF	10% 50V	Q201	8-729-900-63	TRANSISTOR DTA124ES
	C206	1-164-159-11	CERAMIC 0.1uF	50V	Q202	8-729-900-36	TRANSISTOR DTC124ES
	C207	1-126-096-11	ELECT 10uF	20% 35V	Q230	8-729-900-36	TRANSISTOR DTC124ES
	C208	1-126-096-11	ELECT 10uF	20% 35V	Q231	8-729-900-36	TRANSISTOR DTC124ES
		< CONNECTOR >		Q232	8-729-900-36	TRANSISTOR DTC124ES	
*	CNP203	1-573-107-11	CONNECTOR, PC BOARD (PLUG) 4P			< RESISTOR >	
	CNP205	1-785-821-11	CONNECTOR, BOARD TO BOARD 6P		R200	1-249-433-11	CARBON 22K 5% 1/4W
	CNP206	1-779-366-11	CONNECTOR, BOARD TO BOARD 4P		R201	1-247-903-00	CARBON 1M 5% 1/4W
	CNP207	1-779-366-11	CONNECTOR, BOARD TO BOARD 4P		R202	1-249-429-11	CARBON 10K 5% 1/4W
	CNS201	1-568-844-11	CONNECTOR, FFC 29P		R203	1-249-429-11	CARBON 10K 5% 1/4W
	CNS202	1-770-397-11	HOUSING, CONNECTOR (PC BOARD) 4P		R204	1-249-425-11	CARBON 4.7K 5% 1/4W
		< DIODE >		R205	1-249-441-11	CARBON 100K 5% 1/4W	
	D201	8-719-991-33	DIODE 1SS133T-77		R206	1-249-433-11	CARBON 22K 5% 1/4W
	D202	8-719-991-33	DIODE 1SS133T-77		R207	1-249-433-11	CARBON 22K 5% 1/4W
	D203	8-719-991-33	DIODE 1SS133T-77		R209	1-249-429-11	CARBON 10K 5% 1/4W
	D204	8-719-991-33	DIODE 1SS133T-77			(EXCEPT DE335: AEP)	
	D221	8-719-991-33	DIODE 1SS133T-77 (DE335: MY, SP/V323)		R216	1-249-433-11	CARBON 22K 5% 1/4W
	D222	8-719-991-33	DIODE 1SS133T-77 (DE335: E, MY, SP, AUS/V323)		R221	1-247-807-31	CARBON 100 5% 1/4W
	D223	8-719-991-33	DIODE 1SS133T-77 (DE335: AEP, AUS)		R222	1-247-807-31	CARBON 100 5% 1/4W
	D224	8-719-991-33	DIODE 1SS133T-77 (SE391)		R224	1-247-807-31	CARBON 100 5% 1/4W
	D225	8-719-991-33	DIODE 1SS133T-77 (SE391)		R225	1-247-807-31	CARBON 100 5% 1/4W
	D230	8-719-046-39	LED SEL5821A-TH15 (CINEMA)		R226	1-249-421-11	CARBON 2.2K 5% 1/4W

Ref. No.	Part No.	Description	Remark	Ref. No.	Part No.	Description	Remark
R227	1-249-421-11	CARBON	2.2K 5% 1/4W				
R230	1-249-406-11	CARBON	120 5% 1/4W			< RESISTOR >	
R231	1-249-406-11	CARBON	120 5% 1/4W				
R232	1-249-406-11	CARBON	120 5% 1/4W	R228	1-249-406-11	CARBON	120 5% 1/4W
R275	1-247-807-31	CARBON	100 5% 1/4W	R233	1-249-406-11	CARBON	120 5% 1/4W
				R234	1-249-406-11	CARBON	120 5% 1/4W
R287	1-249-427-11	CARBON	6.8K 5% 1/4W	R235	1-249-406-11	CARBON	120 5% 1/4W
R288	1-249-427-11	CARBON	6.8K 5% 1/4W	R236	1-249-406-11	CARBON	120 5% 1/4W
R289	1-249-437-11	CARBON	47K 5% 1/4W				
R290	1-249-427-11	CARBON	6.8K 5% 1/4W	R237	1-249-406-11	CARBON	120 5% 1/4W
R291	1-249-427-11	CARBON	6.8K 5% 1/4W	R239	1-249-406-11	CARBON	120 5% 1/4W
△R298	1-249-386-11	CARBON	2.7 5% 1/4W F (DE335: MY, SP, AUS/V323)	R240	1-249-406-11	CARBON	120 5% 1/4W
△R299	1-249-386-11	CARBON	2.7 5% 1/4W F (DE335: MY, SP, AUS/V323)	R248	1-249-411-11	CARBON	330 5% 1/4W
R300	1-249-429-11	CARBON	10K 5% 1/4W (EXCEPT DE335: AEP)	R249	1-249-413-11	CARBON	470 5% 1/4W
R301	1-249-429-11	CARBON	10K 5% 1/4W (EXCEPT DE335: AEP)	R250	1-249-415-11	CARBON	680 5% 1/4W
R303	1-249-426-11	CARBON	5.6K 5% 1/4W	R251	1-249-417-11	CARBON	1K 5% 1/4W
		< SWITCH >		R252	1-249-419-11	CARBON	1.5K 5% 1/4W
S201	1-762-196-21	SWITCH, TACT (DISPLAY)		R253	1-249-421-11	CARBON	2.2K 5% 1/4W
		< VIBRATOR >		R254	1-247-843-11	CARBON	3.3K 5% 1/4W
X201	1-577-101-11	VIBRATOR, CERAMIC (4.19MHz)		R255	1-249-425-11	CARBON	4.7K 5% 1/4W
*****				R256	1-249-429-11	CARBON	10K 5% 1/4W
	A-4419-187-A	KEY BOARD, COMPLETE (SE391)		R257	1-249-411-11	CARBON	330 5% 1/4W
	A-4419-477-A	KEY BOARD, COMPLETE (EXCEPT DE335: AEP/SE391)		R258	1-249-413-11	CARBON	470 5% 1/4W
	A-4419-746-A	KEY BOARD, COMPLETE (DE335: AEP)		R259	1-249-415-11	CARBON	680 5% 1/4W
	*****			R260	1-249-417-11	CARBON	1K 5% 1/4W
		< CONNECTOR >		R261	1-249-419-11	CARBON	1.5K 5% 1/4W
CNS205	1-770-399-11	HOUSING, CONNECTOR (PC BOARD) 6P		R262	1-249-421-11	CARBON	2.2K 5% 1/4W
CNS206	1-770-397-11	HOUSING, CONNECTOR (PC BOARD) 4P		R263	1-247-843-11	CARBON	3.3K 5% 1/4W
CNS207	1-770-397-11	HOUSING, CONNECTOR (PC BOARD) 4P		R264	1-249-425-11	CARBON	4.7K 5% 1/4W
		< DIODE >		R265	1-249-429-11	CARBON	10K 5% 1/4W
D228	8-719-046-39	LED SEL5821A-TH15 (BASS BOOST)		R266	1-249-411-11	CARBON	330 5% 1/4W
D233	8-719-046-39	LED SEL5821A-TH15 (CENTER)		R267	1-249-413-11	CARBON	470 5% 1/4W
D234	8-719-046-39	LED SEL5821A-TH15 (SET UP)		R268	1-249-415-11	CARBON	680 5% 1/4W
D235	8-719-046-39	LED SEL5821A-TH15 (NAME)		R269	1-249-417-11	CARBON	1K 5% 1/4W
D236	8-719-046-39	LED SEL5821A-TH15 (EFFECT/DELAY)		R270	1-249-419-11	CARBON	1.5K 5% 1/4W
				R271	1-249-421-11	CARBON	2.2K 5% 1/4W
D237	8-719-046-39	LED SEL5821A-TH15 (REAR)		R272	1-247-843-11	CARBON	3.3K 5% 1/4W
D239	8-719-046-39	LED SEL5821A-TH15 (5.1CH/DVD)		R273	1-249-425-11	CARBON	4.7K 5% 1/4W
D240	8-719-046-39	LED SEL5821A-TH15 (MUTING)		R274	1-249-429-11	CARBON	10K 5% 1/4W
D241	8-719-911-19	DIODE 1SS119					
		< TRANSISTOR >		R276	1-247-863-91	CARBON	22K 5% 1/4W (SE391)
Q233	8-729-900-63	TRANSISTOR DTA124ES		R277	1-249-411-11	CARBON	330 5% 1/4W
Q234	8-729-900-36	TRANSISTOR DTC124ES		R278	1-249-413-11	CARBON	470 5% 1/4W
Q235	8-729-900-36	TRANSISTOR DTC124ES		R279	1-249-415-11	CARBON	680 5% 1/4W
Q236	8-729-900-36	TRANSISTOR DTC124ES					
Q237	8-729-900-63	TRANSISTOR DTA124ES		R280	1-249-417-11	CARBON	1K 5% 1/4W
				R281	1-249-419-11	CARBON	1.5K 5% 1/4W
Q239	8-729-900-36	TRANSISTOR DTC124ES		R282	1-249-421-11	CARBON	2.2K 5% 1/4W
Q240	8-729-900-63	TRANSISTOR DTA124ES		R283	1-247-843-11	CARBON	3.3K 5% 1/4W
Q241	8-729-900-63	TRANSISTOR DTA124ES		R284	1-249-425-11	CARBON	4.7K 5% 1/4W
Q242	8-729-900-36	TRANSISTOR DTC124ES					
		< SWITCH >		R285	1-249-429-11	CARBON	10K 5% 1/4W
				R286	1-249-433-11	CARBON	22K 5% 1/4W
S202	1-762-196-21	SWITCH, TACT (AM) (EXCEPT AEP)					
S202	1-762-196-21	SWITCH, TACT (RDS EON) (AEP)					
S203	1-762-196-21	SWITCH, TACT (3)					
S204	1-762-196-21	SWITCH, TACT (2)					
S205	1-762-196-21	SWITCH, TACT (1)					
				S206	1-762-196-21	SWITCH, TACT (TUNING -)	

KEY**MAIN**

Ref. No.	Part No.	Description	Remark	Ref. No.	Part No.	Description	Remark
S207	1-762-196-21	SWITCH, TACT (TUNING +)			7-685-872-09	SCREW +BVTT 3X8 (S)	
S208	1-762-196-21	SWITCH, TACT (PRESET/TUNING -)				< CAPACITOR >	
		(EXCEPT AEP)					
S208	1-762-196-21	SWITCH, TACT (PRESET/PTY SELECT -) (AEP)					
S209	1-762-196-21	SWITCH, TACT (PRESET/TUNING +)		C3	1-162-288-31	CERAMIC 330PF	10% 50V (DE335: AEP)
		(EXCEPT AEP)		C4	1-126-961-11	ELECT 2.2uF	20% 50V (DE335: AEP)
S209	1-762-196-21	SWITCH, TACT (PRESET/PTY SELECT +) (AEP)		C5	1-162-306-11	CERAMIC 0.01uF	20% 16V (DE335: AEP)
S210	1-762-196-21	SWITCH, TACT (DIRECT)		C6	1-162-291-31	CERAMIC 560PF	10% 50V (DE335: AEP)
S211	1-762-196-21	SWITCH, TACT (FM) (EXCEPT AEP)					
S211	1-762-196-21	SWITCH, TACT (FM/AM) (AEP)		C7	1-102-527-11	CERAMIC 82PF	5% 50V (DE335: AEP)
S212	1-762-196-21	SWITCH, TACT (6)		C8	1-102-852-91	CERAMIC 47PF	5% 50V (DE335: AEP)
S213	1-762-196-21	SWITCH, TACT (5)		C9	1-126-960-11	ELECT 1uF	20% 50V (DE335: AEP)
S214	1-762-196-21	SWITCH, TACT (4)		C302	1-126-959-11	ELECT 0.47uF	20% 50V
S215	1-762-196-21	SWITCH, TACT (7)		C303	1-130-494-11	MYLAR 0.082uF	5% 50V
S216	1-762-196-21	SWITCH, TACT (8)					
S217	1-762-196-21	SWITCH, TACT (9)		C304	1-137-367-11	FILM 0.0033uF	5% 50V
S218	1-762-196-21	SWITCH, TACT (FM MODE)		C305	1-130-494-11	MYLAR 0.082uF	5% 50V
S219	1-762-196-21	SWITCH, TACT (VIDEO)		C307	1-126-795-11	ELECT 10uF	20% 50V
S220	1-762-196-21	SWITCH, TACT (CD) (DE335/V323)		C308	1-126-795-11	ELECT 10uF	20% 50V
S221	1-762-196-21	SWITCH, TACT (CD) (SE391)		C309	1-137-358-11	FILM 0.0001uF	5% 50V
S222	1-762-196-21	SWITCH, TACT (BASS BOOST)		C310	1-126-795-11	ELECT 10uF	20% 50V
S223	1-762-196-21	SWITCH, TACT (MUTING)		C311	1-126-795-11	ELECT 10uF	20% 50V
S224	1-762-196-21	SWITCH, TACT (SHIFT)		C312	1-126-934-11	ELECT 220uF	20% 10V
S225	1-762-196-21	SWITCH, TACT (0)		C313	1-124-252-00	ELECT 0.33uF	20% 50V
S226	1-762-196-21	SWITCH, TACT (MEMORY)					
S227	1-762-196-21	SWITCH, TACT (TUNER) (DE335/V323)		C314	1-136-165-00	FILM 0.1uF	5% 50V
S228	1-762-196-21	SWITCH, TACT (TUNER) (SE391)		C315	1-164-159-11	CERAMIC 0.1uF	50V
S229	1-762-196-21	SWITCH, TACT (MD/TAPE)		C316	1-126-961-11	ELECT 2.2uF	20% 50V
S230	1-762-196-21	SWITCH, TACT (TV/SAT)		C319	1-102-951-00	CERAMIC 15PF	5% 50V
		(DE335: US, CND, AUS/SE391)		C320	1-102-852-91	CERAMIC 47PF	5% 50V
S230	1-762-196-21	SWITCH, TACT (TV/LD)					
		(DE335: AEP, E, MY, SP/V323)		C322	1-126-795-11	ELECT 10uF	20% 50V
S231	1-762-196-21	SWITCH, TACT (RDS PTY) (DE335: AEP)		C323	1-126-925-11	ELECT 470uF	20% 10V
S232	1-762-196-21	SWITCH, TACT (5.1CH/DVD)		C324	1-126-934-11	ELECT 220uF	20% 10V
S234	1-762-196-21	SWITCH, TACT (SET UP)		C325	1-136-165-00	FILM 0.1uF	5% 50V
S235	1-762-196-21	SWITCH, TACT (NAME)		C326	1-136-165-00	FILM 0.1uF	5% 50V
S236	1-762-196-21	SWITCH, TACT (ENTER)					
S237	1-762-196-21	SWITCH, TACT (+)		C327	1-126-959-11	ELECT 0.47uF	20% 50V
S238	1-762-196-21	SWITCH, TACT (-)		C328	1-126-963-11	ELECT 4.7uF	20% 50V
S239	1-762-196-21	SWITCH, TACT (EFFECT/DELAY)		C329	1-126-959-11	ELECT 0.47uF	20% 50V
S240	1-762-196-21	SWITCH, TACT (CENTER)		C330	1-126-963-11	ELECT 4.7uF	20% 50V
S241	1-762-196-21	SWITCH, TACT (REAR)		C331	1-124-250-11	ELECT 0.15uF	20% 50V
S242	1-762-196-21	SWITCH, TACT (SOUND FIELD + MODE)					
S243	1-762-196-21	SWITCH, TACT (SOUND FIELD ON/OFF)		C332	1-126-962-11	ELECT 3.3uF	20% 50V
S244	1-762-196-21	SWITCH, TACT (SOUND FIELD - MODE)		C333	1-124-250-11	ELECT 0.15uF	20% 50V
S245	1-762-196-21	SWITCH, TACT (PHONO) (SE391)		C334	1-137-372-11	FILM 0.022uF	5% 50V
*****				C335	1-136-161-00	FILM 0.047uF	5% 50V
A-4419-127-A	MAIN BOARD, COMPLETE (DE335: CND)			C336	1-126-959-11	ELECT 0.47uF	20% 50V
A-4419-138-A	MAIN BOARD, COMPLETE (DE335: E)						
A-4419-194-A	MAIN BOARD, COMPLETE (SE391)			C337	1-126-795-11	ELECT 10uF	20% 50V
A-4419-483-A	MAIN BOARD, COMPLETE (DE335: US)			C338	1-126-795-11	ELECT 10uF	20% 50V
A-4419-749-A	MAIN BOARD, COMPLETE (DE335: AEP)			C339	1-126-795-11	ELECT 10uF	20% 50V
A-4419-753-A	MAIN BOARD, COMPLETE			C340	1-126-795-11	ELECT 10uF	20% 50V
	(DE335: MY, SP, AUS/V323)			C341	1-126-925-11	ELECT 470uF	20% 10V
	*****			C342	1-126-962-11	ELECT 3.3uF	20% 50V
3-905-609-01	SCREW (TRANSISTOR)			C343	1-126-962-11	ELECT 3.3uF	20% 50V
4-812-134-00	RIVET (DIA. 3.5), NYLON			C344	1-136-165-00	FILM 0.1uF	5% 50V
7-685-646-79	SCREW +BVTP 3X8 TYPE2 IT-3			C345	1-136-165-00	FILM 0.1uF	5% 50V
				C346	1-126-959-11	ELECT 0.47uF	20% 50V

Ref. No.	Part No.	Description	Remark			Ref. No.	Part No.	Description	Remark		
C347	1-126-963-11	ELECT	4.7uF	20%	50V	C670	1-162-286-31	CERAMIC	220PF	10%	50V
C348	1-126-959-11	ELECT	0.47uF	20%	50V	C702	1-162-282-31	CERAMIC	100PF	10%	50V
C349	1-126-963-11	ELECT	4.7uF	20%	50V	C703	1-104-665-11	ELECT	100uF	20%	10V
C350	1-124-250-11	ELECT	0.15uF	20%	50V	C704	1-104-664-11	ELECT	47uF	20%	16V
C351	1-126-962-11	ELECT	3.3uF	20%	50V	C705	1-102-233-00	CERAMIC	33PF	10%	500V
C352	1-136-165-00	FILM	0.1uF	5%	50V	C710	1-104-664-11	ELECT	47uF	20%	16V
C353	1-102-973-00	CERAMIC	100PF	5%	50V	C711	1-137-372-11	FILM	0.022uF	5%	50V
C357	1-164-159-11	CERAMIC	0.1uF		50V	C720	1-162-286-31	CERAMIC	220PF	10%	50V
C358	1-126-963-11	ELECT	4.7uF	20%	50V	C721	1-126-934-11	ELECT	220uF	20%	10V
C359	1-126-963-11	ELECT	4.7uF	20%	50V	C722	1-126-795-11	ELECT	10uF	20%	50V
C360	1-126-963-11	ELECT	4.7uF	20%	50V	C740	1-128-560-11	ELECT	22uF	20%	100V
C361	1-164-159-11	CERAMIC	0.1uF		50V	C741	1-128-560-11	ELECT	22uF	20%	100V
C362	1-164-159-11	CERAMIC	0.1uF		50V	C742	1-126-925-11	ELECT	470uF	20%	10V
C363	1-164-159-11	CERAMIC	0.1uF		50V	C743	1-126-925-11	ELECT	470uF	20%	10V
C364	1-164-159-11	CERAMIC	0.1uF		50V	C752	1-162-282-31	CERAMIC	100PF	10%	50V
C365	1-164-159-11	CERAMIC	0.1uF		50V	C753	1-104-665-11	ELECT	100uF	20%	10V
C366	1-164-159-11	CERAMIC	0.1uF		50V	C754	1-104-664-11	ELECT	47uF	20%	16V
C367	1-137-358-11	FILM	0.0001uF	5%	50V	C755	1-102-233-00	CERAMIC	33PF	10%	500V
C368	1-126-934-11	ELECT	220uF	20%	16V	C760	1-104-664-11	ELECT	47uF	20%	16V
C369	1-136-177-00	FILM	1uF	5%	50V	C761	1-137-372-11	FILM	0.022uF	5%	50V
C370	1-130-481-00	MYLAR	0.0068uF	5%	50V	C770	1-162-286-31	CERAMIC	220PF	10%	50V
C371	1-124-250-11	ELECT	0.15uF	20%	50V	C801	1-104-664-11	ELECT	47uF	20%	25V
C372	1-137-358-11	FILM	0.0001uF	5%	50V	C802	1-104-664-11	ELECT	47uF	20%	25V
C376	1-136-177-00	FILM	1uF	5%	50V	C803	1-107-766-11	ELECT (BLOCK)	8200uF	20%	71V
C377	1-136-177-00	FILM	1uF	5%	50V						(DE335: AEP, MY, SP, AUS/V323)
C378	1-102-518-11	CERAMIC	33PF	5%	50V	C803	1-125-897-11	ELECT	10000uF	20%	71V
C379	1-136-165-00	FILM	0.1uF	5%	50V						(DE335: US, CND, E/SE391)
C380	1-136-177-00	FILM	1uF	5%	50V	C804	1-107-766-11	ELECT (BLOCK)	8200uF	20%	71V
C381	1-164-159-11	CERAMIC	0.1uF		50V						(DE335: AEP, MY, SP, AUS/V323)
C382	1-102-953-00	CERAMIC	18PF	5%	50V	C804	1-125-897-11	ELECT	10000uF	20%	71V
C406	1-164-159-11	CERAMIC	0.1uF		50V						(DE335: US, CND, E/SE391)
C408	1-162-294-31	CERAMIC	0.001uF	10%	50V	C805	1-130-781-00	MYLAR	0.22uF	5%	100V
C412	1-162-291-31	CERAMIC	560PF	10%	50V						(DE335: AEP, MY, SP, AUS/V323)
C413	1-164-159-11	CERAMIC	0.1uF		50V	C805	1-137-420-11	FILM	0.047uF	10%	100V
C415	1-164-159-11	CERAMIC	0.1uF		50V						(DE335: US, CND, E/SE391)
C416	1-164-159-11	CERAMIC	0.1uF		50V	C806	1-130-781-00	MYLAR	0.22uF	5%	100V
C427	1-124-252-00	ELECT	0.33uF	20%	50V						(DE335: AEP, MY, SP, AUS/V323)
C428	1-130-489-00	MYLAR	0.033uF	5%	50V	C806	1-137-420-11	FILM	0.047uF	10%	100V
											(DE335: US, CND, E/SE391)
C429	1-102-973-00	CERAMIC	100PF	5%	50V	C807	1-126-924-11	ELECT	330uF	20%	10V
C434	1-162-286-31	CERAMIC	220PF	10%	50V	C808	1-126-924-11	ELECT	330uF	20%	10V
C435	1-162-286-31	CERAMIC	220PF	10%	50V	C809	1-126-960-11	ELECT	1uF	20%	50V
C447	1-164-159-11	CERAMIC	0.1uF		50V	C810	1-126-960-11	ELECT	1uF	20%	50V
C477	1-124-252-00	ELECT	0.33uF	20%	50V	C811	1-128-550-11	ELECT	2200uF	20%	50V
C478	1-130-489-00	MYLAR	0.033uF	5%	50V	C812	1-126-941-11	ELECT	470uF	20%	25V
C479	1-102-973-00	CERAMIC	100PF	5%	50V	C813	1-101-001-00	CERAMIC	0.001uF		50V
C492	1-124-464-11	ELECT	0.22uF	20%	50V	C814	1-101-001-00	CERAMIC	0.001uF		50V
C602	1-162-282-31	CERAMIC	100PF	10%	50V	C815	1-126-960-11	ELECT	1uF	20%	50V
C603	1-104-665-11	ELECT	100uF	20%	10V	C816	1-104-664-11	ELECT	47uF	20%	25V
C605	1-102-233-00	CERAMIC	33PF	10%	500V	C820	1-161-494-00	CERAMIC	0.022uF		25V
C610	1-104-664-11	ELECT	47uF	20%	16V	C821	1-161-494-00	CERAMIC	0.022uF		25V
C611	1-137-372-11	FILM	0.022uF	5%	50V	C822	1-107-704-11	ELECT	470uF	20%	25V
C620	1-162-286-31	CERAMIC	220PF	10%	50V	C825	1-126-960-11	ELECT	1uF	20%	50V
C652	1-162-282-31	CERAMIC	100PF	10%	50V	C826	1-104-664-11	ELECT	47uF	20%	25V
C653	1-104-665-11	ELECT	100uF	20%	10V	C827	1-126-960-11	ELECT	1uF	20%	50V
C655	1-102-233-00	CERAMIC	33PF	10%	500V	C950	1-126-767-11	ELECT	1000uF	20%	16V
C660	1-104-664-11	ELECT	47uF	20%	16V	C951	1-164-097-11	CERAMIC	0.022uF		50V
C661	1-137-372-11	FILM	0.022uF	5%	50V	C952	1-126-960-11	ELECT	1uF	20%	50V

MAIN

Ref. No.	Part No.	Description	Remark	Ref. No.	Part No.	Description	Remark
C953	1-124-464-11	ELECT	0.22uF 20% 50V	D723	8-719-911-19	DIODE 1SS119	
C954	1-126-795-11	ELECT	10uF 20% 50V	D724	8-719-911-19	DIODE 1SS119	
C955	1-164-159-11	CERAMIC	0.1uF 50V	D725	8-719-911-19	DIODE 1SS119	
C957	1-164-159-11	CERAMIC	0.1uF 50V	D726	8-719-911-19	DIODE 1SS119	
C958	1-164-159-11	CERAMIC	0.1uF 50V				
CC02	1-162-282-31	CERAMIC	100PF 10% 50V (DE335: AEP)	D727	8-719-911-19	DIODE 1SS119	
CC03	1-162-282-31	CERAMIC	100PF 10% 50V (DE335: AEP)	D728	8-719-911-19	DIODE 1SS119	
CC04	1-162-282-31	CERAMIC	100PF 10% 50V (DE335: AEP)	D801	8-719-986-54	DIODE HZS24-1LTA	
CC05	1-162-282-31	CERAMIC	100PF 10% 50V (DE335: AEP)	D802	8-719-302-38	DIODE RBV-602-01	
CC06	1-162-282-31	CERAMIC	100PF 10% 50V (DE335: AEP)	D803	8-719-302-38	DIODE RBV-602-01 (DE335: AEP, MY, SP, AUS/V323)	
CC07	1-162-282-31	CERAMIC	100PF 10% 50V (DE335: AEP)	D804	8-719-109-85	DIODE RD5.1ES-B2	
CC12	1-164-096-11	CERAMIC	0.01uF 50V (DE335: AEP)	D810	8-719-024-99	DIODE 11ES2-NTA2B	
CC13	1-164-096-11	CERAMIC	0.01uF 50V (DE335: AEP)	D811	8-719-024-99	DIODE 11ES2-NTA2B	
CC52	1-162-282-31	CERAMIC	100PF 10% 50V (DE335: AEP)	D812	8-719-024-99	DIODE 11ES2-NTA2B	
CC53	1-162-282-31	CERAMIC	100PF 10% 50V (DE335: AEP)	D813	8-719-024-99	DIODE 11ES2-NTA2B	
CC54	1-162-282-31	CERAMIC	100PF 10% 50V (DE335: AEP)	D814	8-719-911-19	DIODE 1SS119	
CC55	1-162-282-31	CERAMIC	100PF 10% 50V (DE335: AEP)	D815	8-719-911-19	DIODE 1SS119	
CC56	1-162-282-31	CERAMIC	100PF 10% 50V (DE335: AEP)	D818	8-719-911-19	DIODE 1SS119	
CC57	1-162-282-31	CERAMIC	100PF 10% 50V (DE335: AEP)	D820	8-719-024-99	DIODE 11ES2-NTA2B	
CC62	1-164-096-11	CERAMIC	0.01uF 50V (DE335: AEP)	D821	8-719-024-99	DIODE 11ES2-NTA2B	
CC63	1-164-096-11	CERAMIC	0.01uF 50V (DE335: AEP)	D822	8-719-024-99	DIODE 11ES2-NTA2B	
		< CONNECTOR >		D823	8-719-024-99	DIODE 11ES2-NTA2B	
CN501	1-691-766-11	PLUG (MICRO CONNECTOR) 4P				< TERMINAL EARTH >	
CN502	1-691-767-11	PLUG (MICRO CONNECTOR) 5P		* G200	1-537-738-21	TERMINAL, EARTH	
CNS204	1-568-844-11	CONNECTOR, FFC 29P		* G201	1-537-738-21	TERMINAL, EARTH	
CNS251	1-568-848-11	SOCKET, CONNECTOR 5P (DE335/V323)		* G202	1-537-738-21	TERMINAL, EARTH	
CNS401	1-569-321-11	SOCKET, CONNECTOR 15P		* G203	1-537-738-21	TERMINAL, EARTH	
CNS403	1-568-443-11	SOCKET, CONNECTOR 13P				< IC >	
CNS505	1-750-180-11	PIN, CONNECTOR (PC BOARD) 5P (SE391)		IC1	8-759-450-86	IC BU1922 (DE335: AEP)	
CNS701	1-568-439-11	SOCKET, CONNECTOR 7P		IC300	8-759-528-35	IC CXA8079S	
CNS702	1-691-767-11	PLUG (MICRO CONNECTOR) 5P		IC301	8-759-579-62	IC LV1018	
CNS802	1-770-480-11	SOCKET, CONNECTOR PIN 4P		IC302	8-759-636-74	IC M5218AP-22	
		< DIODE >		IC401	8-759-545-64	IC LC78212	
D300	8-719-070-77	DIODE SVC201SPA-M1-AC		IC502	8-759-636-74	IC M5218AP-22	
D310	8-719-911-19	DIODE 1SS119		IC701	8-759-326-52	IC uPC2581V	
D311	8-719-911-19	DIODE 1SS119		IC702	8-759-326-52	IC uPC2581V	
D312	8-719-911-19	DIODE 1SS119		IC801	8-759-604-39	IC M5F78M12	
D421	8-719-911-19	DIODE 1SS119		IC802	8-759-604-45	IC M5F79M12	
D510	8-719-911-19	DIODE 1SS119		IC803	8-759-604-35	IC M5F78M05L	
D610	8-719-911-19	DIODE 1SS119		IC804	8-759-604-35	IC M5F78M05L	
D710	8-719-911-19	DIODE 1SS119		IC805	8-759-604-38	IC M5F78M10	
D721	8-719-911-19	DIODE 1SS119		IC950	8-759-333-83	IC NJM2103D	
D722	8-719-911-19	DIODE 1SS119				< JACK >	
				J253	1-774-785-11	JACK, PIN 1P (WOOFER AUDIO OUT)	
				J401	1-691-887-11	JACK, PIN 6P (CD IN, MD/TAPE REC OUT, MD/TAPE IN) (DE335: CND)	
				J401	1-774-411-11	JACK, PIN 6P (CD IN, MD/TAPE REC OUT, MD/TAPE IN) (EXCEPT DE335: CND)	
				J402	1-580-825-11	JACK, PIN 6P (TV/SAT AUDIO IN, VIDEO AUDIO IN/OUT) (DE335: CND)	
				J402	1-770-015-11	JACK, PIN 6P (TV/SAT AUDIO IN, VIDEO AUDIO IN/OUT) (EXCEPT DE335: CND, AEP)	
				J402	1-770-015-11	JACK, PIN 6P (TV/LD AUDIO IN, VIDEO AUDIO IN/OUT) (DE335: AEP)	

Ref. No.	Part No.	Description	Remark	Ref. No.	Part No.	Description	Remark
		< COIL >		R7	1-247-807-31	CARBON 100	5% 1/4W (DE335: AEP)
L1	1-410-521-11	INDUCTOR 100uH (DE335: AEP)		R303	1-249-439-11	CARBON 68K	5% 1/4W
L301	1-410-509-11	INDUCTOR 10uH		R306	1-249-436-11	CARBON 39K	5% 1/4W
L501	1-420-872-00	COIL, AIR-CORE		R342	1-249-441-11	CARBON 100K	5% 1/4W
L601	1-420-872-00	COIL, AIR-CORE		R343	1-249-441-11	CARBON 100K	5% 1/4W
L651	1-420-872-00	COIL, AIR-CORE		R351	1-249-417-11	CARBON 1K	5% 1/4W
L701	1-420-872-00	COIL, AIR-CORE		R352	1-249-417-11	CARBON 1K	5% 1/4W
L751	1-420-872-00	COIL, AIR-CORE		R353	1-249-417-11	CARBON 1K	5% 1/4W
		< TRANSISTOR/IC >		R354	1-249-417-11	CARBON 1K	5% 1/4W
Q361	8-729-141-30	TRANSISTOR 2SC3623A-LK		R355	1-249-417-11	CARBON 1K	5% 1/4W
Q362	8-729-141-30	TRANSISTOR 2SC3623A-LK		R356	1-249-417-11	CARBON 1K	5% 1/4W
Q363	8-729-141-30	TRANSISTOR 2SC3623A-LK		R357	1-249-429-11	CARBON 10K	5% 1/4W
Q364	8-729-141-30	TRANSISTOR 2SC3623A-LK		R358	1-249-439-11	CARBON 68K	5% 1/4W
Q365	8-729-141-30	TRANSISTOR 2SC3623A-LK		R359	1-249-425-11	CARBON 4.7K	5% 1/4W
Q366	8-729-141-30	TRANSISTOR 2SC3623A-LK		R360	1-249-425-11	CARBON 4.7K	5% 1/4W
Q367	8-729-119-78	TRANSISTOR 2SC403SP-51		R361	1-249-425-11	CARBON 4.7K	5% 1/4W
Q401	8-729-202-67	FET 2SK246-GR3		R362	1-249-425-11	CARBON 4.7K	5% 1/4W
Q402	8-729-141-30	TRANSISTOR 2SC3623A-LK		R363	1-249-425-11	CARBON 4.7K	5% 1/4W
Q451	8-729-202-67	FET 2SK246-GR3		R364	1-249-425-11	CARBON 4.7K	5% 1/4W
Q452	8-729-141-30	TRANSISTOR 2SC3623A-LK		R365	1-249-425-11	CARBON 4.7K	5% 1/4W
Q510	8-729-119-78	TRANSISTOR 2SC403SP-51		R366	1-249-425-11	CARBON 4.7K	5% 1/4W
Q601	8-729-119-76	TRANSISTOR 2SA1175-HFE		R367	1-249-438-11	CARBON 56K	5% 1/4W
Q602	8-729-141-30	TRANSISTOR 2SC3623A-LK		R368	1-249-425-11	CARBON 4.7K	5% 1/4W
Q603	8-749-010-25	IC MN2488-OPY-M		R369	1-249-439-11	CARBON 68K	5% 1/4W
Q604	8-749-010-26	IC MP1620-OPY-M		R370	1-249-429-11	CARBON 10K	5% 1/4W
Q610	8-729-119-78	TRANSISTOR 2SC403SP-51		R372	1-249-441-11	CARBON 100K	5% 1/4W
Q620	8-729-140-82	TRANSISTOR 2SA988-PAFAEA		R374	1-249-429-11	CARBON 10K	5% 1/4W
Q651	8-729-119-76	TRANSISTOR 2SA1175-HFE		R375	1-249-429-11	CARBON 10K	5% 1/4W
Q652	8-729-141-30	TRANSISTOR 2SC3623A-LK		R380	1-249-441-11	CARBON 100K	5% 1/4W
Q653	8-749-010-25	IC MN2488-OPY-M		R381	1-249-441-11	CARBON 100K	5% 1/4W
Q654	8-749-010-26	IC MP1620-OPY-M		△R397	1-249-410-11	CARBON 270	5% 1/4W F
Q670	8-729-140-82	TRANSISTOR 2SA988-PAFAEA		R399	1-249-426-11	CARBON 5.6K	5% 1/4W
Q701	8-729-119-76	TRANSISTOR 2SA1175-HFE		R402	1-249-417-11	CARBON 1K	5% 1/4W
Q702	8-729-141-30	TRANSISTOR 2SC3623A-LK		R403	1-249-417-11	CARBON 1K	5% 1/4W
Q703	8-749-010-25	IC MN2488-OPY-M		R404	1-249-417-11	CARBON 1K	5% 1/4W
Q704	8-749-010-26	IC MP1620-OPY-M		R405	1-249-417-11	CARBON 1K	5% 1/4W
Q710	8-729-119-78	TRANSISTOR 2SC403SP-51		R406	1-249-417-11	CARBON 1K	5% 1/4W
Q720	8-729-140-82	TRANSISTOR 2SA988-PAFAEA		R407	1-249-417-11	CARBON 1K	5% 1/4W
Q721	8-729-140-82	TRANSISTOR 2SA988-PAFAEA		R414	1-249-425-11	CARBON 4.7K	5% 1/4W
Q722	8-729-140-84	TRANSISTOR 2SC1841-PAFAEA		R415	1-249-417-11	CARBON 1K	5% 1/4W
Q723	8-729-119-78	TRANSISTOR 2SC403SP-51		R431	1-247-843-11	CARBON 3.3K	5% 1/4W
Q751	8-729-119-76	TRANSISTOR 2SA1175-HFE		R432	1-247-883-00	CARBON 150K	5% 1/4W
Q752	8-729-141-30	TRANSISTOR 2SC3623A-LK		R433	1-249-427-11	CARBON 6.8K	5% 1/4W
Q753	8-749-010-25	IC MN2488-OPY-M		R434	1-249-413-11	CARBON 470	5% 1/4W
Q754	8-749-010-26	IC MP1620-OPY-M		R435	1-249-418-11	CARBON 1.2K	5% 1/4W
Q770	8-729-140-82	TRANSISTOR 2SA988-PAFAEA		R438	1-249-441-11	CARBON 100K	5% 1/4W
Q801	8-729-140-97	TRANSISTOR 2SB734-34		R441	1-249-441-11	CARBON 100K	5% 1/4W
Q802	8-729-119-78	TRANSISTOR 2SC403SP-51		R442	1-249-418-11	CARBON 1.2K	5% 1/4W
Q809	8-729-119-78	TRANSISTOR 2SC403SP-51		R443	1-249-418-11	CARBON 1.2K	5% 1/4W
Q951	8-729-026-68	TRANSISTOR 2SD2525 (TP)		R444	1-247-903-00	CARBON 1M	5% 1/4W
		< RESISTOR >		R447	1-249-436-11	CARBON 39K	5% 1/4W
R5	1-249-421-11	CARBON 2.2K	5% 1/4W (DE335: AEP)	R448	1-249-436-11	CARBON 39K	5% 1/4W
R6	1-247-807-31	CARBON 100	5% 1/4W (DE335: AEP)	R449	1-249-433-11	CARBON 22K	5% 1/4W
				R452	1-249-417-11	CARBON 1K	5% 1/4W
				R453	1-249-417-11	CARBON 1K	5% 1/4W
				R454	1-249-417-11	CARBON 1K	5% 1/4W

以阴影和 △标志来识别的零
部件，在安全方面具有关键
性，因此只能以规定号码的
零部件来更换。

The components identified by
mark △ or dotted line with
mark △ are critical for safety.
Replace only with part num-
ber specified.

Les composants identifiés par une
marque △ sont critiques pour la
sécurité.
Ne les remplacer que par une pièce
portant le numéro spécifié.

MAIN

Ref. No.	Part No.	Description	Remark	Ref. No.	Part No.	Description	Remark
R455	1-249-417-11	CARBON	1K 5% 1/4W	R663	1-249-414-11	CARBON	560 5% 1/4W
R456	1-249-417-11	CARBON	1K 5% 1/4W	△R664	1-249-408-11	CARBON	180 5% 1/4W F (DE335: AEP)
R457	1-249-417-11	CARBON	1K 5% 1/4W	△R664	1-249-409-11	CARBON	220 5% 1/4W F (EXCEPT DE335: AEP)
R464	1-247-903-00	CARBON	1M 5% 1/4W	△R665	1-249-408-11	CARBON	180 5% 1/4W F (DE335: AEP)
R465	1-249-417-11	CARBON	1K 5% 1/4W	△R665	1-249-409-11	CARBON	220 5% 1/4W F (EXCEPT DE335: AEP)
R469	1-247-903-00	CARBON	1M 5% 1/4W	△R666	1-233-352-41	ENCAPSULATED COMPONENT (0.22+0.22)	
R481	1-247-843-11	CARBON	3.3K 5% 1/4W	△R667	1-249-393-11	CARBON	10 5% 1/4W F
R482	1-247-883-00	CARBON	150K 5% 1/4W	R668	1-249-389-11	CARBON	4.7 5% 1/4W
R483	1-249-427-11	CARBON	6.8K 5% 1/4W	R670	1-249-419-11	CARBON	1.5K 5% 1/4W
R484	1-249-413-11	CARBON	470 5% 1/4W	R671	1-249-427-11	CARBON	6.8K 5% 1/4W
R491	1-249-441-11	CARBON	100K 5% 1/4W	R672	1-249-431-11	CARBON	15K 5% 1/4W
R492	1-247-903-00	CARBON	1M 5% 1/4W	R673	1-249-437-11	CARBON	47K 5% 1/4W
R494	1-247-903-00	CARBON	1M 5% 1/4W	R701	1-249-417-11	CARBON	1K 5% 1/4W
R518	1-249-389-11	CARBON	4.7 5% 1/4W	R702	1-249-439-11	CARBON	68K 5% 1/4W
△R519	1-249-403-11	CARBON	68 5% 1/4W F	R703	1-247-828-11	CARBON	750 5% 1/4W (DE335: US, CND, AEP, E/SE391)
△R523	1-249-403-11	CARBON	68 5% 1/4W F	R703	1-249-416-11	CARBON	820 5% 1/4W (DE335: MY, SP, AUS/V323)
R530	1-249-426-11	CARBON	5.6K 5% 1/4W	R704	1-249-439-11	CARBON	68K 5% 1/4W
R532	1-249-426-11	CARBON	5.6K 5% 1/4W	R705	1-249-429-11	CARBON	10K 5% 1/4W
R562	1-249-437-11	CARBON	47K 5% 1/4W	R706	1-249-435-11	CARBON	33K 5% 1/4W
R581	1-249-434-11	CARBON	27K 5% 1/4W (DE335: AEP)	R707	1-249-435-11	CARBON	33K 5% 1/4W
R581	1-249-436-11	CARBON	39K 5% 1/4W (DE335: MY, SP, AUS/V323)	R710	1-249-421-11	CARBON	2.2K 5% 1/4W
R581	1-249-437-11	CARBON	47K 5% 1/4W (DE335: US, CND, E/SE391)	R711	1-249-440-11	CARBON	82K 5% 1/4W
R601	1-249-417-11	CARBON	1K 5% 1/4W	R713	1-249-414-11	CARBON	560 5% 1/4W
R602	1-249-439-11	CARBON	68K 5% 1/4W	△R714	1-249-408-11	CARBON	180 5% 1/4W F (DE335: AEP)
R603	1-249-414-11	CARBON	560 5% 1/4W	△R714	1-249-409-11	CARBON	220 5% 1/4W F (EXCEPT DE335: AEP)
R604	1-249-439-11	CARBON	68K 5% 1/4W	△R715	1-249-408-11	CARBON	180 5% 1/4W F (DE335: AEP)
R610	1-249-421-11	CARBON	2.2K 5% 1/4W	△R715	1-249-409-11	CARBON	220 5% 1/4W F (EXCEPT DE335: AEP)
R611	1-249-440-11	CARBON	82K 5% 1/4W	△R716	1-233-352-41	ENCAPSULATED COMPONENT (0.22+0.22)	
R613	1-249-414-11	CARBON	560 5% 1/4W	△R717	1-249-393-11	CARBON	10 5% 1/4W F
△R614	1-249-408-11	CARBON	180 5% 1/4W F (EXCEPT DE335: AEP)	R718	1-249-389-11	CARBON	4.7 5% 1/4W
△R614	1-249-409-11	CARBON	220 5% 1/4W F (DE335: AEP)	△R719	1-249-403-11	CARBON	68 5% 1/4W F
△R615	1-249-408-11	CARBON	180 5% 1/4W F (EXCEPT DE335: AEP)	R720	1-249-419-11	CARBON	1.5K 5% 1/4W
△R615	1-249-409-11	CARBON	220 5% 1/4W F (DE335: AEP)	R721	1-249-427-11	CARBON	6.8K 5% 1/4W
△R616	1-233-352-41	ENCAPSULATED COMPONENT (0.22+0.22)		R722	1-249-431-11	CARBON	15K 5% 1/4W
△R617	1-249-393-11	CARBON	10 5% 1/4W F	R723	1-249-437-11	CARBON	47K 5% 1/4W
R618	1-249-389-11	CARBON	4.7 5% 1/4W	R724	1-249-425-11	CARBON	4.7K 5% 1/4W
R619	1-249-403-11	CARBON	68 5% 1/4W F	R725	1-249-427-11	CARBON	6.8K 5% 1/4W
R620	1-249-419-11	CARBON	1.5K 5% 1/4W	R726	1-249-417-11	CARBON	1K 5% 1/4W
R621	1-249-427-11	CARBON	6.8K 5% 1/4W	R727	1-249-427-11	CARBON	6.8K 5% 1/4W
R622	1-249-431-11	CARBON	15K 5% 1/4W	R730	1-249-426-11	CARBON	5.6K 5% 1/4W
R623	1-249-437-11	CARBON	47K 5% 1/4W	R731	1-249-426-11	CARBON	5.6K 5% 1/4W
R630	1-249-426-11	CARBON	5.6K 5% 1/4W	△R732	1-249-393-11	CARBON	10 5% 1/4W F
R632	1-249-426-11	CARBON	5.6K 5% 1/4W	△R733	1-249-393-11	CARBON	10 5% 1/4W F
△R644	1-249-403-11	CARBON	68 5% 1/4W F	R734	1-249-420-11	CARBON	1.8K 5% 1/4W
R651	1-249-417-11	CARBON	1K 5% 1/4W	R738	1-249-434-11	CARBON	27K 5% 1/4W (DE335: AEP)
R652	1-249-439-11	CARBON	68K 5% 1/4W	R738	1-249-436-11	CARBON	39K 5% 1/4W (DE335: MY, SP, AUS/V323)
R653	1-249-414-11	CARBON	560 5% 1/4W	R738	1-249-437-11	CARBON	47K 5% 1/4W (DE335: US, CND, E/SE391)
R654	1-249-439-11	CARBON	68K 5% 1/4W				
R660	1-249-421-11	CARBON	2.2K 5% 1/4W				
R661	1-249-440-11	CARBON	82K 5% 1/4W				

以阴影和 △ 标志来识别的零
部件，在安全方面具有关键
性。因此只能以规定号码的
零部件来更换。

The components identified by
mark △ or dotted line with
mark △ are critical for safety.
Replace only with part num-
ber specified.

Les composants identifiés par une
marque △ sont critiques pour la
sécurité.
Ne les remplacer que par une pièce
portant le numéro spécifié.

Ref. No.	Part No.	Description	Remark	Ref. No.	Part No.	Description	Remark
R742	1-249-425-11	CARBON	4.7K 5% 1/4W	RR04	1-249-393-11	CARBON 10 5% 1/4W (DE335: AEP)	
R743	1-249-425-11	CARBON	4.7K 5% 1/4W	RR05	1-249-393-11	CARBON 10 5% 1/4W (DE335: AEP)	
△R744	1-249-403-11	CARBON	68 5% 1/4W F	RR54	1-249-393-11	CARBON 10 5% 1/4W (DE335: AEP)	
R751	1-249-417-11	CARBON	1K 5% 1/4W	RR55	1-249-393-11	CARBON 10 5% 1/4W (DE335: AEP)	
R752	1-249-439-11	CARBON	68K 5% 1/4W	< RELAY >			
R753	1-247-828-11	CARBON	750 5% 1/4W (DE335: US, CND, AEP/SE391)	RY301	1-755-267-11	RELAY	
R753	1-249-416-11	CARBON	820 5% 1/4W (DE335: MY, SP, AUS/V323)	RY551	1-515-921-11	RELAY (12V)	
R753	1-249-442-11	CARBON	510 5% 1/4W (DE335: US, MY, SP, AUS/V323)	RY601	1-515-921-11	RELAY (12V)	
R754	1-249-439-11	CARBON	68K 5% 1/4W	RY701	1-515-921-11	RELAY (12V)	
R755	1-249-429-11	CARBON	10K 5% 1/4W	RY801	1-755-013-11	RELAY (EXCEPT DE335: CND)	
R756	1-249-435-11	CARBON	33K 5% 1/4W	RY851	1-515-918-11	RELAY (DE335: CND)	
R757	1-249-435-11	CARBON	33K 5% 1/4W	RY852	1-515-918-11	RELAY (DE335: CND)	
R760	1-249-421-11	CARBON	2.2K 5% 1/4W	< TERMINAL >			
R761	1-249-440-11	CARBON	82K 5% 1/4W	TM601	1-537-510-11	TERMINAL BOARD (SPEAKER) (6P) (SPEAKERS CENTER/REAR)	
R763	1-249-414-11	CARBON	560 5% 1/4W	TM701	1-537-376-11	TERMINAL BOARD (SP) (SPEAKERS FRONT A/B)	
△R764	1-249-408-11	CARBON	180 5% 1/4W F (DE335: AEP)	< VIBRATOR >			
△R764	1-249-409-11	CARBON	220 5% 1/4W F (EXCEPT DE335: AEP)	X1	1-579-900-21	VIBRATOR, CRYSTAL (4.332MHz) (DE335: AEP)	
△R765	1-249-408-11	CARBON	180 5% 1/4W F (DE335: AEP)	*****			
△R765	1-249-409-11	CARBON	220 5% 1/4W F (EXCEPT DE335: AEP)	1-673-055-11	PHONO BOARD (SE391) *****		
△R766	1-233-352-41	ENCAPSULATED COMPONENT (0.22+0.22)		< CAPACITOR >			
△R767	1-249-393-11	CARBON	10 5% 1/4W F	C401	1-162-282-31	CERAMIC 100PF 10% 50V	
R768	1-249-389-11	CARBON	4.7 5% 1/4W	C402	1-126-962-11	ELECT 3.3uF 20% 50V	
R770	1-249-419-11	CARBON	1.5K 5% 1/4W	C403	1-126-966-11	ELECT 33uF 20% 16V	
R771	1-249-427-11	CARBON	6.8K 5% 1/4W	C404	1-162-282-31	CERAMIC 100PF 10% 50V	
R772	1-249-431-11	CARBON	15K 5% 1/4W	C405	1-137-459-11	FILM 0.0056uF 5% 100V	
R773	1-249-437-11	CARBON	47K 5% 1/4W	C407	1-137-365-11	FILM 0.0015uF 5% 50V	
R788	1-249-434-11	CARBON	27K 5% 1/4W (DE335: AEP)	C409	1-126-962-11	ELECT 3.3uF 20% 50V	
R788	1-249-436-11	CARBON	39K 5% 1/4W (DE335: MY, SP, AUS/V323)	C410	1-164-159-21	CERAMIC 0.1uF 50V	
R788	1-249-437-11	CARBON	47K 5% 1/4W (DE335: US, CND, E/SE391)	C451	1-162-282-31	CERAMIC 100PF 10% 50V	
△R803	1-247-739-11	CARBON	100 5% 1/2W F (DE335: US, CND/SE391)	C452	1-126-962-11	ELECT 3.3uF 20% 50V	
△R803	1-249-389-11	CARBON	4.7 5% 1/4W F (EXCEPT DE335: US, CND/SE391)	C453	1-126-966-11	ELECT 33uF 20% 16V	
R804	1-249-427-11	CARBON	6.8K 5% 1/4W	C454	1-162-282-31	CERAMIC 100PF 10% 50V	
R821	1-249-437-11	CARBON	47K 5% 1/4W	C455	1-137-459-11	FILM 0.0056uF 5% 100V	
R822	1-249-425-11	CARBON	4.7K 5% 1/4W	C457	1-137-365-11	FILM 0.0015uF 5% 50V	
R823	1-249-437-11	CARBON	47K 5% 1/4W	C459	1-126-962-11	ELECT 3.3uF 20% 50V	
R824	1-249-425-11	CARBON	4.7K 5% 1/4W	C460	1-164-159-21	CERAMIC 0.1uF 50V	
△R830	1-249-403-11	CARBON	68 5% 1/4W F	< CONNECTOR >			
△R831	1-249-403-11	CARBON	68 5% 1/4W F	CNS451	1-750-179-11	SOCKET, CONNECTOR 5P	
R950	1-249-421-11	CARBON	2.2K 5% 1/4W	< IC >			
R951	1-249-428-11	CARBON	8.2K 5% 1/4W	IC402	8-759-636-74	IC M5218AP-22	
R952	1-249-422-11	CARBON	2.7K 5% 1/4W	< JACK >			
R953	1-249-433-11	CARBON	22K 5% 1/4W	J451	1-785-837-11	PIN JACK 2P (PHONO IN)	
R954	1-249-437-11	CARBON	47K 5% 1/4W				
R955	1-249-429-11	CARBON	10K 5% 1/4W				
R956	1-247-843-11	CARBON	3.3K 5% 1/4W				
R957	1-249-417-11	CARBON	1K 5% 1/4W				
R960	1-249-431-11	CARBON	15K 5% 1/4W				

以阴影和 △标志来识别的零
部件，在安全方面具有关键
性，因此只能以规定号码的
零部件来更换。

The components identified by
mark △ or dotted line with
mark △ are critical for safety.
Replace only with part num-
ber specified.

Les composants identifiés par une
marque △ sont critiques pour la
sécurité.
Ne les remplacer que par une pièce
portant le numéro spécifié.

PHONO	POWER SWITCH	PRIMARY	REAR AMP
--------------	---------------------	----------------	-----------------

Ref. No.	Part No.	Description	Remark
< RESISTOR >			
R401	1-249-411-11	CARBON 330	5% 1/4W
R409	1-249-437-11	CARBON 47K	5% 1/4W
R410	1-247-897-11	CARBON 560K	5% 1/4W
R411	1-249-416-11	CARBON 820	5% 1/4W
R412	1-247-897-11	CARBON 560K	5% 1/4W
R413	1-249-437-11	CARBON 47K	5% 1/4W
R416	1-249-417-11	CARBON 1K	5% 1/4W
R417	1-247-897-11	CARBON 560K	5% 1/4W
R451	1-249-411-11	CARBON 330	5% 1/4W
R459	1-249-437-11	CARBON 47K	5% 1/4W
R460	1-247-897-11	CARBON 560K	5% 1/4W
R461	1-249-416-11	CARBON 820	5% 1/4W
R462	1-247-897-11	CARBON 560K	5% 1/4W
R463	1-249-437-11	CARBON 47K	5% 1/4W
R466	1-249-417-11	CARBON 1K	5% 1/4W
R467	1-247-897-11	CARBON 560K	5% 1/4W

	1-673-051-11	POWER SWITCH BOARD	*****
< CONNECTOR >			
CNS203	1-573-105-11	CONNECTOR, PC BOARD 4P	
< SWITCH >			
S200	1-762-196-21	SWITCH, TACT (I/⏏)	

	1-673-050-11	PRIMARY BOARD (EXCEPT DE335: E)	*****
	1-533-293-11	FUSE HOLDER	
< CONNECTOR >			
* CNP902	1-564-321-21	PIN, CONNECTOR 2P	
< FUSE >			
△ F901	1-532-464-51	FUSE (T2.5AL/250V)	(DE335: AEP, MY SP, AUS/V323)
△ F901	1-533-310-11	FUSE, GLASS CYLINDRICAL (DIA.5)	(6.3A/125V) (DE335: US, CND/SE391)

A-4419-137-A	REAR AMP BOARD, COMPLETE (DE335: E)		
A-4419-192-A	REAR AMP BOARD, COMPLETE (SE391)		
A-4419-481-A	REAR AMP BOARD, COMPLETE (DE335: US, CND)		
A-4419-747-A	REAR AMP BOARD, COMPLETE (DE335: AEP)		
A-4419-750-A	REAR AMP BOARD, COMPLETE (DE335: MY, SP, AUS/V323)		

< CAPACITOR >			
C444	1-126-163-11	ELECT 4.7uF	20% 50V
C445	1-126-163-11	ELECT 4.7uF	20% 50V
C502	1-162-282-31	CERAMIC 100PF	10% 50V
C503	1-104-665-11	ELECT 100uF	20% 10V
C505	1-102-233-00	CERAMIC 33PF	10% 500V

Ref. No.	Part No.	Description	Remark
C510	1-104-664-11	ELECT 47uF	20% 16V
C511	1-137-372-11	FILM 0.022uF	5% 50V
C520	1-162-286-31	CERAMIC 220PF	10% 50V
C551	1-126-963-11	ELECT 4.7uF	20% 50V
C552	1-162-282-31	CERAMIC 100PF	10% 50V
C553	1-104-665-11	ELECT 100uF	20% 10V
C555	1-102-233-00	CERAMIC 33PF	10% 500V
< CONNECTOR >			
* CNS501	1-564-519-11	PLUG, CONNECTOR 4P	
* CNS502	1-564-520-11	PLUG, CONNECTOR 5P	
CNS503	1-784-727-11	CONNECTOR, FFC 5P	
< IC >			
IC501	8-759-326-52	IC uPC2581V	
< TRANSISTOR/IC >			
Q501	8-729-119-76	TRANSISTOR 2SA1175-HFE	
Q502	8-729-209-15	TRANSISTOR 2SD2012	
Q503	8-749-010-25	IC MN2488-OPY-M	
Q504	8-749-010-26	IC MP1620-OPY-M	
Q520	8-729-140-82	TRANSISTOR 2SA988-PAFAEA	
< RESISTOR >			
R501	1-249-417-11	CARBON 1K	5% 1/4W
R502	1-249-439-11	CARBON 68K	5% 1/4W
R503	1-249-412-11	CARBON 390	5% 1/4W
R503	1-249-414-11	CARBON 560	5% 1/4W (EXCEPT DE335: AEP)
R504	1-249-439-11	CARBON 68K	5% 1/4W (DE335: AEP)
R510	1-247-840-00	CARBON 2.4K	5% 1/4W
R511	1-249-440-11	CARBON 82K	5% 1/4W
R513	1-249-414-11	CARBON 560	5% 1/4W
△ R514	1-249-408-11	CARBON 180	5% 1/4W F (DE335: AEP)
△ R514	1-249-409-11	CARBON 220	5% 1/4W F (EXCEPT DE335: AEP)
△ R515	1-249-408-11	CARBON 180	5% 1/4W F (DE335: AEP)
△ R515	1-249-409-11	CARBON 220	5% 1/4W F (EXCEPT DE335: AEP)
△ R516	1-233-352-41	ENCAPSULATED COMPONENT	(0.22+0.22)
△ R517	1-249-393-11	CARBON 10	5% 1/4W F
R520	1-249-419-11	CARBON 1.5K	5% 1/4W
R521	1-249-427-11	CARBON 6.8K	5% 1/4W
R522	1-249-431-11	CARBON 15K	5% 1/4W
R551	1-249-417-11	CARBON 1K	5% 1/4W
R552	1-249-439-11	CARBON 68K	5% 1/4W
R553	1-249-413-11	CARBON 470	5% 1/4W
R554	1-249-429-11	CARBON 10K	5% 1/4W
R557	1-249-409-11	CARBON 220	5% 1/4W
R558	1-249-409-11	CARBON 220	5% 1/4W
R559	1-249-420-11	CARBON 1.8K	5% 1/4W
R560	1-249-420-11	CARBON 1.8K	5% 1/4W

以阴影和 △ 标志来识别的零件、在安全方面具有关键性。因此只能以规定号码的零件来更换。

The components identified by mark △ or dotted line with mark △ are critical for safety. Replace only with part number specified.

Les composants identifiés par une marque △ sont critiques pour la sécurité. Ne les remplacer que par une pièce portant le numéro spécifié.

SECONDARY	SP SW	STANDBY	TONE
-----------	-------	---------	------

Ref. No.	Part No.	Description	Remark	Ref. No.	Part No.	Description	Remark
	1-673-049-11	SECONDARY BOARD *****				< FUSE >	
		< CONNECTOR >		△F902	1-532-464-51	FUSE (T2.5AL/250V) (DE335: AEP, MY, SP, AUS/V323)	
CNP801	1-691-773-11	PLUG (MICRO CONNECTOR) 11P		△F903	1-532-388-51	FUSE (T2AL/250V) (DE335: E)	
		< RESISTOR >				< TERMINAL EARTH >	
△R810	1-240-877-91	FUSIBLE 0.15 5% 1/4W F		* G900	1-537-738-21	TERMINAL, EARTH (DE335: US, CND/SE391)	
△R811	1-240-877-91	FUSIBLE 0.15 5% 1/4W F				< AC OUTLET >	

	1-673-045-11	SP SW BOARD *****		△J911	1-251-718-11	OUTLET (2 GANG), AC (SE391) (AC OUTLET)	
		< CONNECTOR >		△J911	1-785-834-11	OUTLET (1P) (DE335: US, CND, E) (AC OUTLET)	
CNP703	1-691-767-11	PLUG (MICRO CONNECTOR) 5P				< RESISTOR >	
CNP704	1-691-765-11	PLUG (MICRO CONNECTOR) 3P		△R901	1-202-725-00	SOLID 3.3M 10% 1/2W (DE335: US, CND/SE391)	
		< JACK >				< RELAY >	
J741	1-750-731-11	JACK (LARGE TYPE) (PHONES) (SE391)		△RY901	1-755-146-11	RELAY, AC POWER (SE391)	
J741	1-750-733-11	JACK (LARGE TYPE) (PHONES) (DE335/V323)		△RY901	1-755-276-11	RELAY, POWER (DE335/V323)	
		< RESISTOR >				< TRANSFORMER >	
R741	1-247-753-11	CARBON 1.2K 5% 1/2W		△T902	1-433-685-11	TRANSFORMER, POWER (DE335: AEP, MY, SP, AUS/V323)	
R742	1-247-753-11	CARBON 1.2K 5% 1/2W		△T902	1-433-686-11	TRANSFORMER, POWER (DE335: US, CND/SE391)	
R791	1-247-753-11	CARBON 1.2K 5% 1/2W		△T902	1-433-687-11	TRANSFORMER, POWER (DE335: E)	
R792	1-247-753-11	CARBON 1.2K 5% 1/2W		*****			
		< SWITCH >			1-673-044-11	TONE BOARD *****	
S701	1-771-634-11	SWITCH, PUSH (2 KEY) (SPEAKERS A/B ON/OFF)				< CAPACITOR >	

	1-673-048-11	STANDBY BOARD *****		C421	1-137-440-11	FILM 0.018uF 5% 50V	
		< AC OUTLET >		C422	1-124-463-00	ELECT 0.1uF 20% 50V	
	1-533-293-11	FUSE HOLDER (DE335: AEP, E, MY, SP, AUS/V323)		C423	1-137-368-11	FILM 0.0047uF 5% 50V	
		< AC OUTLET >		C424	1-137-372-11	FILM 0.022uF 5% 50V	
△CNJ903	1-251-416-11	OUTLET, A.C. (DE335: AUS) (AC OUTLET)		C471	1-137-440-11	FILM 0.018uF 5% 50V	
△CNJ903	1-526-794-11	OUTLET, AC (DE335: AEP, MY, SP) (AC OUTLET)		C472	1-124-463-00	ELECT 0.1uF 20% 50V	
△CNJ903	1-526-822-00	OUTLET, AC (V323) (AC OUTLET)		C473	1-137-368-11	FILM 0.0047uF 5% 50V	
		< CONNECTOR >		C474	1-137-372-11	FILM 0.022uF 5% 50V	
		< DIODE >				< CONNECTOR >	
CNP802	1-779-495-11	PLUG, CONNECTOR PIN 4P		CNS404	1-770-399-11	HOUSING, CONNECTOR (PC BOARD) 6P	
CNP901	1-564-321-00	PIN, CONNECTOR 2P				< RESISTOR >	
* CNP903	1-580-230-11	PIN, CONNECTOR (PC BOARD) 2P (DE335:AEP, MY, SP, AUS/V323)		R420	1-249-415-11	CARBON 680 5% 1/4W	
CNP905	1-564-320-00	PIN, CONNECTOR (B2P-VH) 2P (DE335: E)		R421	1-249-431-11	CARBON 15K 5% 1/4W	
* CNP906	1-564-687-11	PIN, CONNECTOR 3P (DE335: E)		R422	1-249-422-11	CARBON 2.7K 5% 1/4W	
		< DIODE >		R423	1-247-903-00	CARBON 1M 5% 1/4W	
D816	8-719-911-19	DIODE 1SS119 (DE335: US, AEP, SP)		R424	1-247-903-00	CARBON 1M 5% 1/4W	
D816	8-719-991-33	DIODE 1SS133T-77 (EXCEPT DE335: US, AEP, SP)		R470	1-249-415-11	CARBON 680 5% 1/4W	
				R471	1-249-431-11	CARBON 15K 5% 1/4W	
				R472	1-249-422-11	CARBON 2.7K 5% 1/4W	
				R473	1-247-903-00	CARBON 1M 5% 1/4W	

以阴影和 △标志来识别的零部件，在安全方面具有关键性。因此只能以规定号码的零部件来更换。

The components identified by mark △ or dotted line with mark △ are critical for safety. Replace only with part number specified.

Les composants identifiés par une marque △ sont critiques pour la sécurité. Ne les remplacer que par une pièce portant le numéro spécifié.

TONE	VIDEO	VOL SEL	VOLUME
------	-------	---------	--------

Ref. No.	Part No.	Description	Remark
R474	1-247-903-00	CARBON 1M 5%	1/4W
< VARIABLE RESISTOR >			
RV421	1-223-362-11	RES, VAR, CARBON 100K/100K (BASS)	
RV422	1-223-363-11	RES, VAR, CARBON 125K/125K (TREBLE)	
RV423	1-238-965-21	RES, VAR, CARBON 100K/100K (BALANCE)	

	1-673-053-11	VIDEO BOARD *****	
< CAPACITOR >			
C260	1-126-960-11	ELECT 1uF 20%	50V (DE335/V323)
C261	1-126-960-11	ELECT 1uF 20%	50V (DE335/V323)
C262	1-164-159-11	CERAMIC 0.1uF	50V (DE335/V323)
C263	1-104-664-11	ELECT 47uF 20%	25V (DE335/V323)
C264	1-164-159-11	CERAMIC 0.1uF	50V (DE335/V323)
C265	1-126-924-11	ELECT 330uF 20%	10V (DE335/V323)
C266	1-162-215-31	CERAMIC 47PF 5%	50V (DE335/V323)
C267	1-162-215-31	CERAMIC 47PF 5%	50V (DE335/V323)
C268	1-126-960-11	ELECT 1uF 20%	50V (DE335/V323)
C301	1-126-795-11	ELECT 10uF 20%	50V
C306	1-126-795-11	ELECT 10uF 20%	50V
C317	1-126-795-11	ELECT 10uF 20%	50V
C318	1-126-795-11	ELECT 10uF 20%	50V
C375	1-126-795-11	ELECT 10uF 20%	50V
C376	1-126-795-11	ELECT 10uF 20%	50V
CC272	1-162-282-31	CERAMIC 100PF 10%	50V (DE335: AEP)
CC274	1-162-282-31	CERAMIC 100PF 10%	50V (DE335: AEP)
CC276	1-162-282-31	CERAMIC 100PF 10%	50V (DE335: AEP)
CC278	1-162-282-31	CERAMIC 100PF 10%	50V (DE335: AEP)
CC280	1-162-282-31	CERAMIC 100PF 10%	50V (DE335: AEP)
CC282	1-162-282-31	CERAMIC 100PF 10%	50V (DE335: AEP)
< CONNECTOR >			
CNP500	1-691-771-11	PLUG (MICRO CONNECTOR) 9P	
CNS250	1-569-315-11	SOCKET, CONNECTOR 5P (DE335/V323)	
< IC >			
IC251	8-759-333-84	IC NJM2279D (DE335/V323)	
< JACK >			
J251	1-770-336-11	JACK, PIN 2P (5.1CH/DVD VIDEO, TV/SAT VIDEO IN) (EXCEPT DE335: AEP/SE391)	

Ref. No.	Part No.	Description	Remark
J251	1-770-336-11	JACK, PIN 2P (5.1CH/DVD VIDEO, TV/LD VIDEO IN) (DE335: AEP)	
J252	1-774-821-11	JACK, PIN 3P (VIDEO IN/OUT, MONITOR VIDEO OUT) (DE335/V323)	
J501	1-779-599-11	JACK, PIN 6P (5.1CH/DVD: FRONT, REAR, WOOFER, CENTER)	
< RESISTOR >			
R208	1-247-804-11	CARBON 75	5% 1/4W (DE335/V323)
R209	1-247-804-11	CARBON 75	5% 1/4W (DE335/V323)
R210	1-247-804-11	CARBON 75	5% 1/4W (DE335/V323)
R211	1-247-804-11	CARBON 75	5% 1/4W (DE335/V323)
R212	1-247-804-11	CARBON 75	5% 1/4W (DE335/V323)
△R213	1-249-407-11	CARBON 150	5% 1/4W F (DE335/V323)
R214	1-249-421-11	CARBON 2.2K	5% 1/4W
R215	1-249-421-11	CARBON 2.2K	5% 1/4W
R217	1-249-421-11	CARBON 2.2K	5% 1/4W
R218	1-249-421-11	CARBON 2.2K	5% 1/4W
R219	1-249-421-11	CARBON 2.2K	5% 1/4W
R220	1-249-421-11	CARBON 2.2K	5% 1/4W
△R229	1-249-410-11	CARBON 270	5% 1/4W F (DE335/V323)
R347	1-249-437-11	CARBON 47K	5% 1/4W
R348	1-249-437-11	CARBON 47K	5% 1/4W
R349	1-249-437-11	CARBON 47K	5% 1/4W
R350	1-249-437-11	CARBON 47K	5% 1/4W
R351	1-249-437-11	CARBON 47K	5% 1/4W
R371	1-249-437-11	CARBON 47K	5% 1/4W

	1-673-054-11	VOL SEL BOARD (DE335: E)	*****
	1-533-399-31	HOLDER, FUSE	
< CONNECTOR >			
* CNP907	1-565-395-11	PIN, CONNECTOR 3P	
* CNP908	1-564-321-00	PIN, CONNECTOR 2P	
* CNP910	1-564-687-11	PIN, CONNECTOR 3P	
< FUSE >			
△F904	1-532-388-51	FUSE (T2AL/250V) (DE335: E)	
< SWITCH >			
S901	1-571-437-11	SWITCH, POWER VOLTAGE CHANGE (VOLTAGE SELECTOR) (DE335: E)	

	1-673-043-11	VOLUME BOARD *****	
< CAPACITOR >			
C420	1-162-207-31	CERAMIC 22PF	5% 50V
C425	1-126-795-11	ELECT 10uF	20% 25V

以阴影和 △ 标志来识别的零部件，在安全方面具有关键性。因此只能以规定号码的零部件来更换。

The components identified by mark △ or dotted line with mark △ are critical for safety. Replace only with part number specified.

Les composants identifiés par une marque △ sont critiques pour la sécurité. Ne les remplacer que par une pièce portant le numéro spécifié.

Ref. No.	Part No.	Description	Remark
C426	1-126-795-11	ELECT	10uF 20% 25V
C430	1-104-942-11	ELECT	1uF 20% 50V
C431	1-104-942-11	ELECT	1uF 20% 50V
C440	1-126-163-11	ELECT	4.7uF 20% 50V
C441	1-126-163-11	ELECT	4.7uF 20% 50V
C442	1-126-163-11	ELECT	4.7uF 20% 50V
C443	1-126-163-11	ELECT	4.7uF 20% 50V
C470	1-162-207-31	CERAMIC	22PF 5% 50V
C475	1-126-795-11	ELECT	10uF 20% 25V
C476	1-126-795-11	ELECT	10uF 20% 25V
C542	1-126-925-11	ELECT	470uF 20% 10V
< CONNECTOR >			
CNP202	1-770-388-11	PIN, CONNECTOR (PC BOARD)	4P
CNP404	1-770-390-11	PIN, CONNECTOR (PC BOARD)	4P
CNS402	1-568-439-11	SOCKET, CONNECTOR	7P
CNS403	1-568-443-11	SOCKET, CONNECTOR	13P
CNS504	1-784-727-11	CONNECTOR, FFC	5P
< IC >			
IC404	8-759-636-74	IC	M5218AP-22
< RESISTOR >			
R425	1-249-429-11	CARBON	10K 5% 1/4W
R426	1-249-439-11	CARBON	68K 5% 1/4W
R427	1-249-417-11	CARBON	1K 5% 1/4W
R430	1-249-437-11	CARBON	47K 5% 1/4W
R475	1-249-429-11	CARBON	10K 5% 1/4W
R476	1-249-439-11	CARBON	68K 5% 1/4W
R477	1-249-417-11	CARBON	1K 5% 1/4W
R480	1-249-437-11	CARBON	47K 5% 1/4W
R542	1-249-425-11	CARBON	4.7K 5% 1/4W
< VARIABLE RESISTOR >			
RV404	1-225-446-12	RES, VAR, CARBON	100K/100KX5 (MASTER VOLUME)

MISCELLANEOUS *****			
61	1-765-403-11	WIRE (FLAT TYPE)	(29 CORE)
63	1-575-662-31	WIRE (FLAT TYPE)	(5 CORE)
64	1-765-314-11	WIRE (FLAT TYPE)	(7 CORE)
65	1-769-972-11	WIRE (FLAT TYPE)	(13 CORE)
△108	1-777-070-21	CORD, POWER (DE335: CND)	
△108	1-777-071-21	CORD, POWER (DE335: AEP, E, MY, SP)	
△108	1-783-203-11	CORD, POWER (DE335: AUS)	
△108	1-783-205-11	CORD, POWER (V323)	
△108	1-783-820-11	CORD, POWER (DE335: US/SE391)	
△109	1-569-008-21	ADAPTOR, CONVERSION 2P (DE335: E)	
△110	1-251-416-11	OUTLET, AC (DE335: AUS)	
△110	1-526-794-11	OUTLET, AC (DE335: AEP, MY, SP)	
△110	1-526-882-00	OUTLET, AC (V323)	
112	1-693-407-43	TUNER PACK (DE335: US, CND, E/SE391)	
112	1-693-408-43	TUNER PACK (DE335: AEP, MY, SP, AUS/V323)	
113	1-773-001-11	WIRE (FLAT TYPE)	(15 CORE)
115	1-769-844-11	WIRE (FLAT TYPE)	(5 CORE)
△T901	1-433-713-11	TRANSFORMER, POWER (DE335: US)	

Ref. No.	Part No.	Description	Remark
△T901	1-433-713-21	TRANSFORMER, POWER (SE391)	
△T901	1-433-714-11	TRANSFORMER, POWER (DE335: CND)	
△T901	1-433-715-11	TRANSFORMER, POWER (DE335: AUS)	
△T901	1-433-716-11	TRANSFORMER, POWER (DE335: MY, SP/V323)	
△T901	1-433-717-11	TRANSFORMER, POWER (DE335: AEP)	
△T901	1-433-718-11	TRANSFORMER, POWER (DE335: E)	

***** HARDWARE LIST *****			
#1	7-685-646-79	SCREW +BVTP 3X8 TYPE2 IT-3	
#2	7-685-871-01	SCREW +BVTT 3X6 (S)	
#3	7-685-881-09	SCREW +BVTT 4X8 (S)	

ACCESSORIES & PACKING MATERIALS *****			
1-418-294-11	COMMANDER, STANDARD (RM-U303)		
1-501-374-11	ANTENNA, LOOP		
1-501-594-11	ANTENNA (FM)		
3-866-420-11	MANUAL (RECV.HOOK-UP)	(EXCEPT DE335: US, CND/SE391)	
3-866-420-21	MANUAL (RECV.HOOK-UP)	(DE335: US, AEP, SP)	
3-866-420-21	MANUAL (RECV.HOOK-UP)	(DE335: CND, E, MY, AUS/V323)	
3-866-659-11	INSTRUCTION MANUAL (ENGLISH)	(DE335: US/SE391)	
3-866-659-21	INSTRUCTION MANUAL (ENGLISH, FRENCH, SPANISH, CHINESE)	(DE335: CND, E, MY, SP, AUS)	
3-866-659-31	INSTRUCTION MANUAL (ENGLISH, CHINESE)	(V323)	
3-866-659-41	INSTRUCTION MANUAL (ENGLISH, FRENCH, DUTCH, SWEDISH, DANISH)	(DE335: AEP)	
3-866-659-51	INSTRUCTION MANUAL (GERMAN, SPANISH, ITALIAN, PORTUGUESE, FINNISH)	(DE335: AEP)	
3-866-659-61	INSTRUCTION MANUAL (ENGLISH, RUSSIAN, POLISH)	(DE335: AEP)	
3-866-659-71	INSTRUCTION MANUAL (GREEK)	(DE335: AEP)	
4-861-643-01	COVER, BATTERY (FOR RM-U303)		

以阴影和 △ 标志来识别的零部件，在安全方面具有关键性，因此只能以规定号码的零部件来更换。

The components identified by mark △ or dotted line with △ are critical for safety. Replace only with part number specified.

Les composants identifiés par une marque △ sont critiques pour la sécurité. Ne les remplacer que par une pièce portant le numéro spécifié.

