

STR-DE835/DE935/SE591/V828

SERVICE MANUAL

Ver 1.1 2002.02



Photo : STR-DE935

US Model
STR-DE835/DE935/SE591
Canadian Model
STR-DE835/DE935
E Model
Australian Model
PX Model
STR-DE835
Chinese Model
STR-V828

Manufactured under license from Dolby Laboratories Licensing Corporation.
"DOLBY" and the double-D symbol $\square\square$ are trademarks of Dolby Laboratories Licensing Corporation.

SPECIFICATIONS

AUDIO POWER SPECIFICATIONS:

POWER OUTPUT AND TOTAL

HARMONIC DISTORTION:

With 8 Ω loads, both channels driven, from 20 – 20,000 Hz; rated 110 W(STR-DE935) and 100 W(STR-DE835/SE591) per channel minimum RMS power, with no more than 0.09% total harmonic distortion from 250 mW to rated output (USA model only).

Amplifier section

POWER OUTPUT

Stereo mode (8 Ω 20Hz – 20kHz, THD 0.09%)
USA, Canadian models
STR-DE935 : 110W + 110W
STR-DE835/SE591 : 100W + 100W
Other models
95W + 95W
(8 Ω 20Hz-20kHz, THD 0.09%)
135W + 135W
(8 Ω at 1kHz, THD 10%)
Surround mode
USA, Canadian models
(8 Ω at 1kHz, THD 0.8%)
STR-DE935
Front: 110W + 110W
Center^{a)}: 110W
Rear^{a)}: 110W + 110W
STR-DE835/SE591
Front: 100W + 100W
Center^{a)}: 100W
Rear^{a)}: 100W + 100W
Other models
Rated power
(8 Ω at 1kHz, THD 0.7%)
Front: 100W + 100W
Center^{a)}: 100W
Rear^{a)}: 100W + 100W

Reference

(8 Ω 20Hz-20Hz, THD 0.9%)

Front: 95W + 95W

Center^{a)}: 95W

Rear^{a)}: 95W + 95W

(8 Ω at 1kHz, THD 10%)

Front: 135W + 135W

Center^{a)}: 135W

Rear^{a)}: 135W + 135W

a) Depending on the sound field settings and the source, there may be no sound output.

Dynamic power output

STR-DE935 : 165W + 165W, 8 Ω

250W + 250W, 4 Ω

STR-DE835/SE591 : 155W + 155W, 8 Ω

240W + 240W, 4 Ω

Frequency response

PHONO: RIAA

equalization curve ± 0.5 dB

CD, TAPE, MD/DAT, TAPE/MD, DVD/LD,

TV/SAT, VIDEO 1, 2, and VIDEO 3(STR-

DE935 only):

10Hz – 50kHz + 0.5/–2dB (with sound field, equalizer, and bass boost bypassed)

— Continued on next page —

FM STEREO FM-AM RECEIVER

9-928-901-12
2002B1600-1
© 2002.02

Sony Corporation
Home Audio Company
Published by Sony Engineering Corporation

SONY®

Inputs (Analog) PHONO:
Sensitivity: 2.5mV
Impedance: 50kΩ
S/N^{b)}: 86dB (A, 2.5mV^{c)})
5.1CH INPUT, CD,DVD/LD,TAPE,MD/
DAT,TAPE/MD,TV/SAT,VIDEO1,2 and
VIDEO3(STR-DE935 only):
Sensitivity: 150mV
Impedance: 50kΩ
S/N^{b)}: 96dB (A, 150mV^{c)})

b) Input short
c) Weighted network, input level

Inputs (Digital) DVD/LD (coaxial):
Sensitivity: –
Impedance: 75Ω
S/N: 100dB (A, 20kHz LPF)
DVD/LD, TV/SAT, MD/TAPE (Optical):
Sensitivity: –
Impedance: –
S/N: 100dB (A, 20kHz LPF)
Outputs TAPE,MD/DAT,TAPE/MD, (REC OUT);
VIDEO1,2 (AUDIO OUT):
Voltage: 150mV,
Impedance: 10kΩ
SUB WOOFER:
Voltage:2V
Impedance: 1kΩ
PHONES:
Accepts low-and high-impedance headphones
+6dB at 70Hz
48kHz
BASS: 100Hz – 1.0kHz (21steps)
MID: 500Hz – 5.0kHz (21steps)
TREBLE:1.0kHz – 10kHz (21steps)
Gain levels: ±10dB, 1dB step

BASS BOOST
Sampling Frequency
EQ

FM tuner section

Tuning range 87.5 – 108.0MHz
Antenna terminals 75Ω, unbalanced
Sensitivity Mono: 18.3dBf, 2.2μV/75Ω
Stereo: 38.3dBf, 22.5μV/75Ω
Usable sensitivity 11.2dBf, 1μV/75Ω
S/N Mono: 76dB
Stereo: 70dB
Harmonic distortion at 1kHz
Mono: 0.3%
Stereo: 0.5%
Separation 45dB at 1kHz
Frequency response 30Hz – 15kHz + 0.5/–2dB
Selectivity 60dB at 400kHz

AM tuner section

Tuning range USA, Canadian, E, PX models
With 10-kHz tuning scale:
530 – 1,710kHz^{d)}
With 9-kHz tuning scale:
531 – 1,710kHz^{d)}
Other models
531 – 1,620kHz
Antenna Loop antenna
Usable sensitivity 50dB/m (at 1,000kHz or 999kHz)
S/N 54dB (at 50mV/m)

MODEL IDENTIFICATION

– BACK PANEL –



Harmonic distortion 0.5% (50mV/m, 400kHz)
Selectivity At 9kHz: 35dB
At 10kHz: 40dB

d) You can change the AM tuning scale to 9kHz. After tuning in any AM station, turn off the receiver. Hold down the TUNING + button and press the I/⏻ button. All preset stations will be erased when you change the tuning scale. To reset the scale to 10kHz, repeat the procedure.

Video section

Inputs VIDEO : 1Vp-p 75Ω
S-video : Y : 1Vp-p 75Ω
C : 0.286Vp-p 75Ω
Outputs VIDEO : 1Vp-p 75Ω
S-video : Y : 1Vp-p 75Ω
C : 0.286Vp-p 75Ω

General

System Tuner section:
PLL quartz-locked digital synthesizer system
Preamplifier section:
Low-noise NF type equalizer
Power amplifier section:
Pure-complementary SEPP

Power requirements USA, Canadian models
120V AC, 60Hz
Australian model
240V AC, 50Hz
Chinese model
220 – 230V AC 50/60Hz
E, PX models
120 or 220 or 240V AC 50/60Hz
(adjustable with the voltage selector)

Power consumption STR-DE935
USA: 290W
Canada: 345VA
STR-DE835/SE591
USA: 280W
Canada: 335VA
Australian: 230W
E, PX: 300W
Chinese: 200W

AC outlets USA, Canadian models
2switched, total 120W/1A
Other models
1switched, max 100W

Dimensions 430 × 376 × 157.5mm
(17 × 14⁷/₈ × 6¹/₄ in.)
including projecting parts and controls

Mass (Approx.) 10.2kg (22 lbs. 8 oz.)

Supplied accessories FM wire antenna (1)
AM loop antenna (1)
Audio/video/control S connecting cord (1)
Control S connecting cord (1)
FM antenna adapter (1)
STR-DE935 only
Remote commander RM-LJ302 (remote) (1)
R6 (size-AA) alkaline batteries (3)
Other models
Remote commander RM-PP402 (remote) (1)
R6 (size-AA) batteries (2)

Design and specifications are subject to change without notice.

MODEL	PARTS No.
DE835: US model	4-217-900-3□
DE835: Singapore, Malaysia models	4-217-900-4□
V828	4-217-900-5□
DE835: Australian model	4-217-900-6□
DE835: E, PX models	4-217-900-7□
DE935	4-217-900-8□
SE591	4-217-900-9□
DE835: Canadian model	4-218-334-11

TABLE OF CONTENTS

SAFETY CHECK-OUT (US model only)

After correcting the original service problem, perform the following safety checks before releasing the set to the customer: Check the antenna terminals, metal trim, "metallized" knobs, screws, and all other exposed metal parts for AC leakage. Check leakage as described below.

LEAKAGE

The AC leakage from any exposed metal part to earth ground and from all exposed metal parts to any exposed metal part having a return to chassis, must not exceed 0.5 mA (500 microamperes). Leakage current can be measured by any one of three methods.

1. A commercial leakage tester, such as the Simpson 229 or RCA WT-540A. Follow the manufacturers' instructions to use these instruments.
2. A battery-operated AC milliammeter. The Data Precision 245 digital multimeter is suitable for this job.
3. Measuring the voltage drop across a resistor by means of a VOM or battery-operated AC voltmeter. The "limit" indication is 0.75 V, so analog meters must have an accurate low-voltage scale. The Simpson 250 and Sanwa SH-63Trd are examples of a passive VOM that is suitable. Nearly all battery operated digital multimeters that have a 2V AC range are suitable. (See Fig. A)

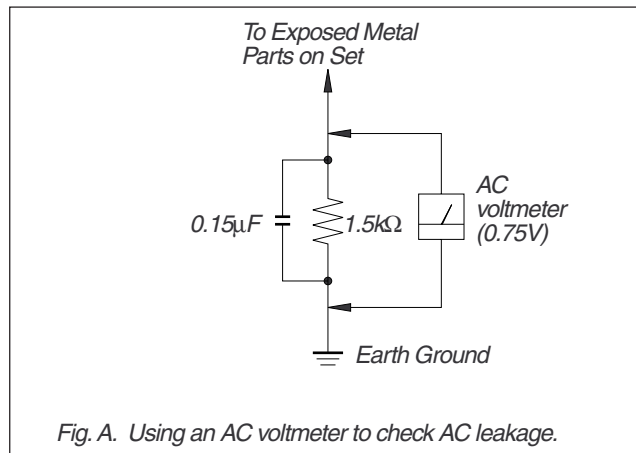


Fig. A. Using an AC voltmeter to check AC leakage.

1. GENERAL	4
2. TEST MODE	6
3. DIAGRAMS	
3-1. Block Diagram Main Section	7
3-2. Block Diagram Power Section	9
3-3. Circuit Board Location	11
3-4. Schematic Diagram Digital Section(1/3)	13
3-5. Schematic Diagram Digital Section(2/3)	15
3-6. Schematic Diagram Digital Section(3/3)	17
3-7. Printed Wiring Board Digital Section(1/2)	19
3-8. Printed Wiring Board Digital Section(2/2)	21
3-9. Printed Wiring Board Display Section	23
3-10. Schematic Diagram Surround Section	25
3-11. Printed Wiring Board Surround Section	27
3-12. Schematic Diagram Surround Section	29
3-13. Printed Wiring Board Rear AMP Section	31
3-14. Schematic Diagram Rear AMP Section	33
3-15. Printed Wiring Board Power Section	35
3-16. Schematic Diagram Power Section	37
3-17. Printed Wiring Board Video Section	39
3-18. Schematic Diagram Video Section	41
3-19. Printed Wiring Board Main Section	43
3-20. Schematic Diagram Main Section(1/2)	45
3-21. Schematic Diagram Main Section(2/2)	47
3-22. IC Pin Function	49
3-23. IC Block Diagrams	59
4. EXPLODED VIEWS	
4-1. Front Panel Section	62
4-2. Chassis Section	64
5. ELECTRICAL PARTS LIST	66

与安全有关的零部件须知

在原理图上用阴影及 △ 标记来识别的零部件在安全操作上是具有关键性的。这些零部件要用本手册中所示的部件号对应的索尼零部件进行更换。

在安全操作上具有关键性的电路调整与索尼公司出版的维修手册完全一致。在更换关键零部件时或怀疑动作失常时，请进行这些调整操作。

SAFETY-RELATED COMPONENT WARNING!!

COMPONENTS IDENTIFIED BY MARK △ OR DOTTED LINE WITH MARK △ ON THE SCHEMATIC DIAGRAMS AND IN THE PARTS LIST ARE CRITICAL TO SAFE OPERATION. REPLACE THESE COMPONENTS WITH SONY PARTS WHOSE PART NUMBERS APPEAR AS SHOWN IN THIS MANUAL OR IN SUPPLEMENTS PUBLISHED BY SONY.

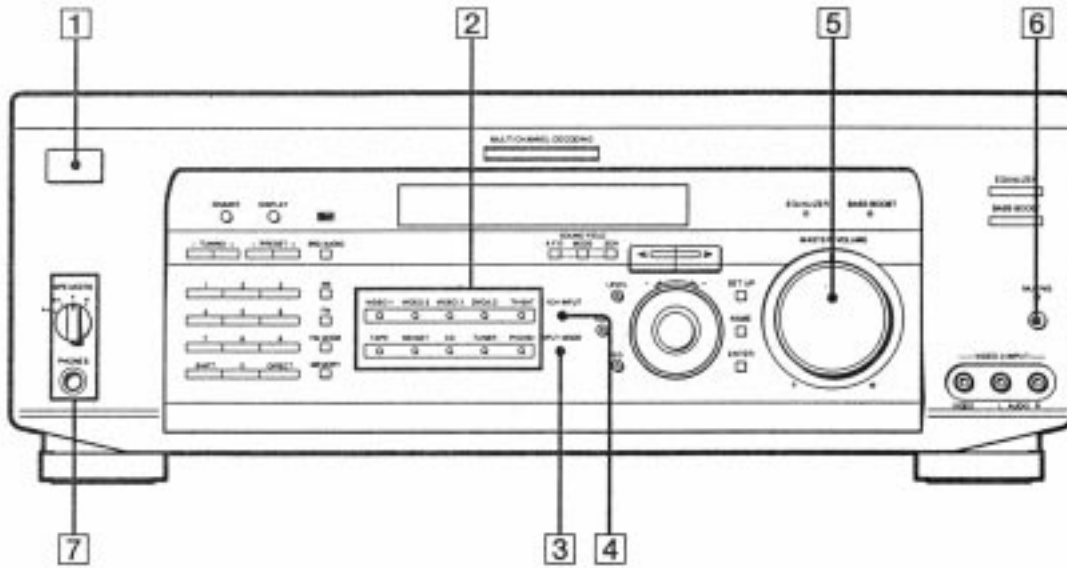
ATTENTION AU COMPOSANT AYANT RAPPORT À LA SÉCURITÉ!

LES COMPOSANTS IDENTIFIÉS PAR UNE MARQUE △ SUR LES DIAGRAMMES SCHÉMATIQUES ET LA LISTE DES PIÈCES SONT CRITIQUES POUR LA SÉCURITÉ DE FONCTIONNEMENT. NE REMPLACER CES COMPOSANTS QUE PAR DES PIÈCES SONY DONT LES NUMÉROS SONT DONNÉS DANS CE MANUEL OU DANS LES SUPPLÉMENTS PUBLIÉS PAR SONY.

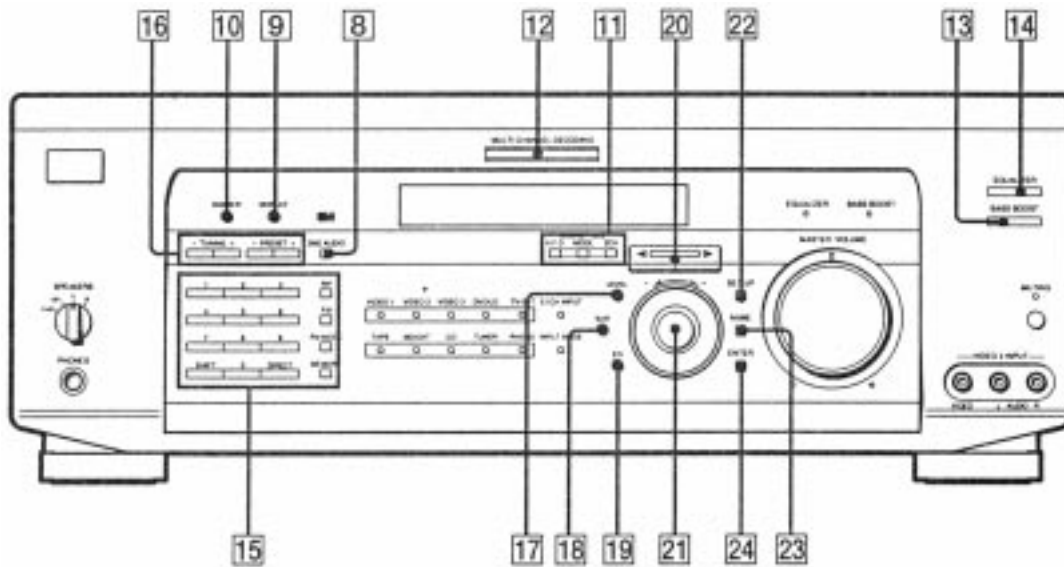
SECTION 1 GENERAL

Identifying the Parts

Front Panel



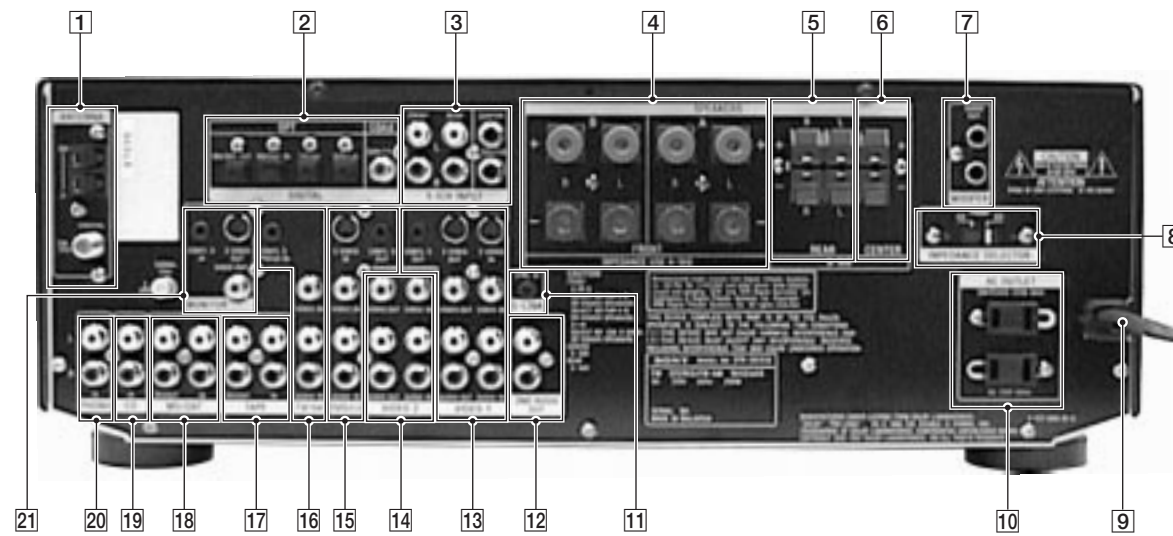
- | | |
|-----------------------------|--------------------------------|
| 1 I/O switch | 5 MASTER VOLUME control |
| 2 Function buttons | 6 MUTING button |
| 3 INPUT MODE button | 7 SPEAKERS selector |
| 4 5.1CH INPUT button | PHONES jack |



- | | |
|--|-------------------------------|
| 8 2ND AUDIO button (DE935 MODEL) | 16 TUNNING +/- buttons |
| 9 DISPLAY button | PRESET +/- buttons |
| 10 DIMMER button | 17 LEVEL button |
| 11 A.F.D button/indicator | 18 SUR button |
| MODE button/indicator | 19 EQ button |
| 2CH button/indicator | 20 Cursor buttons(</>) |
| 12 MULTI CHANNEL DECODING indicator | 21 Jog dial |
| 13 BASS BOOST button | 22 SET UP button |
| 14 EQUALIZER button | 23 NAME button |
| 15 DIRECT button | 24 ENTER button |
| SHIFT button | |
| Numeric buttons (1 to 0) | |
| AM button | |
| FM button | |
| FM MODE button | |
| MEMORY button | |

SECTION 2 SERVICING NOTE

Rear Panel



- | | | | |
|----|--------------------|----|---|
| 1 | ANTENNA | 14 | VIDEO 2 |
| 2 | DIGITAL | 15 | DVD/LD
(US, Canadian, Australian models) |
| 3 | 5.1 CH INPUT | 16 | TV/SAT
(US, Canadian, Australian models) |
| 4 | SPEAKERS (FRONT) | 17 | TV/LD
(EXCEPT US, Canadian, Australian models) |
| 5 | SPEAKERS (REAR) | 18 | TAPE (DE935 MODEL) |
| 6 | SPEAKERS (CENTER) | 19 | MD/DAT (DE935 MODEL) |
| 7 | WOOFER | 20 | MD/TAPE (EXCEPT DE935) |
| 8 | IMPEDANCE SELECTOR | 21 | CD |
| 9 | AC power cord | | PHONO |
| 10 | AC OUTLET | | MONITOR |
| 11 | S-LINK | | |
| 12 | 2ND AUDIO OUT | | |
| 13 | VIDEO 1 | | |

1. When the front panel is removed, the VR board is removed at the same time. Consequently the LEDs cannot be turned on and the sound volume cannot be increased or decreased from the remote control.

2. When servicing the DIGITAL board, be sure to connect the earth land of the DIGITAL board with the chassis frame so that the earth potential of the DIGITAL board must not be floated from the chassis frame.

SECTION 3 TEST MODE

FLUORESCENT INDICATOR TUBE TEST MODE

* All fluorescent segments are tested. When this test is activated, all segments turn on at the same time, then each segment turns on one after another.

* Procedure:

While depressing the ENTER, the LEVEL and the EQ buttons simultaneously, press the power [I/⏻] button to turn on the main power. All segments turn on at the same time, then each segment turns on press the ENTER button.

FACTORY SET MODE

* All preset contents are reset to the default setting.

* Procedure:

While depressing the SET UP, the LEVEL and the ENTER buttons simultaneously, press the power [I/⏻] button to turn on the main power. The message Factory Set appears and the present contents are reset to the default values.

ALL CLEAR MODE

* All preset contents are cleared when this mode is activated. Use this mode before returning the product to clients upon completion of repair.

* Procedure:

While depressing the SET UP button simultaneously, press the power [I/⏻] button to turn on the main power. The machine enters the DEMO mode. DEMO mode: Wait a while, then the demonstration starts. If the power [I/⏻] button is pressed often the demonstration has started, the power is turned off, and the demonstration resumes if the power [I/⏻] button is pressed again. ALL CLEAR mode: If the power [I/⏻] button is pressed often the machine enters the DEMO mode, but before the demonstration starts, the display is turned off. Press [I/⏻] again. No response is returned. The press [I/⏻] again. The preset data is cleared and the machine enters the normal power-on state.

SOUND FIELD CLEAR MODE

* The preset sound field is cleared when this mode is activated. Use this mode before returning the product to clients upon completion of repair.

* Procedure:

While depressing the SOUND FIELD MODE button, press the power [I/⏻] button to turn on the main power. The message S.F Initialize appears and initialization is performed.

AM CHANNEL STEP 9 kHz/10 kHz SELECTION MODE (US, Canadian Model)

* Either the 9 kHz step or 10 kHz step can be selected for the AM channel step.

* Procedure:

Set the FUNCTION to AM. Turn off the main power. While depressing the TUNING+ button or the PRESET TUNING + button, press the power [I/⏻] button to turn on the main power. Either the message AM 9kHz Step or AM 10kHz Step appears. Select the desired step.

DSP TEST MODE

* It tests whether the DSP works correctly or not. When the DSP test is activated, the test data is output from the DSP (IC1401: CXD2712R) of the DIGITAL board and is written in the RAM (IC1402: IDT71V016S). When the test data is read from the RAM by the DSP, the data output must be equivalent to the original data. If they disagree, an error is triggered. Errors can be caused by the broken data line or defective soldering.

* Procedure

While pressing the SETUP, LEVEL and SUR buttons, press the POWER button to enter the DSP test mode. The message DSP TEST MODE appears. When an error occurs, the message DSP2 ERROR is displayed. When there is no error, the message DSP2 NO ERROR appears and the 1 kHz signal is output to all channels. Then, the mode can be switched the (SIGN WAVE) (THROUGH) and (IMPULSE) mode.

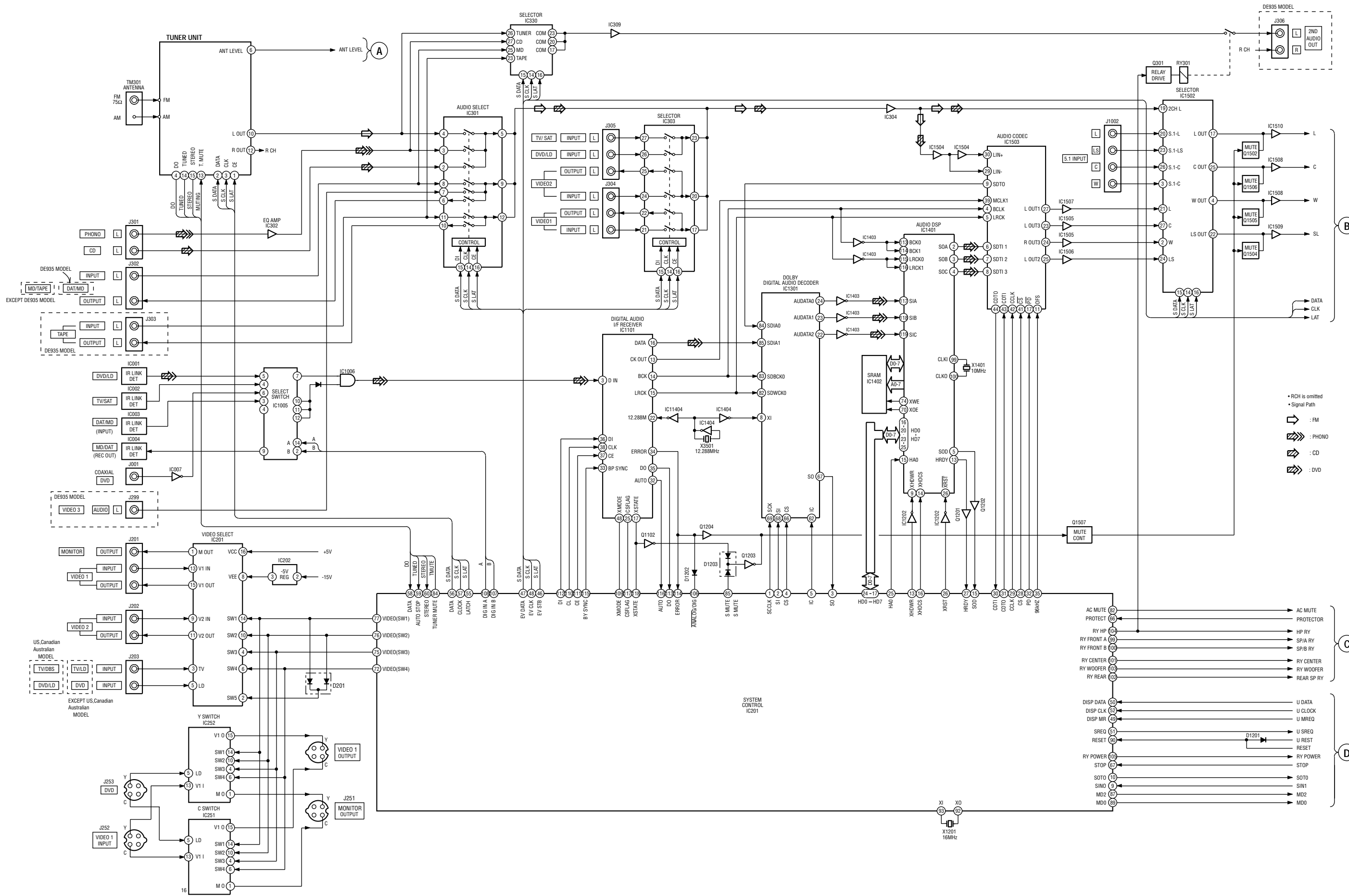
VERSION MODE

* When this mode is used, the microprocessor version number is displayed.

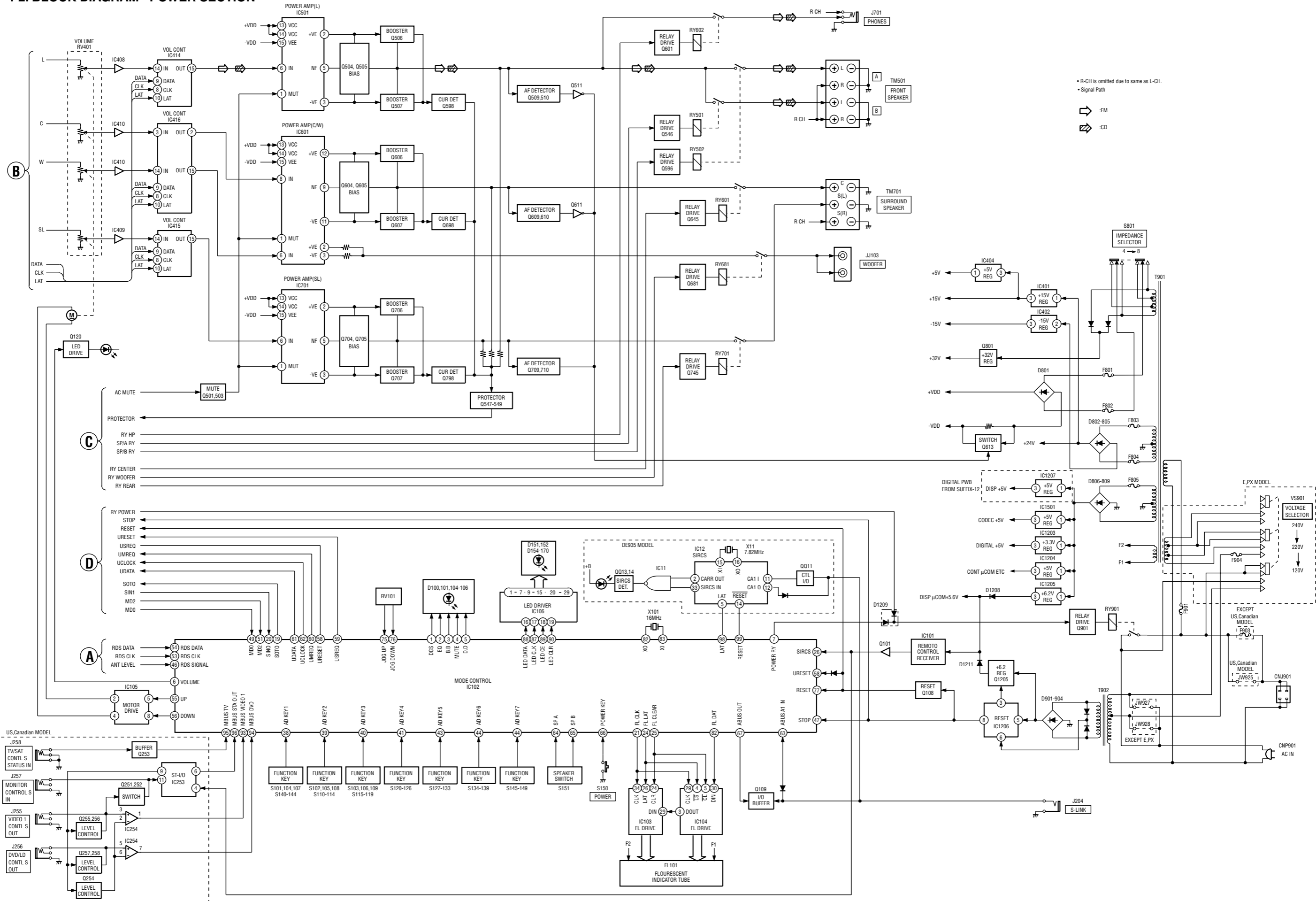
* Procedure:

Press the POWER button while pressing the ENTER, LEVEL, and SUR buttons to turn on the power. The microprocessor version number appears as follows.

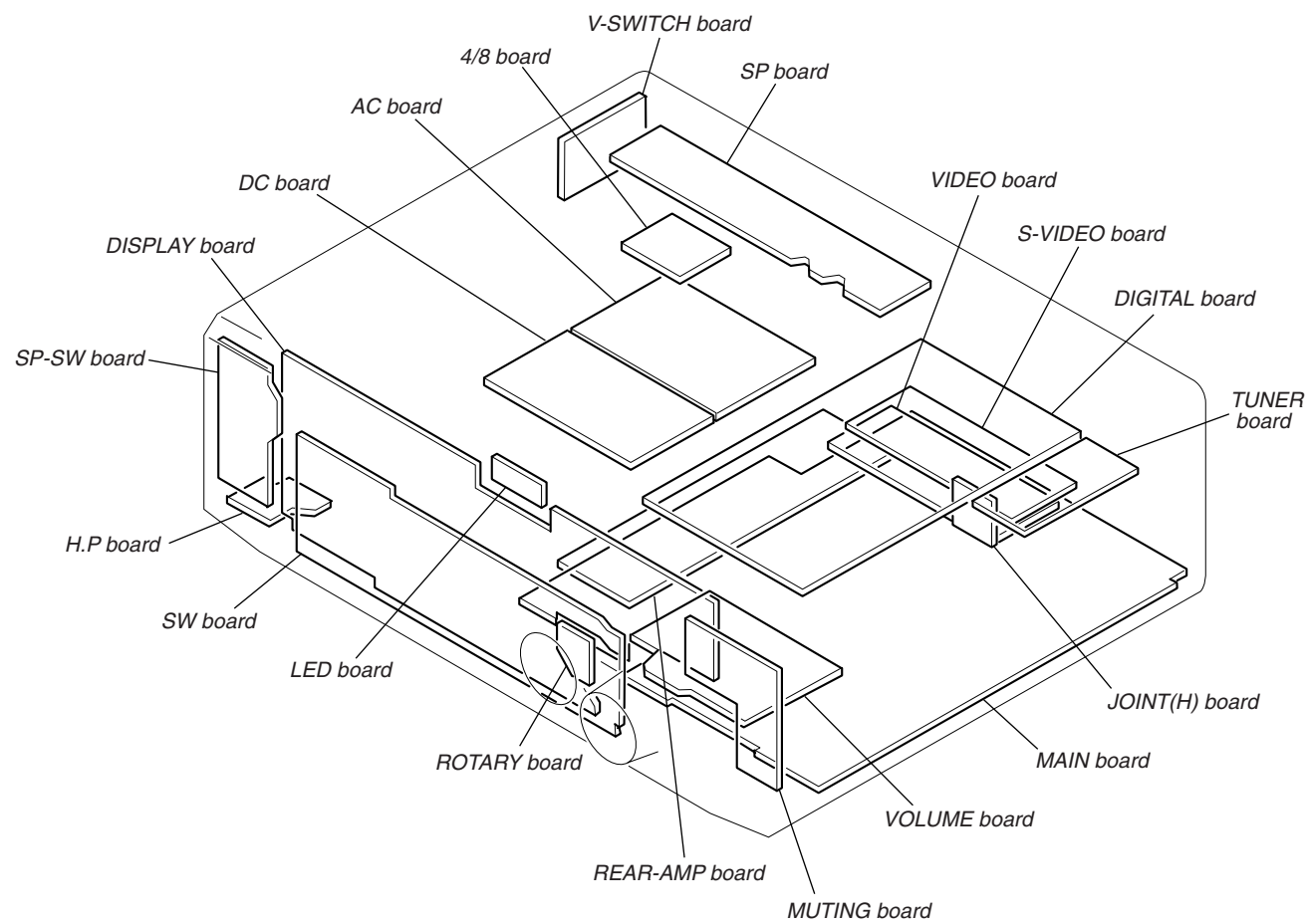
4-1. BLOCK DIAGRAM MAIN SECTION



4-2. BLOCK DIAGRAM POWER SECTION






4-3. CIRCUIT BOARD LOCATION



THIS NOTE IS COMMON FOR PRINTED WIRING BOARDS AND SCHEMATIC DIAGRAMS.
(In addition to this necessary note is printed in each block.)

For schematic diagrams.

Note:

- All capacitors are in μF unless otherwise noted. pF: μF 50 WV or less are not indicated except for electrolytics and tantalums.
- All resistors are in Ω and $1/4\text{W}$ or less unless otherwise specified.
- % : indicates tolerance.
-  : nonflammable resistor.
-  : fusible resistor.
-  : panel designation.








Note:

The components identified by mark Δ or dotted line with mark Δ are critical for safety. Replace only with part number specified.

Note:

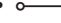


Les composants identifiés par une marque Δ sont critiques pour la sécurité. Ne les remplacer que par une pièce portant le numéro spécifié.

以阴影和 Δ 标志来识别的零部件，在安全方面具有关键性，因此只能以规定号码的零部件来更换。

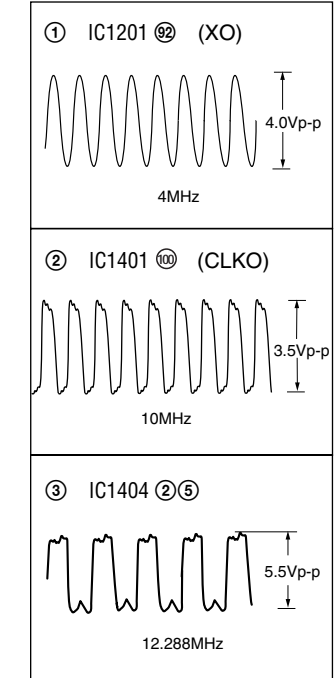
-  : B+ Line.
-  : B- Line.
-  : adjustment for repair.
- Voltages and waveforms are dc with respect to ground under no-signal (detuned) conditions. No mark : FM
- Voltages are taken with a VOM (Input impedance $10\text{M}\Omega$). Voltage variations may be noted due to normal production tolerances.
- Waveforms are taken with a oscilloscope.
- Circled numbers refer to waveforms.
- Signal path.
 -  : FM
 -  : CD
 -  : DIGITAL
 -  : PHONO
- Abbreviation
 - CND :Canadian model
 - AUS :Australian model
 - MY :Malaysia model
 - SP :Singapore model
 - CH :Chinese model

For printed wiring boards.

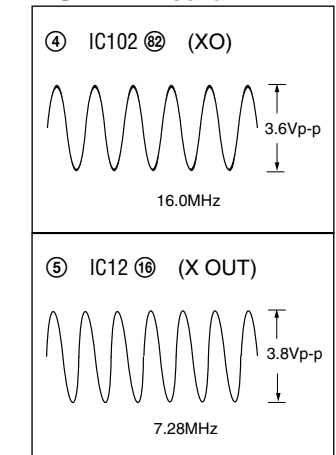
Note:

-  : parts extracted from the component side.
-  : Through hole.
-  : Pattern from the side which enables seeing.

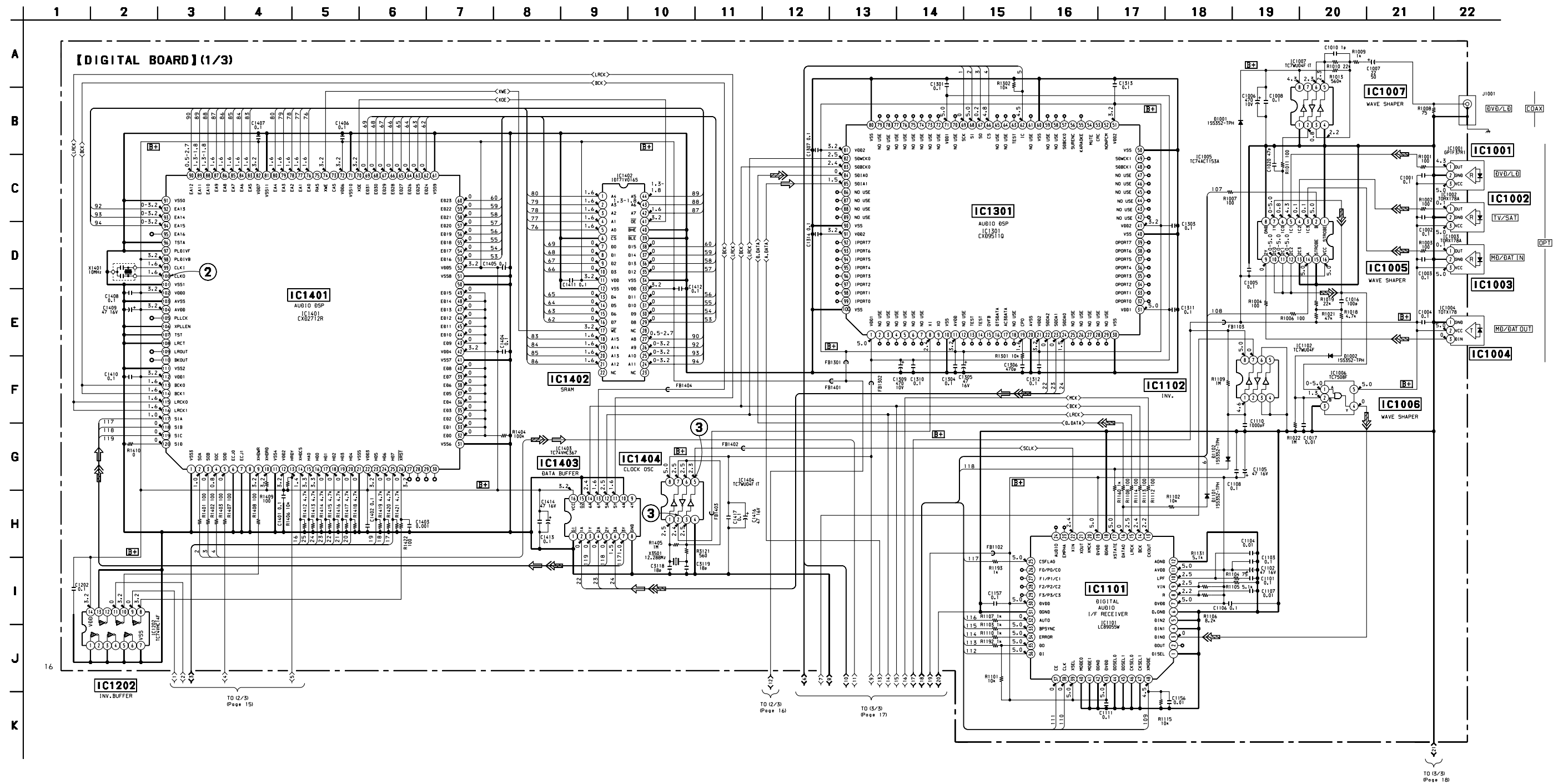
• Waveform DIGITAL Board



DISPLAY Board

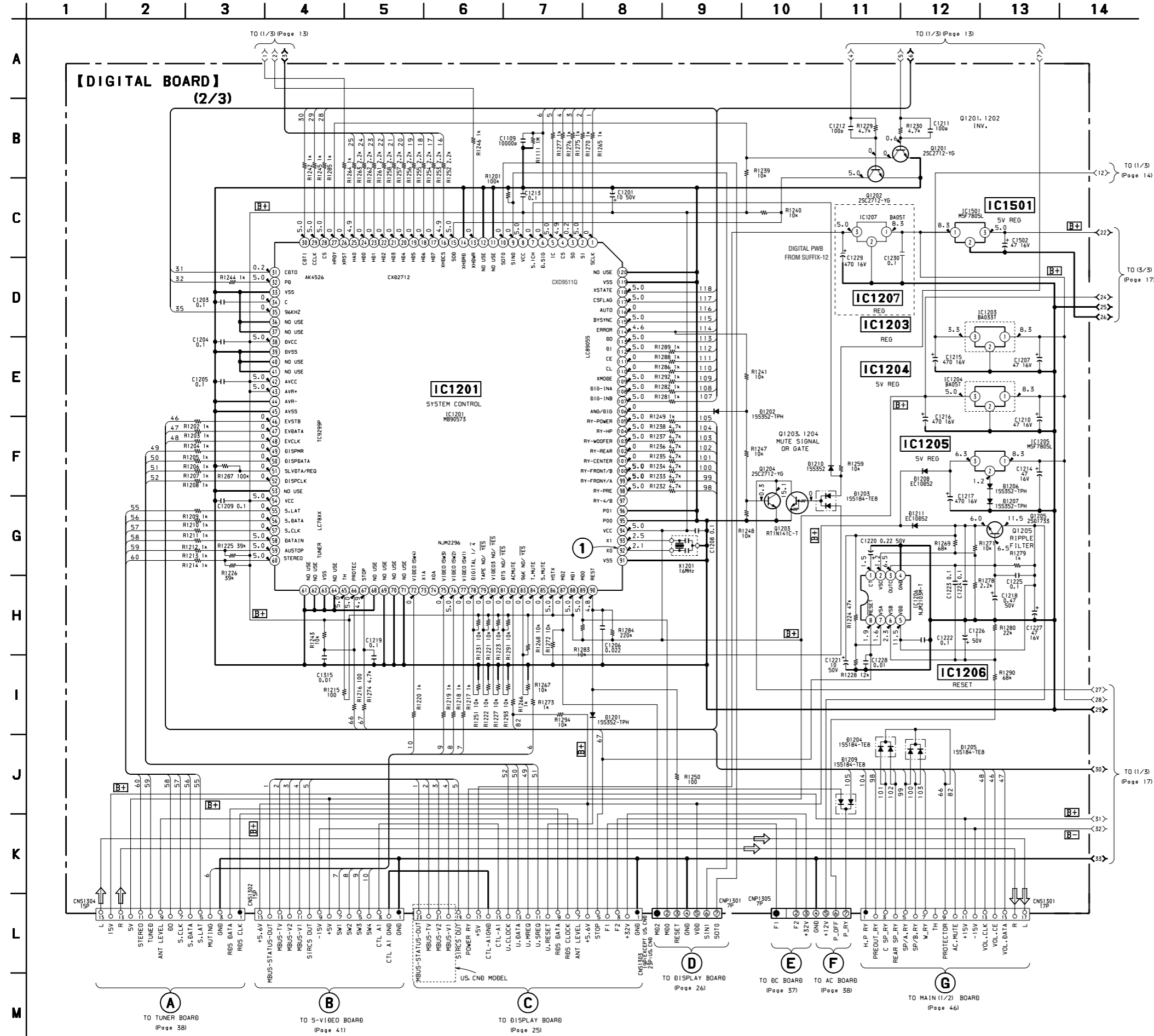


4-4. SCHEMATIC DIAGRAM DIGITAL SECTION(1/3) • See page 19 for Printed Wirig Board. • See page 12 for Waveforms. • See page 49 for IC Pin Functions. • See page 59 for IC Block Diagrams.

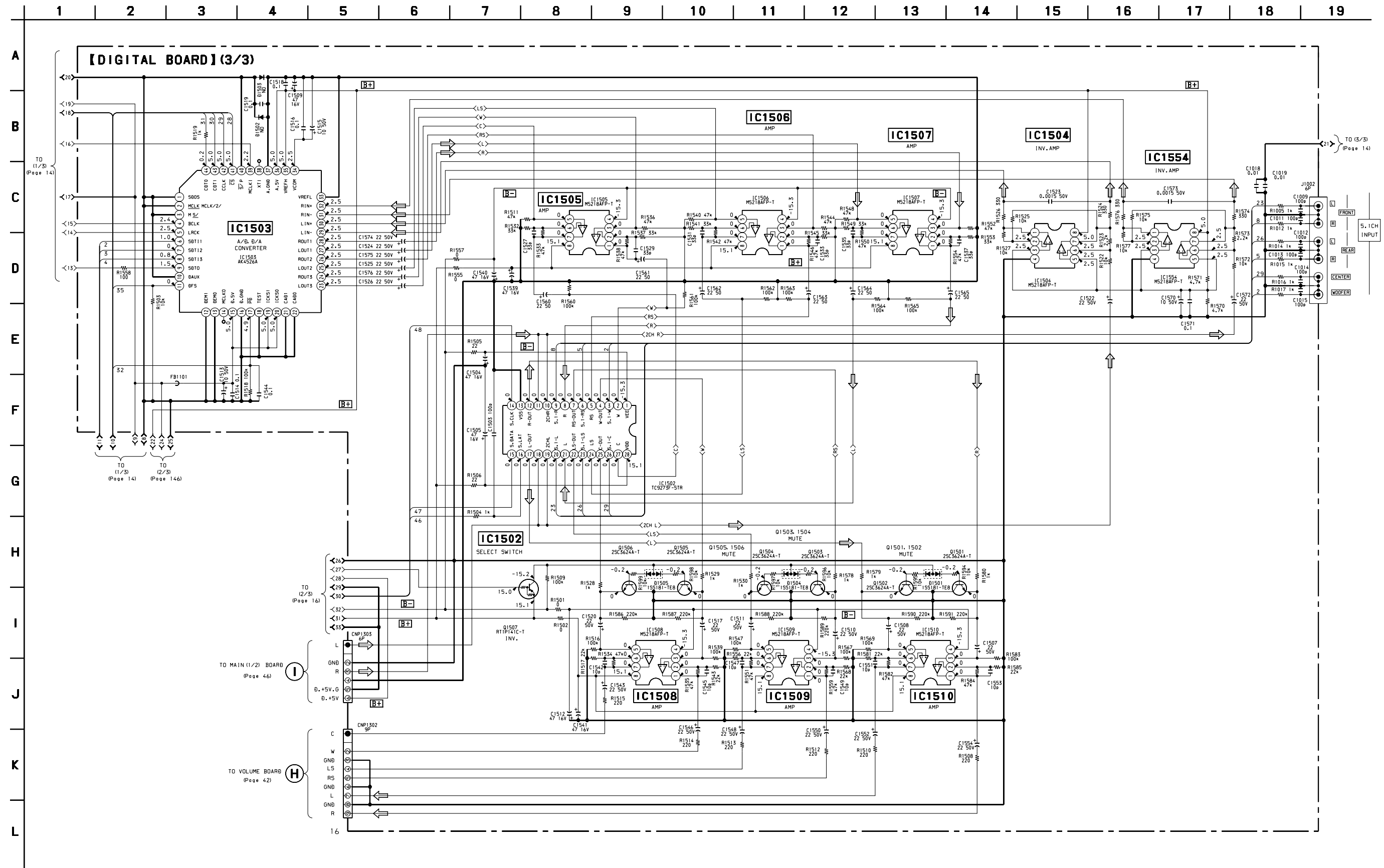


4-5. SCHEMATIC DIAGRAM DIGITAL SECTION(2/3)

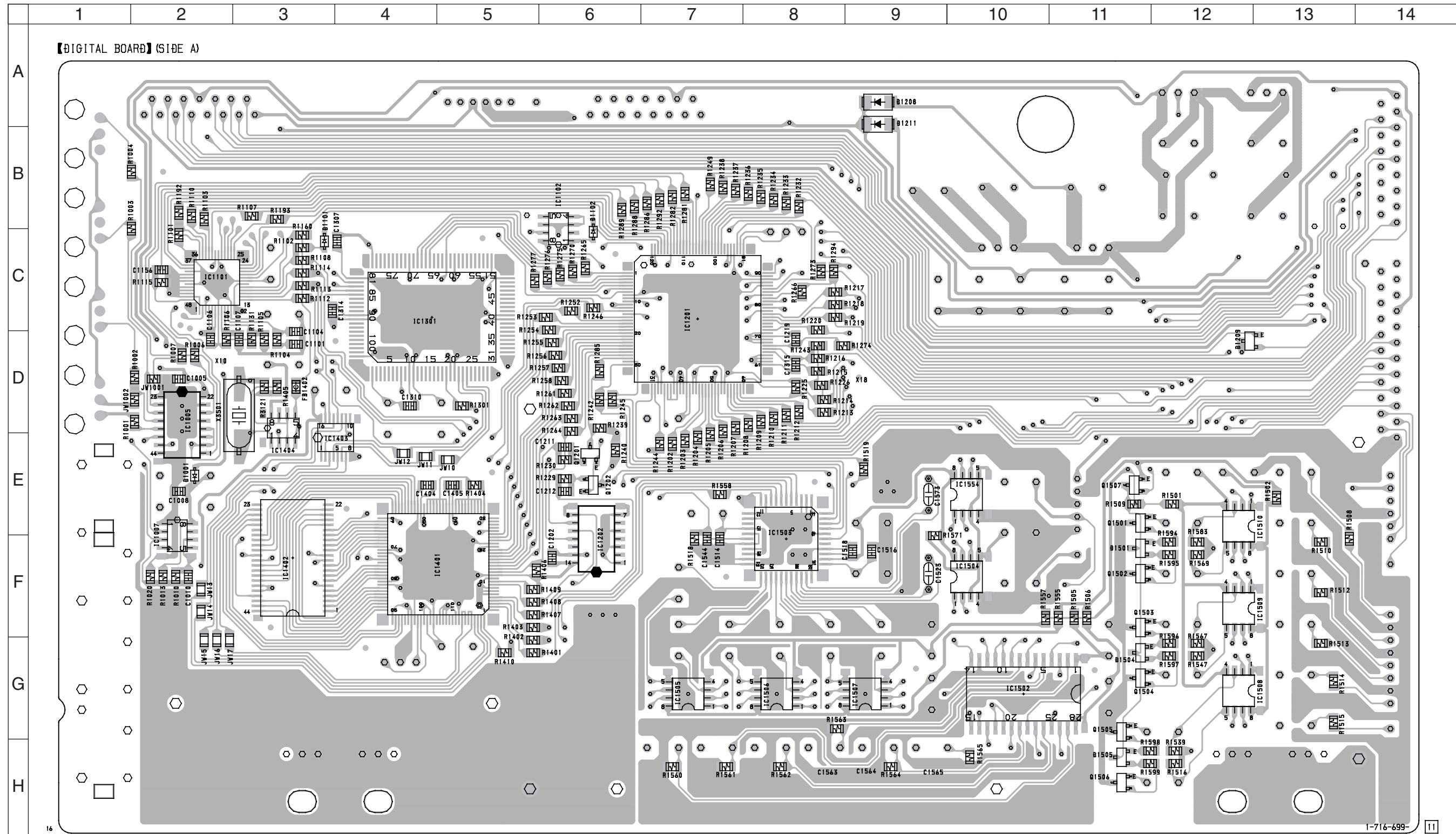
• See page 19 for printed wiring board. • See page 12 for Waveforms. • See page 51 for IC Pin Functions. • See page 59 for IC Block Diagrams.



4-6. SCHEMATIC DIAGRAM DIGITAL SECTION(3/3) • See page 19 for printed wiring board. • See page 54 for IC Pin Functions. • See page 59 for IC Block Diagrams.



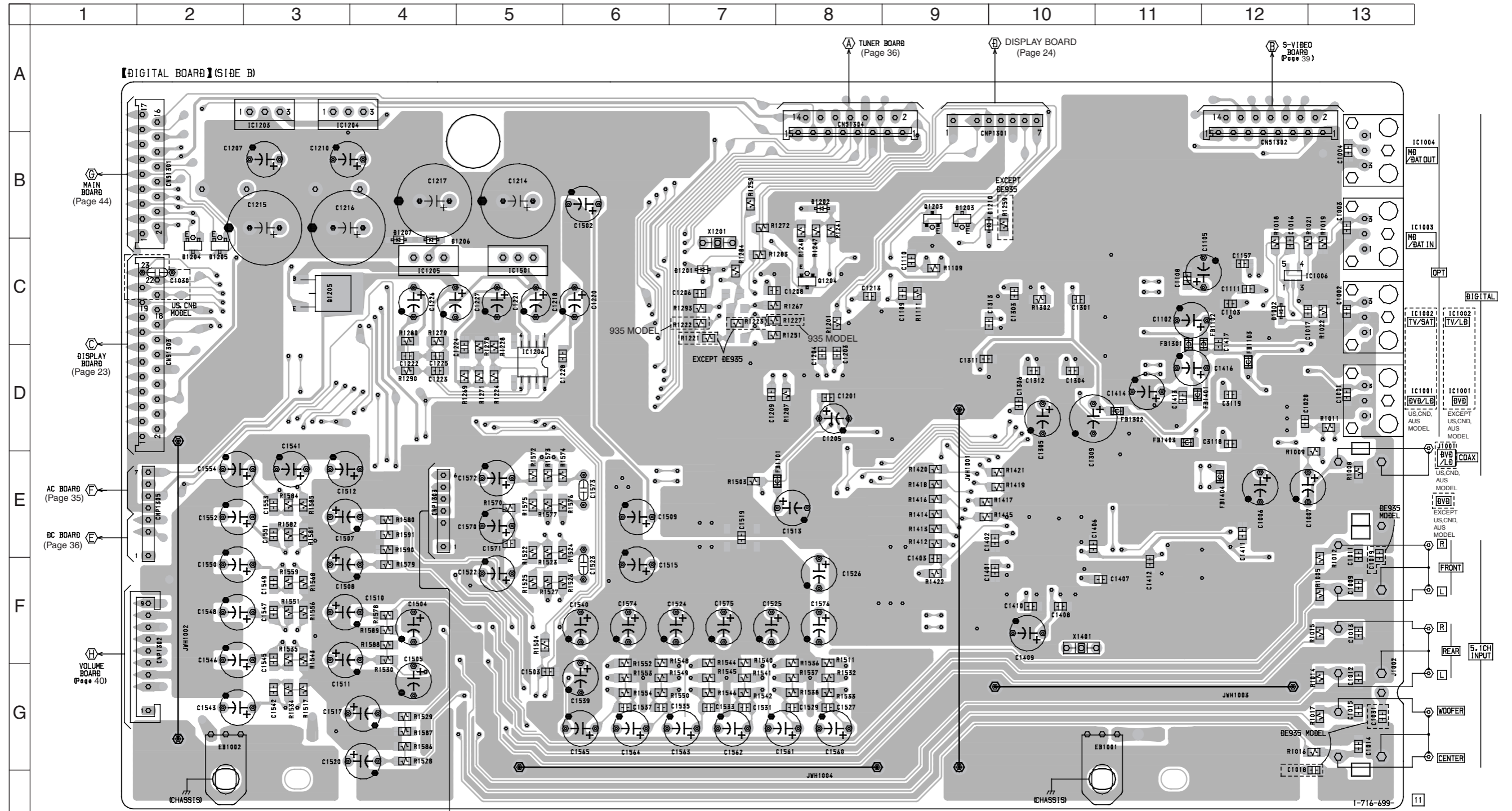
4-7. PRINTED WIRING BOARD DIGITAL SECTION(1/2) • See page 11 for circuit board location.



• Semiconductor Location

Ref. No.	Location	Ref. No.	Location	Ref. No.	Location	Ref. No.	Location
D1001	E-2	IC1007	E-2	IC1503	F-8	Q1202	E-6
D1101	C-3	IC1101	C-2	IC1504	F-10	Q1501	E-11
D1102	C-6	IC1102	C-6	IC1505	G-7	Q1502	F-11
D1208	A-9	IC1201	C-7	IC1506	G-8	Q1503	F-11
D1209	D-12	IC1202	F-6	IC1507	G-9	Q1504	G-11
D1211	A-9	IC1301	C-4	IC1508	G-12	Q1505	G-11
D1501	F-11	IC1401	F-5	IC1509	F-12	Q1506	H-11
D1504	G-11	IC1402	F-3	IC1510	E-12	Q1507	E-11
D1505	H-11	IC1403	E-3	IC1554	E-10		
		IC1404	D-3				
IC1005	D-2	IC1502	G-10	Q1201	E-6		

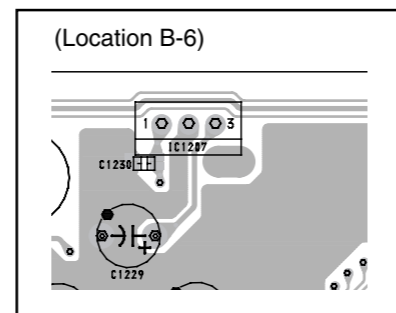
4-8. PRINTED WIRING BOARD DIGITAL SECTION(2/2) • See page 11 for circuit board location.



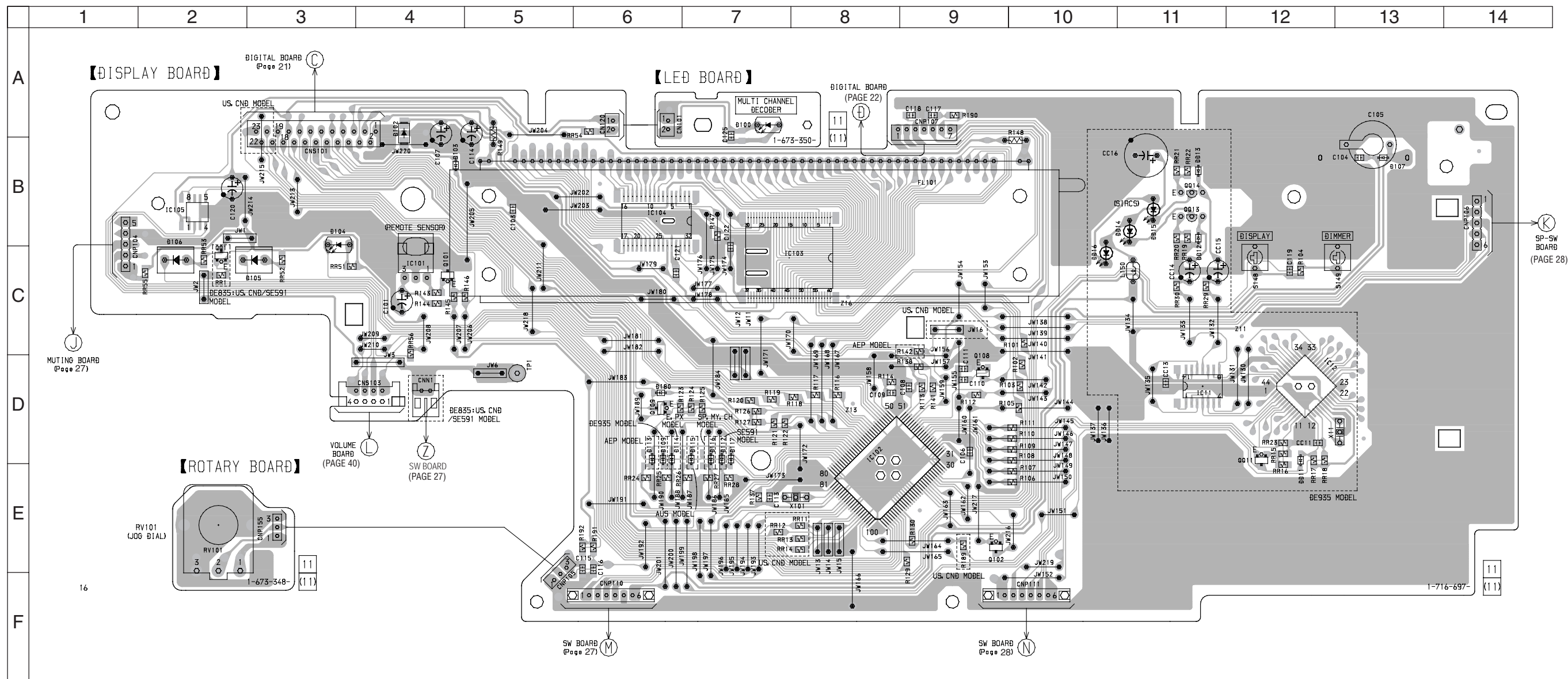
• Semiconductor Location

Ref. No.	Location	Ref. No.	Location
D1002	C-12	IC1003	B-13
D1201	C-7	IC1004	B-13
D1202	B-8	IC1006	C-12
D1203	B-9	IC1203	A-3
D1204	C-2	IC1204	A-3
D1205	C-2	IC1205	C-4
D1206	C-4	IC1206	D-5
D1207	C-4	IC1501	C-5
D1210	B-10		
		Q1203	B-9
IC1001	D-13	Q1204	C-8
IC1002	C-13	Q1205	C-3

DIGITAL PWB FROM SUFFIX-12



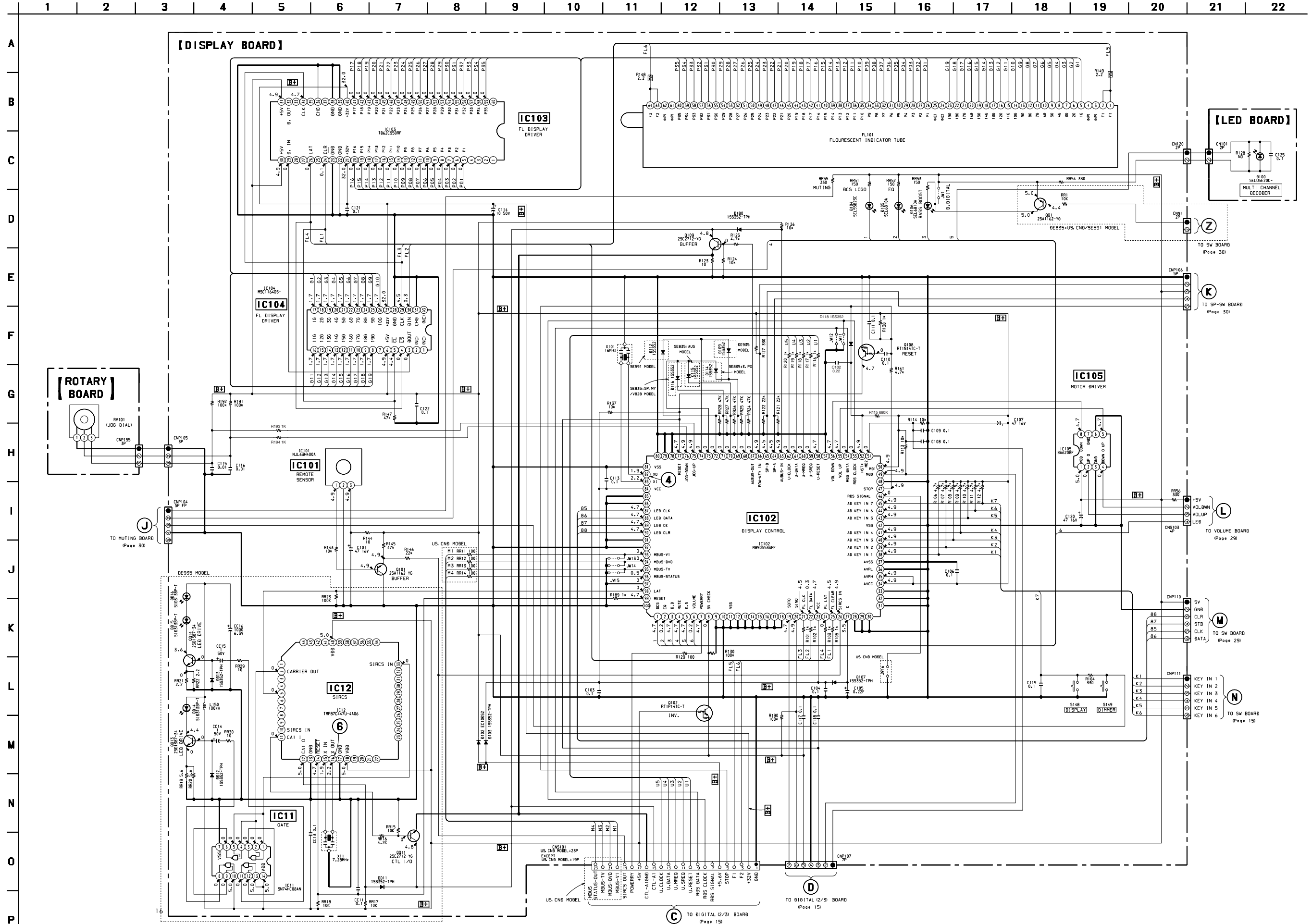
4-9. PRINTED WIRING BOARD DISPLAY SECTION • See page 11 for circuit board location.



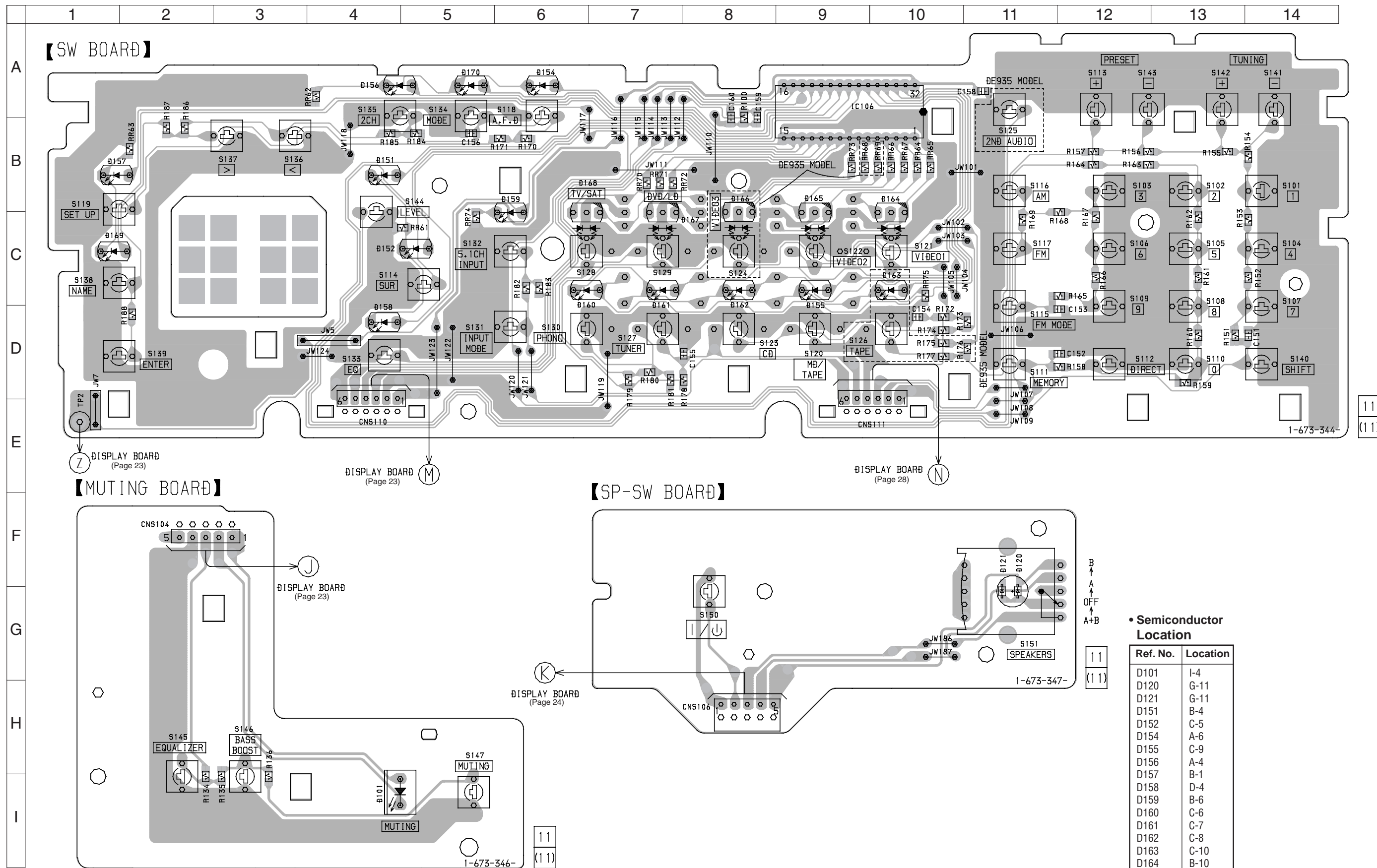
• Semiconductor Location

Ref. No.	Location	Ref. No.	Location
D102	A-4	IC11	D-11
D103	B-4	IC12	D-12
D104	B-3	IC101	C-4
D105	C-3	IC102	E-8
D106	C-2	IC103	C-7
D107	B-13	IC104	B-6
D109	D-6	IC105	B-2
D112	D-7		
D113	D-6	Q101	C-4
D114	D-6	Q102	E-9
D115	D-7	Q108	D-9
D116	D-7	Q109	D-6
D180	D-6	QQ1	C-2
DD11	D-12	QQ11	D-12
DD12	B-11	QQ13	B-11
DD14	B-11	QQ14	B-11
DD15	B-11		
DD16	C-10		

4-10. SCHEMATIC DIAGRAM DISPLAY SECTION • See page 12 for Waveforms. • See page 56 for IC Pin Functions. • See page 61 for IC Block Diagrams.



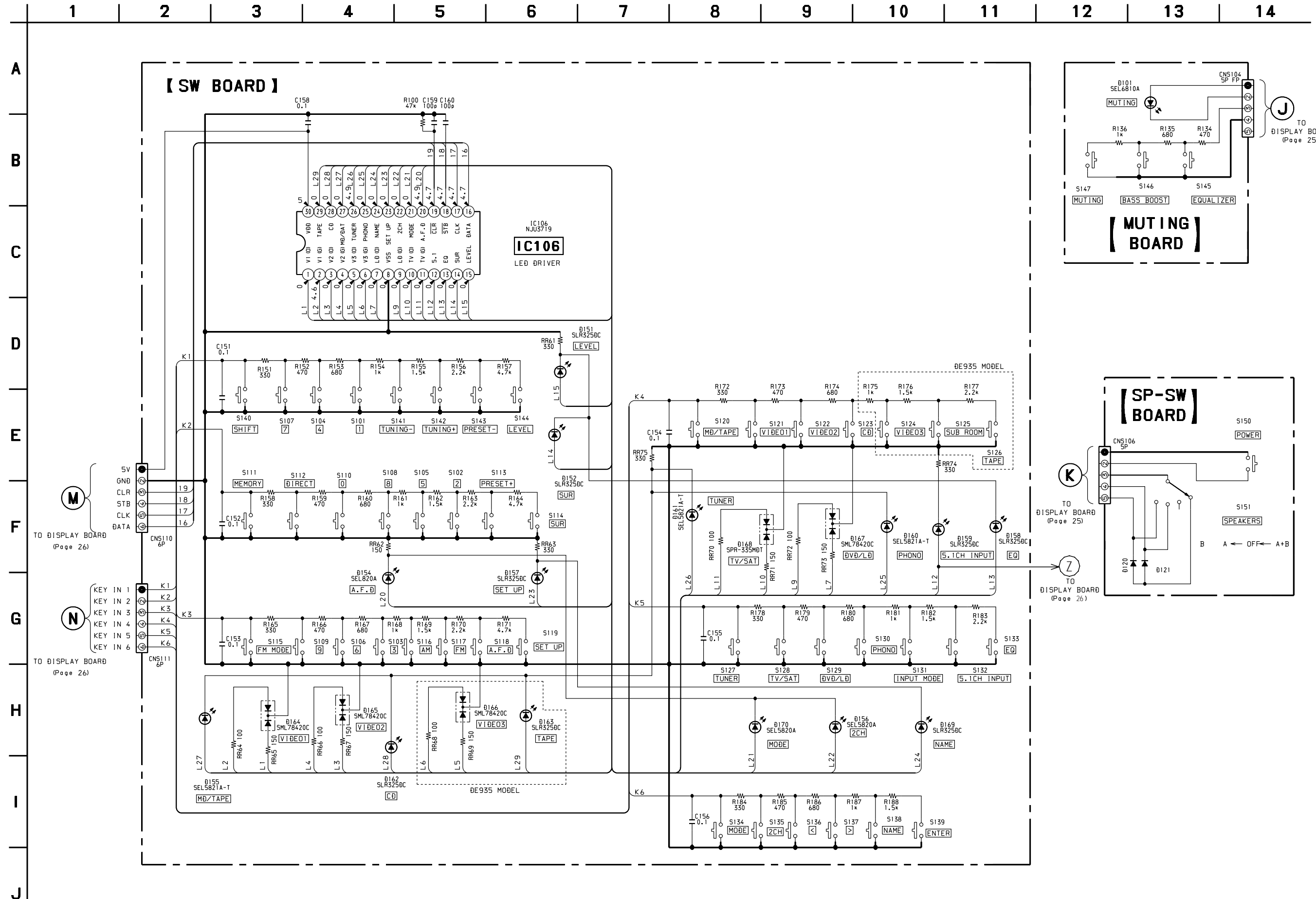
4-11. PRINTED WIRING BOARD SURROUND SECTION • See page 11 for circuit board location.



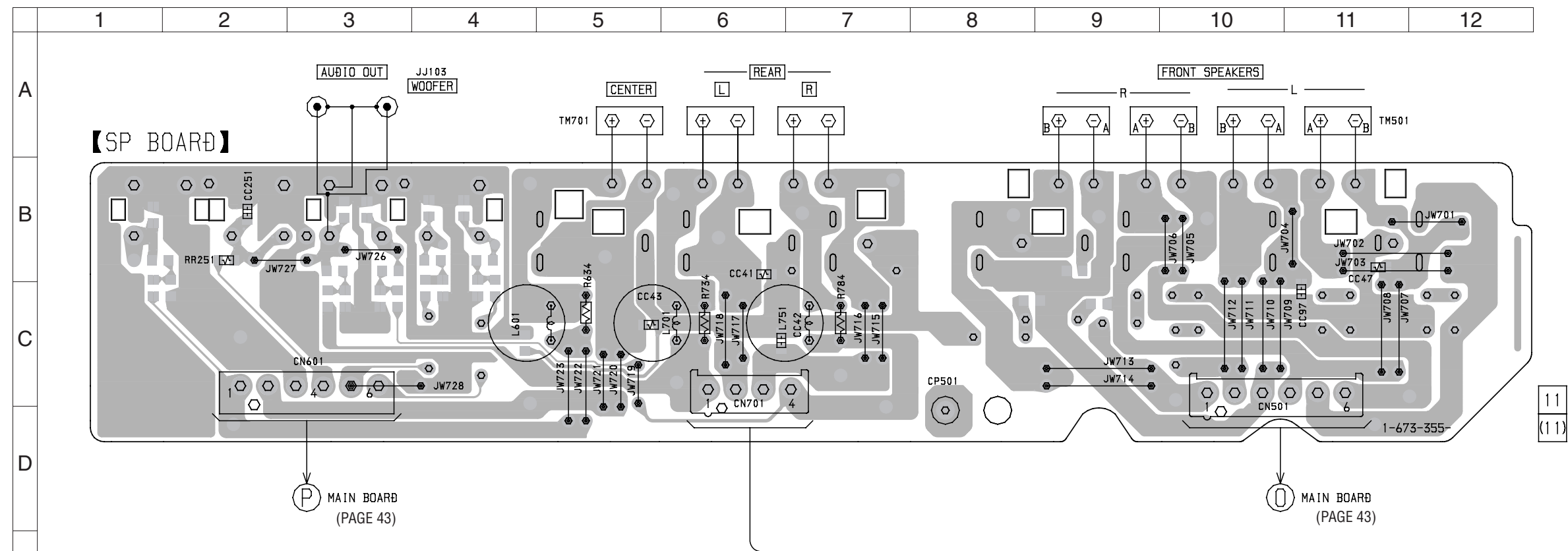
• Semiconductor Location

Ref. No.	Location
D101	I-4
D120	G-11
D121	G-11
D151	B-4
D152	C-5
D154	A-6
D155	C-9
D156	A-4
D157	B-1
D158	D-4
D159	B-6
D160	C-6
D161	C-7
D162	C-8
D163	C-10
D164	B-10
D165	B-9
D166	B-8
D167	B-7
D168	B-6
D169	C-1
D170	A-5

4-12. SCHEMATIC DIAGRAM SURROUND SECTION

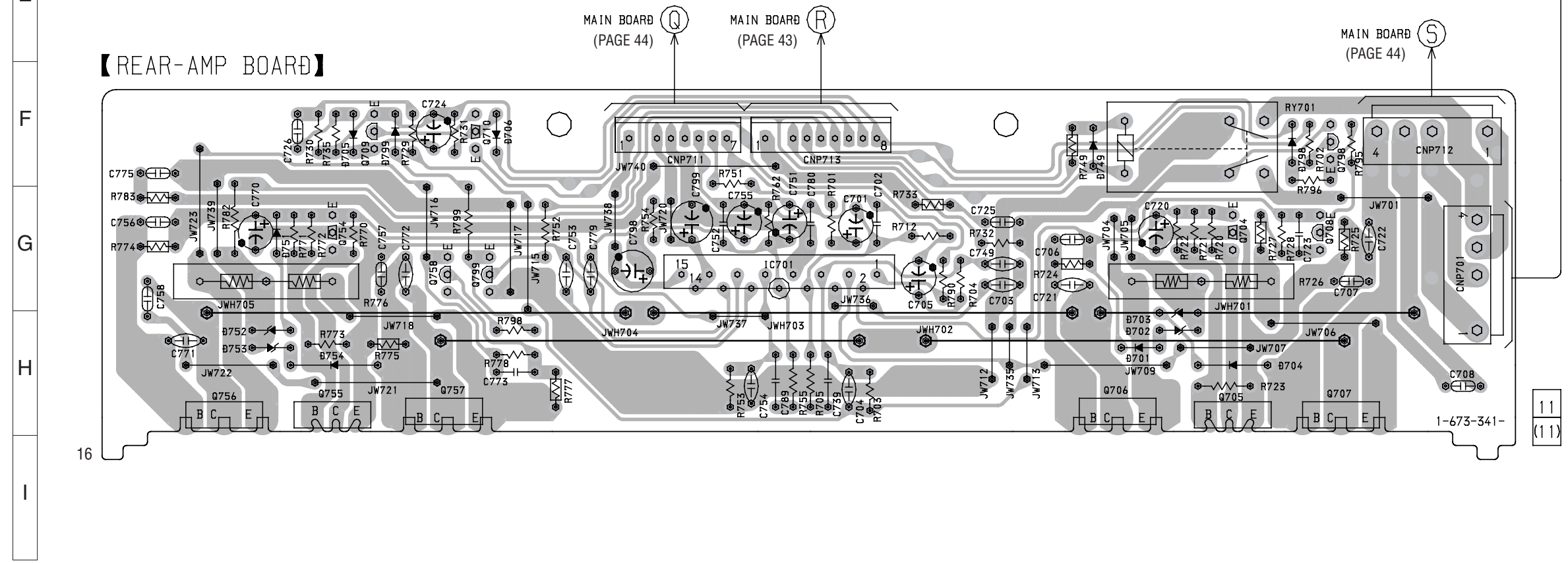


4-13. PRINTED WIRING BOARD REAR AMP SECTION • See page 11 for circuit board location.

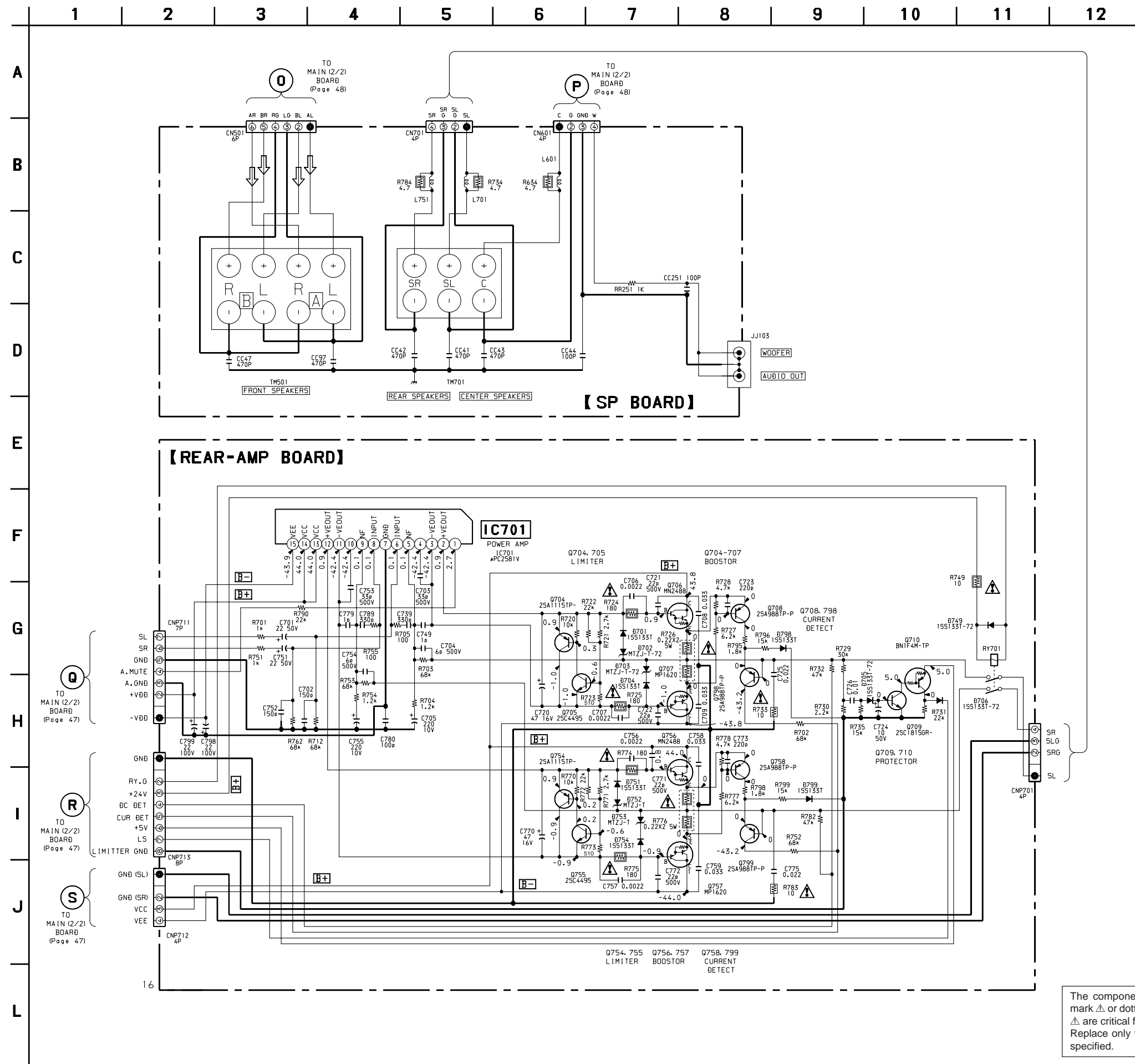


• Semiconductor Location

Ref. No.	Location
D701	H-9
D702	H-10
D703	H-10
D704	H-10
D705	F-3
D706	F-4
D749	F-9
D751	G-2
D752	H-2
D753	H-2
D754	H-3
D798	F-11
D799	F-3
IC701	G-6
Q704	G-10
Q705	H-10
Q706	H-9
Q707	H-11
Q708	G-11
Q709	F-3
Q710	F-4
Q754	G-3
Q755	H-3
Q756	H-2
Q757	H-4
Q758	G-4
Q798	F-11
Q799	G-4

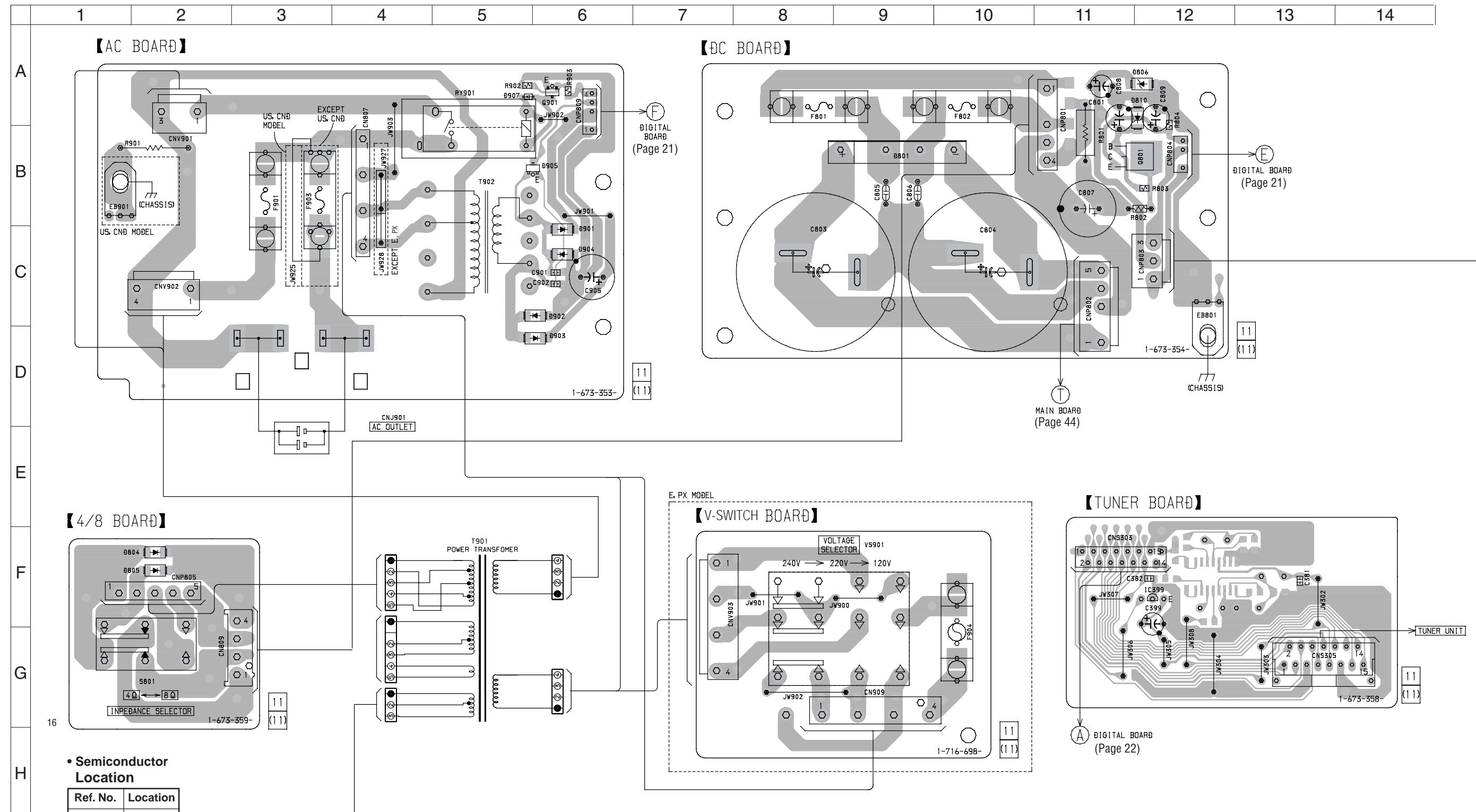


4-14. SCHEMATIC DIAGRAM REAR AMP SECTION • See page 58 for IC Block Diagrams.

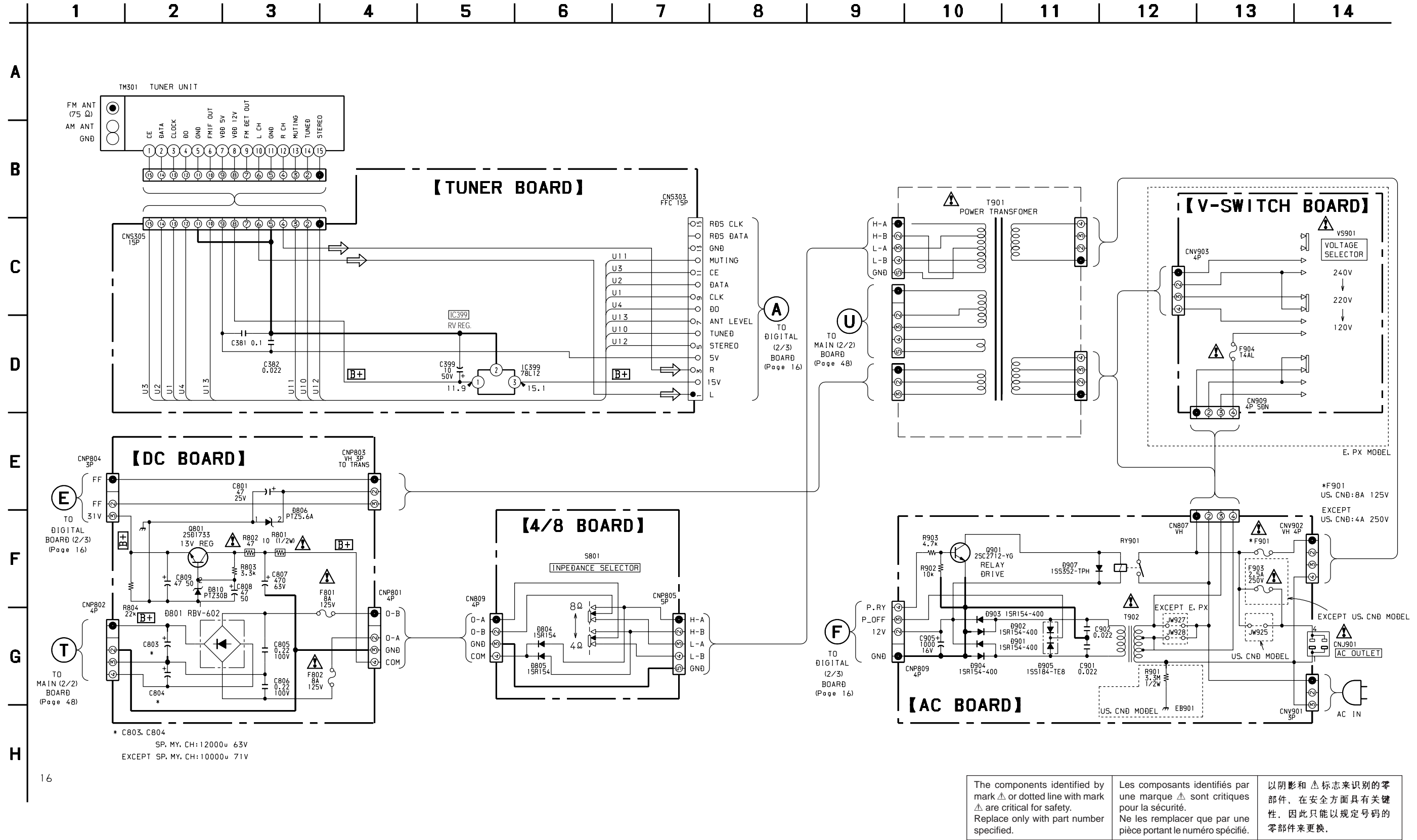


<p>The components identified by mark ▲ or dotted line with mark ⋯ are critical for safety. Replace only with part number specified.</p>	<p>Les composants identifiés par une marque ▲ sont critiques pour la sécurité. Ne les remplacer que par une pièce portant le numéro spécifié.</p>	<p>以阴影和 ▲ 标志来识别的零部件，在安全方面具有关键性。因此只能以规定号码的零部件来更换。</p>
---	---	--

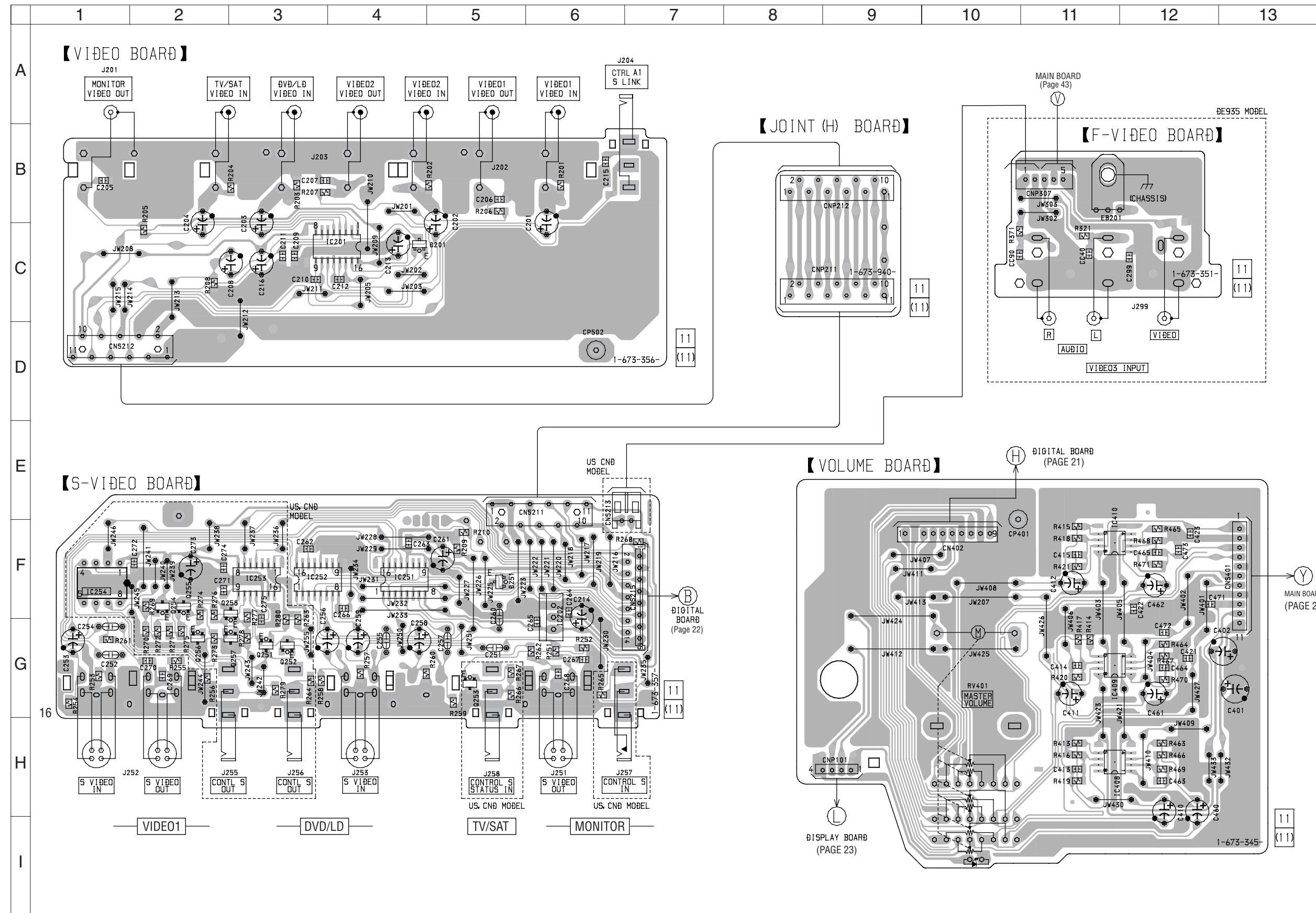
4-15. PRINTED WIRING BOARD POWER SECTION • See page 11 for circuit board location.



4-16. SCHEMATIC DIAGRAM TUNER/POWER SECTION



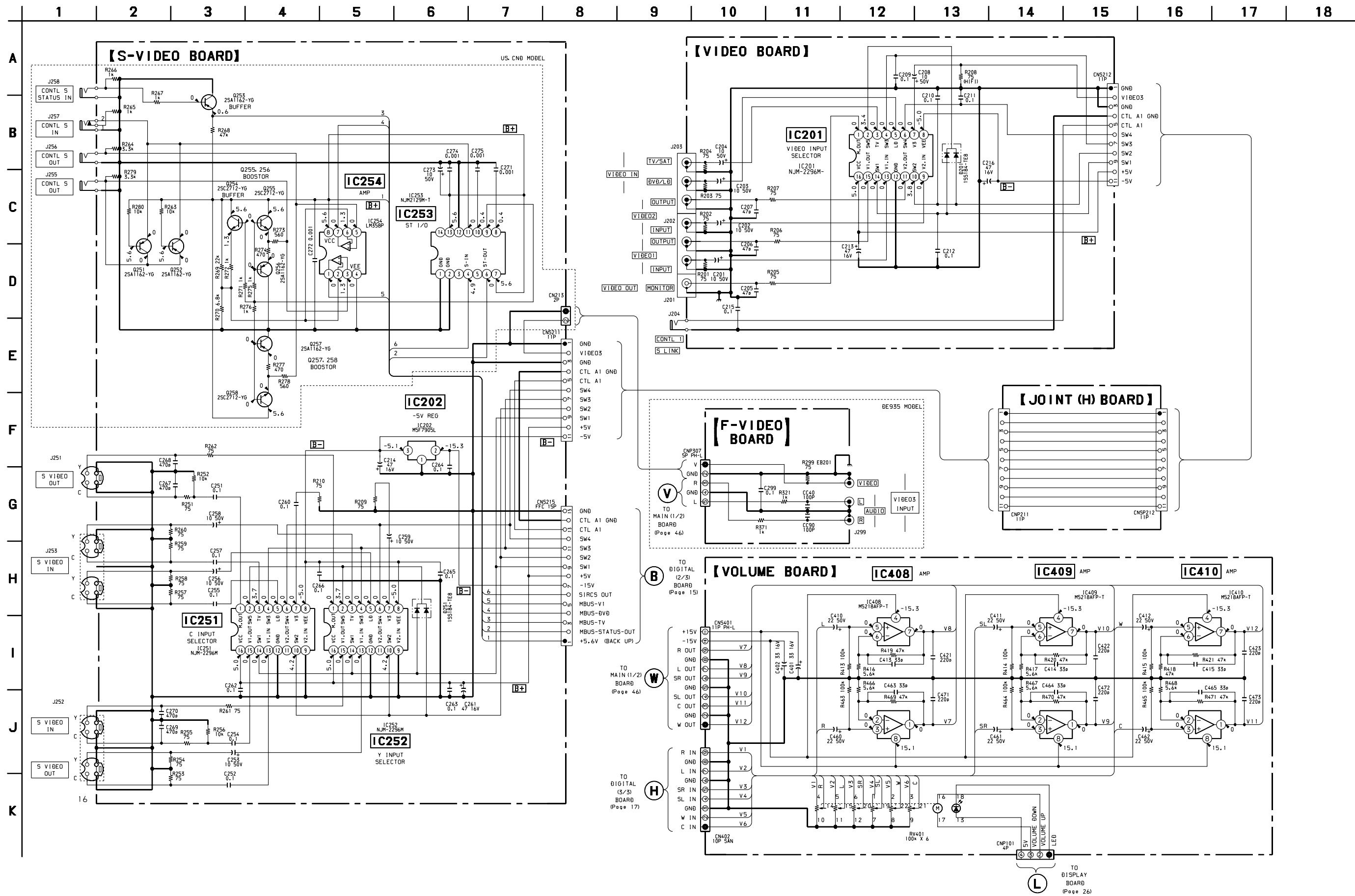
4-17. PRINTED WIRING BOARD VIDEO SECTION • See page 11 for circuit board location.



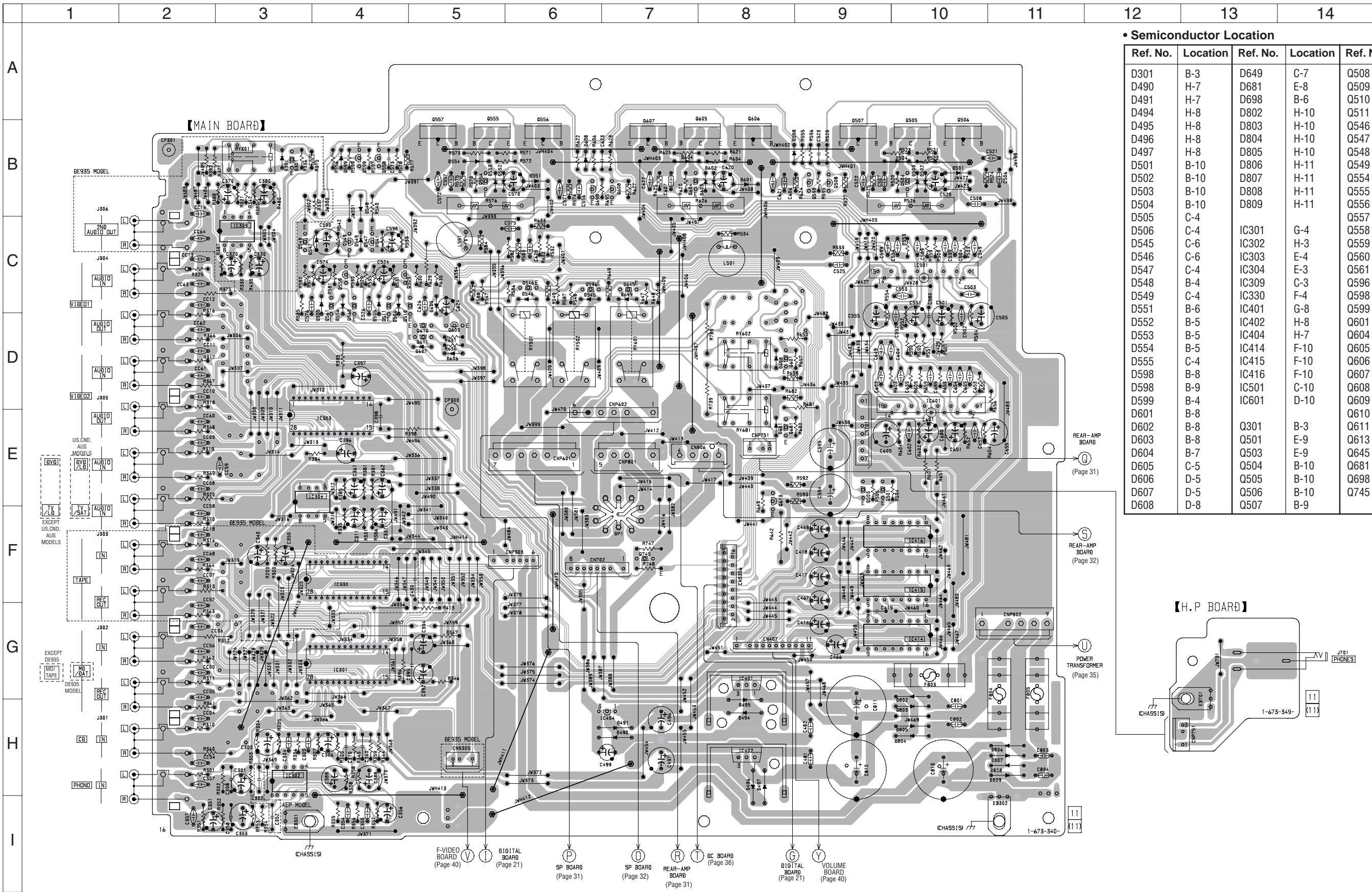
• Semiconductor Location

Ref. No.	Location
D201	C-4
D251	F-5
IC201	C-4
IC202	F-6
IC251	F-4
IC252	F-3
IC253	F-3
IC254	F-1
IC408	H-11
IC409	G-11
IC410	F-11
Q251	G-3
Q252	G-3
Q253	G-5
Q254	F-2
Q255	F-2
Q256	G-2
Q257	G-3
Q258	F-3

4-18. SCHEMATIC DIAGRAM VIDEO SECTION • See page 60 for IC Block Diagrams.



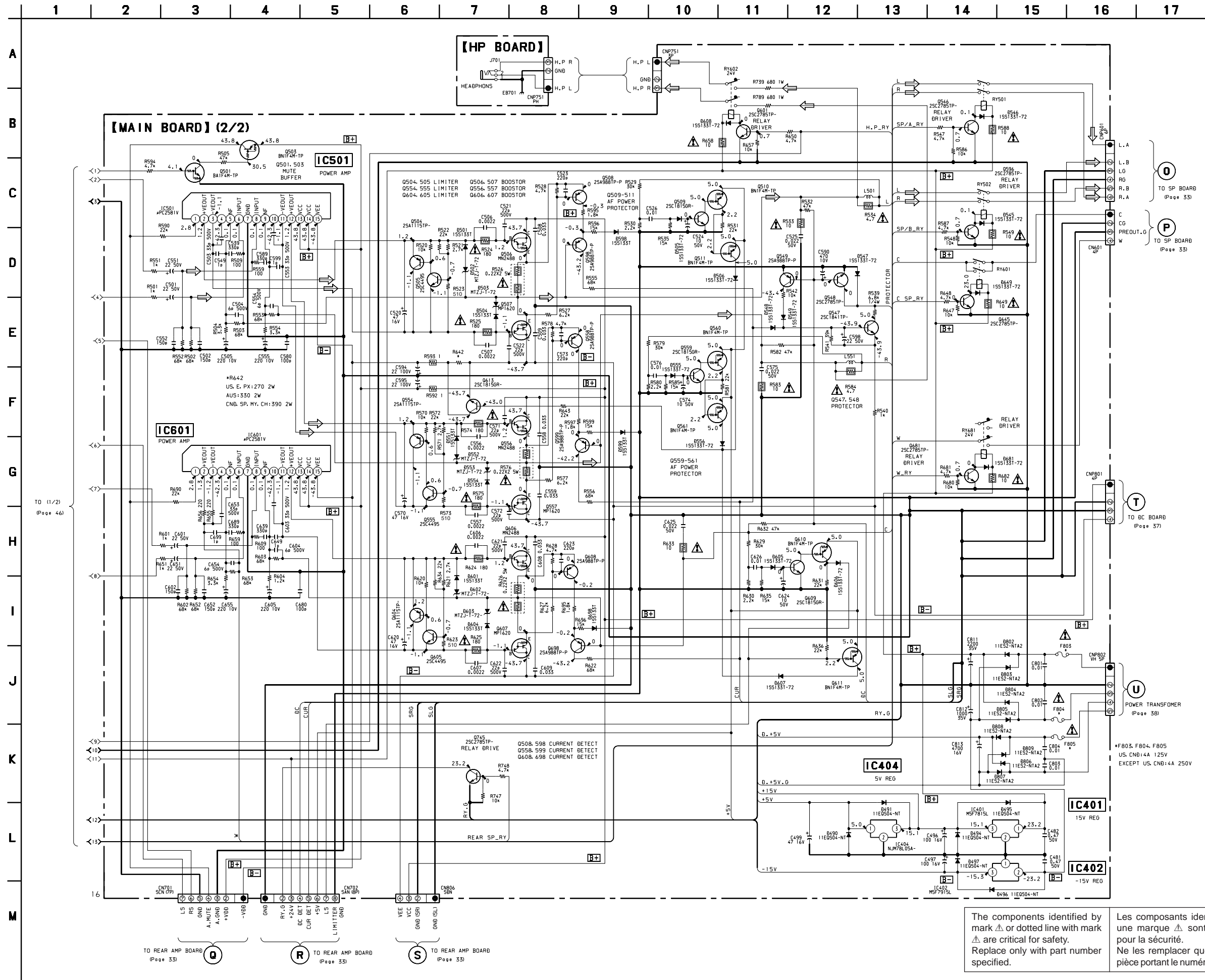
4-19. PRINTED WIRING BOARD MAIN SECTION • See page 11 for circuit board location.



• Semiconductor Location

Ref. No.	Location	Ref. No.	Location	Ref. No.	Location
D301	B-3	D649	C-7	Q508	B-9
D490	H-7	D681	E-8	Q509	C-4
D491	H-7	D698	B-6	Q510	C-5
D494	H-8	D802	H-10	Q511	C-4
D495	H-8	D803	H-10	Q546	C-6
D496	H-8	D804	H-10	Q547	C-4
D497	H-8	D805	H-10	Q548	C-3
D501	B-10	D806	H-11	Q549	C-4
D502	B-10	D807	H-11	Q554	B-5
D503	B-10	D808	H-11	Q555	B-5
D504	B-10	D809	H-11	Q556	C-6
D505	C-4			Q557	B-5
D506	C-4	IC301	G-4	Q558	C-4
D545	C-6	IC302	H-3	Q559	B-4
D546	C-6	IC303	E-4	Q560	C-4
D547	C-4	IC304	E-3	Q561	C-4
D548	B-4	IC309	C-3	Q596	C-6
D549	C-4	IC330	F-4	Q598	B-9
D551	B-6	IC401	G-8	Q599	B-4
D552	B-5	IC402	H-8	Q601	D-8
D553	B-5	IC404	H-7	Q604	B-7
D554	B-5	IC414	F-10	Q605	B-8
D555	C-4	IC415	F-10	Q606	B-8
D598	B-8	IC416	F-10	Q607	B-7
D598	B-9	IC501	C-10	Q608	B-7
D599	B-4	IC601	D-10	Q609	D-5
D601	B-8			Q610	D-5
D602	B-8	Q301	B-3	Q611	D-5
D603	B-8	Q501	E-9	Q613	E-8
D604	B-7	Q503	E-9	Q645	C-7
D605	C-5	Q504	B-10	Q681	E-8
D606	D-5	Q505	B-10	Q698	B-6
D607	D-5	Q506	B-10	Q745	F-7
D608	D-8	Q507	B-9		

4-21. SCHEMATIC DIAGRAM MAIN SECTION(2/2) • See page 43 for printed wiring board. • See page 60 for IC Block Diagrams.



The components identified by mark Δ or dotted line with mark Δ are critical for safety. Replace only with part number specified.

Les composants identifiés par une marque Δ sont critiques pour la sécurité. Ne les remplacer que par une pièce portant le numéro spécifié.

以阴影和 Δ 标志来识别的零部件，在安全方面具有关键性。因此只能以规定号码的零部件来更换。

4-22. IC PIN FUNCTION DESCRIPTION

IC1401 CXD2712R AUDIO DSP(DIGITAL BOARD)

Pin No.	Pin Name	I/O	Description
1	VSS3	—	Ground
2 – 5	SOA – SOD	O	Serial data output
6, 7	ECJ0, ECJ1	I	Conditional jump input terminal (7pin Connected to ground)
8	—	NC	No connection
9	XHDWR	I	HCIF data write
10	XHDRD	I	HCIF data read
11	Vss4	—	Ground
12	VDD2	—	+3.3V
13	HRDY	O	HCIF ready signal Open drain
14	XHDCS	I	HCIF chip select
15	HA0	I	HCIF address input
16 – 20	HD0 – HD4	I/O	HCIF data input/output
21	Vss5	—	Ground
22	VDD3	—	+3.3V
23 – 25	HD5 – HD7	I/O	HCIF data input/output
26	XRST	I	Reset input “L”: active
27 – 30	FGP0 – FGP3	O	Test data output
31	Vss6	—	Ground
32 – 40	ED0 – ED8	I/O	External RAM data input/output
41	Vss7	—	Ground
42	VDD4	—	+3.3V
43 – 49	ED9 – ED15	I/O	External RAM data input/output
50	TSTD	I	Test data input “L” = normal “H” = test (Connected to ground)
51	Vss8	—	Ground
52	VDD5	—	+3.3V
53 – 60	ED16 – ED23	I/O	External RAM data input/output
61	Vss9	—	Ground
62 – 69	ED24 – ED31	I/O	External RAM data input/output
70	XOE	O	External RAM output enable
71	Vss10	—	Ground
72	VDD6	—	+3.3V
73	CAS	O	External RAM column address strobe (Not used)
74	XWE	O	External RAM write enable (Not used)
75	RAS	O	External RAM raw address strobe
76 – 80	EA0 – EA4	I/O	External RAM address output/test data input
81	Vss11	—	Ground
82	VDD7	—	+3.3V
83 – 89	EA5 – EA11	I/O	External RAM address output/test data input
90	EA12	O	External RAM address output

Pin No.	Pin Name	I/O	Description
91	Vss0	—	Ground
92 – 94	EA13 – EA15	O	External RAM address output
95	EA16	O	Not used
96	TSTA	I	Test data input “L” = normal “H” = test (Connecting to ground)
97	PLDIVF	I	PLL input frequency select “L” = 256Fs “H” = 128Fs (Connecting to ground)
98	PLDIVB	O	PLL output frequency select “L” = 768Fs “H” = 1024Fs (Connecting to ground)
99	CLKI	I	Master clock input
100	CLKO	O	Master clock output (Not used)
101	Vss1	—	Ground
102	VDD0	—	+3.3V
103	AVss	—	Ground for PLL cell
104	AVDD	—	VDD for PLL cell
105	PLLCK	I/O	PLL output/test clock input
106	XPLEN	I	PLL cell oscillation enable “L” oscillation enable “H” oscillation stop (Connecting to ground)
107	TST	I	Test data input “L” = normal “H” = test (Connecting to ground)
108	LRCT	I	Frequency counter input (Connecting to ground)
109	LROUT	O	LRCK0 divider output
110	BKOUT	O	BCK0 divider output
111	Vss2	—	Ground
112	VDD1	—	+3.3V
113	BCK0	I	BCK input
114	BCK1	I	BCK input
115	LRCK0	I	LRCK input
116	LRCK1	I	LRCK input
117 – 120	SIA – SID	I	Serial data input

IC1201 MB90573PFV-G-190-BND SYSTEM CONTROL(DIGITAL BOARD)

Pin No.	Pin Name	I/O	Description
1	SCLK	O	To CXD9511Q clock
2	SI	I	To CXD9511Q data input
3	SO	O	To CXD9511Q data output
4	CS	O	To CXD9511Q chip select
5	IC	O	To CXD9511Q reset(Pull Down near CXD9511Q)
6	D.SIG	I	ZERO data detect
7	5.1CH	O	5.1CH muting.
8	VCC	—	Power supply +5 V
9	SIN0	I	UART input. Used for rewriting flash memory
10	SOT0	O	UART output. Used for rewriting flash memory
11	N.C	O	Not used (Connected to ground)
12	N.C	O	Not used (Connected to ground)
13	XHDWR	O	To CXD2712 data write
14	XHDRD	O	To CXD2712 data read
15	SOD	I	To CXD2712 LFE detection
16	XHDCS	O	To CXD2712 chip select
17	HD7	O	To CXD2712 HCIF data I/O
18	HD6	O	To CXD2712 HCIF data I/O
19	HD5	O	To CXD2712 HCIF data I/O
20	HD4	O	To CXD2712 HCIF data I/O
21	HD3	O	To CXD2712 HCIF data I/O
22	HD2	O	To CXD2712 HCIF data I/O
23	HD1	O	To CXD2712 HCIF data I/O
24	HD0	O	To CXD2712 HCIF data I/O
25	HA0	O	To CXD2712 address
26	XRST	O	To CXD2712 reset
27	HRDY	I	To CXD2712 ready
28	CS	O	To AK4526A chip select
29	CCLK	O	To AK4526A clock
30	CDTI	O	To AK4526A data input
31	CDTO	I	To AK4526A data output
32	PD	O	To AK4526A reset
33	VSS	—	Ground (Connected to ground)
34	C	—	External power regulator capacitor 0.1u is connected to this terminal.
35	96KHz	O	To AK4526A Dfs
36	N.C	I	Not used (Connected to ground)
37	N.C	I	Not used (Connected to ground)
38	DVCC	—	Digital power supply +5 V
39	DVSS	—	Digital Ground (Connected to ground)
40	N.C	O	Not used (Connected to ground)
41	N.C	—	Not used (Connected to ground)
42	AVCC	—	Analog power supply +5 V
43	AVR+	—	Power supply +5 V
44	AVR-	—	Ground (Connected to ground)
45	AVSS	—	Ground (Connected to ground)
46	EVSTB	O	To TC9299 strobe
47	EVDATA	O	To TC9299 data
48	EVCLK	O	To TC9299 clock
49	DISPMR	I	Display master request (Connected to MCU U.MREQ)
50	DISPDATA	I	Display data (Connected to MCU U.DATA)

Pin No.	Pin Name	I/O	Description
51	SLVDTA/REQ	O	Slave data/request (Connected to MCU U.SREQ)
52	DISPCLK	I	Display clock (Connected to MCU U.CLOCK)
53	N.C	I	Not used (Connected to ground)
54	VCC	—	Power supply +5 V
55	S.LAT	O	To tuner latch
56	S.DATA	O	To tuner data
57	S.CLK	O	To tuner clock
58	DATA IN	I	PLL data in
59	AUSTOP	I	Auto stop input
60	STEREO	I	Stereo input
61	N.C	I	Not used (Connected to ground)
62	N.C	I	Not used (Connected to ground)
63	VSS	—	Ground (Connected to ground)
64	N.C	I	Not used (Connected to ground)
65	TH	I	TH Protector input
66	PROTEC	I	Protector input
67	STOP	I	AC power check
68	N.C	I	Not used (Connected to ground)
69	N.C	I	Not used (Connected to ground)
70	N.C	I	Not used (Connected to ground)
71	N.C	I	Not used (Connected to ground)
72	VIDEO(SW4)	O	Video select SW4
73	X1A	—	Not used
74	X0A	—	Not used
75	VIDEO(SW3)	O	Video select SW3
76	VIDEO(SW2)	O	Video select SW2
77	VIDEO(SW1)	O	Video select SW1
78	DIGITAL 1/4	I	Digital function
79	TAPE NO/ YES	I	Tape NO/YES input
80	VIDEO3 NO/ YES	I	I VIDEO3 NO/ YES input
81	DTS NO/ YES	I	DTS NO/ YES input
82	ACMUTE	O	Power amp mute ON/OFF output
83	96K NO/YES	I	96K NO/YES input
84	T.MUTE	O	Tuner muting
85	S.MUTE	O	Surround muting (Connected to ground)
86	HSTX	—	Hardware standby (Connected to power supply +5 V)
87	MD2	—	MD2 (To MCU MD2)
88	MD1	—	MD1 (Connect to power supply)
89	MD0	—	MD0 (To MCU MD0)
90	REST	I	Reset (Connected to MB90553 U.RESET)
91	VSS	—	Ground (Connected to ground)
92	XO	—	External ceramic filter 16MHz is connected to this terminal
93	XI	—	External ceramic filter 16MHz is connected to this terminal
94	VCC	—	Power supply +5V
95	PO0	I	Flash memory rewrite (Connected to ground)
96	PO1	I	Flash memory rewrite (Connected to ground)
97	RY-4/B	O	4/8 relay
98	RY-PRE	O	Pre relay
99	RY-FRONT/A	O	Front speaker A relay
100	RY-FRONT/B	O	Front speaker B relay

Pin No.	Pin Name	I/O	Description
101	RY-CENTER	O	Center speaker relay
102	RY-REAR	O	Rear speaker relay
103	RY-WOOFER	O	Sub Woofer relay
104	RY-HP	O	Head phone relay
105	RY-POWER	O	Power relay
106	ANG/DIG	O	Analog/digital selection
107	DIG-INB	O	Digital input select B
108	DIG-INA	O	Digital input select A
109	XMODE	O	Direct pass relay
110	CL	O	To LC89055 clock
111	CE	O	To LC89055 latch
112	DI	O	To LC89055 data
113	DO	I	To LC89055 C-bit
114	ERROR	I	Error output to LC89055
115	BYSYNC	I	Non PCM sync detect flag LC89055
116	AUTO	I	Non PCM data detect flag LC89056
117	CSFLAG	I	C-bit change flag LC89055
118	XSTATE	I	Xtal status Frag LC89055
119	VSS	—	Ground (Connected to ground)
120	N.C	—	Not used (Connected to ground)

IC1503 AK4526A A/D,D/A CONVERTER (DIGITAL BOARD)

Pin No.	Pin Name	I/O	Description
1	SDOS	I	SDTO source select pin “L”: internal ADC output, “H”: DAUX input ORed with serial control register if $P/\bar{S} = \text{“L”}$ (Connected to ground)
2	$\overline{\text{MCLK}}$	I	MCKO clock frequency select pin “L”: MCLK, “H”: MCLK/2. ORed with serial control register if $P/\bar{S} = \text{“L”}$ (Connected to ground)
3	\bar{S}/M	I	Audio data master/slave mode select pin “L”: slave mode, “H”: master mode (Connected to ground)
4	BCLK	I/O	Audio serial data clock pin
5	LRCK	I/O	Input/output channel clock pin
6	SDT11	I	DAC1 audio serial data input pin
7	SDT12	I	DAC2 audio serial data input pin
8	SDT13	I	DAC3 audio serial data input pin
9	SDTO	O	Audio serial data output pin
10	DAUX	I	AUX audio serial data input pin (Connected to ground)
11	DFS	I	Double speed sampling mode pin “L”: normal speed, “H”: double speed ORed with serial control register if $P/\bar{S} = \text{“L”}$ (Connected to ground)
12 – 13	DEM1 – DEM0	I	De-emphasis pin ORed with serial control register if $P/\bar{S} = \text{“L”}$ (Connected to ground)
14	MCKO	O	Master clock output pin (Not used)
15	D. 5V	—	Digital power supply pin
16	D. GND	—	Digital ground pin
17	$\overline{\text{PD}}$	I	Power-down & reset pin When “L”, the AK4526 is powered-down and the control registers are reset to default state. If the state of P/\bar{S} , M/\bar{S} , CAD0-1 changes, then the AK4526 must be reset by $\overline{\text{PD}}$.
18	TEST	I	X’tal oscillator select/test mode pin “H”: X’tal oscillator selected “L”: External clock source selected “NC”: If pin is floating then test mode is enabled. (Connected to ground)
19	ICKS1	I	Input clock select 1 pin (Connected to ground)
20	ICKS0	I	Input clock select 0 pin (Connected to ground)
21	CAD1	I	Chip address pin Used during the serial control mode. (Connected to ground)
22	CAD0	I	Chip address pin Used during the serial control mode. (Connected to ground)
23	LOUT3	O	Lch #3 analog output pin
24	ROUT3	O	Rch #3 analog output pin
25	LOUT2	O	Lch #2 analog output pin
26	ROUT2	O	Rch #2 analog output pin
27	LOUT1	O	Lch #1 analog output pin
28	ROUT1	O	Rch #1 analog output pin
29	LIN-	I	Lch analog negative input pin
30	LIN+	I	Lch analog positive input pin

Pin No.	Pin Name	I/O	Description
31	RIN-	I	Rch analog negative input pin
32	RIN+	I	Rch analog positive input pin
33	VREFL	I	Negative voltage reference input pin, AVSS (Connected to ground)
34	VCOM	O	Common voltage output pin, AVDD/2 Large external capacitor is used to reduce power-supply noise
35	VREFH	I	Positive voltage reference input pin, AVDD
36	A. 5V	—	Analog power supply pin
37	A. GND	—	Analog ground pin
38	XTI	I	X'tal input pin (Not used)
39	MCLKI	I	External master clock input pin if XTS = "L"
40	S/P	I	Parallel/serial select pin "L": serial control mode, "H": parallel control mode (Connected to ground)
41	CS	I	Chip select pin in serial mode
42	CCLK	I	Control data clock pin in serial mode
43	CDTI	I	Control data input in serial mode
44	CDTO	O	Control data output pin in serial mode

If pins TEST, ICKS0, ICKS1, \overline{PD} , $\overline{S/P}$, DFS, DEM0, DEM1, CAD0, CAD1, $\overline{S/M}$, \overline{MCLK} , SDOS are not driven, then TEST, ICKS0, ICKS1, CAD0, CAD1, must be tied to either AVSS or AVDD. \overline{PD} , $\overline{S/P}$, DFS, DEM0, DEM1, $\overline{S/M}$, \overline{MCLK} , SDOS must be tied to either DVSS or DVDD.

IC102 MB90553APF-G-138-BND DISPLAY CONTROL(DISPLAY BOARD)

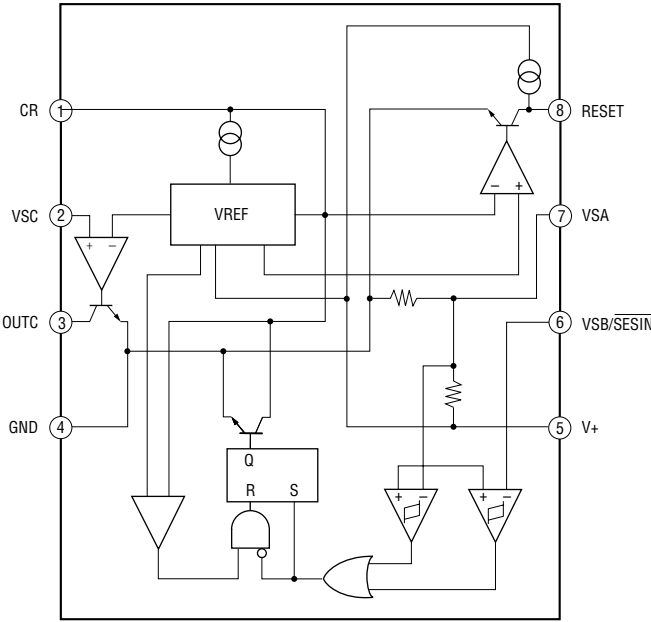
Pin No.	Pin Name	I/O	Description
1	DCS	O	DCS logo display data output to LED.
2	EQ	O	EQ ON/OFF display data output to LED.
3	B.B	O	BASS BOOST display data output to LED.
4	MUTE	O	MUTING display data output to LED.
5	D.D	O	DOLBY DIGITAL display data output to LED.
6	VOLUME	O	VOLUME display data output to LED.
7	POWER RY	O	Power reay display.
8	5V CHECK	O	Power check (+5V)
9	—	—	Not used. (Connected to ground)
10	—	—	Not used. (Connected to ground)
11	VSS	—	Ground (Connected to ground)
12	—	—	Not used. (Connected to ground)
13	—	—	Not used. (Connected to ground)
14	—	—	Not used. (Connected to ground)
15	—	—	Not used. (Connected to ground)
16	—	—	Not used. (Connected to ground)
17	—	—	Not used. (Connected to ground)
18	—	—	Not used. (Connected to ground)
19	SOT0	O	UART data output to rewrite flash memory
20	SIN0	I	UART data input to rewrite flash memory
21	FL CLK	O	Clock output to flourescent display tube
22	FL DATA	O	Data output to flourescent display tube
23	VCC	—	Power supply +5 V
24	FL LAT	O	Fluorescent latch
25	FL CLEAR	O	Fluorescent clear
26	SIRCS IN	I	SIRCS input
27	C	—	External power regulator capacitor 0.1 μ is connected to this terminal.
28	—	—	Not used (Connected to ground)
29	—	—	Not used (Connected to ground)
30	—	—	Not used (Connected to ground)
31	—	—	Not used (Connected to ground)
32	—	—	Not used (Connected to ground)
33	—	—	Not used (Connected to ground)
34	AVCC	—	Analog power supply +5 V
35	AVRH	—	AVRH (Connected to power supply +5 V)
36	AVRL	—	SVRL (Connected to ground)
37	AVSS	—	Ground (Connected to ground)
38	AD KEY IN 1	I	Key input 1
39	AD KEY IN 2	I	Key input 2
40	AD KEY IN 3	I	Key input 3
41	AD KEY IN 4	I	Key input 4
42	VSS	—	Ground (Connected to ground)
43	AD KEY IN 5	I	Key input 5
44	AD KEY IN 6	I	Key input 6
45	AD KEY IN 7	I	Key input 7
46	RDS SIGNAL	I	RDS signal input.
47	STOP	I	Stop input
48	—	—	Not used (Connected to ground)
49	MD 0	I	MD 0 (To MD0 of MB90573)
50	MD 1	I	MD 1 (Connected to power supply +5 V)

Pin No.	Pin Name	I/O	Description
51	MD 2	I	MD 2 (To MD2 of MB90573)
52	HSTX	I	Hardware STANDBY input
53	RDS CLOCK	I	RDS clock input
54	RDS DATA	I	RDS data input
55	VOL UP	O	Volume up data output
56	VOL DOWN	O	Volume down data output
57	—	—	Not used (Connected to ground)
58	U-RESET	O	Reset output (Connected to MB90573 RESET)
59	U-SREQ	I	Slave request and data input (Connected to MB90573 SLV DATA/REQ)
60	U-MREQ	O	Master request output (Connected to MB90573 DISPMR)
61	U-DATA	O	Master data output (Connected to MB90573 DISP DATA)
62	U-CLOCK	O	Master clock output (Connected to MB90573 DISPCLK)
63	AUBUS-IN	I	Audio bus input
64	SP-A	I	Speaker A signal input.
65	SP-B	I	Speaker B signal input.
66	POWER-KEY IN	I	POWER-KEY input.
67	AUBUS-OUT	O	Audio bus output
68	VIRSION IN1	I	Virision input.
69	VIRSION IN 2	I	Virision input.
70	VIRSION IN 3	I	Virision input.
71	VIRSION IN 4	I	Virision input.
72	VIRSION IN 5	I	Virision input.
73	VIRSION OUT 1	O	Virision output.
74	VIRSION OUT 2	O	Virision output.
75	JOG-UP	I	Function encoder up input.
76	JOG-DOWN	I	Function encoder down input.
77	RESET	I	Reset (Display MCU)
78	—	—	Not used (Connected to ground)
79	—	—	Not used (Connected to ground)
80	—	—	Not used (Connected to ground)
81	VSS	—	Ground (Connected to ground)
82	X0	—	External ceramic filter 4 MHz is connected to this terminal
83	X1	—	External ceramic filter 4 MHz is connected to this terminal
84	VCC	—	Power supply +5 V
85	—	—	Not used. (Connected to ground)
86	—	—	Not used. (Connected to ground)
87	LED CLK	I	LED clock input.
88	LED DATA	I	LED data input.
89	LED CE	I	LED chip enable input.
90	LED CLR	I	LED clear input.
91	—	—	Not used. (Connected to ground)
92	—	—	Not used. (Connected to ground)
93	MBUS-V1	I	V1 input from MBUS
94	MBUS-DVD	I	DVD input from MBUS
95	MBUS-TV	I	TV input from MBUS
96	MBUS-STATUS	I	STATUS input from MBUS
97	—	—	Not used. (Connected to ground)
98	LAT	O	Learning microprocessor latch output
99	—	—	Not used. (Connected to ground)
100	—	—	Not used. (Connected to ground)

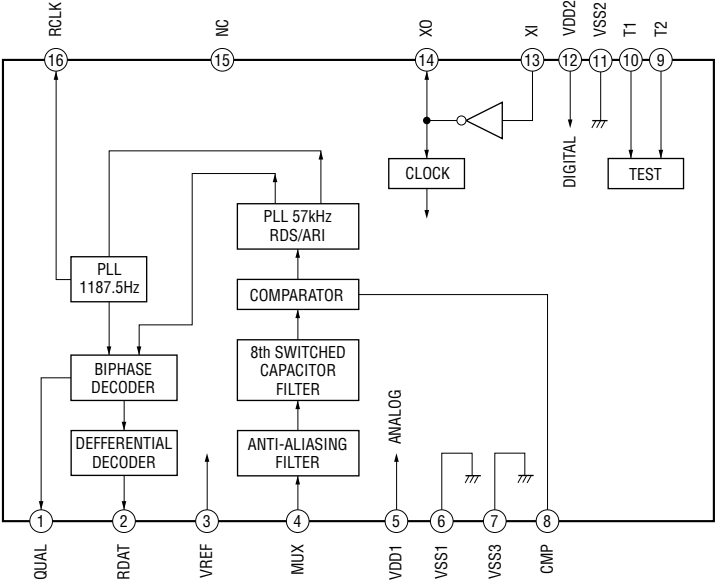
IC1101 LC89055W DIGITAL AUDIO I/F RECEIVER (DIGITAL BOARD)

Pin No.	Pin Name	I/O	Description
1	DISEL	I	Input data select. (connected to ground.)
2	DOUT	O	EIAJ data and parity flag output terminal (Not used)
3	DIN0	I	Amplifier integrate data input terminal
4	DIN1	O	Amplifier integrate data input terminal (Connecting to ground)
5	DIN2	I	Amplifier integrate data input terminal (Connecting to ground)
6	D. GND	—	Digital ground
7	D. VDD	O	Digital power supply
8	R	I	Input terminal for VCO generator band adjustment
9	V IN	I	Input terminal for VCO self running frequency set
10	LPF	O	External LPF for PLL is connected to this terminal
11	A. VDD	—	Analog power supply
12	A. GND	—	Analog ground
13	CK OUT	—	256fs or 128fs clock output terminal (Select CLKMD terminal)
14	BCK	O	Bit clock output terminal
15	LRCK	O	L, R clock output terminal (L-ch: "H", R-ch: "L")
16	DATA O	O	Audio data output terminal
17	XSTATE	O	Xtal status frag output.
18	D. GND	—	Digital ground
19	D. VDD	—	Digital power supply
20	XMCK	—	Not used.
21	XOUT	O	Crystal oscillator output terminal (Not used.)
22	XIN	I	Crystal oscillator input terminal
23	EMPHA	O	Emphasis monitor output terminal ("H" = ON) (Not used.)
24	AUDIO	—	Not used.
25	CSFLAG	O	C-bit change frag output.
26	F0/P0/C0	—	Not used.
27	F1/P1/C1	—	Not used.
28	F2/P2/C2	—	Not used.
29	F3/P3/C3	—	Not used.
30	D. VDD	—	Digital power supply
31	D. GND	—	Digital ground
32	AUTO	O	Non PCM data detect flag output.
33	BPSYNC	O	Non PCM sync detect flag output.
34	ERROR	O	Error mute output terminal
35	DO	O	Microprocessor I/F. When CCB/SUB is "H", data output terminal (high level open drain output) (Not used)
36	DI	I	Microprocessor I/F. Data input terminal
37	CE	I	Microprocessor I/F. Chip enable/latch input terminal
38	CLK	I	Microprocessor I/F. Clock input terminal
39	XSEL	I	Xtal select. (Connected to +5V.)
40	MODE0	I	Mode 0 input. (Connected to ground.)
41	MODE1	I	Mode 1 input. (Connected to ground.)
42	D. GND	—	Digital ground
43	D. VDD	—	Digital power supply
44	DOSEL0	O	Output data select 0. (Connected to ground.)
45	DOSEL1	O	Output data select 1. (Connected to ground.)
46	CKSEL0	I	System clock select input 0. (Connected to ground.)
47	CKSEL1	I	System clock select input 1. (Connected to ground.)
48	XMODE	I	Reset input.

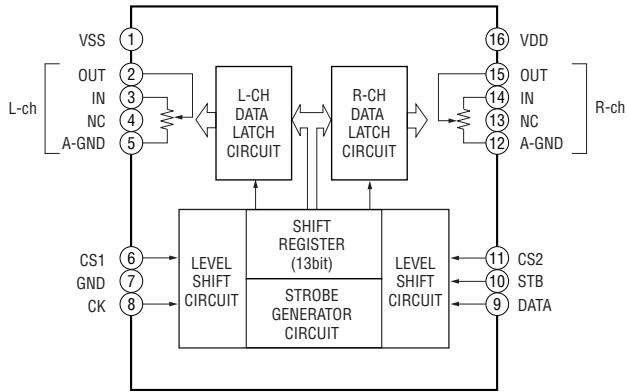
4-23. IC BLOCK DIAGRAMS
IC1206 NJM2103M (DIGITAL BOARD)



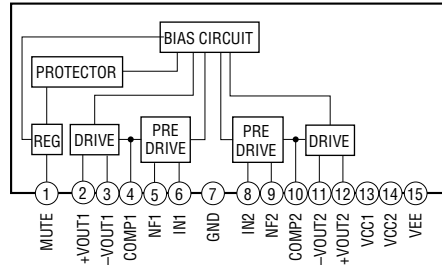
IC1 BU1924F (TUNER BOARD)



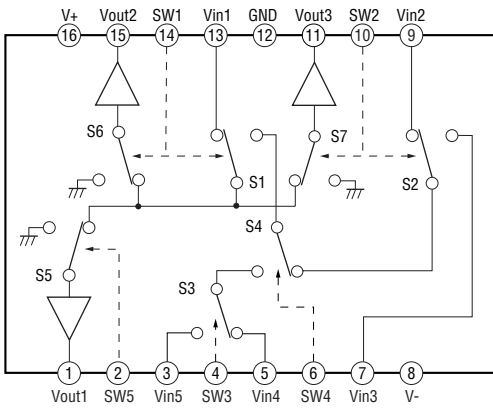
IC414, 415, 416 TC9299P (MAIN BOARD)



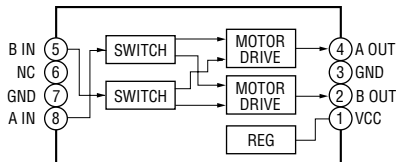
**IC501, 601 μ PC2581V (MAIN BOARD)
IC701 μ PC2581V (REAR AMP BOARD)**



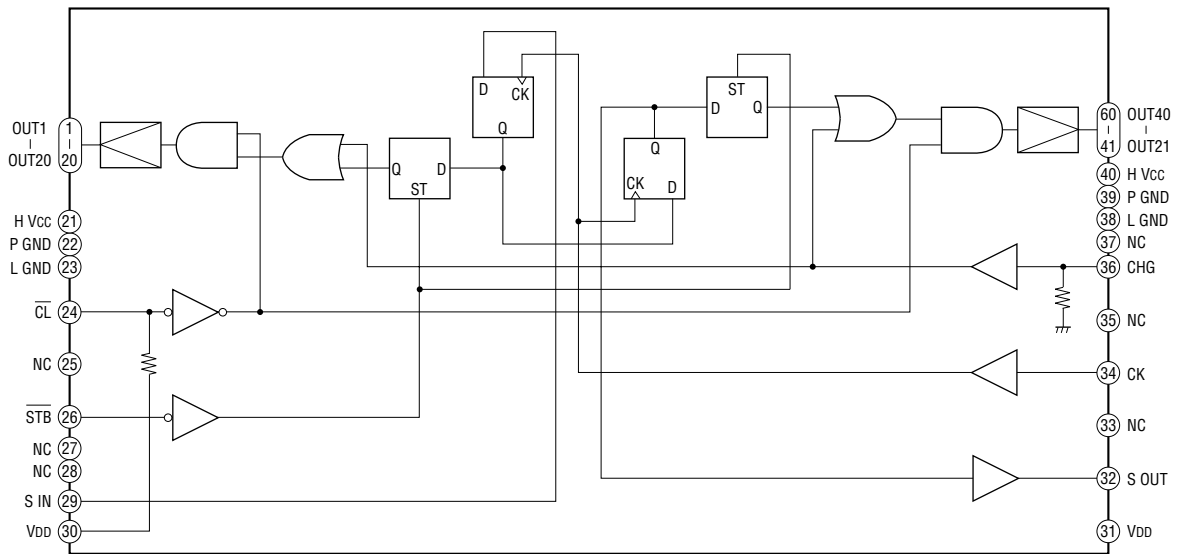
**IC201 NJM2296M (VIDEO BOARD)
IC251,252 NJM2296M (S VIDEO BOARD)**



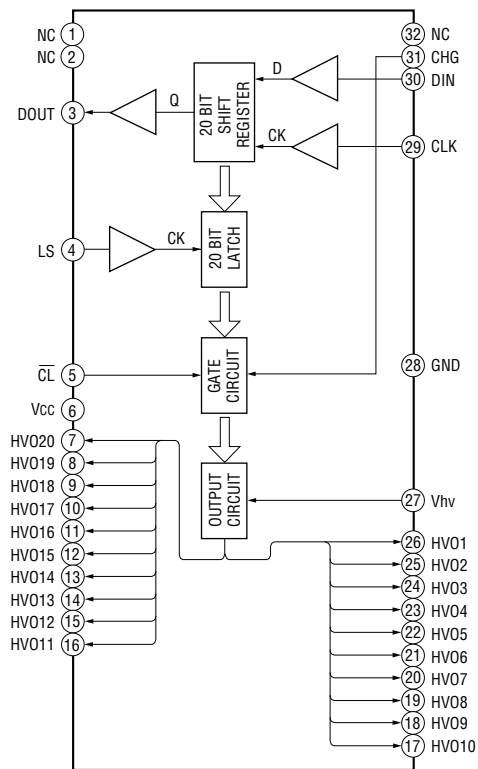
IC105 BA6208F (DISPLAY BOARD)



IC103 TD62C950RF (DISPLAY BOARD)



IC104 MSC1164GS (DISPLAY BOARD)



SECTION 5 EXPLODED VIEWS

NOTE:

- -XX, -X mean standardized parts, so they may have some differences from the original one.
- Items marked “*” are not stocked since they are seldom required for routine service. Some delay should be anticipated when ordering these items.
- The mechanical parts with no reference number in the exploded views are not supplied.

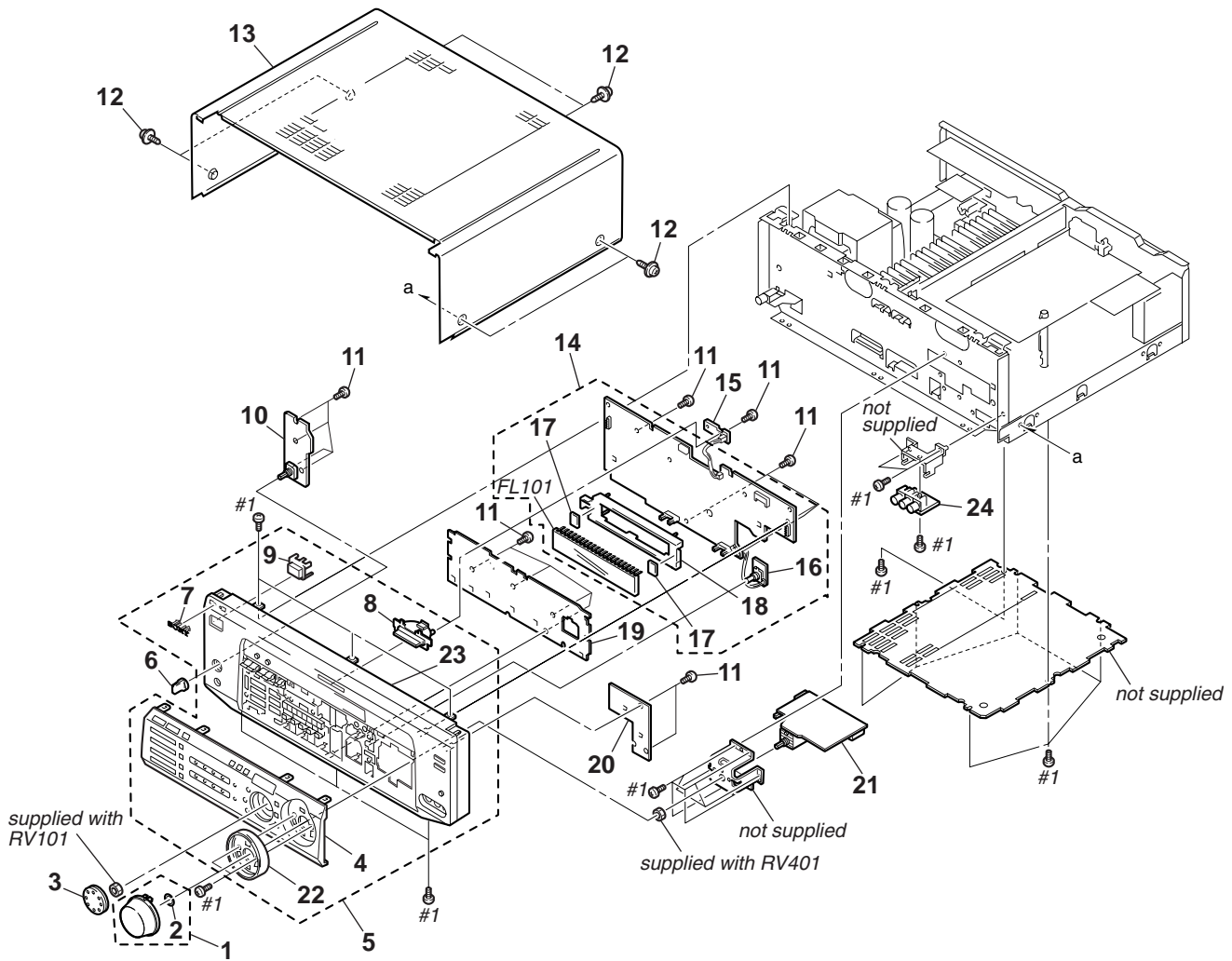
- Hardware (# mark) list and accessories and packing materials are given in the last of this parts list.
- Abbreviation
 CND : Canadian model
 AUS : Australian model
 SP : Singapore model
 MY : Malaysia model
 CH : Chinese model

The components identified by mark \triangle or dotted line with mark \triangle are critical for safety. Replace only with part number specified.

Les composants identifiés par une marque \triangle sont critiques pour la sécurité. Ne les remplacer que par une pièce portant le numéro spécifié.

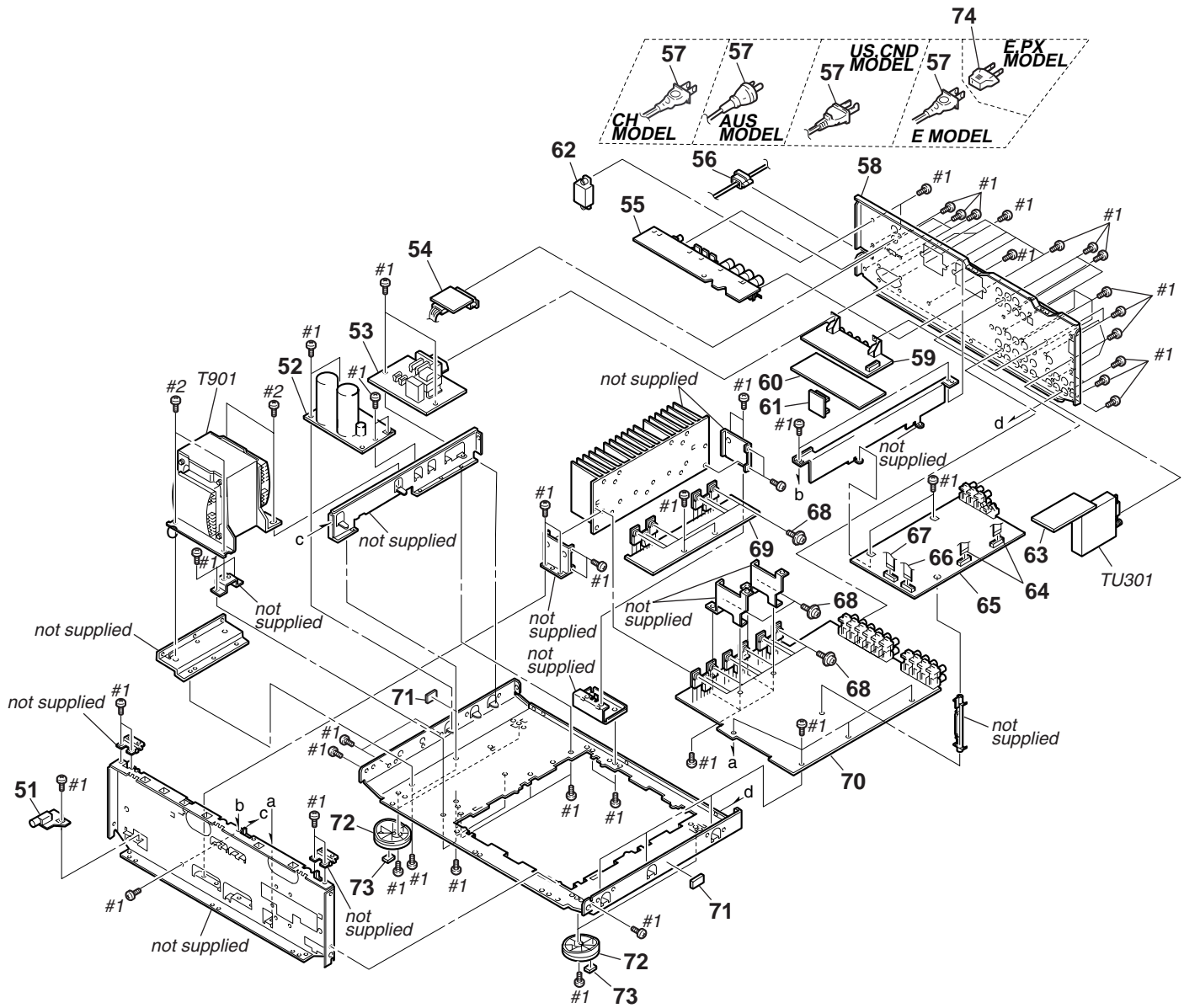
以阴影和 \triangle 标志来识别的零部件在安全方面具有关键性。因此只能以规定号码的零部件来更换。

5-1. FRONT PANEL SECTION



Ref. No.	Part No.	Description	Remarks	Ref. No.	Part No.	Description	Remarks
1	X-4951-260-1	KNOB(VOL) ASSY (DE835/DE935/SE591)		12	4-210-291-11	SCREW (CASE 3 TP2)(V828)	
1	X-4951-261-1	KNOB(VOL) ASSY (V828)		* 13	4-982-682-01	CASE (414532)	
2	3-350-426-01	SPRING, RING				(DE835:US,CND,E,PX/DE935/SE591)	
3	4-221-474-01	KNOB(JOG)(DE835/DE935/SE591)		13	X-4947-722-1	CASE ASSY (DE835:SP,MY,AUS)	
3	4-221-474-11	KNOB(JOG)(V828)		13	X-4947-723-1	CASE ASSY (V828)	
				14	A-4419-396-A	DISPLAY BOARD, COMPLETE(DE835:US,CND)	
4	4-217-853-01	ESCUTCHEON (DE935)					
4	4-217-853-11	ESCUTCHEON (DE835:US,CND,AUS/SE591)		14	A-4419-397-A	DISPLAY BOARD, COMPLETE	
4	4-217-853-21	ESCUTCHEON (DE835:E,PX,SP,MY)				(DE835:SP,MY/V828)	
4	4-217-853-31	ESCUTCHEON (V828)		14	A-4419-398-A	DISPLAY BOARD, COMPLETE(DE835:AUS)	
5	X-4951-253-1	BASE(835U) ASSY, PANEL	(DE835:US,CND,AUS)	14	A-4419-402-A	DISPLAY BOARD, COMPLETE(DE835:E,PX)	
				14	A-4419-403-A	DISPLAY BOARD, COMPLETE (DE935)	
				14	A-4419-961-A	DISPLAY BOARD, COMPLETE (SE591)	
5	X-4951-254-1	BASE(835SP) ASSY, PANEL	(DE835:E,PX,SP,MY)	* 15	1-673-350-11	LED BOARD, COMPLETE	
5	X-4951-255-1	BASE(828CN) ASSY, PANEL (V828)		* 16	1-673-348-11	ROTARY BOARD	
5	X-4951-256-1	BASE(935U) ASSY, PANEL (DE935)		* 17	4-921-941-01	CUDHION (FL)	
5	X-4951-270-1	BASE(591U) ASSY, PANEL (SE591)		* 18	4-990-797-01	HOLDER (FL)	
6	4-957-383-01	KNOB(F14)(DE835/DE935/SE591)		19	A-4419-404-A	SW BOARD, COMPLETE(DE835/SE591/V828)	
6	4-957-383-11	KNOB(F14)(V828)		19	A-4419-406-A	SW BOARD, COMPLETE(DE935)	
7	4-996-698-01	EMBLEM, SONY (DE835/DE935/SE591)		* 20	1-673-346-11	MUTING BOARD	
7	4-996-698-11	EMBLEM, SONY (V828)		21	A-4419-408-A	VOLUME BOARD, COMPLETE	
8	X-4951-572-1	ESCUTCHEON (WIN) ASSY	(DE835/DE935/SE591)	22	4-216-792-01	RING(VOL)(DE835/DE935/SE591)	
				22	4-216-792-11	RING(VOL)(V828)	
8	X-4951-596-1	ESCUTCHEON (WIN) ASSY (V828)					
				23	4-219-241-41	PANEL, FRONT (V828)	
9	4-996-683-21	BUTTON (POWER)(DE835/DE935/SE591)		23	4-219-241-51	PANEL, FRONT (DE935)	
9	4-996-683-51	BUTTON (POWER)(V828)		23	4-219-241-61	PANEL, FRONT (SE591)	
* 10	1-673-347-11	SP-SW BOARD		24	1-673-351-11	F-VIDEO BOARD	
11	4-951-620-01	SCREW (2.6X8), +BVTP		FL101	1-517-781-11	INDICATOR TUBE, FLUORESCENT	
12	4-210-291-01	SCREW (CASE 3 TP2)(DE835/DE935/SE591)					

5-2. CHASSIS SECTION



Ref. No.	Part No.	Description	Remarks	Ref. No.	Part No.	Description	Remarks
* 51	1-673-349-11	H.P BOARD		65	A-4419-441-A	DIGITAL BOARD, COMPLETE(DE935)	
* 52	1-673-354-11	DC BOARD		65	A-4426-046-A	DIGITAL BOARD, COMPLETE	
* 53	1-673-353-11	AC BOARD				(DE835:E,PX,SP,MY,AUS/V828)	
* 54	1-673-359-11	4/8 BOARD		66	1-773-048-11	WIRE(FLAT TYPE) (17 CORE)	
* 55	1-673-355-11	SP BOARD		67	1-773-112-11	WIRE(FLAT TYPE) (19 CORE)	
						(DE835:E,PX,SP,MY,AUS/V828)	
* 56	3-703-244-00	BUSHING (2104), CORD		67	1-773-182-11	WIRE(FLAT TYPE) (23 CORE)	
△57	1-696-847-11	CORD, POWER (DE835:AUS)				(DE835:US,CND/DE935/SE591)	
△57	1-769-743-11	CORD, POWER (DE835:CND)		68	3-905-609-11	SCREW (TRANSISTOR)	
△57	1-769-744-11	CORD, POWER (DE835:E,PX,SP,MY)		* 69	A-4419-391-A	REAR-AMP BOARD, COMPLETE	
△57	1-782-464-21	CORD, POWER (V828)		70	A-4419-383-A	MAIN BOARD, COMPLETE(DE835:US/SE591)	
				70	A-4419-384-A	MAIN BOARD, COMPLETE(DE835:CND)	
△57	1-783-531-11	CORD, POWER (DE835:US/DE935/SE591)		70	A-4419-385-A	MAIN BOARD, COMPLETE(DE835:SP,MY/V828)	
58	4-217-900-31	PANEL, BACK (DE835:US)					
58	4-217-900-41	PANEL, BACK (DE835:SP,MY)		70	A-4419-386-A	MAIN BOARD, COMPLETE(DE835:AUS)	
58	4-217-900-51	PANEL, BACK (V828)		70	A-4419-387-A	MAIN BOARD, COMPLETE(DE835:E,PX)	
58	4-217-900-61	PANEL, BACK (DE835:AUS)		70	A-4419-388-A	MAIN BOARD, COMPLETE(DE935)	
				71	4-985-642-01	CUSHION	
58	4-217-900-71	PANEL, BACK (DE835:E,PX)		72	X-4947-207-1	FOOT ASSY (F50150S)(DE835:E,PX,SP,MY,AUS)	
58	4-217-900-81	PANEL, BACK (DE935)					
58	4-217-900-91	PANEL, BACK (SE591)		72	X-4947-208-1	FOOT ASSY (F50150S)	
58	4-218-334-11	PANEL, BACK (DE835:CND)				(DE835:US,CND/DE935/SE591)	
59	A-4419-433-A	S-VIDEO BOARD, COMPLETE		72	X-4947-547-1	FOOT ASSY (F50150S)(V828)	
		(DE835:E,PX,SP,MY,AUS/V828)		73	4-977-358-11	CUSHION (DE835:US,CND/DE935/SE591/V828)	
				△74	1-569-008-21	ADAPTOR, CONVERSION 2P (DE835:E,PX)	
59	A-4419-434-A	S-VIDEO BOARD, COMPLETE		△T901	1-433-769-11	TRANSFORMER, POWER	
		(DE835:US,CND/SE591)				(DE835:US/DE935/SE591)	
59	A-4419-435-A	S-VIDEO BOARD, COMPLETE(DE935)		△T901	1-433-770-11	TRANSFORMER, POWER (DE835:CND)	
* 60	1-673-356-11	VIDEO BOARD		△T901	1-433-771-11	TRANSFORMER, POWER (DE835:SP,MY/V828)	
* 61	1-673-940-11	JOINT(H) BOARD		△T901	1-433-773-11	TRANSFORMER, POWER (DE835:AUS)	
62	1-673-352-11	V.SWITCH BOARD (DE835:E,PX)		△T901	1-433-774-11	TRANSFORMER, POWER (DE835:E,PX)	
				TU301	1-693-407-11	TUNER (DE835:US,CND,E,PX/DE935/SE591)	
* 63	1-673-358-11	TUNER BOARD		TU301	1-693-409-11	TUNER (DE835:SP,MY,AUS/V828)	
64	1-773-001-11	WIRE(FLAT TYPE) (15 CORE)					
65	A-4419-440-A	DIGITAL BOARD, COMPLETE					
		(DE835:US,CND/SE591)					

The components identified by mark △ or dotted line with mark △ are critical for safety. Replace only with part number specified.

Les composants identifiés par une marque △ sont critiques pour la sécurité. Ne les remplacer que par une pièce portant le numéro spécifié.

以阴影和 △标志来识别的零部件、在安全方面具有关键性。因此只能以规定号码的零部件来更换。

SECTION 6

ELECTRICAL PARTS LIST

4/8
AC
DC

NOTE:

- Due to standardization, replacements in the parts list may be different from the parts specified in the diagrams or the components used on the set.
- -XX, -X mean standardized parts, so they may have some difference from the original one.
- Items marked “*” are not stocked since they are seldom required for routine service. Some delay should be anticipated when ordering these items.
- CAPACITORS:
uF: μF

- RESISTORS
All resistors are in ohms.
METAL: metal-film resistor
METAL OXIDE: Metal Oxide-film resistor
F: nonflammable
- COILS
uH: μH
- Abbreviation
CND : Canadian model
AUS : Australian model
SP : Singapore model
MY : Malaysia model
CH : Chinese model

- SEMICONDUCTORS
In each case, u: μ, for example:
uA...: μA... , uPA... , μPA... ,
uPB... , μPB... , uPC... , μPC... ,
uPD... , μPD...

When indicating parts by reference number, please include the board name.

The components identified by mark \triangle or dotted line with mark \triangle are critical for safety. Replace only with part number specified.

Les composants identifiés par une marque \triangle sont critiques pour la sécurité. Ne les remplacer que par une pièce portant le numéro spécifié.

以阴影和 \triangle 标志来识别的零部件在安全方面具有关键性。因此只能以规定号码的零部件来更换。

Ref. No.	Part No.	Description	Remarks
*	1-673-359-11	4/8 BOARD *****	
		< CONNECTOR >	
* CNP805	1-564-216-00	PIN, CONNECTOR 5P	
		< DIODE >	
D804	8-719-053-18	DIODE 1SR154-400TE-25	
D805	8-719-053-18	DIODE 1SR154-400TE-25	
		< SWITCH >	
S801	1-571-309-21	SWITCH (INPEDANCE SELECTOR)	

*	1-673-353-11	AC BOARD *****	
	1-533-217-41	HOLDER, FUSE	
		< CAPACITOR >	
C901	1-163-037-11	CERAMIC CHIP 0.022uF 10% 25V	
C902	1-163-037-11	CERAMIC CHIP 0.022uF 10% 25V	
C905	1-126-767-11	ELECT 1000uF 20% 16V	
		< JACK >	
\triangle CNJ901	1-251-718-11	OUTLET (2 GANG), AC (DE835:US,CND,E,PX/DE935/SE591/V828)	
\triangle CNJ901	1-785-285-11	OUTLET, AC (1P)(DE835:SP,MY)	
\triangle CNJ901	1-251-417-11	OUTLET, A.C.(DE835:AUS)	
		< CONNECTOR >	
CNP809	1-784-921-11	PIN, CONNECTOR 4P	
		< CONNECTOR >	
CNV901	1-564-321-00	PIN, CONNECTOR 2P	
* CNV902	1-565-792-11	PIN, CONNECTOR 2P	
		< DIODE >	
D901	8-719-053-18	DIODE 1SR154-400TE-25	
D902	8-719-053-18	DIODE 1SR154-400TE-25	
D903	8-719-053-18	DIODE 1SR154-400TE-25	
D904	8-719-053-18	DIODE 1SR154-400TE-25	
D905	8-719-801-78	DIODE 1SS184-TE85L	
D907	8-719-016-74	DIODE 1SS352-TPH3	

Ref. No.	Part No.	Description	Remarks
		< EARTH >	
* EB901	1-537-738-21	TERMINAL, EARTH (DE835:US,CND/DE935/SE591)	
		< FUSE >	
\triangle F901	1-532-504-51	FUSE TIME LAG 4A/250V (E,PX,SP,MY,AUS,CH)	
\triangle F901	1-533-311-11	FUSE, GLASS CYLINDRICAL (DIA.5) 8A/125V (US,CND)	
\triangle F903	1-532-464-51	FUSE TIME LAG 2.5A/250V (SP,MY,AUS,CH)	
		< TRANSISTOR >	
Q901	8-729-230-49	TRANSISTOR 2SC2712-YG-TE85L	
		< RESISTOR >	
R901	1-202-725-00	SOLID 3.3M 10% 1/2W (DE835:US,CND/DE935/SE591)	
R902	1-216-073-00	METAL CHIP 10K 5% 1/10W	
R903	1-216-065-91	RES,CHIP 4.7K 5% 1/10W	
		< RELAY >	
RY901	1-755-298-11	RELAY	
		< TRANSFORMER >	
\triangle T902	1-433-686-11	TRANSFORMER, POWER (DE835:US,CND/DE935/SE591)	
\triangle T902	1-433-687-11	TRANSFORMER, POWER (DE835:E,PX)	
\triangle T902	1-433-685-11	TRANSFORMER, POWER (DE835:SP,MY,AUS/V828)	

*	1-673-354-11	DC BOARD *****	
	1-533-217-41	HOLDER, FUSE	
		< CAPACITOR >	
C801	1-104-664-11	ELECT 47uF 20% 25V	
C803	1-125-897-11	ELECT 10000uF 20% 71V (EXCEPT DE835:SP,MY/V828)	
C803	1-125-997-11	ELECT 12000uF 20% 63V (DE835:SP,MY/V828)	
C804	1-125-897-11	ELECT 10000uF 20% 71V (EXCEPT DE835:SP,MY/V828)	
C804	1-125-997-11	ELECT 12000uF 20% 63V (DE835:SP,MY/V828)	

Ref. No.	Part No.	Description	Remarks	Ref. No.	Part No.	Description	Remarks
C805	1-130-781-00	FILM	0.22uF 10% 100V	C1011	1-163-251-11	CERAMIC CHIP 100PF 5% 50V	
C806	1-130-781-00	FILM	0.22uF 10% 100V	C1012	1-163-251-11	CERAMIC CHIP 100PF 5% 50V	
C807	1-128-555-91	ELECT	470uF 20% 63V	C1013	1-163-251-11	CERAMIC CHIP 100PF 5% 50V	
C808	1-126-967-11	ELECT	47uF 20% 50V	C1014	1-163-251-11	CERAMIC CHIP 100PF 5% 50V	
C809	1-126-967-11	ELECT	47uF 20% 50V	C1015	1-163-251-11	CERAMIC CHIP 100PF 5% 50V	
< CONNECTOR >				C1016	1-163-251-11	CERAMIC CHIP 100PF 5% 50V	
CNP801	1-785-102-21	PIN, CONNECTOR 4P		C1017	1-163-021-91	CERAMIC CHIP 0.01uF 10% 50V	
CNP802	1-785-102-11	PIN, CONNECTOR 4P		C1018	1-163-275-11	CERAMIC CHIP 0.001uF 5% 50V	
* CNP803	1-564-104-00	PIN, CONNECTOR (B3P-VH) 3P		C1019	1-163-275-11	CERAMIC CHIP 0.001uF 5% 50V	
CNP804	1-779-978-11	PIN, CONNECTOR 3P		C1020	1-163-243-11	CERAMIC CHIP 47PF 5% 50V	
< DIODE >				C1031	1-163-275-11	CERAMIC CHIP 0.001uF 5% 50V (DE935)	
D801	8-719-072-05	DIODE RBV-602LF-A		C1101	1-165-319-11	CERAMIC CHIP 0.1uF 50V	
D806	8-719-070-30	DIODE PTZ-TE25-5.6A		C1102	1-128-840-11	ELECT 47uF 20% 16V	
D810	8-719-074-75	DIODE PTZ-TE25-30B		C1103	1-165-319-11	CERAMIC CHIP 0.1uF 50V	
< EARTH >				C1104	1-163-021-91	CERAMIC CHIP 0.01uF 10% 50V	
* EB801	1-537-738-21	TERMINAL, EARTH		C1105	1-128-840-11	ELECT 47uF 20% 16V	
< FUSE >				C1106	1-165-319-11	CERAMIC CHIP 0.1uF 50V	
△ F801	1-533-311-11	FUSE, GLASS CYLINDRICAL(DIA.5) 8A/125V		C1107	1-163-021-91	CERAMIC CHIP 0.01uF 10% 50V	
△ F802	1-533-311-11	FUSE, GLASS CYLINDRICAL(DIA.5) 8A/125V		C1108	1-165-319-11	CERAMIC CHIP 0.1uF 50V	
< TRANSISTOR >				C1109	1-165-319-11	CERAMIC CHIP 0.1uF 50V	
Q801	8-729-048-78	TRANSISTOR 2SD1733-TL-QR		C1110	1-163-275-11	CERAMIC CHIP 0.001uF 5% 50V	
< RESISTOR >				C1111	1-165-319-11	CERAMIC CHIP 0.1uF 50V	
△ R801	1-247-727-11	CARBON 10 5% 1/2W F		C1156	1-163-021-91	CERAMIC CHIP 0.01uF 10% 50V	
△ R802	1-249-401-11	CARBON 47 5% 1/4W F		C1157	1-165-319-11	CERAMIC CHIP 0.1uF 50V	
R803	1-216-061-00	METAL CHIP 3.3K 5% 1/10W		C1201	1-119-824-11	ELECT MELF 10uF 20% 50V	
R804	1-216-081-00	METAL CHIP 22K 5% 1/10W		C1202	1-165-319-11	CERAMIC CHIP 0.1uF 50V	
*****				C1203	1-165-319-11	CERAMIC CHIP 0.1uF 50V	
A-4419-440-A	DIGITAL BOARD, COMPLETE (DE835:US,CND/SE591)			C1204	1-165-319-11	CERAMIC CHIP 0.1uF 50V	
*****				C1205	1-165-319-11	CERAMIC CHIP 0.1uF 50V	
A-4419-441-A	DIGITAL BOARD, COMPLETE (DE935)			C1206	1-163-037-11	CERAMIC CHIP 0.022uF 10% 25V	
*****				C1207	1-128-840-11	ELECT 47uF 20% 16V	
A-4426-046-A	DIGITAL BOARD, COMPLETE (DE835:E,PX,SP,MY,AUS/V828)			C1208	1-165-319-11	CERAMIC CHIP 0.1uF 50V	
*****				C1209	1-165-319-11	CERAMIC CHIP 0.1uF 50V	
< CAPACITOR >				C1210	1-128-840-11	ELECT 47uF 20% 16V	
C1001	1-165-319-11	CERAMIC CHIP 0.1uF 50V		C1211	1-163-251-11	CERAMIC CHIP 100PF 5% 50V	
C1002	1-165-319-11	CERAMIC CHIP 0.1uF 50V		C1212	1-163-251-11	CERAMIC CHIP 100PF 5% 50V	
C1003	1-165-319-11	CERAMIC CHIP 0.1uF 50V		C1213	1-165-319-11	CERAMIC CHIP 0.1uF 50V	
C1004	1-165-319-11	CERAMIC CHIP 0.1uF 50V		C1214	1-128-840-11	ELECT 47uF 20% 16V	
C1005	1-165-319-11	CERAMIC CHIP 0.1uF 50V		C1215	1-127-720-91	ELECT MELF 470uF 20% 16V	
C1006	1-128-834-11	ELECT 470uF 20% 10V		C1216	1-127-720-91	ELECT MELF 470uF 20% 16V	
C1007	1-128-858-11	ELECT 22uF 20% 50V		C1217	1-127-720-91	ELECT MELF 470uF 20% 16V	
C1008	1-165-319-11	CERAMIC CHIP 0.1uF 50V		C1218	1-126-959-11	ELECT 0.47uF 20% 50V	
C1009	1-163-251-11	CERAMIC CHIP 100PF 5% 50V		C1219	1-165-319-11	CERAMIC CHIP 0.1uF 50V	
C1010	1-163-217-11	CERAMIC CHIP 1PF 0.25PF 50V		C1220	1-126-957-11	ELECT 0.22uF 20% 50V	
				C1221	1-119-824-11	ELECT MELF 10uF 20% 50V	
				C1222	1-165-319-11	CERAMIC CHIP 0.1uF 50V	
				C1223	1-165-319-11	CERAMIC CHIP 0.1uF 50V	
				C1224	1-165-319-11	CERAMIC CHIP 0.1uF 50V	
				C1225	1-165-319-11	CERAMIC CHIP 0.1uF 50V	
				C1226	1-126-960-11	ELECT 1uF 20% 50V	

The components identified by mark △ or dotted line with mark △ are critical for safety. Replace only with part number specified.

Les composants identifiés par une marque △ sont critiques pour la sécurité. Ne les remplacer que par une pièce portant le numéro spécifié.

以阴影和 △标志来识别的零部件，在安全方面具有关键性。因此只能以规定号码的零部件来更换。

DIGITAL

Ref. No.	Part No.	Description	Remarks	Ref. No.	Part No.	Description	Remarks
C1227	1-128-840-11	ELECT	47uF 20% 16V	C1525	1-128-858-11	ELECT	22uF 20% 50V
C1228	1-163-021-91	CERAMIC CHIP	0.01uF 10% 50V	C1526	1-128-858-11	ELECT	22uF 20% 50V
C1229	1-127-720-91	ELECT	470uF 20% 16V	C1527	1-163-239-11	CERAMIC CHIP	33PF 5% 50V
			(SUFFIX-12)	C1529	1-163-239-11	CERAMIC CHIP	33PF 5% 50V
C1230	1-165-319-11	CERAMIC CHIP	0.1uF 50V	C1531	1-163-239-11	CERAMIC CHIP	33PF 5% 50V
			(SUFFIX-12)	C1533	1-163-239-11	CERAMIC CHIP	33PF 5% 50V
C1301	1-165-319-11	CERAMIC CHIP	0.1uF 50V	C1535	1-163-239-11	CERAMIC CHIP	33PF 5% 50V
C1303	1-165-319-11	CERAMIC CHIP	0.1uF 50V	C1537	1-163-239-11	CERAMIC CHIP	33PF 5% 50V
C1304	1-165-319-11	CERAMIC CHIP	0.1uF 50V	C1539	1-128-840-11	ELECT	47uF 20% 16V
C1305	1-128-840-11	ELECT	47uF 20% 16V	C1540	1-128-840-11	ELECT	47uF 20% 16V
C1306	1-163-133-00	CERAMIC CHIP	470PF 5% 50V	C1541	1-128-840-11	ELECT	47uF 20% 16V
C1307	1-165-319-11	CERAMIC CHIP	0.1uF 50V	C1542	1-163-227-11	CERAMIC CHIP	10PF 0.5PF 50V
C1309	1-128-834-11	ELECT	470uF 20% 10V	C1543	1-128-858-11	ELECT	22uF 20% 50V
C1310	1-165-319-11	CERAMIC CHIP	0.1uF 50V	C1544	1-165-319-11	CERAMIC CHIP	0.1uF 20% 50V
C1311	1-165-319-11	CERAMIC CHIP	0.1uF 50V	C1545	1-163-227-11	CERAMIC CHIP	10PF 0.5PF 50V
C1312	1-165-319-11	CERAMIC CHIP	0.1uF 50V	C1546	1-128-858-11	ELECT	22uF 20% 50V
C1313	1-165-319-11	CERAMIC CHIP	0.1uF 50V	C1547	1-163-227-11	CERAMIC CHIP	10PF 0.5PF 50V
C1314	1-165-319-11	CERAMIC CHIP	0.1uF 50V	C1548	1-128-858-11	ELECT	22uF 20% 50V
C1315	1-163-021-91	CERAMIC CHIP	0.01uF 10% 50V	C1549	1-163-227-11	CERAMIC CHIP	10PF 0.5PF 50V
C1401	1-165-319-11	CERAMIC CHIP	0.1uF 50V	C1550	1-128-858-11	ELECT	22uF 20% 50V
C1402	1-165-319-11	CERAMIC CHIP	0.1uF 50V	C1551	1-163-227-11	CERAMIC CHIP	10PF 0.5PF 50V
C1403	1-163-275-11	CERAMIC CHIP	0.001uF 5% 50V	C1552	1-128-858-11	ELECT	22uF 20% 50V
C1404	1-165-319-11	CERAMIC CHIP	0.1uF 50V	C1553	1-163-227-11	CERAMIC CHIP	10PF 0.5PF 50V
C1405	1-165-319-11	CERAMIC CHIP	0.1uF 50V	C1554	1-128-858-11	ELECT	22uF 20% 50V
C1406	1-165-319-11	CERAMIC CHIP	0.1uF 50V	C1560	1-128-858-11	ELECT	22uF 20% 50V
C1407	1-165-319-11	CERAMIC CHIP	0.1uF 50V	C1561	1-128-858-11	ELECT	22uF 20% 50V
C1408	1-165-319-11	CERAMIC CHIP	0.1uF 50V	C1562	1-128-858-11	ELECT	22uF 20% 50V
C1409	1-128-840-11	ELECT	47uF 20% 16V	C1563	1-128-858-11	ELECT	22uF 20% 50V
C1410	1-165-319-11	CERAMIC CHIP	0.1uF 50V	C1564	1-128-858-11	ELECT	22uF 20% 50V
C1411	1-165-319-11	CERAMIC CHIP	0.1uF 50V	C1565	1-128-858-11	ELECT	22uF 20% 50V
C1412	1-165-319-11	CERAMIC CHIP	0.1uF 50V	C1570	1-119-824-11	ELECT MELF	10uF 20% 50V
C1413	1-165-319-11	CERAMIC CHIP	0.1uF 50V	C1571	1-165-319-11	CERAMIC CHIP	0.1uF 50V
C1414	1-128-840-11	ELECT	47uF 20% 16V	C1572	1-128-858-11	ELECT	22uF 20% 50V
C1416	1-128-840-11	ELECT	47uF 20% 16V	C1573	1-106-347-00	MYLAR	1500PF 5% 200V
C1417	1-165-319-11	CERAMIC CHIP	0.1uF 50V	C1574	1-128-858-11	ELECT	22uF 20% 50V
C1501	1-128-840-11	ELECT	47uF 20% 16V	C1575	1-128-858-11	ELECT	22uF 20% 50V
C1502	1-128-840-11	ELECT	47uF 20% 16V	C1576	1-128-858-11	ELECT	22uF 20% 50V
C1503	1-163-251-11	CERAMIC CHIP	100PF 5% 50V	C3118	1-163-233-11	CERAMIC CHIP	18PF 5% 50V
C1504	1-128-840-11	ELECT	47uF 20% 16V	C3119	1-163-233-11	CERAMIC CHIP	18PF 5% 50V
C1505	1-128-840-11	ELECT	47uF 20% 16V			< CONNECTOR >	
C1507	1-128-858-11	ELECT	22uF 20% 50V	CNP1301	1-784-923-11	PIN, CONNECTOR 7P	
C1508	1-128-858-11	ELECT	22uF 20% 50V	CNP1302	1-779-799-11	PIN, CONNECTOR 9P	
C1509	1-128-840-11	ELECT	47uF 20% 16V	CNP1303	1-779-977-11	PIN, CONNECTOR 6P	
C1510	1-128-858-11	ELECT	22uF 20% 50V	CNP1305	1-784-923-11	PIN, CONNECTOR 7P	
C1511	1-128-858-11	ELECT	22uF 20% 50V	CNS1301	1-784-778-11	CONNECTOR, FFC 17P	
C1512	1-128-840-11	ELECT	47uF 20% 16V	CNS1302	1-784-776-11	CONNECTOR, FFC 15P	
C1513	1-119-824-11	ELECT MELF	10uF 20% 50V	CNS1303	1-784-784-11	CONNECTOR, FFC 23P	(DE835:US,CND/DE935/SE591)
C1514	1-165-319-11	CERAMIC CHIP	0.1uF 50V	CNS1303	1-784-780-11	CONNECTOR, FFC 19P	(DE835:E,PX,SP,MY,AUS/V828)
C1515	1-119-824-11	ELECT MELF	10uF 20% 50V	CNS1304	1-784-776-11	CONNECTOR, FFC 15P	
C1516	1-165-319-11	CERAMIC CHIP	0.1uF 50V			< DIODE >	
C1517	1-128-858-11	ELECT	22uF 20% 50V	D1001	8-719-016-74	DIODE 1SS352-TPH3	
C1518	1-165-319-11	CERAMIC CHIP	0.1uF 50V	D1002	8-719-016-74	DIODE 1SS352-TPH3	
C1519	1-165-319-11	CERAMIC CHIP	0.1uF 50V	D1101	8-719-016-74	DIODE 1SS352-TPH3	
C1520	1-128-858-11	ELECT	22uF 20% 50V	D1102	8-719-016-74	DIODE 1SS352-TPH3	
C1522	1-128-858-11	ELECT	22uF 20% 50V	D1201	8-719-016-74	DIODE 1SS352-TPH3	
C1523	1-106-347-00	MYLAR	1500PF 5% 200V				
C1524	1-128-858-11	ELECT	22uF 20% 50V				

Ref. No.	Part No.	Description	Remarks	Ref. No.	Part No.	Description	Remarks
D1202	8-719-016-74	DIODE 1SS352-TPH3		IC1510	8-759-636-55	IC M5218AFP-T1	
D1203	8-719-801-78	DIODE 1SS184-TE85L		IC1554	8-759-636-55	IC M5218AFP-T1	
D1204	8-719-801-78	DIODE 1SS184-TE85L				< JACK >	
D1205	8-719-801-78	DIODE 1SS184-TE85L					
D1206	8-719-016-74	DIODE 1SS352-TPH3					
D1207	8-719-016-74	DIODE 1SS352-TPH3		J1001	1-784-431-11	JACK, PIN 1P (DVD/LD(COAX))	
D1208	8-719-053-18	DIODE 1SR154-400TE-25		J1002	1-785-536-11	JACK, PIN (6P)(5.1 INPUT)	
D1209	8-719-801-78	DIODE 1SS184-TE85L				< JUMPER RESISTOR >	
D1210	8-719-016-74	DIODE 1SS352-TPH3					
D1211	8-719-053-18	DIODE 1SR154-400TE-25		JW10	1-216-295-91	SHORT 0	
D1501	8-719-820-05	DIODE 1SS181-TE85L		JW11	1-216-295-91	SHORT 0	
D1504	8-719-820-05	DIODE 1SS181-TE85L		JW12	1-216-295-91	SHORT 0	
D1505	8-719-820-05	DIODE 1SS181-TE85L		JW13	1-216-295-91	SHORT 0	
		< EARTH >		JW14	1-216-295-91	SHORT 0	
* EB1001	1-537-738-21	TERMINAL, EARTH		JW15	1-216-295-91	SHORT 0	
* EB1002	1-537-738-21	TERMINAL, EARTH		JW16	1-216-295-91	SHORT 0	
		< FERRITE BEAD >		JW17	1-216-295-91	SHORT 0	
FB1101	1-414-813-11	FERRITE 0UH				< TRANSISTOR >	
FB1102	1-414-813-11	FERRITE 0UH		Q1201	8-729-230-49	TRANSISTOR 2SC2712-YG-TE85L	
FB1103	1-414-813-11	FERRITE 0UH		Q1202	8-729-230-49	TRANSISTOR 2SC2712-YG-TE85L	
FB1301	1-414-813-11	FERRITE 0UH		Q1203	8-729-027-43	TRANSISTOR RT1N141C-TP-1	
FB1302	1-414-813-11	FERRITE 0UH		Q1204	8-729-230-49	TRANSISTOR 2SC2712-YG-TE85L	
FB1401	1-414-813-11	FERRITE 0UH		Q1205	8-729-048-78	TRANSISTOR 2SD1733-TL-QR	
FB1402	1-414-813-11	FERRITE 0UH		Q1501	8-729-107-46	TRANSISTOR 2SC3624A-T1L15L16	
FB1403	1-414-813-11	FERRITE 0UH		Q1502	8-729-107-46	TRANSISTOR 2SC3624A-T1L15L16	
		< IC >		Q1503	8-729-107-46	TRANSISTOR 2SC3624A-T1L15L16	
IC1001	8-749-015-84	IC GP1F37R1 (DVD/LD(OPT))		Q1504	8-729-107-46	TRANSISTOR 2SC3624A-T1L15L16	
IC1002	8-749-923-05	TORX178A (TV/SAT(OPT))		Q1505	8-729-107-46	TRANSISTOR 2SC3624A-T1L15L16	
IC1003	8-749-923-05	TORX178A (MD/DA IN(OPT))		Q1506	8-729-107-46	TRANSISTOR 2SC3624A-T1L15L16	
IC1004	8-749-923-04	IC TOTX178 (MD/DA OUT(OPT))		Q1507	8-729-027-23	TRANSISTOR RT1P141C-TP-1	
IC1005	8-759-595-15	IC TC74ACT153AF(EL)				< RESISTOR >	
IC1006	8-759-234-20	IC TC7S08F(TE85R)		R1001	1-216-025-91	RES,CHIP 100 5% 1/10W	
IC1007	8-759-242-70	IC TC7WU04F(TE12R)		R1002	1-216-025-91	RES,CHIP 100 5% 1/10W	
IC1101	8-759-581-19	IC LC89055W		R1002	1-216-295-91	SHORT 0	
IC1102	8-759-242-70	IC TC7WU04F(TE12R)		R1003	1-216-025-91	RES,CHIP 100 5% 1/10W	
IC1201	8-759-580-51	IC MB90573PFV-G-190-BND		R1003	1-216-295-91	SHORT 0	
IC1202	8-759-186-30	IC TC74VHC14F(EL)		R1004	1-216-025-91	RES,CHIP 100 5% 1/10W	
IC1203	8-759-445-59	IC BA033T		R1004	1-216-295-91	SHORT 0	
IC1204	8-759-450-47	IC BA05T		R1005	1-216-049-91	RES,CHIP 1K 5% 1/10W	
IC1205	8-759-231-53	IC M5F7805L		R1006	1-216-025-91	RES,CHIP 100 5% 1/10W	
IC1206	8-759-544-04	IC NJM2103M-TE2		R1007	1-216-025-91	RES,CHIP 100 5% 1/10W	
IC1207	8-759-450-47	IC BA05T(SUFFIX-12)		R1008	1-216-022-00	METAL CHIP 75 5% 1/10W	
IC1301	8-759-582-68	IC CXD9511Q		R1009	1-216-049-91	RES,CHIP 1K 5% 1/10W	
IC1401	8-752-391-87	IC CXD2712R		R1010	1-216-081-00	METAL CHIP 22K 5% 1/10W	
IC1402	8-759-538-16	IC IDT71V016S15PH-AUTL		R1011	1-216-025-91	RES,CHIP 100 5% 1/10W	
IC1403	8-759-524-32	IC TC74VHC367FT(EL)		R1012	1-216-049-91	RES,CHIP 1K 5% 1/10W	
IC1404	8-759-242-70	IC TC7WU04F(TE12R)		R1013	1-216-115-00	METAL CHIP 560K 5% 1/10W	
IC1501	8-759-231-53	IC M5F7805L		R1014	1-216-049-91	RES,CHIP 1K 5% 1/10W	
IC1502	8-759-590-10	IC TC9273F-012(EL)		R1015	1-216-049-91	RES,CHIP 1K 5% 1/10W	
IC1503	8-759-581-18	IC AK4526A		R1016	1-216-049-91	RES,CHIP 1K 5% 1/10W	
IC1504	8-759-636-55	IC M5218AFP-T1		R1017	1-216-049-91	RES,CHIP 1K 5% 1/10W	
IC1505	8-759-636-55	IC M5218AFP-T1		R1018	1-216-065-91	RES,CHIP 4.7K 5% 1/10W	
IC1506	8-759-636-55	IC M5218AFP-T1		R1019	1-216-081-00	METAL CHIP 22K 5% 1/10W	
IC1507	8-759-636-55	IC M5218AFP-T1		R1021	1-216-089-91	RES,CHIP 47K 5% 1/10W	
IC1508	8-759-636-55	IC M5218AFP-T1		R1022	1-216-121-91	RES,CHIP 1M 5% 1/10W	
IC1509	8-759-636-55	IC M5218AFP-T1		R1101	1-216-073-00	METAL CHIP 10K 5% 1/10W	

DIGITAL

Ref. No.	Part No.	Description			Remarks	Ref. No.	Part No.	Description			Remarks
R1102	1-216-073-00	METAL CHIP	10K	5%	1/10W	R1239	1-216-073-00	METAL CHIP	10K	5%	1/10W
R1103	1-216-049-91	RES,CHIP	1K	5%	1/10W	R1240	1-216-073-00	METAL CHIP	10K	5%	1/10W
R1104	1-216-022-00	METAL CHIP	75	5%	1/10W	R1241	1-216-073-00	METAL CHIP	10K	5%	1/10W
R1105	1-216-066-00	METAL CHIP	5.1K	5%	1/10W	R1242	1-216-049-91	RES,CHIP	1K	5%	1/10W
R1106	1-216-071-00	METAL CHIP	8.2K	5%	1/10W	R1243	1-216-073-00	METAL CHIP	10K	5%	1/10W
R1107	1-216-049-91	RES,CHIP	1K	5%	1/10W	R1244	1-216-049-91	RES,CHIP	1K	5%	1/10W
R1108	1-216-025-91	RES,CHIP	100	5%	1/10W	R1245	1-216-049-91	RES,CHIP	1K	5%	1/10W
R1109	1-216-121-91	RES,CHIP	1M	5%	1/10W	R1246	1-216-049-91	RES,CHIP	1K	5%	1/10W
R1110	1-216-049-91	RES,CHIP	1K	5%	1/10W	R1247	1-216-073-00	METAL CHIP	10K	5%	1/10W
R1111	1-216-121-91	RES,CHIP	1M	5%	1/10W	R1248	1-216-073-00	METAL CHIP	10K	5%	1/10W
R1112	1-216-025-91	RES,CHIP	100	5%	1/10W	R1249	1-216-049-91	RES,CHIP	1K	5%	1/10W
R1113	1-216-025-91	RES,CHIP	100	5%	1/10W	R1250	1-216-025-91	RES,CHIP	100	5%	1/10W
R1114	1-216-025-91	RES,CHIP	100	5%	1/10W	R1251	1-216-073-00	METAL CHIP	10K	5%	1/10W
R1115	1-216-073-00	METAL CHIP	10K	5%	1/10W	R1252	1-216-057-00	METAL CHIP	2.2K	5%	1/10W
R1131	1-216-066-00	METAL CHIP	5.1K	5%	1/10W	R1253	1-216-057-00	METAL CHIP	2.2K	5%	1/10W
R1160	1-216-049-91	RES,CHIP	1K	5%	1/10W	R1254	1-216-057-00	METAL CHIP	2.2K	5%	1/10W
R1192	1-216-049-91	RES,CHIP	1K	5%	1/10W	R1255	1-216-057-00	METAL CHIP	2.2K	5%	1/10W
R1193	1-216-049-91	RES,CHIP	1K	5%	1/10W	R1256	1-216-057-00	METAL CHIP	2.2K	5%	1/10W
R1201	1-216-097-91	RES,CHIP	100K	5%	1/10W	R1257	1-216-057-00	METAL CHIP	2.2K	5%	1/10W
R1202	1-216-049-91	RES,CHIP	1K	5%	1/10W	R1258	1-216-057-00	METAL CHIP	2.2K	5%	1/10W
R1203	1-216-049-91	RES,CHIP	1K	5%	1/10W	R1259	1-216-073-00	METAL CHIP	10K	5%	1/10W
R1204	1-216-049-91	RES,CHIP	1K	5%	1/10W						(DE835/SE591/V828)
R1205	1-216-049-91	RES,CHIP	1K	5%	1/10W	R1261	1-216-057-00	METAL CHIP	2.2K	5%	1/10W
R1206	1-216-049-91	RES,CHIP	1K	5%	1/10W	R1262	1-216-057-00	METAL CHIP	2.2K	5%	1/10W
R1207	1-216-049-91	RES,CHIP	1K	5%	1/10W	R1263	1-216-057-00	METAL CHIP	2.2K	5%	1/10W
R1208	1-216-049-91	RES,CHIP	1K	5%	1/10W	R1264	1-216-049-91	RES,CHIP	1K	5%	1/10W
R1209	1-216-049-91	RES,CHIP	1K	5%	1/10W	R1265	1-216-049-91	RES,CHIP	1K	5%	1/10W
R1210	1-216-049-91	RES,CHIP	1K	5%	1/10W	R1266	1-216-049-91	RES,CHIP	1K	5%	1/10W
R1211	1-216-049-91	RES,CHIP	1K	5%	1/10W	R1267	1-216-073-00	METAL CHIP	10K	5%	1/10W
R1212	1-216-049-91	RES,CHIP	1K	5%	1/10W	R1269	1-216-093-91	RES,CHIP	68K	5%	1/10W
R1213	1-216-049-91	RES,CHIP	1K	5%	1/10W	R1270	1-216-049-91	RES,CHIP	1K	5%	1/10W
R1214	1-216-049-91	RES,CHIP	1K	5%	1/10W	R1271	1-216-073-00	METAL CHIP	10K	5%	1/10W
R1215	1-216-025-91	RES,CHIP	100	5%	1/10W	R1272	1-216-073-00	METAL CHIP	10K	5%	1/10W
R1216	1-216-025-91	RES,CHIP	100	5%	1/10W	R1273	1-216-049-91	RES,CHIP	1K	5%	1/10W
R1217	1-216-025-91	RES,CHIP	100	5%	1/10W	R1274	1-216-065-91	RES,CHIP	4.7K	5%	1/10W
R1218	1-216-049-91	RES,CHIP	1K	5%	1/10W	R1275	1-216-049-91	RES,CHIP	1K	5%	1/10W
R1219	1-216-049-91	RES,CHIP	1K	5%	1/10W	R1276	1-216-049-91	RES,CHIP	1K	5%	1/10W
R1220	1-216-049-91	RES,CHIP	1K	5%	1/10W	R1277	1-216-049-91	RES,CHIP	1K	5%	1/10W
R1221	1-216-073-00	METAL CHIP	10K	5%	1/10W	R1278	1-216-057-00	METAL CHIP	2.2K	5%	1/10W
					(DE835/SE591/V828)	R1279	1-216-049-91	RES,CHIP	1K	5%	1/10W
R1222	1-216-073-00	METAL CHIP	10K	5%	1/10W	R1280	1-216-081-00	METAL CHIP	22K	5%	1/10W
					(DE935)						
R1223	1-216-073-00	METAL CHIP	10K	5%	1/10W	R1281	1-216-049-91	RES,CHIP	1K	5%	1/10W
					(DE835/SE591/V828)	R1282	1-216-049-91	RES,CHIP	1K	5%	1/10W
R1224	1-216-089-91	RES,CHIP	47K	5%	1/10W	R1283	1-216-073-00	METAL CHIP	10K	5%	1/10W
R1225	1-216-689-11	METAL CHIP	39K	0.5%	1/10W	R1284	1-216-105-91	RES,CHIP	220K	5%	1/10W
R1226	1-216-689-11	METAL CHIP	39K	0.5%	1/10W	R1285	1-216-049-91	RES,CHIP	1K	5%	1/10W
R1227	1-216-073-00	METAL CHIP	10K	5%	1/10W						
					(DE935)	R1286	1-216-049-91	RES,CHIP	1K	5%	1/10W
R1228	1-216-075-00	METAL CHIP	12K	5%	1/10W	R1287	1-216-097-91	RES,CHIP	100K	5%	1/10W
R1229	1-216-065-91	RES,CHIP	4.7K	5%	1/10W	R1288	1-216-049-91	RES,CHIP	1K	5%	1/10W
R1230	1-216-065-91	RES,CHIP	4.7K	5%	1/10W	R1289	1-216-049-91	RES,CHIP	1K	5%	1/10W
R1232	1-216-065-91	RES,CHIP	4.7K	5%	1/10W	R1290	1-216-093-91	RES,CHIP	68K	5%	1/10W
R1233	1-216-065-91	RES,CHIP	4.7K	5%	1/10W						
R1234	1-216-065-91	RES,CHIP	4.7K	5%	1/10W	R1292	1-216-049-91	RES,CHIP	1K	5%	1/10W
R1235	1-216-065-91	RES,CHIP	4.7K	5%	1/10W	R1293	1-216-073-00	METAL CHIP	10K	5%	1/10W
R1236	1-216-065-91	RES,CHIP	4.7K	5%	1/10W	R1294	1-216-073-00	METAL CHIP	10K	5%	1/10W
R1237	1-216-065-91	RES,CHIP	4.7K	5%	1/10W	R1301	1-216-073-00	METAL CHIP	10K	5%	1/10W
R1238	1-216-065-91	RES,CHIP	4.7K	5%	1/10W	R1302	1-216-073-00	METAL CHIP	10K	5%	1/10W
						R1401	1-216-025-91	RES,CHIP	100	5%	1/10W
						R1402	1-216-025-91	RES,CHIP	100	5%	1/10W
						R1403	1-216-025-91	RES,CHIP	100	5%	1/10W
						R1404	1-216-097-91	RES,CHIP	100K	5%	1/10W
						R1405	1-216-121-91	RES,CHIP	1M	5%	1/10W

Ref. No.	Part No.	Description	Quantity	Percentage	Remarks	Ref. No.	Part No.	Description	Quantity	Percentage	Remarks
R1406	1-216-073-00	METAL CHIP	10K	5%	1/10W	R1549	1-216-085-00	METAL CHIP	33K	5%	1/10W
R1407	1-216-025-91	RES,CHIP	100	5%	1/10W	R1550	1-216-089-91	RES,CHIP	47K	5%	1/10W
R1408	1-216-025-91	RES,CHIP	100	5%	1/10W	R1551	1-216-089-91	RES,CHIP	47K	5%	1/10W
R1409	1-216-025-91	RES,CHIP	100	5%	1/10W	R1552	1-216-089-91	RES,CHIP	47K	5%	1/10W
R1410	1-216-295-91	SHORT	0			R1553	1-216-085-00	METAL CHIP	33K	5%	1/10W
R1412	1-216-065-91	RES,CHIP	4.7K	5%	1/10W	R1554	1-216-089-91	RES,CHIP	47K	5%	1/10W
R1413	1-216-065-91	RES,CHIP	4.7K	5%	1/10W	R1555	1-216-295-91	SHORT	0		
R1414	1-216-065-91	RES,CHIP	4.7K	5%	1/10W	R1556	1-216-081-00	METAL CHIP	22K	5%	1/10W
R1415	1-216-065-91	RES,CHIP	4.7K	5%	1/10W	R1557	1-216-295-91	SHORT	0		
R1416	1-216-065-91	RES,CHIP	4.7K	5%	1/10W	R1558	1-216-025-91	RES,CHIP	100	5%	1/10W
R1417	1-216-065-91	RES,CHIP	4.7K	5%	1/10W	R1559	1-216-089-91	RES,CHIP	47K	5%	1/10W
R1418	1-216-065-91	RES,CHIP	4.7K	5%	1/10W	R1560	1-216-097-91	RES,CHIP	100K	5%	1/10W
R1419	1-216-065-91	RES,CHIP	4.7K	5%	1/10W	R1561	1-216-097-91	RES,CHIP	100K	5%	1/10W
R1420	1-216-065-91	RES,CHIP	4.7K	5%	1/10W	R1562	1-216-097-91	RES,CHIP	100K	5%	1/10W
R1421	1-216-065-91	RES,CHIP	4.7K	5%	1/10W	R1563	1-216-097-91	RES,CHIP	100K	5%	1/10W
R1422	1-216-025-91	RES,CHIP	100	5%	1/10W	R1564	1-216-097-91	RES,CHIP	100K	5%	1/10W
R1501	1-216-295-91	SHORT	0			R1565	1-216-097-91	RES,CHIP	100K	5%	1/10W
R1502	1-216-295-91	SHORT	0			R1567	1-216-097-91	RES,CHIP	100K	5%	1/10W
R1503	1-216-073-00	METAL CHIP	10K	5%	1/10W	R1568	1-216-081-00	METAL CHIP	22K	5%	1/10W
R1504	1-216-049-91	RES,CHIP	1K	5%	1/10W	R1569	1-216-097-91	RES,CHIP	100K	5%	1/10W
R1505	1-216-009-91	RES,CHIP	22	5%	1/10W	R1570	1-216-065-91	RES,CHIP	4.7K	5%	1/10W
R1506	1-216-009-91	RES,CHIP	22	5%	1/10W	R1571	1-216-065-91	RES,CHIP	4.7K	5%	1/10W
R1508	1-216-033-00	METAL CHIP	220	5%	1/10W	R1572	1-216-073-00	METAL CHIP	10K	5%	1/10W
R1509	1-216-097-91	RES,CHIP	100K	5%	1/10W	R1573	1-216-057-00	METAL CHIP	2.2K	5%	1/10W
R1510	1-216-033-00	METAL CHIP	220	5%	1/10W	R1574	1-216-037-00	METAL CHIP	330	5%	1/10W
R1511	1-216-089-91	RES,CHIP	47K	5%	1/10W	R1575	1-216-073-00	METAL CHIP	10K	5%	1/10W
R1512	1-216-033-00	METAL CHIP	220	5%	1/10W	R1576	1-216-037-00	METAL CHIP	330	5%	1/10W
R1513	1-216-033-00	METAL CHIP	220	5%	1/10W	R1577	1-216-073-00	METAL CHIP	10K	5%	1/10W
R1514	1-216-033-00	METAL CHIP	220	5%	1/10W	R1578	1-216-049-91	RES,CHIP	1K	5%	1/10W
R1515	1-216-033-00	METAL CHIP	220	5%	1/10W	R1579	1-216-049-91	RES,CHIP	1K	5%	1/10W
R1516	1-216-097-91	RES,CHIP	100K	5%	1/10W	R1580	1-216-049-91	RES,CHIP	1K	5%	1/10W
R1517	1-216-081-00	METAL CHIP	22K	5%	1/10W	R1581	1-216-081-00	METAL CHIP	22K	5%	1/10W
R1518	1-216-097-91	RES,CHIP	100K	5%	1/10W	R1582	1-216-089-91	RES,CHIP	47K	5%	1/10W
R1519	1-216-049-91	RES,CHIP	1K	5%	1/10W	R1583	1-216-097-91	RES,CHIP	100K	5%	1/10W
R1522	1-216-073-00	METAL CHIP	10K	5%	1/10W	R1584	1-216-089-91	RES,CHIP	47K	5%	1/10W
R1523	1-216-057-00	METAL CHIP	2.2K	5%	1/10W	R1585	1-216-081-00	METAL CHIP	22K	5%	1/10W
R1524	1-216-037-00	METAL CHIP	330	5%	1/10W	R1586	1-216-105-91	RES,CHIP	220K	5%	1/10W
R1525	1-216-073-00	METAL CHIP	10K	5%	1/10W	R1587	1-216-105-91	RES,CHIP	220K	5%	1/10W
R1526	1-216-037-00	METAL CHIP	330	5%	1/10W	R1588	1-216-105-91	RES,CHIP	220K	5%	1/10W
R1527	1-216-073-00	METAL CHIP	10K	5%	1/10W	R1589	1-216-105-91	RES,CHIP	220K	5%	1/10W
R1528	1-216-049-91	RES,CHIP	1K	5%	1/10W	R1590	1-216-105-91	RES,CHIP	220K	5%	1/10W
R1529	1-216-049-91	RES,CHIP	1K	5%	1/10W	R1591	1-216-105-91	RES,CHIP	220K	5%	1/10W
R1530	1-216-049-91	RES,CHIP	1K	5%	1/10W	R1594	1-216-073-00	METAL CHIP	10K	5%	1/10W
R1532	1-216-085-00	METAL CHIP	33K	5%	1/10W	R1595	1-216-073-00	METAL CHIP	10K	5%	1/10W
R1533	1-216-089-91	RES,CHIP	47K	5%	1/10W	R1596	1-216-073-00	METAL CHIP	10K	5%	1/10W
R1534	1-216-089-91	RES,CHIP	47K	5%	1/10W	R1597	1-216-073-00	METAL CHIP	10K	5%	1/10W
R1535	1-216-089-91	RES,CHIP	47K	5%	1/10W	R1598	1-216-073-00	METAL CHIP	10K	5%	1/10W
R1536	1-216-089-91	RES,CHIP	47K	5%	1/10W	R1599	1-216-073-00	METAL CHIP	10K	5%	1/10W
R1537	1-216-085-00	METAL CHIP	33K	5%	1/10W	R3121	1-216-043-91	RES,CHIP	560	5%	1/10W
R1538	1-216-089-91	RES,CHIP	47K	5%	1/10W						
								< VIBRATOR >			
R1539	1-216-097-91	RES,CHIP	100K	5%	1/10W	X1201	1-781-356-21	VIBRATOR, CERAMIC 16MHz			
R1540	1-216-089-91	RES,CHIP	47K	5%	1/10W	X1401	1-781-464-21	VIBRATOR, CERAMIC 10MHz			
R1541	1-216-085-00	METAL CHIP	33K	5%	1/10W	X3501	1-781-465-21	VIBRATOR, CRYSTAL 12.288MHz			
R1542	1-216-089-91	RES,CHIP	47K	5%	1/10W	*****					
R1543	1-216-081-00	METAL CHIP	22K	5%	1/10W						
R1544	1-216-089-91	RES,CHIP	47K	5%	1/10W						
R1545	1-216-085-00	METAL CHIP	33K	5%	1/10W						
R1546	1-216-089-91	RES,CHIP	47K	5%	1/10W						
R1547	1-216-097-91	RES,CHIP	100K	5%	1/10W						
R1548	1-216-089-91	RES,CHIP	47K	5%	1/10W						

DISPLAY

Ref. No.	Part No.	Description	Remarks	Ref. No.	Part No.	Description	Remarks
A-4419-398-A		DISPLAY BOARD, COMPLETE (DE835:AUS)				< DIODE >	
A-4419-402-A		DISPLAY BOARD, COMPLETE (DE835:E,PX)		D102	8-719-053-18	DIODE 1SR154-400TE-25	
A-4419-397-A		DISPLAY BOARD, COMPLETE (DE835:SP,MY/V828)		D103	8-719-016-74	DIODE 1SS352-TPH3	
A-4419-396-A		DISPLAY BOARD, COMPLETE (DE835:US,CND)		D104	8-719-075-59	DIODE SELS5B23CTP15	
A-4419-403-A		DISPLAY BOARD, COMPLETE (DE935)		D105	8-719-313-45	DIODE SEL6810A-TH10 (EQUALIZER)	
A-4419-961-A		DISPLAY BOARD, COMPLETE (SE591)		D106	8-719-313-45	DIODE SEL6810A-TH10 (BASS BOOST)	
*	4-921-941-01	CUSHION (FL)		D107	8-719-016-74	DIODE 1SS352-TPH3	
*	4-990-797-01	HOLDER (FL)		D109	8-719-016-74	DIODE 1SS352-TPH3 (DE935)	
		< CAPACITOR >		D112	8-719-016-74	DIODE 1SS352-TPH3 (SE591)	
C101	1-126-786-11	ELECT	47uF 20%	D115	8-719-016-74	DIODE 1SS352-TPH3 (DE835:AUS)	
C102	1-164-489-11	CERAMIC CHIP	0.22uF 10%	D116	8-719-016-74	DIODE 1SS352-TPH3 (DE835:SP,MY/V828)	
C103	1-165-319-11	CERAMIC CHIP	0.1uF 50V	D118	8-719-016-74	DIODE 1SS352-TPH3 (DE835:SP,MY/V828)	
C104	1-165-319-11	CERAMIC CHIP	0.1uF 50V	D180	8-719-016-74	DIODE 1SS352-TPH3	
C105	1-104-905-11	CAPACITOR	0.22F 5.5V			< DIODE >	
C106	1-165-319-11	CERAMIC CHIP	0.1uF 50V	DD11	8-719-016-74	DIODE 1SS352-TPH3 (DE935)	
C107	1-126-786-11	ELECT	47uF 20%	DD12	8-719-016-74	DIODE 1SS352-TPH3 (DE935)	
C108	1-165-319-11	CERAMIC CHIP	0.1uF 50V	DD13	8-719-016-74	DIODE 1SS352-TPH3 (DE935)	
C109	1-165-319-11	CERAMIC CHIP	0.1uF 50V	DD14	8-719-064-57	DIODE SID5K23CTP15 (DE935)	
C110	1-165-319-11	CERAMIC CHIP	0.1uF 50V	DD15	8-719-059-14	DIODE SID313BP-TP19 (DE935)	
C111	1-165-319-11	CERAMIC CHIP	0.1uF 50V	DD16	8-719-059-14	DIODE SID313BP-TP19 (DE935)	
C113	1-165-319-11	CERAMIC CHIP	0.1uF 50V			< FILTER >	
C114	1-126-795-11	ELECT	10uF 20%	FL101	1-517-781-11	INDICATOR TUBE, FLUORESCENT	
C115	1-163-021-91	CERAMIC CHIP	0.01uF 10%			< IC >	
C116	1-163-021-91	CERAMIC CHIP	0.01uF 10%	IC11	8-759-925-76	IC SN74HC08ANSR (DE935)	
C117	1-165-319-11	CERAMIC CHIP	0.1uF 50V	IC12	8-759-545-07	IC TMP87C447U-4A06 (DE935)	
C118	1-165-319-11	CERAMIC CHIP	0.1uF 50V	IC101	8-759-459-85	IC NJL63H400A	
C119	1-165-319-11	CERAMIC CHIP	0.1uF 50V	IC102	8-759-577-32	IC MB90553APF-G-138-BND	
C120	1-126-786-11	ELECT	47uF 20%	IC103	8-759-075-35	IC TD62C950RF	
C121	1-165-319-11	CERAMIC CHIP	0.1uF 50V	IC104	8-759-389-51	IC MSC1164GS-KR1	
C122	1-165-319-11	CERAMIC CHIP	0.1uF 50V	IC105	8-759-589-67	IC BA6208F-E2	
CC11	1-165-319-11	CERAMIC CHIP	0.1uF 50V (DE935)			< COIL >	
CC13	1-165-319-11	CERAMIC CHIP	0.1uF 50V (DE935)	L150	1-408-982-11	INDUCTOR 100uH (DE935)	
CC14	1-104-942-11	ELECT	1uF 20%			< TRANSISTOR >	
CC15	1-104-942-11	ELECT	1uF 20%	Q101	8-729-216-22	TRANSISTOR 2SA1162-YG-TE85L	
CC16	1-126-916-11	ELECT	1000uF 20%	Q102	8-729-027-23	TRANSISTOR RT1P141C-TP-1	
		< CONNECTOR >		Q108	8-729-027-43	TRANSISTOR RT1N141C-TP-1	
CNN1	1-564-718-11	PIN, CONNECTOR (SMALL TYPE) 2P (DE835:US,CND/SE591)		Q109	8-729-230-49	TRANSISTOR 2SC2712-YG-TE85L	
CNP104	1-784-919-11	CONNECTOR, PC BOARD (PLUG) 5P		QQ1	8-729-216-22	TRANSISTOR 2SA1162-YG-TE85L (DE835:US,CND/DE835:US,CND/SE591)	
* CNP105	1-564-719-11	PIN, CONNECTOR (SMALL TYPE) 3P		QQ11	8-729-230-49	TRANSISTOR 2SC2712-YG-TE85L (DE935)	
CNP106	1-784-919-11	CONNECTOR, PC BOARD (PLUG) 5P		QQ13	8-729-801-93	TRANSISTOR 2SD1387-34-TP (DE935)	
CNP110	1-785-821-11	CONNECTOR, BOARD TO BOARD 6P		QQ14	8-729-801-93	TRANSISTOR 2SD1387-34-TP (DE935)	
CNP111	1-785-821-11	CONNECTOR, BOARD TO BOARD 6P				< RESISTOR >	
CNS101	1-568-741-11	SOCKET, CONNECTOR 23P (DE835:US,CND/DE935/SE591)		R101	1-216-049-91	RES,CHIP 1K 5% 1/10W	
CNS101	1-569-308-11	SOCKET, CONNECTOR (L TYRE) 19P (DE835:E,PX,SP,MY,AUS/V828)		R102	1-216-049-91	RES,CHIP 1K 5% 1/10W	
CNS103	1-770-397-11	HOUSING, CONNECTOR(PC BOARD)4P		R103	1-216-049-91	RES,CHIP 1K 5% 1/10W	
				R104	1-216-037-00	METAL CHIP 330 5% 1/10W	
				R105	1-216-049-91	RES,CHIP 1K 5% 1/10W	
				R106	1-216-065-91	RES,CHIP 4.7K 5% 1/10W	
				R107	1-216-065-91	RES,CHIP 4.7K 5% 1/10W	
				R108	1-216-065-91	RES,CHIP 4.7K 5% 1/10W	
				R109	1-216-065-91	RES,CHIP 4.7K 5% 1/10W	
				R110	1-216-065-91	RES,CHIP 4.7K 5% 1/10W	

DISPLAY

F-VIDEO

Ref. No.	Part No.	Description	Remarks
R111	1-216-065-91	RES,CHIP	4.7K 5% 1/10W
R112	1-216-065-91	RES,CHIP	4.7K 5% 1/10W
R113	1-216-073-00	METAL CHIP	10K 5% 1/10W
R114	1-216-073-00	METAL CHIP	10K 5% 1/10W
R115	1-216-117-00	METAL CHIP	680K 5% 1/10W
R116	1-216-049-91	RES,CHIP	1K 5% 1/10W
R117	1-216-049-91	RES,CHIP	1K 5% 1/10W
R118	1-216-049-91	RES,CHIP	1K 5% 1/10W
R119	1-216-049-91	RES,CHIP	1K 5% 1/10W
R120	1-216-049-91	RES,CHIP	1K 5% 1/10W
R121	1-216-081-00	METAL CHIP	22K 5% 1/10W
R122	1-216-081-00	METAL CHIP	22K 5% 1/10W
R123	1-216-001-00	METAL CHIP	10 5% 1/10W
R124	1-216-073-00	METAL CHIP	10K 5% 1/10W
R125	1-216-065-91	RES,CHIP	4.7K 5% 1/10W
R126	1-216-073-00	METAL CHIP	10K 5% 1/10W
R127	1-216-037-00	METAL CHIP	330 5% 1/10W
R129	1-216-025-91	RES,CHIP	100 5% 1/10W
R130	1-216-097-91	RES,CHIP	100K 5% 1/10W
R137	1-216-073-00	METAL CHIP	10K 5% 1/10W
R138	1-216-049-91	RES,CHIP	1K 5% 1/10W
R141	1-216-065-91	RES,CHIP	4.7K 5% 1/10W
R143	1-216-073-00	METAL CHIP	10K 5% 1/10W
R144	1-216-001-00	METAL CHIP	10 5% 1/10W
R145	1-216-089-91	RES,CHIP	47K 5% 1/10W
R146	1-216-081-00	METAL CHIP	22K 5% 1/10W
R147	1-216-089-91	RES,CHIP	47K 5% 1/10W
R148	1-249-385-11	CARBON	2.2 5% 1/6W F
R149	1-249-385-11	CARBON	2.2 5% 1/6W F
R189	1-216-049-91	RES,CHIP	1K 5% 1/10W (DE935)
R190	1-216-097-91	RES,CHIP	100K 5% 1/10W
R191	1-216-097-91	RES,CHIP	100K 5% 1/10W
R192	1-216-097-91	RES,CHIP	100K 5% 1/10W
R193	1-216-049-91	RES,CHIP	1K 5% 1/10W
R194	1-216-049-91	RES,CHIP	1K 5% 1/10W
RR1	1-216-073-00	METAL CHIP	10K 5% 1/10W (DE835:US,CND/SE591)
RR11	1-216-025-91	RES,CHIP	100 5% 1/10W (DE835:US,CND/DE935/SE591)
RR12	1-216-025-91	RES,CHIP	100 5% 1/10W (DE835:US,CND/DE935/SE591)
RR13	1-216-025-91	RES,CHIP	100 5% 1/10W (DE835:US,CND/DE935/SE591)
RR14	1-216-025-91	RES,CHIP	100 5% 1/10W (DE835:US,CND/DE935/SE591)
RR15	1-216-073-00	METAL CHIP	10K 5% 1/10W (DE935)
RR16	1-216-065-91	RES,CHIP	4.7K 5% 1/10W (DE935)
RR17	1-216-073-00	METAL CHIP	10K 5% 1/10W (DE935)
RR18	1-216-073-00	METAL CHIP	10K 5% 1/10W (DE935)
RR19	1-216-309-00	METAL CHIP	5.6 5% 1/10W (DE935)

Ref. No.	Part No.	Description	Remarks
RR20	1-216-309-00	METAL CHIP	5.6 5% 1/10W (DE935)
RR21	1-216-298-00	METAL CHIP	2.2 5% 1/10W (DE935)
RR22	1-216-298-00	METAL CHIP	2.2 5% 1/10W (DE935)
RR23	1-216-097-91	RES,CHIP	100K 5% 1/10W (DE935)
RR24	1-216-089-91	RES,CHIP	47K 5% 1/10W
RR25	1-216-089-91	RES,CHIP	47K 5% 1/10W
RR26	1-216-089-91	RES,CHIP	47K 5% 1/10W
RR27	1-216-089-91	RES,CHIP	47K 5% 1/10W
RR28	1-216-089-91	RES,CHIP	47K 5% 1/10W
RR29	1-216-001-00	METAL CHIP	10 5% 1/10W (DE935)
RR30	1-216-001-00	METAL CHIP	10 5% 1/10W (DE935)
RR51	1-216-029-00	METAL CHIP	150 5% 1/10W
RR52	1-216-029-00	METAL CHIP	150 5% 1/10W
RR53	1-216-029-00	METAL CHIP	150 5% 1/10W
RR54	1-216-037-00	METAL CHIP	330 5% 1/10W
RR55	1-216-037-00	METAL CHIP	330 5% 1/10W
RR56	1-216-037-00	METAL CHIP	330 5% 1/10W
< SWITCH >			
S148	1-771-349-21	SWITCH, KEYBOARD (DISPLAY)	(DE835:US,CND/DE935,E,PX,AUS/V828)
S149	1-771-349-21	SWITCH, KEYBOARD (DIMMER)	(DE835:US,CND/DE935,E,PX,AUS/V828)
< VIBRATOR >			
X11	1-767-938-21	VIBRATOR, CERAMIC 7.28MHz	(DE935)
X101	1-781-356-21	VIBRATOR, CERAMIC 16MHz	(DE935/DE835/V828)

		1-673-351-11	F-VIDEO BOARD (DE935)

< CAPACITOR >			
C299	1-165-319-11	CERAMIC CHIP	0.1uF 50V
CC40	1-163-251-11	CERAMIC CHIP	100PF 5% 50V
CC90	1-163-251-11	CERAMIC CHIP	100PF 5% 50V
< CONNECTOR >			
CNP307	1-564-721-11	PIN, CONNECTOR (SMALL TYPE)	5P
< DIODE >			
D120	8-719-016-74	DIODE 1SS352-TPH3	
D121	8-719-016-74	DIODE 1SS352-TPH3	
< EARTH >			
* EB201	1-537-738-21	TERMINAL, EARTH	
< JACK >			
J299	1-770-571-11	JACK BLOCK, PIN (L TYPE) 3P	(VIDEO3 INPUT)
< RESISTOR >			
R321	1-216-049-91	RES,CHIP	1K 5% 1/10W
R371	1-216-049-91	RES,CHIP	1K 5% 1/10W

H.P	JOINT	LED	MAIN
-----	-------	-----	------

Ref. No.	Part No.	Description	Remarks
*	1-673-349-11	H.P BOARD ***** < CONNECTOR >	
CNP751	1-779-978-11	PIN, CONNECTOR 3P < EARTH >	
* EB701	1-537-738-21	TERMINAL, EARTH < JACK >	
J701	1-750-735-11	JACK (LARGE TYPE)(HEADPHONES)	

	1-673-940-11	JOINT(H) BOARD ***** < CONNECTOR >	
CNP211	1-695-089-11	PIN, CONNECTOR (PC BOARD) 11P	
CNP212	1-695-089-11	PIN, CONNECTOR (PC BOARD) 11P	

	1-673-350-11	LED BOARD ***** < CAPACITOR >	
C125	1-165-319-11	CERAMIC CHIP 0.1uF	50V
		< LED >	
D100	8-719-070-83	LED SELU5E20C-TP15 (MULTI CHANNEL DECODER)	

A-4419-383-A	MAIN BOARD, COMPLETE (DE835:US/SE591) *****		
A-4419-384-A	MAIN BOARD, COMPLETE (DE835:CND) *****		
A-4419-385-A	MAIN BOARD, COMPLETE (DE835:SP,MY/V828) *****		
A-4419-386-A	MAIN BOARD, COMPLETE (DE835:AUS) *****		
A-4419-387-A	MAIN BOARD, COMPLETE (DE835:E,PX) *****		
A-4419-388-A	MAIN BOARD, COMPLETE (DE935) *****		
	1-533-217-41	HOLDER, FUSE	
	7-685-872-09	SCREW+BVTtv 3 x 8 (S)	
		< CAPACITOR >	
C301	1-119-821-11	ELECT MELF 2.2uF	20% 50V
C303	1-128-832-11	ELECT 220uF	20% 10V
C304	1-125-896-91	MYLAR 0.0091uF	5% 50V
C305	1-136-159-00	FILM 0.033uF	5% 50V
C306	1-119-821-11	ELECT MELF 2.2uF	20% 50V
C307	1-164-070-11	CERAMIC 100PF	5% 50V
C308	1-162-286-31	CERAMIC 220PF	10% 50V
C310	1-162-294-31	CERAMIC 0.001uF	10% 50V
C311	1-128-858-11	ELECT 22uF	20% 50V
C320	1-128-858-11	ELECT 22uF	20% 50V (DE935)

Ref. No.	Part No.	Description	Remarks
C330	1-128-858-11	ELECT 22uF	20% 50V (DE935)
C331	1-128-858-11	ELECT 22uF	20% 50V
C340	1-128-840-11	ELECT 47uF	20% 16V (DE935)
C350	1-128-840-11	ELECT 47uF	20% 16V (DE935)
C351	1-119-821-11	ELECT MELF 2.2uF	20% 50V
C353	1-128-832-11	ELECT 220uF	20% 10V
C354	1-125-896-91	MYLAR 0.0091uF	5% 50V
C355	1-136-159-00	FILM 0.033uF	5% 50V
C356	1-119-821-11	ELECT MELF 2.2uF	20% 50V
C357	1-164-070-11	CERAMIC 100PF	5% 50V
C358	1-162-286-31	CERAMIC 220PF	10% 50V
C360	1-162-294-31	CERAMIC 0.001uF	10% 50V
C361	1-128-858-11	ELECT 22uF	20% 50V
C362	1-128-858-11	ELECT 22uF	20% 50V
C370	1-128-858-11	ELECT 22uF	20% 50V (DE935)
C380	1-128-858-11	ELECT 22uF	20% 50V (DE935)
C388	1-127-718-91	ELECT MELF 100uF	20% 16V
C389	1-127-718-91	ELECT MELF 100uF	20% 16V
C392	1-128-840-11	ELECT 47uF	20% 16V
C394	1-128-840-11	ELECT 47uF	20% 16V
C395	1-162-282-31	CERAMIC 100PF	10% 50V
C396	1-128-840-11	ELECT 47uF	20% 16V
C397	1-128-840-11	ELECT 47uF	20% 16V
C398	1-162-282-31	CERAMIC 100PF	10% 50V
C416	1-128-858-11	ELECT 22uF	20% 50V
C417	1-128-858-11	ELECT 22uF	20% 50V
C418	1-128-858-11	ELECT 22uF	20% 50V
C419	1-162-282-31	CERAMIC 100PF	10% 50V
C430	1-162-282-31	CERAMIC 100PF	10% 50V (DE935)
C466	1-128-858-11	ELECT 22uF	20% 50V
C467	1-128-858-11	ELECT 22uF	20% 50V
C468	1-128-858-11	ELECT 22uF	20% 50V
C481	1-136-173-00	FILM 0.47uF	5% 50V
C482	1-136-173-00	FILM 0.47uF	5% 50V
C496	1-127-718-91	ELECT MELF 100uF	20% 16V
C497	1-127-718-91	ELECT MELF 100uF	20% 16V
C499	1-128-840-11	ELECT 47uF	20% 16V
C501	1-128-858-11	ELECT 22uF	20% 50V
C502	1-102-108-00	CERAMIC 150PF	10% 50V
C503	1-102-233-00	CERAMIC 33PF	10% 500V
C504	1-107-586-11	CERAMIC 6PF	0.5PF 500V
C505	1-128-832-11	ELECT 220uF	20% 10V
C506	1-106-351-00	MYLAR 2200PF	5% 200V
C507	1-106-351-00	MYLAR 2200PF	5% 200V
C520	1-128-840-11	ELECT 47uF	20% 16V
C521	1-107-597-11	CERAMIC 22PF	10% 500V
C522	1-107-597-11	CERAMIC 22PF	10% 500V
C523	1-162-286-31	CERAMIC 220PF	10% 50V
C524	1-119-824-11	ELECT MELF 10uF	20% 50V
C525	1-136-157-00	FILM 0.022uF	5% 50V

Ref. No.	Part No.	Description	Remarks	Ref. No.	Part No.	Description	Remarks
C526	1-136-153-00	FILM	0.01uF 5% 50V	CC08	1-164-070-11	CERAMIC 100PF 5% 50V	
C539	1-164-079-11	CERAMIC	330PF 10% 50V	CC09	1-164-070-11	CERAMIC 100PF 5% 50V	
C549	1-102-934-00	CERAMIC	1.0PF 0.25PF 50V	CC10	1-164-070-11	CERAMIC 100PF 5% 50V	
C551	1-128-858-11	ELECT	22uF 20% 50V	CC11	1-164-070-11	CERAMIC 100PF 5% 50V	
C552	1-102-108-00	CERAMIC	150PF 10% 50V	CC12	1-164-070-11	CERAMIC 100PF 5% 50V	
C553	1-102-233-00	CERAMIC	33PF 10% 500V	CC13	1-164-070-11	CERAMIC 100PF 5% 50V	
C554	1-107-586-11	CERAMIC	6PF 0.5PF 500V	CC14	1-164-070-11	CERAMIC 100PF 5% 50V	
C555	1-128-832-11	ELECT	220uF 20% 10V				(DE935)
C556	1-106-351-00	MYLAR	2200PF 5% 200V	CC18	1-164-070-11	CERAMIC 100PF 5% 50V	(DE935)
C557	1-106-351-00	MYLAR	2200PF 5% 200V				(DE935)
C570	1-128-840-11	ELECT	47uF 20% 16V	CC54	1-164-070-11	CERAMIC 100PF 5% 50V	
C571	1-107-597-11	CERAMIC	22PF 10% 500V	CC55	1-164-070-11	CERAMIC 100PF 5% 50V	
C572	1-107-597-11	CERAMIC	22PF 10% 500V				
C573	1-162-286-31	CERAMIC	220PF 10% 50V	CC56	1-164-070-11	CERAMIC 100PF 5% 50V	
C574	1-119-824-11	ELECT MELF	10uF 20% 50V	CC57	1-164-070-11	CERAMIC 100PF 5% 50V	(DE935)
C575	1-136-157-00	FILM	0.022uF 5% 50V	CC58	1-164-070-11	CERAMIC 100PF 5% 50V	
C576	1-136-153-00	FILM	0.01uF 5% 50V	CC59	1-164-070-11	CERAMIC 100PF 5% 50V	
C580	1-162-282-31	CERAMIC	100PF 10% 50V	CC60	1-164-070-11	CERAMIC 100PF 5% 50V	
C589	1-164-079-11	CERAMIC	330PF 10% 50V				
C590	1-128-834-11	ELECT	470uF 20% 10V	CC61	1-164-070-11	CERAMIC 100PF 5% 50V	
C594	1-128-883-11	ELECT	22uF 20% 100V	CC62	1-164-070-11	CERAMIC 100PF 5% 50V	
C595	1-128-883-11	ELECT	22uF 20% 100V	CC63	1-164-070-11	CERAMIC 100PF 5% 50V	
C598	1-128-858-11	ELECT	22uF 20% 50V	CC64	1-164-070-11	CERAMIC 100PF 5% 50V	(DE935)
C599	1-102-934-00	CERAMIC	1.0PF 0.25PF 50V	CC68	1-164-070-11	CERAMIC 100PF 5% 50V	(DE935)
C601	1-128-858-11	ELECT	22uF 20% 50V				
< CONNECTOR >							
C602	1-102-108-00	CERAMIC	150PF 10% 50V	CNP303	1-779-977-11	PIN, CONNECTOR 6P	
C603	1-102-233-00	CERAMIC	33PF 10% 500V	CNP601	1-785-104-11	PIN, CONNECTOR 6P	
C604	1-107-586-11	CERAMIC	6PF 0.5PF 500V	CNP602	1-785-102-21	PIN, CONNECTOR 4P	
C605	1-128-832-11	ELECT	220uF 20% 10V	CNP751	1-779-978-11	PIN, CONNECTOR 3P	
C606	1-106-351-00	MYLAR	2200PF 5% 200V	CNP801	1-785-102-11	PIN, CONNECTOR 4P	
C607	1-106-351-00	MYLAR	2200PF 5% 200V				
C620	1-128-840-11	ELECT	47uF 20% 16V	CNP802	1-785-103-11	PIN, CONNECTOR 5P	
C621	1-107-597-11	CERAMIC	22PF 10% 500V	CNS305	1-779-978-11	PIN, CONNECTOR 3P (DE935)	
C622	1-107-597-11	CERAMIC	22PF 10% 500V	CNS306	1-784-778-11	CONNECTOR, FFC 17P	
C623	1-162-286-31	CERAMIC	220PF 10% 50V				
< DIODE >							
C624	1-119-824-11	ELECT MELF	10uF 20% 50V	D301	8-719-911-19	DIODE 1SS133T-72 (DE935)	
C625	1-136-157-00	FILM	0.022uF 5% 50V	D490	8-719-210-21	DIODE 11EQS04-NTA2B	
C626	1-136-153-00	FILM	0.01uF 5% 50V	D491	8-719-210-21	DIODE 11EQS04-NTA2B	
C639	1-164-079-11	CERAMIC	330PF 10% 50V	D494	8-719-210-21	DIODE 11EQS04-NTA2B	
C649	1-102-934-00	CERAMIC	1.0PF 0.25PF 50V	D495	8-719-210-21	DIODE 11EQS04-NTA2B	
C651	1-128-858-11	ELECT	22uF 20% 50V	D496	8-719-210-21	DIODE 11EQS04-NTA2B	
C652	1-102-108-00	CERAMIC	150PF 10% 50V	D497	8-719-210-21	DIODE 11EQS04-NTA2B	
C653	1-102-233-00	CERAMIC	33PF 10% 500V	D501	8-719-911-19	DIODE 1SS133T-72	
C654	1-107-586-11	CERAMIC	6PF 0.5PF 500V	D502	8-719-109-51	DIODE MTZJ-T-72-2.2	
C655	1-128-832-11	ELECT	220uF 20% 10V	D503	8-719-109-51	DIODE MTZJ-T-72-2.2	
C680	1-162-282-31	CERAMIC	100PF 10% 50V	D504	8-719-911-19	DIODE 1SS133T-72	
C689	1-164-079-11	CERAMIC	330PF 10% 50V	D505	8-719-911-19	DIODE 1SS133T-72	
C699	1-102-934-00	CERAMIC	1.0PF 0.25PF 50V	D506	8-719-911-19	DIODE 1SS133T-72	
C801	1-136-153-00	FILM	0.01uF 5% 50V	D545	8-719-911-19	DIODE 1SS133T-72	
C802	1-136-153-00	FILM	0.01uF 5% 50V	D546	8-719-911-19	DIODE 1SS133T-72	
C803	1-136-153-00	FILM	0.01uF 5% 50V	D547	8-719-911-19	DIODE 1SS133T-72	
C804	1-136-153-00	FILM	0.01uF 5% 50V	D548	8-719-911-19	DIODE 1SS133T-72	
C811	1-127-732-51	ELECT MELF	2200uF 20% 35V	D549	8-719-911-19	DIODE 1SS133T-72	
C812	1-127-731-51	ELECT MELF	1000uF 20% 35V	D551	8-719-911-19	DIODE 1SS133T-72	
C813	1-127-723-51	ELECT MELF	4700uF 20% 16V	D552	8-719-109-51	DIODE MTZJ-T-72-2.2	
C993	1-126-960-11	ELECT	1uF 20% 50V				
CC04	1-164-070-11	CERAMIC	100PF 5% 50V				
CC05	1-164-070-11	CERAMIC	100PF 5% 50V				
CC06	1-164-070-11	CERAMIC	100PF 5% 50V				
CC07	1-164-070-11	CERAMIC	100PF 5% 50V				(DE935)

MAIN

Ref. No.	Part No.	Description	Remarks	Ref. No.	Part No.	Description	Remarks
D553	8-719-109-51	DIODE MTZJ-T-72-2.2		IC415	8-759-534-63	IC TC9299P	
D554	8-719-911-19	DIODE 1SS133T-72		IC416	8-759-534-63	IC TC9299P	
D555	8-719-911-19	DIODE 1SS133T-72		IC501	8-759-326-52	IC uPC2581V	
D556	8-719-911-19	DIODE 1SS133T-72		IC601	8-759-326-52	IC uPC2581V	
D598	8-719-911-19	DIODE 1SS133T-72				< JACK >	
D599	8-719-911-19	DIODE 1SS133T-72		J301	1-784-429-11	JACK, PIN 4P (CD/PHONO IN)	
D601	8-719-911-19	DIODE 1SS133T-72		J302	1-784-429-11	JACK, PIN 4P (MD/DAT IN/REC OUT)	
D602	8-719-109-51	DIODE MTZJ-T-72-2.2		J303	1-784-429-11	JACK, PIN 4P (TAPE IN/REC OUT)(DE935)	
D603	8-719-109-51	DIODE MTZJ-T-72-2.2		J304	1-784-920-11	JACK, PIN 6P (VIDEO1 AUDIO IN/OUT,VIDEO2 AUDIO IN)	
D604	8-719-911-19	DIODE 1SS133T-72		J305	1-784-920-11	JACK, PIN 6P (VIDEO2 AUDIO OUT,DVD/LD AUDIO IN,TV/SAT AUDIO IN)	
D605	8-719-911-19	DIODE 1SS133T-72		J306	1-774-822-11	JACK, PIN 2P (2ND AUDIO OUT)(DE935)	
D606	8-719-911-19	DIODE 1SS133T-72				< COIL >	
D607	8-719-911-19	DIODE 1SS133T-72		L501	1-420-872-00	COIL, AIR-CORE	
D608	8-719-911-19	DIODE 1SS133T-72		L501	1-411-906-11	COIL, AIR-CORE (DE835:SP,MY/V828)	
D649	8-719-911-19	DIODE 1SS133T-72		L551	1-420-872-00	COIL, AIR-CORE	
D681	8-719-911-19	DIODE 1SS133T-72		L551	1-411-906-11	COIL, AIR-CORE (DE835:SP,MY/V828)	
D698	8-719-911-19	DIODE 1SS133T-72				< TRANSISTOR >	
D802	8-719-024-99	DIODE 11ES2-NTA2B		Q301	8-729-119-79	TRANSISTOR 2SC2785TP-FEK (DE935)	
D803	8-719-024-99	DIODE 11ES2-NTA2B		Q501	8-729-900-36	TRANSISTOR BA1F4M-TP	
D804	8-719-024-99	DIODE 11ES2-NTA2B		Q503	8-729-900-63	TRANSISTOR BN1F4M-TP	
D805	8-719-024-99	DIODE 11ES2-NTA2B		Q504	8-729-119-76	TRANSISTOR 2SA1115TP-EF	
D806	8-719-024-99	DIODE 11ES2-NTA2B		Q505	8-729-026-08	TRANSISTOR 2SC4495	
D807	8-719-024-99	DIODE 11ES2-NTA2B		Q506	8-749-010-25	TRANSISTOR MN2488-OPY-M	
D808	8-719-024-99	DIODE 11ES2-NTA2B		Q507	8-749-010-26	TRANSISTOR MP1620-OPY-M	
D809	8-719-024-99	DIODE 11ES2-NTA2B		Q508	8-729-140-82	TRANSISTOR 2SA988TP-PAFAEA	
		< EARTH >		Q509	8-729-281-53	TRANSISTOR 2SC1815GR-TPE2	
* EB301	1-537-738-21	TERMINAL, EARTH		Q510	8-729-900-63	TRANSISTOR BN1F4M-TP	
* EB302	1-537-738-21	TERMINAL, EARTH		Q511	8-729-900-63	TRANSISTOR BN1F4M-TP	
		< FUSE >		Q546	8-729-119-79	TRANSISTOR 2SC2785TP-FEK	
△ F803	1-532-504-51	FUSE TIME LAG 4A/250V (E,PX,SP,MY,AUS,CH)		Q547	8-729-140-84	TRANSISTOR 2SC1841TP-PAFAEA	
△ F803	1-533-419-11	FUSE, GLASS CYLINDRICAL(DIA.5) 4A/125V (US,CND)		Q548	8-729-119-79	TRANSISTOR 2SC2785TP-FEK	
△ F804	1-532-504-51	FUSE TIME LAG 4A/250V (E,PX,SP,MY,AUS,CH)		Q549	8-729-140-82	TRANSISTOR 2SA988TP-PAFAEA	
△ F804	1-533-419-11	FUSE, GLASS CYLINDRICAL(DIA.5) 4A/125V (US,CND)		Q554	8-729-119-76	TRANSISTOR 2SA1115TP-EF	
△ F805	1-532-504-51	FUSE TIME LAG 4A/250V (E,PX,SP,MY,AUS,CH)		Q555	8-729-026-08	TRANSISTOR 2SC4495	
△ F805	1-533-419-11	FUSE, GLASS CYLINDRICAL(DIA.5) 4A/125V (US,CND)		Q556	8-749-010-25	TRANSISTOR MN2488-OPY-M	
		< IC >		Q557	8-749-010-26	TRANSISTOR MP1620-OPY-M	
IC301	8-759-582-64	IC TC9273N-004		Q558	8-729-140-82	TRANSISTOR 2SA988TP-PAFAEA	
IC302	8-759-636-74	IC M5218AP-22		Q559	8-729-281-53	TRANSISTOR 2SC1815GR-TPE2	
IC303	8-759-582-65	IC TC9273N-014		Q560	8-729-900-63	TRANSISTOR BN1F4M-TP	
IC304	8-759-636-74	IC M5218AP-22		Q561	8-729-900-63	TRANSISTOR BN1F4M-TP	
IC309	8-759-636-74	IC M5218AP-22 (DE935)		Q596	8-729-119-79	TRANSISTOR 2SC2785TP-FEK	
IC330	8-759-582-66	IC TC9273N-013 (DE935)		Q598	8-729-140-82	TRANSISTOR 2SA988TP-PAFAEA	
IC401	8-759-231-59	IC M5F7815L		Q601	8-729-119-79	TRANSISTOR 2SC2785TP-FEK	
IC402	8-759-245-87	IC M5F7915L		Q604	8-729-119-76	TRANSISTOR 2SA1115TP-EF	
IC404	8-759-708-05	IC NJM78L05A-T3		Q605	8-729-026-08	TRANSISTOR 2SC4495	
IC414	8-759-534-63	IC TC9299P		Q606	8-749-010-25	TRANSISTOR MN2488-OPY-M	
				Q607	8-749-010-26	TRANSISTOR MP1620-OPY-M	
				Q608	8-729-140-82	TRANSISTOR 2SA988TP-PAFAEA	
				Q609	8-729-281-53	TRANSISTOR 2SC1815GR-TPE2	
				Q610	8-729-900-63	TRANSISTOR BN1F4M-TP	
				Q611	8-729-900-63	TRANSISTOR BN1F4M-TP	

The components identified by mark △ or dotted line with mark △ are critical for safety. Replace only with part number specified.

Les composants identifiés par une marque △ sont critiques pour la sécurité. Ne les remplacer que par une pièce portant le numéro spécifié.

以阴影和 △ 标志来识别的零部件，在安全方面具有关键性。因此只能以规定号码的零部件来更换。

Ref. No.	Part No.	Description	Remarks	Ref. No.	Part No.	Description	Remarks
Q613	8-729-281-53	TRANSISTOR 2SC1815GR-TPE2		R357	1-247-807-31	CARBON 100	5% 1/4W
Q645	8-729-119-79	TRANSISTOR 2SC2785TP-FEK		R358	1-249-441-11	CARBON 100K	5% 1/4W
Q681	8-729-119-79	TRANSISTOR 2SC2785TP-FEK		R359	1-249-413-11	CARBON 470	5% 1/4W F
Q698	8-729-140-82	TRANSISTOR 2SA988TP-PAFAEA		R360	1-249-417-11	CARBON 1K	5% 1/4W F
Q745	8-729-119-79	TRANSISTOR 2SC2785TP-FEK		R361	1-249-417-11	CARBON 1K	5% 1/4W F
Q992	8-729-119-79	TRANSISTOR 2SC2785TP-FEK		R362	1-249-417-11	CARBON 1K	5% 1/4W F
< RESISTOR >				R363	1-249-417-11	CARBON 1K	5% 1/4W F (DE935)
R200	1-249-397-11	CARBON 22	5% 1/4W F (DE935)	R364	1-249-417-11	CARBON 1K	5% 1/4W F (DE935)
R300	1-249-397-11	CARBON 22	5% 1/4W F (DE935)	R366	1-249-417-11	CARBON 1K	5% 1/4W F
R301	1-249-401-11	CARBON 47	5% 1/4W F	R367	1-249-417-11	CARBON 1K	5% 1/4W F
R302	1-249-441-11	CARBON 100K	5% 1/4W	R368	1-249-417-11	CARBON 1K	5% 1/4W F
R303	1-249-440-11	CARBON 82K	5% 1/4W	R369	1-249-417-11	CARBON 1K	5% 1/4W F
R304	1-249-408-11	CARBON 180	5% 1/4W F	R370	1-249-417-11	CARBON 1K	5% 1/4W F
R305	1-249-428-11	CARBON 8.2K	5% 1/4W F	R371	1-247-807-31	CARBON 100	5% 1/4W (DE935)
R306	1-249-441-11	CARBON 100K	5% 1/4W	R375	1-249-417-11	CARBON 1K	5% 1/4W F
R307	1-247-807-31	CARBON 100	5% 1/4W	R380	1-247-887-00	CARBON 220K	5% 1/4W (DE935)
R308	1-249-441-11	CARBON 100K	5% 1/4W	R381	1-247-887-00	CARBON 220K	5% 1/4W
R309	1-249-413-11	CARBON 470	5% 1/4W F	R385	1-247-887-00	CARBON 220K	5% 1/4W
R310	1-249-417-11	CARBON 1K	5% 1/4W F	R386	1-249-437-11	CARBON 47K	5% 1/4W
R311	1-249-417-11	CARBON 1K	5% 1/4W F	R387	1-249-441-11	CARBON 100K	5% 1/4W (DE935)
R312	1-249-417-11	CARBON 1K	5% 1/4W F (DE935)	R388	1-249-441-11	CARBON 100K	5% 1/4W (DE935)
R314	1-249-417-11	CARBON 1K	5% 1/4W F (DE935)	R391	1-249-437-11	CARBON 47K	5% 1/4W
R315	1-249-393-11	CARBON 10	5% 1/4W F (DE935)	R392	1-249-425-11	CARBON 4.7K	5% 1/4W F (DE935)
R316	1-249-417-11	CARBON 1K	5% 1/4W F	R394	1-249-397-11	CARBON 22	5% 1/4W F
R317	1-249-417-11	CARBON 1K	5% 1/4W F	R395	1-249-397-11	CARBON 22	5% 1/4W F
R318	1-249-417-11	CARBON 1K	5% 1/4W F	R396	1-249-417-11	CARBON 1K	5% 1/4W F
R319	1-249-417-11	CARBON 1K	5% 1/4W F	R398	1-249-417-11	CARBON 1K	5% 1/4W F
R320	1-249-417-11	CARBON 1K	5% 1/4W F	R413	1-249-417-11	CARBON 1K	5% 1/4W F (DE935)
R321	1-247-807-31	CARBON 100	5% 1/4W (DE935)	R430	1-247-887-00	CARBON 220K	5% 1/4W (DE935)
R325	1-249-417-11	CARBON 1K	5% 1/4W F	R480	1-247-887-00	CARBON 220K	5% 1/4W (DE935)
R330	1-247-887-00	CARBON 220K	5% 1/4W (DE935)	R501	1-249-417-11	CARBON 1K	5% 1/4W F
R331	1-247-887-00	CARBON 220K	5% 1/4W	R502	1-249-439-11	CARBON 68K	5% 1/4W
R335	1-247-887-00	CARBON 220K	5% 1/4W	R503	1-249-439-11	CARBON 68K	5% 1/4W
R336	1-249-429-11	CARBON 10K	5% 1/4W (DE935)	R504	1-247-843-11	CARBON 3.3K	5% 1/4W
R337	1-249-425-11	CARBON 4.7K	5% 1/4W F (DE935)	R505	1-249-437-11	CARBON 47K	5% 1/4W
R342	1-249-425-11	CARBON 4.7K	5% 1/4W F (DE935)	R509	1-247-807-31	CARBON 100	5% 1/4W
R344	1-247-807-31	CARBON 100	5% 1/4W	R520	1-249-429-11	CARBON 10K	5% 1/4W
R345	1-247-807-31	CARBON 100	5% 1/4W	R521	1-249-422-11	CARBON 2.7K	5% 1/4W F
R346	1-249-397-11	CARBON 22	5% 1/4W F	R522	1-249-433-11	CARBON 22K	5% 1/4W
R347	1-249-397-11	CARBON 22	5% 1/4W F	R523	1-249-442-11	CARBON 510	5% 1/4W
R351	1-249-401-11	CARBON 47	5% 1/4W F	△ R524	1-249-408-11	CARBON 180	5% 1/4W F
R352	1-249-441-11	CARBON 100K	5% 1/4W	△ R525	1-249-408-11	CARBON 180	5% 1/4W F
R353	1-249-440-11	CARBON 82K	5% 1/4W	△ R526	1-234-182-11	ENCAPSULATED COMPONENT	
R354	1-249-408-11	CARBON 180	5% 1/4W F	R527	1-240-855-91	CARBON 6.2K	5% 1/4W
R355	1-249-428-11	CARBON 8.2K	5% 1/4W F	R528	1-249-425-11	CARBON 4.7K	5% 1/4W F
R356	1-249-441-11	CARBON 100K	5% 1/4W				

The components identified by mark △ or dotted line with mark △ are critical for safety. Replace only with part number specified.

Les composants identifiés par une marque △ sont critiques pour la sécurité. Ne les remplacer que par une pièce portant le numéro spécifié.

以阴影和 △标志来识别的零部件，在安全方面具有关键性。因此只能以规定号码的零部件来更换。

MAIN

Ref. No.	Part No.	Description			Remarks	Ref. No.	Part No.	Description			Remarks
R529	1-247-866-11	CARBON	30K	5%	1/4W	R622	1-247-881-00	CARBON	120K	5%	1/4W
R530	1-249-421-11	CARBON	2.2K	5%	1/4W F	R623	1-249-442-11	CARBON	510	5%	1/4W
R531	1-249-433-11	CARBON	22K	5%	1/4W	△ R624	1-249-408-11	CARBON	180	5%	1/4W F
R532	1-249-437-11	CARBON	47K	5%	1/4W	△ R625	1-249-408-11	CARBON	180	5%	1/4W F
△ R533	1-249-393-11	CARBON	10	5%	1/4W F	△ R626	1-234-182-11	ENCAPSULATED COMPONENT			
△ R534	1-249-389-11	CARBON	4.7	5%	1/4W F	R627	1-240-855-91	CARBON	6.2K	5%	1/4W
R535	1-249-431-11	CARBON	15K	5%	1/4W	R628	1-249-425-11	CARBON	4.7K	5%	1/4W F
R539	1-249-427-11	CARBON	6.8K	5%	1/4W F	R629	1-247-866-11	CARBON	30K	5%	1/4W
R540	1-249-417-11	CARBON	1K	5%	1/4W F	R630	1-249-421-11	CARBON	2.2K	5%	1/4W F
R541	1-249-429-11	CARBON	10K	5%	1/4W	R631	1-249-433-11	CARBON	22K	5%	1/4W
R542	1-249-429-11	CARBON	10K	5%	1/4W	R632	1-249-437-11	CARBON	47K	5%	1/4W
R547	1-249-425-11	CARBON	4.7K	5%	1/4W F	△ R633	1-249-393-11	CARBON	10	5%	1/4W F
R548	1-249-429-11	CARBON	10K	5%	1/4W	R635	1-249-431-11	CARBON	15K	5%	1/4W
△ R549	1-249-393-11	CARBON	10	5%	1/4W F	R636	1-249-433-11	CARBON	22K	5%	1/4W
R551	1-249-417-11	CARBON	1K	5%	1/4W F	R642	1-216-453-00	METAL OXIDE	270	5%	2W F (DE935/DE835:US,E,PX/SE591)
R552	1-249-439-11	CARBON	68K	5%	1/4W	R642	1-216-454-11	METAL OXIDE	390	5%	2W F (DE835:CND,SP,MY/V828)
R553	1-249-439-11	CARBON	68K	5%	1/4W	R642	1-215-889-00	METAL OXIDE	330	5%	2W F (DE835:AUS)
R554	1-247-843-11	CARBON	3.3K	5%	1/4W	R643	1-249-433-11	CARBON	22K	5%	1/4W
R555	1-247-881-00	CARBON	120K	5%	1/4W	R647	1-249-429-11	CARBON	10K	5%	1/4W
R556	1-247-881-00	CARBON	120K	5%	1/4W	R648	1-249-425-11	CARBON	4.7K	5%	1/4W F
R559	1-247-807-31	CARBON	100	5%	1/4W	△ R649	1-249-393-11	CARBON	10	5%	1/4W F
R570	1-249-429-11	CARBON	10K	5%	1/4W	R650	1-249-425-11	CARBON	4.7K	5%	1/4W F
R571	1-249-422-11	CARBON	2.7K	5%	1/4W F	R651	1-249-417-11	CARBON	1K	5%	1/4W F
R572	1-249-433-11	CARBON	22K	5%	1/4W	R652	1-249-439-11	CARBON	68K	5%	1/4W
R573	1-249-442-11	CARBON	510	5%	1/4W	R653	1-249-439-11	CARBON	68K	5%	1/4W
△ R574	1-249-408-11	CARBON	180	5%	1/4W F	R654	1-247-843-11	CARBON	3.3K	5%	1/4W
△ R575	1-249-408-11	CARBON	180	5%	1/4W F	R655	1-249-409-11	CARBON	220	5%	1/4W F
△ R576	1-234-182-11	ENCAPSULATED COMPONENT				R656	1-249-409-11	CARBON	220	5%	1/4W F
R577	1-240-855-91	CARBON	6.2K	5%	1/4W	R657	1-249-429-11	CARBON	10K	5%	1/4W
R578	1-249-425-11	CARBON	4.7K	5%	1/4W F	△ R658	1-249-393-11	CARBON	10	5%	1/4W F
R579	1-247-866-11	CARBON	30K	5%	1/4W	R659	1-247-807-31	CARBON	100	5%	1/4W
R580	1-249-421-11	CARBON	2.2K	5%	1/4W F	R672	1-249-433-11	CARBON	22K	5%	1/4W
R581	1-249-433-11	CARBON	22K	5%	1/4W	R680	1-249-429-11	CARBON	10K	5%	1/4W
R582	1-249-437-11	CARBON	47K	5%	1/4W	R681	1-249-425-11	CARBON	4.7K	5%	1/4W F
△ R583	1-249-393-11	CARBON	10	5%	1/4W F	△ R682	1-249-393-11	CARBON	10	5%	1/4W F
△ R584	1-249-389-11	CARBON	4.7	5%	1/4W F	R690	1-249-433-11	CARBON	22K	5%	1/4W
R585	1-249-431-11	CARBON	15K	5%	1/4W	R695	1-249-419-11	CARBON	1.5K	5%	1/4W F
R586	1-249-429-11	CARBON	10K	5%	1/4W	R696	1-249-431-11	CARBON	15K	5%	1/4W
R587	1-249-425-11	CARBON	4.7K	5%	1/4W F	R739	1-215-868-00	METAL OXIDE	680	5%	1W F
△ R588	1-249-393-11	CARBON	10	5%	1/4W F	R747	1-249-429-11	CARBON	10K	5%	1/4W
R590	1-249-433-11	CARBON	22K	5%	1/4W	R748	1-249-425-11	CARBON	4.7K	5%	1/4W F
R592	1-249-381-11	CARBON	1	5%	1/4W F	R789	1-215-868-00	METAL OXIDE	680	5%	1W F
R593	1-249-381-11	CARBON	1	5%	1/4W F	R991	1-249-417-11	CARBON	1K	5%	1/4W F
R594	1-249-425-11	CARBON	4.7K	5%	1/4W F	R992	1-249-439-11	CARBON	68K	5%	1/4W
R595	1-249-419-11	CARBON	1.5K	5%	1/4W F	R993	1-249-433-11	CARBON	22K	5%	1/4W
R596	1-249-431-11	CARBON	15K	5%	1/4W	R995	1-249-441-11	CARBON	100K	5%	1/4W
R597	1-249-419-11	CARBON	1.5K	5%	1/4W F	R996	1-249-429-11	CARBON	10K	5%	1/4W
R599	1-249-431-11	CARBON	15K	5%	1/4W						
R601	1-249-417-11	CARBON	1K	5%	1/4W F						
R602	1-249-439-11	CARBON	68K	5%	1/4W						
R603	1-249-439-11	CARBON	68K	5%	1/4W						
R604	1-249-418-11	CARBON	1.2K	5%	1/4W F						
R609	1-247-807-31	CARBON	100	5%	1/4W						
R620	1-249-429-11	CARBON	10K	5%	1/4W						
R621	1-249-422-11	CARBON	2.7K	5%	1/4W F						

The components identified by mark △ or dotted line with mark △ are critical for safety. Replace only with part number specified.

Les composants identifiés par une marque △ sont critiques pour la sécurité. Ne les remplacer que par une pièce portant le numéro spécifié.

以阴影和 △ 标志来识别的零部件，在安全方面具有关键性。因此只能以规定号码的零部件来更换。

MAIN

MUTING

REAR-AMP

Ref. No.	Part No.	Description	Remarks
		< RELAY >	
RY301	1-515-793-11	RELAY (DE935)	
RY501	1-515-920-11	RELAY (24V)	
RY502	1-515-920-11	RELAY (24V)	
RY601	1-515-920-11	RELAY (24V)	
RY602	1-515-793-11	RELAY	
RY681	1-515-793-11	RELAY	

*	1-673-346-11	MUTING BOARD	

		< LED >	
D101	8-719-313-45	LED SEL6810A-TH10 (MUTING)	
		< RESISTOR >	
R134	1-216-041-00	METAL CHIP 470 5%	1/10W
R135	1-216-045-00	METAL CHIP 680 5%	1/10W
R136	1-216-049-91	RES,CHIP 1K 5%	1/10W
		< SWITCH >	
S145	1-771-349-21	SWITCH, KEYBOARD (EQUALIZER)	
		(EXCEPT DE835:SP,MY/V828)	
S146	1-771-349-21	SWITCH, KEYBOARD (BASS BOOST)	
		(EXCEPT DE835:SP,MY/V828)	
S147	1-771-349-21	SWITCH, KEYBOARD (MUTING)	
		(EXCEPT DE835:SP,MY/V828)	

*	A-4419-391-A	REAR-AMP BOARD, COMPLETE	

		< CAPACITOR >	
C701	1-128-858-11	ELECT 22uF 20%	50V
C702	1-128-811-11	CERAMIC 150PF 5%	50V
C703	1-102-233-00	CERAMIC 33PF 10%	500V
C704	1-107-586-11	CERAMIC 6PF 0.5PF	500V
C705	1-128-832-11	ELECT 220uF 20%	10V
C706	1-106-351-00	MYLAR 2200PF 5%	200V
C707	1-106-351-00	MYLAR 2200PF 5%	200V
C708	1-109-876-11	FILM 0.033uF 10%	250V
C720	1-104-664-11	ELECT 47uF 20%	16V
C721	1-107-597-11	CERAMIC 22PF 10%	500V
C722	1-107-597-11	CERAMIC 22PF 10%	500V
C723	1-162-286-31	CERAMIC 220PF 10%	50V
C724	1-119-824-11	ELECT MELF 10uF 20%	50V
C725	1-136-157-00	FILM 0.022uF 5%	50V
C726	1-136-153-00	FILM 0.01uF 5%	50V
C739	1-162-288-31	CERAMIC 330PF 10%	50V
C749	1-102-934-00	CERAMIC 1.0PF +-0.25PF	50V
C751	1-128-858-11	ELECT 22uF 20%	50V
C752	1-128-811-11	CERAMIC 150PF 5%	50V
C753	1-102-233-00	CERAMIC 33PF 10%	500V
C754	1-107-586-11	CERAMIC 6PF 0.5PF	500V
C755	1-128-832-11	ELECT 220uF 20%	10V
C756	1-106-351-00	MYLAR 2200PF 5%	200V
C757	1-106-351-00	MYLAR 2200PF 5%	200V
C758	1-109-876-11	FILM 0.033uF 10%	250V

Ref. No.	Part No.	Description	Remarks
C770	1-104-664-11	ELECT 47uF 20%	16V
C771	1-107-597-11	CERAMIC 22PF 10%	500V
C772	1-107-597-11	CERAMIC 22PF 10%	500V
C773	1-162-286-31	CERAMIC 220PF 10%	50V
C775	1-136-157-00	FILM 0.022uF 5%	50V
C779	1-102-934-00	CERAMIC 1.0PF +-0.25PF	50V
C780	1-128-809-11	CERAMIC 100PF 5%	50V
C789	1-162-288-31	CERAMIC 330PF 10%	50V
C798	1-128-883-11	ELECT 22uF 20%	100V
C799	1-128-883-11	ELECT 22uF 20%	100V
		< CONNECTOR >	
CNP701	1-785-102-11	PIN, CONNECTOR 4P	
CNP711	1-784-923-11	PIN, CONNECTOR 7P	
CNP712	1-785-102-21	PIN, CONNECTOR 4P	
CNP713	1-784-924-11	PIN, CONNECTOR 8P	
		< DIODE >	
D701	8-719-911-19	DIODE 1SS133T-72	
D702	8-719-109-51	DIODE MTZJ-T-72-2.2	
D703	8-719-109-51	DIODE MTZJ-T-72-2.2	
D704	8-719-911-19	DIODE 1SS133T-72	
D705	8-719-911-19	DIODE 1SS133T-72	
D706	8-719-911-19	DIODE 1SS133T-72	
D749	8-719-911-19	DIODE 1SS133T-72	
D751	8-719-911-19	DIODE 1SS133T-72	
D752	8-719-109-51	DIODE MTZJ-T-72-2.2	
D753	8-719-109-51	DIODE MTZJ-T-72-2.2	
D754	8-719-911-19	DIODE 1SS133T-72	
D798	8-719-911-19	DIODE 1SS133T-72	
D799	8-719-911-19	DIODE 1SS133T-72	
		< IC >	
IC701	8-759-326-52	IC uPC2581V	
		< TRANSISTOR >	
Q704	8-729-119-76	TRANSISTOR 2SA1115TP-EF	
Q705	8-729-026-08	TRANSISTOR 2SC4495	
Q706	8-749-010-25	TRANSISTOR MN2488-OPY-M	
Q707	8-749-010-26	TRANSISTOR MP1620-OPY-M	
Q708	8-729-140-82	TRANSISTOR 2SA988TP-PAFAEA	
Q709	8-729-281-53	TRANSISTOR 2SC1815GR-TPE2	
Q710	8-729-900-63	TRANSISTOR BN1F4M-TP	
Q754	8-729-119-76	TRANSISTOR 2SA1115TP-EF	
Q755	8-729-026-08	TRANSISTOR 2SC4495	
Q756	8-749-010-25	TRANSISTOR MN2488-OPY-M	
Q757	8-749-010-26	TRANSISTOR MP1620-OPY-M	
Q758	8-729-140-82	TRANSISTOR 2SA988TP-PAFAEA	
Q798	8-729-140-82	TRANSISTOR 2SA988TP-PAFAEA	
Q799	8-729-140-82	TRANSISTOR 2SA988TP-PAFAEA	
		< RESISTOR >	
R701	1-249-417-11	CARBON 1K 5%	1/4W F
R702	1-247-881-00	CARBON 120K 5%	1/4W
R703	1-249-439-11	CARBON 68K 5%	1/4W
R704	1-249-418-11	CARBON 1.2K 5%	1/4W F
R705	1-247-807-31	CARBON 100 5%	1/4W

REAR-AMP	ROTARY	SP	SP-SW
-----------------	---------------	-----------	--------------

Ref. No.	Part No.	Description			Remarks
R712	1-249-439-11	CARBON	68K	5%	1/4W
R720	1-249-429-11	CARBON	10K	5%	1/4W
R721	1-249-422-11	CARBON	2.7K	5%	1/4W F
R722	1-249-433-11	CARBON	22K	5%	1/4W
R723	1-249-442-11	CARBON	510	5%	1/4W
△R724	1-249-408-11	CARBON	180	5%	1/4W F
△R725	1-249-408-11	CARBON	180	5%	1/4W F
△R726	1-234-182-11	ENCAPSULATED COMPONENT			
R727	1-240-855-91	CARBON	6.2K	5%	1/4W
R728	1-249-425-11	CARBON	4.7K	5%	1/4W F
R729	1-247-866-11	CARBON	30K	5%	1/4W
R730	1-249-421-11	CARBON	2.2K	5%	1/4W F
R731	1-249-433-11	CARBON	22K	5%	1/4W
R732	1-249-437-11	CARBON	47K	5%	1/4W
△R733	1-249-393-11	CARBON	10	5%	1/4W F
R735	1-249-431-11	CARBON	15K	5%	1/4W
△R749	1-249-393-11	CARBON	10	5%	1/4W F
R751	1-249-417-11	CARBON	1K	5%	1/4W F
R752	1-247-881-00	CARBON	120K	5%	1/4W
R753	1-249-439-11	CARBON	68K	5%	1/4W
R754	1-249-418-11	CARBON	1.2K	5%	1/4W F
R755	1-247-807-31	CARBON	100	5%	1/4W
R762	1-249-439-11	CARBON	68K	5%	1/4W
R770	1-249-429-11	CARBON	10K	5%	1/4W
R771	1-249-422-11	CARBON	2.7K	5%	1/4W F
R772	1-249-433-11	CARBON	22K	5%	1/4W
R773	1-249-442-11	CARBON	510	5%	1/4W
△R774	1-249-408-11	CARBON	180	5%	1/4W F
△R775	1-249-408-11	CARBON	180	5%	1/4W F
△R776	1-234-182-11	ENCAPSULATED COMPONENT			
R777	1-240-855-91	CARBON	6.2K	5%	1/4W
R778	1-249-425-11	CARBON	4.7K	5%	1/4W F
R782	1-249-437-11	CARBON	47K	5%	1/4W
△R783	1-249-393-11	CARBON	10	5%	1/4W F
R790	1-249-433-11	CARBON	22K	5%	1/4W
R795	1-249-419-11	CARBON	1.5K	5%	1/4W F
R796	1-249-431-11	CARBON	15K	5%	1/4W
R798	1-249-419-11	CARBON	1.5K	5%	1/4W F
R799	1-249-431-11	CARBON	15K	5%	1/4W
		< RELAY >			
RY701	1-515-920-11	RELAY (24V)			
		< TEST PIN >			
* TP701	1-560-060-00	PIN, CONNECTOR 2P			
* TP751	1-560-060-00	PIN, CONNECTOR 2P			

Ref. No.	Part No.	Description			Remarks
*	1-673-348-11	ROTARY BOARD			*****
		< CONNECTOR >			
* CNP155	1-564-719-11	PIN, CONNECTOR (SMALL TYPE) 3P			
		< VARIABLE RESISTOR >			
RV101	1-467-808-11	ENCODER, ROTARY (JOG DIAL)			(EXCEPT DE835:SP,MY/SE591)

*	1-673-355-11	SP BOARD			*****
		< CAPACITOR >			
CC41	1-163-133-00	CERAMIC CHIP	470PF	5%	50V (EXCEPT DE835:SP,MY/V828)
CC42	1-163-133-00	CERAMIC CHIP	470PF	5%	50V (EXCEPT DE835:SP,MY/V828)
CC43	1-163-133-00	CERAMIC CHIP	470PF	5%	50V
CC47	1-163-133-00	CERAMIC CHIP	470PF	5%	50V
CC97	1-163-133-00	CERAMIC CHIP	470PF	5%	50V
CC251	1-163-251-11	CERAMIC CHIP	100PF	5%	50V
		< JACK >			
JJ103	1-774-819-11	JACK, PIN 2P (AUDIO OUT,WOOFER)			
		< COIL >			
L601	1-420-872-00	COIL, AIR-CORE			
L601	1-411-906-11	COIL, AIR-CORE (EXCEPT DE835:SP,MY/SE591)			
L701	1-420-872-00	COIL, AIR-CORE			
L701	1-411-906-11	COIL, AIR-CORE (EXCEPT DE835:SP,MY/SE591)			
L751	1-420-872-00	COIL, AIR-CORE			
L751	1-411-906-11	COIL, AIR-CORE (EXCEPT DE835:SP,MY/SE591)			
		< RESISTOR >			
R634	1-249-389-11	CARBON	4.7	5%	1/4W F
R734	1-249-389-11	CARBON	4.7	5%	1/4W F
R784	1-249-389-11	CARBON	4.7	5%	1/4W F
RR251	1-216-049-91	RES,CHIP	1K	5%	1/10W
		< TERMINAL >			
* TM501	1-694-454-21	TERMINAL BOARD (SP)(FRONT SPEAKERS)			
TM701	1-694-528-11	TERMINAL BOARD (SPEAKER)(6P)			(CENTER,REAR)

*	1-673-347-11	SP-SW BOARD			*****
		< SWITCH >			
S150	1-771-349-21	SWITCH, KEYBOARD (POWER)			(EXCEPT DE835:SP,MY/SE591)
S151	1-762-268-11	SWITCH, ROTARY (SPEAKERS)			(EXCEPT DE835:SP,MY/SE591)

The components identified by mark △ or dotted line with mark △ are critical for safety. Replace only with part number specified.	Les composants identifiés par une marque △ sont critiques pour la sécurité. Ne les remplacer que par une pièce portant le numéro spécifié.	以阴影和 △标志来识别的零部件，在安全方面具有关键性。因此只能以规定号码的零部件来更换。
--	--	--

S-VIDEO

Ref. No.	Part No.	Description	Remarks	Ref. No.	Part No.	Description	Remarks
A-4419-433-A		S-VIDEO BOARD, COMPLETE (DE835:E,PX,SP,MY,AUS/V828)				< JACK >	
		*****		J251	1-537-943-11	TERMINAL, S (S VIDEO OUT)	
A-4419-434-A		S-VIDEO BOARD, COMPLETE (DE835:US,CND/SE591)		J252	1-764-676-11	CONNECTOR (ROUND TYPE)(S VIDEO IN/OUT)	
		*****		J253	1-537-943-11	TERMINAL, S (S VIDEO IN)	
A-4419-435-A		S-VIDEO BOARD, COMPLETE (DE935)		J255	1-563-330-11	JACK (CONTL S OUT) (DE835:US,CND/DE935/SE591)	
		*****		J256	1-563-330-11	JACK (CONTL S OUT) (DE835:US,CND/DE935/SE591)	
		< CAPACITOR >		J257	1-563-330-11	JACK (CONTL S IN) (DE835:US,CND/DE935/SE591)	
C214	1-104-664-11	ELECT	47uF 20% 16V	J258	1-563-330-11	JACK (CONTL S STATUS IN) (DE835:US,CND/DE935/SE591)	
C251	1-136-165-00	FILM	0.1uF 5% 50V			< TRANSISTOR >	
C252	1-136-165-00	FILM	0.1uF 5% 50V	Q251	8-729-216-22	TRANSISTOR 2SA1162-YG-TE85L (DE835:US,CND/DE935/SE591)	
C253	1-126-964-11	ELECT	10uF 20% 50V	Q252	8-729-216-22	TRANSISTOR 2SA1162-YG-TE85L (DE835:US,CND/DE935/SE591)	
C254	1-136-165-00	FILM	0.1uF 5% 50V	Q253	8-729-216-22	TRANSISTOR 2SA1162-YG-TE85L (DE835:US,CND/DE935/SE591)	
C255	1-136-165-00	FILM	0.1uF 5% 50V	Q254	8-729-230-49	TRANSISTOR 2SC2712-YG-TE85L (DE835:US,CND/DE935/SE591)	
C256	1-126-964-11	ELECT	10uF 20% 50V	Q255	8-729-230-49	TRANSISTOR 2SC2712-YG-TE85L (DE835:US,CND/DE935/SE591)	
C257	1-136-165-00	FILM	0.1uF 5% 50V	Q256	8-729-216-22	TRANSISTOR 2SA1162-YG-TE85L (DE835:US,CND/DE935/SE591)	
C258	1-126-964-11	ELECT	10uF 20% 50V	Q257	8-729-216-22	TRANSISTOR 2SA1162-YG-TE85L (DE835:US,CND/DE935/SE591)	
C259	1-126-964-11	ELECT	10uF 20% 50V	Q258	8-729-230-49	TRANSISTOR 2SC2712-YG-TE85L (DE835:US,CND/DE935/SE591)	
C260	1-136-165-00	FILM	0.1uF 5% 50V			< RESISTOR >	
C261	1-104-664-11	ELECT	47uF 20% 16V	R209	1-216-022-00	METAL CHIP 75 5% 1/10W	
C262	1-165-319-11	CERAMIC CHIP	0.1uF 50V	R210	1-216-022-00	METAL CHIP 75 5% 1/10W	
C263	1-165-319-11	CERAMIC CHIP	0.1uF 50V	R251	1-216-022-00	METAL CHIP 75 5% 1/10W	
C264	1-165-319-11	CERAMIC CHIP	0.1uF 50V	R252	1-216-073-00	METAL CHIP 10K 5% 1/10W	
C265	1-165-319-11	CERAMIC CHIP	0.1uF 50V	R253	1-216-022-00	METAL CHIP 75 5% 1/10W	
C266	1-165-319-11	CERAMIC CHIP	0.1uF 50V	R254	1-216-022-00	METAL CHIP 75 5% 1/10W	
C267	1-163-133-00	CERAMIC CHIP	470PF 5% 50V	R255	1-216-022-00	METAL CHIP 75 5% 1/10W	
C268	1-163-133-00	CERAMIC CHIP	470PF 5% 50V	R256	1-216-073-00	METAL CHIP 10K 5% 1/10W	
C269	1-163-133-00	CERAMIC CHIP	470PF 5% 50V	R257	1-216-022-00	METAL CHIP 75 5% 1/10W	
C270	1-163-133-00	CERAMIC CHIP	470PF 5% 50V	R258	1-216-022-00	METAL CHIP 75 5% 1/10W	
C271	1-163-275-11	CERAMIC CHIP	0.001uF 5% 50V (DE835:US,CND/DE935/SE591)	R259	1-216-022-00	METAL CHIP 75 5% 1/10W	
C272	1-163-275-11	CERAMIC CHIP	0.001uF 5% 50V (DE835:US,CND/DE935/SE591)	R260	1-216-022-00	METAL CHIP 75 5% 1/10W	
C273	1-126-964-11	ELECT	10uF 20% 50V (DE835:US,CND/DE935/SE591)	R261	1-216-022-00	METAL CHIP 75 5% 1/10W	
C274	1-163-275-11	CERAMIC CHIP	0.001uF 5% 50V (DE835:US,CND/DE935/SE591)	R262	1-216-022-00	METAL CHIP 75 5% 1/10W	
C275	1-163-275-11	CERAMIC CHIP	0.001uF 5% 50V (DE835:US,CND/DE935/SE591)	R263	1-216-073-00	METAL CHIP 10K 5% 1/10W (DE835:US,CND/DE935/SE591)	
		< CONNECTOR >		R264	1-216-061-00	METAL CHIP 3.3K 5% 1/10W (DE835:US,CND/DE935/SE591)	
CNP213	1-564-718-11	PIN, CONNECTOR (SMALL TYPE) 2P (DE935)		R265	1-216-049-91	RES,CHIP 1K 5% 1/10W (DE835:US,CND/DE935/SE591)	
CNS211	1-695-094-11	SOCKET, CONNECTOR 11P		R266	1-216-049-91	RES,CHIP 1K 5% 1/10W (DE835:US,CND/DE935/SE591)	
CNS215	1-784-776-11	CONNECTOR, FFC 15P		R267	1-216-049-91	RES,CHIP 1K 5% 1/10W (DE835:US,CND/DE935/SE591)	
		< DIODE >		R268	1-216-089-91	RES,CHIP 47K 5% 1/10W (DE835:US,CND/DE935/SE591)	
D251	8-719-801-78	DIODE 1SS184-TE85L				< IC >	
		< IC >		IC202	8-759-245-79	IC M5F7905L	
IC202	8-759-245-79	IC M5F7905L		IC251	8-759-536-24	IC NJM-2296M-TE2	
IC251	8-759-536-24	IC NJM-2296M-TE2		IC252	8-759-536-24	IC NJM-2296M-TE2	
IC252	8-759-536-24	IC NJM-2296M-TE2		IC253	8-759-356-27	IC NJM2129M-TE2 (DE835:US,CND/DE935/SE591)	
IC253	8-759-356-27	IC NJM2129M-TE2 (DE835:US,CND/DE935/SE591)		IC254	8-759-135-80	IC LM358P (DE835:US,CND/DE935/SE591)	
IC254	8-759-135-80	IC LM358P (DE835:US,CND/DE935/SE591)					

S-VIDEO

SW

Ref. No.	Part No.	Description	Remarks
R269	1-216-081-00	METAL CHIP 22K 5% 1/10W (DE835:US,CND/DE935/SE591)	
R270	1-216-069-00	METAL CHIP 6.8K 5% 1/10W (DE835:US,CND/DE935/SE591)	
R271	1-216-049-91	RES,CHIP 1K 5% 1/10W (DE835:US,CND/DE935/SE591)	
R272	1-216-049-91	RES,CHIP 1K 5% 1/10W (DE835:US,CND/DE935/SE591)	
R273	1-216-043-91	RES,CHIP 560 5% 1/10W (DE835:US,CND/DE935/SE591)	
R274	1-216-041-00	METAL CHIP 470 5% 1/10W (DE835:US,CND/DE935/SE591)	
R275	1-216-049-91	RES,CHIP 1K 5% 1/10W (DE835:US,CND/DE935/SE591)	
R276	1-216-049-91	RES,CHIP 1K 5% 1/10W (DE835:US,CND/DE935/SE591)	
R277	1-216-041-00	METAL CHIP 470 5% 1/10W (DE835:US,CND/DE935/SE591)	
R278	1-216-043-91	RES,CHIP 560 5% 1/10W (DE835:US,CND/DE935/SE591)	
R279	1-216-061-00	METAL CHIP 3.3K 5% 1/10W (DE835:US,CND/DE935/SE591)	
R280	1-216-073-00	METAL CHIP 10K 5% 1/10W (DE835:US,CND/DE935/SE591)	

A-4419-404-A	SW BOARD, COMPLETE (DE835/SE591/V828) *****		
A-4419-406-A	SW BOARD, COMPLETE (DE935) *****		
	< CAPACITOR >		
C151	1-165-319-11	CERAMIC CHIP 0.1uF	50V
C152	1-165-319-11	CERAMIC CHIP 0.1uF	50V
C153	1-165-319-11	CERAMIC CHIP 0.1uF	50V
C154	1-165-319-11	CERAMIC CHIP 0.1uF	50V
C155	1-165-319-11	CERAMIC CHIP 0.1uF	50V
C156	1-165-319-11	CERAMIC CHIP 0.1uF	50V
C158	1-165-319-11	CERAMIC CHIP 0.1uF	50V
C159	1-163-251-11	CERAMIC CHIP 100PF 5%	50V
C160	1-163-251-11	CERAMIC CHIP 100PF 5%	50V
	< CONNECTOR >		
CNS110	1-770-399-11	HOUSING, CONNECTOR(PC BOARD)6P	
CNS111	1-770-399-11	HOUSING, CONNECTOR(PC BOARD)6P	
	< LED >		
D151	8-719-063-91	LED SLR325DC-P-T32 (LELVEL)	
D152	8-719-063-91	LED SLR325DC-P-T32 (SUR)	
D154	8-719-032-98	LED SEL5820A-TP15 (A.F.D.)	
D155	8-719-063-91	LED SLR325DC-P-T32 (MD/TAPE)	
D156	8-719-032-98	LED SEL5820A-TP15 (2CH)	
D157	8-719-063-91	LED SLR325DC-P-T32 (SET UP)	
D158	8-719-063-91	LED SLR325DC-P-T32 (EQ)	
D159	8-719-063-91	LED SLR325DC-P-T32 (5.1CH INPUT)	
D160	8-719-063-91	LED SLR325DC-P-T32 (PHONO)	
D161	8-719-063-91	LED SLR325DC-P-T32 (TUNER)	
D162	8-719-063-91	LED SLR325DC-P-T32 (CD)	
D163	8-719-063-91	LED SLR325DC-P-T32 (TAPE)(DE935)	
D164	8-719-073-95	LED SPR-335MDTT31 (VIDEO1)	
D165	8-719-073-95	LED SPR-335MDTT31 (VIDEO2)	
D166	8-719-073-95	LED SPR-335MDTT31 (VIDEO3)(DE935)	

Ref. No.	Part No.	Description	Remarks
D167	8-719-073-95	LED SPR-335MDTT31 (DVD/LD)	
D168	8-719-073-95	LED SPR-335MDTT31 (TV/SAT)	
D169	8-719-063-91	LED SLR325DC-P-T32 (NAME)	
D170	8-719-032-98	LED SEL5820A-TP15 (MODE)	
	< IC >		
IC106	8-759-373-50	IC NJU3719L	
	< RESISTOR >		
R100	1-216-089-91	RES,CHIP 47K	5% 1/10W
R151	1-216-037-00	METAL CHIP 330	5% 1/10W
R152	1-216-041-00	METAL CHIP 470	5% 1/10W
R153	1-216-045-00	METAL CHIP 680	5% 1/10W
R154	1-216-049-91	RES,CHIP 1K	5% 1/10W
R155	1-216-053-00	METAL CHIP 1.5K	5% 1/10W
R156	1-216-057-00	METAL CHIP 2.2K	5% 1/10W
R157	1-216-065-91	RES,CHIP 4.7K	5% 1/10W
R158	1-216-037-00	METAL CHIP 330	5% 1/10W
R159	1-216-041-00	METAL CHIP 470	5% 1/10W
R160	1-216-045-00	METAL CHIP 680	5% 1/10W
R161	1-216-049-91	RES,CHIP 1K	5% 1/10W
R162	1-216-053-00	METAL CHIP 1.5K	5% 1/10W
R163	1-216-057-00	METAL CHIP 2.2K	5% 1/10W
R164	1-216-065-91	RES,CHIP 4.7K	5% 1/10W
R165	1-216-037-00	METAL CHIP 330	5% 1/10W
R166	1-216-041-00	METAL CHIP 470	5% 1/10W
R167	1-216-045-00	METAL CHIP 680	5% 1/10W
R168	1-216-049-91	RES,CHIP 1K	5% 1/10W
R169	1-216-053-00	METAL CHIP 1.5K	5% 1/10W
R170	1-216-057-00	METAL CHIP 2.2K	5% 1/10W
R171	1-216-065-91	RES,CHIP 4.7K	5% 1/10W
R172	1-216-037-00	METAL CHIP 330	5% 1/10W
R173	1-216-041-00	METAL CHIP 470	5% 1/10W
R174	1-216-045-00	METAL CHIP 680	5% 1/10W
R175	1-216-049-91	RES,CHIP 1K	5% 1/10W (DE935)
R176	1-216-053-00	METAL CHIP 1.5K	5% 1/10W (DE935)
R177	1-216-057-00	METAL CHIP 2.2K	5% 1/10W (DE935)
R178	1-216-037-00	METAL CHIP 330	5% 1/10W
R179	1-216-041-00	METAL CHIP 470	5% 1/10W
R180	1-216-045-00	METAL CHIP 680	5% 1/10W
R181	1-216-049-91	RES,CHIP 1K	5% 1/10W
R182	1-216-053-00	METAL CHIP 1.5K	5% 1/10W
R183	1-216-057-00	METAL CHIP 2.2K	5% 1/10W
R184	1-216-037-00	METAL CHIP 330	5% 1/10W
R185	1-216-041-00	METAL CHIP 470	5% 1/10W
R186	1-216-045-00	METAL CHIP 680	5% 1/10W
R187	1-216-049-91	RES,CHIP 1K	5% 1/10W
R188	1-216-053-00	METAL CHIP 1.5K	5% 1/10W
RR61	1-216-037-00	METAL CHIP 330	5% 1/10W
RR62	1-216-029-00	METAL CHIP 150	5% 1/10W
RR63	1-216-037-00	METAL CHIP 330	5% 1/10W
RR64	1-216-025-91	RES,CHIP 100	5% 1/10W
RR65	1-216-029-00	METAL CHIP 150	5% 1/10W
RR66	1-216-025-91	RES,CHIP 100	5% 1/10W

SW	TUNER	V.SWITCH	VIDEO
-----------	--------------	-----------------	--------------

Ref. No.	Part No.	Description	Remarks	Ref. No.	Part No.	Description	Remarks
RR67	1-216-029-00	METAL CHIP	150 5%	1/10W	S141	1-771-349-21	SWITCH, KEYBOARD (TUNING -)
RR68	1-216-025-91	RES,CHIP	100 5%	1/10W	S142	1-771-349-21	SWITCH, KEYBOARD (TUNING +)
				(DE935)	S143	1-771-349-21	SWITCH, KEYBOARD (PRESET -)
RR69	1-216-029-00	METAL CHIP	150 5%	1/10W	S144	1-771-349-21	SWITCH, KEYBOARD (LEVEL)
				(DE935)	*****		
RR70	1-216-025-91	RES,CHIP	100 5%	1/10W	* 1-673-358-11	TUNER BOARD	
RR71	1-216-029-00	METAL CHIP	150 5%	1/10W		*****	
						< CAPACITOR >	
RR72	1-216-025-91	RES,CHIP	100 5%	1/10W			
RR73	1-216-029-00	METAL CHIP	150 5%	1/10W	C381	1-165-319-11	CERAMIC CHIP 0.1uF 50V
RR74	1-216-037-00	METAL CHIP	330 5%	1/10W	C382	1-163-037-11	CERAMIC CHIP 0.022uF 10% 25V
RR75	1-216-037-00	METAL CHIP	330 5%	1/10W	C399	1-126-964-11	ELECT 10uF 20% 50V
		< SWITCH >				< CONNECTOR >	
S101	1-771-349-21	SWITCH, KEYBOARD (1)			* CNS303	1-569-306-11	SOCKET, CONNECTOR (L TYRE) 15P
S102	1-771-349-21	SWITCH, KEYBOARD (2)			CNS305	1-774-289-11	PIN, CONNECTOR (PC BOARD) 15P
S103	1-771-349-21	SWITCH, KEYBOARD (3)				< IC >	
S104	1-771-349-21	SWITCH, KEYBOARD (4)			IC399	8-759-708-12	IC NJM78L12A-T3
S105	1-771-349-21	SWITCH, KEYBOARD (5)			*****		
S106	1-771-349-21	SWITCH, KEYBOARD (6)				1-673-352-11	V.SWITCH BOARD (DE835:E,PX)
S107	1-771-349-21	SWITCH, KEYBOARD (7)				*****	
S108	1-771-349-21	SWITCH, KEYBOARD (8)				1-533-217-	HOLDER,FUSE
S109	1-771-349-21	SWITCH, KEYBOARD (9)				< CONNECTOR >	
S110	1-771-349-21	SWITCH, KEYBOARD (0)			CNV903	1-568-106-11	PIN, CONNECTOR 4P
S111	1-771-349-21	SWITCH, KEYBOARD (MEMORY)				< DIODE >	
S112	1-771-349-21	SWITCH, KEYBOARD (DIRECT)			D114	8-719-016-74	DIODE 1SS352-TPH3
S113	1-771-349-21	SWITCH, KEYBOARD (PRESET +)				< FUSE >	
S114	1-771-349-21	SWITCH, KEYBOARD (SUR)			△ F904	1-532-504-51	FUSE TIME LAG 4A/250V (E,PX)
S115	1-771-349-21	SWITCH, KEYBOARD (FM MODE)				< SWITCH >	
S116	1-771-349-21	SWITCH, KEYBOARD (AM)			△ VS901	1-571-437-11	SWITCH, POWER VOLTAGE CHANGE
S117	1-771-349-21	SWITCH, KEYBOARD (FM)			*****		
S118	1-771-349-21	SWITCH, KEYBOARD (A.F.D.)			* 1-673-356-11	VIDEO BOARD	
S119	1-771-349-21	SWITCH, KEYBOARD (SET UP)				*****	
S120	1-771-349-21	SWITCH, KEYBOARD (MD/TAPE)				< CAPACITOR >	
S121	1-771-349-21	SWITCH, KEYBOARD (VIDEO1)			C201	1-126-964-11	ELECT 10uF 20% 50V
S122	1-771-349-21	SWITCH, KEYBOARD (VIDEO2)			C202	1-126-964-11	ELECT 10uF 20% 50V
S123	1-771-349-21	SWITCH, KEYBOARD (CD)			C203	1-126-964-11	ELECT 10uF 20% 50V
S124	1-771-349-21	SWITCH, KEYBOARD (VIDEO3)(DE935)			C204	1-126-964-11	ELECT 10uF 20% 50V
S125	1-771-349-21	SWITCH, KEYBOARD (2ND AUDIO)(DE935)			C205	1-163-243-11	CERAMIC CHIP 47PF 5% 50V
S126	1-771-349-21	SWITCH, KEYBOARD (TAPE)(DE935)			C206	1-163-243-11	CERAMIC CHIP 47PF 5% 50V
S127	1-771-349-21	SWITCH, KEYBOARD (TUNER)			C207	1-163-243-11	CERAMIC CHIP 47PF 5% 50V
S128	1-771-349-21	SWITCH, KEYBOARD (TV/SAT)			C208	1-126-964-11	ELECT 10uF 20% 50V
S129	1-771-349-21	SWITCH, KEYBOARD (DVD/LD)			C209	1-165-319-11	CERAMIC CHIP 0.1uF 50V
S130	1-771-349-21	SWITCH, KEYBOARD (PHONO)			C210	1-165-319-11	CERAMIC CHIP 0.1uF 50V
S131	1-771-349-21	SWITCH, KEYBOARD (INPUT MODE)					
S132	1-771-349-21	SWITCH, KEYBOARD (5.1CH INPUT)					
S133	1-771-349-21	SWITCH, KEYBOARD (EQ)					
S134	1-771-349-21	SWITCH, KEYBOARD (MODE)					
S135	1-771-349-21	SWITCH, KEYBOARD (2CH)					
S136	1-771-349-21	SWITCH, KEYBOARD (<)					
S137	1-771-349-21	SWITCH, KEYBOARD (>)					
S138	1-771-349-21	SWITCH, KEYBOARD (NAME)					
S139	1-771-349-21	SWITCH, KEYBOARD (ENTER)					
S140	1-771-349-21	SWITCH, KEYBOARD (SHIFT)					

The components identified by mark △ or dotted line with mark △ are critical for safety. Replace only with part number specified.	Les composants identifiés par une marque △ sont critiques pour la sécurité. Ne les remplacer que par une pièce portant le numéro spécifié.	以阴影和 △标志来识别的零部件，在安全方面具有关键性。因此只能以规定号码的零部件来更换。
--	--	--

VIDEO

VOLUME

Ref. No.	Part No.	Description	Remarks
C211	1-165-319-11	CERAMIC CHIP 0.1uF	50V
C212	1-165-319-11	CERAMIC CHIP 0.1uF	50V
C213	1-104-664-11	ELECT 47uF	20% 16V
C215	1-165-319-11	CERAMIC CHIP 0.1uF	50V
C216	1-104-664-11	ELECT 47uF	20% 16V
< CONNECTOR >			
CNS212	1-695-094-11	SOCKET, CONNECTOR 11P	
< DIODE >			
D201	8-719-801-78	DIODE 1SS184-TE85L	
< IC >			
IC201	8-759-536-24	IC NJM-2296M-TE2	
< JACK >			
J201	1-785-867-11	JACK, PIN 1P (MONITOR VIDEO OUT)	
J202	1-785-866-11	JACK, PIN 3P(VIDEO1 VIDEO IN, VIDEO1 VIDEO OUT,VIDEO2 VIDEO IN)	
J203	1-785-866-11	JACK, PIN 3P (TV/SAT VIDEO IN, DVD/LD VIDEO IN,VIDEO2 VIDEO OUT)	
J204	1-563-330-11	JACK (CONTL1 S LINK)	
< RESISTOR >			
R201	1-216-022-00	METAL CHIP 75	5% 1/10W
R202	1-216-022-00	METAL CHIP 75	5% 1/10W
R203	1-216-022-00	METAL CHIP 75	5% 1/10W
R204	1-216-022-00	METAL CHIP 75	5% 1/10W
R205	1-216-022-00	METAL CHIP 75	5% 1/10W
R206	1-216-022-00	METAL CHIP 75	5% 1/10W
R207	1-216-022-00	METAL CHIP 75	5% 1/10W
R208	1-216-022-00	METAL CHIP 75	5% 1/10W

A-4419-408-A	VOLUME BOARD, COMPLETE		

< CAPACITOR >			
C401	1-128-839-11	ELECT 33uF	20% 16V
C402	1-128-839-11	ELECT 33uF	20% 16V
C410	1-128-858-11	ELECT 22uF	20% 50V
C411	1-128-858-11	ELECT 22uF	20% 50V
C412	1-128-858-11	ELECT 22uF	20% 50V
C413	1-163-239-11	CERAMIC CHIP 33PF	5% 50V
C414	1-163-239-11	CERAMIC CHIP 33PF	5% 50V
C415	1-163-239-11	CERAMIC CHIP 33PF	5% 50V
C421	1-163-259-91	CERAMIC CHIP 220PF	5% 50V
C422	1-163-259-91	CERAMIC CHIP 220PF	5% 50V
C423	1-163-259-91	CERAMIC CHIP 220PF	5% 50V
C460	1-128-858-11	ELECT 22uF	20% 50V
C461	1-128-858-11	ELECT 22uF	20% 50V
C462	1-128-858-11	ELECT 22uF	20% 50V
C463	1-163-239-11	CERAMIC CHIP 33PF	5% 50V

Ref. No.	Part No.	Description	Remarks
C464	1-163-239-11	CERAMIC CHIP 33PF	5% 50V
C465	1-163-239-11	CERAMIC CHIP 33PF	5% 50V
C471	1-163-259-91	CERAMIC CHIP 220PF	5% 50V
C472	1-163-259-91	CERAMIC CHIP 220PF	5% 50V
C473	1-163-259-91	CERAMIC CHIP 220PF	5% 50V
< CONNECTOR >			
CNP101	1-770-388-11	PIN, CONNECTOR (PC BOARD) 4P	
< IC >			
IC408	8-759-636-55	IC M5218AFP-T1	
IC409	8-759-636-55	IC M5218AFP-T1	
IC410	8-759-636-55	IC M5218AFP-T1	
< RESISTOR >			
R413	1-216-097-91	RES,CHIP 100K	5% 1/10W
R414	1-216-097-91	RES,CHIP 100K	5% 1/10W
R415	1-216-097-91	RES,CHIP 100K	5% 1/10W
R416	1-216-067-00	METAL CHIP 5.6K	5% 1/10W
R417	1-216-067-00	METAL CHIP 5.6K	5% 1/10W
R418	1-216-089-91	RES,CHIP 47K	5% 1/10W
R419	1-216-089-91	RES,CHIP 47K	5% 1/10W
R420	1-216-089-91	RES,CHIP 47K	5% 1/10W
R421	1-216-089-91	RES,CHIP 47K	5% 1/10W
R463	1-216-097-91	RES,CHIP 100K	5% 1/10W
R464	1-216-097-91	RES,CHIP 100K	5% 1/10W
R465	1-216-097-91	RES,CHIP 100K	5% 1/10W
R466	1-216-067-00	METAL CHIP 5.6K	5% 1/10W
R467	1-216-067-00	METAL CHIP 5.6K	5% 1/10W
R468	1-216-067-00	METAL CHIP 5.6K	5% 1/10W
R469	1-216-089-91	RES,CHIP 47K	5% 1/10W
R470	1-216-089-91	RES,CHIP 47K	5% 1/10W
R471	1-216-089-91	RES,CHIP 47K	5% 1/10W
< VARIABLE RESISTOR >			
RV401	1-225-777-11	RES, VAR, CARBON 100K/100KX5 (MASTER VOLUME)	

MISCELLANEOUS			

△ 57	1-696-847-11	CORD, POWER (DE835:AUS)	
△ 57	1-769-743-11	CORD, POWER (DE835:CND)	
△ 57	1-769-744-11	CORD, POWER (DE835:E,PX,SP,MY)	
△ 57	1-782-464-21	CORD, POWER (V828)	
△ 57	1-783-531-11	CORD, POWER (DE835:US/DE935/SE591)	
64	1-773-001-11	WIRE(FLAT TYPE) (15 CORE)	
66	1-773-048-11	WIRE(FLAT TYPE) (17 CORE)	
67	1-773-112-11	WIRE(FLAT TYPE) (19 CORE)	
(DE835:E,PX,SP,MY,AUS/V828)			
67	1-773-182-11	WIRE(FLAT TYPE) (23 CORE)	
(DE835:US,CND/DE935/SE591)			
△ T901	1-433-769-11	TRANSFORMER, POWER	
(DE835:US/DE935/SE591)			

<p>The components identified by mark △ or dotted line with mark △ are critical for safety. Replace only with part number specified.</p>	<p>Les composants identifiés par une marque △ sont critiques pour la sécurité. Ne les remplacer que par une pièce portant le numéro spécifié.</p>	<p>以阴影和 △标志来识别的零部件，在安全方面具有关键性。因此只能以规定号码的零部件来更换。</p>
---	---	---

STR-DE835/DE935/SE591/V828

SONY®

SERVICE MANUAL

US Model

STR-DE835/DE935/SE591

Canadian Model

STR-DE835/DE935

E Model

Australian Model

PX Model

STR-DE835

Chinese Model

STR-V828


SUPPLEMENT-1

File this supplement with the Service Manual.

Subject : • Addition of resistors and capacitors.
• Correction

• Correction

 : indicates corrected portion.

Page	INCORRECT			CORRECT	
	Ref. No.	Part No.	Description	Part No.	Description
84		4-987-977-01	COVER BATTERY(FOR RM-PP402) (DE835,SE591,V828)	4-978-977-01 	COVER BATTERY(FOR RM-PP402) (DE835,SE591,V828)

MAIN board

Page	FORMER TYPE						NEW TYPE	
	Ref. No.	Part No.	Description				Part No.	Description
76	Q504	8-729-119-76	TRANSISTOR 2SA1115TP-EF					_____
	Q509	8-729-281-53	TRANSISTOR 2SC1815GR-TPE2					_____
	Q554	8-729-119-76	TRANSISTOR 2SA1115TP-EF					_____
	Q604	8-729-119-76	TRANSISTOR 2SA1115TP-EF					_____
77	R511		_____				1-247-775-11	RES, CARBON (SMALL) 4.7 JUMPER
	R520	1-249-429-11	CARBON	10K	5%	1/4W		
	R521	1-249-422-11	CARBON	2.7K	5%	1/4W	F 1-247-843-11	RES, CARBON (SMALL) 3.3K
	R522	1-249-433-11	CARBON	22K	5%	1/4W	1-247-843-11	RES, CARBON (SMALL) 3.3K
	R561		_____				1-247-775-11	RES, CARBON (SMALL) 4.7 JUMPER
	R570	1-249-429-11	CARBON	10K	5%	1/4W		
	R571	1-249-422-11	CARBON	2.7K	5%	1/4W	F 1-247-843-11	RES, CARBON (SMALL) 3.3K
R572	1-249-433-11	CARBON	22K	5%	1/4W	1-247-843-11	RES, CARBON (SMALL) 3.3K	
78	R611		_____				1-247-775-11	RES, CARBON (SMALL) 4.7 JUMPER
	R620	1-249-429-11	CARBON	10K	5%	1/4W		
	R621	1-249-422-11	CARBON	2.7K	5%	1/4W	F 1-247-843-11	RES, CARBON (SMALL) 3.3K
	R634		_____				1-247-843-11	RES, CARBON (SMALL) 3.3K

REAR-AMP board

Page	FORMER TYPE						NEW TYPE	
	Ref. No.	Part No.	Description				Part No.	Description
79	Q704	8-729-119-76	TRANSISTOR 2SA1115TP-EF					_____
	Q754	8-729-119-76	TRANSISTOR 2SA1115TP-EF					_____
	R720	1-249-429-11	CARBON	10K	5%	1/4W		_____
	R721	1-249-422-11	CARBON	2.7K	5%	1/4W	F 1-247-843-11	RES, CARBON (SMALL) 3.3K
	R722	1-249-433-11	CARBON	22K	5%	1/4W	1-247-843-11	RES, CARBON (SMALL) 3.3K
	R770	1-249-429-11	CARBON	10K	5%	1/4W		_____
	R771	1-249-422-11	CARBON	2.7K	5%	1/4W	F 1-247-843-11	RES, CARBON (SMALL) 3.3K
	R772	1-249-433-11	CARBON	22K	5%	1/4W	1-247-843-11	RES, CARBON (SMALL) 3.3K

