

STR-DE525/V515

SERVICE MANUAL

US Model
Canadian Model
E Model
Australian Model
PX Model
STR-DE525
Chinese Model
STR-V515



Photo : STR-DE525

Dolby Laboratories Licensing Corporation.
"DOLBY" the double-D symbol $\square\square$ "AC-3" and "PRO LOGIC"
are trademarks of Dolby Laboratories Licensing Corporation.

SPECIFICATIONS

AUDIO POWER SPECIFICATIONS

POWER OUTPUT AND TOTAL HARMONIC DISTORTION:

With 8 ohm loads, both channels driven, from 20 - 20,000 Hz; rated 100 watts per channel minimum RMS power, with no more than 0.09% total harmonic distortion from 250 milliwatts to rated output.

Amplifier section

POWER OUTPUT

Stereo mode (8 ohms 20 Hz - 20 kHz, THD 0.09%) 100 W + 100 W

Surround mode

(8 ohms at 1 kHz, THD 0.8%)

Front: 100 W/ch
Center^{a)}: 100 W
Rear^{a)}: 100 W/ch

a) Depending on the sound field settings and the source, there may be no sound output.

5.1/DVD mode (8 ohms at 1 kHz, THD 0.8%)

Front: 100 W/ch
Center: 100 W
Rear: 100 W/ch

Dynamic power output

155 W + 155 W, 8 ohms
220 W + 220 W, 4 ohms

Frequency response

PHONO: RIAA equalization curve ± 0.5 dB
CD, TAPE/MD, VIDEO 1, 2:
10 Hz - 50 kHz +0.5/-2 dB (with sound field, tone, and bass booster bypassed)

Inputs

PHONO:
Sensitivity: 1.5 mV
Impedance: 50 kilohms
S/N^{b)}: 75 dB (A, 2.5 mV^{c)})

CD:

Sensitivity: 150 mV
Impedance: 50 kilohms
S/N^{b)}: 82 dB (A, 150 mV^{c)})

TAPE/MD, VIDEO, TV/DBS (TV/LD):
Sensitivity: 150 mV
Impedance:

50 kilohms
S/N^{b)}: 82 dB (A, 150 mV^{c)})

5.1/DVD INPUT

Sensitivity: 150 mV
Impedance: 50 kilohms
S/N^{b)}: 82 dB (A, 150 mV^{c)})

b) 78' IHF

c) Weighted network, input level

— Continued on next page —

FM STEREO/FM-AM RECEIVER



SONY®

Outputs	AUDIO OUT: Voltage: 150 mV Impedance: 10 kilohms WOOFER: Voltage: 2 V Impedance: 1 kilohm PHONES: Accepts low- and high-impedance headphones
BASS BOOST	+10 dB at 70 Hz
TONE	±10 dB at 100 Hz and 10 kHz

FM tuner section

Tuning range	87.5 - 108.0 MHz
Antenna terminals	75 ohms, unbalanced
Sensitivity	Mono: 18.3 dBf, 4.5 µV Stereo: 38.3 dBf, 45 µV
Usable sensitivity	11.2 dBf, 2 µV (IHF)
S/N	Mono: 76 dB Stereo: 70 dB
Harmonic distortion at 1 kHz	Mono: 0.3% Stereo: 0.5%
Separation	45 dB at 1 kHz
Frequency response	30 Hz - 15 kHz +0.5/ -2 dB
Selectivity	60 dB at 400 kHz

AM tuner section

Tuning range	With 10-kHz tuning scale: 530 - 1710 kHz (USA and Canada only ^d) 530 - 1610 kHz (all other countries except Singapore, Malaysia, and Australia) With 9-kHz tuning scale: 531 - 1710 kHz (USA and Canada only) 531 - 1602 kHz (all other countries ^d)
--------------	--

Antenna Loop antenna

Usable sensitivity
50 dB/m (at 1,000 kHz
or 999 kHz)

S/N 54 dB (at 50 mV/m)

Harmonic distortion
0.5 % (50 mV/m,
400 kHz)

Selectivity At 10 kHz: 40 dB
At 9 kHz: 35 dB

d) You can change the AM tuning scale to 9 kHz (USA and Canada only) or to 10 kHz (all countries except USA, Canada, Singapore, Malaysia, and Australia). After tuning in any AM station, turn off the receiver. Press down the TUNING + or PRESET TUNING + button and press the I/⏪ button. All preset stations will be reset to their factory settings when you change the tuning scale. To reset the scale to 10 kHz (or 9 kHz), repeat the procedure.

Video section

Inputs	1 Vp-p 75 ohms
Outputs	1 Vp-p 75 ohms

General

System	Tuner section: PLL quartz-locked digital synthesizer system Preamplifier section: Low-noise NF type equalizer Power amplifier section: Pure-complementary SEPP
--------	--

Power requirements

USA and Canada:
120 V AC, 60 Hz
Australia:
240 V AC, 50 Hz
Singapore and
Malaysia:
230 V AC, 50/60 Hz
All other countries:
120/240/220 V AC
selectable, 50/60 Hz

Power consumption

Canada: 400 VA
All other countries:
250 W

AC outlets Australia, Singapore,
and Malaysia:
1 switched,
maximum 100 W
All other countries:
2 switched, total
100 W

Dimensions 430 × 157.5 × 370 mm
(17 × 6¹/₄ ×
14³/₈ inches)
including projecting
parts and controls

Mass (approx.)

9.1 kg (20 lb 1 oz)

Design and specifications are subject
to change without notice.

SAFETY CHECK-OUT

After correcting the original service problem, perform the following safety checks before releasing the set to the customer: Check the antenna terminals, metal trim, “metallized” knobs, screws, and all other exposed metal parts for AC leakage. Check leakage as described below.

LEAKAGE

The AC leakage from any exposed metal part to earth ground and from all exposed metal parts to any exposed metal part having a return to chassis, must not exceed 0.5 mA (500 microamperes). Leakage current can be measured by any one of three methods.

1. A commercial leakage tester, such as the Simpson 229 or RCA WT-540A. Follow the manufacturers’ instructions to use these instruments.
2. A battery-operated AC milliammeter. The Data Precision 245 digital multimeter is suitable for this job.
3. Measuring the voltage drop across a resistor by means of a VOM or battery-operated AC voltmeter. The “limit” indication is 0.75 V, so analog meters must have an accurate low-voltage scale. The Simpson 250 and Sanwa SH-63Trd are examples of a passive VOM that is suitable. Nearly all battery operated digital multimeters that have a 2V AC range are suitable. (See Fig. A)

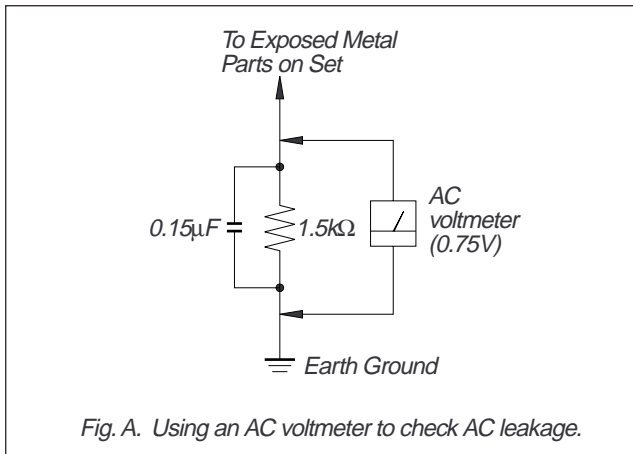


Fig. A. Using an AC voltmeter to check AC leakage.

TABLE OF CONTENTS

1. GENERAL	4
2. TEST MODE	6
3. DIAGRAMS	
3-1. Circuit Boards Location	7
3-2. Block Diagram — Main Section —	9
3-3. Block Diagram — Power Section —	11
3-4. Printed Wiring Board — AMP Section —	13
3-5. Schematic Diagram — AMP Section —	15
3-6. Printed Wiring Board — Video Section —	17
3-7. Schematic Diagram — Video Section —	19
3-8. Printed Wiring Board — Input Section —	21
3-9. Schematic Diagram — Input Section —	23
3-10. Printed Wiring Board — Display Section —	25
3-11. Schematic Diagram — Display Section —	27
3-12. Printed Wiring Board — Power Section —	29
3-13. Schematic Diagram — Power Section —	31
3-14. IC Block Diagrams	35
4. EXPLODED VIEWS	
4-1. Front Panel Section	38
4-2. Chassis Section	39
5. ELECTRICAL PARTS LIST	40

SAFETY-RELATED COMPONENT WARNING!!

COMPONENTS IDENTIFIED BY MARK \triangle OR DOTTED LINE WITH MARK \triangle ON THE SCHEMATIC DIAGRAMS AND IN THE PARTS LIST ARE CRITICAL TO SAFE OPERATION. REPLACE THESE COMPONENTS WITH SONY PARTS WHOSE PART NUMBERS APPEAR AS SHOWN IN THIS MANUAL OR IN SUPPLEMENTS PUBLISHED BY SONY.

ATTENTION AU COMPOSANT AYANT RAPPORT À LA SÉCURITÉ!

LES COMPOSANTS IDENTIFIÉS PAR UNE MARQUE \triangle SUR LES DIAGRAMMES SCHÉMATIQUES ET LA LISTE DES PIÈCES SONT CRITIQUES POUR LA SÉCURITÉ DE FONCTIONNEMENT. NE REMPLACER CES COMPOSANTS QUE PAR DES PIÈCES SONY DONT LES NUMÉROS SONT DONNÉS DANS CE MANUEL OU DANS LES SUPPLÉMENTS PUBLIÉS PAR SONY.

SECTION 1 GENERAL

LOCATION AND FUNCTION OF CONTROLS [FRONT PANEL]

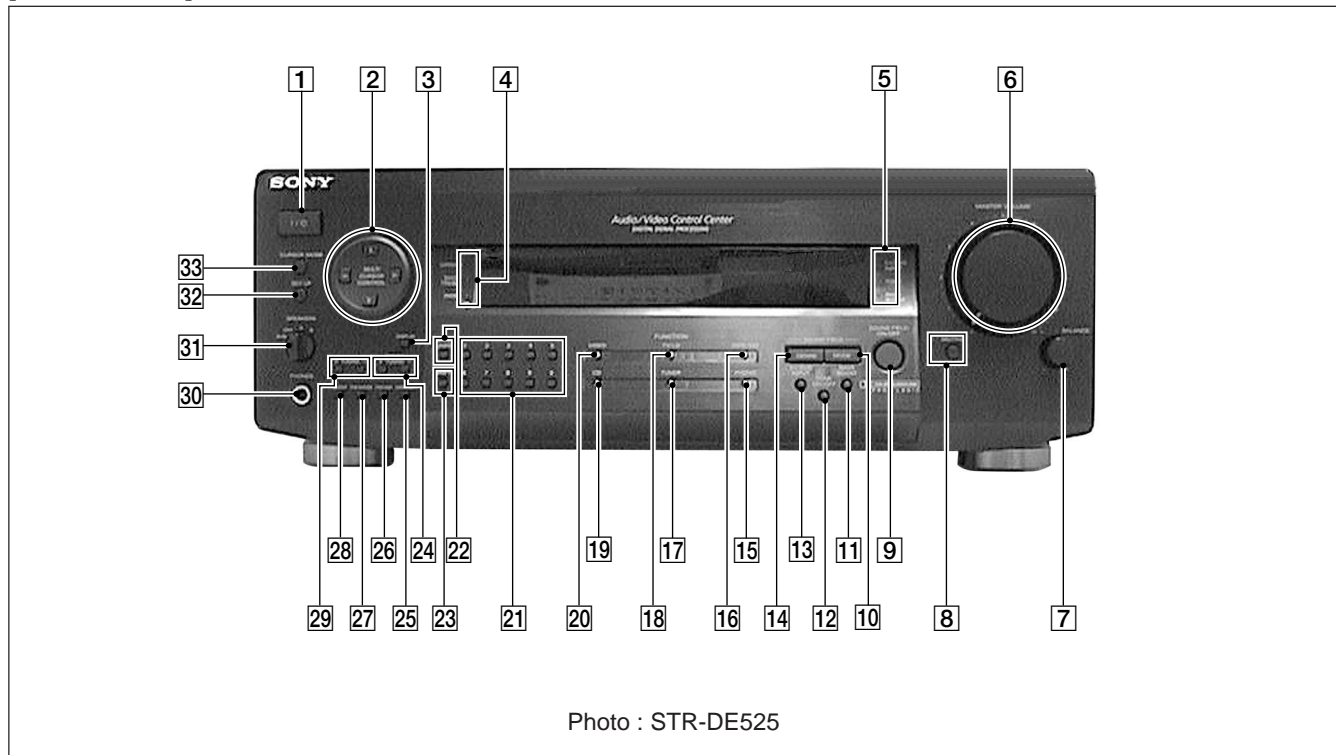


Photo : STR-DE525

- | | | | |
|-----------|---|-----------|----------------------------|
| 1 | POWER switch | 18 | TUNER FUNCTION button |
| 2 | MULTI CURSOR CONTROL | 19 | VIDEO FUNCTION button |
| 3 | DISPLAY REAR LEVEL +, - buttons | 20 | CD FUNCTION buttons |
| 4 | SURROUND, BASS/TREBLE, INDEX indicators | 21 | Numeric buttons |
| 5 | 5.1/DVD, TONE, BASS BOOST indicators | 22 | DIRECT TUNING button |
| 6 | MASTER VOLUME control | 23 | SHIFT buttons |
| 7 | BALANCE control | 24 | PRESET TUNING +, - buttons |
| 8 | MUTING button | 25 | MEMORY button |
| 9 | SOUND FIELD ON/OFF button | 26 | FM/AM button |
| 10 | SOUND FIELD MODE button | 27 | FM MODE button |
| 11 | BASS BOOST button | 28 | SLEEP button |
| 12 | TONE ON/OFF button | 29 | TUNING +, - buttons |
| 13 | 5.1/DVD INPUT button | 30 | PHONES jack |
| 14 | SOUND FIELD GENRE button | 31 | SPEAKERS A, B switches |
| 15 | PHONO FUNCTION button | 32 | SET UP button |
| 16 | TAPE/MD FUNCTION button | 33 | CURSOR MODE button |
| 17 | TV/LD FUNCTION button | | |

[REAR PANEL]

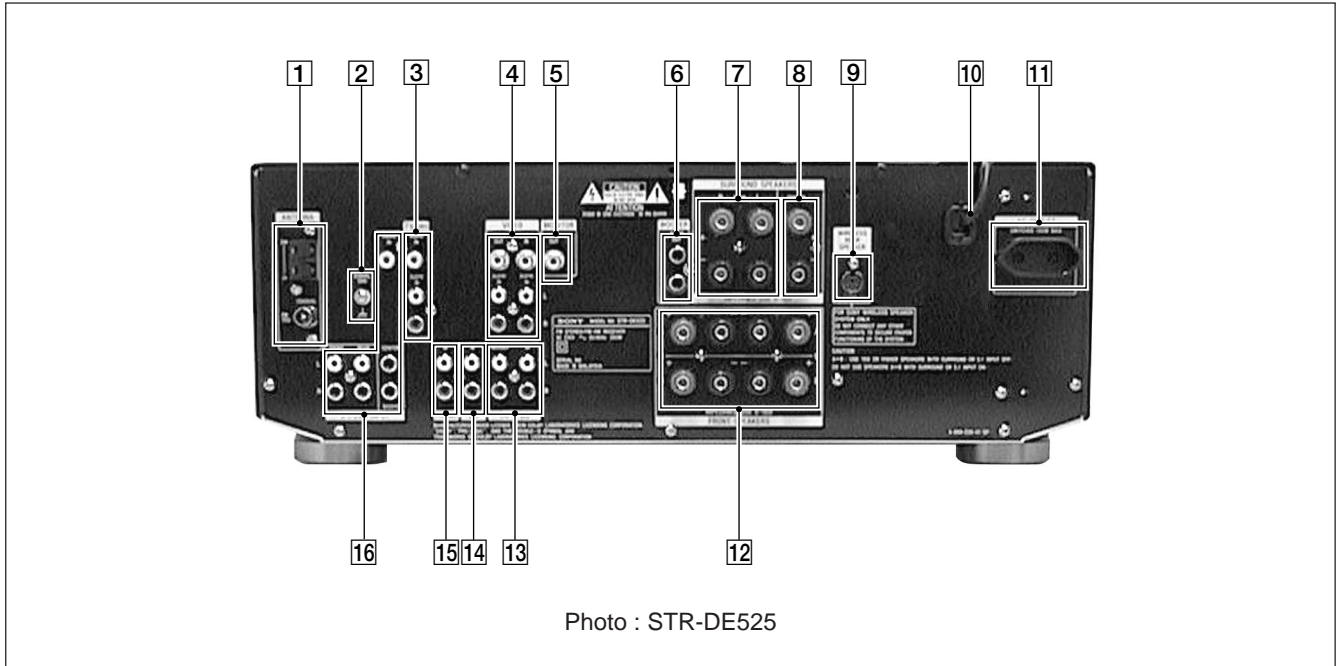


Photo : STR-DE525

- | | | | |
|----------|----------------------------|-----------|-----------------------|
| 1 | ANTENNA (FM/AM) | 9 | WIRELESS REAR SPEAKER |
| 2 | ≠ SIGNAL GND | 10 | AC power cord |
| 3 | TV/DBS | 11 | AC OUTLET |
| 4 | VIDEO | 12 | FRONT SPEAKERS (A/B) |
| 5 | MONITOR | 13 | TAPE/MD |
| 6 | WOOFER | 14 | CD |
| 7 | SURROUND SPEAKERS (REAR) | 15 | PHONO |
| 8 | SURROUND SPEAKERS (CENTER) | 16 | 5.1/DVD INPUT |

SECTION 2 TEST MODE

SOFTWARE VERSION DISPLAY MODE

* The software version is displayed.

* Procedure:

While depressing the TUNER and the BASS BOOST buttons simultaneously, press the power [I/⏻] button to turn on the main power. The software version is displayed.

KEY TEST MODE

* All keys are tested.

* Procedure:

While depressing the CD and the BASS BOOST buttons simultaneously, press the power [I/⏻] button to turn on the main power. The message REST40 appears. When the respective keys are pressed one after another, the number decrements in the order of REST39, REST38, and so on.

FLUORESCENT INDICATOR TUBE TEST MODE

* All fluorescent segments are tested. When this test is activated, all segments turn on at the same time, then each segment turns on one after another.

* Procedure:

While depressing the TV/LD and the BASS BOOST buttons simultaneously, press the power [I/⏻] button to turn on the main power. All segments turn on at the same time, then each segment turns on one after another.

FACTORY SET MODE

* All preset contents are reset to the default setting.

* Procedure:

While depressing the VIDEO and the BASS BOOST buttons simultaneously, press the power [I/⏻] button to turn on the main power. The message FACTORY appears and the present contents are reset to the default values.

ALL CLEAR MODE

* All preset contents are cleared when this mode is activated. Use this mode before returning the product to clients upon completion of repair.

* Procedure:

While depressing the VIDEO and the TAPE/MD buttons simultaneously, press the power [I/⏻] button to turn on the main power. The message INITIAL appears and initialization is performed.

SOUND FIELD CLEAR MODE

* The preset sound field is cleared when this mode is activated. Use this mode before returning the product to clients upon completion of repair.

* Procedure:

While depressing the SOUND FIELD ON/OFF button, press the power [I/⏻] button to turn on the main power. The message S. F. CLEAR appears and initialization is performed.

AM CHANNEL STEP 9 kHz/10 kHz SELECTION MODE

* Either the 9 kHz step or 10 kHz step can be selected for the AM channel step.

* Procedure:

Set the FUNCTION to AM. Turn off the main power. While depressing the TUNING+ button or the PRESET+ button, press the power [I/⏻] button to turn on the main power. Either the message 9k STEP or 10k STEP appears. Select the desired step.

DEMO MODE

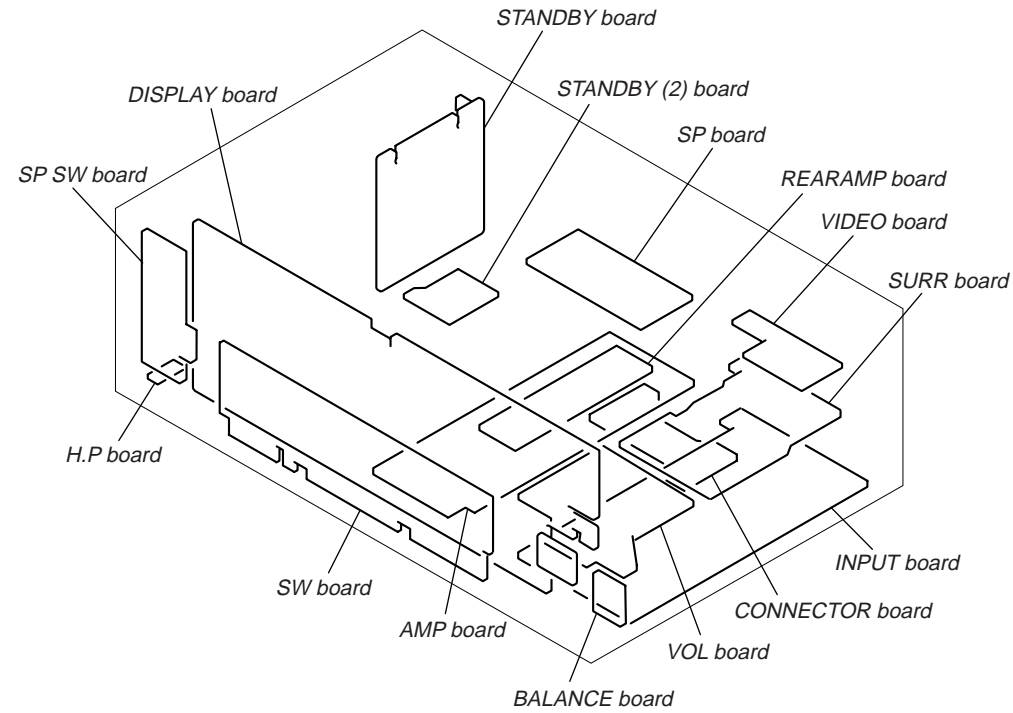
* Continuous demonstration starts when the demo mode is activated.

* Procedure:

While depressing the CURSOR MODE button, press the power [I/⏻] button to turn on the main power. The message MUSIC DEMO appears and demonstration is performed automatically.

**SECTION 3
DIAGRAMS**




3-1. CIRCUIT BOARDS LOCATION



**THIS NOTE IS COMMON FOR PRINTED WIRING BOARDS AND SCHEMATIC DIAGRAMS.
(In addition to this necessary note is printed in each block.)**

For schematic diagrams.

Note:

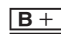



- All capacitors are in μF unless otherwise noted. pF: $\mu\mu\text{F}$ 50 WV or less are not indicated except for electrolytics and tantalums.
- All resistors are in Ω and $\frac{1}{4}W$ or less unless otherwise specified.
- % : indicates tolerance.
- Δ : internal component.
-  : nonflammable resistor.
-  : fusible resistor.
-  : panel designation.

Note:

The components identified by mark Δ or dotted line with mark Δ are critical for safety. Replace only with part number specified.

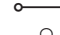
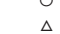


Note:

Les composants identifiés par une marque Δ sont critiques pour la sécurité. Ne les remplacer que par une pièce portant le numéro spécifié.

-  : B+ Line.
-  : B- Line.
-  : adjustment for repair.
- Voltages and waveforms are dc with respect to ground under no-signal (detuned) conditions.
No mark : FM
- Voltages are taken with a VOM (Input impedance 10 M Ω). Voltage variations may be noted due to normal production tolerances.
- Waveforms are taken with a oscilloscope.
- Circled numbers refer to waveforms.
- Signal path.
 : FM
- Abbreviation
CND : Canadian
AUS : Australian
CH : Chinese
MY : Malaysia
SP : Singapore
EA : Saudi Arabia

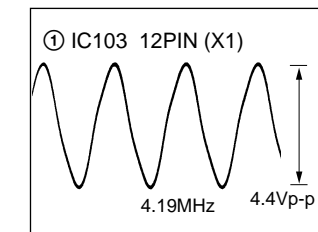
For printed wiring boards.

Note:

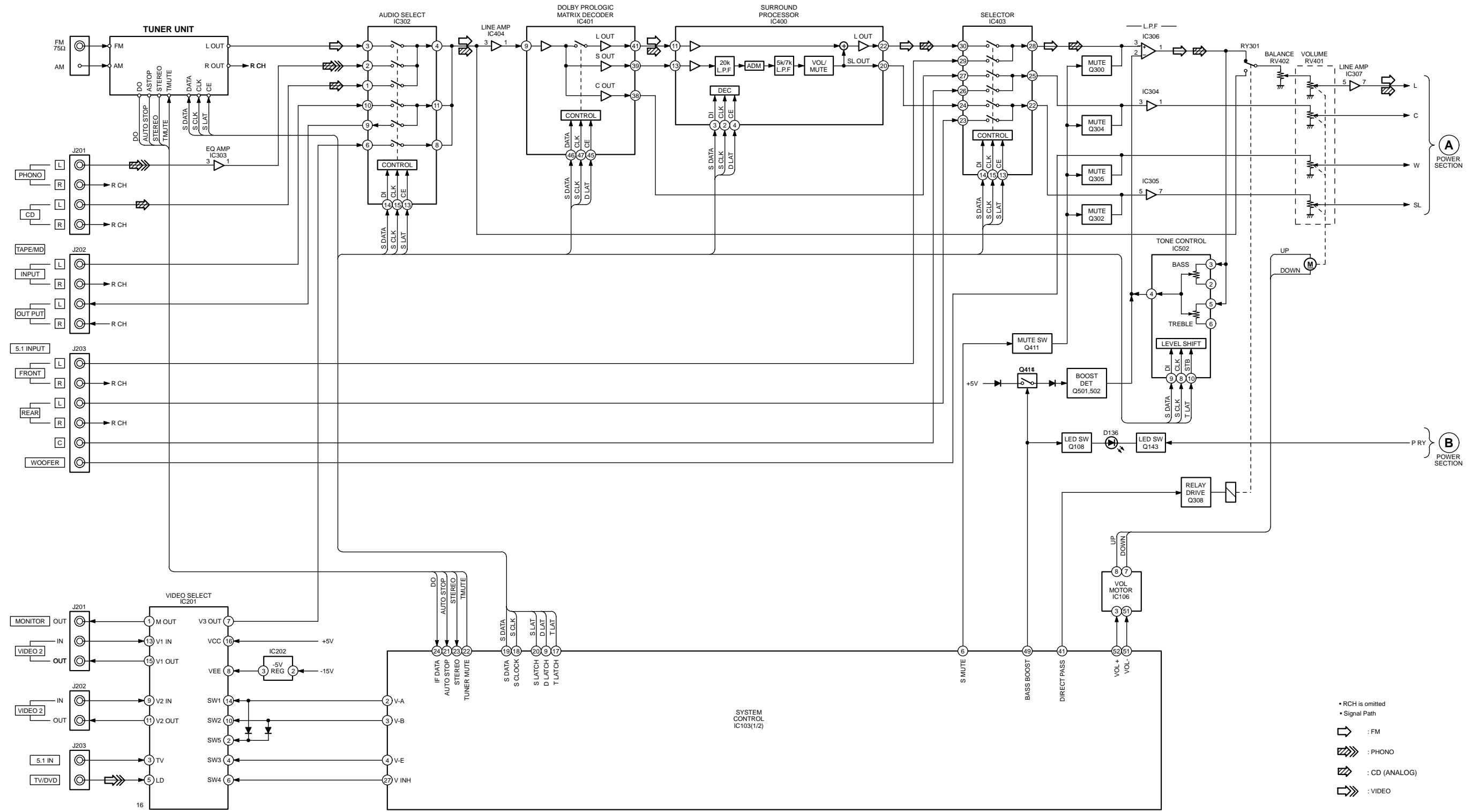
-  : parts extracted from the component side.
-  : Through hole.
-  : internal component.
-  : Pattern from the side which enables seeing.

• Waveform

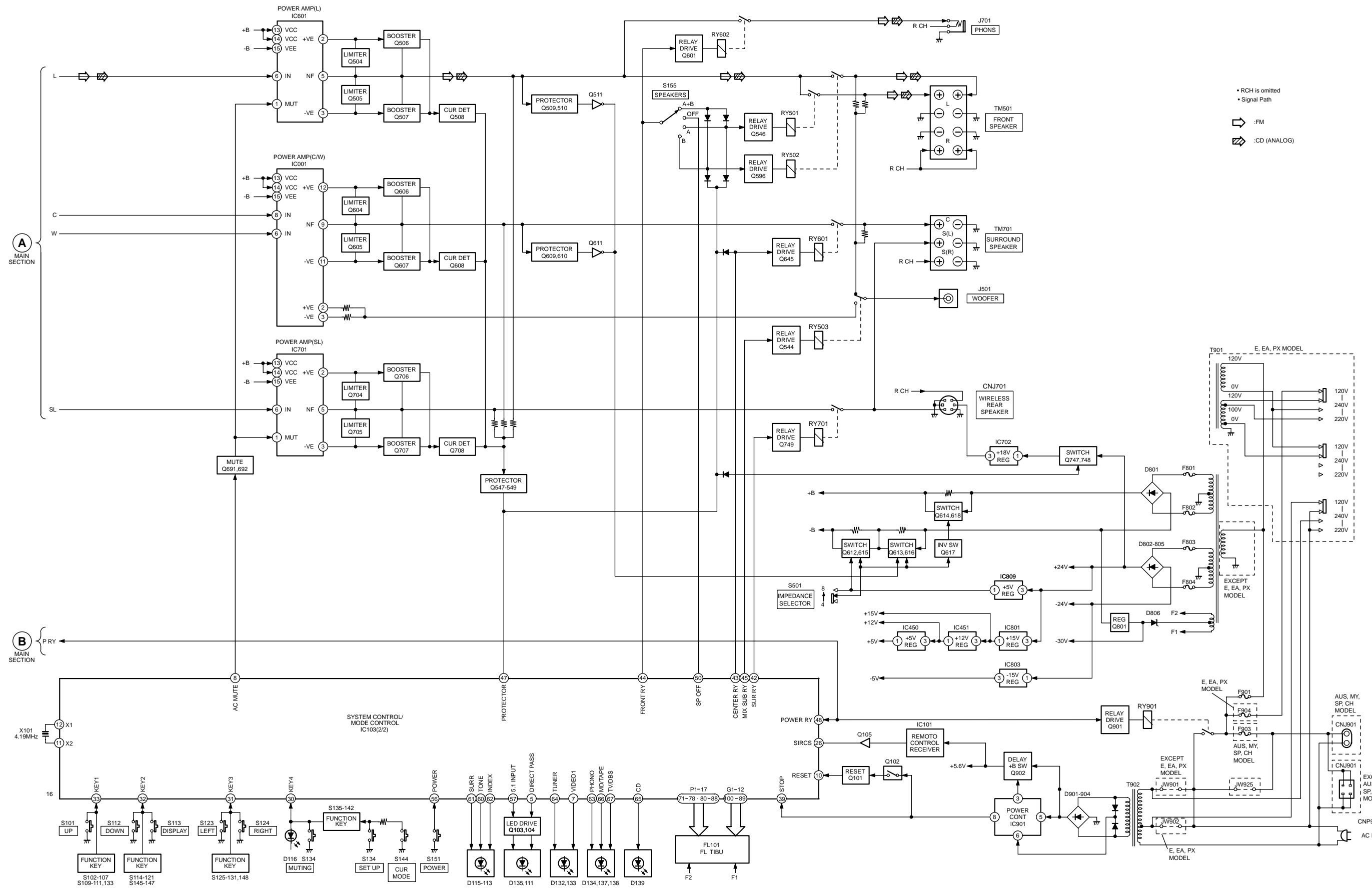
DISPLAY BOARD



3-2. BLOCK DIAGRAM -MAIN SECTION-



3-3. BLOCK DIAGRAM -POWER SECTION-



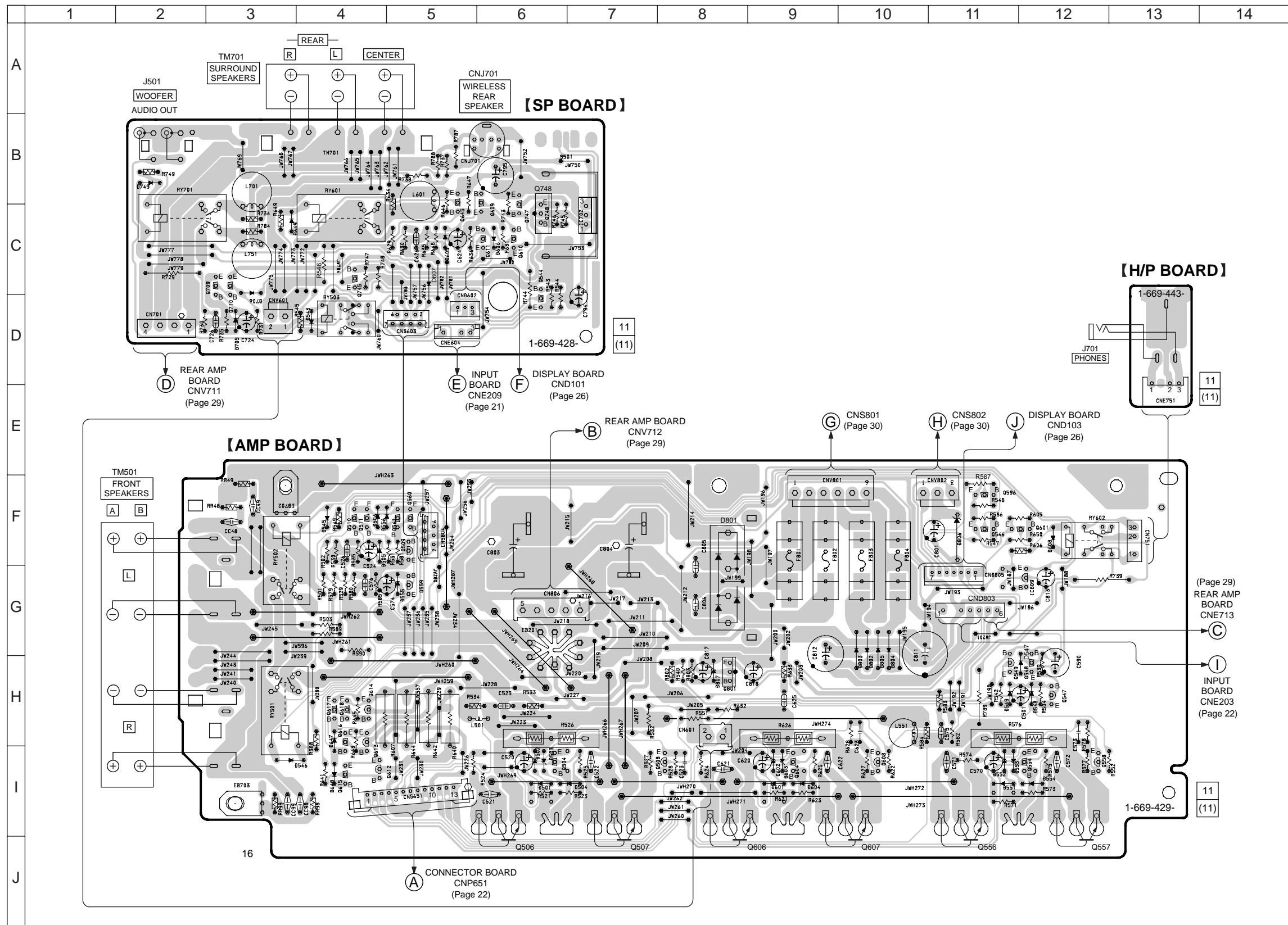
• RCH is omitted
 • Signal Path

⇨ :FM
 ⇨ :CD (ANALOG)

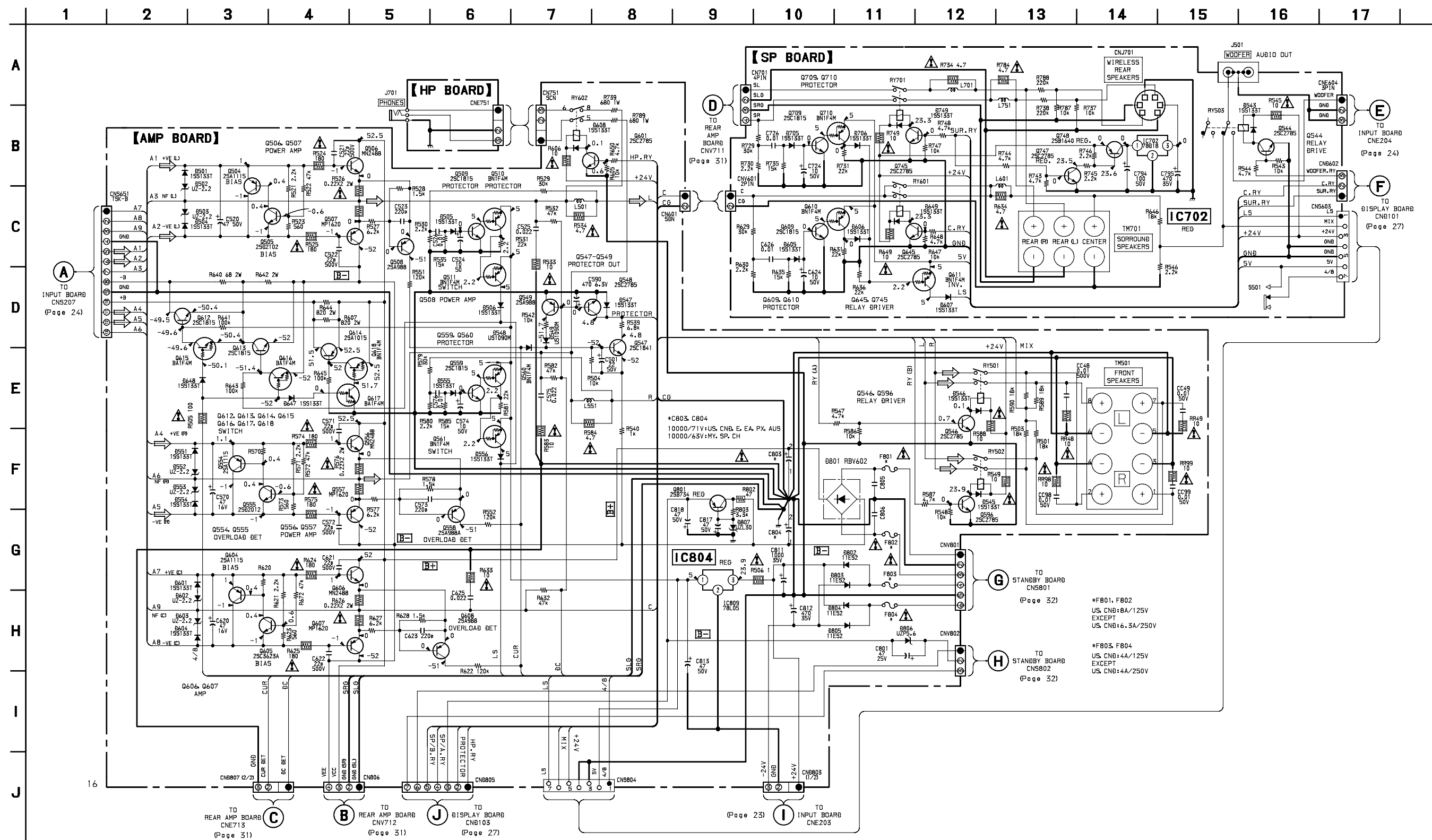
3-4. PRINTED WIRING BOARD — AMP SECTION —

• Semiconductor Location

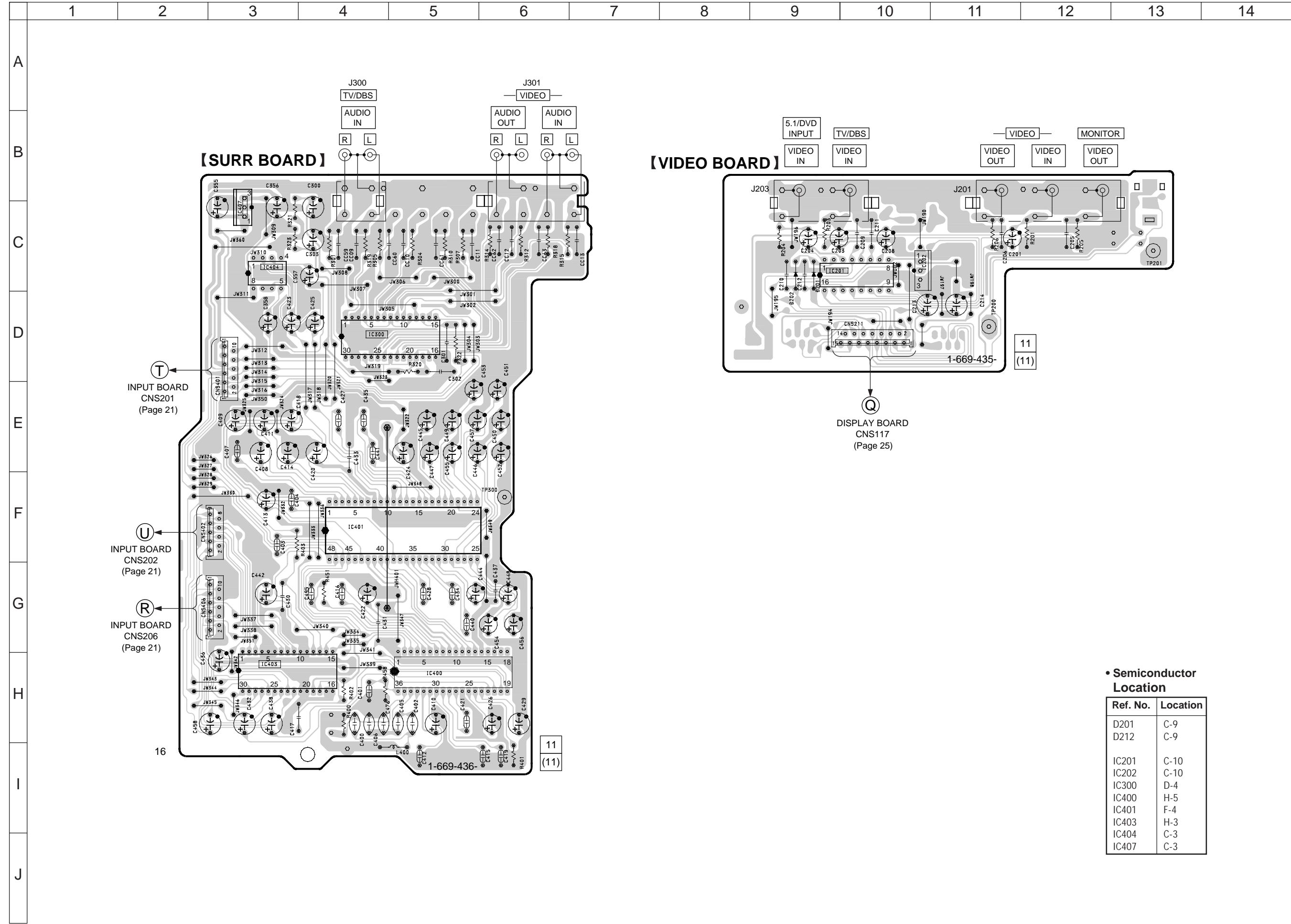
Ref. No.	Location	Ref. No.	Location
D501	I-6	Q504	I-6
D502	I-6	Q506	J-6
D503	I-6	Q507	J-6
D504	I-7	Q508	I-8
D505	F-4	Q509	F-5
D506	F-4	Q510	F-4
D543	D-4	Q511	F-4
D545	F-4	Q544	C-6
D546	I-3	Q546	F-11
D547	H-11	Q547	H-12
D548	H-11	Q548	H-12
D549	H-11	Q549	H-11
D551	I-11	Q554	I-11
D552	I-11	Q556	J-11
D553	I-11	Q557	J-12
D554	I-12	Q558	I-2
D555	G-4	Q559	G-5
D556	F-4	Q560	F-5
D601	I-9	Q561	F-5
D602	I-9	Q596	F-11
D603	I-9	Q601	F-11
D604	I-9	Q604	I-9
D605	C-5	Q606	J-8
D606	C-6	Q607	J-10
D607	C-5	Q608	I-10
D608	F-12	Q609	C-6
D647	H-4	Q610	C-6
D648	I-4	Q611	C-6
D649	C-3	Q612	I-4
D705	D-3	Q613	H-4
D706	D-3	Q614	H-34
D749	B-2	Q615	I-4
D801	F-8	Q616	H-4
D802	G-10	Q617	H-4
D803	G-10	Q618	H-4
D804	G-10	Q645	C-5
D805	G-10	Q709	C-3
D806	F-11	Q710	C-3
D807	H-8	Q745	C-4
		Q747	C-6
IC702	C-7	Q748	C-6
IC809	G-11	Q801	H-8



3-5. SCHEMATIC DIAGRAM — AMP SECTION —



3-6. PRINTED WIRING BOARD — VIDEO SECTION —



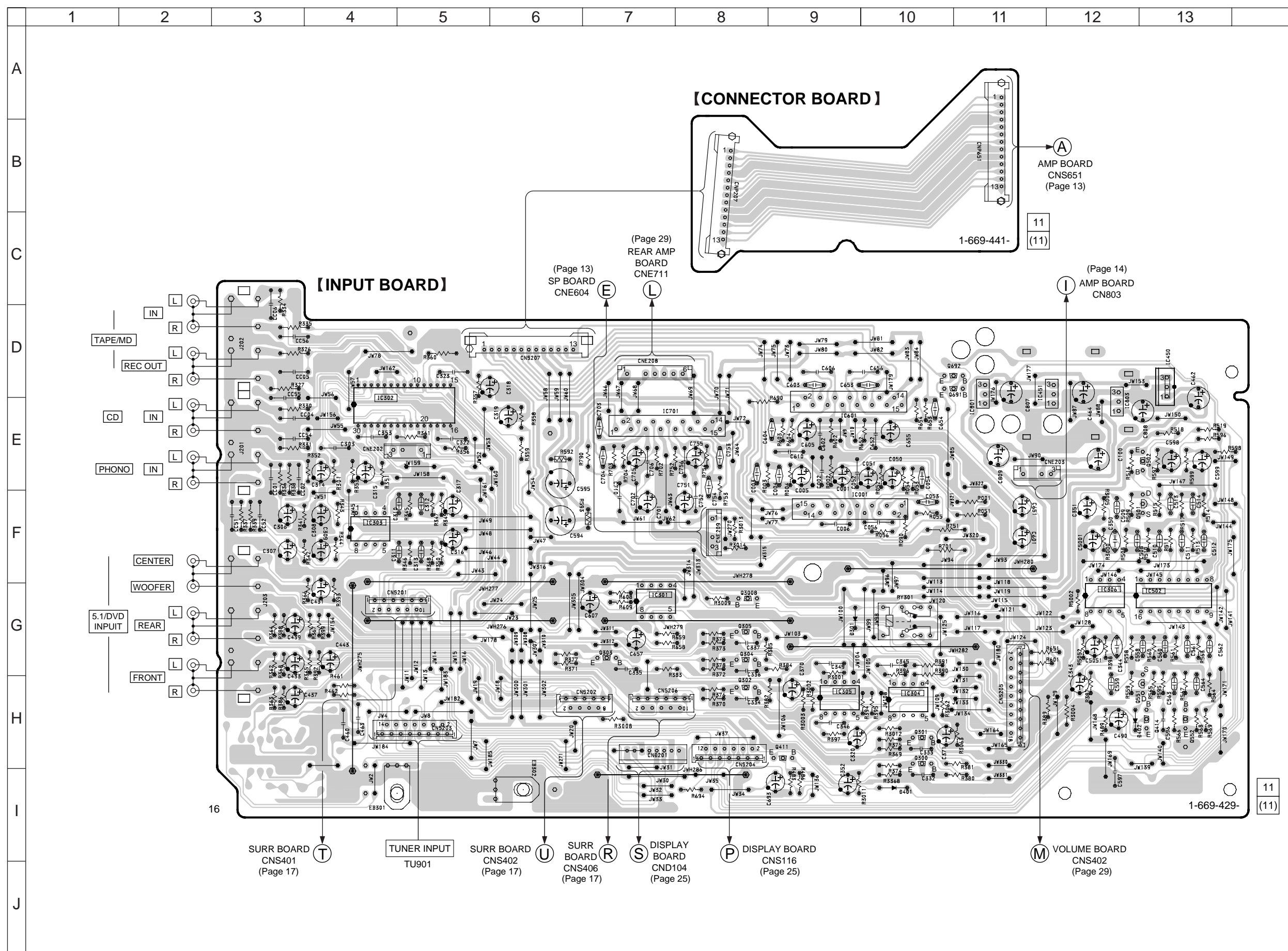
• Semiconductor Location

Ref. No.	Location
D201	C-9
D212	C-9
IC201	C-10
IC202	C-10
IC300	D-4
IC400	H-5
IC401	F-4
IC403	H-3
IC404	C-3
IC407	C-3

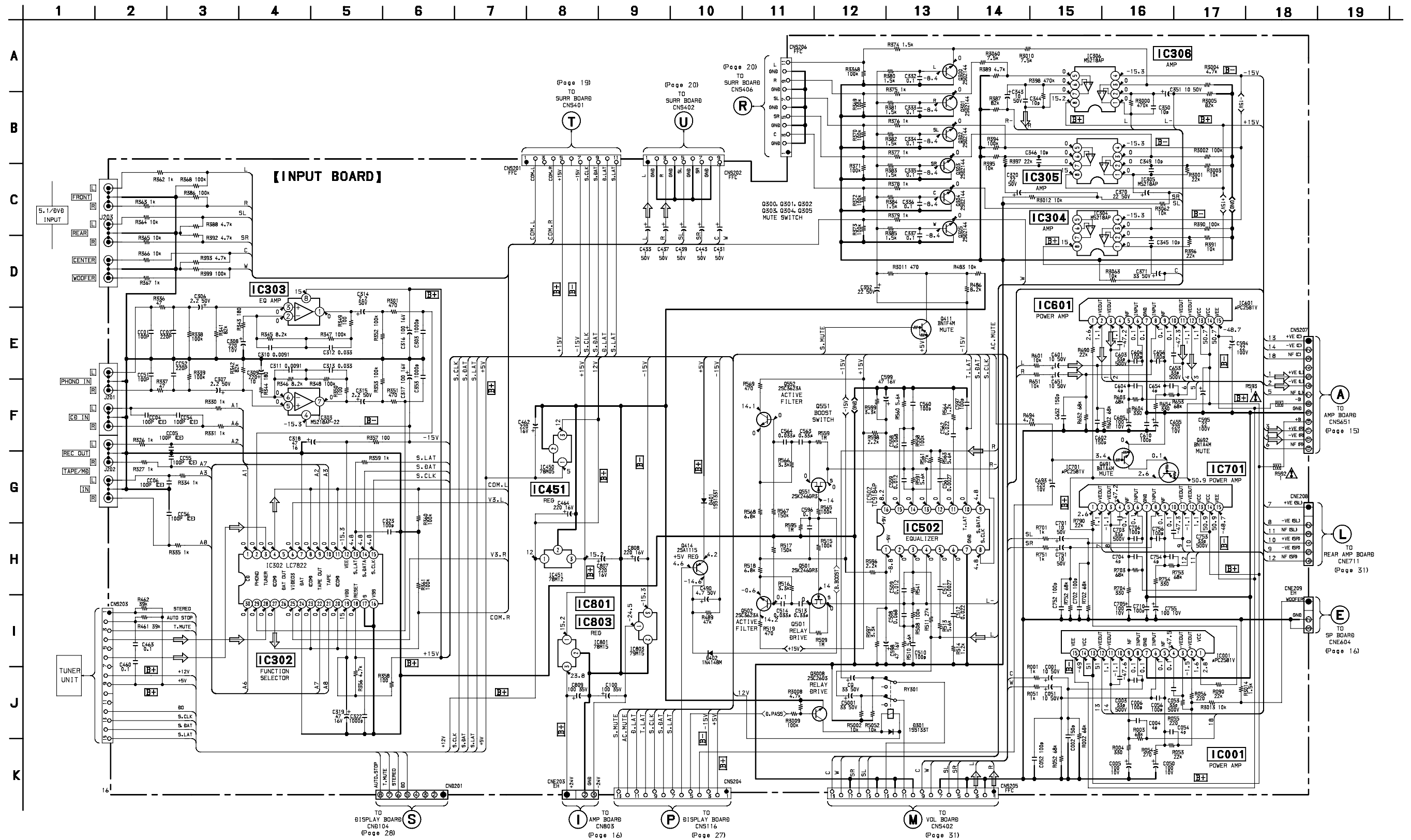
3-8. PRINTED WIRING BOARD — INPUT SECTION —

• Semiconductor Location

Ref. No.	Location
D301	G-9
D401	I-10
D402	H-12
IC001	F-9
IC301	G-7
IC302	E-4
IC303	F-4
IC304	H-10
IC305	H-9
IC306	G-12
IC450	D-13
IC451	D-11
IC502	G-13
IC601	E-9
IC701	E-7
IC801	D-11
IC803	D-12
Q300	H-10
Q301	H-10
Q302	H-8
Q303	G-7
Q304	G-8
Q305	G-8
Q411	H-9
Q414	H-12
Q501	F-12
Q502	E-12
Q551	H-12
Q552	H-13
Q691	D-10
Q692	D-10
Q3008	G-8



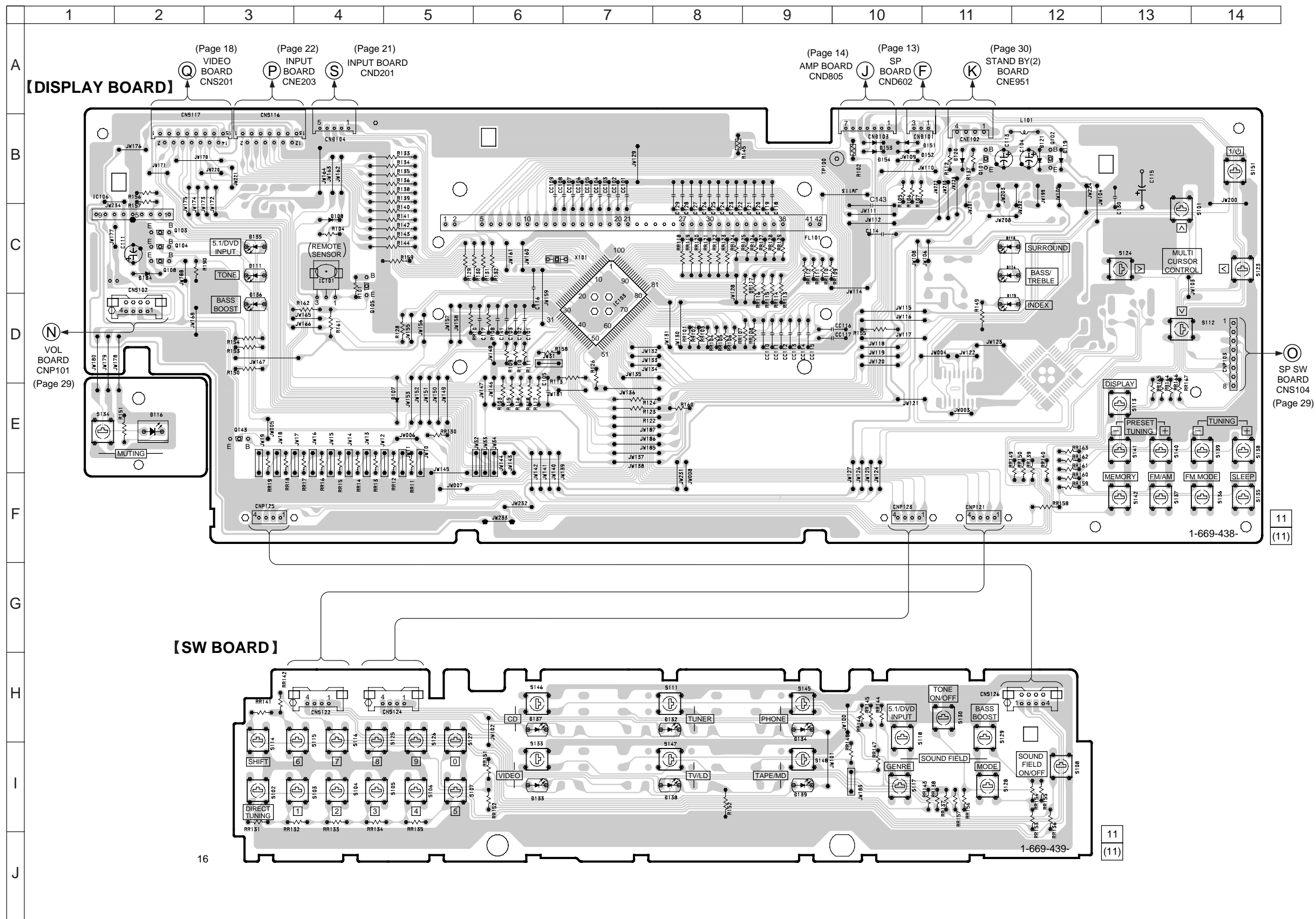
3-9. SCHEMATIC DIAGRAM — INPUT SECTION —



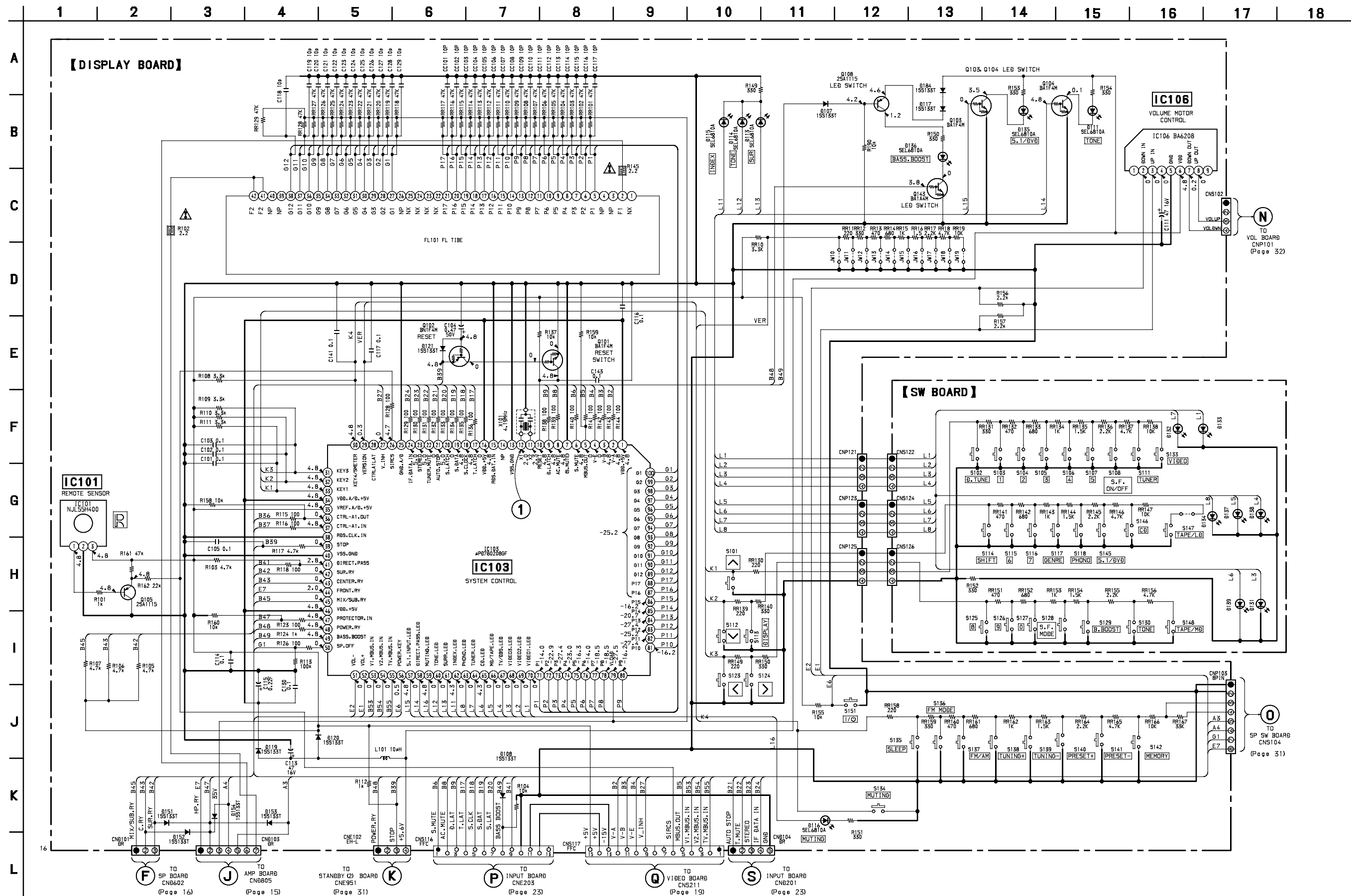
3-10. PRINTED WIRING BOARD— DISPLAY SECTION —

• Semiconductor Location

Ref. No.	Location
D107	E-5
D108	C-4
D111	C-3
D113	C-12
D114	C-12
D115	D-12
D116	E-2
D119	B-12
D120	B-11
D121	B-12
D132	H-8
D133	I-6
D134	H-9
D135	C-3
D136	D-3
D137	H-6
D138	I-8
D139	I-9
D151	B-10
D152	B-10
D153	B-10
D154	B-10
D184	C-2
IC101	C-4
IC103	D-7
IC106	C-1
Q101	B-11
Q102	B-12
Q103	C-2
Q104	C-2
Q105	D-4
Q108	C-2
Q143	E-3



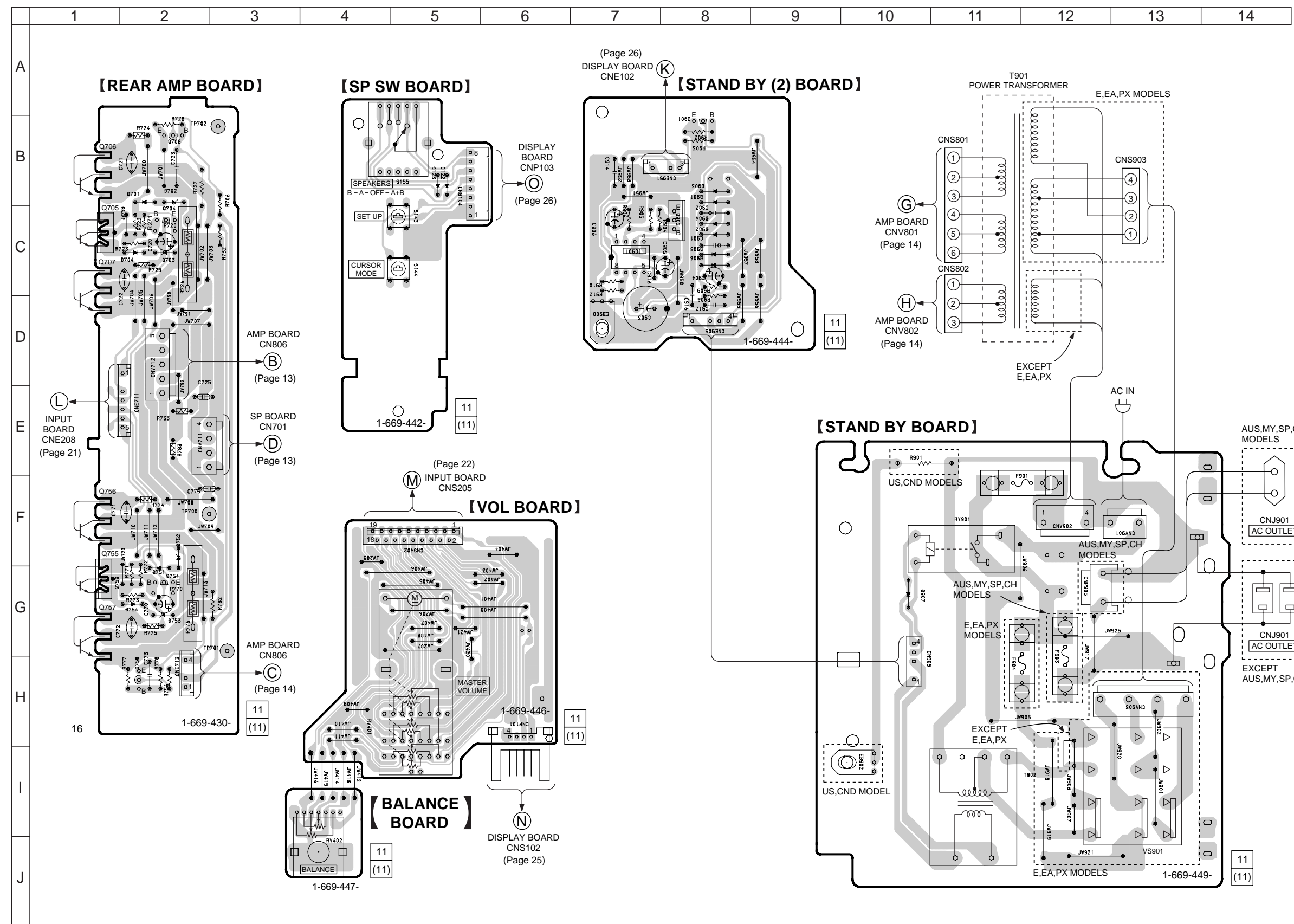
3-11. SCHEMATIC DIAGRAM — DISPLAY SECTION — • See page 8 for Waveform.



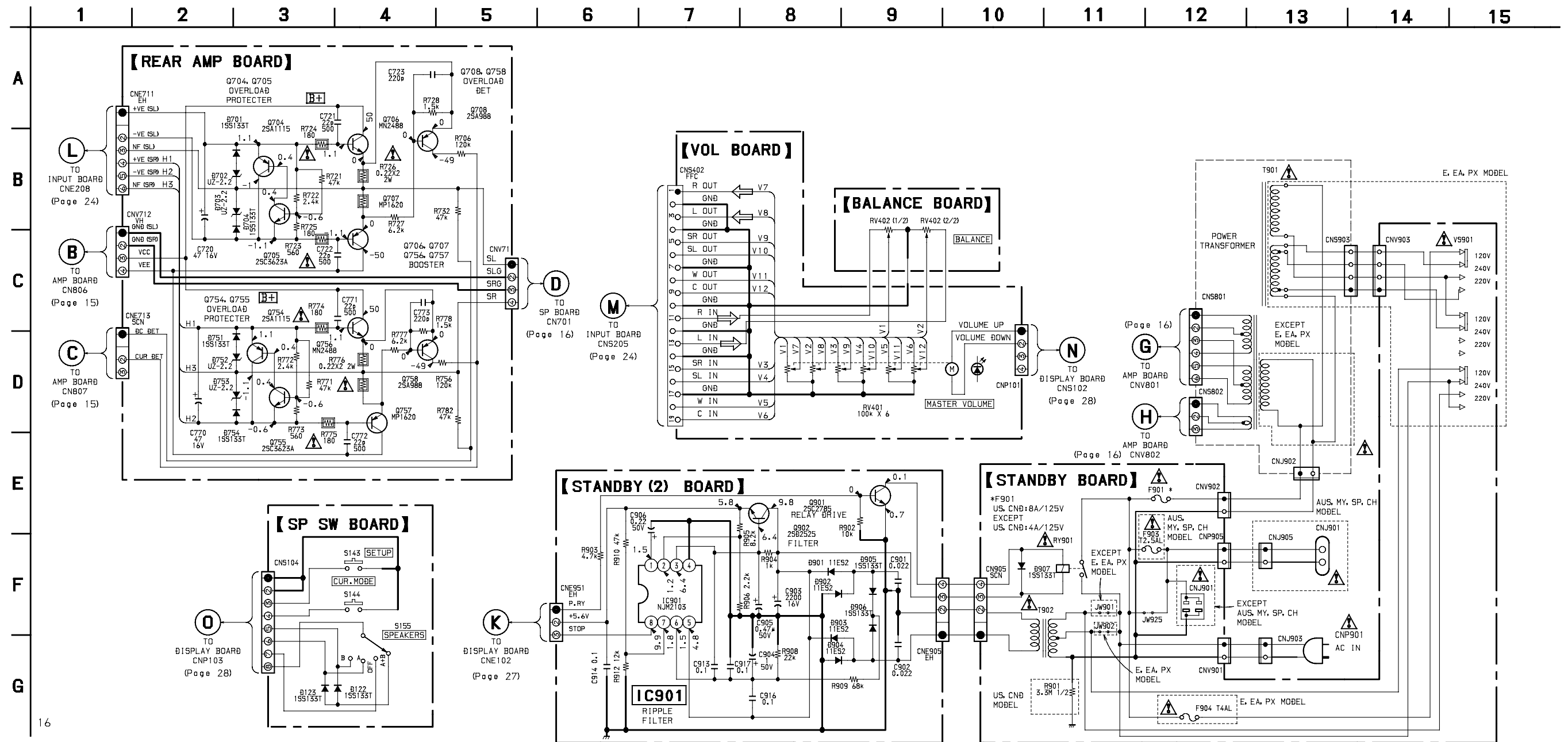
3-12. PRINTED WIRING BOARD— POWER SECTION —

• Semiconductor Location

Ref. No.	Location
D122	B-5
D123	B-5
D543	D-4
D605	C-5
D606	C-6
D607	C-5
D649	C-3
D701	B-2
D702	B-2
D703	C-2
D704	C-2
D705	D-3
D706	D-3
D749	B-2
D751	G-2
D752	F-2
D753	G-2
D754	G-2
D901	B-8
D902	C-8
D903	B-8
D904	C-8
D905	C-8
D906	C-8
IC702	C-7
IC901	C-7
Q544	C-6
Q609	C-6
Q610	C-6
Q611	C-6
Q645	C-5
Q704	C-2
Q705	C-1
Q706	B-1
Q707	C-1
Q708	B-2
Q709	C-3
Q710	C-3
Q745	C-4
Q747	C-6
Q748	C-6
Q754	G-2
Q755	G-1
Q756	F-1
Q757	G-1
Q758	H-2
Q901	B-8
Q902	C-8



3-13. SCHEMATIC DIAGRAM — POWER SECTION —



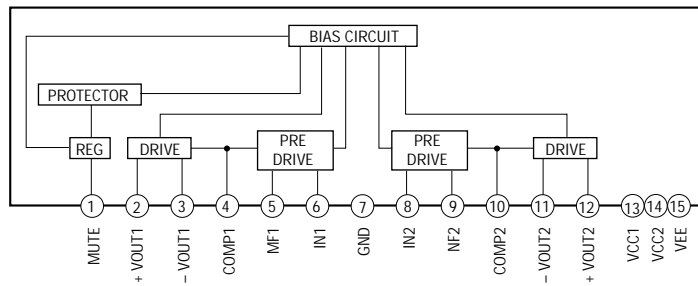
• IC103 uPD780208FGF

Pin No.	Pin Name	I/O	Description
1	VDD	—	Power Supply (+5 V)
2	P37	O	Video IC SW1
3	P36/BUZ	O	Video IC SW2
4	P35/PCL	O	Video IC SW3
5	P34/TI2	O	Ground through resistor
6	P33/TI1	O	S Mute
7	P32/TO2	I	Not used (ground)
8	P31/TO1	O	A-class mute
9	P30/TO0	O	Dolby latch
10	RESET	I	System reset
11	X2	—	System clock (4.19 MHz)
12	X1	I	System clock (4.19 MHz)
13	IC (VPP)	—	= VSS (0 V)
14	XT2	—	Open
15	P04/XT1	I	Ground
16	VDD	—	+5 V
17	P27/SCK0	O	Tone latch
18	P26/SO0/SB1	O	Serial clock
19	P25/SI0/SB0	O	Serial data
20	P24/BUSY	O	Serial latch
21	P23/STB	I	Auto stop
22	P22/SCK1	O	Tuner mute
23	P21/SO1	I	Stereo
24	P20/SI1	I	Tuner data in
25	AVSS	—	A/D ground (0 V)
26	P17/ANI7	I	SIRCS input
27	P16/ANI6	O	Video IC SW4
28	P15/ANI5	O	Ground through resistor
29	P14/ANI4	I	Version
30	P13/ANI3	I	A/D key 4
31	P12/ANI2	I	A/D key 3
32	P11/ANI1	I	A/D key 2
33	P10/ANI0	I	A/D key 1
34	AVDD	—	A/D power supply (+5 V)
35	AVref	I	A/D reference voltage (+5 V)
36	P03/INTP3	O	Ground through resistor
37	P02/INTP2	I	Ground
38	P01/INTP1	I	Ground
39	P00/INTP0/T10	I	STOP
40	VSS	—	0 V
41	P74	O	Direct pass relay
42	P73	O	Surround relay
43	P72	O	Center relay
44	P71	O	Front relay
45	P70	O	Mix/sub relay
46	VDD	—	+5 V
47	P127/FIP52	I	Protector in
48	P126/FIP51	O	Power relay
49	P125/FIP50	O	Bass boost
50	P124/EIP49	I	Speaker off

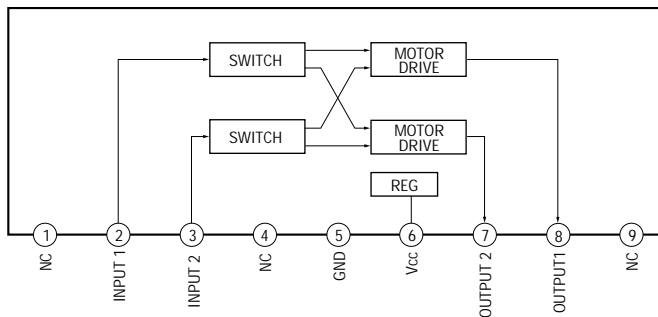
Pin No.	Pin Name	I/O	Description
51	P123/FIP48	O	Volume –
52	P122/EIP47	O	Volume +
53	P121/FIP46	I	Ground
54	P120/FIP45	I	Ground
55	P117/FIP44	I	Ground
56	P116/FIP43	I	Power switch in
57	P115/EIP42	O	5.1/DVD input LED
58	P114/FIP41	O	Tone LED
59	P113/FIP40	O	Muting LED
60	P112/FIP39	O	Bass/Treble LED
61	P111/FIP38	O	Surround LED
62	P110/FIP37	O	Index LED
63	P107/FIP36	O	PHONO LED
64	P106/FIP35	O	TUNER LED
65	P105/FIP34	O	TAPE/MD LED
66	P104/FIP33	O	CD LED
67	P103/FIP32	O	TV/LD LED
68	P102/FIP31	O	Ground through resistor
69	P101/FIP30	O	Ground through resistor
70	P100/FIP29	O	Video LED
71	P97/FIP28	O	P1
72	P96/FIP27	O	P2
73	P95/FIP26	O	P3
74	P94/FIP25	O	P4
75	P93/FIP24	O	P5
76	P92/FIP23	O	P6
77	P91/FIP22	O	P7
78	P90/FIP21	O	P8
79	Vload	—	FIP pull down (–35 V)
80	P87/FIP20	O	P9
81	P86/FIP19	O	P10
82	P85/FIP18	O	P11
83	P84/FIP17	O	P12
84	P83/FIP16	O	P13
85	P82/FIP15	O	P14
86	P81/FIP14	O	P15
87	P80/FIP13	O	P16
88	FIP12	O	P17
89	FIP11	O	12G
90	FIP10	O	11G
91	FIP9	O	10G
92	FIP8	O	9G
93	FIP7	O	8G
94	FIP6	O	7G
95	FIP5	O	6G
96	FIP4	O	5G
97	FIP3	O	4G
98	FIP2	O	3G
99	FIP1	O	2G
100	FIP0	O	1G

3-14. IC BLOCK DIAGRAMS

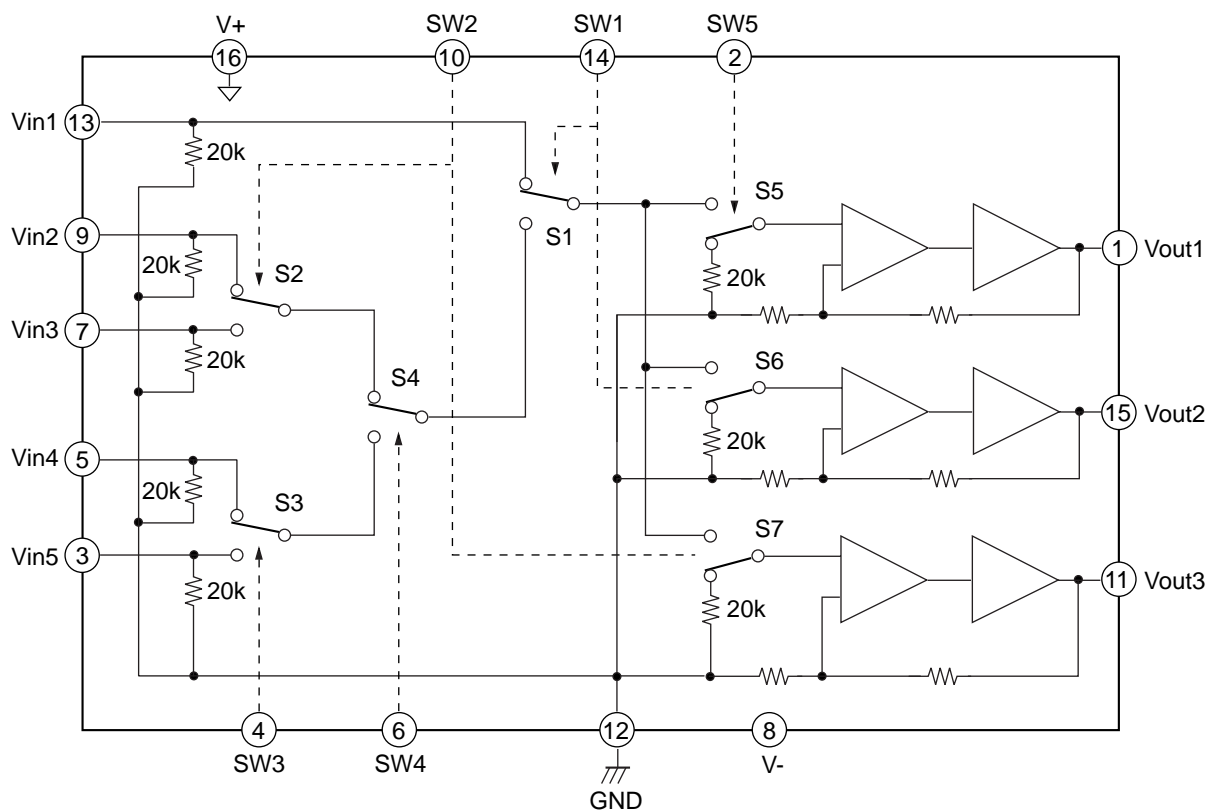
IC001 uPC2581V



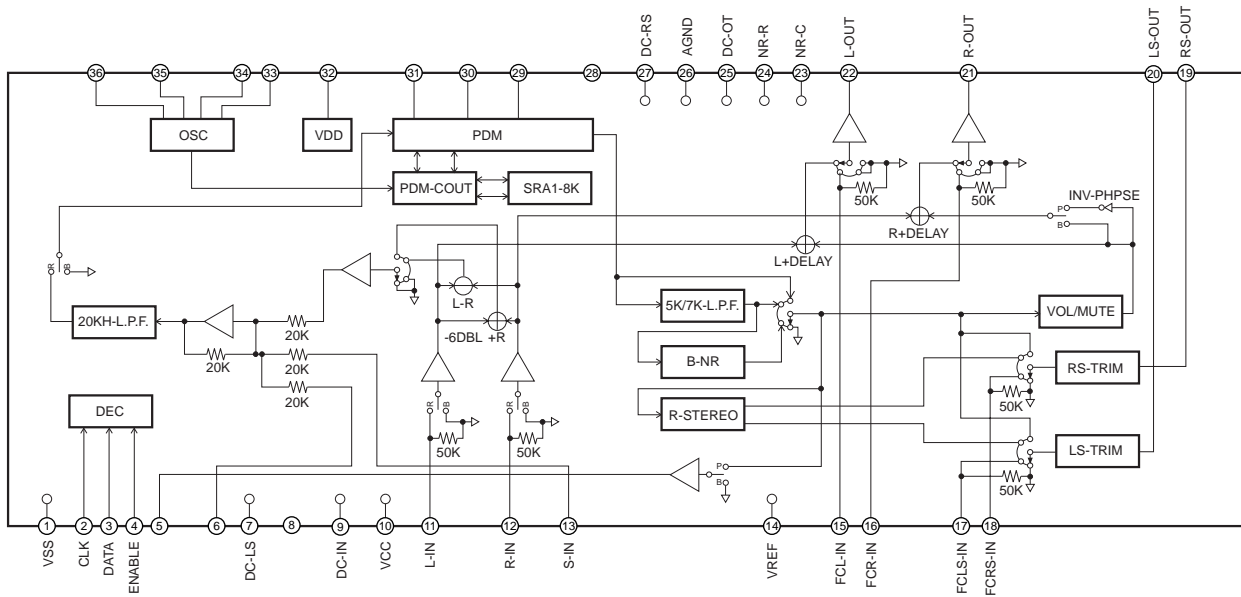
IC106 BA6208



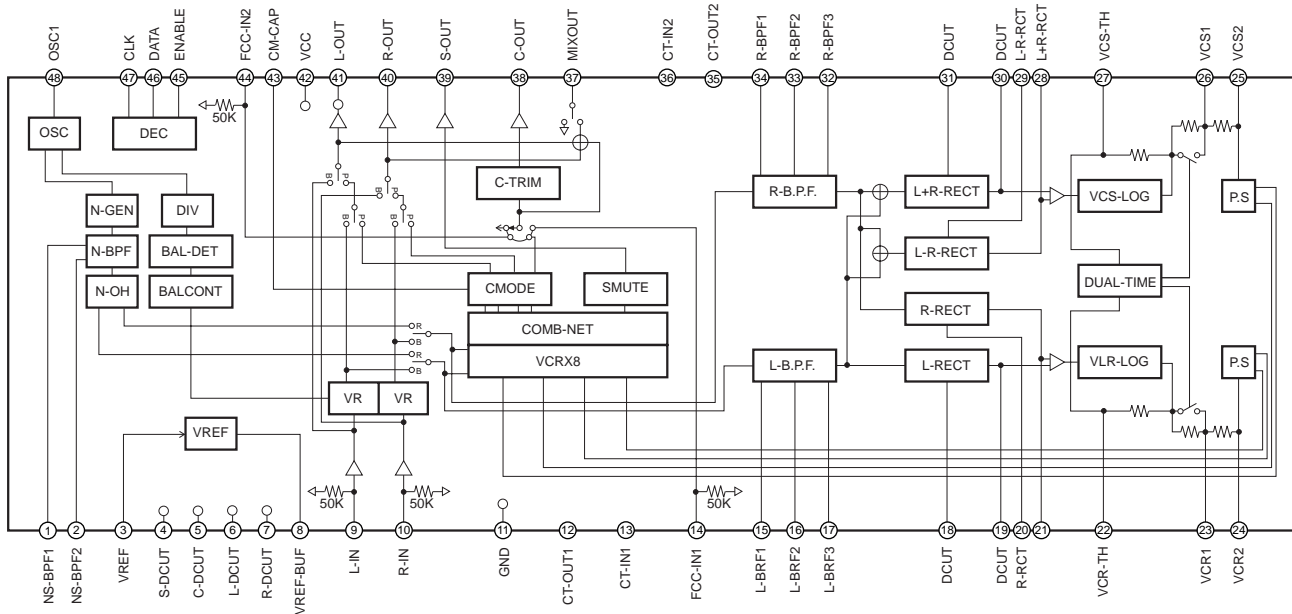
IC201 NJM2296D



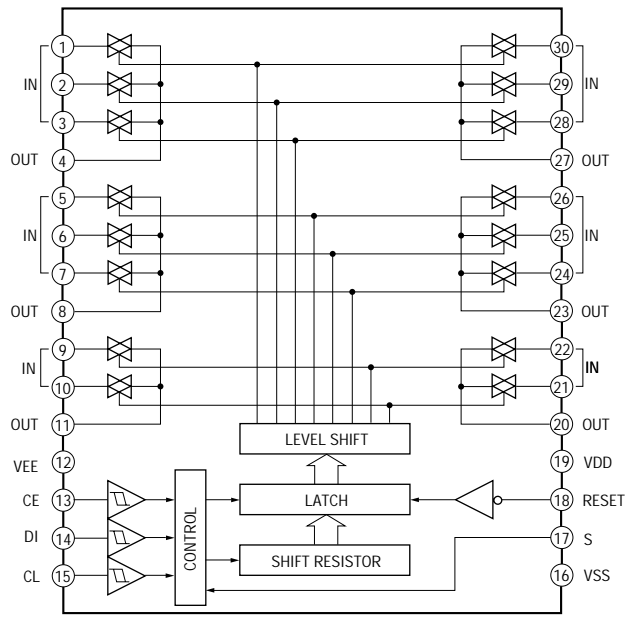
IC400 CXA8081S



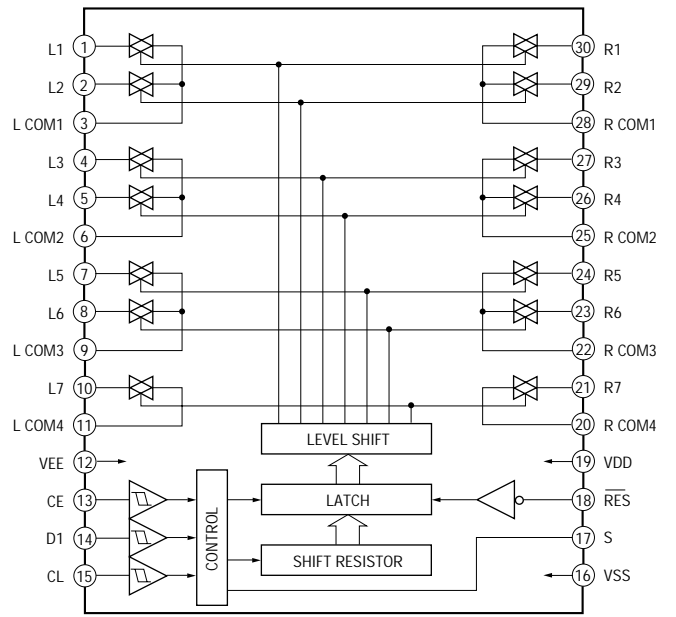
IC401 CXA8079S



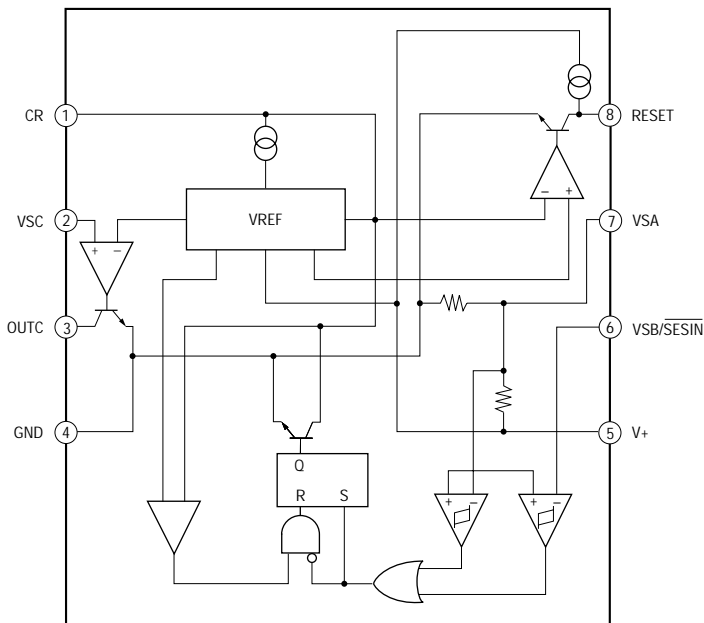
IC302 LC7822



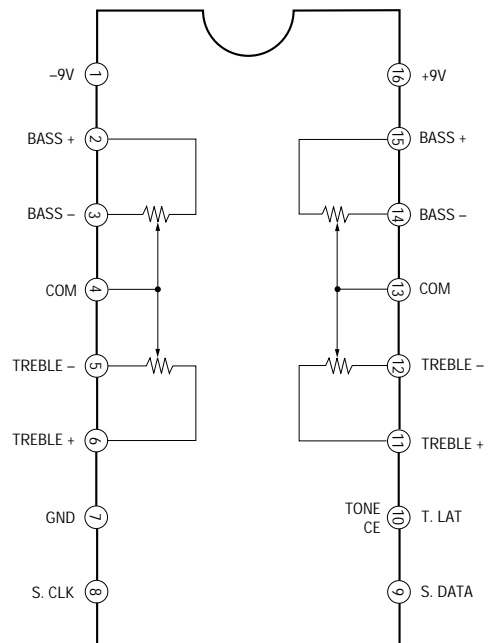
IC403 LC7823



IC901 NJM2103D



IC502 TC9184P



SECTION 4 EXPLODED VIEWS

NOTE:

- -XX, -X mean standardized parts, so they may have some differences from the original one.
- Items marked "*" are not stocked since they are seldom required for routine service. Some delay should be anticipated when ordering these items.
- The mechanical parts with no reference number in the exploded views are not supplied.

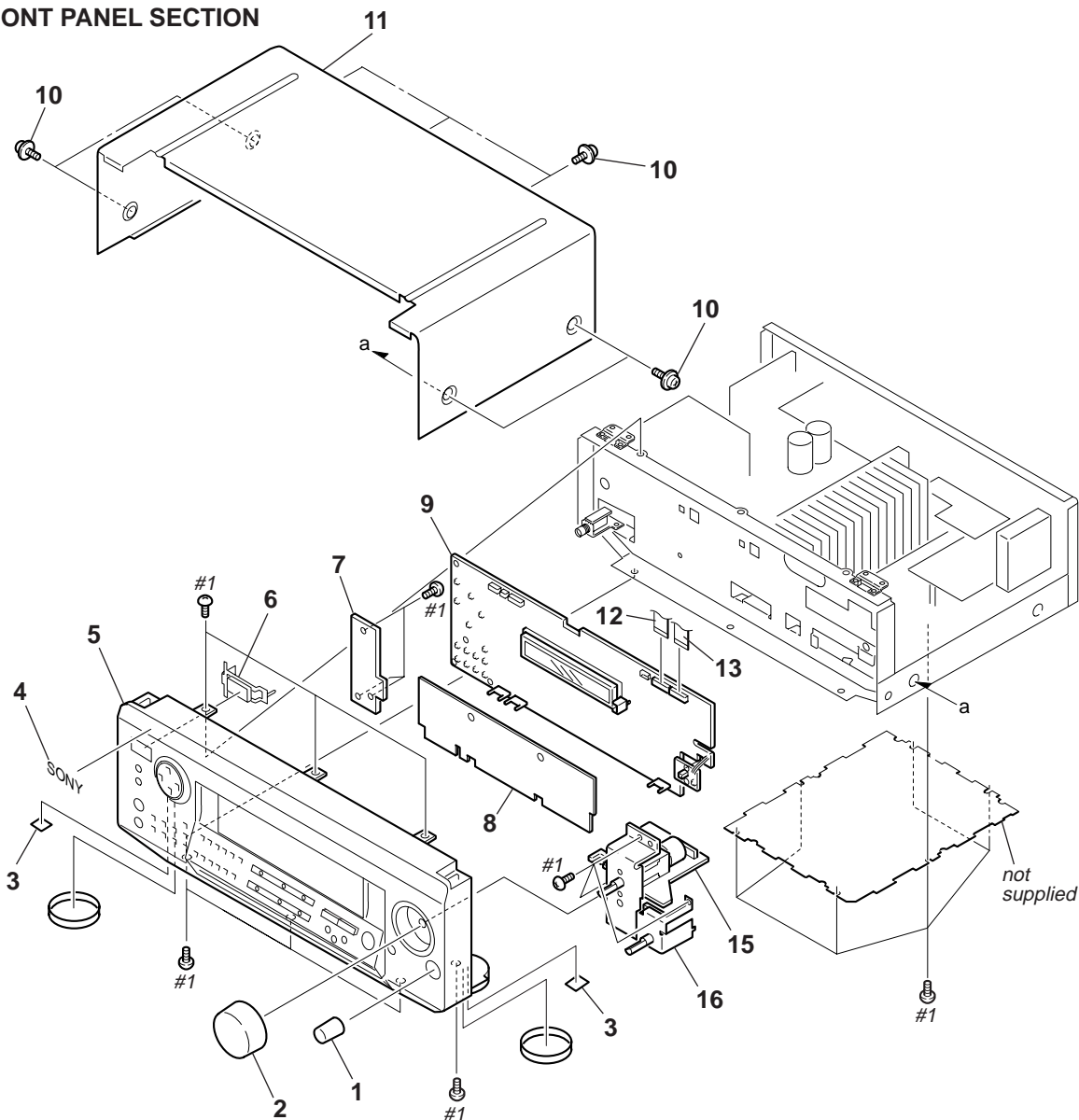
- Hardware (# mark) list and accessories and packing materials are given in the last of this parts list.
- Abbreviation
 CND : Canadian MY : Malaysia
 AUS : Australian SP : Singapore
 CH : Chinese EA : Saudi Arabia

When indicating parts by reference number, please include the board name.

The components identified by mark Δ or dotted line with mark Δ are critical for safety. Replace only with part number specified.

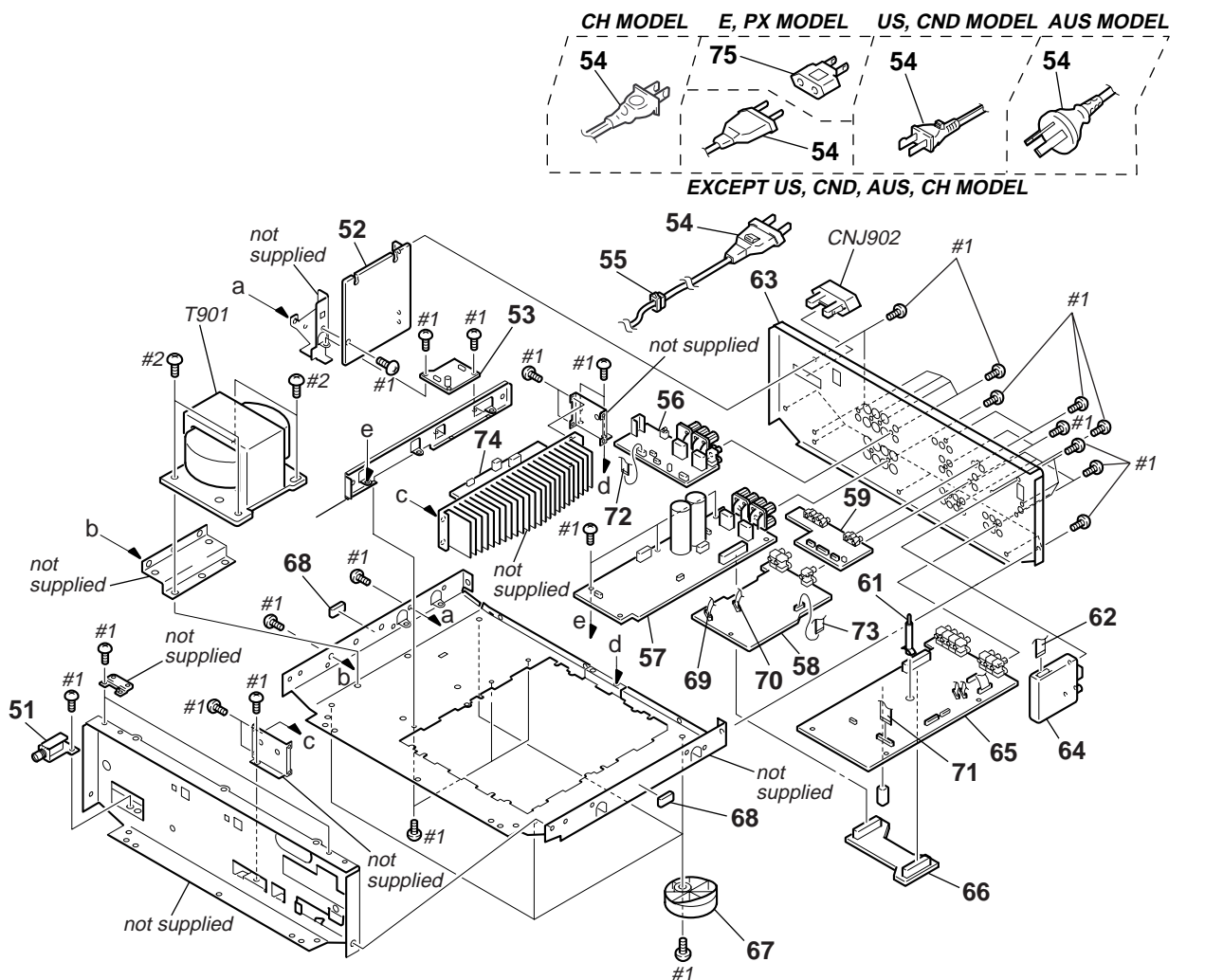
Les composants identifiés par une marque Δ sont critiques pour la sécurité. Ne les remplacer que par une pièce portant le numéro spécifié.

4-1. FRONT PANEL SECTION



Ref. No.	Part No.	Description	Remarks	Ref. No.	Part No.	Description	Remarks
1	4-957-383-01	KNOB (F14) (BLACK)(EXCEPT CH)		* 8	1-669-439-11	SW BOARD	
1	4-957-383-21	KNOB (F14) (GOLD) (CH)		* 9	A-4407-420-A	DISPLAY BOARD, COMPLETE (MY,SP)	
2	X-4949-627-1	KNOB (VOL) ASSY (BLACK)(EXCEPT CH)		* 9	A-4407-421-A	DISPLAY BOARD, COMPLETE (E,EA,PX)	
2	X-4949-750-1	KNOB ASSY (C5)(GOLD)(CH)		* 9	A-4407-584-A	DISPLAY BOARD, COMPLETE (US,CND)	
3	4-977-358-02	CUSHION (US,CND,CH)		* 9	A-4407-598-A	DISPLAY BOARD, COMPLETE (AUS)	
4	4-996-698-01	EMBLEM, SONY (SILVER)(EXCEPT CH)		* 9	A-4407-600-A	DISPLAY BOARD, COMPLETE (CH)	
4	4-996-698-11	EMBLEM, SONY (GOLD)(CH)		10	3-710-901-01	SCREW, TAPPING (GOLD)(CH)	
5	X-4949-740-1	PANEL ASSY (U5),FRONT (BLACK) (US,CND,AUS)		10	3-710-901-11	SCREW, TAPPING (BLACK)(EXCEPT CH)	
5	X-4949-909-1	PANEL ASSY (SP),FRONT (BLACK) (E,EA,PX,MY,SP)		* 11	4-982-682-01	CASE (414532)(BLACK)(US,CND,E,EA,PX,AUS)	
5	X-4949-741-1	PANEL ASSY (C5),FRONT (GOLD)(CH)		11	X-4947-722-1	CASE ASSY (BLACK) (MY,SP)	
6	4-989-850-01	BUTTON (BB)(BLACK)(EXCEPT CH)		12	1-783-776-11	WIRE (FLAT TYPE) (13 CORE)	
6	4-989-850-12	BUTTON (BB)(GOLD)(CH)		13	1-773-022-11	WIRE (FLAT TYPE) (15 CORE)	
* 7	1-669-442-11	SP SW BOARD		* 15	1-669-446-11	VOL BOARD	
				* 16	1-669-447-11	BALANCE BOARD	

4-2. CHASSIS SECTION



Ref. No.	Part No.	Description	Remarks	Ref. No.	Part No.	Description	Remarks
* 51	1-669-443-11	H.P BOARD		* 65	A-4407-596-A	INPUT BOARD, COMPLETE (US,CND,E,EA,PX,AUS)	
* 52	1-669-449-11	STANBY BOARD (US,CND,AUS,MY,SP,CH)		* 65	A-4407-604-A	INPUT BOARD, COMPLETE (MY,SP,CH)	
* 53	A-4407-589-A	STANDBY (2) BOARD, COMPLETE		* 66	1-669-441-11	CONNECTOR BOARD	
△ 54	1-696-847-11	CORD, POWER (AUS)		* 67	X-4947-207-1	FOOT ASSY (F50150S) (E,EA,PX,AUS,MY,SP)	
△ 54	1-769-743-11	CORD, POWER (US,CND)		* 67	X-4947-208-1	FOOT ASSY (F50150S) (US,CND)	
△ 54	1-769-744-11	CORD, POWER (E,EA,PX,MY,SP)		67	X-4947-547-1	FOOT ASSY (F50150S) (CH)	
△ 54	1-782-464-21	CORD, POWER (CH)		68	4-985-642-01	CUSHION	
* 55	3-703-244-00	BUSHING (2104), CORD		69	1-769-941-11	WIRE (FLAT TYPE) (11 CORE)	
* 56	A-4407-602-A	SP BOARD, COMPLETE (MY,SP,CH)		70	1-765-321-11	WIRE (FLAT TYPE) (9 CORE)	
* 56	A-4407-592-A	SP BOARD, COMPLETE (US,CND,E,EA,PX,AUS)		71	1-773-110-11	WIRE (FLAT TYPE) (19 CORE)	
* 57	A-4407-595-A	AMP BOARD, COMPLETE (US,CND,E,EA,PX,AUS)		72	1-769-877-11	WIRE (FLAT TYPE) (7 CORE)	
* 57	A-4407-603-A	AMP BOARD, COMPLETE (MY,SP,CH)		73	1-773-022-11	WIRE (FLAT TYPE) (15 CORE)	
* 58	A-4407-593-A	SURR BOARD, COMPLETE		* 74	A-4407-590-A	REARAMP BOARD, COMPLETE	
* 59	1-669-435-11	VIDEO BOARD		△ 75	1-569-008-11	ADAPTOR, CONVERSION 2P (E,PX)	
61	4-924-098-91	HOLDER, PC BOARD		△ 75	1-770-019-11	ADAPTOR, CONVERSION 3P (UK)	
62	1-773-008-11	WIRE (FLAT TYPE) (15 CORE)		△ CNJ902	1-251-416-11	OUTLET, A.C. (AUS)	
* 63	4-999-235-01	PANEL, BACK (US)		△ CNJ902	1-526-794-11	OUTLET, AC (MY,SP)	
* 63	4-999-235-11	PANEL, BACK (CND)		△ T901	1-431-809-11	TRANSFORMER, POWER (US)	
* 63	4-999-235-21	PANEL, BACK (AUS)		△ T901	1-431-810-11	TRANSFORMER, POWER (CND)	
* 63	4-999-235-31	PANEL, BACK (E,EA,PX)		△ T901	1-431-811-11	TRANSFORMER, POWER (MY,SP,CH)	
* 63	4-999-235-41	PANEL, BACK (MY,SP)		△ T901	1-431-812-11	TRANSFORMER, POWER (AUS)	
* 63	4-999-235-51	PANEL, BACK (CH)		△ T901	1-431-813-11	TRANSFORMER, POWER (E,EA,PX)	
64	1-693-407-21	TUNER (US,CND,E,EA,PX)					
64	1-693-408-21	TUNER (AUS,MY,SP,CH)					

<p>The components identified by mark \triangle or dotted line with mark \triangle are critical for safety. Replace only with part number specified.</p>	<p>Les composants identifiés par une marque \triangle sont critiques pour la sécurité. Ne les remplacer que par une pièce portant le numéro spécifié.</p>
---	--

SECTION 5 ELECTRICAL PARTS LIST

NOTE:

When indicating parts by reference number, please include the board name.

The components identified by mark Δ or dotted line with mark Δ are critical for safety. Replace only with part number specified.

Les composants identifiés par une marque Δ sont critiques pour la sécurité. Ne les remplacer que par une pièce portant le numéro spécifié.

- Due to standardization, replacements in the parts list may be different from the parts specified in the diagrams or the components used on the set.

- XX, -X mean standardized parts, so they may have some difference from the original one.
- Items marked "*" are not stocked since they are seldom required for routine service. Some delay should be anticipated when ordering these items.
- CAPACITORS:
uF: μ F
- RESISTORS
All resistors are in ohms.
METAL: metal-film resistor
METAL OXIDE: Metal Oxide-film resistor
F: nonflammable

- COILS
uH: μ H
- SEMICONDUCTORS
In each case, u: μ , for example:
uA...: μ A..., uPA..., μ PA...,
uPB..., μ PB..., uPC..., μ PC...,
uPD..., μ PD...
- Abbreviation
CND : Canadian MY : Malaysia
AUS : Australian SP : Singapore
CH : Chinese EA : Saudi Arabia

Ref. No.	Part No.	Description	Remarks	Ref. No.	Part No.	Description	Remarks
*	A-4407-595-A	AMP BOARD, COMPLETE ***** (US,CND,E,EA,PX,AUS)		CC48	1-164-096-11	CERAMIC	0.01uF 50V
*	A-4407-603-A	AMP BOARD, COMPLETE(MY,SP,CH) *****		CC49	1-164-096-11	CERAMIC	0.01uF 50V
	1-533-293-11	FUSE HOLDER < CAPACITOR >		CC98	1-164-096-11	CERAMIC	0.01uF 50V
C501	1-126-965-11	ELECT	22uF 20% 50V	CC99	1-164-096-11	CERAMIC	0.01uF 50V
C520	1-126-967-11	ELECT	47uF 20% 50V	< CONNECTOR >			
C521	1-107-597-11	CERAMIC	22PF 10% 500V	* CND803	1-564-340-00	PIN, CONNECTOR	6P
C522	1-107-597-11	CERAMIC	22PF 10% 500V	* CND805	1-564-341-11	PIN, CONNECTOR	7P
C523	1-162-286-31	CERAMIC	220PF 10% 50V	CNS651	1-784-806-11	HOUSING,CONNECTOR(PC BOARD)	13P
C524	1-126-964-11	ELECT	10uF 20% 50V	CNS804	1-568-439-11	SOCKET, CONNECTOR	7P
C525	1-136-157-00	FILM	0.022uF 5% 50V	* CNV801	1-564-243-11	PIN, CONNECTOR	6P
C526	1-136-153-00	FILM	0.01uF 5% 50V	* CNV802	1-564-104-00	PIN, CONNECTOR (B3P-VH)	3P
C570	1-126-967-11	ELECT	47uF 20% 50V	< DIODE >			
C571	1-107-597-11	CERAMIC	22PF 10% 500V	D501	8-719-911-19	DIODE	1SS119
C572	1-107-597-11	CERAMIC	22PF 10% 500V	D502	8-719-109-54	DIODE	RD2.2ES-B2
C573	1-162-286-31	CERAMIC	220PF 10% 50V	D503	8-719-109-54	DIODE	RD2.2ES-B2
C574	1-126-964-11	ELECT	10uF 20% 50V	D504	8-719-911-19	DIODE	1SS119
C575	1-136-157-00	FILM	0.022uF 5% 50V	D505	8-719-911-19	DIODE	1SS119
C576	1-136-153-00	FILM	0.01uF 5% 50V	D506	8-719-911-19	DIODE	1SS119
C590	1-126-935-11	ELECT	470uF 20% 6.3V	D545	8-719-911-19	DIODE	1SS119
C620	1-126-967-11	ELECT	47uF 20% 50V	D546	8-719-911-19	DIODE	1SS119
C621	1-107-597-11	CERAMIC	22PF 10% 500V	D547	8-719-911-19	DIODE	1SS119
C622	1-107-597-11	CERAMIC	22PF 10% 500V	D548	8-719-911-19	DIODE	1SS119
C623	1-162-286-31	CERAMIC	220PF 10% 50V	D549	8-719-911-19	DIODE	1SS119
C625	1-136-157-00	FILM	0.022uF 5% 50V	D551	8-719-911-19	DIODE	1SS119
C801	1-126-967-11	ELECT	47uF 20% 50V	D552	8-719-109-54	DIODE	RD2.2ES-B2
C803	1-109-932-11	ELECT(BLOCK)	10000uF 20% 71V (US,CND,E,EA,PX,AUS)	D553	8-719-109-54	DIODE	RD2.2ES-B2
C803	1-117-950-11	ELECT	10000uF 20% 63V (MY,SP,CH)	D554	8-719-911-19	DIODE	1SS119
C804	1-109-932-11	ELECT(BLOCK)	10000uF 20% 71V (US,CND,E,EA,PX,AUS)	D555	8-719-911-19	DIODE	1SS119
C804	1-117-950-11	ELECT	10000uF 20% 63V (MY,SP,CH)	D556	8-719-911-19	DIODE	1SS119
C805	1-130-781-00	FILM	0.22uF 10% 100V	D601	8-719-911-19	DIODE	1SS119
C806	1-130-781-00	FILM	0.22uF 10% 100V	D602	8-719-109-54	DIODE	RD2.2ES-B2
C811	1-126-952-11	ELECT	1000uF 20% 35V	D603	8-719-109-54	DIODE	RD2.2ES-B2
C812	1-126-951-11	ELECT	470uF 20% 35V	D604	8-719-911-19	DIODE	1SS119
C813	1-126-967-11	ELECT	47uF 20% 50V	D608	8-719-911-19	DIODE	1SS119
C817	1-126-967-11	ELECT	47uF 20% 50V	D647	8-719-911-19	DIODE	1SS119
C818	1-126-967-11	ELECT	47uF 20% 50V	D648	8-719-911-19	DIODE	1SS119
				D801	8-719-302-38	DIODE	RBV-602-01
				D802	8-719-200-82	DIODE	11ES2
				D803	8-719-200-82	DIODE	11ES2
				D804	8-719-200-82	DIODE	11ES2
				D805	8-719-200-82	DIODE	11ES2
				D806	8-719-068-24	DIODE	HZ5.6BP-TK
				D807	8-719-934-17	DIODE	HZS27-1L

Ref. No.	Part No.	Description	Remarks	Ref. No.	Part No.	Description	Remarks
		< TERMINAL >				< RESISTOR >	
* EB702	1-537-738-21	TERMINAL, EARTH		R501	1-249-432-11	CARBON 18K 5%	1/4W
* EB703	1-537-738-21	TERMINAL, EARTH		R503	1-249-432-11	CARBON 18K 5%	1/4W
		< FUSE >		R504	1-249-429-11	CARBON 10K 5%	1/4W
△ F801	1-532-506-51	FUSE TIME LAG 6.3A/250V(EXCEPT US,CND)		R521	1-247-840-00	CARBON 2.4K 5%	1/4W
△ F801	1-533-311-11	FUSE, GLASS CYLINDRICAL(DIA.5) 8A/125V (US,CND)		R523	1-249-414-11	CARBON 560 5%	1/4W F
△ F802	1-532-506-51	FUSE TIME LAG 6.3A/250V(EXCEPT US,CND)		R524	1-249-408-81	CARBON 180 5%	1/4W F
△ F802	1-533-311-11	FUSE, GLASS CYLINDRICAL(DIA.5) 8A/125V (US,CND)		R525	1-249-408-81	CARBON 180 5%	1/4W F
△ F803	1-532-504-51	FUSE TIME LAG 4A/250V (EXCEPT US,CND)		R526	1-233-352-41	ENCAPSULATED COMPONENT	
△ F803	1-533-419-11	FUSE, GLASS CYLINDRICAL(DIA.5) 4A/125V (US,CND)		R527	1-247-850-11	CARBON 6.2K 5%	1/4W
△ F804	1-532-504-51	FUSE TIME LAG 4A/250V (EXCEPT US,CND)		R528	1-249-419-11	CARBON 1.5K 5%	1/4W F
△ F804	1-533-419-11	FUSE, GLASS CYLINDRICAL(DIA.5) 4A/125V (US,CND)		R529	1-247-866-11	CARBON 30K 5%	1/4W
		< IC >		R530	1-249-421-11	CARBON 2.2K 5%	1/4W F
IC809	8-759-708-05	IC NJM78L05A		R531	1-249-433-11	CARBON 22K 5%	1/4W
		< COIL >		R532	1-249-437-11	CARBON 47K 5%	1/4W
L501	1-420-872-00	COIL, AIR-CORE (US,CND,E,EA,PX,AUS)		R533	1-249-393-11	CARBON 10 5%	1/4W F
L501	1-411-906-11	COIL, AIR-CORE (MY,SP,CH)		R534	1-249-389-11	CARBON 4.7 5%	1/4W F
L551	1-420-872-00	COIL, AIR-CORE (US,CND,E,EA,PX,AUS)		R535	1-249-431-11	CARBON 15K 5%	1/4W
L551	1-411-906-11	COIL, AIR-CORE (MY,SP,CH)		R539	1-249-427-11	CARBON 6.8K 5%	1/4W F
		< TRANSISTOR >		R540	1-249-417-11	CARBON 1K 5%	1/4W F
Q504	8-729-119-76	TRANSISTOR 2SA1175-HFE		R542	1-249-429-11	CARBON 10K 5%	1/4W
Q506	8-749-010-25	IC MN2488-OPY-M		R547	1-249-425-11	CARBON 4.7K 5%	1/4W F
Q507	8-749-010-26	IC MP1620-OPY-M		R548	1-249-429-11	CARBON 10K 5%	1/4W
Q508	8-729-140-82	TRANSISTOR 2SA988-PAFAEA		R549	1-249-393-11	CARBON 10 5%	1/4W F
Q509	8-729-281-53	TRANSISTOR 2SC1815-GR		R551	1-247-881-00	CARBON 120K 5%	1/4W
Q510	8-729-900-63	TRANSISTOR DTA124ES		R552	1-247-881-00	CARBON 120K 5%	1/4W
Q511	8-729-900-63	TRANSISTOR DTA124ES		R571	1-247-840-00	CARBON 2.4K 5%	1/4W
Q546	8-729-119-79	TRANSISTOR 2SC2785-FEK		R573	1-249-414-11	CARBON 560 5%	1/4W F
Q547	8-729-140-84	TRANSISTOR 2SC1841-PAFAEA		R574	1-249-408-81	CARBON 180 5%	1/4W F
Q548	8-729-119-79	TRANSISTOR 2SC2785-FEK		R575	1-249-408-81	CARBON 180 5%	1/4W F
Q549	8-729-140-82	TRANSISTOR 2SA988-PAFAEA		R576	1-233-352-41	ENCAPSULATED COMPONENT	
Q554	8-729-119-76	TRANSISTOR 2SA1175-HFE		R577	1-247-850-11	CARBON 6.2K 5%	1/4W
Q556	8-749-010-25	IC MN2488-OPY-M		R578	1-249-419-11	CARBON 1.5K 5%	1/4W F
Q557	8-749-010-26	IC MP1620-OPY-M		R579	1-247-866-11	CARBON 30K 5%	1/4W
Q558	8-729-140-82	TRANSISTOR 2SA988-PAFAEA		R580	1-249-421-11	CARBON 2.2K 5%	1/4W F
Q559	8-729-281-53	TRANSISTOR 2SC1815-GR		R581	1-249-433-11	CARBON 22K 5%	1/4W
Q560	8-729-900-63	TRANSISTOR DTA124ES		R582	1-249-437-11	CARBON 47K 5%	1/4W
Q561	8-729-900-63	TRANSISTOR DTA124ES		R583	1-249-393-11	CARBON 10 5%	1/4W F
Q596	8-729-119-79	TRANSISTOR 2SC2785-FEK		R584	1-249-389-11	CARBON 4.7 5%	1/4W F
Q601	8-729-119-79	TRANSISTOR 2SC2785-FEK		R585	1-249-431-11	CARBON 15K 5%	1/4W
Q604	8-729-119-76	TRANSISTOR 2SA1175-HFE		R586	1-249-429-11	CARBON 10K 5%	1/4W
Q606	8-749-010-25	IC MN2488-OPY-M		R587	1-249-425-11	CARBON 4.7K 5%	1/4W F
Q607	8-749-010-26	IC MP1620-OPY-M		R588	1-249-393-11	CARBON 10 5%	1/4W F
Q608	8-729-140-82	TRANSISTOR 2SA988-PAFAEA		R589	1-249-432-11	CARBON 18K 5%	1/4W
Q612	8-729-281-53	TRANSISTOR 2SC1815-GR		R590	1-249-432-11	CARBON 18K 5%	1/4W
Q613	8-729-281-53	TRANSISTOR 2SC1815-GR		R605	1-249-429-11	CARBON 10K 5%	1/4W
Q614	8-729-201-53	TRANSISTOR 2SA1015-GR		R606	1-249-393-11	CARBON 10 5%	1/4W F
Q615	8-729-900-36	TRANSISTOR DTC124ES		R607	1-216-456-00	METAL OXIDE 820 5%	2W F
Q616	8-729-900-36	TRANSISTOR DTC124ES		R621	1-247-840-00	CARBON 2.4K 5%	1/4W
Q617	8-729-900-36	TRANSISTOR DTC124ES		R622	1-247-881-00	CARBON 120K 5%	1/4W
Q618	8-729-900-63	TRANSISTOR DTA124ES		R623	1-249-414-11	CARBON 560 5%	1/4W F
Q801	8-729-140-97	TRANSISTOR 2SB734-34		R624	1-249-408-81	CARBON 180 5%	1/4W F
				R625	1-249-408-81	CARBON 180 5%	1/4W F
				R626	1-233-352-41	ENCAPSULATED COMPONENT	
				R627	1-247-850-11	CARBON 6.2K 5%	1/4W
				R628	1-249-419-11	CARBON 1.5K 5%	1/4W F

The components identified by mark △ or dotted line with mark △ are critical for safety. Replace only with part number specified.

Les composants identifiés par une marque △ sont critiques pour la sécurité. Ne les remplacer que par une pièce portant le numéro spécifié.

AMP	BALANCE	CONNECTOR	DISPLAY
------------	----------------	------------------	----------------

Ref. No.	Part No.	Description	Remarks
R632	1-249-437-11	CARBON 47K 5%	1/4W
R633	1-249-393-11	CARBON 10 5%	1/4W F
R640	1-215-885-00	METAL OXIDE 68 5%	2W F
R641	1-249-441-11	CARBON 100K 5%	1/4W
R642	1-216-453-00	METAL OXIDE 270 5%	2W F
R643	1-249-441-11	CARBON 100K 5%	1/4W
R644	1-216-456-00	METAL OXIDE 820 5%	2W F
R645	1-249-441-11	CARBON 100K 5%	1/4W
R650	1-249-425-11	CARBON 4.7K 5%	1/4W F
R739	1-215-868-00	METAL OXIDE 680 5%	1W F
R789	1-215-868-00	METAL OXIDE 680 5%	1W F
R802	1-249-401-11	CARBON 47 5%	1/4W F
R803	1-247-843-11	CARBON 3.3K 5%	1/4W
RR48	1-249-393-11	CARBON 10 5%	1/4W F
RR49	1-249-393-11	CARBON 10 5%	1/4W F
RR98	1-249-393-11	CARBON 10 5%	1/4W F
RR99	1-249-393-11	CARBON 10 5%	1/4W F
< RELAY >			
RY501	1-515-920-11	RELAY (24V)	
RY502	1-515-920-11	RELAY (24V)	
RY602	1-515-793-11	RELAY	
< TERMINAL >			
TM501	1-537-922-11	TERMINAL BOARD (SP)(FRONT SPEAKERS) (US,CND,E,EA,PX,AUS)	
TM501	1-694-429-21	TERMINAL BOARD (8P)(FRONT SPEAKERS) (MY,SP,CH)	

*	1-669-447-11	BALANCE BOARD *****	
< VARIABLE RESISTOR >			
RV402	1-225-447-11	RES, VAR, CARBON 100K/100K (BALANCE)	

*	1-669-441-11	CONNECTOR BOARD *****	
< CONNECTOR >			
CNP207	1-784-807-11	CONNECTOR, BOARD TO BOARD 13P	
CNP651	1-784-807-11	CONNECTOR, BOARD TO BOARD 13P	

*	A-4407-420-A	DISPLAY BOARD, COMPLETE (MY,SP) *****	
*	A-4407-421-A	DISPLAY BOARD, COMPLETE (E,EA,PX) *****	
*	A-4407-584-A	DISPLAY BOARD, COMPLETE (US,CND) *****	
*	A-4407-598-A	DISPLAY BOARD, COMPLETE (AUS) *****	
*	A-4407-600-A	DISPLAY BOARD, COMPLETE (CH) *****	
*	3-386-245-11	HOLDER (FL)	
*	4-921-941-01	CUSHION (FL)	

Ref. No.	Part No.	Description	Remarks
< CAPACITOR >			
C101	1-164-159-11	CERAMIC 0.1uF	50V
C102	1-164-159-11	CERAMIC 0.1uF	50V
C103	1-164-159-11	CERAMIC 0.1uF	50V
C104	1-126-959-11	ELECT 0.47uF	20% 50V
C105	1-164-159-11	CERAMIC 0.1uF	50V
C111	1-126-967-11	ELECT 47uF	20% 16V
C113	1-126-967-11	ELECT 47uF	20% 16V
C114	1-164-159-11	CERAMIC 0.1uF	50V
C115	1-104-905-11	CAPACITOR 0.22F	5.5V
C116	1-164-159-11	CERAMIC 0.1uF	50V
C117	1-164-159-11	CERAMIC 0.1uF	50V
C118	1-162-199-31	CERAMIC 10PF	5% 50V
C119	1-162-199-31	CERAMIC 10PF	5% 50V
C120	1-162-199-31	CERAMIC 10PF	5% 50V
C121	1-162-199-31	CERAMIC 10PF	5% 50V
C122	1-162-199-31	CERAMIC 10PF	5% 50V
C123	1-162-199-31	CERAMIC 10PF	5% 50V
C124	1-162-199-31	CERAMIC 10PF	5% 50V
C125	1-162-199-31	CERAMIC 10PF	5% 50V
C126	1-162-199-31	CERAMIC 10PF	5% 50V
C127	1-162-199-31	CERAMIC 10PF	5% 50V
C128	1-162-199-31	CERAMIC 10PF	5% 50V
C129	1-162-199-31	CERAMIC 10PF	5% 50V
C130	1-164-159-11	CERAMIC 0.1uF	50V
C141	1-164-159-11	CERAMIC 0.1uF	50V
C143	1-164-159-11	CERAMIC 0.1uF	50V
CC101	1-162-199-31	CERAMIC 10PF	5% 50V
CC102	1-162-199-31	CERAMIC 10PF	5% 50V
CC103	1-162-199-31	CERAMIC 10PF	5% 50V
CC104	1-162-199-31	CERAMIC 10PF	5% 50V
CC105	1-162-199-31	CERAMIC 10PF	5% 50V
CC106	1-162-199-31	CERAMIC 10PF	5% 50V
CC107	1-162-199-31	CERAMIC 10PF	5% 50V
CC108	1-162-199-31	CERAMIC 10PF	5% 50V
CC109	1-162-199-31	CERAMIC 10PF	5% 50V
CC110	1-162-199-31	CERAMIC 10PF	5% 50V
CC111	1-162-199-31	CERAMIC 10PF	5% 50V
CC112	1-162-199-31	CERAMIC 10PF	5% 50V
CC113	1-162-199-31	CERAMIC 10PF	5% 50V
CC114	1-162-199-31	CERAMIC 10PF	5% 50V
CC115	1-162-199-31	CERAMIC 10PF	5% 50V
CC116	1-162-199-31	CERAMIC 10PF	5% 50V
CC117	1-162-199-31	CERAMIC 10PF	5% 50V
< CONNECTOR >			
* CND101	1-564-496-11	PIN, CONNECTOR 3P	
* CND103	1-564-500-11	PIN, CONNECTOR 7P	
* CND104	1-564-498-11	PIN, CONNECTOR 5P	
* CNE102	1-564-519-11	PLUG, CONNECTOR 4P	
CNP103	1-779-365-11	CONNECTOR, PC BOARD (PLUG) 8P	
CNP121	1-779-366-11	CONNECTOR, BOARD TO BOARD 4P	
CNP123	1-779-366-11	CONNECTOR, BOARD TO BOARD 4P	
CNP125	1-779-366-11	CONNECTOR, BOARD TO BOARD 4P	
CNS102	1-770-397-11	HOUSING, CONNECTOR(PC BOARD)4P	
* CNS116	1-568-856-11	SOCKET, CONNECTOR 13P	
* CNS117	1-568-858-11	SOCKET, CONNECTOR 15P	

Ref. No.	Part No.	Description	Remarks	Ref. No.	Part No.	Description	Remarks
		< DIODE >		R110	1-247-843-11	CARBON	3.3K 5% 1/4W
D107	8-719-911-19	DIODE 1SS119		R111	1-247-843-11	CARBON	3.3K 5% 1/4W
D108	8-719-911-19	DIODE 1SS119		R112	1-249-417-11	CARBON	1K 5% 1/4W F
D111	8-719-058-64	DIODE SEL5823A-TP15 (TONE)		R113	1-249-441-11	CARBON	100K 5% 1/4W
D113	8-719-058-64	DIODE SEL5823A-TP15 (SURROUND)		R115	1-247-807-31	CARBON	100 5% 1/4W
D114	8-719-058-64	DIODE SEL5823A-TP15 (BASS/TREBLE)		R116	1-247-807-31	CARBON	100 5% 1/4W
D115	8-719-058-64	DIODE SEL5823A-TP15 (INDEX)		R117	1-249-425-11	CARBON	4.7K 5% 1/4W F
D116	8-719-313-45	DIODE SEL6810A-TH10 (MUTING)		R118	1-247-807-31	CARBON	100 5% 1/4W
D119	8-719-911-19	DIODE 1SS119		R123	1-247-807-31	CARBON	100 5% 1/4W
D120	8-719-911-19	DIODE 1SS119		R124	1-249-417-11	CARBON	1K 5% 1/4W F
D121	8-719-911-19	DIODE 1SS119		R126	1-247-807-31	CARBON	100 5% 1/4W
D135	8-719-058-64	DIODE SEL5823A-TP15 (5.1/DVD INPUT)		R128	1-247-807-31	CARBON	100 5% 1/4W
D136	8-719-058-64	DIODE SEL5823A-TP15 (BASS BOOST)		R129	1-247-807-31	CARBON	100 5% 1/4W
D151	8-719-911-19	DIODE 1SS119		R130	1-249-411-11	CARBON	330 5% 1/4W
D152	8-719-911-19	DIODE 1SS119		R130	1-247-807-31	CARBON	100 5% 1/4W
D153	8-719-911-19	DIODE 1SS119		R131	1-247-807-31	CARBON	100 5% 1/4W
D154	8-719-911-19	DIODE 1SS119		R132	1-247-807-31	CARBON	100 5% 1/4W
D184	8-719-911-19	DIODE 1SS119		R133	1-247-807-31	CARBON	100 5% 1/4W
		< FILTER >		R134	1-247-807-31	CARBON	100 5% 1/4W
FL101	1-517-770-11	INDICATOR TUBE, FLUORESCENT		R135	1-247-807-31	CARBON	100 5% 1/4W
		< IC >		R136	1-247-807-31	CARBON	100 5% 1/4W
IC101	8-759-459-83	IC NJL55H400		R137	1-249-429-11	CARBON	10K 5% 1/4W
IC103	8-759-526-69	IC μ PD780208GF-017-3BA		R138	1-247-807-31	CARBON	100 5% 1/4W
IC106	8-759-962-08	IC BA6208		R139	1-247-807-31	CARBON	100 5% 1/4W
		< COIL >		R140	1-247-807-31	CARBON	100 5% 1/4W
L101	1-410-509-11	INDUCTOR 10uH		Δ R145	1-249-385-11	CARBON	2.2 5% 1/6W F
		< TRANSISTOR >		R149	1-249-411-11	CARBON	330 5% 1/4W
Q101	8-729-900-36	TRANSISTOR DTC124ES		R150	1-249-411-11	CARBON	330 5% 1/4W
Q102	8-729-900-63	TRANSISTOR DTA124ES		R151	1-249-411-11	CARBON	330 5% 1/4W
Q103	8-729-900-36	TRANSISTOR DTC124ES		R153	1-249-411-11	CARBON	330 5% 1/4W
Q104	8-729-900-36	TRANSISTOR DTC124ES		R154	1-249-411-11	CARBON	330 5% 1/4W
Q105	8-729-119-76	TRANSISTOR 2SA1175-HFE		R155	1-249-429-11	CARBON	10K 5% 1/4W
Q108	8-729-900-36	TRANSISTOR DTC124ES		R156	1-249-421-11	CARBON	2.2K 5% 1/4W F
Q109	8-729-900-36	TRANSISTOR DTC124ES		R157	1-249-421-11	CARBON	2.2K 5% 1/4W F
Q110	8-729-900-63	TRANSISTOR DTA124ES		R158	1-249-429-11	CARBON	10K 5% 1/4W
Q111	8-729-900-63	TRANSISTOR DTA124ES		R159	1-249-429-11	CARBON	10K 5% 1/4W
Q112	8-729-900-63	TRANSISTOR DTA124ES		R160	1-249-429-11	CARBON	10K 5% 1/4W
Q113	8-729-900-63	TRANSISTOR DTA124ES		R161	1-249-437-11	CARBON	47K 5% 1/4W
Q143	8-729-900-80	TRANSISTOR DTC114ES		R162	1-249-433-11	CARBON	22K 5% 1/4W
		< RESISTOR >		R190	1-249-429-11	CARBON	10K 5% 1/4W
R101	1-249-417-11	CARBON 1K 5%	1/4W F	RR10	1-247-843-11	CARBON	3.3K 5% 1/4W
Δ R102	1-249-385-11	CARBON 2.2 5%	1/6W F	RR11	1-249-409-11	CARBON	220 5% 1/4W F
R103	1-249-425-11	CARBON 4.7K 5%	1/4W F	RR12	1-249-411-11	CARBON	330 5% 1/4W
R104	1-249-425-11	CARBON 4.7K 5%	1/4W F	RR13	1-249-413-11	CARBON	470 5% 1/4W F
R104	1-249-429-11	CARBON 10K 5%	1/4W	RR14	1-249-415-11	CARBON	680 5% 1/4W F
R105	1-249-425-11	CARBON 4.7K 5%	1/4W F	RR15	1-249-417-11	CARBON	1K 5% 1/4W F
R106	1-249-425-11	CARBON 4.7K 5%	1/4W F	RR16	1-249-419-11	CARBON	1.5K 5% 1/4W F
R107	1-249-425-11	CARBON 4.7K 5%	1/4W F	RR17	1-249-421-11	CARBON	2.2K 5% 1/4W F
R108	1-247-843-11	CARBON 3.3K 5%	1/4W	RR18	1-249-425-11	CARBON	4.7K 5% 1/4W F
R109	1-247-843-11	CARBON 3.3K 5%	1/4W	RR19	1-249-429-11	CARBON	10K 5% 1/4W
				RR101	1-249-437-11	CARBON	47K 5% 1/4W

The components identified by mark Δ or dotted line with mark Δ are critical for safety. Replace only with part number specified.

Les composants identifiés par une marque Δ sont critiques pour la sécurité. Ne les remplacer que par une pièce portant le numéro spécifié.

DISPLAY

H.P

INPUT

Ref. No.	Part No.	Description	Remarks
RR102	1-249-437-11	CARBON 47K 5%	1/4W
RR103	1-249-437-11	CARBON 47K 5%	1/4W
RR104	1-249-437-11	CARBON 47K 5%	1/4W
RR105	1-249-437-11	CARBON 47K 5%	1/4W
RR106	1-249-437-11	CARBON 47K 5%	1/4W
RR107	1-249-437-11	CARBON 47K 5%	1/4W
RR108	1-249-437-11	CARBON 47K 5%	1/4W
RR109	1-249-437-11	CARBON 47K 5%	1/4W
RR110	1-249-437-11	CARBON 47K 5%	1/4W
RR111	1-249-437-11	CARBON 47K 5%	1/4W
RR112	1-249-437-11	CARBON 47K 5%	1/4W
RR113	1-249-437-11	CARBON 47K 5%	1/4W
RR114	1-249-437-11	CARBON 47K 5%	1/4W
RR115	1-249-437-11	CARBON 47K 5%	1/4W
RR116	1-249-437-11	CARBON 47K 5%	1/4W
RR117	1-249-437-11	CARBON 47K 5%	1/4W
RR118	1-249-437-11	CARBON 47K 5%	1/4W
RR119	1-249-437-11	CARBON 47K 5%	1/4W
RR120	1-249-437-11	CARBON 47K 5%	1/4W
RR121	1-249-437-11	CARBON 47K 5%	1/4W
RR122	1-249-437-11	CARBON 47K 5%	1/4W
RR123	1-249-437-11	CARBON 47K 5%	1/4W
RR124	1-249-437-11	CARBON 47K 5%	1/4W
RR125	1-249-437-11	CARBON 47K 5%	1/4W
RR126	1-249-437-11	CARBON 47K 5%	1/4W
RR127	1-249-437-11	CARBON 47K 5%	1/4W
RR128	1-249-437-11	CARBON 47K 5%	1/4W
RR129	1-249-437-11	CARBON 47K 5%	1/4W
RR130	1-249-409-11	CARBON 220 5%	1/4W F
RR139	1-249-409-11	CARBON 220 5%	1/4W F
RR140	1-249-411-11	CARBON 330 5%	1/4W
RR149	1-249-409-11	CARBON 220 5%	1/4W F
RR150	1-249-411-11	CARBON 330 5%	1/4W
RR158	1-249-409-11	CARBON 220 5%	1/4W F
RR159	1-249-411-11	CARBON 330 5%	1/4W
RR160	1-249-413-11	CARBON 470 5%	1/4W F
RR161	1-249-415-11	CARBON 680 5%	1/4W F
RR162	1-249-417-11	CARBON 1K 5%	1/4W F
RR163	1-249-419-11	CARBON 1.5K 5%	1/4W F
RR164	1-249-421-11	CARBON 2.2K 5%	1/4W F
RR165	1-249-425-11	CARBON 4.7K 5%	1/4W F
RR166	1-249-429-11	CARBON 10K 5%	1/4W
RR167	1-249-435-11	CARBON 33K 5%	1/4W
< SWITCH >			
S101	1-762-751-11	SWITCH, TACTILE (^)	
S112	1-762-751-11	SWITCH, TACTILE (v)	
S113	1-762-751-11	SWITCH, TACTILE (DISPLAY)	
S123	1-762-751-11	SWITCH, TACTILE (<)	
S124	1-762-751-11	SWITCH, TACTILE (>)	
S134	1-762-751-11	SWITCH, TACTILE (MUTING)	
S135	1-762-751-11	SWITCH, TACTILE (SLEEP)	
S136	1-762-751-11	SWITCH, TACTILE (FM MODE)	
S137	1-762-751-11	SWITCH, TACTILE (FM/AM)	
S138	1-762-751-11	SWITCH, TACTILE (TUNING +)	
S139	1-762-751-11	SWITCH, TACTILE (TUNING -)	
S140	1-762-751-11	SWITCH, TACTILE (PRESET +)	
S141	1-762-751-11	SWITCH, TACTILE (PRESET -)	
S142	1-762-751-11	SWITCH, TACTILE (MEMORY)	
S151	1-762-751-11	SWITCH, TACTILE (POWER)	

Ref. No.	Part No.	Description	Remarks
< VIBRATOR >			
X101	1-577-101-11	VIBRATOR, CERAMIC	

*	1-669-443-11	H.P BOARD	*****
< CONNECTOR >			
* CNE751	1-564-519-11	PLUG, CONNECTOR 4P	
< JACK >			
J701	1-568-519-41	JACK, LARGE TYPE (PHONES)	

*	A-4407-596-A	INPUT BOARD, COMPLETE	*****
(US,CND,E,EA,PX,AUS)			
*	A-4407-604-A	INPUT BOARD, COMPLETE (MY,SP,CH)	*****
7-685-872-09	SCREW +BVTT 3X8 (S)		
< CAPACITOR >			
C001	1-126-964-11	ELECT 10uF 20% 50V	
C002	1-162-282-31	CERAMIC 100PF 10% 50V	
C003	1-102-233-00	CERAMIC 33PF 10% 500V	
C004	1-107-584-11	CERAMIC 4PF 0.25PF 500V	
C005	1-126-933-11	ELECT 100uF 20% 10V	
C006	1-162-282-31	CERAMIC 100PF 10% 50V	
C050	1-126-933-11	ELECT 100uF 20% 10V	
C051	1-126-964-11	ELECT 10uF 20% 50V	
C052	1-162-282-31	CERAMIC 100PF 10% 50V	
C053	1-102-233-00	CERAMIC 33PF 10% 500V	
C054	1-107-584-11	CERAMIC 4PF 0.25PF 500V	
C056	1-162-282-31	CERAMIC 100PF 10% 50V	
C100	1-126-948-11	ELECT 100uF 20% 35V	
C306	1-126-961-11	ELECT 2.2uF 20% 50V	
C307	1-126-961-11	ELECT 2.2uF 20% 50V	
C308	1-126-934-11	ELECT 220uF 20% 10V	
C309	1-126-934-11	ELECT 220uF 20% 10V	
C312	1-136-159-00	FILM 0.033uF 5% 50V	
C313	1-136-159-00	FILM 0.033uF 5% 50V	
C314	1-126-961-11	ELECT 2.2uF 20% 50V	
C315	1-126-961-11	ELECT 2.2uF 20% 50V	
C316	1-126-933-11	ELECT 100uF 20% 16V	
C317	1-126-933-11	ELECT 100uF 20% 16V	
C318	1-126-967-11	ELECT 47uF 20% 16V	
C319	1-126-967-11	ELECT 47uF 20% 16V	
C320	1-126-965-11	ELECT 22uF 20% 50V	
C322	1-162-294-31	CERAMIC 0.001uF 10% 50V	
C323	1-162-282-31	CERAMIC 100PF 10% 50V	
C332	1-164-159-11	CERAMIC 0.1uF 50V	
C333	1-164-159-11	CERAMIC 0.1uF 50V	
C334	1-164-159-11	CERAMIC 0.1uF 50V	
C335	1-164-159-11	CERAMIC 0.1uF 50V	
C336	1-164-159-11	CERAMIC 0.1uF 50V	
C337	1-164-159-11	CERAMIC 0.1uF 50V	
C343	1-126-964-11	ELECT 10uF 20% 50V	

INPUT

Ref. No.	Part No.	Description	Remarks	Ref. No.	Part No.	Description	Remarks
C344	1-102-508-91	CERAMIC	10PF 0.5PF 50V	C710	1-162-282-31	CERAMIC	100PF 10% 50V
C345	1-162-199-31	CERAMIC	10PF 5% 50V	C751	1-126-964-11	ELECT	10uF 20% 50V
C346	1-162-199-31	CERAMIC	10PF 5% 50V	C752	1-162-282-31	CERAMIC	100PF 10% 50V
C349	1-162-199-31	CERAMIC	10PF 5% 50V	C753	1-102-233-00	CERAMIC	33PF 10% 500V
C350	1-102-508-91	CERAMIC	10PF 0.5PF 50V	C754	1-107-584-11	CERAMIC	4PF 0.25PF 500V
C351	1-126-964-11	ELECT	10uF 20% 50V	C755	1-126-933-11	ELECT	100uF 20% 10V
C352	1-126-961-11	ELECT	2.2uF 20% 50V	C756	1-162-282-31	CERAMIC	100PF 10% 50V
C370	1-126-965-11	ELECT	22uF 20% 50V	C807	1-126-934-11	ELECT	220uF 20% 16V
C371	1-126-965-11	ELECT	22uF 20% 50V	C808	1-126-934-11	ELECT	220uF 20% 16V
C431	1-126-960-11	ELECT	1uF 20% 50V	C809	1-126-948-11	ELECT	100uF 20% 35V
C433	1-126-960-11	ELECT	1uF 20% 50V	C5001	1-126-965-11	ELECT	22uF 20% 50V
C437	1-126-960-11	ELECT	1uF 20% 50V	C5051	1-126-965-11	ELECT	22uF 20% 50V
C439	1-126-960-11	ELECT	1uF 20% 50V	CC01	1-162-282-31	CERAMIC	100PF 10% 50V
C443	1-126-963-11	ELECT	1uF 20% 50V	CC02	1-162-286-31	CERAMIC	220PF 10% 50V
C460	1-164-159-11	CERAMIC	0.1uF 50V	CC04	1-162-282-31	CERAMIC	100PF 10% 50V
C462	1-126-934-11	ELECT	220uF 20% 16V	CC05	1-162-282-31	CERAMIC	100PF 10% 50V
C463	1-164-159-11	CERAMIC	0.1uF 50V	CC06	1-162-282-31	CERAMIC	100PF 10% 50V
C464	1-126-934-11	ELECT	220uF 20% 16V	CC51	1-162-282-31	CERAMIC	100PF 10% 50V
C490	1-126-963-11	ELECT	4.7uF 20% 50V	CC52	1-162-286-31	CERAMIC	220PF 10% 50V
C508	1-136-495-11	FILM	0.068uF 5% 50V	CC54	1-162-282-31	CERAMIC	100PF 10% 50V
C509	1-136-153-00	FILM	0.01uF 5% 50V	CC55	1-162-282-31	CERAMIC	100PF 10% 50V
C510	1-110-335-11	MYLAR	100PF 5% 50V	CC56	1-162-282-31	CERAMIC	100PF 10% 50V
C511	1-130-476-00	MYLAR	0.0027uF 5% 50V			< CONNECTOR >	
C512	1-136-157-00	FILM	0.022uF 5% 50V	* CND201	1-564-339-00	PIN, CONNECTOR 5P	
C513	1-136-171-00	FILM	0.33uF 5% 50V	CNE202	1-691-765-11	PLUG (MICRO CONNECTOR) 3P	
C514	1-136-159-00	FILM	0.033uF 5% 50V	CNE203	1-691-765-11	PLUG (MICRO CONNECTOR) 3P	
C558	1-136-495-11	FILM	0.068uF 5% 50V	CNE208	1-691-768-11	PLUG (MICRO CONNECTOR) 6P	
C559	1-136-153-00	FILM	0.01uF 5% 50V	CNE209	1-691-765-11	PLUG (MICRO CONNECTOR) 3P	
C560	1-110-335-11	MYLAR	100PF 5% 50V	CNS201	1-569-060-11	SOCKET, CONNECTOR 11P	
C561	1-130-476-00	MYLAR	0.0027uF 5% 50V	CNS202	1-568-442-11	SOCKET, CONNECTOR 9P	
C562	1-136-157-00	FILM	0.022uF 5% 50V	CNS203	1-569-321-11	SOCKET, CONNECTOR 15P	
C563	1-136-171-00	FILM	0.33uF 5% 50V	CNS204	1-568-443-11	SOCKET, CONNECTOR 13P	
C564	1-136-159-00	FILM	0.033uF 5% 50V	CNS205	1-569-323-11	SOCKET, CONNECTOR 19P	
C594	1-128-560-11	ELECT	22uF 20% 100V	CNS206	1-569-060-11	SOCKET, CONNECTOR 11P	
C595	1-128-560-11	ELECT	22uF 20% 100V	CNS207	1-784-806-11	HOUSING,CONNECTOR(PC BOARD)13P	
C596	1-164-159-11	CERAMIC	0.1uF 50V			< DIODE >	
C597	1-162-282-31	CERAMIC	100PF 10% 50V	D301	8-719-911-19	DIODE 1SS119	
C598	1-126-967-11	ELECT	47uF 20% 16V	D302	8-719-911-19	DIODE 1SS119	
C598	1-126-965-11	ELECT	22uF 20% 50V	D401	8-719-911-19	DIODE 1SS119	
C599	1-126-967-11	ELECT	47uF 20% 16V	D402	8-719-911-19	DIODE 1SS119	
C601	1-126-964-11	ELECT	10uF 20% 50V			< TERMINAL >	
C602	1-162-282-31	CERAMIC	100PF 10% 50V	* EB301	1-537-738-21	TERMINAL, EARTH	
C603	1-102-233-00	CERAMIC	33PF 10% 500V			< IC >	
C604	1-107-584-11	CERAMIC	4PF 0.25PF 500V	IC001	8-759-326-52	IC uPC2581V	
C605	1-126-933-11	ELECT	100uF 20% 10V	IC302	8-759-805-14	IC LC7822	
C606	1-162-282-31	CERAMIC	100PF 10% 50V	IC303	8-759-636-74	IC M5218AP-22	
C610	1-162-282-31	CERAMIC	100PF 10% 50V	IC304	8-759-634-51	IC M5218AP	
C651	1-126-964-11	ELECT	10uF 20% 50V	IC305	8-759-634-51	IC M5218AP	
C652	1-162-282-31	CERAMIC	100PF 10% 50V	IC306	8-759-634-51	IC M5218AP	
C653	1-102-233-00	CERAMIC	33PF 10% 500V	IC450	8-759-604-35	IC M5F78M05L	
C654	1-107-584-11	CERAMIC	4PF 0.25PF 500V	IC451	8-759-391-87	IC BA78M12P	
C655	1-126-933-11	ELECT	100uF 20% 10V	IC502	8-759-462-99	IC TC9184P	
C656	1-162-282-31	CERAMIC	100PF 10% 50V				
C693	1-126-934-11	ELECT	220uF 20% 10V				
C701	1-126-964-11	ELECT	10uF 20% 50V				
C702	1-162-282-31	CERAMIC	100PF 10% 50V				
C703	1-102-233-00	CERAMIC	33PF 10% 500V				
C704	1-107-584-11	CERAMIC	4PF 0.25PF 500V				
C705	1-126-933-11	ELECT	100uF 20% 10V				
C706	1-162-282-31	CERAMIC	100PF 10% 50V				

INPUT

Ref. No.	Part No.	Description	Remarks	Ref. No.	Part No.	Description	Remarks
IC601	8-759-326-52	IC uPC2581V		R350	1-247-807-31	CARBON	100 5% 1/4W
IC701	8-759-326-52	IC uPC2581V		R352	1-249-441-11	CARBON	100K 5% 1/4W
IC801	8-759-604-40	IC M5F78M15		R353	1-249-441-11	CARBON	100K 5% 1/4W
IC803	8-759-604-46	IC M5F79M15		R356	1-249-425-11	CARBON	4.7K 5% 1/4W F
		< JACK >		R357	1-247-807-31	CARBON	100 5% 1/4W
J201	1-695-188-31	JACK, PIN 4P (CD/PHONO)		R358	1-247-807-31	CARBON	100 5% 1/4W
J202	1-573-028-31	JACK, PIN 4P (TAPE/MD)		R359	1-249-417-11	CARBON	1K 5% 1/4W F
J203	1-785-009-11	JACK, PIN 6P (5.1/DVD INPUT)		R360	1-249-441-11	CARBON	100K 5% 1/4W
		< TRANSISTOR >		R361	1-249-441-11	CARBON	100K 5% 1/4W
Q300	8-729-922-37	TRANSISTOR 2SD2144S		R362	1-249-417-11	CARBON	1K 5% 1/4W F
Q301	8-729-922-37	TRANSISTOR 2SD2144S		R363	1-249-417-11	CARBON	1K 5% 1/4W F
Q302	8-729-922-37	TRANSISTOR 2SD2144S		R364	1-249-429-11	CARBON	10K 5% 1/4W
Q303	8-729-922-37	TRANSISTOR 2SD2144S		R365	1-249-429-11	CARBON	10K 5% 1/4W
Q304	8-729-922-37	TRANSISTOR 2SD2144S		R366	1-249-429-11	CARBON	10K 5% 1/4W
Q305	8-729-922-37	TRANSISTOR 2SD2144S		R367	1-249-417-11	CARBON	1K 5% 1/4W F
Q307	8-729-620-05	TRANSISTOR 2SC2603-EF		R368	1-249-441-11	CARBON	100K 5% 1/4W
Q411	8-729-900-63	TRANSISTOR DTA124ES		R369	1-249-441-11	CARBON	100K 5% 1/4W
Q414	8-729-900-63	TRANSISTOR DTA124ES		R370	1-249-441-11	CARBON	100K 5% 1/4W
Q501	8-729-202-67	TRANSISTOR 2SK246-GR3		R371	1-249-441-11	CARBON	100K 5% 1/4W
Q502	8-729-141-30	TRANSISTOR 2SC3623A-LK		R372	1-249-441-11	CARBON	100K 5% 1/4W
Q551	8-729-202-67	TRANSISTOR 2SK246-GR3		R373	1-249-441-11	CARBON	100K 5% 1/4W
Q552	8-729-141-30	TRANSISTOR 2SC3623A-LK		R374	1-249-417-11	CARBON	1K 5% 1/4W F
Q691	8-729-900-80	TRANSISTOR DTC114ES		R375	1-249-417-11	CARBON	1K 5% 1/4W F
Q692	8-729-422-57	TRANSISTOR UN4111		R376	1-249-417-11	CARBON	1K 5% 1/4W F
Q3008	8-729-620-05	TRANSISTOR 2SC2603-EF		R377	1-249-417-11	CARBON	1K 5% 1/4W F
		< RESISTOR >		R378	1-249-417-11	CARBON	1K 5% 1/4W F
R001	1-249-417-11	CARBON	1K 5% 1/4W F	R379	1-249-417-11	CARBON	1K 5% 1/4W F
R002	1-249-439-11	CARBON	68K 5% 1/4W	R380	1-249-419-11	CARBON	1.5K 5% 1/4W F
R003	1-249-439-11	CARBON	68K 5% 1/4W	R381	1-249-419-11	CARBON	1.5K 5% 1/4W F
R004	1-249-411-11	CARBON	330 5% 1/4W	R382	1-249-419-11	CARBON	1.5K 5% 1/4W F
R051	1-249-417-11	CARBON	1K 5% 1/4W F	R383	1-249-419-11	CARBON	1.5K 5% 1/4W F
R052	1-249-439-11	CARBON	68K 5% 1/4W	R384	1-249-419-11	CARBON	1.5K 5% 1/4W F
R053	1-249-433-11	CARBON	22K 5% 1/4W	R385	1-249-419-11	CARBON	1.5K 5% 1/4W F
R054	1-249-410-11	CARBON	270 5% 1/4W F	R386	1-249-441-11	CARBON	100K 5% 1/4W
R055	1-249-409-11	CARBON	220 5% 1/4W F	R387	1-249-440-11	CARBON	82K 5% 1/4W
R056	1-249-409-11	CARBON	220 5% 1/4W F	R388	1-249-425-11	CARBON	4.7K 5% 1/4W F
R090	1-249-433-11	CARBON	22K 5% 1/4W	R389	1-249-425-11	CARBON	4.7K 5% 1/4W F
R326	1-249-417-11	CARBON	1K 5% 1/4W F	R390	1-249-441-11	CARBON	100K 5% 1/4W
R327	1-249-417-11	CARBON	1K 5% 1/4W F	R391	1-249-429-11	CARBON	10K 5% 1/4W
R330	1-249-417-11	CARBON	1K 5% 1/4W F	R392	1-249-425-11	CARBON	4.7K 5% 1/4W F
R331	1-249-417-11	CARBON	1K 5% 1/4W F	R393	1-249-425-11	CARBON	4.7K 5% 1/4W F
R334	1-249-417-11	CARBON	1K 5% 1/4W F	R394	1-249-441-11	CARBON	100K 5% 1/4W
R335	1-249-417-11	CARBON	1K 5% 1/4W F	R395	1-249-429-11	CARBON	10K 5% 1/4W
R336	1-249-401-11	CARBON	47 5% 1/4W F	R396	1-249-433-11	CARBON	22K 5% 1/4W
R337	1-249-401-11	CARBON	47 5% 1/4W F	R397	1-249-433-11	CARBON	22K 5% 1/4W
R338	1-249-441-11	CARBON	100K 5% 1/4W	R398	1-247-895-00	CARBON	470K 5% 1/4W
R339	1-249-441-11	CARBON	100K 5% 1/4W	R399	1-249-441-11	CARBON	100K 5% 1/4W
R341	1-249-440-11	CARBON	82K 5% 1/4W	R461	1-249-436-11	CARBON	39K 5% 1/4W
R342	1-249-440-11	CARBON	82K 5% 1/4W	R462	1-249-436-11	CARBON	39K 5% 1/4W
R343	1-249-408-11	CARBON	180 5% 1/4W F	R483	1-249-441-11	CARBON	100K 5% 1/4W
R344	1-249-408-11	CARBON	180 5% 1/4W F	R486	1-249-440-11	CARBON	82K 5% 1/4W
R345	1-249-428-11	CARBON	8.2K 5% 1/4W F	R489	1-249-437-11	CARBON	47K 5% 1/4W
R346	1-249-428-11	CARBON	8.2K 5% 1/4W F	R508	1-249-441-11	CARBON	100K 5% 1/4W
R347	1-249-441-11	CARBON	100K 5% 1/4W	R509	1-247-903-00	CARBON	1M 5% 1/4W
R348	1-249-441-11	CARBON	100K 5% 1/4W	R510	1-249-426-11	CARBON	5.6K 5% 1/4W
R349	1-247-807-31	CARBON	100 5% 1/4W	R511	1-249-434-11	CARBON	27K 5% 1/4W
				R513	1-249-426-11	CARBON	5.6K 5% 1/4W
				R514	1-249-418-11	CARBON	1.2K 5% 1/4W F
				R515	1-249-441-11	CARBON	100K 5% 1/4W
				R516	1-247-843-11	CARBON	3.3K 5% 1/4W

INPUT

REARAMP

Ref. No.	Part No.	Description	Remarks	Ref. No.	Part No.	Description	Remarks
R517	1-247-883-00	CARBON	150K 5%	1/4W	R3063	1-249-429-11	CARBON 10K 5% 1/4W
R518	1-249-427-11	CARBON	6.8K 5%	1/4W F	R3368	1-249-441-11	CARBON 100K 5% 1/4W
R519	1-249-413-11	CARBON	470 5%	1/4W F	R5002	1-249-429-11	CARBON 10K 5% 1/4W
R541	1-249-429-11	CARBON	10K 5%	1/4W	R5052	1-249-429-11	CARBON 10K 5% 1/4W
R558	1-249-441-11	CARBON	100K 5%	1/4W			< RELAY >
R559	1-247-903-00	CARBON	1M 5%	1/4W			
R560	1-249-426-11	CARBON	5.6K 5%	1/4W	RY301	1-515-614-11	RELAY
R561	1-249-434-11	CARBON	27K 5%	1/4W	*****		
R563	1-249-426-11	CARBON	5.6K 5%	1/4W			
R564	1-249-418-11	CARBON	1.2K 5%	1/4W F	*	A-4407-590-A	REARAMP BOARD, COMPLETE

R565	1-249-441-11	CARBON	100K 5%	1/4W			< CAPACITOR >
R566	1-247-843-11	CARBON	3.3K 5%	1/4W			
R567	1-247-883-00	CARBON	150K 5%	1/4W	C720	1-126-967-11	ELECT 47uF 20% 16V
R568	1-249-427-11	CARBON	6.8K 5%	1/4W F	C721	1-107-597-11	CERAMIC 22PF 10% 500V
R569	1-249-413-11	CARBON	470 5%	1/4W F	C722	1-107-597-11	CERAMIC 22PF 10% 500V
R591	1-249-421-11	CARBON	2.2K 5%	1/4W F	C723	1-162-286-31	CERAMIC 220PF 10% 50V
R592	1-249-381-11	CARBON	1 5%	1/4W F	C725	1-136-157-00	FILM 0.022uF 5% 50V
R593	1-249-381-11	CARBON	1 5%	1/4W F			
R595	1-247-903-00	CARBON	1M 5%	1/4W	C770	1-126-967-11	ELECT 47uF 20% 16V
R596	1-249-421-11	CARBON	2.2K 5%	1/4W F	C771	1-107-597-11	CERAMIC 22PF 10% 500V
R597	1-247-843-11	CARBON	3.3K 5%	1/4W	C772	1-107-597-11	CERAMIC 22PF 10% 500V
R598	1-249-421-11	CARBON	2.2K 5%	1/4W F	C773	1-162-286-31	CERAMIC 220PF 10% 50V
R599	1-247-843-11	CARBON	3.3K 5%	1/4W	C775	1-136-157-00	FILM 0.022uF 5% 50V
R601	1-249-417-11	CARBON	1K 5%	1/4W F			< CONNECTOR >
R602	1-249-439-11	CARBON	68K 5%	1/4W			
R603	1-249-439-11	CARBON	68K 5%	1/4W	CNE711	1-691-768-11	PLUG (MICRO CONNECTOR) 6P
R604	1-249-411-11	CARBON	330 5%	1/4W	CNE713	1-691-765-11	PLUG (MICRO CONNECTOR) 3P
R651	1-249-429-11	CARBON	10K 5%	1/4W	* CNV711	1-564-241-11	PIN, CONNECTOR (B4P-VH) 4P
R651	1-249-417-11	CARBON	1K 5%	1/4W F	* CNV712	1-564-242-00	PIN, CONNECTOR 5P
R652	1-249-439-11	CARBON	68K 5%	1/4W			< DIODE >
R653	1-249-439-11	CARBON	68K 5%	1/4W	D701	8-719-911-19	DIODE 1SS119
R654	1-249-411-11	CARBON	330 5%	1/4W	D702	8-719-109-51	DIODE RD2.0ES-B2
R690	1-249-433-11	CARBON	22K 5%	1/4W	D703	8-719-109-51	DIODE RD2.0ES-B2
R694	1-249-425-11	CARBON	4.7K 5%	1/4W F	D704	8-719-911-19	DIODE 1SS119
R701	1-249-417-11	CARBON	1K 5%	1/4W F	D751	8-719-911-19	DIODE 1SS119
R702	1-249-439-11	CARBON	68K 5%	1/4W	D752	8-719-109-51	DIODE RD2.0ES-B2
R703	1-249-439-11	CARBON	68K 5%	1/4W	D753	8-719-109-51	DIODE RD2.0ES-B2
R704	1-249-411-11	CARBON	330 5%	1/4W	D754	8-719-911-19	DIODE 1SS119
R751	1-249-417-11	CARBON	1K 5%	1/4W F			< TRANSISTOR >
R752	1-249-439-11	CARBON	68K 5%	1/4W			
R753	1-249-439-11	CARBON	68K 5%	1/4W	Q704	8-729-119-76	TRANSISTOR 2SA1175-HFE
R754	1-249-411-11	CARBON	330 5%	1/4W	Q705	8-729-209-15	TRANSISTOR 2SD2012
R790	1-249-433-11	CARBON	22K 5%	1/4W	Q706	8-749-010-25	IC MN2488-OPY-M
R3000	1-247-895-00	CARBON	470K 5%	1/4W	Q707	8-749-010-26	IC MP1620-OPY-M
R3001	1-249-433-11	CARBON	22K 5%	1/4W	Q708	8-729-140-82	TRANSISTOR 2SA988-PAFAEA
R3002	1-249-441-11	CARBON	100K 5%	1/4W			
R3003	1-249-429-11	CARBON	10K 5%	1/4W	Q754	8-729-119-76	TRANSISTOR 2SA1175-HFE
R3004	1-249-425-11	CARBON	4.7K 5%	1/4W F	Q755	8-729-209-15	TRANSISTOR 2SD2012
R3005	1-249-440-11	CARBON	82K 5%	1/4W	Q756	8-749-010-25	IC MN2488-OPY-M
R3006	1-249-425-11	CARBON	4.7K 5%	1/4W F	Q757	8-749-010-26	IC MP1620-OPY-M
R3007	1-249-441-11	CARBON	100K 5%	1/4W	Q758	8-729-140-82	TRANSISTOR 2SA988-PAFAEA
R3008	1-249-425-11	CARBON	4.7K 5%	1/4W F			< RESISTOR >
R3009	1-249-441-11	CARBON	100K 5%	1/4W			
R3010	1-249-434-11	CARBON	27K 5%	1/4W	R706	1-247-881-00	CARBON 120K 5% 1/4W
R3011	1-249-413-11	CARBON	470 5%	1/4W F	R722	1-247-840-00	CARBON 2.4K 5% 1/4W
R3012	1-249-429-11	CARBON	10K 5%	1/4W	R723	1-249-414-11	CARBON 560 5% 1/4W F
R3013	1-249-429-11	CARBON	10K 5%	1/4W	R724	1-249-408-11	CARBON 180 5% 1/4W F
R3014	1-249-419-11	CARBON	1.5K 5%	1/4W F	R725	1-249-408-11	CARBON 180 5% 1/4W F
R3060	1-249-434-11	CARBON	27K 5%	1/4W			
R3062	1-249-429-11	CARBON	10K 5%	1/4W			

REARAMP

SP

Ref. No.	Part No.	Description	Remarks
R726	1-233-352-41	ENCAPSULATED COMPONENT	
R727	1-247-850-11	CARBON 6.2K 5%	1/4W
R728	1-249-419-11	CARBON 1.5K 5%	1/4W F
R732	1-249-437-11	CARBON 47K 5%	1/4W
R733	1-249-393-11	CARBON 10 5%	1/4W F
R756	1-247-881-00	CARBON 120K 5%	1/4W
R772	1-247-840-00	CARBON 2.4K 5%	1/4W
R773	1-249-414-11	CARBON 560 5%	1/4W F
R774	1-249-408-11	CARBON 180 5%	1/4W F
R775	1-249-408-11	CARBON 180 5%	1/4W F
R776	1-233-352-41	ENCAPSULATED COMPONENT	
R777	1-247-850-11	CARBON 6.2K 5%	1/4W
R778	1-249-419-11	CARBON 1.5K 5%	1/4W F
R782	1-249-437-11	CARBON 47K 5%	1/4W
R783	1-249-393-11	CARBON 10 5%	1/4W F

*	A-4407-602-A	SP BOARD, COMPLETE (MY,SP,CH)	

*	A-4407-592-A	SP BOARD, COMPLETE (US,CND,E,EA,PX,AUS)	

< CAPACITOR >			
C624	1-126-964-11	ELECT 10uF 20%	50V
C626	1-136-153-00	FILM 0.01uF 5%	50V
C724	1-126-964-11	ELECT 10uF 20%	50V
C726	1-136-153-00	FILM 0.01uF 5%	50V
C794	1-126-968-11	ELECT 100uF 20%	50V
C795	1-126-969-11	ELECT 220uF 20%	50V
< CONNECTOR >			
* CND602	1-564-337-00	PIN, CONNECTOR 3P	
CNE604	1-691-765-11	PLUG (MICRO CONNECTOR) 3P	
CNJ701	1-774-136-11	CONNECTOR, ROUND TYPE 6P	
(WIRELESS REAR SPEAKER)			
CNS603	1-568-439-11	SOCKET, CONNECTOR 7P	
CNV601	1-564-320-00	PIN, CONNECTOR (B2P-VH) 2P	
< DIODE >			
D543	8-719-911-19	DIODE 1SS119	
D605	8-719-911-19	DIODE 1SS119	
D606	8-719-911-19	DIODE 1SS119	
D607	8-719-911-19	DIODE 1SS119	
D649	8-719-911-19	DIODE 1SS119	
D705	8-719-911-19	DIODE 1SS119	
D706	8-719-911-19	DIODE 1SS119	
D749	8-719-911-19	DIODE 1SS119	
< IC >			
IC702	8-759-605-01	IC M5F78M18L	
< JACK >			
J501	1-770-157-21	JACK, PIN 2P (WOOFER)	
< COIL >			
L601	1-411-906-11	COIL, AIR-CORE (MY,SP,CH)	
L601	1-420-872-00	COIL, AIR-CORE (US,CND,E,EA,PX,AUS)	
L701	1-411-906-11	COIL, AIR-CORE (MY,SP,CH)	
L701	1-420-872-00	COIL, AIR-CORE (US,CND,E,EA,PX,AUS)	
L751	1-411-906-11	COIL, AIR-CORE (MY,SP,CH)	
L751	1-420-872-00	COIL, AIR-CORE (US,CND,E,EA,PX,AUS)	

Ref. No.	Part No.	Description	Remarks
< TRANSISTOR >			
Q544	8-729-119-79	TRANSISTOR 2SC2785-FEK	
Q609	8-729-281-53	TRANSISTOR 2SC1815-GR	
Q610	8-729-900-63	TRANSISTOR DTA124ES	
Q611	8-729-900-63	TRANSISTOR DTA124ES	
Q645	8-729-119-79	TRANSISTOR 2SC2785-FEK	
Q709	8-729-281-53	TRANSISTOR 2SC1815-GR	
Q710	8-729-900-63	TRANSISTOR DTA124ES	
Q745	8-729-119-79	TRANSISTOR 2SC2785-FEK	
Q747	8-729-119-79	TRANSISTOR 2SC2785-FEK	
Q748	8-729-030-19	TRANSISTOR 2SB1640	
< RESISTOR >			
R543	1-249-429-11	CARBON 10K 5%	1/4W
R544	1-249-425-11	CARBON 4.7K 5%	1/4W F
R545	1-249-393-11	CARBON 10 5%	1/4W F
R546	1-249-421-11	CARBON 2.2K 5%	1/4W F
R629	1-247-866-11	CARBON 30K 5%	1/4W
R630	1-249-421-11	CARBON 2.2K 5%	1/4W F
R631	1-249-433-11	CARBON 22K 5%	1/4W
R634	1-249-389-11	CARBON 4.7 5%	1/4W F
R635	1-249-431-11	CARBON 15K 5%	1/4W
R636	1-249-433-11	CARBON 22K 5%	1/4W
R646	1-249-432-11	CARBON 18K 5%	1/4W
R647	1-249-429-11	CARBON 10K 5%	1/4W
R648	1-249-425-11	CARBON 4.7K 5%	1/4W F
R649	1-249-393-11	CARBON 10 5%	1/4W F
R729	1-247-866-11	CARBON 30K 5%	1/4W
R730	1-249-421-11	CARBON 2.2K 5%	1/4W F
R731	1-249-433-11	CARBON 22K 5%	1/4W
R734	1-249-389-11	CARBON 4.7 5%	1/4W F
R735	1-249-431-11	CARBON 15K 5%	1/4W
R737	1-249-429-11	CARBON 10K 5%	1/4W
R738	1-247-887-00	CARBON 220K 5%	1/4W
R743	1-249-425-11	CARBON 4.7K 5%	1/4W F
R744	1-249-425-11	CARBON 4.7K 5%	1/4W F
R745	1-249-421-11	CARBON 2.2K 5%	1/4W F
R746	1-249-421-11	CARBON 2.2K 5%	1/4W F
R747	1-249-429-11	CARBON 10K 5%	1/4W
R748	1-249-425-11	CARBON 4.7K 5%	1/4W F
R749	1-249-393-11	CARBON 10 5%	1/4W F
R784	1-249-389-11	CARBON 4.7 5%	1/4W F
R787	1-249-429-11	CARBON 10K 5%	1/4W
R788	1-247-887-00	CARBON 220K 5%	1/4W
< RELAY >			
RY503	1-515-793-11	RELAY	
RY601	1-515-920-11	RELAY (24V)	
RY701	1-515-920-11	RELAY (24V)	
< TERMINAL >			
TM701	1-694-431-21	TERMINAL BOARD (SURROUND SPEAKERS)	(MY,SP,CH)
TM701	1-537-510-11	TERMINAL BOARD (SURROUND SPEAKERS)	(US,CND,E,EA,PX,AUS)

SP SW

STANDBY

STANDBY(2)

Ref. No.	Part No.	Description	Remarks
*	1-669-442-11	SP SW BOARD *****	
		< CONNECTOR >	
* CNS104	1-695-808-11	CONNECTOR, PC BOARD 8P	
		< DIODE >	
D122	8-719-911-19	DIODE 1SS119	
D123	8-719-911-19	DIODE 1SS119	
		< SWITCH >	
S143	1-762-751-11	SWITCH, TACTILE (SET UP)	
S144	1-762-751-11	SWITCH, TACTILE (CURSUR MODE)	
S155	1-762-268-11	SWITCH, ROTARY (SPEAKERS)	

*	1-669-449-11	STANDBY BOARD *****	
	1-533-217-31	HOLDER, FUSE	
		< CONNECTOR >	
CNJ901	1-540-041-11	OUTLET, AC (NONPOLAR) (2P)(CH)	
CNJ901	1-540-060-11	OUTLET, AC (POLAR)(US,CND,E,EA,PX)	
* CNP905	1-580-230-21	PIN, CONNECTOR (PC BOARD) 2P(AUS,MY,SP)	
CNV901	1-564-321-00	PIN, CONNECTOR 2P	
* CNV902	1-565-792-11	PIN, CONNECTOR 2P	
CNV903	1-568-106-11	PIN, CONNECTOR 4P (E,EA,PX)	
		< DIODE >	
D907	8-719-911-19	DIODE 1SS119	
		< TERMINAL >	
* EB902	1-537-738-21	TERMINAL, EARTH (US,CND)	
		< FUSE >	
△F901	1-533-311-11	FUSE, GLASS CYLINDRICAL(DIA.5) 8A/125V (US,CND)	
△F901	1-533-504-51	FUSE TIME LAG 4A/250V(EXCEPT US,CND)	
△F903	1-532-464-51	FUSE TIME LAG 2.5A/250V (AUS,MY,SP,CH)	
△F904	1-532-504-51	FUSE TIME LAG 4A/250V (E,EA,PX)	
		< RESISTOR >	
R901	1-202-725-00	SOLID 3.3M 10% 1/2W (US,CND)	
		< RELAY >	
RY901	1-515-999-11	RELAY, POWER	
		< TRANSFORMER >	
T902	1-450-358-11	TRANSFORMER,POWER (E,EA,PX,AUS,MY,SP,CH)	
T902	1-450-361-11	TRANSFORMER,POWER(US,CND)	

Ref. No.	Part No.	Description	Remarks
		< SWITCH >	
VS901	1-571-437-11	SWITCH, POWER VOLTAGE CHANGE (E,EA,PX)	

*	A-4407-589-A	STANDBY (2) BOARD, COMPLETE *****	
		< CAPACITOR >	
C901	1-136-157-00	FILM 0.022uF 5% 50V	
C902	1-136-157-00	FILM 0.022uF 5% 50V	
C903	1-126-768-11	ELECT 2200uF 20% 16V	
C904	1-126-960-11	ELECT 1uF 20% 50V	
C905	1-126-959-11	ELECT 0.47uF 20% 50V	
C906	1-124-464-11	ELECT 0.22uF 20% 50V	
C913	1-164-159-11	CERAMIC 0.1uF 50V	
C914	1-164-159-11	CERAMIC 0.1uF 50V	
C916	1-164-159-11	CERAMIC 0.1uF 50V	
C917	1-164-159-11	CERAMIC 0.1uF 50V	
		< CONNECTOR >	
CNE905	1-691-766-11	PLUG (MICRO CONNECTOR) 4P	
CNE951	1-691-765-11	PLUG (MICRO CONNECTOR) 3P	
		< DIODE >	
D901	8-719-200-82	DIODE 11ES2	
D902	8-719-200-82	DIODE 11ES2	
D903	8-719-200-82	DIODE 11ES2	
D904	8-719-200-82	DIODE 11ES2	
D905	8-719-911-19	DIODE 1SS119	
D906	8-719-911-19	DIODE 1SS119	
		< TERMINAL >	
* EB900	1-537-738-21	TERMINAL, EARTH	
		< IC >	
IC901	8-759-333-83	IC NJM2103D	
		< TRANSISTOR >	
O901	8-729-119-79	TRANSISTOR 2SC2785-FEK	
O902	8-729-026-68	TRANSISTOR 2SD2525(TP)	
		< RESISTOR >	
R902	1-249-429-11	CARBON 10K 5% 1/4W	
R903	1-249-425-11	CARBON 4.7K 5% 1/4W F	
R904	1-249-417-11	CARBON 1K 5% 1/4W F	
R905	1-249-428-11	CARBON 8.2K 5% 1/4W F	
R906	1-249-421-11	CARBON 2.2K 5% 1/4W F	
R908	1-249-433-11	CARBON 22K 5% 1/4W	
R909	1-249-439-11	CARBON 68K 5% 1/4W	
R910	1-249-437-11	CARBON 47K 5% 1/4W	
R912	1-249-430-11	CARBON 12K 5% 1/4W	

The components identified by mark △ or dotted line with mark △ are critical for safety. Replace only with part number specified.	Les composants identifiés par une marque △ sont critiques pour la sécurité. Ne les remplacer que par une pièce portant le numéro spécifié.
--	--

SURR

Ref. No.	Part No.	Description	Remarks
*	A-4407-593-A	SURR BOARD, COMPLETE *****	
		< CAPACITOR >	
C10	1-162-282-31	CERAMIC 100PF	10% 50V
C11	1-162-282-31	CERAMIC 100PF	10% 50V
C60	1-162-282-31	CERAMIC 100PF	10% 50V
C61	1-162-282-31	CERAMIC 100PF	10% 50V
C300	1-124-589-11	ELECT 47uF	20% 16V
C301	1-162-282-31	CERAMIC 100PF	10% 50V
C302	1-162-294-31	CERAMIC 0.001uF	10% 50V
C303	1-124-589-11	ELECT 47uF	20% 16V
C355	1-126-934-11	ELECT 220uF	20% 16V
C356	1-126-933-11	ELECT 100uF	20% 16V
C357	1-126-514-11	ELECT 22uF	20% 10V
C358	1-126-514-11	ELECT 22uF	20% 10V
C400	1-102-951-00	CERAMIC 15PF	5% 50V
C401	1-136-165-00	FILM 0.1uF	5% 50V
C402	1-102-852-91	CERAMIC 47PF	5% 50V
C403	1-130-469-00	MYLAR 680PF	5% 50V
C404	1-136-157-00	FILM 0.022uF	5% 50V
C405	1-102-973-00	CERAMIC 100PF	5% 50V
C406	1-102-953-00	CERAMIC 18PF	5% 50V
C407	1-136-161-00	FILM 0.047uF	5% 50V
C408	1-126-934-11	ELECT 220uF	20% 16V
C409	1-124-261-00	ELECT 10uF	20% 50V
C410	1-126-934-11	ELECT 220uF	20% 16V
C411	1-124-261-00	ELECT 10uF	20% 50V
C412	1-136-164-00	FILM 0.082uF	5% 50V
C413	1-124-465-00	ELECT 0.47uF	20% 50V
C414	1-124-261-00	ELECT 10uF	20% 50V
C415	1-130-477-00	MYLAR 0.0033uF	5% 50V
C416	1-136-177-00	FILM 1uF	5% 50V
C417	1-162-294-31	CERAMIC 0.001uF	10% 50V
C418	1-124-261-00	ELECT 10uF	20% 50V
C419	1-136-164-00	FILM 0.082uF	5% 50V
C420	1-126-934-11	ELECT 220uF	20% 16V
C421	1-136-177-00	FILM 1uF	5% 50V
C422	1-124-465-00	ELECT 0.47uF	20% 50V
C423	1-126-301-11	ELECT 1uF	20% 50V
C424	1-126-934-11	ELECT 220uF	20% 16V
C425	1-126-301-11	ELECT 1uF	20% 50V
C426	1-124-252-00	ELECT 0.33uF	20% 50V
C427	1-136-177-00	FILM 1uF	5% 50V
C428	1-136-177-00	FILM 1uF	5% 50V
C429	1-128-551-11	ELECT 22uF	20% 35V
C430	1-162-282-31	CERAMIC 100PF	10% 50V
C432	1-124-261-00	ELECT 10uF	20% 50V
C434	1-136-165-00	FILM 0.1uF	5% 50V
C435	1-136-165-00	FILM 0.1uF	5% 50V
C436	1-124-261-00	ELECT 10uF	20% 50V
C438	1-124-261-00	ELECT 10uF	20% 50V
C440	1-136-165-00	FILM 0.1uF	5% 50V
C441	1-136-165-00	FILM 0.1uF	5% 50V
C442	1-124-261-00	ELECT 10uF	20% 50V
C444	1-124-465-00	ELECT 0.47uF	20% 50V
C445	1-124-465-00	ELECT 0.47uF	20% 50V
C446	1-126-163-11	ELECT 4.7uF	20% 50V
C447	1-126-163-11	ELECT 4.7uF	20% 50V

Ref. No.	Part No.	Description	Remarks
C448	1-124-465-00	ELECT 0.47uF	20% 50V
C449	1-124-465-00	ELECT 0.47uF	20% 50V
C450	1-126-163-11	ELECT 4.7uF	20% 50V
C451	1-126-163-11	ELECT 4.7uF	20% 50V
C452	1-124-250-11	ELECT 0.15uF	20% 50V
C453	1-124-250-11	ELECT 0.15uF	20% 50V
C454	1-126-162-11	ELECT 3.3uF	20% 50V
C455	1-126-162-11	ELECT 3.3uF	20% 50V
C456	1-124-250-11	ELECT 0.15uF	20% 50V
C457	1-124-250-11	ELECT 0.15uF	20% 50V
C458	1-124-261-00	ELECT 10uF	20% 50V
C459	1-124-261-00	ELECT 10uF	20% 50V
C476	1-102-518-11	CERAMIC 33PF	5% 50V
C495	1-136-165-00	FILM 0.1uF	5% 50V
CC09	1-162-282-31	CERAMIC 100PF	10% 50V
CC12	1-162-282-31	CERAMIC 100PF	10% 50V
CC13	1-162-282-31	CERAMIC 100PF	10% 50V
CC59	1-162-282-31	CERAMIC 100PF	10% 50V
CC62	1-162-282-31	CERAMIC 100PF	10% 50V
CC63	1-162-282-31	CERAMIC 100PF	10% 50V
CNS401	1-569-060-11	SOCKET, CONNECTOR 11P	
CNS402	1-568-442-11	SOCKET, CONNECTOR 9P	
CNS406	1-569-060-11	SOCKET, CONNECTOR 11P	
		< IC >	
IC300	8-759-805-14	IC LC7822	
IC400	8-759-528-36	IC CXA8081S	
IC401	8-759-528-35	IC CXA8079S	
IC403	8-759-805-15	IC LC7823	
IC404	8-759-634-51	IC M5218AP	
IC407	8-759-604-38	IC M5F78M10	
		< JACK >	
J300	1-774-725-11	JACK, PIN 2P (TV/DBS AUDIO IN)	
J301	1-573-028-31	JACK, PIN 4P (VIDEO AUDIO IN/OUT)	
		< COIL >	
L400	1-410-509-11	INDUCTOR 10uH	
L403	1-410-509-11	INDUCTOR 10uH	
		< RESISTOR >	
R301	1-249-417-11	CARBON 1K	5% 1/4W F
R304	1-249-441-11	CARBON 100K	5% 1/4W
R305	1-249-441-11	CARBON 100K	5% 1/4W
R307	1-249-417-11	CARBON 1K	5% 1/4W F
R310	1-249-417-11	CARBON 1K	5% 1/4W F
R312	1-249-441-11	CARBON 100K	5% 1/4W
R314	1-249-441-11	CARBON 100K	5% 1/4W
R315	1-249-417-11	CARBON 1K	5% 1/4W F
R318	1-249-417-11	CARBON 1K	5% 1/4W F
R319	1-249-417-11	CARBON 1K	5% 1/4W F
R320	1-249-425-11	CARBON 4.7K	5% 1/4W F
R321	1-249-397-11	CARBON 22	5% 1/4W F
R322	1-249-417-11	CARBON 1K	5% 1/4W F
R323	1-249-397-11	CARBON 22	5% 1/4W F
R400	1-249-441-11	CARBON 100K	5% 1/4W

Ref. No.	Part No.	Description	Remarks
R401	1-249-436-11	CARBON 39K 5%	1/4W
R402	1-249-425-11	CARBON 4.7K 5%	1/4W F
R403	1-249-417-11	CARBON 1K 5%	1/4W F
R451	1-249-435-11	CARBON 33K 5%	1/4W
R458	1-249-436-11	CARBON 39K 5%	1/4W

*	1-669-439-11	SW BOARD *****	
		< CONNECTOR >	
CNS122	1-770-397-11	HOUSING, CONNECTOR(PC BOARD)4P	
CNS124	1-770-397-11	HOUSING, CONNECTOR(PC BOARD)4P	
CNS126	1-770-397-11	HOUSING, CONNECTOR(PC BOARD)4P	
		< DIODE >	
D132	8-719-058-64	DIODE SEL5823A-TP15 (TUNER)	
D133	8-719-058-64	DIODE SEL5823A-TP15 (VIDEO)	
D134	8-719-058-64	DIODE SEL5823A-TP15 (PHONO)	
D137	8-719-058-64	DIODE SEL5823A-TP15 (CD)	
D138	8-719-058-64	DIODE SEL5823A-TP15 (TV/LD)	
D139	8-719-058-64	DIODE SEL5823A-TP15 (TAPE/MD)	
		< RESISTOR >	
RR152	1-249-411-11	CARBON 330 5%	1/4W
RR131	1-249-411-11	CARBON 330 5%	1/4W
RR132	1-249-413-11	CARBON 470 5%	1/4W F
RR133	1-249-415-11	CARBON 680 5%	1/4W F
RR134	1-249-417-11	CARBON 1K 5%	1/4W F
RR135	1-249-419-11	CARBON 1.5K 5%	1/4W F
RR136	1-249-421-11	CARBON 2.2K 5%	1/4W F
RR137	1-249-425-11	CARBON 4.7K 5%	1/4W F
RR138	1-249-429-11	CARBON 10K 5%	1/4W
RR141	1-249-413-11	CARBON 470 5%	1/4W F
RR142	1-249-415-11	CARBON 680 5%	1/4W F
RR143	1-249-417-11	CARBON 1K 5%	1/4W F
RR144	1-249-419-11	CARBON 1.5K 5%	1/4W F
RR145	1-249-421-11	CARBON 2.2K 5%	1/4W F
RR146	1-249-425-11	CARBON 4.7K 5%	1/4W F
RR147	1-249-429-11	CARBON 10K 5%	1/4W
RR148	1-249-435-11	CARBON 33K 5%	1/4W
RR151	1-249-413-11	CARBON 470 5%	1/4W F
RR152	1-249-415-11	CARBON 680 5%	1/4W F
RR153	1-249-417-11	CARBON 1K 5%	1/4W F
RR154	1-249-419-11	CARBON 1.5K 5%	1/4W F
RR155	1-249-421-11	CARBON 2.2K 5%	1/4W F
RR156	1-249-425-11	CARBON 4.7K 5%	1/4W F
RR157	1-249-429-11	CARBON 10K 5%	1/4W
		< SWITCH >	
S102	1-762-751-11	SWITCH, TACTILE (DIRECT TUNING)	
S103	1-762-751-11	SWITCH, TACTILE (1)	
S104	1-762-751-11	SWITCH, TACTILE (2)	
S105	1-762-751-11	SWITCH, TACTILE (3)	
S106	1-762-751-11	SWITCH, TACTILE (4)	
S107	1-762-751-11	SWITCH, TACTILE (5)	
S108	1-762-751-11	SWITCH, TACTILE (SOUND FILE ON/OFF)	
S111	1-762-750-11	SWITCH, TACTILE (TUNER)	
S114	1-762-751-11	SWITCH, TACTILE (SHIFT)	
S115	1-762-751-11	SWITCH, TACTILE (6)	

Ref. No.	Part No.	Description	Remarks
S116	1-762-751-11	SWITCH, TACTILE (7)	
S117	1-762-751-11	SWITCH, TACTILE (GENRE)	
S118	1-762-751-11	SWITCH, TACTILE (5.1/DVD INPUT)	
S125	1-762-751-11	SWITCH, TACTILE (8)	
S126	1-762-751-11	SWITCH, TACTILE (9)	
S127	1-762-751-11	SWITCH, TACTILE (0)	
S128	1-762-751-11	SWITCH, TACTILE (MODE)	
S129	1-762-751-11	SWITCH, TACTILE (BASS BOOST)	
S130	1-762-751-11	SWITCH, TACTILE (TONE ON/OFF)	
S133	1-762-750-11	SWITCH, TACTILE (VIDEO)	
S145	1-762-750-11	SWITCH, TACTILE (PHONO)	
S146	1-762-750-11	SWITCH, TACTILE (CD)	
S147	1-762-750-11	SWITCH, TACTILE (TV/LD)	
S148	1-762-750-11	SWITCH, TACTILE (TAPE/MD)	

*	1-669-435-11	VIDEO BOARD *****	
		< CAPACITOR >	
C201	1-126-960-11	ELECT 1uF 20%	50V
C203	1-126-960-11	ELECT 1uF 20%	50V
C204	1-126-960-11	ELECT 1uF 20%	50V
C205	1-162-215-31	CERAMIC 47PF 5%	50V
C206	1-162-215-31	CERAMIC 47PF 5%	50V
C208	1-126-960-11	ELECT 1uF 20%	50V
C209	1-164-159-11	CERAMIC 0.1uF	50V
C210	1-164-159-11	CERAMIC 0.1uF	50V
C211	1-164-159-11	CERAMIC 0.1uF	50V
C212	1-164-159-11	CERAMIC 0.1uF	50V
C213	1-126-933-11	ELECT 100uF 20%	16V
C214	1-126-933-11	ELECT 100uF 20%	16V
		< CONNECTOR >	
CNS211	1-569-321-11	SOCKET, CONNECTOR 15P	
		< DIODE >	
D201	8-719-911-19	DIODE 1SS119	
D202	8-719-911-19	DIODE 1SS119	
		< IC >	
IC201	8-759-529-20	IC NJM2296D	
IC202	8-759-700-65	IC NJM79L05A	
		< JACK >	
J201	1-770-337-11	JACK, PIN 3P (VIDEO/MONITOR)	
J203	1-695-317-21	JACK, PIN 2P (5.1/DVD,TV/DBS,VIDEO IN)	
		< RESISTOR >	
R201	1-249-403-11	CARBON 68 5%	1/4W F
R203	1-249-403-11	CARBON 68 5%	1/4W F
R204	1-249-403-11	CARBON 68 5%	1/4W F
R205	1-249-403-11	CARBON 68 5%	1/4W F
R206	1-249-403-11	CARBON 68 5%	1/4W F

VOL

Ref. No.	Part No.	Description	Remarks
*	1-669-446-11	VOL BOARD *****	
		< CONNECTOR >	
CNP101	1-770-388-11	PIN, CONNECTOR (PC BOARD) 4P	
CNS402	1-569-323-11	SOCKET, CONNECTOR 19P	
		< VARIABLE RESISTOR >	
RV401	1-225-446-11	RES, VAR, CARBON 100KX6 (MASTER VOLUME)	

		MISCELLANEOUS *****	
12	1-769-993-11	WIRE (FLAT TYPE) (13 CORE)	
△ 54	1-696-847-11	CORD, POWER (AUS)	
△ 54	1-769-743-11	CORD, POWER (US,CND)	
△ 54	1-769-744-11	CORD, POWER (E,EA,PX,MY,SP)	
△ 54	1-782-464-21	CORD, POWER (CH)	
64	1-693-407-21	TUNER (US,CND,E,EA,PX)	
64	1-693-408-21	TUNER (AUS,MY,SP,CH)	
69	1-769-941-11	WIRE (FLAT TYPE) (11 CORE)	
69	1-769-948-11	WIRE (FLAT TYPE) (11 CORE)	
70	1-765-321-11	WIRE (FLAT TYPE) (9 CORE)	
71	1-773-110-11	WIRE (FLAT TYPE) (19 CORE)	
72	1-769-877-11	WIRE (FLAT TYPE) (7 CORE)	
73	1-773-008-11	WIRE (FLAT TYPE) (15 CORE)	
73	1-773-022-11	WIRE (FLAT TYPE) (15 CORE)	
△ CNJ902	1-251-416-11	OUTLET, A.C. (AUS)	
△ CNJ902	1-526-794-11	OUTLET, AC (MY,SP)	
△ T901	1-431-809-11	TRANSFORMER, POWER (US)	
△ T901	1-431-810-11	TRANSFORMER, POWER (CND)	
△ T901	1-431-811-11	TRANSFORMER, POWER (MY,SP,CH)	
△ T901	1-431-812-11	TRANSFORMER, POWER (AUS)	
△ T901	1-431-813-11	TRANSFORMER, POWER (E,EA,PX)	

Ref. No.	Part No.	Description	Remarks
		ACCESSORIES & PACKING MATERIALS *****	
	1-475-135-11	REMOTE COMMANDER RM-U501(CH)	
	8-917-634-90	REMOTE COMMANDER RM-PP401(CND)	
	8-917-635-90	REMOTE COMMANDER RM-U401 (EXCEPT CND,CH)	
	4-978-977-01	BATTERY, COVER	
	3-864-029-11	MANUAL, INSTRUCTION (ENGLISH)	
	3-864-029-21	MANUAL, INSTRUCTION (FRENCH)	
	3-864-029-31	MANUAL, INSTRUCTION (ENGLISH/FRENCH/SPANISH)	
	3-864-029-41	MANUAL, INSTRUCTION (ENGLISH/CHINESE)	
	3-864-029-51	MANUAL, INSTRUCTION (ENGLISH/CHINESE)	
	1-501-374-11	ANTENNA, LOOP	

		HARDWARE LIST *****	
#1	7-685-646-79	SCREW +BVTP 3X8 TYPE2 TT(B)	
#2	7-685-881-09	SCREW +BVTT 4X8 (S)	
#3	7-685-872-09	SCREW +BVTT 3X8 (S)	

<p>The components identified by mark △ or dotted line with mark △ are critical for safety. Replace only with part number specified.</p>	<p>Les composants identifiés par une marque △ sont critiques pour la sécurité. Ne les remplacer que par une pièce portant le numéro spécifié.</p>
---	---