

TA-A50

SERVICE MANUAL

*E Model
Australian Model
Tourist Model*



This set is the amplifier section in LBT-A50/A50CD/A50CDM.

SPECIFICATIONS

Peak music power output 750 W (4 speakers driven)
Continuous RMS power output 60 W + 60 W
(6 ohms, at 1 kHz, 5 % THD)

Input	Jack type	Sensitivity	Impedance
PHONO (MM)	Phono	3.3 mV	47 kohms
VIDEO	Phono	270 mV	47 kohms
MIC	Phone	1.0 mV	10 kohms

Audio output	Jack type	Impedance
SURROUND SPEAKER	Phono	Accepts speakers of 8 to 16 ohms
HEADPHONES	Stereophone	Accepts headphones of 8 ohms or more

Frequency response 10 Hz to 50 kHz $+0$ -3 dB
Power requirements 120/220/240 V AC adjustable,
50/60 Hz
Power consumption 180 W
Weight Approx. 6.0 kg
Dimensions Approx. 355 × 132 × 320 mm
(w/h/d, including projections)

Design and specifications are subject to change without notice.



INTEGRATED STEREO AMPLIFIER
SONY[®]



TABLE OF CONTENTS

<u>Section</u>	<u>Title</u>	<u>Page</u>
SECTION 1.	GENERAL	3
SECTION 2.	DIAGRAMS	
2-1.	CIRCUIT BOARDS LOCATION	3
2-2.	SCHEMATIC DIAGRAMS — PANEL Section —	4
	IC BLOCK DIAGRAMS	7
2-3.	SCHEMATIC DIAGRAMS — MAIN Section —	8
	IC BLOCK DIAGRAMS	12
2-4.	PRINTED WIRING BOARDS	13
2-5.	SEMICONDUCTOR LEAD LAYOUTS	18
SECTION 3.	EXPLODED VIEWS	
3-1.	CABINET SECTION	20
3-2.	MAIN BOARD SECTION	21
SECTION 4.	ELECTRICAL PARTS LIST	22

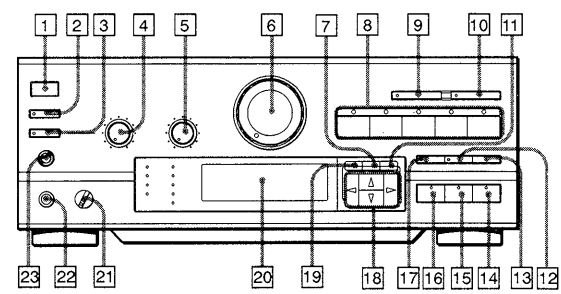
SAFETY-RELATED COMPONENT WARNING!!

COMPONENTS IDENTIFIED BY MARK  OR DOTTED LINE WITH MARK  ON THE SCHEMATIC DIAGRAMS AND IN THE PARTS LIST ARE CRITICAL TO SAFE OPERATION. REPLACE THESE COMPONENTS WITH SONY PARTS WHOSE PART NUMBERS APPEAR AS SHOWN IN THIS MANUAL OR IN SUPPLEMENTS PUBLISHED BY SONY.

**SECTION 1
GENERAL**

This section is extracted from instruction manual.

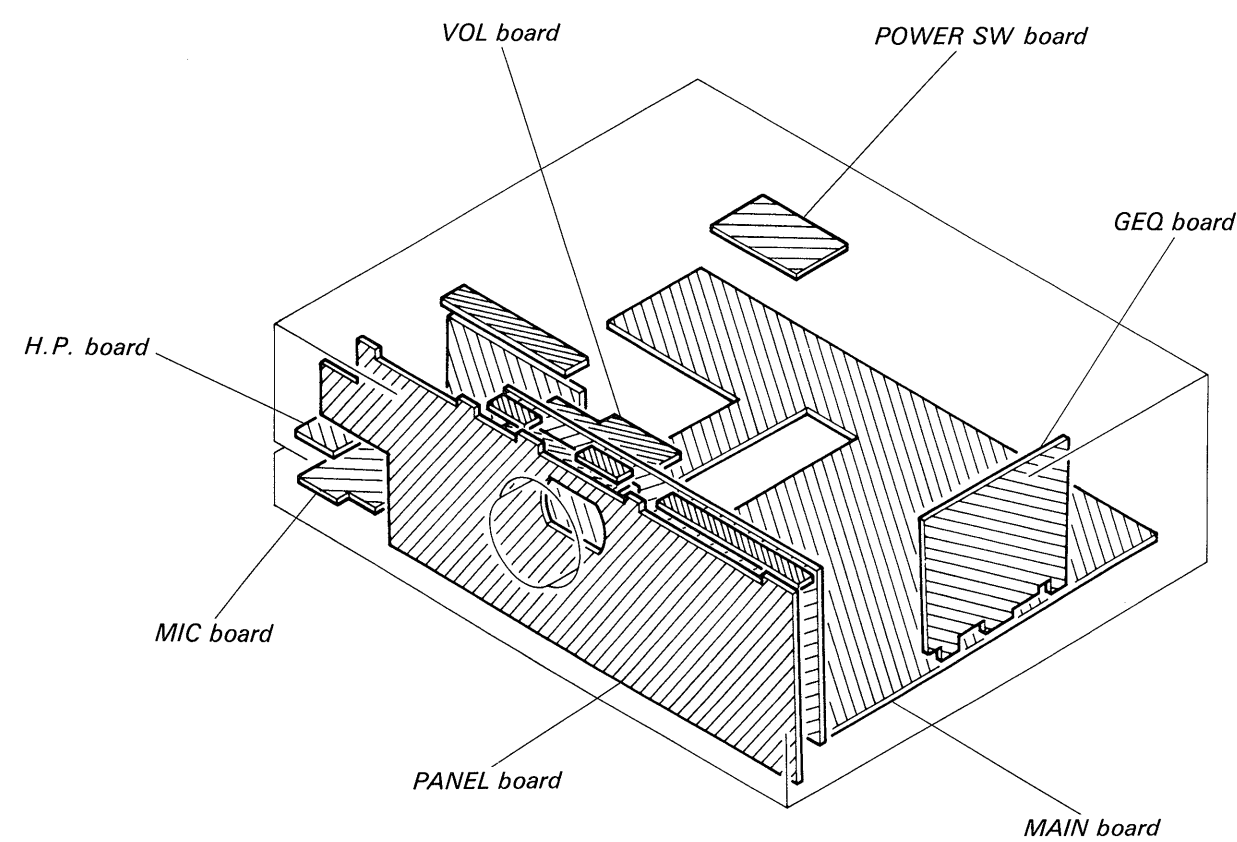
Location of Controls



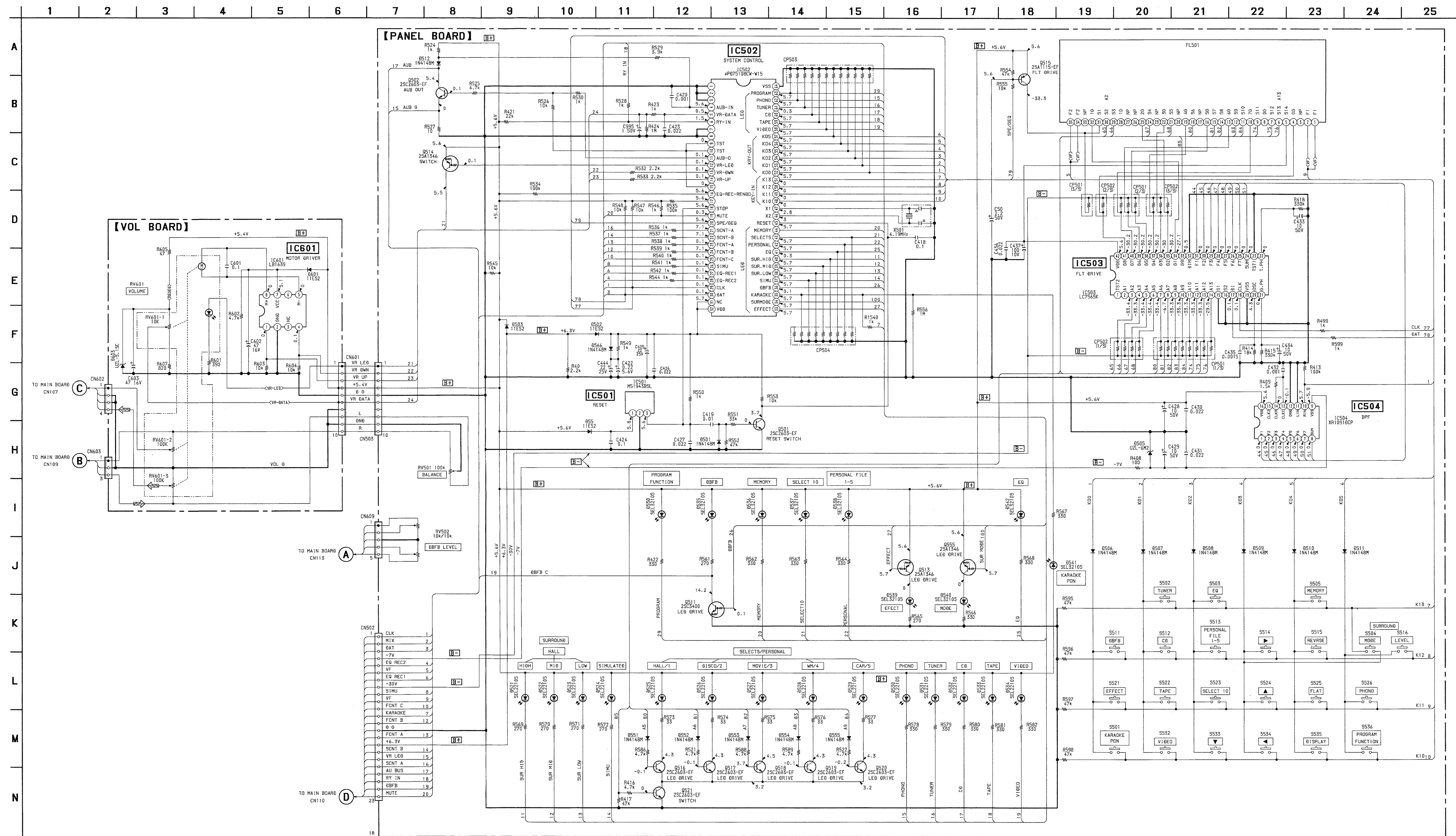
- 1 POWER switch (16)
- 2 EFFECT button and indicator (68)
- 3 DBFB button and indicator (18)
- 4 DBFB LEVEL control (18)
- 5 BALANCE control (18)
- 6 VOLUME control and indicator (18)
- 7 FLAT button (70)
- 8 Function selectors and indicators
- 9 KARAOKE PON button and indicator (69)
- 10 PROGRAM FUNCTION button and indicator (19)
- 11 REVERSE button (70)
- 12 SURROUND MODE button and indicator (62)
- 13 SURROUND LEVEL button (62)
- 14 EQ button and indicator (66)
- 15 PERSONAL FILE 1-5 button and indicator (72)
- 16 SELECT 5 button and indicator (64)
- 17 MEMORY button and indicator (72)
- 18 CURSOR CONTROL buttons (64, 66, 72, 74)
- 19 DISPLAY button (70)
- 20 Display window
- 21 MIC (microphone) jack (56)
- 22 MIC (microphone) jack (56)
- 23 HEADPHONES jack

**SECTION 2
DIAGRAMS**

2-1. CIRCUIT BOARDS LOCATION



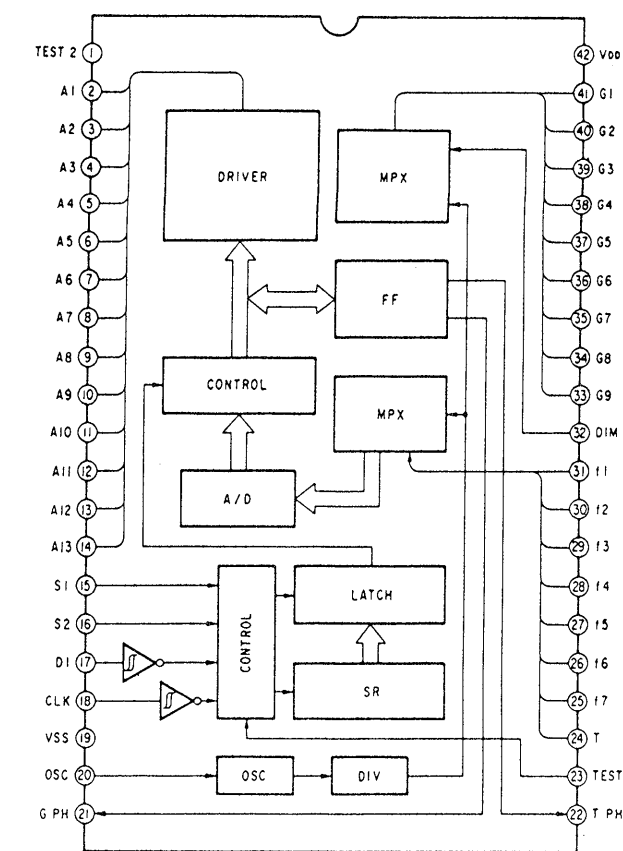
2-2. SCHEMATIC DIAGRAMS - PANEL Section -



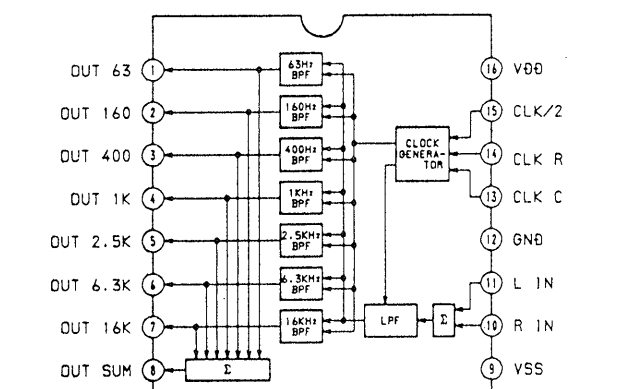
- Note:**
- All capacitors are in μF unless otherwise noted. μF : μF
 - All resistors are in Ω and $\frac{1}{4}\text{W}$ or less unless otherwise specified.
 - Δ : internal component.
 - \square : nonflammable resistor.
 - \square : fusible resistor.
 - \square : printed resistor.
 - B+ : B+ Line
 - B- : B- Line
 - \square : adjustment for repair.
 - $\#$: selected to yield optimum performance.
 - AC voltage readings in the bias oscillator with a VTVM.
 - Total current is measured with no cassette installed.

- Power voltage is dc V and fed with regulated dc power supply from external power voltage jack.
- Voltage and waveforms are dc with respect to ground under no-signal (detuned) conditions.
- Voltages are taken with a VOM (Input Impedance 10M Ω). Voltage variations may be noted due to normal production tolerances.
- Circled numbers refer to waveforms.
- \square : CD

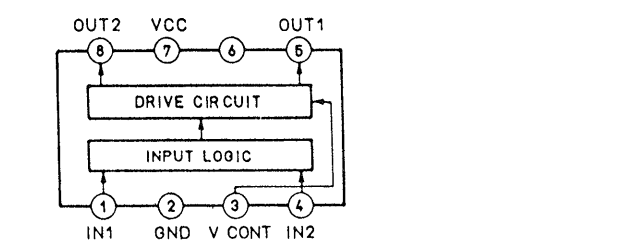
IC503 LC7565K

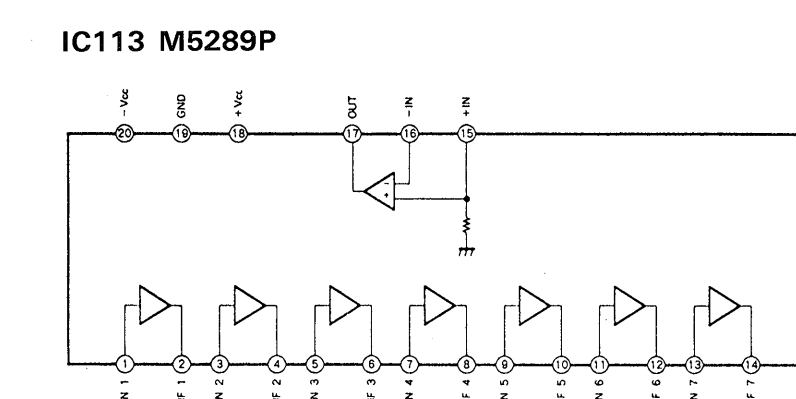
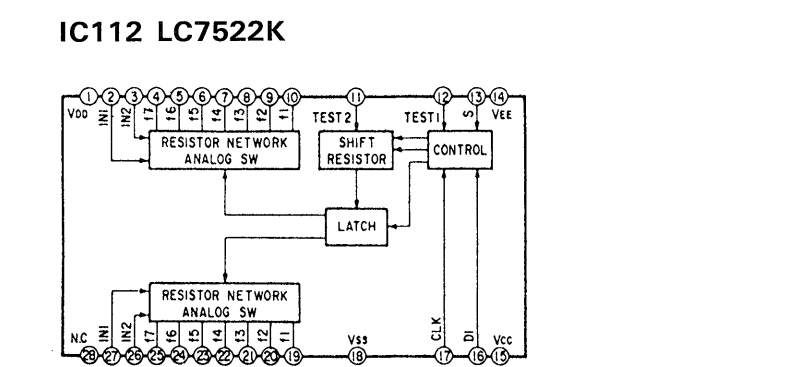
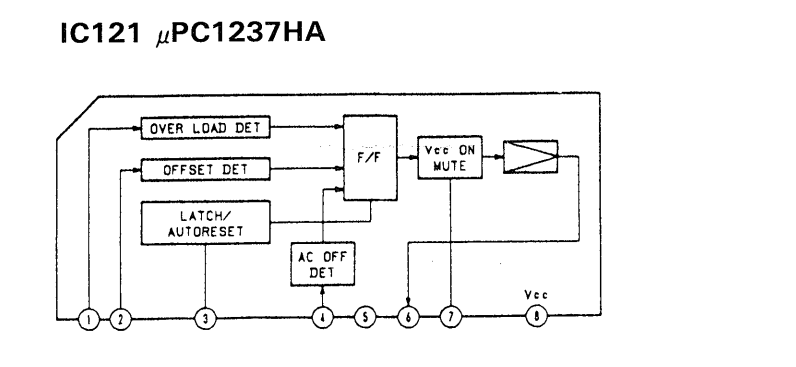
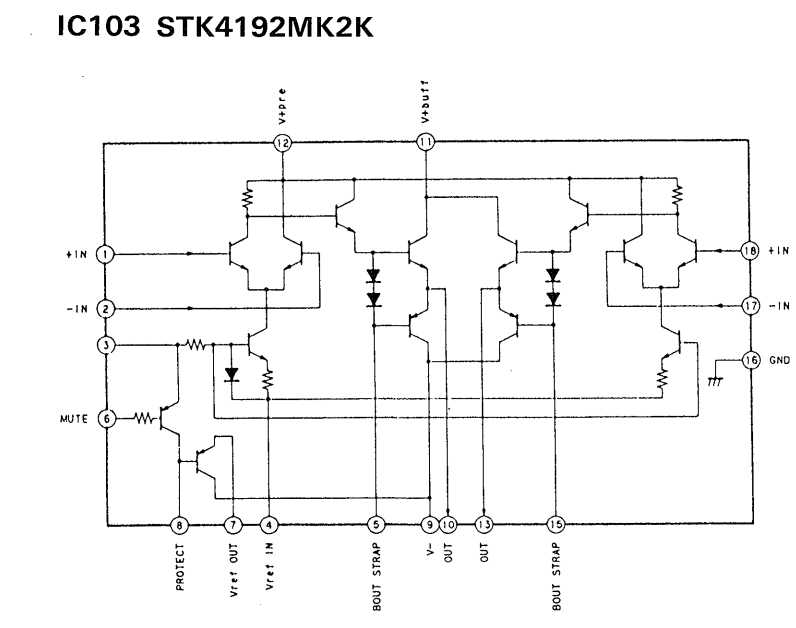
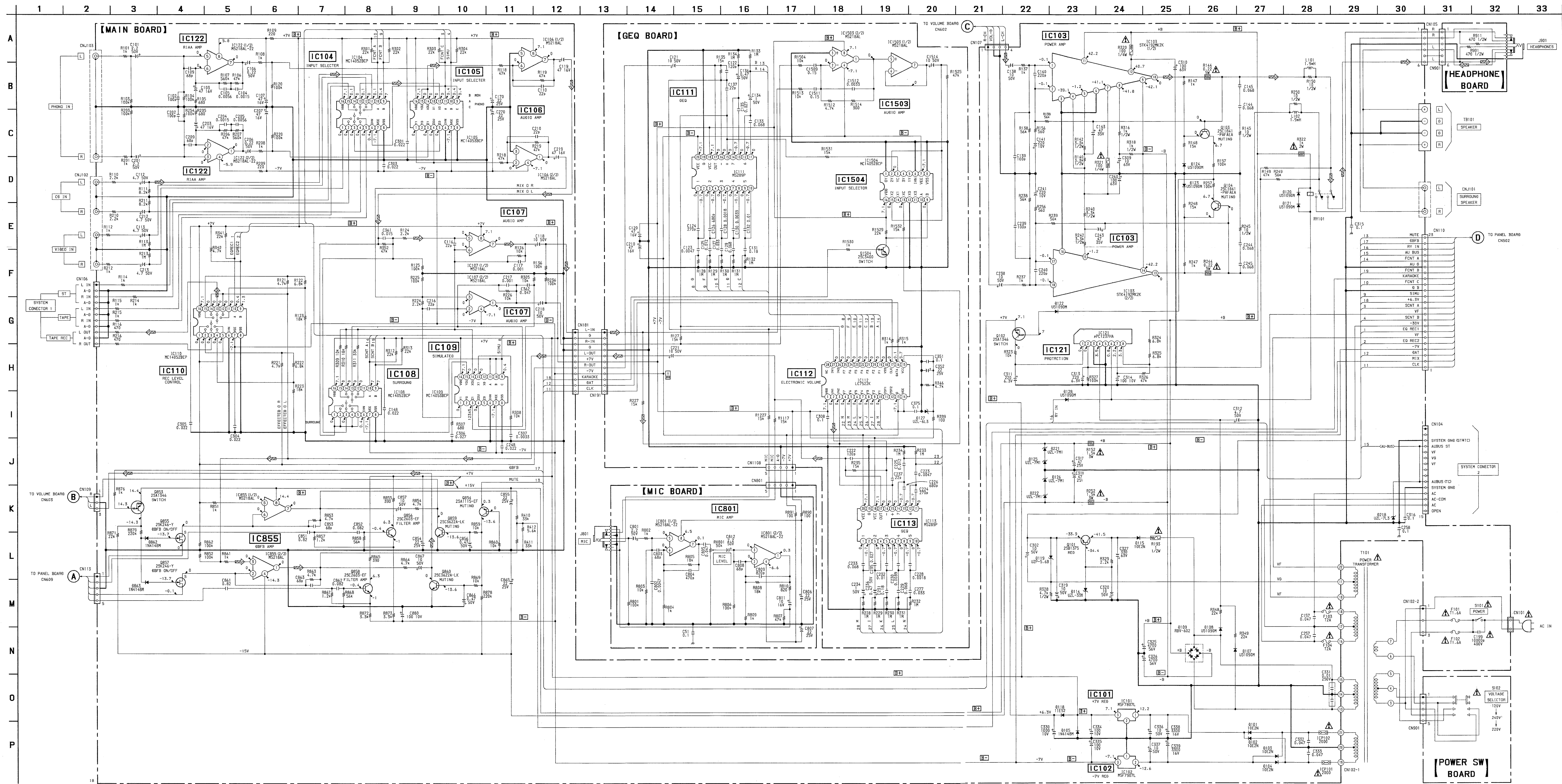


IC504 XR1091DCP



IC601 LB1639





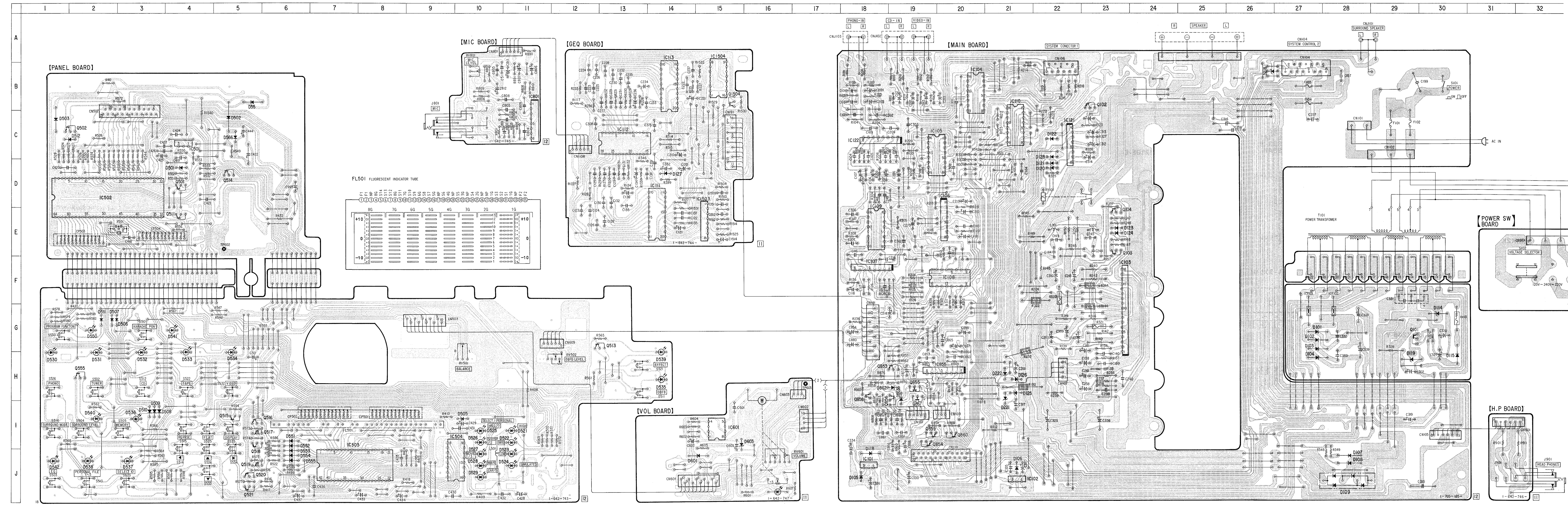
Note:

- All capacitors are in μF unless otherwise noted. $\text{pF} = \mu\text{F} \times 10^{-6}$.
- AC voltage readings in the bias oscillator with a VTVM.
- Total current is measured with no cassette installed.
- Power voltage is dc V and fed with regulated dc power supply from external power voltage jack.
- Voltage and waveforms are dc with respect to ground under no-signal (detuned) conditions.
- Waveforms are taken with a VOM (input Impedance $10\text{M}\Omega$). Voltage variations may be noted due to normal production tolerances.
- Circled numbers refer to waveforms.
- Signal paths.
- CD

2-4. PRINTED WIRING BOARDS

● Semiconductor Location

Ref. No.	Location	Ref. No.	Location	Ref. No.	Location
D55	B-5	D527	J-10	IC504	J-10
D101	G-27	D528	J-10	IC601	I-15
D102	G-27	D529	J-10	IC855	H-20
D103	G-27	D530	G-1	IC1503	E-15
D104	H-27	D531	G-2	IC1504	B-15
D105	J-18	D532	G-3		
D106	J-21	D533	G-4	Q101	G-29
D107	J-28	D534	G-5	Q102	B-23
D108	J-28	D535	H-14	Q103	E-23
D109	J-28	D536	I-3	Q104	E-23
D113	B-23	D537	J-3	Q511	E-4
D114	G-30	D538	J-2	Q513	G-13
D115	H-30	D539	G-14	Q514	D-5
D116	B-24	D540	I-2	Q515	I-5
D117	B-23	D541	G-2	Q516	I-5
D118	J-18	D542	J-1	Q517	I-5
D119	H-29	D550	G-2	Q518	I-5
D120	D-22	D551	I-6	Q519	J-5
D121	D-22	D552	I-6	Q520	J-5
D122	C-22	D553	I-6	Q521	J-5
D123	E-23	D554	J-6	Q555	H-2
D124	E-23	D555	J-6	Q853	H-19
D125	H-21	D566	C-5	Q854	I-19
D126	H-21	D601	J-14	Q855	H-19
D127	D-14	D603	J-15	Q856	H-18
D128	C-22	D862	H-19	Q857	H-19
D218	B-26	D863	H-19	Q858	H-18
D221	H-21			Q859	I-19
D222	H-21	IC101	J-18	Q860	I-19
D501	D-4	IC102	J-21	Q1504	B-15
D502	C-5	IC103	F-23		
D503	C-1	IC104	B-20		
D505	I-10	IC105	C-19		
D506	G-2	IC106	E-20		
D507	G-2	IC107	F-18		
D508	I-3	IC108	F-20		
D509	I-3	IC109	E-18		
D510	I-3	IC110	C-21		
D511	G-2	IC111	E-14		
D512	C-1	IC112	C-13		
D521	I-11	IC113	B-14		
D522	I-11	IC121	C-22		
D523	J-11	IC122	C-18		
D524	J-11	IC501	C-4		
D525	I-10	IC502	D-2		
D526	I-10	IC503	J-7		



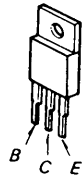
Note:
 ● ○ : parts extracted from the component side.

2-5. SEMICONDUCTOR LEAD LAYOUT

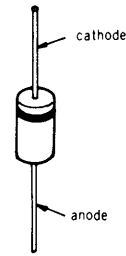
M51943BSL



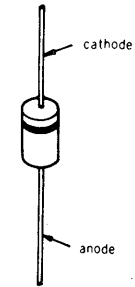
2SB1094-LK



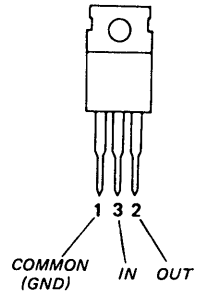
10E2N
1N4148M
1S1585



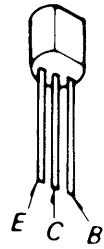
UZL-6L3
UZL-6M2
UZL-7L3
UZP-5.6B



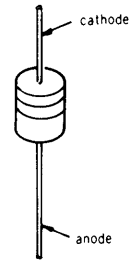
M5F7907



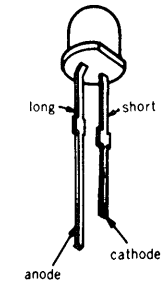
2SC1841-PAFAEA



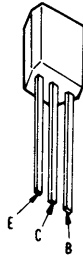
11ES2
HZL-7M1
HZS33-2L
HZS6AIL



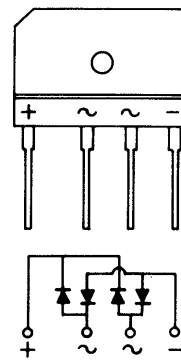
SEL2210S-D



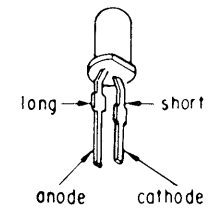
2SC2603-EF
2SC3622A-LK
DTA-124ES
DTC-124ES



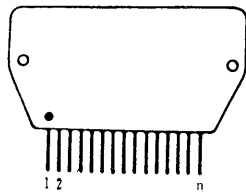
RBV-602-01



SEL3210S-CD

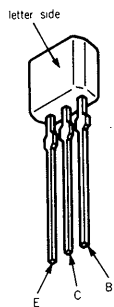


STK-4192MK2K

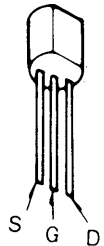


(Making side View)

2SA1175-HFE



2SK246-Y



SECTION 3 EXPLODED VIEWS

NOTE:

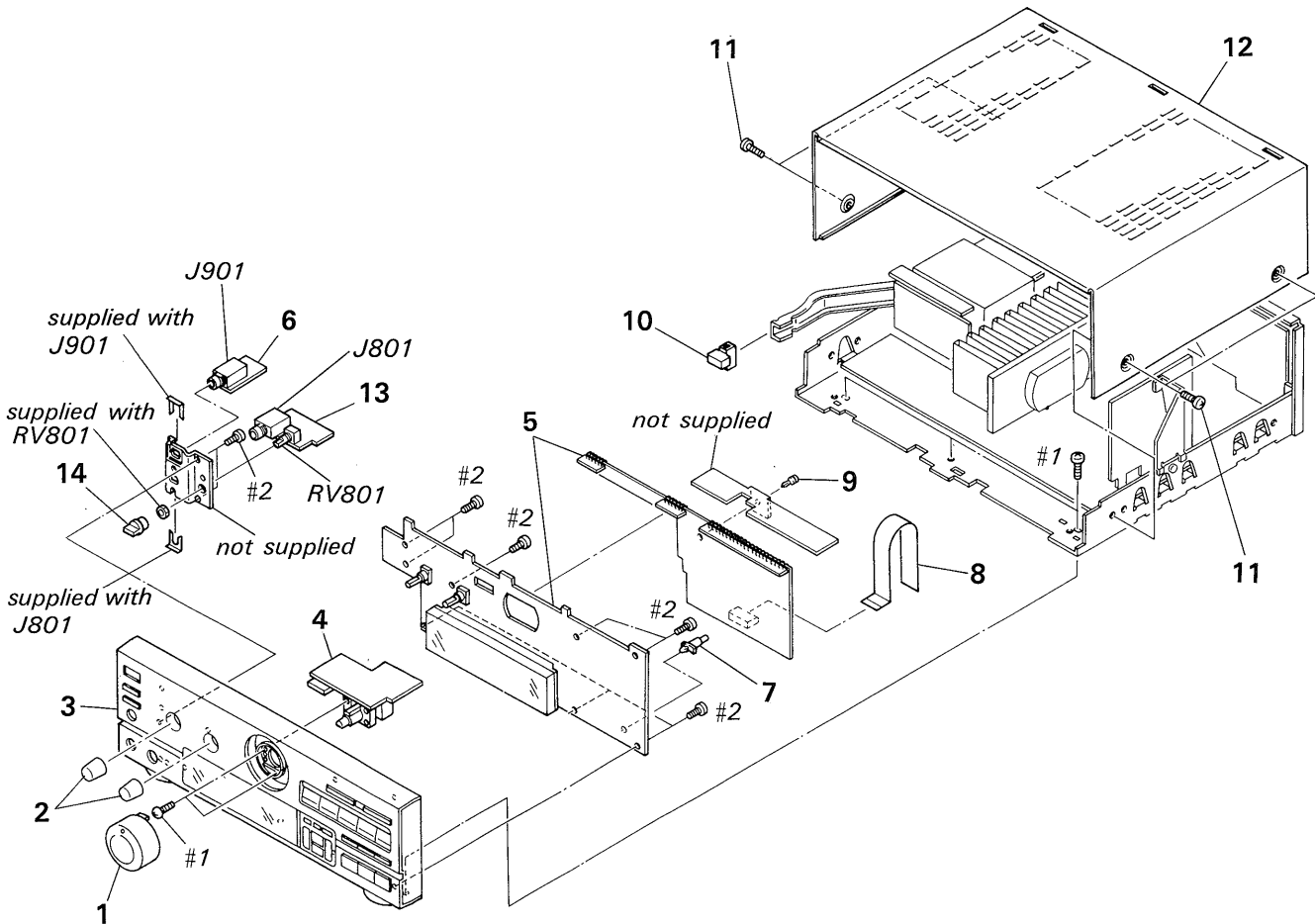
- -XX, -X mean standardized parts, so they may have some differences from the original one.
- Color Indication of Appearance Parts
Example:
KNOB, BALANCE(WHITE)...(RED)
 ↑ ↑
 Parts color Cabinet's color

- Items marked " * " are not stocked since they are seldom required for routine service. Some delay should be anticipated when ordering these items.
- The mechanical parts with no reference number in the exploded views are not supplied.
- hardware (#mark) list is given in the last of this parts list.

The components identified by mark or dotted line with mark are critical for safety. Replace only with part number specified.

JE:Tourist
EA: Saudi Arabia
AUS: Australian

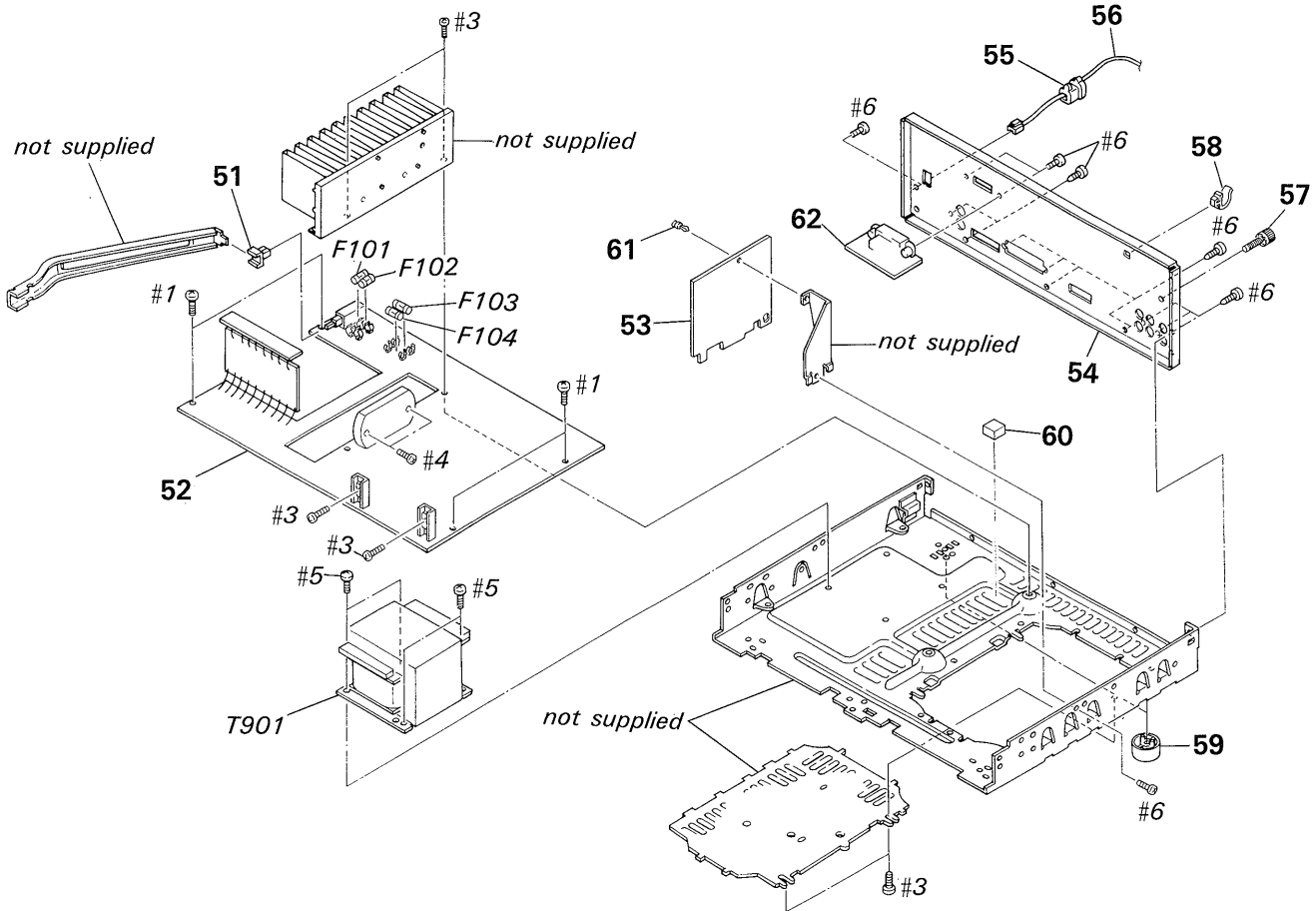
3-1. CABINET SECTION



Ref. No.	Part No.	Description	Remark
1	X-4942-418-1	KNOB ASSY, ROUND	
2	4-950-651-11	KNOB (DIA. 16), ROUND	
3	X-4942-432-1	PANEL ASSY, FRONT	
* 4	1-642-747-11	VOL BOARD	
* 5	A-4347-274-A	PANEL BOARD, COMPLETE	
* 6	1-642-746-11	H. P. BOARD	
* 7	4-924-098-31	HOLDER, PC BOARD	
8	1-690-697-11	WIRE (FLAT TYPE) (23 CORE)	
9	4-812-134-11	RIVET NYLON, 3.5	

Ref. No.	Part No.	Description	Remark
10	4-942-061-11	BUTTON (P)	
11	3-363-099-01	SCREW (CASE +3X8 TP2)	
* 12	4-949-912-11	CASE	
* 13	A-4347-284-A	MIC BOARD, COMPLETE	
14	4-950-652-11	KNOB (DIA. 12), ROUND	
J801	1-507-854-00	JACK, PHONE (MIC)	
J901	1-507-854-00	JACK, PHONE (HEADPHONE)	
RV801	1-241-317-11	RES, VAR, CARBON 50K (MIC LEVEL)	

3-2. MAIN BOARD SECTION



Ref. No.	Part No.	Description	Remark
	51	4-866-342-00 JOINT (B), KNOB	
*	52	A-4347-267-A MAIN BOARD, COMPLETE	
*	53	A-4347-283-A GEQ BOARD, COMPLETE	
*	54	4-950-662-31 PANEL (B3120), BACK	
*	55	3-703-244-00 BUSHING (2104), CORD (EA, AUS)	
*	55	3-703-571-11 BUSHING (S) (4516), CORD (E, JE)	
△	56	1-575-651-11 CORD, POWER (EA)	
△	56	1-575-656-11 CORD, POWER (E, JE)	
△	56	1-690-056-11 CORD, POWER (AUS)	
	57	4-947-010-01 SCREW, FEEDER FIXED	

Ref. No.	Part No.	Description	Remark
*	58	4-949-235-01 HOOK	
	59	4-931-169-01 FOOT	
*	60	4-932-867-01 CUSHION	
	61	4-812-134-11 RIVET NYLON, 3.5	
*	62	1-642-742-11 POWER SW BOARD	
△	F101	1-532-259-00 FUSE (T1. 6A)	
△	F102	1-532-259-00 FUSE (T1. 6A)	
△	F103	1-532-203-00 FUSE (T2. 0A)	
△	F104	1-532-203-00 FUSE (T2. 0A)	
△	T901	1-450-813-11 TRANSFORMER, POWER	

The components identified by mark or dotted line with mark are critical for safety. Replace only with part number specified.

SECTION 4 ELECTRICAL PARTS LIST

MAIN

POWER SW

NOTE:

- Due to standardization, replacements in the parts list may be different from the parts specified in the diagrams or the components used on the set.
- -XX and -X mean standardized parts, so they may have some difference from the original one.
- RESISTORS
All resistors are in ohms.
METAL: Metal-film resistor.
METAL OXIDE: Metal oxide-film resistor.
F: nonflammable

- Items marked "*" are not stocked since they are seldom required for routine service. Some delay should be anticipated when ordering these items.
- SEMICONDUCTORS
In each case, u: μ , for example:
uA . . : μ A. . uPA . . : μ PA. .
uPB . . : μ PB. . uPC . . : μ PC. . uPD . . : μ PD. .
- CAPACITORS
uF: μ F
- COILS
uH: μ H

The components identified by mark \triangle or dotted line with mark \triangle are critical for safety. Replace only with part number specified.

When indicating parts by reference number, please include the board.

Ref. No.	Part No.	Description	Remark	Ref. No.	Part No.	Description	Remark
*	A-4347-267-A	MAIN BOARD, COMPLETE *****		C170	1-126-049-11	ELECT 22uF 20%	25V
*	1-642-742-11	POWER SW BOARD *****		C199	1-161-744-00	CERAMIC 0.01uF	400V
*	1-533-213-31	HOLDER, FUSE		C201	1-126-161-11	ELECT 2.2uF 20%	50V
*	3-309-144-21	HEAT SINK		C202	1-162-282-31	CERAMIC 100PF 10%	50V
*	4-942-204-01	PLATE, GROUND		C203	1-126-022-11	ELECT 47uF 20%	16V
*	7-682-548-04	SCREW +BVTT 3X8 (S)		C204	1-106-347-00	MYLAR 1500PF 5%	200V
< CAPACITOR >				C205	1-130-480-00	MYLAR 0.0056uF 5%	50V
C101	1-126-161-11	ELECT 2.2uF 20%	50V	C206	1-124-464-11	ELECT 0.22uF 20%	50V
C102	1-162-282-31	CERAMIC 100PF 10%	50V	C207	1-126-022-11	ELECT 47uF 20%	16V
C103	1-126-022-11	ELECT 47uF 20%	16V	C209	1-162-219-31	CERAMIC 68PF 5%	50V
C104	1-106-347-00	MYLAR 1500PF 5%	200V	C210	1-162-207-31	CERAMIC 22PF 5%	50V
C105	1-130-480-00	MYLAR 0.0056uF 5%	50V	C212	1-126-163-11	ELECT 4.7uF 20%	50V
C106	1-124-464-11	ELECT 0.22uF 20%	50V	C213	1-126-163-11	ELECT 4.7uF 20%	50V
C107	1-126-022-11	ELECT 47uF 20%	16V	C216	1-162-207-31	CERAMIC 22PF 5%	50V
C109	1-162-219-31	CERAMIC 68PF 5%	50V	C217	1-162-294-31	CERAMIC 0.001uF 10%	50V
C110	1-162-207-31	CERAMIC 22PF 5%	50V	C218	1-126-059-11	ELECT 10uF 20%	50V
C112	1-126-163-11	ELECT 4.7uF 20%	50V	C219	1-126-022-11	ELECT 47uF 20%	16V
C113	1-126-163-11	ELECT 4.7uF 20%	50V	C238	1-126-059-11	ELECT 10uF 20%	50V
C116	1-162-207-31	CERAMIC 22PF 5%	50V	C239	1-162-282-31	CERAMIC 100PF 10%	50V
C117	1-162-294-31	CERAMIC 0.001uF 10%	50V	C240	1-162-286-31	CERAMIC 220PF 10%	50V
C118	1-126-059-11	ELECT 10uF 20%	50V	C241	1-126-101-11	ELECT 100uF 20%	16V
C119	1-126-022-11	ELECT 47uF 20%	16V	C243	1-124-910-11	ELECT 47uF 20%	50V
C138	1-126-059-11	ELECT 10uF 20%	50V	C244	1-136-163-00	FILM 0.068uF 5%	50V
C139	1-162-282-31	CERAMIC 100PF 10%	50V	C245	1-136-163-00	FILM 0.068uF 5%	50V
C140	1-162-286-31	CERAMIC 220PF 10%	50V	C248	1-161-494-00	CERAMIC 0.022uF	25V
C141	1-126-101-11	ELECT 100uF 20%	16V	C257	1-136-161-00	FILM 0.047uF 5%	50V
C143	1-124-910-11	ELECT 47uF 20%	50V	C258	1-164-159-11	CERAMIC 0.1uF	50V
C144	1-136-163-00	FILM 0.068uF 5%	50V	C260	1-124-572-11	ELECT 100uF 20%	63V
C145	1-136-163-00	FILM 0.068uF 5%	50V	C270	1-126-049-11	ELECT 22uF 20%	25V
C148	1-161-494-00	CERAMIC 0.022uF	25V	C301	1-161-494-00	CERAMIC 0.022uF	25V
C157	1-136-161-00	FILM 0.047uF 5%	50V	C302	1-126-059-11	ELECT 10uF 20%	50V
				C303	1-161-494-00	CERAMIC 0.022uF	25V
				C304	1-161-494-00	CERAMIC 0.022uF	25V

MAIN

POWER SW

Ref. No.	Part No.	Description			Remark
C305	1-161-494-00	CERAMIC	0.022uF		25V
C306	1-136-158-00	FILM	0.027uF	5%	50V
C307	1-130-477-00	MYLAR	0.0033uF	5%	50V
C309	1-126-059-11	ELECT	10uF	20%	63V
C310	1-124-572-11	ELECT	100uF	20%	63V
C311	1-124-587-11	ELECT	220uF	20%	6.3V
C312	1-126-163-11	ELECT	4.7uF	20%	50V
C313	1-124-587-11	ELECT	220uF	20%	6.3V
C314	1-124-994-11	ELECT	100uF	20%	10V
C315	1-164-159-11	CERAMIC	0.1uF		50V
C316	1-164-159-11	CERAMIC	0.1uF		50V
C317	1-124-910-11	ELECT	47uF	20%	50V
C318	1-124-910-11	ELECT	47uF	20%	50V
C319	1-126-059-11	ELECT	10uF	20%	50V
C320	1-126-059-11	ELECT	10uF	20%	50V
C325	1-126-258-11	ELECT	4700uF	20%	56V
C326	1-126-258-11	ELECT	4700uF	20%	56V
C327	1-124-920-11	ELECT	330uF	20%	63V
C330	1-124-473-11	ELECT	1000uF	20%	10V
C331	1-102-394-11	CERAMIC	0.01uF		250V
C332	1-136-161-00	FILM	0.047uF	5%	50V
C333	1-136-161-00	FILM	0.047uF	5%	50V
C334	1-124-994-11	ELECT	100uF	20%	10V
C335	1-124-994-11	ELECT	100uF	20%	10V
C336	1-126-059-11	ELECT	10uF	20%	50V
C337	1-126-059-11	ELECT	10uF	20%	50V
C338	1-124-887-00	ELECT	3300uF	20%	16V
C339	1-124-887-00	ELECT	3300uF	20%	16V
C361	1-136-155-00	FILM	0.015uF	5%	50V
C362	1-136-161-00	FILM	0.047uF	5%	50V
C851	1-136-176-00	FILM	0.82uF	5%	50V
C852	1-136-164-00	FILM	0.082uF	5%	50V
C853	1-162-219-31	CERAMIC	68PF	5%	50V
C854	1-126-049-11	ELECT	22uF	20%	25V
C855	1-126-049-11	ELECT	22uF	20%	25V
C856	1-126-300-11	ELECT	0.47uF	20%	50V
C857	1-126-059-11	ELECT	10uF	20%	50V
C861	1-136-176-00	FILM	0.82uF	5%	50V
C862	1-136-164-00	FILM	0.082uF	5%	50V
C863	1-162-219-31	CERAMIC	68PF	5%	50V
C865	1-126-049-11	ELECT	22uF	20%	25V
C866	1-126-300-11	ELECT	0.47uF	20%	50V
C867	1-126-059-11	ELECT	10uF	20%	50V
C880	1-124-994-11	ELECT	100uF	20%	10V

< CONNECTOR >

- * CN101 1-564-321-00 PIN, CONNECTOR 2P
 * CN102 1-535-140-00 BASE POST 22MM (10MM PITCH) 3P

Ref. No.	Part No.	Description			Remark
* CN104	1-566-859-11	SOCKET, CONNECTOR 15P			
* CN105	1-564-509-11	PLUG, CONNECTOR 6P			
* CN106	1-566-858-41	SOCKET, CONNECTOR 11P			
CN107	1-564-507-11	PLUG, CONNECTOR 4P			
* CN109	1-564-337-00	PIN, CONNECTOR 3P			
* CN110	1-568-839-11	SOCKET, CONNECTOR 23P			
* CN113	1-564-339-00	PIN, CONNECTOR 5P			
* CN181	1-573-978-11	CONNECTOR, BOARD TO BOARD 11P			
* CN901	1-573-565-11	PIN, CONNECTOR 5P			
< JACK >					
CNJ101	1-565-352-41	JACK, PIN 2P			
CNJ102	1-565-258-11	JACK, PIN 4P			
CNJ103	1-565-352-11	JACK, PIN 2P			
< DIODE >					
D101	8-719-200-77	DIODE 10E2N			
D102	8-719-200-77	DIODE 10E2N			
D103	8-719-200-77	DIODE 10E2N			
D104	8-719-200-77	DIODE 10E2N			
D105	8-719-987-63	DIODE 1N4148M			
D107	8-719-815-85	DIODE 1S1585			
D108	8-719-815-85	DIODE 1S1585			
D109	8-719-302-38	DIODE RBV-602-01			
D114	8-719-934-26	DIODE HZS33-2L			
D115	8-719-200-77	DIODE 10E2N			
D118	8-719-200-82	DIODE 11ES2			
D119	8-719-014-66	DIODE UZP-5.6B			
D120	8-719-815-85	DIODE 1S1585			
D121	8-719-815-85	DIODE 1S1585			
D122	8-719-815-85	DIODE 1S1585			
D123	8-719-815-85	DIODE 1S1585			
D124	8-719-815-85	DIODE 1S1585			
D125	8-719-000-84	DIODE UZL-7M1			
D126	8-719-000-84	DIODE UZL-7M1			
D128	8-719-815-85	DIODE 1S1585			
D218	8-719-000-81	DIODE UZL-7L3			
D221	8-719-000-84	DIODE UZL-7M1			
D222	8-719-000-84	DIODE UZL-7M1			
D862	8-719-987-63	DIODE 1N4148M			
D863	8-719-987-63	DIODE 1N4148M			
< FUSE >					
△F101	1-532-259-00	FUSE (T1.6A)			
△F102	1-532-203-00	FUSE (T1.6A)			
△F103	1-532-203-00	FUSE (T2.0A)			
△F104	1-532-259-00	FUSE (T2.0A)			

The components identified by mark △ or dotted line with mark △ are critical for safety. Replace only with part number specified.

MAIN

POWER SW

Ref. No.	Part No.	Description	Remark	Ref. No.	Part No.	Description	Remark
< IC >							
IC101	8-759-604-86	IC M5F7807L		R112	1-249-417-11	CARBON 1K 5% 1/4W	
IC102	8-759-604-90	IC M5F7907L		R113	1-247-903-00	CARBON 1M 5% 1/4W	
IC103	8-749-900-78	IC STK-4192MK2		R114	1-249-417-11	CARBON 1K 5% 1/4W	
IC104	8-759-000-48	IC uPD4052BC-A		R115	1-249-417-11	CARBON 1K 5% 1/4W	
IC105	8-759-140-53	IC uPD4053BC		R116	1-249-413-11	CARBON 470 5% 1/4W	
IC106	8-759-634-50	IC M5218AL		R118	1-249-437-11	CARBON 47K 5% 1/4W	
IC107	8-759-634-50	IC M5218AL		R119	1-249-437-11	CARBON 47K 5% 1/4W	
IC108	8-759-000-48	IC uPD4052BC-A		R120	1-249-441-11	CARBON 100K 5% 1/4W	
IC109	8-759-140-53	IC uPD4053BC		R121	1-249-425-11	CARBON 4.7K 5% 1/4W	
IC110	8-759-000-48	IC uPD4052BC-A		R122	1-249-427-11	CARBON 6.8K 5% 1/4W	
IC121	8-759-111-68	IC uPC1237HA		R123	1-249-432-11	CARBON 18K 5% 1/4W	
IC122	8-759-710-73	IC NJM4580L		R124	1-249-421-11	CARBON 2.2K 5% 1/4W	
IC855	8-759-634-50	IC M5218AL		R125	1-249-441-11	CARBON 100K 5% 1/4W	
< LINK, IC >							
ICP101	1-532-842-11	LINK, IC		R126	1-249-429-11	CARBON 10K 5% 1/4W	
ICP102	1-532-842-11	LINK, IC		R136	1-249-441-11	CARBON 100K 5% 1/4W	
< COIL >							
L101	1-420-872-00	COIL, AIR CORE 1.9uH		R137	1-249-417-11	CARBON 1K 5% 1/4W	
L102	1-420-872-00	COIL, AIR CORE		R138	1-249-438-11	CARBON 56K 5% 1/4W	
< TRANSISTOR >							
Q101	8-729-141-83	TRANSISTOR 2SB1094-LK		R139	1-249-438-11	CARBON 56K 5% 1/4W	
Q102	8-729-900-63	TRANSISTOR DTA124ES		R140	1-247-758-11	CARBON 3.3K 5% 1/2W	
Q103	8-729-140-84	TRANSISTOR 2SC1841-PAFAEA		R142	1-247-758-11	CARBON 3.3K 5% 1/2W	
Q104	8-729-140-84	TRANSISTOR 2SC1841-PAFAEA		R144	1-217-156-00	RES, METAL PLATE 0.22 5W	
Q853	8-729-900-63	TRANSISTOR DTA124ES		R145	1-247-727-11	CARBON 10 5% 1/2W	
Q854	8-729-119-76	TRANSISTOR 2SA1175-HFE		R147	1-249-417-11	CARBON 1K 5% 1/4W	
Q855	8-729-224-61	TRANSISTOR 2SK246-Y		R148	1-249-431-11	CARBON 15K 5% 1/4W	
Q856	8-729-620-05	TRANSISTOR 2SC2603-EF		R149	1-249-437-11	CARBON 47K 5% 1/4W	
Q857	8-729-224-61	TRANSISTOR 2SK246-Y		R150	1-247-727-11	CARBON 10 5% 1/2W	
Q858	8-729-620-05	TRANSISTOR 2SC2603-EF		△R152	1-215-918-00	METAL OXIDE 1.5K 5% 3W F	
Q859	8-729-141-26	TRANSISTOR 2SC3622A-LK		R156	1-249-414-11	CARBON 560 5% 1/4W	
Q860	8-729-141-26	TRANSISTOR 2SC3622A-LK		R157	1-249-441-11	CARBON 100K 5% 1/4W	
< RESISTOR >							
R101	1-249-417-11	CARBON 1K 5% 1/4W		△R193	1-212-934-00	FUSIBLE 1 5% 1/2W F	
R103	1-249-441-11	CARBON 100K 5% 1/4W		R201	1-249-417-11	CARBON 1K 5% 1/4W	
R104	1-249-441-11	CARBON 100K 5% 1/4W		R203	1-249-441-11	CARBON 100K 5% 1/4W	
R105	1-249-415-11	CARBON 680 5% 1/4W		R205	1-249-415-11	CARBON 680 5% 1/4W	
R106	1-249-437-11	CARBON 47K 5% 1/4W		R206	1-249-437-11	CARBON 47K 5% 1/4W	
R107	1-247-897-11	CARBON 560K 5% 1/4W		R207	1-247-897-11	CARBON 560K 5% 1/4W	
R108	1-249-417-11	CARBON 1K 5% 1/4W		R208	1-249-417-11	CARBON 1K 5% 1/4W	
R109	1-249-409-11	CARBON 220 5% 1/4W		R209	1-249-409-11	CARBON 220 5% 1/4W	
R110	1-249-421-11	CARBON 2.2K 5% 1/4W		R210	1-249-421-11	CARBON 2.2K 5% 1/4W	
R111	1-249-428-11	CARBON 8.2K 5% 1/4W		R211	1-249-428-11	CARBON 8.2K 5% 1/4W	
				R212	1-249-417-11	CARBON 1K 5% 1/4W	
				R213	1-247-903-00	CARBON 1M 5% 1/4W	
				R214	1-249-417-11	CARBON 1K 5% 1/4W	
				R215	1-249-417-11	CARBON 1K 5% 1/4W	
				R216	1-249-413-11	CARBON 470 5% 1/4W	
				R218	1-249-437-11	CARBON 47K 5% 1/4W	
				R219	1-249-437-11	CARBON 47K 5% 1/4W	
				R220	1-249-441-11	CARBON 100K 5% 1/4W	
				R221	1-249-425-11	CARBON 4.7K 5% 1/4W	
				R222	1-249-427-11	CARBON 6.8K 5% 1/4W	

The components identified by
mark △ or dotted line with mark.
△ are critical for safety.
Replace only with part number
specified.

MAIN

POWER SW

GEQ

Ref. No.	Part No.	Description			Remark
R223	1-249-432-11	CARBON	18K	5%	1/4W
R224	1-249-421-11	CARBON	2. 2K	5%	1/4W
R225	1-249-441-11	CARBON	100K	5%	1/4W
R226	1-249-429-11	CARBON	10K	5%	1/4W
R236	1-249-441-11	CARBON	100K	5%	1/4W
R237	1-249-417-11	CARBON	1K	5%	1/4W
R238	1-249-438-11	CARBON	56K	5%	1/4W
R239	1-249-438-11	CARBON	56K	5%	1/4W
R240	1-247-758-11	CARBON	3. 3K	5%	1/2W
R242	1-247-758-11	CARBON	3. 3K	5%	1/2W
R244	1-217-156-00	RES, METAL PLATE	0. 22		5W
R245	1-247-727-11	CARBON	10	5%	1/2W
R247	1-249-417-11	CARBON	1K	5%	1/4W
R248	1-249-431-11	CARBON	15K	5%	1/4W
R249	1-249-438-11	CARBON	56K	5%	1/4W
R250	1-247-727-11	CARBON	10	5%	1/2W
△R252	1-215-918-00	METAL OXIDE	1. 5K	5%	3W F
R254	1-249-441-11	CARBON	100K	5%	1/4W
R256	1-249-414-11	CARBON	560	5%	1/4W
R257	1-249-441-11	CARBON	100K	5%	1/4W
R301	1-249-433-11	CARBON	22K	5%	1/4W
R302	1-249-433-11	CARBON	22K	5%	1/4W
R303	1-249-433-11	CARBON	22K	5%	1/4W
R304	1-249-433-11	CARBON	22K	5%	1/4W
R305	1-249-429-11	CARBON	10K	5%	1/4W
R307	1-249-415-11	CARBON	680	5%	1/4W
R308	1-249-429-11	CARBON	10K	5%	1/4W
R309	1-249-429-11	CARBON	10K	5%	1/4W
R310	1-249-432-11	CARBON	18K	5%	1/4W
R311	1-249-435-11	CARBON	33K	5%	1/4W
R312	1-249-433-11	CARBON	22K	5%	1/4W
R313	1-249-433-11	CARBON	22K	5%	1/4W
R316	1-247-752-11	CARBON	1K	5%	1/2W
R318	1-247-752-11	CARBON	1K	5%	1/2W
△R320	1-212-881-11	FUSIBLE	100	5%	1/4W F
△R321	1-212-881-11	FUSIBLE	100	5%	1/4W F
△R322	1-215-892-11	METAL OXIDE	1K	5%	2W F
R323	1-249-429-11	CARBON	10K	5%	1/4W
R324	1-249-427-11	CARBON	6. 8K	5%	1/4W
R325	1-249-427-11	CARBON	6. 8K	5%	1/4W
R326	1-249-437-11	CARBON	47K	5%	1/4W
R327	1-249-441-11	CARBON	100K	5%	1/4W
R328	1-247-760-11	CARBON	4. 7K	5%	1/2W
R329	1-249-421-11	CARBON	2. 2K	5%	1/4W
R341	1-249-433-11	CARBON	22K	5%	1/4W
R342	1-249-425-11	CARBON	4. 7K	5%	1/4W
R348	1-249-433-11	CARBON	22K	5%	1/4W
R349	1-249-433-11	CARBON	22K	5%	1/4W

Ref. No.	Part No.	Description			Remark
R352	1-249-437-11	CARBON	47K	5%	1/4W
R410	1-249-435-11	CARBON	33K	5%	1/4W
R411	1-249-435-11	CARBON	33K	5%	1/4W
R412	1-249-426-11	CARBON	5. 6K	5%	1/4W
R851	1-249-417-11	CARBON	1K	5%	1/4W
R852	1-249-441-11	CARBON	100K	5%	1/4W
R853	1-249-425-11	CARBON	4. 7K	5%	1/4W
R854	1-249-425-11	CARBON	4. 7K	5%	1/4W
R855	1-249-412-11	CARBON	390	5%	1/4W
R857	1-249-418-11	CARBON	1. 2K	5%	1/4W
R858	1-249-438-11	CARBON	56K	5%	1/4W
R859	1-249-429-11	CARBON	10K	5%	1/4W
R860	1-249-429-11	CARBON	10K	5%	1/4W
R861	1-249-417-11	CARBON	1K	5%	1/4W
R862	1-249-441-11	CARBON	100K	5%	1/4W
R863	1-249-425-11	CARBON	4. 7K	5%	1/4W
R864	1-249-425-11	CARBON	4. 7K	5%	1/4W
R865	1-249-412-11	CARBON	390	5%	1/4W
R867	1-249-418-11	CARBON	1. 2K	5%	1/4W
R868	1-249-438-11	CARBON	56K	5%	1/4W
R869	1-249-429-11	CARBON	10K	5%	1/4W
R870	1-247-887-00	CARBON	220K	5%	1/4W
R871	1-249-433-11	CARBON	22K	5%	1/4W
R872	1-249-423-11	CARBON	3. 3K	5%	1/4W
R873	1-249-423-11	CARBON	3. 3K	5%	1/4W
R876	1-249-417-11	CARBON	1K	5%	1/4W
R878	1-247-887-00	CARBON	220K	5%	1/4W
		< RELAY >			
RY101	1-515-765-11	RELAY			
		< SWITCH >			
△S101	1-554-920-51	SWITCH, PUSH (AC POWER) (1 KEY)			
△S102	1-572-009-11	SWITCH (VOLTAGE SELECTOR)			
		< TERMINAL BOARD >			
TB101	1-537-238-11	TERMINAL BOARD			

*	A-4347-283-A	GEQ BOARD, COMPLETE			

		< CAPACITOR >			
C120	1-126-022-11	ELECT	47uF	20%	16V
C121	1-126-059-11	ELECT	10uF	20%	50V
C122	1-162-283-31	CERAMIC	120PF	10%	50V
C123	1-106-359-00	MYLAR	4700PF	5%	200V
C124	1-110-340-11	MYLAR	270PF	5%	50V

The components identified by mark △ or dotted line with mark △ are critical for safety. Replace only with part number specified.

GEO

Ref. No.	Part No.	Description	Remark			Ref. No.	Part No.	Description	Remark		
C125	1-136-154-00	FILM	0.012uF	5%	50V			< DIODE >			
C126	1-130-469-00	MYLAR	680PF	5%	50V						
C127	1-136-159-00	FILM	0.033uF	5%	50V	D127	8-719-000-54	DIODE	UZL-6L3		
C128	1-130-474-00	MYLAR	0.0018uF	5%	50V			< IC >			
C129	1-136-163-00	FILM	0.068uF	5%	50V						
C130	1-130-478-00	MYLAR	0.0039uF	5%	50V	IC111	8-759-633-78	IC	M5289P		
C131	1-136-168-00	FILM	0.18uF	5%	50V	IC112	8-759-822-26	IC	LC7522K		
C132	1-136-153-00	FILM	0.01uF	5%	50V	IC113	8-759-633-78	IC	M5289P		
C133	1-136-163-00	FILM	0.068uF	5%	50V	IC1503	8-759-634-50	IC	M5218AL		
C134	1-126-301-11	ELECT	1uF	20%	50V	IC1504	8-759-000-48	IC	MC14052BCP		
C135	1-136-158-00	FILM	0.027uF	5%	50V			< TRANSISTOR >			
C136	1-126-300-11	ELECT	0.47uF	20%	50V	Q1504	8-729-900-36	TRANSISTOR	DTC124ES		
C137	1-162-207-31	CERAMIC	22PF	5%	50V			< RESISTOR >			
C210	1-126-022-11	ELECT	47uF	20%	16V						
C221	1-126-059-11	ELECT	10uF	20%	50V	R127	1-249-431-11	CARBON	15K 5%	1/4W	
C222	1-162-283-31	CERAMIC	120PF	10%	50V	R128	1-247-903-00	CARBON	1M 5%	1/4W	
C223	1-106-359-00	MYLAR	4700PF	5%	200V	R129	1-247-903-00	CARBON	1M 5%	1/4W	
C224	1-110-340-11	MYLAR	270PF	5%	50V	R130	1-247-903-00	CARBON	1M 5%	1/4W	
C225	1-136-154-00	FILM	0.012uF	5%	50V	R131	1-247-903-00	CARBON	1M 5%	1/4W	
C226	1-130-469-00	MYLAR	680PF	5%	50V	R132	1-247-903-00	CARBON	1M 5%	1/4W	
C228	1-130-474-00	MYLAR	0.0018uF	5%	50V	R133	1-247-903-00	CARBON	1M 5%	1/4W	
C229	1-136-163-00	FILM	0.068uF	5%	50V	R134	1-247-903-00	CARBON	1M 5%	1/4W	
C230	1-130-478-00	MYLAR	0.0039uF	5%	50V	R135	1-249-431-11	CARBON	15K 5%	1/4W	
C231	1-136-168-00	FILM	0.18uF	5%	50V	R227	1-249-431-11	CARBON	15K 5%	1/4W	
C232	1-136-153-00	FILM	0.01uF	5%	50V	R228	1-247-903-00	CARBON	1M 5%	1/4W	
C233	1-136-163-00	FILM	0.068uF	5%	50V	R229	1-247-903-00	CARBON	1M 5%	1/4W	
C234	1-126-301-11	ELECT	1uF	20%	50V	R230	1-247-903-00	CARBON	1M 5%	1/4W	
C235	1-136-158-00	FILM	0.027uF	5%	50V	R231	1-247-903-00	CARBON	1M 5%	1/4W	
C236	1-126-300-11	ELECT	0.47uF	20%	50V	R232	1-247-903-00	CARBON	1M 5%	1/4W	
C237	1-162-207-31	CERAMIC	22PF	5%	50V	R233	1-247-903-00	CARBON	1M 5%	1/4W	
C277	1-136-159-00	FILM	0.033uF	5%	50V	R234	1-247-903-00	CARBON	1M 5%	1/4W	
C308	1-164-159-11	CERAMIC	0.1uF		50V	R235	1-249-431-11	CARBON	15K 5%	1/4W	
C351	1-164-159-11	CERAMIC	0.1uF		50V	R314	1-249-417-11	CARBON	1K 5%	1/4W	
C352	1-126-049-11	ELECT	22uF	20%	25V	R315	1-249-417-11	CARBON	1K 5%	1/4W	
C375	1-164-159-11	CERAMIC	0.1uF		50V	R346	1-249-425-11	CARBON	4.7K 5%	1/4W	
C1509	1-136-167-00	FILM	0.15uF	5%	50V	R399	1-249-405-11	CARBON	100 5%	1/4W	
C1511	1-136-167-00	FILM	0.15uF	5%	50V	R1117	1-249-431-11	CARBON	15K 5%	1/4W	
C1512	1-130-477-00	MYLAR	0.0033uF	5%	50V	R1227	1-249-431-11	CARBON	15K 5%	1/4W	
C1514	1-126-059-11	ELECT	10uF	20%	50V	R1504	1-249-429-11	CARBON	10K 5%	1/4W	
		< CONNECTOR >				R1512	1-247-818-11	CARBON	300 5%	1/4W	
* CN191	1-573-979-11	CONNECTOR, BOARD TO BOARD 11P				R1513	1-249-429-11	CARBON	10K 5%	1/4W	
* CN1108	1-564-339-71	PIN, CONNECTOR 5P				R1514	1-249-425-11	CARBON	4.7K 5%	1/4W	
		< COMPOSITION CIRCUIT BLOCK >				R1525	1-249-437-11	CARBON	47K 5%	1/4W	
CP501	1-239-054-11	COMPOSITION CIRCUIT BLOCK				R1529	1-249-433-11	CARBON	22K 5%	1/4W	
CP502	1-239-054-11	COMPOSITION CIRCUIT BLOCK				R1530	1-249-417-11	CARBON	1K 5%	1/4W	
CP503	1-239-054-11	COMPOSITION CIRCUIT BLOCK				R1531	1-249-431-11	CARBON	15K 5%	1/4W	
CP504	1-239-054-11	COMPOSITION CIRCUIT BLOCK				R1532	1-249-431-11	CARBON	15K 5%	1/4W	

HEADPHONE

MICROPHONE

PANEL

Ref. No.	Part No.	Description	Remark
*	1-642-746-11	HEADPHONE BOARD *****	
		< CONNECTOR >	
* CN901	1-564-509-11	PLUG, CONNECTOR 6P < JACK >	
J901	1-507-854-00	JACK (HEADPHONES) < RESISTOR >	
R901	1-247-747-11	CARBON	470 5% 1/2W
R911	1-247-747-11	CARBON	470 5% 1/2W

*	A-4347-284-A	MICROPHONE BOARD, COMPLETE *****	
		< CAPACITOR >	
C51	1-164-159-11	CERAMIC	0.1uF 50V
C801	1-126-161-11	ELECT	2.2uF 20% 50V
C802	1-161-377-00	CERAMIC	0.0047uF 20% 16V
C803	1-162-219-31	CERAMIC	68PF 5% 50V
C804	1-162-290-31	CERAMIC	470PF 10% 50V
C805	1-136-161-00	FILM	0.047uF 5% 50V
C806	1-126-049-11	ELECT	22uF 20% 25V
C807	1-126-049-11	ELECT	22uF 20% 25V
C808	1-162-219-31	CERAMIC	68PF 5% 50V
C809	1-162-293-31	CERAMIC	820PF 10% 50V
C811	1-126-157-11	ELECT	10uF 20% 16V
C812	1-124-257-00	ELECT	2.2uF 20% 50V
		< CONNECTOR >	
* CN801	1-564-339-71	PIN, CONNECTOR 5P < IC >	
IC801	8-759-710-73	IC NJM4580L < JACK >	
J801	1-507-854-00	JACK (MIC) < RESISTOR >	
R801	1-249-441-11	CARBON	100K 5% 1/4W
R802	1-249-417-11	CARBON	1K 5% 1/4W
R803	1-249-429-11	CARBON	10K 5% 1/4W
R804	1-249-417-11	CARBON	1K 5% 1/4W
R805	1-249-432-11	CARBON	18K 5% 1/4W
R806	1-249-441-11	CARBON	100K 5% 1/4W

Ref. No.	Part No.	Description	Remark
R807	1-249-437-11	CARBON	47K 5% 1/4W
R808	1-249-432-11	CARBON	18K 5% 1/4W
R809	1-249-417-11	CARBON	1K 5% 1/4W
R810	1-249-416-11	CARBON	820 5% 1/4W
R890	1-249-405-11	CARBON	100 5% 1/4W
R891	1-249-405-11	CARBON	100 5% 1/4W
		< VARIABLE RESISTOR >	
RV801	1-241-317-11	RES, VAR, CARBON 50K (MIC LEVEL)	

*	A-4347-274-A	PANEL BOARD, COMPLETE *****	
		< CAPACITOR >	
* 4-921-941-01		CUSHION (FL)	
* 4-923-103-01		HOLDER, FL TUBE	
* 4-950-658-01		HOLDER (FU), LED	
* 4-950-660-01		HOLDER, LED	
		< CAPACITOR >	
C50	1-124-257-00	ELECT	2.2uF 20% 50V
C418	1-164-159-11	CERAMIC	0.1uF 50V
C419	1-136-153-00	FILM	0.01uF 5% 50V
C420	1-162-294-31	CERAMIC	0.001uF 10% 50V
C422	1-125-486-11	DOUBLE LAYERS	0.22F 5.5V
C423	1-161-494-00	CERAMIC	0.022uF 25V
C424	1-164-159-11	CERAMIC	0.1uF 50V
C425	1-126-049-11	ELECT	22uF 20% 25V
C426	1-161-494-00	CERAMIC	0.022uF 25V
C427	1-161-494-00	CERAMIC	0.022uF 25V
C428	1-126-059-11	ELECT	10uF 20% 50V
C429	1-126-059-11	ELECT	10uF 20% 50V
C430	1-161-494-00	CERAMIC	0.022uF 25V
C431	1-161-494-00	CERAMIC	0.022uF 25V
C432	1-162-294-31	CERAMIC	0.001uF 10% 50V
C433	1-126-059-11	ELECT	10uF 20% 50V
C434	1-126-059-11	ELECT	10uF 20% 50V
C435	1-161-374-11	CERAMIC	0.0015uF 20% 50V
C436	1-161-494-00	CERAMIC	0.022uF 25V
C437	1-124-994-11	ELECT	100uF 20% 10V
C444	1-126-049-11	ELECT	22uF 20% 25V
C995	1-126-301-11	ELECT	1uF 20% 50V
		< CONNECTOR >	
* CN502	1-568-839-11	SOCKET, CONNECTOR 23P	
* CN503	1-568-322-11	PLUG, CONNECTOR 10P	
* CN609	1-564-339-00	PIN, CONNECTOR 5P	

PANEL

Ref. No.	Part No.	Description	Remark	Ref. No.	Part No.	Description	Remark
< DIODE >				< IC >			
D55	8-719-200-82	DIODE 11ES2		IC501	8-759-635-63	IC M51943BSL	
D501	8-719-987-63	DIODE 1N4148M		IC502	8-759-066-29	IC uPD75108CW-C98	
D502	8-719-200-82	DIODE 11ES2		IC503	8-759-822-27	IC LC7565K	
D503	8-719-200-82	DIODE 11ES2		IC504	8-759-991-11	IC XR1091DCP	
D505	8-719-000-60	DIODE UZL-6M2		< COIL >			
D506	8-719-987-63	DIODE 1N4148M		L501	1-408-121-00	INDUCTOR 22uH	
D507	8-719-987-63	DIODE 1N4148M		< TRANSISTOR >			
D508	8-719-987-63	DIODE 1N4148M		Q501	8-729-620-05	TRANSISTOR 2SC2603-EF	
D509	8-719-987-63	DIODE 1N4148M		Q502	8-729-620-05	TRANSISTOR 2SC2603-EF	
D510	8-719-987-63	DIODE 1N4148M		Q511	8-729-900-36	TRANSISTOR DTC124ES	
D511	8-719-987-63	DIODE 1N4148M		Q513	8-729-900-63	TRANSISTOR DTA124ES	
D512	8-719-987-63	DIODE 1N4148M		Q514	8-729-900-63	TRANSISTOR DTA124ES	
D521	8-719-301-39	LED SEL2210S-D		Q515	8-729-119-76	TRANSISTOR 2SA1175-HFE	
D522	8-719-301-39	LED SEL2210S-D		Q516	8-729-620-05	TRANSISTOR 2SC2603-EF	
D523	8-719-301-39	LED SEL2210S-D		Q517	8-729-620-05	TRANSISTOR 2SC2603-EF	
D524	8-719-301-39	LED SEL2210S-D		Q518	8-729-620-05	TRANSISTOR 2SC2603-EF	
D525	8-719-301-39	LED SEL2210S-D		Q519	8-729-620-05	TRANSISTOR 2SC2603-EF	
D526	8-719-301-39	LED SEL2210S-D		Q520	8-729-620-05	TRANSISTOR 2SC2603-EF	
D527	8-719-301-39	LED SEL2210S-D		Q521	8-729-620-05	TRANSISTOR 2SC2603-EF	
D528	8-719-301-39	LED SEL2210S-D		Q555	8-729-900-63	TRANSISTOR DTA124ES	
D529	8-719-301-39	LED SEL2210S-D		< RESISTOR >			
D530	8-719-301-39	LED SEL2210S-D		R40	1-249-421-11	CARBON 2.2K 5% 1/4W	
D531	8-719-301-39	LED SEL2210S-D		R408	1-249-405-11	CARBON 100 5% 1/4W	
D532	8-719-301-39	LED SEL2210S-D		R409	1-249-419-11	CARBON 1.5K 5% 1/4W	
D533	8-719-301-39	LED SEL2210S-D		R413	1-249-441-11	CARBON 100K 5% 1/4W	
D534	8-719-301-39	LED SEL2210S-D		R414	1-249-432-11	CARBON 18K 5% 1/4W	
D535	8-719-313-69	LED SEL3210S-CD		R415	1-247-891-00	CARBON 330K 5% 1/4W	
D536	8-719-313-69	LED SEL3210S-CD		R416	1-249-425-11	CARBON 4.7K 5% 1/4W	
D537	8-719-313-69	LED SEL3210S-CD		R417	1-249-437-11	CARBON 47K 5% 1/4W	
D538	8-719-313-69	LED SEL3210S-CD		R418	1-247-891-00	CARBON 330K 5% 1/4W	
D539	8-719-313-69	LED SEL3210S-CD		R421	1-249-433-11	CARBON 22K 5% 1/4W	
D540	8-719-313-69	LED SEL3210S-CD		R422	1-249-411-11	CARBON 330 5% 1/4W	
D541	8-719-313-69	LED SEL3210S-CD		R423	1-249-417-11	CARBON 1K 5% 1/4W	
D542	8-719-313-69	LED SEL3210S-CD		R424	1-247-903-00	CARBON 1M 5% 1/4W	
D550	8-719-313-69	LED SEL3210S-CD		R499	1-249-417-11	CARBON 1K 5% 1/4W	
D551	8-719-987-63	DIODE 1N4148M		R521	1-249-425-11	CARBON 4.7K 5% 1/4W	
D552	8-719-987-63	DIODE 1N4148M		R522	1-249-425-11	CARBON 4.7K 5% 1/4W	
D553	8-719-987-63	DIODE 1N4148M		R524	1-249-417-11	CARBON 1K 5% 1/4W	
D554	8-719-987-63	DIODE 1N4148M		R525	1-249-425-11	CARBON 4.7K 5% 1/4W	
D555	8-719-987-63	DIODE 1N4148M		R526	1-249-429-11	CARBON 10K 5% 1/4W	
D566	8-719-987-63	DIODE 1N4148M		R527	1-249-393-11	CARBON 10 5% 1/4W	
< FLUORESCENT INDICATOR >				R528	1-249-417-11	CARBON 1K 5% 1/4W	
FL501	1-519-648-31	INDICATOR TUBE, FLUORESCENT		R529	1-249-424-11	CARBON 3.9K 5% 1/4W	
				R530	1-249-417-11	CARBON 1K 5% 1/4W	

PANEL

VOLUME

Ref. No.	Part No.	Description	Remark
R532	1-249-421-11	CARBON	2. 2K 5% 1/4W
R533	1-249-421-11	CARBON	2. 2K 5% 1/4W
R534	1-249-441-11	CARBON	100K 5% 1/4W
R535	1-249-441-11	CARBON	100K 5% 1/4W
R536	1-249-417-11	CARBON	1K 5% 1/4W
R537	1-249-417-11	CARBON	1K 5% 1/4W
R538	1-249-417-11	CARBON	1K 5% 1/4W
R539	1-249-417-11	CARBON	1K 5% 1/4W
R540	1-249-417-11	CARBON	1K 5% 1/4W
R541	1-249-417-11	CARBON	1K 5% 1/4W
R542	1-249-417-11	CARBON	1K 5% 1/4W
R544	1-249-417-11	CARBON	1K 5% 1/4W
R545	1-249-429-11	CARBON	10K 5% 1/4W
R546	1-249-417-11	CARBON	1K 5% 1/4W
R547	1-249-429-11	CARBON	10K 5% 1/4W
R548	1-249-429-11	CARBON	10K 5% 1/4W
R549	1-249-417-11	CARBON	1K 5% 1/4W
R550	1-249-417-11	CARBON	1K 5% 1/4W
R551	1-249-435-11	CARBON	33K 5% 1/4W
R552	1-249-437-11	CARBON	47K 5% 1/4W
R553	1-249-429-11	CARBON	10K 5% 1/4W
R554	1-249-437-11	CARBON	47K 5% 1/4W
R555	1-249-429-11	CARBON	10K 5% 1/4W
R556	1-247-903-00	CARBON	1M 5% 1/4W
R561	1-249-410-11	CARBON	270 5% 1/4W
R562	1-249-411-11	CARBON	330 5% 1/4W
R563	1-249-411-11	CARBON	330 5% 1/4W
R564	1-249-411-11	CARBON	330 5% 1/4W
R565	1-249-410-11	CARBON	270 5% 1/4W
R566	1-249-411-11	CARBON	330 5% 1/4W
R567	1-249-411-11	CARBON	330 5% 1/4W
R568	1-249-411-11	CARBON	330 5% 1/4W
R569	1-249-410-11	CARBON	270 5% 1/4W
R570	1-249-410-11	CARBON	270 5% 1/4W
R571	1-249-410-11	CARBON	270 5% 1/4W
R572	1-249-410-11	CARBON	270 5% 1/4W
R573	1-249-399-11	CARBON	33 5% 1/4W
R574	1-249-399-11	CARBON	33 5% 1/4W
R575	1-249-399-11	CARBON	33 5% 1/4W
R576	1-249-399-11	CARBON	33 5% 1/4W
R577	1-249-399-11	CARBON	33 5% 1/4W
R578	1-249-411-11	CARBON	330 5% 1/4W
R579	1-249-411-11	CARBON	330 5% 1/4W
R580	1-249-411-11	CARBON	330 5% 1/4W
R581	1-249-411-11	CARBON	330 5% 1/4W
R582	1-249-411-11	CARBON	330 5% 1/4W
R586	1-249-425-11	CARBON	4. 7K 5% 1/4W
R588	1-249-425-11	CARBON	4. 7K 5% 1/4W

Ref. No.	Part No.	Description	Remark
R589	1-249-425-11	CARBON	4. 7K 5% 1/4W
R595	1-249-437-11	CARBON	47K 5% 1/4W
R596	1-249-437-11	CARBON	47K 5% 1/4W
R597	1-249-437-11	CARBON	47K 5% 1/4W
R598	1-249-437-11	CARBON	47K 5% 1/4W
R599	1-249-417-11	CARBON	1K 5% 1/4W
R1540	1-249-417-11	CARBON	1K 5% 1/4W
< VARIABLE RESISTOR >			
RV501	1-238-459-11	RES, VAR, CARBON 100K	(BALANCE)
RV502	1-241-307-11	RES, VAR, CAREBON 10K/10K	(DBFB LEVEL)
< SWITCH >			
S501	1-554-303-21	SWITCH, TACTILE	(KARAOKE PON)
S502	1-554-303-21	SWITCH, TACTILE	(TUNER)
S503	1-554-303-21	SWITCH, TACTILE	(EQ)
S504	1-554-303-21	SWITCH, TACTILE	(SURROUND MODE)
S505	1-554-303-21	SWITCH, TACTILE	(MEMORY)
S511	1-554-303-21	SWITCH, TACTILE	(DBFB)
S512	1-554-303-21	SWITCH, TACTILE	(CD)
S513	1-554-303-21	SWITCH, TACTILE	(PERSONAL FILE 1-5)
S514	1-554-303-21	SWITCH, TACTILE	(< >)
S515	1-554-303-21	SWITCH, TACTILE	(REVERSE)
S516	1-554-303-21	SWITCH, TACTILE	(SURROUND LEVEL)
S521	1-554-303-21	SWITCH, TACTILE	(EFFECT)
S522	1-554-303-21	SWITCH, TACTILE	(TAPE)
S523	1-554-303-21	SWITCH, TACTILE	(SELECT 10)
S524	1-554-303-21	SWITCH, TACTILE	(△)
S525	1-554-303-21	SWITCH, TACTILE	(FLAT)
S526	1-554-303-21	SWITCH, TACTILE	(PHONO)
S532	1-554-303-21	SWITCH, TACTILE	(VIDEO)
S533	1-554-303-21	SWITCH, TACTILE	(▽)
S534	1-554-303-21	SWITCH, TACTILE	(▷)
S535	1-554-303-21	SWITCH, TACTILE	(DISPLAY)
S536	1-554-303-21	SWITCH, TACTILE	(PROGRAM FUNCTION)
< VIBRATOR >			
X501	1-577-359-21	VIBRATOR, CERAMIC	(4.19MHz)

*	1-642-747-11	VOLUME BOARD	*****
< CAPACITOR >			
C601	1-136-165-00	FILM	0. 1uF 5% 50V
C602	1-126-022-11	ELECT	47uF 20% 16V
* C603	1-126-022-11	ELECT	47uF 20% 16V

VOLUME

Ref.No.	Part No.	Description	Remark
< CONNECTOR >			
CN601	1-568-321-11	SOCKET, CONNECTOR 10P	
CN602	1-564-507-11	PLUG, CONNECTOR 4P	
CN603	1-564-337-51	PLUG, CONNECTOR 3P	
< DIODE >			
D601	8-719-200-82	DIODE 11ES2	
D603	8-719-333-33	DIODE HZS6AIL	
< IC >			
IC601	8-759-820-62	IC LB1639	
< RESISTOR >			
R601	1-249-412-11	CARBON 390 5% 1/4W	
R602	1-249-425-11	CARBON 4.7K 5% 1/4W	
R603	1-249-429-11	CARBON 10K 5% 1/4W	
R604	1-249-429-11	CARBON 10K 5% 1/4W	
R605	1-249-401-11	CARBON 47 5% 1/4W	
R607	1-249-416-11	CARBON 820 5% 1/4W	
< VARIABLE RESISTOR >			
RV601	1-238-708-21	RES, VAR, CARBON 10K/100K/100K (VOLUME)	

MISCELLANEOUS			

8	1-690-697-11	WIRE (FLAT TYPE) (23 CORE)	
△56	1-575-651-11	CORD, POWER (EA)	
△56	1-575-656-11	CORD, POWER (E, JE)	
△56	1-690-056-11	CORD, POWER (AUS)	
△F101	1-532-259-00	FUSE (T1. 6A)	
△F102	1-532-259-00	FUSE (T1. 6A)	
△F103	1-532-203-00	FUSE (T2. 0A)	
△F104	1-532-203-00	FUSE (T2. 0A)	
△T901	1-450-813-11	TRANSFORMER, POWER	

ACCESSORIES & PACKING MATERIALS			

	3-703-710-41	STICKER, SONY SYMBOL (12)	
	4-920-940-01	SHEET (A), PROTECTION	
	4-934-859-01	CUSHION	

Ref.No.	Part No.	Description	Remark

HARDWARE LIST			

#1	7-685-646-79	SCREW, TAPPING	
#2	7-621-773-93	SCREW (PANEL 2.6 TP2)	
#3	7-682-548-04	SCREW +BVTT 3X8 (S)	
#4	7-685-650-79	SCREW +BVTP 3X16 TYPE2 IT-3	
#5	7-682-560-04	SCREW +BVTT 4X6 (S)	
#6	7-621-849-00	SCREW (BV/RING)	

The components identified by mark △ or dotted line with mark △ are critical for safety. Replace only with part number specified.

TA-A50

SONY[®] SERVICE MANUAL

*E Model
Australian Model
Tourist Model*

SUPPLEMENT-1

File this supplement with the service manual.

Subject : Malay model added

- Malay model has been added in TA-A50.
- Malay model is the same as Saudi Arabia model.
- Please refer to it in SERVICE MANUAL.