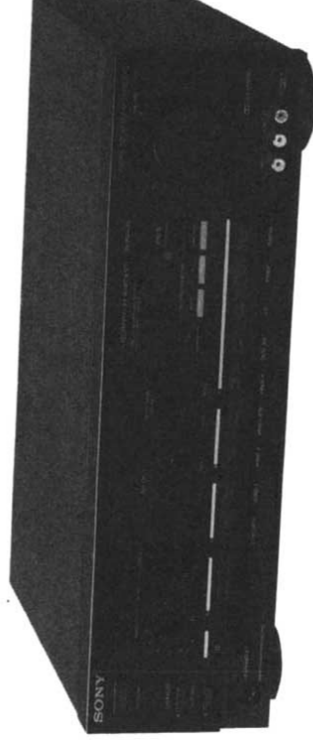


TA-AV490

SERVICE MANUAL

US Model
Canadian Model
AEP Model
UK Model
E Model



US MODEL

AUDIO POWER SPECIFICATIONS POWER OUTPUT AND TOTAL HARMONIC DISTORTION:

With 8 ohm loads both channels driven, from 20 — 20,000 Hz; rated 125 watts per channel minimum RMS power, with no more than 0.9% total harmonic distortion from 250 milliwatts to rated output.

Other specifications

Amplifier section

Power bandwidth (IHF)

7 Hz — 30 kHz (8 ohms)

Harmonic distortion

Less than 0.9% (at 1 kHz, 8 ohms load, Front 125W + 125W (US, Canadian, E model) or 75W + 75W (AEP, UK, West Germany model), surround OFF)

Intermodulation (IM) distortion (60 Hz : 7 kHz)

Less than 0.9% at rated output

Frequency response

PHONO: RIAA equalization curve
TUNER, CD, GRAPHIC EQ, TAPE, VIDEO 1, 2, 3,
4: 10 Hz to 70 kHz, ± 3 dB

Residual noise Less than 25 μ V (8 ohms, network A)

Damping factor 40 (8 ohms, 1 kHz)

Video section

Video input/output

Permissible signal input level

1.5 Vp-p

Output signal level

1 + 0.1 Vp-p/with 1 Vp-p input
(measured at MONITOR OUT)

Impedance (output)

75-ohm unbalanced, negative sync

SPECIFICATIONS

Input

Input jack	Jack type	Sensitivity	Impedance
PHONO	Phono	2.0 mV	50 kohms
MM			
TUNER	Phono	150 mV	50 kohms
CD			
VIDEO 1, 2, 3, 4 (CDV) TAPE			

*78 IHF

Output

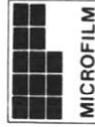
REC OUT	Phono jacks	Voltage 150 mV Impedance 470 ohms
SPEAKERS	—	Accepts speakers of 8 — 16 ohms.
HEADPHONES	Stereo phone jack	Accepts low and high impedance headphones.
VIDEO 1, 2, MONITOR	S jack	1 Vp-p, 75 ohms

Tone controls

	Response
BASS	± 8.5 dB (100 Hz)
TREBLE	± 10 dB (10 kHz)

— Continued on page 2 —

INTEGRATED STEREO
AV AMPLIFIER
SONY[®]



General System	All-stage direct-coupled pure complementary SEPP OCL circuit
Power amplifier	Surround amplifier
	Semi complementary SEPP circuit
Preamplifier	NF type tone control
Surround circuit	Digital Delay Surround circuit
	Operation circuit matrix type
Overall output	US, Canadian, E model: Front 125W + 125W, Surround 40W (20W + 20W)
	AEP, UK, West Germany model: Front 75W + 75W Surround 25W (12.5W + 12.5W)
Dolby input sensitivity	500 mV
Peak music power output (E model)	420W
Power requirements	US, Canadian model: 120V AC, 60Hz AEP, West Germany model: 220V AC, 50/60Hz UK model: 240V AC, 50/60Hz E model: 120, 220 or 240V AC adjustable, 50/60 Hz
Power consumption	US model: 230W Canadian model: 500VA AEP, West Germany model: 170W UK model: 400W E model: 250W US, Canadian, AEP, West Germany, E model: 3 switched outputs for system, 100 watts max.
	UK model: 1 switched output for system, 100 watts max.
Dimensions	US, Canadian, UK, E model: 430 x 130 x 355 (W/H/D)mm (17 x 5 ¹ / ₈ x 14 inches) AEP, West Germany model: 430 x 130 x 360 (W/H/D)mm (17 x 5 ¹ / ₈ x 14 ¹ / ₄ inches)
Weight	US, Canadian model: Approx. 10kg (22lb 1oz) AEP, UK, West Germany model: Approx. 8.7kg (19lb 2oz) E model: Approx. 10.1kg (22lb 3oz)
Accessories supplied	Programmable remote commander RM-P202 (1) Sony SUM-3(NS) batteries (2)

SAFETY CHECK-OUT

After correcting the original service problem, perform the following safety check before releasing the set to the customer:

Check the antenna terminals, metal trim, "metallized" knobs, screws, and all other exposed metal parts for AC leakage. Check leakage as described below.

LEAKAGE TEST

The AC leakage from any exposed metal part to earth ground and from all exposed metal parts to any exposed metal part having a return to chassis, must not exceed 0.5 mA (500 microamperes). Leakage current can be measured by any one of three methods.

1. A commercial leakage tester, such as the Simpson 229 or RCA WT-540A. Follow the manufacturers' instructions to use these instruments.
2. A battery-operated AC milliammeter. The Data Precision 245 digital multimeter is suitable for this job.
3. Measuring the voltage drop across a resistor by means of a VOM or battery-operated AC voltmeter. The "limit" indication is 0.75 V, so analog meters must have an accurate low-voltage scale. The Simpson 250 and Sanwa SH-63Trd are examples of a passive VOM that is suitable. Nearly all battery operated digital multimeters that have a 2 V AC range are suitable. (See Fig. A)

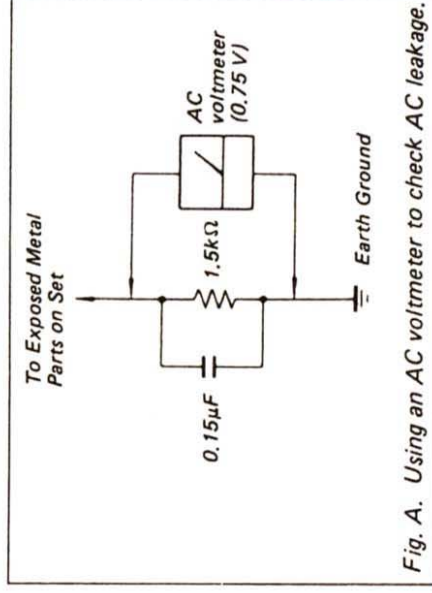
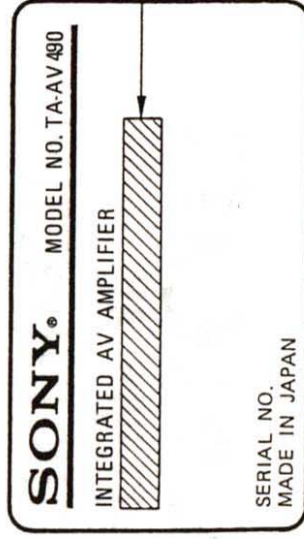


Fig. A. Using an AC voltmeter to check AC leakage.

MODEL IDENTIFICATION

—Specification Label—



US model:
Canadian model:
AEP, West Germany model:
UK model:
E model:

AC 120V 60Hz 230W
AC 120V 60Hz 500VA
AC 220V ~50/60Hz
AC 240V ~50/60Hz
AC 120/220/240V ~50/60Hz 250W

TABLE OF CONTENTS

<u>Section</u>	<u>Title</u>	<u>Page</u>	<u>Section</u>	<u>Title</u>	<u>Page</u>
Specifications.....		1	2-6.	Schematic Diagram (Control Section)...	15
Model Identification		2	2-7.	Printed Wiring Boards (Control Section)	19
Safety Check-out.....		2	SECTION 3.	EXPLODED VIEW	22
SECTION 1. GENERAL		3	SECTION 4.	ELECTRICAL PARTS LIST	26
SECTION 2. DIAGRAMS					
2-1.	Semiconductor Lead Layouts	5			
2-2.	Circuit Boards Location	5			
2-3.	IC Block Diagram	6			
2-4.	Printed Wiring Boards (Amplifier Section).....	7			
2-5.	Schematic Diagram (Amplifier Section).....	11			

SAFETY-RELATED COMPONENT WARNING!!

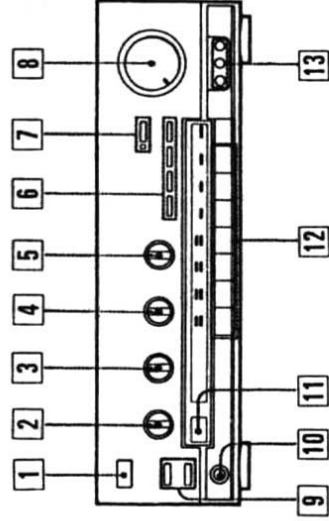
COMPONENTS IDENTIFIED BY MARK Δ OR DOTTED LINE WITH MARK Δ ON THE SCHEMATIC DIAGRAMS AND IN THE PARTS LIST ARE CRITICAL TO SAFE OPERATION. REPLACE THESE COMPONENTS WITH SONY PARTS WHOSE PART NUMBERS APPEAR AS SHOWN IN THIS MANUAL OR IN SUPPLEMENTS PUBLISHED BY SONY.

ATTENTION AU COMPOSANT AYANT RAPPORT À LA SÉCURITÉ!

LES COMPOSANTS IDENTIFIÉS PAR UNE MARQUE Δ SUR LES DIAGRAMMES SCHÉMATIQUES ET LA LISTE DES PIÈCES SONT CRITIQUES POUR LA SÉCURITÉ DE FONCTIONNEMENT. NE REMPLACER CES COMPOSANTS QUE PAR DES PIÈCES SONY DONT LES NUMÉROS SONT DONNÉS DANS CE MANUEL OU DANS LES SUPPLÉMENTS PUBLIÉS PAR SONY.

SECTION 1 GENERAL

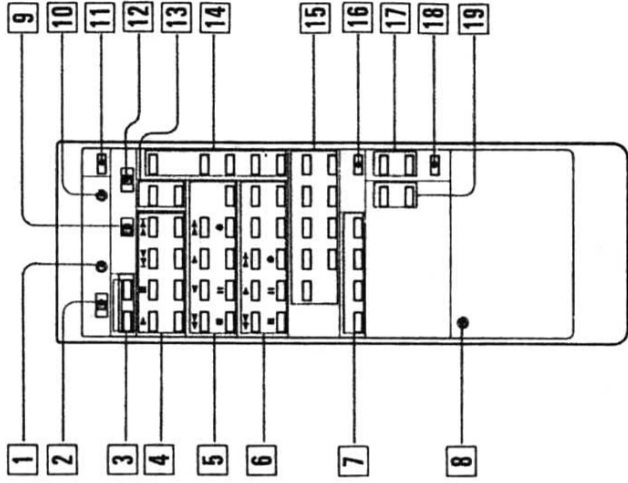
PART IDENTIFICATION



- 1 SYSTEM POWER switch
- 2 BASS control
- 3 TREBLE control
- 4 BALANCE control
- 5 SURROUND LEVEL control
- 6 SURROUND MODE switches
- 7 DBFB (Dynamic Bass Feed Back) switch and indicator (for US, Canadian, E model)
- 8 MUTING switch and indicator (for AEP, UK, West Germany model)
- 9 VOLUME control
- 10 SPEAKERS A, B selectors
- 11 HEADPHONES jack (stereo phone jack)
- 12 Remote control sensor
- 13 FUNCTION selectors and indicators
- 14 VIDEO 4 INPUT jacks (phono jacks)

Parts identification of the remote commander

The Programmable Remote Commander is capable of "learning" the functions of other remote commanders.



- 9** DECK A/B selector
Selects deck A or B.
- 10** PROGRAM CLEAR button
- 11** POWER button
Turns on/off Amplifier
- 12** VTR selector
1: Betamax VCR
2: 8 mm VCR
3: VHS VCR
- 13** PHONO (turntable) control buttons
START: Starts record play.
STOP: Stops record play.
- 14** TV control buttons
TV/VIDEO: Selects the input signal to the TV set, either a TV signal or VCR programs.
VOL (volume) +/- buttons
CH (channel) +/- buttons
- 15** FUNCTION selectors
- 16** DBFB (Dynamic Bass Feed Back) button
(Note: This button does not function for AEP, UK.
West Germany model of TA-AV490.)
- 17** VOL (volume) +/- buttons
- 18** MUTING button
(Note: This button does not function for US,
Canadian, E model of TA-AV490.)
- 19** TUNER PRESET buttons
PRESET +/-: Selects higher/lower preset channel number.

RM-P202 has the following functions.

- 1** LEARN indicator
- 2** Mode selector
- SONY STD: To control equipment manufactured by SONY.
- USER STD: To control equipment whose signals you have programmed.
- LEARN: To program the signals of other infrared remote commanders in the programmable area.
- 3** TV and VTR POWER button
TV: Turns on/off the TV.
VTR: Turns on/off the VCR.
- 4** CD player control buttons
▶: Starts play.
■: Stops play.
◀▶: AMS (Automatic Music Sensor)
PGM: Program play
SHUFFLE: Shuffle play
CONTINUE: Continuous play
DISC SKIP: Disc skip (for a CD player equipped with 5 disc trays)
- 5** TAPE (cassette deck) control buttons
◀◀: Reverse fast winding
◀: Reverse play
▶: Forward play
▶▶: Forward fast winding
■: Stop
||: Pause
REC: Recording (While you press REC, press REV for reverse recording and FWD for forward recording.)
- 6** VTR control buttons
◀◀: Rewind
▶: Play
▶▶: Fast forward
■: Stop
||: Pause
● REC: Recording buttons (Press both buttons for recording.)
ANT TV/VTR: Selects the output signal from the antenna terminal from the VCR, either TV or VCR.
CH +/-: Channel select buttons
- 7** SURROUND mode buttons
OFF: Turns off the surround mode.
DOLBY: Selects Dolby surround.
HALL: Selects hall surround.
SIMULATED: Selects simulated surround.
- 8** RESET button
Press this button and start again if the equipment works incorrectly.

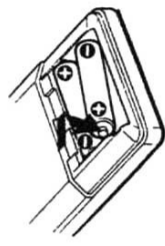
Note on remote commander
Avoid subjecting the remote sensor to direct sunlight or strong illumination. Otherwise, the remote-control operation could be impossible.

Installing Batteries

1



2 Two size "AA" (R6) batteries.



Notes on batteries

Battery life

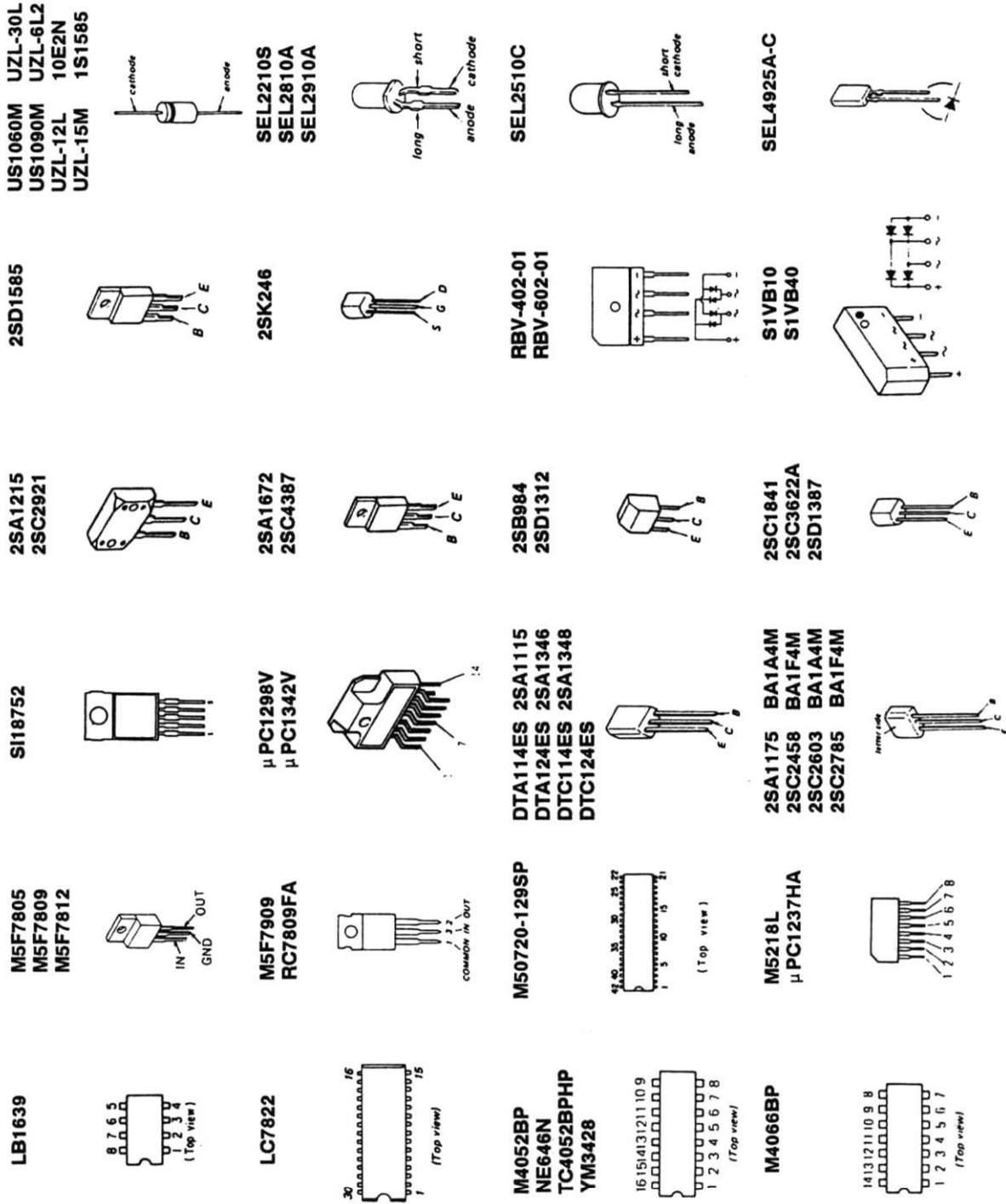
Normal operation can be expected about a half year using Sony SUM-3 (NS) and a year using Sony AM-3 (NW) alkaline batteries. If the LEARN indicator does not light when a button is pressed, the batteries are almost exhausted. When the batteries are exhausted, the remote commander can no longer operate the unit or programming becomes impossible. If this happens, replace both batteries with new ones.

To avoid battery leakage

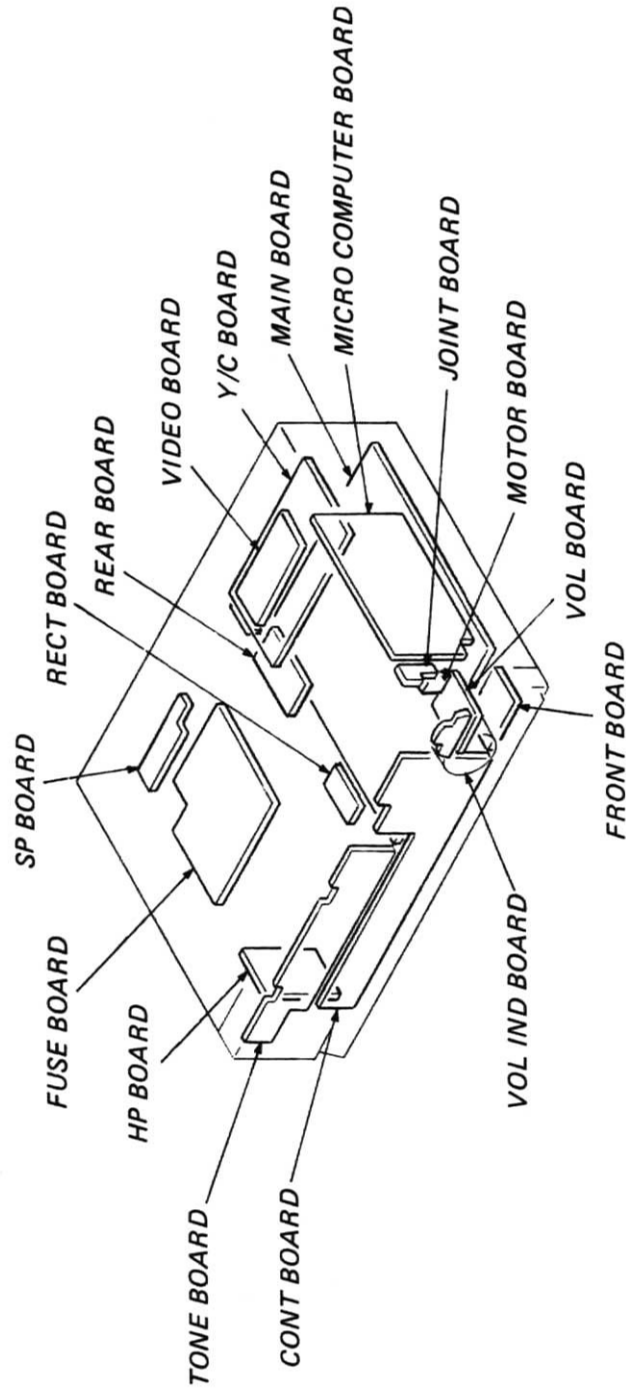
When the commander is not to be used for a long time, remove the batteries to avoid damage caused by battery leakage and corrosion.

SECTION 2 DIAGRAMS

2-1. SEMICONDUCTOR LEAD LAYOUTS



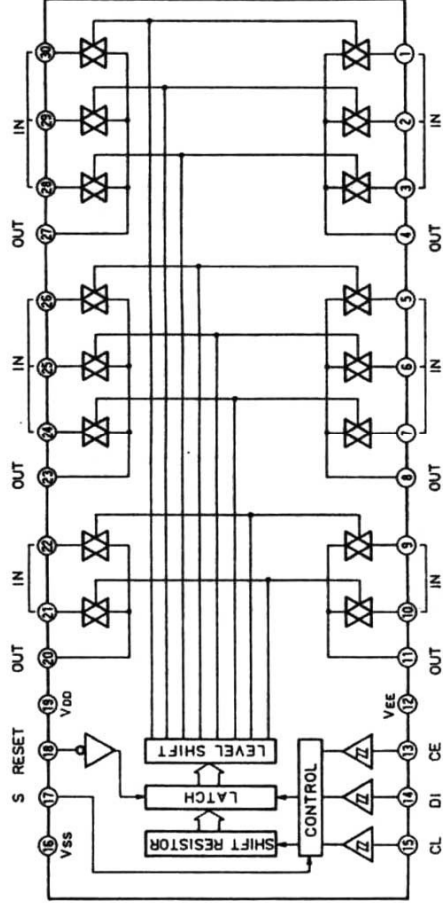
2-2. CIRCUIT BOARDS LOCATION



2-3. IC BLOCK DIAGRAM

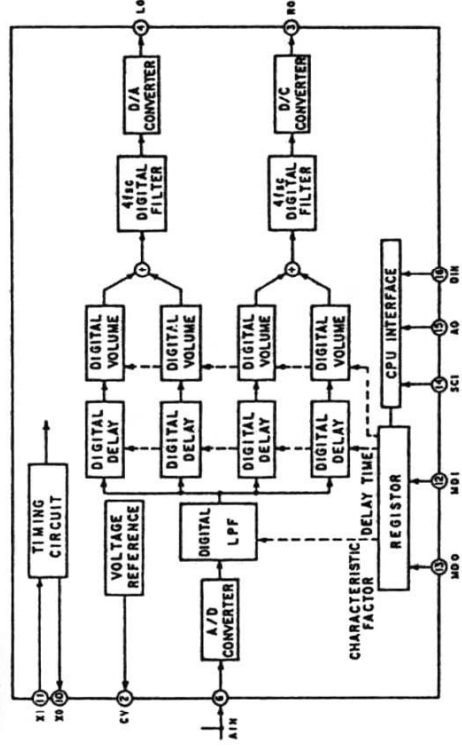
IC101

LC7822



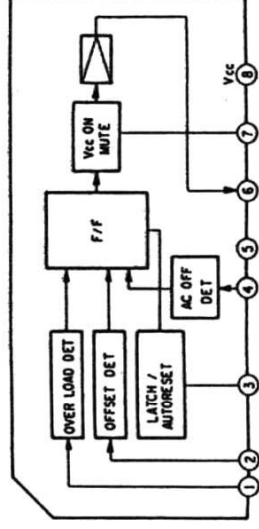
IC452

YM3428



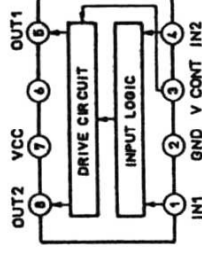
IC703

μPC1237HA



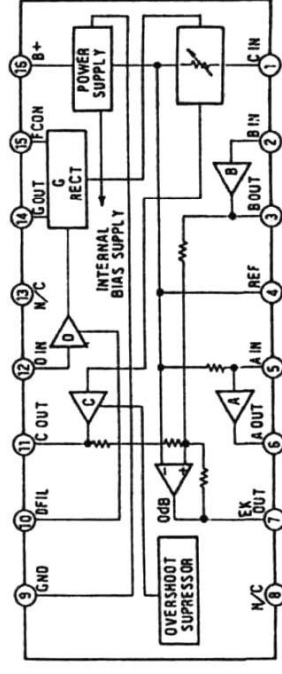
IC901

LB1639



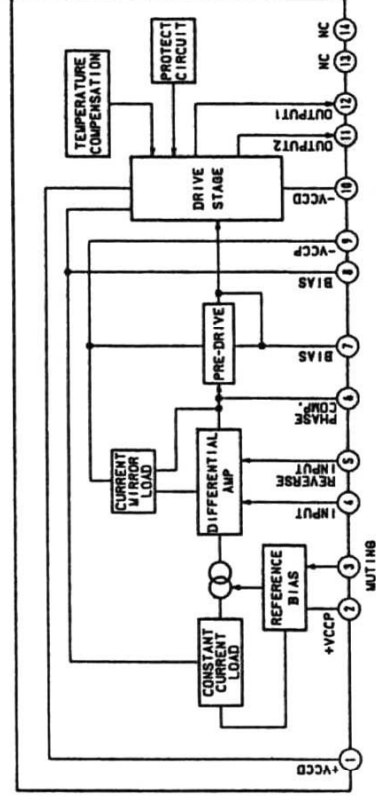
IC454

NE646N



IC501,601

μPC1298/1342V

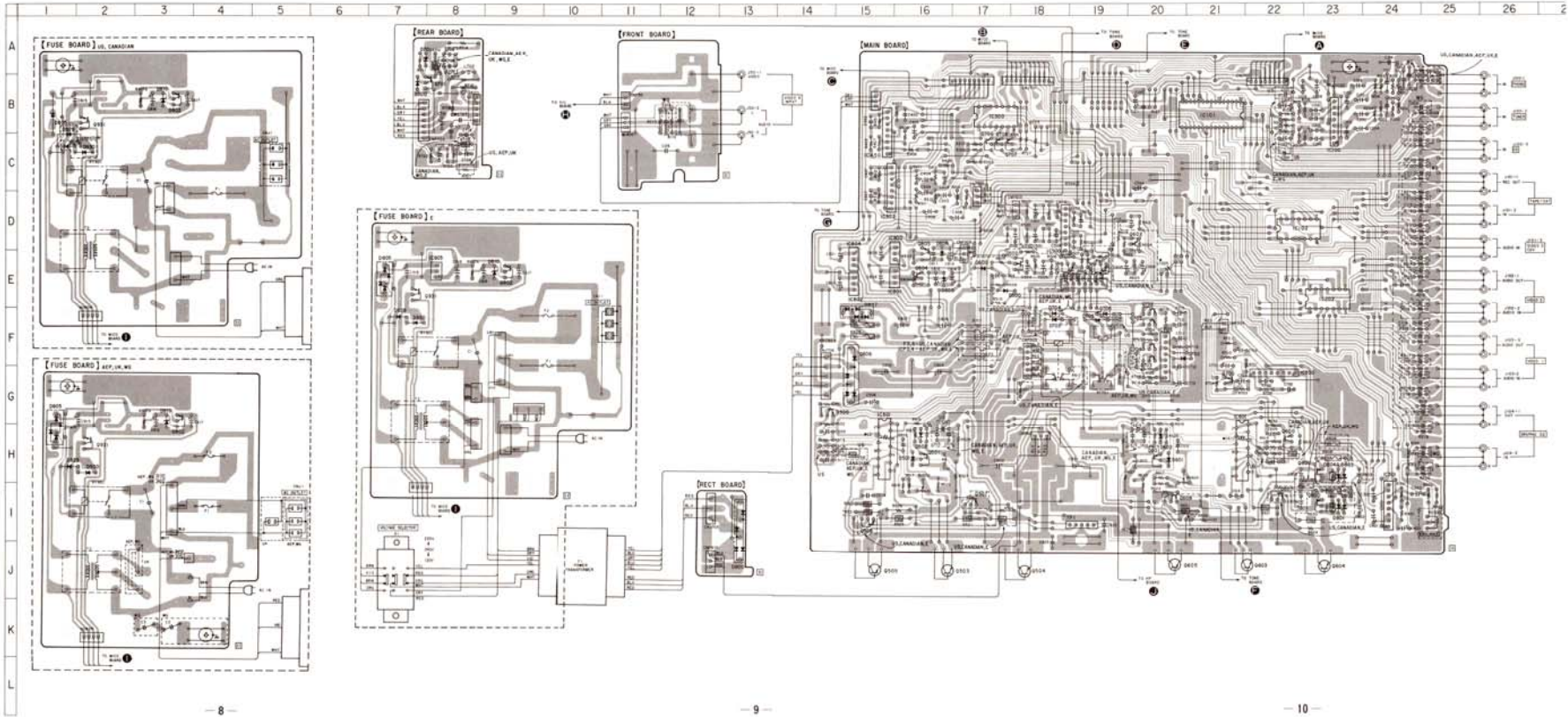


2-4. PRINTED WIRING BOARDS
(AMPLIFIER SECTION)

Semiconductor Location

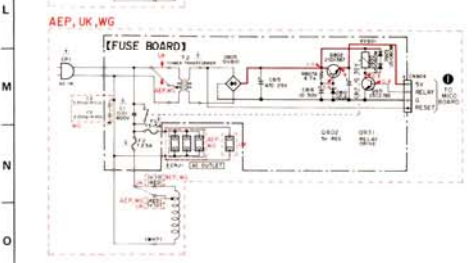
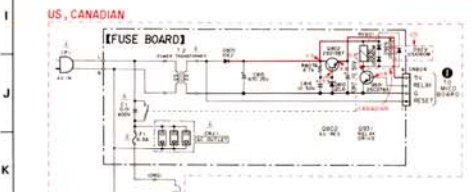
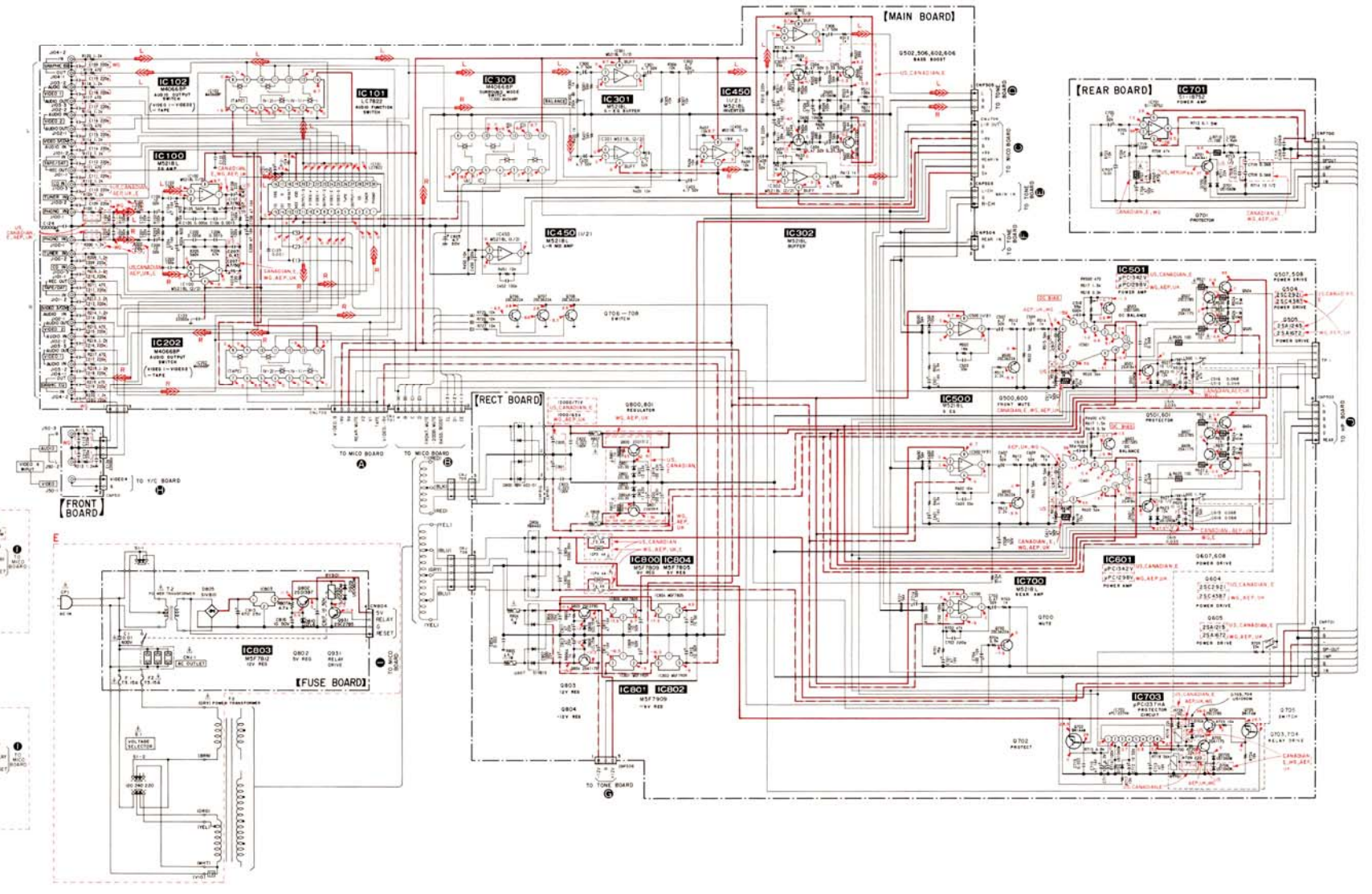
Ref. No.	Location	Ref. No.	Location
D500	E-17	D500	H-14
D501	H-18	D501	H-16
D502	H-18	D502	E-18
D600	E-17	D503	J-18
D601	H-20	D504	J-18
D602	H-20	D505	J-15
D700	B-7	D506	E-15
D701	Q-21	D507	I-17
D702	A-8	D508	H-8
D703	F-18	D600	H-22
D704	F-18	D601	H-20
D705	F-19	D602	E-20
D706	F-19	D603	J-20
D800	J-13	D604	J-23
D801	J-23	D605	J-20
D802	J-23	D606	E-18
D803	J-23	D607	J-22
D804	B-11	D608	J-20
D805	B-11	D609	J-20
		D700	Q-21
		D701	B-8
		D702	F-20
		D703	Q-20
		D704	F-20
		D705	F-20
		D706	C-17
		D707	C-17
		D708	C-17
		D800	J-23
		D801	J-23
		D802	J-23
		D803	J-23
		D804	J-23
		D805	J-23
		D806	J-23
		D807	J-23
		D808	J-23
		D809	J-23
		D810	J-23
		D811	J-23
		D812	J-23
		D813	J-23
		D814	J-23
		D815	J-23
		D816	J-23
		D817	J-23
		D818	J-23
		D819	J-23
		D820	J-23
		D821	J-23
		D822	J-23
		D823	J-23
		D824	J-23
		D825	J-23
		D826	J-23
		D827	J-23
		D828	J-23
		D829	J-23
		D830	J-23
		D831	J-23
		D832	J-23
		D833	J-23
		D834	J-23
		D835	J-23
		D836	J-23
		D837	J-23
		D838	J-23
		D839	J-23
		D840	J-23
		D841	J-23
		D842	J-23
		D843	J-23
		D844	J-23
		D845	J-23
		D846	J-23
		D847	J-23
		D848	J-23
		D849	J-23
		D850	J-23
		D851	J-23
		D852	J-23
		D853	J-23
		D854	J-23
		D855	J-23
		D856	J-23
		D857	J-23
		D858	J-23
		D859	J-23
		D860	J-23
		D861	J-23
		D862	J-23
		D863	J-23
		D864	J-23
		D865	J-23
		D866	J-23
		D867	J-23
		D868	J-23
		D869	J-23
		D870	J-23
		D871	J-23
		D872	J-23
		D873	J-23
		D874	J-23
		D875	J-23
		D876	J-23
		D877	J-23
		D878	J-23
		D879	J-23
		D880	J-23
		D881	J-23
		D882	J-23
		D883	J-23
		D884	J-23
		D885	J-23
		D886	J-23
		D887	J-23
		D888	J-23
		D889	J-23
		D890	J-23
		D891	J-23
		D892	J-23
		D893	J-23
		D894	J-23
		D895	J-23
		D896	J-23
		D897	J-23
		D898	J-23
		D899	J-23
		D900	J-23
		D901	J-23
		D902	J-23
		D903	J-23
		D904	J-23
		D905	J-23
		D906	J-23
		D907	J-23
		D908	J-23
		D909	J-23
		D910	J-23
		D911	J-23
		D912	J-23
		D913	J-23
		D914	J-23
		D915	J-23
		D916	J-23
		D917	J-23
		D918	J-23
		D919	J-23
		D920	J-23
		D921	J-23
		D922	J-23
		D923	J-23
		D924	J-23
		D925	J-23
		D926	J-23
		D927	J-23
		D928	J-23
		D929	J-23
		D930	J-23
		D931	J-23
		D932	J-23
		D933	J-23
		D934	J-23
		D935	J-23
		D936	J-23
		D937	J-23
		D938	J-23
		D939	J-23
		D940	J-23
		D941	J-23
		D942	J-23
		D943	J-23
		D944	J-23
		D945	J-23
		D946	J-23
		D947	J-23
		D948	J-23
		D949	J-23
		D950	J-23
		D951	J-23
		D952	J-23
		D953	J-23
		D954	J-23
		D955	J-23
		D956	J-23
		D957	J-23
		D958	J-23
		D959	J-23
		D960	J-23
		D961	J-23
		D962	J-23
		D963	J-23
		D964	J-23
		D965	J-23
		D966	J-23
		D967	J-23
		D968	J-23
		D969	J-23
		D970	J-23
		D971	J-23
		D972	J-23
		D973	J-23
		D974	J-23
		D975	J-23
		D976	J-23
		D977	J-23
		D978	J-23
		D979	J-23
		D980	J-23
		D981	J-23
		D982	J-23
		D983	J-23
		D984	J-23
		D985	J-23
		D986	J-23
		D987	J-23
		D988	J-23
		D989	J-23
		D990	J-23
		D991	J-23
		D992	J-23
		D993	J-23
		D994	J-23
		D995	J-23
		D996	J-23
		D997	J-23
		D998	J-23
		D999	J-23
		D1000	J-23

Note:
 ● — parts extracted from the component side,
 ■ — parts mounted on the conductor side,
 ● WG — West Germany

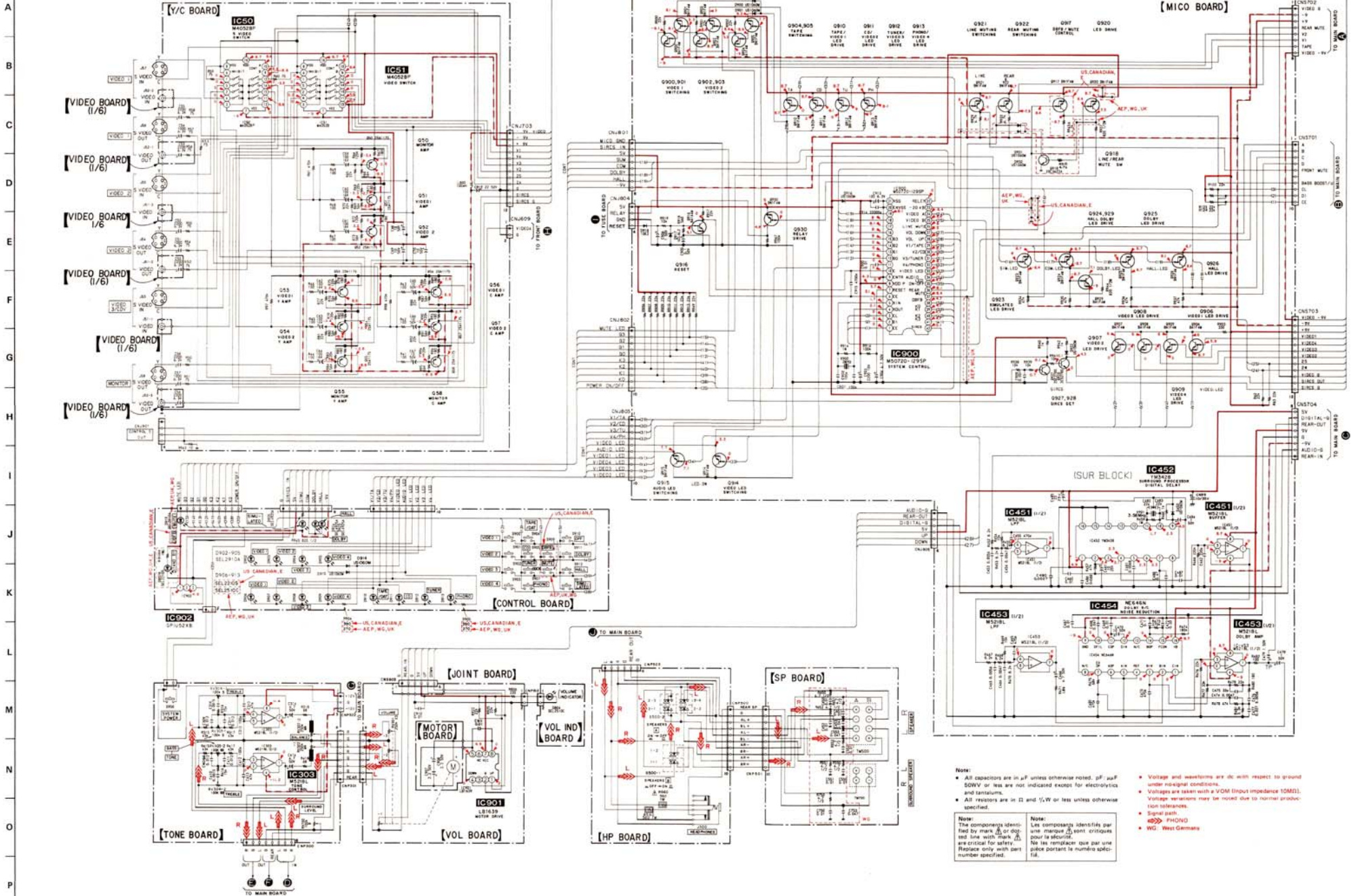


2-5. SCHEMATIC DIAGRAM (AMPLIFIER SECTION)

- Note:**
- All capacitors are in μF unless otherwise noted. μF and 50WV or less are not indicated except for electrolytics and tantalums.
 - All resistors are in Ω and $\text{K}\Omega$ or less unless otherwise specified.
 - R_{FUSE} - fuse resistor.
 - R_{ADJ} - fusible resistor.
- Note:**
- The components identified by mark A or B on this page are critical for safety. Replace only with part number identified.
 - The components identified by mark C or D on this page are critical for safety. The replacement parts must be the same as the original parts.
 - Line components identified by mark E or F are critical for safety. The replacement parts must be the same as the original parts.
 - Line components identified by mark G or H are critical for safety. The replacement parts must be the same as the original parts.
 - Line components identified by mark I or J are critical for safety. The replacement parts must be the same as the original parts.
 - Line components identified by mark K or L are critical for safety. The replacement parts must be the same as the original parts.
 - Line components identified by mark M or N are critical for safety. The replacement parts must be the same as the original parts.
 - Line components identified by mark O or P are critical for safety. The replacement parts must be the same as the original parts.
- Note:**
- Adjustment for noise.
 - Voltage and waveforms are to be taken at ground unless otherwise indicated.
 - Voltages are taken with a $10\text{M}\Omega$ input impedance $10\text{M}\Omega$.
 - Voltage variations may be caused due to normal production tolerances.
 - Signal paths.
 - PHONO.
 - W5 - West Germany.



2.6. SCHEMATIC DIAGRAM (CONTROL SECTION)



Note: All capacitors are in μF unless otherwise noted. μF 50WV or less are not indicated except for electrolytics and tantalums.

Note: All resistors are in Ω and $\frac{1}{2}\text{W}$ or less unless otherwise specified.

Note: The components identified by mark $\text{\textcircled{A}}$ or $\text{\textcircled{B}}$ or $\text{\textcircled{C}}$ or $\text{\textcircled{D}}$ or $\text{\textcircled{E}}$ or $\text{\textcircled{F}}$ or $\text{\textcircled{G}}$ or $\text{\textcircled{H}}$ or $\text{\textcircled{I}}$ or $\text{\textcircled{J}}$ or $\text{\textcircled{K}}$ or $\text{\textcircled{L}}$ or $\text{\textcircled{M}}$ or $\text{\textcircled{N}}$ or $\text{\textcircled{O}}$ or $\text{\textcircled{P}}$ are critical for safety. Replace only with part number specified.

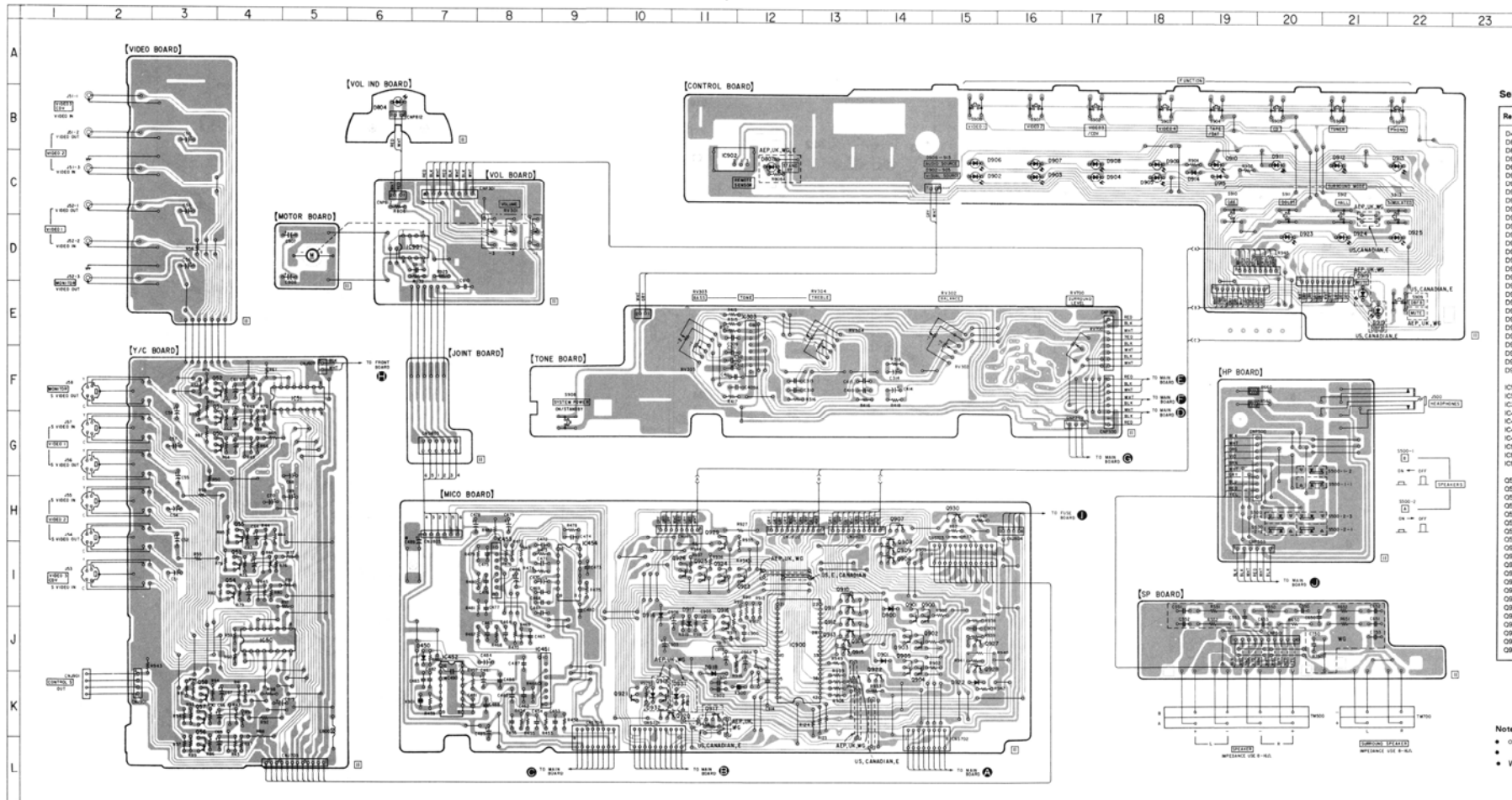
Note: Les composants identifiés par une marque $\text{\textcircled{A}}$ ou $\text{\textcircled{B}}$ ou $\text{\textcircled{C}}$ ou $\text{\textcircled{D}}$ ou $\text{\textcircled{E}}$ ou $\text{\textcircled{F}}$ ou $\text{\textcircled{G}}$ ou $\text{\textcircled{H}}$ ou $\text{\textcircled{I}}$ ou $\text{\textcircled{J}}$ ou $\text{\textcircled{K}}$ ou $\text{\textcircled{L}}$ ou $\text{\textcircled{M}}$ ou $\text{\textcircled{N}}$ ou $\text{\textcircled{O}}$ ou $\text{\textcircled{P}}$ sont critiques pour la sécurité. Ne les remplacer que par une pièce portant le numéro spécifié.

Note: Voltage and waveforms are dc with respect to ground under no-signal conditions. Voltages are taken with a VOM (input impedance 10M Ω). Voltage measurements may be noted due to normal production tolerances.

Note: Signal path.

Note: $\text{\textcircled{P}}$ PHONO

Note: $\text{\textcircled{WG}}$ West Germany



Semiconductor Location

Ref. No.	Location	Ref. No.	Location
D450	J-7	Q913	J-13
D804A	V-18	Q914	J-13
D807A	G-12	Q915	J-13
D900	J-14	Q916	J-13
D901	J-14	Q917	J-13
D902	G-15	Q918	J-11
D903	G-16	Q919	K-11
D904	C-17	Q920	K-10
D905	C-18	Q921	K-10
D906	C-15	Q922	K-14
D907	C-16	Q923	J-12
D908	C-17	Q924	J-11
D909	C-18	Q925	J-11
D910	C-19	Q926	J-11
D911	C-20	Q927	J-15
D912	C-21	Q928	J-15
D913	C-22	Q929	J-11
D914	C-19	Q930	H-15
D915	C-19		
D916	J-10		
D917	J-11		
D918	K-11		
D919	E-21		
D922	K-15		
D923	D-21		
D924	D-21		
D925	D-22		
D931	K-11		
D932	K-10		
IC50	J-4		
IC51	F-5		
IC303	E-12		
IC481	K-9		
IC482	K-7		
IC483	I-8		
IC484	I-8		
IC901	J-12		
IC901	D-7		
IC902	C-11		
Q50	G-4		
Q51	G-4		
Q53	F-4		
Q54	I-4		
Q55	H-4		
Q56	H-4		
Q57	L-3		
Q58	K-3		
Q900	K-3		
Q901	J-14		
Q902	J-14		
Q903	J-14		
Q904	J-14		
Q905	J-14		
Q906	J-14		
Q907	I-14		
Q908	H-14		
Q909	I-14		
Q910	H-14		
Q911	I-14		
Q912	I-14		

Note:
 • ○ : parts extracted from the component side.
 • ■ : parts mounted on the conductor side.
 • WG: West Germany

SECTION 3 EXPLODED VIEW

- NOTE:**
- The mechanical parts with no reference number in the exploded views are not supplied.
 - The construction parts of an assembled part are indicated with a collation number in the remark column.
 - Items marked "★" are not stocked since they are seldom required for routine service. Some delay should be anticipated when ordering these items.

- Due to standardization, parts with part number suffix -XX and -X may be different from the parts specified in the components used on the set.

- Color Indication of Appearance Parts Example:

(RED) ... KNOB, BALANCE (WHITE)

↑

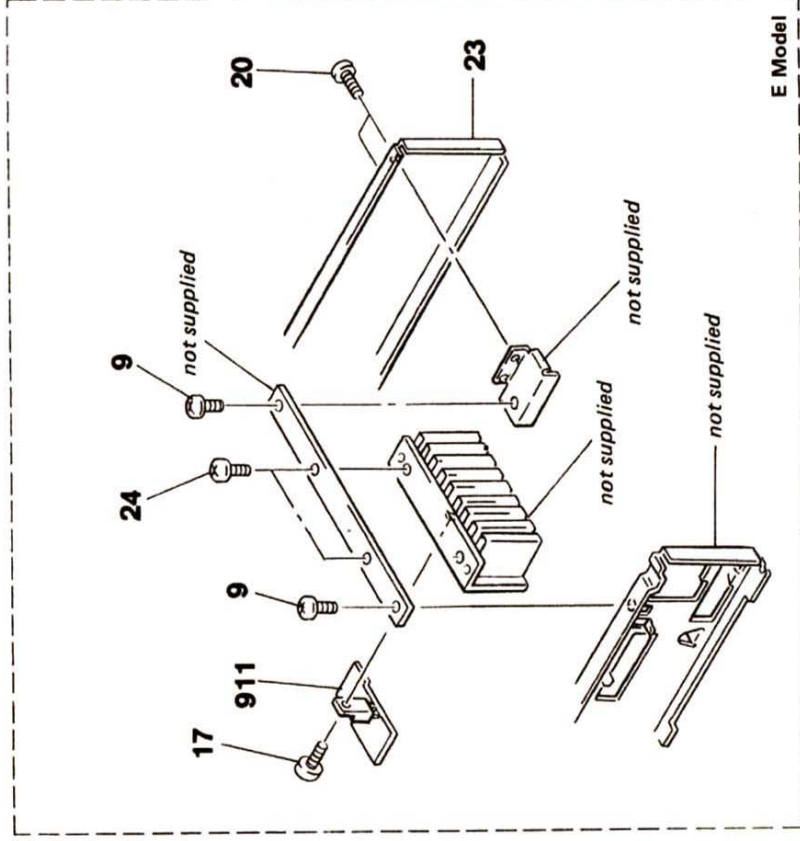
Cabinet's Color

Parts' Color



The components identified by mark **A** or dotted line with mark **A** are critical for safety. Replace only with part number specified.


Les composants identifiés par une marque **A** sont critiques pour la sécurité. Ne les remplacer que par une pièce portant le numéro spécifié.

- WG: West Germany

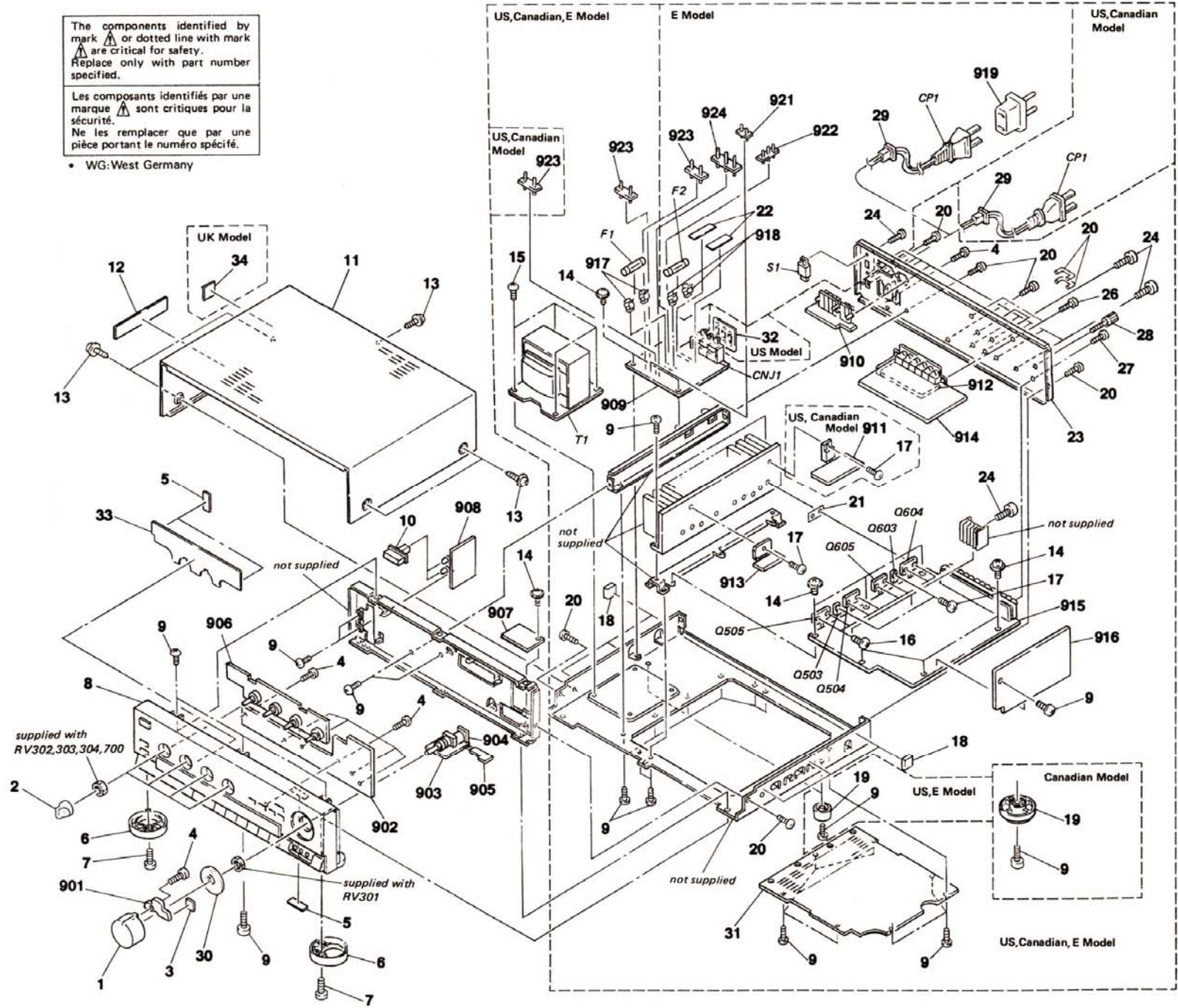


E Model

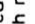
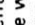
The components identified by mark  or dotted line with mark  are critical for safety. Replace only with part number specified.

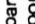
Les composants identifiés par une marque  sont critiques pour la sécurité. Ne les remplacer que par une pièce portant le numéro spécifié.

• WG: West Germany



No.	Part No.	Description	Remarks
1	4-925-121-01	KNOB (V2)(VOLUME)	
2	4-916-745-01	KNOB(DIA.21)(TONE,BALANCE,SURROUND LEVEL)	
3	*4-921-941-01	CUSHION (FL)	
4	7-685-134-19	SCREW +BTP 2.6X8 TYPE2 N-S	
5	3-831-441-XX	CUSHION (B), CABINET	
6	3-332-580-01	(AEP,UK,WG).....COVER (FOOT)	
7	3-332-580-11	(US,Canadian,E).....COVER (FOOT)	
7	7-685-874-09	SCREW +BVT 3X12 (S)	
8	X-4911-205-1	(US,Canadian)....PANEL ASSY, FRONT	
8	X-4919-207-1	(E).....PANEL ASSY, FRONT	
8	X-4911-208-1	(AEP,UK,WG).....PANEL ASSY, FRONT	
9	7-682-548-04	SCREW +BVT 3X8 (S)	
10	4-924-901-01	BUTTON (M)(SPEAKERS SELECT)	
11	4-924-920-71	(US,Canadian)....CASE	
11	4-927-838-01	(AEP,UK,WG).....CASE	
11	4-927-850-01	(E).....CASE	
12	4-915-702-01	LABEL, CAUTION, DOLBY SURROUND	
13	3-704-366-01	SCREW (CASE) (M3X8)	
14	4-886-821-11	SCREW, S TIGHT, +PTTWH 3X6	
15	7-682-560-04	SCREW +BVT 4X6 (S)	
16	7-682-549-09	(US,Canadian,E)....SCREW +B 3X10	
17	7-682-548-09	SCREW +B 3X8	
18	9-911-841-XX	CUSHION	
19	4-927-849-01	(US,E).....FOOT	
19	X-4885-935-1	(AEP,UK,WG)....FOOT ASSY	
19	X-4911-201-1	(Canadian).....FOOT ASSY	
20	7-685-872-09	SCREW +BVT 3X8 (S)	
21	4-885-901-31	(US,Canadian,E)....SHEET, RADIATION	
22	3-701-947-16	(AEP,UK,WG,E)....LABEL (T3.15A), FUSE	
23	*4-927-807-01	(US).....PANEL, BACK	
23	*4-927-807-11	(Canadian)....PANEL, BACK	
23	*4-927-807-31	(AEP).....PANEL, BACK	
23	*4-927-807-42	(WG).....PANEL, BACK	
23	*4-927-807-51	(UK).....PANEL, BACK	
23	*4-927-807-61	(E).....PANEL, BACK	
24	7-685-646-79	SCREW +BVT 3X8 TYPE2 N-S	
26	3-703-685-21	SCREW (+BV 3X8)	
27	7-621-849-00	SCREW, TAPPING	
28	3-706-165-00	SCREW	
29	*3-703-244-00	(US,Canadian,AEP,UK,WG).....BUSHING (2104), CORD	
29	3-703-571-11	(E).....BUSHING (S) (4516), CORD	
30	*4-931-603-11	SPACER	
31	*4-927-806-11	(AEP,UK,WG)....PLATE, BOTTOM	
31	*4-927-806-21	(Canadian)....PLATE, BOTTOM	
31	*4-927-806-31	(US,E).....PLATE, BOTTOM	
32	*4-927-833-01	(US)....SPACER (3 GANG)	
33	*4-927-848-01	PLATE, SHIELD	
34	*3-703-079-21	(UK)....LABEL, CAUTION	
901	*1-631-064-11	PC BOARD, VOL IND	
902	*1-631-060-11	PC BOARD, CONT	
903	*1-631-063-11	PC BOARD, VOL	
904	*1-631-066-11	PC BOARD, MOTOR	
905	*1-631-065-11	PC BOARD, JOINT	
906	*1-631-061-11	PC BOARD, TONE	
907	*1-631-052-11	PC BOARD, FRONT	
908	*1-631-058-11	PC BOARD, HD	
909	*1-631-057-11	PC BOARD, FUSE	
910	*1-631-059-11	PC BOARD, SP	
911	*1-631-054-11	PC BOARD, REAR	
912	*1-631-056-11	PC BOARD, VIDEO	
913	*1-631-053-11	PC BOARD, RECT	
914	*A-4333-583-A	MOUNTED PCB, Y/C	
915	*A-4333-575-A	(US).....MOUNTED PCB, MAIN	
915	*A-4333-588-A	(Canadian)....MOUNTED PCB, MAIN	
915	*A-4333-747-A	(AEP,UK).....MOUNTED PCB, MAIN	
915	*A-4333-751-A	(WG).....MOUNTED PCB, MAIN	
915	*A-4333-757-A	(E).....MOUNTED PCB, MAIN	
916	*A-4333-580-A	(US,Canadian,E).....MOUNTED PCB, MICRO COMPUTER	
916	*A-4333-749-A	(AEP,UK,WG)....MOUNTED PCB, MICRO COMPUTER	
917	*1-533-213-31	HOLDER, FUSE	
918	*1-533-213-31	(AEP,UK,WG,E)....HOLDER, FUSE	
919	*1-526-565-00	(E).....AC PLUG ADAPTOR	
920	1-535-530-11	PLUG, JUMPER	
921	*1-535-115-00	(E)....TERMINAL	
922	*1-535-116-00	(E)....TERMINAL	
923	*1-535-139-00	(US,Canadian,E)....BASE POST 22MM	
924	*1-535-140-00	(AEP,UK,WG,E)....BASE POST 22MM	
925	*1-535-114-00	(AEP,UK,WG)....TERMINAL	
926	*1-535-771-11	(AEP,UK,WG)....TERMINAL	
CNJ1	*1-526-794-11	(AEP,WG).....OUTLET, AC	
CNJ1	*1-526-751-00	(UK).....OUTLET, AC	
CNJ1	*1-540-043-11	(E)....OUTLET, AC (NONPLAR) (3P)	
CNJ1	*1-540-062-11	(US,Canadian)....OUTLET, AC (POLAR)	
CP1	*1-551-188-XX	(E).....CORD, POWER	
CP1	*1-555-750-00	(AEP,WG).....CORD, POWER	
CP1	*1-556-035-00	(UK).....CORD, POWER	
CP1	*1-557-577-11	(US,Canadian)....CORD, POWER	
F1	*1-532-237-00	(AEP,UK,WG,E)....FUSE, TIME-LAG (3.15A)	
F1	*1-532-748-11	(US,Canadian)....FUSE, GLASS TUBE (6.3A)	
F2	*1-532-237-00	(E).....FUSE, TIME-LAG (3.15A)	
F2	*1-532-286-00	(AEP,UK,WG)....FUSE, TIME-LAG (2.5A)	
Q503	8-729-107-25	TRANSISTOR 2SD1585-L	
Q504	8-729-320-03	(US,Canadian,E)....TRANSISTOR 2SC2921M-0	
Q504	8-729-321-21	(AEP,UK,WG).....TRANSISTOR 2SC4387	
Q505	8-729-300-22	(US,Canadian,E)....TRANSISTOR 2SA1215	
Q505	8-729-321-24	(AEP,UK,WG).....TRANSISTOR 2SA1672	
Q603	8-729-107-25	TRANSISTOR 2SD1585-L	
Q604	8-729-320-03	(US,Canadian,E)....TRANSISTOR 2SC2921M-0	
Q604	8-729-321-21	(AEP,UK,WG).....TRANSISTOR 2SC4387	
Q605	8-729-300-22	(US,Canadian,E)....TRANSISTOR 2SA1215	
Q605	8-729-321-24	(AEP,UK,WG).....TRANSISTOR 2SA1672	
S1	*1-571-515-11	(E)....SWITCH,POWER VOLTAGE SELECTION (VOLTAGE SELECTOR)	
T1	*1-449-712-11	(US,Canadian)....TRANSFORMER, POWER	
T1	*1-449-713-11	(E).....TRANSFORMER, POWER	
T1	*1-449-714-11	(AEP,UK,WG)....TRANSFORMER, POWER	

The components identified by mark  or dotted line with mark  are critical for safety. Replace only with part number specified.

Les composants identifiés par une marque  sont critiques pour la sécurité. Ne les remplacer que par une pièce portant le numéro spécifié.

SECTION 4 ELECTRICAL PARTS LIST

NOTE:

- Due to standardization, replacements in the parts list may be different from the parts specified in the diagrams or the components used on the set.
- Items marked "★" are not stocked since they are seldom required for routine service. Some delay should be anticipated when ordering these items.
- If there are two or more same circuits in a set such as a stereophonic machine, only typical circuit parts may be indicated and capacitors and resistors in other same circuits may be omitted.

CAPACITORS:

MF: μ F, PF: μ F.

RESISTORS

- All resistors are in ohms.
- F: nonflammable

COILS

- MMH: mH, UH: μ H

SEMICONDUCTORS

In each case, U: μ , for example:

UA...: μ A..., UPA...: μ PA...,
UPC...: μ PC, UPD...: μ PD...

The components identified by mark Δ or dotted line with mark Δ are critical for safety. Replace only with part number specified.

Les composants identifiés par une marque Δ sont critiques pour la sécurité. Ne les remplacer que par une pièce portant le numéro spécifié.

- WG: West Germany

Ref.No.	Part No.	Description	Ref.No.	Part No.	Description
901	*1-631-064-11	PC BOARD, VOL IND	C61	1-126-101-11	ELECT
902	*1-631-060-11	PC BOARD, CONT	C62	1-126-101-11	ELECT
903	*1-631-063-11	PC BOARD, VOL	C63	1-126-101-11	ELECT
904	*1-631-066-11	PC BOARD, MOTOR	C64	1-126-101-11	ELECT
905	*1-631-065-11	PC BOARD, JOINT	C65	1-123-875-11	ELECT
906	*1-631-061-11	PC BOARD, TONE	C66	1-123-875-11	ELECT
907	*1-631-052-11	PC BOARD, FRONT	C67	1-123-875-11	ELECT
908	*1-631-058-11	PC BOARD, HD	C68	1-123-875-11	ELECT
909	*1-631-057-11	PC BOARD, FUSE	C69	1-123-875-11	ELECT
910	*1-631-059-11	PC BOARD, SP	C70	1-123-875-11	ELECT
911	*1-631-054-11	PC BOARD, REAR	C100	1-123-875-11	ELECT
912	*1-631-056-11	PC BOARD, VIDEO	C101	1-162-283-31	CERAMIC
913	*1-631-053-11	PC BOARD, RECT	C102	1-101-361-00	CERAMIC
914	*A-4333-583-A	MOUNTED PCB, Y/C	C104	1-124-477-11	ELECT
915	*A-4333-575-A	(US).....MOUNTED PCB, MAIN	C105	1-130-480-00	MYLAR
	*A-4333-588-A	(Canadian)....MOUNTED PCB, MAIN	C106	1-130-473-00	MYLAR
	*A-4333-747-A	(AEP,UK).....MOUNTED PCB, MAIN	C107	1-124-927-11	(Canadian,E,AEP,UK,WG)
	*A-4333-751-A	(WG).....MOUNTED PCB, MAIN	C107	1-124-902-00ELECT 4.7MF
	*A-4333-757-A	(E).....MOUNTED PCB, MAIN	MYLAR 0.47MF	
916	*A-4333-580-A	(US,Canadian,E)	C108	1-124-477-11	ELECT
	*A-4333-749-AMOUNTED PCB, MICRO COMPUTER	C109	1-162-286-31	(WG)....CERAMIC 220MF
		(AEP,UK,WG)	C110	1-162-286-31	(WG)....CERAMIC 220MF
	MOUNTED PCB, MICRO COMPUTER	C111	1-162-286-31	(WG)....CERAMIC 220MF
917	Δ *1-533-213-31	HOLDER, FUSE	C112	1-162-286-31	(WG)....CERAMIC 220MF
918	Δ *1-533-213-31	(AEP,UK,WG,E)....HOLDER, FUSE	C113	1-162-286-31	(WG)....CERAMIC 220MF
919	Δ *1-526-565-00	(E)....AC PLUG ADAPTOR	C114	1-162-286-31	(WG)....CERAMIC 220MF
920	1-535-530-11	PLUG, JUMPER	C115	1-162-286-31	(WG)....CERAMIC 220MF
921	*1-535-115-00	(E)....TERMINAL	C116	1-162-286-31	(WG)....CERAMIC 220MF
922	*1-535-116-00	(E)....TERMINAL	C117	1-162-286-31	(WG)....CERAMIC 220MF
923	*1-535-139-00	(US,Canadian,E)....BASE POST 22MM	C118	1-162-286-31	(WG)....CERAMIC 220MF
924	*1-535-140-00	(AEP,UK,WG,E)....BASE POST 22MM	C119	1-162-286-31	(WG)....CERAMIC 220MF
925	*1-535-114-00	(AEP,UK,WG)....TERMINAL	C120	1-162-286-31	(WG)....CERAMIC 220MF
926	*1-535-771-11	(AEP,UK,WG)....TERMINAL	C121	1-123-875-11	ELECT
C1	Δ 1-161-744-00	CERAMIC	C122	1-161-494-00	CERAMIC
C2	Δ 1-161-742-00	(WG) 0.01MF	C123	1-161-494-00	CERAMIC
C3	Δ 1-161-742-00CERAMIC 0.0022MF	C124	1-161-494-00	CERAMIC
	(WG)		C125	1-162-294-31	CERAMIC
C50	1-124-893-11CERAMIC	C126	1-161-494-00	CERAMIC
C51	1-124-471-00	ELECT	C200	1-123-875-11	ELECT
C52	1-124-893-11	ELECT	C201	1-162-283-31	CERAMIC
C53	1-124-893-11	ELECT	C202	1-101-361-00	CERAMIC
C54	1-124-471-00	ELECT	C204	1-124-477-11	ELECT
C55	1-124-893-11	ELECT	C205	1-130-480-00	MYLAR
C56	1-124-893-11	ELECT	C206	1-130-473-00	MYLAR
C57	1-124-471-00	ELECT			
C58	1-124-893-11	ELECT			
C59	1-126-101-11	ELECT			
C60	1-126-101-11	ELECT			

Ref.No.	Part No.	Description	Ref.No.	Part No.	Description
C207	1-124-927-11	(Canadian,E,AEP,UK,WG) ...ELECT ...MYLAR	C472	1-136-171-00	FILM
C207	1-124-902-06	(US)...	C473	1-102-114-00	CERAMIC
C208	1-124-477-11	ELECT	C474	1-130-479-00	MYLAR
C209	1-162-286-31	(WG)...	C475	1-102-963-00	CERAMIC
C210	1-162-286-31	(WG)...	C476	1-130-480-00	MYLAR
C211	1-162-286-31	(WG)...	C477	1-136-158-00	MYLAR
C212	1-162-286-31	(WG)...	C478	1-124-499-11	ELECT
C213	1-162-286-31	(WG)...	C479	1-124-499-11	ELECT
C214	1-162-286-31	(WG)...	C480	1-102-114-00	CERAMIC
C215	1-162-286-31	(WG)...	C481	1-130-481-00	MYLAR
C216	1-162-286-31	(WG)...	C482	1-162-207-31	CERAMIC
C217	1-162-286-31	(WG)...	C483	1-162-207-31	CERAMIC
C218	1-162-286-31	(WG)...	C484	1-124-499-11	ELECT
C219	1-162-286-31	(WG)...	C485	1-126-233-11	ELECT
C220	1-162-286-31	(WG)...	C486	1-106-375-12	FILM
C300	1-124-927-11	ELECT	C487	1-136-153-00	MYLAR
C301	1-124-927-11	ELECT	C488	1-136-173-00	FILM
C303	1-124-927-11	ELECT	C489	1-131-353-00	TANTALUM
C304	1-124-477-11	ELECT	C490	1-102-122-00	CERAMIC
C307	1-102-963-00	CERAMIC	C500	1-102-973-00	CERAMIC
C308	1-124-927-11	ELECT	C501	1-124-477-11	ELECT
C309	1-136-154-00	MYLAR	C503	1-102-963-00	CERAMIC
C310	1-130-473-00	MYLAR	C504	1-124-902-00	ELECT
C311	1-136-154-00	MYLAR	C505	1-124-252-00	ELECT
C312	1-162-282-31	CERAMIC	C506	1-123-875-11	ELECT
C313	1-101-880-00	CERAMIC	C507	1-124-927-11	ELECT
C314	1-124-927-11	ELECT	C508	1-123-875-11	ELECT
C400	1-124-927-11	ELECT	C509	1-124-499-11	ELECT
C401	1-124-927-11	ELECT	C511	1-124-910-11	ELECT
C403	1-124-927-11	ELECT	C512	1-102-233-00	CERAMIC
C404	1-124-477-11	ELECT	C514	1-136-163-00	MYLAR
C407	1-102-963-00	CERAMIC	C515	1-136-159-00	(US)...
C408	1-124-927-11	ELECT	C515	1-136-163-00	(Canadian,AEP,UK,WG,E) ...MYLAR ...MYLAR
C409	1-124-927-11	ELECT	C516	1-136-163-00	(Canadian,AEP,UK,WG,E) ...MYLAR
C409A	1-136-154-00	MYLAR	C517	1-162-815-00	(AEP,UK,WG) ...CERAMIC
C410	1-130-473-00	MYLAR	C516	1-136-163-00	MYLAR
C411	1-136-154-00	MYLAR	C550	1-136-153-00	(WG)...
C412	1-162-282-31	CERAMIC	C551	1-136-153-00	(WG)...
C413	1-101-880-00	CERAMIC	C552	1-136-153-00	(WG)...
C414	1-124-927-11	ELECT	C553	1-136-161-00	(WG)...
C450	1-102-973-00	CERAMIC	C600	1-102-973-00	CERAMIC
C452	1-102-973-00	CERAMIC	C601	1-124-477-11	ELECT
C453	1-130-480-00	MYLAR	C603	1-102-963-00	CERAMIC
C454	1-130-479-00	MYLAR	C604	1-124-902-00	ELECT
C455	1-102-114-00	CERAMIC	C605	1-124-252-00	ELECT
C460	1-136-153-00	MYLAR	C607	1-124-927-11	ELECT
C461	1-131-353-00	TANTALUM	C609	1-124-499-11	ELECT
C462	1-102-110-00	CERAMIC	C611	1-124-910-11	ELECT
C463	1-130-480-00	MYLAR	C612	1-102-233-00	CERAMIC
C464	1-130-479-00	MYLAR	C614	1-136-163-00	MYLAR
C465	1-102-114-00	CERAMIC	C615	1-136-159-00	(US)...
C466	1-124-927-11	ELECT	C615	1-136-163-00	(Canadian,AEP,UK,WG,E) ...MYLAR
C467	1-101-004-00	CERAMIC	C616	1-136-163-00	(Canadian,AEP,UK,WG,E) ...MYLAR
C468	1-136-161-00	MYLAR	C617	1-162-815-00	(AEP,UK,WG) ...CERAMIC
C469	1-101-004-00	CERAMIC	C616	1-136-163-00	MYLAR
C470	1-123-875-11	ELECT	C650	1-136-153-00	(WG)...
C471	1-136-165-00	MYLAR	C651	1-136-153-00	(WG)...
C471	1-136-165-00	MYLAR	C652	1-136-153-00	(WG)...
C471	1-136-165-00	MYLAR	C653	1-136-161-00	(WG)...
C471	1-136-165-00	MYLAR	C700	1-102-973-00	CERAMIC

Ref.No.	Part No.	Description	Ref.No.	Part No.	Description
C701	1-124-477-11	ELECT	C905	1-124-463-00	ELECT
C702	1-102-110-00	CERAMIC	C906	1-124-499-11	ELECT
C703	1-124-902-00	ELECT	C907	1-124-925-11	ELECT
C704	1-124-443-00	ELECT	C908	1-124-925-11	ELECT
C705	1-124-927-11	ELECT	C909	1-130-471-00	MYLAR
C706	1-124-910-11	ELECT	C910	1-161-379-00	CERAMIC
C707	1-136-153-00	MYLAR	C911	1-161-379-00	CERAMIC
C708	1-136-159-00	(US)...MYLAR	C913	1-124-443-00	ELECT
C708	1-136-163-00	(Canadian,AEP,UK,WG,E)	C914	1-161-494-00	CERAMIC
C709	1-136-163-00	MYLAR	C915	1-161-377-00	CERAMIC
C710	1-124-477-11	ELECT	CNJ1 Δ	1-526-794-11	(AEP,WG).....OUTLET, AC
C711	1-124-443-00	ELECT	CNJ1 Δ	1-526-751-00	(UK).....OUTLET, AC
C712	1-123-875-11	ELECT	CNJ1 Δ	1-540-043-11	(E).....OUTLET, AC (NONPLAR) (3P)
C713	1-124-477-11	ELECT	CNJ1 Δ	1-540-062-11	(US,Canadian)....OUTLET, AC (POLAR)
C714	1-124-499-11	ELECT	CNJ609*	1-564-505-11	PLUG, CONNECTOR 2P
C715	1-101-005-00	CERAMIC	CNJ701*	1-565-439-11	PIN, CONNECTOR (PCB) 10P
C716	1-136-163-00	MYLAR	CNJ702*	1-565-344-11	PIN, CONNECTOR (PC BOARD) 8P
C717	1-136-163-00	MYLAR	CNJ703*	1-565-440-11	PIN, CONNECTOR (PCB) 12P
C719	1-102-110-00	CERAMIC	CNJ704*	1-565-344-11	PIN, CONNECTOR (PC BOARD) 8P
C750	1-136-153-00	(WG)....MYLAR	CNJ705*	1-564-104-00	PIN, CONNECTOR 3P
C753	1-136-161-00	(WG)....MYLAR	CNJ706*	1-564-242-00	PIN, CONNECTOR 5P
C800	1-125-479-11	(AEP,UK,WG)	CNJ801*	1-564-501-11	PIN, CONNECTOR 8P
C800	1-125-522-11ELECT	CNJ802*	1-564-502-11	PIN, CONNECTOR 10P
C801	1-125-479-11	(AEP,UK,WG)	CNP301*	1-564-511-11	PLUG, CONNECTOR 8P
C801	1-125-522-11	(US,Canadian,E)	CNP302*	1-564-505-11	PLUG, CONNECTOR 2P
C802	1-124-915-11	(US,Canadian,E)	CNP303*	1-564-506-11	PLUG, CONNECTOR 3P
C803	1-124-915-11	(US,Canadian,E)	CNP305*	1-564-506-11	PLUG, CONNECTOR 3P
C804	1-124-026-00	ELECT	CNP306*	1-564-506-11	PLUG, CONNECTOR 3P
C805	1-124-026-00	ELECT	CNP503*	1-564-509-11	PLUG, CONNECTOR 6P
C806	1-124-557-11	ELECT	CNP701*	1-564-511-11	PLUG, CONNECTOR 8P
C807	1-124-557-11	ELECT	CNP700*	1-564-510-11	PLUG, CONNECTOR 7P
C808	1-123-875-11	ELECT	CNP812*	1-564-505-11	PLUG, CONNECTOR 2P
C809	1-123-875-11	ELECT	CNS701*	1-565-438-11	SOCKET, CONNECTOR (PCB) 10P
C810	1-123-875-11	ELECT	CNS702*	1-565-347-11	SOCKET, CONNECTOR (PC BOARD) 8P
C811	1-124-477-11	ELECT	CNS703*	1-565-441-11	SOCKET, CONNECTOR (PCB) 12P
C812	1-124-477-11	ELECT	CNS704*	1-565-347-11	SOCKET, CONNECTOR (PC BOARD) 8P
C813	1-124-477-11	ELECT	CNS805	1-561-115-00	SOCKET, CONNECTOR 6P
C814	1-124-477-11	ELECT	CP1 Δ	1-551-188-XX	(E).....CORD, POWER
C815	1-124-480-11	ELECT	CP1 Δ	1-555-750-00	(AEP,WG).....CORD, POWER
C816	1-123-875-11	ELECT	CP1 Δ	1-556-035-00	(UK).....CORD, POWER
C817	1-123-875-11	ELECT	CP1 Δ	1-557-577-11	(US,Canadian)....CORD, POWER
C818	1-123-875-11	(E)....ELECT	D450	8-719-000-26	DIODE US1060M
C819A	1-124-572-11	ELECT	D500	8-719-000-26	(E)....DIODE US1060M
C819	1-126-233-11	ELECT	D501	8-719-815-86	DIODE 1S1586
C820	1-124-572-11	ELECT	D502	8-719-815-86	DIODE 1S1586
C821	1-123-875-11	ELECT	D600	8-719-000-26	(E)....DIODE US1060M
C822	1-106-375-12	MYLAR	D601	8-719-815-86	DIODE 1S1586
C823	1-106-375-12	MYLAR	D602	8-719-815-86	DIODE 1S1586
C824	1-101-005-00	CERAMIC	D700	8-719-000-26	DIODE US1060M
C825	1-124-927-11	ELECT	D701	8-719-000-26	DIODE US1060M
C900	1-136-153-00	MYLAR	D702	8-719-000-26	DIODE US1060M
C901	1-162-282-31	CERAMIC	D703	8-719-000-26	DIODE US1060M
C902	1-162-282-31	CERAMIC	D704	8-719-000-26	(Canadian,E,AEP,UK,WG)....DIODE US1060M
C903	1-124-893-11	ELECT			
C904	1-124-927-11	ELECT			

The components identified by mark Δ or dotted line with mark Δ are critical for safety. Replace only with part number specified.

Les composants identifiés par une marque Δ sont critiques pour la sécurité. Ne les remplacer que par une pièce portant le numéro spécifié.

The components identified by mark **A** or dotted line with mark **A** are critical for safety. Replace only with part number specified.

Les composants identifiés par une marque **A** ou pointillés sont critiques pour la sécurité. Ne les remplacer que par une pièce portant le numéro spécifié.

Ref.No.	Part No.	Description	Ref.No.	Part No.	Description
D705	8-719-000-26	D100E US1060M	F2	A .1-532-237-00	(E).....FUSE, TIME-LAG (3.15A)
D706	8-719-000-26	D100E US1060M	F2	A .1-532-286-00	(AEP,UK,WG)....FUSE, TIME-LAG (2.5A)
D800	8-719-302-38	D100E RBV-602-01	F3	A .1-532-782-21	(US,Canadian)....FUSE, MICRO(SECONDARY)4A
D801	8-719-002-51	(US,Canadian,E)....D100E UZL-30L	F4	A .1-532-782-21	(US,Canadian)....FUSE, MICRO(SECONDARY)4A
D802	8-719-002-51	D100E UZL-30L	IC50	8-759-208-08	IC TC4052BPHB
D803	8-719-002-51	D100E UZL-30L	IC51	8-759-208-08	IC TC4052BPHB
D804A	8-719-002-51	(US,Canadian,E)....D100E UZL-30L	IC100	8-759-600-02	IC M5218L
D804	8-719-303-00	D100E SEL2510	IC101	8-759-805-14	IC LC7822
D805 A .8-719-200-77	(US,Canadian)....D100E 10E2N		IC102	8-759-601-43	IC M4066BP
D805 A .8-719-511-40	(E,AEP,UK,WG)....D100E S1VB10-S		IC202	8-759-601-43	IC M4066BP
D806	8-719-312-09	D100E RBA-402	IC300	8-759-601-43	IC M4066BP
D807A	8-719-301-38	(E,AEP,UK,WG)....D100E SEL2210S-C	IC301	8-759-600-02	IC M5218L
D807	8-719-511-40	D100E S1VB10-S	IC302	8-759-600-02	IC M5218L
D808	8-719-001-60	(AEP,UK,WG)....D100E UZL-12L1	IC303	8-759-600-02	IC M5218L
D808	8-719-001-91	(US,Canadian,E)....D100E UZL-15M	IC450	8-759-600-02	IC M5218L
D809	8-719-001-60	(AEP,UK,WG)....D100E UZL-12L1	IC451	8-759-600-02	IC M5218L
D809	8-719-001-91	(US,Canadian,E)....D100E UZL-15M	IC452	8-759-983-12	IC YM3428
D810	8-719-000-51	D100E UZL-6L2	IC453	8-759-600-02	IC M5218L
D900	8-719-000-26	D100E US1060M	IC454	8-759-929-37	IC NE646N
D901	8-719-000-26	D100E US1060M	IC500	8-759-600-02	IC M5218L
D902	8-719-301-60	D100E SEL2910A-C	IC501	8-759-109-06	(AEP,UK,WG).....IC UPC1298V
D903	8-719-301-60	D100E SEL2910A-C	IC501	8-759-144-04	(US,Canadian,E)....IC UPC1342V
D904	8-719-301-60	D100E SEL2910A-C	IC601	8-759-109-06	(AEP,UK,WG).....IC UPC1298V
D905	8-719-301-60	D100E SEL2910A-C	IC601	8-759-144-04	(US,Canadian,E)....IC UPC1342V
D906	8-719-301-38	(US,Canadian,E)....D100E SEL2210S-C	IC700	8-759-600-02	IC M5218L
D906	8-719-303-00	(AEP,UK,WG)....D100E SEL2510C	IC701	8-749-920-76	IC SI-18752
D907	8-719-301-38	(US,Canadian,E)....D100E SEL2210S-C	IC703	8-759-111-68	IC UPC1237HA
D907	8-719-303-00	(AEP,UK,WG)....D100E SEL2510C	IC800	8-759-982-10	IC RC7809FA
D908	8-719-301-38	(US,Canadian,E)....D100E SEL2210S-C	IC801	8-759-604-49	IC M5F7909
D908	8-719-303-00	(AEP,UK,WG)....D100E SEL2510C	IC802	8-759-604-49	IC M5F7909
D909	8-719-301-38	(US,Canadian,E)....D100E SEL2210S-C	IC803	8-759-604-33	(E)....IC M5F7812
D909	8-719-303-00	(AEP,UK,WG)....D100E SEL2510C	IC804	8-759-604-29	IC M5F7805
D910	8-719-301-38	(US,Canadian,E)....D100E SEL2210S-C	IC900	8-759-632-87	IC M50720-129
D910	8-719-303-00	(AEP,UK,WG)....D100E SEL2510C	IC901	8-759-820-62	IC LB1639
D911	8-719-301-38	(US,Canadian,E)....D100E SEL2210S-C	IC902	8-749-920-83	IC GP1U52XB
D911	8-719-303-00	(AEP,UK,WG)....D100E SEL2510C	ICP3	1-532-845-21	(E,AEP,UK,WG)....LINK, IC 4A
D912	8-719-301-38	(US,Canadian,E)....D100E SEL2210S-C	ICP4	1-532-845-21	(E,AEP,UK,WG)....LINK, IC 4A
D912	8-719-303-00	(AEP,UK,WG)....D100E SEL2510C	J50	1-563-136-31	(E,AEP,UK,WG)....JACK, PIN 3P(VIDEO 4 IN)
D913	8-719-301-38	(US,Canadian,E)....D100E SEL2210S-C	J51	1-565-351-21	(E,AEP,UK,WG)....JACK, PIN 3P (VIDEO 3 IN, VIDEO 2 IN & OUT)
D913	8-719-303-00	(AEP,UK,WG)....D100E SEL2510C	J52	1-565-351-21	(E,AEP,UK,WG)....JACK, PIN 3P (VIDEO 1 IN & OUT, MONITOR)
D914	8-719-000-26	D100E US1060M	J53	1-566-846-11	CONNECTOR, (S) TERMINAL 4P(VIDEO 3 IN)
D915	8-719-000-26	D100E US1060M	J54	1-566-846-11	CONNECTOR, (S) TERMINAL 4P(VIDEO 2 OUT)
D916	8-719-000-26	D100E US1060M	J55	1-566-846-11	CONNECTOR, (S) TERMINAL 4P(VIDEO 2 IN)
D917	8-719-000-51	D100E UZL-6L2	J56	1-566-846-11	CONNECTOR, (S) TERMINAL 4P(VIDEO 1 OUT)
D918	8-719-200-77	D100E 10E2N	J57	1-566-846-11	CONNECTOR, (S) TERMINAL 4P(VIDEO 1 IN)
D919	8-719-301-52	D100E SEL2810A-C	J58	1-566-846-11	CONNECTOR, (S) TERMINAL 4P(MONITOR OUT)
D922	8-719-000-26	D100E US1060M	J100	1-565-320-11	(E,AEP,UK,WG)....JACK, PIN 6P (PHONO IN, TUNER IN, COIN)
D923	8-719-310-03	D100E SEL4925A-C	J101	1-565-320-11	(E,AEP,UK,WG)....JACK, PIN 6P (TAPE/DAT REC OUT & IN, VIDEO 3/CDV IN)
D924	8-719-310-03	D100E SEL4925A-C	J102	1-565-258-11	(E,AEP,UK,WG)....JACK, PIN 4P (VIDEO 2 IN & OUT)
D925	8-719-310-03	D100E SEL4925A-C	J103	1-565-258-11	(E,AEP,UK,WG)....JACK, PIN 4P (VIDEO 1 IN & OUT)
D930	8-719-000-26	D100E US1060M	J104	1-563-562-11	(E,AEP,UK,WG)....JACK, PIN 4P (GRAPHIC EQ IN & OUT)
D931	8-719-000-26	(AEP,UK,WG)....D100E US1060M	J500	1-507-932-11	(E,AEP,UK,WG)....JACK (HEADPHONES)
D932	8-719-000-26	(AEP,UK,WG)....D100E US1060M			
F1	A .1-532-237-00	(AEP,UK,WG,E)....FUSE, TIME-LAG (3.15A)			
F1	A .1-532-748-11	(US,Canadian)....FUSE, GLASS TUBE (6.3A)			

Ref.No.	Part No.	Description	Ref.No.	Part No.	Description
L500	*1-420-872-00	COIL, AIR CORE	Q907	8-729-900-63	TRANSISTOR DTA124ES
L600	*1-420-872-00	COIL, AIR CORE	Q908	8-729-900-63	TRANSISTOR DTA124ES
L700	*1-420-872-00	COIL, AIR CORE	Q909	8-729-900-36	TRANSISTOR DTC124ES
L800	1-40-8-080-00	INDUCTOR 100UH	Q910	8-729-900-63	TRANSISTOR DTA124ES
Q50	8-729-119-76	TRANSISTOR 2SA1175HFE	Q911	8-729-900-63	TRANSISTOR DTA124ES
Q51	8-729-119-76	TRANSISTOR 2SA1175HFE	Q912	8-729-900-63	TRANSISTOR DTA124ES
Q52	8-729-119-76	TRANSISTOR 2SA1175HFE	Q913	8-729-900-63	TRANSISTOR DTA124ES
Q53	8-729-119-76	TRANSISTOR 2SA1175HFE	Q914	8-729-900-63	TRANSISTOR DTA124ES
Q54	8-729-119-76	TRANSISTOR 2SA1175HFE	Q915	8-729-900-63	TRANSISTOR DTA124ES
Q55	8-729-119-76	TRANSISTOR 2SA1175HFE	Q916	8-729-900-80	TRANSISTOR DTC114ES
Q56	8-729-119-76	TRANSISTOR 2SA1175HFE	Q917	8-729-900-63	(US,Canadian,E)...TRANSISTOR DTA124ES
Q57	8-729-119-76	TRANSISTOR 2SA1175HFE	Q918	8-729-107-98	(AEP,UK,WG).....TRANSISTOR 2SC3622A
Q58	8-729-119-76	TRANSISTOR 2SA1175HFE	Q920	8-729-900-63	TRANSISTOR DTA124ES
Q500	8-729-107-98	TRANSISTOR 2SC3622A	Q921	8-729-900-63	TRANSISTOR DTA124ES
Q501	8-729-10-8-06	TRANSISTOR 2SA18A1	Q922	8-729-900-63	TRANSISTOR DTA124ES
Q502	8-729-224-61	TRANSISTOR 2SK246Y	Q923	8-729-900-63	TRANSISTOR DTA124ES
Q503	8-729-107-25	TRANSISTOR 2SD1586-L	Q924	8-729-900-63	TRANSISTOR DTA124ES
Q504	8-729-320-03	(US,Canadian,E)...TRANSISTOR 2SC2921M-0	Q925	8-729-900-63	TRANSISTOR DTA124ES
Q504	8-729-321-21	(AEP,UK,WG).....TRANSISTOR 2SC4387	Q926	8-729-900-63	TRANSISTOR DTA124ES
Q505	8-729-300-22	(US,Canadian,E)...TRANSISTOR 2SA1215	Q927	8-729-119-78	TRANSISTOR 2SC2786HFE
Q505	8-729-321-24	(AEP,UK,WG).....TRANSISTOR 2SA1672	Q928	8-729-119-78	TRANSISTOR 2SC2786HFE
Q506	8-729-119-78	TRANSISTOR 2SC2786HFE	Q929	8-729-900-36	TRANSISTOR DTC124ES
Q507	8-729-119-78	TRANSISTOR 2SC2786HFE	Q930	8-729-900-63	TRANSISTOR DTA124ES
Q508	8-729-119-76	TRANSISTOR 2SA1175HFE	Q931	8-729-119-78	TRANSISTOR 2SC2786HFE
Q600	8-729-107-98	TRANSISTOR 2SC3622A	R41	1-249-405-11	CARBON 100 5%
Q601	8-729-10-8-06	TRANSISTOR 2SA18A1	R42	1-249-405-11	CARBON 100 5%
Q602	8-729-224-61	TRANSISTOR 2SK246Y	R43	1-249-405-11	CARBON 100 5%
Q603	8-729-107-25	TRANSISTOR 2SD1586-L	R44	1-249-405-11	CARBON 100 5%
Q604	8-729-320-03	(US,Canadian,E)...TRANSISTOR 2SC2921M-0	R45	1-249-405-11	CARBON 100 5%
Q604	8-729-321-21	(AEP,UK,WG).....TRANSISTOR 2SC4387	R46	1-249-405-11	CARBON 100 5%
Q605	8-729-300-22	(US,Canadian,E)...TRANSISTOR 2SA1215	R47	1-249-405-11	CARBON 100 5%
Q605	8-729-321-24	(AEP,UK,WG).....TRANSISTOR 2SA1672	R48	1-249-405-11	CARBON 100 5%
Q606	8-729-119-78	TRANSISTOR 2SC2786HFE	R49	1-249-405-11	CARBON 100 5%
Q607	8-729-119-78	TRANSISTOR 2SC2786HFE	R50	1-247-804-11	CARBON 75 5%
Q608	8-729-119-76	TRANSISTOR 2SA1175HFE	R51	1-247-804-11	CARBON 75 5%
Q700	8-729-107-98	TRANSISTOR 2SC3622A	R52	1-247-804-11	CARBON 75 5%
Q701	8-729-10-8-06	TRANSISTOR 2SA18A1	R53	1-247-804-11	CARBON 75 5%
Q702	8-729-900-61	TRANSISTOR DTA114ES	R54	1-247-804-11	CARBON 75 5%
Q703	8-729-119-76	TRANSISTOR 2SA1175HFE	R55	1-247-804-11	CARBON 75 5%
Q704	8-729-119-78	TRANSISTOR 2SC2786HFE	R56	1-247-804-11	CARBON 75 5%
Q705	8-729-900-63	TRANSISTOR DTA124ES	R57	1-247-804-11	CARBON 75 5%
Q706	8-729-107-98	TRANSISTOR 2SC3622A	R58	1-247-804-11	CARBON 75 5%
Q707	8-729-107-98	TRANSISTOR 2SC3622A	R59	1-247-804-11	CARBON 75 5%
Q708	8-729-107-98	TRANSISTOR 2SC3622A	R60	1-247-804-11	CARBON 75 5%
Q800	8-729-111-55	(US,Canadian,E)...TRANSISTOR 2SD1312	R61	1-247-895-00	CARBON 470K 5%
Q801	8-729-111-52	(US,Canadian,E)...TRANSISTOR 2SB98H	R62	1-249-433-11	CARBON 22K 5%
Q802	8-729-801-93	TRANSISTOR 2SD1387-3	R63	1-249-433-11	CARBON 22K 5%
Q803	8-729-119-78	TRANSISTOR 2SC2786HFE	R64	1-247-881-00	CARBON 120K 5%
Q804	8-729-119-76	TRANSISTOR 2SA1175HFE	R65	1-249-433-11	CARBON 22K 5%
Q900	8-729-900-36	TRANSISTOR DTC124ES	R66	1-249-438-11	CARBON 56K 5%
Q901	8-729-900-63	TRANSISTOR DTA124ES	R67	1-249-408-11	CARBON 180 5%
Q902	8-729-900-36	TRANSISTOR DTC124ES	R68	1-247-881-00	CARBON 120K 5%
Q903	8-729-900-63	TRANSISTOR DTA124ES	R69	1-249-438-11	CARBON 56K 5%
Q904	8-729-900-63	TRANSISTOR DTA124ES	R70	1-249-433-11	CARBON 22K 5%
Q905	8-729-900-36	TRANSISTOR DTC124ES	R71	1-249-408-11	CARBON 180 5%
Q906	8-729-900-63	TRANSISTOR DTA124ES	R72	1-247-881-00	CARBON 120K 5%
			R73	1-249-438-11	CARBON 56K 5%
			R74	1-249-408-11	CARBON 180 5%

<u>Ref.No.</u>	<u>Part No.</u>	<u>Description</u>		<u>Ref.No.</u>	<u>Part No.</u>	<u>Description</u>	
R468	1-249-428-11	CARBON	1/4W	R550	1-249-482-11	(WG)...CARBON	4.7 5% 1/2W
R469	1-249-431-11	CARBON	1/4W	R551	1-249-482-11	(WG)...CARBON	4.7 5% 1/2W
R470	1-249-428-11	CARBON	1/4W	R552	1-249-482-11	(WG)...CARBON	4.7 5% 1/2W
R471	1-249-420-11	CARBON	1/4W	R560	Δ, 1-216-431-11	METAL OXIDE	560 5% 1W F
R473	1-247-889-00	CARBON	1/4W	R600	1-249-438-11	CARBON	56K 5% 1/4W
R474	1-247-885-00	CARBON	1/4W	R601	1-249-424-11	CARBON	3.9K 5% 1/4W
R475	1-249-439-11	CARBON	1/4W	R602	1-247-860-11	CARBON	16K 5% 1/4W
R476	1-249-433-11	CARBON	1/4W	R603	1-249-426-11	(US,Canadian,E) ...CARBON	5.6K 5% 1/4W
R477	1-249-435-11	CARBON	1/4W	R604	1-249-441-11	(US,Canadian,E) ...CARBON	100K 5% 1/4W
R478	1-249-437-11	CARBON	1/4W	R605	1-249-415-11	(US,Canadian,E) ...CARBON	680 5% 1/4W
R479	1-249-433-11	CARBON	1/4W	R606	1-249-438-11	(US,Canadian,E) ...CARBON	56K 5% 1/4W
R480	1-249-408-11	CARBON	1/4W	R607	1-249-412-11	(US,Canadian,E) ...CARBON	390 5% 1/4W
R481	1-249-423-11	CARBON	1/4W	R608	1-249-437-11	(US,Canadian,E) ...CARBON	47K 5% 1/4W
R482	1-249-405-11	CARBON	1/4W	R611	1-249-441-11	(US,Canadian,E) ...CARBON	100K 5% 1/4W
R500	1-249-438-11	CARBON	1/4W	R612	1-249-417-11	CARBON	1K 5% 1/4W
R501	1-249-424-11	CARBON	1/4W	R613	1-249-421-11	CARBON	2.2K 5% 1/4W
R502	1-247-860-11	CARBON	1/4W	R614	1-249-417-11	CARBON	1K 5% 1/4W
R503	1-249-426-11	(US,Canadian,E) ...CARBON	1/4W	R615	1-249-438-11	CARBON	56K 5% 1/4W
R504	1-249-441-11	(US,Canadian,E) ...CARBON	1/4W	R616	Δ, 1-249-417-11	CARBON	1K 5% 1/4W
R505	1-249-415-11	(US,Canadian,E) ...CARBON	1/4W	R617	1-249-419-11	CARBON	1.5K 5% 1/4W
R506	1-249-438-11	(US,Canadian,E) ...CARBON	1/4W	R618	1-249-423-11	CARBON	3.3K 5% 1/4W
R507	1-249-412-11	(US,Canadian,E) ...CARBON	1/4W	R619	1-249-431-11	CARBON	15K 5% 1/4W
R509	1-249-441-11	(US,Canadian,E) ...CARBON	1/4W	R620	1-249-438-11	CARBON	56K 5% 1/4W
R510	1-249-429-11	(US,Canadian,E) ...CARBON	1/4W	R621	Δ, 1-247-688-11	CARBON	10 5% 1/4W
R511	1-249-441-11	(US,Canadian,E) ...CARBON	1/4W	R622	Δ, 1-247-688-11	CARBON	10 5% 1/4W
R512	1-249-417-11	CARBON	1/4W	R623	1-249-430-11	CARBON	12K 5% 1/4W
R513	1-249-421-11	CARBON	1/4W	R624	1-214-789-00	METAL PLATE	0.1 10% 5W
R514	1-249-417-11	CARBON	1/4W	R625	Δ, 1-247-700-11	CARBON	100 5% 1/4W
R515	1-249-438-11	CARBON	1/4W	R626	1-214-789-00	METAL PLATE	0.1 10% 5W
R516	Δ, 1-249-417-11	CARBON	1/4W	R627	1-247-727-11	CARBON	10 5% 1/2W
R517	1-249-419-11	CARBON	1/4W	R628	1-247-727-11	CARBON	10 5% 1/2W
R518	1-249-423-11	CARBON	1/4W	R629	1-249-438-11	CARBON	56K 5% 1/4W
R519	1-249-431-11	CARBON	1/4W	R630	Δ, 1-247-713-11	CARBON	1K 5% 1/4W
R520	1-249-438-11	CARBON	1/4W	R631	Δ, 1-247-713-11	CARBON	1K 5% 1/4W
R521	Δ, 1-247-688-11	CARBON	1/4W	R632	1-249-438-11	CARBON	56K 5% 1/4W
R522	Δ, 1-247-688-11	CARBON	1/4W	R633	1-247-903-00	CARBON	1M 5% 1/4W
R523	1-249-430-11	CARBON	1/4W	R650	1-249-482-11	(WG)...CARBON	4.7 5% 1/2W
R524	1-214-789-00	METAL PLATE	5W	R651	1-249-482-11	(WG)...CARBON	4.7 5% 1/2W
R525	Δ, 1-247-700-11	CARBON	1/4W	R652	1-249-482-11	(WG)...CARBON	4.7 5% 1/2W
R526	1-214-789-00	METAL PLATE	5W	R660	Δ, 1-216-431-11	METAL OXIDE	560 5% 1W F
R527	1-247-727-11	CARBON	1/2W	R700	1-249-438-11	CARBON	56K 5% 1/4W
R528	1-247-727-11	CARBON	1/2W	R701	1-249-431-11	CARBON	15K 5% 1/4W
R529	1-249-437-11	CARBON	1/4W	R702	1-249-437-11	CARBON	47K 5% 1/4W
R530	Δ, 1-247-713-11	(US,Canadian,E) ...CARBON	1/4W	R703	1-249-417-11	CARBON	1K 5% 1/4W
R531	Δ, 1-247-713-11	(US,Canadian,E) ...CARBON	1/4W	R704	1-249-424-11	CARBON	3.9K 5% 1/4W
R532	1-249-438-11	CARBON	1/4W	R705	1-249-417-11	CARBON	1K 5% 1/4W
R533	1-247-903-00	CARBON	1/4W	R706	1-249-437-11	CARBON	47K 5% 1/4W
R534	1-249-421-11	CARBON	1/4W	R707	Δ, 1-249-417-11	CARBON	1K 5% 1/4W
				R708	1-249-437-11	CARBON	47K 5% 1/4W
				R709	1-249-435-11	CARBON	33K 5% 1/4W

The components identified by mark Δ or dotted line with mark Δ are critical for safety. Replace only with part number specified.

Les composants identifiés par une marque Δ sont critiques pour la sécurité. Ne les remplacer que par une pièce portant le numéro spécifié.

Ref.No.	Part No.	Description	Ref.No.	Part No.	Description
R710	△, 1-247-700-11	CARBON	R919	1-249-429-11	CARBON
R711	1-249-433-11	CARBON	R922	1-249-433-11	CARBON
R712	1-214-789-00	METAL PLATE	R925	1-249-433-11	CARBON
R713	1-247-688-11	CARBON	R927	1-247-751-11	CARBON
R714	1-247-688-11	CARBON	R929	1-249-425-11	CARBON
R715	1-249-427-11	CARBON	R933	1-249-425-11	CARBON
R716	1-249-441-11	CARBON	R934	1-249-437-11	CARBON
R717	1-249-429-11	CARBON	R935	1-249-437-11	CARBON
R718	1-249-438-11	CARBON	R936	1-249-437-11	CARBON
R719	1-249-433-11	CARBON	R937	1-249-437-11	CARBON
R720	1-249-433-11	CARBON	R938	1-249-429-11	CARBON
R721	1-249-438-11	CARBON	R939	1-249-429-11	CARBON
R722	1-249-429-11	CARBON	R940	1-249-417-11	CARBON
R723	1-249-429-11	CARBON	R941	1-249-429-11	CARBON
R724	1-249-429-11	CARBON	R942	1-249-417-11	CARBON
R725	1-249-429-11	CARBON	R943	1-249-393-11	CARBON
R726	1-249-429-11	CARBON	R943A	1-249-425-11	(US,Canadian,E) ...CARBON 4.7K 5%
R727	1-249-429-11	CARBON	R944	1-247-751-11	CARBON
R728	1-249-407-11	(US,Canadian,E) ...CARBON 150 5%	R945	1-247-751-11	CARBON
R729	1-249-409-11	(US,Canadian,E) ...CARBON 220 5%	R946	1-249-425-11	CARBON
R750	1-249-482-11	(WG)...CARBON 4.7 5%	R947	1-249-441-11	CARBON
R801	△, 1-249-417-11	(US,Canadian,E) ...CARBON 1K 5%	R949	1-249-433-11	CARBON
R802	△, 1-249-417-11	(US,Canadian,E) ...CARBON 1K 5%	RV300	1-238-190-11	RES, VAR, CARBON 250K (BALANCE)
R803	1-249-417-11	CARBON	RV301	1-238-159-11	RES, VAR, CARBON (MOTOR)250KX3 (VOLUME)
R804	△, 1-217-477-00	FUSIBLE	RV302	1-238-156-11	RES, VAR, CARBON 250K/250K (BALANCE)
R805	△, 1-217-477-00	FUSIBLE	RV303	1-237-881-11	RES, VAR, CARBON 100K/100K (BASS)
R806	1-249-409-11	CARBON	RV304	1-237-881-11	RES, VAR, CARBON 100K/100K (TREBLE)
R806A	1-249-417-11	CARBON	RV500	1-228-989-00	RES, ADJ, CARBON 470
R807	△, 1-212-942-00	FUSIBLE	RV600	1-228-989-00	RES, ADJ, CARBON 470
R807A	1-249-425-11	CARBON	RV700	1-238-158-11	RES, VAR, CARBON 100K (SURROUND LEVEL)
R808	△, 1-212-942-00	FUSIBLE	RY700	1-515-356-00	(US,Canadian,E)...RELAY
R808A	1-249-408-11	CARBON	RY700	1-515-501-00	(AEP,UK,WG).....RELAY
R900	1-249-433-11	CARBON	RY701	1-515-533-11	RELAY
R901	1-249-433-11	CARBON	RY901	1-515-617-11	(E,AEP,UK,WG)...RELAY
R902	1-249-433-11	CARBON	RY901	1-515-701-11	(US,Canadian)...RELAY
R903	1-249-411-11	CARBON	S1	△, 1-571-515-11	(E)...SWITCH, POWER VOLTAGE SELECTION (VOLTAGE SELECTOR)
R904	1-249-410-11	(AEP,UK,WG) ...CARBON 270 5%	S500	1-570-270-11	SWITCH, PUSH (2 KEY) (SPEAKERS)
R904	1-249-412-11	(US,Canadian,E) ...CARBON 390 5%	S900	1-554-303-21	SWITCH, KEY BOARD (VIDEO 1)
R905	1-249-410-11	(AEP,UK,WG) ...CARBON 270 5%	S901	1-554-303-21	SWITCH, KEY BOARD (TAPE/DAT)
R905	1-249-412-11	(US,Canadian,E) ...CARBON 390 5%	S905	1-554-303-21	SWITCH, KEY BOARD (CD)
R906	1-249-433-11	CARBON	S906	1-554-303-21	SWITCH, KEY BOARD (TUNER)
R907	1-249-433-11	CARBON	S907	1-554-303-21	SWITCH, KEY BOARD (PHONO)
R908	1-249-433-11	CARBON	S908	1-571-436-11	SWITCH, KEY BOARD (SYSTEM POWER)
R909	1-249-433-11	CARBON	S909	1-554-303-21	SWITCH, KEY BOARD (DBFB or MUTE)
R910	1-249-433-11	CARBON	S910	1-554-303-21	SWITCH, KEY BOARD (SURROUND OFF)
R911	1-249-433-11	CARBON	S911	1-554-303-21	SWITCH, KEY BOARD (DOLBY)
R912	1-249-433-11	CARBON	S912	1-554-303-21	SWITCH, KEY BOARD (HALL)
R913	1-249-433-11	CARBON	S913	1-554-303-21	SWITCH, KEY BOARD (SIMULATED)
R914	1-247-903-00	CARBON			
R915	1-249-425-11	(AEP,UK,WG) ...CARBON 4.7K 5%			
R916	1-249-441-11	CARBON			
R917	1-249-433-11	CARBON			
R918	1-249-414-11	CARBON			



The components identified by mark **△** or dotted line with mark **△** are critical for safety. Replace only with part number specified.


Les composants identifiés par une marque **△** sont critiques pour la sécurité. Ne les remplacer que par une pièce portant le numéro spécifié.

<u>Ref.No.</u>	<u>Part No.</u>	<u>Description</u>
T1	△.1-449-712-11	(US,Canadian).....TRANSFORMER, POWER
T1	△.1-449-713-11	(E).....TRANSFORMER, POWER
T1	△.1-449-714-11	(AEP,UK,WG).....TRANSFORMER, POWER
T2	△.1-449-296-11	(US,Canadian).....TRANSFORMER, POWER
T2	△.1-449-297-11	(AEP,UK,WG).....TRANSFORMER, POWER
T2	△.1-449-299-11	(E).....TRANSFORMER, POWER
TM500	1-536-706-00	TERMINAL BOARD (SP)
TM700	1-537-156-11	TERMINAL BOARD (SPEAKER)
TP1	*1-560-063-00	PIN, CONNECTOR 5P
X900	1-567-254-11	OSCILLATOR, CERAMIC (2MHz)
X901	1-567-094-00	VIBRATOR, CERAMIC (3.58MHz)

ACCESSORY & PACKING MATERIAL (except for Canadian model)

1-465-144-11	REMOTE COMMANDER (RM-P202)
*3-704-350-01	SHEET (STANDARD), PROTECTION
3-750-301-11	(AEP,UK,E).....MANUAL, INSTRUCTION
3-750-301-21	(US).....MANUAL, INSTRUCTION
3-750-301-41	(AEP,WG).....MANUAL, INSTRUCTION
*4-921-346-01	CUSHION
*4-927-808-01	INDIVIDUAL CARTON

The components identified by mark  or dotted line with mark  are critical for safety. Replace only with part number specified.

Les composants identifiés par une marque  sont critiques pour la sécurité. Ne les remplacer que par une pièce portant le numéro spécifié.