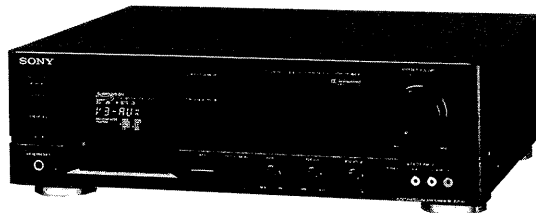


# TA-AV570

## SERVICE MANUAL

AEP Model  
UK Model  
E Model  
Australian Model



### SPECIFICATIONS

#### Amplifier section

Model for Germany: 220 W

Items	Condition	Data
Continuous RMS power output	4 ohms, DIN 1 kHz	Front: 80 W + 80 W Center: 25 W Rear: 25 W + 25 W
	4 ohms, 20-20kHz	Front: 65 W + 65 W
Total harmonic distortion	4 ohms, at 10 W output	Front: 0.03%

Except Germany model

Items	Condition	Data
Continuous RMS power output	8 ohms, DIN 1kHz	Front: 70 W + 70 W Center: 25 W Rear: 25 W + 25 W
	8 ohms, 20-20kHz	Front: 60 W + 60 W
Total harmonic distortion	8 ohms, at 10 W output	Front: 0.03%

#### Input

	Input jack	Sensitivity	Impedance
Audio	PHONO	2 mV	50 kilohms
	TUNER, AUX, TAPE VIDEO 1, 2, 3, 4	150 mV	
	CD, LD	220 mV	15 kilohms
Video	VIDEO 1, 2, 3, 4, LD (phono jack)	1 Vp-p	75 ohms
	S VIDEO VIDEO 1, 2, 4, LD	Luminance (Y) 1 Vp-p Chrominance (C) 0.286 Vp-p	75 ohms

#### Output

	Output jack	Sensitivity	Impedance
Audio	TAPE VIDEO 1, 2	150 mV	470 ohms
	HEADPHONES	3 mV (8 ohms)	Applied to low and high impedance headphones
Video	VIDEO 1, 2, MONITOR (phono jack)	1 Vp-p	75 ohms
	S VIDEO VIDEO 1, 2, MONITOR	Luminance (Y) 1 Vp-p Chrominance (C) 0.286 Vp-p	75 ohms

#### Tone control

BASS: 100 Hz,  $\pm 10$  dB  
TREBLE: 10 kHz,  $\pm 10$  dB  
Center/rear output level:  
+10 dB - -30 dB  
Delay time: 20 ms fixed  
Input balance: Auto

#### Surround

#### General

##### Power requirements

AEP model : AC 220-230~50/60Hz 170W  
UK/Australian model : AC 240~50/60Hz 170W  
Germany model : AC 220-230V~50/60Hz 220W  
E model : AC 110-120V, 220-240V~50/60Hz 170W

##### Power consumption

170 W  
Model for Germany: 220 W

##### AC outlet (except for U.K. model)

One Switched, less than 100 W

##### Dimensions

Approx. 430 x 135 x 360 mm (w/h/d)  
(17 x 5 <sup>3</sup>/<sub>8</sub> x 14 <sup>1</sup>/<sub>4</sub> inches)

##### Mass

Approx. 9.8 kg (21 lb 10 oz)

##### Supplied accessories

Remote commander RM-P570 (1)  
Sony batteries SUM-3 (NS) (2)

#### NOTE

This appliance conforms with EEC Directive 87/308/EEC regarding interference suppression.

Design and specifications are subject to change without notice.

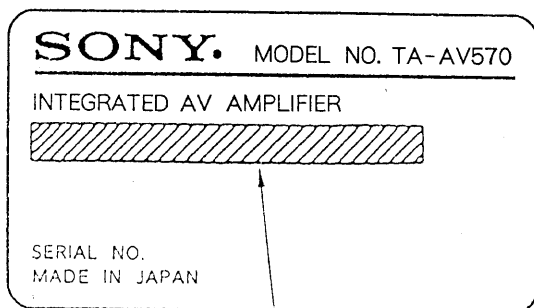
INTEGRATED AV AMPLIFIER  
**SONY**<sup>®</sup>

## TABLE OF CONTENTS

<u>Section</u>	<u>Title</u>	<u>Page</u>
<b>1. GENERAL</b>	.....	3
<b>2. DIAGRAMS</b>		
2-1. Block Diagram	.....	7
2-2. Semiconductor Lead Layouts	.....	11
2-3. Schematic Diagram — Main Section —	.....	12
2-4. Printed Wiring Board — Main Section —	.....	17
2-5. Schematic Diagram — Panel Section —	.....	22
2-6. Printed Wiring Board — Panel Section —	.....	27
2-7. Circuit Boards Location	.....	30
2-8. IC Description	.....	31
2-9. IC Block Diagrams	.....	33
<b>3. EXPLODED VIEWS</b>		
3-1. OVERALL SECTION 1	.....	35
3-2. OVERALL SECTION 2	.....	36
<b>4. ELECTRICAL PARTS LIST</b>	.....	37



### MODEL IDENTIFICATION

— Specification Label —



AEP model : AC 220-230~50/60Hz 170W  
 UK/Australian model : AC 240~50/60Hz 170W  
 Germany model : AC 220-230V~50/60Hz 220W  
 E model : AC 110-120V, 220-240V~50/60Hz 170W

#### SAFETY-RELATED COMPONENT WARNING!!

COMPONENTS IDENTIFIED BY MARK  OR DOTTED LINE WITH MARK  ON THE SCHEMATIC DIAGRAMS AND IN THE PARTS LIST ARE CRITICAL TO SAFE OPERATION. REPLACE THESE COMPONENTS WITH SONY PARTS WHOSE PART NUMBERS APPEAR AS SHOWN IN THIS MANUAL OR IN SUPPLEMENTS PUBLISHED BY SONY.

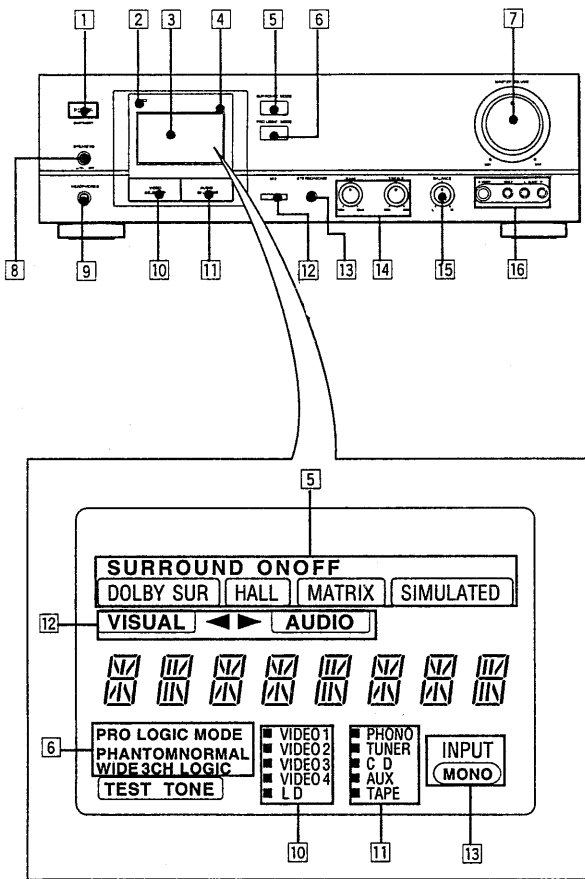
# SECTION 1 GENERAL

This section is extracted from instruction manual.

**A**

## Identifying the Parts and Controls

### Front Panel and Display **A**



- 1 **POWER switch**
- 2 **STANDBY indicator**  
When the AC cord is plugged in, the indicator lights to show that the main unit is in standby mode. When the POWER switch is turned on, the indicator goes off.
- 3 **Display**
- 4 **Remote sensor**
- 5 **SURROUND MODE button** (Page 44.)  
Press to change the surround mode. Each time this button is pressed, the surround mode changes as follows:  

SURROUND OFF	→	DOLBY SUR
↑		
SIMULATED	←	MATRIX
		←
		HALL
- 6 **PRO LOGIC MODE button** (Page 44.)  
In the DOLBY SUR mode, select the PRO LOGIC MODE according to the speaker placement. Each time this button is pressed, the PRO LOGIC MODE changes as follows:  

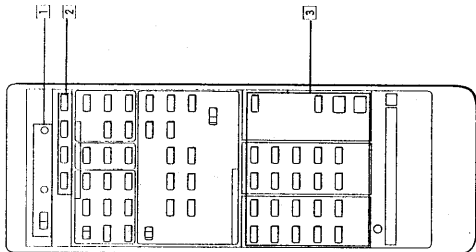
PHANTOM	→	NORMAL
↑		↓
3 CH LOGIC	→	WIDE
- 7 **MASTER VOLUME control** (Page 30.)  
Adjusts the sound volume. To increase the volume, turn the control clockwise. To decrease the volume, turn the control counterclockwise.
- 8 **SPEAKERS switch** (Page 32.)  
Turn ON and OFF the front, center and rear speakers.
- 9 **HEADPHONES jack**  
Accepts the stereo phone plug of headphones. The jack outputs the sound of front speakers only. To listen to the program source only with the headphones, set the SPEAKERS switch to OFF.
- 10 **VIDEO SELECTOR button**  
Selects the video program source.
- 11 **AUDIO SELECTOR button**  
Selects the audio program source.
- 12 **MIX button** (Page 34.)  
Press to combine a visual source and an audio source.  
Each time this button is pressed, the display changes as follows:  
VISUAL → AUDIO → off
- 13 **STEREO/MONO switch** (Page 16.)  
When using the monaural equipment, connect to either L or R jack of the amplifier and set STEREO/MONO switch to MONO.  
Same monaural signals are input on both L and R jacks and the monaural signal is also output from the REC OUT or AUDIO OUT jacks.
- 14 **BASS/TREBLE controls** (Page 30.)  
Adjust the BASS and TREBLE sound. Normally, set to the center position.
- 15 **BALANCE control** (Page 30.)  
Adjusts balance of the front speaker sound. Normally set to the center position.
- 16 **VIDEO 4 INPUT jacks** (Page 16.)  
Use when connecting the video camera, etc.

## Identifying the Parts and Controls

**B**

### Remote Commander **B**

- 1 Program control section**  
 Mode selector and indicators  
 SONY STD: Controls Sony equipments.  
 USER STD: Controls equipments whose remote control functions are stored.  
 LEARN: Stores functions of other remote commanders emitting infrared rays.  
 PROGRAM CLEAR: Clears the stored functions.
- 2 POWER control section**  
 POWER SOURCE:  
 LDP: Turns on/off the LD player.  
 VTR: Turns on/off the VTR selected by the VTR 1, 2, 3 selector.  
 TV: Turns on/off the TV.  
 AMP: Turns on/off this amplifier.
- 3 Amplifier control section**  
 SURROUND buttons:  
 ON/OFF: Turns on/off the surround mode.  
 DOLBY, HALL, MATRIX, SIMULATED: Select the each surround mode.  
 TEST TONE: Generates a test tone signal that is sent in succession to each speaker.  
 CENTER VOL +/-: Adjust the volume of center speaker.  
 REAR VOL +/-: Adjust the volume of rear speakers.  
 Function selectors:  
 VIDEO1, VIDEO 2, VIDEO 3, VIDEO 4, LD, PHONO, TUNER, CD, AUX, TAPE: Select the each program source.  
 MIX: Combines a visual source and audio source.  
 MUTING: Mutes the sound.  
 MASTER VOL +/-: Adjust the sound level of the speakers or headphones or the sound level at the both CENTER OUT and MONO OUT jacks.

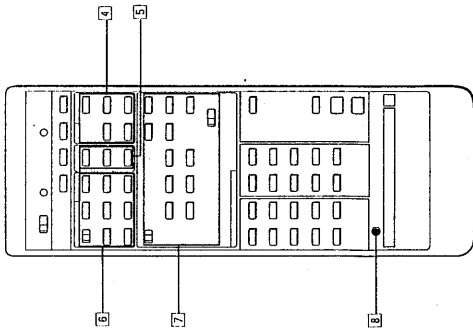


26

## Identifying the Parts and Controls

**B**

- 4 TV control section**  
 TV INPUT: Selects the input signal of the TV.  
 CH +/-: Selects a preset channel.  
 VOL +/-: Adjust the TV volume.
- 5 Tuner control section**  
 Selects the frequency band PRESET: Selects a higher or lower preset number.
- 6 CD player/LD player control section**  
 CDP/LDP: Selects CD player or LD player to be played. The combined CD/LD player can be controlled with selector set to LDP.  
 II: Pause.  
 II: Stop.  
 II: II: I: Locates a desired selection.  
 II: II: II: Manual search.  
 D (disc): SKIP: Disc skip (only for a CD player equipped with a multi-disc changer).
- 7 Tape deck/VTR control section**  
 DECK/VTR: Selects tape deck or VTR to be controlled.  
 DECK: A, B, or DA1: Selects deck A, B or DAT.  
 VTR 1, 2, 3: Selects VTR type.  
 1: Betamax VTRs  
 2: 8 mm VTRs  
 3: VHS VTRs  
 II: Play: (The II button is used only for an auto reverse tape deck.)  
 II: Pause.  
 II: II: II: Fast winding.  
 II: REC: Recording.  
 II: II: II: II: For the recording with the VTR deck Press both II and II at the same time.  
 II: II: II: II: Press both II and II at the same time. When the recording does not start after performing this operation, press II or II to cancel the REC pause mode.  
 II: II: II: II: For the recording will start. Press both II and II when DECK/VTR is set to VTR.  
 DUAL: Selects bilingual programs.  
 ANT (antenna) TV/VTR: Selects the output signal from the antenna terminal on the VTR, either a TV signal or VTR programs.  
 CH (channel) +/-: Select channel on the VTR.
- 8 RESET button**  
 Resets the remote commander to the initial state.



28

**Storing Other Manufacturer's Operating Codes on the Remote Commander**

The remote commander RM-P570 learns various functions of other remote commanders emitting infrared rays and allows you to control most of audio and video equipment from a distance.

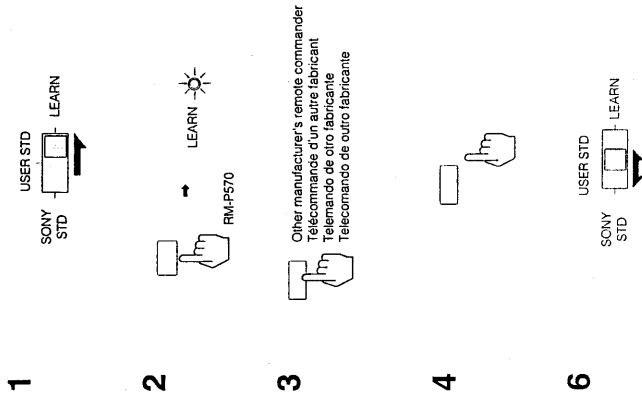
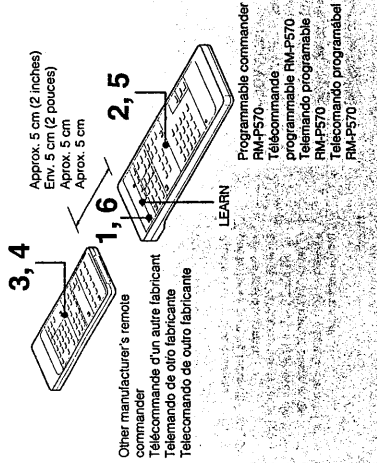
**Programming Signals of Other Audio/Video Equipment**

When you manipulate a switch or button on the commander, be sure to point the head of the commander toward the remote control sensor on the front of this unit. If there is an obstacle between the unit and the head of the commander, the unit may not be controlled remotely.

**The two remote commanders must:**

- face straight each other.
- be placed at a distance of approx. 5 cm (2 inches).
- not be moved during programming operation.

- 1 Set the mode selector to **LEARN**.
- 2 Press the button, on the remote commander supplied with this amplifier, which shall learn the remote control signal. The **LEARN** indicator lights up.
- 3 Press and hold the button of other manufacturer's remote commander whose signal is to be learned.
- 4 Remove your finger(s) from the button(s) after the **LEARN** indicator goes off.
- 5 Repeat operation for each button to be programmed.
- 6 Set the mode selector to **USER STD** or **SONY STD**.



**Storing Other Manufacturer's Operating Codes on the Remote Commander**

**After programming**

Be sure to test if the equipment really works with the programmed signals.

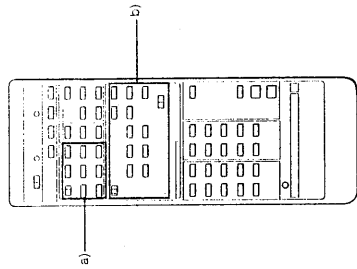
**Number of signals that the commander can learn**

It depends on the format of the signal. If you program signals of Sony equipment, approximately 90 signals can be programmed.

**Programmable area**

a) In this area, you can program signals for each function by switching the CP/PLDP selector. When setting to the LDP mode, the D.SKIP button cannot be programmed.

b) Programmable area can program signals for each function by switching the DECK/VTR and DECK (A, B, DAT)/VTR (1, 2, 3) selectors.



**if the LEARN indicator flashes or does not go out in step 2-4**

The memory capacity has become full. This occurs if other signals stronger than the remote control signals have been stored because the signals were programmed in a noisy environment or the remote commanders were placed too far apart from each other.

In this case, clear all the signals following the procedure described on page 52 and program again from the beginning under the proper conditions.

**Notes on programming**

- Remote-control signals of equipment of manufacturers other than Sony can be programmed only when they are compatible with the infrared wireless remote control system. Since the programmable commander can "learn" only the signals output from another remote commander, it cannot control equipment that does not use a remote commander.
- Do not attempt to use the programmable commander with an air conditioner or other household appliances.
- Note that there are some special remote-control signals that cannot be programmed.

A

**Storing Other Manufacturer's Operating Codes on the Remote Commander**

**Programming a new signal onto a previously programmed button**

- Follow the programming procedures. The previously programmed signal is cleared and replaced by the new signal.
- 1 Set the mode selector to LEARN.
  - 2 Press and hold any button of the programmable area until the LEARN indicator lights up.
  - 3 Press PROGRAM CLEAR until the LEARN indicator flashes and goes off.

**Note**  
It is not possible to clear the programmed content of just one button.

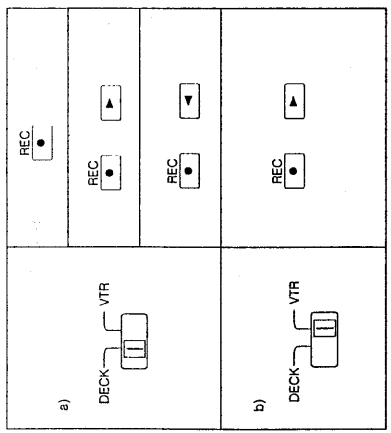
**To program a signal onto the ● REC button in the tape deck/VTR control section A**

- a) When the DECK/VTR selector is set to DECK

**Note**  
The signal of the rec-reverse function cannot be programmed on the both ● REC and ← buttons when the DECK selector is set to DAT.

- b) When the DECK/VTR selector is set to VTR

**A**



**Storing Other Manufacturer's Operating Codes on the Remote Commander**

**Controlling Equipment**

By switching the mode selector, a single button alternately controls Sony equipment and another manufacturer's equipment.

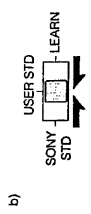
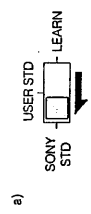
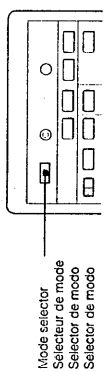
- a) **To control Sony equipment**  
Set the mode selector to SONY STD.
- b) **To control equipment with programmed signals**  
Set the mode selector to USER STD.

**When Sony equipment cannot be remote-controlled**  
Program the signal in the same way as for equipment from other manufacturers. In this case, even with Sony equipment, set the mode selector to USER STD.

**Notes on Battery**  
If the LEARN indicator does not light when a button is pressed, the batteries are almost exhausted. When the batteries are exhausted, the remote commander can no longer operate the unit or programming becomes impossible. If this happens, replace both batteries with new ones. We recommend the use of alkaline batteries for prolonged use.

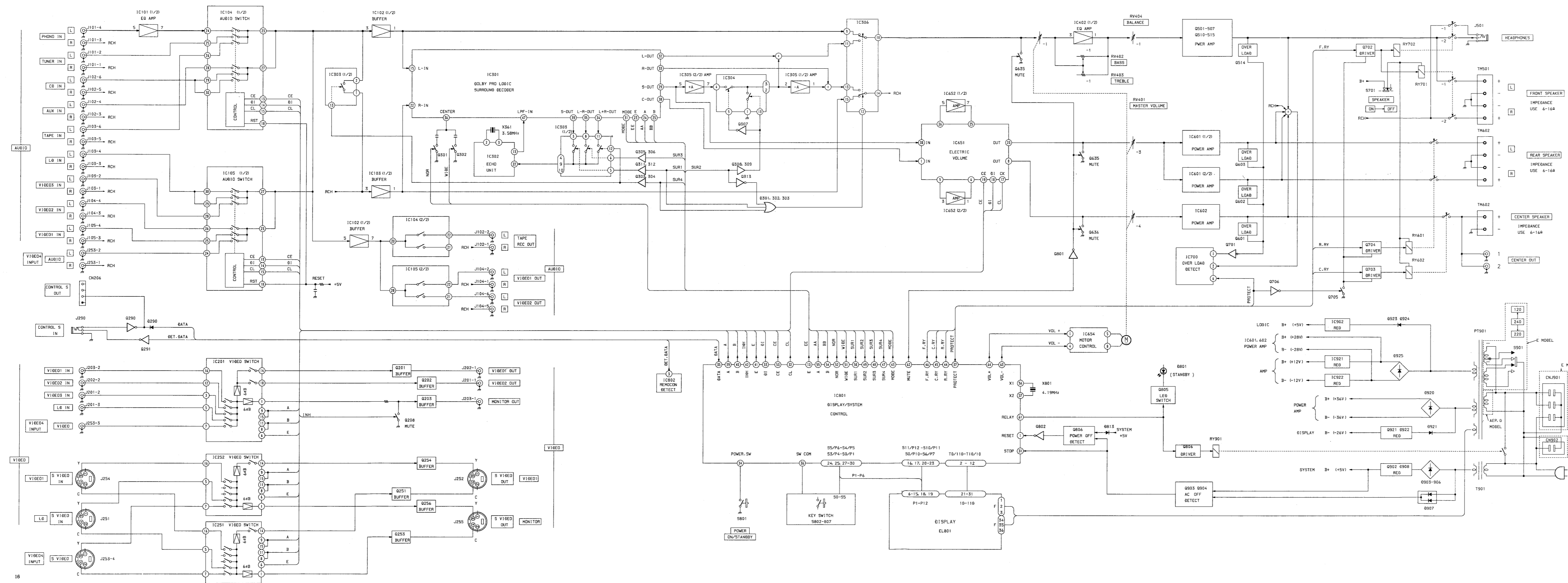
**If no signal has been programmed**  
The programmable commander can control Sony equipment even when the mode selector is set to USER STD.

**If the equipment works incorrectly**  
Press RESET.  
The programmed contents of the buttons are not cleared by pressing RESET.

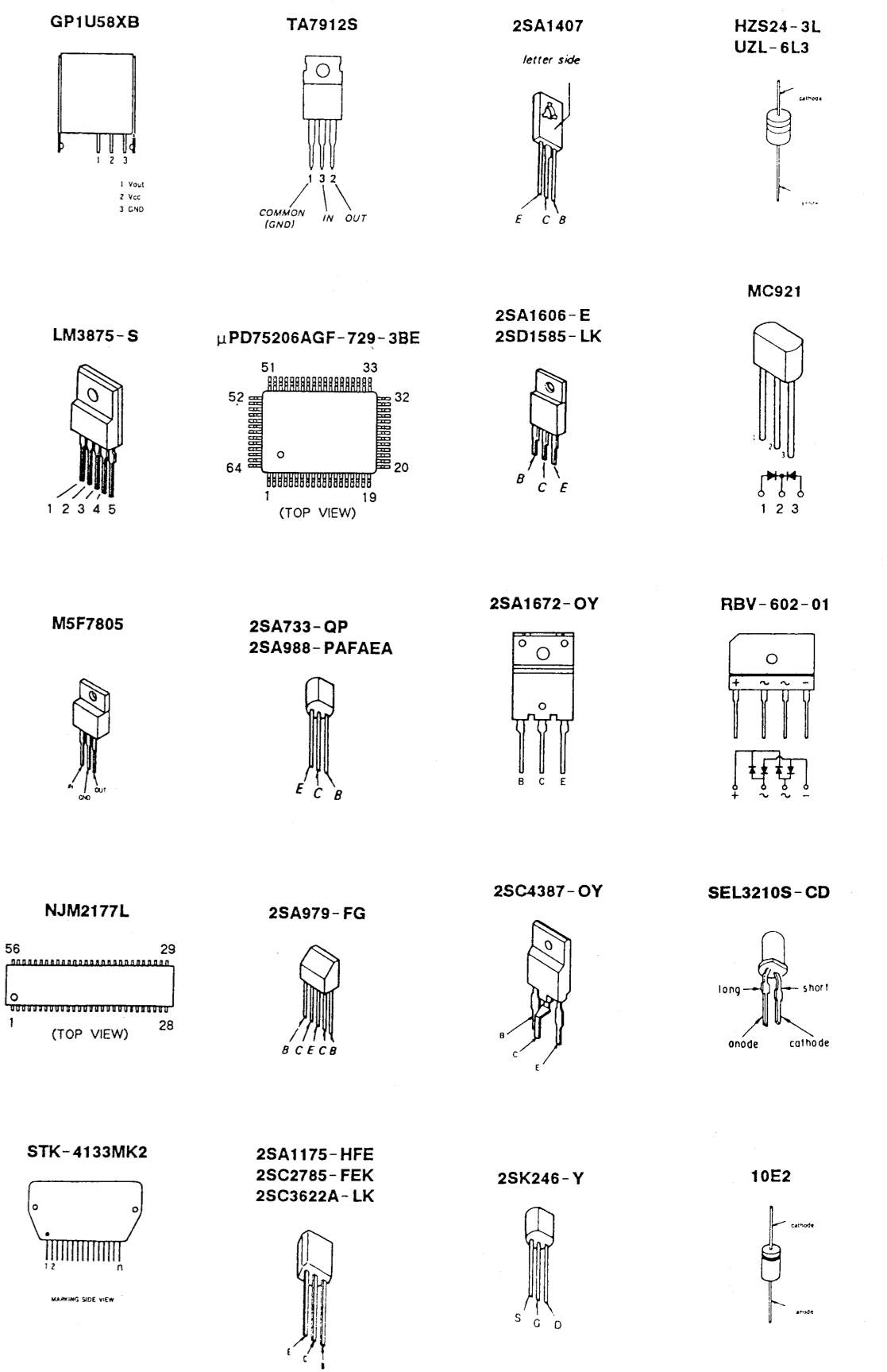


SECTION 2  
DIAGRAMS

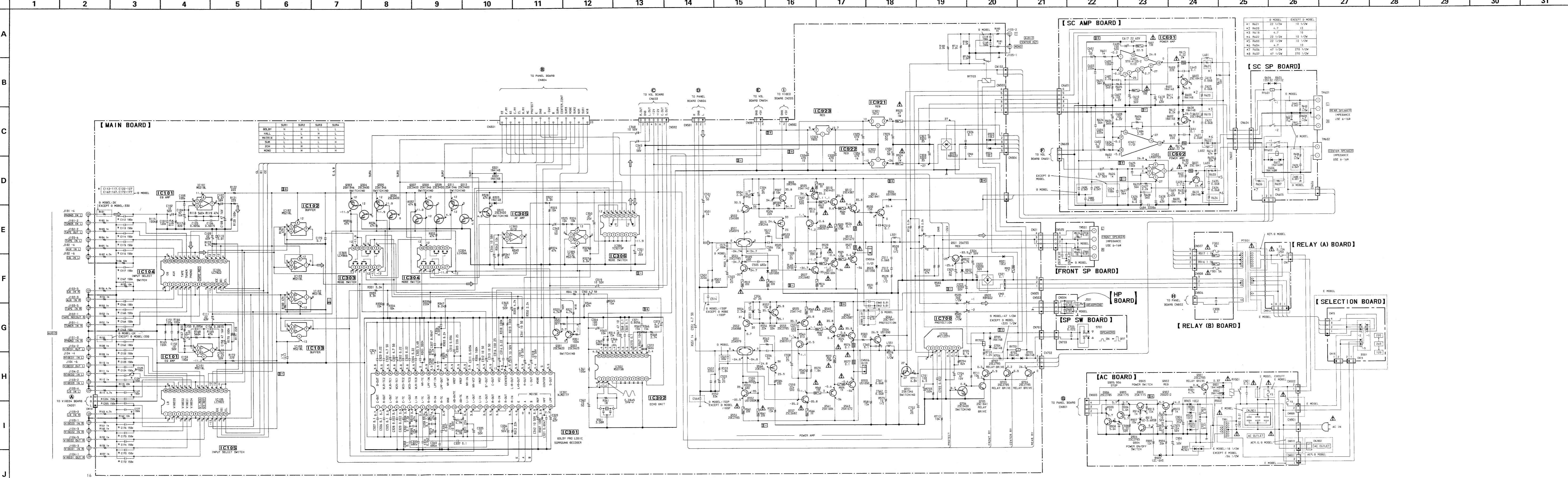
2-1. BLOCK DIAGRAM



2-2. SEMICONDUCTOR LEAD LAYOUTS



2-3. SCHEMATIC DIAGRAM — MAIN SECTION — • See page 31 for IC Description.



**Note on Schematic Diagram:**

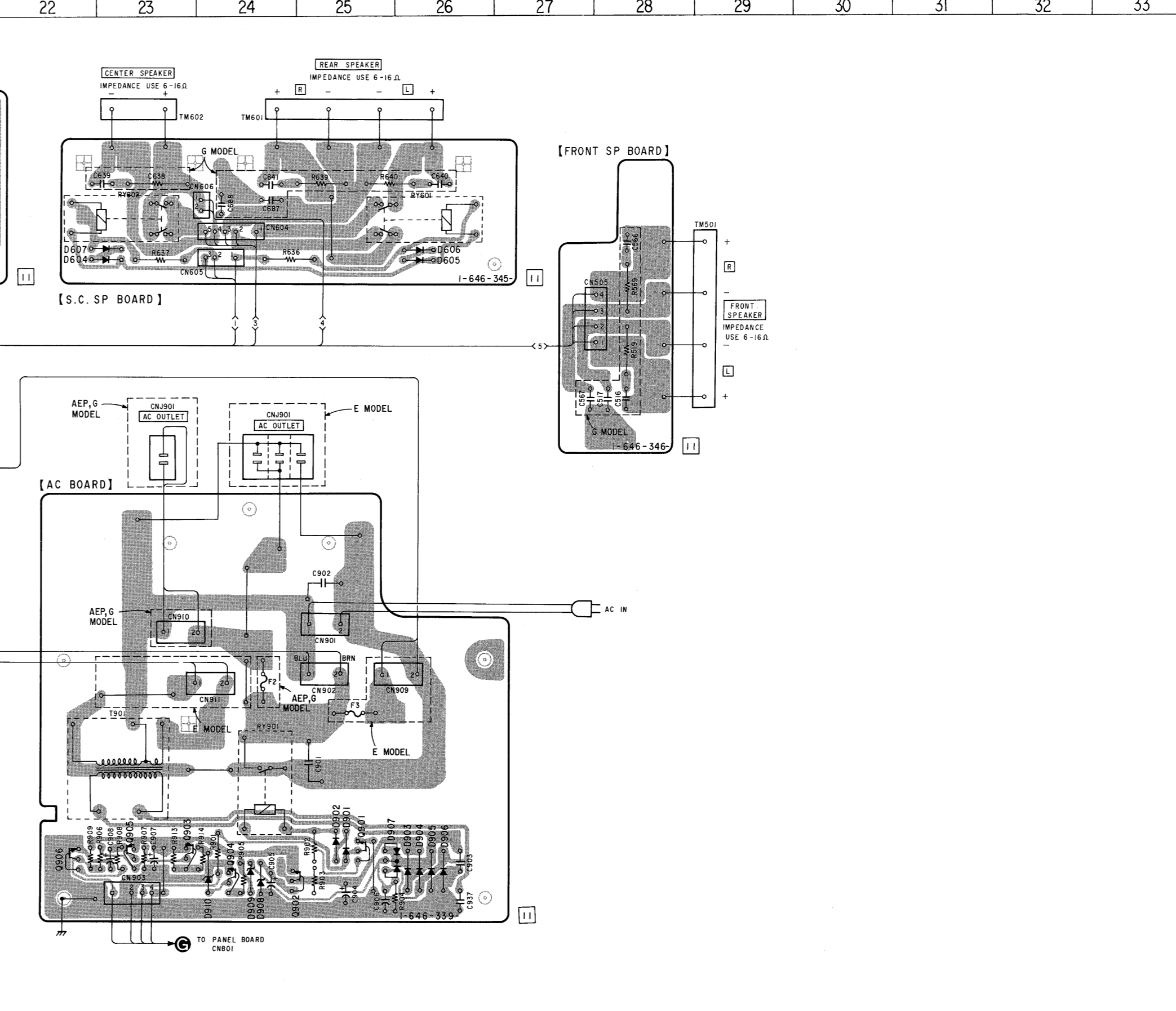
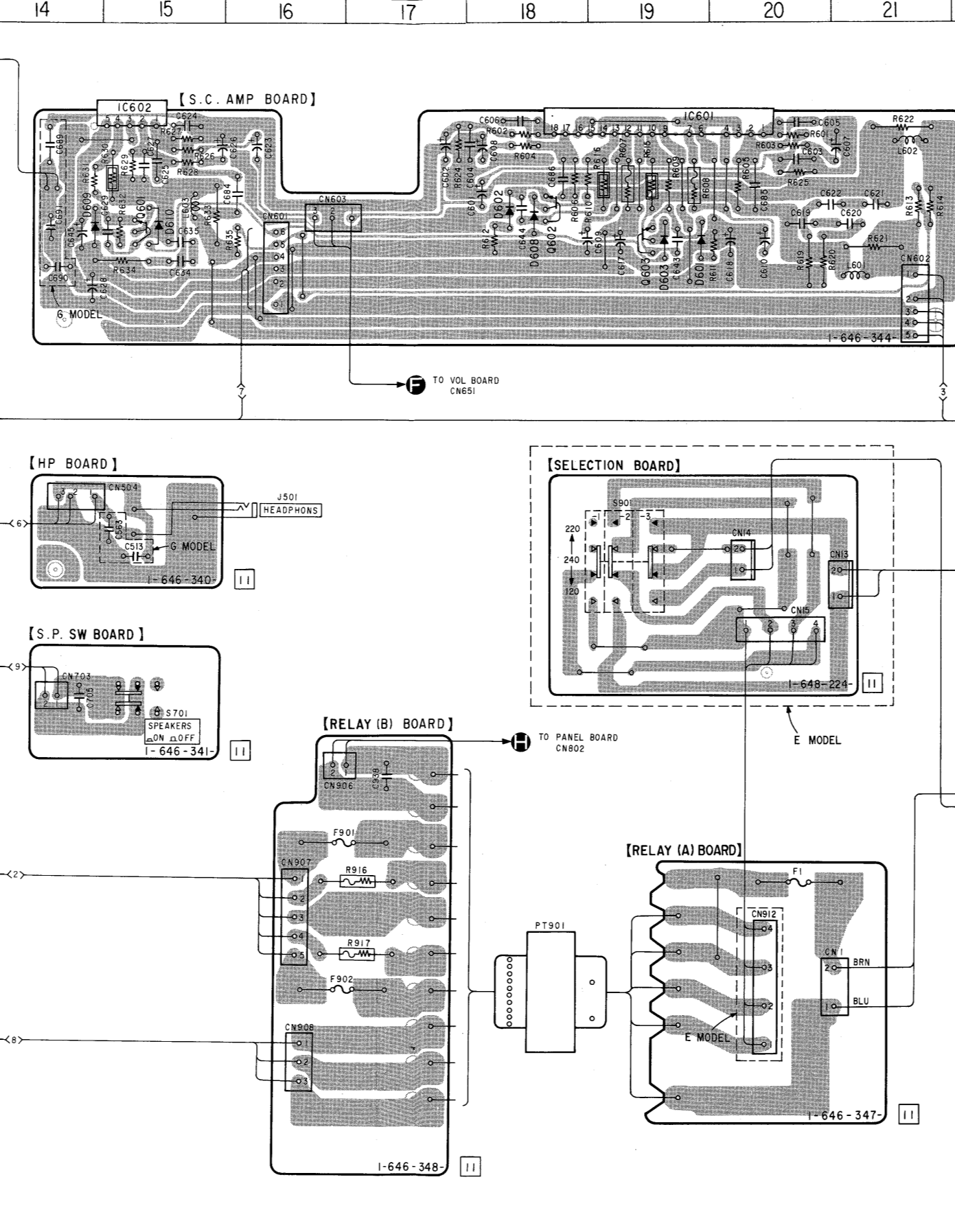
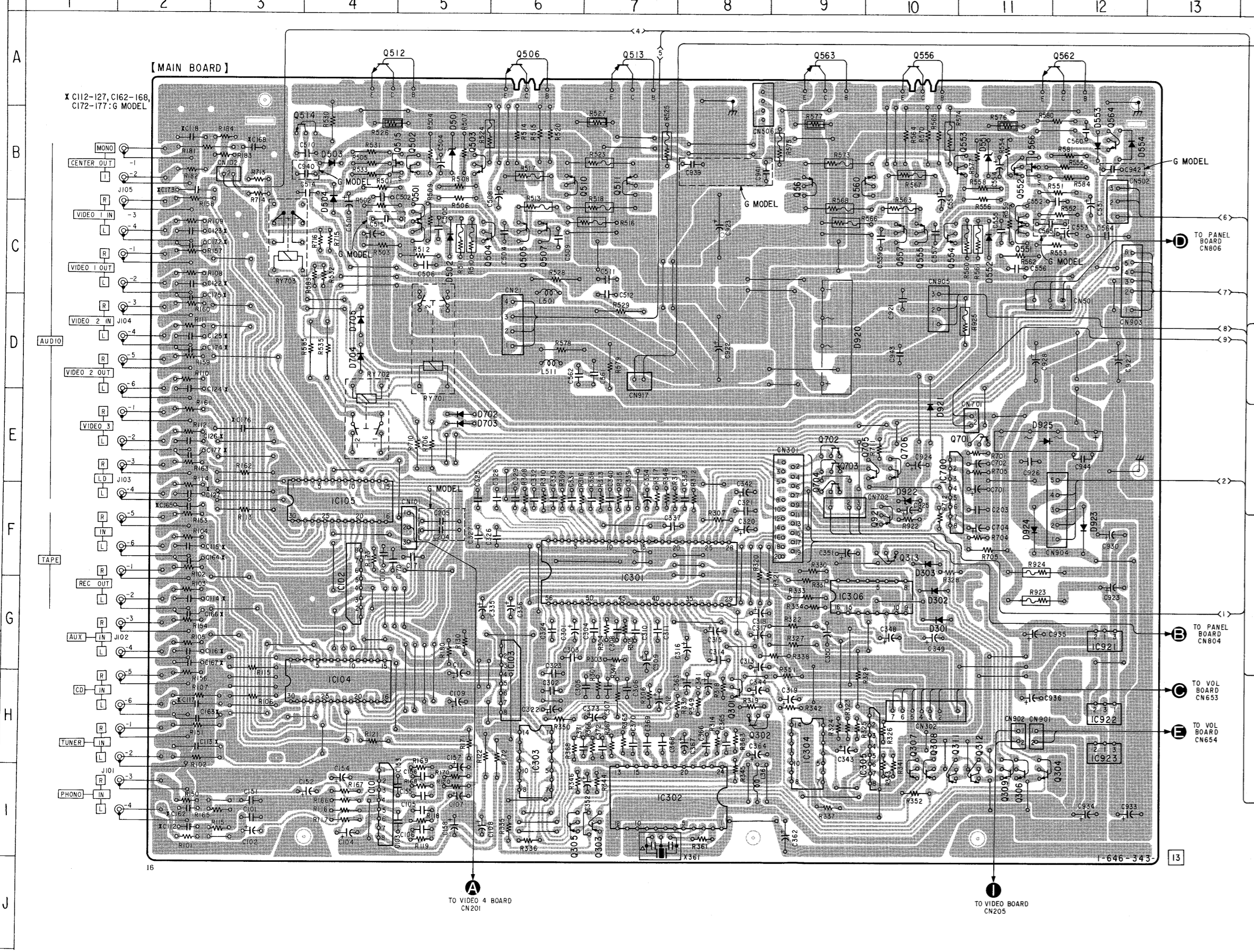
- All capacitors are in  $\mu\text{F}$  unless otherwise noted. pF:  $\mu\text{F}$  50VW or less are not indicated except for electrolytics and tantalums.
- All resistors are in  $\Omega$  and  $k$ ,  $M$  or less unless otherwise specified.
- $\Delta$ : internal component.
- $\square$ : nonflammable resistor.
- $\square$ : fusible resistor.

**Note:** The components identified by mark  $\Delta$  or dotted line with mark  $\Delta$  are critical for safety. Replace only with part number specified.

- B+ : B+ Line
- B- : B- Line
- Voltage and waveforms are dc with respect to ground under no-signal conditions.
- Voltages are taken with a VOM (input impedance 10 M $\Omega$ ).
- Voltage variations may be noted due to normal production tolerances.
- Waveforms are taken with an oscilloscope.
- Voltage variations may be noted due to normal production tolerances.
- Signal path.
- G : Germany model
- AUS : Australian model



2-4. PRINTED WIRING BOARD — MAIN SECTION — • See page 11 for Semiconductor Lead Layouts.



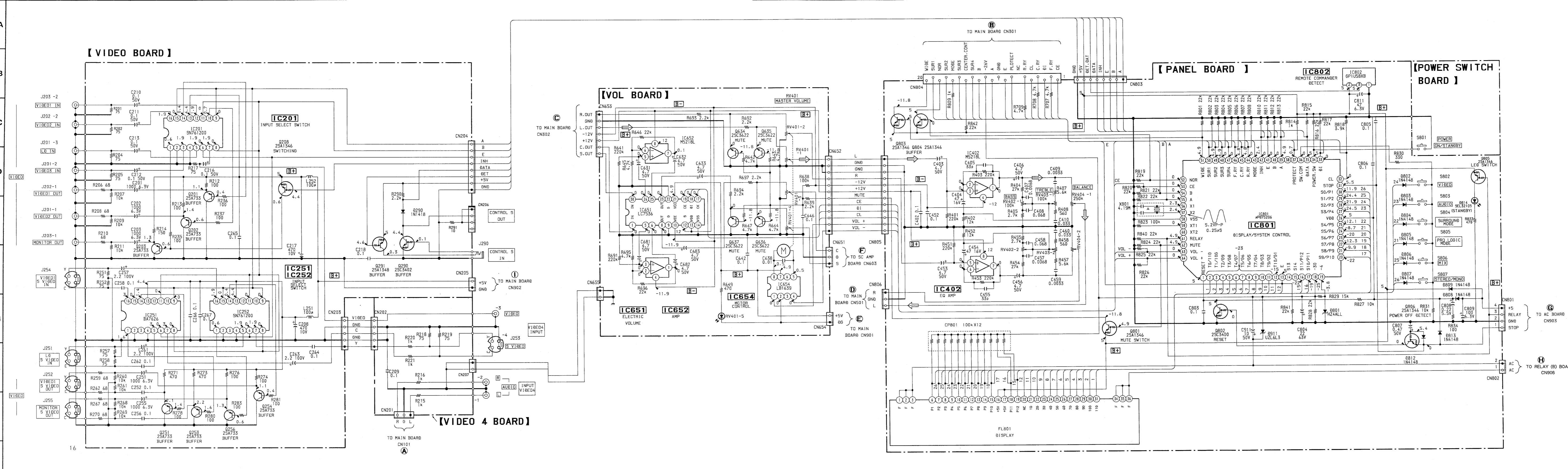
• Semiconductor Location

Ref. No.	Location	Ref. No.	Location
D301	G-10	IC922	H-12
D302	G-10	IC923	H-12
D303	F-10		
D501	B-5	Q301	H-8
D502	C-5	Q302	H-8
D503	B-4	Q303	I-7
D504	C-4	Q304	I-12
D551	B-11	Q305	I-11
D552	C-11	Q306	I-6
D553	B-12	Q307	H-10
D554	B-12	Q308	H-10
D601	B-19	Q309	I-11
D602	B-18	Q311	H-10
D603	B-19	Q312	H-11
D604	C-22	Q313	F-10
D605	C-26	Q501	C-5
D606	C-26	Q502	B-5
D607	C-22	Q503	B-5
D608	B-18	Q504	C-5
D609	B-14	Q505	C-5
D610	B-15	Q506	A-6
D702	E-5	Q507	C-6
D703	E-5	Q510	B-6
D704	D-4	Q511	B-7
D705	D-4	Q512	A-4
D901	H-25	Q513	A-7
D902	H-25	Q514	B-3
D903	I-26	Q515	B-4
D904	I-26	Q551	C-11
D905	I-26	Q552	B-11
D906	I-26	Q553	B-11
D907	I-25	Q554	C-10
D908	I-24	Q555	C-10
D909	I-24	Q556	A-10
D910	I-24	Q557	C-10
D920	D-9	Q560	B-9
D921	E-10	Q561	B-9
D922	F-10	Q562	A-12
D923	F-12	Q563	A-9
D924	F-11	Q564	B-12
D925	E-11	Q566	B-11
		Q601	B-15
IC101	I-4	Q602	B-18
IC102	G-4	Q603	B-19
IC103	G-6	Q701	E-11
IC104	H-4	Q702	E-9
IC105	F-4	Q703	E-9
IC301	F-7	Q704	E-9
IC302	I-7	Q705	E-10
IC303	H-6	Q706	E-10
IC304	H-9	Q901	I-25
IC305	H-10	Q902	I-25
IC306	G-9	Q903	I-23
IC601	A-19	Q904	I-24
IC602	A-15	Q905	I-23
IC700	E-10	Q906	I-22
IC921	G-12	Q921	F-10

Note on Mounting Diagram:  
 ○ : Parts extracted from the component side.  
 ● : Pattern on the side which is seen.

2-5. SCHEMATIC DIAGRAM — PANEL SECTION — See page 31 for IC Description.

1 2 3 4 5 6 7 8 9 10 11 12 13 14 15 16 17 18 19 20 21 22 23 24 25 26 27 28 29 30 31



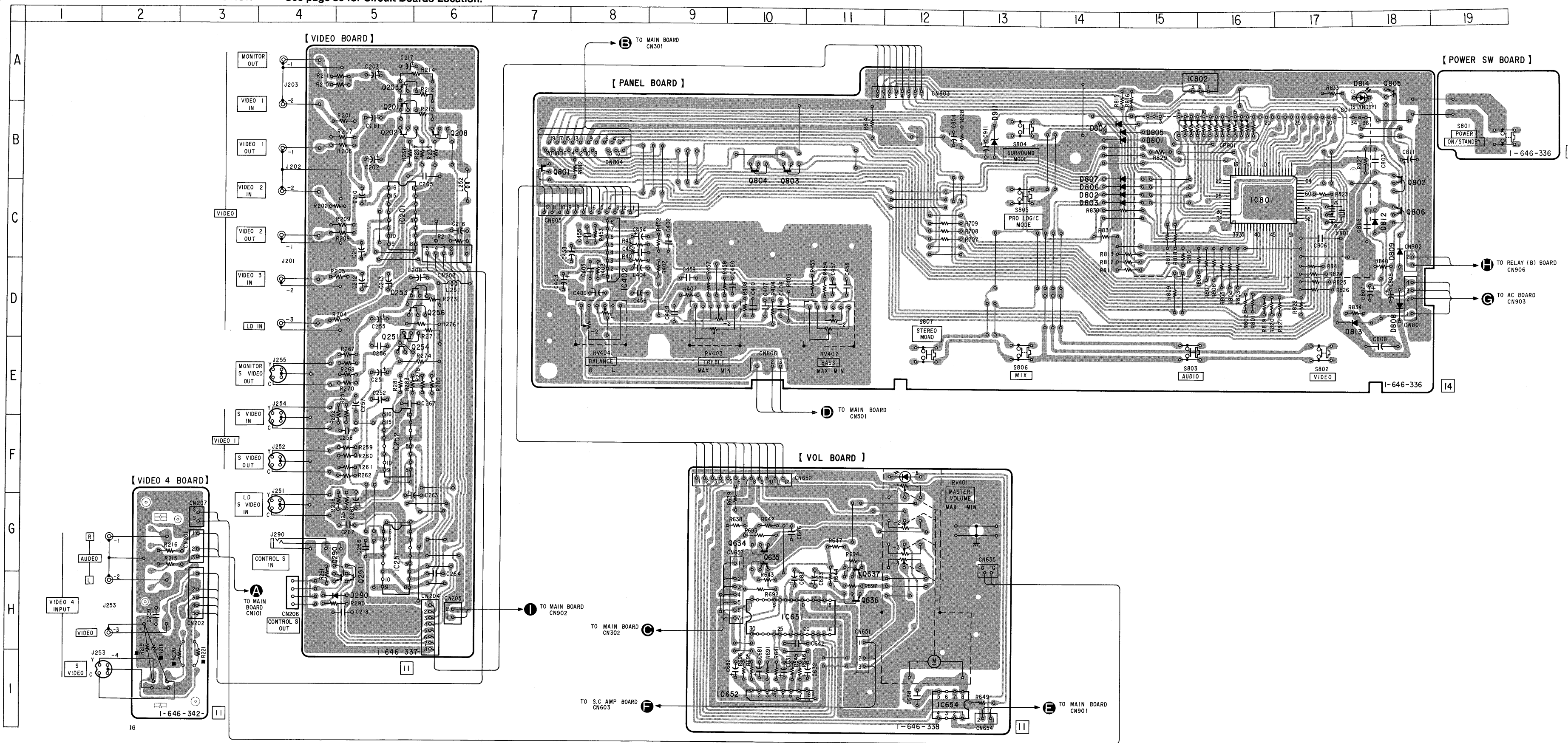
Note on Schematic Diagram :

- All capacitors are in  $\mu\text{F}$  unless otherwise noted. pF:  $\mu\text{pF}$  50WV or less are not indicated except for electrolytics and tantalums.
- All resistors are in  $\Omega$  and  $\frac{1}{2}$  W or less unless otherwise specified.
- $\Delta$  : internal component.
- $\square$  : nonflammable resistor.
- $\text{---}$  : fusible resistor.
- $\text{---}$  : printed resistor.

Note: The components identified by mark  $\Delta$  or dotted line with mark  $\Delta$  are critical for safety. Replace only with part number specified.

- B+ : B+ Line
- B- : B- Line
- Voltage and waveforms are dc with respect to ground under no-signal conditions.
- Voltages are taken with a VOM (input impedance 10 M $\Omega$ ). Voltage variations may be noted due to normal production tolerances.
- Waveforms are taken with an oscilloscope. Voltage variations may be noted due to normal production tolerances.
- Signal path.
- $\text{---}$  : PHONO
- G : Germany model
- AUS : Australian model

2-6. PRINTED WIRING BOARD — PANEL SECTION — • See page 30 for Circuit Boards Location.



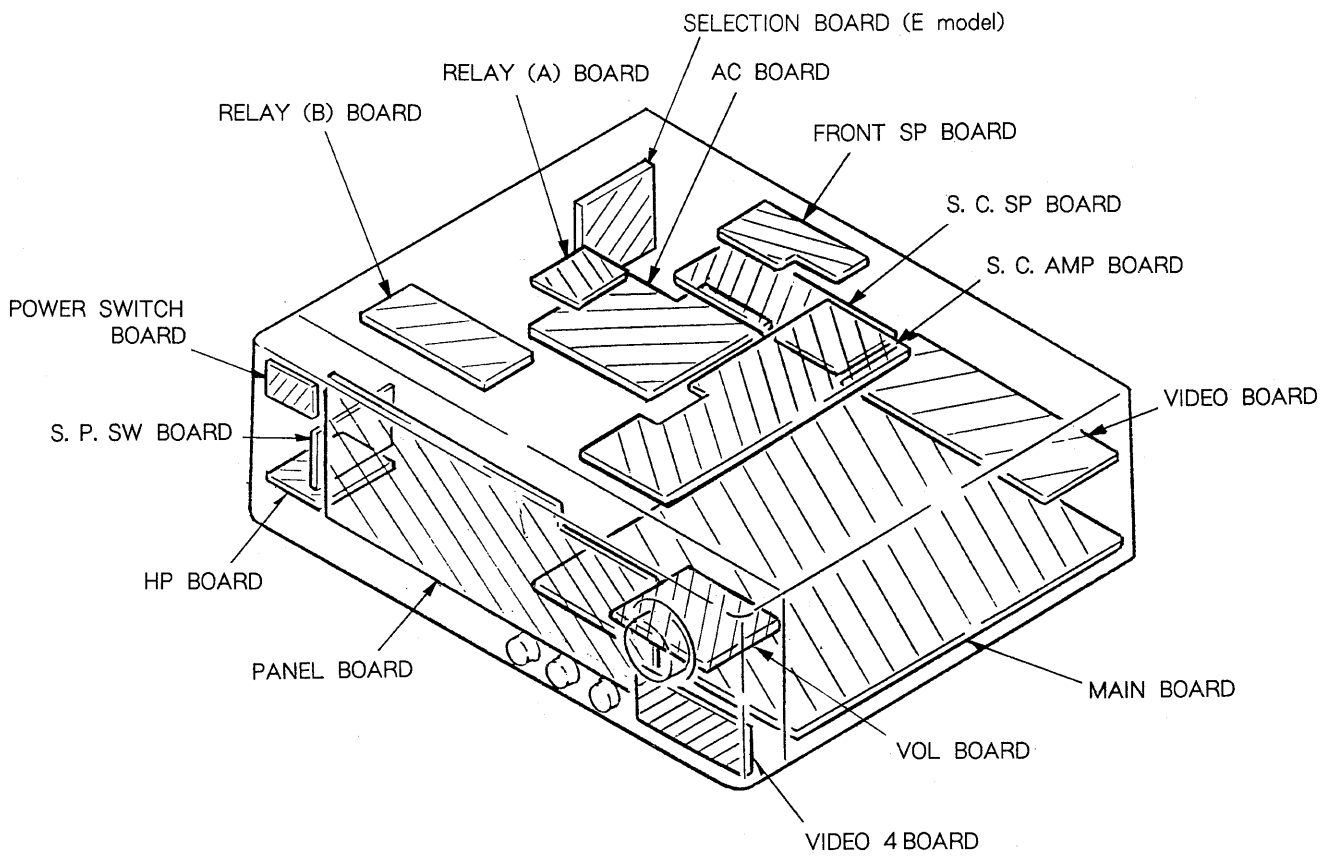
• Semiconductor Location

Ref. No.	Location
D290	H-5
D801	B-15
D802	C-14
D803	C-14
D804	B-14
D805	B-15
D806	B-14
D807	C-14
D808	C-18
D809	C-18
D812	C-18
D813	D-18
D814	A-18
D911	B-13
IC201	C-5
IC251	F-5
IC252	F-5
IC402	D-8
IC651	H-10
IC652	I-10
IC654	I-12
IC801	C-16
IC802	A-16
Q201	B-5
Q202	B-5
Q203	A-5
Q208	B-6
Q251	D-5
Q253	D-5
Q254	F-5
Q256	D-6
Q290	H-4
Q291	H-5
Q634	G-10
Q635	G-10
Q636	H-11
Q637	H-11
Q801	B-7
Q802	B-18
Q803	B-10
Q804	B-10
Q805	A-18
Q806	C-18

Note on Mounting Diagram :

- — : Parts extracted from the component side.
- : Parts mounted on the conductor side.
- ▨ : Pattern on the side which is seen.

**2-7. CIRCUIT BOARDS LOCATION**



2-8. IC DESCRIPTION

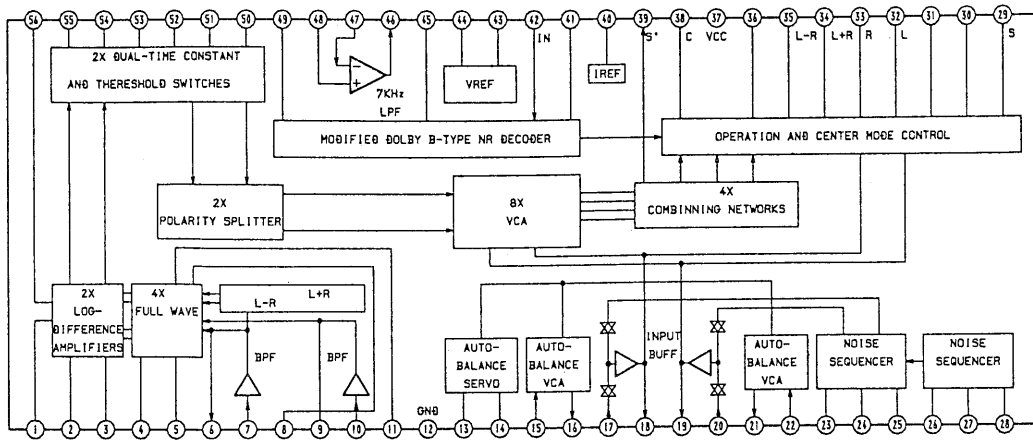
IC801 (  $\mu$ PD75212AGF-572-3BE) (PANEL BOARD)

Pin No.	Pin Name	I/O	Description																																																																								
1	RESET	I	Reset input																																																																								
2 to 12	T0-9/G11-G1	O	Display tube grid terminal																																																																								
13	E	O	Test tone enable terminal																																																																								
14	S13		Not used																																																																								
15	S14		Not used																																																																								
16	S11/S12	O	Display tube segment																																																																								
17	S10/P11	O	Display tube segment																																																																								
18	- 30		- 30V																																																																								
19	- 4		- 4V																																																																								
20 to 23	S9-6/P10-7	O	Display tube segment																																																																								
24	S5/P6	O	Display tube segment/key scan																																																																								
25	S4/5	O	Display tube segment/key scan																																																																								
26	VDD		5V																																																																								
27 to 30	S3-0/P4-1	O	Display tube segment/key scan																																																																								
31	STOP	I	STOP																																																																								
32	CL	I	Serial clock																																																																								
33	DI	O	Serial data																																																																								
34	POWER • SW	I	POWER KEY input																																																																								
35	DATA	I	SIRCS input																																																																								
36	SW • COM	I	KEY input																																																																								
37	PROTECT	I	PROTECT																																																																								
38			Not used																																																																								
39	A	O																																																																									
40	B	O																																																																									
41	E	O																																																																									
42	INH	O																																																																									
43	2/3/4CH • MODE	I/O		SURROUND MODE 2/3/4-CH switch																																																																							
44	R, RY	O	REAR SP relay																																																																								
45	C, RY	O	CENTER SP relay																																																																								
46	F, RY	O	FRONT SP relay																																																																								
47	SUR4	O	<table border="1"> <thead> <tr> <th>SURROUND MODE</th> <th>SUR1</th> <th>SUR2</th> <th>SUR3</th> <th>SUR4</th> <th>2/3/4-CH MODE</th> <th>NOR</th> <th>WIDE</th> </tr> </thead> <tbody> <tr> <td>SURROUND OFF</td> <td>L</td> <td>H</td> <td>L</td> <td>L</td> <td>L</td> <td>H</td> <td>L</td> </tr> <tr> <td>DOLBY PHANTOM</td> <td>H</td> <td>H</td> <td>L</td> <td>L</td> <td>H</td> <td>H</td> <td>H</td> </tr> <tr> <td>DOLBY NORMAL</td> <td>H</td> <td>H</td> <td>L</td> <td>L</td> <td>H</td> <td>L</td> <td>H</td> </tr> <tr> <td>DOLBY WIDE</td> <td>H</td> <td>H</td> <td>L</td> <td>L</td> <td>H</td> <td>H</td> <td>L</td> </tr> <tr> <td>DOLBY 3-CH</td> <td>L</td> <td>L</td> <td>H</td> <td>H</td> <td>High impedance (becomes an input port)</td> <td>L</td> <td>H</td> </tr> <tr> <td>HALL</td> <td>L</td> <td>L</td> <td>H</td> <td>L</td> <td>H</td> <td>H</td> <td>H</td> </tr> <tr> <td>MATRIX</td> <td>L</td> <td>H</td> <td>H</td> <td>L</td> <td>H</td> <td>H</td> <td>H</td> </tr> <tr> <td>SIMULATED</td> <td>L</td> <td>L</td> <td>L</td> <td>H</td> <td>H</td> <td>H</td> <td>H</td> </tr> </tbody> </table>	SURROUND MODE	SUR1	SUR2	SUR3	SUR4	2/3/4-CH MODE	NOR	WIDE	SURROUND OFF	L	H	L	L	L	H	L	DOLBY PHANTOM	H	H	L	L	H	H	H	DOLBY NORMAL	H	H	L	L	H	L	H	DOLBY WIDE	H	H	L	L	H	H	L	DOLBY 3-CH	L	L	H	H	High impedance (becomes an input port)	L	H	HALL	L	L	H	L	H	H	H	MATRIX	L	H	H	L	H	H	H	SIMULATED	L	L	L	H	H	H	H
SURROUND MODE	SUR1	SUR2		SUR3	SUR4	2/3/4-CH MODE	NOR	WIDE																																																																			
SURROUND OFF	L	H		L	L	L	H	L																																																																			
DOLBY PHANTOM	H	H		L	L	H	H	H																																																																			
DOLBY NORMAL	H	H		L	L	H	L	H																																																																			
DOLBY WIDE	H	H		L	L	H	H	L																																																																			
DOLBY 3-CH	L	L		H	H	High impedance (becomes an input port)	L	H																																																																			
HALL	L	L		H	L	H	H	H																																																																			
MATRIX	L	H		H	L	H	H	H																																																																			
SIMULATED	L	L		L	H	H	H	H																																																																			
48	SUR3	O																																																																									
49	SUR2	O																																																																									
50	SUR1	O																																																																									
51	WIDE	O																																																																									
52	NOR	O																																																																									
53	CE	O	Serial chip enable																																																																								

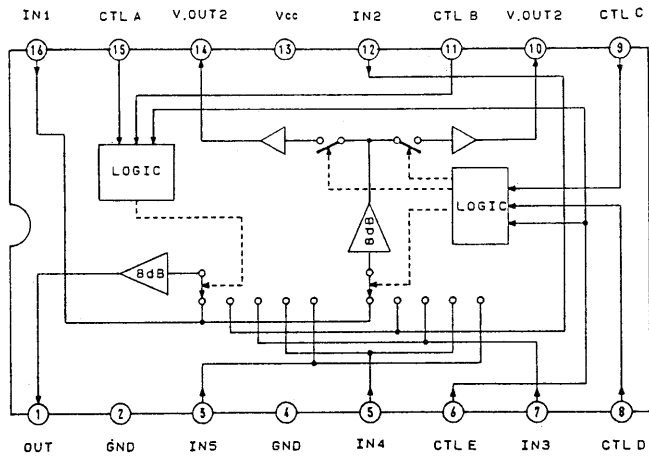
Pin No.	Pin Name	I/O	Description			
54	B	O		E (13)	A	B
			SIGNAL SELECT	H	X	X
55	A	O	NOISE L	L	L	L
			NOISE C	L	L	H
			NOISE R	L	H	L
			NOISE S	L	H	H
56, 57	X1, X2		Oscillation terminal 4.19MHz			
58	VSS		GND			
59	XT1					
60	XT2		Not used			
61	RELAY	O	Power supply relay			
62	MUTE	O	Mute output			
63	VOL -	O	Decreases the volume.			
64	VOL +	O	Increases the volume.			

## 2-9. IC BLOCK DIAGRAMS

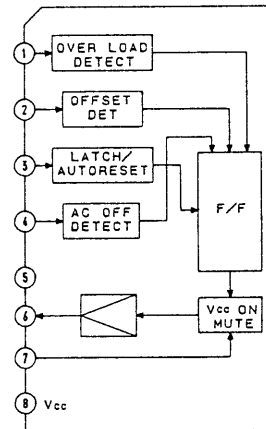
### ● IC301 NJM2177L (MAIN BOARD)



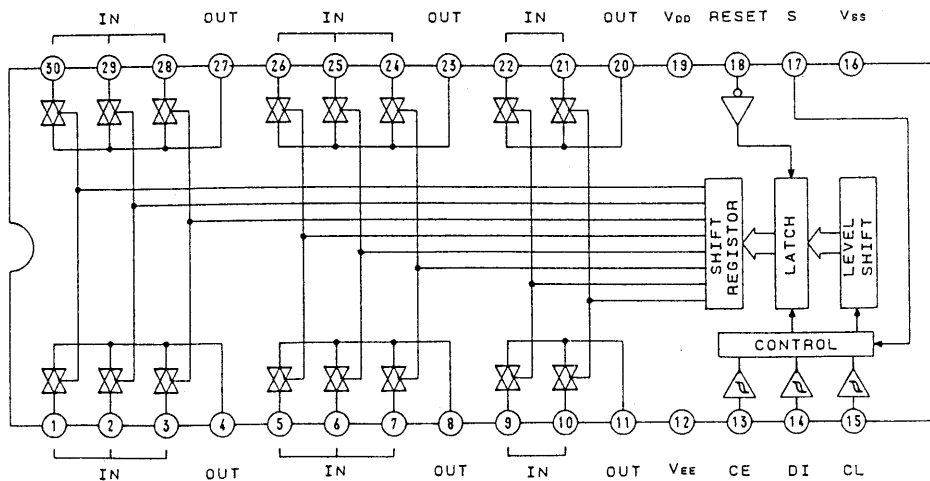
### ● IC201, IC251, IC252 BA7626/SN761200 (VIDEO BOARD)



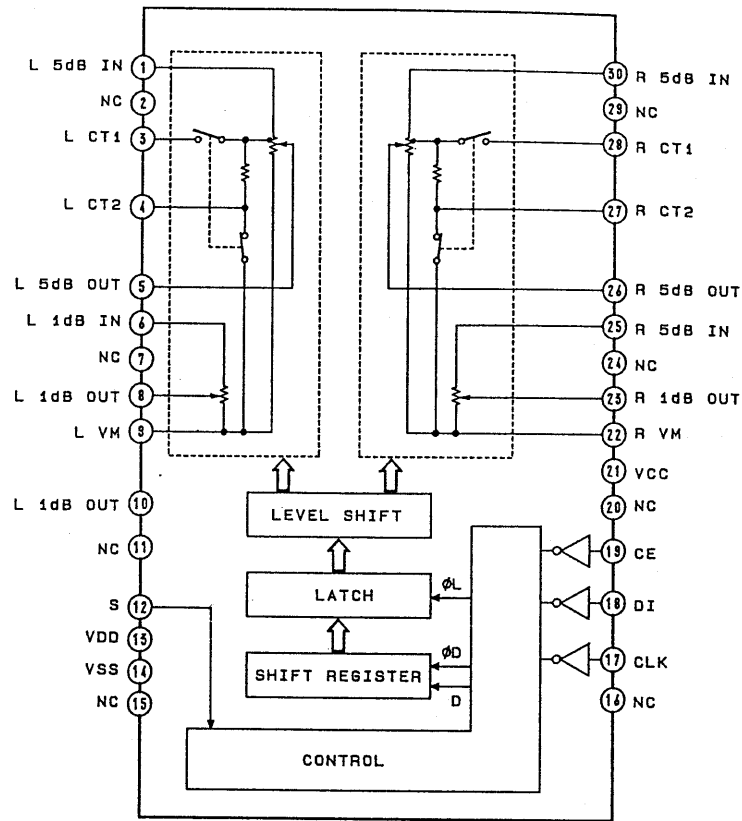
### ● IC700 $\mu$ PC1237HA (MAIN BOARD)



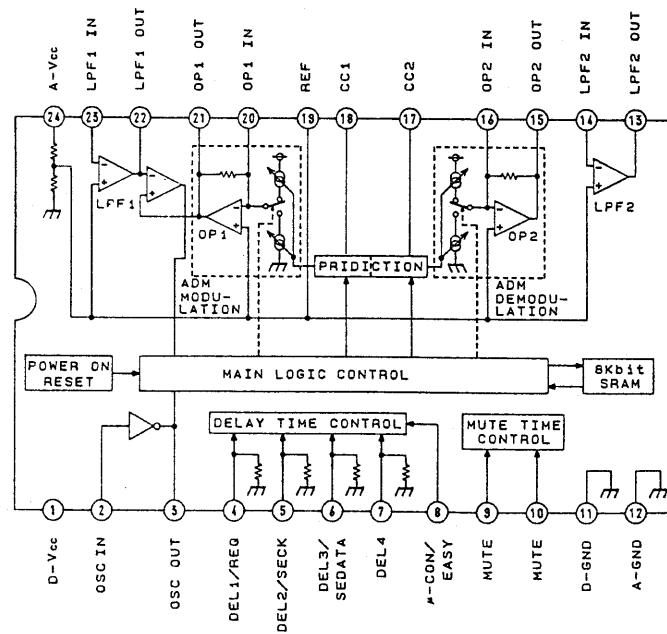
### ● IC104, 105 LC7822 (MAIN BOARD)



• IC651 LC7536 (VOL BOARD)



• IC302 M50198P (MAIN BOARD)





## SECTION 3 EXPLODED VIEWS

**NOTE:**

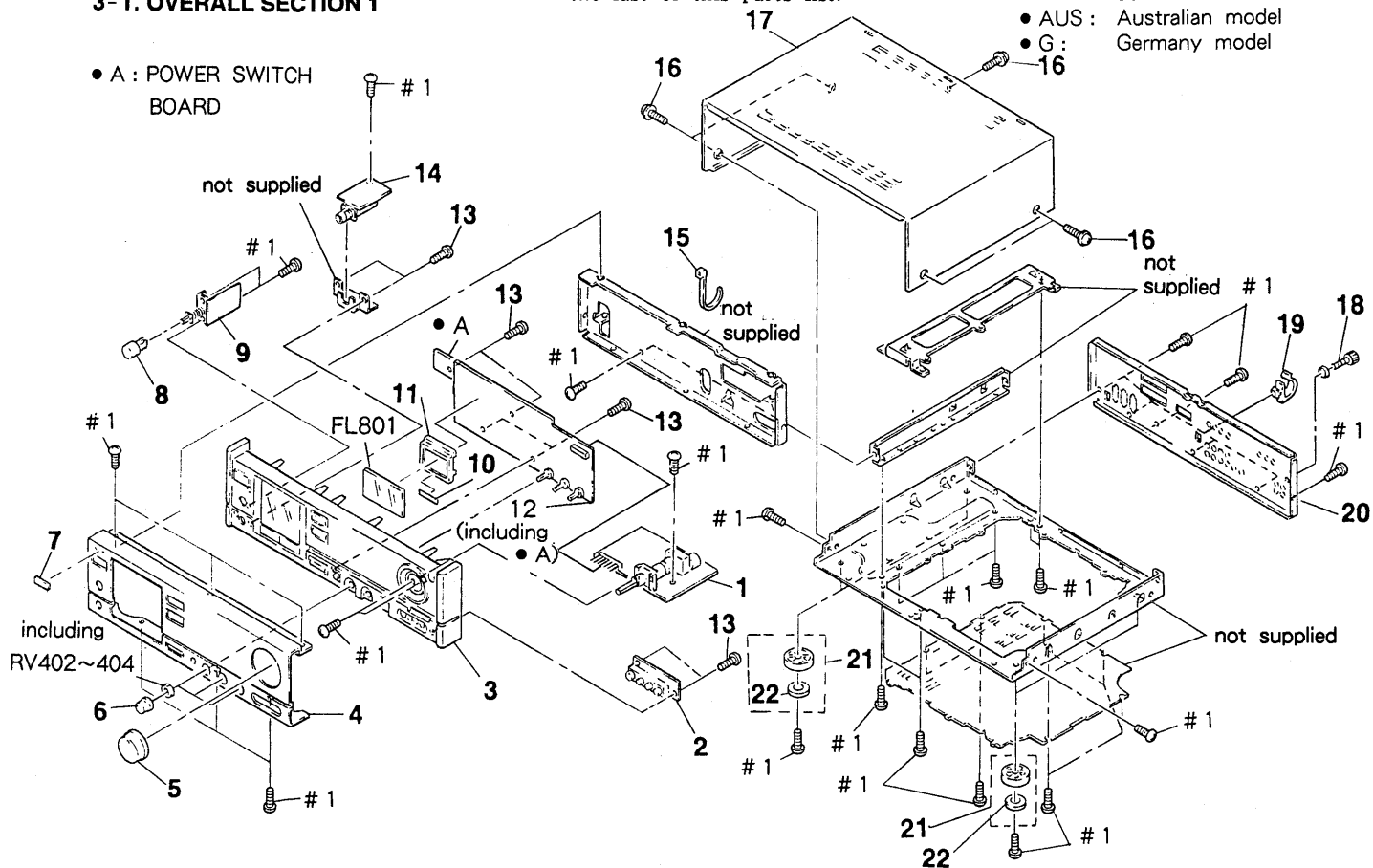
- -XX, -X mean standardized parts, so they may have some differences from the original one.
- Color Indication of Appearance Parts  
Example:  
KNOB, BALANCE (WHITE)...(RED)  
                                  ↑                                  ↑  
                                  Parts color                  Cabinet's color
- Items marked "\*" are not stocked since they are seldom required for routine service. Some delay should be anticipated when ordering these items.
- The mechanical parts with no reference number in the exploded views are not supplied.
- Hardware (# mark) list is given in the last of this parts list.

The components identified by mark  $\triangle$  or dotted line with mark  $\triangle$  are critical for safety. Replace only with part number specified.

- AEP2: Model for Scandinavian countries, Switzerland, Spain and Portugal.
- AEP1: Model for other European countries
- AUS: Australian model
- G: Germany model

**3-1. OVERALL SECTION 1**

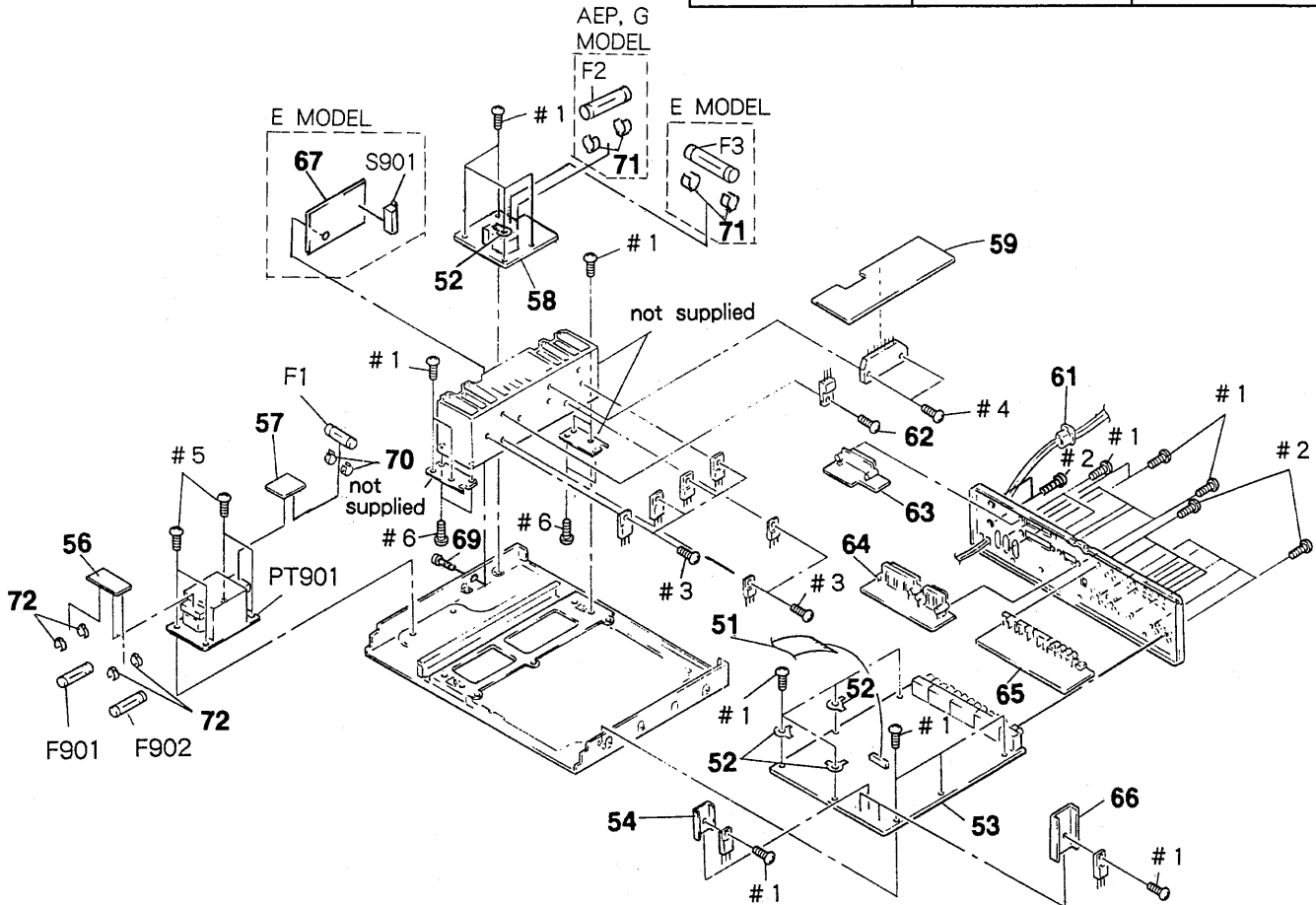
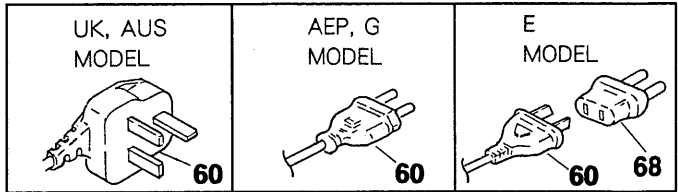
- A: POWER SWITCH BOARD



Ref. No.	Part No.	Description	Remarks
* 1	A-4356-394-A	VOL BOARD, COMPLETE	
* 2	1-646-342-11	VIDEO 4 BOARD	
3	X-4943-417-1	BASE ASSY, PANEL (EXCEPT E)	
3	X-4943-418-1	BASE ASSY, PANEL (E)	
4	4-954-972-01	PANEL, FRONT (EXCEPT E)	
4	4-954-972-11	PANEL, FRONT (E)	
5	X-4942-974-1	KNOB (50) ASSY (EXCEPT E)	
5	X-4942-976-1	KNOB (50) ASSY (E)	
6	4-954-979-01	KNOB (18) (EXCEPT E)	
6	4-954-979-11	KNOB (18) (E)	
7	4-942-568-01	EMBLEM (NO. 5), SONY	
8	4-954-978-01	BUTTON (10) (EXCEPT E)	
8	4-954-978-11	BUTTON (10) (E)	
* 9	1-646-341-11	S. P. SW BOARD	
* 10	4-955-901-01	CUSHION (FL)	
* 11	4-954-977-01	HOLDER, FL	
* 12	A-4360-044-A	PANEL BOARD, COMPLETE	

Ref. No.	Part No.	Description	Remarks
13	4-951-620-01	SCREW (2. 6X8), +BVP	
* 14	1-646-340-11	HP BOARD	
15	3-655-653-21	BAND (TAITON), BINDING	
16	3-704-366-01	SCREW (CASE) (M3X8)	
* 17	4-924-920-13	CASE (E)	
* 17	4-924-920-33	CASE (AE1, UK, AUS, G)	
17	4-927-838-01	CASE (AE2)	
18	4-947-010-01	SCREW, FEEDER FIXED	
* 19	4-949-235-01	HOOK	
* 20	4-954-970-13	PANEL, BACK (AE1)	
* 20	4-954-970-23	PANEL, BACK (AE2)	
* 20	4-954-970-34	PANEL, BACK (G)	
* 20	4-954-970-43	PANEL, BACK (UK, AUS)	
* 20	4-954-970-53	PANEL, BACK (E)	
21	X-3304-938-2	FOOT ASSY (EXCEPT E)	
21	X-4928-110-1	FOOT ASSY (E)	
22	4-923-836-11	CUSHION	
FL801	1-519-758-11	INDICATOR TUBE, FLUORESCENT	

3-2. OVERALL SECTION 2



Ref. No.	Part No.	Description	Remarks
	51	1-696-833-11 WIRE (FLAT TYPE) (20 CORE)	
*	52	4-870-539-00 PLATE, GROUND	
*	53	A-4360-036-A MAIN BOARD, COMPLETE (EXCEPT G)	
*	53	A-4360-038-A MAIN BOARD, COMPLETE (G)	
*	54	3-309-144-31 HEAT SINK	
* 56	1-646-348-11	RELAY (B) BOARD	
* 57	1-646-347-11	RELAY (A) BOARD	
* 58	A-4360-045-A	AC BOARD, COMPLETE (AEP, G)	
* 58	A-4360-047-A	AC BOARD, COMPLETE (UK, AUS)	
* 58	A-4360-049-A	AC BOARD, COMPLETE (E)	
* 59	A-4360-037-A	S. C. AMP BOARD, COMPLETE (EXCEPT G)	
* 59	A-4360-039-A	S. C. AMP BOARD, COMPLETE (G)	
△60	1-558-943-31	CORD, POWER (E)	
△60	1-575-651-11	CORD, POWER (AEP, G)	
△60	1-696-585-21	CORD, POWER (UK, AUS)	
* 61	3-703-244-00	BUSHING (2104), CORD (EXCEPT E)	
* 61	3-703-571-11	BUSHING (S) (4516), CORD (E)	
	62	4-928-635-21	SCREW, +BV (2.6X10) TAPPING
* 63	1-646-346-11	FRONT SP BOARD	
* 64	1-646-345-11	S. C. SP BOARD	

Ref. No.	Part No.	Description	Remarks
* 65	A-4360-981-A	VIDEO BOARD, COMPLETE	
* 66	4-880-403-21	HEAT SINK	
* 67	1-648-224-11	SELECTION BOARD (E)	
* 68	1-569-007-11	ADAPTER, CONVERSION 2P (E)	
* 69	4-959-349-01	HOLDER, PCB (E)	
* 70	1-533-213-31	HOLDER, FUSE	
* 71	1-533-213-31	HOLDER, FUSE (AEP, E, G)	
* 72	1-533-213-31	HOLDER, FUSE (G)	
* 72	1-533-293-11	HOLDER, FUSE (EXCEPT G)	
△F1	1-532-237-00	FUSE, TIME LAG (3.15A)	A
△F2	1-532-286-00	FUSE (AEP, G) (2.5A)	A
△F3	1-532-237-00	FUSE, TIME LAG (E) (3.15A)	A
△F901	1-532-299-00	FUSE (5A)	
△F902	1-532-299-00	FUSE (5A)	
△PT901	1-423-589-11	TRANSFORMER, POWER (UK, AUS)	
△PT901	1-423-590-11	TRANSFORMER, POWER (AEP)	
△PT901	1-423-591-11	TRANSFORMER, POWER (G)	
△PT901	1-423-592-11	TRANSFORMER, POWER (E)	
△S901	1-571-437-11	SWITCH, POWER VOLTAGE CHANGE (E)	

Note: The components identified by mark △ or dotted line with mark △ are critical for safety. Replace only with part number specified.

## SECTION 4 ELECTRICAL PARTS LIST

AC

**NOTE:**

The components identified by mark  $\Delta$  or dotted line with mark  $\Delta$  are critical for safety. Replace only with part number specified.

When indicating parts by reference number, please include the board name.

- Due to standardization, replacements in the parts list may be different from the parts specified in the diagrams or the components used on the set.
- -XX, -X mean standardized parts, so they may have some difference from the original one.
- RESISTORS  
All resistors are in ohms.  
METAL: metal-film resistor  
METAL OXIDE: Metal Oxide-film resistor  
F: nonflammable
- Items marked "\*" are not stocked since they are seldom required for routine service. Some delay should be anticipated when ordering these items.
- SEMICONDUCTORS  
In each case, u:  $\mu$ , for example:  
uA...:  $\mu$ A..., uPA...,  $\mu$ PA...,  
uPB...,  $\mu$ PB..., uPC...,  $\mu$ PC...,  
uPD...,  $\mu$ PD...
- CAPACITORS:  
uF:  $\mu$ F
- COILS  
uH:  $\mu$ H
- G: Germany model
- AUS: Australian model

Ref. No.	Part No.	Description	Remarks	Ref. No.	Part No.	Description	Remarks
*	A-4360-045-A	AC BOARD, COMPLETE (AEP, G) *****				< DIODE >	
*	A-4360-047-A	AC BOARD, COMPLETE (UK, AUS) *****		D901	8-719-987-63	DIODE 1N4148M	
*	A-4360-049-A	AC BOARD, COMPLETE (E) *****		D902	8-719-987-63	DIODE 1N4148M	
				D903	8-719-200-02	DIODE 10E2	
				D904	8-719-200-02	DIODE 10E2	
				D905	8-719-200-02	DIODE 10E2	
*	4-870-539-00	PLATE, GROUND		D906	8-719-200-02	DIODE 10E2	
*	1-533-213-31	HOLDER, FUSE (AEP, E, G)		D907	8-719-000-06	DIODE MC921	
		< CAPACITOR >		D908	8-719-933-41	DIODE HZS6C3L	
C901	1-161-744-00	CERAMIC 0.01uF	400V	D909	8-719-933-41	DIODE HZS6C3L	
C902	1-161-744-00	CERAMIC 0.01uF	400V	D910	8-719-010-23	DIODE UZ-3.6BSB	
C903	1-164-096-11	CERAMIC 0.01uF	50V			< TRANSISTOR >	
C904	1-124-557-11	ELECT 1000uF	20% 25V	Q901	8-729-119-78	TRANSISTOR 2SC2785-HFE	
C905	1-124-907-11	ELECT 10uF	20% 50V	Q902	8-729-209-15	TRANSISTOR 2SD2012	
C906	1-124-903-11	ELECT 1uF	20% 50V	Q903	8-729-119-76	TRANSISTOR 2SA1175-HFE	
C907	1-124-907-11	ELECT 10uF	20% 50V	Q904	8-729-119-78	TRANSISTOR 2SC2785-HFE	
C908	1-124-464-11	ELECT 0.22uF	20% 50V	Q905	8-729-119-76	TRANSISTOR 2SA1175-HFE	
C937	1-164-096-11	CERAMIC 0.01uF	50V	Q906	8-729-119-78	TRANSISTOR 2SC2785-HFE	
		< CONNECTOR >				< RESISTOR >	
* CN901	1-564-321-00	PIN, CONNECTOR 2P		R901	1-249-425-11	CARBON 4.7K 5% 1/4W F	
CN902	1-564-321-00	PIN, CONNECTOR 2P		R902	1-247-736-11	CARBON 56 5% 1/2W (EXCEPT E)	
CN903	1-691-766-11	PLUG (MICRO CONNECTOR) 4P		R902	1-249-396-11	CARBON 18 5% 1/6W F (E)	
* CN909	1-564-321-00	PIN, CONNECTOR 2P (E)		R903	1-249-417-11	CARBON 1K 5% 1/4W F	
* CN910	1-564-321-00	PIN, CONNECTOR 2P (AEP, G)		R904	1-249-436-11	CARBON 39K 5% 1/4W	
* CN911	1-564-321-00	PIN, CONNECTOR 2P (E)		R905	1-249-429-11	CARBON 10K 5% 1/4W	
		< JACK >		R906	1-249-426-11	CARBON 5.6K 5% 1/4W	
CNJ901	1-526-794-11	OUTLET, AC (AEP, G)		R907	1-249-429-11	CARBON 10K 5% 1/4W	
CNJ901	1-540-043-21	OUTLET, AC (NONPOLAR) (3P) (AC OUTLET) (E)		R908	1-249-426-11	CARBON 5.6K 5% 1/4W	
		< FUSE >		R909	1-249-417-11	CARBON 1K 5% 1/4W F	
$\Delta$ F2	1-532-286-00	FUSE (AEP, G) (2.5A)	A	R913	1-249-429-11	CARBON 10K 5% 1/4W	
$\Delta$ F3	1-532-237-00	FUSE, TIME LAG (E) (3.15A)	A	R914	1-249-417-11	CARBON 1K 5% 1/4W F	

AC	HP	S.C. AMP
----	----	----------

Ref. No.	Part No.	Description	Remarks
		< RELAY >	
RY901	1-515-617-11	RELAY	
		< TRANSFORMER >	
△T901	1-449-071-11	TRANSFORMER, POWER (EXCEPT E)	
△T901	1-448-523-11	TRANSFORMER, POWER (E)	
*****			
*	1-646-340-11	HP BOARD	
		*****	
		< CAPACITOR >	
C513	1-164-096-11	CERAMIC 0.01uF	50V (G)
C563	1-164-096-11	CERAMIC 0.01uF	50V (G)
		< CONNECTOR >	
CN504	1-691-765-11	PLUG (MICRO CONNECTOR) 3P (EXCEPT G)	
CN504	1-691-765-31	PLUG (MICRO CONNECTOR) 3P (G)	
		< JACK >	
J501	1-507-796-71	JACK (HEADPHONE)	
*****			
*	A-4360-037-A	S.C. AMP BOARD, COMPLETE (EXCEPT G)	
		*****	
*	A-4360-039-A	S.C. AMP BOARD, COMPLETE (G)	
		*****	
		< CAPACITOR >	
C601	1-124-927-11	ELECT 4.7uF	20% 100V
C602	1-124-927-11	ELECT 4.7uF	20% 100V
C603	1-162-286-31	CERAMIC 220PF	10% 50V
C604	1-162-286-31	CERAMIC 220PF	10% 50V
C605	1-162-282-31	CERAMIC 100PF	10% 50V
C606	1-162-282-31	CERAMIC 100PF	10% 50V
C607	1-124-443-00	ELECT 100uF	20% 10V
C608	1-124-443-00	ELECT 100uF	20% 10V
C609	1-124-122-11	ELECT 100uF	20% 50V
C610	1-124-122-11	ELECT 100uF	20% 50V
C617	1-124-916-11	ELECT 22uF	20% 63V
C618	1-124-916-11	ELECT 22uF	20% 63V
C619	1-136-163-00	FILM 0.068uF	5% 50V
C620	1-136-163-00	FILM 0.068uF	5% 50V
C621	1-136-163-00	FILM 0.068uF	5% 50V

Ref. No.	Part No.	Description	Remarks
C622	1-136-163-00	FILM 0.068uF	5% 50V
C623	1-124-927-11	ELECT 4.7uF	20% 100V
C624	1-162-282-31	CERAMIC 100PF	10% 50V
		(EXCEPT G)	
C625	1-162-282-31	CERAMIC 100PF	10% 50V
C626	1-124-443-00	ELECT 100uF	20% 10V
C627	1-162-191-31	CERAMIC 2.2PF	10% 50V
C628	1-124-916-11	ELECT 22uF	20% 63V
C629	1-136-165-00	FILM 0.1uF	5% 50V
C634	1-136-163-00	FILM 0.068uF	5% 50V
C635	1-136-163-00	FILM 0.068uF	5% 50V
C643	1-136-165-00	FILM 0.1uF	5% 50V
C644	1-136-165-00	FILM 0.1uF	5% 50V
C645	1-124-916-11	ELECT 22uF	20% 63V
C684	1-161-375-00	CERAMIC 0.0022uF	20% 50V
C685	1-162-191-31	CERAMIC 2.2PF	10% 50V
C686	1-162-191-31	CERAMIC 2.2PF	10% 50V
C689	1-161-494-00	CERAMIC 0.022uF	25V (G)
C690	1-136-161-00	FILM 0.047uF	5% 50V (G)
C691	1-136-161-00	FILM 0.047uF	5% 50V (G)
		< DIODE >	
D601	8-719-987-63	DIODE 1N4148M	
D602	8-719-987-63	DIODE 1N4148M	
D603	8-719-987-63	DIODE 1N4148M	
D608	8-719-987-63	DIODE 1N4148M	
D609	8-719-987-63	DIODE 1N4148M	
D610	8-719-987-63	DIODE 1N4148M	
		< IC >	
IC601	8-749-920-08	IC STK-4133MK2	
IC602	8-759-085-89	IC LM3875-S	
		< COIL >	
* L601	1-420-872-00	COIL, AIR CORE	
* L602	1-420-872-00	COIL, AIR CORE	
* L603	1-420-872-00	COIL, AIR CORE	
		< TRANSISTOR >	
Q601	8-729-140-84	TRANSISTOR 2SC1841-PAFAEA	
Q602	8-729-140-84	TRANSISTOR 2SC1841-PAFAEA	
Q603	8-729-140-84	TRANSISTOR 2SC1841-PAFAEA	
		< RESISTOR >	
R601	1-249-417-11	CARBON 1K 5%	1/4W F
R602	1-249-417-11	CARBON 1K 5%	1/4W F
R603	1-249-414-11	CARBON 560 5%	1/4W F
R604	1-249-414-11	CARBON 560 5%	1/4W F
R605	1-249-438-11	CARBON 56K 5%	1/4W

**Note:** The components identified by mark  $\Delta$  or dotted line with mark  $\Delta$  are critical for safety. Replace only with part number specified.

<b>S.C. AMP</b>	<b>S.C. SP</b>	<b>S.P. SW</b>
-----------------	----------------	----------------

Ref. No.	Part No.	Description	Remarks
R606	1-249-438-11	CARBON	56K 5% 1/4W
△R607	1-212-881-11	FUSIBLE	100 5% 1/4W F (EXCEPT G)
R607	1-247-700-11	CARBON	100 5% 1/4W (G)
△R608	1-212-881-11	FUSIBLE	100 5% 1/4W F (EXCEPT G)
R608	1-247-700-11	CARBON	100 5% 1/4W (G)
R609	1-249-409-11	CARBON	220 5% 1/4W F
R610	1-249-409-11	CARBON	220 5% 1/4W F
R611	1-249-428-11	CARBON	8.2K 5% 1/4W F
R612	1-249-428-11	CARBON	8.2K 5% 1/4W F
R613	1-249-438-11	CARBON	56K 5% 1/4W
R614	1-249-437-11	CARBON	47K 5% 1/4W
R615	1-217-151-00	RES, METAL PLATE	0.22
R616	1-217-151-00	RES, METAL PLATE	0.22
R619	1-249-393-11	CARBON	10 5% 1/4W F (EXCEPT G)
R619	1-249-389-11	CARBON	4.7 5% 1/4W F (G)
R620	1-249-393-11	CARBON	10 5% 1/4W F (EXCEPT G)
R620	1-249-389-11	CARBON	4.7 5% 1/4W F (G)
R621	1-247-727-11	CARBON	10 5% 1/2W (EXCEPT G)
R621	1-247-731-11	CARBON	22 5% 1/2W (G)
R622	1-247-727-11	CARBON	10 5% 1/2W (EXCEPT G)
R622	1-247-731-11	CARBON	22 5% 1/2W (G)
R624	1-249-438-11	CARBON	56K 5% 1/4W
R625	1-249-438-11	CARBON	56K 5% 1/4W
R626	1-249-417-11	CARBON	1K 5% 1/4W F
R627	1-249-438-11	CARBON	56K 5% 1/4W
R628	1-249-414-11	CARBON	560 5% 1/4W F
R629	1-249-438-11	CARBON	56K 5% 1/4W
R630	1-217-151-00	RES, METAL PLATE	0.22
R631	1-249-409-11	CARBON	220 5% 1/4W F
R632	1-249-428-11	CARBON	8.2K 5% 1/4W F
R633	1-247-727-11	CARBON	10 5% 1/2W (EXCEPT G)
R633	1-247-731-11	CARBON	22 5% 1/2W (G)
R634	1-249-393-11	CARBON	10 5% 1/4W F (EXCEPT G)
R634	1-249-389-11	CARBON	4.7 5% 1/4W F (G)
R635	1-249-435-11	CARBON	33K 5% 1/4W
*****			
*	1-646-345-11	S.C. SP BOARD	*****
		< CAPACITOR >	
C639	1-136-161-00	FILM	0.047uF 5% 50V (G)
C640	1-136-161-00	FILM	0.047uF 5% 50V (G)

Ref. No.	Part No.	Description	Remarks
C641	1-136-161-00	FILM	0.047uF 5% 50V (G)
C687	1-130-471-00	MYLAR	0.001uF 5% 50V (G)
C688	1-130-471-00	MYLAR	0.001uF 5% 50V (G)
< CONNECTOR >			
CN604	1-691-767-11	PLUG (MICRO CONNECTOR)	5P
CN605	1-691-765-41	PLUG (MICRO CONNECTOR)	3P
* CN606	1-564-505-11	PLUG, CONNECTOR	2P
< DIODE >			
D604	8-719-987-63	DIODE	1N4148M
D605	8-719-987-63	DIODE	1N4148M
D606	8-719-987-63	DIODE	1N4148M
D607	8-719-987-63	DIODE	1N4148M
< RESISTOR >			
R636	1-247-744-11	CARBON	270 5% 1/2W (EXCEPT G)
R636	1-247-735-11	CARBON	47 5% 1/2W (G)
R637	1-247-744-11	CARBON	270 5% 1/2W (EXCEPT G)
R637	1-247-735-11	CARBON	47 5% 1/2W (G)
R638	1-249-482-11	CARBON	4.7 5% 1/2W (G)
R639	1-249-482-11	CARBON	4.7 5% 1/2W (G)
R640	1-249-482-11	CARBON	4.7 5% 1/2W (G)
< RELAY >			
RY601	1-515-533-11	RELAY	
RY602	1-515-533-11	RELAY	
< TERMINAL >			
TM601	1-537-238-11	TERMINAL BOARD (REAR SPEAKER)	
TM602	1-536-707-21	TERMINAL BOARD, PUSH 2P (CENTER SPEAKER)	
*****			
*	1-646-341-11	S.P. SW BOARD	*****
< CAPACITOR >			
C705	1-164-097-11	CERAMIC	0.022uF 50V
< CONNECTOR >			
* CN703	1-564-505-21	PLUG, CONNECTOR	2P
< SWITCH >			
S701	1-572-709-11	SWITCH, PUSH (1 KEY)	(SPEAKERS)
*****			

**Note:** The components identified by mark △ or dotted line with mark △ are critical for safety. Replace only with part number specified.

**VIDEO 4**

**VOL**

**RELAY (A)**

**RELAY (B)**

Ref. No.	Part No.	Description	Remarks
*	1-646-342-11	VIDEO 4 BOARD *****	
		< CAPACITOR >	
C209	1-164-159-11	CERAMIC 0.1uF	50V
		< CONNECTOR >	
CN201	1-691-765-11	PLUG (MICRO CONNECTOR) 3P	
CN202	1-691-767-11	PLUG (MICRO CONNECTOR) 5P	
		< JACK >	
J253	1-537-115-31	TERMINAL BOARD (VIDEO 4 INPUT)	
		< RESISTOR >	
R215	1-249-417-11	CARBON 1K 5%	1/4W F
R216	1-249-417-11	CARBON 1K 5%	1/4W F
R218	1-247-804-11	CARBON 75 5%	1/4W
R219	1-247-804-11	CARBON 75 5%	1/4W
R220	1-249-417-11	CARBON 1K 5%	1/4W F
R221	1-249-417-11	CARBON 1K 5%	1/4W F
*****			
*	A-4356-394-A	VOL BOARD, COMPLETE *****	
		< CAPACITOR >	
C631	1-124-927-11	ELECT 4.7uF	20% 100V
C632	1-124-927-11	ELECT 4.7uF	20% 100V
C633	1-124-927-11	ELECT 4.7uF	20% 100V
C638	1-136-153-00	FILM 0.01uF	5% 50V
C642	1-164-159-11	CERAMIC 0.1uF	50V
C646	1-136-165-00	FILM 0.1uF	5% 50V
C681	1-124-927-11	ELECT 4.7uF	20% 100V
C682	1-124-927-11	ELECT 4.7uF	20% 100V
C683	1-124-927-11	ELECT 4.7uF	20% 100V
		< CONNECTOR >	
CN651	1-691-765-11	PLUG (MICRO CONNECTOR) 3P	
* CN652	1-560-443-11	PIN, CONNECTOR 12P	
CN653	1-691-769-11	PLUG (MICRO CONNECTOR) 7P	
* CN654	1-564-505-11	PLUG, CONNECTOR 2P	
* CN655	1-564-505-21	PLUG, CONNECTOR 2P	
		< IC >	
IC651	8-759-824-12	IC LC7536	
IC652	8-759-634-50	IC M5218AL	
IC654	8-759-820-62	IC LB1639	

Ref. No.	Part No.	Description	Remarks
		< TRANSISTOR >	
Q634	8-729-141-26	TRANSISTOR 2SC3622A-LK	
Q635	8-729-141-26	TRANSISTOR 2SC3622A-LK	
Q636	8-729-141-26	TRANSISTOR 2SC3622A-LK	
Q637	8-729-141-26	TRANSISTOR 2SC3622A-LK	
		< RESISTOR >	
R638	1-249-441-11	CARBON 100K 5%	1/4W
R639	1-249-421-11	CARBON 2.2K 5%	1/4W F
R641	1-247-887-00	CARBON 220K 5%	1/4W
R642	1-249-425-11	CARBON 4.7K 5%	1/4W F
R643	1-249-425-11	CARBON 4.7K 5%	1/4W F
R644	1-249-425-11	CARBON 4.7K 5%	1/4W F
R645	1-249-425-11	CARBON 4.7K 5%	1/4W F
R646	1-249-433-11	CARBON 22K 5%	1/4W
R647	1-249-425-11	CARBON 4.7K 5%	1/4W F
R649	1-249-413-11	CARBON 470 5%	1/4W F
R691	1-247-887-00	CARBON 220K 5%	1/4W
R692	1-249-421-11	CARBON 2.2K 5%	1/4W F
R693	1-249-421-11	CARBON 2.2K 5%	1/4W F
R694	1-249-421-11	CARBON 2.2K 5%	1/4W F
R695	1-249-425-11	CARBON 4.7K 5%	1/4W F
R696	1-249-433-11	CARBON 22K 5%	1/4W
R697	1-249-421-11	CARBON 2.2K 5%	1/4W F
		< VARIABLE RESISTOR >	
RV401	1-241-563-11	RES, VAR, CARBON 100KX4 (MASTER VOLUME)	
*****			
*	1-646-347-11	RELAY (A) BOARD *****	
*	1-533-213-31	HOLDER, FUSE	
		< CONNECTOR >	
CN912	1-568-106-11	PIN, CONNECTOR 4P (E)	
		< FUSE >	
△F1	1-532-237-00	FUSE, TIME LAG (3.15A)	
*****			
*	1-646-348-11	RELAY (B) BOARD *****	
*	1-533-213-31	HOLDER, FUSE (G)	
*	1-533-293-11	HOLDER, FUSE (EXCEPT G)	
		< CAPACITOR >	
C938	1-136-165-00	FILM 0.1uF	5% 50V

**Note:** The components identified by mark  $\Delta$  or dotted line with mark  $\Delta$  are critical for safety. Replace only with part number specified.

<b>RELAY (B)</b>	<b>PANEL</b>
------------------	--------------

Ref. No.	Part No.	Description	Remarks			
< FUSE >						
△F901	1-532-299-00	FUSE (5.0A)				
△F902	1-532-299-00	FUSE (5.0A)				
< RESISTOR >						
△R916	1-217-469-00	FUSIBLE	1	5%	1W	F
△R917	1-217-469-00	FUSIBLE	1	5%	1W	F
*****						
*	A-4360-044-A	PANEL BOARD, COMPLETE	*****			
*	4-954-977-01	HOLDER, FL				
*	4-955-901-01	CUSHION (FL)				
< CAPACITOR >						
C402	1-136-165-00	FILM	0.1uF	5%	50V	
C403	1-124-927-11	ELECT	4.7uF	20%	100V	
C404	1-124-477-11	ELECT	47uF	20%	25V	
C405	1-102-963-00	CERAMIC	33PF	5%	50V	
C406	1-124-927-11	ELECT	4.7uF	20%	100V	
C407	1-130-481-00	MYLAR	0.0068uF	5%	50V	
C408	1-136-163-00	FILM	0.068uF	5%	50V	
C409	1-130-477-00	MYLAR	0.0033uF	5%	50V	
C410	1-136-159-00	FILM	0.033uF	5%	50V	
C452	1-136-165-00	FILM	0.1uF	5%	50V	
C453	1-124-927-11	ELECT	4.7uF	20%	100V	
C454	1-124-477-11	ELECT	47uF	20%	25V	
C455	1-102-963-00	CERAMIC	33PF	5%	50V	
C456	1-124-927-11	ELECT	4.7uF	20%	100V	
C457	1-130-481-00	MYLAR	0.0068uF	5%	50V	
C458	1-136-163-00	FILM	0.068uF	5%	50V	
C459	1-130-477-00	MYLAR	0.0033uF	5%	50V	
C460	1-136-159-00	FILM	0.033uF	5%	50V	
C803	1-164-159-11	CERAMIC	0.1uF		50V	
C804	1-124-916-11	ELECT	22uF	20%	63V	
C805	1-164-159-11	CERAMIC	0.1uF		50V	
C806	1-164-159-11	CERAMIC	0.1uF		50V	
C807	1-124-465-00	ELECT	0.47uF	20%	50V	
C808	1-125-486-11	DOUBLE LAYERS	0.22F		5.5V	
C809	1-126-177-11	ELECT	100uF	20%	10V	
C811	1-126-154-11	ELECT	47uF	20%	6.3V	
C911	1-124-907-11	ELECT	10uF	20%	50V	
< CONNECTOR >						
CN801	1-691-766-11	PLUG (MICRO CONNECTOR) 4P				
* CN802	1-564-505-11	PLUG, CONNECTOR 2P				
* CN803	1-564-342-51	PIN, CONNECTOR 8P				

Ref. No.	Part No.	Description	Remarks			
CN804	1-695-668-11	CONNECTOR, FFC/FPC 20P				
* CN805	1-561-652-00	SOCKET, CONNECTOR 12P				
CN806	1-691-765-21	PLUG (MICRO CONNECTOR) 3P				
< COMPOSITION CIRCUIT BLOCK >						
CP801	1-232-882-11	COMPOSITION CIRCUIT BLOCK				
< DIODE >						
D801	8-719-914-11	DIODE	HZ4ALL			
D802	8-719-987-63	DIODE	1N4148M			
D803	8-719-987-63	DIODE	1N4148M			
D804	8-719-987-63	DIODE	1N4148M			
D805	8-719-987-63	DIODE	1N4148M			
D806	8-719-987-63	DIODE	1N4148M			
D807	8-719-987-63	DIODE	1N4148M			
D808	8-719-987-63	DIODE	1N4148M			
D809	8-719-987-63	DIODE	1N4148M			
D812	8-719-987-63	DIODE	1N4148M			
D813	8-719-987-63	DIODE	1N4148M			
D814	8-719-313-69	DIODE	SEL3210S-CD			
D911	8-719-000-54	DIODE	UZL-6L3			
< FILTER >						
FL801	1-519-758-11	INDICATOR TUBE, FLUORESCENT				
< IC >						
IC402	8-759-634-50	IC	M5218AL			
IC801	8-759-163-79	IC	uPD75212AGF-572-3BE			
IC802	8-749-923-11	IC	GPIU58XB			
< TRANSISTOR >						
Q801	8-729-900-63	TRANSISTOR	DTA124ES			
Q802	8-729-900-36	TRANSISTOR	DTC124ES			
Q803	8-729-900-63	TRANSISTOR	DTA124ES			
Q804	8-729-900-63	TRANSISTOR	DTA124ES			
Q805	8-729-900-63	TRANSISTOR	DTA124ES			
Q806	8-729-900-63	TRANSISTOR	DTA124ES			
< RESISTOR >						
R401	1-247-887-00	CARBON	220K	5%	1/4W	
R402	1-249-430-11	CARBON	12K	5%	1/4W	
R403	1-247-887-00	CARBON	220K	5%	1/4W	
R404	1-249-434-11	CARBON	27K	5%	1/4W	
R405	1-249-422-11	CARBON	2.7K	5%	1/4W	F
R407	1-249-426-11	CARBON	5.6K	5%	1/4W	
R408	1-249-414-11	CARBON	560	5%	1/4W	F
R451	1-247-887-00	CARBON	220K	5%	1/4W	
R452	1-249-430-11	CARBON	12K	5%	1/4W	
R453	1-247-887-00	CARBON	220K	5%	1/4W	

**Note:** The components identified by mark  $\Delta$  or dotted line with mark  $\Delta$  are critical for safety. Replace only with part number specified.

**PANEL VIDEO**

Ref. No.	Part No.	Description	Remarks
R454	1-249-434-11	CARBON 27K 5%	1/4W
R455	1-249-422-11	CARBON 2.7K 5%	1/4W F
R457	1-249-426-11	CARBON 5.6K 5%	1/4W
R458	1-249-414-11	CARBON 560 5%	1/4W F
R707	1-249-425-11	CARBON 4.7K 5%	1/4W F
R708	1-249-425-11	CARBON 4.7K 5%	1/4W F
R709	1-249-425-11	CARBON 4.7K 5%	1/4W F
R801	1-249-433-11	CARBON 22K 5%	1/4W
R802	1-249-433-11	CARBON 22K 5%	1/4W
R803	1-249-433-11	CARBON 22K 5%	1/4W
R804	1-249-433-11	CARBON 22K 5%	1/4W
R805	1-249-433-11	CARBON 22K 5%	1/4W
R806	1-249-433-11	CARBON 22K 5%	1/4W
R807	1-249-433-11	CARBON 22K 5%	1/4W
R808	1-249-433-11	CARBON 22K 5%	1/4W
R809	1-249-417-11	CARBON 1K 5%	1/4W F
R810	1-249-433-11	CARBON 22K 5%	1/4W
R811	1-249-433-11	CARBON 22K 5%	1/4W
R812	1-249-433-11	CARBON 22K 5%	1/4W
R813	1-249-433-11	CARBON 22K 5%	1/4W
R814	1-249-417-11	CARBON 1K 5%	1/4W F
R815	1-249-433-11	CARBON 22K 5%	1/4W
R816	1-249-433-11	CARBON 22K 5%	1/4W
R817	1-249-433-11	CARBON 22K 5%	1/4W
R818	1-249-424-11	CARBON 3.9K 5%	1/4W F
R819	1-249-433-11	CARBON 22K 5%	1/4W
R820	1-249-433-11	CARBON 22K 5%	1/4W
R821	1-249-433-11	CARBON 22K 5%	1/4W
R822	1-249-433-11	CARBON 22K 5%	1/4W
R823	1-249-441-11	CARBON 100K 5%	1/4W
R824	1-249-433-11	CARBON 22K 5%	1/4W
R825	1-249-433-11	CARBON 22K 5%	1/4W
R826	1-249-433-11	CARBON 22K 5%	1/4W
R827	1-249-429-11	CARBON 10K 5%	1/4W
R828	1-249-433-11	CARBON 22K 5%	1/4W
R829	1-249-431-11	CARBON 15K 5%	1/4W
R830	1-249-411-11	CARBON 330 5%	1/4W
R831	1-249-429-11	CARBON 10K 5%	1/4W
R833	1-249-413-11	CARBON 470 5%	1/4W F
R834	1-249-405-11	CARBON 100 5%	1/4W F
R840	1-249-433-11	CARBON 22K 5%	1/4W
R841	1-249-433-11	CARBON 22K 5%	1/4W
R842	1-249-433-11	CARBON 22K 5%	1/4W
< VARIABLE RESISTOR >			
RV402	1-238-157-11	RES, VAR, CARBON 100K/100K (BASS)	
RV403	1-238-157-11	RES, VAR, CARBON 100K/100K (TREBLE)	
RV404	1-238-156-11	RES, VAR, CARBON 250K/250K (BALANCE)	

Ref. No.	Part No.	Description	Remarks
< SWITCH >			
S801	1-554-303-21	SWITCH, TACTILE (POWER)	
S802	1-554-303-21	SWITCH, TACTILE (VIDEO)	
S803	1-554-303-21	SWITCH, TACTILE (AUDIO)	
S804	1-554-303-21	SWITCH, TACTILE (SURROUND MODE)	
S805	1-554-303-21	SWITCH, TACTILE (PRO LOGIC MODE)	
S806	1-554-303-21	SWITCH, TACTILE (MIX)	
S807	1-554-303-21	SWITCH, TACTILE (STEREO/MONO)	
< VIBRATOR >			
X801	1-567-775-11	VIBRATOR, CERAMIC 4.19MHZ	
*****			
*	A-4360-981-A	VIDEO BOARD, COMPLETE	
*****			
< CAPACITOR >			
C201	1-124-471-00	ELECT 1000uF	20% 6.3V
C202	1-124-471-00	ELECT 1000uF	20% 6.3V
C203	1-124-471-00	ELECT 1000uF	20% 6.3V
C208	1-124-472-11	ELECT 470uF	20% 10V
C210	1-124-463-00	ELECT 0.1uF	20% 50V
C211	1-124-463-00	ELECT 0.1uF	20% 50V
C212	1-124-463-00	ELECT 0.1uF	20% 50V
C213	1-124-463-00	ELECT 0.1uF	20% 50V
C216	1-124-463-00	ELECT 0.1uF	20% 50V
C217	1-124-472-11	ELECT 470uF	20% 10V
C218	1-164-159-11	CERAMIC 0.1uF	50V
C251	1-124-471-00	ELECT 1000uF	20% 6.3V
C252	1-136-165-00	FILM 0.1uF	5% 50V
C255	1-124-471-00	ELECT 1000uF	20% 6.3V
C256	1-136-165-00	FILM 0.1uF	5% 50V
C257	1-124-925-11	ELECT 2.2uF	20% 100V
C258	1-136-165-00	FILM 0.1uF	5% 50V
C261	1-124-925-11	ELECT 2.2uF	20% 100V
C262	1-136-165-00	FILM 0.1uF	5% 50V
C263	1-124-925-11	ELECT 2.2uF	20% 100V
C264	1-136-165-00	FILM 0.1uF	5% 50V
C265	1-164-159-11	CERAMIC 0.1uF	50V
C266	1-164-159-11	CERAMIC 0.1uF	50V
C267	1-164-159-11	CERAMIC 0.1uF	50V
< CONNECTOR >			
CN203	1-691-767-11	PLUG (MICRO CONNECTOR) 5P	
* CN204	1-564-342-51	PIN, CONNECTOR 8P	
* CN205	1-564-505-11	PLUG, CONNECTOR 2P	
CN206	1-564-980-11	PIN, CONNECTOR 4P (CONTROL S OUT)	



VIDEO	FRONT SP
-------	----------

Ref. No.	Part No.	Description	Remarks
< DIODE >			
D290	8-719-987-63	DIODE 1N4148M	
< IC >			
IC201	8-759-061-95	IC SN761200N	
IC251	8-759-991-78	IC BA7626	
IC252	8-759-061-95	IC SN761200N	
< JACK >			
J201	1-565-351-61	JACK, PIN 3P (VIDEO 2 OUT/VIDEO 3 IN/LD IN)	
J202	1-565-319-11	JACK, PIN 2P (VIDEO 1 OUT/VIDEO 2 IN)	
J203	1-565-319-11	JACK, PIN 2P (MONITOR OUT/VIDEO 1 IN)	
J251	1-566-846-11	CONNECTOR, (S)TERMINAL 4P(LD S VIDEO IN)	
J252	1-566-846-11	CONNECTOR, (S)TERMINAL 4P(S VIDEO OUT)	
J254	1-566-846-11	CONNECTOR, (S)TERMINAL 4P(S VIDEO IN)	
J255	1-566-846-11	CONNECTOR, (S)TERMINAL 4P (MONITOR S VIDEO OUT)	
J290	1-566-740-11	JACK (CONTROL S IN)	
< COIL >			
L251	1-410-521-11	INDUCTOR 100uH	
L252	1-410-521-11	INDUCTOR 100uH	
< TRANSISTOR >			
Q201	8-729-141-03	TRANSISTOR 2SA733-QP	
Q202	8-729-141-03	TRANSISTOR 2SA733-QP	
Q203	8-729-141-03	TRANSISTOR 2SA733-QP	
Q208	8-729-900-63	TRANSISTOR DTA124ES	
Q251	8-729-141-03	TRANSISTOR 2SA733-QP	
Q253	8-729-141-03	TRANSISTOR 2SA733-QP	
Q254	8-729-141-03	TRANSISTOR 2SA733-QP	
Q256	8-729-141-03	TRANSISTOR 2SA733-QP	
Q290	8-729-900-80	TRANSISTOR DTC114ES	
Q291	8-729-900-61	TRANSISTOR DTA114ES	
< RESISTOR >			
R201	1-247-804-11	CARBON 75 5% 1/4W	
R202	1-247-804-11	CARBON 75 5% 1/4W	
R204	1-247-804-11	CARBON 75 5% 1/4W	
R205	1-247-804-11	CARBON 75 5% 1/4W	
R206	1-249-403-11	CARBON 68 5% 1/4W F	
R207	1-249-429-11	CARBON 10K 5% 1/4W	
R208	1-249-403-11	CARBON 68 5% 1/4W F	
R209	1-249-429-11	CARBON 10K 5% 1/4W	
R210	1-249-403-11	CARBON 68 5% 1/4W F	
R211	1-249-429-11	CARBON 10K 5% 1/4W	
R212	1-249-405-11	CARBON 100 5% 1/4W F	
R213	1-249-405-11	CARBON 100 5% 1/4W F	

Ref. No.	Part No.	Description	Remarks
R214	1-249-407-11	CARBON 150 5% 1/4W F	
R217	1-247-804-11	CARBON 75 5% 1/4W	
R235	1-249-405-11	CARBON 100 5% 1/4W F	
R236	1-249-405-11	CARBON 100 5% 1/4W F	
R237	1-249-405-11	CARBON 100 5% 1/4W F	
R251	1-247-804-11	CARBON 75 5% 1/4W	
R252	1-247-804-11	CARBON 75 5% 1/4W	
R257	1-247-804-11	CARBON 75 5% 1/4W	
R258	1-247-804-11	CARBON 75 5% 1/4W	
R259	1-249-403-11	CARBON 68 5% 1/4W F	
R260	1-249-429-11	CARBON 10K 5% 1/4W	
R261	1-249-429-11	CARBON 10K 5% 1/4W	
R262	1-249-403-11	CARBON 68 5% 1/4W F	
R267	1-249-403-11	CARBON 68 5% 1/4W F	
R268	1-249-429-11	CARBON 10K 5% 1/4W	
R269	1-249-429-11	CARBON 10K 5% 1/4W	
R270	1-249-403-11	CARBON 68 5% 1/4W F	
R271	1-249-413-11	CARBON 470 5% 1/4W F	
R273	1-249-413-11	CARBON 470 5% 1/4W F	
R274	1-249-405-11	CARBON 100 5% 1/4W F	
R276	1-249-405-11	CARBON 100 5% 1/4W F	
R278	1-249-405-11	CARBON 100 5% 1/4W F	
R280	1-249-405-11	CARBON 100 5% 1/4W F	
R281	1-249-405-11	CARBON 100 5% 1/4W F	
R283	1-249-405-11	CARBON 100 5% 1/4W F	
R290	1-249-421-11	CARBON 2.2K 5% 1/4W F	
R291	1-249-393-11	CARBON 10 5% 1/4W F	
*****			
*	1-646-346-11	FRONT SP BOARD *****	
< CAPACITOR >			
C516	1-136-153-00	FILM 0.01uF 5% 50V (G)	
C517	1-136-157-00	FILM 0.022uF 5% 50V (G)	
C566	1-136-153-00	FILM 0.01uF 5% 50V (G)	
C567	1-136-157-00	FILM 0.022uF 5% 50V (G)	
< RESISTOR >			
R519	1-247-727-11	CARBON 10 5% 1/2W (G)	
R569	1-247-727-11	CARBON 10 5% 1/2W (G)	
< CONNECTOR >			
* CN505	1-564-241-00	PIN, CONNECTOR (B4P-VH) 4P	
< TERMINAL >			
TM501	1-537-238-11	TERMINAL BOARD (FRONT SPEAKER)	
*****			

**MAIN**

Ref. No.	Part No.	Description	Remarks	Ref. No.	Part No.	Description	Remarks
*	A-4360-036-A	MAIN BOARD, COMPLETE (EXCEPT G)		C167	1-162-284-31	CERAMIC 150PF	10% 50V (G)
		*****		C168	1-162-284-31	CERAMIC 150PF	10% 50V (G)
*	A-4360-038-A	MAIN BOARD, COMPLETE (G)		C170	1-164-159-11	CERAMIC 0.1uF	50V
		*****		C171	1-164-159-11	CERAMIC 0.1uF	50V
	1-690-123-21	REED (WITH CONNECTOR) (2 CORE)		C172	1-162-284-31	CERAMIC 150PF	10% 50V (G)
*	3-309-144-31	HEAT SINK		C173	1-162-284-31	CERAMIC 150PF	10% 50V (G)
*	4-870-539-00	PLATE, GROUND		C174	1-162-284-31	CERAMIC 150PF	10% 50V (G)
*	4-880-403-21	HEAT SINK		C175	1-162-284-31	CERAMIC 150PF	10% 50V (G)
	7-685-646-79	SCREW +BVTP 3X8 TYPE2		C176	1-162-284-31	CERAMIC 150PF	10% 50V (G)
		< CAPACITOR >		C177	1-162-284-31	CERAMIC 150PF	10% 50V (G)
C101	1-164-072-11	CERAMIC 120PF	5% 50V	C204	1-162-284-31	CERAMIC 150PF	10% 50V (G)
C102	1-124-907-11	ELECT 10uF	20% 50V	C205	1-162-284-31	CERAMIC 150PF	10% 50V (G)
C103	1-164-070-11	CERAMIC 100PF	5% 50V	C301	1-124-927-11	ELECT 4.7uF	20% 100V
C104	1-124-477-11	ELECT 47uF	20% 25V	C302	1-136-169-00	FILM 0.22uF	5% 50V
C105	1-130-480-00	MYLAR 0.0056uF	5% 50V	C303	1-136-169-00	FILM 0.22uF	5% 50V
C106	1-130-473-00	MYLAR 0.0015uF	5% 50V	C304	1-136-169-00	FILM 0.22uF	5% 50V
C107	1-124-902-00	ELECT 0.47uF	20% 50V	C305	1-136-175-00	FILM 0.68uF	5% 50V
C108	1-124-477-11	ELECT 47uF	20% 25V	C306	1-130-480-00	MYLAR 0.0056uF	5% 50V
C109	1-124-916-11	ELECT 22uF	20% 63V	C307	1-130-479-00	MYLAR 0.0047uF	5% 50V
C110	1-136-153-00	FILM 0.01uF	5% 50V	C308	1-164-081-11	CERAMIC 470PF	10% 50V
C111	1-124-916-11	ELECT 22uF	20% 63V	C309	1-124-120-11	ELECT 220uF	20% 25V
C112	1-162-285-31	CERAMIC 180PF	10% 50V (G)	C310	1-136-162-00	FILM 0.056uF	5% 50V
C113	1-162-284-31	CERAMIC 150PF	10% 50V (G)	C311	1-130-480-00	MYLAR 0.0056uF	5% 50V
C114	1-162-284-31	CERAMIC 150PF	10% 50V (G)	C312	1-124-907-11	ELECT 10uF	20% 50V
C115	1-162-284-31	CERAMIC 150PF	10% 50V (G)	C313	1-124-907-11	ELECT 10uF	20% 50V
C116	1-162-284-31	CERAMIC 150PF	10% 50V (G)	C314	1-136-169-00	FILM 0.22uF	5% 50V
C117	1-162-284-31	CERAMIC 150PF	10% 50V (G)	C315	1-124-907-11	ELECT 10uF	20% 50V
C118	1-162-284-31	CERAMIC 150PF	10% 50V (G)	C316	1-124-478-11	ELECT 100uF	20% 25V
C122	1-162-284-31	CERAMIC 150PF	10% 50V (G)	C317	1-124-907-11	ELECT 10uF	20% 50V
C123	1-162-284-31	CERAMIC 150PF	10% 50V (G)	C318	1-124-907-11	ELECT 10uF	20% 50V
C124	1-162-284-31	CERAMIC 150PF	10% 50V (G)	C319	1-124-907-11	ELECT 10uF	20% 50V
C125	1-162-284-31	CERAMIC 150PF	10% 50V (G)	C320	1-124-916-11	ELECT 22uF	20% 63V
C126	1-162-284-31	CERAMIC 150PF	10% 50V (G)	C321	1-130-479-00	MYLAR 0.0047uF	5% 50V
C127	1-162-284-31	CERAMIC 150PF	10% 50V (G)	C322	1-124-927-11	ELECT 4.7uF	20% 100V
C151	1-164-072-11	CERAMIC 120PF	5% 50V	C323	1-136-169-00	FILM 0.22uF	5% 50V
C152	1-124-907-11	ELECT 10uF	20% 50V	C324	1-136-165-00	FILM 0.1uF	5% 50V
C153	1-164-070-11	CERAMIC 100PF	5% 50V	C325	1-136-165-00	FILM 0.1uF	5% 50V
C154	1-124-477-11	ELECT 47uF	20% 25V	C326	1-136-165-00	FILM 0.1uF	5% 50V
C155	1-130-480-00	MYLAR 0.0056uF	5% 50V	C327	1-136-165-00	FILM 0.1uF	5% 50V
C156	1-130-473-00	MYLAR 0.0015uF	5% 50V	C328	1-136-157-00	FILM 0.022uF	5% 50V
C157	1-124-902-00	ELECT 0.47uF	20% 50V	C329	1-136-157-00	FILM 0.022uF	5% 50V
C158	1-124-477-11	ELECT 47uF	20% 25V	C330	1-164-083-11	CERAMIC 680PF	10% 50V
C162	1-162-285-31	CERAMIC 180PF	10% 50V (G)	C331	1-136-161-00	FILM 0.047uF	5% 50V
C163	1-162-284-31	CERAMIC 150PF	10% 50V (G)	C332	1-136-165-00	FILM 0.1uF	5% 50V
C164	1-162-284-31	CERAMIC 150PF	10% 50V (G)	C333	1-136-165-00	FILM 0.1uF	5% 50V
C165	1-162-284-31	CERAMIC 150PF	10% 50V (G)	C334	1-124-907-11	ELECT 10uF	20% 50V
C166	1-162-284-31	CERAMIC 150PF	10% 50V (G)	C335	1-124-907-11	ELECT 10uF	20% 50V
				C336	1-124-907-11	ELECT 10uF	20% 50V

Ref. No.	Part No.	Description	Remarks	Ref. No.	Part No.	Description	Remarks
C337	1-136-165-00	FILM	0.1uF 5% 50V	C559	1-161-959-00	CERAMIC	22PF 10% 500V
C338	1-136-165-00	FILM	0.1uF 5% 50V	C560	1-136-165-00	FILM	0.1uF 5% 50V
C339	1-136-161-00	FILM	0.047uF 5% 50V	C561	1-136-163-00	FILM	0.068uF 5% 50V
C340	1-164-083-11	CERAMIC	680PF 10% 50V	C562	1-136-163-00	FILM	0.068uF 5% 50V
C341	1-124-907-11	ELECT	10uF 20% 50V	C564	1-162-282-31	CERAMIC	100PF 10% 50V
C342	1-124-907-11	ELECT	10uF 20% 50V				(EXCEPT G)
C343	1-124-907-11	ELECT	10uF 20% 50V	C564	1-162-284-31	CERAMIC	150PF 10% 50V (G)
C344	1-124-907-11	ELECT	10uF 20% 50V	C565	1-162-282-31	CERAMIC	100PF 10% 50V (G)
C348	1-124-907-11	ELECT	10uF 20% 50V	C701	1-124-443-00	ELECT	100uF 20% 10V
C349	1-124-907-11	ELECT	10uF 20% 50V	C702	1-124-477-11	ELECT	47uF 20% 25V
C350	1-124-477-11	ELECT	47uF 20% 25V	C703	1-136-157-00	FILM	0.022uF 5% 50V
C351	1-124-477-11	ELECT	47uF 20% 25V	C704	1-124-126-00	ELECT	47uF 20% 10V
C352	1-124-927-11	ELECT	4.7uF 20% 100V	C921	1-106-220-00	MYLAR	0.1uF 5% 100V
C362	1-124-907-11	ELECT	10uF 20% 50V	C922	1-125-748-21	ELECT	10000uF 20% 50V
C363	1-124-907-11	ELECT	10uF 20% 50V	C923	1-125-748-21	ELECT	10000uF 20% 50V
C364	1-124-443-00	ELECT	100uF 20% 10V	C924	1-124-910-11	ELECT	47uF 20% 50V
C365	1-164-082-11	CERAMIC	560PF 10% 50V	C925	1-124-910-11	ELECT	47uF 20% 50V
C366	1-136-165-00	FILM	0.1uF 5% 50V	C926	1-106-220-00	MYLAR	0.1uF 5% 100V
C367	1-124-126-00	ELECT	47uF 20% 10V	C927	1-124-026-00	ELECT	3300uF 20% 35V
C368	1-136-165-00	FILM	0.1uF 5% 50V	C928	1-124-026-00	ELECT	3300uF 20% 35V
C369	1-136-165-00	FILM	0.1uF 5% 50V	C929	1-124-910-11	ELECT	47uF 20% 50V
C370	1-136-165-00	FILM	0.1uF 5% 50V	C930	1-124-910-11	ELECT	47uF 20% 50V
C371	1-130-480-00	MYLAR	0.0056uF 5% 50V	C933	1-126-103-11	ELECT	470uF 20% 16V
C372	1-164-082-11	CERAMIC	560PF 10% 50V	C934	1-124-472-11	ELECT	470uF 20% 10V
C373	1-124-927-11	ELECT	4.7uF 20% 100V	C935	1-126-103-11	ELECT	470uF 20% 16V
C501	1-124-927-11	ELECT	4.7uF 20% 100V	C936	1-126-103-11	ELECT	470uF 20% 16V
C502	1-164-077-11	CERAMIC	220PF 10% 50V	C939	1-136-153-00	FILM	0.01uF 5% 50V (G)
C503	1-124-477-11	ELECT	47uF 20% 25V	C940	1-136-153-00	FILM	0.01uF 5% 50V (G)
C504	1-124-477-11	ELECT	47uF 20% 25V	C941	1-136-153-00	FILM	0.01uF 5% 50V (G)
C505	1-130-469-00	MYLAR	680PF 5% 50V	C942	1-136-153-00	FILM	0.01uF 5% 50V (G)
C506	1-164-039-11	CERAMIC	3PF 0.25PF 50V	C943	1-106-220-00	MYLAR	0.1uF 5% 100V
C507	1-161-959-00	CERAMIC	22PF 10% 500V	C944	1-106-220-00	MYLAR	0.1uF 5% 100V
C508	1-124-477-11	ELECT	47uF 20% 25V				< CONNECTOR >
C509	1-161-959-00	CERAMIC	22PF 10% 500V	* CN21	1-564-241-00	PIN, CONNECTOR (B4P-VH)	4P
C510	1-136-165-00	FILM	0.1uF 5% 50V	CN101	1-691-765-11	PLUG (MICRO CONNECTOR)	3P
C511	1-136-163-00	FILM	0.068uF 5% 50V	* CN102	1-564-505-11	PLUG, CONNECTOR	2P
C512	1-136-163-00	FILM	0.068uF 5% 50V	CN301	1-695-704-11	CONNECTOR, FFC/FPC	20P
C514	1-162-282-31	CERAMIC	100PF 10% 50V	CN302	1-691-769-11	PLUG (MICRO CONNECTOR)	7P
			(EXCEPT G)	CN501	1-691-765-21	PLUG (MICRO CONNECTOR)	3P
C514	1-162-284-31	CERAMIC	150PF 10% 50V (G)	* CN506	1-506-509-11	PIN, CONNECTOR	4P
C515	1-162-282-31	CERAMIC	100PF 10% 50V (G)	CN702	1-691-765-41	PLUG (MICRO CONNECTOR)	3P
C551	1-124-927-11	ELECT	4.7uF 20% 100V	CN903	1-691-768-11	PLUG (MICRO CONNECTOR)	6P
C552	1-164-077-11	CERAMIC	220PF 10% 50V	* CN917	1-564-505-11	PLUG, CONNECTOR	2P (G)
C553	1-124-477-11	ELECT	47uF 20% 25V				< DIODE >
C554	1-124-477-11	ELECT	47uF 20% 25V	D301	8-719-987-63	DIODE	1N4148M
C555	1-130-469-00	MYLAR	680PF 5% 50V	D302	8-719-987-63	DIODE	1N4148M
C556	1-164-039-11	CERAMIC	3PF 0.25PF 50V	D303	8-719-987-63	DIODE	1N4148M
C557	1-161-959-00	CERAMIC	22PF 10% 500V	D501	8-719-933-35	DIODE	HZS6A3L
C558	1-124-477-11	ELECT	47uF 20% 25V	D502	8-719-815-85	DIODE	1S1585

**MAIN**

Ref. No.	Part No.	Description	Remarks
D503	8-719-815-85	DIODE 1S1585	
D504	8-719-815-85	DIODE 1S1585	
D551	8-719-933-35	DIODE HZS6A3L	
D552	8-719-815-85	DIODE 1S1585	
D553	8-719-815-85	DIODE 1S1585	
D554	8-719-815-85	DIODE 1S1585	
D702	8-719-987-63	DIODE 1N4148M	
D703	8-719-987-63	DIODE 1N4148M	
D704	8-719-987-63	DIODE 1N4148M	
D705	8-719-987-63	DIODE 1N4148M	
D920	8-719-302-38	DIODE RBV-602-01	
D921	8-719-200-02	DIODE 10E2	
D922	8-719-934-15	DIODE HZS24-3L	
D923	8-719-200-02	DIODE 10E2	
D924	8-719-200-02	DIODE 10E2	
D925	8-719-302-38	DIODE RBV-602-01	
< IC >			
IC101	8-759-636-73	IC M5218AL-22	
IC102	8-759-634-50	IC M5218AL	
IC103	8-759-634-50	IC M5218AL	
IC104	8-759-805-14	IC LC7822	
IC105	8-759-805-14	IC LC7822	
IC301	8-759-085-87	IC NJM2177L	
IC302	8-759-633-83	IC M50198P	
IC303	8-759-801-01	IC LC4966	
IC304	8-759-801-01	IC LC4966	
IC305	8-759-634-50	IC M5218AL	
IC306	8-759-051-63	IC TC9215P	
IC700	8-759-111-68	IC uPC1237HA	
IC921	8-759-231-58	IC M5F7812L	
IC922	8-759-245-86	IC TA7912S	
IC923	8-759-231-53	IC M5F7805	
< JACK >			
J101	1-565-258-11	JACK, PIN 4P (TUNER/PHONO)	
J102	1-565-320-61	JACK, PIN 6P (REC OUT/AUX/CD)	
J103	1-565-320-61	JACK, PIN 6P (VIDEO 3/LD/IN)	
J104	1-565-320-61	JACK, PIN 6P (VIDEO 1 OUT/VIDEO 2 IN/VIDEO 2 OUT)	
J105	1-750-595-11	JACK, PIN 4P (CENTER OUT/VIDEO 1 IN)	
< COIL >			
L361	1-410-521-11	INDUCTOR 100uH	
* L501	1-420-872-00	COIL, AIR CORE	
* L551	1-420-872-00	COIL, AIR CORE	
< TRANSISTOR >			
Q301	8-729-141-30	TRANSISTOR 2SC3623A-LK	
Q302	8-729-141-30	TRANSISTOR 2SC3623A-LK	

Ref. No.	Part No.	Description	Remarks
Q303	8-729-900-63	TRANSISTOR DTA124ES	
Q304	8-729-900-36	TRANSISTOR DTC124ES	
Q305	8-729-900-63	TRANSISTOR DTA124ES	
Q306	8-729-900-36	TRANSISTOR DTC124ES	
Q307	8-729-900-36	TRANSISTOR DTC124ES	
Q308	8-729-900-63	TRANSISTOR DTA124ES	
Q309	8-729-900-36	TRANSISTOR DTC124ES	
Q311	8-729-900-63	TRANSISTOR DTA124ES	
Q312	8-729-900-36	TRANSISTOR DTC124ES	
Q313	8-729-900-36	TRANSISTOR DTC124ES	
Q501	8-729-620-18	TRANSISTOR 2SA979-FG	
Q502	8-729-140-82	TRANSISTOR 2SA988-PAFAEA	
Q503	8-729-119-79	TRANSISTOR 2SC2785-FEK	
Q504	8-729-119-79	TRANSISTOR 2SC2785-FEK	
Q505	8-729-802-71	TRANSISTOR 2SA1407	
Q506	8-729-141-89	TRANSISTOR 2SD1585-K	
Q507	8-729-805-05	TRANSISTOR 2SC3601	
Q510	8-729-809-29	TRANSISTOR 2SC4159-E	
Q511	8-729-809-26	TRANSISTOR 2SA1606-E	
Q512	8-729-321-21	TRANSISTOR 2SC4387-OY	
Q513	8-729-321-24	TRANSISTOR 2SA1672-OY	
Q514	8-729-140-84	TRANSISTOR 2SC1841-PAFAEA	
Q515	8-729-224-61	TRANSISTOR 2SK246-Y	
Q551	8-729-620-18	TRANSISTOR 2SA979-FG	
Q552	8-729-140-82	TRANSISTOR 2SA988-PAFAEA	
Q553	8-729-119-79	TRANSISTOR 2SC2785-FEK	
Q554	8-729-119-79	TRANSISTOR 2SC2785-FEK	
Q555	8-729-802-71	TRANSISTOR 2SA1407	
Q556	8-729-141-89	TRANSISTOR 2SD1585-K	
Q557	8-729-805-05	TRANSISTOR 2SC3601	
Q560	8-729-809-29	TRANSISTOR 2SC4159-E	
Q561	8-729-809-26	TRANSISTOR 2SA1606-E	
Q562	8-729-321-21	TRANSISTOR 2SC4387-OY	
Q563	8-729-321-24	TRANSISTOR 2SA1672-OY	
Q564	8-729-140-84	TRANSISTOR 2SC1841-PAFAEA	
Q566	8-729-224-61	TRANSISTOR 2SK246-Y	
Q701	8-729-900-63	TRANSISTOR DTA124ES	
Q702	8-729-119-79	TRANSISTOR 2SC2785-FEK	
Q703	8-729-119-79	TRANSISTOR 2SC2785-FEK	
Q704	8-729-119-79	TRANSISTOR 2SC2785-FEK	
Q705	8-729-140-84	TRANSISTOR 2SC1841-PAFAEA	
Q706	8-729-900-36	TRANSISTOR DTC124ES	
Q921	8-729-141-03	TRANSISTOR 2SA733-QP	
< RESISTOR >			
R101	1-249-411-11	CARBON 330 5% 1/4W (EXCEPT G)	
R101	1-249-418-11	CARBON 1.2K 5% 1/4W F (G)	
R102	1-249-417-11	CARBON 1K 5% 1/4W F	
R103	1-249-417-11	CARBON 1K 5% 1/4W F	
R104	1-249-417-11	CARBON 1K 5% 1/4W F	

Ref. No.	Part No.	Description	Remarks	Ref. No.	Part No.	Description	Remarks
R105	1-249-417-11	CARBON 1K 5% 1/4W	F	R304	1-249-428-11	CARBON 8.2K 5% 1/4W	F
R106	1-249-429-11	CARBON 10K 5% 1/4W		R305	1-249-431-11	CARBON 15K 5% 1/4W	
R107	1-249-425-11	CARBON 4.7K 5% 1/4W	F	R306	1-249-441-11	CARBON 100K 5% 1/4W	
R108	1-249-417-11	CARBON 1K 5% 1/4W	F	R307	1-249-441-11	CARBON 100K 5% 1/4W	
R109	1-249-417-11	CARBON 1K 5% 1/4W	F	R308	1-247-852-11	CARBON 7.5K 5% 1/4W	
R110	1-249-417-11	CARBON 1K 5% 1/4W	F	R309	1-249-431-11	CARBON 15K 5% 1/4W	
R111	1-249-417-11	CARBON 1K 5% 1/4W	F	R310	1-249-437-11	CARBON 47K 5% 1/4W	
R112	1-249-417-11	CARBON 1K 5% 1/4W	F	R311	1-249-433-11	CARBON 22K 5% 1/4W	
R113	1-249-429-11	CARBON 10K 5% 1/4W		R312	1-249-433-11	CARBON 22K 5% 1/4W	
R114	1-249-425-11	CARBON 4.7K 5% 1/4W	F	R313	1-249-437-11	CARBON 47K 5% 1/4W	
R115	1-249-441-11	CARBON 100K 5% 1/4W		R314	1-249-431-11	CARBON 15K 5% 1/4W	
R116	1-249-441-11	CARBON 100K 5% 1/4W		R315	1-249-431-11	CARBON 15K 5% 1/4W	
R117	1-249-416-11	CARBON 820 5% 1/4W	F	R316	1-247-852-11	CARBON 7.5K 5% 1/4W	
R118	1-247-897-11	CARBON 560K 5% 1/4W		R317	1-259-884-11	CARBON 4.7M 5% 1/4W	
R119	1-249-437-11	CARBON 47K 5% 1/4W		R318	1-249-441-11	CARBON 100K 5% 1/4W	
R120	1-249-441-11	CARBON 100K 5% 1/4W		R319	1-249-441-11	CARBON 100K 5% 1/4W	
R121	1-249-409-11	CARBON 220 5% 1/4W	F	R320	1-249-425-11	CARBON 4.7K 5% 1/4W	F
R122	1-249-409-11	CARBON 220 5% 1/4W	F	R321	1-249-425-11	CARBON 4.7K 5% 1/4W	F
R130	1-249-437-11	CARBON 47K 5% 1/4W		R322	1-249-423-11	CARBON 3.3K 5% 1/4W	F
R150	1-249-411-11	CARBON 330 5% 1/4W	(EXCEPT G)	R323	1-249-429-11	CARBON 10K 5% 1/4W	
R150	1-249-418-11	CARBON 1.2K 5% 1/4W	F (G)	R324	1-249-437-11	CARBON 47K 5% 1/4W	
R151	1-249-417-11	CARBON 1K 5% 1/4W	F	R325	1-249-429-11	CARBON 10K 5% 1/4W	
R152	1-249-417-11	CARBON 1K 5% 1/4W	F	R326	1-249-429-11	CARBON 10K 5% 1/4W	
R153	1-249-417-11	CARBON 1K 5% 1/4W	F	R327	1-249-423-11	CARBON 3.3K 5% 1/4W	F
R154	1-249-417-11	CARBON 1K 5% 1/4W	F	R328	1-249-437-11	CARBON 47K 5% 1/4W	
R155	1-249-429-11	CARBON 10K 5% 1/4W		R329	1-249-429-11	CARBON 10K 5% 1/4W	
R156	1-249-425-11	CARBON 4.7K 5% 1/4W	F	R330	1-249-429-11	CARBON 10K 5% 1/4W	
R157	1-249-417-11	CARBON 1K 5% 1/4W	F	R331	1-249-423-11	CARBON 3.3K 5% 1/4W	F
R158	1-249-417-11	CARBON 1K 5% 1/4W	F	R333	1-249-423-11	CARBON 3.3K 5% 1/4W	F
R159	1-249-417-11	CARBON 1K 5% 1/4W	F	R334	1-249-429-11	CARBON 10K 5% 1/4W	
R160	1-249-417-11	CARBON 1K 5% 1/4W	F	R335	1-249-437-11	CARBON 47K 5% 1/4W	
R161	1-249-417-11	CARBON 1K 5% 1/4W	F	R336	1-249-437-11	CARBON 47K 5% 1/4W	
R162	1-249-429-11	CARBON 10K 5% 1/4W		R337	1-249-437-11	CARBON 47K 5% 1/4W	
R163	1-249-425-11	CARBON 4.7K 5% 1/4W	F	R338	1-249-441-11	CARBON 100K 5% 1/4W	
R165	1-249-441-11	CARBON 100K 5% 1/4W		R339	1-247-887-00	CARBON 220K 5% 1/4W	
R166	1-249-441-11	CARBON 100K 5% 1/4W		R341	1-249-433-11	CARBON 22K 5% 1/4W	
R167	1-249-416-11	CARBON 820 5% 1/4W	F	R342	1-249-429-11	CARBON 10K 5% 1/4W	
R168	1-247-897-11	CARBON 560K 5% 1/4W		R343	1-249-433-11	CARBON 22K 5% 1/4W	
R169	1-249-437-11	CARBON 47K 5% 1/4W		R344	1-249-437-11	CARBON 47K 5% 1/4W	
R170	1-249-441-11	CARBON 100K 5% 1/4W		R345	1-249-431-11	CARBON 15K 5% 1/4W	
R171	1-249-409-11	CARBON 220 5% 1/4W	F	R346	1-249-429-11	CARBON 10K 5% 1/4W	
R172	1-249-409-11	CARBON 220 5% 1/4W	F	R347	1-249-428-11	CARBON 8.2K 5% 1/4W	F
R173	1-249-425-11	CARBON 4.7K 5% 1/4W	F	R348	1-259-884-11	CARBON 4.7M 5% 1/4W	
R180	1-249-437-11	CARBON 47K 5% 1/4W		R349	1-249-425-11	CARBON 4.7K 5% 1/4W	F
R181	1-249-417-11	CARBON 1K 5% 1/4W	F	R350	1-249-421-11	CARBON 2.2K 5% 1/4W	F
R182	1-249-417-11	CARBON 1K 5% 1/4W	F	R351	1-249-441-11	CARBON 100K 5% 1/4W	
R183	1-249-421-11	CARBON 2.2K 5% 1/4W	F	R352	1-249-437-11	CARBON 47K 5% 1/4W	
R184	1-249-421-11	CARBON 2.2K 5% 1/4W	F	R361	1-247-903-00	CARBON 1M 5% 1/4W	
R301	1-247-891-00	CARBON 330K 5% 1/4W		R363	1-249-429-11	CARBON 10K 5% 1/4W	
R303	1-249-428-11	CARBON 8.2K 5% 1/4W	F	R365	1-249-431-11	CARBON 15K 5% 1/4W	

**MAIN**

Ref. No.	Part No.	Description	Remarks
R366	1-249-431-11	CARBON 15K 5% 1/4W	
R367	1-249-429-11	CARBON 10K 5% 1/4W	
R368	1-249-422-11	CARBON 2.7K 5% 1/4W F	
R501	1-249-417-11	CARBON 1K 5% 1/4W F	
R502	1-249-435-11	CARBON 33K 5% 1/4W	
R503	1-249-420-11	CARBON 1.8K 5% 1/4W F	
R504	1-249-421-11	CARBON 2.2K 5% 1/4W F	
R505	1-249-431-11	CARBON 15K 5% 1/4W	
R506	1-249-433-11	CARBON 22K 5% 1/4W	
R507	1-249-429-11	CARBON 10K 5% 1/4W	
R508	1-249-435-11	CARBON 33K 5% 1/4W	
R509	1-249-415-11	CARBON 680 5% 1/4W F	
△R510	1-212-889-00	FUSIBLE 220 5% 1/4W F (EXCEPT G)	
R510	1-247-704-11	CARBON 220 5% 1/4W (G)	
△R511	1-212-889-00	FUSIBLE 220 5% 1/4W F (EXCEPT G)	
R511	1-247-704-11	CARBON 220 5% 1/4W (G)	
R512	1-249-435-11	CARBON 33K 5% 1/4W	
△R513	1-212-865-00	FUSIBLE 22 5% 1/4W F (EXCEPT G)	
R513	1-247-692-11	CARBON 22 5% 1/4W (G)	
R514	1-247-830-11	CARBON 910 5% 1/4W	
R515	1-249-412-11	CARBON 390 5% 1/4W F	
△R516	1-212-865-00	FUSIBLE 22 5% 1/4W F (EXCEPT G)	
R516	1-247-692-11	CARBON 22 5% 1/4W (G)	
△R517	1-212-881-11	FUSIBLE 100 5% 1/4W F (EXCEPT G)	
R517	1-247-700-11	CARBON 100 5% 1/4W (G)	
△R518	1-212-881-11	FUSIBLE 100 5% 1/4W F (EXCEPT G)	
R518	1-247-700-11	CARBON 100 5% 1/4W (G)	
R520	1-249-420-11	CARBON 1.8K 5% 1/4W F	
△R523	1-212-994-00	FUSIBLE 330 5% 1/2W F (EXCEPT G)	
R523	1-247-706-11	CARBON 330 5% 1/4W F (G)	
△R524	1-212-857-00	FUSIBLE 10 5% 1/4W F (EXCEPT G)	
R524	1-247-688-11	CARBON 10 5% 1/4W (G)	
△R525	1-212-857-00	FUSIBLE 10 5% 1/4W F (EXCEPT G)	
R525	1-247-688-11	CARBON 10 5% 1/4W (G)	
R526	1-217-611-00	RES, METAL PLATE 0.1	
R527	1-217-611-00	RES, METAL PLATE 0.1	
R528	1-247-727-11	CARBON 10 5% 1/2W	
R529	1-247-727-11	CARBON 10 5% 1/2W	
R530	1-249-407-11	CARBON 150 5% 1/4W F	
R531	1-249-431-11	CARBON 15K 5% 1/4W	
R532	1-249-437-11	CARBON 47K 5% 1/4W	
R533	1-249-411-11	CARBON 330 5% 1/4W	
R535	1-247-749-11	CARBON 560 5% 1/2W	
R551	1-249-417-11	CARBON 1K 5% 1/4W F	
R552	1-249-435-11	CARBON 33K 5% 1/4W	
R553	1-249-420-11	CARBON 1.8K 5% 1/4W F	
R554	1-249-421-11	CARBON 2.2K 5% 1/4W F	
R555	1-249-431-11	CARBON 15K 5% 1/4W	

Ref. No.	Part No.	Description	Remarks
R556	1-249-433-11	CARBON 22K 5% 1/4W	
R557	1-249-429-11	CARBON 10K 5% 1/4W	
R558	1-249-435-11	CARBON 33K 5% 1/4W	
R559	1-249-415-11	CARBON 680 5% 1/4W F	
△R560	1-212-889-00	FUSIBLE 220 5% 1/4W F (EXCEPT G)	
R560	1-247-704-11	CARBON 220 5% 1/4W (G)	
△R561	1-212-889-00	FUSIBLE 220 5% 1/4W F (EXCEPT G)	
R561	1-247-704-11	CARBON 220 5% 1/4W (G)	
R562	1-249-435-11	CARBON 33K 5% 1/4W	
△R563	1-212-865-00	FUSIBLE 22 5% 1/4W F (EXCEPT G)	
R563	1-247-692-11	CARBON 22 5% 1/4W (G)	
R564	1-247-830-11	CARBON 910 5% 1/4W	
R565	1-249-412-11	CARBON 390 5% 1/4W F	
△R566	1-212-865-00	FUSIBLE 22 5% 1/4W F (EXCEPT G)	
R566	1-247-692-11	CARBON 22 5% 1/4W (G)	
△R567	1-212-881-11	FUSIBLE 100 5% 1/4W F (EXCEPT G)	
R567	1-247-700-11	CARBON 100 5% 1/4W (G)	
△R568	1-212-881-11	FUSIBLE 100 5% 1/4W F (EXCEPT G)	
R568	1-247-700-11	CARBON 100 5% 1/4W (G)	
R570	1-249-420-11	CARBON 1.8K 5% 1/4W F	
△R573	1-212-994-00	FUSIBLE 330 5% 1/2W F (EXCEPT G)	
R573	1-247-706-11	CARBON 330 5% 1/4W F (G)	
△R574	1-212-857-00	FUSIBLE 10 5% 1/4W F (EXCEPT G)	
R574	1-247-688-11	CARBON 10 5% 1/4W (G)	
△R575	1-212-857-00	FUSIBLE 10 5% 1/4W F (EXCEPT G)	
R575	1-247-688-11	CARBON 10 5% 1/4W (G)	
R576	1-217-611-00	RES, METAL PLATE 0.1	
R577	1-217-611-00	RES, METAL PLATE 0.1	
R578	1-247-727-11	CARBON 10 5% 1/2W	
R579	1-247-727-11	CARBON 10 5% 1/2W	
R580	1-249-407-11	CARBON 150 5% 1/4W F	
R581	1-249-431-11	CARBON 15K 5% 1/4W	
R583	1-249-438-11	CARBON 56K 5% 1/4W	
R584	1-249-411-11	CARBON 330 5% 1/4W	
R585	1-247-749-11	CARBON 560 5% 1/2W	
R701	1-249-427-11	CARBON 6.8K 5% 1/4W F	
R703	1-249-441-11	CARBON 100K 5% 1/4W	
R704	1-249-440-11	CARBON 82K 5% 1/4W	
R705	1-247-854-11	CARBON 9.1K 5% 1/4W	
R706	1-247-743-11	CARBON 220 5% 1/2W (EXCEPT G)	
R706	1-247-735-11	CARBON 47 5% 1/2W (G)	
R710	1-249-418-11	CARBON 1.2K 5% 1/4W F	
R711	1-249-429-11	CARBON 10K 5% 1/4W	
R712	1-249-429-11	CARBON 10K 5% 1/4W	
R713	1-249-421-11	CARBON 2.2K 5% 1/4W F	
R714	1-249-421-11	CARBON 2.2K 5% 1/4W F	
R715	1-249-421-11	CARBON 2.2K 5% 1/4W F	

**Note:** The components identified by mark △ or dotted line with mark △ are critical for safety. Replace only with part number specified.

<b>MAIN</b>	<b>SELECTION</b>
-------------	------------------

Ref. No.	Part No.	Description	Remarks
R716	1-249-421-11	CARBON 2.2K 5% 1/4W F	
R922	1-249-425-11	CARBON 4.7K 5% 1/4W F	
△R923	1-217-489-00	FUSIBLE 47 5% 1W F	
△R924	1-217-489-00	FUSIBLE 47 5% 1W F	
△R925	1-212-849-00	FUSIBLE 4.7 5% 1/4W F (EXCEPT G)	
R925	1-249-455-11	CARBON 4.7 5% 1/4W (G)	
< RELAY >			
RY701	1-515-533-11	RELAY	
RY702	1-515-727-11	RELAY	
RY703	1-515-727-11	RELAY	
< VIBRATOR >			
X361	1-567-818-21	VIBRATOR, CERAMIC 3.58MHz	
*****			
*	1-648-224-11	SELECTION BOARD (E)	
*****			
< CONNECTOR >			
* CN913	1-564-321-21	PIN, CONNECTOR 2P (E)	
CN914	1-564-321-00	PIN, CONNECTOR 2P (E)	
CN915	1-568-106-11	PIN, CONNECTOR 4P (E)	
< SWITCH >			
△S901	1-571-437-11	SWITCH, POWER VOLTAGE CHANGE (E)	
*****			
MISCELLANEOUS			
*****			
51	1-696-833-11	WIRE (FLAT TYPE) (20 CORE)	
△60	1-558-943-31	CORD, POWER (E)	
△60	1-575-651-11	CORD, POWER (AEP, G)	
△60	1-696-585-21	CORD, POWER (UK, AUS)	
△PT901	1-423-589-11	TRANSFORMER, POWER (UK, AUS)	
△PT901	1-423-590-11	TRANSFORMER, POWER (AEP)	
△PT901	1-423-591-11	TRANSFORMER, POWER (G)	
△PT901	1-423-592-11	TRANSFORMER, POWER (E)	
*****			

Ref. No.	Part No.	Description	Remarks
ACCESSORIES & PACKING MATERIALS			
*****			
*	4-958-306-01	INDIVIDUAL CARTON	
*	4-927-854-03	CUSHION	
	3-677-503-00	SHEET (LARGE), PROTECTION	
	4-925-079-01	COVER (6), BATTERY	
	1-466-994-11	COMMANDER, STANDARD (RM-P570)	
	3-756-080-11	MANUAL, INSTRUCTION (ENGLISH/FRENCH/ PORTUGUESE) (AEP, UK, AUS)	
	3-756-080-41	MANUAL, INSTRUCTION (GERMAN/DUTCH/ SWEDISH/ITALIAN) (AEP, G)	
	3-756-080-51	MANUAL, INSTRUCTION (ENGLISH/FRENCH/ SPANISH/CHINESE) (E)	
*****			
*****			
<b>HARDWARE LIST</b>			
*****			
#1	7-685-646-79	SCREW +BVTP 3X8 TYPE2 N-S	
#2	7-621-849-00	SCREW (BV/RING)	
#3	7-685-648-79	SCREW +BVTP 3X12 TYPE2	
#4	7-685-650-79	SCREW +BVTP 3X16 TYPE2	
#5	7-682-560-04	SCREW +BVTT 4X6 (S)	
#6	7-685-647-71	SCREW +BVTP 3X10 TYPE2 IT-3	
*****			

**Note:** The components identified by mark △ or dotted line with mark △ are critical for safety.  
 Replace only with part number specified.

