

# TA-AX301

## SERVICE MANUAL

US Model  
Canadian Model  
E Model



This set is the amplifier  
Section in SEN-301.

### SPECIFICATIONS

#### AUDIO POWER SPECIFICATIONS

**POWER OUTPUT AND TOTAL HARMONIC DISTORTION:**  
With 8 ohm loads both channels driven, from 20–20,000 Hz; rated 110 watts per channel minimum RMS power, with no more than 0.9% total harmonic distortion from 250 milliwatts to rated output.

#### General

Power requirements 120 V AC, 60 Hz (US, Canadian)  
120/220/240V AC, 50/60Hz (E)  
Power consumption 200 W  
AC outlet 1 switched, 100 W max.

Design and specifications subject to change without notice.

#### Amplifier section

##### Input

	Sensitivity	Impedance
PHONO	3.0 mV	50 kilohms
TUNER/CD/ VIDEO/TAPE	250 mV	50 kilohms

**Output** REC OUT: Voltage 150 mV, impedance 1 kohms  
SPEAKER: Accepts speakers of 8 to 16 ohms  
HEADPHONES: Accepts headphones with low and high impedance

**Frequency response** PHONO: RIAA curve  
TUNER/CD/VIDEO/TAPE: 30 Hz–30 kHz±3 dB

**GRAPHIC EQUALIZER controls**  
Boost/cut range:  
±8 dB (100 Hz, 330 Hz, 1 kHz, 3.3 kHz)  
±6 dB (10 kHz)

**Dimensions** Approx. 430 × 130 × 355 mm (w/h/d)  
(17 × 5<sup>1</sup>/<sub>8</sub> × 14 inches)

**Weight** Approx. 8.5 kg (18 lb 12 oz)

INTEGRATED STEREO AMPLIFIER  
**SONY**®

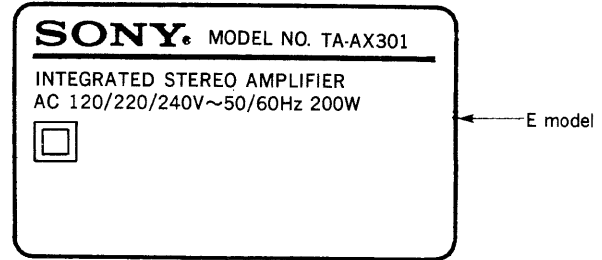
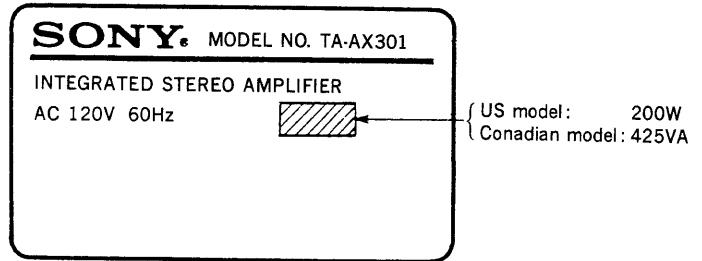


TABLE OF CONTENTS

<u>Section</u>	<u>Title</u>	<u>Page</u>
<b>1. DISASSEMBLY</b>		
1-1.	Removal of the Front Panel .....	3
1-2.	Removal of the Q511 .....	3
<b>2. ELECTRICAL ADJUSTMENT</b>	.....	4
<b>3. DIAGRAMS</b>		
3-1.	Block Diagram .....	5
3-2.	Circuit Boards Location .....	8
3-3.	Printed Wiring Boards .....	9
3-4.	Schematic Diagram .....	13
3-5.	Semiconductor Lead Layouts.....	17
<b>4. EXPLODED VIEWS</b>		
4-1.	Case, Front Panel Section .....	18
4-2.	Chassis Section .....	19
<b>5. ELECTRICAL PARTS LIST</b>	.....	20

MODEL IDENTIFICATION

—Model Number Label—



SAFETY-RELATED COMPONENT WARNING!!

COMPONENTS IDENTIFIED BY MARK OR DOTTED LINE WITH MARK ON THE SCHEMATIC DIAGRAMS AND IN THE PARTS LIST ARE CRITICAL TO SAFE OPERATION. REPLACE THESE COMPONENTS WITH SONY PARTS WHOSE PART NUMBERS APPEAR AS SHOWN IN THIS MANUAL OR IN SUPPLEMENTS PUBLISHED BY SONY.

ATTENTION AU COMPOSANT AYANT RAPPORT À LA SÉCURITÉ!

LES COMPOSANTS IDENTIFIÉS PAR UNE MARQUE SUR LES DIAGRAMMES SCHÉMATIQUES ET LA LISTE DES PIÈCES SONT CRITIQUES POUR LA SÉCURITÉ DE FONCTIONNEMENT. NE REMPLACER CES COMPOSANTS QUE PAR DES PIÈCES SONY DONT LES NUMÉROS SONT DONNÉS DANS CE MANUEL OU DANS LES SUPPLÉMENTS PUBLIÉS PAR SONY.

SAFETY CHECK-OUT

After correcting the original service problem, perform the following safety checks before releasing the set to the customer:

LEAKAGE TEST

The AC leakage from any exposed metal part to earth ground and from all exposed metal parts to any exposed metal part having a return to chassis, must not exceed 0.5 mA (500 microampers). Leakage current can be measured by any one of three methods.

1. A commercial leakage tester, such as the Simpson 229 or RCA WT-540A. Follow the manufacturers' instructions to use these instruments.
2. A battery-operated AC milliammeter. The Data Precision 245 digital multimeter is suitable for this job.
3. Measuring the voltage drop across a resistor by means of a VOM or battery-operated AC voltmeter. The "limit" indication is 0.75 V, so analog meters must have an accurate low-

voltage scale. The Simpson 250 and Sanwa SH-63Trd are examples of a passive VOM that is suitable. Nearly all battery operated digital multimeters that have a 2V AC range are suitable. (See Fig. A)

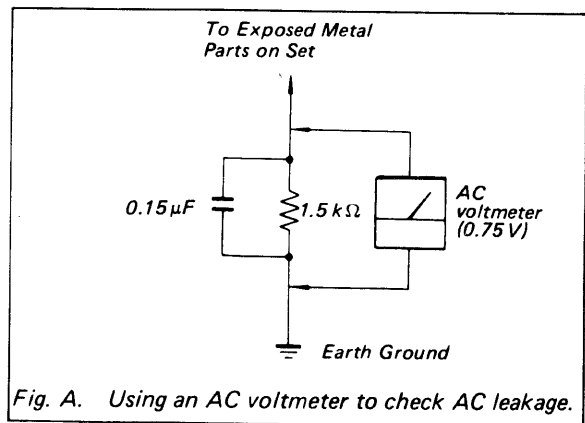
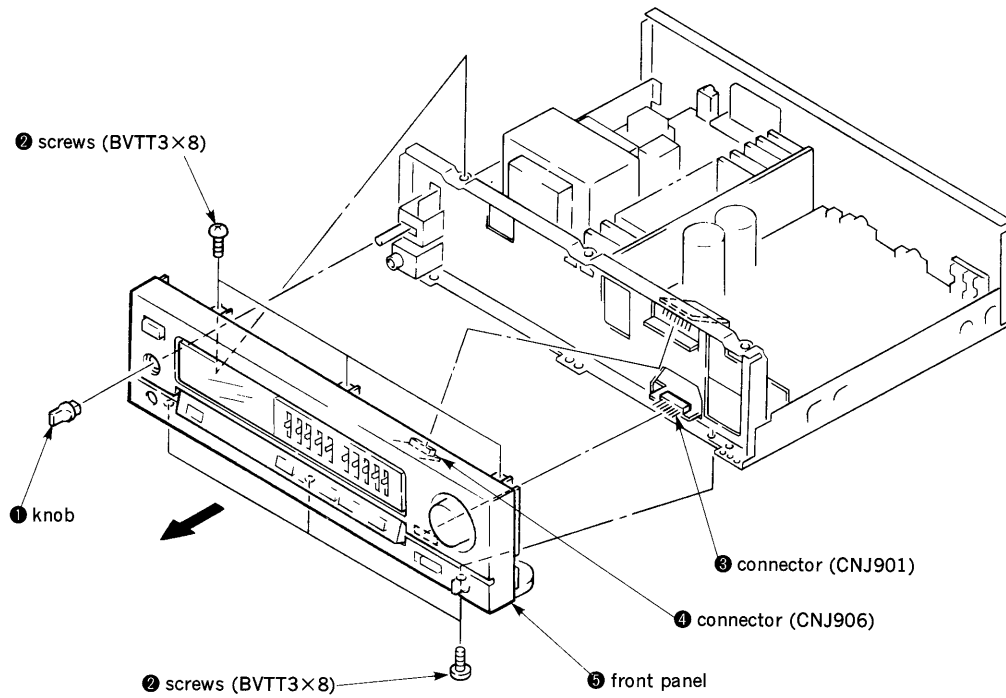


Fig. A. Using an AC voltmeter to check AC leakage.

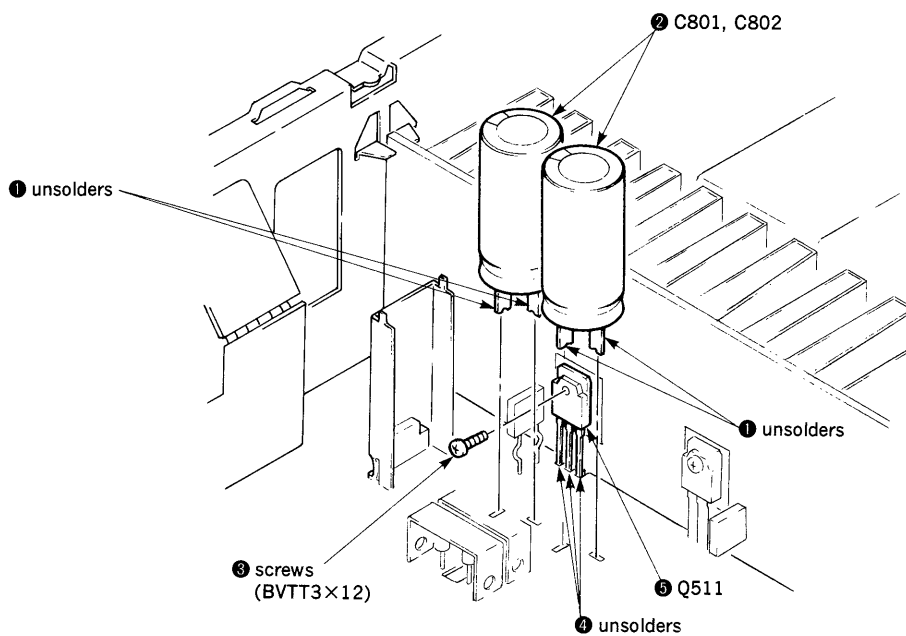
## SECTION 1 DISASSEMBLY

Note: Follow the disassembly procedure in the numerical order given.

### 1-1. REMOVAL OF THE FRONT PANEL



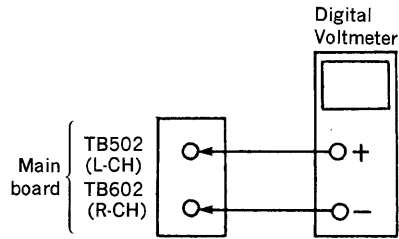
### 1-2. REMOVAL OF THE Q511



## SECTION 2 ELECTRICAL ADJUSTMENT

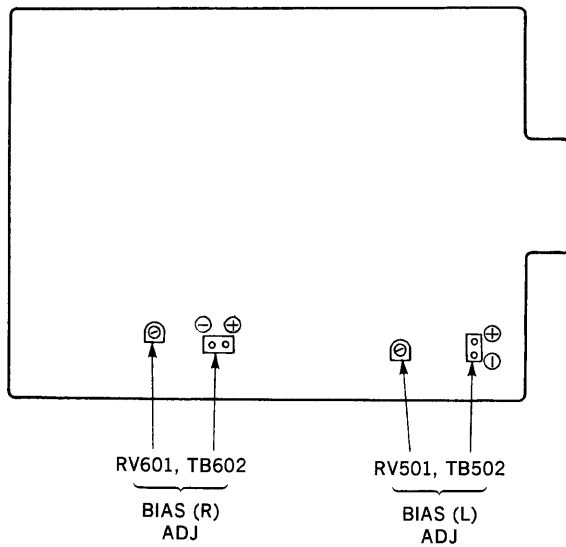
### Bias Adjustment

Procedure :



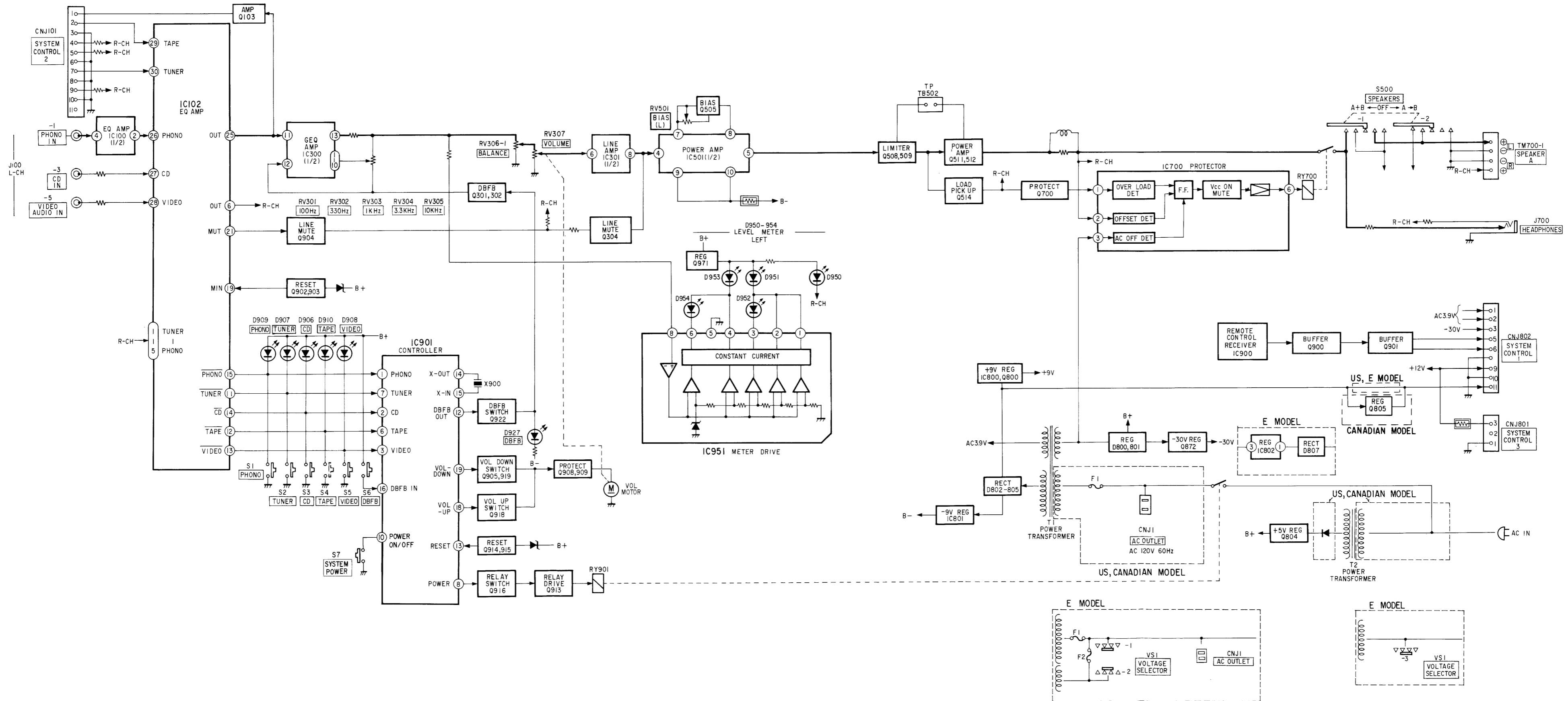
1. Turn ON the power by connecting a digital voltmeter with test pins TB502 (L-CH) and TB602 (R-CH).
2. Adjust to 1.5mV with RV501 (L-CH) and RV601 (R-CH) so that the indicator of digital voltmeter when the power is turned ON.

**Adjustment Location :** main board

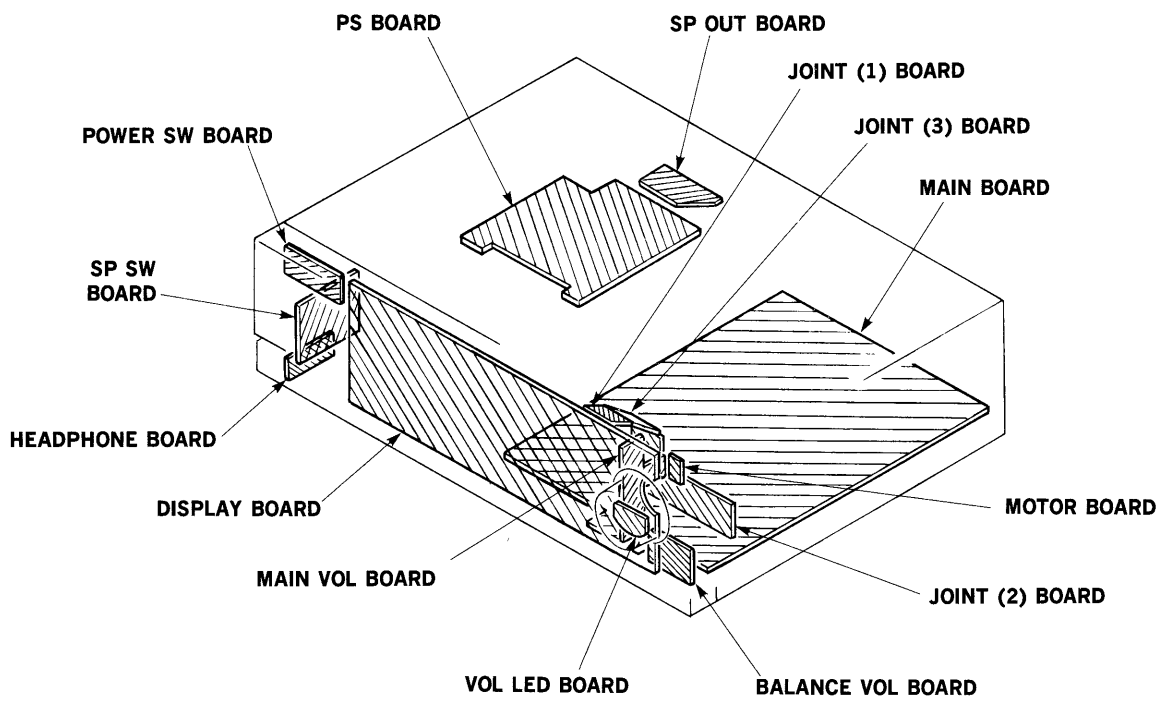


# SECTION 3 DIAGRAMS

## 3-1. BLOCK DIAGRAM



### 3-2. CIRCUIT BOARDS LOCATION

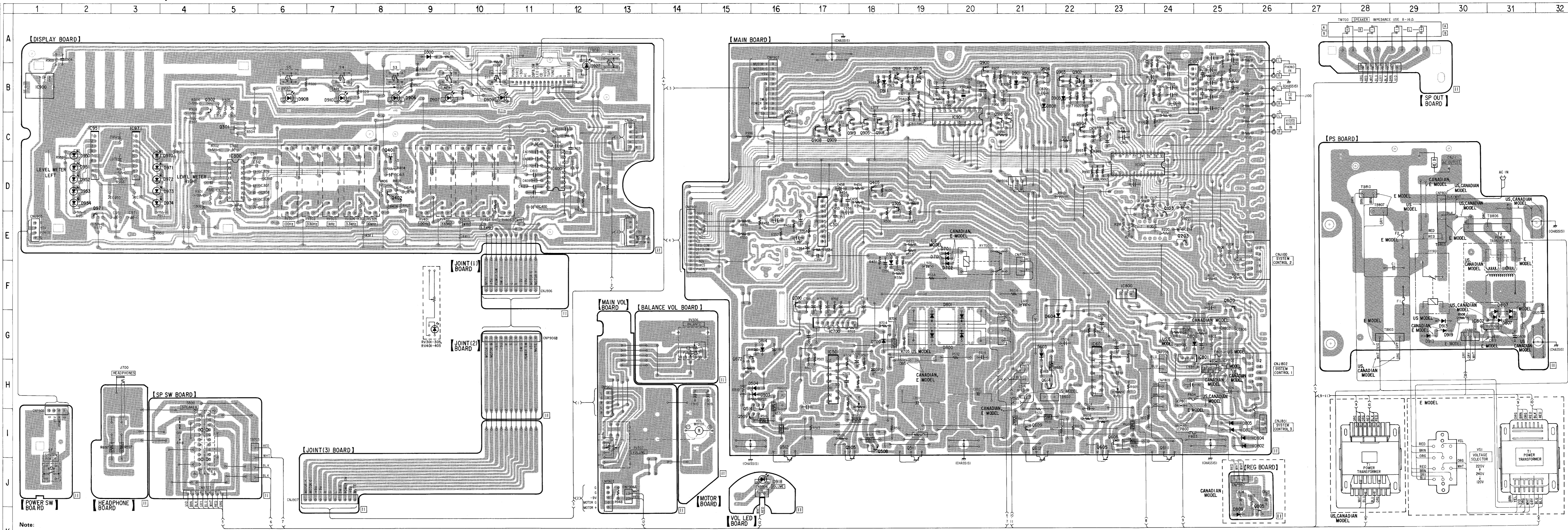


• Semiconductor Location

Ref. No.	Location	Ref. No.	Location
D300	A-9	Q401	C-8
D503	H-16	Q402	D-8
D504	H-16	Q405	D-18
D603	H-21	Q505	I-18
D604	G-22	Q508	I-18
D700	G-18	Q509	I-16
D701	E-20	Q511	I-19
D702	F-20	Q512	I-16
D800	G-20	Q514	I-16
D801	G-20	Q605	I-23
D802	I-26	Q608	I-23
D803	I-25	Q609	I-21
D804	I-26	Q611	I-24
D805	I-25	Q612	I-21
D806	G-25	Q614	H-22
D807	G-31	Q700	F-17
D808	B-22	Q800	G-25
D809	K-25	Q804	B-22
D814	G-16	Q805	K-26
D901	B-21	Q872	H-16
D905	B-22	Q900	B-20
D906	B-8	Q901	B-21
D907	B-9	Q902	B-22
D908	B-6	Q903	B-22
D909	B-10	Q904	C-22
D910	B-7	Q905	C-18
D911	B-18	Q908	C-17
D913	G-30	Q909	C-17
D918	J-16	Q913	C-21
D919	G-30	Q914	B-19
D926	F-18	Q915	B-19
D927	B-12	Q916	C-21
D950	C-2	Q918	C-18
D951	D-2	Q919	C-18
D952	D-2	Q922	C-16
D953	D-2	Q971	E-2
D954	D-2		
D970	C-4		
D971	D-4		
D972	D-4		
D973	D-4		
D974	D-4		
IC100	B-25		
IC102	D-23		
IC300	D-5		
IC301	E-17		
IC400	D-12		
IC501	H-17		
IC601	H-23		
IC700	G-17		
IC800	F-23		
IC801	H-24		
IC802	G-31		
IC900	B-1		
IC901	C-20		
IC951	C-2		
IC971	C-3		
Q103	E-24		
Q203	E-24		
Q301	C-5		
Q302	B-5		
Q305	E-19		

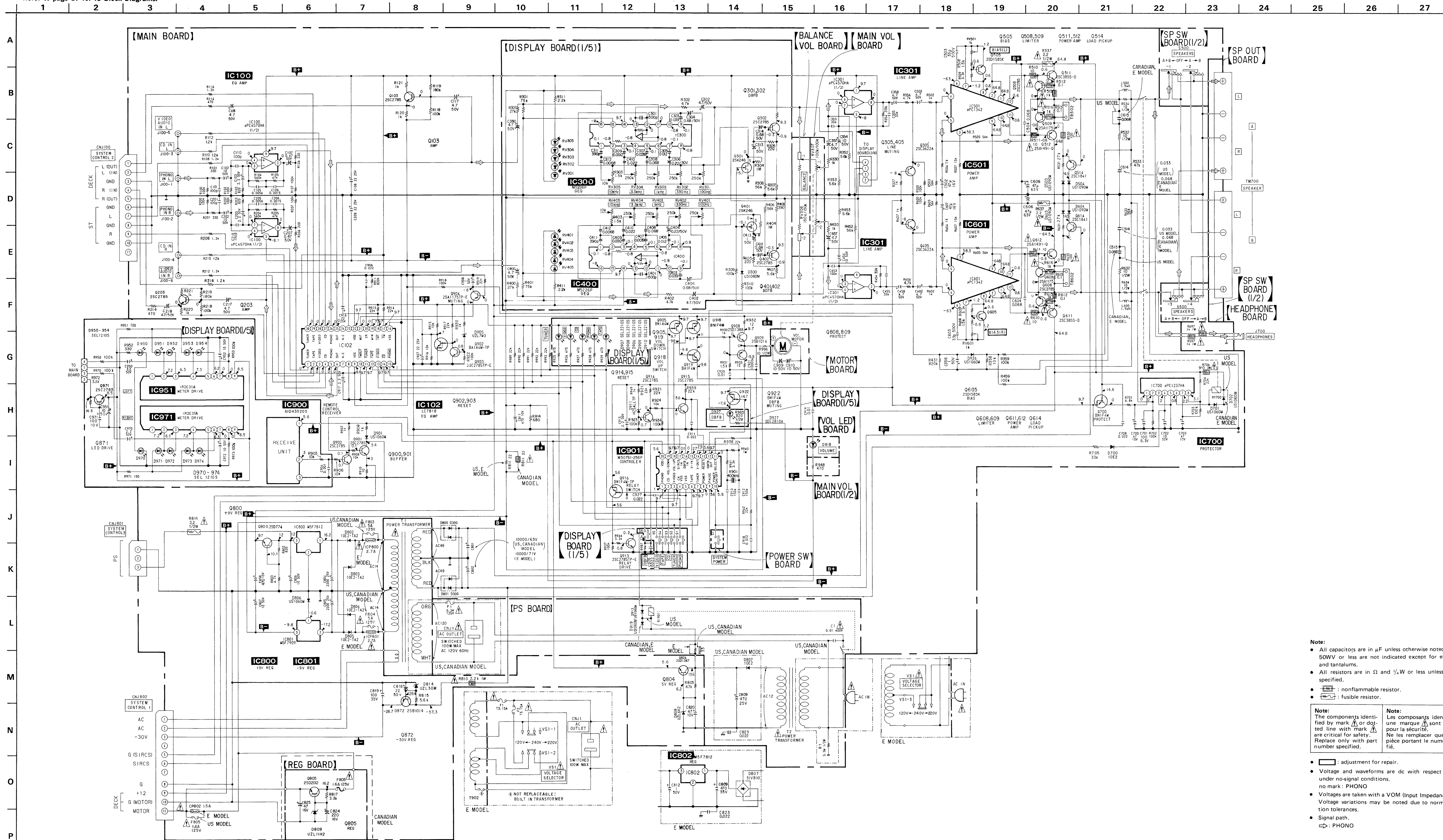
3-3. PRINTED WIRING BOARDS

• Refer to page 17 for Semiconductor Lead Layouts.



3-4. SCHEMATIC DIAGRAM

Refer to page 17 for IC Block Diagrams.



**Note:**  
 • All capacitors are in  $\mu\text{F}$  unless otherwise noted. pF:  $\mu\text{F}$  50WV or less are not indicated except for electrolytics and tantalums.  
 • All resistors are in  $\Omega$  and  $\frac{1}{4}\text{W}$  or less unless otherwise specified.  
 • : nonflammable resistor.  
 • : fusible resistor.

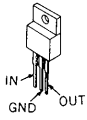
**Note:**  
 The components identified by mark or dotted line with mark are critical for safety. Replace only with part number specified.  
**Note:**  
 Les composants identifiés par une marque ou une ligne pointillée avec une marque sont critiques pour la sécurité. Ne les remplacer que par une pièce portant le numéro spécifié.

• : adjustment for repair.  
 • Voltage and waveforms are dc with respect to ground under no-signal conditions.  
 no mark: PHONO  
 • Voltages are taken with a VOM (Input Impedance 10M $\Omega$ ). Voltage variations may be noted due to normal production tolerances.  
 • Signal path.  
 $\Rightarrow$ : PHONO



### 3-5. SEMICONDUCTOR LEAD LAYOUTS

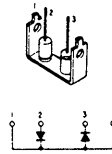
**M5F7812**



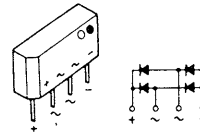
**2SB1116**  
**2SC1841-PAFAEA**  
**2SC3622A-LK**  
**2SD1387**  
**2SD1616A-K**



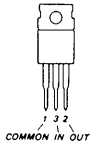
**D300**



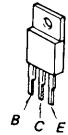
**S1VB40**



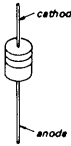
**M5F7909**



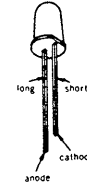
**2SD2012**



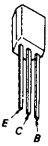
**HZS30-2L**  
**HZS6C2L**  
**HZS7B3L**  
**1SS120**



**SEL1210S**



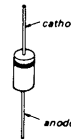
**DTA124ES**  
**DTC114ES**  
**DTC124ES**  
**2SC2603-EF**



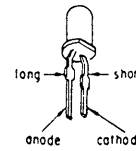
**2SD774-34**



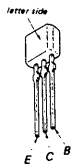
**HZ5ALL**  
**UZL-11H2**  
**1S1585**  
**10E2**  
**10E2N**



**SEL2210S-C**  
**SEL2810A-C**



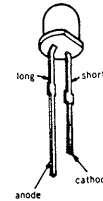
**2SA1175-HFE**  
**2SC2785-HFE**



**2SK246-BL**

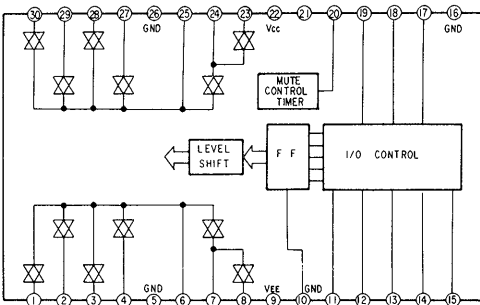


**SEL2510C**

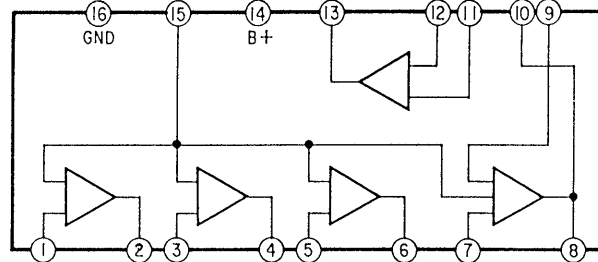


#### • IC Block Diagrams

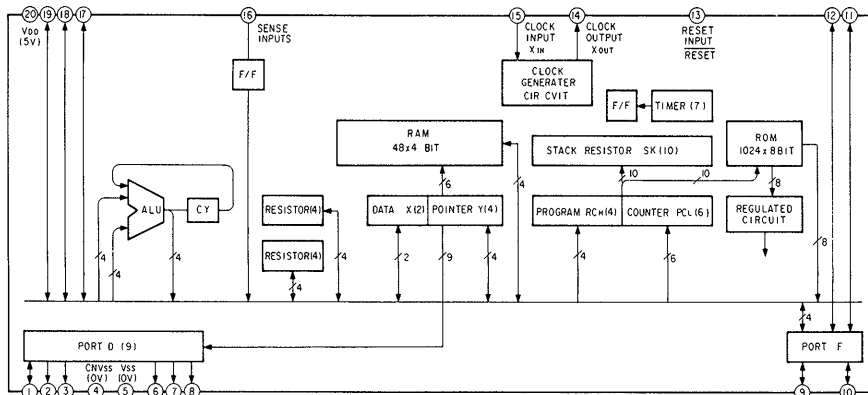
**IC102 LC7818**



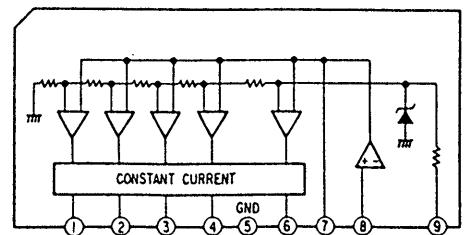
**IC300, 400 M5226P**



**IC901 R50761-439P**

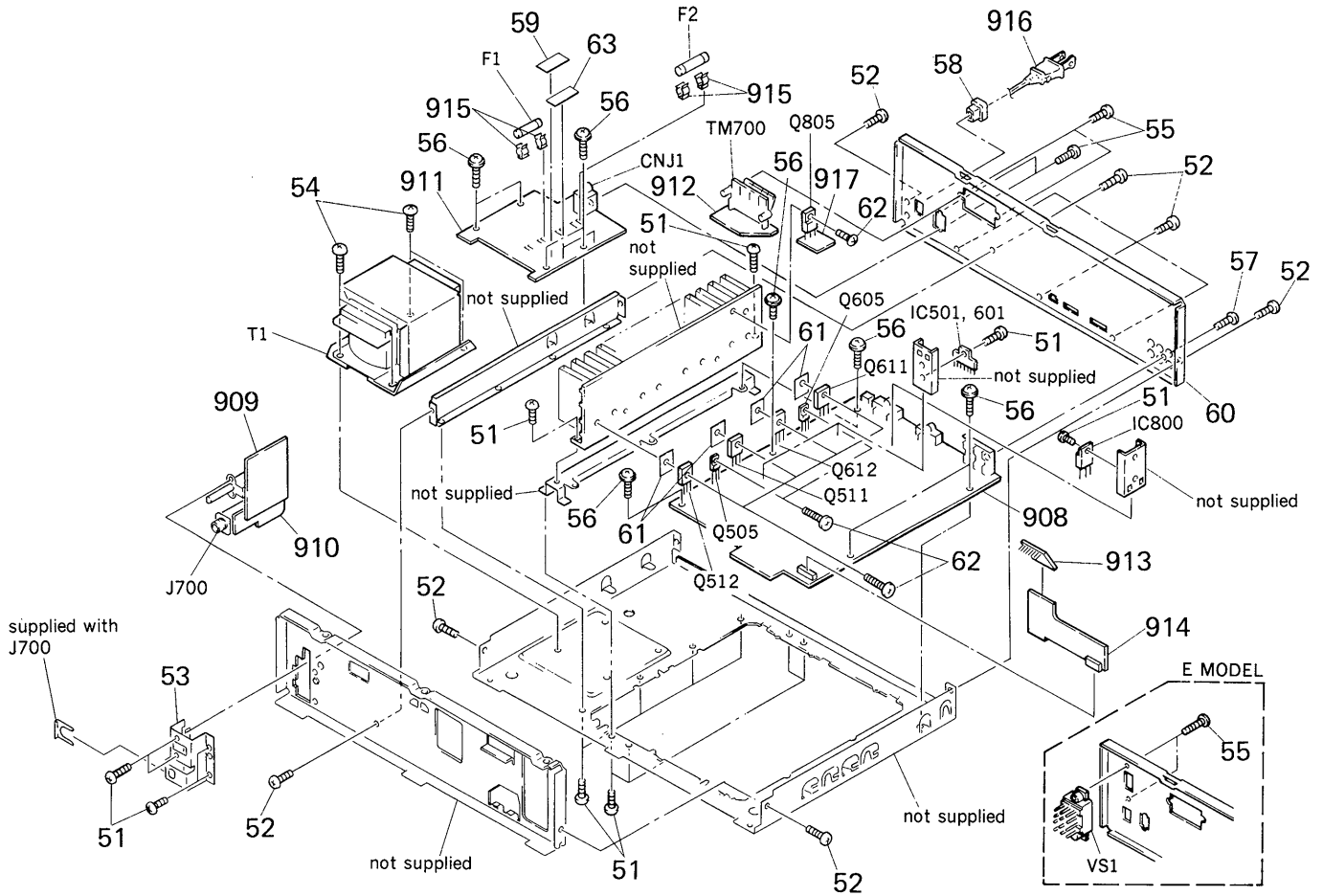


**IC951, 971 IR2E31A**





## 4-2. CHASSIS SECTION



**Note:**  
The components identified by mark  $\triangle$  or dotted line with mark  $\triangle$  are critical for safety. Replace only with part number specified.

**Note:**  
Les composants identifiés par une marque  $\triangle$  sont critiques pour la sécurité. Ne les remplacer que par une pièce portant le numéro spécifié.

Ref.No	Part No.	Description	Remarks
51	7-682-548-04	SCREW +BVTT 3X8 (S)	
52	7-682-548-09	SCREW +BVTT 3X8 (S)	
53	*4-927-894-01	BRACKET (H.J)	
54	7-682-561-04	SCREW +BVTT 4X8 (S)	
55	7-685-646-79	SCREW +BVTP 3X8 TYPE2 N-S	
56	2-383-566-00	SCREW	
57	7-621-849-00	SCREW, TAPPING	
58	*3-703-244-00	(US, CANADIAN) ... BUSHING (2104), CORD	
58	*3-703-571-11	(E) ... BUSHING (S) (4516), CORD	
59	*3-703-044-26	LABEL, CAUTION	
60	*4-927-883-11	(US) ... PANEL, BACK	
60	*4-927-883-21	(CANADIAN) ... PANEL, BACK	
60	*4-927-883-31	(E) ... PANEL, BACK	
61	4-911-232-01	SHEET, INSULATING	
62	7-682-550-04	SCREW +BVTT 3X12 (S)	
63	*3-701-947-16	(E) ... LABEL (T3.15A), FUSE	
908	*A-4334-238-A	(US) ... MOUNTED PCB, MAIN	
908	*A-4334-259-A	(CANADIAN) ... MOUNTED PCB, MAIN	
908	*A-4334-269-A	(E) ... MOUNTED PCB, MAIN	
909	*1-634-568-11	PC BOARD, SP SW	
910	*1-634-569-11	PC BOARD, HEADPHONE	
911	*1-634-562-11	PC BOARD, PS	
912	*1-634-570-11	PC BOARD, SP OUT	
913	*1-634-574-11	PC BOARD, JOINT (3)	
914	*1-634-573-11	PC BOARD, JOINT (2)	
915	1-533-183-11	HOLDER, FUSE	

Ref.No	Part No.	Description	Remarks
916	$\triangle$ 1-551-188-XX	(E) ... CORD, POWER	
916	$\triangle$ 1-575-105-11	(US, CANADIAN) ... CORD, POWER	
917	*1-634-675-11	(CANADIAN) ... PC BOARD, REG	
CNJ1	$\triangle$ 1-540-038-11	(E) ... OUTLET, AC (NONPOLAR) (1P) (AC OUTLET)	
CNJ1	$\triangle$ 1-540-057-11	(US, CANADIAN) ... OUTLET, AC (POLAR) (AC OUTLET)	
F1	$\triangle$ 1-532-237-00	(E) ... FUSE, TIME-LAG (3.15A)	
F1	$\triangle$ 1-532-748-11	(US, CANADIAN) ... FUSE, GLASS TUBE (6.3A/125V)	
F2	$\triangle$ 1-532-237-00	(E) ... FUSE, TIME-LAG (3.15A)	
IC501	8-759-144-04	IC UPCL342V	
IC601	8-759-144-04	IC UPCL342V	
IC800	8-759-604-33	IC M5F7812	
J700	1-563-255-11	JACK, LARGE TYPE (HEADPHONES)	
Q505	8-729-107-26	TRANSISTOR 2SD1585-K	
Q511	8-729-320-83	TRANSISTOR 2SC3855-OY	
Q512	8-729-320-86	TRANSISTOR 2SA1491-OY	
Q605	8-729-107-26	TRANSISTOR 2SD1585-K	
Q611	8-729-320-83	TRANSISTOR 2SC3855-OY	
Q612	8-729-320-86	TRANSISTOR 2SA1491-OY	
Q805	8-729-209-15	(CANADIAN) ... TRANSISTOR 2SD2012	
T1	$\triangle$ 1-449-737-11	(E) ... TRANSFORMER, POWER	
T1	$\triangle$ 1-450-069-11	(CANADIAN) ... TRANSFORMER, POWER	
T1	$\triangle$ 1-450-070-11	(US) ... TRANSFORMER, POWER	
TM700	1-536-706-00	TERMINAL BOARD (SPEAKER)	
VS1	$\triangle$ 1-571-515-11	(E) ... SWITCH, POWER VOLTAGE SELECTION (VOLTAGE SELECTOR)	

## SECTION 5 ELECTRICAL PARTS LIST

**NOTE:**

- Due to standardization, replacements in the parts list may be different from the parts specified in the diagrams or the components used on the set.
- Items marked "★" are not stocked since they are seldom required for routine service. Some delay should be anticipated when ordering these items.
- If there are two or more same circuits in a set such as a stereophonic machine, only typical circuit parts may be indicated and capacitors and resistors in other same circuits may be omitted.

**CAPACITORS:**

MF:  $\mu$ F, PF:  $\mu$  $\mu$ F.

**RESISTORS**

- All resistors are in ohms.
- F: nonflammable

**COILS**

- MMH: mH, UH:  $\mu$ H

**SEMICONDUCTORS**

In each case, U:  $\mu$ , for example:

UA...:  $\mu$ A..., UPA...:  $\mu$ PA...,

UPC...:  $\mu$ PC, UPD...:  $\mu$ PD...

The components identified by mark  $\Delta$  or dotted line with mark  $\Delta$  are critical for safety. Replace only with part number specified.

Les composants identifiés par une marque  $\Delta$  sont critiques pour la sécurité. Ne les remplacer que par une pièce portant le numéro spécifié.

Ref.No	Part No.	Description			
901	*1-634-563-11	PC BOARD, VOL LED			
902	*A-4334-239-A	MOUNTED PCB, DISPLAY			
903	*1-634-564-11	PC BOARD, POWER SW			
904	*1-634-566-11	PC BOARD, BALANCE VOL			
905	*1-634-572-11	PC BOARD, JOINT (1)			
906	*1-634-565-11	PC BOARD, MAIN VOL			
907	*1-634-567-11	PC BOARD, MOTOR			
908	*A-4334-238-A	(US)...MOUNTED PCB, MAIN			
908	*A-4334-259-A	(CANADIAN)...MOUNTED PCB, MAIN			
908	*A-4334-269-A	(E)...MOUNTED PCB, MAIN			
909	*1-634-568-11	PC BOARD, SP SW			
910	*1-634-569-11	PC BOARD, HEADPHONE			
911	*1-634-562-11	PC BOARD, PS			
912	*1-634-570-11	PC BOARD, SP OUT			
913	*1-634-574-11	PC BOARD, JOINT (3)			
914	*1-634-573-11	PC BOARD, JOINT (2)			
915	1-533-183-11	HOLDER, FUSE			
916	$\Delta$ 1-551-188-XX	(E)...CORD, POWER			
916	$\Delta$ 1-575-105-11	(US, CANADIAN)...CORD, POWER			
917	*1-634-675-11	(CANADIAN)...PC BOARD, REG			
<b>CAPACITOR</b>					
C1	$\Delta$ 1-161-744-00	CERAMIC	0.01MF	400V	
C101	1-162-282-31	CERAMIC	100PF	10%	50V
C102	1-126-059-11	ELECT	10MF	20%	50V
C103	1-126-161-11	ELECT	2.2MF	20%	50V
C105	1-130-480-00	MYLAR	0.0056MF	5%	50V
C106	1-130-473-00	MYLAR	0.0015MF	5%	50V
C107	1-126-300-11	ELECT	0.47MF	20%	50V
C108	1-126-049-11	ELECT	22MF	20%	25V
C110	1-162-282-31	CERAMIC	100PF	10%	50V
C117	1-124-045-00	ELECT	4.7MF	20%	50V
C118	1-124-045-00	ELECT	4.7MF	20%	50V
C201	1-162-282-31	CERAMIC	100PF	10%	50V
C202	1-126-059-11	ELECT	10MF	20%	50V
C203	1-126-161-11	ELECT	2.2MF	20%	50V
C205	1-130-480-00	MYLAR	0.0056MF	5%	50V
C206	1-130-473-00	MYLAR	0.0015MF	5%	50V
C207	1-126-300-11	ELECT	0.47MF	20%	50V
C208	1-126-049-11	ELECT	22MF	20%	25V
C210	1-162-282-31	CERAMIC	100PF	10%	50V
C217	1-124-045-00	ELECT	4.7MF	20%	50V
C218	1-124-045-00	ELECT	4.7MF	20%	50V
C300	1-126-163-11	ELECT	4.7MF	20%	50V
C301	1-161-374-11	CERAMIC	0.0015MF	20%	16V
C302	1-126-163-11	ELECT	4.7MF	20%	50V
C303	1-161-020-11	CERAMIC	0.039MF	10%	16V
C304	1-124-254-00	ELECT	0.68MF	20%	50V
C305	1-162-840-11	CERAMIC	0.012MF	10%	16V
C306	1-124-464-11	ELECT	0.22MF	20%	50V
C307	1-161-044-00	CERAMIC	0.0039MF	10%	16V
C308	1-162-849-11	CERAMIC	0.068MF	10%	16V
C309	1-161-040-00	CERAMIC	0.0012MF		16V
C310	1-161-494-00	CERAMIC	0.022MF		25V
C311	1-162-289-31	CERAMIC	390PF	10%	50V

Ref.No	Part No.	Description			
C312	1-161-329-00	CERAMIC	0.0068MF	20%	16V
C313	1-124-438-00	ELECT	1MF	20%	50V
C314	1-124-254-00	ELECT	0.68MF	20%	50V
C353	1-162-282-31	CERAMIC	100PF	10%	50V
C354	1-126-059-11	ELECT	10MF	20%	50V
C355	1-162-211-31	CERAMIC	33PF	5%	50V
C356	1-126-301-11	ELECT	1MF	20%	50V
C357	1-124-045-00	ELECT	4.7MF	20%	50V
C358	1-124-045-00	ELECT	4.7MF	20%	50V
C400	1-126-163-11	ELECT	4.7MF	20%	50V
C401	1-161-374-11	CERAMIC	0.0015MF	20%	16V
C402	1-126-163-11	ELECT	4.7MF	20%	50V
C403	1-161-020-11	CERAMIC	0.039MF	10%	16V
C404	1-124-254-00	ELECT	0.68MF	20%	50V
C405	1-162-840-11	CERAMIC	0.012MF	10%	16V
C406	1-124-464-11	ELECT	0.22MF	20%	50V
C407	1-161-044-00	CERAMIC	0.0039MF	10%	16V
C408	1-162-849-11	CERAMIC	0.068MF	10%	16V
C409	1-161-040-00	CERAMIC	0.0012MF		16V
C410	1-161-494-00	CERAMIC	0.022MF		25V
C411	1-162-289-31	CERAMIC	390PF	10%	50V
C412	1-161-329-00	CERAMIC	0.0068MF	20%	16V
C413	1-124-438-00	ELECT	1MF	20%	50V
C414	1-124-254-00	ELECT	0.68MF	20%	50V
C453	1-162-282-31	CERAMIC	100PF	10%	50V
C454	1-126-059-11	ELECT	10MF	20%	50V
C455	1-162-211-31	CERAMIC	33PF	5%	50V
C457	1-124-045-00	ELECT	4.7MF	20%	50V
C458	1-124-045-00	ELECT	4.7MF	20%	50V
C500	1-124-045-00	ELECT	4.7MF	20%	50V
C502	1-126-022-11	ELECT	47MF	20%	16V
C503	1-102-233-00	CERAMIC	33PF	10%	500V
C504	1-136-163-00	FILM	0.068MF	5%	50V
C506	1-124-918-11	ELECT	47MF	20%	63V
C514	1-136-159-00	(US)...FILM	0.033MF	5%	50V
C514	1-136-163-00	(CANADIAN, E)...FILM	0.068MF	5%	50V
C515	1-136-163-00	(CANADIAN, E)...FILM	0.068MF	5%	50V
C600	1-124-045-00	ELECT	4.7MF	20%	50V
C602	1-126-022-11	ELECT	47MF	20%	16V
C603	1-102-233-00	CERAMIC	33PF	10%	500V
C604	1-136-163-00	FILM	0.068MF	5%	50V
C606	1-124-918-11	ELECT	47MF	20%	63V
C614	1-136-159-00	(US)...FILM	0.033MF	5%	50V
C614	1-136-163-00	(CANADIAN, E)...FILM	0.068MF	5%	50V
C615	1-136-163-00	(CANADIAN, E)...FILM	0.068MF	5%	50V
C700	1-126-022-11	ELECT	47MF	20%	10V
C701	1-124-443-00	ELECT	100MF	20%	6.3V
C702	1-126-059-11	ELECT	10MF	20%	50V
C703	1-126-022-11	ELECT	47MF	20%	10V
C708	1-161-494-00	CERAMIC	0.022MF		25V
C801	1-126-358-11	(E)...ELECT	10000MF	20%	71V

Ref.No	Part No.	Description				
C801	1-125-479-11	(US, CANADIAN).... ELECT	10000MF	20%	63V	
C802	1-126-358-11	(E)....ELECT	10000MF	20%	71V	
C802	1-125-479-11	(US, CANADIAN).... ELECT	10000MF	20%	63V	
C804	1-124-962-11	ELECT	2200MF	20%	25V	
C805	1-124-962-11	ELECT	2200MF	20%	25V	
C806	1-126-059-11	ELECT	10MF	20%	50V	
C807	1-126-059-11	ELECT	10MF	20%	50V	
C808	1-124-997-11	ELECT	470MF	20%	10V	
C809	1-126-376-11	(CANADIAN).... ELECT	470MF	20%	25V	
C809	1-124-480-11	(US)....ELECT	470MF	20%	25V	
C809	1-126-857-71	(E)....ELECT	470MF	20%	35V	
C812	1-126-301-11	(E)....ELECT	1MF	20%	50V	
C818	1-126-233-11	ELECT	22MF	20%	50V	
C819	1-124-122-11	ELECT	100MF	20%	35V	
C820	1-126-022-11	ELECT	47MF	20%	10V	
C823	1-161-494-00	CERAMIC	0.022MF		25V	
C824	1-126-024-11	(CANADIAN).... ELECT	220MF	20%	16V	
C825	1-126-022-11	(CANADIAN).... ELECT	47MF	20%	16V	
C904	1-130-471-00	MYLAR	0.001MF	5%	50V	
C906	1-161-494-00	CERAMIC	0.022MF		25V	
C907	1-126-049-11	ELECT	22MF	20%	25V	
C908	1-126-301-11	ELECT	1MF	20%	50V	
C909	1-126-059-11	ELECT	10MF	20%	50V	
C910	1-126-059-11	ELECT	10MF	20%	50V	
C911	1-161-494-00	CERAMIC	0.022MF		25V	
C912	1-101-361-00	CERAMIC	150PF	5%	50V	
C913	1-101-361-00	CERAMIC	150PF	5%	50V	
C915	1-126-161-11	ELECT	2.2MF	20%	50V	
C916	1-126-049-11	ELECT	22MF	20%	25V	
C917	1-126-161-11	ELECT	2.2MF	20%	50V	
C918	1-161-494-00	CERAMIC	0.022MF		25V	
C919	1-162-306-11	CERAMIC	0.01MF	20%	16V	
C920	1-162-306-11	CERAMIC	0.01MF	20%	16V	
C921	1-162-306-11	CERAMIC	0.01MF	20%	16V	
C926	1-161-494-00	CERAMIC	0.022MF		25V	
C927	1-161-494-00	CERAMIC	0.022MF		25V	
C950	1-124-257-00	ELECT	2.2MF	20%	50V	
C951	1-124-261-00	ELECT	10MF	20%	50V	
C952	1-124-261-00	ELECT	10MF	20%	50V	
C970	1-124-257-00	ELECT	2.2MF	20%	50V	
C971	1-124-443-00	ELECT	100MF	20%	10V	
C972	1-124-261-00	ELECT	10MF	20%	50V	
CN906	1-569-614-11	PLUG, CONNECTOR 2P				
CNJ1	△-1-540-038-11	(E)....OUTLET, AC (NONPOLAR) (1P) (AC OUTLET)				
CNJ1	△-1-540-057-11	(US, CANADIAN)....OUTLET, AC (POLAR) (AC OUTLET)				
CNJ100	*1-566-858-11	SOCKET, CONNECTOR 11P (SYSTEM CONTROL2)				
CNJ801	*1-566-210-11	PIN, CONNECTOR 3P (SYSTEM CONTROL3)				
CNJ802	*1-566-858-11	SOCKET, CONNECTOR 11P (SYSTEM CONTROL1)				
CNJ901	*1-565-354-11	SOCKET, CONNECTOR 15P				
CNJ902	*1-561-650-00	SOCKET, CONNECTOR 5P				
CNJ903	*1-561-650-00	SOCKET, CONNECTOR 5P				
CNJ905	1-565-296-11	SOCKET, CONNECTOR 4P				
CNJ906	*1-569-597-11	HOUSING, CONNECTOR 11P				
CNJ907	*1-562-935-11	SOCKET, CONNECTOR 11P				
CNP701	*1-569-598-11	PIN, CONNECTOR 2P				
CNP702	*1-569-598-11	PIN, CONNECTOR 2P				
CNP703	*1-569-598-11	PIN, CONNECTOR 2P				
CNP802	*1-564-321-00	(US, CANADIAN)....PIN, CONNECTOR 2P				
CNP806	*1-569-596-11	PLUG, CONNECTOR 3P				

Ref.No	Part No.	Description				
CNP808	*1-569-599-11	PIN, CONNECTOR 3P				
CNP809	*1-569-599-11	PIN, CONNECTOR 3P				
CNP880	*1-569-596-11	(CANADIAN)....PLUG, CONNECTOR 3P				
CNP901	*1-565-353-11	PIN, CONNECTOR 15P				
CNP902	1-506-906-11	PIN, CONNECTOR 5P				
CNP903	1-506-906-11	PIN, CONNECTOR 5P				
CNP905	*1-565-295-11	PLUG, CONNECTOR 4P				
CNP906A	*1-566-690-11	PLUG, CONNECTOR (2.5MM) 2P				
CNP906B	*1-569-602-11	PIN, CONNECTOR 11P				
CNP907	*1-569-602-11	PIN, CONNECTOR 11P				
D300	8-719-912-20	DIODE 1SS120				
D503	8-719-815-85	DIODE 1S1585				
D504	8-719-815-85	DIODE 1S1585				
D603	8-719-815-85	DIODE 1S1585				
D604	8-719-815-85	DIODE 1S1585				
D700	8-719-200-02	DIODE 10E2				
D701	8-719-912-20	DIODE 1SS120				
D702	8-719-912-20	(CANADIAN, E)....DIODE 1SS120				
D800	8-719-200-80	DIODE D300				
D801	8-719-200-80	DIODE D300				
D802	8-719-200-02	DIODE 10E2				
D803	8-719-200-02	DIODE 10E2				
D804	8-719-200-02	DIODE 10E2				
D805	8-719-200-02	DIODE 10E2				
D806	8-719-912-20	DIODE 1SS120				
D807	8-719-200-77	(US, CANADIAN)....DIODE 10E2N				
D807	8-719-511-40	(E)....DIODE S1VB40				
D808	8-719-933-40	DIODE HZS6C2L				
D809	8-719-001-54	(CANADIAN)....DIODE UZL-11H2				
D814	8-719-934-22	DIODE HZS30-2L				
D901	8-719-912-20	DIODE 1SS120				
D905	8-719-933-48	DIODE HZS7B3L				
D906	8-719-301-38	DIODE SEL2210S-C				
D907	8-719-301-38	DIODE SEL2210S-C				
D908	8-719-301-38	DIODE SEL2210S-C				
D909	8-719-301-38	DIODE SEL2210S-C				
D910	8-719-301-38	DIODE SEL2210S-C				
D911	8-719-951-11	DIODE HZ5ALL				
D913	8-719-912-20	DIODE 1SS120				
D918	8-719-303-00	DIODE SEL2510C				
D919	8-719-912-20	(CANADIAN, E)....DIODE 1SS120				
D926	8-719-912-20	DIODE 1SS120				
D927	8-719-301-52	DIODE SEL2810A-C				
D950	8-719-302-45	DIODE SEL1210S				
D951	8-719-302-45	DIODE SEL1210S				
D952	8-719-302-45	DIODE SEL1210S				
D953	8-719-302-45	DIODE SEL1210S				
D954	8-719-302-45	DIODE SEL1210S				
D970	8-719-302-45	DIODE SEL1210S				
D971	8-719-302-45	DIODE SEL1210S				
D972	8-719-302-45	DIODE SEL1210S				
D973	8-719-302-45	DIODE SEL1210S				
D974	8-719-302-45	DIODE SEL1210S				
F1	△-1-532-237-00	(E)....FUSE, TIME-LAG (3.15A)				
F1	△-1-532-748-11	(US, CANADIAN)....FUSE, GLASS TUBE (6.3A/125V)				
F2	△-1-532-237-00	(E)....FUSE, TIME-LAG (3.15A)				
F803	△-1-532-783-21	(US, CANADIAN)....FUSE, MICRO (SECONDARY) (5A)				
F804	△-1-532-783-21	(US, CANADIAN)....FUSE, MICRO (SECONDARY) (5A)				
F805	△-1-532-778-21	(US, CANADIAN)....FUSE, MICRO (SECONDARY) (1.6A)				
IC100	8-759-112-93	IC UPC4570HA-1				
IC102	8-759-802-52	IC LC7818				
IC300	8-759-602-04	IC M5226P				

<p><b>Note:</b> The components identified by mark △ or dotted line with mark △ are critical for safety. Replace only with part number specified.</p>	<p><b>Note:</b> Les composants identifiés par une marque △ sont critiques pour la sécurité. Ne les remplacer que par une pièce portant le numéro spécifié.</p>
--	--

Ref.No	Part No.	Description
IC301	8-759-112-93	IC UPC4570HA-1
IC400	8-759-602-04	IC M5226P
IC501	8-759-144-04	IC UPC1342V
IC601	8-759-144-04	IC UPC1342V
IC700	8-759-111-68	IC UPC1237HA
IC800	8-759-604-33	IC M5F7812
IC801	8-759-604-49	IC M5F7909
IC802	8-759-604-33	(E)...IC M5F7812
IC900	8-749-920-59	IC A1QH3020S
IC901	8-759-632-61	IC M50761-258P
IC951	8-759-917-42	IC IR2E31A
IC971	8-759-917-42	IC IR2E31A
ICP800 <sup>A</sup>	1-532-686-00	(E)...LINK,IC (ICP-N75) (2.7A)
ICP801 <sup>A</sup>	1-532-686-00	(E)...LINK,IC (ICP-N75) (2.7A)
ICP802 <sup>A</sup>	1-532-675-21	(E)...LINK,IC (ICP-N38) (1.5A)
J100	1-565-320-11	JACK, PIN 6P (VIDEO/AUDIO/CD/PHONO IN)
J700	1-563-255-11	JACK, LARGE TYPE (HEADPHONES)
L500	*1-420-872-00	COIL, AIR CORE
L600	*1-420-872-00	COIL, AIR CORE
Q103	8-729-620-05	TRANSISTOR 2SC2603-EF
Q203	8-729-620-05	TRANSISTOR 2SC2603-EF
Q301	8-729-224-63	TRANSISTOR 2SK246-BL
Q302	8-729-620-05	TRANSISTOR 2SC2603-EF
Q305	8-729-141-26	TRANSISTOR 2SC3622A-LK
Q401	8-729-224-63	TRANSISTOR 2SK246-BL
Q402	8-729-620-05	TRANSISTOR 2SC2603-EF
Q405	8-729-141-26	TRANSISTOR 2SC3622A-LK
Q505	8-729-107-26	TRANSISTOR 2SD1585-K
Q508	8-729-119-78	TRANSISTOR 2SC2785-HFE
Q509	8-729-119-76	TRANSISTOR 2SA1175-HFE
Q511	8-729-320-83	TRANSISTOR 2SC3855-OY
Q512	8-729-320-86	TRANSISTOR 2SA1491-OY
Q514	8-729-140-84	TRANSISTOR 2SC1841-PAFAEA
Q605	8-729-107-26	TRANSISTOR 2SD1585-K
Q608	8-729-119-78	TRANSISTOR 2SC2785-HFE
Q609	8-729-119-76	TRANSISTOR 2SA1175-HFE
Q611	8-729-320-83	TRANSISTOR 2SC3855-OY
Q612	8-729-320-86	TRANSISTOR 2SA1491-OY
Q614	8-729-140-84	TRANSISTOR 2SC1841-PAFAEA
Q700	8-729-900-63	TRANSISTOR DTA124ES
Q800	8-729-140-96	TRANSISTOR 2SD774-34
Q804	8-729-801-93	TRANSISTOR 2SD1387
Q805	8-729-209-15	(CANADIAN)...TRANSISTOR 2SD2012
Q872	8-729-118-01	TRANSISTOR 2SB1116
Q900	8-729-620-05	TRANSISTOR 2SC2603-EF
Q901	8-729-620-05	TRANSISTOR 2SC2603-EF
Q902	8-729-900-80	TRANSISTOR DTC114ES
Q903	8-729-620-05	TRANSISTOR 2SC2603-EF
Q904	8-729-119-76	TRANSISTOR 2SA1175-HFE
Q905	8-729-900-61	TRANSISTOR DTA114ES
Q908	8-729-111-29	TRANSISTOR 2SD1616A-K
Q909	8-729-118-01	TRANSISTOR 2SB1116
Q913	8-729-620-05	TRANSISTOR 2SC2603-EF
Q914	8-729-620-05	TRANSISTOR 2SC2603-EF
Q915	8-729-620-05	TRANSISTOR 2SC2603-EF
Q916	8-729-900-63	TRANSISTOR DTA124ES
Q918	8-729-900-63	TRANSISTOR DTA124ES
Q919	8-729-900-36	TRANSISTOR DTC124ES
Q922	8-729-900-63	TRANSISTOR DTA124ES
Q971	8-729-620-05	TRANSISTOR 2SC2603-EF

Ref.No	Part No.	Description
RESISTOR		
R1	1-202-725-00	(US, CANADIAN)... SOLID 3.3M 10% 1/2W
R100	1-249-441-11	CARBON 100K 5% 1/4W
R101	1-249-411-11	CARBON 330 5% 1/4W
R102	1-249-441-11	CARBON 100K 5% 1/4W
R103	1-249-416-11	CARBON 820 5% 1/4W
R104	1-247-897-11	CARBON 560K 5% 1/4W
R105	1-249-437-11	CARBON 47K 5% 1/4W
R106	1-249-409-11	CARBON 220 5% 1/4W
R107	1-249-441-11	CARBON 100K 5% 1/4W
R108	1-249-418-11	CARBON 1.2K 5% 1/4W
R110	1-249-430-11	CARBON 12K 5% 1/4W
R112	1-249-418-11	CARBON 1.2K 5% 1/4W
R114	1-249-413-11	CARBON 470 5% 1/4W
R116	1-249-418-11	CARBON 1.2K 5% 1/4W
R118	1-249-441-11	CARBON 100K 5% 1/4W
R119	1-247-885-00	CARBON 180K 5% 1/4W
R120	1-249-417-11	CARBON 1K 5% 1/4W
R121	1-249-417-11	CARBON 1K 5% 1/4W
R200	1-249-441-11	CARBON 100K 5% 1/4W
R201	1-249-411-11	CARBON 330 5% 1/4W
R202	1-249-441-11	CARBON 100K 5% 1/4W
R203	1-249-416-11	CARBON 820 5% 1/4W
R204	1-247-897-11	CARBON 560K 5% 1/4W
R205	1-249-437-11	CARBON 47K 5% 1/4W
R206	1-249-409-11	CARBON 220 5% 1/4W
R207	1-249-441-11	CARBON 100K 5% 1/4W
R208	1-249-418-11	CARBON 1.2K 5% 1/4W
R210	1-249-430-11	CARBON 12K 5% 1/4W
R212	1-249-418-11	CARBON 1.2K 5% 1/4W
R214	1-249-413-11	CARBON 470 5% 1/4W
R216	1-249-418-11	CARBON 1.2K 5% 1/4W
R218	1-249-441-11	CARBON 100K 5% 1/4W
R219	1-247-885-00	CARBON 180K 5% 1/4W
R220	1-249-417-11	CARBON 1K 5% 1/4W
R221	1-249-417-11	CARBON 1K 5% 1/4W
R300	1-249-434-11	CARBON 27K 5% 1/4W
R301	1-247-876-11	CARBON 75K 5% 1/4W
R302	1-249-425-11	CARBON 4.7K 5% 1/4W
R303	1-249-419-11	CARBON 1.5K 5% 1/4W
R304	1-247-903-00	CARBON 1M 5% 1/4W
R305	1-249-409-11	CARBON 220 5% 1/4W
R306	1-249-438-11	CARBON 56K 5% 1/4W
R307	1-249-426-11	CARBON 5.6K 5% 1/4W
R308	1-249-412-11	CARBON 390 5% 1/4W
R309	1-249-441-11	CARBON 100K 5% 1/4W
R310	1-249-441-11	CARBON 100K 5% 1/4W
R311	1-249-421-11	CARBON 2.2K 5% 1/4W
R327	1-249-417-11	CARBON 1K 5% 1/4W
R330	1-249-417-11	CARBON 1K 5% 1/4W
R352	1-249-438-11	CARBON 56K 5% 1/4W
R354	1-249-436-11	CARBON 39K 5% 1/4W
R356	1-249-425-11	CARBON 4.7K 5% 1/4W
R358	1-249-429-11	CARBON 10K 5% 1/4W
R359	1-249-441-11	CARBON 100K 5% 1/4W
R400	1-249-434-11	CARBON 27K 5% 1/4W
R401	1-247-876-11	CARBON 75K 5% 1/4W
R402	1-249-425-11	CARBON 4.7K 5% 1/4W
R403	1-249-419-11	CARBON 1.5K 5% 1/4W
R404	1-247-903-00	CARBON 1M 5% 1/4W
R405	1-249-409-11	CARBON 220 5% 1/4W
R406	1-249-438-11	CARBON 56K 5% 1/4W
R407	1-249-426-11	CARBON 5.6K 5% 1/4W
R408	1-249-412-11	CARBON 390 5% 1/4W

**Note:**  
The components identified by mark <sup>A</sup> or dotted line with mark <sup>A</sup> are critical for safety. Replace only with part number specified.

**Note:**  
Les composants identifiés par une marque <sup>A</sup> sont critiques pour la sécurité. Ne les remplacer que par une pièce portant le numéro spécifié.

Ref.No	Part No.	Description				
R411	1-249-421-11	CARBON	2.2K	5%	1/4W	
R427	1-249-417-11	CARBON	1K	5%	1/4W	
R430	1-249-417-11	CARBON	1K	5%	1/4W	
R431	1-247-901-11	CARBON	820K	5%	1/4W	
R452	1-249-438-11	CARBON	56K	5%	1/4W	
R454	1-249-436-11	CARBON	39K	5%	1/4W	
R456	1-249-425-11	CARBON	4.7K	5%	1/4W	
R459	1-249-441-11	CARBON	100K	5%	1/4W	
R500	1-249-441-11	CARBON	100K	5%	1/4W	
R502	1-249-417-11	CARBON	1K	5%	1/4W	
R503	1-249-438-11	CARBON	56K	5%	1/4W	
R504	1-249-417-11	CARBON	1K	5%	1/4W	
R505	1-249-438-11	CARBON	56K	5%	1/4W	
R507	1-249-431-11	CARBON	15K	5%	1/4W	
R508	1-249-419-11	CARBON	1.5K	5%	1/4W	
R509	1-249-423-11	CARBON	3.3K	5%	1/4W	
R510	△.1-247-688-11	CARBON	10	5%	1/4W	F
R511	△.1-247-688-11	CARBON	10	5%	1/4W	F
R512	1-214-789-00	RES, METAL PLATE	0.1			
R513	1-214-789-00	RES, METAL PLATE	0.1			
R515	△.1-247-713-11	CARBON	1K	5%	1/4W	F
R516	△.1-247-713-11	CARBON	1K	5%	1/4W	F
R530	△.1-247-700-11	CARBON	100	5%	1/4W	F
R531	1-249-434-11	CARBON	27K	5%	1/4W	
R532	1-247-727-11	CARBON	10	5%	1/2W	
R533	1-249-437-11	CARBON	47K	5%	1/4W	
R534	1-247-727-11	CARBON	10	5%	1/2W	
R537	△.1-212-942-00	FUSIBLE	2.2	5%	1/2W	F
R597	△.1-215-869-11	METAL OXIDE	1K	5%	1W	F
R600	1-249-441-11	CARBON	100K	5%	1/4W	
R602	1-249-417-11	CARBON	1K	5%	1/4W	
R603	1-249-438-11	CARBON	56K	5%	1/4W	
R604	1-249-417-11	CARBON	1K	5%	1/4W	
R605	1-249-438-11	CARBON	56K	5%	1/4W	
R607	1-249-431-11	CARBON	15K	5%	1/4W	
R608	1-249-419-11	CARBON	1.5K	5%	1/4W	
R609	1-249-423-11	CARBON	3.3K	5%	1/4W	
R610	△.1-247-688-11	CARBON	10	5%	1/4W	F
R611	△.1-247-688-11	CARBON	10	5%	1/4W	F
R612	1-214-789-00	RES, METAL PLATE	0.1			
R613	1-214-789-00	RES, METAL PLATE	0.1			
R615	△.1-247-713-11	CARBON	1K	5%	1/4W	F
R616	△.1-247-713-11	CARBON	1K	5%	1/4W	F
R630	△.1-247-700-11	CARBON	100	5%	1/4W	F
R631	1-249-434-11	CARBON	27K	5%	1/4W	
R632	1-247-727-11	CARBON	10	5%	1/2W	
R633	1-249-438-11	CARBON	56K	5%	1/4W	
R634	1-247-727-11	CARBON	10	5%	1/2W	
R637	△.1-212-942-00	FUSIBLE	2.2	5%	1/2W	F
R697	△.1-215-869-11	METAL OXIDE	1K	5%	1W	F
R701	1-249-427-11	CARBON	6.8K	5%	1/4W	
R702	1-249-441-11	CARBON	100K	5%	1/4W	
R703	1-249-441-11	CARBON	100K	5%	1/4W	
R704	1-249-433-11	CARBON	22K	5%	1/4W	
R705	1-249-435-11	CARBON	33K	5%	1/4W	
R706	△.1-206-724-00	METAL OXIDE	910	5%	3W	F
R802	1-249-416-11	CARBON	820	5%	1/4W	
R803	1-249-425-11	CARBON	4.7K	5%	1/4W	
R805	1-249-425-11	CARBON	4.7K	5%	1/4W	
R808	1-249-399-11	(US.CANADIAN)... CARBON	33	5%	1/4W	
R810	△.1-215-871-11	METAL OXIDE	2.2K	5%	1W	F
R811	1-249-397-11	(US.E)... CARBON	22	5%	1/4W	
R811	△.1-247-692-11	(CANADIAN)... CARBON	22	5%	1/4W	F

Ref.No	Part No.	Description				
R814	1-249-415-11	CARBON	680	5%	1/4W	
R815	1-249-426-11	CARBON	5.6K	5%	1/4W	
R816	△.1-212-942-00	FUSIBLE	2.2	5%	1/2W	F
R817	1-249-423-11	(CANADIAN)... CARBON	3.3K	5%	1/4W	
R903	1-249-429-11	CARBON	10K	5%	1/4W	
R906	1-249-429-11	CARBON	10K	5%	1/4W	
R907	1-249-417-11	CARBON	1K	5%	1/4W	
R908	1-249-429-11	CARBON	10K	5%	1/4W	
R909	1-249-417-11	CARBON	1K	5%	1/4W	
R910	1-249-393-11	CARBON	10	5%	1/4W	
R911	1-247-901-11	CARBON	820K	5%	1/4W	
R913	1-249-433-11	CARBON	22K	5%	1/4W	
R914	1-249-433-11	CARBON	22K	5%	1/4W	
R915	1-249-429-11	CARBON	10K	5%	1/4W	
R916	1-249-429-11	CARBON	10K	5%	1/4W	
R917	1-249-433-11	CARBON	22K	5%	1/4W	
R918	1-249-441-11	CARBON	100K	5%	1/4W	
R919	1-249-433-11	CARBON	22K	5%	1/4W	
R920	1-249-417-11	CARBON	1K	5%	1/4W	
R921	1-249-433-11	CARBON	22K	5%	1/4W	
R922	1-249-441-11	CARBON	100K	5%	1/4W	
R923	1-249-441-11	CARBON	100K	5%	1/4W	
R924	1-249-429-11	CARBON	10K	5%	1/4W	
R925	1-249-413-11	CARBON	470	5%	1/4W	
R926	1-249-413-11	CARBON	470	5%	1/4W	
R927	1-249-413-11	CARBON	470	5%	1/4W	
R928	1-249-413-11	CARBON	470	5%	1/4W	
R929	1-249-413-11	CARBON	470	5%	1/4W	
R930	1-249-417-11	CARBON	1K	5%	1/4W	
R931	1-249-419-11	CARBON	1.5K	5%	1/4W	
R932	1-249-394-11	CARBON	12	5%	1/4W	
R933	1-249-394-11	CARBON	12	5%	1/4W	
R934	1-249-441-11	CARBON	100K	5%	1/4W	
R937	1-249-441-11	CARBON	100K	5%	1/4W	
R938	1-249-433-11	CARBON	22K	5%	1/4W	
R939	1-249-433-11	CARBON	22K	5%	1/4W	
R940	1-247-903-00	CARBON	1M	5%	1/4W	
R941	1-249-423-11	CARBON	3.3K	5%	1/4W	
R942	1-249-433-11	CARBON	22K	5%	1/4W	
R946	1-249-423-11	CARBON	3.3K	5%	1/4W	
R948	1-249-413-11	CARBON	470	5%	1/4W	
R949	1-249-417-11	CARBON	1K	5%	1/4W	
R950	1-249-441-11	CARBON	100K	5%	1/4W	
R951	1-249-405-11	CARBON	100	5%	1/4W	
R952	1-249-411-11	CARBON	330	5%	1/4W	
R953	1-249-441-11	CARBON	100K	5%	1/4W	
R970	1-249-441-11	CARBON	100K	5%	1/4W	
R971	1-249-405-11	CARBON	100	5%	1/4W	
R972	1-249-423-11	CARBON	3.3K	5%	1/4W	
R973	1-249-441-11	CARBON	100K	5%	1/4W	
R985	1-247-751-11	CARBON	820	5%	1/2W	
R987	1-249-433-11	CARBON	22K	5%	1/4W	
R989	1-249-433-11	CARBON	22K	5%	1/4W	
R990	1-249-433-11	CARBON	22K	5%	1/4W	
R991	1-249-433-11	CARBON	22K	5%	1/4W	
R992	1-249-433-11	CARBON	22K	5%	1/4W	
R993	1-249-433-11	CARBON	22K	5%	1/4W	
R996	1-247-727-11	CARBON	10	5%	1/2W	
RV301	1-241-021-11	RES, VAR, SLIDE 250K (100Hz)				
RV302	1-241-021-11	RES, VAR, SLIDE 250K (330Hz)				
RV303	1-241-021-11	RES, VAR, SLIDE 250K (1KHz)				
RV304	1-241-021-11	RES, VAR, SLIDE 250K (3.3Hz)				
RV305	1-241-021-11	RES, VAR, SLIDE 250K (10KHz)				
RV306	1-241-022-11	RES, VAR, CARBON 150K/150K (BALANCE)				

**Note:**

The components identified by mark △ or dotted line with mark △ are critical for safety. Replace only with part number specified.

**Note:**

Les composants identifiés par une marque △ sont critiques pour la sécurité. Ne les remplacer que par une pièce portant le numéro spécifié.

Ref.No	Part No.	Description
RV307	1-238-079-11	RES, VAR, CARBON(MOTOR) 100K/100K (VOLUME)
RV401	1-241-021-11	RES, VAR, SLIDE 250K (100Hz)
RV402	1-241-021-11	RES, VAR, SLIDE 250K (330Hz)
RV403	1-241-021-11	RES, VAR, SLIDE 250K (1KHz)
RV404	1-241-021-11	RES, VAR, SLIDE 250K (3.3KHz)
RV405	1-241-021-11	RES, VAR, SLIDE 250K (10KHz)
RV501	1-228-990-00	RES, ADJ, CARBON 1K
RV601	1-228-990-00	RES, ADJ, CARBON 1K
RY700	1-515-356-00	RELAY
RY901	1-515-617-11	(E)...RELAY
RY901	1-515-701-11	(US, CANADIAN)...RELAY
S1	1-554-303-21	SWITCH, KEY BOARD (PHONO)
S2	1-554-303-21	SWITCH, KEY BOARD (TUNER)
S3	1-554-303-21	SWITCH, KEY BOARD (CD)
S4	1-554-303-21	SWITCH, KEY BOARD (TAPE)
S5	1-554-303-21	SWITCH, KEY BOARD (VIDEO)
S6	1-554-303-21	SWITCH, KEY BOARD (DBFB)
S7	1-554-303-21	SWITCH, KEY BOARD (SYSTEM POWER)
S500	1-571-861-11	SWITCH, ROTARY SLIDE (SPEAKER)
T1	△,1-449-737-11	(E)...TRANSFORMER, POWER
T1	△,1-450-069-11	(CANADIAN)...TRANSFORMER, POWER
T1	△,1-450-070-11	(US)...TRANSFORMER, POWER
T2	△,1-449-993-21	(US, CANADIAN)...TRANSFORMER, POWER
T2	△,1-450-063-11	(E)...TRANSFORMER, POWER
TB502	*1-535-115-00	TERMINAL
TB602	*1-535-115-00	TERMINAL
TB703	*1-508-831-12	H TYPE BASE POST 4P
TB805	*1-535-140-00	(E)...BASE POST 22MM (10MM PITCH) 3P
TB806	*1-535-140-00	(E)...BASE POST 22MM (10MM PITCH) 3P
TB807	*1-535-115-00	(E)...TERMINAL
TB810	*1-535-115-00	(E)...TERMINAL
TM700	1-536-706-00	TERMINAL BOARD (SPEAKER)
VS1	△,1-571-515-11	(E)...SWITCH, POWER VOLTAGE SELECTION (VOLTAGE SELECTOR)
X901	1-577-077-11	OSCILLATOR, CERAMIC (400KHz)

**Note:**  
The components identified by mark △ or dotted line with mark △ are critical for safety. Replace only with part number specified.

**Note:**  
Les composants identifiés par une marque △ sont critiques pour la sécurité. Ne les remplacer que par une pièce portant le numéro spécifié.



# TA-AX301


## SONY<sup>®</sup> SERVICE MANUAL

*US Model  
Canadian Model  
E Model*

### CORRECTION-1

Correct your service manual as shown below.

 : indicates corrected portion.

Page	INCORRECT				CORRECT		
	Ref. No.	Part No.	Description	Remark	Part No.	Description	Remark
18	1	X-4991-213-1	PANEL ASSY, FRONT		 A-4323-704-A	PANEL ASSY, FRONT	

# TA-AX301

## SONY<sup>®</sup> SERVICE MANUAL

US Model  
Canadian Model  
E Model

### CORRECTION-2

Correct your service manual as shown below.

 : indicates corrected portion.

Page	INCORRECT			CORRECT	
	No.	Part No.	Description	Part No.	Description
19, 24	T1	1-449-737-11	(E) TRANSFORMER, POWER	1-449-737-21	(E) TRANSFORMER, POWER
24	T2	1-450-063-11	(E) TRANSFORMER, POWER	1-450-067-11	(E) TRANSFORMER, POWER

Page 14 (Location : O-9)

