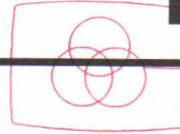


TA-EX100

SERVICE MANUAL



Free service manuals

Gratis schema's

Digitized by

www.freeservicemanuals.info

AEP Model
E Model



TA-EX100 is the amplifier section in MHC-EX100AV.

SPECIFICATIONS

- * Manufactured under license from Dolby Laboratories Licensing Corporation.
DOLBY, the double-D symbol \square and "PRO LOGIC" are trademarks of Dolby Laboratories Licensing Corporation.

DIN power output

FRONT:	50 W + 50 W (6 ohms, at 1 kHz, DIN)
CENTER:	25 W (6 ohms, at 1 kHz, DIN)
REAR:	15 W + 15 W (8 ohms, at 1 kHz, DIN)

Continuous RMS power output

FRONT:	65 W + 65 W (6 ohms, at 1 kHz, 10% THD)
CENTER:	35 W (6 ohms, at 1 kHz, 10% THD)
REAR:	20 W + 20 W (8 ohms, at 1 kHz, 10% THD)

Music power output

FRONT:	95 W + 95 W (6 ohms, at 1 kHz, 10% THD)
CENTER:	45 W (6 ohms, at 1 kHz, 10% THD)
REAR:	25 W + 25 W (8 ohms, at 1 kHz, 10% THD)

Input	Jack type	Sensitivity	Impedance
CD	Phono	450 mV	47 kilohms
MD	Phono	450 mV	47 kilohms
TUNER	Phono	250 mV	47 kilohms
VIDEO1	Phono	250 mV	47 kilohms
VIDEO2	Phono	250 mV	47 kilohms
TAPE	Phono	250 mV	47 kilohms

Output	Jack type	Voltage	Impedance
MD	Phono	250 mV	1 kilohm
VIDEO1	Phono	250 mV	1 kilohm
TAPE	Phono	250 mV	1 kilohm
PHONES	Stereo phone	—	Accepts headphones of 8 ohms or more

MONITOR OUT (phono jack):
1 V_{p-p}/75 ohms

FRONT SPEAKER:
accepts speakers of 6 to 16 ohms

CENTER SPEAKER:
accepts speakers of 6 to 16 ohms

REAR SPEAKER:
accepts speakers of 8 to 16 ohms

Dimensions

Approx. 280 x 125 x 292 mm
(11 1/8 x 5 x 11 1/2 in) (w/h/d)
incl. projecting parts and controls

Mass
Approx. 7.4 kg
(16 lb 6 oz)

General

Power requirements

AEP, German, Italian models:
220-230V AC, 50/60Hz
Other models:
110-120V or 220V-240V AC
adjustable, 50/60Hz

Power consumption

220W (active speakers not included)

Design and specifications are subject to change without notice.

— Continued on next page —

AV AMPLIFIER

SONY®



[TEST MODE]

Press **SYSTEM POWER** button, turn the power on and press **DIS PLAY** and **AUDIO** buttons for two seconds at the same time to enter in the test mode.

See the list below for check of mode and display.

Button	Display(mode)
M.MENU	PRO-LOGIC ON/OFF & MODE setting. The display will change every pressing the button. PHANTOM(ON)→NORMAL→WIDE→ 3CH LOGIC→THROUGH(OFF)
P.FILE	7kHz LPF ON/OFF
PRO LOGIC	B DECODER ON/OFF
M.SOURCE	LEFT (Lch test tone output)
PRESENSE	RIGHT (Rch test tone output)
MEMORY	CENTER (Cch test tone output)
NAME	REAR (Sch test tone output)
KARAOKE PON/MPX	FL & LED all light up

Note:

Turn off the test tone with pressing the **M.MENU** button to change the mode.

Press the corresponded button to each channel to fix each channel of the test tone after the **M.SOURCE** button.

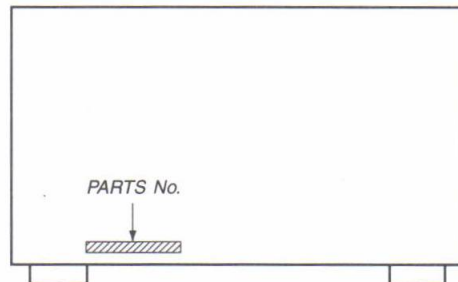
Press the **SYSTEM POWER** button to cancel the test mode.

SAFETY-RELATED COMPONENT WARNING !!

COMPONENTS IDENTIFIED BY MARK Δ OR DOTTED LINE WITH MARK Δ ON THE SCHEMATIC DIAGRAMS AND IN THE PARTS LIST ARE CRITICAL TO SAFE OPERATION. REPLACE THESE COMPONENTS WITH SONY PARTS WHOSE PART NUMBERS APPEAR AS SHOWN IN THIS MANUAL OR IN SUPPLEMENTS PUBLISHED BY SONY.

TABLE OF CONTENTS

SECTION 1. GENERAL	3
SECTION 2. DISASSEMBLY	
2-1. Front Panel Assembly	4
2-2. Audio Board and DSP Board	4
2-3. Main Board	5
2-4. Back Panel Assembly	5
SECTION 3. DIAGRAMS	
3-1. Circuit Boards Location	6
3-2. IC Pin Function	
• IC601 System Control (HD6433927B97F)	7
3-3. Printed Wiring Board — Main Section —	9
3-4. Schematic Diagram — Main Section —	13
3-5. Schematic Diagram — Audio/Panel Section —	18
3-6. Printed Wiring Board — Audio/Panel Section —	23
3-7. Printed Wiring Board — DSP Section —	26
3-8. Schematic Diagram — DSP Section —	29
3-9. IC Block Diagrams — DSP Section —	33
SECTION 4. EXPLODED VIEWS	
4-1. Front Panel Section 1	35
4-2. Front Panel Section 2	36
4-3. Chassis Section	37
SECTION 5. ELECTRICAL PARTS LIST	38

MODEL IDENTIFICATION**— BACK PANEL —**

MODEL	PARTS No.
AEP model	4-978-785-0□
German model	
Italian model	
Singapore model	4-978-785-1□
Hong Kong model	4-978-785-2□

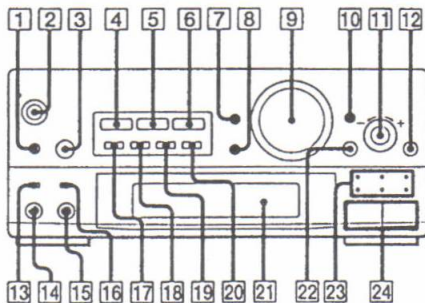
SECTION 1 GENERAL

Free service manuals
Gratis schema's

Digitized by

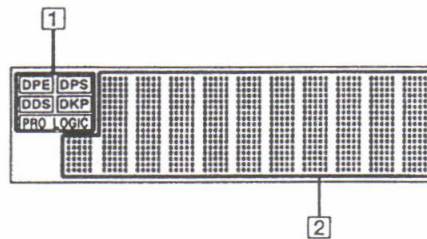
www.freeservicemanuals.info

Front Panel



- 1 Remote sensor
- 2 SYSTEM POWER switch and ON/STANDBY indicator (8)
The indicator remains lit as long as the AC power cord is connected to a wall outlet.
- 3 MIC LEVEL control (33)
- 4 M. MENU button (21)
- 5 P FILE button (26)
- 6 PRO LOGIC button (29, 30)
- 7 SOURCE DIRECT button* (21, 30)
- 8 MUTING button* (21)
- 9 VOLUME control (6, 8, 21, 29, 31, 33)
- 10 CANCEL button (22)
- 11 MULTI CONTROLLER* (21, 23 - 27, 29)
- 12 ENTER button (21, 29)
- 13 DISPLAY button (22)
- 14 PHONES jack (21, 34)
- 15 MIX MIC jack (33, 34)
- 16 KARAOKE PON/MPX button* (33)
- 17 M. EFFECT button* (22)
- 18 PRESENCE button* (24)
- 19 MEMORY button (26)
- 20 NAME button (27)
- 21 Display window (21 - 26)
- 22 NEXT button (23, 25, 26, 29)
- 23 Indicators of the video/audio sources
VIDEO 1 (29)
VIDEO 2 (29)
TAPE
MD
CD (17, 20)
TUNER (20)
- 24 FUNCTION buttons
(17, 20, 29, 30, 33, 34)
VIDEO (29, 33, 34)
AUDIO (17, 20, 30, 33, 34)

Display Window

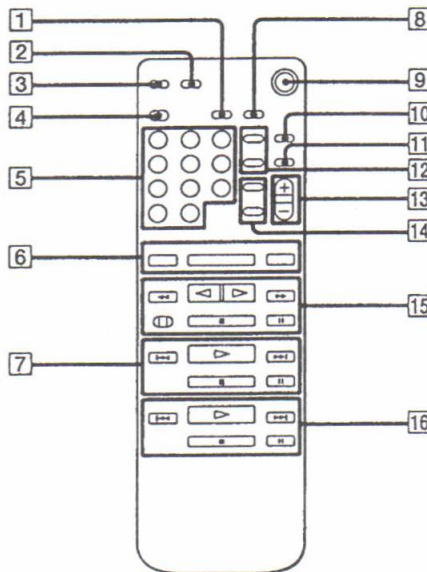


- 1 Audio emphasis indication (23 - 25)
- 2 Amplifier indication (21 - 26)

Remote

For further operation, refer to the pages in parentheses.

Front panel

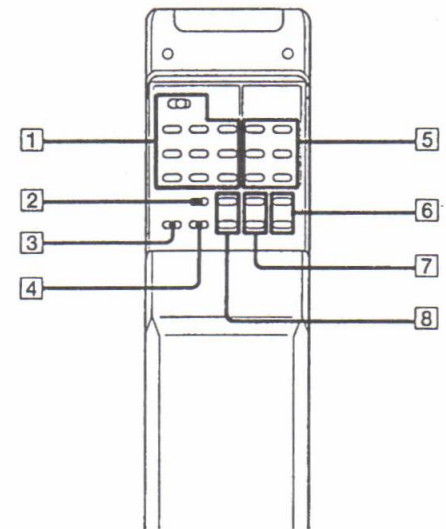


- 1 SOURCE DIRECT button (21, 30)
- 2 SLEEP button (31)
- 3 MUTING button (21)
- 4 CD/AMP/MD selector (9)
- 5 CD/AMP/MD numeric buttons (9)
- 6 Tuner operating buttons (11)
BAND button
+/- buttons
- 7 CD operating buttons
▷ (play) (8)
|| (pause) (8)
■ (stop) (8)
◀◀ / ▶▶ (manual search) (9)

This section is extracted from instruction manual.

- 8 PRO LOGIC button (29, 30)
- 9 SYSTEM POWER switch (8)
- 10 AUDIO FUNCTION button
(17, 20, 30, 33, 34)
- 11 VIDEO FUNCTION button (29, 33, 34)
- 12 M.MENU buttons (22)
- 13 VOLUME (+/-) buttons
(8, 21, 29, 31, 33)
- 14 P FILE buttons (26)
- 15 Tape operating buttons (15)
◀ (reverse side play)
▷ (front side play)
◀◀ (fast leftward and AMS**)
▶▶ (fast rightward and AMS**)
■ (stop)
|| (pause)
DECK A/DECK B switch
**AMS: Automatic Music Sensor
- 16 MD operating buttons
▷ (play)
|| (pause)
■ (stop)
◀◀ / ▶▶ (manual search)

Rear panel

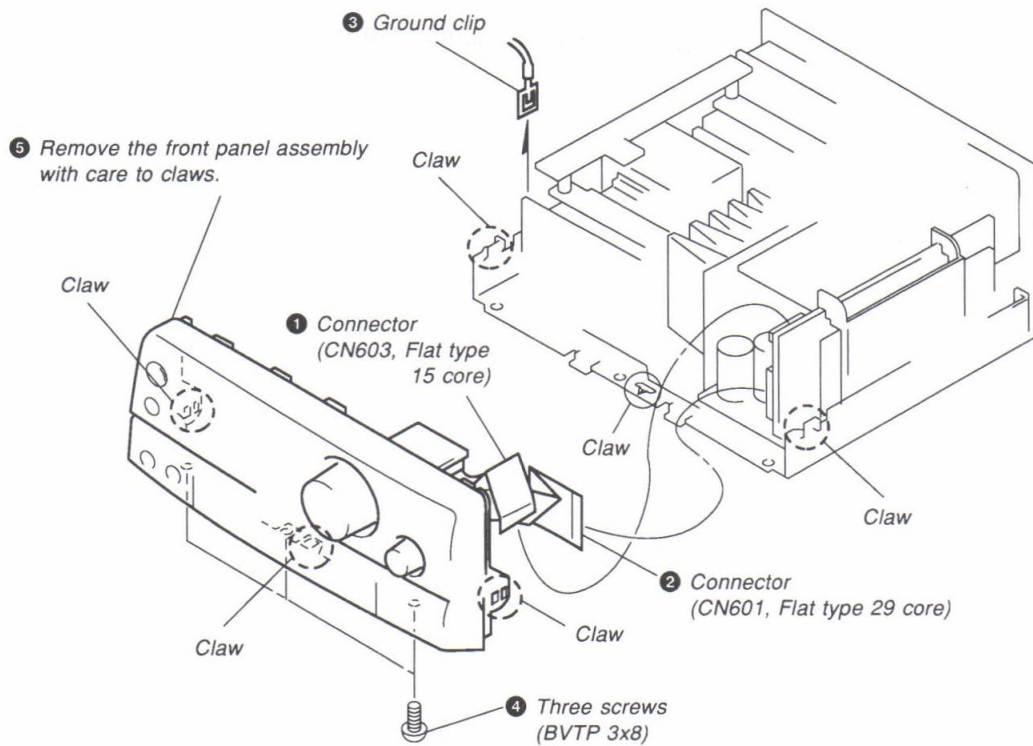


- 1 VCR operating buttons (29)
- 2 PRO LOGIC button (29)
- 3 PRO LOGIC MODE button (29)
- 4 TEST TONE button (29)
- 5 TV operating buttons (29)
- 6 DELAY TIME (+/-) buttons (30)
- 7 REAR LEVEL (+/-) buttons (30, 36)
- 8 CENTER LEVEL (+/-) buttons (30, 36)

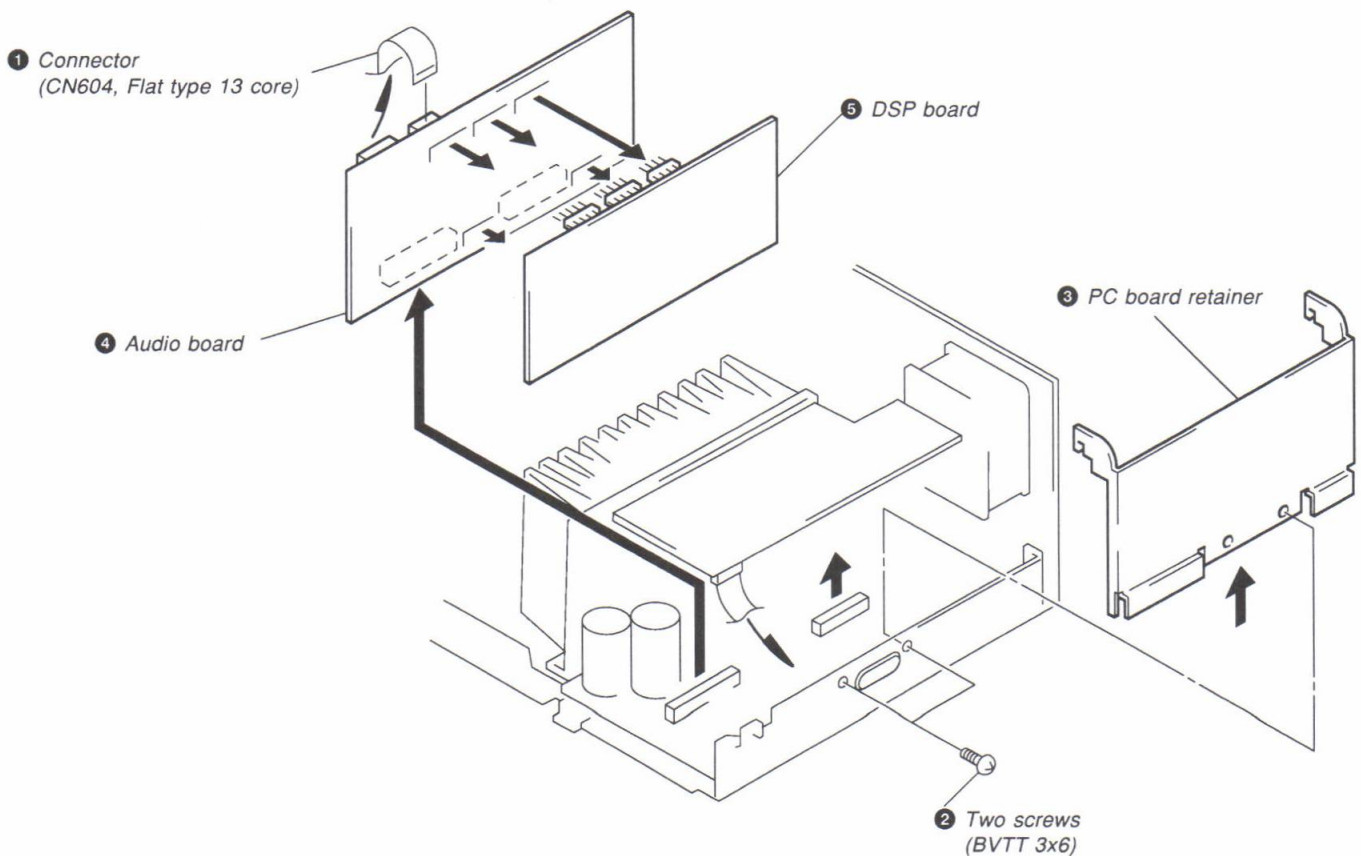
SECTION 2 DISASSEMBLY

Note: Follow the disassembly procedure in the numerical order given.

2-1. FRONT PANEL ASSEMBLY

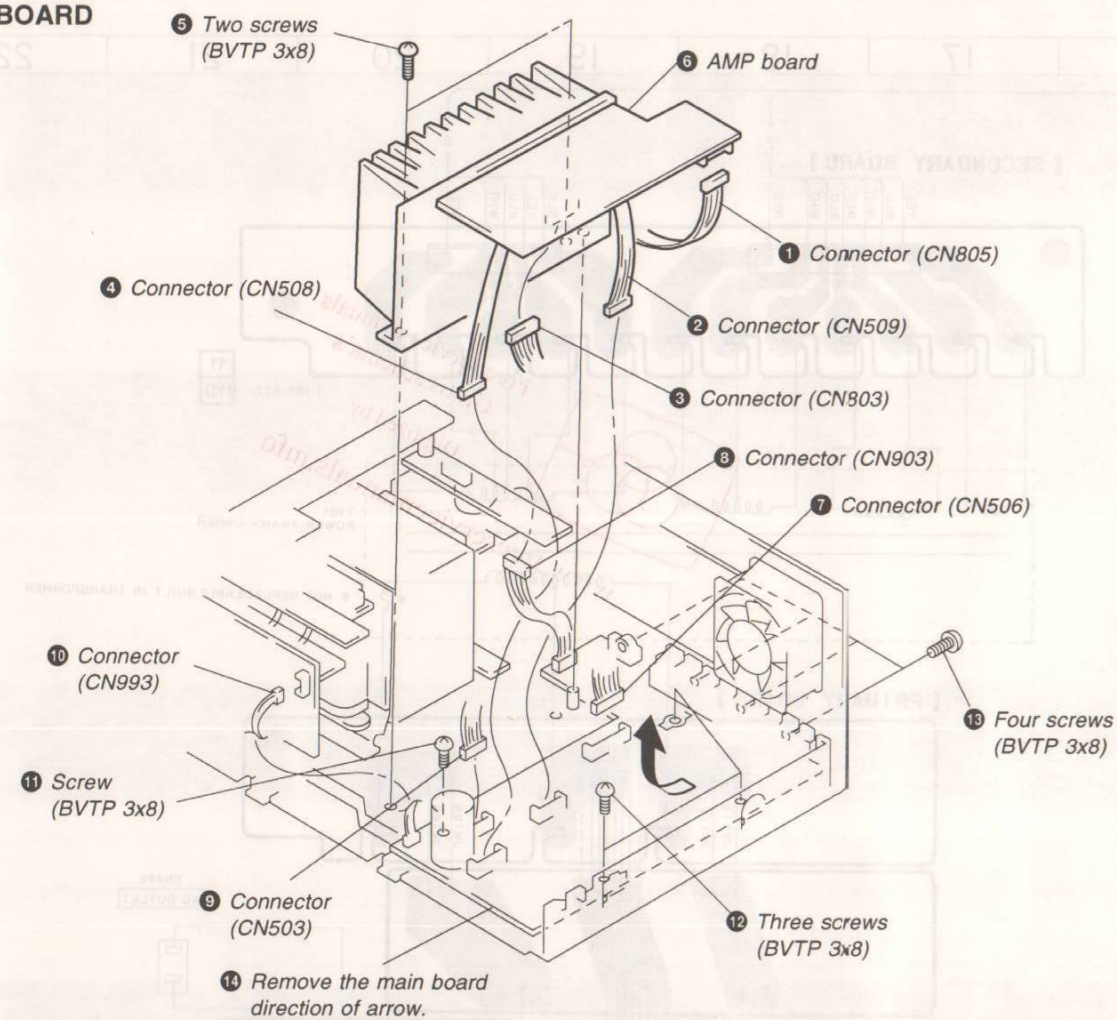


2-2. AUDIO BOARD AND DSP BOARD

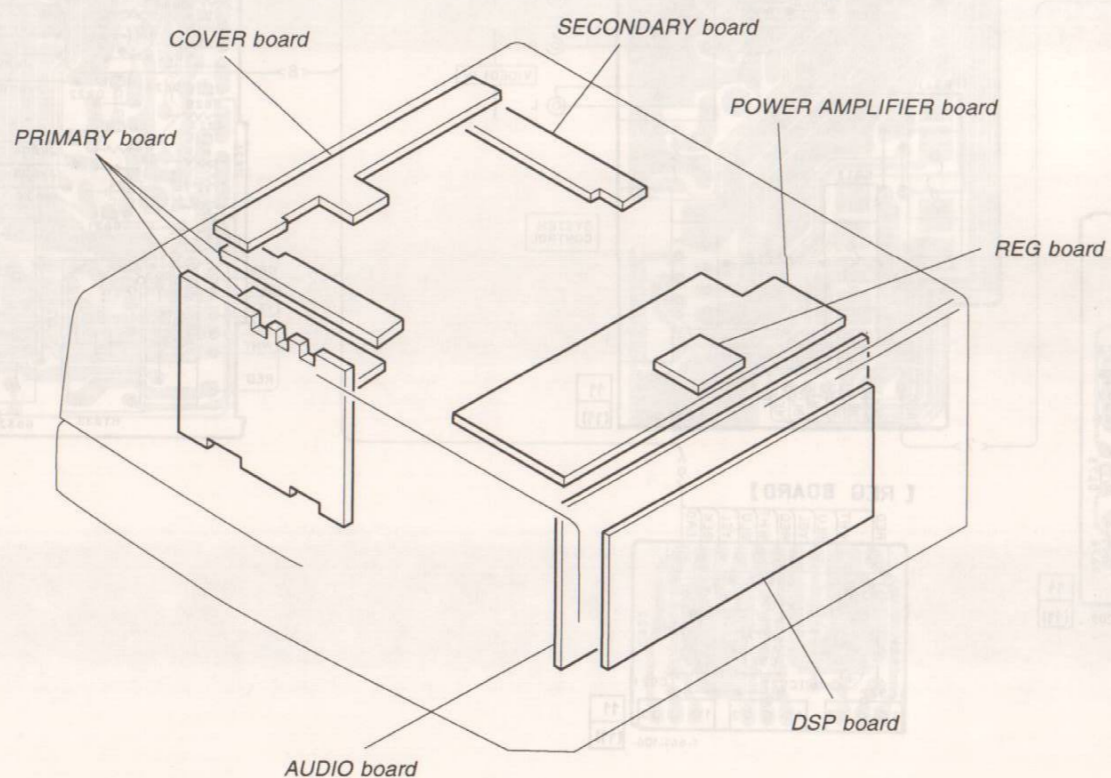
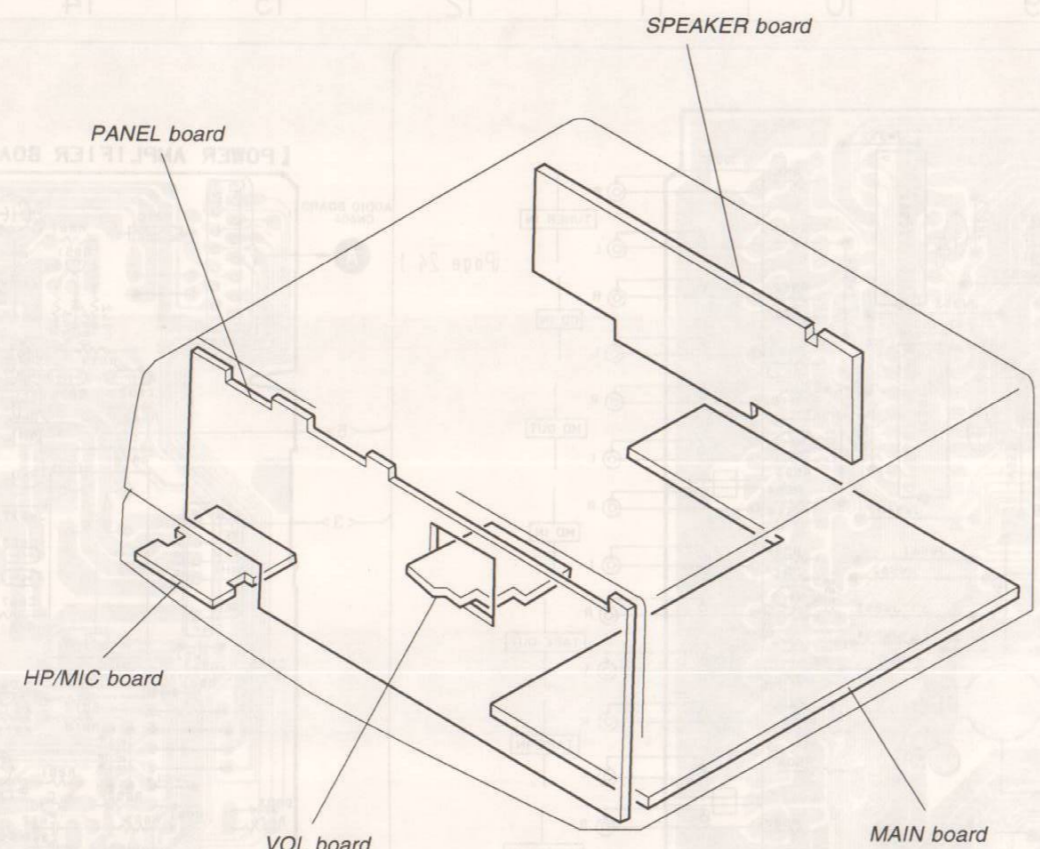


**SECTION 3
DIAGRAMS**

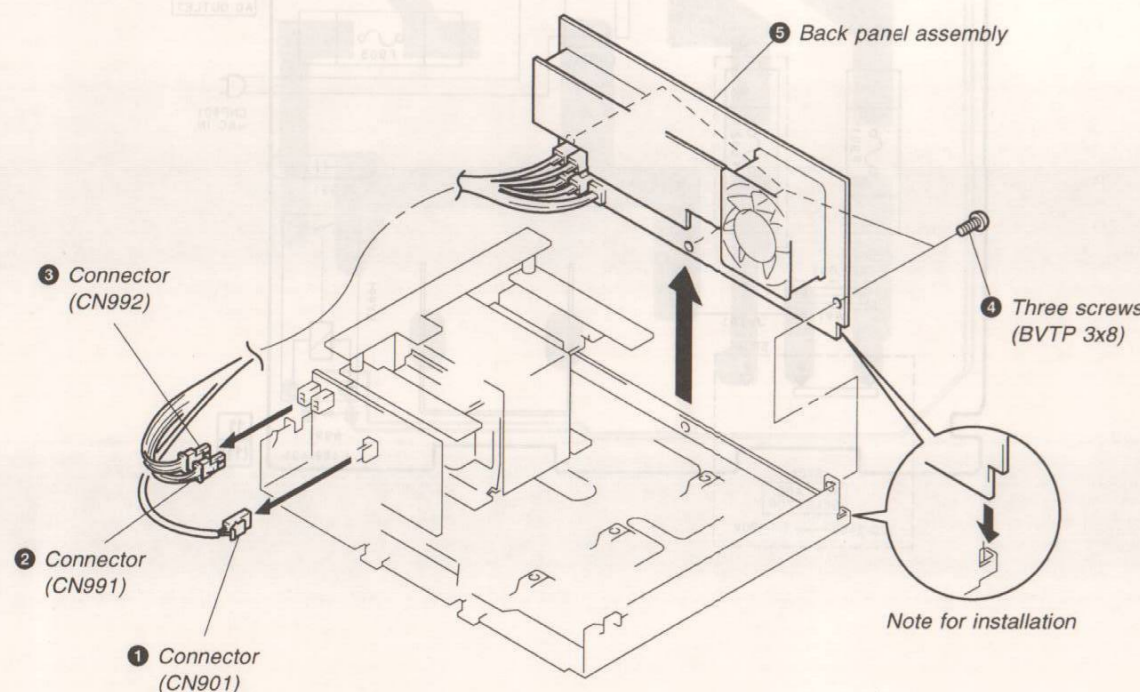
2-3. MAIN BOARD



3-1. CIRCUIT BOARDS LOCATION



2-4. BACK PANEL ASSEMBLY



3-2. IC PIN FUNCTION

• IC601 SYSTEM CONTROL (HD6433927B97F)

Pin No.	Pin Name	I/O	Function
1	VOLUME IN	—	Not used. (Ground)
2 to 4	KEY 0 to KEY 2	I	Key matrix input.
5	AVss	—	Ground
6	TEST	—	Ground
7	X2	—	Not used. (open)
8	X1	—	+5V power supply.
9	Vss	—	Ground
10	OSC 1	I	Clock (10 MHz).
11	OSC 2	O	
12	RESET	I	System reset input.
13	NMI	I	AC OFF detect.
14	POWER	O	Power relay output.
15	SP RELAY	O	Speaker relay output. (power ON/OFF)
16	PROLOGIC RELAY	O	Speaker relay output. (PROLOGIC ON/OFF)
17	DIRECT	O	Speaker relay. (DIRECT)
18	VOL-UP	O	MIC VOL up/down output.
19	VOL-DOWN	O	
20	LINE MUTE	O	LINE mute output. (power OFF "High")
21	-20 dB MUTE	O	-20 dB mute output.
22	—	—	Not used. (open)
23	—	—	Not used. (Ground)
24	SIRCS	I	SIRCS signal input
25	AUB IN	I	Audio bus input.
26	AUB OUT	O	Audio bus output.
27 to 31	—	—	Not used. (Ground)
32	STB	O	LED strobe output.
33	CLK	O	LED clock output.
34	DATA	O	LED serial data output.
35 to 38	—	—	Not used. (Ground)
39	MIC IN	O	Microphone detect control. (mic on "Low")
40	KARAOKE PON	—	Not used. (Ground)
41 to 46	—	—	Not used. (Ground)
47	A FUNC 0	O	Audio function control output.
48	A FUNC 1	O	
49	A FUNC 2	O	
50	V FUNC 0	O	Video function control output.
51	V FUNC 1	O	
52	2DB	O	ATT control.
53	4DB	O	
54	8DB	O	

Pin No.	Pin Name	I/O	Function
55	—	—	Not used. (Ground)
56	CL	O	FL clear output. IC701, 702 control.
57	DATA	O	FL data output. IC701, 702 control.
58	LATCH	O	FL latch output. IC701, 702 control.
59	CLK	O	FL clock output. IC701, 702 control.
60	DATA OUT	O	DSP data output. IC202 control.
61	DATA IN	I	DSP data input. IC202 control.
62	CLK	O	DSP clock output. IC202 control.
63	Vcc	—	+5V power supply.
64	LATCH	O	DSP latch output.
65	NSQCT	O	DSP test data output.
66	READY	I	READY signal input from DSP.
67	INIT	O	DA/AD/DSP IC initial output.
68	ATT	O	DA ATT output.
69	CLK	O	DA clock output.
70	DR LATCH	O	DA rear/center latch output.
71	DF LATCH	O	DA front latch output.
72	AVcc	—	+5V power supply.
73 to 78	—	—	Not used. (Ground)
79	JOG 1	I	JOG A input.
80	JOG 2	I	JOG B input.

• Abbreviation
FL : Fluorescent Indicator Tube

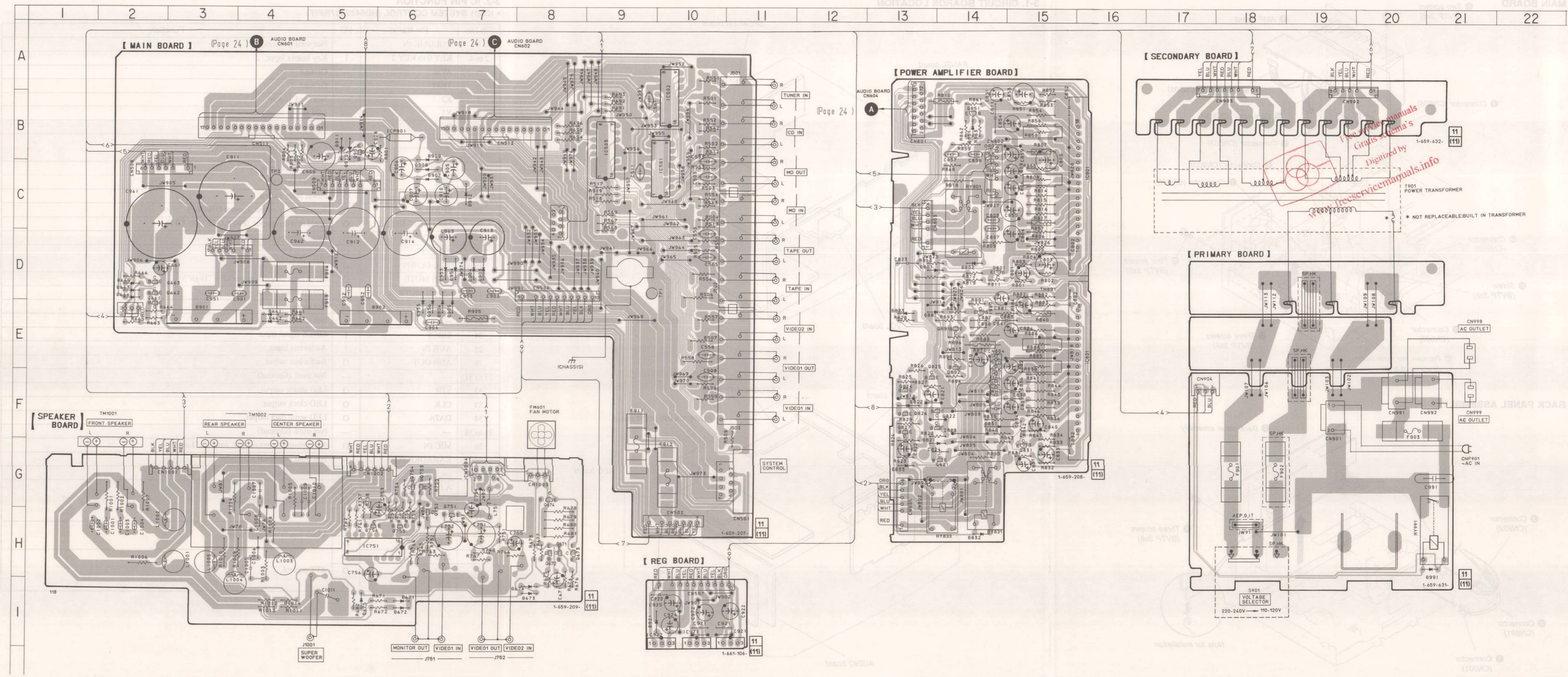
3-3. PRINTED WIRING BOARD — MAIN SECTION —
• See page 6 for Circuit Boards Location.

• Semiconductor Location

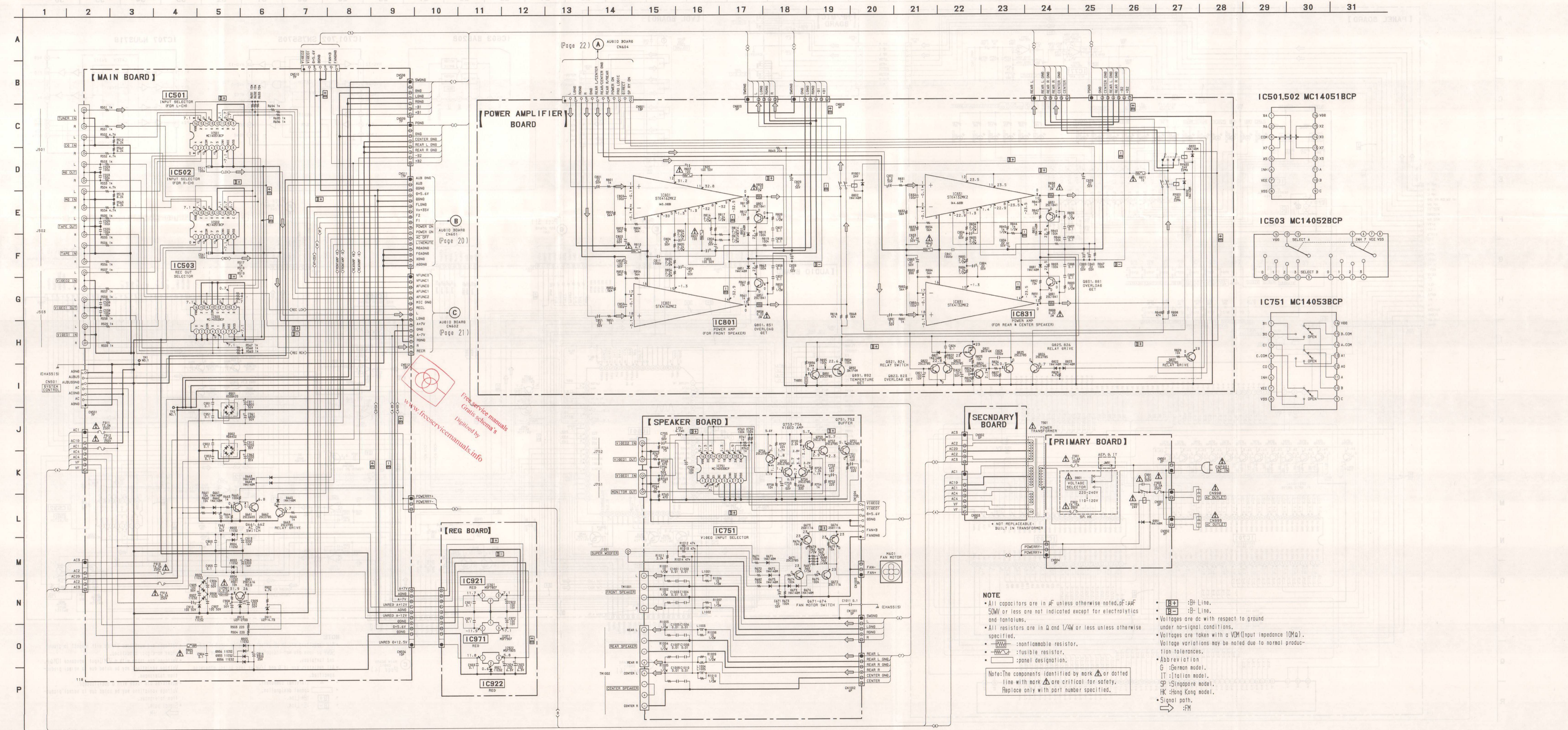
Ref. No.	Location	Ref. No.	Location
D661	E-4	IC501	C-10
D662	E-4	IC502	B-10
D663	D-2	IC503	B-9
D664	D-2	IC751	H-5
D665	D-2	IC801	C-16
D671	I-6	IC831	E-16
D672	I-6	IC921	I-11
D673	I-8	IC922	I-10
D674	I-8	IC971	I-10
D675	I-5		
D801	D-13	Q661	E-2
D802	D-14	Q662	D-2
D821	F-14	Q663	D-2
D822	F-13	Q671	H-8
D823	E-13	Q672	H-8
D831	F-14	Q673	H-8
D832	H-14	Q751	H-7
D833	G-13	Q752	H-6
D851	B-14	Q753	G-6
D881	E-13	Q754	G-6
D901	E-3	Q755	H-6
D902	E-5	Q756	H-6
D903	D-7	Q801	D-14
D904	D-7	Q821	G-14
D905	E-7	Q822	F-14
D906	F-6	Q823	F-14
D907	C-6	Q824	F-13
D908	C-6	Q825	F-13
D909	B-6	Q826	F-13
D910	B-5	Q827	F-13
D911	B-5	Q831	G-15
D912	C-7	Q851	B-14
D921	I-9	Q881	E-14
D953	D-7	Q891	E-14
D954	D-7	Q892	E-14
D955	E-6	Q901	B-5
D956	E-6		
D991	H-15		

Free service manuals
Gratis schema's
Digitized by
www.freeservicemanuals.info

Note:
 • — : parts extracted from the component side.
 • — : parts extracted from the conductor side.
 • — : Pattern from the side which enable seeing.
Abbreviation
 G : German model.
 IT : Italian model.
 HK : Hong Kong model.
 SP : Singapore model.



3-4. SCHEMATIC DIAGRAM - MAIN SECTION - See page 7 for IC Pin Function. (IC601)



Free service manuals
www.free manuals.info
Digitized by
www.free manuals.info

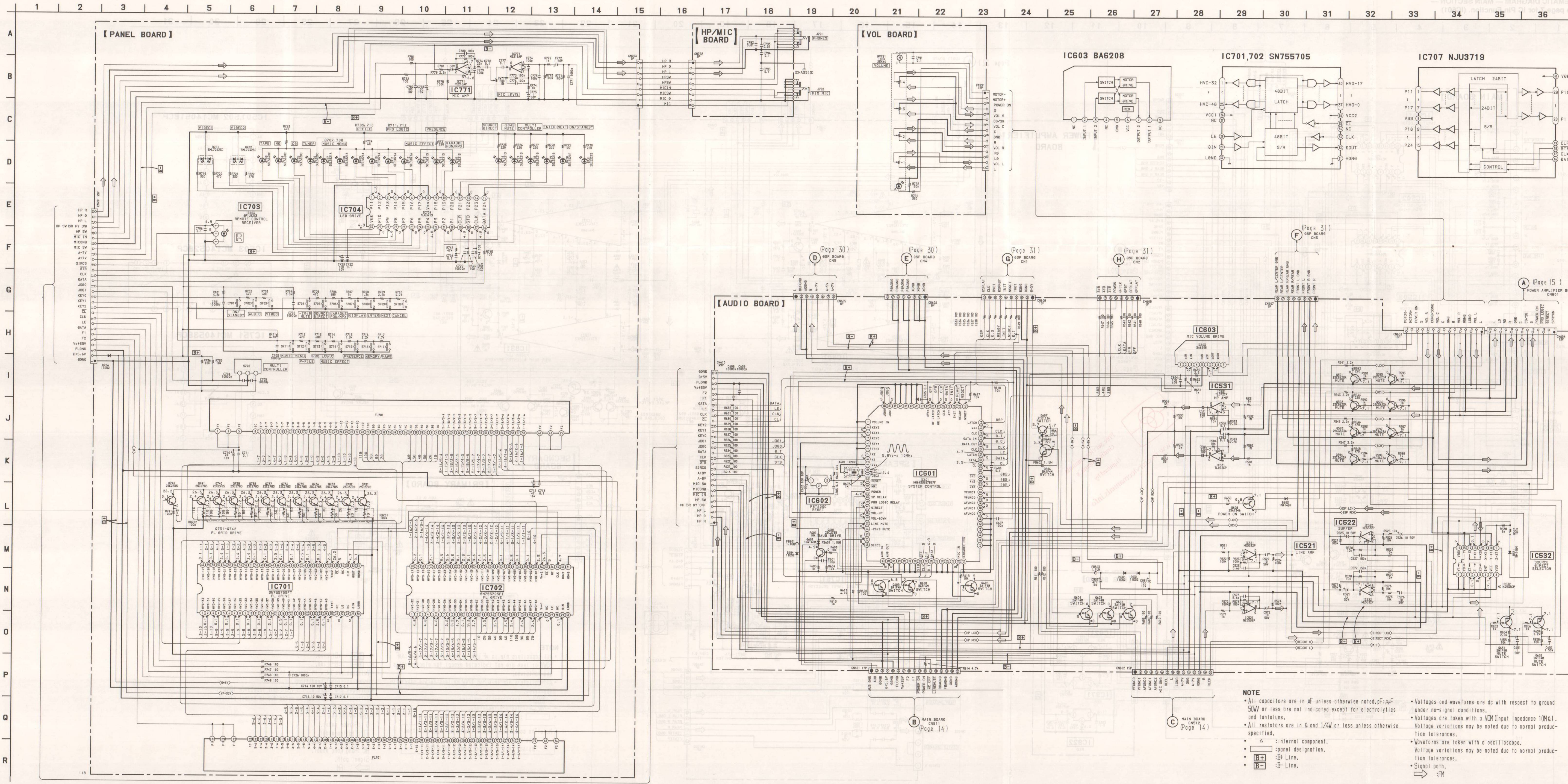
NOTE

- All capacitors are in μF unless otherwise noted. pF: pF, 50W or less are not indicated except for electrolytics and tantalums.
- All resistors are in Ω and $1/4W$ or less unless otherwise specified.
- \square : nonflammable resistor.
- \square : fusible resistor.
- \square : panel designation.

Note: The components identified by mark Δ or dotted line with mark Δ are critical for safety. Replace only with part number specified.

- B+ : +B Line.
- B- : -B Line.
- Voltages are dc with respect to ground under no-signal conditions.
- Voltages are taken with a VOM (input impedance $10M\Omega$). Voltage variations may be noted due to normal production tolerances.
- Abbreviation: G: German model, IT: Italian model, SP: Singapore model, HK: Hong Kong model.
- Signal path.
- \rightarrow : FM

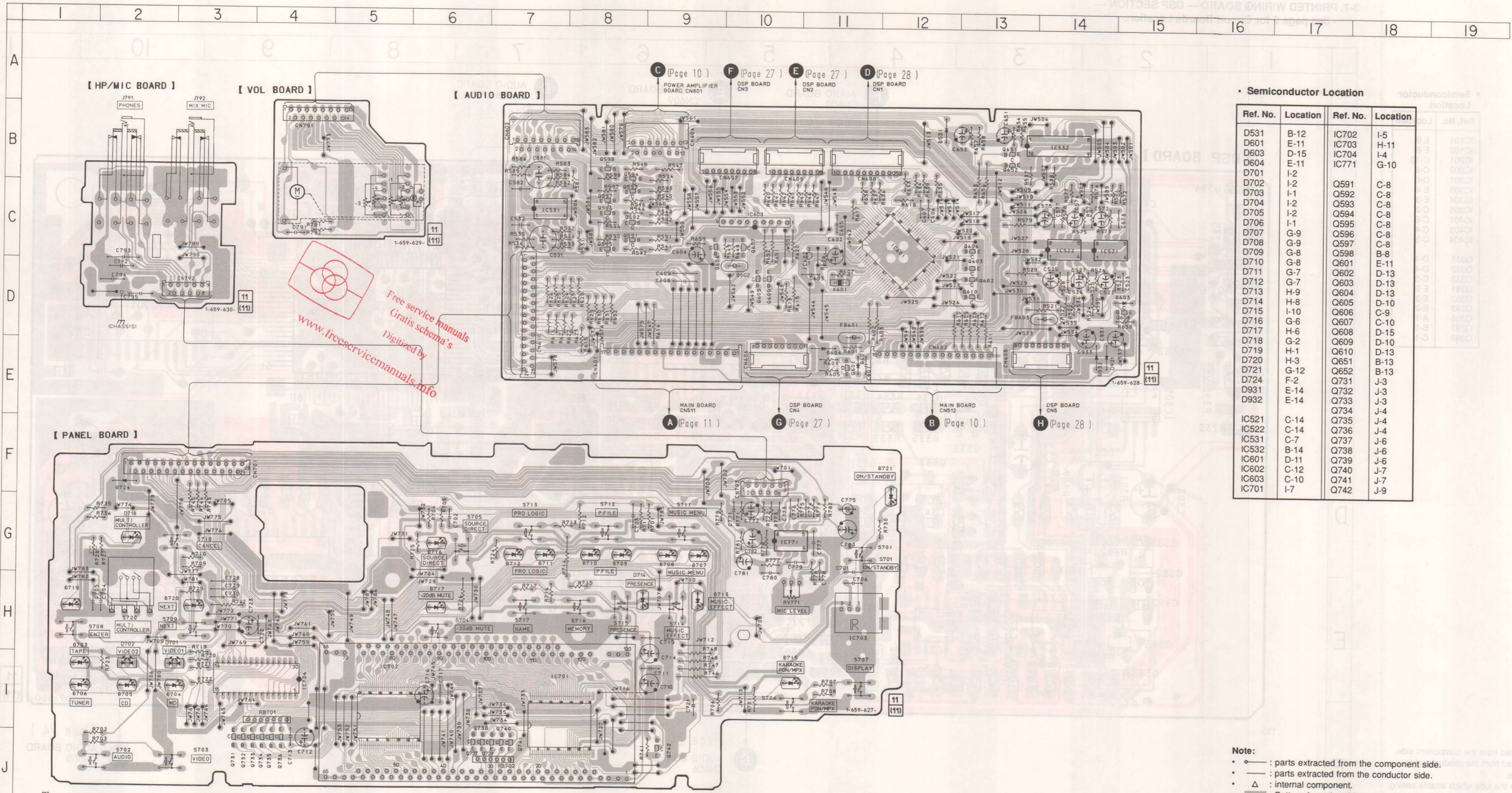
3-5. SCHEMATIC DIAGRAM — AUDIO/PANEL SECTION —



NOTE

- All capacitors are in μF unless otherwise noted, pF: μpF 50W or less are not indicated except for electrolytics and tantalums.
- All resistors are in Ω and $1/4\text{W}$ or less unless otherwise specified.
- Δ : internal component.
- \square : panel designation.
- \square : + Line.
- \square : - Line.
- \rightarrow : signal path.
- \rightarrow : FM

• Voltages and waveforms are dc with respect to ground under no-signal conditions.
 • Voltages are taken with a VOM (input impedance 10M Ω). Voltage variations may be noted due to normal production tolerances.
 • Waveforms are taken with an oscilloscope. Voltage variations may be noted due to normal production tolerances.
 • Signal path.



• Semiconductor Location

Ref. No.	Location	Ref. No.	Location
D531	B-12	IC702	I-5
D601	E-11	IC703	H-11
D603	D-15	IC704	I-4
D604	E-11	IC771	G-10
D701	I-2		
D702	I-2	Q591	C-8
D703	I-1	Q592	C-8
D704	I-2	Q593	C-8
D705	I-2	Q594	C-8
D706	I-1	Q595	C-8
D707	G-9	Q596	C-8
D708	G-9	Q597	C-8
D709	G-8	Q598	B-8
D710	G-8	Q601	E-11
D711	G-7	Q602	D-13
D712	G-7	Q603	D-13
D713	H-9	Q604	D-13
D714	H-8	Q605	D-10
D715	I-10	Q606	C-9
D716	G-6	Q607	C-10
D717	H-6	Q608	D-15
D718	G-2	Q609	D-10
D719	H-1	Q610	D-13
D720	H-3	Q651	B-13
D721	G-12	Q652	B-13
D724	F-2	Q731	J-3
D931	E-14	Q732	J-3
D932	E-14	Q733	J-3
		Q734	J-4
		Q735	J-4
IC522	C-14	Q736	J-4
IC531	C-7	Q737	J-6
IC532	B-14	Q738	J-6
IC601	D-11	Q739	J-6
IC602	C-12	Q740	J-7
IC603	C-10	Q741	J-7
IC701	I-7	Q742	J-9

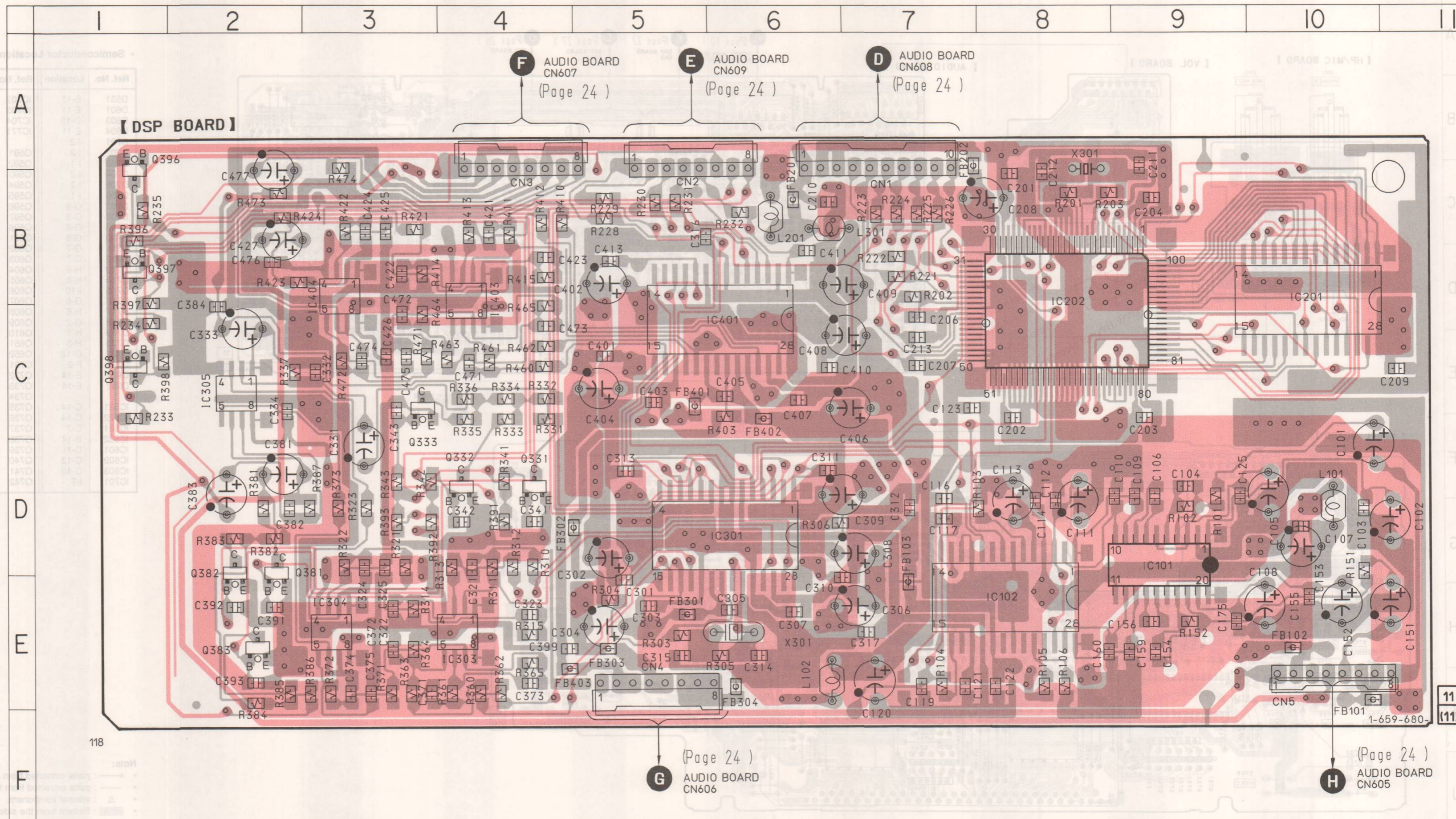
Note:
 • ○ : parts extracted from the component side.
 • — : parts extracted from the conductor side.
 • △ : internal component.
 • ■ : Pattern from the side which enable seeing.

3-7. PRINTED WIRING BOARD — DSP SECTION —

• See page 6 for Circuit Boards Location.

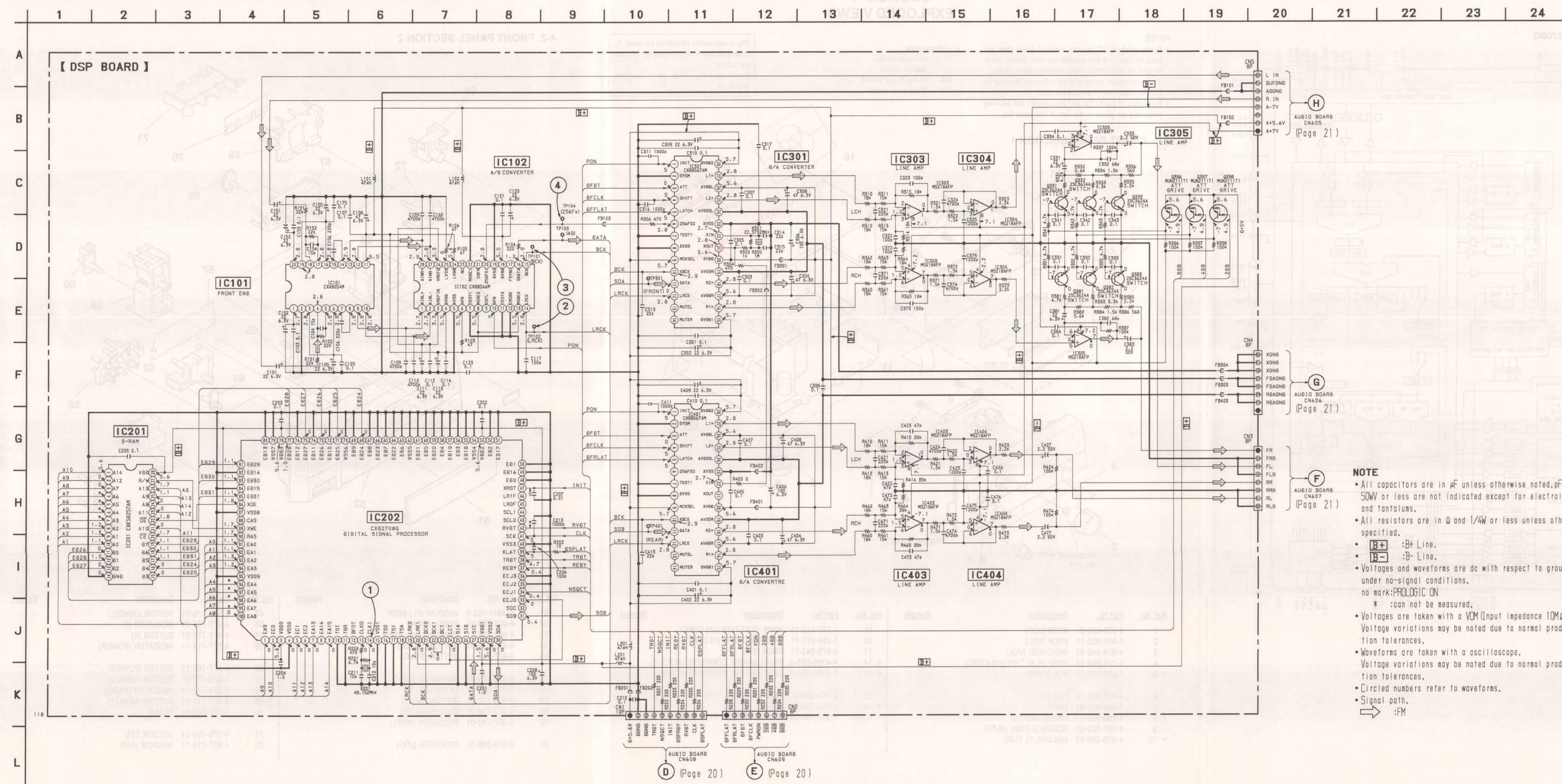
• Semiconductor Location

Ref. No.	Location
IC101	E-9
IC102	E-8
IC201	C-10
IC202	C-8
IC301	D-6
IC303	E-4
IC304	E-3
IC305	C-2
IC401	C-6
IC403	C-4
IC404	C-3
Q331	D-4
Q332	D-4
Q333	C-3
Q381	E-2
Q382	E-3
Q383	E-2
Q396	A-1
Q397	B-1
Q398	C-1

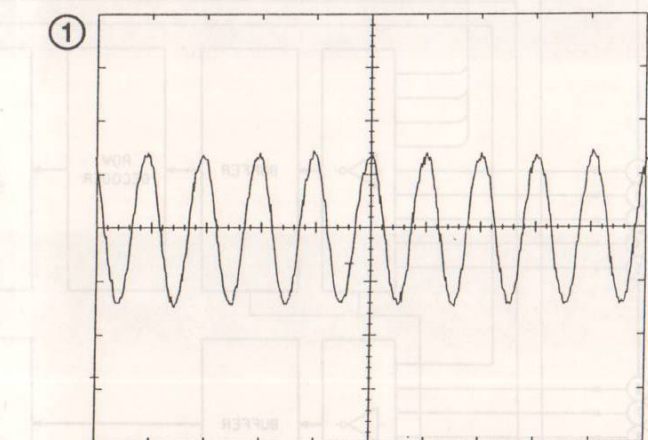


Note:

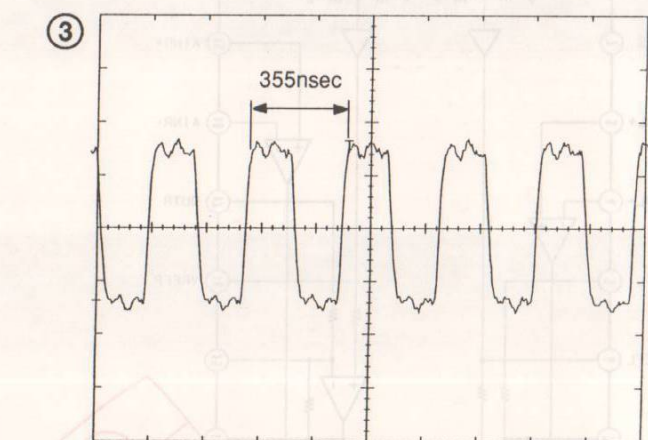
- : parts extracted from the component side.
- : parts extracted from the conductor side.
- ○ : Through hole.
- ○ : Pattern from the side which enable seeing.
- : Pattern of the rear side.



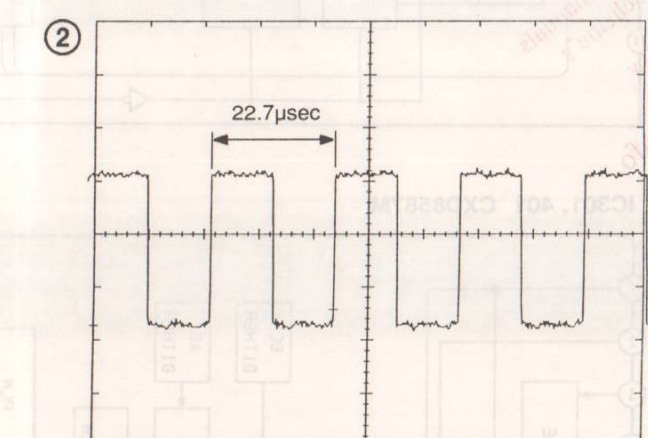
• Waveforms



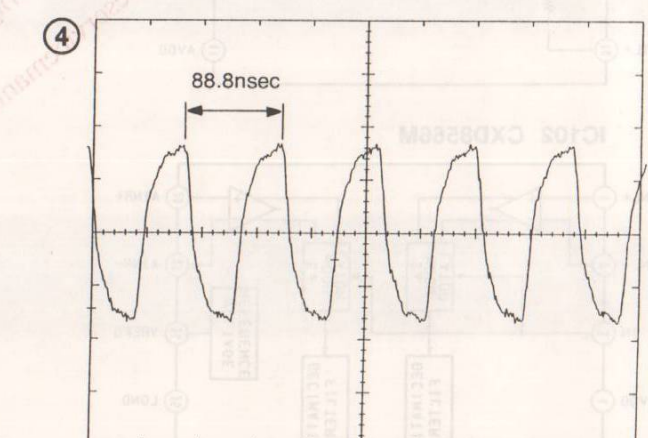
IC202 ⑭ pin 5.0Vp-p 49.152MHz



IC102 ⑮ pin 6.2Vp-p



IC102 ⑭ pin 5.77Vp-p



IC102 ⑳ pin 6.4Vp-p

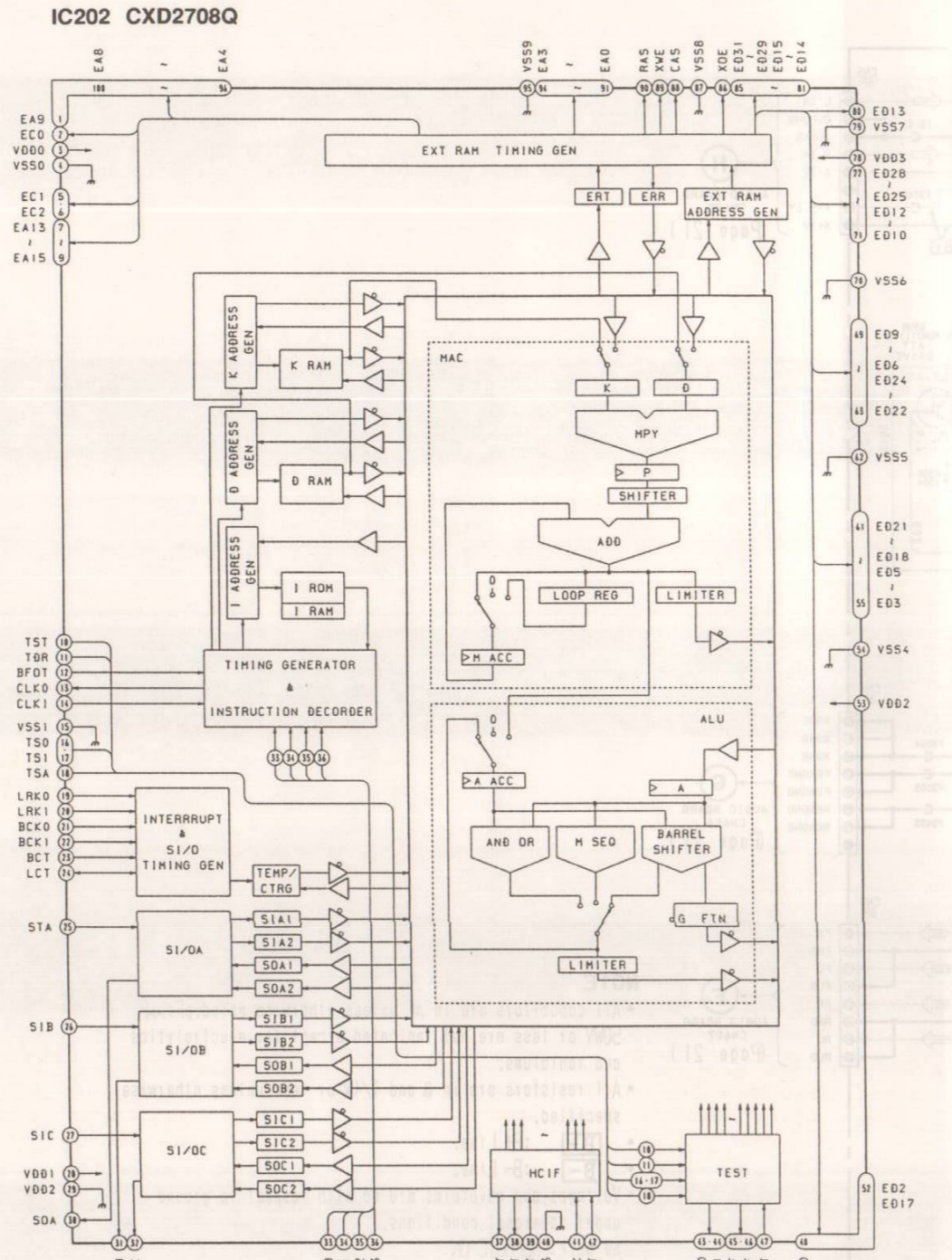
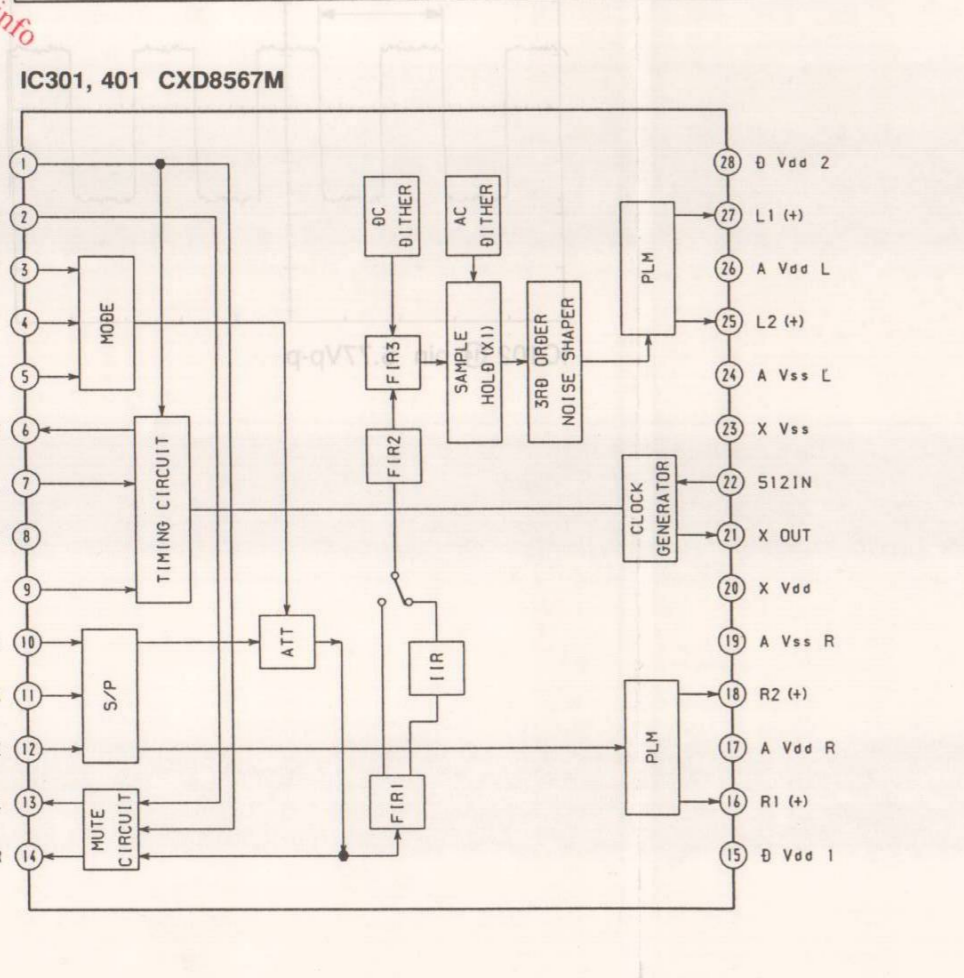
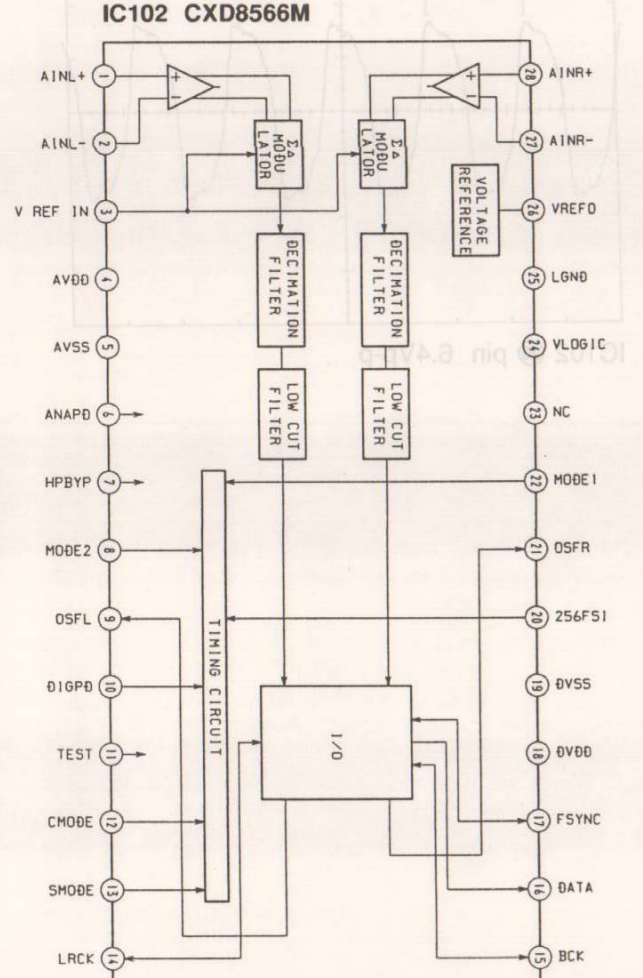
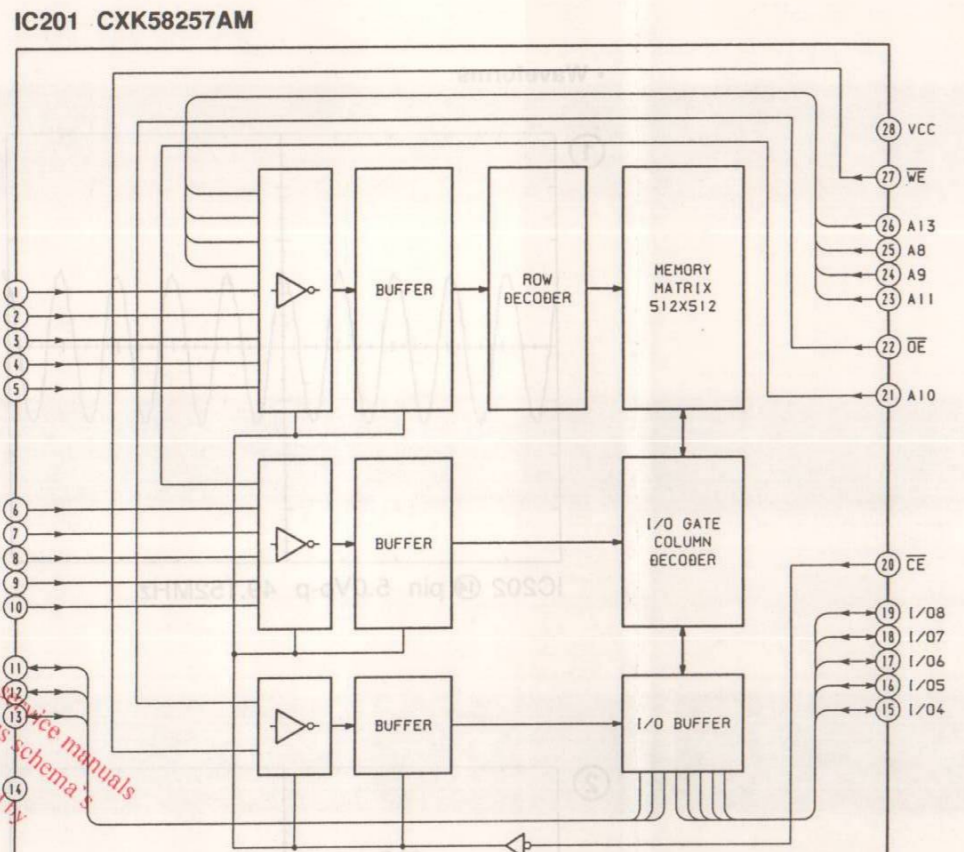
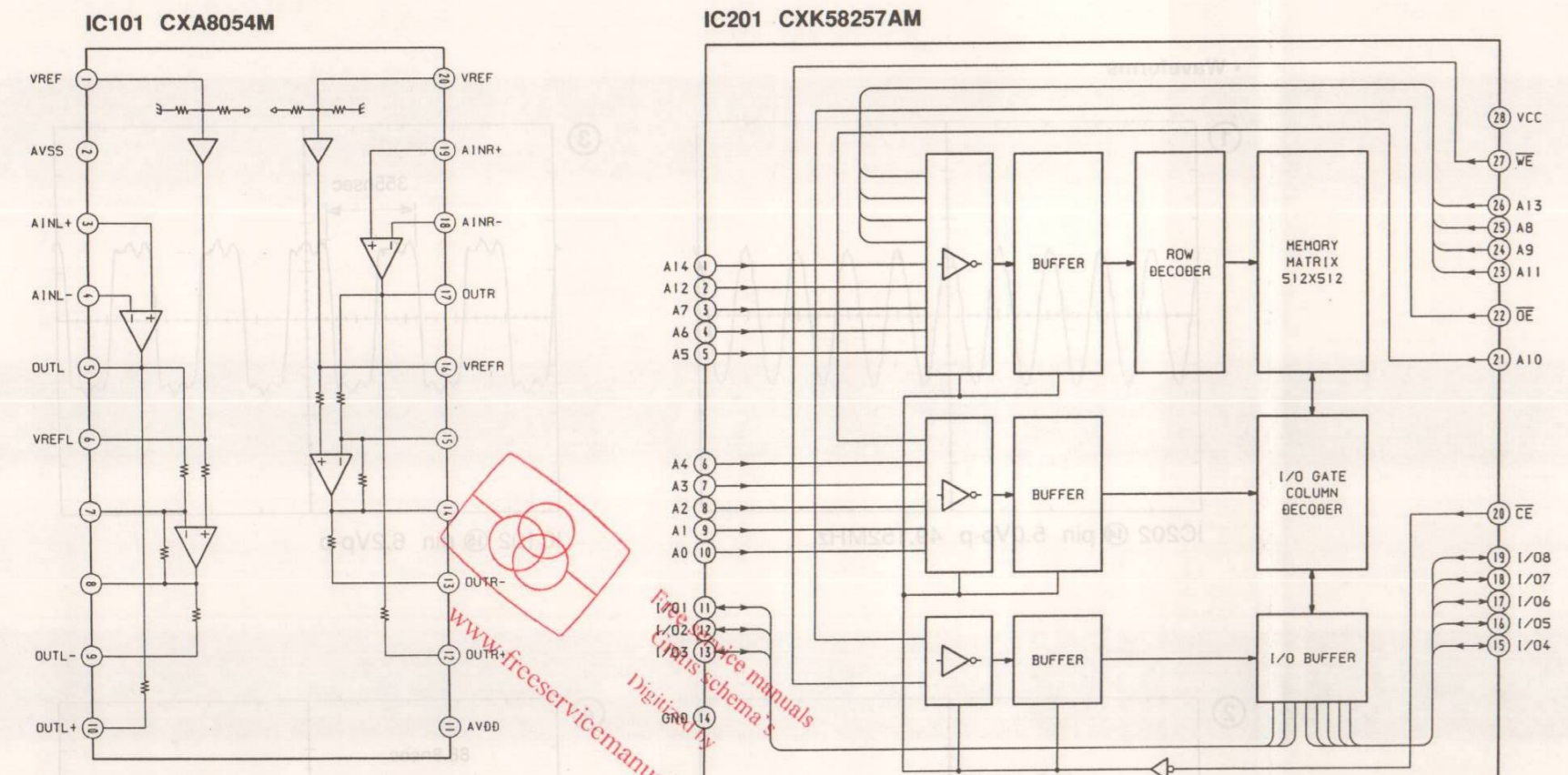
NOTE

- All capacitors are in μF unless otherwise noted, pF: μF 50WV or less are not indicated except for electrolytics and tantalums.
- All resistors are in Ω and $1/4\text{W}$ or less unless otherwise specified.
- **B+** :B+ Line.
- **B-** :B- Line.
- Voltages and waveforms are dc with respect to ground under no-signal conditions.
- no mark: PROLOGIC ON
- * : can not be measured.
- Voltages are taken with a VOM (Input impedance 10M Ω). Voltage variations may be noted due to normal production tolerances.
- Waveforms are taken with a oscilloscope. Voltage variations may be noted due to normal production tolerances.
- Circled numbers refer to waveforms.
- Signal path.

➔ :FM

SECTION 4 EXPLODED VIEWS

3-9. IC BLOCK DIAGRAMS — DSP SECTION —



NOTE:

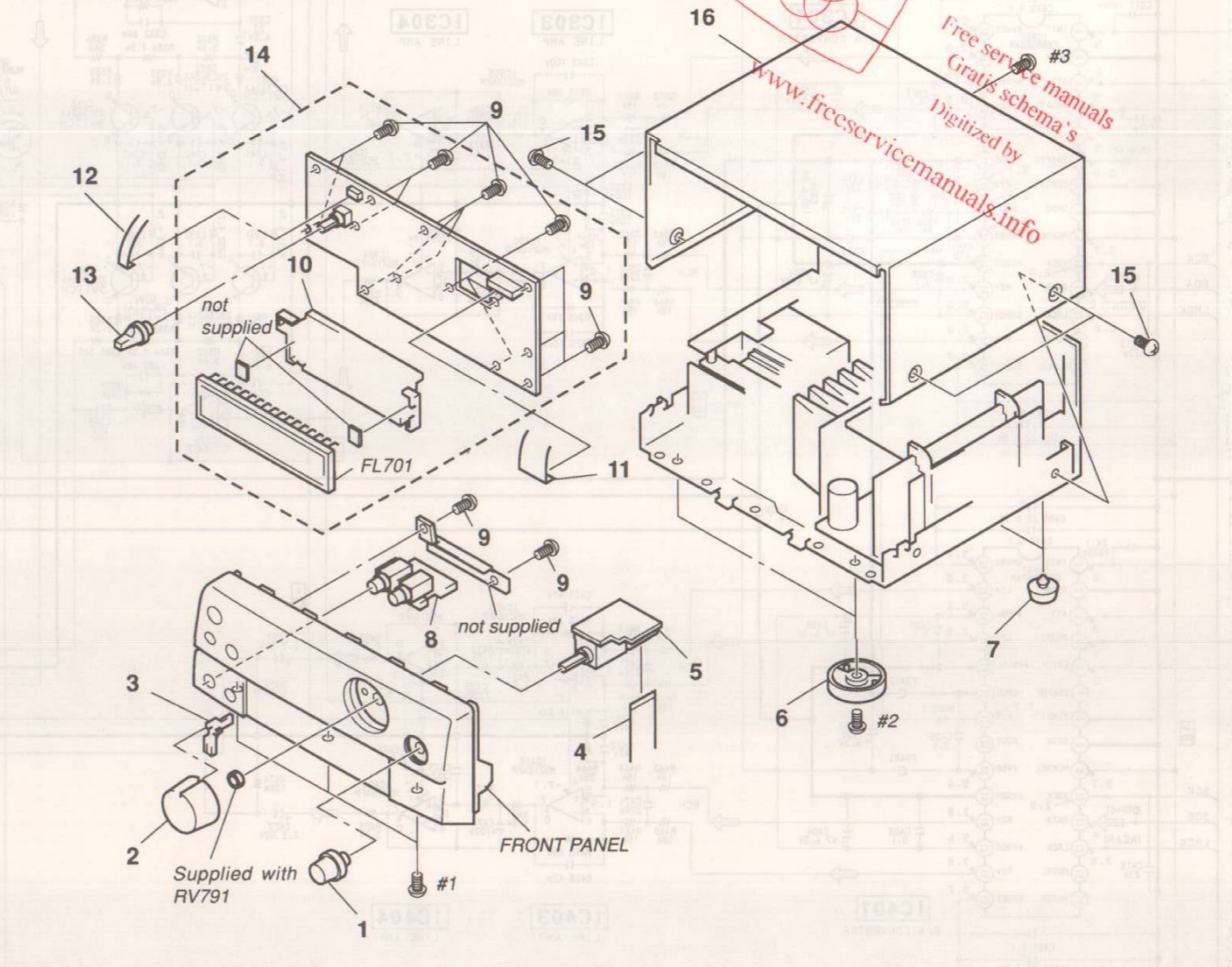
- Items marked "*" are not stocked since they are seldom required for routine service. Some delay should be anticipated when ordering these items.
- The mechanical parts with no reference number in the exploded views are not supplied.
- Hardware (# mark) list and accessories and packing materials are given in the last of this parts list.

Abbreviation:

- G : German model
- IT : Italian model
- HK : Hong Kong model
- SP : Singapore model

The components identified by mark Δ or dotted line with mark Δ are critical for safety. Replace only with part number specified.

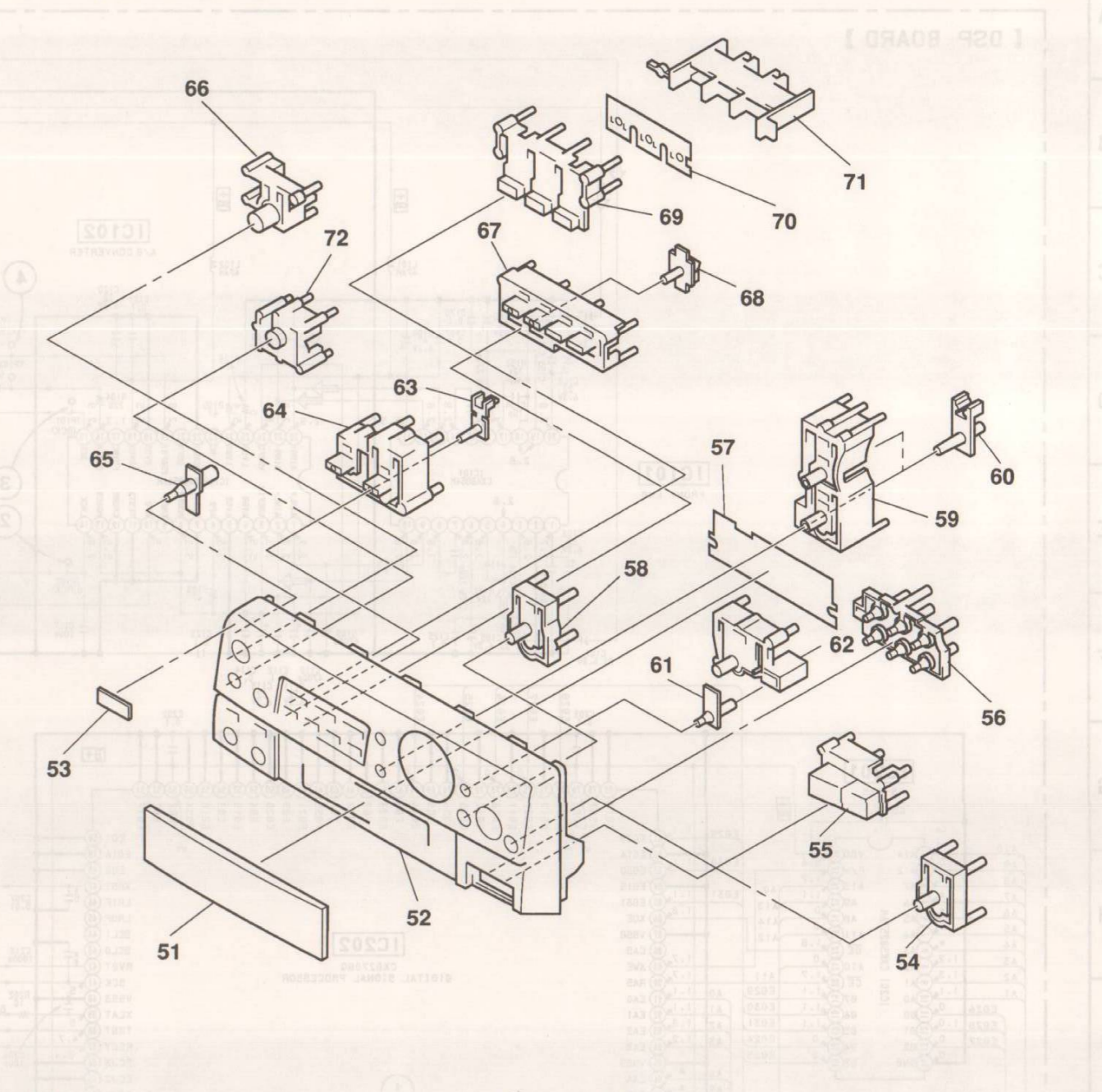
4-1. FRONT PANEL SECTION 1



Ref. No.	Part No.	Description	Remark
1	4-979-623-01	KNOB (JOG)	
2	4-970-955-11	KNOB (VOL)	
3	4-979-349-01	INDICATOR (VOL)	
4	1-773-004-11	WIRE (FLAT TYPE)(15 CORE)	
* 5	1-659-629-11	VOL BOARD	
6	4-977-699-11	LEG (F)	
7	4-965-822-01	FOOT	
* 8	1-659-630-11	HP/MIC BOARD	
9	4-951-620-01	SCREW (2.5X8), +BVTP	
* 10	4-979-266-01	HOLDER, FL TUBE	

Ref. No.	Part No.	Description	Remark
11	1-777-115-11	WIRE (FLAT TYPE)(29 CORE)	
12	1-769-910-11	WIRE (FLAT TYPE)(9 CORE)	
13	4-973-043-31	KNOB (KR)	
* 14	A-4389-083-A	PANEL BOARD, COMPLETE (AEP,G,IT)	
* 14	A-4389-094-A	PANEL BOARD, COMPLETE (SPHK)	
15	3-363-099-01	SCREW (CASE 3 TP2)	
* 16	4-980-744-61	CASE	
FL701	1-517-494-11	INDICATOR TUBE, FLUORESCENT	

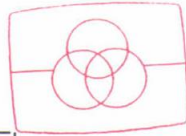
4-2. FRONT PANEL SECTION 2



Ref. No.	Part No.	Description	Remark
51	X-4947-103-1	WINDOW (FL) ASSY	
52	4-978-769-01	PANEL, FRONT	
53	4-962-708-11	EMBLEM (4-A), SONY	
54	4-978-778-01	BUTTON (ENTER)	
55	4-977-739-11	BUTTON (FUNC)	
56	4-978-779-01	INDICATOR (FUNC)	
57	4-979-352-11	FILTER (CD)	
58	4-978-777-01	BUTTON (NEXT)	
59	4-977-736-21	BUTTON (MUTE)	
60	4-977-740-01	INDICATOR (MUTE)	
61	4-979-596-01	INDICATOR (JOG)	

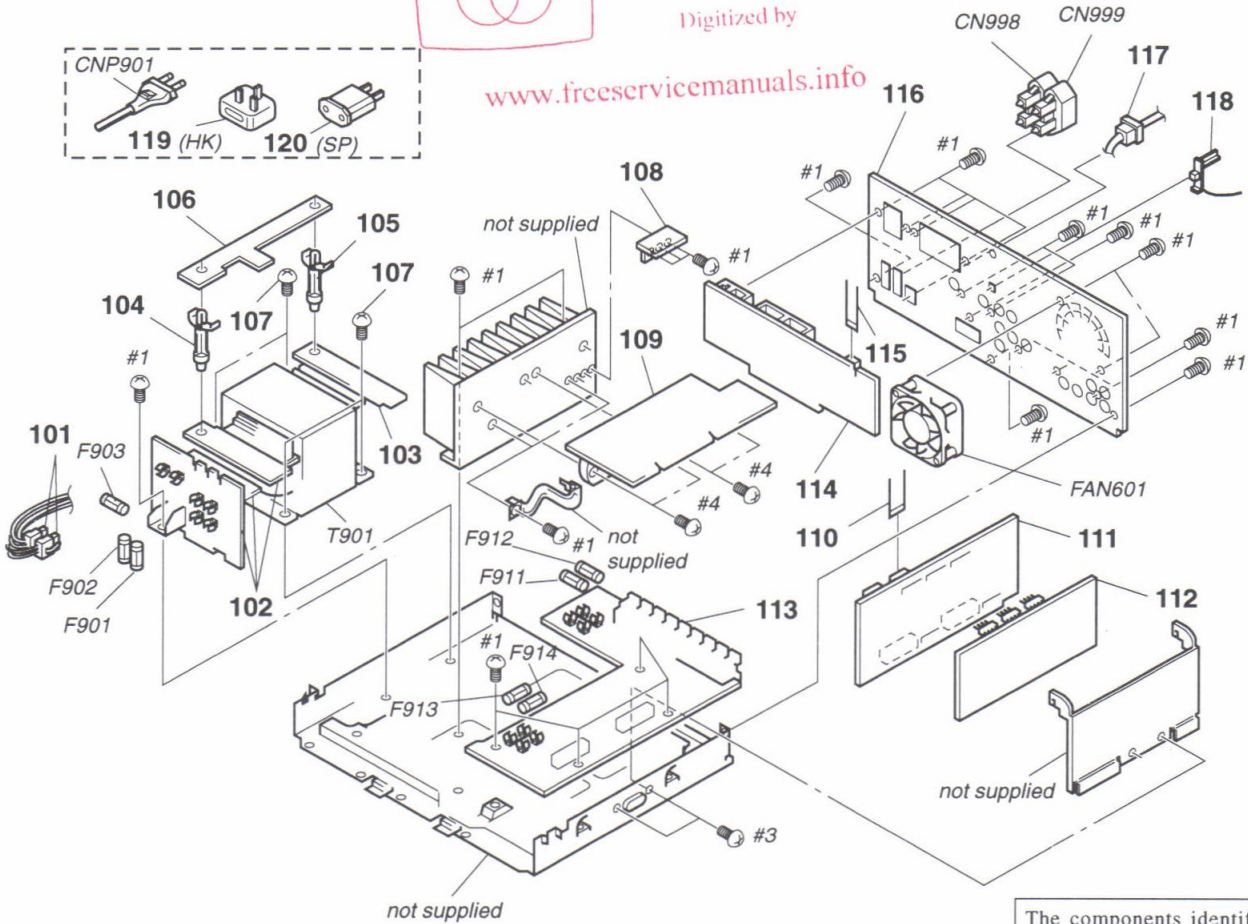
Ref. No.	Part No.	Description	Remark
62	4-978-776-01	BUTTON (CANCEL)	
63	4-978-774-01	INDICATOR (K)	
64	4-978-770-01	BUTTON (K)	
65	4-977-712-11	INDICATOR (POWER)	
66	4-977-708-11	BUTTON (POWER)	
67	4-978-772-01	BUTTON (MENU 2)	
68	4-978-773-01	INDICATOR (MENU)	
69	4-978-771-01	BUTTON (MENU 1)	
70	4-979-342-01	FILTER	
71	4-978-780-01	HOLDER, LED	
72	4-977-715-11	WINDOW (RM)	

4-3. CHASSIS SECTION



Free service manuals
Gratis schema's
Digitized by

www.freeservicemanuals.info



The components identified by mark Δ or dotted line with mark Δ are critical for safety. Replace only with part number specified.

Ref. No.	Part No.	Description	Remark
* 101	1-776-530-11	CORD (WITH CONNECTOR)	
* 102	1-659-631-11	PRIMARY BOARD	
* 103	1-659-632-11	SECONDARY BOARD	
* 104	4-924-098-31	HOLDER, PC BOARD	
* 105	4-924-098-01	HOLDER, PC BOARD	
* 106	1-659-633-11	COVER BOARD	
107	4-381-962-11	SCREW +BVTT 4X8 (S)	
* 108	1-661-106-11	REG BOARD	
* 109	A-4389-091-A	POWER AMPLIFIER BOARD, COMPLETE	(AEP,G,IT)
* 109	A-4389-100-A	POWER AMPLIFIER BOARD, COMPLETE (SP,HK)	
110	1-769-972-11	WIRE (FLAT TYPE)(13 CORE)	
* 111	A-4389-084-A	AUDIO BOARD, COMPLETE (AEP,G,IT)	
* 111	A-4389-095-A	AUDIO BOARD, COMPLETE (SP,HK)	
* 112	A-4389-093-A	DSP BOARD, COMPLETE	
* 113	A-4389-090-A	MAIN BOARD, COMPLETE (AEP,G,IT)	
* 113	A-4389-099-A	MAIN BOARD, COMPLETE (SP,HK)	
* 114	A-4389-092-A	SPEAKER BOARD, COMPLETE (AEP,G,IT)	
* 114	A-4389-101-A	SPEAKER BOARD, COMPLETE (SP,HK)	
115	1-769-882-11	WIRE (FLAT TYPE)(7 CORE)	
* 116	4-978-785-01	PANEL, BACK (AEP,G,IT)	

Ref. No.	Part No.	Description	Remark
* 116	4-978-785-11	PANEL, BACK (SP)	
* 116	4-978-785-21	PANEL, BACK (HK)	
* 117	3-703-244-00	BUSHING (2104), CORD	
118	4-956-370-02	BAND, PLUG FIXED (HK)	
119	1-770-019-11	ADAPTOR, CONVERSION PLUG 3P (HK)	
120	1-569-008-11	ADAPTER, CONVERSION 2P (SP)	
Δ CN998	1-526-794-11	OUTLET, AC	
Δ CN999	1-526-794-11	OUTLET, AC	
Δ CNP901	1-575-651-11	CORD, POWER	
Δ F901	1-532-503-51	FUSE, TIME LAG (1.6A, 250V)	
Δ F902	1-532-465-51	FUSE, TIME LAG (3.15A, 250V)(SP,HK)	
Δ F903	1-532-464-51	FUSE, TIME LAG (2.5A, 250V)	
Δ F911	1-532-388-51	FUSE, TIME LAG (2A, 250V)	
Δ F912	1-532-388-51	FUSE, TIME LAG (2A, 250V)	
Δ F913	1-532-506-51	FUSE, TIME LAG (6.3A, 250V)	
Δ F914	1-532-506-51	FUSE, TIME LAG (6.3A, 250V)	
FAN601	1-698-209-11	MOTOR, DC FAN	
Δ T901	1-429-409-11	TRANSFORMER, POWER (AEP,G,IT)	
Δ T901	1-429-410-11	TRANSFORMER, POWER (SP,HK)	

AUDIO**SECTION 5
ELECTRICAL PARTS LIST****Note:**

The components identified by mark Δ or dotted line with mark Δ are critical for safety.
Replace only with part number specified.

When indicating parts by reference number, please include the board name.

- Due to standardization, replacements in the parts list may be different from the parts specified in the diagrams or the components used on the set.
- -XX, -X mean standardized parts, so they may have some difference from the original one.
- Items marked "*" are not stocked since they are seldom required for routine service. Some delay should be anticipated when ordering these items.
- RESISTORS
All resistors are in ohms
METAL: Metal-film resistor
METAL OXIDE: Metal Oxide-film resistor
F : nonflammable
- SEMICONDUCTORS
In each case, μ : μ , for example:
 $\mu A...$: $\mu A...$, $\mu PA...$: $\mu PA...$, $\mu PB...$: $\mu PB...$,
 $\mu PC...$: $\mu PC...$, $\mu PD...$: $\mu PD...$
- CAPACITORS
 μF : μF
- COILS
 μH : μH
- Abbreviation
G : German model
IT : Italian model
HK : Hong Kong model
SP : Singapore model

Ref. No.	Part No.	Description	Remark	Ref. No.	Part No.	Description	Remark
*	A-4389-084-A	AUDIO BOARD, COMPLETE(AEP,G,IT) *****		* CN606	1-565-321-11	SOCKET, CONNECTOR (PC BOARD)8P	
*	A-4389-095-A	AUDIO BOARD, COMPLETE(SP,HK) *****		* CN607	1-565-321-11	SOCKET, CONNECTOR (PC BOARD)8P	
		< CAPACITOR >		* CN608	1-691-244-11	SOCKET, CONNECTOR 10P	
C522	1-126-059-11	ELECT	10uF 20% 50V	* CN609	1-565-321-11	SOCKET, CONNECTOR (PC BOARD)8P	
C523	1-162-196-31	CERAMIC	5.6PF 10% 50V	* CN610	1-568-844-11	SOCKET, CONNECTOR 29P	
C525	1-126-059-11	ELECT	10uF 20% 50V			< DIODE >	
C526	1-126-059-11	ELECT	10uF 20% 50V	D531	8-719-987-63	DIODE 1N4148M	
C527	1-162-284-31	CERAMIC	150PF 10% 50V	D601	8-719-987-63	DIODE 1N4148M	
C531	1-115-499-11	ELECT	220uF 20% 10V	D603	8-719-987-63	DIODE 1N4148M	
C532	1-164-159-11	CERAMIC	0.1uF 50V	D604	8-719-024-99	DIODE 11ES2-NTA2B	
C572	1-126-059-11	ELECT	10uF 20% 50V	D931	8-719-024-99	DIODE 11ES2-NTA2B	
C573	1-162-196-31	CERAMIC	5.6PF 10% 50V	D932	8-719-024-99	DIODE 11ES2-NTA2B	
C575	1-126-059-11	ELECT	10uF 20% 50V			< FERRITE BEAD >	
C576	1-126-059-11	ELECT	10uF 20% 50V	FB601	1-410-397-21	FERRITE BEAD INDUCTOR	
C577	1-162-284-31	CERAMIC	150PF 10% 50V	FB602	1-410-397-21	FERRITE BEAD INDUCTOR	
C581	1-115-499-11	ELECT	220uF 20% 10V	FB603	1-410-397-21	FERRITE BEAD INDUCTOR	
C582	1-164-159-11	CERAMIC	0.1uF 50V			< IC >	
C601	1-162-282-31	CERAMIC	100PF 10% 50V	IC521	8-759-900-72	IC NE5532P	
C602	1-126-052-11	ELECT	100uF 20% 10V	IC522	8-759-900-72	IC NE5532P	
C603	1-164-159-11	CERAMIC	0.1uF 50V	IC531	8-759-910-83	IC TL072ACP	
C604	1-126-052-11	ELECT	100uF 20% 10V	IC532	8-759-140-53	IC uPD4053BC	
C605	1-164-159-11	CERAMIC	0.1uF 50V	IC601	8-759-426-76	IC HD6433927B97F	
C606	1-164-159-11	CERAMIC	0.1uF 50V	IC602	8-759-165-80	IC PST600C-T	
C607	1-162-282-31	CERAMIC	100PF 10% 50V	IC603	8-759-962-08	IC BA6208	
C608	1-162-306-11	CERAMIC	0.01uF 30% 16V			< TRANSISTOR >	
C609	1-162-306-11	CERAMIC	0.01uF 30% 16V	Q591	8-729-141-30	TRANSISTOR 2SC3623A-LK	
C651	1-126-044-11	ELECT	1uF 20% 50V	Q592	8-729-141-30	TRANSISTOR 2SC3623A-LK	
C652	1-126-044-11	ELECT	1uF 20% 50V	Q593	8-729-141-30	TRANSISTOR 2SC3623A-LK	
C931	1-126-052-11	ELECT	100uF 20% 10V	Q594	8-729-141-30	TRANSISTOR 2SC3623A-LK	
C933	1-124-997-11	ELECT	470uF 20% 10V	Q595	8-729-141-30	TRANSISTOR 2SC3623A-LK	
		< CONNECTOR >		Q596	8-729-141-30	TRANSISTOR 2SC3623A-LK	
* CN601	1-774-629-11	CONNECTOR, BOARD TO BOARD 17P		Q597	8-729-141-30	TRANSISTOR 2SC3623A-LK	
* CN602	1-770-732-11	CONNECTOR, BOARD TO BOARD 15P		Q598	8-729-141-30	TRANSISTOR 2SC3623A-LK	
* CN603	1-568-858-11	SOCKET, CONNECTOR 15P		Q601	8-729-119-78	TRANSISTOR 2SC403SP-51	
* CN604	1-568-856-11	SOCKET, CONNECTOR 13P		Q602	8-729-900-36	TRANSISTOR DTC124ES	
* CN605	1-565-321-11	SOCKET, CONNECTOR (PC BOARD)8P		Q603	8-729-900-36	TRANSISTOR DTC124ES	

AUDIO

Ref. No.	Part No.	Description	Remark	Ref. No.	Part No.	Description	Remark
Q604	8-729-900-36	TRANSISTOR DTC124ES		R592	1-249-417-11	CARBON	1K 5% 1/4W
Q605	8-729-900-36	TRANSISTOR DTC124ES		R593	1-249-417-11	CARBON	1K 5% 1/4W
Q606	8-729-900-36	TRANSISTOR DTC124ES		R594	1-249-417-11	CARBON	1K 5% 1/4W
Q607	8-729-118-00	TRANSISTOR 2SB1116-L		R595	1-249-417-11	CARBON	1K 5% 1/4W
Q608	8-729-900-63	TRANSISTOR DTA124ES		R596	1-249-417-11	CARBON	1K 5% 1/4W
Q609	8-729-900-36	TRANSISTOR DTC124ES		R597	1-249-417-11	CARBON	1K 5% 1/4W
Q610	8-729-900-36	TRANSISTOR DTC124ES		R598	1-249-417-11	CARBON	1K 5% 1/4W
Q651	8-729-900-63	TRANSISTOR DTA124ES		R601	1-249-429-11	CARBON	10K 5% 1/4W
Q652	8-729-900-63	TRANSISTOR DTA124ES		R602	1-249-417-11	CARBON	1K 5% 1/4W
< RESISTOR >							
R521	1-249-417-11	CARBON	1K 5% 1/4W	R603	1-249-429-11	CARBON	10K 5% 1/4W
R522	1-249-441-11	CARBON	100K 5% 1/4W	R604	1-249-429-11	CARBON	10K 5% 1/4W
R523	1-249-441-11	CARBON	100K 5% 1/4W	R605	1-249-393-11	CARBON	10 5% 1/4W
R524	1-249-441-11	CARBON	100K 5% 1/4W	R606	1-249-437-11	CARBON	47K 5% 1/4W
R525	1-249-429-11	CARBON	10K 5% 1/4W	R607	1-247-903-00	CARBON	1M 5% 1/4W
R526	1-249-429-11	CARBON	10K 5% 1/4W	R608	1-247-807-31	CARBON	100 5% 1/4W
R527	1-249-441-11	CARBON	100K 5% 1/4W	R609	1-247-807-31	CARBON	100 5% 1/4W
R528	1-249-429-11	CARBON	10K 5% 1/4W	R610	1-247-807-31	CARBON	100 5% 1/4W
R529	1-249-429-11	CARBON	10K 5% 1/4W	R611	1-247-807-31	CARBON	100 5% 1/4W
R531	1-249-417-11	CARBON	1K 5% 1/4W	R612	1-247-807-31	CARBON	100 5% 1/4W
R532	1-247-903-00	CARBON	1M 5% 1/4W	R613	1-249-425-11	CARBON	4.7K 5% 1/4W
R533	1-249-421-11	CARBON	2.2K 5% 1/4W	R614	1-249-425-11	CARBON	4.7K 5% 1/4W
R534	1-249-429-11	CARBON	10K 5% 1/4W	R615	1-249-417-11	CARBON	1K 5% 1/4W
R535	1-249-429-11	CARBON	10K 5% 1/4W	R616	1-247-807-31	CARBON	100 5% 1/4W
R536	1-249-399-11	CARBON	33 5% 1/4W	R617	1-249-429-11	CARBON	10K 5% 1/4W
R537	1-249-441-11	CARBON	100K 5% 1/4W	R618	1-249-429-11	CARBON	10K 5% 1/4W
R538	1-249-417-11	CARBON	1K 5% 1/4W	R619	1-249-429-11	CARBON	10K 5% 1/4W
R541	1-249-421-11	CARBON	2.2K 5% 1/4W	R620	1-247-807-31	CARBON	100 5% 1/4W
R542	1-249-409-11	CARBON	220 5% 1/4W	R621	1-247-807-31	CARBON	100 5% 1/4W
R543	1-249-421-11	CARBON	2.2K 5% 1/4W	R622	1-247-807-31	CARBON	100 5% 1/4W
R544	1-249-409-11	CARBON	220 5% 1/4W	R623	1-247-807-31	CARBON	100 5% 1/4W
R545	1-249-421-11	CARBON	2.2K 5% 1/4W	R624	1-247-807-31	CARBON	100 5% 1/4W
R546	1-249-413-11	CARBON	470 5% 1/4W	R625	1-247-807-31	CARBON	100 5% 1/4W
R547	1-249-421-11	CARBON	2.2K 5% 1/4W	R626	1-247-807-31	CARBON	100 5% 1/4W
R548	1-249-413-11	CARBON	470 5% 1/4W	R627	1-247-807-31	CARBON	100 5% 1/4W
R571	1-249-417-11	CARBON	1K 5% 1/4W	R628	1-247-807-31	CARBON	100 5% 1/4W
R572	1-249-441-11	CARBON	100K 5% 1/4W	R629	1-247-807-31	CARBON	100 5% 1/4W
R573	1-249-441-11	CARBON	100K 5% 1/4W	R630	1-247-807-31	CARBON	100 5% 1/4W
R574	1-249-441-11	CARBON	100K 5% 1/4W	R631	1-247-807-31	CARBON	100 5% 1/4W
R575	1-249-429-11	CARBON	10K 5% 1/4W	R632	1-247-807-31	CARBON	100 5% 1/4W
R576	1-249-429-11	CARBON	10K 5% 1/4W	R633	1-247-807-31	CARBON	100 5% 1/4W
R577	1-249-441-11	CARBON	100K 5% 1/4W	R634	1-247-807-31	CARBON	100 5% 1/4W
R578	1-249-429-11	CARBON	10K 5% 1/4W	R635	1-247-807-31	CARBON	100 5% 1/4W
R579	1-249-429-11	CARBON	10K 5% 1/4W	R636	1-247-807-31	CARBON	100 5% 1/4W
R581	1-249-417-11	CARBON	1K 5% 1/4W	R637	1-247-807-31	CARBON	100 5% 1/4W
R582	1-247-903-00	CARBON	1M 5% 1/4W	R638	1-247-807-31	CARBON	100 5% 1/4W
R583	1-249-421-11	CARBON	2.2K 5% 1/4W	R639	1-247-807-31	CARBON	100 5% 1/4W
R584	1-249-429-11	CARBON	10K 5% 1/4W	R640	1-247-807-31	CARBON	100 5% 1/4W
R585	1-249-429-11	CARBON	10K 5% 1/4W	R641	1-247-807-31	CARBON	100 5% 1/4W
R586	1-249-399-11	CARBON	33 5% 1/4W	R642	1-247-807-31	CARBON	100 5% 1/4W
R591	1-249-417-11	CARBON	1K 5% 1/4W	R643	1-247-807-31	CARBON	100 5% 1/4W
				R645	1-247-807-31	CARBON	100 5% 1/4W
				R646	1-247-807-31	CARBON	100 5% 1/4W

AUDIO

DSP

Ref. No.	Part No.	Description			Remark	Ref. No.	Part No.	Description			Remark
R647	1-247-807-31	CARBON	100	5%	1/4W	C202	1-164-004-11	CERAMIC CHIP	0.1uF	10%	25V
R648	1-249-421-11	CARBON	2.2K	5%	1/4W	C203	1-164-004-11	CERAMIC CHIP	0.1uF	10%	25V
R649	1-249-409-11	CARBON	220	5%	1/4W	C204	1-109-982-11	CERAMIC CHIP	1uF	10%	10V
R650	1-249-417-11	CARBON	1K	5%	1/4W	C206	1-163-251-11	CERAMIC CHIP	100PF	5%	50V
R651	1-249-417-11	CARBON	1K	5%	1/4W	C207	1-164-232-11	CERAMIC CHIP	0.01uF		50V
R652	1-249-417-11	CARBON	1K	5%	1/4W	C208	1-126-177-11	ELECT	100uF	20%	10V
R653	1-249-417-11	CARBON	1K	5%	1/4W	C209	1-164-004-11	CERAMIC CHIP	0.1uF	10%	25V
R654	1-249-421-11	CARBON	2.2K	5%	1/4W	C210	1-164-004-11	CERAMIC CHIP	0.1uF	10%	25V
R655	1-249-429-11	CARBON	10K	5%	1/4W	C211	1-163-227-11	CERAMIC CHIP	10PF	0.5PF	50V
R656	1-249-417-11	CARBON	1K	5%	1/4W	C212	1-163-227-11	CERAMIC CHIP	10PF	0.5PF	50V
R657	1-249-421-11	CARBON	2.2K	5%	1/4W	C213	1-163-009-11	CERAMIC CHIP	0.001uF	10%	50V
R658	1-249-429-11	CARBON	10K	5%	1/4W	C301	1-164-004-11	CERAMIC CHIP	0.1uF	10%	25V
R659	1-249-385-11	CARBON	2.2	5%	1/6W	C302	1-124-638-11	ELECT	22uF	20%	10V
		< VIBRATOR >				C303	1-164-004-11	CERAMIC CHIP	0.1uF	10%	25V
X601	1-577-377-11	VIBRATOR, CERAMIC(10MHz)				C304	1-126-154-11	ELECT	47uF	20%	6.3V
						C305	1-164-004-11	CERAMIC CHIP	0.1uF	10%	25V
						C306	1-126-177-11	ELECT	100uF	20%	10V
						C307	1-164-004-11	CERAMIC CHIP	0.1uF	10%	25V
						C308	1-126-154-11	ELECT	47uF	20%	6.3V
						C309	1-124-638-11	ELECT	22uF	20%	10V
						C310	1-164-004-11	CERAMIC CHIP	0.1uF	10%	25V
						C311	1-163-009-11	CERAMIC CHIP	0.001uF	10%	50V
						C313	1-163-235-11	CERAMIC CHIP	22PF	5%	50V
						C314	1-163-235-11	CERAMIC CHIP	22PF	5%	50V
						C315	1-163-235-11	CERAMIC CHIP	22PF	5%	50V
						C316	1-163-009-11	CERAMIC CHIP	0.001uF	10%	50V
						C317	1-164-004-11	CERAMIC CHIP	0.1uF	10%	25V
						C321	1-163-125-00	CERAMIC CHIP	220PF	5%	50V
						C322	1-163-251-11	CERAMIC CHIP	100PF	5%	50V
						C323	1-163-251-11	CERAMIC CHIP	100PF	5%	50V
						C324	1-163-017-00	CERAMIC CHIP	0.0047uF	5%	50V
						C325	1-163-143-00	CERAMIC CHIP	0.0012uF	5%	50V
						C331	1-124-638-11	ELECT	22uF	20%	10V
						C332	1-163-113-00	CERAMIC CHIP	68PF	5%	50V
						C333	1-124-257-00	ELECT	2.2uF	20%	50V
						C334	1-164-004-11	CERAMIC CHIP	0.1uF	10%	25V
						C341	1-164-004-11	CERAMIC CHIP	0.1uF	10%	25V
						C342	1-164-004-11	CERAMIC CHIP	0.1uF	10%	25V
						C343	1-164-004-11	CERAMIC CHIP	0.1uF	10%	25V
						C371	1-163-125-00	CERAMIC CHIP	220PF	5%	50V
						C372	1-163-251-11	CERAMIC CHIP	100PF	5%	50V
						C373	1-163-251-11	CERAMIC CHIP	100PF	5%	50V
						C374	1-163-017-00	CERAMIC CHIP	0.0047uF	5%	50V
						C375	1-163-143-00	CERAMIC CHIP	0.0012uF	5%	50V
						C381	1-124-638-11	ELECT	22uF	20%	10V
						C382	1-163-113-00	CERAMIC CHIP	68PF	5%	50V
						C383	1-124-257-00	ELECT	2.2uF	20%	50V
						C384	1-164-004-11	CERAMIC CHIP	0.1uF	10%	25V
						C391	1-164-004-11	CERAMIC CHIP	0.1uF	10%	25V
						C392	1-164-004-11	CERAMIC CHIP	0.1uF	10%	25V
						C393	1-164-004-11	CERAMIC CHIP	0.1uF	10%	25V
						C201	1-109-982-11	CERAMIC CHIP	1uF	10%	10V

* A-4389-093-A DSP BOARD, COMPLETE

< CAPACITOR >

DSP

Ref. No.	Part No.	Description	Remark	Ref. No.	Part No.	Description	Remark
C393	1-164-004-11	CERAMIC CHIP	0.1uF 10% 25V	IC102	8-759-352-63	IC CXD8566M	
C399	1-164-004-11	CERAMIC CHIP	0.1uF 10% 25V	IC201	8-752-350-78	IC CXK58257AM-70L-T6	
C401	1-164-004-11	CERAMIC CHIP	0.1uF 10% 25V	IC202	8-752-370-90	IC CXD2708Q	
C402	1-124-638-11	ELECT	22uF 20% 10V	IC301	8-759-362-47	IC CXD8567AM	
C403	1-164-004-11	CERAMIC CHIP	0.1uF 10% 25V	IC303	8-759-636-55	IC M5218AFP	
C404	1-126-154-11	ELECT	47uF 20% 6.3V	IC304	8-759-636-55	IC M5218AFP	
C405	1-164-004-11	CERAMIC CHIP	0.1uF 10% 25V	IC305	8-759-636-55	IC M5218AFP	
C406	1-126-177-11	ELECT	100uF 20% 10V	IC401	8-759-362-47	IC CXD8567AM	
C407	1-164-004-11	CERAMIC CHIP	0.1uF 10% 25V	IC403	8-759-636-55	IC M5218AFP	
C408	1-126-154-11	ELECT	47uF 20% 6.3V	IC404	8-759-636-55	IC M5218AFP	
C409	1-124-638-11	ELECT	22uF 20% 10V			< COIL >	
C410	1-164-004-11	CERAMIC CHIP	0.1uF 10% 25V	L101	1-410-478-11	INDUCTOR 47uH	
C411	1-163-009-11	CERAMIC CHIP	0.001uF 10% 50V	L102	1-410-478-11	INDUCTOR 47uH	
C413	1-163-235-11	CERAMIC CHIP	22PF 5% 50V	L201	1-410-478-11	INDUCTOR 47uH	
C421	1-163-125-00	CERAMIC CHIP	220PF 5% 50V	L301	1-410-478-11	INDUCTOR 47uH	
C422	1-163-243-11	CERAMIC CHIP	47PF 5% 50V			< TRANSISTOR >	
C423	1-163-243-11	CERAMIC CHIP	47PF 5% 50V	Q331	8-729-107-46	TRANSISTOR 2SC3624A-L15	
C424	1-163-017-00	CERAMIC CHIP	0.0047uF 5% 50V	Q332	8-729-107-46	TRANSISTOR 2SC3624A-L15	
C425	1-163-143-00	CERAMIC CHIP	0.0012uF 5% 50V	Q333	8-729-107-46	TRANSISTOR 2SC3624A-L15	
C426	1-164-004-11	CERAMIC CHIP	0.1uF 10% 25V	Q381	8-729-107-46	TRANSISTOR 2SC3624A-L15	
C427	1-124-257-00	ELECT	2.2uF 20% 50V	Q382	8-729-107-46	TRANSISTOR 2SC3624A-L15	
C471	1-163-125-00	CERAMIC CHIP	220PF 5% 50V	Q383	8-729-107-46	TRANSISTOR 2SC3624A-L15	
C472	1-163-243-11	CERAMIC CHIP	47PF 5% 50V	Q396	8-729-424-08	TRANSISTOR UN2111	
C473	1-163-243-11	CERAMIC CHIP	47PF 5% 50V	Q397	8-729-424-08	TRANSISTOR UN2111	
C474	1-163-017-00	CERAMIC CHIP	0.0047uF 5% 50V	Q398	8-729-424-08	TRANSISTOR UN2111	
C475	1-163-143-00	CERAMIC CHIP	0.0012uF 5% 50V			< RESISTOR >	
C476	1-164-004-11	CERAMIC CHIP	0.1uF 10% 25V	R101	1-216-081-00	METAL CHIP 22K 5% 1/10W	
C477	1-124-257-00	ELECT	2.2uF 20% 50V	R102	1-216-081-91	METAL GLAZE 22K 5% 1/10W	
		< CONNECTOR >		R103	1-216-017-91	METAL GLAZE 47 5% 1/10W	
CN1	1-774-782-11	PIN, CONNECTOR (PC BOARD) 10P		R104	1-216-033-00	METAL CHIP 220 5% 1/10W	
CN2	1-774-781-11	PIN, CONNECTOR (PC BOARD) 8P		R105	1-216-017-91	METAL GLAZE 47 5% 1/10W	
CN3	1-774-781-11	PIN, CONNECTOR (PC BOARD) 8P		R106	1-216-017-91	METAL GLAZE 47 5% 1/10W	
CN4	1-774-781-11	PIN, CONNECTOR (PC BOARD) 8P		R151	1-216-081-00	METAL CHIP 22K 5% 1/10W	
CN5	1-774-781-11	PIN, CONNECTOR (PC BOARD) 8P		R152	1-216-081-91	METAL GLAZE 22K 5% 1/10W	
		< FERRITE BEAD >		R201	1-216-065-00	METAL CHIP 4.7K 5% 1/10W	
FB101	1-414-235-11	INDUCTOR, FERRITE BEAD		R202	1-216-001-00	METAL CHIP 10 5% 1/10W	
FB102	1-414-235-11	INDUCTOR, FERRITE BEAD		R203	1-216-041-00	METAL CHIP 470 5% 1/10W	
FB103	1-414-235-11	INDUCTOR, FERRITE BEAD		R221	1-216-033-00	METAL CHIP 220 5% 1/10W	
FB201	1-414-235-11	INDUCTOR, FERRITE BEAD		R222	1-216-033-00	METAL CHIP 220 5% 1/10W	
FB202	1-414-235-11	INDUCTOR, FERRITE BEAD		R223	1-216-033-00	METAL CHIP 220 5% 1/10W	
FB301	1-414-235-11	INDUCTOR, FERRITE BEAD		R224	1-216-033-00	METAL CHIP 220 5% 1/10W	
FB302	1-414-235-11	INDUCTOR, FERRITE BEAD		R225	1-216-033-00	METAL CHIP 220 5% 1/10W	
FB303	1-414-235-11	INDUCTOR, FERRITE BEAD		R226	1-216-033-00	METAL CHIP 220 5% 1/10W	
FB304	1-414-235-11	INDUCTOR, FERRITE BEAD		R228	1-216-033-00	METAL CHIP 220 5% 1/10W	
FB401	1-414-235-11	INDUCTOR, FERRITE BEAD		R229	1-216-033-00	METAL CHIP 220 5% 1/10W	
FB402	1-414-235-11	INDUCTOR, FERRITE BEAD		R230	1-216-033-00	METAL CHIP 220 5% 1/10W	
FB403	1-414-235-11	INDUCTOR, FERRITE BEAD		R231	1-216-033-00	METAL CHIP 220 5% 1/10W	
		< IC >		R232	1-216-033-00	METAL CHIP 220 5% 1/10W	
IC101	8-759-352-59	IC CXA8054M		R233	1-216-033-00	METAL CHIP 220 5% 1/10W	

MAIN

Ref. No.	Part No.	Description	Remark	Ref. No.	Part No.	Description	Remark
C555	1-164-070-11	CERAMIC	100PF 5% 50V	D912	8-719-024-99	DIODE	11ES2-NTA2B
C558	1-164-070-11	CERAMIC	100PF 5% 50V	D953	8-719-024-99	DIODE	11ES2-NTA2B
C561	1-164-070-11	CERAMIC	100PF 5% 50V	D954	8-719-024-99	DIODE	11ES2-NTA2B
C661	1-126-163-11	ELECT	4.7uF 20% 50V	D955	8-719-024-99	DIODE	11ES2-NTA2B
C901	1-136-165-00	FILM	0.1uF 5% 50V	D956	8-719-024-99	DIODE	11ES2-NTA2B
C902	1-136-165-00	FILM	0.1uF 5% 50V			< FUSE >	
C903	1-136-165-00	FILM	0.1uF 5% 50V	△F911	1-532-388-51	FUSE,TIME LAG(2A,250V)	
C904	1-136-165-00	FILM	0.1uF 5% 50V	△F912	1-532-388-51	FUSE,TIME LAG(2A,250V)	
C905	1-124-122-11	ELECT	100uF 20% 50V	△F913	1-532-506-51	FUSE,TIME LAG(6.3A,250V)	
C906	1-124-122-11	ELECT	100uF 20% 50V	△F914	1-532-506-51	FUSE,TIME LAG(6.3A,250V)	
C907	1-124-122-11	ELECT	100uF 20% 50V			< IC >	
C908	1-126-059-11	ELECT	10uF 20% 50V	IC501	8-759-000-47	IC MC14051BCP	
C909	1-126-969-11	ELECT	220uF 20% 50V	IC502	8-759-000-47	IC MC14051BCP	
C910	1-124-122-11	ELECT	100uF 20% 50V	IC503	8-759-000-48	IC MC14052BCP	
C911	1-115-361-11	ELECT	6800uF 20% 50V			< IC LINK >	
C912	1-126-041-11	ELECT	2200uF 20% 35V	△ICP901	1-532-834-21	LINK, IC(0.315A)	
C913	1-126-936-11	ELECT	3300uF 20% 16V			< JACK >	
C914	1-126-944-11	ELECT	3300uF 20% 25V	J501	1-770-615-12	JACK, PIN 6P(TUNER IN,CD IN,MD OUT)	
C951	1-136-165-00	FILM	0.1uF 5% 50V	J502	1-770-615-12	JACK, PIN 6P(MD IN,TAPE OUT,TAPE IN)	
C952	1-136-165-00	FILM	0.1uF 5% 50V	J503	1-770-615-12	JACK, PIN 6P (VIDEO2 IN,VIDEO1 OUT,VIDEO1 IN)	
C953	1-136-165-00	FILM	0.1uF 5% 50V			< TRANSISTOR >	
C961	1-115-361-11	ELECT	6800uF 20% 50V	Q661	8-729-119-78	TRANSISTOR	2SC403SP-51
C962	1-126-041-11	ELECT	2200uF 20% 35V	Q662	8-729-900-36	TRANSISTOR	DTC124ES
C963	1-124-556-11	ELECT	2200uF 20% 16V	Q663	8-729-119-78	TRANSISTOR	2SC403SP-51
		< CONNECTOR >		Q901	8-729-111-29	TRANSISTOR	2SD1616A-K
CN501	1-770-158-21	HOUSING, CONNECTOR 7P(SYSTEM CONTROL)				< RESISTOR >	
CN506	1-691-772-11	PLUG (MICRO CONNECTOR) 10P		R501	1-249-417-11	CARBON	1K 5% 1/4W
CN508	1-691-768-11	PLUG (MICRO CONNECTOR) 6P		R502	1-249-425-11	CARBON	4.7K 5% 1/4W
CN509	1-691-769-11	PLUG (MICRO CONNECTOR) 7P		R503	1-249-417-11	CARBON	1K 5% 1/4W
* CN510	1-568-826-11	SOCKET, CONNECTOR 7P		R504	1-249-425-11	CARBON	4.7K 5% 1/4W
CN511	1-774-628-11	CONNECTOR, BOARD TO BOARD 17P		R505	1-249-417-11	CARBON	1K 5% 1/4W
CN512	1-766-956-11	CONNECTOR, BOARD TO BOARD 15P		R506	1-249-417-11	CARBON	1K 5% 1/4W
		< DIODE >		R507	1-249-417-11	CARBON	1K 5% 1/4W
D661	8-719-987-63	DIODE 1N4148M		R508	1-249-417-11	CARBON	1K 5% 1/4W
D662	8-719-987-63	DIODE 1N4148M		R509	1-249-417-11	CARBON	1K 5% 1/4W
D663	8-719-987-63	DIODE 1N4148M		R512	1-249-428-11	CARBON	8.2K 5% 1/4W
D664	8-719-987-63	DIODE 1N4148M		R513	1-249-428-11	CARBON	8.2K 5% 1/4W
D665	8-719-987-63	DIODE 1N4148M		R517	1-249-417-11	CARBON	1K 5% 1/4W
D901	8-719-510-68	DIODE D5SBA20F01		R518	1-249-417-11	CARBON	1K 5% 1/4W
D902	8-719-025-03	DIODE RBA-402-SL		R519	1-249-417-11	CARBON	1K 5% 1/4W
D903	8-719-024-99	DIODE 11ES2-NTA2B		R551	1-249-417-11	CARBON	1K 5% 1/4W
D904	8-719-024-99	DIODE 11ES2-NTA2B		R552	1-249-425-11	CARBON	4.7K 5% 1/4W
D905	8-719-024-99	DIODE 11ES2-NTA2B		R553	1-249-417-11	CARBON	1K 5% 1/4W
D906	8-719-024-99	DIODE 11ES2-NTA2B		R554	1-249-425-11	CARBON	4.7K 5% 1/4W
D907	8-719-024-99	DIODE 11ES2-NTA2B		R555	1-249-417-11	CARBON	1K 5% 1/4W
D908	8-719-024-99	DIODE 11ES2-NTA2B					
D909	8-719-024-99	DIODE 11ES2-NTA2B					
D910	8-719-015-99	DIODE UZP-27BB-TP					
D911	8-719-014-48	DIODE UZP-4.7B					

The components identified by mark △ or dotted line with mark △ are critical for safety. Replace only with part number specified.

MAIN

PANEL

Ref. No.	Part No.	Description			Remark
R555	1-249-417-11	CARBON	1K	5%	1/4W
R556	1-249-417-11	CARBON	1K	5%	1/4W
R557	1-249-417-11	CARBON	1K	5%	1/4W
R558	1-249-417-11	CARBON	1K	5%	1/4W
R559	1-249-417-11	CARBON	1K	5%	1/4W
R562	1-249-428-11	CARBON	8.2K	5%	1/4W
R563	1-249-428-11	CARBON	8.2K	5%	1/4W
R567	1-249-417-11	CARBON	1K	5%	1/4W
R568	1-249-417-11	CARBON	1K	5%	1/4W
R569	1-249-417-11	CARBON	1K	5%	1/4W
R661	1-249-429-11	CARBON	10K	5%	1/4W
R662	1-249-429-11	CARBON	10K	5%	1/4W
R663	1-249-417-11	CARBON	1K	5%	1/4W
R664	1-249-429-11	CARBON	10K	5%	1/4W
R665	1-249-441-11	CARBON	100K	5%	1/4W
R666	1-249-417-11	CARBON	1K	5%	1/4W
R691	1-249-429-11	CARBON	10K	5%	1/4W
R692	1-249-429-11	CARBON	10K	5%	1/4W
R693	1-249-429-11	CARBON	10K	5%	1/4W
R694	1-249-417-11	CARBON	1K	5%	1/4W
R695	1-249-417-11	CARBON	1K	5%	1/4W
R696	1-249-417-11	CARBON	1K	5%	1/4W
R901	1-249-417-11	CARBON	1K	5%	1/4W
R902	1-249-425-11	CARBON	4.7K	5%	1/4W
R903	1-249-409-11	CARBON	220	5%	1/4W
R904	1-249-409-11	CARBON	220	5%	1/4W
△ R905	1-219-136-11	FUSIBLE	0.22	5%	1/4W F

*	A-4389-083-A	PANEL BOARD, COMPLETE(AEP,G,IT)			

*	A-4389-094-A	PANEL BOARD, COMPLETE(SP,HK)			

*	4-979-266-01	HOLDER, FL TUBE			
< CAPACITOR >					
C701	1-162-306-11	CERAMIC	0.01uF	30%	16V
C702	1-162-306-11	CERAMIC	0.01uF	30%	16V
C703	1-162-306-11	CERAMIC	0.01uF	30%	16V
C704	1-162-306-11	CERAMIC	0.01uF	30%	16V
C705	1-162-306-11	CERAMIC	0.01uF	30%	16V
C706	1-164-159-11	CERAMIC	0.1uF		50V
C710	1-124-589-11	ELECT	47uF	20%	16V
C711	1-164-159-11	CERAMIC	0.1uF		50V
C712	1-124-589-11	ELECT	47uF	20%	16V
C713	1-164-159-11	CERAMIC	0.1uF		50V
C714	1-124-584-00	ELECT	100uF	20%	10V
C715	1-164-159-11	CERAMIC	0.1uF		50V
C716	1-124-261-00	ELECT	10uF	20%	50V
C717	1-164-159-11	CERAMIC	0.1uF		50V
C722	1-164-159-11	CERAMIC	0.1uF		50V

Ref. No.	Part No.	Description			Remark
C723	1-126-052-11	ELECT	100uF	20%	10V
C726	1-162-294-31	CERAMIC	0.001uF	10%	50V
C728	1-164-159-11	CERAMIC	0.1uF		50V
C729	1-162-306-11	CERAMIC	0.01uF	30%	16V
C730	1-162-294-31	CERAMIC	0.001uF	10%	50V
C771	1-162-294-31	CERAMIC	0.001uF	10%	50V
C772	1-126-301-11	ELECT	1uF	20%	50V
C773	1-162-282-31	CERAMIC	100PF	10%	50V
C774	1-162-282-31	CERAMIC	100PF	10%	50V
C775	1-126-301-11	ELECT	1uF	20%	50V
C776	1-162-282-31	CERAMIC	100PF	10%	50V
C777	1-164-159-11	CERAMIC	0.1uF		50V
C778	1-164-159-11	CERAMIC	0.1uF		50V
C779	1-162-282-31	CERAMIC	100PF	10%	50V
C780	1-162-282-31	CERAMIC	100PF	10%	50V
C781	1-126-301-11	ELECT	1uF	20%	50V
C782	1-124-584-00	ELECT	100uF	20%	10V
C783	1-124-584-00	ELECT	100uF	20%	10V
< CONNECTOR >					
* CN701	1-568-844-11	SOCKET, CONNECTOR 29P			
* CN703	1-568-828-11	SOCKET, CONNECTOR 9P			
< DIODE >					
D701	8-719-056-11	DIODE	SML72423C-TP4(VIDEO 1)		
D702	8-719-056-11	DIODE	SML72423C-TP4(VIDEO 2)		
D703	8-719-046-70	DIODE	SEL5620C(TAPE)		
D704	8-719-046-70	DIODE	SEL5620C(MD)		
D705	8-719-046-70	DIODE	SEL5620C(CD)		
D706	8-719-046-70	DIODE	SEL5620C(TUNER)		
D707	8-719-046-39	DIODE	SEL5821A-TH15(MUSIC MENU)		
D708	8-719-046-39	DIODE	SEL5821A-TH15(MUSIC MENU)		
D709	8-719-046-39	DIODE	SEL5821A-TH15(P.FILE)		
D710	8-719-046-39	DIODE	SEL5821A-TH15(P.FILE)		
D711	8-719-046-39	DIODE	SEL5821A-TH15(PRO LOGIC)		
D712	8-719-046-39	DIODE	SEL5821A-TH15(PRO LOGIC)		
D713	8-719-046-44	DIODE	SEL5221S(MUSIC EFFECT)		
D714	8-719-046-44	DIODE	SEL5221S(PRESENCE)		
D715	8-719-046-44	DIODE	SEL5221S(KARAOKE PON/MPX)		
D716	8-719-046-44	DIODE	SEL5221S(SOURCE DIRECT)		
D717	8-719-046-44	DIODE	SEL5221S(-20dB MUTE)		
D718	8-719-046-44	DIODE	SEL5221S(MULTI CONTROLLER)		
D719	8-719-046-44	DIODE	SEL5221S(ENTER)		
D720	8-719-046-43	DIODE	SEL5421E-TP15(NEXT)		
D721	8-719-046-44	DIODE	SEL5221S(ON/STANDBY)		
D724	8-719-024-99	DIODE	11ES2-NTA2B		
< FLUORESCENT INDICATOR >					
FL701	1-517-494-11	INDICATOR TUBE, FLUORESCENT			

The components identified by mark △ or dotted line with mark △ are critical for safety. Replace only with part number specified.

PANEL

Ref. No.	Part No.	Description	Remark	Ref. No.	Part No.	Description	Remark
		< IC >					
IC701	8-759-082-95	IC SN755705		R735	1-249-429-11	CARBON 10K 5% 1/4W	
IC702	8-759-082-95	IC SN755705		R736	1-249-429-11	CARBON 10K 5% 1/4W	
IC703	8-749-920-83	IC GP1U52XB		R741	1-249-441-11	CARBON 100K 5% 1/4W	
IC704	8-759-373-50	IC NJU3719		R742	1-249-437-11	CARBON 47K 5% 1/4W	
IC771	8-759-634-51	IC M5218AP		R743	1-247-807-31	CARBON 100 5% 1/4W	
		< TRANSISTOR >					
Q731	8-729-119-78	TRANSISTOR 2SC403SP-51		R744	1-247-807-31	CARBON 100 5% 1/4W	
Q732	8-729-119-78	TRANSISTOR 2SC403SP-51		R745	1-247-807-31	CARBON 100 5% 1/4W	
Q733	8-729-119-78	TRANSISTOR 2SC403SP-51		R746	1-247-807-31	CARBON 100 5% 1/4W	
Q734	8-729-119-78	TRANSISTOR 2SC403SP-51		R747	1-247-807-31	CARBON 100 5% 1/4W	
Q735	8-729-119-78	TRANSISTOR 2SC403SP-51		R748	1-247-807-31	CARBON 100 5% 1/4W	
Q736	8-729-119-78	TRANSISTOR 2SC403SP-51		R749	1-247-807-31	CARBON 100 5% 1/4W	
Q737	8-729-119-78	TRANSISTOR 2SC403SP-51		R771	1-249-441-11	CARBON 100K 5% 1/4W	
Q738	8-729-119-78	TRANSISTOR 2SC403SP-51		R772	1-249-417-11	CARBON 1K 5% 1/4W	
Q739	8-729-119-78	TRANSISTOR 2SC403SP-51		R773	1-249-441-11	CARBON 100K 5% 1/4W	
Q740	8-729-119-78	TRANSISTOR 2SC403SP-51		R774	1-249-417-11	CARBON 1K 5% 1/4W	
Q741	8-729-119-78	TRANSISTOR 2SC403SP-51		R775	1-249-441-11	CARBON 100K 5% 1/4W	
Q742	8-729-119-78	TRANSISTOR 2SC403SP-51		R776	1-249-433-11	CARBON 22K 5% 1/4W	
		< RESISTOR >		R777	1-249-441-11	CARBON 100K 5% 1/4W	
R701	1-249-423-11	CARBON 3.3K 5% 1/4W		R778	1-249-441-11	CARBON 100K 5% 1/4W	
R702	1-249-413-11	CARBON 470 5% 1/4W		R779	1-249-421-11	CARBON 2.2K 5% 1/4W	
R703	1-249-415-11	CARBON 680 5% 1/4W		R781	1-247-807-31	CARBON 100 5% 1/4W	
R704	1-249-423-11	CARBON 3.3K 5% 1/4W		R782	1-247-807-31	CARBON 100 5% 1/4W	
R705	1-249-413-11	CARBON 470 5% 1/4W				< COMPOSITION CIRCUIT BLOCK >	
R706	1-249-415-11	CARBON 680 5% 1/4W		RB701	1-233-214-11	COMPOSITION CIRCUIT BLOCK	
R707	1-249-417-11	CARBON 1K 5% 1/4W		RB702	1-233-020-11	COMPOSITION CIRCUIT BLOCK	
R708	1-247-834-11	CARBON 1.3K 5% 1/4W				< VARIABLE RESISTOR >	
R709	1-249-421-11	CARBON 2.2K 5% 1/4W		RV771	1-223-974-11	RES, VAR, CARBON 50K(MIC LEVEL)	
R710	1-249-425-11	CARBON 4.7K 5% 1/4W				< SWITCH >	
R711	1-249-423-11	CARBON 3.3K 5% 1/4W		S701	1-554-303-21	SWITCH, TACTILE(ON/STANDBY)	
R712	1-249-413-11	CARBON 470 5% 1/4W		S702	1-554-303-21	SWITCH, TACTILE(AUDIO)	
R713	1-249-415-11	CARBON 680 5% 1/4W		S703	1-554-303-21	SWITCH, TACTILE(VIDEO)	
R714	1-249-417-11	CARBON 1K 5% 1/4W		S704	1-554-303-21	SWITCH, TACTILE(-20dB MUTE)	
R715	1-247-834-11	CARBON 1.3K 5% 1/4W		S705	1-554-303-21	SWITCH, TACTILE(SOURCE DIRECT)	
R716	1-249-421-11	CARBON 2.2K 5% 1/4W		S706	1-554-303-21	SWITCH, TACTILE(KARAOKE PON/MPX)	
R717	1-249-425-11	CARBON 4.7K 5% 1/4W		S707	1-554-303-21	SWITCH, TACTILE(DISPLAY)	
R719	1-249-411-11	CARBON 330 5% 1/4W		S708	1-554-303-21	SWITCH, TACTILE(ENTER)	
R720	1-249-413-11	CARBON 470 5% 1/4W		S709	1-554-303-21	SWITCH, TACTILE(NEXT)	
R721	1-249-411-11	CARBON 330 5% 1/4W		S710	1-554-303-21	SWITCH, TACTILE(CANCEL)	
R722	1-249-413-11	CARBON 470 5% 1/4W		S711	1-554-303-21	SWITCH, TACTILE(MUSIC MENU)	
R723	1-249-413-11	CARBON 470 5% 1/4W		S712	1-554-303-21	SWITCH, TACTILE(P.FILE)	
R724	1-249-403-11	CARBON 68 5% 1/4W		S713	1-554-303-21	SWITCH, TACTILE(PRO LOGIC)	
R725	1-249-409-11	CARBON 220 5% 1/4W		S714	1-554-303-21	SWITCH, TACTILE(MUSIC EFFECT)	
R726	1-249-409-11	CARBON 220 5% 1/4W		S715	1-554-303-21	SWITCH, TACTILE(PRESENCE)	
R727	1-249-409-11	CARBON 220 5% 1/4W		S716	1-554-303-21	SWITCH, TACTILE(MEMORY)	
R728	1-249-409-11	CARBON 220 5% 1/4W		S717	1-554-303-21	SWITCH, TACTILE(NAME)	
R729	1-247-807-31	CARBON 100 5% 1/4W		S720	1-473-485-11	ENCODER, ROTARY(MULTI CONTOLLER)	
R730	1-249-409-11	CARBON 220 5% 1/4W				*****	
R731	1-249-409-11	CARBON 220 5% 1/4W					

POWER AMPLIFIER

Ref. No.	Part No.	Description	Remark				Ref. No.	Part No.	Description	Remark			

*	A-4389-100-A	POWER AMPLIFIER BOARD, COMPLETE(SP,HK)	*****										
< CAPACITOR >													
C801	1-126-233-11	ELECT	22uF	20%	50V	D801	8-719-987-63	DIODE	1N4148M				
C802	1-162-282-31	CERAMIC	100PF	10%	50V	D802	8-719-987-63	DIODE	1N4148M				
C803	1-124-122-11	ELECT	100uF	20%	50V	D821	8-719-987-63	DIODE	1N4148M				
C804	1-126-868-11	ELECT	47uF	20%	50V	D822	8-719-987-63	DIODE	1N4148M				
C805	1-124-122-11	ELECT	100uF	20%	50V	D823	8-719-987-63	DIODE	1N4148M				
C806	1-126-233-11	ELECT	22uF	20%	50V	D831	8-719-987-63	DIODE	1N4148M				
C807	1-136-165-00	FILM	0.1uF	5%	50V	D832	8-719-987-63	DIODE	1N4148M				
C808	1-136-165-00	FILM	0.1uF	5%	50V	D833	8-719-987-63	DIODE	1N4148M				
C809	1-126-233-11	ELECT	22uF	20%	50V	D851	8-719-987-63	DIODE	1N4148M				
C811	1-162-294-31	CERAMIC	0.001uF	10%	50V	D881	8-719-987-63	DIODE	1N4148M				
C821	1-126-052-11	ELECT	100uF	20%	10V	< IC >							
C822	1-126-059-11	ELECT	10uF	20%	50V	IC801	8-749-900-24	IC	STK-4162MK2				
C823	1-162-294-31	CERAMIC	0.001uF	10%	50V	IC831	8-749-920-13	IC	STK-4132MK2				
C824	1-164-159-11	CERAMIC	0.1uF		50V	< TRANSISTOR >							
C831	1-126-045-11	ELECT	2.2uF	20%	50V	Q801	8-729-140-84	TRANSISTOR	2SC1841-PAFAEA				
C832	1-162-282-31	CERAMIC	100PF	10%	50V	Q821	8-729-900-63	TRANSISTOR	DTA124ES				
C833	1-126-868-11	ELECT	47uF	20%	50V	Q822	8-729-119-78	TRANSISTOR	2SC403SP-51				
C834	1-126-233-11	ELECT	22uF	20%	50V	Q823	8-729-119-78	TRANSISTOR	2SC403SP-51				
C836	1-126-233-11	ELECT	22uF	20%	50V	Q824	8-729-119-78	TRANSISTOR	2SC403SP-51				
C837	1-164-159-11	CERAMIC	0.1uF		50V	Q825	8-729-119-78	TRANSISTOR	2SC403SP-51				
C838	1-164-159-11	CERAMIC	0.1uF		50V	Q826	8-729-119-78	TRANSISTOR	2SC403SP-51				
C839	1-126-233-11	ELECT	22uF	20%	50V	Q827	8-729-119-78	TRANSISTOR	2SC403SP-51				
C840	1-126-233-11	ELECT	22uF	20%	50V	Q831	8-729-140-84	TRANSISTOR	2SC1841-PAFAEA				
C841	1-162-294-31	CERAMIC	0.001uF	10%	50V	Q851	8-729-140-84	TRANSISTOR	2SC1841-PAFAEA				
C851	1-126-233-11	ELECT	22uF	20%	50V	Q881	8-729-140-84	TRANSISTOR	2SC1841-PAFAEA				
C852	1-162-282-31	CERAMIC	100PF	10%	50V	Q891	8-729-119-78	TRANSISTOR	2SC403SP-51				
C853	1-124-122-11	ELECT	100uF	20%	50V	Q892	8-729-900-36	TRANSISTOR	DTC124ES				
C854	1-126-868-11	ELECT	47uF	20%	50V	< RESISTOR >							
C855	1-124-122-11	ELECT	100uF	20%	50V	R801	1-249-417-11	CARBON	1K	5%	1/4W		
C857	1-136-165-00	FILM	0.1uF	5%	50V	R802	1-249-438-11	CARBON	56K	5%	1/4W		
C858	1-136-165-00	FILM	0.1uF	5%	50V	R803	1-249-414-11	CARBON	560	5%	1/4W		
C859	1-126-233-11	ELECT	22uF	20%	50V	R804	1-249-438-11	CARBON	56K	5%	1/4W		
C881	1-126-045-11	ELECT	2.2uF	20%	50V	R805	1-260-103-11	CARBON	2.2K	5%	1/2W		
C882	1-162-282-31	CERAMIC	100PF	10%	50V	R806	1-260-103-11	CARBON	2.2K	5%	1/2W		
C883	1-126-868-11	ELECT	47uF	20%	50V	△R807	1-212-881-11	FUSIBLE	100	5%	1/4W F		
C884	1-126-233-11	ELECT	22uF	20%	50V	△R808	1-217-151-00	METAL PLATE	0.22	10%	2W F		
C887	1-164-159-11	CERAMIC	0.1uF		50V	R809	1-260-076-11	CARBON	10	5%	1/2W		
C888	1-164-159-11	CERAMIC	0.1uF		50V	△R810	1-212-849-00	FUSIBLE	4.7	5%	1/4W F		
C889	1-126-233-11	ELECT	22uF	20%	50V	R811	1-249-417-11	CARBON	1K	5%	1/4W		
< CONNECTOR >													
* CN801	1-568-832-11	SOCKET, CONNECTOR 13P											
CN803	1-691-767-11	PLUG (MICRO CONNECTOR) 5P											
< DIODE >													
D801	8-719-987-63	DIODE	1N4148M										
D802	8-719-987-63	DIODE	1N4148M										
D821	8-719-987-63	DIODE	1N4148M										
D822	8-719-987-63	DIODE	1N4148M										
D823	8-719-987-63	DIODE	1N4148M										
D831	8-719-987-63	DIODE	1N4148M										
D832	8-719-987-63	DIODE	1N4148M										
D833	8-719-987-63	DIODE	1N4148M										
D851	8-719-987-63	DIODE	1N4148M										
D881	8-719-987-63	DIODE	1N4148M										
D801	8-719-987-63	DIODE	1N4148M										
D802	8-719-987-63	DIODE	1N4148M										
D821	8-719-987-63	DIODE	1N4148M										
D822	8-719-987-63	DIODE	1N4148M										
D823	8-719-987-63	DIODE	1N4148M										
D831	8-719-987-63	DIODE	1N4148M										
D832	8-719-987-63	DIODE	1N4148M										
D833	8-719-987-63	DIODE	1N4148M										
D851	8-719-987-63	DIODE	1N4148M										
D881	8-719-987-63	DIODE	1N4148M										
D801	8-719-987-63	DIODE	1N4148M										
D802	8-719-987-63	DIODE	1N4148M										
D821	8-719-987-63	DIODE	1N4148M										
D822	8-719-987-63	DIODE	1N4148M										
D823	8-719-987-63	DIODE	1N4148M										
D831	8-719-987-63	DIODE	1N4148M										
D832	8-719-987-63	DIODE	1N4148M										
D833	8-719-987-63	DIODE	1N4148M										
D851	8-719-987-63	DIODE	1N4148M										
D881	8-719-987-63	DIODE	1N4148M										
D801	8-719-987-63	DIODE	1N4148M										
D802	8-719-987-63	DIODE	1N4148M										
D821	8-719-987-63	DIODE	1N4148M										
D822	8-719-987-63	DIODE	1N4148M										
D823	8-719-987-63	DIODE	1N4148M										
D831	8-719-987-63	DIODE	1N4148M										
D832	8-719-987-63	DIODE	1N4148M										
D833	8-719-987-63	DIODE	1N4148M										
D851	8-719-987-63	DIODE	1N4148M										
D881	8-719-987-63	DIODE	1N4148M										
D801	8-719-987-63	DIODE	1N4148M										
D802	8-719-987-63	DIODE	1N4148M										
D821	8-719-987-63	DIODE	1N4148M										
D822	8-719-987-63	DIODE	1N4148M										
D823	8-719-987-63	DIODE	1N4148M										
D831	8-719-987-63	DIODE	1N4148M										
D832	8-719-987-63	DIODE	1N4148M										
D833	8-719-987-63	DIODE	1N4148M										
D851	8-719-987-63	DIODE	1N4148M										
D881	8-719-987-63	DIODE	1N4148M										
D801	8-719-987-63	DIODE	1N4148M										
D802	8-719-987-63	DIODE	1N4148M										
D821	8-719-987-63	DIODE	1N4148M										
D822	8-719-987-63	DIODE	1N4148M										
D823	8-719-987-63	DIODE	1N4148M										
D831	8-719-987-63	DIODE	1N4148M										
D832	8-719-987-63	DIODE	1N4148M										
D833	8-719-987-63	DIODE	1N4148M										
D851	8-719-987-63	DIODE	1N4148M										
D881	8-719-987-63	DIODE	1N4148M										
D801	8-719-987-63	DIODE	1N4148M										
D802	8-719-987-63	DIODE	1N4148M										
D821	8-719-987-63	DIODE	1N4148M										
D822	8-719-987-63	DIODE	1N4148M										
D823	8-719-987-63	DIODE	1N4148M										
D831	8-719-987-63	DIODE	1N4148M										
D832	8-719-987-63	DIODE	1N4148M										
D833	8-719-987-63	DIODE	1N4148M										
D851	8-719-987-63	DIODE	1N4148M										
D881	8-719-987-63	DIODE	1N4148M										
D801	8-719-987-63	DIODE	1N4148M										
D802	8-719-987-63	DIODE	1N4148M										
D821	8-719-987-63	DIODE	1N4148M										
D822	8-719-987-63	DIODE	1N4148M										
D823	8-719-987-63	DIODE	1N4148M										
D831	8-719-987-63	DIODE	1N4148M										
D832	8-719-987-63	DIODE	1N4148M										
D833	8-719-987-63	DIODE	1N4148M										
D851	8-719-987-63	DIODE	1N4148M										
D881	8-719-987-63	DIODE	1N4148M										
D801	8-719-987-63	DIODE	1N4148M										
D802	8-719-987-63	DIODE	1N4148M										
D821	8-719-987-63	DIODE	1N4148M										
D822	8-719-987-63	DIODE	1N4148M										
D823	8-719-987-63	DIODE	1N4148M										
D831	8-719-987-63	DIODE	1N4148M										
D832	8-719-987-63	DIODE	1N4148M										
D833	8-719-987-63	DIODE	1N4148M										
D851	8-719-987-63	DIODE	1N4148M										
D881	8-719-987-63	DIODE	1N4148M										
D801	8-719-987-63	DIODE	1N4148M										
D802	8-719-987-63	DIODE	1N4148M										
D821	8-719-987-63	DIODE	1N4148M										
D822	8-719-987-63	DIODE	1N4148M										
D823	8-719-987-63	DIODE	1N4148M										
D831	8-719-987-63	DIODE	1N4148M										
D832	8-719-987-63	DIODE	1N4148M										
D833	8-719-987-63	DIODE	1N4148M										
D851	8-719-987-63	DIODE	1N4148M										
D881	8-719-987-63	DIODE	1N4148M										
D801	8-719-987-63	DIODE	1N4148M										
D802	8-719-987-63	DIODE	1N4148M										
D821	8-719-987-63	DIODE	1N4148M										
D822	8-719-987-63	DIODE	1N4148M										
D823	8-719-987-63	DIODE	1N4148M										
D831	8-719-987-63	DIODE	1N4148M										
D832	8-719-987-63	DIODE	1N4148M										
D833	8-719-987-63	DIODE	1N4148M										
D851	8-719-987-63	DIODE	1N4148M										
D881	8-719-987-63	DIODE	1N4148M										
D801	8-719-987-63	DIODE	1N4148M										

REG

SECONDARY

SPEAKER

Ref. No.	Part No.	Description	Remark		
*	1-661-106-11	REG BOARD *****			
< CAPACITOR >					
C921	1-164-159-11	CERAMIC	0.1uF		50V
C922	1-126-177-11	ELECT	100uF	20%	10V
C923	1-164-159-11	CERAMIC	0.1uF		50V
C924	1-124-635-00	ELECT	220uF	20%	6.3V
C925	1-124-635-00	ELECT	220uF	20%	6.3V
C971	1-164-159-11	CERAMIC	0.1uF		50V
C972	1-126-177-11	ELECT	100uF	20%	10V
< DIODE >					
D921	8-719-024-99	DIODE 11ES2-NTA2B			
< IC >					
IC921	8-759-604-86	IC M5F7807L			
IC922	8-759-231-53	IC TA7805S			
IC971	8-759-604-90	IC M5F7907L			

*	1-659-632-11	SECONDARY BOARD *****			
< CONNECTOR >					
CN902	1-691-767-31	PLUG (MICRO CONNECTOR) 5P			
CN903	1-691-769-31	PLUG (MICRO CONNECTOR) 7P			

*	A-4389-092-A	SPEAKER BOARD, COMPLETE(AEP,G,IT) *****			
*	A-4389-101-A	SPEAKER BOARD, COMPLETE(SP,HK) *****			
< CAPACITOR >					
C671	1-126-059-11	ELECT	10uF	20%	50V
C751	1-126-012-11	ELECT	470uF	20%	16V
C752	1-126-012-11	ELECT	470uF	20%	16V
C753	1-126-059-11	ELECT	10uF	20%	50V
C754	1-126-052-11	ELECT	100uF	20%	10V
C755	1-126-059-11	ELECT	10uF	20%	50V
C756	1-126-059-11	ELECT	10uF	20%	50V
C1001	1-136-153-00	FILM	0.01uF	5%	50V
C1002	1-136-153-00	FILM	0.01uF	5%	50V
C1003	1-136-153-00	FILM	0.01uF	5%	50V
C1004	1-136-153-00	FILM	0.01uF	5%	50V
C1005	1-162-306-11	CERAMIC	0.01uF	30%	16V
C1006	1-162-306-11	CERAMIC	0.01uF	30%	16V
C1007	1-162-306-11	CERAMIC	0.01uF	30%	16V
C1008	1-162-306-11	CERAMIC	0.01uF	30%	16V

Ref. No.	Part No.	Description	Remark		
C1009	1-162-306-11	CERAMIC	0.01uF	30%	16V
C1010	1-162-306-11	CERAMIC	0.01uF	30%	16V
C1011	1-164-159-11	CERAMIC	0.1uF		50V
< CONNECTOR >					
* CN1001	1-564-520-11	PLUG, CONNECTOR 5P			
* CN1002	1-564-521-11	PLUG, CONNECTOR 6P			
* CN1003	1-564-518-11	PLUG, CONNECTOR 3P			
* CN1004	1-568-850-11	SOCKET, CONNECTOR 7P			
< DIODE >					
D671	8-719-987-63	DIODE 1N4148M			
D672	8-719-987-63	DIODE 1N4148M			
D673	8-719-987-63	DIODE 1N4148M			
D674	8-719-987-63	DIODE 1N4148M			
D675	8-719-987-63	DIODE 1N4148M			
< IC >					
IC751	8-759-140-53	IC uPD4053BC			
< JACK >					
J751	1-565-934-11	JACK, PIN 2P(VIDEO1 IN,MONITOR OUT)			
J752	1-565-934-11	JACK, PIN 2P(VIDEO2 IN,VIDEO1 OUT)			
J1001	1-569-662-11	JACK, PIN 1P(SUPER WOOFER)			
< COIL >					
L751	1-408-405-00	INDUCTOR 4.7uH			
L1001	1-420-872-00	COIL, AIR-CORE			
L1002	1-420-872-00	COIL, AIR-CORE			
L1003	1-420-872-00	COIL, AIR-CORE			
L1004	1-420-872-00	COIL, AIR-CORE			
L1005	1-420-872-00	COIL, AIR-CORE			
< TRANSISTOR >					
Q671	8-729-119-78	TRANSISTOR 2SC403SP-51			
Q672	8-729-119-78	TRANSISTOR 2SC403SP-51			
Q673	8-729-118-00	TRANSISTOR 2SB1116-L			
Q674	8-729-118-00	TRANSISTOR 2SB1116-L			
Q751	8-729-119-78	TRANSISTOR 2SC403SP-51			
Q752	8-729-119-78	TRANSISTOR 2SC403SP-51			
Q753	8-729-119-78	TRANSISTOR 2SC403SP-51			
Q754	8-729-119-78	TRANSISTOR 2SC403SP-51			
Q755	8-729-119-78	TRANSISTOR 2SC403SP-51			
Q756	8-729-119-78	TRANSISTOR 2SC403SP-51			
< RESISTOR >					
R671	1-249-441-11	CARBON	100K	5%	1/4W
R672	1-249-441-11	CARBON	100K	5%	1/4W
R673	1-249-441-11	CARBON	100K	5%	1/4W
R674	1-249-441-11	CARBON	100K	5%	1/4W
R675	1-249-441-11	CARBON	100K	5%	1/4W
R676	1-249-429-11	CARBON	10K	5%	1/4W
R677	1-249-429-11	CARBON	10K	5%	1/4W

SPEAKER **VOL**

Ref. No.	Part No.	Description		Remark
R678	1-260-096-11	CARBON	560	5% 1/2W
R679	1-260-096-11	CARBON	560	5% 1/2W
R680	1-260-096-11	CARBON	560	5% 1/2W
R681	1-260-096-11	CARBON	560	5% 1/2W
R682	1-249-441-11	CARBON	100K	5% 1/4W
R751	1-249-409-11	CARBON	220	5% 1/4W
R752	1-249-409-11	CARBON	220	5% 1/4W
R753	1-249-418-11	CARBON	1.2K	5% 1/4W
R754	1-249-417-11	CARBON	1K	5% 1/4W
R755	1-249-421-11	CARBON	2.2K	5% 1/4W
R756	1-249-411-11	CARBON	330	5% 1/4W
R757	1-249-433-11	CARBON	22K	5% 1/4W
R758	1-249-429-11	CARBON	10K	5% 1/4W
R759	1-249-441-11	CARBON	100K	5% 1/4W
R760	1-249-441-11	CARBON	100K	5% 1/4W
R761	1-249-417-11	CARBON	1K	5% 1/4W
R762	1-249-417-11	CARBON	1K	5% 1/4W
R763	1-247-804-11	CARBON	75	5% 1/4W
R764	1-247-804-11	CARBON	75	5% 1/4W
R765	1-249-413-11	CARBON	470	5% 1/4W
R766	1-247-804-11	CARBON	75	5% 1/4W
R767	1-247-804-11	CARBON	75	5% 1/4W
R768	1-249-413-11	CARBON	470	5% 1/4W
R1001	1-260-076-11	CARBON	10	5% 1/2W
R1002	1-260-076-11	CARBON	10	5% 1/2W
R1003	1-260-076-11	CARBON	10	5% 1/2W
R1004	1-260-076-11	CARBON	10	5% 1/2W
R1005	1-260-076-11	CARBON	10	5% 1/2W
R1006	1-260-076-11	CARBON	10	5% 1/2W
R1007	1-260-076-11	CARBON	10	5% 1/2W
R1008	1-260-076-11	CARBON	10	5% 1/2W
R1009	1-260-076-11	CARBON	10	5% 1/2W
R1010	1-260-076-11	CARBON	10	5% 1/2W
R1011	1-249-421-11	CARBON	2.2K	5% 1/4W
R1012	1-249-437-11	CARBON	47K	5% 1/4W
R1013	1-249-437-11	CARBON	47K	5% 1/4W
R1014	1-249-437-11	CARBON	47K	5% 1/4W
< TERMINAL >				
TM1001	1-537-822-21	TERMINAL BOARD(FRONT SPEAKER)		
TM1002	1-537-336-41	TERMINAL BOARD (REAR SPEAKEAR,CENTER SPEAKER)		

* 1-659-629-11	VOL BOARD			

< CAPACITOR >				
C791	1-164-159-11	CERAMIC	0.1uF	50V
< CONNECTOR >				
* CN791	1-568-834-11	SOCKET, CONNECTOR	15P	

Ref. No.	Part No.	Description		Remark
< RESISTOR >				
R791	1-249-411-11	CARBON	330	5% 1/4W
R792	1-249-441-11	CARBON	100K	5% 1/4W
< VARIABLE RESISTOR >				
RV791	1-223-809-11	RES, VAR, CARBON	100KX4(VOLUME)	

MISCELLANEOUS				

4	1-773-004-11	WIRE (FLAT TYPE)(15 CORE)		
11	1-777-115-11	WIRE (FLAT TYPE)(29 CORE)		
12	1-769-910-11	WIRE (FLAT TYPE)(9 CORE)		
* 101	1-776-530-11	CORD (WITH CONNECTOR)		
110	1-769-972-11	WIRE (FLAT TYPE)(13 CORE)		
115	1-769-882-11	WIRE (FLAT TYPE)(7 CORE)		
119	1-770-019-11	ADAPTOR, CONVERSION PLUG 3P (HK)		
120	1-569-008-11	ADAPTER, CONVERSION 2P (SP)		
△ CN998	1-526-794-11	OUTLET, AC		
△ CN999	1-526-794-11	OUTLET, AC		
△ CNP901	1-575-651-11	CORD, POWER		
△ F901	1-532-503-51	FUSE, TIME LAG (1.6A, 250V)		
△ F902	1-532-465-51	FUSE, TIME LAG (3.15A, 250V)(SP,HK)		
△ F903	1-532-464-51	FUSE, TIME LAG (2.5A, 250V)		
△ F911	1-532-388-51	FUSE, TIME LAG (2A, 250V)		
△ F912	1-532-388-51	FUSE, TIME LAG (2A, 250V)		
△ F913	1-532-506-51	FUSE, TIME LAG (6.3A, 250V)		
△ F914	1-532-506-51	FUSE, TIME LAG (6.3A, 250V)		
FAN601	1-698-209-11	MOTOR, DC FAN		
FL701	1-517-494-11	INDICATOR TUBE, FLUORESCENT		
△ T901	1-429-409-11	TRANSFORMER, POWER (AEP,G,IT)		
△ T901	1-429-410-11	TRANSFORMER, POWER (SP,HK)		

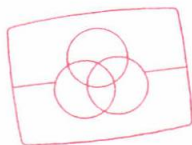
ACCESSORIES & PACKING MATERIALS				

* 4-980-537-01	CUSHION (UPPER)			
* 4-980-538-01	CUSHION (LOWER)			

HARDWARE LIST				

#1	7-685-646-79	SCREW +BVTP 3X8 TYPE2 N-S		
#2	7-685-647-79	SCREW +BVTP 3X10 TYPE2 N-S		
#3	7-685-871-01	SCREW +BVTT 3X6 (S)		
#4	7-685-650-79	SCREW +BVTP 3X16 TYPE2 IT-3		

The components identified by mark △ or dotted line with mark △ are critical for safety. Replace only with part number specified.



Free service manuals
Gratis schema's
Digitized by

www.freeservicemanuals.info