

# TA-F100/F200

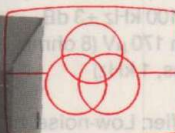
## SERVICE MANUAL

*AEP Model*  
*UK Model*

TA-F100/F200

*E Model*

TA-F100



Free service manuals  
Gratis schema's

Digitized by

www.freeservicemanuals.info

### SPECIFICATIONS

#### Amplifier

Continuous RMS power output (both channels driven simultaneously)

West Germany model

		TA-F100	TA-F200
DIN, 1 kHz	4 ohms	42 W + 42 W	50 W + 50 W
	8 ohms	33 W + 33 W	38 W + 38 W
40 Hz - 20 kHz THD 0.05%	4 ohms	30 W + 30 W	42 W + 42 W
	8 ohms	28 W + 28 W	34 W + 34 W

Other models

		TA-F100	TA-F200
DIN, 1 kHz, 8 ohms		48 W + 48 W	65 W + 65 W
40 Hz - 20 kHz, THD 0.05%, 8 ohms		43 W + 43 W	55 W + 55 W

Music power output (TA-F100 except for AEP and UK models)  
170 W

#### Input

Input jack		Jack type	Sensitivity	Impedance	S/N (weighting network, input level)	
					West Germany model	Other models
PHONO	MM	TA-F100	2.5 mV	50 kilohms	81 dB (A, 2.5 mV)	85dB (A, 2.5 mV)
		TA-F200			82 dB (A, 2.5 mV)	88dB(A, 2.5 mV)
	MC (TA-F200 only)	Phono	170 $\mu$ V	100 ohms	64 dB (A, 170 $\mu$ V)	68dB (A, 170 $\mu$ V)
TUNER, CD, VIDEO/AUX, TAPE/DAT		Phono	150 mV	50 kilohms	100 dB (150 mV)	

#### Output

Output jack	Jack type	Voltage/impedance
REC OUT	Phono jacks	Voltage 150 mV Impedance 470 ohms
SPEAKERS	—	<b>West Germany model:</b> Accepts speakers of 4 - 16 ohms. <b>Other models:</b> Accepts speakers of 8 - 16 ohms.
HEAD-PHONES	Stereo phone jack	Accepts low and high impedance headphones.

#### Tone controls

	Response	Turnover frequency
BASS	$\pm 10$ dB (100 Hz)	500 Hz
TREBLE	$\pm 10$ dB (15 kHz)	3 kHz

— Continued on page 2 —

INTEGRATED STEREO AMPLIFIER  
**SONY**®



Loudness (Attenuation 30 dB)  
 + 6 dB (100 Hz)  
 + 3 dB (10 kHz)

Power bandwidth (IHF)  
 10 Hz - 40 kHz (8 ohms, 20 watts)

Dynamic headroom  
 1.5 dB (78 IHF)

Harmonic distortion  
 Less than 0.05% at rated output

Intermodulation (IM) distortion (60 Hz : 7 kHz = 4 : 1)  
 Less than 0.05% at rated output

Frequency response  
 PHONO: RIAA equalization curve  $\pm 0.5$  dB  
 TUNER, CD, VIDEO/AUX, TAPE1, TAPE2/DAT:  
 7 Hz - 100 kHz  $\pm 3$  dB

Residual noise  
 Less than 170  $\mu$ V (8 ohms, network A)

Damping factor  
 36 (8 ohms, 1 kHz)

**General**

System  
 Preamplifier: Low-noise, high-gain equalizer amplifier  
 Power amplifier: Pure-complementary SEPP  
 OCL power amplifier with all stages directly coupled

**Power requirements**

AEP model: 220 V AC, 50 Hz  
 UK model: 240 V AC, 50 Hz  
 E model: 120 V, 220 V or 240 V AC adjustable, 50/60 Hz

**Power consumption**

West Germany model:  
 TA-F100: 90 W  
 TA-F200: 100 W

UK model:  
 TA-F100: 230 W  
 TA-F200: 270 W

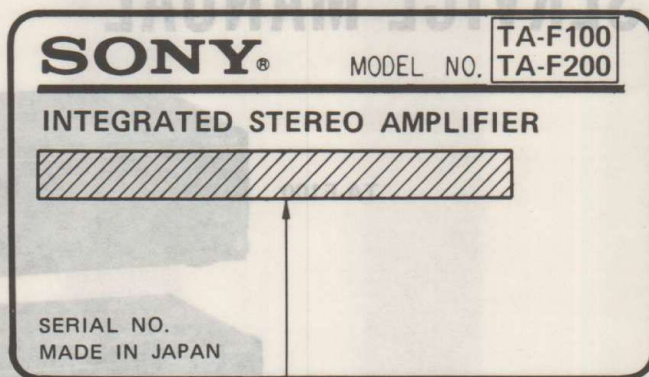
AEP, E model:  
 TA-F100: 85 W  
 TA-F200: 110 W

**Dimensions**  
 Approx. 430 x 118 x 265 mm (w/h/d)  
 (17 x 4<sup>3</sup>/<sub>4</sub> x 10<sup>1</sup>/<sub>2</sub> inches)

**Weight**  
 TA-F100: Approx. 5.5 kg (12 lb 3 oz)  
 TA-F200: Approx. 6.4 kg (14 lb 2 oz)

**MODEL IDENTIFICATION**

- Specification Label -



**TA-F100:**  
 West Germany Model: AC: 220 V ~ 50/60 Hz 90 W  
 AEP Model: AC: 220 V ~ 50/60 Hz 85 W  
 UK Model: AC: 240 V ~ 50/60 Hz 230 W  
 E model: AC: 120, 220, 240 V ~ 50/60 Hz 85 W

**TA-F200:**  
 West Germany Model: AC: 220 V ~ 50/60 Hz 100 W  
 AEP Model: AC: 220 V ~ 50/60 Hz 110 W  
 UK Model: AC: 240 V ~ 50/60 Hz 270 W  
 E Model: AC: 120, 220, 240 V ~ 50/60 Hz 110 W

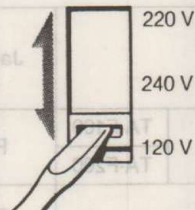
Model	Operating Voltage	Power
TA-F100	220 V AC	90 W
TA-F200	220 V AC	100 W

**On operating voltage**

Where purchased	Operating voltage
UK model	240 V AC
AEP model	220 V AC
E model	120 V, 220 V or 240 V AC adjustable The voltage selector is located on the rear panel.

Turnover frequency	Response	THD
500 Hz	$\pm 0.5$ dB (100 Hz)	BASS
3 kHz	$\pm 0.5$ dB (10 kHz)	TREBLE

Other models	West Germany model	Impedance	Sensitivity	Jack type	Input jack
88dB(A, 2.5 mV)	81 dB(A, 2.5 mV)	50 kilohms	5.2 mV	Phono	MM
88dB(A, 170 $\mu$ V)	84 dB(A, 170 $\mu$ V)	100 ohms	170 $\mu$ V	Phono	MC (TA-F200 only)



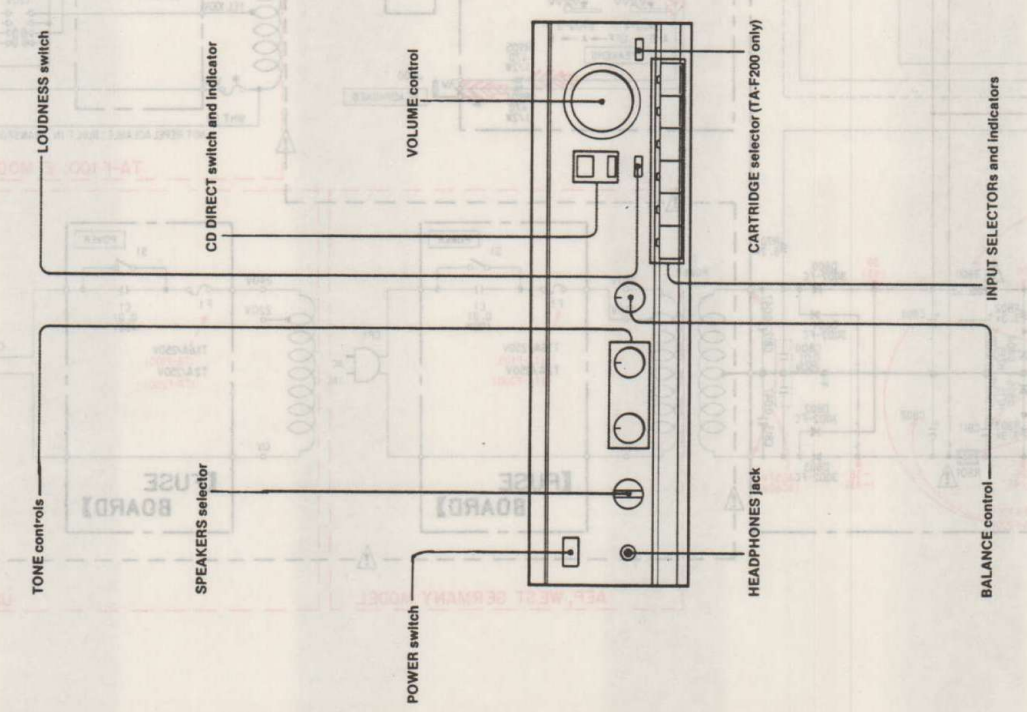
**SAFETY-RELATED COMPONENT WARNING!!**

COMPONENTS IDENTIFIED BY SHADING AND MARK ON THE SCHEMATIC DIAGRAMS AND IN THE PARTS LIST ARE CRITICAL TO SAFE OPERATION. REPLACE THESE COMPONENTS WITH SONY PARTS WHOSE PART NUMBERS APPEAR AS SHOWN IN THIS MANUAL OR IN SUPPLEMENTS PUBLISHED BY SONY.

TABLE OF CONTENTS

Section	Title	Page	Section	Title	Page
Specifications		1	2. DIAGRAMS		
Model Identification		2	Circuit Boards Location		5
On Operating Voltage		2	2-1. Schematic Diagram		6
1. GENERAL			2-2. Printed Wiring Boards		9
Parts Identification		3	Semiconductor Lead Layouts		12
Connection		4	3. EXPLODED VIEWS		13
Troubleshooting Guide		4	4. ELECTRICAL PARTS LIST		15

SECTION 1 GENERAL

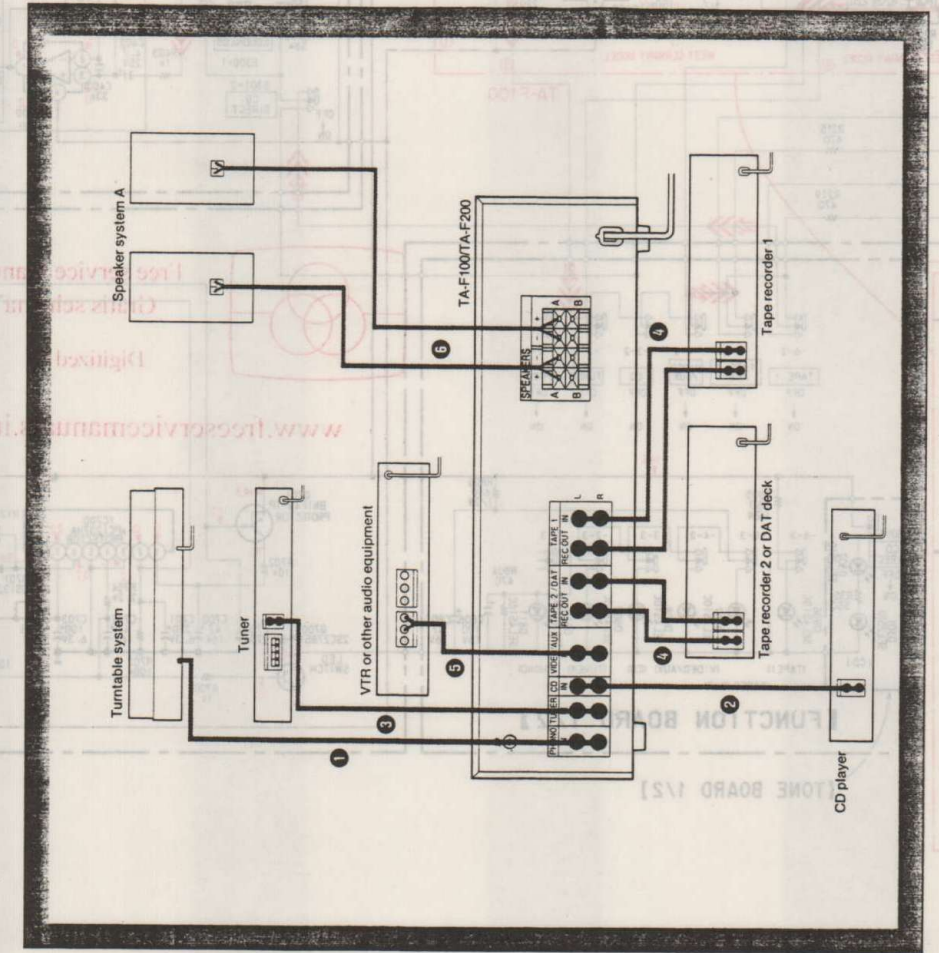


Connection

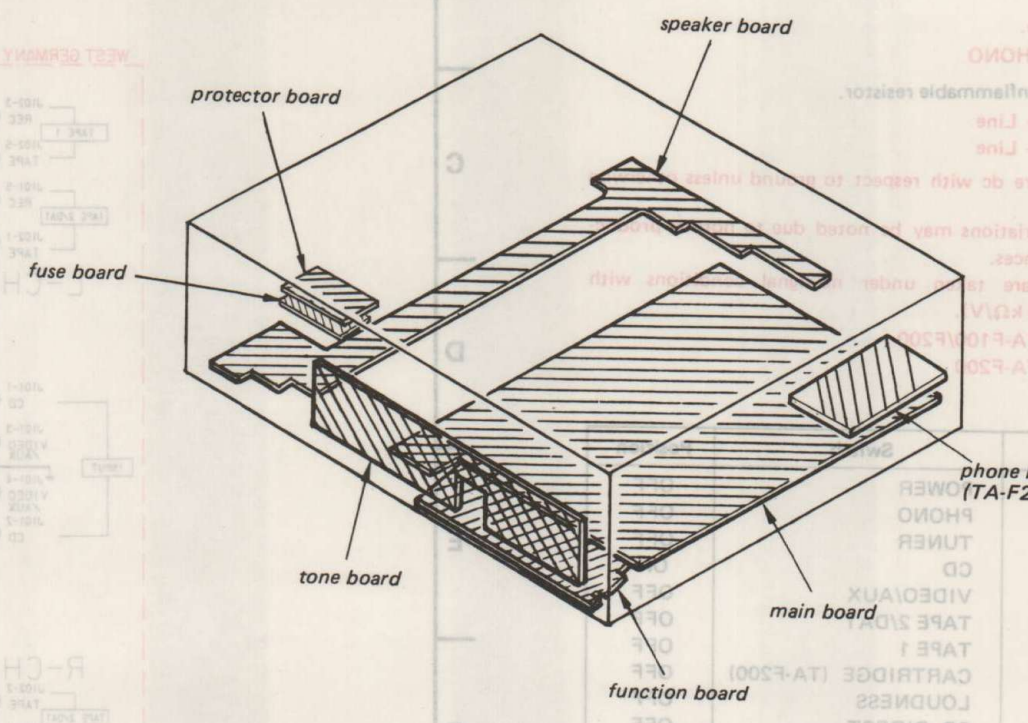
- Notes on Connection**
- Connect the AC power cord last. Make sure power is off.
  - Cord plugs and jacks are color coded. Red plugs and jacks are for right channel (R) and white ones for left channel (L).
  - Fully insert cable connectors into jacks. Loose connections may cause hum or noise.

Troubleshooting Guide

No audio	<ul style="list-style-type: none"> <li>• Check power cord connection.</li> <li>• Check speaker and input connections.</li> <li>• Check SPEAKERS selector setting.</li> <li>• Check INPUT SELECTOR setting.</li> <li>• Check CD DIRECT switch setting.</li> <li>• Adjust VOLUME control.</li> </ul>
No audio from one channel or unbalanced left and right volume	<ul style="list-style-type: none"> <li>• Adjust BALANCE control.</li> <li>• Check speaker and input connections of inoperative channel.</li> <li>• Turn off amplifier. Check speaker terminals and connecting cords for short.</li> </ul>
Abrupt sound loss from both speakers	<ul style="list-style-type: none"> <li>• Check speaker +/- connections for proper phasing.</li> </ul>
Lack of bass sound or obscure instrument position	<ul style="list-style-type: none"> <li>• Release CD DIRECT to OFF.</li> </ul>
TONE controls do not work.	<ul style="list-style-type: none"> <li>• TV or VTR is too close to audio system.</li> <li>• Move connecting cords away from transformers, motors or fluorescent lights.</li> <li>• Fully insert connecting cord plugs.</li> <li>• Ground turntable system.</li> <li>• Disconnect turntable ground wire when using an MM cartridge with a ground plate.</li> <li>• Wipe plugs and jacks with a cloth lightly moistened with methanol.</li> </ul>
Severe hum or noise	

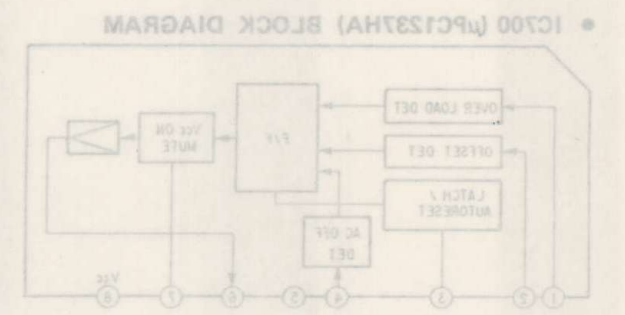


• CIRCUIT BOARDS LOCATION



SECTION 2 DIAGRAMS

Note: The component identified by mark  $\Delta$  or dotted line with mark  $\Delta$  are critical for safety. Replace only with part number specified.



2-1. SCHEMATIC DIAGRAM

Note:

- All capacitors are in pF unless otherwise noted. pF: pF.
- 50WV or less are not indicated except for electrolytic and tantalum.
- All resistors are in  $\Omega$  and  $\frac{1}{2}$ W or less unless otherwise specified.
- Signal path.
- $\Delta$ : PHONO
- $\square$ : nonflammable resistor.
- $\square$ : B+ Line
- $\square$ : B- Line
- Voltages are dc with respect to ground unless noted.
- Voltage variations may be found due to component tolerances.
- Ratings are for normal use.
- VOM: 50 k $\Omega$ /V.
- no mark: TA-F100/F200
- ( ): TA-F200

Switch

Ref. No.	Part No.
S1	SWITCH
S100-1	PHONO
S100-2	TUNER
S100-3	CD
S100-4	VIDEO/AV
S100-5	TAPE 2/D
S100-6	TAPE 1
S100-7	CARTRIDGE (TA-F200)
S200	LOUDNESS
S301	CD DIRECT
S800	SPEAKERS
V2801	VOLUME SELECTOR (TA-F100: E)

### 2-1. SCHEMATIC DIAGRAM

#### Note:

- All capacitors are in  $\mu\text{F}$  unless otherwise noted. pF:  $\mu\text{F}$  50WV or less are not indicated except for electrolytics and tantalums.
- All resistors are in  $\Omega$  and  $\frac{1}{4}\text{W}$  or less unless otherwise specified.

#### • Signal path.

➡➡➡: PHONO

■: nonflammable resistor.

—: B+ Line

---: B- Line

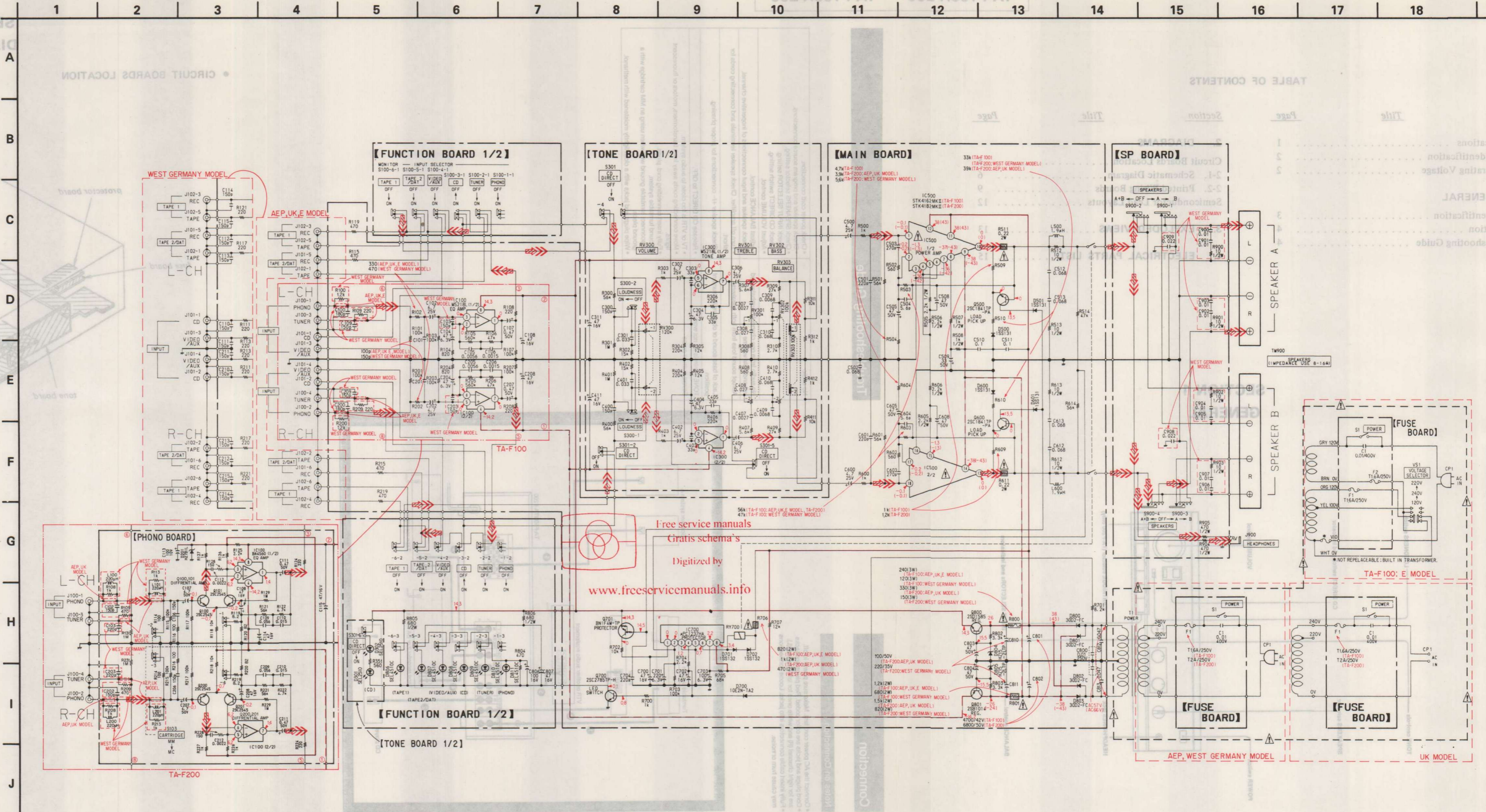
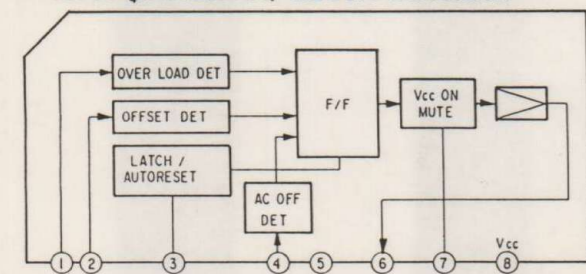
- Voltages are dc with respect to ground unless otherwise noted.
- Voltage variations may be noted due to normal production tolerances.
- Readings are taken under no-signal conditions with a VOM (50 k $\Omega$ /V).
- no mark: TA-F100/F200
- ( ): TA-F200

#### • Switch

Ref. No.	Switch	Position
S1	POWER	OFF
S100-1	PHONO	OFF
S100-2	TUNER	OFF
S100-3	CD	ON
S100-4	VIDEO/AUX	OFF
S100-5	TAPE 2/DAT	OFF
S100-6	TAPE 1	OFF
S103	CARTRIDGE (TA-F200)	OFF
S300	LOUDNESS	OFF
S301	CD DIRECT	OFF
S900	SPEAKERS	OFF
VS901	VOLTAGE SELECTOR (TA-F100: E)	120V

Note: The components identified by mark  $\Delta$  or dotted line with mark  $\Delta$  are critical for safety. Replace only with part number specified.

#### • IC700 ( $\mu\text{PC1237HA}$ ) BLOCK DIAGRAM

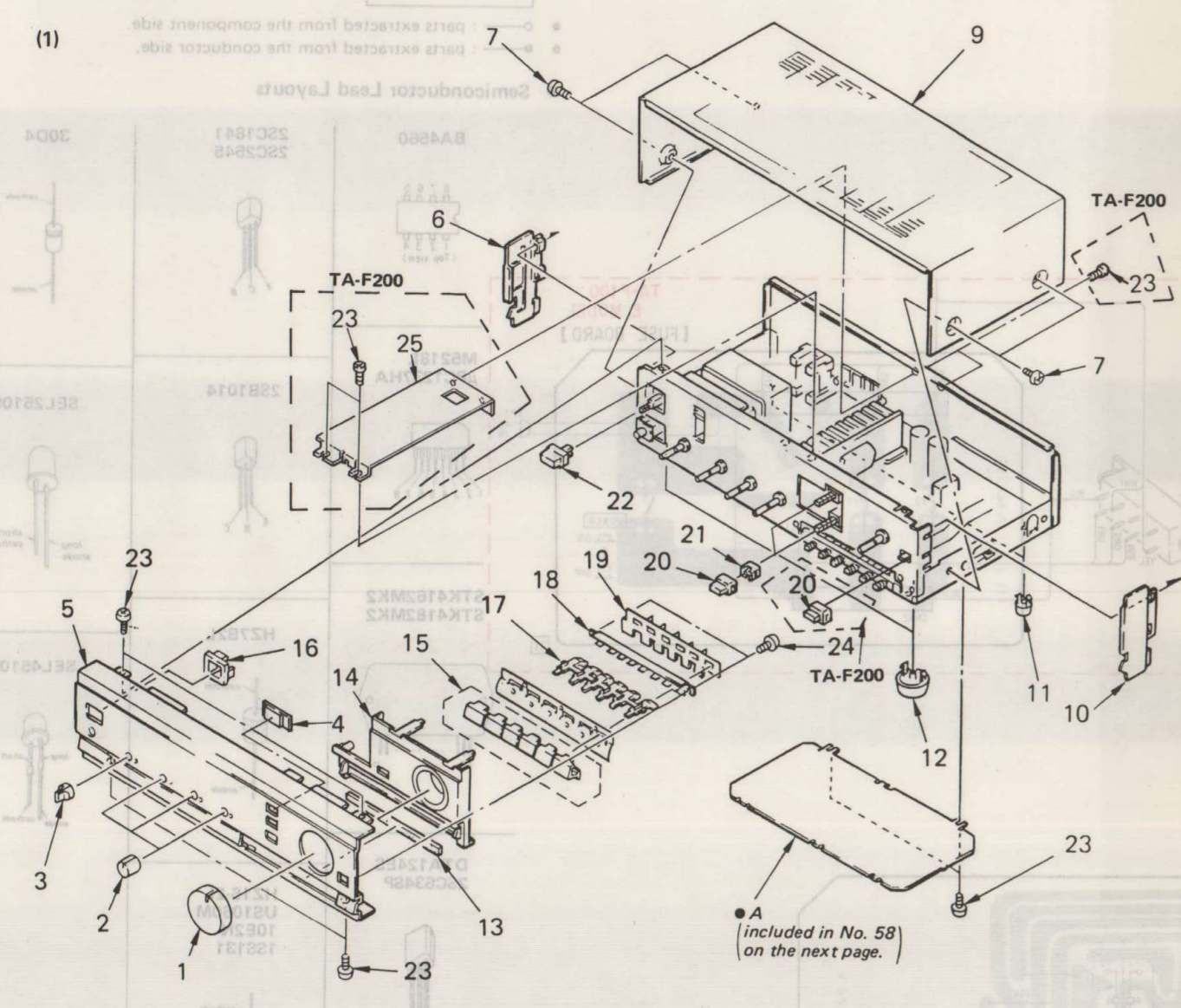




SECTION 3

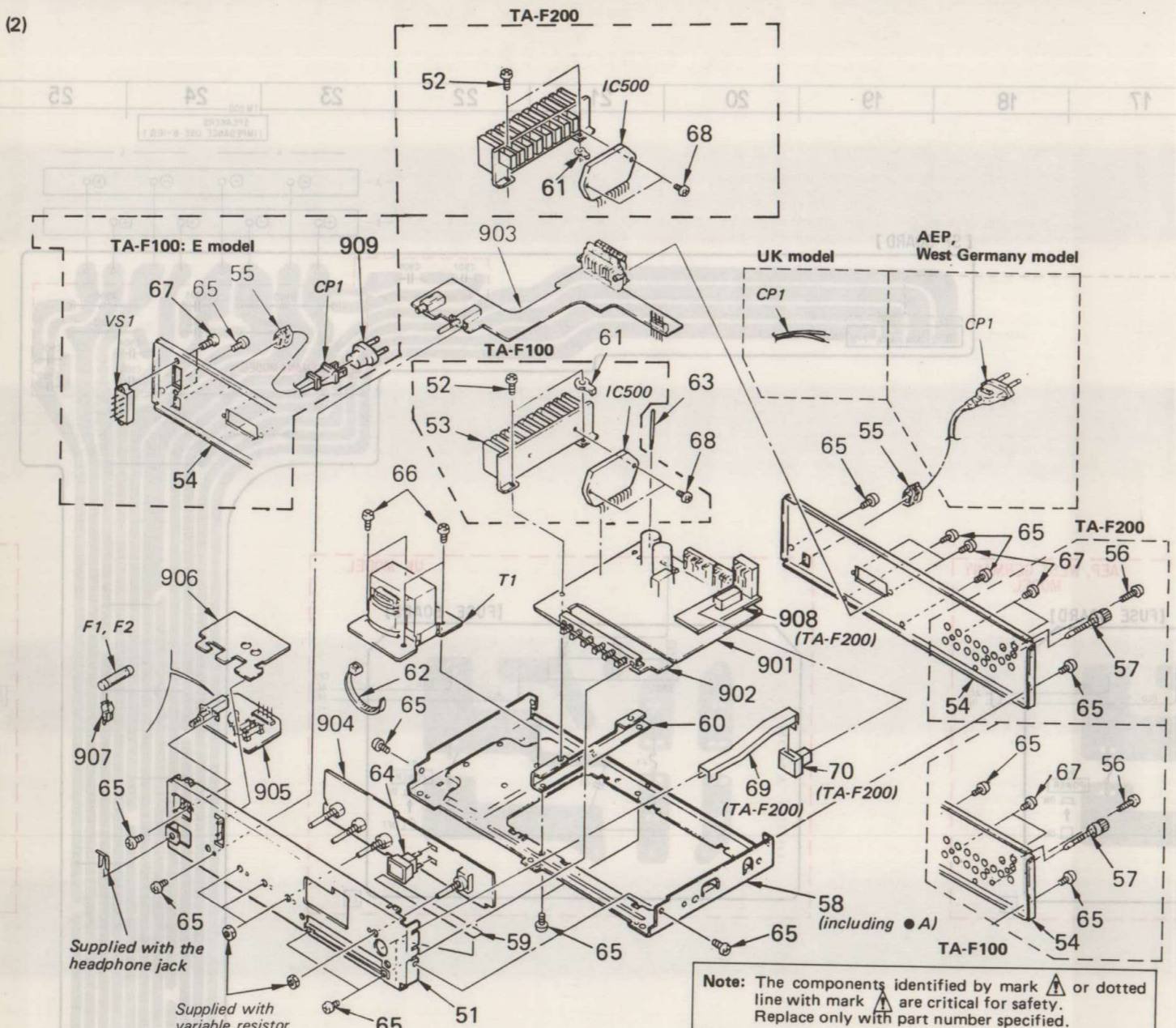
EXPLODED VIEWS

- NOTE:**
- The mechanical parts with no reference number in the exploded views are not supplied.
  - The construction parts of an assembled part are indicated with a collation number in the remark column.
  - Items marked "\*" are not stocked since they are seldom required for routine service. Some delay should be anticipated when ordering these items.
- Due to standardization, parts with part number suffix -XX and -X may be different from the parts specified in the components used on the set.
- Color Indication of Appearance Parts Example:  
 (RED) ... KNOB, BALANCE (WHITE)  
 ↑ Cabinet's Color      ↑ Parts Color
- The components identified by mark **A** or dotted line with mark **A** are critical for safety. Replace only with part number specified.



No.	Part No.	Description	Remarks
1	X-4919-703-1	KNOB (VOL) ASSY	
2	4-916-746-01	KNOB (DIA.21)	
3	4-916-745-01	KNOB (DIA.21)	
4	4-921-387-01	PLATE (CD), INDICATION	
5	4-921-319-11	PANEL, FRONT	
6	4-921-316-01	PANEL (LEFT), SIDE	
7	3-704-366-01	(F200:West Germany,UK)...SCREW (CASE)(M3X8)	
	4-886-821-01	(F100:E).....SCREW M3 CASE	
9	3-327-853-11	CASE	
10	4-921-317-01	PANEL (RIGHT), SIDE	
11	X-4864-303-0	FOOT ASSY	
12	X-3337-104-1	FOOT ASSY, ORNAMENTAL	
13	*4-921-313-01	CUSHION	
14	4-921-318-01	ESCUTCHEON	
15	X-4904-478-1	BUTTON ASSY	
16	4-908-044-11	ESCUTCHEON, POWER KNOB	
17	4-911-295-01	PLATE, LIGHT GUIDE	
18	*4-911-292-01	BRACKET	
19	*4-921-315-01	PLATE, LIGHT INTERCEPTION	
20	3-315-105-21	KNOB (5X16), SQUARE	
21	*4-864-307-00	RING	
22	4-917-460-01	KNOB, POWER	
23	7-682-548-04	SCREW +BVTT 3X8 (S)	
24	7-685-646-79	SCREW +BVTP 3X8 TYPE2 N-S	
25	*4-921-396-01	(F200)...BRACKET (HS)	

(2)



No.	Part No.	Description	Remarks
51	*4-921-320-01	CHASSIS, SUB	
52	3-703-685-21	SCREW (+BV 3X8)	
53	*4-914-027-01	(F100)...HEAT SINK (E)	
54	*4-921-378-11	(F200:AEP)...PANEL, BACK	
	*4-921-378-21	(F200:West Germany)...PANEL, BACK	
	*4-921-378-31	(F200:UK)...PANEL, BACK	
	*4-921-379-11	(F100:AEP)...PANEL, BACK	
	*4-921-379-21	(F100:West Germany)...PANEL, BACK	
	*4-921-379-31	(F100:UK)...PANEL, BACK	
	*4-921-379-41	(F100:E).....PANEL, BACK	
55	*3-703-244-00	(F200:West Germany,UK).....BUSHING (2104), CORD	
	*3-703-571-00	(F100:E).....BUSHING (S)(4516), CORD	
56	3-704-242-01	SCREW, TERMINAL, + BVTP CLAW	
57	*3-706-165-00	SCREW	
58	*3-327-854-29	CHASSIS	
59	*4-921-312-01	SHEET, INSULATING	
60	*4-921-314-01	BRACKET (P)	
61	*4-881-629-00	PLATE (A), GROUND	
63	*3-683-631-01	(West Germany)...CLAMP	
64	*4-921-389-01	HOUSE	
65	7-682-548-04	SCREW +BVTT 3X8 (S)	
66	7-682-560-04	SCREW +BVTT 4X6 (S)	
67	7-685-646-79	SCREW +BVTP 3X8 TYPE2 N-S	
68	7-685-650-79	SCREW +BVTP 3X16 TYPE2 IT-3	
69	*4-921-388-01	(F200)...JOINT (MC)	
70	4-866-342-00	(F200)...JOINT (B), KNOB	
901	*A-4351-688-A	(F100:AEP,UK,E).....MOUNTED PCB, MAIN	
	*A-4351-689-A	(F100:West Germany)...MOUNTED PCB, MAIN	
	*A-4351-690-A	(F200:AEP,UK).....MOUNTED PCB, MAIN	
	*A-4351-691-A	(F200:West Germany)...MOUNTED PCB, MAIN	
902	*1-627-643-11	PC BOARD, FUNCTION	
903	*1-627-646-11	PC BOARD, SP	
904	*1-627-645-11	PC BOARD, TONE	
905	*1-627-644-11	PC BOARD, FUSE	
906	*1-627-648-11	PC BOARD, PROTECTOR	
907	1-533-183-11	HOLDER, FUSE	
908	*1-627-649-11	(F200)...PC BOARD, PHONO	
909	*1-526-565-00	(F100:E)...AC PLUG ADAPTOR	
C1	*1-161-744-00	CERAMIC 0.01MF 400V	
C100	1-162-285-31	(F100:West Germany)...CERAMIC 180PF 10% 50V	
C101	1-162-282-31	(F100:AEP,UK,E).....CERAMIC 100PF 10% 50V	
	1-162-284-31	(F100:West Germany)...CERAMIC 150PF 10% 50V	
C102	1-126-094-11	(F100).....ELECT 4.7MF 20% 25V	
	1-162-284-31	(F200:West Germany)...CERAMIC 150PF 10% 50V	
C103	1-101-361-00	(F100:West Germany)...CERAMIC 150PF 5% 50V	
	1-162-286-31	(F200:West Germany)...CERAMIC 220PF 10% 50V	
C104	1-126-154-11	(F100).....ELECT 47MF 20% 6.3V	
C105	1-130-480-00	(F100)...MYLAR 0.0056MF 5% 50V	
C106	1-130-473-00	(F100)...MYLAR 0.0015MF 5% 50V	
C106	1-162-284-31	(F200)...CERAMIC 150PF 10% 50V	
901	*A-4351-688-A	(F100:AEP,UK,E).....MOUNTED PCB, MAIN	
	*A-4351-689-A	(F100:West Germany)...MOUNTED PCB, MAIN	
	*A-4351-690-A	(F200:AEP,UK).....MOUNTED PCB, MAIN	
	*A-4351-691-A	(F200:West Germany)...MOUNTED PCB, MAIN	
902	*1-627-643-11	PC BOARD, FUNCTION	
903	*1-627-646-11	PC BOARD, SP	
904	*1-627-645-11	PC BOARD, TONE	
905	*1-627-644-11	PC BOARD, FUSE	
906	*1-627-648-11	PC BOARD, PROTECTOR	
907	1-533-183-11	HOLDER, FUSE	
908	*1-627-649-11	(F200)...PC BOARD, PHONO	
909	*1-526-565-00	(F100:E)...AC PLUG ADAPTOR	
CP1	*1-551-188-XX	(F100:E).....CORD, POWER	
	*1-585-750-00	(AEP,West Germany)...CORD, POWER	
	*1-556-035-00	(UK).....CORD, POWER	
F1	*1-532-203-00	(F200)...FUSE, TIME-LAG T2A	
	*1-532-259-00	(F100)...FUSE, TIME-LAG T1.6A	
F2	*1-532-259-00	(F100:E)...FUSE, TIME-LAG T1.6A	
T1	*1-449-396-11	(F200:AEP,UK).....TRANSFORMER, POWER	
	*1-449-404-11	(F200:West Germany)...TRANSFORMER, POWER	
	*1-449-397-11	(F100:E).....TRANSFORMER, POWER	
	*1-449-405-11	(F100:West Germany)...TRANSFORMER, POWER	
	*1-449-997-11	(F100:AEP,UK).....TRANSFORMER, POWER	
VS1	*1-570-307-11	(F100:E)...SWITCH (VOLTAGE SELECTOR)	

SECTION 4

ELECTRICAL PARTS LIST

- NOTE:**
- Due to standardization, replacements in the parts list may be different from the parts specified in the diagrams or the components used on the set.
  - Items marked "\*" are not stocked since they are seldom required for routine service. Some delay should be anticipated when ordering these items.
  - If there are two or more same circuits in a set such as a stereophonic machine, only typical circuit parts may be indicated and capacitors and resistors in other same circuits may be omitted.
- CAPACITORS:**  
 MF:  $\mu$ F, PF:  $\mu$ F.
- RESISTORS**  
 • All resistors are in ohms.  
 • F: nonflammable
- COILS**  
 • MMH: mH, UH:  $\mu$ H
- SEMICONDUCTORS**  
 In each case, U:  $\mu$ , for example:  
 UA...:  $\mu$ A... UPA...:  $\mu$ PA...  
 UPC...:  $\mu$ PC, UPD...:  $\mu$ PD...

The components identified by mark **A** or dotted line with mark **A** are critical for safety. Replace only with part number specified.

Ref.No.	Part No.	Description
901	*A-4351-688-A	(F100:AEP,UK,E).....MOUNTED PCB, MAIN
	*A-4351-689-A	(F100:West Germany)...MOUNTED PCB, MAIN
	*A-4351-690-A	(F200:AEP,UK).....MOUNTED PCB, MAIN
	*A-4351-691-A	(F200:West Germany)...MOUNTED PCB, MAIN
902	*1-627-643-11	PC BOARD, FUNCTION
903	*1-627-646-11	PC BOARD, SP
904	*1-627-645-11	PC BOARD, TONE
905	*1-627-644-11	PC BOARD, FUSE
906	*1-627-648-11	PC BOARD, PROTECTOR
907	1-533-183-11	HOLDER, FUSE
908	*1-627-649-11	(F200)...PC BOARD, PHONO
909	*1-526-565-00	(F100:E)...AC PLUG ADAPTOR
C1	*1-161-744-00	CERAMIC 0.01MF 400V
C100	1-162-285-31	(F100:West Germany)...CERAMIC 180PF 10% 50V
C101	1-162-282-31	(F100:AEP,UK,E).....CERAMIC 100PF 10% 50V
	1-162-284-31	(F100:West Germany)...CERAMIC 150PF 10% 50V
C102	1-126-094-11	(F100).....ELECT 4.7MF 20% 25V
	1-162-284-31	(F200:West Germany)...CERAMIC 150PF 10% 50V
C103	1-101-361-00	(F100:West Germany)...CERAMIC 150PF 5% 50V
	1-162-286-31	(F200:West Germany)...CERAMIC 220PF 10% 50V
C104	1-126-154-11	(F100).....ELECT 47MF 20% 6.3V
C105	1-130-480-00	(F100)...MYLAR 0.0056MF 5% 50V
C106	1-130-473-00	(F100)...MYLAR 0.0015MF 5% 50V
C106	1-162-284-31	(F200)...CERAMIC 150PF 10% 50V
C107	1-124-465-00	(F100).....ELECT 0.47MF 20% 50V
C107	1-124-927-11	(F200:West Germany)...ELECT 4.7MF 20% 50V
C108	1-124-477-11	ELECT 47MF 20% 16V
C109	1-136-162-00	(F200)...FILM 0.056MF 5% 50V
C109	1-162-284-31	(F100:West Germany)...CERAMIC 150PF 10% 50V
C110	1-136-155-00	(F200:PHONO)...FILM 0.015MF 5% 50V
C110	1-162-284-31	(West Germany:MAIN)...CERAMIC 150PF 10% 50V
C111	1-124-902-00	(F200:PHONO)...ELECT 0.47MF 20% 50V
C111	1-162-284-31	(West Germany:MAIN)...CERAMIC 150PF 10% 50V
C112	1-130-475-00	(F200:PHONO)...MYLAR 0.0022MF 5% 50V
C112	1-162-284-31	(West Germany:MAIN)...CERAMIC 150PF 10% 50V
C113	1-124-443-00	(F200:PHONO)...ELECT 100MF 20% 10V
C113	1-162-284-31	(West Germany:MAIN)...CERAMIC 150PF 10% 50V
C114	1-124-589-11	(F200:PHONO)...ELECT 47MF 20% 16V
C114	1-162-284-31	(West Germany:MAIN)...CERAMIC 150PF 10% 50V
C115	1-124-589-11	(F200:PHONO)...ELECT 47MF 20% 16V
C115	1-162-284-31	(West Germany:MAIN)...CERAMIC 150PF 10% 50V
C200	1-162-285-31	(F100:West Germany)...CERAMIC 180PF 10% 50V
C201	1-162-282-31	(F100:AEP,UK,E).....CERAMIC 100PF 10% 50V
	1-162-284-31	(F100:West Germany)...CERAMIC 150PF 10% 50V
C202	1-126-094-11	(F100)...ELECT 4.7MF 20% 25V
	1-162-284-31	(F200:West Germany)...CERAMIC 150PF 10% 50V
C203	1-101-361-00	(F100:West Germany)...CERAMIC 150PF 5% 50V
	1-162-286-31	(F200:West Germany)...CERAMIC 220PF 10% 50V
C204	1-126-154-11	(F100)...ELECT 47MF 20% 6.3V
C205	1-130-480-00	(F100)...MYLAR 0.0056MF 5% 50V
C206	1-130-473-00	(F100)...MYLAR 0.0015MF 5% 50V
C206	1-162-284-31	(F200)...CERAMIC 150PF 10% 50V
C207	1-124-465-00	(F100)...ELECT 0.47MF 20% 50V
C207	1-124-927-11	(F200)...ELECT 4.7MF 20% 50V
C208	1-124-477-11	ELECT 47MF 20% 16V
C209	1-136-162-00	(F200)...FILM 0.056MF 5% 50V
C209	1-162-284-31	(F100:West Germany)...ELECT 4.7MF 20% 50V
C210	1-136-155-00	(F200:PHONO)...FILM 0.015MF 5% 50V
C210	1-162-284-31	(West Germany:MAIN)...CERAMIC 150PF 10% 50V
C211	1-124-902-00	(F200:PHONO)...ELECT 0.47MF 20% 50V
C211	1-162-284-31	(West Germany:MAIN)...CERAMIC 150PF 10% 50V
C212	1-130-475-00	(F200:PHONO)...MYLAR 0.0022MF 5% 50V
C212	1-162-284-31	(West Germany:MAIN)...CERAMIC 150PF 10% 50V
C213	1-162-284-31	(West Germany:MAIN)...CERAMIC 150PF 10% 50V
C214	1-162-284-31	(West Germany:MAIN)...CERAMIC 150PF 10% 50V
C214	1-162-284-31	(West Germany:MAIN)...CERAMIC 150PF 10% 50V
C215	1-162-284-31	(West Germany:MAIN)...CERAMIC 150PF 10% 50V

**Note:** The components identified by mark **A** or dotted line with mark **A** are critical for safety. Replace only with part number specified.

Ref.No.	Part No.	Description
C300	1-162-284-31	CERAMIC 150PF 10% 50V
C301	1-136-159-00	FILM 0.033MF 5% 50V
C302	1-126-094-11	ELECT 4.7MF 20% 25V
C303	1-162-211-31	CERAMIC 33PF 5% 50V
C304	1-126-154-11	ELECT 47MF 20% 6.3V
C305	1-162-211-31	CERAMIC 33PF 5% 50V
C306	1-126-094-11	ELECT 4.7MF 20% 25V
C307	1-130-476-00	MYLAR 0.0027MF 5% 50V
C308	1-136-158-00	FILM 0.027MF 5% 50V
C309	1-130-481-00	MYLAR 0.0068MF 5% 50V
C310	1-136-163-00	FILM 0.068MF 5% 50V
C311	1-124-589-11	ELECT 47MF 20% 16V
C400	1-162-284-31	CERAMIC 150PF 10% 50V
C401	1-136-159-00	FILM 0.033MF 5% 50V
C402	1-126-094-11	ELECT 4.7MF 20% 25V
C403	1-162-211-31	CERAMIC 33PF 5% 50V
C404	1-126-154-11	ELECT 47MF 20% 6.3V
C405	1-162-211-31	CERAMIC 33PF 5% 50V
C406	1-126-094-11	ELECT 4.7MF 20% 25V
C407	1-130-476-00	MYLAR 0.0027MF 5% 50V
C408	1-136-158-00	FILM 0.027MF 5% 50V
C409	1-130-481-00	MYLAR 0.0068MF 5% 50V
C410	1-136-163-00	FILM 0.068MF 5% 50V
C411	1-124-589-11	ELECT 47MF 20% 16V
C500	1-126-094-11	ELECT 4.7MF 20% 25V
C501	1-162-286-31	CERAMIC 220PF 10% 50V
C502	1-136-163-00	FILM 0.068MF 5% 50V
C503	1-162-287-31	CERAMIC 270PF 10% 50V
C504	1-162-196-31	CERAMIC 5.6PF 10% 50V
C505	1-124-910-11	ELECT 47MF 20% 50V
C508	1-124-910-11	ELECT 47MF 20% 50V
C509	1-124-917-11	ELECT 33MF 20% 50V
C510	1-136-165-00	FILM 0.1MF 5% 50V
C511	1-136-165-00	FILM 0.1MF 5% 50V
C512	1-136-163-00	FILM 0.068MF 5% 50V
C513	1-136-163-00	FILM 0.068MF 5% 50V
C600	1-126-094-11	ELECT 4.7MF 20% 25V
C601	1-162-286-31	CERAMIC 220PF 10% 50V
C603	1-162-287-31	CERAMIC 270PF 10% 50V
C604	1-162-196-31	CERAMIC 5.6PF 10% 50V
C605	1-124-910-11	ELECT 47MF 20% 50V
C608	1-124-910-11	ELECT 47MF 20% 50V
C612	1-136-163-00	FILM 0.068MF 5% 50V
C613	1-136-163-00	FILM 0.068MF 5% 50V
C700	1-124-477-11	ELECT 47MF 20% 16V
C701	1-126-176-11	ELECT 220MF 20% 6.3V
C702	1-124-477-11	ELECT 47MF 20% 16V
C703	1-124-443-00	ELECT 100MF 20

Ref.No.	Part No.	Description	Ref.No.	Part No.	Description
D702	8-719-000-26	DIODE US1060M			
D800	8-719-230-04	DIODE 30D4			
D801	8-719-230-04	DIODE 30D4			
D802	8-719-230-04	DIODE 30D4			
D803	8-719-230-04	DIODE 30D4			
D804	8-719-910-52	DIODE HZ15-2L			
D805	8-719-910-52	DIODE HZ15-2L			
D806	8-719-303-64	DIODE SEL4510C			
D807	8-719-303-64	DIODE SEL4510C			
D808	8-719-303-64	DIODE SEL4510C			
D809	8-719-303-64	DIODE SEL4510C			
D810	8-719-303-64	DIODE SEL4510C			
D811	8-719-303-64	DIODE SEL4510C			
F1	△.1-532-203-00	(F200)...FUSE, TIME-LAG T2A			
F1	△.1-532-259-00	(F100)...FUSE, TIME-LAG T1.6A			
F2	△.1-532-259-00	(F100:E)...FUSE, TIME-LAG T1.6A			
IC100	8-759-600-02	(F100)...IC M5218L			
IC100	8-759-923-90	(F200)...IC BA4560			
IC300	8-759-600-02	IC M5218L			
IC500	△8-749-900-24	(F100)...IC STK4162MK2			
IC500	△8-749-900-34	(F200)...IC STK4182MK2			
IC700	8-759-111-68	IC UPC1237HA			
J900	1-507-796-21	JACK (HEADPHONES)			
L100	1-413-101-00	(F200:West Germany)...COIL, INPUT			
L101	1-413-101-00	(F200:West Germany)...COIL, INPUT			
L200	1-413-101-00	(F200:West Germany)...COIL, INPUT			
L201	1-413-101-00	(F200:West Germany)...COIL, INPUT			
L500	*1-420-872-00	COIL, AIR CORE			
L600	*1-420-872-00	COIL, AIR CORE			
Q100	8-729-354-52	(F200)...TRANSISTOR 2SC2545			
Q101	8-729-354-52	(F200)...TRANSISTOR 2SC2545			
Q200	8-729-354-52	(F200)...TRANSISTOR 2SC2545			
Q201	8-729-354-52	(F200)...TRANSISTOR 2SC2545			
Q500	8-729-108-06	TRANSISTOR 2SC1841			
Q600	8-729-108-06	TRANSISTOR 2SC1841			
Q700	8-729-600-27	TRANSISTOR 2SC634SP			
Q701	8-729-900-63	TRANSISTOR DTA124ES			
Q800	8-729-107-26	TRANSISTOR 2SD1585-K			
Q801	8-729-802-22	TRANSISTOR 2SB1014			
R100	1-249-418-11	(F100:West Germany) ...CARBON 1.2K 5% 1/4W			
R101	1-249-441-11	(F100)...CARBON 100K 5% 1/4W			
R102	1-249-411-11	(F100:AEP,UK,E) ...CARBON 330 5% 1/4W			
R102	1-249-413-11	(F100:West Germany) ...CARBON 470 5% 1/4W			
R103	1-249-441-11	(F100)...CARBON 100K 5% 1/4W			
R104	1-249-416-11	(F100)...CARBON 820 5% 1/4W			
R105	1-247-897-11	(F100)...CARBON 560K 5% 1/4W			
R106	1-249-437-11	(F100)...CARBON 47K 5% 1/4W			
R107	1-249-441-11	(F100)...CARBON 100K 5% 1/4W			
R108	1-249-409-11	(F100)...CARBON 220 5% 1/4W			
R108	1-249-417-11	(F200:West Germany) ...CARBON 1K 5% 1/4W			
R109	1-249-409-11	(F100:West Germany) ...CARBON 220 5% 1/4W			
R109	1-249-413-11	(F200:West Germany) ...CARBON 470 5% 1/4W			
R111	1-249-409-11	(West Germany:MAIN) ...CARBON 220 5% 1/4W			

Ref.No.	Part No.	Description	Ref.No.	Part No.	Description
R113	1-249-409-11	(West Germany:MAIN) ...CARBON 220 5% 1/4W			
R113	1-249-417-11	(F200:West Germany:PHONO) ...CARBON 1K 5% 1/4W			
R114	1-249-405-11	(F200)...CARBON 100 5% 1/4W			
R115	1-249-413-11	(MAIN)...CARBON 470 5% 1/4W			
R115	1-249-441-11	(F200:PHONO)...CARBON 100K 5% 1/4W			
R116	1-249-405-11	(F200)...CARBON 100 5% 1/4W			
R117	1-249-409-11	(West Germany:MAIN) ...CARBON 220 5% 1/4W			
R117	1-249-441-11	(F200:PHONO)...CARBON 100K 5% 1/4W			
R118	1-249-429-11	(F200)...CARBON 10K 5% 1/4W			
R119	1-249-392-11	(F200:PHONO)...CARBON 8.2 5% 1/4W			
R119	1-249-413-11	(MAIN)...CARBON 470 5% 1/4W			
R120	1-249-404-00	(F200)...CARBON 82 5% 1/4W			
R121	1-249-409-11	(West Germany:MAIN) ...CARBON 220 5% 1/4W			
R121	1-249-438-11	(F200:PHONO)...CARBON 56K 5% 1/4W			
R122	1-249-425-11	(F200)...CARBON 4.7K 5% 1/4W			
R124	1-249-409-11	(F200)...CARBON 220 5% 1/4W			
R125	1-249-421-11	(F200)...CARBON 2.2K 5% 1/4W			
R126	1-249-417-11	(F200)...CARBON 1K 5% 1/4W			
R127	1-249-417-11	(F200)...CARBON 1K 5% 1/4W			
R128	1-249-407-11	(F200)...CARBON 150 5% 1/4W			
R129	1-247-903-00	(F200)...CARBON 1M 5% 1/4W			
R131	1-247-903-00	(F200)...CARBON 1M 5% 1/4W			
R200	1-249-418-11	(F100:West Germany) ...CARBON 1.2K 5% 1/4W			
R201	1-249-441-11	(F100)...CARBON 100K 5% 1/4W			
R202	1-249-411-11	(F100:AEP,UK,E) ...CARBON 330 5% 1/4W			
R202	1-249-413-11	(F100:West Germany) ...CARBON 470 5% 1/4W			
R203	1-249-441-11	(F100)...CARBON 100K 5% 1/4W			
R204	1-249-416-11	(F100)...CARBON 820 5% 1/4W			
R205	1-247-897-11	(F100)...CARBON 560K 5% 1/4W			
R206	1-249-437-11	(F100)...CARBON 47K 5% 1/4W			
R207	1-249-441-11	(F100)...CARBON 100K 5% 1/4W			
R208	1-249-409-11	(F100)...CARBON 220 5% 1/4W			
R208	1-249-417-11	(F200:West Germany) ...CARBON 1K 5% 1/4W			
R209	1-249-409-11	(F100:West Germany) ...CARBON 220 5% 1/4W			
R209	1-249-413-11	(F200:West Germany) ...CARBON 470 5% 1/4W			
R211	1-249-409-11	(West Germany:MAIN) ...CARBON 220 5% 1/4W			
R213	1-249-409-11	(West Germany:MAIN) ...CARBON 220 5% 1/4W			
R213	1-249-417-11	(F200:West Germany,PHONO) ...CARBON 1K 5% 1/4W			
R214	1-249-405-11	(F200)...CARBON 100 5% 1/4W			
R215	1-249-413-11	(MAIN)...CARBON 470 5% 1/4W			
R215	1-249-441-11	(F200:PHONO)...CARBON 100K 5% 1/4W			
R216	1-249-405-11	(F200)...CARBON 100 5% 1/4W			
R217	1-249-409-11	(West Germany:MAIN) ...CARBON 220 5% 1/4W			
R217	1-249-441-11	(F200:PHONO)...CARBON 100K 5% 1/4W			
R218	1-249-429-11	(F200)...CARBON 10K 5% 1/4W			
R219	1-249-392-11	(F200:PHONO)...CARBON 8.2 5% 1/4W			
R219	1-249-413-11	(MAIN)...CARBON 470 5% 1/4W			

**Note:** The components identified by mark **△** or dotted line with mark **△** are critical for safety. Replace only with part number specified.

Ref.No.	Part No.	Description	Ref.No.	Part No.	Description
R220	1-249-404-00	(F200)...CARBON 82 5% 1/4W	R504	1-247-721-11	(F100)...CARBON 4.7K 5% 1/4W
R221	1-249-409-11	(West Germany) ...CARBON 220 5% 1/4W	R504	1-247-720-11	(F200:AEP,UK)...CARBON 3.9K 5% 1/4W
R221	1-249-438-11	(F200:PHONO)...CARBON 56K 5% 1/4W	R504	1-247-722-11	(F200:West Germany) ...CARBON 5.6K 5% 1/4W
R222	1-249-425-11	(F200)...CARBON 4.7K 5% 1/4W	R505	1-247-756-11	CARBON 2.2K 5% 1/2W
R224	1-249-409-11	(F200)...CARBON 220 5% 1/4W	R506	1-247-756-11	CARBON 2.2K 5% 1/2W
R226	1-249-417-11	(F200)...CARBON 1K 5% 1/4W	R507	1-247-752-11	CARBON 1K 5% 1/2W
R227	1-249-417-11	(F200)...CARBON 1K 5% 1/4W	R508	1-247-752-11	CARBON 1K 5% 1/2W
R228	1-249-407-11	(F200)...CARBON 150 5% 1/4W	R509	1-247-713-11	(F100)...CARBON 1K 5% 1/4W
R229	1-247-903-00	(F200)...CARBON 1M 5% 1/4W	R509	1-247-714-11	(F200)...CARBON 1.2K 5% 1/4W
R231	1-247-903-00	(F200)...CARBON 1M 5% 1/4W	R510	1-247-726-11	(F200:West Germany,F100) ...CARBON 33K 5% 1/4W
R300	1-249-438-11	CARBON 56K 5% 1/4W	R510	1-249-464-11	(F200:AEP,UK)...CARBON 39K 5% 1/4W
R301	1-247-903-00	CARBON 1M 5% 1/4W	R511	1-217-151-00	RES, METAL PLATE 0.22
R302	1-249-431-11	CARBON 15K 5% 1/4W	R512	1-247-727-11	CARBON 10 5% 1/2W
R303	1-249-417-11	CARBON 1K 5% 1/4W	R513	1-247-727-11	CARBON 10 5% 1/2W
R304	1-247-887-00	CARBON 220K 5% 1/4W	R514	1-249-465-11	CARBON 47K 5% 1/4W
R305	1-249-430-11	CARBON 12K 5% 1/4W	R600	1-247-713-11	CARBON 1K 5% 1/4W
R306	1-247-887-00	CARBON 220K 5% 1/4W	R601	1-249-466-11	CARBON 56K 5% 1/4W
R307	1-249-426-11	CARBON 5.6K 5% 1/4W	R602	1-247-710-11	CARBON 560 5% 1/4W
R308	1-249-414-11	CARBON 560 5% 1/4W	R603	1-249-465-11	(F100:West Germany) ...CARBON 47K 5% 1/4W
R309	1-249-434-11	CARBON 27K 5% 1/4W	R603	1-249-466-11	(EXCEPT F100:West Germany) ...CARBON 56K 5% 1/4W
R310	1-249-422-11	CARBON 2.7K 5% 1/4W	R604	1-247-721-11	(F100)...CARBON 4.7K 5% 1/4W
R311	1-249-429-11	CARBON 10K 5% 1/4W	R604	1-247-720-11	(F200:AEP,UK)...CARBON 3.9K 5% 1/4W
R312	1-249-417-11	CARBON 1K 5% 1/4W	R604	1-247-722-11	(F200:West Germany) ...CARBON 5.6K 5% 1/4W
R351	1-247-710-11	CARBON 560 5% 1/4W	R605	1-247-756-11	CARBON 2.2K 5% 1/2W
R400	1-249-438-11	CARBON 56K 5% 1/4W	R606	1-247-756-11	CARBON 2.2K 5% 1/2W
R401	1-247-903-00	CARBON 1M 5% 1/4W	R609	1-247-714-11	(F200)...CARBON 1.2K 5% 1/4W
R402	1-249-431-11	CARBON 15K 5% 1/4W	R609	1-247-713-11	(F100)...CARBON 1K 5% 1/2W
R403	1-249-417-11	CARBON 1K 5% 1/4W	R610	1-247-726-11	(F200:West Germany,F100) ...CARBON 33K 5% 1/4W
R404	1-247-887-00	CARBON 220K 5% 1/4W	R610	1-249-464-11	(F200:AEP,UK)...CARBON 39K 5% 1/4W
R405	1-249-430-11	CARBON 12K 5% 1/4W	R611	1-217-151-00	RES, METAL PLATE 0.22
R406	1-247-887-00	CARBON 220K 5% 1/4W	R612	1-247-727-11	CARBON 10 5% 1/2W
R407	1-249-426-11	CARBON 5.6K 5% 1/4W	R613	1-247-727-11	CARBON 10 5% 1/2W
R408	1-249-414-11	CARBON 560 5% 1/4W	R614	1-249-466-11	CARBON 56K 5% 1/4W
R409	1-249-434-11	CARBON 27K 5% 1/4W	R700	1-247-713-11	CARBON 1K 5% 1/4W
R410	1-249-422-11	CARBON 2.7K 5% 1/4W	R701	1-247-724-11	CARBON 8.2K 5% 1/4W
R411	1-249-429-11	CARBON 10K 5% 1/4W	R702	1-247-725-11	CARBON 10K 5% 1/4W
R412	1-249-417-11	CARBON 1K 5% 1/4W	R703	1-249-469-11	CARBON 100K 5% 1/4W
R500	1-247-713-11	CARBON 1K 5% 1/4W	R704	1-247-717-11	CARBON 2.2K 5% 1/4W
R501	1-249-466-11	CARBON 56K 5% 1/4W	R705	1-249-467-11	CARBON 68K 5% 1/4W
R502	1-247-710-11	CARBON 560 5% 1/4W			
R503	1-249-465-11	(F100:West Germany) ...CARBON 47K 5% 1/4W			
R503	1-249-466-11	(EXCEPT F100:West Germany) ...CARBON 56K 5% 1/4W			

Ref.No.	Part No.	Description	Ref.No.	Part No.	Description
R504	1-247-721-11	(F100)...CARBON 4.7K 5% 1/4W	R706	1-206-662-00	(F100:AEP,UK,E) ...METAL OXIDE 820 5% 2W F
R504	1-247-720-11	(F200:AEP,UK)...CARBON 3.9K 5% 1/4W	R706	1-215-890-11	(West Germany) ...METAL OXIDE 470 5% 2W F
R504	1-247-722-11	(F200:West Germany) ...CARBON 5.6K 5% 1/4W	R706	1-215-892-11	(F200:AEP,UK) ...METAL OXIDE 1K 5% 2W F
R505	1-247-756-11	CARBON 2.2K 5% 1/2W	R707	1-249-459-11	CARBON 12K 5% 1/4W
R506	1-247-756-11	CARBON 2.2K 5% 1/2W	R800	1-207-637-00	(F200:West Germany) ...METAL OXIDE 150 5% 3W F
R507	1-247-752-11	CARBON 1K 5% 1/2W	R800	1-206-713-00	(F200:AEP,UK) ...METAL OXIDE 330 5% 3W F
R508	1-247-752-11	CARBON 1K 5% 1/2W	R800	1-206-710-00	(F100:AEP,UK,E) ...METAL OXIDE 240 5% 3W F
R509	1-247-713-11	(F100)...CARBON 1K 5% 1/4W	R800	1-216-475-11	(F100:West Germany) ...METAL OXIDE 120 5% 3W F
R509	1-247-714-11	(F200)...CARBON 1.2K 5% 1/4W	R801	1-206-660-00	(F100:West Germany) ...METAL OXIDE 680 5% 2W F
R510	1-247-726-11	(F200:West Germany,F100) ...CARBON 33K 5% 1/4W	R801	1-206-666-00	(F100:AEP,UK,E) ...METAL OXIDE 1.2K 5% 2W F
R510	1-249-464-11	(F200:AEP,UK)...CARBON 39K 5% 1/4W	R801	1-206-662-00	(F200:West Germany) ...METAL OXIDE 820 5% 2W F
R511	1-217-151-00	RES, METAL PLATE 0.22	R801	1-215-893-11	(F200:AEP,UK) ...METAL OXIDE 1.5K 5% 2W F
R512	1-247-727-11	CARBON 10 5% 1/2W	R802	1-247-719-11	CARBON 3.3K 5% 1/4W
R513	1-247-727-11	CARBON 10 5% 1/2W	R803	1-247-719-11	CARBON 3.3K 5% 1/4W
R514	1-249-465-11	CARBON 47K 5% 1/4W	R804	1-247-708-11	CARBON 470 5% 1/4W
R600	1-247-713-11	CARBON 1K 5% 1/4W	R805	1-247-750-11	CARBON 680 5% 1/2W
R601	1-249-466-11	CARBON 56K 5% 1/4W	R806	1-247-750-11	CARBON 680 5% 1/2W
R602	1-247-710-11	CARBON 560 5% 1/4W	R900	1-247-727-11	(West Germany)...CARBON 10 5% 1/2W
R603	1-249-465-11	(F100:West Germany) ...CARBON 47K 5% 1/4W	R901	1-247-727-11	(West Germany)...CARBON 10 5% 1/2W
R603	1-249-466-11	(EXCEPT F100:West Germany) ...CARBON 56K 5% 1/4W	R902	1-247-727-11	(West Germany)...CARBON 10 5% 1/2W
R604	1-247-721-11	(F100)...CARBON 4.7K 5% 1/4W	R903	1-247-727-11	(West Germany)...CARBON 10 5% 1/2W
R604	1-247-720-11	(F200:AEP,UK)...CARBON 3.9K 5% 1/4W	R904	1-247-747-11	CARBON 470 5% 1/2W
R604	1-247-722-11	(F200:West Germany) ...CARBON 5.6K 5% 1/4W	R905	1-247-747-11	CARBON 470 5% 1/2W
R605	1-247-756-11	CARBON 2.2K 5% 1/2W	RV300	1-237-846-11	RES, VAR, CARBON 120K/120K (VOLUME)
R606	1-247-756-11	CARBON 2.2K 5% 1/2W	RV301	1-237-740-11	RES, VAR, CARBON 100K/100K (TREBLE)
R609	1-247-714-11	(F200)...CARBON 1.2K 5% 1/4W	RV302	1-237-740-11	RES, VAR, CARBON 100K/100K (BASS)
R609	1-247-713-11	(F100)...CARBON 1K 5% 1/2W	RV303	1-237-739-11	RES, VAR, CARBON 100K/100K (BALANCE)
R610	1-247-726-11	(F200:West Germany,F100) ...CARBON 33K 5% 1/4W	RY700	1-515-533-11	RELAY
R610	1-249-464-11	(F200:AEP,UK)...CARBON 39K 5% 1/4W	S1	1-554-920-11	SWITCH, PUSH (AC POWER)(1 KEY)
R611	1-217-151-00	RES, METAL PLATE 0.22	S100	1-571-118-11	SWITCH, PUSH (6 KEY)(INPUT SELECTOR)
R612	1-247-727-11	CARBON 10 5% 1/2W	S103	1-571-111-11	(F200)..SWITCH, PUSH (1 KEY)(CARTRIDGE)
R613	1-247-727-11	CARBON 10 5% 1/2W	S300	1-571-112-11	SWITCH, PUSH (1 KEY)(LOUDNESS)
R614	1-249-466-11	CARBON 56K 5% 1/4W	S301	1-571-637-11	SWITCH, PUSH (1 KEY)(CD DIRECT)
R700	1-247-713-11	CARBON 1K 5% 1/4W	S900	1-571-109-11	SWITCH, ROTARY SLIDE (SPEAKERS)
R701	1-247-724-11	CARBON 8.2K 5% 1/4W			
R702	1-247-725-11	CARBON 10K 5% 1/4W			
R703	1-249-469-11	CARBON 100K 5% 1/4W			
R704	1-247-717-11	CARBON 2.2K 5% 1/4W			
R705	1-249-467-11	CARBON 68K 5% 1/4W			

Ref.No.	Part No.	Description
R706	1-206-662-00	(F100:AEP,UK,E) ...METAL OXIDE 820 5% 2W F
R706	1-215-890-11	(West Germany) ...METAL OXIDE 470 5% 2W F
R706	1-215-892-11	(F200:AEP,UK) ...METAL OXIDE 1K 5% 2W F
R707	1-249-459-11	CARBON 12K 5% 1/4W
R800	1-207-637-00	(F200:West Germany) ...METAL OXIDE 150 5% 3W F
R800	1-206-713-00	(F200:AEP,UK) ...METAL OXIDE 330 5% 3W F
R800	1-206-710-00	(F100:AEP,UK,E) ...METAL OXIDE 240 5% 3W F
R800	1-216-475-11	(F100:West Germany) ...METAL OXIDE 120 5% 3W F
R801	1-206-660-00	(F100:West Germany) ...METAL OXIDE 680 5% 2W F
R801	1-206-666-00	(F100:AEP,UK,E) ...METAL OXIDE 1.2K 5% 2W F
R801	1-206-662-00	(F200:West Germany) ...METAL OXIDE 820 5% 2W F
R801	1-215-893-11	(F200:AEP,UK) ...METAL OXIDE 1.5K 5% 2W F
R802	1-247-719-11	CARBON 3.3K 5% 1/4W
R803	1-247-719-11	CARBON 3.3K 5% 1/4W
R804	1-247-708-11	CARBON 470 5% 1/4W
R805	1-247-750-11	CARBON 680 5% 1/2W
R806	1-247-750-11	CARBON 680 5% 1/2W
R900	1-247-727-11	(West Germany)...CARBON 10 5% 1/2W
R901	1-247-727-11	(West Germany)...CARBON 10 5% 1/2W
R902	1-247-727-11	(West Germany)...CARBON 10 5% 1/2W
R903	1-247-727-11	(West Germany)...CARBON 10 5% 1/2W
R904	1-247-747-11	CARBON 470 5% 1/2W
R905	1-247-747-11	CARBON 470 5% 1/2W
RV300	1-237-846-11	RES, VAR, CARBON 120K/120K (VOLUME)
RV301	1-237-740-11	RES, VAR, CARBON 100K/100K (TREBLE)
RV302	1-237-740-11	RES, VAR, CARBON 100K/100K (BASS)
RV303	1-237-739-11	RES, VAR, CARBON 100K/100K (BALANCE)
RY700	1-515-533-11	RELAY
S1	1-554-920-11	SWITCH, PUSH (AC POWER)(1 KEY)
S100	1-571-118-11	SWITCH, PUSH (6 KEY)(INPUT SELECTOR)
S103	1-571-111-11	(F200)..SWITCH, PUSH (1 KEY)(CARTRIDGE)
S300	1-571-112-11	SWITCH, PUSH (1 KEY)(LOUDNESS)
S301	1-571-637-11	SWITCH, PUSH (1 KEY)(CD DIRECT)
S900	1-571-109-11	SWITCH, ROTARY SLIDE (SPEAKERS)

Ref.No.	Part No.	Description
T1	1-449-396-11	(F200:AEP,UK).....TRANSFORMER, POWER
T1	1-449-397-11	(F100:E).....TRANSFORMER, POWER
T1	1-449-404-11	(F200:West Germany) ...TRANSFORMER, POWER
T1	1-449-405-11	(F100:West Germany) ...TRANSFORMER, POWER
T1	1-449-997-11	(F100:AEP,UK).....TRANSFORMER, POWER
TM900	1-536-706-00	TERMINAL BOARD (SPEAKERS)
VS1	1-570-307-11	(F100:E)...SWITCH (VOLTAGE SELECTOR)

ACCESSORY & PACKING MATERIAL

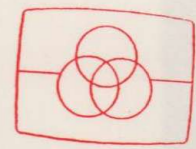
\*3-346-378-41 (F100)...INDIVIDUAL CARTON

\*3-346-378-51 (F200)...INDIVIDUAL CARTON

3-786-294-11 (AEP,UK,E)...MANUAL, INSTRUCTION (ENGLISH,FRENCH,SPANISH,PORTUGUESE)

3-786-294-41 (AEP,West Germany)...MANUAL, INSTRUCTION (GERMAN,DUTCH,SWEDISH,ITALIAN)

4-921-311-01 CUSHION



Free service manuals  
Gratis schema's  
Digitized by

www.freecservicemanuals.info

Note: The components identified by mark **A** or dotted line with mark **A** are critical for safety. Replace only with part number specified.

Note: The components identified by mark **A** or dotted line with mark **A** are critical for safety. Replace only with part number specified.

English  
88F0561-1  
Printed in Japan  
© 1988 S  
Published by AV Engineering Service Dept.

Sony Corporation  
Audio Group

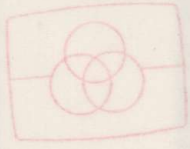


Ref. No.	Part No.	Description
R706	1-508-885-00	(F100: AEP, UK, E) ... METAL OXIDE
R706	1-512-890-11	(West Germany) ... METAL OXIDE
R706	1-512-892-11	(F200: AEP, UK) ... METAL OXIDE
R707	1-549-483-11	CARBON
R800	1-507-637-00	(F200: West Germany) ... METAL OXIDE
R800	1-508-713-00	(F200: AEP, UK) ... METAL OXIDE
R800	1-508-710-00	(F100: AEP, UK, E) ... METAL OXIDE
R800	1-516-472-11	(F100: West Germany) ... METAL OXIDE
R801	1-508-680-00	(F100: West Germany) ... METAL OXIDE
R801	1-508-682-00	(F100: AEP, UK, E) ... METAL OXIDE
R801	1-508-685-00	(F200: West Germany) ... METAL OXIDE
R801	1-512-893-11	(F200: AEP, UK) ... METAL OXIDE
R802	1-547-719-11	CARBON
R803	1-547-719-11	CARBON
R804	1-547-708-11	CARBON
R808	1-547-750-11	CARBON
R808	1-547-750-11	CARBON
R900	1-547-727-11	(West Germany) ... CARBON
R901	1-547-727-11	(West Germany) ... CARBON
R902	1-547-727-11	(West Germany) ... CARBON
R903	1-547-727-11	(West Germany) ... CARBON
R904	1-547-747-11	CARBON
R905	1-547-747-11	CARBON
RV300	1-537-848-11	RES. VAR. CARBON 150K/150K (VOLUME)
RV301	1-537-740-11	RES. VAR. CARBON 100K/100K (TREBLE)
RV302	1-537-740-11	RES. VAR. CARBON 100K/100K (BASS)
RV303	1-537-739-11	RES. VAR. CARBON 100K/100K (BALANCE)
RY700	1-512-533-11	RELAY
S1	1-584-920-11	SWITCH, PUSH (AC POWER) (1 KEY)
S100	1-571-718-11	SWITCH, PUSH (6 KEY) (INPUT SELECTOR)
S103	1-571-711-11	(F200) ... SWITCH, PUSH (1 KEY) (PARTIDGE)
S200	1-571-712-11	SWITCH, PUSH (1 KEY) (LOUDNESS)
S201	1-571-627-11	SWITCH, PUSH (1 KEY) (CD DIRECT)
S200	1-571-109-11	SWITCH, ROTARY SLIDE (SPEAKERS)

Ref. No.	Part No.	Description
TM900	1-536-708-00	TERMINAL BOARD (SPEAKERS)
V21	1-570-307-11	(F100: E) ... SWITCH (VOLTAGE SELECTOR)
T1	1-443-395-11	(F200: AEP, UK) ... TRANSFORMER, POWER
T1	1-443-397-11	(F100: E) ... TRANSFORMER, POWER
T1	1-443-404-11	(F200: West Germany) ... TRANSFORMER, POWER
T1	1-443-405-11	(F100: West Germany) ... TRANSFORMER, POWER
T1	1-443-397-11	(F100: AEP, UK) ... TRANSFORMER, POWER
T1	1-443-397-11	(F100: AEP, UK) ... TRANSFORMER, POWER

ACCESSORY & PACKING MATERIAL

*3-348-378-A1	(F100) ... INDIVIDUAL CARTON
*3-348-378-B1	(F200) ... INDIVIDUAL CARTON
3-788-594-11	(AEP, UK, E) ... MANUAL, INSTRUCTION
3-788-594-A1	(AEP, West Germany) ... MANUAL, INSTRUCTION
3-788-594-B1	(AEP, West Germany) ... MANUAL, INSTRUCTION
3-788-594-C1	(AEP, West Germany) ... MANUAL, INSTRUCTION
3-788-594-D1	(AEP, West Germany) ... MANUAL, INSTRUCTION
3-788-594-E1	(AEP, West Germany) ... MANUAL, INSTRUCTION
3-788-594-F1	(AEP, West Germany) ... MANUAL, INSTRUCTION
3-788-594-G1	(AEP, West Germany) ... MANUAL, INSTRUCTION
3-788-594-H1	(AEP, West Germany) ... MANUAL, INSTRUCTION
3-788-594-I1	(AEP, West Germany) ... MANUAL, INSTRUCTION
3-788-594-J1	(AEP, West Germany) ... MANUAL, INSTRUCTION
3-788-594-K1	(AEP, West Germany) ... MANUAL, INSTRUCTION
3-788-594-L1	(AEP, West Germany) ... MANUAL, INSTRUCTION
3-788-594-M1	(AEP, West Germany) ... MANUAL, INSTRUCTION
3-788-594-N1	(AEP, West Germany) ... MANUAL, INSTRUCTION
3-788-594-O1	(AEP, West Germany) ... MANUAL, INSTRUCTION
3-788-594-P1	(AEP, West Germany) ... MANUAL, INSTRUCTION
3-788-594-Q1	(AEP, West Germany) ... MANUAL, INSTRUCTION
3-788-594-R1	(AEP, West Germany) ... MANUAL, INSTRUCTION
3-788-594-S1	(AEP, West Germany) ... MANUAL, INSTRUCTION
3-788-594-T1	(AEP, West Germany) ... MANUAL, INSTRUCTION
3-788-594-U1	(AEP, West Germany) ... MANUAL, INSTRUCTION
3-788-594-V1	(AEP, West Germany) ... MANUAL, INSTRUCTION
3-788-594-W1	(AEP, West Germany) ... MANUAL, INSTRUCTION
3-788-594-X1	(AEP, West Germany) ... MANUAL, INSTRUCTION
3-788-594-Y1	(AEP, West Germany) ... MANUAL, INSTRUCTION
3-788-594-Z1	(AEP, West Germany) ... MANUAL, INSTRUCTION



Printed by  
www.freeservicingmanuals.info  
(parts schema &  
free service manuals)

Note: The component identified by mark or dotted line with mark are critical for safety. Replace only with part number specified.