

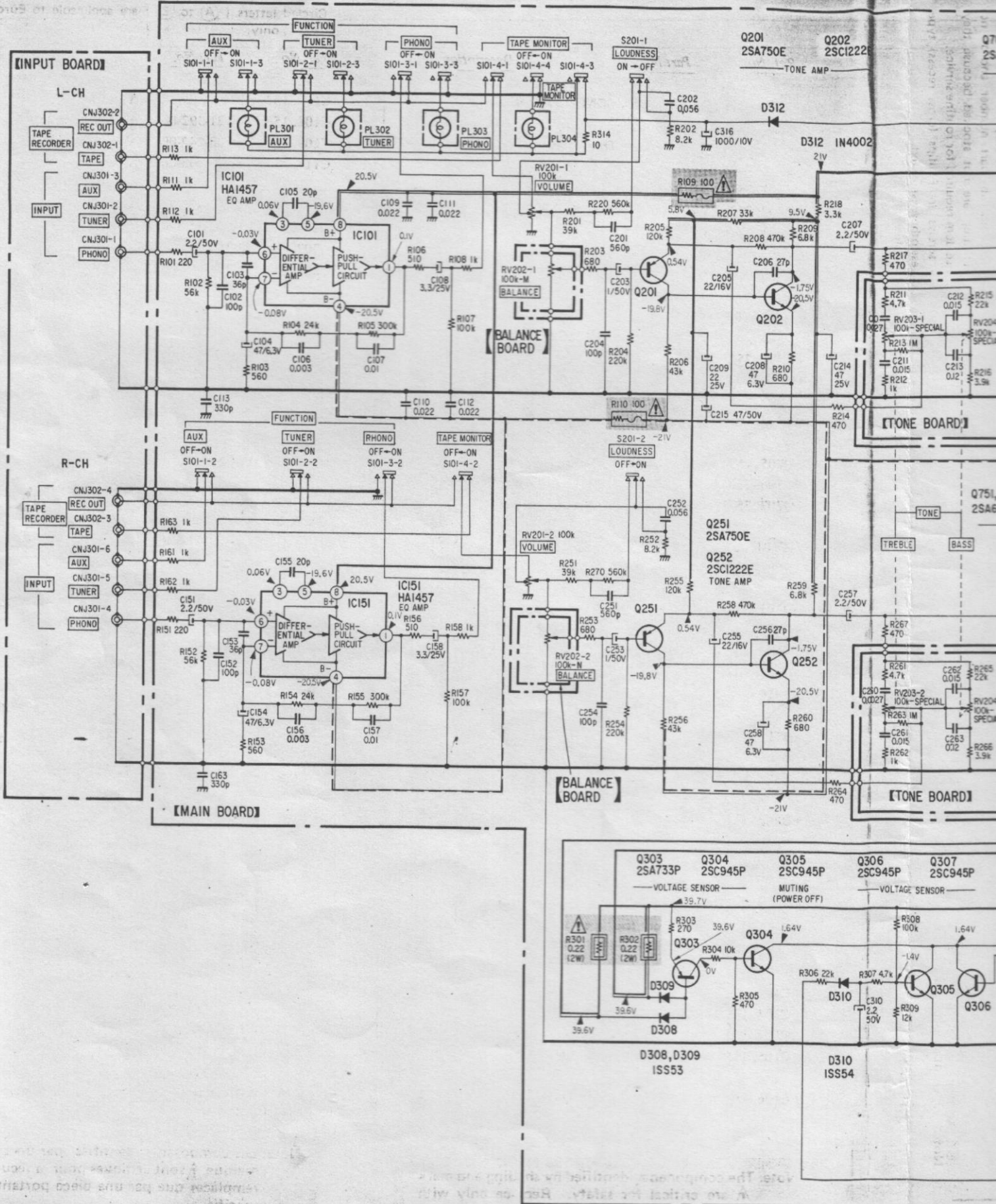
A

B

C

D

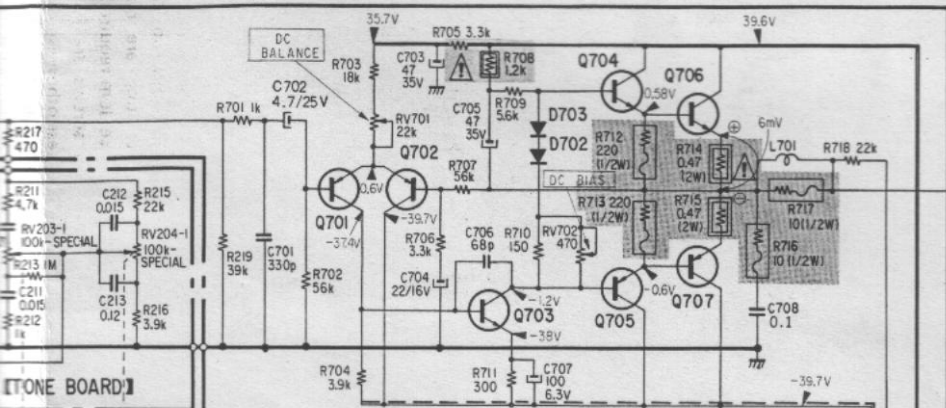
4.2. SCHEMATIC DIAGRAM



Q701, Q702 2SA640E    Q703 2SC1940L    Q704 2SD414R    Q705 2SB548R    Q706 2SD586R    Q707 2SB616R

POWER AMP

D703 VD1120  
D702 VD1220

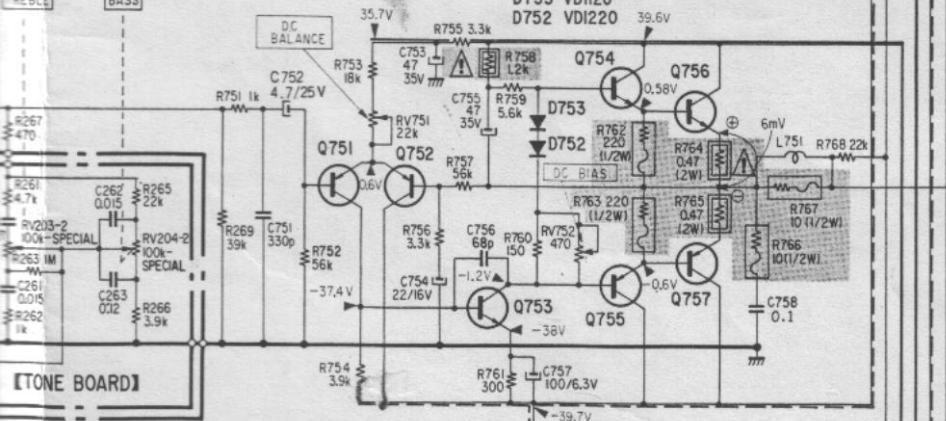


[TONE BOARD]

Q751, Q752 2SA640E    Q753 2SC1940L    Q754 2SD414R    Q755 2SB548R    Q756 2SD586R    Q757 2SB616R

POWER AMP

D753 VD1120  
D752 VD1220

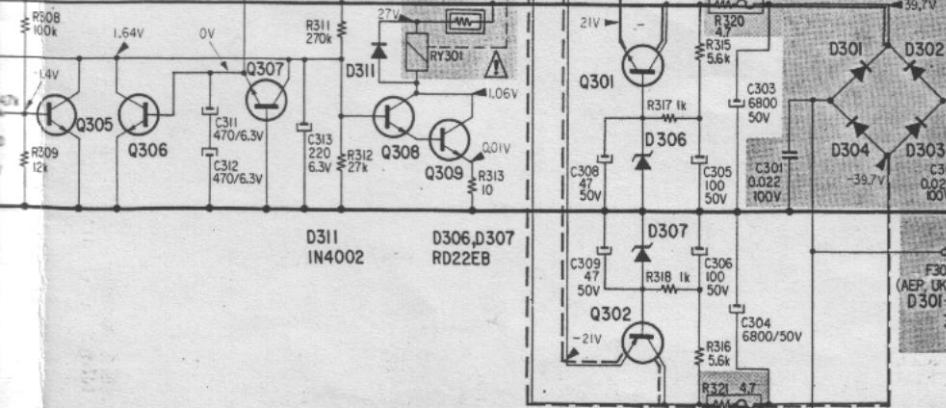


[TONE BOARD]

Q307 2SC945P    Q308 2SC945P    Q309 2SC2002L

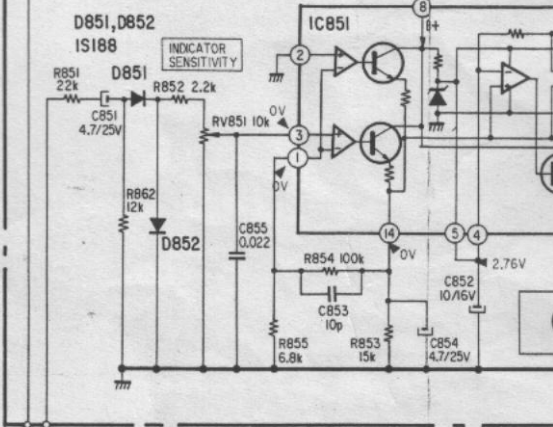
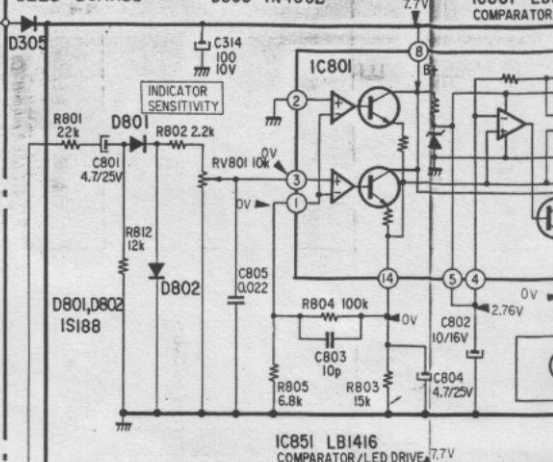
RELAY DRIVE

Q301 2SC2002L  
VOLTAGE REG

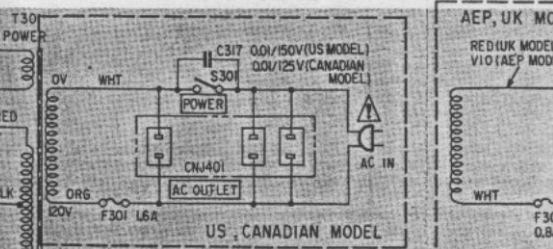
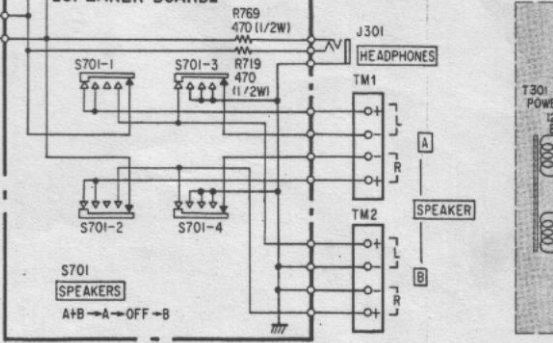


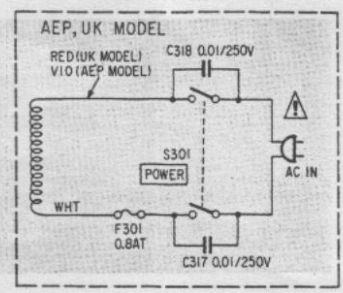
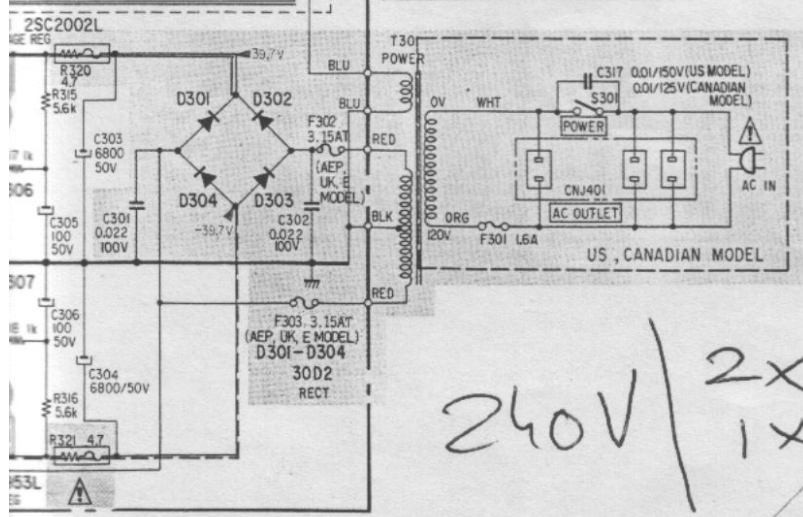
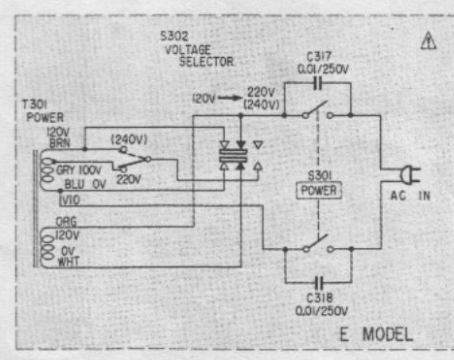
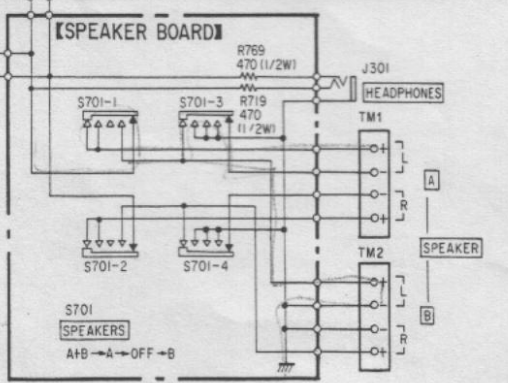
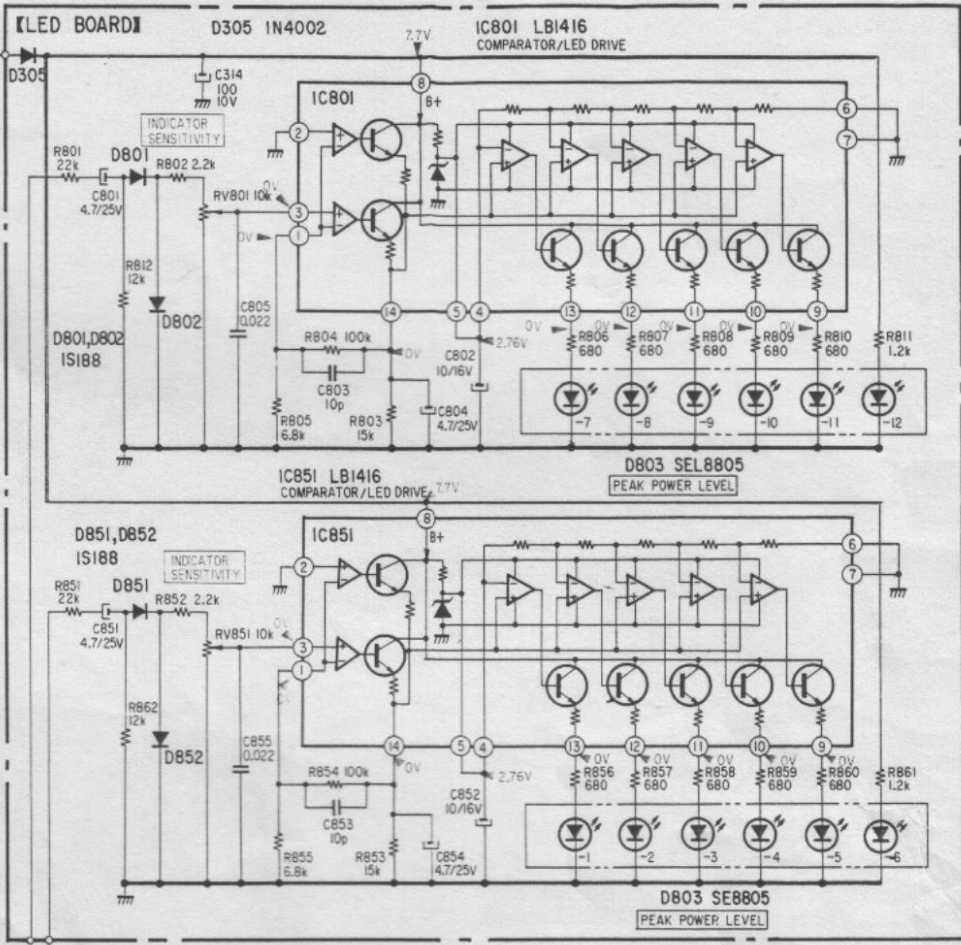
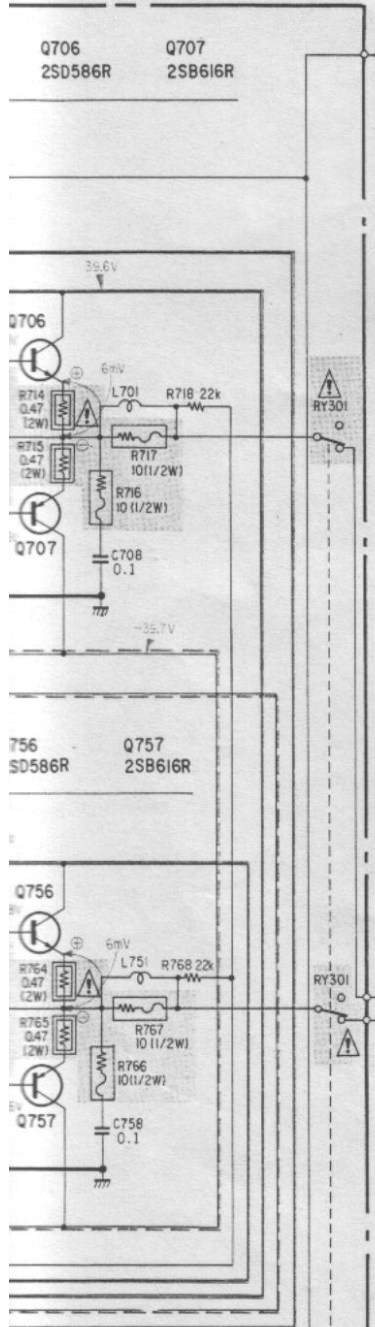
Q302 2SA953L  
VOLTAGE REG

[LED BOARD]



[SPEAKER BOARD]





240V / 2x 28V / 3A  
 1x 6V / 1A