

TA-F400

SERVICE MANUAL

Canadian Model
AEP Model
UK Model



SPECIFICATIONS

Amplifier

Continuous RMS power output (both channels driven simultaneously)

AEP, UK, West Germany model:
at 1 kHz

110 W + 110 W (0.7% THD, 4 ohms)

at 20 Hz - 20 kHz

80 W + 80 W (0.008% THD, 4 ohms)

Canadian model:

at 20 Hz - 20 kHz

120 W + 120 W (0.008% THD, 8 ohms)

Power bandwidth (IHF)

AEP, UK, West Germany model:

7 Hz - 35 kHz (4 ohms, 40 watts)

Canadian model:

7 Hz - 35 kHz (8 ohms, 60 watts)

Dynamic headroom

1.6 dB ('78 IHF)

Intermodulation (IM) distortion (60 Hz : 7 kHz = 4 : 1)

Less than 0.008% at rated output

Frequency response

PHONO: RIAA equalization curve ± 0.5 dB

TUNER, CD, VIDEO/AUX, TAPE 1/DAT, TAPE 2:

7 Hz - 100 kHz ± 3 dB

Residual noise

AEP, UK, West Germany model:

Less than 200 μ V (4 ohms, network A)

Canadian model:

Less than 300 μ V (8 ohms, network A)

Damping factor

50 (8 ohms, 1 kHz)

Input

Input jack	Jack type	Sensitivity	Impedance	S/N (weighting network, input level)
PHONO	MM	2.5 mV	50 kilohms	88 dB 86 dB* (A, 2.5 mV)
	MC	170 μ V	100 ohms	68 dB 75 dB* (A, 170 μ V)
TUNER CD VIDEO/AUX TAPE/DAT	Phono	150 mV	50 kilohms	100 dB 88 dB* (150 mV)

* '78 IHF

Output

REC OUT	Phono jacks	Voltage 150 mV Impedance 1 kilohm
SPEAKER		Accepts speakers of 4 - 16 ohms (AEP, UK, West Germany model) or 8 - 16 ohms (Canadian model)
HEAD-PHONES	Stereo phone jack	Accepts low and high impedance headphones.

- Continued on page 2 -



INTEGRATED STEREO AMPLIFIER
SONY

Tone controls

	Response	Turnover frequency
BASS	±10 dB (100 Hz)	500 Hz
TREBLE	±10 dB (15 kHz)	3 kHz

Loudness (Attenuation 30 dB)

- + 6 dB (100 Hz)
- + 3 dB (10 kHz)

Subsonic filter 6 dB/octave, attenuation below 15 Hz

General

System Preamplifier: Low-noise, high-gain equalizer amplifier
 Power amplifier: Pure-complementary SEPP OCL power amplifier with all stages directly coupled

Power requirements

- Canadian model: 120 V AC, 60 Hz
- UK model: 240 V AC, 50 Hz
- AEP, West Germany model: 220 V AC, 50 Hz

Power consumption

- Canadian model: 420 VA
- UK model: 440W
- AEP, West Germany model: 180 W
- Canadian model:

AC outlets

- 2 switched, total 100 watts max.
- 1 unswitched, 100 watts max.
- AEP, UK, West Germany model:
- 1 unswitched, 100 watts max.

Dimensions

Approx. 430 × 130 × 365 mm (w/h/d)
 (17 × 5 1/8 × 14 3/8 inches)

Weight

Including projecting parts and controls
 Approx. 7.7 kg (17 lb)

CONTENTS

Section	Title	Page
	Specifications	1
	Model Identification	3

SECTION 1. GENERAL

Location and Function of Controls	4
---	---

SECTION 2. DIAGRAMS



2-1. Semiconductor Lead Layouts	5
2-2. Circuit Boards Location	6
IC Block Diagram	6
2-3. Printed Wiring Boards	7
2-4. Schematic Diagram	11

SECTION 3. EXPLODED VIEWS


SECTION 4. ELECTRICAL PARTS LIST

Input	Output
PHONO	PHONES
MC Phono 170 Ω, 100 ohms	Stereo phone jack impedance headphones
CD Phono 180 mV, 50 kilohms	
TUNER	
100 dB	
88 dB *	
Dimensions	
88 dB	
88 dB *	
Weight	
88 dB	
88 dB *	

SAFETY-RELATED COMPONENT WARNING!!

COMPONENTS IDENTIFIED BY MARK  OR DOTTED LINE WITH MARK  ON THE SCHEMATIC DIAGRAMS AND IN THE PARTS LIST ARE CRITICAL TO SAFE OPERATION. REPLACE THESE COMPONENTS WITH SONY PARTS WHOSE PART NUMBERS APPEAR AS SHOWN IN THIS MANUAL OR IN SUPPLEMENTS PUBLISHED BY SONY.

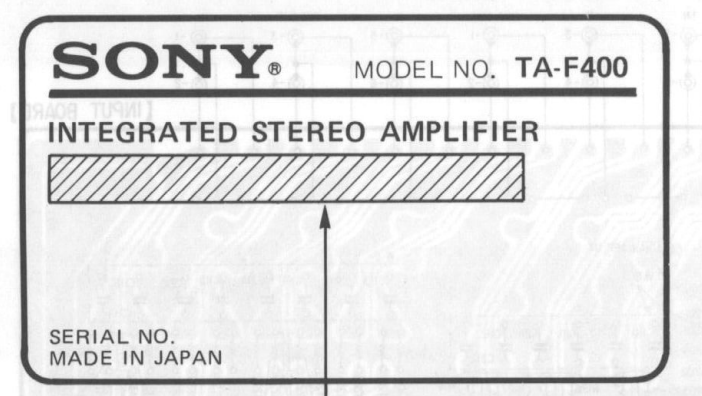
ATTENTION AU COMPOSANT AYANT RAPPORT À LA SÉCURITÉ!

LES COMPOSANTS IDENTIFIÉS PAR UNE MARQUE  SUR LES DIAGRAMMES SCHÉMATIQUES ET LA LISTE DES PIÈCES SONT CRITIQUES POUR LA SÉCURITÉ DE FONCTIONNEMENT. NE REMPLACER CES COMPOSANTS QUE PAR DES PIÈCES SONY DONT LES NUMÉROS SONT DONNÉS DANS CE MANUEL OU DANS LES SUPPLÉMENTS PUBLIÉS PAR SONY.

Continued on page 2



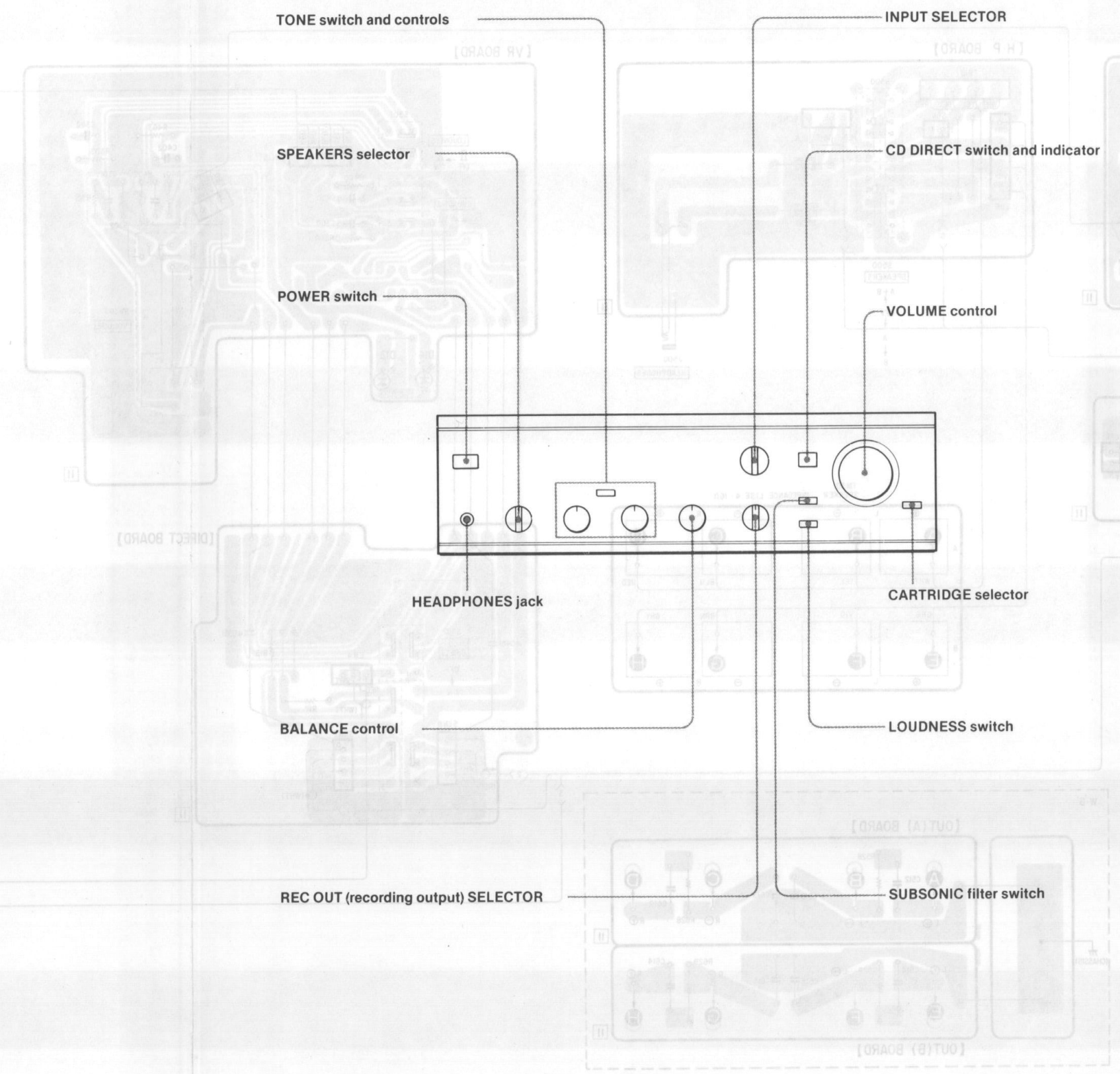
MODEL IDENTIFICATION
- Specification Label -



AEP, West Germany Model: AC: 220 V ~ 50/60 Hz 180 W
 UK Model: AC: 240 V ~ 50/60 Hz 440 W
 Canadian Model: AC: 120 V ~ 60 Hz 420 VA

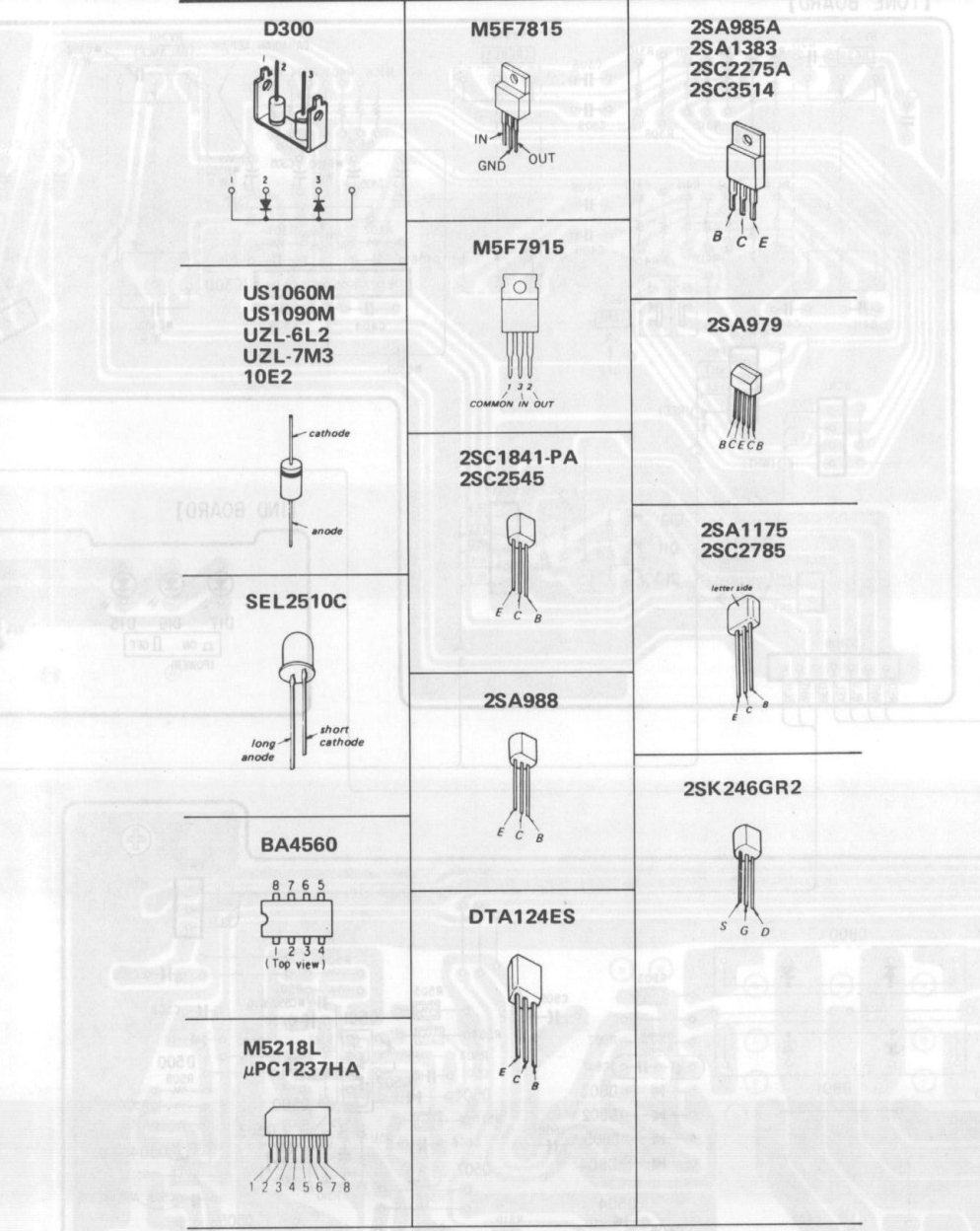
SECTION 1
GENERAL

LOCATION AND FUNCTION OF CONTROLS

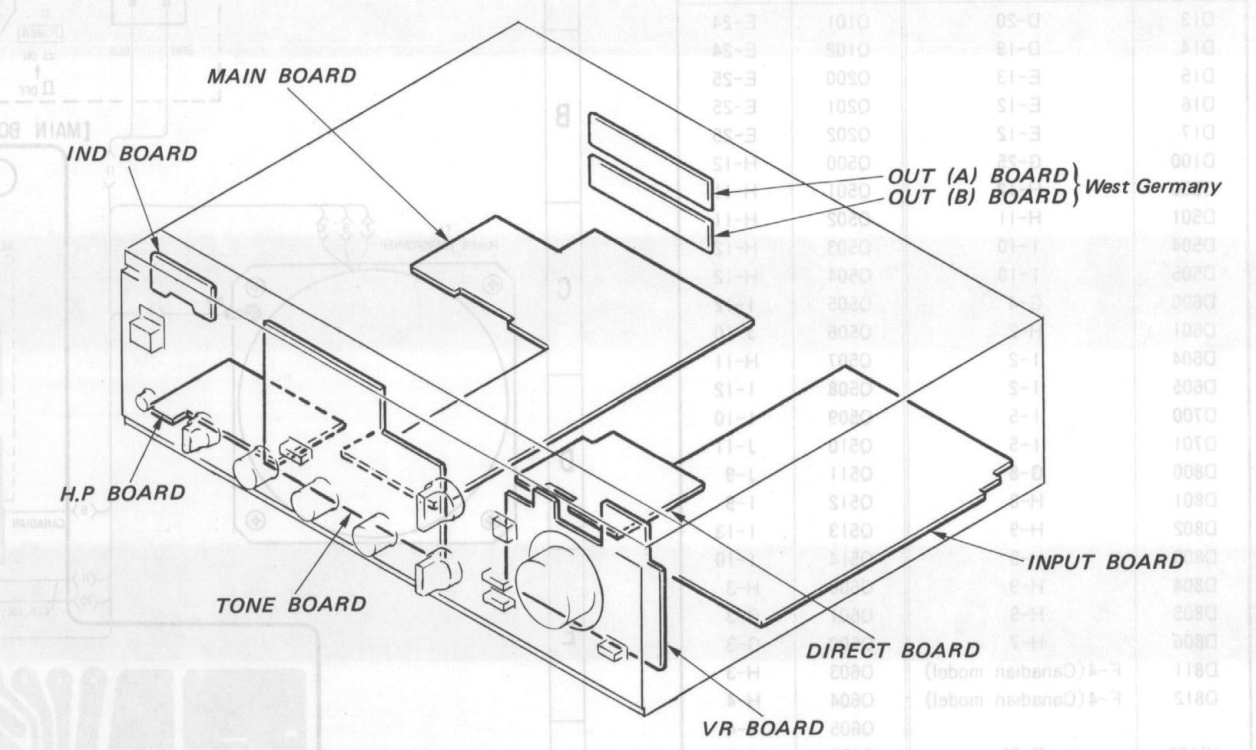


SECTION 2
DIAGRAMS

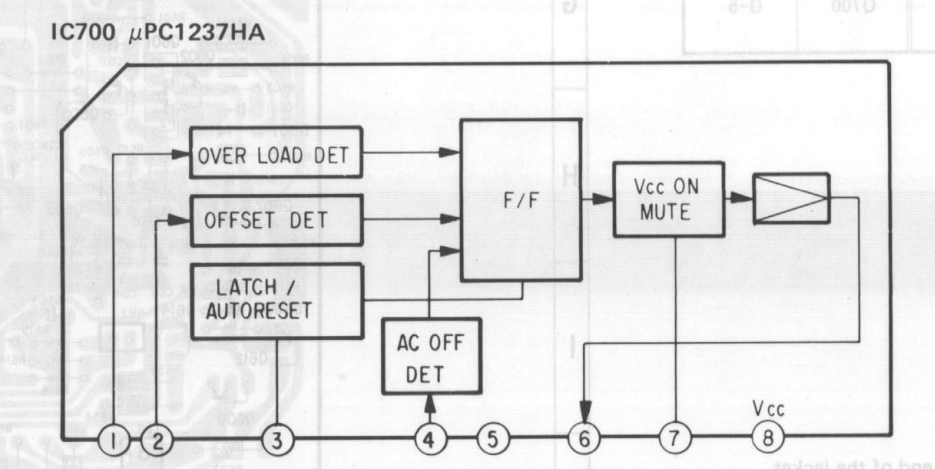
2-1. SEMICONDUCTOR LEAD LAYOUTS

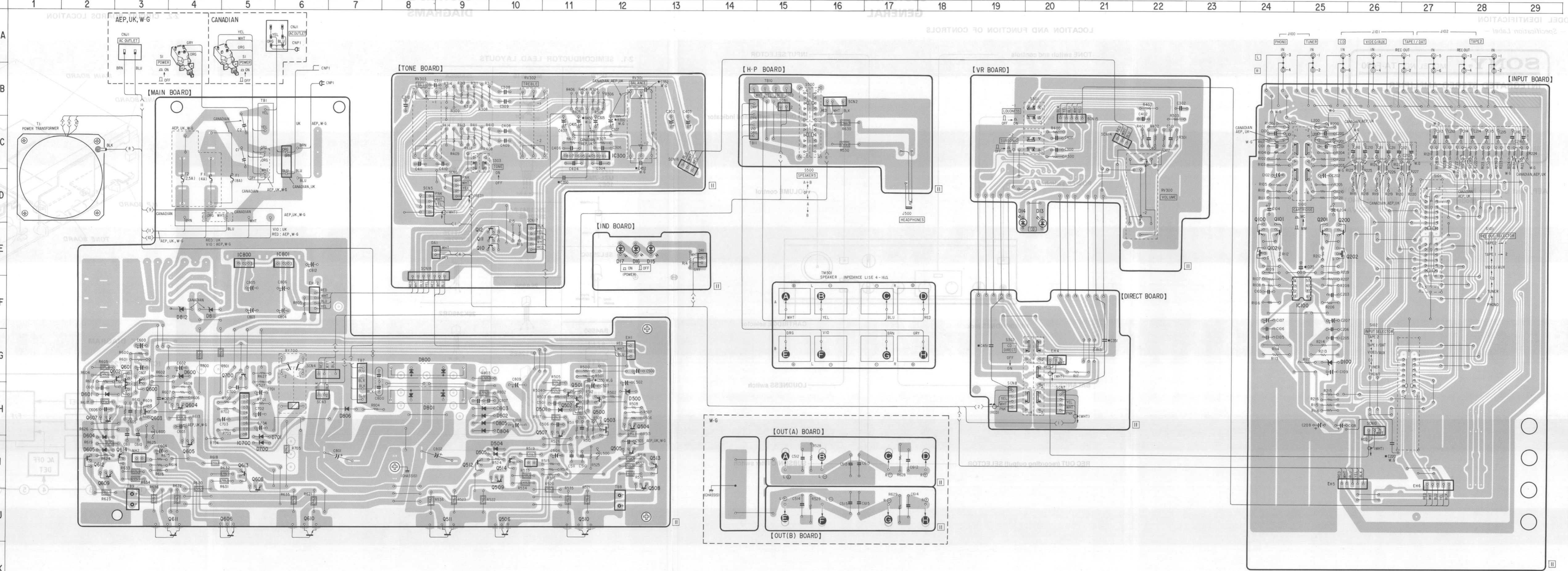


2-2. CIRCUIT BOARDS LOCATION

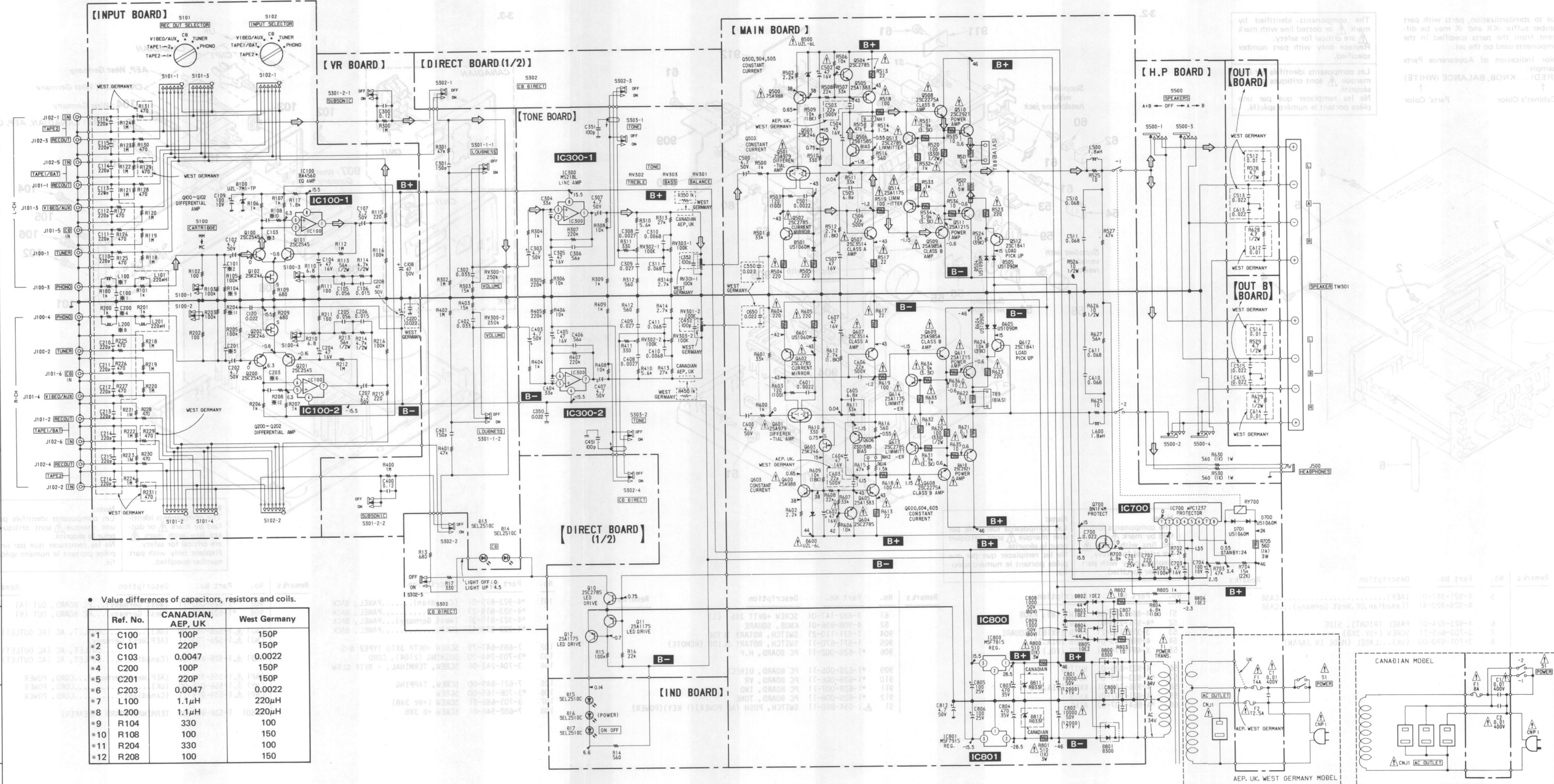


IC BLOCK DIAGRAM





2-4. SCHEMATIC DIAGRAM



Value differences of capacitors, resistors and coils.

Ref. No.	CANADIAN, AEP, UK	West Germany
*1	C100	100P
*2	C101	220P
*3	C103	0.0047
*4	C200	100P
*5	C201	220P
*6	C203	0.0047
*7	L100	1.1μH
*8	L200	1.1μH
*9	R104	330
*10	R108	100
*11	R204	330
*12	R208	100

NOTE:
 • The mechanical parts with no reference number in the exploded views are not supplied.
 • The construction parts of an assembled unit are indicated with a color number in the format column.
 Example: (RED) ... KNOB, BALANCE (WHITE) ... Part: Color
 • Items marked "B" are not stocked since they are seldom required for routine service. Some daily items should be ordered when ordering these items.

- Note:
- All capacitors are in μF unless otherwise noted. pF: μF 50WV or less are not indicated except for electrolytics and tantalums.
 - All resistors are in Ω and 1/4W or less unless otherwise specified.
 - : nonflammable resistor.
 - Voltages are dc with respect to ground under no-signal conditions.
 - Voltages are taken with a VOM (50 kΩ/V).
 - Voltage variations may be noted due to normal production tolerances.
 - Signal path.
 - : PHONO
 - Switches:

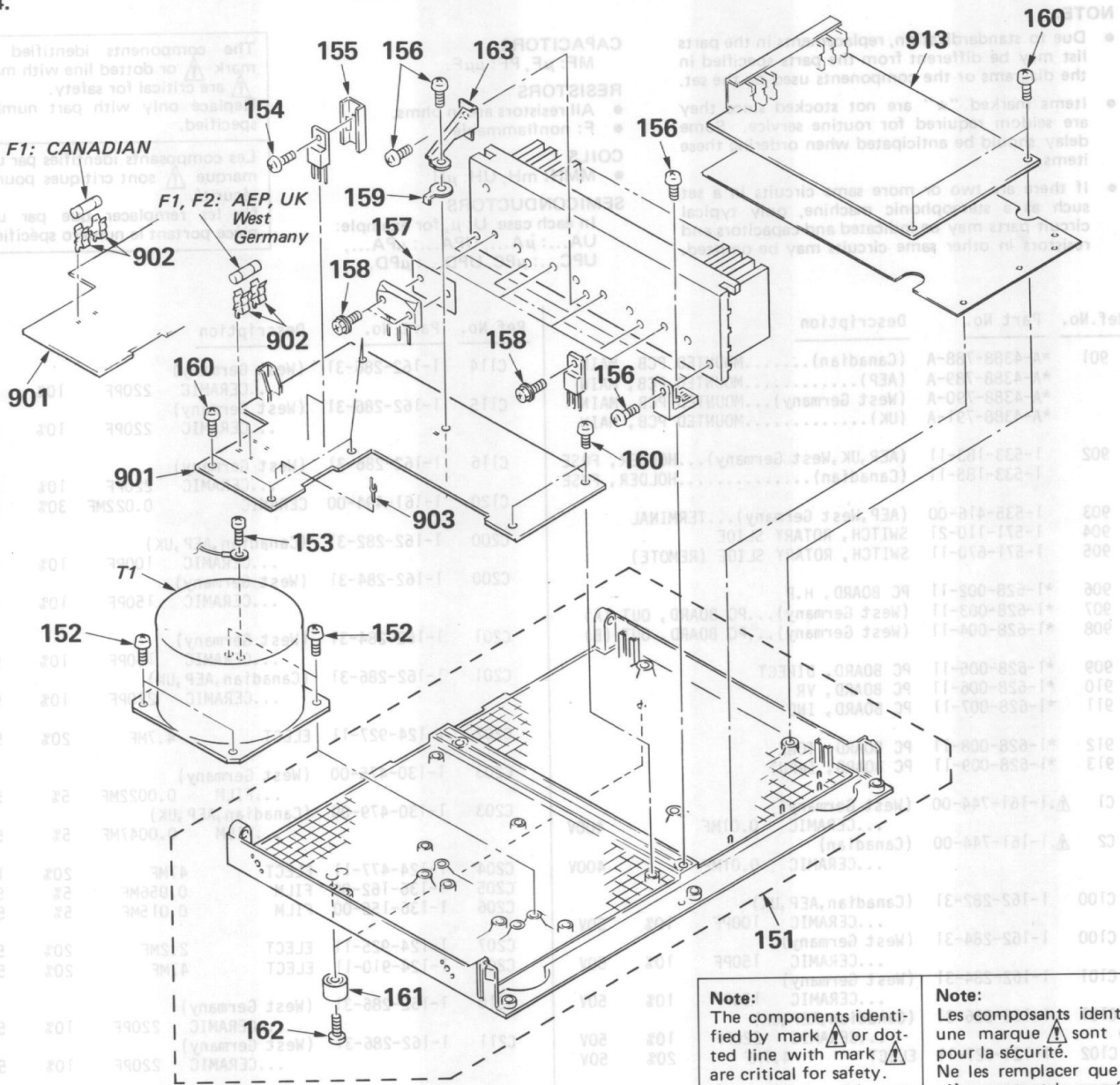
Ref. No.	Switch	Position
S1	POWER	OFF
S100	CARTRIDGE	MM
S101	REC OUT SELECTOR	PHONO
S102	INPUT SELECTOR	PHONO
S301	LOUDNESS/SUBSONIC	OFF
S302	CD DIRECT	OFF
S303	TO NE	OFF
S500	SPEAKERS	OFF

Note:
 The components identified by mark or dotted line with mark are critical for safety. Replace only with part number specified.

Note:
 Les composants identifiés par une marque sont critiques pour la sécurité. Ne les remplacer que par une pièce portant le numéro spécifié.

SECTION 4
ELECTRICAL PARTS LIST

3-4.



Note:
The components identified by mark Δ or dotted line with mark Δ are critical for safety. Replace only with part number specified.

Note:
Les composants identifiés par une marque Δ sont critiques pour la sécurité. Ne les remplacer que par une pièce portant le numéro spécifié.

No.	Part No.	Description	Remarks	No.	Part No.	Description	Remarks
151	*X-4924-904-1	(Canadian, West Germany)...	CHASSIS ASSY	901	*A-4388-788-A	(Canadian).....	MOUNTED PCB, MAIN
	*X-4924-908-1	(AEP, UK).....	CHASSIS ASSY		*A-4388-789-A	(AEP).....	MOUNTED PCB, MAIN
152	7-685-661-79	SCREW +BVTP 4X12 TYPE2 N-S			*A-4388-790-A	(West Germany)...	MOUNTED PCB, MAIN
153	7-682-147-01	SCREW +BVTT 3X6 (S)			*A-4388-791-A	(UK).....	MOUNTED PCB, MAIN
154	7-682-548-04	SCREW +BVTT 3X8 (S)		902	1-533-183-11	(AEP, UK, West Germany)...	HOLDER, FUSE
155	*3-309-144-21	HEAT SINK			1-533-185-11	(Canadian).....	HOLDER, FUSE
156	7-682-548-01	SCREW +B 3X8		903	1-535-416-00	(AEP, West Germany)...	TERMINAL
157	4-885-901-31	SHEET, RADIATION		913	*1-628-009-11	PC BOARD, INPUT	
158	7-682-550-09	SCREW +B 3X12		F1	Δ 1-532-350-00	(AEP, UK, West Germany)	
159	4-924-264-01	TERMINAL, MOUNT				...FUSE, TIME-LAG (4A)	
160	7-685-647-79	SCREW +BVTP 3X10 TYPE2 N-S		F1	Δ 1-532-510-00	(Canadian).....	FUSE, GLASS TUBE (8A)
161	X-4904-496-1	FOOT ASSY		F2	Δ 1-532-286-00	(AEP, UK, West Germany)	
162	7-685-648-79	SCREW +BVTP 3X12 TYPE2 N-S				...FUSE, TIME-LAG (2.5A)	
163	*4-923-847-01	BRACKET (P.B.)		T1	Δ 1-449-414-11	(Canadian).....	TRANSFORMER, POWER
				T1	Δ 1-449-415-11	(AEP, UK, West Germany)	...TRANSFORMER, POWER

SECTION 3 EXPLODED VIEWS

NOTE:

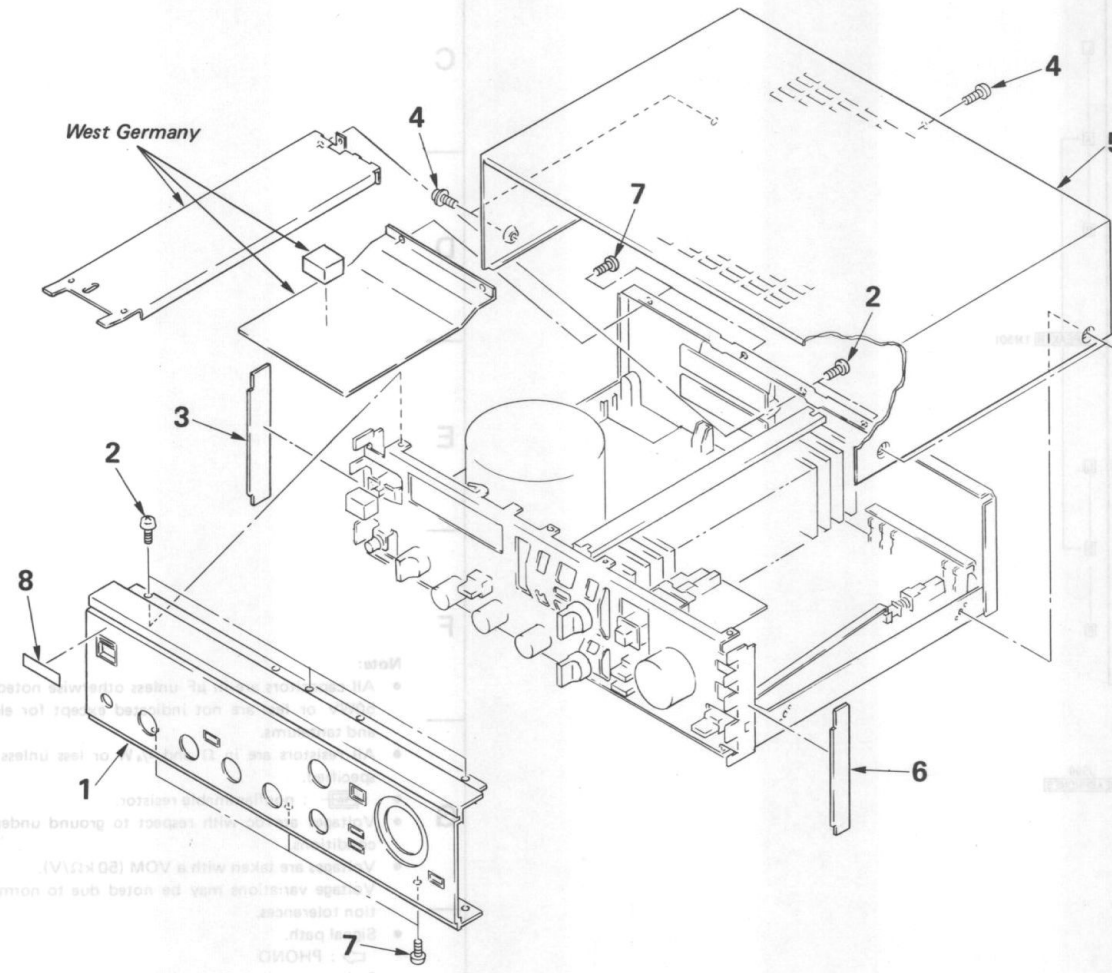
- The mechanical parts with no reference number in the exploded views are not supplied.
- The construction parts of an assembled part are indicated with a collation number in the remark column.
- Items marked "*" are not stocked since they are seldom required for routine service. Some delay should be anticipated when ordering these items.

- Due to standardization, parts with part number suffix -XX and -X may be different from the parts specified in the components used on the set.
- Color Indication of Appearance Parts Example:
(RED) ... KNOB, BALANCE (WHITE)
↑ Cabinet's Color ↑ Parts' Color

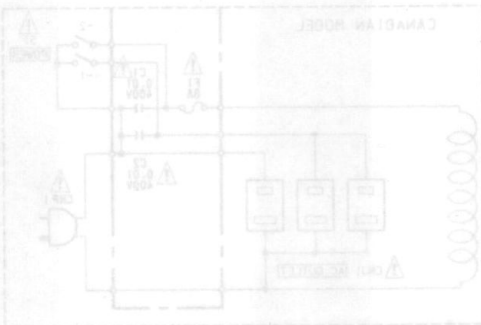
The components identified by mark or dotted line with mark are critical for safety. Replace only with part number specified.

Les composants identifiés par une marque sont critiques pour la sécurité. Ne les remplacer que par une pièce portant le numéro spécifié.

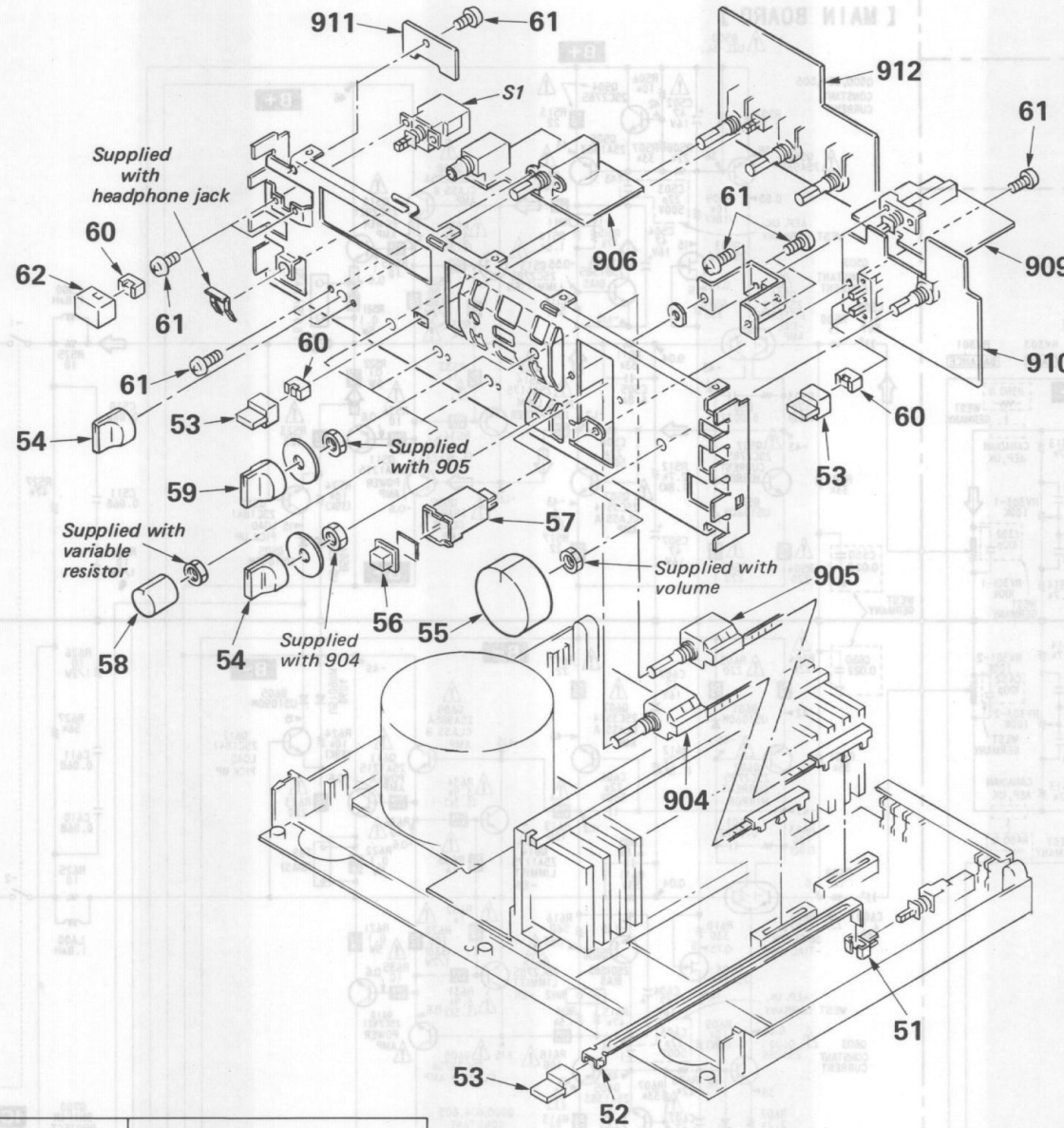
3-1.



Remarks	No.	Part No.	Description	Remarks
	5	4-921-397-01	(AEP).....CASE	
		4-924-920-41	(Canadian,UK,West Germany)...CASE	
	6	4-923-824-01	PANEL (RIGHT), SIDE	
	7	3-703-685-21	SCREW (+BV 3X8)	
	8	3-701-690-00	(UK)...LABEL (MADE IN JAPAN)	



3-2.

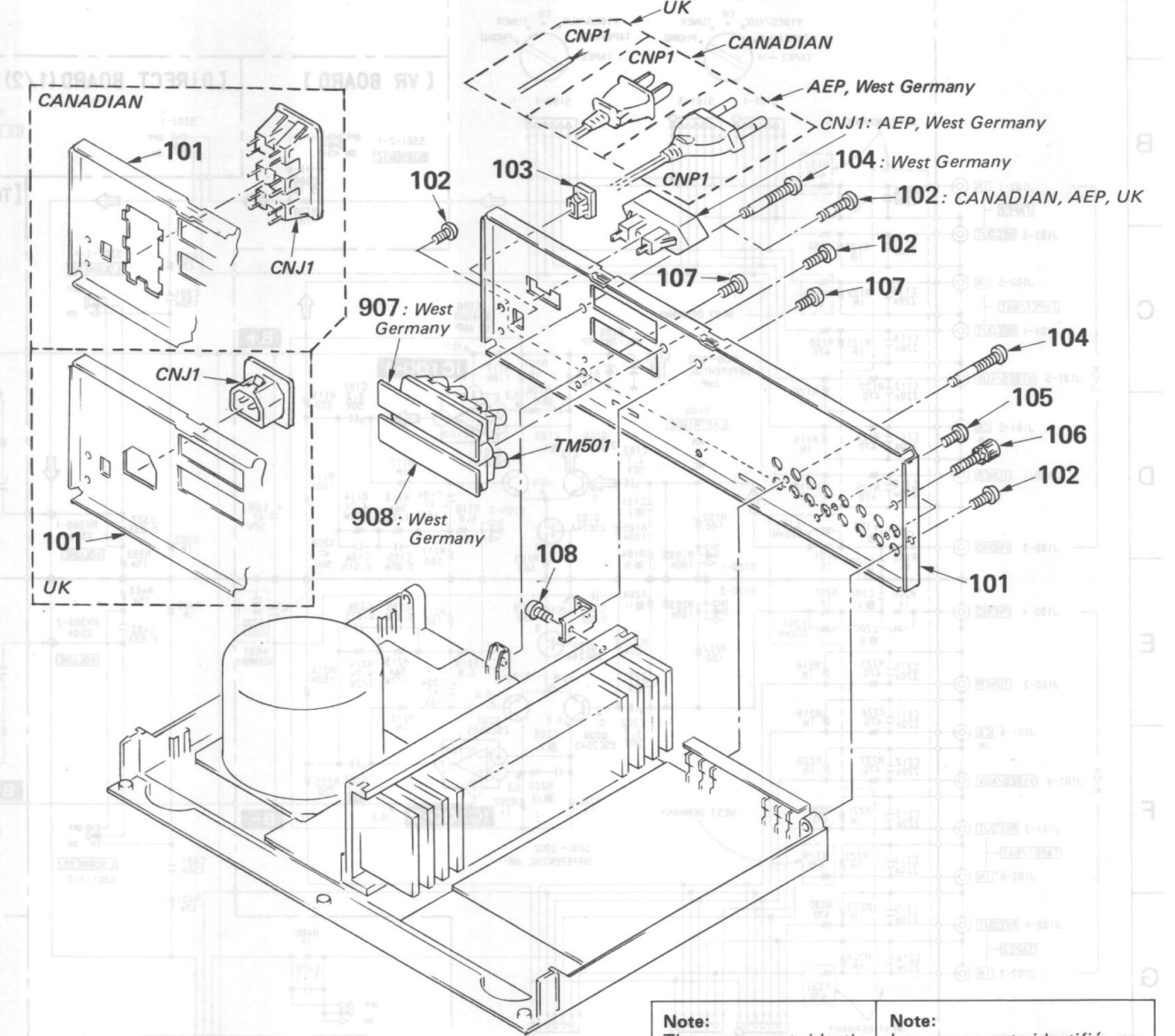


Note: The components identified by mark or dotted line with mark are critical for safety. Replace only with part number specified.

Note: Les composants identifiés par une marque sont critiques pour la sécurité. Ne les remplacer que par une pièce portant le numéro spécifié.

No.	Part No.	Description	Remarks
51	4-866-342-00	JOINT (B), KNOB	
52	*4-911-293-01	JOINT	
53	3-315-105-21	KNOB (5X16), SQUARE	
54	4-916-745-01	KNOB (DIA.21)	
55	X-4919-703-1	KNOB (VOL) ASSY	
56	4-923-826-01	BUTTON	
57	*4-923-829-01	HOUSE	
58	4-916-746-01	KNOB (DIA.21)	
59	4-921-997-01	KNOB	
60	*4-864-307-00	RING	
61	7-682-147-01	SCREW +BVTT 3X6 (S)	
62	4-908-856-01	KNOB, SQUARE	
904	1-571-110-21	SWITCH, ROTARY SLIDE	
905	1-571-670-11	SWITCH, ROTARY SLIDE (REMOTE)	
906	*1-628-002-11	PC BOARD, H.P	
909	*1-628-005-11	PC BOARD, DIRECT	
910	*1-628-006-11	PC BOARD, VR	
911	*1-628-007-11	PC BOARD, IND	
912	*1-628-008-11	PC BOARD, TONE	
S1	△.1-554-880-11	SWITCH, PUSH (AC POWER)(1 KEY)(POWER)	

3-3.

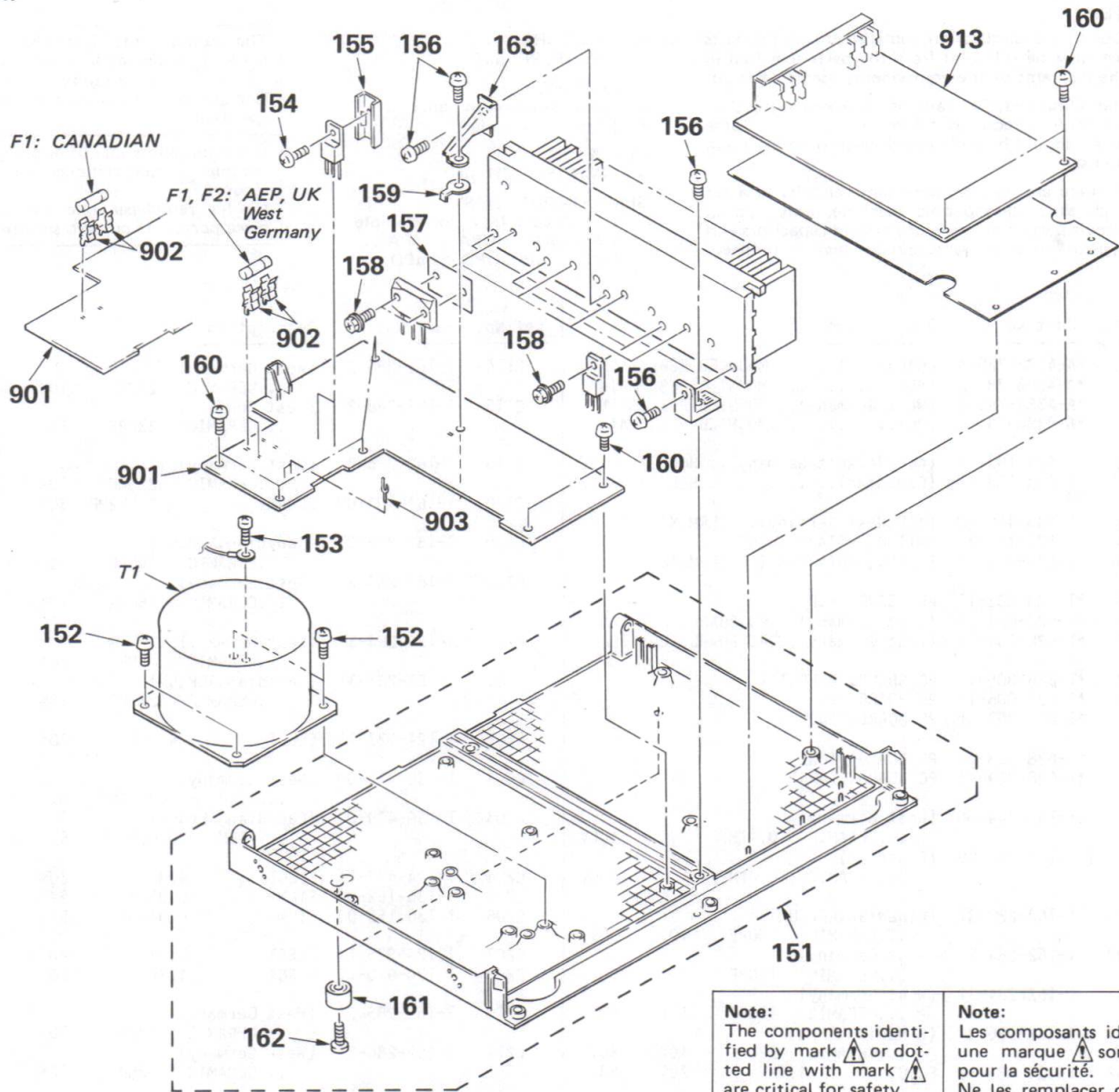


Note: The components identified by mark or dotted line with mark are critical for safety. Replace only with part number specified.

Note: Les composants identifiés par une marque sont critiques pour la sécurité. Ne les remplacer que par une pièce portant le numéro spécifié.

No.	Part No.	Description	Remarks
101	*4-923-819-01	(Canadian).....PANEL, BACK	
	*4-923-819-21	(AEP).....PANEL, BACK	
	*4-923-819-31	(West Germany)...PANEL, BACK	
	*4-923-819-41	(UK).....PANEL, BACK	
102	7-685-647-79	SCREW +BVTP 3X10 TYPE2 N-S	
103	*3-703-244-00	BUSHING (2104), CORD	
104	3-704-242-01	SCREW, TERMINAL, + BVTP CLAW	
105	7-621-849-00	SCREW, TAPPING	
106	*3-706-165-00	SCREW	
107	3-703-685-21	SCREW (+BV 3X8)	
108	7-682-548-01	SCREW +B 3X8	
907	*1-628-003-11	(West Germany)...PC BOARD, OUT (A)	
908	*1-628-004-11	(West Germany)...PC BOARD, OUT (B)	
CNJ1	△.1-526-751-00	(UK).....OUTLET, AC (AC OUTLET)	
CNJ1	△.1-526-794-11	(AEP,West Germany).....OUTLET, AC (AC OUTLET)	
CNJ1	△.1-526-896-00	(Canadian).....OUTLET, AC (AC OUTLET)	
CNP1	△.1-555-750-00	(AEP,West Germany)...CORD, POWER	
CNP1	△.1-556-035-00	(UK).....CORD, POWER	
CNP1	△.1-559-819-11	(Canadian).....CORD, POWER	
TM501	1-536-662-00	TERMINAL BOARD (SPEAKER)	

3-4.



<p>Note: The components identified by mark or dotted line with mark are critical for safety. Replace only with part number specified.</p>	<p>Note: Les composants identifiés par une marque sont critiques pour la sécurité. Ne les remplacer que par une pièce portant le numéro spécifié.</p>
--	---

No.	Part No.	Description	Remarks
151	*X-4924-904-1 *X-4924-908-1	(Canadian, West Germany)...CHASSIS ASSY (AEP, UK).....CHASSIS ASSY	
152	7-685-661-79	SCREW +BVTP 4X12 TYPE2 N-S	
153	7-682-147-01	SCREW +BVTT 3X6 (S)	
154	7-682-548-04	SCREW +BVTT 3X8 (S)	
155	*3-309-144-21	HEAT SINK	
156	7-682-548-01	SCREW +B 3X8	
157	4-885-901-31	SHEET, RADIATION	
158	7-682-550-09	SCREW +B 3X12	
159	4-924-264-01	TERMINAL, MOUNT	
160	7-685-647-79	SCREW +BVTP 3X10 TYPE2 N-S	
161	X-4904-496-1	FOOT ASSY	
162	7-685-648-79	SCREW +BVTP 3X12 TYPE2 N-S	
163	*4-923-847-01	BRACKET (P.B.)	

No.	Part No.	Description	Remarks
901	*A-4388-788-A *A-4388-789-A *A-4388-790-A *A-4388-791-A	(Canadian).....MOUNTED PCB, MAIN (AEP).....MOUNTED PCB, MAIN (West Germany)...MOUNTED PCB, MAIN (UK).....MOUNTED PCB, MAIN	
902	1-533-183-11 1-533-185-11	(AEP, UK, West Germany)...HOLDER, FUSE (Canadian).....HOLDER, FUSE	
903	1-535-416-00	(AEP, West Germany)...TERMINAL	
913	*1-628-009-11	PC BOARD, INPUT	
F1	.1-532-350-00	(AEP, UK, West Germany) ...FUSE, TIME-LAG (4A)	
F1	.1-532-510-00	(Canadian).....FUSE, GLASS TUBE (8A)	
F2	.1-532-286-00	(AEP, UK, West Germany) ...FUSE, TIME-LAG (2.5A)	
T1	.1-449-414-11	(Canadian).....TRANSFORMER, POWER	
T1	.1-449-415-11	(AEP, UK, West Germany) ...TRANSFORMER, POWER	

SECTION 4 ELECTRICAL PARTS LIST

NOTE:

- Due to standardization, replacements in the parts list may be different from the parts specified in the diagrams or the components used on the set.
- Items marked "★" are not stocked since they are seldom required for routine service. Some delay should be anticipated when ordering these items.
- If there are two or more same circuits in a set such as a stereophonic machine, only typical circuit parts may be indicated and capacitors and resistors in other same circuits may be omitted.

CAPACITORS:

MF: μ F, PF: μ μ F.

RESISTORS

- All resistors are in ohms.
- F: nonflammable

COILS

- MMH: mH, UH: μ H

SEMICONDUCTORS

In each case, U: μ , for example:

UA...: μ A..., UPA...: μ PA...,

UPC...: μ PC, UPD...: μ PD...

The components identified by mark Δ or dotted line with mark Δ are critical for safety. Replace only with part number specified.

Les composants identifiés par une marque Δ sont critiques pour la sécurité. Ne les remplacer que par une pièce portant le numéro spécifié.

Ref.No.	Part No.	Description			
901	*A-4388-788-A	(Canadian).....MOUNTED PCB, MAIN			
	*A-4388-789-A	(AEP).....MOUNTED PCB, MAIN			
	*A-4388-790-A	(West Germany)...MOUNTED PCB, MAIN			
	*A-4388-791-A	(UK).....MOUNTED PCB, MAIN			
902	1-533-183-11	(AEP,UK,West Germany)...HOLDER, FUSE			
	1-533-185-11	(Canadian).....HOLDER, FUSE			
903	1-535-416-00	(AEP,West Germany)...TERMINAL			
904	1-571-110-21	SWITCH, ROTARY SLIDE			
905	1-571-670-11	SWITCH, ROTARY SLIDE (REMOTE)			
906	*1-628-002-11	PC BOARD, H.P			
907	*1-628-003-11	(West Germany)...PC BOARD, OUT (A)			
908	*1-628-004-11	(West Germany)...PC BOARD, OUT (B)			
909	*1-628-005-11	PC BOARD, DIRECT			
910	*1-628-006-11	PC BOARD, VR			
911	*1-628-007-11	PC BOARD, IND			
912	*1-628-008-11	PC BOARD, TONE			
913	*1-628-009-11	PC BOARD, INPUT			
C1	Δ 1-161-744-00	(West Germany)			
		...CERAMIC 0.01MF	400V		
C2	Δ 1-161-744-00	(Canadian)			
		...CERAMIC 0.01MF	400V		
C100	1-162-282-31	(Canadian,AEP,UK)			
		...CERAMIC 100PF 10%	50V		
C100	1-162-284-31	(West Germany)			
		...CERAMIC 150PF 10%	50V		
C101	1-162-284-31	(West Germany)			
		...CERAMIC 150PF 10%	50V		
C101	1-162-286-31	(Canadian,AEP,UK)			
		...CERAMIC 220PF 10%	50V		
C102	1-124-927-11	ELECT 4.7MF	20%	50V	
C103	1-130-475-00	(West Germany)			
		...FILM 0.0022MF 5%	50V		
C103	1-130-479-00	(Canadian,AEP,UK)			
		...FILM 0.0047MF 5%	50V		
C104	1-124-477-11	ELECT 47MF	20%	16V	
C105	1-136-162-00	FILM 0.056MF	5%	50V	
C106	1-136-155-00	FILM 0.015MF	5%	50V	
C107	1-124-925-11	ELECT 2.2MF	20%	50V	
C108	1-124-910-11	ELECT 47MF	20%	50V	
C109	1-124-443-00	ELECT 100MF	20%	10V	
C110	1-162-286-31	(West Germany)			
		...CERAMIC 220PF 10%	50V		
C111	1-162-286-31	(West Germany)			
		...CERAMIC 220PF 10%	50V		
C112	1-162-286-31	(West Germany)			
		...CERAMIC 220PF 10%	50V		
C113	1-162-286-31	(West Germany)			
		...CERAMIC 220PF 10%	50V		

Ref.No.	Part No.	Description			
C114	1-162-286-31	(West Germany)			
		...CERAMIC 220PF 10%	50V		
C115	1-162-286-31	(West Germany)			
		...CERAMIC 220PF 10%	50V		
C116	1-162-286-31	(West Germany)			
		...CERAMIC 220PF 10%	50V		
C120	1-161-494-00	CERAMIC 0.022MF	30%	25V	
C200	1-162-282-31	(Canadian,AEP,UK)			
		...CERAMIC 100PF 10%	50V		
C200	1-162-284-31	(West Germany)			
		...CERAMIC 150PF 10%	50V		
C201	1-162-284-31	(West Germany)			
		...CERAMIC 150PF 10%	50V		
C201	1-162-286-31	(Canadian,AEP,UK)			
		...CERAMIC 220PF 10%	50V		
C202	1-124-927-11	ELECT 4.7MF	20%	50V	
C203	1-130-475-00	(West Germany)			
		...FILM 0.0022MF 5%	50V		
C203	1-130-479-00	(Canadian,AEP,UK)			
		...FILM 0.0047MF 5%	50V		
C204	1-124-477-11	ELECT 47MF	20%	16V	
C205	1-136-162-00	FILM 0.056MF	5%	50V	
C206	1-136-155-00	FILM 0.015MF	5%	50V	
C207	1-124-925-11	ELECT 2.2MF	20%	50V	
C208	1-124-910-11	ELECT 47MF	20%	50V	
C210	1-162-286-31	(West Germany)			
		...CERAMIC 220PF 10%	50V		
C211	1-162-286-31	(West Germany)			
		...CERAMIC 220PF 10%	50V		
C212	1-162-286-31	(West Germany)			
		...CERAMIC 220PF 10%	50V		
C213	1-162-286-31	(West Germany)			
		...CERAMIC 220PF 10%	50V		
C214	1-162-286-31	(West Germany)			
		...CERAMIC 220PF 10%	50V		
C215	1-162-286-31	(West Germany)			
		...CERAMIC 220PF 10%	50V		
C216	1-162-286-31	(West Germany)			
		...CERAMIC 220PF 10%	50V		
C220	1-161-494-00	(West Germany)			
		...CERAMIC 0.022MF 30%	25V		
C300	1-136-166-00	FILM 0.12MF	5%	50V	
C301	1-162-284-31	CERAMIC 150PF	10%	50V	
C302	1-136-159-00	FILM 0.033MF	5%	50V	
C303	1-126-163-11	ELECT 4.7MF	20%	50V	
C304	1-162-211-31	CERAMIC 33PF	5%	50V	
C305	1-124-589-11	ELECT 47MF	20%	16V	

Ref.No.	Part No.	Description			
C306	1-162-217-31	CERAMIC	56PF	5%	50V
C307	1-126-163-11	ELECT	4.7MF	20%	50V
C308	1-130-476-00	MYLAR	0.0027MF	5%	50V
C309	1-136-158-00	FILM	0.027MF	5%	50V
C310	1-130-481-00	MYLAR	0.0068MF	5%	50V
C311	1-136-163-00	FILM	0.068MF	5%	50V
C350	1-161-494-00	CERAMIC	0.022MF	30%	25V
C351	1-162-282-31	CERAMIC	100PF	10%	50V
C352	1-162-282-31	(West Germany) ...CERAMIC	100PF	10%	50V
C400	1-136-166-00	FILM	0.12MF	5%	50V
C401	1-162-284-31	CERAMIC	150PF	10%	50V
C402	1-136-159-00	FILM	0.033MF	5%	50V
C403	1-126-163-11	ELECT	4.7MF	20%	50V
C404	1-162-211-31	CERAMIC	33PF	5%	50V
C405	1-124-589-11	ELECT	47MF	20%	16V
C406	1-162-217-31	CERAMIC	56PF	5%	50V
C407	1-126-163-11	ELECT	4.7MF	20%	50V
C408	1-130-476-00	MYLAR	0.0027MF	5%	50V
C409	1-136-158-00	FILM	0.027MF	5%	50V
C410	1-130-481-00	MYLAR	0.0068MF	5%	50V
C411	1-136-163-00	FILM	0.068MF	5%	50V
C451	1-162-282-31	CERAMIC	100PF	10%	50V
C452	1-162-282-31	(West Germany) ...CERAMIC	100PF	10%	50V
C500	1-124-927-11	ELECT	4.7MF	20%	50V
C501	1-130-475-00	FILM	0.0022MF	5%	50V
C502	1-124-477-11	ELECT	47MF	20%	16V
C503	1-161-959-00	(AEP,UK,West Germany) ...CERAMIC	22PF	10%	500V
C504	1-124-477-11	ELECT	47MF	20%	16V
C505	1-162-197-31	CERAMIC	6.8PF	10%	50V
C506	1-161-959-00	CERAMIC	22PF	10%	500V
C507	1-124-589-11	ELECT	47MF	20%	16V
C510	1-136-163-00	FILM	0.068MF	5%	50V
C511	1-136-163-00	FILM	0.068MF	5%	50V
C512	1-161-379-00	(West Germany) ...CERAMIC	0.01MF	30%	25V
C513	1-161-494-00	(West Germany) ...CERAMIC	0.022MF	30%	25V
C514	1-161-379-00	(West Germany) ...CERAMIC	0.01MF	30%	25V
C515	1-161-494-00	(West Germany) ...CERAMIC	0.022MF	30%	25V
C550	1-161-494-00	(West Germany) ...CERAMIC	0.022MF	30%	25V
C600	1-124-927-11	ELECT	4.7MF	20%	50V
C601	1-130-475-00	FILM	0.0022MF	5%	50V
C602	1-124-477-11	ELECT	47MF	20%	16V
C603	1-161-959-00	(AEP,UK,West Germany) ...CERAMIC	22PF	10%	500V
C604	1-124-477-11	ELECT	47MF	20%	16V
C605	1-162-197-31	CERAMIC	6.8PF	10%	50V
C606	1-161-959-00	CERAMIC	22PF	10%	500V
C607	1-124-589-11	ELECT	47MF	20%	16V
C610	1-136-163-00	FILM	0.068MF	5%	50V
C611	1-136-163-00	FILM	0.068MF	5%	50V

Ref.No.	Part No.	Description			
C612	1-161-379-00	(West Germany) ...CERAMIC	0.01MF	30%	25V
C613	1-161-494-00	(West Germany) ...CERAMIC	0.022MF	30%	25V
C614	1-161-379-00	(West Germany) ...CERAMIC	0.01MF	30%	25V
C615	1-161-494-00	(West Germany) ...CERAMIC	0.022MF	30%	25V
C650	1-161-494-00	(West Germany) ...CERAMIC	0.022MF	30%	25V
C700	1-161-494-00	CERAMIC	0.022MF	30%	25V
C701	1-126-233-11	ELECT	22MF	20%	25V
C702	1-126-176-11	ELECT	220MF	20%	6.3V
C703	1-124-477-11	ELECT	47MF	20%	16V
C704	1-124-443-00	ELECT	100MF	20%	10V
C800	1-102-355-00	CERAMIC	0.01MF		250V
C801	1-125-522-11	(Canadian)...ELECT	12000MF	20%	71V
C801	1-125-536-11	(AEP,UK,West Germany) ...ELECT	10000MF	20%	50V
C802	1-125-522-11	(Canadian)...ELECT	12000MF	20%	71V
C802	1-125-536-11	(AEP,UK,West Germany) ...ELECT	10000MF	20%	50V
C803	1-126-104-11	ELECT	470MF	20%	35V
C804	1-126-104-11	ELECT	470MF	20%	35V
C805	1-124-478-11	ELECT	100MF	20%	25V
C806	1-124-478-11	ELECT	100MF	20%	25V
C807	1-102-355-00	CERAMIC	0.01MF		250V
C808	1-124-637-11	(AEP,UK,West Germany) ...ELECT	1000MF	20%	50V
C808	1-126-368-11	(Canadian)...ELECT	1000MF	20%	80V
C809	1-124-637-11	(AEP,UK,West Germany) ...ELECT	1000MF	20%	50V
C809	1-126-368-11	(Canadian)...ELECT	1000MF	20%	80V
C812	1-124-927-11	ELECT	4.7MF	20%	50V
CNJ1	△.1-526-751-00	(UK).....OUTLET, AC (AC OUTLET)			
CNJ1	△.1-526-794-11	(AEP,West Germany) ...OUTLET, AC (AC OUTLET)			
CNJ1	△.1-526-896-00	(Canadian)....OUTLET, AC (AC OUTLET)			
CNP1	△.1-555-750-00	(AEP,West Germany)...CORD, POWER			
CNP1	△.1-556-035-00	(UK).....CORD, POWER			
CNP1	△.1-559-819-11	(Canadian).....CORD, POWER			
D13	8-719-303-00	DIODE SEL2510C			
D14	8-719-303-00	DIODE SEL2510C			
D15	8-719-303-00	DIODE SEL2510C			
D16	8-719-303-00	DIODE SEL2510C			
D17	8-719-303-00	DIODE SEL2510C			
D100	8-719-000-90	DIODE UZL-7M3			
D500	8-719-000-51	DIODE UZL-6L2			
D501	8-719-000-26	DIODE US1060M			
D504	8-719-002-83	DIODE US1090M			
D505	8-719-002-83	DIODE US1090M			
D600	8-719-000-51	DIODE UZL-6L2			
D601	8-719-000-26	DIODE US1060M			
D604	8-719-002-83	DIODE US1090M			
D605	8-719-002-83	DIODE US1090M			
D700	8-719-000-26	DIODE US1060M			
D701	8-719-000-26	DIODE US1060M			
D800	8-719-200-80	DIODE D300			
D801	8-719-200-80	DIODE D300			

Note:

The components identified by mark Δ or dotted line with mark Δ are critical for safety. Replace only with part number specified.

Note:

Les composants identifiés par une marque Δ sont critiques pour la sécurité. Ne les remplacer que par une pièce portant le numéro spécifié.

Ref.No.	Part No.	Description
D802	8-719-200-02	DIODE 10E2
D803	8-719-200-02	DIODE 10E2
D804	8-719-200-02	DIODE 10E2
D805	8-719-200-02	DIODE 10E2
D806	8-719-200-02	DIODE 10E2
D811	8-719-160-87	(Canadian)...DIODE RD33F-B2
D812	8-719-160-87	(Canadian)...DIODE RD33F-B2
DR1	*1-564-336-00	PIN, CONNECTOR 2P
EH1	*1-564-506-11	PLUG, CONNECTOR 3P
EH2	*1-564-507-11	PLUG, CONNECTOR 4P
EH4	*1-564-506-11	PLUG, CONNECTOR 3P
EH5	*1-564-508-11	PLUG, CONNECTOR 5P
EH6	*1-564-508-11	PLUG, CONNECTOR 5P
F1	△.1-532-350-00	(AEP,UK,West Germany) ...FUSE, TIME-LAG (4A)
F1	△.1-532-510-00	(Canadian)...FUSE, GLASS TUBE(8A)
F2	△.1-532-286-00	(AEP,UK,West Germany) ...FUSE, TIME-LAG (2.5A)
IC100	8-759-923-90	IC BA4560
IC300	8-759-600-02	IC M5218L
IC700	8-759-111-68	IC UPC1237HA
IC800	8-759-604-34	IC M5F7815
IC801	8-759-604-52	IC M5F7915
J100	1-565-258-21	JACK, PIN 4P (TUNER,PHONO)
J101	1-565-320-11	JACK, PIN 6P (CD,VIDEO/AUX,TAPE 1/DAT)
J102	1-565-320-11	JACK, PIN 6P (TAPE1/DAT,TAPE2)
J500	1-563-347-11	JACK, LARGE TYPE (HEADPHONES)
L100	1-410-397-21	(Canadian,AEP,UK) ...FERRITE BEAD INDUCTOR 1.1UH
L100	1-413-101-00	(West Germany)...COIL, INPUT 220UH
L101	1-413-101-00	(West Germany)...COIL, INPUT 220UH
L200	1-410-397-21	(Canadian,AEP,UK) ...FERRITE BEAD INDUCTOR 1.1UH
L200	1-413-101-00	(West Germany)...COIL, INPUT 220UH
L201	1-413-101-00	(West Germany)...COIL, INPUT 220UH
L500	*1-420-872-00	COIL, AIR CORE 1.8UH
L600	*1-420-872-00	COIL, AIR CORE 1.8UH
NH1	*1-560-060-00	PIN, CONNECTOR 2P
NH2	*1-560-060-00	PIN, CONNECTOR 2P
Q10	8-729-178-54	TRANSISTOR 2SC2785
Q11	8-729-117-54	TRANSISTOR 2SA1175
Q12	8-729-117-54	TRANSISTOR 2SA1175
Q100	8-729-354-52	TRANSISTOR 2SC2545
Q101	8-729-354-52	TRANSISTOR 2SC2545
Q102	8-729-201-56	TRANSISTOR 2SK246GR2
Q200	8-729-354-52	TRANSISTOR 2SC2545
Q201	8-729-354-52	TRANSISTOR 2SC2545
Q202	8-729-201-56	TRANSISTOR 2SK246GR2
Q500	△.8-729-108-14	TRANSISTOR 2SA988-F
Q501	△.8-729-697-92	TRANSISTOR 2SA979
Q502	△.8-729-178-54	TRANSISTOR 2SC2785
Q503	8-729-201-56	TRANSISTOR 2SK246GR2
Q504	△.8-729-178-54	TRANSISTOR 2SC2785
Q505	8-729-104-91	TRANSISTOR 2SA1383
Q506	8-729-107-26	TRANSISTOR 2SD1585-K
Q507	△.8-729-104-18	TRANSISTOR 2SC3514
Q508	△.8-729-107-53	TRANSISTOR 2SC2275A

Ref.No.	Part No.	Description
Q509	△.8-729-190-53	TRANSISTOR 2SA985A
Q510	△.8-729-300-36	TRANSISTOR 2SC2921
Q511	△.8-729-300-22	TRANSISTOR 2SA1215
Q512	8-729-108-05	TRANSISTOR 2SC1841-PA
Q513	△.8-729-178-54	TRANSISTOR 2SC2785
Q514	△.8-729-117-54	TRANSISTOR 2SA1175
Q600	△.8-729-108-14	TRANSISTOR 2SA988-F
Q601	△.8-729-697-92	TRANSISTOR 2SA979
Q602	△.8-729-178-54	TRANSISTOR 2SC2785
Q603	8-729-201-56	TRANSISTOR 2SK246GR2
Q604	△.8-729-178-54	TRANSISTOR 2SC2785
Q605	8-729-104-91	TRANSISTOR 2SA1383
Q606	8-729-107-26	TRANSISTOR 2SD1585-K
Q607	△.8-729-104-18	TRANSISTOR 2SC3514
Q608	△.8-729-107-53	TRANSISTOR 2SC2275A
Q609	△.8-729-190-53	TRANSISTOR 2SA985A
Q610	△.8-729-300-36	TRANSISTOR 2SC2921
Q611	△.8-729-300-22	TRANSISTOR 2SA1215
Q612	8-729-108-05	TRANSISTOR 2SC1841-PA
Q613	△.8-729-178-54	TRANSISTOR 2SC2785
Q614	△.8-729-117-54	TRANSISTOR 2SA1175
Q700	8-729-900-63	TRANSISTOR DTA124ES
R13	1-249-415-11	CARBON 680 5% 1/4W
R14	1-249-414-11	CARBON 560 5% 1/4W
R15	1-249-441-11	CARBON 100K 5% 1/4W
R16	1-249-433-11	CARBON 22K 5% 1/4W
R17	1-249-411-11	CARBON 330 5% 1/4W
R100	1-249-417-11	(West Germany)...CARBON 1K 5% 1/4W
R101	1-249-417-11	(West Germany)...CARBON 1K 5% 1/4W
R102	1-247-700-11	CARBON 100 5% 1/4W
R103	1-249-469-11	CARBON 100K 5% 1/4W
R104	1-249-405-11	(West Germany)...CARBON 100 5% 1/4W
R104	1-249-411-11	(Canadian,AEP,UK) ...CARBON 330 5% 1/4W
R105	1-249-441-11	CARBON 100K 5% 1/4W
R106	1-249-417-11	CARBON 1K 5% 1/4W
R107	1-249-417-11	CARBON 1K 5% 1/4W
R108	1-249-405-11	(Canadian,AEP,UK) ...CARBON 100 5% 1/4W
R108	1-249-407-11	(West Germany)...CARBON 150 5% 1/4W
R109	1-249-415-11	CARBON 680 5% 1/4W
R110	1-249-457-11	CARBON 6.8 5% 1/4W
R111	1-247-700-11	CARBON 100 5% 1/4W
R112	1-247-903-00	CARBON 1M 5% 1/4W
R113	1-249-493-11	CARBON 56K 5% 1/2W
R114	1-247-760-11	CARBON 4.7K 5% 1/2W
R115	1-249-409-11	CARBON 220 5% 1/4W
R116	1-249-441-11	CARBON 100K 5% 1/4W
R117	1-249-420-11	CARBON 1.8K 5% 1/4W
R118	1-247-903-00	CARBON 1M 5% 1/4W
R119	1-247-903-00	CARBON 1M 5% 1/4W
R120	1-247-903-00	CARBON 1M 5% 1/4W
R121	1-247-903-00	CARBON 1M 5% 1/4W
R122	1-247-903-00	CARBON 1M 5% 1/4W
R123	1-247-903-00	CARBON 1M 5% 1/4W
R124	1-247-903-00	CARBON 1M 5% 1/4W
R125	1-249-413-11	(West Germany)...CARBON 470 5% 1/4W
R126	1-249-413-11	(West Germany)...CARBON 470 5% 1/4W

Note:
The components identified by mark △ or dotted line with mark △ are critical for safety. Replace only with part number specified.

Note:
Les composants identifiés par une marque △ sont critiques pour la sécurité. Ne les remplacer que par une pièce portant le numéro spécifié.

Ref.No.	Part No.	Description							
R127	1-249-413-11	(West Germany)...CARBON	470	5%	1/4W				
R128	1-249-413-11	CARBON	470	5%	1/4W				
R129	1-249-413-11	(West Germany)...CARBON	470	5%	1/4W				
R130	1-249-413-11	CARBON	470	5%	1/4W				
R131	1-249-413-11	(West Germany)...CARBON	470	5%	1/4W				
R200	1-249-417-11	(West Germany)...CARBON	1K	5%	1/4W				
R201	1-249-417-11	(West Germany)...CARBON	1K	5%	1/4W				
R202	1-247-700-11	CARBON	100	5%	1/4W				
R203	1-249-469-11	CARBON	100K	5%	1/4W				
R204	1-249-405-11	(West Germany)...CARBON	100	5%	1/4W				
R204	1-249-411-11	(Canadian,AEP,UK) ...CARBON	330	5%	1/4W				
R205	1-249-441-11	CARBON	100K	5%	1/4W				
R206	1-249-417-11	CARBON	1K	5%	1/4W				
R207	1-249-417-11	CARBON	1K	5%	1/4W				
R208	1-249-405-11	(Canadian,AEP,UK) ...CARBON	100	5%	1/4W				
R208	1-249-407-11	(West Germany)...CARBON	150	5%	1/4W				
R209	1-249-415-11	CARBON	680	5%	1/4W				
R210	1-249-457-11	CARBON	6.8	5%	1/4W				
R211	1-247-700-11	CARBON	100	5%	1/4W				
R212	1-247-903-00	CARBON	1M	5%	1/4W				
R213	1-249-493-11	CARBON	56K	5%	1/2W				
R214	1-247-760-11	CARBON	4.7K	5%	1/2W				
R215	1-249-409-11	CARBON	220	5%	1/4W				
R216	1-249-441-11	CARBON	100K	5%	1/4W				
R218	1-247-903-00	CARBON	1M	5%	1/4W				
R219	1-247-903-00	CARBON	1M	5%	1/4W				
R220	1-247-903-00	CARBON	1M	5%	1/4W				
R221	1-247-903-00	CARBON	1M	5%	1/4W				
R222	1-247-903-00	CARBON	1M	5%	1/4W				
R223	1-247-903-00	CARBON	1M	5%	1/4W				
R224	1-247-903-00	CARBON	1M	5%	1/4W				
R225	1-249-413-11	(West Germany)...CARBON	470	5%	1/4W				
R226	1-249-413-11	(West Germany)...CARBON	470	5%	1/4W				
R227	1-249-413-11	(West Germany)...CARBON	470	5%	1/4W				
R228	1-249-413-11	CARBON	470	5%	1/4W				
R229	1-249-413-11	(West Germany)...CARBON	470	5%	1/4W				
R230	1-249-413-11	CARBON	470	5%	1/4W				
R231	1-249-413-11	(West Germany)...CARBON	470	5%	1/4W				
R300	1-247-903-00	CARBON	1M	5%	1/4W				
R301	1-249-437-11	CARBON	47K	5%	1/4W				
R302	1-247-903-00	CARBON	1M	5%	1/4W				
R303	1-249-431-11	CARBON	15K	5%	1/4W				
R304	1-249-417-11	CARBON	1K	5%	1/4W				
R305	1-247-887-00	CARBON	220K	5%	1/4W				
R306	1-249-429-11	CARBON	10K	5%	1/4W				
R307	1-247-887-00	CARBON	220K	5%	1/4W				
R308	1-247-725-11	CARBON	10K	5%	1/4W				
R309	1-247-713-11	CARBON	1K	5%	1/4W				
R310	1-249-426-11	CARBON	5.6K	5%	1/4W				
R311	1-249-411-11	CARBON	330	5%	1/4W				
R312	1-249-414-11	CARBON	560	5%	1/4W				
R313	1-249-434-11	CARBON	27K	5%	1/4W				
R314	1-249-422-11	CARBON	2.7K	5%	1/4W				
R350	1-249-417-11	(West Germany)...CARBON	1K	5%	1/4W				
R400	1-247-903-00	CARBON	1M	5%	1/4W				
R401	1-249-437-11	CARBON	47K	5%	1/4W				
R402	1-247-903-00	CARBON	1M	5%	1/4W				
R403	1-249-431-11	CARBON	15K	5%	1/4W				
R404	1-249-417-11	CARBON	1K	5%	1/4W				
R405	1-247-887-00	CARBON	220K	5%	1/4W				
R406	1-249-429-11	CARBON	10K	5%	1/4W				
R407	1-247-887-00	CARBON	220K	5%	1/4W				
R408	1-247-725-11	CARBON	10K	5%	1/4W				
R409	1-247-713-11	CARBON	1K	5%	1/4W				
R410	1-249-426-11	CARBON	5.6K	5%	1/4W				
R411	1-249-411-11	CARBON	330	5%	1/4W				
R412	1-249-414-11	CARBON	560	5%	1/4W				
R413	1-249-434-11	CARBON	27K	5%	1/4W				
R414	1-249-422-11	CARBON	2.7K	5%	1/4W				
R450	1-249-417-11	(West Germany)...CARBON	1K	5%	1/4W				
R500	1-249-417-11	CARBON	1K	5%	1/4W				
R501	1-249-435-11	CARBON	33K	5%	1/4W				
R502	1-249-421-11	CARBON	2.2K	5%	1/4W				
R503	1-249-405-11	(Canadian)...CARBON	100	5%	1/4W				
R503	1-249-406-11	(AEP,UK,West Germany) ...CARBON	120	5%	1/4W				
R504	△,1-247-704-11	CARBON	220	5%	1/4W	F			
R505	△,1-247-704-11	CARBON	220	5%	1/4W	F			
R506	1-249-429-11	CARBON	10K	5%	1/4W				
R507	1-249-435-11	CARBON	33K	5%	1/4W				
R508	1-249-433-11	CARBON	22K	5%	1/4W				
R509	1-249-429-11	(AEP,UK,West Germany) ...CARBON	10K	5%	1/4W				
R509	1-249-432-11	(Canadian)...CARBON	18K	5%	1/4W				
R510	1-249-411-11	CARBON	330	5%	1/4W				
R511	1-249-435-11	CARBON	33K	5%	1/4W				
R512	1-249-420-11	(Canadian)...CARBON	1.8K	5%	1/4W				
R512	1-249-422-11	(AEP,UK,West Germany) ...CARBON	2.7K	5%	1/4W				
R513	△,1-247-692-11	CARBON	22	5%	1/4W	F			
R514	1-249-419-11	CARBON	1.5K	5%	1/4W				
R515	1-249-437-11	CARBON	47K	5%	1/4W				
R516	1-249-414-11	CARBON	560	5%	1/4W				
R517	△,1-247-692-11	CARBON	22	5%	1/4W	F			
R518	△,1-247-700-11	CARBON	100	5%	1/4W	F			
R519	△,1-247-700-11	CARBON	100	5%	1/4W	F			
R520	△,1-247-739-11	(AEP,UK,West Germany) ...CARBON	100	5%	1/2W	F			
R520	△,1-247-745-11	(Canadian)...CARBON	330	5%	1/2W	F			
R521	△,1-214-789-00	RES, METAL PLATE 0.1		5W		F			
R522	△,1-214-789-00	RES, METAL PLATE 0.1		5W		F			
R523	△,1-247-704-11	CARBON	220	5%	1/4W	F			
R524	1-249-436-11	(Canadian)...CARBON	39K	5%	1/4W				
R524	1-249-429-11	(AEP,UK,West Germany) ...CARBON	10K	5%	1/4W				
R525	1-247-688-11	CARBON	10	5%	1/4W				
R526	1-247-727-11	CARBON	10	5%	1/2W				
R527	1-249-437-11	CARBON	47K	5%	1/4W				
R528	1-249-482-11	(West Germany)...CARBON	4.7	5%	1/2W				
R529	1-249-482-11	(West Germany)...CARBON	4.7	5%	1/2W				

Note:
The components identified by mark △ or dotted line with mark △ are critical for safety. Replace only with part number specified.

Note:
Les composants identifiés par une marque △ sont critiques pour la sécurité. Ne les remplacer que par une pièce portant le numéro spécifié.

Ref.No.	Part No.	Description				
R530	△.1-215-869-11	(Canadian)...METAL OXIDE	1K	5%	1W	F
R530	△.1-216-431-11	(AEP,UK,West Germany) ...METAL OXIDE	560	5%	1W	F
R531	△.1-247-719-11	(Canadian)...CARBON	3.3K	5%	1/4W	F
R531	△.1-247-720-11	(AEP,UK,West Germany) ...CARBON	3.9K	5%	1/4W	F
R532	△.1-247-713-11	CARBON	1K	5%	1/4W	F
R533	△.1-247-713-11	CARBON	1K	5%	1/4W	F
R534	△.1-247-719-11	(Canadian)...CARBON	3.3K	5%	1/4W	F
R534	△.1-247-720-11	(AEP,UK,West Germany) ...CARBON	3.9K	5%	1/4W	F
R535	△.1-247-688-11	CARBON	10	5%	1/4W	F
R536	△.1-247-688-11	CARBON	10	5%	1/4W	F
R600	1-249-417-11	CARBON	1K	5%	1/4W	
R601	1-249-435-11	CARBON	33K	5%	1/4W	
R602	1-249-421-11	CARBON	2.2K	5%	1/4W	
R603	1-249-405-11	(Canadian)...CARBON	100	5%	1/4W	
R603	1-249-406-11	(AEP,UK,West Germany) ...CARBON	120	5%	1/4W	
R604	△.1-247-704-11	CARBON	220	5%	1/4W	F
R605	△.1-247-704-11	CARBON	220	5%	1/4W	F
R606	1-249-429-11	CARBON	10K	5%	1/4W	
R607	1-249-435-11	CARBON	33K	5%	1/4W	
R608	1-249-433-11	CARBON	22K	5%	1/4W	
R609	1-249-429-11	(AEP,UK,West Germany) ...CARBON	10K	5%	1/4W	
R609	1-249-432-11	(Canadian)...CARBON	18K	5%	1/4W	
R610	1-249-411-11	CARBON	330	5%	1/4W	
R611	1-249-435-11	CARBON	33K	5%	1/4W	
R612	1-249-420-11	(Canadian)...CARBON	1.8K	5%	1/4W	
R612	1-249-422-11	(AEP,UK,West Germany) ...CARBON	2.7K	5%	1/4W	
R613	△.1-247-692-11	CARBON	22	5%	1/4W	F
R614	1-249-419-11	CARBON	1.5K	5%	1/4W	
R615	1-249-437-11	CARBON	47K	5%	1/4W	
R616	1-249-414-11	CARBON	560	5%	1/4W	
R617	△.1-247-692-11	CARBON	22	5%	1/4W	F
R618	△.1-247-700-11	CARBON	100	5%	1/4W	F
R619	△.1-247-700-11	CARBON	100	5%	1/4W	F
R620	△.1-247-739-11	(AEP,UK,West Germany) ...CARBON	100	5%	1/2W	F
R620	△.1-247-745-11	(Canadian)...CARBON	330	5%	1/2W	F
R621	△.1-214-789-00	RES, METAL PLATE 0.1		5w		F
R622	△.1-214-789-00	RES, METAL PLATE 0.1		5W		F
R623	△.1-247-704-11	CARBON	220	5%	1/4W	F

Ref.No.	Part No.	Description				
R624	1-249-429-11	(AEP,UK,West Germany) ...CARBON	10K	5%	1/4W	
R624	1-249-436-11	(Canadian)...CARBON	39K	5%	1/4W	
R625	1-247-688-11	CARBON	10	5%	1/4W	
R626	1-247-727-11	CARBON	10	5%	1/2W	
R627	1-249-438-11	CARBON	56K	5%	1/4W	
R628	1-249-482-11	(West Germany)...CARBON	4.7	5%	1/2W	
R629	1-249-482-11	(West Germany)...CARBON	4.7	5%	1/2W	
R630	△.1-215-869-11	(Canadian)...METAL OXIDE	1K	5%	1W	F
R630	△.1-216-431-11	(AEP,UK,West Germany) ...METAL OXIDE	560	5%	1W	F
R631	△.1-247-719-11	(Canadian)...CARBON	3.3K	5%	1/4W	F
R631	△.1-247-720-11	(AEP,UK,West Germany) ...CARBON	3.9K	5%	1/4W	F
R632	△.1-247-713-11	CARBON	1K	5%	1/4W	F
R633	△.1-247-713-11	CARBON	1K	5%	1/4W	F
R634	△.1-247-719-11	(Canadian)...CARBON	3.3K	5%	1/4W	F
R634	△.1-247-720-11	(AEP,UK,West Germany) ...CARBON	3.9K	5%	1/4W	F
R635	△.1-247-688-11	CARBON	10	5%	1/4W	F
R636	△.1-247-688-11	CARBON	10	5%	1/4W	F
R700	1-249-427-11	CARBON	6.8K	5%	1/4W	
R701	1-249-441-11	CARBON	100K	5%	1/4W	
R702	1-249-421-11	CARBON	2.2K	5%	1/4W	
R703	1-249-437-11	CARBON	47K	5%	1/4W	
R704	1-249-431-11	(AEP,UK,West Germany) ...CARBON	15K	5%	1/4W	
R704	1-249-433-11	(Canadian)...CARBON	22K	5%	1/4W	
R705	△.1-216-479-11	(AEP,UK,West Germany) ...METAL OXIDE	560	5%	3W	F
R705	△.1-215-917-11	(Canadian)...METAL OXIDE	1K	5%	3W	F
R800	△.1-206-718-00	(AEP,UK,West Germany) ...METAL OXIDE	510	5%	3W	F
R800	△.1-215-917-11	(Canadian)...METAL OXIDE	1K	5%	3W	F
R801	△.1-206-718-00	(AEP,UK,West Germany) ...METAL OXIDE	510	5%	3W	F
R801	△.1-215-917-11	(Canadian)...METAL OXIDE	1K	5%	3W	F
R802	△.1-247-688-11	CARBON	10	5%	1/4W	F
R803	△.1-247-688-11	CARBON	10	5%	1/4W	F
R804	1-247-723-11	(AEP,UK,West Germany) ...CARBON	6.8K	5%	1/4W	
R804	1-247-725-11	(Canadian)...CARBON	10K	5%	1/4W	
R805	1-249-417-11	CARBON	1K	5%	1/4W	

Note:

The components identified by mark △ or dotted line with mark △ are critical for safety. Replace only with part number specified.

Note:

Les composants identifiés par une marque △ sont critiques pour la sécurité. Ne les remplacer que par une pièce portant le numéro spécifié.

Ref.No.	Part No.	Description
RV300	1-237-741-11	RES, VAR, CARBON 250K/250K (VOLUME)
RV301	1-237-739-11	RES, VAR, CARBON 100K/100K (BALANCE)
RV302	1-237-740-11	RES, VAR, CARBON 100K/100K (TREBLE)
RV303	1-237-740-11	RES, VAR, CARBON 100K/100K (BASS)
RY700	1-515-356-00	RELAY
S1	△.1-554-880-11	SWITCH, PUSH (AC POWER)(1 KEY)(POWER)
S100	1-571-111-11	SWITCH, PUSH (1 KEY)(CARTRIDGE)
S101	1-571-115-11	SWITCH, SLIDE (REC OUT SELECTOR)
S102	1-571-669-11	SWITCH, SLIDE (INPUT SELECTOR)
S301	1-571-668-11	SWITCH, PUSH (2 KEY)(SUBSONIC/LOUDNESS)
S302	1-571-671-11	SWITCH, PUSH (1 KEY)(CD DIRECT)
S303	1-571-112-11	SWITCH, PUSH (1 KEY)(TONE)
S500	1-571-109-11	SWITCH, ROTARY SLIDE (SPEAKERS)
T1	△.1-449-415-11	(AEP,UK,West Germany) ...TRANSFORMER, POWER
T1	△.1-449-414-11	(Canadian).....TRANSFORMER, POWER
TB1	*1-535-139-00	(AEP,UK,West Germany) ...BASE POST 22MM (10MM PITCH) 2P
TB1	1-535-141-00	(Canadian) ...BASE POST 22MM (10MM PITCH) 4P
TB2	*1-535-139-00	(Canadian,UK) ...BASE POST 22MM (10MM PITCH) 2P
TB4	*1-535-139-00	(Canadian) ...BASE POST 22MM (10MM PITCH) 2P
TB4	*1-535-142-00	(AEP,UK,West Germany) ...BASE POST 22MM (10MM PITCH) 5P
TB7	*1-535-117-00	TERMINAL 4P
TB8	*1-535-115-00	TERMINAL 3P
TB9	*1-535-115-00	TERMINAL 3P
TB10	*1-535-117-00	TERMINAL 4P
TB11	*1-535-117-00	TERMINAL 4P
TM501	1-536-662-00	TERMINAL BOARD (SPEAKER)

ACCESSORY & PACKING MATERIAL

3-786-451-11 (Canadian,AEP,UK)...MANUAL, INSTRUCTION
 3-786-451-41 (AEP,West Germany)...MANUAL, INSTRUCTION

*4-923-820-01 CUSHION
 *4-923-821-01 INDIVIDUAL CARTON

Note:

The components identified by mark △ or dotted line with mark △ are critical for safety. Replace only with part number specified.

Note:

Les composants identifiés par une marque △ sont critiques pour la sécurité. Ne les remplacer que par une pièce portant le numéro spécifié.

CONTENTS

1	Introduction
2	General Information
3	Preparation for Use
4	Operating Instructions
5	Maintenance
6	Troubleshooting
7	Specifications
8	Accessories
9	Warranty
10	Index

INDEX

Introduction

General Information

Preparation for Use

Operating Instructions

Maintenance

Troubleshooting

Specifications

Accessories

Warranty

Index