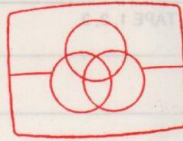


TA-F333ESR/F730ES

SERVICE MANUAL



Free service manuals
Gratis schema's
Digitized by

AEP Model
UK Model
TA-F730ES

E Model
TA-F333ESR

www.freeservicemanuals.info



photo : TA-F730ES

SPECIFICATIONS

Item	Condition		Data
Continuous RMS power outut (both channels driven simultaneously)	4 ohms, 20 Hz-20 kHz THD 0.008%	UK, E model	145 W + 145 W (THD 0.008%) (DIN: 185 W + 185 W)
	6 ohms, 20 Hz-20 kHz THD 0.006%	UK, E model	125 W + 125 W (DIN: 150 W + 150 W)
		AEP model	120 W + 120 W (DIN: 140 W + 140 W)
	8 ohms, 20 Hz-20 kHz THD 0.004%	UK, E model	110 W + 110 W (DIN: 130 W + 130 W)
AEP model		105 W + 105 W (DIN: 115 W + 115 W)	
Power band width (IHF)	8 ohms, THD 0,02%		10 Hz - 100 kHz at 50 W
Dynamic headroom (*78 IHF)	4 ohms		3 dB
	8 ohms		2 dB
Total harmonic distortion	8 ohms, at 10 watt output		0.002%
Intermodulation (IM) distortion 60 Hz: 7 kHz = 4:1	4 ohm, at rated output		0.008%
	6 ohms at rated output		0.006%
	8 ohms at rated output		0.004%
Damping factor	8 ohms, 1 kHz		100
Residual noise	network A		less than 115µV
Frequency response	PHONO MM		RIAA equalization curve ±0.2 dB
	TUNER, CD, TAPE 1, 2, 3, DIRECT IN		2 Hz - 200 kHz +0 -3 dB
Input sensitivity	PHONO	MC	3 ohms 0.17 mV, 100 ohms
		MM	40 ohms 0.17 mV, 1 kohm
	TUNER, CD, DIRECT IN, TAPE 1, 2, 3 ADAPTOR IN		2.5 mV, 50 kohms
			150 mV, 50 kohms

-Continued on page 2-

INTEGRATED STEREO AMPLIFIER
SONY®



Item	Condition		Data
S/N (network)	PHONO	MC	68 dB 76 dB* (A)
		MM	80 dB 87 dB* (A)
78 (IHF)	TUNER, CD, DIRECT IN, TAPE 1, 2, 3 ADAPTOR IN		84 dB 105 dB (A)
Output voltage impedance	REC OUT 1, 2, 3		150 mV, 1 kohm
	ADAPTOR OUT		PREOUT 1.0 V, 100 ohms
	HEADPHONES		25 miliwatts (at 8 ohms) Accepts low and high impedance headphones.
Tone controls	BASS, at 100 Hz		+4 -5.5 dB (turnover frq. 200 Hz)
			+6 -7 dB (turnover frq. 400 Hz)
	TREBLE, at 10 kHz		+7 -8 dB (frq. 3 kHz)
			+4 -5 dB (frq. 6 kHz)
SUBSONIC filter	-		6 dB/octave attenuation below

General

System Preamplifier section: Low-noise high gain NFB type equalizer amplifier, passive type direct tone control
Power amplifier section: Pure-complementary SEPP power amplifier

Power requirements

AEP model : 220 V AC, 50 Hz
U K model : 240 V AC, 50 Hz
E model : 120 V, 220 V or 240 V AC adjustable, 50/60 Hz

Power consumption

AEP model : 260W
UK model : 800W
E model : 370W

AC outlet

AEP, UK model : 1 switched, 100watts max.
E model : 1 switched, 1 unswitched, 100 watts each

Dimensions

AEP, E model: Approx. 470 x 166 x 436 mm (w/h/d)
(18 1/2 x 6 5/8 x 17 1/4 inches)
U K model: Approx. 430 x 165 x 435 mm (w/h/d)
(18 1/2 x 6 1/2 x 17 1/8 inches)

Weight

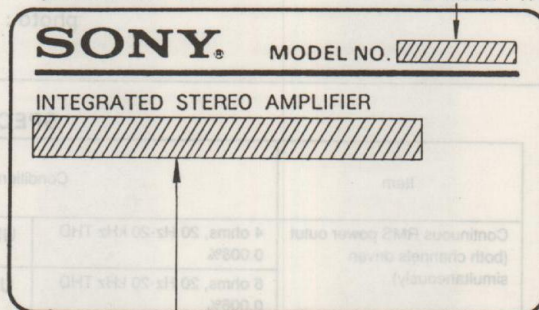
AEP, E model : Approx. 21.2 kg (46 lbs 12 oz) net
UK model : Approx. 19.9 kg (43 lbs 14 oz) net

MODEL IDENTIFICATION

AEP, UK model : TA-F730ES

- Specification Label -

E model : TA-F333ESR



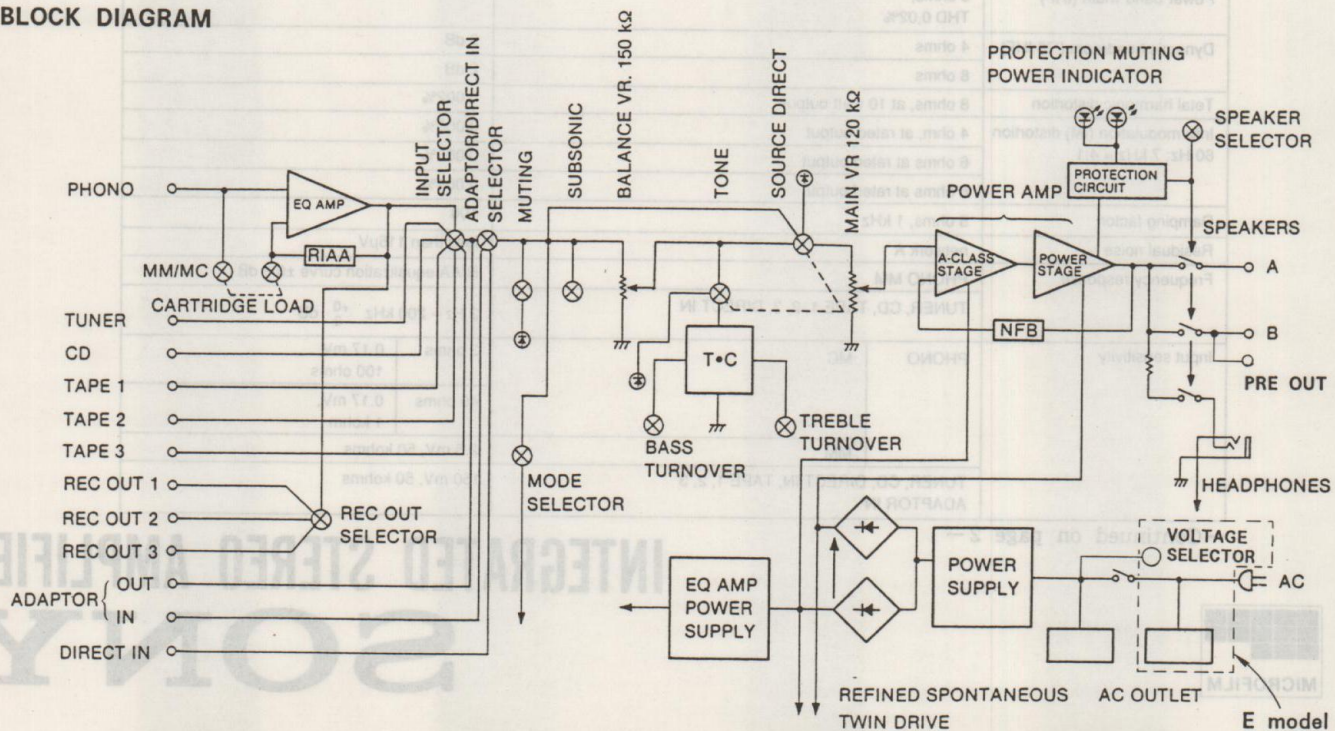
AEP model : AC220V~50/60Hz 260W

UK model : AC240V~50/60Hz 800W

West Germany model : AC220V 50/60Hz

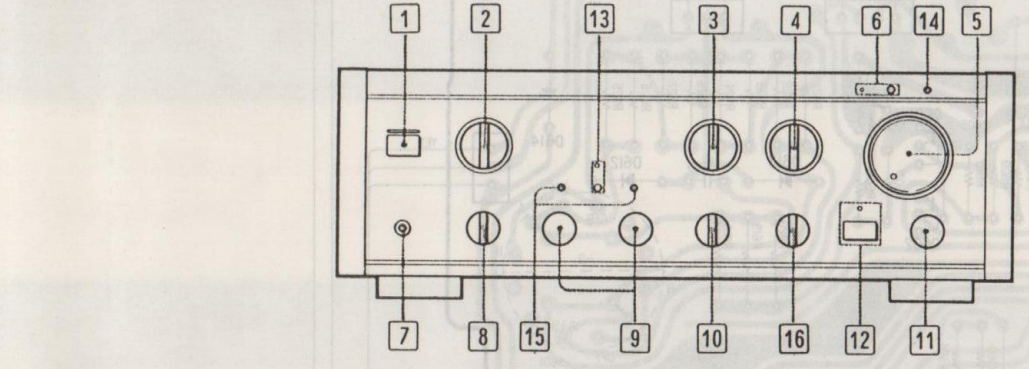
E model : AC120/220/240V~50/60Hz 370W

BLOCK DIAGRAM



SECTION 1 GENERAL

Function of Controls



- POWER switch and power/standby indicator**
Immediately after turning ON the power, the standby indicator lights in red as the built-in muting circuit activates. When the amplifier stays in a stable operating condition, the indicator lights in green. The indicator lights in red when the unit detects shorting of circuit of the speaker outputs or in case of short-circuit of the inputs of DC components. In such a case, disconnect the power source and check the connected components and speaker systems.
- SPEAKERS selector**
Select speaker system A or B, or both. To use power amplifier or active speaker system connected to the PRE OUT jacks, set the selector to B/ PRE OUT. For headphone monitoring only, set the selector to OFF.
- ADAPTOR/DIRECT IN switch**
Set to NORMAL to select program source by INPUT SELECTOR. To listen to a program source processed through adaptor (graphic equalizer, for example) connected to ADAPTOR jacks, set the selector to ADAPTOR. To listen to a program source connected to DIRECT IN jacks, set it to DIRECT IN. Note that selecting ADAPTOR has no effect upon the signals output through the REC OUT jacks.
- INPUT SELECTOR**
Selects the desired program source.
- ATTENUATOR knob**
Regulates the sound level.
- MUTING switch and indicator**
Generally, keep the switch released (OFF). Depress the switch to reduce the sound level by 20 dB. (Output voltage becomes 1/10.)
- HEADPHONES jack (stereo phone jack)**
- MODE selector**
STEREO: For listening to a stereo program. MONO: For listening to a monaural program.
- BASS and TREBLE controls**
- REC OUT SELECTOR**
Selects the program source sent to the REC OUT jacks (rear panel).
- BALANCE control**
Controls the sound level of left and right speakers.
- SOURCE DIRECT switch and indicator**
Depress the switch. The red indicator lights and the circuits of the tone control, subsonic filter switch balance control and mode switch are disengaged without regard to the setting of the switches. When this switch is activated, the indicator of the TONE switch does not light.
- TONE switch and indicator**
Depress the switch to activate the tone control circuit. Red indicator lights.
- SUBSONIC filter switch**
Depress the switch to reduce unwanted noise components of less than 15 Hz, which cause modulation noise.
- TURNOVER frequency selection switches**
Switch the turnover frequency.
- CARTRIDGE LOAD selector**
Set the selector according to your cartridge. MM: For moving-magnet type cartridge. MC: For moving-coil type cartridge. 40 Ω: For a cartridge with an impedance of 40 ohms or more. 3 Ω: For a cartridge with an impedance of 3 ohms to 40 ohms.

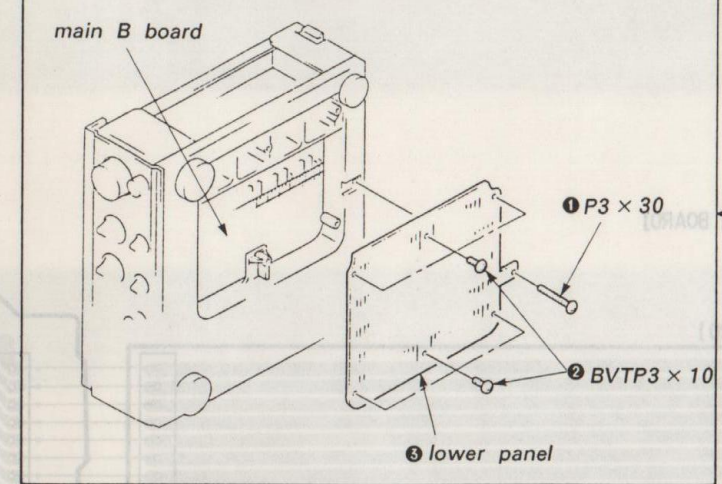
The selection of program source

Program source	INPUT SELECTOR	ADAPTOR/DIRECT IN switch
For listening to record program**	PHONO	NORMAL
For listening to FM or AM (MW or LW) program	TUNER	NORMAL
For listening to CD	CD	NORMAL
For listening to taped program connected to TAPE 1 input jacks	TAPE 1	NORMAL
For listening to taped program connected to TAPE 2 input jacks	TAPE 2	NORMAL
For listening to taped program connected to TAPE 3 input jacks	TAPE 3	NORMAL
For listening to program source connected to DIRECT IN jacks	---	DIRECT IN
For listening to program source processed through adaptor	Desired program source	ADAPTOR

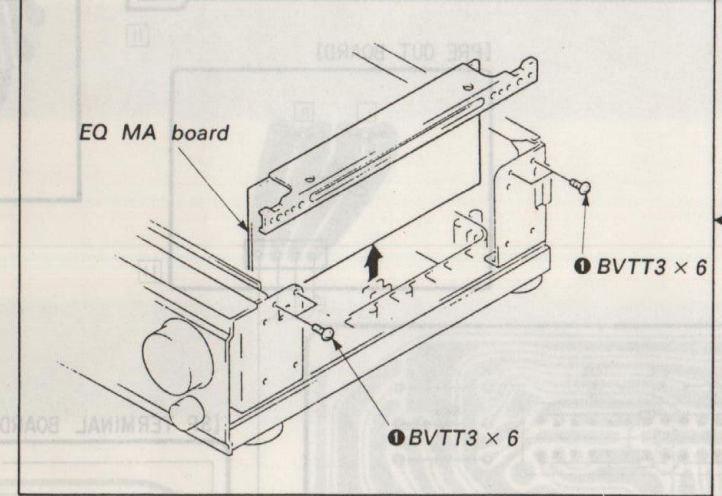
** Set the CARTRIDGE LOAD selector according to the cartridge being used.

SECTION 2 DISASSEMBLY

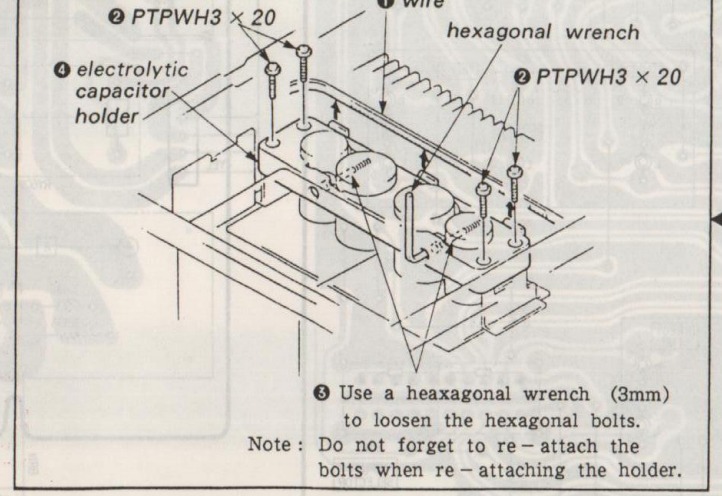
MAIN B BOARD INSPECTION



EQ MA BOARD INSPECTION

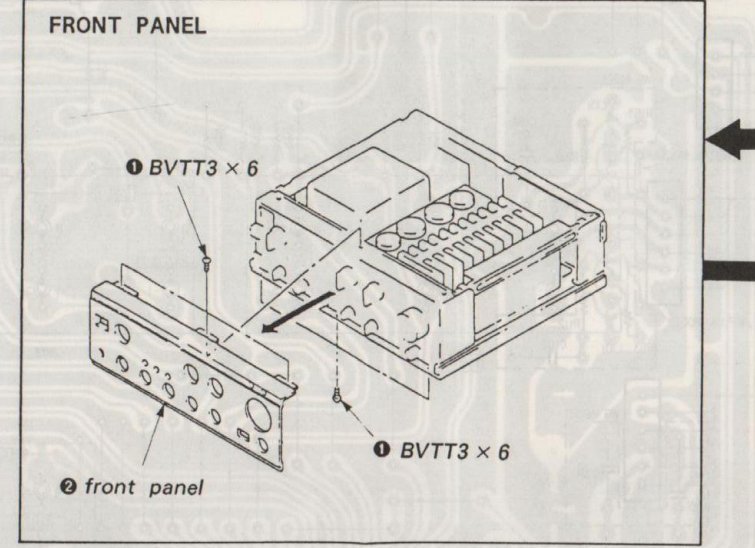
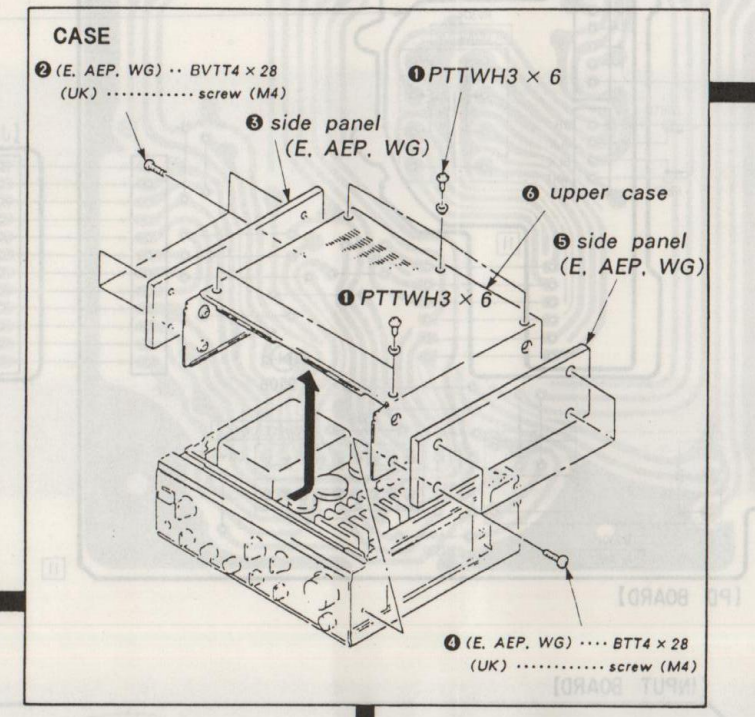


ELECTROLYTIC CAPACITOR HOLDER

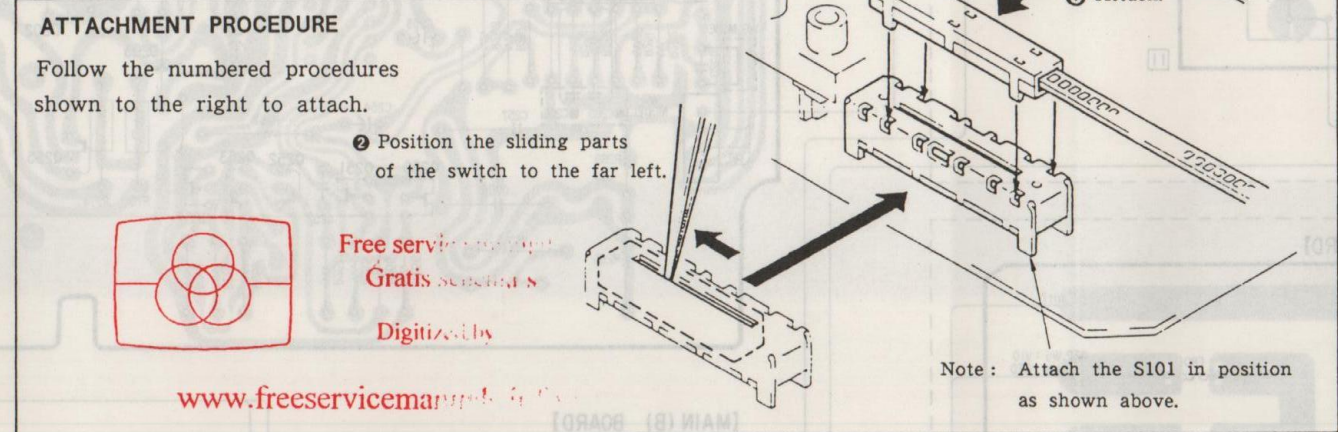
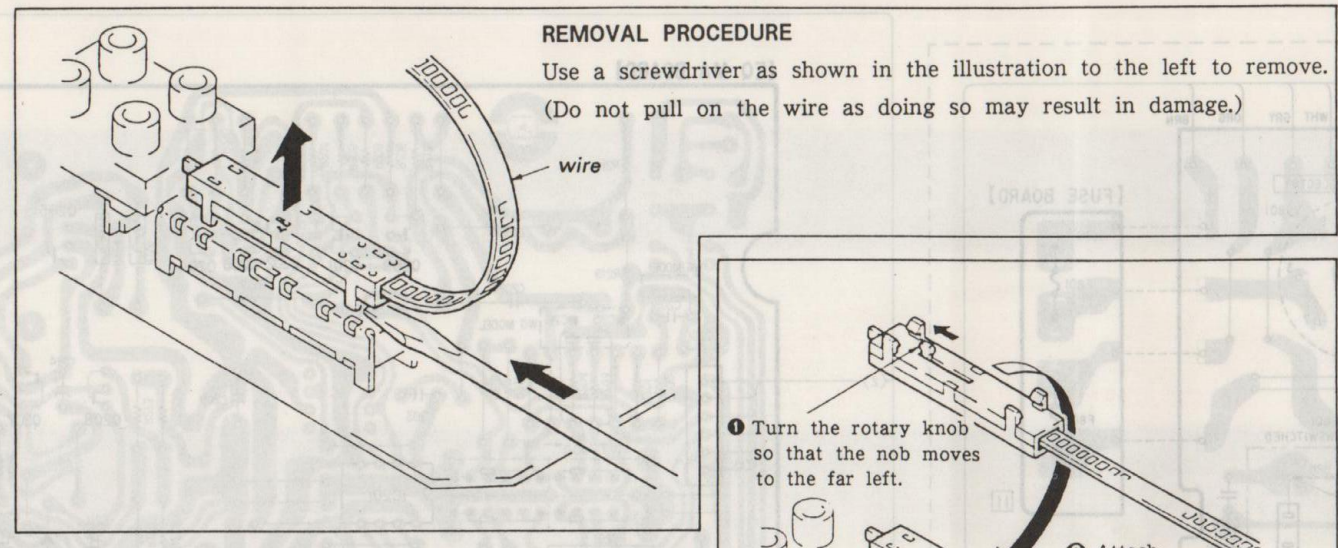


Use a hexagonal wrench (3mm) to loosen the hexagonal bolts. Note: Do not forget to re-attach the bolts when re-attaching the holder.

NOTE: Follow the disassembly procedure in the numerical order given.



SECTION 3 REMOVAL SWITCH BLOCK



SECTION 4 ELECTRICAL ADJUSTMENTS

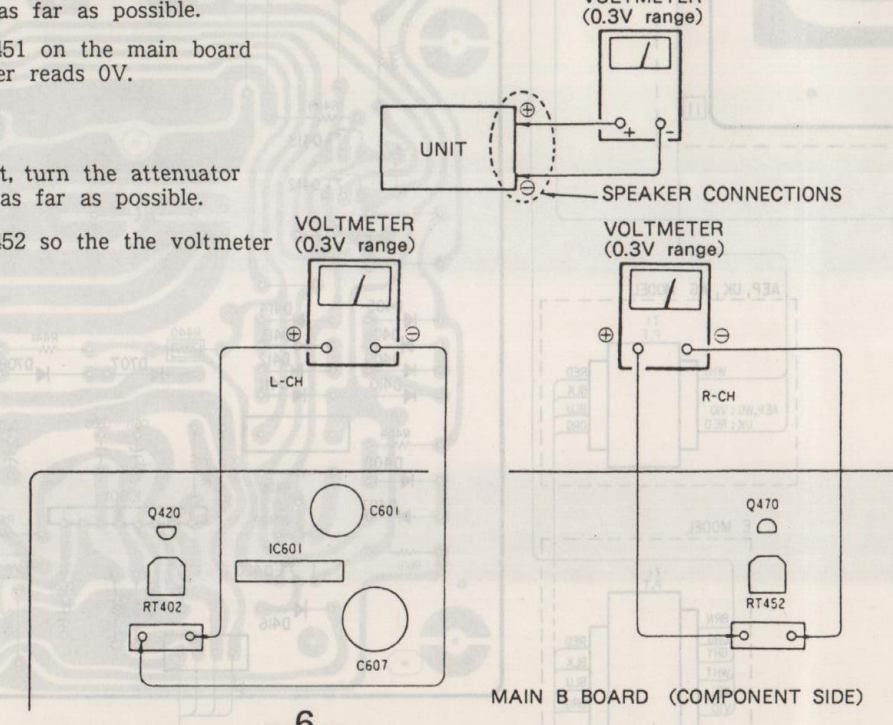
OFFSET ADJUSTMENT

- With no signal input, turn the attenuator counter - clockwise as far as possible.
- Adjust RT401 and 451 on the main board so that the voltmeter reads 0V.

BIAS ADJUSTMENT

- With no signal input, turn the attenuator counter - clockwise as far as possible.
- Adjust RT402 and 452 so the the voltmeter reads 15mV.

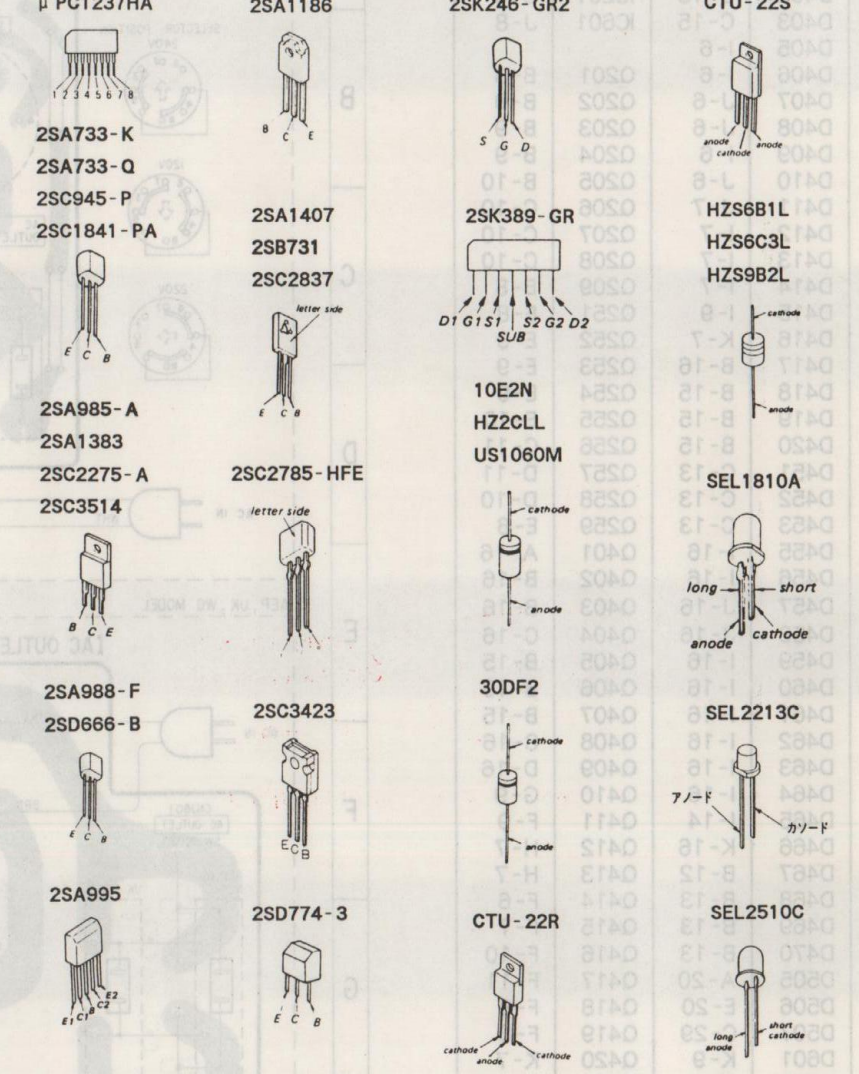
WIRING DIAGRAM:



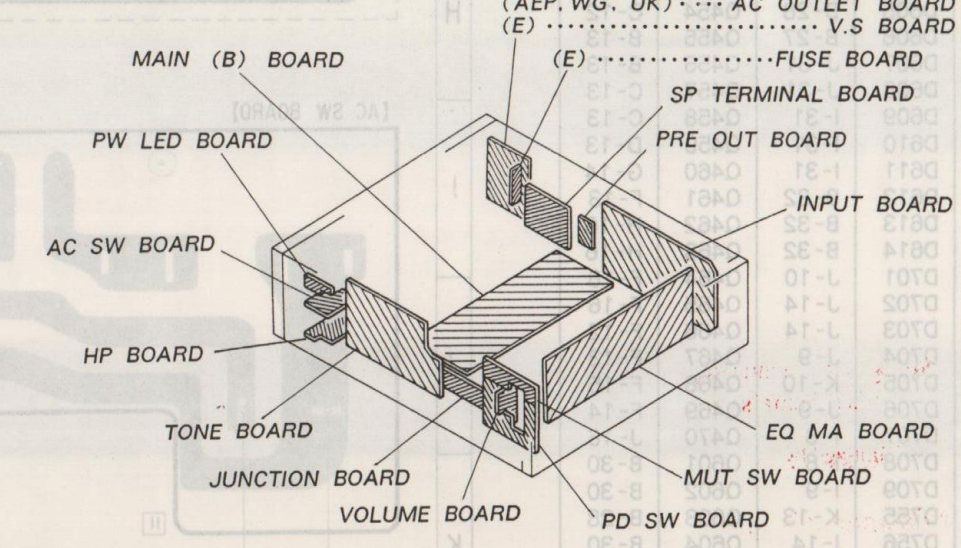
Free service manuals
Gratis schema's
Digitized by
www.freeservicemanuals.info

SECTION 5 DIAGRAMS

4-1. SEMICONDUCTOR LEAD LAYOUTS



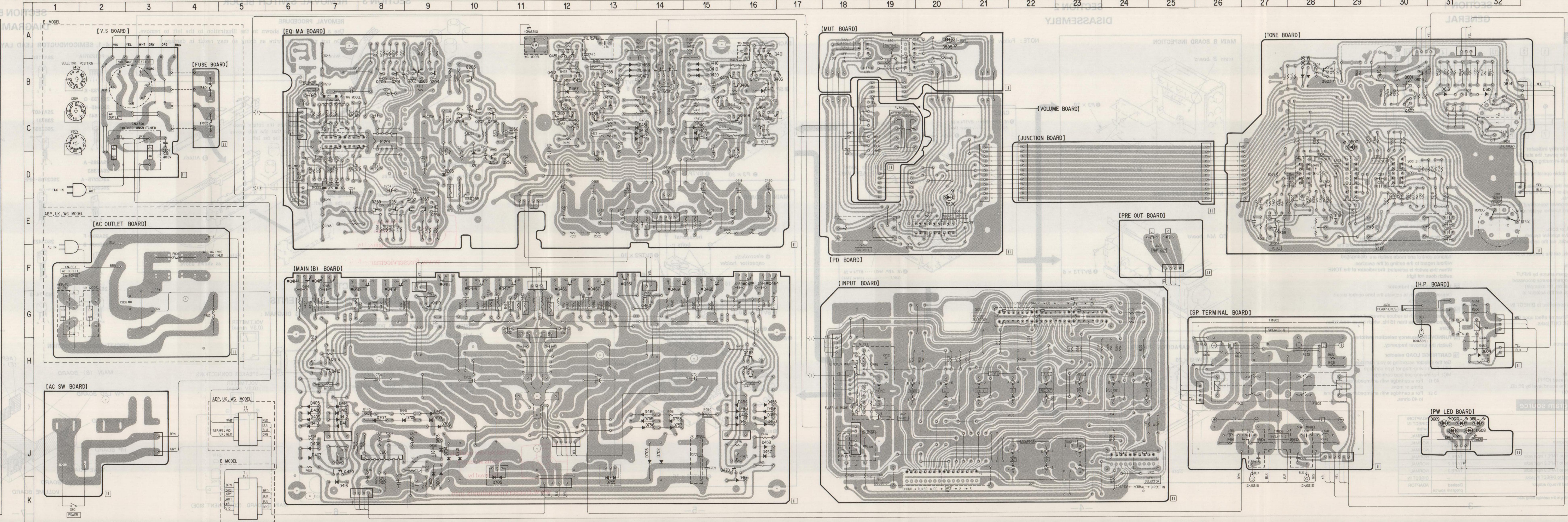
CIRCUIT BOARDS LOCATION



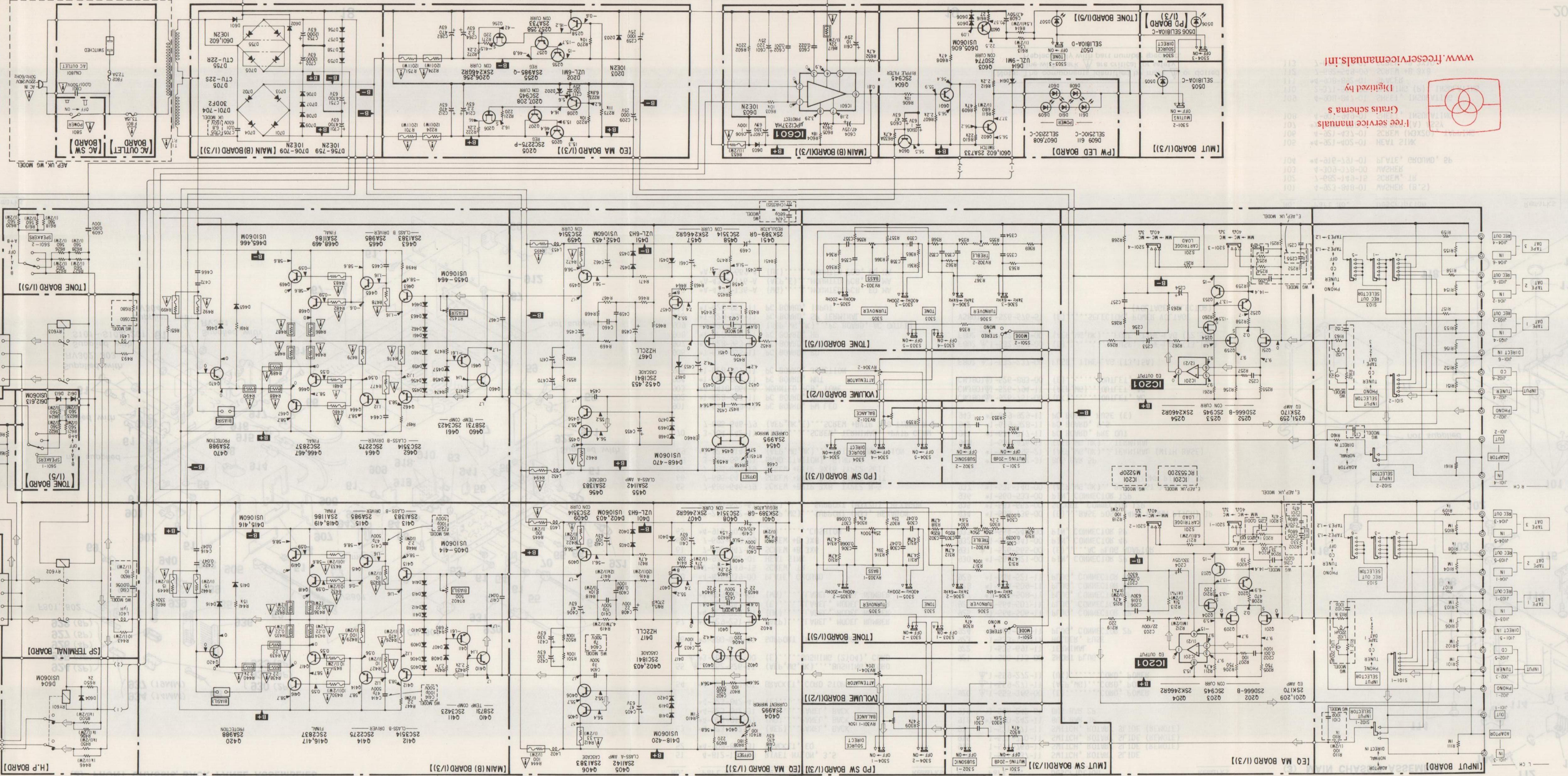
4-2. PRINTED WIRING BOARD • See page 7 for Semiconductor Lead Layouts

• Semiconductor Location

Ref. No.	Location	Ref. No.	Location
D202	D-10	D758	I-14
D203	D-9	D759	I-14
D401	C-15	IC201	C-8
D402	C-15	IC601	J-8
D405	I-6		
D406	I-6	Q201	B-8
D407	J-6	Q202	B-9
D408	J-6	Q203	B-9
D409	I-6	Q204	B-9
D410	J-6	Q205	B-10
D411	J-7	Q206	C-10
D412	I-7	Q207	C-10
D413	I-7	Q208	C-10
D414	I-7	Q209	B-8
D415	I-9	Q251	E-8
D416	K-7	Q252	E-9
D417	B-16	Q253	E-9
D418	B-15	Q254	E-9
D419	B-15	Q255	E-10
D420	B-15	Q256	C-11
D451	C-13	Q257	D-11
D452	C-13	Q258	D-10
D453	C-13	Q259	E-8
D455	I-16	Q401	A-16
D456	I-16	Q402	B-16
D457	J-16	Q403	B-16
D458	J-16	Q404	C-16
D459	I-16	Q405	B-15
D460	I-16	Q406	B-16
D461	I-16	Q407	B-15
D462	I-16	Q408	C-16
D463	I-16	Q409	D-16
D464	I-16	Q410	G-9
D465	I-14	Q411	F-9
D466	K-16	Q412	H-7
D467	B-12	Q413	H-7
D468	B-13	Q414	F-6
D469	B-13	Q415	F-7
D470	B-13	Q416	F-10
D505	A-20	Q417	F-11
D506	E-20	Q418	F-8
D507	C-29	Q419	F-8
D601	K-9	Q420	K-7
D602	K-9	Q451	A-12
D603	J-9	Q452	B-12
D604	H-32	Q453	B-12
D605	B-28	Q454	C-12
D606	B-27	Q455	B-13
D607	J-31	Q456	B-13
D608	J-31	Q457	C-13
D609	I-31	Q458	C-13
D610	I-31	Q459	D-13
D611	I-31	Q460	G-14
D612	B-32	Q461	F-13
D613	B-32	Q462	H-16
D614	B-32	Q463	H-16
D701	J-10	Q464	F-16
D702	J-14	Q465	F-16
D703	J-14	Q466	F-12
D704	J-9	Q467	F-13
D705	K-10	Q468	F-15
D706	J-9	Q469	F-14
D707	I-8	Q470	J-16
D708	I-8	Q601	B-30
D709	I-9	Q602	B-30
D755	K-13	Q603	B-28
D756	I-14	Q604	B-30
D757	I-14		

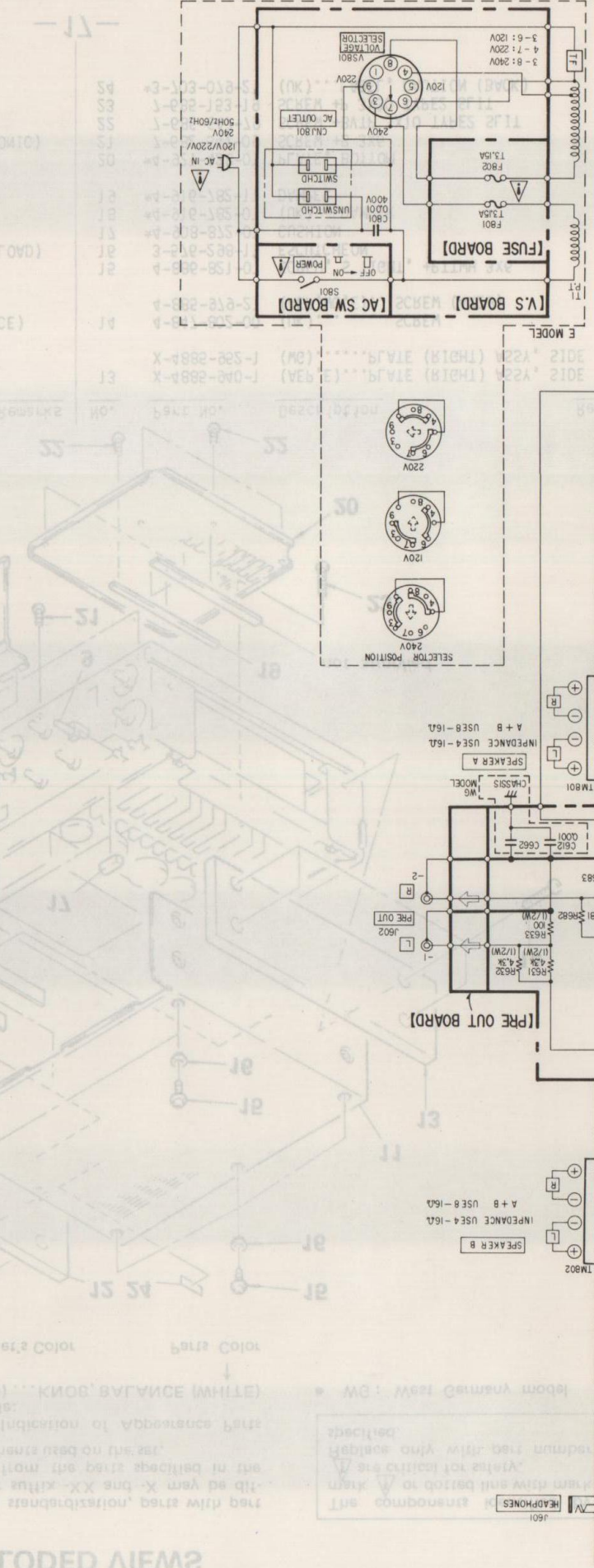
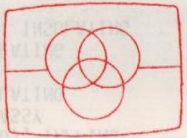


4-3 SCHEMATIC DIAGRAM



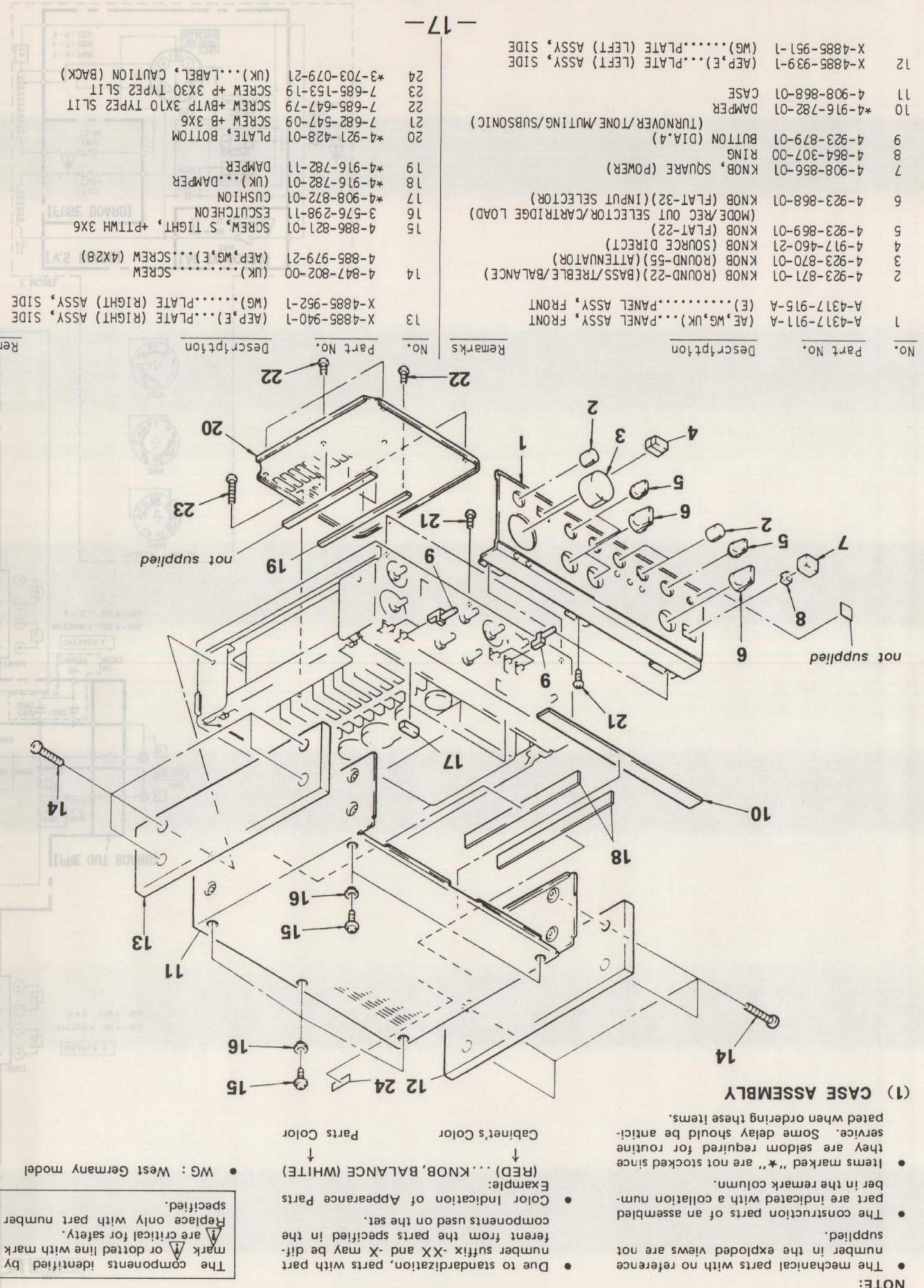
- Note on Schematic Diagram:**
- All capacitors are in μF unless otherwise noted. pF: pF
 - 500V or less are not indicated except for electrolytics
 - All resistors are in Ω and $\frac{1}{2}$ W or less unless otherwise specified.
 - **B+**: B+ Line
 - **B-**: B- Line
 - %: indicates tolerance.
 - Components for right channel have same values as for left channel.
 - : nonflammable resistor.
 - : fusible resistor.
 - : adjustment for repair.
 - Voltage is dc with respect to ground under no-signal conditions.
 - Voltage variations may be noted due to normal production tolerances.
 - Signal path.
 - : PHONO
 - **WG**: West Germany model
- Note:** The components identified by mark ∇ or dotted line with mark ∇ are critical for safety.
- Note on Printed Wiring Boards:**
- : parts extracted from the component side.
 - : parts mounted on the conductor side.
 - **WG**: West Germany model

Free service manuals
Digitized by
www.freeservicemanuals.in



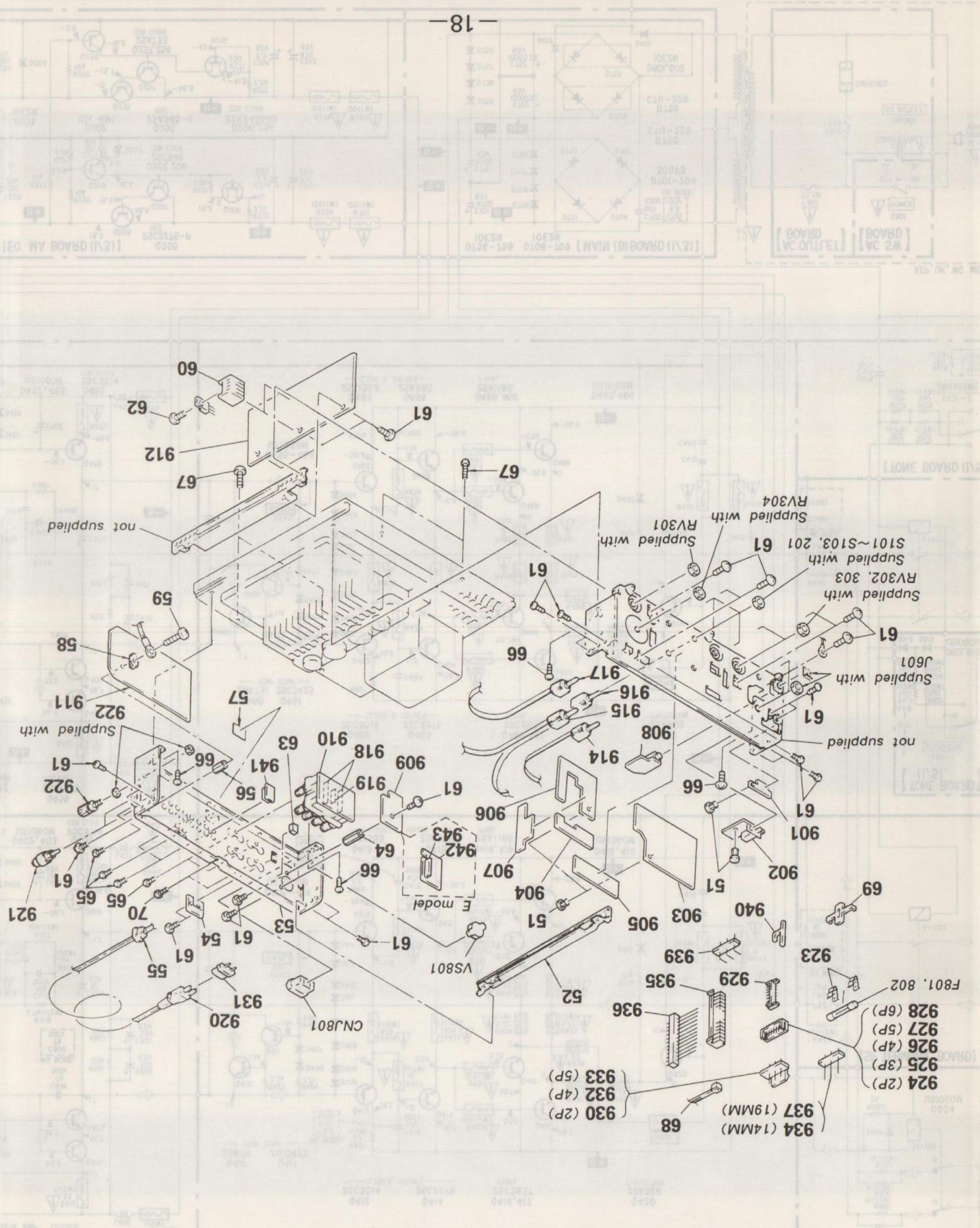
24 23 22 21 20 19 18 17 16 15 14 13 12 11 10 9 8 7 6 5 4 3 2 1

SECTION 6 EXPLODED VIEWS



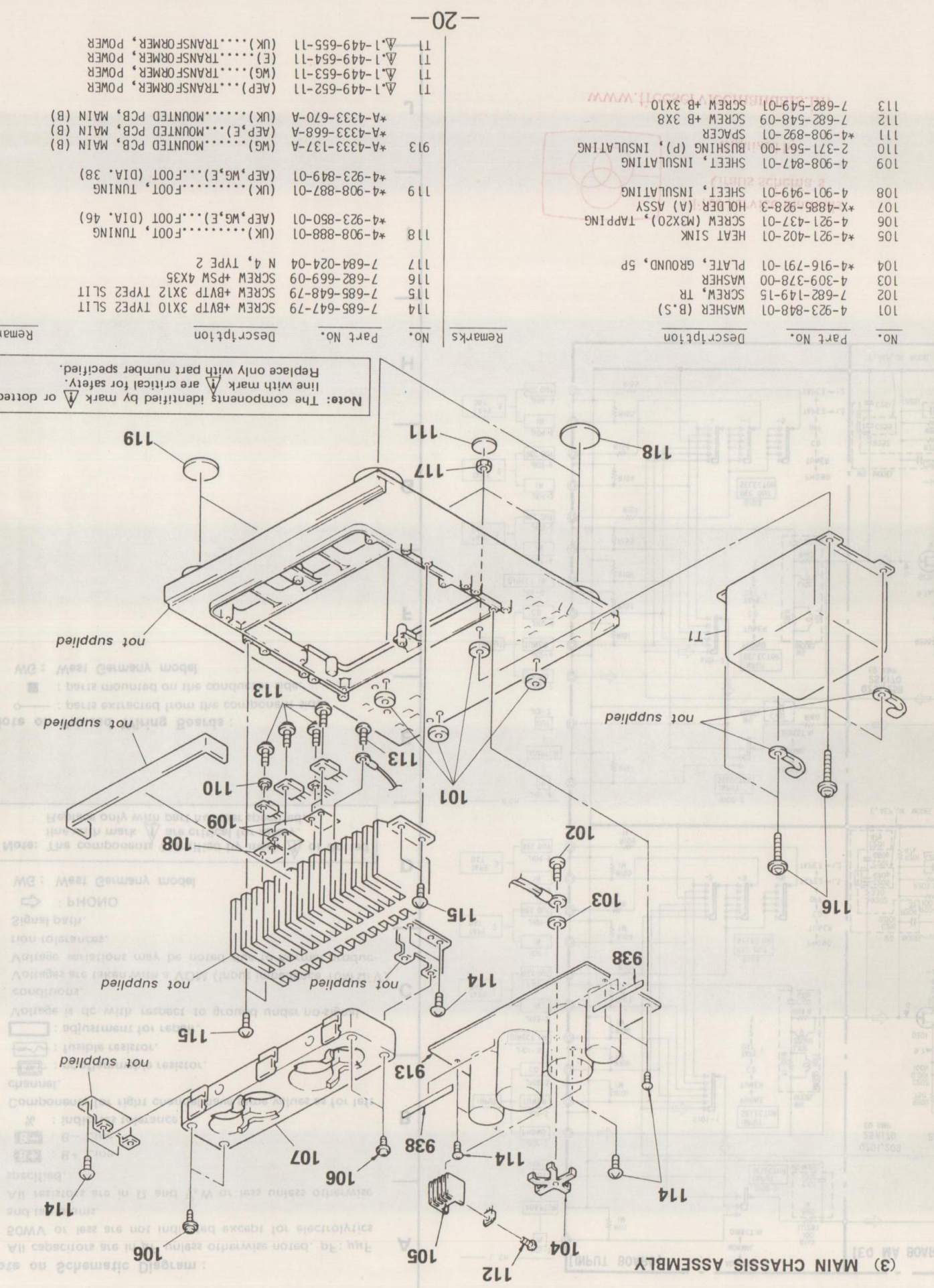
No.	Part No.	Description	Remarks
1	A-4317-911-A	(AEP, WG, UK) ... PANEL ASSY, FRONT	
2	A-423-871-01	KNOB (ROUND-22) (BALANCE/BALANCE)	
3	A-423-871-01	KNOB (ROUND-22) (ATTENUATOR)	
4	A-423-871-01	KNOB (SOURCE DIRECT)	
5	A-423-871-01	KNOB (FLAT-22) (INPUT SELECTOR)	
6	A-423-871-01	KNOB (FLAT-32) (TONE SELECTOR)	
7	A-908-866-01	RING	
8	A-423-871-01	KNOB, SQUARE (POWER)	
9	A-423-871-01	BUTTON (DIA.4)	
10	A-916-782-01	(TURNOVER/TONE MUTING/SUBSONIC) CASE	
11	4-908-868-01	SCREW +B 3X6	
12	X-4885-939-1	(AEP, E) ... PLATE (LEFT) ASSY, SIDE	
13	X-4885-940-1	(AEP, E) ... PLATE (RIGHT) ASSY, SIDE	
14	4-847-802-00	(UK) ... SCREW (4X28)	
15	4-886-821-01	SCREW, S TIGHT, +PTIHM 3X6 ESCUTCHION	
16	A-908-872-01	CUSHION	
17	A-916-782-01	(UK) ... DAMPER	
18	A-916-782-01	DAMPER	
19	A-916-782-01	DAMPER	
20	A-921-428-01	PLATE, BOTTOM	
21	7-685-647-19	SCREW +B 3X30 TYPE2 SLIT	
22	4-908-868-01	SCREW +B 3X6	
23	7-685-647-19	SCREW +B 3X30 TYPE2 SLIT	
24	A-916-782-01	(UK) ... LABEL, CAUTION (BACK)	

(2) FRONT CHASSIS, BACK PANEL ASSEMBLIES



No.	Part No.	Description	Remarks
51	4-812-134-00	RIVET NTLON, 3.5	
52	4-908-861-31	BRACKET, EQ	
53	4-923-842-11	(AEP) ... PANEL, BACK	
54	4-923-842-21	(UK) ... PANEL, BACK	
55	4-923-842-31	(WG) ... PANEL, BACK	
56	4-923-842-41	(E) ... PANEL, BACK	
57	4-929-251-11	(AEP) ... LABEL, MODEL NUMBER	
58	4-929-252-01	(UK) ... LABEL, MODEL NUMBER	
59	4-929-253-01	(E) ... LABEL, MODEL NUMBER	
59	4-921-402-01	HEAT SINK	
60	4-921-402-01	HEAT SINK	
61	4-921-402-01	HEAT SINK	
62	7-682-548-09	SCREW +B 3X6	
63	4-916-707-01	(E) ... CUSHION	
64	4-923-842-51	(AEP, WG) ... SUPPORT (M3), HEXAGON	
65	7-685-646-79	SCREW +B 3X8 TYPE2 N-5	
66	7-685-646-79	SCREW +B 3X8 TYPE2 N-5	
67	7-685-646-79	SCREW +B 3X8 TYPE2 N-5	
68	3-655-653-21	BAND (TAIION), BINDING	
69	4-923-842-01	(AEP, WG, UK) ... PLATE, CONNECTION	
70	3-704-242-11	(WG) ... SCREW, TERMINAL, +VTP CLAM	
71	7-685-646-79	(AEP, UK, E) ... SCREW +B 3X8 TYPE2 N-2	
90	4-928-969-11	PC BOARD, P1 LED	
91	4-928-969-11	PC BOARD, P1 LED	
92	4-928-969-11	PC BOARD, P1 LED	
93	4-928-969-11	PC BOARD, P1 LED	
94	4-928-969-11	PC BOARD, P1 LED	
95	4-928-969-11	PC BOARD, P1 LED	
96	4-928-969-11	PC BOARD, P1 LED	
97	4-928-969-11	PC BOARD, P1 LED	
98	4-928-969-11	PC BOARD, P1 LED	
99	4-928-969-11	PC BOARD, P1 LED	
100	4-928-969-11	PC BOARD, P1 LED	
101	4-928-969-11	PC BOARD, P1 LED	
102	4-928-969-11	PC BOARD, P1 LED	
103	4-928-969-11	PC BOARD, P1 LED	
104	4-928-969-11	PC BOARD, P1 LED	
105	4-928-969-11	PC BOARD, P1 LED	
106	4-928-969-11	PC BOARD, P1 LED	
107	4-928-969-11	PC BOARD, P1 LED	
108	4-928-969-11	PC BOARD, P1 LED	
109	4-928-969-11	PC BOARD, P1 LED	
110	4-928-969-11	PC BOARD, P1 LED	
111	4-928-969-11	PC BOARD, P1 LED	
112	4-928-969-11	PC BOARD, P1 LED	
113	4-928-969-11	PC BOARD, P1 LED	
114	4-928-969-11	PC BOARD, P1 LED	
115	4-928-969-11	PC BOARD, P1 LED	
116	4-928-969-11	PC BOARD, P1 LED	
117	4-928-969-11	PC BOARD, P1 LED	
118	4-928-969-11	PC BOARD, P1 LED	
119	4-928-969-11	PC BOARD, P1 LED	

No.	Part No.	Description	Remarks
91	4-923-842-11	(AEP) ... PANEL, BACK	
92	4-923-842-21	(UK) ... PANEL, BACK	
93	4-923-842-31	(WG) ... PANEL, BACK	
94	4-923-842-41	(E) ... PANEL, BACK	
95	4-923-842-51	(AEP, WG) ... SUPPORT (M3), HEXAGON	
96	4-923-842-61	(UK) ... SUPPORT (M3), HEXAGON	
97	4-923-842-71	(AEP, WG, UK) ... BASE POST 1.9MM	
98	4-923-842-81	(AEP, WG, UK) ... BASE POST 1.9MM	
99	4-923-842-91	(AEP, WG, UK) ... BASE POST 1.9MM	
100	4-923-842-01	(AEP, WG, UK) ... BASE POST 1.9MM	
101	4-923-842-11	(AEP, WG, UK) ... BASE POST 1.9MM	
102	4-923-842-21	(UK) ... BASE POST 1.9MM	
103	4-923-842-31	(WG) ... BASE POST 1.9MM	
104	4-923-842-41	(E) ... BASE POST 1.9MM	
105	4-923-842-51	(AEP, WG) ... BASE POST 1.9MM	
106	4-923-842-61	(UK) ... BASE POST 1.9MM	
107	4-923-842-71	(AEP, WG, UK) ... BASE POST 1.9MM	
108	4-923-842-81	(WG) ... BASE POST 1.9MM	
109	4-923-842-91	(E) ... BASE POST 1.9MM	
110	4-923-842-01	(AEP, WG, UK) ... BASE POST 1.9MM	
111	4-923-842-11	(WG) ... BASE POST 1.9MM	
112	4-923-842-21	(UK) ... BASE POST 1.9MM	
113	4-923-842-31	(WG) ... BASE POST 1.9MM	
114	4-923-842-41	(E) ... BASE POST 1.9MM	
115	4-923-842-51	(AEP, WG) ... BASE POST 1.9MM	
116	4-923-842-61	(UK) ... BASE POST 1.9MM	
117	4-923-842-71	(AEP, WG, UK) ... BASE POST 1.9MM	
118	4-923-842-81	(WG) ... BASE POST 1.9MM	
119	4-923-842-91	(E) ... BASE POST 1.9MM	
120	4-923-842-01	(AEP, WG, UK) ... BASE POST 1.9MM	
121	4-923-842-11	(WG) ... BASE POST 1.9MM	
122	4-923-842-21	(UK) ... BASE POST 1.9MM	
123	4-923-842-31	(WG) ... BASE POST 1.9MM	
124	4-923-842-41	(E) ... BASE POST 1.9MM	
125	4-923-842-51	(AEP, WG) ... BASE POST 1.9MM	
126	4-923-842-61	(UK) ... BASE POST 1.9MM	
127	4-923-842-71	(AEP, WG, UK) ... BASE POST 1.9MM	
128	4-923-842-81	(WG) ... BASE POST 1.9MM	
129	4-923-842-91	(E) ... BASE POST 1.9MM	
130	4-923-842-01	(AEP, WG, UK) ... BASE POST 1.9MM	
131	4-923-842-11	(WG) ... BASE POST 1.9MM	
132	4-923-842-21	(UK) ... BASE POST 1.9MM	
133	4-923-842-31	(WG) ... BASE POST 1.9MM	
134	4-923-842-41	(E) ... BASE POST 1.9MM	
135	4-923-842-51	(AEP, WG) ... BASE POST 1.9MM	
136	4-923-842-61	(UK) ... BASE POST 1.9MM	
137	4-923-842-71	(AEP, WG, UK) ... BASE POST 1.9MM	
138	4-923-842-81	(WG) ... BASE POST 1.9MM	
139	4-923-842-91	(E) ... BASE POST 1.9MM	
140	4-923-842-01	(AEP, WG, UK) ... BASE POST 1.9MM	
141	4-923-842-11	(WG) ... BASE POST 1.9MM	
142	4-923-842-21	(UK) ... BASE POST 1.9MM	
143	4-923-842-31	(WG) ... BASE POST 1.9MM	
144	4-923-842-41	(E) ... BASE POST 1.9MM	
145	4-923-842-51	(AEP, WG) ... BASE POST 1.9MM	
146	4-923-842-61	(UK) ... BASE POST 1.9MM	
147	4-923-842-71	(AEP, WG, UK) ... BASE POST 1.9MM	
148	4-923-842-81	(WG) ... BASE POST 1.9MM	
149	4-923-842-91	(E) ... BASE POST 1.9MM	
150	4-923-842-01	(AEP, WG, UK) ... BASE POST 1.9MM	



No.	Part No.	Description	Remarks
101	4-923-847-79	WASHER (B.5)	
102	7-685-648-79	SCREW +B 3X12 TYPE2 SLIT	
103	4-309-378-00	WASHER	
104	4-916-791-01	PLATE, GROUND, 5P	
105	4-921-402-01	HEAT SINK	
106	4-923-888-01	(AEP, WG, E) ... FOOT, TUNING	
107	4-923-888-01	(WG) ... FOOT, TUNING	
108	4-901-949-01	SHEET, INSULATING	
109	4-908-847-01	SHEET, INSULATING	
110	2-371-651-01	SPACER #8 3X8	
111	7-682-548-09	SCREW #8 3X8	
112	4-4333-670-A	(UK) ... MOUNTED PCB, MAIN (B)	
113	7-682-549-01	SCREW #8 3X10	
114	7-685-647-79	SCREW +B 3X12 TYPE2 SLIT	
115	7-682-669-09	SCREW +PSM 4X35	
116	7-685-648-79	SCREW +B 3X12 TYPE2 SLIT	
117	7-684-024-04	N 4, TYPE 2	
118	4-923-888-01	(AEP, WG, E) ... FOOT, TUNING	
119	4-908-887-01	(UK) ... FOOT, TUNING	
120	4-908-887-01	(WG) ... FOOT, TUNING	
121	4-4333-670-A	(UK) ... MOUNTED PCB, MAIN (B)	
122	4-4333-670-A	(WG) ... MOUNTED PCB, MAIN (B)	
123	4-4333-670-A	(E) ... MOUNTED PCB, MAIN (B)	
124	4-4333-670-A	(AEP) ... MOUNTED PCB, MAIN (B)	
125	4-4333-670-A	(WG) ... MOUNTED PCB, MAIN (B)	
126	4-4333-670-A	(UK) ... MOUNTED PCB, MAIN (B)	
127	4-4333-670-A	(E) ... MOUNTED PCB, MAIN (B)	
128	4-4333-670-A	(AEP) ... MOUNTED PCB, MAIN (B)	
129	4-4333-670-A	(WG) ... MOUNTED PCB, MAIN (B)	
130	4-4333-670-A	(UK) ... MOUNTED PCB, MAIN (B)	
131	4-4333-670-A	(E) ... MOUNTED PCB, MAIN (B)	
132	4-4333-670-A	(AEP) ... MOUNTED PCB, MAIN (B)	
133	4-4333-670-A	(WG) ... MOUNTED PCB, MAIN (B)	
134	4-4333-670-A	(UK) ... MOUNTED PCB, MAIN (B)	
135	4-4333-670-A	(E) ... MOUNTED PCB, MAIN (B)	
136	4-4333-670-A	(AEP) ... MOUNTED PCB, MAIN (B)	
137	4-4333-670-A	(WG) ... MOUNTED PCB, MAIN (B)	
138	4-4333-670-A	(UK) ... MOUNTED PCB, MAIN (B)	
139	4-4333-670-A	(E) ... MOUNTED PCB, MAIN (B)	
140	4-4333-670-A	(AEP) ... MOUNTED PCB, MAIN (B)	
141	4-4333-670-A	(WG) ... MOUNTED PCB, MAIN (B)	
142	4-4333-670-A	(UK) ... MOUNTED PCB, MAIN (B)	
143	4-4333-670-A	(E) ... MOUNTED PCB, MAIN (B)	
144	4-4333-670-A	(AEP) ... MOUNTED PCB, MAIN (B)	
145	4-4333-670-A	(WG) ... MOUNTED PCB, MAIN (B)	
146	4-4333-670-A	(UK) ... MOUNTED PCB, MAIN (B)	
147	4-4333-670-A	(E) ... MOUNTED PCB, MAIN (B)	
148	4-4333-670-A	(AEP) ... MOUNTED PCB, MAIN (B)	
149	4-4333-670-A	(WG) ... MOUNTED PCB, MAIN (B)	
150	4-4333-670-A	(UK) ... MOUNTED PCB, MAIN (B)	

SECTION 7

ELECTRICAL PARTS LIST

NOTE:

- Due to standardization, replacements in the parts list may be different from the parts specified in the diagrams or the components used on the set.
- Items marked "*" are not stocked since they are seldom required for routine service. Some delay should be anticipated when ordering these items.
- If there are two or more same circuits in a set such as a stereophonic machine, only typical circuit parts may be indicated and capacitors and resistors in other same circuits may be omitted.

CAPACITORS:MF: μ F, PF: μ MF.**RESISTORS**

- All resistors are in ohms.
- F: nonflammable

COILS

- MMH: mH, UH: μ H

SEMICONDUCTORSIn each case, U: μ , for example:UA...: μ A..., UPA...: μ PA...,
UPC...: μ PC, UPD...: μ PD...

The components identified by mark Δ or dotted line with mark Δ are critical for safety. Replace only with part number specified.

- WG: West Germany model

Ref.No.	Part No.	Description
901	*1-628-959-11	PC BOARD, PW LED
902	*1-628-963-11	PC BOARD, AC SW
903	*A-4410-864-A	MOUNTED PCB, TONE
904	*1-628-954-11	PC BOARD, MUT
905	*1-628-957-11	PC BOARD, JUNCTION
906	*1-628-955-11	PC BOARD, PD
907	*1-628-953-11	PC BOARD, VOLUME
908	*1-628-958-11	PC BOARD, HP
909	*1-626-600-11	(AEP,WG,UK)...PC BOARD, AC OUTLET
910	*1-628-956-11	PC BOARD, SP TERMINAL
911	*1-628-951-11	PC BOARD, INPUT
912	*A-4333-136-A	(WG).....MOUNTED PCB, EQ MA
	*A-4333-176-A	(AEP,E)...MOUNTED PCB, EQ MA
	*A-4333-669-A	(UK).....MOUNTED PCB, EQ MA
913	*A-4333-137-A	(WG).....MOUNTED PCB, MAIN (B)
	*A-4333-668-A	(AEP,E)...MOUNTED PCB, MAIN (B)
	*A-4333-670-A	(UK).....MOUNTED PCB, MAIN (B)
914	1-571-337-11	SWITCH, ROTARY SLIDE
915	1-571-769-11	SWITCH, ROTARY SLIDE (REMOTE)
916	1-571-770-11	SWITCH, ROTARY SLIDE (REMOTE)
917	1-571-771-11	SWITCH, ROTARY SLIDE (REMOTE)
918	*1-560-242-11	BUS BAR 3P
919	*1-560-242-61	BUS BAR 2P
920	Δ 1-555-386-00	(E).....CORD, POWER
	Δ 1-559-271-11	(AEP,WG)...CORD, POWER
	Δ 1-559-272-11	(UK).....CORD, POWER
921	1-506-113-00	SHORT PLUG
922	1-535-691-11	TERMINAL
923	1-533-183-11	HOLDER, FUSE
924	*1-564-505-11	PLUG, CONNECTOR 2P
925	*1-564-506-11	PLUG, CONNECTOR 3P
926	*1-564-507-11	PLUG, CONNECTOR 4P
927	*1-564-508-11	PLUG, CONNECTOR 5P
928	*1-564-509-11	PLUG, CONNECTOR 6P
929	*1-564-521-11	PLUG, CONNECTOR 6P
930	*1-564-321-00	PIN, CONNECTOR 2P
931	Δ 1-526-565-00	(E)....AC PLUG ADAPTOR
932	*1-564-241-00	PIN, CONNECTOR 4P
933	*1-564-242-00	PIN, CONNECTOR 5P
934	*1-535-136-00	(E)...BASE POST 14MM (10MM PITCH) 3P
935	*1-561-652-00	SOCKET, CONNECTOR 12P
936	*1-560-533-00	PIN, CONNECTOR 12P
937	*1-535-140-00	(AEP,WG,UK)...BASE POST 19MM (10MM PITCH) 3P
938	*1-560-242-31	BUS BAR 5P

Ref.No.	Part No.	Description
939	*1-560-595-21	(AEP,WG,UK)...TERMINAL (WITH BASE)
940	1-535-476-11	(AEP,WG,UK)...TERMINAL
941	*1-631-317-11	PC BOARD, PRE OUT
942	*1-619-928-11	PC BOARD, V.S
943	*1-619-929-11	PC BOARD, FUSE (E)
C101	1-162-282-31	(WG)...CERAMIC 100PF 5% 50V
C102	1-162-282-31	(WG)...CERAMIC 100PF 5% 50V
C151	1-162-282-31	(WG)...CERAMIC 100PF 5% 50V
C152	1-162-282-31	(WG)...CERAMIC 100PF 5% 50V
C201	1-107-163-00	(WG).....MICA 47PF 5% 500V
C201	1-130-469-00	(AEP,UK,E)...MYLAR 680PF 5% 50V
C202	1-136-250-11	FILM 0.001MF 5% 100V
C203	1-124-748-11	ELECT 22MF 20% 100V
C204	1-124-700-11	ELECT 330MF 20% 25V
C205	1-130-469-00	(AEP,UK,E)...MYLAR 680PF 5% 50V
C206	1-130-206-00	FILM 0.016MF 2% 630V
C207	1-129-723-00	FILM 0.056MF 2% 630V
C209	1-124-557-11	ELECT 1000MF 20% 25V
C211	1-123-333-00	ELECT 100MF 20% 25V
C212	1-123-377-00	ELECT 470MF 20% 63V
C214	1-123-381-00	ELECT 2.2MF 20% 63V
C215	1-130-471-00	(WG).....MYLAR 0.001MF 5% 50V
C216	1-130-471-00	(WG).....MYLAR 0.001MF 5% 50V
C251	1-107-163-00	(WG).....MICA 47PF 5% 500V
C251	1-130-469-00	(AEP,UK,E)...MYLAR 680PF 5% 50V
C252	1-136-250-11	FILM 0.001MF 5% 100V
C253	1-124-748-11	ELECT 22MF 20% 100V
C254	1-124-700-11	ELECT 330MF 20% 25V
C255	1-130-469-00	(AEP,UK,E)...MYLAR 680PF 5% 50V
C256	1-130-206-00	FILM 0.016MF 2% 630V
C257	1-129-723-00	FILM 0.056MF 2% 630V
C259	1-124-557-11	ELECT 1000MF 20% 25V
C262	1-123-377-00	ELECT 470MF 20% 63V
C264	1-123-381-00	ELECT 2.2MF 20% 63V
C265	1-130-471-00	(WG).....MYLAR 0.001MF 5% 50V
C266	1-130-471-00	(WG).....MYLAR 0.001MF 5% 50V
C301	1-136-167-00	FILM 0.15MF 5% 50V
C302	1-130-470-00	MYLAR 820PF 5% 50V
C303	1-130-470-00	MYLAR 820PF 5% 50V
C304	1-130-478-00	MYLAR 0.0039MF 5% 50V
C305	1-130-478-00	MYLAR 0.0039MF 5% 50V
C306	1-130-481-00	MYLAR 0.0068MF 5% 50V
C307	1-130-481-00	MYLAR 0.0068MF 5% 50V
C308	1-136-161-00	FILM 0.047MF 5% 50V
C309	1-136-161-00	FILM 0.047MF 5% 50V

Ref.No.	Part No.	Description
C351	1-136-167-00	FILM 0.15MF 5% 50V
C352	1-130-470-00	MYLAR 820PF 5% 50V
C353	1-130-470-00	MYLAR 820PF 5% 50V
C354	1-130-478-00	MYLAR 0.0039MF 5% 50V
C355	1-130-478-00	MYLAR 0.0039MF 5% 50V
C356	1-130-481-00	MYLAR 0.0068MF 5% 50V
C357	1-130-481-00	MYLAR 0.0068MF 5% 50V
C358	1-136-161-00	FILM 0.047MF 5% 50V
C359	1-136-161-00	FILM 0.047MF 5% 50V
C401	1-107-202-00	MICA 10PF 0.5PF 500V
C402	1-109-621-00	MICA 220PF 5% 500V
C403	1-123-380-00	ELECT 1MF 20% 100V
C404	1-107-048-00	(WG).....MICA 7PF 0.5PF 500V
C404	1-107-276-11	(AEP,UK,E)...MICA 3PF 0.5PF 500V
C405	1-124-918-11	ELECT 47MF 20% 63V
C406	1-124-918-11	ELECT 47MF 20% 63V
C408	1-124-748-11	ELECT 22MF 20% 100V
C409	1-130-317-00	FILM 0.068MF 5% 100V
C410	1-107-202-00	MICA 10PF 0.5PF 500V
C411	1-124-130-00	ELECT 100MF 20% 63V
C412	1-124-130-00	ELECT 100MF 20% 63V
C414	1-107-163-00	(AEP,UK,E)...MICA 47PF 5% 500V
C414	1-107-169-00	(WG).....MICA 100PF 5% 500V
C415	1-107-163-00	(AEP,UK,E)...MICA 47PF 5% 500V
C415	1-107-169-00	(WG).....MICA 100PF 5% 500V
C416	1-136-161-00	FILM 0.047MF 5% 50V
C417	1-136-161-00	FILM 0.047MF 5% 50V
C418	1-123-377-00	ELECT 470MF 20% 63V
C419	1-123-377-00	ELECT 470MF 20% 63V
C420	1-123-376-00	ELECT 330MF 20% 63V
C421	1-123-376-00	ELECT 330MF 20% 63V
C422	1-136-161-00	FILM 0.047MF 5% 50V
C423	1-107-163-00	(AEP,UK,E)...MICA 47PF 5% 500V
C451	1-107-202-00	MICA 10PF 0.5PF 500V
C452	1-109-621-00	MICA 220PF 5% 500V
C453	1-123-380-00	ELECT 1MF 20% 100V
C454	1-107-048-00	(WG).....MICA 7PF 0.5PF 500V
C454	1-107-276-11	(AEP,UK,E)...MICA 3PF 0.5PF 500V
C455	1-124-918-11	ELECT 47MF 20% 63V
C456	1-124-918-11	ELECT 47MF 20% 63V
C458	1-124-748-11	ELECT 22MF 20% 100V
C459	1-130-317-00	FILM 0.068MF 5% 100V
C460	1-107-202-00	MICA 10PF 0.5PF 500V
C461	1-124-130-00	ELECT 100MF 20% 63V
C462	1-124-130-00	ELECT 100MF 20% 63V
C464	1-107-163-00	MICA 47PF 5% 500V
C464	1-107-169-00	(WG).....MICA 100PF 5% 500V
C465	1-107-169-00	(WG).....MICA 100PF 5% 500V
C465	1-107-163-00	MICA 47PF 5% 500V
C466	1-136-161-00	FILM 0.047MF 5% 50V
C467	1-136-161-00	FILM 0.047MF 5% 50V
C468	1-123-377-00	ELECT 470MF 20% 63V
C469	1-123-377-00	ELECT 470MF 20% 63V
C470	1-123-376-00	ELECT 330MF 20% 63V
C471	1-123-376-00	ELECT 330MF 20% 63V

Ref.No.	Part No.	Description
C472	1-136-161-00	FILM 0.047MF 5% 50V
C473	1-107-169-00	(WG)...MICA 100PF 5% 500V
C474	1-130-469-00	(WG)...MYLAR 680PF 5% 50V
C601	1-123-334-00	ELECT 220MF 20% 25V
C602	1-130-471-00	MYLAR 0.001MF 5% 50V
C603	1-136-157-00	FILM 0.022MF 5% 50V
C604	1-123-332-00	ELECT 47MF 20% 25V
C605	1-124-918-11	ELECT 47MF 20% 63V
C606	1-123-380-00	ELECT 1MF 20% 100V
C607	1-123-376-00	ELECT 330MF 20% 63V
C608	1-123-369-00	ELECT 4.7MF 20% 50V
C609	1-106-343-00	MYLAR 0.001MF 10% 100V
C610A	1-123-380-00	ELECT 1MF 20% 63V
C610	1-130-480-00	(WG)...MYLAR 0.0056MF 5% 50V
C611	1-123-356-00	ELECT 10MF 20% 25V
C612	1-106-343-00	(WG)...MYLAR 0.001MF 10% 100V
C660	1-130-480-00	(WG)...MYLAR 0.0056MF 5% 50V
C662	1-106-343-00	(WG)...MYLAR 0.001MF 10% 100V
C701	1-125-503-11	CAP, ELECT 4700MF 63V
C702	1-125-381-00	CAP, ELECT 12000MF 63V
C705	1-136-601-11	(AEP,WG,E)...FILM 0.01MF 10% 630V
C705	1-136-905-11	(UK).....FILM 6.8MF 10% 160V
C751	1-125-503-11	CAP, ELECT 4700MF 63V
C752	1-125-381-00	CAP, ELECT 12000MF 63V
C801	1-161-741-00	CERAMIC 0.001MF 10% 400V
CNJ801A	1-526-751-00	(UK).....OUTLET, AC
CNJ801A	1-526-794-11	(AEP,WG)...OUTLET, AC
CNJ801A	1-526-883-00	(E).....OUTLET, AC
D202	8-719-933-36	ZENER DIODE HZS6B1L
D203	8-719-200-77	DIODE 10E2N
D401	8-719-933-41	ZENER DIODE HZS6C3L
D402	8-719-000-26	DIODE US1060M
D403	8-719-000-26	DIODE US1060M
D405	8-719-000-26	DIODE US1060M
D406	8-719-000-26	DIODE US1060M
D407	8-719-000-26	DIODE US1060M
D408	8-719-000-26	DIODE US1060M
D409	8-719-000-26	DIODE US1060M
D410	8-719-000-26	DIODE US1060M
D411	8-719-000-26	DIODE US1060M
D412	8-719-000-26	DIODE US1060M
D413	8-719-000-26	DIODE US1060M
D414	8-719-000-26	DIODE US1060M
D415	8-719-000-26	DIODE US1060M
D416	8-719-000-26	DIODE US1060M
D417	8-719-921-13	ZENER DIODE HZ2C1LL
D418	8-719-000-26	DIODE US1060M
D419	8-719-000-26	DIODE US1060M
D420	8-719-000-26	DIODE US1060M
D451	8-719-933-41	ZENER DIODE HZS6C3L
D452	8-719-000-26	DIODE US1060M
D453	8-719-000-26	DIODE US1060M
D455	8-719-000-26	DIODE US1060M
D456	8-719-000-26	DIODE US1060M
D457	8-719-000-26	DIODE US1060M

Note: The components identified by mark Δ or dotted line with mark Δ are critical for safety. Replace only with part number specified.

Ref.No.	Part No.	Description
D458	8-719-000-26	DIODE US1060M
D459	8-719-000-26	DIODE US1060M
D460	8-719-000-26	DIODE US1060M
D461	8-719-000-26	DIODE US1060M
D462	8-719-000-26	DIODE US1060M
D463	8-719-000-26	DIODE US1060M
D464	8-719-000-26	DIODE US1060M
D465	8-719-000-26	DIODE US1060M
D466	8-719-000-26	DIODE US1060M
D467	8-719-921-13	ZENER DIODE HZ2C1LL
D468	8-719-000-26	DIODE US1060M
D469	8-719-000-26	DIODE US1060M
D470	8-719-000-26	DIODE US1060M
D505	8-719-302-07	LED SEL1810A (MUTE)
D506	8-719-302-07	LED SEL1810A (SOURCE DIRECT)
D507	8-719-302-07	LED SEL1810A (TONE)
D601	8-719-200-77	DIODE 10E2N
D602	8-719-200-77	DIODE 10E2N
D603	8-719-200-77	DIODE 10E2N
D604	8-719-000-26	DIODE US1060M
D605	8-719-000-26	DIODE US1060M
D606	8-719-000-26	DIODE US1060M
D607	8-719-300-82	LED SEL2213C (POWER (RED))
D608	8-719-300-82	LED SEL2213C (POWER (RED))
D609	8-719-303-00	LED SEL2510C (POWER (GREEN))
D610	8-719-303-00	LED SEL2510C (POWER (GREEN))
D611	8-719-303-00	LED SEL2510C (POWER (GREEN))
D612	8-719-000-26	DIODE US1060M
D613	8-719-000-26	DIODE US1060M
D614	8-719-933-57	ZENER DIODE HZS9B2L
D701	8-719-230-02	DIODE 30DF2
D702	8-719-230-02	DIODE 30DF2
D703	8-719-230-02	DIODE 30DF2
D704	8-719-230-02	DIODE 30DF2
D705	8-719-300-27	DIODE CTU-22S
D706	8-719-200-77	DIODE 10E2N
D707	8-719-200-77	DIODE 10E2N
D708	8-719-200-77	DIODE 10E2N
D709	8-719-200-77	DIODE 10E2N
D755	8-719-300-25	DIODE CTU-22R
D756	8-719-200-77	DIODE 10E2N
D757	8-719-200-77	DIODE 10E2N
D758	8-719-200-77	DIODE 10E2N
D759	8-719-200-77	DIODE 10E2N
F801	Δ 1-532-237-00	FUSE, TIME-LAG (T3.15A)
F802	Δ 1-532-237-00	(E).....FUSE, TIME-LAG (T3.15A)
F802	Δ 1-532-286-00	(AEP,WG,UK)...FUSE, TIME-LAG (T2.5A)
IC201	8-759-602-01	(WG).....IC M5220P
IC201	8-759-982-03	(AEP,UK,E)...IC RC5532DD
IC601	8-759-111-68	IC UPC1237HA
J101	1-507-831-00	JACK, PIN 6P
J102	1-507-831-31	JACK, PIN 6P (INPUT)
J103	1-507-831-00	JACK, PIN 6P
J104	1-507-831-00	JACK, PIN 6P
J601	1-507-863-51	JACK, LARGE TYPE (HEADPHONES)
J602	1-507-852-00	JACK, PIN 2P (PRE OUT)

Note: The components identified by mark Δ or dotted line with mark Δ are critical for safety. Replace only with part number specified.

Ref.No.	Part No.	Description
L101	1-413-101-00	(WG)...COIL, AIR-CORE
L102	1-413-101-00	(WG)...COIL, AIR-CORE
L151	1-413-101-00	(WG)...COIL, AIR-CORE
L152	1-413-101-00	(WG)...COIL, AIR-CORE
L401	*1-422-009-13	COIL, AIR-CORE
L402	1-422-261-11	COIL, AIR-CORE
L403	1-422-261-11	COIL, AIR-CORE
L451	*1-422-009-13	COIL, AIR-CORE
L452	1-422-261-11	COIL, AIR-CORE
L453	1-422-261-11	COIL, AIR-CORE
Q201	8-729-217-04	TRANSISTOR 2SK170-V
Q202	8-729-366-61	TRANSISTOR 2SD666-B
Q203	8-729-119-78	TRANSISTOR 2SC2785-HFE
Q204	8-729-201-56	TRANSISTOR 2SK246GR2
Q205	8-729-127-53	TRANSISTOR 2SC2275-P
Q206	8-729-201-56	TRANSISTOR 2SK246GR2
Q207	8-729-119-78	TRANSISTOR 2SC2785-HFE
Q208	8-729-119-78	TRANSISTOR 2SC2785-HFE
Q209	8-729-217-04	TRANSISTOR 2SK170-V
Q251	8-729-217-04	TRANSISTOR 2SK170-V
Q252	8-729-366-61	TRANSISTOR 2SD666-B
Q253	8-729-119-78	TRANSISTOR 2SC2785-HFE
Q254	8-729-201-56	TRANSISTOR 2SK246GR2
Q255	8-729-190-53	TRANSISTOR 2SA985A-P
Q256	8-729-201-56	TRANSISTOR 2SK246GR2
Q257	8-729-173-38	TRANSISTOR 2SA733-K
Q258	8-729-173-38	TRANSISTOR 2SA733-K
Q259	8-729-217-04	TRANSISTOR 2SK170-V
Q401	8-729-203-21	TRANSISTOR 2SK389-GR
Q402	8-729-108-05	TRANSISTOR 2SA1841-PA
Q403	8-729-108-05	TRANSISTOR 2SA1841-PA
Q404	8-729-699-51	TRANSISTOR 2SA995-F
Q405	8-729-802-71	TRANSISTOR 2SA1407-D
Q406	8-729-104-91	TRANSISTOR 2SA1383
Q407	8-729-201-56	TRANSISTOR 2SK246GR2
Q408	8-729-104-18	TRANSISTOR 2SC3514-Q
Q409	8-729-104-18	TRANSISTOR 2SC3514-Q
Q410	8-729-173-13	TRANSISTOR 2SB731-F
Q411	8-729-203-45	TRANSISTOR 2SC3423-0
Q412	8-729-104-18	TRANSISTOR 2SC3514-Q
Q413	8-729-104-91	TRANSISTOR 2SA1383-Q
Q414	8-729-107-53	TRANSISTOR 2SC2275A-P
Q415	8-729-190-53	TRANSISTOR 2SA985A-P
Q416	8-729-383-73	TRANSISTOR 2SC2837-Y
Q417	8-729-383-73	TRANSISTOR 2SC2837-Y
Q418	8-729-318-63	TRANSISTOR 2SA1186-Y
Q419	8-729-318-63	TRANSISTOR 2SA1186-Y
Q420	8-729-108-14	TRANSISTOR 2SA988-F
Q451	8-729-203-21	TRANSISTOR 2SK389-GR
Q452	8-729-108-05	TRANSISTOR 2SA1841-PA
Q453	8-729-108-05	TRANSISTOR 2SA1841-PA
Q454	8-729-699-51	TRANSISTOR 2SA995-F
Q455	8-729-802-71	TRANSISTOR 2SA1407-D
Q456	8-729-104-91	TRANSISTOR 2SA1383
Q457	8-729-201-56	TRANSISTOR 2SK246GR2
Q458	8-729-104-18	TRANSISTOR 2SC3514-Q
Q459	8-729-104-18	TRANSISTOR 2SC3514-Q
Q460	8-729-173-13	TRANSISTOR 2SB731-F

Note: The components identified by mark Δ or dotted line with mark Δ are critical for safety. Replace only with part number specified.

Ref.No.	Part No.	Description
Q461	8-729-203-45	TRANSISTOR 2SC3423-Q
Q462	8-729-104-18	TRANSISTOR 2SC3514-Q
Q463	8-729-104-91	TRANSISTOR 2SA1383-Q
Q464	8-729-107-53	TRANSISTOR 2SC2275A-P
Q465	8-729-190-53	TRANSISTOR 2SA985A-P
Q466	8-729-383-73	TRANSISTOR 2SC2837-Y
Q467	8-729-383-73	TRANSISTOR 2SC2837-Y
Q468	8-729-318-63	TRANSISTOR 2SA1186-Y
Q469	8-729-318-63	TRANSISTOR 2SA1186-Y
Q470	8-729-108-14	TRANSISTOR 2SA988-F
Q601	8-729-173-36	TRANSISTOR 2SA733-Q
Q602	8-729-173-36	TRANSISTOR 2SA733-Q
Q603	8-729-177-42	TRANSISTOR 2SD774-3
Q604	8-729-194-57	TRANSISTOR 2SC945-P
R101	1-246-545-00	CARBON 1M 5% 1/4W
R102	1-246-545-00	CARBON 1M 5% 1/4W
R103	1-246-545-00	CARBON 1M 5% 1/4W
R104	1-246-545-00	CARBON 1M 5% 1/4W
R105	1-246-545-00	CARBON 1M 5% 1/4W
R106	1-246-545-00	CARBON 1M 5% 1/4W
R107	1-247-713-11	CARBON 1K 5% 1/4W
R108	1-247-713-11	CARBON 1K 5% 1/4W
R109	1-247-713-11	CARBON 1K 5% 1/4W
R110	1-247-713-11	(WG).....CARBON 1K 5% 1/4W
R110	1-247-739-11	(AEP,UK,E)...CARBON 100 5% 1/2W
R111	1-246-545-00	CARBON 1M 5% 1/4W
R112	1-247-713-11	(WG).....CARBON 1K 5% 1/4W
R113	1-247-713-11	(WG).....CARBON 1K 5% 1/4W
R151	1-246-545-00	CARBON 1M 5% 1/4W
R152	1-246-545-00	CARBON 1M 5% 1/4W
R153	1-246-545-00	CARBON 1M 5% 1/4W
R154	1-246-545-00	CARBON 1M 5% 1/4W
R155	1-246-545-00	CARBON 1M 5% 1/4W
R156	1-246-545-00	CARBON 1M 5% 1/4W
R157	1-247-713-11	CARBON 1K 5% 1/4W
R158	1-247-713-11	CARBON 1K 5% 1/4W
R159	1-247-713-11	CARBON 1K 5% 1/4W
R160	1-247-713-11	(WG).....CARBON 1K 5% 1/4W
R160	1-247-739-11	(AEP,UK,E)...CARBON 100 5% 1/2W
R161	1-246-545-00	CARBON 1M 5% 1/4W
R162	1-247-713-11	(WG).....CARBON 1K 5% 1/4W
R163	1-247-713-11	(WG).....CARBON 1K 5% 1/4W
R201	1-249-465-11	CARBON 47K 5% 1/4W
R202	1-247-706-11	CARBON 330 5% 1/4W
R203	1-247-700-11	(WG).....CARBON 100 5% 1/4W
R203	1-247-713-11	(AEP,UK,E)...CARBON 1K 5% 1/4W
R204	1-247-516-11	(WG).....CARBON 33 5% 1/4W
R204	1-247-700-11	(AEP,UK,E)...CARBON 100 5% 1/4W
R205	1-247-128-00	CARBON 750 5% 1/4W
R206	1-247-128-00	CARBON 750 5% 1/4W
R207	1-247-700-11	CARBON 100 5% 1/4W
R208	1-247-708-11	CARBON 470 5% 1/4W
R209	1-247-695-11	CARBON 39 5% 1/4W
R210	1-247-704-11	CARBON 220 5% 1/4W

Ref.No.	Part No.	Description
R211	1-247-721-11	CARBON 4.7K 5% 1/4W
R212	1-214-937-00	CARBON 1M 5% 1/2W
R213	1-249-844-11	CARBON 56K 1% 1/2W
R215	1-249-818-11	CARBON 4.7K 1% 1/2W
R217	1-259-501-11	CARBON 6.8 5% 1/2W
R218	1-247-739-11	CARBON 100 5% 1/2W
R219	1-247-704-11	CARBON 220 5% 1/4W
R220	1-247-725-11	CARBON 10K 5% 1/4W
R221	1-247-704-11	CARBON 220 5% 1/4W
R222	1-247-717-11	CARBON 2.2K 5% 1/4W
R223	1-247-723-11	CARBON 6.8K 5% 1/4W
R224	1-213-086-00	FUSIBLE 120 5% 1W F
R251	1-249-465-11	CARBON 47K 5% 1/4W
R252	1-247-706-11	CARBON 330 5% 1/4W
R253	1-247-700-11	(WG).....CARBON 100 5% 1/4W
R253	1-247-713-11	(AEP,UK,E)...CARBON 1K 5% 1/4W
R254	1-247-516-11	(WG).....CARBON 33 5% 1/4W
R254	1-247-700-11	(AEP,UK,E)...CARBON 100 5% 1/4W
R255	1-247-128-00	CARBON 750 5% 1/4W
R256	1-247-128-00	CARBON 750 5% 1/4W
R257	1-247-700-11	CARBON 100 5% 1/4W
R258	1-247-708-11	CARBON 470 5% 1/4W
R259	1-247-695-11	CARBON 39 5% 1/4W
R260	1-247-704-11	CARBON 220 5% 1/4W
R261	1-247-721-11	CARBON 4.7K 5% 1/4W
R262	1-214-937-00	CARBON 1M 5% 1/2W
R263	1-249-844-11	CARBON 56K 1% 1/2W
R265	1-249-818-11	CARBON 4.7K 1% 1/2W
R267	1-259-501-11	CARBON 6.8 5% 1/2W
R268	1-247-739-11	CARBON 100 5% 1/2W
R269	1-247-704-11	CARBON 220 5% 1/4W
R270	1-247-725-11	CARBON 10K 5% 1/4W
R271	1-247-704-11	CARBON 220 5% 1/4W
R272	1-247-717-11	CARBON 2.2K 5% 1/4W
R273	1-249-577-11	CARBON 11K 5% 1/4W
R274	1-213-086-00	FUSIBLE 120 5% 1W F
R302	1-249-465-11	CARBON 47K 5% 1/4W
R303	1-247-722-11	CARBON 5.6K 5% 1/4W
R304	1-247-722-11	CARBON 5.6K 5% 1/4W
R305	1-247-717-11	CARBON 2.2K 5% 1/4W
R306	1-249-591-11	CARBON 43K 5% 1/4W
R307	1-247-152-00	CARBON 7.5K 5% 1/4W
R308	1-249-465-11	CARBON 47K 5% 1/4W
R309	1-249-465-11	CARBON 47K 5% 1/4W
R310	1-259-502-11	CARBON 4.7M 5% 1/4W
R311	1-259-502-11	CARBON 4.7M 5% 1/4W
R312	1-259-502-11	CARBON 4.7M 5% 1/4W
R313	1-259-502-11	CARBON 4.7M 5% 1/4W
R314	1-259-502-11	CARBON 4.7M 5% 1/4W
R315	1-259-502-11	CARBON 4.7M 5% 1/4W
R316	1-249-590-11	CARBON 39K 5% 1/4W
R317	1-249-469-11	CARBON 100K 5% 1/4W
R318	1-259-502-11	CARBON 4.7M 5% 1/4W
R319	1-259-502-11	CARBON 4.7M 5% 1/4W
R352	1-249-465-11	CARBON 47K 5% 1/4W
R353	1-247-722-11	CARBON 5.6K 5% 1/4W
R354	1-247-722-11	CARBON 5.6K 5% 1/4W

Ref.No.	Part No.	Description
R355	1-247-717-11	CARBON 2.2K 5% 1/4W
R356	1-249-591-11	CARBON 43K 5% 1/4W
R357	1-247-152-00	CARBON 7.5K 5% 1/4W
R358	1-249-465-11	CARBON 47K 5% 1/4W
R359	1-249-465-11	CARBON 47K 5% 1/4W
R360	1-259-502-11	CARBON 4.7M 5% 1/4W
R361	1-259-502-11	CARBON 4.7M 5% 1/4W
R362	1-259-502-11	CARBON 4.7M 5% 1/4W
R363	1-259-502-11	CARBON 4.7M 5% 1/4W
R364	1-259-502-11	CARBON 4.7M 5% 1/4W
R365	1-259-502-11	CARBON 4.7M 5% 1/4W
R366	1-249-590-11	CARBON 39K 5% 1/4W
R367	1-249-469-11	CARBON 100K 5% 1/4W
R368	1-259-502-11	CARBON 4.7M 5% 1/4W
R369	1-259-502-11	CARBON 4.7M 5% 1/4W
R401	1-259-503-11	CARBON 4.7M 5% 1/2W
R402	1-247-713-11	CARBON 1K 5% 1/4W
R403	1-247-692-11	CARBON 22 5% 1/4W
R404	1-247-692-11	CARBON 22 5% 1/4W
R405	1-247-717-11	CARBON 2.2K 5% 1/4W
R406	1-247-704-11	CARBON 220 5% 1/4W
R407	1-247-700-11	CARBON 100 5% 1/4W
R408	1-247-703-11	CARBON 180 5% 1/4W
R409	1-247-704-11	CARBON 220 5% 1/4W
R410	1-246-545-00	CARBON 1M 5% 1/4W
R412	1-219-010-11	FUSIBLE 33 5% 1/2W
R413	1-249-490-11	CARBON 27K 5% 1/2W
R414	1-247-704-11	CARBON 220 5% 1/4W
R415	1-246-531-00	CARBON 270K 5% 1/4W
R416	1-247-740-11	CARBON 120 5% 1/2W
R417	1-249-486-11	CARBON 12K 5% 1/2W
R418	1-247-764-11	CARBON 10K 5% 1/2W
R419	1-259-503-11	CARBON 4.7M 5% 1/2W
R420	1-247-715-11	CARBON 1.5K 5% 1/4W
R421	1-247-721-11	CARBON 4.7K 5% 1/4W
R422	1-219-022-11	FUSIBLE 100 5% 1/2W
R423	1-247-717-11	CARBON 2.2K 5% 1/4W
R424	1-247-718-11	CARBON 2.7K 5% 1/4W
R425	1-247-711-11	CARBON 680 5% 1/4W
R426	1-212-998-00	FUSIBLE 470 5% 1/2W F
R427	1-217-997-11	FUSIBLE 10 5% 1/2W
R428	1-217-997-11	FUSIBLE 10 5% 1/2W
R429	1-212-982-00	FUSIBLE 100 5% 1/2W F
R430	1-217-997-11	FUSIBLE 10 5% 1/2W
R431	1-217-997-11	FUSIBLE 10 5% 1/2W
R432	1-217-997-11	FUSIBLE 10 5% 1/2W
R433	1-217-997-11	FUSIBLE 10 5% 1/2W
R434	1-217-151-00	RES, METAL PLATE 0.22
R435	1-217-151-00	RES, METAL PLATE 0.22
R436	1-217-151-00	RES, METAL PLATE 0.22
R437	1-217-151-00	RES, METAL PLATE 0.22
R438	1-247-692-11	CARBON 22 5% 1/4W F
R439	1-247-692-11	CARBON 22 5% 1/4W F
R440	1-247-717-11	CARBON 2.2K 5% 1/4W F
R441	1-249-460-11	CARBON 15K 5% 1/4W
R442	1-219-002-11	FUSIBLE 15 5% 1/2W
R443	1-247-727-11	CARBON 10 5% 1/2W

Ref.No.	Part No.	Description
R444	1-219-022-11	FUSIBLE 100 5% 1/2W
R445	1-219-022-11	FUSIBLE 100 5% 1/2W
R446	1-247-752-11	CARBON 1K 5% 1/2W
R447	1-249-478-11	CARBON 2.2 5% 1/2W
R448	1-249-478-11	CARBON 2.2 5% 1/2W
R449	1-219-002-11	FUSIBLE 15 5% 1/2W
R450	1-247-752-11	CARBON 1K 5% 1/2W
R451	1-259-503-11	CARBON 4.7M 5% 1/2W
R452	1-247-713-11	CARBON 1K 5% 1/4W
R453	1-247-692-11	CARBON 22 5% 1/4W
R454	1-247-692-11	CARBON 22 5% 1/4W
R455	1-247-717-11	CARBON 2.2K 5% 1/4W
R456	1-247-704-11	CARBON 220 5% 1/4W
R457	1-247-700-11	CARBON 100 5% 1/4W
R458	1-247-703-11	CARBON 180 5% 1/4W
R459	1-247-704-11	CARBON 220 5% 1/4W
R460	1-246-545-00	CARBON 1M 5% 1/4W
R462	1-219-010-11	FUSIBLE 33 5% 1/2W
R463	1-249-490-11	CARBON 27K 5% 1/2W
R464	1-247-704-11	CARBON 220 5% 1/4W
R465	1-246-531-00	CARBON 270K 5% 1/4W
R466	1-247-740-11	CARBON 120 5% 1/2W
R467	1-249-486-11	CARBON 12K 5% 1/2W
R468	1-247-764-11	CARBON 10K 5% 1/2W
R469	1-259-503-11	CARBON 4.7M 5% 1/2W
R470	1-247-715-11	CARBON 1.5K 5% 1/4W
R471	1-247-721-11	CARBON 4.7K 5% 1/4W
R472	1-219-022-11	FUSIBLE 100 5% 1/2W
R473	1-247-717-11	CARBON 2.2K 5% 1/4W
R474	1-247-718-11	CARBON 2.7K 5% 1/4W
R475	1-247-711-11	CARBON 680 5% 1/4W
R476	1-212-998-00	FUSIBLE 470 5% 1/2W F
R477	1-217-997-11	FUSIBLE 10 5% 1/2W
R478	1-217-997-11	FUSIBLE 10 5% 1/2W
R479	1-212-982-00	FUSIBLE 100 5% 1/2W F
R480	1-217-997-11	FUSIBLE 10 5% 1/2W
R481	1-217-997-11	FUSIBLE 10 5% 1/2W
R482	1-217-997-11	FUSIBLE 10 5% 1/2W
R483	1-217-997-11	FUSIBLE 10 5% 1/2W
R484	1-217-151-00	RES, METAL PLATE 0.22
R485	1-217-151-00	RES, METAL PLATE 0.22
R486	1-217-151-00	RES, METAL PLATE 0.22
R487	1-217-151-00	RES, METAL PLATE 0.22
R488	1-247-692-11	CARBON 22 5% 1/4W F
R489	1-247-692-11	CARBON 22 5% 1/4W F
R490	1-247-717-11	CARBON 2.2K 5% 1/4W F
R491	1-249-460-11	CARBON 15K 5% 1/4W
R492	1-219-002-11	FUSIBLE 15 5% 1/2W
R493	1-247-727-11	CARBON 10 5% 1/2W
R494	1-219-022-11	FUSIBLE 100 5% 1/2W
R495	1-219-022-11	FUSIBLE 100 5% 1/2W
R496	1-247-752-11	CARBON 1K 5% 1/2W
R497	1-249-478-11	CARBON 2.2 5% 1/2W
R498	1-249-478-11	CARBON 2.2 5% 1/2W
R499	1-219-002-11	FUSIBLE 15 5% 1/2W
R500	1-247-752-11	CARBON 1K 5% 1/2W
R501	1-249-469-11	CARBON 100K 5% 1/4W

Note: The components identified by mark Δ or dotted line with mark Δ are critical for safety. Replace only with part number specified.

Note: The components identified by mark Δ or dotted line with mark Δ are critical for safety. Replace only with part number specified.

Ref.No.	Part No.	Description	Ref.No.	Part No.	Description
R502	1-249-469-11	CARBON	100K	5%	1/4W
R551	1-249-469-11	CARBON	100K	5%	1/4W
R552	1-249-469-11	CARBON	100K	5%	1/4W
R601	1-247-891-00	CARBON	330K	5%	1/4W
R602	1-247-887-00	CARBON	220K	5%	1/4W
R603	1-247-725-11	CARBON	10K	5%	1/4W
R604	1-249-461-11	CARBON	18K	5%	1/4W
R605	1-246-530-00	CARBON	240K	5%	1/4W
R606	1-247-725-11	CARBON	10K	5%	1/4W
R607	1-247-717-11	CARBON	2.2K	5%	1/4W
R608	1-249-465-11	CARBON	47K	5%	1/4W
R609	1-249-465-11	CARBON	47K	5%	1/4W
R610	1-249-462-11	CARBON	22K	5%	1/4W
R611	1-247-750-11	CARBON	680	5%	1/2W
R612	1-247-717-11	CARBON	2.2K	5%	1/4W
R613	1-247-754-11	CARBON	1.5K	5%	1/2W
R614	1-247-754-11	CARBON	1.5K	5%	1/2W
R616	1-247-693-11	CARBON	27	5%	1/4W
R617	△,1-249-489-11	CARBON	22K	5%	1/2W F
R618	1-247-749-11	CARBON	560	5%	1/2W
R619	1-247-749-11	CARBON	560	5%	1/2W
R620	1-247-749-11	CARBON	560	5%	1/2W
R621	1-247-749-11	CARBON	560	5%	1/2W
R622	1-247-749-11	CARBON	560	5%	1/2W
R623	1-247-749-11	CARBON	560	5%	1/2W
R624	1-247-749-11	CARBON	560	5%	1/2W
R625	1-247-749-11	CARBON	560	5%	1/2W
R626	1-247-749-11	CARBON	560	5%	1/2W
R627	1-247-749-11	CARBON	560	5%	1/2W
R628	1-247-749-11	CARBON	560	5%	1/2W
R630	1-247-727-11	(WG)...CARBON	10	5%	1/2W
R631	1-247-255-00	CARBON	4.3K	5%	1/2W
R632	1-247-255-00	CARBON	4.3K	5%	1/2W
R633A	1-247-721-11	CARBON	4.7K	5%	1/4W
R633	1-247-739-11	CARBON	100	5%	1/2W
R650	1-247-138-00	CARBON	2K	5%	1/4W
R651	1-247-891-00	CARBON	330K	5%	1/4W
R652	1-247-721-11	CARBON	4.7K	5%	1/4W
R653	△,1-212-934-00	FUSIBLE	1	5%	1/2W F
R680	1-247-727-11	(WG)...CARBON	10	5%	1/2W
R681	1-247-255-00	CARBON	4.3K	5%	1/2W
R682	1-247-255-00	CARBON	4.3K	5%	1/2W
R683	1-247-739-11	CARBON	100	5%	1/2W
R701	△,1-213-086-00	FUSIBLE	120	5%	1W F
R751	△,1-213-086-00	FUSIBLE	120	5%	1W F
RT401	1-237-873-11	RES, ADJ, CARBON	100		
RT402	1-237-455-11	RES, ADJ, CARBON	500		
RT451	1-237-873-11	RES, ADJ, CARBON	100		
RT452	1-237-455-11	RES, ADJ, CARBON	500		
RV301	1-238-416-11	RES, VAR, CARBON	150K/150K		(BALANCE)
RV302	1-238-418-11	RES, VAR, CAOBNP	250K/250K		(TREBLE)
RV303	1-238-417-11	RES, VAR, CARBON	25K/500K		(BASS)
RV304	1-237-175-11	RES, VAR, CARBON	120K/120K		(ATTENUATOR)
RY601	1-515-614-11	RELAY			
RY602	1-515-356-00	RELAY			
RY603	1-515-356-00	RELAY			

Ref.No.	Part No.	Description	Ref.No.	Part No.	Description
S101	1-554-879-11	SWITCH, SLIDE (INPUT SELECTOR)	S102	1-570-593-11	SWITCH, SLIDE (REMOTE TYPE) (INPUT SELECTOR)
S103	1-570-076-11	SWITCH, SLIDE (REMOTE TYPE) (REC OUT SELECTOR)	S201	1-554-019-21	SWITCH, SLIDE (REMOTE TYPE) (CARTRIDGE LOAD)
S301	1-571-773-11	SWITCH, PUSH (2 KEY)(MUTING -20dB)	S302	1-571-773-11	SWITCH, PUSH (2 KEY)(SUBSONIC)
S303	1-571-772-11	SWITCH, PUSH (3 KEY)(TONE)	S304	1-571-774-11	SWITCH, PUSH (1 KEY)(SOURCE DIRECT)
S305	1-571-772-11	SWITCH, PUSH (3 KEY)(TURNOVER)	S306	1-571-772-11	SWITCH, PUSH (3 KEY)(TURNOVER)
S501	1-571-775-11	SWITCH, ROTARY (MODE)	S601	1-571-776-11	SWITCH, ROTARY (SPEAKERS)
S801	△,1-554-538-00	SWITCH, PUSH (AC POWER)(1 KEY)	T1	△,1-449-652-11	(AEP)...TRANSFORMER, POWER
T1	△,1-449-653-11	(WG)...TRANSFORMER, POWER	T1	△,1-449-654-11	(E)...TRANSFORMER, POWER
T1	△,1-449-655-11	(UK)...TRANSFORMER, POWER	TM801	1-536-767-41	TERMINAL BOARD, SPEAKER (SPEAKER A)
TM802	1-536-767-41	TERMINAL BOARD, SPEAKER (SPEAKER B)	VS801	△,1-526-576-51	(E)...SELECTOR, POWER VOLTAGE

ACCESSORY & PACKING MATERIAL

3-786-976-11	(UK,E)....MANUAL, INSTRUCTION
3-786-976-41	(AEP,WG)...MANUAL, INSTRUCTION
4-847-802-00	(EXCEPT UK)...SCREW SHEET, PROTECTION
4-915-880-01	
*4-923-840-01	(E).....INDIVIDUAL CARTON
*4-923-840-11	(AEP,WG)...INDIVIDUAL CARTON
*4-929-262-01	(UK).....INDIVIDUAL CARTON
*4-923-860-01	(AEP,WG,E)...CUSHION
*4-929-219-11	(UK).....CUSHION

Note: The components identified by mark **△** or dotted line with mark **△** are critical for safety. Replace only with part number specified.

Note: The components identified by mark **△** or dotted line with mark **△** are critical for safety. Replace only with part number specified.

TA-F333ESR/F730ES


SONY SERVICE MANUAL


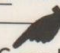


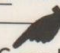


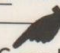

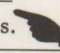





AEP Model
UK Model
TA-F730ES

E Model
TA-F333ESR

CORRECTION-1

Correct your service manual as shown below.

 : indicates corrected portion.

Page	INCORRECT	CORRECT																				
1	SPECIFICATIONS <table border="1"> <thead> <tr> <th colspan="2">Condition</th> </tr> </thead> <tbody> <tr> <td>4 ohms, 20Hz - 20kHz THD 0.008%</td> <td>UK, E model</td> </tr> <tr> <td rowspan="2">6 ohms, 20Hz - 20kHz THD 0.006%</td> <td>UK, E model</td> </tr> <tr> <td>AEP model</td> </tr> <tr> <td rowspan="2">8 ohms, 20Hz - 20kHz THD 0.004%</td> <td>UK, E model</td> </tr> <tr> <td>AEP model</td> </tr> </tbody> </table>	Condition		4 ohms, 20Hz - 20kHz THD 0.008%	UK, E model	6 ohms, 20Hz - 20kHz THD 0.006%	UK, E model	AEP model	8 ohms, 20Hz - 20kHz THD 0.004%	UK, E model	AEP model	SPECIFICATIONS <table border="1"> <thead> <tr> <th colspan="2">Condition</th> </tr> </thead> <tbody> <tr> <td>4 ohms, 20Hz - 20kHz THD 0.008%</td> <td>UK, E, <u>WG</u> model </td> </tr> <tr> <td rowspan="2">6 ohms, 20Hz - 20kHz THD 0.006%</td> <td>UK, E, <u>WG</u> model </td> </tr> <tr> <td>AEP model</td> </tr> <tr> <td rowspan="2">8 ohms, 20Hz - 20kHz THD 0.004%</td> <td>UK, E, <u>WG</u> model </td> </tr> <tr> <td>AEP model</td> </tr> </tbody> </table>	Condition		4 ohms, 20Hz - 20kHz THD 0.008%	UK, E, <u>WG</u> model 	6 ohms, 20Hz - 20kHz THD 0.006%	UK, E, <u>WG</u> model 	AEP model	8 ohms, 20Hz - 20kHz THD 0.004%	UK, E, <u>WG</u> model 	AEP model
	Condition																					
4 ohms, 20Hz - 20kHz THD 0.008%	UK, E model																					
6 ohms, 20Hz - 20kHz THD 0.006%	UK, E model																					
	AEP model																					
8 ohms, 20Hz - 20kHz THD 0.004%	UK, E model																					
	AEP model																					
Condition																						
4 ohms, 20Hz - 20kHz THD 0.008%	UK, E, <u>WG</u> model 																					
6 ohms, 20Hz - 20kHz THD 0.006%	UK, E, <u>WG</u> model 																					
	AEP model																					
8 ohms, 20Hz - 20kHz THD 0.004%	UK, E, <u>WG</u> model 																					
	AEP model																					
4	ELECTROLYTIC CAPACITOR HOLDER ③ Use a hexagonal wrench (3mm) to loosen the hexagonal bolts.	ELECTROLYTIC CAPACITOR HOLDER ③ Use a <u>hexagonal</u> wrench (3mm) to loosen the hexagonal bolts. 																				
4	CASE ② (E, AEP, WG) ·· BVTT 4 × 28 (UK) ······ screw (M4)	CASE ② (E, AEP, WG) ·· <u>BTT</u> 4 × 28 (UK) ······ screw (M4) 																				
6	ATTACHMENT PROCEDURE ① Turn the rotary knob so that the nob moves to the far left.	ATTACHMENT PROCEDURE ① Turn the rotary knob so that the <u>knob</u> moves to the far left. 																				
22	<table border="1"> <thead> <tr> <th>Ref. No.</th> <th>Part No.</th> <th>Description</th> </tr> </thead> <tbody> <tr> <td>C701</td> <td rowspan="2">1-125-503-11</td> <td rowspan="2">CAP, ELECT 4700μF 63V</td> </tr> <tr> <td>C751</td> </tr> </tbody> </table>	Ref. No.	Part No.	Description	C701	1-125-503-11	CAP, ELECT 4700μF 63V	C751	<table border="1"> <thead> <tr> <th>Ref. No.</th> <th>Part No.</th> <th>Description</th> </tr> </thead> <tbody> <tr> <td>C701</td> <td rowspan="2"><u>1-125-604-11</u> </td> <td rowspan="2">CAP, ELECT 4700μF 63V</td> </tr> <tr> <td>C751</td> </tr> </tbody> </table>	Ref. No.	Part No.	Description	C701	<u>1-125-604-11</u> 	CAP, ELECT 4700μF 63V	C751						
Ref. No.	Part No.	Description																				
C701	1-125-503-11	CAP, ELECT 4700μF 63V																				
C751																						
Ref. No.	Part No.	Description																				
C701	<u>1-125-604-11</u> 	CAP, ELECT 4700μF 63V																				
C751																						