

TA-F800ES

SERVICE MANUAL

AEP Model



SPECIFICATIONS

Item	Condition	Data
Continuous RMS power output (both channels driven simultaneously)	4 ohms 20 Hz - 20 kHz THD 0.008%	180 W + 180 W (DIN: 200 W + 200 W)
	6 ohms 20 Hz - 20 kHz THD 0.006%	150 W + 150 W (DIN: 170 W + 170 W)
	8 ohms 20 Hz - 20 kHz THD 0.004%	120 W + 120 W (DIN: 145 W + 145 W)
Power band - width (IHF)	4 ohms, THD 0.04%	10 Hz - 100 kHz at 90 W
	8 ohms, THD 0.04%	10 Hz - 100 kHz at 60 W
Dynamic headroom ('78 IHF)	4 ohms	2 dB
	8 ohms	1.2 dB
Total harmonic distortion	4 ohms, at 10 watt output	0.006%
	6 ohms, at 10 watt output	0.004%
	8 ohms, at 10 watt output	0.002%
Intermodulation (IM) distortion 60 Hz: 7 kHz = 4: 1	4 ohm, at rated output	0.008%
	6 ohms at rated output	0.006%
	8 ohms at rated output	0.004%

Damping factor	8 Ohms, 1 kHz		100
Slew rate	—		125 V/μsec 250 V/μsec (inside)
Residual noise	network A		less than 115 μV
Frequency response	PHONO MM		RIAA equalization curve ± 0.2 dB
	TUNER, CD, TAPE 1, 2, 3		2 Hz - 200 kHz +0 -3 dB 2 Hz - 100 kHz +0 -3 dB
Input sensitivity	PHONO MC	3 ohms	0.17 mV, 100 ohms
		40 ohms	0.17 mV, 1 kohm
	MM	2.5 mV, 50 kohms	
	TUNER, CD, AUX, TAPE 1, 2, 3 ADAPTOR IN		150 mV, 50 kohms

— Continued on page 2 —

INTEGRATED STEREO AMPLIFIER

SONY®



MICROFILM

Maximum input capability (1 kHz)	PHONO (1 KHz, THD 0.003%)	MC	9 mV
		MM	150 mV
S/N (network)	PHONO	MC	78 dB*, 70 dB (A)
		MM	80 dB*, 87 dB (A)
* 78 (IHF)	TUNER, CD, AUX, TAPE 1, 2, 3 ADAPTOR IN		84 dB*, 105 dB (A)
Output voltage impedance	REC OUT 1, 2, 3 ADAPTOR OUT		150 mV, 1 kohm
	HEADPHONES		25 milliwatts (at 8 ohms) Accepts low and high impedance headphones.
Tone controls	BASS, at 100 Hz		+4 -3.5 dB (turnover freq. 200 Hz)
			+6 -5 dB (turnover freq. 400 Hz)
	TREBLE, at 10 kHz		+7 -8 dB (freq. 3 kHz)
			+4 -5 dB (freq. 5 kHz)
SUBSONIC filter	—	6 dB/octave attenuation below 15 Hz	

General

System Preamplifier section: Low-noise FET high gain NFB type equalizer amplifier, passive type direct tone control.
Power amplifier section: purecomplementary SEPP power amplifier

Power requirements 220 V AC, 50/60 Hz

Power consumption 310 W

AC outlet 1 switched, 100 watts max.

Dimensions Approx. 470 × 166 × 436 mm (w/h/d)
(18 1/2 × 6 5/8 × 17 1/4 inches)
including projecting parts and controls

Weight Approx. 27.8 kg (61 lbs 5 oz) net

FEATURES

Newly developed technologies assure excellent performance and tone quality

Pure sound

A head chassis, named "Gibraltar" which provides high rigidity and periodic damping characteristics, is employed to reduce distortion caused by vibrations. This reduces air vibrations caused by floor and speakers and also reduces vibrations caused by the power transformer and power transistors.

Spontaneous twin drive power circuit

Condensers having large capacity are used for the voltage amplification drive stage of class A and power output stage of class B. Thus, a stable output and high quality sound are obtained, resulting in exclusion of power interferences. The class A stage realizes a stable operation free from interference of the power stage even when an instantaneous or strong output is received.

Simple and direct tone control

The tone controls consist of only passive elements to minimize the deterioration of tone quality at the tone control circuit. Tone control elements can be passed by depressing the tone switch.

Source direct switch

A source direct switch is employed to reproduce high fidelity sound. Any source can be reproduced without passing through the circuits of tone control, subsonic filter, mode switch and balance control.

Super legato linear system

The power amplifier drives low impedance speakers and assures powerful reproduction without low crossover distortion and switching distortion over the wide range. (Low impedance instantaneous service output 560 W + 560 W, 1 ohm loaded)

SAFETY-RELATED COMPONENT WARNING!!

COMPONENTS IDENTIFIED BY MARK Δ OR DOTTED LINE WITH MARK Δ ON THE SCHEMATIC DIAGRAMS AND IN THE PARTS LIST ARE CRITICAL TO SAFE OPERATION. REPLACE THESE COMPONENTS WITH SONY PARTS WHOSE PART NUMBERS APPEAR AS SHOWN IN THIS MANUAL OR IN SUPPLEMENTS PUBLISHED BY SONY.

Condition	THD (0.008%)	THD (0.004%)	THD (0.002%)	THD (0.001%)
Continuous output (both channels driven)	4 ohms	8 ohms	8 ohms	8 ohms
RMS power	50 Hz - 20 kHz	50 Hz - 20 kHz	50 Hz - 20 kHz	50 Hz - 20 kHz
output (both channels driven)	at 10 watt output	at 10 watt output	at 10 watt output	at 10 watt output
Total harmonic distortion	at 10 watt output	at 10 watt output	at 10 watt output	at 10 watt output
Power band width (IHF)	4 ohms, THD 0.004%	8 ohms, THD 0.002%	8 ohms, THD 0.001%	8 ohms, THD 0.0005%
Information (MI) = 80 Hz ± 7 kHz	at rated output	at rated output	at rated output	at rated output

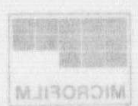
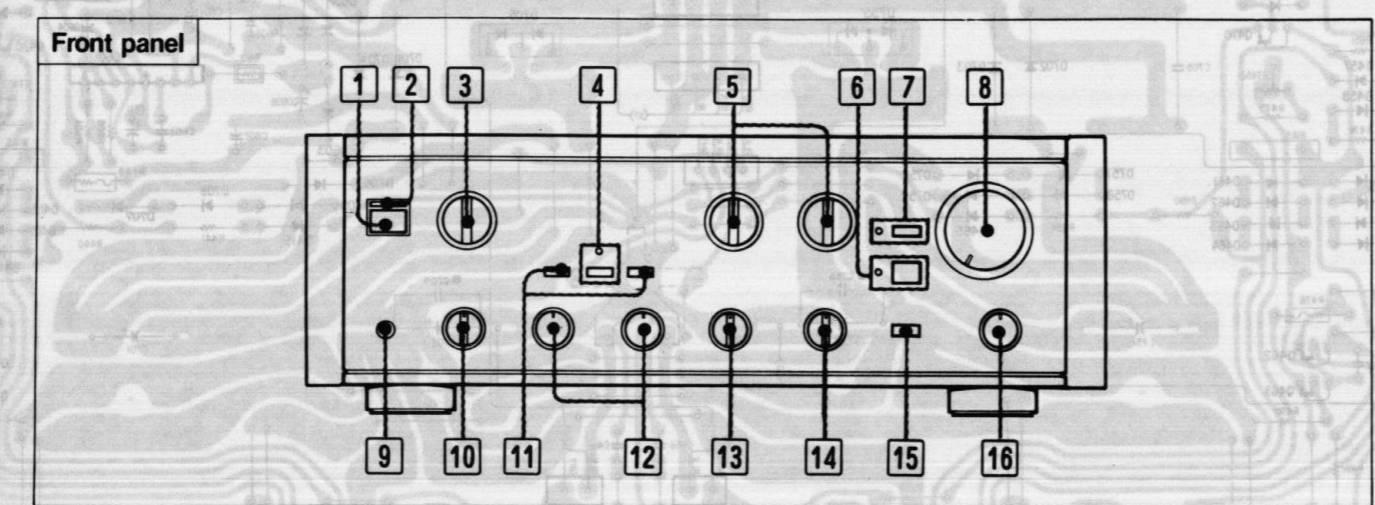


TABLE OF CONTENTS

Title	Description	Page
Specifications		1
Features		2
1. GENERAL		
1-1. Function of Controls		4
2. ADJUSTMENTS		6
3. DIAGRAMS		
3-1. Printed Wiring Boards		7
3-2. Schematic Diagram		11
3-3. Semiconductors Lead Layout		14
4. EXPLODED VIEWS		15
5. ELECTRICAL PARTS LIST		18

SECTION 1 GENERAL

1-1. FUNCTION OF CONTROLS



- 1 POWER switch**
- 2 Power/standby indicator**
Immediately after turning ON the power, the standby indicator lights in red as the built-in muting circuit activates.
When the amplifier stays in a stable operating condition, the indicator lights in green.
The indicator lights in red when the unit detects shorting of circuit of the speaker outputs or in case of short-circuit of the inputs of DC components.
In such a case, disconnect the power source and check the connected components and speaker systems.
- 3 SPEAKERS selector**
Select speaker system A or B, or both.
For headphone monitoring only, set the selector to OFF.
- 4 TONE switch and indicator**
Depress the switch to activate the tone control circuit. Red indicator lights.
- 5 INPUT SELECTOR and TAPE input selector**
To select the desired program source, use the INPUT SELECTOR.
To select TAPE 1, 2 or 3, set the TAPE input selector to TAPE and set the TAPE input selector to the desired tape input position.
- 6 SOURCE DIRECT switch and indicator**
Depress the switch. The red indicator lights and the circuits of the TONE switch, SUBSONIC filter switch, BALANCE control and MODE switch are disengaged without regard to the setting of the switches.
When this switch is activated, the indicator of the TONE switch does not light.
- 7 MUTING switch and indicator**
Generally, keep the switch released (OFF).
Depress the switch to reduce the sound level by 20dB. (Output voltage becomes 1/10.)
- 8 ATTENUATOR knob**
Regulates the sound level.
- 9 HEADPHONES jack (stereo phone jack)**
- 10 MODE selector**
STEREO: For listening to a stereo program.
MONO: For listening to a monaural program.
- 11 TURNOVER frequency selection switches**
Switch the turnover frequency.
- 12 BASS and TREBLE controls**
These controls activate when the TONE switch is depressed.
- 13 REC OUT SELECTOR**
Selects the program source sent to the REC OUT jacks (rear panel).
- 14 CARTRIDGE LOAD selector**
Set the selector according to your cartridge.
MM: For moving-magnet type cartridge
MC: For moving-coil type cartridge
40Ω: For a cartridge with an impedance of 40 ohms or more.
3Ω: For a cartridge with an impedance of 3 ohms to 40 ohms.
- 15 SUBSONIC filter switch**
Depress the switch to reduce unwanted noise components of less than 15Hz, which cause modulation noise.
- 16 BALANCE control**
Controls the sound level of left and right speakers.

SECTION 2 ADJUSTMENTS

NOTE:

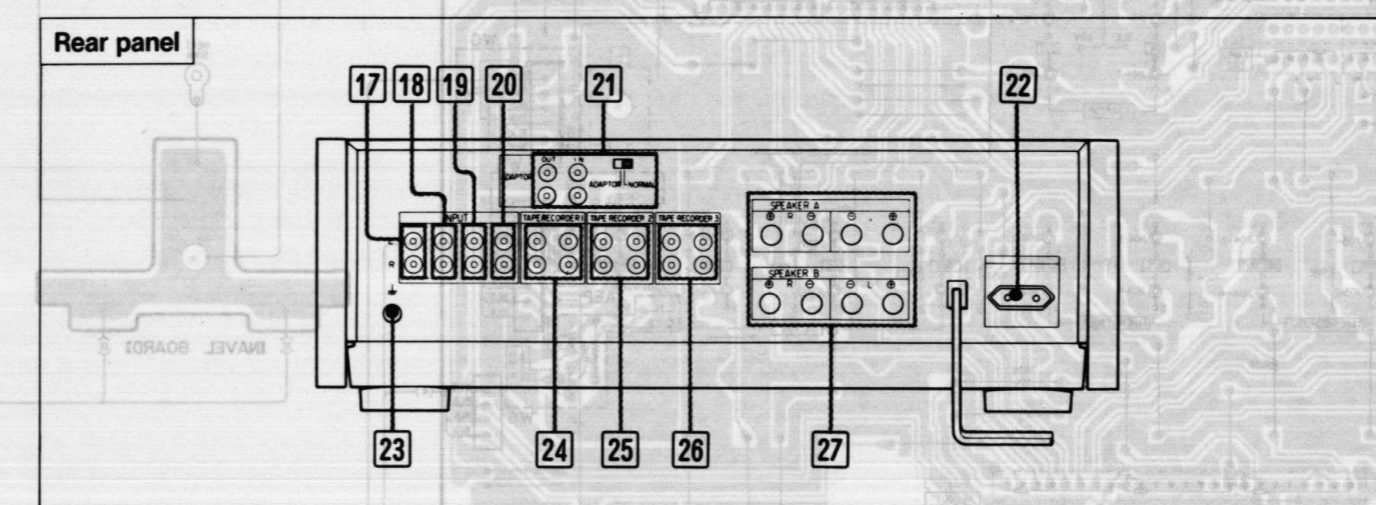
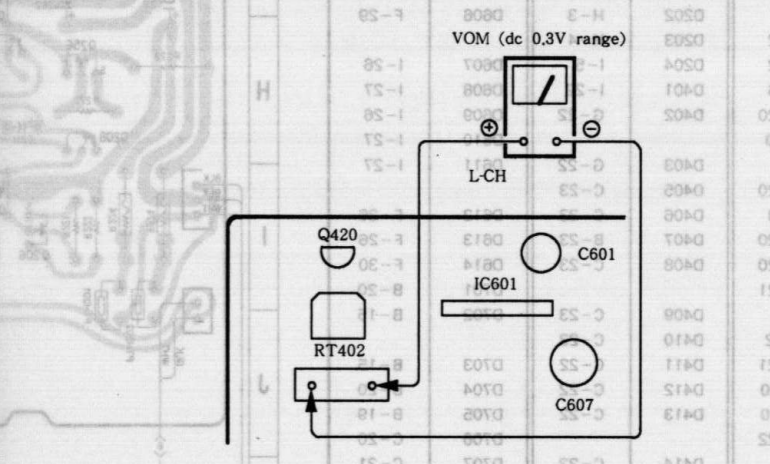
- Adjustments should be performed 10 minutes after the POWER switch is on (POWER ON).

OFFSET Adjustment

1. Turn the ATTENUATOR knob fully counterclockwise under no-signal conditions.
2. Adjust RT401 and RT451 for 0V readings VOM.

DC BIAS Adjustment

1. Turn the ATTENUATOR knob fully counterclockwise under no-signal conditions.
2. Adjust RT402 and RT452 for 15mV readings on VOM.



For connection, refer to the "SYSTEM CONNECTIONS"

- 17 PHONO input jacks**
- 18 TUNER input jacks**
- 19 CD (Compact Disc) input jacks**
- 20 AUX (Auxiliary) input jacks**
- 21 ADAPTOR IN/OUT (input and output) jacks and adaptor switch**
The OUT jacks output the signals selected by the INPUT SELECTOR on the front panel and the IN jacks receive the signals.
When an additional equipment such as a graphic equalizer is connected, set the adaptor switch to ADAPTOR.
When the jacks are not used, set the switch to NORMAL.
- 22 AC OUTLET**
The AC OUTLET is used to power other audio components whose total power consumption is 100 watts or less.
- 23 Ground terminal**
To prevent hum, be sure to connect the ground wire of the turntable system to this ground terminal. If hum still exists, it may be helpful to connect the ground terminal directly to earth via a ground rod.
- 24 25 26 TAPE RECORDER 1, 2, 3 input/output jacks**
REC OUT (recording output) jacks: Accept the tape input jacks of the tape recorder.
To connect a hi-fi video cassette recorder, connect the audio line input jacks of the video cassette recorder to these jacks.
TAPE (tape input) jacks: Accept the REC output jacks of the tape recorder.
To connect a hi-fi video cassette recorder, video disc player or TV tuner, connect the audio line output jacks of each equipment to these jacks.
- 27 SPEAKER output terminals**
Two pairs of speaker systems can be connected. System A, system B or system A and B can be selected by means of the front panel SPEAKERS selector.

Note

In some particular MM cartridges, the ground for signal is connected to the ground for cartridge body. If this type of cartridge should be installed to a metal cartridge shell, current will flow through the tonearm ground in a loop and will cause hum noise. In this case, disconnect the turntable ground wire from the ground terminal of the amplifier, or disconnect the ground for cartridge body from the ground for signal.

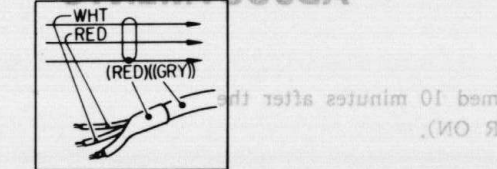


MAIN (B) BOARD

**SECTION 3
DIAGRAMS**

3-1. PRINTED WIRING BOARDS

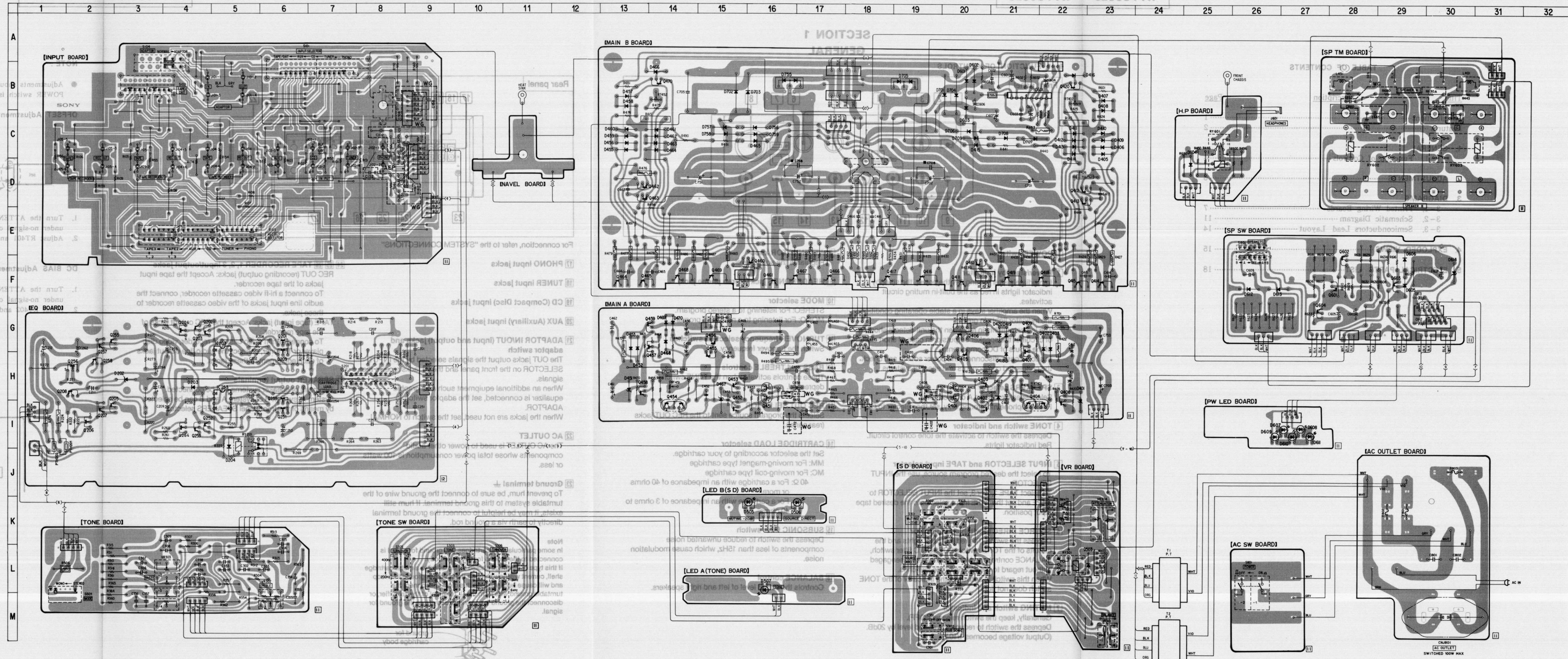
Note:
 • Color code or sleeving over the end of the jacket.
 • Adjustments should be performed 10 minutes after the power switch is on (POWER ON).

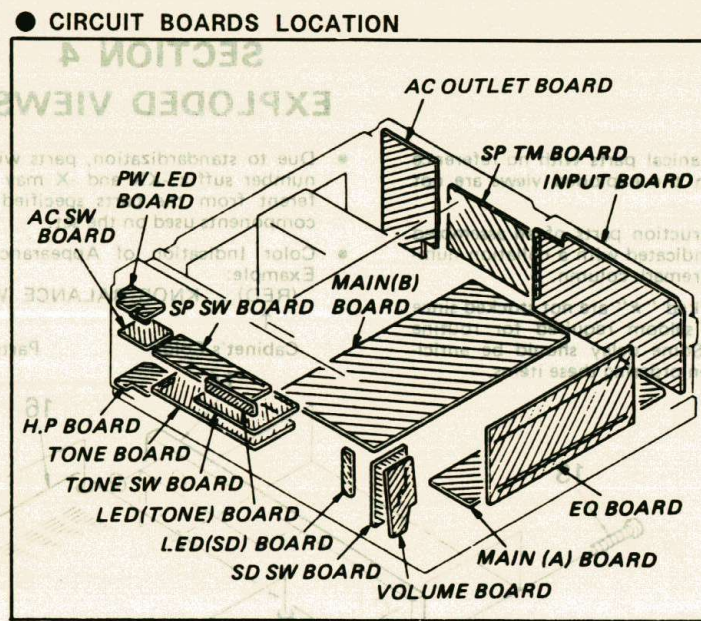
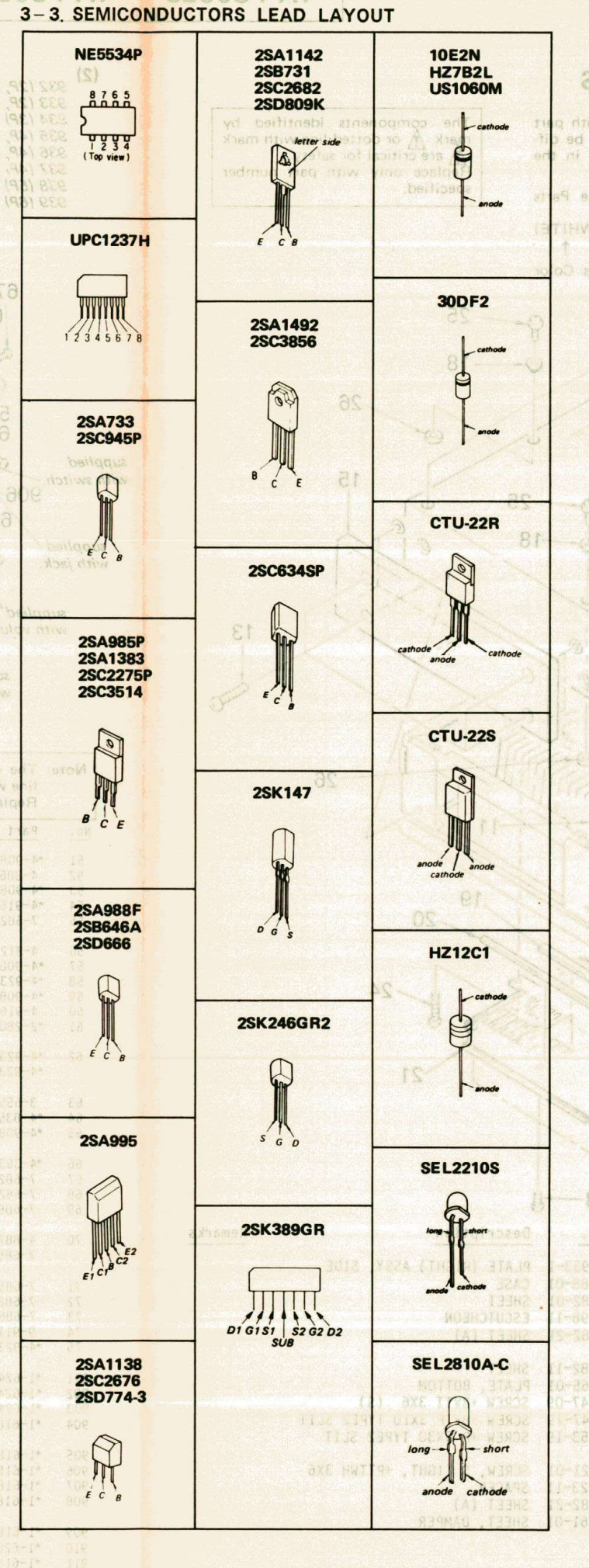
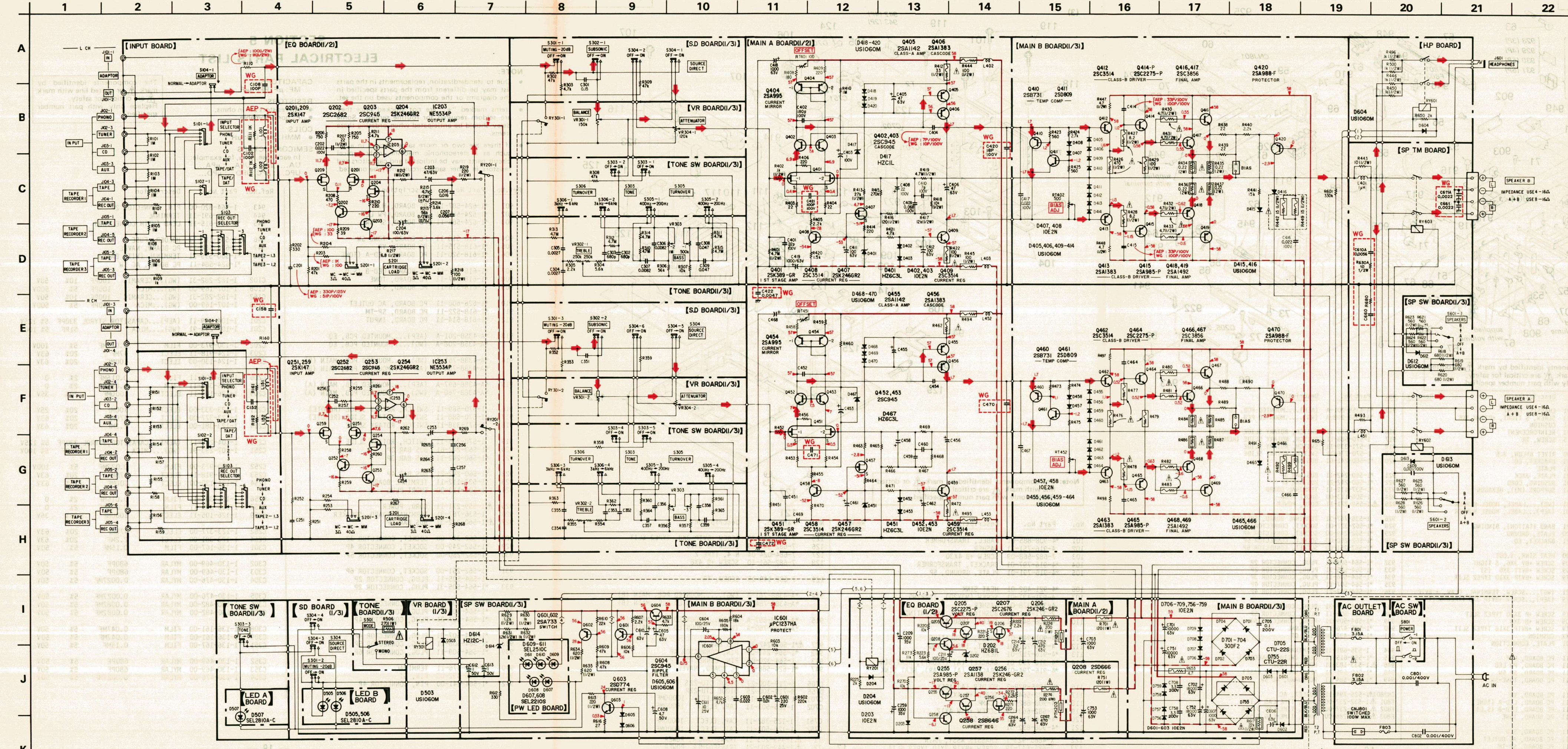


- : parts extracted from the component side.
- : parts extracted from the conductor side.
- : parts mounted on the conductor side.

SEMICONDUCTOR LOCATIONS

Ref.No.	Location	Ref.No.	Location	Ref.No.	Location
IC203	G-5	Q458	H-13	D461	C-14
IC253	H-5	Q459	G-14	D462	C-14
IC601	B-21	Q460	F-16	D463	C-14
		Q461	F-16	D464	C-14
		Q462	D-13	D465	C-16
Q201	G-6				
Q202	G-5	Q463	D-13	D466	B-14
Q203	G-5	Q464	F-13	D467	H-15
Q204	G-5	Q465	F-13	D468	G-14
Q205	I-2	Q466	F-17	D469	G-14
		Q467	F-17	D470	G-14
Q206	I-2				
Q207	I-2	Q468	F-14	D503	L-23
Q208	H-2	Q469	F-15	D505	K-16
Q209	H-6	Q470	B-14	D506	K-15
Q251	I-6	Q601	F-28	D507	L-16
		Q602	F-28	D601	B-20
Q252	I-4				
Q253	I-4	Q603	F-29	D602	B-20
Q254	I-4	Q604	G-27	D603	C-20
Q255	G-2			D604	D-25
Q256	H-2			D605	F-29
		D202	H-3	D606	F-29
Q257	G-2	D203	H-4		
Q258	H-2	D204	I-5	D607	I-26
Q259	H-6	D401	I-22	D608	I-27
Q401	H-20	D402	G-22	D609	I-26
Q402	I-20			D610	I-27
		D403	G-22	D611	I-27
Q403	H-20	D405	C-23		
Q404	I-21	D406	C-23	D612	F-26
Q405	H-20	D407	B-23	D613	F-30
Q406	G-20	D408	C-23	D614	F-30
Q407	H-21			D701	B-20
		D409	C-23	D702	B-15
Q408	I-22	D410	C-23		
Q409	G-21	D411	G-22	D703	B-15
Q410	F-20	D412	C-22	D704	B-20
Q411	F-20	D413	C-22	D705	B-19
Q412	D-22			D706	C-20
		D414	C-22	D707	C-21
Q413	D-22	D415	C-20		
Q414	F-23	D416	B-22	D708	C-21
Q415	F-22	D417	H-21	D709	C-20
Q416	F-19	D418	H-21	D755	B-16
Q417	F-18			D756	C-16
		D419	G-21	D757	C-15
Q418	F-22	D420	G-21		
Q419	F-21	D451	H-13	D758	C-15
Q420	B-22	D452	G-13	D759	C-16
Q451	H-16	D453	G-13		
Q452	I-15				
		D455	C-13		
Q453	H-15	D456	C-13		
Q454	I-14	D457	B-13		
Q455	H-15	D458	B-13		
Q456	G-15	D459	C-13		
Q457	G-14	D460	C-13		





Note:

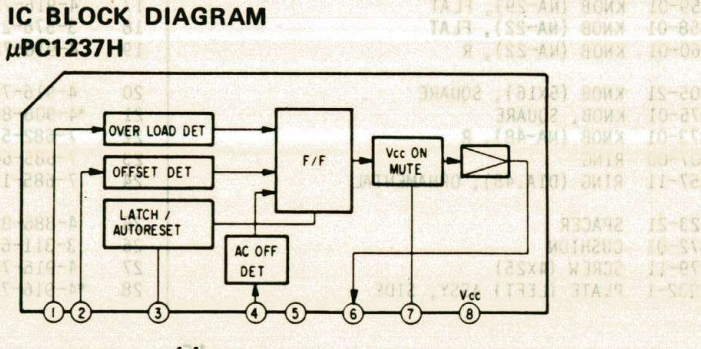
- All capacitors are in μF unless otherwise noted. pF : μF 50WV or less are not indicated except for electrolytics and tantalums.
- All resistors are in Ω and $\frac{1}{4}\text{W}$ or less unless otherwise specified.
- % : indicates tolerance.
- Components for right channel have same values as for left channel.
- \square : nonflammable resistor.
- \square : fusible resistor.

Note: The components identified by mark Δ or dotted line with mark Δ are critical for safety. Replace only with part number specified.

• Switch

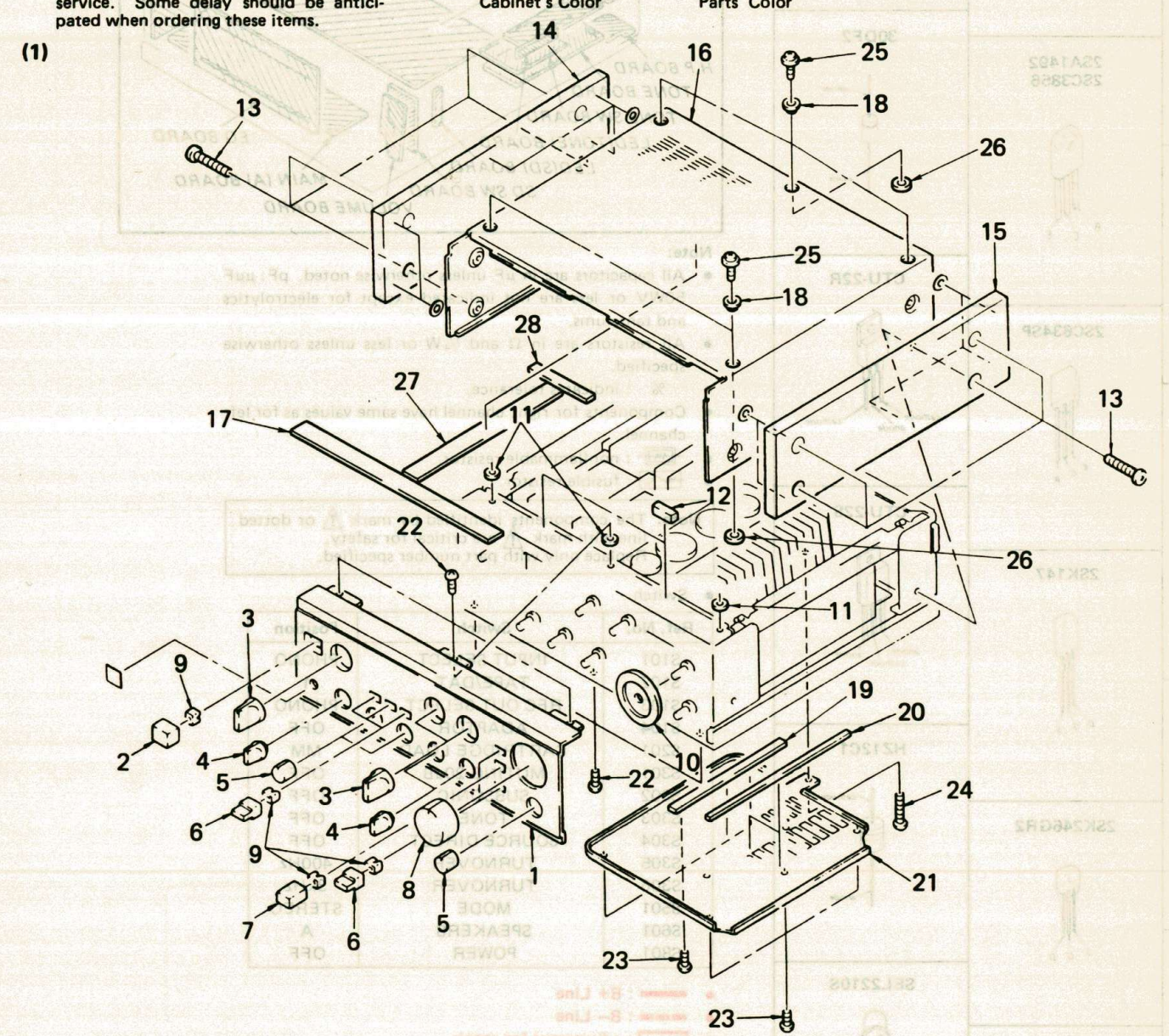
Ref. No.	Switch	Position
S101	INPUT SELECT	PHONO
S102	TAPE/DAT	1 PHONO
S103	REC OUT SELECT	OFF
S104	ADAPTOR	OFF
S201	CARTRIDGE LOAD	MM
S301	MUTING-20dB	OFF
S302	SUBSONIC	OFF
S303	STONE	OFF
S304	SOURCE DIRECT	OFF
S305	TURNOVER	400Hz
S306	TURNOVER	3kHz
S601	MODE	STEREO
S601	SPEAKERS	A
S801	POWER	OFF

- : B+ Line
- : B- Line
- : adjustment for repair.
- : Voltage and waveforms are dc with respect to ground under no-signal conditions.
- : Signal Path

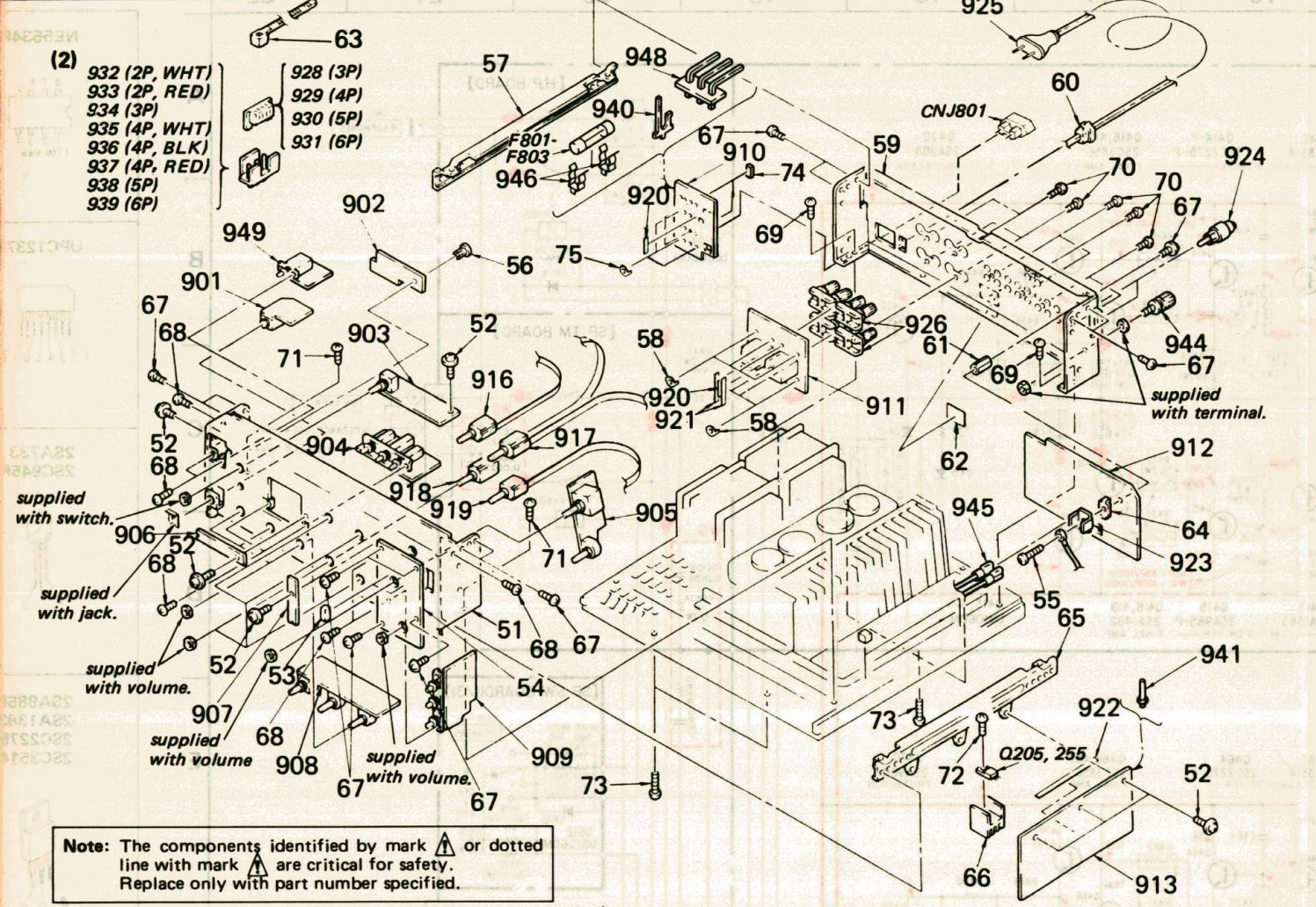


SECTION 4 EXPLODED VIEWS

- NOTE:**
- The mechanical parts with no reference number in the exploded views are not supplied.
 - The construction parts of an assembled part are indicated with a collation number in the remark column.
 - Items marked "*" are not stocked since they are seldom required for routine service. Some delay should be anticipated when ordering these items.
- Due to standardization, parts with part number suffix -XX and -X may be different from the parts specified in the components used on the set.
- Color Indication of Appearance Parts Example:
 (RED) ... KNOB, BALANCE (WHITE)
 Cabinet's Color Parts Color
- The components identified by mark or dotted line with mark are critical for safety. Replace only with part number specified.

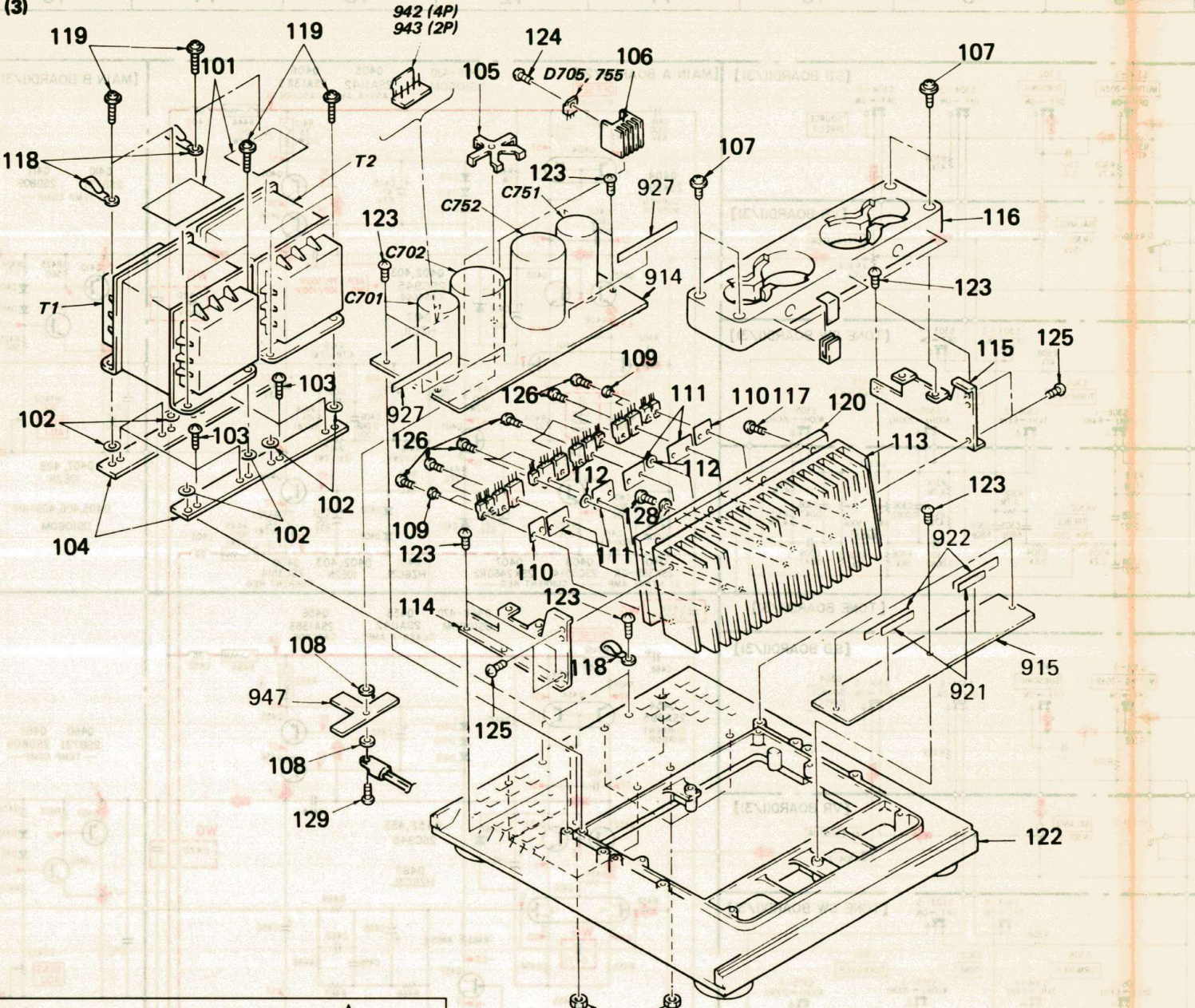


No.	Part No.	Description	Remarks
1	A-4323-008-A	PANEL ASSY, FRONT	
2	4-908-856-01	KNOB, SQUARE	
3	4-908-859-01	KNOB (NA-29), FLAT	
4	4-908-858-01	KNOB (NA-22), FLAT	
5	4-908-860-01	KNOB (NA-22), R	
6	3-315-105-21	KNOB (5X16), SQUARE	
7	4-908-875-01	KNOB, SQUARE	
8	4-908-873-01	KNOB (NA-48), R	
9	*4-864-307-00	RING	
10	4-908-857-11	RING (DIA.48), ORNAMENTAL	
11	3-311-623-21	SPACER	
12	*4-908-872-01	CUSHION	
13	4-885-979-11	SCREW (4X25)	
14	X-4885-932-1	PLATE (LEFT) ASSY, SIDE	
15	X-4885-933-1	PLATE (RIGHT) ASSY, SIDE	
16	4-908-868-01	CASE	
17	4-916-782-01	SHEET	
18	3-576-298-11	ESCUTCHEON	
19	4-916-782-21	SHEET (A)	
20	4-916-782-11	SHEET	
21	*4-908-865-01	PLATE, BOTTOM	
22	7-682-547-09	SCREW +BVT 3X6 (S)	
23	7-682-547-09	SCREW +BVT 3X10 TYPE2 SLIT	
24	7-685-153-19	SCREW +P 3X30 TYPE2 SLIT	
25	4-887-711-21	(WG)...SCREW, TERMINAL, CLAW, + BVTP	
26	7-685-646-79	(AEP)...SCREW +BVT 3X8 TYPE2 SLIT	
27	7-685-153-19	SCREW +P 3X30 TYPE2 SLIT	
28	4-916-782-01	SHEET	
29	*1-618-515-11	PC BOARD, VR	
30	*1-618-520-11	PC BOARD, LED-A (TONE)	
31	*1-618-521-11	PC BOARD, LED-B (S.D.)	
32	*1-618-517-11	PC BOARD, TONE	
33	4-886-821-01	SCREW, S TIGHT, +PTTH 3X6	
34	3-311-623-11	SPACER	
35	4-916-782-21	SHEET (A)	
36	*4-916-761-01	SHEET, DAMPER	



Note: The components identified by mark or dotted line with mark are critical for safety. Replace only with part number specified.

No.	Part No.	Description	Remarks
51	*4-908-867-01	CHASSIS, FRONT	
52	4-886-821-01	SCREW, S TIGHT, +PTTH 3X6	
53	*4-908-854-11	CUSHION	
54	*4-916-787-01	REINFORCEMENT	
55	7-682-149-15	SCREW, TR	
56	4-812-134-00	RIVET NYLON, 3.5	
57	*4-908-861-31	BRACKET, EQ	
58	*4-923-808-01	PLATE	
59	*4-908-865-31	PLATE, JACK	
60	4-916-783-01	BUSHING, CORD	
61	*2-280-622-51	SUPPORT (M3), HEXAGON	
62	*4-923-812-01	(WG)...LABEL, MODEL NUMBER	
63	3-655-653-21	BAND (TAITON), BINDING	
64	4-835-639-00	PLATE, GROUND	
65	*4-908-861-21	BRACKET, EQ	
66	*4-363-146-00	HEAT SINK, V.OUT	
67	7-682-547-09	SCREW +BV 3X6, S TIGHT	
68	7-682-547-09	SCREW +BVT 3X6 (S)	
69	7-685-647-79	SCREW +BVT 3X10 TYPE2 SLIT	
70	4-887-711-21	(WG)...SCREW, TERMINAL, CLAW, + BVTP	
71	7-685-153-19	SCREW +P 3X30 TYPE2 SLIT	
72	7-682-548-09	SCREW +B 3X8	
73	7-685-650-79	SCREW +BVT 3X16 TYPE2 SLIT	
74	9-911-841-XX	CUSHION	
75	*4-923-814-01	PLATE, CONNECTION	
901	*1-624-587-11	PC BOARD, H.P	
902	*1-624-585-11	PC BOARD, PW LED	
903	*1-624-586-11	PC BOARD, SP SW	
904	*1-618-518-11	PC BOARD, TONE-SW	
905	*1-618-515-11	PC BOARD, VR	
906	*1-618-520-11	PC BOARD, LED-A (TONE)	
907	*1-618-521-11	PC BOARD, LED-B (S.D.)	
908	*1-618-517-11	PC BOARD, TONE	
909	*1-618-516-11	PC BOARD, S.D	
910	*1-626-600-11	PC BOARD, AC OUTLET	
911	*1-618-522-11	PC BOARD, SP-TM	
912	*1-618-514-11	PC BOARD, INPUT	
913	*A-4358-201-A	(AEP)...MOUNTED PCB, EQ	
914	*A-4358-208-A	(WG)...MOUNTED PCB, EQ	
916	1-570-589-11	SWITCH, ROTARY SLIDE (REMOTE)	
917	1-570-588-11	SWITCH, ROTARY SLIDE (REMOTE)	
918	1-571-338-11	SWITCH, ROTARY SLIDE (REMOTE)	
919	1-570-776-11	SWITCH, ROTARY SLIDE	
920	*1-560-242-61	BUS BAR 2P	
921	*1-560-242-11	BUS BAR 3P	
922	*1-560-242-21	BUS BAR 4P	
923	*1-537-112-11	TERMINAL BOARD	
924	1-506-113-00	SHORT PLUG	
925	*1-559-271-11	CORD, POWER	
926	1-536-767-31	TERMINAL BOARD, SPEAKER	
928	*1-562-327-00	SOCKET, CONNECTOR 3P	
929	*1-562-249-00	SOCKET, CONNECTOR 4P	
930	*1-562-250-00	SOCKET, CONNECTOR 5P	
931	*1-562-251-00	SOCKET, CONNECTOR 6P	
932	*1-564-505-11	PLUG, CONNECTOR 2P	
933	*1-564-505-31	PLUG, CONNECTOR 3P	
934	*1-564-506-11	PLUG, CONNECTOR 4P	
935	*1-564-507-11	PLUG, CONNECTOR 5P	
936	*1-564-507-21	PLUG, CONNECTOR 6P	
937	*1-564-507-31	PLUG, CONNECTOR 4P	
938	*1-564-508-11	PLUG, CONNECTOR 5P	
939	*1-564-509-11	PLUG, CONNECTOR 6P	
940	*1-535-476-11	TERMINAL	
941	*1-535-492-00	PIN, GT	
944	1-535-691-11	TERMINAL	
945	*1-559-615-11	LEAD (WITH CONNECTOR)	
946	*1-533-183-11	HOLDER, FUSE	
948	*1-560-595-21	TERMINAL (WITH BASE)	
949	*1-624-584-11	PC BOARD, AC SW	
CNJ801	A1-526-794-11	OUTLET, AC	
F801	A1-532-237-00	FUSE, TIME-LAG 3.15A	
F802	A1-532-237-00	FUSE, TIME-LAG 3.15A	
F803	A1-532-286-00	FUSE, TIME-LAG 2.5A	



Note: The components identified by mark or dotted line with mark are critical for safety. Replace only with part number specified.

No.	Part No.	Description	Remarks
101	*4-908-885-01	LABEL, TRANSFORMER	
102	4-916-751-11	WASHER	
103	7-682-568-09	SCREW +B 4X30	
104	*4-916-797-01	BRACKET, TRANSFORMER	
105	*4-916-791-01	PLATE, GROUND, 5P	
106	*4-921-402-01	HEAT SINK	
107	4-921-437-01	SCREW (M3X20), TAPPING	
108	4-309-378-00	WASHER	
109	2-371-561-00	BUSHING (P), INSULATING	
110	*4-908-847-01	SHEET, INSULATING	
111	4-901-949-01	SHEET, INSULATING	
112	4-916-721-01	SHEET, INSULATING	
113	*4-916-717-01	HEAT SINK	
114	*4-916-793-01	BRACKET (A) (FRONT), HEAT SINK	
115	*4-916-794-01	BRACKET (A) (REAR), HEAT SINK	
116	*X-4885-928-3	HOLDER (A) ASSY	
117	7-682-564-09	SCREW +B 4X14	
118	*4-908-882-11	CLAMP	
119	7-682-563-09	SCREW +PSW 4X12	
120	*4-916-716-01	HEAT SINK	
121	*4-908-892-01	SPACER	
122	X-4885-923-1	CHASSIS ASSY, MAIN	
123	7-685-647-79	SCREW +BVT 3X10 TYPE2 SLIT	
124	7-682-549-09	SCREW +B 3X10	
125	7-685-646-79	SCREW +BVT 3X8 TYPE2 SLIT	
126	7-685-646-79	SCREW +BVT 3X8 TYPE2 SLIT	
127	7-684-024-04	N 4, TYPE 2	
128	7-682-561-10	SCREW +B 4X8	
129	7-682-149-15	SCREW, TR	
914	*A-4388-761-A	(WG)...MOUNTED PCB, MAIN (B)	
915	*A-4388-784-A	(AEP)...MOUNTED PCB, MAIN (B)	
916	*A-4388-761-A	(WG)...MOUNTED PCB, MAIN (A)	
917	*A-4388-760-A	(WG)...MOUNTED PCB, MAIN (A)	
918	1-570-589-11	SWITCH, ROTARY SLIDE (REMOTE)	
919	1-570-588-11	SWITCH, ROTARY SLIDE (REMOTE)	
920	1-571-338-11	SWITCH, ROTARY SLIDE (REMOTE)	
921	1-570-776-11	SWITCH, ROTARY SLIDE	
922	*1-560-242-61	BUS BAR 2P	
923	*1-560-242-11	BUS BAR 3P	
924	*1-560-242-21	BUS BAR 4P	
925	*1-537-112-11	TERMINAL BOARD	
926	1-506-113-00	SHORT PLUG	
927	*1-559-271-11	CORD, POWER	
928	1-536-767-31	TERMINAL BOARD, SPEAKER	
929	*1-562-327-00	SOCKET, CONNECTOR 3P	
930	*1-562-249-00	SOCKET, CONNECTOR 4P	
931	*1-562-250-00	SOCKET, CONNECTOR 5P	
932	*1-564-505-11	PLUG, CONNECTOR 2P	
933	*1-564-505-31	PLUG, CONNECTOR 3P	
934	*1-564-506-11	PLUG, CONNECTOR 4P	
935	*1-564-507-11	PLUG, CONNECTOR 5P	
936	*1-564-507-21	PLUG, CONNECTOR 6P	
937	*1-564-507-31	PLUG, CONNECTOR 4P	
938	*1-564-508-11	PLUG, CONNECTOR 5P	
939	*1-564-509-11	PLUG, CONNECTOR 6P	
940	*1-535-476-11	TERMINAL	
941	*1-535-492-00	PIN, GT	
942	*1-564-241-00	PIN, CONNECTOR 4P	
943	1-564-320-00	PIN, CONNECTOR 2P	
944	*1-624-588-11	PC BOARD, NAVEL	
D705	8-719-300-27	DIODE CTU-22S	
D755	8-719-300-25	DIODE CTU-22R	
C701	1-125-382-11	CAP, ELECT 10000MF	63V
C702	1-125-503-11	CAP, ELECT 18000MF	63V
C751	1-125-382-11	CAP, ELECT 10000MF	63V
C752	1-125-503-11	CAP, ELECT 18000MF	63V
T1	A1-449-203-11	TRANSFORMER, POWER	
T2	A1-449-203-21	TRANSFORMER, POWER	


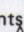
SECTION 5 ELECTRICAL PARTS LIST

- NOTE:**
- Due to standardization, replacements in the parts list may be different from the parts specified in the diagrams or the components used on the set.
 - Items marked "*" are not stocked since they are seldom required for routine service. Some delay should be anticipated when ordering these items.
 - If there are two or more same circuits in a set such as a stereophonic machine, only typical circuit parts may be indicated and capacitors and resistors in other same circuits may be omitted.
- CAPACITORS:**
 MF: μ F, PF: μ F.
- RESISTORS**
 • All resistors are in ohms.
 • F: nonflammable
- COILS**
 • MMH: mH, UH: μ H
- SEMICONDUCTORS**
 In each case, U: μ , for example:
 UA...: μ A... UPA...: μ PA...
 UPC...: μ PC, UPD...: μ PD...
- The components identified by mark or dotted line with mark are critical for safety. Replace only with part number specified.

Ref.No.	Part No.	Description	Ref.No.	Part No.	Description
901	*1-624-587-11	PC BOARD, H.P	943	1-564-320-00	PIN, CONNECTOR 2P
902	*1-624-585-11	PC BOARD, PW LED	944	1-535-691-11	TERMINAL
903	*1-624-586-11	PC BOARD, SP SW	945	*1-559-615-11	LEAD (WITH CONNECTOR)
904	*1-618-518-11	PC BOARD, TONE-SW	946	*1-533-183-11	HOLDER, FUSE
905	*1-618-515-11	PC BOARD, VR	947	*1-624-588-11	PC BOARD, NAVEL
906	*1-618-520-11	PC BOARD, LED-A (TONE)	948	*1-560-595-21	TERMINAL (WITH BASE)
907	*1-618-521-11	PC BOARD, LED-B (S.D.)	949	*1-624-584-11	PC BOARD, AC SW
908	*1-618-517-11	PC BOARD, TONE	C102	1-162-282-31	(WG)...CERAMIC 100PF 10% 50V
909	*1-618-516-11	PC BOARD, S.D	C108	1-107-169-00	(WG)...MICA 100PF 5% 500V
910	*1-626-600-11	PC BOARD, AC OUTLET	C152	1-162-282-31	(WG)...CERAMIC 100PF 10% 50V
911	*1-618-522-11	PC BOARD, SP-TM	C158	1-107-169-00	(WG)...MICA 100PF 5% 500V
912	*1-618-514-11	PC BOARD, INPUT	C201	1-104-249-11	(AEP)...CAPASITOR, STYROL 330PF 5% 125V
913	*A-4358-201-A	(AEP)...MOUNTED PCB, EQ	C201	1-107-293-91	(WG)...MICA 51PF 5% 100V
914	*A-4388-761-A	(WG)...MOUNTED PCB, MAIN (B)	C202	1-130-973-00	FILM 0.022MF 5% 100V
915	*A-4388-760-A	(WG)...MOUNTED PCB, MAIN (A)	C203	1-124-918-11	ELECT 47MF 20% 63V
916	1-570-589-11	SWITCH, ROTARY SLIDE (REMOTE)	C204	1-124-130-00	ELECT 100MF 20% 63V
917	1-570-588-11	SWITCH, ROTARY SLIDE (REMOTE)	C206	1-136-304-11	FILM 0.016MF 2% 0
918	1-571-338-11	SWITCH, ROTARY SLIDE (REMOTE)	C207	1-136-305-11	FILM 0.056MF 2% 0
919	1-570-776-11	SWITCH, ROTARY SLIDE	C209	1-126-105-11	ELECT 1000MF 20% 35V
920	*1-560-242-61	BUS BAR 2P	C211	1-123-333-00	ELECT 100MF 20% 25V
921	*1-560-242-11	BUS BAR 3P	C212	1-123-377-00	ELECT 470MF 20% 63V
922	*1-560-242-21	BUS BAR 4P	C214	1-123-381-00	ELECT 2.2MF 20% 63V
923	*1-537-112-11	TERMINAL BOARD	C251	1-104-249-11	(AEP)...CAPASITOR, STYROL 330PF 5% 125V
924	1-506-113-00	SHORT PLUG	C251	1-107-293-91	(WG)...MICA 51PF 5% 100V
925	*1-559-271-11	CORD, POWER	C252	1-130-973-00	FILM 0.022MF 5% 100V
926	1-536-767-31	TERMINAL BOARD, SPEAKER	C253	1-124-918-11	ELECT 47MF 20% 63V
927	*1-559-271-11	CORD, POWER	C254	1-124-130-00	ELECT 100MF 20% 63V
928	*1-562-327-00	SOCKET, CONNECTOR 3P	C256	1-136-304-11	FILM 0.016MF 2% 0
929	*1-562-249-00	SOCKET, CONNECTOR 4P	C257	1-136-305-11	FILM 0.056MF 2% 0
930	*1-562-250-00	SOCKET, CONNECTOR 5P	C259	1-126-105-11	

Ref.No.	Part No.	Description			
C355	1-130-476-00	MYLAR	0.0027MF	5%	50V
C356	1-130-482-00	MYLAR	0.0082MF	5%	50V
C357	1-130-482-00	MYLAR	0.0082MF	5%	50V
C358	1-136-161-00	FILM	0.047MF	5%	50V
C359	1-136-161-00	FILM	0.047MF	5%	50V
C401	1-107-210-00	MICA	22PF	5%	100V
C402	1-109-619-00	MICA	180PF	5%	100V
C403	1-123-380-00	ELECT	1MF	20%	100V
C404	1-107-048-00	(AEP)...MICA	7PF	0.5PF	100V
C404	1-107-202-00	(WG)...MICA	10PF	0.5PF	100V
C405	1-124-918-11	ELECT	47MF	20%	63V
C406	1-124-918-11	ELECT	47MF	20%	63V
C408	1-124-748-11	ELECT	22MF	20%	100V
C409	1-130-317-00	FILM	0.068MF	5%	100V
C410	1-107-048-00	MICA	7PF	0.5PF	100V
C411	1-124-130-00	ELECT	100MF	20%	63V
C412	1-124-130-00	ELECT	100MF	20%	63V
C414	1-107-159-00	(AEP)...MICA	33PF	5%	100V
C414	1-107-169-00	(WG)...MICA	100PF	5%	100V
C415	1-107-159-00	(AEP)...MICA	33PF	5%	100V
C415	1-107-169-00	(WG)...MICA	100PF	5%	100V
C416	1-130-973-00	FILM	0.022MF	5%	100V
C417	1-130-973-00	FILM	0.022MF	5%	100V
C418	1-123-378-00	ELECT	1000MF	20%	63V
C419	1-123-378-00	ELECT	1000MF	20%	63V
C420	1-107-208-00	(WG)...MICA	18PF	5%	100V
C421	1-107-169-00	(WG)...MICA	100PF	5%	100V
C422	1-130-479-00	(WG)...MYLAR	0.0047MF	5%	50V
C451	1-107-210-00	MICA	22PF	5%	100V
C452	1-109-619-00	MICA	180PF	5%	100V
C453	1-123-380-00	ELECT	1MF	20%	100V
C454	1-107-202-00	(WG)...MICA	10PF	0.5PF	100V
C454	1-107-278-00	(AEP)...MICA	7PF	0.5PF	100V
C455	1-124-918-11	ELECT	47MF	20%	63V
C456	1-124-918-11	ELECT	47MF	20%	63V
C458	1-124-748-11	ELECT	22MF	20%	100V
C459	1-130-317-00	FILM	0.068MF	5%	100V
C460	1-107-048-00	MICA	7PF	0.5PF	100V
C461	1-124-130-00	ELECT	100MF	20%	63V
C462	1-124-130-00	ELECT	100MF	20%	63V
C464	1-107-169-00	(WG)...MICA	100PF	5%	100V
C464	1-107-288-00	(AEP)...MICA	33PF	5%	100V
C465	1-107-169-00	(WG)...MICA	100PF	5%	100V
C465	1-107-288-00	(AEP)...MICA	33PF	5%	100V
C466	1-130-973-00	FILM	0.022MF	5%	100V
C467	1-130-973-00	FILM	0.022MF	5%	100V
C468	1-123-378-00	ELECT	1000MF	20%	63V
C469	1-123-378-00	ELECT	1000MF	20%	63V
C470	1-107-208-00	(WG)...MICA	18PF	5%	100V
C471	1-107-169-00	(WG)...MICA	100PF	5%	100V
C472	1-130-479-00	(WG)...MYLAR	0.0047MF	5%	50V
C601	1-123-334-00	ELECT	220MF	20%	25V
C602	1-136-153-00	FILM	0.01MF	5%	50V
C603	1-136-157-00	FILM	0.022MF	5%	50V
C604	1-123-333-00	ELECT	100MF	20%	25V
C605	1-124-918-11	ELECT	47MF	20%	63V
C606	1-123-380-00	ELECT	1MF	20%	63V

Ref.No.	Part No.	Description			
C607	1-123-378-00	ELECT	1000MF	20%	63V
C608	1-123-369-00	ELECT	4.7MF	20%	50V
C609	1-136-250-11	FILM	0.001MF	5%	100V
C610	1-123-380-00	ELECT	1MF	20%	63V
C610A	1-130-480-00	(WG)...MYLAR	0.0056MF	5%	50V
C611	1-123-356-00	ELECT	10MF	20%	25V
C611A	1-130-475-00	(WG)...CAP, POLYESTER FILM	0.0022MF		
C612	1-124-499-11	ELECT	1MF	20%	50V
C613	1-124-499-11	ELECT	1MF	20%	50V
C660	1-130-480-00	(WG)...MYLAR	0.0056MF	5%	50V
C661	1-130-475-00	(WG)...CAP, POLYESTER FILM	0.0022MF		
C701	1-125-382-11	CAP, ELECT	10000MF		63V
C702	1-125-503-11	CAP, ELECT	18000MF		63V
C703	1-123-378-00	ELECT	1000MF	20%	63V
C705	1-136-576-11	FILM	0.1MF	10%	200V
C708	1-136-586-11	CAP, METALIZED FILM	3.3MF		200V
C751	1-125-382-11	CAP, ELECT	10000MF		63V
C752	1-125-503-11	CAP, ELECT	18000MF		63V
C753	1-123-378-00	ELECT	1000MF	20%	63V
C758	1-136-586-11	CAP, METALIZED FILM	3.3MF		200V
C801	△1-161-741-00	CERAMIC	0.001MF	10%	400V
C802	△1-161-741-00	CERAMIC	0.001MF	10%	400V
CNJ801	△1-526-794-11	OUTLET, AC			
D202	8-719-910-65	DIODE HZ6B2L			
D203	8-719-200-77	DIODE 10E2N			
D204	8-719-000-26	DIODE US1060M			
D401	8-719-910-68	DIODE HZ6C2L			
D402	8-719-200-77	DIODE 10E2N			
D403	8-719-200-77	DIODE 10E2N			
D405	8-719-000-26	DIODE US1060M			
D406	8-719-000-26	DIODE US1060M			
D407	8-719-200-77	DIODE 10E2N			
D408	8-719-200-77	DIODE 10E2N			
D409	8-719-000-26	DIODE US1060M			
D410	8-719-000-26	DIODE US1060M			
D411	8-719-000-26	DIODE US1060M			
D412	8-719-000-26	DIODE US1060M			
D413	8-719-000-26	DIODE US1060M			
D414	8-719-000-26	DIODE US1060M			
D415	8-719-000-26	DIODE US1060M			
D416	8-719-000-26	DIODE US1060M			
D417	8-719-910-75	DIODE HZ7B2L			
D418	8-719-000-26	DIODE US1060M			
D419	8-719-000-26	DIODE US1060M			
D420	8-719-000-26	DIODE US1060M			
D451	8-719-910-68	DIODE HZ6C2L			
D452	8-719-200-77	DIODE 10E2N			
D453	8-719-200-77	DIODE 10E2N			
D455	8-719-000-26	DIODE US1060M			
D456	8-719-000-26	DIODE US1060M			
D457	8-719-200-77	DIODE 10E2N			
D458	8-719-200-77	DIODE 10E2N			
D459	8-719-000-26	DIODE US1060M			
D460	8-719-000-26	DIODE US1060M			
D461	8-719-000-26	DIODE US1060M			
D462	8-719-000-26	DIODE US1060M			

Note: The components identified by mark  or dotted line with mark  are critical for safety. Replace only with part number specified.

Ref.No.	Part No.	Description
D463	8-719-000-26	DIODE US1060M
D464	8-719-000-26	DIODE US1060M
D465	8-719-000-26	DIODE US1060M
D466	8-719-000-26	DIODE US1060M
D467	8-719-910-75	DIODE HZ7B2L
D468	8-719-000-26	DIODE US1060M
D469	8-719-000-26	DIODE US1060M
D470	8-719-000-26	DIODE US1060M
D503	8-719-000-26	DIODE US1060M
D505	8-719-301-52	DIODE SEL2810A-C
D506	8-719-301-52	DIODE SEL2810A-C
D507	8-719-301-52	DIODE SEL2810A-C
D601	8-719-200-77	DIODE 10E2N
D602	8-719-200-77	DIODE 10E2N
D603	8-719-200-77	DIODE 10E2N
D604	8-719-000-26	DIODE US1060M
D605	8-719-000-26	DIODE US1060M
D606	8-719-000-26	DIODE US1060M
D607	8-719-301-39	DIODE SEL2210S
D608	8-719-301-39	DIODE SEL2210S
D609	8-719-303-00	DIODE SEL2510C
D610	8-719-303-00	DIODE SEL2510C
D611	8-719-303-00	DIODE SEL2510C
D612	8-719-000-26	DIODE US1060M
D613	8-719-000-26	DIODE US1060M
D614	8-719-907-21	DIODE HZ12C1
D701	8-719-230-03	DIODE 30DF2
D702	8-719-230-03	DIODE 30DF2
D703	8-719-230-03	DIODE 30DF2
D704	8-719-230-03	DIODE 30DF2
D705	8-719-300-27	DIODE CTU-22S
D706	8-719-200-77	DIODE 10E2N
D707	8-719-200-77	DIODE 10E2N
D708	8-719-200-77	DIODE 10E2N
D709	8-719-200-77	DIODE 10E2N
D755	8-719-300-25	DIODE CTU-22R
D756	8-719-200-77	DIODE 10E2N
D757	8-719-200-77	DIODE 10E2N
D758	8-719-200-77	DIODE 10E2N
D759	8-719-200-77	DIODE 10E2N
F801	△1-532-237-00	FUSE, TIME-LAG 3.15A
F802	△1-532-237-00	FUSE, TIME-LAG 3.15A
F803	△1-532-286-00	FUSE, TIME-LAG 2.5A
IC203	8-759-905-42	IC NE5534P
IC253	8-759-905-42	IC NE5534P
IC601	8-759-111-68	IC UPC1237HA
J101	1-507-920-00	JACK, PIN 4P (ADAPTOR)
J102	1-507-920-00	JACK, PIN 4P (INPUT)
J103	1-507-920-00	JACK, PIN 4P (INPUT)
J104	1-507-831-00	JACK, PIN 6P (TAPE 1,2,3)
J105	1-507-831-00	JACK, PIN 6P (TAPE 1,2,3)
J601	1-507-863-41	JACK, LARGE TYPE (HEADPHONES)
L101	1-413-101-00	(WG)...COIL, INPUT
L102	1-413-101-00	(WG)...COIL, INPUT
L151	1-413-101-00	(WG)...COIL, INPUT
L152	1-413-101-00	(WG)...COIL, INPUT
L401	*1-422-009-13	COIL, AIR-CORE (1UH)
L402	1-422-261-11	COIL, AIR-CORE

Ref.No.	Part No.	Description
L403	1-422-261-11	COIL, AIR-CORE
L451	*1-422-009-13	COIL, AIR-CORE (1UH)
L452	1-422-261-11	COIL, AIR-CORE
L453	1-422-261-11	COIL, AIR-CORE
PTH201	1-806-886-11	THERMISTOR (POSITIVE)
PTH202	1-806-886-11	THERMISTOR (POSITIVE)
Q201	8-729-214-71	TRANSISTOR 2SK147
Q202	8-729-168-22	TRANSISTOR 2SC2682
Q203	8-729-600-27	TRANSISTOR 2SC634SP
Q204	8-729-201-56	TRANSISTOR 2SK246GR2
Q205	8-729-127-53	TRANSISTOR 2SC2275-P
Q206	8-729-201-56	TRANSISTOR 2SK246GR2
Q207	8-729-167-62	TRANSISTOR 2SC2676
Q208	8-729-300-62	TRANSISTOR 2SD666-A
Q209	8-729-214-71	TRANSISTOR 2SK147
Q251	8-729-214-71	TRANSISTOR 2SK147
Q252	8-729-168-22	TRANSISTOR 2SC2682
Q253	8-729-600-27	TRANSISTOR 2SC634SP
Q254	8-729-201-56	TRANSISTOR 2SK246GR2
Q255	8-729-118-53	TRANSISTOR 2SA985-P
Q256	8-729-201-56	TRANSISTOR 2SK246GR2
Q257	8-729-113-82	TRANSISTOR 2SA1138
Q258	8-729-304-62	TRANSISTOR 2SB646-A
Q259	8-729-214-71	TRANSISTOR 2SK147
Q401	8-729-203-21	TRANSISTOR 2SK389-GR
Q402	8-729-194-57	TRANSISTOR 2SC945-P
Q403	8-729-194-57	TRANSISTOR 2SC945-P
Q404	8-729-699-51	TRANSISTOR 2SA995
Q405	8-729-114-22	TRANSISTOR 2SA1142
Q406	8-729-104-91	TRANSISTOR 2SA1383
Q407	8-729-201-56	TRANSISTOR 2SK246-GR2
Q408	8-729-104-18	TRANSISTOR 2SC3514
Q409	8-729-104-18	TRANSISTOR 2SC3514
Q410	8-729-173-13	TRANSISTOR 2SB731-F
Q411	8-729-180-92	TRANSISTOR 2SD809-K
Q412	8-729-104-18	TRANSISTOR 2SC3514-Q
Q413	8-729-104-91	TRANSISTOR 2SA1383-Q
Q414	8-729-127-53	TRANSISTOR 2SC2275-P
Q415	8-729-118-53	TRANSISTOR 2SA985-P
Q416	8-729-303-88	TRANSISTOR 2SC3856
Q417	8-729-303-88	TRANSISTOR 2SC3856
Q418	8-729-303-85	TRANSISTOR 2SA1492
Q419	8-729-303-85	TRANSISTOR 2SA1492
Q420	8-729-108-14	TRANSISTOR 2SA988-F
Q451	8-729-203-21	TRANSISTOR 2SK389-GR
Q452	8-729-194-57	TRANSISTOR 2SC945-P
Q453	8-729-194-57	TRANSISTOR 2SC945-P
Q454	8-729-699-51	TRANSISTOR 2SA995
Q455	8-729-114-22	TRANSISTOR 2SA1142
Q456	8-729-104-91	TRANSISTOR 2SA1383
Q457	8-729-201-56	TRANSISTOR 2SK246-GR2
Q458	8-729-104-18	TRANSISTOR 2SC3514
Q459	8-729-104-18	TRANSISTOR 2SC3514
Q460	8-729-173-13	TRANSISTOR 2SB731
Q461	8-729-180-92	TRANSISTOR 2SD809-K
Q462	8-729-104-18	TRANSISTOR 2SC3514
Q463	8-729-104-91	TRANSISTOR 2SA1383

Note: The components identified by mark **△** or dotted line with mark **△** are critical for safety. Replace only with part number specified.

Ref.No.	Part No.	Description				
Q464	8-729-127-53	TRANSISTOR 2SC2275-P				
Q465	8-729-118-53	TRANSISTOR 2SA985-P				
Q466	8-729-303-88	TRANSISTOR 2SC3856				
Q467	8-729-303-88	TRANSISTOR 2SC3856				
Q468	8-729-303-85	TRANSISTOR 2SA1492				
Q469	8-729-303-85	TRANSISTOR 2SA1492				
Q470	8-729-108-14	TRANSISTOR 2SA988-F				
Q601	8-729-173-37	TRANSISTOR 2SA733-P				
Q602	8-729-173-37	TRANSISTOR 2SA733-P				
Q603	8-729-177-42	TRANSISTOR 2SD774-3				
Q604	8-729-194-57	TRANSISTOR 2SC945				
R101	1-246-545-00	CARBON	1M	5%	1/4W	
R102	1-246-545-00	CARBON	1M	5%	1/4W	
R103	1-246-545-00	CARBON	1M	5%	1/4W	
R104	1-246-545-00	CARBON	1M	5%	1/4W	
R105	1-246-545-00	CARBON	1M	5%	1/4W	
R106	1-246-545-00	CARBON	1M	5%	1/4W	
R107	1-247-713-11	CARBON	1K	5%	1/4W	
R108	1-247-713-11	CARBON	1K	5%	1/4W	
R109	1-247-713-11	CARBON	1K	5%	1/4W	
R110	1-247-739-11	(AEP)...CARBON	100	5%	1/2W	
R110	1-249-673-11	(WG)...CARBON	1K	5%	1/2W	
R111	1-247-713-11	(WG)...CARBON	1K	5%	1/4W	
R112	1-247-713-11	(WG)...CARBON	1K	5%	1/4W	
R151	1-246-545-00	CARBON	1M	5%	1/4W	
R152	1-246-545-00	CARBON	1M	5%	1/4W	
R153	1-246-545-00	CARBON	1M	5%	1/4W	
R154	1-246-545-00	CARBON	1M	5%	1/4W	
R155	1-246-545-00	CARBON	1M	5%	1/4W	
R156	1-246-545-00	CARBON	1M	5%	1/4W	
R157	1-247-713-11	CARBON	1K	5%	1/4W	
R158	1-247-713-11	CARBON	1K	5%	1/4W	
R159	1-247-713-11	CARBON	1K	5%	1/4W	
R160	1-249-673-11	(WG)...CARBON	1K	5%	1/2W	
R160	1-247-739-11	(AEP)...CARBON	100	5%	1/2W	
R161	1-247-713-11	(WG)...CARBON	1K	5%	1/4W	
R162	1-247-713-11	(WG)...CARBON	1K	5%	1/4W	
R201	1-249-465-11	CARBON	47K	5%	1/4W	
R202	1-247-706-11	CARBON	330	5%	1/4W	
R203	1-247-700-11	(WG)...CARBON	100	5%	1/4W	
R203	1-247-713-11	(AEP)...CARBON	1K	5%	1/4W	
R204	1-247-701-01	(AEP)...CARBON	100	5%	1/4W	
R204	1-249-516-11	(WG)...CARBON	33	5%	1/4W	
R205	1-247-128-00	CARBON	750	5%	1/4W	
R206	1-247-128-00	CARBON	750	5%	1/4W	
R207	1-249-633-11	CARBON	22	5%	1/2W	
R208	1-247-708-11	CARBON	470	5%	1/4W	
R209	1-249-518-11	CARBON	39	5%	1/4W	
R210	1-247-704-11	CARBON	220	5%	1/4W	
R211	1-247-721-11	CARBON	4.7K	5%	1/4W	
R212	1-214-937-00	CARBON	1M	5%	1/2W	
R213	1-249-844-11	CARBON	56K	1%	1/2W	
R214	1-249-565-11	CARBON	3.6K	5%	1/4W	
R215	1-249-818-11	CARBON	4.7K	1%	1/2W	
R217	1-259-501-11	CARBON	6.8	5%	1/2W	
R218	1-247-739-11	CARBON	100	5%	1/2W	
R219	1-249-657-11	CARBON	220	5%	1/2W	
R220	1-247-725-11	CARBON	10K	5%	1/4W	
R221	1-247-704-11	CARBON	220	5%	1/4W	

Ref.No.	Part No.	Description				
R222	1-247-717-11	CARBON	2.2K	5%	1/4W	
R223	1-247-722-11	CARBON	5.6K	5%	1/4W	
R224	△1-213-091-11	FUSIBLE	200	5%	1W	F
R225	1-247-138-00	CARBON	2K	5%	1/4W	
R251	1-249-465-11	CARBON	47K	5%	1/4W	
R252	1-247-706-11	CARBON	330	5%	1/4W	
R253	1-247-700-11	(WG)...CARBON	100	5%	1/4W	
R253	1-247-713-11	(AEP)...CARBON	1K	5%	1/4W	
R254	1-247-701-01	(AEP)...CARBON	100	5%	1/4W	
R254	1-249-516-11	(WG)...CARBON	33	5%	1/4W	
R255	1-247-128-00	CARBON	750	5%	1/4W	
R256	1-247-128-00	CARBON	750	5%	1/4W	
R257	1-249-633-11	CARBON	22	5%	1/2W	
R258	1-247-708-11	CARBON	470	5%	1/4W	
R259	1-249-518-11	CARBON	39	5%	1/4W	
R260	1-247-704-11	CARBON	220	5%	1/4W	
R261	1-247-721-11	CARBON	4.7K	5%	1/4W	
R262	1-214-937-00	CARBON	1M	5%	1/2W	
R263	1-249-844-11	CARBON	56K	1%	1/2W	
R264	1-249-565-11	CARBON	3.6K	5%	1/4W	
R265	1-249-818-11	CARBON	4.7K	1%	1/2W	
R267	1-259-501-11	CARBON	6.8	5%	1/2W	
R268	1-247-739-11	CARBON	100	5%	1/2W	
R269	1-249-657-11	CARBON	220	5%	1/2W	
R270	1-247-725-11	CARBON	10K	5%	1/4W	
R271	1-247-704-11	CARBON	220	5%	1/4W	
R272	1-247-717-11	CARBON	2.2K	5%	1/4W	
R273	1-249-577-11	CARBON	11K	5%	1/4W	
R274	△1-213-091-11	FUSIBLE	200	5%	1W	F
R302	1-249-465-11	CARBON	47K	5%	1/4W	
R303	1-247-721-11	CARBON	4.7K	5%	1/4W	
R304	1-247-722-11	CARBON	5.6K	5%	1/4W	
R305	1-247-717-11	CARBON	2.2K	5%	1/4W	
R306	1-249-466-11	CARBON	56K	5%	1/4W	
R307	1-247-725-11	CARBON	10K	5%	1/4W	
R308	1-249-465-11	CARBON	47K	5%	1/4W	
R309	1-249-465-11	CARBON	47K	5%	1/4W	
R310	1-259-502-11	CARBON	4.7M	5%	1/4W	
R311	1-259-502-11	CARBON	4.7M	5%	1/4W	
R312	1-259-502-11	CARBON	4.7M	5%	1/4W	
R313	1-259-502-11	CARBON	4.7M	5%	1/4W	
R314	1-259-502-11	CARBON	4.7M	5%	1/4W	
R315	1-259-502-11	CARBON	4.7M	5%	1/4W	
R352	1-249-465-11	CARBON	47K	5%	1/4W	
R353	1-247-721-11	CARBON	4.7K	5%	1/4W	
R354	1-247-722-11	CARBON	5.6K	5%	1/4W	
R355	1-247-717-11	CARBON	2.2K	5%	1/4W	
R356	1-249-466-11	CARBON	56K	5%	1/4W	
R357	1-247-725-11	CARBON	10K	5%	1/4W	
R358	1-249-465-11	CARBON	47K	5%	1/4W	
R359	1-249-465-11	CARBON	47K	5%	1/4W	
R360	1-259-502-11	CARBON	4.7M	5%	1/4W	
R361	1-259-502-11	CARBON	4.7M	5%	1/4W	
R362	1-259-502-11	CARBON	4.7M	5%	1/4W	
R363	1-259-502-11	CARBON	4.7M	5%	1/4W	
R364	1-259-502-11	CARBON	4.7M	5%	1/4W	
R365	1-259-502-11	CARBON	4.7M	5%	1/4W	
R401	1-259-503-11	CARBON	4.7M	5%	1/2W	

Note: The components identified by mark △ or dotted line with mark △ are critical for safety. Replace only with part number specified.

Ref.No.	Part No.	Description				
R402	1-249-673-11	CARBON	1K	5%	1/2W	
R403	1-249-512-11	CARBON	22	5%	1/4W	
R404	1-249-512-11	CARBON	22	5%	1/4W	
R405	1-247-717-11	CARBON	2.2K	5%	1/4W	
R406	1-247-704-11	CARBON	220	5%	1/4W	
R408	1-247-703-11	CARBON	180	5%	1/4W	
R409	1-247-704-11	CARBON	220	5%	1/4W	
R410	1-246-545-00	CARBON	1M	5%	1/4W	
R412	△1-212-970-00	FUSIBLE	33	5%	1/2W	F
R413	1-249-490-11	CARBON	27K	5%	1/2W	
R414	1-247-704-11	CARBON	220	5%	1/4W	
R415	1-246-531-00	CARBON	270K	5%	1/4W	
R416	1-247-740-11	CARBON	120	5%	1/2W	
R417	1-249-486-11	CARBON	12K	5%	1/2W	
R418	1-247-764-11	CARBON	10K	5%	1/2W	
R419	1-259-503-11	CARBON	4.7M	5%	1/2W	
R420	1-249-556-11	CARBON	1.5K	5%	1/4W	
R421	1-247-721-11	CARBON	4.7K	5%	1/4W	
R422	△1-212-982-00	FUSIBLE	100	5%	1/2W	F
R423	1-247-710-11	CARBON	560	5%	1/4W	
R424	1-247-718-11	CARBON	2.7K	5%	1/4W	
R425	1-247-710-11	CARBON	560	5%	1/4W	
R426	△1-212-998-00	FUSIBLE	470	5%	1/2W	F
R427	△1-212-956-00	FUSIBLE	8.2	5%	1/2W	F
R428	△1-212-956-00	FUSIBLE	8.2	5%	1/2W	F
R429	△1-212-982-00	FUSIBLE	100	5%	1/2W	F
R430	△1-212-950-00	FUSIBLE	4.7	5%	1/2W	F
R431	△1-212-950-00	FUSIBLE	4.7	5%	1/2W	F
R432	△1-212-950-00	FUSIBLE	4.7	5%	1/2W	F
R433	△1-212-950-00	FUSIBLE	4.7	5%	1/2W	F
R434	1-217-151-00	RES, METAL PLATE 0.22			2W	
R435	1-217-151-00	RES, METAL PLATE 0.22			2W	
R436	1-217-151-00	RES, METAL PLATE 0.22			2W	
R437	1-217-151-00	RES, METAL PLATE 0.22			2W	
R438	1-247-692-11	CARBON	22	5%	1/4W	F
R439	1-247-692-11	CARBON	22	5%	1/4W	F
R440	1-247-717-11	CARBON	2.2K	5%	1/4W	F
R441	1-249-460-11	CARBON	15K	5%	1/4W	
R442	△1-212-962-11	FUSIBLE	15	5%	1/2W	F
R443	1-247-727-11	CARBON	10	5%	1/2W	
R444	△1-212-982-00	FUSIBLE	100	5%	1/2W	F
R445	△1-212-982-00	FUSIBLE	100	5%	1/2W	F
R446	1-247-752-11	CARBON	1K	5%	1/2W	
R447	1-249-482-11	CARBON	4.7	5%	1/2W	
R448	1-249-482-11	CARBON	4.7	5%	1/2W	
R449	△1-212-962-00	(AEP)...FUSIBLE	15	5%	1/2W	F
R449	1-247-727-11	(WG)...CARBON	10	5%	1/2W	
R450	1-247-752-11	CARBON	1K	5%	1/2W	
R451	1-259-503-11	CARBON	4.7M	5%	1/2W	
R452	1-249-673-11	CARBON	1K	5%	1/2W	
R453	1-249-512-11	CARBON	22	5%	1/4W	
R454	1-249-512-11	CARBON	22	5%	1/4W	
R455	1-247-717-11	CARBON	2.2K	5%	1/4W	
R456	1-247-704-11	CARBON	220	5%	1/4W	
R458	1-247-703-11	CARBON	180	5%	1/4W	
R459	1-247-704-11	CARBON	220	5%	1/4W	

Ref.No.	Part No.	Description				
R460	1-246-545-00	CARBON	1M	5%	1/4W	
R462	△1-212-970-00	FUSIBLE	33	5%	1/2W	F
R463	1-249-490-11	CARBON	27K	5%	1/2W	
R464	1-247-704-11	CARBON	220	5%	1/4W	
R465	1-246-531-00	CARBON	270K	5%	1/4W	
R466	1-247-740-11	CARBON	120	5%	1/2W	
R467	1-249-486-11	CARBON	12K	5%	1/2W	
R468	1-247-764-11	CARBON	10K	5%	1/2W	
R469	1-259-503-11	CARBON	4.7M	5%	1/2W	
R470	1-249-556-11	CARBON	1.5K	5%	1/4W	
R471	1-247-721-11	CARBON	4.7K	5%	1/4W	
R472	△1-212-982-00	FUSIBLE	100	5%	1/2W	F
R473	1-247-710-11	CARBON	560	5%	1/4W	
R474	1-247-718-11	CARBON	2.7K	5%	1/4W	
R475	1-247-710-11	CARBON	560	5%	1/4W	
R476	△1-212-998-00	FUSIBLE	470	5%	1/2W	F
R477	△1-212-956-00	FUSIBLE	8.2	5%	1/2W	F
R478	△1-212-956-00	FUSIBLE	8.2	5%	1/2W	F
R479	△1-212-982-00	FUSIBLE	100	5%	1/2W	F
R480	△1-212-950-00	FUSIBLE	4.7	5%	1/2W	F
R481	△1-212-950-00	FUSIBLE	4.7	5%	1/2W	F
R482	△1-212-950-00	FUSIBLE	4.7	5%	1/2W	F
R483	△1-212-950-00	FUSIBLE	4.7	5%	1/2W	F
R484	1-217-151-00	RES, METAL PLATE 0.22				
R485	1-217-151-00	RES, METAL PLATE 0.22				
R486	1-217-151-00	RES, METAL PLATE 0.22				
R487	1-217-151-00	RES, METAL PLATE 0.22				
R488	1-247-692-11	CARBON	22	5%	1/4W	F
R489	1-247-692-11	CARBON	22	5%	1/4W	F
R490	1-247-717-11	CARBON	2.2K	5%	1/4W	F
R491	1-249-460-11	CARBON	15K	5%	1/4W	
R492	△1-212-962-00	FUSIBLE	15	5%	1/2W	F
R493	1-247-727-11	CARBON	10	5%	1/2W	
R494	△1-212-982-00	FUSIBLE	100	5%	1/2W	F
R495	△1-212-982-00	FUSIBLE	100	5%	1/2W	F
R496	1-247-752-11	CARBON	1K	5%	1/2W	
R497	1-249-482-11	CARBON	4.7	5%	1/2W	
R498	1-249-482-11	CARBON	4.7	5%	1/2W	
R499	△1-212-962-00	(AEP)...FUSIBLE	15	5%	1/2W	F
R499	1-247-727-11	(WG)...CARBON	10	5%	1/2W	
R500	1-247-752-11	CARBON	1K	5%	1/2W	
R506	1-216-429-00	METAL OXIDE	270	5%	1W	F
R601	1-247-891-00	CARBON	330K	5%	1/4W	
R602	1-247-887-00	CARBON	220K	5%	1/4W	
R603	1-247-725-11	CARBON	10K	5%	1/4W	
R604	1-249-461-11	CARBON	18K	5%	1/4W	
R605	1-249-606-11	CARBON	180K	5%	1/4W	
R606	1-247-725-11	CARBON	10K	5%	1/4W	
R607	1-247-717-11	CARBON	2.2K	5%	1/4W	
R608	1-249-465-11	CARBON	47K	5%	1/4W	
R609	1-249-465-11	CARBON	47K	5%	1/4W	
R610	1-249-462-11	CARBON	22K	5%	1/4W	
R612	1-247-706-11	CARBON	330	5%	1/4W	
R613	1-247-743-11	CARBON	220	5%	1/2W	
R616	1-247-693-11	CARBON	27	5%	1/4W	

Note: The components identified by mark △ or dotted line with mark △ are critical for safety. Replace only with part number specified.

Ref.No.	Part No.	Description				
R617	1-249-489-11	CARBON	22K	5%	1/2W	F
R618	1-247-750-11	CARBON	680	5%	1/2W	
R619	1-247-750-11	CARBON	680	5%	1/2W	
R620	1-247-750-11	CARBON	680	5%	1/2W	
R621	1-247-749-11	CARBON	560	5%	1/2W	
R622	1-247-749-11	CARBON	560	5%	1/2W	
R623	1-247-749-11	CARBON	560	5%	1/2W	
R624	1-247-749-11	CARBON	560	5%	1/2W	
R625	1-247-749-11	CARBON	560	5%	1/2W	
R626	1-247-749-11	CARBON	560	5%	1/2W	
R627	1-247-749-11	CARBON	560	5%	1/2W	
R628	1-247-749-11	CARBON	560	5%	1/2W	
R629	1-247-753-11	CARBON	1.2K	5%	1/2W	
R630	1-247-752-11	CARBON	1K	5%	1/2W	
R630A	1-247-727-11	(WG)...CARBON	10	5%	1/2W	
R631	1-247-753-11	CARBON	1.2K	5%	1/2W	
R632	1-247-752-11	CARBON	1K	5%	1/2W	
R633	1-247-721-11	CARBON	4.7K	5%	1/4W	
R634	1-247-235-00	CARBON	620	5%	1/2W	
R635	1-247-235-00	CARBON	620	5%	1/2W	
R650	1-247-138-00	CARBON	2K	5%	1/4W	
R651	1-247-891-00	CARBON	330K	5%	1/4W	
R652	1-247-721-11	CARBON	4.7K	5%	1/4W	
R653	△1-212-849-00	FUSIBLE	4.7	5%	1/4W	F
R680	1-247-727-11	(WG)...CARBON	10	5%	1/2W	
R701	△1-213-086-00	FUSIBLE	120	5%	1W	F
R751	△1-213-086-00	FUSIBLE	120	5%	1W	F
RT401	1-237-873-11	RES, ADJ, CARBON 100 (OFFSET)				
RT402	1-237-455-11	RES, ADJ, CARBON 500 (BIAS)				
RT451	1-237-873-11	RES, ADJ, CARBON 100 (OFFSET)				
RT452	1-237-455-11	RES, ADJ, CARBON 500 (BIAS)				
RY201	1-515-614-11	RELAY				
RY301	1-515-683-11	RELAY				
RY601	1-515-614-11	RELAY				
RY602	1-515-356-00	RELAY				
RY603	1-515-356-00	RELAY				
S101	1-554-879-11	SWITCH, SLIDE (INPUT SELECTOR)				
S102	1-570-593-11	SWITCH, SLIDE (REMOTE TYPE)(TAPE/DAT)				
S103	1-570-076-11	SWITCH, SLIDE (REMOTE TYPE) (REC OUT SELECTOR)				

Ref.No.	Part No.	Description
S104	1-516-785-XX	SLIDE SWITCH (ADAPTOR)
S201	1-554-019-00	SWITCH, SLIDE (REMOTE TYPE) (CARTRIDGE LOAD)
S301	1-570-594-11	SWITCH, PUSH (2 KEY)(MUTING -20dB)
S302	1-570-595-11	SWITCH, PUSH (1 KEY)(SUB SONIC)
S303	1-570-596-11	SWITCH, PUSH (3 KEY)(TONE)
S304	1-570-594-11	SWITCH, PUSH (2 KEY)(SOURCE DIRECT)
S305	1-570-596-11	SWITCH, PUSH (3 KEY)(TURN OVER)
S306	1-570-596-11	SWITCH, PUSH (3 KEY)(TURN OVER)
S501	1-570-592-11	SWITCH, ROTARY (MODE)
S601	1-554-876-11	SWITCH, ROTARY (SPEAKERS)
S801	△1-554-880-11	SWITCH, PUSH (AC POWER)(1 KEY)
T1	△1-449-203-11	TRANSFORMER, POWER
T2	△1-449-203-21	TRANSFORMER, POWER
VR301	1-237-113-11	RES, VAR, CARBON 150K/150K (BALANCE)
VR302	1-237-174-11	RES, VAR, CARBON 250K/250K (TREBLE)
VR303	1-237-173-11	RES, VAR, CARBON 1Mx500K/1M/500K (BASS)
VR304	1-237-175-11	RES, VAR, CARBON 120K/120K(ATTENUATOR)

ACCESSORY & PACKING MATERIAL

3-786-128-11	MANUAL, INSTRUCTION
4-847-802-00	SCREW
4-908-805-01	CUSHION (FRONT), LOWER
4-908-806-01	CUSHION (REAR), LOWER
4-908-807-01	CUSHION (FRONT), UPPER
4-908-808-01	CUSHION (REAR), UPPER
4-915-880-01	SHEET, PROTECTION
*4-923-815-01	INDIVIDUAL CARTON

Note: The components identified by mark △ or dotted line with mark △ are critical for safety. Replace only with part number specified.

Copyright © 1988 Sony Electronics Inc. All rights reserved. Printed in Japan.