

TA-F707ES/F808ES

SERVICE MANUAL

AEP Model
TA-F707ES/F808ES

E Model
TA-F707ES



Photo: TA-F707ES

SPECIFICATIONS

Amplifier Section

Items	Condition	Data	
		AEP, Germany Model	E Model
Continuous RMS power output (both channels driven simultaneously)	4 ohms, 20 Hz – 20 kHz	—	TA-F808ES: 170 W + 170 W (DIN: 200 W + 200 W)
		—	TA-F707ES: 140 W + 140 W (DIN: 180 W + 200 W)
	6 ohms, 20 Hz – 20 kHz	TA-F808ES: 115 W + 115 W (DIN: 135 W + 135 W)	—
		TA-F707ES: 110 W + 110 W (DIN: 130 W + 130 W)	—
	8 ohms, 20 Hz – 20 kHz	TA-F808ES: 95 W + 95 W (DIN: 110 W + 110 W)	TA-F808ES: 120 W + 120 W (DIN: 135 W + 135 W)
		TA-F707ES: 90 W + 90 W (DIN: 105 W + 105 W)	TA-F707ES: 100 W + 100 W (DIN: 120 W + 120 W)
	Power band width	8 ohms, THD 0.05%	10 Hz – 100 kHz at 40 W
	Dynamic headroom	4 ohms	1.9 dB
8 ohms		1.1 dB	
Total harmonic distortion	8 ohms, at 10 W output	0.004% (Model for Germany: 0.005%)	
Intermodulation (IM) distortion 60 Hz : 7 kHz = 4 : 1	4 ohms, at rated output	0.008%	
	6 ohms, at rated output	0.006%	
	8 ohms, at rated output	0.004%	
Damping factor	8 ohms, at 1 kHz	100	
Residual noise	network A, 8 ohms	less than 110 μ V	
Frequency response	PHONO MM (20 Hz – 20 kHz)	RIAA equalization curve \pm 0.2 dB	
	TUNER, CD, TAPE 1, 2, 3, DIRECT IN	2 Hz – 200 kHz \pm 3 dB	

— Continued on next page —

INTEGRATED STEREO AMPLIFIER
SONY[®]

Items	Condition		Data
Input sensitivity	PHONO	MC	3 Ω : 0.25 mV/100 ohms 40 Ω : 0.25 mV/1 kilohm
		MM	2.5 mV, 50 kilohms
	TUNER, CD, DIRECT IN, TAPE 1, 2, 3, ADAPTOR, AUX		150 mV, 20 kilohms
S/N (network)	PHONO	MC	TA-F808ES: 79 dB (0.5 mV) TA-F707ES: 77 dB (0.5 mV)
		MM	93 dB (5.0 mV)
	TUNER, CD, DIRECT IN, TAPE 1, 2, 3, ADAPTOR, AUX		105 dB (150 mV)
Output voltage impedance	REC OUT 1, 2, 3, ADAPTOR		150 mV, 1 kilohm
	HEADPHONES		25 milliwatts (at 8 ohms) Accepts low and high impedance headphone
Tone controls	BASS, at 100 Hz		± 7 dB
	TREBLE, at 10 kHz		± 6 dB
Subsonic filter	—		6 dB/octave attenuation below 15 Hz
Muting	—		— 20 dB

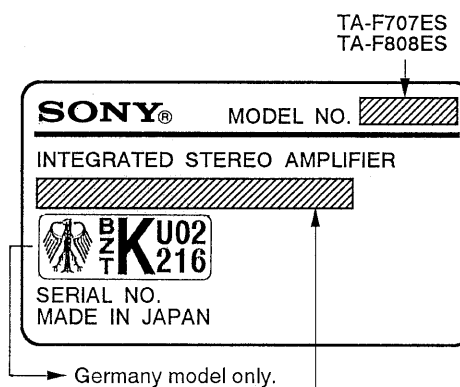
Supplied accessories

- Screws (4)
- Remote commander RM-S703 (1)
- Sony SUM-3 (NS) batteries (2)

Design and specifications are subject to change without notice.

MODEL IDENTIFICATION

— Specification Labels —



- AE1 model: AC 220 – 230 V ~ 50/60 Hz 330 W
- AE2 model: AC 220 – 230 V ~ 50/60 Hz 260 W
- Germany model: AC 220 – 230 V ~ 50/60 Hz 330 W
- E model: AC 120/220/240 V ~ 50/60 Hz 330 W

General

System

Preamplifier section: Low-noise high gain NFB type equalizer amplifier, passive type direct tone control

Power amplifier section: Pure-complementary SEPP MOS-FET power amplifier

Power requirement

AEP, Germany Models: 220 V – 230 V AC, 50/60 Hz

E Model: 120 V, 220 V or 240 V AC adjustable, 50/60 Hz

Power consumption

Model for Scandinavian countries, Switzerland, Spain and Portugal

TA-F808ES: 330 W, TA-F707ES: 260 W

Model for other European countries

TA-F808ES: 390 W, TA-F707ES: 330 W

Model for other countries

TA-F707ES: 330 W

Dimensions

TA-F808ES: Approx. 470 × 175 × 435 mm (w/h/d)
(18 5/8 × 7 × 17 1/4 inches)

TA-F707ES: Approx. 470 × 165 × 435 mm (w/h/d)
(18 5/8 × 6 1/2 × 17 1/4 inches)

Mass

TA-F808ES: Approx. 24.6 kg (54 lb 4 oz)

TA-F707ES: Approx. 21.3 kg (46 lb 15 oz)

Note: There are two type of AEP models which are depend on countries.

AE2 model: Model for Scandinavian countries, Switzerland, Spain and Portugal

AE1 model: Model for other European countries

SAFETY-RELATED COMPONENT WARNING!!

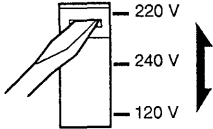
COMPONENTS IDENTIFIED BY SHADING AND MARK ⚠ ON THE SCHEMATIC DIAGRAMS, EXPLODED VIEWS AND IN THE PARTS LIST ARE CRITICAL TO SAFE OPERATION. REPLACE THESE COMPONENTS WITH SONY PARTS WHOSE PART NUMBERS APPEAR AS SHOWN IN THIS MANUAL OR IN SUPPLEMENTS PUBLISHED BY SONY.

TABLE OF CONTENTS

<u>Section</u>	<u>Title</u>	<u>Page</u>
	Specifications	1
	Model Identification	2
	Operating Voltage	3
1.	GENERAL	
	Identifying the Parts and Controls	4
	Hooking Up the System	6
2.	DISASSEMBLY	7
3.	SWITCH DISASSEMBLY AND ASSEMBLY	9
4.	ELECTRICAL ADJUSTMENTS	9
5.	DIAGRAMS	
5-1.	Block Diagram	10
5-2.	Circuit Boards Location	10
5-3.	Printed Wiring Boards	12
5-4.	Schematic Diagram	17
6.	EXPLODED VIEWS	24
7.	ELECTRICAL PARTS LIST	30

Operating Voltage

- Before operating the unit, be sure that the operating voltage of your unit is identical with that of your local power supply.

AEP, Germany model	220 – 230 V AC
E model 	120 V, 220 V or 240 V AC, adjustable. The voltage selector is located on the rear panel. If the selector must be reset, disconnect the AC power cord and set the selector to the proper voltage of your local power supply.

This section is extracted from instruction manual.

Identifying the Parts and Controls

(continued)

1 DIRECT INPUT selector
Set to SOURCE to select program source with the INPUT SELECTOR.
To listen to a program source processed through the equipment, such as graphic equalizer, set to ADAPTOR (TA-F808ES/TA-F707ES) or SOURCE (TA-F505ES).
To listen to a program source connected to DIRECT IN jacks, set it to DIRECT.

2 SUBSONIC filter button
If subsonic noise components created by warped records, etc. are present, the audible range frequencies may be modulated and cause irritating intermodulation distortion. In this case, press the button to reduce noise components of less than 15 Hz, which cause modulation noise.

3 MODE selector
STEREO: For listening to a stereo program.
MONO: For listening to a monaural program.

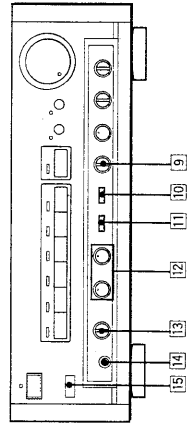
4 BASS and TREBLE TONE controls
Adjust the tone quality.
To increase bass or treble sound, turn the control clockwise. To decrease them, turn the control counterclockwise.

5 SPEAKERS selector
Select speaker system A, B, or A and B.
To drive speaker system A: Set the selector to A.
To drive speaker system B: Set the selector to B.
To drive speaker system A and B: Set the selector to A + B.
For headphones listening only: Set the selector to OFF.

To use a power amplifier or active speaker system connected to the PRE OUT jacks, set the selector to B/PRE OUT.

6 HEADPHONES jack
Connect the stereo phone plug of headphones.

7 Remote sensor



TA-F808ES
TA-F707ES

Identifying the Parts and Controls

Front Panel

1 POWER switch and indicator
After the power is turned on, the standby indicator lights in red as the built-in amplifier stays in a stable operating condition, the indicator lights in green. The indicator lights in red if the unit detects shorting of circuit of the speaker outputs or in case of short-circuit of the inputs of DC components. In such a case, disconnect the power source and check the connected components and speaker systems.

2 INPUT SELECTOR
Selects the desired program source for listening.

3 SOURCE DIRECT button and indicator
When the button is pressed, the orange indicator lights and the circuits of the TONE control, SUBSONIC filter button, BALANCE control and MODE selector are disengaged regardless of the setting of the switches.

4 MUTING button and indicator
Press the button to reduce the sound level by -20 dB. (Output voltage becomes 1/10.)
Generally, set the button to off.

5 ATTENUATOR control
Adjusts the sound level. To increase the sound level, turn the control clockwise. To decrease the level, turn the control counterclockwise.

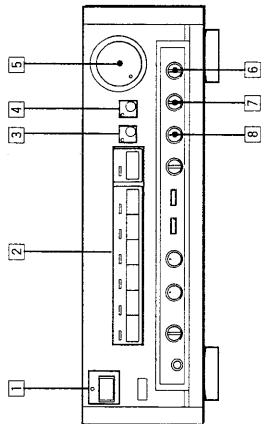
Note
Turn down the sound level before switching on the unit.
This prevents damage to speakers.

6 CARTRIDGE LOAD (TA-F808ES/TA-F707ES)
selector
Set the selector according to your cartridge.
MM: For moving-magnet type cartridge.
MC: For moving-coil type cartridge.
40 Ω : For a cartridge with an impedance of 40 ohms or more.
(TA-F808ES/TA-F707ES)
3 Ω : For a cartridge with an impedance of 3 ohms to 40 ohms.
(TA-F808ES/TA-F707ES)

7 REC OUT SELECTOR
Selects the program source sent to the REC OUT jacks for recording.

8 BALANCE control
Adjust BALANCE to correct stereo imaging, when the speaker position is not symmetrical.

(to be continued)

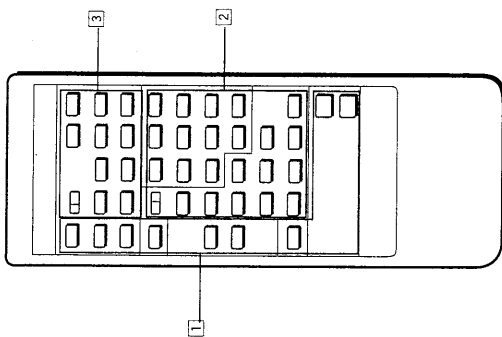


TA-F808ES
TA-F707ES

Identifying the Parts and Controls

Remote Commander

- 1 Amplifier control section
Input selectors: Select an input source of the amplifier.
ATTENUATOR +/- buttons: Control the volume of amplifier.
- 2 Tuner/DAT deck/CD player control section
DAT/CD selector: Selects DAT deck or CD player.
◀◀▶▶: Locates a desired section.
▶▶▶▶: Manual search
▶: Play
■: Stop
II: Pause
O: Recording muting
●: Recording
- 3 Tape deck control section
DECK A/B selector: Selects deck A or B.
◀◀▶▶: Locates a desired selection.
▶▶▶▶: Play
■: Stop
II: Pause
O: Recording muting
●: Recording



Inserting the Batteries into the Remote Commander A

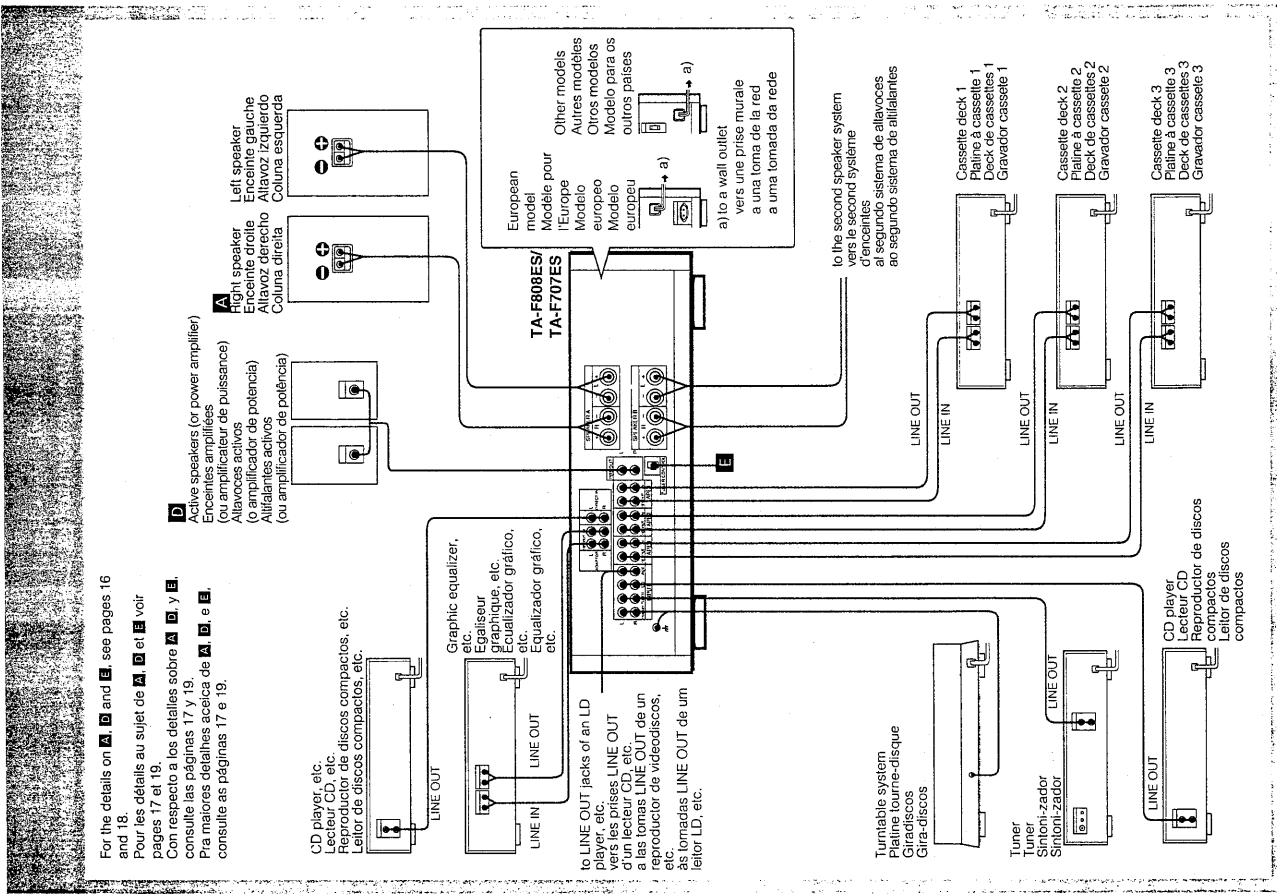
- 1 Open the cover.
- 2 Two size AA (R6) batteries with correct polarity.

To avoid damage caused by battery leakage and corrosion
When the commander will not be used for a long time, remove the batteries.

Battery life
Normal operation can be expected about a half year using Sony SUM-3 (NS), and a year using Sony AM-3 (NW) alkaline batteries.
When the batteries are run down, the remote commander will not operate the unit. In this case, replace batteries with new ones.

- 1
- 2





For the details on **A**, **D** and **E**, see pages 16 and 18.
 Pour les détails au sujet de **A**, **D** et **E**, voir pages 17 et 19.
 Con respecto a los detalles sobre **A**, **D**, **E**, **F**, consulte las páginas 17 y 19.
 Para maiores detalhes acerca de **A**, **D**, **E** e **F**, consulte as páginas 17 e 19.

D Active speakers (or power amplifier)
 Encenceurs actifs (ou amplificateur de puissance)
 Altavoces activos (o amplificador de potencia)
 Alifalantes activos (ou amplificador de potência)

A Left speaker
 Encenceinte gauche
 Enciente dextre
 Alifalvoz izquierdo
 Coluna esquerda

CD player, etc.
 Lecteur CD, etc.
 Reproductor de discos compactos, etc.
 Leitor de discos compactos, etc.

Graphic equalizer, etc.
 Egaliseur, etc.
 Equalizador gráfico, etc.
 Equalizador gráfico, etc.

to LINE OUT jacks of an LD player, etc.
 vers les prises LINE OUT d'un lecteur CD, etc.
 a las tomas LINE OUT de un reproductor de videodiscos, etc.
 às tomadas LINE OUT de um leitor LD, etc.

Turntable system
 Platine tourne-disque
 Gra-discos

Tuner
 Sintonizador

CD player
 Lecteur CD
 Reproductor de discos compactos
 Leitor de discos compactos

to the second speaker system
 vers le second système d'enceintes
 ao segundo sistema de alifalantes

Cassette deck 1
 Platine à cassette 1
 Gravador cassette 1

Cassette deck 2
 Platine à cassette 2
 Deck de cassettes 2
 Gravador cassette 2

Cassette deck 3
 Platine à cassette 3
 Deck de cassettes 3
 Gravador cassette 3

Hooking Up the System

TA-F808ES/TA-F707ES

- Notes**
- Connect the AC power cord last. Make sure it is plugged in correctly.
 - Be sure to connect the left (L) and right (R) channels consistently between equipments.
 - Fully insert cable connectors into jacks. Loose connections may cause hum or noise.
 - Connect the + and - cords of the speaker systems correctly to the + and - terminals of the amplifier respectively.

Connexion a un sistema

TA-F808ES/TA-F707ES

- Notes**
- Conecte el cable de alimentación en último lugar. Cerciórese de que la alimentación esté desconectada.
 - Cerciórese de conectar correctamente los canales izquierdo (L) y derecho (R) entre los equipos.
 - Inserte firmemente las clavijas de los cables con los cables en las tomas. Las conexiones flojas pueden causar ruidos y zumbidos.
 - Conecte los conductores + y - de los sistemas de altavoces correctamente a los terminales + y - respectivamente, del amplificador.

Connexions

TA-F808ES/TA-F707ES

- Remarques**
- Le cordon d'alimentation secteur doit être branché en dernier. Vérifier que l'appareil est hors tension.
 - Veiller à raccorder les canaux gauche (L) et droit (R) de façon cohérente entre les appareils.
 - Insérer les connecteurs des câbles à fond dans les prises. En effet, une connexion relâchée peut provoquer un ronflement ou du bruit.
 - Raccorder les cordons + et - du système d'enceintes aux bornes + et - de l'amplificateur.

Ligação do sistema

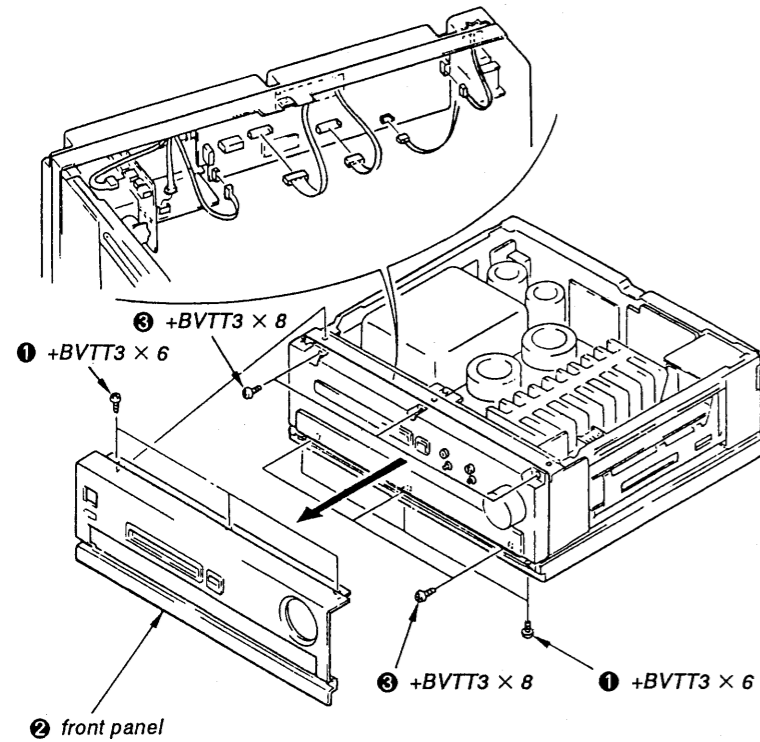
TA-F808ES/TA-F707ES

- Notas**
- Ligue o cabo de alimentação por último. Certifique-se de que a alimentação está desligada. Certifique-se de que a alimentação está desligada.
 - Assegure-se de ligar firmemente os canais direito (R) e esquerdo (L) entre os equipamentos.
 - Insere firmemente as fichas dos cabos nas tomas. As ligações frouxas podem causar ruídos ou zumbidos.
 - Ligue os cabos + e - do sistema de colunas correctamente aos terminais + e - do amplificador.

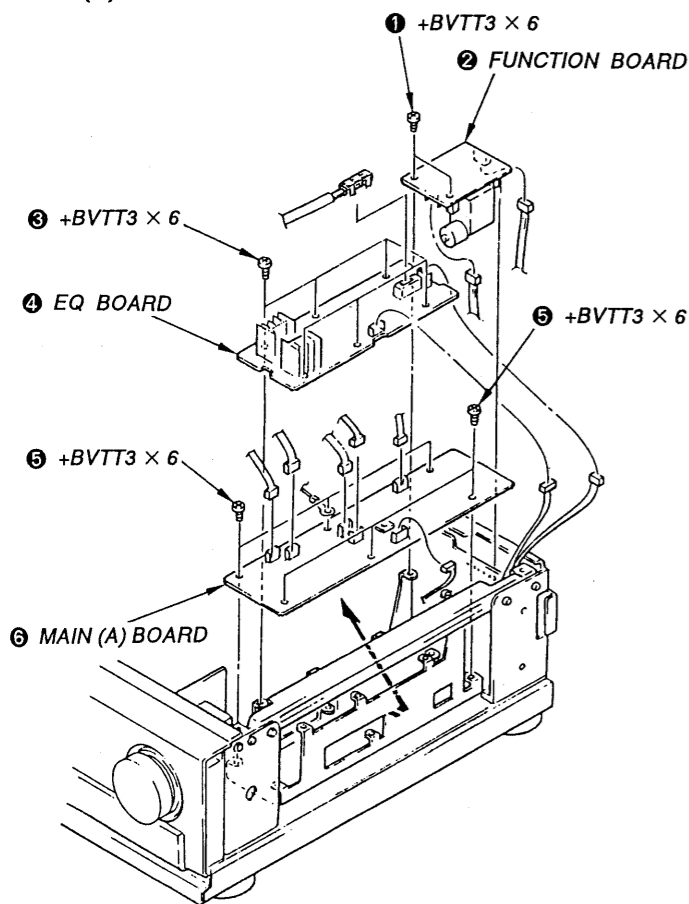
SECTION 2 DISASSEMBLY

Note: Follow the disassembly procedure in the numerical order given.

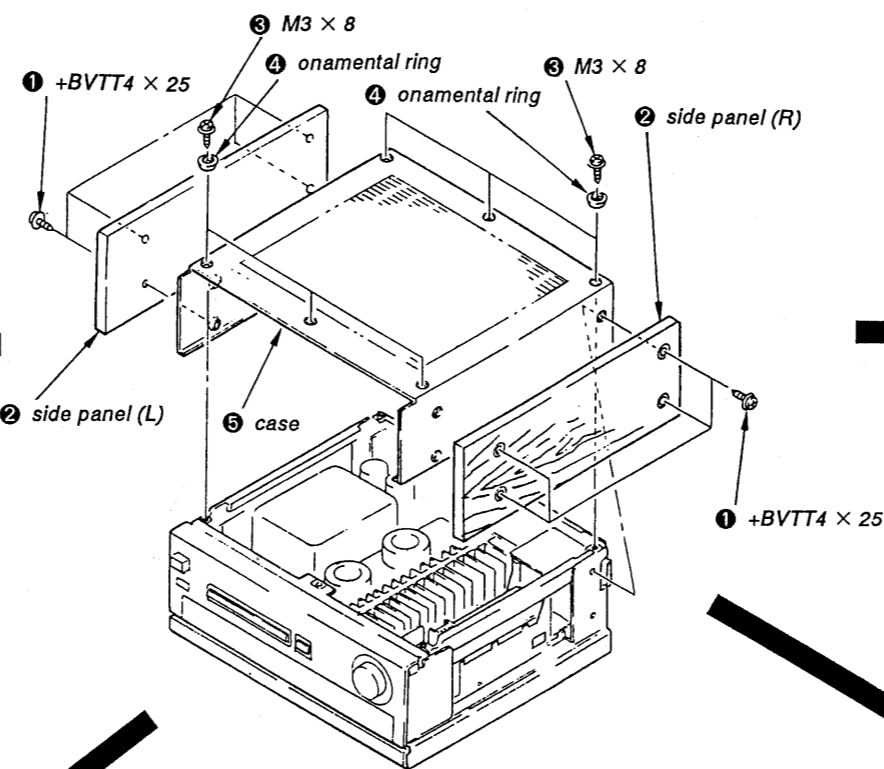
FRONT PANEL



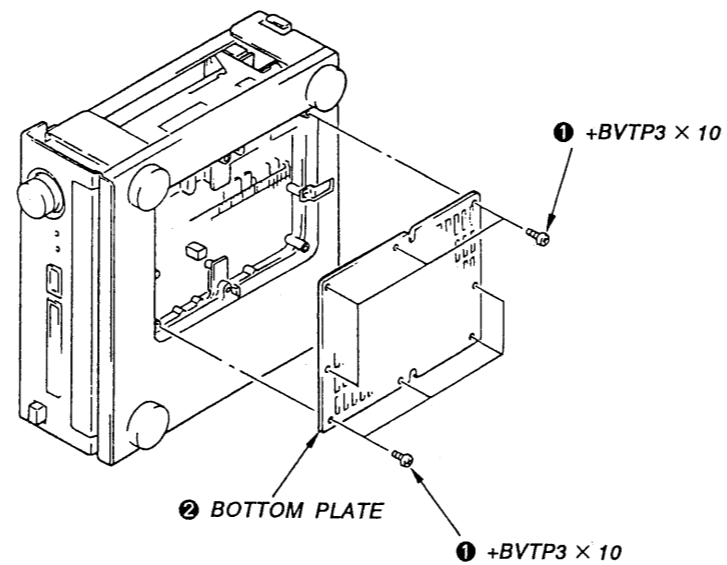
MAIN (A) BOARD



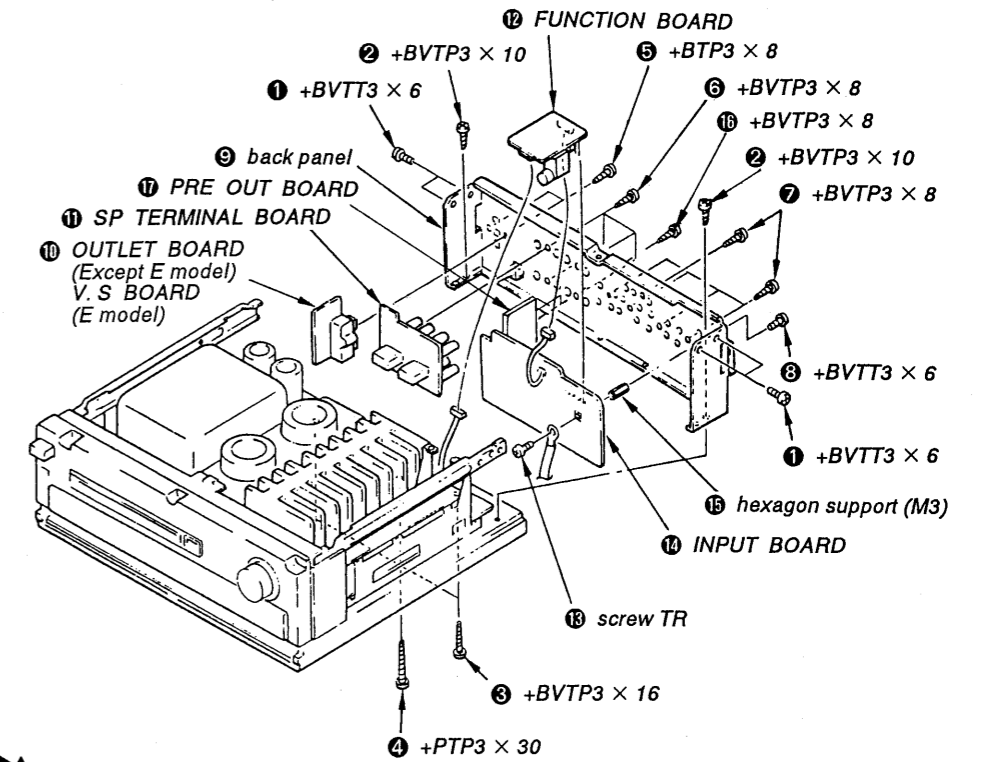
CASE (TA-F808ES: First remove the top plate.)



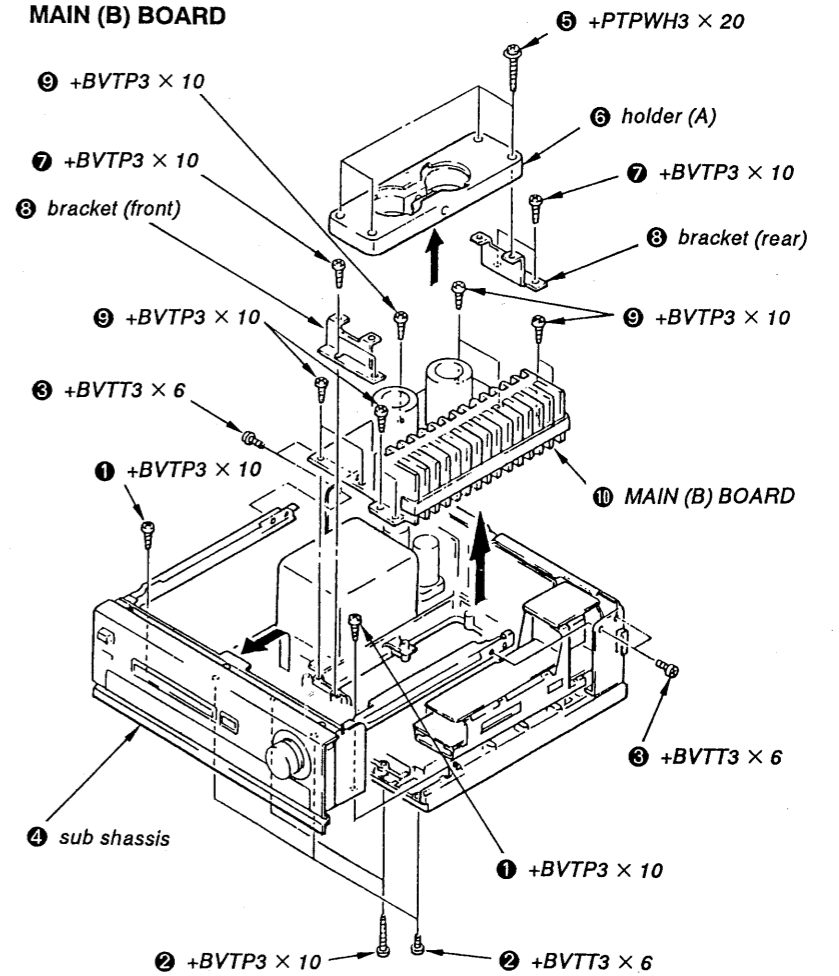
MAIN (B) BOARD CHECKING METHOD



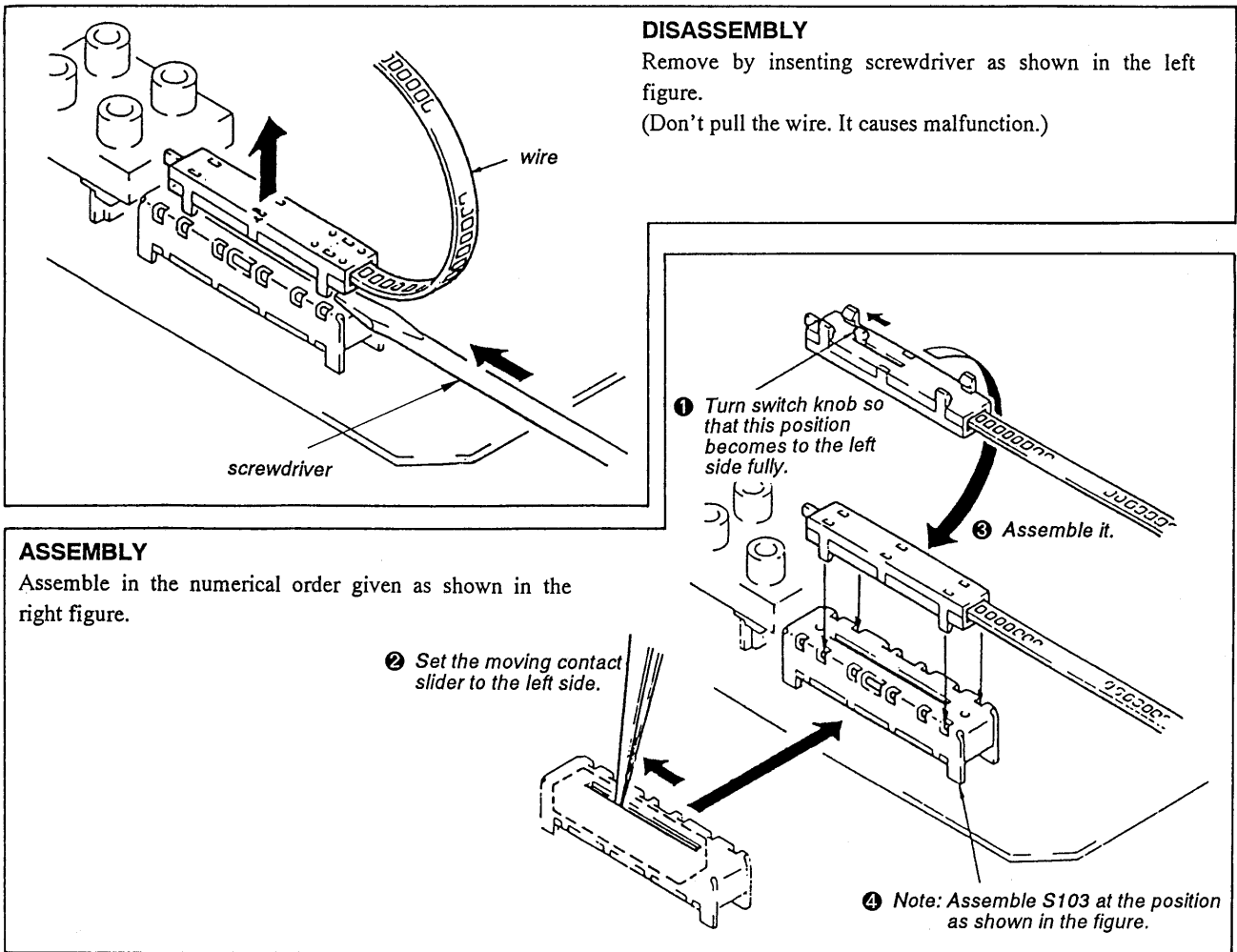
BACK PANEL



MAIN (B) BOARD



SECTION 3 SWITCH DISASSEMBLY AND ASSEMBLY



SECTION 4 ELECTRICAL ADJUSTMENTS

Note: adjustment should be performed 5 minutes later, after the power switch is on.

Adjustment Location: MAIN (B) BOARD

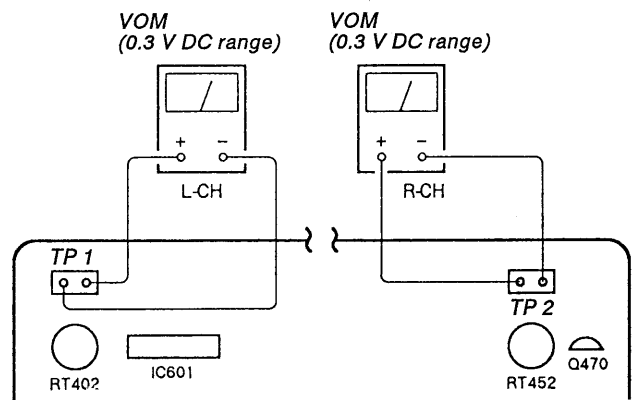
Bias Current Adjustment

Setting:

OPERATION switch: STEREO
Input signal: No signal input

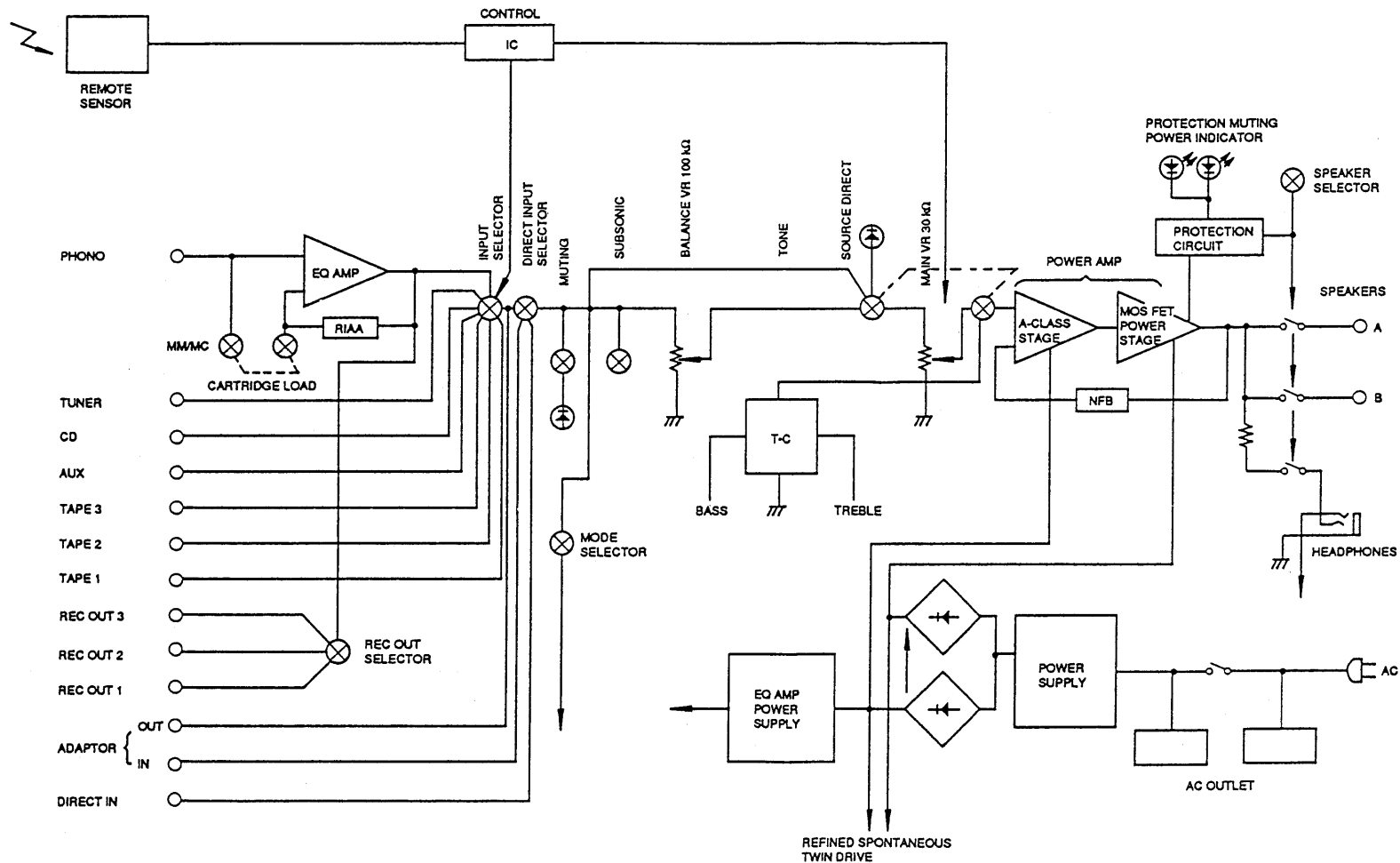
Procedure:

Adjust RT402 (L-CH) and RT-452 (R-CH) so that VOM reading of TP-1 (L-CH), TP-2 (R-CH) become 30 mV.

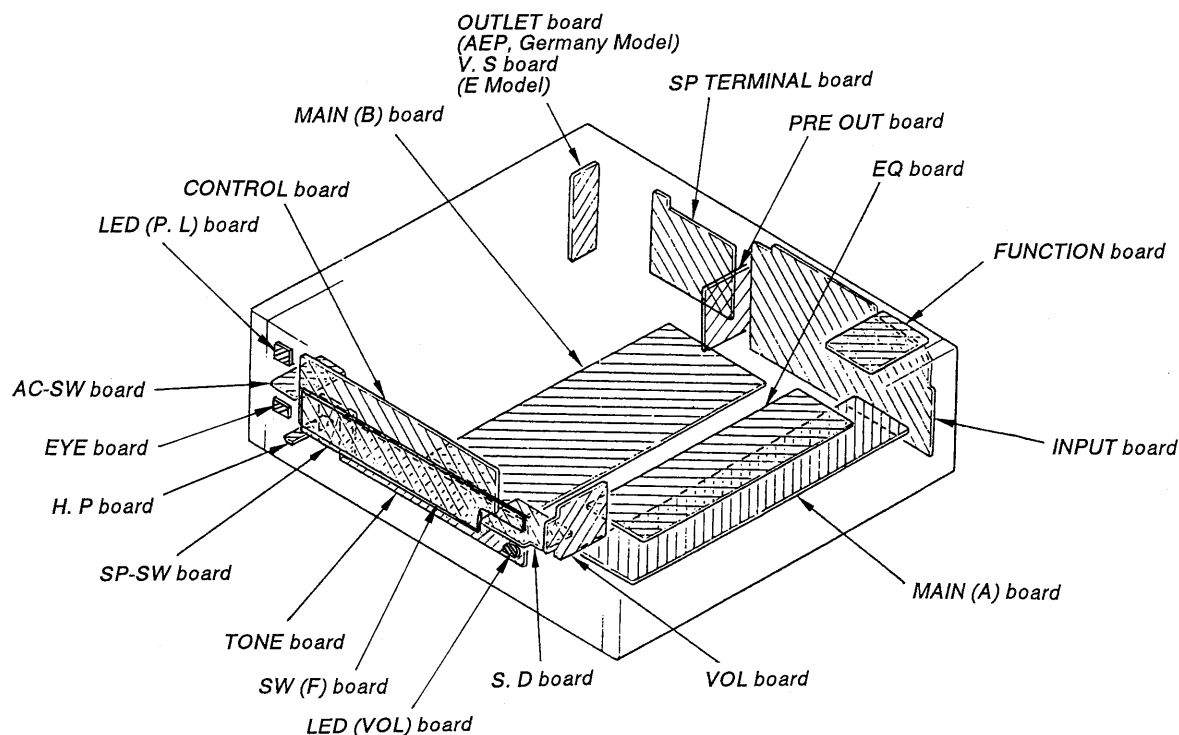


SECTION 5 DIAGRAMS

5-1. BLOCK DIAGRAM



5-2. CIRCUIT BOARDS LOCATION



Note on Printed Wiring Board:

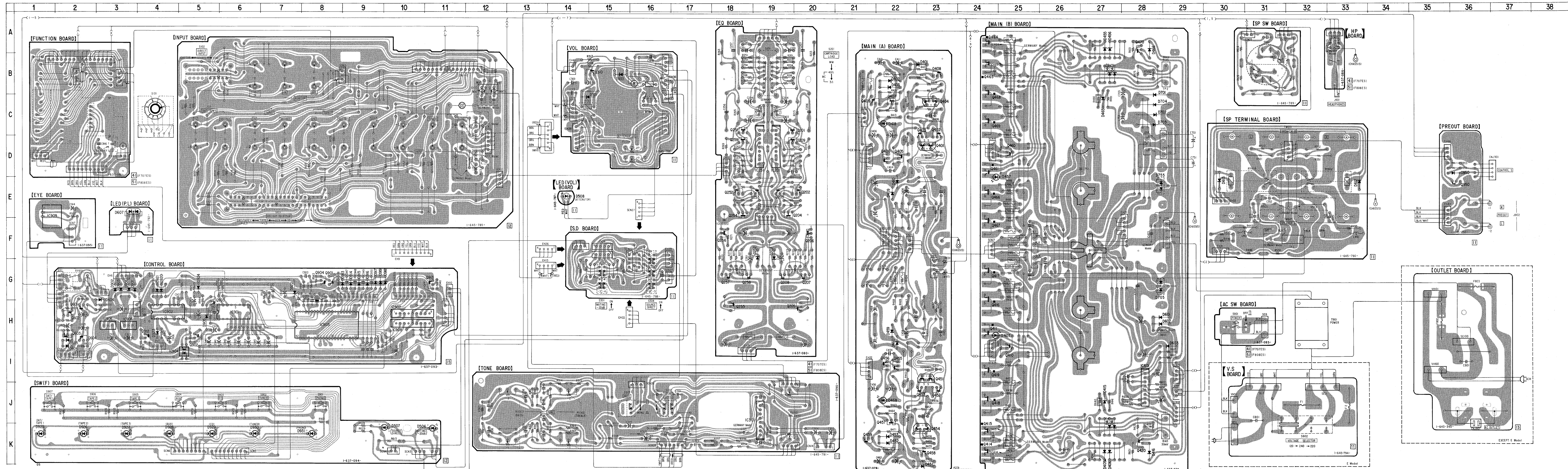
- — : parts extracted from the component side.

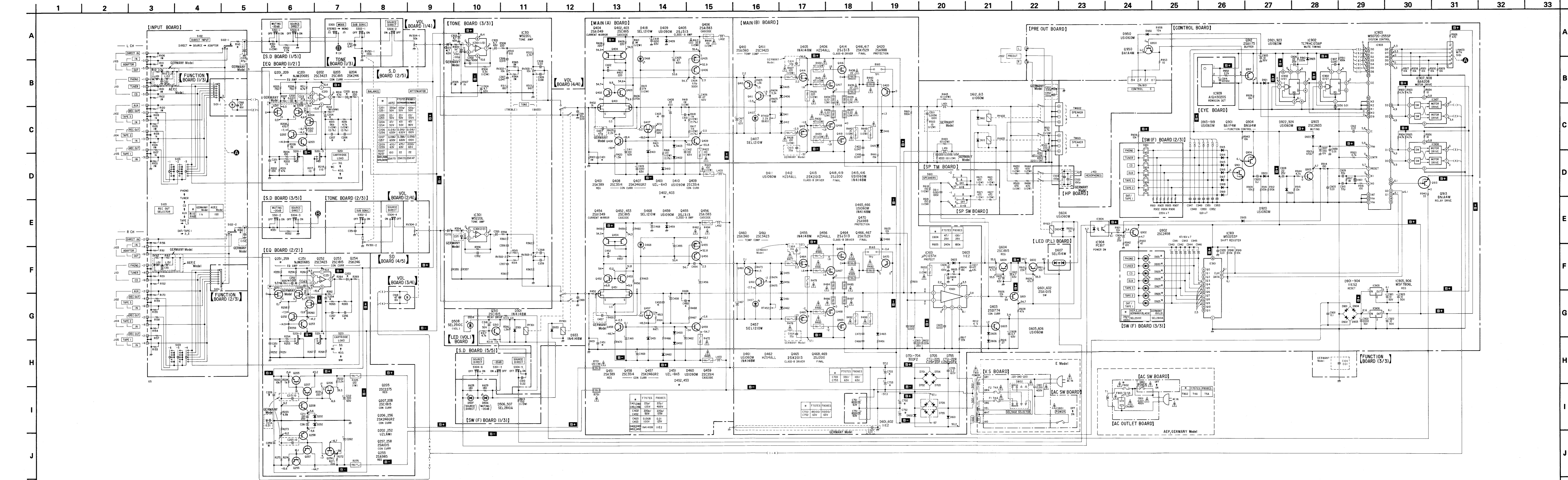
Note on Schematic Diagram:

- All capacitors are in μF unless otherwise noted. pF : μF 50 WV or less are not indicated except for electrolytics and tantalums.
- All resistors are in Ω and $\frac{1}{4}$ W or less unless otherwise specified.
- % : indicates tolerance.
- Components for right channel have same values as for left channel.
- : nonflammable resistor.
- : fusible resistor.

Note: The components identified by mark Δ or dotted line with mark Δ are critical for safety. Replace only with part number specified.

- B+** : B + Line.
- B-** : B - Line.
- : adjustment for repair.
- Voltages are taken with a VOM (10 M Ω/V). Voltage variations may be noted due to normal production tolerances.
- Signal path. : PHONO



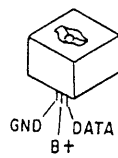


• Semiconductor Location

Ref. No.	Location	Ref. No.	Location
D202	F-19	IC601	I-28
D252	F-19	IC901	H-6
D301	C-14	IC902	H-4
D401	B-23	IC903	H-8
D402	B-22	IC904	I-5
D403	B-22	IC905	H-3
D405	K-27	IC906	H-3
D406	K-27	IC907	H-10
D407	H-24	IC908	H-10
D409	E-22	IC909	E-1
D410	E-22		
D411	K-27	Q201	C-19
D412	K-27	Q202	E-20
D415	J-27	Q203	E-19
D416	K-28	Q204	E-19
D418	C-22	Q205	H-20
D451	K-23	Q206	F-20
D452	K-22	Q207	G-20
D453	K-22	Q208	G-19
D455	A-27	Q209	D-19
D456	A-27	Q251	C-18
D457	D-24	Q252	E-18
D459	H-22	Q253	E-19
D460	H-22	Q254	E-18
D461	B-27	Q255	H-18
D462	B-27	Q256	F-18
D465	C-27	Q257	G-18
D466	A-28	Q258	G-18
D468	J-22	Q259	D-18
D506	K-11	Q310	B-15
D507	K-10	Q401	D-23
D508	E-14	Q402	C-23
D601	H-28	Q403	C-23
D602	H-28	Q404	C-23
D603	I-29	Q405	D-22
D604	G-3	Q406	D-22
D605	H-2	Q407	C-22
D606	I-2	Q408	B-23
D607	E-3	Q409	C-21
D612	E-33	Q410	I-25
D613	E-30	Q411	H-24
D701	C-28	Q414	K-24
D702	C-28	Q415	K-24
D703	C-28	Q416	H-24
D704	C-28	Q417	G-24
D705	G-28	Q418	J-24
D755	E-28	Q419	I-24
D901	G-3	Q420	K-28
D902	G-3	Q451	I-23
D903	G-3	Q452	J-23
D904	G-3	Q453	J-23
D905	H-5	Q454	K-23
D913	G-8	Q455	I-22
D914	G-9	Q456	I-22
D915	G-9	Q457	J-22
D916	G-9	Q458	K-23
D917	G-9	Q459	K-21
D918	G-10	Q460	D-25
D919	G-9	Q461	D-24
D920	G-4	Q464	A-24
D921	G-4	Q465	B-24
D922	G-7	Q466	E-24
D923	H-4	Q467	F-24
D924	G-5	Q468	C-24
D925	K-1	Q469	C-24
D926	K-2	Q470	A-28
D927	K-3	Q601	H-2
D928	K-4	Q602	H-2
D929	K-5	Q603	H-2
D930	K-6	Q604	H-2
D931	K-8	Q901	G-8
D933	B-15	Q902	H-5
D950	D-36	Q903	H-5
		Q904	G-8
IC201	D-19	Q912	H-4
IC251	D-19	Q913	G-11
IC301	J-19	Q950	E-36

• Semiconductor Lead Layouts

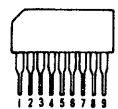
A1QH3020S



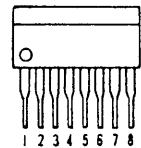
M5F7806L



NJM2068S-D



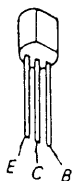
PC1237HA



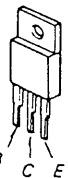
DTA114ES
DTC114ES
DTC124ES
2SC2603-EF



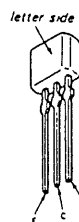
2SA988-PAFAEA
2SA1015-GR
2SC1815-BL



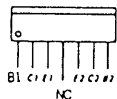
2SA985A-QP
2SA1383-Q
2SC2275-P
2SC3514-Q



2SA1175-FEK
2SC2785-HFE



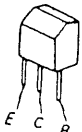
2SA1349-GRBL



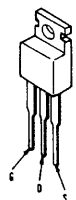
2SA1360-0
2SC3423-0



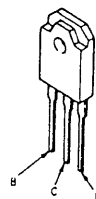
2SD774-34



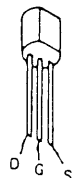
2SJ313-Y
2SK2013-Y



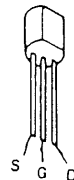
2SJ200A-Y
2SK1529A-Y



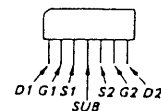
2SK147-V



2SK246-GR2



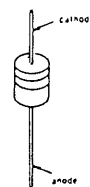
2SK389-GR



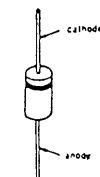
C25P20F
C25P20FR



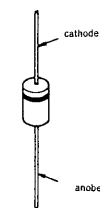
HZS6B1L
HZS6C3L
1S120
11ES2



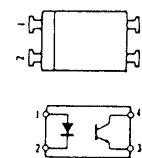
HZS4ALL
1N4148M
1S1585



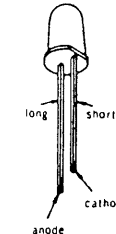
30DF2



PC817



SEL1210W

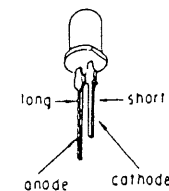


SEL1516W



1 ANODE RED
2 CATHODE
3 ANODE GREEN

SEL2510C-D
SEL2810A



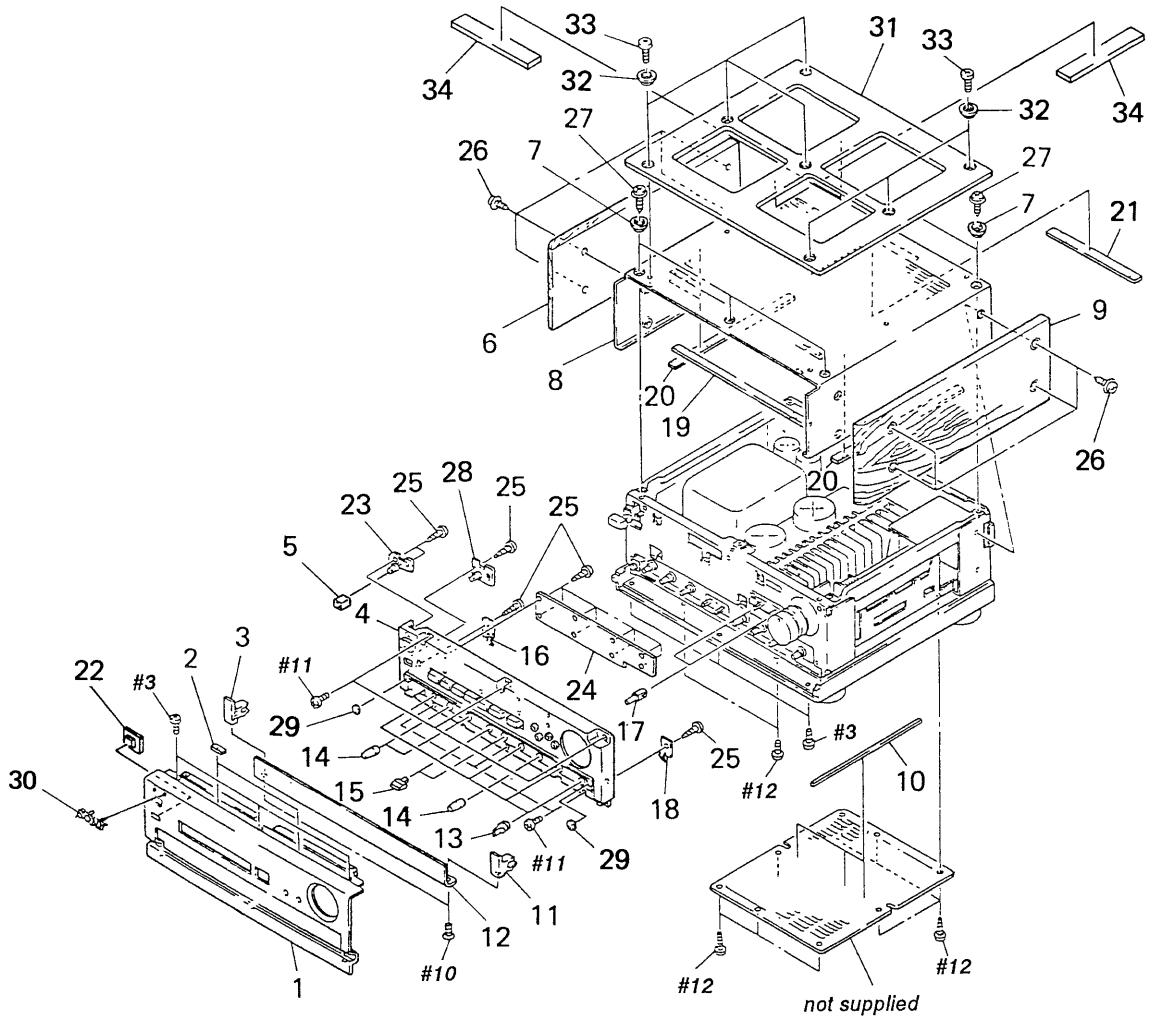
SECTION 6 EXPLODED VIEWS

NOTE:

- -XX and -X mean standardized parts, so they may have some difference from the original one.
- Color Indication of Appearance Parts
Example:
KNOB, BALANCE (WHITE) ... (RED)
 ↑ ↑
Parts Color Cabinet's Color
- Items marked "*" are not stocked since they are seldom required for routine service. Some delay should be anticipated when ordering these items.
- The mechanical parts with no reference number in the exploded views are not supplied.
- Hardware (# mark) list is given in the last of this parts list.
- There are two type of AEP models which are depend on countries
AE2 model: Model for Scandinavian countries, Switzerland, Spain and Portugal
AE1 model: Model for other European countries

The components identified by mark or dotted line with mark are critical for safety. Replace only with part number specified.

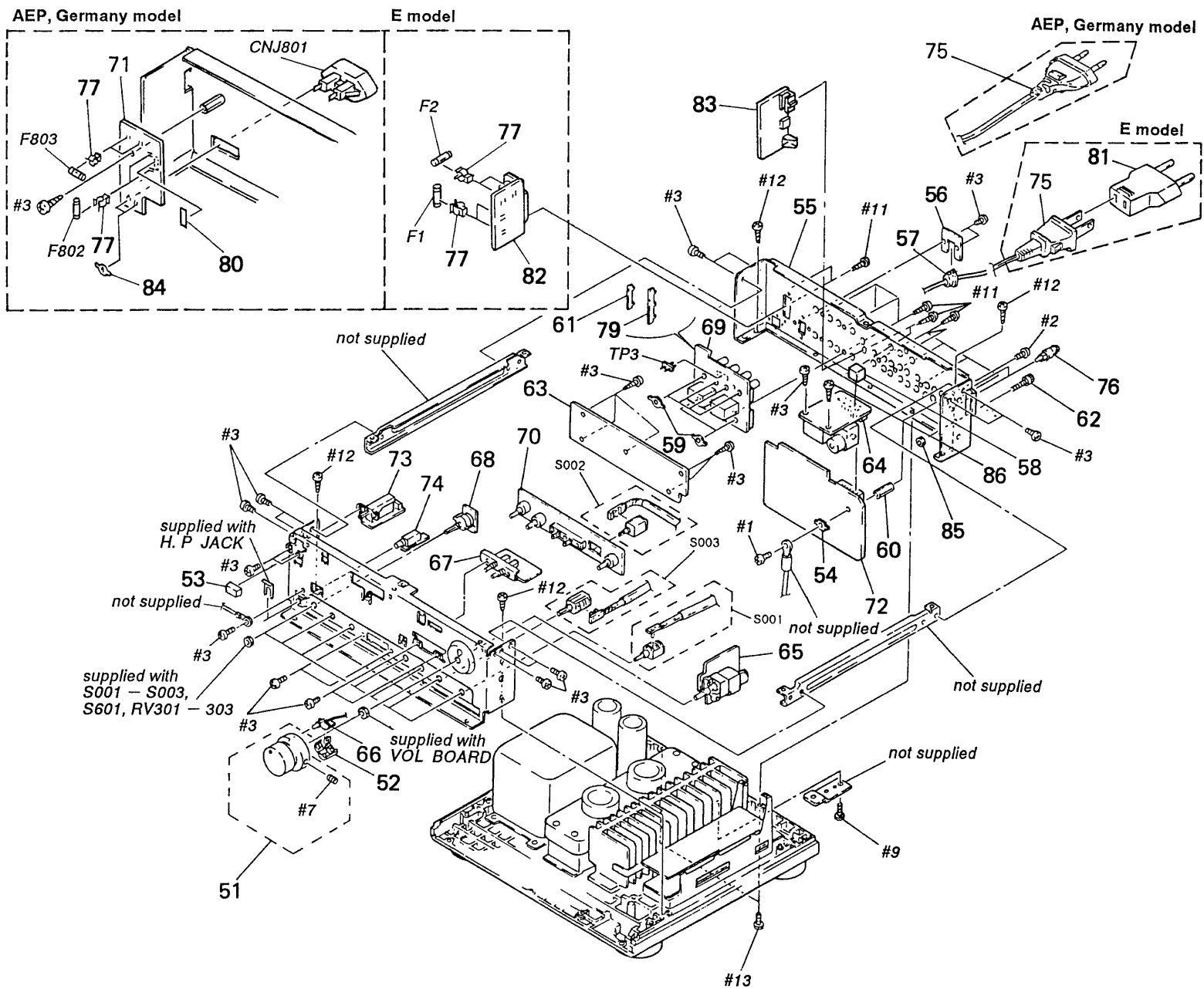
(1) CABINET SECTION



Ref. No.	Part No.	Description	Remark
1	A-4353-210-A	PANEL ASSY, FRONT (TA-F707ES) (BLACK)	
1	A-4353-212-A	PANEL ASSY, FRONT (TA-F707ES) (GOLD)	
1	A-4353-217-A	PANEL ASSY, FRONT (TA-F808ES) (BLACK)	
1	A-4353-221-A	PANEL ASSY, FRONT (TA-F808ES) (GOLD)	
2	9-911-840-XX	CUSHION, RUBBER	
3	4-942-225-01	ARM (L) (BLACK)	
3	4-942-225-11	ARM (L) (GOLD)	
4	X-4941-821-1	PANEL ASSY, BASE (GOLD)	
4	X-4941-853-1	PANEL ASSY, BASE (BLACK)	
5	4-942-566-01	COVER, LED	
6	X-4885-957-1	PANEL (LEFT) ASSY, SIDE (TA-F707ES:	
6	X-4885-957-2	AE1, AE2, E)	
6	X-4941-822-1	PANEL (L) ASSY, SIDE (TA-F707ES:Germany)	
6	X-4941-889-1	PANEL (L) ASSY, SIDE (TA-F707ES) (GOLD)	
6	X-4943-739-1	PANEL (L) ASSY, SIDE (TA-F808ES:AE1, AE2, Germany) (BLACK)	
6	X-4943-741-1	PANEL (L) ASSY, SIDE (TA-F808ES:Germany) (GOLD)	
7	4-923-474-01	RING, ORNAMENTAL (TA-F707ES) (BLACK)	
7	4-923-474-11	RING, ORNAMENTAL (TA-F707ES) (GOLD)	
* 8	4-931-944-31	CASE (TA-F707ES) (BLACK)	
* 8	4-931-944-51	CASE (TA-F707ES) (GOLD)	
8	4-931-944-61	CASE (TA-F808ES) (BLACK)	
* 8	4-931-944-71	CASE (TA-F808ES) (GOLD)	
9	X-4885-958-1	PANEL (RIGHT) ASSY, SIDE (TA-F707ES: AE1, AE2, E)	
9	X-4941-823-1	PANEL (R) ASSY, SIDE (TA-F707ES:Germany)	
9	X-4941-890-1	PANEL (R) ASSY, SIDE (TA-F707ES) (GOLD)	
9	X-4943-740-1	PANEL (R) ASSY, SIDE (TA-F808ES:AE1, AE2, Germany) (BLACK)	
9	X-4943-742-1	PANEL (R) ASSY, SIDE (TA-F808ES:Germany) (GOLD)	
10	4-916-782-11	SHEET	
11	4-942-226-01	ARM (R) (BLACK)	
11	4-942-226-11	ARM (R) (GOLD)	
12	4-955-303-01	LID (BLACK)	
12	4-955-303-11	LID (GOLD)	

Ref. No.	Part No.	Description	Remark
13	4-942-241-01	KNOB (SQUARE) (BLACK)	
13	4-942-241-11	KNOB (SQUARE) (GOLD)	
14	4-942-240-01	KNOB (ROUND) (BLACK)	
14	4-942-240-11	KNOB (ROUND) (GOLD)	
15	4-942-228-01	KNOB (3X13) (BLACK)	
15	4-942-228-11	KNOB (3X13) (GOLD)	
* 16	4-942-233-01	SPRING (L), PLATE	
17	4-931-641-01	BUTTON (DIA. 4) (BLACK)	
17	4-931-641-11	BUTTON (DIA. 4) (GOLD)	
* 18	4-942-234-01	SPRING (R), PLATE	
* 19	4-916-782-71	DAMPER (TA-F707ES)	
* 19	4-929-218-11	DAMPER (TA-F808ES)	
* 20	4-929-217-01	CUSHION (TA-F808ES)	
* 21	4-916-761-01	SHEET, DAMPER (TA-F808ES)	
22	4-952-206-01	WINDOW, REMOTE CONTROL	
* 23	1-645-792-11	LED (P. L) BOARD	
* 24	1-637-094-12	SW (F) BOARD	
25	4-951-620-01	SCREW (2. 6X8), +BVTP	
26	4-885-979-11	SCREW (4X25)	
27	3-704-366-01	SCREW (CASE) (M3X8) (BLACK)	
27	3-704-366-11	SCREW (CASE) (M3X8) (GOLD)	
* 28	1-637-095-11	EYE BOARD	
29	4-879-274-01	SPACER	
30	4-942-568-01	EMBLEM (NO. 5), SONY (BLACK)	
30	4-942-568-11	EMBLEM (NO. 5), SONY (GOLD)	
31	4-948-532-01	PLATE, TOP (TA-F808ES) (BLACK)	
31	4-948-532-11	PLATE, TOP (TA-F808ES) (GOLD)	
32	4-928-025-01	ESCUTCHEON (TOP PLATE) (TA-F808ES) (BLACK)	
32	4-928-025-21	ESCUTCHEON (TOP PLATE) (TA-F808ES) (GOLD)	
33	3-703-599-31	SCREW (M3X8), S TITE, + BTT (TA-F808ES) (BLACK)	
33	3-703-599-41	SCREW (M3X8), S TITE, + BTT (TA-F808ES) (GOLD)	
34	3-831-441-11	SHEET, DAMPER (TA-F808ES)	

(2) FRONT CHASSIS SECTION

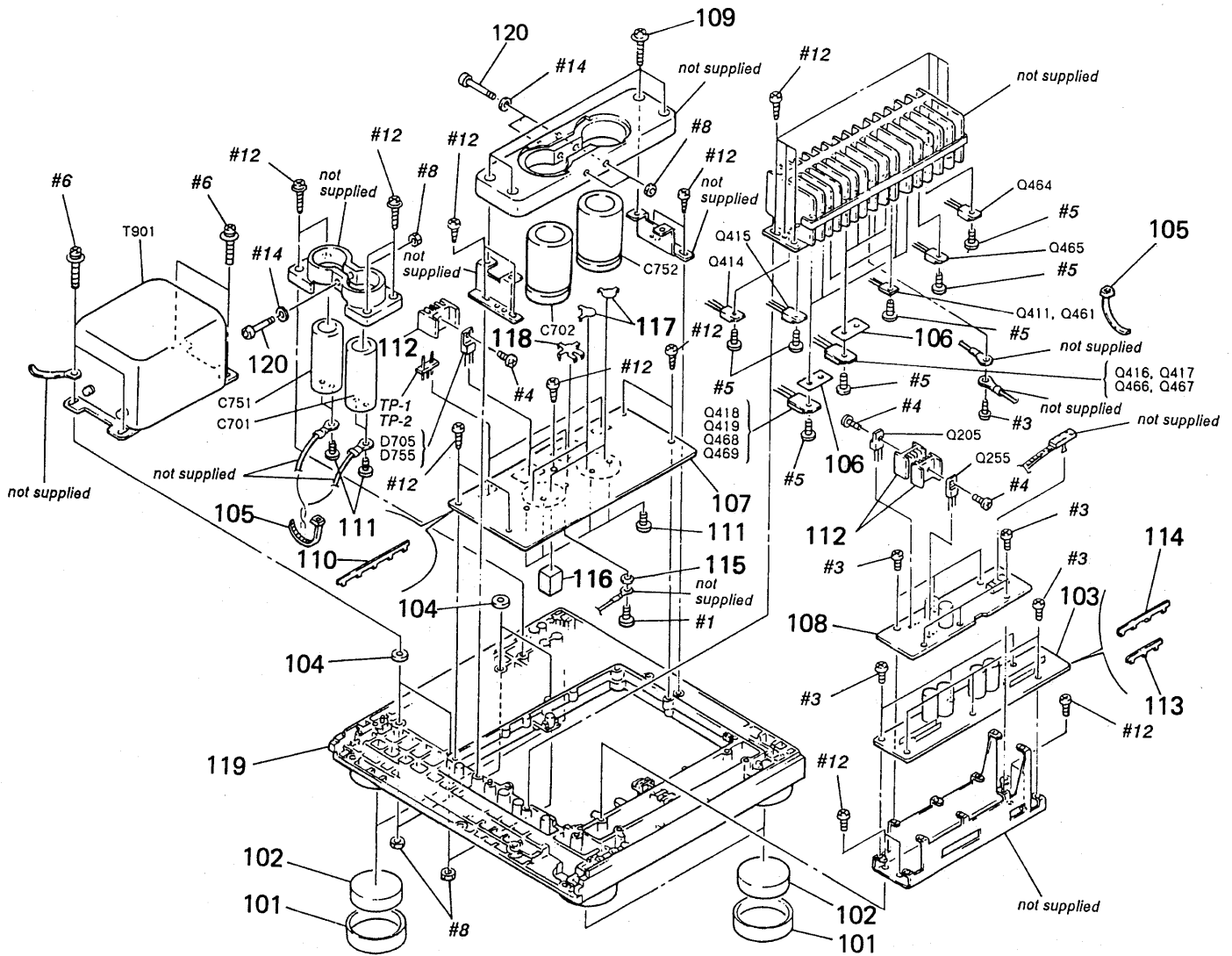


Ref. No.	Part No.	Description	Remark
51	X-4943-062-1	KNOB (DIA. 55) ASSY (BLACK)	
51	X-4943-063-1	KNOB (DIA. 55) ASSY (GOLD)	
* 52	4-901-919-00	HOUSE, LED LAMP	
53	4-942-032-01	KNOB (POWER) (BLACK)	
53	4-942-032-11	KNOB (POWER) (GOLD)	
* 54	4-835-639-00	PLATE, GROUND	
* 55	4-945-371-01	PANEL, BACK (TA-F707ES:Germany)	
* 55	4-945-371-21	PANEL, BACK (TA-F707ES:AE1, AE2)	
* 55	4-945-371-31	PANEL, BACK (TA-F707ES:G/TA-F808ES:G) (GOLD)	
* 55	4-945-371-53	PANEL, BACK (TA-F707ES:AE2) (GOLD)	
* 55	4-945-371-61	PANEL, BACK (TA-F808ES:AE1, Germany)	
* 55	4-945-371-81	PANEL, BACK (TA-F707ES:AE1) (GOLD)	
* 55	4-945-371-91	PANEL, BACK (TA-F808ES:AE2)	
* 55	4-945-372-01	PANEL, BACK (TA-F707ES:E)	
* 56	4-923-873-01	BRACKET, CORD STOPPER	
57	2-352-626-01	BUSHING, CORD	
58	9-911-843-XX	CUSHION (TU)	
* 59	4-843-416-11	PLATE, FIXED, CAP	
* 60	2-280-622-51	SUPPORT (M3), HEXAGON	
* 61	1-560-242-61	BUS BAR 2P	
* 62	1-535-691-21	TERMINAL (TA-F707ES)	
* 62	1-535-691-31	TERMINAL (TA-F808ES)	
* 63	A-4345-485-A	CONTROL BOARD, COMPLETE	
* 64	1-637-081-11	FUNCTION BOARD	
* 65	1-645-786-11	VOL. BOARD	
* 66	1-645-787-11	LED (VOL) BOARD	
* 67	1-645-788-11	S. D BOARD	
* 68	1-645-789-11	SP-SW BOARD	
* 69	1-645-790-11	SP TERMINAL BOARD	

Ref. No.	Part No.	Description	Remark
* 70	1-645-791-11	TONE BOARD	
* 71	1-640-345-13	OUTLET BOARD (EXCEPT E)	
* 72	1-645-785-11	INPUT BOARD	
* 73	1-637-085-11	AC SW BOARD	
* 74	1-637-086-11	H. P BOARD	
△75	1-559-297-31	CODE, POWER (TA-F707ES:E)	
△75	1-575-953-11	CORD, POWER (AEP, Germany)	
76	1-506-113-00	SHORT PLUG	
77	1-533-183-11	HOLDER, FUSE	
* 79	1-560-242-11	BUS BAR 3P	
80	3-701-947-18	LABEL (T5A), FUSE (TA-F808ES)	
△81	1-569-007-11	ADAPTER, CONVERSION 2P (TA-F707ES:E)	
* 82	1-645-794-11	V. S BOARD (E)	
* 83	1-645-793-11	PREOUT BOARD	
* 84	4-923-814-01	PLATE, CONNECTION (AEP, Germany)	
85	4-950-293-01	NUT (TOOTH)	
86	4-886-821-11	SCREW, S TIGHT, +PTTWH 3X6 (Germany)	
86	7-682-547-09	SCREW +BVTT 3X6 (S) (EXCEPT Germany)	
△CNJ801	1-526-794-11	OUTLET, AC (EXCEPT E)	
△F1	1-532-350-00	FUSE, TIME-LAG 4A (E)	
△F2	1-532-350-00	FUSE, TIME-LAG 4A (E)	
△F802	1-532-299-00	FUSE, TIME-LAG 5A (TA-F808ES:EXCEPT E)	
△F802	1-532-350-00	FUSE, TIME-LAG 4A (TA-F707ES:EXCEPT E)	
△F803	1-532-286-00	FUSE, TIME-LAG 2.5A (EXCEPT E)	
S001	1-572-546-11	SWITCH, ROTARY SLIDE (REMOTE)	
S002	1-572-547-11	SWITCH, ROTARY SLIDE (REMOTE)	
S003	1-572-548-11	SWITCH, ROTARY SLIDE (REMOTE)	
TP3	1-535-139-00	BASE POST 14MM (10MM PITCH) 2P	

The components identified by mark △ or dotted line with mark △ are critical for safety. Replace only with part number specified.

(3) MAIN CHASSIS SECTION



Ref. No.	Part No.	Description	Remark
* 101	4-931-966-01	RING, ORNAMENTAL (TA-F808ES) (BLACK)	
* 101	4-931-966-11	RING, ORNAMENTAL (TA-F808ES) (GOLD)	
* 101	4-931-967-02	RING, ORNAMENTAL (TA-F707ES) (BLACK)	
* 101	4-931-967-21	RING, ORNAMENTAL (TA-F707ES) (GOLD)	
102	4-908-888-11	FOOT, TUNING (TA-F808ES)	
* 102	4-923-850-01	FOOT (DIA. 46) (TA-F707ES:E)	
102	4-956-590-01	FOOT, TUNING (TA-F707ES:EXCEPT E)	
* 103	A-4360-836-A	MAIN (A) BOARD, COMPLETE (TA-F707ES:AEP, E)	
* 103	A-4360-841-A	MAIN (A) BOARD, COMPLETE (TA-F707ES:Germany)	
* 103	A-4360-876-A	MAIN (A) BOARD, COMPLETE (TA-F808ES:AEP)	
* 103	A-4360-880-A	MAIN (A) BOARD, COMPLETE (TA-F808ES:Germany)	
104	4-931-976-01	WASHER (W)	
105	3-655-653-21	BAND (TAITON), BINDING	
106	4-901-949-01	SHEET, INSULATING	
* 107	A-4360-837-A	MAIN (B) BOARD, COMPLETE (TA-F707ES:AEP, E)	
* 107	A-4360-842-A	MAIN (B) BOARD, COMPLETE (TA-F707ES:Germany)	
* 107	A-4360-877-A	MAIN (B) BOARD, COMPLETE (TA-F808ES:AEP)	
* 107	A-4360-881-A	MAIN (B) BOARD, COMPLETE (TA-F808ES:Germany)	
* 108	A-4360-838-A	EQ BOARD, COMPLETE (TA-F707ES:AEP, E)	
* 108	A-4360-843-A	EQ BOARD, COMPLETE (TA-F707ES:Germany)	
* 108	A-4360-878-A	EQ BOARD, COMPLETE (TA-F808ES:AEP)	
* 108	A-4360-882-A	EQ BOARD, COMPLETE (TA-F808ES:Germany)	
109	4-921-437-01	SCREW (M3X20), TAPPING	
* 110	1-560-242-31	BUS BAR 5P	
* 111	4-931-964-01	SCREW (M4X6)	
* 112	4-921-402-01	HEAT SINK	
* 113	1-560-242-11	BUS BAR 3P	
* 114	1-560-242-21	BUS BAR 4P	
115	4-309-378-00	WASHER	
* 116	4-931-970-01	CUSHION	
* 117	3-346-266-21	PLATE, GROUND	
* 118	4-916-791-01	PLATE, GROUND, 5P	
119	X-4941-233-1	CHASSIS ASSY, MAIN (TA-F707ES:AE1, AE2, E, Germany)	
119	X-4941-234-1	CHASSIS ASSY, MAIN (TA-F808ES:AE1, AE2, Germany)	

Ref. No.	Part No.	Description	Remark
119	X-4942-169-1	CHASSIS ASSY, MAIN (TA-F707ES:N/AE1, N/AE2, N/G)	
119	X-4942-170-1	CHASSIS ASSY, MAIN (TA-F808ES:N/G)	
120	3-692-944-01	BOLT, HEXAGON SOCKET 4X40	
C701	1-104-599-11	CAP, ELECT 8200uF (TA-F808ES)	
C701	1-128-465-11	CAP, ELECT 8200uF (TA-F707ES)	
C702	1-104-902-11	CAP, ELECT 15000uF (TA-F808ES)	
C702	1-128-464-11	CAP, ELECT 18000uF (TA-F707ES)	
C751	1-104-599-11	CAP, ELECT 8200uF (TA-F808ES)	
C751	1-128-465-11	CAP, ELECT 8200uF (TA-F707ES)	
C752	1-104-902-11	CAP, ELECT 15000uF (TA-F808ES)	
C752	1-128-464-11	CAP, ELECT 18000uF (TA-F707ES)	
D705	8-719-210-25	DIODE C25P20F	
D755	8-719-210-26	DIODE C25P20FR	
Q205	8-729-127-53	TRANSISTOR 2SC2275-P	
Q255	8-729-141-10	TRANSISTOR 2SA985A	
Q411	8-729-203-45	TRANSISTOR 2SC3423-0	
Q414	8-729-018-21	TRANSISTOR 2SJ313-Y	
Q415	8-729-018-19	TRANSISTOR 2SK2013-Y	
Q416	8-729-018-15	TRANSISTOR 2SK1529A-Y	
Q417	8-729-018-15	TRANSISTOR 2SK1529A-Y	
Q418	8-729-018-17	TRANSISTOR 2SJ200A-Y	
Q419	8-729-018-17	TRANSISTOR 2SJ200A-Y	
Q461	8-729-203-45	TRANSISTOR 2SC3423-0	
Q464	8-729-018-21	TRANSISTOR 2SJ313-Y	
Q465	8-729-018-19	TRANSISTOR 2SK2013-Y	
Q466	8-729-018-15	TRANSISTOR 2SK1529A-Y	
Q467	8-729-018-15	TRANSISTOR 2SK1529A-Y	
Q468	8-729-018-17	TRANSISTOR 2SJ200A-Y	
Q469	8-729-018-17	TRANSISTOR 2SJ200A-Y	
T901	1-423-690-11	TRANSFORMER, POWER (TA-F808ES:AE2)	
T901	1-450-486-11	TRANSFORMER, POWER (TA-F707ES:E)	
T901	1-450-487-11	TRANSFORMER, POWER (TA-F707ES:AE1, Germany)	
T901	1-450-488-11	TRANSFORMER, POWER (TA-F707ES:AE2)	
T901	1-450-489-11	TRANSFORMER, POWER (TA-F808ES:AE1, Germany)	
TP1	1-535-139-00	BASE POST 14MM (10MM PITCH) 2P	
TP2	1-535-139-00	BASE POST 14MM (10MM PITCH) 2P	

AC SW CONTROL

SECTION 7 ELECTRICAL PARTS LIST

NOTE:

- Due to standardization, replacements in the parts list may be different from the parts specified in the diagrams or the components used on the set.
- -XX and -X mean standardized parts, so they may have some difference from the original one.
- RESISTORS
All resistors are in ohms.
METAL: Metal-film resistor.
METAL OXIDE: Metal oxide-film resistor.
F: nonflammable

- Items marked "*" are not stocked since they are seldom required for routine service. Some delay should be anticipated when ordering these items.

SEMICONDUCTORS

In each case, u: μ , for example:

uA ..: μ A. uPA..: μ PA.
uPB..: μ PB. uPC..: μ PC. uPD..: μ PD..

- CAPACITORS • There are two type of AEP models which are depend on countries
uF: μ F
AE2 model: Model for Scandinavian countries, Switzerland, Spain and Portugal
- COILS
uH: μ H
AE1 model: Model for other European countries

The components identified by mark Δ or dotted line with mark Δ are critical for safety. Replace only with part number specified.

When indicating parts by reference number, please include the board.

Ref. No.	Part No.	Description	Remark
*	1-637-085-11	AC SW BOARD ***** < SWITCH >	
Δ S801	1-554-538-00	SWITCH, PUSH (AC POWER) (1 KEY) (POWER) < PIN CONNECTOR >	
SE8	1-568-226-11	PIN, CONNECTOR 2P *****	
*	A-4345-485-A	CONTROL BOARD, COMPLETE ***** < CAPACITOR >	
C605	1-126-062-11	ELECT 47uF 20% 63V	
C608	1-126-058-11	ELECT 4.7uF 20% 63V	
C610	1-126-058-11	ELECT 4.7uF 20% 63V	
C901	1-136-165-00	FILM 0.1uF 5% 50V	
C902	1-124-556-11	ELECT 2200uF 20% 16V	
C903	1-161-379-00	CERAMIC 0.01uF 20% 25V	
C904	1-124-916-11	ELECT 22uF 20% 63V	
C905	1-124-907-11	ELECT 10uF 20% 50V	
C906	1-124-916-11	ELECT 22uF 20% 63V	
C907	1-136-161-00	FILM 0.047uF 5% 50V	
C908	1-124-916-11	ELECT 22uF 20% 63V	
C909	1-102-963-00	CERAMIC 33PF 5% 50V	
C910	1-102-963-00	CERAMIC 33PF 5% 50V	
C912	1-101-004-00	CERAMIC 0.01uF 50V	
C920	1-136-165-00	FILM 0.1uF 5% 50V	
C921	1-124-907-11	ELECT 10uF 20% 50V	
C922	1-124-907-11	ELECT 10uF 20% 50V	
C923	1-124-907-11	ELECT 10uF 20% 50V	
C935	1-161-379-00	CERAMIC 0.01uF 20% 25V	
C936	1-161-379-00	CERAMIC 0.01uF 20% 25V	
C937	1-124-604-00	ELECT 330uF 20% 10V	
C939	1-161-379-00	CERAMIC 0.01uF 20% 25V	
C940	1-124-477-11	ELECT 47uF 20% 25V	
C941	1-124-477-11	ELECT 47uF 20% 25V	
C942	1-124-477-11	ELECT 47uF 20% 25V	

Ref. No.	Part No.	Description	Remark
C943	1-124-477-11	ELECT 47uF 20% 25V	
C944	1-124-477-11	ELECT 47uF 20% 25V	
C945	1-124-477-11	ELECT 47uF 20% 25V	
C946	1-124-477-11	ELECT 47uF 20% 25V	
C947	1-161-379-00	CERAMIC 0.01uF 20% 25V	
C948	1-161-379-00	CERAMIC 0.01uF 20% 25V	
C949	1-161-379-00	CERAMIC 0.01uF 20% 25V	
C950	1-161-379-00	CERAMIC 0.01uF 20% 25V	
C951	1-161-379-00	CERAMIC 0.01uF 20% 25V	
C952	1-161-379-00	CERAMIC 0.01uF 20% 25V	
C953	1-161-379-00	CERAMIC 0.01uF 20% 25V	
< DIODE >			
D604	8-719-912-20	DIODE 1SS120	
D605	8-719-912-20	DIODE 1SS120	
D606	8-719-912-20	DIODE 1SS120	
D901	8-719-200-82	DIODE 11ES2	
D902	8-719-200-82	DIODE 11ES2	
D903	8-719-200-82	DIODE 11ES2	
D904	8-719-200-82	DIODE 11ES2	
D905	8-719-912-20	DIODE 1SS120	
D913	8-719-912-20	DIODE 1SS120	
D914	8-719-912-20	DIODE 1SS120	
D915	8-719-912-20	DIODE 1SS120	
D916	8-719-912-20	DIODE 1SS120	
D917	8-719-912-20	DIODE 1SS120	
D918	8-719-912-20	DIODE 1SS120	
D919	8-719-912-20	DIODE 1SS120	
D920	8-719-912-20	DIODE 1SS120	
D921	8-719-912-20	DIODE 1SS120	
D922	8-719-912-20	DIODE 1SS120	
D923	8-719-912-20	DIODE 1SS120	
D924	8-719-912-20	DIODE 1SS120	
< PLUG CONNECTOR >			
* EH1	1-564-506-11	PLUG, CONNECTOR 3P	
* EH2	1-564-506-11	PLUG, CONNECTOR 3P	
* EH3	1-564-506-11	PLUG, CONNECTOR 3P	
* EH4	1-564-507-11	PLUG, CONNECTOR 4P	
* EH5	1-564-505-11	PLUG, CONNECTOR 2P	

Ref. No.	Part No.	Description	Remark
* EH6	1-564-506-11	PLUG, CONNECTOR 3P	
* EH7	1-564-506-11	PLUG, CONNECTOR 3P	
* EH8	1-564-512-11	PLUG, CONNECTOR 9P	
* EH9	1-564-512-11	PLUG, CONNECTOR 9P	
* EH10	1-564-505-11	PLUG, CONNECTOR 2P	
EH11	1-564-511-11	PLUG, CONNECTOR 8P	
* EH46	1-564-506-11	PLUG, CONNECTOR 3P	
< IC >			
IC901	8-759-635-31	IC M50253P	
IC902	8-759-239-47	IC TC74HC123AP	
IC903	8-759-156-34	IC M50720-363SP	
IC904	8-719-902-56	IC PC817	
IC905	8-759-604-84	IC M5F7806	
IC906	8-759-604-84	IC M5F7806	
IC907	8-759-962-08	IC BA6208	
IC908	8-759-962-08	IC BA6208	
< TRANSISTOR >			
Q601	8-729-201-53	TRANSISTOR 2SA1015-GR	
Q602	8-729-201-53	TRANSISTOR 2SA1015-GR	
Q603	8-729-140-96	TRANSISTOR 2SD774-34	
Q604	8-729-281-54	TRANSISTOR 2SC1815-BL	
Q901	8-729-900-36	TRANSISTOR DTC124ES	
Q902	8-729-119-78	TRANSISTOR 2SC2785-HFE	
Q903	8-729-620-05	TRANSISTOR 2SC2603-EF	
Q904	8-729-900-61	TRANSISTOR DTA114ES	
Q912	8-729-119-77	TRANSISTOR 2SA1175-FEK	
Q913	8-729-900-61	TRANSISTOR DTA114ES	
< RESISTOR >			
R606	1-249-429-11	CARBON 10K 5% 1/4W	
R608	1-249-437-11	CARBON 47K 5% 1/4W	
R609	1-249-437-11	CARBON 47K 5% 1/4W	
R610	1-249-433-11	CARBON 22K 5% 1/4W	
R611	1-247-812-11	CARBON 160 5% 1/4W	
R616	1-249-398-11	CARBON 27 5% 1/4W F	
R633	1-249-425-11	CARBON 4.7K 5% 1/4W F	
R650	1-247-838-00	CARBON 2K 5% 1/4W	
R908	1-249-429-11	CARBON 10K 5% 1/4W	
R909	1-249-429-11	CARBON 10K 5% 1/4W	
R910	1-247-887-00	CARBON 220K 5% 1/4W	
R911	1-249-441-11	CARBON 100K 5% 1/4W	
R912	1-249-441-11	CARBON 100K 5% 1/4W	
R913	1-247-895-00	CARBON 470K 5% 1/4W	
R914	1-249-405-11	CARBON 100 5% 1/4W F	
R915	1-249-430-11	CARBON 12K 5% 1/4W	
R916	1-249-405-11	CARBON 100 5% 1/4W F	
R917	1-247-903-00	CARBON 1M 5% 1/4W	

Ref. No.	Part No.	Description	Remark
R918	1-249-429-11	CARBON 10K 5% 1/4W	
R919	1-249-429-11	CARBON 10K 5% 1/4W	
R920	1-249-425-11	CARBON 4.7K 5% 1/4W F	
R921	1-249-429-11	CARBON 10K 5% 1/4W	
R922	1-249-425-11	CARBON 4.7K 5% 1/4W F	
R923	1-249-425-11	CARBON 4.7K 5% 1/4W F	
R924	1-249-425-11	CARBON 4.7K 5% 1/4W F	
R925	1-249-425-11	CARBON 4.7K 5% 1/4W F	
R926	1-249-413-11	CARBON 470 5% 1/4W F	
R927	1-249-429-11	CARBON 10K 5% 1/4W	
R928	1-249-429-11	CARBON 10K 5% 1/4W	
R929	1-249-429-11	CARBON 10K 5% 1/4W	
R930	1-249-429-11	CARBON 10K 5% 1/4W	
R931	1-249-429-11	CARBON 10K 5% 1/4W	
R933	1-249-520-11	CARBON 47 5% 1/4W	
R934	1-249-504-11	CARBON 10 5% 1/4W	
R936	1-249-504-11	CARBON 10 5% 1/4W	
R938	1-249-429-11	CARBON 10K 5% 1/4W	
R940	1-249-399-11	CARBON 33 5% 1/4W F	
R941	1-249-441-11	CARBON 100K 5% 1/4W	
R942	1-249-405-11	CARBON 100 5% 1/4W F	
R943	1-249-429-11	CARBON 10K 5% 1/4W	
R944	1-249-425-11	CARBON 4.7K 5% 1/4W F	
< RELAY >			
RY601	1-515-614-11	RELAY	
< VIBRATOR >			
X901	1-577-260-21	VIBRATOR, CERAMIC (2MHz)	

*	A-4360-838-A	EQ BOARD, COMPLETE (TA-F707ES:AEP, E)	

*	A-4360-843-A	EQ BOARD, COMPLETE (TA-F707ES:Germany)	

*	A-4360-878-A	EQ BOARD, COMPLETE (TA-F808ES:AEP)	

*	A-4360-882-A	EQ BOARD, COMPLETE (TA-F808ES:Germany)	

	1-535-139-00	BASE POST 14MM (10MM PITCH) 2P	
*	1-560-242-11	BUS BAR 3P	
*	1-560-242-21	BUS BAR 4P	
*	3-346-266-21	PLATE, GROUND	
*	4-921-402-01	HEAT SINK	
< CAPACITOR >			
C201	1-104-278-11	POLYSTYRENE 100PF 5% 50V (Germany)	

Ref. No.	Part No.	Description	Remark		
C201	1-104-290-11	POLYSTYRENE (AEP, E)	330PF	5%	50V
C202	1-130-973-00	FILM	0.022uF	5%	100V
C203	1-124-748-11	ELECT (TA-F808ES)	22uF	20%	100V
C203	1-124-916-11	ELECT (TA-F707ES)	22uF	20%	63V
C204	1-124-918-11	ELECT (TA-F707ES)	47uF	20%	63V
C204	1-126-359-11	ELECT (TA-F808ES)	47uF	20%	80V
C206	1-130-206-00	FILM (TA-F707ES)	0.016uF	2%	630V
C206	1-130-971-00	FILM (TA-F808ES)	0.016uF	2%	100V
C207	1-129-723-00	FILM (TA-F707ES)	0.056uF	2%	630V
C207	1-130-341-00	FILM (TA-F808ES)	0.056uF	2%	100V
C209	1-128-473-11	ELECT (TA-F707ES)	470uF	20%	63V
C209	1-128-474-11	ELECT (TA-F808ES)	1000uF	20%	63V
C211	1-124-122-11	ELECT	100uF	20%	50V
C212	1-123-604-00	ELECT	220uF	20%	63V
C213	1-101-880-00	CERAMIC (Germany)	47PF	5%	50V
C214	1-161-379-00	CERAMIC (Germany)	0.01uF	20%	25V
C215	1-162-199-31	CERAMIC (Germany)	10PF	5%	50V
C251	1-104-278-11	POLYSTYRENE (Germany)	100PF	5%	50V
C251	1-104-290-11	POLYSTYRENE (AEP, E)	330PF	5%	50V
C252	1-130-973-00	FILM	0.022uF	5%	100V
C253	1-124-748-11	ELECT (TA-F808ES)	22uF	20%	100V
C253	1-124-916-11	ELECT (TA-F707ES)	22uF	20%	63V
C254	1-124-918-11	ELECT (TA-F707ES)	47uF	20%	63V
C254	1-126-359-11	ELECT (TA-F808ES)	47uF	20%	80V
C256	1-130-206-00	FILM (TA-F707ES)	0.016uF	2%	630V
C256	1-130-971-00	FILM (TA-F808ES)	0.016uF	2%	100V
C257	1-129-723-00	FILM (TA-F707ES)	0.056uF	2%	630V

Ref. No.	Part No.	Description	Remark		
C257	1-130-341-00	FILM (TA-F808ES)	0.056uF	2%	100V
C259	1-128-473-11	ELECT (TA-F707ES)	470uF	20%	63V
C259	1-128-474-11	ELECT (TA-F808ES)	1000uF	20%	63V
C261	1-124-122-11	ELECT	100uF	20%	50V
C262	1-123-604-00	ELECT	220uF	20%	63V
C263	1-101-880-00	CERAMIC (Germany)	47PF	5%	50V
C265	1-162-199-31	CERAMIC (Germany)	10PF	5%	50V
< DIODE >					
D202	8-719-933-36	DIODE	HZS6B1L		
D252	8-719-933-36	DIODE	HZS6B1L		
< PLUG CONNECTOR >					
* EH17	1-564-508-11	PLUG, CONNECTOR	5P		
* EH18	1-564-506-11	PLUG, CONNECTOR	3P		
* EH19	1-564-506-11	PLUG, CONNECTOR	3P		
* EH20	1-564-507-11	PLUG, CONNECTOR	4P		
< IC >					
IC201	8-759-711-53	IC	NJM2068S-D		
IC251	8-759-711-53	IC	NJM2068S-D		
< TRANSISTOR >					
Q201	8-729-217-04	TRANSISTOR	2SK170-V	(TA-F707ES)	
Q201	8-729-214-73	TRANSISTOR	2SK147-V	(TA-F808ES)	
Q202	8-729-203-45	TRANSISTOR	2SC3423-0		
Q203	8-729-281-54	TRANSISTOR	2SC1815-BL		
Q204	8-729-201-56	TRANSISTOR	2SK246-GR2		
Q205	8-729-127-53	TRANSISTOR	2SC2275-P		
Q206	8-729-201-56	TRANSISTOR	2SK246-GR2		
Q207	8-729-281-54	TRANSISTOR	2SC1815-BL		
Q208	8-729-281-54	TRANSISTOR	2SC1815-BL		
Q209	8-729-217-04	TRANSISTOR	2SK170-V	(TA-F707ES)	
Q209	8-729-214-73	TRANSISTOR	2SK147-V	(TA-F808ES)	
Q251	8-729-217-04	TRANSISTOR	2SK170-V	(TA-F707ES)	
Q251	8-729-214-73	TRANSISTOR	2SK147-V	(TA-F808ES)	
Q252	8-729-203-45	TRANSISTOR	2SC3423-0		
Q253	8-729-281-54	TRANSISTOR	2SC1815-BL		
Q254	8-729-201-56	TRANSISTOR	2SK246-GR2		
Q255	8-729-141-10	TRANSISTOR	2SA985A		
Q256	8-729-201-56	TRANSISTOR	2SK246-GR2		
Q257	8-729-201-53	TRANSISTOR	2SA1015-GR		
Q258	8-729-201-53	TRANSISTOR	2SA1015-GR		
Q259	8-729-217-04	TRANSISTOR	2SK170-V	(TA-F707ES)	

EQ	EYE	FUNCTION
----	-----	----------

Ref. No.	Part No.	Description	Remark
Q259	8-729-214-73	TRANSISTOR 2SK147-V (TA-F808ES)	
< RESISTOR >			
R201	1-249-465-11	CARBON 47K 5% 1/4W	
R202	1-247-706-11	CARBON 330 5% 1/4W F	
R203	1-247-713-11	CARBON 1K 5% 1/4W F	
R204	1-247-700-11	CARBON 100 5% 1/4W	
R205	1-247-128-00	CARBON 750 5% 1/4W	
R206	1-247-128-00	CARBON 750 5% 1/4W	
R207	1-247-700-11	CARBON 100 5% 1/4W (TA-F707ES)	
R207	1-249-520-11	CARBON 47 5% 1/4W (TA-F808ES)	
R208	1-247-708-11	CARBON 470 5% 1/4W	
R209	1-249-518-11	CARBON 39 5% 1/4W	
R210	1-247-704-11	CARBON 220 5% 1/4W	
R211	1-247-721-11	CARBON 4.7K 5% 1/4W	
R212	1-246-545-00	CARBON 1.0M 5% 1/4W	
R213	1-249-844-11	CARBON 56K 1% 1/2W	
R214	1-247-708-11	CARBON 470 5% 1/4W	
R215	1-249-818-11	CARBON 4.7K 1% 1/2W (TA-F707ES)	
R215	1-259-571-11	CARBON 4.7K 1% 1/2W (TA-F808ES)	
R217	1-249-504-11	CARBON 10 5% 1/4W	
R218	1-249-529-11	CARBON 110 5% 1/4W	
R219	1-247-704-11	CARBON 220 5% 1/4W	
R220	1-247-725-11	CARBON 10K 5% 1/4W	
R221	1-247-704-11	CARBON 220 5% 1/4W	
R222	1-247-717-11	CARBON 2.2K 5% 1/4W F	
R223	1-247-723-11	CARBON 6.8K 5% 1/4W	
R224	1-247-713-11	CARBON 1K 5% 1/4W F	
△R225	1-219-190-11	FUSIBLE 120 5% 1/2W F	
R251	1-249-465-11	CARBON 47K 5% 1/4W	
R252	1-247-706-11	CARBON 330 5% 1/4W F	
R253	1-247-713-11	CARBON 1K 5% 1/4W F	
R254	1-247-700-11	CARBON 100 5% 1/4W	
R255	1-247-128-00	CARBON 750 5% 1/4W	
R256	1-247-128-00	CARBON 750 5% 1/4W	
R257	1-249-520-11	CARBON 47 5% 1/4W (TA-F808ES)	
R257	1-247-700-11	CARBON 100 5% 1/4W (TA-F707ES)	
R258	1-247-708-11	CARBON 470 5% 1/4W	
R259	1-249-518-11	CARBON 39 5% 1/4W	
R260	1-247-704-11	CARBON 220 5% 1/4W	
R261	1-247-721-11	CARBON 4.7K 5% 1/4W	
R262	1-246-545-00	CARBON 1.0M 5% 1/4W	
R263	1-249-844-11	CARBON 56K 1% 1/2W	
R264	1-247-708-11	CARBON 470 5% 1/4W	
R265	1-249-818-11	CARBON 4.7K 1% 1/2W (TA-F707ES)	
R265	1-259-571-11	CARBON 4.7K 1% 1/2W (TA-F808ES)	
R267	1-249-504-11	CARBON 10 5% 1/4W	
R268	1-249-529-11	CARBON 110 5% 1/4W	

Ref. No.	Part No.	Description	Remark
R269	1-247-704-11	CARBON 220 5% 1/4W	
R270	1-247-725-11	CARBON 10K 5% 1/4W	
R271	1-247-704-11	CARBON 220 5% 1/4W	
R272	1-247-717-11	CARBON 2.2K 5% 1/4W F	
R273	1-247-723-11	CARBON 6.8K 5% 1/4W	
R274	1-247-713-11	CARBON 1K 5% 1/4W F	
△R275	1-219-190-11	FUSIBLE 120 5% 1/2W F	
< SWITCH >			
S201	1-554-019-21	SWITCH, SLIDE (REMOTE TYPE) (CARTRIDGE LOAD)	
< PIN CONNECTOR >			
SE1	1-564-242-00	PIN, CONNECTOR 5P	

*	1-637-095-11	EYE BOARD	

< CAPACITOR >			
C914	1-126-022-11	ELECT 47uF 20% 10V	
< IC >			
IC909	8-749-920-59	IC A1QH3020S	
< RESISTOR >			
R932	1-249-421-11	CARBON 2.2K 5% 1/4W F	

*	1-637-081-11	FUNCTION BOARD	

< CAPACITOR >			
C104	1-161-379-00	CERAMIC 0.01uF 20% 25V (Germany)	
C916	1-124-631-11	ELECT 47uF 20% 16V	
< CONNECTOR >			
* CNP1	1-564-599-11	PIN, CONNECTOR 8P	
* CNP2	1-564-599-11	PIN, CONNECTOR 8P	
< PLUG CONNECTOR >			
* EH16	1-564-506-11	PLUG, CONNECTOR 3P	
* EH35	1-564-512-11	PLUG, CONNECTOR 9P	
* EH40	1-564-505-11	PLUG, CONNECTOR 2P	
* EH42	1-564-506-11	PLUG, CONNECTOR 3P	

The components identified by mark △ or dotted line with mark △ are critical for safety. Replace only with part number specified.

FUNCTION	H.P	INPUT
----------	-----	-------

Ref. No.	Part No.	Description	Remark
		< SWITCH >	
S101	1-572-096-11	SWITCH, ROTARY (WITH MOTOR) (INPUT SELECT)	

*	1-637-086-11	H. P BOARD *****	
		< CAPACITOR >	
C503	1-102-973-00	CERAMIC 100PF 5% 50V (Germany)	
C553	1-102-973-00	CERAMIC 100PF 5% 50V (Germany)	
		< JACK >	
J401	1-507-796-71	JACK (HEADPHONES)	

*	1-645-785-11	INPUT BOARD *****	
		< CAPACITOR >	
C101	1-162-285-31	CERAMIC 180PF 10% 50V (Germany)	
C103	1-104-274-11	POLYSTYRENE 47PF 10% 50V (Germany)	
C151	1-162-285-31	CERAMIC 180PF 10% 50V (Germany)	
C153	1-104-274-11	POLYSTYRENE 47PF 10% 50V (Germany)	
		< CONNECTOR >	
* CNJ1	1-565-492-11	CONNECTOR, BOARD TO BOARD 16P	
		< COIL >	
L101	1-424-397-11	COIL, CHOKE 200uH (Germany)	
L102	1-424-397-11	COIL, CHOKE 200uH (Germany)	
L151	1-424-397-11	COIL, CHOKE 200uH (Germany)	
L152	1-424-397-11	COIL, CHOKE 200uH (Germany)	
		< JACK >	
J101	1-507-831-31	JACK, PIN 6P (PHONO/TUNER/CD) (TA-F707ES)	
J101	1-507-831-41	JACK, PIN 6P (PHONO/TUNER/CD) (TA-F808ES)	
J102	1-507-831-00	JACK, PIN 6P (AUX/TAPE 3) (TA-F707ES)	
J102	1-507-831-41	JACK, PIN 6P (AUX/TAPE 3) (TA-F808ES)	
J103	1-507-831-00	JACK, PIN 6P (DIRECT IN/ADAPTOR)	
		(TA-F707ES)	
J103	1-507-831-41	JACK, PIN 6P (DIRECT IN/ADAPTOR)	
		(TA-F808ES)	
J104	1-507-920-00	JACK, PIN 4P (TAPE 2) (TA-F707ES)	

Ref. No.	Part No.	Description	Remark
J104	1-507-830-31	JACK, PIN 4P (TAPE 2) (TA-F808ES)	
J105	1-507-920-00	JACK, PIN 4P (TAPE 1) (TA-F707ES)	
J105	1-507-830-31	JACK, PIN 4P (TAPE 1) (TA-F808ES)	
		< PULUG CONNECTOR >	
* EH12	1-564-507-11	PLUG, CONNECTOR 4P	
		< RESISTOR >	
R101	1-246-545-00	CARBON 1.0M 5% 1/4W	
R102	1-246-545-00	CARBON 1.0M 5% 1/4W	
R103	1-246-545-00	CARBON 1.0M 5% 1/4W	
R104	1-246-545-00	CARBON 1.0M 5% 1/4W	
R105	1-246-545-00	CARBON 1.0M 5% 1/4W	
R106	1-246-545-00	CARBON 1.0M 5% 1/4W	
R107	1-247-713-11	CARBON 1K 5% 1/4W F	
R108	1-247-713-11	CARBON 1K 5% 1/4W F	
R109	1-247-713-11	CARBON 1K 5% 1/4W F	
R110	1-249-673-11	CARBON 1K 5% 1/2W (Germany)	
R110	1-247-739-11	CARBON 100 5% 1/2W (AEP, E)	
R111	1-246-545-00	CARBON 1.0M 5% 1/4W	
R112	1-259-436-11	CARBON 2.2K 5% 1/6W (Germany)	
R113	1-259-436-11	CARBON 2.2K 5% 1/6W (Germany)	
R120	1-246-545-00	CARBON 1.0M 5% 1/4W	
R151	1-246-545-00	CARBON 1.0M 5% 1/4W	
R152	1-246-545-00	CARBON 1.0M 5% 1/4W	
R153	1-246-545-00	CARBON 1.0M 5% 1/4W	
R154	1-246-545-00	CARBON 1.0M 5% 1/4W	
R155	1-246-545-00	CARBON 1.0M 5% 1/4W	
R156	1-246-545-00	CARBON 1.0M 5% 1/4W	
R157	1-247-713-11	CARBON 1K 5% 1/4W F	
R158	1-247-713-11	CARBON 1K 5% 1/4W F	
R159	1-247-713-11	CARBON 1K 5% 1/4W F	
R160	1-249-673-11	CARBON 1K 5% 1/2W (Germany)	
R160	1-247-739-11	CARBON 100 5% 1/2W (AEP, E)	
R161	1-246-545-00	CARBON 1.0M 5% 1/4W	
R162	1-259-436-11	CARBON 2.2K 5% 1/6W (Germany)	
R163	1-259-436-11	CARBON 2.2K 5% 1/6W (Germany)	
R170	1-246-545-00	CARBON 1.0M 5% 1/4W	
		< SWITCH >	
S102	1-570-593-11	SWITCH, SLIDE (REMOTE TYPE) (DIRECT INPUT)	
S103	1-570-076-11	SWITCH, SLIDE (REMOTE TYPE) (REC OUT SELECTOR)	

LED (P.L)

LED (VOL)

MAIN (A)

Ref. No.	Part No.	Description	Remark
*	1-645-792-11	LED (P.L) BOARD *****	
		< DIODE >	
D607	8-719-313-40	LED SEL1516W	

*	1-645-787-11	LED (VOL) BOARD *****	
		< DIODE >	
D508	8-719-303-02	DIODE SEL2510C-D	

*	A-4360-836-A	MAIN (A) BOARD, COMPLETE ***** (TA-F707ES:AEP, E) *****	
*	A-4360-841-A	MAIN (A) BOARD, COMPLETE ***** (TA-F707ES:Germany) *****	
*	A-4360-876-A	MAIN (A) BOARD, COMPLETE ***** (TA-F808ES:AEP) *****	
*	A-4360-880-A	MAIN (A) BOARD, COMPLETE ***** (TA-F808ES:Germany) *****	
		< CAPACITOR >	
C401	1-104-321-11	POLYSTYRENE 22PF 10% 400V (TA-F808ES)	
C401	1-104-327-11	POLYSTYRENE 22PF 10% 125V (TA-F707ES)	
C402	1-104-233-00	POLYSTYRENE 220PF 10% 125V (TA-F808ES)	
C402	1-104-286-11	POLYSTYRENE 220PF 5% 50V (TA-F707ES)	
C403	1-130-317-00	FILM 0.068uF 2% 100V (TA-F707ES)	
C403	1-104-319-11	POLYSTYRENE 10000PF 10% 125V (TA-F808ES)	
C404	1-107-048-00	MICA 6.8PF 500V	
C405	1-124-918-11	ELECT 47uF 20% 63V	
C406	1-124-918-11	ELECT 47uF 20% 63V	
C407	1-104-274-11	POLYSTYRENE 47PF 10% 50V (Germany)	
C408	1-124-929-11	ELECT 22uF 20% 100V	
C410	1-104-321-11	POLYSTYRENE 22PF 10% 400V (TA-F808ES)	

Ref. No.	Part No.	Description	Remark
C410	1-104-327-11	POLYSTYRENE 22PF 10% 125V (TA-F707ES)	
C411	1-124-130-00	ELECT 100uF 20% 63V	
C412	1-124-130-00	ELECT 100uF 20% 63V	
C418	1-124-922-11	ELECT 1000uF 20% 63V (TA-F707ES)	
C418	1-128-474-11	ELECT 1000uF 20% 63V (TA-F808ES)	
C419	1-124-922-11	ELECT 1000uF 20% 63V (TA-F707ES)	
C419	1-128-474-11	ELECT 1000uF 20% 63V (TA-F808ES)	
C451	1-104-321-11	POLYSTYRENE 22PF 10% 400V (TA-F808ES)	
C451	1-104-327-11	POLYSTYRENE 22PF 10% 125V (TA-F707ES)	
C452	1-104-233-00	POLYSTYRENE 220PF 10% 125V (TA-F808ES)	
C452	1-104-286-11	POLYSTYRENE 220PF 5% 50V (TA-F707ES)	
C453	1-104-319-11	POLYSTYRENE 10000PF 10% 125V (TA-F808ES)	
C453	1-130-317-00	FILM 0.068uF 2% 100V (TA-F707ES)	
C454	1-107-048-00	MICA 6.8PF 500V	
C455	1-124-918-11	ELECT 47uF 20% 63V	
C456	1-124-918-11	ELECT 47uF 20% 63V	
C458	1-124-929-11	ELECT 22uF 20% 100V	
C457	1-104-274-11	POLYSTYRENE 47PF 10% 50V (Germany)	
C460	1-104-321-11	POLYSTYRENE 22PF 10% 400V (TA-F808ES)	
C460	1-104-327-11	POLYSTYRENE 22PF 10% 125V (TA-F707ES)	
C461	1-124-130-00	ELECT 100uF 20% 63V	
C462	1-124-130-00	ELECT 100uF 20% 63V	
C468	1-128-474-11	ELECT 1000uF 20% 63V (TA-F808ES)	
C468	1-124-922-11	ELECT 1000uF 20% 63V (TA-F707ES)	
C469	1-128-474-11	ELECT 1000uF 20% 63V (TA-F808ES)	
C469	1-124-922-11	ELECT 1000uF 20% 63V (TA-F707ES)	
		< DIODE >	
D401	8-719-933-41	DIODE HZS6C3L	
D402	8-719-200-82	DIODE 11ES2 (TA-F808ES)	
D402	8-719-987-63	DIODE 1N4148M (TA-F707ES)	

MAIN (A)

Ref. No.	Part No.	Description	Remark
D403	8-719-200-82	DIODE 11ES2 (TA-F808ES)	
D403	8-719-987-63	DIODE 1N4148M (TA-F707ES)	
D409	8-719-815-85	DIODE 1S1585	
D410	8-719-815-85	DIODE 1S1585	
D418	8-719-303-13	LED SEL1210W	
D451	8-719-933-41	DIODE HZS6C3L	
D452	8-719-200-82	DIODE 11ES2 (TA-F808ES)	
D452	8-719-987-63	DIODE 1N4148M (TA-F707ES)	
D453	8-719-200-82	DIODE 11ES2 (TA-F808ES)	
D453	8-719-987-63	DIODE 1N4148M (TA-F707ES)	
D459	8-719-815-85	DIODE 1S1585	
D460	8-719-815-85	DIODE 1S1585	
D468	8-719-303-13	LED SEL1210W	
< COIL >			
* L402	1-428-203-11	COIL, AIR-CORE	
* L403	1-428-203-11	COIL, AIR-CORE	
* L452	1-428-203-11	COIL, AIR-CORE	
* L453	1-428-203-11	COIL, AIR-CORE	
< TRANSISTOR >			
Q401	8-729-203-21	TRANSISTOR 2SK389-GR	
Q402	8-729-281-54	TRANSISTOR 2SC1815-BL	
Q403	8-729-281-54	TRANSISTOR 2SC1815-BL	
Q404	8-729-232-00	TRANSISTOR 2SA1349-GRBL	
Q405	8-729-018-21	TRANSISTOR 2SJ313-Y	
Q406	8-729-104-91	TRANSISTOR 2SA1383-Q	
Q407	8-729-201-56	TRANSISTOR 2SK246-GR2	
Q408	8-729-104-18	TRANSISTOR 2SC3514-Q	
Q409	8-729-104-18	TRANSISTOR 2SC3514-Q	
Q451	8-729-203-21	TRANSISTOR 2SK389-GR	
Q452	8-729-281-54	TRANSISTOR 2SC1815-BL	
Q453	8-729-281-54	TRANSISTOR 2SC1815-BL	
Q454	8-729-232-00	TRANSISTOR 2SA1349-GRBL	
Q455	8-729-018-21	TRANSISTOR 2SJ313-Y	
Q456	8-729-104-91	TRANSISTOR 2SA1383-Q	
Q457	8-729-201-56	TRANSISTOR 2SK246-GR2	
Q458	8-729-104-18	TRANSISTOR 2SC3514-Q	
Q459	8-729-104-18	TRANSISTOR 2SC3514-Q	
< RESISTOR >			
R401	1-246-545-00	CARBON 1.0M 5% 1/4W	
R402	1-247-713-11	CARBON 1K 5% 1/4W F	
R405	1-247-717-11	CARBON 2.2K 5% 1/4W F	
R406	1-246-531-00	CARBON 270K 5% 1/4W	
R407	1-247-704-11	CARBON 220 5% 1/4W	
△R408	1-219-193-11	FUSIBLE 220 5% 1/2W F	
△R409	1-219-193-11	FUSIBLE 220 5% 1/2W F	

Ref. No.	Part No.	Description	Remark
R410	1-214-937-00	METAL 1M 1% 1/2W	
△R412	1-202-943-71	FUSIBLE 33 5% 1/2W (TA-F808ES)	
△R412	1-219-183-91	FUSIBLE 33 5% 1/2W F (TA-F707ES)	
R413	1-249-490-11	CARBON 27K 5% 1/2W	
R414	1-247-704-11	CARBON 220 5% 1/4W	
R416	1-247-740-11	CARBON 120 5% 1/2W (TA-F707ES)	
R416	1-259-533-11	CARBON 120 1% 1/2W (TA-F808ES)	
R417	1-259-580-11	CARBON 11K 5% 1/2W	
R418	1-259-580-11	CARBON 11K 5% 1/2W	
R419	1-214-937-00	METAL 1M 1% 1/2W (TA-F707ES)	
R419	1-259-627-11	CARBON 1M 1% 1/2W (TA-F808ES)	
R420	1-249-556-11	CARBON 1.5K 5% 1/4W	
R421	1-247-721-11	CARBON 4.7K 5% 1/4W	
△R422	1-219-022-11	FUSIBLE 100 5% 1/2W (TA-F808ES)	
△R422	1-219-189-11	FUSIBLE 100 5% 1/2W F (TA-F707ES)	
△R444	1-219-022-11	FUSIBLE 100 5% 1/2W (TA-F808ES)	
△R444	1-219-189-11	FUSIBLE 100 5% 1/2W F (TA-F707ES)	
△R445	1-219-022-11	FUSIBLE 100 5% 1/2W (TA-F808ES)	
△R445	1-219-189-11	FUSIBLE 100 5% 1/2W F (TA-F707ES)	
R451	1-246-545-00	CARBON 1.0M 5% 1/4W	
R452	1-247-713-11	CARBON 1K 5% 1/4W F	
R455	1-247-717-11	CARBON 2.2K 5% 1/4W F	
R456	1-246-531-00	CARBON 270K 5% 1/4W	
R457	1-247-704-11	CARBON 220 5% 1/4W	
△R458	1-219-193-11	FUSIBLE 220 5% 1/2W F	
△R459	1-219-193-11	FUSIBLE 220 5% 1/2W F	
R460	1-214-937-00	METAL 1M 1% 1/2W	
△R462	1-202-943-71	FUSIBLE 33 5% 1/2W (TA-F808ES)	
△R462	1-219-183-91	FUSIBLE 33 5% 1/2W F (TA-F707ES)	
R463	1-249-490-11	CARBON 27K 5% 1/2W	
R464	1-247-704-11	CARBON 220 5% 1/4W	
R466	1-247-740-11	CARBON 120 5% 1/2W (TA-F707ES)	
R466	1-259-533-11	CARBON 120 1% 1/2W (TA-F808ES)	
R467	1-259-580-11	CARBON 11K 5% 1/2W	
R468	1-259-580-11	CARBON 11K 5% 1/2W	
R469	1-214-937-00	METAL 1M 1% 1/2W (TA-F707ES)	
R469	1-259-627-11	CARBON 1M 1% 1/2W (TA-F808ES)	
R470	1-249-556-11	CARBON 1.5K 5% 1/4W	
R471	1-247-721-11	CARBON 4.7K 5% 1/4W	
△R472	1-219-022-11	FUSIBLE 100 5% 1/2W (TA-F808ES)	
△R472	1-219-189-11	FUSIBLE 100 5% 1/2W F (TA-F707ES)	
△R494	1-219-022-11	FUSIBLE 100 5% 1/2W (TA-F808ES)	
△R494	1-219-189-11	FUSIBLE 100 5% 1/2W F (TA-F707ES)	
△R495	1-219-022-11	FUSIBLE 100 5% 1/2W (TA-F808ES)	
△R495	1-219-189-11	FUSIBLE 100 5% 1/2W F (TA-F707ES)	
△R701	1-219-190-11	FUSIBLE 120 5% 1/2W F	
△R751	1-219-190-11	FUSIBLE 120 5% 1/2W F	

The components identified by mark △ or dotted line with mark △ are critical for safety. Replace only with part number specified.

MAIN (B)

Ref. No.	Part No.	Description	Remark
*	A-4360-837-A	MAIN (B) BOARD, COMPLETE ***** (TA-F707ES:AEP, E) *****	
*	A-4360-842-A	MAIN (B) BOARD, COMPLETE ***** (TA-F707ES:Germany) *****	
*	A-4360-877-A	MAIN (B) BOARD, COMPLETE ***** (TA-F808ES:AEP) *****	
*	A-4360-881-A	MAIN (B) BOARD, COMPLETE ***** (TA-F808ES:Germany) *****	
*	1-560-242-31	BUS BAR 5P	
*	4-916-791-01	PLATE, GROUND, 5P	
	7-682-548-09	SCREW +B 3X8	
		< CAPACITOR >	
C414	1-107-159-00	MICA 33PF 5% 500V (Germany)	
C415	1-107-159-00	MICA 33PF 5% 500V (Germany)	
C416	1-136-161-00	FILM 0.047uF 5% 50V	
C417	1-124-929-11	ELECT 22uF 20% 100V	
C422	1-136-161-00	FILM 0.047uF 5% 50V	
C423	1-161-379-00	CERAMIC 0.01uF 20% 25V (Germany)	
C464	1-107-159-00	MICA 33PF 5% 500V (Germany)	
C465	1-107-159-00	MICA 33PF 5% 500V (Germany)	
C466	1-136-161-00	FILM 0.047uF 5% 50V	
C467	1-124-929-11	ELECT 22uF 20% 100V	
C472	1-136-161-00	FILM 0.047uF 5% 50V	
C601	1-124-911-11	ELECT 220uF 20% 50V	
C602	1-136-157-00	FILM 0.022uF 5% 50V	
C603	1-136-157-00	FILM 0.022uF 5% 50V	
C604	1-124-477-11	ELECT 47uF 20% 25V (TA-F707ES)	
C604	1-124-478-11	ELECT 100uF 20% 25V (TA-F808ES)	
C606	1-124-791-11	ELECT 1.0uF 20% 100V	
C607	1-126-066-11	ELECT 470uF 20% 63V	
C702	1-104-902-11	CAP, ELECT 15000uF (TA-F808ES)	
C702	1-128-464-11	CAP, ELECT 18000uF (TA-F707ES)	
C703	1-124-920-11	ELECT 330uF 20% 63V (TA-F707ES)	

Ref. No.	Part No.	Description	Remark
C703	1-128-201-11	ELECT 100uF 20% 63V (TA-F808ES)	
C705	1-136-880-11	FILM 2.2uF 10% 160V	
C752	1-104-902-11	CAP, ELECT 15000uF (TA-F808ES)	
C752	1-128-464-11	CAP, ELECT 18000uF (TA-F707ES)	
C753	1-124-920-11	ELECT 330uF 20% 63V (TA-F707ES)	
C753	1-128-201-11	ELECT 100uF 20% 63V (TA-F808ES)	
		< DIODE >	
D405	8-719-987-63	DIODE 1N4148M	
D406	8-719-985-53	DIODE HZS4ALL	
D407	8-719-303-13	LED SEL1210W	
D411	8-719-987-63	DIODE 1N4148M	
D412	8-719-985-53	DIODE HZS4ALL	
D415	8-719-987-63	DIODE 1N4148M	
D416	8-719-987-63	DIODE 1N4148M	
D455	8-719-987-63	DIODE 1N4148M	
D456	8-719-985-53	DIODE HZS4ALL	
D457	8-719-303-13	LED SEL1210W	
D461	8-719-987-63	DIODE 1N4148M	
D462	8-719-985-53	DIODE HZS4ALL	
D465	8-719-987-63	DIODE 1N4148M	
D466	8-719-987-63	DIODE 1N4148M	
D601	8-719-200-82	DIODE 11ES2	
D602	8-719-200-82	DIODE 11ES2	
D603	8-719-200-82	DIODE 11ES2	
D701	8-719-230-02	DIODE 30DF2	
D702	8-719-230-02	DIODE 30DF2	
D703	8-719-230-02	DIODE 30DF2	
D704	8-719-230-02	DIODE 30DF2	
D705	8-719-210-25	DIODE C25P20F	
D755	8-719-210-26	DIODE C25P20FR	
		< PLUG CONNECTOR >	
* EH15	1-564-507-11	PLUG, CONNECTOR 4P	
* EH21	1-564-507-11	PLUG, CONNECTOR 4P	
* EH22	1-564-507-11	PLUG, CONNECTOR 4P	
* EH23	1-564-506-11	PLUG, CONNECTOR 3P	
* EH24	1-564-508-11	PLUG, CONNECTOR 5P	
* EH25	1-564-508-11	PLUG, CONNECTOR 5P	
* EH41	1-564-505-11	PLUG, CONNECTOR 2P	
		< IC >	
IC601	8-759-111-68	IC uPC1237HA	

MAIN (B)

OUTLET

Ref. No.	Part No.	Description	Remark
< TRANSISTOR >			
Q410	8-729-209-17	TRANSISTOR 2SA1360-0	
Q411	8-729-203-45	TRANSISTOR 2SC3423-0	
Q414	8-729-018-21	TRANSISTOR 2SJ313-Y	
Q415	8-729-018-19	TRANSISTOR 2SK2013-Y	
Q416	8-729-018-15	TRANSISTOR 2SK1529A-Y	
Q417	8-729-018-15	TRANSISTOR 2SK1529A-Y	
Q418	8-729-018-17	TRANSISTOR 2SJ200A-Y	
Q419	8-729-018-17	TRANSISTOR 2SJ200A-Y	
Q420	8-729-140-82	TRANSISTOR 2SA988-PAFAEA	
Q460	8-729-209-17	TRANSISTOR 2SA1360-0	
Q461	8-729-203-45	TRANSISTOR 2SC3423-0	
Q464	8-729-018-21	TRANSISTOR 2SJ313-Y	
Q465	8-729-018-19	TRANSISTOR 2SK2013-Y	
Q466	8-729-018-15	TRANSISTOR 2SK1529A-Y	
Q467	8-729-018-15	TRANSISTOR 2SK1529A-Y	
Q468	8-729-018-17	TRANSISTOR 2SJ200A-Y	
Q469	8-729-018-17	TRANSISTOR 2SJ200A-Y	
Q470	8-729-140-82	TRANSISTOR 2SA988-PAFAEA	
< RESISTOR >			
R423	1-247-714-11	CARBON 1.2K 5% 1/4W	
R424	1-247-721-11	CARBON 4.7K 5% 1/4W	
R425	1-249-926-11	CARBON 1.3K 5% 1/4W	
△R427	1-219-022-11	FUSIBLE 100 5% 1/2W (TA-F808ES)	
△R427	1-219-189-11	FUSIBLE 100 5% 1/2W F (TA-F707ES)	
△R428	1-219-022-11	FUSIBLE 100 5% 1/2W (TA-F808ES)	
△R428	1-219-189-11	FUSIBLE 100 5% 1/2W F (TA-F707ES)	
△R429	1-219-193-11	FUSIBLE 220 5% 1/2W F	
△R430	1-219-185-11	FUSIBLE 47 5% 1/2W F	
△R431	1-219-185-11	FUSIBLE 47 5% 1/2W F	
△R432	1-219-185-11	FUSIBLE 47 5% 1/2W F	
△R433	1-219-185-11	FUSIBLE 47 5% 1/2W F	
△R434	1-217-151-00	RES, METAL PLATE 0.22	
△R435	1-217-151-00	RES, METAL PLATE 0.22	
△R436	1-217-151-00	RES, METAL PLATE 0.22	
△R437	1-217-151-00	RES, METAL PLATE 0.22	
R438	1-247-692-11	CARBON 22 5% 1/4W	
R439	1-247-692-11	CARBON 22 5% 1/4W	
△R440	1-247-717-11	CARBON 2.2K 5% 1/4W F	
R441	1-249-460-11	CARBON 15K 5% 1/4W	
△R442	1-219-179-11	FUSIBLE 15 5% 1/2W F	
△R449	1-219-179-11	FUSIBLE 15 5% 1/2W F	
R473	1-247-714-11	CARBON 1.2K 5% 1/4W	
R474	1-247-721-11	CARBON 4.7K 5% 1/4W	
R475	1-249-926-11	CARBON 1.3K 5% 1/4W	
△R477	1-219-022-11	FUSIBLE 100 5% 1/2W (TA-F808ES)	
△R477	1-219-189-11	FUSIBLE 100 5% 1/2W F (TA-F707ES)	

Ref. No.	Part No.	Description	Remark
△R478	1-219-022-11	FUSIBLE 100 5% 1/2W (TA-F808ES)	
△R478	1-219-189-11	FUSIBLE 100 5% 1/2W F (TA-F707ES)	
△R479	1-219-193-11	FUSIBLE 220 5% 1/2W F	
△R480	1-219-185-11	FUSIBLE 47 5% 1/2W F	
△R481	1-219-185-11	FUSIBLE 47 5% 1/2W F	
△R482	1-219-185-11	FUSIBLE 47 5% 1/2W F	
△R483	1-219-185-11	FUSIBLE 47 5% 1/2W F	
△R484	1-217-151-00	RES, METAL PLATE 0.22	
△R485	1-217-151-00	RES, METAL PLATE 0.22	
△R486	1-217-151-00	RES, METAL PLATE 0.22	
△R487	1-217-151-00	RES, METAL PLATE 0.22	
R488	1-247-692-11	CARBON 22 5% 1/4W	
R489	1-247-692-11	CARBON 22 5% 1/4W	
△R490	1-247-717-11	CARBON 2.2K 5% 1/4W F	
R491	1-249-460-11	CARBON 15K 5% 1/4W	
△R492	1-219-179-11	FUSIBLE 15 5% 1/2W F	
△R499	1-219-179-11	FUSIBLE 15 5% 1/2W F	
R601	1-247-891-00	CARBON 330K 5% 1/4W	
R602	1-247-887-00	CARBON 220K 5% 1/4W	
R603	1-247-725-11	CARBON 10K 5% 1/4W	
R604	1-249-461-11	CARBON 18K 5% 1/4W	
R605	1-249-606-11	CARBON 180K 5% 1/4W (TA-F808ES)	
R605	1-249-609-11	CARBON 240K 5% 1/4W (TA-F707ES)	
R617	1-249-462-11	CARBON 22K 5% 1/4W	
R651	1-247-891-00	CARBON 330K 5% 1/4W	
R652	1-247-721-11	CARBON 4.7K 5% 1/4W	
△R653	1-219-165-11	FUSIBLE 1 5% 1/2W F	
< VARIABLE RESISTOR >			
RT402	1-224-250-XX	RES, ADJ, SOLID 2.2K	
RT452	1-224-250-XX	RES, ADJ, SOLID 2.2K	
< TEST PIN >			
TP1	} 1-535-139-00	BASE POST 14MM (10MM PITCH) 2P	
TP2			
< CONNECTOR >			
* VH4	1-564-104-00	PIN, CONNECTOR (B3P-VH) 3P	
* VH5	1-564-241-00	PIN, CONNECTOR (B4P-VH) 4P	
* VH6	1-564-241-00	PIN, CONNECTOR (B4P-VH) 4P	

*	1-640-345-13	OUTLET BOARD (EXCEPT E)	

	1-533-183-11	HOLDER, FUSE	
*	4-923-814-01	PLATE, CONNECTION	

The components identified by mark △ or dotted line with mark △ are critical for safety. Replace only with part number specified.

OUTLET

PRE OUT

S.D

SP TERMINAL

Ref. No.	Part No.	Description	Remark
		< CAPACITOR >	
C801	1-161-741-00	CERAMIC 0.001uF 10% 400V	
		< CONNECTOR >	
△CNJ801	1-526-794-11	OUTLET, AC	
		< FUSE >	
△F802	1-532-299-00	FUSE, TIME-LAG 5A (TA-F808ES)	
△F802	1-532-350-00	FUSE, TIME-LAG 4A (TA-F707ES)	
△F803	1-532-286-00	FUSE, TIME-LAG 2.5A	
		< CONNECTOR >	
SE100	1-564-321-00	PIN, CONNECTOR 2P	
		< CONNECTOR >	
* VH100	1-564-321-00	PIN, CONNECTOR 2P	
* VH101	1-564-321-21	PIN, CONNECTOR 2P	

*	1-645-793-11	PRE OUT BOARD	*****
*	1-535-730-21	LEAD, JUMPER (OFC)	
*	4-835-639-00	PLATE, GROUND	
		< CONNECTOR >	
CNJ901	1-564-980-11	PIN, CONNECTOR 4P (TUNER CONTROL)	
		< DIODE >	
D950	8-719-912-20	DIODE 1SS120	
		< CONNECTOR >	
* EH43	1-564-507-11	PLUG, CONNECTOR 4P	
* EH44	1-564-506-11	PLUG, CONNECTOR 3P	
		< JACK >	
J902	1-565-319-71	JACK, PIN 2P (PRE OUT)	
		< TRANSISTOR >	
Q950	8-729-900-80	TRANSISTOR DTC114ES	

Ref. No.	Part No.	Description	Remark
		< RESISTOR >	
R953	1-249-393-11	CARBON 10 5% 1/4W F	
R958	1-249-429-11	CARBON 10K 5% 1/4W	

*	1-645-788-11	S.D BOARD	*****
		< CAPACITOR >	
C310	1-136-169-00	FILM 0.22uF 5% 50V	
		< CONNECTOR >	
* EH13	1-564-507-11	PLUG, CONNECTOR 4P	
* EH26	1-564-507-11	PLUG, CONNECTOR 4P	
* EH27	1-564-507-11	PLUG, CONNECTOR 4P	
* EH38	1-564-506-11	PLUG, CONNECTOR 3P	
* EH39	1-564-506-11	PLUG, CONNECTOR 3P	
		< RESISTOR >	
R301	1-249-833-11	CARBON 20K 5% 1/2W	
R302	1-247-717-11	CARBON 2.2K 5% 1/4W F	
R351	1-249-833-11	CARBON 20K 5% 1/2W	
R352	1-247-717-11	CARBON 2.2K 5% 1/4W F	
		< SWITCH >	
S301	1-572-551-11	SWITCH, PUSH (2 KEY) (MUTING)	
S304	1-572-551-11	SWITCH, PUSH (2 KEY) (SOURCE DIRECT)	

*	1-645-790-11	SP TERMINAL BOARD	*****
*	1-560-242-11	BUS BAR 3P	
*	1-560-242-61	BUS BAR 2P	
*	4-843-416-11	PLATE, FIXED, CAP	
		< CAPACITOR >	
C501	1-106-361-00	MYLAR 0.0056uF 10% 100V (Germany)	
C502	1-162-288-31	CERAMIC 330PF 10% 50V (Germany)	
C551	1-106-361-00	MYLAR 0.0056uF 10% 100V (Germany)	
C552	1-162-288-31	CERAMIC 330PF 10% 50V (Germany)	
		< DIODE >	
D612	8-719-912-20	DIODE 1SS120	
D613	8-719-912-20	DIODE 1SS120	

The components identified by mark △ or dotted line with mark △ are critical for safety. Replace only with part number specified.

SP TERMINAL

SP-SW

SW (F)

Ref. No.	Part No.	Description	Remark		
< CONNECTOR >					
* EH31	1-564-506-11	PLUG, CONNECTOR 3P			
* EH33	1-564-506-11	PLUG, CONNECTOR 3P			
* EH45	1-564-507-11	PLUG, CONNECTOR 4P			
< COIL >					
* L401	1-422-009-13	COIL, AIR-CORE			
* L451	1-422-009-13	COIL, AIR-CORE			
< RESISTOR >					
R443	1-247-727-11	CARBON	10	5%	1/2W
R446	1-247-747-11	CARBON	470	5%	1/2W
R450	1-247-747-11	CARBON	470	5%	1/2W
R493	1-247-727-11	CARBON	10	5%	1/2W
R496	1-247-747-11	CARBON	470	5%	1/2W
R500	1-247-747-11	CARBON	470	5%	1/2W
R501	1-249-689-11	CARBON	4.7K	5%	1/2W
R502	1-249-657-11	CARBON	220	5%	1/2W
R503	1-247-727-11	CARBON	10	5%	1/2W
R551	1-249-689-11	CARBON	4.7K	5%	1/2W
R552	1-249-657-11	CARBON	220	5%	1/2W
R553	1-247-727-11	CARBON	10	5%	1/2W
< RELAY >					
RY602	1-515-676-11	RELAY			
RY603	1-515-676-11	RELAY			
< TERMINAL >					
TM601	1-537-378-11	TERMINAL BOARD (SP) (TA-F707ES:AE1, E, Germany)			
TM601	1-537-380-11	TERMINAL BOARD (SP) (TA-F707ES:AE2)			
TM601	1-537-399-13	TERMINAL BOARD (TA-F808ES)			
TM602	1-537-378-11	TERMINAL BOARD (SP) (TA-F707ES:AE1, E, Germany)			
TM602	1-537-380-11	TERMINAL BOARD (SP) (TA-F707ES:AE2)			
TM602	1-537-399-13	TERMINAL BOARD (TA-F808ES)			
< TEST PIN >					
TP3	1-535-139-00	BASE POST 14MM (10MM PITCH) 2P			

*	1-645-789-11	SP-SW BOARD			

< CAPACITOR >					
C611	1-106-343-00	MYLAR	1000PF	5%	200V

Ref. No.	Part No.	Description	Remark		
< CONNECTOR >					
* EH32	1-564-506-11	PLUG, CONNECTOR 3P			
< RESISTOR >					
R618	1-247-741-11	CARBON	150	5%	1/2W
R619	1-247-741-11	CARBON	150	5%	1/2W
R621	1-247-747-11	CARBON	470	5%	1/2W
R623	1-247-747-11	CARBON	470	5%	1/2W
R625	1-247-747-11	CARBON	470	5%	1/2W
R627	1-247-747-11	CARBON	470	5%	1/2W
< SWITCH >					
S601	1-572-107-11	SWITCH, ROTARY (SPEAKERS)			

*	1-637-094-12	SW (F) BOARD			

< DIODE >					
D506	8-719-301-49	LED SEL2810A			
D507	8-719-301-49	LED SEL2810A			
D925	8-719-301-49	LED SEL2810A (GOLD)			
D925	8-719-303-02	DIODE SEL2510C-D (BLACK)			
D926	8-719-301-49	LED SEL2810A (GOLD)			
D926	8-719-303-02	DIODE SEL2510C-D (BLACK)			
D927	8-719-301-49	LED SEL2810A (GOLD)			
D927	8-719-303-02	DIODE SEL2510C-D (BLACK)			
D928	8-719-301-49	LED SEL2810A (GOLD)			
D928	8-719-303-02	DIODE SEL2510C-D (BLACK)			
D929	8-719-301-49	LED SEL2810A (GOLD)			
D929	8-719-303-02	DIODE SEL2510C-D (BLACK)			
D930	8-719-301-49	LED SEL2810A (GOLD)			
D930	8-719-303-02	DIODE SEL2510C-D (BLACK)			
D931	8-719-301-49	LED SEL2810A (GOLD)			
D931	8-719-303-02	DIODE SEL2510C-D (BLACK)			
< RESISTOR >					
R613	1-249-799-11	CARBON	750	5%	1/2W
R628	1-247-703-11	CARBON	180	5%	1/4W
R629	1-247-703-11	CARBON	180	5%	1/4W
R901	1-247-887-00	CARBON	220K	5%	1/4W
R902	1-247-887-00	CARBON	220K	5%	1/4W
R903	1-247-887-00	CARBON	220K	5%	1/4W
R904	1-247-887-00	CARBON	220K	5%	1/4W
R905	1-247-887-00	CARBON	220K	5%	1/4W
R906	1-247-887-00	CARBON	220K	5%	1/4W
R907	1-247-887-00	CARBON	220K	5%	1/4W

Ref. No.	Part No.	Description	Remark
< SWITCH >			
S901	1-554-303-21	SWITCH, TACTILE (PHONO)	
S902	1-554-303-21	SWITCH, TACTILE (TUNER)	
S903	1-554-303-21	SWITCH, TACTILE (CD)	
S904	1-554-303-21	SWITCH, TACTILE (AUX)	
S905	1-554-303-21	SWITCH, TACTILE (TAPE 3)	
S906	1-554-303-21	SWITCH, TACTILE (TAPE 2)	
S907	1-554-303-21	SWITCH, TACTILE (DAT/TAPE 1)	

*	1-645-791-11	TONE BOARD	

< CAPACITOR >			
C301	1-136-173-00	FILM 0.47uF 5% 50V	
C302	1-107-165-00	MICA 56PF 5% 50V	
C303	1-123-369-00	ELECT 4.7uF 20% 63V	
C304	1-123-369-00	ELECT 4.7uF 20% 63V	
C305	1-123-369-00	ELECT 4.7uF 20% 63V	
C306	1-136-155-00	FILM 0.015uF 5% 50V	
C307	1-136-161-00	FILM 0.047uF 5% 50V	
C308	1-136-169-00	FILM 0.22uF 5% 50V	
C309	1-136-175-00	FILM 0.68uF 5% 50V	
C320	1-123-369-00	ELECT 4.7uF 20% 63V	
C321	1-102-973-00	CERAMIC 100PF 5% 50V (Germany)	
C351	1-136-173-00	FILM 0.47uF 5% 50V	
C352	1-107-165-00	MICA 56PF 5% 50V	
C355	1-123-369-00	ELECT 4.7uF 20% 63V	
C356	1-136-155-00	FILM 0.015uF 5% 50V	
C357	1-136-161-00	FILM 0.047uF 5% 50V	
C358	1-136-169-00	FILM 0.22uF 5% 50V	
C359	1-136-175-00	FILM 0.68uF 5% 50V	
C370	1-123-369-00	ELECT 4.7uF 20% 63V	
C371	1-102-973-00	CERAMIC 100PF 5% 50V (Germany)	
< IC >			
IC301	8-759-602-19	IC M5220L	
< RESISTOR >			
R304	1-247-713-11	CARBON 1K 5% 1/4W F	
R305	1-246-545-00	CARBON 1.0M 5% 1/4W	
R306	1-247-758-11	CARBON 3.3K 5% 1/2W	
R307	1-247-713-11	CARBON 1K 5% 1/4W F	
R308	1-247-704-11	CARBON 220 5% 1/4W	
R310	1-259-421-11	CARBON 510 5% 1/4W	
R311	1-247-703-11	CARBON 180 5% 1/4W	

Ref. No.	Part No.	Description	Remark
R312	1-247-718-11	CARBON 2.7K 5% 1/4W	
R313	1-249-551-11	CARBON 910 5% 1/4W	
R314	1-246-545-00	CARBON 1.0M 5% 1/4W	
R315	1-246-545-00	CARBON 1.0M 5% 1/4W	
R354	1-247-713-11	CARBON 1K 5% 1/4W F	
R355	1-246-545-00	CARBON 1.0M 5% 1/4W	
R356	1-247-758-11	CARBON 3.3K 5% 1/2W	
R357	1-247-713-11	CARBON 1K 5% 1/4W F	
R358	1-247-704-11	CARBON 220 5% 1/4W	
R360	1-259-421-11	CARBON 510 5% 1/4W	
R361	1-247-703-11	CARBON 180 5% 1/4W	
R362	1-247-718-11	CARBON 2.7K 5% 1/4W	
R363	1-249-551-11	CARBON 910 5% 1/4W	
R364	1-246-545-00	CARBON 1.0M 5% 1/4W	
R365	1-246-545-00	CARBON 1.0M 5% 1/4W	
< VARIABLE RESISTOR >			
RV301	1-241-291-11	RES, VAR, CARBON 100K/100K (BALANCE)	
RV302	1-241-292-11	RES, VAR, CARBON 10K (TREBLE)	
RV303	1-241-293-11	RES, VAR, CARBON 10K (BASS)	
< SWITCH >			
S302	1-572-549-11	SWITCH, PUSH (2 KEY) (SUBSONIC)	
S303	1-572-549-11	SWITCH, PUSH (2 KEY) (MODE)	

*	1-645-794-11	V.S BOARD (E)	

< CAPACITOR >			
C801	1-161-741-00	CERAMIC 0.001uF 10% 400V	
< FUSE >			
△F1	1-532-350-00	FUSE, TIME-LAG 4A	
△F2	1-532-350-00	FUSE, TIME-LAG 4A	
< CONNECTOR >			
SE2	1-564-687-11	PIN, CONNECTOR 3P	
SE3	1-564-687-11	PIN, CONNECTOR 3P	
SE51	1-564-321-00	PIN, CONNECTOR 2P	
< SWITCH >			
△S802	1-572-009-11	SELECTOR, VOLTAGE	
< CONNECTOR >			
* VH50	1-564-321-00	PIN, CONNECTOR 2P	

The components identified by mark △ or dotted line with mark △ are critical for safety. Replace only with part number specified.

VOL

Ref. No.	Part No.	Description	Remark
*	1-645-786-11	VOL BOARD ***** < CAPACITOR >	
C318	1-124-903-11	ELECT 1uF 20% 50V	
C319	1-104-272-11	POLYSTYRENE 33PF 10% 50V	
C369	1-104-272-11	POLYSTYRENE 33PF 10% 50V	
C918	1-124-631-11	ELECT 47uF 20% 16V	
		< DIODE >	
D301	8-719-987-63	DIODE 1N4148M	
D933	8-719-987-63	DIODE 1N4148M	
		< CONNECTOR >	
* EH14	1-564-507-11	PLUG, CONNECTOR 4P	
* EH28	1-564-509-11	PLUG, CONNECTOR 6P	
* EH30	1-564-507-11	PLUG, CONNECTOR 4P	
* EH34	1-564-507-11	PLUG, CONNECTOR 4P	
* EH36	1-564-505-11	PLUG, CONNECTOR 2P	
* EH37	1-564-505-11	PLUG, CONNECTOR 2P	
* EH40	1-564-505-11	PLUG, CONNECTOR 2P	
		< TRANSISTOR >	
Q310	8-729-281-54	TRANSISTOR 2SC1815-BL	
		< RESISTOR >	
R316	1-249-926-11	CARBON 1.3K 5% 1/4W	
R317	1-247-721-11	CARBON 4.7K 5% 1/4W	
R318	1-247-725-11	CARBON 10K 5% 1/4W	
R319	1-249-403-11	CARBON 68 5% 1/4W F	
		< VARIABLE RESISTOR >	
RV304	1-223-225-11	RES, VAR, CARBON 30K/30K (ATTENUATOR) (TA-F707ES)	
RV304	1-223-225-21	RES, VAR, CARBON 30K/30K (ATTENUATOR) (TA-F808ES)	
		< RELAY >	
RY301	1-515-726-11	RELAY	
RY901	1-515-622-11	RELAY	

		MISCELLANEOUS *****	
* 62	1-535-691-21	TERMINAL (TA-F707ES)	
* 62	1-535-691-31	TERMINAL (TA-F808ES)	
△75	1-559-297-31	CODE, POWER (TA-F707ES:E)	
△75	1-575-953-11	CORD, POWER (AEP, Germany)	

Ref. No.	Part No.	Description	Remark
76	1-506-113-00	SHORT PLUG	
△81	1-569-007-11	ADAPTER, CONVERSION 2P (TA-F707ES:E)	
C701	1-104-599-11	CAP, ELECT 8200uF (TA-F808ES)	
C701	1-128-465-11	CAP, ELECT 8200uF (TA-F707ES)	
C751	1-104-599-11	CAP, ELECT 8200uF (TA-F808ES)	
C751	1-128-465-11	CAP, ELECT 8200uF (TA-F707ES)	
S001	1-572-546-11	SWITCH, ROTARY SLIDE (REMOTE)	
S002	1-572-547-11	SWITCH, ROTARY SLIDE (REMOTE)	
S003	1-572-548-11	SWITCH, ROTARY SLIDE (REMOTE)	
T901	1-423-690-11	TRANSFORMER, POWER (TA-F808ES:AE2)	
T901	1-450-486-11	TRANSFORMER, POWER (TA-F707ES:E)	
T901	1-450-487-11	TRANSFORMER, POWER (TA-F707ES:AE1, Germany)	
T901	1-450-488-11	TRANSFORMER, POWER (TA-F707ES:AE2)	
T901	1-450-489-11	TRANSFORMER, POWER (TA-F808ES:AE1, Germany)	

		ACCESSORIES & PACKING MATERIALS *****	
	1-465-801-11	REMOTE COMMANDER (RM-S703) (BLACK)	
	1-465-801-21	REMOTE COMMANDER (RM-S703) (GOLD)	
	3-755-923-11	MANUAL, INSTRUCTION (ENGLISH, FRENCH, SPANISH, PORTUGUESE) (AEP, E)	
	3-755-923-41	MANUAL, INSTRUCTION (GERMAN, DUTCH, SWEDISH, ITALIAN) (AEP, Germany)	
	4-847-802-00	SCREW (BLACK)	
	4-847-802-11	SCREW (GOLD)	
*	4-931-954-01	CUSHION	
*	4-958-318-01	INDIVIDUAL CARTON (TA-F808ES)	
*	4-958-319-01	INDIVIDUAL CARTON (TA-F707ES)	

The components identified by mark △ or dotted line with mark △ are critical for safety. Replace only with part number specified.

Ref. No.	Part No.	Description	Remark
----------	----------	-------------	--------

HARDWARE LIST

#1	7-682-148-15	SCREW, TR	
#2	7-682-546-09	SCREW, +B 3X5, PAWL	
#3	7-682-547-09	SCREW, +BVTT 3X6 (S)	
#4	7-682-548-09	SCREW, +B 3X8	
#5	7-682-549-04	SCREW, +B 3X10	
#6	7-682-668-09	SCREW, +PSW 4X30	
#7	7-683-255-58	SET SCREW, 5X6 HEXAGON SOCKET	
#8	7-684-024-04	N 4, TYPE 2	
#9	7-685-153-19	SCREW, +P 3X30 TYPE2 SLIT	
#10	7-685-234-19	SCREW, +KTP 2.6X8 TYPE2NON-SLIT	
#11	7-685-646-79	SCREW, +BVTP 3X8 TYPE2 N-S	
#12	7-685-647-79	SCREW, +BVTP 3X10 TYPE2 SLIT	
#13	7-685-650-79	SCREW, +BVTP 3X16 TYPE2 SLIT	
#14	7-688-004-02	W 4, SMALL	