

TA-FE370/FE570

SERVICE MANUAL

Ver 1.0 2001.04

AEP Model
UK Model



Photo: TA-FE570 (BLACK)

SPECIFICATIONS

Amplifier section

DIN power output

TA-FE570: 110 W + 110 W
(4 ohms at 1 kHz)
TA-FE370: 70 W + 70 W
(4 ohms at 1 kHz)

Frequency response

PHONO (20 Hz - 20 kHz): RIAA equalization curve
 ± 1.0 dB
TUNER, CD, AUX, TAPE1/DAT, TAPE2/MD:
7 Hz - 70 kHz ± 0.5 dB

S/N (network A)

PHONO: 80 dB
TUNER, CD, AUX, TAPE1/DAT, TAPE2/MD:
105 dB

Output voltage/impedance

RECOUT: 200 mV, 1 kilohm
PHONES: 5 mW (at 8 ohms)

Speakers impedance 4 - 16 ohms

Damping factor 80 (8 ohms, 1 kHz)

General

System

Power amplifier with all stages directly coupled
Preamplifier: Low-noise, equalizer amplifier

Power requirements 230 V AC, 50/60 Hz

Power consumption

TA-FE570: 190 W
TA-FE370: 160 W
0.6 W
(In standby mode)

Dimensions (approx.) (w/h/d)

430 x 135 x 310 mm
incl. projecting parts and controls

Mass (approx.)

TA-FE570: 6.5 kg
TA-FE370: 5.5 kg

Supplied accessories

Remote commander (remote) RM-S325 (1)
Sony batteries R6 (size-AA) (2)

Design and specifications are subject to change without notice.

INTEGRATED STEREO AMPLIFIER

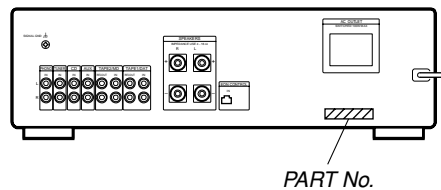
SECTION 1 SERVICING NOTES

TABLE OF CONTENTS

1. SERVICING NOTES	2
2. GENERAL	
Location of Controls	3
3. DISASSEMBLY	
3-1. Disassembly Flow	4
3-2. Case	4
3-3. Front Panel Assy	5
3-4. MAIN Board	5
4. DIAGRAMS	
4-1. Note for Printed Wiring Boards and Schematic Diagrams	7
4-2. Printed Wiring Board – MAIN Board –	8
4-3. Schematic Diagram – MAIN Board –	9
4-4. Printed Wiring Boards – CONTROL/SPEAKER SW/ VOLUME/Boards –	10
4-5. Schematic Diagram – CONTROL/SPEAKER SW/ VOLUME Boards –	11
4-6. Printed Wiring Boards – AC OUTLET/HEADPHONE/LOUDNESS/ POWER SW/STANDBY Boards –	12
4-7. Schematic Diagram – AC OUTLET/HEADPHONE/LOUDNESS/ POWER SW/STANDBY Boards –	13
4-8. IC Pin Function Description	14
5. EXPLODED VIEWS	
5-1. Case Section	15
5-2. Front Panel Section	16
5-3. Chassis Section	17
6. ELECTRICAL PARTS LIST	18

MODEL IDENTIFICATION

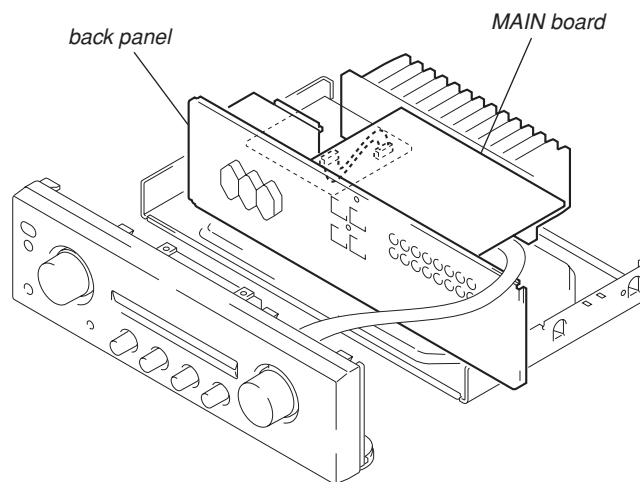
– Back Panel –



Model	PART No.
TA-FE570: AEP model	4-233-359-0□
TA-FE570: UK model	4-233-359-1□
TA-FE370: AEP model	4-233-359-2□
TA-FE370: UK model	4-233-359-3□

MAIN BOARD SETTING

On AEP model of this set, AC outlet is mounted onto the AC OUTLET board holding the back panel between. Since removing the MAIN board alone is difficult, in repairing the MAIN board, handle the MAIN board with the back panel connected as shown in the figure below.



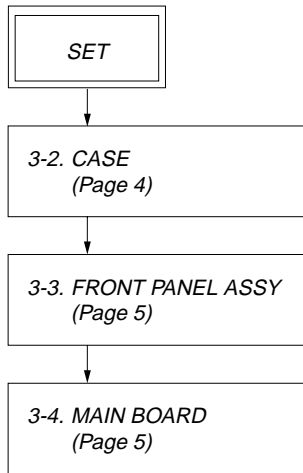
SAFETY-RELATED COMPONENT WARNING!!

COMPONENTS IDENTIFIED BY MARK \triangle OR DOTTED LINE WITH MARK \triangle ON THE SCHEMATIC DIAGRAMS AND IN THE PARTS LIST ARE CRITICAL TO SAFE OPERATION. REPLACE THESE COMPONENTS WITH SONY PARTS WHOSE PART NUMBERS APPEAR AS SHOWN IN THIS MANUAL OR IN SUPPLEMENTS PUBLISHED BY SONY.

SECTION 3 DISASSEMBLY

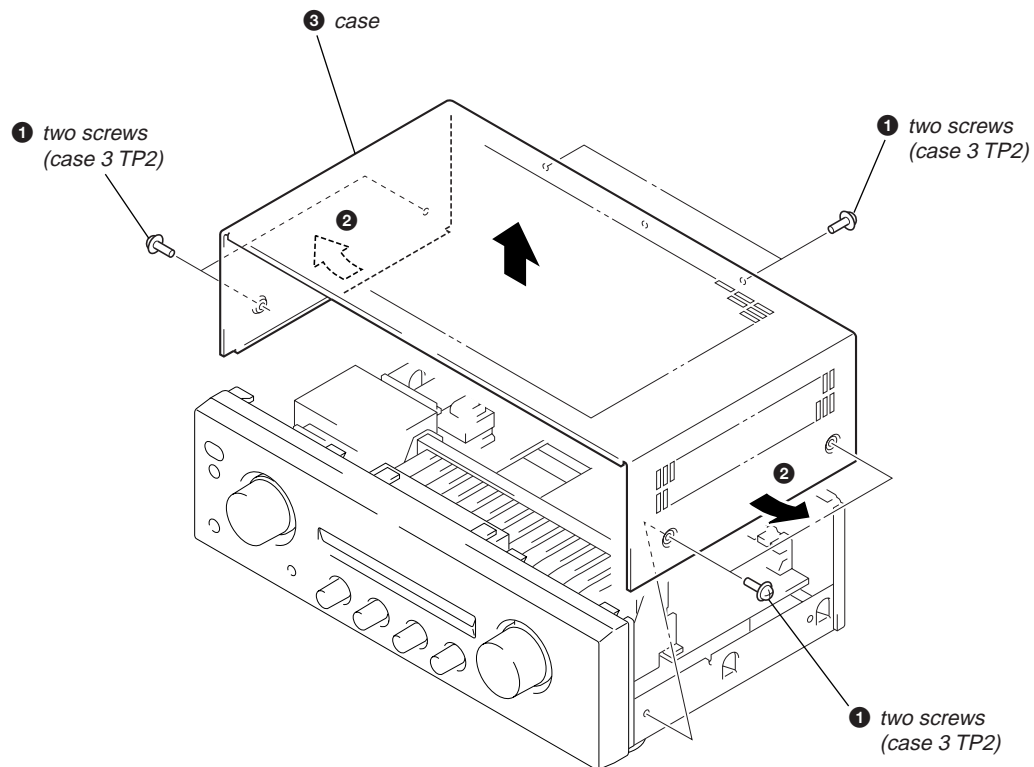
• This set can be disassembled in the order shown below.

3-1. DISASSEMBLY FLOW

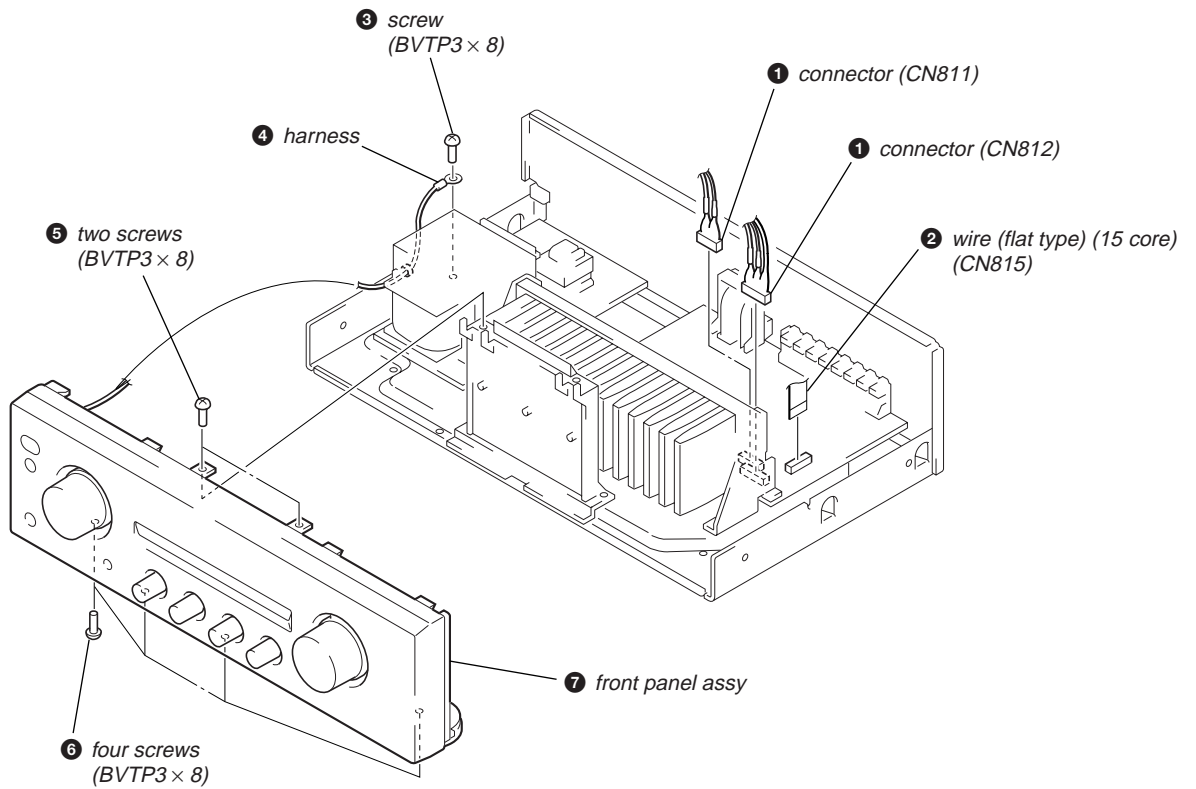


Note: Follow the disassembly procedure in the numerical order given.

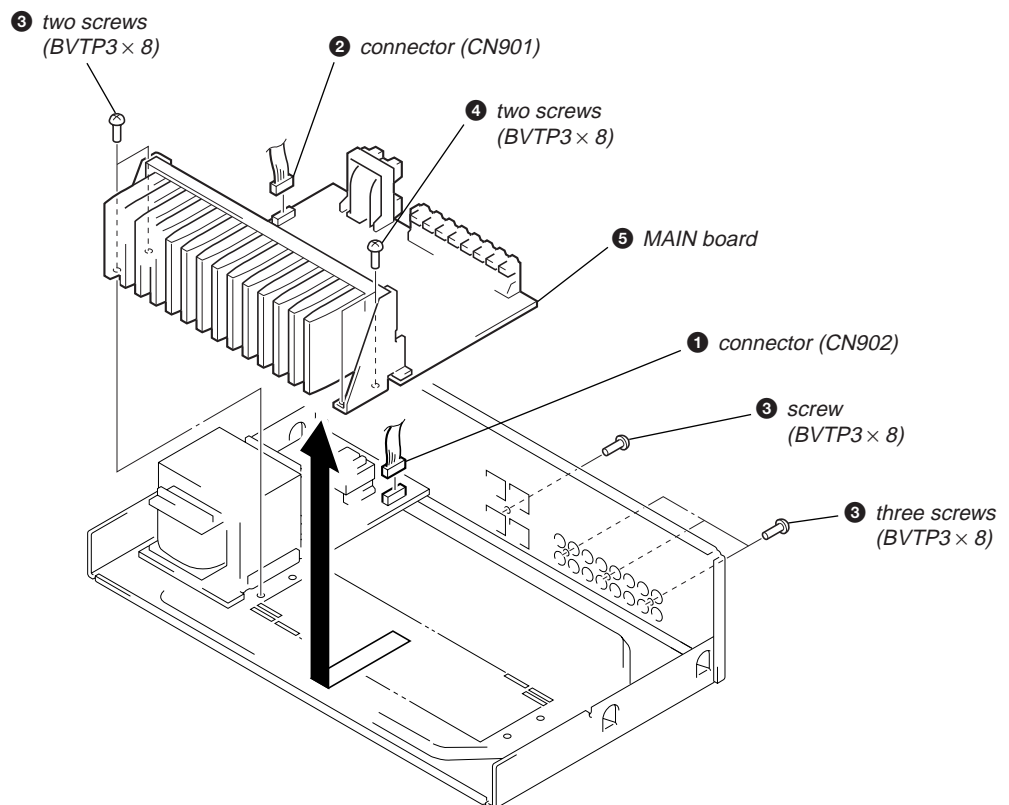
3-2. CASE



3-3. FRONT PANEL ASSY



3-4. MAIN BOARD

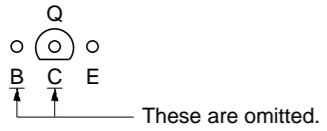
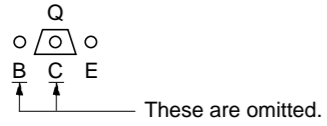


SECTION 4 DIAGRAMS

4-1. NOTE FOR PRINTED WIRING BOARDS AND SCHEMATIC DIAGRAMS

Note on Printed Wiring Board:

- : parts extracted from the component side.
- : Pattern from the side which enables seeing. (The other layers' patterns are not indicated.)
- Indication of transistor



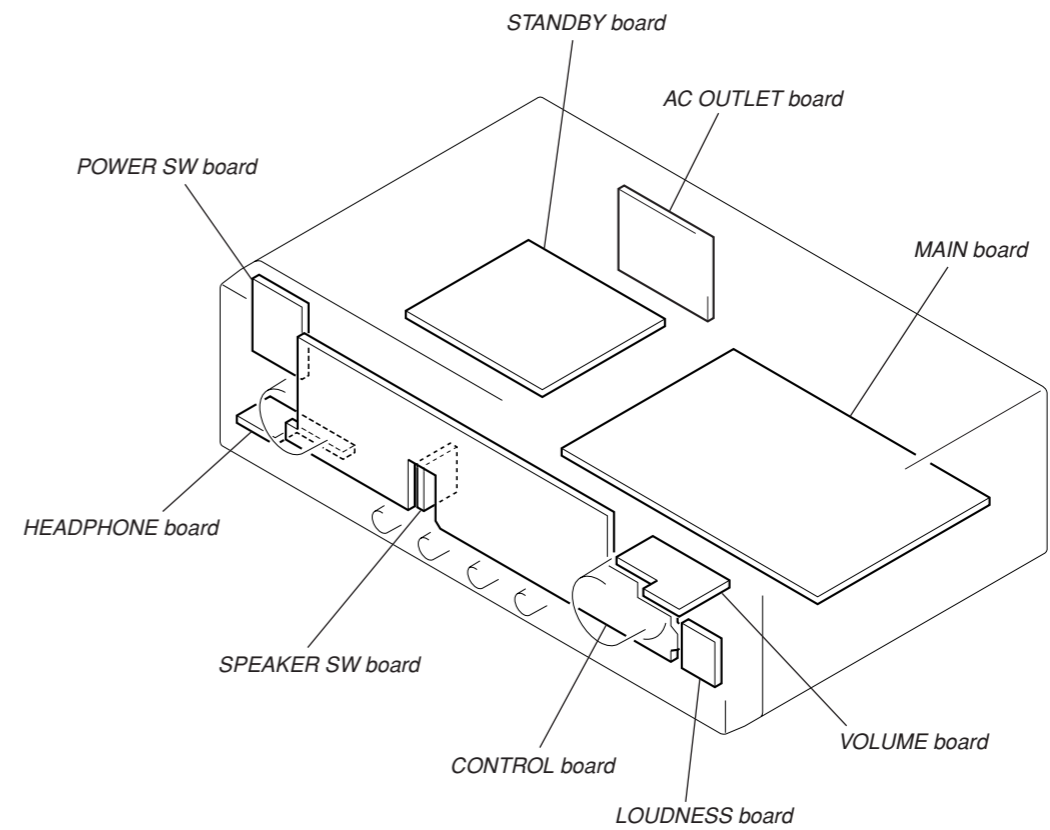
Note on Schematic Diagram:

- All capacitors are in μF unless otherwise noted. pF : $\mu\mu\text{F}$ 50 WV or less are not indicated except for electrolytics and tantalums.
- All resistors are in Ω and $1/4\text{ W}$ or less unless otherwise specified.
- Δ : internal component.
- $\text{---}\square\text{---}$: nonflammable resistor.
- $\text{---}\square\text{---}$: panel designation.

Note: The components identified by mark Δ or dotted line with mark Δ are critical for safety. Replace only with part number specified.

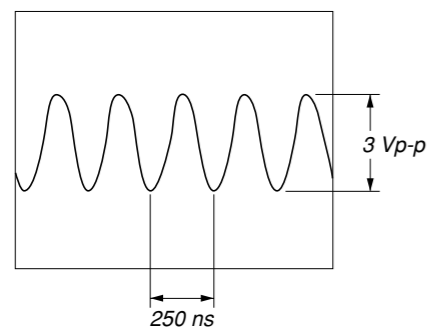
- --- : B+ Line.
- --- : B- Line.
- Voltages and waveforms are dc with respect to ground under no-signal conditions.
- no mark : TUNER
- Voltages are taken with a VOM (Input impedance $10\text{ M}\Omega$). Voltage variations may be noted due to normal production tolerances.
- Waveforms are taken with a oscilloscope. Voltage variations may be noted due to normal production tolerances.
- Circled numbers refer to waveforms.
- Signal path.
- \rightarrow : TUNER
- \rightarrow : TAPE1/DAT IN
- \rightarrow : RECOUT
- \rightarrow : TAPE2/MD IN
- \rightarrow : CD
- \rightarrow : PHONO

• Circuit Boards Location

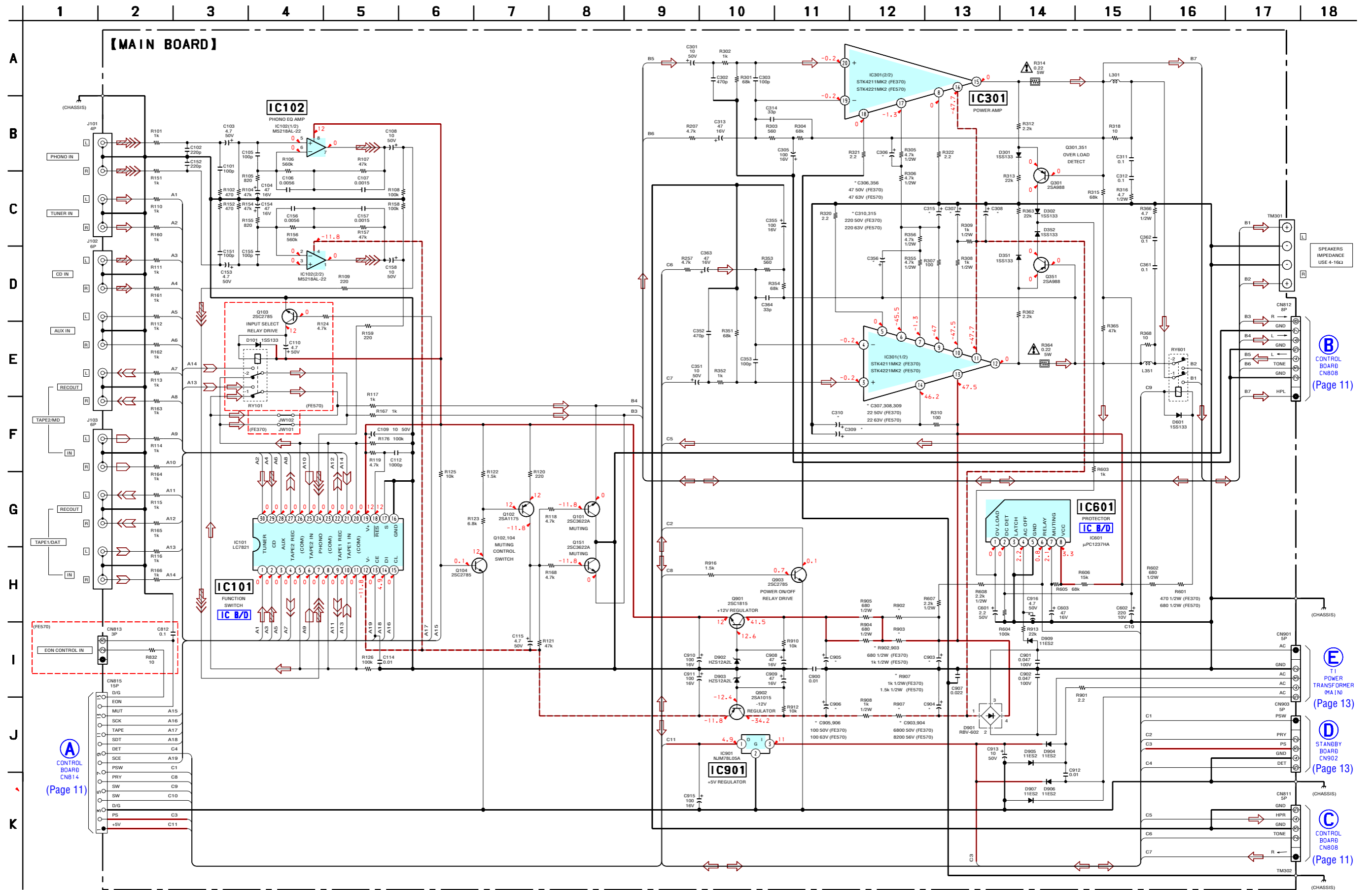


• Waveform – CONTROL Board –

① IC801 ① (XOUT)



4-3. SCHEMATIC DIAGRAM – MAIN Board – • See page 14 for IC Block Diagrams.



(A) CONTROL BOARD CN814 (Page 11)

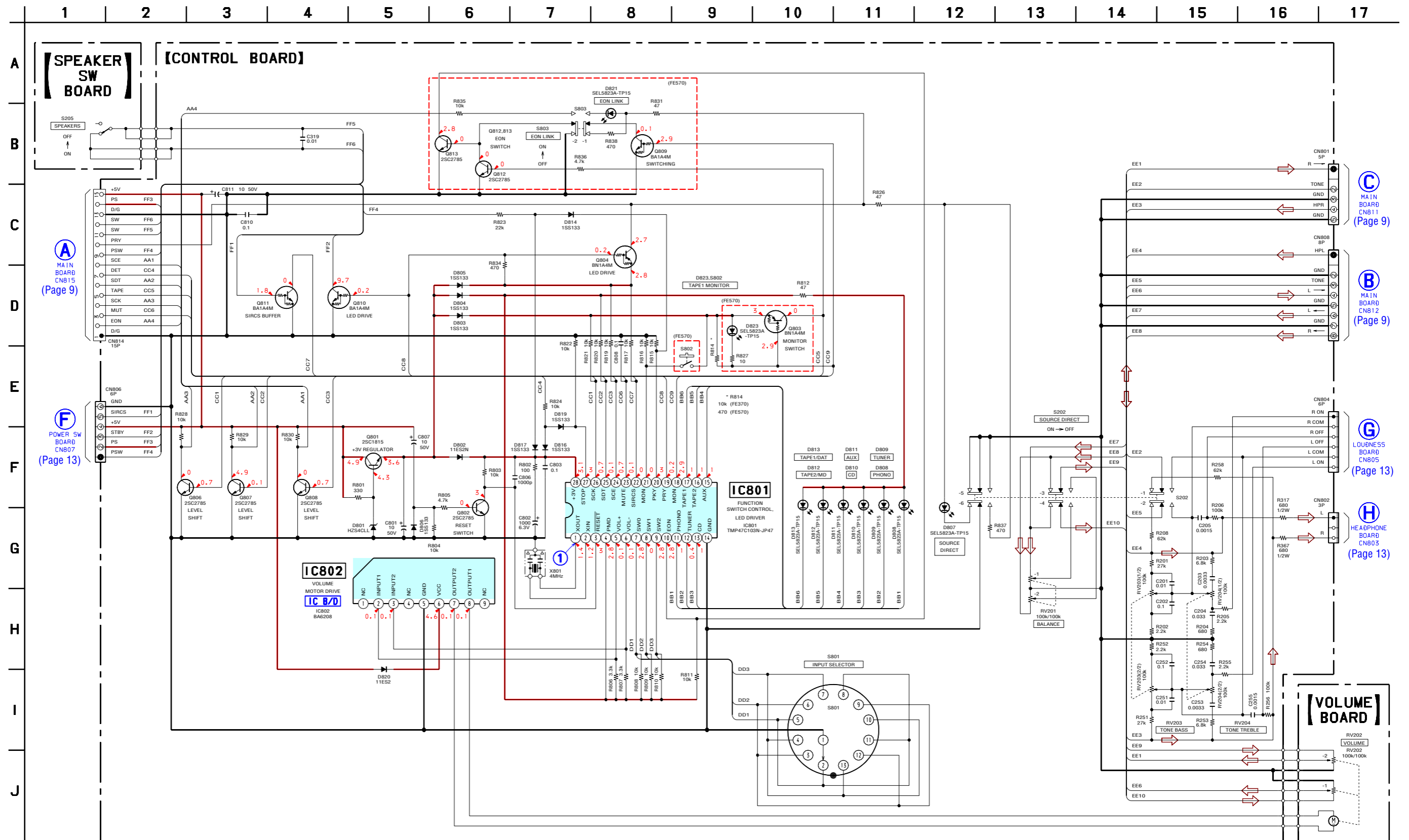
(B) CONTROL BOARD CN808 (Page 11)

(E) T1 POWER TRANSFORMER (MA1N) (Page 13)

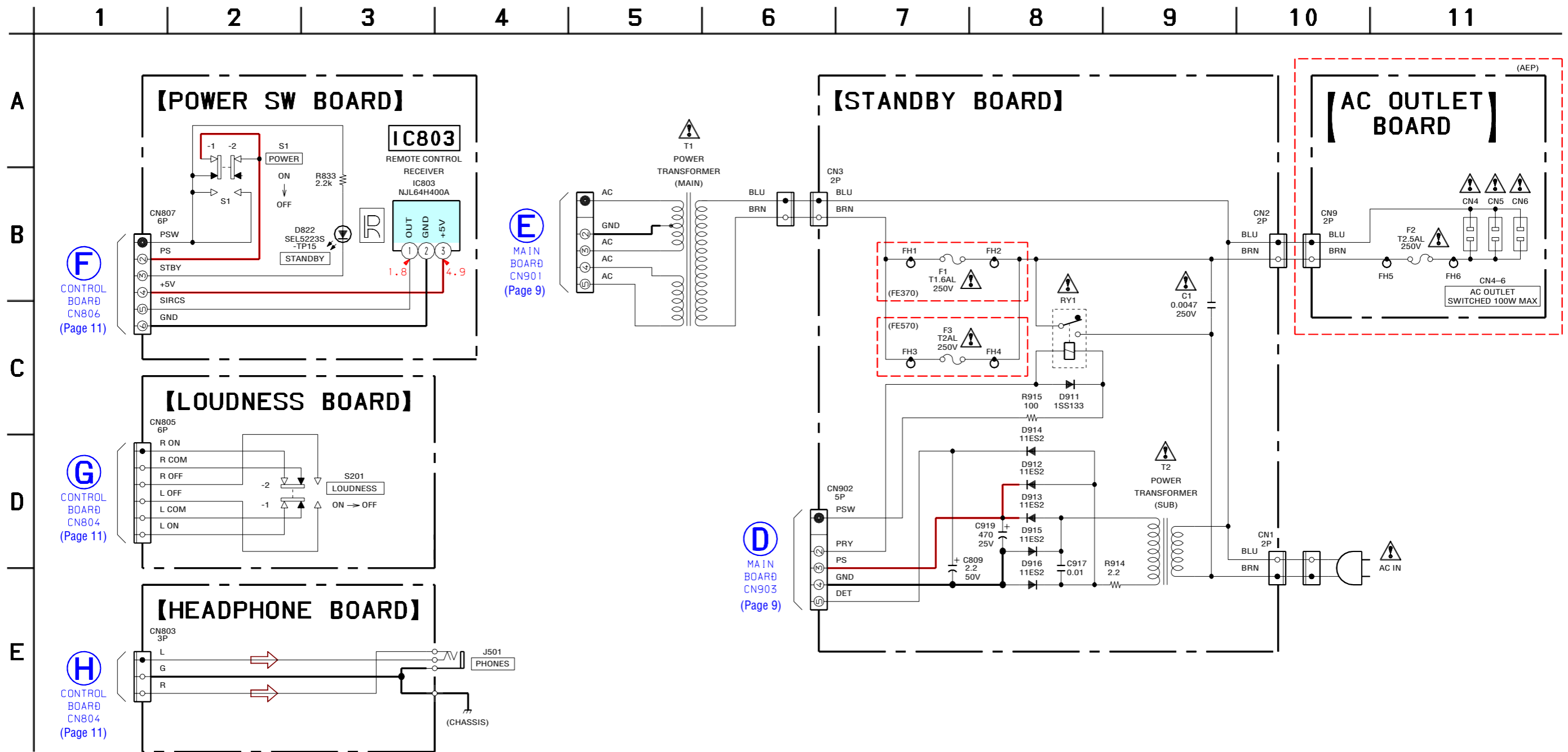
(D) STANDBY BOARD CN902 (Page 13)

(C) CONTROL BOARD CN808 (Page 11)

4-5. SCHEMATIC DIAGRAM – CONTROL/SPEAKER SW/VOLUME Boards – • See page 7 for Waveform. • See page 14 for IC Block Diagram.



4-7. SCHEMATIC DIAGRAM – AC OUTLET/HEADPHONE/LOUDNESS/POWER SW/STANDBY Boards –



SECTION 5 EXPLODED VIEWS

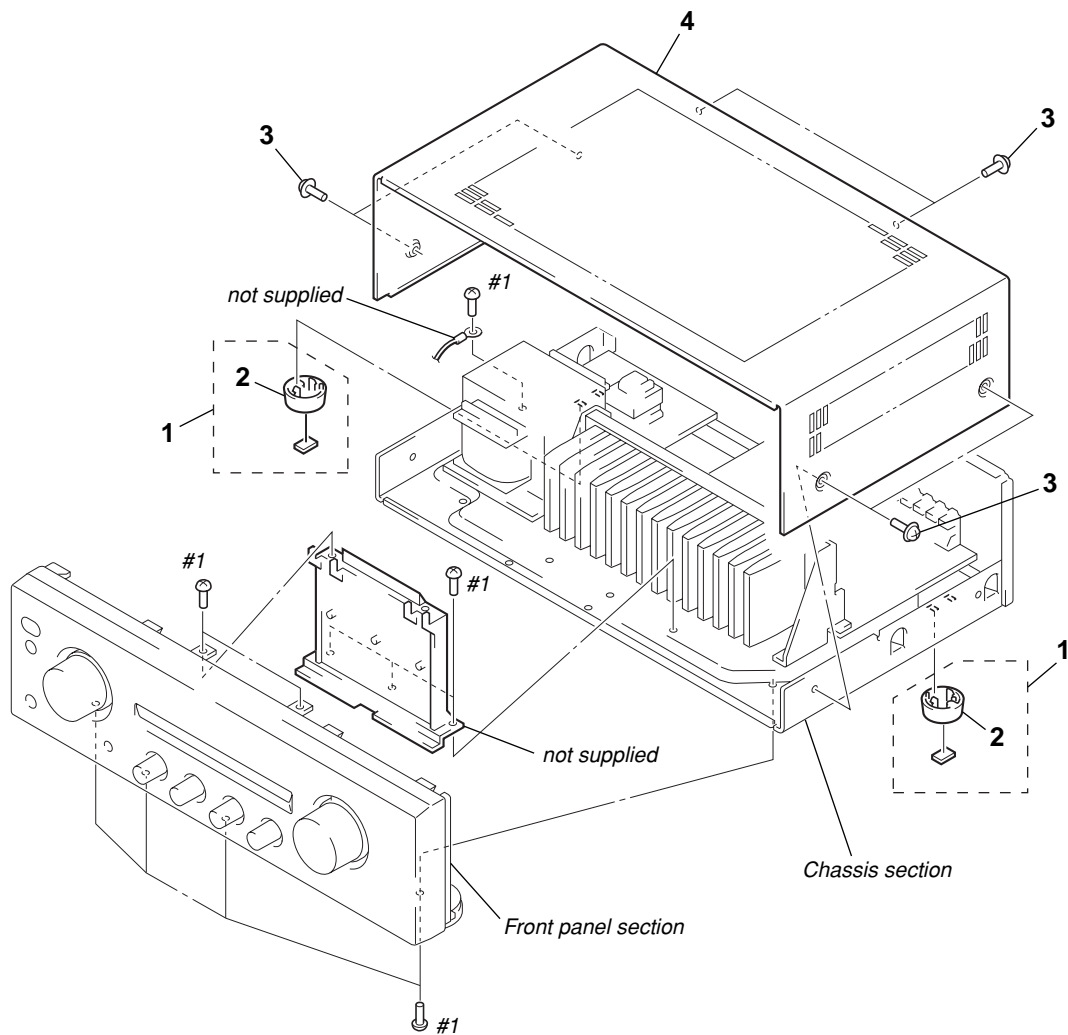
NOTE:

- -XX and -X mean standardized parts, so they may have some difference from the original one.
- Color Indication of Appearance Parts
Example:
KNOB, BALANCE (WHITE) . . . (RED)
 ↑ ↑
 Parts Color Cabinet's Color

- Items marked "*" are not stocked since they are seldom required for routine service. Some delay should be anticipated when ordering these items.
- The mechanical parts with no reference number in the exploded views are not supplied.
- Accessories and packing materials is given in the last of the electrical parts list.

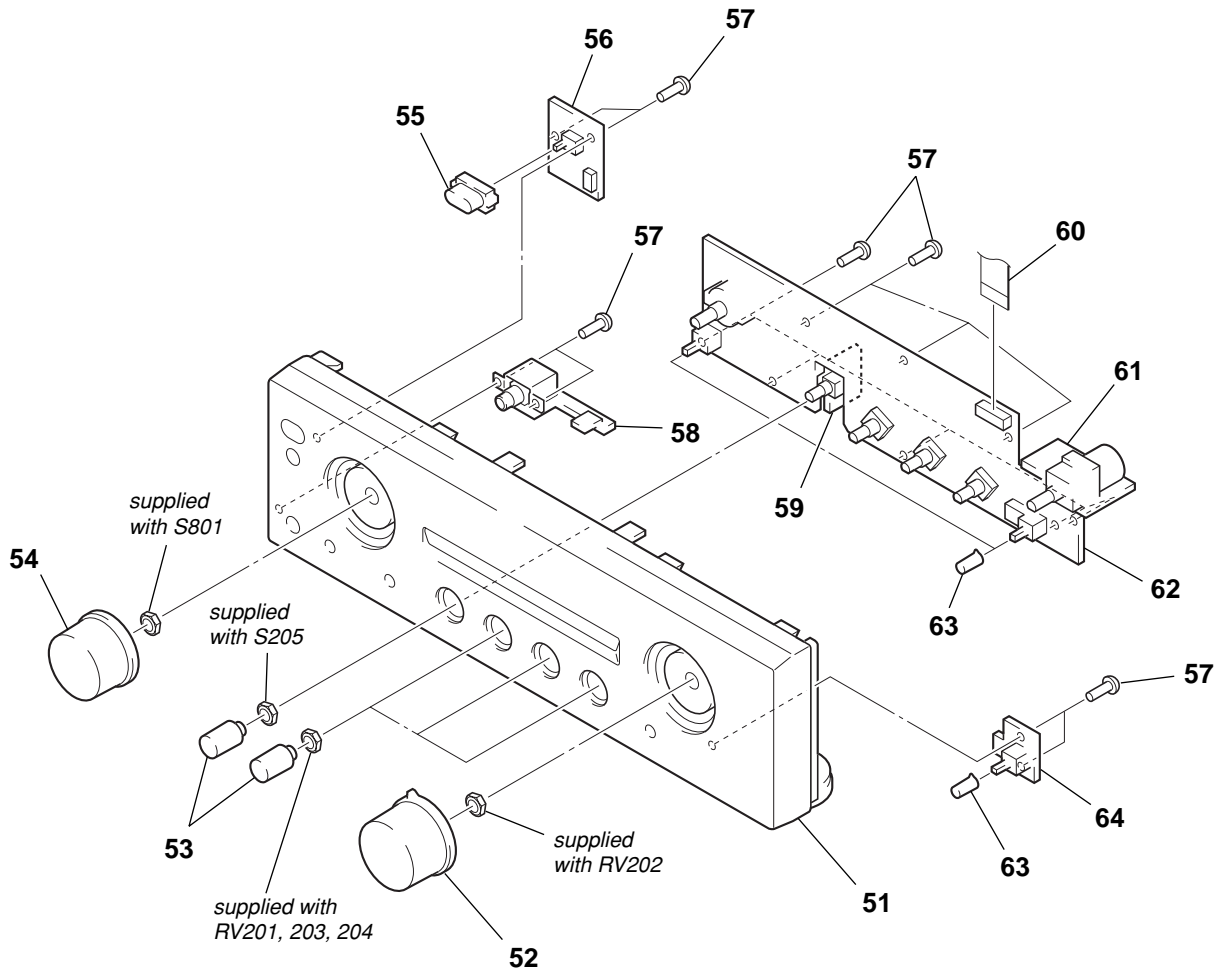
The components identified by mark \triangle or dotted line with mark \triangle are critical for safety. Replace only with part number specified.

5-1. CASE SECTION



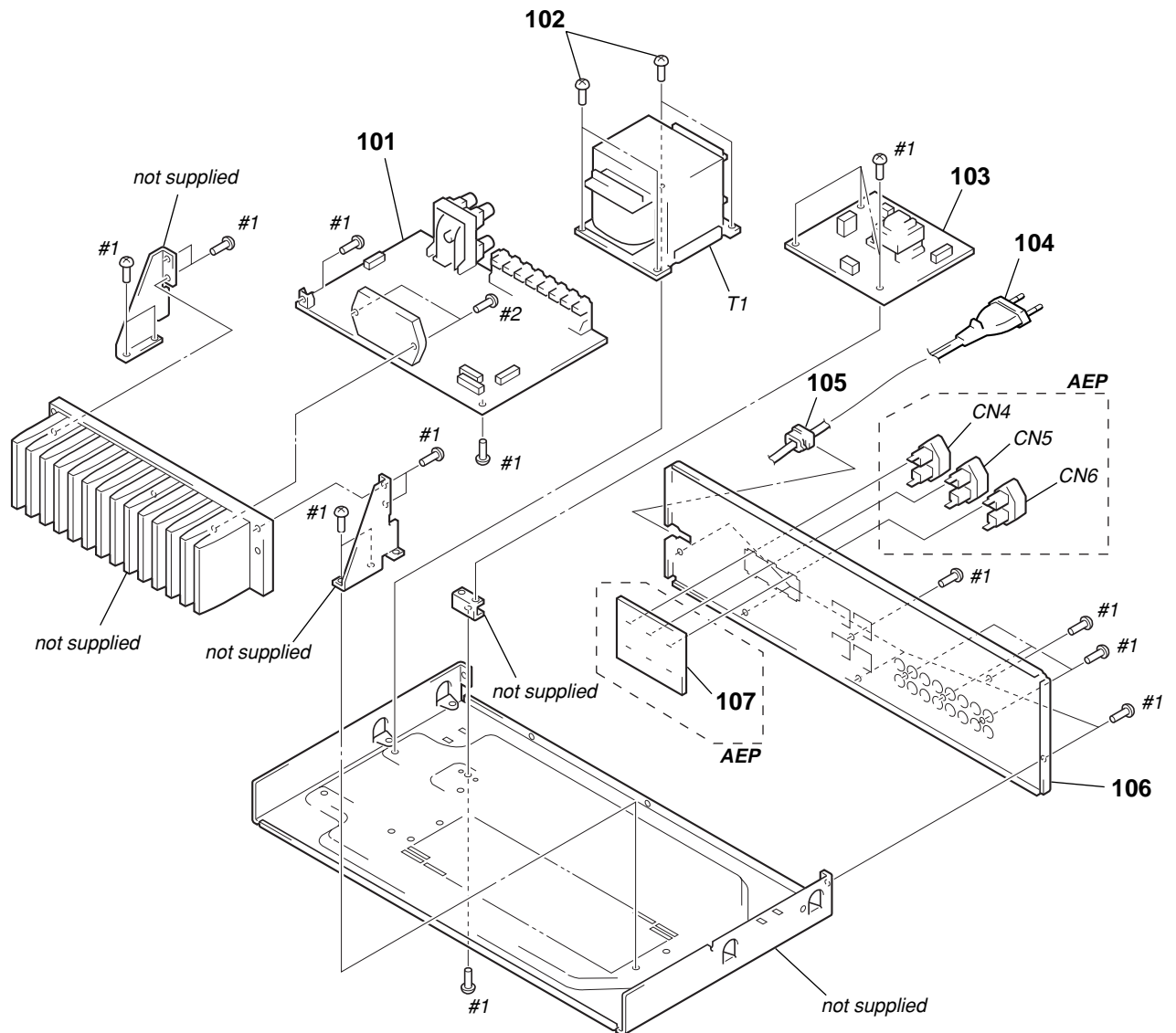
Ref. No.	Part No.	Description	Remark	Ref. No.	Part No.	Description	Remark
1	X-4953-448-1	FOOT ASSY		4	4-233-360-11	CASE (BLACK)	
2	4-232-237-01	FOOT (DIA. 30)		4	4-233-360-31	CASE (SILVER)	
3	4-210-291-01	SCREW (CASE 3 TP2) (BLACK)		#1	7-685-646-79	SCREW +BVTP 3X8 TYPE2 N-S)	
3	4-210-291-11	SCREW (CASE 3 TP2) (SILVER)					

5-2. FRONT PANEL SECTION



Ref. No.	Part No.	Description	Remark	Ref. No.	Part No.	Description	Remark
51	X-4953-702-1	PANEL, FRONT ASSY (BLACK) (FE570)		56	1-681-421-11	POWER SW BOARD	
51	X-4953-703-1	PANEL, FRONT ASSY (BLACK) (FE370)		57	4-951-620-01	SCREW (2.6X8), +BVTP	
51	X-4953-704-1	PANEL, FRONT ASSY (SILVER) (FE570)		58	1-681-422-11	HEADPHONE BOARD	
51	X-4953-719-1	PANEL, FRONT ASSY (SILVER) (FE370)		59	1-681-424-11	SPEAKER SW BOARD	
52	X-4953-705-1	KNOB (VOL) ASSY (BLACK)		60	1-773-025-11	WIRE (FLAT TYPE) (15 CORE)	
52	X-4953-706-1	KNOB (VOL) ASSY (SILVER)		61	1-681-420-11	VOLUME BOARD	
53	4-233-365-01	KNOB (BLACK)		62	A-4476-573-A	CONTROL BOARD, COMPLETE (FE570)	
53	4-233-365-11	KNOB (SILVER)		62	A-4476-583-A	CONTROL BOARD, COMPLETE (FE370)	
54	4-233-364-01	KNOB (SELECTOR) (BLACK)		63	4-980-189-01	KNOB (DIA. 6) (BLACK)	
54	4-233-364-11	KNOB (SELECTOR) (SILVER)		63	4-980-189-11	KNOB (DIA. 6) (SILVER)	
55	4-231-973-31	BUTTON (POWER) (BLACK)		64	1-681-423-11	LOUDNESS BOARD	
55	4-231-973-41	BUTTON (POWER) (SILVER)					

5-3. CHASSIS SECTION



The components identified by mark \triangle or dotted line with mark \triangle are critical for safety. Replace only with part number specified.

Ref. No.	Part No.	Description	Remark	Ref. No.	Part No.	Description	Remark
101	A-4476-571-A	MAIN BOARD, COMPLETE (FE570)		106	4-233-359-31	PANEL, BACK (FE370: UK)	
101	A-4476-581-A	MAIN BOARD, COMPLETE (FE370)		107	1-681-425-11	AC OUTLET BOARD (AEP)	
102	4-900-386-01	SCREW		\triangle CN4	1-526-794-11	OUTLET, AC (AEP)	
103	1-681-418-11	STANDBY BOARD		\triangle CN5	1-526-794-11	OUTLET, AC (AEP)	
\triangle 104	1-575-651-21	CORD, POWER		\triangle CN6	1-526-794-11	OUTLET, AC (AEP)	
* 105	3-703-244-00	BUSHING (2104), CORD		\triangle T1	1-437-254-11	TRANSFORMER, POWER (FE570)	
106	4-233-359-01	PANEL, BACK (FE570: AEP)		\triangle T1	1-437-255-11	TRANSFORMER, POWER (FE370)	
106	4-233-359-11	PANEL, BACK (FE570: UK)		#1	7-685-646-79	SCREW +BVTP 3X8 TYPE2 N-S	
106	4-233-359-21	PANEL, BACK (FE370: AEP)		#2	7-685-650-79	SCREW +BVTP 3X16 TYPE2 N-S	

SECTION 6
ELECTRICAL PARTS LIST

NOTE:

- Due to standardization, replacements in the parts list may be different from the parts specified in the diagrams or the components used on the set.
- -XX and -X mean standardized parts, so they may have some difference from the original one.
- RESISTORS
All resistors are in ohms.
METAL: Metal-film resistor.
METAL OXIDE: Metal oxide-film resistor.
F: nonflammable

- Items marked “*” are not stocked since they are seldom required for routine service. Some delay should be anticipated when ordering these items.
- SEMICONDUCTORS
In each case, u: μ , for example:
uA. . . : μ A. . . uPA. . . : μ PA. . .
uPB. . . : μ PB. . . uPC. . . : μ PC. . .
uPD. . . : μ PD. . .
- CAPACITORS
uF: μ F
- COILS
uH: μ H

The components identified by mark Δ or dotted line with mark Δ are critical for safety. Replace only with part number specified.

When indicating parts by reference number, please include the board.

Ref. No.	Part No.	Description	Remark
	1-681-425-11	AC OUTLET BOARD (AEP) *****	
	1-533-217-41	HOLDER, FUSE < FUSE >	
Δ F2	1-532-464-31	FUSE (T2.5AL/250V) *****	
	A-4476-573-A	CONTROL BOARD, COMPLETE (FE570)	
	A-4476-583-A	CONTROL BOARD, COMPLETE (FE370) *****	
		< CAPACITOR >	
C201	1-136-153-00	FILM 0.01uF 5% 50V	
C202	1-136-165-00	MYLAR 0.1uF 5% 50V	
C203	1-130-477-00	MYLAR 0.0033uF 5% 50V	
C204	1-136-159-00	MYLAR 0.033uF 5% 50V	
C205	1-130-473-00	MYLAR 0.0015uF 5% 50V	
C251	1-136-153-00	FILM 0.01uF 5% 50V	
C252	1-136-165-00	MYLAR 0.1uF 5% 50V	
C253	1-130-477-00	MYLAR 0.0033uF 5% 50V	
C254	1-136-159-00	MYLAR 0.033uF 5% 50V	
C255	1-130-473-00	MYLAR 0.0015uF 5% 50V	
C319	1-136-153-00	FILM 0.01uF 5% 50V	
C801	1-126-795-11	ELECT 10uF 20% 50V	
C802	1-126-916-11	ELECT 1000uF 20% 6.3V	
C803	1-164-159-11	CERAMIC 0.1uF 50V	
C806	1-162-294-31	CERAMIC 0.001uF 10% 50V	
C807	1-126-795-11	ELECT 10uF 20% 50V	
C808	1-164-159-11	CERAMIC 0.1uF 50V	
C810	1-164-159-11	CERAMIC 0.1uF 50V	
C811	1-126-795-11	ELECT 10uF 20% 50V	
		< CONNECTOR >	
CN802	1-770-396-11	HOUSING, CONNECTOR (PC BOARD) 3P	
CN804	1-750-195-11	CONNECTOR, BOARD TO BOARD 6P	
CN806	1-770-143-11	CONNECTOR, BOARD TO BOARD 6P	
CN814	1-784-737-21	CONNECTOR, FFC 15P	
		< DIODE >	
D801	8-719-985-59	DIODE HZS4CLL	
D802	8-719-024-99	DIODE 11ES2-NTA2B	
D803	8-719-911-19	DIODE 1SS119-25	
D804	8-719-911-19	DIODE 1SS119-25	

Ref. No.	Part No.	Description	Remark
D805	8-719-911-19	DIODE 1SS119-25	
D806	8-719-911-19	DIODE 1SS119-25	
D807	8-719-058-64	LED SEL5823A-TP15 (SOURCE DIRECT)	
D808	8-719-058-64	LED SEL5823A-TP15 (PHONO)	
D809	8-719-058-64	LED SEL5823A-TP15 (TUNER)	
D810	8-719-058-64	LED SEL5823A-TP15 (CD)	
D811	8-719-058-64	LED SEL5823A-TP15 (AUX)	
D812	8-719-058-64	LED SEL5823A-TP15 (TAPE2/MD)	
D813	8-719-058-64	LED SEL5823A-TP15 (TAPE1/DAT)	
D814	8-719-911-19	DIODE 1SS119-25	
D816	8-719-911-19	DIODE 1SS119-25	
D817	8-719-911-19	DIODE 1SS119-25	
D819	8-719-911-19	DIODE 1SS119-25	
D820	8-719-024-99	DIODE 11ES2-NTA2B	
D821	8-719-058-64	LED SEL5823A-TP15 (EON LINK) (FE570)	
D823	8-719-058-64	LED SEL5823A-TP15 (TAPE1 MONITOR) (FE570)	
		< IC >	
IC801	8-759-392-41	IC TMP47C103N-JP47	
IC802	8-759-962-08	IC BA6208	
		< TRANSISTOR >	
Q801	8-729-119-78	TRANSISTOR 2SC2785-HFE	
Q802	8-729-119-79	TRANSISTOR 2SC2785-FEK	
Q803	8-729-422-57	TRANSISTOR UN4111 (FE570)	
Q804	8-729-422-57	TRANSISTOR UN4111	
Q806	8-729-119-79	TRANSISTOR 2SC2785-FEK	
Q807	8-729-119-79	TRANSISTOR 2SC2785-FEK	
Q808	8-729-119-79	TRANSISTOR 2SC2785-FEK	
Q809	8-729-900-80	TRANSISTOR DTC114ES (FE570)	
Q810	8-729-900-80	TRANSISTOR DTC114ES	
Q811	8-729-900-80	TRANSISTOR DTC114ES	
Q812	8-729-119-79	TRANSISTOR 2SC2785-FEK (FE570)	
Q813	8-729-119-79	TRANSISTOR 2SC2785-FEK (FE570)	
		< RESISTOR >	
R201	1-249-434-11	CARBON 27K 5% 1/4W	
R202	1-249-421-11	CARBON 2.2K 5% 1/4W	
R203	1-249-427-11	CARBON 6.8K 5% 1/4W	
R204	1-249-415-11	CARBON 680 5% 1/4W	
R205	1-249-421-11	CARBON 2.2K 5% 1/4W	
R206	1-249-441-11	CARBON 100K 5% 1/4W	

CONTROL

HEADPHONE

LOUDNESS

MAIN

Ref. No.	Part No.	Description	Remark	Ref. No.	Part No.	Description	Remark
R208	1-247-874-11	CARBON	62K 5% 1/4W			< SWITCH >	
R251	1-249-434-11	CARBON	27K 5% 1/4W				
R252	1-249-421-11	CARBON	2.2K 5% 1/4W	S202	1-571-828-11	SWITCH, PUSH (1 KEY) (SOURCE DIRECT)	
R253	1-249-427-11	CARBON	6.8K 5% 1/4W	S801	1-692-974-11	SWITCH, ROTARY (INPUT SELECTOR)	
R254	1-249-415-11	CARBON	680 5% 1/4W	S802	1-771-349-21	SWITCH, KEYBOARD (TAPE1 MONITOR)	(FE570)
R255	1-249-421-11	CARBON	2.2K 5% 1/4W	S803	1-571-112-21	SWITCH, PUSH (1 KEY) (EON LINK) (FE570)	
R256	1-249-441-11	CARBON	100K 5% 1/4W			< VIBRATOR >	
R258	1-247-874-11	CARBON	62K 5% 1/4W	X801	1-577-358-21	VIBRATOR, CERAMIC (4MHz)	
R317	1-249-798-11	CARBON	680 5% 1/2W	*****			
R367	1-249-798-11	CARBON	680 5% 1/2W		1-681-422-11	HEADPHONE BOARD	*****
R801	1-249-411-11	CARBON	330 5% 1/4W			< CONNECTOR >	
R802	1-247-807-31	CARBON	100 5% 1/4W	CN803	1-770-387-11	PIN, CONNECTOR (PC BOARD) 3P	
R803	1-249-429-11	CARBON	10K 5% 1/4W			< JACK >	
R804	1-249-429-11	CARBON	10K 5% 1/4W	J501	1-750-735-11	JACK (LARGE TYPE) (PHONES)	*****
R805	1-249-425-11	CARBON	4.7K 5% 1/4W		1-681-423-11	LOUDNESS BOARD	*****
R806	1-247-843-11	CARBON	3.3K 5% 1/4W			< CONNECTOR >	
R807	1-247-843-11	CARBON	3.3K 5% 1/4W	CN805	1-750-186-11	CONNECTOR, BOARD TO BOARD 6P	
R808	1-249-429-11	CARBON	10K 5% 1/4W			< SWITCH >	
R809	1-249-429-11	CARBON	10K 5% 1/4W	S201	1-571-112-21	SWITCH, PUSH (1 KEY) (LOUDNESS)	*****
R810	1-249-429-11	CARBON	10K 5% 1/4W		A-4476-571-A	MAIN BOARD, COMPLETE (FE570)	
R811	1-249-429-11	CARBON	10K 5% 1/4W		A-4476-581-A	MAIN BOARD, COMPLETE (FE370)	*****
R812	1-249-401-11	CARBON	47 5% 1/4W			< CAPACITOR >	
R814	1-249-413-11	CARBON	470 5% 1/4W	C101	1-162-282-31	CERAMIC	100PF 10% 50V
R814	1-249-429-11	CARBON	10K 5% 1/4W (FE370)	C102	1-162-286-31	CERAMIC	220PF 10% 50V
R815	1-249-429-11	CARBON	10K 5% 1/4W	C103	1-126-963-11	ELECT	4.7uF 20% 50V
R816	1-249-429-11	CARBON	10K 5% 1/4W	C104	1-104-660-11	ELECT	47uF 20% 16V
R817	1-249-429-11	CARBON	10K 5% 1/4W	C105	1-162-282-31	CERAMIC	100PF 10% 50V
R819	1-249-429-11	CARBON	10K 5% 1/4W	C106	1-130-480-00	MYLAR	0.0056uF 5% 50V
R820	1-249-429-11	CARBON	10K 5% 1/4W	C107	1-130-473-00	MYLAR	0.0015uF 5% 50V
R821	1-249-429-11	CARBON	10K 5% 1/4W	C108	1-126-964-11	ELECT	10uF 20% 50V
R822	1-249-429-11	CARBON	10K 5% 1/4W	C109	1-126-964-11	ELECT	10uF 20% 50V
R823	1-249-433-11	CARBON	22K 5% 1/4W	C110	1-126-963-11	ELECT	4.7uF 20% 50V (FE570)
R824	1-249-429-11	CARBON	10K 5% 1/4W	C112	1-162-294-31	CERAMIC	0.001uF 10% 50V
R826	1-249-401-11	CARBON	47 5% 1/4W	C114	1-162-306-11	CERAMIC	0.01uF 30% 16V
R827	1-249-393-11	CARBON	10 5% 1/4W (FE570)	C115	1-126-963-11	ELECT	4.7uF 20% 50V
R828	1-249-429-11	CARBON	10K 5% 1/4W	C151	1-162-282-31	CERAMIC	100PF 10% 50V
R829	1-249-429-11	CARBON	10K 5% 1/4W	C152	1-162-286-31	CERAMIC	220PF 10% 50V
R830	1-249-429-11	CARBON	10K 5% 1/4W	C153	1-126-963-11	ELECT	4.7uF 20% 50V
R831	1-249-401-11	CARBON	47 5% 1/4W (FE570)	C154	1-104-660-11	ELECT	47uF 20% 16V
R834	1-249-413-11	CARBON	470 5% 1/4W	C155	1-162-282-31	CERAMIC	100PF 10% 50V
R835	1-249-429-11	CARBON	10K 5% 1/4W (FE570)	C156	1-130-480-00	MYLAR	0.0056uF 5% 50V
R836	1-249-425-11	CARBON	4.7K 5% 1/4W (FE570)	C157	1-130-473-00	MYLAR	0.0015uF 5% 50V
R837	1-249-413-11	CARBON	470 5% 1/4W	C158	1-126-964-11	ELECT	10uF 20% 50V
R838	1-249-413-11	CARBON	470 5% 1/4W (FE570)				
		< VARIABLE RESISTOR >					
RV201	1-223-396-21	RES, VAR, CARBON 100K/100K (BALANCE)					
RV203	1-223-397-21	RES, VAR, CARBON 100K/100K (TONE BASS)					
RV204	1-223-397-21	RES, VAR, CARBON 100K/100K (TONE TREBLE)					

TA-FE370/FE570

MAIN

Ref. No.	Part No.	Description	Remark	Ref. No.	Part No.	Description	Remark
C301	1-126-964-11	ELECT	10uF 20% 50V	C905	1-126-968-11	ELECT	100uF 20% 50V
C302	1-162-290-31	CERAMIC	470PF 10% 50V				(FE370)
C303	1-162-282-31	CERAMIC	100PF 10% 50V	C905	1-128-576-11	ELECT	100uF 20% 63V
C305	1-126-933-11	ELECT	100uF 20% 16V				(FE570)
C306	1-126-967-11	ELECT	47uF 20% 50V	C906	1-126-968-11	ELECT	100uF 20% 50V
			(FE370)				(FE370)
C306	1-128-552-11	ELECT	47uF 20% 63V	C906	1-128-576-11	ELECT	100uF 20% 63V
			(FE570)				(FE570)
C307	1-126-965-11	ELECT	22uF 20% 50V	C907	1-161-494-00	CERAMIC	0.022uF 25V
			(FE370)	C908	1-104-660-11	ELECT	47uF 20% 16V
C307	1-128-551-11	ELECT	22uF 20% 63V	C909	1-104-660-11	ELECT	47uF 20% 16V
			(FE570)	C910	1-126-933-11	ELECT	100uF 20% 16V
C308	1-126-965-11	ELECT	22uF 20% 50V	C911	1-126-933-11	ELECT	100uF 20% 16V
			(FE370)	C912	1-136-153-00	FILM	0.01uF 5% 50V
C308	1-128-551-11	ELECT	22uF 20% 63V	C913	1-126-964-11	ELECT	10uF 20% 50V
			(FE570)	C915	1-126-933-11	ELECT	100uF 20% 16V
C309	1-126-965-11	ELECT	22uF 20% 50V	C916	1-126-963-11	ELECT	4.7uF 20% 50V
			(FE370)				
C309	1-128-551-11	ELECT	22uF 20% 63V			< CONNECTOR >	
			(FE570)	CN811	1-691-767-11	PLUG (MICRO CONNECTOR) 5P	
C310	1-126-969-11	ELECT	220uF 20% 50V	CN812	1-691-770-11	PLUG (MICRO CONNECTOR) 8P	
			(FE370)	CN813	1-566-212-11	PIN, CONNECTOR 3P (EON CONTROL IN)	
C310	1-128-553-11	ELECT	220uF 20% 63V				(FE570)
			(FE570)	CN815	1-784-776-11	CONNECTOR, FFC 15P	
C311	1-136-165-00	MYLAR	0.1uF 5% 50V	CN901	1-691-767-11	PLUG (MICRO CONNECTOR) 5P	
C312	1-136-165-00	MYLAR	0.1uF 5% 50V				
C313	1-104-660-11	ELECT	47uF 20% 16V			< DIODE >	
C314	1-162-211-11	CERAMIC	33PF 5% 50V	D101	8-719-911-19	DIODE 1SS119-25 (FE570)	
C315	1-126-969-11	ELECT	220uF 20% 50V	D301	8-719-911-19	DIODE 1SS119-25	
			(FE370)	D302	8-719-911-19	DIODE 1SS119-25	
C315	1-128-553-11	ELECT	220uF 20% 63V	D351	8-719-911-19	DIODE 1SS119-25	
			(FE570)	D352	8-719-911-19	DIODE 1SS119-25	
C351	1-126-964-11	ELECT	10uF 20% 50V	D601	8-719-911-19	DIODE 1SS119-25	
C352	1-162-290-31	CERAMIC	470PF 10% 50V	D901	8-719-302-38	DIODE RBV-602-01	
C353	1-162-282-31	CERAMIC	100PF 10% 50V	D902	8-719-986-25	DIODE HZS12A2LTA	
C355	1-126-933-11	ELECT	100uF 20% 16V	D903	8-719-986-25	DIODE HZS12A2LTA	
C356	1-126-967-11	ELECT	47uF 20% 50V	D904	8-719-024-99	DIODE 11ES2-NTA2B	
			(FE370)	D905	8-719-024-99	DIODE 11ES2-NTA2B	
C356	1-128-552-11	ELECT	47uF 20% 63V	D906	8-719-024-99	DIODE 11ES2-NTA2B	
			(FE570)	D907	8-719-024-99	DIODE 11ES2-NTA2B	
C361	1-136-165-00	MYLAR	0.1uF 5% 50V	D909	8-719-024-99	DIODE 11ES2-NTA2B	
C362	1-136-165-00	MYLAR	0.1uF 5% 50V				
C363	1-104-660-11	ELECT	47uF 20% 16V			< IC >	
C364	1-162-211-11	CERAMIC	33PF 5% 50V	IC101	8-759-805-13	IC LC7821	
C601	1-126-961-11	ELECT	2.2uF 20% 50V	IC102	8-759-184-02	IC NJM2068L-D	
C602	1-126-934-11	ELECT	220uF 20% 10V	IC301	8-749-921-04	IC STK4211MK2 (FE370)	
C603	1-104-660-11	ELECT	47uF 20% 16V	IC301	8-749-922-65	IC STK4221MK2 (FE570)	
C812	1-164-159-11	CERAMIC	0.1uF 50V	IC601	8-759-111-68	IC uPC1237HA	
			(FE570)	IC901	8-759-708-05	IC NJM78L05A	
C900	1-136-153-00	FILM	0.01uF 5% 50V			< JACK >	
C901	1-137-397-11	MYLAR	0.047uF 5% 100V	J101	1-794-981-11	JACK, PIN 4P (PHONO IN, TUNER IN)	
C902	1-137-397-11	MYLAR	0.047uF 5% 100V	J102	1-793-776-12	JACK, PIN 6P	
C903	1-125-793-11	ELECT	8200uF 20% 56V			(CD IN, AUX IN, TAPE2/MD RECOUT)	
			(FE570)	J103	1-793-776-12	JACK, PIN 6P (TAPE2/MD IN,	
C903	1-125-815-11	ELECT	6800uF 20% 50V			TAPE1/DAT RECOUT, TAPE1/DAT IN)	
			(FE370)			< COIL >	
C904	1-125-793-11	ELECT	8200uF 20% 56V	L301	1-420-872-00	COIL, AIR-CORE	
			(FE570)				
C904	1-125-815-11	ELECT	6800uF 20% 50V				
			(FE370)				

Ref. No.	Part No.	Description	Remark	Ref. No.	Part No.	Description	Remark
L351	1-420-872-00	COIL, AIR-CORE		R176	1-249-441-11	CARBON	100K 5% 1/4W
		< TRANSISTOR >		R207	1-249-425-11	CARBON	4.7K 5% 1/4W
Q101	8-729-141-26	TRANSISTOR	2SC3622A-LK	R257	1-249-425-11	CARBON	4.7K 5% 1/4W
Q102	8-729-119-76	TRANSISTOR	2SA1175-HFE	R301	1-249-439-11	CARBON	68K 5% 1/4W
Q103	8-729-119-79	TRANSISTOR	2SC2785-FEK (FE570)	R302	1-249-417-11	CARBON	1K 5% 1/4W
Q104	8-729-119-79	TRANSISTOR	2SC2785-FEK	R303	1-249-414-11	CARBON	560 5% 1/4W
Q151	8-729-141-26	TRANSISTOR	2SC3622A-LK	R304	1-249-439-11	CARBON	68K 5% 1/4W
Q301	8-729-140-82	TRANSISTOR	2SA988-PAFAEA	R305	1-260-107-11	CARBON	4.7K 5% 1/2W
Q351	8-729-140-82	TRANSISTOR	2SA988-PAFAEA	R306	1-260-107-11	CARBON	4.7K 5% 1/2W
Q901	8-729-119-78	TRANSISTOR	2SC2785-HFE	R307	1-249-405-11	CARBON	100 5% 1/4W
Q902	8-729-201-53	TRANSISTOR	2SA1015-GR	R308	1-260-328-11	CARBON	1K 5% 1/2W
Q903	8-729-119-79	TRANSISTOR	2SC2785-FEK	R309	1-260-328-11	CARBON	1K 5% 1/2W
		< RESISTOR >		R310	1-249-405-11	CARBON	100 5% 1/4W
R101	1-249-417-11	CARBON	1K 5% 1/4W	R312	1-249-421-11	CARBON	2.2K 5% 1/4W
R102	1-249-413-11	CARBON	470 5% 1/4W	R313	1-249-433-11	CARBON	22K 5% 1/4W
R104	1-249-437-11	CARBON	47K 5% 1/4W	△ R314	1-244-164-11	WIREWOUND	0.22 10% 5W F
R105	1-249-416-11	CARBON	820 5% 1/4W	R315	1-249-439-11	CARBON	68K 5% 1/4W
R106	1-247-897-11	CARBON	560K 5% 1/4W	R316	1-260-300-11	CARBON	4.7 5% 1/2W
R107	1-249-437-11	CARBON	47K 5% 1/4W	R318	1-249-393-11	CARBON	10 5% 1/4W
R108	1-249-441-11	CARBON	100K 5% 1/4W	R320	1-249-385-11	CARBON	2.2 5% 1/6W
R109	1-249-409-11	CARBON	220 5% 1/4W	R321	1-249-385-11	CARBON	2.2 5% 1/6W
R110	1-249-417-11	CARBON	1K 5% 1/4W	R322	1-249-385-11	CARBON	2.2 5% 1/6W
R111	1-249-417-11	CARBON	1K 5% 1/4W	R351	1-249-439-11	CARBON	68K 5% 1/4W
R112	1-249-417-11	CARBON	1K 5% 1/4W	R352	1-249-417-11	CARBON	1K 5% 1/4W
R113	1-249-417-11	CARBON	1K 5% 1/4W	R353	1-249-414-11	CARBON	560 5% 1/4W
R114	1-249-417-11	CARBON	1K 5% 1/4W	R354	1-249-439-11	CARBON	68K 5% 1/4W
R115	1-249-417-11	CARBON	1K 5% 1/4W	R355	1-260-107-11	CARBON	4.7K 5% 1/2W
R116	1-249-417-11	CARBON	1K 5% 1/4W	R356	1-260-107-11	CARBON	4.7K 5% 1/2W
R117	1-249-417-11	CARBON	1K 5% 1/4W	R362	1-249-421-11	CARBON	2.2K 5% 1/4W
R118	1-249-425-11	CARBON	4.7K 5% 1/4W	R363	1-249-433-11	CARBON	22K 5% 1/4W
R119	1-249-425-11	CARBON	4.7K 5% 1/4W	△ R364	1-244-164-11	WIREWOUND	0.22 10% 5W F
R120	1-249-409-11	CARBON	220 5% 1/4W	R365	1-249-437-11	CARBON	47K 5% 1/4W
R121	1-249-437-11	CARBON	47K 5% 1/4W	R366	1-260-300-11	CARBON	4.7 5% 1/2W
R122	1-249-419-11	CARBON	1.5K 5% 1/4W	R368	1-249-393-11	CARBON	10 5% 1/4W
R123	1-249-427-11	CARBON	6.8K 5% 1/4W	R601	1-260-095-11	CARBON	470 5% 1/2W
R124	1-249-425-11	CARBON	4.7K 5% 1/4W	R601	1-260-097-11	CARBON	680 5% 1/2W
			(FE570)				(FE570)
R125	1-249-429-11	CARBON	10K 5% 1/4W	R602	1-260-097-11	CARBON	680 5% 1/2W
R126	1-249-441-11	CARBON	100K 5% 1/4W	R603	1-249-417-11	CARBON	1K 5% 1/4W
R151	1-249-417-11	CARBON	1K 5% 1/4W	R604	1-249-441-11	CARBON	100K 5% 1/4W
R152	1-249-413-11	CARBON	470 5% 1/4W	R605	1-249-439-11	CARBON	68K 5% 1/4W
R154	1-249-437-11	CARBON	47K 5% 1/4W	R606	1-249-431-11	CARBON	15K 5% 1/4W
R155	1-249-416-11	CARBON	820 5% 1/4W	R607	1-260-103-11	CARBON	2.2K 5% 1/2W
R156	1-247-897-11	CARBON	560K 5% 1/4W	R608	1-260-103-11	CARBON	2.2K 5% 1/2W
R157	1-249-437-11	CARBON	47K 5% 1/4W	R832	1-249-393-11	CARBON	10 5% 1/4W
R158	1-249-441-11	CARBON	100K 5% 1/4W				(FE570)
R159	1-249-409-11	CARBON	220 5% 1/4W	R901	1-249-385-11	CARBON	2.2 5% 1/6W
R160	1-249-417-11	CARBON	1K 5% 1/4W	R902	1-260-097-11	CARBON	680 5% 1/2W
R161	1-249-417-11	CARBON	1K 5% 1/4W				(FE370)
R162	1-249-417-11	CARBON	1K 5% 1/4W	R902	1-260-328-11	CARBON	1K 5% 1/2W
R163	1-249-417-11	CARBON	1K 5% 1/4W				(FE570)
R164	1-249-417-11	CARBON	1K 5% 1/4W	R903	1-260-097-11	CARBON	680 5% 1/2W
R165	1-249-417-11	CARBON	1K 5% 1/4W				(FE370)
R166	1-249-417-11	CARBON	1K 5% 1/4W	R903	1-260-328-11	CARBON	1K 5% 1/2W
							(FE570)
R167	1-249-417-11	CARBON	1K 5% 1/4W	R904	1-260-097-11	CARBON	680 5% 1/2W
R168	1-249-425-11	CARBON	4.7K 5% 1/4W	R905	1-260-097-11	CARBON	680 5% 1/2W

The components identified by mark △ or dotted line with mark △ are critical for safety. Replace only with part number specified.

TA-FE370/FE570

MAIN	POWER SW	SPEAKER SW	STANDBY	VOLUME
-------------	-----------------	-------------------	----------------	---------------

Ref. No.	Part No.	Description	Remark		
R907	1-260-328-11	CARBON	1K	5%	1/2W (FE370)
R907	1-260-330-11	CARBON	1.5K	5%	1/2W (FE570)
R908	1-260-328-11	CARBON	1K	5%	1/2W
R910	1-249-429-11	CARBON	10K	5%	1/4W
R912	1-249-429-11	CARBON	10K	5%	1/4W
R913	1-249-433-11	CARBON	22K	5%	1/4W
R916	1-249-419-11	CARBON	1.5K	5%	1/4W
< RELAY >					
RY101	1-515-614-11	RELAY (FE570)			
RY601	1-515-920-11	RELAY (24V)			
< TERMINAL >					
TM301	1-694-791-11	TERMINAL BOARD (SPEAKERS)			

	1-681-421-11	POWER SW BOARD	*****		
< CONNECTOR >					
CN807	1-568-668-11	CONNECTOR, BOARD TO BOARD 6P			
< LED >					
D822	8-719-058-04	LED SEL5223S-TP15 (STANDBY)			
< IC >					
IC803	8-759-459-86	IC NJL64H400A (REMOTE CONTROL RECEIVER)			
< RESISTOR >					
R833	1-249-421-11	CARBON	2.2K	5%	1/4W
< SWITCH >					
S1	1-554-118-00	SWITCH, PUSH (1 KEY) (POWER)	*****		

	1-681-424-11	SPEAKER SW BOARD	*****		
< SWITCH >					
S205	1-771-099-11	SWITCH, ROTARY (SPEAKERS)	*****		

	1-681-418-11	STANDBY BOARD	*****		
	1-533-217-41	HOLDER, FUSE			
< CAPACITOR >					
△ C1	1-113-924-11	CERAMIC	0.0047uF	20%	250V
C809	1-126-961-11	ELECT	2.2uF	20%	50V
C917	1-162-306-11	CERAMIC	0.01uF	30%	16V
C919	1-126-941-11	ELECT	470uF	20%	25V
< CONNECTOR >					
* CN1	1-580-230-11	PIN, CONNECTOR (PC BOARD) 2P			

Ref. No.	Part No.	Description	Remark		
CN2	1-564-321-00	PIN, CONNECTOR 2P			
CN3	1-564-321-00	PIN, CONNECTOR 2P			
CN902	1-691-767-11	PLUG (MICRO CONNECTOR) 5P			
< DIODE >					
D911	8-719-911-19	DIODE 1SS119-25			
D912	8-719-024-99	DIODE 11ES2-NTA2B			
D913	8-719-024-99	DIODE 11ES2-NTA2B			
D914	8-719-024-99	DIODE 11ES2-NTA2B			
D915	8-719-024-99	DIODE 11ES2-NTA2B			
D916	8-719-024-99	DIODE 11ES2-NTA2B			
< FUSE >					
△ F1	1-532-503-31	FUSE (T1.6AL/250V) (FE370)			
△ F3	1-532-388-31	FUSE (T2AL/250V) (FE570)			
< RESISTOR >					
R914	1-249-385-11	CARBON	2.2	5%	1/6W
R915	1-247-807-31	CARBON	100	5%	1/4W
< RELAY >					
△ RY1	1-755-276-11	RELAY, POWER			
< TRANSFORMER >					
△ T2	1-433-735-11	TRANSFORMER, POWER	*****		

	1-681-420-11	VOLUME BOARD	*****		
< VARIABLE RESISTOR >					
RV202	1-241-426-11	RES, VAR, CARBON 100K/100K (VOLUME)	*****		

MISCELLANEOUS					

60	1-773-025-11	WIRE (FLAT TYPE) (15 CORE)			
△ 104	1-575-651-21	CORD, POWER			
△ CN4	1-526-794-11	OUTLET, AC (AEP)			
△ CN5	1-526-794-11	OUTLET, AC (AEP)			
△ CN6	1-526-794-11	OUTLET, AC (AEP)			
△ T1	1-437-254-11	TRANSFORMER, POWER (FE570)			
△ T1	1-437-255-11	TRANSFORMER, POWER (FE370)	*****		

ACCESSORIES & PACKING MATERIALS					

△	1-770-019-11	ADAPTOR, CONVERSION PLUG 3P (UK)			
	1-473-655-31	REMOTE COMMANDER (RM-S325)			
	4-233-885-11	MANUAL, INSTRUCTION (ENGLISH, FRENCH, GERMAN, SPANISH)			
	4-233-885-21	MANUAL, INSTRUCTION (DUTCH, SWEDISH, ITALIAN, POLISH) (AEP)			
	4-981-643-01	COVER, BATTERY (for RM-S325)			

The components identified by mark △ or dotted line with mark △ are critical for safety. Replace only with part number specified.