

# TA-H200/H300

## SERVICE MANUAL

US Model  
 Canadian Model  
 AEP Model  
 UK Model  
 Australian Model  
 TA-H300  
 E Model  
 TA-H200/H300



TA-H200 is the amplifier section in FH-E929.

TA-H300 is the amplifier section in MHC-3500/FH-E828.

Photo : TA-H300

### SPECIFICATIONS

#### AUDIO POWER SPECIFICATIONS

(for US, Canadian model)

POWER OUTPUT AND TOTAL HARMONIC DISTORTION:

With 6 ohm loads both channels driven, from 50–20,000Hz; rated 30 watts per channel minimum RMS power, with no more than 1% total harmonic distortion from 250 milliwatts to rated output.

Continuous RMS power output (AEP, UK, West Germany, Italian, E, Saudi Arabia, Australian model) 45+45 watts (6 ohms, at 1kHz, 5% THD)

Input	Sensitivity	Impedance
AUX (phono jacks)	450mV	50 kilohms
CD (E, Saudi Arabia, Australian model) (phono jacks)		
MIC (minijack)	1mV	600 ohms
PHONO (phono jacks)	2.5mV	47 kilohms

#### Outputs

HEADPHONES (stereo minijack)	Accepts headphones of 8 ohms or more.
SPEAKER	Accepts speakers of 6 to 16 ohms.

Power requirements US, Canadian model: 120V AC, 60Hz  
 AEP, West Germany, Italian model: 220V, 50/60Hz  
 UK model: 240V, 50Hz  
 E, Saudi Arabia, Australian model: 120, 220 or 240 V AC adjustable, 50/60Hz

Power consumption	TA-H200	TA-H300
US model		120W
Canadian model		170W
AEP, West Germany Italian model		120W
UK model		230W
E, Saudi Arabia, Australian model	100W	110W





INTEGRATED STEREO AMPLIFIER  
**SONY**®

# SECTION 1 SERVICING NOTES


## TABLE OF CONTENTS

<i>Section</i>	<i>Title</i>	<i>Page</i>
<b>1. SERVICING NOTES</b>	.....	2
<b>2. GENERAL</b>		
2-1.	Function of Controls.....	4
<b>3. DIAGRAMS</b>		
3-1.	Circuit Boards Location.....	5
3-2.	Semiconductor Lead Layouts.....	5
3-3.	IC Block Diagrams.....	6
3-4.	Printed Wiring Boards.....	7
3-5.	Schematic Diagram —Audio Section—.....	11
3-6.	Schematic Diagram —Control Section—.....	15
3-7.	Schematic Diagram —Power Section—.....	19
<b>4. EXPLODED VIEWS</b>		
4-1.	Case, Front Panel.....	22
4-2.	Chassis.....	23
<b>5. ELECTRICAL PARTS LIST</b>	.....	24

**SAFETY-RELATED COMPONENT WARNING!!**

COMPONENTS IDENTIFIED BY MARK  OR DOTTED LINE WITH MARK  ON THE SCHEMATIC DIAGRAMS AND IN THE PARTS LIST ARE CRITICAL TO SAFE OPERATION. REPLACE THESE COMPONENTS WITH SONY PARTS WHOSE PART NUMBERS APPEAR AS SHOWN IN THIS MANUAL OR IN SUPPLEMENTS PUBLISHED BY SONY.

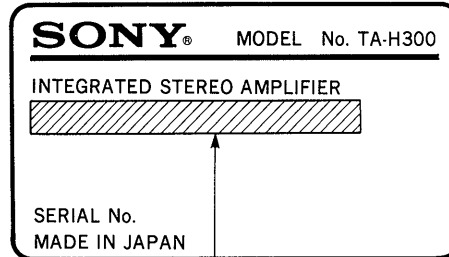
**ATTENTION AU COMPOSANT AYANT RAPPORT  
À LA SÉCURITÉ!**

LES COMPOSANTS IDENTIFIÉS PAR UNE MARQUE  SUR LES DIAGRAMMES SCHÉMATIQUES ET LA LISTE DES PIÈCES SONT CRITIQUES POUR LA SÉCURITÉ DE FONCTIONNEMENT. NE REMPLACER CES COMPOSANTS QUE PAR DES PIÈCES SONY DONT LES NUMÉROS SONT DONNÉS DANS CE MANUEL OU DANS LES SUPPLÉMENTS PUBLIÉS PAR SONY.

## MODEL IDENTIFICATION

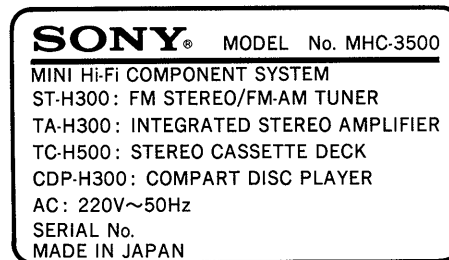
—Specification Label—

### TA-H300

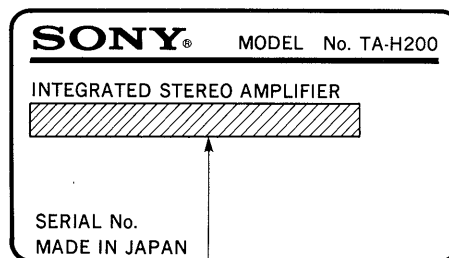


US, Canadian Model: AC: 120V~60Hz  
 AEP Model: AC: 220V~50/60Hz  
 Italian Model: AC: 220V~50Hz  
 UK Model: AC: 240V~50Hz  
 E, Saudi Arabia, Australian Model: AC: 120/220/240V~50/60Hz 110W

West Germany Model:



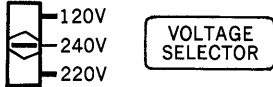
### TA-H200



E, Saudi Arabia Model: AC: 120/220/240V~50/60Hz 100W

### On operating voltage

Before operating the unit, check that the operating voltage of your unit is identical with the voltage of your local power supply.

Where purchased	Operating voltage
US, Canadian Model	120V AC
UK Model	240V AC
AEP, West Germany, Italian Model	220V AC
E, Saudi Arabia, Australian Model	120V, 220V or 240V AC adjustable by AC voltage selector 

## SAFETY CHECK-OUT

After correcting the original service problem, perform the following safety check before releasing the set to the customer:

Check the antenna terminals, metal trim, "metallized" knobs, screws, and all other exposed metal parts for AC leakage. Check leakage as described below.

### LEAKAGE TEST

The AC leakage from any exposed metal part to earth ground and from all exposed metal parts to any exposed metal part having a return to chassis, must not exceed 0.5 mA (500 microamperes). Leakage current can be measured by any one of three methods.

1. A commercial leakage tester, such as the Simpson 229 or RCA WT-540A. Follow the manufacturers' instructions to use these instruments.
2. A battery-operated AC milliammeter. The Data Precision 245 digital multimeter is suitable for this job.
3. Measuring the voltage drop across a resistor by means of a VOM or battery-operated AC voltmeter. The "limit" indication is 0.75 V, so analog meters must have an accurate low-voltage scale. The Simpson 250 and Sanwa SH-63Trd are examples of a passive VOM that is suitable. Nearly all battery operated digital multimeters that have a 2 V AC range are suitable. (See Fig. A)

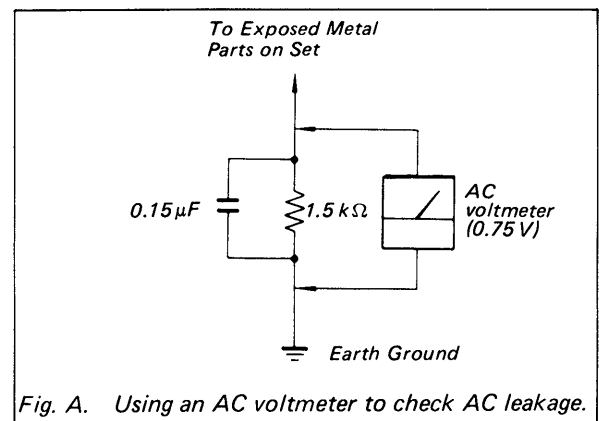
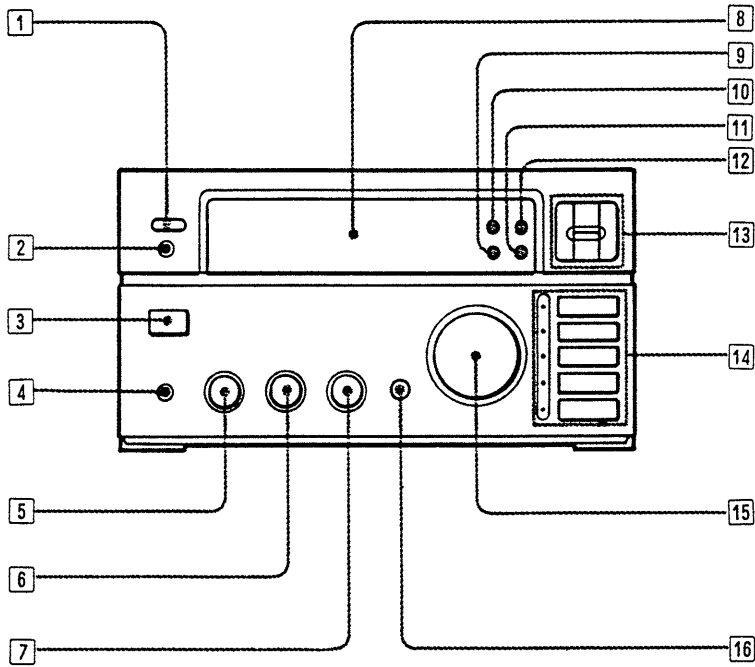


Fig. A. Using an AC voltmeter to check AC leakage.

## SECTION 2 GENERAL

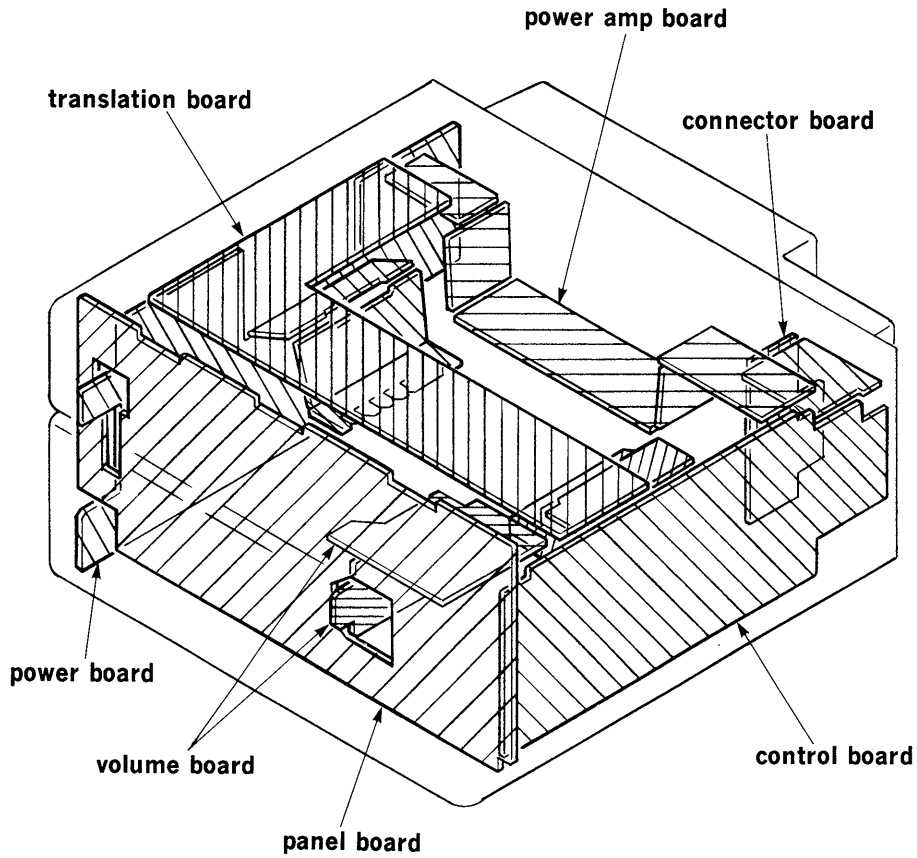
### 2-1. FUNCTION OF CONTROLS



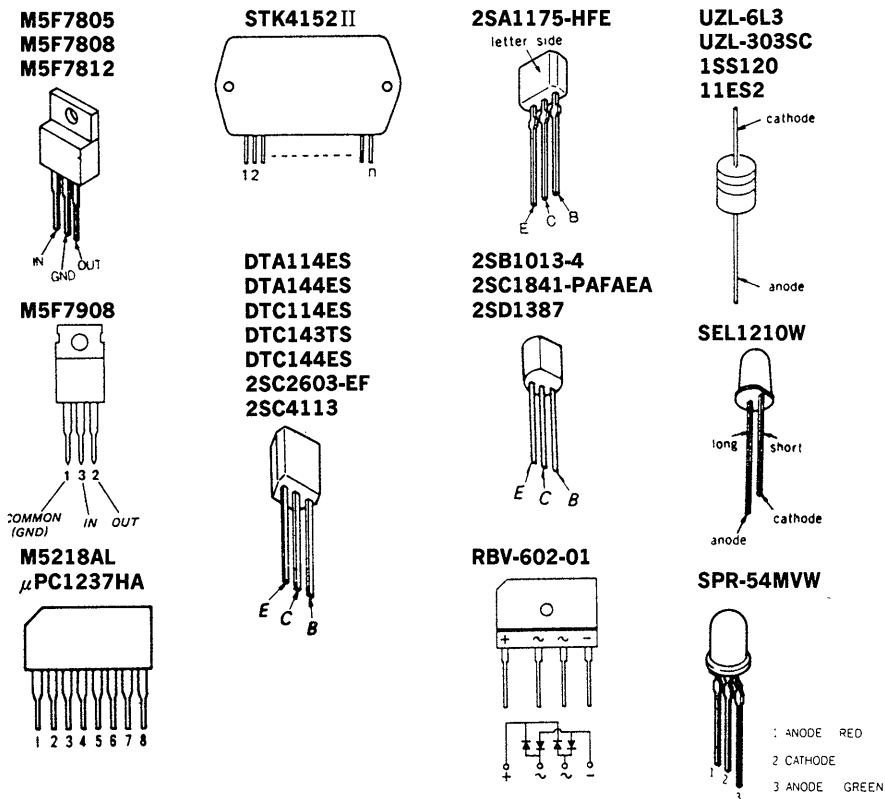
- 1 SURROUND button
- 2 HEADPHONES jack
- 3 SYSTEM POWER Switch and STANDBY indicator  
It remains lit as long as the AC power cord is connected to a wall outlet.
- 4 MIX MIC (microphone) input jack
- 5 MIC (microphone) LEVEL control
- 6 DBFB LEVEL (Dynamic Bass Feedback) control (US, CND, AEP, UK, WG, IT model)  
SAT control (E, EA, AUS, model)
- 7 BALANCE control
- 8 Display window
- 9 MEMORY button
- 10 DISPLAY button
- 11 CURSOR PRESET/EQ button
- 12 EQUALIZATION button
- 13 CURSOR CONTROL buttons
- 14 Function selectors
- 15 VOLUME control
- 16 PROGRAM FUNCTION button

# SECTION 3 DIAGRAMS

## 3-1. CIRCUIT BOARDS LOCATION

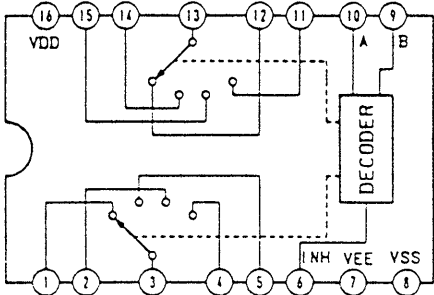


## 3-2. SEMICONDUCTOR LEAD LAYOUTS

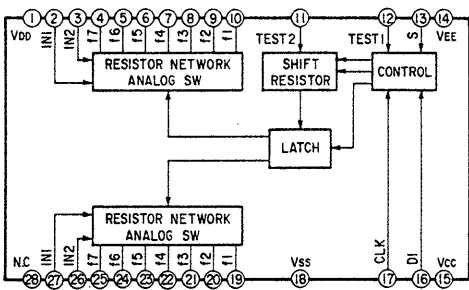


### 3-3. IC BLOCK DIAGRAMS

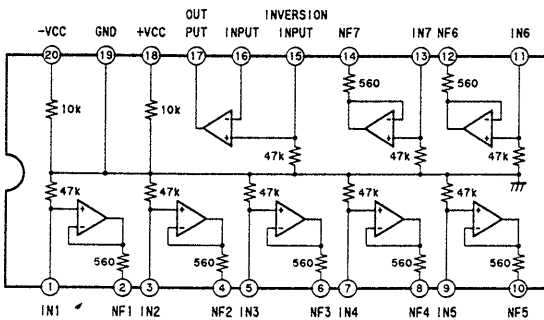
#### • IC102, 103 TC4052BPHB



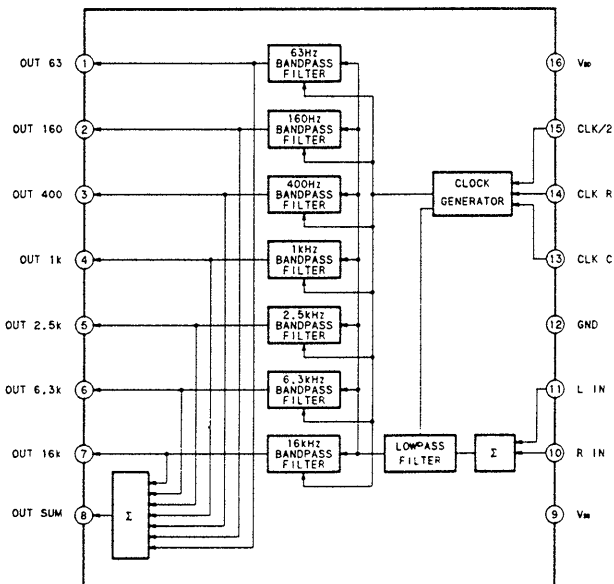
#### • IC106 LC7522



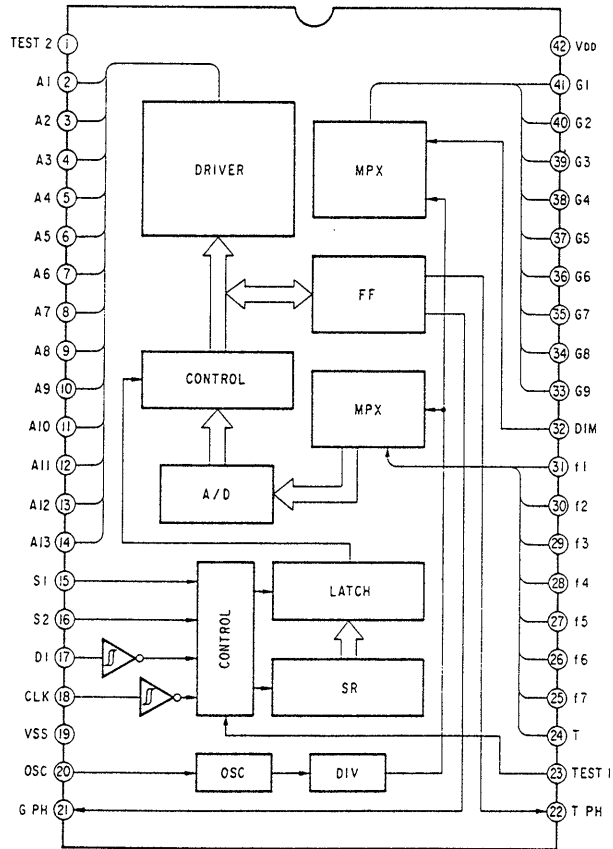
#### • IC107, 108 M5229P



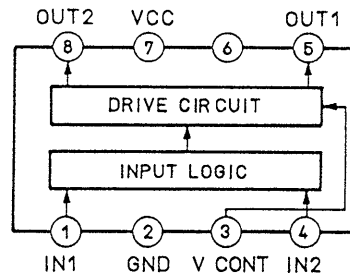
#### • IC412 XR1091



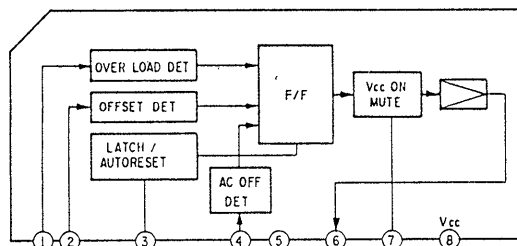
#### • IC503 LC7565



#### • IC701 LB1639



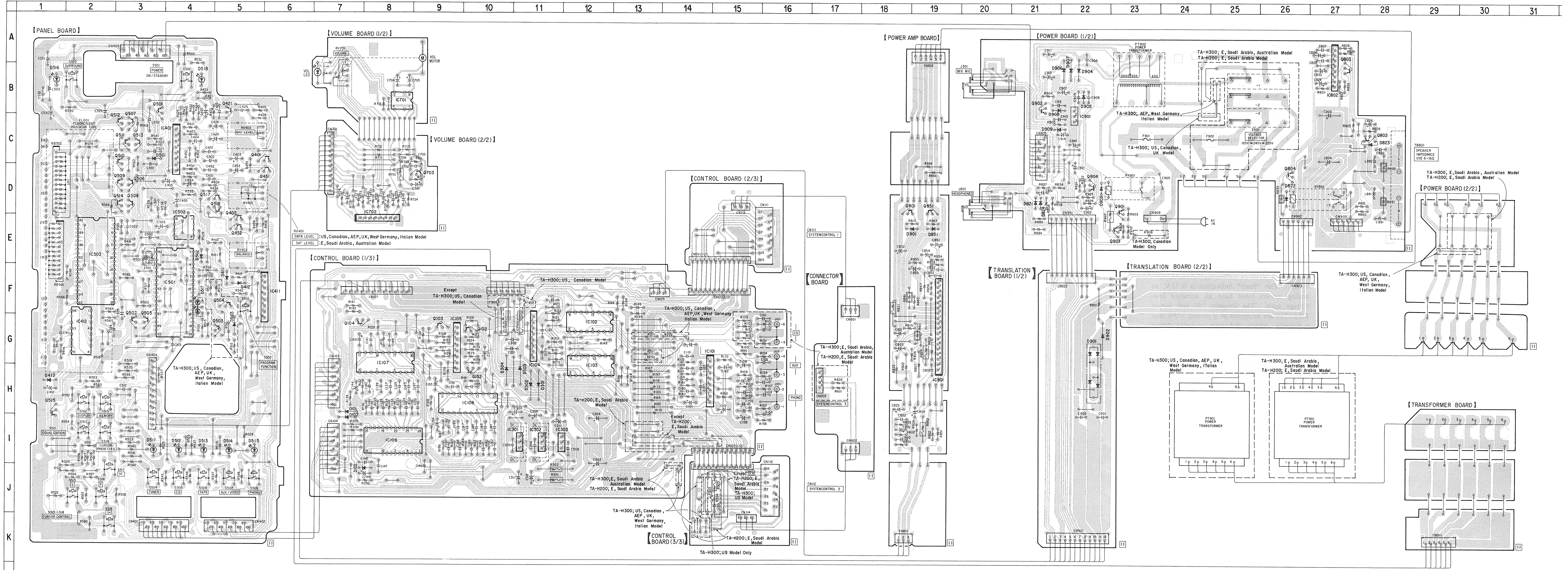
#### • IC802 $\mu$ PC1237HA



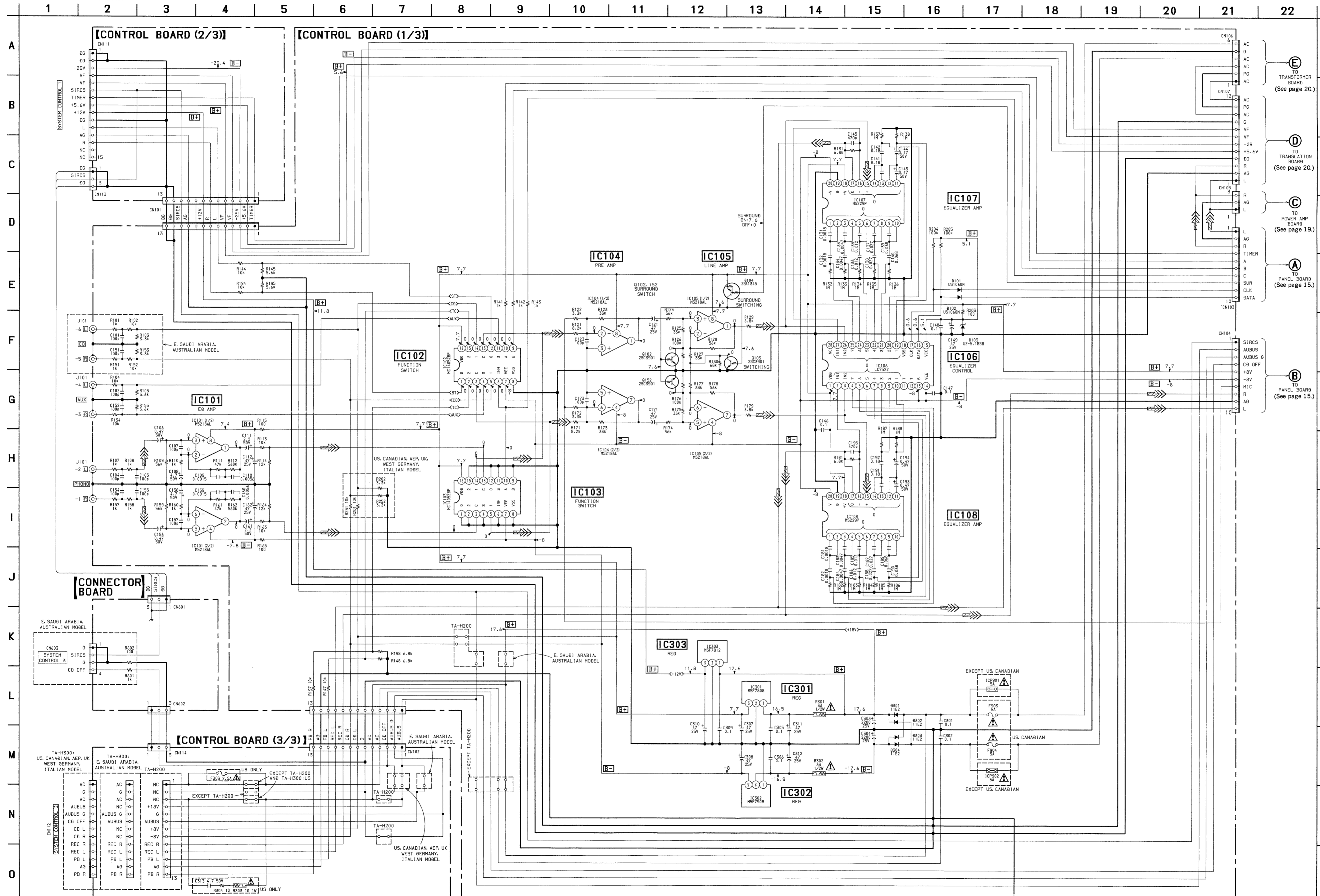
• Semiconductor Location

Ref. No.	Location	Ref. No.	Location
D101	H-7	Q102	G-10
D102	H-7	Q103	G-9
D103	J-7	Q104	G-7
D301	H-11	Q152	H-10
D302	H-11	Q401	C-5
D303	H-11	Q402	D-5
D304	H-10	Q421	B-5
D411	F-5	Q451	D-5
D412	F-5	Q452	E-5
D413	H-1	Q501	B-3
D501	C-3	Q502	F-3
D502	E-4	Q503	G-5
D503	G-5	Q504	F-5
D511	I-3	Q505	F-3
D512	I-4	Q506	D-3
D513	I-4	Q507	C-3
D514	I-5	Q508	D-3
D515	I-5	Q509	D-3
D516	B-1	Q510	C-3
D517	F-4	Q511	C-3
D518	B-4	Q512	C-3
D801	E-18	Q513	C-3
D821	D-21	Q514	D-3
D822	D-26	Q511	H-1
D823	C-28	Q517	D-4
D824	D-21	Q518	D-5
D851	E-19	Q703	D-9
D901	G-22	Q801	D-18
D902	G-22	Q802	C-28
D903	D-22	Q803	A-27
D904	B-22	Q804	D-26
D905	B-22	Q851	D-19
D906	B-21	Q901	D-23
D907	A-22	Q902	B-21
D908	B-21	Q903	E-23
D909	C-21	Q904	D-22
IC101	G-14		
IC102	G-12		
IC103	G-12		
IC104	G-11		
IC105	G-9		
IC106	I-8		
IC107	G-8		
IC108	H-10		
IC301	I-11		
IC302	I-11		
IC303	I-11		
IC401	C-4		
IC411	F-6		
IC412	G-2		
IC501	F-4		
IC502	D-4		
IC503	E-2		
IC701	B-8		
IC702	D-8		
IC801	H-19		
IC802	B-27		
IC901	C-22		

3-4. PRINTED WIRING BOARDS



Note:  
 ● ○ : parts extracted from the component side.



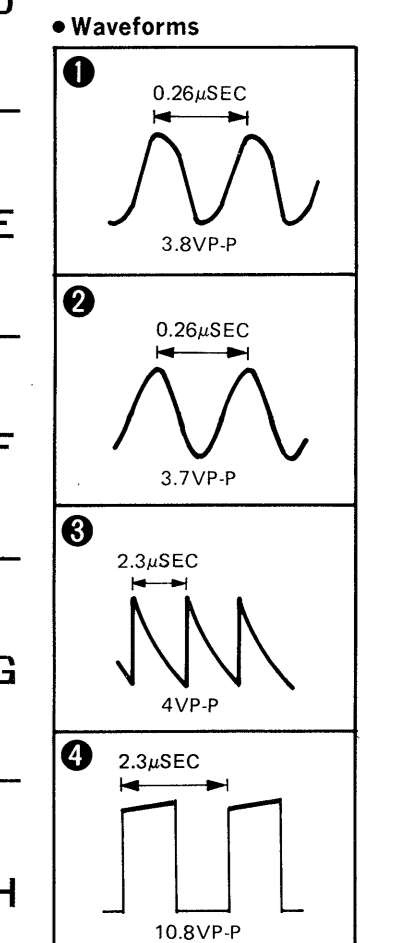
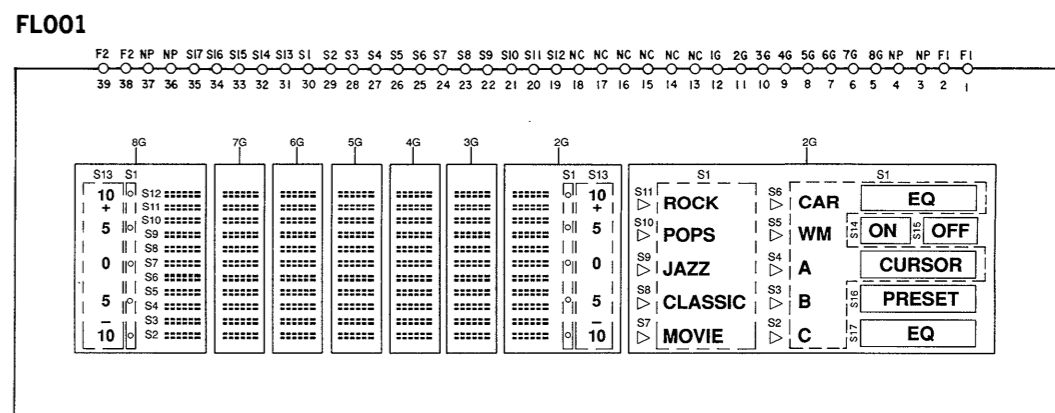
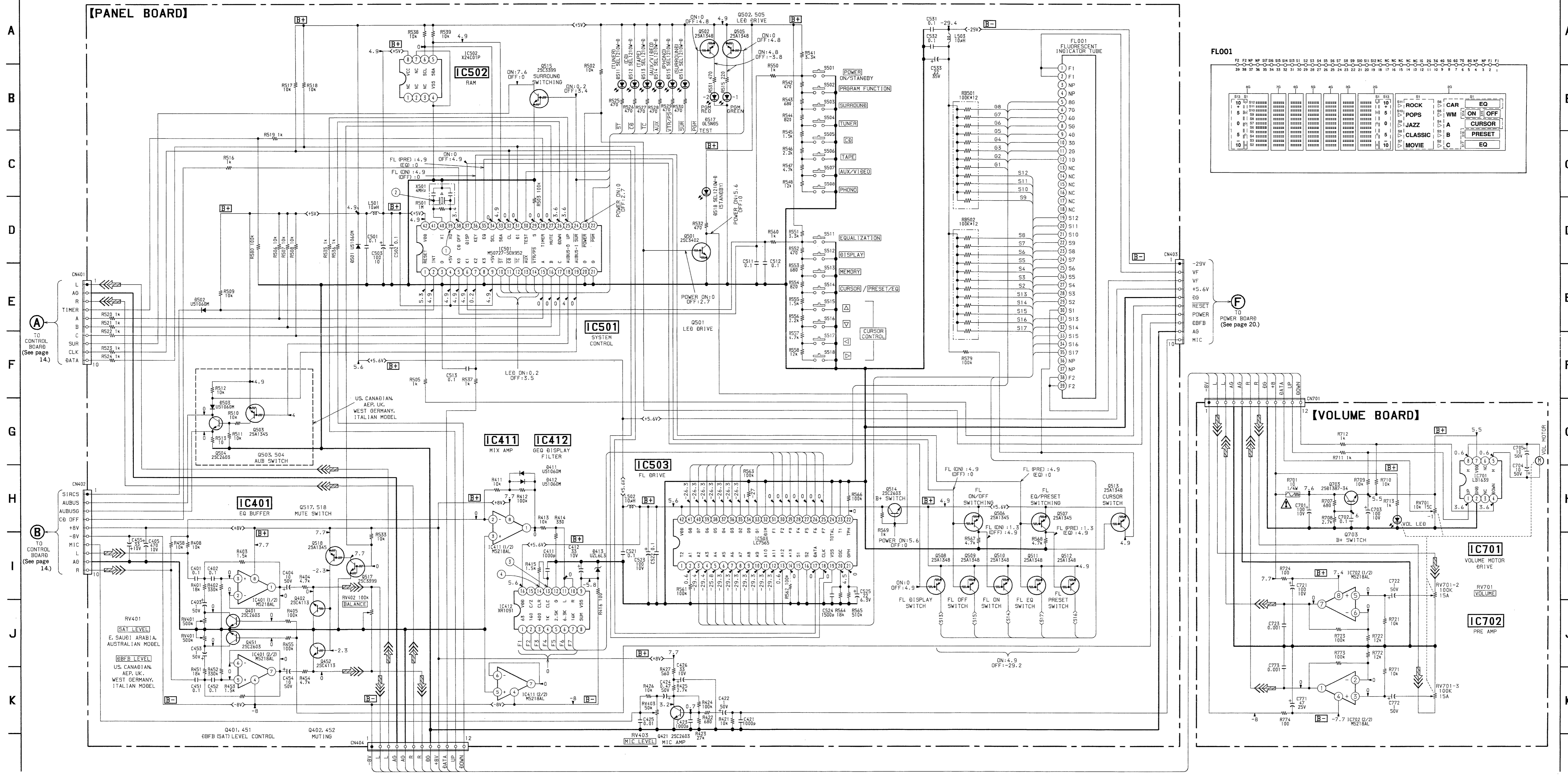
- Note:**
- All capacitors are in  $\mu\text{F}$  unless otherwise noted. pF:  $\mu\text{F}$  50WV or less are not indicated except for electrolytics and tantalums.
  - All resistors are in  $\Omega$  and  $\frac{1}{4}\text{W}$  or less unless otherwise specified.
  - $\Delta$ : internal component.
  - $\square$ : nonflammable resistor.
  - $\square$ : fusible resistor.
  - $\square$ : B+ Line
  - $\square$ : B- Line
  - Voltage and waveforms are dc with respect to ground under no-signal conditions.
  - Volts are taken with a VOM (Input Impedance 10M $\Omega$ ). Voltage variations may be noted due to normal production tolerances.
  - Waveforms are taken with an oscilloscope.
  - Circled numbers refer to waveforms.
  - Signal path.
  - $\Rightarrow$ : PHONO

**Note:**  
The components identified by mark  $\Delta$  or dotted line with mark  $\Delta$  are critical for safety. Replace only with part number specified.

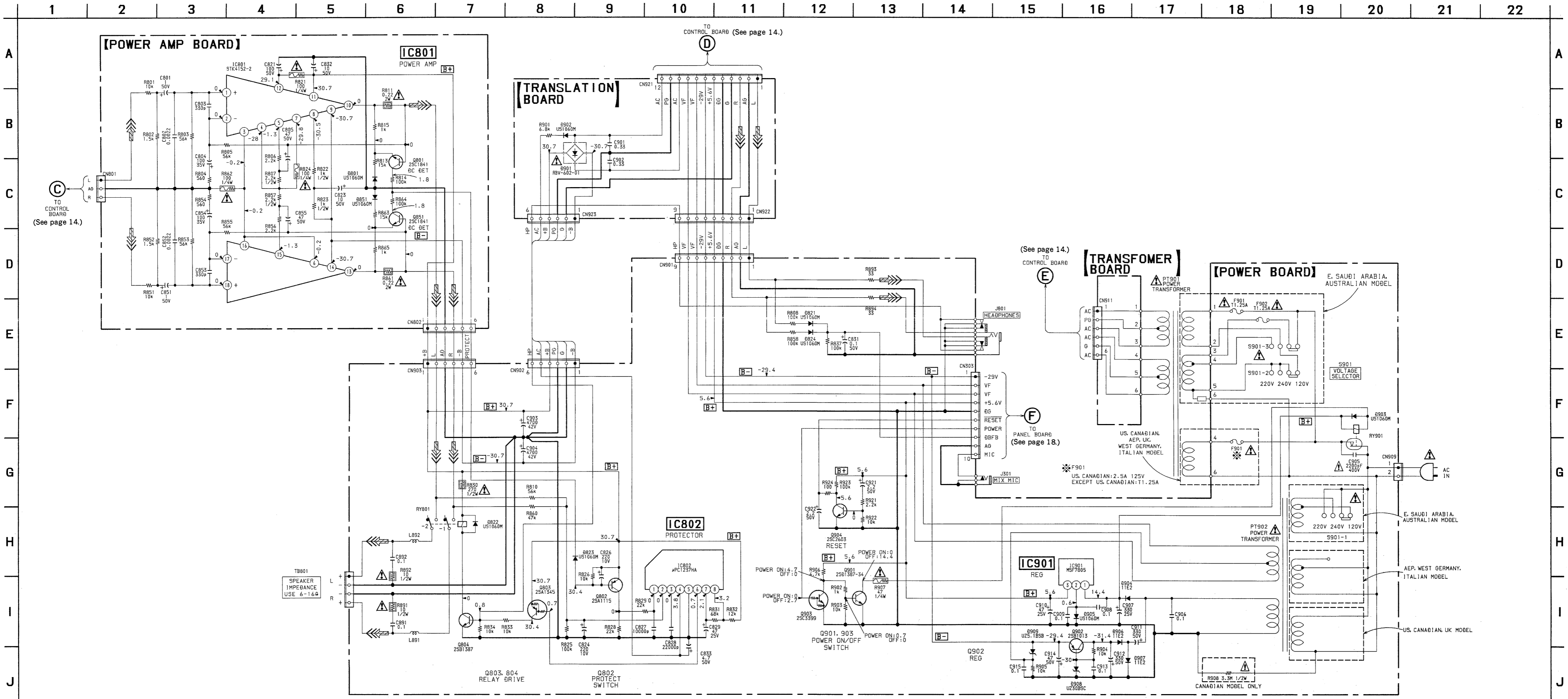
**Note:**  
Les composants identifiés par une marque  $\Delta$  sont critiques pour la sécurité. Ne les remplacer que par une pièce portant le numéro spécifié.



1 2 3 4 5 6 7 8 9 10 11 12 13 14 15 16 17 18 19 20 21 22 23



3-7. SCHEMATIC DIAGRAM —POWER SECTION— • Refer to page 14 for notes.



## SECTION 4 EXPLODED VIEWS

**NOTE:**

- The mechanical parts with no reference number in the exploded views are not supplied.
- The construction parts of an assembled part are indicated with a collation number in the remark column.
- Items marked "★" are not stocked since they are seldom required for routine service. Some delay should be anticipated when ordering these items.

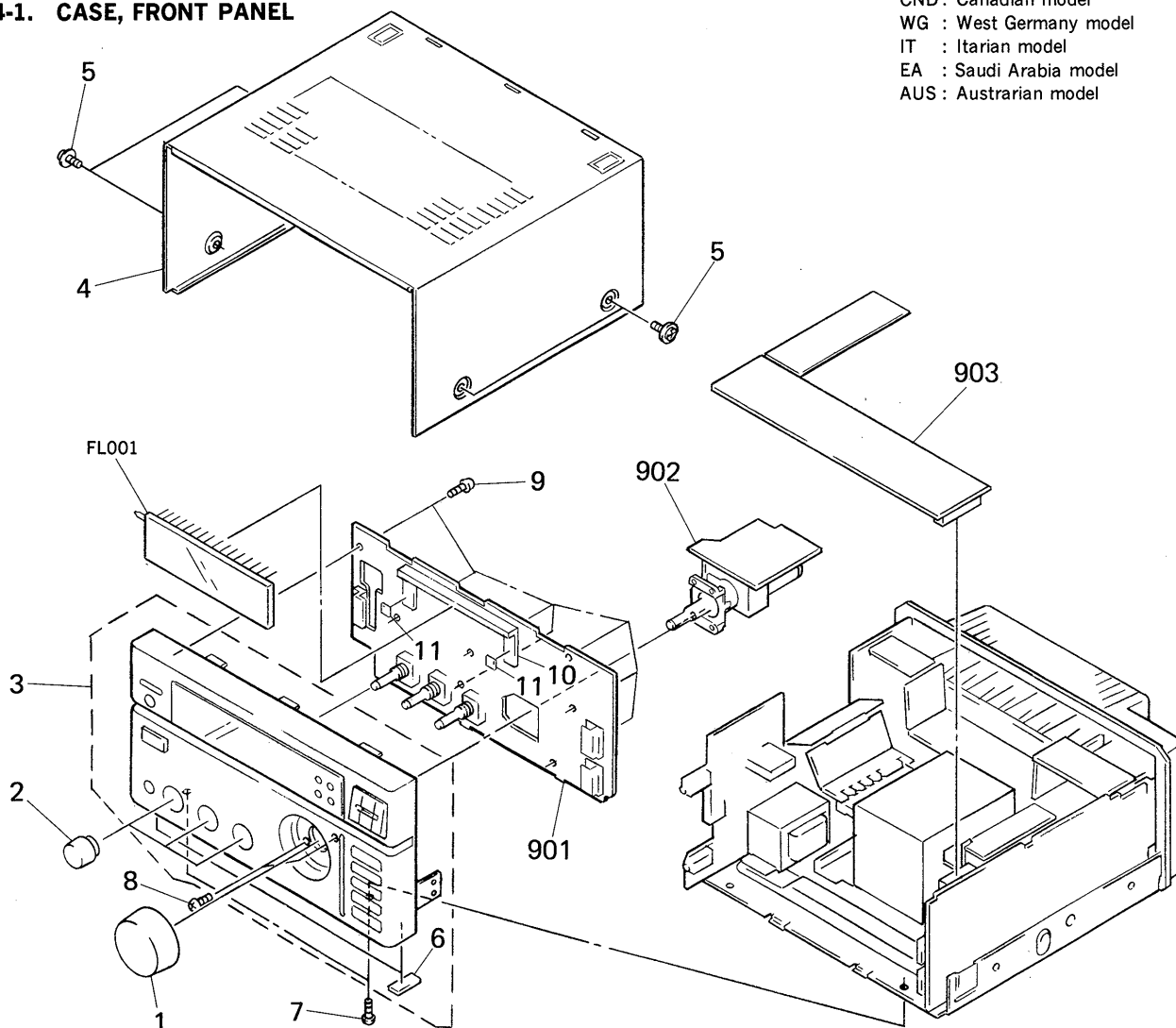
- Due to standardization, parts with part number suffix -XX and -X may be different from the parts specified in the components used on the set.
- Color Indication of Appearance Parts  
Example:  
(RED) ... KNOB, BALANCE (WHITE)  
↑    ↑  
Cabinet's Color                                  Parts' Color

The components identified by mark ▲ or dotted line with mark ▲ are critical for safety. Replace only with part number specified.

Les composants identifiés par une marque ▲ sont critiques pour la sécurité. Ne les remplacer que par une pièce portant le numéro spécifié.

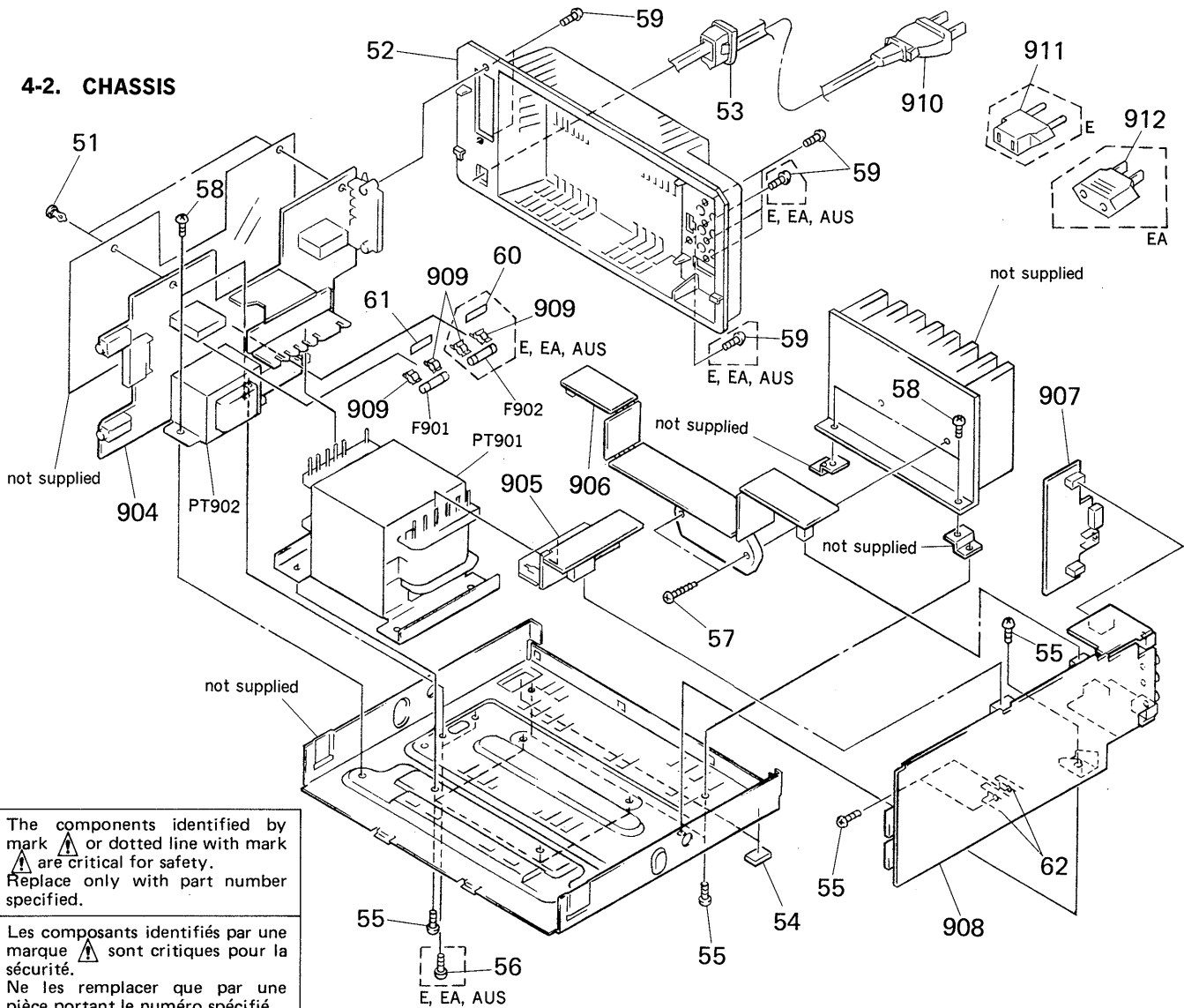
CND : Canadian model  
WG : West Germany model  
IT : Italian model  
EA : Saudi Arabia model  
AUS : Australian model

### 4-1. CASE, FRONT PANEL



No.	Part No.	Description	Remarks	No.	Part No.	Description	Remarks
1	X-4936-803-1	KNOB (VOLUME) ASSY		8	7-682-548-04	SCREW +BVT 3X8 (S)	
2	4-930-323-01	KNOB		9	7-685-534-19	SCREW +BTP 2.6X8 TYPE2 N-S	
3	X-4930-317-1	(H300:US,CND,AEP,WG,UK,IT) ...PANEL ASSY, FRONT		10	*4-934-443-01	HOLDER (FL TUBE)	
	X-4930-318-2	(H200).....PANEL ASSY, FRONT		11	*4-932-810-01	CUSHION (FL)	
	X-4930-319-2	(H300:AUS,E,EA)...PANEL ASSY, FRONT		901	*A-4334-639-A	(H300:US,CND,AEP,UK,AUS,E,EA) ...MOUNTED PCB, PANEL	
4	4-932-841-01	CASE			*A-4334-640-A	(H300:WG,IT).....MOUNTED PCB, PANEL	
5	3-704-366-01	SCREW (CASE) (M3X8)			*A-4334-995-A	(H200).....MOUNTED PCB, PANEL	
6	4-930-336-01	FOOT (FELT)		902	*1-635-301-11	PC BOARD, VOLUME	
7	7-685-870-01	SCREW +BVT 3X5 (S)		903	*1-635-304-11	PC BOARD, TRANSLATION	
				FLO01	1-519-607-11	INDICATOR TUBE, FLUORESCENT	

4-2. CHASSIS



The components identified by mark ▲ or dotted line with mark ▲ are critical for safety. Replace only with part number specified.

Les composants identifiés par une marque ▲ sont critiques pour la sécurité. Ne les remplacer que par une pièce portant le numéro spécifié.

No.	Part No.	Description	Remarks	No.	Part No.	Description	Remarks
51	4-812-134-11	RIVET NYLON, 3.5		907	*1-635-302-11	PC BOARD, CONNECTOR	
52	*4-934-445-02	(AUS,E,EA).....PANEL, BACK		908	*A-4334-635-A	(H300:E,EA,AUS)...MOUNTED PCB, CONTROL	
	*4-934-445-11	(US,CND,AEP,WG,UK,IT)...PANEL, BACK			*A-4334-636-A	(H300:WG,IT).....MOUNTED PCB, CONTROL	
53	*3-703-244-00	(EXCEPT E)...BUSHING (2104), CORD			*A-4334-637-A	(H300:US).....MOUNTED PCB, CONTROL	
	*3-703-571-00	(E).....BUSHING (4516), CORD			*A-4334-638-A	(H300:CND).....MOUNTED PCB, CONTROL	
54	4-930-336-01	FOOT (FELT)			*A-4334-903-A	(H300:AEP,UK).....MOUNTED PCB, CONTROL	
55	7-682-547-04	SCREW +BVTT 3X6 (S)			*A-4334-662-A	(H200).....MOUNTED PCB, CONTROL	
56	7-685-647-11	(AUS,E,EA)....SCREW +BVTT 3X10 TYPE2 N-S		909	1-533-213-31	HOLDER, FUSE	
57	7-685-650-79	SCREW +BVTP 3X16 TYPE2 IT-3		910	▲.1-574-804-11	(UK).....CORD, POWER	
ks 58	7-682-548-04	SCREW +BVTT 3X8 (S)			▲.1-574-805-11	(AEP,WG,IT,EA)....CORD, POWER	
59	7-685-647-79	SCREW +BVTP 3X10 TYPE2 N-S			▲.1-574-902-11	(E).....CORD, POWER	
60	3-701-947-12	(EXCEPT US,CND)...LABEL (T1.25A), FUSE			▲.1-575-105-11	(US,CND).....CORD, POWER	
61	*3-701-946-23	(US,CND).....LABEL (2A125V), FUSE			▲.1-575-677-11	(AUS).....CORD, POWER	
	*3-701-947-12	(E, EA, AUS).....LABEL (T1.25A), FUSE		911	▲.1-569-007-11	(E)....ADAPTOR, CONVERSION 2P	
62	*3-309-144-21	HEAT SINK		912	▲.1-569-008-11	(EA)...ADAPTOR, CONVERSION 2P	
904	*A-4334-641-A	(AUS,E,EA)...MOUNTED PCB, POWER		F901	▲.1-532-502-51	(EXCEPT US,CND)...FUSE, TIME LAG (1.25A)	
	*A-4334-642-A	(AEP).....MOUNTED PCB, POWER		F901	▲.1-532-744-11	(US,CND).....FUSE, GLASS TUBE (2.5A)	
	*A-4334-643-A	(UK).....MOUNTED PCB, POWER		F902	▲.1-532-502-51	(E,EA,AUS).....FUSE, TIME LAG (1.25A)	
	*A-4334-644-A	(WG,IT).....MOUNTED PCB, POWER		PT901	▲.1-449-998-11	(E,EA,AUS)....TRANSFORMER, POWER	
	*A-4334-645-A	(US).....MOUNTED PCB, POWER		PT901	▲.1-449-999-11	(AEP,WG,IT)...TRANSFORMER, POWER	
	*A-4334-994-A	(CND).....MOUNTED PCB, POWER		PT901	▲.1-450-001-11	(UK).....TRANSFORMER, POWER	
905	*1-635-303-11	PC BOARD, TRANSFORMER		PT901	▲.1-450-002-11	(US).....TRANSFORMER, POWER	
906	*A-4334-646-A	(EXCEPT WG,IT)...MOUNTED PCB, POWER AMP		PT901	▲.1-450-003-11	(CND).....TRANSFORMER, POWER	
	*A-4334-647-A	(WG,IT).....MOUNTED PCB, POWER AMP		PT902	▲.1-450-041-11	(E,EA,AUS).....TRANSFORMER, POWER	
				PT902	▲.1-450-042-11	(AEP,UK,WG,IT)...TRANSFORMER, POWER	
				PT902	▲.1-450-043-11	(US,CND).....TRANSFORMER, POWER	

## SECTION 5 ELECTRICAL PARTS LIST

**NOTE:**

- Due to standardization, replacements in the parts list may be different from the parts specified in the diagrams or the components used on the set.
- Items marked "★" are not stocked since they are seldom required for routine service. Some delay should be anticipated when ordering these items.
- If there are two or more same circuits in a set such as a stereophonic machine, only typical circuit parts may be indicated and capacitors and resistors in other same circuits may be omitted.

**CAPACITORS:**

MF:  $\mu$ F, PF:  $\mu$  $\mu$ F.

**RESISTORS**

- All resistors are in ohms.
- F: nonflammable

**COILS**

- MMH: mH, UH:  $\mu$ H

**SEMICONDUCTORS**

In each case, U:  $\mu$ , for example:

UA....:  $\mu$ A...., UPA....:  $\mu$ PA....,  
UPC....:  $\mu$ PC, UPD....:  $\mu$ PD....

The components identified by mark  $\Delta$  or dotted line with mark  $\Delta$  are critical for safety. Replace only with part number specified.

Les composants identifiés par une marque  $\Delta$  sont critiques pour la sécurité. Ne les remplacer que par une pièce portant le numéro spécifié.

CND: Canadian model  
WG : West Germany model  
IT : Italian model  
EA : Saudi Arabia model  
AUS: Australian model

Ref.No.	Part No.	Description	Ref.No.	Part No.	Description			
901	*A-4334-639-A	(H300:US,CND,AEP,UK,AUS,E,EA) ...MOUNTED PCB, PANEL	C133	1-130-479-00	MYLAR	0.0047MF	5%	50V
	*A-4334-640-A	(H300:WG,IT)....MOUNTED PCB, PANEL	C134	1-130-479-00	MYLAR	0.0047MF	5%	50V
	*A-4334-995-A	(H200).....MOUNTED PCB, PANEL	C135	1-136-154-00	FILM	0.012MF	5%	50V
902	*1-635-301-11	PC BOARD, VOLUME	C136	1-136-154-00	FILM	0.012MF	5%	50V
903	*1-635-304-11	PC BOARD, TRANSLATION	C137	1-136-158-00	FILM	0.027MF	5%	50V
			C138	1-136-158-00	FILM	0.027MF	5%	50V
904	*A-4334-641-A	(AUS,E,EA)...MOUNTED PCB, POWER	C139	1-136-163-00	FILM	0.068MF	5%	50V
	*A-4334-642-A	(AEP).....MOUNTED PCB, POWER	C140	1-136-163-00	FILM	0.068MF	5%	50V
	*A-4334-643-A	(UK).....MOUNTED PCB, POWER	C141	1-136-168-00	FILM	0.18MF	5%	50V
	*A-4334-644-A	(WG,IT).....MOUNTED PCB, POWER						
	*A-4334-645-A	(US).....MOUNTED PCB, POWER	C142	1-136-168-00	FILM	0.18MF	5%	50V
	*A-4334-994-A	(CND).....MOUNTED PCB, POWER	C143	1-124-902-00	ELECT	0.47MF	20%	50V
			C144	1-124-902-00	ELECT	0.47MF	20%	50V
905	*1-635-303-11	PC BOARD, TRANSFORMER						
906	*A-4334-646-A	(EXCEPT WG,IT)...MOUNTED PCB, POWER AMP	C145	1-130-467-00	MYLAR	470PF	5%	50V
	*A-4334-647-A	(WG,IT).....MOUNTED PCB, POWER AMP	C146	1-164-159-11	CERAMIC	0.1MF		50V
			C147	1-164-159-11	CERAMIC	0.1MF		50V
907	*1-635-302-11	PC BOARD, CONNECTOR						
908	*A-4334-635-A	(H300:E,EA,AUS)...MOUNTED PCB, CONTROL	C148	1-164-159-11	CERAMIC	0.1MF		50V
	*A-4334-636-A	(H300:WG,IT).....MOUNTED PCB, CONTROL	C149	1-124-477-11	ELECT	47MF	20%	25V
	*A-4334-637-A	(H300:US).....MOUNTED PCB, CONTROL	C151	1-162-282-31	(E,EA,AUS)...CERAMIC	100PF	10%	50V
	*A-4334-638-A	(H300:CND).....MOUNTED PCB, CONTROL	C152	1-162-282-31	CERAMIC	100PF	10%	50V
	*A-4334-903-A	(H300:AEP,UK)....MOUNTED PCB, CONTROL	C154	1-162-282-31	CERAMIC	100PF	10%	50V
	*A-4334-662-A	(H200).....MOUNTED PCB, CONTROL	C155	1-162-282-31	CERAMIC	100PF	10%	50V
			C156	1-124-902-00	ELECT	0.47MF	20%	50V
909	1-533-213-31	HOLDER, FUSE	C157	1-162-282-31	CERAMIC	100PF	10%	50V
910	$\Delta$ .1-574-804-11	(UK).....CORD, POWER	C158	1-124-927-11	ELECT	4.7MF	20%	50V
	$\Delta$ .1-574-805-11	(AEP,WG,IT,EA)...CORD, POWER						
	$\Delta$ .1-574-902-11	(E).....CORD, POWER	C159	1-130-473-00	MYLAR	0.0015MF	5%	50V
	$\Delta$ .1-575-105-11	(US,CND).....CORD, POWER	C160	1-130-480-00	MYLAR	0.0056MF	5%	50V
	$\Delta$ .1-575-677-11	(AUS).....CORD, POWER	C161	1-124-925-11	ELECT	2.2MF	20%	50V
911	$\Delta$ .1-569-007-11	(E)...ADAPTOR, CONVERSION 2P						
912	$\Delta$ .1-569-008-11	(EA)...ADAPTOR, CONVERSION 2P	C162	1-124-477-11	ELECT	47MF	20%	25V
			C171	1-124-477-11	ELECT	47MF	20%	25V
			C173	1-162-282-31	CERAMIC	100PF	10%	50V
C101	1-162-282-31	(E,EA,AUS)...CERAMIC 100PF 10% 50V	C181	1-130-474-00	MYLAR	0.0018MF	5%	50V
C102	1-162-282-31	CERAMIC 100PF 10% 50V	C182	1-130-474-00	MYLAR	0.0018MF	5%	50V
C104	1-162-282-31	CERAMIC 100PF 10% 50V	C183	1-130-479-00	MYLAR	0.0047MF	5%	50V
C105	1-162-282-31	CERAMIC 100PF 10% 50V	C184	1-130-479-00	MYLAR	0.0047MF	5%	50V
C106	1-124-902-00	ELECT 0.47MF 20% 50V	C185	1-136-154-00	FILM	0.012MF	5%	50V
C107	1-162-282-31	CERAMIC 100PF 10% 50V	C186	1-136-154-00	FILM	0.012MF	5%	50V
C108	1-124-927-11	ELECT 4.7MF 20% 50V	C187	1-136-158-00	FILM	0.027MF	5%	50V
C109	1-130-473-00	MYLAR 0.0015MF 5% 50V	C188	1-136-158-00	FILM	0.027MF	5%	50V
C110	1-130-480-00	MYLAR 0.0056MF 5% 50V	C189	1-136-163-00	FILM	0.068MF	5%	50V
C111	1-124-925-11	ELECT 2.2MF 20% 50V	C190	1-136-163-00	FILM	0.068MF	5%	50V
C112	1-124-477-11	ELECT 47MF 20% 25V	C191	1-136-168-00	FILM	0.18MF	5%	50V
C121	1-124-477-11	ELECT 47MF 20% 25V	C192	1-136-168-00	FILM	0.18MF	5%	50V
C123	1-162-282-31	CERAMIC 100PF 10% 50V	C193	1-124-902-00	ELECT	0.47MF	20%	50V
C131	1-130-474-00	MYLAR 0.0018MF 5% 50V	C194	1-124-902-00	ELECT	0.47MF	20%	50V
C132	1-130-474-00	MYLAR 0.0018MF 5% 50V	C195	1-130-467-00	MYLAR	470PF	5%	50V

Ref.No.	Part No.	Description								
C301	1-136-165-00	FILM	0.1MF	5%	50V					
C302	1-136-165-00	FILM	0.1MF	5%	50V					
C303	1-124-563-11	ELECT	2200MF	20%	25V					
C304	1-124-563-11	ELECT	2200MF	20%	25V					
C305	1-164-159-11	CERAMIC	0.1MF		50V					
C306	1-164-159-11	CERAMIC	0.1MF		50V					
C307	1-124-477-11	ELECT	47MF	20%	25V					
C308	1-124-477-11	ELECT	47MF	20%	25V					
C309	1-164-159-11	CERAMIC	0.1MF		50V					
C310	1-124-477-11	ELECT	47MF	20%	25V					
C311	1-124-477-11	ELECT	47MF	20%	25V					
C312	1-124-477-11	ELECT	47MF	20%	25V					
C313	1-124-768-11	(US)...ELECT	4.7MF	20%	50V					
C401	1-136-165-00	FILM	0.1MF	5%	50V					
C402	1-136-165-00	FILM	0.1MF	5%	50V					
C403	1-126-160-11	ELECT	1MF	20%	50V					
C404	1-124-261-00	ELECT	10MF	20%	50V					
C405	1-124-472-11	ELECT	470MF	20%	10V					
C411	1-162-294-31	CERAMIC	0.001MF	10%	50V					
C412	1-124-229-00	ELECT	33MF	20%	10V					
C421	1-162-294-31	CERAMIC	0.001MF	10%	50V					
C422	1-126-160-11	ELECT	1MF	20%	50V					
C423	1-162-294-31	CERAMIC	0.001MF	10%	50V					
C424	1-124-465-00	ELECT	0.47MF	20%	50V					
C425	1-161-379-00	CERAMIC	0.01MF	30%	16V					
C426	1-124-229-00	ELECT	33MF	20%	10V					
C451	1-136-165-00	FILM	0.1MF	5%	50V					
C452	1-136-165-00	FILM	0.1MF	5%	50V					
C453	1-126-160-11	ELECT	1MF	20%	50V					
C454	1-124-261-00	ELECT	10MF	20%	50V					
C455	1-124-229-00	ELECT	33MF	20%	10V					
C501	1-164-159-11	CERAMIC	0.1MF		50V					
C502	1-164-159-11	CERAMIC	0.1MF		50V					
C503	1-124-584-00	ELECT	100MF	20%	10V					
C511	1-164-159-11	CERAMIC	0.1MF		50V					
C512	1-164-159-11	CERAMIC	0.1MF		50V					
C513	1-164-159-11	CERAMIC	0.1MF		50V					
C521	1-164-159-11	CERAMIC	0.1MF		50V					
C522	1-164-159-11	CERAMIC	0.1MF		50V					
C523	1-124-584-00	ELECT	100MF	20%	10V					
C524	1-161-374-11	CERAMIC	0.0015MF	30%	16V					
C525	1-126-153-11	ELECT	22MF	20%	6.3V					
C531	1-164-159-11	CERAMIC	0.1MF		50V					
C532	1-164-159-11	CERAMIC	0.1MF		50V					
C533	1-124-248-00	ELECT	22MF	20%	35V					
C701	1-124-443-00	ELECT	100MF	20%	10V					
C702	1-164-159-11	CERAMIC	0.1MF		50V					
C703	1-124-443-00	ELECT	100MF	20%	10V					
C704	1-123-875-11	ELECT	10MF	20%	50V					
C705	1-123-875-11	ELECT	10MF	20%	50V					
C721	1-124-443-00	ELECT	100MF	20%	10V					
C722	1-124-791-11	ELECT	1MF	20%	50V					
C723	1-130-471-00	MYLAR	0.001MF	5%	50V					
C771	1-124-477-11	ELECT	47MF	20%	25V					
C772	1-124-791-11	ELECT	1MF	20%	50V					
C773	1-130-471-00	MYLAR	0.001MF	5%	50V					
C801	1-124-791-11	ELECT	1MF	20%	50V					
C802	1-161-375-00	CERAMIC	0.0022MF	30%	16V					
C803	1-162-288-31	CERAMIC	330PF	10%	50V					
C804	1-124-122-11	ELECT	100MF	20%	35V					
C805	1-124-910-11	ELECT	47MF	20%	50V					
C821	1-124-122-11	ELECT	100MF	20%	50V					
C823	1-123-875-11	ELECT	10MF	20%	50V					
C824	1-126-176-11	ELECT	220MF	20%	10V					
C826	1-126-176-11	ELECT	220MF	20%	10V					
C827	1-161-379-00	CERAMIC	0.01MF	30%	16V					
C828	1-161-494-00	CERAMIC	0.022MF		25V					
C829	1-124-477-11	ELECT	47MF	20%	25V					
C831	1-124-463-00	ELECT	0.1MF	20%	50V					
C832	1-123-875-11	ELECT	10MF	20%	50V					
C833	1-124-927-11	ELECT	4.7MF	20%	50V					
C851	1-124-791-11	ELECT	1MF	20%	50V					
C852	1-161-375-00	CERAMIC	0.0022MF	30%	16V					
C853	1-162-288-31	CERAMIC	330PF	10%	50V					
C854	1-124-122-11	ELECT	100MF	20%	35V					
C855	1-124-910-11	ELECT	47MF	20%	50V					
C891	1-136-165-00	FILM	0.1MF	5%	50V					
C892	1-136-165-00	FILM	0.1MF	5%	50V					
C901	1-136-171-00	FILM	0.33MF	5%	50V					
C902	1-136-171-00	FILM	0.33MF	5%	50V					
C903	1-126-224-11	ELECT	4700MF	20%	42V					
C904	1-126-224-11	ELECT	4700MF	20%	42V					
C905	1-161-742-00	CERAMIC	0.0022MF	20%	400V					
C906	1-136-165-00	FILM	0.1MF	5%	50V					
C907	1-124-479-11	ELECT	330MF	20%	25V					
C908	1-164-159-11	CERAMIC	0.1MF		50V					
C909	1-164-159-11	CERAMIC	0.1MF		50V					
C910	1-124-477-11	ELECT	47MF	20%	25V					
C911	1-124-912-11	ELECT	330MF	20%	50V					
C912	1-124-912-11	ELECT	330MF	20%	50V					
C913	1-164-159-11	CERAMIC	0.1MF		50V					
C914	1-124-910-11	ELECT	47MF	20%	50V					
C915	1-164-159-11	CERAMIC	0.1MF		50V					
C921	1-124-925-11	ELECT	2.2MF	20%	50V					
C922	1-124-925-11	ELECT	2.2MF	20%	50V					
CN101	1-506-979-31	CONNECTOR, BOARD TO BOARD	13P							
CN102	1-506-979-31	CONNECTOR, BOARD TO BOARD	13P							
CN103	1-568-321-11	SOCKET, CONNECTOR	10P							
CN104	1-568-321-11	SOCKET, CONNECTOR	10P							
CN105	*1-569-499-11	PIN, CONNECTOR	3P							
CN106	*1-569-501-11	PIN, CONNECTOR	6P							
CN107	*1-569-507-11	PIN, CONNECTOR	12P							
CN111	*1-566-859-11	SOCKET, CONNECTOR	15P(SYSTEM CONTROL 1)							
CN112	*1-565-291-11	SOCKET, CONNECTOR	13P(SYSTEM CONTROL 2)							
CN303	1-568-321-11	SOCKET, CONNECTOR	10P							
CN401	*1-568-322-11	PLUG, CONNECTOR	10P							
CN402	*1-568-322-11	PLUG, CONNECTOR	10P							
CN403	*1-568-322-11	PLUG, CONNECTOR	10P							
CN404	*1-561-652-00	SOCKET, CONNECTOR	12P							
CN601	1-569-490-11	SOCKET, CONNECTOR	3P							
CN602	1-569-490-11	SOCKET, CONNECTOR	3P							
CN603	1-564-980-11	(E,EA,AUS)...PIN CONNECTOR	4P							
CN701	*1-560-443-11	PIN, CONNECTOR	12P							

**Note:**

The components identified by mark  $\Delta$  or dotted line with mark  $\Delta$  are critical for safety. Replace only with part number specified.

**Note:**

Les composants identifiés par une marque  $\Delta$  sont critiques pour la sécurité. Ne les remplacer que par une pièce portant le numéro spécifié.

Ref.No.	Part No.	Description
CN801	1-569-490-11	SOCKET, CONNECTOR 3P
CN802	1-569-492-11	SOCKET, CONNECTOR 6P
CN901	*1-569-504-11	PIN, CONNECTOR 9P
CN902	*1-569-501-11	PIN, CONNECTOR 6P
CN903	*1-569-501-11	PIN, CONNECTOR 6P
CN909	*1-564-321-00	PIN, CONNECTOR 2P
CN911	1-569-492-11	SOCKET, CONNECTOR 6P
CN921	*1-569-498-11	SOCKET, CONNECTOR 12P
CN922	*1-569-495-11	SOCKET, CONNECTOR 9P
CN923	1-569-492-11	SOCKET, CONNECTOR 6P
D101	8-719-912-20	DIODE 1SS120
D102	8-719-912-20	DIODE 1SS120
D103	8-719-010-38	DIODE UZ-5.1BSB
D301	8-719-200-82	DIODE 11ES2
D302	8-719-200-82	DIODE 11ES2
D303	8-719-200-82	DIODE 11ES2
D304	8-719-200-82	DIODE 11ES2
D411	8-719-912-20	DIODE 1SS120
D412	8-719-912-20	DIODE 1SS120
D413	8-719-000-54	DIODE UZL-6L3
D501	8-719-912-20	DIODE 1SS120
D502	8-719-912-20	DIODE 1SS120
D503	8-719-912-20	(US,CND,AEP,UK,WG,IT)...DIODE 1SS120
D511	8-719-303-13	DIODE SEL1210W
D512	8-719-303-13	DIODE SEL1210W
D513	8-719-303-13	DIODE SEL1210W
D514	8-719-303-13	DIODE SEL1210W
D515	8-719-303-13	DIODE SEL1210W
D516	8-719-303-13	DIODE SEL1210W
D517	8-719-920-55	DIODE SPR-54MWV
D518	8-719-303-13	DIODE SEL1210W
D801	8-719-912-20	DIODE 1SS120
D821	8-719-912-20	DIODE 1SS120
D822	8-719-912-20	DIODE 1SS120
D823	8-719-912-20	DIODE 1SS120
D824	8-719-912-20	DIODE 1SS120
D851	8-719-912-20	DIODE 1SS120
D901	8-719-302-38	DIODE RBV-602-01
D902	8-719-912-20	DIODE 1SS120
D903	8-719-912-20	DIODE 1SS120
D904	8-719-200-82	DIODE 11ES2
D905	8-719-912-20	DIODE 1SS120
D906	8-719-200-82	DIODE 11ES2
D907	8-719-200-82	DIODE 11ES2
D908	8-719-011-13	DIODE UZ-30BSC
D909	8-719-010-38	DIODE UZ-5.1BSB
F303	△.1-532-780-21	(US)...FUSE, MICRO (SECONDARY)(2.5A)
F901	△.1-532-502-51	(EXCEPT US,CND)...FUSE, TIME LAG(1.25A)
F901	△.1-532-744-11	(US,CND)...FUSE, GLASS TUBE (2.5A)
F902	△.1-532-502-51	(E,EA,AUS)...FUSE, TIME LAG (1.25A)
F903	1-532-783-21	(US,CND)...FUSE, MICRO (SECONDARY)(5A)
F904	1-532-783-21	(US,CND)...FUSE, MICRO (SECONDARY)(5A)
FL001	1-519-607-11	INDICATOR TUBE, FLUORESCENT
IC101	8-759-634-50	IC M5218AL
IC102	8-759-208-08	IC TC4052BPHB
IC103	8-759-208-08	IC TC4052BPHB

Ref.No.	Part No.	Description
IC104	8-759-634-50	IC M5218AL
IC105	8-759-634-50	IC M5218AL
IC106	8-759-804-49	IC LC7522
IC107	8-759-603-14	IC M5229P
IC108	8-759-603-14	IC M5229P
IC301	8-759-604-30	IC M5F7808
IC302	8-759-604-48	IC M5F7908
IC303	8-759-604-33	IC M5F7812
IC401	8-759-634-50	IC M5218AL
IC411	8-759-634-50	IC M5218AL
IC412	8-759-991-11	IC XR1091
IC501	8-759-634-76	IC M50727-183SP
IC502	8-759-500-31	IC X24C01P
IC503	8-759-820-59	IC LC7565
IC701	8-759-820-62	IC LB1639
IC702	8-759-634-50	IC M5218AL
IC801	8-749-941-52	IC STK415211
IC802	8-759-111-68	IC UPC1237HA
IC901	8-759-604-29	IC M5F7805L
△ICP901	1-532-846-21	(EXCEPT US,CND)...LINK, IC 5A
△ICP902	1-532-846-21	(EXCEPT US,CND)...LINK, IC 5A
J101	1-565-258-11	(US,CND,AEP,UK,WG,IT)...JACK, PIN 4P (AUX/PHONO)
J101	1-565-320-11	(E,EA,AUS)...JACK, PIN 6P(AUX/CD/PHONO)
J301	1-562-837-21	JACK (MIX MIC)
J801	1-562-837-21	JACK (HEADPHONES)
L501	1-410-509-11	INDUCTOR 10UH
L502	1-410-509-11	INDUCTOR 10UH
L503	1-410-509-11	INDUCTOR 10UH
L891	*1-420-872-00	COIL, AIR CORE
L892	*1-420-872-00	COIL, AIR CORE
PT901	△.1-449-998-11	(E,EA,AUS)...TRANSFORMER, POWER
PT901	△.1-449-999-11	(AEP,WG,IT)...TRANSFORMER, POWER
PT901	△.1-450-001-11	(UK)...TRANSFORMER, POWER
PT901	△.1-450-002-11	(US)...TRANSFORMER, POWER
PT901	△.1-450-003-11	(CND)...TRANSFORMER, POWER
PT902	△.1-450-041-11	(E,EA,AUS)...TRANSFORMER, POWER
PT902	△.1-450-042-11	(AEP,UK,WG,IT)...TRANSFORMER, POWER
PT902	△.1-450-043-11	(US,CND)...TRANSFORMER, POWER
Q102	8-729-900-74	TRANSISTOR DTC143TS
Q103	8-729-900-74	TRANSISTOR DTC143TS
Q104	8-729-900-65	TRANSISTOR DTA144ES
Q152	8-729-900-74	TRANSISTOR DTC143TS
Q401	8-729-620-05	TRANSISTOR 2SC2603-EF
Q402	8-729-809-07	TRANSISTOR 2SC4113
Q421	8-729-620-05	TRANSISTOR 2SC2603-EF
Q451	8-729-620-05	TRANSISTOR 2SC2603-EF
Q452	8-729-809-07	TRANSISTOR 2SC4113
Q501	8-729-900-80	TRANSISTOR DTC114ES
Q502	8-729-900-61	TRANSISTOR DTA114ES
Q503	8-729-900-65	(US,CND,AEP,UK,WG,IT) ...TRANSISTOR DTA144ES
Q504	8-729-620-05	(US,CND,AEP,UK,WG,IT) ...TRANSISTOR 2SC2603-EF
Q505	8-729-900-61	TRANSISTOR DTA114ES
Q506	8-729-900-61	TRANSISTOR DTA114ES
Q507	8-729-900-65	TRANSISTOR DTA144ES

**Note:**  
The components identified by mark △ or dotted line with mark △ are critical for safety. Replace only with part number specified.

**Note:**  
Les composants identifiés par une marque △ sont critiques pour la sécurité. Ne les remplacer que par une pièce portant le numéro spécifié.

Ref.No.	Part No.	Description	Ref.No.	Part No.	Description
Q508	8-729-900-65	TRANSISTOR DTA144ES	R145	1-249-426-11	CARBON 5.6K 5% 1/4W
Q509	8-729-900-61	TRANSISTOR DTA114ES	R147	1-249-429-11	CARBON 10K 5% 1/4W
Q510	8-729-900-61	TRANSISTOR DTA114ES	R148	1-249-427-11	CARBON 6.8K 5% 1/4W
Q511	8-729-900-61	TRANSISTOR DTA114ES	R151	1-249-417-11	(E,EA,AUS)...CARBON 1K 5% 1/4W
Q512	8-729-900-61	TRANSISTOR DTA114ES	R152	1-249-429-11	(E,EA,AUS)...CARBON 10K 5% 1/4W
Q513	8-729-900-61	TRANSISTOR DTA114ES	R153	1-249-423-11	(E,EA,AUS)...CARBON 3.3K 5% 1/4W
Q514	8-729-620-05	TRANSISTOR 2SC2603-EF	R154	1-249-429-11	CARBON 10K 5% 1/4W
Q515	8-729-900-89	TRANSISTOR DTC144ES	R155	1-249-426-11	CARBON 5.6K 5% 1/4W
Q517	8-729-900-89	TRANSISTOR DTC144ES	R157	1-249-417-11	CARBON 1K 5% 1/4W
Q518	8-729-900-65	TRANSISTOR DTA144ES	R158	1-249-417-11	CARBON 1K 5% 1/4W
Q703	8-729-801-93	TRANSISTOR 2SD1387-3	R159	1-249-438-11	CARBON 56K 5% 1/4W
Q801	8-729-140-84	TRANSISTOR 2SA1841-PAFAEA	R160	1-249-417-11	CARBON 1K 5% 1/4W
Q802	8-729-119-76	TRANSISTOR 2SA1175-HFE	R161	1-249-437-11	CARBON 47K 5% 1/4W
Q803	8-729-900-65	TRANSISTOR DTA144ES	R162	1-247-897-11	CARBON 560K 5% 1/4W
Q804	8-729-801-93	TRANSISTOR 2SD1387-3	R163	1-249-429-11	CARBON 10K 5% 1/4W
Q851	8-729-140-84	TRANSISTOR 2SA1841-PAFAEA	R164	1-249-430-11	CARBON 12K 5% 1/4W
Q901	8-729-801-93	TRANSISTOR 2SD1387-3	R165	1-249-405-11	CARBON 100 5% 1/4W
Q902	8-729-801-84	TRANSISTOR 2SB013-4	R171	1-249-428-11	CARBON 8.2K 5% 1/4W
Q903	8-729-900-89	TRANSISTOR DTC144ES	R172	1-249-423-11	CARBON 3.3K 5% 1/4W
Q904	8-729-620-05	TRANSISTOR 2SC2603-EF	R173	1-249-435-11	CARBON 33K 5% 1/4W
R101	1-249-417-11	(E,EA,AUS)...CARBON 1K 5% 1/4W	R174	1-249-438-11	CARBON 56K 5% 1/4W
R102	1-249-429-11	(E,EA,AUS)...CARBON 10K 5% 1/4W	R175	1-249-435-11	CARBON 33K 5% 1/4W
R103	1-249-423-11	(E,EA,AUS)...CARBON 3.3K 5% 1/4W	R176	1-249-441-11	CARBON 100K 5% 1/4W
R104	1-249-429-11	CARBON 10K 5% 1/4W	R177	1-249-435-11	CARBON 33K 5% 1/4W
R105	1-249-426-11	CARBON 5.6K 5% 1/4W	R178	1-249-438-11	CARBON 56K 5% 1/4W
R107	1-249-417-11	CARBON 1K 5% 1/4W	R179	1-249-427-11	CARBON 6.8K 5% 1/4W
R108	1-249-417-11	CARBON 1K 5% 1/4W	R181	1-249-427-11	CARBON 6.8K 5% 1/4W
R109	1-249-438-11	CARBON 56K 5% 1/4W	R182	1-247-903-00	CARBON 1M 5% 1/4W
R110	1-249-417-11	CARBON 1K 5% 1/4W	R183	1-247-903-00	CARBON 1M 5% 1/4W
R111	1-249-437-11	CARBON 47K 5% 1/4W	R184	1-247-903-00	CARBON 1M 5% 1/4W
R112	1-247-897-11	CARBON 560K 5% 1/4W	R185	1-247-903-00	CARBON 1M 5% 1/4W
R113	1-249-429-11	CARBON 10K 5% 1/4W	R186	1-247-903-00	CARBON 1M 5% 1/4W
R114	1-249-430-11	CARBON 12K 5% 1/4W	R187	1-247-903-00	CARBON 1M 5% 1/4W
R115	1-249-405-11	CARBON 100 5% 1/4W	R188	1-247-903-00	CARBON 1M 5% 1/4W
R121	1-249-428-11	CARBON 8.2K 5% 1/4W	R194	1-249-429-11	CARBON 10K 5% 1/4W
R122	1-249-423-11	CARBON 3.3K 5% 1/4W	R195	1-249-426-11	CARBON 5.6K 5% 1/4W
R123	1-249-435-11	CARBON 33K 5% 1/4W	R197	1-249-429-11	CARBON 10K 5% 1/4W
R124	1-249-438-11	CARBON 56K 5% 1/4W	R198	1-249-427-11	CARBON 6.8K 5% 1/4W
R125	1-249-435-11	CARBON 33K 5% 1/4W	R201	1-249-429-11	(US,CND,AEP,UK,WG,IT) ...CARBON 10K 5% 1/4W
R126	1-249-441-11	CARBON 100K 5% 1/4W	R202	1-249-423-11	(US,CND,AEP,UK,WG,IT) ...CARBON 3.3K 5% 1/4W
R127	1-249-435-11	CARBON 33K 5% 1/4W	R203	1-249-405-11	CARBON 100 5% 1/4W
R128	1-249-438-11	CARBON 56K 5% 1/4W	R204	1-249-441-11	CARBON 100K 5% 1/4W
R129	1-249-427-11	CARBON 6.8K 5% 1/4W	R205	1-249-441-11	CARBON 100K 5% 1/4W
R130	1-249-439-11	CARBON 68K 5% 1/4W	R251	1-249-429-11	(US,CND,AEP,UK,WG,IT) ...CARBON 10K 5% 1/4W
R131	1-249-427-11	CARBON 6.8K 5% 1/4W	R252	1-249-423-11	(US,CND,AEP,UK,WG,IT) ...CARBON 3.3K 5% 1/4W
R132	1-247-903-00	CARBON 1M 5% 1/4W	R301	△.1-212-970-00	FUSIBLE 33 5% 1/2W F
R133	1-247-903-00	CARBON 1M 5% 1/4W	R302	△.1-212-970-00	FUSIBLE 33 5% 1/2W F
R134	1-247-903-00	CARBON 1M 5% 1/4W	R303	△.1-217-469-00	(US)...FUSIBLE 1 5% 1W F
R135	1-247-903-00	CARBON 1M 5% 1/4W	R304	1-249-393-11	(US)...CARBON 10 5% 1/4W
R136	1-247-903-00	CARBON 1M 5% 1/4W	R401	1-249-432-11	CARBON 18K 5% 1/4W
R137	1-247-903-00	CARBON 1M 5% 1/4W	R402	1-247-891-00	CARBON 330K 5% 1/4W
R138	1-247-903-00	CARBON 1M 5% 1/4W	R403	1-249-419-11	CARBON 1.5K 5% 1/4W
R141	1-249-417-11	CARBON 1K 5% 1/4W	R404	1-249-425-11	CARBON 4.7K 5% 1/4W
R142	1-249-417-11	CARBON 1K 5% 1/4W	R405	1-249-441-11	CARBON 100K 5% 1/4W
R143	1-249-417-11	CARBON 1K 5% 1/4W			
R144	1-249-429-11	CARBON 10K 5% 1/4W			

**Note:**

The components identified by mark  $\Delta$  or dotted line with mark  $\Delta$  are critical for safety. Replace only with part number specified.

**Note:**

Les composants identifiés par une marque  $\Delta$  sont critiques pour la sécurité. Ne les remplacer que par une pièce portant le numéro spécifié.



Ref.No.	Part No.	Description			
R408	1-249-429-11	CARBON	10K	5%	1/4W
R411	1-249-429-11	CARBON	10K	5%	1/4W
R412	1-249-441-11	CARBON	100K	5%	1/4W
R413	1-249-429-11	CARBON	10K	5%	1/4W
R414	1-249-411-11	CARBON	330	5%	1/4W
R415	1-249-419-11	CARBON	1.5K	5%	1/4W
R416	1-249-405-11	CARBON	100	5%	1/4W
R421	1-249-429-11	CARBON	10K	5%	1/4W
R422	1-249-415-11	CARBON	680	5%	1/4W
R423	1-249-434-11	CARBON	27K	5%	1/4W
R424	1-249-441-11	CARBON	100K	5%	1/4W
R425	1-249-422-11	CARBON	2.7K	5%	1/4W
R426	1-249-429-11	CARBON	10K	5%	1/4W
R427	1-249-414-11	CARBON	560	5%	1/4W
R451	1-249-432-11	CARBON	18K	5%	1/4W
R452	1-247-891-00	CARBON	330K	5%	1/4W
R453	1-249-419-11	CARBON	1.5K	5%	1/4W
R454	1-249-425-11	CARBON	4.7K	5%	1/4W
R455	1-249-441-11	CARBON	100K	5%	1/4W
R458	1-249-429-11	CARBON	10K	5%	1/4W
R501	1-247-903-00	CARBON	1M	5%	1/4W
R502	1-249-429-11	CARBON	10K	5%	1/4W
R503	1-249-441-11	CARBON	100K	5%	1/4W
R505	1-249-417-11	CARBON	1K	5%	1/4W
R506	1-249-429-11	CARBON	10K	5%	1/4W
R507	1-249-429-11	CARBON	10K	5%	1/4W
R508	1-249-429-11	CARBON	10K	5%	1/4W
R509	1-249-429-11	CARBON	10K	5%	1/4W
R510	1-249-429-11	(US,CND,AEP,UK,WG,IT) ...CARBON	10K	5%	1/4W
R511	1-249-429-11	(US,CND,AEP,UK,WG,IT) ...CARBON	10K	5%	1/4W
R512	1-249-429-11	(US,CND,AEP,UK,WG,IT) ...CARBON	10K	5%	1/4W
R513	1-249-393-11	(US,CND,AEP,UK,WG,IT) ...CARBON	10	5%	1/4W
R515	1-249-409-11	CARBON	220	5%	1/4W
R516	1-249-417-11	CARBON	1K	5%	1/4W
R517	1-249-429-11	CARBON	10K	5%	1/4W
R518	1-249-429-11	CARBON	10K	5%	1/4W
R519	1-249-417-11	CARBON	1K	5%	1/4W
R520	1-249-417-11	CARBON	1K	5%	1/4W
R521	1-249-417-11	CARBON	1K	5%	1/4W
R522	1-249-417-11	CARBON	1K	5%	1/4W
R523	1-249-417-11	CARBON	1K	5%	1/4W
R524	1-249-417-11	CARBON	1K	5%	1/4W
R525	1-249-413-11	CARBON	470	5%	1/4W
R526	1-249-413-11	CARBON	470	5%	1/4W
R527	1-249-413-11	CARBON	470	5%	1/4W
R528	1-249-413-11	CARBON	470	5%	1/4W
R529	1-249-413-11	CARBON	470	5%	1/4W
R530	1-249-413-11	CARBON	470	5%	1/4W
R531	1-249-413-11	CARBON	470	5%	1/4W
R532	1-249-413-11	CARBON	470	5%	1/4W
R533	1-249-429-11	CARBON	10K	5%	1/4W
R535	1-249-417-11	CARBON	1K	5%	1/4W
R536	1-249-417-11	CARBON	1K	5%	1/4W

Ref.No.	Part No.	Description			
R537	1-249-417-11	CARBON	1K	5%	1/4W
R538	1-249-429-11	CARBON	10K	5%	1/4W
R539	1-249-429-11	CARBON	10K	5%	1/4W
R541	1-249-423-11	CARBON	3.3K	5%	1/4W
R542	1-249-413-11	CARBON	470	5%	1/4W
R543	1-249-415-11	CARBON	680	5%	1/4W
R544	1-249-416-11	CARBON	820	5%	1/4W
R545	1-249-419-11	CARBON	1.5K	5%	1/4W
R546	1-249-421-11	CARBON	2.2K	5%	1/4W
R547	1-249-425-11	CARBON	4.7K	5%	1/4W
R548	1-249-430-11	CARBON	12K	5%	1/4W
R550	1-249-417-11	CARBON	1K	5%	1/4W
R551	1-249-423-11	CARBON	3.3K	5%	1/4W
R552	1-249-413-11	CARBON	470	5%	1/4W
R553	1-249-415-11	CARBON	680	5%	1/4W
R554	1-249-416-11	CARBON	820	5%	1/4W
R555	1-249-419-11	CARBON	1.5K	5%	1/4W
R556	1-249-421-11	CARBON	2.2K	5%	1/4W
R557	1-249-425-11	CARBON	4.7K	5%	1/4W
R558	1-249-430-11	CARBON	12K	5%	1/4W
R560	1-249-417-11	CARBON	1K	5%	1/4W
R561	1-249-441-11	CARBON	100K	5%	1/4W
R562	1-249-441-11	CARBON	100K	5%	1/4W
R563	1-249-441-11	CARBON	100K	5%	1/4W
R564	1-249-432-11	CARBON	18K	5%	1/4W
R565	1-247-896-11	CARBON	510K	5%	1/4W
R566	1-249-441-11	CARBON	100K	5%	1/4W
R567	1-249-425-11	CARBON	4.7K	5%	1/4W
R568	1-249-425-11	CARBON	4.7K	5%	1/4W
R569	1-249-417-11	CARBON	1K	5%	1/4W
R579	1-249-441-11	CARBON	100K	5%	1/4W
R580	1-249-441-11	CARBON	100K	5%	1/4W
R601	1-249-417-11	(E,EA,AUS)...CARBON	1K	5%	1/4W
R602	1-249-405-11	(E,EA,AUS)...CARBON	100	5%	1/4W
R701	△.1-212-857-00	FUSIBLE	10	5%	1/4W F
R707	1-249-415-11	CARBON	680	5%	1/4W
R708	1-249-422-11	CARBON	2.7K	5%	1/4W
R709	1-249-429-11	CARBON	10K	5%	1/4W
R710	1-249-429-11	CARBON	10K	5%	1/4W
R711	1-249-417-11	CARBON	1K	5%	1/4W
R712	1-249-417-11	CARBON	1K	5%	1/4W
R713	1-249-417-11	CARBON	1K	5%	1/4W
R721	1-249-429-11	CARBON	10K	5%	1/4W
R722	1-249-430-11	CARBON	12K	5%	1/4W
R723	1-249-441-11	CARBON	100K	5%	1/4W
R724	1-249-405-11	CARBON	100	5%	1/4W
R771	1-249-429-11	CARBON	10K	5%	1/4W
R772	1-249-430-11	CARBON	12K	5%	1/4W
R773	1-249-441-11	CARBON	100K	5%	1/4W
R774	1-249-405-11	CARBON	100	5%	1/4W
R801	1-249-429-11	CARBON	10K	5%	1/4W
R802	1-249-419-11	CARBON	1.5K	5%	1/4W
R803	1-249-438-11	CARBON	56K	5%	1/4W
R804	1-249-414-11	CARBON	560	5%	1/4W
R805	1-249-438-11	CARBON	56K	5%	1/4W
R806	1-249-421-11	CARBON	2.2K	5%	1/4W
R807	1-247-756-11	CARBON	2.2K	5%	1/2W

**Note:**  
The components identified by mark **△** or dotted line with mark **△** are critical for safety. Replace only with part number specified.

**Note:**  
Les composants identifiés par une marque **△** sont critiques pour la sécurité. Ne les remplacer que par une pièce portant le numéro spécifié.

Ref.No.	Part No.	Description				
R808	1-249-441-11	CARBON	100K	5%	1/4W	
R810	1-249-438-11	CARBON	56K	5%	1/4W	
R811	1-217-151-00	METAL PLATE	0.22		2W	
R813	1-249-431-11	CARBON	15K	5%	1/4W	
R814	1-249-441-11	CARBON	100K	5%	1/4W	
R815	1-249-417-11	CARBON	1K	5%	1/4W	
R821	△.1-212-881-11	FUSIBLE	100	5%	1/4W	F
R822	1-247-752-11	CARBON	1K	5%	1/2W	
R823	1-247-752-11	CARBON	1K	5%	1/2W	
R824	△.1-212-881-11	FUSIBLE	100	5%	1/4W	F
R825	1-249-441-11	CARBON	100K	5%	1/4W	
R826	1-249-429-11	CARBON	10K	5%	1/4W	
R828	1-249-433-11	CARBON	22K	5%	1/4W	
R829	1-249-433-11	CARBON	22K	5%	1/4W	
R830	△.1-247-744-11	CARBON	270	5%	1/2W	F
R831	1-249-439-11	CARBON	68K	5%	1/4W	
R832	1-249-430-11	CARBON	12K	5%	1/4W	
R833	1-249-429-11	CARBON	10K	5%	1/4W	
R834	1-249-429-11	CARBON	10K	5%	1/4W	
R837	1-249-441-11	CARBON	100K	5%	1/4W	
R851	1-249-429-11	CARBON	10K	5%	1/4W	
R852	1-249-419-11	CARBON	1.5K	5%	1/4W	
R853	1-249-438-11	CARBON	56K	5%	1/4W	
R854	1-249-414-11	CARBON	560	5%	1/4W	
R855	1-249-438-11	CARBON	56K	5%	1/4W	
R856	1-249-421-11	CARBON	2.2K	5%	1/4W	
R857	1-247-756-11	CARBON	2.2K	5%	1/2W	
R858	1-249-441-11	CARBON	100K	5%	1/4W	
R860	1-249-437-11	CARBON	47K	5%	1/4W	
R861	1-217-151-00	METAL PLATE	0.22		2W	
R862	△.1-212-881-11	FUSIBLE	100	5%	1/4W	F
R863	1-249-431-11	CARBON	15K	5%	1/4W	
R864	1-249-441-11	CARBON	100K	5%	1/4W	
R865	1-249-417-11	CARBON	1K	5%	1/4W	
R891	△.1-247-727-11	CARBON	10	5%	1/2W	F
R892	△.1-247-727-11	CARBON	10	5%	1/2W	F
R893	1-249-399-11	CARBON	33	5%	1/4W	
R894	1-249-399-11	CARBON	33	5%	1/4W	
R901	1-249-427-11	CARBON	6.8K	5%	1/4W	
R902	1-249-417-11	CARBON	1K	5%	1/4W	
R903	1-249-429-11	CARBON	10K	5%	1/4W	
R904	1-249-429-11	CARBON	10K	5%	1/4W	
R905	1-249-429-11	CARBON	10K	5%	1/4W	
R906	1-249-425-11	CARBON	4.7K	5%	1/4W	
R907	△.1-212-873-11	FUSIBLE	47	5%	1/4W	F

Ref.No.	Part No.	Description				
R908	△.1-202-725-00	(US,CND)...SOLID	3.3M	10%	1/2W	
R921	1-249-421-11	CARBON	2.2K	5%	1/4W	
R922	1-249-429-11	CARBON	10K	5%	1/4W	
R923	1-249-441-11	CARBON	100K	5%	1/4W	
R924	1-249-405-11	CARBON	100	5%	1/4W	
RB501	1-233-206-11	COMPOSITION CIRCUIT BLOCK (100KX12)				
RB502	1-233-206-11	COMPOSITION CIRCUIT BLOCK (100KX12)				
RV401	1-238-491-11	RES, VAR, CARBON	500K/500K			
		(DBFB (SAT) LEVEL)				
RV402	1-238-459-11	RES, VAR, CARBON	100K (BALANCE)			
RV403	1-238-458-11	RES, VAR, CARBON	50K (MIC LEVEL)			
RV701	1-238-708-11	RES, VAR, CARBON	10K/100K/100K (VOLUME)			
RY801	1-515-533-11	RELAY				
RY901	1-515-720-11	RELAY				
S501	1-554-303-21	SWITCH, KEY BOARD (POWER)				
S502	1-554-303-21	SWITCH, KEY BOARD (PROGRAM FUNCTION)				
S503	1-554-303-21	SWITCH, KEY BOARD (SURROUND)				
S504	1-554-303-21	SWITCH, KEY BOARD (TUNER)				
S505	1-554-303-21	SWITCH, KEY BOARD (CD)				
S506	1-554-303-21	SWITCH, KEY BOARD (TAPE)				
S507	1-554-303-21	SWITCH, KEY BOARD (AUX/VIDEO)				
S508	1-554-303-21	SWITCH, KEY BOARD (PHONO)				
S511	1-554-303-21	SWITCH, KEY BOARD (EQUALIZATION)				
S512	1-554-303-21	SWITCH, KEY BOARD (DISPLAY)				
S513	1-554-303-21	SWITCH, KEY BOARD (MEMORY)				
S514	1-554-303-21	SWITCH, KEY BOARD (CURSOR/PRESET EQ)				
S515	1-554-303-21	SWITCH, KEY BOARD (CURSOR CONTROL △)				
S516	1-554-303-21	SWITCH, KEY BOARD (CURSOR CONTROL ▽)				
S517	1-554-303-21	SWITCH, KEY BOARD (CURSOR CONTROL ▷)				
S518	1-554-303-21	SWITCH, KEY BOARD (CURSOR CONTROL ◁)				
S901	△.1-571-437-11	(E,EA,AUS)...SWITCH, POWER VOLTAGE CHANGE (VOLTAGE SELECTOR)				
TB801	1-536-705-00	TERMINAL BOARD (SP)(SPEAKER)				
X501	1-577-358-21	VIBRATOR, CERAMIC (4MHz)				

**Note:**

The components identified by mark △ or dotted line with mark △ are critical for safety. Replace only with part number specified.

**Note:**

Les composants identifiés par une marque △ sont critiques pour la sécurité. Ne les remplacer que par une pièce portant le numéro spécifié.



# TA-H200/H300

## SONY<sup>®</sup> SERVICE MANUAL

US Model  
Canadian Model  
AEP Model  
UK Model  
Australian Model


TA-H300

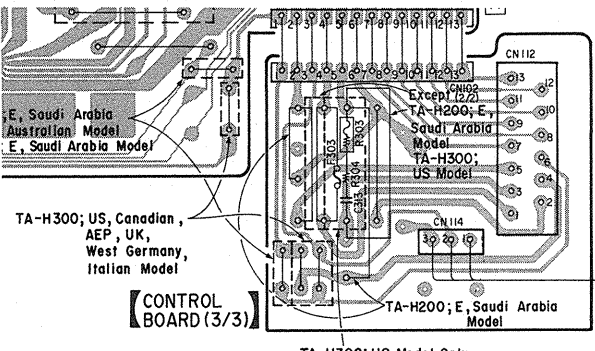
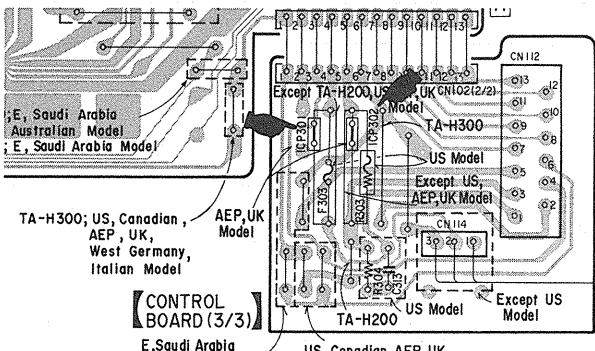
### CORRECTION-1

File this correction with the service manual.

E Model

TA-H200/H300

 : indicates corrected portion.

Page	INCORRECT				CORRECT			
	Ref. No.	Part No.	Description	Remark	Ref. No.	Part No.	Description	Remark
26					ICP301	Δ1-532-844-21	LINK, IC 3.15A (AEP, UK)	
					ICP302	Δ1-532-844-21	LINK, IC 3.15A (AEP, UK)	
9	 <p>TA-H300; US, Canadian, AEP, UK, West Germany, Italian Model</p> <p>TA-H200; E, Saudi Arabia Model</p> <p>TA-H300; US Model</p> <p>TA-H200; E, Saudi Arabia Model</p> <p>TA-H300; US Model Only</p>				 <p>TA-H300; US, Canadian, AEP, UK, West Germany, Italian Model</p> <p>TA-H200; E, Saudi Arabia Model</p> <p>TA-H300; US Model</p> <p>TA-H200; US Model</p> <p>Except TA-H200, US Model</p> <p>US Canadian, AEP, UK, Germany, Italian Model</p>			

