

# TAN-N500/N600

## SERVICE MANUAL



Photo: TAN-N600

TAN-N500/N600 are the Amplifier Section in  
LBT-N500/N550/550K/550P and LBT-N600AV/N650AV.

AEP Model  
UK Model  
E Model  
Australian Model  
TAN-N500/N600  
PX Model  
TAN-N500

Free service manuals  
Gratis schema's

Digitized by

[www.freeservicemanuals.info](http://www.freeservicemanuals.info)

### SPECIFICATIONS

**DIN power output**  
40 W + 40 W (6 ohms,  
at 1 kHz)

**Continuous RMS power output**  
50 W + 50 W (6 ohms,  
at 1 kHz, 5% THD)

**Music power output**  
100 W + 100 W (6 ohms,  
at 1 kHz, 10% THD)

**Frequency response**  
15 Hz to 50 kHz  $+0$   
 $-3$  dB

**Power requirements**  
European models:  
220-230 V AC, 50/60 Hz  
Australian model:  
220-240 V AC, 50/60 Hz  
Malaysian model:  
220-240 V AC, 50/60 Hz  
Mexican model:  
120 V AC, 50/60 Hz  
Other models:  
110-120 V or 220-240 V AC  
adjustable, 50/60 Hz

#### Power consumption

European models:

135 W

Other models:

195 W

Output	Jack type	Impedance
SURROUND SPEAKER (N500)	-	Accepts speakers up to 16 ohms
PHONES	Stereophone	Accepts headphones of 8 ohms or more

Weight Approx. 5.4 kg

#### Dimensions

Approx. 355 x 130 x 335 mm  
(w/h/d, including projections)

Design and specifications are subject to  
change without notice.

STEREO POWER AMPLIFIER  
**SONY**<sup>®</sup>



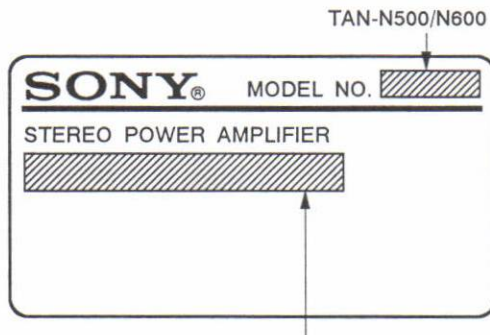
## SECTION 1 GENERAL

### TABLE OF CONTENTS

Section	Title	Page
Specifications	.....	1
<b>1. GENERAL</b>		
1-1.	Index to Parts and Controls	2
<b>2. DISASSEMBLY</b>	.....	3
<b>3. DIAGRAMS</b>		
3-1.	Circuit Boards Location	4
3-2.	Schematic Diagram	6
3-3.	Printed Wiring Boards	9
<b>4. EXPLODED VIEWS</b>	.....	15
<b>5. ELECTRICAL PARTS LIST</b>	.....	18

### MODEL IDENTIFICATION

— Specification Label Printed on Back Panel —



AEP, German, Italian, East European,

CIS model : AC: 220 V-230 V ~50/60 Hz 135 W

UK model : AC: 220 V-230 V ~50 Hz

Australian,

Malaysia model : AC: 220 V-240 V ~50/60 Hz 195 W

E, Saudi Arabia, Singapore,

PX model : AC: 110 V-120 V/220 V-240 V  
~50/60 Hz 195 W

Mexican model : AC: 120 V ~60 Hz 195 W

### SAFETY-RELATED COMPONENT WARNING!!

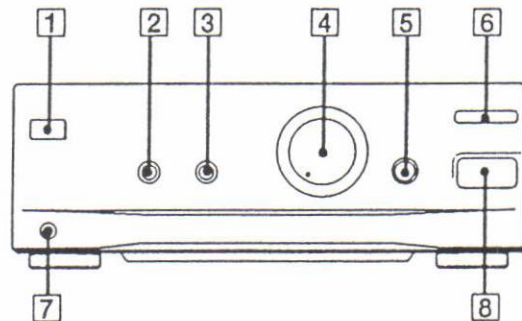
COMPONENTS IDENTIFIED BY MARK  $\Delta$  OR DOTTED LINE WITH MARK  $\Delta$  ON THE SCHEMATIC DIAGRAMS AND IN THE PARTS LIST ARE CRITICAL TO SAFE OPERATION. REPLACE THESE COMPONENTS WITH SONY PARTS WHOSE PART NUMBERS APPEAR AS SHOWN IN THIS MANUAL OR IN SUPPLEMENTS PUBLISHED BY SONY.

This section is extracted from instruction manual.

### 1-1. INDEX TO PARTS AND CONTROLS

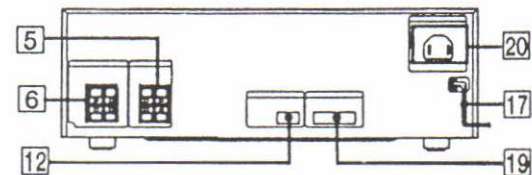
#### Front Panel

#### Power Amplifier (TAN-N500/N600)



- 1 SYSTEM POWER switch
- 2 SURROUND button (N500)
- 2 S-SURROUND button (N600)
- 3 DBFB button
- 4 VOLUME control (N500)
- 4 MASTER VOLUME control (N600)
- 5 BALANCE control
- 6 SLEEP button
- 7 PHONES jack
- 8 FUNCTION button

#### Rear Panel

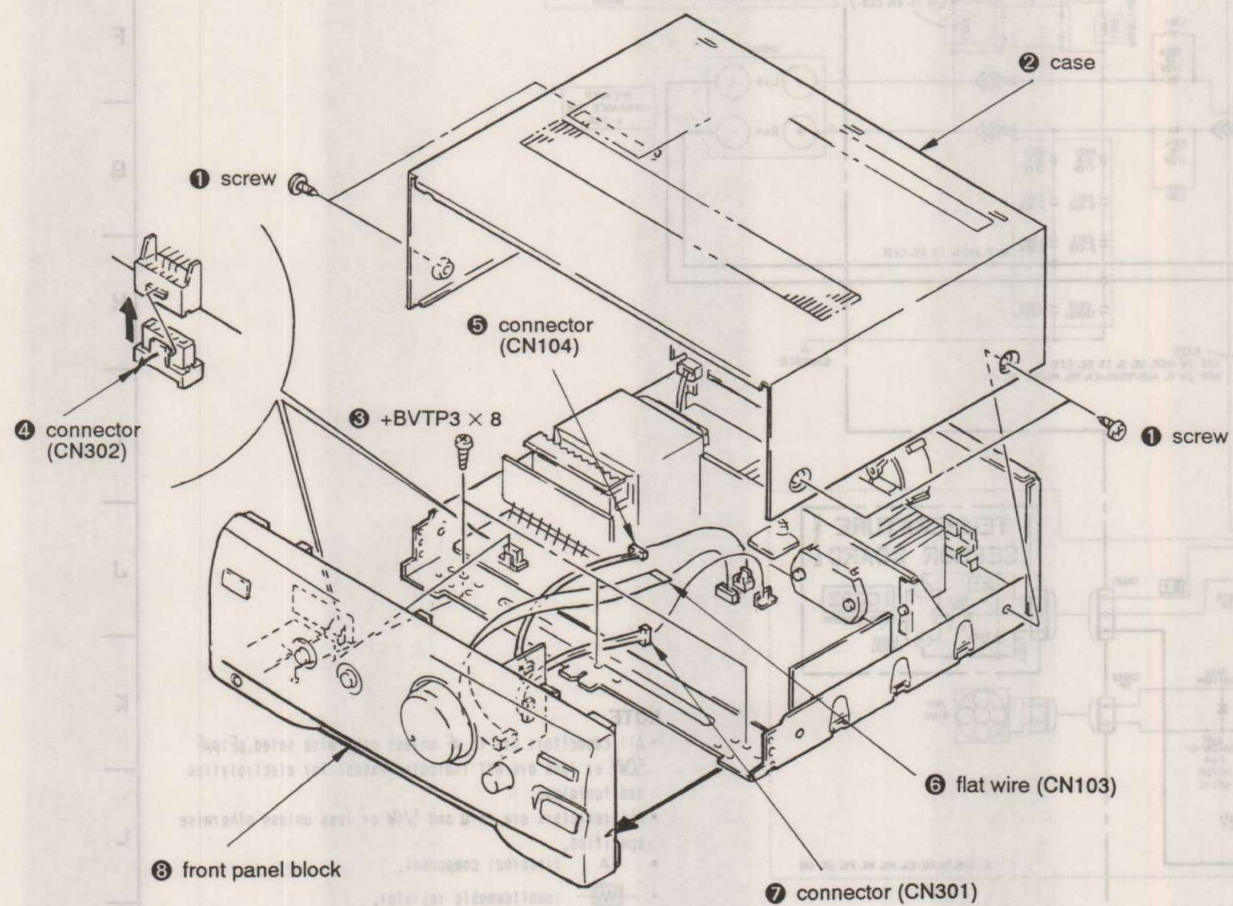


- 5 SPEAKER connectors
- 6 SURROUND SPEAKER connectors (N500)
- 12 SYSTEM CONTROL 4 terminals (N600)
- 17 AC power cord
- 19 SYSTEM CONTROL 2 terminals
- 20 AC OUTLET (N600)

## SECTION 2 DISASSEMBLY

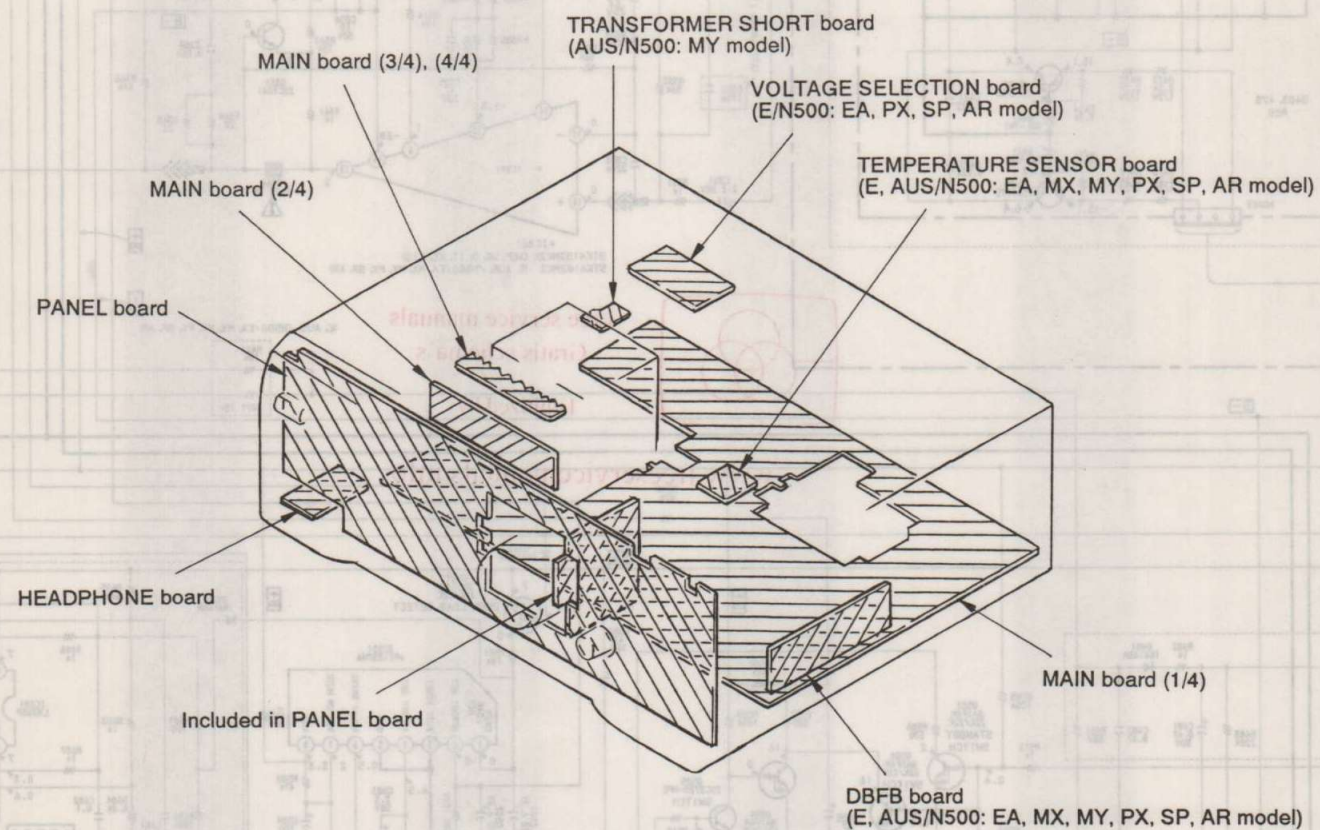
Note: Follow the disassembly procedure in the numerical order given.

### FRONT PANEL ASS'Y



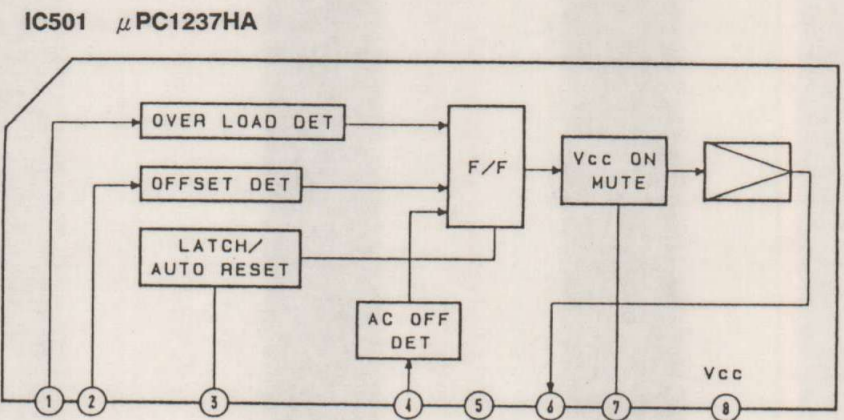
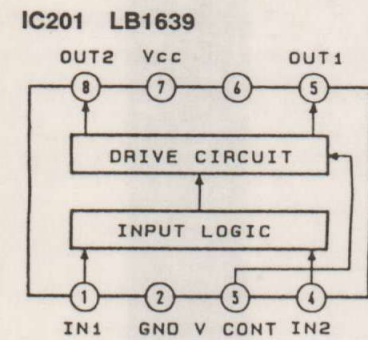
## SECTION 3 DIAGRAMS

### 3-1. CIRCUIT BOARDS LOCATION

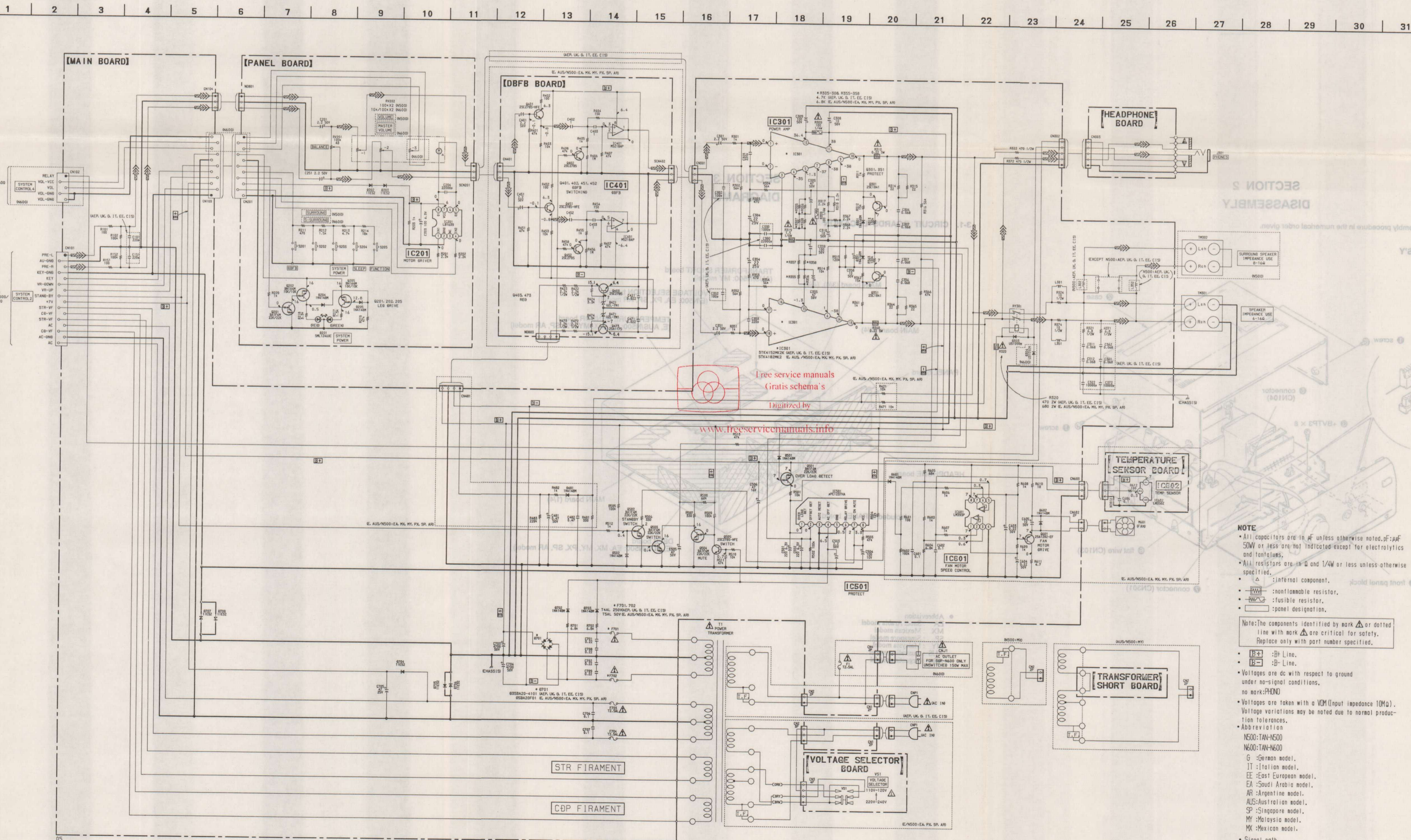


- Abbreviation
- EA : Saudi Arabia model
- MX : Mexican model
- SP : Singapore model
- MY : Malaysia model
- AUS : Australian model
- AR : Argentine model

• IC Block Diagrams



3-2. SCHEMATIC DIAGRAM



Free service manuals  
 Gratis schema's  
 Digitized by  
[www.freeservicemanuals.info](http://www.freeservicemanuals.info)

**NOTE**

- All capacitors are in  $\mu\text{F}$  unless otherwise noted,  $\text{pF} = \mu\text{F} \times 10^{-6}$  or less are not indicated except for electrolytics and tantalums.
- All resistors are in  $\Omega$  and  $1/4\text{W}$  or less unless otherwise specified.
- $\Delta$ : internal component.
- $\square$ : nonflammable resistor.
- $\square$ : fusible resistor.
- $\square$ : panel designation.

Note: The components identified by mark  $\Delta$  or dotted line with mark  $\Delta$  are critical for safety. Replace only with part number specified.

- $\square$ : B+ Line.
- $\square$ : B- Line.
- Voltages are dc with respect to ground under no-signal conditions, no mark: PHONO.
- Voltages are taken with a VOM (input impedance  $10\text{M}\Omega$ ). Voltage variations may be noted due to normal production tolerances.
- Abbreviation:
  - NS00: TAN-NS00
  - N600: TAN-N600
  - G: German model.
  - IT: Italian model.
  - EE: East European model.
  - EA: Saudi Arabia model.
  - AR: Argentine model.
  - AUS: Australian model.
  - SP: Singapore model.
  - MY: Malaysia model.
  - MX: Mexican model.
- Signal path.
- $\Rightarrow$ : PHONO

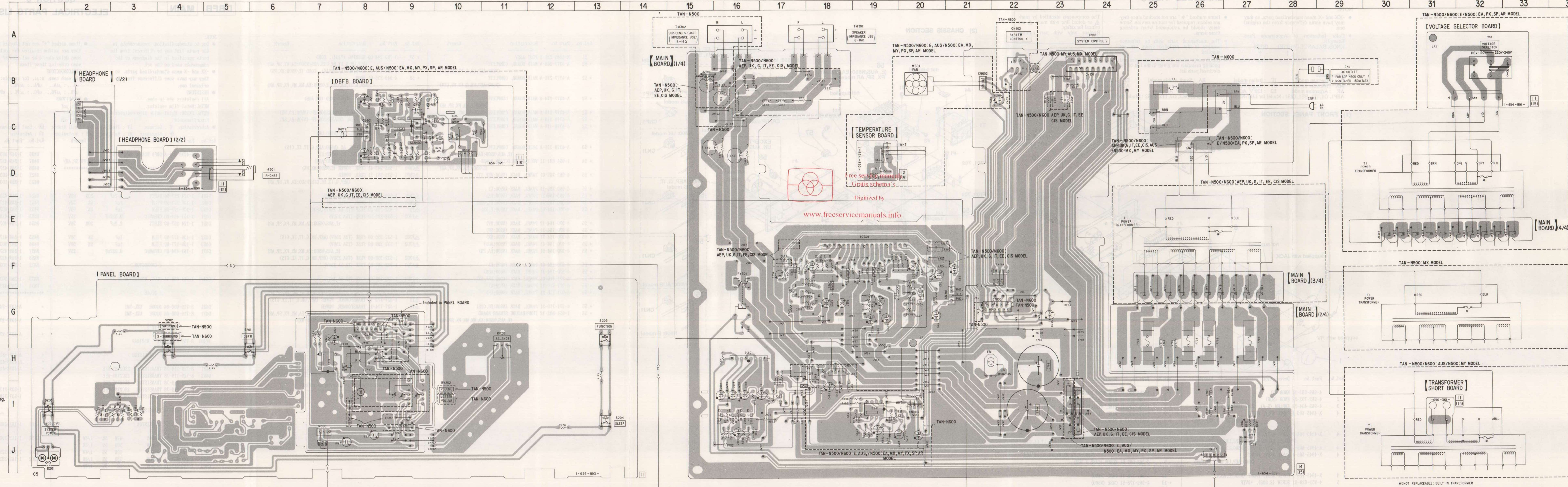
3-3. PRINTED WIRING BOARDS

**• Semiconductor Location**

Ref. No.	Location
D201	J-1
D202	H-8
D203	H-8
D204	I-3
D205	I-2
G-20	G-20
D303	G-16
△ D304	B-22
D351	G-18
○ D421	C-9
○ D471	C-9
○ D481	H-18
○ D501	H-18
○ D502	J-16
○ D601	J-19
○ D602	B-22
D701	I-23
D702	J-27
D703	J-27
D704	G-23
D705	G-23
D706	H-23
D707	H-22
D708	G-22
IC201	H-7
IC301	F-19
○ IC401	C-9
○ IC501	H-16
○ IC601	I-19
○ IC602	D-19
Q201	I-3
Q202	I-3
Q205	I-2
Q301	G-20
Q351	G-17
○ Q401	D-8
○ Q402	D-9
○ Q451	B-9
○ Q452	B-9
○ Q501	I-17
Q502	I-16
Q503	I-16
Q504	I-16
Q505	I-16
○ Q601	I-20

**Note:**  
 ○ : E, AUS/N500: EA, MX, MY, PX, SP, AR MODEL  
 △ : N600

**Note:**  
 ○ : parts extracted from the component side.  
 △ : internal component.  
 Pattern from the side which enables seeing.  
**Abbreviations**  
 G : German model  
 IT : Italian model  
 EA : Saudi Arabia model  
 EE : East European model  
 MX : Mexican model  
 SP : Singapore model  
 MY : Malaysia model  
 AUS : Australian model  
 AR : Argentine model





MAIN

Ref. No.	Part No.	Description	Remark		
C303	1-162-286-31	CERAMIC	220PF	10%	50V
C304	1-126-233-11	ELECT	22uF	20%	50V
C305	1-124-910-11	ELECT	47uF	20%	50V
C306	1-137-375-11	FILM	0.068uF	5%	50V
C307	1-137-375-11	FILM	0.068uF	5%	50V
C308	1-124-907-11	ELECT	10uF	20%	50V
C309	1-124-122-11	ELECT	100uF	20%	50V
C310	1-124-907-11	ELECT	10uF	20%	50V
C311	1-137-375-11	FILM	0.068uF	5%	50V (AEP, UK, G, IT, EE, CIS)
C312	1-137-375-11	FILM	0.068uF	5%	50V (AEP, UK, G, IT, EE, CIS)
C322	1-162-306-11	CERAMIC	0.01uF	20%	16V (N500:AEP, UK, G, IT, EE, CIS)
C330	1-162-294-31	CERAMIC	0.001uF	10%	50V (AEP, UK, G, IT, EE, CIS)
C351	1-124-925-11	ELECT	2.2uF	20%	100V
C352	1-162-282-31	CERAMIC	100PF	10%	50V (AEP, UK, G, IT, EE, CIS)
C353	1-162-286-31	CERAMIC	220PF	10%	50V
C354	1-126-233-11	ELECT	22uF	20%	50V
C355	1-124-910-11	ELECT	47uF	20%	50V
C356	1-137-375-11	FILM	0.068uF	5%	50V
C357	1-137-375-11	FILM	0.068uF	5%	50V
C358	1-124-907-11	ELECT	10uF	20%	50V
C359	1-124-122-11	ELECT	100uF	20%	50V
C361	1-137-375-11	FILM	0.068uF	5%	50V (AEP, UK, G, IT, EE, CIS)
C362	1-137-375-11	FILM	0.068uF	5%	50V (AEP, UK, G, IT, EE, CIS)
C372	1-162-306-11	CERAMIC	0.01uF	20%	16V (AEP, UK, G, IT, EE, CIS)
C380	1-161-494-00	CERAMIC	0.022uF		25V (AEP, UK, G, IT, EE, CIS)
C481	1-124-902-00	ELECT	0.47uF	20%	50V (E, AUS/N500:EA, MX, MY, PX, SP, AR)
C482	1-136-173-00	FILM	0.47uF	5%	50V (E, AUS/N500:EA, MX, MY, PX, SP, AR)
C501	1-104-666-11	ELECT	220uF	20%	6.3V
C502	1-104-666-11	ELECT	220uF	20%	6.3V
C503	1-124-925-11	ELECT	2.2uF	20%	100V
C504	1-124-443-00	ELECT	100uF	20%	10V
C505	1-124-910-11	ELECT	47uF	20%	50V

Ref. No.	Part No.	Description	Remark		
C506	1-104-664-11	ELECT	47uF	20%	16V
C601	1-164-159-11	CERAMIC	0.1uF		50V (E, AUS/N500:EA, MX, MY, PX, SP, AR)
C602	1-164-159-11	CERAMIC	0.1uF		50V (E, AUS/N500:EA, MX, MY, PX, SP, AR)
C603	1-124-464-11	ELECT	0.22uF	20%	50V (E, AUS/N500:EA, MX, MY, PX, SP, AR)
C604	1-124-464-11	ELECT	0.22uF	20%	50V (E, AUS/N500:EA, MX, MY, PX, SP, AR)
C605	1-124-907-11	ELECT	10uF	20%	50V (E, AUS/N500:EA, MX, MY, PX, SP, AR)
C701	1-136-169-00	FILM	0.22uF	5%	50V
C702	1-136-169-00	FILM	0.22uF	5%	50V
C703	1-126-138-11	ELECT	4700uF	20%	50V
C704	1-126-138-11	ELECT	4700uF	20%	50V
C705	1-124-477-11	ELECT	47uF	20%	25V
C706	1-136-165-00	FILM	0.1uF	5%	50V
C707	1-136-165-00	FILM	0.1uF	5%	50V
C708	1-136-169-00	FILM	0.22uF	5%	50V
C709	1-136-169-00	FILM	0.22uF	5%	50V
< CONNECTOR >					
CN1	1-580-230-11	PIN, CONNECTOR (PC BOARD) 2P			
CN2	1-564-321-00	PIN, CONNECTOR 2P (AEP, UK, G, IT, EE, CIS, AUS, /N500:MX, MY)			
* CN2	1-564-687-11	PIN, CONNECTOR 3P (E/N500:EA, PX, SP, AR)			
* CN4	1-564-321-21	PIN, CONNECTOR 2P (N600)			
CN101	1-770-248-31	HOUSING, CONNECTOR(PC BOARD)16P (SYSTEM CONTROL 2)			
CN102	1-764-016-21	HOUSING, CONNECTOR(PC BOARD)5P (SYSTEM CONTROL 4) (N600)			
* CN103	1-568-828-11	SOCKET, CONNECTOR 9P (N500)			
* CN103	1-568-830-11	SOCKET, CONNECTOR 11P (N600)			
CN104	1-506-468-11	PIN, CONNECTOR 3P			
CN301	1-564-506-11	PLUG, CONNECTOR 3P			
CN302	1-770-594-21	CONNECTOR, BOARD TO BOARD 5P			
CN481	1-506-469-11	PIN, CONNECTOR 4P (E, AUS/N500:EA, MX, MY, PX, SP, AR)			
CN602	1-564-505-11	PLUG, CONNECTOR 2P (E, AUS/N500:EA, MX, MY, PX, SP, AR)			
CN603	1-506-468-11	PIN, CONNECTOR 3P (E, AUS/N500:EA, MX, MY, PX, SP, AR)			
< DIODE >					
D301	8-719-987-63	DIODE	1N4148M		
D303	8-719-815-85	DIODE	1S1585		
D304	8-719-815-85	DIODE	1S1585		(N600)
D351	8-719-987-63	DIODE	1N4148M		

<b>MAIN</b>
-------------

Ref. No.	Part No.	Description	Remark
D481	8-719-987-63	DIODE 1N4148M (E, AUS/N500:EA, MX, MY, PX, SP, AR)	
D501	8-719-987-63	DIODE 1N4148M	
D502	8-719-987-63	DIODE 1N4148M	
D601	8-719-987-63	DIODE 1N4148M (E, AUS/N500:EA, MX, MY, PX, SP, AR)	
D602	8-719-987-63	DIODE 1N4148M (E, AUS/N500:EA, MX, MY, PX, SP, AR)	
D701	8-719-028-23	DIODE D3SBA20-4101 (AEP, UK, G, IT, EE, CIS)	
D701	8-719-510-68	DIODE D5SBA20F01 (E, AUS/N500:EA, MX, MY, PX, SP, AR)	
D702	8-719-987-63	DIODE 1N4148M	
D703	8-719-987-63	DIODE 1N4148M	
D704	8-719-024-99	DIODE 11ES2-NTA2B	
D705	8-719-024-99	DIODE 11ES2-NTA2B	
D706	8-719-024-99	DIODE 11ES2-NTA2B	
D707	8-719-024-99	DIODE 11ES2-NTA2B	
D708	8-719-024-99	DIODE 11ES2-NTA2B	
< FUSE >			
△F1	1-532-286-00	FUSE (T2, 5A 250V) (N600)	
△F701	1-532-299-00	FUSE (T5A 250V) (E, AUS/N500:EA, MX, MY, PX, SP, AR)	
△F701	1-532-350-00	FUSE (T4A 250V) (AEP, UK, G, IT, EE, CIS)	
△F702	1-532-299-00	FUSE (T5A 250V) (E, AUS/N500:EA, MX, MY, PX, SP, AR)	
△F702	1-532-350-00	FUSE (T4A 250V) (AEP, UK, G, IT, EE, CIS)	
△F703	1-532-286-00	FUSE (T2, 5A 250V)	
△F704	1-532-286-00	FUSE (T2, 5A 250V)	
< IC >			
IC301	8-749-920-09	IC STK-4152MK2K (AEP, UK, G, IT, EE, CIS)	
IC301	8-749-900-34	IC STK-4182MK2 (E, AUS/N500:EA, MX, MY, PX, SP, AR)	
IC501	8-759-111-68	IC uPC1237HA	
IC601	8-759-103-93	IC uPC393C (E, AUS/N500:EA, MX, MY, PX, SP, AR)	
< COIL >			
L301	1-420-872-00	COIL, AIR-CORE	
L302	1-420-872-00	COIL, AIR-CORE (N500:AEP, UK, G, IT, EE, CIS)	
L351	1-420-872-00	COIL, AIR-CORE	
L352	1-420-872-00	COIL, AIR-CORE (N500:AEP, UK, G, IT, EE, CIS)	
< TRANSISTOR >			
Q301	8-729-140-84	TRANSISTOR 2SC1841-PAFAEA	
Q351	8-729-140-84	TRANSISTOR 2SC1841-PAFAEA	
Q501	8-729-900-63	TRANSISTOR DTA124ES	

Ref. No.	Part No.	Description	Remark
Q502	8-729-900-36	TRANSISTOR DTC124ES	
Q503	8-729-900-36	TRANSISTOR DTC124ES	
Q504	8-729-900-36	TRANSISTOR DTC124ES	
Q505	8-729-119-78	TRANSISTOR 2SC2785-HFE	
Q601	8-729-140-93	TRANSISTOR 2SB733-34 (E, AUS/N500:EA, MX, MY, PX, SP, AR)	
< RESISTOR >			
R101	1-247-807-31	CARBON 100 5% 1/4W	
R102	1-249-441-11	CARBON 100K 5% 1/4W	
R151	1-247-807-31	CARBON 100 5% 1/4W	
R152	1-249-441-11	CARBON 100K 5% 1/4W	
R301	1-249-417-11	CARBON 1K 5% 1/4W	
R302	1-249-438-11	CARBON 56K 5% 1/4W	
R303	1-249-413-11	CARBON 470 5% 1/4W	
R304	1-249-438-11	CARBON 56K 5% 1/4W	
R305	1-249-425-11	CARBON 4.7K 5% 1/4W (AEP, UK, G, IT, EE, CIS)	
R305	1-249-427-11	CARBON 6.8K 5% 1/4W (E, AUS/N500:EA, MX, MY, PX, SP, AR)	
R306	1-249-425-11	CARBON 4.7K 5% 1/4W (AEP, UK, G, IT, EE, CIS)	
R306	1-249-427-11	CARBON 6.8K 5% 1/4W (E, AUS/N500:EA, MX, MY, PX, SP, AR)	
R307	1-249-425-11	CARBON 4.7K 5% 1/4W (AEP, UK, G, IT, EE, CIS)	
R307	1-249-427-11	CARBON 6.8K 5% 1/4W (E, AUS/N500:EA, MX, MY, PX, SP, AR)	
R308	1-249-425-11	CARBON 4.7K 5% 1/4W (AEP, UK, G, IT, EE, CIS)	
R308	1-249-427-11	CARBON 6.8K 5% 1/4W (E, AUS/N500:EA, MX, MY, PX, SP, AR)	
△R309	1-212-881-11	FUSIBLE 100 5% 1/4W F	
△R310	1-217-156-00	WIREWOUND 0.22 10% 5W F	
R311	1-249-417-11	CARBON 1K 5% 1/4W	
R312	1-249-431-11	CARBON 15K 5% 1/4W	
R313	1-249-441-11	CARBON 100K 5% 1/4W	
R314	1-249-397-11	CARBON 22 5% 1/4W	
R315	1-249-397-11	CARBON 22 5% 1/4W	
R316	1-249-438-11	CARBON 56K 5% 1/4W	
R317	1-249-421-11	CARBON 2.2K 5% 1/4W	
R318	1-249-421-11	CARBON 2.2K 5% 1/4W	
△R319	1-249-383-11	CARBON 1.5 5% 1/6W F	
△R320	1-215-890-11	METAL OXIDE 470 5% 2W F (AEP, UK, G, IT, EE, CIS)	
△R320	1-215-891-11	METAL OXIDE 680 5% 2W F (E, AUS/N500:EA, MX, MY, PX, SP, AR)	
R321	1-260-074-11	CARBON 6.8 5% 1/2W (AEP, UK, G, IT, EE, CIS)	

The components identified by mark △ or dotted line with mark △ are critical for safety. Replace only with part number specified.



MAIN

Ref. No.	Part No.	Description	Remark
R322	1-260-095-11	CARBON	470 5% 1/2W
R324	1-260-076-11	CARBON	10 5% 1/2W
R351	1-249-417-11	CARBON	1K 5% 1/4W
R352	1-249-438-11	CARBON	56K 5% 1/4W
R353	1-249-413-11	CARBON	470 5% 1/4W
R354	1-249-438-11	CARBON	56K 5% 1/4W
R355	1-249-425-11	CARBON	4.7K 5% 1/4W (AEP, UK, G, IT, EE, CIS)
R355	1-249-427-11	CARBON	6.8K 5% 1/4W (E, AUS/N500:EA, MX, MY, PX, SP, AR)
R356	1-249-425-11	CARBON	4.7K 5% 1/4W (AEP, UK, G, IT, EE, CIS)
R356	1-249-427-11	CARBON	6.8K 5% 1/4W (E, AUS/N500:EA, MX, MY, PX, SP, AR)
R357	1-249-425-11	CARBON	4.7K 5% 1/4W (AEP, UK, G, IT, EE, CIS)
R357	1-249-427-11	CARBON	6.8K 5% 1/4W (E, AUS/N500:EA, MX, MY, PX, SP, AR)
R358	1-249-425-11	CARBON	4.7K 5% 1/4W (AEP, UK, G, IT, EE, CIS)
R358	1-249-427-11	CARBON	6.8K 5% 1/4W (E, AUS/N500:EA, MX, MY, PX, SP, AR)
△R359	1-212-881-11	FUSIBLE	100 5% 1/4W F
△R360	1-217-156-00	WIREWOUND	0.22 10% 5W F
R361	1-249-417-11	CARBON	1K 5% 1/4W
R362	1-249-431-11	CARBON	15K 5% 1/4W
R363	1-249-441-11	CARBON	100K 5% 1/4W
R364	1-249-397-11	CARBON	22 5% 1/4W
R365	1-249-397-11	CARBON	22 5% 1/4W
R366	1-249-437-11	CARBON	47K 5% 1/4W
R367	1-249-421-11	CARBON	2.2K 5% 1/4W
R368	1-249-421-11	CARBON	2.2K 5% 1/4W
R371	1-260-074-11	CARBON	6.8 5% 1/2W (AEP, UK, G, IT, EE, CIS)
R372	1-260-095-11	CARBON	470 5% 1/2W
R374	1-260-076-11	CARBON	10 5% 1/2W
R421	1-249-429-11	CARBON	10K 5% 1/4W (E, AUS/N500:EA, MX, MY, PX, SP, AR)
R471	1-249-429-11	CARBON	10K 5% 1/4W (E, AUS/N500:EA, MX, MY, PX, SP, AR)
R481	1-249-411-11	CARBON	330 5% 1/4W (E, AUS/N500:EA, MX, MY, PX, SP, AR)
R482	1-249-417-11	CARBON	1K 5% 1/4W (E, AUS/N500:EA, MX, MY, PX, SP, AR)
R483	1-247-887-00	CARBON	220K 5% 1/4W (E, AUS/N500:EA, MX, MY, PX, SP, AR)
R501	1-249-429-11	CARBON	10K 5% 1/4W
R502	1-249-441-11	CARBON	100K 5% 1/4W
R503	1-249-437-11	CARBON	47K 5% 1/4W

Ref. No.	Part No.	Description	Remark
R504	1-249-430-11	CARBON	12K 5% 1/4W
R505	1-249-441-11	CARBON	100K 5% 1/4W
R506	1-249-411-11	CARBON	330 5% 1/4W
R507	1-249-411-11	CARBON	330 5% 1/4W
R508	1-249-439-11	CARBON	68K 5% 1/4W
R509	1-249-441-11	CARBON	100K 5% 1/4W
R510	1-249-429-11	CARBON	10K 5% 1/4W
R511	1-249-437-11	CARBON	47K 5% 1/4W
R512	1-249-417-11	CARBON	1K 5% 1/4W
R513	1-249-437-11	CARBON	47K 5% 1/4W
R514	1-249-429-11	CARBON	10K 5% 1/4W
R515	1-247-881-00	CARBON	120K 5% 1/4W
R601	1-247-807-31	CARBON	100 5% 1/4W (E, AUS/N500:EA, MX, MY, PX, SP, AR)
R602	1-249-441-11	CARBON	100K 5% 1/4W (E, AUS/N500:EA, MX, MY, PX, SP, AR)
R603	1-249-417-11	CARBON	1K 5% 1/4W (E, AUS/N500:EA, MX, MY, PX, SP, AR)
R604	1-249-427-11	CARBON	6.8K 5% 1/4W (E, AUS/N500:EA, MX, MY, PX, SP, AR)
R605	1-249-439-11	CARBON	68K 5% 1/4W (E, AUS/N500:EA, MX, MY, PX, SP, AR)
R606	1-249-417-11	CARBON	1K 5% 1/4W (E, AUS/N500:EA, MX, MY, PX, SP, AR)
R607	1-249-417-11	CARBON	1K 5% 1/4W (E, AUS/N500:EA, MX, MY, PX, SP, AR)
R608	1-249-417-11	CARBON	1K 5% 1/4W (E, AUS/N500:EA, MX, MY, PX, SP, AR)
R609	1-249-417-11	CARBON	1K 5% 1/4W (E, AUS/N500:EA, MX, MY, PX, SP, AR)
R610	1-249-396-11	CARBON	18 5% 1/4W (E, AUS/N500:EA, MX, MY, PX, SP, AR)
R611	1-249-389-11	CARBON	4.7 5% 1/4W (E, AUS/N500:EA, MX, MY, PX, SP, AR)
R701	1-249-427-11	CARBON	6.8K 5% 1/4W
R702	1-249-427-11	CARBON	6.8K 5% 1/4W
			< RELAY >
RY301	1-515-920-11	RELAY (24V)	
			< TRANSFORMER >
△T1	1-427-773-11	TRANSFORMER, POWER (AEP, UK, G, IT, EE, CIS)	
△T1	1-427-774-11	TRANSFORMER, POWER (E, AUS/N500:EA, MY, PX, SP, AR)	
△T1	1-427-907-11	TRANSFORMER, POWER (N500:MX)	

The components identified by mark △ or dotted line with mark △ are critical for safety. Replace only with part number specified.

## VOLTAGE SELECTION

Ref. No.	Part No.	Description	Remark
< TERMINAL >			
TM301	1-537-842-11	TERMINAL BOARD (SPEAKER) (AEP, UK, G, IT, EE, CIS)	
TM301	1-537-240-11	TERMINAL BOARD (CHECKER PIN) (SPEAKER) (E, AUS/N500:EA, MX, MY, PX, SP, AR)	
TM302	1-537-240-11	TERMINAL BOARD (CHECKER PIN) (SURROUND SPEAKER) (N500)	
*****			
*	A-4377-331-A	PANEL BOARD, COMPLETE (N500:E, EA, MX, MY, PX, SP, AR, AUS)	
*	A-4377-273-A	PANEL BOARD, COMPLETE (N500:AEP, UK, G, IT, EE, CIS)	
*	A-4377-249-A	PANEL BOARD, COMPLETE (N600)	
*****			
< CAPACITOR >			
C201	1-124-925-11	ELECT	2. 2uF 20% 100V
C203	1-124-443-00	ELECT	100uF 20% 10V
C204	1-161-494-00	CERAMIC	0. 022uF 25V
C251	1-124-925-11	ELECT	2. 2uF 20% 100V
< CONNECTOR >			
* CN201	1-568-830-11	SOCKET, CONNECTOR 11P (N600)	
* CN201	1-568-828-11	SOCKET, CONNECTOR 9P (N500)	
< DIODE >			
D201	8-719-045-39	LED SML12460C-TP4 (SYSTEM POWER)	
D202	8-719-024-99	DIODE 11ES2-NTA2B	
D203	8-719-024-99	DIODE 11ES2-NTA2B	
D204	8-719-987-63	DIODE 1N4148M	
D205	8-719-987-63	DIODE 1N4148M	
< IC >			
IC201	8-759-820-62	IC LB1639	
< TRANSISTOR >			
Q201	8-729-900-36	TRANSISTOR DTC124ES	
Q202	8-729-422-57	TRANSISTOR UN4111	
Q205	8-729-422-57	TRANSISTOR UN4111	
< RESISTOR >			
R201	1-249-421-11	CARBON	2. 2K 5% 1/4W
R202	1-249-421-11	CARBON	2. 2K 5% 1/4W
R203	1-249-417-11	CARBON	1K 5% 1/4W
R211	1-249-413-11	CARBON	470 5% 1/4W
R212	1-249-419-11	CARBON	1. 5K 5% 1/4W
R213	1-249-425-11	CARBON	4. 7K 5% 1/4W
R214	1-249-432-11	CARBON	18K 5% 1/4W
R217	1-249-419-11	CARBON	1. 5K 5% 1/4W

Ref. No.	Part No.	Description	Remark
R218	1-249-423-11	CARBON	3. 3K 5% 1/4W
R219	1-249-437-11	CARBON	47K 5% 1/4W
R220	1-249-417-11	CARBON	1K 5% 1/4W
< VARIABLE RESISTOR >			
RV201	1-223-847-11	RES, VAR, CARBON 100K (BALANCE)	
RV202	1-223-845-11	RES, VAR, CARBON 10K/100KX2 (MASTER VOLUME) (N600)	
RV202	1-223-844-11	RES, VAR, CARBON 100KX2 (VOLUME) (N500)	
< SWITCH >			
S201	1-554-303-21	SWITCH, TACTILE (DBFB)	
S202	1-554-303-21	SWITCH, TACTILE (SURROUND) (N500)	
S202	1-554-303-21	SWITCH, TACTILE (S-SURROUND) (N600)	
S203	1-554-303-21	SWITCH, TACTILE (SYSTEM POWER)	
S204	1-554-303-21	SWITCH, TACTILE (SLEEP)	
S205	1-554-303-21	SWITCH, TACTILE (FUNCTION)	
*****			
*	1-654-890-11	HEADPHONE BOARD *****	
< CONNECTOR >			
CN303	1-770-593-41	CONNECTOR, BOARD TO BOARD 5P	
< JACK >			
J301	1-580-903-11	JACK, LARGE TYPE (PHONES)	
*****			
*	1-654-892-12	TEMPERATURE SENSOR BOARD (E, AUS/N500:EA, MX, MY, PX, SP, AR) *****	
< CAPACITOR >			
C606	1-164-159-11	CERAMIC	0. 1uF 50V
< IC >			
IC602	8-759-947-34	IC LM35DZ	
< RESISTOR >			
R612	1-247-807-31	CARBON	100 5% 1/4W
*****			
*	1-654-891-11	VOLTAGE SELECTION BOARD (E/N500:EA, PX, SP, AR) *****	
< CAPACITOR >			
CN3	1-568-106-11	PIN, CONNECTOR 4P	

Ref. No.	Part No.	Description	Remark
----------	----------	-------------	--------

< VOLTAGE SELECTOR >

△VS1	1-762-298-11	SW, AC POWER VOLTAGE SELECTOR (VOLTAGE SELECTOR)	
------	--------------	---	--

\*\*\*\*\*

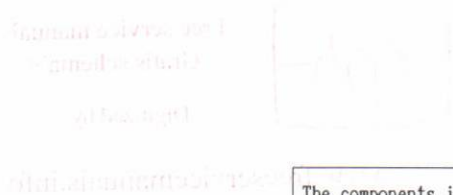
MISCELLANEOUS  
\*\*\*\*\*

7	1-590-218-11	WIRE, FLAT TYPE (11 CORE) (N600)	
* 7	1-590-240-11	WIRE, FLAT TYPE (9 CORE) (N500)	
7	1-590-240-31	WIRE, FLAT TYPE (9 CORE) (N500)	
△60	1-569-007-11	ADAPTER, CONVERSION 2P (N500:E3, PX)	
△60	1-569-008-11	ADAPTER, CONVERSION 2P (N500:EA, SP)	
△CNJ1	1-526-751-12	OUTLET, AC (N600:UK)	
△CNJ1	1-526-794-11	OUTLET, AC (N600:AEP, G, IT, EE, CIS)	
△CNJ1	1-526-882-00	OUTLET, AC (N600:E)	
△CNJ1	1-540-196-11	OUTLET, AC (N600:AUS)	
△CNP1	1-558-943-41	CORD, POWER (E/N500:MX, PX)	
△CNP1	1-575-651-21	CORD, POWER (AEP, G, IT, EE, CIS/N500:EA, MY, SP, AR)	
△CNP1	1-696-845-11	CORD, POWER (AUS)	
△CNP1	1-751-529-11	CORD, POWER (UK)	
△F1	1-532-286-00	FUSE (T2. 5A 250V) (N600)	
△F701	1-532-299-00	FUSE (T5A 250V) (E, AUS/N500:EA, MX, MY, PX, SP, AR)	
△F701	1-532-350-00	FUSE (T4A 250V) (AEP, UK, G, IT, EE, CIS)	
△F702	1-532-299-00	FUSE (T5A 250V) (E, AUS/N500:EA, MX, MY, PX, SP, AR)	
△F702	1-532-350-00	FUSE (T4A 250V) (AEP, UK, G, IT, EE, CIS)	
△F703	1-532-286-00	FUSE (T2. 5A 250V)	
△F704	1-532-286-00	FUSE (T2. 5A 250V)	
△T1	1-427-773-11	TRANSFORMER, POWER (AEP, UK, G, IT, EE, CIS)	
△T1	1-427-774-11	TRANSFORMER, POWER (E, AUS/N500:EA, MY, PX, SP, AR)	
△T1	1-427-907-11	TRANSFORMER, POWER (N500:MX)	

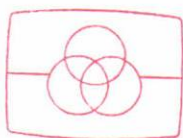
\*\*\*\*\*

\*\*\*\*\*  
**HARDWARE LIST**  
\*\*\*\*\*

#1	7-685-646-79	SCREW +BVTP 3X8 TYPE2 N-S
#2	7-685-645-79	SCREW +BVTP 3X6 TYPE2 N-S
#3	7-685-650-79	SCREW +BVTP 3X16 TYPE2 N-S
#4	7-682-560-04	SCREW +BVTT 4X6 (S)



The components identified by mark △ or dotted line with mark △ are critical for safety. Replace only with part number specified.



Free service manuals  
Gratis schema's

Digitized by

[www.freeservicemanuals.info](http://www.freeservicemanuals.info)

**Sony Corporation**  
Consumer A&V Products Company  
Home A&V Products Div.

**English**  
95C0586-1  
Printed in Japan  
© 1995. 3

Published by Home A&V Products Div.  
Quality Engineering Dept.