

TA-V606/VE610

SERVICE MANUAL

AEP Model
UK Model
E Model

TA-VE610

Chinese Model
TA-V606



Photo : TA-VE610

Manufactured under license from Dolby Laboratories Licensing Corporation.
“Dolby”, the double-D symbol DD and “Pro Logic” are trademarks of Dolby Laboratories Licensing Corporation.

SPECIFICATIONS

Amplifier section

POWER OUTPUT

Stereo mode	V606 : (6 ohms 1kHz, THD 0.7 %) 110 W + 110W VE610 : (4 ohms 1kHz, THD 0.7 %) 100 W + 100W
Surround mode	V606 : (6 ohms at 1kHz, THD 0.7 %) Front : 110 W/ch Center* : 110 W Rear* : 110 W/ch VE610 : (4 ohms at 1kHz, THD 0.7 %) Front : 100 W/ch Center* : 100 W Rear* : 100 W/ch
5.1 mode	*Depending on the sound field settings and the source, sound will not be output. V606 : (6 ohms at 1kHz, THD 0.7 %) Front : 110 W/ch Center : 110 W Rear : 110 W/ch VE610 : (4 ohms at 1kHz, THD 0.7 %) Front : 100 W/ch Center : 100 W Rear : 100 W/ch
Harmonic distortion at rated output	Less than 0.09% (with DIRECT PASS on)
Frequency responses	PHONO : RIAA equalization curve $\pm 0.5\text{dB}$ CD, TAPE, DAT/MD, VIDEO 1, 2 : 10Hz – 50 kHz $\pm 1\text{dB}$ (with DIRECT PASS on)

Inputs

	Sensitivity	Impedance	S/N (weighting network, input level)
PHONO	2.5mV	50 kilohms	75 dB* (A, 2.5mV)
TUNER	150mV	50 kilohms	82 dB* (A, 150mV)
CD	200mV	50 kilohms	82 dB* (A, 200mV)
TAPE/MD, VIDEO1, 2, 3	150mV	50 kilohms	82 dB* (A, 150mV)
TV/LD (AEP, UK model)	150mV		82 dB* (A, 250mV)
TV/LD (EXCEPT AEP, UK model)	250mV	50 kilohms	82 dB* (A, 250mV)
5.1 INPUT	200mV	50 kilohms	82 dB* (A, 200mV)

* *78 IHF

Outputs

VIDEO 1, 2, 3, AUDIO OUT :	Voltage : 150 mV, Impedance : 10 kilohms
WOOFER :	Voltage : 2 V
	Impedance : 1 kilohms
PHONES :	Accepts low and high impedance headphones
BASS BOOST	+10 dB at 70 Hz
TONE	$\pm 8\text{dB}$ at 100Hz and 10 kHz

– Continued on page 2 –

INTEGRATED AV AMPLIFIER



SONY®

Video section

Inputs 1 Vp-p 75 ohms
 Outputs 1 Vp-p 75 ohms

General

System Preamplifier section :
 Low-noise NF type equalizer
 Power amplifier section :
 Pure-complementary SEPP

Power requirements AEP, Singapore, Malaysia model :
 230 V AC, 50/60Hz
 UK model : 240 V AC, 50/60Hz
 Chinese model : 220 V AC, 50/60Hz
 240W

Power consumption AC outlets EXCEPT Chinese model :
 1 switched, maximum 100W
 Chinese model : 2 switched, total 100 W
 430 x 155 x 350 mm
 including projecting parts and controls

Dimensions 9.8 kg

Mass (Approx.)

Supplied accessories Remote commander (remote) RM-U501 (1)
 Size AA (R6) batteries (2)

Design and specifications are subject to change without notice.

TABLE OF CONTENTS

Specifications	1
1. GENERAL	
Location and Function of Controls	3
2. DIAGRAMS	
2-1. IC Pin Function	5
2-2. Circuit Boards Locations	7
2-3. Printed Wiring Boards – Surround Section –	8
2-4. Schematic Diagram – Surround Section –	11
2-5. Schematic Diagram – AMP Section –	15
2-6. Printed Wiring Boards – AMP Section –	19
2-7. Printed Wiring Boards – Display Section –	23
2-8. Schematic Diagram – Display Section –	27
3. EXPLODED VIEWS	
3-1. Front Panel Section	32
3-2. Chassis Section	33
3-3. Back Panel Section	34
4. ELECTRICAL PARTS LIST	35

SAFETY-RELATED COMPONENT WARNING!!

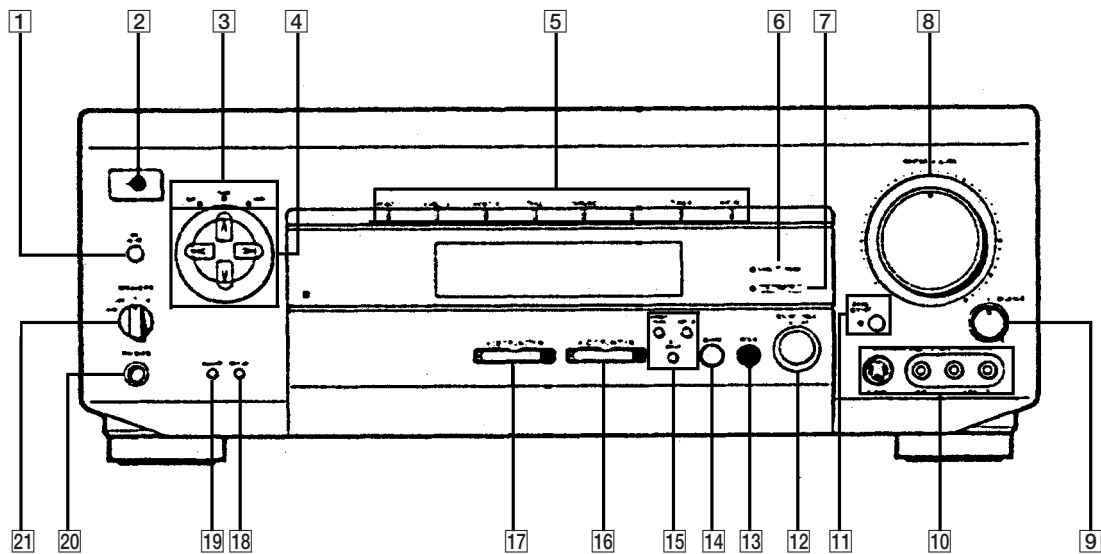
COMPONENTS IDENTIFIED BY MARK \triangle OR DOTTED LINE WITH MARK \triangle ON THE SCHEMATIC DIAGRAMS AND IN THE PARTS LIST ARE CRITICAL TO SAFE OPERATION. REPLACE THESE COMPONENTS WITH SONY PARTS WHOSE PART NUMBERS APPEAR AS SHOWN IN THIS MANUAL OR IN SUPPLEMENTS PUBLISHED BY SONY.

SECTION 1 GENERAL

This section is extracted from instruction manual.

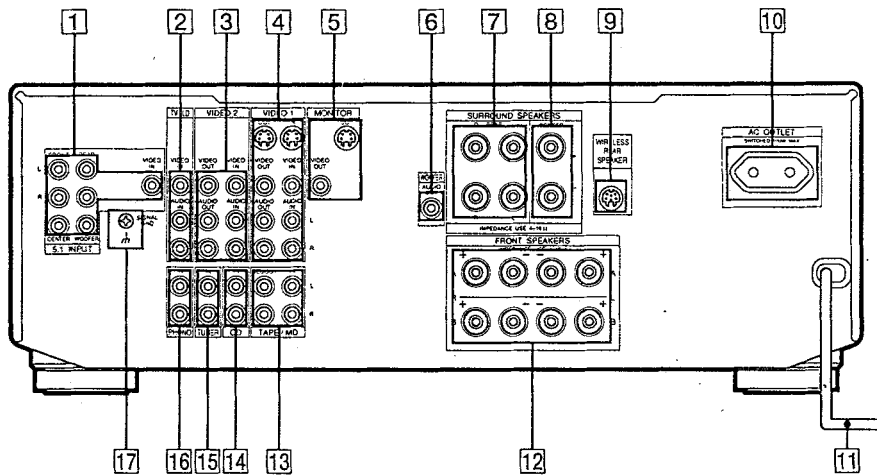
LOCATION AND FUNCTION OF CONTROLS

[FRONT PANEL]



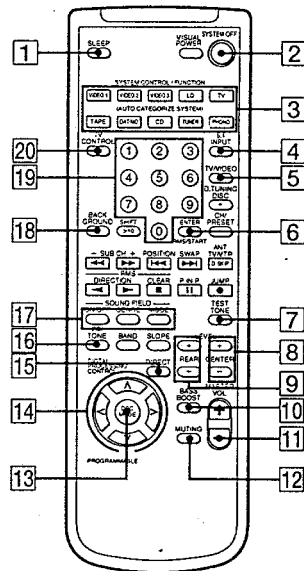
- | | |
|--------------------------------------|---|
| 1 DPC MODE button | 12 SOUND FIELD ON/OFF button |
| 2 POWER switch | 13 MODE button |
| 3 SUR, TONE, INDEX indicators | 14 GENRE button |
| 4 Digital processing control buttons | 15 DIRECT PASS, SET UP, 5.1/DVD INPUT buttons |
| 5 Function indicators | 16 AUDIO FUNCTION buttons |
| 6 DIRECT PASS indicator | 17 VIDEO FUNCTION buttons |
| 7 5.1 INPUT indicator | 18 DISPLAY button |
| 8 MASTER VOLUME control | 19 DIMMER button |
| 9 BALANCE control | 20 PHONES jack |
| 10 VIDEO 3 INPUT jacks | 21 SPEAKERS switch |
| 11 BASS BOOST button/indicator | |

[REAR PANEL]



- | | | | |
|---|----------------------------|----|---|
| 1 | 5.1 INPUT | 10 | AC OUTLET |
| 2 | TV/LD | | (Outlet shape and position varies according to destination) |
| 3 | VIDEO 2 | 11 | AC power cord |
| 4 | VIDEO 1 | 12 | FRONT SPEAKERS (A/B) |
| 5 | MONITOR | 13 | TAPE/MD |
| 6 | WOOFER | 14 | CD |
| 7 | SURROUND SPEAKERS (REAR) | 15 | TUNER |
| 8 | SURROUND SPEAKERS (CENTER) | 16 | PHONO |
| 9 | WIRELESS REAR SPEAKER | 17 | h SIGNAL GND |

[REMOTE]



- | | | | |
|----|-------------------------|----|-------------------------------|
| 1 | SLEEP | 11 | MASTER VOL +/- |
| 2 | SYSTEM OFF | 12 | MUTING |
| 3 | SYSTEM CONTROL/FUNCTION | 13 | DPC MODE |
| 4 | 5.1 INPUT | 14 | DIGITAL PROCESSING CONTROL |
| 5 | TV/VIDEO | 15 | DIRECT |
| 6 | ENTER | 16 | EQ/TONE |
| 7 | TEST TONE | 17 | SOUND FIELD ON/OFF/GENRE/MODE |
| 8 | CENTER LEVEL +/- | 18 | BACKGROUND |
| 9 | REAR LEVEL +/- | 19 | Numeric buttons |
| 10 | BASS BOOST | 20 | TV CONTROL ON |

SECTION 2 DIAGRAMS

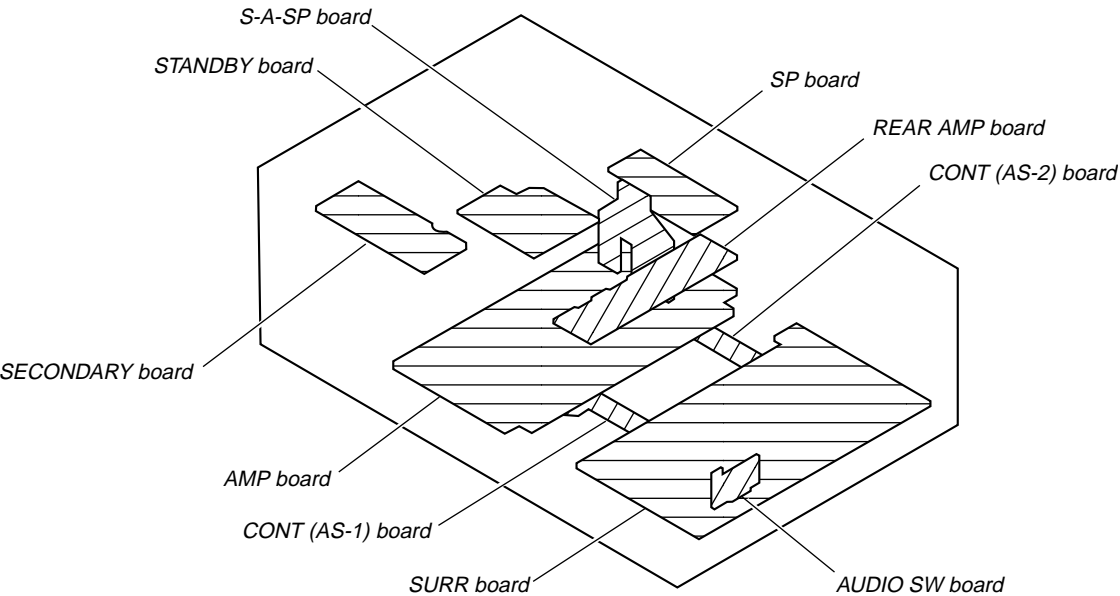
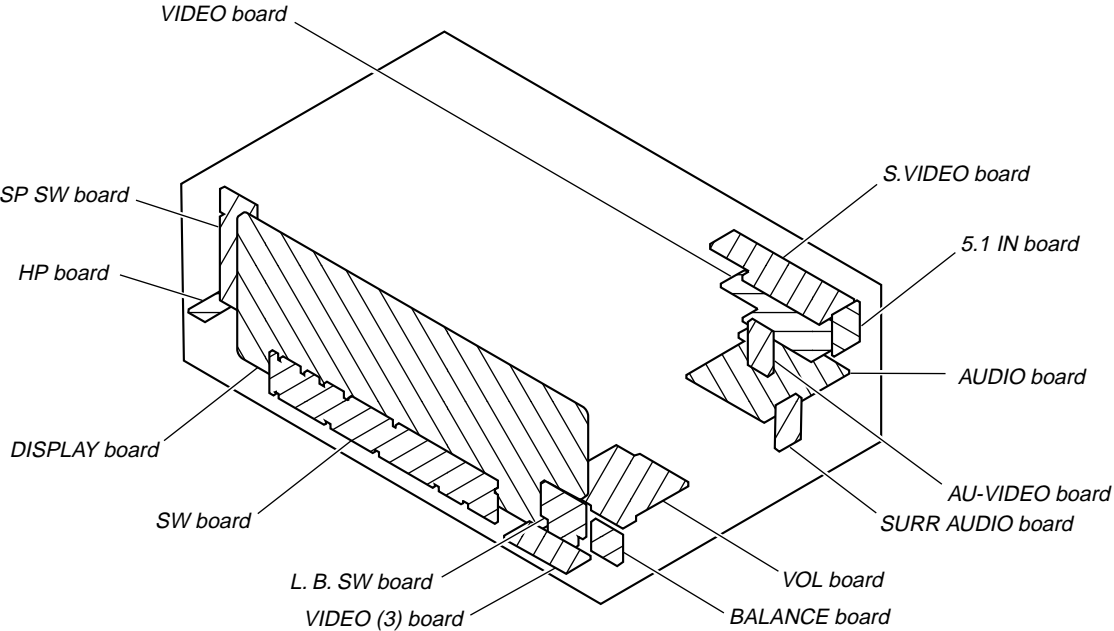
2-1. IC PIN FUNCTION

IC103 μ PD780205GF-032-3BA (SYSTEM CONTROL)

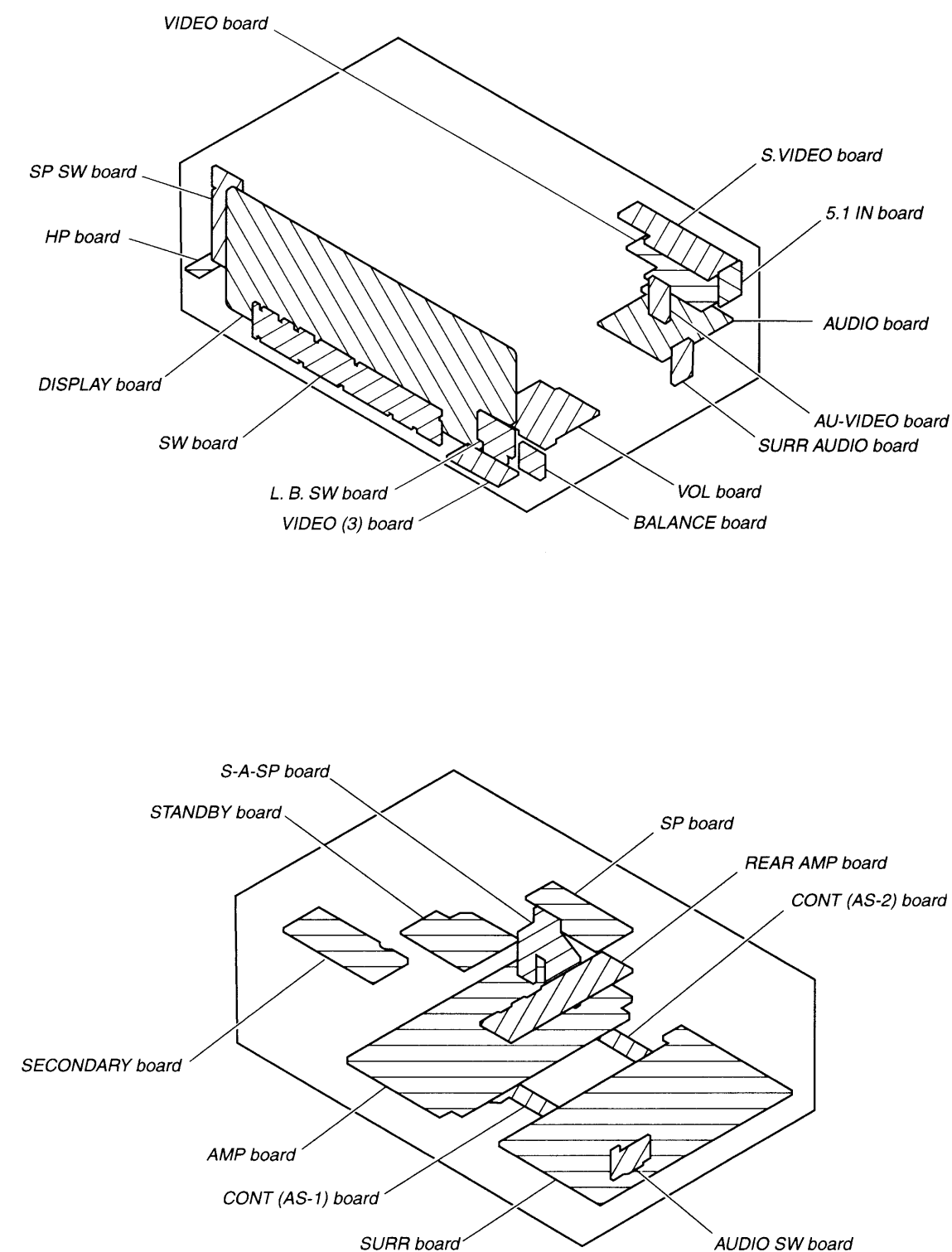
Pin No.	Pin name	I/O	Description
1	—	–	Not used (Connect to V _{DD}).
2 to 4	—	–	Not used (Connect to ground).
5	F/C/W. MUTE	O	Front, Center, Woofer mute drive.
6	SL MUTE	O	Surround L-CH mute drive.
7	SR MUTE	O	Surround R-CH mute drive.
8	AC MUTE	O	AC mute drive.
9	D LATCH	O	Data latch output.
10	RESET	I	Reset terminal.
11	X2	O	System clock (4.19MHZ).
12	X1	I	System clock (4.19MHZ).
13	VSS	–	Ground.
14	NP	–	Not used (Open).
15	—	–	Connect to reset terminal.
16	V _{DD}	–	Power supply (+5V).
17	T LATCH	O	Tuner function latch output.
18	S CLOCK	O	Serial clock output.
19	S DATA	O	Serial data output.
20	S LATCH	O	Serial latch output.
21	AUTO STOP	–	Not used (Connect to ground).
22	V MUTE	O	Video mute output.
23	STEREO	–	Not used (Connect to ground).
24	IF DATA IN	–	Not used (Open).
25	GND A/D	–	Ground for A/D converter.
26	SIRCS	I	Remote control signal input.
27	POWER KEY	I	Power key input.
28	VERSION	I	Destination select input.
29	KEY 5	I	Key input.
30	KEY 4	I	Key input.
31	KEY 3	I	Key input.
32	KEY 2	I	Key input.
33	KEY 1	I	Key input.
34	VDD A/D	–	Power supply (+5V) for A/D converter.
35	VREF A/D	I	Reference voltage for A/D converter.
36	V-A	O	Video switch control output.
37	V-B	O	Video switch control output.
38	V-E	O	Video switch control output.
39	STOP	O	Power ON/OFF control output.
40	V _{SS}	–	Ground.
41	DIRECT PASS	O	Direct pass relay drive.
42	SUR RY	O	Surround relay drive.
43	CENTER RY	O	Center relay drive.
44	FRONT RY	O	Front relay drive.
45	MIX SUB RY	O	Woofer relay drive.

Pin No.	Pin name	I/O	Description
46	V _{DD}	–	Power supply (+5V).
47	PROTECTOR IN	I	Protector operation input.
48	POWER RY	O	Power relay drive.
49	BASS BOOST	O	Bass boost ON/OFF control.
50	SP OFF	I	Speaker switch input.
51	VOL –	O	Volume down control output.
52	VOL +	O	Volume up control output.
53	VOL LED	O	Volume LED drive.
54	STANDBY LED	–	Not used (Open).
55	—	–	Not used (Open).
56	BASS BOOST LED	O	BASS BOOST LED drive.
57	5.1 INPUT LED	O	5.1 INPUT LED drive.
58	DIRECT PASS LED	O	DIRECT PASS LED drive.
59	SUR LED	O	SUR LED drive.
60	TONE LED	O	TONE LED drive.
61	VIDEO 1 LED	O	VIDEO 1 LED drive.
62	INDEX LED	O	INDEX LED drive.
63	PHONO LED	O	PHONO LED drive.
64	TUNER LED	O	TUNER LED drive.
65	DAT MD LED	O	CD LED drive.
66	CD LED	O	TAPE/MD LED drive.
67	TAPE LED	O	TV/LD LED drive.
68	TV/DBS LED	O	VIDEO 3 LED drive.
69	VIDEO2 LED	O	VIDEO 2 LED drive.
70 to 78	P1 – P9	O	FL segment drive.
79	V LOARD	–	FL power supply (– 35V).
80 to 87	P10 – P17	O	FL segment drive.
88 to 100	G1 – G13	O	FL grid drive.

2-2. CIRCUIT BOARDS LOCATIONS



2-2. CIRCUIT BOARDS LOCATIONS

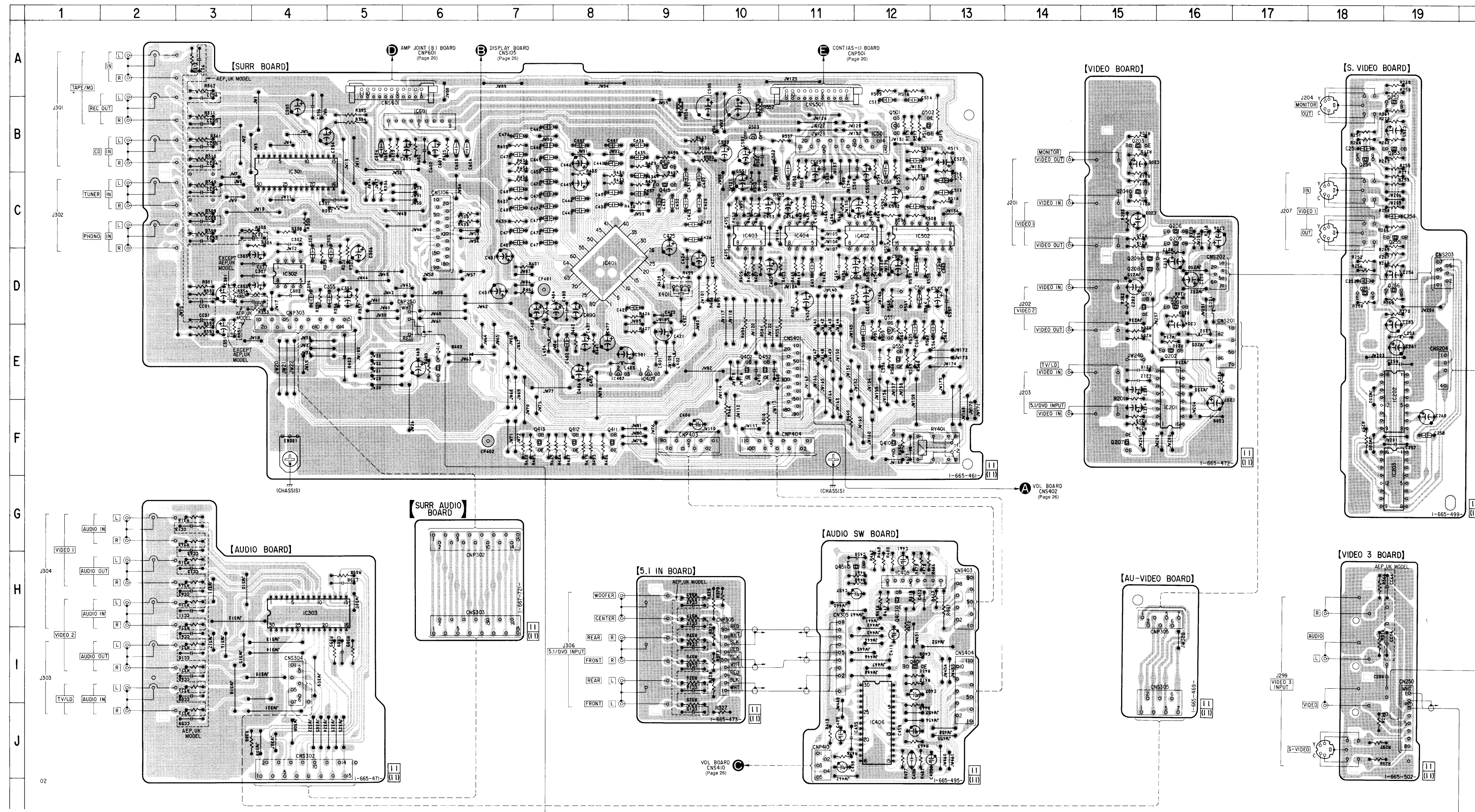


● SEMICONDUCTOR LOCATION

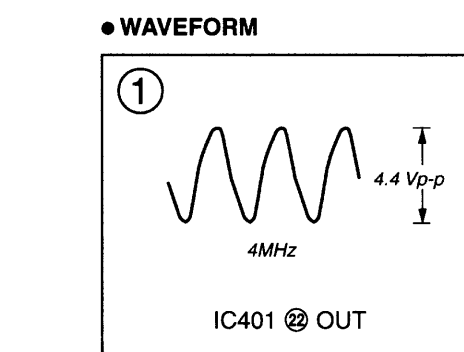
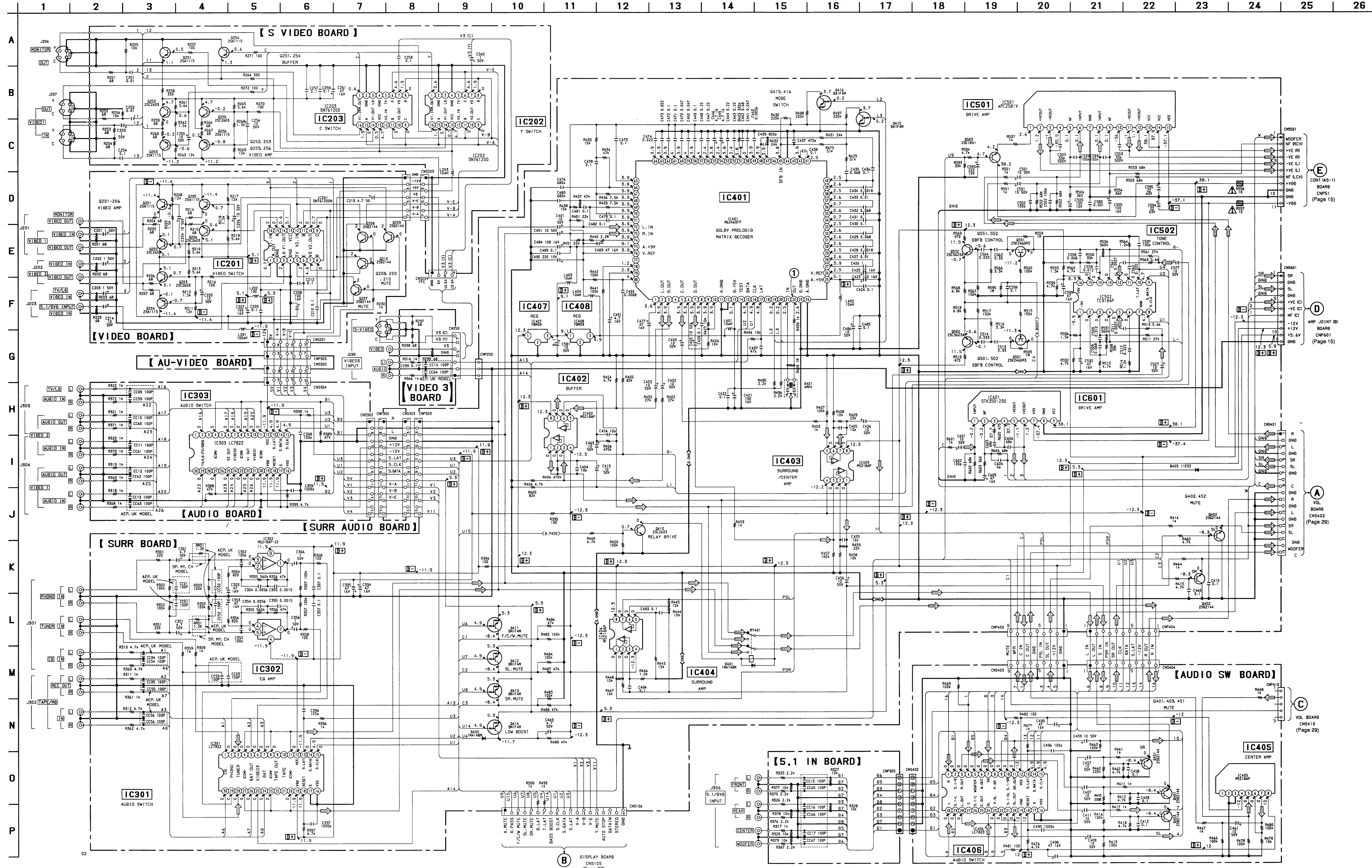
Ref. No.	Location
D401	F-12
D402	E-6
D403	E-5
IC201	E-16
IC202	E-19
IC203	F-19
IC301	B-4
IC302	D-4
IC303	H-4
IC401	D-8
IC402	C-12
IC403	C-10
IC404	C-11
IC405	H-12
IC406	J-12
IC407	E-8
IC408	E-9
IC501	B-11
IC502	C-12
IC601	B-6
Q201	D-16
Q202	E-16
Q203	B-15
Q204	C-15
Q205	C-16
Q206	C-16
Q207	F-15
Q208	D-15
Q209	D-15
Q210	D-15
Q251	D-18
Q252	B-19
Q253	B-19
Q254	B-18
Q255	C-19
Q256	D-19
Q401	I-12
Q402	E-10
Q403	H-12
Q410	F-12
Q411	F-8
Q412	F-8
Q413	F-7
Q414	E-6
Q415	C-9
Q416	B-9
Q451	H-12
Q452	E-10
Q501	B-12
Q502	B-12
Q503	B-10
Q551	E-12
Q552	E-12

Note:
 ○ : parts extracted from the component side.
 ▨ : Pattern on the side which is seen.
 △ : internal component.

2-3. PRINTED WIRING BOARDS - SURROUND SECTION -



2-4. SCHEMATIC DIAGRAM - SURROUND SECTION - Refer to page 30 for IC Block Diagrams.



Note :

- All capacitors are in μF unless otherwise noted. pF: μpF 50WV or less are not indicated except for electrolytics and tantalums.
- All resistors are in Ω and $\frac{1}{2}\text{W}$ or less unless otherwise specified.
- Δ : internal component.
- \square : nonflammable resistor.
- The components identified by mark Δ or dotted line with mark Δ are critical for safety. Replace only with part number specified.

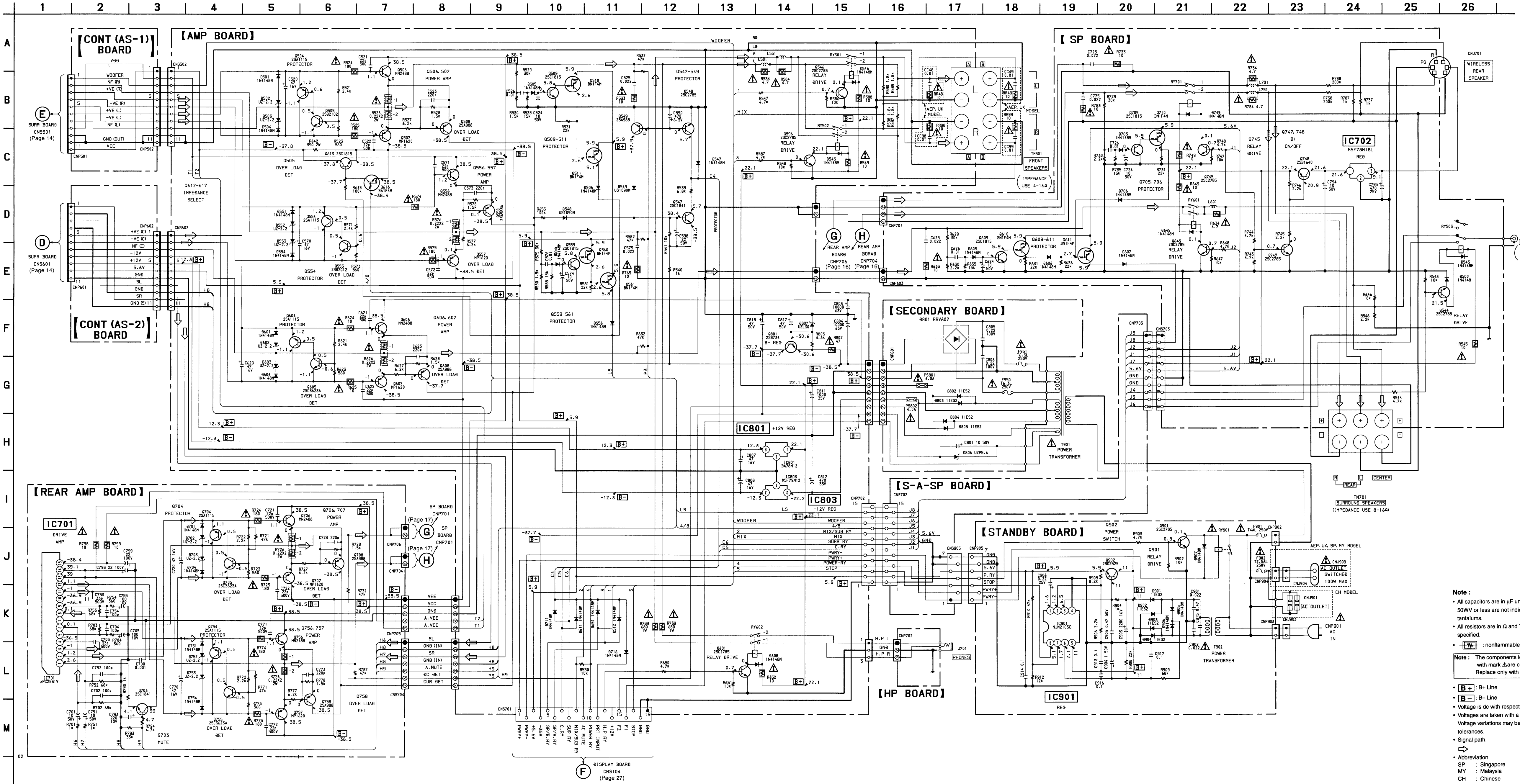
Legend:

- B+**: B+ Line
- B-**: B- Line
- Voltage and waveforms are dc with respect to ground under no-signal conditions.
- Voltages are taken with a VOM (input impedance 10M Ω). Voltage variations may be noted due to normal production tolerances.
- Waveforms are taken with an oscilloscope. Voltage variations may be noted due to normal production tolerances.
- Circled numbers refer to waveforms.
- Signal path.

Abbreviation

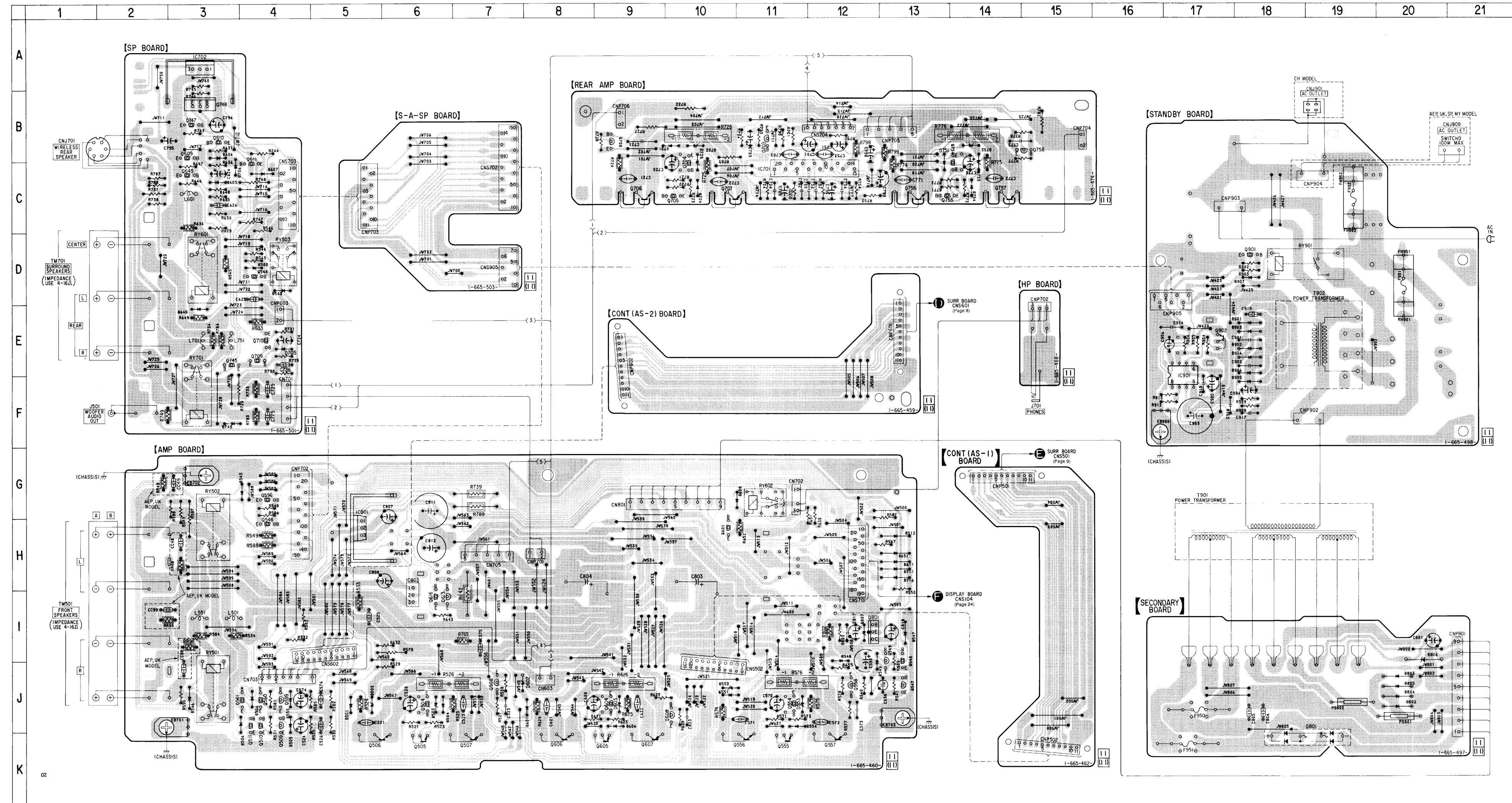
- SP : Singapore
- MY : Malaysia
- CH : Chinese

2-5. SCHEMATIC DIAGRAM - AMP SECTION - Refer to page 31 for IC Block Diagrams.



Note :
 • All capacitors are in μF unless otherwise noted. pF: pF, μF : μF , 50WV or less are not indicated except for electrolytics and tantalums.
 • All resistors are in Ω and $1/4\text{W}$ or less unless otherwise specified.
 • Δ : nonflammable resistor.
 • \square : The components identified by mark Δ or dotted line with mark Δ are critical for safety. Replace only with part number specified.

- B+ : B+ Line
- B- : B- Line
- Voltage is dc with respect to ground under no-signal conditions.
- Voltages are taken with a VOM (Input impedance 10M Ω). Voltage variations may be noted due to normal production tolerances.
- Signal path.
- Abbreviation
 SP : Singapore
 MY : Malaysia
 CH : Chinese



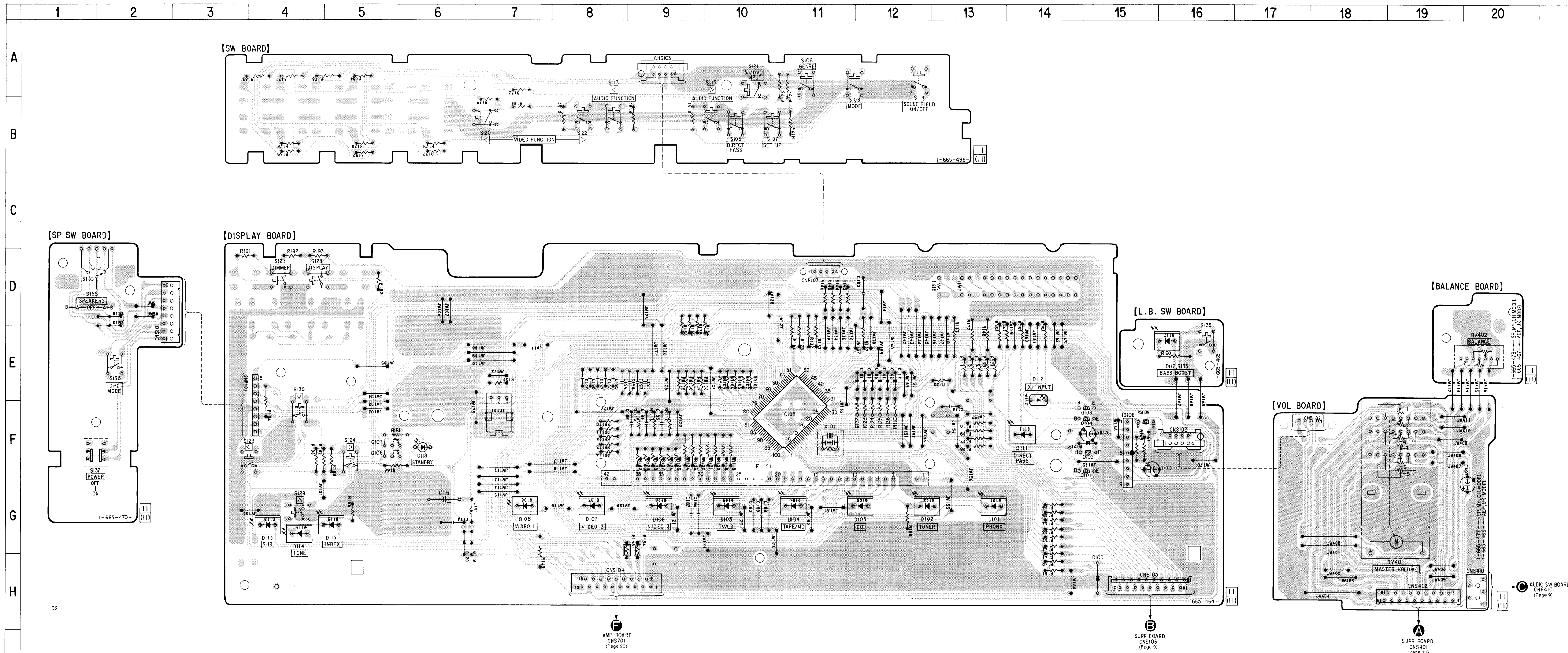
● SEMICONDUCTOR LOCATION

Ref. No.	Location	Ref. No.	Location	Ref. No.	Location
D500	D-4	D751	B-13	Q556	K-11
D501	J-5	D752	B-14	Q557	K-12
D502	J-5	D753	B-14	Q558	J-12
D503	J-6	D754	C-14	Q559	J-4
D504	J-6	D801	J-18	Q560	J-4
D505	J-4	D802	J-20	Q561	J-4
D506	J-4	D803	J-20	Q596	G-4
D512	H-13	D804	J-20	Q601	H-10
D543	D-4	D805	J-20	Q604	J-9
D545	G-4	D806	I-20	Q605	K-9
D546	J-3	D807	I-12	Q606	K-8
D547	I-13	D901	E-18	Q607	K-9
D548	I-12	D902	E-18	Q608	J-10
D549	J-12	D903	E-18	Q609	B-3
D551	J-10	D904	E-18	Q610	B-3
D552	J-10	D905	F-18	Q611	C-4
D553	J-11	D906	E-18	Q613	I-6
D554	J-11	D907	D-18	Q616	I-6
D555	J-4			Q645	C-3
D556	J-4			Q703	B-11
D601	J-8	IC701	B-11	Q704	B-10
D602	J-7	IC702	A-3	Q705	C-10
D603	J-9	IC801	G-5	Q706	C-9
D604	J-9	IC803	H-6	Q707	C-10
D605	C-3	IC901	E-17	Q708	B-9
D606	B-3	Q504	J-6	Q709	E-4
D607	C-4	Q505	K-6	Q710	E-4
D608	G-10	Q506	K-5	Q745	E-3
D611	H-13	Q507	K-7	Q747	B-3
D649	E-3	Q508	J-7	Q748	B-3
D651	H-13	Q509	J-4	Q754	B-14
D701	B-10	Q510	J-4	Q755	C-13
D702	B-10	Q511	J-4	Q756	C-13
D703	B-10	Q544	D-4	Q757	C-14
D704	C-10	Q546	H-4	Q758	B-15
D705	E-4	Q547	J-13	Q801	I-12
D706	C-3	Q548	I-13	Q901	D-18
D711	H-13	Q549	I-13	Q902	E-17
D716	H-13	Q554	J-11		
D749	F-3	Q555	K-11		

Note:
 • ○ : parts extracted from the component side.
 • ◐ : Pattern on the side which is seen.
 • Abbreviation
 SP : Singapore
 MY : Malaysia
 CH : Chinese

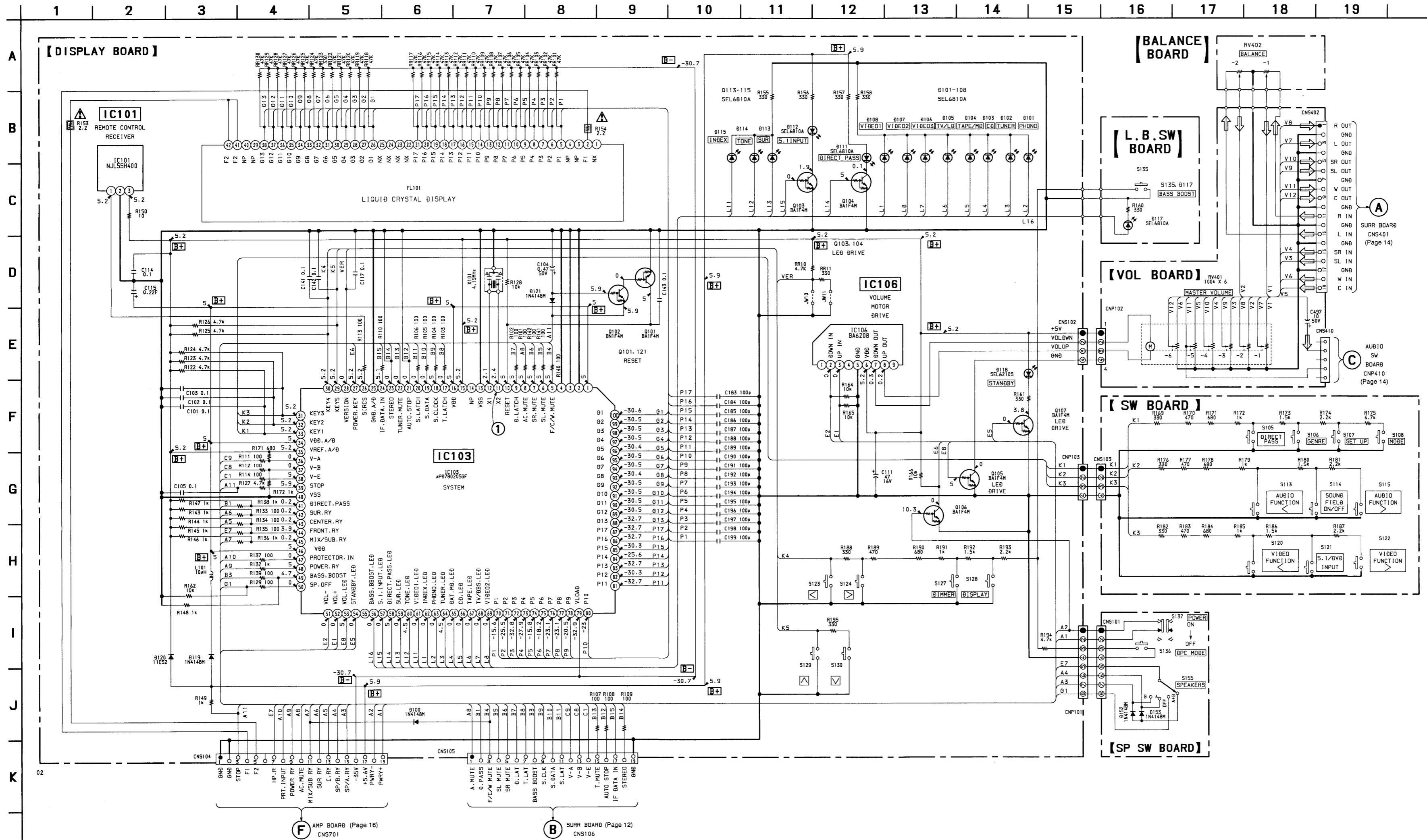
● SEMICONDUCTOR LOCATION

Ref. No.	Location
D100	H-15
D101	G-13
D102	G-12
D103	G-12
D104	G-11
D105	G-10
D106	G-9
D107	G-8
D108	G-7
D111	F-14
D112	E-14
D113	G-4
D114	G-4
D115	G-5
D117	E-16
D118	F-6
D119	G-6
D120	G-6
D121	F-15
D152	D-2
D153	D-2
IC101	F-7
IC103	F-11
IC106	F-15
Q101	F-15
Q102	F-15
Q103	F-15
Q104	F-15
Q105	F-15
Q106	F-5
Q107	F-5

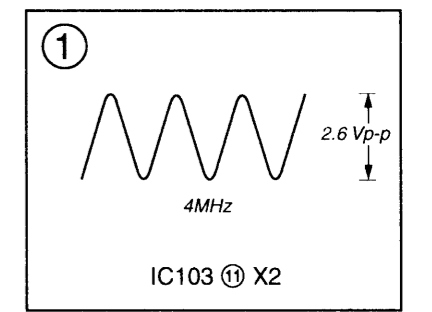


Note:

- : parts extracted from the component side.
- : Pattern on the side which is seen.
- △ : Internal component.
- Abbreviation
- SP : Singapore
- MY : Malaysia
- CH : Chinese



WAVEFORM



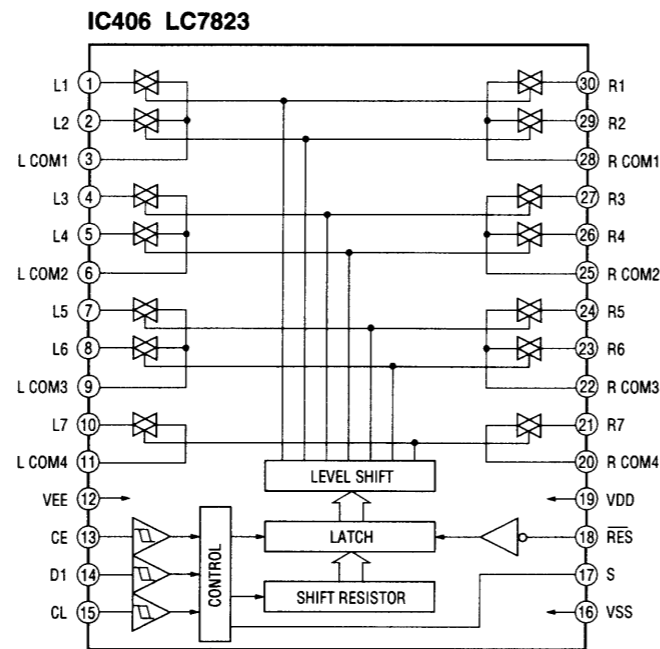
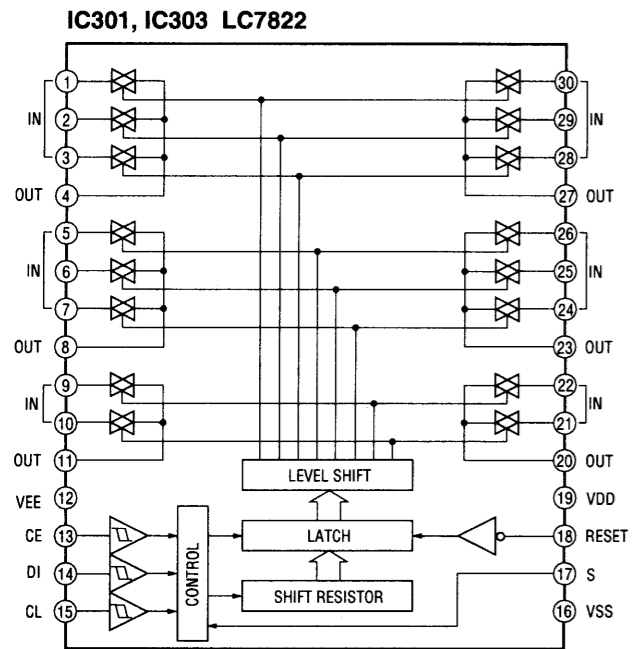
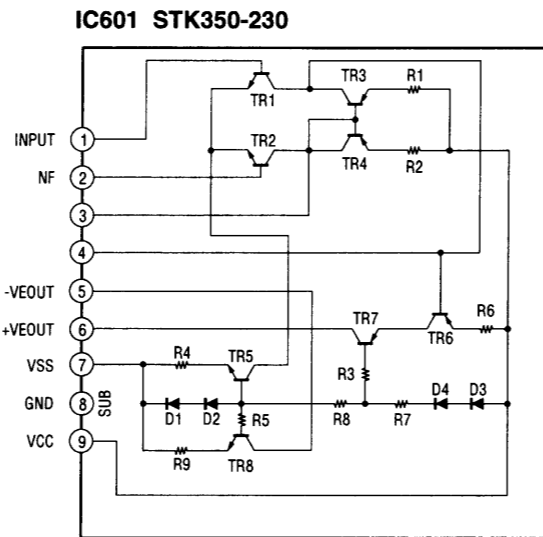
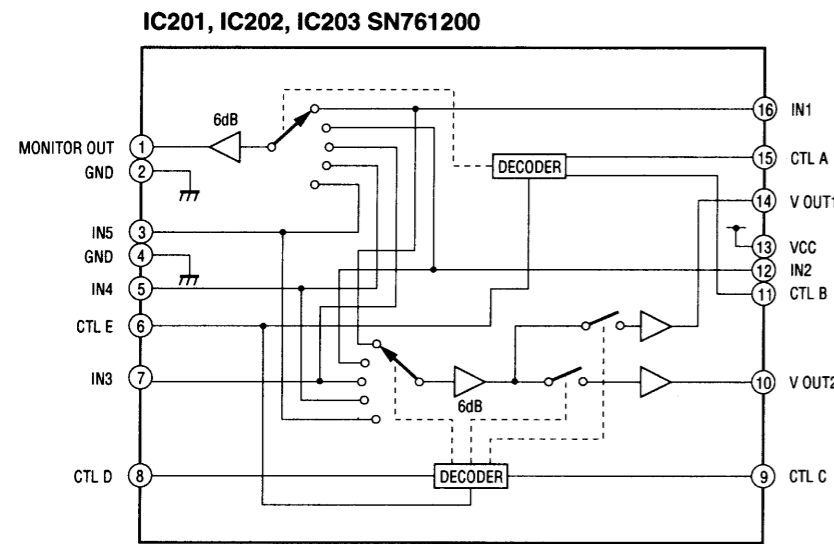
Note:

- All capacitors are in μF unless otherwise noted. pF: μF 50WV or less are not indicated except for electrolytics and tantalums.
- All resistors are in Ω and $1/4\text{W}$ or less unless otherwise specified.
- Δ : internal component.
- \square : nonflammable resistor.

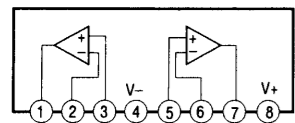
Note: The components identified by mark Δ or dotted line with mark Δ are critical for safety. Replace only with part number specified.

- [B+]:** B+ Line
- [B-]:** B- Line
- Voltage and waveforms are dc with respect to ground under no-signal conditions.
- Voltages are taken with a VOM (Input impedance 10M Ω). Voltage variations may be noted due to normal production tolerances.
- Waveforms are taken with an oscilloscope. Voltage variations may be noted due to normal production tolerances.
- Circled numbers refer to waveforms.
- Signal path.

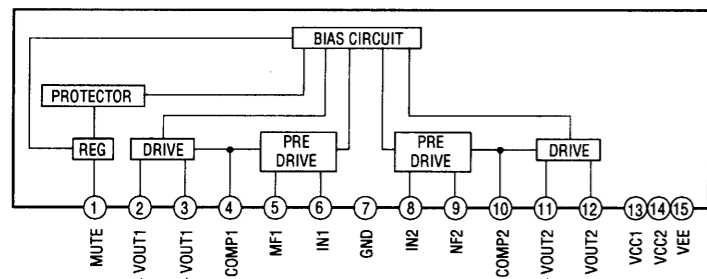
● IC BLOCK DIAGRAMS (SURROUND SECTION)



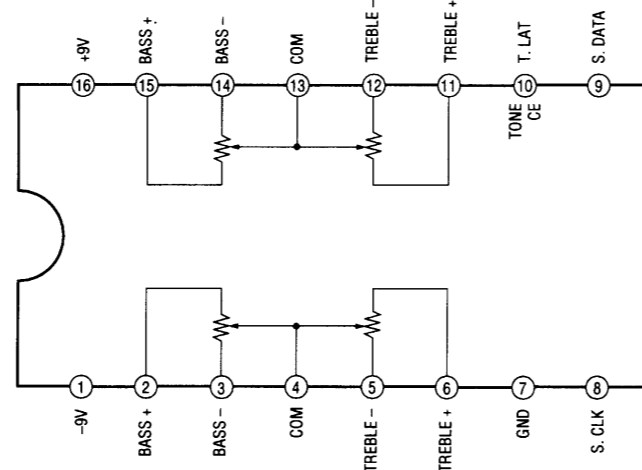
IC405 M5218AL



IC501 uPC2581V

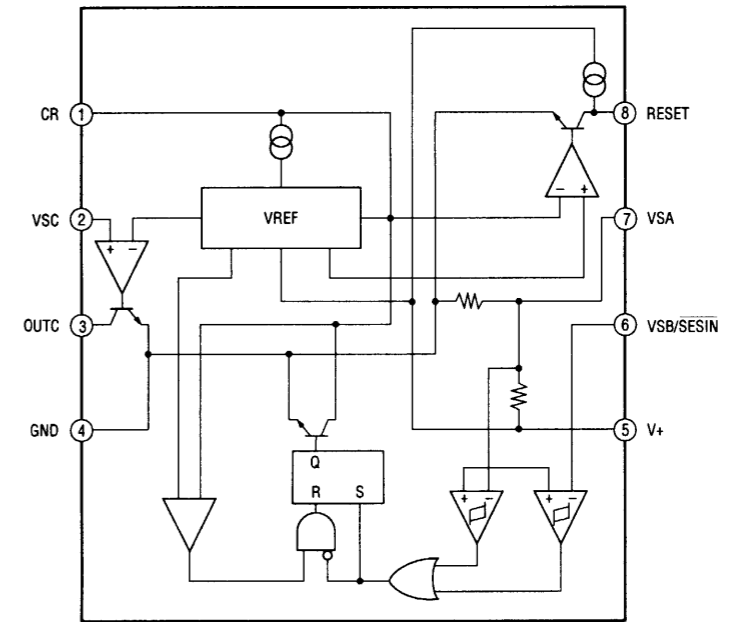


IC502 TC9184P

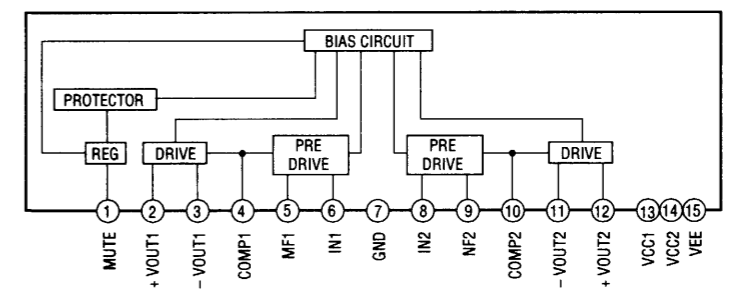


● IC BLOCK DIAGRAMS (AMP SECTION)

IC901 NJM2103D

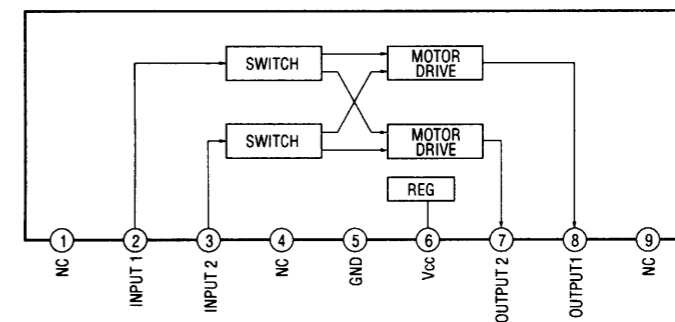


IC701 uPC2581V



● IC BLOCK DIAGRAM (DISPLAY SECTION)

IC106 BA6208



SECTION 6 EXPLODED VIEWS

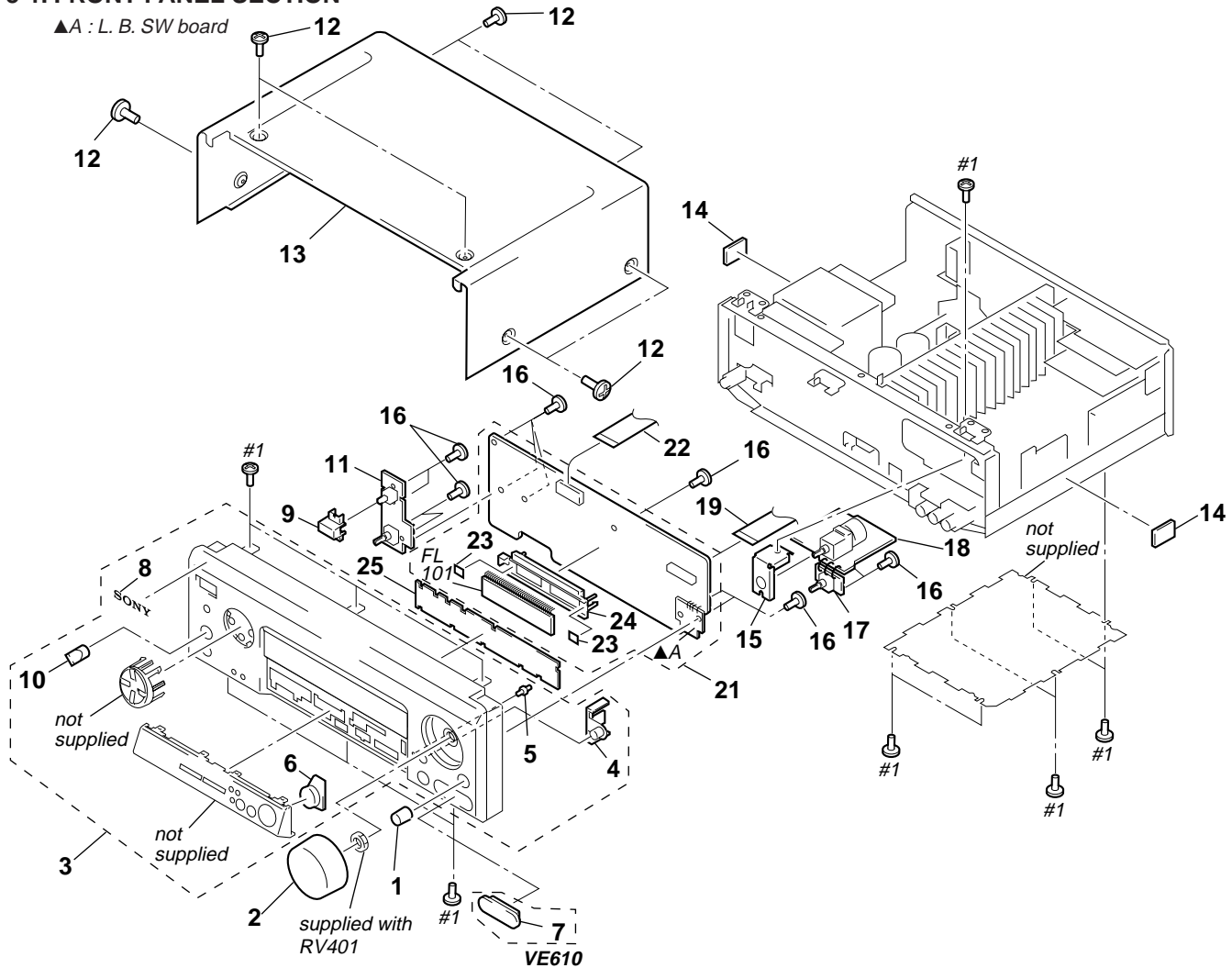
NOTE :

- -XX, -X mean standardized parts, so they may have some difference from the original one.
- Items marked “*” are not stocked since they are seldom required for routine service. Some delay should be anticipated when ordering these items.
- The mechanical parts with no reference number in the exploded views are not supplied.
- Hardware (# mark) list and accessories and packing materials are given in the last of this parts list.
- Abbreviation
 SP : Singapore
 CH : Chinese
 MY : Malaysia

The components identified by mark Δ or dotted line with mark Δ are critical for safety.
 Replace only with part number specified.

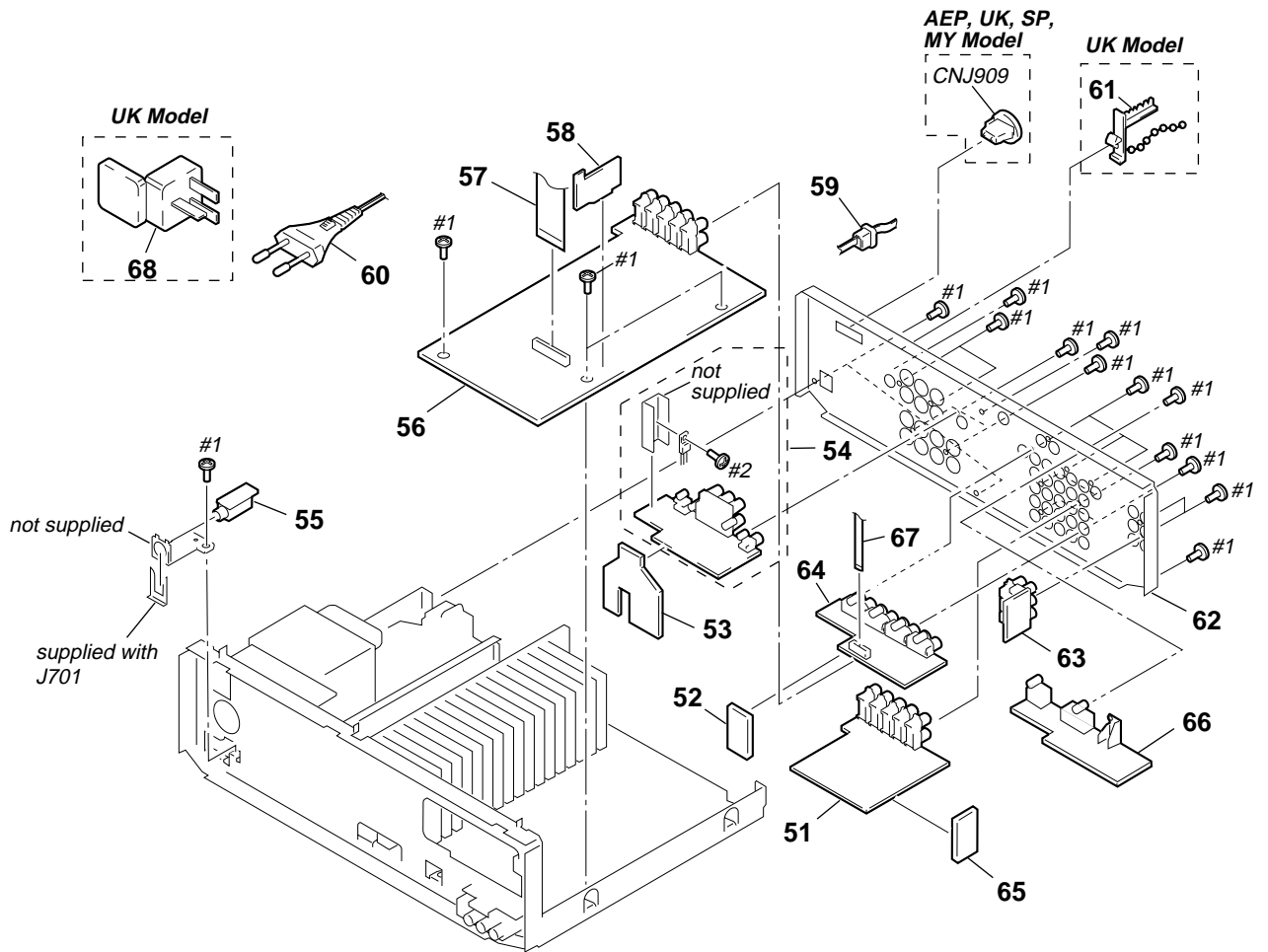
3-1. FRONT PANEL SECTION

\blacktriangle A : L. B. SW board



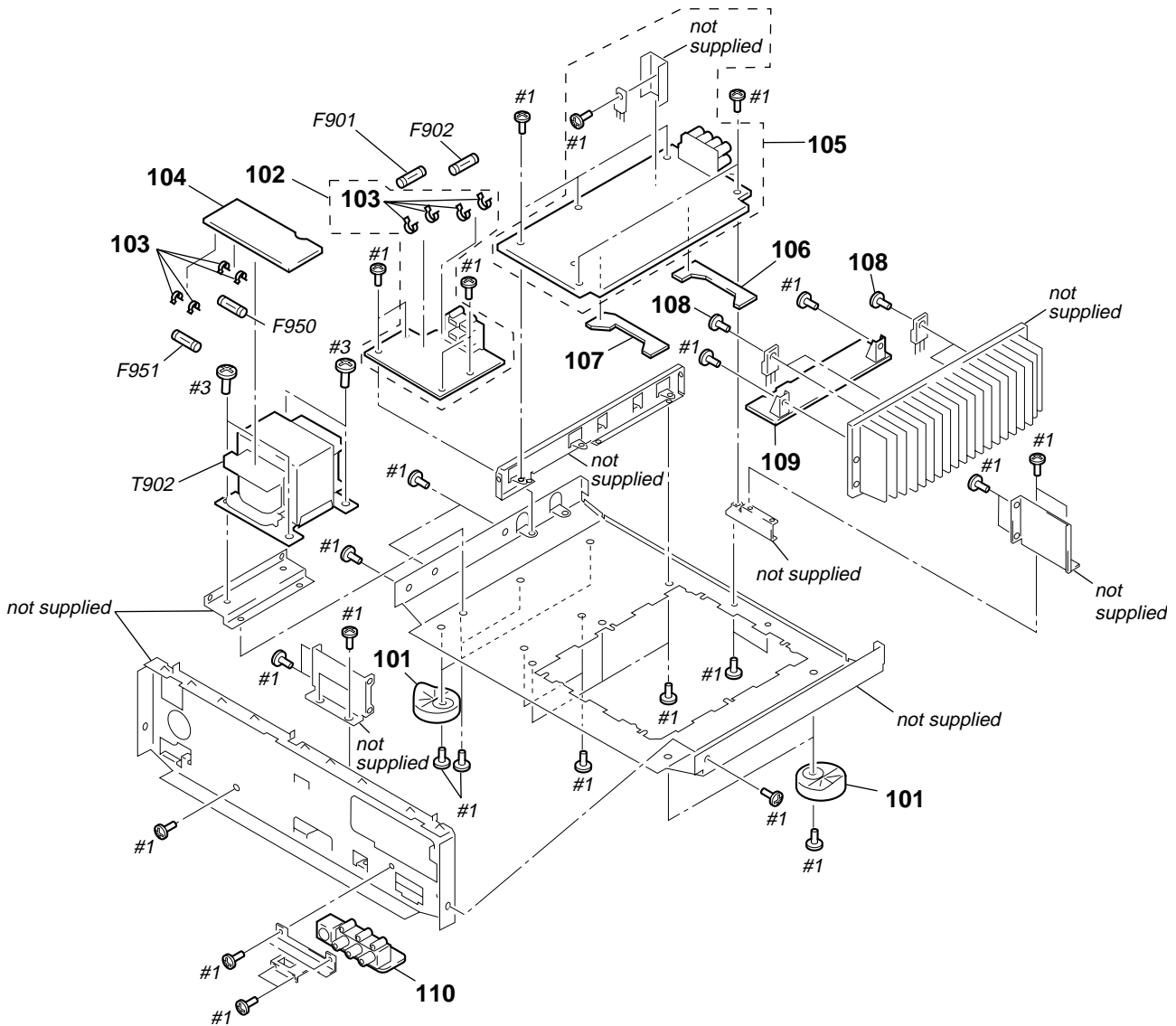
Ref. No.	Part No.	Description	Remark	Ref. No.	Part No.	Description	Remark
1	4-980-639-01	KNOB (R14) (VE610)		12	3-704-366-01	SCREW (CASE) (M3X8) (VE610)	
1	4-980-639-31	KNOB (R14) (V606)		12	3-704-366-11	SCREW (CASE) (M3X8) (V606)	
2	X-4946-873-1	KNOB (R48) ASSY (VE610)		13	X-4947-722-1	CASE ASSY (VE610)	
2	X-4948-385-1	KNOB (R48) ASSY (V606)		13	X-4947-723-1	CASE ASSY (V606)	
3	X-4948-326-1	PANEL ASSY, FRONT (VE610)		14	4-985-642-01	CUSHION	
3	X-4948-327-1	PANEL ASSY, FRONT (V606)		* 15	4-989-878-01	BRACKET (VOL)	
4	4-989-850-01	BUTTON (BB) (VE610)		16	4-951-620-01	SCREW (2.6X8), +BVTP	
4	4-989-850-11	BUTTON (BB) (V606)		* 17	1-665-478-11	BALANCE BOARD (SP,MY,CH)	
5	4-989-842-01	INDICATOR (BB)		* 17	1-665-467-11	BALANCE BOARD (AEP,UK)	
6	4-989-852-01	RING (SUR) (VE610)		* 18	1-665-466-11	VOL BOARD (AEP,UK)	
6	4-989-852-11	RING (SUR) (V606)		* 18	1-665-477-11	VOL BOARD (SP,MY,CH)	
7	4-982-083-01	COVER (V3) (VE610)		19	1-773-130-11	WIRE (FLAT TYPE) (19 CORE) (100mm)	
8	3-008-600-11	EMBLEM (5-AR), SONY (VE610)		* 21	A-4392-858-A	DISPLAY BOARD, COMPLETE	
8	3-008-600-21	EMBLEM (5-AR), SONY (V606)		22	1-773-115-11	WIRE (FLAT TYPE) (19 CORE) (320mm)	
9	4-980-109-01	BUTTON (P-M) (VE610)		* 23	4-921-941-01	CUSHION (FL)	
9	4-980-109-41	BUTTON (P-M) (V606)		* 24	3-386-245-11	HOLDER (FL)	
10	4-957-383-01	KNOB (F14) (VE610)		* 25	1-665-496-11	SW BOARD	
10	4-957-383-21	KNOB (F14) (V606)		FL101	1-517-672-11	INDICATOR TUBE, FLUORESCENT	
* 11	1-665-470-11	SP.SW BOARD					

3-2. BACK PANEL SECTION



Ref. No.	Part No.	Description	Remark	Ref. No.	Part No.	Description	Remark
* 51	A-4392-864-A	AUDIO BOARD, COMPLETE (SP,MY,CH)		61	4-956-370-12	BAND, PLUG FIXED (UK)	
* 51	A-4392-865-A	AUDIO BOARD, COMPLETE (AEP,UK)		* 62	4-989-880-01	PANEL, BACK (VE610:AEP)	
* 52	1-665-469-11	AU-VIDEO BOARD		* 62	4-989-880-11	PANEL, BACK (VE610:UK)	
* 53	1-665-503-11	S-A-SP BOARD		* 62	4-989-880-21	PANEL, BACK (VE610:SP,MY)	
* 54	A-4392-886-A	SP BOARD, COMPLETE		* 62	4-989-880-31	PANEL, BACK (V606)	
* 55	1-665-468-11	HP BOARD		* 63	1-665-473-11	5.1 IN BOARD	
* 56	A-4392-874-A	SURR BOARD, COMPLETE (AEP,UK)		* 64	A-4392-866-A	VIDEO BOARD, COMPLETE	
* 56	A-4392-875-A	SURR BOARD, COMPLETE (SP,MY,CH)		* 65	1-667-721-11	SURR AUDIO BOARD	
57	1-773-108-11	WIRE (FLAT TYPE) (19 CORE) (160mm)		* 66	A-4392-885-A	S.VIDEO BOARD, COMPLETE	
* 58	1-665-495-11	AUDIO SW BOARD		67	1-769-878-11	WIRE (FLAT TYPE) (7 CORE)	
* 59	3-703-244-00	BUSHING (2104), CORD		Δ 68	1-770-019-11	ADAPTOR, CONVERSION PLUG 3P (UK)	
Δ 60	1-769-744-11	CORD, POWER		Δ CNJ909	1-526-794-11	OUTLET, AC (AC OUTLET) (VE610)	

3-3. CHASSIS SECTION



The components identified by mark \triangle or dotted line with mark \triangle are critical for safety.
Replace only with part number specified.

Ref. No.	Part No.	Description	Remark	Ref. No.	Part No.	Description	Remark
101	X-4947-207-1	FOOT ASSY (F50150S) (VE610)		* 107	1-665-462-11	CONT (AS-1) BOARD	
101	X-4947-547-1	FOOT ASSY (F50150S) (V606)		108	3-905-609-01	SCREW (TRANSISTOR)	
* 102	A-4392-888-A	STANDBY BOARD, COMPLETE (AEP,UK)		* 109	A-4392-861-A	REAR AMP BOARD, COMPLETE (AEP,UK)	
* 102	A-4392-890-A	STANDBY BOARD, COMPLETE (SP,MY)		* 109	A-4392-862-A	REAR AMP BOARD, COMPLETE (SP,MY,CH)	
* 102	A-4403-723-A	STANDBY BOARD, COMPLET (CH)		* 110	1-665-502-11	VIDEO(3) BOARD	
103	1-533-217-31	HOLDER, FUSE		\triangle F901	1-532-504-51	FUSE, TIME LAG (T4AL/250V)	
* 104	1-665-497-11	SECONDARY BOARD		\triangle F902	1-532-464-51	FUSE, TIME LAG (T2.5AL/250V)	
* 105	A-4392-871-A	AMP BOARD, COMPLETE (AEP,UK)		\triangle F950	1-532-506-51	FUSE, TIME LAG (T6.3AL/250V)	
* 105	A-4392-872-A	AMP BOARD, COMPLETE (SP,MY,CH)		\triangle F951	1-532-506-51	FUSE, TIME LAG (T6.3AL/250V)	
* 106	1-665-459-11	CONT (AS-2) BOARD		\triangle T902	1-431-273-11	TRANSFORMER, POWER	

SECTION 4 ELECTRICAL PARTS LIST

5.1 IN

AMP

NOTE :

- Due to standardization, replacements in the parts list may be different from the parts specified in the diagrams or the components used on the set.
- -XX, -X mean standardized parts, so they may have some difference from the original one.
- RESISTORS
All resistors are in ohms
METAL : Metal-film resistor
METAL OXIDE :Metal oxide-film resistor
F : nonflammable
- Items marked “ * ” are not stocked since they are seldom required for routine service. Some delay should be anticipated when ordering these items.

• SEMICONDUCTORS

In each case, u : μ , for example :
uA..... : μ A..... , uPA..... : μ PA.....
uPB..... : μ PB..... , uPC..... : μ PC.....
uPD..... : μ PD.....

• CAPACITORS

uF : μ F

• COILS

uH : μ H

• Abbreviation

SP : Singapore
CH : Chinese
MY : Malaysia

The components identified by mark Δ or dotted line with mark Δ are critical for safety.
Replace only with part number specified.

When indicating parts by reference number, please include the board.

Ref. No.	Part No.	Description	Remark	Ref. No.	Part No.	Description	Remark
*	1-665-473-11	5.1 IN BOARD *****				< CAPACITOR >	
		< CAPACITOR >					
CC15	1-162-282-31	CERAMIC	100PF 10% 50V (AEP,UK)	C520	1-126-967-11	ELECT	47uF 20% 16V
CC16	1-162-282-31	CERAMIC	100PF 10% 50V (AEP,UK)	C521	1-107-597-11	CERAMIC	22PF 10% 500V
CC17	1-162-282-31	CERAMIC	100PF 10% 50V (AEP,UK)	C522	1-107-597-11	CERAMIC	22PF 10% 500V
CC65	1-162-282-31	CERAMIC	100PF 10% 50V (AEP,UK)	C523	1-162-286-31	CERAMIC	220PF 10% 50V
CC66	1-162-282-31	CERAMIC	100PF 10% 50V (AEP,UK)	C524	1-126-964-11	ELECT	10uF 20% 50V
CC67	1-162-282-31	CERAMIC	100PF 10% 50V (AEP,UK)	C525	1-136-157-00	FILM	0.022uF 5% 50V
		< CONNECTOR >		C526	1-136-153-00	FILM	0.01uF 5% 50V
CNP305	1-564-524-11	PLUG, CONNECTOR 9P		C570	1-126-967-11	ELECT	47uF 20% 16V
		< JACK >		C571	1-107-597-11	CERAMIC	22PF 10% 500V
J306	1-779-355-11	JACK, PIN 6P (5.1 DVD INPUT)		C572	1-107-597-11	CERAMIC	22PF 10% 500V
		< RESISTOR >		C573	1-162-286-31	CERAMIC	220PF 10% 50V
R317	1-249-421-11	CARBON	2.2K 5% 1/4W	C574	1-126-964-11	ELECT	10uF 20% 50V
R325	1-249-421-11	CARBON	2.2K 5% 1/4W	C575	1-136-157-00	FILM	0.022uF 5% 50V
R326	1-249-421-11	CARBON	2.2K 5% 1/4W	C576	1-136-153-00	FILM	0.01uF 5% 50V
R327	1-249-429-11	CARBON	10K 5% 1/4W	C590	1-126-935-11	ELECT	470uF 20% 6.3V
R328	1-249-429-11	CARBON	10K 5% 1/4W	C598	1-126-965-11	ELECT	22uF 20% 50V
R329	1-249-429-11	CARBON	10K 5% 1/4W	C620	1-126-967-11	ELECT	47uF 20% 16V
R367	1-249-421-11	CARBON	2.2K 5% 1/4W	C621	1-107-597-11	CERAMIC	22PF 10% 500V
R375	1-249-421-11	CARBON	2.2K 5% 1/4W	C622	1-107-597-11	CERAMIC	22PF 10% 500V
R376	1-249-421-11	CARBON	2.2K 5% 1/4W	C623	1-162-286-31	CERAMIC	220PF 10% 50V
R377	1-249-429-11	CARBON	10K 5% 1/4W	C803	1-117-203-11	ELECT	10000uF 20% 63V
R378	1-249-429-11	CARBON	10K 5% 1/4W	C804	1-117-203-11	ELECT	10000uF 20% 63V
R379	1-249-429-11	CARBON	10K 5% 1/4W	C807	1-126-967-11	ELECT	47uF 20% 16V
		*****		C808	1-126-967-11	ELECT	47uF 20% 16V
		*****		C811	1-126-952-11	ELECT	1000uF 20% 35V
		*****		C812	1-126-951-11	ELECT	470uF 20% 35V
		*****		C817	1-126-967-11	ELECT	47uF 20% 50V
		*****		C818	1-126-967-11	ELECT	47uF 20% 50V
		*****		CC48	1-136-153-00	FILM	0.01uF 5% 50V (AEP,UK)
		*****		CC49	1-136-153-00	FILM	0.01uF 5% 50V (AEP,UK)
		*****		CC98	1-136-153-00	FILM	0.01uF 5% 50V (AEP,UK)
		*****		CC99	1-136-153-00	FILM	0.01uF 5% 50V (AEP,UK)
		*****				< CONNECTOR >	
*	A-4392-871-A	AMP BOARD, COMPLETE (AEP,UK)		CNP701	1-564-320-00	PIN, CONNECTOR (B2P-VH) 2P	
*	A-4392-872-A	AMP BOARD, COMPLETE (SP,MY,CH) *****		CNP702	1-695-091-11	PIN, CONNECTOR (PC BOARD) 15P	
		*****		CNS502	1-770-404-11	HOUSING,CONNECTOR (PC BOARD)11P	
		*****		CNS602	1-770-404-11	HOUSING,CONNECTOR (PC BOARD)11P	
		*****		CNS701	1-569-323-11	SOCKET, CONNECTOR 19P	

Ref. No.	Part No.	Description	Remark	Ref. No.	Part No.	Description	Remark
		< DIODE >					
D501	8-719-987-63	DIODE 1N4148M		Q554	8-729-119-76	TRANSISTOR 2SA1175-HFE	
D502	8-719-010-06	DIODE UZ-2.2BS		Q555	8-729-209-15	TRANSISTOR 2SD2012	
D503	8-719-010-06	DIODE UZ-2.2BS		Q556	8-749-010-25	IC MN2488-OPY-M	
D504	8-719-987-63	DIODE 1N4148M		Q557	8-749-010-26	IC MP1620-OPY-M	
D505	8-719-987-63	DIODE 1N4148M		Q558	8-729-140-82	TRANSISTOR 2SA988-PAFAEA	
D506	8-719-987-63	DIODE 1N4148M		Q559	8-729-281-53	TRANSISTOR 2SC1815-GR	
D512	8-719-987-63	DIODE 1N4148M		Q560	8-729-900-63	TRANSISTOR DTA124ES	
D545	8-719-987-63	DIODE 1N4148M		Q561	8-729-900-63	TRANSISTOR DTA124ES	
D546	8-719-987-63	DIODE 1N4148M		Q596	8-729-119-79	TRANSISTOR 2SC2785-FEK	
D547	8-719-987-63	DIODE 1N4148M		Q601	8-729-119-79	TRANSISTOR 2SC2785-FEK	
D548	8-719-815-85	DIODE 1S1585		Q604	8-729-119-76	TRANSISTOR 2SA1175-HFE	
D549	8-719-815-85	DIODE 1S1585		Q605	8-729-209-15	TRANSISTOR 2SD2012	
D551	8-719-987-63	DIODE 1N4148M		Q606	8-749-010-25	IC MN2488-OPY-M	
D552	8-719-010-06	DIODE UZ-2.2BS		Q607	8-749-010-26	IC MP1620-OPY-M	
D553	8-719-010-06	DIODE UZ-2.2BS		Q608	8-729-140-82	TRANSISTOR 2SA988-PAFAEA	
D554	8-719-987-63	DIODE 1N4148M		Q613	8-729-281-53	TRANSISTOR 2SC1815-GR	
D555	8-719-987-63	DIODE 1N4148M		Q616	8-729-900-36	TRANSISTOR DTC124ES	
D556	8-719-987-63	DIODE 1N4148M		Q801	8-729-140-97	TRANSISTOR 2SB734-34	
D601	8-719-987-63	DIODE 1N4148M				< RESISTOR >	
D602	8-719-010-06	DIODE UZ-2.2BS		R521	1-247-840-00	CARBON 2.4K 5%	1/4W
D603	8-719-010-06	DIODE UZ-2.2BS		R523	1-249-414-11	CARBON 560 5%	1/4W
D604	8-719-987-63	DIODE 1N4148M		△ R524	1-249-408-11	CARBON 180 5%	1/4W F
D608	8-719-987-63	DIODE 1N4148M		△ R525	1-249-408-11	CARBON 180 5%	1/4W F
D611	8-719-987-63	DIODE 1N4148M		△ R526	1-233-352-41	ENCAPSULATED COMPONENT	F
D651	8-719-987-63	DIODE 1N4148M		R527	1-247-850-11	CARBON 6.2K 5%	1/4W
D711	8-719-987-63	DIODE 1N4148M		R528	1-249-419-11	CARBON 1.5K 5%	1/4W
D716	8-719-987-63	DIODE 1N4148M		R529	1-247-866-11	CARBON 30K 5%	1/4W
D807	8-719-934-22	DIODE HZS30-2L		R530	1-249-419-11	CARBON 1.5K 5%	1/4W
		< TERMINAL, EARTH >		R531	1-249-433-11	CARBON 22K 5%	1/4W
* EB701	1-537-738-21	TERMINAL, EARTH		R532	1-249-437-11	CARBON 47K 5%	1/4W
* EB702	1-537-738-21	TERMINAL, EARTH		△ R533	1-249-393-11	CARBON 10 5%	1/4W F
* EB703	1-537-738-21	TERMINAL, EARTH		△ R534	1-249-389-11	CARBON 4.7 5%	1/4W F
		< IC >		R535	1-249-431-11	CARBON 15K 5%	1/4W
IC801	8-759-391-87	IC BA78M12P		R539	1-249-427-11	CARBON 6.8K 5%	1/4W
IC803	8-759-604-45	IC M5F79M12		R540	1-249-417-11	CARBON 1K 5%	1/4W
		< COIL >		R541	1-249-429-11	CARBON 10K 5%	1/4W
L501	1-411-906-11	COIL, AIR-CORE		R547	1-249-425-11	CARBON 4.7K 5%	1/4W
L551	1-411-906-11	COIL, AIR-CORE		R548	1-249-429-11	CARBON 10K 5%	1/4W
		< TRANSISTOR >		△ R549	1-249-393-11	CARBON 10 5%	1/4W F
Q504	8-729-119-76	TRANSISTOR 2SA1175-HFE		R550	1-249-429-11	CARBON 10K 5%	1/4W
Q505	8-729-209-15	TRANSISTOR 2SD2012		R571	1-247-840-00	CARBON 2.4K 5%	1/4W
Q506	8-749-010-25	IC MN2488-OPY-M		R573	1-249-414-11	CARBON 560 5%	1/4W
Q507	8-749-010-26	IC MP1620-OPY-M		△ R574	1-249-408-11	CARBON 180 5%	1/4W F
Q508	8-729-140-82	TRANSISTOR 2SA988-PAFAEA		△ R575	1-249-408-11	CARBON 180 5%	1/4W F
Q509	8-729-281-53	TRANSISTOR 2SC1815-GR		△ R576	1-233-352-41	ENCAPSULATED COMPONENT	F
Q510	8-729-900-63	TRANSISTOR DTA124ES		R577	1-247-850-11	CARBON 6.2K 5%	1/4W
Q511	8-729-900-63	TRANSISTOR DTA124ES		R578	1-249-419-11	CARBON 1.5K 5%	1/4W
Q546	8-729-119-79	TRANSISTOR 2SC2785-FEK		R579	1-247-866-11	CARBON 30K 5%	1/4W
Q547	8-729-140-84	TRANSISTOR 2SC1841-PAFAEA		R580	1-249-419-11	CARBON 1.5K 5%	1/4W
Q548	8-729-119-79	TRANSISTOR 2SC2785-FEK		R581	1-249-433-11	CARBON 22K 5%	1/4W
Q549	8-729-140-82	TRANSISTOR 2SA988-PAFAEA		R582	1-249-437-11	CARBON 47K 5%	1/4W
				△ R584	1-249-389-11	CARBON 4.7 5%	1/4W F
				R585	1-249-431-11	CARBON 15K 5%	1/4W
				R586	1-249-429-11	CARBON 10K 5%	1/4W
				R587	1-249-425-11	CARBON 4.7K 5%	1/4W
				△ R588	1-249-393-11	CARBON 10 5%	1/4W F

The components identified by mark △ or dotted line with mark △ are critical for safety.
Replace only with part number specified.

AMP

AU-VIDEO

AUDIO

AUDIO SW

Ref. No.	Part No.	Description	Remark	Ref. No.	Part No.	Description	Remark
R589	1-249-420-11	CARBON	1.8K 5% 1/4W	CC10	1-162-282-31	CERAMIC 100PF 10%	50V (AEP,UK)
R590	1-249-420-11	CARBON	1.8K 5% 1/4W	CC11	1-162-282-31	CERAMIC 100PF 10%	50V (AEP,UK)
R597	1-249-420-11	CARBON	1.8K 5% 1/4W	CC12	1-162-282-31	CERAMIC 100PF 10%	50V (AEP,UK)
R598	1-249-420-11	CARBON	1.8K 5% 1/4W	CC13	1-162-282-31	CERAMIC 100PF 10%	50V (AEP,UK)
R621	1-247-840-00	CARBON	2.4K 5% 1/4W	CC59	1-162-282-31	CERAMIC 100PF 10%	50V (AEP,UK)
R623	1-249-414-11	CARBON	560 5% 1/4W	CC60	1-162-282-31	CERAMIC 100PF 10%	50V (AEP,UK)
△ R624	1-249-393-11	CARBON	10 5% 1/4W F	CC61	1-162-282-31	CERAMIC 100PF 10%	50V (AEP,UK)
△ R625	1-249-393-11	CARBON	10 5% 1/4W F	CC62	1-162-282-31	CERAMIC 100PF 10%	50V (AEP,UK)
△ R626	1-233-352-41	ENCAPSULATED COMPONENT		CC63	1-162-282-31	CERAMIC 100PF 10%	50V (AEP,UK)
R627	1-247-850-11	CARBON	6.2K 5% 1/4W	< CONNECTOR >			
R628	1-249-419-11	CARBON	1.5K 5% 1/4W	CNS302	1-695-096-11	SOCKET, CONNECTOR 15P	
R632	1-249-437-11	CARBON	47K 5% 1/4W	CNS304	1-695-087-11	PIN, CONNECTOR (PC BOARD) 7P	
△ R642	1-216-454-11	METAL OXIDE	390 5% 2W F	< IC >			
R643	1-249-441-11	CARBON	100K 5% 1/4W	IC303	8-759-805-14	IC LC7822	
R650	1-249-425-11	CARBON	4.7K 5% 1/4W	< JACK >			
R651	1-249-429-11	CARBON	10K 5% 1/4W	J303	1-573-028-31	JACK, PIN 4P (TV/LD AUDIO IN, VIDEO 2 AUDIO OUT)	
△ R652	1-249-393-11	CARBON	10 5% 1/4W F	J304	1-770-015-11	JACK, PIN 6P (VIDEO 2 AUDIO IN, VIDEO 1 AUDIO IN OUT)	
R655	1-249-441-11	CARBON	100K 5% 1/4W	< RESISTOR >			
△ R739	1-215-868-00	METAL OXIDE	680 5% 1W F	R318	1-249-417-11	CARBON 1K 5%	1/4W
△ R765	1-249-393-11	CARBON	10 5% 1/4W F	R319	1-249-417-11	CARBON 1K 5%	1/4W
△ R789	1-215-868-00	METAL OXIDE	680 5% 1W F	R320	1-249-417-11	CARBON 1K 5%	1/4W
△ R802	1-249-401-11	CARBON	47 5% 1/4W F	R321	1-249-417-11	CARBON 1K 5%	1/4W
R803	1-247-843-11	CARBON	3.3K 5% 1/4W	R322	1-249-417-11	CARBON 1K 5%	1/4W
RR48	1-249-393-11	CARBON 10	5% 1/4W (AEP,UK)	R368	1-249-417-11	CARBON 1K 5%	1/4W
RR49	1-249-393-11	CARBON 10	5% 1/4W (AEP,UK)	R369	1-249-417-11	CARBON 1K 5%	1/4W
RR98	1-249-393-11	CARBON 10	5% 1/4W (AEP,UK)	R370	1-249-417-11	CARBON 1K 5%	1/4W
RR99	1-249-393-11	CARBON 10	5% 1/4W (AEP,UK)	R371	1-249-417-11	CARBON 1K 5%	1/4W
< RELAY >				R372	1-249-417-11	CARBON 1K 5%	1/4W
RY501	1-515-920-11	RELAY (24V)		R388	1-249-437-11	CARBON 47K 5%	1/4W
RY502	1-515-920-11	RELAY (24V)		R389	1-249-437-11	CARBON 47K 5%	1/4W
RY602	1-515-793-11	RELAY		R398	1-249-417-11	CARBON 1K 5%	1/4W
< TERMINAL >				R399	1-249-425-11	CARBON 4.7K 5%	1/4W
* TM501	1-537-519-11	TERMINAL BOARD (SP) (FRONT SPEAKERS)		*****			
*****				* 1-665-495-11	AUDIO SW BOARD	*****	
*****				< CAPACITOR >			
*****				C407	1-126-795-11	ELECT 10uF 20%	50V
*****				C408	1-164-159-11	CERAMIC 0.1uF	50V
*****				C409	1-126-795-11	ELECT 10uF 20%	50V
*****				C411	1-126-795-11	ELECT 10uF 20%	50V
*****				C412	1-164-159-11	CERAMIC 0.1uF	50V
C398	1-162-282-31	CERAMIC	100PF 10% 50V				
C399	1-162-294-31	CERAMIC	0.001uF 10% 50V				
CC09	1-162-282-31	CERAMIC	100PF 10% 50V (AEP,UK)				

The components identified by mark △ or dotted line with mark △ are critical for safety.
Replace only with part number specified.

AUDIO SW

CONT (AS-1)

CONT (AS-2)

DISPLAY

L.B.SW

Ref. No.	Part No.	Description	Remark
C457	1-126-795-11	ELECT 10uF 20%	50V
C458	1-164-159-11	CERAMIC 0.1uF	50V
C459	1-126-795-11	ELECT 10uF 20%	50V
C461	1-126-795-11	ELECT 10uF 20%	50V
C495	1-162-294-31	CERAMIC 0.001uF 10%	50V
C496	1-164-070-11	CERAMIC 100PF 5%	50V
C498	1-126-786-11	ELECT 47uF 20%	16V
C499	1-126-786-11	ELECT 47uF 20%	16V
< CONNECTOR >			
CNP410	1-750-180-11	PIN, CONNECTOR (PC BOARD) 5P	
CNS403	1-695-093-11	SOCKET, CONNECTOR 9P	
CNS404	1-695-094-11	SOCKET, CONNECTOR 11P	
< IC >			
IC405	8-759-634-50	IC M5218AL	
IC406	8-759-805-15	IC LC7823	
< TRANSISTOR >			
Q401	8-729-922-37	TRANSISTOR 2SD2144S	
Q403	8-729-922-37	TRANSISTOR 2SD2144S	
Q451	8-729-922-37	TRANSISTOR 2SD2144S	
< RESISTOR >			
R410	1-247-887-00	CARBON 220K 5%	1/4W
R411	1-249-417-11	CARBON 1K 5%	1/4W
R412	1-249-425-11	CARBON 4.7K 5%	1/4W
R413	1-249-441-11	CARBON 100K 5%	1/4W
R416	1-249-441-11	CARBON 100K 5%	1/4W
R417	1-249-417-11	CARBON 1K 5%	1/4W
R418	1-249-425-11	CARBON 4.7K 5%	1/4W
R460	1-247-887-00	CARBON 220K 5%	1/4W
R461	1-249-417-11	CARBON 1K 5%	1/4W
R462	1-249-425-11	CARBON 4.7K 5%	1/4W
R463	1-249-441-11	CARBON 100K 5%	1/4W
R466	1-249-441-11	CARBON 100K 5%	1/4W
R467	1-249-417-11	CARBON 1K 5%	1/4W
R468	1-249-417-11	CARBON 1K 5%	1/4W
R469	1-249-441-11	CARBON 100K 5%	1/4W
R476	1-249-425-11	CARBON 4.7K 5%	1/4W
R477	1-249-417-11	CARBON 1K 5%	1/4W
R478	1-249-441-11	CARBON 100K 5%	1/4W
R479	1-249-429-11	CARBON 10K 5%	1/4W
R480	1-249-441-11	CARBON 100K 5%	1/4W
R481	1-247-807-31	CARBON 100 5%	1/4W
R482	1-247-807-31	CARBON 100 5%	1/4W

*	1-665-478-11	BALANCE BOARD (SP,MY,CH)	
*	1-665-467-11	BALANCE BOARD (AEP,UK)	

< VARIABLE RESISTOR >			
RV402	1-225-447-11	RES, VAR, CARBON 100K/100K (BALANCE)	

*	1-665-462-11	CONT (AS-1) BOARD	

Ref. No.	Part No.	Description	Remark
< CONNECTOR >			
CNP501	1-770-553-11	CONNECTOR, BOARD TO BOARD 11P	
CNP502	1-770-553-11	CONNECTOR, BOARD TO BOARD 11P	

*	1-665-459-11	CONT (AS-2) BOARD	

< CONNECTOR >			
CNP601	1-770-553-11	CONNECTOR, BOARD TO BOARD 11P	
CNP602	1-770-553-11	CONNECTOR, BOARD TO BOARD 11P	

*	A-4392-858-A	DISPLAY BOARD, COMPLETE	

L.B.SW BOARD			

*	4-921-941-01	CUSHION (FL)	
*	3-386-245-11	HOLDER (FL)	
< CAPACITOR >			
C101	1-164-159-11	CERAMIC 0.1uF	50V
C102	1-164-159-11	CERAMIC 0.1uF	50V
C103	1-164-159-11	CERAMIC 0.1uF	50V
C104	1-126-959-11	ELECT 0.47uF 20%	50V
C105	1-164-159-11	CERAMIC 0.1uF	50V
C111	1-126-967-11	ELECT 47uF 20%	16V
C114	1-164-159-11	CERAMIC 0.1uF	50V
C115	1-104-905-11	CAPACITOR 0.22F	5.5V
C117	1-164-159-11	CERAMIC 0.1uF	50V
C141	1-164-159-11	CERAMIC 0.1uF	50V
C142	1-164-159-11	CERAMIC 0.1uF	50V
C143	1-164-159-11	CERAMIC 0.1uF	50V
C183	1-162-282-31	CERAMIC 100PF 10%	50V
C184	1-162-282-31	CERAMIC 100PF 10%	50V
C185	1-162-282-31	CERAMIC 100PF 10%	50V
C186	1-162-282-31	CERAMIC 100PF 10%	50V
C187	1-162-282-31	CERAMIC 100PF 10%	50V
C188	1-162-282-31	CERAMIC 100PF 10%	50V
C189	1-162-282-31	CERAMIC 100PF 10%	50V
C190	1-162-282-31	CERAMIC 100PF 10%	50V
C191	1-162-282-31	CERAMIC 100PF 10%	50V
C192	1-162-282-31	CERAMIC 100PF 10%	50V
C193	1-162-282-31	CERAMIC 100PF 10%	50V
C194	1-162-282-31	CERAMIC 100PF 10%	50V
C195	1-162-282-31	CERAMIC 100PF 10%	50V
C196	1-162-282-31	CERAMIC 100PF 10%	50V
C197	1-162-282-31	CERAMIC 100PF 10%	50V
C198	1-162-282-31	CERAMIC 100PF 10%	50V
C199	1-162-282-31	CERAMIC 100PF 10%	50V
< CONNECTOR >			
CNP101	1-779-365-11	CONNECTOR, PC BOARD (PLUG) 8P	
CNP103	1-779-366-11	CONNECTOR, BOARD TO BOARD 4P	
CNS102	1-770-397-11	HOUSING, CONNECTOR(PC BOARD)4P	
* CNS104	1-568-862-11	SOCKET, CONNECTOR 19P	

DISPLAY**L.B.SW**

Ref. No.	Part No.	Description	Remark	Ref. No.	Part No.	Description	Remark
		< DIODE >		R122	1-249-425-11	CARBON 4.7K 5%	1/4W
D100	8-719-987-63	DIODE 1N4148M		R123	1-249-425-11	CARBON 4.7K 5%	1/4W
D101	8-719-313-45	LED SEL6810A-TH10 (PHONO)		R124	1-249-425-11	CARBON 4.7K 5%	1/4W
D102	8-719-313-45	LED SEL6810A-TH10 (TUNER)		R125	1-249-425-11	CARBON 4.7K 5%	1/4W
D103	8-719-313-45	LED SEL6810A-TH10 (CD)		R126	1-249-425-11	CARBON 4.7K 5%	1/4W
D104	8-719-313-45	LED SEL6810A-TH10 (TAPE/MD)		R127	1-249-425-11	CARBON 4.7K 5%	1/4W
D105	8-719-313-45	LED SEL6810A-TH10 (TV/LD)		R128	1-249-429-11	CARBON 10K 5%	1/4W
D106	8-719-313-45	LED SEL6810A-TH10 (VIDEO 3)		R129	1-247-807-31	CARBON 100 5%	1/4W
D107	8-719-313-45	LED SEL6810A-TH10 (VIDEO 2)		R132	1-249-417-11	CARBON 1K 5%	1/4W
D108	8-719-313-45	LED SEL6810A-TH10 (VIDEO 1)		R133	1-247-807-31	CARBON 100 5%	1/4W
D111	8-719-313-45	LED SEL6810A-TH10 (DIRECT PASS)		R134	1-247-807-31	CARBON 100 5%	1/4W
D112	8-719-064-63	LED SELU5823A-TP15 (5.1 INPUT)		R135	1-247-807-31	CARBON 100 5%	1/4W
D113	8-719-313-45	LED SEL6810A-TH10 (SUR)		R136	1-249-417-11	CARBON 1K 5%	1/4W
D114	8-719-313-45	LED SEL6810A-TH10 (TONE)		R137	1-247-807-31	CARBON 100 5%	1/4W
D115	8-719-313-45	LED SEL6810A-TH10 (INDEX)		R138	1-249-417-11	CARBON 1K 5%	1/4W
D117	8-719-313-45	LED SEL6810A-TH10 (BASS BOOST)		R139	1-247-807-31	CARBON 100 5%	1/4W
D118	8-719-313-43	LED SEL6210S-TH10 (STANDBY)		R140	1-247-807-31	CARBON 100 5%	1/4W
D119	8-719-987-63	DIODE 1N4148M		R141	1-247-807-31	CARBON 100 5%	1/4W
D120	8-719-200-82	DIODE 11ES2		R142	1-247-807-31	CARBON 100 5%	1/4W
D121	8-719-987-63	DIODE 1N4148M		R143	1-249-417-11	CARBON 1K 5%	1/4W
		< FLUORECENT INDICATOR TUBE >		R144	1-249-417-11	CARBON 1K 5%	1/4W
FL101	1-517-672-11	INDICATOR TUBE, FLUORESCENT		R145	1-249-417-11	CARBON 1K 5%	1/4W
		< IC >		R146	1-249-417-11	CARBON 1K 5%	1/4W
IC101	8-759-459-83	IC NJL55H400		R147	1-249-417-11	CARBON 1K 5%	1/4W
IC103	8-759-479-18	IC uPD780205GF-032-3BA		R148	1-249-417-11	CARBON 1K 5%	1/4W
IC106	8-759-962-08	IC BA6208		R149	1-249-417-11	CARBON 1K 5%	1/4W
		< COIL >		R150	1-249-393-11	CARBON 10 5%	1/4W
L101	1-410-509-11	INDUCTOR 10uH		△ R153	1-249-385-11	CARBON 2.2 5%	1/6W F
		< TRANSISTOR >		△ R154	1-249-385-11	CARBON 2.2 5%	1/6W F
Q101	8-729-900-36	TRANSISTOR DTC124ES		R155	1-249-411-11	CARBON 330 5%	1/4W
Q102	8-729-900-63	TRANSISTOR DTA124ES		R156	1-247-411-11	CARBON 330 5%	1/4W
Q103	8-729-900-36	TRANSISTOR DTC124ES		R157	1-249-411-11	CARBON 330 5%	1/4W
Q104	8-729-900-36	TRANSISTOR DTC124ES		R158	1-249-411-11	CARBON 330 5%	1/4W
Q105	8-729-900-36	TRANSISTOR DTC124ES		R160	1-249-411-11	CARBON 330 5%	1/4W
Q106	8-729-900-36	TRANSISTOR DTC124ES		R161	1-249-411-11	CARBON 330 5%	1/4W
Q107	8-729-900-36	TRANSISTOR DTC124ES		R162	1-249-429-11	CARBON 10K 5%	1/4W
		< RESISTOR >		R164	1-249-429-11	CARBON 10K 5%	1/4W
R101	1-247-807-31	CARBON 100 5%	1/4W	R165	1-249-429-11	CARBON 10K 5%	1/4W
R102	1-247-807-31	CARBON 100 5%	1/4W	R166	1-249-429-11	CARBON 10K 5%	1/4W
R103	1-247-807-31	CARBON 100 5%	1/4W	R171	1-249-415-11	CARBON 680 5%	1/4W
R104	1-247-807-31	CARBON 100 5%	1/4W	R172	1-249-417-11	CARBON 1K 5%	1/4W
R105	1-247-807-31	CARBON 100 5%	1/4W	R188	1-249-411-11	CARBON 330 5%	1/4W
R106	1-247-807-31	CARBON 100 5%	1/4W	R189	1-249-413-11	CARBON 470 5%	1/4W
R107	1-247-807-31	CARBON 100 5%	1/4W	R190	1-249-415-11	CARBON 680 5%	1/4W
R108	1-247-807-31	CARBON 100 5%	1/4W	R191	1-249-417-11	CARBON 1K 5%	1/4W
R109	1-247-807-31	CARBON 100 5%	1/4W	R192	1-249-419-11	CARBON 1.5K 5%	1/4W
R110	1-247-807-31	CARBON 100 5%	1/4W	R193	1-249-421-11	CARBON 2.2K 5%	1/4W
R111	1-247-807-31	CARBON 100 5%	1/4W	R194	1-249-425-11	CARBON 4.7K 5%	1/4W
R112	1-247-807-31	CARBON 100 5%	1/4W	R195	1-249-411-11	CARBON 330 5%	1/4W
R113	1-247-807-31	CARBON 100 5%	1/4W	RR10	1-249-425-11	CARBON 4.7K 5%	1/4W
R114	1-247-807-31	CARBON 100 5%	1/4W	RR11	1-249-411-11	CARBON 330 5%	1/4W
				RR101	1-249-437-11	CARBON 47K 5%	1/4W
				RR102	1-249-437-11	CARBON 47K 5%	1/4W
				RR103	1-249-437-11	CARBON 47K 5%	1/4W
				RR104	1-249-437-11	CARBON 47K 5%	1/4W
				RR105	1-249-437-11	CARBON 47K 5%	1/4W

The components identified by mark △ or dotted line with mark △ are critical for safety.
Replace only with part number specified.

DISPLAY

L.B.SW

HP

REAR AMP

Ref. No.	Part No.	Description	Remark
RR106	1-249-437-11	CARBON 47K 5%	1/4W
RR107	1-249-437-11	CARBON 47K 5%	1/4W
RR108	1-249-437-11	CARBON 47K 5%	1/4W
RR109	1-249-437-11	CARBON 47K 5%	1/4W
RR110	1-249-437-11	CARBON 47K 5%	1/4W
RR111	1-249-437-11	CARBON 47K 5%	1/4W
RR112	1-249-437-11	CARBON 47K 5%	1/4W
RR113	1-249-437-11	CARBON 47K 5%	1/4W
RR114	1-249-437-11	CARBON 47K 5%	1/4W
RR115	1-249-437-11	CARBON 47K 5%	1/4W
RR116	1-249-437-11	CARBON 47K 5%	1/4W
RR117	1-249-437-11	CARBON 47K 5%	1/4W
RR118	1-249-437-11	CARBON 47K 5%	1/4W
RR119	1-249-437-11	CARBON 47K 5%	1/4W
RR120	1-249-437-11	CARBON 47K 5%	1/4W
RR121	1-249-437-11	CARBON 47K 5%	1/4W
RR122	1-249-437-11	CARBON 47K 5%	1/4W
RR123	1-249-437-11	CARBON 47K 5%	1/4W
RR124	1-249-437-11	CARBON 47K 5%	1/4W
RR125	1-249-437-11	CARBON 47K 5%	1/4W
RR126	1-249-437-11	CARBON 47K 5%	1/4W
RR127	1-249-437-11	CARBON 47K 5%	1/4W
RR128	1-249-437-11	CARBON 47K 5%	1/4W
RR129	1-249-437-11	CARBON 47K 5%	1/4W
RR130	1-249-437-11	CARBON 47K 5%	1/4W
< SWITCH >			
S123	1-762-751-11	SWITCH, TACTILE (☒)	
S124	1-762-751-11	SWITCH, TACTILE (☒)	
S127	1-762-751-11	SWITCH, TACTILE (DIMMER)	
S128	1-762-751-11	SWITCH, TACTILE (DISPLAY)	
S129	1-762-751-11	SWITCH, TACTILE (☒)	
S130	1-762-751-11	SWITCH, TACTILE (☒)	
< VIBRATOR >			
X101	1-577-101-11	VIBRATOR, CERAMIC (4.19MHz)	

*	1-665-468-11	HP BOARD	*****
< CONNECTOR >			
* CNP702	1-564-518-11	PLUG, CONNECTOR 3P	
< JACK >			
J701	1-568-519-41	JACK, LARGE TYPE (PHONES)	

*	A-4392-862-A	REAR AMP BOARD, COMPLETE (SP,MY,CH)	
*	A-4392-861-A	REAR AMP BOARD, COMPLETE (AEP,UK)	*****
< CAPACITOR >			
C700	1-162-294-31	CERAMIC 0.001uF 10%	50V
C701	1-126-964-11	ELECT 10uF 20%	50V
C702	1-162-282-31	CERAMIC 100PF 10%	50V
C703	1-102-233-00	CERAMIC 33PF 10%	500V
C704	1-162-282-31	CERAMIC 100PF 10%	50V

Ref. No.	Part No.	Description	Remark
C705	1-126-933-11	ELECT 100uF 20%	10V
C720	1-126-967-11	ELECT 47uF 20%	16V
C721	1-107-597-11	CERAMIC 22PF 10%	500V
C722	1-107-597-11	CERAMIC 22PF 10%	500V
C723	1-162-286-31	CERAMIC 220PF 10%	50V
C751	1-126-964-11	ELECT 10uF 20%	50V
C752	1-162-282-31	CERAMIC 100PF 10%	50V
C753	1-102-233-00	CERAMIC 33PF 10%	500V
C754	1-162-282-31	CERAMIC 100PF 10%	50V
C755	1-126-933-11	ELECT 100uF 20%	10V
C770	1-126-967-11	ELECT 47uF 20%	16V
C771	1-107-597-11	CERAMIC 22PF 10%	500V
C772	1-107-597-11	CERAMIC 22PF 10%	500V
C773	1-162-286-31	CERAMIC 220PF 10%	50V
C793	1-126-923-11	ELECT 220uF 20%	10V
C798	1-128-560-11	ELECT 22uF 20%	100V
C799	1-128-560-11	ELECT 22uF 20%	100V
< CONNECTOR >			
CNP704	1-564-320-00	PIN, CONNECTOR (B2P-VH) 2P	
* CNP705	1-564-242-00	PIN, CONNECTOR 5P	
CNP706	1-564-320-00	PIN, CONNECTOR (B2P-VH) 2P	
CNS704	1-564-510-11	PLUG, CONNECTOR 7P	
< DIODE >			
D701	8-719-987-63	DIODE 1N4148M	
D702	8-719-010-06	DIODE UZ-2.2BS	
D703	8-719-010-06	DIODE UZ-2.2BS	
D704	8-719-987-63	DIODE 1N4148M	
D751	8-719-987-63	DIODE 1N4148M	
D752	8-719-010-06	DIODE UZ-2.2BS	
D753	8-719-010-06	DIODE UZ-2.2BS	
D754	8-719-987-63	DIODE 1N4148M	
< IC >			
IC701	8-759-326-52	IC uPC2581V	
< TRANSISTOR >			
Q703	8-729-140-84	TRANSISTOR 2SC1841-PAFAEA	
Q704	8-729-119-76	TRANSISTOR 2SA1175-HFE	
Q705	8-729-141-30	TRANSISTOR 2SC3623A-LK	
Q706	8-749-010-25	IC MN2488-OPY-M	
Q707	8-749-010-26	IC MP1620-OPY-M	
Q708	8-729-140-82	TRANSISTOR 2SA988-PAFAEA	
Q754	8-729-119-76	TRANSISTOR 2SA1175-HFE	
Q755	8-729-141-30	TRANSISTOR 2SC3623A-LK	
Q756	8-749-010-25	IC MN2488-OPY-M	
Q757	8-749-010-26	IC MP1620-OPY-M	
Q758	8-729-140-82	TRANSISTOR 2SA988-PAFAEA	
< RESISTOR >			
R701	1-249-417-11	CARBON 1K 5%	1/4W
R702	1-249-439-11	CARBON 68K 5%	1/4W
R703	1-249-439-11	CARBON 68K 5%	1/4W
R704	1-247-820-11	CARBON 360 5%	1/4W
R721	1-249-437-11	CARBON 47K 5%	1/4W

REAR AMP**S-A-SP****S.VIDEO****SECONDARY**

Ref. No.	Part No.	Description	Remark	Ref. No.	Part No.	Description	Remark
R722	1-249-421-11	CARBON	2.2K 5%			< IC >	
R723	1-249-414-11	CARBON	560 5%				
△R724	1-249-408-11	CARBON	180 5%	IC202	8-759-061-95	IC SN761200	
△R725	1-249-408-11	CARBON	180 5%	IC203	8-759-061-95	IC SN761200	
△R726	1-233-352-41	ENCAPSULATED COMPONENT				< JACK >	
R727	1-247-850-11	CARBON	6.2K 5%				
R728	1-249-419-11	CARBON	1.5K 5%	J204	1-537-943-11	TERMINAL, S (MONITOR OUT)	
R732	1-249-437-11	CARBON	47K 5%	J207	1-764-676-11	CONNECTOR (ROUND TYPE) (VIDEO 1 IN, OUT)	
R751	1-249-417-11	CARBON	1K 5%			< COIL >	
R752	1-249-439-11	CARBON	68K 5%				
R753	1-249-439-11	CARBON	68K 5%	L203	1-410-509-11	INDUCTOR, MICRO 10uH	
R754	1-247-820-11	CARBON	360 5%			< TRANSISTOR >	
R771	1-249-437-11	CARBON	47K 5%				
R772	1-249-421-11	CARBON	2.2K 5%	Q251	8-729-119-76	TRANSISTOR 2SA1175-HFE	
R773	1-249-414-11	CARBON	560 5%	Q252	8-729-620-05	TRANSISTOR 2SC2603-EF	
△R774	1-249-408-11	CARBON	180 5%	Q253	8-729-119-76	TRANSISTOR 2SA1175-HFE	
△R775	1-249-408-11	CARBON	180 5%	Q254	8-729-119-76	TRANSISTOR 2SA1175-HFE	
△R776	1-233-352-41	ENCAPSULATED COMPONENT		Q255	8-729-620-05	TRANSISTOR 2SC2603-EF	
R777	1-247-850-11	CARBON	6.2K 5%				
R778	1-249-419-11	CARBON	1.5K 5%	Q256	8-729-119-76	TRANSISTOR 2SA1175-HFE	
R782	1-249-437-11	CARBON	47K 5%			< RESISTOR >	
R790	1-249-417-11	CARBON	1K 5%	R251	1-249-403-11	CARBON 68 5%	1/4W
R793	1-249-435-11	CARBON	33K 5%	R252	1-249-403-11	CARBON 68 5%	1/4W
R794	1-249-425-11	CARBON	4.7K 5%	R253	1-249-403-11	CARBON 68 5%	1/4W
△R798	1-249-393-11	CARBON	10 5%	R254	1-249-403-11	CARBON 68 5%	1/4W
△R799	1-249-393-11	CARBON	10 5%	R255	1-249-429-11	CARBON 10K 5%	1/4W

*	1-665-503-11	S-A-SP BOARD		R256	1-249-429-11	CARBON 10K 5%	1/4W
		*****		R257	1-247-807-31	CARBON 100 5%	1/4W
		< CONNECTOR >		R258	1-249-411-11	CARBON 330 5%	1/4W
CNP703	1-695-089-11	PIN, CONNECTOR (PC BOARD) 11P		R259	1-249-403-11	CARBON 68 5%	1/4W
CNS702	1-695-096-11	SOCKET, CONNECTOR 15P		R260	1-249-403-11	CARBON 68 5%	1/4W
CNS905	1-695-092-11	SOCKET, CONNECTOR 7P		R261	1-249-426-11	CARBON 5.6K 5%	1/4W

*	A-4392-885-A	S.VIDEO BOARD, COMPLETE		R262	1-249-419-11	CARBON 1.5K 5%	1/4W
		*****		R263	1-249-430-11	CARBON 12K 5%	1/4W
		< CAPACITOR >		R264	1-249-411-11	CARBON 330 5%	1/4W
C251	1-136-153-00	FILM 0.01uF 5%	50V	R265	1-249-426-11	CARBON 5.6K 5%	1/4W
C252	1-136-153-00	FILM 0.01uF 5%	50V	R266	1-249-403-11	CARBON 68 5%	1/4W
C253	1-126-960-11	ELECT 1uF 20%	50V	R267	1-249-403-11	CARBON 68 5%	1/4W
C254	1-164-159-11	CERAMIC 0.1uF	50V	R268	1-249-419-11	CARBON 1.5K 5%	1/4W
C255	1-126-964-11	ELECT 10uF 20%	50V	R269	1-249-430-11	CARBON 12K 5%	1/4W
C256	1-126-964-11	ELECT 10uF 20%	50V	R270	1-247-807-31	CARBON 100 5%	1/4W
C257	1-164-159-11	CERAMIC 0.1uF	50V	R271	1-247-807-31	CARBON 100 5%	1/4W
C258	1-164-159-11	CERAMIC 0.1uF	50V	R272	1-247-807-31	CARBON 100 5%	1/4W
C259	1-164-159-11	CERAMIC 0.1uF	50V	*****			
C260	1-126-960-11	ELECT 1uF 20%	50V	*	1-665-497-11	SECONDARY BOARD	
C261	1-126-967-11	ELECT 47uF 20%	16V			*****	
		< CONNECTOR >			1-533-217-31	HOLDER, FUSE	
* CNS203	1-568-826-11	SOCKET, CONNECTOR 7P				< CAPACITOR >	
CNS204	1-691-766-11	PLUG (MICRO CONNECTOR) 4P		C801	1-126-964-11	ELECT 10uF 20%	50V
				C805	1-130-781-00	FILM 0.22uF 10%	100V
				C806	1-130-781-00	FILM 0.22uF 10%	100V
						< CONNECTOR >	
				* CNP801	1-564-905-11	PIN, CONNECTOR 9P	

The components identified by mark △ or dotted line with mark △ are critical for safety.
Replace only with part number specified.

SECONDARY **SP**

Ref. No.	Part No.	Description	Remark	Ref. No.	Part No.	Description	Remark
		< DIODE >				< COIL >	
D801	8-719-302-38	DIODE RBV-602-01		L601	1-411-906-11	COIL, AIR-CORE	
D802	8-719-024-99	DIODE 11ES2-NTA2B		L701	1-411-906-11	COIL, AIR-CORE	
D803	8-719-024-99	DIODE 11ES2-NTA2B		L751	1-411-906-11	COIL, AIR-CORE	
D804	8-719-024-99	DIODE 11ES2-NTA2B				< TRANSISTOR >	
D805	8-719-024-99	DIODE 11ES2-NTA2B					
D806	8-719-014-98	DIODE UZP-8.2B		Q544	8-729-119-79	TRANSISTOR 2SC2785-FEK	
		< FUSE >		Q609	8-729-281-53	TRANSISTOR 2SC1815-GR	
△F950	1-532-506-51	FUSE, TIME LAG (T6.3AL/250V)		Q610	8-729-900-63	TRANSISTOR DTA124ES	
△F951	1-532-506-51	FUSE, TIME LAG (T6.3AL/250V)		Q611	8-729-900-63	TRANSISTOR DTA124ES	
		< IC LINK >		Q645	8-729-119-79	TRANSISTOR 2SC2785-FEK	
△PS801	1-533-596-21	LINK, IC (4A)		Q709	8-729-281-53	TRANSISTOR 2SC1815-GR	
△PS802	1-533-596-21	LINK, IC (4A)		Q710	8-729-900-63	TRANSISTOR DTA124ES	
*****				Q745	8-729-119-79	TRANSISTOR 2SC2785-FEK	
		< RESISTOR >		Q747	8-729-119-79	TRANSISTOR 2SC2785-FEK	
*	A-4392-886-A	SP BOARD, COMPLETE		Q748	8-729-030-19	TRANSISTOR 2SB1640	

	7-685-872-09	SCREW +BVTT 3X8 (S)					
		< CAPACITOR >		R543	1-249-429-11	CARBON 10K 5% 1/4W	
C624	1-126-964-11	ELECT 10uF 20% 50V		R544	1-249-425-11	CARBON 4.7K 5% 1/4W	
C625	1-136-157-00	FILM 0.022uF 5% 50V		△R545	1-249-393-11	CARBON 10 5% 1/4W F	
C626	1-136-153-00	FILM 0.01uF 5% 50V		R546	1-249-421-11	CARBON 2.2K 5% 1/4W	
C724	1-126-964-11	ELECT 10uF 20% 50V		R629	1-247-866-11	CARBON 30K 5% 1/4W	
C725	1-136-157-00	FILM 0.022uF 5% 50V		R630	1-249-421-11	CARBON 2.2K 5% 1/4W	
C726	1-136-153-00	FILM 0.01uF 5% 50V		R631	1-249-433-11	CARBON 22K 5% 1/4W	
C775	1-136-157-00	FILM 0.022uF 5% 50V		△R633	1-249-393-11	CARBON 10 5% 1/4W F	
C794	1-126-964-11	ELECT 10uF 20% 50V		△R634	1-249-389-11	CARBON 4.7 5% 1/4W F	
C795	1-126-941-11	ELECT 470uF 20% 25V		R635	1-249-431-11	CARBON 15K 5% 1/4W	
		< JACK >		R636	1-249-433-11	CARBON 22K 5% 1/4W	
CNJ701	1-774-136-11	CONNECTOR, ROUND TYPE 6P (WIRELESS REAR SPEAKER)		R646	1-249-432-11	CARBON 18K 5% 1/4W	
		< CONNECTOR >		R647	1-249-429-11	CARBON 10K 5% 1/4W	
CNP603	1-564-320-00	PIN, CONNECTOR 2P		R648	1-249-425-11	CARBON 4.7K 5% 1/4W	
CNS703	1-695-094-11	SOCKET, CONNECTOR 11P		△R649	1-249-393-11	CARBON 10 5% 1/4W F	
		< DIODE >		R729	1-247-866-11	CARBON 30K 5% 1/4W	
D500	8-719-987-63	DIODE 1N4148M		R730	1-249-421-11	CARBON 2.2K 5% 1/4W	
D543	8-719-987-63	DIODE 1N4148M		R731	1-249-433-11	CARBON 22K 5% 1/4W	
D605	8-719-987-63	DIODE 1N4148M		△R733	1-249-393-11	CARBON 10 5% 1/4W F	
D606	8-719-987-63	DIODE 1N4148M		△R734	1-249-389-11	CARBON 4.7 5% 1/4W F	
D607	8-719-987-63	DIODE 1N4148M		R735	1-249-431-11	CARBON 15K 5% 1/4W	
D649	8-719-987-63	DIODE 1N4148M		R737	1-249-417-11	CARBON 1K 5% 1/4W	
D705	8-719-987-63	DIODE 1N4148M		R738	1-247-886-11	CARBON 200K 5% 1/4W	
D706	8-719-987-63	DIODE 1N4148M		R743	1-249-425-11	CARBON 4.7K 5% 1/4W	
D749	8-719-987-63	DIODE 1N4148M		R744	1-249-425-11	CARBON 4.7K 5% 1/4W	
		< IC >		R745	1-249-421-11	CARBON 2.2K 5% 1/4W	
IC702	8-759-605-01	IC M5F78M18L		R746	1-249-421-11	CARBON 2.2K 5% 1/4W	
		< JACK >		R747	1-249-429-11	CARBON 10K 5% 1/4W	
J501	1-770-377-31	JACK, PIN 1P (WOOFER, AUDIO OUTPUT)		R748	1-249-425-11	CARBON 4.7K 5% 1/4W	
				△R749	1-249-393-11	CARBON 10 5% 1/4W F	
				△R783	1-249-393-11	CARBON 10 5% 1/4W F	
				△R784	1-249-389-11	CARBON 4.7 5% 1/4W F	
				R787	1-249-417-11	CARBON 1K 5% 1/4W	
				R788	1-247-886-11	CARBON 200K 5% 1/4W	
						< RELAY >	
				RY503	1-515-793-11	RELAY	
				RY601	1-515-920-11	RELAY (24V)	
				RY701	1-515-920-11	RELAY (24V)	

The components identified by mark △ or dotted line with mark △ are critical for safety.
Replace only with part number specified.

Ref. No.	Part No.	Description	Remark
		< TERMINAL >	
* TM701	1-537-882-11	TERMINAL BOARD 6P (SURROUND SPEAKERS, REAR, CENTER)	

*	1-665-470-11	SP SW BOARD *****	
		< CONNECTOR >	
* CNS101	1-695-808-11	CONNECTOR, PC BOARD 8P	
		< DIODE >	
D152	8-719-987-63	DIODE 1N4148M	
D153	8-719-987-63	DIODE 1N4148M	
		< SWITCH >	
S136	1-762-751-11	SWITCH, TACTILE (DPC MODE)	
S137	1-554-118-00	SWITCH, PUSH (1 KEY) (POWER)	
S155	1-762-268-11	SWITCH, ROTARY (SPEAKERS)	

*	A-4392-888-A	STANDBY BOARD, COMPLETE (AEP,UK)	
*	A-4392-890-A	STANDBY BOARD, COMPLETE (SP,MY)	
*	A-4403-723-A	STANDBY BOARD, COMPLETE (CH) *****	
	1-533-217-31	HOLDER, FUSE	
		< CAPACITOR >	
C901	1-136-157-00	FILM 0.022uF 5% 50V	
C902	1-136-157-00	FILM 0.022uF 5% 50V	
C903	1-126-768-11	ELECT 2200uF 20% 16V	
C904	1-126-960-11	ELECT 1uF 20% 50V	
C905	1-126-959-11	ELECT 0.47uF 20% 50V	
C906	1-124-464-11	ELECT 0.22uF 20% 50V	
C913	1-164-159-11	CERAMIC 0.1uF 50V	
C914	1-164-159-11	CERAMIC 0.1uF 50V	
C915	1-136-173-00	FILM 0.47uF 5% 50V	
C916	1-164-159-11	CERAMIC 0.1uF 50V	
C917	1-164-159-11	CERAMIC 0.1uF 50V	
		< JACK >	
△ CNJ901	1-540-041-11	OUTLET, AC (NONPOLAR) (2P) (AC OUTLET) (CH)	
		< CONNECTOR >	
CNP903	1-564-321-00	PIN, CONNECTOR 2P	
* CNP904	1-580-230-21	PIN, CONNECTOR (PC BOARD) 2P (VE610)	
CNP905	1-695-087-11	PIN, CONNECTOR (PC BOARD) 7P	
		< DIODE >	
D901	8-719-024-99	DIODE 11ES2-NTA2B	
D902	8-719-024-99	DIODE 11ES2-NTA2B	
D903	8-719-024-99	DIODE 11ES2-NTA2B	
D904	8-719-024-99	DIODE 11ES2-NTA2B	
D905	8-719-987-63	DIODE 1N4148M	
D906	8-719-987-63	DIODE 1N4148M	

Ref. No.	Part No.	Description	Remark
D907	8-719-987-63	DIODE 1N4148M	
		< TERMINAL, EARTH >	
* EB900	1-537-738-21	TERMINAL, EARTH	
		< FUSE >	
△ F901	1-532-504-51	FUSE, TIME LAG (T4AL/250V)	
△ F902	1-532-464-51	FUSE, TIME LAG (T2.5AL/250V)	
		< IC >	
IC901	8-759-333-83	IC NJM2103D	
		< TRANSISTOR >	
Q901	8-729-119-79	TRANSISTOR 2SC2785-FEK	
Q902	8-729-030-18	TRANSISTOR 2SD2525	
		< RESISTOR >	
R902	1-249-429-11	CARBON 10K 5% 1/4W	
R903	1-249-425-11	CARBON 4.7K 5% 1/4W	
R904	1-249-417-11	CARBON 1K 5% 1/4W	
R905	1-249-428-11	CARBON 8.2K 5% 1/4W	
R906	1-249-421-11	CARBON 2.2K 5% 1/4W	
R908	1-249-433-11	CARBON 22K 5% 1/4W	
R909	1-249-439-11	CARBON 68K 5% 1/4W	
R910	1-249-437-11	CARBON 47K 5% 1/4W	
R912	1-249-430-11	CARBON 12K 5% 1/4W	
		< RELAY >	
△ RY901	1-515-999-11	RELAY, POWER	
		< TRANSFORMER >	
△ T902	1-450-358-11	TRANSFORMER, POWER	

*	A-4392-874-A	SURR BOARD, COMPLETE (AEP,UK)	
*	A-4392-875-A	SURR BOARD, COMPLETE (SP,MY,CH) *****	
		< CAPACITOR >	
C301	1-126-963-11	ELECT 4.7uF 20% 50V	
C302	1-162-282-31	CERAMIC 100PF 10% 50V	
C303	1-126-967-11	ELECT 47uF 20% 16V	
C304	1-130-480-00	MYLAR 0.0056uF 5% 50V	
C305	1-130-473-00	MYLAR 0.0015uF 5% 50V	
C306	1-126-960-11	ELECT 1uF 20% 50V	
C307	1-164-159-11	CERAMIC 0.1uF 50V	
C351	1-126-963-11	ELECT 4.7uF 20% 50V	
C352	1-162-282-31	CERAMIC 100PF 10% 50V	
C353	1-126-967-11	ELECT 47uF 20% 16V	
C354	1-130-480-00	MYLAR 0.0056uF 5% 50V	
C355	1-130-473-00	MYLAR 0.0015uF 5% 50V	
C356	1-126-960-11	ELECT 1uF 20% 50V	
C357	1-164-159-11	CERAMIC 0.1uF 50V	
C394	1-126-967-11	ELECT 47uF 20% 16V	
C395	1-126-967-11	ELECT 47uF 20% 16V	
C396	1-162-282-31	CERAMIC 100PF 10% 50V	

The components identified by mark △ or dotted line with mark △ are critical for safety.
Replace only with part number specified.

SURR

Ref. No.	Part No.	Description			Remark	Ref. No.	Part No.	Description			Remark
C397	1-162-294-31	CERAMIC	0.001uF	10%	50V	C479	1-136-165-00	FILM	0.1uF	5%	50V
C401	1-126-964-11	ELECT	10uF	20%	50V	C480	1-130-469-00	MYLAR	680PF	5%	50V
C402	1-126-964-11	ELECT	10uF	20%	50V	C481	1-136-165-00	FILM	0.1uF	5%	50V
C403	1-126-964-11	ELECT	10uF	20%	50V	C482	1-136-165-00	FILM	0.1uF	5%	50V
C404	1-162-199-31	CERAMIC	10PF	5%	50V	C483	1-126-967-11	ELECT	47uF	20%	16V
C405	1-162-199-31	CERAMIC	10PF	5%	50V	C484	1-126-933-11	ELECT	100uF	20%	16V
C406	1-126-964-11	ELECT	10uF	20%	50V	C485	1-164-159-11	CERAMIC	0.1uF		50V
C410	1-164-159-11	CERAMIC	0.1uF		50V	C486	1-126-964-11	ELECT	10uF	20%	50V
C413	1-126-964-11	ELECT	10uF	20%	50V	C489	1-164-159-11	CERAMIC	0.1uF		50V
C420	1-136-165-00	FILM	0.1uF	5%	50V	C490	1-126-923-11	ELECT	220uF	20%	10V
C421	1-126-933-11	ELECT	100uF	20%	16V	C491	1-126-963-11	ELECT	4.7uF	20%	50V
C422	1-164-159-11	CERAMIC	0.1uF		50V	C492	1-130-481-00	MYLAR	0.0068uF	5%	50V
C423	1-126-933-11	ELECT	100uF	20%	16V	C493	1-136-165-00	FILM	0.1uF	5%	50V
C424	1-164-159-11	CERAMIC	0.1uF		50V	C494	1-136-165-00	FILM	0.1uF	5%	50V
C425	1-128-551-11	ELECT	22uF	20%	25V	C497	1-162-215-31	CERAMIC	47PF	5%	50V
C426	1-136-177-00	FILM	1uF	5%	50V	C501	1-126-964-11	ELECT	10uF	20%	50V
C427	1-136-153-00	FILM	0.01uF	5%	50V	C502	1-162-282-31	CERAMIC	100PF	10%	50V
C428	1-130-474-00	MYLAR	0.0018uF	5%	50V	C503	1-107-601-11	CERAMIC	33PF	5%	500V
C429	1-136-163-00	FILM	0.068uF	5%	50V	C505	1-126-933-11	ELECT	100uF	20%	16V
C430	1-136-165-00	FILM	0.1uF	5%	50V	C508	1-136-163-00	FILM	0.068uF	5%	50V
C431	1-136-165-00	FILM	0.1uF	5%	50V	C509	1-136-154-00	FILM	0.012uF	5%	50V
C432	1-136-163-00	FILM	0.068uF	5%	50V	C511	1-130-476-00	MYLAR	0.0027uF	5%	50V
C433	1-136-153-00	FILM	0.01uF	5%	50V	C512	1-136-157-00	FILM	0.022uF	5%	50V
C434	1-130-474-00	MYLAR	0.0018uF	5%	50V	C513	1-136-171-00	FILM	0.33uF	5%	50V
C435	1-136-163-00	FILM	0.068uF	5%	50V	C514	1-136-159-00	FILM	0.033uF	5%	50V
C436	1-136-165-00	FILM	0.1uF	5%	50V	C527	1-126-964-11	ELECT	10uF	20%	50V
C437	1-130-467-00	MYLAR	470PF	5%	50V	C539	1-162-282-31	CERAMIC	100PF	10%	50V
C438	1-136-165-00	FILM	0.1uF	5%	50V	C551	1-126-964-11	ELECT	10uF	20%	50V
C439	1-130-470-00	MYLAR	820PF	5%	50V	C552	1-162-282-31	CERAMIC	100PF	10%	50V
C440	1-130-480-00	MYLAR	0.0056uF	5%	50V	C553	1-107-601-11	CERAMIC	33PF	5%	500V
C441	1-136-161-00	FILM	0.047uF	5%	50V	C555	1-126-933-11	ELECT	100uF	20%	16V
C442	1-136-175-00	FILM	0.68uF	5%	50V	C558	1-136-163-00	FILM	0.068uF	5%	50V
C443	1-136-169-00	FILM	0.22uF	5%	50V	C559	1-136-154-00	FILM	0.012uF	5%	50V
C444	1-136-169-00	FILM	0.22uF	5%	50V	C561	1-130-476-00	MYLAR	0.0027uF	5%	50V
C445	1-126-963-11	ELECT	4.7uF	20%	50V	C562	1-136-157-00	FILM	0.022uF	5%	50V
C446	1-126-963-11	ELECT	4.7uF	20%	50V	C563	1-136-171-00	FILM	0.33uF	5%	50V
C447	1-136-169-00	FILM	0.22uF	5%	50V	C564	1-136-159-00	FILM	0.033uF	5%	50V
C448	1-136-169-00	FILM	0.22uF	5%	50V	C577	1-126-964-11	ELECT	10uF	20%	50V
C449	1-136-165-00	FILM	0.1uF	5%	50V	C580	1-162-294-31	CERAMIC	0.001uF	10%	50V
C450	1-136-161-00	FILM	0.047uF	5%	50V	C581	1-126-964-11	ELECT	10uF	20%	50V
C451	1-126-964-11	ELECT	10uF	20%	50V	C589	1-162-282-31	CERAMIC	100PF	10%	50V
C452	1-126-964-11	ELECT	10uF	20%	50V	C592	1-126-965-11	ELECT	22uF	20%	50V
C453	1-126-964-11	ELECT	10uF	20%	50V	C593	1-126-923-11	ELECT	220uF	20%	10V
C454	1-162-199-31	CERAMIC	10PF	5%	50V	C594	1-128-560-11	ELECT	22uF	20%	100V
C455	1-162-199-31	CERAMIC	10PF	5%	50V	C595	1-128-560-11	ELECT	22uF	20%	100V
C456	1-126-964-11	ELECT	10uF	20%	50V	C596	1-164-159-11	CERAMIC	0.1uF		50V
C460	1-164-159-11	CERAMIC	0.1uF		50V	C597	1-162-282-31	CERAMIC	100PF	10%	50V
C463	1-126-964-11	ELECT	10uF	20%	50V	C599	1-126-967-11	ELECT	47uF	20%	16V
C469	1-126-963-11	ELECT	4.7uF	20%	50V	C601	1-126-964-11	ELECT	10uF	20%	50V
C470	1-136-161-00	FILM	0.047uF	5%	50V	C602	1-162-282-31	CERAMIC	100PF	10%	50V
C471	1-136-165-00	FILM	0.1uF	5%	50V	C603	1-102-989-00	CERAMIC	68PF	5%	500V
C472	1-136-165-00	FILM	0.1uF	5%	50V	C604	1-164-040-11	CERAMIC	4PF	0.25PF	50V
C473	1-136-157-00	FILM	0.022uF	5%	50V	C605	1-126-967-11	ELECT	47uF	20%	16V
C474	1-136-157-00	FILM	0.022uF	5%	50V	C606	1-102-989-00	CERAMIC	68PF	5%	500V
C475	1-136-165-00	FILM	0.1uF	5%	50V	CC01	1-162-282-31	CERAMIC	100PF	10%	50V (AEP,UK)
C476	1-130-469-00	MYLAR	680PF	5%	50V	CC02	1-162-282-31	CERAMIC	100PF	10%	50V (AEP,UK)
C477	1-126-967-11	ELECT	47uF	20%	16V						
C478	1-136-165-00	FILM	0.1uF	5%	50V						

Ref. No.	Part No.	Description	Remark	Ref. No.	Part No.	Description	Remark
CC03	1-162-282-31	CERAMIC	100PF 10% 50V (AEP,UK)	L402	1-410-509-11	INDUCTOR 10uH	
CC04	1-162-282-31	CERAMIC	100PF 10% 50V (AEP,UK)	L403	1-410-509-11	INDUCTOR 10uH	
CC05	1-162-282-31	CERAMIC	100PF 10% 50V (AEP,UK)	L404	1-410-509-11	INDUCTOR 10uH	
CC06	1-162-282-31	CERAMIC	100PF 10% 50V (AEP,UK)	< TRANSISTOR >			
CC51	1-162-282-31	CERAMIC	100PF 10% 50V (AEP,UK)	Q402	8-729-922-37	TRANSISTOR 2SD2144S	
CC52	1-162-282-31	CERAMIC	100PF 10% 50V (AEP,UK)	Q410	8-729-119-79	TRANSISTOR 2SC2785-FEK	
CC53	1-162-282-31	CERAMIC	100PF 10% 50V (AEP,UK)	Q411	8-729-900-63	TRANSISTOR DTA124ES	
CC54	1-162-282-31	CERAMIC	100PF 10% 50V (AEP,UK)	Q412	8-729-900-63	TRANSISTOR DTA124ES	
CC55	1-162-282-31	CERAMIC	100PF 10% 50V (AEP,UK)	Q413	8-729-900-63	TRANSISTOR DTA124ES	
CC56	1-162-282-31	CERAMIC	100PF 10% 50V (AEP,UK)	Q414	8-729-900-63	TRANSISTOR DTA124ES	
< CONNECTOR >				Q415	8-729-900-36	TRANSISTOR DTC124ES	
CNP250	1-691-765-11	PLUG (MICRO CONNECTOR) 3P		Q416	8-729-900-36	TRANSISTOR DTC124ES	
CNP303	1-695-091-11	PIN, CONNECTOR (PC BOARD) 15P		Q452	8-729-922-37	TRANSISTOR 2SD2144S	
CNP403	1-695-088-11	PIN, CONNECTOR (PC BOARD) 9P		Q501	8-729-202-67	TRANSISTOR 2SK246-GR3	
CNP404	1-695-089-11	PIN, CONNECTOR (PC BOARD) 11P		Q502	8-729-141-30	TRANSISTOR 2SC3623A-LK	
CNS106	1-569-323-11	SOCKET, CONNECTOR 19P		Q503	8-729-140-84	TRANSISTOR 2SC1841-PAFAEA	
CNS401	1-569-323-11	SOCKET, CONNECTOR 19P		Q551	8-729-202-67	TRANSISTOR 2SK246-GR3	
CNS501	1-770-404-11	HOUSING,CONNECTOR (PC BOARD)11P		Q552	8-729-141-30	TRANSISTOR 2SC3623A-LK	
CNS601	1-770-404-11	HOUSING,CONNECTOR (PC BOARD)11P		< RESISTOR >			
< DIODE >				R301	1-249-409-11	CARBON 220 5%	1/4W
D401	8-719-987-63	DIODE 1N4148M		R302	1-249-441-11	CARBON 100K 5%	1/4W
D402	8-719-987-63	DIODE 1N4148M		R303	1-249-441-11	CARBON 100K 5%	1/4W
D403	8-719-024-99	DIODE 11ES2-NTA2B		R304	1-249-416-11	CARBON 820 5%	1/4W
< TERMINAL, EARTH >				R305	1-247-897-11	CARBON 560K 5%	1/4W
* EB301	1-537-738-21	TERMINAL, EARTH		R306	1-249-437-11	CARBON 47K 5%	1/4W
< IC >				R307	1-249-441-11	CARBON 100K 5%	1/4W
IC301	8-759-805-14	IC LC7822		R308	1-247-807-31	CARBON 100 5%	1/4W
IC302	8-759-636-74	IC M5218AP-22		R309	1-249-417-11	CARBON 1K 5%	1/4W
IC401	8-759-392-97	IC M62460FP		R310	1-249-425-11	CARBON 4.7K 5%	1/4W
IC402	8-759-634-51	IC M5218AP		R311	1-249-417-11	CARBON 1K 5%	1/4W
IC403	8-759-634-51	IC M5218AP		R312	1-249-425-11	CARBON 4.7K 5%	1/4W
IC404	8-759-634-51	IC M5218AP		R351	1-249-409-11	CARBON 220 5%	1/4W
IC407	8-759-189-27	IC M5278L10-TP		R352	1-249-441-11	CARBON 100K 5%	1/4W
IC408	8-759-708-05	IC NJM78L05A		R353	1-249-441-11	CARBON 100K 5%	1/4W
IC501	8-759-326-52	IC uPC2581V		R354	1-249-416-11	CARBON 820 5%	1/4W
IC502	8-759-462-99	IC TC9184P		R355	1-247-897-11	CARBON 560K 5%	1/4W
IC601	8-749-011-16	IC STK350-230		R356	1-249-437-11	CARBON 47K 5%	1/4W
< JACK >				R357	1-249-441-11	CARBON 100K 5%	1/4W
J301	1-770-015-11	JACK, PIN 6P (PHONO, TUNER, CD IN)		R358	1-247-807-31	CARBON 100 5%	1/4W
J302	1-695-188-31	JACK, PIN 4P (TAPE/MD REC OUT IN)		R359	1-249-417-11	CARBON 1K 5%	1/4W
< COIL >				R360	1-249-425-11	CARBON 4.7K 5%	1/4W
L401	1-410-509-11	INDUCTOR 10uH		R361	1-249-417-11	CARBON 1K 5%	1/4W
				R362	1-249-425-11	CARBON 4.7K 5%	1/4W
				R394	1-247-807-31	CARBON 100 5%	1/4W
				R395	1-247-807-31	CARBON 100 5%	1/4W
				R396	1-249-417-11	CARBON 1K 5%	1/4W
				R397	1-249-425-11	CARBON 4.7K 5%	1/4W
				R401	1-249-433-11	CARBON 22K 5%	1/4W
				R402	1-249-434-11	CARBON 27K 5%	1/4W
				R403	1-249-417-11	CARBON 1K 5%	1/4W
				R404	1-249-425-11	CARBON 4.7K 5%	1/4W
				R405	1-249-440-11	CARBON 82K 5%	1/4W
				R406	1-247-895-00	CARBON 470K 5%	1/4W
				R407	1-249-441-11	CARBON 100K 5%	1/4W
				R408	1-249-429-11	CARBON 10K 5%	1/4W

SURR

Ref. No.	Part No.	Description	Remark	Ref. No.	Part No.	Description	Remark
R409	1-249-433-11	CARBON	22K 5% 1/4W	R503	1-249-439-11	CARBON	68K 5% 1/4W
R414	1-249-417-11	CARBON	1K 5% 1/4W	R504	1-247-820-11	CARBON	360 5% 1/4W
R415	1-249-425-11	CARBON	4.7K 5% 1/4W	R508	1-249-436-11	CARBON	39K 5% 1/4W
R426	1-249-429-11	CARBON	10K 5% 1/4W	R509	1-247-903-00	CARBON	1M 5% 1/4W
R427	1-249-429-11	CARBON	10K 5% 1/4W	R510	1-249-425-11	CARBON	4.7K 5% 1/4W
R428	1-247-903-00	CARBON	1M 5% 1/4W	R511	1-249-434-11	CARBON	27K 5% 1/4W
R429	1-247-872-11	CARBON	51K 5% 1/4W	R513	1-249-426-11	CARBON	5.6K 5% 1/4W
R430	1-247-887-00	CARBON	220K 5% 1/4W	R514	1-249-418-11	CARBON	1.2K 5% 1/4W
R431	1-247-864-11	CARBON	24K 5% 1/4W	R515	1-249-441-11	CARBON	100K 5% 1/4W
R432	1-247-864-11	CARBON	24K 5% 1/4W	R516	1-247-843-11	CARBON	3.3K 5% 1/4W
R433	1-247-891-00	CARBON	330K 5% 1/4W	R517	1-247-883-00	CARBON	150K 5% 1/4W
R434	1-249-437-11	CARBON	47K 5% 1/4W	R518	1-249-427-11	CARBON	6.8K 5% 1/4W
R435	1-249-431-11	CARBON	15K 5% 1/4W	R519	1-249-413-11	CARBON	470 5% 1/4W
R436	1-247-852-11	CARBON	7.5K 5% 1/4W	R536	1-247-897-11	CARBON	560K 5% 1/4W
R437	1-249-437-11	CARBON	47K 5% 1/4W	R537	1-249-417-11	CARBON	1K 5% 1/4W
R438	1-249-431-11	CARBON	15K 5% 1/4W	R551	1-249-417-11	CARBON	1K 5% 1/4W
R439	1-247-852-11	CARBON	7.5K 5% 1/4W	R552	1-249-439-11	CARBON	68K 5% 1/4W
R440	1-259-880-11	CARBON	2.2M 5% 1/4W	R553	1-249-439-11	CARBON	68K 5% 1/4W
R441	1-249-441-11	CARBON	100K 5% 1/4W	R554	1-247-820-11	CARBON	360 5% 1/4W
R442	1-247-883-00	CARBON	150K 5% 1/4W	R555	1-249-419-11	CARBON	1.5K 5% 1/4W
R443	1-249-431-11	CARBON	15K 5% 1/4W	△R556	1-249-393-11	CARBON	10 5% 1/4W F
R444	1-249-429-11	CARBON	10K 5% 1/4W	△R557	1-249-393-11	CARBON	10 5% 1/4W F
R445	1-249-429-11	CARBON	10K 5% 1/4W	R558	1-249-436-11	CARBON	39K 5% 1/4W
R446	1-249-419-11	CARBON	1.5K 5% 1/4W	R559	1-247-903-00	CARBON	1M 5% 1/4W
R447	1-249-429-11	CARBON	10K 5% 1/4W	R560	1-249-425-11	CARBON	4.7K 5% 1/4W
R448	1-249-429-11	CARBON	10K 5% 1/4W	R561	1-249-434-11	CARBON	27K 5% 1/4W
R449	1-249-425-11	CARBON	4.7K 5% 1/4W	R563	1-249-426-11	CARBON	5.6K 5% 1/4W
R450	1-249-441-11	CARBON	100K 5% 1/4W	R564	1-249-418-11	CARBON	1.2K 5% 1/4W
R451	1-249-433-11	CARBON	22K 5% 1/4W	R565	1-249-441-11	CARBON	100K 5% 1/4W
R452	1-249-434-11	CARBON	27K 5% 1/4W	R566	1-247-843-11	CARBON	3.3K 5% 1/4W
R453	1-249-417-11	CARBON	1K 5% 1/4W	R567	1-247-883-00	CARBON	150K 5% 1/4W
R454	1-249-425-11	CARBON	4.7K 5% 1/4W	R568	1-249-427-11	CARBON	6.8K 5% 1/4W
R455	1-249-440-11	CARBON	82K 5% 1/4W	R569	1-249-413-11	CARBON	470 5% 1/4W
R456	1-247-895-00	CARBON	470K 5% 1/4W	R591	1-247-897-11	CARBON	560K 5% 1/4W
R457	1-249-441-11	CARBON	100K 5% 1/4W	R592	1-249-425-11	CARBON	4.7K 5% 1/4W
R458	1-249-429-11	CARBON	10K 5% 1/4W	R593	1-249-435-11	CARBON	33K 5% 1/4W
R459	1-249-433-11	CARBON	22K 5% 1/4W	R594	1-249-425-11	CARBON	4.7K 5% 1/4W
R464	1-249-417-11	CARBON	1K 5% 1/4W	R595	1-247-903-00	CARBON	1M 5% 1/4W
R465	1-249-425-11	CARBON	4.7K 5% 1/4W	R596	1-249-419-11	CARBON	1.5K 5% 1/4W
R475	1-247-872-11	CARBON	51K 5% 1/4W	R599	1-249-425-11	CARBON	4.7K 5% 1/4W
R483	1-249-441-11	CARBON	100K 5% 1/4W	R601	1-249-417-11	CARBON	1K 5% 1/4W
R484	1-249-441-11	CARBON	100K 5% 1/4W	R602	1-249-439-11	CARBON	68K 5% 1/4W
R485	1-249-441-11	CARBON	100K 5% 1/4W	R603	1-247-820-11	CARBON	360 5% 1/4W
R486	1-249-437-11	CARBON	47K 5% 1/4W	R604	1-249-439-11	CARBON	68K 5% 1/4W
R487	1-249-437-11	CARBON	47K 5% 1/4W	R605	1-249-413-11	CARBON	470 5% 1/4W
R488	1-249-437-11	CARBON	47K 5% 1/4W	RR01	1-249-418-11	CARBON	1.2K 5% 1/4W
R489	1-249-437-11	CARBON	47K 5% 1/4W				(AEP,UK)
R493	1-249-417-11	CARBON	1K 5% 1/4W	RR51	1-249-418-11	CARBON	1.2K 5% 1/4W
R494	1-249-429-11	CARBON	10K 5% 1/4W				(AEP,UK)
R495	1-249-421-11	CARBON	2.2K 5% 1/4W			< RELAY >	
R496	1-249-421-11	CARBON	2.2K 5% 1/4W	RY401	1-515-614-11	RELAY	
R497	1-247-887-00	CARBON	220K 5% 1/4W			< VIBRATOR >	
R498	1-247-887-00	CARBON	220K 5% 1/4W	X401	1-567-819-11	VIBRATOR, CERAMIC (4MHz)	
R499	1-249-417-11	CARBON	1K 5% 1/4W			*****	
R500	1-249-417-11	CARBON	1K 5% 1/4W				
R501	1-249-417-11	CARBON	1K 5% 1/4W				
R502	1-249-439-11	CARBON	68K 5% 1/4W				

The components identified by mark △ or dotted line with mark △ are critical for safety.
Replace only with part number specified.

SURR

SURR-AUDIO

SW

VIDEO

Ref. No.	Part No.	Description	Remark
*	1-667-721-11	SURR-AUDIO BOARD *****	
		< CONNECTOR >	
CNP302	1-695-091-11	PIN, CONNECTOR (PC BOARD) 15P	
CNS303	1-695-096-11	SOCKET, CONNECTOR 15P	

*	1-665-496-11	SW BOARD *****	
		< CONNECTOR >	
CNS103	1-770-397-11	HOUSING, CONNECTOR(PC BOARD)4P	
		< RESISTOR >	
R169	1-249-411-11	CARBON 330 5% 1/4W	
R170	1-249-413-11	CARBON 470 5% 1/4W	
R171	1-249-415-11	CARBON 680 5% 1/4W	
R172	1-249-417-11	CARBON 1K 5% 1/4W	
R173	1-249-419-11	CARBON 1.5K 5% 1/4W	
R174	1-249-421-11	CARBON 2.2K 5% 1/4W	
R175	1-249-425-11	CARBON 4.7K 5% 1/4W	
R176	1-249-411-11	CARBON 330 5% 1/4W	
R177	1-249-413-11	CARBON 470 5% 1/4W	
R178	1-249-415-11	CARBON 680 5% 1/4W	
R179	1-249-417-11	CARBON 1K 5% 1/4W	
R180	1-249-419-11	CARBON 1.5K 5% 1/4W	
R181	1-249-421-11	CARBON 2.2K 5% 1/4W	
R182	1-249-411-11	CARBON 330 5% 1/4W	
R183	1-249-413-11	CARBON 470 5% 1/4W	
R184	1-249-415-11	CARBON 680 5% 1/4W	
R185	1-249-417-11	CARBON 1K 5% 1/4W	
R186	1-249-419-11	CARBON 1.5K 5% 1/4W	
R187	1-249-421-11	CARBON 2.2K 5% 1/4W	
		< SWITCH >	
S105	1-762-751-11	SWITCH, TACTILE (DIRECT PASS)	
S106	1-762-751-11	SWITCH, TACTILE (GENRE)	
S107	1-762-751-11	SWITCH, TACTILE (SET UP)	
S108	1-762-751-11	SWITCH, TACTILE (MODE)	
S113	1-762-751-11	SWITCH, TACTILE (AUDIO FUNCTION)	
S114	1-762-751-11	SWITCH, TACTILE (SOUND FIELD ON/OFF)	
S115	1-762-751-11	SWITCH, TACTILE (AUDIO FUNCTION)	
S120	1-762-751-11	SWITCH, TACTILE (VIDEO FUNCTION)	
S121	1-762-751-11	SWITCH, TACTILE (5.1/DVD INPUT)	
S122	1-762-751-11	SWITCH, TACTILE (VIDEO FUNCTION)	

*	A-4392-866-A	VIDEO BOARD, COMPLETE *****	
		< CAPACITOR >	
C201	1-126-960-11	ELECT 1uF 20% 50V	
C202	1-126-960-11	ELECT 1uF 20% 50V	
C203	1-126-960-11	ELECT 1uF 20% 50V	
C204	1-126-964-11	ELECT 10uF 20% 50V	
C205	1-126-964-11	ELECT 10uF 20% 50V	
C206	1-126-964-11	ELECT 10uF 20% 50V	

Ref. No.	Part No.	Description	Remark
C207	1-126-933-11	ELECT 100uF 20% 16V	
C208	1-126-933-11	ELECT 100uF 20% 16V	
C209	1-164-159-11	CERAMIC 0.1uF 50V	
C210	1-164-159-11	CERAMIC 0.1uF 50V	
C212	1-164-159-11	CERAMIC 0.1uF 50V	
C213	1-126-963-11	ELECT 4.7uF 20% 50V	
C214	1-126-964-11	ELECT 10uF 20% 50V	
		< CONNECTOR >	
CNS201	1-695-092-11	SOCKET, CONNECTOR 7P	
* CNS202	1-568-826-11	SOCKET, CONNECTOR 7P	
		< IC >	
IC201	8-759-061-95	IC SN761200	
		< JACK >	
J201	1-766-399-11	JACK, PIN 3P (MONITOR VIDEO OUT,VIDEO 1 VIDEO IN OUT)	
J202	1-766-400-11	JACK, PIN 2P (VIDEO 2 VIDEO IN OUT)	
J203	1-766-400-11	JACK, PIN 2P (TV/LD VIDEO IN,5.1/DVD VIDEO IN)	
		< COIL >	
L201	1-410-521-11	INDUCTOR 100uH	
L202	1-410-521-11	INDUCTOR 100uH	
		< TRANSISTOR >	
Q201	8-729-119-76	TRANSISTOR 2SA1175-HFE	
Q202	8-729-620-05	TRANSISTOR 2SC2603-EF	
Q203	8-729-620-05	TRANSISTOR 2SC2603-EF	
Q204	8-729-119-76	TRANSISTOR 2SA1175-HFE	
Q205	8-729-119-76	TRANSISTOR 2SA1175-HFE	
Q206	8-729-620-05	TRANSISTOR 2SC2603-EF	
Q207	8-729-922-37	TRANSISTOR 2SD2144S	
Q208	8-729-922-37	TRANSISTOR 2SD2144S	
Q209	8-729-922-37	TRANSISTOR 2SD2144S	
Q210	8-729-922-37	TRANSISTOR 2SD2144S	
		< RESISTOR >	
R201	1-249-403-11	CARBON 68 5% 1/4W	
R202	1-249-403-11	CARBON 68 5% 1/4W	
R203	1-249-403-11	CARBON 68 5% 1/4W	
R204	1-249-403-11	CARBON 68 5% 1/4W	
R205	1-249-403-11	CARBON 68 5% 1/4W	
R206	1-249-403-11	CARBON 68 5% 1/4W	
R207	1-249-403-11	CARBON 68 5% 1/4W	
R208	1-249-430-11	CARBON 12K 5% 1/4W	
R209	1-249-419-11	CARBON 1.5K 5% 1/4W	
R210	1-249-426-11	CARBON 5.6K 5% 1/4W	
R211	1-249-430-11	CARBON 12K 5% 1/4W	
R212	1-249-419-11	CARBON 1.5K 5% 1/4W	
R213	1-249-426-11	CARBON 5.6K 5% 1/4W	
R214	1-249-403-11	CARBON 68 5% 1/4W	
R215	1-249-403-11	CARBON 68 5% 1/4W	
R216	1-247-807-31	CARBON 100 5% 1/4W	
R217	1-249-430-11	CARBON 12K 5% 1/4W	
R218	1-249-419-11	CARBON 1.5K 5% 1/4W	
R219	1-249-426-11	CARBON 5.6K 5% 1/4W	

VIDEO

VIDEO (3)

VOL

Ref. No.	Part No.	Description	Remark
R220	1-249-403-11	CARBON 68 5%	1/4W
R230	1-249-417-11	CARBON 1K 5%	1/4W

*	1-665-502-11	VIDEO(3) BOARD *****	
< CAPACITOR >			
CC14	1-162-282-31	CERAMIC 100PF 10%	50V (AEP,UK)
CC64	1-162-282-31	CERAMIC 100PF 10%	50V (AEP,UK)
C299	1-164-159-11	CERAMIC 0.1uF	50V
< JACK >			
J299	1-764-190-11	JACK, PIN 3P (VIDEO 3 INPUT)	
< RESISTOR >			
R297	1-249-403-11	CARBON 68 5%	1/4W
R298	1-249-403-11	CARBON 68 5%	1/4W
R299	1-249-403-11	CARBON 68 5%	1/4W
R316	1-249-417-11	CARBON 1K 5%	1/4W
R366	1-249-417-11	CARBON 1K 5%	1/4W

*	1-665-466-11	VOL BOARD (AEP,UK)	
*	1-665-477-11	VOL BOARD (SP,MY,CH) *****	
< CAPACITOR >			
C497	1-126-964-11	ELECT 10uF 20%	50V
< CONNECTOR >			
CNP102	1-770-388-11	PIN, CONNECTOR (PC BOARD) 4P	
CNS402	1-569-323-11	SOCKET, CONNECTOR 19P	
CNS410	1-750-179-11	SOCKET, CONNECTOR 5P	
< VARIABLE RESISTOR >			
RV401	1-225-446-11	RES, VAR, CARBON 100KX6 (MASTER VOLUME)	

Ref. No.	Part No.	Description	Remark
MISCELLANEOUS *****			
19	1-773-130-11	WIRE (FLAT TYPE) (19 CORE) (100mm)	
22	1-773-115-11	WIRE (FLAT TYPE) (19 CORE) (320mm)	
57	1-773-108-11	WIRE (FLAT TYPE) (19 CORE) (160mm)	
△60	1-769-744-11	CORD, POWER	
67	1-769-878-11	WIRE (FLAT TYPE) (7 CORE)	
△68	1-770-019-11	ADAPTOR, CONVERSION PLUG 3P (UK)	
103	1-533-217-31	HOLDER, FUSE	
△CNJ909	1-526-794-11	OUTLET, AC (VE610)	
△F901	1-532-504-51	FUSE, TIME LAG (T4AL/250V)	
△F902	1-532-464-51	FUSE, TIME LAG (T2.5AL/250V)	
△F950	1-532-506-51	FUSE, TIME LAG (T6.3AL/250V)	
△F951	1-532-506-51	FUSE, TIME LAG (T6.3AL/250V)	
FL101	1-517-672-11	INDICATOR TUBE, FLUORESCENT	
△T902	1-431-273-11	TRANSFORMER, POWER	

ACCESSORIES & PACKING MATERIALS *****			
1-475-135-11	REMOTE COMMANDER (RM-U501)		
3-861-069-11	MANUAL, INSTRUCTION (ENGLISH,FRENCH,DUTCH,SWEDISH) (AEP,UK)		
3-861-069-21	MANUAL, INSTRUCTION(GERMAM,SPANISH, ITALIAN,PORTUGUESE) (AEP)		
3-861-069-41	MANUAL, INSTRUCTION (ENGLISH,CHINESE) (SP,MY)		
3-861-069-51	MANUAL, INSTRUCTION (ENGLISH,CHINESE) (CH)		
4-983-536-01	LID, BATTERY (FOR RM-U501)		

***** HARDWARE LIST *****			
#1	7-685-646-79	SCREW +BVTP 3X8 TYPE2 IT-3	
#2	7-685-872-09	SCREW +BVTT 3X8 (S)	
#3	7-685-881-09	SCREW +BVTT 4X8 (S)	

The components identified by mark △ or dotted line with mark △ are critical for safety.
Replace only with part number specified.