

TA-V702

SERVICE MANUAL

*AEP Model
UK Model
E Model*

This set is the stereo amplifier section in
LBT-V702/V702CD/V702CDG



SPECIFICATIONS

Continuous RMS power output

60 W + 60 W
(6 ohms, at 1 kHz, 5% THD)
50 W + 50 W
(6 ohms, DIN, 1 kHz)

Music power output

90 W + 90 W
(6 ohms, at 1 kHz, 10% THD)

Frequency response

CD: 10 Hz to 50 kHz ± 0.5 dB

Power requirements

UK model: 240 V AC, 50/60 Hz
AEP model :
220 V AC, 50/60 Hz
E model : 120/220/240V AC
adjustable, 50/60Hz.

Power consumption

UK model: 350 W
AEP model : 150W
E model : 175W

AC outlet

1 unswitched, 100 W max.

Weight

Approx. 6.2 kg (13 lbs 11 oz)

Dimensions

Approx. 355 × 130 × 326 mm
(w/h/d, including projections)
(14 × 5¹/₈ × 12⁷/₈ inches)

Input	Jack type	Sensitivity	Impedance
PHONO	Phono	2.5 mV	47 kohms
VIDEO1/DAT	Phono	180 mV	47 kohms
VIDEO2	Phono	180 mV	47 kohms
CD	Phono	180 mV	47 kohms
MIC	Phone	0.8 mV	10 kohms

Output	Jack type	Voltage	Impedance
VIDEO1/DAT	Phono	150 mV	2 kohms
SURROUND SPEAKER	Phono	Accepts speakers of 8 to 16 ohms	
HEADPHONES	Stereophone	Accepts headphones of 8 ohms or more	

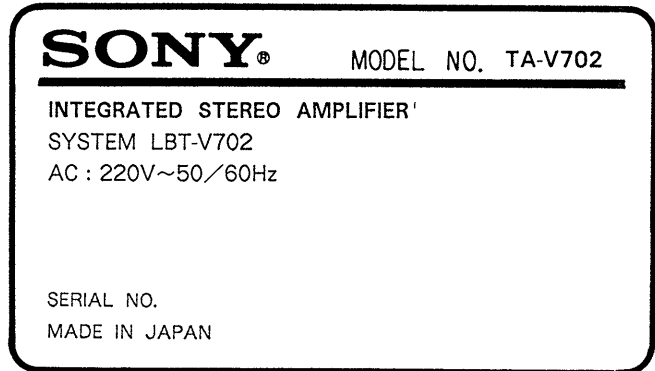
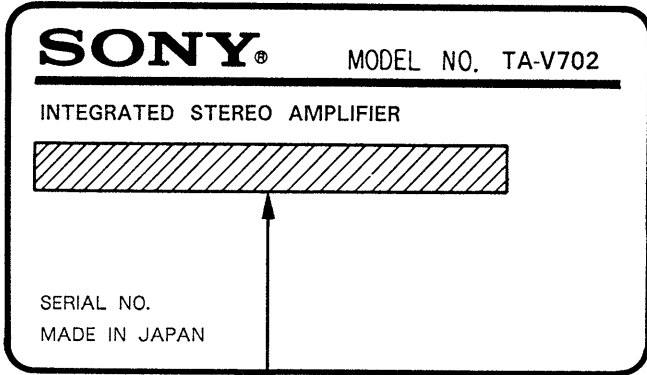


STEREO AMPLIFIER
SONY®

MODEL IDENTIFICATION

—Specification Label—

West Germany Model :





AEP Model : AC : 220V~50/60Hz

Italian Model : AC : 220V~50/60Hz

UK Model : AC : 240V~50/60Hz

E, Saudi Arabia Model : AC : 120V/220V/240V~50/60Hz 175W

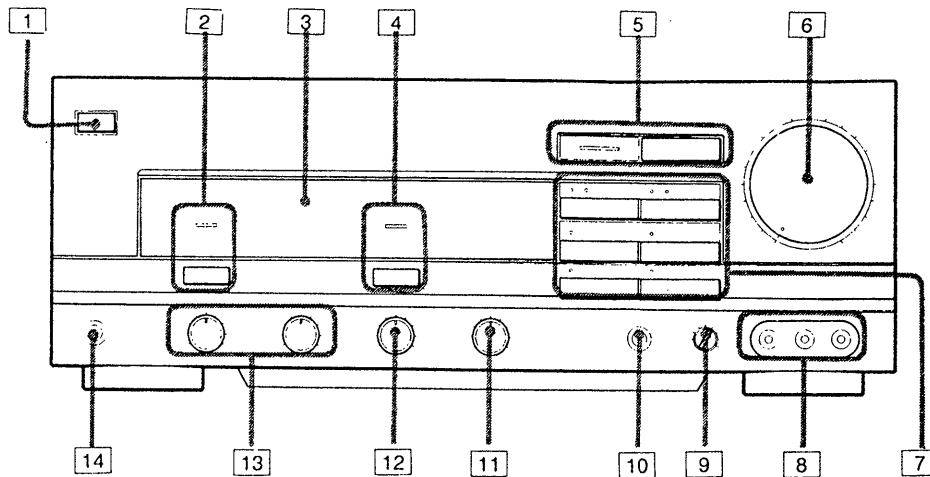
SAFETY-RELATED COMPONENT WARNING!!

COMPONENTS IDENTIFIED BY MARK  OR DOTTED LINE WITH MARK  ON THE SCHEMATIC DIAGRAMS AND IN THE PARTS LIST ARE CRITICAL TO SAFE OPERATION. REPLACE THESE COMPONENTS WITH SONY PARTS WHOSE PART NUMBERS APPEAR AS SHOWN IN THIS MANUAL OR IN SUPPLEMENTS PUBLISHED BY SONY.

SECTION 1

GENERAL

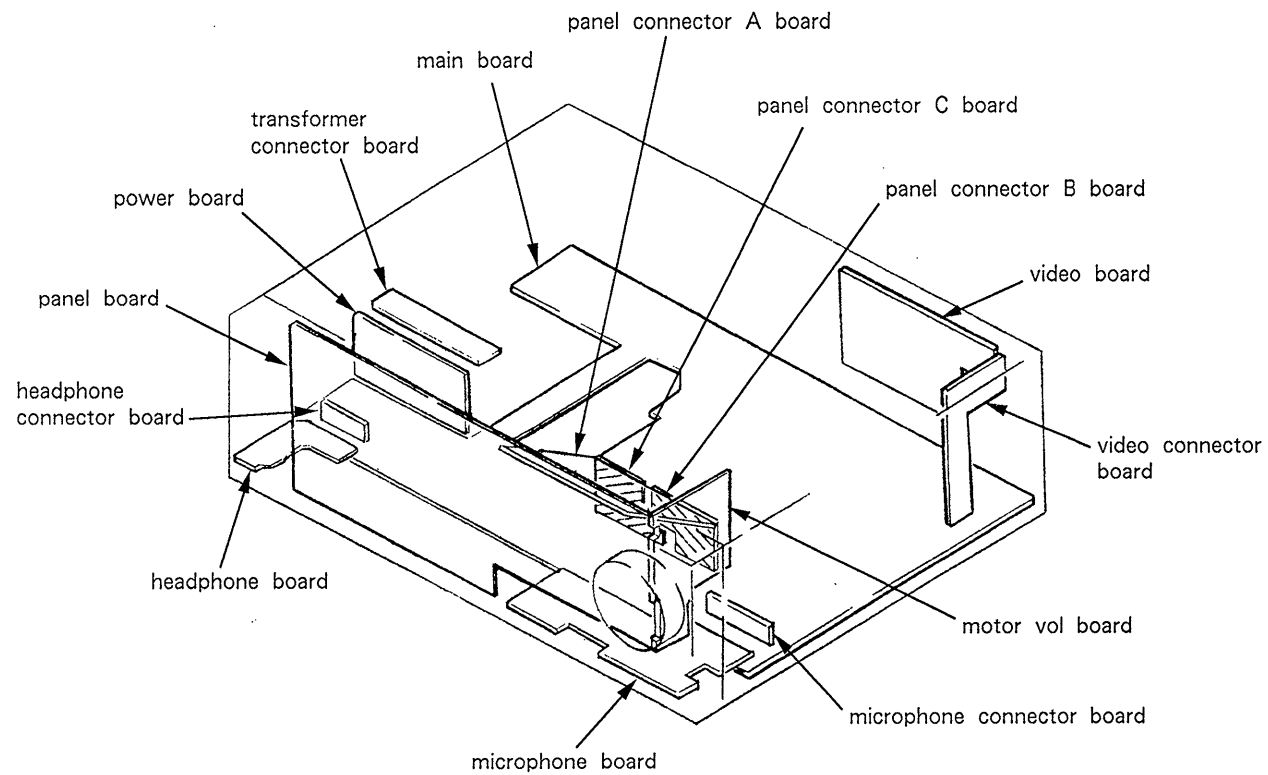
PARTS IDENTIFICATION



- 1** POWER switch
- 2** EQ REC (equalizer recording) button and indicator
- 3** Display window
- 4** DBFB (dynamic bass feedback) button and indicator (AEP, UK, West Germany and Italian model)
SAT (Super Acoustic Turbo) button and indicator (E, Saudi Arabia model)
- 5** CD DIRECT button and indicator
- 6** VOLUME control
- 7** FUNCTION selectors and indicator
red: audio
green: video
Every time you press the VIDEO 1/DAT and VIDEO 2 buttons,
audio and video source is switched.
- 8** VIDEO 2 INPUT jacks
- 9** MIC (microphone) LEVEL control
- 10** MIC (microphone) jack
- 11** BALANCE control
- 12** DBFB LEVEL control (AEP, UK, West Germany and Italy model)
SAT LEVEL control (E, Saudi Arabia model)
- 13** BASS and TREBLE tone controls
- 14** HEADPHONES jack

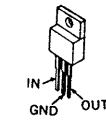
SECTION 2 DIAGRAMS

2-1. PC BOARDS LOCATION

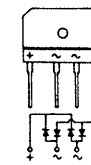


2-2. SEMICONDUCTOR LEAD LAYOUTS

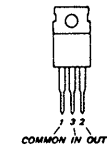
M5F7810



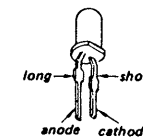
RBV-602-01



M5F7910



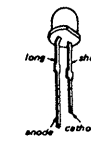
SEL2210S-C



DTA124ES
DTC124ES
2SC2603-EF
2SC3622A-LK



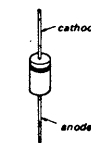
SEL2210W-D
SEL2510C



2SA1175-HFE



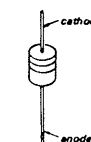
HZS30-2L
UZP-6.8BC
10E2N



2SB1187-EF



1SS120



2SC1841-PAFAEA



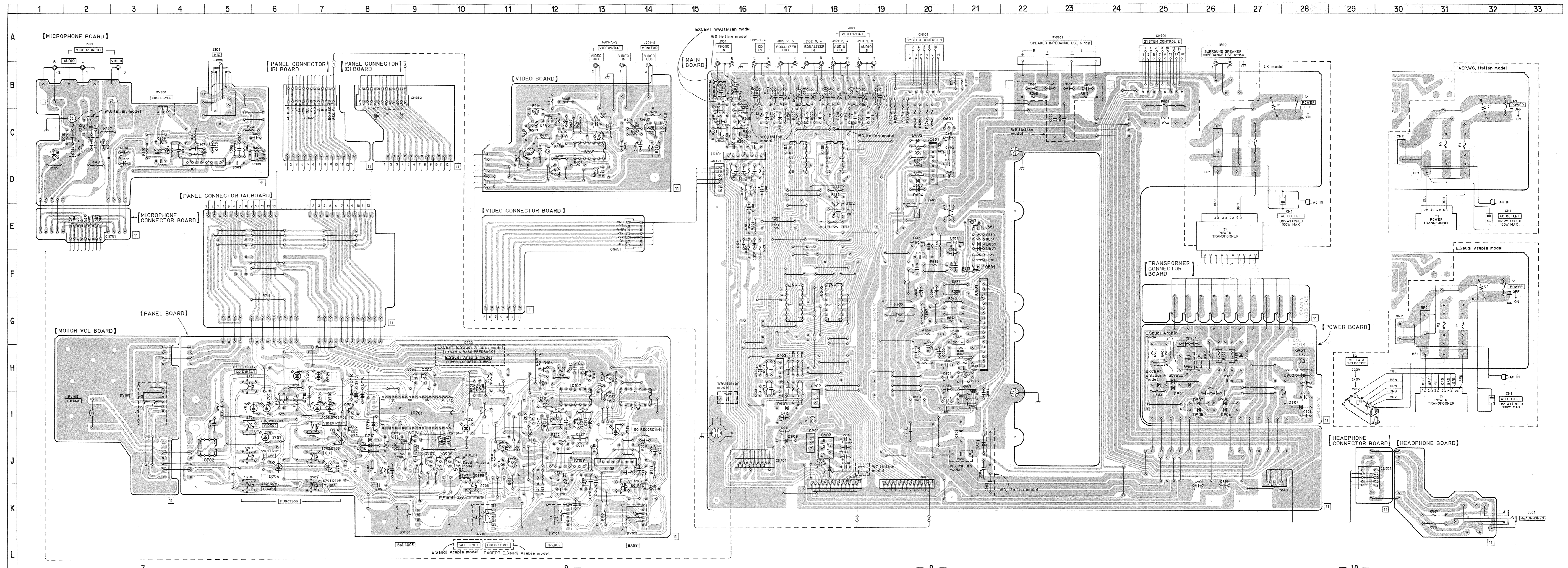
2.3. PRINTED WIRING BOARDS

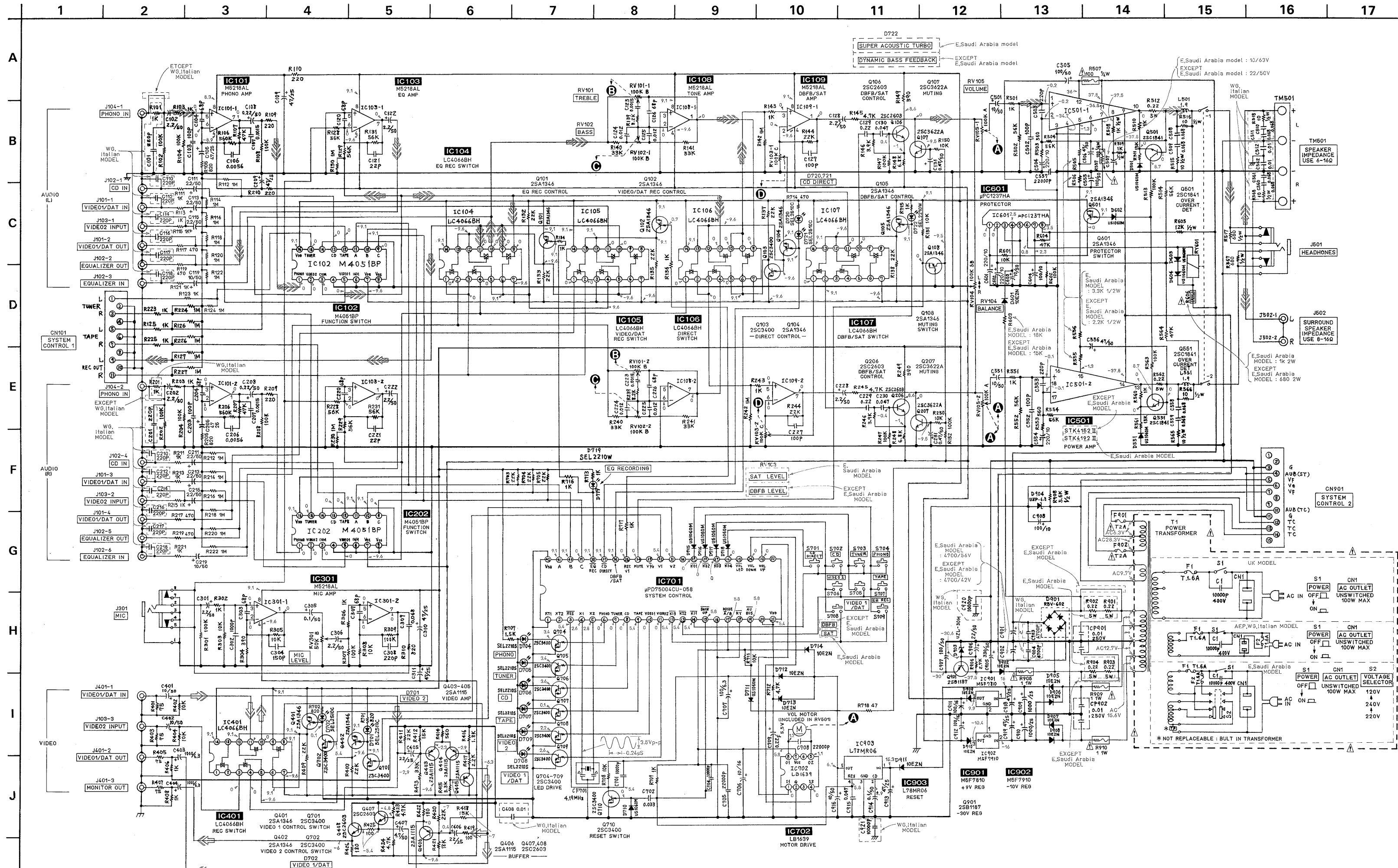
• See Page 5 for Semiconductor Lead Layout.

• SEMICONDUCTOR LOCATION

Ref. No.	Location	Ref. No.	Location
IC101	C-16	Q706	J-9
IC102	G-17	Q707	J-9
IC103	H-17	Q708	I-8
IC104	C-17	Q709	I-8
IC105	C-18	Q710	J-9
		Q801	H-28
IC106	I-14		
IC107	I-12		
IC108	J-13	D501	E-21
IC109	J-12	D551	E-21
IC202	G-18	D601	J-21
		D602	C-20
		D603	D-20
IC301	D-4		
IC401	C-13		
IC501	G-21	D604	D-20
IC601	D-20	D701	I-6
IC701	I-9	D702	I-7
		D704	J-6
		D705	J-7
IC702	J-5		
IC801	J-17		
IC802	I-18	D706	I-7
IC803	J-18	D707	I-6
		D708	I-6
		D709	I-7
		D710	J-9
Q101	E-18		
Q102	E-18		
Q103	I-13	D711	I-8
Q104	H-13	D712	J-8
Q105	H-13	D713	J-8
		D714	J-8
		D715	I-7
Q106	H-12		
Q107	J-11		
Q108	J-11	D716	I-8
Q206	I-11	D717	I-8
Q207	I-12	D718	I-8
		D719	I-13
		D720	H-7
Q401	D-13		
Q402	D-12		
Q403	D-11	D721	H-7
Q404	C-12	D722	I-10
Q405	C-12	D901	H-25
		D902	H-27
		D903	H-28
Q406	C-13		
Q407	C-14		
Q408	C-14	D904	I-28
Q501	F-21	D905	I-26
Q551	E-21	D906	I-26
		D907	I-26
		D908	I-26
Q601	C-20		
Q701	H-9		
Q702	H-9	D909	J-17
Q704	J-10	D910	I-17
Q705	J-10	D911	J-18

Note:
 ○ — parts extracted from the component side.



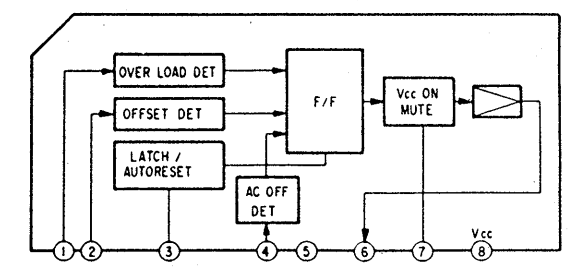


- Note:
- All capacitors are in μF unless otherwise noted. pF : μF
 - 50WV or less are not indicated except for electrolytics and tantalums.
 - All resistors are in Ω and $\frac{1}{4}W$ or less unless otherwise specified.
 - : nonflammable resistor.
 - : fusible resistor.

Note: The components identified by mark or dotted line with mark are critical for safety. Replace only with part number specified.

- : B+ Line
- : B- Line
- Voltage and waveforms are dc with respect to ground under no-signal conditions.
- Voltagages are taken with a VOM (Input impedance 10M Ω). Voltage variations may be noted due to normal production tolerances.
- Signal path.
- : TV (PICTURE)
- : PHONO

• IC BLOCK DIAGRAM IC601 $\mu PC1237HA$



SECTION 3 EXPLODED VIEWS

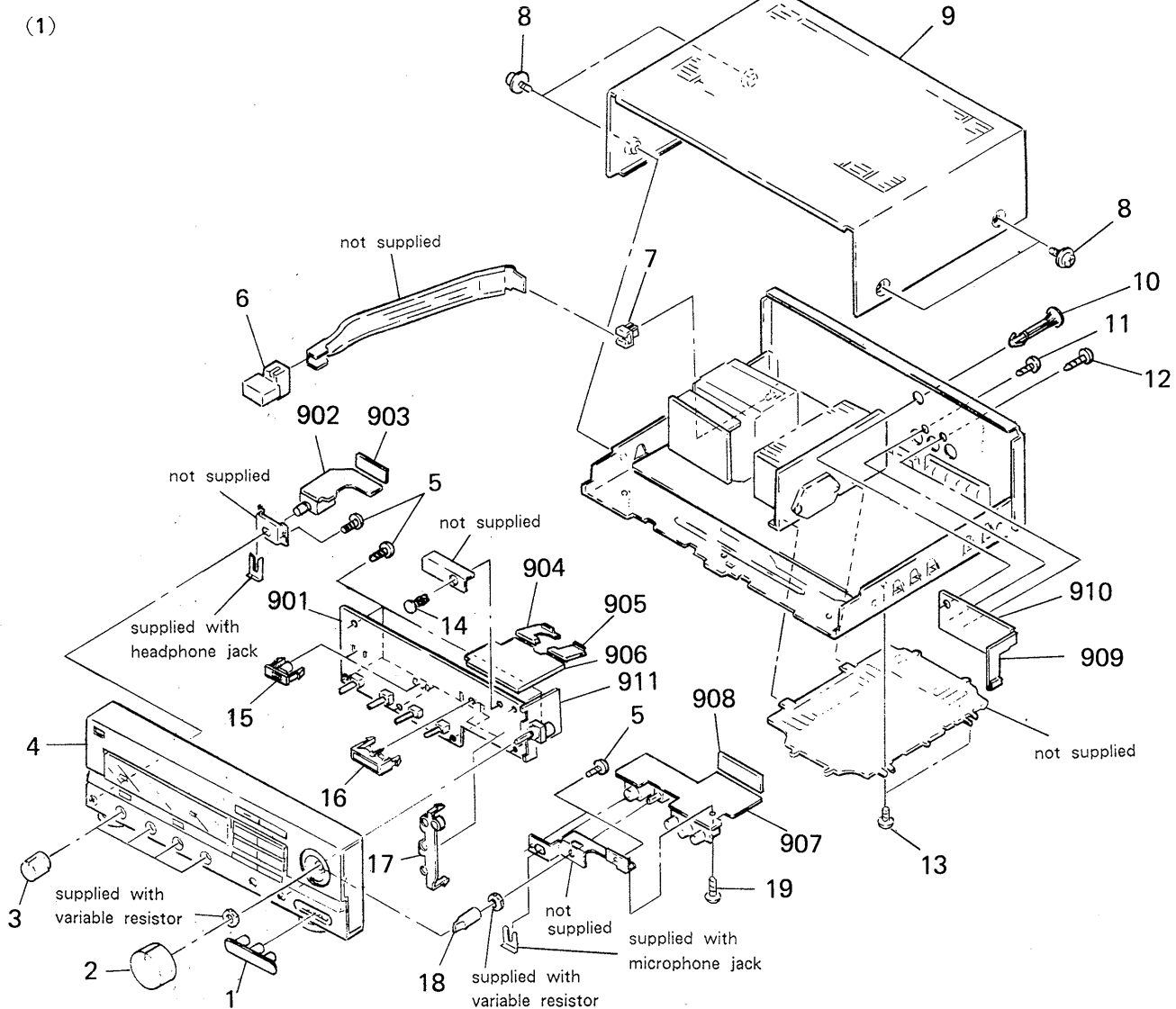
NOTE:

- The mechanical parts with no reference number in the exploded views are not supplied.
- The construction parts of an assembled part are indicated with a collation number in the remark column.
- Items marked "★" are not stocked since they are seldom required for routine service. Some delay should be anticipated when ordering these items.

- Due to standardization, parts with part number suffix -XX and -X may be different from the parts specified in the components used on the set.
- Color Indication of Appearance Parts
Example:
(RED) ... KNOB, BALANCE (WHITE)

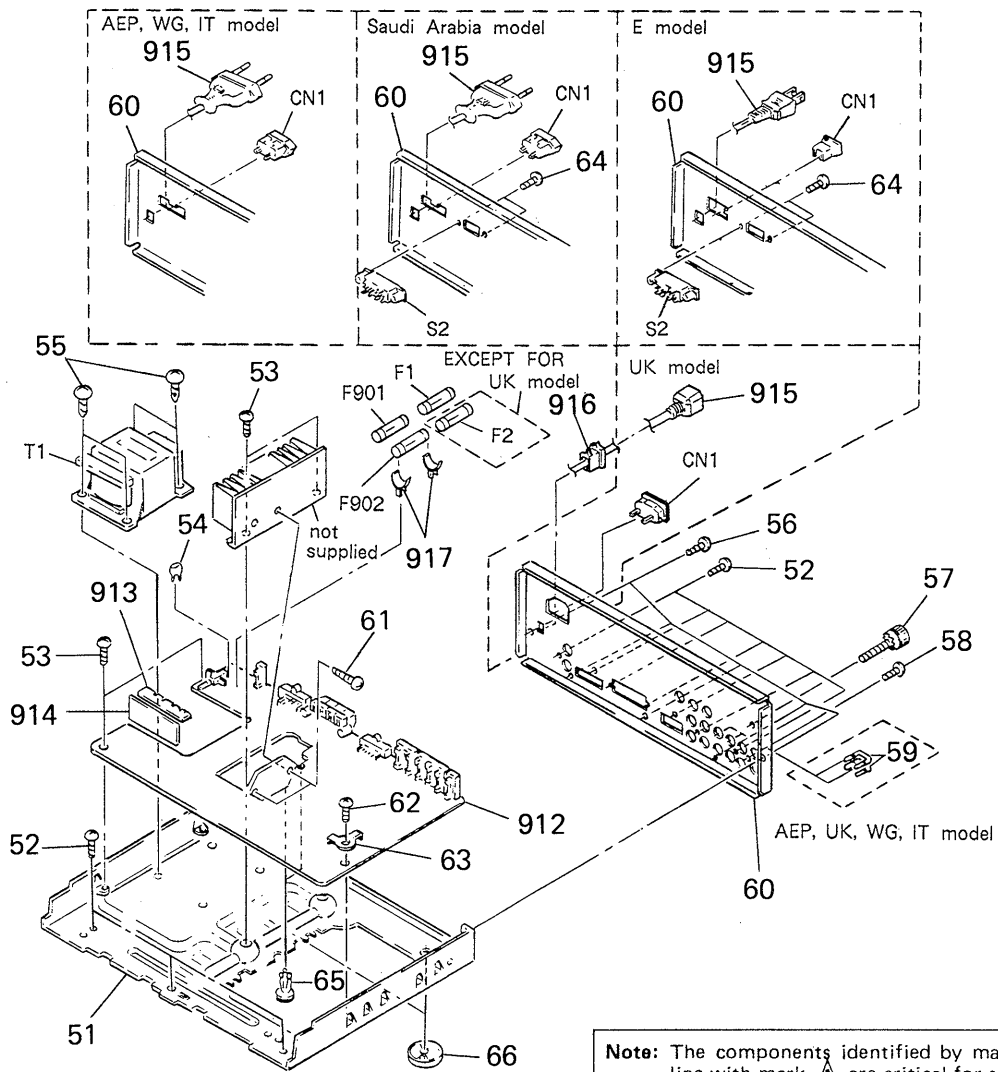
The components identified by mark or dotted line with mark are critical for safety. Replace only with part number specified.

↑ Cabinet's Color ↑ Parts Color



No.	Part No.	Description	Remarks	No.	Part No.	Description	Remarks
1	*4-937-367-01	COVER (PIN JACK)		15	*4-934-893-01	HOLDER, LED	
2	4-929-288-22	KNOB (VOL 47)		16	*4-934-894-01	COVER, LAMP	
3	3-349-039-11	KNOB (VOL)		17	*4-934-892-01	HOLDER (FU), LED	
4	X-4917-292-1	(AEP,UK,WG,IT)...PANEL ASSY, FRONT		18	4-921-921-01	KNOB (M)	
	X-4917-293-1	(E,EA).....PANEL ASSY, FRONT		19	7-682-548-04	SCREW +BVTT 3X8 (S)	
5	4-928-635-00	SCREW +BV 2.6X8 TAPPING		901	*A-4334-678-A	MOUNTED PCB, PANEL	
6	4-921-919-01	BUTTON (P)		902	*1-635-010-11	PC BOARD, HEADPHONE	
7	4-866-342-00	JOINT (B), KNOB		903	*1-635-016-11	PC BOARD, HEADPHONE CONNECTOR	
8	3-704-366-01	SCREW (CASE) (M3X8)		904	*1-635-013-11	PC BOARD, PANEL CONNECTOR (C)	
9	*4-919-379-61	CASE		905	*1-635-012-11	PC BOARD, PANEL CONNECTOR (B)	
				906	*1-635-011-11	PC BOARD, PANEL CONNECTOR (A)	
10	*4-912-181-21	SUPPORT, PC		907	*1-635-008-11	PC BOARD, MICROPHONE	
11	7-685-646-79	SCREW +BVTP 3X8 TYPE2 N-S		908	*1-635-014-11	PC BOARD, MICROPHONE CONNECTOR	
12	7-621-849-00	SCREW, TAPPING		909	*1-635-015-11	PC BOARD, VIDEO CONNECTOR	
13	7-682-547-09	SCREW +BVTT 3X6 (S)		910	*1-635-009-11	PC BOARD, VIDEO	
14	4-812-134-11	RIVET NYLON, 3.5		911	*1-635-007-11	PC BOARD, MOTOR VOL	

(2)



No.	Part No.	Description	Remarks	No.	Part No.	Description	Remarks
51	*X-4917-246-1	CHASSIS ASSY		913	*1-635-005-11	PC BOARD, TRANSFORMER CONNECTOR	
52	7-685-646-79	SCREW +BVTP 3X8 TYPE2 N-S		914	*1-635-004-11	PC BOARD, POWER	
53	7-682-548-04	SCREW +BVTT 3X8 (S)		915	⚠1-556-562-00	(UK).....CORD, POWER	
54	2-269-321-00	COVER (DIA. 18), CAPACITOR		⚠1-575-656-11	(E).....CORD, POWER		
55	7-682-560-04	SCREW +BVTT 4X6 (S)		⚠1-575-654-11	(AEP, WG, IT, EA)...CORD, POWER		
56	7-682-547-09	SCREW +BVTT 3X6 (S)		916	*3-703-244-00	(EXCEPT E)...BUSHING (2104), CORD	
57	3-706-165-00	SCREW		*3-703-571-11	(E).....BUSHING (S)(4516), CORD		
58	7-621-849-00	SCREW, TAPPING		917	*1-533-213-31	HOLDER, FUSE	
59	1-535-706-11	(AEP, UK, WG, IT)...PLUG, JUMPER		CN1	⚠1-526-751-00	(UK).....OUTLET, AC	
60	*4-937-301-11	(AEP)...PANEL, BACK		CN1	⚠1-526-794-11	(AEP, WG, IT, EA)...OUTLET, AC	
	*4-937-301-21	(UK)...PANEL, BACK		CN1	⚠1-526-882-00	(E).....OUTLET, AC	
	*4-937-301-31	(E)....PANEL, BACK		F1	⚠1-532-259-00	FUSE	
	*4-937-301-41	(WG)...PANEL, BACK		F2	⚠1-532-259-00	(EXCEPT UK)...FUSE	
	*4-937-301-51	(EA)...PANEL, BACK		F901	⚠1-532-388-51	FUSE	
	*4-937-301-61	(IT)...PANEL, BACK		F902	⚠1-532-388-51	FUSE	
61	7-685-650-79	SCREW +BVTP 3X16 TYPE2 IT-3		S2	⚠1-570-307-11	(E, EA)...SWITCH, VOLTAGE CHANGE	
62	7-682-547-04	SCREW +BV 3X6, S TIGHT		T1	⚠1-450-022-11	(AEP, UK, WG, IT)...TRANSFORMER, POWER	
63	*3-346-266-12	PLATE, GROUND		T1	⚠1-450-023-11	(E, EA).....TRANSFORMER, POWER	
64	7-685-534-19	(E, EA)...SCREW +BTP 2.6X8 TYPE2 N-S					
65	4-917-239-01	RIVET, NYLON					
66	*4-934-883-01	FOOT					
912	*A-4334-671-A	(AEP).....MOUNTED PCB, MAIN					
	*A-4334-672-A	(UK).....MOUNTED PCB, MAIN					
	*A-4334-673-A	(E, EA).....MOUNTED PCB, MAIN					
	*A-4334-674-A	(WG, IT).....MOUNTED PCB, MAIN					

SECTION 4 ELECTRICAL PARTS LIST

NOTE:

- Due to standardization, replacements in the parts list may be different from the parts specified in the diagrams or the components used on the set.
- Items marked "★" are not stocked since they are seldom required for routine service. Some delay should be anticipated when ordering these items.
- If there are two or more same circuits in a set such as a stereophonic machine, only typical circuit parts may be indicated and capacitors and resistors in other same circuits may be omitted.

CAPACITORS:

MF: μ F, PF: μ μF.

RESISTORS

- All resistors are in ohms.
- F: nonflammable

COILS

- MMH: mH, UH: μ H

SEMICONDUCTORS

In each case, U: μ , for example:
 UA...: μ A..., UPA...: μ PA...,
 UPC...: μ PC, UPD...: μ PD...

The components identified by mark or dotted line with mark are critical for safety. Replace only with part number specified.

Ref.No.	Part No.	Description	Ref.No.	Part No.	Description
901	*A-4334-678-A	MOUNTED PCB, PANEL	C118	1-162-286-31	(WG,IT)...CERAMIC 220PF 10% 50V
902	*1-635-010-11	PC BOARD, HEADPHONE	C119	1-126-059-11	ELECT 10MF 20% 50V
903	*1-635-016-11	PC BOARD, HEADPHONE CONNECTOR	C120	1-162-219-31	CERAMIC 68PF 5% 50V
			C121	1-162-207-31	CERAMIC 22PF 5% 50V
904	*1-635-013-11	PC BOARD, PANEL CONNECTOR (C)	C122	1-126-161-11	ELECT 2.2MF 20% 50V
905	*1-635-012-11	PC BOARD, PANEL CONNECTOR (B)	C123	1-130-473-00	MYLAR 0.0015MF 5% 50V
906	*1-635-011-11	PC BOARD, PANEL CONNECTOR (A)	C124	1-130-484-00	MYLAR 0.012MF 5% 50V
907	*1-635-008-11	PC BOARD, MICROPHONE	C125	1-130-484-00	MYLAR 0.012MF 5% 50V
908	*1-635-014-11	PC BOARD, MICROPHONE CONNECTOR	C126	1-162-219-31	CERAMIC 68PF 5% 50V
909	*1-635-015-11	PC BOARD, VIDEO CONNECTOR	C127	1-162-282-31	CERAMIC 100PF 10% 50V
910	*1-635-009-11	PC BOARD, VIDEO	C128	1-124-257-00	ELECT 2.2MF 20% 50V
911	*1-635-007-11	PC BOARD, MOTOR VOL	C129	1-136-169-00	FILM 0.22MF 5% 50V
			C130	1-130-491-00	MYLAR 0.047MF 5% 50V
912	*A-4334-671-A	(AEP).....MOUNTED PCB, MAIN	C131	1-124-465-00	ELECT 0.47MF 20% 50V
	*A-4334-672-A	(UK).....MOUNTED PCB, MAIN	C201	1-162-286-31	(WG,IT)...CERAMIC 220PF 10% 50V
	*A-4334-673-A	(E,EA).....MOUNTED PCB, MAIN	C202	1-124-257-00	ELECT 2.2MF 20% 50V
	*A-4334-674-A	(WG,IT)...MOUNTED PCB, MAIN	C203	1-162-282-31	CERAMIC 100PF 10% 50V
913	*1-635-005-11	PC BOARD, TRANSFORMER CONNECTOR	C204	1-162-219-31	CERAMIC 68PF 5% 50V
914	*1-635-004-11	PC BOARD, POWER	C205	1-124-910-11	ELECT 47MF 20% 25V
915	1-556-562-00	(UK).....CORD, POWER	C206	1-130-480-00	MYLAR 0.0056MF 5% 50V
	1-575-656-11	(E).....CORD, POWER	C207	1-130-473-00	MYLAR 0.0015MF 5% 50V
	1-575-654-11	(AEP,WG,IT,EA)...CORD, POWER	C208	1-124-464-11	ELECT 0.22MF 20% 50V
916	*3-703-244-00	(EXCEPT E)...BUSHING (2104), CORD	C209	1-124-910-11	ELECT 47MF 20% 25V
	*3-703-571-11	(E).....BUSHING (S)(4516), CORD	C210	1-162-286-31	(WG,IT)...CERAMIC 220PF 10% 50V
917	*1-533-213-31	HOLDER, FUSE	C211	1-124-257-00	ELECT 2.2MF 20% 50V
BP1	*1-535-140-00	BASE POST 19MM (10MM PITCH) 3P	C212	1-162-286-31	(WG,IT)...CERAMIC 220PF 10% 50V
BP2	*1-535-139-00	(UK,E,EA)..BASE POST 19MM(10MM PITCH)2P	C213	1-126-161-11	ELECT 2.2MF 20% 50V
C1	1-161-744-00	CERAMIC 0.01MF 400V	C214	1-162-286-31	(WG,IT)...CERAMIC 220PF 10% 50V
C101	1-162-286-31	(WG,IT)...CERAMIC 220PF 10% 50V	C215	1-126-161-11	ELECT 2.2MF 20% 50V
C102	1-124-257-00	ELECT 2.2MF 20% 50V	C216	1-162-286-31	(WG,IT)...CERAMIC 220PF 10% 50V
C103	1-162-282-31	CERAMIC 100PF 10% 50V	C217	1-162-286-31	(WG,IT)...CERAMIC 220PF 10% 50V
C104	1-162-219-31	CERAMIC 68PF 5% 50V	C218	1-162-286-31	(WG,IT)...CERAMIC 220PF 10% 50V
C105	1-124-910-11	ELECT 47MF 20% 25V	C219	1-126-059-11	ELECT 10MF 20% 50V
C106	1-130-480-00	MYLAR 0.0056MF 5% 50V	C220	1-162-219-31	CERAMIC 68PF 5% 50V
C107	1-130-473-00	MYLAR 0.0015MF 5% 50V	C221	1-162-207-31	CERAMIC 22PF 5% 50V
C108	1-124-464-11	ELECT 0.22MF 20% 50V	C222	1-126-161-11	ELECT 2.2MF 20% 50V
C109	1-124-910-11	ELECT 47MF 20% 25V	C223	1-130-473-00	MYLAR 0.0015MF 5% 50V
C110	1-162-286-31	(WG,IT)...CERAMIC 220PF 10% 50V	C224	1-130-484-00	MYLAR 0.012MF 5% 50V
C111	1-124-257-00	ELECT 2.2MF 20% 50V	C225	1-130-484-00	MYLAR 0.012MF 5% 50V
C112	1-162-286-31	(WG,IT)...CERAMIC 220PF 10% 50V	C226	1-162-219-31	CERAMIC 68PF 5% 50V
C113	1-126-161-11	ELECT 2.2MF 20% 50V	C227	1-162-282-31	CERAMIC 100PF 10% 50V
C114	1-162-286-31	(WG,IT)...CERAMIC 220PF 10% 50V	C228	1-124-257-00	ELECT 2.2MF 20% 50V
C115	1-126-161-11	ELECT 2.2MF 20% 50V	C229	1-136-169-00	FILM 0.22MF 5% 50V
C116	1-162-286-31	(WG,IT)...CERAMIC 220PF 10% 50V	C230	1-130-491-00	MYLAR 0.047MF 5% 50V
C117	1-162-286-31	(WG,IT)...CERAMIC 220PF 10% 50V	C231	1-124-465-00	ELECT 0.47MF 20% 50V
			C301	1-126-161-11	ELECT 2.2MF 20% 50V

Ref.No.	Part No.	Description					Ref.No.	Part No.	Description			
C302	1-162-294-31	CERAMIC	0.001MF	10%	50V		C901	1-126-258-11	(E,EA).....ELECT	4700MF	20%	56V
C303	1-162-219-31	CERAMIC	68PF	5%	50V		C901	1-126-224-11	(AEP,UK,WG,IT) ...ELECT	4700MF	20%	42V
C304	1-162-284-31	CERAMIC	150PF	10%	50V							
C305	1-124-463-00	ELECT	0.1MF	20%	50V		C902	1-126-258-11	(E,EA).....ELECT	4700MF	20%	56V
C306	1-126-161-11	ELECT	2.2MF	20%	50V		C902	1-126-224-11	(AEP,UK,WG,IT) ...ELECT	4700MF	20%	42V
C307	1-162-219-31	CERAMIC	68PF	5%	50V							
C308	1-162-286-31	CERAMIC	220PF	10%	50V		C903	1-161-377-00	(WG,IT)...CERAMIC	0.0047MF	20%	50V
C309	1-130-493-00	MYLAR	0.068MF	5%	50V		C904	1-161-377-00	(WG,IT)...CERAMIC	0.0047MF	20%	50V
C310	1-124-910-11	ELECT	47MF	20%	25V		C905	1-126-871-11	ELECT	330MF	20%	50V
C311	1-124-910-11	ELECT	47MF	20%	25V		C906	1-126-233-11	ELECT	22MF	20%	50V
C401	1-126-059-11	ELECT	10MF	20%	50V		C907	1-124-122-11	ELECT	100MF	20%	50V
C402	1-126-059-11	ELECT	10MF	20%	50V		C908	1-124-994-11	ELECT	100MF	20%	10V
C403	1-124-471-00	ELECT	1000MF	20%	6.3V		C909	1-126-027-11	ELECT	1000MF	20%	25V
C404	1-124-471-00	ELECT	1000MF	20%	6.3V		C910	1-126-027-11	ELECT	1000MF	20%	25V
C405	1-126-049-11	ELECT	22MF	20%	25V		C911	1-126-023-11	ELECT	100MF	20%	16V
C406	1-126-049-11	ELECT	22MF	20%	25V		C912	1-126-023-11	ELECT	100MF	20%	16V
C407	1-124-045-00	ELECT	4.7MF	20%	50V		C913	1-124-910-11	ELECT	47MF	20%	25V
C408	1-136-153-00	(WG,IT)...FILM	0.01MF	5%	50V		C914	1-124-463-00	ELECT	0.1MF	20%	50V
C501	1-126-059-11	ELECT	10MF	20%	50V		C915	1-130-491-00	MYLAR	0.047MF	5%	50V
C502	1-162-282-31	CERAMIC	100PF	10%	50V		C916	1-126-059-11	ELECT	10MF	20%	50V
C503	1-162-286-31	CERAMIC	220PF	10%	50V		C918	1-124-910-11	ELECT	47MF	20%	25V
C504	1-126-101-11	ELECT	220MF	20%	10V		C919	1-124-910-11	ELECT	47MF	20%	25V
C505	1-124-122-11	ELECT	100MF	20%	50V		C920	1-136-153-00	(WG,IT)...FILM	0.01MF	5%	50V
C506	1-124-910-11	ELECT	47MF	20%	50V		C921	1-136-153-00	(WG,IT)...FILM	0.01MF	5%	50V
C507	1-126-059-11	(E,EA).....ELECT	10MF	20%	63V		CF701	1-577-359-21	VIBRATOR, CERAMIC	(4.19MHZ)		
C507	1-126-233-11	(AEP,UK,WG,IT) ...ELECT	22MF	20%	50V		CN1	▲1-526-751-00	(UK).....OUTLET, AC			
C508	1-130-493-00	MYLAR	0.068MF	5%	50V		CN1	▲1-526-794-11	(AEP,WG,IT,EA)...OUTLET, AC			
C509	1-130-493-00	MYLAR	0.068MF	5%	50V		CN1	▲1-526-882-00	(E).....OUTLET, AC			
C510	1-130-493-00	(WG,IT)...MYLAR	0.068MF	5%	50V		CN101	*1-566-858-41	SOCKET, CONNECTOR 11P	(SYSTEM CONTROL 1)		
C511	1-130-493-00	(WG,IT)...MYLAR	0.068MF	5%	50V		CN301	*1-565-969-11	PIN, CONNECTOR (PC BOARD)	13P		
C512	1-161-379-00	(WG,IT)...CERAMIC	0.01MF	20%	25V		CN352	*1-565-972-11	SOCKET, CONNECTOR (PC BOARD)	13P		
C515	1-126-059-11	ELECT	10MF	20%	50V		CN401	*1-565-969-11	PIN, CONNECTOR (PC BOARD)	13P		
C515	1-126-059-11	ELECT	10MF	20%	50V		CN451	*1-565-972-11	SOCKET, CONNECTOR (PC BOARD)	13P		
C552	1-162-282-31	CERAMIC	100PF	10%	50V		CN502	*1-565-967-11	PIN, CONNECTOR (PC BOARD)	5P		
C553	1-162-286-31	CERAMIC	220PF	10%	50V		CN552	*1-565-970-11	SOCKET, CONNECTOR (PC BOARD)	5P		
C554	1-126-101-11	ELECT	220MF	20%	10V		CN601	*1-565-343-11	PIN, CONNECTOR (PC BOARD)	7P		
C555	1-124-122-11	ELECT	100MF	20%	50V		CN651	*1-565-346-11	SOCKET, CONNECTOR (PC BOARD)	7P		
C556	1-124-910-11	ELECT	47MF	20%	50V		CN701	*1-565-968-11	PIN, CONNECTOR (PC BOARD)	9P		
C557	1-161-494-00	CERAMIC	0.022MF		25V		CN751	*1-565-971-11	SOCKET, CONNECTOR (PC BOARD)	9P		
C558	1-130-493-00	MYLAR	0.068MF	5%	50V		CN901	*1-566-859-11	SOCKET, CONNECTOR 15P	(SYSTEM CONTROL 2)		
C559	1-130-493-00	MYLAR	0.068MF	5%	50V		CNJ1	*1-564-321-00	(EXCEPT UK)...PIN, CONNECTOR	2P		
C560	1-130-493-00	(WG,IT)...MYLAR	0.068MF	5%	50V		CP901	1-102-394-11	CERAMIC	0.01MF		250V
C561	1-130-493-00	(WG,IT)...MYLAR	0.068MF	5%	50V		CP902	1-102-394-11	CERAMIC	0.01MF		250V
C562	1-161-379-00	(WG,IT)...CERAMIC	0.01MF	20%	25V		D501	8-719-912-20	DIODE 1SS120			
C601	1-126-101-11	ELECT	220MF	20%	10V		D551	8-719-912-20	DIODE 1SS120			
C602	1-126-101-11	ELECT	220MF	20%	10V		D601	8-719-200-77	DIODE 10E2N			
C603	1-126-059-11	ELECT	10MF	20%	50V		D602	8-719-912-20	DIODE 1SS120			
C604	1-124-994-11	ELECT	100MF	20%	10V		D603	8-719-912-20	DIODE 1SS120			
C701	1-162-306-11	CERAMIC	0.01MF	20%	16V		D604	8-719-912-20	DIODE 1SS120			
C702	1-130-489-00	MYLAR	0.033MF	5%	50V		D701	8-719-303-00	LED SEL2510C			
C704	1-162-306-11	CERAMIC	0.01MF	20%	16V		D702	8-719-303-00	LED SEL2510C			
C705	1-161-494-00	CERAMIC	0.022MF		25V		D704	8-719-301-38	LED SEL2210S-C			
C706	1-126-157-11	ELECT	10MF	20%	16V		D705	8-719-301-38	LED SEL2210S-C			
C707	1-126-177-11	ELECT	100MF	20%	6.3V		D706	8-719-301-38	LED SEL2210S-C			
C708	1-161-494-00	CERAMIC	0.022MF		25V		D707	8-719-301-38	LED SEL2210S-C			
C709	1-125-486-11	DOUBLE CAYERS	0.22F		5.5V		D708	8-719-301-38	LED SEL2210S-C			

Note: The components identified by mark ▲ or dotted line with mark ▲ are critical for safety. Replace only with part number specified.

Ref.No.	Part No.	Description
D709	8-719-301-38	LED SEL2210S-C
D710	8-719-912-20	DIODE 1SS120
D711	8-719-912-20	DIODE 1SS120
D712	8-719-200-77	DIODE 10E2N
D713	8-719-200-77	DIODE 10E2N
D714	8-719-200-77	DIODE 10E2N
D715	8-719-912-20	DIODE 1SS120
D716	8-719-912-20	DIODE 1SS120
D717	8-719-912-20	DIODE 1SS120
D718	8-719-912-20	DIODE 1SS120
D719	8-719-302-75	LED SEL2210W-D
D720	8-719-303-00	LED SEL2510C
D721	8-719-303-00	LED SEL2510C
D722	8-719-302-75	LED SEL2210W-D
D901	8-719-302-38	DIODE RBV-602-01
D902	8-719-200-77	DIODE 10E2N
D903	8-719-934-22	ZENER DIODE HZS30-2L
D904	8-719-014-88	ZENER DIODE UZP-6.8BC
D905	8-719-200-77	DIODE 10E2N
D906	8-719-200-77	DIODE 10E2N
D907	8-719-200-77	DIODE 10E2N
D908	8-719-200-77	DIODE 10E2N
D909	8-719-200-77	DIODE 10E2N
D910	8-719-200-77	DIODE 10E2N
D911	8-719-200-77	DIODE 10E2N
F1	▲1-532-259-00	FUSE
F2	▲1-532-259-00	(EXCEPT UK)...FUSE
F901	▲1-532-388-51	FUSE
F902	▲1-532-388-51	FUSE
IC101	8-759-634-50	IC M5218AL
IC102	8-759-208-06	IC TC4051BPHB
IC103	8-759-634-50	IC M5218AL
IC104	8-759-800-37	IC LC4066BH
IC105	8-759-800-37	IC LC4066BH
IC106	8-759-800-37	IC LC4066BH
IC107	8-759-800-37	IC LC4066BH
IC108	8-759-634-50	IC M5218AL
IC109	8-759-634-50	IC M5218AL
IC202	8-759-208-06	IC TC4051BPHB
IC301	8-759-634-50	IC M5218AL
IC401	8-759-800-37	IC LC4066BH
IC501	8-749-900-78	(E,EA).....IC STK4192II
IC501	8-749-941-52	(AEP,UK,WG,IT)...IC STK4152II
IC601	8-759-111-68	IC UPC1237HA
IC701	8-759-149-27	IC UPD75004CU-058
IC702	8-759-820-62	IC LB1639
IC901	8-759-604-32	IC M5F7810L
IC902	8-759-604-50	IC M5F7910L
IC903	8-759-820-13	IC L78MR06
J101	1-565-258-11	JACK, PIN 4P (VIDEO 1/DAT)
J102	1-565-320-11	JACK, PIN 6P (CD,EQUALIZER)
J103	*1-563-136-41	JACK, PIN 3P (VIDEO 2)
J104	1-565-352-11	JACK, PIN 2P (PHONO)
J301	1-568-018-11	JACK, LARGE TYPE 1P (MIC)
J401	1-565-933-11	JACK, PIN 3P (VIDEO 1/DAT,MONITOR)
J501	1-568-018-11	JACK, LARGE TYPE 1P (HEADPHONES)
J502	1-565-352-11	JACK, PIN 2P (SURROUND SPEAKER)
L501	*1-420-872-00	COIL, AIR CORE
L551	*1-420-872-00	COIL, AIR CORE

Ref.No.	Part No.	Description
Q101	8-729-900-63	TRANSISTOR DTA124ES
Q102	8-729-900-63	TRANSISTOR DTA124ES
Q103	8-729-900-36	TRANSISTOR DTC124ES
Q104	8-729-900-63	TRANSISTOR DTA124ES
Q105	8-729-900-63	TRANSISTOR DTA124ES
Q106	8-729-620-05	TRANSISTOR 2SC2603-EF
Q107	8-729-141-26	TRANSISTOR 2SC3622A-LK
Q108	8-729-900-63	TRANSISTOR DTA124ES
Q206	8-729-620-05	TRANSISTOR 2SC2603-EF
Q207	8-729-141-26	TRANSISTOR 2SC3622A-LK
Q401	8-729-900-63	TRANSISTOR DTA124ES
Q402	8-729-900-63	TRANSISTOR DTA124ES
Q403	8-729-119-76	TRANSISTOR 2SA1175-HFE
Q404	8-729-119-76	TRANSISTOR 2SA1175-HFE
Q405	8-729-119-76	TRANSISTOR 2SA1175-HFE
Q406	8-729-119-76	TRANSISTOR 2SA1175-HFE
Q407	8-729-620-05	TRANSISTOR 2SC2603-EF
Q408	8-729-620-05	TRANSISTOR 2SC2603-EF
Q501	8-729-140-84	TRANSISTOR 2SC1841-PAFAEA
Q551	8-729-140-84	TRANSISTOR 2SC1841-PAFAEA
Q601	8-729-900-63	TRANSISTOR DTA124ES
Q701	8-729-900-36	TRANSISTOR DTC124ES
Q702	8-729-900-36	TRANSISTOR DTC123ES
Q704	8-729-900-36	TRANSISTOR DTC124ES
Q705	8-729-900-36	TRANSISTOR DTC124ES
Q706	8-729-900-36	TRANSISTOR DTC124ES
Q707	8-729-900-36	TRANSISTOR DTC124ES
Q708	8-729-900-36	TRANSISTOR DTC124ES
Q709	8-729-900-36	TRANSISTOR DTC124ES
Q710	8-729-900-36	TRANSISTOR DTC124ES
Q901	8-729-920-97	TRANSISTOR 2SB1187-EF
R101	1-249-417-11	(WG,IT)...CARBON 1K 5% 1/4W
R102	1-249-441-11	CARBON 100K 5% 1/4W
R103	1-249-417-11	CARBON 1K 5% 1/4W
R104	1-249-441-11	CARBON 100K 5% 1/4W
R105	1-249-416-11	CARBON 820 5% 1/4W
R106	1-247-897-11	CARBON 560K 5% 1/4W
R107	1-249-437-11	CARBON 47K 5% 1/4W
R108	1-249-441-11	CARBON 100K 5% 1/4W
R109	1-249-409-11	CARBON 220 5% 1/4W
R110	1-249-409-11	CARBON 220 5% 1/4W
R111	1-249-417-11	CARBON 1K 5% 1/4W
R112	1-247-903-00	CARBON 1M 5% 1/4W
R113	1-249-417-11	CARBON 1K 5% 1/4W
R114	1-247-903-00	CARBON 1M 5% 1/4W
R115	1-249-417-11	CARBON 1K 5% 1/4W
R116	1-247-903-00	CARBON 1M 5% 1/4W
R117	1-249-413-11	CARBON 470 5% 1/4W
R118	1-247-903-00	CARBON 1M 5% 1/4W
R119	1-249-413-11	CARBON 470 5% 1/4W
R120	1-247-903-00	CARBON 1M 5% 1/4W
R121	1-249-417-11	CARBON 1K 5% 1/4W
R122	1-247-903-00	CARBON 1M 5% 1/4W
R123	1-249-417-11	CARBON 1K 5% 1/4W
R124	1-247-903-00	CARBON 1M 5% 1/4W
R125	1-249-417-11	CARBON 1K 5% 1/4W
R126	1-247-903-00	CARBON 1M 5% 1/4W
R127	1-247-903-00	CARBON 1M 5% 1/4W

Note: The components identified by mark ▲ or dotted line with mark ▲ are critical for safety. Replace only with part number specified.

Ref.No.	Part No.	Description								
R128	1-249-438-11	CARBON	56K	5%	1/4W					
R129	1-249-438-11	CARBON	56K	5%	1/4W					
R130	1-247-903-00	CARBON	1M	5%	1/4W					
R131	1-249-438-11	CARBON	56K	5%	1/4W					
R132	1-249-433-11	CARBON	22K	5%	1/4W					
R133	1-249-433-11	CARBON	22K	5%	1/4W					
R134	1-249-417-11	CARBON	1K	5%	1/4W					
R135	1-249-433-11	CARBON	22K	5%	1/4W					
R136	1-249-417-11	CARBON	1K	5%	1/4W					
R137	1-249-433-11	CARBON	22K	5%	1/4W					
R138	1-249-433-11	CARBON	22K	5%	1/4W					
R139	1-249-428-11	CARBON	8.2K	5%	1/4W					
R140	1-249-435-11	CARBON	33K	5%	1/4W					
R141	1-249-435-11	CARBON	33K	5%	1/4W					
R142	1-247-903-00	CARBON	1M	5%	1/4W					
R143	1-249-417-11	CARBON	1K	5%	1/4W					
R144	1-249-433-11	CARBON	22K	5%	1/4W					
R145	1-249-425-11	CARBON	4.7K	5%	1/4W					
R146	1-249-424-11	CARBON	3.9K	5%	1/4W					
R147	1-249-441-11	CARBON	100K	5%	1/4W					
R148	1-249-427-11	CARBON	6.8K	5%	1/4W					
R149	1-249-412-11	CARBON	390	5%	1/4W					
R150	1-249-429-11	CARBON	10K	5%	1/4W					
R151	1-249-429-11	CARBON	10K	5%	1/4W					
R152	1-249-441-11	CARBON	100K	5%	1/4W					
R201	1-249-417-11	(WG,IT)...CARBON	1K	5%	1/4W					
R202	1-249-441-11	CARBON	100K	5%	1/4W					
R203	1-249-417-11	CARBON	1K	5%	1/4W					
R204	1-249-441-11	CARBON	100K	5%	1/4W					
R205	1-249-416-11	CARBON	820	5%	1/4W					
R206	1-247-897-11	CARBON	560K	5%	1/4W					
R207	1-249-437-11	CARBON	47K	5%	1/4W					
R208	1-249-441-11	CARBON	100K	5%	1/4W					
R209	1-249-409-11	CARBON	220	5%	1/4W					
R210	1-249-409-11	CARBON	220	5%	1/4W					
R211	1-249-417-11	CARBON	1K	5%	1/4W					
R212	1-247-903-00	CARBON	1M	5%	1/4W					
R213	1-249-417-11	CARBON	1K	5%	1/4W					
R214	1-247-903-00	CARBON	1M	5%	1/4W					
R215	1-249-417-11	CARBON	1K	5%	1/4W					
R216	1-247-903-00	CARBON	1M	5%	1/4W					
R217	1-249-413-11	CARBON	470	5%	1/4W					
R218	1-247-903-00	CARBON	1M	5%	1/4W					
R219	1-249-413-11	CARBON	470	5%	1/4W					
R220	1-247-903-00	CARBON	1M	5%	1/4W					
R221	1-249-417-11	CARBON	1K	5%	1/4W					
R222	1-247-903-00	CARBON	1M	5%	1/4W					
R223	1-249-417-11	CARBON	1K	5%	1/4W					
R224	1-247-903-00	CARBON	1M	5%	1/4W					
R225	1-249-417-11	CARBON	1K	5%	1/4W					
R226	1-247-903-00	CARBON	1M	5%	1/4W					
R227	1-247-903-00	CARBON	1M	5%	1/4W					
R228	1-249-438-11	CARBON	56K	5%	1/4W					
R229	1-249-438-11	CARBON	56K	5%	1/4W					
R230	1-247-903-00	CARBON	1M	5%	1/4W					
R231	1-249-438-11	CARBON	56K	5%	1/4W					
R239	1-249-428-11	CARBON	8.2K	5%	1/4W					
R240	1-249-435-11	CARBON	33K	5%	1/4W					
R241	1-249-435-11	CARBON	33K	5%	1/4W					
R242	1-247-903-00	CARBON	1M	5%	1/4W					
R243	1-249-417-11	CARBON	1K	5%	1/4W					
R244	1-249-433-11	CARBON	22K	5%	1/4W					
R245	1-249-425-11	CARBON	4.7K	5%	1/4W					
R246	1-249-424-11	CARBON	3.9K	5%	1/4W					
R247	1-249-441-11	CARBON	100K	5%	1/4W					
R248	1-249-427-11	CARBON	6.8K	5%	1/4W					
R249	1-249-412-11	CARBON	390	5%	1/4W					
R250	1-249-429-11	CARBON	10K	5%	1/4W					
R301	1-249-441-11	CARBON	100K	5%	1/4W					
R302	1-249-417-11	CARBON	1K	5%	1/4W					
R303	1-249-429-11	CARBON	10K	5%	1/4W					
R304	1-249-412-11	CARBON	390	5%	1/4W					
R305	1-249-429-11	CARBON	10K	5%	1/4W					
R306	1-249-417-11	CARBON	1K	5%	1/4W					
R307	1-249-441-11	CARBON	100K	5%	1/4W					
R308	1-249-429-11	CARBON	10K	5%	1/4W					
R309	1-249-441-11	CARBON	100K	5%	1/4W					
R310	1-249-416-11	CARBON	820	5%	1/4W					
R401	1-247-804-11	CARBON	75	5%	1/4W					
R402	1-249-429-11	CARBON	10K	5%	1/4W					
R403	1-247-804-11	CARBON	75	5%	1/4W					
R404	1-249-429-11	CARBON	10K	5%	1/4W					
R405	1-247-804-11	CARBON	75	5%	1/4W					
R406	1-249-417-11	CARBON	1K	5%	1/4W					
R407	1-247-804-11	CARBON	75	5%	1/4W					
R408	1-249-417-11	CARBON	1K	5%	1/4W					
R409	1-249-433-11	CARBON	22K	5%	1/4W					
R410	1-249-433-11	CARBON	22K	5%	1/4W					
R411	1-249-433-11	CARBON	22K	5%	1/4W					
R412	1-249-431-11	CARBON	15K	5%	1/4W					
R413	1-249-435-11	CARBON	33K	5%	1/4W					
R414	1-249-414-11	CARBON	560	5%	1/4W					
R415	1-249-423-11	CARBON	3.3K	5%	1/4W					
R416	1-249-420-11	CARBON	1.8K	5%	1/4W					
R417	1-249-421-11	CARBON	2.2K	5%	1/4W					
R418	1-249-431-11	CARBON	15K	5%	1/4W					
R419	1-249-405-11	CARBON	100	5%	1/4W					
R420	1-249-433-11	CARBON	22K	5%	1/4W					
R421	1-249-432-11	CARBON	18K	5%	1/4W					
R422	1-249-408-11	CARBON	180	5%	1/4W					
R423	1-249-425-11	CARBON	4.7K	5%	1/4W					
R424	1-249-425-11	CARBON	4.7K	5%	1/4W					
R425	1-249-405-11	CARBON	100	5%	1/4W					
R426	1-249-408-11	CARBON	180	5%	1/4W					
R501	1-249-417-11	CARBON	1K	5%	1/4W					
R502	1-249-438-11	CARBON	56K	5%	1/4W					
R503	1-249-414-11	CARBON	560	5%	1/4W					
R504	1-249-438-11	CARBON	56K	5%	1/4W					
R505	1-247-756-11	(AEP,UK,WG,IT)...CARBON	2.2K	5%	1/2W					
R505	1-247-758-11	(E,EA).....CARBON	3.3K	5%	1/2W					
R506	1-247-756-11	(AEP,UK,WG,IT)...CARBON	2.2K	5%	1/2W					
R506	1-247-758-11	(E,EA).....CARBON	3.3K	5%	1/2W					

Ref.No.	Part No.	Description				
R507	△ 1-212-881-11	FUSIBLE	100	5%	1/4W	F
R508	1-247-752-11	CARBON	1K	5%	1/2W	
R509	1-247-752-11	CARBON	1K	5%	1/2W	
R510	1-249-417-11	CARBON	1K	5%	1/4W	
R511	1-249-431-11	CARBON	15K	5%	1/4W	
R512	1-217-156-00	METAL PLATE	0.22	10%	5W	
R513	1-249-441-11	CARBON	100K	5%	1/4W	
R514	1-249-438-11	CARBON	56K	5%	1/4W	
R515	1-247-727-11	CARBON	10	5%	1/2W	
R516	1-247-727-11	CARBON	10	5%	1/2W	
R517	1-247-750-11	CARBON	680	5%	1/2W	
R518	1-247-727-11	(WG,IT)...CARBON	10	5%	1/2W	
R551	1-249-417-11	CARBON	1K	5%	1/4W	
R552	1-249-438-11	CARBON	56K	5%	1/4W	
R553	1-249-414-11	CARBON	560	5%	1/4W	
R554	1-249-438-11	CARBON	56K	5%	1/4W	
R555	1-247-756-11	(AEP,UK,WG,IT)...CARBON	2.2K	5%	1/2W	
R555	1-247-758-11	(E,EA).....CARBON	3.3K	5%	1/2W	
R556	1-247-756-11	(AEP,UK,WG,IT)...CARBON	2.2K	5%	1/2W	
R556	1-247-758-11	(E,EA).....CARBON	3.3K	5%	1/2W	
R557	△ 1-212-881-11	FUSIBLE	100	5%	1/4W	F
R560	1-249-417-11	CARBON	1K	5%	1/4W	
R561	1-249-431-11	CARBON	15K	5%	1/4W	
R562	1-217-156-00	METAL PLATE	0.22	10%	5W	
R563	1-249-441-11	CARBON	100K	5%	1/4W	
R564	1-249-437-11	CARBON	47K	5%	1/4W	
R565	1-247-727-11	CARBON	10	5%	1/2W	
R566	1-247-727-11	CARBON	10	5%	1/2W	
R567	1-247-750-11	CARBON	680	5%	1/2W	
R568	1-247-727-11	(WG,IT)...CARBON	10	5%	1/2W	
R601	1-249-429-11	CARBON	10K	5%	1/4W	
R602	1-249-441-11	CARBON	100K	5%	1/4W	
R603	1-249-431-11	(AEP,UK,WG,IT)...CARBON	15K	5%	1/4W	
R603	1-249-432-11	(E,EA).....CARBON	18K	5%	1/4W	
R604	1-249-437-11	CARBON	47K	5%	1/4W	
R605	1-249-486-11	CARBON	12K	5%	1/2W	
R606	△ 1-215-891-11	(AEP,UK,WG,IT) ...METAL OXIDE	680	5%	2W	F
R606	△ 1-215-892-11	(E,EA).....METAL OXIDE	1K	5%	2W	F
R701	1-249-416-11	CARBON	820	5%	1/4W	
R702	1-249-416-11	CARBON	820	5%	1/4W	
R703	1-249-433-11	CARBON	22K	5%	1/4W	
R704	1-249-433-11	CARBON	22K	5%	1/4W	
R705	1-249-433-11	CARBON	22K	5%	1/4W	
R707	1-249-419-11	CARBON	1.5K	5%	1/4W	

Ref.No.	Part No.	Description				
R708	1-249-429-11	CARBON	10K	5%	1/4W	
R709	1-249-417-11	CARBON	1K	5%	1/4W	
R711	1-249-429-11	CARBON	10K	5%	1/4W	
R712	1-249-425-11	CARBON	4.7K	5%	1/4W	
R713	1-249-417-11	CARBON	1K	5%	1/4W	
R714	1-249-413-11	CARBON	470	5%	1/4W	
R715	1-249-417-11	CARBON	1K	5%	1/4W	
R716	1-249-417-11	CARBON	1K	5%	1/4W	
R717	1-249-417-11	CARBON	1K	5%	1/4W	
R718	1-249-401-11	CARBON	47	5%	1/4W	
R901	1-217-156-00	(E,EA)...METAL PLATE	0.22	10%	5W	
R902	1-217-156-00	(E,EA)...METAL PLATE	0.22	10%	5W	
R903	1-217-156-00	(E,EA)...METAL PLATE	0.22	10%	5W	
R904	1-217-156-00	(E,EA)...METAL PLATE	0.22	10%	5W	
R905	△ 1-217-469-00	FUSIBLE	1	5%	1W	F
R906	1-249-422-11	CARBON	2.7K	5%	1/4W	
R908	△ 1-247-761-11	CARBON	5.6K	5%	1/2W	
R909	△ 1-217-469-00	FUSIBLE	1	5%	1W	F
R910	△ 1-217-469-00	FUSIBLE	1	5%	1W	F
RV101	1-238-978-11	RES, VAR, CARBON 100KX2 (TREBLE)				
RV102	1-238-978-11	RES, VAR, CARBON 100KX2 (BASS)				
RV103	1-238-977-11	RES, VAR, CARBON 100KX2(SAT/DBFB LEVEL)				
RV104	1-238-459-11	RES, VAR, CARBON 100K (BALANCE)				
RV105	1-238-870-11	RES, VAR, CARBON (MOTOR)100KX2(VOLUME)				
RV301	1-238-744-11	RES, VAR, CARBON, 50K (MIC LEVEL)				
RY601	1-515-765-11	RELAY				
S1	1-554-920-11	SWITCH, PUSH (AC POWER)(1 KEY)				
S2	△ 1-570-307-11	(E,EA)...SWITCH, VOLTAGE CHANGE				
S701	1-554-303-21	SWITCH, KEY BOARD (CD DIRECT)				
S702	1-554-303-21	SWITCH, KEY BOARD (CD)				
S703	1-554-303-21	SWITCH, KEY BOARD (TUNER)				
S704	1-554-303-21	SWITCH, KEY BOARD (PHONO)				
S705	1-554-303-21	SWITCH, KEY BOARD (VIDEO 2)				
S706	1-554-303-21	SWITCH, KEY BOARD (VIDEO 1/DAT)				
S707	1-554-303-21	SWITCH, KEY BOARD (TAPE)				
S708	1-554-303-21	SWITCH, KEY BOARD (SAT/DBFB)				
S709	1-554-303-21	SWITCH, KEY BOARD (EQ REC)				
T1	△ 1-450-022-11	(AEP,UK,WG,IT)...TRANSFORMER, POWER				
T1	△ 1-450-023-11	(E,EA).....TRANSFORMER, POWER				
TM501	1-537-238-11	TERMINAL BOARD (SPEAKER)				

Note: The components identified by mark △ or dotted line with mark △ are critical for safety. Replace only with part number specified.

TA-V702

SONY[®] SERVICE MANUAL

AEP Model
UK Model
E Model

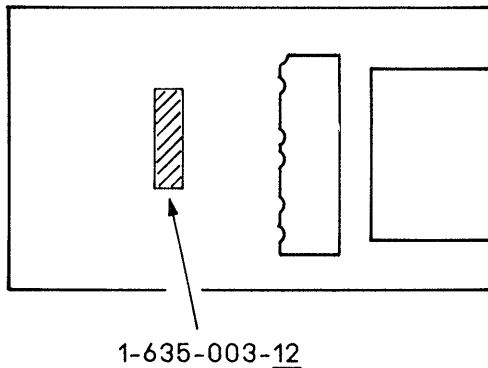
SUPPLEMENT-1

File this Supplement with the Service Manual.

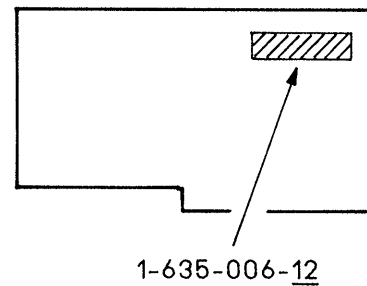
Subject : Schematic Diagram and Printed Wiring Board Modification

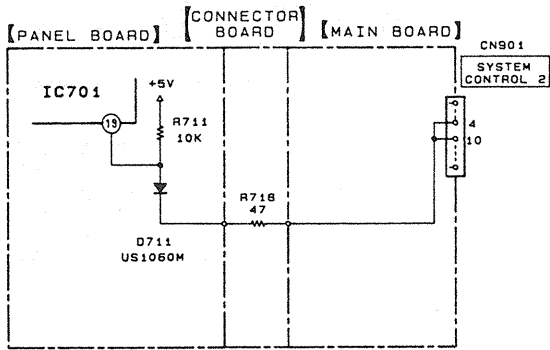
• PART NUMBER OF NEW MAIN AND PANEL BOARD

【MAIN BOARD】

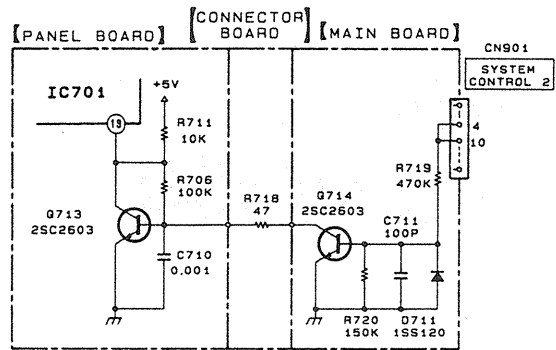


【PANEL BOARD】

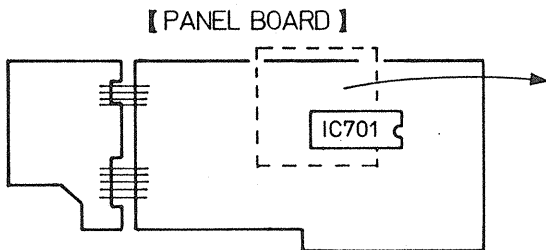




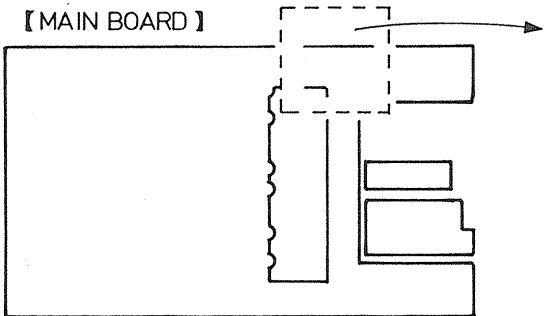
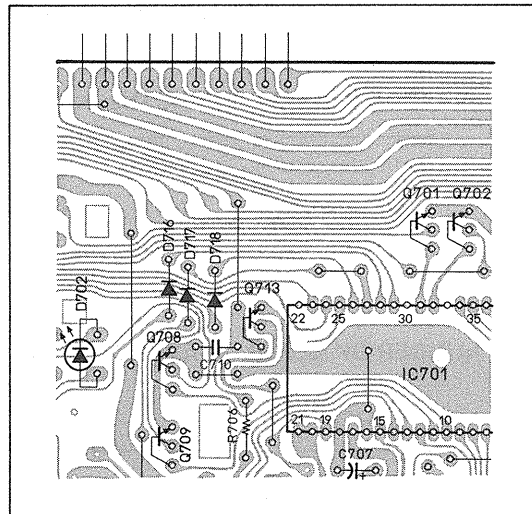
(The former circuit)



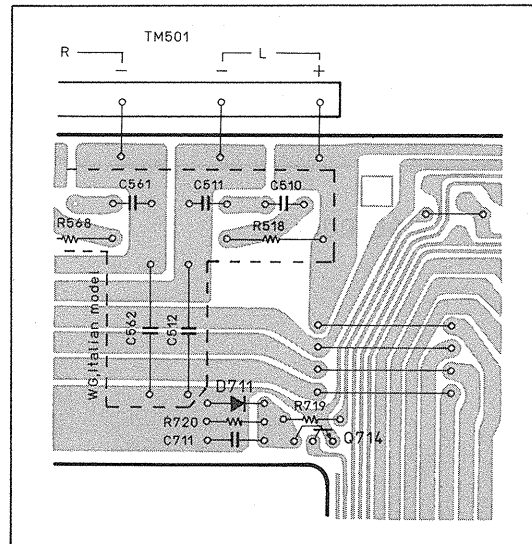
(The new circuit)



Page 7, 8
(Location I-8)



Page 9, 10
(Location C-24)



PARTS LIST

Ref. No.	Part No.	Description	Remark
< CAPACITOR >			
C710	1-162-294-31	CERAMIC 0.001uF 10% 50V	
C711	1-162-282-31	CERAMIC 100PF 10% 50V	
< DIODE >			
D711	8-719-912-20	DIODE 1SS120	

Ref. No.	Part No.	Description	Remark
< TRANSISTOR >			
Q713	8-729-620-05	TRANSISTOR 2SC2603-EF	
Q714	8-729-620-05	TRANSISTOR 2SC2603-EF	
< RESISTOR >			
R706	1-249-441-11	CARBON 100K 5% 1/4W	
R719	1-247-895-00	CARBON 470K 5% 1/4W	
R720	1-247-883-00	CARBON 150K 5% 1/4W	