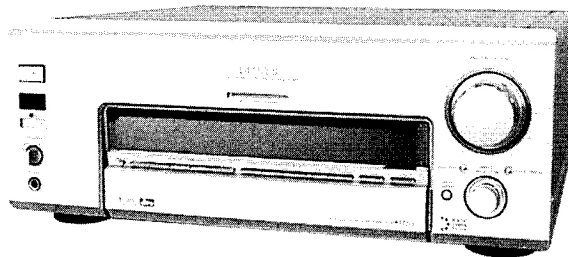


TA-VA777ES

SERVICE MANUAL

AEP Model
UK Model



Manufactured under license from Dolby Laboratories Licensing Corporation.
Dolby, "DOLBY", the double-D symbol DD , AC-3 and "Pro Logic" are trademarks of Dolby Laboratories Licensing Corporation.

SPECIFICATIONS

Audio section

POWER OUTPUT

Stereo mode 120 W + 120 W
(8 ohms, DIN 1 kHz)
100 W + 100 W
(4 ohms, DIN 1 kHz)
100 W + 100 W
(8 ohms, THD 0.05%
20 - 20 kHz)
90 W + 90 W
(4 ohms, THD 0.05%
20 - 20 kHz)

Surround mode

Front: 120 W + 120 W
Center^{a)}: 120 W
Rear^{a)}: 120 W + 120 W
(8 ohms, DIN 1 kHz)
Front: 100 W + 100 W
Center^{a)}: 100 W
Rear^{a)}: 100 W + 100 W
(4 ohms, DIN 1 kHz)

a) Depending on the sound field settings and the source, there may be no sound output.

Frequency response

PHONO:
20 Hz ~ 20 kHz
RIAA ± 0.5 dB
LINE (TUNER, CD,
MD/DAT, TAPE,
DVD, TV/LD,
VIDEO 1, 2, and
VIDEO 3):
10 Hz ~ 100 kHz
 $+0.5/-2.0$ dB
(ANALOG DIRECT)

Signal-to-noise ratio

DIGITAL IN: 100 dB
(20 kHz LPF, A)
PHONO: 86 dB*
(A, 5mV)
LINE: 100 dB*
(20 kHz LPF, A)

* ANALOG DIRECT

Inputs (Analog)

PHONO:
Sensitivity: 4 mV
Impedance:
50 kilohms
LINE (TUNER, CD,
MD/DAT, TAPE,
DVD, TV/LD,
VIDEO 1, 2, and
VIDEO 3):
Sensitivity: 200 mV
Impedance:
50 kilohms

Inputs (Digital)

Coaxial (DVD, CD):
Sensitivity: -
Impedance: 75 ohms
Optical (DVD, TV/LD,
MD/DAT):
Sensitivity: -
Impedance: -

— Continued on next page —

INTEGRATED AV AMPLIFIER

SONY®



Outputs (Analog)

REC OUT
(MD/DAT, TAPE,
VIDEO 1, 2, 3):
Voltage: 200 mV,
Impedance:
1 kilohm

PRE OUT (FRONT L/R,
CENTER, REAR L/R,
SUB WOOFER):
Voltage: 2 V
Impedance:
1 kohms

PHONES:
Accepts low- and
high-impedance
headphones

Outputs (Digital)

Optical (MD/DAT)

Sampling Frequency

48 kHz

EQ

BASS:
99 Hz ~ 1.0 kHz
(21 steps)

MID:
198 Hz ~ 10 kHz
(37 steps)

TREBLE:
1.0 kHz ~ 10 kHz
(23 steps)

Gain levels:
±10 dB, 0.5 dB step

Decodable Digital Formats

Dolby Digital (AC-3),
DTS

Video section

Inputs Video: 1 Vp-p 75 ohms
S-video:
Y: 1 Vp-p 75 ohms
C: 0.286 Vp-p
75 ohms

Outputs Video: 1 Vp-p 75 ohms
S-video:
Y: 1 Vp-p 75 ohms
C: 0.286 Vp-p
75 ohms

General**Power requirements**

230 V AC, 50/60 Hz

Power consumption

420 W

AC outlets 2 switched, total 100 W

Dimensions 430 × 174 × 462 mm
including projecting
parts and controls

Mass (Approx.)

24.3 kg

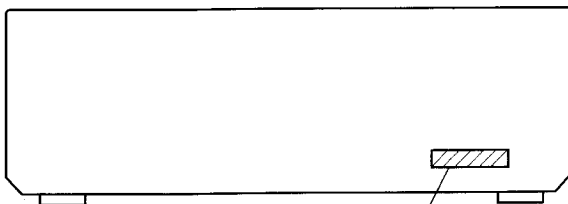
Supplied accessories

- Remote commander RM-TP503 (remote) (1)
- LR6 (size-AA) alkaline batteries (4)
- Coin shaped lithium battery (CR-2032) (1)

Design and specifications are subject
to change without notice.

MODEL IDENTIFICATION

– BACK PANEL –



PART NO.

MODEL	PARTS No.
AEP model	4-222-054-5□
UK model	4-222-054-6□

TABLE OF CONTENTS

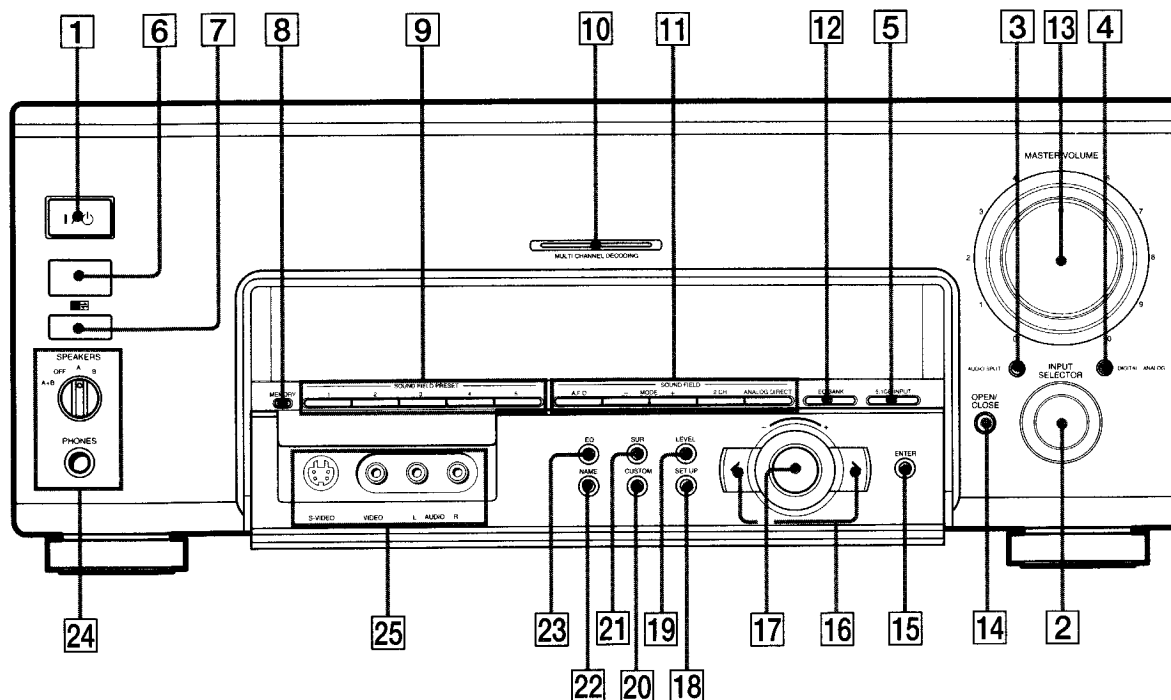
1. GENERAL	4
2. ADJUSTMENT	6
3. DIAGRAMS	7
3-1. Circuit Boards Location	7
3-2. Block Diagram Main Section	8
3-3. Block Diagram Digital Section	9
3-4. Block Diagram Control Section	10
3-5. Block Diagram Power Section	11
3-6. Printed Wiring Board Audio Section	12
3-7. Schematic Diagram Audio Section	13
3-8. Printed Wiring Board Video Section	14
3-9. Schematic Diagram Video Section	15
3-10. Printed Wiring Board Volume Section(SIDE A)	16
3-11. Printed Wiring Board Volume Section(SIDE B)	17
3-12. Schematic Diagram Volume Section(1/2)	18
3-13. Schematic Diagram Volume Section(2/2)	19
3-14. Printed Wiring Board Digital Section(SIDE A)	20
3-15. Printed Wiring Board Digital Section(SIDE B)	21
3-16. Schematic Diagram Digital Section(1/7)	22
3-17. Schematic Diagram Digital Section(2/7)	23
3-18. Schematic Diagram Digital Section(3/7)	24
3-19. Schematic Diagram Digital Section(4/7)	25
3-20. Schematic Diagram Digital Section(5/7)	26
3-21. Schematic Diagram Digital Section(6/7)	27
3-22. Schematic Diagram Digital Section(7/7)	28
3-23. Printed Wiring Board AMP Section	29
3-24. Schematic Diagram AMP Section(1/2)	30
3-25. Schematic Diagram AMP Section(2/2)	31
3-26. Printed Wiring Board Display Section(SIDE A)	32
3-27. Printed Wiring Board Display Section(SIDE B)	33
3-28. Schematic Diagram Display Section(1/2)	34
3-29. Schematic Diagram Display Section(2/2)	35
3-30. Printed Wiring Board Switch Section	36
3-31. Printed Wiring Board Control Jack Section	37
3-32. Schematic Diagram Control Jack Section	37
3-33. Printed Wiring Board Speaker Terminal Section	38
3-34. Schematic Diagram Speaker Terminal Section	39
3-35. Printed Wiring Board Power Supply Section	40
3-36. Printed Wiring Board AC Power Supply Section	41
3-37. Schematic Diagram Power Supply Section	42
3-38. IC Block Diagrams	43
3-39. IC Pin Function Description	47
4. EXPLODED VIEWS	
4-1. Case Section	52
4-2. Chassis Section	53
4-3. Front Panel Section	54
4-4. Back Panel Section	55
5. ELECTRICAL PARTS LIST	56

SAFETY-RELATED COMPONENT WARNING!!

COMPONENTS IDENTIFIED BY MARK \triangle OR DOTTED LINE WITH MARK \triangle ON THE SCHEMATIC DIAGRAMS AND IN THE PARTS LIST ARE CRITICAL TO SAFE OPERATION. REPLACE THESE COMPONENTS WITH SONY PARTS WHOSE PART NUMBERS APPEAR AS SHOWN IN THIS MANUAL OR IN SUPPLEMENTS PUBLISHED BY SONY.

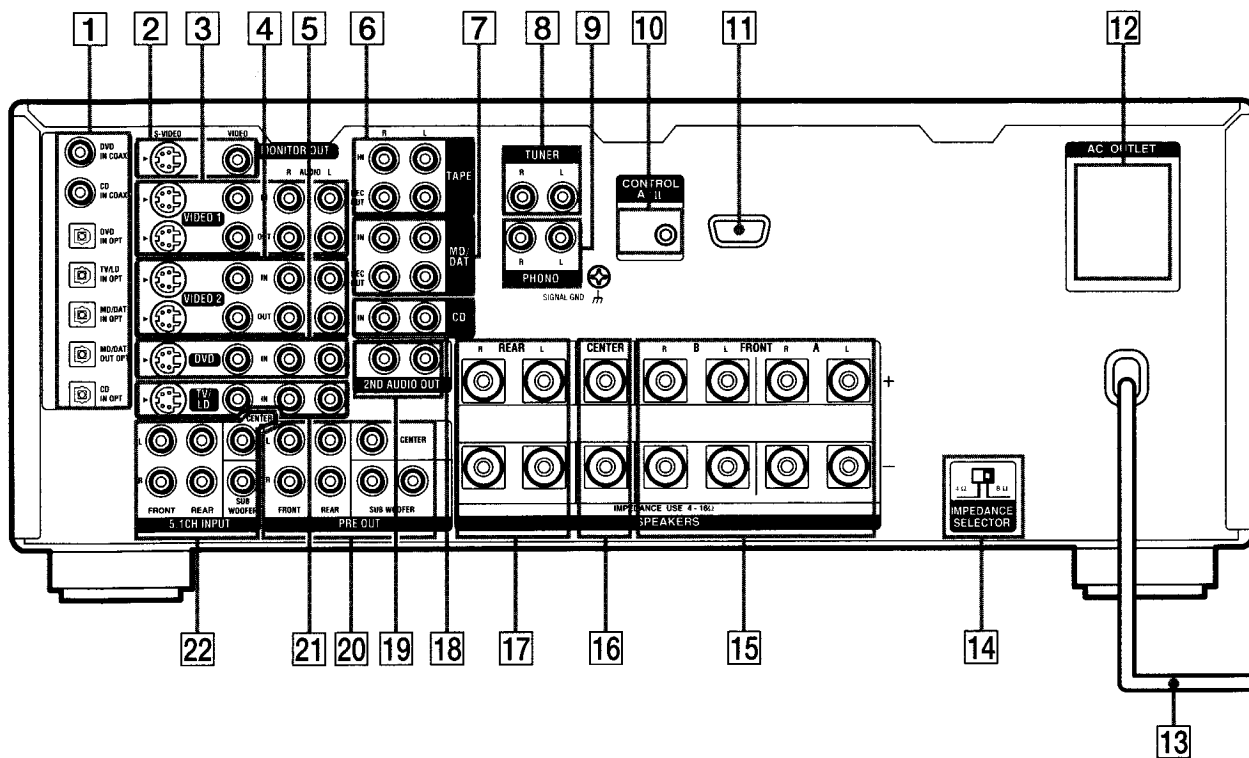
SECTION 1 GENERAL

FRONT PANEL SECTION



- | | | | |
|-----------|---------------------------------|-----------|------------------------|
| 1 | I/⏻ switch | 13 | MASTER VOLUME knob |
| 2 | INPUT SELECTOR knob | 14 | OPEN/CLOSE button |
| 3 | AUDIO SPLIT button | 15 | ENTER button |
| 4 | DIGITAL/ANALOG button | 16 | Cursor buttons (</>) |
| 5 | 5.1CH INPUT button | 17 | Jog dial |
| 6 | IR emitter | 18 | SET UP button |
| 7 | IR receptor | 19 | LEVEL button |
| 8 | MEMORY button | 20 | CUSTOM button |
| 9 | SOUND FIELD PRESET 1 – 5 button | 21 | SUR button |
| 10 | MULTICHANNEL DECODING indicator | 22 | NAME button |
| 11 | A.F.D button | 23 | EQ button |
| | MODE +/- buttons | 24 | SPEAKERS selector knob |
| | 2CH button | | PHONES jack |
| | ANALOG DIRECT button | 25 | VIDEO 3 jack |
| 12 | EQ BANK button | | |

REAR PANEL SECTION



- 1 DIGITAL jack
- 2 MONITOR OUT jack
- 3 VIDEO 1 jack
- 4 VIDEO 2 jack
- 5 DVD jack
- 6 TAPE jack
- 7 MD/DAT jack
- 8 TUNER jack
- 9 PHONO jack
- 10 CONTROL A1 II jack
- 11 RS-232C

- 12 AC OUTLET
- 13 Power cord
- 14 IMPEDANCE SELECTOR switch
- 15 FRONT SPEAKER terminal
- 16 CENTER SPEAKER terminal
- 17 REAR SPEAKER terminal
- 18 CD jack
- 19 2ND AUDIO OUT jack
- 20 PRE OUT jack
- 21 TV/LD jack
- 22 5.1CH INPUT jack

SECTION 2 ADJUSTMENT

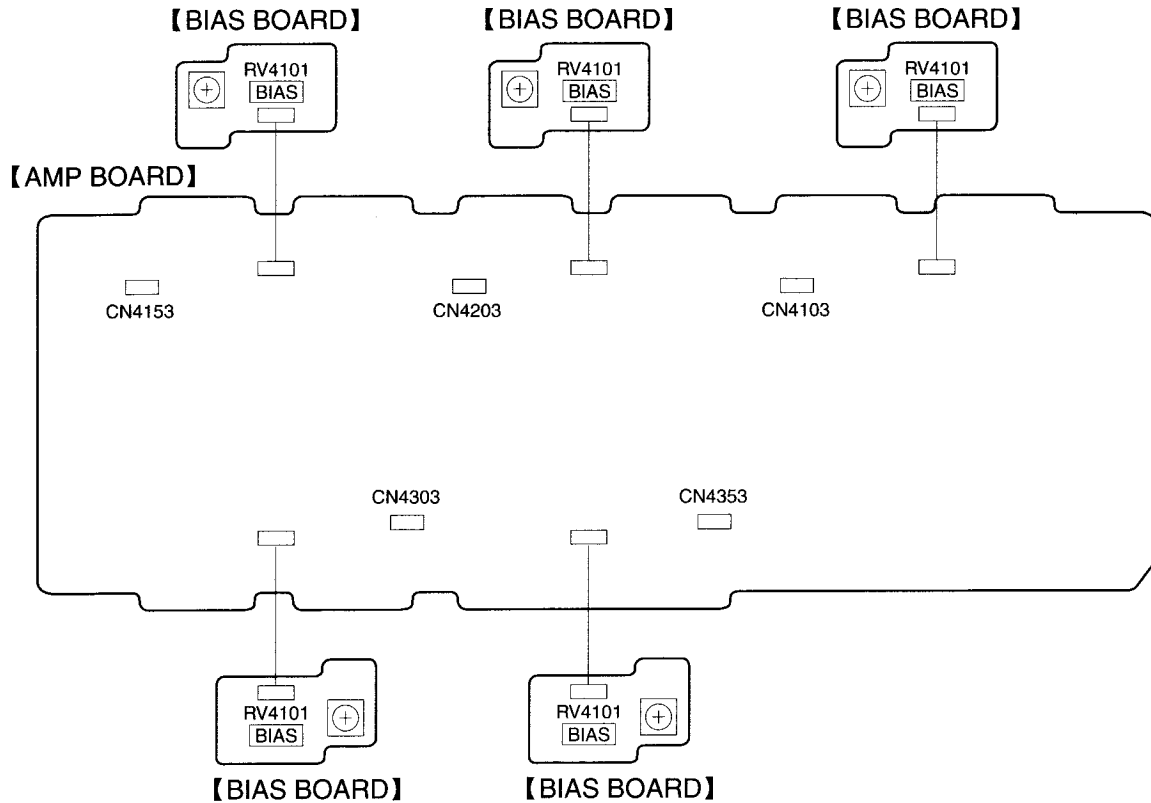
Electrical adjustments

[BIAS adjustment]

Conditions : VOLUME : MIN

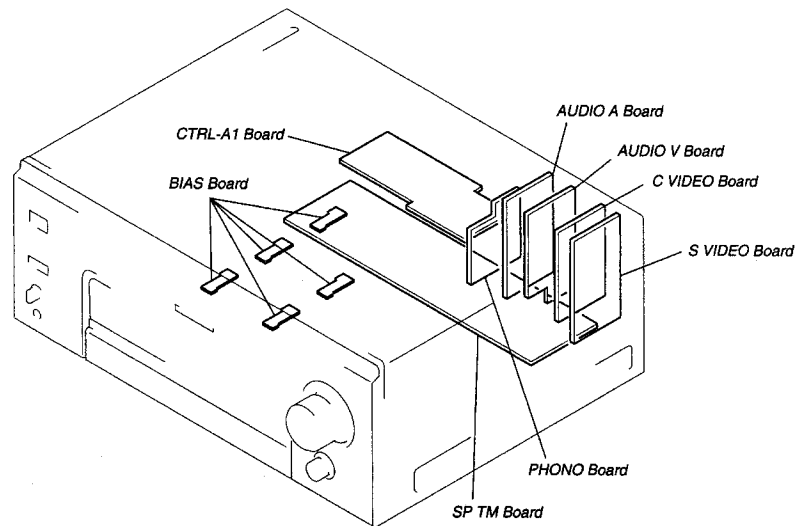
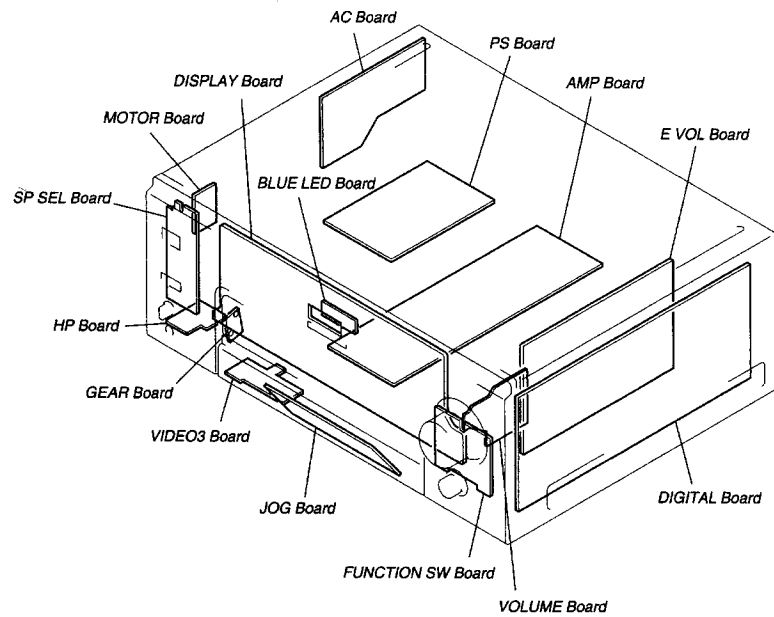
Input signal : No signal (no load)

Procedure : Adjust RV4101 on the BIAS board so that 10mV is obtained across the CN4103, CN4153, CN4203, CN4303 and CN4353 on the AMP board respectively.



SECTION 3 DIAGRAMS


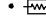

3-1. CIRCUIT BOARDS LOCATION










THIS NOTE IS COMMON FOR PRINTED WIRING BOARDS AND SCHEMATIC DIAGRAMS.
(In addition to this necessary note is printed in each block.)

For schematic diagrams.

Note:

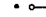


- All capacitors are in μF unless otherwise noted. pF : μF 50 WV or less are not indicated except for electrolytics and tantalums.
- All resistors are in Ω and $\frac{1}{4}\text{W}$ or less unless otherwise specified.
- % : indicates tolerance.
-  : nonflammable resistor.
-  : fusible resistor.
-  : panel designation.

Note: The components identified by mark Δ or dotted line with mark Δ are critical for safety. Replace only with part number specified.

-  : B+ Line.
-  : B- Line.
-  : adjustment for repair.
- Voltages and waveforms are dc with respect to ground under no-signal (detuned) conditions.
- No mark : FM
- Voltages are taken with a VOM (Input impedance 10 M Ω). Voltage variations may be noted due to normal production tolerances.
- Waveforms are taken with an oscilloscope.
- Circled numbers refer to waveforms.
- Signal path.
-  : FM
-  : CD
-  : DIGITAL
-  : PHONO

For printed wiring boards.

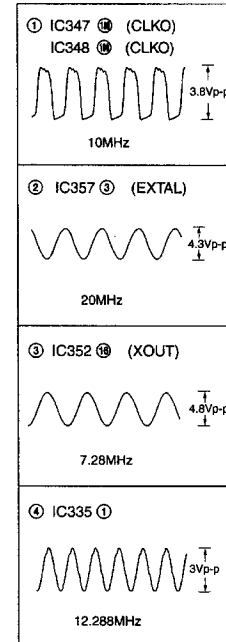
Note:

-  : parts extracted from the component side.
-  : Through hole.
-  : Pattern from the side which enables seeing.

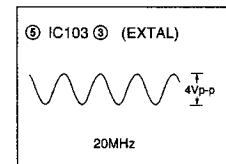
Caution:

Pattern face side: Parts on the pattern face side seen from (SIDE B) are indicated.
Parts face side: Parts on the parts face side seen from (SIDE A) are indicated.

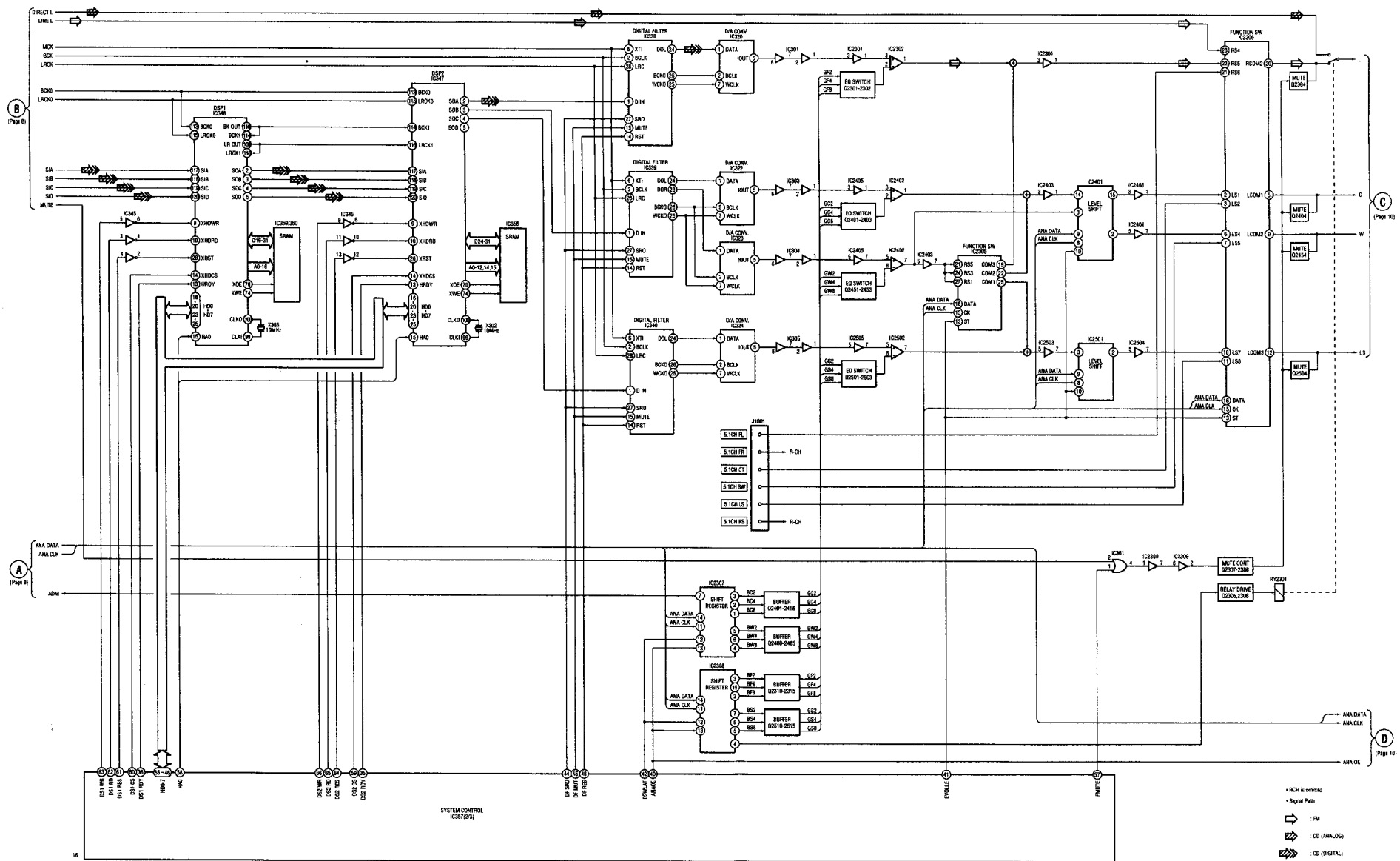
• Waveform DIGITAL Board



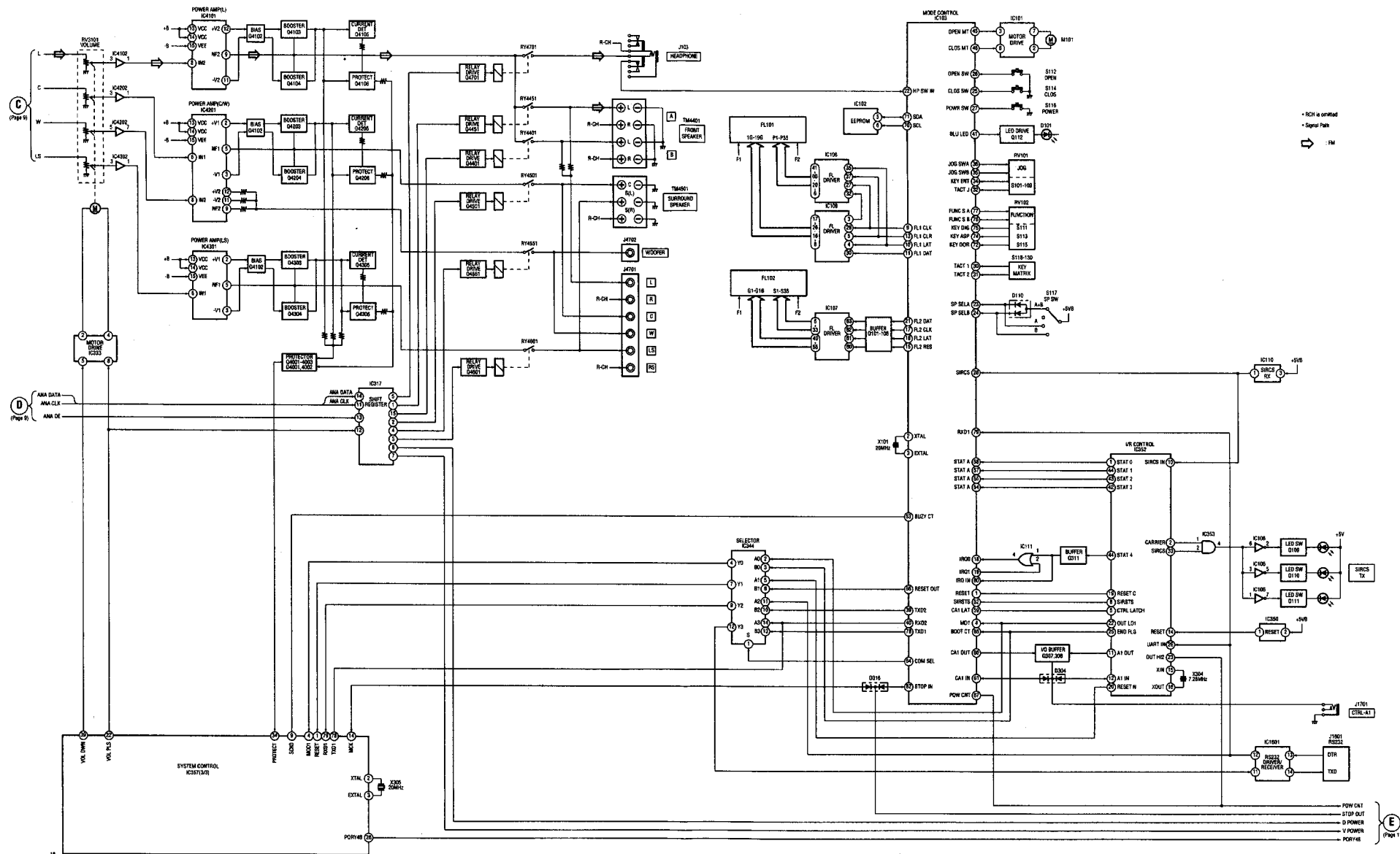
DISPLAY Board



3-3. BLOCK DIAGRAM DIGITAL SECTION



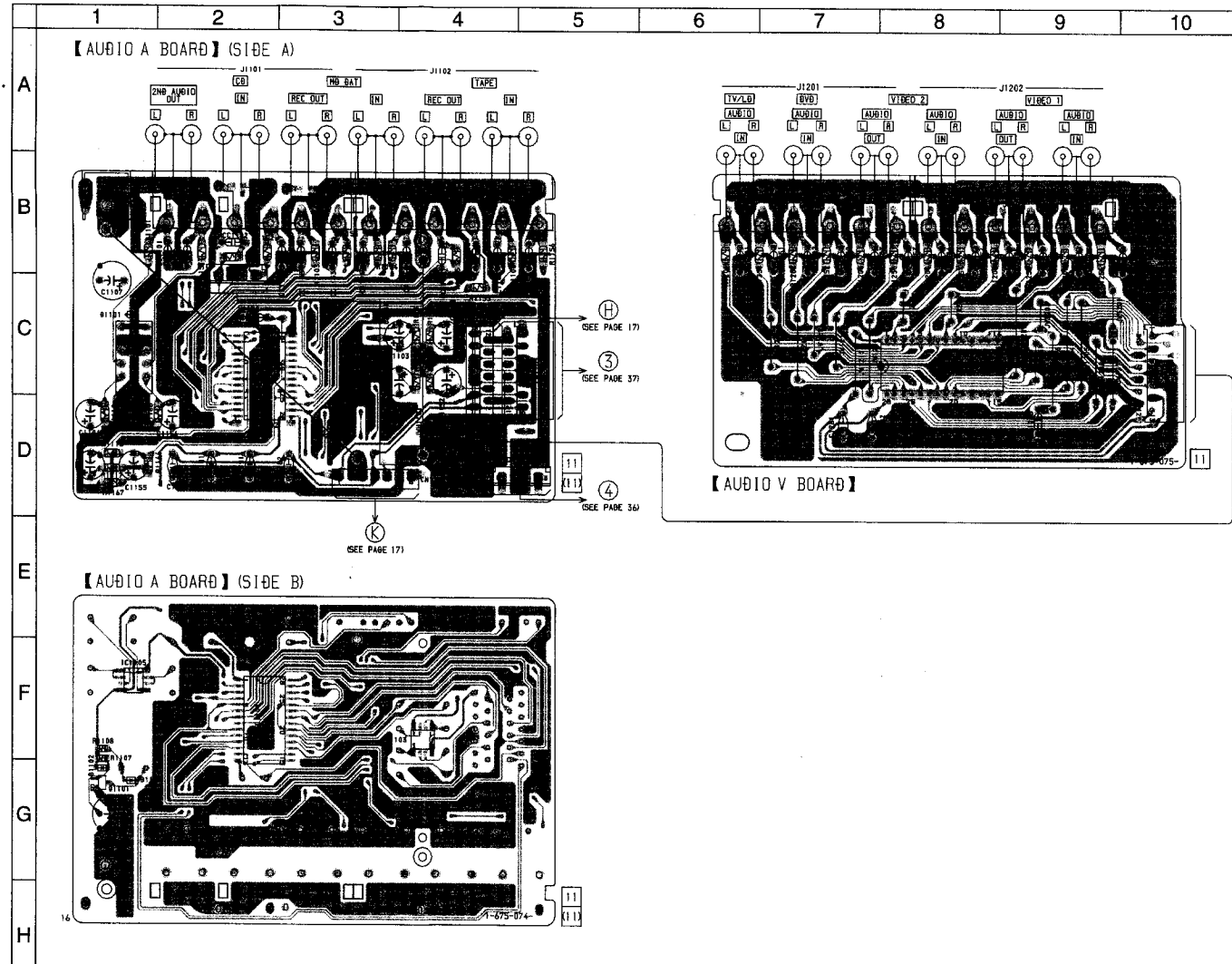
3-4. BLOCK DIAGRAM CONTROL SECTION



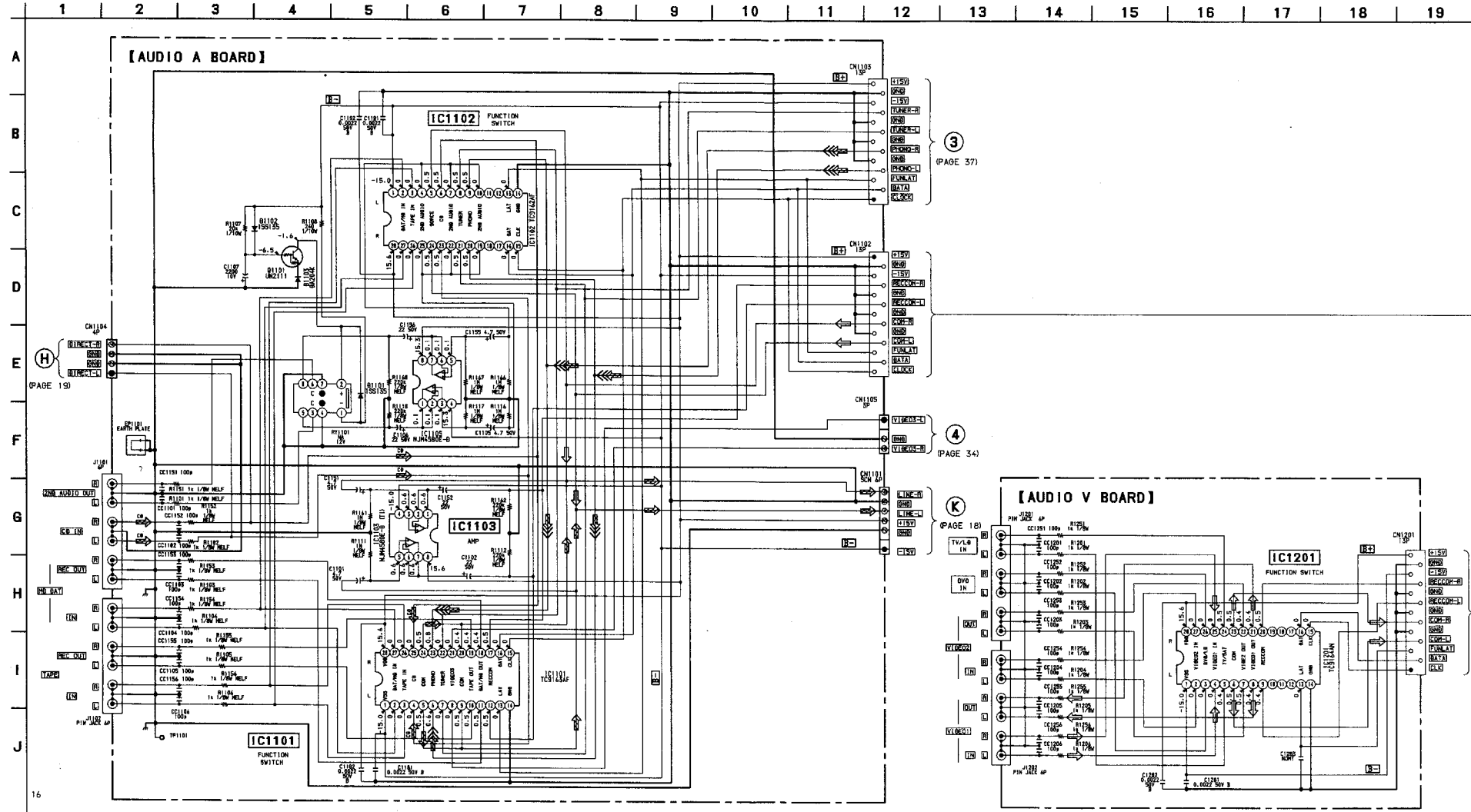
3-6. PRINTED WIRING BOARD AUDIO SECTION • See page 7 for Circuit Boards Location.

• Semiconductor Location

Ref. No.	Location
D1101	G-1
D1102	F-1
IC1101	F-2
IC1102	D-2
IC1103	F-4
IC1105	F-1
IC1201	C-8
Q1101	G-1



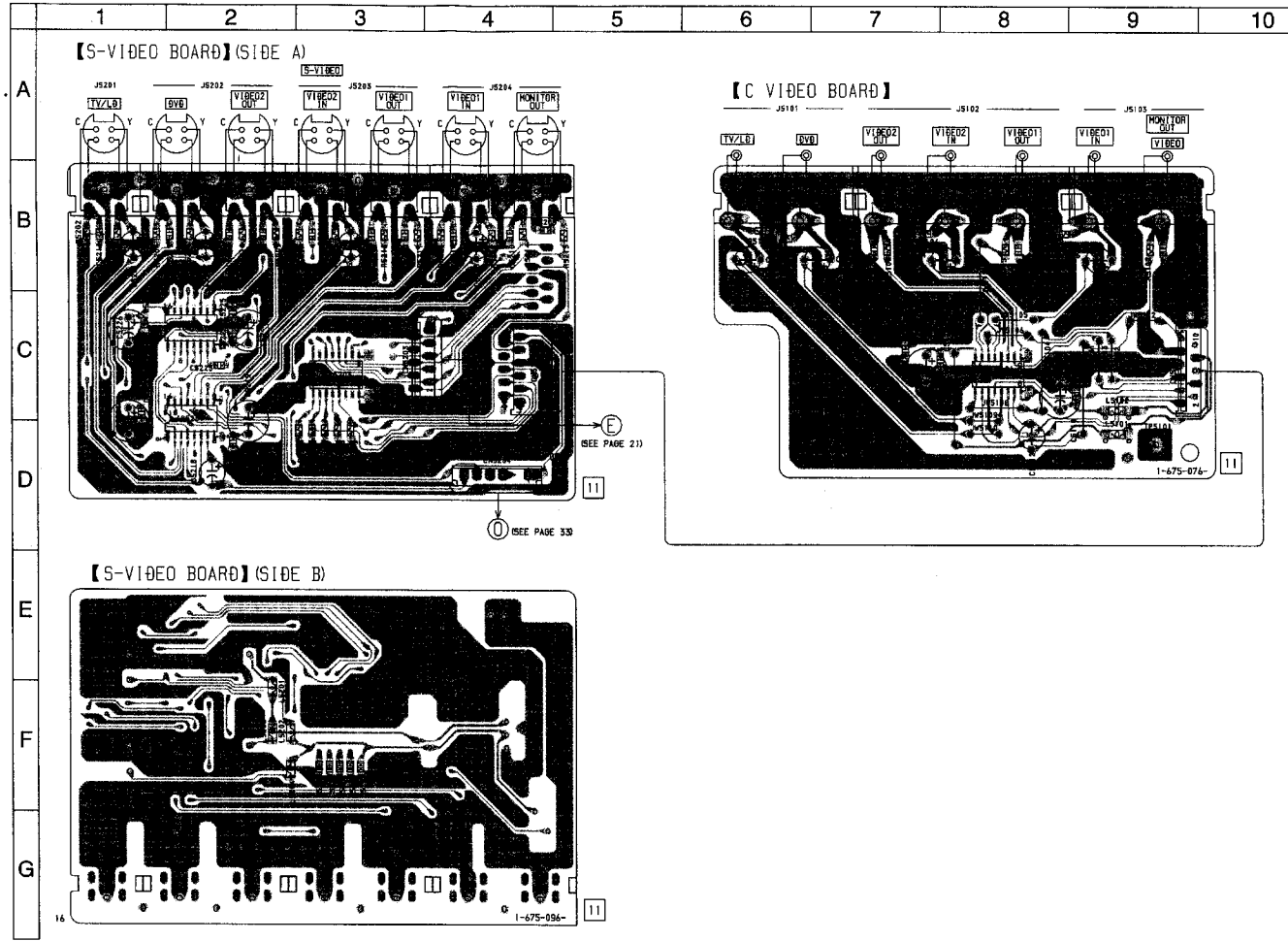
3-7. SCHEMATIC DIAGRAM AUDIO SECTION • See page 43,44 for IC Block Diagrams.



3-8. PRINTED WIRING BOARD VIDEO SECTION • See page 7 for Circuit Boards Location.

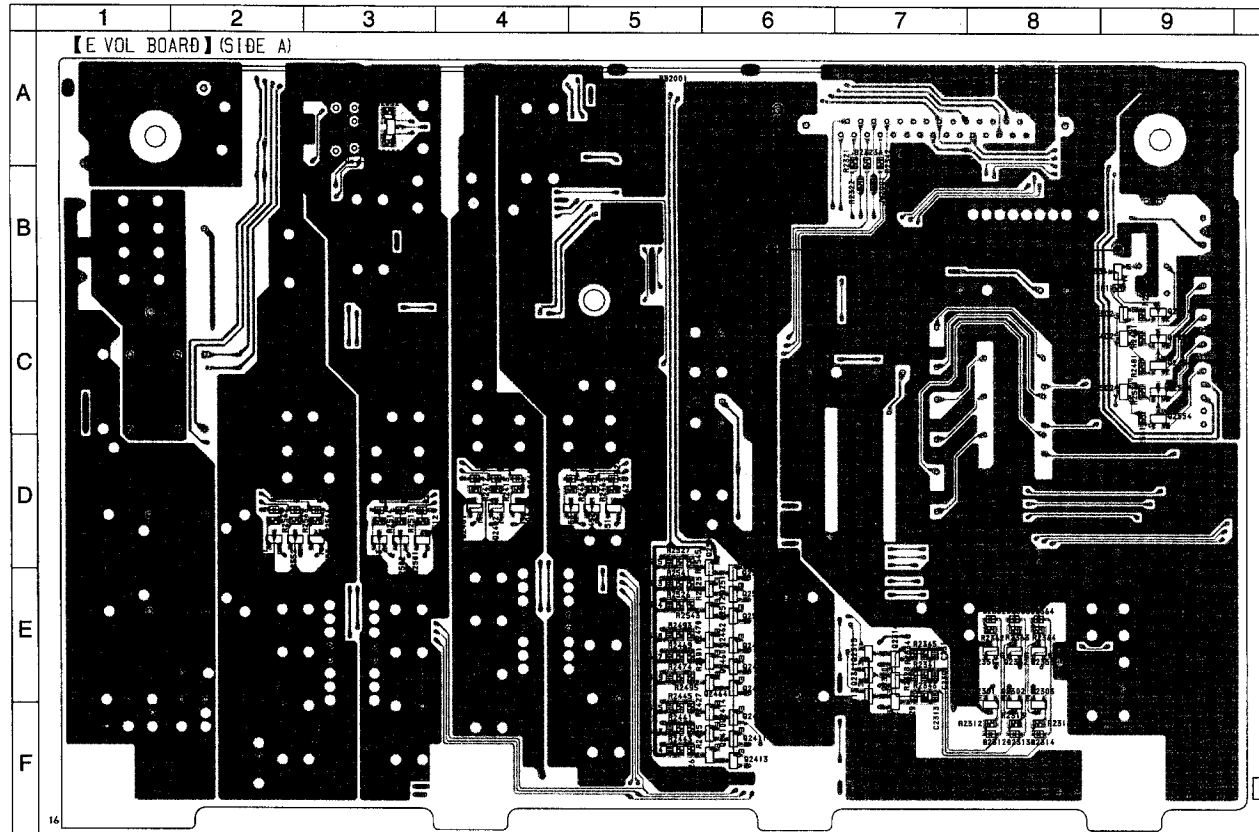
• Semiconductor Location

Ref. No.	Location
IC5101	C-8
IC5201	C-2
IC5202	C-2
IC5203	C-3

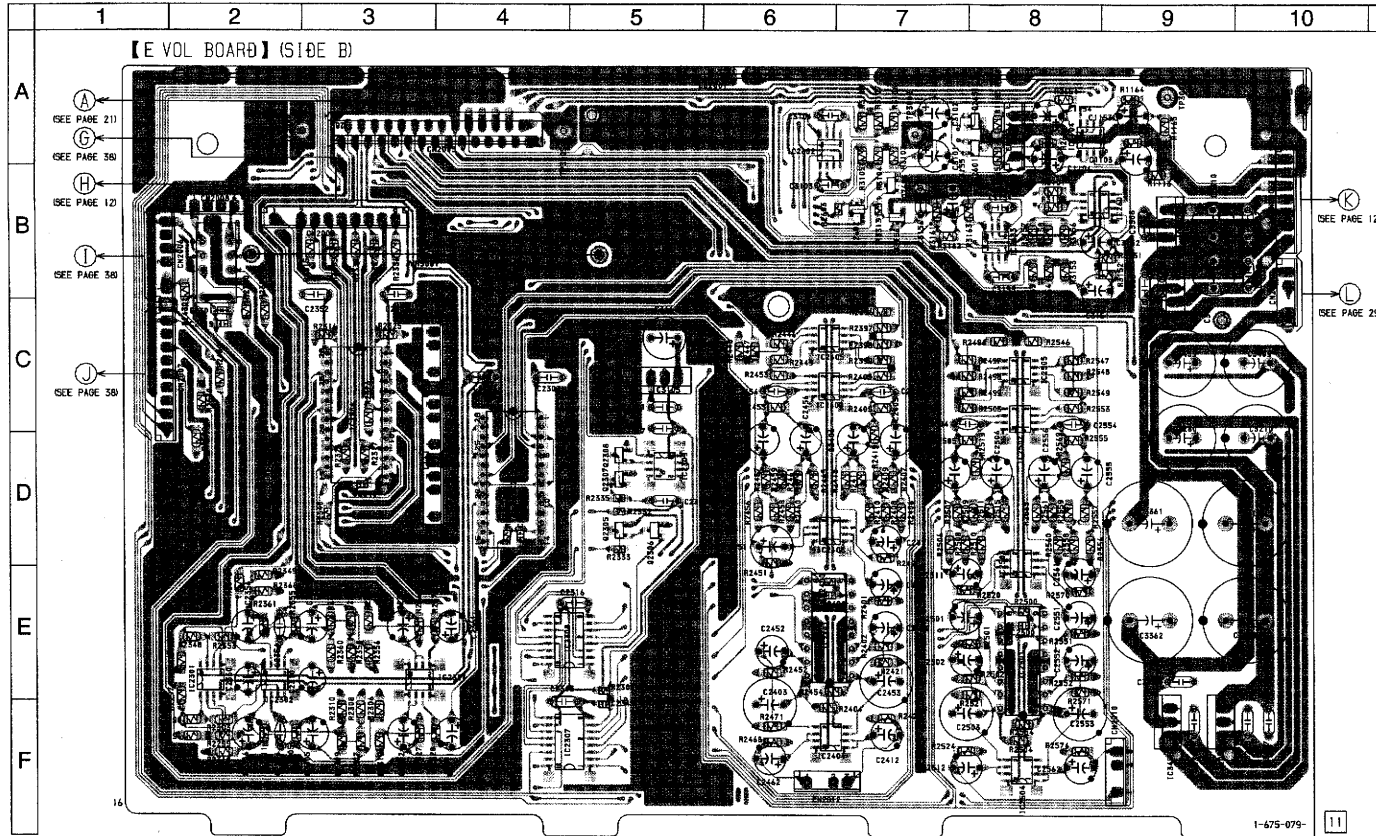


• Semiconductor Location

Ref. No.	Location
D2302	B-9
D2312	F-8
D2313	F-8
D2314	F-8
D2362	D-8
D2363	D-8
D2364	D-8
D2402	C-9
D2412	D-4
D2413	D-4
D2414	D-4
D2452	D-5
D2453	D-5
D2454	D-5
D2502	C-9
D2512	D-3
D2513	D-3
D2514	D-3
D2562	D-2
D2563	D-3
D2564	D-3
D2601	A-3
Q2301	E-8
Q2302	E-8
Q2303	E-8
Q2304	C-9
Q2310	E-7
Q2311	E-7
Q2312	F-7
Q2313	E-7
Q2314	E-7
Q2315	E-7
Q2351	E-8
Q2352	E-8
Q2353	E-8
Q2354	B-9
Q2401	D-4
Q2402	D-4
Q2403	D-4
Q2404	C-9
Q2410	F-6
Q2411	F-6
Q2412	F-6
Q2413	F-6
Q2414	F-6
Q2415	F-6
Q2451	D-5
Q2452	D-5
Q2453	D-5
Q2454	C-9
Q2460	E-6
Q2461	E-6
Q2462	E-6
Q2463	E-6
Q2464	E-6
Q2465	E-6
Q2501	D-3
Q2502	D-3
Q2503	D-3
Q2504	C-9
Q2510	E-6
Q2511	E-6
Q2512	E-6
Q2513	E-6
Q2514	E-6
Q2515	D-6
Q2551	D-2
Q2552	D-3
Q2553	D-3
Q2554	C-9

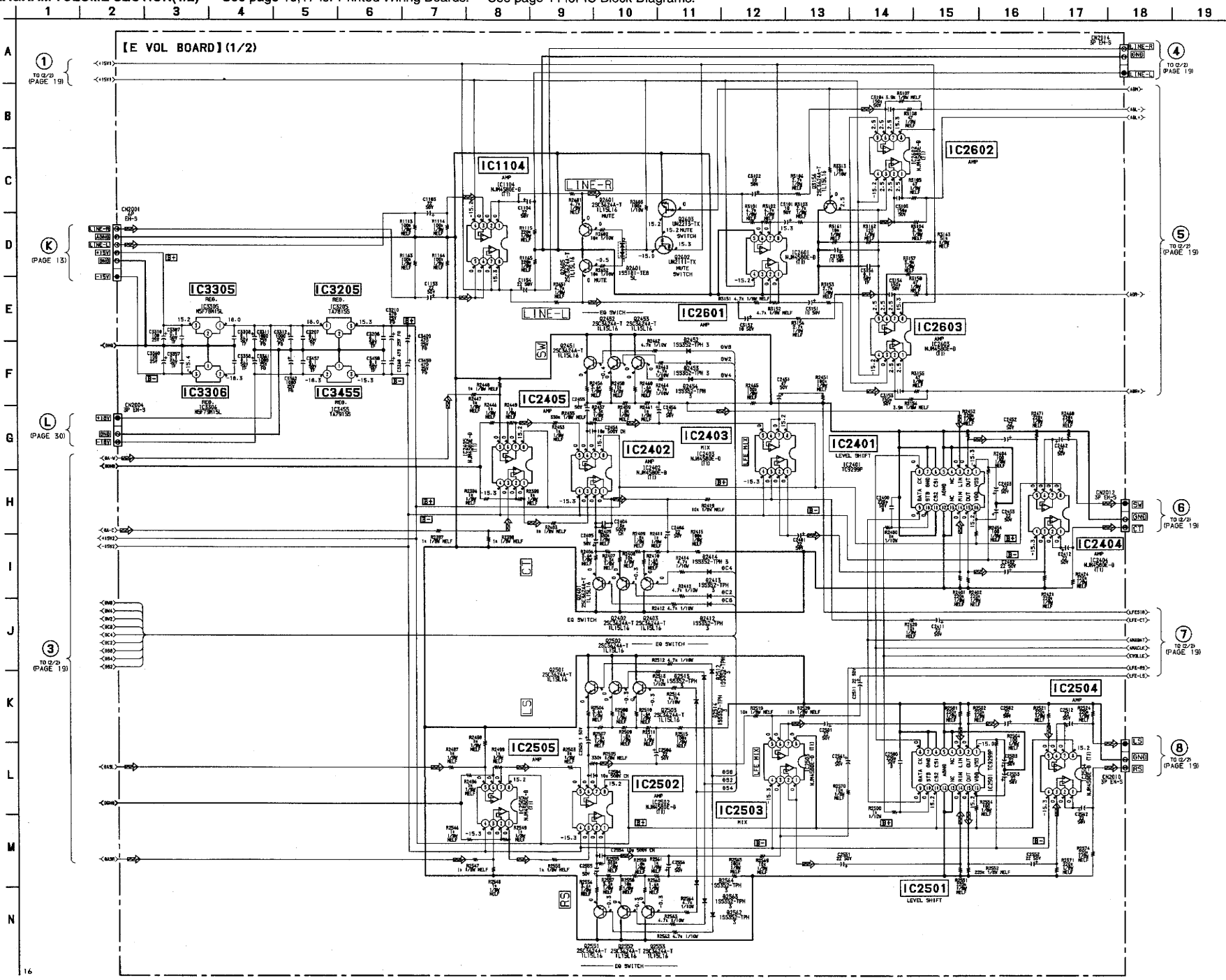


3-11. PRINTED WIRING BOARD VOLUME SECTION(SIDE B) • See page 7 for Circuit Boards Location.

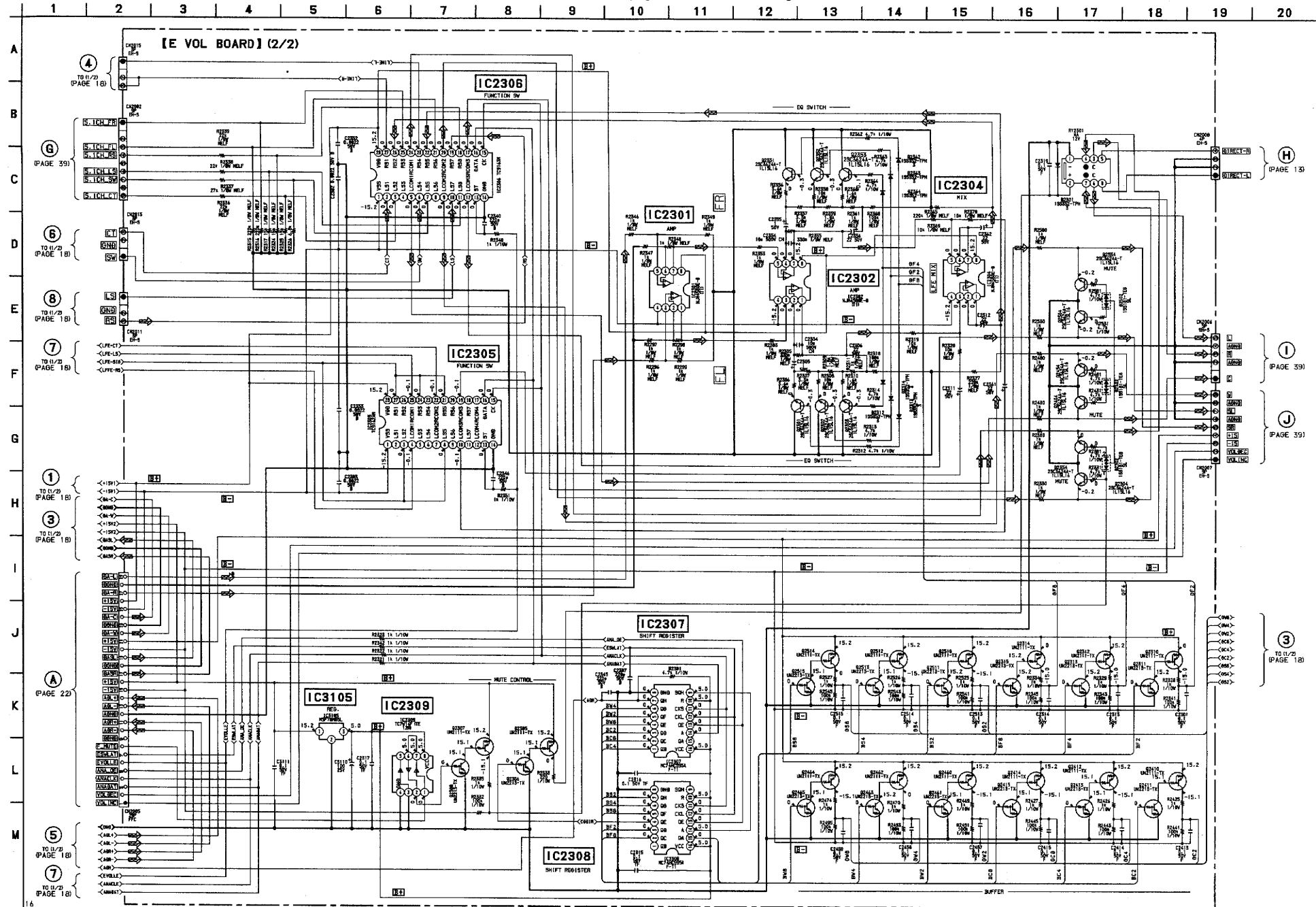


• Semiconductor Location

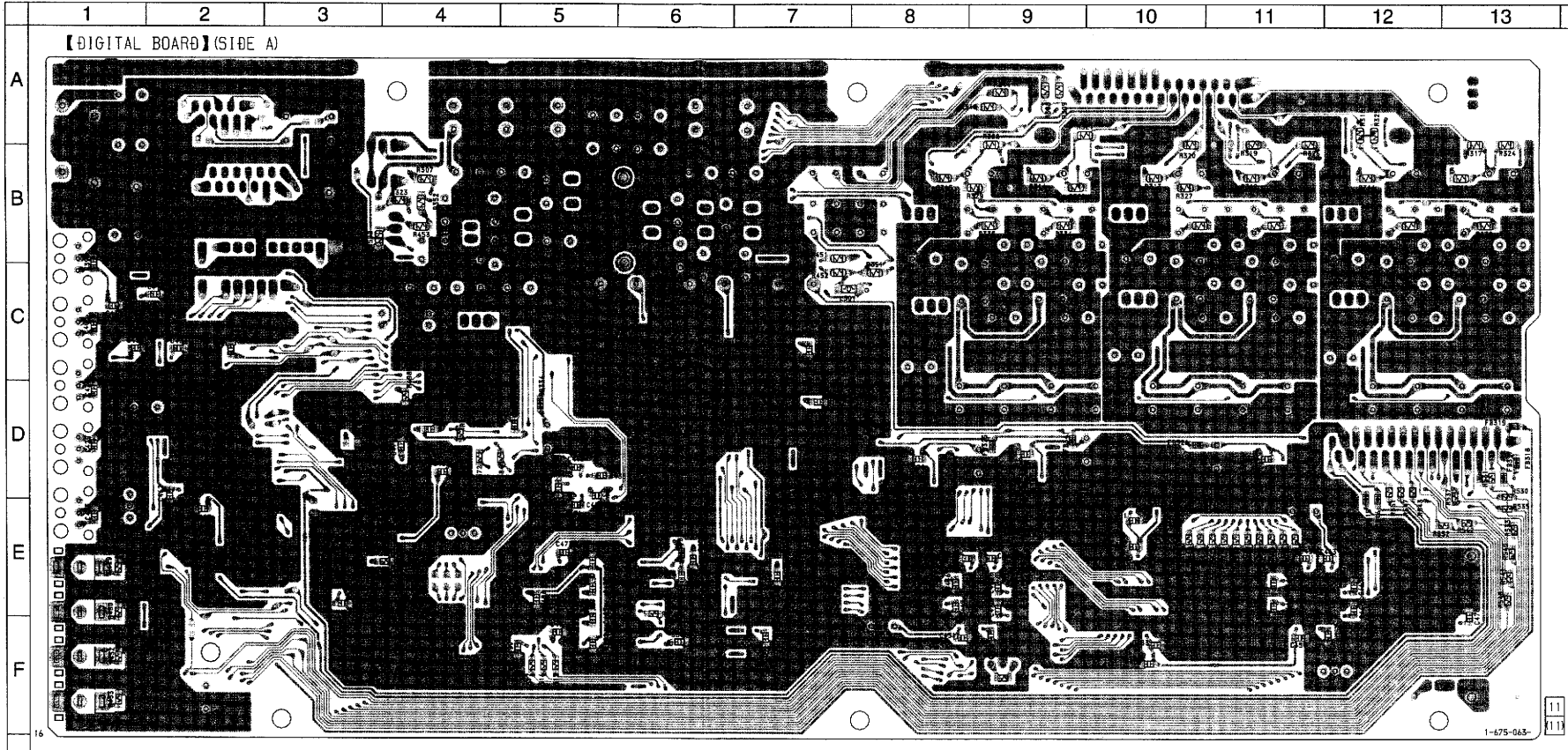
Ref. No.	Location
D2301	C-2
IC1104	A-8
IC2301	E-2
IC2302	E-2
IC2304	E-3
IC2305	D-4
IC2306	C-3
IC2307	F-4
IC2308	E-4
IC2309	D-5
IC2401	E-6
IC2402	C-6
IC2403	D-6
IC2404	F-6
IC2405	C-6
IC2501	E-8
IC2502	C-8
IC2503	D-8
IC2504	F-8
IC2505	C-8
IC2601	B-8
IC2602	A-6
IC2603	A-8
IC3105	C-5
IC3205	E-9
IC3305	B-9
IC3306	B-9
IC3455	E-9
Q2305	D-5
Q2306	D-5
Q2307	D-5
Q2308	D-5
Q2601	A-7
Q2602	B-6
Q2603	B-7
Q2651	A-7
Q3156	B-7



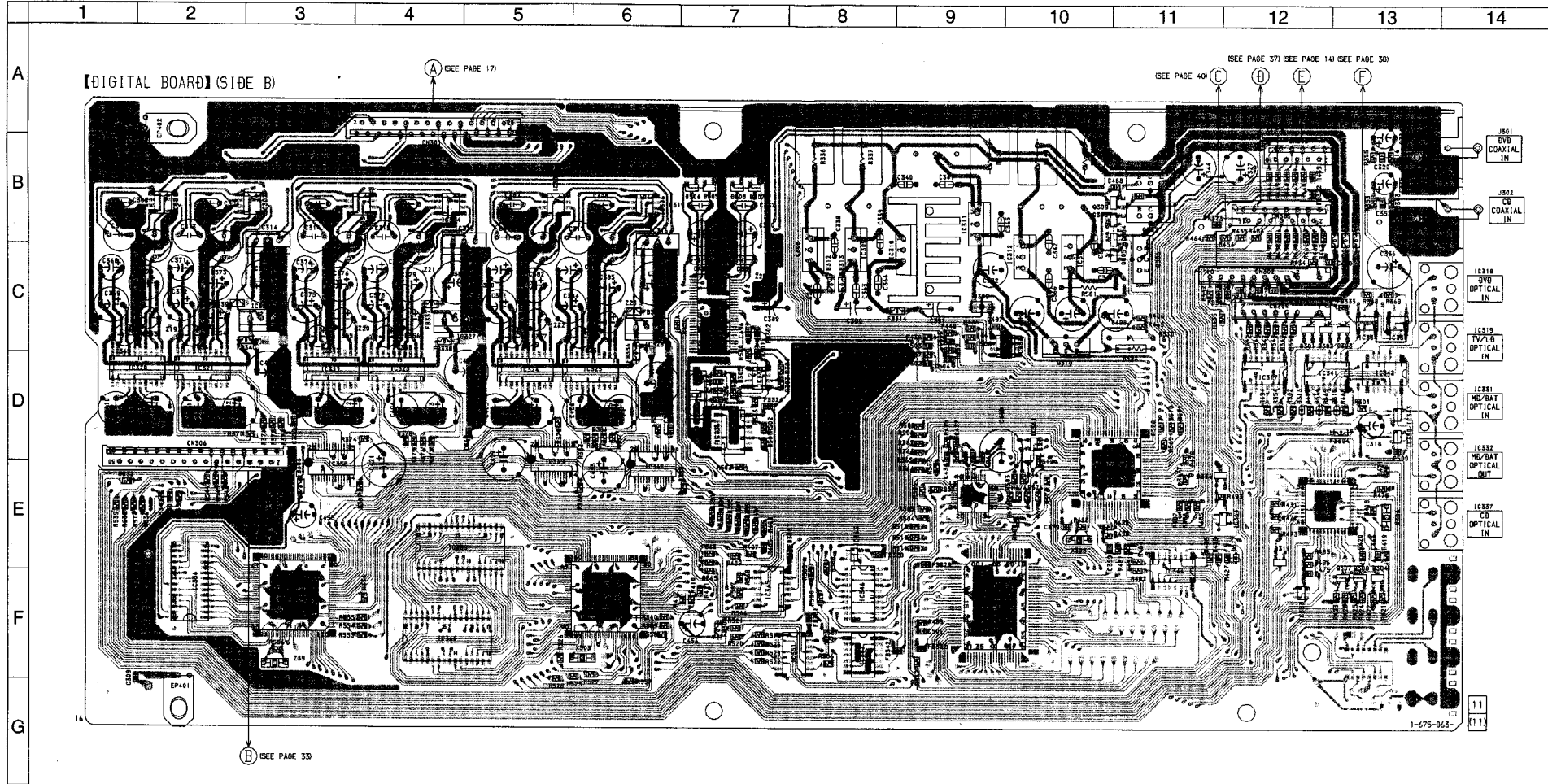
3-13. SCHEMATIC DIAGRAM VOLUME SECTION(2/2) • See page 16,17 for Printed Wiring Boards. • See page 43,44 for IC Block Diagrams.



3-14. PRINTED WIRING BOARD DIGITAL SECTION(SIDE A) • See page 7 for Circuit Boards Location.

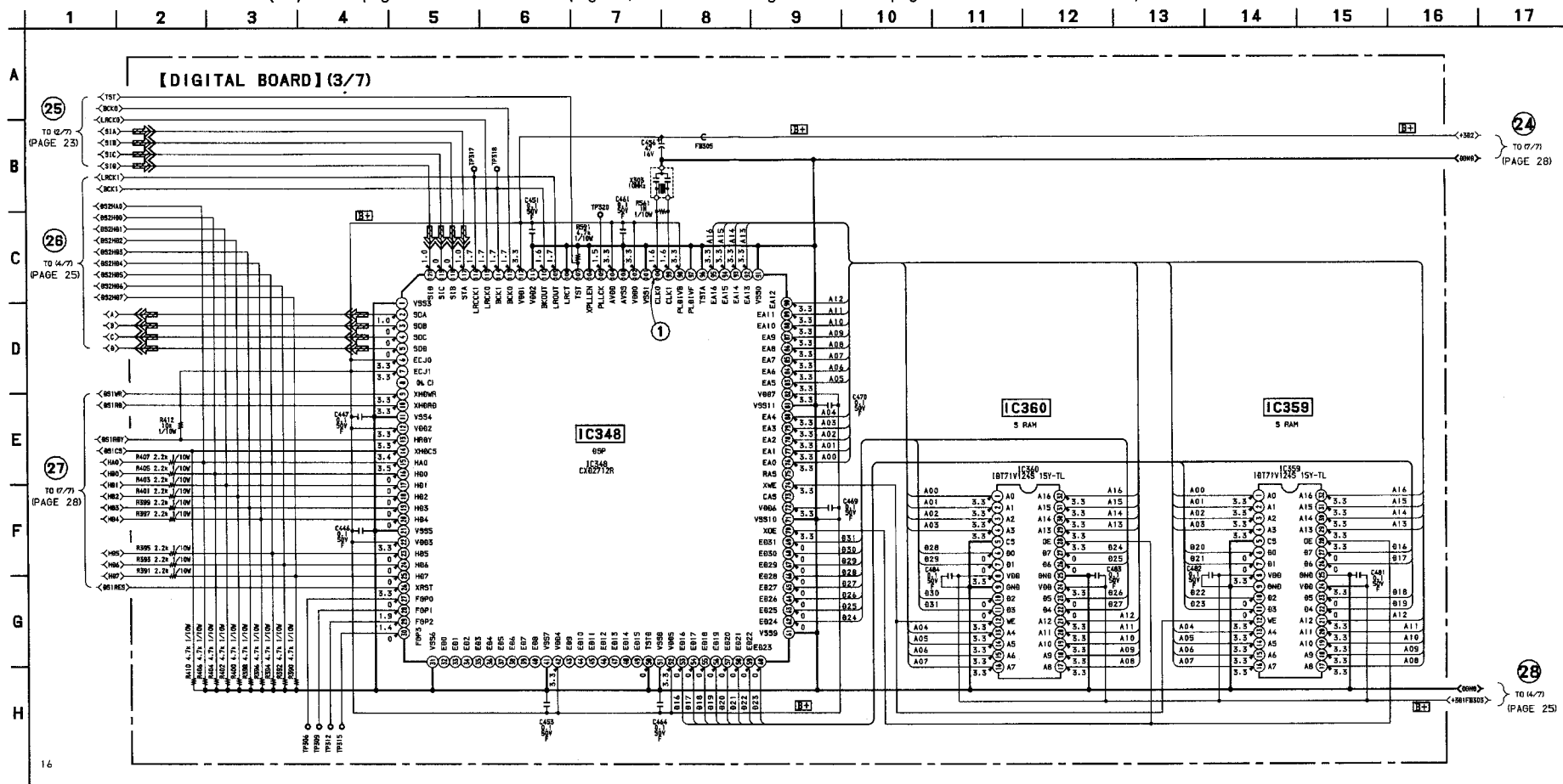


3-15. PRINTED WIRING BOARD DIGITAL SECTION(SIDE B) • See page 7 for Circuit Boards Location.

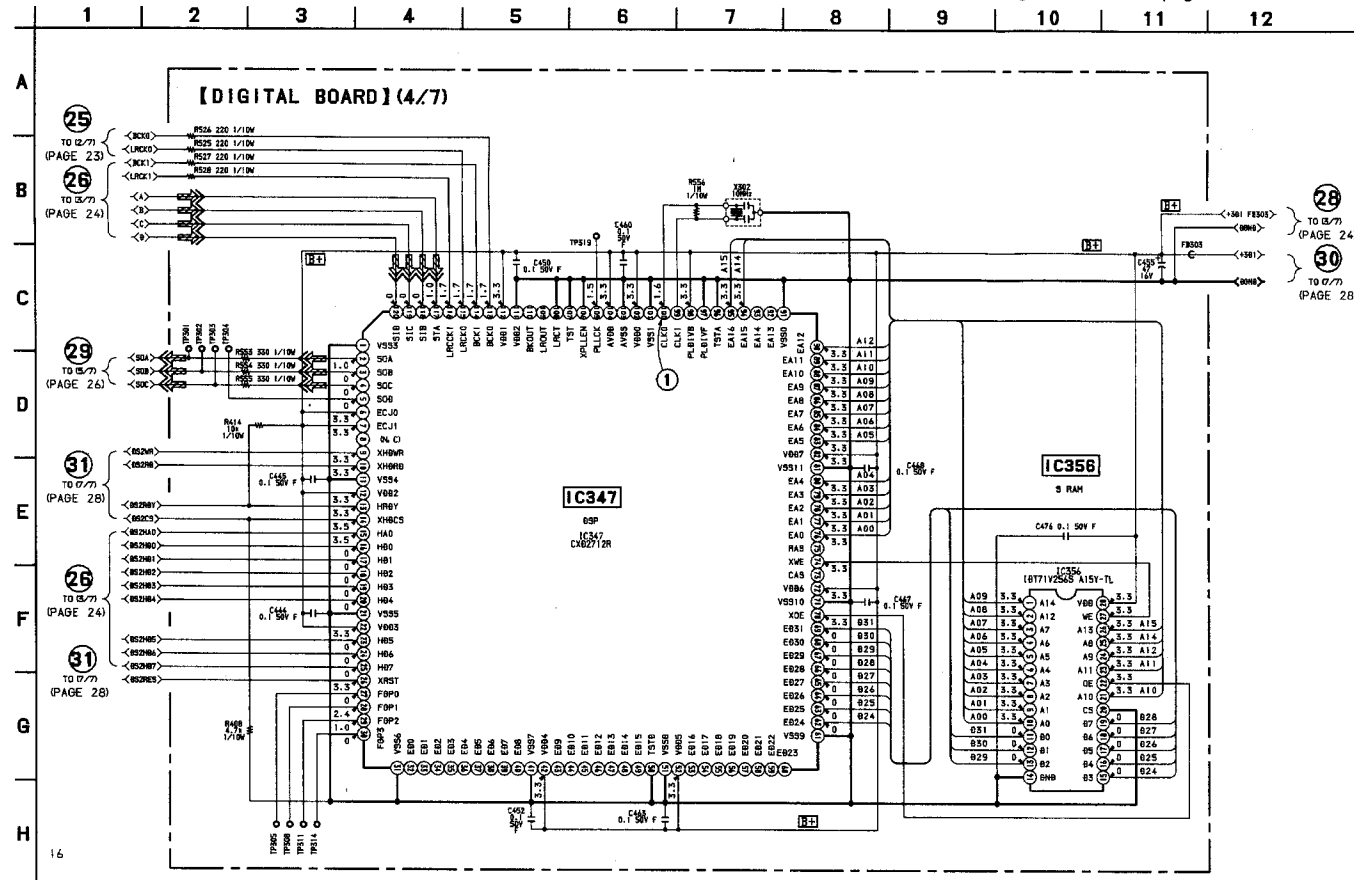


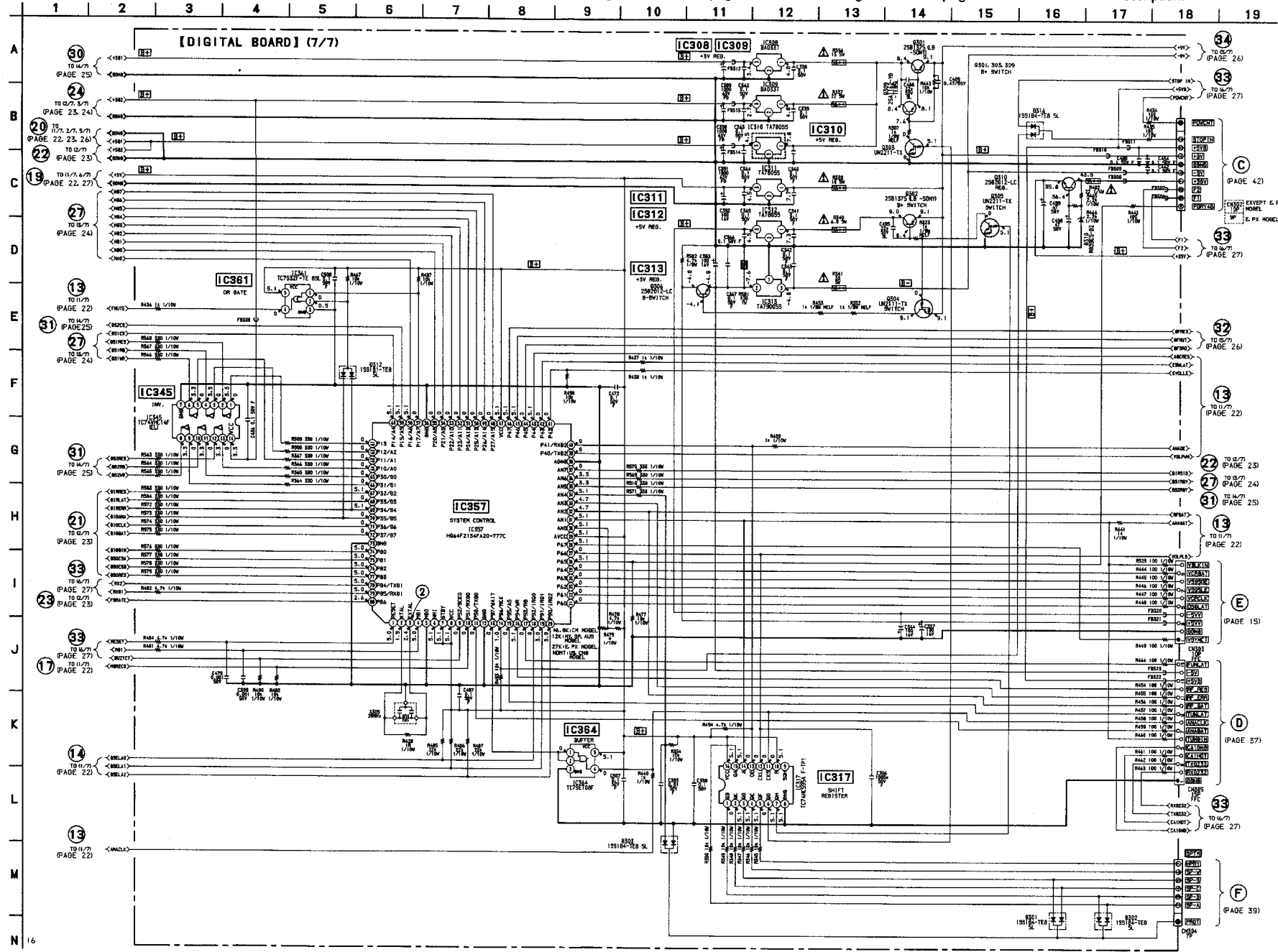
• Semiconductor Location

Ref. No.	Location	Ref. No.	Location	Ref. No.	Location	Ref. No.	Location	Ref. No.	Location	Ref. No.	Location
D301	C-12	IC301	B-1	IC317	C-12	IC334	C-13	IC350	D-13	Q301	B-11
D302	C-12	IC302	B-2	IC318	C-13	IC335	C-7	IC351	F-7	Q302	B-11
D303	C-12	IC303	B-3	IC319	C-13	IC336	D-7	IC352	E-12	Q303	B-10
D304	E-13	IC304	B-4	IC320	C-1	IC337	E-13	IC353	E-12	Q304	B-10
D305	B-6	IC305	B-5	IC321	C-2	IC338	D-3	IC354	F-9	Q305	B-10
D306	B-6	IC306	B-6	IC322	C-3	IC339	D-5	IC355	E-2	Q306	B-11
D307	B-7	IC307	C-7	IC323	C-4	IC340	D-6	IC357	D-10	Q307	E-12
D308	B-7	IC308	B-7	IC324	C-5	IC341	C-12	IC358	F-13	Q308	E-13
D309	C-9	IC309	B-8	IC325	C-5	IC342	C-13	IC359	E-4	Q309	B-10
D310	C-11	IC310	B-8	IC326	C-2	IC343	D-13	IC360	F-4	Q310	C-10
D312	D-10	IC311	B-9	IC327	C-4	IC344	E-11	IC361	D-10	Q311	E-12
D313	D-12	IC312	B-9	IC328	C-6	IC345	E-7	IC362	F-8	Q312	F-13
D314	D-12	IC313	B-10	IC330	C-13	IC346	E-8	IC363	E-8	Q313	F-13
D315	D-12	IC314	B-2	IC331	D-13	IC347	F-3	IC364	E-11		
D316	D-11	IC315	B-4	IC332	D-13	IC348	E-6				
D317	E-11	IC316	B-6	IC333	C-9	IC349	E-9				



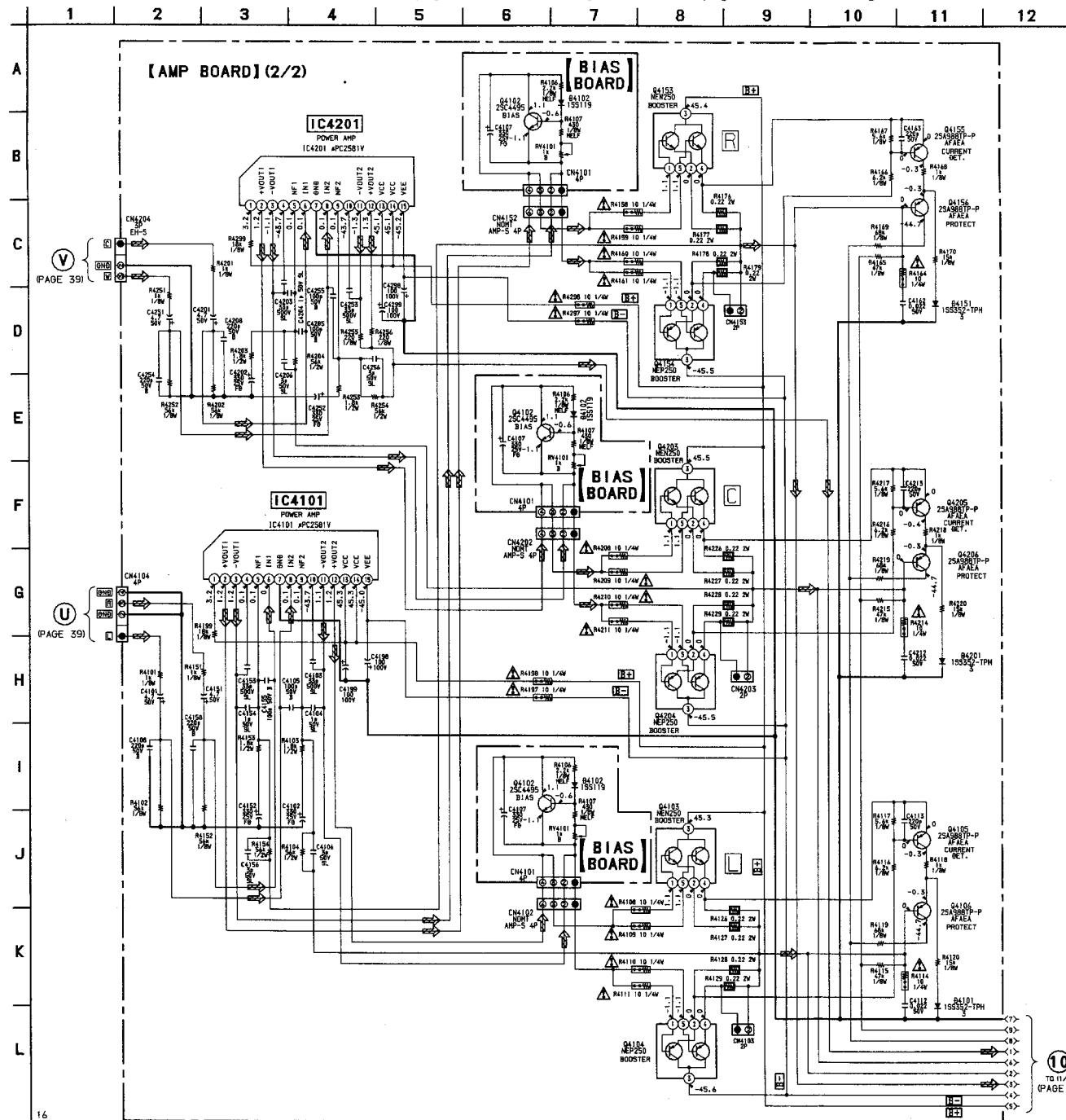
3-19. SCHEMATIC DIAGRAM DIGITAL SECTION(4/7) • See page 7 for Waveform. • See page 20,21 for Printed Wiring Boards. • See page 47 for IC Pin Function Description.





The components identified by mark Δ or dotted line with mark Δ are critical for safety. Replace only with part number specified.

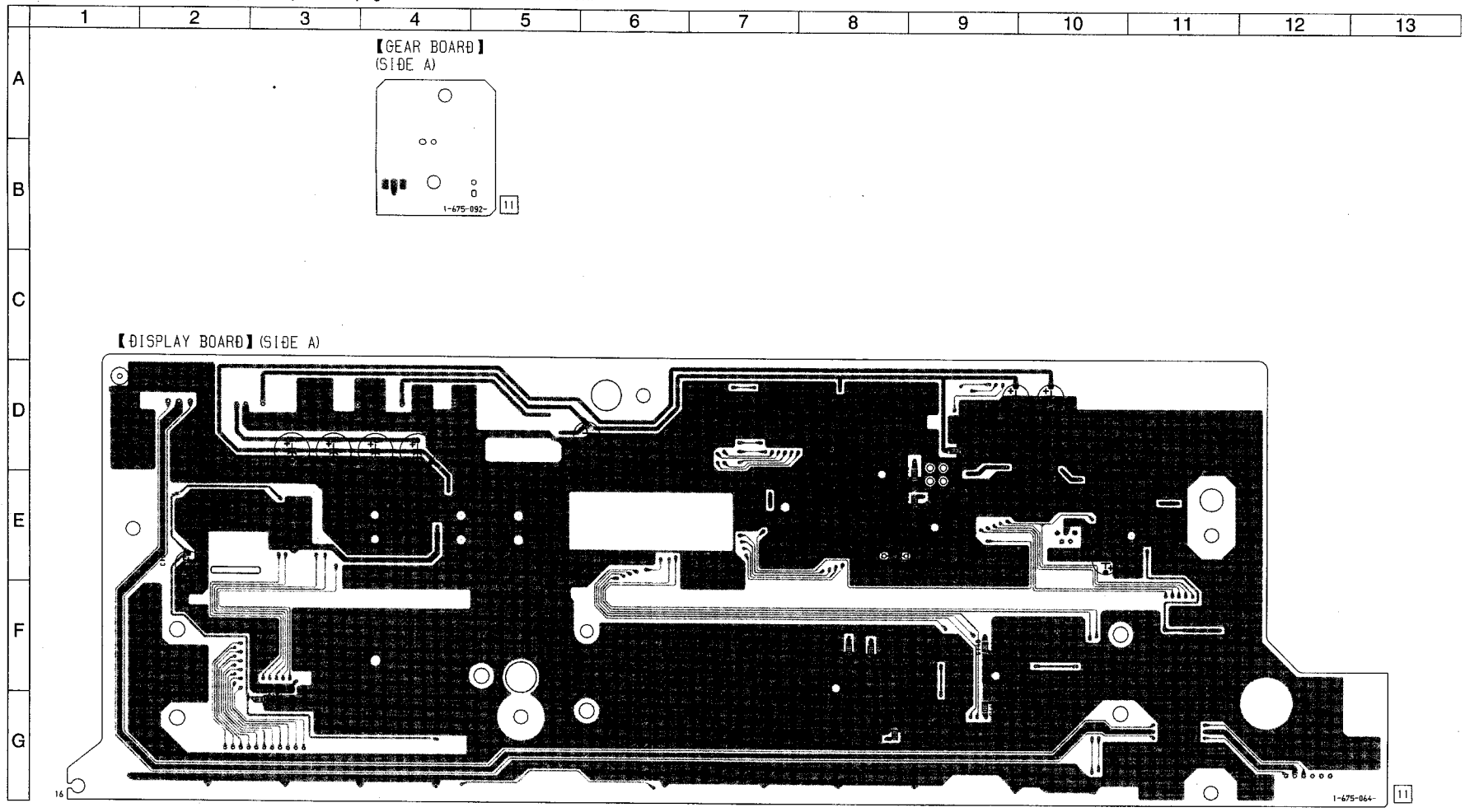
3-25. SCHEMATIC DIAGRAM AMP SECTION(2/2) • See page 29 for Printed Wiring Boards. • See page 45 for IC Block Diagrams.



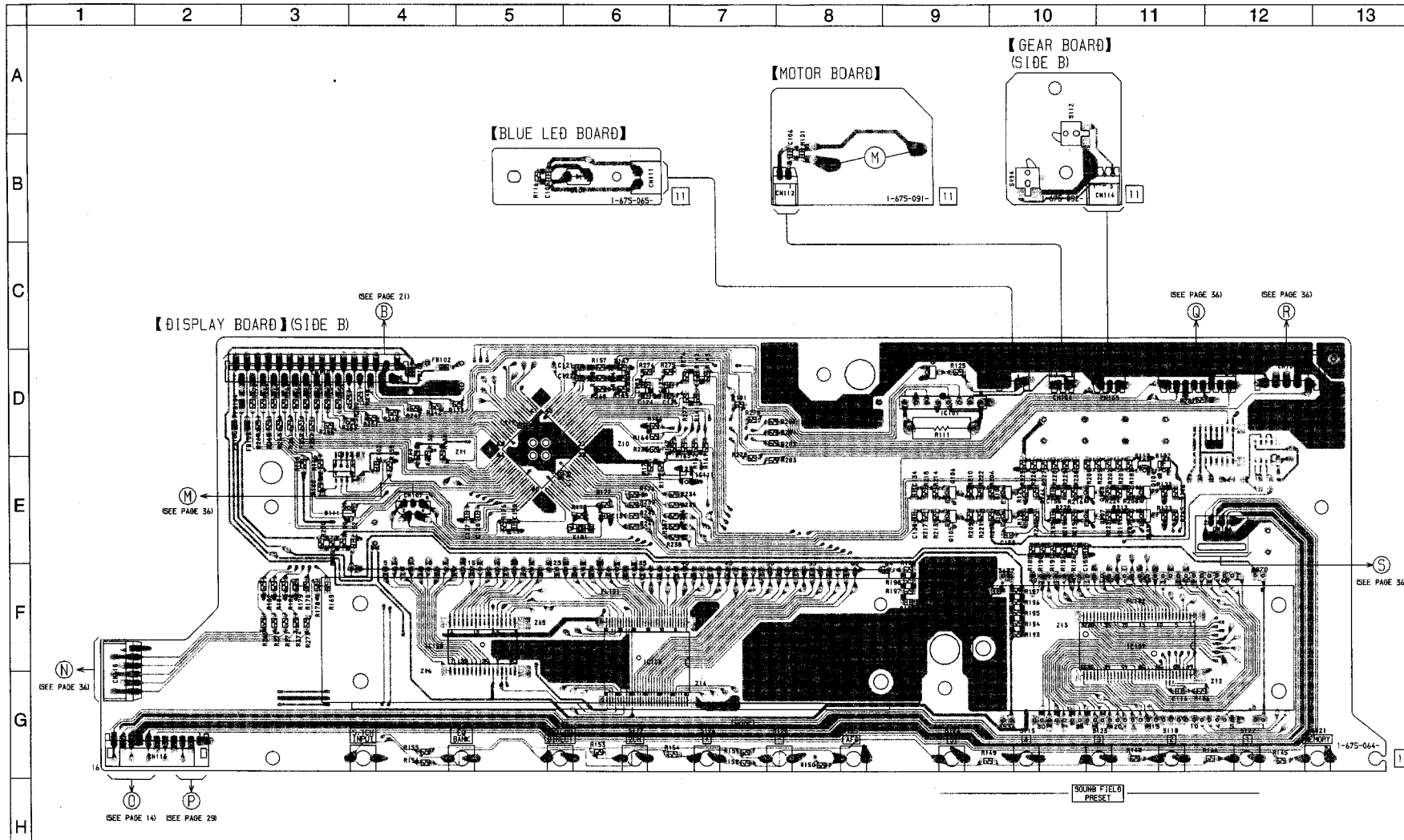
10
TO (1/2)
(PAGE 30)

The components identified by mark Δ or dotted line with mark Δ are critical for safety. Replace only with part number specified.

3-26. PRINTED WIRING BOARD DISPLAY SECTION(SIDE A) • See page 7 for Circuit Boards Location.

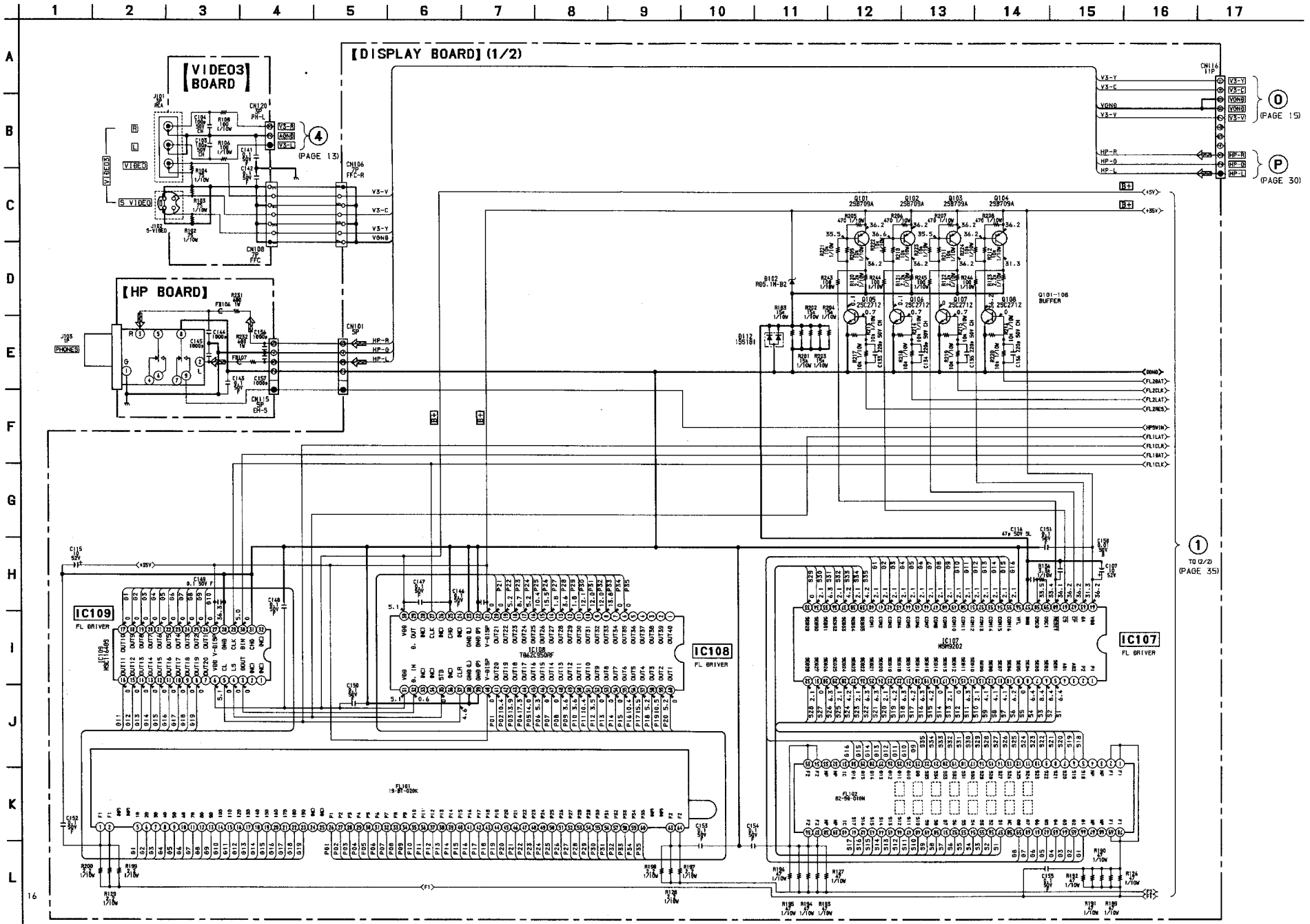


3-27. PRINTED WIRING BOARD DISPLAY SECTION(SIDE B) • See page 7 for Circuit Boards Location.



• Semiconductor Location

Ref. No.	Location
D101	B-6
D102	D-11
D111	E-3
D112	D-11
IC101	C-9
IC102	D-3
IC103	D-5
IC107	F-11
IC108	F-6
IC109	F-4
IC111	D-7
Q101	D-10
Q102	D-10
Q103	D-11
Q104	D-11
Q105	D-9
Q106	D-9
Q107	D-10
Q108	D-10
Q112	C-9



VS-Y
VS-C
VONB
VS-V

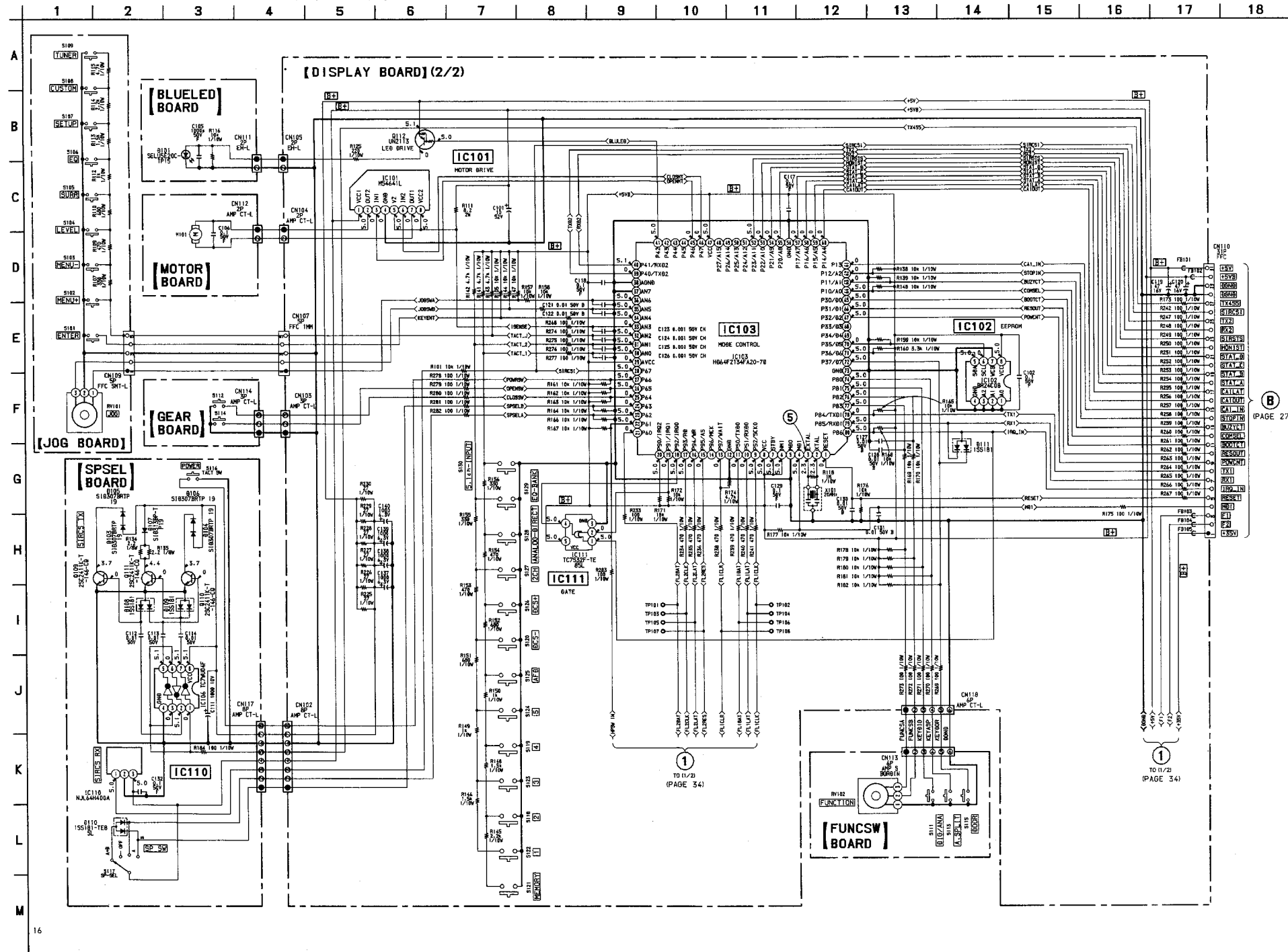
HP-R
HP-G
HP-L

(O) (PAGE 15)

(P) (PAGE 30)

TO 1/2
(PAGE 35)

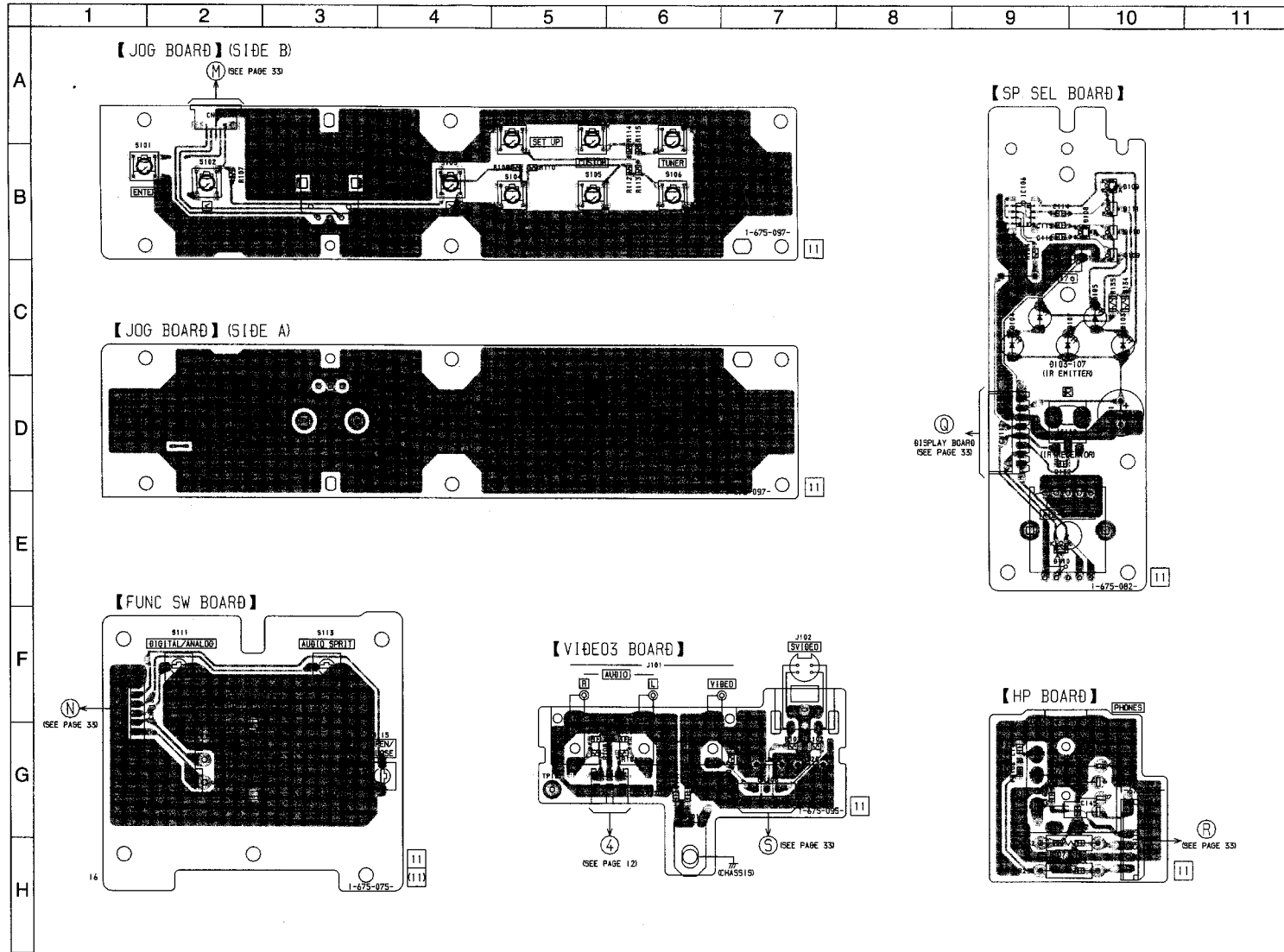
3-29. SCHEMATIC DIAGRAM DISPLAY SECTION(2/2) • See page 7 for Waveform. • See page 32,33,36 for Printed Wiring Boards. • See page 45 for IC Block Diagrams.



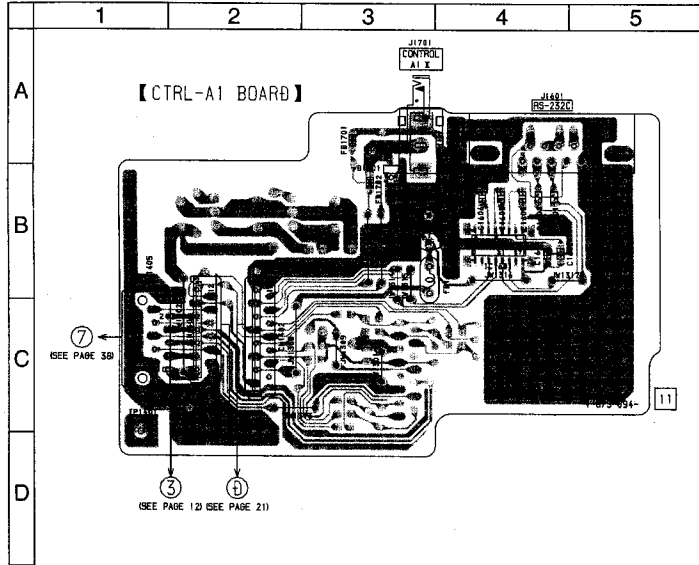
(PAGE 27)

TO (1/2) (PAGE 34)

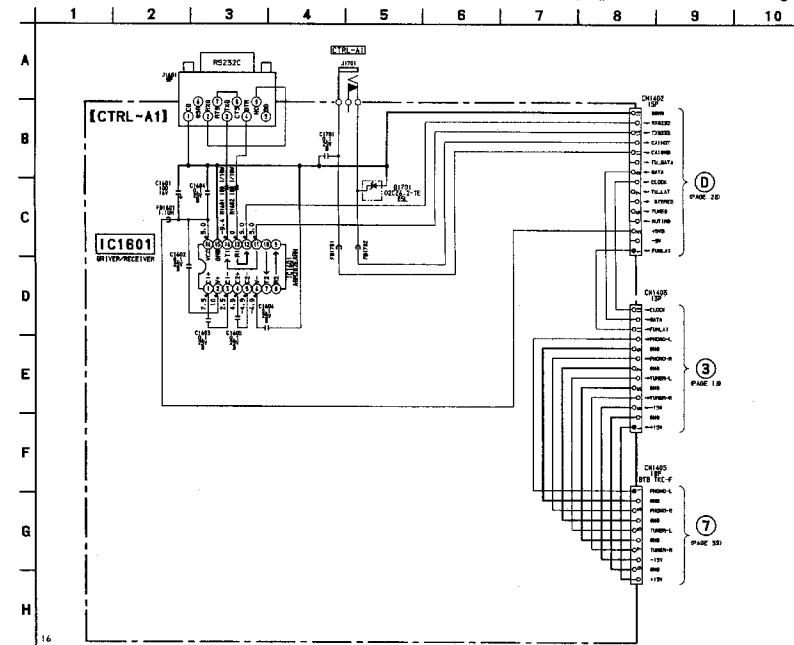
TO (1/2) (PAGE 34)



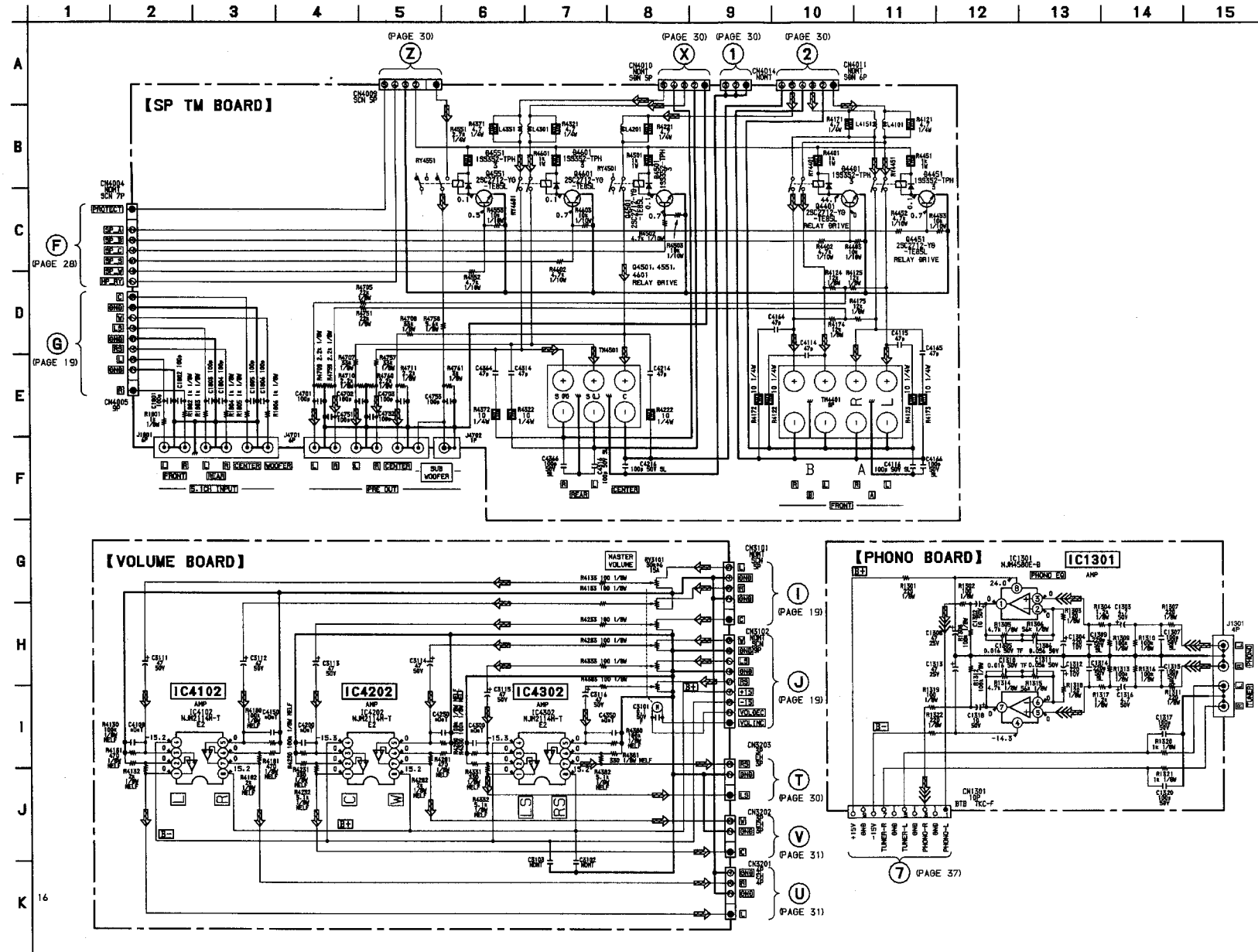
3-31. PRINTED WIRING BOARD CONTROL JACK SECTION • See page 7 for Circuit Boards Location.



3-32. SCHEMATIC DIAGRAM CONTROL JACK SECTION • See page 46 for IC Block Diagrams.



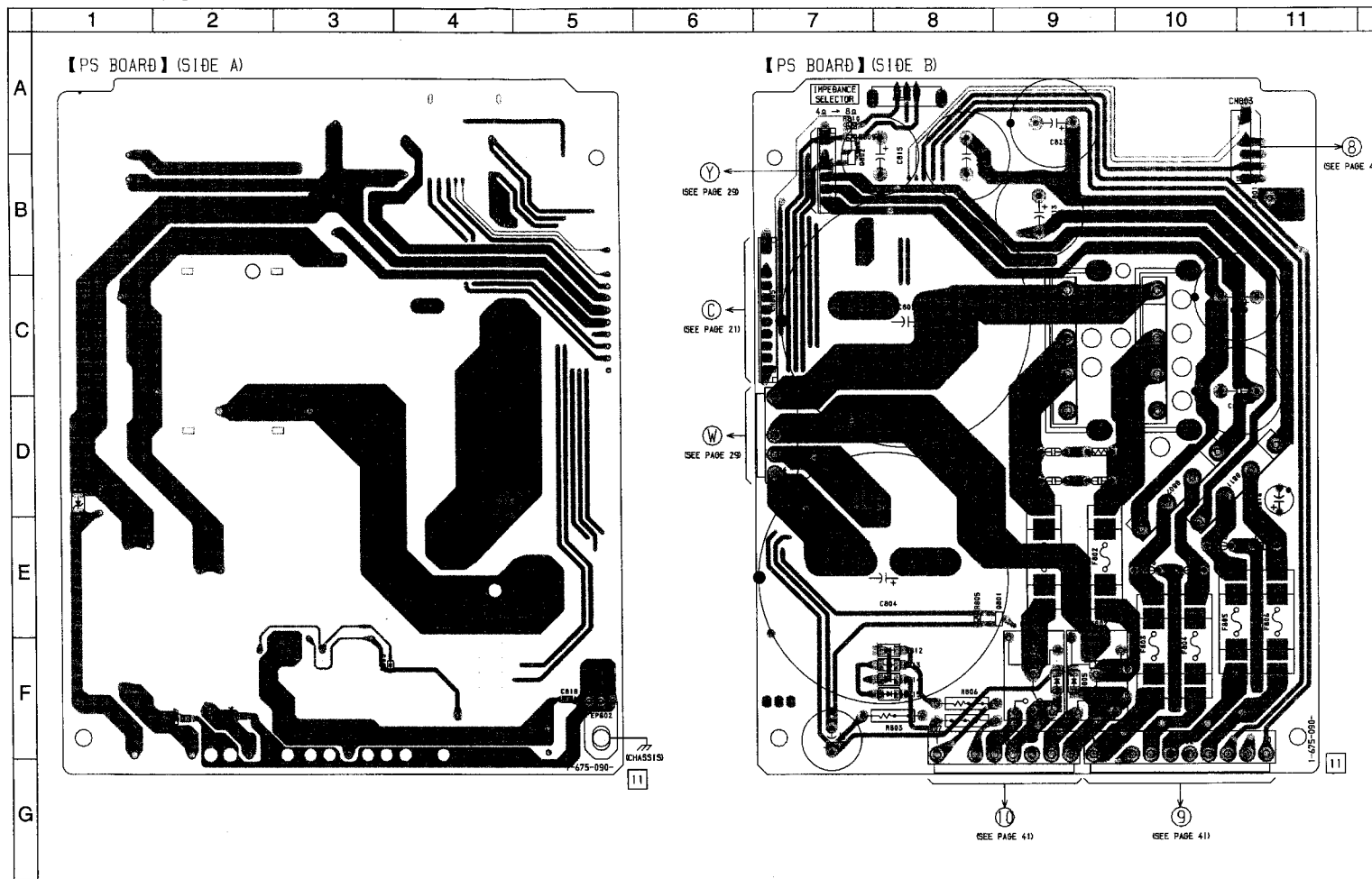
3-34. SCHEMATIC DIAGRAM SPEAKER TERMINAL SECTION



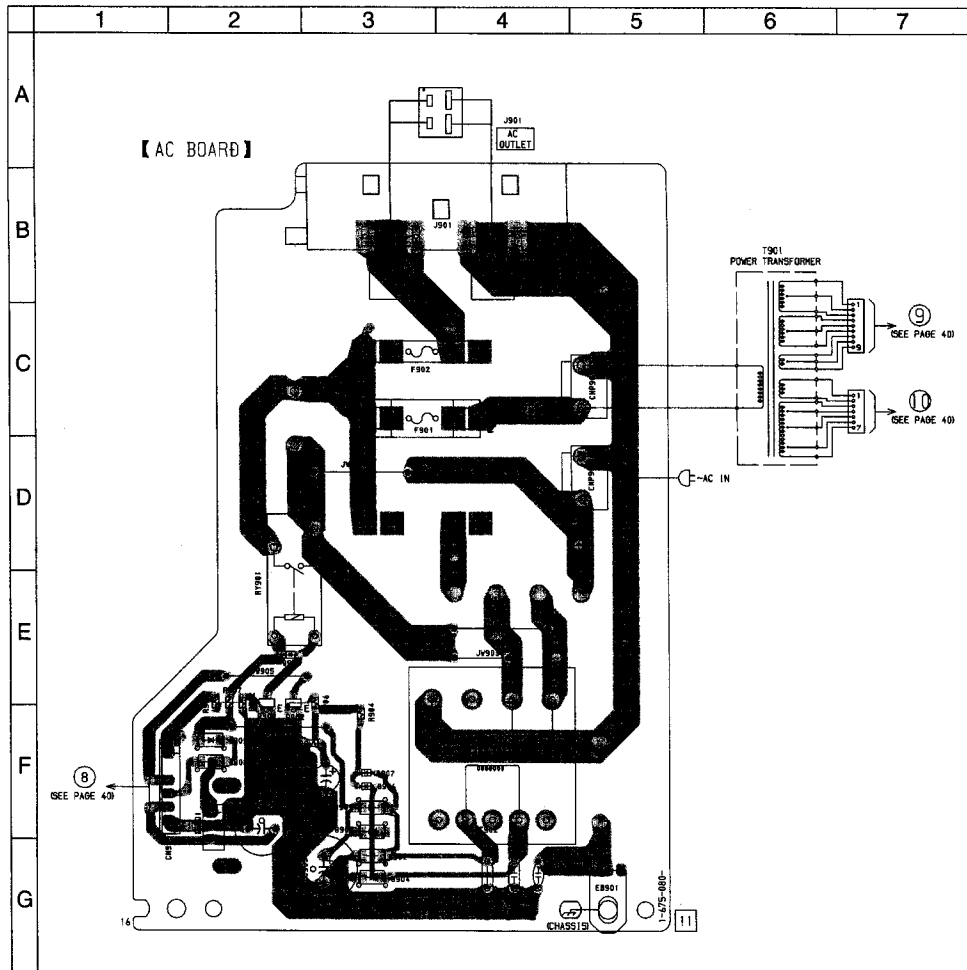
3-35. PRINTED WIRING BOARD POWER SUPPLY SECTION • See page 7 for Circuit Boards Location.

• Semiconductor Location

Ref. No.	Location
D801	C-9
D802	C-10
D803	F-4
D804	E-9
D805	E-9
D807	D-10
D811	D-11
D812	F-8
D813	F-8
D814	F-8
D815	F-8
D816	D-1
Q801	E-9
Q802	A-7



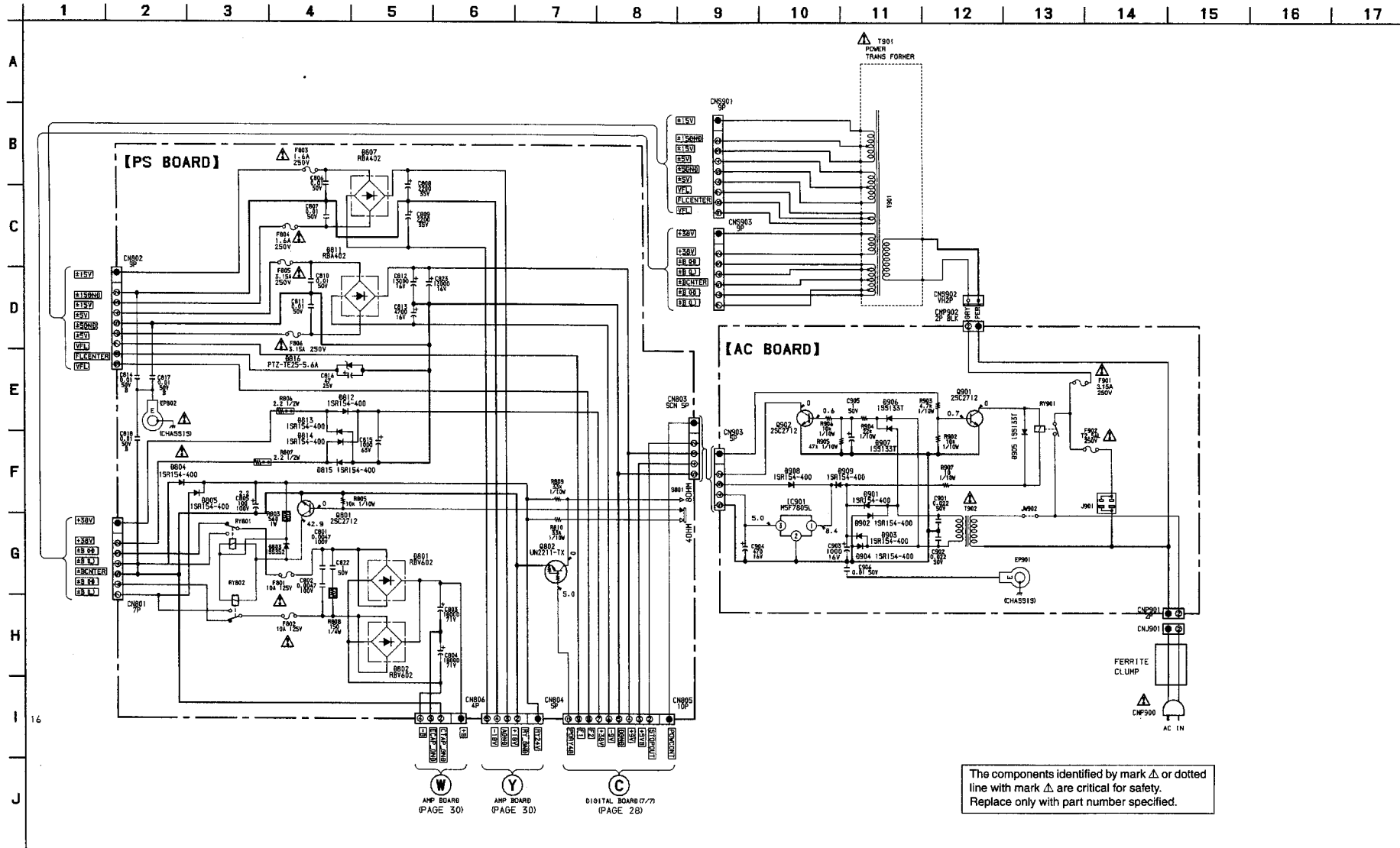
3-36. PRINTED WIRING BOARD AC POWER SUPPLY SECTION • See page 7 for Circuit Boards Location.



• Semiconductor Location

Ref. No.	Location
D901	F-3
D902	G-3
D903	F-3
D904	G-3
D905	E-2
D906	F-3
D907	F-3
D908	F-2
D909	F-2
IC901	F-2
Q901	E-2
Q902	E-2

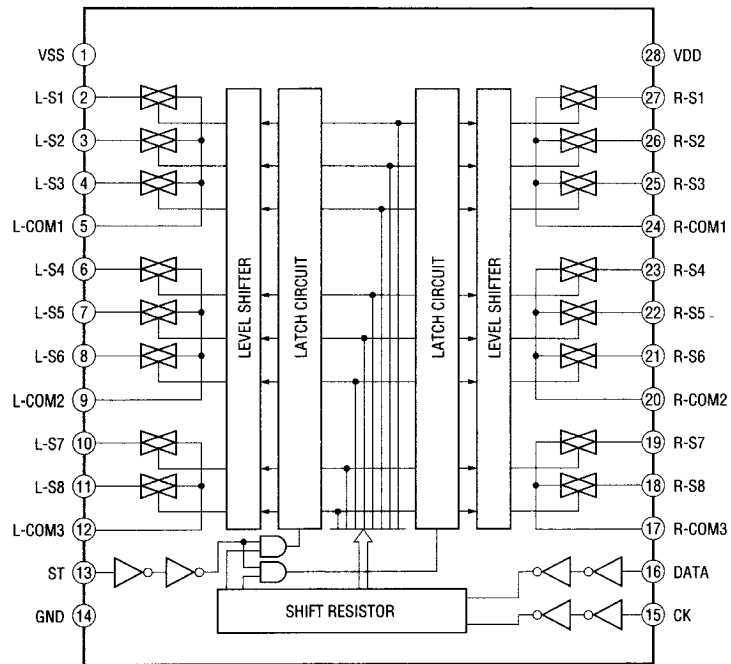
3-37. SCHEMATIC DIAGRAM POWER SUPPLY SECTION • See page 40,41 for Printed Wiring Boards.



3-38. IC BLOCK DIAGRAMS

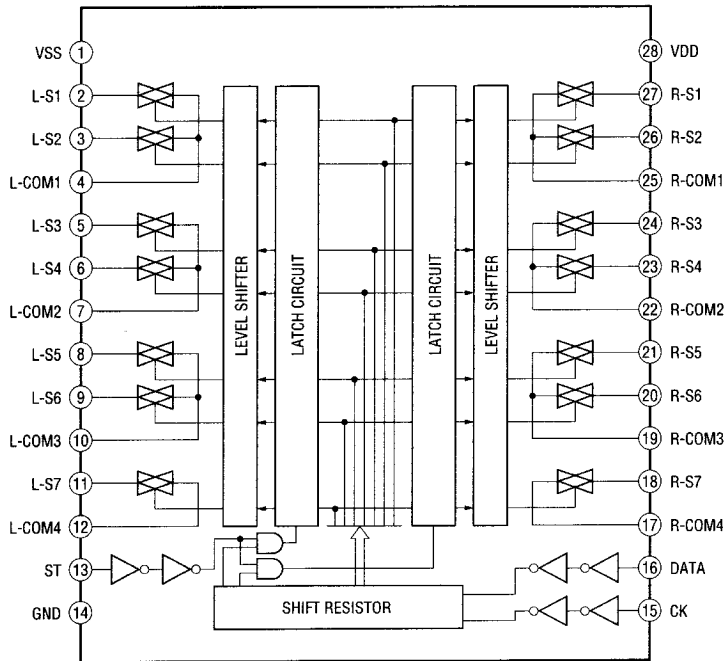
IC1101 TC9163F (AUDIO A board)

IC2306 TC9163F (E VOL board)

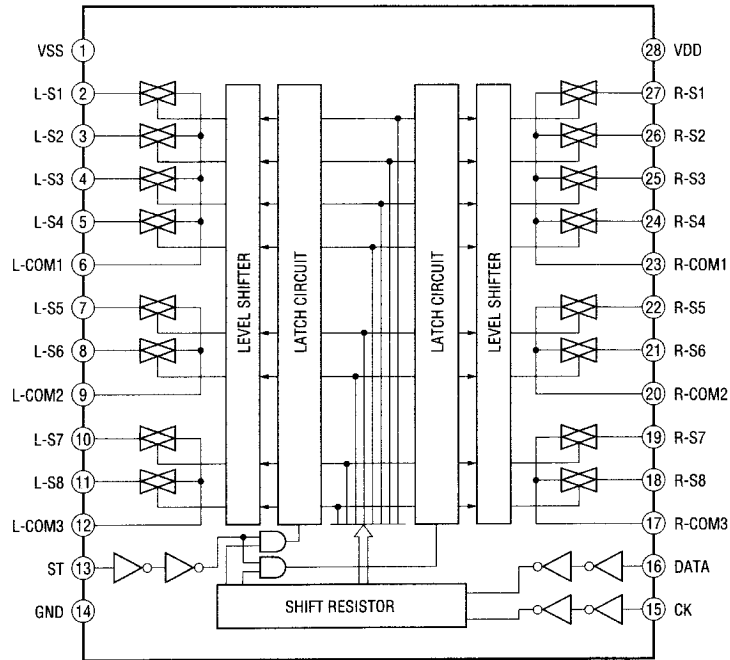


IC1102 TC9162AF (AUDIO A board)

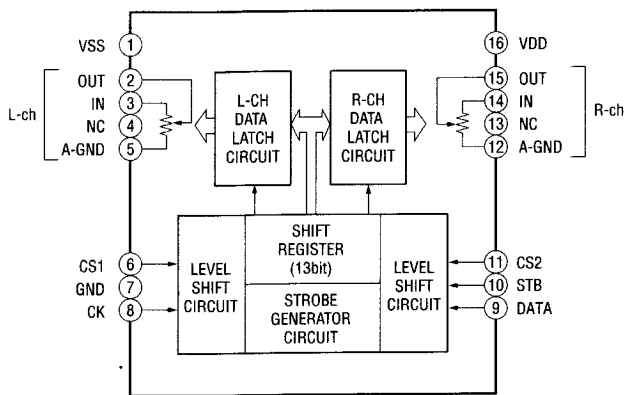
IC2305 TC9162AN (E VOL board)



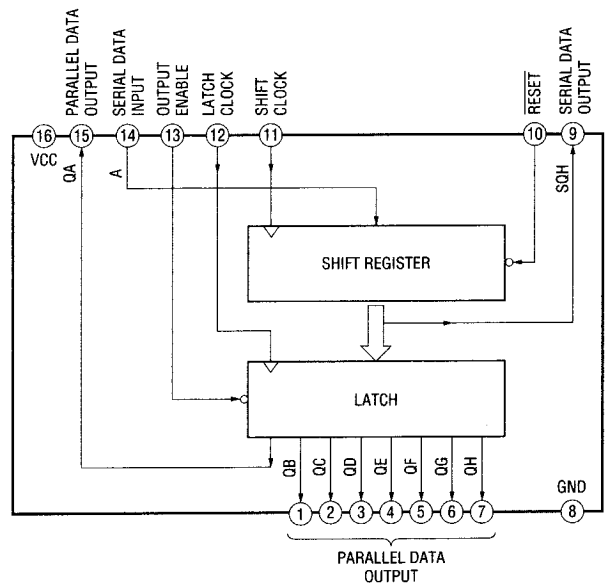
IC1201 TC9164AN (AUDIO V board)



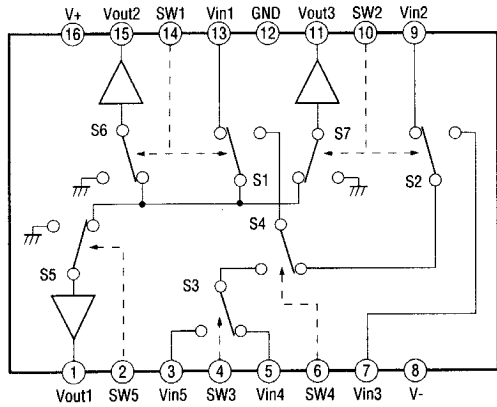
IC2401, 2501 TC9299P (E VOL board)



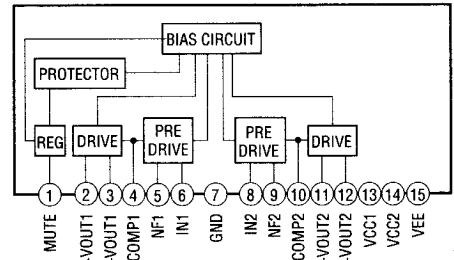
IC2307, 2308 MC74HC595A (E VOL board)
 IC5203 74HC595 (S VIDEO board)
 IC317 TC74HC595A (DIGITAL board)



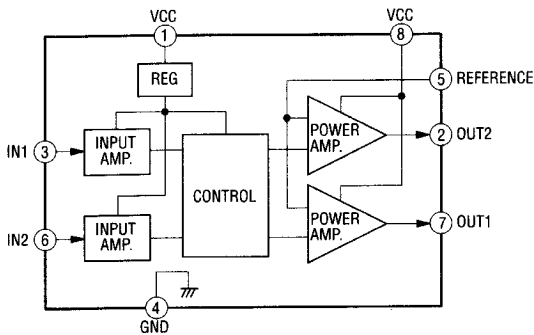
IC5201, 5202 NJM2296 (S VIDEO board)
IC5101 NJM2296 (C VIDEO board)



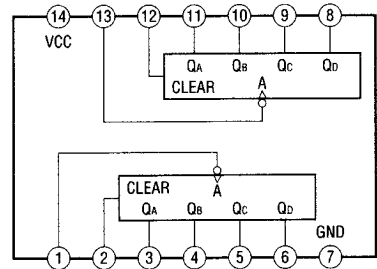
IC4101, 4201, μ PC2581v (AMP board)



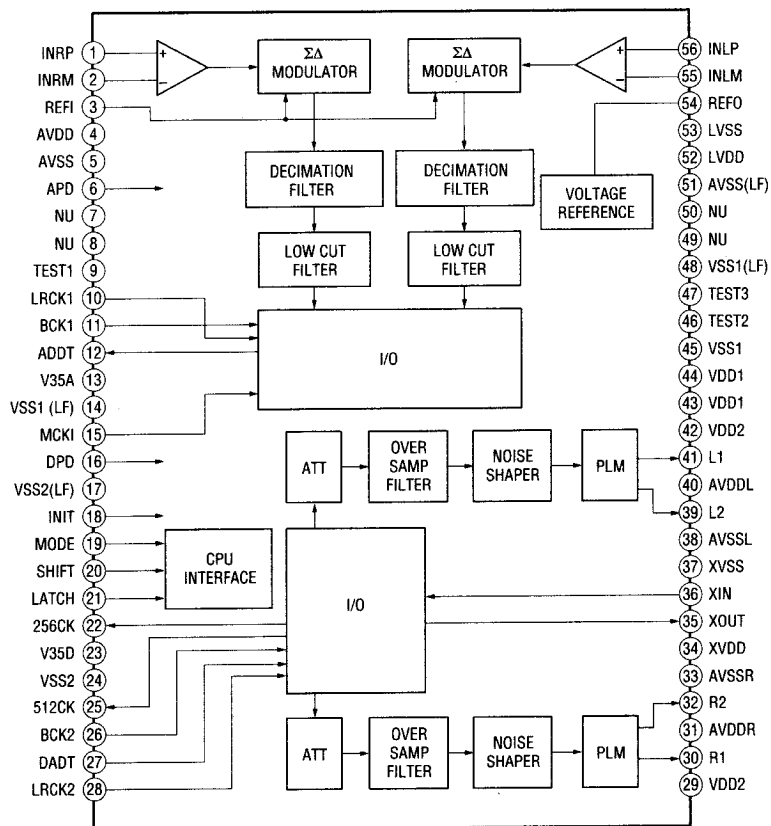
IC101 M54641L (DISPLAY board)



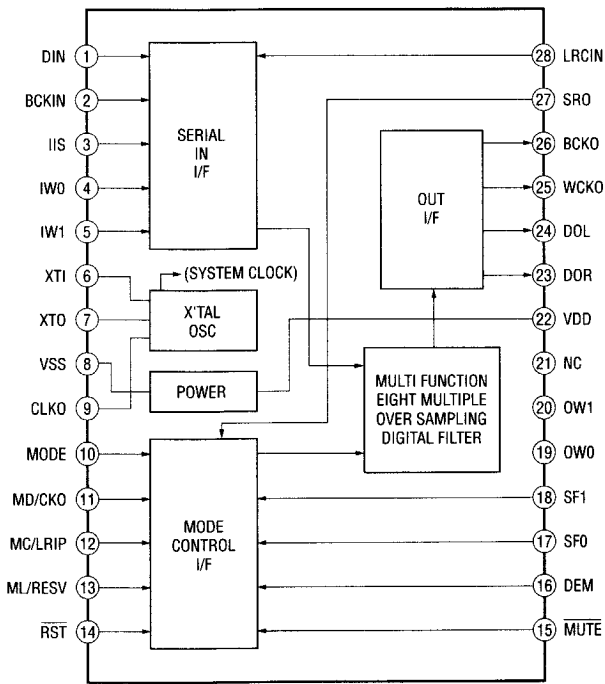
IC336, 362 TC74HC393A (DIGITAL board)



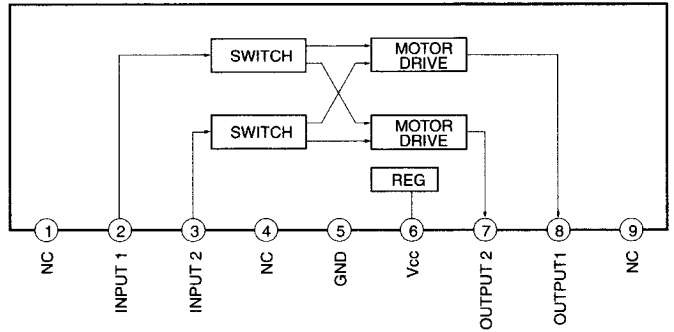
IC307 CXD8607N (DIGITAL board)



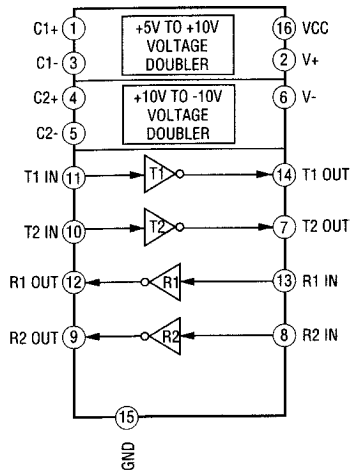
IC338, 339, 340 DF1704E (DIGITAL board)



IC333 BA6208F (DIGITAL board)



IC1601 ADM202EARN (CTRL A1 board)



3-39. IC PIN FUNCTION DESCRIPTION

IC347, 348 CXD2712R AUDIO DSP(DIGITAL BOARD)

Pin No.	Pin Name	I/O	Description
1	VSS3	—	Ground
2 – 5	SOA – SOD	O	Serial data output
6, 7	ECJ0, ECJ1	I	Conditional jump input terminal (7pin Connected to ground)
8	—	NC	No connection
9	XHDWR	I	HCIF data write
10	XHDRD	I	HCIF data read
11	Vss4	—	Ground
12	VDD2	—	+3.3V
13	HRDY	O	HCIF ready signal Open drain
14	XHDCS	I	HCIF chip select
15	HA0	I	HCIF address input
16 – 20	HD0 – HD4	I/O	HCIF data input/output
21	Vss5	—	Ground
22	VDD3	—	+3.3V
23 – 25	HD5 – HD7	I/O	HCIF data input/output
26	XRST	I	Reset input “L”: active
27 – 30	FGP0 – FGP3	O	Test data output
31	Vss6	—	Ground
32 – 40	ED0 – ED8	I/O	External RAM data input/output
41	Vss7	—	Ground
42	VDD4	—	+3.3V
43 – 49	ED9 – ED15	I/O	External RAM data input/output
50	TSTD	I	Test data input “L” = normal “H” = test (Connected to ground)
51	Vss8	—	Ground
52	VDD5	—	+3.3V
53 – 60	ED16 – ED23	I/O	External RAM data input/output
61	Vss9	—	Ground
62 – 69	ED24 – ED31	I/O	External RAM data input/output
70	XOE	O	External RAM output enable
71	Vss10	—	Ground
72	VDD6	—	+3.3V
73	CAS	O	External RAM column address strobe (Not used)
74	XWE	O	External RAM write enable (Not used)
75	RAS	O	External RAM raw address strobe
76 – 80	EA0 – EA4	I/O	External RAM address output/test data input
81	Vss11	—	Ground
82	VDD7	—	+3.3V
83 – 89	EA5 – EA11	I/O	External RAM address output/test data input
90	EA12	O	External RAM address output

Pin No.	Pin Name	I/O	Description
91	Vss0	—	Ground
92 – 94	EA13 – EA15	O	External RAM address output
95	EA16	O	Not used
96	TSTA	I	Test data input “L” = normal “H” = test (Connecting to ground)
97	PLDIVF	I	PLL input frequency select “L” = 256Fs “H” = 128Fs (Connecting to ground)
98	PLDIVB	O	PLL output frequency select “L” = 768Fs “H” = 1024Fs (Connecting to ground)
99	CLKI	I	Master clock input
100	CLKO	O	Master clock output (Not used)
101	Vss1	—	Ground
102	VDD0	—	+3.3V
103	AVss	—	Ground for PLL cell
104	AVDD	—	VDD for PLL cell
105	PLLCK	I/O	PLL output/test clock input
106	XPLEN	I	PLL cell oscillation enable “L” = oscillation enable “H” = oscillation stop (Connecting to ground)
107	TST	I	Test data input “L” = normal “H” = test (Connecting to ground)
108	LRCT	I	Frequency counter input (Connecting to ground)
109	LROUT	O	LRCK0 divider output
110	BKOUT	O	BCK0 divider output
111	Vss2	—	Ground
112	VDD1	—	+3.3V
113	BCK0	I	BCK input
114	BCK1	I	BCK input
115	LRCK0	I	LRCK input
116	LRCK1	I	LRCK input
117 – 120	SIA – SID	I	Serial data input

IC357 HD64F2134FA20-777C (Control μ COM port assign) (DIGITAL BOARD)

Pin No.	Pin Name	I/O	Function
1	RESET	I	Reset
2	XTAL	I	20MHz master clock
3	EXTAL	O	20MHz master clock
4	MD1	I	1: normal/0:boot
5	MD0	I	Ground
6	NMI	I	Ground
7	STBY	I	+5V
8	VCC	—	+5V
9	P52/SCK0	I	C-bit input clock
10	P51/RXD0	I	C-bit input data
11	P50/TXD0	O	Latch No.7 ("L" \rightarrow "H" : latch)
12	GND	—	Ground
13	P97/WAIT	I	Ready
14	P96/MCK	I	(NC)
15	P95/AS	O	Latch No.6 ("L" \rightarrow "H" : latch)
16	P94/WR	O	WR
17	P93/RD	O	RD
18	P92/IRQ0	O	Latch No.5 ("L" \rightarrow "H" : latch)
19	P91/IRQ1	O	Latch No.4 ("L" \rightarrow "H" : latch)
20	P90/IRQ2	O	CXD2712#1 CS ("H" = select)
21	P60	O	CXD2712#2 CS ("H" = select)
22	P61	O	CXD2712RD ("H" = read)
23	P62	O	CXD2712WR ("H" = write)
24	P63	O	Latch No.3 ("L" \rightarrow "H" : latch)
25	P64	I	Buzy control port
26	P65	O	Latch No.2 ("H" : transparent)
27	P66	O	Latch No.1 ("H" : transparent)
28	P67	O	Latch No.1 to No. 7 OE ("L" = on)
29	AVCC	—	+5V
30	AN0	I	DC analog input
31	AN1	I	HP sw input ("L" = HP on)
32	AN2	I	AC-3 RF error ("H" = error)
33	AN3	I	DIR unlock ("H" = error)
34	AN4	I	ADSP21062 FLAG0
35	AN5	I	ADSP21062 FLAG1
36	AN6	I	ADSP21062 FLAG2
37	AN7	I	ADSP21062 FLAG3
38	AGND	—	Ground
39	P40/TXD2	O	8bit bus data (positive)
40	P41/RXD2	O	8bit bus data (positive)
41	P42	O	8bit bus data (positive)
42	P43	O	8bit bus data (positive)
43	P44	O	8bit bus data (positive)
44	P45	O	8bit bus data (positive)
45	P46	O	8bit bus data (positive)
46	P47	O	8bit bus data (positive)
47	VCC	—	+5V
48	P27/A15	O	Bus address A15
49	P26/A14	O	Bus address A14
50	P25/A13	O	Bus address A13

Pin No.	Pin Name	I/O	Function
51	P24/A12	O	Bus address A12
52	P23/A11	O	Bus address A11
53	P22/A10	O	Bus address A10
54	P21/A9	O	Bus address A9
55	P20/A8	O	Bus address A8
56	GND	—	Ground
57	P17/A7	O	Bus address A7
58	P16/A6	O	Bus address A6
59	P15/A5	O	Bus address A5
60	P14/A4	O	Bus address A4
61	P13	O	Bus address A3
62	P12/A2	O	Bus address A2
63	P11/A1	O	Bus address A1
64	P10/A0	O	Bus address A0
65	P30/D0	O	Bus data D0
66	P31/D1	O	Bus data D1
67	P32/D2	O	Bus data D2
68	P33/D3	O	Bus data D3
69	P34/D4	O	Bus data D4
70	P35/D5	O	Bus data D5
71	P36/D6	O	Bus data D6
72	P37/D7	O	Bus data D7
73	GND	—	Ground
74	P80	O	HBR for ADSP21062
75	P81	I	HBG from ADSP21062
76	P82	O	(NC)
77	P83	O	(NC)
78	P84/TXD1	O	Communicate with external
79	P85/RXD1	I	Communicate with external
80	P86	I	FS (sampling frequency)

IC349 LC89055W DIGITAL AUDIO I/F RECEIVER (DIGITAL BOARD)

Pin No.	Pin Name	I/O	Description
1	DISEL	I	Input data select. (connected to ground.)
2	DOUT	O	EIAJ data and parity flag output terminal (Not used)
3	DIN0	I	Amplifier integrate data input terminal
4	DIN1	O	Amplifier integrate data input terminal (Connecting to ground)
5	DIN2	I	Amplifier integrate data input terminal (Connecting to ground)
6	D. GND	—	Digital ground
7	D. VDD	O	Digital power supply
8	R	I	Input terminal for VCO generator band adjustment
9	V IN	I	Input terminal for VCO self running frequency set
10	LPF	O	External LPF for PLL is connected to this terminal
11	A. VDD	—	Analog power supply
12	A. GND	—	Analog ground
13	CK OUT	—	256fs or 128fs clock output terminal (Select CLKMD terminal)
14	BCK	O	Bit clock output terminal
15	LRCK	O	L, R clock output terminal (L-ch: "H", R-ch: "L")
16	DATA O	O	Audio data output terminal
17	XSTATE	O	Xtal status frag output.
18	D. GND	—	Digital ground
19	D. VDD	—	Digital power supply
20	XMCK	—	Not used.
21	XOUT	O	Crystal oscillator output terminal (Not used.)
22	XIN	I	Crystal oscillator input terminal
23	EMPHA	O	Emphasis monitor output terminal ("H" = ON) (Not used.)
24	AUDIO	—	Not used.
25	CSFLAG	O	C-bit change frag output.
26	F0/P0/C0	—	Not used.
27	F1/P1/C1	—	Not used.
28	F2/P2/C2	—	Not used.
29	F3/P3/C3	—	Not used.
30	D. VDD	—	Digital power supply
31	D. GND	—	Digital ground
32	AUTO	O	Non PCM data detect flag output.
33	BPSYNC	O	Non PCM sync detect flag output.
34	ERROR	O	Error mute output terminal
35	DO	O	Microprocessor I/F. When CCB/SUB is "H", data output terminal (high level open drain output) (Not used)
36	DI	I	Microprocessor I/F. Data input terminal
37	CE	I	Microprocessor I/F. Chip enable/latch input terminal
38	CLK	I	Microprocessor I/F. Clock input terminal
39	XSEL	I	Xtal select. (Connected to +5V.)
40	MODE0	I	Mode 0 input. (Connected to ground.)
41	MODE1	I	Mode 1 input. (Connected to ground.)
42	D. GND	—	Digital ground
43	D. VDD	—	Digital power supply
44	DOSEL0	O	Output data select 0. (Connected to ground.)
45	DOSEL1	O	Output data select 1. (Connected to ground.)
46	CKSEL0	I	System clock select input 0. (Connected to ground.)
47	CKSEL1	I	System clock select input 1. (Connected to ground.)
48	XMODE	I	Reset input.

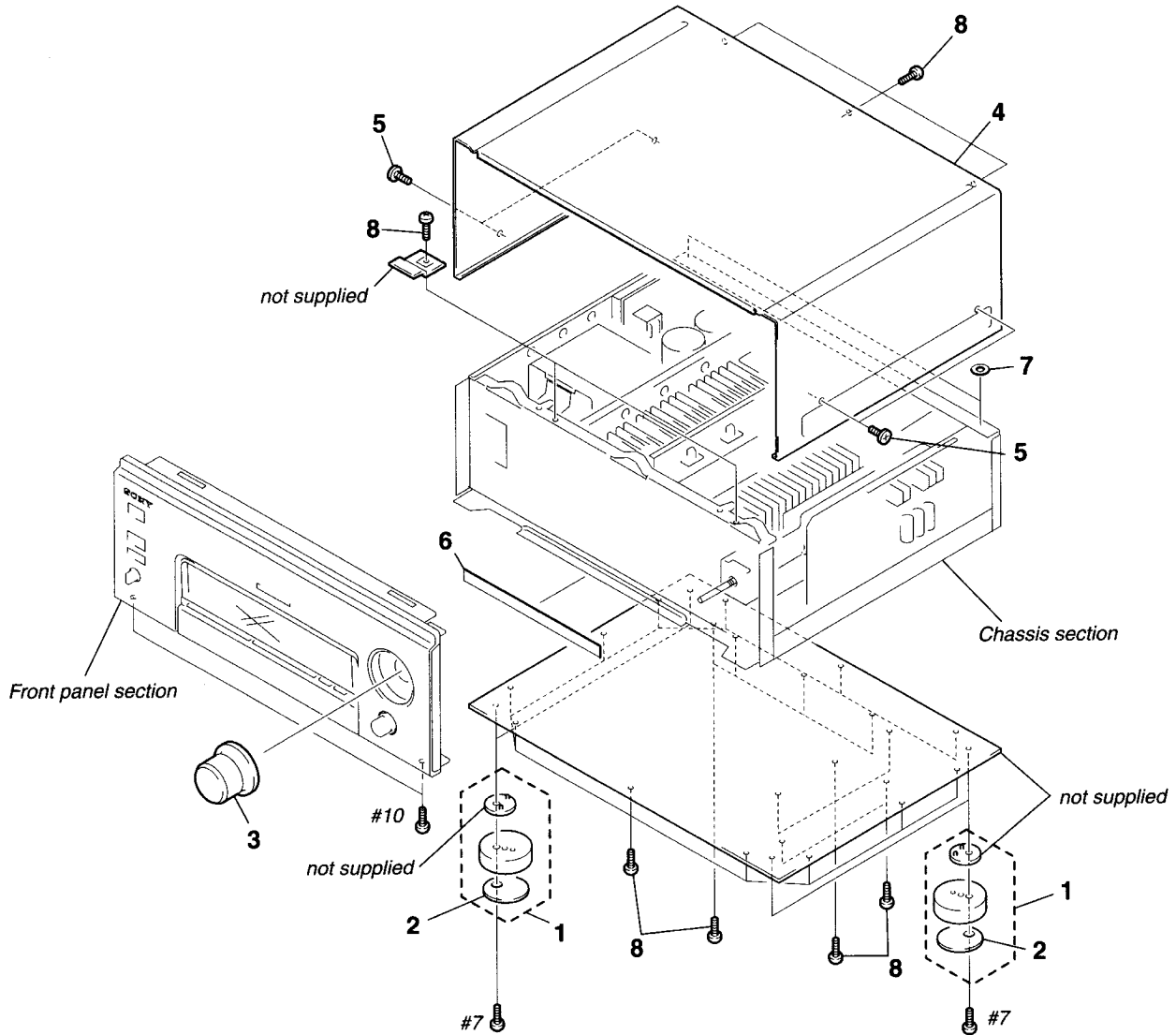
SECTION 4 EXPLODED VIEWS

NOTE:

- -XX, -X mean standardized parts, so they may have some differences from the original one.
- Items marked "*" are not stocked since they are seldom required for routine service. Some delay should be anticipated when ordering these items.
- The mechanical parts with no reference number in the exploded views are not supplied.
- Hardware (# mark) list and accessories and packing materials are given in the last of this parts list.

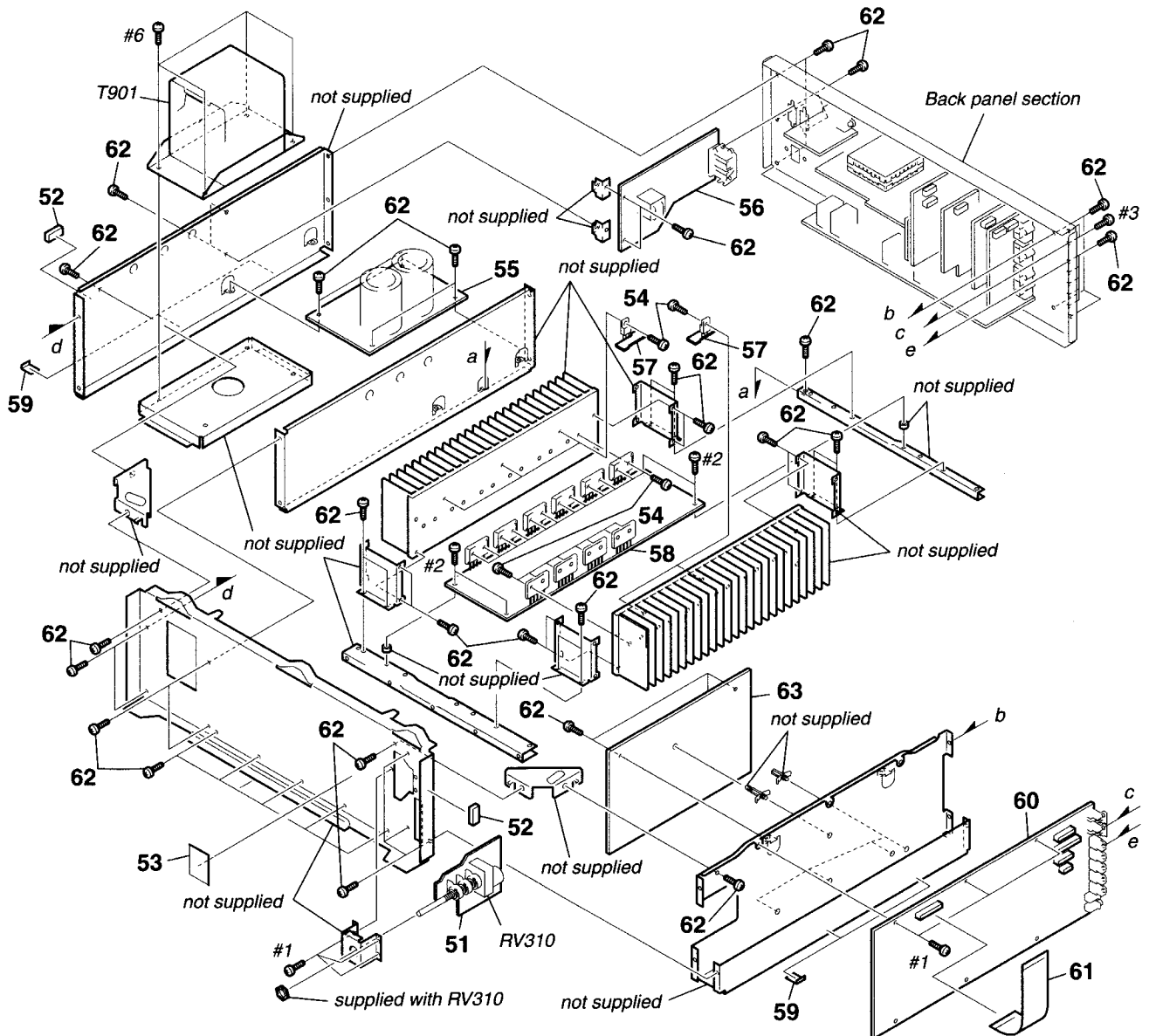
The components identified by mark Δ or dotted line with mark Δ are critical for safety. Replace only with part number specified.

4-1. CASE SECTION



Ref. No.	Part No.	Description	Remarks	Ref. No.	Part No.	Description	Remarks
1	X-4949-759-1	FOOT ASSY		5	4-227-843-11	SCREW(TP), FLAT HEAD	
2	4-970-124-01	CUSHION (F50180S)		6	4-972-439-11	SPACER (SCREW HEAD)	
3	X-4951-908-1	KNOB(VOL) ASSY		7	4-971-099-01	WASHER (P)	
4	4-222-052-11	CASE		8	4-974-510-01	SCREW(+BV 3X8 CU)	

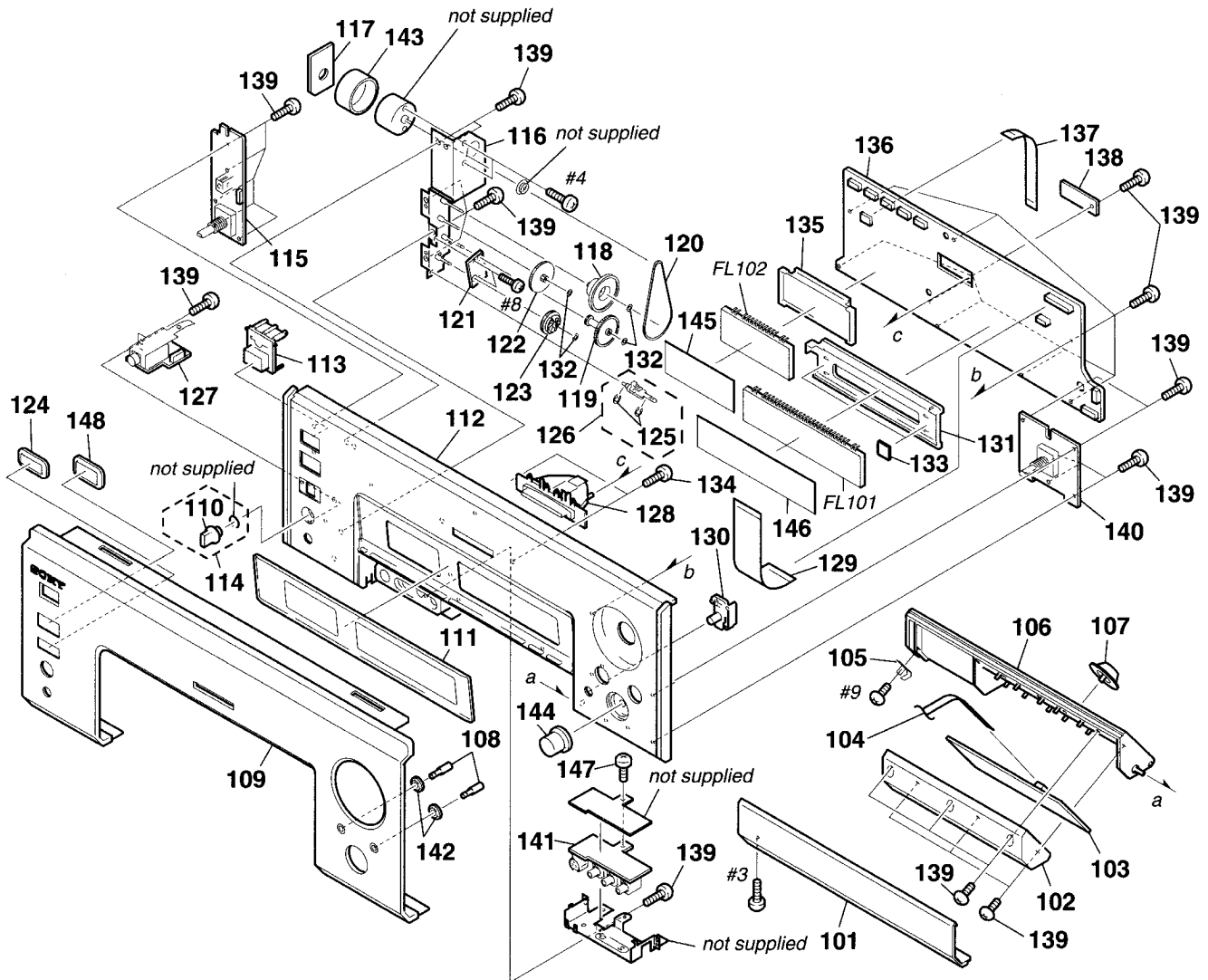
4-2. CHASSIS SECTION



Ref. No.	Part No.	Description	Remarks	Ref. No.	Part No.	Description	Remarks
51	1-675-081-11	VOLUME BOARD		58	A-4426-447-A	AMP BOARD, COMPLETE	
52	3-313-227-01	SPACER, CUSHION		59	4-227-879-01	SPACER (BTM)	
53	4-225-421-01	SHEET (SC)		60	A-4426-437-A	DIGITAL BOARD, COMPLETE	
54	3-905-609-21	SCREW (TRANSISTOR)		61	1-773-279-11	WIRE (FLAT TYPE) (29 CORE)	
55	A-4426-479-A	PS BOARD, COMPLETE		62	4-974-510-01	SCREW (+BV 3X8 CU)	
56	A-4426-462-A	AC BOARD, COMPLETE		63	A-4426-459-A	E VOL BOARD, COMPLETE	
57	1-675-085-11	BIAS BOARD		△ T901	1-435-096-11	TRANSFORMER, POWER	

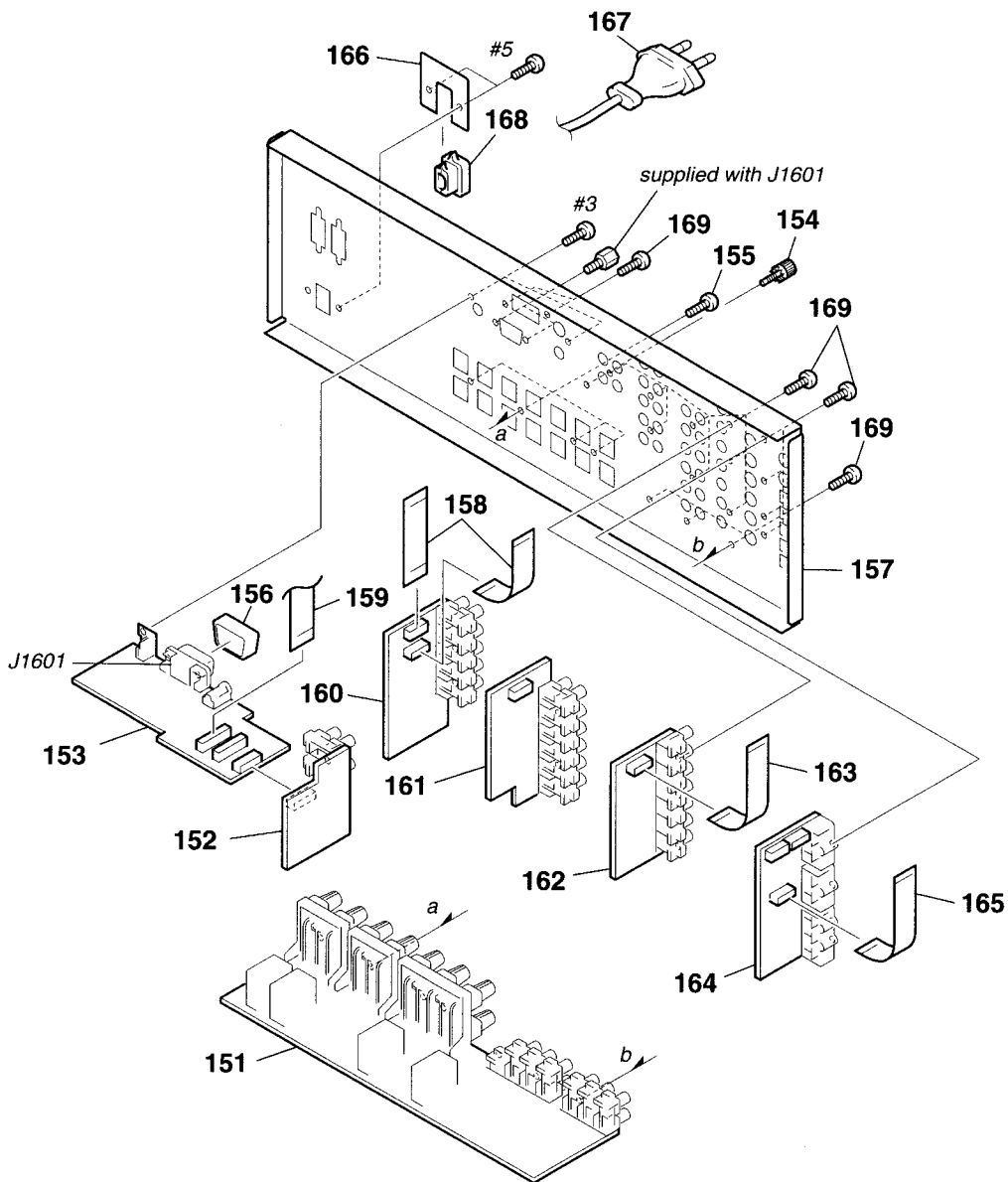
The components identified by mark △ or dotted line with mark △ are critical for safety. Replace only with part number specified.

4-3. FRONT PANEL SECTION



Ref. No.	Part No.	Description	Remarks	Ref. No.	Part No.	Description	Remarks
101	4-222-034-31	LID(AL)		126	X-4951-895-1	GEAR(LID) ASSY	
102	4-222-044-12	LID(BASE)		127	1-675-093-11	HP BOARD	
103	1-675-097-11	JOG BOARD		128	X-4950-348-1	ESCUTCHEON (WIN.) ASSY	
104	1-791-939-11	CABLE, FLEXIBLE FLAT (5P)		129	1-791-938-11	CABLE, FLEXIBLE FLAT (31P)	
105	4-222-065-01	BRACKET (LID)		130	4-222-038-11	BUTTON (O/C)	
106	X-4951-910-1	LID(MD) ASSY		* 131	4-990-797-01	HOLDER (FL)	
107	4-222-048-11	KNOB(JOG)		132	4-926-218-01	RING(DIA.2), RETAINING	
108	4-211-455-01	BUTTON (LED)		* 133	4-921-941-01	CUSHION (FL)	
109	4-222-033-41	PANEL, FRONT		134	4-933-134-01	SCREW (+PTPWH M2.6X6)	
110	4-908-097-71	KNOB		135	4-222-051-01	HOLDER (FL/L)	
111	4-222-151-11	WINDOW		136	A-4426-440-A	DISPLAY BOARD, COMPLETE	
112	X-4952-334-1	BASE ASSY, PANEL		137	1-765-314-11	WIRE(FLAT TYPE) (7 CORE)	
113	4-998-737-01	BUTTON (POWER)		138	1-675-065-11	BLUE LED BOARD	
114	X-4952-010-1	KNOB(N) ASSY		139	4-951-620-01	SCREW (2.6X8), +BVTP	
115	1-675-082-11	SP SEL BOARD		140	1-675-066-11	FUNCTION SW BOARD	
116	X-4951-893-1	BRACKET (GEAR) ASSY		141	1-675-095-11	VIDEO 3 BOARD	
117	1-675-091-11	MOTOR BOARD		142	4-222-041-11	ESCUTCHEON	
118	4-222-068-01	PULLEY (GEAR)		143	4-218-604-01	DAMPER (MOTOR)	
119	4-222-070-01	GEAR(B)		144	X-4951-913-1	KNOB(BAL) ASSY	
120	4-222-150-01	BELT		145	4-220-324-01	FILTER (FL)	
121	1-675-092-11	GEAR BOARD		146	4-222-042-01	FILTER	
122	4-222-069-01	GEAR(A)		147	4-974-510-01	SCREW (+BV 3X8 CU)	
123	4-222-071-01	GEAR(C)		148	4-222-039-01	WINDOW, TRANSMITTER	
124	4-222-040-11	WINDOW, RAY CATCHER		FL101	1-517-781-21	INDICATOR TUBE, FLUORESCENT	
125	7-624-106-04	STOP RING 3.0, TYPE -E		FL102	1-517-905-11	INDICATOR TUBE, FLUORESCENT	

4-4. BACK PANEL SECTION



Ref. No.	Part No.	Description	Remarks	Ref. No.	Part No.	Description	Remarks
151	A-4426-470-A	SP TM BOARD, COMPLETE		160	A-4426-450-A	AUDIO A BOARD, COMPLETE	
152	1-676-564-11	PHONO BOARD		161	A-4426-453-A	AUDIO V BOARD, COMPLETE	
153	A-4426-489-A	CTRL-A1 BOARD, COMPLETE		162	A-4426-454-A	C VIDEO BOARD, COMPLETE	
154	4-947-010-01	SCREW, FEEDER FIXED		163	1-769-937-11	WIRE (FLAT TYPE) (11 CORE)	
155	3-704-515-11	SCREW (BV/RING)		164	A-4426-496-A	S VIDEO BOARD, COMPLETE	
156	3-179-022-31	COVER, DUSTER		165	1-792-216-11	WIRE (FLAT TYPE) (10 CORE)	
157	4-222-054-51	PANEL, BACK (AEP)		* 166	4-923-873-01	BRACKET, CORD STOPPER	
157	4-222-054-61	PANEL, BACK (UK)		△ 167	1-776-095-11	CORD, POWER	
158	1-769-969-11	WIRE (FLAT TYPE) (13 CORE)		168	3-703-244-00	BUSHING (2104), CORD	
159	1-792-174-11	CABLE, FLEXIBLE FLAT (15P)		169	4-974-510-01	SCREW (+BV 3X8 CU)	

The components identified by mark △ or dotted line with mark △ are critical for safety. Replace only with part number specified.

SECTION 5 ELECTRICAL PARTS LIST

NOTE:

- Due to standardization, replacements in the parts list may be different from the parts specified in the diagrams or the components used on the set.
- -XX, -X mean standardized parts, so they may have some difference from the original one.
- Items marked "*" are not stocked since they are seldom required for routine service. Some delay should be anticipated when ordering these items.

- **CAPACITORS:**
uF: μ F
- **RESISTORS**
All resistors are in ohms.
METAL: metal-film resistor
METAL OXIDE: Metal Oxide-film resistor
F: nonflammable
- **COILS**
uH: μ H

- **SEMICONDUCTORS**
In each case, u: μ , for example:
uA...: μ A..., uPA..., μ PA...,
uPB..., μ PB..., uPC..., μ PC...,
uPD..., μ PD...

When indicating parts by reference number, please include the board name.

The components identified by mark Δ or dotted line with mark Δ are critical for safety. Replace only with part number specified.

Ref. No.	Part No.	Description	Remarks	Ref. No.	Part No.	Description	Remarks
	A-4426-462-A	AC BOARD, COMPLETE *****				< TRANSISTOR >	
	1-533-293-11	FUSE HOLDER		Q901	8-729-230-49	TRANSISTOR 2SC2712-YG	
		< CAPACITOR >		Q902	8-729-230-49	TRANSISTOR 2SC2712-YG	
C901	1-110-211-91	MYLAR 0.022uF 5% 50V				< RESISTOR >	
C902	1-110-211-91	MYLAR 0.022uF 5% 50V		R902	1-208-462-41	RES-CHIP 10K 2% 1/10W	
C903	1-127-721-11	ELECT 1000uF 20% 16V		R903	1-208-453-41	RES-CHIP 4.7K 2% 1/10W	
C904	1-127-720-91	ELECT MELF 470uF 20% 16V		R904	1-208-518-41	RES-CHIP 22K 2% 1/10W	
C905	1-119-820-11	ELECT 1uF 20% 50V		R905	1-208-526-41	RES-CHIP 47K 2% 1/10W	
		< CONNECTOR >		R906	1-208-462-41	RES-CHIP 10K 2% 1/10W	
C906	1-137-370-11	MYLAR 0.01uF 5% 50V		R907	1-216-603-11	METAL CHIP 10 0.5% 1/10W	
		< CONNECTOR >				< RELAY >	
CN903	1-691-767-11	PLUG (MICRO CONNECTOR) 5P		RY901	1-755-298-11	RELAY	
		< CONNECTOR >				< TRANSFORMER >	
CNP901	1-564-321-00	PIN, CONNECTOR 2P		Δ T902	1-435-163-11	TRANSFORMER, POWER	
* CNP902	1-564-321-21	PIN, CONNECTOR 2P		*****			
CNP904	1-568-106-11	PIN, CONNECTOR 4P			A-4426-447-A	AMP BOARD, COMPLETE *****	
		< DIODE >			7-685-872-09	SCREW +BVTT 3X8 (S)	
D901	8-719-053-18	DIODE 1SR154-400TE-25				< CAPACITOR >	
D902	8-719-053-18	DIODE 1SR154-400TE-25		C4001	1-119-792-21	ELECT 470uF 20% 10V	
D903	8-719-053-18	DIODE 1SR154-400TE-25		C4002	1-128-858-11	ELECT 22uF 20% 50V	
D904	8-719-053-18	DIODE 1SR154-400TE-25		C4003	1-127-726-51	ELECT MELF 470uF 20% 25V	
D905	8-719-016-74	DIODE 1SS352		C4004	1-127-726-51	ELECT MELF 470uF 20% 25V	
D906	8-719-016-74	DIODE 1SS352		C4005	1-119-816-31	ELECT 0.1uF 20% 50V	
D907	8-719-016-74	DIODE 1SS352				< TERMINAL >	
D908	8-719-053-18	DIODE 1SR154-400TE-25		C4006	1-119-816-31	ELECT 0.1uF 20% 50V	
D909	8-719-053-18	DIODE 1SR154-400TE-25		C4101	1-119-823-11	ELECT 4.7uF 20% 50V	
		< TERMINAL >		C4102	1-119-830-11	ELECT 330uF 20% 25V	
EB901	1-537-770-21	TERMINAL BOARD, GROUND		C4103	1-102-233-00	CERAMIC 33PF 10% 500V	
		< FUSE >		C4104	1-102-934-00	CERAMIC 1.0PF 0.25PF 50V	
Δ F901	1-532-465-51	FUSE, TIME LAG 3.15A,250V		C4105	1-102-106-00	CERAMIC 100PF 10% 50V	
Δ F902	1-532-464-51	FUSE 2.5A 250V		C4106	1-164-039-11	CERAMIC 3PF 0.25PF 50V	
		< IC >		C4108	1-164-077-11	CERAMIC 220PF 10% 50V	
IC901	8-759-231-53	IC TA7805S		C4112	1-137-372-11	MYLAR 0.022uF 5% 50V	
		< JACK >		C4113	1-137-360-11	MYLAR 220PF 5% 50V	
Δ J901	1-251-079-11	OUTLET, AC(AC OUTLET)		C4151	1-119-823-11	ELECT 4.7uF 20% 50V	
				C4152	1-119-830-11	ELECT 330uF 20% 25V	
				C4153	1-102-233-00	CERAMIC 33PF 10% 500V	
				C4154	1-102-934-00	CERAMIC 1.0PF 0.25PF 50V	
				C4155	1-102-106-00	CERAMIC 100PF 10% 50V	

Ref. No.	Part No.	Description	Remarks	Ref. No.	Part No.	Description	Remarks
C4156	1-164-039-11	CERAMIC	3PF 0.25PF 50V	* CN4153	1-564-505-11	PLUG, CONNECTOR 2P	
C4158	1-164-077-11	CERAMIC	220PF 10% 50V	* CN4203	1-564-505-11	PLUG, CONNECTOR 2P	
C4162	1-137-372-11	MYLAR	0.022uF 5% 50V	CN4204	1-691-765-11	PLUG (MICRO CONNECTOR) 3P	
C4163	1-137-360-11	MYLAR	220PF 5% 50V	* CN4303	1-564-505-11	PLUG, CONNECTOR 2P	
C4198	1-119-854-11	ELECT	100uF 20% 100V	CN4304	1-691-765-21	PLUG (MICRO CONNECTOR) 3P	
C4199	1-119-854-11	ELECT	100uF 20% 100V	* CN4353	1-564-505-11	PLUG, CONNECTOR 2P	
C4201	1-119-823-11	ELECT	4.7uF 20% 50V			< DIODE >	
C4202	1-119-830-11	ELECT	330uF 20% 25V	D4001	8-719-016-74	DIODE 1SS352	
C4203	1-102-233-00	CERAMIC	33PF 10% 500V	D4002	8-719-016-74	DIODE 1SS352	
C4204	1-102-934-00	CERAMIC	1.0PF 0.25PF 50V	D4003	8-719-016-74	DIODE 1SS352	
C4205	1-102-106-00	CERAMIC	100PF 10% 50V	D4101	8-719-016-74	DIODE 1SS352	
C4206	1-164-039-11	CERAMIC	3PF 0.25PF 50V	D4151	8-719-016-74	DIODE 1SS352	
C4208	1-164-077-11	CERAMIC	220PF 10% 50V	D4201	8-719-016-74	DIODE 1SS352	
C4212	1-137-372-11	MYLAR	0.022uF 5% 50V	D4301	8-719-016-74	DIODE 1SS352	
C4213	1-137-360-11	MYLAR	220PF 5% 50V	D4351	8-719-016-74	DIODE 1SS352	
C4251	1-119-823-11	ELECT	4.7uF 20% 50V	D4701	8-719-016-74	DIODE 1SS352	
C4252	1-119-830-11	ELECT	330uF 20% 25V			< TERMINAL >	
C4253	1-102-233-00	CERAMIC	33PF 10% 500V	EB401	1-537-770-21	TERMINAL BOARD, GROUND	
C4254	1-164-077-11	CERAMIC	220PF 10% 50V			< HEAT SINK >	
C4255	1-102-106-00	CERAMIC	100PF 10% 50V	* HS4001	4-880-403-11	HEAT SINK	
C4256	1-164-039-11	CERAMIC	3PF 0.25PF 50V	* HS4002	4-880-403-11	HEAT SINK	
C4298	1-119-854-11	ELECT	100uF 20% 100V			< IC >	
C4299	1-119-854-11	ELECT	100uF 20% 100V	IC4001	8-759-604-87	IC M5F7818L	
C4301	1-119-823-11	ELECT	4.7uF 20% 50V	IC4002	8-759-604-91	IC M5F7918L	
C4302	1-119-830-11	ELECT	330uF 20% 25V	IC4101	8-759-326-52	IC uPC2581V	
C4303	1-102-233-00	CERAMIC	33PF 10% 500V	IC4201	8-759-326-52	IC uPC2581V	
C4304	1-102-934-00	CERAMIC	1.0PF 0.25PF 50V	IC4301	8-759-326-52	IC uPC2581V	
C4305	1-102-106-00	CERAMIC	100PF 10% 50V			< TRANSISTOR >	
C4306	1-164-039-11	CERAMIC	3PF 0.25PF 50V	Q4001	8-729-140-82	TRANSISTOR 2SA988-PAFAEA	
C4308	1-164-077-11	CERAMIC	220PF 10% 50V	Q4002	8-729-230-49	TRANSISTOR 2SC2712-YG	
C4312	1-137-372-11	MYLAR	0.022uF 5% 50V	Q4003	8-729-140-84	TRANSISTOR 2SC1841-PAFAEA	
C4313	1-137-360-11	MYLAR	220PF 5% 50V	Q4103	8-749-010-43	IC NEN250	
C4351	1-119-823-11	ELECT	4.7uF 20% 50V	Q4104	8-749-010-42	IC NEP250	
C4352	1-119-830-11	ELECT	330uF 20% 25V	Q4105	8-729-140-82	TRANSISTOR 2SA988-PAFAEA	
C4353	1-102-233-00	CERAMIC	33PF 10% 500V	Q4106	8-729-140-82	TRANSISTOR 2SA988-PAFAEA	
C4354	1-102-934-00	CERAMIC	1.0PF 0.25PF 50V	Q4153	8-749-010-43	IC NEN250	
C4355	1-102-106-00	CERAMIC	100PF 10% 50V	Q4154	8-749-010-42	IC NEP250	
C4356	1-164-039-11	CERAMIC	3PF 0.25PF 50V	Q4155	8-729-140-82	TRANSISTOR 2SA988-PAFAEA	
C4358	1-164-077-11	CERAMIC	220PF 10% 50V	Q4156	8-729-140-82	TRANSISTOR 2SA988-PAFAEA	
C4362	1-137-372-11	MYLAR	0.022uF 5% 50V	Q4203	8-749-010-43	IC NEN250	
C4363	1-137-360-11	MYLAR	220PF 5% 50V	Q4204	8-749-010-42	IC NEP250	
C4398	1-119-854-11	ELECT	100uF 20% 100V	Q4205	8-729-140-82	TRANSISTOR 2SA988-PAFAEA	
C4399	1-119-854-11	ELECT	100uF 20% 100V	Q4206	8-729-140-82	TRANSISTOR 2SA988-PAFAEA	
		< CONNECTOR >		Q4303	8-749-010-43	IC NEN250	
CN4001	1-785-102-11	PIN, CONNECTOR 4P		Q4304	8-749-010-42	IC NEP250	
CN4002	1-691-765-21	PLUG (MICRO CONNECTOR) 3P		Q4305	8-729-140-82	TRANSISTOR 2SA988-PAFAEA	
CN4003	1-564-506-11	PLUG (MICRO CONNECTOR) 5P		Q4306	8-729-140-82	TRANSISTOR 2SA988-PAFAEA	
CN4006	1-691-767-11	PLUG (MICRO CONNECTOR) 5P		Q4353	8-749-010-43	IC NEN250	
* CN4007	1-564-242-00	PIN, CONNECTOR 5P		Q4354	8-749-010-42	IC NEP250	
CN4008	1-785-104-11	PIN, CONNECTOR 6P		Q4355	8-729-140-82	TRANSISTOR 2SA988-PAFAEA	
CN4012	1-691-765-11	PLUG (MICRO CONNECTOR) 3P		Q4356	8-729-140-82	TRANSISTOR 2SA988-PAFAEA	
* CN4013	1-564-104-00	PIN, CONNECTOR (B3P-VH) 3P		Q4701	8-729-230-49	TRANSISTOR 2SC2712-YG	
* CN4103	1-564-505-11	PLUG, CONNECTOR 2P					
CN4104	1-691-766-11	PLUG (MICRO CONNECTOR) 4P					

Ref. No.	Part No.	Description	Remarks
< RESISTOR >			
R4001	1-208-462-41	RES-CHIP 10K	2% 1/10W
R4002	1-216-689-11	METAL CHIP 39K	0.5% 1/10W
R4003	1-216-671-11	METAL CHIP 6.8K	0.5% 1/10W
R4004	1-208-437-41	RES-CHIP 1K	2% 1/10W
R4101	1-259-995-11	CARBON MELF 1K	2% 1/8W
R4102	1-260-017-11	CARBON MELF 56K	2% 1/8W
R4103	1-249-679-11	CARBON 1.8K	5% 1/2W
R4104	1-249-844-11	CARBON 56K	5% 1/2W
△ R4108	1-212-857-00	FUSIBLE 10	5% 1/4W
△ R4109	1-212-857-00	FUSIBLE 10	5% 1/4W
△ R4110	1-212-857-00	FUSIBLE 10	5% 1/4W
△ R4111	1-212-857-00	FUSIBLE 10	5% 1/4W
△ R4114	1-212-857-00	FUSIBLE 10	5% 1/4W
R4115	1-260-016-11	CARBON MELF 47K	2% 1/8W
R4116	1-259-932-11	CARBON MELF 6.2K	2% 1/8W
R4117	1-260-005-11	CARBON MELF 5.6K	2% 1/8W
R4118	1-259-995-11	CARBON MELF 1K	2% 1/8W
R4119	1-260-018-11	CARBON MELF 68K	2% 1/8W
R4120	1-260-010-11	CARBON MELF 15K	2% 1/8W
R4126	1-208-602-11	REGISTER 0.22	10% 2W
R4127	1-208-602-11	REGISTER 0.22	10% 2W
R4128	1-208-602-11	REGISTER 0.22	10% 2W
R4129	1-208-602-11	REGISTER 0.22	10% 2W
R4151	1-259-995-11	CARBON MELF 1K	2% 1/8W
R4152	1-260-017-11	CARBON MELF 56K	2% 1/8W
R4153	1-249-679-11	CARBON 1.8K	5% 1/2W
R4154	1-249-844-11	CARBON 56K	5% 1/2W
△ R4158	1-212-857-00	FUSIBLE 10	5% 1/4W
△ R4159	1-212-857-00	FUSIBLE 10	5% 1/4W
△ R4160	1-212-857-00	FUSIBLE 10	5% 1/4W
△ R4161	1-212-857-00	FUSIBLE 10	5% 1/4W
△ R4164	1-212-857-00	FUSIBLE 10	5% 1/4W
R4165	1-260-016-11	CARBON MELF 47K	2% 1/8W
R4166	1-259-932-11	CARBON MELF 6.2K	2% 1/8W
R4167	1-260-005-11	CARBON MELF 5.6K	2% 1/8W
R4168	1-259-995-11	CARBON MELF 1K	2% 1/8W
R4169	1-260-018-11	CARBON MELF 68K	2% 1/8W
R4170	1-260-010-11	CARBON MELF 15K	2% 1/8W
R4176	1-208-602-11	REGISTER 0.22	10% 2W
R4177	1-208-602-11	REGISTER 0.22	10% 2W
R4178	1-208-602-11	REGISTER 0.22	10% 2W
R4179	1-208-602-11	REGISTER 0.22	10% 2W
△ R4197	1-212-857-00	FUSIBLE 10	5% 1/4W
△ R4198	1-212-857-00	FUSIBLE 10	5% 1/4W
R4199	1-260-011-11	CARBON MELF 18K	2% 1/8W
R4201	1-259-995-11	CARBON MELF 1K	2% 1/8W
R4202	1-260-017-11	CARBON MELF 56K	2% 1/8W
R4203	1-249-679-11	CARBON 1.8K	5% 1/2W
R4204	1-249-844-11	CARBON 56K	5% 1/2W
△ R4208	1-212-857-00	FUSIBLE 10	5% 1/4W
△ R4209	1-212-857-00	FUSIBLE 10	5% 1/4W
△ R4210	1-212-857-00	FUSIBLE 10	5% 1/4W
△ R4211	1-212-857-00	FUSIBLE 10	5% 1/4W
△ R4214	1-212-857-00	FUSIBLE 10	5% 1/4W
R4215	1-260-016-11	CARBON MELF 47K	2% 1/8W

Ref. No.	Part No.	Description	Remarks
R4216	1-259-932-11	CARBON MELF 6.2K	2% 1/8W
R4217	1-260-005-11	CARBON MELF 5.6K	2% 1/8W
R4218	1-259-995-11	CARBON MELF 1K	2% 1/8W
R4219	1-260-018-11	CARBON MELF 68K	2% 1/8W
R4220	1-260-010-11	CARBON MELF 15K	2% 1/8W
R4226	1-208-602-11	REGISTER 0.22	10% 2W
R4227	1-208-602-11	REGISTER 0.22	10% 2W
R4228	1-208-602-11	REGISTER 0.22	10% 2W
R4229	1-208-602-11	REGISTER 0.22	10% 2W
R4251	1-259-995-11	CARBON MELF 1K	2% 1/8W
R4252	1-260-017-11	CARBON MELF 56K	2% 1/8W
R4253	1-249-679-11	CARBON 1.8K	5% 1/2W
R4254	1-249-844-11	CARBON 56K	5% 1/2W
R4255	1-259-987-11	CARBON MELF 220	2% 1/8W
R4256	1-259-987-11	CARBON MELF 220	2% 1/8W
△ R4297	1-212-857-00	FUSIBLE 10	5% 1/4W
△ R4298	1-212-857-00	FUSIBLE 10	5% 1/4W
R4299	1-260-011-11	CARBON MELF 18K	2% 1/8W
R4301	1-259-995-11	CARBON MELF 1K	2% 1/8W
R4302	1-260-017-11	CARBON MELF 56K	2% 1/8W
R4303	1-249-679-11	CARBON 1.8K	5% 1/2W
R4304	1-249-844-11	CARBON 56K	5% 1/2W
△ R4308	1-212-857-00	FUSIBLE 10	5% 1/4W
△ R4309	1-212-857-00	FUSIBLE 10	5% 1/4W
△ R4310	1-212-857-00	FUSIBLE 10	5% 1/4W
△ R4311	1-212-857-00	FUSIBLE 10	5% 1/4W
△ R4314	1-212-857-00	FUSIBLE 10	5% 1/4W
R4315	1-260-016-11	CARBON MELF 47K	2% 1/8W
R4316	1-259-932-11	CARBON MELF 6.2K	2% 1/8W
R4317	1-260-005-11	CARBON MELF 5.6K	2% 1/8W
R4318	1-259-995-11	CARBON MELF 1K	2% 1/8W
R4319	1-260-018-11	CARBON MELF 68K	2% 1/8W
R4320	1-260-010-11	CARBON MELF 15K	2% 1/8W
R4326	1-208-602-11	REGISTER 0.22	10% 2W
R4327	1-208-602-11	REGISTER 0.22	10% 2W
R4328	1-208-602-11	REGISTER 0.22	10% 2W
R4329	1-208-602-11	REGISTER 0.22	10% 2W
R4351	1-259-995-11	CARBON MELF 1K	2% 1/8W
R4352	1-260-017-11	CARBON MELF 56K	2% 1/8W
R4353	1-249-679-11	CARBON 1.8K	5% 1/2W
R4354	1-249-844-11	CARBON 56K	5% 1/2W
△ R4358	1-212-857-00	FUSIBLE 10	5% 1/4W
△ R4359	1-212-857-00	FUSIBLE 10	5% 1/4W
△ R4360	1-212-857-00	FUSIBLE 10	5% 1/4W
△ R4361	1-212-857-00	FUSIBLE 10	5% 1/4W
△ R4364	1-212-857-00	FUSIBLE 10	5% 1/4W
R4365	1-260-016-11	CARBON MELF 47K	2% 1/8W
R4366	1-259-932-11	CARBON MELF 6.2K	2% 1/8W
R4367	1-260-005-11	CARBON MELF 5.6K	2% 1/8W
R4368	1-259-995-11	CARBON MELF 1K	2% 1/8W
R4369	1-260-018-11	CARBON MELF 68K	2% 1/8W
R4370	1-260-010-11	CARBON MELF 15K	2% 1/8W
R4376	1-208-602-11	REGISTER 0.22	10% 2W
R4377	1-208-602-11	REGISTER 0.22	10% 2W
R4378	1-208-602-11	REGISTER 0.22	10% 2W

The components identified by mark △ or dotted line with mark △ are critical for safety.
Replace only with part number specified.

Ref. No.	Part No.	Description	Remarks	Ref. No.	Part No.	Description	Remarks
R4379	1-208-602-11	REGISTER	0.22 10% 2W			< JACK >	
△ R4397	1-212-857-00	FUSIBLE	10 5% 1/4W	J1101	1-794-024-11	JACK, PIN 6P(2ND AUDIO,CD)	
△ R4398	1-212-857-00	FUSIBLE	10 5% 1/4W	J1102	1-793-523-11	JACK, PIN 6P(MD/DAT,TAPE)	
R4399	1-260-011-11	CARBON MELF	18K 2% 1/8W			< TRANSISTOR >	
R4701	1-249-422-11	CARBON	2.7K 5% 1/4W F	Q1101	8-729-424-08	TRANSISTOR UN2111	
R4702	1-208-453-41	RES-CHIP	4.7K 2% 1/10W			< RESISTOR >	
R4703	1-208-462-41	RES-CHIP	10K 2% 1/10W	R1101	1-259-995-11	CARBON MELF 1K 2% 1/8W	
		< RELAY >		R1102	1-259-995-11	CARBON MELF 1K 2% 1/8W	
RY4701	1-755-295-11	RELAY		R1103	1-259-995-11	CARBON MELF 1K 2% 1/8W	

	A-4426-450-A	AUDIO A BOARD, COMPLETE		R1104	1-259-995-11	CARBON MELF 1K 2% 1/8W	
		*****		R1105	1-259-995-11	CARBON MELF 1K 2% 1/8W	
		< CAPACITOR >		R1106	1-259-995-11	CARBON MELF 1K 2% 1/8W	
C1101	1-119-823-11	ELECT	4.7uF 20% 50V	R1107	1-208-813-11	RES-CHIP 20K 0.5% 1/10W	
C1102	1-128-858-11	ELECT	22uF 20% 50V	R1108	1-208-422-41	RES-CHIP 240 2% 1/10W	
C1105	1-119-823-11	ELECT	4.7uF 20% 50V	R1111	1-260-032-11	CARBON MELF 1M 2% 1/8W	
C1106	1-128-858-11	ELECT	22uF 20% 50V	R1112	1-216-254-00	CARBON MELF 220K 2% 1/8W	
C1107	1-126-927-11	ELECT	2200uF 20% 10V	R1116	1-260-032-11	CARBON MELF 1M 2% 1/8W	
C1151	1-119-823-11	ELECT	4.7uF 20% 50V	R1117	1-260-032-11	CARBON MELF 1M 2% 1/8W	
C1152	1-128-858-11	ELECT	22uF 20% 50V	R1118	1-216-254-00	CARBON MELF 220K 2% 1/8W	
C1155	1-119-823-11	ELECT	4.7uF 20% 50V	R1151	1-259-995-11	CARBON MELF 1K 2% 1/8W	
C1156	1-128-858-11	ELECT	22uF 20% 50V	R1152	1-259-995-11	CARBON MELF 1K 2% 1/8W	
C1181	1-102-121-00	CERAMIC	2200PF 10% 50V	R1153	1-259-995-11	CARBON MELF 1K 2% 1/8W	
C1182	1-102-121-00	CERAMIC	2200PF 10% 50V	R1154	1-259-995-11	CARBON MELF 1K 2% 1/8W	
C1191	1-102-121-00	CERAMIC	2200PF 10% 50V	R1155	1-259-995-11	CARBON MELF 1K 2% 1/8W	
C1192	1-102-121-00	CERAMIC	2200PF 10% 50V	R1156	1-259-995-11	CARBON MELF 1K 2% 1/8W	
CC1101	1-137-358-11	MYLAR	0.0001uF 5% 50V	R1161	1-260-032-11	CARBON MELF 1M 2% 1/8W	
CC1102	1-137-358-11	MYLAR	0.0001uF 5% 50V	R1162	1-216-254-00	CARBON MELF 220K 2% 1/8W	
CC1103	1-137-358-11	MYLAR	0.0001uF 5% 50V	R1166	1-260-032-11	CARBON MELF 1M 2% 1/8W	
CC1104	1-137-358-11	MYLAR	0.0001uF 5% 50V	R1167	1-260-032-11	CARBON MELF 1M 2% 1/8W	
CC1105	1-137-358-11	MYLAR	0.0001uF 5% 50V	R1168	1-216-254-00	CARBON MELF 220K 2% 1/8W	
CC1106	1-137-358-11	MYLAR	0.0001uF 5% 50V			< RELAY >	
CC1151	1-137-358-11	MYLAR	0.0001uF 5% 50V	RY1101	1-755-294-11	RELAY	
CC1152	1-137-358-11	MYLAR	0.0001uF 5% 50V	*****			
CC1153	1-137-358-11	MYLAR	0.0001uF 5% 50V		A-4426-453-A	AUDIO V BOARD, COMPLETE	
CC1154	1-137-358-11	MYLAR	0.0001uF 5% 50V			*****	
CC1155	1-137-358-11	MYLAR	0.0001uF 5% 50V			< CAPACITOR >	
CC1156	1-137-358-11	MYLAR	0.0001uF 5% 50V	C1281	1-102-121-00	CERAMIC 2200PF 10% 50V	
		< CONNECTOR >		C1282	1-102-121-00	CERAMIC 2200PF 10% 50V	
CN1102	1-784-774-11	CONNECTOR, FFC 13P		CC1201	1-137-358-11	MYLAR 0.0001uF 5% 50V	
CN1103	1-784-735-11	CONNECTOR, FFC 13P		CC1202	1-137-358-11	MYLAR 0.0001uF 5% 50V	
* CN1104	1-564-507-11	PLUG, CONNECTOR 4P		CC1203	1-137-358-11	MYLAR 0.0001uF 5% 50V	
CN1105	1-691-765-11	PLUG (MICRO CONNECTOR) 3P		CC1204	1-137-358-11	MYLAR 0.0001uF 5% 50V	
		< DIODE >		CC1205	1-137-358-11	MYLAR 0.0001uF 5% 50V	
D1101	8-719-016-74	DIODE 1SS352		CC1206	1-137-358-11	MYLAR 0.0001uF 5% 50V	
D1102	8-719-016-74	DIODE 1SS352		CC1251	1-137-358-11	MYLAR 0.0001uF 5% 50V	
D1103	8-719-914-42	DIODE DA204K		CC1252	1-137-358-11	MYLAR 0.0001uF 5% 50V	
		< IC >		CC1253	1-137-358-11	MYLAR 0.0001uF 5% 50V	
IC1101	8-759-655-96	IC TA9163AF		CC1254	1-137-358-11	MYLAR 0.0001uF 5% 50V	
IC1102	8-759-655-97	IC TC9162AF		CC1255	1-137-358-11	MYLAR 0.0001uF 5% 50V	
IC1103	8-759-711-85	IC NJM4580E-D		CC1256	1-137-358-11	MYLAR 0.0001uF 5% 50V	
IC1105	8-759-711-85	IC NJM4580E-D					

The components identified by mark △ or dotted line with mark △ are critical for safety. Replace only with part number specified.

AUDIO V BIAS BLUE LED C VIDEO CTRL-A1

Ref. No.	Part No.	Description	Remarks
		< CONNECTOR >	
CN1201	1-784-735-11	CONNECTOR, FFC 13P	
		< IC >	
IC1201	8-759-245-17	IC TC9164N	
		< JACK >	
J1201	1-793-523-11	JACK, PIN 6P(TV/LD,DVD)	
J1202	1-793-523-11	JACK, PIN 6P(VIDEO1,VIDEO2)	
		< RESISTOR >	
R1201	1-259-995-11	CARBON MELF 1K	2% 1/8W
R1202	1-259-995-11	CARBON MELF 1K	2% 1/8W
R1203	1-259-995-11	CARBON MELF 1K	2% 1/8W
R1204	1-259-995-11	CARBON MELF 1K	2% 1/8W
R1205	1-259-995-11	CARBON MELF 1K	2% 1/8W
R1206	1-259-995-11	CARBON MELF 1K	2% 1/8W
R1251	1-259-995-11	CARBON MELF 1K	2% 1/8W
R1252	1-259-995-11	CARBON MELF 1K	2% 1/8W
R1253	1-259-995-11	CARBON MELF 1K	2% 1/8W
R1254	1-259-995-11	CARBON MELF 1K	2% 1/8W
R1255	1-259-995-11	CARBON MELF 1K	2% 1/8W
R1256	1-259-995-11	CARBON MELF 1K	2% 1/8W

	1-675-085-11	BIAS BOARD	*****
		< CAPACITOR >	
C4107	1-128-846-51	ELECT 330uF	20% 25V
		< CONNECTOR >	
* CN4101	1-568-942-11	PIN, CONNECTOR 4P	
		< DIODE >	
D4102	8-719-911-19	DIODE 1SS119	
		< TRANSISTOR >	
Q4102	8-729-026-08	TRANSISTOR 2SC4495	
		< RESISTOR >	
R4106	1-259-999-11	CARBON MELF 2.2K	2% 1/8W
R4107	1-259-918-11	CARBON MELF 430	2% 1/8W
		< VARIABLE RESISTOR >	
RV4101	1-237-456-11	RES, ADJ, CARBON 1K	

	1-675-065-11	BLUE LED BOARD	*****
		< CAPACITOR >	
C105	1-165-319-11	CERAMIC CHIP 0.1uF	0% 50V
		< CONNECTOR >	
* CN111	1-564-517-11	PLUG, CONNECTOR 2P	

Ref. No.	Part No.	Description	Remarks
		< DIODE >	
D101	8-719-070-83	DIODE SELU5E20C-TP15(FL BACK LIGHT)	
		< RESISTOR >	
R116	1-216-073-00	METAL CHIP 10K	5% 1/10W

	A-4426-454-A	C VIDEO BOARD, COMPLETE	*****
		< CAPACITOR >	
C5101	1-119-824-11	ELECT MELF 10uF	20% 50V
C5102	1-119-824-11	ELECT MELF 10uF	20% 50V
C5103	1-163-243-11	CERAMIC CHIP 47PF	5% 50V
C5104	1-119-824-11	ELECT MELF 10uF	20% 50V
C5105	1-163-243-11	CERAMIC CHIP 47PF	5% 50V
C5106	1-119-824-11	ELECT MELF 10uF	20% 50V
C5107	1-163-243-11	CERAMIC CHIP 47PF	5% 50V
C5108	1-127-718-91	ELECT MELF 100uF	20% 16V
C5109	1-163-189-00	CERAMIC CHIP 220PF	5% 50V
C5110	1-127-718-91	ELECT MELF 100uF	20% 16V
C5111	1-163-189-00	CERAMIC CHIP 220PF	5% 50V
C5112	1-119-824-11	ELECT MELF 10uF	20% 50V
C5113	1-165-319-11	CERAMIC CHIP 0.1uF	50V
		< CONNECTOR >	
CN5101	1-568-830-11	CONNECTOR, FFC 11P	
		< IC >	
IC5101	8-759-536-24	IC NJM-2296M-TE2	
		< JACK >	
J5101	1-793-522-11	JACK, PIN 2P(TV/LD,DVD IN)	
J5102	1-785-866-21	JACK, PIN 3P(VIDEO2 IN/OUT)	
J5103	1-793-522-11	JACK, PIN 2P(VIDEO1 IN/OUT,MONITOR OUT)	
		< COIL >	
L5101	1-500-425-11	FERRITE 0uH	
L5102	1-500-425-11	FERRITE 0uH	
		< RESISTOR >	
R5101	1-208-755-11	RES-CHIP 75	2% 1/10W
R5102	1-208-755-11	RES-CHIP 75	2% 1/10W
R5103	1-208-755-11	RES-CHIP 75	2% 1/10W
R5104	1-208-755-11	RES-CHIP 75	2% 1/10W
R5105	1-208-755-11	RES-CHIP 75	2% 1/10W
R5106	1-208-755-11	RES-CHIP 75	2% 1/10W
R5107	1-208-755-11	RES-CHIP 75	2% 1/10W

	A-4426-488-A	CTRL-A1 BOARD, COMPLETE	*****
		< CAPACITOR >	
C1601	1-127-718-91	ELECT MELF 100uF	20% 16V
C1602	1-164-004-11	CERAMIC CHIP 0.1uF	10% 25V
C1603	1-164-004-11	CERAMIC CHIP 0.1uF	10% 25V
C1604	1-164-004-11	CERAMIC CHIP 0.1uF	10% 25V
C1605	1-164-004-11	CERAMIC CHIP 0.1uF	10% 25V

Ref. No.	Part No.	Description	Remarks	Ref. No.	Part No.	Description	Remarks
C1606	1-164-004-11	CERAMIC CHIP	0.1uF 10% 25V	C323	1-125-845-21	FILM	47PF 10% 50V
C1701	1-164-004-11	CERAMIC CHIP	0.1uF 10% 25V	C324	1-125-845-21	FILM	47PF 10% 50V
		< CONNECTOR >		C325	1-125-845-21	FILM	47PF 10% 50V
CN1402	1-784-776-11	CONNECTOR, FFC 15P		C326	1-125-845-21	FILM	47PF 10% 50V
CN1403	1-784-774-11	CONNECTOR, FFC 13P		C327	1-127-718-91	ELECT MELF	100uF 20% 16V
CN1405	1-770-406-11	CONNECTOR, BOARD TO BOARD 10P					
		< DIODE >		C334	1-119-820-11	ELECT	1uF 20% 50V
D1701	8-719-025-33	DIODE 02CZ6.2-TE85L		C335	1-119-820-11	ELECT	1uF 20% 50V
		< FERRITE BEAD >		C336	1-128-833-91	ELECT	330uF 20% 10V
FB1601	1-410-397-21	FERRITE BEAD INDUCTOR		C337	1-130-475-00	MYLAR	0.0022uF 5% 50V
FB1701	1-500-245-11	INDUCTOR CHIP 0UH		C338	1-130-495-00	MYLAR	0.1uF 5% 50V
FB1702	1-500-245-11	INDUCTOR CHIP 0UH					
		< IC >		C339	1-130-495-00	MYLAR	0.1uF 5% 50V
IC1601	8-759-557-32	IC ADM202EARN-REEL		C340	1-130-495-00	MYLAR	0.1uF 5% 50V
		< JACK >		C341	1-130-495-00	MYLAR	0.1uF 5% 50V
J1601	1-764-116-41	PULG, (D) SUB CONNECTOR 9P(RS-232C)		C342	1-130-495-00	MYLAR	0.1uF 5% 50V
J1701	1-563-330-11	JACK(CONTROL A1)		C343	1-130-495-00	MYLAR	0.1uF 5% 50V
		< RESISTOR >					
R1601	1-216-025-91	RES-CHIP	100 5% 1/10W	C344	1-127-718-91	ELECT MELF	100uF 20% 16V
R1602	1-216-025-91	RES-CHIP	100 5% 1/10W	C345	1-119-823-11	ELECT	4.7uF 20% 50V
*****				C346	1-119-823-11	ELECT	4.7uF 20% 50V
	A-4426-437-A	DIGITAL BOARD, COMPLETE	*****	C347	1-119-823-11	ELECT	4.7uF 20% 50V
				C348	1-119-823-11	ELECT	4.7uF 20% 50V
*	4-931-401-31	HEAT SINK, V.OUT		C349	1-119-823-11	ELECT	4.7uF 20% 50V
	7-685-872-09	SCREW +BVTT 3X8 (S)		C350	1-119-823-11	ELECT	4.7uF 20% 50V
		< BUS BAR >		C351	1-136-165-00	MYLAR	0.1uF 5% 50V
BB301	1-568-129-11	BAR, BUS 8P		C352	1-165-319-11	CERAMIC CHIP	0.1uF 50V
BB302	1-569-136-11	BAR, BUS 5P		C353	1-119-823-11	ELECT	4.7uF 20% 50V
		< CAPACITOR >					
C303	1-136-230-00	FILM	0.0022uF 5% 100V	C354	1-119-823-11	ELECT	4.7uF 20% 50V
C304	1-136-230-00	FILM	0.0022uF 5% 100V	C355	1-119-823-11	ELECT	4.7uF 20% 50V
C305	1-136-230-00	FILM	0.0022uF 5% 100V	C356	1-119-823-11	ELECT	4.7uF 20% 50V
C306	1-136-230-00	FILM	0.0022uF 5% 100V	C357	1-119-823-11	ELECT	4.7uF 20% 50V
C307	1-136-230-00	FILM	0.0022uF 5% 100V	C358	1-119-823-11	ELECT	4.7uF 20% 50V
C308	1-136-230-00	FILM	0.0022uF 5% 100V				
C309	1-165-319-11	CERAMIC CHIP	0.1uF 50V	C359	1-163-003-11	CERAMIC CHIP	330PF 10% 50V
C310	1-128-840-11	ELECT	47uF 20% 16V	C360	1-163-003-11	CERAMIC CHIP	330PF 10% 50V
C311	1-128-840-11	ELECT	47uF 20% 16V	C361	1-163-003-11	CERAMIC CHIP	330PF 10% 50V
C312	1-125-854-21	FILM	560PF 5% 50V	C362	1-130-495-00	MYLAR	0.1uF 5% 50V
C313	1-125-854-21	FILM	560PF 5% 50V	C363	1-130-495-00	MYLAR	0.1uF 5% 50V
C314	1-125-854-21	FILM	560PF 5% 50V				
C315	1-125-854-21	FILM	560PF 5% 50V	C364	1-130-495-00	MYLAR	0.1uF 5% 50V
C316	1-125-854-21	FILM	560PF 5% 50V	C365	1-130-495-00	MYLAR	0.1uF 5% 50V
C317	1-125-854-21	FILM	560PF 5% 50V	C366	1-130-495-00	MYLAR	0.1uF 5% 50V
C318	1-128-840-11	ELECT	47uF 20% 16V	C367	1-130-495-00	MYLAR	0.1uF 5% 50V
C319	1-130-475-00	MYLAR	0.0022uF 5% 50V	C368	1-128-840-11	ELECT	47uF 20% 16V
C320	1-165-319-11	CERAMIC CHIP	0.1uF 50V				
C321	1-125-845-21	FILM	47PF 10% 50V	C369	1-128-832-11	ELECT	220uF 20% 10V
C322	1-125-845-21	FILM	47PF 10% 50V	C370	1-127-718-91	ELECT MELF	100uF 20% 16V
				C371	1-128-840-11	ELECT	47uF 20% 16V
				C372	1-128-832-11	ELECT	220uF 20% 10V
				C373	1-127-718-91	ELECT MELF	100uF 20% 16V
				C374	1-128-840-11	ELECT	47uF 20% 16V
				C375	1-128-832-11	ELECT	220uF 20% 10V
				C376	1-127-718-91	ELECT MELF	100uF 20% 16V
				C377	1-128-840-11	ELECT	47uF 20% 16V
				C378	1-128-832-11	ELECT	220uF 20% 10V
				C379	1-127-718-91	ELECT MELF	100uF 20% 16V
				C380	1-128-840-11	ELECT	47uF 20% 16V
				C381	1-128-832-11	ELECT	220uF 20% 10V
				C382	1-127-718-91	ELECT MELF	100uF 20% 16V
				C383	1-128-840-11	ELECT	47uF 20% 16V
				C384	1-128-832-11	ELECT	220uF 20% 10V
				C385	1-127-718-91	ELECT MELF	100uF 20% 16V
				C386	1-127-720-91	ELECT MELF	470uF 20% 16V
				C387	1-127-720-91	ELECT MELF	470uF 20% 16V
				C388	1-127-720-91	ELECT MELF	470uF 20% 16V

DIGITAL

Ref. No.	Part No.	Description	Remarks	Ref. No.	Part No.	Description	Remarks
C389	1-119-841-11	ELECT	1000uF 20% 63V	C449	1-165-319-11	CERAMIC CHIP	0.1uF 50V
C390	1-119-841-11	ELECT	1000uF 20% 63V	C450	1-165-319-11	CERAMIC CHIP	0.1uF 50V
C391	1-119-841-11	ELECT	1000uF 20% 63V	C451	1-165-319-11	CERAMIC CHIP	0.1uF 50V
C392	1-127-718-91	ELECT MELF	100uF 20% 16V	C452	1-165-319-11	CERAMIC CHIP	0.1uF 50V
C393	1-127-718-91	ELECT MELF	100uF 20% 16V	C453	1-165-319-11	CERAMIC CHIP	0.1uF 50V
C394	1-165-319-11	CERAMIC CHIP	0.1uF 50V	C454	1-165-319-11	CERAMIC CHIP	0.1uF 50V
C395	1-136-165-00	MYLAR	0.1uF 5% 50V	C455	1-128-840-11	ELECT	47uF 20% 16V
C396	1-136-165-00	MYLAR	0.1uF 5% 50V	C456	1-128-840-11	ELECT	47uF 20% 16V
C397	1-136-165-00	MYLAR	0.1uF 5% 50V	C457	1-165-319-11	CERAMIC CHIP	0.1uF 50V
C398	1-165-319-11	CERAMIC CHIP	0.1uF 50V	C458	1-165-319-11	CERAMIC CHIP	0.1uF 50V
C399	1-163-009-11	CERAMIC CHIP	0.001uF 10% 50V	C459	1-165-319-11	CERAMIC CHIP	0.1uF 50V
C400	1-165-319-11	CERAMIC CHIP	0.1uF 50V	C460	1-165-319-11	CERAMIC CHIP	0.1uF 50V
C401	1-127-718-91	ELECT MELF	100uF 20% 16V	C461	1-165-319-11	CERAMIC CHIP	0.1uF 50V
C402	1-127-718-91	ELECT MELF	100uF 20% 16V	C462	1-165-319-11	CERAMIC CHIP	0.1uF 50V
C403	1-127-718-91	ELECT MELF	100uF 20% 16V	C463	1-165-319-11	CERAMIC CHIP	0.1uF 50V
C404	1-127-718-91	ELECT MELF	100uF 20% 16V	C464	1-165-319-11	CERAMIC CHIP	0.1uF 50V
C405	1-127-718-91	ELECT MELF	100uF 20% 16V	C465	1-165-319-11	CERAMIC CHIP	0.1uF 50V
C406	1-127-718-91	ELECT MELF	100uF 20% 16V	C466	1-163-117-00	CERAMIC CHIP	100PF 5% 50V
C407	1-165-319-11	CERAMIC CHIP	0.1uF 50V	C467	1-165-319-11	CERAMIC CHIP	0.1uF 50V
C409	1-164-005-91	CERAMIC CHIP	0.47uF 25V	C468	1-165-319-11	CERAMIC CHIP	0.1uF 50V
C410	1-127-718-91	ELECT MELF	100uF 20% 16V	C469	1-165-319-11	CERAMIC CHIP	0.1uF 50V
C411	1-127-718-91	ELECT MELF	100uF 20% 16V	C470	1-165-319-11	CERAMIC CHIP	0.1uF 50V
C412	1-127-718-91	ELECT MELF	100uF 20% 16V	C471	1-165-319-11	CERAMIC CHIP	0.1uF 50V
C413	1-127-718-91	ELECT MELF	100uF 20% 16V	C472	1-165-319-11	CERAMIC CHIP	0.1uF 50V
C414	1-127-718-91	ELECT MELF	100uF 20% 16V	C473	1-165-319-11	CERAMIC CHIP	0.1uF 50V
C415	1-127-718-91	ELECT MELF	100uF 20% 16V	C474	1-165-319-11	CERAMIC CHIP	0.1uF 50V
C416	1-127-720-91	ELECT MELF	470uF 20% 16V	C475	1-165-319-11	CERAMIC CHIP	0.1uF 50V
C417	1-127-720-91	ELECT MELF	470uF 20% 16V	C476	1-165-319-11	CERAMIC CHIP	0.1uF 50V
C418	1-127-720-91	ELECT MELF	470uF 20% 16V	C477	1-165-319-11	CERAMIC CHIP	0.1uF 50V
C419	1-165-319-11	CERAMIC CHIP	0.1uF 50V	C478	1-165-319-11	CERAMIC CHIP	0.1uF 50V
C420	1-165-319-11	CERAMIC CHIP	0.1uF 50V	C479	1-163-009-11	CERAMIC CHIP	0.001uF 10% 50V
C421	1-127-720-91	ELECT MELF	470uF 20% 16V	C480	1-165-319-11	CERAMIC CHIP	0.1uF 50V
C422	1-127-720-91	ELECT MELF	470uF 20% 16V	C481	1-165-319-11	CERAMIC CHIP	0.1uF 50V
C423	1-127-720-91	ELECT MELF	470uF 20% 16V	C482	1-165-319-11	CERAMIC CHIP	0.1uF 50V
C424	1-165-319-11	CERAMIC CHIP	0.1uF 0% 50V	C483	1-165-319-11	CERAMIC CHIP	0.1uF 50V
C425	1-165-319-11	CERAMIC CHIP	0.1uF 0% 50V	C484	1-165-319-11	CERAMIC CHIP	0.1uF 50V
C426	1-165-319-11	CERAMIC CHIP	0.1uF 50V	C485	1-165-319-11	CERAMIC CHIP	0.1uF 50V
C427	1-165-319-11	CERAMIC CHIP	0.1uF 50V	C486	1-165-319-11	CERAMIC CHIP	0.1uF 50V
C428	1-165-319-11	CERAMIC CHIP	0.1uF 50V	C487	1-165-319-11	CERAMIC CHIP	0.1uF 50V
C429	1-165-319-11	CERAMIC CHIP	0.1uF 50V	C488	1-163-101-00	CERAMIC CHIP	22PF 5% 50V
C430	1-163-099-00	CERAMIC CHIP	18PF 5% 50V	C490	1-165-319-11	CERAMIC CHIP	0.1uF 50V
C431	1-163-099-00	CERAMIC CHIP	18PF 5% 50V	C492	1-165-319-11	CERAMIC CHIP	0.1uF 50V
C432	1-165-319-11	CERAMIC CHIP	0.1uF 50V	C493	1-165-319-11	CERAMIC CHIP	0.1uF 50V
C433	1-165-319-11	CERAMIC CHIP	0.1uF 50V	C494	1-136-165-00	MYLAR	0.1uF 5% 50V
C434	1-165-319-11	CERAMIC CHIP	0.1uF 50V	C495	1-163-101-00	CERAMIC CHIP	22PF 5% 50V
C435	1-165-319-11	CERAMIC CHIP	0.1uF 50V	C496	1-165-319-11	CERAMIC CHIP	0.1uF 50V
C436	1-165-319-11	CERAMIC CHIP	0.1uF 50V	C497	1-165-319-11	CERAMIC CHIP	0.1uF 50V
C437	1-165-319-11	CERAMIC CHIP	0.1uF 50V	C498	1-128-860-11	ELECT	47uF 20% 50V
C438	1-163-021-91	CERAMIC CHIP	0.01uF 10% 50V	C499	1-128-860-11	ELECT	47uF 20% 50V
C439	1-165-319-11	CERAMIC CHIP	0.1uF 50V	C500	1-117-721-11	CERAMIC CHIP	4700PF 5% 25V
C440	1-127-719-91	ELECT MELF	220uF 20% 16V	C501	1-163-005-11	CERAMIC CHIP	470PF 10% 50V
C441	1-163-021-91	CERAMIC CHIP	0.01uF 10% 50V	C507	1-165-319-11	CERAMIC CHIP	0.1uF 50V
C442	1-165-319-11	CERAMIC CHIP	0.1uF 50V	C508	1-165-319-11	CERAMIC CHIP	0.1uF 50V
C443	1-165-319-11	CERAMIC CHIP	0.1uF 50V	C509	1-165-319-11	CERAMIC CHIP	0.1uF 50V
C444	1-165-319-11	CERAMIC CHIP	0.1uF 50V	< CONNECTOR >			
C445	1-165-319-11	CERAMIC CHIP	0.1uF 50V	CN301	1-568-844-11	CONNECTOR, FFC 29P	
C446	1-165-319-11	CERAMIC CHIP	0.1uF 50V	CN302	1-691-772-11	PLUG (MICRO CONNECTOR) 10P	
C447	1-165-319-11	CERAMIC CHIP	0.1uF 50V	* CN303	1-695-371-31	CONNECTOR, FFC 10P	
C448	1-163-101-00	CERAMIC CHIP	22PF 5% 50V	CN304	1-691-769-11	PLUG (MICRO CONNECTOR) 7P	
C448	1-165-319-11	CERAMIC CHIP	0.1uF 50V	CN305	1-784-776-11	CONNECTOR, FFC 15P	

Ref. No.	Part No.	Description	Remarks	Ref. No.	Part No.	Description	Remarks
CN306	1-784-792-11	CONNECTOR, FFC 31P		FB336	1-500-230-21	INDUCTOR OUH	
		< DIODE >		FB337	1-500-230-21	INDUCTOR OUH	
D301	8-719-801-78	DIODE 1SS184		FB338	1-500-230-21	INDUCTOR OUH	
D302	8-719-801-78	DIODE 1SS184		FB339	1-500-230-21	INDUCTOR OUH	
D303	8-719-801-78	DIODE 1SS184		FB340	1-500-230-21	INDUCTOR OUH	
D304	8-719-801-78	DIODE 1SS184		FB341	1-469-365-21	FERRITE OUH	
D305	8-719-800-76	DIODE 1SS226		FB342	1-469-365-21	FERRITE OUH	
D306	8-719-800-76	DIODE 1SS226				< IC >	
D307	8-719-800-76	DIODE 1SS226		IC301	8-759-711-85	IC NJM4580E-D	
D308	8-719-800-76	DIODE 1SS226		IC302	8-759-711-85	IC NJM4580E-D	
D309	8-719-053-18	DIODE 1SR154-400TE-25		IC303	8-759-711-85	IC NJM4580E-D	
D310	8-719-110-88	DIODE RD39ES-B2		IC304	8-759-711-85	IC NJM4580E-D	
D312	8-719-820-05	DIODE 1SS181		IC305	8-759-711-85	IC NJM4580E-D	
D313	8-719-016-74	DIODE 1SS352		IC306	8-759-711-85	IC NJM4580E-D	
D314	8-719-016-74	DIODE 1SS352		IC307	8-759-426-99	IC CXD8607N-T6	
D315	8-719-016-74	DIODE 1SS352		IC308	8-759-445-59	IC BA033T	
D316	8-719-801-78	DIODE 1SS184		IC309	8-759-445-59	IC BA033T	
D317	8-719-016-74	DIODE 1SS352		IC310	8-759-231-53	IC TA7805S	
		< TERMINAL >		IC311	8-759-231-53	IC TA7805S	
EP401	1-537-770-21	TERMINAL BOARD, GROUND		IC312	8-759-231-53	IC TA7805S	
EP402	1-537-770-21	TERMINAL BOARD, GROUND		IC313	8-759-245-79	IC TA79005S	
		< FERRITE BEAD >		IC314	8-759-231-53	IC TA7805S	
FB301	1-469-365-21	FERRITE OUH		IC315	8-759-231-53	IC TA7805S	
FB302	1-469-365-21	FERRITE OUH		IC316	8-759-231-53	IC TA7805S	
FB303	1-500-230-21	INDUCTOR OUH		IC317	8-759-233-44	IC TC74HC595AF	
FB304	1-500-230-21	INDUCTOR OUH		IC318	8-749-015-84	IC GP1F37R1(DVD OPT IN)	
FB305	1-500-230-21	INDUCTOR OUH		IC319	8-749-015-84	IC GP1F37R1(TV/LD OPT IN)	
FB306	1-469-365-21	FERRITE OUH		IC320	8-759-652-28	IC 2J1704U-2K	
FB307	1-469-365-21	FERRITE OUH		IC321	8-759-652-28	IC 2J1704U-2K	
FB308	1-469-365-21	FERRITE OUH		IC322	8-759-652-28	IC 2J1704U-2K	
FB309	1-500-230-21	INDUCTOR OUH		IC323	8-759-652-28	IC 2J1704U-2K	
FB310	1-500-230-21	INDUCTOR OUH		IC324	8-759-652-28	IC 2J1704U-2K	
FB311	1-500-230-21	INDUCTOR OUH		IC325	8-759-652-28	IC 2J1704U-2K	
FB312	1-500-230-21	INDUCTOR OUH		IC326	8-759-245-79	IC TA79005S	
FB313	1-500-230-21	INDUCTOR OUH		IC327	8-759-245-79	IC TA79005S	
FB314	1-500-230-21	INDUCTOR OUH		IC328	8-759-245-79	IC TA79005S	
FB315	1-469-365-21	FERRITE OUH		IC330	8-759-242-70	IC TC7WU04F	
FB316	1-469-365-21	FERRITE OUH		IC331	8-749-015-84	IC GP1F37R1(MD/DAT OPT IN)	
FB317	1-469-365-21	FERRITE OUH		IC332	8-749-015-62	IC GP1F38T2(MD/DAT OPT OUT)	
FB318	1-469-365-21	FERRITE OUH		IC333	8-759-996-46	IC BA6208F-T1	
FB319	1-469-365-21	FERRITE OUH		IC334	8-759-242-74	IC TC7W04F	
FB320	1-469-365-21	FERRITE OUH		IC335	8-759-242-70	IC TC7WU04F	
FB321	1-469-365-21	FERRITE OUH		IC336	8-759-233-26	IC TC74HC393AF-TP1	
FB322	1-469-365-21	FERRITE OUH		IC337	8-749-015-84	IC GP1F37R1(CD OPT IN)	
FB323	1-469-365-21	FERRITE OUH		IC338	8-759-652-26	IC DF1704E-2K	
FB324	1-469-365-21	FERRITE OUH		IC339	8-759-652-26	IC DF1704E-2K	
FB325	1-469-365-21	FERRITE OUH		IC340	8-759-652-26	IC DF1704E-2K	
FB326	1-469-365-21	FERRITE OUH		IC341	8-759-424-25	IC MC74HC151FEL	
FB327	1-469-365-21	FERRITE OUH		IC342	8-759-233-66	IC TC74HCT04AF	
FB328	1-469-365-21	FERRITE OUH		IC343	8-759-234-20	IC TC7S08F	
FB329	1-469-365-21	FERRITE OUH		IC344	8-759-367-62	IC MC74HC157AFEL	
FB330	1-469-365-21	FERRITE OUH		IC345	8-759-186-30	IC TC74VHC14F	
FB331	1-469-365-21	FERRITE OUH		IC346	8-759-424-39	IC MC74HC244AFEL	
FB332	1-469-365-21	FERRITE OUH		IC347	8-752-391-87	IC CXD2712R	
FB333	1-469-365-21	FERRITE OUH		IC348	8-752-391-87	IC CXD2712R	
FB334	1-469-365-21	FERRITE OUH		IC349	8-759-639-35	IC LC89055W-RA8	
FB335	1-500-230-21	INDUCTOR OUH		IC350	8-759-598-06	IC S-80942ANMP-DD6-T2	
				IC351	8-759-186-69	IC TC74VHC367F	

DIGITAL

Ref. No.	Part No.	Description	Remarks	Ref. No.	Part No.	Description	Remarks
IC352	8-759-662-66	IC TMP87C447U-1D99		R326	1-259-926-11	CARBON MELF 2K	2% 1/8W
IC353	8-759-234-20	IC TC7S08F		R327	1-259-926-11	CARBON MELF 2K	2% 1/8W
IC354	8-759-643-42	IC CXD9511AQ		R328	1-259-926-11	CARBON MELF 2K	2% 1/8W
IC356	8-759-488-94	IC IDT71V256SA15Y-TL		R329	1-259-926-11	CARBON MELF 2K	2% 1/8W
IC357	8-759-655-94	IC HD64F2134FA20-777C		R330	1-259-927-11	CARBON MELF 2.4K	2% 1/8W
IC359	8-759-482-20	IC IDT71V124S15Y-TL		R331	1-259-927-11	CARBON MELF 2.4K	2% 1/8W
IC360	8-759-482-20	IC IDT71V124S15Y-TL		R332	1-259-927-11	CARBON MELF 2.4K	2% 1/8W
IC361	8-759-035-93	IC SC7S32F		R333	1-259-927-11	CARBON MELF 2.4K	2% 1/8W
IC362	8-759-237-43	IC TC74HC393AF(EL)		R334	1-259-927-11	CARBON MELF 2.4K	2% 1/8W
IC363	8-759-031-84	IC SC7S04F		R335	1-259-927-11	CARBON MELF 2.4K	2% 1/8W
IC364	8-759-525-10	IC TC7SET08F(TE85L)		△ R336	1-217-785-11	FUSIBLE 15	5% 5W
		< JACK >		△ R337	1-217-786-11	FUSIBLE 22	5% 5W
J301	1-568-750-21	JACK, PIN (1P SHIELD TYPE)(DVD COAX IN)		R338	1-216-627-11	METAL CHIP 100	0.5% 1/10W
J302	1-568-750-21	JACK, PIN (1P SHIELD TYPE)(CD COAX IN)		△ R339	1-217-784-11	FUSIBLE 10	5% 5W
		< COIL >		R340	1-220-753-11	CEMENTED 6.8	5% 5W
L301	1-410-385-11	INDUCTOR CHIP 22uH		△ R341	1-217-787-11	FUSIBLE 33	5% 5W
		< TRANSISTOR >		R342	1-259-983-11	CARBON MELF 100	2% 1/8W
Q301	8-729-018-59	TRANSISTOR 2SB1375-LC		R343	1-208-755-11	RES-CHIP 75	2% 1/10W
Q302	8-729-018-59	TRANSISTOR 2SB1375-LC		R344	1-259-983-11	CARBON MELF 100	2% 1/8W
Q303	8-729-421-22	TRANSISTOR UN2211		R345	1-208-462-41	RES-CHIP 10K	2% 1/10W
Q304	8-729-424-08	TRANSISTOR UN2111		R346	1-208-462-41	RES-CHIP 10K	2% 1/10W
Q305	8-729-421-22	TRANSISTOR UN2211		R347	1-208-462-41	RES-CHIP 10K	2% 1/10W
Q306	8-729-018-60	TRANSISTOR 2SD2012-LC		R348	1-208-462-41	RES-CHIP 10K	2% 1/10W
Q307	8-729-024-91	TRANSISTOR 2SC2712-GL-TE85L		R349	1-208-462-41	RES-CHIP 10K	2% 1/10W
Q308	8-729-024-91	TRANSISTOR 2SC2712-GL-TE85L		R350	1-208-462-41	RES-CHIP 10K	2% 1/10W
Q309	8-729-216-22	TRANSISTOR 2SA1162-G		R351	1-259-979-11	CARBON MELF 47	2% 1/8W
Q310	8-729-018-60	TRANSISTOR 2SD2012-LC		R352	1-259-995-11	CARBON MELF 1K	2% 1/8W
Q311	8-729-421-22	TRANSISTOR UN2211		R353	1-208-437-41	RES-CHIP 1K	2% 1/10W
		< RESISTOR >		R354	1-208-462-41	RES-CHIP 10K	2% 1/10W
R301	1-216-635-11	METAL CHIP 220	0.5% 1/10W	R355	1-208-437-41	RES-CHIP 1K	2% 1/10W
R302	1-216-635-11	METAL CHIP 220	0.5% 1/10W	R363	1-216-627-11	METAL CHIP 100	0.5% 1/10W
R303	1-208-462-41	RES-CHIP 10K	2% 1/10W	R364	1-208-425-41	RES-CHIP 330	2% 1/10W
R304	1-208-462-41	RES-CHIP 10K	2% 1/10W	R365	1-208-425-41	RES-CHIP 330	2% 1/10W
R305	1-208-462-41	RES-CHIP 10K	2% 1/10W	R366	1-208-425-41	RES-CHIP 330	2% 1/10W
R306	1-208-462-41	RES-CHIP 10K	2% 1/10W	R367	1-208-425-41	RES-CHIP 330	2% 1/10W
R307	1-259-995-11	CARBON MELF 1K	2% 1/8W	R368	1-208-462-41	RES-CHIP 10K	2% 1/10W
R308	1-259-983-11	CARBON MELF 100	2% 1/8W	R369	1-208-462-41	RES-CHIP 10K	2% 1/10W
R309	1-259-983-11	CARBON MELF 100	2% 1/8W	R370	1-208-425-41	RES-CHIP 330	2% 1/10W
R310	1-260-004-11	CARBON MELF 4.7K	2% 1/8W	R371	1-208-425-41	RES-CHIP 330	2% 1/10W
R311	1-260-004-11	CARBON MELF 4.7K	2% 1/8W	R372	1-208-425-41	RES-CHIP 330	2% 1/10W
R312	1-260-004-11	CARBON MELF 4.7K	2% 1/8W	R373	1-208-425-41	RES-CHIP 330	2% 1/10W
R313	1-260-004-11	CARBON MELF 4.7K	2% 1/8W	R374	1-216-627-11	METAL CHIP 100	0.5% 1/10W
R314	1-260-004-11	CARBON MELF 4.7K	2% 1/8W	R375	1-208-425-41	RES-CHIP 330	2% 1/10W
R315	1-260-004-11	CARBON MELF 4.7K	2% 1/8W	R376	1-208-425-41	RES-CHIP 330	2% 1/10W
R316	1-208-755-11	RES-CHIP 75	2% 1/10W	R377	1-208-425-41	RES-CHIP 330	2% 1/10W
R317	1-260-004-11	CARBON MELF 4.7K	2% 1/8W	R378	1-208-425-41	RES-CHIP 330	2% 1/10W
R318	1-260-004-11	CARBON MELF 4.7K	2% 1/8W	R379	1-216-627-11	METAL CHIP 100	0.5% 1/10W
R319	1-260-004-11	CARBON MELF 4.7K	2% 1/8W	R380	1-208-425-41	RES-CHIP 330	2% 1/10W
R320	1-260-004-11	CARBON MELF 4.7K	2% 1/8W	R381	1-208-425-41	RES-CHIP 330	2% 1/10W
R321	1-260-004-11	CARBON MELF 4.7K	2% 1/8W	R382	1-208-425-41	RES-CHIP 330	2% 1/10W
R322	1-260-004-11	CARBON MELF 4.7K	2% 1/8W	R383	1-208-425-41	RES-CHIP 330	2% 1/10W
R323	1-259-995-11	CARBON MELF 1K	2% 1/8W	R384	1-216-627-11	METAL CHIP 100	0.5% 1/10W
R324	1-259-926-11	CARBON MELF 2K	2% 1/8W	R385	1-218-776-11	METAL CHIP 1M	0.5% 1/10W
R325	1-259-926-11	CARBON MELF 2K	2% 1/8W	R386	1-208-776-11	RES-CHIP 560	2% 1/10W
				R387	1-216-627-11	METAL CHIP 100	0.5% 1/10W

The components identified by mark △ or dotted line with mark △ are critical for safety.
Replace only with part number specified.

Ref. No.	Part No.	Description	Quantity	Tolerance	Lead Time	Remarks	Ref. No.	Part No.	Description	Quantity	Tolerance	Lead Time	Remarks
R388	1-216-627-11	METAL CHIP	100	0.5%	1/10W		R448	1-216-627-11	METAL CHIP	100	0.5%	1/10W	
R390	1-208-453-41	RES-CHIP	4.7K	2%	1/10W		R449	1-216-627-11	METAL CHIP	100	0.5%	1/10W	
R391	1-208-445-41	RES-CHIP	2.2K	2%	1/10W		R450	1-216-635-11	METAL CHIP	220	0.5%	1/10W	
R392	1-208-453-41	RES-CHIP	4.7K	2%	1/10W		R451	1-259-979-11	CARBON MELF	47	2%	1/8W	
R393	1-208-445-41	RES-CHIP	2.2K	2%	1/10W		R452	1-259-979-11	CARBON MELF	47	2%	1/8W	
R394	1-208-453-41	RES-CHIP	4.7K	2%	1/10W		R453	1-259-995-11	CARBON MELF	1K	2%	1/8W	
R395	1-208-445-41	RES-CHIP	2.2K	2%	1/10W		R454	1-216-627-11	METAL CHIP	100	0.5%	1/10W	
R396	1-208-453-41	RES-CHIP	4.7K	2%	1/10W		R455	1-216-627-11	METAL CHIP	100	0.5%	1/10W	
R397	1-208-445-41	RES-CHIP	2.2K	2%	1/10W		R456	1-216-627-11	METAL CHIP	100	0.5%	1/10W	
R398	1-208-453-41	RES-CHIP	4.7K	2%	1/10W		R457	1-216-627-11	METAL CHIP	100	0.5%	1/10W	
R399	1-208-445-41	RES-CHIP	2.2K	2%	1/10W		R458	1-216-627-11	METAL CHIP	100	0.5%	1/10W	
R400	1-208-453-41	RES-CHIP	4.7K	2%	1/10W		R459	1-216-627-11	METAL CHIP	100	0.5%	1/10W	
R401	1-208-445-41	RES-CHIP	2.2K	2%	1/10W		R460	1-216-627-11	METAL CHIP	100	0.5%	1/10W	
R402	1-208-453-41	RES-CHIP	4.7K	2%	1/10W		R461	1-216-627-11	METAL CHIP	100	0.5%	1/10W	
R403	1-208-445-41	RES-CHIP	2.2K	2%	1/10W		R462	1-216-627-11	METAL CHIP	100	0.5%	1/10W	
R404	1-208-453-41	RES-CHIP	4.7K	2%	1/10W		R463	1-216-627-11	METAL CHIP	100	0.5%	1/10W	
R405	1-208-445-41	RES-CHIP	2.2K	2%	1/10W		R464	1-216-627-11	METAL CHIP	100	0.5%	1/10W	
R406	1-208-453-41	RES-CHIP	4.7K	2%	1/10W		R465	1-208-445-41	RES-CHIP	2.2K	2%	1/10W	
R407	1-208-445-41	RES-CHIP	2.2K	2%	1/10W		R466	1-208-445-41	RES-CHIP	2.2K	2%	1/10W	
R408	1-208-453-41	RES-CHIP	4.7K	2%	1/10W		R467	1-208-462-41	RES-CHIP	10K	2%	1/10W	
R409	1-208-445-41	RES-CHIP	2.2K	2%	1/10W		R468	1-208-518-41	RES-CHIP	22K	2%	1/10W	
R410	1-208-453-41	RES-CHIP	4.7K	2%	1/10W		R469	1-208-518-41	RES-CHIP	22K	2%	1/10W	
R411	1-208-445-41	RES-CHIP	2.2K	2%	1/10W		R470	1-208-518-41	RES-CHIP	22K	2%	1/10W	
R412	1-208-462-41	RES-CHIP	10K	2%	1/10W		R471	1-208-462-41	RES-CHIP	10K	2%	1/10W	
R413	1-208-799-11	RES-CHIP	5.1K	2%	1/10W		R472	1-208-462-41	RES-CHIP	10K	2%	1/10W	
R414	1-208-462-41	RES-CHIP	10K	2%	1/10W		R473	1-208-462-41	RES-CHIP	10K	2%	1/10W	
R415	1-208-755-11	RES-CHIP	75	2%	1/10W		R474	1-208-462-41	RES-CHIP	10K	2%	1/10W	
R416	1-208-799-11	RES-CHIP	5.1K	2%	1/10W		R475	1-208-462-41	RES-CHIP	10K	2%	1/10W	
R417	1-216-673-11	METAL CHIP	8.2K	0.5%	1/10W		R476	1-208-462-41	RES-CHIP	10K	2%	1/10W	
R418	1-218-776-11	METAL CHIP	1M	0.5%	1/10W		R477	1-208-462-41	RES-CHIP	10K	2%	1/10W	
R419	1-208-462-41	RES-CHIP	10K	2%	1/10W		R478	1-208-453-41	RES-CHIP	4.7K	2%	1/10W	
R420	1-208-453-41	RES-CHIP	4.7K	2%	1/10W		R479		METAL CHIP	680	0.5%	1/10W	
R421	1-208-462-41	RES-CHIP	10K	2%	1/10W		R480	1-208-462-41	RES-CHIP	10K	2%	1/10W	
R422	1-208-462-41	RES-CHIP	10K	2%	1/10W		R481	1-208-453-41	RES-CHIP	4.7K	2%	1/10W	
R423	1-208-462-41	RES-CHIP	10K	2%	1/10W		R482	1-208-453-41	RES-CHIP	4.7K	2%	1/10W	
R424	1-216-603-11	METAL CHIP	10	0.5%	1/10W		R483	1-208-462-41	RES-CHIP	10K	2%	1/10W	
R425	1-208-462-41	RES-CHIP	10K	2%	1/10W		R484	1-208-453-41	RES-CHIP	4.7K	2%	1/10W	
R426	1-208-453-41	RES-CHIP	4.7K	2%	1/10W		R485	1-208-518-41	RES-CHIP	22K	2%	1/10W	
R427	1-208-462-41	RES-CHIP	10K	2%	1/10W		R486	1-208-518-41	RES-CHIP	22K	2%	1/10W	
R428	1-218-776-11	METAL CHIP	1M	0.5%	1/10W		R487	1-208-518-41	RES-CHIP	22K	2%	1/10W	
R431	1-208-462-41	RES-CHIP	10K	2%	1/10W		R488	1-208-462-41	RES-CHIP	10K	2%	1/10W	
R434	1-216-627-11	METAL CHIP	100	0.5%	1/10W		R489	1-216-699-11	METAL CHIP	100K	0.5%	1/10W	
R435	1-216-627-11	METAL CHIP	100	0.5%	1/10W		R490	1-208-462-41	RES-CHIP	10K	2%	1/10W	
R436	1-208-437-41	RES-CHIP	1K	2%	1/10W		R491	1-208-462-41	RES-CHIP	10K	2%	1/10W	
R437	1-208-437-41	RES-CHIP	1K	2%	1/10W		△ R492	1-212-865-00	FUSIBLE	22	5%	1/4W	
R438	1-208-437-41	RES-CHIP	1K	2%	1/10W		R493	1-208-462-41	RES-CHIP	10K	2%	1/10W	
R439	1-208-437-41	RES-CHIP	1K	2%	1/10W		R494	1-208-462-41	RES-CHIP	10K	2%	1/10W	
R440	1-208-437-41	RES-CHIP	1K	2%	1/10W		R495	1-208-462-41	RES-CHIP	10K	2%	1/10W	
R441	1-208-437-41	RES-CHIP	1K	2%	1/10W		R496	1-208-462-41	RES-CHIP	10K	2%	1/10W	
R442	1-216-627-11	METAL CHIP	100	0.5%	1/10W		R497	1-208-462-41	RES-CHIP	10K	2%	1/10W	
R443	1-208-462-41	RES-CHIP	10K	2%	1/10W		R498	1-208-462-41	RES-CHIP	10K	2%	1/10W	
R444	1-216-627-11	METAL CHIP	100	0.5%	1/10W		R499	1-208-462-41	RES-CHIP	10K	2%	1/10W	
R445	1-216-627-11	METAL CHIP	100	0.5%	1/10W		R500	1-208-462-41	RES-CHIP	10K	2%	1/10W	
R446	1-216-627-11	METAL CHIP	100	0.5%	1/10W		R501	1-208-425-41	RES-CHIP	330	2%	1/10W	
R447	1-216-627-11	METAL CHIP	100	0.5%	1/10W		R502	1-208-425-41	RES-CHIP	330	2%	1/10W	

The components identified by mark △ or dotted line with mark △ are critical for safety. Replace only with part number specified.

DIGITAL

DISPLAY

Ref. No.	Part No.	Description	Quantity	Power	Remarks
R503	1-208-425-41	RES-CHIP	330	2%	1/10W
R504	1-208-425-41	RES-CHIP	330	2%	1/10W
R505	1-208-425-41	RES-CHIP	330	2%	1/10W
R506	1-208-425-41	RES-CHIP	330	2%	1/10W
R507	1-208-425-41	RES-CHIP	330	2%	1/10W
R508	1-208-425-41	RES-CHIP	330	2%	1/10W
R509	1-208-425-41	RES-CHIP	330	2%	1/10W
R510	1-208-425-41	RES-CHIP	330	2%	1/10W
R511	1-208-425-41	RES-CHIP	330	2%	1/10W
R512	1-208-425-41	RES-CHIP	330	2%	1/10W
R513	1-208-425-41	RES-CHIP	330	2%	1/10W
R514	1-216-635-11	METAL CHIP	220	0.5%	1/10W
R515	1-208-425-41	RES-CHIP	330	2%	1/10W
R516	1-208-425-41	RES-CHIP	330	2%	1/10W
R517	1-208-425-41	RES-CHIP	330	2%	1/10W
R518	1-208-425-41	RES-CHIP	330	2%	1/10W
R519	1-216-627-11	METAL CHIP	100	0.5%	1/10W
R520	1-216-627-11	METAL CHIP	100	0.5%	1/10W
R521	1-208-425-41	RES-CHIP	330	2%	1/10W
R522	1-208-425-41	RES-CHIP	330	2%	1/10W
R523	1-208-425-41	RES-CHIP	330	2%	1/10W
R524	1-208-425-41	RES-CHIP	330	2%	1/10W
R525	1-216-635-11	METAL CHIP	220	0.5%	1/10W
R526	1-216-635-11	METAL CHIP	220	0.5%	1/10W
R527	1-216-635-11	METAL CHIP	220	0.5%	1/10W
R528	1-216-635-11	METAL CHIP	220	0.5%	1/10W
R529	1-216-627-11	METAL CHIP	100	0.5%	1/10W
R530	1-216-627-11	METAL CHIP	100	0.5%	1/10W
R531	1-216-627-11	METAL CHIP	100	0.5%	1/10W
R532	1-216-627-11	METAL CHIP	100	0.5%	1/10W
R533	1-216-627-11	METAL CHIP	100	0.5%	1/10W
R534	1-216-627-11	METAL CHIP	100	0.5%	1/10W
R535	1-216-627-11	METAL CHIP	100	0.5%	1/10W
R536	1-216-627-11	METAL CHIP	100	0.5%	1/10W
R537	1-216-627-11	METAL CHIP	100	0.5%	1/10W
R538	1-216-627-11	METAL CHIP	100	0.5%	1/10W
R539	1-216-627-11	METAL CHIP	100	0.5%	1/10W
R540	1-216-627-11	METAL CHIP	100	0.5%	1/10W
R541	1-216-627-11	METAL CHIP	100	0.5%	1/10W
R542	1-216-627-11	METAL CHIP	100	0.5%	1/10W
R543	1-216-627-11	METAL CHIP	100	0.5%	1/10W
R544	1-216-627-11	METAL CHIP	100	0.5%	1/10W
R545	1-216-627-11	METAL CHIP	100	0.5%	1/10W
R546	1-216-627-11	METAL CHIP	100	0.5%	1/10W
R547	1-216-627-11	METAL CHIP	100	0.5%	1/10W
R548	1-216-627-11	METAL CHIP	100	0.5%	1/10W
R549	1-216-627-11	METAL CHIP	100	0.5%	1/10W
R550	1-216-627-11	METAL CHIP	100	0.5%	1/10W
R551	1-216-627-11	METAL CHIP	100	0.5%	1/10W
R552	1-216-627-11	METAL CHIP	100	0.5%	1/10W
R553	1-208-425-41	RES-CHIP	330	2%	1/10W
R554	1-208-425-41	RES-CHIP	330	2%	1/10W
R555	1-208-425-41	RES-CHIP	330	2%	1/10W
R556	1-218-776-11	METAL CHIP	1M	0.5%	1/10W
R557	1-208-425-41	RES-CHIP	330	2%	1/10W
R558	1-208-425-41	RES-CHIP	330	2%	1/10W
R559	1-208-425-41	RES-CHIP	330	2%	1/10W
R560	1-208-425-41	RES-CHIP	330	2%	1/10W

Ref. No.	Part No.	Description	Quantity	Power	Remarks
R561	1-218-776-11	METAL CHIP	1M	0.5%	1/10W
R562	1-208-425-41	RES-CHIP	330	2%	1/10W
R563	1-208-425-41	RES-CHIP	330	2%	1/10W
R564	1-208-425-41	RES-CHIP	330	2%	1/10W
R565	1-208-425-41	RES-CHIP	330	2%	1/10W
R566	1-208-425-41	RES-CHIP	330	2%	1/10W
R567	1-208-425-41	RES-CHIP	330	2%	1/10W
R568	1-208-425-41	RES-CHIP	330	2%	1/10W
R569	1-208-425-41	RES-CHIP	330	2%	1/10W
R570	1-208-425-41	RES-CHIP	330	2%	1/10W
R571	1-208-425-41	RES-CHIP	330	2%	1/10W
R572	1-208-425-41	RES-CHIP	330	2%	1/10W
R573	1-208-425-41	RES-CHIP	330	2%	1/10W
R574	1-208-425-41	RES-CHIP	330	2%	1/10W
R575	1-208-425-41	RES-CHIP	330	2%	1/10W
R576	1-208-425-41	RES-CHIP	330	2%	1/10W
R577	1-208-425-41	RES-CHIP	330	2%	1/10W
R578	1-208-425-41	RES-CHIP	330	2%	1/10W
R579	1-208-425-41	RES-CHIP	330	2%	1/10W
R580	1-216-627-11	METAL CHIP	100	0.5%	1/10W
R581	1-215-863-11	METAL OXIDE	100	5%	1W
R582	1-216-214-00	RES-CHIP	4.7K	2%	1/8W
R583	1-208-425-41	RES-CHIP	330	2%	1/10W
R584	1-208-425-41	RES-CHIP	330	2%	1/10W
R586	1-208-425-41	RES-CHIP	330	2%	1/10W
R587	1-208-425-41	RES-CHIP	330	2%	1/10W
R588	1-414-232-22	INDUCTOR CHIP	0UH		
R589	1-208-425-41	RES-CHIP	330	2%	1/10W
R590	1-208-425-41	RES-CHIP	330	2%	1/10W
< VIBRATOR >					
X301	1-781-465-21	VIBRATOR, CRYSTAL (12.288 MHz)			
X302	1-781-464-21	VIBRATOR, CERAMIC (10 MHz)			
X303	1-781-464-21	VIBRATOR, CERAMIC (10 MHz)			
X304	1-767-938-21	VIBRATOR, CERAMIC (7.28 MHz)			
X305	1-781-088-21	VIBRATOR, CERAMIC (20 MHz)			

A-4426-440-A DISPLAY BOARD, COMPLETE					

4-222-051-01 HOLDER (FL/L)					
*					
4-921-941-01 CUSHION (FL)					
*					
4-990-797-01 HOLDER (FL)					
< CAPACITOR >					
C101	1-127-736-11	ELECT MELF	10uF	20%	52V
C102	1-165-319-11	CERAMIC CHIP	0.1uF		50V
C107	1-127-736-11	ELECT MELF	10uF	20%	52V
C115	1-127-736-11	ELECT MELF	10uF	20%	52V
C116	1-163-109-00	CERAMIC CHIP	47PF	5%	50V
C117	1-165-319-11	CERAMIC CHIP	0.1uF		50V
C118	1-165-319-11	CERAMIC CHIP	0.1uF		50V
C119	1-128-840-11	ELECT	47uF	20%	16V
C120	1-128-840-11	ELECT	47uF	20%	16V
C121	1-163-021-91	CERAMIC CHIP	0.01uF	10%	50V
C122	1-163-021-91	CERAMIC CHIP	0.01uF	10%	50V
C123	1-163-275-11	CERAMIC CHIP	0.001uF	5%	50V
C124	1-163-275-11	CERAMIC CHIP	0.001uF	5%	50V
C125	1-163-275-11	CERAMIC CHIP	0.001uF	5%	50V
C126	1-163-275-11	CERAMIC CHIP	0.001uF	5%	50V

Ref. No.	Part No.	Description	Remarks	Ref. No.	Part No.	Description	Remarks
C127	1-163-021-91	CERAMIC CHIP	0.01uF 10% 50V	IC109	8-759-999-53	IC MSC1164GS-K	
C128	1-163-021-91	CERAMIC CHIP	0.01uF 10% 50V	IC111	8-759-035-93	IC SC7S32F	
C129	1-165-319-11	CERAMIC CHIP	0.1uF 50V			< TRANSISTOR >	
C130	1-163-021-91	CERAMIC CHIP	0.01uF 10% 50V				
C131	1-163-021-91	CERAMIC CHIP	0.01uF 10% 50V				
C133	1-163-259-91	CERAMIC CHIP	220PF 5% 50V	Q101	8-729-422-38	TRANSISTOR 2SB709A-S	
C134	1-163-259-91	CERAMIC CHIP	220PF 5% 50V	Q102	8-729-422-38	TRANSISTOR 2SB709A-S	
C135	1-163-259-91	CERAMIC CHIP	220PF 5% 50V	Q103	8-729-422-38	TRANSISTOR 2SB709A-S	
C136	1-163-259-91	CERAMIC CHIP	220PF 5% 50V	Q104	8-729-422-38	TRANSISTOR 2SB709A-S	
C137	1-126-916-11	ELECT	1000uF 20% 6.3V	Q105	8-729-230-49	TRANSISTOR 2SC2712-YG	
C138	1-126-916-11	ELECT	1000uF 20% 6.3V	Q106	8-729-230-49	TRANSISTOR 2SC2712-YG	
C139	1-126-916-11	ELECT	1000uF 20% 6.3V	Q107	8-729-230-49	TRANSISTOR 2SC2712-YG	
C140	1-126-916-11	ELECT	1000uF 20% 6.3V	Q108	8-729-230-49	TRANSISTOR 2SC2712-YG	
C146	1-165-319-11	CERAMIC CHIP	0.1uF 50V	Q112	8-729-424-18	TRANSISTOR UN2113-TX	
C147	1-165-319-11	CERAMIC CHIP	0.1uF 50V			< RESISTOR >	
C148	1-165-319-11	CERAMIC CHIP	0.1uF 50V	R101	1-208-462-41	RES-CHIP 10K 2% 1/10W	
C149	1-165-319-11	CERAMIC CHIP	0.1uF 50V	R105	1-208-462-41	RES-CHIP 10K 2% 1/10W	
C150	1-165-319-11	CERAMIC CHIP	0.1uF 50V	R111	1-216-380-11	METAL OXIDE 8.2 5% 2W	
C151	1-165-319-11	CERAMIC CHIP	0.1uF 50V	R118	1-218-776-11	METAL CHIP 1M 0.5% 1/10W	
C152	1-165-319-11	CERAMIC CHIP	0.1uF 50V	R120	1-208-445-41	RES-CHIP 2.2K 2% 1/10W	
C153	1-165-319-11	CERAMIC CHIP	0.1uF 50V	R121	1-208-445-41	RES-CHIP 2.2K 2% 1/10W	
C154	1-165-319-11	CERAMIC CHIP	0.1uF 50V	R122	1-208-445-41	RES-CHIP 2.2K 2% 1/10W	
C155	1-165-319-11	CERAMIC CHIP	0.1uF 50V	R123	1-208-445-41	RES-CHIP 2.2K 2% 1/10W	
C158	1-163-021-91	CERAMIC CHIP	0.01uF 10% 50V	R125	1-216-635-11	METAL CHIP 220 0.5% 1/10W	
C495	1-163-101-00	CERAMIC CHIP	22PF 5% 50V	R126	1-216-619-11	METAL CHIP 47 0.5% 1/10W	
		< CONNECTOR >		R127	1-216-619-11	METAL CHIP 47 0.5% 1/10W	
* CN101	1-564-520-11	PLUG, CONNECTOR 5P		R128	1-216-298-00	METAL CHIP 2.2 5% 1/10W	
* CN102	1-568-946-11	PIN, CONNECTOR 8P		R129	1-216-298-00	METAL CHIP 2.2 5% 1/10W	
* CN103	1-568-941-11	PIN, CONNECTOR 3P		R136	1-208-449-41	RES-CHIP 3.3K 2% 1/10W	
CN104	1-506-481-11	PIN, CONNECTOR 2P		R138	1-208-462-41	RES-CHIP 10K 2% 1/10W	
* CN105	1-564-517-11	PLUG, CONNECTOR 2P		R139	1-208-462-41	RES-CHIP 10K 2% 1/10W	
CN106	1-691-644-11	SOCKET, CONNECTOR 7P		R140	1-208-462-41	RES-CHIP 10K 2% 1/10W	
CN107	1-770-636-11	CONNECTOR, FFC/FPC 5P		R141	1-208-453-41	RES-CHIP 4.7K 2% 1/10W	
CN110	1-784-792-11	CONNECTOR, FFC 31P		R142	1-208-453-41	RES-CHIP 4.7K 2% 1/10W	
* CN118	1-568-944-11	PIN, CONNECTOR 6P		R143	1-208-453-41	RES-CHIP 4.7K 2% 1/10W	
		< DIODE >		R144	1-208-462-41	RES-CHIP 10K 2% 1/10W	
D102	8-719-105-82	DIODE RD5.1M-B2		R145	1-208-445-41	RES-CHIP 2.2K 2% 1/10W	
D111	8-719-820-05	DIODE 1SS181		R146	1-216-655-11	METAL CHIP 1.5K 0.5% 1/10W	
D112	8-719-820-05	DIODE 1SS181		R147	1-208-462-41	RES-CHIP 10K 2% 1/10W	
		< FERRITE BEAD >		R148	1-216-655-11	METAL CHIP 1.5K 0.5% 1/10W	
FB101	1-469-365-21	FERRITE 0UH		R149	1-208-437-41	RES-CHIP 1K 2% 1/10W	
FB102	1-469-365-21	FERRITE 0UH		R150	1-208-437-41	RES-CHIP 1K 2% 1/10W	
FB103	1-469-365-21	FERRITE 0UH		R151	1-216-647-11	METAL CHIP 680 0.5% 1/10W	
FB104	1-469-365-21	FERRITE 0UH		R152	1-216-647-11	METAL CHIP 680 0.5% 1/10W	
FB105	1-469-365-21	FERRITE 0UH		R153	1-208-774-11	RES-CHIP 470 2% 1/10W	
		< FILTER >		R154	1-208-774-11	RES-CHIP 470 2% 1/10W	
FL101	1-517-781-21	INDICATOR TUBE, FLUORESCENT		R155	1-208-425-41	RES-CHIP 330 2% 1/10W	
FL102	1-517-905-11	INDICATOR TUBE, FLUORESCENT		R156	1-208-425-41	RES-CHIP 330 2% 1/10W	
		< IC >		R157	1-208-462-41	RES-CHIP 10K 2% 1/10W	
IC101	8-759-633-65	IC M54641L		R158	1-208-462-41	RES-CHIP 10K 2% 1/10W	
IC102	8-759-640-41	IC BR24C08F-WE2		R159	1-208-462-41	RES-CHIP 10K 2% 1/10W	
IC103	8-759-655-95	IC HD64F2134FA20-777D		R160	1-208-449-41	RES-CHIP 3.3K 2% 1/10W	
IC107	8-759-642-81	IC MSM9202-11GS-KDR1		R161	1-208-462-41	RES-CHIP 10K 2% 1/10W	
IC108	8-759-075-35	IC TD62C950RF		R162	1-208-462-41	RES-CHIP 10K 2% 1/10W	
				R163	1-208-462-41	RES-CHIP 10K 2% 1/10W	
				R164	1-208-462-41	RES-CHIP 10K 2% 1/10W	
				R165	1-208-462-41	RES-CHIP 10K 2% 1/10W	
				R166	1-208-462-41	RES-CHIP 10K 2% 1/10W	
				R167	1-208-462-41	RES-CHIP 10K 2% 1/10W	
				R168	1-208-462-41	RES-CHIP 10K 2% 1/10W	

Ref. No.	Part No.	Description	Remarks
S128	1-762-875-21	SWITCH, KEYBOARD(ANALOG DIRECT)	
S129	1-762-875-21	SWITCH, KEYBOARD(EQ BANK)	
S130	1-762-875-21	SWITCH, KEYBOARD(5.1CH INPUT)	
< VIBRATOR >			
X101	1-781-088-21	VIBRATOR, CERAMIC (20 MHz)	

A-4426-459-A	E VOL BOARD, COMPLETE	*****	
< BUS BAR >			
BB2001	1-568-129-11	BAR, BUS 8P	
< CAPACITOR >			
C1103	1-128-858-11	ELECT	22uF 20% 50V
C1104	1-128-858-11	ELECT	22uF 20% 50V
C1153	1-128-858-11	ELECT	22uF 20% 50V
C1154	1-128-858-11	ELECT	22uF 20% 50V
C2301	1-165-319-11	CERAMIC CHIP	0.1uF 50V
C2302	1-102-121-00	CERAMIC	2200PF 10% 50V
C2303	1-102-121-00	CERAMIC	2200PF 10% 50V
C2304	1-107-504-11	CERAMIC	10PF 0.5PF 500V
C2305	1-119-820-11	ELECT	1uF 20% 50V
C2306	1-128-858-11	ELECT	22uF 20% 50V
C2311	1-128-858-11	ELECT	22uF 20% 50V
C2312	1-128-858-11	ELECT	22uF 20% 50V
C2313	1-165-319-11	CERAMIC CHIP	0.1uF 50V
C2314	1-165-319-11	CERAMIC CHIP	0.1uF 50V
C2315	1-136-165-00	MYLAR	0.1uF 5% 50V
C2316	1-136-165-00	MYLAR	0.1uF 5% 50V
C2317	1-136-165-00	MYLAR	0.1uF 5% 50V
C2319	1-165-319-11	CERAMIC CHIP	0.1uF 50V
C2340	1-163-001-11	CERAMIC CHIP	220PF 10% 50V
C2345	1-163-001-11	CERAMIC CHIP	220PF 10% 50V
C2346	1-163-001-11	CERAMIC CHIP	220PF 10% 50V
C2352	1-102-121-00	CERAMIC	2200PF 10% 50V
C2353	1-102-121-00	CERAMIC	2200PF 10% 50V
C2354	1-107-504-11	CERAMIC	10PF 0.5PF 500V
C2355	1-119-820-11	ELECT	1uF 20% 50V
C2356	1-128-858-11	ELECT	22uF 20% 50V
C2361	1-128-858-11	ELECT	22uF 20% 50V
C2362	1-128-858-11	ELECT	22uF 20% 50V
C2400	1-163-001-11	CERAMIC CHIP	220PF 10% 50V
C2401	1-128-858-11	ELECT	22uF 20% 50V
C2402	1-128-858-11	ELECT	22uF 20% 50V
C2403	1-128-858-11	ELECT	22uF 20% 50V
C2404	1-107-504-11	CERAMIC	10PF 0.5PF 500V
C2405	1-119-820-11	ELECT	1uF 20% 50V
C2406	1-128-858-11	ELECT	22uF 20% 50V
C2411	1-128-858-11	ELECT	22uF 20% 50V
C2412	1-128-858-11	ELECT	22uF 20% 50V
C2413	1-165-319-11	CERAMIC CHIP	0.1uF 50V
C2414	1-165-319-11	CERAMIC CHIP	0.1uF 50V
C2415	1-165-319-11	CERAMIC CHIP	0.1uF 50V
C2451	1-128-860-11	ELECT	47uF 20% 50V
C2452	1-128-858-11	ELECT	22uF 20% 50V
C2453	1-128-858-11	ELECT	22uF 20% 50V
C2454	1-107-504-11	CERAMIC	10PF 0.5PF 500V
C2455	1-119-820-11	ELECT	1uF 20% 50V

Ref. No.	Part No.	Description	Remarks
C2456	1-128-858-11	ELECT	22uF 20% 50V
C2457	1-165-319-11	CERAMIC CHIP	0.1uF 50V
C2458	1-165-319-11	CERAMIC CHIP	0.1uF 50V
C2459	1-165-319-11	CERAMIC CHIP	0.1uF 50V
C2462	1-128-858-11	ELECT	22uF 20% 50V
C2500	1-163-001-11	CERAMIC CHIP	220PF 10% 50V
C2501	1-128-858-11	ELECT	22uF 20% 50V
C2502	1-128-858-11	ELECT	22uF 20% 50V
C2503	1-128-858-11	ELECT	22uF 20% 50V
C2504	1-107-504-11	CERAMIC	10PF 0.5PF 500V
C2505	1-119-820-11	ELECT	1uF 20% 50V
C2506	1-128-858-11	ELECT	22uF 20% 50V
C2511	1-128-858-11	ELECT	22uF 20% 50V
C2512	1-128-858-11	ELECT	22uF 20% 50V
C2513	1-165-319-11	CERAMIC CHIP	0.1uF 50V
C2514	1-165-319-11	CERAMIC CHIP	0.1uF 50V
C2515	1-165-319-11	CERAMIC CHIP	0.1uF 50V
C2551	1-128-858-11	ELECT	22uF 20% 50V
C2552	1-128-858-11	ELECT	22uF 20% 50V
C2553	1-128-858-11	ELECT	22uF 20% 50V
C2554	1-107-504-11	CERAMIC	10PF 0.5PF 500V
C2555	1-119-820-11	ELECT	1uF 20% 50V
C2556	1-128-858-11	ELECT	22uF 20% 50V
C2561	1-128-858-11	ELECT	22uF 20% 50V
C2562	1-128-858-11	ELECT	22uF 20% 50V
C3101	1-119-824-11	ELECT MELF	10uF 20% 50V
C3102	1-119-824-11	ELECT MELF	10uF 20% 50V
C3103	1-137-504-11	MYLAR	150PF 5% 50V
C3104	1-137-504-11	MYLAR	150PF 5% 50V
C3110	1-119-827-11	ELECT MELF	100uF 20% 25V
C3111	1-136-165-00	MYLAR	0.1uF 5% 50V
C3151	1-119-824-11	ELECT MELF	10uF 20% 50V
C3152	1-119-824-11	ELECT MELF	10uF 20% 50V
C3153	1-137-504-11	MYLAR	150PF 5% 50V
C3154	1-137-504-11	MYLAR	150PF 5% 50V
C3155	1-119-824-11	ELECT MELF	10uF 20% 50V
C3156	1-136-165-00	MYLAR	0.1uF 5% 50V
C3207	1-136-165-00	MYLAR	0.1uF 5% 50V
C3208	1-136-165-00	MYLAR	0.1uF 5% 50V
C3210	1-127-726-51	ELECT MELF	470uF 20% 25V
C3260	1-127-726-51	ELECT MELF	470uF 20% 25V
C3307	1-136-165-00	MYLAR	0.1uF 5% 50V
C3308	1-136-165-00	MYLAR	0.1uF 5% 50V
C3310	1-119-827-11	ELECT MELF	100uF 20% 25V
C3311	1-119-804-21	ELECT	1000uF 20% 25V
C3312	1-119-804-21	ELECT	1000uF 20% 25V
C3357	1-136-165-00	MYLAR	0.1uF 5% 50V
C3358	1-136-165-00	MYLAR	0.1uF 5% 50V
C3360	1-119-827-11	ELECT MELF	100uF 20% 25V
C3361	1-119-804-21	ELECT	1000uF 20% 25V
C3362	1-119-804-21	ELECT	1000uF 20% 25V
C3409	1-127-726-51	ELECT MELF	470uF 20% 25V
C3457	1-136-165-00	MYLAR	0.1uF 5% 50V
C3458	1-136-165-00	MYLAR	0.1uF 5% 50V
C3459	1-127-726-51	ELECT MELF	470uF 20% 25V

Ref. No.	Part No.	Description	Remarks	Ref. No.	Part No.	Description	Remarks
		< CONNECTOR >					
CN2001	1-691-768-11	PLUG (MICRO CONNECTOR) 6P		IC2502	8-759-711-85	IC NJM4580E-D	
CN2002	1-691-771-11	PLUG (MICRO CONNECTOR) 9P		IC2503	8-759-711-85	IC NJM4580E-D	
CN2004	1-691-765-21	PLUG (MICRO CONNECTOR) 3P		IC2504	8-759-711-85	IC NJM4580E-D	
CN2005	1-779-768-11	SOCKET, CONNECTOR 29P		IC2505	8-759-711-85	IC NJM4580E-D	
CN2006	1-691-767-11	PLUG (MICRO CONNECTOR) 5P		IC2601	8-759-711-85	IC NJM4580E-D	
* CN2007	1-564-512-11	PLUG, CONNECTOR 9P		IC2602	8-759-711-85	IC NJM4580E-D	
* CN2008	1-564-507-11	PLUG, CONNECTOR 4P		IC2603	8-759-711-85	IC NJM4580E-D	
CN2010	1-691-765-21	PLUG (MICRO CONNECTOR) 3P		IC3105	8-759-604-35	IC M5F78M05L	
CN2011	1-691-765-21	PLUG (MICRO CONNECTOR) 3P		IC3205	8-759-231-59	IC TA7815S	
CN2012	1-691-765-31	PLUG (MICRO CONNECTOR) 3P		IC3305	8-759-604-40	IC M5F78M15	
CN2013	1-691-765-31	PLUG (MICRO CONNECTOR) 3P		IC3306	8-759-604-46	IC M5F79M15	
CN2014	1-691-765-11	PLUG (MICRO CONNECTOR) 3P		IC3455	8-759-245-87	IC TA7915S	
CN2015	1-691-765-11	PLUG (MICRO CONNECTOR) 3P				< TRANSISTOR >	
		< DIODE >		Q2301	8-729-107-46	TRANSISTOR 2SC3624A-L15	
D2301	8-719-016-74	DIODE 1SS352		Q2302	8-729-107-46	TRANSISTOR 2SC3624A-L15	
D2302	8-719-820-05	DIODE 1SS181		Q2303	8-729-107-46	TRANSISTOR 2SC3624A-L15	
D2312	8-719-016-74	DIODE 1SS352		Q2304	8-729-107-46	TRANSISTOR 2SC3624A-L15	
D2313	8-719-016-74	DIODE 1SS352		Q2305	8-729-424-08	TRANSISTOR UN2111	
D2314	8-719-016-74	DIODE 1SS352		Q2306	8-729-421-19	TRANSISTOR UN2213	
D2362	8-719-016-74	DIODE 1SS352		Q2307	8-729-424-08	TRANSISTOR UN2111	
D2363	8-719-016-74	DIODE 1SS352		Q2308	8-729-421-19	TRANSISTOR UN2213	
D2364	8-719-016-74	DIODE 1SS352		Q2310	8-729-424-08	TRANSISTOR UN2111	
D2402	8-719-820-05	DIODE 1SS181		Q2311	8-729-421-19	TRANSISTOR UN2213	
D2412	8-719-016-74	DIODE 1SS352		Q2312	8-729-424-08	TRANSISTOR UN2111	
D2413	8-719-016-74	DIODE 1SS352		Q2313	8-729-421-19	TRANSISTOR UN2213	
D2414	8-719-016-74	DIODE 1SS352		Q2314	8-729-424-08	TRANSISTOR UN2111	
D2452	8-719-016-74	DIODE 1SS352		Q2315	8-729-421-19	TRANSISTOR UN2213	
D2453	8-719-016-74	DIODE 1SS352		Q2351	8-729-107-46	TRANSISTOR 2SC3624A-L15	
D2454	8-719-016-74	DIODE 1SS352		Q2352	8-729-107-46	TRANSISTOR 2SC3624A-L15	
D2502	8-719-820-05	DIODE 1SS181		Q2353	8-729-107-46	TRANSISTOR 2SC3624A-L15	
D2512	8-719-016-74	DIODE 1SS352		Q2354	8-729-107-46	TRANSISTOR 2SC3624A-L15	
D2513	8-719-016-74	DIODE 1SS352		Q2401	8-729-107-46	TRANSISTOR 2SC3624A-L15	
D2514	8-719-016-74	DIODE 1SS352		Q2402	8-729-107-46	TRANSISTOR 2SC3624A-L15	
D2562	8-719-016-74	DIODE 1SS352		Q2403	8-729-107-46	TRANSISTOR 2SC3624A-L15	
D2563	8-719-016-74	DIODE 1SS352		Q2404	8-729-107-46	TRANSISTOR 2SC3624A-L15	
D2564	8-719-016-74	DIODE 1SS352		Q2410	8-729-424-08	TRANSISTOR UN2111	
D2601	8-719-820-05	DIODE 1SS181		Q2411	8-729-421-19	TRANSISTOR UN2213	
		< IC >		Q2412	8-729-424-08	TRANSISTOR UN2111	
IC1104	8-759-711-85	IC NJM4580E-D		Q2413	8-729-421-19	TRANSISTOR UN2213	
IC2301	8-759-711-85	IC NJM4580E-D		Q2414	8-729-424-08	TRANSISTOR UN2111	
IC2302	8-759-711-85	IC NJM4580E-D		Q2415	8-729-421-19	TRANSISTOR UN2213	
IC2304	8-759-711-85	IC NJM4580E-D		Q2451	8-729-107-46	TRANSISTOR 2SC3624A-L15	
IC2305	8-759-655-98	IC TC9162AN		Q2452	8-729-107-46	TRANSISTOR 2SC3624A-L15	
IC2306	8-759-204-29	IC TC9163N		Q2453	8-729-107-46	TRANSISTOR 2SC3624A-L15	
IC2307	8-759-032-59	IC MC74HC595AF		Q2454	8-729-107-46	TRANSISTOR 2SC3624A-L15	
IC2308	8-759-032-59	IC MC74HC595AF		Q2460	8-729-424-08	TRANSISTOR UN2111	
IC2309	8-759-433-92	IC TC7W14F-TE12L		Q2461	8-729-421-19	TRANSISTOR UN2213	
IC2401	8-759-534-63	IC TC9299P		Q2462	8-729-424-08	TRANSISTOR UN2111	
IC2402	8-759-711-85	IC NJM4580E-D		Q2463	8-729-421-19	TRANSISTOR UN2213	
IC2403	8-759-711-85	IC NJM4580E-D		Q2464	8-729-424-08	TRANSISTOR UN2111	
IC2404	8-759-711-85	IC NJM4580E-D		Q2465	8-729-421-19	TRANSISTOR UN2213	
IC2405	8-759-711-85	IC NJM4580E-D		Q2501	8-729-107-46	TRANSISTOR 2SC3624A-L15	
IC2501	8-759-534-63	IC TC9299P		Q2502	8-729-107-46	TRANSISTOR 2SC3624A-L15	
				Q2503	8-729-107-46	TRANSISTOR 2SC3624A-L15	
				Q2504	8-729-107-46	TRANSISTOR 2SC3624A-L15	
				Q2510	8-729-424-08	TRANSISTOR UN2111	
				Q2511	8-729-421-19	TRANSISTOR UN2213	
				Q2512	8-729-424-08	TRANSISTOR UN2111	

Ref. No.	Part No.	Description	Remarks	Ref. No.	Part No.	Description	Remarks
Q2513	8-729-421-19	TRANSISTOR UN2213		R2338	1-260-012-11	CARBON MELF 22K	2% 1/8W
Q2514	8-729-424-08	TRANSISTOR UN2111		R2339	1-260-012-11	CARBON MELF 22K	2% 1/8W
Q2515	8-729-421-19	TRANSISTOR UN2213		R2340	1-208-437-41	RES-CHIP 1K	2% 1/10W
Q2551	8-729-107-46	TRANSISTOR 2SC3624A-L15		R2341	1-216-699-11	METAL CHIP 100K	0.5% 1/10W
Q2552	8-729-107-46	TRANSISTOR 2SC3624A-L15		R2342	1-208-437-41	RES-CHIP 1K	2% 1/10W
Q2553	8-729-107-46	TRANSISTOR 2SC3624A-L15		R2343	1-216-699-11	METAL CHIP 100K	0.5% 1/10W
Q2554	8-729-107-46	TRANSISTOR 2SC3624A-L15		R2345	1-216-699-11	METAL CHIP 100K	0.5% 1/10W
Q2601	8-729-107-46	TRANSISTOR 2SC3624A-L15		R2346	1-259-995-11	CARBON MELF 1K	2% 1/8W
Q2602	8-729-424-08	TRANSISTOR UN2111		R2347	1-259-995-11	CARBON MELF 1K	2% 1/8W
Q2603	8-729-421-19	TRANSISTOR UN2213		R2348	1-259-995-11	CARBON MELF 1K	2% 1/8W
Q2651	8-729-107-46	TRANSISTOR 2SC3624A-L15		R2349	1-259-995-11	CARBON MELF 1K	2% 1/8W
Q3156	8-729-107-46	TRANSISTOR 2SC3624A-L15		R2351	1-208-437-41	RES-CHIP 1K	2% 1/10W
		< RESISTOR >		R2353	1-259-995-11	CARBON MELF 1K	2% 1/8W
R1113	1-260-020-11	CARBON MELF 100K	2% 1/8W	R2355	1-260-026-11	CARBON MELF 330K	2% 1/8W
R1114	1-260-020-11	CARBON MELF 100K	2% 1/8W	R2356	1-259-929-11	CARBON MELF 3.6K	2% 1/8W
R1115	1-216-254-00	CARBON MELF 220K	2% 1/8W	R2357	1-260-002-11	CARBON MELF 3.3K	2% 1/8W
R1163	1-260-020-11	CARBON MELF 100K	2% 1/8W	R2358	1-260-008-11	CARBON MELF 10K	2% 1/8W
R1164	1-260-020-11	CARBON MELF 100K	2% 1/8W	R2359	1-259-998-11	CARBON MELF 1.8K	2% 1/8W
R1165	1-216-254-00	CARBON MELF 220K	2% 1/8W	R2360	1-259-925-11	CARBON MELF 1.6K	2% 1/8W
R2296	1-259-995-11	CARBON MELF 1K	2% 1/8W	R2361	1-259-995-11	CARBON MELF 1K	2% 1/8W
R2297	1-259-995-11	CARBON MELF 1K	2% 1/8W	R2362	1-208-453-41	RES-CHIP 4.7K	2% 1/10W
R2298	1-259-995-11	CARBON MELF 1K	2% 1/8W	R2363	1-208-453-41	RES-CHIP 4.7K	2% 1/10W
R2299	1-259-995-11	CARBON MELF 1K	2% 1/8W	R2364	1-208-453-41	RES-CHIP 4.7K	2% 1/10W
R2301	1-208-453-41	RES-CHIP 4.7K	2% 1/10W	R2365	1-216-254-00	CARBON MELF 220K	2% 1/8W
R2303	1-259-995-11	CARBON MELF 1K	2% 1/8W	R2368	1-260-020-11	CARBON MELF 100K	2% 1/8W
R2305	1-260-026-11	CARBON MELF 330K	2% 1/8W	R2369	1-260-008-11	CARBON MELF 10K	2% 1/8W
R2306	1-259-929-11	CARBON MELF 3.6K	2% 1/8W	R2370	1-260-008-11	CARBON MELF 10K	2% 1/8W
R2307	1-260-002-11	CARBON MELF 3.3K	2% 1/8W	R2380	1-259-995-11	CARBON MELF 1K	2% 1/8W
R2308	1-260-008-11	CARBON MELF 10K	2% 1/8W	R2381	1-208-453-41	RES-CHIP 4.7K	2% 1/10W
R2309	1-259-998-11	CARBON MELF 1.8K	2% 1/8W	R2396	1-259-995-11	CARBON MELF 1K	2% 1/8W
R2310	1-259-925-11	CARBON MELF 1.6K	2% 1/8W	R2397	1-259-995-11	CARBON MELF 1K	2% 1/8W
R2311	1-259-995-11	CARBON MELF 1K	2% 1/8W	R2398	1-259-995-11	CARBON MELF 1K	2% 1/8W
R2312	1-208-453-41	RES-CHIP 4.7K	2% 1/10W	R2399	1-259-995-11	CARBON MELF 1K	2% 1/8W
R2313	1-208-453-41	RES-CHIP 4.7K	2% 1/10W	R2400	1-208-437-41	RES-CHIP 1K	2% 1/10W
R2314	1-208-453-41	RES-CHIP 4.7K	2% 1/10W	R2401	1-216-254-00	CARBON MELF 220K	2% 1/8W
R2315	1-216-254-00	CARBON MELF 220K	2% 1/8W	R2402	1-216-254-00	CARBON MELF 220K	2% 1/8W
R2316	1-216-254-00	CARBON MELF 220K	2% 1/8W	R2403	1-259-995-11	CARBON MELF 1K	2% 1/8W
R2317	1-260-010-11	CARBON MELF 15K	2% 1/8W	R2404	1-259-983-11	CARBON MELF 100	2% 1/8W
R2318	1-260-020-11	CARBON MELF 100K	2% 1/8W	R2405	1-260-026-11	CARBON MELF 330K	2% 1/8W
R2319	1-260-008-11	CARBON MELF 10K	2% 1/8W	R2406	1-259-929-11	CARBON MELF 3.6K	2% 1/8W
R2320	1-260-008-11	CARBON MELF 10K	2% 1/8W	R2407	1-260-002-11	CARBON MELF 3.3K	2% 1/8W
R2321	1-208-437-41	RES-CHIP 1K	2% 1/10W	R2408	1-260-008-11	CARBON MELF 10K	2% 1/8W
R2322	1-208-437-41	RES-CHIP 1K	2% 1/10W	R2409	1-259-998-11	CARBON MELF 1.8K	2% 1/8W
R2323	1-208-437-41	RES-CHIP 1K	2% 1/10W	R2410	1-259-925-11	CARBON MELF 1.6K	2% 1/8W
R2324	1-260-010-11	CARBON MELF 15K	2% 1/8W	R2411	1-259-995-11	CARBON MELF 1K	2% 1/8W
R2325	1-260-010-11	CARBON MELF 15K	2% 1/8W	R2412	1-208-453-41	RES-CHIP 4.7K	2% 1/10W
R2326	1-249-427-11	CARBON 6.8K	5% 1/4W F	R2413	1-208-453-41	RES-CHIP 4.7K	2% 1/10W
R2327	1-216-254-00	CARBON MELF 220K	2% 1/8W	R2414	1-208-453-41	RES-CHIP 4.7K	2% 1/10W
R2328	1-208-437-41	RES-CHIP 1K	2% 1/10W	R2415	1-260-020-11	CARBON MELF 100K	2% 1/8W
R2329	1-208-437-41	RES-CHIP 1K	2% 1/10W	R2419	1-260-008-11	CARBON MELF 10K	2% 1/8W
R2330	1-259-995-11	CARBON MELF 1K	2% 1/8W	R2420	1-260-008-11	CARBON MELF 10K	2% 1/8W
R2331	1-208-453-41	RES-CHIP 4.7K	2% 1/10W	R2421	1-216-254-00	CARBON MELF 220K	2% 1/8W
R2332	1-216-699-11	METAL CHIP 100K	0.5% 1/10W	R2424	1-216-254-00	CARBON MELF 220K	2% 1/8W
R2333	1-216-635-11	METAL CHIP 220	0.5% 1/10W	R2425	1-208-437-41	RES-CHIP 1K	2% 1/10W
R2334	1-208-437-41	RES-CHIP 1K	2% 1/10W	R2426	1-208-437-41	RES-CHIP 1K	2% 1/10W
R2335	1-208-437-41	RES-CHIP 1K	2% 1/10W	R2427	1-208-437-41	RES-CHIP 1K	2% 1/10W
R2336	1-260-012-11	CARBON MELF 22K	2% 1/8W	R2430	1-259-995-11	CARBON MELF 1K	2% 1/8W
R2337	1-260-013-11	CARBON MELF 27K	2% 1/8W	R2431	1-208-453-41	RES-CHIP 4.7K	2% 1/10W
				R2441	1-216-699-11	METAL CHIP 100K	0.5% 1/10W
				R2443	1-216-699-11	METAL CHIP 100K	0.5% 1/10W

FUNCTION SW

GEAR

HP

JOG

MOTOR

PHONO

Ref. No.	Part No.	Description	Remarks
	1-675-066-11	FUNCTION SW BOARD *****	
		< VARIABLE RESISTOR >	
RV102	1-418-589-11	ENCODER, ROTARY(INPUT SELECTOR)	
		< SWITCH >	
S111	1-762-875-21	SWITCH, KEYBOARD(DIGITAL/ANALOG)	
S113	1-762-875-21	SWITCH, KEYBOARD(AUDIO SPLIT)	
S115	1-762-875-21	SWITCH, KEYBOARD(OPEN/CLOSE)	

	1-675-092-11	GEAR BOARD *****	
		< CONNECTOR >	
* CN114	1-568-941-11	PIN, CONNECTOR 3P	
		< SWITCH >	
S112	1-762-983-11	SWITCH, PUSH(OPEN)	
S114	1-762-984-11	SWITCH, PUSH(CLOSE)	

	1-675-093-11	HP BOARD *****	
		< CAPACITOR >	
C143	1-165-319-11	CERAMIC CHIP 0.1uF	0% 50V
C144	1-163-275-11	CERAMIC CHIP 0.001uF	5% 50V
C145	1-163-275-11	CERAMIC CHIP 0.001uF	5% 50V
C156	1-163-275-11	CERAMIC CHIP 0.001uF	5% 50V
C157	1-163-275-11	CERAMIC CHIP 0.001uF	5% 50V
		< CONNECTOR >	
CN115	1-691-767-11	PLUG (MICRO CONNECTOR) 5P	
		< FERRITE BEAD >	
FB106	1-469-365-21	FERRITE OUH	
FB107	1-469-365-21	FERRITE OUH	
		< JACK >	
J103	1-580-439-11	JACK, LARGE TYPE(PHONES)	
		< RESISTOR >	
R231	1-215-868-00	METAL OXIDE 680	5% 1W
R232	1-215-868-00	METAL OXIDE 680	5% 1W

	1-675-097-11	JOG BOARD *****	
		< CONNECTOR >	
CN109	1-774-739-11	CONNECTOR, FFC/FPC 5P	
		< RESISTOR >	
R107	1-208-425-41	RES-CHIP 330	2% 1/10W
R109	1-208-774-11	RES-CHIP 470	2% 1/10W
R110	1-216-647-11	METAL CHIP 680	0.5% 1/10W
R112	1-208-437-41	RES-CHIP 1K	2% 1/10W
R113	1-216-655-11	METAL CHIP 1.5K	0.5% 1/10W

Ref. No.	Part No.	Description	Remarks
R114	1-208-445-41	RES-CHIP 2.2K	2% 1/10W
R115	1-208-453-41	RES-CHIP 4.7K	2% 1/10W
		< VARIABLE RESISTOR >	
RV101	1-418-590-11	ENCODER, ROTARY(JOG DIAL)	
		< SWITCH >	
S101	1-771-544-11	SWITCH, TACTILE(ENTER)	
S102	1-771-544-11	SWITCH, TACTILE(>)	
S103	1-771-544-11	SWITCH, TACTILE(<)	
S104	1-771-544-11	SWITCH, TACTILE(LEVEL)	
S105	1-771-544-11	SWITCH, TACTILE(SUR)	
S106	1-771-544-11	SWITCH, TACTILE(EQ)	
S107	1-771-544-11	SWITCH, TACTILE(SET UP)	
S108	1-771-544-11	SWITCH, TACTILE(CUSTOM)	
S109	1-771-544-11	SWITCH, TACTILE(TUNER)	

	1-675-091-11	MOTOR BOARD *****	
		< CAPACITOR >	
C106	1-165-319-11	CERAMIC 0.1UF	0% 50V
		< CONNECTOR >	
CN112	1-506-481-11	PIN, CONNECTOR 2P	

	1-676-564-11	PHONO BOARD *****	
		< CAPACITOR >	
C1302	1-119-824-11	ELECT MELF 10uF	20% 50V
C1303	1-119-823-11	ELECT 4.7uF	20% 50V
C1304	1-128-832-11	ELECT 220uF	20% 10V
C1305	1-137-471-11	MYLAR 0.016uF	5% 50V
C1306	1-136-162-00	MYLAR 0.056uF	5% 50V
C1307	1-163-117-00	CERAMIC CHIP 100PF	5% 50V
C1308	1-119-799-11	ELECT 47uF	20% 25V
C1309	1-163-125-00	CERAMIC CHIP 220PF	5% 50V
C1310	1-137-471-11	MYLAR 0.016uF	5% 50V
C1311	1-136-162-00	MYLAR 0.056uF	5% 50V
C1312	1-128-832-11	ELECT 220uF	20% 10V
C1313	1-119-799-11	ELECT 47uF	20% 25V
C1314	1-163-125-00	CERAMIC CHIP 220PF	5% 50V
C1315	1-163-117-00	CERAMIC CHIP 100PF	5% 50V
C1316	1-119-823-11	ELECT 4.7uF	20% 50V
C1317	1-163-117-00	CERAMIC CHIP 100PF	5% 50V
C1318	1-119-824-11	ELECT MELF 10uF	20% 50V
C1320	1-163-117-00	CERAMIC CHIP 100PF	5% 50V
		< CONNECTOR >	
CN1301	1-770-381-11	CONNECTOR, BOARD TO BOARD 10P	
		< IC >	
IC1301	8-759-711-85	IC NJM4580E-D	
		< JACK >	
J1301	1-784-430-11	JACK, PIN 4P (TUNER/PHONO)	

Ref. No.	Part No.	Description	Remarks
< RESISTOR >			
R1301	1-259-987-11	CARBON MELF 220	2% 1/8W
R1302	1-259-983-11	CARBON MELF 100	2% 1/8W
R1303	1-259-984-11	CARBON MELF 120	2% 1/8W
R1304	1-259-996-11	CARBON MELF 1.2K	2% 1/8W
R1305	1-260-004-11	CARBON MELF 4.7K	2% 1/8W
R1306	1-260-017-11	CARBON MELF 56K	2% 1/8W
R1307	1-259-987-11	CARBON MELF 220	2% 1/8W
R1308	1-260-020-11	CARBON MELF 100K	2% 1/8W
R1309	1-260-020-11	CARBON MELF 100K	2% 1/8W
R1310	1-260-020-11	CARBON MELF 100K	2% 1/8W
R1311	1-259-987-11	CARBON MELF 220	2% 1/8W
R1312	1-260-020-11	CARBON MELF 100K	2% 1/8W
R1313	1-260-020-11	CARBON MELF 100K	2% 1/8W
R1314	1-260-004-11	CARBON MELF 4.7K	2% 1/8W
R1315	1-260-017-11	CARBON MELF 56K	2% 1/8W
R1316	1-260-020-11	CARBON MELF 100K	2% 1/8W
R1317	1-259-996-11	CARBON MELF 1.2K	2% 1/8W
R1318	1-259-984-11	CARBON MELF 120	2% 1/8W
R1319	1-259-983-11	CARBON MELF 100	2% 1/8W
R1320	1-259-995-11	CARBON MELF 1K	2% 1/8W
R1321	1-259-995-11	CARBON MELF 1K	2% 1/8W
R1322	1-259-987-11	CARBON MELF 220	2% 1/8W

A-4426-479-A	PS BOARD, COMPLETE *****		
7-685-872-09	SCREW +BVT	3X8 (S)	
1-533-293-11	FUSE HOLDER		
< CAPACITOR >			
C801	1-137-414-11	MYLAR 0.0047uF	10% 100V
C802	1-137-414-11	MYLAR 0.0047uF	10% 100V
C803	1-131-652-11	ELECT 18000uF	20% 71V
C804	1-131-652-11	ELECT 18000uF	20% 71V
C805	1-119-854-11	ELECT 100uF	20% 100V
C806	1-137-370-11	MYLAR 0.01uF	5% 50V
C807	1-137-370-11	MYLAR 0.01uF	5% 50V
C808	1-127-732-51	ELECT MELF 2200uF	20% 35V
C809	1-127-732-51	ELECT MELF 2200uF	20% 35V
C810	1-137-370-11	MYLAR 0.01uF	5% 50V
C811	1-137-370-11	MYLAR 0.01uF	5% 50V
C812	1-135-471-11	ELECT 13000uF	20% 16V
C813	1-127-723-51	ELECT MELF 4700uF	20% 16V
C814	1-163-021-91	CERAMIC CHIP 0.01uF	10% 50V
C815	1-128-556-11	ELECT 1000uF	20% 63V
C816	1-119-799-11	ELECT 47uF	20% 25V
C817	1-163-021-91	CERAMIC CHIP 0.01uF	10% 50V
C818	1-163-021-91	CERAMIC CHIP 0.01uF	10% 50V
C822	1-136-177-00	MYLAR 1uF	5% 50V
C823	1-135-471-11	ELECT 13000uF	20% 16V
< CONNECTOR >			
CN801	1-785-105-11	PIN, CONNECTOR 7P	
CN802	1-785-107-11	PIN, CONNECTOR 9P	
CN804	1-564-506-11	PLUG (MICRO CONNECTOR) 5P	
CN805	1-691-772-11	PLUG (MICRO CONNECTOR) 10P	
CN806	1-785-102-11	PIN, CONNECTOR 4P	

Ref. No.	Part No.	Description	Remarks
< DIODE >			
D801	8-719-302-38	DIODE RBV-602-01	
D802	8-719-302-38	DIODE RBV-602-01	
D803	8-719-016-74	DIODE 1SS352	
D804	8-719-053-18	DIODE 1SR154-400TE-25	
D805	8-719-053-18	DIODE 1SR154-400TE-25	
D807	8-719-025-03	DIODE RBA-402-SL	
D811	8-719-025-03	DIODE RBA-402-SL	
D812	8-719-053-18	DIODE 1SR154-400TE-25	
D813	8-719-053-18	DIODE 1SR154-400TE-25	
D814	8-719-053-18	DIODE 1SR154-400TE-25	
D815	8-719-053-18	DIODE 1SR154-400TE-25	
D816	8-719-070-30	DIODE PTZ-TE25-5.6A	
< TERMINAL >			
EP802	1-537-770-21	TERMINAL BOARD, GROUND	
< FUSE >			
△ F801	1-533-312-11	FUSE, GLASS CYLINDRICAL(DIA.5)10A 125V	
△ F802	1-533-312-11	FUSE, GLASS CYLINDRICAL(DIA.5)10A 125V	
△ F803	1-532-503-51	FUSE, 1.6A 250V	
△ F804	1-532-503-51	FUSE, 1.6A 250V	
△ F805	1-532-465-51	FUSE, TIME LAG	3.15A 250V
△ F806	1-532-465-51	FUSE, TIME LAG	3.15A 250V
< TRANSISTOR >			
Q801	8-729-230-49	TRANSISTOR 2SC2712-YG	
Q802	8-729-421-22	TRANSISTOR UN2211	
< RESISTOR >			
R803	1-216-431-11	METAL OXIDE 560	5% 1W
R805	1-208-462-41	RES-CHIP 10K	2% 1/10W
△ R806	1-212-942-00	FUSIBLE 2.2	5% 1/2W
△ R807	1-212-942-00	FUSIBLE 2.2	5% 1/2W
R808	1-249-407-11	CARBON 150	5% 1/4W F
R809	1-216-687-11	METAL CHIP 33K	0.5% 1/10W
R810	1-216-687-11	METAL CHIP 33K	0.5% 1/10W
< RELAY >			
RY801	1-755-235-11	RELAY	
RY802	1-755-235-11	RELAY	
< SWITCH >			
S801	1-692-196-11	SWITCH, SLIDE(IMPEDANCE SELECTOR)	
< THERMISTOR >			
TH801	1-806-881-11	THERMISTOR 2.2	

The components identified by mark △ or dotted line with mark △ are critical for safety. Replace only with part number specified.

Ref. No.	Part No.	Description	Remarks
	A-4426-496-A	S VIDEO BOARD, COMPLETE *****	
		< CAPACITOR >	
C5201	1-119-824-11	ELECT MELF 10uF 20% 50V	
C5202	1-119-824-11	ELECT MELF 10uF 20% 50V	
C5203	1-163-243-11	CERAMIC CHIP 47PF 5% 50V	
C5204	1-163-243-11	CERAMIC CHIP 47PF 5% 50V	
C5205	1-119-824-11	ELECT MELF 10uF 20% 50V	
C5206	1-163-243-11	CERAMIC CHIP 47PF 5% 50V	
C5207	1-163-243-11	CERAMIC CHIP 47PF 5% 50V	
C5208	1-119-824-11	ELECT MELF 10uF 20% 50V	
C5209	1-163-243-11	CERAMIC CHIP 47PF 5% 50V	
C5210	1-163-243-11	CERAMIC CHIP 47PF 5% 50V	
C5211	1-165-319-11	CERAMIC CHIP 0.1uF 0% 50V	
C5212	1-165-319-11	CERAMIC CHIP 0.1uF 0% 50V	
C5214	1-165-319-11	CERAMIC CHIP 0.1uF 0% 50V	
C5216	1-165-319-11	CERAMIC CHIP 0.1uF 0% 50V	
C5218	1-119-824-11	ELECT MELF 10uF 20% 50V	
C5219	1-127-718-91	ELECT MELF 100uF 20% 16V	
C5220	1-165-319-11	CERAMIC CHIP 0.1uF 0% 50V	
C5221	1-127-718-91	ELECT MELF 100uF 20% 16V	
C5222	1-165-319-11	CERAMIC CHIP 0.1uF 0% 50V	
C5223	1-165-319-11	CERAMIC CHIP 0.1uF 0% 50V	
C5224	1-127-718-91	ELECT MELF 100uF 20% 16V	
C5225	1-165-319-11	CERAMIC CHIP 0.1uF 0% 50V	
C5226	1-127-718-91	ELECT MELF 100uF 20% 16V	
C5227	1-165-319-11	CERAMIC CHIP 0.1uF 0% 50V	
C5228	1-165-319-11	CERAMIC CHIP 0.1uF 0% 50V	
C5229	1-165-319-11	CERAMIC CHIP 0.1uF 0% 50V	
C5230	1-163-117-00	CERAMIC CHIP 100PF 5% 50V	
C5231	1-163-117-00	CERAMIC CHIP 100PF 5% 50V	
C5232	1-163-117-00	CERAMIC CHIP 100PF 5% 50V	
C5233	1-163-117-00	CERAMIC CHIP 100PF 5% 50V	
		< CONNECTOR >	
CN5201	1-784-733-11	CONNECTOR, FFC 11P	
* CN5203	1-695-371-31	CONNECTOR, FFC 10P	
CN5204	1-691-767-11	PLUG (MICRO CONNECTOR) 5P	
		< IC >	
IC5201	8-759-536-24	IC NJM-2296M-TE2	
IC5202	8-759-536-24	IC NJM-2296M-TE2	
IC5203	8-759-032-59	IC MC74HC595AF	
		< JACK >	
J5201	1-779-800-11	TERMINAL, S (TV/SAT OUT)	
J5202	1-779-801-11	CONNECTOR (ROUND TYPE)(DVD/LD,VIDEO2)	
J5203	1-779-801-11	CONNECTOR (ROUND TYPE)(VIDEO1)	
J5204	1-779-801-11	CONNECTOR (ROUND TYPE)(MONITOR OUT)	
		< COIL >	
L5201	1-500-425-11	FERRITE 0uH	
L5202	1-500-425-11	FERRITE 0uH	
L5203	1-500-425-11	FERRITE 0uH	
L5204	1-500-425-11	FERRITE 0uH	

Ref. No.	Part No.	Description	Remarks
		< RESISTOR >	
R5201	1-208-755-11	RES-CHIP 75 2% 1/10W	
R5202	1-208-755-11	RES-CHIP 75 2% 1/10W	
R5203	1-208-755-11	RES-CHIP 75 2% 1/10W	
R5204	1-208-755-11	RES-CHIP 75 2% 1/10W	
R5205	1-208-755-11	RES-CHIP 75 2% 1/10W	
R5206	1-208-755-11	RES-CHIP 75 2% 1/10W	
R5207	1-208-755-11	RES-CHIP 75 2% 1/10W	
R5208	1-208-755-11	RES-CHIP 75 2% 1/10W	
R5209	1-208-755-11	RES-CHIP 75 2% 1/10W	
R5210	1-208-755-11	RES-CHIP 75 2% 1/10W	
R5211	1-208-755-11	RES-CHIP 75 2% 1/10W	
R5212	1-208-755-11	RES-CHIP 75 2% 1/10W	
R5213	1-208-755-11	RES-CHIP 75 2% 1/10W	
R5214	1-208-755-11	RES-CHIP 75 2% 1/10W	
R5215	1-216-699-11	METAL CHIP 100K 0.5% 1/10W	
R5216	1-216-699-11	METAL CHIP 100K 0.5% 1/10W	
R5217	1-216-699-11	METAL CHIP 100K 0.5% 1/10W	
R5218	1-216-699-11	METAL CHIP 100K 0.5% 1/10W	
R5219	1-216-699-11	METAL CHIP 100K 0.5% 1/10W	

	1-675-082-11	SP SEL BOARD *****	
		< CAPACITOR >	
C111	1-126-926-11	ELECT 1000uF 20% 10V	
C112	1-163-021-91	CERAMIC CHIP 0.01uF 10% 50V	
C113	1-163-021-91	CERAMIC CHIP 0.01uF 10% 50V	
C114	1-163-021-91	CERAMIC CHIP 0.01uF 10% 50V	
C132	1-165-319-11	CERAMIC CHIP 0.1uF 0% 50V	
		< CONNECTOR >	
* CN117	1-568-946-11	PIN, CONNECTOR 8P	
		< DIODE >	
D103	8-719-075-86	DIODE SID307BRTP19	
D104	8-719-075-86	DIODE SID307BRTP19	
D105	8-719-075-86	DIODE SID307BRTP19	
D106	8-719-075-86	DIODE SID307BRTP19	
D107	8-719-059-14	DIODE SID313BP-TP19	
D108	8-719-820-05	DIODE 1SS181	
D109	8-719-820-05	DIODE 1SS181	
D110	8-719-820-05	DIODE 1SS181	
		< IC >	
IC106	8-759-242-70	IC TC7WU04F	
IC110	8-749-014-66	IC NJL64H400A	
		< TRANSISTOR >	
Q109	8-729-901-87	TRANSISTOR 2SC2411K-CQ	
Q110	8-729-901-87	TRANSISTOR 2SC2411K-CQ	
Q111	8-729-901-87	TRANSISTOR 2SC2411K-CQ	
		< RESISTOR >	
R134	1-216-134-00	METAL CHIP 2.2 5% 1/8W	
R135	1-216-134-00	METAL CHIP 2.2 5% 1/8W	
R184	1-216-627-11	METAL CHIP 100 0.5% 1/10W	

Ref. No.	Part No.	Description	Remarks
< SWITCH >			
S116	1-762-875-21	SWITCH, KEYBOARD(I/C)	
S117	1-762-268-11	SWITCH, ROTARY(SPEAKER SELECTOR)	

A-4426-470-A	SP TM BOARD, COMPLETE		

< CAPACITOR >			
C1801	1-137-358-11	MYLAR 0.0001uF 5% 50V	
C1802	1-137-358-11	MYLAR 0.0001uF 5% 50V	
C1803	1-137-358-11	MYLAR 0.0001uF 5% 50V	
C1804	1-137-358-11	MYLAR 0.0001uF 5% 50V	
C1805	1-137-358-11	MYLAR 0.0001uF 5% 50V	
C1806	1-137-358-11	MYLAR 0.0001uF 5% 50V	
C4114	1-162-815-11	CERAMIC 47PF 5% 500V	
C4115	1-162-815-11	CERAMIC 47PF 5% 500V	
C4116	1-163-117-00	CERAMIC CHIP 100PF 5% 50V	
C4164	1-162-815-11	CERAMIC 47PF 5% 500V	
C4165	1-162-815-11	CERAMIC 47PF 5% 500V	
C4166	1-163-117-00	CERAMIC CHIP 100PF 5% 50V	
C4214	1-162-815-11	CERAMIC 47PF 5% 500V	
C4216	1-163-117-00	CERAMIC CHIP 100PF 5% 50V	
C4314	1-162-815-11	CERAMIC 47PF 5% 500V	
C4316	1-163-117-00	CERAMIC CHIP 100PF 5% 50V	
C4364	1-162-815-11	CERAMIC 47PF 5% 500V	
C4366	1-163-117-00	CERAMIC CHIP 100PF 5% 50V	
C4701	1-137-358-11	MYLAR 0.0001uF 5% 50V	
C4702	1-137-358-11	MYLAR 0.0001uF 5% 50V	
C4703	1-137-358-11	MYLAR 0.0001uF 5% 50V	
C4751	1-137-358-11	MYLAR 0.0001uF 5% 50V	
C4752	1-137-358-11	MYLAR 0.0001uF 5% 50V	
C4753	1-137-358-11	MYLAR 0.0001uF 5% 50V	
< CONNECTOR >			
CN4005	1-691-771-11	PLUG (MICRO CONNECTOR) 9P	
< DIODE >			
D4401	8-719-016-74	DIODE 1SS352	
D4451	8-719-016-74	DIODE 1SS352	
D4501	8-719-016-74	DIODE 1SS352	
D4551	8-719-016-74	DIODE 1SS352	
D4601	8-719-016-74	DIODE 1SS352	
< JACK >			
J1801	1-785-489-11	JACK, PIN 6P(5.1CH INPUT)	
J4701	1-785-296-11	JACK, PIN(PRE OUT)	
J4702	1-785-298-11	JACK, PIN 1P(SUB WOOFER)	
< COIL >			
L4101	1-411-906-11	COIL, AIR-CORE	
L4151	1-411-906-11	COIL, AIR-CORE	
L4201	1-411-906-11	COIL, AIR-CORE	
L4301	1-411-906-11	COIL, AIR-CORE	
L4351	1-411-906-11	COIL, AIR-CORE	

Ref. No.	Part No.	Description	Remarks
< TRANSISTOR >			
Q4401	8-729-230-49	TRANSISTOR 2SC2712-YG	
Q4451	8-729-230-49	TRANSISTOR 2SC2712-YG	
Q4501	8-729-230-49	TRANSISTOR 2SC2712-YG	
Q4551	8-729-230-49	TRANSISTOR 2SC2712-YG	
Q4601	8-729-230-49	TRANSISTOR 2SC2712-YG	
< RESISTOR >			
R1801	1-259-995-11	CARBON MELF 1K 2% 1/8W	
R1802	1-259-995-11	CARBON MELF 1K 2% 1/8W	
R1803	1-259-995-11	CARBON MELF 1K 2% 1/8W	
R1804	1-259-995-11	CARBON MELF 1K 2% 1/8W	
R1805	1-259-995-11	CARBON MELF 1K 2% 1/8W	
R1806	1-259-995-11	CARBON MELF 1K 2% 1/8W	
R4121	1-249-389-11	CARBON 4.7 5% 1/4W F	
R4122	1-249-393-11	CARBON 10 5% 1/4W F	
R4123	1-249-393-11	CARBON 10 5% 1/4W F	
R4124	1-260-009-11	CARBON MELF 12K 2% 1/8W	
R4125	1-260-009-11	CARBON MELF 12K 2% 1/8W	
R4171	1-249-389-11	CARBON 4.7 5% 1/4W F	
R4172	1-249-393-11	CARBON 10 5% 1/4W F	
R4173	1-249-393-11	CARBON 10 5% 1/4W F	
R4174	1-260-009-11	CARBON MELF 12K 2% 1/8W	
R4175	1-260-009-11	CARBON MELF 12K 2% 1/8W	
R4221	1-249-389-11	CARBON 4.7 5% 1/4W F	
R4222	1-249-393-11	CARBON 10 5% 1/4W F	
R4321	1-249-389-11	CARBON 4.7 5% 1/4W F	
R4322	1-249-393-11	CARBON 10 5% 1/4W F	
R4371	1-249-389-11	CARBON 4.7 5% 1/4W F	
R4372	1-249-393-11	CARBON 10 5% 1/4W F	
R4401	1-215-869-11	METAL OXIDE 1K 5% 1W	
R4402	1-208-453-41	RES-CHIP 4.7K 2% 1/10W	
R4403	1-208-462-41	RES-CHIP 10K 2% 1/10W	
R4451	1-215-869-11	METAL OXIDE 1K 5% 1W	
R4452	1-208-453-41	RES-CHIP 4.7K 2% 1/10W	
R4453	1-208-462-41	RES-CHIP 10K 2% 1/10W	
R4501	1-215-869-11	METAL OXIDE 1K 5% 1W	
R4502	1-208-453-41	RES-CHIP 4.7K 2% 1/10W	
R4503	1-208-462-41	RES-CHIP 10K 2% 1/10W	
R4551	1-249-422-11	CARBON 2.7K 5% 1/4W F	
R4552	1-208-453-41	RES-CHIP 4.7K 2% 1/10W	
R4553	1-208-462-41	RES-CHIP 10K 2% 1/10W	
R4601	1-215-869-11	METAL OXIDE 1K 5% 1W	
R4602	1-208-453-41	RES-CHIP 4.7K 2% 1/10W	
R4603	1-208-462-41	RES-CHIP 10K 2% 1/10W	
R4705	1-260-012-11	CARBON MELF 22K 2% 1/8W	
R4707	1-260-014-11	CARBON MELF 33K 2% 1/8W	
R4708	1-260-014-11	CARBON MELF 33K 2% 1/8W	
R4709	1-259-999-11	CARBON MELF 2.2K 2% 1/8W	
R4710	1-259-999-11	CARBON MELF 2.2K 2% 1/8W	
R4711	1-259-999-11	CARBON MELF 2.2K 2% 1/8W	
R4751	1-260-012-11	CARBON MELF 22K 2% 1/8W	
R4757	1-260-014-11	CARBON MELF 33K 2% 1/8W	
R4758	1-260-014-11	CARBON MELF 33K 2% 1/8W	
R4759	1-259-999-11	CARBON MELF 2.2K 2% 1/8W	
R4760	1-259-999-11	CARBON MELF 2.2K 2% 1/8W	
R4761	1-259-999-11	CARBON MELF 2.2K 2% 1/8W	

Ref. No.	Part No.	Description	Remarks
		< RELAY >	
RY4401	1-515-920-11	RELAY (24V)	
RY4451	1-515-920-11	RELAY (24V)	
RY4501	1-515-920-11	RELAY (24V)	
RY4551	1-755-295-11	RELAY	
RY4601	1-515-920-11	RELAY (24V)	
		< TERMINAL >	
TM4401	1-694-430-21	TERMINAL BOARD (SP)(SPEAKERS FRONT)	
TM4501	1-694-431-21	TERMINAL BOARD (SP) (SPEAKERS REAR/CENTER)	

	1-675-095-11	VIDEO 3 BOARD *****	
		< CAPACITOR >	
C103	1-163-251-11	CERAMIC CHIP 100PF 5% 50V	
C104	1-163-251-11	CERAMIC CHIP 100PF 5% 50V	
C141	1-165-319-11	CERAMIC CHIP 0.1uF 0% 50V	
C142	1-165-319-11	CERAMIC CHIP 0.1uF 0% 50V	
		< CONNECTOR >	
CN108	1-568-826-11	CONNECTOR, FFC 7P	
* CN120	1-564-719-11	PIN, CONNECTOR (SMALL TYPE) 3P	
		< TERMINAL >	
EB101	1-537-770-21	TERMINAL BOARD, GROUND	
		< JACK >	
J101	1-793-643-11	JACK, PIN (BLOCK) (L TYPE) 3P(VIDEO/AUDIO)	
J102	1-784-808-11	TERMINAL, S(S VIDEO)	
		< RESISTOR >	
R102	1-208-755-11	RES-CHIP 75 2% 1/10W	
R103	1-208-755-11	RES-CHIP 75 2% 1/10W	
R104	1-208-755-11	RES-CHIP 75 2% 1/10W	
R106	1-216-627-11	METAL CHIP 100 0.5% 1/10W	
R108	1-216-627-11	METAL CHIP 100 0.5% 1/10W	

	1-675-081-11	VOLUME BOARD *****	
		< CAPACITOR >	
C3101	1-165-319-11	CERAMIC CHIP 0.1uF 0% 50V	
C3111	1-128-860-11	ELECT 47uF 20% 50V	
C3112	1-128-860-11	ELECT 47uF 20% 50V	
C3113	1-128-860-11	ELECT 47uF 20% 50V	
C3114	1-128-860-11	ELECT 47uF 20% 50V	
C3115	1-128-860-11	ELECT 47uF 20% 50V	
C3116	1-128-860-11	ELECT 47uF 20% 50V	
		< CONNECTOR >	
CN3201	1-691-766-11	PLUG (MICRO CONNECTOR) 4P	
CN3202	1-691-765-11	PLUG (MICRO CONNECTOR) 3P	
CN3203	1-691-765-21	PLUG (MICRO CONNECTOR) 3P	

Ref. No.	Part No.	Description	Remarks
		< IC >	
IC4102	8-759-447-30	IC NJM2114M-TE2	
IC4202	8-759-447-30	IC NJM2114M-TE2	
IC4302	8-759-447-30	IC NJM2114M-TE2	
		< RESISTOR >	
R4130	1-260-026-11	CARBON MELF 330K 2% 1/8W	
R4131	1-259-991-11	CARBON MELF 470 2% 1/8W	
R4132	1-259-926-11	CARBON MELF 2K 2% 1/8W	
R4133	1-259-983-11	CARBON MELF 100 2% 1/8W	
R4180	1-260-026-11	CARBON MELF 330K 2% 1/8W	
R4181	1-259-991-11	CARBON MELF 470 2% 1/8W	
R4182	1-259-926-11	CARBON MELF 2K 2% 1/8W	
R4183	1-259-983-11	CARBON MELF 100 2% 1/8W	
R4230	1-260-026-11	CARBON MELF 330K 2% 1/8W	
R4231	1-259-989-11	CARBON MELF 330 2% 1/8W	
R4232	1-259-931-11	CARBON MELF 5.1K 2% 1/8W	
R4233	1-259-983-11	CARBON MELF 100 2% 1/8W	
R4280	1-260-026-11	CARBON MELF 330K 2% 1/8W	
R4281	1-259-986-11	CARBON MELF 180 2% 1/8W	
R4282	1-259-931-11	CARBON MELF 5.1K 2% 1/8W	
R4283	1-259-983-11	CARBON MELF 100 2% 1/8W	
R4330	1-260-026-11	CARBON MELF 330K 2% 1/8W	
R4331	1-259-989-11	CARBON MELF 330 2% 1/8W	
R4332	1-259-931-11	CARBON MELF 5.1K 2% 1/8W	
R4333	1-259-983-11	CARBON MELF 100 2% 1/8W	
R4380	1-260-026-11	CARBON MELF 330K 2% 1/8W	
R4381	1-259-989-11	CARBON MELF 330 2% 1/8W	
R4382	1-259-931-11	CARBON MELF 5.1K 2% 1/8W	
R4383	1-259-983-11	CARBON MELF 100 2% 1/8W	
		< VARIABLE RESISTOR >	
RV3101	1-225-887-11	RES, VAR, CARBON 30KX6(MASTER VOLUME)	

		MISCELLANEOUS *****	
61	1-773-279-11	WIRE (FLAT TYPE) (29 CORE)	
104	1-791-939-11	CABLE, FLEXIBLE FLAT (5P)	
129	1-791-938-11	CABLE, FLEXIBLE FLAT (31P)	
137	1-765-314-11	WIRE (FLAT TYPE) (7 CORE)	
158	1-769-969-11	WIRE (FLAT TYPE) (13 CORE)	
159	1-792-174-11	CABLE, FLEXIBLE FLAT (15P)	
163	1-769-937-11	WIRE (FLAT TYPE) (11 CORE)	
165	1-792-216-11	WIRE (FLAT TYPE) (10 CORE)	
△ 167	1-776-095-11	CORD, POWER	
FL101	1-517-781-21	INDICATOR TUBE, FLUORESCENT	
FL102	1-517-905-11	INDICATOR TUBE, FLUORESCENT	
△ T901	1-435-096-11	TRANSFORMER, POWER	

The components identified by mark △ or dotted line with mark △ are critical for safety. Replace only with part number specified.

Ref. No.	Part No.	Description	Remarks
ACCESSORIES & PACKING MATERIALS			

	1-418-606-11	REMOTE COMMANDER(RM-TP503)	
	3-866-967-41	MANUAL, INSTRUCTION (ENGLISH/FRENCH/DUTCH/SWEDISH)	
	3-866-967-51	MANUAL, INSTRUCTION (GERMAN/SPANISH/ITALIAN/PORTUGUESE)	
	3-867-704-11	MANUAL (RM-TP503), INSTRUCTION (ENGLISH/FRENCH/SPANISH/PORTUGUESE)	
	3-867-704-31	MANUAL (RM-TP503), INSTRUCTION (DUTCH/SWEDISH/GERMAN/ITALIAN)	
	4-997-648-31	COVER, BATTERY(FOR RM-TP503)	

HARDWARE LIST

#1	7-685-872-09	SCREW +BVTT	3X8 (S)
#2	7-685-649-79	SCREW +BVTP	3X14 TYPE2 N-S
#3	7-682-547-09	SCREW +B	3X6
#4	7-621-775-00	SCREW +B	2.6X3
#5	7-685-871-09	SCREW +BVTT	3X6 (S)
#6	7-682-575-04	SCREW +P	5X10
#7	7-685-885-09	SCREW +BVTT	4X16 (S)
#8	7-685-861-01	SCREW +BVTT	2.6X5 (S)
#9	7-685-134-19	SCREW +P	2.6X8 TYPE2 NON-SLIT
#10	7-685-548-19	SCREW +BTP	3X12 TYPE2 N-S