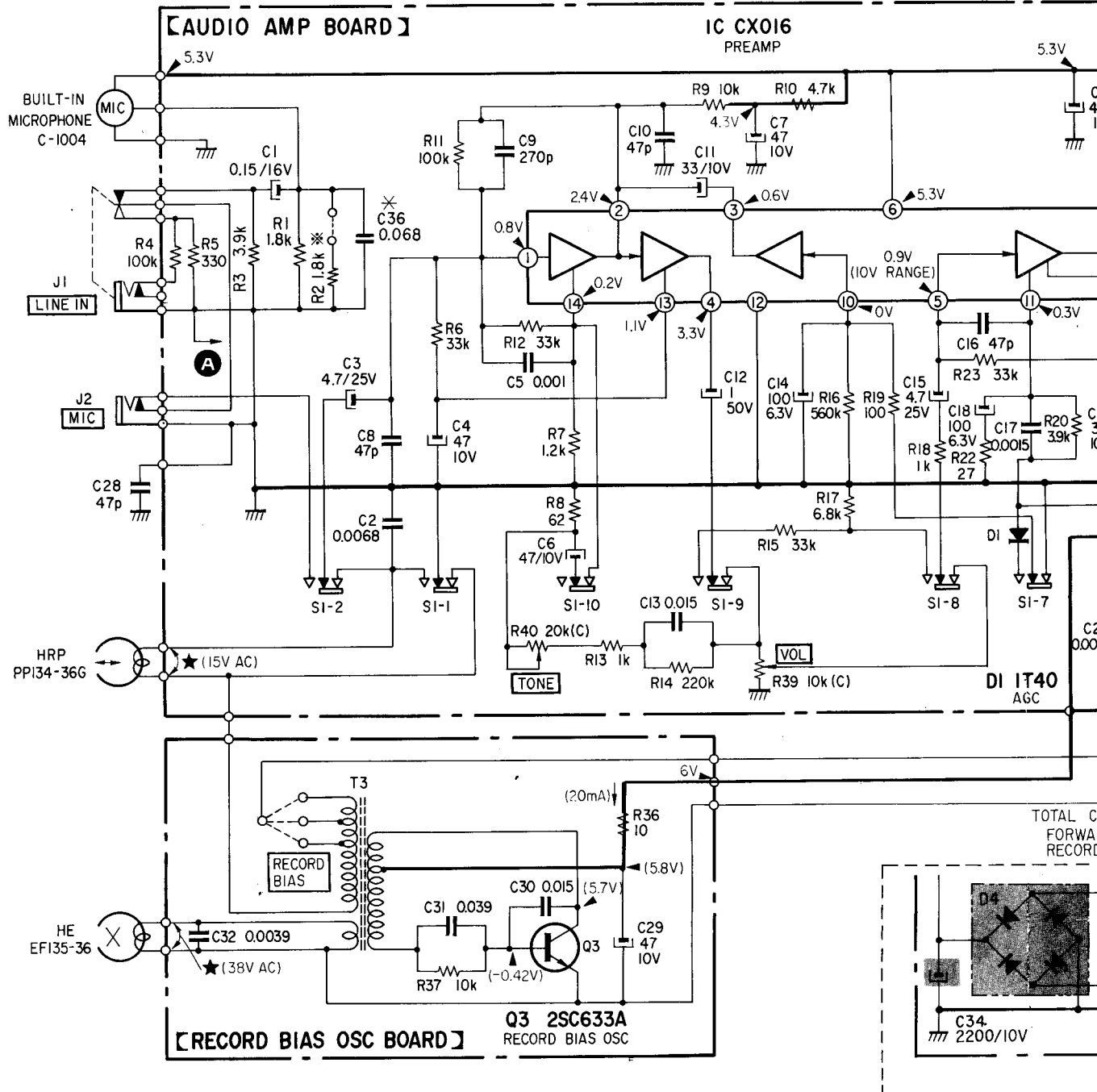


**Note: The components identified by shading are critical for safety. Replace only with part number specified.**

4-2. SCHEMATIC DIAGRAM

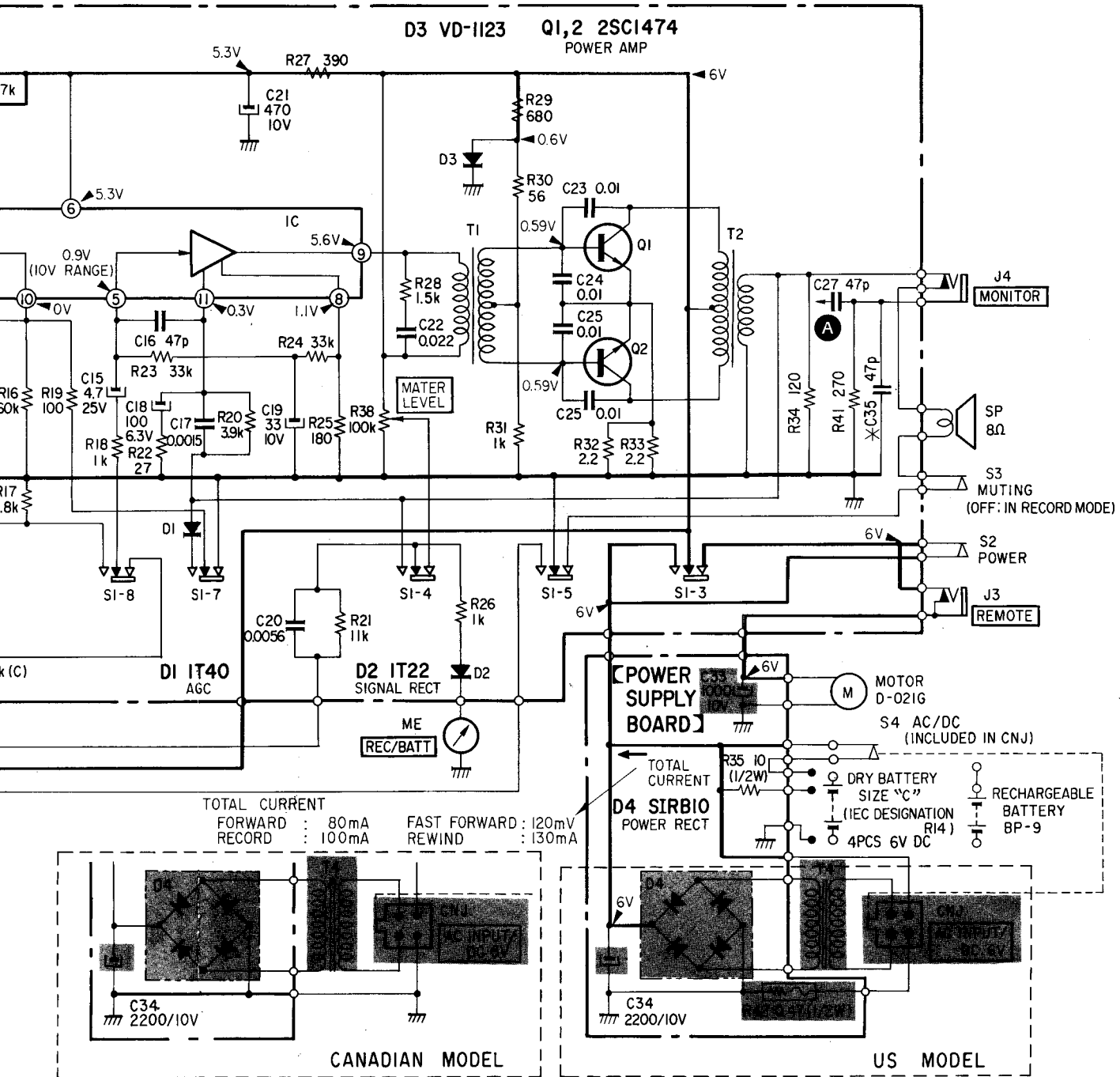


**Note:**

- All capacitors are in  $\mu\text{F}$  unless otherwise noted.  $\text{pF} = \mu\mu\text{F}$ . 50WV or less are not indicated except for electrolytics.
- All resistors are in ohms,  $\frac{1}{4}\text{W}$  unless otherwise noted.  $\text{k}\Omega = 1000\Omega$ ,  $\text{M}\Omega = 1000\text{k}\Omega$
- In using an electret condenser microphone with a red mark on the side of the case, connect R2 shown by \* in parallel with R1.
- \* C35 and C36: US model serial No. 64,201 and later Canadian model serial No. 122,501 and later

- — : B+ bus.
- □ : panel designation.
- □ : adjustment for repair.

- Readings are taken with a VOM (20 k $\Omega$ /V).
- ( ) : record motor.
- AC voltage readings are taken across the circuit.
- Total current is measured at the power supply.
- Voltage variations are within the specified tolerances.



- Readings are taken under no signal conditions with a VOM (20 kΩ/V). ( ) : record mode
- AC voltage readings indicated by \* in the bias oscillator circuit are taken with a VTVM.
- Total current is measured with no cassette installed.
- Voltage variations may be noted due to normal production tolerances.

• Switch

Ref. No.	Switch	Position
S1-1 to 1-10	RECORD/PLAYBACK	PLAYBACK
S2	POWER	OFF
S3	MUTING	OFF
S4	AC/DC	DC