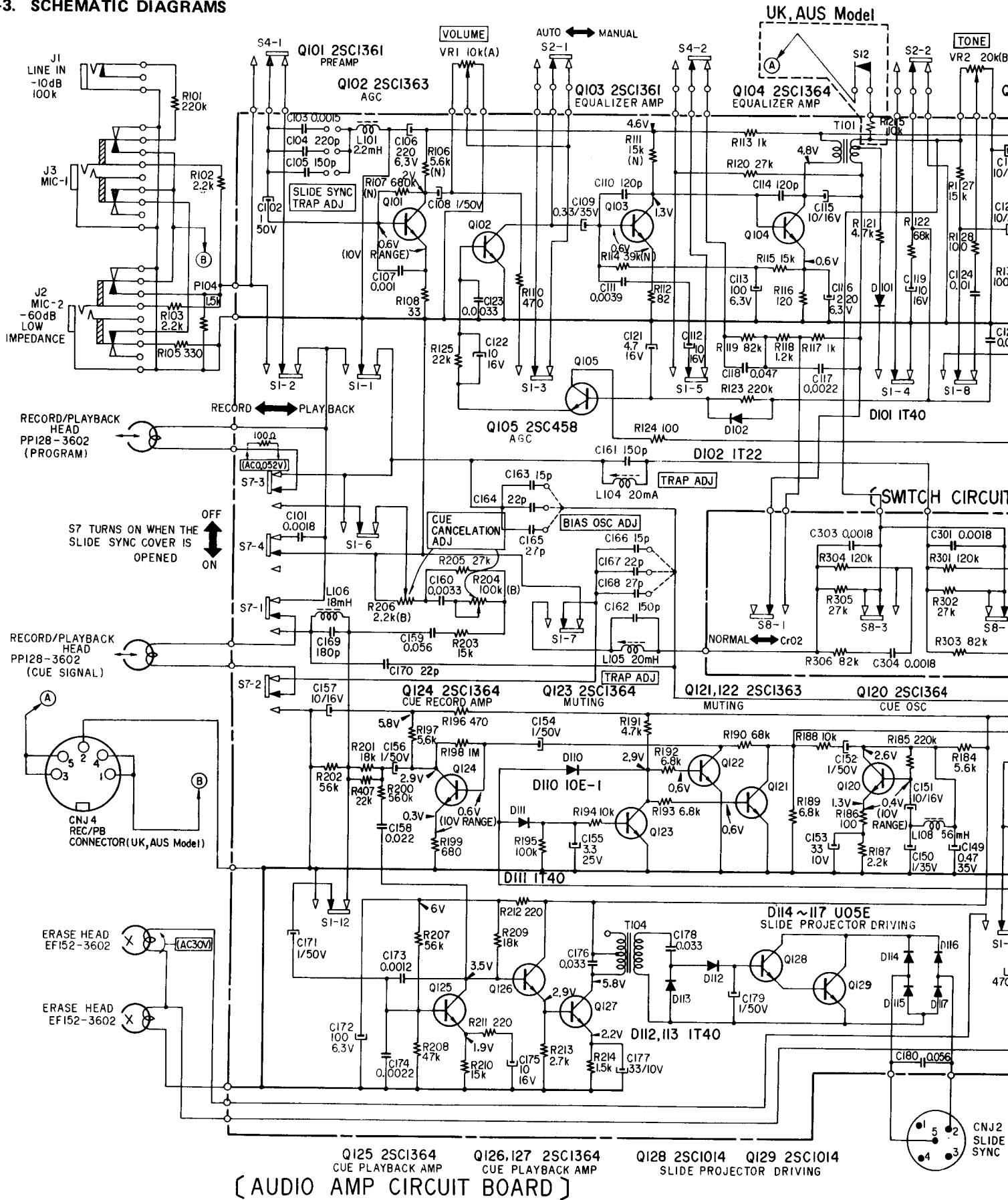
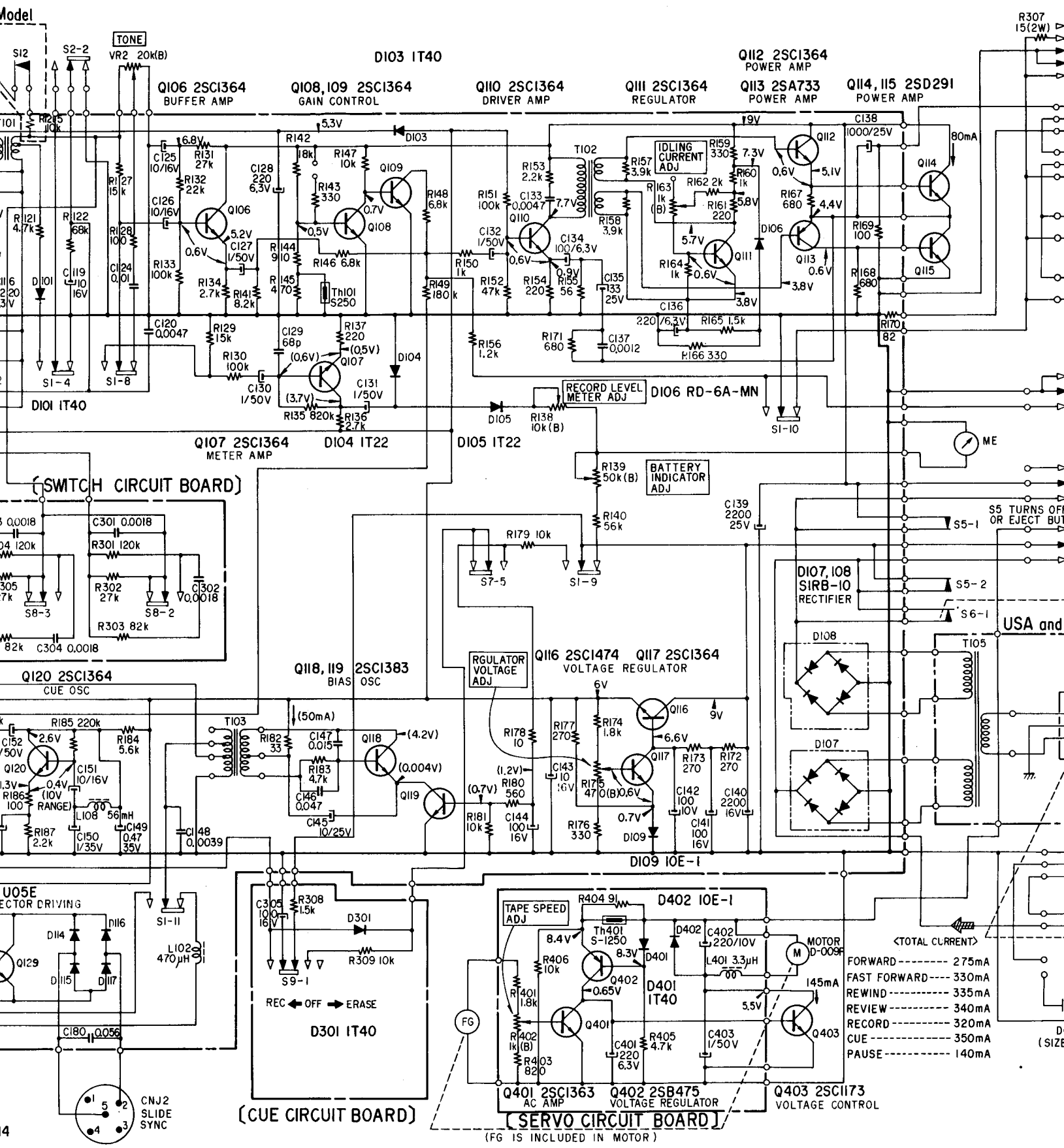


4-3. SCHEMATIC DIAGRAMS



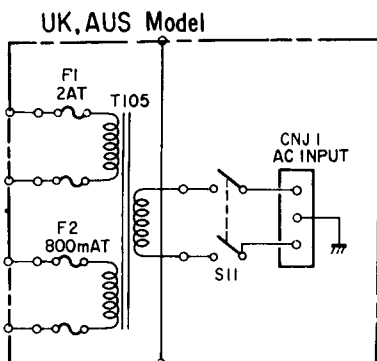
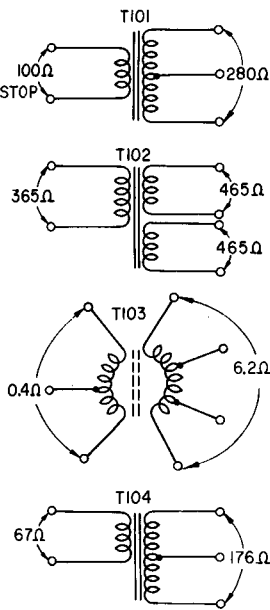
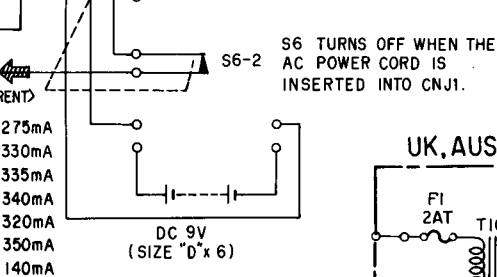
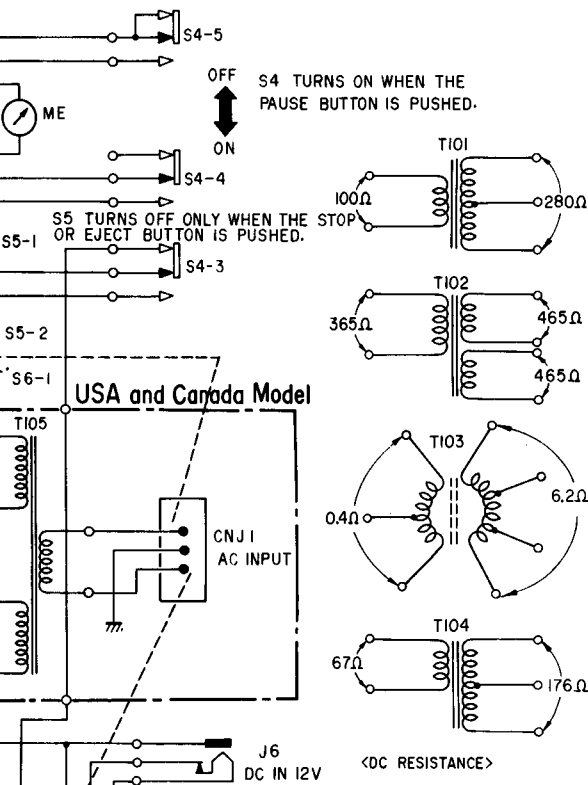
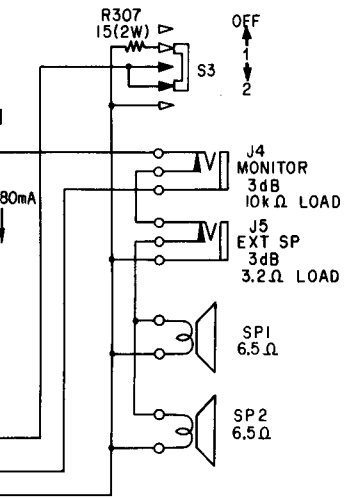


<TOTAL CURRENT>

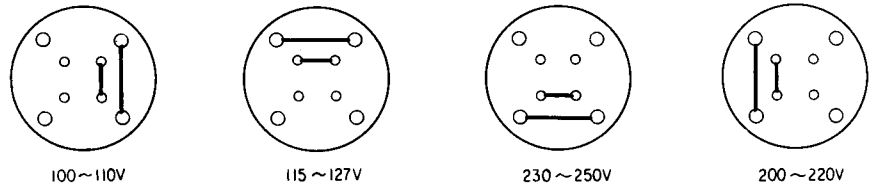
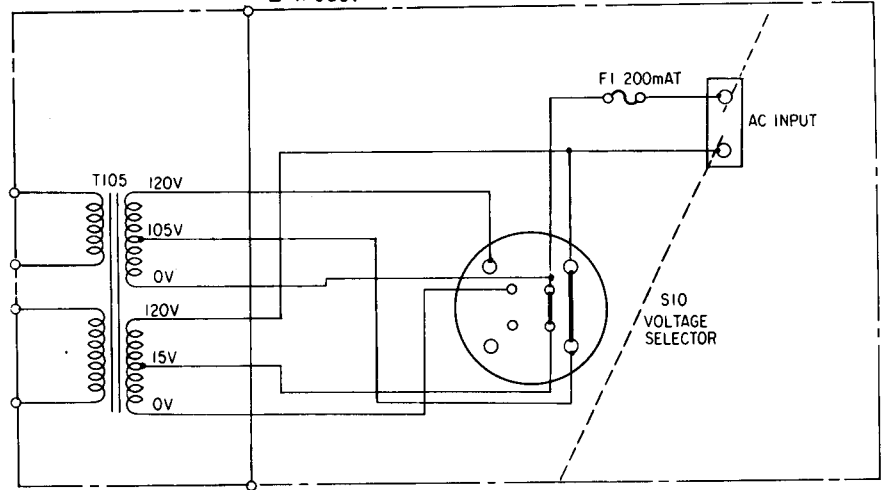
FORWARD	275mA
FAST FORWARD	330mA
REWIND	335mA
REVIEW	340mA
RECORD	320mA
CUE	350mA
PAUSE	140mA

(SERVO CIRCUIT BOARD)  
(FG IS INCLUDED IN MOTOR)

(CUE CIRCUIT BOARD)



E Model



Note:

- All capacitors are in  $\mu F$  unless otherwise noted.  $P = \mu\mu$
- All resistors are in  $\Omega$ ,  $\frac{1}{4}W$ , unless otherwise noted.  $k = 1,000$   $M = 1,000k$
- Coil resistances are out-of-circuit values.
- x indicates values to be selected.
- $\Delta$  indicates internal components.
- (N) indicates a low noise resistor.
- Voltages are DC with respect to ground unless otherwise noted. Readings taken under no-signal conditions with a VOM (20  $k\Omega/v$ ).
- Readings in ( ) are in record mode.
- Voltage variations may be noted due to normal production tolerances.
- Ac voltage readings on bias oscillator circuit taken with a VTVM.
- Total current is measured with no cassette loaded.

Switch mode:

Ref. No.	Switch	Mode
S1	record/playback	playback
S2	RECORD (AUTO/MANUAL)	MANUAL
S3	SP MONITOR (OFF-1-2)	OFF
S4	PUBLIC ADDRESS	OFF
S5	POWER	OFF
S6	ac/dc	dc
S7	slide projector	OFF
S8	TAPE SELECTOR (NORMAL/ CrO <sub>2</sub> )	NORMAL
S9	CUE	OFF
S10	voltage selector (E)	100 ~ 110V
S11	MAINS (AUS, UK)	ON
S12	muting (AUS, UK)	ON