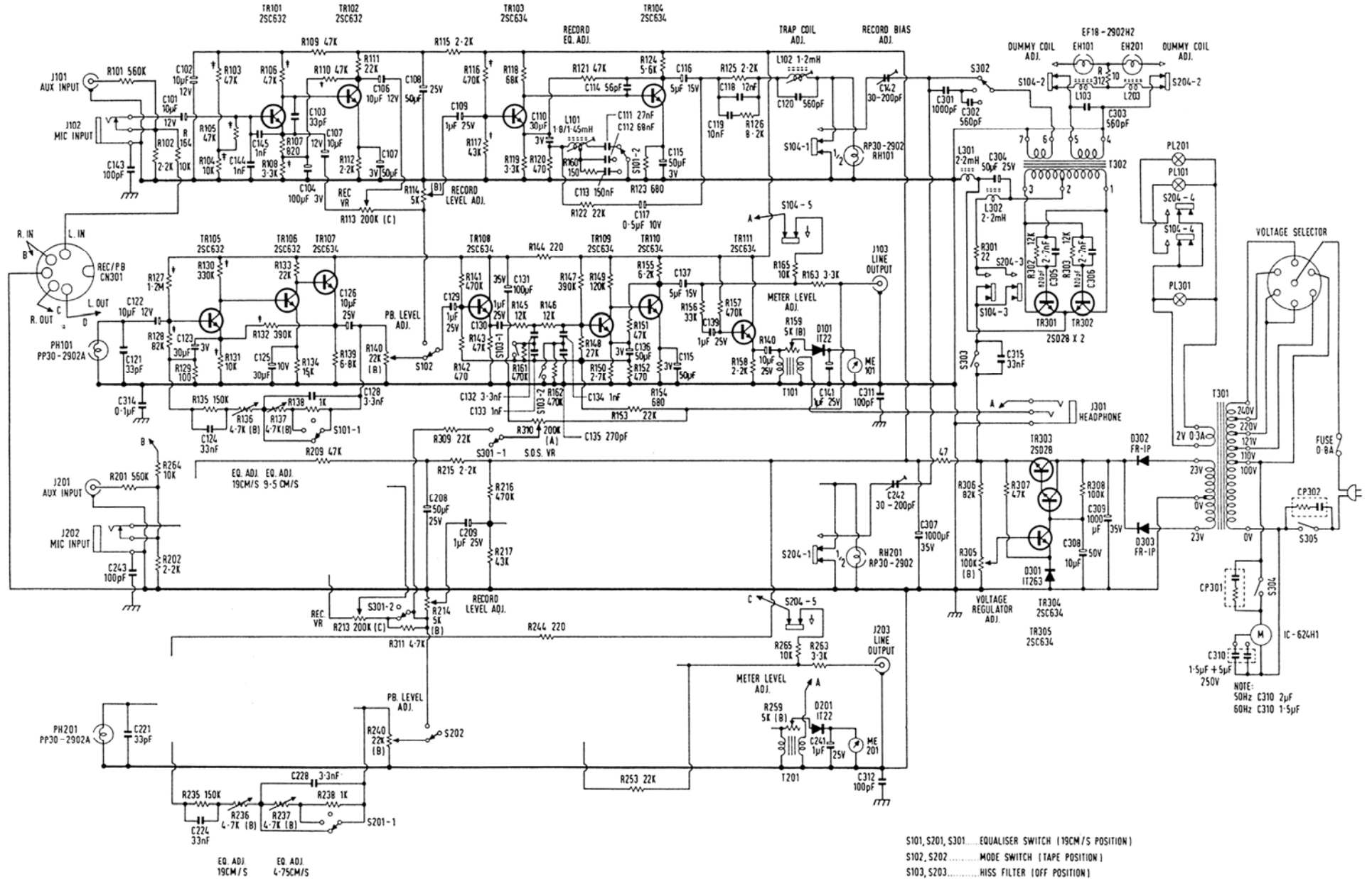


FIG.1 SONY TC355 CIRCUIT DIAGRAM



† SHOWN AT RESISTOR INDICATES LOW NOISE RESISTOR  
 (A), (B) OR (C) SHOWN AT POTENTIOMETER INDICATE CHARACTERISTIC CURVE

- S101, S201, S301..... EQUALISER SWITCH (19CM/S POSITION)
- S102, S202..... MODE SWITCH (TAPE POSITION)
- S103, S203..... HISS FILTER (OFF POSITION)
- S104, S204..... RECORD SWITCH (OFF POSITION)
- S301..... SOUND - ON - SOUND SWITCH (OFF POSITION)
- S303..... BIAS SWITCH
- S304..... AUTOMATIC SHUT - OFF SWITCH
- S305..... POWER ON / OFF SWITCH

NOTE:  
 50Hz C310 2μF  
 60Hz C310 1.5μF