

# TC-C5/C521

## SERVICE MANUAL

US Model  
TC-C5/C521

Canadian Model  
AEP Model  
UK Model  
E Model  
TC-C5



Discard TC-C5 Service Manual  
(No. 9-956-655-11) previously issued.  
This Service Manual contains it.

Photo : TC-C5

### SPECIFICATIONS

Recording system 4-track 2-channel stereo  
Fast-winding time Approx. 90 sec. (with Sony C-60 cassette)  
Bias AC bias  
Heads Erasing head × 1 (ferrite head)  
Playback/Recording head × 1 (LA head)  
Motors Capstan motor × 1 (DC servo motor)  
Reel motor × 1 (DC motor)  
ASIST (mechanical drive) motor × 3 (DC motor)

Signal-to-noise ratio (at peak level)

| Cassette                 | Dolby NR switch |           |           |
|--------------------------|-----------------|-----------|-----------|
|                          | OFF             | B-Type ON | C-Type ON |
| Type IV (Sony METAL-SLT) | 59 dB           | 67 dB     | 74 dB     |
| Type II (Sony UX-S)      | 58 dB           | 66 dB     | 73 dB     |
| Type I (Sony HF-S)       | 56 dB           | 64 dB     | 71 dB     |

Total harmonic distortion 1% (with Sony METAL-SLT cassette)  
Frequency response (DOLBY NR OFF)

|                                   |   |
|-----------------------------------|---|
| Type IV cassette (Sony METAL-SLT) | 20 - 19,000 Hz (±3 dB, IEC)<br>30 - 15,000 Hz (±3 dB 0VU (-4 dB) recording] |
| Type II cassette (Sony UX-S)      | 25 - 17,000 Hz (±3 dB, IEC)   |
| Type I cassette (Sony HF-S)       | 25 - 16,000 Hz (±3 dB, IEC)   |

Wow and flutter ±0.09% W. Peak (IEC)  
0.06% WRMS (NAB)  
±0.16% W. Peak (DIN)

|                                    |            |
|------------------------------------|------------|
| Model Name Using Similar Mechanism | TC-WR820   |
| Tape Transport Mechanism Type      | TCM-200R30 |

Line inputs (phono jacks)  
Sensitivity 77.5 mV  
Input impedance 47 k ohms

#### Outputs

|                                |                    |   |
|--------------------------------|--------------------|---|
| Line outputs (phono jacks)     | Rated output level | 0.32 V at a load impedance of 47 k ohms |
|                                | Load impedance     | Over 10 k ohms                          |
| Headphones (stereo phone jack) | Output level       | 0.3 mW at a load impedance of 32 ohms   |

#### General

Power requirements US, Canadian model : 120V AC, 60Hz  
AEP, Germany model : 220-230V AC, 50/60Hz  
UK model : 240V AC, 50/60Hz  
E model : 120, 220, 240V AC, 50/60Hz

Power consumption 20 W  
Dimensions Approx. 430 × 135 × 350 mm (w/h/d)

(17 × 5<sup>3</sup>/<sub>8</sub> × 13<sup>7</sup>/<sub>8</sub> inches) : TC-C5  
Approx. 430 × 130 × 350 mm (w/h/d)  
(17 × 5<sup>1</sup>/<sub>8</sub> × 13<sup>7</sup>/<sub>8</sub> inches) : TC-C521  
including projecting parts and controls  
Weight Approx. 6.7 kg (14 lb 13 oz) : TC-C5  
Approx. 6.9 kg (15 lb 3 oz) : TC-C521

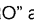
#### Supplied accessories

Audio connecting cords (2)  
Wireless remote commander RM-J801(1) : TC-C5  
Sony size-AA (R6) batteries(2)

Design and specifications are subject to change without notice.

STEREO CASSETTE DECK  
**SONY**®

\* Dolby noise reduction and HX Pro headroom extension manufactured under license from Dolby Laboratories Licensing Corporation. HX Pro originated by Bang & Olufsen.

"DOLBY", the double-D symbol  and "HX PRO" are trademarks of Dolby Laboratories Licensing Corporation.



Refer to the additional documents

## SAFETY CHECK-OUT

After correcting the original service problem, perform the following safety check before releasing the set to the customer:

Check the antenna terminals, metal trim, "metallized" knobs, screws, and all other exposed metal parts for AC leakage. Check leakage as described below.

### LEAKAGE TEST

The AC leakage from any exposed metal part to earth ground and from all exposed metal parts to any exposed metal part having a return to chassis, must not exceed 0.5 mA (500 microampers). Leakage current can be measured by any one of three methods.

1. A commercial leakage tester, such as the Simpson 229 or RCA WT-540A. Follow the manufacturers' instructions to use these instruments.
2. A battery-operated AC milliammeter. The Data Precision 245 digital multimeter is suitable for this job.
3. Measuring the voltage drop across a resistor by means of a VOM or battery-operated AC voltmeter. The "limit" indication is 0.75 V, so analog meters must have an accurate low-voltage scale. The Simpson 250 and Sanwa SH-63Trd are examples of a passive VOM that is suitable. Nearly all battery operated digital multimeters that have a 2 V AC range are suitable. (See Fig. A)

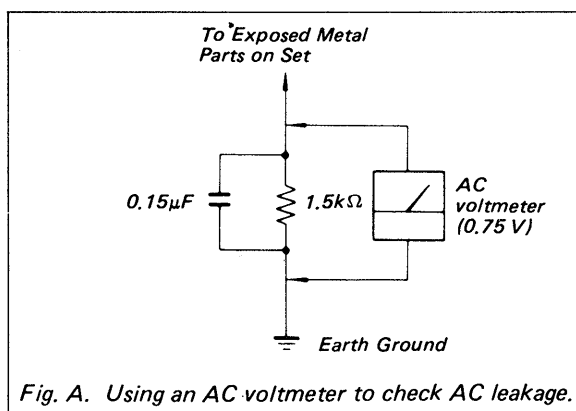


Fig. A. Using an AC voltmeter to check AC leakage.

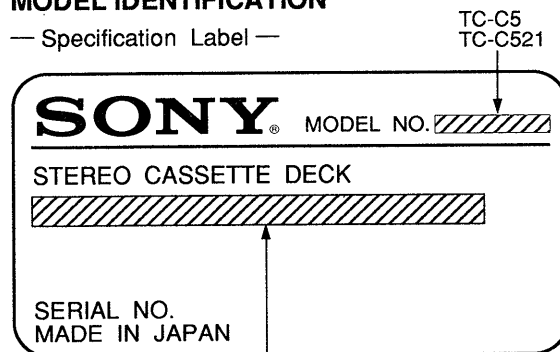
#### SAFETY-RELATED COMPONENT WARNING!!

COMPONENTS IDENTIFIED BY MARK OR DOTTED LINE WITH MARK ON THE SCHEMATIC DIAGRAMS AND IN THE PARTS LIST ARE CRITICAL TO SAFE OPERATION. REPLACE THESE COMPONENTS WITH SONY PARTS WHOSE PART NUMBERS APPEAR AS SHOWN IN THIS MANUAL OR IN SUPPLEMENTS PUBLISHED BY SONY.

| Section   | Title | Page |
|---|-------|------|
| SERVICE NOTE                                      | ..... | 3    |
| SECTION 1. GENERAL                                | ..... | 5    |
| SECTION 2. DISASSEMBLY                            | ..... | 6    |
| SECTION 3. DIAGRAM                                | ..... | 10   |
| SECTION 4. MECHANISM OPERATION                    | ..... | 13   |
| SECTION 5. ADJUSTMENTS                            | ..... | 17   |
| SECTION 6. DIAGRAMS                               |       |      |
| 6-1. Printed Wiring Boards                        |       |      |
| — Audio/System Control Section Former Type —      | ..... | 21   |
| 6-2. Printed Wiring Boards                        |       |      |
| — Audio/System Control Section New Type —         | ..... | 25   |
| 6-3. Schematic Diagram — System Control Section — | ..... | 29   |
| IC Block Diagram                                  | ..... | 32   |
| 6-4. Circuit Boards Location                      | ..... | 33   |
| 6-5. Schematic Diagram — Audio Section —          | ..... | 33   |
| 6-6. Printed Wiring Board — TC Section —          | ..... | 37   |
| Fluorescent Indicator Tube                        | ..... | 39   |
| Semiconductor Lead Layouts                        | ..... | 40   |
| SECTION 7. EXPLODED VIEWS                         |       |      |
| 7-1. Drum Section                                 | ..... | 41   |
| 7-2. Front Panel Section                          | ..... | 42   |
| 7-3. Slider Section                               | ..... | 43   |
| 7-4. Chassis Section                              | ..... | 44   |
| 7-5. Mechanism Section 1                          | ..... | 45   |
| 7-6. Mechanism Section 2                          | ..... | 46   |
| SECTION 8. ELECTRICAL PARTS LIST                  | ..... | 47   |

### MODEL IDENTIFICATION

— Specification Label —



- US, Canadian model: AC120V 60Hz 20W
- AEP, Germany model: AC220-230V~50/60Hz
- UK model: AC240V~50/60Hz
- E model: AC120, 220, 240V~50/60Hz 20W

#### ATTENTION AU COMPOSANT AYANT RAPPORT À LA SÉCURITÉ!

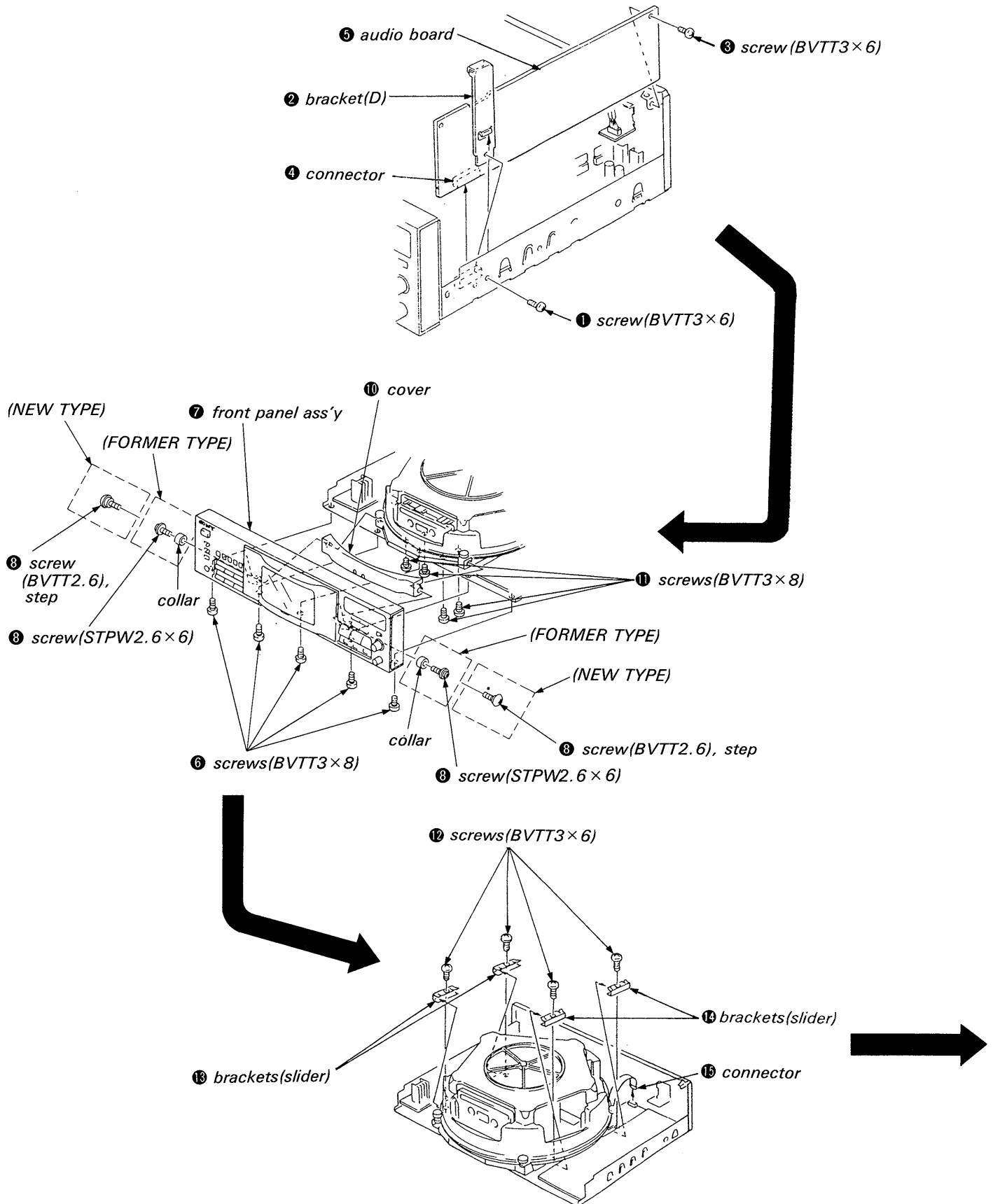
LES COMPOSANTS IDENTIFIÉS PAR UNE MARQUE SUR LES DIAGRAMMES SCHÉMATIQUES ET LA LISTE DES PIÈCES SONT CRITIQUES POUR LA SÉCURITÉ DE FONCTIONNEMENT. NE REMPLACER CES COMPOSANTS QUE PAR DES PIÈCES SONY DONT LES NUMÉROS SONT DONNÉS DANS CE MANUEL OU DANS LES SUPPLÉMENTS PUBLIÉS PAR SONY.

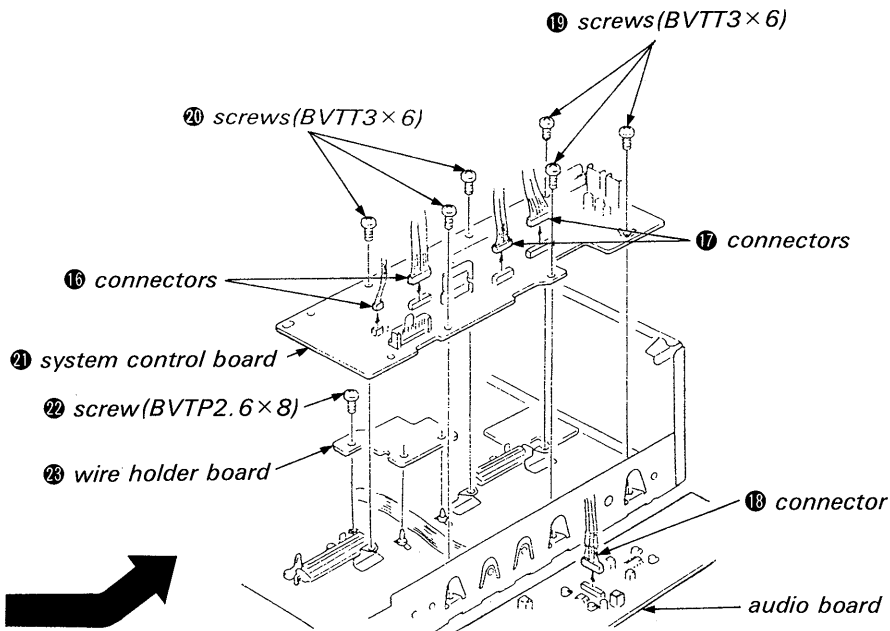
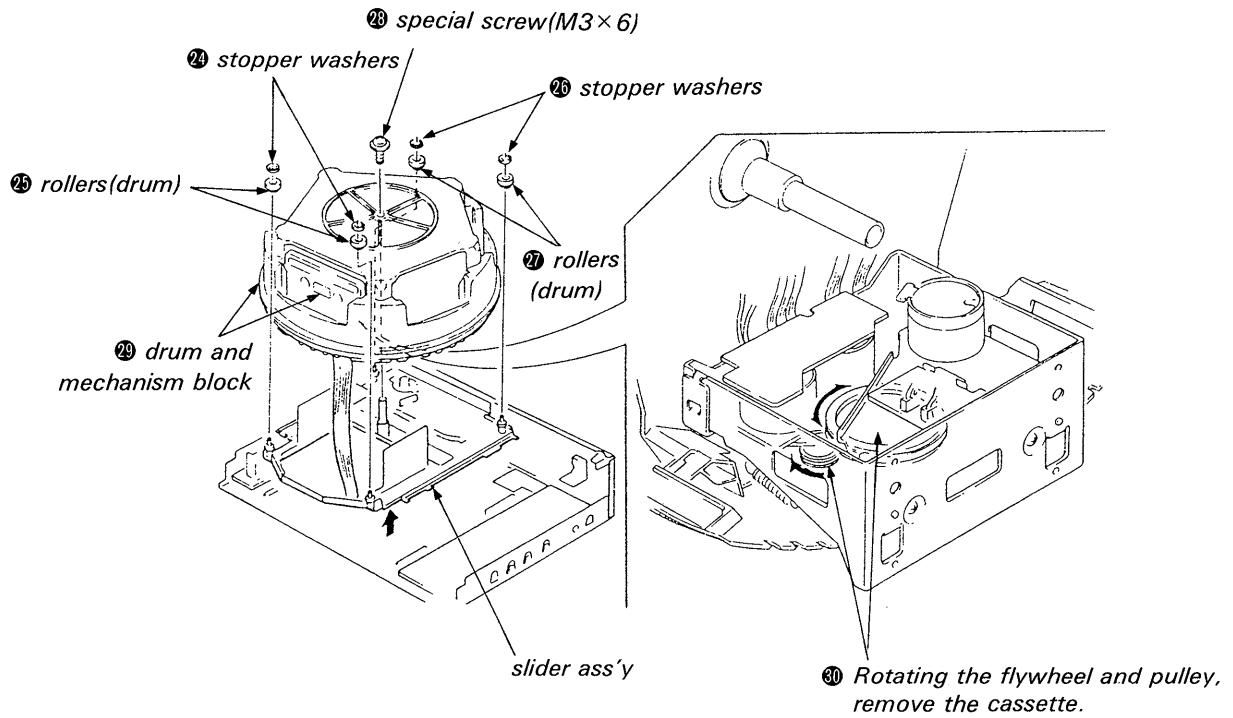
SERVICE NOTE

Notes on Repair

Be sure to follow these instructions if the tape is jammed in the mechanism.

NOTE : Follow the disassembly procedure in the numerical order given.





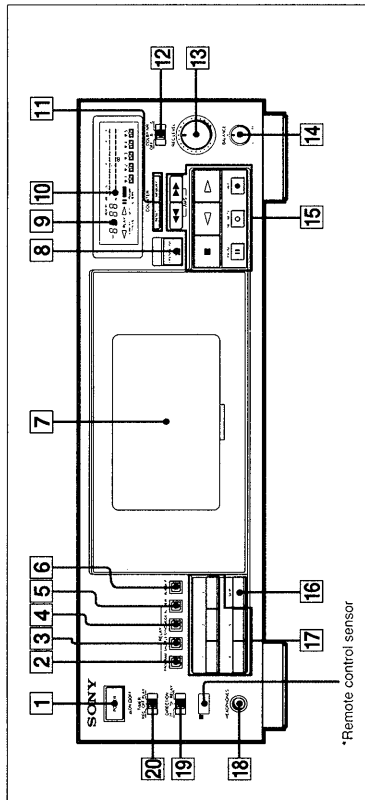
# SECTION 1 GENERAL

This section is extracted from instruction manual.



## Identifying the Parts

### Front Panel



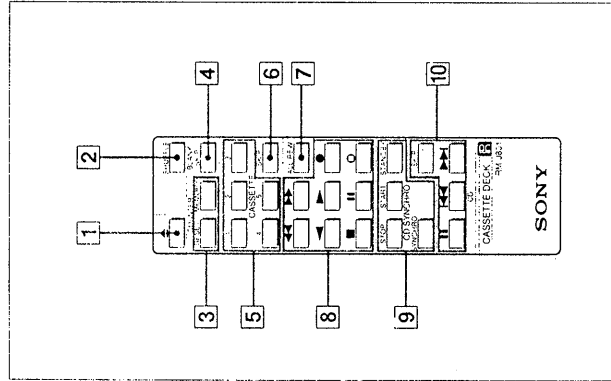
\*Remote control sensor

For details, refer to the page number indicated in ●

- 1 POWER switch
- 2 PROGRAM button ①
- 3 SHUFFLE button ①
- 4 SYNC MODE button ①
- 5 ALL REW (rewind) button ①
- 6 BLK (blank) SKIP button ①
- 7 Cassette holders
- 8 OPEN/CLOSE button
- 9 LINEAR COUNTER ①
- 10 PEAK LEVEL METER ①
- 11 COUNTER buttons  
RESET button ①  
MEMORY button ①
- 12 DOLBY NR (noise reduction) switch ① ② ③ ④
- 13 REC (recording) LEVEL control ① ②
- 14 BALANCE control ① ②
- 15 Tape operation buttons  
◀ (leftward fast winding) button  
▶ (rightward fast winding) button  
■ (stop) button  
◀ (reverse play) button  
▶ (forward play) button  
⏏ PAUSE button  
● REC MUTE (record muting) button ②  
● REC (record) button
- 16 SKIP button ① ② ③
- 17 Cassette buttons ① ② ③
- 18 HEADPHONES jack (stereo phone jack)
- 19 DIRECTION mode switch ① ②
- 20 TIMER switch ②

\*Remote control sensor  
You can remotely control this cassette deck with:  
— A remote commander that came with a Sony amplifier or receiver if it has the mark and cassette deck control capability.  
— An optional Sony remote commander with the mark and cassette deck control capability.

### Remote Commander

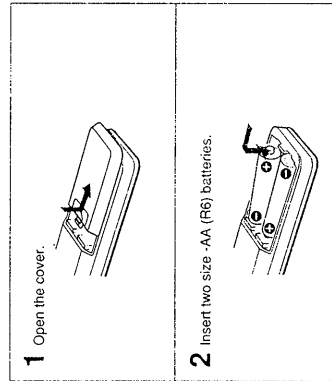


The controls on the remote commander are identical in function and operation to those with the same name on the main unit.

For details, refer to the page number indicated in ●

- 1 OPEN/CLOSE button
- 2 SHUFFLE button ①
- 3 COUNTER buttons ①
- 4 BLANK SKIP button ①
- 5 CASSETTE buttons ① ② ③ ④
- 6 SKIP button ① ② ③
- 7 ALL REW (rewind) button ①
- 8 Tape operation buttons
- 9 CD SYNCHRO buttons ① for synchronized recording with a Sony CD player
- 10 CD (Compact Disc) buttons  
SKIP button  
⏏ (pause) button  
◀ / ▶ buttons for locating selections sequentially

### Installing Batteries into the Remote Commander



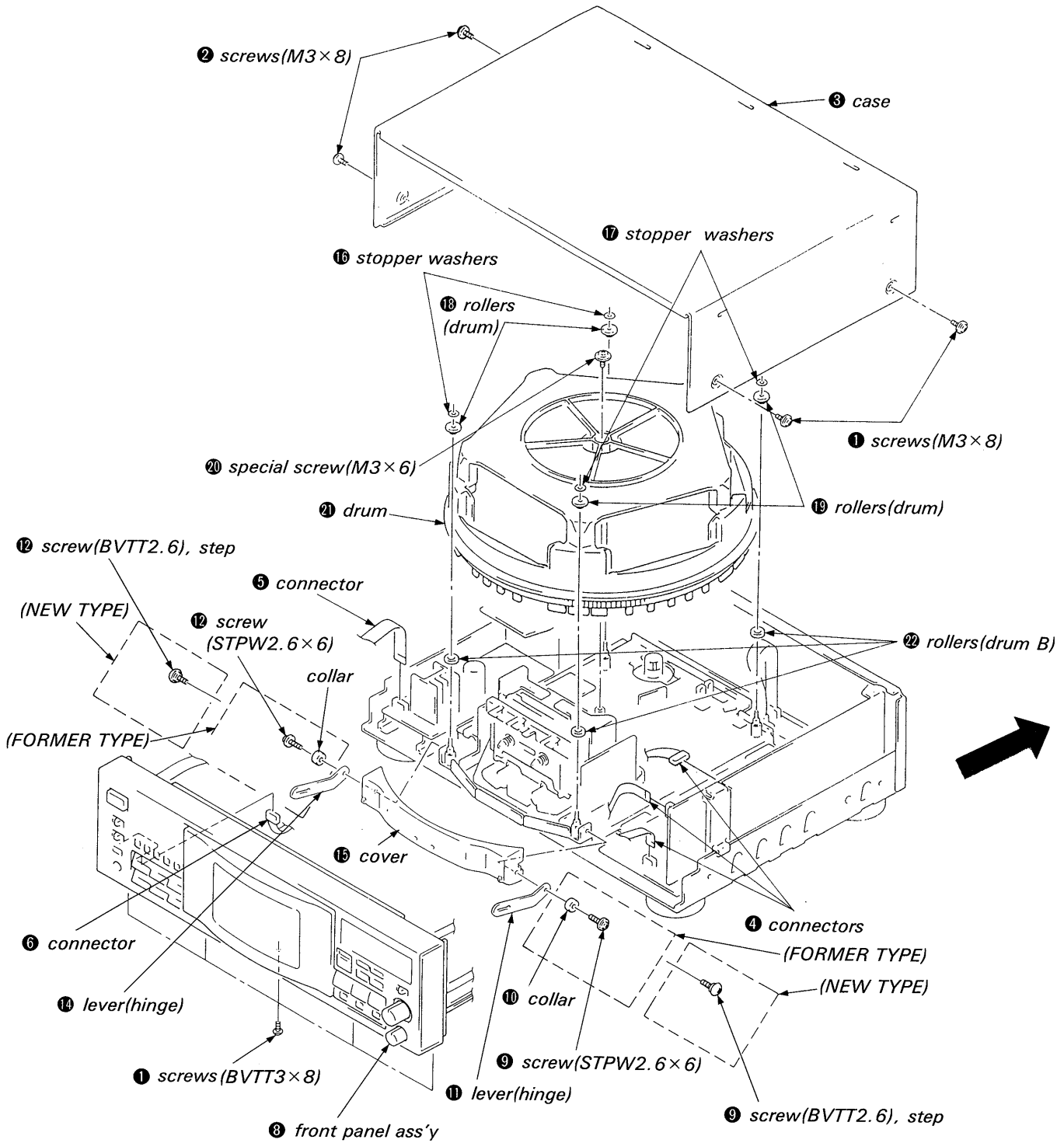
**On battery life**  
• About half a year of normal operation can be expected when using the Sony SUM-3(NS) batteries.  
• When the batteries are run down, the remote commander will not operate the unit. In this case, replace both batteries with new ones.

**On handling**  
• Keep the commander away from extremely hot or humid places.  
• Avoid dropping any foreign objects into the commander casing, particularly when replacing the batteries.  
• Avoid exposing the remote sensor to direct sunlight or lighting apparatus. Such exposure can cause a malfunction.  
• To avoid damage caused by battery leakage and corrosion, remove the batteries when the commander will not be used for a long time.

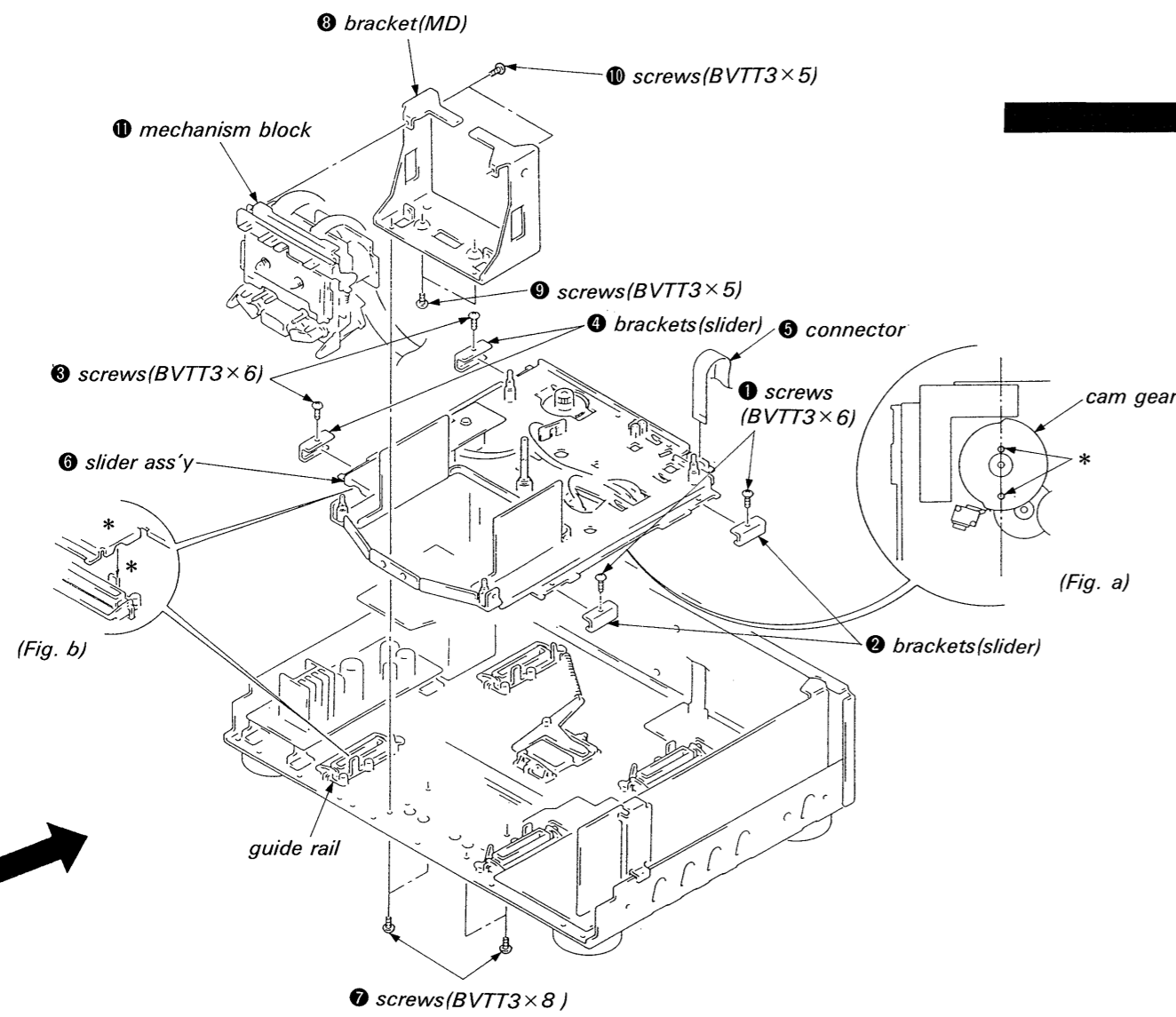
## SECTION 2 DISASSEMBLY

NOTE : Follow the disassembly procedure in the numerical order given.

### DRUM



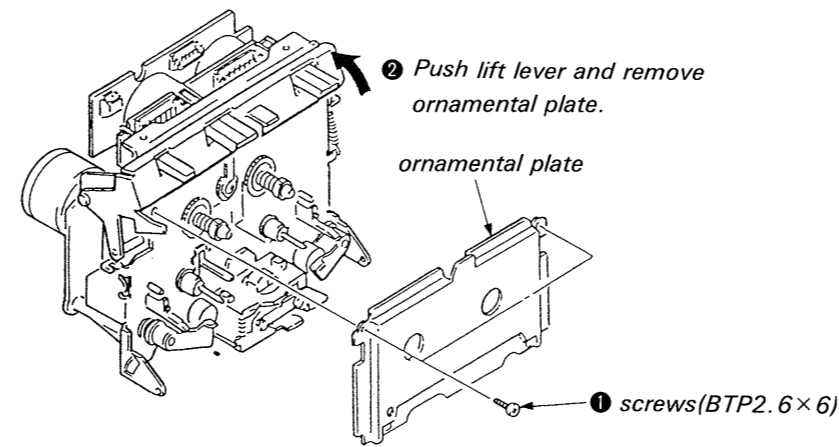
MECHANISM BLOCK



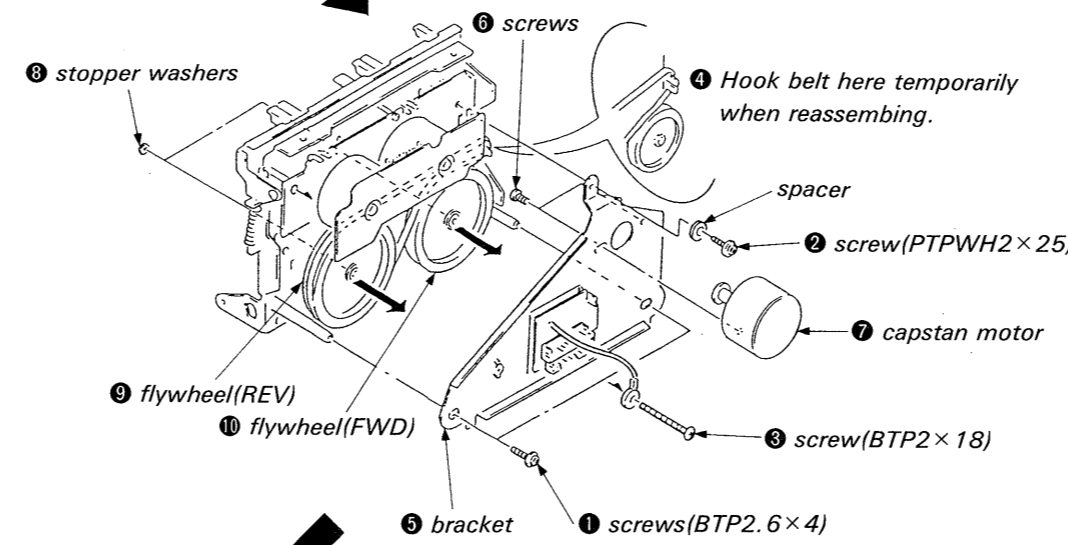
(Installation)

1. Rotate the cam gear so that two bosses marked with \* are aligned as shown in Fig. a.
2. Insert the shaft into guide rail while aligning a notched face marked with \* with the end face marked with \* of guide rail as shown in Fig. b.

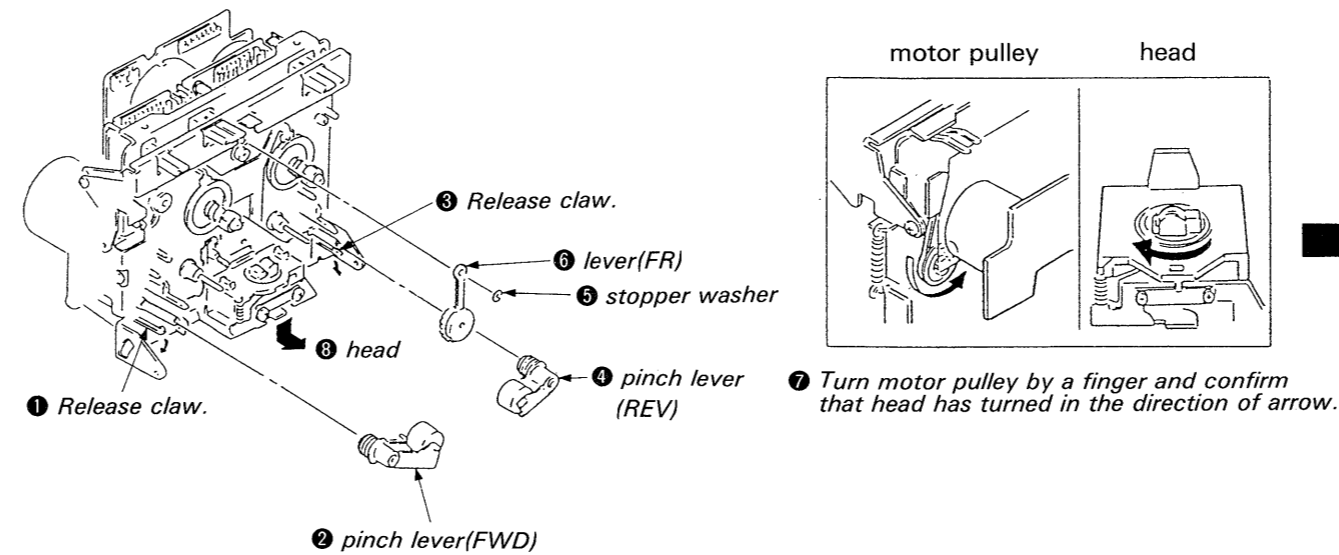
ORNAMENTAL PLATE



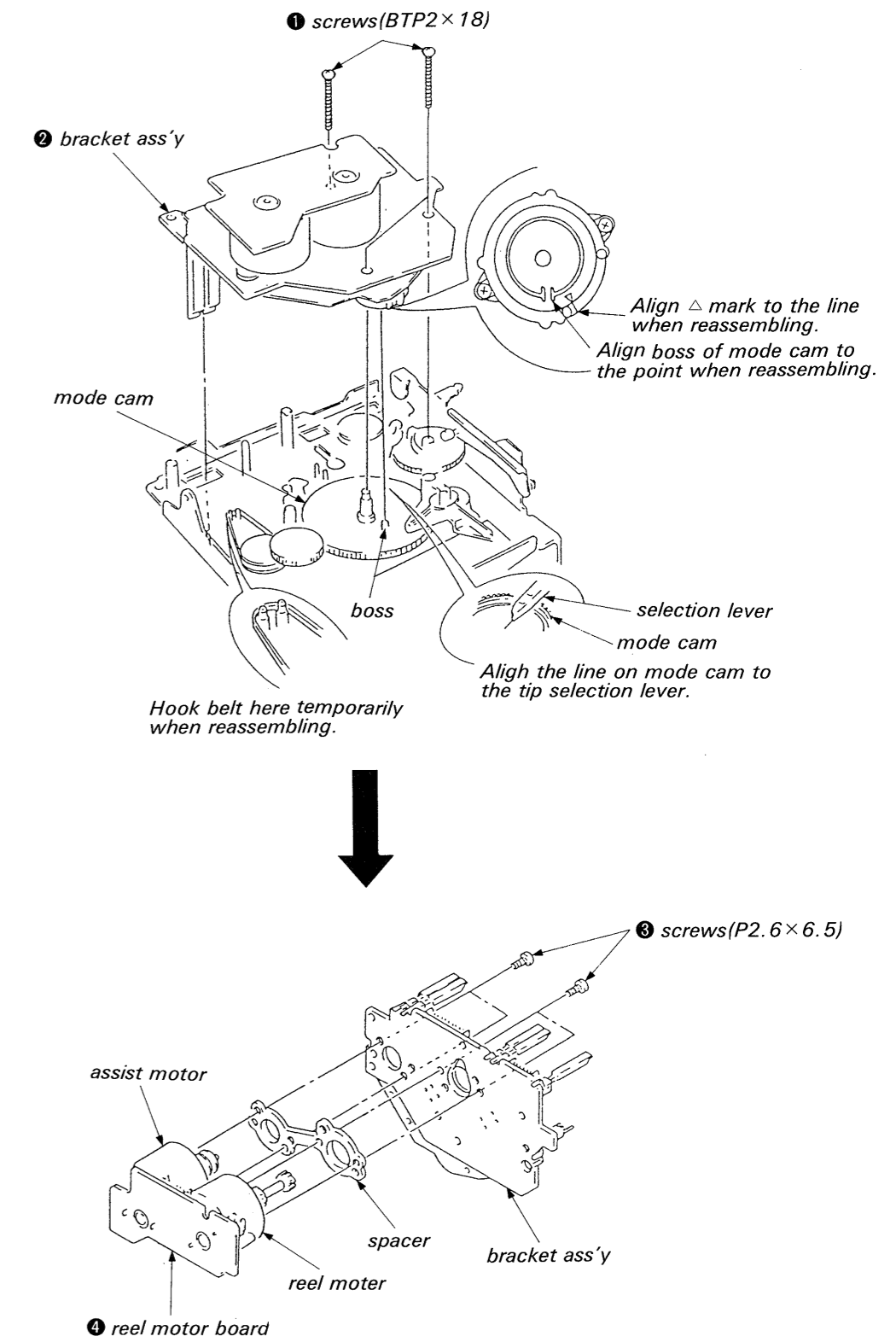
CAPSTAN MOTOR/FLYWHEEL



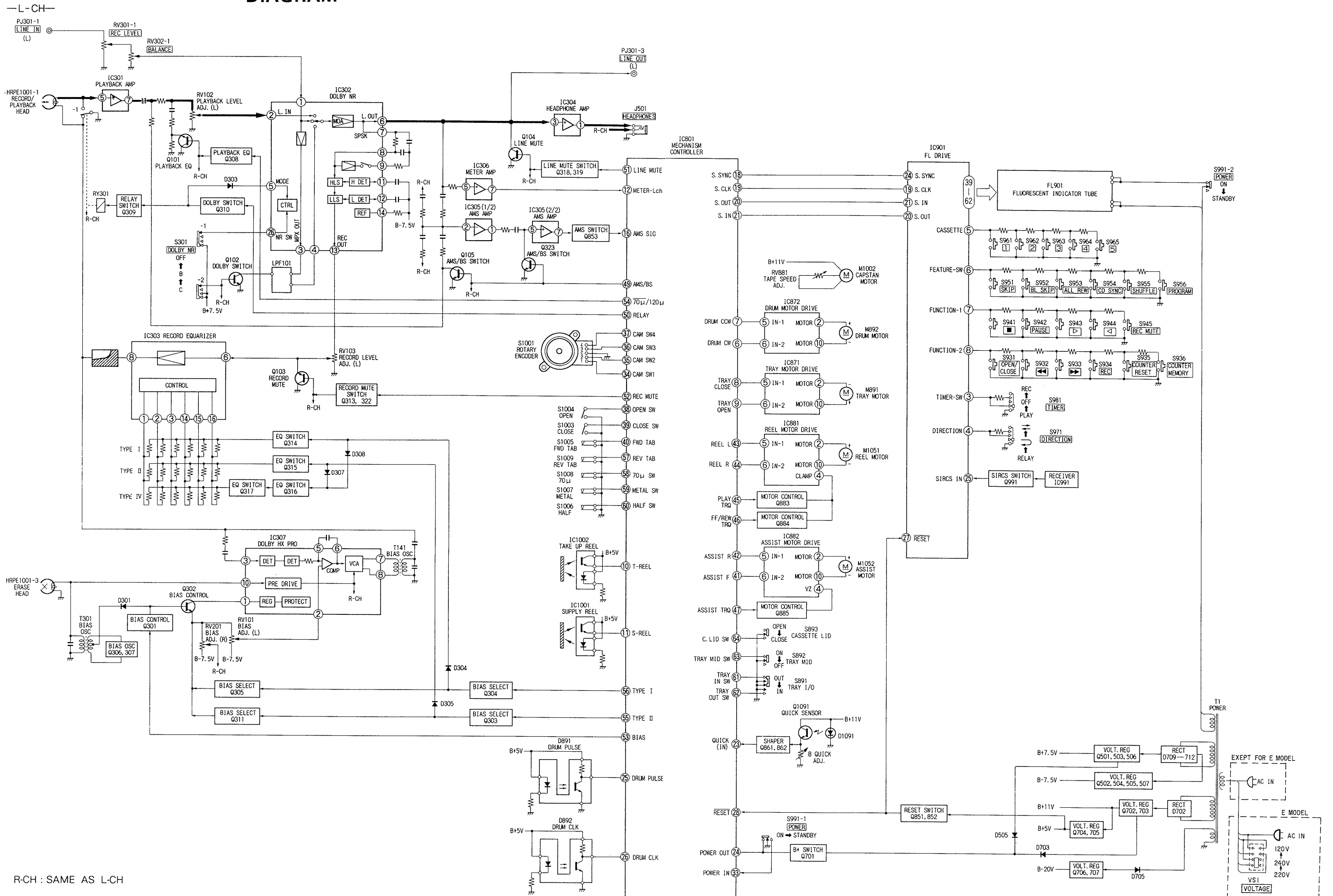
PINCH LEVER/HEAD



REEL AND ASSIST MOTORS



SECTION 3  
DIAGRAM







# SECTION 4 MECHANISM OPERATION

## 1. IN THIS UNIT, TWO MOTORS FOR DRUM AND TRAY ROTATE THE DRUM AND OPEN/CLOSE THE TRAY.

Before explanation of each operation, main mechanical part names and electrical part names are described.

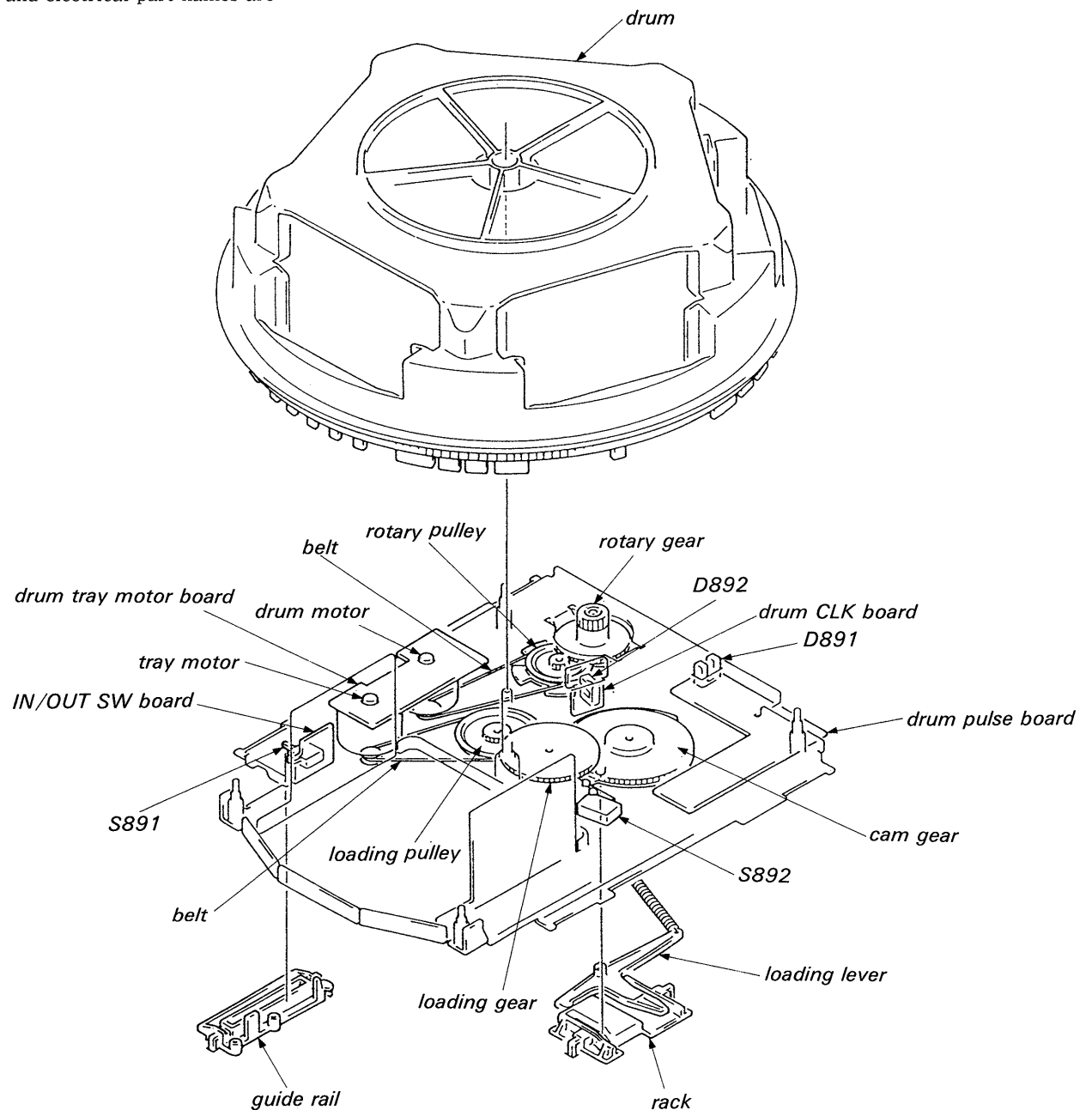


Fig. 1

**2. DRUM ROTATION**

Drum is driven by the drum motor. As shown in Fig. 2, the drum motor rotates the pulley and rotary gear via belt to rotate the drum.

**DETECTION OF CASSETTE HOLDER POSITION**

The D891 on the drum pulse board detects the cassette holder position by detecting a slit in the bottom of drum. Holder rotation stop position is detected at the position shown with arrow in Fig. 3, and holder number is detected at A position.

The D892 on the drum CLK board detects the drum motor rotation pulses to control the slit detection by D891. Thus, the motor control is executed by double detections.

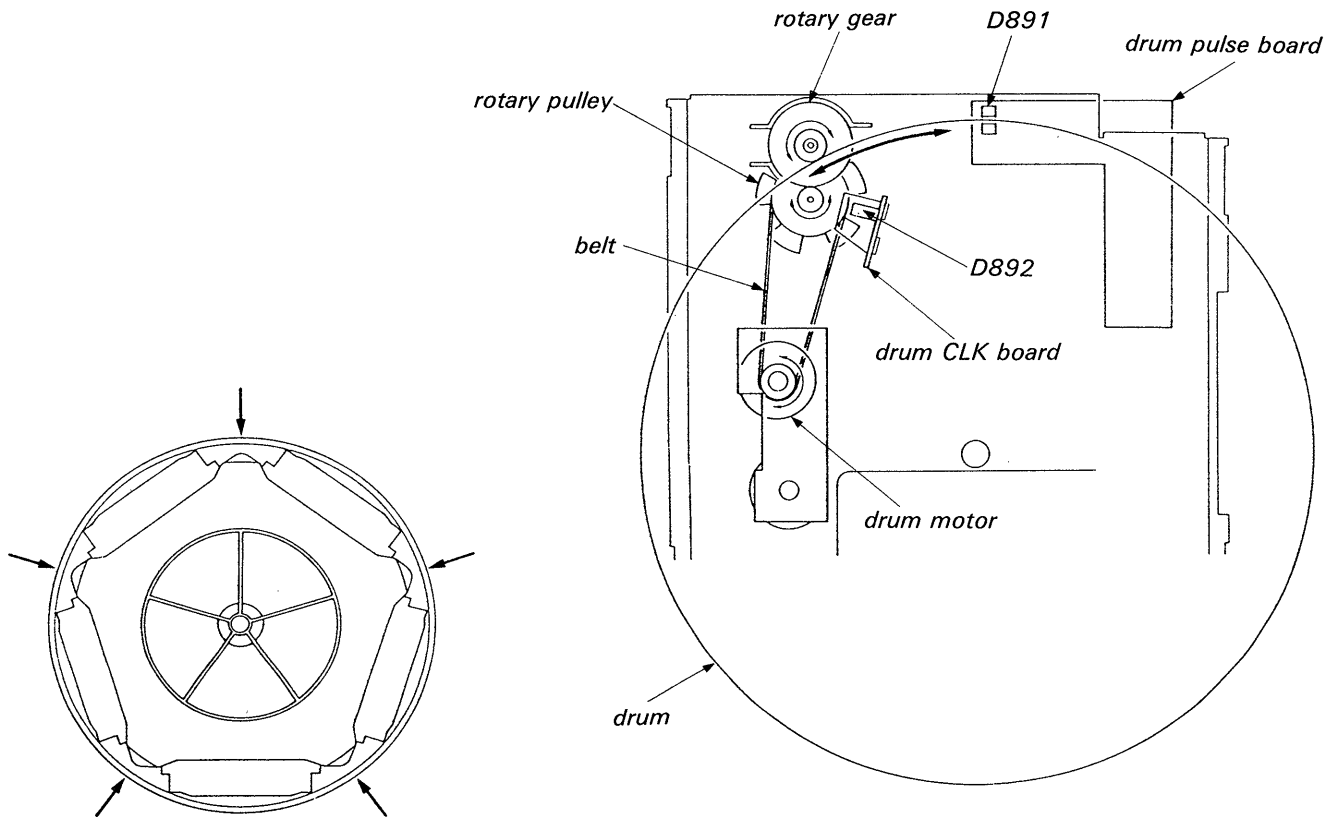


Fig. 2

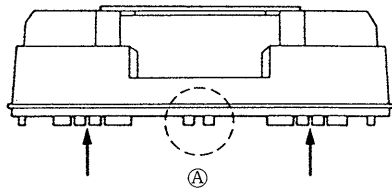
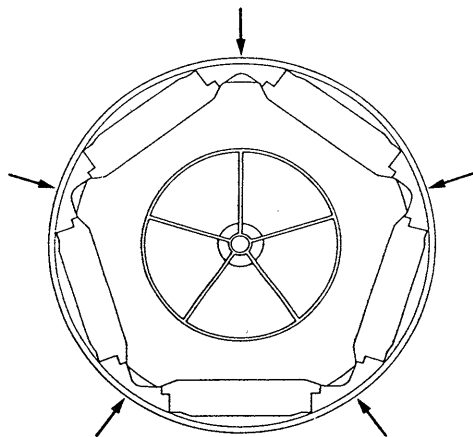


Fig. 3

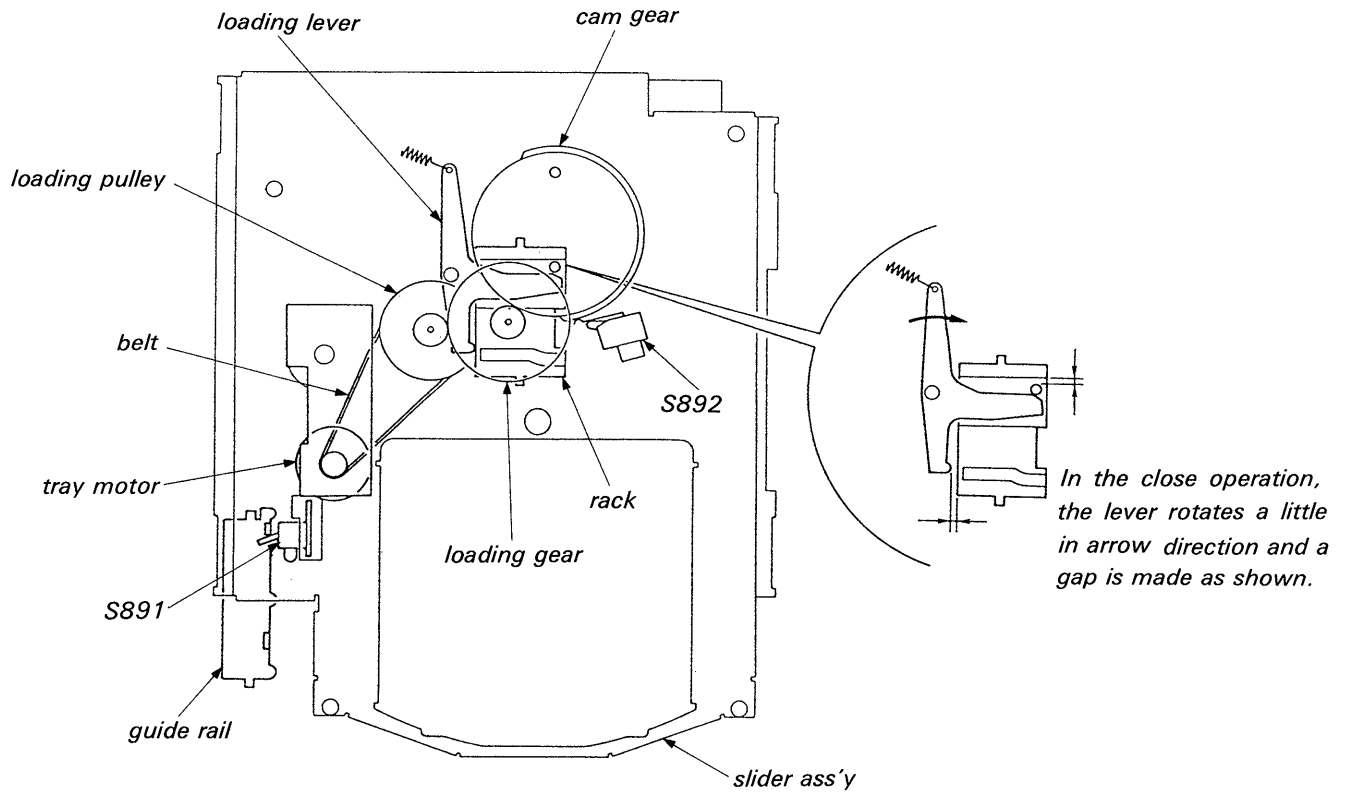


Fig. 4

### 3. OPEN/CLOSE OPERATION

Fig. 4 shows a close state. Operation from this state to the point where the drum can start to rotate is described below. (Fig. 5)

- (1) The tray motor rotates in arrow direction and the loading pulley rotates in arrow direction via belt.
- (2) Rotation of loading pulley drives the cam gear in arrow direction via loading gear.
- (3) Two bosses of cam gear and rack transform cam gear rotation into linear motion of Slider ass'y.
- (4) S892 detects completion of slider ass'y.

The close operation is performed reversely to the above operation and S891 detects completion of close operation. (Fig. 4)

### 4. OPEN

- (1) Motor, pulley and gear perform the same operation as that up to the position where the drum can start to rotate.
- (2) S891 detects completion of operation by means of guide rail. (Fig. 6)

The close operation is performed reversely to the above operation and S891 detects completion of close operation. (Fig. 4)

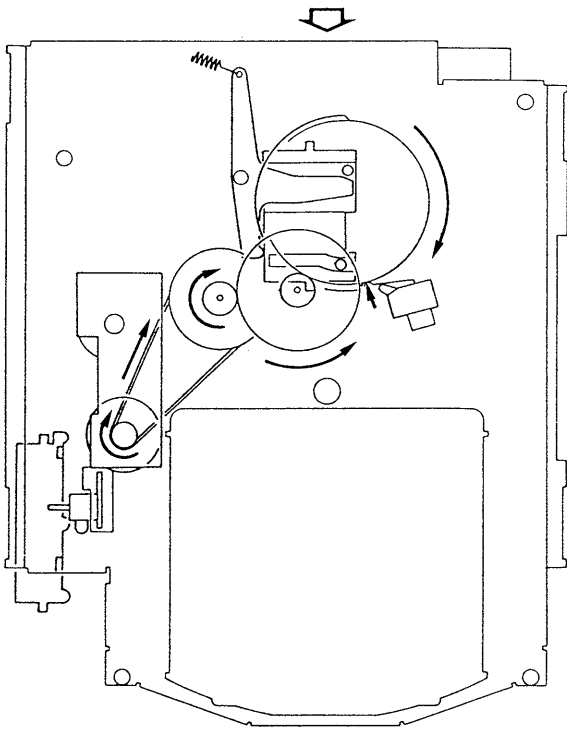


Fig. 5

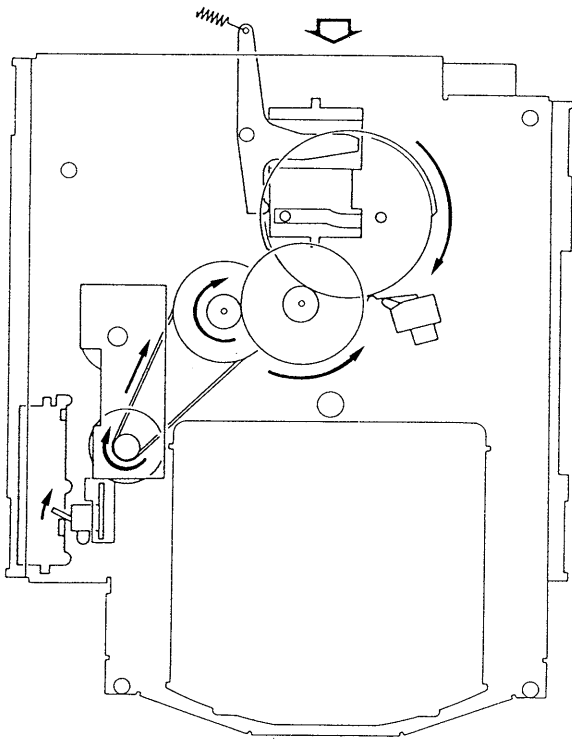


Fig. 6

## SECTION 5 ADJUSTMENTS

### 5-1. MECHANICAL ADJUSTMENTS

**PRECAUTION**

1. Clean the following parts with a denatured-alcohol-moistened swab :
  - record/playback/erase head
  - pinch roller
  - rubber belts
  - capstan
  - idler
2. Demagnetize the record/playback head with a head demagnetizer.
3. Do not use a magnetized screwdriver for the adjustments.
4. After the adjustments, apply suitable locking compound to the parts adjusted.
5. The adjustments should be performed in the rated power supply voltage unless otherwise noted.

#### Torque Measurement

| Torque              | Torque meter | Meter reading                        |
|---------------------|--------------|--------------------------------------|
| FWD                 | CQ-102C      | 30 - 60g · cm (0.42 - 0.83oz · inch) |
| FWD<br>Back tension | CQ-102C      | 1 - 5g · cm (0.014 - 0.063oz · inch) |
| REV                 | CQ-102RC     | 30 - 60g · cm (0.42 - 0.83oz · inch) |
| REV<br>Back tension | CQ-102RC     | 1 - 5g · cm (0.014 - 0.063oz · inch) |
| FF, REW             | CQ-201B      | 65 - 100g · cm (0.9 - 1.39oz · inch) |

### 5-2. ELECTRICAL ADJUSTMENTS

**Note :** The adjustment should be performed in the order given in the service manual. As a rule, adjustments about playback should be performed before those about recording. The adjustments should be performed for both L-CH and R-CH.

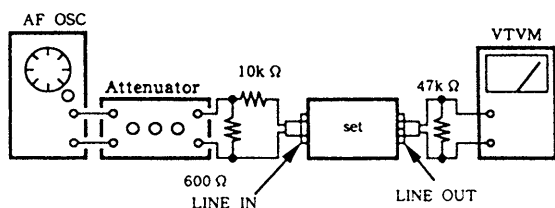
- Switches and controls should be set as follows unless otherwise specified.

DOLBY NR switch : OFF  
 DIRECTION switch :  $\rightleftarrows$   
 TIMER switch : OFF

- Standard Record :

Deliver the standard input signal level to the input jack and set the REC LEVEL control to obtain the standard output signal level.

—Record Mode—



#### Standard Input Level

|                  |               |
|------------------|---------------|
| input terminal   | LINE IN       |
| source impedance | 10k Ω         |
| input level      | 0.25V (-10dB) |

#### Standard Output Level

|                 |              |
|-----------------|--------------|
| output terminal | LINE OUT     |
| load impedance  | 47k Ω        |
| output level    | 0.44V (-5dB) |

#### Test tape

| Type       | Signal       | Used for  |
|------------|--------------|---|
| P-4 · A100 | 10kHz, -10dB | Azimuth Adjustment  |
| P-4 · L300 | 315Hz, 0dB   | PB Level Adjustment   |
| WS-48B     | 3kHz, 0dB    | Tape Speed Adjustment   |
| CS-123     | -----        | Record Bias,<br>Record Level and<br>Quick Reverse<br>Sensitivity Adjustment |
| CS-413     | -----        | Bias Consumption<br>Current Adjustment                                      |

0dB = 0.775V

- The set will get into TEST MODE by shorting the pins of TP801 (TEST) pins 2 and 3 on SYSTEM CONTROL board before turning the power on, and TEST MODE functions as follows :
- Remove a short pin after electrical adjustment is finished.

1. Source monitor

Cancels muting of line signal while recording.

2. Record memory stop

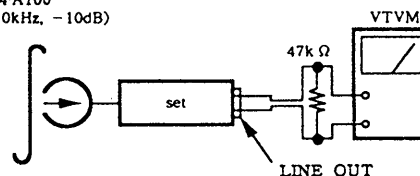
When starting recording, tape counter is reset to zero and counter memory turned on.

#### Record/Playback/Erase Head Azimuth Adjustment

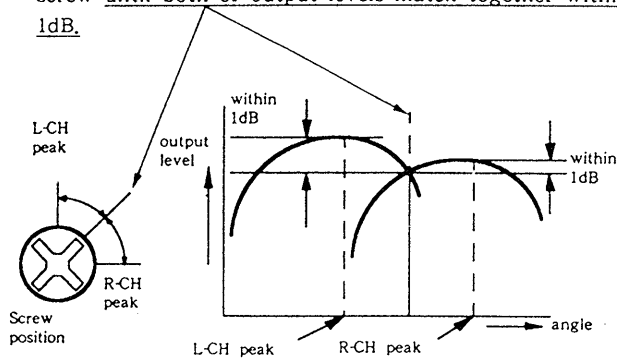
##### Procedure :

1. Mode : FWD playback

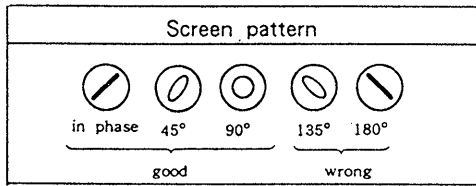
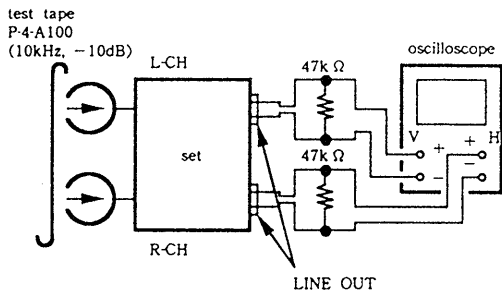
Test tape  
P-4-A100  
(10kHz, -10dB)



- Turn the adjustment screw for the maximum output levels. If these levels do not match, turn the adjustment screw until both of output levels match together within 1dB.

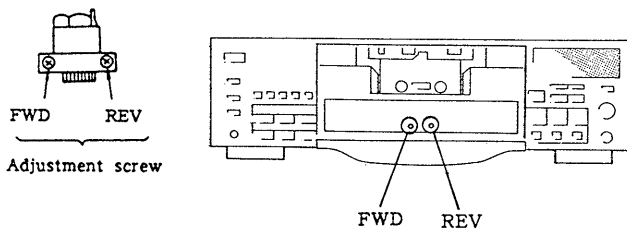


- Phase Check  
Mode : playback



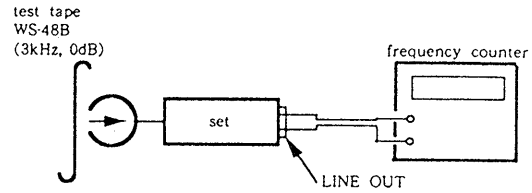
- Set in the REV mode and repeat the step 1-3.
- After the adjustment, lock the screws with locking compound.

Adjustment Location : Record / Playback / Erase head



### Tape Speed Adjustment

- Procedure :  
Mode : playback



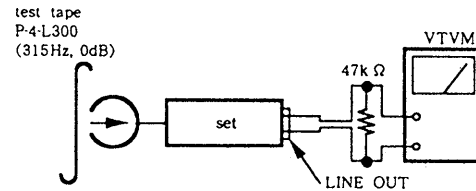
- Set to FWD playback mode.
- Adjust RV881 on SYSTEM CONTROL board so that the frequency counter reading becomes  $3,000 \pm 15\text{Hz}$ .

Frequency difference between the beginning and the end of the tape should be within 3%.

Adjustment Location : SYSTEM CONTROL board (See page 20.)

### Playback Level Adjustment

- Procedure :  
Mode : playback



Adjust RV102 (L-ch) and RV202 (R-ch) for so that the reading on VTVM meets the adjustment limits below.

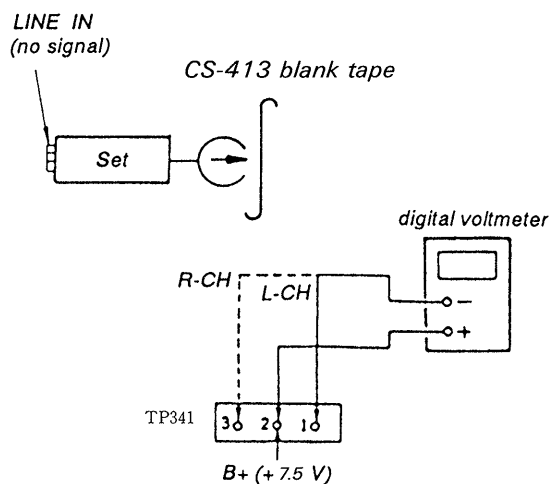
Adjustment Value :  $-7.7\text{dB} \pm 0.5\text{dB}$  (0.3 to 0.34V)

Level difference between channels : less than 0.5dB  
Check that the LINE OUT level does not change even if Playback and Stop operation is repeated several times.

Adjustment Location : AUDIO board (See page 20.)

### Bias Consumption Current Adjustment

**Procedure:**



1. Set RV101 and RV201 to mechanical center and turn the set recording mode.
2. Connect digital voltmeter as shown by the following table.
3. Adjust the following transformers for the minimum readings on the digital voltmeter.

|      | Mesurement Point | Adjustment Part | Value                  |
|------|------------------|-----------------|------------------------|
| L-ch | ② and ①, TP341   | T141            | not more than<br>130mV |
| R-ch | ② and ③ TP341    | T241            |                        |

**Adjustment Location :** AUDIO board (See page 20.)

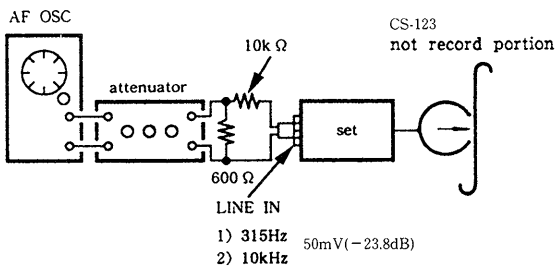
### Record Bias Adjustment

**Setting :**

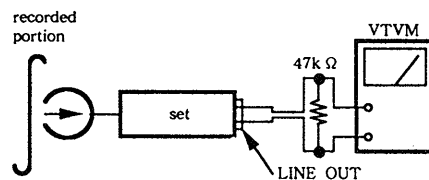
REC LEVEL control : standard Record (See page 17.)  
 TP801(TEST)pins 2 and 3 : short

**Procedure :**

1. Mode : record



2. Mode : playback



Playback the signal recorded in step 1.  
 Confirm that the 10kHz playback output is  $0 \pm 0.5\text{dB}$  relative to the 315Hz output. If necessary, adjust RV101 (L-ch) and RV201 (R-ch) for repeat the steps given above.

**Adjustment Location :** AUDIO board (See page 20.)

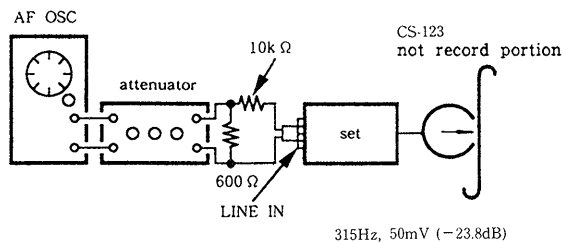
### Record Level Adjustment

**Setting :**

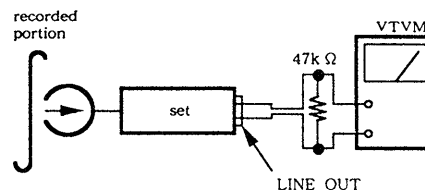
REC LEVEL control : Standard Record (See page 17.)  
 TP801(TEST)pins 2 and 3 : short

**Procedure :**

1. Mode : record



2. Mode : playback



3. Playback the signal recorded in step1.  
 Confirm that the signal level is within the adjustment limits below.  
 If necessary, adjust RV103 (L-ch) and RV203 (R-ch) repeat the step1-2.

Adjustment Value :  $-23.8\text{dB} \pm 0.5\text{dB}$  (53 to 47.2mV)

**Adjustment Location :** AUDIO board (See page 20.)

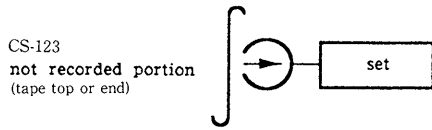


**Quick Reverse Sensitivity Adjustment**

**Conditions :**

DIRECTION MODE switch :  $\rightleftarrows$

**Adjustment procedure :**

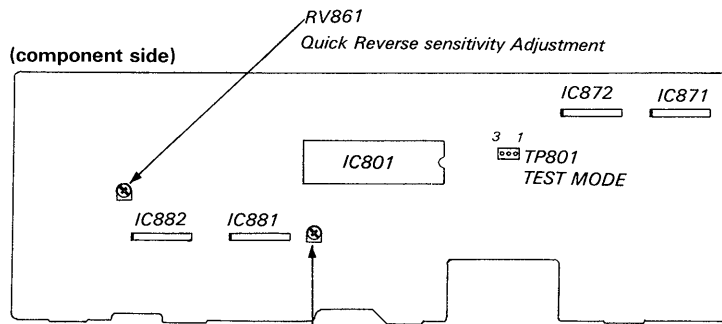


1. Connect the digital voltmeter to test point TP861.
2. Load CS-123 tape cassette and playback the leading portion in FWD mode.
3. Adjust the RV861 for  $4.5 \pm 0.5V$  reading on the digital voltmeter.
4. Playback CS-123 tape cassette in FWD mode again.
5. Confirm that the reading on the digital voltmeter is "L" level at the magnetic portion of the tape.
6. Confirm that the tape stop around the tape end (border of the leading and the magnetic portions).

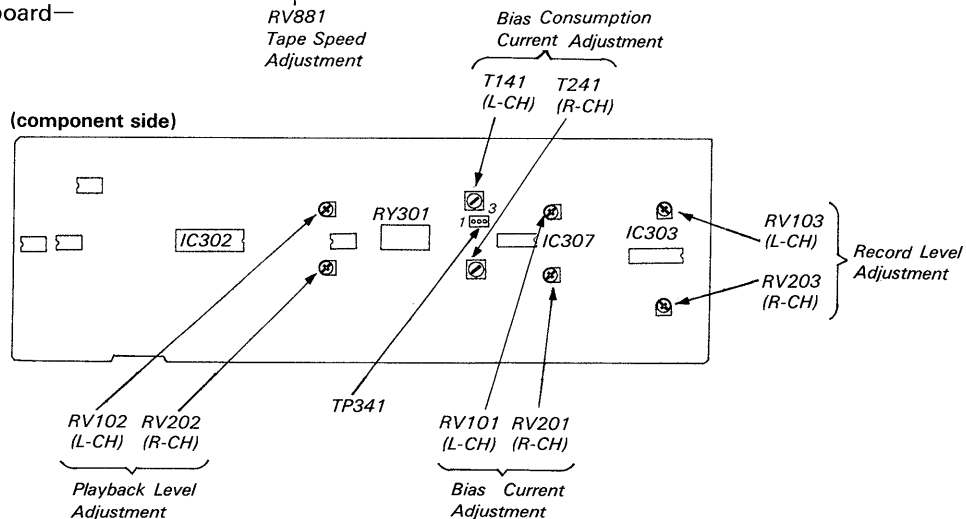
**Adjustment Location :** SYSTEM CONTROL board

**Adjustment Parts Location Diagram**

—SYSTEM CONTROL board—



—AUDIO board—



**SECTION 6  
DIAGRAMS**

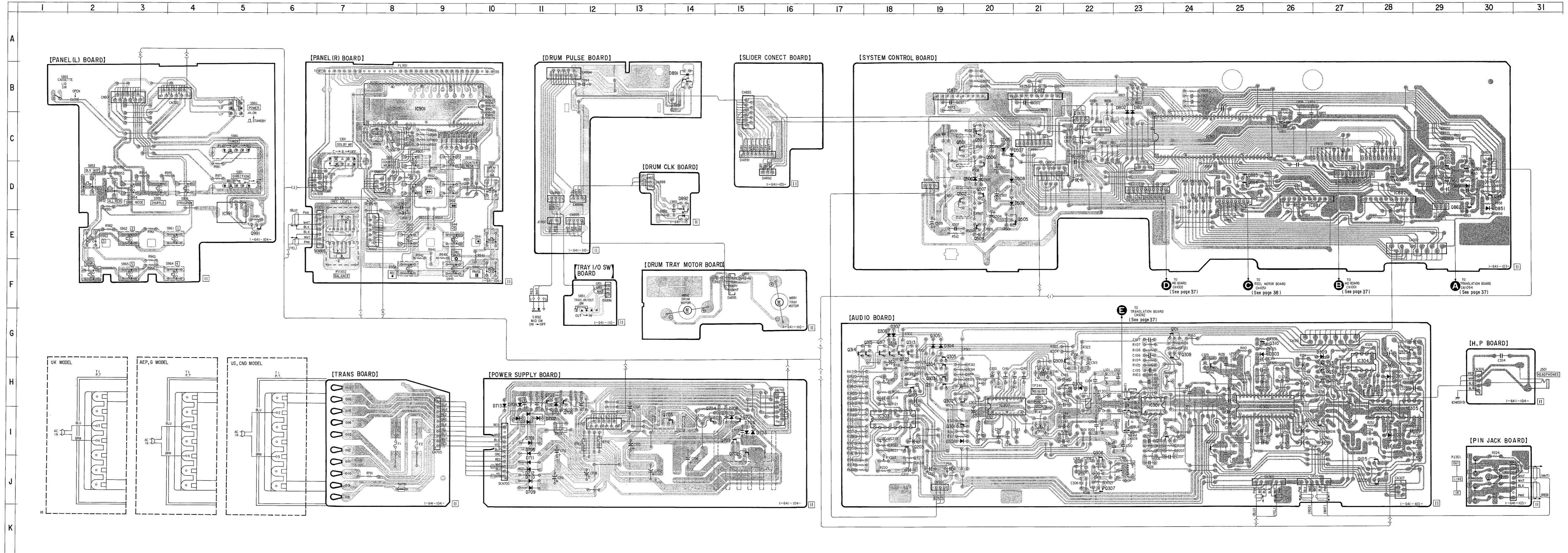
**6-1. PRINTED WIRING BOARDS—AUDIO/SYSTEM CONTROL Section FORMER TYPE—  
(TC-C5 US, Canadian, AEP, Germany, UK model)**

• See page 33, 40 for Circuit Boards Location and Semiconductor Lead Layouts.

**Note:**  
 ○ — : parts extracted from the component side.  
 ◐ : Pattern on the side which is seen.  
 ● CND: Canadian  
 ● G: Germany

● Semiconductor Location

| Ref. No. | Location | Ref. No. | Location |
|----------|----------|----------|----------|
| D101     | H-28     | Q101     | G-24     |
| D201     | I-28     | Q102     | H-24     |
| D301     | I-19     | Q103     | H-18     |
| D302     | H-22     | Q104     | H-27     |
| D303     | G-25     | Q105     | J-28     |
| D304     | G-19     | Q201     | I-24     |
| D305     | G-19     | Q202     | I-24     |
| D307     | G-18     | Q203     | I-18     |
| D308     | G-18     | Q204     | I-27     |
| D309     | G-27     | Q205     | J-28     |
| D505     | C-20     | Q301     | I-19     |
| D506     | D-20     | Q302     | H-19     |
| D507     | C-20     | Q303     | H-19     |
| D508     | D-20     | Q304     | H-19     |
| D509     | D-20     | Q305     | G-19     |
| D701     | I-11     | Q306     | J-22     |
| D702     | I-11     | Q307     | J-22     |
| D703     | I-15     | Q308     | G-24     |
| D704     | I-15     | Q309     | H-22     |
| D705     | I-11     | Q310     | G-25     |
| D706     | I-15     | Q311     | H-19     |
| D707     | H-11     | Q313     | G-18     |
| D708     | H-11     | Q314     | G-17     |
| D709     | J-11     | Q315     | G-18     |
| D710     | J-11     | Q316     | G-18     |
| D711     | J-11     | Q317     | G-18     |
| D712     | J-11     | Q318     | H-27     |
| D713     | H-10     | Q319     | H-27     |
| D801     | B-23     | Q322     | G-18     |
| D802     | B-23     | Q323     | G-28     |
| D851     | D-30     | Q501     | C-19     |
| D861     | D-30     | Q502     | D-19     |
| D891     | B-14     | Q503     | C-20     |
| D892     | D-14     | Q504     | E-20     |
|          |          | Q505     | E-20     |
| IC301    | H-23     | Q506     | C-20     |
| IC302    | H-25     | Q507     | D-20     |
| IC303    | I-18     | Q701     | I-15     |
| IC304    | H-28     | Q702     | I-15     |
| IC305    | I-28     | Q703     | I-15     |
| IC306    | I-28     | Q704     | I-14     |
| IC307    | H-20     | Q705     | I-14     |
| IC801    | C-24     | Q706     | H-12     |
| IC871    | B-19     | Q707     | H-11     |
| IC872    | B-21     | Q851     | D-29     |
| IC881    | D-26     | Q852     | D-29     |
| IC882    | D-28     | Q853     | D-30     |
| IC901    | B-9      | Q861     | D-30     |
| IC991    | D-5      | Q862     | D-30     |
|          |          | Q883     | D-25     |
|          |          | Q884     | D-25     |
|          |          | Q885     | D-28     |
|          |          | Q991     | E-5      |



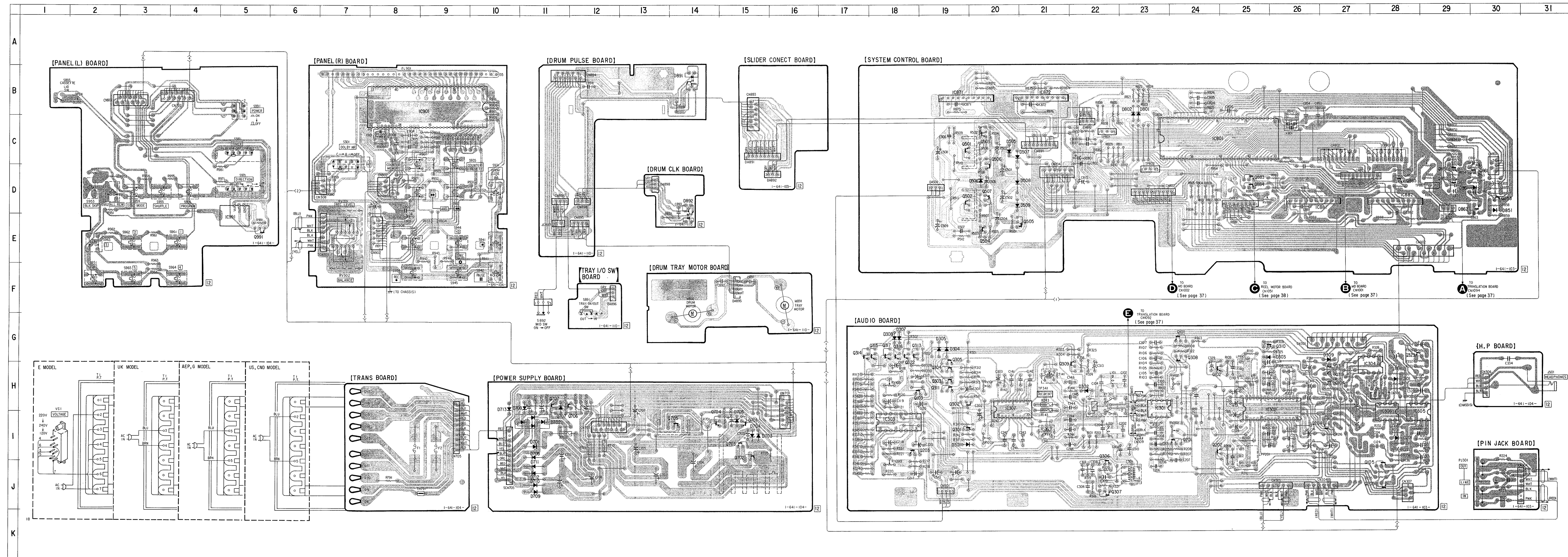
6-2. PRINTED WIRING BOARDS—AUDIO/SYSTEM CONTROL Section NEW TYPE—  
(TC-C5/TC-C521)

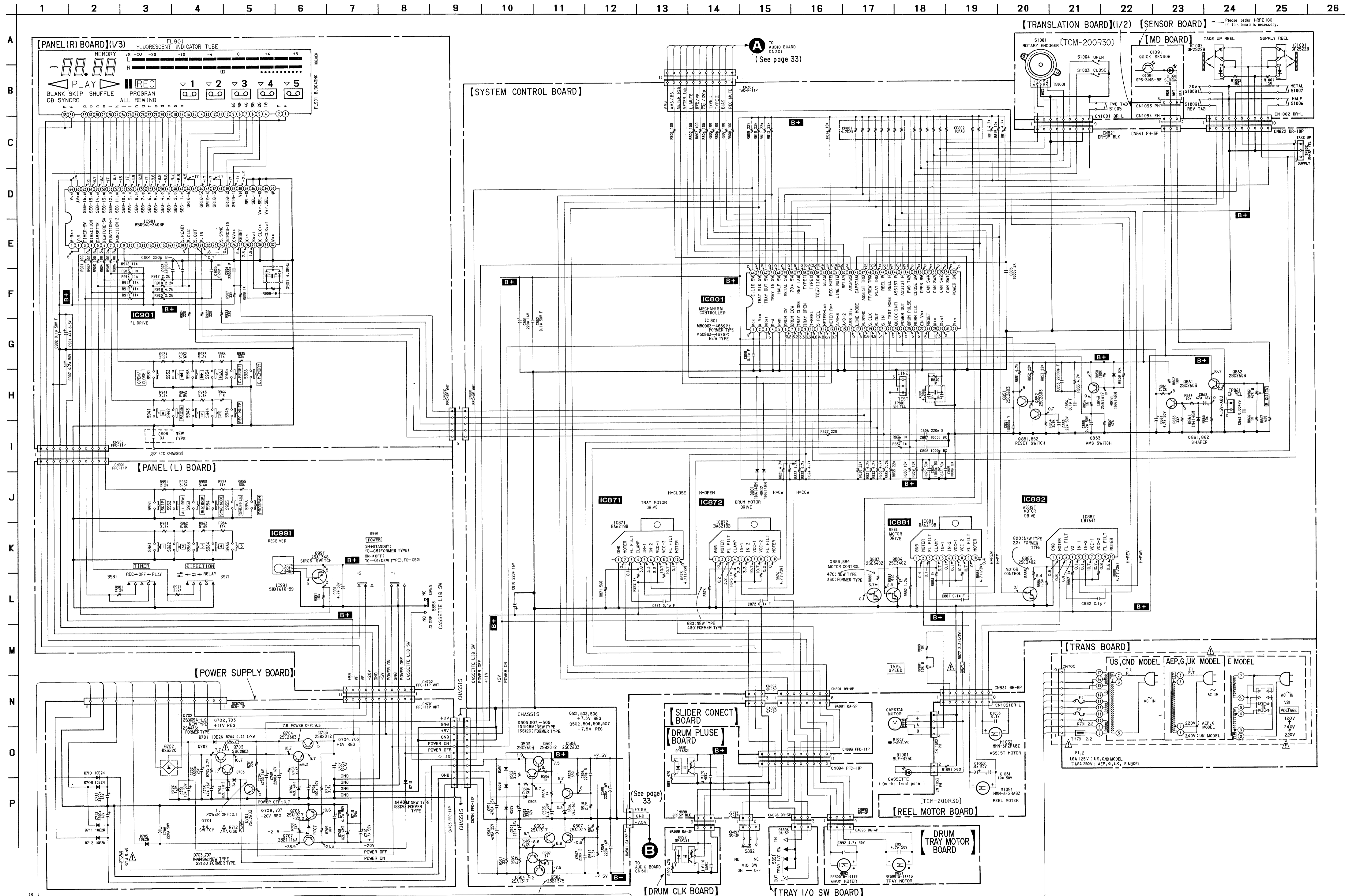
• See page 33, 40 for Circuit Boards Location and Semiconductor Lead Layouts.

Note:  
 ○ : parts extracted from the component side.  
 ● : Pattern on the side which is seen.  
 CND : Canadian  
 G : Germany

● Semiconductor Location

| Ref. No. | Location | Ref. No. | Location |
|----------|----------|----------|----------|
| D101     | H-28     | Q101     | G-24     |
| D201     | I-28     | Q102     | H-24     |
| D301     | I-19     | Q103     | H-18     |
| D302     | H-22     | Q104     | H-27     |
| D303     | G-25     | Q105     | J-28     |
| D304     | G-19     | Q201     | I-24     |
| D305     | G-19     | Q202     | I-24     |
| D307     | G-18     | Q203     | I-18     |
| D308     | G-18     | Q204     | I-27     |
| D309     | G-27     | Q205     | J-28     |
| D505     | C-20     | Q301     | I-19     |
| D506     | D-20     | Q302     | H-19     |
| D507     | C-20     | Q303     | H-19     |
| D508     | D-20     | Q304     | H-19     |
| D509     | D-20     | Q305     | G-19     |
| D701     | I-11     | Q306     | J-22     |
| D702     | I-11     | Q307     | J-22     |
| D703     | I-15     | Q308     | G-24     |
| D704     | I-15     | Q309     | H-22     |
| D705     | I-11     | Q310     | G-25     |
| D706     | I-15     | Q311     | H-19     |
| D707     | H-11     | Q313     | G-18     |
| D708     | H-11     | Q314     | G-17     |
| D709     | J-11     | Q315     | G-18     |
| D710     | J-11     | Q316     | G-18     |
| D711     | J-11     | Q317     | G-18     |
| D712     | J-11     | Q318     | H-27     |
| D713     | H-10     | Q319     | H-27     |
| D801     | B-23     | Q322     | G-18     |
| D802     | B-23     | Q323     | G-28     |
| D851     | D-30     | Q501     | C-19     |
| D861     | D-30     | Q502     | D-19     |
| D891     | B-14     | Q503     | C-20     |
| D892     | D-14     | Q504     | E-20     |
|          |          | Q505     | E-20     |
| IC301    | H-23     | Q506     | C-20     |
| IC302    | H-25     | Q507     | D-20     |
| IC303    | I-18     | Q701     | I-15     |
| IC304    | H-28     | Q702     | I-15     |
| IC305    | I-28     | Q703     | I-15     |
| IC306    | I-28     | Q704     | I-14     |
| IC307    | H-20     | Q705     | I-14     |
| IC801    | C-24     | Q706     | H-12     |
| IC871    | B-19     | Q707     | H-11     |
| IC872    | B-21     | Q851     | D-29     |
| IC881    | D-26     | Q852     | D-29     |
| IC882    | D-28     | Q853     | D-30     |
| IC901    | B-9      | Q861     | D-30     |
| IC991    | D-5      | Q862     | D-30     |
|          |          | Q883     | D-25     |
|          |          | Q884     | D-25     |
|          |          | Q885     | D-28     |
|          |          | Q991     | E-5      |





**Note:**

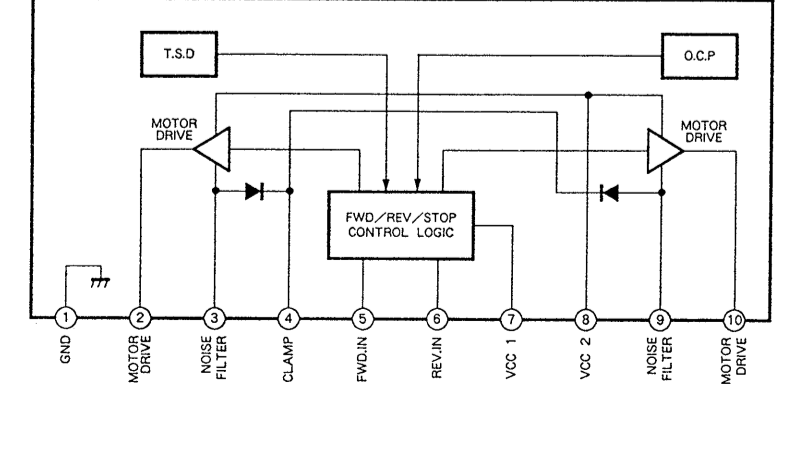
- All capacitors are in  $\mu\text{F}$  unless otherwise noted. pF:  $\mu\text{F}$  50WV or less are not indicated except for electrolytics and tantalums.
- All resistors are in  $\Omega$  and  $1/4\text{W}$  or less unless otherwise specified.
- % : indicates tolerance.
- $\Delta$  : internal component.
- $\sim$  : fusible resistor.

**Note:**  
The components identified by mark  $\Delta$  or dotted line with mark  $\Delta$  are critical for safety. Replace only with part number specified.

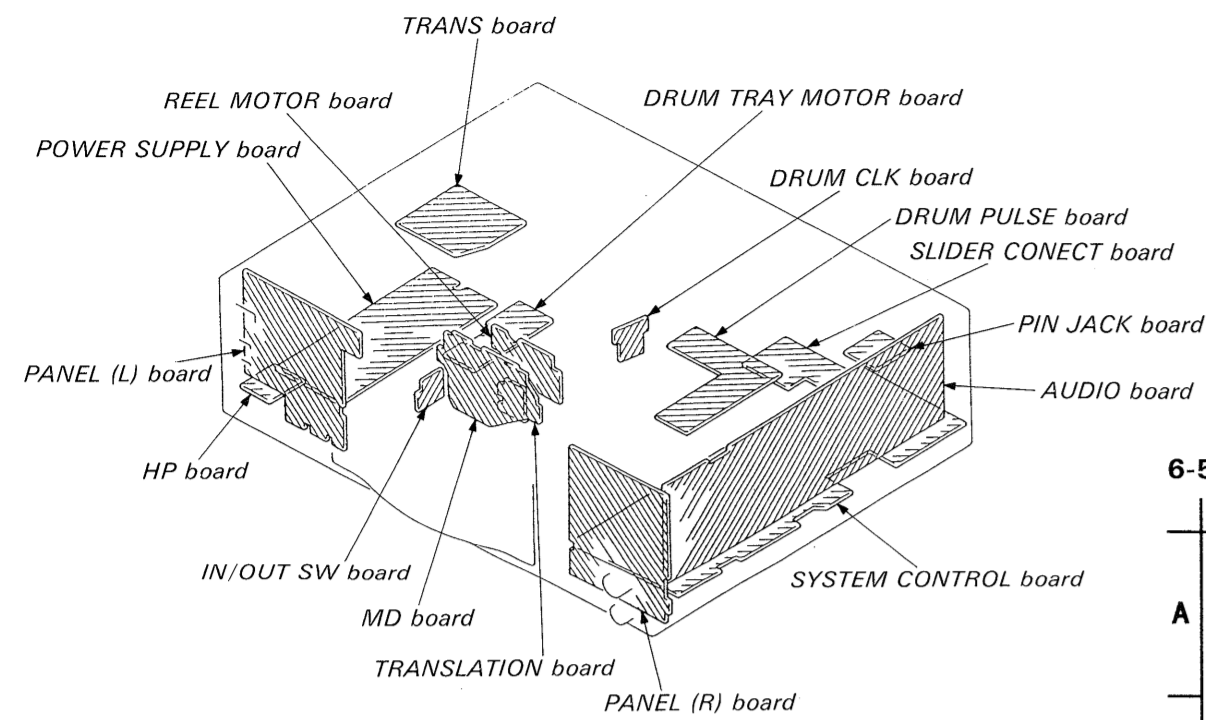
**Note:**  
Les composants identifiés par une marque  $\Delta$  sont critiques pour la sécurité. Ne les remplacer que par une pièce portant le numéro spécifié.

- B+** : B+ Line
- B-** : B- Line
- no mark: STOP
- Voltages are taken with a VOM (Input Impedance 10M $\Omega$ ). Voltage variations may be noted due to normal production tolerances.
- CND: Canadian
- G: Germany

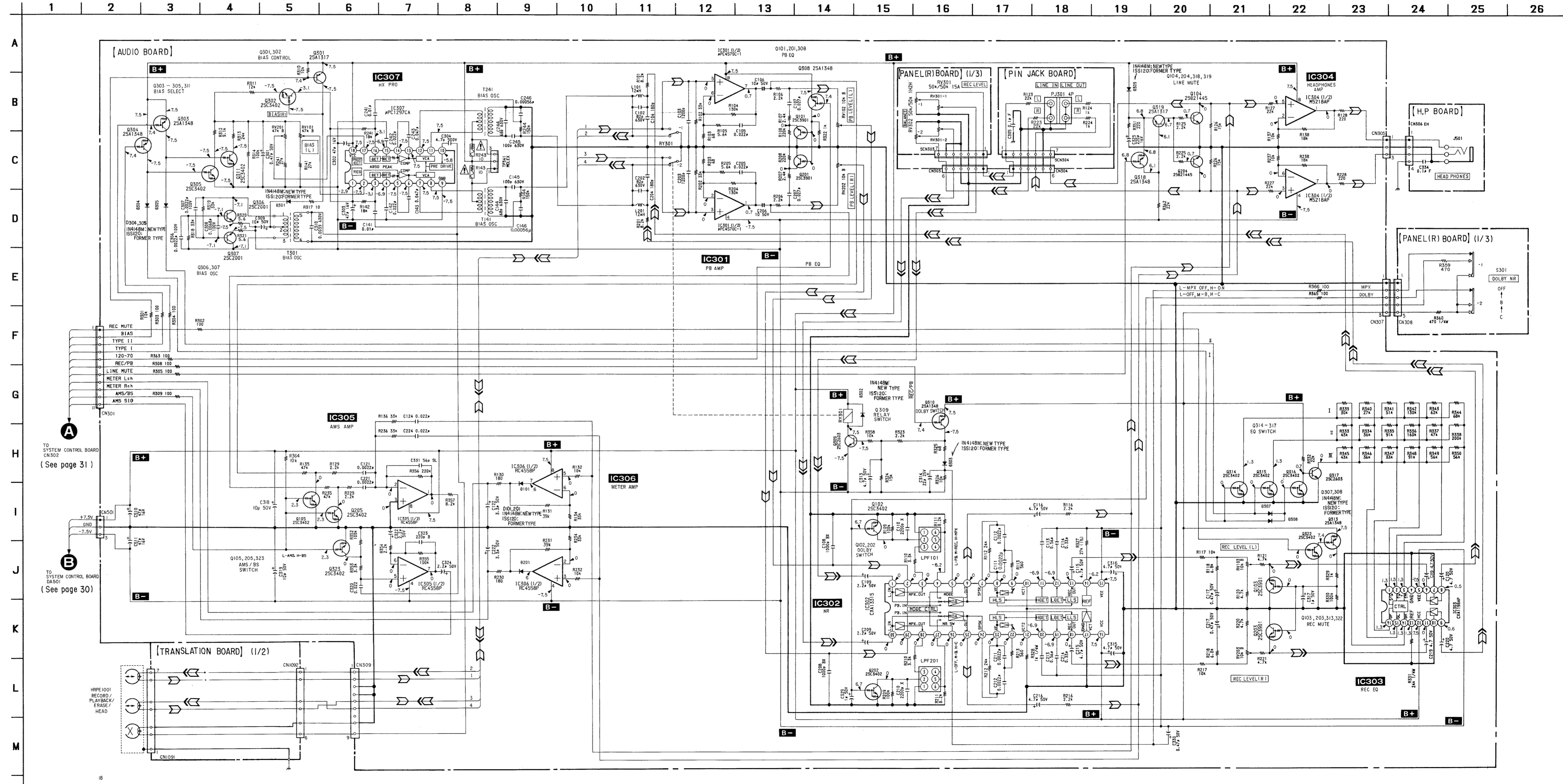
• IC Block Diagram  
**IC882 LB1641**  
**IC871, 872, 881 BA6219B**



6-4. CIRCUIT BOARDS LOCATION



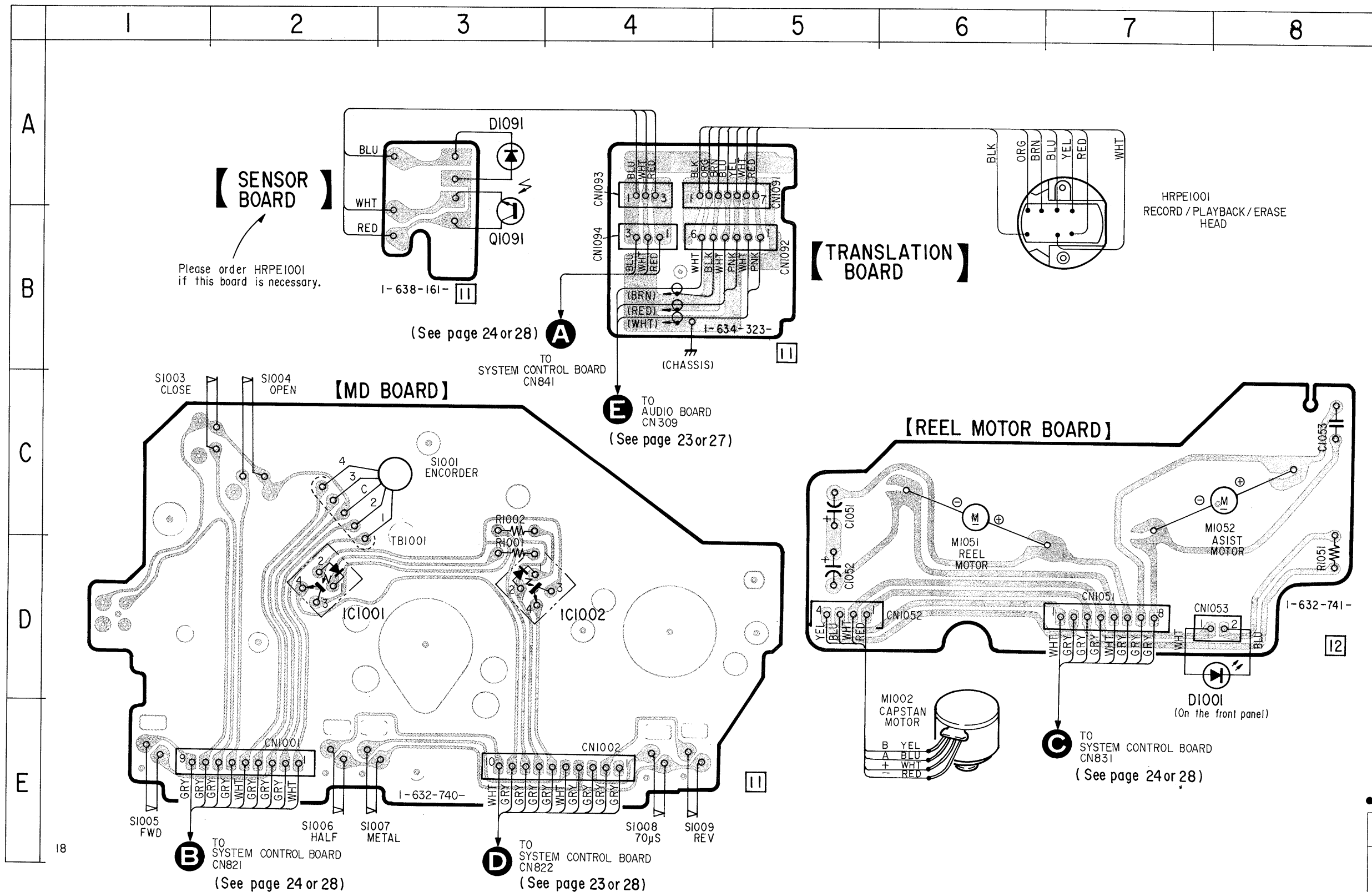
6-5. SCHEMATIC DIAGRAM—AUDIO Section—



- Note:**
- All capacitors are in  $\mu\text{F}$  unless otherwise noted.  $\text{pF}$ :  $\mu\text{F}$  50WV or less are not indicated except for electrolytics and tantalums.
  - All resistors are in  $\Omega$  and  $\frac{1}{2}W$  or less unless otherwise specified.
  - % : indicates tolerance.
  - $\text{---}$  : fusible resistor.
- Note:**  
The components identified by mark  $\Delta$  or dotted line with mark  $\Delta$  are critical for safety. Replace only with part number specified.
- Note:**  
Les composants identifiés par une marque  $\Delta$  sont critiques pour la sécurité. Ne les remplacer que par une pièce portant le numéro spécifié.
- B+** : B+ Line
  - B-** : B- Line
  - $\text{---}$  : adjustment for repair.
  - no mark : STOP
  - Voltages are taken with a VOM (Input Impedance  $10M\Omega$ ). Voltage variations may be noted due to normal production tolerances.
  - Signal path.
  - $\text{---}$  : PB
  - $\text{---}$  : REC

6-6. PRINTED WIRING BOARDS—TC SECTION—

• See page 33, 40 for Circuit Boards Location and Semiconductor Lead Layouts.



**SENSOR BOARD**  
Please order HRPE1001 if this board is necessary.

**TRANSLATION BOARD**

HRPE1001  
RECORD / PLAYBACK / ERASE  
HEAD

**MD BOARD**

**REEL MOTOR BOARD**

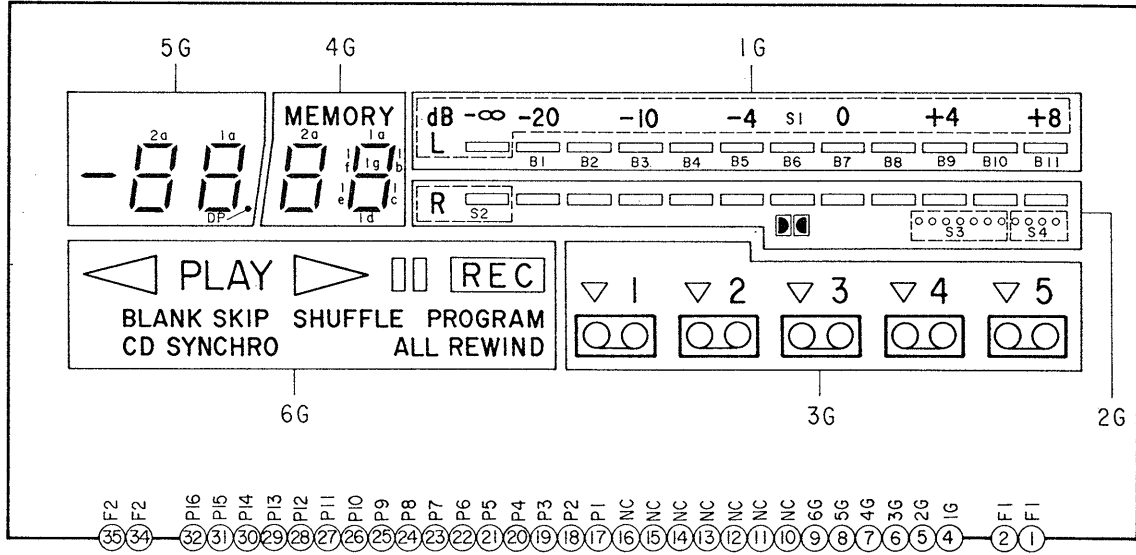
• Semiconductor Location

| Ref. No. | Location |
|----------|----------|
| D1001    | D-8      |
| D1091    | A-3      |
| IC1001   | D-2      |
| IC1002   | D-3      |
| Q1091    | B-3      |

**Note:**  
 • — : parts extracted from the component side.  
 • : Pattern on the side which is seen.

• Fluorescent Indicator Tube

FL 901  
FLUORESCENT INDICATOR TUBE

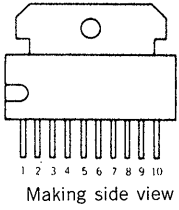


ANODE CONNECTION

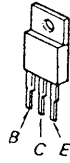
|     | 6G         | 5G | 4G     | 3G     | 2G  | 1G  |
|-----|------------|----|--------|--------|-----|-----|
| P1  | ▷          | 1a | 1a     | ▽ (1)  | S2  | S1  |
| P2  | PLAY       | 1b | 1b     | 1      | B1  | B1  |
| P3  | ▷          | 1c | 1c     | □□ (1) | B2  | B2  |
| P4  | □□         | 1d | 1d     | ▽ (2)  | B3  | B3  |
| P5  | REC        | 1e | 1e     | 2      | B4  | B4  |
| P6  | —          | 1f | 1f     | □□ (2) | B5  | B5  |
| P7  | —          | 1g | 1g     | ▽ (3)  | B6  | B6  |
| P8  | —          | DP | —      | 3      | B7  | B7  |
| P9  | BLANK SKIP | 2a | 2a     | □□ (3) | □□  | —   |
| P10 | SHUFFLE    | 2b | 2b     | ▽ (4)  | B8  | B8  |
| P11 | PROGRAM    | 2c | 2c     | 4      | B9  | B9  |
| P12 | —          | 2d | 2d     | □□ (4) | B10 | B10 |
| P13 | CD SYNCHRO | 2e | 2e     | ▽ (5)  | B11 | B11 |
| P14 | ALL REWIND | 2f | 2f     | 5      | S3  | —   |
| P15 | —          | 2g | 2g     | □□ (5) | S4  | —   |
| P16 | —          | —  | MEMORY | —      | —   | —   |

● Semiconductor Lead Layouts

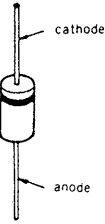
**BA6219B**  
**LB1641**



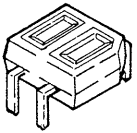
**2SA473**  
**2SB1094-LK**  
**2SD2012**



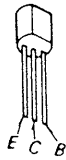
**UZL-11H2**  
**1N4148M**  
**1SS120**  
**10E2N**



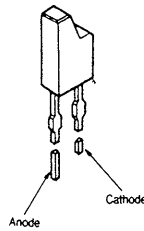
**GP2S22B**



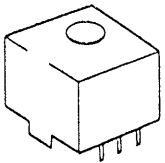
**2SB1116A-L**  
**2SC2001-M**



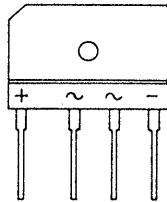
**SLR314D**



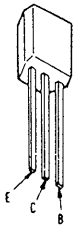
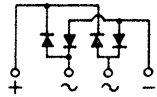
**SBX1610-59**



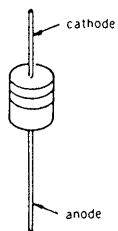
**D2SB20**



**DTA114ES**  
**DTC114ES**  
**DTC143TS**  
**2SA1317-STU**  
**2SC2603-EF**  
**2SD2144S**



**HZS6A1L**  
**HZS6B3L**  
**HZS6C3L**





## SECTION 7 EXPLODED VIEWS

**NOTE:**

• -XX, -X mean standardized parts, so they may have some differences from the original one.

• Color Indication of Appearance Parts.  
Example:

KNOB, BALANCE(WHITE)...(RED)



↑                    ↑  
Parts color     Cabinet's color

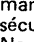
• Items marked " \* " are not stocked since they are seldom required for routine service. Some delay should be anticipated when ordering these items.

• The mechanical parts with no reference number in the exploded views are not supplied.

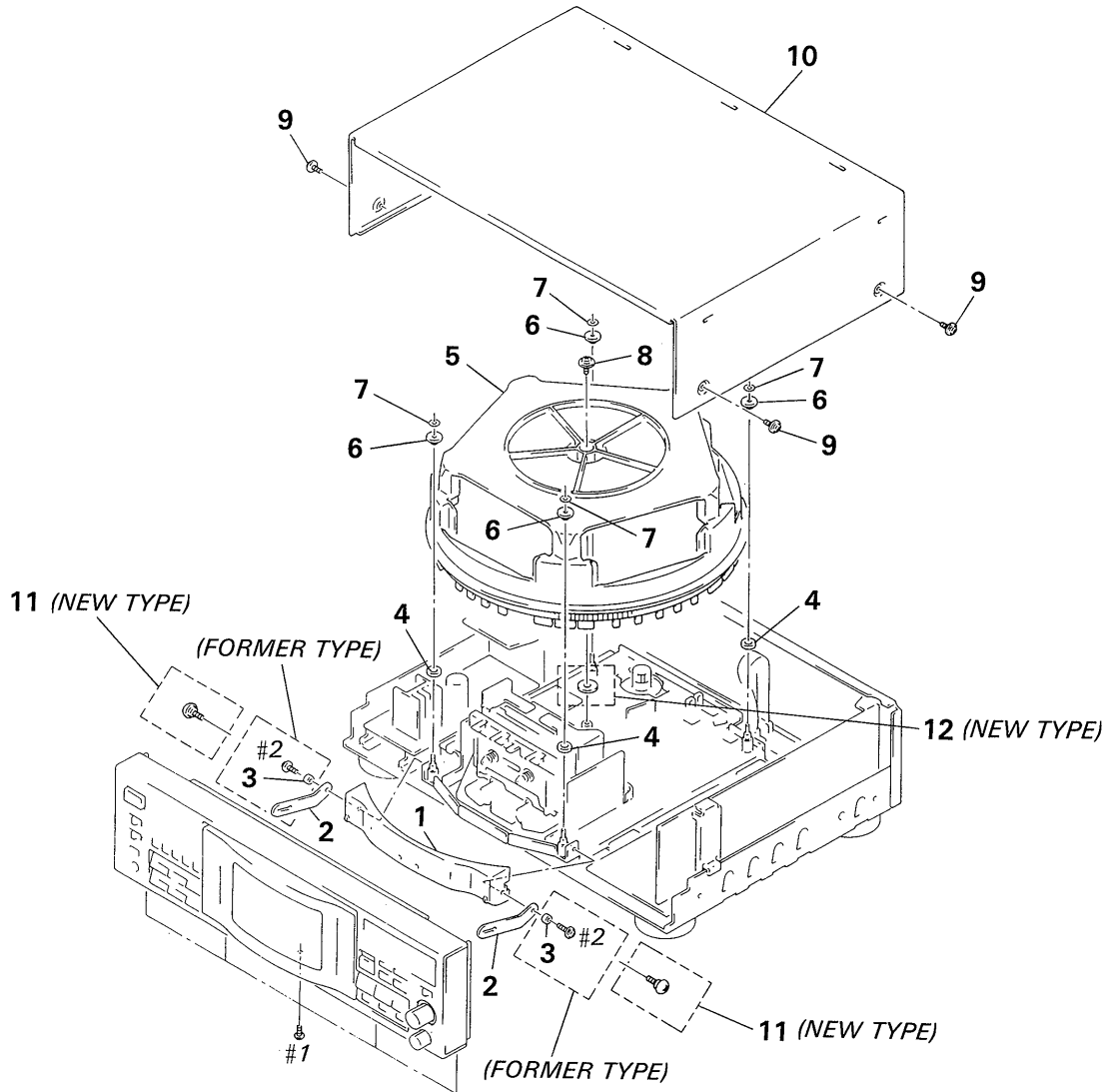
• hardware (#mark) list is given in the last of this parts list.

- C5 :TC-C5                                    • G : Germany
- C521 : TC-C521                            • CND : Canadian

The components identified by mark  or dotted line with mark  are critical for safety. Replace only with part number specified.

Les composants identifiés par une marque  sont critiques pour la sécurité. Ne les remplacer que par une pièce portant le numéro spécifié.

### 7-1. DRUM SECTION

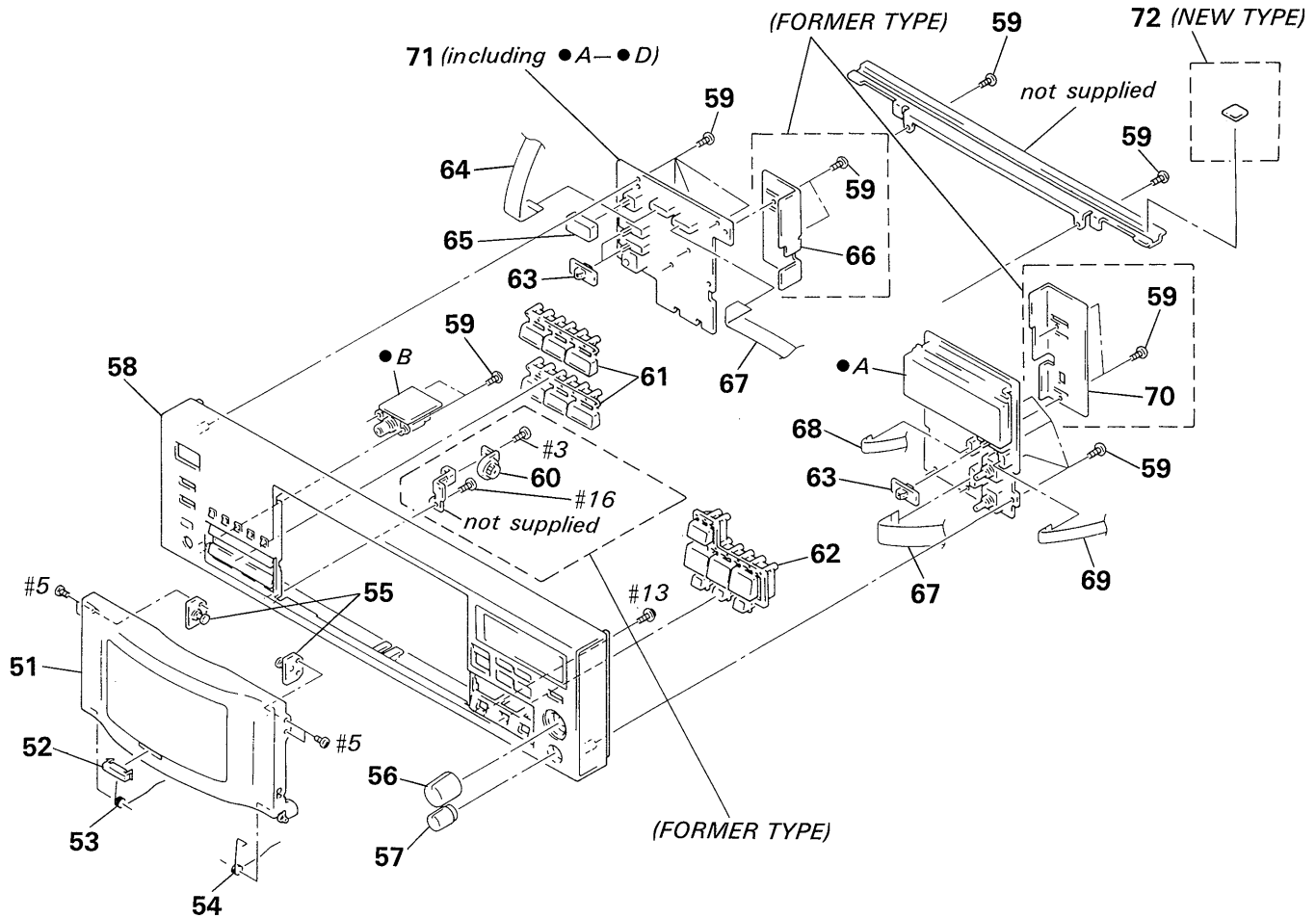


| Ref. No. | Part No.     | Description          | Remark |
|----------|--------------|----------------------|--------|
| 1        | 3-372-439-01 | COVER                |        |
| * 2      | 3-372-729-01 | LEVER (HINGE)        |        |
| 3        | 3-372-773-01 | COLLAR (FORMER TYPE) |        |
| 4        | 3-372-530-01 | ROLLER (DRUM B)      |        |
| * 5      | 3-372-532-01 | DRUM                 |        |
| 6        | 3-372-529-01 | ROLLER (DRUM)        |        |

| Ref. No. | Part No.     | Description                      | Remark |
|----------|--------------|----------------------------------|--------|
| 7        | 3-558-708-21 | WASHER, STOPPER                  |        |
| 8        | 3-372-528-01 | SCREW (M3X6), SPECIAL            |        |
| 9        | 3-704-366-01 | SCREW (CASE) (M3X8)              |        |
| 10       | 4-925-039-61 | CASE                             |        |
| 11       | 3-372-732-01 | SCREW (BVTT2.6), STEP (NEW TYPE) |        |
| 12       | 3-373-916-01 | WASHER (CENTER) (NEW TYPE)       |        |

7-2. FRONT PANEL SECTION

- A : PANEL (R) board
- B : HP board
- C-D : See page 44.

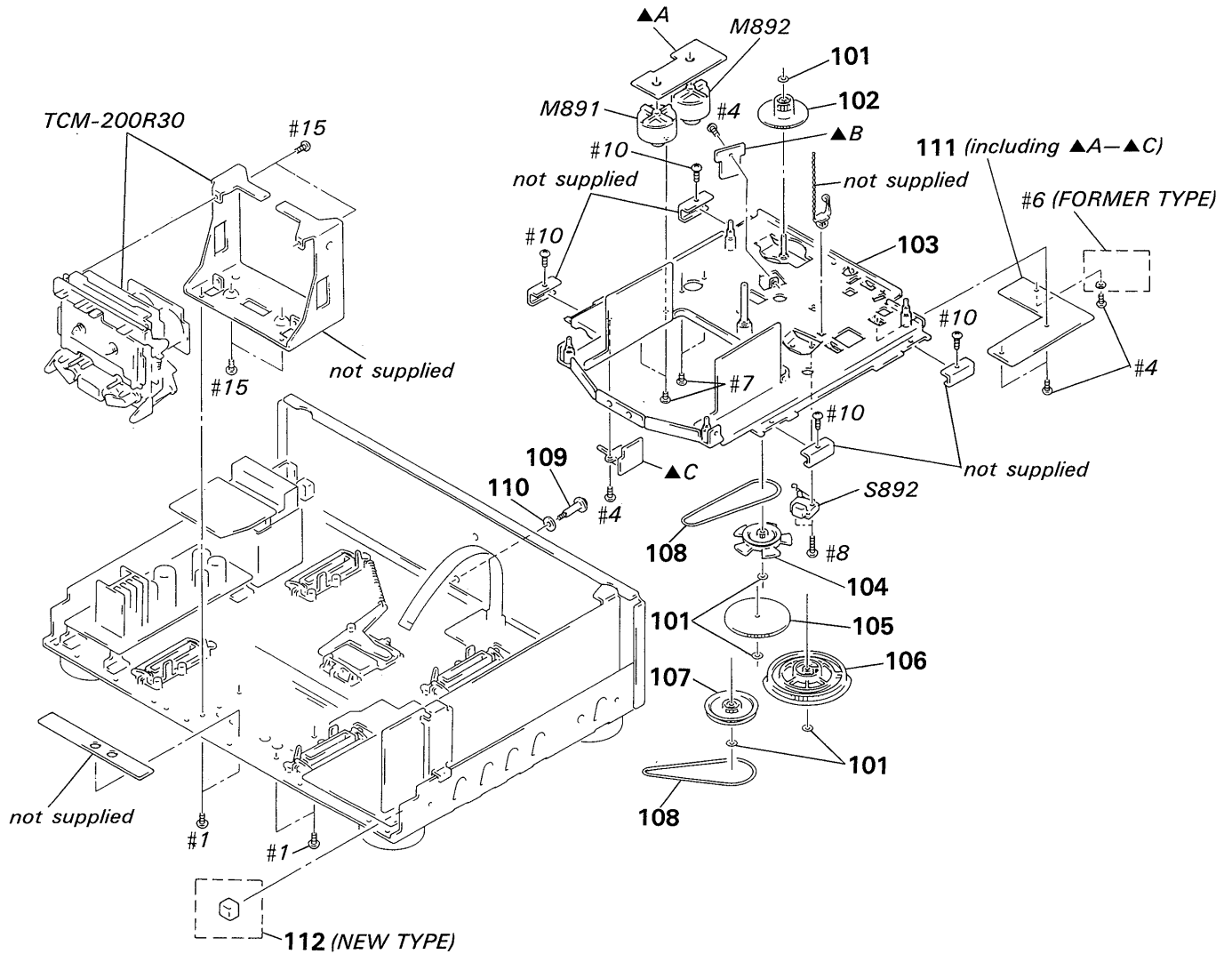


| Ref. No. | Part No.     | Description                       | Remark |
|----------|--------------|-----------------------------------|--------|
| 51       | X-3363-664-1 | LID ASSY, CASSETTE                |        |
| 52       | 3-372-474-01 | PLATE (A), ORNAMENTAL             |        |
| 53       | 3-372-472-01 | SPRING (L), TORSION               |        |
| 54       | 3-372-473-01 | SPRING (R), TORSION               |        |
| * 55     | X-3363-691-1 | BRACKET (HINGE) ASSY              |        |
| 56       | 4-927-863-01 | KNOB (R18)                        |        |
| 57       | 3-349-039-11 | KNOB (VOL)                        |        |
| 58       | X-3363-663-1 | PANEL ASSY, FRONT (C5/US, CND)    |        |
| 58       | X-3363-665-1 | PANEL ASSY, FRONT (AEP, G, UK, E) |        |
| 58       | X-3365-165-1 | PANEL ASSY, FRONT (C521)          |        |
| 59       | 4-928-635-01 | SCREW, +BV (2. 6X8) TAPPING       |        |

| Ref. No. | Part No.     | Description                 | Remark |
|----------|--------------|-----------------------------|--------|
| 60       | 3-354-963-01 | DAMPER (FORMER TYPE)        |        |
| 61       | 3-372-462-01 | BUTTON (B)                  |        |
| 62       | 3-372-464-01 | BUTTON (D)                  |        |
| 63       | 4-931-421-11 | KNOB (T & S)                |        |
| 64       | 1-534-517-00 | WIRE, FLAT TYPE (11 CORE)   |        |
| 65       | 4-922-921-01 | BUTTON (POWER)              |        |
| * 66     | 3-372-476-01 | COVER (L) (FORMER TYPE)     |        |
| 67       | 1-690-319-11 | WIRE, FLAT TYPE (11 CORE)   |        |
| 68       | 1-575-779-11 | WIRE, FLAT TYPE (5 CORE)    |        |
| 69       | 1-575-778-11 | WIRE, FLAT TYPE (5 CORE)    |        |
| * 70     | 3-372-477-01 | COVER (R) (FORMER TYPE)     |        |
| * 71     | A-2006-621-A | PANEL POWER BOARD, COMPLETE |        |
| 72       | 9-911-830-XX | SHEET, HB (NEW TYPE)        |        |

7-3. SLIDER SECTION

- ▲A : DRUM TRAY MOTOR board
- ▲B : DRUM CLK board
- ▲C : IN/OUT SW board

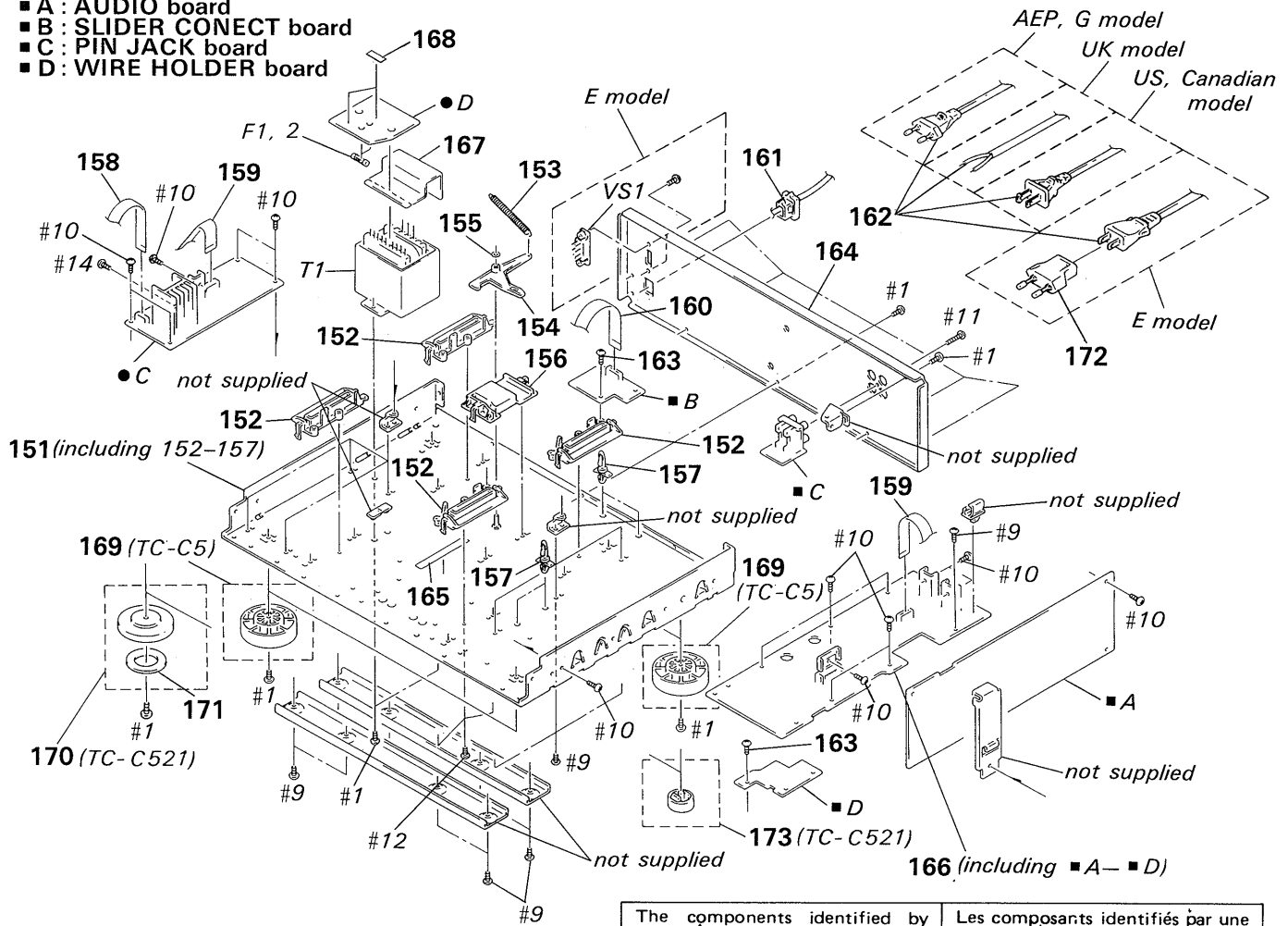


| Ref. No. | Part No.     | Description                  | Remark |
|----------|--------------|------------------------------|--------|
| 101      | 3-558-708-21 | WASHER, STOPPER              |        |
| 102      | 3-372-519-01 | GEAR (ROTARY)                |        |
| * 103    | X-3363-668-1 | SLIDER ASSY                  |        |
| 104      | 3-372-518-01 | PULLEY (ROTARY)              |        |
| 105      | 3-372-517-01 | GEAR (LOADING)               |        |
| 106      | 3-372-515-01 | GEAR (CAM GEAR)              |        |
| 107      | 3-372-516-01 | PULLEY (LOADING)             |        |
| 108      | 3-372-514-01 | BELT (LOADING) (FORMER TYPE) |        |
| 108      | 3-375-149-01 | BELT (B) (NEW TYPE)          |        |

| Ref. No. | Part No.     | Description                           | Remark |
|----------|--------------|---------------------------------------|--------|
| 109      | 3-372-531-01 | SCREW, TRANSPORT                      |        |
| 110      | 3-375-420-01 | WASHER (TRANSPORT SCREW) (NEW TYPE)   |        |
| 110      | 4-930-282-01 | WASHER (T), POLY-SLIDER (FORMER TYPE) |        |
| * 111    | 1-641-110-11 | SLIDER BOARD                          |        |
| * 112    | 3-346-279-01 | CUSHION (P) (NEW TYPE)                |        |
| M891     | X-3363-669-1 | MOTOR (TRAY) ASSY                     |        |
| M892     | X-3363-669-1 | MOTOR (DRUM) ASSY (NEW TYPE)          |        |
| M892     | X-3363-670-1 | MOTOR (DRUM) ASSY (FORMER TYPE)       |        |
| S892     | 1-572-713-11 | SWITCH, PUSH (WITH CONNECTOR) (MID)   |        |

7-4. CHASSIS SECTION

- C : POWER SUPPLY board
- D : TRANS board
- A : AUDIO board
- B : SLIDER CONECT board
- C : PIN JACK board
- D : WIRE HOLDER board

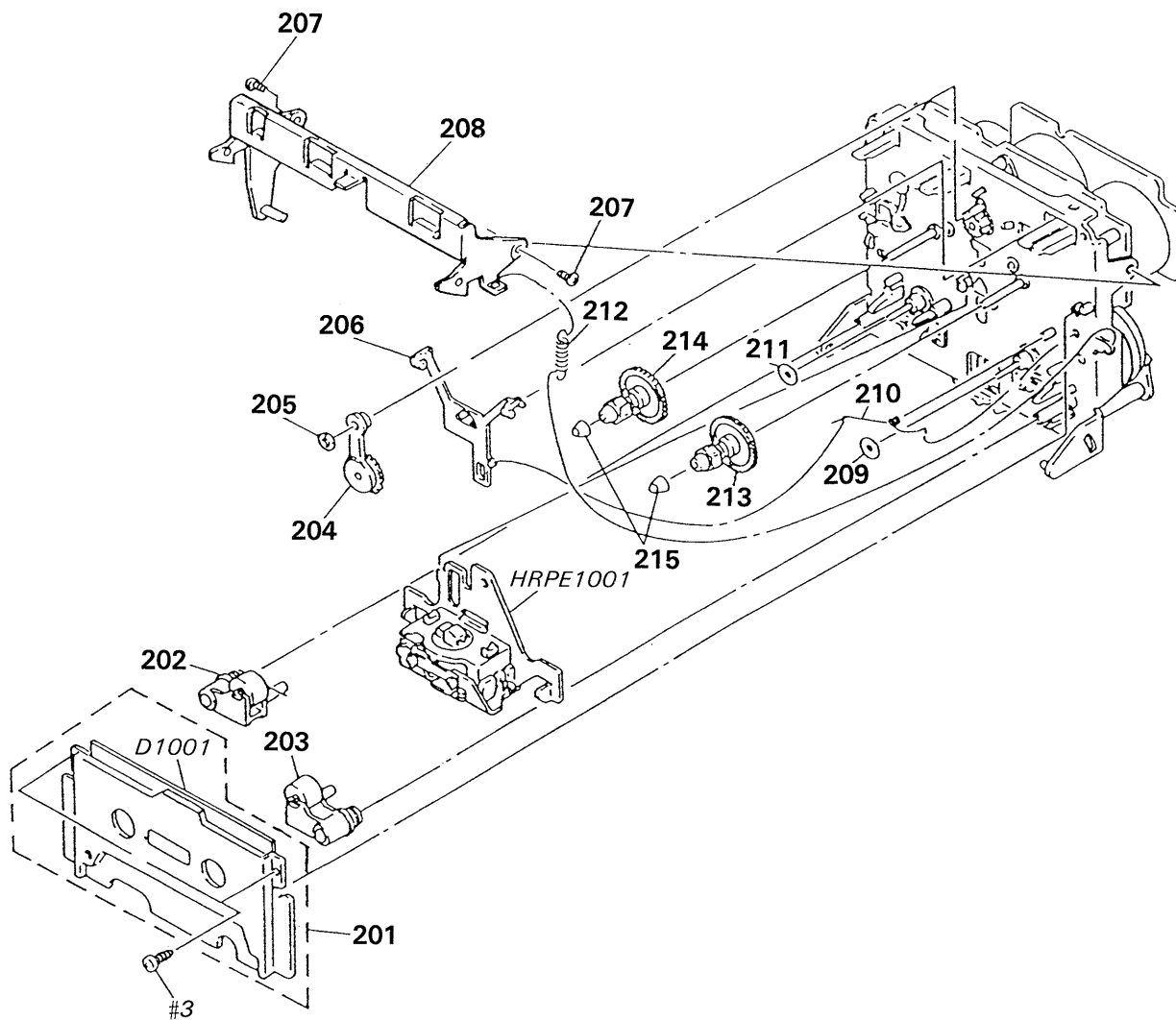


|   |  |
|---|--|
| <p>The components identified by mark <math>\triangle</math> or dotted line with mark <math>\triangle</math> are critical for safety. Replace only with part number specified.</p> | <p>Les composants identifiés par une marque <math>\triangle</math> sont critiques pour la sécurité. Ne les remplacer que par une pièce portant le numéro spécifié.</p> |
|---|--|

| Ref. No.        | Part No.     | Description                         | Remark |
|-----------------|--------------|-------------------------------------|--------|
| * 151           | X-3363-671-1 | CHASSIS ASSY                        |        |
| 152             | 3-372-521-01 | RAIL, GUIDE                         |        |
| 153             | 3-372-525-01 | SPRING, TENSION                     |        |
| 154             | 3-372-523-01 | LEVER (LOADING)                     |        |
| 155             | 3-558-708-21 | WASHER, STOPPER                     |        |
| 156             | 3-372-522-01 | RACK                                |        |
| * 157           | 4-924-098-21 | HOLDER, PC BOARD                    |        |
| 158             | 1-534-517-00 | WIRE, FLAT TYPE (11 CORE)           |        |
| 159             | 1-690-320-11 | WIRE, FLAT TYPE (11 CORE)           |        |
| 160             | 1-534-517-00 | WIRE, FLAT TYPE (11 CORE)           |        |
| * 161           | 3-703-244-00 | BUSHING (2104), CORD (EXCEPT FOR E) |        |
| * 161           | 3-703-571-11 | BUSHING (S) (4516), CORD (E)        |        |
| $\triangle$ 162 | 1-551-188-XX | CORD, POWER (E)                     |        |
| $\triangle$ 162 | 1-555-465-00 | CORD, POWER (C5/US, CND)            |        |
| $\triangle$ 162 | 1-555-795-00 | CORD, POWER, EULO PLUG (AEP, G)     |        |
| $\triangle$ 162 | 1-556-035-00 | CORD, POWER (UK)                    |        |
| $\triangle$ 162 | 1-590-836-31 | CORD, POWER (C521)                  |        |
| 163             | 4-928-635-01 | SCREW, +BV (2.6X8) TAPPING          |        |
| * 164           | 3-371-137-01 | PANEL, BACK (C5/US, CND)            |        |
| * 164           | 3-371-137-11 | PANEL, BACK (AEP)                   |        |
| * 164           | 3-371-137-21 | PANEL, BACK (G)                     |        |
| * 164           | 3-371-137-31 | PANEL, BACK (UK)                    |        |

| Ref. No.        | Part No.     | Description                                | Remark |
|-----------------|--------------|--|--------|
| * 164           | 3-371-137-51 | PANEL, BACK (E)                            |        |
| * 164           | 3-380-030-01 | PANEL, BACK (C521)                         |        |
| 165             | 3-831-441-XX | CUSHION (B), CABINET                       |        |
| * 166           | A-2006-620-A | AUDIO SYSCON BOARD, COMPLETE               |        |
| * 167           | 3-337-136-11 | COVER, TRANSFORMER SAFETY (AEP, G, UK, E)  |        |
| * 167           | 3-372-475-01 | COVER (TRANSFORMER) (US, CND)              |        |
| * 168           | 3-701-947-13 | LABEL (T1. 6A), FUSE (AEP, G, UK, E)       |        |
| * 168           | 3-703-044-26 | LABEL, CAUTION (US)                        |        |
| 169             | 4-943-148-32 | FOOT (F58175SW) (C5/US, CND)               |        |
| 169             | 4-943-148-42 | FOOT (F58175SW) (AEP, G, UK, E)            |        |
| 170             | X-4911-201-1 | FOOT ASSY (C521)                           |        |
| 171             | 4-923-836-11 | CUSHION (C521)                             |        |
| $\triangle$ 172 | 1-569-007-11 | ADAPTER, CONVERSION 2P (E)                 |        |
| 173             | 4-933-601-01 | FOOT (C521)                                |        |
| $\triangle$ F1  | 1-532-259-00 | FUSE, TIME-LAG T1. 6A 250V (AEP, G, UK, E) |        |
| $\triangle$ F1  | 1-532-742-11 | FUSE, GLASS TUBE 1. 6A 125V (US, CND)      |        |
| $\triangle$ F2  | 1-532-259-00 | FUSE, TIME-LAG T1. 6A 250V (AEP, G, UK, E) |        |
| $\triangle$ F2  | 1-532-742-11 | FUSE, GLASS TUBE 1. 6A 125V (US, CND)      |        |
| $\triangle$ T1  | 1-450-444-11 | TRANSFORMER, POWER (US, CND)               |        |
| $\triangle$ T1  | 1-450-445-11 | TRANSFORMER, POWER (E)                     |        |
| $\triangle$ T1  | 1-450-446-11 | TRANSFORMER, POWER (AEP, G, UK)            |        |
| $\triangle$ VS1 | 1-692-155-11 | SELECTOR, POWER VOLTAGE (VOLTAGE) (E)      |        |

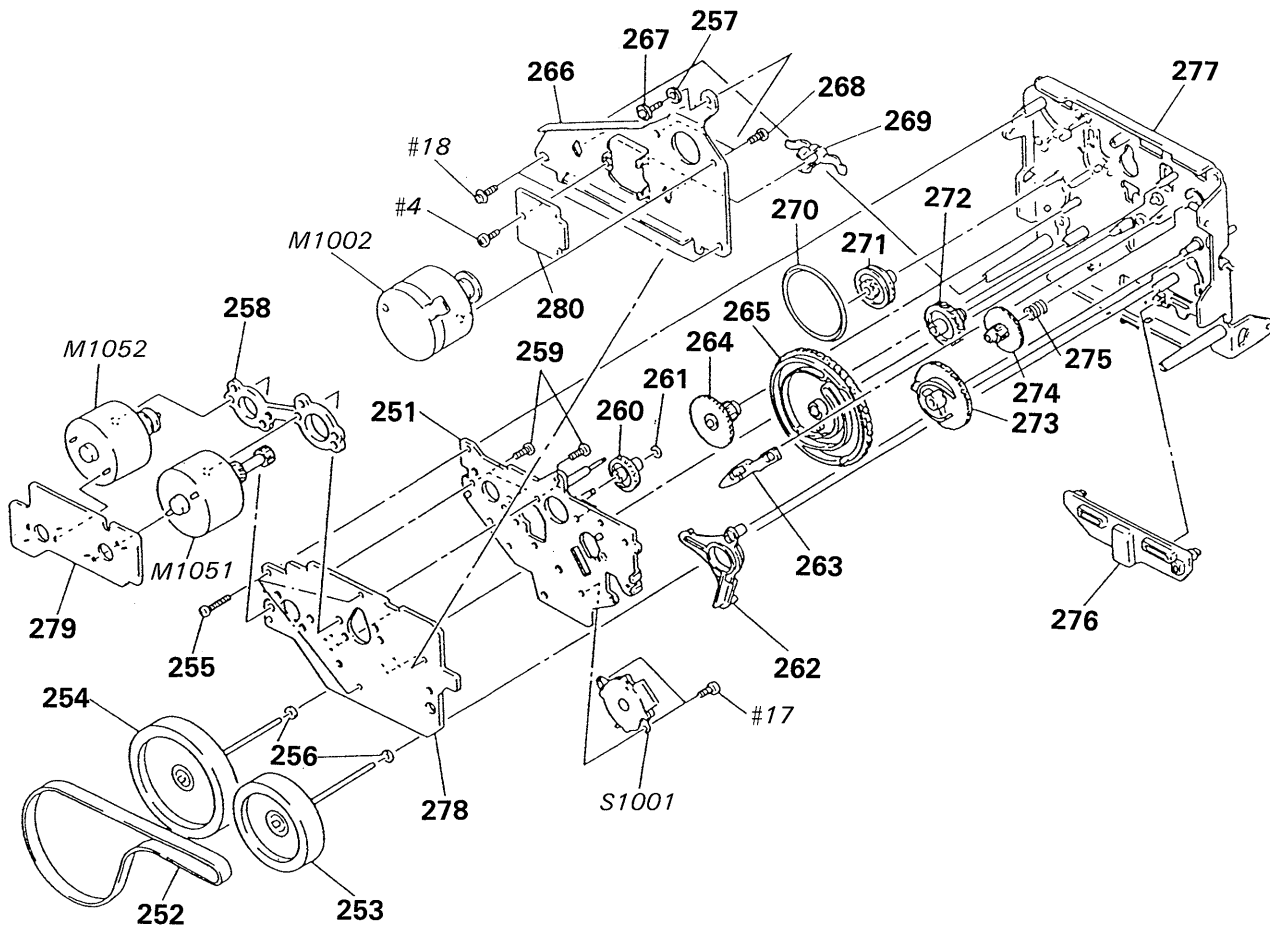
7-5. MECHANISM SECTION 1  
(TCM-200R30)



| Ref. No. | Part No.     | Description            | Remark |
|----------|--------------|------------------------|--------|
| 201      | X-3356-613-1 | PLATE ASSY, ORNAMENTAL |        |
| 202      | X-3343-456-1 | LEVER (PINCH R) ASSY   |        |
| 203      | X-3343-455-1 | LEVER (PINCH F) ASSY   |        |
| 204      | X-3356-641-1 | LEVER (FR2) ASSY       |        |
| 205      | 3-669-465-11 | WASHER (1.5), STOPPER  |        |
| 206      | 3-356-614-01 | SLIDER (BRAKE)         |        |
| 207      | 3-356-601-11 | SCREW, STEP            |        |
| 208      | X-3363-367-1 | LEVER (LIFTER) ASSY    |        |
| 209      | 3-356-713-01 | WASHER                 |        |

| Ref. No. | Part No.     | Description  | Remark |
|----------|--------------|--|--------|
| 210      | 3-356-619-01 | SPRING (B), TORSION  |        |
| 211      | 3-356-714-01 | WASHER   |        |
| 212      | 3-356-625-01 | SPRING, TENSION  |        |
| 213      | X-3356-627-1 | GEAR (A) ASSY  |        |
| 214      | X-3356-628-1 | GEAR (S) ASSY  |        |
| 215      | 3-362-308-01 | CAP (REEL)   |        |
| D1001    | 8-719-980-85 | LED SLF325C (CASSETE)  |        |
| HRPE     | A-2003-722-A | DECK ASSY, HEAD (This parts, if ordered, contains the SENSOR board.) |        |
| 1001     |              |  |        |

7-6. MECHANISM SECTION 2  
(TCM-200R30)



| Ref. No. | Part No.     | Description                 | Remark |
|----------|--------------|-----------------------------|--------|
| * 251    | X-3356-602-1 | BRACKET (MOTOR R) ASSY      |        |
| 252      | 3-356-604-01 | BELT (CAPSTAN)              |        |
| 253      | X-3363-363-1 | FLYWHEEL (R FWD) ASSY       |        |
| 254      | X-3363-364-1 | FLYWHEEL (R REV) ASSY       |        |
| 255      | 3-355-801-01 | SCREW (BTP 2X18)            |        |
| 256      | 3-356-705-01 | WASHER (CAPSTAN)            |        |
| * 257    | 3-356-718-01 | SPACER (THRUST RETAINER R)  |        |
| * 258    | 3-356-628-01 | SPACER (MOTOR)              |        |
| 259      | 3-363-804-01 | SCREW (+P 2. 6X6. 5)        |        |
| 260      | 3-356-702-01 | GEAR (COMMUNICATION B)      |        |
| 261      | 3-669-465-00 | WASHER (1. 5), STOPPER      |        |
| 262      | 3-356-613-01 | LEVER (MODE)                |        |
| 263      | 3-356-617-01 | LEVER (SELECTION)           |        |
| 264      | 3-356-606-01 | GEAR (MODE)                 |        |
| 265      | 3-356-615-01 | GEAR (MODE CAM RR)          |        |
| * 266    | 3-356-629-01 | BRACKET (THRUST RETAINER R) |        |
| 267      | 3-356-707-01 | SCREW (+PTPWH 2X25)         |        |

| Ref. No. | Part No.     | Description                   | Remark |
|----------|--------------|-------------------------------|--------|
| 268      | 4-885-599-00 | SCREW, FITTING, REINFORCEMENT |        |
| 269      | 3-575-321-00 | RETAINER, THRUST, CAPSTAN     |        |
| 270      | 3-356-603-01 | BELT (MODE)                   |        |
| 271      | 3-356-607-01 | PULLEY (MODE)                 |        |
| 272      | 3-356-703-01 | GEAR (COMMUNICATION C)        |        |
| 273      | 3-356-616-01 | GEAR (LOADING CAM)            |        |
| 274      | 3-356-609-01 | GEAR (LOADING)                |        |
| 275      | 3-356-605-01 | SPRING, COMPRESSION           |        |
| 276      | 3-356-612-01 | SLIDER (REVERSE)              |        |
| 277      | X-3363-365-1 | CHASSIS (R30) COMPLETE ASSY   |        |
| * 278    | 1-632-740-11 | MD BOARD                      |        |
| * 279    | 1-632-741-11 | REEL MOTOR BOARD              |        |
| * 280    | 1-634-323-11 | TRANSLATION BOARD             |        |
| M1002    | X-3365-002-1 | MOTOR (CAPSTAN R30) ASSY      |        |
| M1051    | X-3356-638-1 | MOTOR (REEL R) ASSY           |        |
| M1052    | X-3356-604-1 | MOTOR (ASSIST) ASSY           |        |
| S1001    | 1-466-525-11 | ENCODER, ROTARY               |        |

# SECTION 8 ELECTRICAL PARTS LIST

## AUDIO SYSCON

**NOTE:**

- Due to standardization, replacements in the parts list may be different from the parts specified in the diagrams or the components used on the set.
- -XX and -X mean standardized parts, so they may have some difference from the original one.
- RESISTORS  
All resistors are in ohms.  
METAL: Metal-film resistor.  
METAL OXIDE: Metal oxide-film resistor.  
F: nonflammable

- Items marked "\*" are not stocked since they are seldom required for routine service. Some delay should be anticipated when ordering these items.
- SEMICONDUCTORS  
In each case, u:  $\mu$ , for example:  
uA ..:  $\mu$ A. uPA..:  $\mu$ PA.  
uPB..:  $\mu$ PB.. uPC..:  $\mu$ PC.. uPD..:  $\mu$ PD..
- CAPACITORS  
uF:  $\mu$ F
- COILS  
uH:  $\mu$ H
- C5:TC-C5 C521:TC-C521 CND:Canadian G:Germany

When indication parts by reference number, please include the board name.

The components identified by mark  $\Delta$  or dotted line with mark  $\Delta$  are critical for safety. Replace only with part number specified.

Les composants identifiés par une marque  $\Delta$  sont critiques pour la sécurité. Ne les remplacer que par une pièce portant le numéro spécifié.

| Ref. No. | Part No.     | Description  | Remark                   | Ref. No. | Part No.     | Description              | Remark |
|----------|--------------|--|--------------------------|----------|--------------|--------------------------|--------|
| *        | A-2006-620-A | AUDIO SYSCON BOARD, COMPLETE (including SYSTEM CONTROL BOARD, AUDIO BOARD, SLIDER CONECT BOARD, PIN JACK BOARD)<br>***** |                          | C144     | 1-136-272-00 | FILM 68PF 5% 630V        |        |
|          |              |  |                          | C145     | 1-136-433-11 | FILM 100PF 5% 630V       |        |
|          |              |  |                          | C146     | 1-130-468-00 | MYLAR 560PF 5% 50V       |        |
|          |              |  |                          | C202     | 1-136-274-11 | FILM 82PF 5% 630V        |        |
|          |              |  |                          | C203     | 1-164-736-31 | CERAMIC 0.0012uF 10% 50V |        |
| *        | 3-309-144-21 | HEAT SINK  |                          | C204     | 1-162-285-31 | CERAMIC 180PF 10% 50V    |        |
| *        | 3-346-266-12 | PLATE, GROUND  |                          | C205     | 1-136-157-00 | FILM 0.022uF 5% 50V      |        |
| *        | 3-356-925-01 | HEAT SINK  |                          | C206     | 1-124-657-00 | ELECT 10uF 20% 50V       |        |
|          | 7-682-547-04 | SCREW +BVTT 3X6 (S)  |                          | C207     | 1-136-158-00 | FILM 0.027uF 5% 50V      |        |
|          |              | < CAPACITOR >  |                          | C208     | 1-162-294-31 | CERAMIC 0.001uF 10% 50V  |        |
|          | C102         | 1-136-274-11   | FILM 82PF 5% 630V        | C209     | 1-124-925-11 | ELECT 2.2uF 20% 100V     |        |
|          | C103         | 1-164-736-31   | CERAMIC 0.0012uF 10% 50V | C210     | 1-161-375-00 | CERAMIC 0.0022uF 20% 50V |        |
|          | C104         | 1-162-285-31   | CERAMIC 180PF 10% 50V    | C211     | 1-130-475-00 | MYLAR 0.0022uF 5% 50V    |        |
|          | C105         | 1-136-157-00   | FILM 0.022uF 5% 50V      | C212     | 1-130-475-00 | MYLAR 0.0022uF 5% 50V    |        |
|          | C106         | 1-124-657-00   | ELECT 10uF 20% 50V       | C213     | 1-136-174-00 | FILM 0.56uF 5% 50V       |        |
|          | C107         | 1-136-158-00   | FILM 0.027uF 5% 50V      | C214     | 1-136-171-00 | FILM 0.33uF 5% 50V       |        |
|          | C108         | 1-162-294-31   | CERAMIC 0.001uF 10% 50V  | C215     | 1-124-927-11 | ELECT 4.7uF 20% 100V     |        |
|          | C109         | 1-124-925-11   | ELECT 2.2uF 20% 100V     | C216     | 1-124-927-11 | ELECT 4.7uF 20% 100V     |        |
|          | C110         | 1-161-375-00   | CERAMIC 0.0022uF 20% 50V | C217     | 1-124-902-00 | ELECT 0.47uF 20% 50V     |        |
|          | C111         | 1-130-475-00   | MYLAR 0.0022uF 5% 50V    | C219     | 1-124-927-11 | ELECT 4.7uF 20% 100V     |        |
|          | C112         | 1-130-475-00   | MYLAR 0.0022uF 5% 50V    | C220     | 1-124-927-11 | ELECT 4.7uF 20% 100V     |        |
|          | C113         | 1-136-174-00   | FILM 0.56uF 5% 50V       | C221     | 1-130-475-00 | MYLAR 0.0022uF 5% 50V    |        |
|          | C114         | 1-136-171-00   | FILM 0.33uF 5% 50V       | C222     | 1-123-382-00 | ELECT 3.3uF 20% 100V     |        |
|          | C115         | 1-124-927-11   | ELECT 4.7uF 20% 100V     | C224     | 1-136-157-00 | FILM 0.022uF 5% 50V      |        |
|          | C116         | 1-124-927-11   | ELECT 4.7uF 20% 100V     | C241     | 1-136-153-00 | FILM 0.01uF 5% 50V       |        |
|          | C117         | 1-124-902-00   | ELECT 0.47uF 20% 50V     | C242     | 1-136-157-00 | FILM 0.022uF 5% 50V      |        |
|          | C119         | 1-124-927-11   | ELECT 4.7uF 20% 100V     | C243     | 1-136-161-00 | FILM 0.047uF 5% 50V      |        |
|          | C120         | 1-124-927-11   | ELECT 4.7uF 20% 100V     | C244     | 1-136-272-00 | FILM 68PF 5% 630V        |        |
|          | C121         | 1-130-475-00   | MYLAR 0.0022uF 5% 50V    | C245     | 1-136-433-11 | FILM 100PF 5% 630V       |        |
|          | C122         | 1-123-382-00   | ELECT 3.3uF 20% 100V     | C246     | 1-130-468-00 | MYLAR 560PF 5% 50V       |        |
|          | C124         | 1-136-157-00   | FILM 0.022uF 5% 50V      | C301     | 1-124-902-00 | ELECT 0.47uF 20% 50V     |        |
|          | C141         | 1-136-153-00   | FILM 0.01uF 5% 50V       | C302     | 1-124-477-11 | ELECT 47uF 20% 25V       |        |
|          | C142         | 1-136-157-00   | FILM 0.022uF 5% 50V      | C303     | 1-124-477-11 | ELECT 47uF 20% 25V       |        |
|          | C143         | 1-136-161-00   | FILM 0.047uF 5% 50V      | C304     | 1-107-046-00 | MICA 4.7PF 500V          |        |

## AUDIO SYSCON

| Ref. No. | Part No.     | Description |           |     | Remark | Ref. No. | Part No.     | Description                   |                      |    | Remark |
|----------|--------------|-------------|-----------|-----|--------|----------|--------------|-------------------------------|----------------------|----|--------|
| C305     | 1-164-159-11 | CERAMIC     | 0. 1uF    |     | 50V    | C863     | 1-130-479-00 | MYLAR                         | 0. 0047uF            | 5% | 50V    |
| C306     | 1-136-230-00 | FILM        | 0. 0022uF | 5%  | 100V   | C871     | 1-164-159-11 | CERAMIC                       | 0. 1uF               |    | 50V    |
| C307     | 1-136-230-00 | FILM        | 0. 0022uF | 5%  | 100V   | C872     | 1-164-159-11 | CERAMIC                       | 0. 1uF               |    | 50V    |
| C308     | 1-130-856-00 | FILM        | 0. 0068uF | 5%  | 100V   | C881     | 1-164-159-11 | CERAMIC                       | 0. 1uF               |    | 50V    |
| C309     | 1-124-907-11 | ELECT       | 10uF      | 20% | 50V    | C882     | 1-164-159-11 | CERAMIC                       | 0. 1uF               |    | 50V    |
| C310     | 1-136-558-11 | FILM        | 0. 0039uF | 5%  | 630V   |          |              | < CONNECTOR >                 |                      |    |        |
| C313     | 1-124-927-11 | ELECT       | 4. 7uF    | 20% | 100V   | * CN301  | 1-573-979-11 | CONNECTOR, BOARD TO BOARD     | 11P                  |    |        |
| C314     | 1-126-233-11 | ELECT       | 22uF      | 20% | 50V    | * CN302  | 1-573-978-11 | CONNECTOR, BOARD TO BOARD     | 11P                  |    |        |
| C315     | 1-124-927-11 | ELECT       | 4. 7uF    | 20% | 100V   | * CN303  | 1-564-509-11 | PLUG, CONNECTOR               | 6P                   |    |        |
| C316     | 1-124-927-11 | ELECT       | 4. 7uF    | 20% | 100V   | * CN304  | 1-564-509-11 | PLUG, CONNECTOR               | 6P                   |    |        |
| C317     | 1-124-903-11 | ELECT       | 1uF       | 20% | 50V    | * CN305  | 1-564-506-11 | PLUG, CONNECTOR               | 3P                   |    |        |
| C318     | 1-124-907-11 | ELECT       | 10uF      | 20% | 50V    |          |              |                               |                      |    |        |
| C319     | 1-124-907-11 | ELECT       | 10uF      | 20% | 50V    | * CN307  | 1-568-824-11 | SOCKET, CONNECTOR             | 5P                   |    |        |
| C320     | 1-136-157-00 | FILM        | 0. 022uF  | 5%  | 50V    | * CN309  | 1-564-512-11 | PLUG, CONNECTOR               | 9P                   |    |        |
| C322     | 1-124-925-11 | ELECT       | 2. 2uF    | 20% | 100V   | * CN501  | 1-564-337-61 | PIN, CONNECTOR                | 3P                   |    |        |
| C323     | 1-162-286-31 | CERAMIC     | 220PF     | 10% | 50V    | * CN704  | 1-568-830-11 | SOCKET, CONNECTOR             | 11P                  |    |        |
| C324     | 1-124-925-11 | ELECT       | 2. 2uF    | 20% | 100V   | * CN801  | 1-568-824-11 | SOCKET, CONNECTOR             | 5P                   |    |        |
| C325     | 1-124-120-11 | ELECT       | 220uF     | 20% | 25V    |          |              |                               |                      |    |        |
| C329     | 1-124-903-11 | ELECT       | 1uF       | 20% | 50V    | * CN821  | 1-506-503-61 | PIN, CONNECTOR                | 9P                   |    |        |
| C330     | 1-124-902-00 | ELECT       | 0. 47uF   | 20% | 50V    | * CN822  | 1-564-666-11 | PIN, CONNECTOR                | 10P                  |    |        |
| C331     | 1-162-217-31 | CERAMIC     | 56PF      | 5%  | 50V    | * CN831  | 1-564-342-11 | PIN, CONNECTOR                | 8P                   |    |        |
| C501     | 1-124-480-11 | ELECT       | 470uF     | 20% | 25V    | * CN841  | 1-564-705-11 | PIN, CONNECTOR (SMALL TYPE)   | 3P                   |    |        |
| C502     | 1-124-480-11 | ELECT       | 470uF     | 20% | 25V    | * CN891  | 1-564-342-11 | PIN, CONNECTOR                | 8P                   |    |        |
| C503     | 1-124-120-11 | ELECT       | 220uF     | 20% | 25V    |          |              |                               |                      |    |        |
| C504     | 1-124-120-11 | ELECT       | 220uF     | 20% | 25V    | * CN892  | 1-564-337-00 | PIN, CONNECTOR                | 3P                   |    |        |
| C505     | 1-124-925-11 | ELECT       | 2. 2uF    | 20% | 100V   | * CN893  | 1-568-830-11 | SOCKET, CONNECTOR             | 11P                  |    |        |
| C506     | 1-162-286-31 | CERAMIC     | 220PF     | 10% | 50V    |          |              | < COMPOSITION CIRCUIT BLOCK > |                      |    |        |
| C507     | 1-162-286-31 | CERAMIC     | 220PF     | 10% | 50V    | CP801    | 1-233-204-11 | COMPOSITION CIRCUIT BLOCK     |                      |    |        |
| C508     | 1-124-120-11 | ELECT       | 220uF     | 20% | 25V    | CP802    | 1-233-199-11 | COMPOSITION CIRCUIT BLOCK     |                      |    |        |
| C509     | 1-124-120-11 | ELECT       | 220uF     | 20% | 25V    |          |              | < DIODE >                     |                      |    |        |
| C510     | 1-124-477-11 | ELECT       | 47uF      | 20% | 25V    | D101     | 8-719-987-63 | DIODE                         | 1N4148M (NEW TYPE)   |    |        |
| C511     | 1-124-477-11 | ELECT       | 47uF      | 20% | 25V    | D101     | 8-719-912-20 | DIODE                         | 1SS120 (FORMER TYPE) |    |        |
| C801     | 1-124-120-11 | ELECT       | 220uF     | 20% | 25V    | D201     | 8-719-987-63 | DIODE                         | 1N4148M (NEW TYPE)   |    |        |
| C802     | 1-164-159-11 | CERAMIC     | 0. 1uF    |     | 50V    | D201     | 8-719-912-20 | DIODE                         | 1SS120 (FORMER TYPE) |    |        |
| C803     | 1-162-294-31 | CERAMIC     | 0. 001uF  | 10% | 50V    | D301     | 8-719-987-63 | DIODE                         | 1N4148M (NEW TYPE)   |    |        |
| C804     | 1-162-294-31 | CERAMIC     | 0. 001uF  | 10% | 50V    | D301     | 8-719-912-20 | DIODE                         | 1SS120 (FORMER TYPE) |    |        |
| C805     | 1-162-294-31 | CERAMIC     | 0. 001uF  | 10% | 50V    | D302     | 8-719-987-63 | DIODE                         | 1N4148M (NEW TYPE)   |    |        |
| C806     | 1-162-286-31 | CERAMIC     | 220PF     | 10% | 50V    | D302     | 8-719-912-20 | DIODE                         | 1SS120 (FORMER TYPE) |    |        |
| C807     | 1-162-294-31 | CERAMIC     | 0. 001uF  | 10% | 50V    | D303     | 8-719-987-63 | DIODE                         | 1N4148M (NEW TYPE)   |    |        |
| C808     | 1-162-294-31 | CERAMIC     | 0. 001uF  | 10% | 50V    | D303     | 8-719-912-20 | DIODE                         | 1SS120 (FORMER TYPE) |    |        |
| C809     | 1-164-159-11 | CERAMIC     | 0. 1uF    |     | 50V    | D304     | 8-719-987-63 | DIODE                         | 1N4148M (NEW TYPE)   |    |        |
| C810     | 1-124-120-11 | ELECT       | 220uF     | 20% | 25V    | D304     | 8-719-912-20 | DIODE                         | 1SS120 (FORMER TYPE) |    |        |
| C851     | 1-161-379-00 | CERAMIC     | 0. 01uF   | 20% | 25V    | D305     | 8-719-987-63 | DIODE                         | 1N4148M (NEW TYPE)   |    |        |
| C852     | 1-126-233-11 | ELECT       | 22uF      | 20% | 50V    | D305     | 8-719-912-20 | DIODE                         | 1SS120 (FORMER TYPE) |    |        |
| C853     | 1-161-494-00 | CERAMIC     | 0. 022uF  |     | 25V    | D307     | 8-719-987-63 | DIODE                         | 1N4148M (NEW TYPE)   |    |        |
| C854     | 1-164-159-11 | CERAMIC     | 0. 1uF    |     | 50V    | D307     | 8-719-912-20 | DIODE                         | 1SS120 (FORMER TYPE) |    |        |
| C855     | 1-124-925-11 | ELECT       | 2. 2uF    | 20% | 100V   | D308     | 8-719-987-63 | DIODE                         | 1N4148M (NEW TYPE)   |    |        |
| C861     | 1-124-927-11 | ELECT       | 4. 7uF    | 20% | 100V   | D308     | 8-719-912-20 | DIODE                         | 1SS120 (FORMER TYPE) |    |        |
| C862     | 1-124-477-11 | ELECT       | 47uF      | 20% | 25V    |          |              |                               |                      |    |        |



## AUDIO SYSCON

| Ref. No.   | Part No.     | Description                   | Remark |
|------------|--------------|-------------------------------|--------|
| D309       | 8-719-987-63 | DIODE 1N4148M (NEW TYPE)      |        |
| D309       | 8-719-912-20 | DIODE 1SS120 (FORMER TYPE)    |        |
| D505       | 8-719-987-63 | DIODE 1N4148M (NEW TYPE)      |        |
| D505       | 8-719-912-20 | DIODE 1SS120 (FORMER TYPE)    |        |
| D506       | 8-719-933-33 | DIODE HZS6A1L                 |        |
| D507       | 8-719-987-63 | DIODE 1N4148M (NEW TYPE)      |        |
| D507       | 8-719-912-20 | DIODE 1SS120 (FORMER TYPE)    |        |
| D508       | 8-719-987-63 | DIODE 1N4148M (NEW TYPE)      |        |
| D508       | 8-719-912-20 | DIODE 1SS120 (FORMER TYPE)    |        |
| D509       | 8-719-987-63 | DIODE 1N4148M (NEW TYPE)      |        |
| D509       | 8-719-912-20 | DIODE 1SS120 (FORMER TYPE)    |        |
| D801       | 8-719-987-63 | DIODE 1N4148M (NEW TYPE)      |        |
| D801       | 8-719-912-20 | DIODE 1SS120 (FORMER TYPE)    |        |
| D802       | 8-719-987-63 | DIODE 1N4148M (NEW TYPE)      |        |
| D802       | 8-719-912-20 | DIODE 1SS120 (FORMER TYPE)    |        |
| D851       | 8-719-987-63 | DIODE 1N4148M (NEW TYPE)      |        |
| D851       | 8-719-912-20 | DIODE 1SS120 (FORMER TYPE)    |        |
| D861       | 8-719-987-63 | DIODE 1N4148M (NEW TYPE)      |        |
| D861       | 8-719-912-20 | DIODE 1SS120 (FORMER TYPE)    |        |
| < IC >     |              |                               |        |
| IC301      | 8-759-111-44 | IC $\mu$ PC4570C-1            |        |
| IC302      | 8-752-059-55 | IC CXA1331S (NEW TYPE)        |        |
| IC302      | 8-752-035-94 | IC CXA1331S (FORMER TYPE)     |        |
| IC303      | 8-752-038-02 | IC CXA1198AP                  |        |
| IC304      | 8-759-634-51 | IC M5218AP                    |        |
| IC305      | 8-759-945-58 | IC RC4558P                    |        |
| IC306      | 8-759-945-58 | IC RC4558P                    |        |
| IC307      | 8-759-106-56 | IC $\mu$ PC1297CA             |        |
| IC801      | 8-759-055-81 | IC M50963-467SP (NEW TYPE)    |        |
| IC801      | 8-759-637-35 | IC M50963-465SP (FORMER TYPE) |        |
| IC871      | 8-759-973-95 | IC BA6219B                    |        |
| IC872      | 8-759-973-95 | IC BA6219B                    |        |
| IC881      | 8-759-973-95 | IC BA6219B                    |        |
| IC882      | 8-759-822-09 | IC LB1641                     |        |
| < COIL >   |              |                               |        |
| L101       | 1-410-776-11 | INDUCTOR 12mH                 |        |
| L201       | 1-410-776-11 | INDUCTOR 12mH                 |        |
| < FILTER > |              |                               |        |
| LPF101     | 1-236-147-11 | FILTER, LOW PASS              |        |
| LPF201     | 1-236-147-11 | FILTER, LOW PASS              |        |
| < JACK >   |              |                               |        |
| PJ301      | 1-565-258-11 | JACK, PIN 4P (LINE IN/OUT)    |        |

| Ref. No.       | Part No.     | Description                      | Remark |
|----------------|--------------|----------------------------------|--------|
| < TRANSISTOR > |              |                                  |        |
| Q101           | 8-729-900-74 | TRANSISTOR DTC143TS              |        |
| Q102           | 8-729-900-80 | TRANSISTOR DTC114ES              |        |
| Q103           | 8-729-900-74 | TRANSISTOR DTC143TS              |        |
| Q104           | 8-729-922-37 | TRANSISTOR 2SD2144S              |        |
| Q105           | 8-729-900-80 | TRANSISTOR DTC114ES              |        |
| Q201           | 8-729-900-74 | TRANSISTOR DTC143TS              |        |
| Q202           | 8-729-900-80 | TRANSISTOR DTC114ES              |        |
| Q203           | 8-729-900-74 | TRANSISTOR DTC143TS              |        |
| Q204           | 8-729-922-37 | TRANSISTOR 2SD2144S              |        |
| Q205           | 8-729-900-80 | TRANSISTOR DTC114ES              |        |
| Q301           | 8-729-821-04 | TRANSISTOR 2SA1317-STU           |        |
| Q302           | 8-729-900-80 | TRANSISTOR DTC114ES              |        |
| Q303           | 8-729-900-61 | TRANSISTOR DTA114ES              |        |
| Q304           | 8-729-900-61 | TRANSISTOR DTA114ES              |        |
| Q305           | 8-729-900-80 | TRANSISTOR DTC114ES              |        |
| Q306           | 8-729-142-46 | TRANSISTOR 2SC2001-LK            |        |
| Q307           | 8-729-142-46 | TRANSISTOR 2SC2001-LK            |        |
| Q308           | 8-729-900-61 | TRANSISTOR DTA114ES              |        |
| Q309           | 8-729-620-05 | TRANSISTOR 2SC2603-EF            |        |
| Q310           | 8-729-900-61 | TRANSISTOR DTA114ES              |        |
| Q311           | 8-729-900-80 | TRANSISTOR DTC114ES              |        |
| Q313           | 8-729-900-61 | TRANSISTOR DTA114ES              |        |
| Q314           | 8-729-900-80 | TRANSISTOR DTC114ES              |        |
| Q315           | 8-729-900-80 | TRANSISTOR DTC114ES              |        |
| Q316           | 8-729-900-80 | TRANSISTOR DTC114ES              |        |
| Q317           | 8-729-620-05 | TRANSISTOR 2SC2603-EF            |        |
| Q318           | 8-729-900-61 | TRANSISTOR DTA114ES              |        |
| Q319           | 8-729-821-04 | TRANSISTOR 2SA1317-STU           |        |
| Q322           | 8-729-900-80 | TRANSISTOR DTC114ES              |        |
| Q323           | 8-729-900-80 | TRANSISTOR DTC114ES              |        |
| Q501           | 8-729-209-15 | TRANSISTOR 2SD2012               |        |
| Q502           | 8-729-141-83 | TRANSISTOR 2SB1094-LK (NEW TYPE) |        |
| Q502           | 8-729-111-67 | TRANSISTOR 2SA473 (FORMER TYPE)  |        |
| Q503           | 8-729-620-05 | TRANSISTOR 2SC2603-EF            |        |
| Q504           | 8-729-821-04 | TRANSISTOR 2SA1317-STU           |        |
| Q505           | 8-729-821-04 | TRANSISTOR 2SA1317-STU           |        |
| Q506           | 8-729-620-05 | TRANSISTOR 2SC2603-EF            |        |
| Q507           | 8-729-821-04 | TRANSISTOR 2SA1317-STU           |        |
| Q851           | 8-729-620-05 | TRANSISTOR 2SC2603-EF            |        |
| Q852           | 8-729-620-05 | TRANSISTOR 2SC2603-EF            |        |
| Q853           | 8-729-821-04 | TRANSISTOR 2SA1317-STU           |        |
| Q861           | 8-729-620-05 | TRANSISTOR 2SC2603-EF            |        |
| Q862           | 8-729-620-05 | TRANSISTOR 2SC2603-EF            |        |
| Q883           | 8-729-900-80 | TRANSISTOR DTC114ES              |        |
| Q884           | 8-729-900-80 | TRANSISTOR DTC114ES              |        |
| Q885           | 8-729-900-80 | TRANSISTOR DTC114ES              |        |

## AUDIO SYSCON

| Ref. No.     | Part No.     | Description | Remark |    |        | Ref. No. | Part No.     | Description | Remark |    |        |
|--------------|--------------|-------------|--------|----|--------|----------|--------------|-------------|--------|----|--------|
| < RESISTOR > |              |             |        |    |        |          |              |             |        |    |        |
| R101         | 1-249-428-11 | CARBON      | 8. 2K  | 5% | 1/4W   | R211     | 1-249-428-11 | CARBON      | 8. 2K  | 5% | 1/4W   |
| R102         | 1-249-435-11 | CARBON      | 33K    | 5% | 1/4W   | R212     | 1-247-864-11 | CARBON      | 24K    | 5% | 1/4W   |
| R103         | 1-249-403-11 | CARBON      | 68     | 5% | 1/4W   | R213     | 1-249-414-11 | CARBON      | 560    | 5% | 1/4W   |
| R104         | 1-247-882-11 | CARBON      | 130K   | 5% | 1/4W   | R216     | 1-249-421-11 | CARBON      | 2. 2K  | 5% | 1/4W   |
| R105         | 1-249-426-11 | CARBON      | 5. 6K  | 5% | 1/4W   | R217     | 1-249-429-11 | CARBON      | 10K    | 5% | 1/4W   |
| R106         | 1-249-421-11 | CARBON      | 2. 2K  | 5% | 1/4W   | R218     | 1-249-427-11 | CARBON      | 6. 8K  | 5% | 1/4W   |
| R107         | 1-247-840-00 | CARBON      | 2. 4K  | 5% | 1/4W   | R220     | 1-249-425-11 | CARBON      | 4. 7K  | 5% | 1/4W   |
| R108         | 1-247-887-00 | CARBON      | 220K   | 5% | 1/4W   | R221     | 1-249-425-11 | CARBON      | 4. 7K  | 5% | 1/4W   |
| R109         | 1-249-441-11 | CARBON      | 100K   | 5% | 1/4W   | R223     | 1-249-433-11 | CARBON      | 22K    | 5% | 1/4W   |
| R110         | 1-249-423-11 | CARBON      | 3. 3K  | 5% | 1/4W   | R224     | 1-249-417-11 | CARBON      | 1K     | 5% | 1/4W   |
| R111         | 1-249-428-11 | CARBON      | 8. 2K  | 5% | 1/4W   | R225     | 1-249-421-11 | CARBON      | 2. 2K  | 5% | 1/4W   |
| R112         | 1-247-864-11 | CARBON      | 24K    | 5% | 1/4W   | R226     | 1-249-431-11 | CARBON      | 15K    | 5% | 1/4W   |
| R113         | 1-249-414-11 | CARBON      | 560    | 5% | 1/4W   | R227     | 1-249-433-11 | CARBON      | 22K    | 5% | 1/4W   |
| R116         | 1-249-421-11 | CARBON      | 2. 2K  | 5% | 1/4W   | R228     | 1-249-409-11 | CARBON      | 220    | 5% | 1/4W   |
| R117         | 1-249-429-11 | CARBON      | 10K    | 5% | 1/4W   | R229     | 1-249-421-11 | CARBON      | 2. 2K  | 5% | 1/4W   |
| R118         | 1-249-427-11 | CARBON      | 6. 8K  | 5% | 1/4W   | R230     | 1-249-408-11 | CARBON      | 180    | 5% | 1/4W   |
| R120         | 1-249-425-11 | CARBON      | 4. 7K  | 5% | 1/4W   | R231     | 1-249-436-11 | CARBON      | 39K    | 5% | 1/4W   |
| R121         | 1-249-425-11 | CARBON      | 4. 7K  | 5% | 1/4W   | R232     | 1-249-429-11 | CARBON      | 10K    | 5% | 1/4W   |
| R123         | 1-249-433-11 | CARBON      | 22K    | 5% | 1/4W   | R234     | 1-249-435-11 | CARBON      | 33K    | 5% | 1/4W   |
| R124         | 1-249-417-11 | CARBON      | 1K     | 5% | 1/4W   | R235     | 1-249-437-11 | CARBON      | 47K    | 5% | 1/4W   |
| R125         | 1-249-421-11 | CARBON      | 2. 2K  | 5% | 1/4W   | R236     | 1-249-435-11 | CARBON      | 33K    | 5% | 1/4W   |
| R126         | 1-249-431-11 | CARBON      | 15K    | 5% | 1/4W   | R237     | 1-249-429-11 | CARBON      | 10K    | 5% | 1/4W   |
| R127         | 1-249-433-11 | CARBON      | 22K    | 5% | 1/4W   | R238     | 1-249-432-11 | CARBON      | 18K    | 5% | 1/4W   |
| R128         | 1-249-409-11 | CARBON      | 220    | 5% | 1/4W   | R241     | 1-249-434-11 | CARBON      | 27K    | 5% | 1/4W   |
| R129         | 1-249-421-11 | CARBON      | 2. 2K  | 5% | 1/4W   | R242     | 1-249-432-11 | CARBON      | 18K    | 5% | 1/4W   |
| R130         | 1-249-408-11 | CARBON      | 180    | 5% | 1/4W   | △R243    | 1-212-857-00 | FUSIBLE     | 10     | 5% | 1/4W F |
| R131         | 1-249-436-11 | CARBON      | 39K    | 5% | 1/4W   | R244     | 1-247-883-00 | CARBON      | 150K   | 5% | 1/4W   |
| R132         | 1-249-429-11 | CARBON      | 10K    | 5% | 1/4W   | R301     | 1-249-429-11 | CARBON      | 10K    | 5% | 1/4W   |
| R134         | 1-249-435-11 | CARBON      | 33K    | 5% | 1/4W   | R302     | 1-249-405-11 | CARBON      | 100    | 5% | 1/4W   |
| R135         | 1-249-437-11 | CARBON      | 47K    | 5% | 1/4W   | R303     | 1-249-405-11 | CARBON      | 100    | 5% | 1/4W   |
| R136         | 1-249-435-11 | CARBON      | 33K    | 5% | 1/4W   | R304     | 1-249-405-11 | CARBON      | 100    | 5% | 1/4W   |
| R137         | 1-249-429-11 | CARBON      | 10K    | 5% | 1/4W   | R305     | 1-249-405-11 | CARBON      | 100    | 5% | 1/4W   |
| R138         | 1-249-432-11 | CARBON      | 18K    | 5% | 1/4W   | R308     | 1-249-405-11 | CARBON      | 100    | 5% | 1/4W   |
| R141         | 1-249-434-11 | CARBON      | 27K    | 5% | 1/4W   | R309     | 1-249-405-11 | CARBON      | 100    | 5% | 1/4W   |
| R142         | 1-249-432-11 | CARBON      | 18K    | 5% | 1/4W   | R310     | 1-249-429-11 | CARBON      | 10K    | 5% | 1/4W   |
| △R143        | 1-212-857-00 | FUSIBLE     | 10     | 5% | 1/4W F | R311     | 1-249-430-11 | CARBON      | 12K    | 5% | 1/4W   |
| R144         | 1-247-883-00 | CARBON      | 150K   | 5% | 1/4W   | R312     | 1-247-854-11 | CARBON      | 9. 1K  | 5% | 1/4W   |
| R201         | 1-249-428-11 | CARBON      | 8. 2K  | 5% | 1/4W   | R313     | 1-247-864-11 | CARBON      | 24K    | 5% | 1/4W   |
| R202         | 1-249-435-11 | CARBON      | 33K    | 5% | 1/4W   | R314     | 1-249-441-11 | CARBON      | 100K   | 5% | 1/4W   |
| R203         | 1-249-403-11 | CARBON      | 68     | 5% | 1/4W   | R317     | 1-249-393-11 | CARBON      | 10     | 5% | 1/4W   |
| R204         | 1-247-882-11 | CARBON      | 130K   | 5% | 1/4W   | R318     | 1-249-435-11 | CARBON      | 33K    | 5% | 1/4W   |
| R205         | 1-249-426-11 | CARBON      | 5. 6K  | 5% | 1/4W   | R319     | 1-249-435-11 | CARBON      | 33K    | 5% | 1/4W   |
| R206         | 1-249-421-11 | CARBON      | 2. 2K  | 5% | 1/4W   | R320     | 1-249-390-11 | CARBON      | 5. 6   | 5% | 1/6W   |
| R207         | 1-247-840-00 | CARBON      | 2. 4K  | 5% | 1/4W   | R321     | 1-249-390-11 | CARBON      | 5. 6   | 5% | 1/6W   |
| R208         | 1-247-887-00 | CARBON      | 220K   | 5% | 1/4W   | R322     | 1-249-417-11 | CARBON      | 1K     | 5% | 1/4W   |
| R209         | 1-249-441-11 | CARBON      | 100K   | 5% | 1/4W   | R323     | 1-249-421-11 | CARBON      | 2. 2K  | 5% | 1/4W   |
| R210         | 1-249-423-11 | CARBON      | 3. 3K  | 5% | 1/4W   | R324     | 1-249-431-11 | CARBON      | 15K    | 5% | 1/4W   |
|              |              |             |        |    |        | R325     | 1-249-403-11 | CARBON      | 68     | 5% | 1/4W   |
|              |              |             |        |    |        | R326     | 1-249-429-11 | CARBON      | 10K    | 5% | 1/4W   |

The components identified by mark △ or dotted line with mark △ are critical for safety. Replace only with part number specified.

Les composants identifiés par une marque △ sont critiques pour la sécurité. Ne les remplacer que par une pièce portant le numéro spécifié.

## AUDIO SYSCON

| Ref. No. | Part No.     | Description | Remark |    |      | Ref. No. | Part No.     | Description | Remark |    |      |
|----------|--------------|-------------|--------|----|------|----------|--------------|-------------|--------|----|------|
| R327     | 1-215-455-00 | METAL       | 27K    | 1% | 1/6W | R801     | 1-249-405-11 | CARBON      | 100    | 5% | 1/4W |
| R328     | 1-249-417-11 | CARBON      | 1K     | 5% | 1/4W | R802     | 1-249-405-11 | CARBON      | 100    | 5% | 1/4W |
| R329     | 1-249-417-11 | CARBON      | 1K     | 5% | 1/4W | R803     | 1-249-405-11 | CARBON      | 100    | 5% | 1/4W |
| R330     | 1-249-441-11 | CARBON      | 100K   | 5% | 1/4W | R804     | 1-249-405-11 | CARBON      | 100    | 5% | 1/4W |
| R331     | 1-247-864-11 | CARBON      | 24K    | 5% | 1/4W | R805     | 1-249-405-11 | CARBON      | 100    | 5% | 1/4W |
| R332     | 1-249-433-11 | CARBON      | 22K    | 5% | 1/4W | R806     | 1-249-405-11 | CARBON      | 100    | 5% | 1/4W |
| R333     | 1-247-870-11 | CARBON      | 43K    | 5% | 1/4W | R807     | 1-249-405-11 | CARBON      | 100    | 5% | 1/4W |
| R334     | 1-247-868-11 | CARBON      | 36K    | 5% | 1/4W | R808     | 1-249-405-11 | CARBON      | 100    | 5% | 1/4W |
| R335     | 1-247-878-00 | CARBON      | 91K    | 5% | 1/4W | R809     | 1-249-433-11 | CARBON      | 22K    | 5% | 1/4W |
| R336     | 1-247-884-11 | CARBON      | 160K   | 5% | 1/4W | R810     | 1-249-433-11 | CARBON      | 22K    | 5% | 1/4W |
| R337     | 1-249-437-11 | CARBON      | 47K    | 5% | 1/4W | R811     | 1-249-433-11 | CARBON      | 22K    | 5% | 1/4W |
| R338     | 1-247-886-11 | CARBON      | 200K   | 5% | 1/4W | R812     | 1-249-433-11 | CARBON      | 22K    | 5% | 1/4W |
| R339     | 1-247-866-11 | CARBON      | 30K    | 5% | 1/4W | R813     | 1-249-425-11 | CARBON      | 4.7K   | 5% | 1/4W |
| R340     | 1-249-434-11 | CARBON      | 27K    | 5% | 1/4W | R814     | 1-249-429-11 | CARBON      | 10K    | 5% | 1/4W |
| R341     | 1-247-872-11 | CARBON      | 51K    | 5% | 1/4W | R815     | 1-249-429-11 | CARBON      | 10K    | 5% | 1/4W |
| R342     | 1-247-882-11 | CARBON      | 130K   | 5% | 1/4W | R816     | 1-249-425-11 | CARBON      | 4.7K   | 5% | 1/4W |
| R343     | 1-247-874-11 | CARBON      | 62K    | 5% | 1/4W | R821     | 1-249-425-11 | CARBON      | 4.7K   | 5% | 1/4W |
| R344     | 1-249-439-11 | CARBON      | 68K    | 5% | 1/4W | R822     | 1-249-425-11 | CARBON      | 4.7K   | 5% | 1/4W |
| R345     | 1-247-870-11 | CARBON      | 43K    | 5% | 1/4W | R823     | 1-249-425-11 | CARBON      | 4.7K   | 5% | 1/4W |
| R346     | 1-247-868-11 | CARBON      | 36K    | 5% | 1/4W | R824     | 1-249-425-11 | CARBON      | 4.7K   | 5% | 1/4W |
| R347     | 1-249-435-11 | CARBON      | 33K    | 5% | 1/4W | R825     | 1-249-436-11 | CARBON      | 39K    | 5% | 1/4W |
| R348     | 1-247-878-00 | CARBON      | 91K    | 5% | 1/4W | R826     | 1-249-436-11 | CARBON      | 39K    | 5% | 1/4W |
| R349     | 1-249-438-11 | CARBON      | 56K    | 5% | 1/4W | R827     | 1-249-409-11 | CARBON      | 220    | 5% | 1/4W |
| R350     | 1-249-438-11 | CARBON      | 56K    | 5% | 1/4W | R830     | 1-249-433-11 | CARBON      | 22K    | 5% | 1/4W |
| R351     | 1-249-409-11 | CARBON      | 220    | 5% | 1/4W | R831     | 1-249-425-11 | CARBON      | 4.7K   | 5% | 1/4W |
| R352     | 1-249-441-11 | CARBON      | 100K   | 5% | 1/4W | R832     | 1-249-425-11 | CARBON      | 4.7K   | 5% | 1/4W |
| R353     | 1-249-423-11 | CARBON      | 3.3K   | 5% | 1/4W | R833     | 1-249-425-11 | CARBON      | 4.7K   | 5% | 1/4W |
| R354     | 1-249-421-11 | CARBON      | 2.2K   | 5% | 1/4W | R834     | 1-249-421-11 | CARBON      | 2.2K   | 5% | 1/4W |
| R355     | 1-249-441-11 | CARBON      | 100K   | 5% | 1/4W | R835     | 1-249-433-11 | CARBON      | 22K    | 5% | 1/4W |
| R356     | 1-247-887-00 | CARBON      | 220K   | 5% | 1/4W | R836     | 1-249-417-11 | CARBON      | 1K     | 5% | 1/4W |
| R357     | 1-249-428-11 | CARBON      | 8.2K   | 5% | 1/4W | R837     | 1-249-417-11 | CARBON      | 1K     | 5% | 1/4W |
| R358     | 1-249-429-11 | CARBON      | 10K    | 5% | 1/4W | R838     | 1-249-429-11 | CARBON      | 10K    | 5% | 1/4W |
| R362     | 1-249-433-11 | CARBON      | 22K    | 5% | 1/4W | R839     | 1-249-429-11 | CARBON      | 10K    | 5% | 1/4W |
| R363     | 1-249-405-11 | CARBON      | 100    | 5% | 1/4W | R840     | 1-247-903-00 | CARBON      | 1M     | 5% | 1/4W |
| R364     | 1-249-429-11 | CARBON      | 10K    | 5% | 1/4W | R851     | 1-249-425-11 | CARBON      | 4.7K   | 5% | 1/4W |
| R365     | 1-249-405-11 | CARBON      | 100    | 5% | 1/4W | R852     | 1-249-433-11 | CARBON      | 22K    | 5% | 1/4W |
| R366     | 1-249-405-11 | CARBON      | 100    | 5% | 1/4W | R853     | 1-249-433-11 | CARBON      | 22K    | 5% | 1/4W |
| R501     | 1-249-433-11 | CARBON      | 22K    | 5% | 1/4W | R854     | 1-249-424-11 | CARBON      | 3.9K   | 5% | 1/4W |
| R502     | 1-249-421-11 | CARBON      | 2.2K   | 5% | 1/4W | R855     | 1-249-425-11 | CARBON      | 4.7K   | 5% | 1/4W |
| R503     | 1-249-421-11 | CARBON      | 2.2K   | 5% | 1/4W | R856     | 1-249-417-11 | CARBON      | 1K     | 5% | 1/4W |
| R504     | 1-249-421-11 | CARBON      | 2.2K   | 5% | 1/4W | R857     | 1-249-437-11 | CARBON      | 47K    | 5% | 1/4W |
| R505     | 1-249-421-11 | CARBON      | 2.2K   | 5% | 1/4W | R858     | 1-249-441-11 | CARBON      | 100K   | 5% | 1/4W |
| R506     | 1-249-417-11 | CARBON      | 1K     | 5% | 1/4W | R859     | 1-249-429-11 | CARBON      | 10K    | 5% | 1/4W |
| R507     | 1-249-417-11 | CARBON      | 1K     | 5% | 1/4W | R861     | 1-249-421-11 | CARBON      | 2.2K   | 5% | 1/4W |
| R508     | 1-249-417-11 | CARBON      | 1K     | 5% | 1/4W | R862     | 1-249-429-11 | CARBON      | 10K    | 5% | 1/4W |
| R509     | 1-249-415-11 | CARBON      | 680    | 5% | 1/4W | R863     | 1-249-433-11 | CARBON      | 22K    | 5% | 1/4W |
| R510     | 1-249-422-11 | CARBON      | 2.7K   | 5% | 1/4W | R864     | 1-249-429-11 | CARBON      | 10K    | 5% | 1/4W |
| R511     | 1-249-424-11 | CARBON      | 3.9K   | 5% | 1/4W | R865     | 1-249-429-11 | CARBON      | 10K    | 5% | 1/4W |
| R512     | 1-249-423-11 | CARBON      | 3.3K   | 5% | 1/4W | R866     | 1-249-417-11 | CARBON      | 1K     | 5% | 1/4W |

**AUDIO SYSCON MD**

| Ref. No.              | Part No.     | Description                        | Remark |    |        |
|-----------------------|--------------|------------------------------------|--------|----|--------|
| R867                  | 1-247-826-00 | CARBON                             | 620    | 5% | 1/4W   |
| R871                  | 1-249-414-11 | CARBON                             | 560    | 5% | 1/4W   |
| R872                  | 1-249-417-11 | CARBON                             | 1K     | 5% | 1/4W   |
| R873                  | 1-249-482-11 | CARBON                             | 4.7    | 5% | 1/2W   |
| R874                  | 1-249-415-11 | CARBON<br>(NEW TYPE)               | 680    | 5% | 1/4W   |
| R874                  | 1-247-822-11 | CARBON<br>(FORMER TYPE)            | 430    | 5% | 1/4W   |
| R875                  | 1-249-417-11 | CARBON                             | 1K     | 5% | 1/4W   |
| R876                  | 1-249-482-11 | CARBON                             | 4.7    | 5% | 1/2W   |
| <u>△</u> R877         | 1-212-942-00 | FUSIBLE                            | 2.2    | 5% | 1/2W F |
| R880                  | 1-249-413-11 | CARBON<br>(NEW TYPE)               | 470    | 5% | 1/4W   |
| R880                  | 1-249-411-11 | CARBON<br>(FORMER TYPE)            | 330    | 5% | 1/4W   |
| R881                  | 1-247-830-11 | CARBON                             | 910    | 5% | 1/4W   |
| R882                  | 1-249-418-11 | CARBON                             | 1.2K   | 5% | 1/4W   |
| R883                  | 1-249-417-11 | CARBON                             | 1K     | 5% | 1/4W   |
| R884                  | 1-249-482-11 | CARBON                             | 4.7    | 5% | 1/2W   |
| R885                  | 1-249-416-11 | CARBON<br>(NEW TYPE)               | 820    | 5% | 1/4W   |
| R885                  | 1-249-421-11 | CARBON<br>(FORMER TYPE)            | 2.2K   | 5% | 1/4W   |
| R886                  | 1-249-419-11 | CARBON                             | 1.5K   | 5% | 1/4W   |
| R887                  | 1-249-417-11 | CARBON                             | 1K     | 5% | 1/4W   |
| R888                  | 1-249-482-11 | CARBON                             | 4.7    | 5% | 1/2W   |
| R889                  | 1-249-429-11 | CARBON                             | 10K    | 5% | 1/4W   |
| < VARIABLE RESISTOR > |              |                                    |        |    |        |
| RV101                 | 1-241-632-11 | RES, ADJ, CARBON 47K (NEW TYPE)    |        |    |        |
| RV101                 | 1-238-019-11 | RES, ADJ, CARBON 47K (FORMER TYPE) |        |    |        |
| RV102                 | 1-241-630-11 | RES, ADJ, CARBON 10K (NEW TYPE)    |        |    |        |
| RV102                 | 1-238-016-11 | RES, ADJ, CARBON 10K (FORMER TYPE) |        |    |        |
| RV103                 | 1-241-630-11 | RES, ADJ, CARBON 10K (NEW TYPE)    |        |    |        |
| RV103                 | 1-238-016-11 | RES, ADJ, CARBON 10K (FORMER TYPE) |        |    |        |
| RV201                 | 1-241-632-11 | RES, ADJ, CARBON 47K (NEW TYPE)    |        |    |        |
| RV201                 | 1-238-019-11 | RES, ADJ, CARBON 47K (FORMER TYPE) |        |    |        |
| RV202                 | 1-241-630-11 | RES, ADJ, CARBON 10K (NEW TYPE)    |        |    |        |
| RV202                 | 1-238-016-11 | RES, ADJ, CARBON 10K (FORMER TYPE) |        |    |        |
| RV203                 | 1-241-630-11 | RES, ADJ, CARBON 10K (NEW TYPE)    |        |    |        |
| RV203                 | 1-238-016-11 | RES, ADJ, CARBON 10K (FORMER TYPE) |        |    |        |
| RV861                 | 1-241-632-11 | RES, ADJ, CARBON 47K (NEW TYPE)    |        |    |        |
| RV861                 | 1-238-019-11 | RES, ADJ, CARBON 47K (FORMER TYPE) |        |    |        |
| RV881                 | 1-241-630-11 | RES, ADJ, CARBON 10K (NEW TYPE)    |        |    |        |
| RV881                 | 1-238-016-11 | RES, ADJ, CARBON 10K (FORMER TYPE) |        |    |        |

| Ref. No. | Part No.     | Description                     | Remark  |    |      |
|----------|--------------|---------------------------------|---------|----|------|
|          |              | < RELAY >                       |         |    |      |
| RY301    | 1-515-683-11 | RELAY                           |         |    |      |
|          |              | < TRANSFORMER >                 |         |    |      |
| T141     | 1-433-335-11 | TRANSFORMER, BIAS OSCILLATION   |         |    |      |
| T241     | 1-433-335-11 | TRANSFORMER, BIAS OSCILLATION   |         |    |      |
| T301     | 1-433-336-11 | TRANSFORMER, BIAS OSCILLATION   |         |    |      |
|          |              | < TEST PIN >                    |         |    |      |
| * TP341  | 1-568-449-11 | HOUSING, CONNECTOR(PC BOARD)3P  |         |    |      |
| * TP801  | 1-564-506-11 | PLUG, CONNECTOR 3P              |         |    |      |
| * TP802  | 1-564-506-11 | PLUG, CONNECTOR 3P              |         |    |      |
| * TP861  | 1-564-505-11 | PLUG, CONNECTOR 2P              |         |    |      |
|          |              | < VIBRATOR >                    |         |    |      |
| X801     | 1-577-358-21 | VIBRATOR, CERAMIC 4MHz          |         |    |      |
| *****    |              |                                 |         |    |      |
| *        | 1-632-740-11 | MD BOARD                        |         |    |      |
| *****    |              |                                 |         |    |      |
|          | 3-356-631-01 | HOLDER (SENSOR)                 |         |    |      |
|          |              | < CONNECTOR >                   |         |    |      |
| CN1001   | 1-506-615-11 | PIN, CONNECTOR 9P               |         |    |      |
| * CN1002 | 1-564-502-11 | PIN, CONNECTOR 10P              |         |    |      |
|          |              | < IC >                          |         |    |      |
| IC1001   | 8-749-920-97 | PHOTOSENSOR                     | GP2S22B |    |      |
| IC1002   | 8-749-920-97 | PHOTOSENSOR                     | GP2S22B |    |      |
|          |              | < RESISTOR >                    |         |    |      |
| R1001    | 1-249-407-11 | CARBON                          | 150     | 5% | 1/4W |
| R1002    | 1-249-407-11 | CARBON                          | 150     | 5% | 1/4W |
|          |              | < SWITCH >                      |         |    |      |
| S1003    | 1-571-958-11 | SWITCH, PUSH (1 KEY) (CLOSE)    |         |    |      |
| S1004    | 1-572-126-11 | SWITCH, PUSH (1 KEY) (OPEN)     |         |    |      |
| S1005    | 1-572-125-11 | SWITCH, LEAF (FWD TAB)          |         |    |      |
| S1006    | 1-572-202-11 | SWITCH, LEAF (HALF)             |         |    |      |
| S1007    | 1-572-125-11 | SWITCH, LEAF (METAL)            |         |    |      |
| S1008    | 1-572-125-11 | SWITCH, LEAF (70uS)             |         |    |      |
| S1009    | 1-572-125-11 | SWITCH, LEAF (REV TAB)          |         |    |      |
|          |              | < TERMINAL >                    |         |    |      |
| * TB1001 | 1-694-018-11 | TERMINAL (5P) (NEW TYPE)        |         |    |      |
| * TB1001 | 1-569-066-11 | PIN, CONNECTOR 5P (FORMER TYPE) |         |    |      |
| *****    |              |                                 |         |    |      |

|  |   |
|--|---|
| The components identified by mark <u>△</u> or dotted line with mark <u>△</u> are critical for safety. Replace only with part number specified. | Les composants identifiés par une marque <u>△</u> sont critiques pour la sécurité. Ne les remplacer que par une pièce portant le numéro spécifié. |
|--|---|

## PANEL POWER

| Ref. No.      | Part No.     | Description  | Remark            |
|---------------|--------------|--|-------------------|
| *             | A-2006-621-A | PANEL POWER BOARD, COMPLETE (including<br>PANEL (L) BOARD, PANEL (R) BOARD, POWER<br>SUPPLY BOARD, TRANS BOARD, H. P BOARD)<br>***** |                   |
| *△            | 1-533-213-31 | HOLDER, FUSE   |                   |
| *             | 3-309-144-21 | HEAT SINK  |                   |
| *             | 3-350-145-01 | HOLDER, FL TUBE  |                   |
| *             | 4-921-941-01 | CUSHION (FL) (NEW TYPE)  |                   |
|               | 7-685-646-79 | SCREW +BVTP 3X8 TYPE2  |                   |
|               | 7-682-547-04 | SCREW +BVTT 3X6 (S)  |                   |
| < CAPACITOR > |              |  |                   |
| C334          | 1-164-159-11 | CERAMIC 0.1uF  | 50V               |
| C701          | 1-124-907-11 | ELECT 10uF   | 20% 50V           |
| C702          | 1-126-946-11 | ELECT 6800uF   | 20% 25V           |
| C703          | 1-124-477-11 | ELECT 47uF   | 20% 25V           |
| C704          | 1-124-898-11 | ELECT 4700uF   | 20% 16V           |
| C705          | 1-124-556-11 | ELECT 2200uF   | 20% 16V           |
| C706          | 1-124-443-00 | ELECT 100uF  | 20% 10V           |
| C707          | 1-124-471-00 | ELECT 1000uF   | 20% 6.3V          |
| C708          | 1-124-911-11 | ELECT 220uF  | 20% 50V           |
| C709          | 1-124-927-11 | ELECT 4.7uF  | 20% 100V          |
| C710          | 1-124-927-11 | ELECT 4.7uF  | 20% 100V          |
| C711          | 1-124-556-11 | ELECT 2200uF   | 20% 16V           |
| C712          | 1-124-556-11 | ELECT 2200uF   | 20% 16V           |
| C901          | 1-126-154-11 | ELECT 47uF   | 20% 6.3V          |
| C902          | 1-164-159-11 | CERAMIC 0.1uF  | 50V               |
| C903          | 1-161-494-00 | CERAMIC 0.022uF  | 25V               |
| C904          | 1-162-286-31 | CERAMIC 220PF  | 10% 50V           |
| C905          | 1-162-286-31 | CERAMIC 220PF  | 10% 50V           |
| C906          | 1-161-494-00 | CERAMIC 0.022uF  | 25V               |
| C907          | 1-126-163-11 | ELECT 4.7uF  | 20% 50V           |
| C908          | 1-164-159-11 | CERAMIC 0.1uF  | 50V<br>(NEW TYPE) |
| C991          | 1-126-163-11 | ELECT 4.7uF  | 20% 50V           |
| < CONNECTOR > |              |  |                   |
| CN306         | 1-564-507-11 | PLUG, CONNECTOR 4P   |                   |
| * CN308       | 1-568-824-11 | SOCKET, CONNECTOR 5P   |                   |
| * CN701       | 1-568-830-21 | SOCKET, CONNECTOR 11P  |                   |
| * CN702       | 1-568-830-21 | SOCKET, CONNECTOR 11P  |                   |
| * CN703       | 1-568-830-11 | SOCKET, CONNECTOR 11P  |                   |
| * CN705       | 1-508-882-00 | BASE POST  |                   |
| * CN802       | 1-568-824-11 | SOCKET, CONNECTOR 5P   |                   |
| * CN901       | 1-568-830-11 | SOCKET, CONNECTOR 11P  |                   |
| * CN902       | 1-568-830-11 | SOCKET, CONNECTOR 11P  |                   |

| Ref. No.       | Part No.     | Description                               | Remark |
|----------------|--------------|---|--------|
| < DIODE >      |              |   |        |
| D701           | 8-719-200-77 | DIODE 10E2N                               |        |
| D702           | 8-719-500-36 | DIODE D2S820                              |        |
| D703           | 8-719-987-63 | DIODE 1N4148M (NEW TYPE)                  |        |
| D703           | 8-719-912-20 | DIODE 1SS120 (FORMER TYPE)                |        |
| D704           | 8-719-001-54 | DIODE UZL-11H2                            |        |
| D705           | 8-719-200-77 | DIODE 10E2N                               |        |
| D706           | 8-719-933-41 | DIODE HZS6C3L                             |        |
| D707           | 8-719-987-63 | DIODE 1N4148M (NEW TYPE)                  |        |
| D707           | 8-719-912-20 | DIODE 1SS120 (FORMER TYPE)                |        |
| D708           | 8-719-933-38 | DIODE HZS6B3L                             |        |
| D709           | 8-719-200-77 | DIODE 10E2N                               |        |
| D710           | 8-719-200-77 | DIODE 10E2N                               |        |
| D711           | 8-719-200-77 | DIODE 10E2N                               |        |
| D712           | 8-719-200-77 | DIODE 10E2N                               |        |
| D713           | 8-719-987-63 | DIODE 1N4148M (NEW TYPE)                  |        |
| D713           | 8-719-912-20 | DIODE 1SS120 (FORMER TYPE)                |        |
| < FUSE >       |              |   |        |
| △F1            | 1-532-259-00 | FUSE, TIME-LAG T1.6A 250V (AEP, G, UK, E) |        |
| △F1            | 1-532-742-11 | FUSE, GLASS TUBE 1.6A 125V (US, CND)      |        |
| △F2            | 1-532-259-00 | FUSE, TIME-LAG T1.6A 250V (AEP, G, UK, E) |        |
| △F2            | 1-532-742-11 | FUSE, GLASS TUBE 1.6A 125V (US, CND)      |        |
| < FILTER >     |              |   |        |
| FL901          | 1-519-687-11 | INDICATOR TUBE, FLUORESCENT               |        |
| < IC >         |              |   |        |
| IC901          | 8-759-637-33 | IC M50940-340SP                           |        |
| IC991          | 8-741-100-48 | IC SBX1610-59                             |        |
| < JACK >       |              |   |        |
| J501           | 1-507-981-11 | JACK (LARGE TYPE) (HEADPHONES)            |        |
| < TRANSISTOR > |              |   |        |
| Q701           | 8-729-620-05 | TRANSISTOR 2SC2603-EF                     |        |
| Q702           | 8-729-141-83 | TRANSISTOR 2SB1094-LK (NEW TYPE)          |        |
| Q702           | 8-729-111-67 | TRANSISTOR 2SA473 (FORMER TYPE)           |        |
| Q703           | 8-729-620-05 | TRANSISTOR 2SC2603-EF                     |        |
| Q704           | 8-729-620-05 | TRANSISTOR 2SC2603-EF                     |        |
| Q705           | 8-729-209-15 | TRANSISTOR 2SD2012                        |        |
| Q706           | 8-729-821-04 | TRANSISTOR 2SA1317-STU                    |        |
| Q707           | 8-729-140-04 | TRANSISTOR 2SB1116A-L                     |        |
| Q991           | 8-729-900-61 | TRANSISTOR DTA114ES                       |        |
| < RESISTOR >   |              |   |        |
| R359           | 1-249-413-11 | CARBON 470 5% 1/4W                        |        |

The components identified by mark △ or dotted line with mark. △ are critical for safety. Replace only with part number specified.

Les composants identifiés par une marque △ sont critiques pour la sécurité. Ne les remplacer que par une pièce portant le numéro spécifié.

# PANEL POWER

| Ref. No. | Part No.     | Description | Remark |     |      | Ref. No. | Part No.     | Description                          | Remark |    |      |
|----------|--------------|-------------|--------|-----|------|----------|--------------|--------------------------------------|--------|----|------|
| R360     | 1-249-413-11 | CARBON      | 470    | 5%  | 1/4W | R961     | 1-249-421-11 | CARBON                               | 2.2K   | 5% | 1/4W |
| R701     | 1-249-433-11 | CARBON      | 22K    | 5%  | 1/4W | R962     | 1-249-423-11 | CARBON                               | 3.3K   | 5% | 1/4W |
| R702     | 1-249-419-11 | CARBON      | 1.5K   | 5%  | 1/4W | R963     | 1-249-426-11 | CARBON                               | 5.6K   | 5% | 1/4W |
| △R704    | 1-219-136-11 | FUSIBLE     | 0.22   | 10% | 1/4W | R964     | 1-247-856-00 | CARBON                               | 11K    | 5% | 1/4W |
| R705     | 1-249-422-11 | CARBON      | 2.7K   | 5%  | 1/4W | R971     | 1-249-421-11 | CARBON                               | 2.2K   | 5% | 1/4W |
| R706     | 1-249-421-11 | CARBON      | 2.2K   | 5%  | 1/4W | R981     | 1-249-421-11 | CARBON                               | 2.2K   | 5% | 1/4W |
| R707     | 1-249-422-11 | CARBON      | 2.7K   | 5%  | 1/4W | R991     | 1-249-429-11 | CARBON                               | 10K    | 5% | 1/4W |
| R708     | 1-249-430-11 | CARBON      | 12K    | 5%  | 1/4W |          |              | < VARIABLE RESISTOR >                |        |    |      |
| R709     | 1-249-429-11 | CARBON      | 10K    | 5%  | 1/4W | RV301    | 1-241-524-11 | RES, VAR, CARBON 50K/50K (REC LEVEL) |        |    |      |
| R710     | 1-249-436-11 | CARBON      | 39K    | 5%  | 1/4W | RV302    | 1-241-655-11 | RES, VAR, CARBON 50K/50K (BALANCE)   |        |    |      |
| △R712    | 1-219-139-11 | FUSIBLE     | 0.68   | 10% | 1/4W |          |              | < SWITCH >                           |        |    |      |
| △R713    | 1-219-139-11 | FUSIBLE     | 0.68   | 10% | 1/4W | S301     | 1-572-374-11 | SWITCH, SLIDE (DOLBY NR)             |        |    |      |
| △R791    | 1-249-385-11 | CARBON      | 2.2    | 5%  | 1/6W | S893     | 1-570-953-11 | SWITCH, PUSH (1 KEY) (CASSETTE LID)  |        |    |      |
| R901     | 1-249-405-11 | CARBON      | 100    | 5%  | 1/4W | S931     | 1-554-303-21 | SWITCH, TACTILE (OPEN/CLOSE)         |        |    |      |
| R902     | 1-249-405-11 | CARBON      | 100    | 5%  | 1/4W | S932     | 1-554-303-21 | SWITCH, TACTILE (AMS REW)            |        |    |      |
| R903     | 1-249-405-11 | CARBON      | 100    | 5%  | 1/4W | S933     | 1-554-303-21 | SWITCH, TACTILE (AMS FF)             |        |    |      |
| R904     | 1-249-405-11 | CARBON      | 100    | 5%  | 1/4W | S934     | 1-554-303-21 | SWITCH, TACTILE (REC)                |        |    |      |
| R905     | 1-249-405-11 | CARBON      | 100    | 5%  | 1/4W | S935     | 1-554-303-21 | SWITCH, TACTILE (COUNTER RESET)      |        |    |      |
| R906     | 1-249-405-11 | CARBON      | 100    | 5%  | 1/4W | S936     | 1-554-303-21 | SWITCH, TACTILE (COUNTER MEMORY)     |        |    |      |
| R907     | 1-249-433-11 | CARBON      | 22K    | 5%  | 1/4W | S941     | 1-554-303-21 | SWITCH, TACTILE (STOP)               |        |    |      |
| R908     | 1-249-417-11 | CARBON      | 1K     | 5%  | 1/4W | S942     | 1-554-303-21 | SWITCH, TACTILE (PAUSE)              |        |    |      |
| R909     | 1-247-903-00 | CARBON      | 1M     | 5%  | 1/4W | S943     | 1-554-303-21 | SWITCH, TACTILE (FWD)                |        |    |      |
| R911     | 1-247-856-00 | CARBON      | 11K    | 5%  | 1/4W | S944     | 1-554-303-21 | SWITCH, TACTILE (REV)                |        |    |      |
| R912     | 1-247-856-00 | CARBON      | 11K    | 5%  | 1/4W | S945     | 1-554-303-21 | SWITCH, TACTILE (REC MUTE)           |        |    |      |
| R913     | 1-247-856-00 | CARBON      | 11K    | 5%  | 1/4W | S951     | 1-554-303-21 | SWITCH, TACTILE (SKIP)               |        |    |      |
| R914     | 1-247-856-00 | CARBON      | 11K    | 5%  | 1/4W | S952     | 1-554-303-21 | SWITCH, TACTILE (ALL REW)            |        |    |      |
| R915     | 1-247-856-00 | CARBON      | 11K    | 5%  | 1/4W | S953     | 1-554-303-21 | SWITCH, TACTILE (BLK SKIP)           |        |    |      |
| R916     | 1-247-856-00 | CARBON      | 11K    | 5%  | 1/4W | S954     | 1-554-303-21 | SWITCH, TACTILE (SYNC MODE)          |        |    |      |
| R917     | 1-249-421-11 | CARBON      | 2.2K   | 5%  | 1/4W | S955     | 1-554-303-21 | SWITCH, TACTILE (SHUFFLE)            |        |    |      |
| R918     | 1-249-421-11 | CARBON      | 2.2K   | 5%  | 1/4W | S956     | 1-554-303-21 | SWITCH, TACTILE (PROGRAM)            |        |    |      |
| R919     | 1-249-425-11 | CARBON      | 4.7K   | 5%  | 1/4W | S961     | 1-554-303-21 | SWITCH, TACTILE (1)                  |        |    |      |
| R920     | 1-249-421-11 | CARBON      | 2.2K   | 5%  | 1/4W | S962     | 1-554-303-21 | SWITCH, TACTILE (2)                  |        |    |      |
| R921     | 1-249-409-11 | CARBON      | 220    | 5%  | 1/4W | S963     | 1-554-303-21 | SWITCH, TACTILE (3)                  |        |    |      |
| R922     | 1-249-409-11 | CARBON      | 220    | 5%  | 1/4W | S964     | 1-554-303-21 | SWITCH, TACTILE (4)                  |        |    |      |
| R923     | 1-249-409-11 | CARBON      | 220    | 5%  | 1/4W | S965     | 1-554-303-21 | SWITCH, TACTILE (5)                  |        |    |      |
| R931     | 1-249-421-11 | CARBON      | 2.2K   | 5%  | 1/4W | S971     | 1-571-520-11 | SWITCH, SLIDE (DIRECTION)            |        |    |      |
| R932     | 1-249-423-11 | CARBON      | 3.3K   | 5%  | 1/4W | S981     | 1-571-520-11 | SWITCH, SLIDE (TIMER)                |        |    |      |
| R933     | 1-249-426-11 | CARBON      | 5.6K   | 5%  | 1/4W | S991     | 1-554-118-00 | SWITCH, PUSH (1 KEY) (POWER)         |        |    |      |
| R934     | 1-247-856-00 | CARBON      | 11K    | 5%  | 1/4W |          |              | < TRANSFORMER >                      |        |    |      |
| R935     | 1-249-435-11 | CARBON      | 33K    | 5%  | 1/4W | △T1      | 1-450-444-11 | TRANSFORMER, POWER (US, CND)         |        |    |      |
| R941     | 1-249-421-11 | CARBON      | 2.2K   | 5%  | 1/4W | △T1      | 1-450-445-11 | TRANSFORMER, POWER (E)               |        |    |      |
| R942     | 1-249-423-11 | CARBON      | 3.3K   | 5%  | 1/4W | △T1      | 1-450-446-11 | TRANSFORMER, POWER (AEP, G, UK)      |        |    |      |
| R943     | 1-249-426-11 | CARBON      | 5.6K   | 5%  | 1/4W |          |              | < THERMISTOR >                       |        |    |      |
| R944     | 1-247-856-00 | CARBON      | 11K    | 5%  | 1/4W | TH791    | 1-806-882-11 | THERMISTOR, POSITIVE                 |        |    |      |
| R951     | 1-249-421-11 | CARBON      | 2.2K   | 5%  | 1/4W |          |              |                                      |        |    |      |
| R952     | 1-249-423-11 | CARBON      | 3.3K   | 5%  | 1/4W |          |              |                                      |        |    |      |
| R953     | 1-249-426-11 | CARBON      | 5.6K   | 5%  | 1/4W |          |              |                                      |        |    |      |
| R954     | 1-247-856-00 | CARBON      | 11K    | 5%  | 1/4W |          |              |                                      |        |    |      |
| R955     | 1-249-435-11 | CARBON      | 33K    | 5%  | 1/4W |          |              |                                      |        |    |      |

The components identified by mark △ or dotted line with mark. △ are critical for safety. Replace only with part number specified.

Les composants identifiés par une marque △ sont critiques pour la sécurité. Ne les remplacer que par une pièce portant le numéro spécifié.

**PANEL POWER**

**REEL MOTOR**

**SLIDER**

**TRANSLATION**

| Ref. No. | Part No.     | Description   | Remark |
|----------|--------------|---|--------|
|          |              | < VIBRATOR >  |        |
| X901     | 1-577-358-21 | VIBRATOR, CERAMIC 4MHz  |        |
| *****    |              |   |        |
| *        | 1-632-741-11 | REEL MOTOR BOARD  |        |
| *****    |              |   |        |
|          |              | < CAPACITOR >   |        |
| C1051    | 1-124-907-11 | ELECT 10uF 20% 50V  |        |
| C1052    | 1-124-907-11 | ELECT 10uF 20% 50V  |        |
| C1053    | 1-164-159-11 | CERAMIC 0.1uF 50V   |        |
|          |              | < CONNECTOR >   |        |
| CN1051   | 1-564-501-11 | PIN, CONNECTOR 8P   |        |
| * CN1052 | 1-564-720-11 | PIN, CONNECTOR (SMALL TYPE) 4P  |        |
| * CN1053 | 1-564-718-11 | PIN, CONNECTOR (SMALL TYPE) 2P  |        |
|          |              | < MOTOR >   |        |
| M1051    | X-3356-638-1 | MOTOR (REEL R) ASSY   |        |
| M1052    | X-3356-604-1 | MOTOR (ASSIST) ASSY   |        |
|          |              | < RESISTOR >  |        |
| R1051    | 1-249-414-11 | CARBON 560 5% 1/4W  |        |
| *****    |              |   |        |
| *        | 1-641-110-11 | SLIDER BOARD (including DRUM PULSE BOARD, DRUM TRAY MOTOR BOARD, DRUM CLK BOARD, IN/OUT SW BOARD) |        |
| *****    |              |   |        |
|          |              | < CAPACITOR >   |        |
| C891     | 1-124-768-11 | ELECT 4.7uF 20% 50V   |        |
| C892     | 1-124-768-11 | ELECT 4.7uF 20% 50V   |        |
| C893     | 1-164-159-11 | CERAMIC 0.1uF 50V   |        |
| C894     | 1-164-159-11 | CERAMIC 0.1uF 50V   |        |
|          |              | < CONNECTOR >   |        |
| * CN894  | 1-568-830-11 | SOCKET, CONNECTOR 11P   |        |
| * CN895  | 1-564-338-00 | PIN, CONNECTOR 4P   |        |
| * CN896  | 1-564-337-00 | PIN, CONNECTOR 3P   |        |
| * CN898  | 1-564-337-61 | PIN, CONNECTOR 3P   |        |
|          |              | < DIODE >   |        |
| D891     | 8-719-970-19 | PHOTOINTERRUPTER GP-1A521   |        |
| D892     | 8-719-970-19 | PHOTOINTERRUPTER GP-1A521   |        |
|          |              | < MOTOR >   |        |
| M891     | X-3363-669-1 | MOTOR (TRAY) ASSY   |        |
| M892     | X-3363-669-1 | MOTOR (TRAY) ASSY (NEW TYPE)  |        |

| Ref. No. | Part No.     | Description  | Remark |
|----------|--------------|--|--------|
| M892     | X-3363-670-1 | MOTOR (DRUM) ASSY (FORMER TYPE)                                      |        |
|          |              | < RESISTOR >   |        |
| R891     | 1-249-413-11 | CARBON 470 5% 1/4W   |        |
| R892     | 1-249-413-11 | CARBON 470 5% 1/4W   |        |
|          |              | < SWITCH >   |        |
| S891     | 1-571-300-21 | SWITCH, ROTARY (TRAY I/O)  |        |
| *****    |              |  |        |
| *        | 1-634-323-11 | TRANSLATION BOARD  |        |
| *****    |              |  |        |
|          |              | < CONNECTOR >  |        |
| * CN1091 | 1-564-709-11 | PIN, CONNECTOR (SMALL TYPE) 7P                                       |        |
| * CN1092 | 1-564-509-11 | PLUG, CONNECTOR 6P   |        |
| * CN1093 | 1-564-705-11 | PIN, CONNECTOR (SMALL TYPE) 3P                                       |        |
| * CN1094 | 1-564-506-11 | PLUG, CONNECTOR 3P   |        |
| *****    |              |  |        |
|          |              | MISCELLANEOUS  |        |
| *****    |              |  |        |
| 64       | 1-534-517-00 | WIRE, FLAT TYPE (11 CORE)  |        |
| 67       | 1-690-319-11 | WIRE, FLAT TYPE (11 CORE)  |        |
| 68       | 1-575-779-11 | WIRE, FLAT TYPE (5 CORE)   |        |
| 69       | 1-575-778-11 | WIRE, FLAT TYPE (5 CORE)   |        |
| 158      | 1-534-517-00 | WIRE, FLAT TYPE (11 CORE)  |        |
| 159      | 1-690-320-11 | WIRE, FLAT TYPE (11 CORE)  |        |
| 160      | 1-534-517-00 | WIRE, FLAT TYPE (11 CORE)  |        |
| △162     | 1-551-188-XX | CORD, POWER (E)  |        |
| △162     | 1-555-465-00 | CORD, POWER (C5/US, CND)   |        |
| △162     | 1-555-792-00 | CORD, POWER, EULO PLUG (AEP, G)                                      |        |
| △162     | 1-556-035-00 | CORD, POWER (UK)   |        |
| △162     | 1-590-836-31 | CORD, POWER (C521)   |        |
| △172     | 1-569-007-11 | ADAPTER, CONVERSION 2P (E)   |        |
| D1001    | 8-719-980-85 | LED SLF325C (CASSETE)  |        |
| D1091    | 8-719-950-74 | PHOTOINTERRUPTER SLR-314D  |        |
| HRPE     | A-2003-722-A | DECK ASSY, HEAD (This parts, if ordered, contains the SENSOR board.) |        |
| 1001     |              |  |        |
| M1002    | X-3365-002-1 | MOTOR (CAPSTAN R30) ASSY   |        |
| Q1091    | 8-729-809-43 | PHOTOINTERRUPTER SPS-314B  |        |
| S892     | 1-572-713-11 | SWITCH, PUSH (WITH CONNECTOR) (MID)                                  |        |
| S1001    | 1-466-525-11 | ENCODER, ROTARY  |        |
| △VS1     | 1-692-155-11 | SELECTOR, POWER VOLTAGE (VOLTAGE) (E)                                |        |
| *****    |              |  |        |

The components identified by mark △ or dotted line with mark △ are critical for safety. Replace only with part number specified.

Les composants identifiés par une marque △ sont critiques pour la sécurité. Ne les remplacer que par une pièce portant le numéro spécifié.

| Ref. No.                        | Part No.     | Description  | Remark |
|---------------------------------|--------------|--|--------|
| ACCESSORIES & PACKING MATERIALS |              |  |        |
| *****                           |              |  |        |
|                                 | 1-465-912-11 | REMOTE COMMANDER (RM-J801)<br>(EXCEPT FOR C521)                            |        |
|                                 | 1-558-271-11 | CORD, CONNECTION   |        |
| *                               | 3-371-943-01 | CUSHION  |        |
| *                               | 3-371-944-01 | INDIVIDUAL CARTON (EXCEPT FOR C521)  |        |
|                                 | 3-703-450-01 | INSTRUCTION (C5/US) (FORMER TYPE)  |        |
|                                 | 3-754-020-11 | MANUAL, INSTRUCTION (ENGLISH, FRENCH<br>, SPANISH, PORTUGUESE (AEP, UK, E) |        |
|                                 | 3-754-020-21 | MANUAL, INSTRUCTION (ENGLISH)<br>(C5/US, CND)                              |        |
|                                 | 3-754-020-31 | MANUAL, INSTRUCTION (FRENCH) (CND)   |        |
|                                 | 3-754-020-41 | MANUAL, INSTRUCTION (GERMAN, DUTCH<br>, SWEDISH, ITALIAN) (AEP)            |        |
|                                 | 3-754-020-51 | MANUAL, INSTRUCTION (G) (FRENCH)   |        |
|                                 | 3-755-386-21 | MANUAL, INSTRUCTION (ENGLISH) (C521)                                       |        |

\*\*\*\*\*

\*\*\*\*\*  
**HARDWARE LIST**  
 \*\*\*\*\*

- #1 7-682-548-09 SCREW +BVTT 3X8 (S)
- #2 7-621-775-40 SCREW (2.6X8), STPWH (FORMER TYPE)
- #3 7-685-133-19 SCREW +BTP 2.6X6 TYPE2 N-S
- #4 7-621-770-67 SCREW +BVTT 2.6X6 (S)
- #5 7-627-854-07 PRECISION SCREW +P 2X2.5 TYPE3
  
- #6 7-623-421-07 LW 2.6, TYPE B (FORMER TYPE)
- #7 7-621-775-00 SCREW +B 2.6X3
- #8 7-621-775-68 SCREW +BVTT 2.6X12 (S)
- #9 7-682-547-09 SCREW +BVTT 3X6 (S)
- #10 7-682-547-04 SCREW +BVTT 3X6 (S)
  
- #11 7-621-849-00 SCREW (BV/RING)
- #12 7-621-773-93 SCREW (PANEL 2.6 TP2)
- #13 7-687-233-11 SCREW (+ PTPWH) (2.6X6)
- #14 7-685-646-79 SCREW +BVTP 3X8 TYPE2 N-S
- #15 7-685-870-09 SCREW +BVTT 3X5 (S)
  
- #16 7-621-773-95 SCREW +BVTT 2.6X6 (S) (FORMER TYPE)
- #17 7-621-255-35 SCREW +BVTT 2X5 (S)
- #18 7-685-131-19 SCREW +BTP 2.6X4 TYPE2 N-S



# TC-C5/C521

## SONY SERVICE MANUAL

*US Model*

*TC-C5/C521*

*Canadian Model*

*AEP Model*

*UK Model*

*E model*

*TC-C5*

## CORRECTION-1

Correct your service manual as shown below.

\_\_\_\_ (Under line) : indicates corrected portion.

| Page | INCORRECT       |                 |                           | CORRECT         |                     |                           |
|------|-----------------|-----------------|---------------------------|-----------------|---------------------|---------------------------|
|      | <u>Ref. No.</u> | <u>Part No.</u> | <u>Description</u>        | <u>Ref. No.</u> | <u>Part No.</u>     | <u>Description</u>        |
| 42   | 64              | 1-534-517-00    | WIRE, FLAT TYPE (11 CORE) | 64              | <u>1-590-575-11</u> | WIRE, FLAT TYPE (11 CORE) |
| 44   | 158             | 1-534-517-00    | WIRE, FLAT TYPE (11 CORE) | 158             | <u>1-590-575-11</u> | WIRE, FLAT TYPE (11 CORE) |
|      | 160             | 1-534-517-00    | WIRE, FLAT TYPE (11 CORE) | 160             | <u>1-590-575-11</u> | WIRE, FLAT TYPE (11 CORE) |
| 55   | 64              | 1-534-517-00    | WIRE, FLAT TYPE (11 CORE) | 64              | <u>1-590-575-11</u> | WIRE, FLAT TYPE (11 CORE) |
|      | 158             | 1-534-517-00    | WIRE, FLAT TYPE (11 CORE) | 158             | <u>1-590-575-11</u> | WIRE, FLAT TYPE (11 CORE) |
|      | 160             | 1-534-517-00    | WIRE, FLAT TYPE (11 CORE) | 160             | <u>1-590-575-11</u> | WIRE, FLAT TYPE (11 CORE) |

(SPM-96017)