

TC-H2600/H3600

SERVICE MANUAL




AEP Model
UK Model
E Model
Australian Model
TC-H2600
TC-H3600
US Model
Canadian Model
TC-H3600

This set is a deck block of the following models.
MHC-2600 (TC-H2600: AEP, UK/
TC-H3600: US, Canadian),
FH-E737CD (TC-H2600: E, Australian),
MHC-3600 (TC-H3600: AEP, UK, US, Canadian),
FH-E838CD (TC-H3600: E, Australian).

Model Name Using Similar Mecanism	TC-WR620/WR720	
Tape Transport Mechanism Type	DECK A	TCM-190RA12A
	DECK B	TCM-190RB22A

SPECIFICATIONS

Recording system 4-track 2-channel stereo
Frequency response (DOLBY NR OFF)
40 — 13,000 Hz (± 3 dB),
using TYPE I cassette
(Sony HF-S)
40 — 14,000 Hz (± 3 dB),
using TYPE II cassette
40 — 15,000 Hz (± 3 dB) using
TYPE IV cassette
Wow and flutter 0.1% WRMS $\pm 0.3\%$ (DIN)
Inputs
PHONO (phono jacks):
sensitivity 2.5 mV,
impedance 47 kilohms
DAT (phono jacks):
sensitivity 450 mV,
impedance 47 kilohms
VIDEO (phono jacks) (H3600 Model):
sensitivity 300 mV,
impedance 47 kilohms

Dolby noise reduction manufactured under license from
Dolby Laboratories Licensing Corporation.
"DOLBY" and the double-D symbol  are trademarks of
Dolby Laboratories Licensing Corporation.

Notes on chip component replacement

- Never reuse a disconnected chip component.
- Notice that the minus side of a tantalum capacitor may be damaged by heat.

Flexible Circuit Board Repairing

- Keep the temperature of the soldering iron around 270 °C during repairing.
- Do not touch the soldering iron on the same conductor of the circuit board (within 3 times).
- Be careful not to apply force on the conductor when soldering or unsoldering.



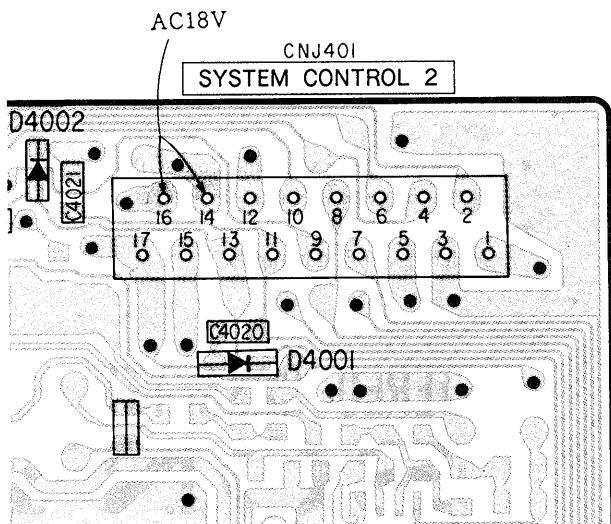
STEREO CASSETTE DECK
SONY®

TABLE OF CONTENTS

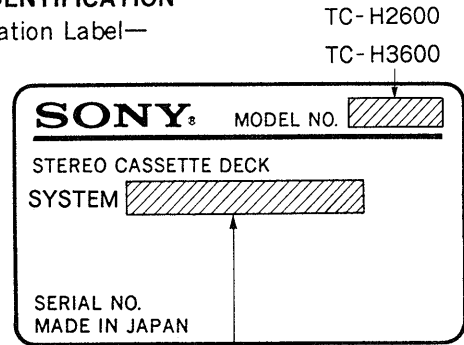
Section	Title	Page
1.	GENERAL	3
2.	MECHANICAL ADJUSTMENTS	4
3.	ELECTRICAL ADJUSTMENTS	4
4.	DIAGRAMS	
4-1.	IC Pin Description	8
4-2.	Block Diagram	12
4-3.	Printed Wiring Boards —Main Section—	15
4-4.	Schematic Diagram —Main Section—	19
4-5.	Schematic Diagram —Pin Jack Section—	24
4-6.	Printed Wiring Boards —Pin Jack Section—	29
4-7.	Semiconductor Lead Layouts	32
4-8.	Circuit Boards Location	32
5.	EXPLODED VIEWS	
5-1.	Front Panel Section-1	33
5-2.	Front Panel Section-2	34
5-3.	Mechanism section-1	35
5-4.	Mechanism section-2	36
6.	ELECTRICAL PARTS LIST	37

Caution when repairing

Normally the power of this set is supplied from the TA-H2600/H3600 amplifier connected. When only this set is repaired, connect the power of 18V AC as shown in the figure below.



MODEL IDENTIFICATION
—Specification Label—



- MHC-2600 (TC-H2600: AEP, UK/
TC-H3600: US, Canadian),
- FH-E737CD (TC-H2600: E, Australian),
- MHC-3600 (TC-H3600: AEP, UK, US, Canadian),
- FH-E838CD (TC-H3600: E, Australian).

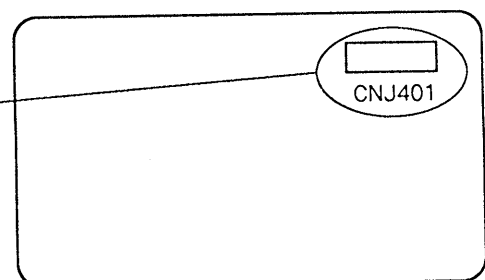
SAFETY-RELATED COMPONENT WARNING!!

COMPONENTS IDENTIFIED BY MARK \triangle OR DOTTED LINE WITH MARK \triangle ON THE SCHEMATIC DIAGRAMS AND IN THE PARTS LIST ARE CRITICAL TO SAFE OPERATION. REPLACE THESE COMPONENTS WITH SONY PARTS WHOSE PART NUMBERS APPEAR AS SHOWN IN THIS MANUAL OR IN SUPPLEMENTS PUBLISHED BY SONY.

ATTENTION AU COMPOSANT AYANT RAPPORT
À LA SÉCURITÉ!

LES COMPOSANTS IDENTIFIÉS PAR UNE MARQUE \triangle SUR LES DIAGRAMMES SCHÉMATIQUES ET LA LISTE DES PIÈCES SONT CRITIQUES POUR LA SÉCURITÉ DE FONCTIONNEMENT. NE REMPLACER CES COMPOSANTS QUE PAR DES PIÈCES SONY DONT LES NUMÉROS SONT DONNÉS DANS CE MANUEL OU DANS LES SUPPLÉMENTS PUBLIÉS PAR SONY.

[PIN JACK BOARD] (conductor side)



SECTION 1 GENERAL

SAFETY CHECK-OUT

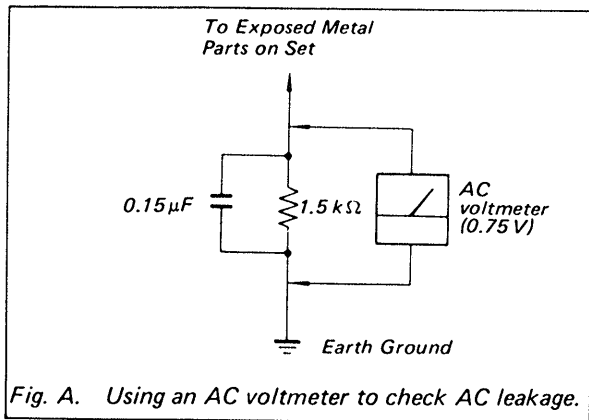
After correcting the original service problem, perform the following safety check before releasing the set to the customer:

Check the antenna terminals, metal trim, "metallized" knobs, screws, and all other exposed metal parts for AC leakage. Check leakage as described below.

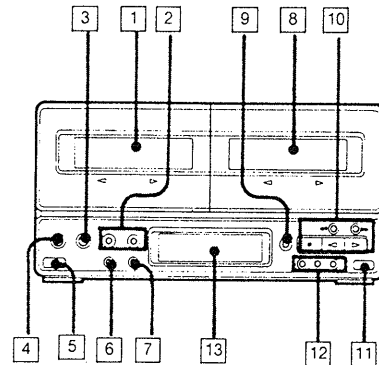
LEAKAGE TEST

The AC leakage from any exposed metal part to earth ground and from all exposed metal parts to any exposed metal part having a return to chassis, must not exceed 0.5 mA (500 microamperes). Leakage current can be measured by any one of three methods.

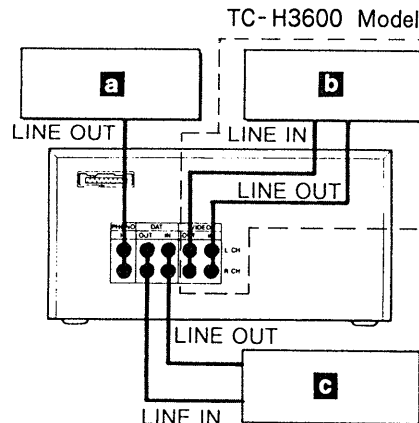
1. A commercial leakage tester, such as the Simpson 229 or RCA WT-540A. Follow the manufacturers' instructions to use these instruments.
2. A battery-operated AC milliammeter. The Data Precision 245 digital multimeter is suitable for this job.
3. Measuring the voltage drop across a resistor by means of a VOM or battery-operated AC voltmeter. The "limit" indication is 0.75 V, so analog meters must have an accurate low-voltage scale. The Simpson 250 and Sanwa SH-63Trd are examples of a passive VOM that is suitable. Nearly all battery operated digital multimeters that have a 2V AC range are suitable. (See Fig. A)



This section is extracted from instruction manual.



- 1 Cassette holder (Deck A)
- 2 DECK A/B selector \triangle
- 3 CD SYNCHRO (CD synchronized recording) button and indicator \odot \bullet
- 4 DUBBING MODE button and indicator \odot
- 5 \triangle EJECT button (Deck A)
- 6 DOLBY NR (Dolby Noise Reduction) switch \odot \bullet
- 7 DIRECTION MODE selector \odot \bullet
- 8 Cassette holder (Deck B)
- 9 COUNTER RESET button
Resets the counter of the cassette deck to "0".
- 10 Tape operation buttons (for Deck A and B)
 - $\blacktriangle\blacktriangle$: Fast winding
 - \blacksquare : Stop
 - \triangleright : Forward play
 - \triangleleft : Reverse play
- 11 \triangle EJECT button (Deck B)
- 12 Tape operation buttons (for Deck B)
 - \parallel : PAUSE
 - \circ : MUTE (Muting)
 - \bullet : REC (recording)
- 13 Display window



You can connect a turntable system **a** to the PHONO jacks, a VCR **b** to the VIDEO jacks, and a DAT system **c** to the DAT jacks. To listen to each piece of equipment, press the FUNCTION buttons on the front panel until "PHONO" (for the turntable system), "VIDEO" (for VCR), or "DAT" appears on the display.

SECTION 2 MECHANICAL ADJUSTMENTS

PRECAUTION

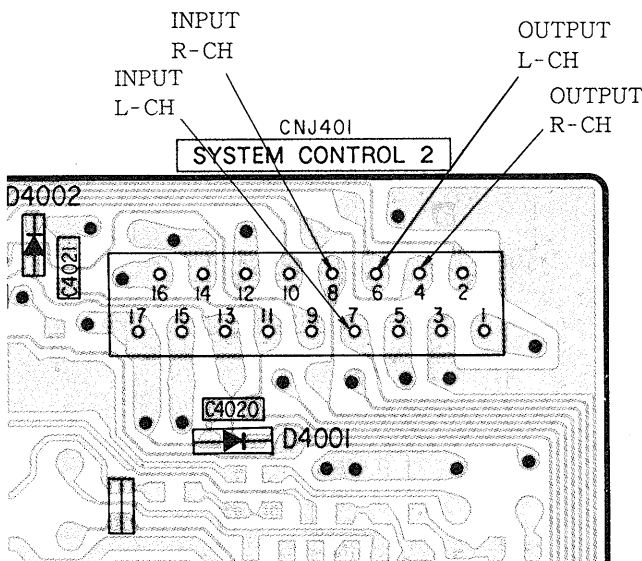
1. Clean the following parts with a denatured alcohol-moistened swab :

record/playback head	pinch roller
erase head	rubber belts
capstan	idlers
2. Demagnetize the record/playback head with a head demagnetizer.
(Head demagnetizer do not approach for the erase head.)
3. Do not use a magnetized screwdriver for the adjustment.
4. After the adjustments, apply suitable locking compound to the parts adjusted.
5. The adjustments should be performed with the rated power supply voltage unless otherwise noted.

Torque Measurement

Torque	Torque meter	Meter reading
Forward	CQ-102C	35 to 60g·cm (0.49 to 0.83 oz·inch)
Forward back tension	CQ-102C	2 to 6g·cm (0.03 to 0.08oz·inch)
Reverse	CQ-102RC	35 to 60g·cm (0.49 to 0.83oz·inch)
Reverse back tension	CQ-102RC	2 to 6g·cm (0.03 to 0.08oz·inch)
Forward, Reverse	CQ-201B	70 to 110g·cm (0.98 to 1.52 oz·inch)

LINE IN/OUT Terminal (CNJ401)



SECTION 3 ELECTRICAL ADJUSTMENTS

PRECAUTION

1. The adjustment should be performed in the publication.
(Be sure to make playback adjustment at first.)
2. The adjustment and measurement should be performed for both L-CH and R-CH.
 - Switch position
DOLBY NR switch : OFF
DIR MODE switch : ⇄

Test Tape

Tape	Contents	Use
P-4-A100	10kHz, -10dB	Azimuth Adjustment
P-4-L300	315Hz, 0dB	Level Adjustment
WS-48B	3kHz, 0dB	Tape Speed Adjustment

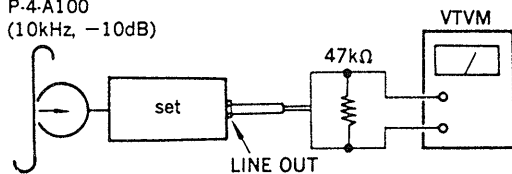
Record/Playback Head Azimuth Adjustment

DECK A DECK B

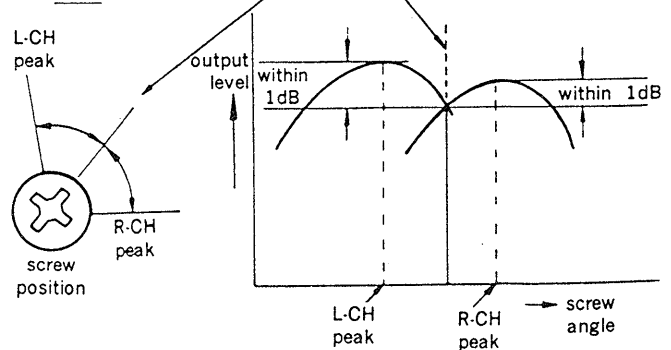
Procedure :

1. Forward Playback Mode

test tape
P-4-A100
(10kHz, -10dB)

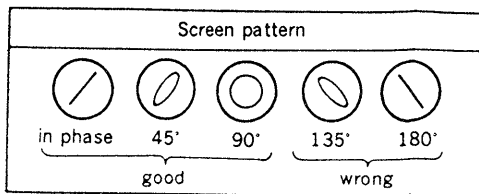
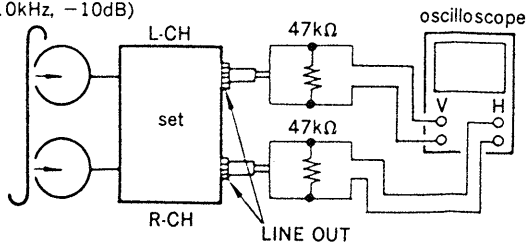


2. Turn the adjustment screw for the maximum output levels. If these levels do not match, turn the adjustment screw until both of output levels match together within 1dB.



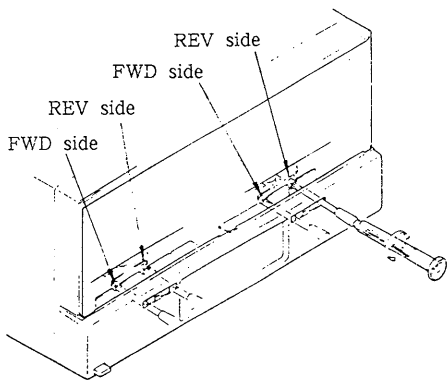
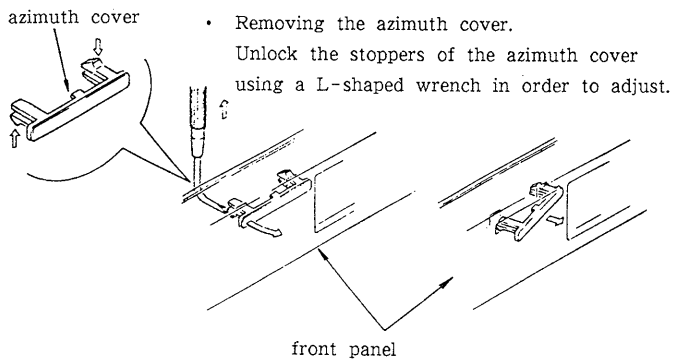
3. Playback Mode

test tape
P-4-A100
(10kHz, -10dB)



4. Change the reverse playback mode and repeat the steps 1 to 3.
5. After the adjustment, lock the adjustment screw with suitable locking compound.

Adjustment Location : —record/playback head—

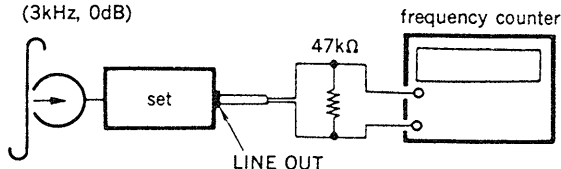


Tape Speed Adjustment DECK A DECK B

Procedure :

—Forward Playback Mode—

test tape
WS-48B
(3kHz, 0dB)



Perform high speed adjustment before normal speed adjustment.

(High speed adjustment)

1. Short TP601 (main board) when the power is OFF.
2. Turn on the power and put the deck A into the FWD mode.
3. Connect a resistor of 150 Ω to both the terminals of TP6001 (main board). (The set enters into high speed playback mode.)
4. Adjust RV72A (H) of the deck A so that a reading of the frequency counter meets the adjustment value.
5. Put the deck A into the STOP mode and remove the resistor of 150 Ω
6. Adjust the deck B performing items 2 through 5 as deck A.
7. After the adjustment is completed, remove the short of TP601.

(Normal speed adjustment)

1. Put the set into the FWD playback mode.
2. At this time, adjust RV71A (L) of the deck A and RV71B (L) of the deck B so that a reading of the frequency counter meets the adjustment value.

Adjustment Limits :

Speed	Frequency Counter Reading
High	6,000 ± 20Hz
Normal	3,000 ± 10Hz

Frequency difference between the beginning and the end of the tape should be within 3%.

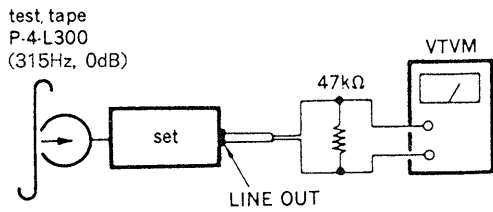
Frequency difference between deck A and deck B the beginning of the tape should be within 1.5%.

Adjustment Location : MD-A, B board

Playback Level Adjustment DECK A DECK B

Procedure :

—Forward Playback Mode—



Adjust deck A: RV11A (L-CH), RV21A R-CH) and deck B: RV11B (L-CH), RV21B (R-CH) so that the VTVM reading becomes the adjustment limits below.

Adjustment Limits :

LINE OUT level : $-10 \pm 0.5\text{dB}$ (0.23 to 0.26V)

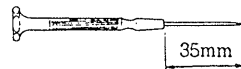
Level Difference between Channels : within 0.5dB

Confirm the LINE OUT level does not change in playback mode while changing the mode from playback to stop several times.

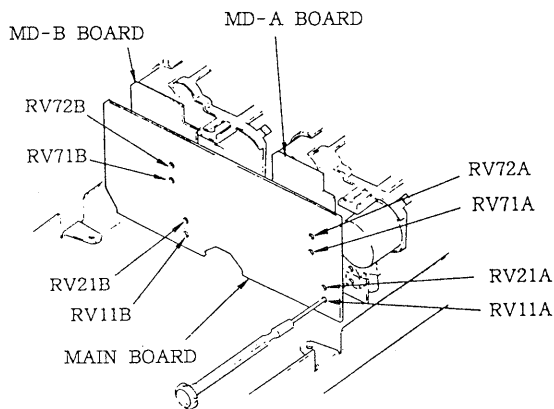
Adjustment Location : MD-A, B board

Tape Speed/playback Level Adjustment

Screwdriver to adjust the MD block



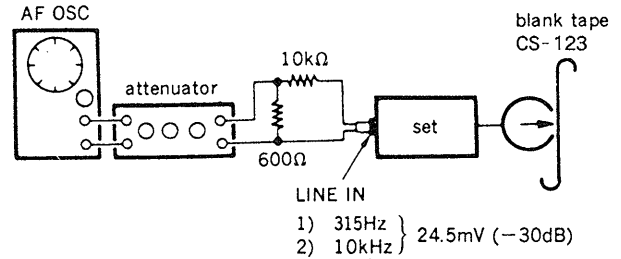
The MD block adjustment can be performed by inserting a screwdriver of which axis length (not including the shaft) is 35 mm or more through the rear side of the main board.



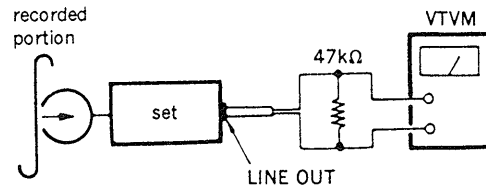
Record Bias Adjustment DECK B

Procedure :

1. Record Mode



2. Playback Mode



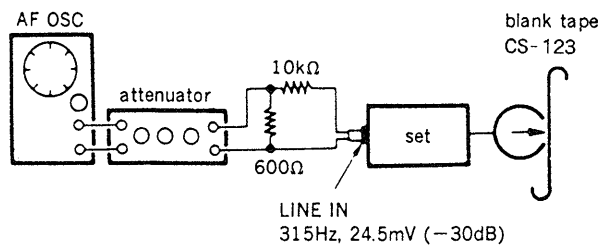
Playback the signal recorded in step 1. Confirm that the 10kHz playback output is $0 \pm 0.5\text{dB}$ relative to the 315Hz output. If necessary, adjust RV12 (L-CH), RV22 (R-CH) and repeat the steps given above.

Adjustment Location : MD-B board

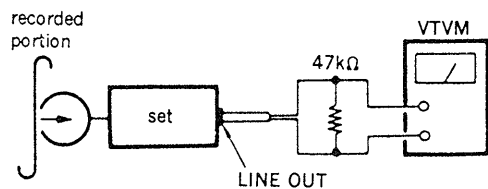
Record Level Adjustment DECK B

Procedure :

1. Record Mode



2. Playback Mode



Confirm playback the tape recorded become adjustment level as follows.

If necessary, adjust RV101 (L-CH), RV201 (R-CH) and repeat steps 1 and 2.

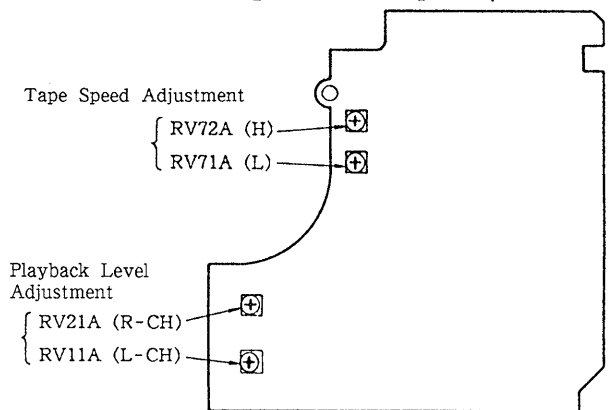
Adjustment Limits :

LINE OUT level : $-30 \pm 0.5\text{dB}$ (23 to 26mV)

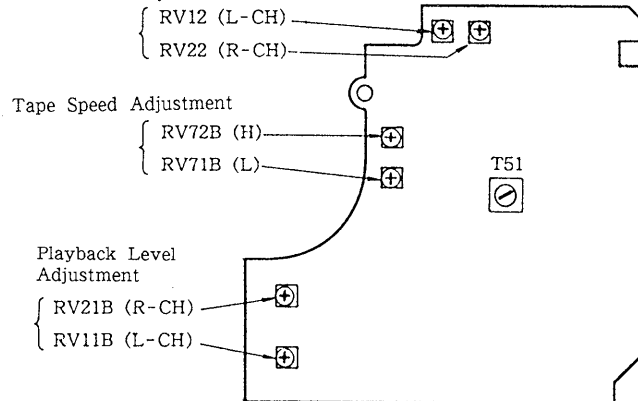
Adjustment Location : main board

ADJUSTMENT LOCATION :

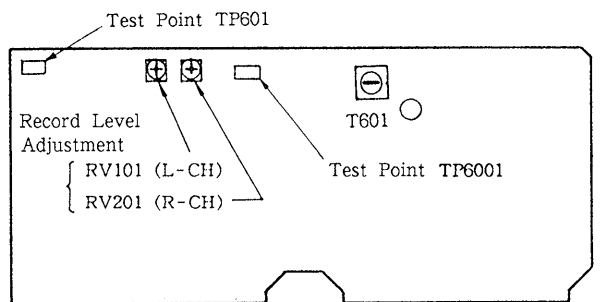
【MD-A BOARD】 component side



Record Bias Adjustment 【MD-B BOARD】 component side



【MAIN BOARD】 component side



SECTION 4 DIAGRAMS

4-1. IC PIN DESCRIPTION

IC351 display microprocessor HD614022FP

Fluorescent lamp indicator is activated by receiving data from IC601 (system controller).

Pin No.	Pin Name	I/O	Description
1~11 12 13 14~15 16	S10-S0 VDISP SYNC	O — I	FL indicator tube(FL351) segment output Not used. (+5.6 V) Power supply for activating the FL indicator tube(-20V) Not used(GND) Interrupt input. Data transmission from IC601(system controller) is checked.
17 18~25 26 27 28	INT Vcc CLK DATA	I I — I I	Not used. (GND) Not used. (GND) Power supply terminal (+5.6V) Data transmission clock input from IC601 (system controller) Serial data input from IC601 (system controller)
29 30~32 33 34 35	SYNC HIGH DUB NORM DUB CD SYNC	I O O O	Sync signal input which indicates the first byte of data sent from IC601 (system controller) Not used. (GND) LED (D301) light output in the high speed dubbing mode. LED (D301) light output in the normal speed dubbing mode. LED (D302) light output in the CD sync mode.
36~38 39 40~42 43 44	FLCHECK RESET TEST	I I I I	Not used. (GND) All the FL indicator tubes are lit when this port is set to "L". (Normally +5.6V) Not used. (GND) Reset input from IC601 (system controller). "L": Reset. Not used. (+5.6V)
45 46 47 48~50 51	OSC1 OSC2 GND	I O —	Clock input (4.19MHz) Clock output Power supply terminal (GND) Not used. (GND) Not used. (Pull-up)
52~57 58~61 62~64	G0 - G6 S11 - S13	O O	FL indicator tube (FL351) grid output Not used. (+5.6V) FL indicator tube (FL351) segment output

IC406 selector controller M50760-315FP

AV output is switched with the audio pass signal sent from the amplifier (TA-H2600/H3600).

Pin No.	Pin Name	I/O	Description
1 2 3 4 5	D3 A0 A1 CNVss	I O O —	Model section input port. Connected to GND. Audio IN switch (IC403 and IC404) control output port. Not used. Audio IN switch (IC403 and IC404) control output port. Power supply terminal (GND)
6 7 8 9 10	Vss A2 B0 B1	— O O O	Power supply terminal (GND) Audio IN switch (IC403 and IC404) control output port. Audio OUT switch (IC405) control output port. Audio OUT switch (IC405) control output port. Not used.
11 12 13~14 15	V0 V1	O O	Video IN/OUT switch (IC407) control output port. Video IN/OUT switch (IC407) control output port. Not used. (GND) Not used.
16 17 18 19 20	RESET XOUT XIN S D2	I O I I I	Reset input. "L": Reset Clock output. Clock input. Serial data input (audio pass) Serial data input (audio pass)
21 22 23 24	S1 VDO V _{DD}	I — I —	Model section input port. Connected to GND. Not used. Model section input port. Connected to GND. Power supply terminal (+5V)

IC601 system controller M50944-121FP

The system is wholly controlled by communication between IC351 (display microprocessor) and IC602 (mechanism controller).

Pin No.	Pin Name	I/O	Description
1	KEY2	I	Not used. (GND)
2	KEY1	I	Not used. (GND)
3	SYNC	O	Sync signal input which indicates the first byte of data sent to IC351 (display microprocessor).
4	FL-SCK	O	Data transmission clock output to IC351 (display microprocessor).
5	FL-SO	O	Serial data output to IC351 (display microprocessor).
6	AU-BUS	O	Audio pass output.
7	AU-BUS	I	Audio pass input (negative edge).
8	POWER-IN	I	Power-off detection input. "L": Power OFF.
9	PB-SELECT	O	Deck A/B switch output in the playback mode. "L": deck B, "H": deck A.
10	AMS-SELECT	O	AMS amplifier input switch output
11	MD-REQ	I	Data request input from IC602 (mechanism controller)
12	MD-SCLK	O	Data transmission clock output to IC602 (mechanism controller)
13	MD-SO	O	Serial data output to IC602 (mechanism controller)
14	MD-SI	I	Serial data input from IC602 (mechanism controller)
15		O	Not used. (GND)
16	RESET (MD)	O	IC602 (mechanism controller) reset signal output.
17	AU-BUS	I	Audio pass input (positive-edge)
18	RESET (DSP)	O	IC351 (display microprocessor) reset signal output.
19	GND	—	Power supply terminal. (GND)
20	RESET	I	System reset input. "L": Reset.
21	X-IN	I	Clock input (4MHz)
22	X-OUT	O	Clock output
23	XC-IN	I	Not used. (GND)
24	XC-OUT	O	Not used. (open)
25	VSS	—	Power supply terminal (GND)
26	N. C.		Not used. (open)
27	TEST	I	Electrical adjustment test mode setting input This set enters into the test mode when the power is on and it is set to "L". *1
28	VAR SELECT	I	Not used. (pull-up)
29	METAL (B)	I	Metal switch (S83) input for deck B. "H": Metal.
30	70 μ (B)	I	Chrome switch (S82) input for deck B. "L": Normal
31	PPOWER-ON	O	Not used. (open)
32~35			Not used. (GND)
36	70 μ (A)	I	Chrome switch (S83) input for deck A. "L": Normal.
37	AMS IN	I	Signal input from the AMS amplifier. "H": Detected, "L": Not detected.
38	N. C.		Not used. (GND)
39			Not used. (GND)
40	EQ-HIGH	O	REC equalizer characteristic switch output "H": High speed, "L": Normal speed.
41	BIAS FADE	O	Not used. (GND)
42	BIAS (B)	O	Bias ON/OFF switch output. "H": OFF, "L": ON.
43	TYPE II (B)	O	Not used. (GND)
44	TYPE I (B)	O	Not used. (GND)
45	R.MUTE (B)	O	REC mute control output. "L": Mute ON, "H": Mute OFF.
46	RELAY (B)	O	Mechanism deck head switch control output. "L": ON.
47	DOLBY B	O	Dolby B/C switch control output. "L": Dolby C, "H": Dolby B.
48	DOLBY ON	O	Dolby ON/OFF switch control output. "L": ON, "H": OFF.
49	REC/PB	O	Dolby amplifier REC/PB switch output. "L": REC, "H": PB.
50		O	Not used. (open)
51	PB 70 μ	O	Playback equalizer characteristic switch output. "H": normal, "L": chrome metal
52	AMS/BS	O	Not used.
53	PASS	O	PASS amplifier switch output for LINE OUT. "L": PASS amplifier, "H": Through.

Pin No.	Pin Name	I/O	Description
54	LINE-MUTE	O	Line mute control output. "L": MUTE OFF, "H": MUTE ON
55	AVCC	—	Power supply terminal. (+5V)
56	VCC	—	Power supply terminal. (+5V)
57	AVSS	—	Power supply terminal (GND)
58	V.REF	I	Reference voltage input for A/D input port (+5 V)
59	METER (R)	I	Level meter signal output (R-CH)
60	METER (L)	I	Level meter signal input (L-CH)
61	VOL DATA	I	Not used. (GND)
62	KEY5	I	Not used. (GND)
63	KEY4	I	Key input. (analog) *2
64	KEY3	I	Key input. (analog) *2

*1 Test mode

When the power is on and pin ② is set to "L" (TP601 is shortened.), the set enters the electrical adjustment test mode and the followings can be available.

(1) High speed playback

When A or B deck is in the playback mode and a resistor of 150 Ω is connected to both the terminals of TP6001 (main board), the set can be entered the high speed playback mode.

(2) Source monitor

Recording signals can be monitored through the LINE OUT terminal (see page 4) because the line short is removed in recording.

(3) Recording memory

Recording memory is set to ON when the tape counter is reset at the record start point.

(4) Mode display

The counter displays as shown in the A figure when the counter mode is set to the deck A and the deck A button of deck A/B switch is pressed, or when the counter mode is the B deck and the B deck button is pressed.

(5) When this terminal is set back to "H" after it is set to the test mode in "L" of the power-on mode, all the FL indicator tubes are lit.

(The mechanism block continues to operate as before it is set to "H".)

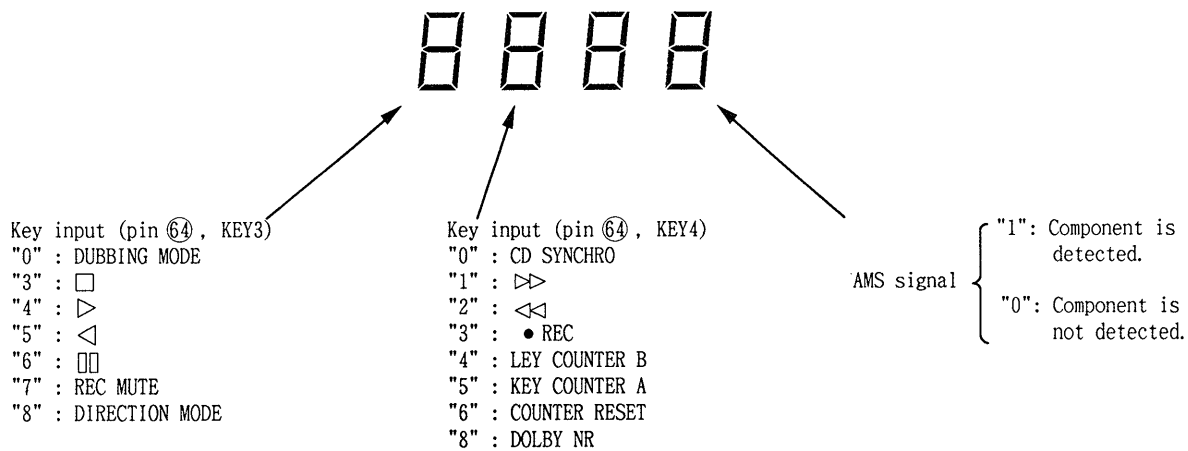


Figure A

*2 Key input (analog port)

Input port \ Voltage(V)	0	0.3	0.7	1.2	1.7	2.3	2.8	3.3	4.0
Pin ⑥③, KEY4	CD SYNCHRO	◁◁	▷▷	● REC	KEY COUNTER B	KEY COUNTER A	COUNTER RESET		DOLBY NR
Pin ⑥④, KEY3	DUBBING MODE			□	▷	◁	□□ PAUSE	● REC MUTE	DIRECTION MODE

IC602 mechanism controller M50925-482FP

The mechanism deck is controlled by receiving data from IC601 (system controller).

Pin No.	Pin Name	I/O	Description
1	RESET	I	Reset input from IC601 (system controller). "L": Reset.
2	STOP-A	I	Deck A stop switch (S81) input. "H": Stop.
3	AVSS	—	Power supply terminal (GND)
4	Vref	I	A/D input port reference voltage input.
5	A/D. IN-B	I	Deck B leaf switch input (analog). *1
6	A/D. IN-A	I	Deck A leaf switch input (analog). *1
7	AVDD	—	Power supply terminal. (+5V)
8	N. C.	—	
9	T. REEL-B	I	Not used. (GND)
10	S. REEL-B	I	Deck B supply reel table sensor (IC81)
11	T. REEL-A	I	Not used. (GND)
12	S. REEL-A	I	Deck A supply reel table sensor (IC81)
13~14	N. C.	—	
15	CM. ON-A	O	Deck A capstan motor (M102) ON/OFF control output. "L": OFF, "H": ON.
16	CM. ON-B	O	Deck B capstan motor (M102) ON/OFF control output. "L": OFF, "H": ON.
17	GND	—	Power supply terminal. (GND)
18	VSS	—	Power supply terminal. (GND)
19	CM. H/L	O	Capstan motor (M102) speed switch output. "H": High speed, "L": Normal.
20	FWD-B	O	} Deck B reel motor control output. *2 The reel motor is activated by combining these three outputs.
21	TRIG-B	O	
22	FWD-B	O	
23	RWD-A	O	} Deck A reel motor control output. *2 The reel motor is activated by combining these three outputs.
24	TRIG-A	O	
25	FWD-A	O	
26	N. C.	—	
27	S. REQ	O	Data request output to IC601 (system controller).
28	S. CLK	I	Data transmission clock input from IC601 (system controller).
29	S. OUT	O	Serial data output to IC601 (system controller).
30	S.IN	I	Serial data input from IC601 (system controller).
31~32	N. C.	—	
33	XOUT	O	Clock output.
34	XIN	I	Clock input.
35	STOP-B	I	Deck B stop switch (S81) input. "H": Stop.
36	VDD	—	Power supply terminal. (+5V)

*1 HALF, REC safety tab leaf switch input

Leaf switch	Voltage	Voltage				
		1	1.9	2.8	3.9	5
Half	S86	ON				OFF
REC safety tab, side A	S84	OFF	ON	OFF	ON	OFF
REC safety tab, side B	S85	ON	ON	OFF	OFF	OFF

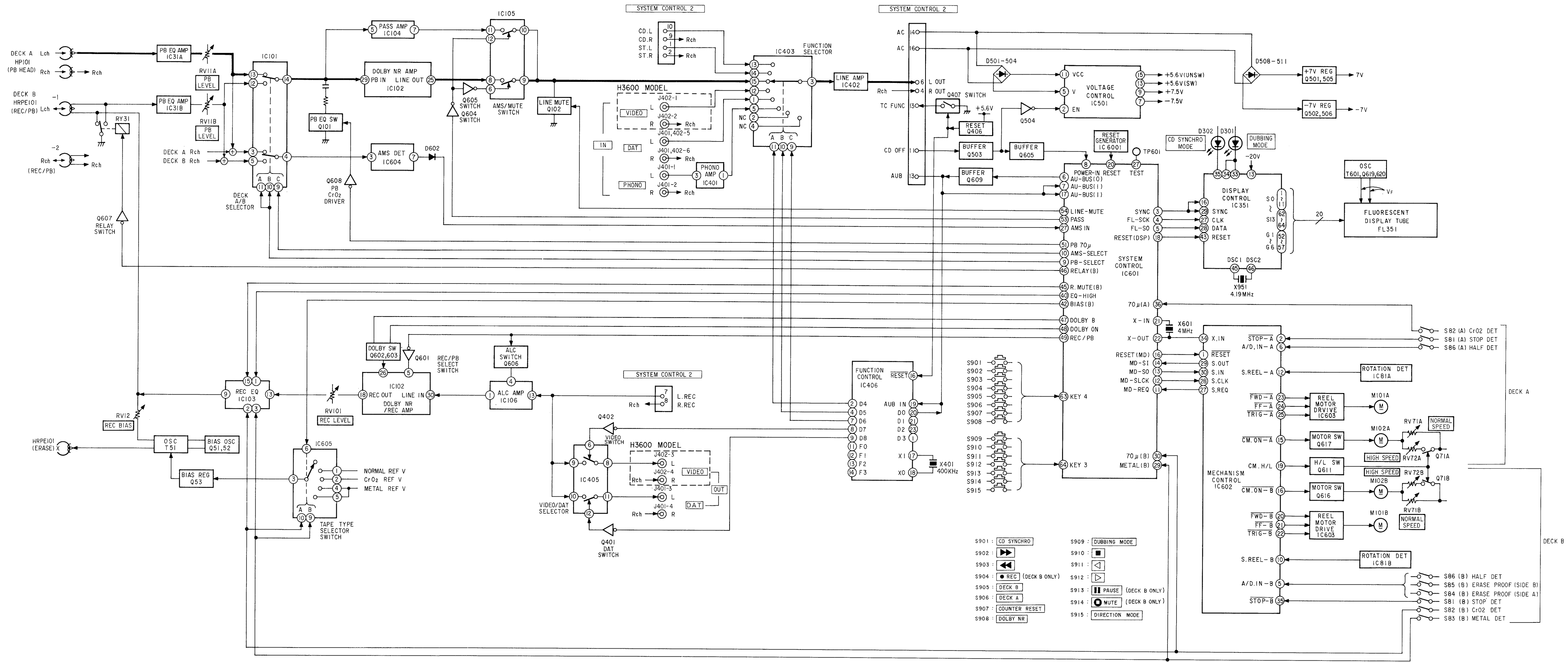
*2 Reel motor drive

Output port	Mode	Mode			
		FF	TRIG (kick)	STOP	FWO
Pins ② and ④	FF	L	H	L	L
Pins ② and ⑤	TRIG	H	L	L	H
Pins ② and ③	FWD	H	H	L	L

Reel motor drive amplifier output voltage

Output	Voltage
TRIG	+6V
FF. REW	-5V
FWD	-3V

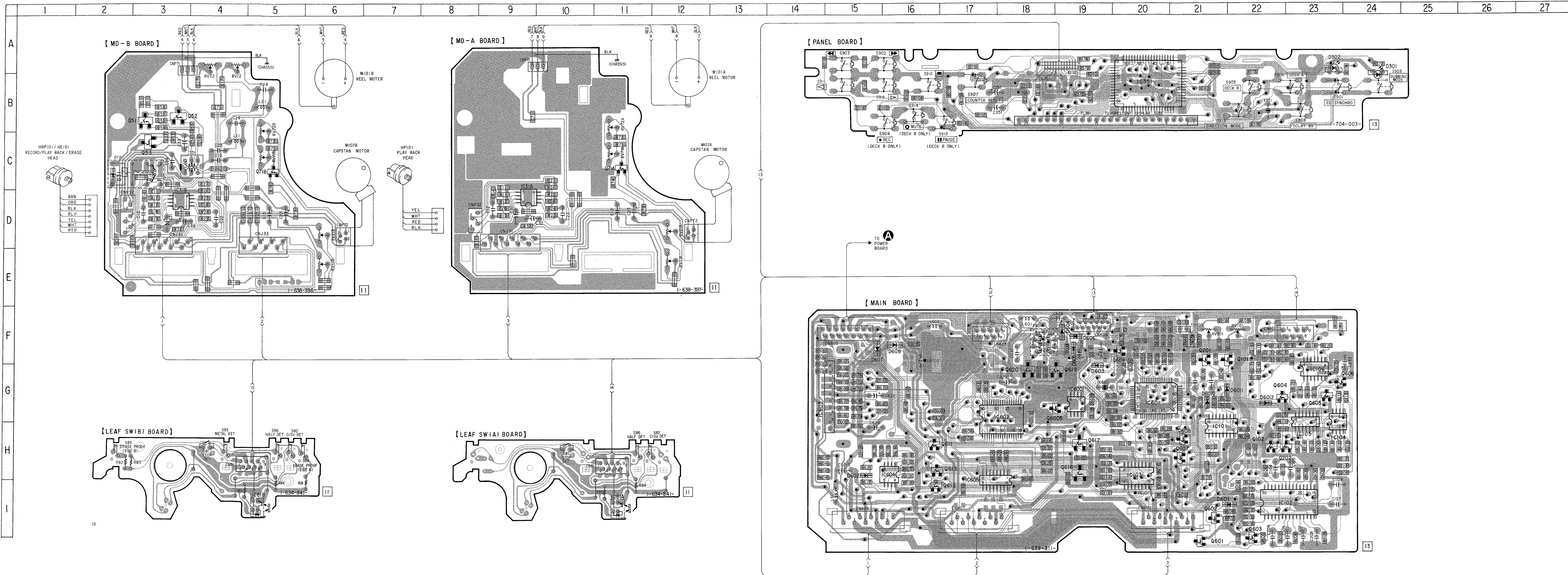
4-2. BLOCK DIAGRAM



4-3. PRINTED WIRING BOARDS - MAIN SECTION - See page 32 for Semiconductor Lead Layouts and Circuit Boards Location.

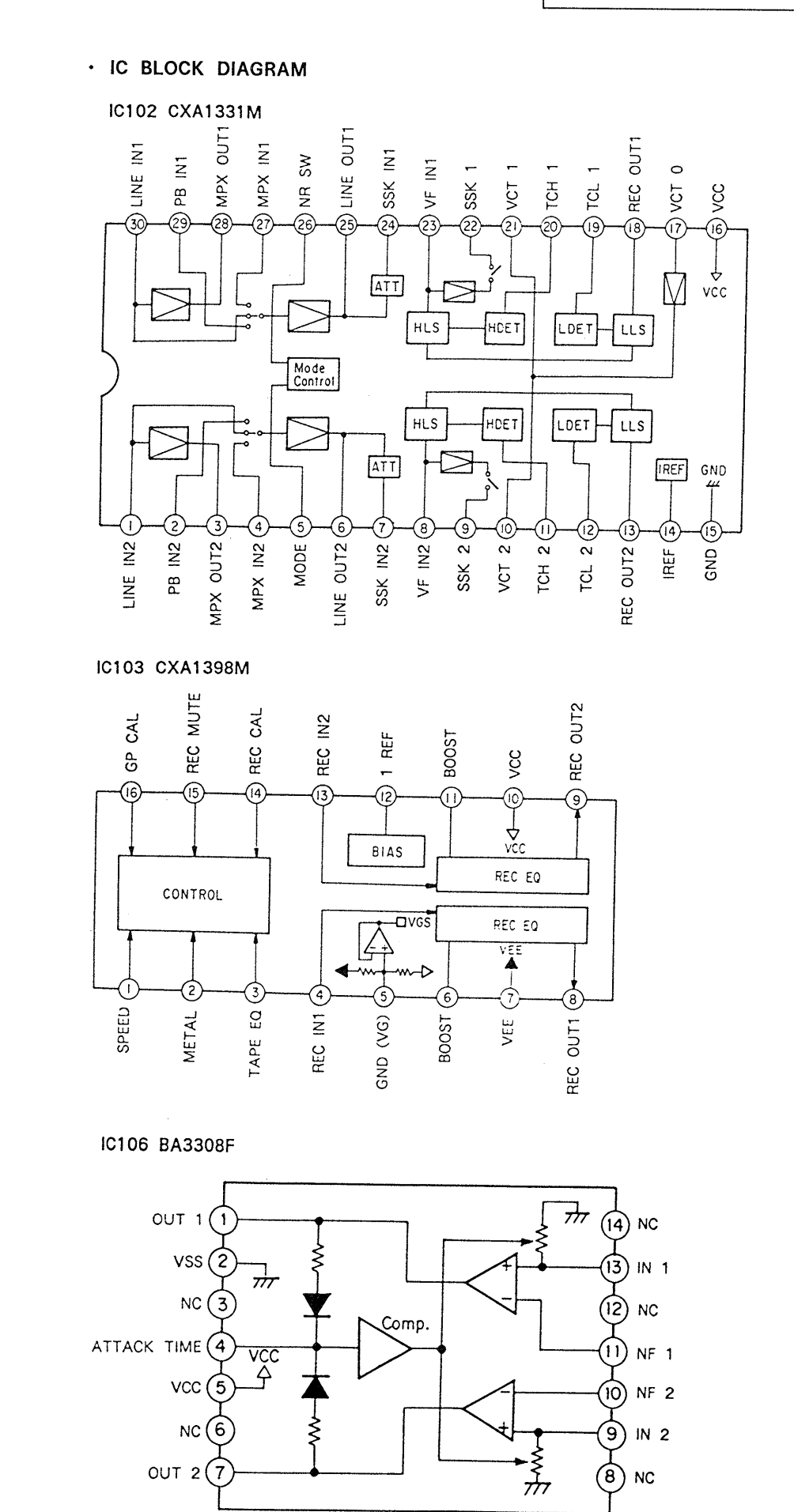
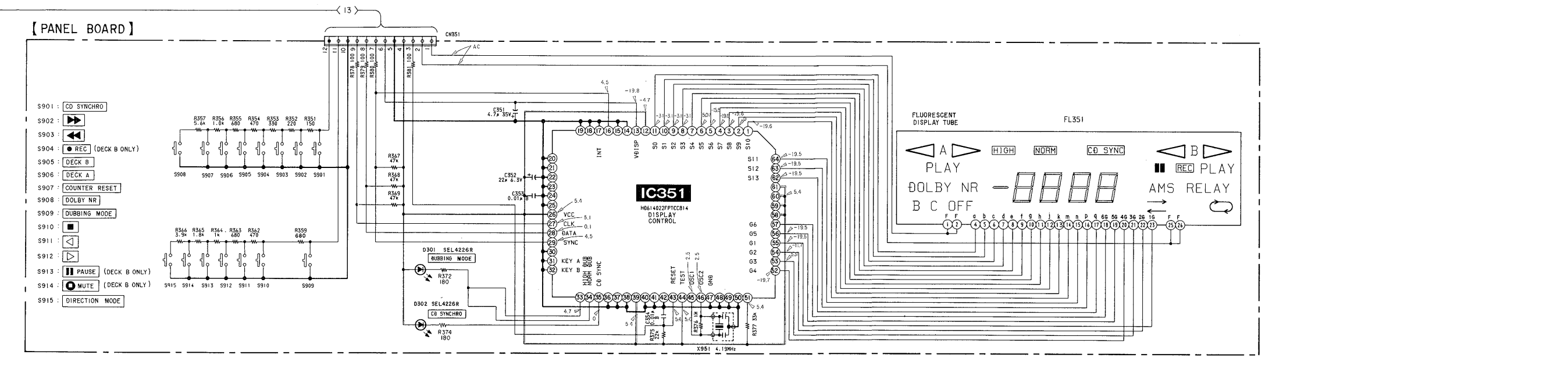
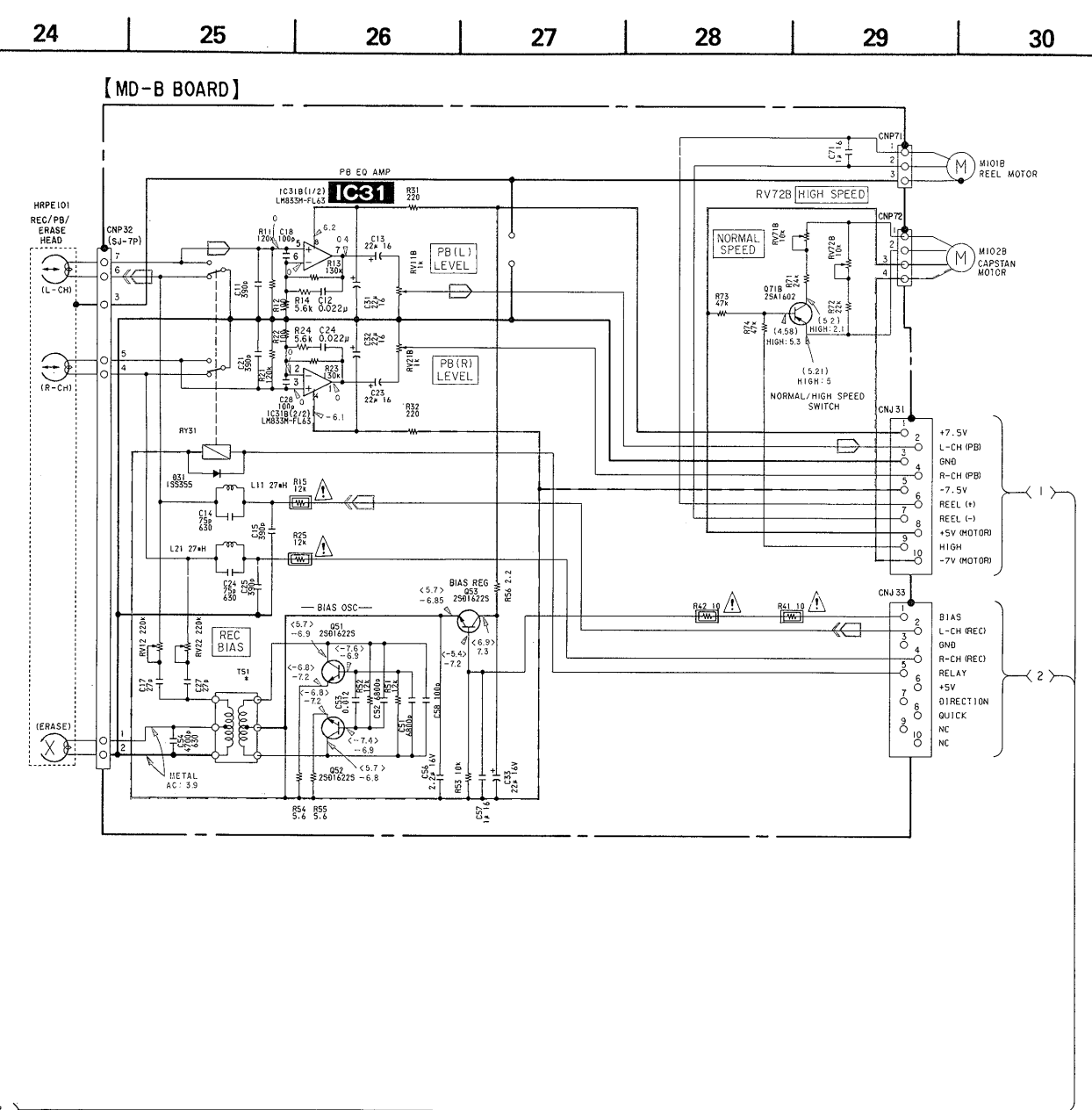
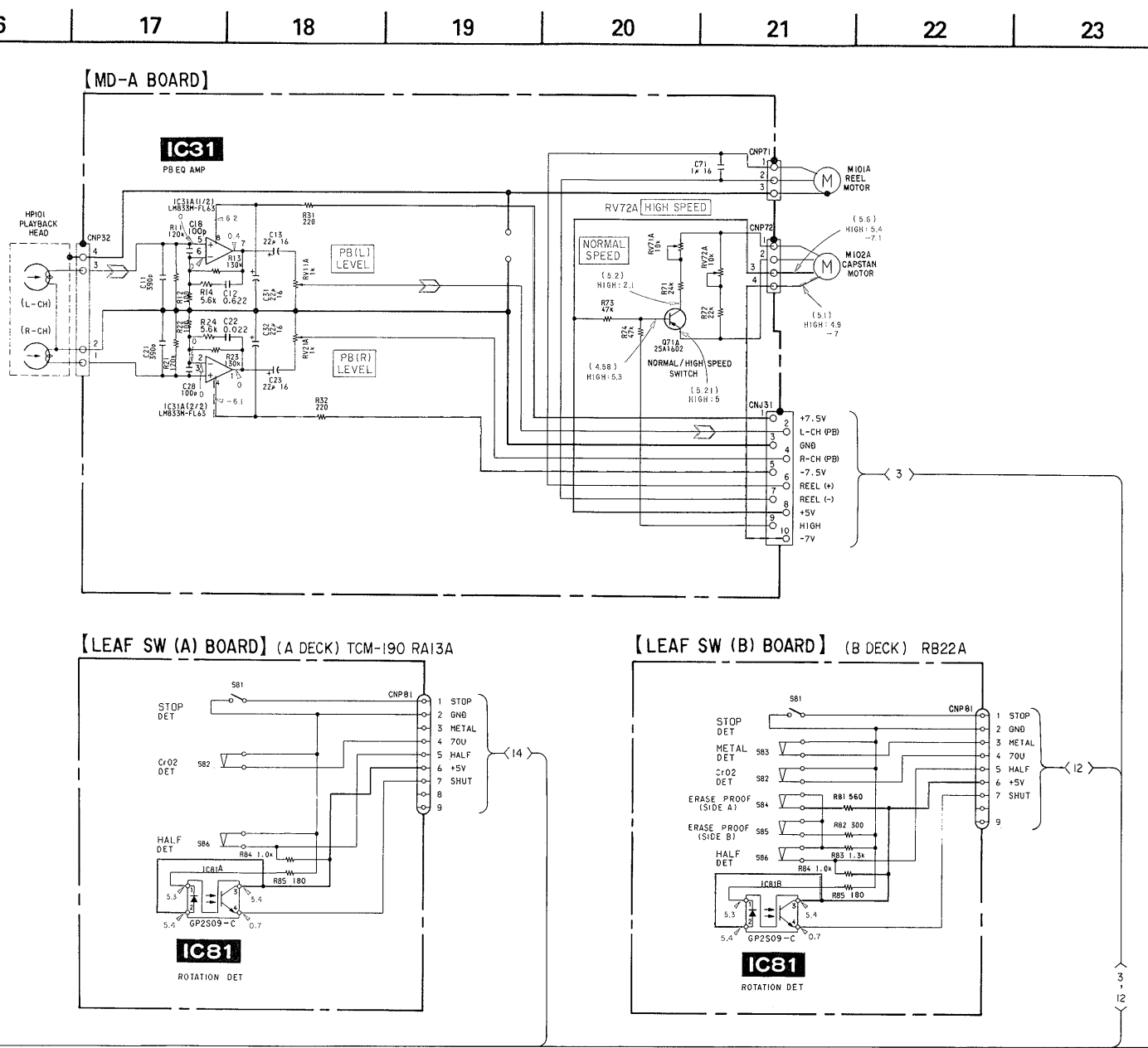
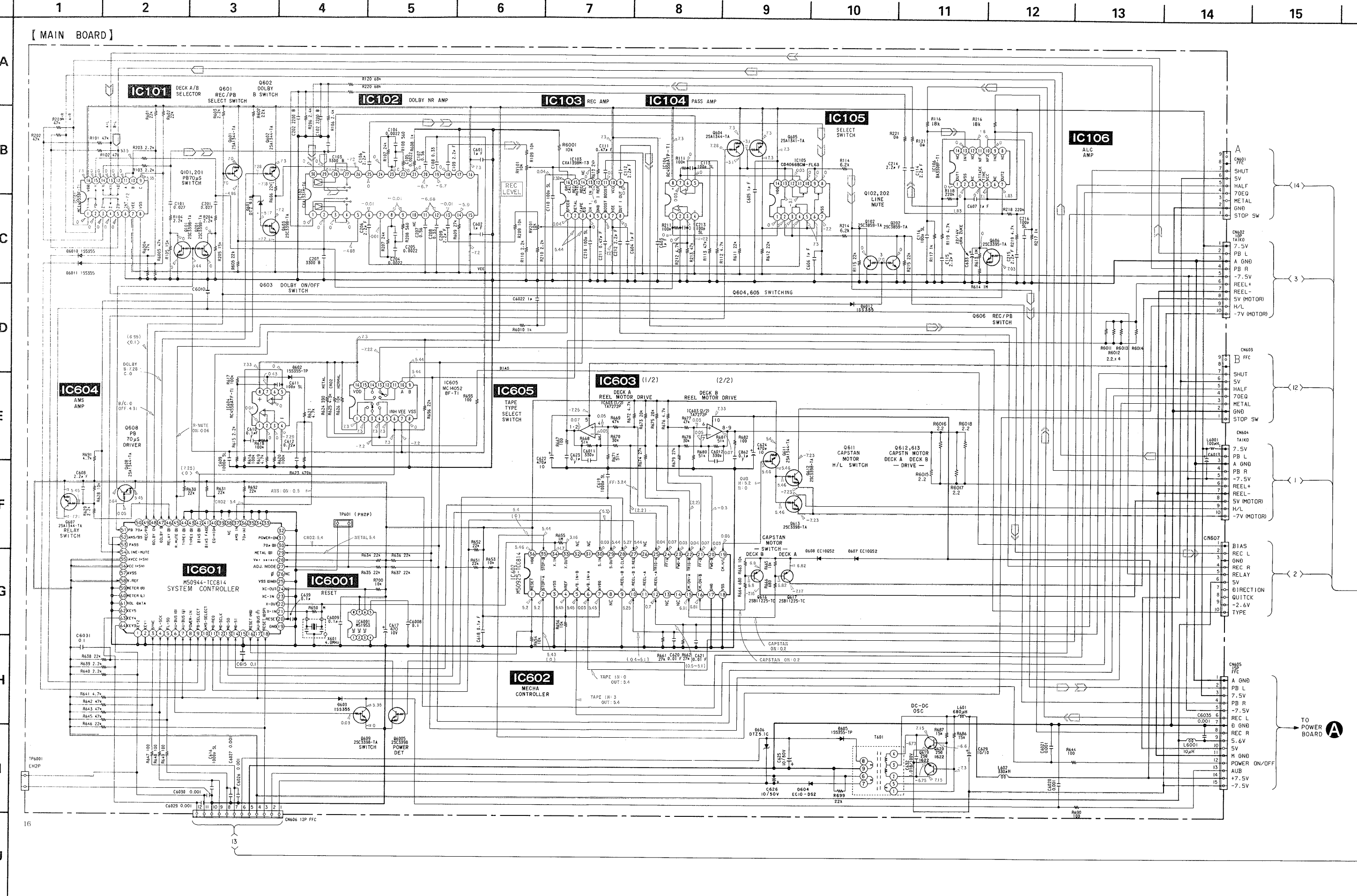
• Semiconductor Location

Ref. No.	Location
D31	C-2
D301	B-24
D302	A-23
D601	I-21
D602	I-15
D603	G-19
D604	F-19
D605	F-19
D606	F-19
D607	F-15
D608	F-16
D6010	G-21
D6011	G-21
D6012	G-22
IC31-A	D-9
IC31-B	D-3
IC81-A	I-11
IC81-B	I-5
IC101	H-21
IC102	I-23
IC103	I-20
IC104	H-23
IC105	H-23
IC106	G-23
IC351	B-20
IC601	G-20
IC602	H-18
IC603	G-15
IC604	I-16
IC605	I-17
IC6001	G-19
Q51	B-3
Q52	B-3
Q53	C-3
Q71-A	C-11
Q71-B	C-5
Q101	G-21
Q102	H-22
Q201	G-21
Q202	H-22
Q601	J-21
Q602	I-21
Q603	J-22
Q604	G-22
Q605	G-23
Q606	G-23
Q607	H-21
Q608	H-21
Q609	F-20
Q611	H-16
Q612	I-16
Q613	H-16
Q616	I-19
Q617	H-19
Q619	G-19
Q620	G-18
Q6005	G-19

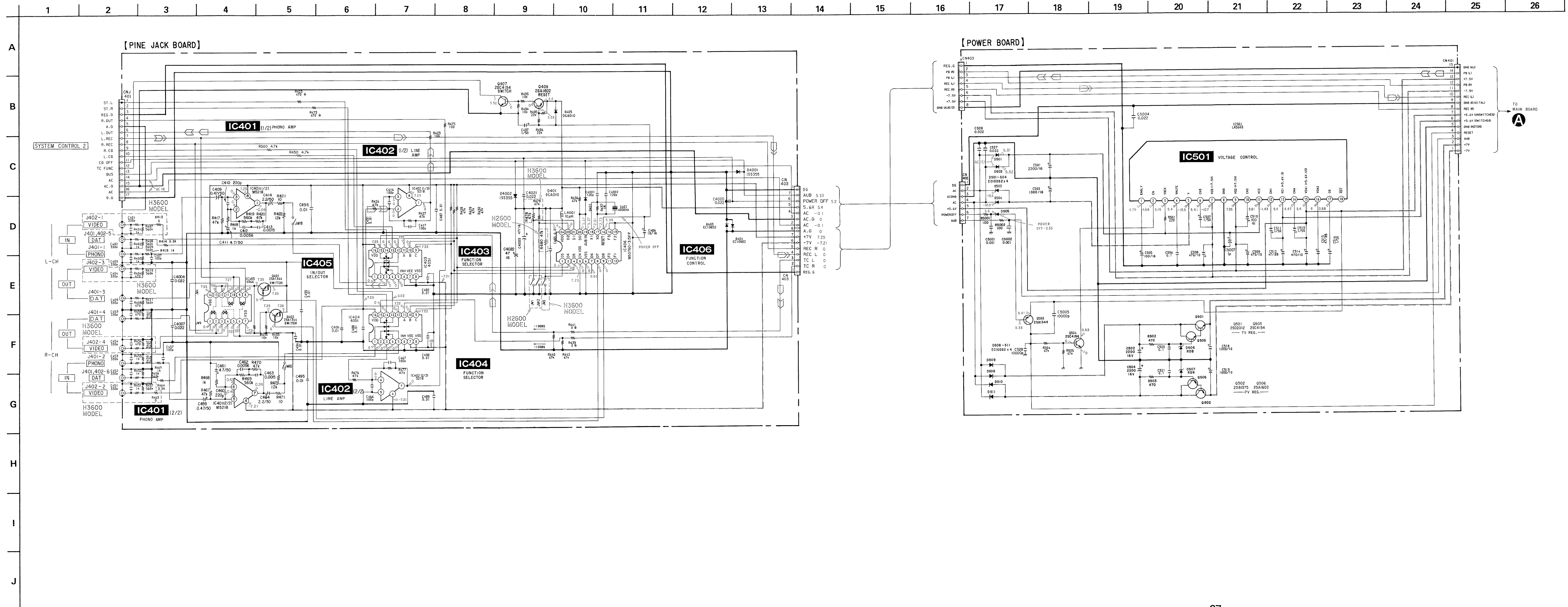


Note on Mounting Diagram:

- — : parts extracted from the component side,
- — : parts mounted on the conductor side.
- — : Through hole.
- — : Pattern on the side which is seen.
- — : Pattern of the rear side.



4-5. SCHEMATIC DIAGRAM - PIN JACK SECTION -



Note on Schematic Diagram:

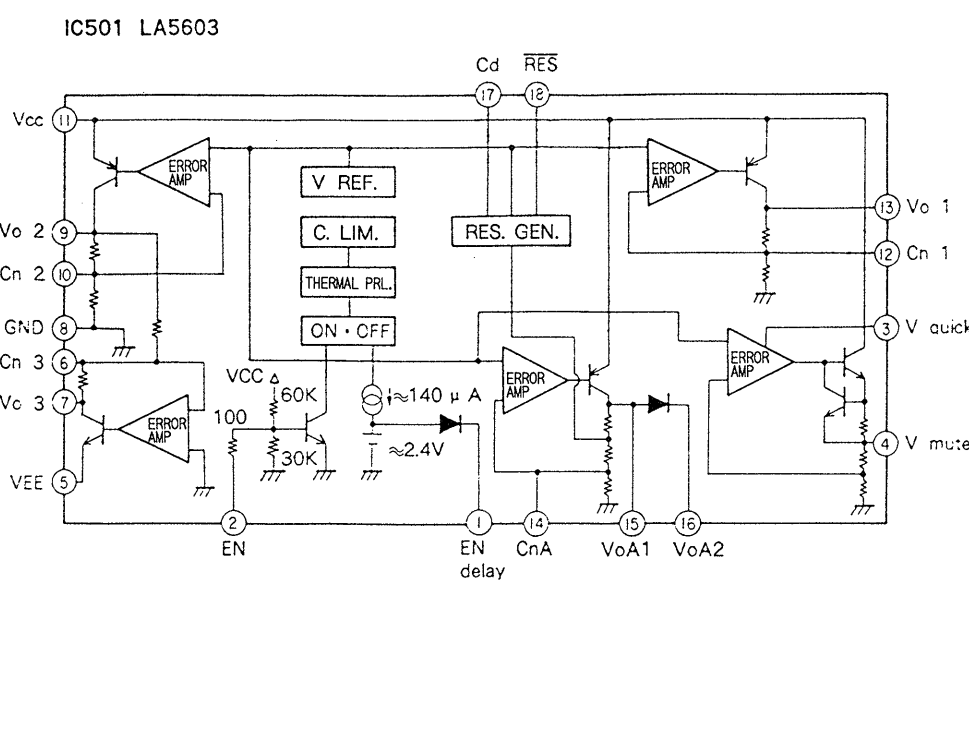
- All capacitors are in μF unless otherwise noted. $\text{pF} = \mu\text{F} \times 10^{-6}$ and $\text{nF} = \mu\text{F} \times 10^{-9}$.
- All resistors are in Ω and $\frac{1}{4}\text{W}$ or less unless otherwise specified.
- : nonflammable resistor.

Note: The components identified by mark or dotted line with mark are critical for safety. Replace only with part number specified.

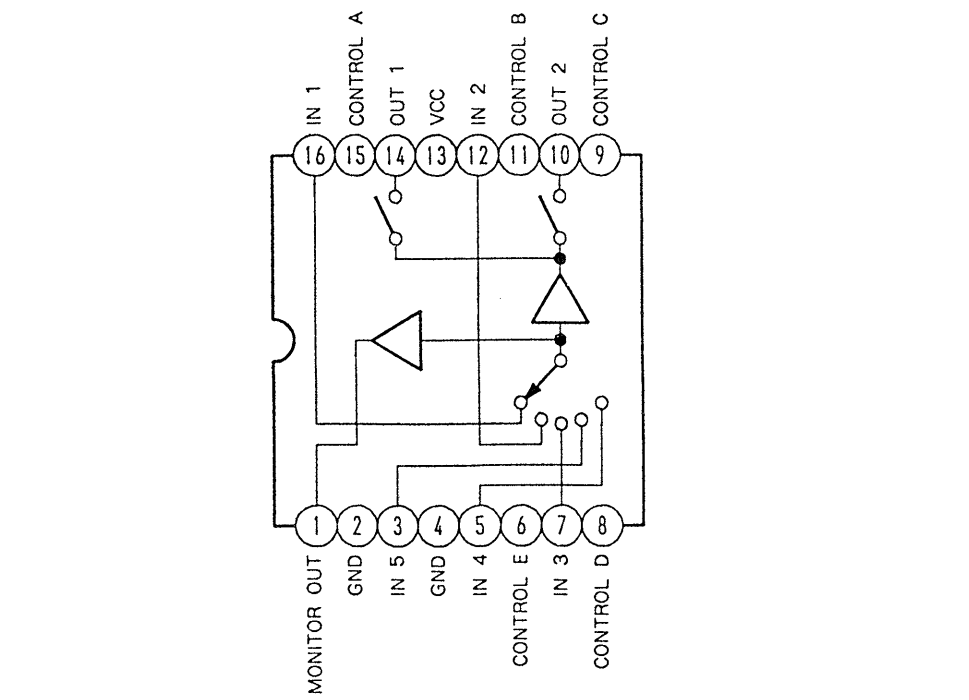
Note: Les composants identifiés par une marque ou une ligne pointillée avec une marque sont critiques pour la sécurité. Ne les remplacer que par une pièce portant le numéro spécifié.

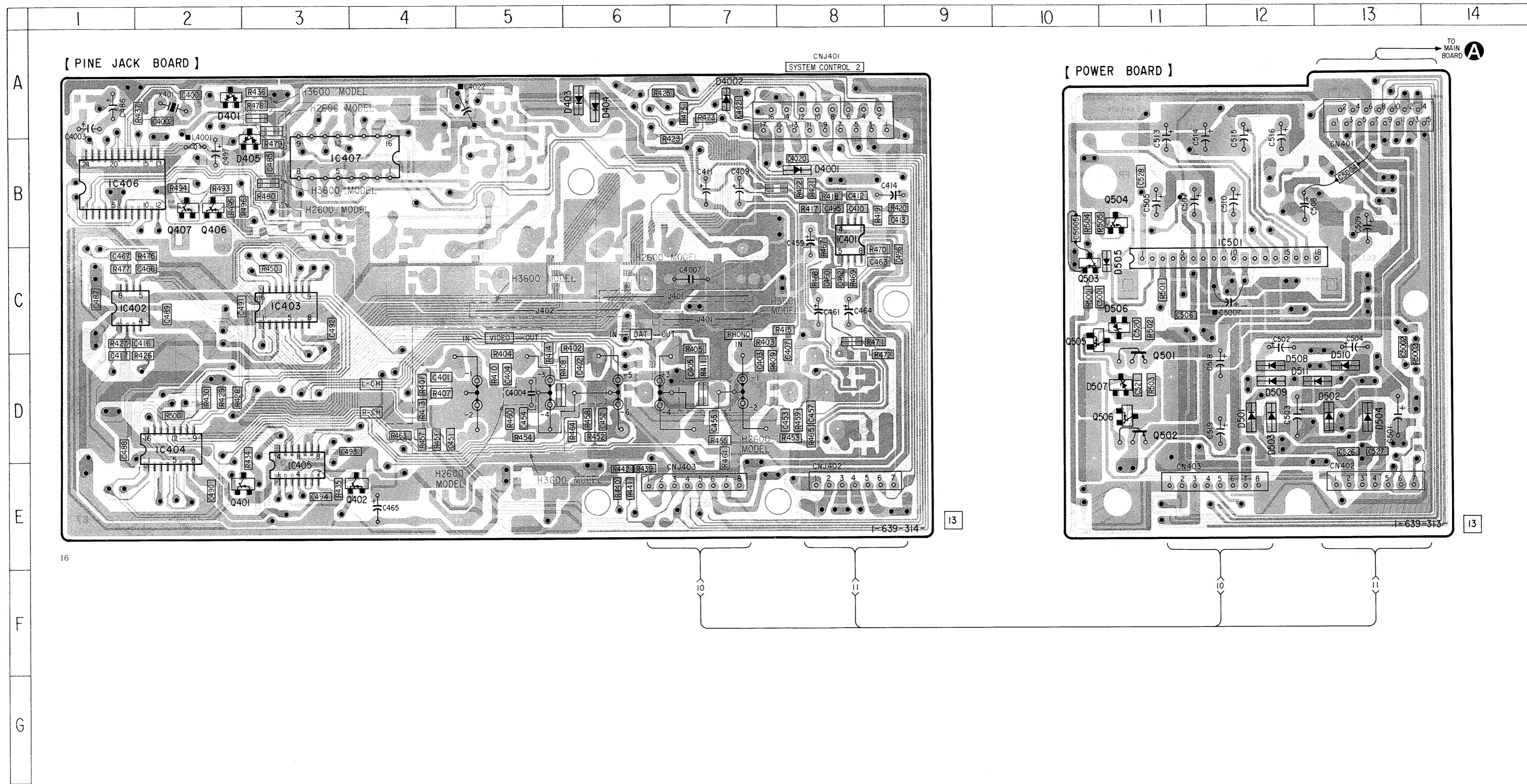
- : B+ Line
 - : B- Line
 - : adjustment for repair.
 - no mark : STOP
 - () : PB
 - < : REC
 - ▷ : FWD
 - ◁ : REV
 - ◻ : STOP
 - ◁ : FF
 - ◁ : REW
 - ◻ : REC
- Voltages are taken with a VOM (input impedance 10M Ω)
Voltage variations may be noted due to normal production tolerances.
- : Signal path
 - ▷ : PB (DECK A)
 - ◁ : PB (DECK B)
 - ◁ : REC (DECK B)

IC BLOCK DIAGRAM



IC407 BA7625





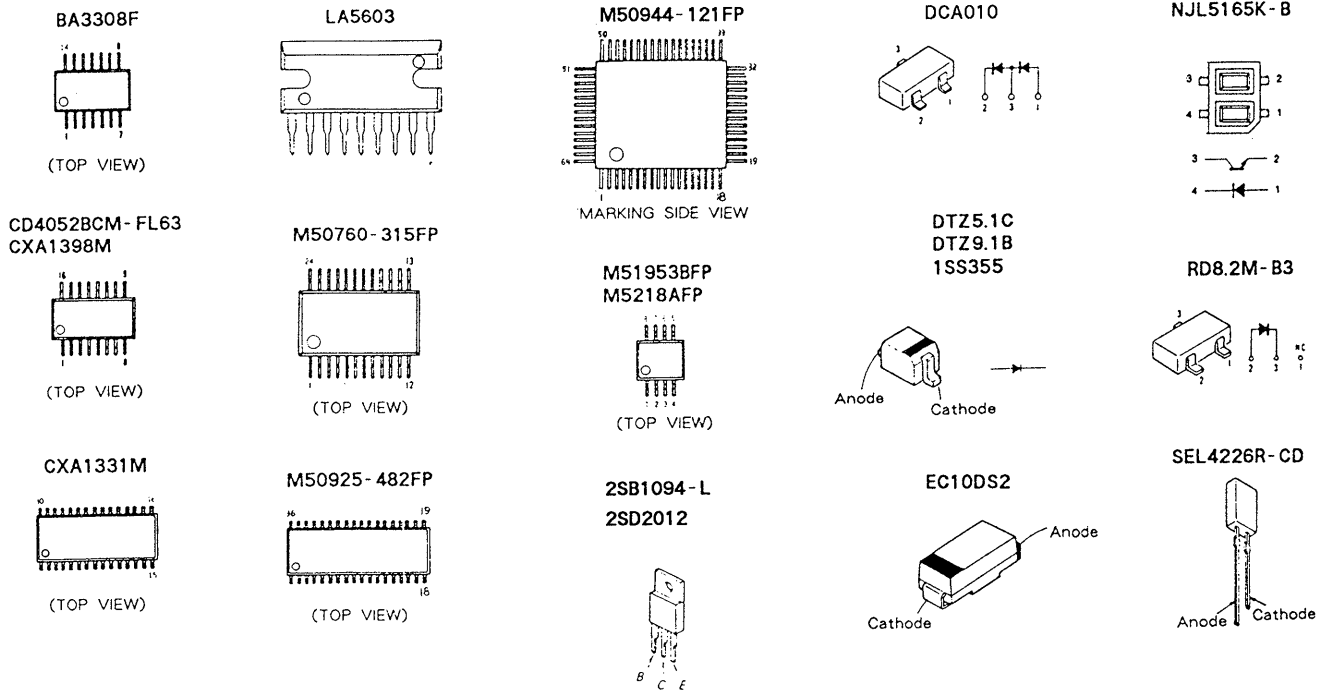
• Semiconductor Location

Ref. No.	Location
D401	A-2
D403	A-6
D404	A-6
D405	B-3
D501	D-12
D502	D-13
D503	D-12
D504	D-13
D505	C-11
D506	C-11
D507	D-11
D508	D-12
D509	D-12
D510	D-13
D511	D-13
D4001	B-8
D4002	A-7
IC401	C-8
IC402	C-1
IC403	C-3
IC404	D-2
IC405	F-3
IC406	B-1
IC501	C-12
Q401	E-3
Q402	E-4
Q406	B-2
Q407	B-2
Q501	D-11
Q502	D-11
Q503	C-10
Q504	B-11
Q505	C-10
Q506	D-11

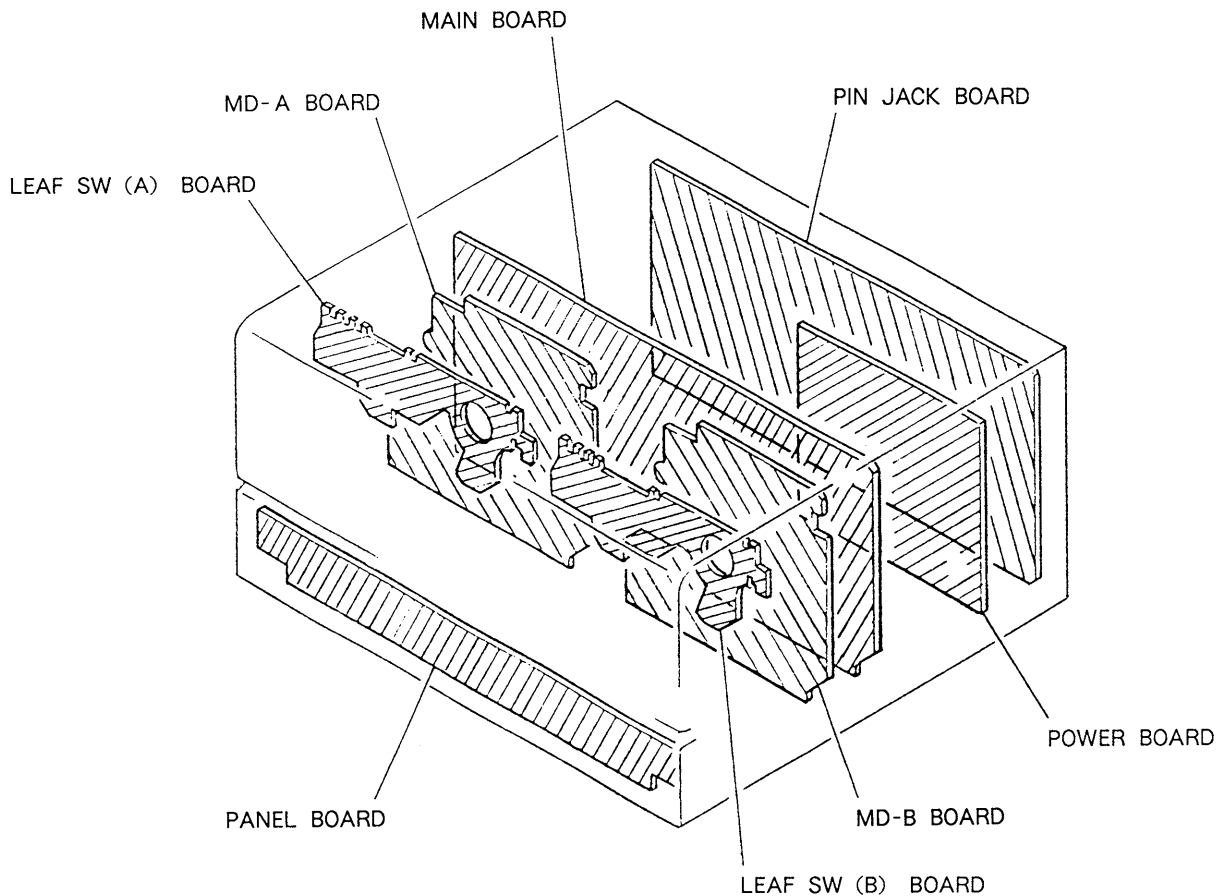
Note on Mounting Diagram:

- — : parts extracted from the component side.
- : parts mounted on the conductor side.
- : Through hole.
- : Pattern on the side which is seen.
- : Pattern of the rear side.

4-7. SEMICONDUCTOR LEAD LAYOUTS



4-8. CIRCUIT BOARDS LOCATION

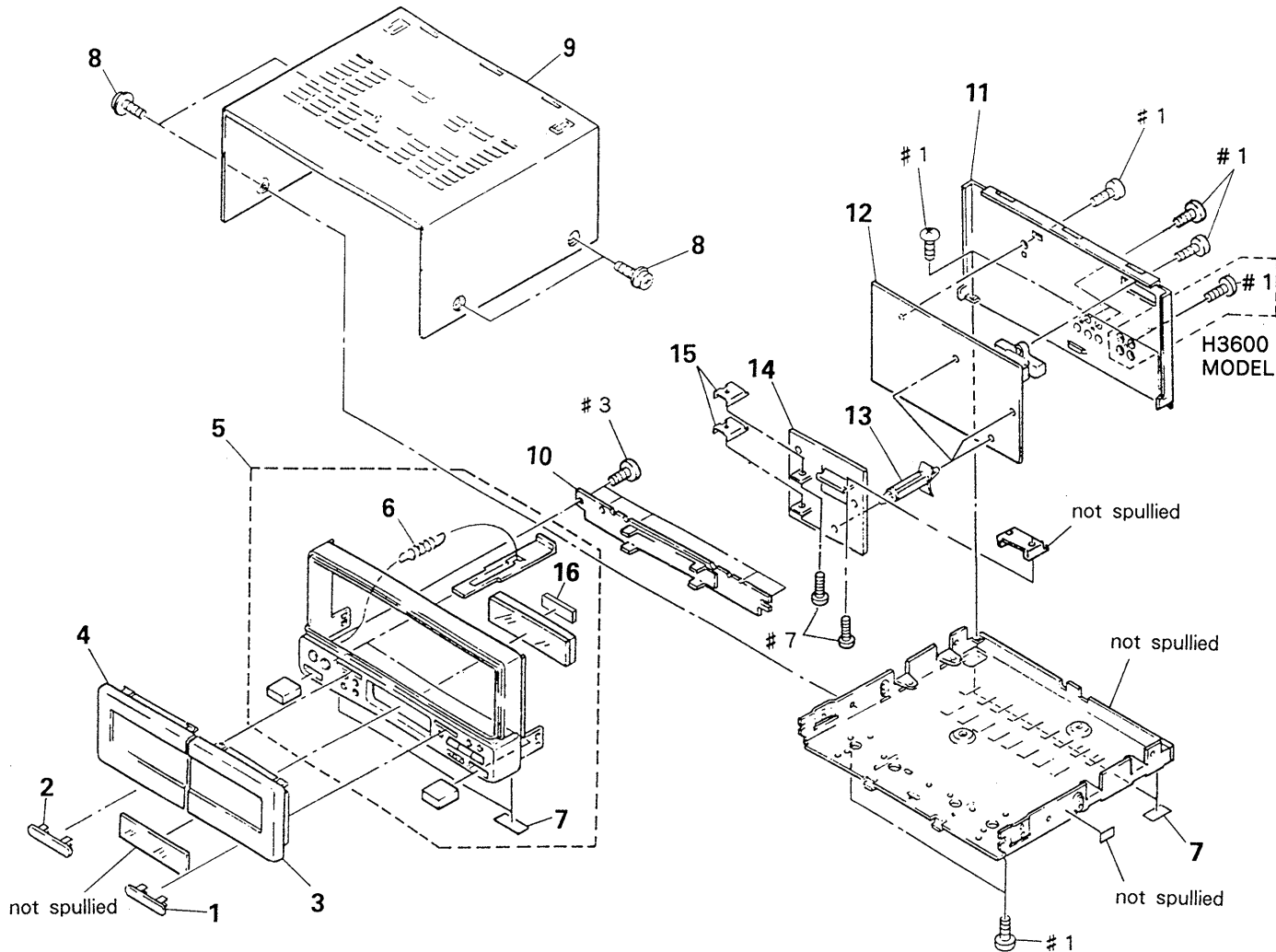


SECTION 5 EXPLODED VIEWS

NOTE :

- -XX, -X mean standardized parts, so they may have some differences from the original one.
- Color Indication of Appearance Parts
Example :
KNOB, BALANCE (WHITE)...(RED)
 ↑ ↑
 Parts color Cabinet's color
- Items marked "*" are not stocked since they are seldom required for routine service. Some delay should be anticipated when ordering these items.
- The mechanical parts with no reference number in the exploded views are not supplied.
- Hardware (# mark) list is given in the last of this parts list.

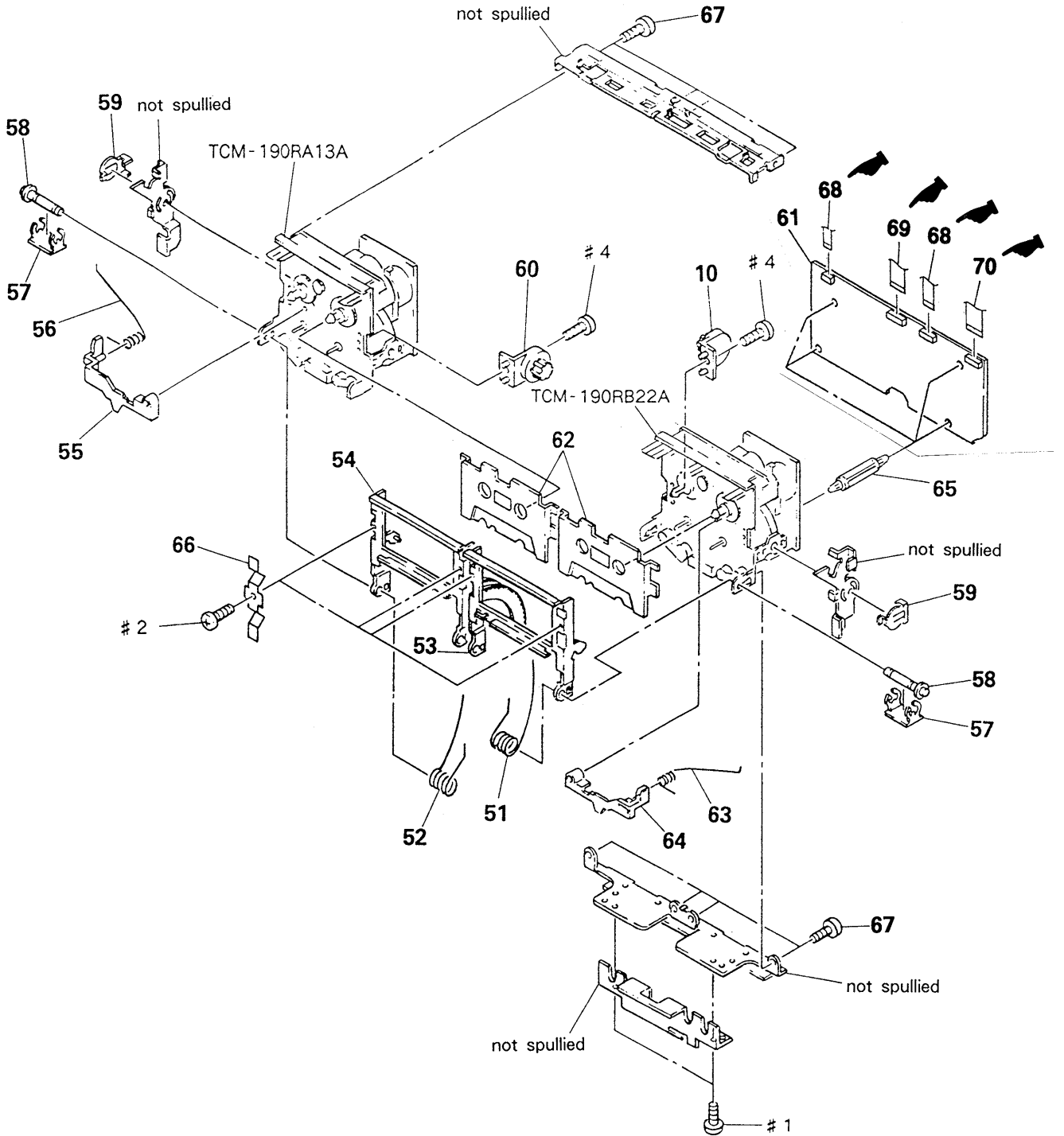
5-1. FRONT PANEL SECTION-1



Ref. No.	Part No.	Description	Remark	Ref. No.	Part No.	Description	Remark
1	3-367-872-11	COVER (AZIMUTH)		11	* 3-366-786-11	PANEL, BACK (H3600:EXCEPT Germany, Italian)	
2	3-367-872-01	COVER (AZIMUTH)			* 3-366-786-21	PANEL, BACK (H3600:Germany, Italian)	
3	X-3362-918-1	LID(B) ASSY, CASSETTE			* 3-366-786-31	PANEL, BACK (H2600:EXCEPT Germany, Italian)	
4	X-3362-919-1	LID(A) ASSY, CASSETTE			* 3-366-786-41	PANEL, BACK (H2600:Germany, Italian)	
5	X-3362-921-1	PANEL ASSY, FRONT		12	* A-2006-411-A	PIN JACK BOARD (H3600)	
6	3-567-110-00	SPRING, TENSION			* A-2006-417-A	PIN JACK BOARD (H2600)	
7	4-930-336-01	FOOT (FELT)		13	* 3-703-353-02	SUPPORT, PC BOARD	
8	3-363-099-01	SCREW (CASE +3X8 TP2)		14	* A-2006-613-A	POWER BOARD	
9	* 4-944-522-01	CASE (K211522)		15	* 3-309-144-21	HEAT SINK	
10	* A-2006-410-A	PANEL BOARD		16	4-906-024-11	TABLE, PENT	

REVISED

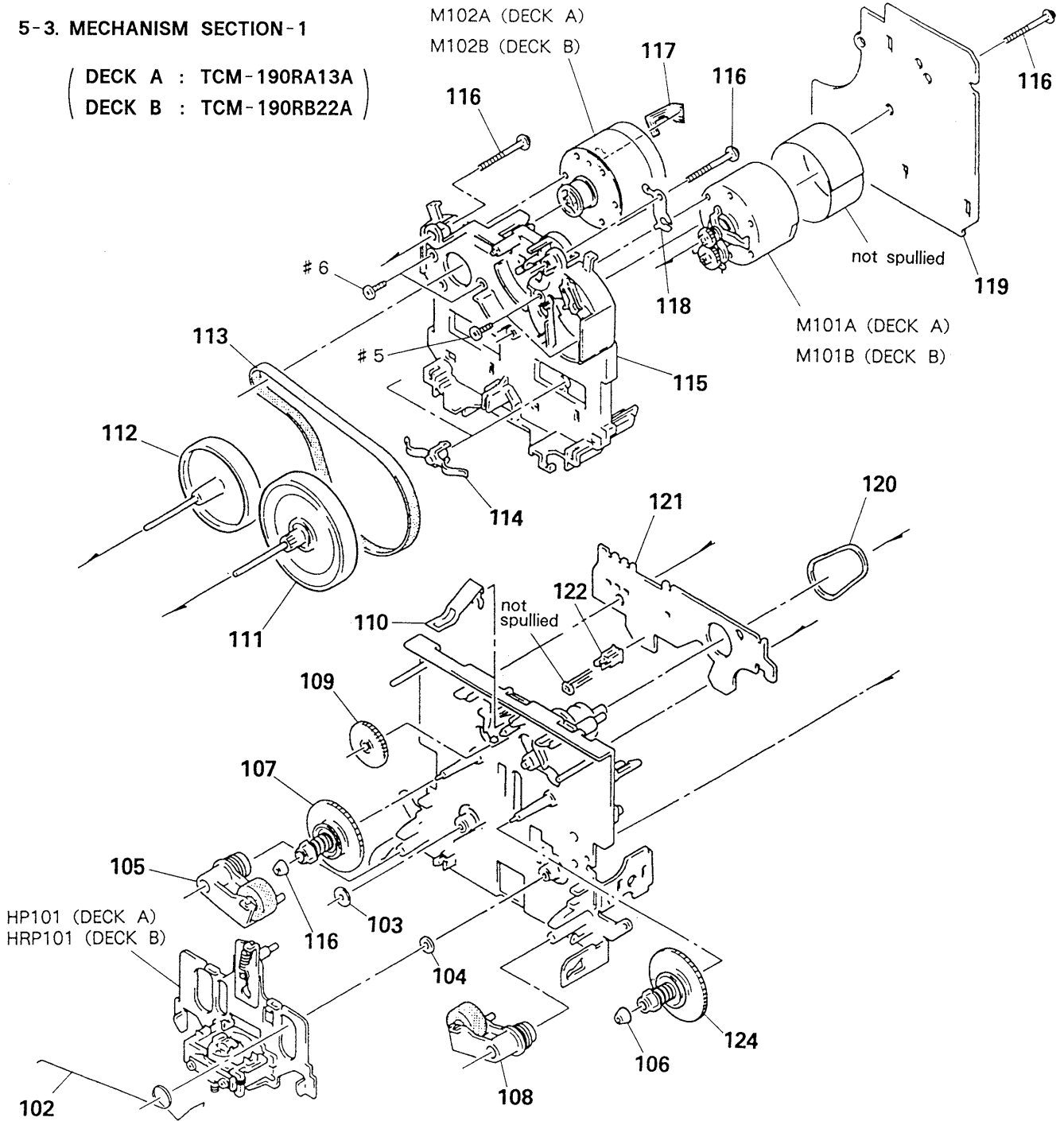
5-2. FRONT PANEL SECTION-2



Ref. No.	Part No.	Description	Remark	Ref. No.	Part No.	Description	Remark
51	3-354-960-01	SPRING(LOADING R), TORSION		60	3-354-963-01	DAMPER	
52	3-354-959-01	SPRING(LOADING L), TORSION		61	* A-2006-407-A	MAIN BOARD	
53	X-3362-856-1	HOLDER(R) ASSY, CASSETTE		62	3-367-711-01	RETAINER, CASSETTE	
54	X-3362-857-1	HOLDER(L) ASSY, CASSETTE		63	3-354-962-01	SPRING(EJ SAFTY SPRING R)	
55	3-354-955-01	LEVER(EJ SAFTY LEVER L)		64	3-354-956-01	LEVER(EJ SAFTY LEVER R)	
56	3-354-961-01	SPRING(EJ SAFTY SPRING L)		65	* 3-682-419-21	HOLDER, P. C. B	
57	3-367-720-01	RING(W), RETAINING		66	3-340-137-01	SPRING, CASSETTE RETAINER	
58	3-367-721-01	SHAFT(FULCRUM SHAFT)		67	4-928-635-01	SCREW, +BV (2.6X8) TAPPING	
59	3-354-957-01	JOINT(LOCK LEVER)		68	1-590-902-11	9CONDUCTOR FLAT CABLE	
				69	1-590-904-11	12CONDUCTOR FLAT CABLE	
				70	1-590-903-11	15CONDUCTOR FLAT CABLE	

5-3. MECHANISM SECTION - 1

(DECK A : TCM-190RA13A)
 (DECK B : TCM-190RB22A)

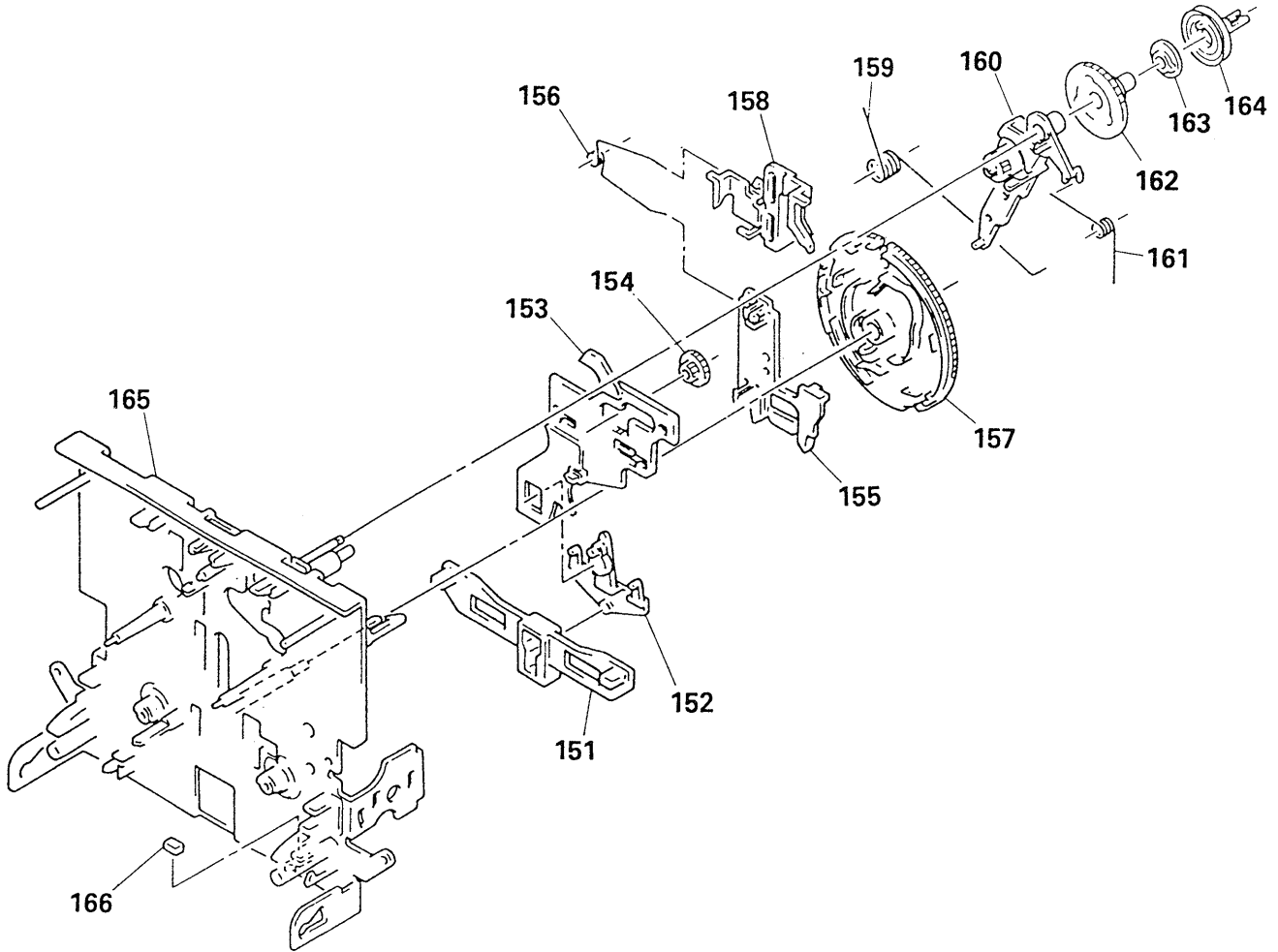


Ref. No.	Part No.	Description	Remark	Ref. No.	Part No.	Description	Remark
102	3-359-455-01	SPRING, TORSION		117	1-638-983-11	PC BOARD, MOTOR FLEXIBLE	
103	3-356-714-01	WASHER		118	3-359-450-01	PLATE, GROUND	
104	3-356-713-01	WASHER		119	* A-2006-400-A	MD-B BOARD (RB22A) (DECK B)	
105	X-3359-409-1	LEVER (PINCH LEVER REV) ASSY			* A-2006-399-A	MD-A BOARD (RA12A) (DECK A)	
106	3-362-308-01	CAP (REEL)		120	3-359-466-01	BELT (FR), SQUARE	
107	X-3362-078-1	TABLE ASSY (B), REEL		121	* 1-634-841-11	LEAF SW (B) BOARD (RB22A) (DECK B)	
108	X-3359-408-1	LEVER (PINCH LEVER FWD) ASSY			* 1-634-841-11	LEAF SW (A) BOARD (RA12A) (DECK A)	
109	3-359-424-01	GEAR (REV GEAR)		122	3-343-419-01	HOLDER (S SENSOR A)	
110	3-359-430-01	SPRING (CASSETTE RETAINER), LEAF		124	X-3359-404-1	TABLE ASSY, REEL	
111	X-3359-406-1	FLYWHEEL (FWD) COMPLETE ASSY		HP101	A-2003-868-B	BASE ASSY, HEAD (DECK A)	
112	X-3359-410-1	FLYWHEEL (REV) ASSY		HRP101	A-2003-838-A	BASE ASSY, HEAD (DECK B)	
113	3-359-417-01	BELT (FLAT), CAPSTAN		M101A	A-2003-474-A	MOTOR (REEL MOTOR) ASSY (DECK A)	
114	3-575-321-00	RETAINER, THRUST, CAPSTAN		M101B	A-2003-474-A	MOTOR (REEL MOTOR) ASSY (DECK B)	
115	* 3-359-436-01	BASE (THRUST RETAINER), FITTING		M102A	X-3359-417-1	MOTOR (CAPSTAN MOTOR) ASSY (DECK A)	
116	3-359-414-01	SCREW (#PTPHW 2X23)		M102B	X-3359-417-1	MOTOR (CAPSTAN MOTOR) ASSY (DECK B)	

REVISED

5-4. MECHANISM SECTION-2

(DECK A : TCM-190RA13A)
 (DECK B : TCM-190RB22A)



Ref. No.	Part No.	Description	Remark	Ref. No.	Part No.	Description	Remark
151	* 3-359-425-01	SLIDER(REVERSE SLIDER)		159	3-359-456-01	SPRING(TRIGGER SPRING), TORSION	
152	3-359-426-01	LEVER(REVERSE LEVER)		160	X-3359-405-1	LEVER(FR ARM) ASSY	
153	* 3-359-415-01	SLIDER(TRIGGER SLIDER)		161	3-359-453-01	SPRING(FR ARM), TORSION	
154	3-359-448-01	GEAR(TRIGGER)		162	3-359-419-01	GEAR(FR GEAR)	
155	* 3-359-427-01	SLIDER(LEVERSE SLIDER)		163	3-359-421-01	CLUTCH(REEL DISK)	
156	3-359-454-01	SPRING, TORSION		164	3-359-418-01	PULLEY(FR PULLEY)	
157	3-359-420-01	GEAR(CAM GEAR)		165	X-3363-790-1	CHASSIS ASSY, MECHANICAL	
158	3-359-429-01	SLIDER(BRAKE PLATE)		166	3-359-469-01	SPACER	

SECTION 6 ELECTRICAL PARTS LIST

MAIN
PANEL
PIN JACK
POWER

NOTE :

The components identified by mark Δ or dotted line with mark Δ are critical for safety. Replace only with part number specified.

Les composants identifiés par une marque Δ sont critiques pour la sécurité. Ne les remplacer que par une pièce portant le numéro spécifié.

When indicating parts by reference number, please include the board name.

- Due to standardization, replacements in the parts list may be different from the parts specified in the diagrams or the components used on the set.
- -XX, -X mean standardized parts, so they may have some difference from the original one.
- RESISTORS
All resistors are in ohms.
METAL: metal-film resistor
METAL OXIDE: Metal Oxide-film resistor
F: nonflammable
- Items marked "*" are not stocked since they are seldom required for routine service. Some delay should be anticipated when ordering these items.
- SEMICONDUCTORS
In each case, u: μ , for example:
uA...: μ A..., uPA..., μ PA...,
uPB..., μ PB..., uPC..., μ PC...,
uPD..., μ PD...
- CAPACITORS:
uF: μ F
- COILS
uH: μ H

Ref. No.	Part No.	Description	Remark	Ref. No.	Part No.	Description	Remark
* A-2006-407-A	MAIN BOARD	*****		C215	1-164-505-11	CERAMIC CHIP 2.2uF	16V
* A-2006-410-A	PANEL BOARD	*****		C216	1-163-117-00	CERAMIC CHIP 100PF	5% 50V
* A-2006-411-A	PIN JACK BOARD (H3600)			C351	1-126-163-11	ELECT 4.7uF	20% 50V
* A-2006-417-A	PIN JACK BOARD (H2600)	*****		C352	1-124-638-11	ELECT 22uF	20% 10V
* A-2006-613-A	POWER BOARD	*****		C353	1-164-232-11	CERAMIC CHIP 0.01uF	50V
* 3-309-144-21	HEAT SINK			C354	1-164-232-11	CERAMIC CHIP 0.01uF	50V
* 3-367-839-01	HOLDER, FL TUBE			C401	1-163-003-11	CERAMIC CHIP 330PF	10% 50V(H3600)
9-911-863-XX	SPACER			C402	1-163-003-11	CERAMIC CHIP 330PF	10% 50V
7-685-646-79	SCREW +BVTP 3X8 TYPE2 N-S			C403	1-163-003-11	CERAMIC CHIP 330PF	10% 50V
	(CAPACITOR)			C404	1-163-003-11	CERAMIC CHIP 330PF	10% 50V(H3600)
C101	1-136-158-00	FILM 0.027uF	5% 50V	C405	1-163-003-11	CERAMIC CHIP 330PF	10% 50V
C102	1-164-161-11	CERAMIC CHIP 0.0022uF	10% 100V	C407	1-163-117-00	CERAMIC CHIP 100PF	5% 50V
C103	1-164-182-11	CERAMIC CHIP 0.0033uF	10% 50V	C409	1-124-465-00	ELECT 0.47uF	20% 50V
C104	1-130-475-00	MYLAR 0.0022uF	5% 50V	C410	1-163-125-00	CERAMIC CHIP 220PF	5% 50V
C105	1-130-475-00	MYLAR 0.0022uF	5% 50V	C411	1-126-163-11	ELECT 4.7uF	20% 50V
C106	1-164-505-11	CERAMIC CHIP 2.2uF	16V	C412	1-163-018-00	CERAMIC CHIP 0.0056uF	5% 50V
C107	1-136-174-00	FILM 0.56uF	5% 50V	C413	1-163-011-11	CERAMIC CHIP 0.0015uF	10% 50V
C108	1-136-171-00	FILM 0.33uF	5% 50V	C414	1-124-257-00	ELECT 2.2uF	20% 50V
C109	1-164-505-11	CERAMIC CHIP 2.2uF	16V	C416	1-163-117-00	CERAMIC CHIP 100PF	5% 50V
C110	1-163-117-00	CERAMIC CHIP 100PF	5% 50V	C417	1-163-117-00	CERAMIC CHIP 100PF	5% 50V
C111	1-164-005-11	CERAMIC CHIP 0.47uF	25V	C451	1-163-003-11	CERAMIC CHIP 330PF	10% 50V(H3600)
C112	1-164-505-11	CERAMIC CHIP 2.2uF	16V	C452	1-163-003-11	CERAMIC CHIP 330PF	10% 50V
C113	1-163-117-00	CERAMIC CHIP 100PF	5% 50V	C453	1-163-003-11	CERAMIC CHIP 330PF	10% 50V
C114	1-164-505-11	CERAMIC CHIP 2.2uF	16V	C454	1-163-003-11	CERAMIC CHIP 330PF	10% 50V(H3600)
C115	1-164-505-11	CERAMIC CHIP 2.2uF	16V	C455	1-163-003-11	CERAMIC CHIP 330PF	10% 50V
C116	1-163-117-00	CERAMIC CHIP 100PF	5% 50V	C457	1-163-117-00	CERAMIC CHIP 100PF	5% 50V
C201	1-136-158-00	FILM 0.027uF	5% 50V	C459	1-124-465-00	ELECT 0.47uF	20% 50V
C202	1-164-161-11	CERAMIC CHIP 0.0022uF	10% 100V	C460	1-163-125-00	CERAMIC CHIP 220PF	5% 50V
C203	1-164-182-11	CERAMIC CHIP 0.0033uF	10% 50V	C461	1-126-163-11	ELECT 4.7uF	20% 50V
C204	1-130-475-00	MYLAR 0.0022uF	5% 50V	C462	1-163-018-00	CERAMIC CHIP 0.0056uF	5% 50V
C205	1-130-475-00	MYLAR 0.0022uF	5% 50V	C463	1-163-011-11	CERAMIC CHIP 0.0015uF	10% 50V
C206	1-164-505-11	CERAMIC CHIP 2.2uF	16V	C464	1-124-257-00	ELECT 2.2uF	20% 50V
C207	1-136-174-00	FILM 0.56uF	5% 50V	C466	1-163-117-00	CERAMIC CHIP 100PF	5% 50V
C208	1-136-171-00	FILM 0.33uF	5% 50V	C467	1-163-117-00	CERAMIC CHIP 100PF	5% 50V
C209	1-164-505-11	CERAMIC CHIP 2.2uF	16V	C485	1-164-232-11	CERAMIC CHIP 0.01uF	50V
C210	1-163-117-00	CERAMIC CHIP 100PF	5% 50V	C486	1-126-157-11	ELECT 10uF	20% 16V
C211	1-164-005-11	CERAMIC CHIP 0.47uF	25V	C487	1-164-232-11	CERAMIC CHIP 0.01uF	50V
C212	1-164-505-11	CERAMIC CHIP 2.2uF	16V	C488	1-164-232-11	CERAMIC CHIP 0.01uF	50V
C213	1-163-117-00	CERAMIC CHIP 100PF	5% 50V	C489	1-164-232-11	CERAMIC CHIP 0.01uF	50V
C214	1-164-505-11	CERAMIC CHIP 2.2uF	16V	C490	1-164-232-11	CERAMIC CHIP 0.01uF	50V
				C491	1-164-232-11	CERAMIC CHIP 0.01uF	50V
				C492	1-164-232-11	CERAMIC CHIP 0.01uF	50V
				C493	1-164-232-11	CERAMIC CHIP 0.01uF	50V
				C494	1-164-232-11	CERAMIC CHIP 0.01uF	50V
				C495	1-164-232-11	CERAMIC CHIP 0.01uF	50V

MAIN	PANEL	PIN JACK	POWER
------	-------	----------	-------

Ref. No.	Part No.	Description	Remark	Ref. No.	Part No.	Description	Remark
C496	1-164-232-11	CERAMIC CHIP	0.01uF 50V	C4020	1-163-037-11	CERAMIC CHIP	0.022uF 10% 25V
C497	1-126-301-11	ELECT	1uF 20% 50V	C4021	1-163-037-11	CERAMIC CHIP	0.022uF 10% 25V
C501	1-124-556-11	ELECT	2200uF 20% 16V	C4022	1-124-589-11	ELECT	47uF 20% 16V
C502	1-124-556-11	ELECT	2200uF 20% 16V	C5001	1-163-009-11	CERAMIC CHIP	0.001uF 10% 50V
C503	1-124-360-00	ELECT	1000uF 20% 16V	C5002	1-163-009-11	CERAMIC CHIP	0.001uF 10% 50V
C504	1-124-556-11	ELECT	2200uF 20% 16V	C5004	1-163-037-11	CERAMIC CHIP	0.022uF 10% 25V
C505	1-126-023-11	ELECT	100uF 20% 16V	C5005	1-164-232-11	CERAMIC CHIP	0.01uF 50V
C506	1-163-038-00	CERAMIC CHIP	0.1uF 25V	C5007	1-124-903-11	ELECT	1uF 20% 50V
C507	1-124-903-11	ELECT	1uF 20% 50V	C6008	1-163-038-00	CERAMIC CHIP	0.1uF 25V
C508	1-124-472-11	ELECT	470uF 20% 10V	C6009	1-163-038-00	CERAMIC CHIP	0.1uF 25V
C509	1-124-472-11	ELECT	470uF 20% 10V	C6010	1-163-038-00	CERAMIC CHIP	0.1uF 25V
C510	1-126-023-11	ELECT	100uF 20% 16V	C6011	1-163-129-00	CERAMIC CHIP	330PF 5% 50V
C511	1-124-903-11	ELECT	1uF 20% 50V	C6012	1-163-129-00	CERAMIC CHIP	330PF 5% 50V
C512	1-124-477-11	ELECT	47uF 20% 25V	C6013	1-126-023-11	ELECT	100uF 20% 16V
C513	1-124-903-11	ELECT	1uF 20% 50V	C6020	1-163-141-00	CERAMIC CHIP	0.001uF 5% 50V
C514	1-124-472-11	ELECT	470uF 20% 10V	C6021	1-163-141-00	CERAMIC CHIP	0.001uF 5% 50V
C515	1-124-477-11	ELECT	47uF 20% 25V	C6022	1-164-346-11	CERAMIC CHIP	1uF 16V
C516	1-124-903-11	ELECT	1uF 20% 50V	C6026	1-163-141-00	CERAMIC CHIP	0.001uF 5% 50V
C518	1-124-473-11	ELECT	1000uF 20% 10V	C6027	1-163-141-00	CERAMIC CHIP	0.001uF 5% 50V
C519	1-124-473-11	ELECT	1000uF 20% 10V	C6029	1-163-141-00	CERAMIC CHIP	0.001uF 5% 50V
C520	1-163-038-00	CERAMIC CHIP	0.1uF 25V	C6030	1-163-141-00	CERAMIC CHIP	0.001uF 5% 50V
C521	1-163-038-00	CERAMIC CHIP	0.1uF 25V	C6031	1-163-038-00	CERAMIC CHIP	0.1uF 25V
C526	1-163-037-11	CERAMIC CHIP	0.022uF 10% 25V	C6035	1-163-141-00	CERAMIC CHIP	0.001uF 5% 50V
C527	1-163-037-11	CERAMIC CHIP	0.022uF 10% 25V			(CONNECTOR)	
C528	1-164-232-11	CERAMIC CHIP	0.01uF 50V	CN351	1-580-883-21	SOCKET, CONNECTOR (SMT) 12P	
C601	1-164-346-11	CERAMIC CHIP	1uF 16V	CN401	1-568-834-11	SOCKET, CONNECTOR 15P	
C602	1-164-346-11	CERAMIC CHIP	1uF 16V	CN402	* 1-573-187-11	SOCKET, CONNECTOR 7P	
C603	1-164-346-11	CERAMIC CHIP	1uF 16V	CN403	1-573-388-11	SOCKET, CONNECTOR 8P	
C604	1-164-346-11	CERAMIC CHIP	1uF 16V	CN601	1-573-101-11	SOCKET, CONNECTOR 9P	
C605	1-164-346-11	CERAMIC CHIP	1uF 16V	CN602	1-580-783-11	PLUG, CONNECTOR	
C606	1-164-346-11	CERAMIC CHIP	1uF 16V	CN603	1-573-101-11	SOCKET, CONNECTOR 9P	
C607	1-164-346-11	CERAMIC CHIP	1uF 16V	CN604	1-580-783-11	PLUG, CONNECTOR	
C608	1-164-505-11	CERAMIC CHIP	2.2uF 16V	CN605	* 1-568-858-11	SOCKET, CONNECTOR 15P	
C609	1-163-141-00	CERAMIC CHIP	0.001uF 5% 50V	CN606	1-568-795-11	SOCKET, CONNECTOR 12P	
C610	1-163-038-00	CERAMIC CHIP	0.1uF 25V	CN607	1-580-783-11	PLUG, CONNECTOR	
C611	1-163-117-00	CERAMIC CHIP	100PF 5% 50V	CNJ401	* 1-580-740-11	SOCKET, CONNECTOR 17P(SYSTEM CONTROL 2)	
C612	1-164-222-11	CERAMIC CHIP	0.22uF 25V			(DIODE)	
C615	1-163-038-00	CERAMIC CHIP	0.1uF 25V	D301	8-719-312-30	DIODE SEL4226R-CD	
C616	1-163-141-00	CERAMIC CHIP	0.001uF 5% 50V	D302	8-719-312-30	DIODE SEL4226R-CD	
C617	1-124-472-11	ELECT	470uF 20% 10V	D401	8-719-990-36	DIODE DCA010	
C618	1-163-038-00	CERAMIC CHIP	0.1uF 25V	D403	8-719-210-33	DIODE EC10DS2	
C619	1-163-141-00	CERAMIC CHIP	0.001uF 5% 50V	D404	8-719-210-33	DIODE EC10DS2	
C620	1-164-232-11	CERAMIC CHIP	0.01uF 50V	D405	8-719-990-36	DIODE DCA010	
C621	1-164-232-11	CERAMIC CHIP	0.01uF 50V	D501	8-719-210-33	DIODE EC10DS2	
C622	1-124-472-11	ELECT	470uF 20% 10V	D502	8-719-210-33	DIODE EC10DS2	
C623	1-163-038-00	CERAMIC CHIP	0.1uF 25V	D503	8-719-210-33	DIODE EC10DS2	
C624	1-124-472-11	ELECT	470uF 20% 10V	D504	8-719-210-33	DIODE EC10DS2	
C625	1-126-059-11	ELECT	10uF 20% 50V	D505	8-719-988-62	DIODE 1SS355	
C626	1-126-059-11	ELECT	10uF 20% 50V	D506	8-719-106-36	DIODE RD8. 2M-B3	
C629	1-126-157-11	ELECT	10uF 20% 16V	D507	8-719-106-36	DIODE RD8. 2M-B3	
C632	1-136-594-11	FILM	0.018uF 5% 100V	D508	8-719-210-33	DIODE EC10DS2	
C633	1-124-234-00	ELECT	22uF 20% 16V	D509	8-719-210-33	DIODE EC10DS2	
C639	1-163-038-00	CERAMIC CHIP	0.1uF 25V	D510	8-719-210-33	DIODE EC10DS2	
C862	1-163-038-00	CERAMIC CHIP	0.1uF 25V	D511	8-719-210-33	DIODE EC10DS2	
C4001	1-163-119-00	CERAMIC CHIP	120PF 5% 50V	D601	8-719-977-24	DIODE DTZ9. 1B	
C4002	1-163-119-00	CERAMIC CHIP	120PF 5% 50V	D602	8-719-988-62	DIODE 1SS355	
C4003	1-124-589-11	ELECT	47uF 20% 16V	D603	8-719-988-62	DIODE 1SS355	
C4004	1-101-005-00	CERAMIC	22000PF 50V				
C4007	1-101-005-00	CERAMIC	22000PF 50V				

MAIN	PANEL	PIN JACK	POWER
------	-------	----------	-------

Ref. No.	Part No.	Description	Remark	Ref. No.	Part No.	Description	Remark
D604	8-719-210-33	DIODE EC10DS2		Q201	8-729-805-41	TRANSISTOR 2SC3398	
D605	8-719-988-62	DIODE 1SS355		Q202	8-729-805-42	TRANSISTOR 2SC3859	
D606	8-719-977-20	DIODE DTZ5.1C		Q401	8-729-805-65	TRANSISTOR 2SA1344	
D607	8-719-210-33	DIODE EC10DS2		Q402	8-729-805-65	TRANSISTOR 2SA1344	
D608	8-719-210-33	DIODE EC10DS2		Q406	8-729-602-36	TRANSISTOR 2SA1602-F	
D4001	8-719-988-62	DIODE 1SS355		Q407	8-729-602-21	TRANSISTOR 2SC4154-F	
D4002	8-719-988-62	DIODE 1SS355		Q501	8-729-209-15	TRANSISTOR 2SD2012	
D6010	8-719-988-62	DIODE 1SS355		Q502	8-729-111-67	TRANSISTOR 2SB1094-L	
D6011	8-719-988-62	DIODE 1SS355		Q503	8-729-805-65	TRANSISTOR 2SA1344	
D6012	8-719-988-62	DIODE 1SS355		Q504	8-729-602-21	TRANSISTOR 2SC4154-F	
		〈 INDICATOR 〉		Q505	8-729-602-21	TRANSISTOR 2SC4154-F	
FL351	1-519-638-11	INDICATOR TUBE, FLUORESCENT		Q506	8-729-602-36	TRANSISTOR 2SA1602-F	
		〈 IC 〉		Q601	8-729-805-65	TRANSISTOR 2SA1344	
IC101	8-759-300-71	IC HD14053BFP		Q602	8-729-805-65	TRANSISTOR 2SA1344	
IC102	8-752-055-08	IC CXA1331M		Q603	8-729-805-41	TRANSISTOR 2SC3398	
IC103	8-752-056-00	IC CXA1398M		Q604	8-729-805-65	TRANSISTOR 2SA1344	
IC104	8-759-636-55	IC M5218AFP		Q605	8-729-805-69	TRANSISTOR 2SA1341	
IC105	8-759-516-47	IC CD4066BCM-FL63		Q606	8-729-805-45	TRANSISTOR 2SC3395	
IC106	8-759-998-71	IC BA3308F		Q607	8-729-805-65	TRANSISTOR 2SA1344	
IC351	8-759-323-35	IC HD-614023		Q608	8-729-805-65	TRANSISTOR 2SA1344	
IC401	8-759-636-55	IC M5218AFP		Q609	8-729-805-41	TRANSISTOR 2SC3398	
IC402	8-759-636-55	IC M5218AFP		Q611	8-729-805-65	TRANSISTOR 2SA1344	
IC403	8-759-009-05	IC MC14051BF		Q612	8-729-805-41	TRANSISTOR 2SC3398	
IC404	8-759-009-05	IC MC14051BF		Q613	8-729-805-41	TRANSISTOR 2SC3398	
IC405	8-759-516-47	IC CD4066BCM		Q616	8-729-804-41	TRANSISTOR 2SB1122-S	
IC406	8-759-636-35	IC M50760-315FP		Q617	8-729-804-41	TRANSISTOR 2SB1122-S	
IC501	8-759-823-46	IC LA5603		Q619	8-729-808-01	TRANSISTOR 2SD1622-S	
IC601	8-759-636-37	IC M50944-121FP		Q620	8-729-808-01	TRANSISTOR 2SD1622-S	
IC602	8-759-636-67	IC M50925-482FP		Q6005	8-729-805-41	TRANSISTOR 2SC3398	
IC603	8-759-207-05	IC TA7272P				〈 RESISTOR 〉	
IC604	8-759-636-55	IC M5218AFP		R101	1-216-089-00	METAL CHIP 47K	5% 1/10W
IC605	8-759-516-41	IC CD4052BCM-FL63		R102	1-216-089-00	METAL CHIP 47K	5% 1/10W
IC6001	8-759-634-43	IC M51953BFP		R103	1-216-057-00	METAL CHIP 2.2K	5% 1/10W
		〈 JACK 〉		R104	1-216-057-00	METAL CHIP 2.2K	5% 1/10W
J401	1-565-304-11	JACK, PIN 4P (PHONO IN/DAT OUT) (H3600)		R105	1-216-077-00	METAL CHIP 15K	5% 1/10W
J401	* 1-569-812-11	JACK, PIN 6P (PHONO/DAT) (H2600)		R106	1-216-058-00	METAL GLAZE 2.4K	5% 1/10W
J402	* 1-569-812-11	JACK, PIN 6P (DAT IN/VIDEO) (H3600)		R107	1-216-082-00	METAL GLAZE 24K	5% 1/10W
		〈 JUMPER 〉		R108	1-216-043-00	METAL CHIP 560	5% 1/10W
JW1	1-216-295-00	METAL CHIP 0	5% 1/10W (H2600)	R109	1-216-073-00	METAL CHIP 10K	5% 1/10W
JW2	1-216-295-00	METAL CHIP 0	5% 1/10W (H2600)	R110	1-216-057-00	METAL CHIP 2.2K	5% 1/10W
JW3	1-216-295-00	METAL CHIP 0	5% 1/10W (H3600)	R111	1-216-097-00	METAL CHIP 100K	5% 1/10W
JW8	1-216-295-00	METAL CHIP 0	5% 1/10W	R112	1-216-065-00	METAL CHIP 4.7K	5% 1/10W
JW10	1-216-295-00	METAL CHIP 0	5% 1/10W	R113	1-216-089-00	METAL CHIP 47K	5% 1/10W
JW12	1-216-295-00	METAL CHIP 0	5% 1/10W (H3600)	R114	1-216-068-00	METAL CHIP 6.2K	5% 1/10W
JW14	1-216-295-00	METAL CHIP 0	5% 1/10W (H2600)	R115	1-216-081-00	METAL CHIP 22K	5% 1/10W
		〈 COIL 〉		R116	1-216-079-00	METAL CHIP 18K	5% 1/10W
L601	1-410-761-11	INDUCTOR 0.68mH		R117	1-216-049-00	METAL CHIP 1K	5% 1/10W
L602	1-410-757-21	INDUCTOR 0.33mH		R118	1-216-105-00	METAL CHIP 220K	5% 1/10W
L4001	1-408-777-00	INDUCTOR CHIP 10uH		R119	1-216-065-00	METAL CHIP 4.7K	5% 1/10W
L6001	1-410-482-31	INDUCTOR 100uH		R120	1-216-093-00	METAL CHIP 68K	5% 1/10W
L6002	1-408-777-00	INDUCTOR CHIP 10uH		R121	1-216-295-00	METAL CHIP 0	5% 1/10W
		〈 TRANSISTOR 〉		R201	1-216-089-00	METAL CHIP 47K	5% 1/10W
Q101	8-729-805-41	TRANSISTOR 2SC3398		R202	1-216-089-00	METAL CHIP 47K	5% 1/10W
Q102	8-729-805-42	TRANSISTOR 2SC3859		R203	1-216-057-00	METAL CHIP 2.2K	5% 1/10W
				R204	1-216-057-00	METAL CHIP 2.2K	5% 1/10W
				R205	1-216-077-00	METAL CHIP 15K	5% 1/10W
				R206	1-216-058-00	METAL GLAZE 2.4K	5% 1/10W
				R207	1-216-082-00	METAL GLAZE 24K	5% 1/10W
				R208	1-216-043-00	METAL CHIP 560	5% 1/10W

MAIN	PANEL	PIN JACK	POWER
------	-------	----------	-------

Ref. No.	Part No.	Description	Remark	Ref. No.	Part No.	Description	Remark
R209	1-216-073-00	METAL CHIP 10K	5% 1/10W	R427	1-216-089-00	METAL CHIP 47K	5% 1/10W
R210	1-216-057-00	METAL CHIP 2.2K	5% 1/10W	R428	1-216-089-00	METAL CHIP 47K	5% 1/10W
R211	1-216-097-00	METAL CHIP 100K	5% 1/10W	R429	1-216-089-00	METAL CHIP 47K	5% 1/10W
R212	1-216-065-00	METAL CHIP 4.7K	5% 1/10W	R430	1-216-089-00	METAL CHIP 47K	5% 1/10W
R213	1-216-089-00	METAL CHIP 47K	5% 1/10W	R434	1-216-073-00	METAL CHIP 10K	5% 1/10W
R214	1-216-068-00	METAL CHIP 6.2K	5% 1/10W	R435	1-216-073-00	METAL CHIP 10K	5% 1/10W
R215	1-216-081-00	METAL CHIP 22K	5% 1/10W	R436	1-216-089-00	METAL CHIP 47K	5% 1/10W
R216	1-216-079-00	METAL CHIP 18K	5% 1/10W	R437	1-216-121-00	METAL CHIP 1M	5% 1/10W
R217	1-216-049-00	METAL CHIP 1K	5% 1/10W	R439	1-216-295-00	METAL CHIP 0	5% 1/10W
R218	1-216-105-00	METAL CHIP 220K	5% 1/10W	R440	1-216-089-00	METAL CHIP 47K	5% 1/10W
R219	1-216-065-00	METAL CHIP 4.7K	5% 1/10W	R441	1-216-295-00	METAL CHIP 0	5% 1/10W
R220	1-216-093-00	METAL CHIP 68K	5% 1/10W	R442	1-216-089-00	METAL CHIP 47K	5% 1/10W
R221	1-216-295-00	METAL CHIP 0	5% 1/10W	R450	1-216-065-00	METAL CHIP 4.7K	5% 1/10W
R351	1-216-029-00	METAL CHIP 150	5% 1/10W	R451	1-216-049-00	METAL CHIP 1K	5% 1/10W(H3600)
R352	1-216-033-00	METAL CHIP 220	5% 1/10W	R452	1-216-049-00	METAL CHIP 1K	5% 1/10W
R353	1-216-037-00	METAL CHIP 330	5% 1/10W	R453	1-216-049-00	METAL CHIP 1K	5% 1/10W
R354	1-216-041-00	METAL CHIP 470	5% 1/10W	R454	1-216-041-00	METAL CHIP 470	5% 1/10W(H3600)
R355	1-216-045-00	METAL CHIP 680	5% 1/10W	R455	1-216-041-00	METAL CHIP 470	5% 1/10W
R356	1-216-049-00	METAL CHIP 1K	5% 1/10W	R457	1-216-115-00	METAL CHIP 560K	5% 1/10W(H3600)
R357	1-216-067-00	METAL CHIP 5.6K	5% 1/10W	R458	1-216-115-00	METAL CHIP 560K	5% 1/10W
R359	1-216-045-00	METAL CHIP 680	5% 1/10W	R459	1-216-115-00	METAL CHIP 560K	5% 1/10W
R362	1-216-041-00	METAL CHIP 470	5% 1/10W	R460	1-216-115-00	METAL CHIP 560K	5% 1/10W(H3600)
R363	1-216-045-00	METAL CHIP 680	5% 1/10W	R461	1-216-115-00	METAL CHIP 560K	5% 1/10W
R364	1-216-049-00	METAL CHIP 1K	5% 1/10W	R463	1-216-295-00	METAL CHIP 0	5% 1/10W(H3600)
R365	1-216-055-00	METAL CHIP 1.8K	5% 1/10W	R464	1-216-061-00	METAL CHIP 3.3K	5% 1/10W
R366	1-216-063-00	METAL CHIP 3.9K	5% 1/10W	R465	1-216-049-00	METAL CHIP 1K	5% 1/10W
R367	1-216-089-00	METAL CHIP 47K	5% 1/10W	R467	1-216-089-00	METAL CHIP 47K	5% 1/10W
R368	1-216-089-00	METAL CHIP 47K	5% 1/10W	R468	1-216-049-00	METAL CHIP 1K	5% 1/10W
R369	1-216-089-00	METAL CHIP 47K	5% 1/10W	R469	1-216-115-00	METAL CHIP 560K	5% 1/10W
R372	1-216-031-00	METAL CHIP 180	5% 1/10W	R470	1-216-089-00	METAL CHIP 47K	5% 1/10W
R374	1-216-031-00	METAL CHIP 180	5% 1/10W	R471	1-216-001-00	METAL CHIP 10	5% 1/10W
R375	1-216-081-00	METAL CHIP 22K	5% 1/10W	R472	1-216-075-00	METAL CHIP 12K	5% 1/10W
R376	1-216-121-00	METAL CHIP 1M	5% 1/10W	R473	1-216-041-00	METAL CHIP 470	5% 1/10W
R377	1-216-085-00	METAL CHIP 33K	5% 1/10W	R475	1-216-025-00	METAL CHIP 100	5% 1/10W
R378	1-216-025-00	METAL CHIP 100	5% 1/10W	R476	1-216-089-00	METAL CHIP 47K	5% 1/10W
R379	1-216-025-00	METAL CHIP 100	5% 1/10W	R477	1-216-089-00	METAL CHIP 47K	5% 1/10W
R380	1-216-025-00	METAL CHIP 100	5% 1/10W	R478	1-216-089-00	METAL CHIP 47K	5% 1/10W(H3600)
R381	1-216-025-00	METAL CHIP 100	5% 1/10W	R479	1-216-089-00	METAL CHIP 47K	5% 1/10W(H3600)
R401	1-216-049-00	METAL CHIP 1K	5% 1/10W(H3600)	R480	1-216-089-00	METAL CHIP 47K	5% 1/10W(H2600)
R402	1-216-049-00	METAL CHIP 1K	5% 1/10W	R493	1-216-073-00	METAL CHIP 10K	5% 1/10W
R403	1-216-049-00	METAL CHIP 1K	5% 1/10W	R494	1-216-073-00	METAL CHIP 10K	5% 1/10W
R404	1-216-041-00	METAL CHIP 470	5% 1/10W(H3600)	R495	1-216-081-00	METAL CHIP 22K	5% 1/10W
R405	1-216-041-00	METAL CHIP 470	5% 1/10W	R496	1-216-081-00	METAL CHIP 22K	5% 1/10W
R407	1-216-115-00	METAL CHIP 560K	5% 1/10W(H3600)	R500	1-216-065-00	METAL CHIP 4.7K	5% 1/10W
R408	1-216-115-00	METAL CHIP 560K	5% 1/10W	R501	1-216-033-00	METAL CHIP 220	5% 1/10W
R409	1-216-115-00	METAL CHIP 560K	5% 1/10W	R502	1-216-041-00	METAL CHIP 470	5% 1/10W
R410	1-216-115-00	METAL CHIP 560K	5% 1/10W(H3600)	R503	1-216-041-00	METAL CHIP 470	5% 1/10W
R411	1-216-115-00	METAL CHIP 560K	5% 1/10W	R504	1-216-089-00	METAL CHIP 47K	5% 1/10W
R413	1-216-295-00	METAL CHIP 0	5% 1/10W(H3600)	R505	1-216-089-00	METAL CHIP 47K	5% 1/10W
R414	1-216-061-00	METAL CHIP 3.3K	5% 1/10W	R601	1-216-081-00	METAL CHIP 22K	5% 1/10W
R415	1-216-049-00	METAL CHIP 1K	5% 1/10W	R602	1-216-081-00	METAL CHIP 22K	5% 1/10W
R417	1-216-089-00	METAL CHIP 47K	5% 1/10W	R603	1-216-057-00	METAL CHIP 2.2K	5% 1/10W
R418	1-216-049-00	METAL CHIP 1K	5% 1/10W	R605	1-216-081-00	METAL CHIP 22K	5% 1/10W
R419	1-216-115-00	METAL CHIP 560K	5% 1/10W	R606	1-216-081-00	METAL CHIP 22K	5% 1/10W
R420	1-216-089-00	METAL CHIP 47K	5% 1/10W	R607	1-216-081-00	METAL CHIP 22K	5% 1/10W
R421	1-216-001-00	METAL CHIP 10	5% 1/10W	R608	1-216-049-00	METAL CHIP 1K	5% 1/10W
R422	1-216-075-00	METAL CHIP 12K	5% 1/10W	R609	1-216-083-00	METAL CHIP 27K	5% 1/10W
R423	1-216-041-00	METAL CHIP 470	5% 1/10W	R610	1-216-082-00	METAL GLAZE 24K	5% 1/10W
R425	1-216-025-00	METAL CHIP 100	5% 1/10W	R611	1-216-081-00	METAL CHIP 22K	5% 1/10W
R426	1-216-089-00	METAL CHIP 47K	5% 1/10W	R612	1-216-081-00	METAL CHIP 22K	5% 1/10W

MAIN **PANEL** **PIN JACK** **POWER**

Ref. No.	Part No.	Description	Remark	Ref. No.	Part No.	Description	Remark
R613	1-216-121-00	METAL CHIP	1M 5% 1/10W	R681	1-216-090-00	METAL CHIP	51K 5% 1/10W
R614	1-216-121-00	METAL CHIP	1M 5% 1/10W	R682	1-216-025-00	METAL CHIP	100 5% 1/10W
R615	1-216-057-00	METAL CHIP	2.2K 5% 1/10W	R686	1-216-077-00	METAL CHIP	15K 5% 1/10W
R616	1-216-097-00	METAL CHIP	100K 5% 1/10W	R687	1-216-077-00	METAL CHIP	15K 5% 1/10W
R617	1-216-097-00	METAL CHIP	100K 5% 1/10W	R690	1-216-025-00	METAL CHIP	100 5% 1/10W
R618	1-216-097-00	METAL CHIP	100K 5% 1/10W	R691	1-216-065-00	METAL CHIP	4.7K 5% 1/10W
R619	1-216-065-00	METAL CHIP	4.7K 5% 1/10W	R692	1-216-081-00	METAL CHIP	22K 5% 1/10W
R620	1-216-097-00	METAL CHIP	100K 5% 1/10W	R693	1-216-025-00	METAL CHIP	100 5% 1/10W
R621	1-216-065-00	METAL CHIP	4.7K 5% 1/10W	R696	1-216-081-00	METAL CHIP	22K 5% 1/10W
R623	1-216-113-00	METAL CHIP	470K 5% 1/10W	R699	1-216-081-00	METAL CHIP	22K 5% 1/10W
R624	1-216-039-00	METAL CHIP	390 5% 1/10W	R700	1-216-073-00	METAL CHIP	10K 5% 1/10W
R625	1-216-064-00	METAL CHIP	4.3K 5% 1/10W	R5001	1-216-025-00	METAL CHIP	100 5% 1/10W
R626	1-216-073-00	METAL CHIP	10K 5% 1/10W	R5002	1-216-025-00	METAL CHIP	100 5% 1/10W
R628	1-216-073-00	METAL CHIP	10K 5% 1/10W	R6001	1-216-073-00	METAL CHIP	10K 5% 1/10W
R629	1-216-057-00	METAL CHIP	2.2K 5% 1/10W	R6004	1-216-089-00	METAL CHIP	47K 5% 1/10W
R630	1-216-081-00	METAL CHIP	22K 5% 1/10W	R6005	1-216-089-00	METAL CHIP	47K 5% 1/10W
R631	1-216-081-00	METAL CHIP	22K 5% 1/10W	R6010	1-216-049-00	METAL CHIP	1K 5% 1/10W
R634	1-216-081-00	METAL CHIP	22K 5% 1/10W	R6011	1-216-298-00	METAL CHIP	2.2 5% 1/10W
R635	1-216-081-00	METAL CHIP	22K 5% 1/10W	R6012	1-216-298-00	METAL CHIP	2.2 5% 1/10W
R636	1-216-081-00	METAL CHIP	22K 5% 1/10W	R6013	1-216-298-00	METAL CHIP	2.2 5% 1/10W
R637	1-216-081-00	METAL CHIP	22K 5% 1/10W	R6014	1-216-298-00	METAL CHIP	2.2 5% 1/10W
R638	1-216-081-00	METAL CHIP	22K 5% 1/10W	R6015	1-216-298-00	METAL CHIP	2.2 5% 1/10W
R639	1-216-057-00	METAL CHIP	2.2K 5% 1/10W	R6016	1-216-298-00	METAL CHIP	2.2 5% 1/10W
R640	1-216-057-00	METAL CHIP	2.2K 5% 1/10W	R6017	1-216-298-00	METAL CHIP	2.2 5% 1/10W
R641	1-216-065-00	METAL CHIP	4.7K 5% 1/10W	R6018	1-216-298-00	METAL CHIP	2.2 5% 1/10W
R642	1-216-089-00	METAL CHIP	47K 5% 1/10W			< VARIABLE RESISTOR >	
R643	1-216-089-00	METAL CHIP	47K 5% 1/10W	RV101	1-238-547-11	RES, ADJ, CARBON 10K	
R644	1-216-025-00	METAL CHIP	100 5% 1/10W	RV201	1-238-547-11	RES, ADJ, CARBON 10K	
R645	1-216-089-00	METAL CHIP	47K 5% 1/10W			< SWITCH >	
R646	1-216-081-00	METAL CHIP	22K 5% 1/10W	S901	1-554-303-21	SWITCH, TACTILE (CD SYNCHRO)	
R647	1-216-025-00	METAL CHIP	100 5% 1/10W	S902	1-554-303-21	SWITCH, TACTILE (▶▶)	
R648	1-216-025-00	METAL CHIP	100 5% 1/10W	S903	1-554-303-21	SWITCH, TACTILE (◀◀)	
R649	1-216-025-00	METAL CHIP	100 5% 1/10W	S904	1-554-303-21	SWITCH, TACTILE (● REC)	
R650	1-216-121-00	METAL CHIP	1M 5% 1/10W	S905	1-554-303-21	SWITCH, TACTILE (DECK B)	
R651	1-216-081-00	METAL CHIP	22K 5% 1/10W	S906	1-554-303-21	SWITCH, TACTILE (DECK A)	
R652	1-216-081-00	METAL CHIP	22K 5% 1/10W	S907	1-554-303-21	SWITCH, TACTILE (COUNTER RESET)	
R653	1-216-073-00	METAL CHIP	10K 5% 1/10W	S908	1-554-303-21	SWITCH, TACTILE (DOLBY NR)	
R654	1-216-073-00	METAL CHIP	10K 5% 1/10W	S909	1-554-303-21	SWITCH, TACTILE (DUBBING MODE)	
R655	1-216-121-00	METAL CHIP	1M 5% 1/10W	S910	1-554-303-21	SWITCH, TACTILE (■)	
R656	1-216-073-00	METAL CHIP	10K 5% 1/10W	S911	1-554-303-21	SWITCH, TACTILE (◀◁)	
R661	1-216-083-00	METAL CHIP	27K 5% 1/10W	S912	1-554-303-21	SWITCH, TACTILE (▷▷)	
R662	1-216-083-00	METAL CHIP	27K 5% 1/10W	S913	1-554-303-21	SWITCH, TACTILE (PAUSE)	
R663	1-216-073-00	METAL CHIP	10K 5% 1/10W	S914	1-554-303-21	SWITCH, TACTILE (○ MUTE)	
R664	1-216-045-00	METAL CHIP	680 5% 1/10W	S915	1-554-303-21	SWITCH, TACTILE (DIRECTION MODE)	
R665	1-216-073-00	METAL CHIP	10K 5% 1/10W			< TRANSFORMER >	
R666	1-216-045-00	METAL CHIP	680 5% 1/10W	T601	1-450-458-11	TRANSFORMER, DC-DC CONVERTER	
R667	1-216-025-00	METAL CHIP	100 5% 1/10W			< TEST PIN >	
R668	1-216-090-00	METAL CHIP	51K 5% 1/10W	TP601	* 1-564-718-11	PIN, CONNECTOR (SMALL TYPE) 2P	
R669	1-216-089-00	METAL CHIP	47K 5% 1/10W	TP6001	* 1-564-517-11	PLUG, CONNECTOR 2P	
R670	1-216-084-00	METAL GLAZE	30K 5% 1/10W			< CRYSTAL >	
R671	1-216-090-00	METAL CHIP	51K 5% 1/10W	X401	1-577-077-11	OSCILLATOR, CERAMIC 400KHz	
R672	1-216-065-00	METAL CHIP	4.7K 5% 1/10W	X601	1-577-358-21	VIBRATOR, CERAMIC 4MHz	
R673	1-216-080-00	METAL CHIP	20K 5% 1/10W	X951	1-577-101-11	VIBRATOR, CERAMIC 4.19MHz	
R674	1-216-083-00	METAL CHIP	27K 5% 1/10W			*****	
R675	1-216-080-00	METAL CHIP	20K 5% 1/10W				
R676	1-216-065-00	METAL CHIP	4.7K 5% 1/10W				
R677	1-216-089-00	METAL CHIP	47K 5% 1/10W				
R678	1-216-084-00	METAL GLAZE	30K 5% 1/10W				
R679	1-216-083-00	METAL CHIP	27K 5% 1/10W				
R680	1-216-090-00	METAL CHIP	51K 5% 1/10W				

LEAF SW(A) MD-A LEAF SW(B)

Ref. No.	Part No.	Description	Remark
	* 1-634-841-11	LEAF SW(A)BOARD *****	
	3-343-419-01	HOLDER (S SENSOR A) < CONNECTOR >	
CNP81	* 1-568-852-11	SOCKET, CONNECTOR 9P < IC >	
IC81A	8-719-710-03	IC PHOTO REFLECTOR NJL5165K-B < RESISTOR >	
R84	1-249-417-11	CARBON 1K 5% 1/4W	
R85	1-249-408-11	CARBON 180 5% 1/4W < SWITCH >	
S81	1-571-958-11	SWITCH, PUSH (1 KEY) (A. STOP DET)	
S82	1-571-281-21	SWITCH, LEAF (A. CrO2 DET)	
S86	1-571-281-21	SWITCH, LEAF (A. HALF DET)	

	* A-2006-399-A	MD-A BOARD ***** < CAPACITOR >	
C11	1-163-131-00	CERAMIC CHIP 390PF 5% 50V	
C12	1-136-157-00	FILM 0.022uF 5% 50V	
C13	1-124-234-00	ELECT 22uF 20% 16V	
C18	1-163-117-00	CERAMIC CHIP 100PF 5% 50V	
C21	1-163-131-00	CERAMIC CHIP 390PF 5% 50V	
C22	1-136-157-00	FILM 0.022uF 5% 50V	
C23	1-124-234-00	ELECT 22uF 20% 16V	
C28	1-163-117-00	CERAMIC CHIP 100PF 5% 50V	
C31	1-124-234-00	ELECT 22uF 20% 16V	
C32	1-124-234-00	ELECT 22uF 20% 16V	
C71	1-164-346-11	CERAMIC CHIP 1uF 16V < CONNECTOR >	
CNJ31	* 1-580-782-11	SOCKET, CONNECTOR	
CNP32	* 1-580-772-11	PIN, CONNECTOR (PC BOARD) 4P	
CNP71	* 1-564-719-11	PIN, CONNECTOR (SMALL TYPE) 3P	
CNP72	* 1-580-411-11	SOCKET, CONNECTOR 4P < IC >	
IC31A	8-759-970-66	IC LM833M < JUMPER >	
JW1	1-216-295-00	METAL CHIP 0 5% 1/10W	
JW51	1-216-296-00	METAL CHIP 0 5% 1/8W	
JW52	1-216-296-00	METAL CHIP 0 5% 1/8W	
JW53	1-216-296-00	METAL CHIP 0 5% 1/8W	
JW54	1-216-296-00	METAL CHIP 0 5% 1/8W	

Ref. No.	Part No.	Description	Remark
		< TRANSISTOR >	
Q71A	8-729-602-36	TRANSISTOR 2SA1602 < RESISTOR >	
R11	1-216-099-00	METAL CHIP 120K 5% 1/10W	
R12	1-216-025-00	METAL CHIP 100 5% 1/10W	
R13	1-216-100-00	METAL GLAZE 130K 5% 1/10W	
R14	1-216-067-00	METAL CHIP 5.6K 5% 1/10W	
R21	1-216-099-00	METAL CHIP 120K 5% 1/10W	
R22	1-216-025-00	METAL CHIP 100 5% 1/10W	
R23	1-216-100-00	METAL GLAZE 130K 5% 1/10W	
R24	1-216-067-00	METAL CHIP 5.6K 5% 1/10W	
R31	1-216-033-00	METAL CHIP 220 5% 1/10W	
R32	1-216-033-00	METAL CHIP 220 5% 1/10W	
R71	1-216-082-00	METAL GLAZE 24K 5% 1/10W	
R72	1-216-081-00	METAL CHIP 22K 5% 1/10W	
R73	1-216-089-00	METAL CHIP 47K 5% 1/10W	
R74	1-216-089-00	METAL CHIP 47K 5% 1/10W	
		< VARIABLE RESISTOR >	
RV11A	1-238-012-11	RES, ADJ, CARBON 1K	
RV21A	1-238-012-11	RES, ADJ, CARBON 1K	
RV71A	1-238-016-11	RES, ADJ, CARBON 10K	
RV72A	1-238-016-11	RES, ADJ, CARBON 10K	

	* 1-634-841-11	LEAF SW(B) BOARD *****	
	3-343-419-01	HOLDER (S SENSOR A) < CONNECTOR >	
CNP81	* 1-568-852-11	SOCKET, CONNECTOR 9P < IC >	
IC81B	8-719-710-03	IC PHOTO REFLECTOR NJL5165K-B < RESISTOR >	
R81	1-249-414-11	CARBON 560 5% 1/4W	
R82	1-247-818-11	CARBON 300 5% 1/4W	
R83	1-247-834-11	CARBON 1.3K 5% 1/4W	
R84	1-249-417-11	CARBON 1K 5% 1/4W	
R85	1-249-408-11	CARBON 180 5% 1/4W < SWITCH >	
S81	1-571-958-11	SWITCH, PUSH (1 KEY) (B. STOP DET)	
S82	1-571-281-21	SWITCH, LEAF (B. CrO2 DET)	
S83	1-571-281-21	SWITCH, LEAF (B. METAL DET)	
S84	1-571-281-21	SWITCH, LEAF (B. ERASE PROOF SIDE A)	
S85	1-571-281-21	SWITCH, LEAF (B. ERASE PROOF SIDE B)	
S86	1-571-281-21	SWITCH, LEAF (B. HALF DET)	

MD-B

Ref. No.	Part No.	Description	Remark
	* A-2006-400-A	MD-B BOARD *****	
		< CAPACITOR >	
C11	1-163-131-00	CERAMIC CHIP 390PF 5% 50V	
C12	1-136-157-00	FILM 0.022uF 5% 50V	
C13	1-124-234-00	ELECT 22uF 20% 16V	
C14	1-136-273-91	FILM 75PF 5% 630V	
C15	1-164-080-11	CERAMIC 390PF 10% 50V	
C17	1-163-103-00	CERAMIC CHIP 27PF 5% 50V	
C18	1-163-117-00	CERAMIC CHIP 100PF 5% 50V	
C21	1-163-131-00	CERAMIC CHIP 390PF 5% 50V	
C22	1-136-157-00	FILM 0.022uF 5% 50V	
C23	1-124-234-00	ELECT 22uF 20% 16V	
C24	1-136-273-91	FILM 75PF 5% 630V	
C25	1-164-080-11	CERAMIC 390PF 10% 50V	
C27	1-163-103-00	CERAMIC CHIP 27PF 5% 50V	
C28	1-163-117-00	CERAMIC CHIP 100PF 5% 50V	
C31	1-124-234-00	ELECT 22uF 20% 16V	
C32	1-124-234-00	ELECT 22uF 20% 16V	
C33	1-124-234-00	ELECT 22uF 20% 16V	
C51	1-163-019-00	CERAMIC CHIP 0.0068uF 10% 50V	
C52	1-163-019-00	CERAMIC CHIP 0.0068uF 10% 50V	
C53	1-163-022-00	CERAMIC CHIP 0.012uF 10% 50V	
C54	1-136-559-11	FILM 0.0047uF 5% 630V	
C56	1-164-505-11	CERAMIC CHIP 2.2uF 16V	
C57	1-164-346-11	CERAMIC CHIP 1uF 16V	
C58	1-163-117-00	CERAMIC CHIP 100PF 5% 50V	
C71	1-164-346-11	CERAMIC CHIP 1uF 16V	
		< CONNECTOR >	
CNJ31	* 1-580-782-11	SOCKET, CONNECTOR	
CNJ33	* 1-580-782-11	SOCKET, CONNECTOR	
CNP32	* 1-580-781-11	PIN, CONNECTOR (PC BOARD) 7P	
CNP71	* 1-564-719-11	PIN, CONNECTOR (SMALL TYPE) 3P	
CNP72	* 1-580-411-11	SOCKET, CONNECTOR 4P	
		< DIODE >	
D31	8-719-988-62	DIODE 1SS355	
		< IC >	
IC31B	8-759-970-66	IC LM833M	
		< JUMPER >	
JW1	1-216-296-00	METAL CHIP 0 5% 1/8W	
JW2	1-216-295-00	METAL CHIP 0 5% 1/10W	
JW3	1-216-295-00	METAL CHIP 0 5% 1/10W	
JW4	1-216-295-00	METAL CHIP 0 5% 1/10W	
JW5	1-216-295-00	METAL CHIP 0 5% 1/10W	
JW6	1-216-295-00	METAL CHIP 0 5% 1/10W	
JW7	1-216-295-00	METAL CHIP 0 5% 1/10W	
JW52	1-216-296-00	METAL CHIP 0 5% 1/8W	
JW53	1-216-296-00	METAL CHIP 0 5% 1/8W	
JW54	1-216-296-00	METAL CHIP 0 5% 1/8W	
JW55	1-216-296-00	METAL CHIP 0 5% 1/8W	
JW56	1-216-296-00	METAL CHIP 0 5% 1/8W	
JW57	1-216-296-00	METAL CHIP 0 5% 1/8W	
JW58	1-216-296-00	METAL CHIP 0 5% 1/8W	
JW59	1-216-296-00	METAL CHIP 0 5% 1/8W	

Ref. No.	Part No.	Description	Remark
JW60	1-216-296-00	METAL CHIP 0 5% 1/8W	
JW61	1-216-296-00	METAL CHIP 0 5% 1/8W	
		< COIL >	
L11	1-410-780-11	INDUCTOR 27mH	
L21	1-410-780-11	INDUCTOR 27mH	
		< TRANSISTOR >	
Q51	8-729-808-01	TRANSISTOR 2SD1622-S	
Q52	8-729-808-01	TRANSISTOR 2SD1622-S	
Q53	8-729-808-01	TRANSISTOR 2SD1622-S	
Q71B	8-729-602-36	TRANSISTOR 2SA1602	
		< RESISTOR >	
R11	1-216-099-00	METAL CHIP 120K 5% 1/10W	
R12	1-216-025-00	METAL CHIP 100 5% 1/10W	
R13	1-216-100-00	METAL GLAZE 130K 5% 1/10W	
R14	1-216-067-00	METAL CHIP 5.6K 5% 1/10W	
R15	△ 1-249-430-11	CARBON 12K 5% 1/4W	
R21	1-216-099-00	METAL CHIP 120K 5% 1/10W	
R22	1-216-025-00	METAL CHIP 100 5% 1/10W	
R23	1-216-100-00	METAL GLAZE 130K 5% 1/10W	
R24	1-216-067-00	METAL CHIP 5.6K 5% 1/10W	
R25	△ 1-249-430-11	CARBON 12K 5% 1/4W	
R31	1-216-033-00	METAL CHIP 220 5% 1/10W	
R32	1-216-033-00	METAL CHIP 220 5% 1/10W	
R41	△ 1-249-393-11	CARBON 10 5% 1/4W	
R42	△ 1-249-393-11	CARBON 10 5% 1/4W	
R51	1-216-075-00	METAL CHIP 12K 5% 1/10W	
R52	1-216-075-00	METAL CHIP 12K 5% 1/10W	
R53	1-216-073-00	METAL CHIP 10K 5% 1/10W	
R54	1-216-309-00	METAL CHIP 5.6 5% 1/10W	
R55	1-216-309-00	METAL CHIP 5.6 5% 1/10W	
R56	1-216-298-00	METAL CHIP 2.2 5% 1/10W	
R71	1-216-082-00	METAL GLAZE 24K 5% 1/10W	
R72	1-216-081-00	METAL CHIP 22K 5% 1/10W	
R73	1-216-089-00	METAL CHIP 47K 5% 1/10W	
R74	1-216-089-00	METAL CHIP 47K 5% 1/10W	
		< VARIABLE RESISTOR >	
RV11B	1-238-012-11	RES, ADJ, CARBON 1K	
RV12	1-238-551-11	RES, ADJ, CARBON 220K	
RV21B	1-238-012-11	RES, ADJ, CARBON 1K	
RV22	1-238-551-11	RES, ADJ, CARBON 220K	
RV71B	1-238-016-11	RES, ADJ, CARBON 10K	
RV72B	1-238-016-11	RES, ADJ, CARBON 10K	
		< RELAY >	
RY31	1-515-726-11	RELAY	
		< COIL >	
T51	1-406-419-11	COIL, BIAS OSCILLATION	

Note:
The components identified by mark △ or dotted line with mark △ are critical for safety. Replace only with part number specified.

Note:
Les composants identifiés par une marque △ sont critiques pour la sécurité. Ne les remplacer que par une pièce portant le numéro spécifié.

Ref. No.	Part No.	Description	Remark
		MISCELLANEOUS *****	
117	1-638-983-11	PC BOARD, MOTOR FLEXIBLE	
HP101	A-2003-868-B	BASE ASSY, HEAD (DECK A)	
HRP101	A-2003-838-A	BASE ASSY, HEAD (DECK B)	
M101A	A-2003-474-A	MOTOR (REEL MOTOR) ASSY (DECK A)	
M101B	A-2003-474-A	MOTOR (REEL MOTOR) ASSY (DECK B)	
M102A	X-3359-417-1	MOTOR (CAPSTAN MOTOR) ASSY (DECK A)	
M102B	X-3359-417-1	MOTOR (CAPSTAN MOTOR) ASSY (DECK B)	

HARDWARE LIST

# 1	7-685-646-79	SCREW +BVTP 3X8 TYPE2 N-S
# 2	7-621-255-15	SCREW +PTT 2X3 (S)
# 3	7-685-134-19	SCREW +BTP 2. 6X8 TYPE2 N-S
# 4	7-621-770-67	SCREW +PTT 2. 6X6 (S)
# 5	7-627-556-08	SCREW +P 2. 6X2. 8
# 6	7-621-775-00	SCREW +B 2. 6X3
# 7	7-682-548-04	+BVTT 3X8 (S)

TC-H2600 / H3600

SONY[®] SERVICE MANUAL

AEP Model

UK Model

E Model

Australian Model

TC-H2600

TC-H3600

US Model

Canadian Model

TC-H3600

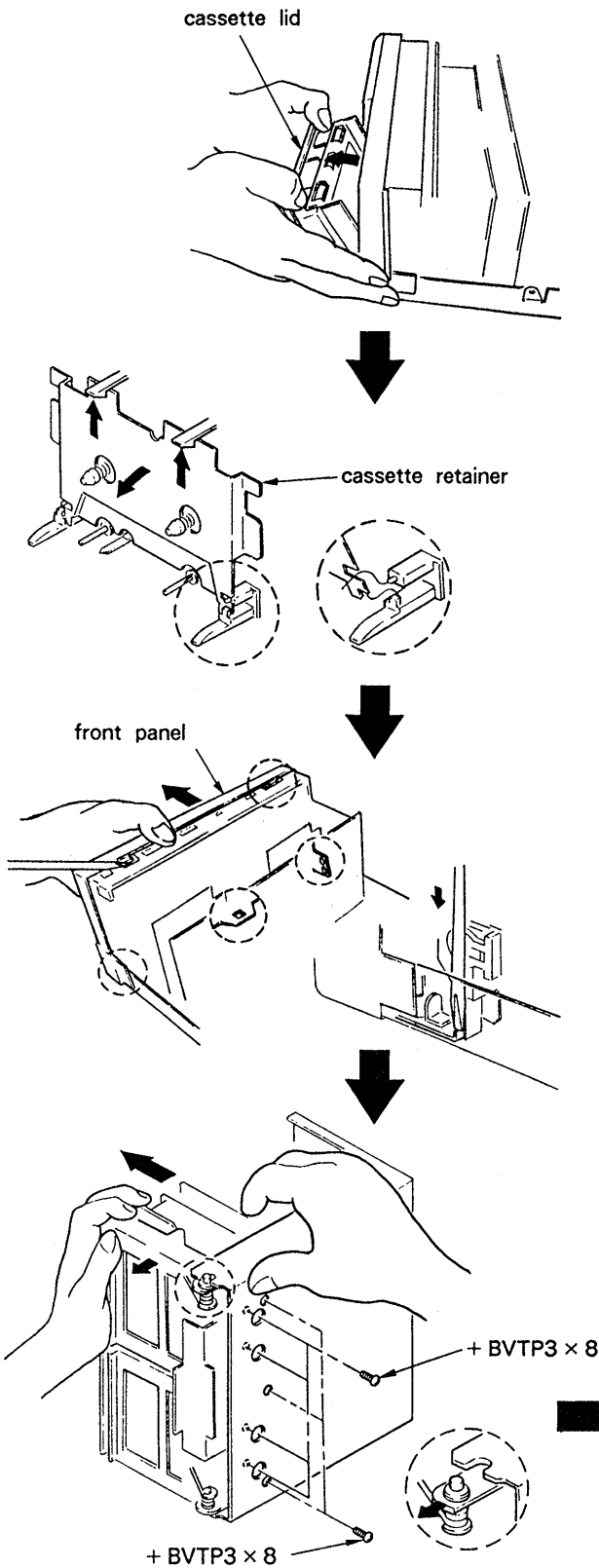
SUPPLEMENT-1

File this supplement with service manual.

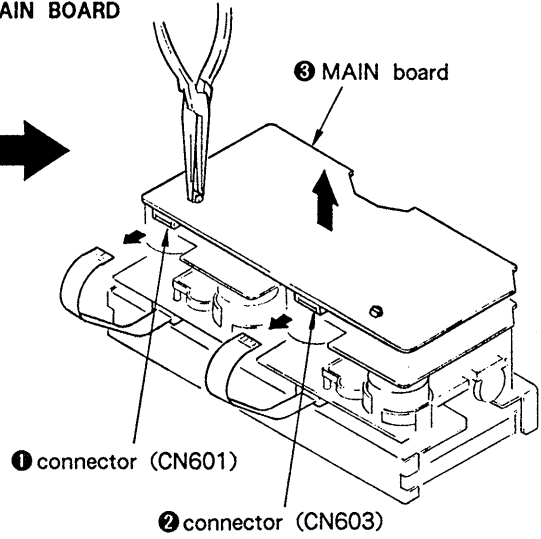
Subject : Disassembly

NOTE: Follow the disassembly procedure in the numerical order given.

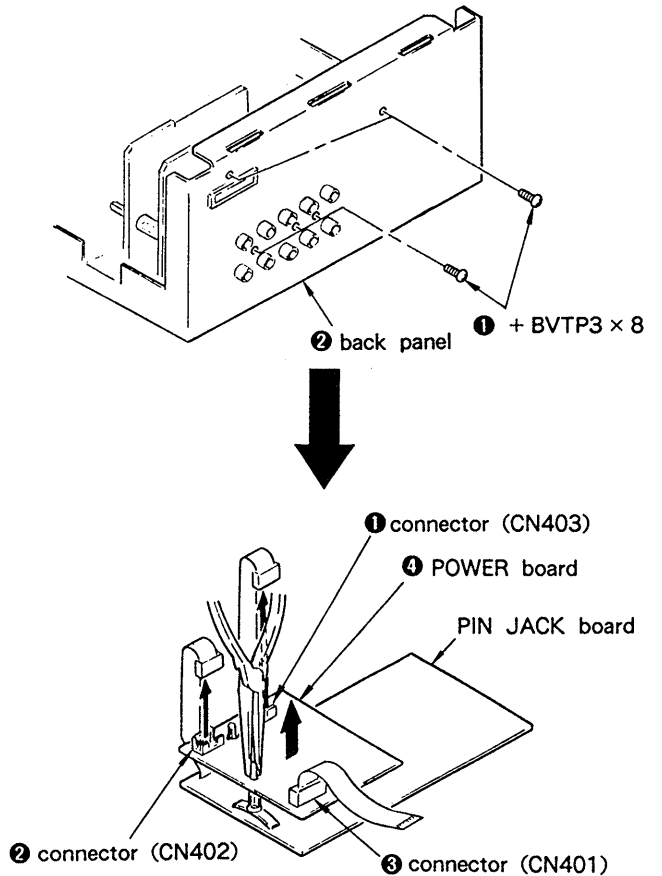
• FRONT PANEL



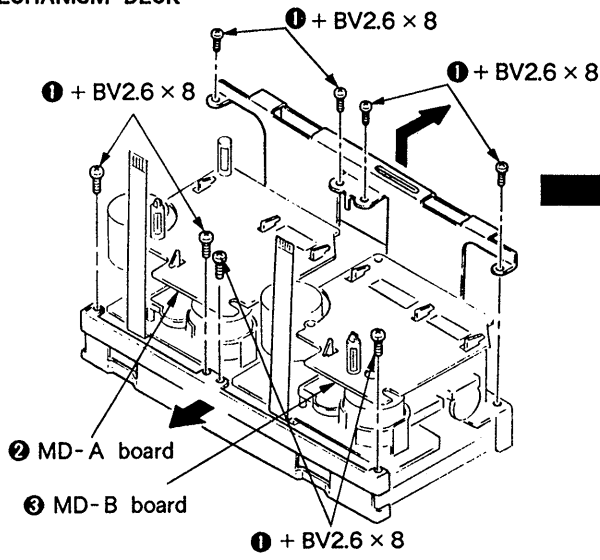
• MAIN BOARD



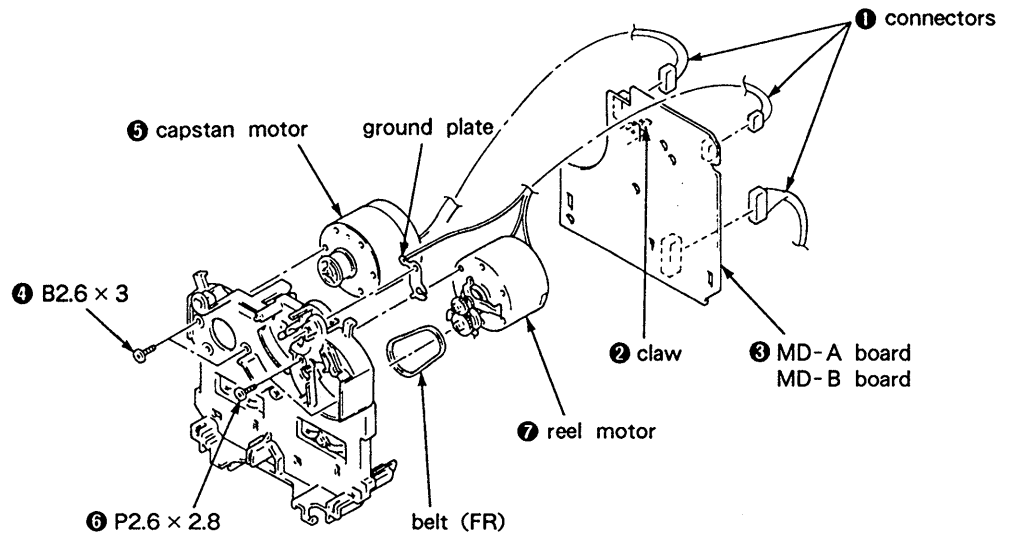
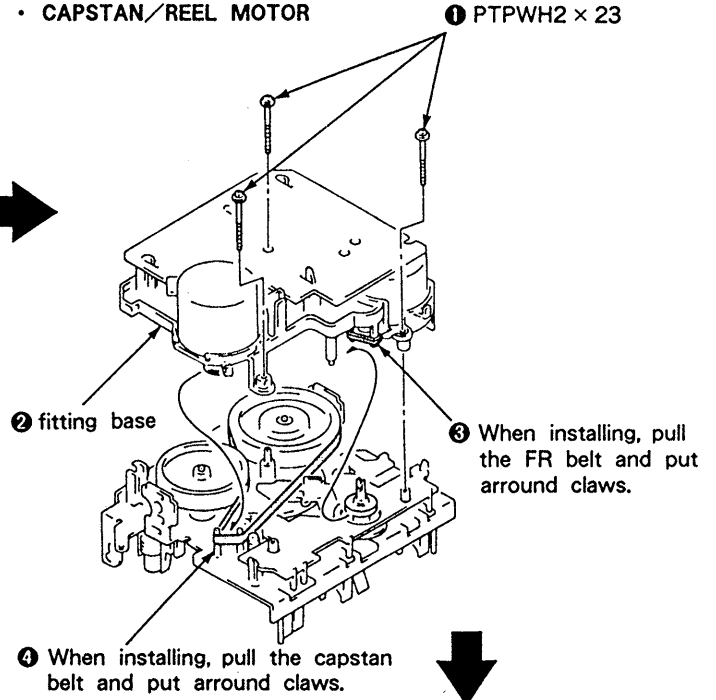
• PIN JACK/POWER BOARD



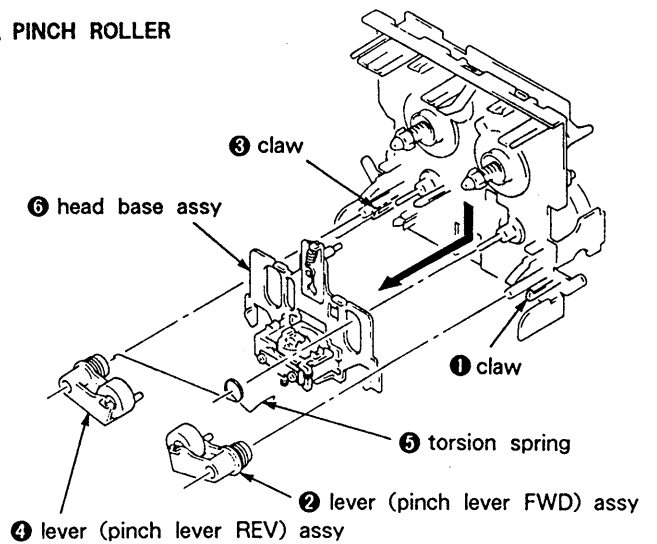
• MECHANISM DECK



• CAPSTAN/REEL MOTOR



• HEAD, PINCH ROLLER



TC-H2600/H3600

SONY[®] SERVICE MANUAL

AEP Model
UK Model
E Model
Australian Model

TC-H2600
TC-H3600

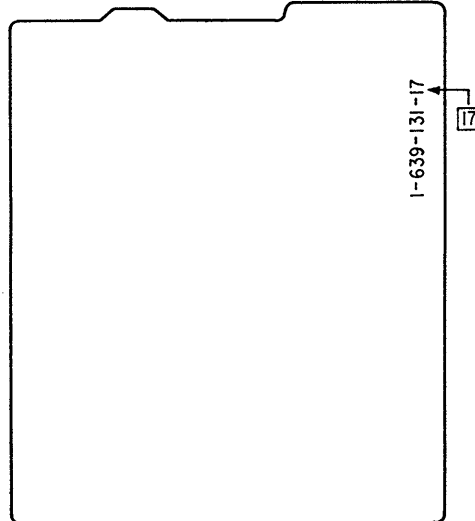
US Model
Canadian Model
TC-H3600

SUPPLEMENT-2

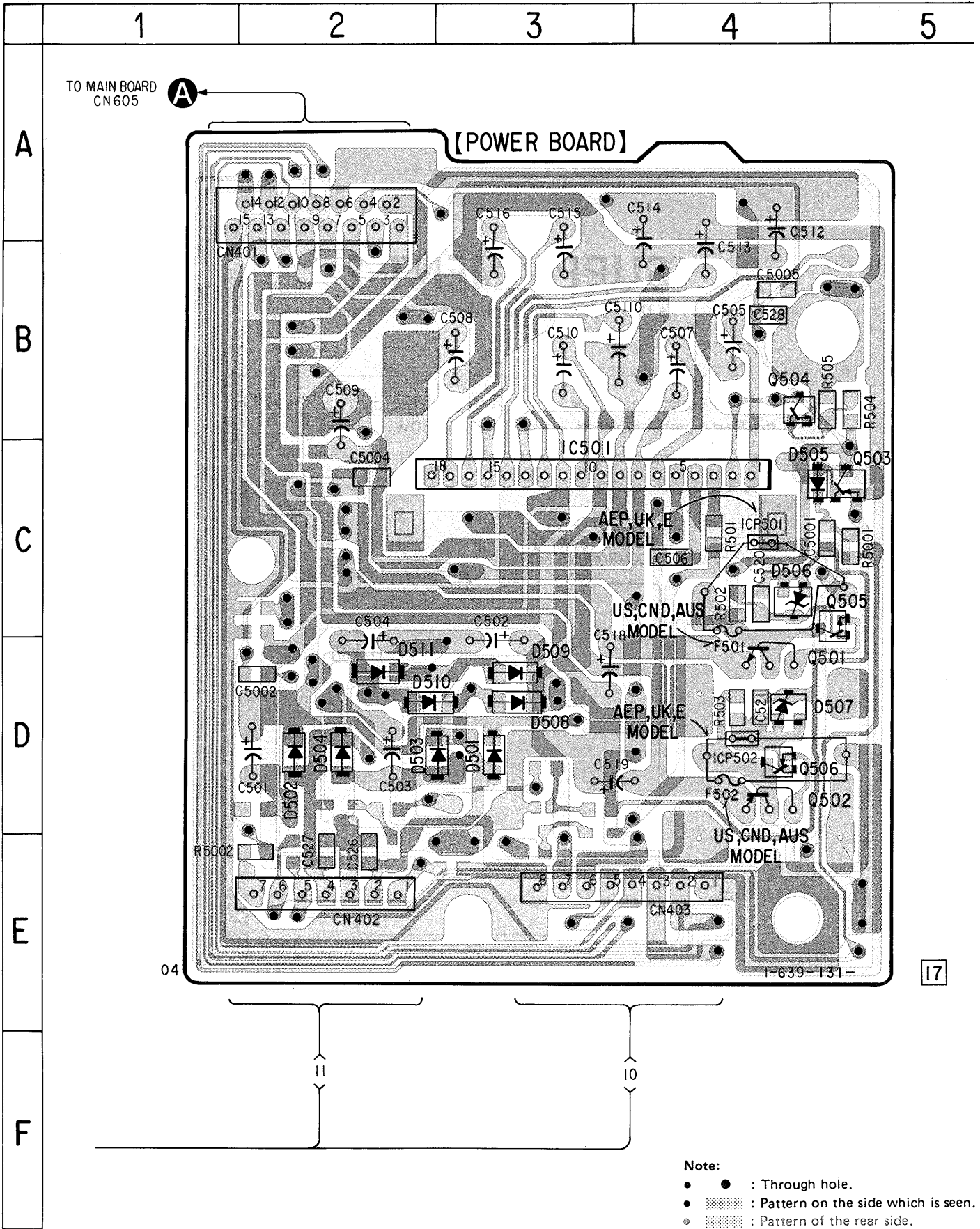
File this supplement with the Service Manual.

Refer to supplement-2 for sets with the last two digits of “-17” in the Part number which is indicated on the POWER board

[POWER BOARD]
(COMPONENT SIDE)



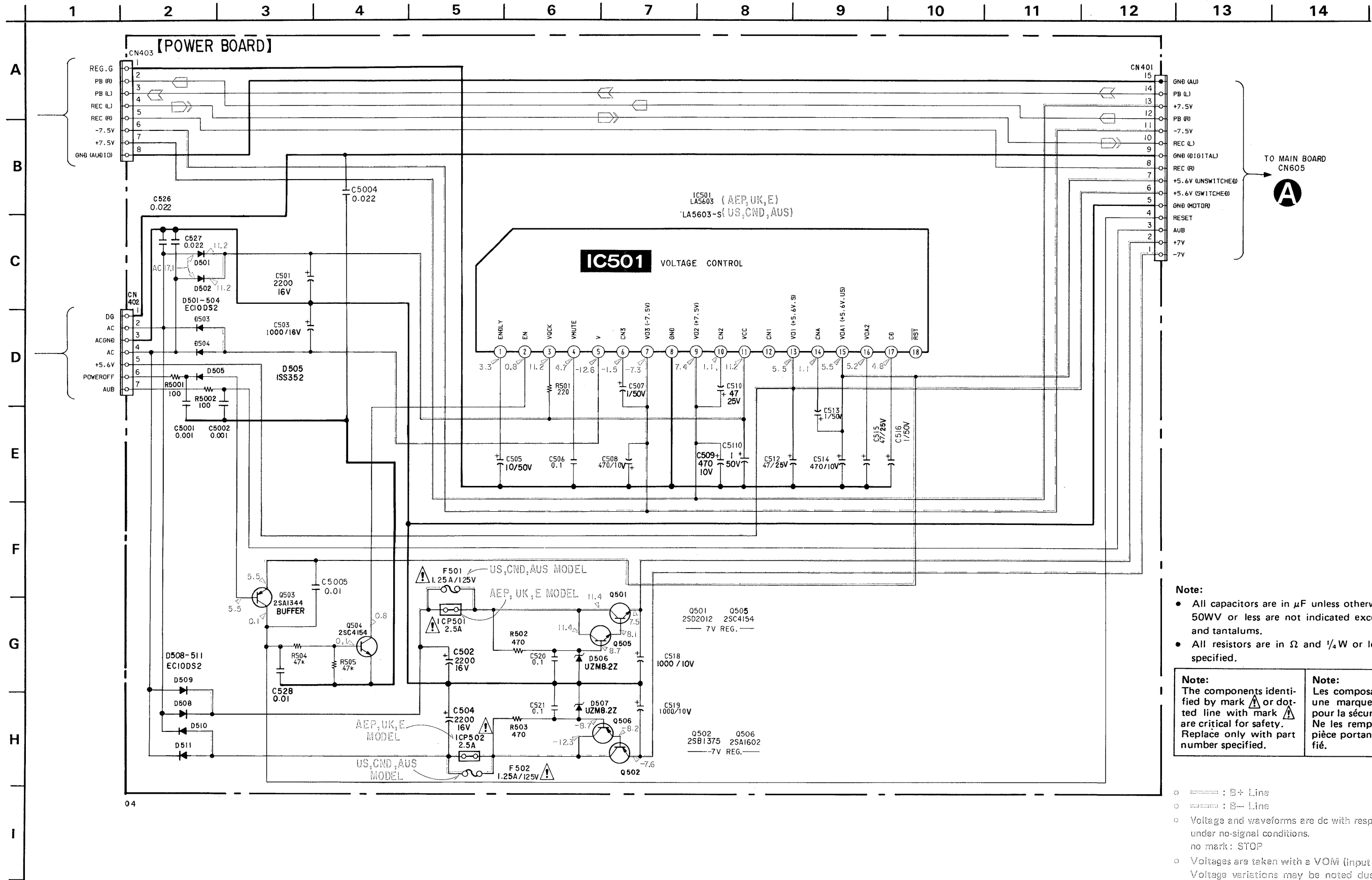
PRINTED WIRING BOARD —POWER BOARD—



Note:

- ● : Through hole.
- : Pattern on the side which is seen.
- : Pattern of the rear side.
- CND: Canadian model
- AUS: Australian model

SCHEMATIC DIAGRAM —POWER BOARD—



Note:

- All capacitors are in μF unless otherwise noted. pF : μF 50VV or less are not indicated except for electrolytics and tantalums.
- All resistors are in Ω and $\frac{1}{4}\text{W}$ or less unless otherwise specified.

<p>Note: The components identified by mark Δ or dotted line with mark Δ are critical for safety. Replace only with part number specified.</p>	<p>Note: Les composants identifiés par une marque Δ sont critiques pour la sécurité. Ne les remplacer que par une pièce portant le numéro spécifié.</p>
--	--

- ——— : B+ Line
- ——— : B- Line
- Voltage and waveforms are dc with respect to ground under no-signal conditions. no mark: STOP
- Voltages are taken with a VOM (input Impedance 10M Ω). Voltage variations may be noted due to normal production tolerances.
- CND: Canadian model
- AUS: Australian model

ELECTRICAL PARTS LIST

NOTE:

- Due to standardization, replacements in the parts list may be different from the parts specified in the diagrams or the components used on the set.
- -XX and -X mean standardized parts, so they may have some difference from the original one.
- RESISTORS
All resistors are in ohms.
METAL: Metal-film resistor.
METAL OXIDE: Metal oxide-film resistor.
F: nonflammable

- Items marked "*" are not stocked since they are seldom required for routine service. Some delay should be anticipated when ordering these items.
- SEMICONDUCTORS
In each case, u: μ , for example:
uA.: μ A. uPA.: μ PA.
uPB.: μ PB. uPC.: μ PC. uPD.: μ PD.
- CAPACITORS
uF: μ F
- COILS
uH: μ H

The components identified by mark Δ or dotted line with mark Δ are critical for safety. Replace only with part number specified.

Les composants identifiés par une marque Δ sont critiques pour la sécurité. Ne les remplacer que par une pièce portant le numéro spécifié.

When indicating parts by reference number, please include the board.

- CND : Canadian model
- AUS : Australian model

Ref. No.	Part No.	Description	Remark
*	A-2006-409-A	POWER BOARD, COMPLETE	(US, CND, AUS)
*	A-2006-613-A	POWER BOARD, COMPLETE	(AEP, UK, E)

< CAPACITOR >			
C501	1-124-556-11	ELECT	2200uF 20% 16V
C502	1-124-556-11	ELECT	2200uF 20% 16V
C503	1-124-360-00	ELECT	1000uF 20% 16V
C504	1-124-556-11	ELECT	2200uF 20% 16V
C505	1-124-907-11	ELECT	10uF 20% 50V
C506	1-163-038-00	CERAMIC CHIP	0.1uF 25V
C507	1-124-903-11	ELECT	1uF 20% 50V
C508	1-124-472-11	ELECT	470uF 20% 10V
C509	1-124-472-11	ELECT	470uF 20% 10V
C510	1-124-477-11	ELECT	47uF 20% 25V
C512	1-124-477-11	ELECT	47uF 20% 25V
C513	1-124-903-11	ELECT	1uF 20% 50V
C514	1-124-472-11	ELECT	470uF 20% 10V
C515	1-124-477-11	ELECT	47uF 20% 25V
C516	1-124-903-11	ELECT	1uF 20% 50V
C518	1-124-473-11	ELECT	1000uF 20% 10V
C519	1-124-473-11	ELECT	1000uF 20% 10V
C520	1-163-038-00	CERAMIC CHIP	0.1uF 25V
C521	1-163-038-00	CERAMIC CHIP	0.1uF 25V
C526	1-163-037-11	CERAMIC CHIP	0.022uF 10% 25V
C527	1-163-037-11	CERAMIC CHIP	0.022uF 10% 25V
C528	1-164-232-11	CERAMIC CHIP	0.01uF 50V
C5001	1-163-009-11	CERAMIC CHIP	0.001uF 10% 50V
C5002	1-163-009-11	CERAMIC CHIP	0.001uF 10% 50V
C5004	1-163-037-11	CERAMIC CHIP	0.022uF 10% 25V
C5005	1-164-232-11	CERAMIC CHIP	0.01uF 50V
C5110	1-124-903-11	ELECT	1uF 20% 50V
< CONNECTOR >			
* CN401	1-568-834-11	SOCKET, CONNECTOR	15P
* CN402	1-573-187-11	PIN, CONNECTOR (PC BOARD)	7P
* CN403	1-573-388-11	PIN, CONNECTOR (PC BOARD)	8P
< DIODE >			
D501	8-719-210-33	DIODE	EC10DS2

Ref. No.	Part No.	Description	Remark
D502	8-719-210-33	DIODE	EC10DS2
D503	8-719-210-33	DIODE	EC10DS2
D504	8-719-210-33	DIODE	EC10DS2
D505	8-719-016-74	DIODE	1SS352
D506	8-719-021-77	DIODE	UZM8.2Z
D507	8-719-021-77	DIODE	UZM8.2Z
D508	8-719-210-33	DIODE	EC10DS2
D509	8-719-210-33	DIODE	EC10DS2
D510	8-719-210-33	DIODE	EC10DS2
D511	8-719-210-33	DIODE	EC10DS2
< FUSE >			
Δ F501	1-532-780-21	FUSE, MICRO	2.5A 125V (US, CND, AUS)
Δ F502	1-532-780-21	FUSE, MICRO	2.5A 125V (US, CND, AUS)
< IC >			
IC501	8-759-041-09	IC	LA5603-S (US, CND, AUS)
IC501	8-759-823-46	IC	LA5603 (AEP, UK, E)
< IC LINK >			
Δ ICP501	1-532-843-11	LI NK, IC (2.5A)	(AEP, UK, E)
Δ ICP502	1-532-843-11	LI NK, IC (2.5A)	(AEP, UK, E)
< TRANSISTOR >			
Q501	8-729-209-15	TRANSISTOR	2SD2012
Q502	8-729-141-83	TRANSISTOR	2SA473
Q503	8-729-805-65	TRANSISTOR	2SA1344
Q504	8-729-602-21	TRANSISTOR	2SC4154
Q505	8-729-602-21	TRANSISTOR	2SC4154
Q506	8-729-602-36	TRANSISTOR	2SA1602
< RESISTOR >			
R501	1-216-033-00	METAL CHIP	220 5% 1/10W
R502	1-216-041-00	METAL CHIP	470 5% 1/10W
R503	1-216-041-00	METAL CHIP	470 5% 1/10W
R504	1-216-089-00	METAL CHIP	47K 5% 1/10W
R505	1-216-089-00	METAL CHIP	47K 5% 1/10W
R5001	1-216-025-00	METAL CHIP	100 5% 1/10W
R5002	1-216-025-00	METAL CHIP	100 5% 1/10W
