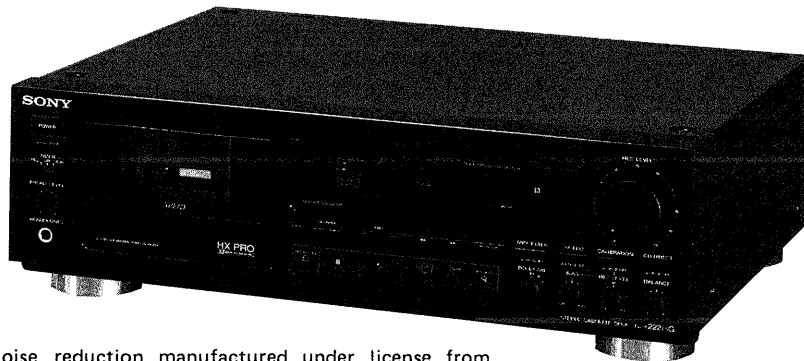


TC-K222ESG/K850ES

SERVICE MANUAL



US Model
Canadian Model
UK Model
West Germany Model
 TC-K850ES
E Model
 TC-K222ESG
 TC-K850ES

Dolby noise reduction manufactured under license from Dolby Laboratories Licensing Corporation. "DOLBY" and the double-D symbol $\square\square$ are trademarks of Dolby Laboratories Licensing Corporation.

Model Name Using Similar Mechanism	New
Tape Transport Mechanism Type	TCM-200D2

SPECIFICATIONS

Recording system 4-track 2-channel stereo
 Bias AC bias
 Heads Erase head $\times 1$ (S & F head)
 Recording head $\times 1$ (Permalloy head)
 Playback head $\times 1$ (LA head)
 Motors Capstan motor $\times 1$
 (direct drive linear torque BSL motor)
 Reel motor $\times 1$ (DC motor)
 DC motor $\times 1$
 Wow and flutter 0.024% WRMS (NAB), $\pm 0.065\%$ (DIN)
 Fast-forward and rewind time
 Approx. 90 sec. (with C-60 cassette)

Frequency response (DOLBY NR OFF)

TYPE IV cassette (Sony METAL-ES)	15-21,000 Hz (± 3 dB, DIN)
TYPE II cassette (Sony UX-S)	15-19,000 Hz (± 3 dB, DIN)
TYPE I cassette (Sony HF-S)	15-17,000 Hz (± 3 dB, DIN)

Signal-to-noise ratio (at peak level)

Dolby NR switch	OFF	B-TYPE ON	C-TYPE ON
Cassette			
TYPE IV (Sony METAL-ES)	61 dB	70 dB	76 dB
TYPE II (Sony UX-S)	59 dB	68 dB	74 dB
TYPE I (Sony HF-S)	57 dB	66 dB	72 dB

Total harmonic distortion 1.0% (with Sony METAL-ES cassette)

Inputs

Line inputs (phono jacks) CD DIRECT input (phono jacks)	Sensitivity	77.5 mV (-20 dB)
	Input impedance	50k ohms

Outputs

Line outputs (phono jacks)	Rated output level	0.44 V (-5 dB) at a load impedance 47k ohms
	Load impedance	Over 10k ohms
Headphones (stereo phone jack)	Output level	0-2.5 mW at a load impedance of 32 ohms

General

Power requirements

West Germany model :
 220 V AC, (or 240 V AC adjustable by Sony personnel), 50/60 Hz
 US, Canadian model :
 120 V AC, 60 Hz
 UK model :
 240 V AC (or 220 V AC adjustable by Sony personnel), 50/60 Hz
 E model :
 120, 220, or 240 V AC adjustable, 50/60 Hz

Power consumption

23 W

Dimensions

Approx. 430 \times 135 \times 350 mm (w/h/d)
 (17 \times 5 $\frac{3}{8}$ \times 13 $\frac{7}{8}$ inches)
 Approx. 470 \times 135 \times 350 mm (w/h/d)*
 (18 $\frac{1}{2}$ \times 5 $\frac{3}{8}$ \times 13 $\frac{7}{8}$ inches)*

Weight

Approx. 6.9 kg (15 lbs 4 oz)
 Approx. 7.9 kg (17 lbs 7 oz)*

* including projecting parts, controls and wooden side panels

Supplied accessory

Audio connecting cord (2)

Optional accessory

Wireless remote control unit RM-J701

Design and specifications subject to change without notice.

Note

This appliance conforms with EEC Directive 87/308/EEC regarding interference suppression.

STEREO CASSETTE DECK
SONY®

TABLE OF CONTENTS

<u>Section</u>	<u>Title</u>	<u>Page</u>
SPECIFICATIONS	1
MODEL IDENTIFICATION	3
SAFETY CHECK-OUT	3
1. GENERAL	4
2. DISASSEMBLY	5
3. ADJUSTMENTS		
3-1. Mechanical Adjustments	7
3-2. Electrical Adjustments	10
4. DIAGRAMS		
4-1. Block Diagram	15
4-2. Semiconductor Lead Layouts	17
4-3. Circuit Boards Location	18
4-4. IC Block Diagrams	18
4-5. Printed Wiring Boards		
- Main Section -	20
4-6. Schematic Diagram		
- Main Section -	25
4-7. Schematic Diagram		
- Panel section -	30
4-8. Printed Wiring Boards		
- Panel Section -	33
5. EXPLODED VIEWS		
5-1. Overall Section	35
5-2. Panel Section	36
5-3. Mechanism Section (1)	37
5-4. Mechanism Section (2)	38
6. ELECTRICAL PARTS LIST	22

Flexible Circuit Board Repairing

- Keep the temperature of the soldering iron around 270°C during repairing.
- Do not touch the soldering iron on the same conductor of the circuit board (within 3 times).
- Be careful not to apply force on the conductor when soldering or unsoldering.

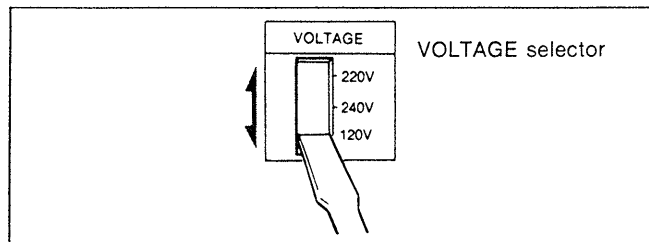
Notes on chip component replacement

- Never reuse a disconnected chip component.
- Notice that the minus side of a tantalum capacitor may be damaged by heat.



Dolby noise reduction and HX Pro headroom extension manufactured under license from Dolby Laboratories Licensing Corporation. HX Pro originated by Bang & Olufsen.

Operating voltage


Before connecting the unit to the power source, check that the operating voltage of your unit is the same as the local power supply.
If your model has a voltage selector on the rear panel and it must be reset, **disconnect the AC power cord** and set the selector to the appropriate voltage.



SAFETY-RELATED COMPONENT WARNING!!

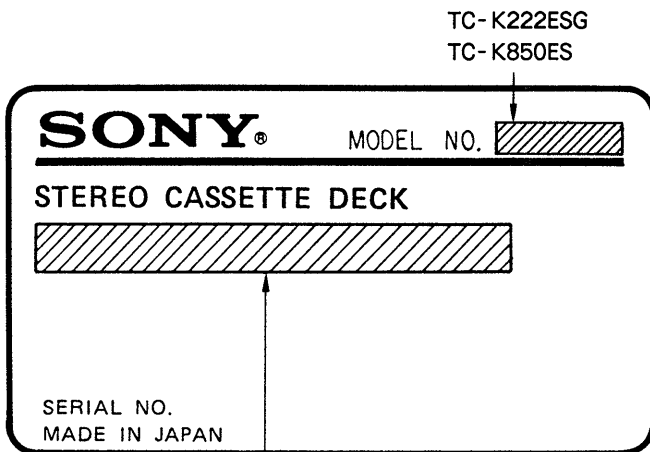
COMPONENTS IDENTIFIED BY MARK  OR DOTTED LINE WITH MARK  ON THE SCHEMATIC DIAGRAMS AND IN THE PARTS LIST ARE CRITICAL TO SAFE OPERATION. REPLACE THESE COMPONENTS WITH SONY PARTS WHOSE PART NUMBERS APPEAR AS SHOWN IN THIS MANUAL OR IN SUPPLEMENTS PUBLISHED BY SONY.

ATTENTION AU COMPOSANT AYANT RAPPORT À LA SÉCURITÉ!

LES COMPOSANTS IDENTIFIÉS PAR UNE MARQUE  SUR LES DIAGRAMMES SCHÉMATIQUES ET LA LISTE DES PIÈCES SONT CRITIQUES POUR LA SÉCURITÉ DE FONCTIONNEMENT. NE REMPLACER CES COMPOSANTS QUE PAR DES PIÈCES SONY DONT LES NUMÉROS SONT DONNÉS DANS CE MANUEL OU DANS LES SUPPLÉMENTS PUBLIÉS PAR SONY.

MODEL IDENTIFICATION

— Specification Label —



US, Canadian Models: AC: 120V 60Hz 23W
 West Germany Model: AC: 220V \sim 50/60Hz 23W
 UK Model: AC: 240V \sim 50/60Hz 23W
 E Model: AC: 120, 220, 240V
 \sim 50/60Hz 23W

SAFETY CHECK-OUT

After correcting the original service problem, perform the following safety check before releasing the set to the customer:

Check the antenna terminals, metal trim, “metallized” knobs, screws, and all other exposed metal parts for AC leakage. Check leakage as described below.

LEAKAGE TEST

The AC leakage from any exposed metal part to earth ground and from all exposed metal parts to any exposed metal part having a return to chassis, must not exceed 0.5 mA (500 microamperes). Leakage current can be measured by any one of three methods.

1. A commercial leakage tester, such as the Simpson 229 or RCA WT-540A. Follow the manufacturers' instructions to use these instruments.
2. A battery-operated AC milliammeter. The Data Precision 245 digital multimeter is suitable for this job.
3. Measuring the voltage drop across a resistor by means of a VOM or battery-operated AC voltmeter. The “limit” indication is 0.75 V, so analog meters must have an accurate low-voltage scale. The Simpson 250 and Sanwa SH-63Trd are examples of a passive VOM that is suitable. Nearly all battery operated digital multimeters that have a 2V AC range are suitable. (See Fig. A)

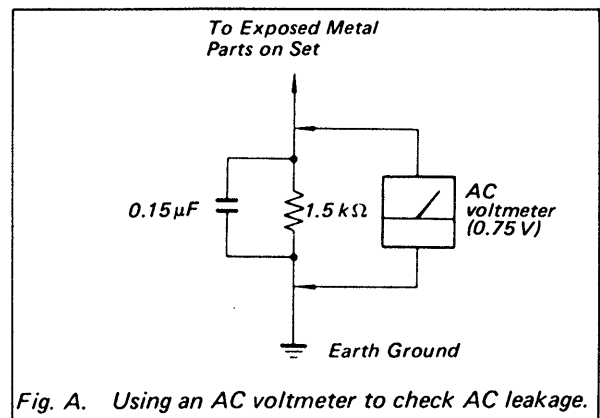
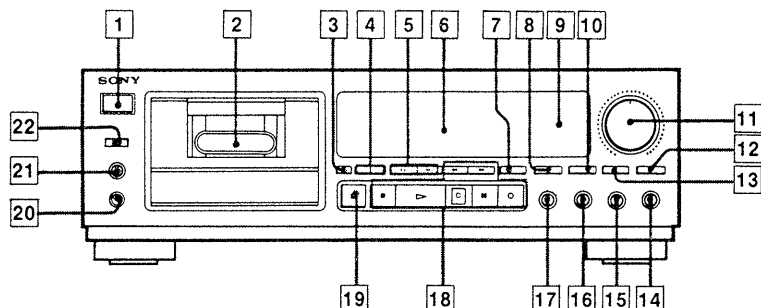


Fig. A. Using an AC voltmeter to check AC leakage.



SECTION 1

GENERAL

LOCATION AND FUNCTION OF CONTROLS



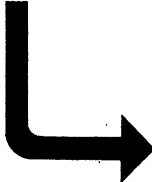
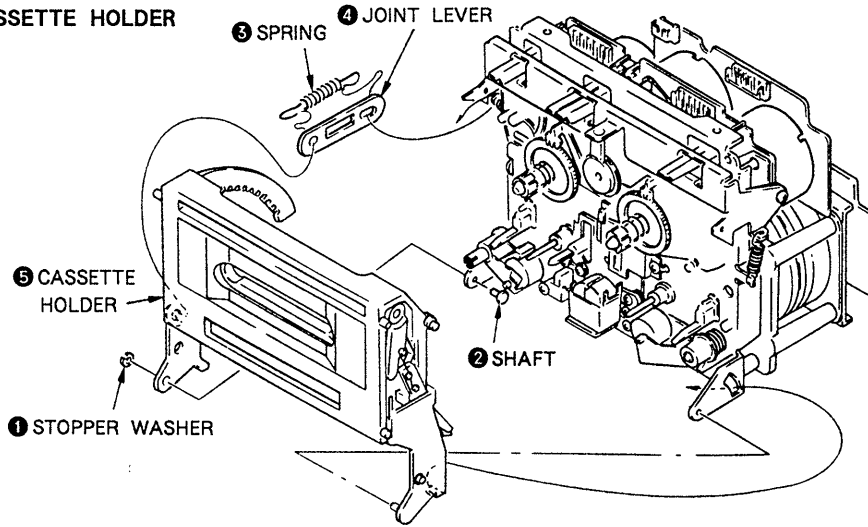
- | | |
|--|---|
| <p>1 POWER switch</p> <p>2 Cassette holder</p> <p>3 DISPLAY MODE button</p> <p>4 COUNTER buttons
RESET button/MEMORY button</p> <p>5 << >> AMS (Automatic Music Sensor) buttons</p> <p>6 LINEAR COUNTER and PEAK PROGRAM METER</p> <p>7 MONITOR button</p> <p>8 MPX FILTER button</p> <p>9 Remote sensor *</p> <p>10 HX PRO button</p> <p>11 REC LEVEL (recording level) control</p> <p>12 INPUT button</p> <p>13 CALIBRATION button</p> <p>14 BALANCE control</p> <p>15 REC LEVEL (recording level) control
(for calibration)</p> <p>16 BIAS (bias adjust) control</p> <p>17 DOLBY NR switch</p> | <p>18 Tape operation buttons and indicators</p> <ul style="list-style-type: none"> ◀◀ (rewind) button ■ (stop) button ▶ (play) button and indicator ▶▶ (fast-forward) button ● REC (record) button and indicator PAUSE button and indicator ○ REC MUTE (record muting) button <p>19 ▲ OPEN/CLOSE button</p> <p>20 HEADPHONES jack (stereo phone jack)</p> <p>21 PHONE LEVEL (headphone level) control</p> <p>22 TIMER switch</p> |
|--|---|

- * You can remotely control this cassette deck with:
- A remote commander that has an  mark and comes with a Sony amplifier or receiver and which can be used to control a cassette deck.
 - An optional Sony remote commander that has an  mark.

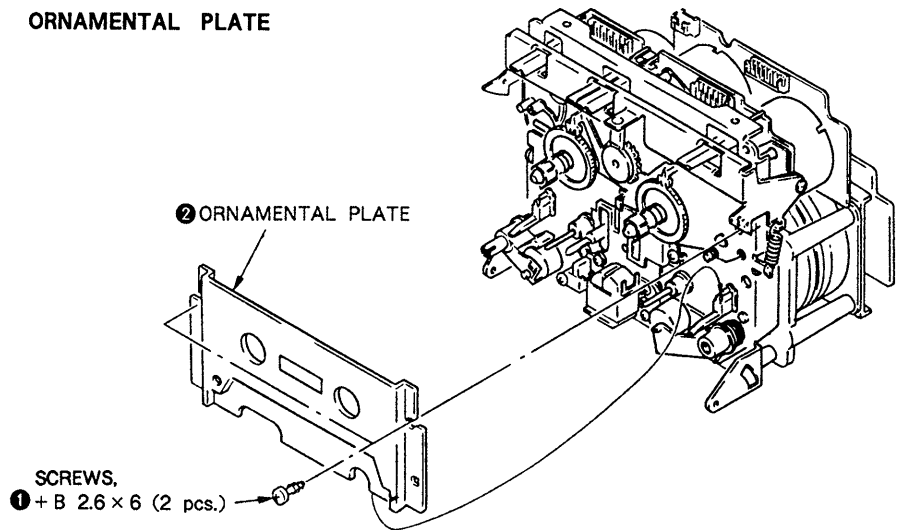
SECTION 2 DISASSEMBLY

NOTE: Follow the disassembly procedure in the numerical order given.

CASSETTE HOLDER

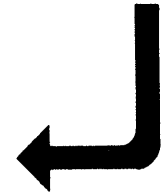
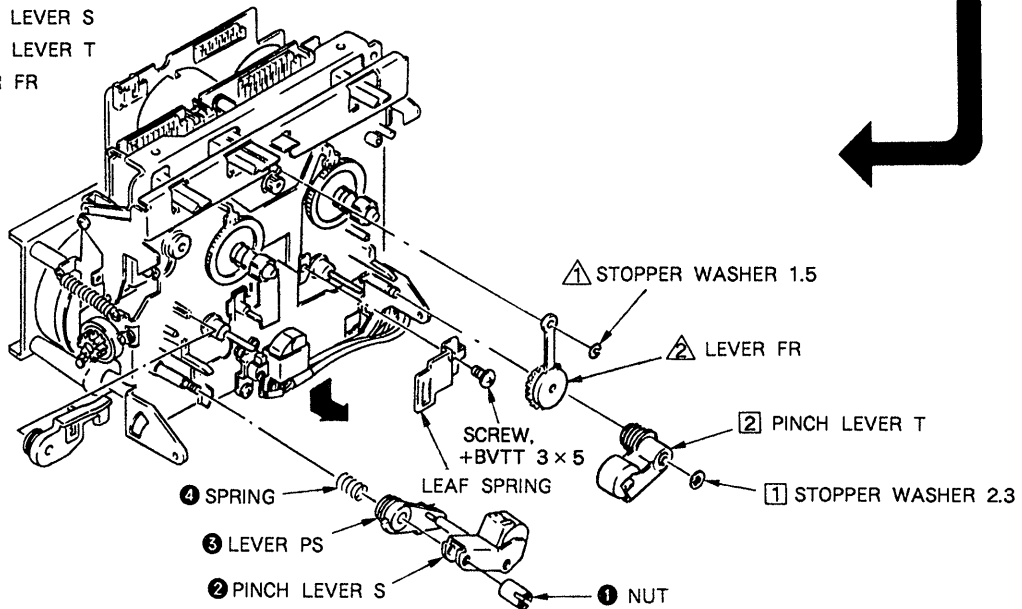


ORNAMENTAL PLATE

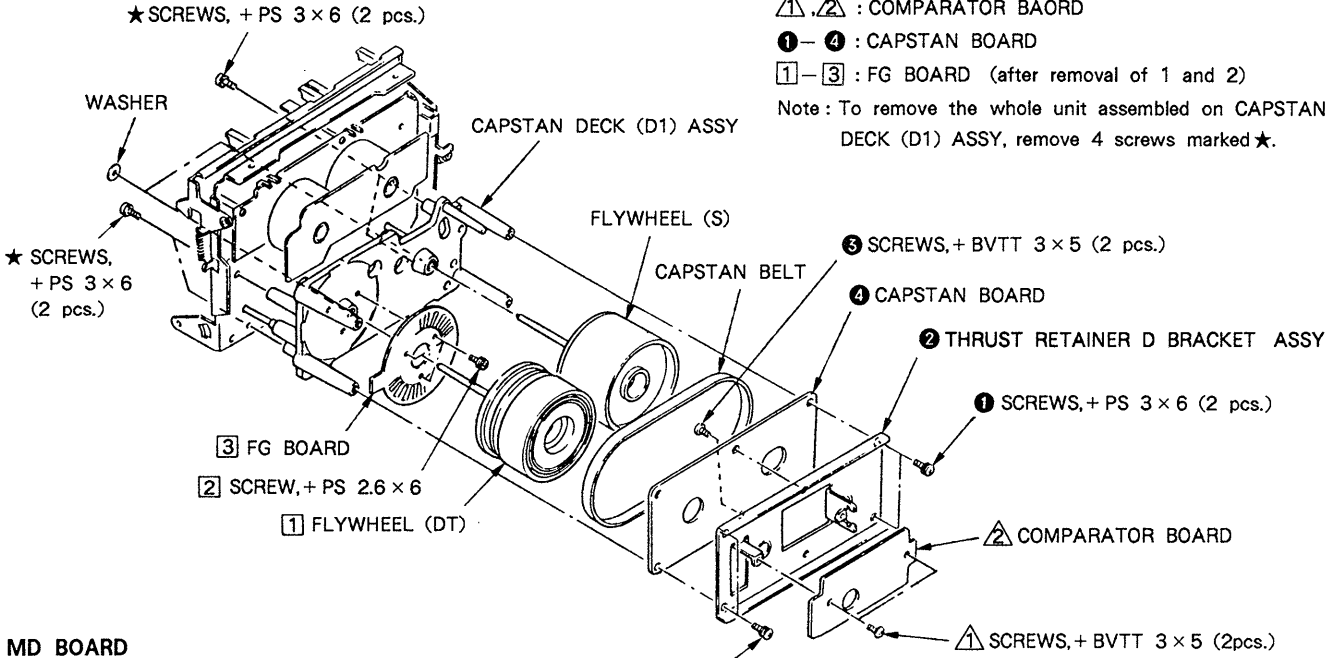


PINCH LEVER/LEVER FR/HEAD

- ① - ④: PINCH LEVER S
- ①, ②: PINCH LEVER T
- △, △: LEVER FR



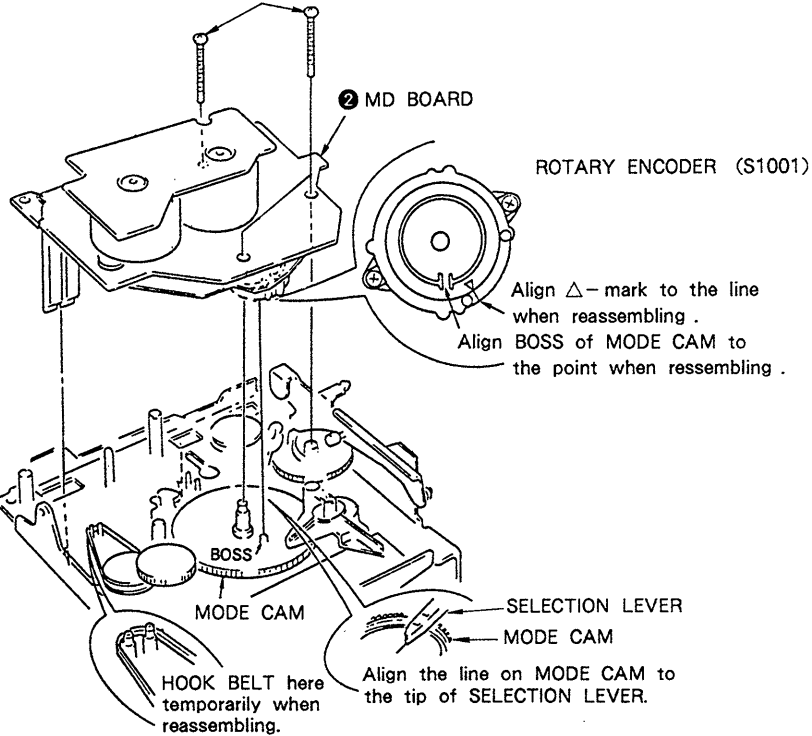
COMPARATOR BOARD / CAPSTAN BOARD / FLYWHEELS / FG BOARD



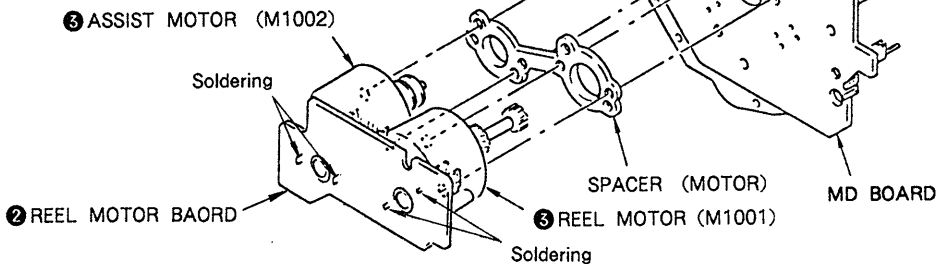
MD BOARD

① SCREWS, + BTP 2 × 18 (3 pcs.)

① SCREWS, + PS 3 × 6 (2 pcs.)



REEL MOTOR BOARD



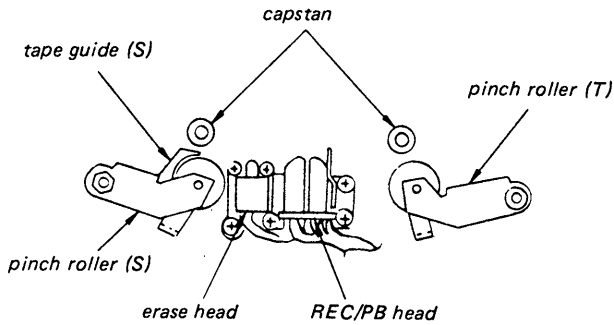
SECTION 3 ADJUSTMENTS

3-1. MECHANICAL ADJUSTMENTS

PRECAUTION

1. Clean the following parts with a denatured-alcohol-moistened swab:

record/playback head	pinch roller
erase head	rubber belts
capstan	idlers
2. Demagnetize the record/playback and erase head with a head demagnetizer.
3. Do not use a magnetized screwdriver for the adjustments.
4. After the adjustments, apply suitable locking compound to the parts adjusted.
5. The adjustments should be performed with the rated power supply voltage unless otherwise noted.



Pinch Roller Pressing Force Measurement

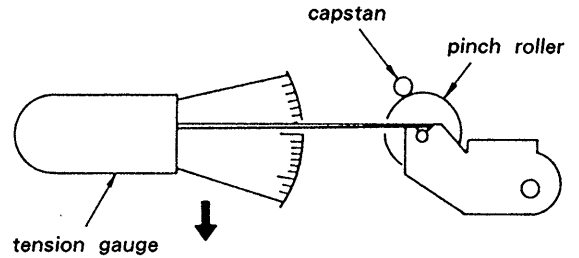
Mode : playback

Hook needle of the tension gauge to the pinch roller shaft and push back pinch roller to detach it from capstan. Then, return it gradually to capstan and read the gauge when the pinch roller begins turning.

Standard Limits :

Tape-up side : 270 - 350g (9.5 - 12oz)

Supply side : 180 - 280g (6.4 - 9.9oz)



FLYWHEELS T/S THRUST ADJUSTMENT

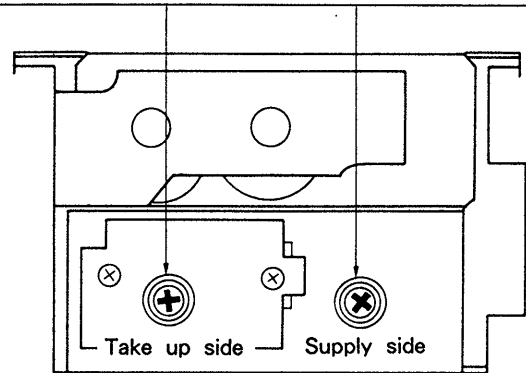
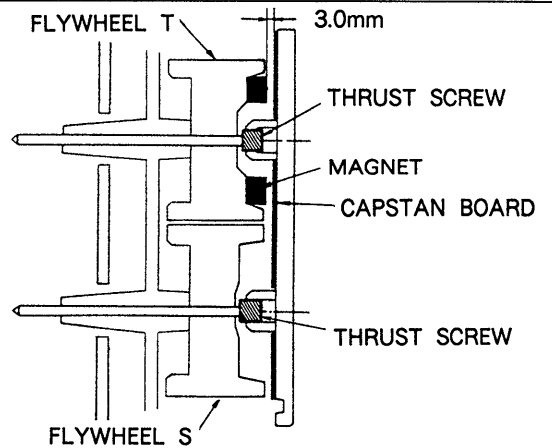
1. FLYWHEEL T THRUST ADJUSTMENT :

Insert 3mm - thick spacer gauge into the clearance between magnet of FLYWHEEL T and CAPSTAN Board, and adjust THRUST SCREW so that thrust play is 0.2 - 0.4mm .

2. FLYWHEELS THRUST ADJUSTMENT :

Tighten THRUST SCREW lightly until the flywheel has no play and then loosen the screw by 1/2 - 3/4 turns.

3. After adjustments, apply locking compound to the screws.



REAR VIEW OF MECHANISM

Tape Path Adjustment

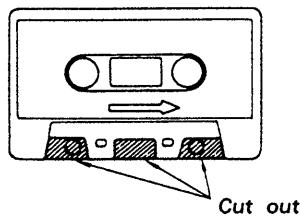
• Refer to Adjustment Position on page 10.

Note : When using the adjustment methods for other than replacement reasons, please do not tamper unnecessarily with the adjustment screws or the erasehead because either the supply pinch roller guide or the record/playback head will be made the standard tape paths. Moreover, when it is necessary to adjust and replace two or more of any of the heads and/or pinch rollers, replace them one by one, completely taking out the first tape path, and then replacing the second one.

Preparation :

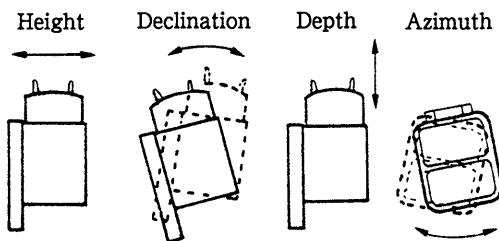
1. Mirror cassette CQ009C 8-909-708-01
(or CQ012C 8-909-708-02)

If one does not have this, cut out the sections of a 120-minute cassette shell as indicated below and use that cassette.



2. Phillips screwdriver (medium-size) :
For the head adjustment screws
Blade-type screwdriver (large-size) :
For the supply pinch roller adjustment screws
3. Pen light
4. WS-48B (3 kHz, 0 dB)
5. P-4-A100 (10 kHz, -10 dB)

Definition of Terms : The figures are of a record/playback head.



Adjustment Method :

Supply Pinch Roller

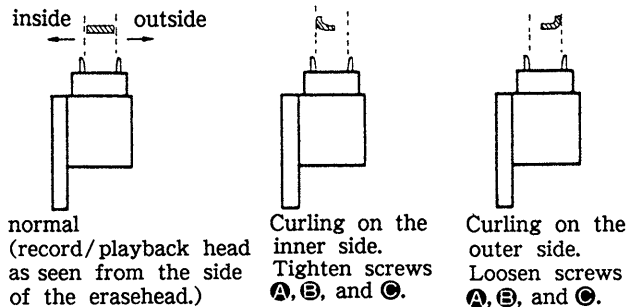
Note : Only perform this adjustment when the supply pinch roller is to be replaced.

1. Insert the mirror cassette and put the unit in record/playback mode.
2. Check to see whether the tape is curling at the record/playback head guide or the pinch roller guide.
If it is curling, remove the curl by adjusting the Ⓜ tape curl adjustment screw. Then, check that the tape is running past the middle of the erasehead.

Record/playback Head

Note : Only perform this adjustment when the record /playback head is to be replaced.

1. Insert the mirror cassette and put the unit in record/playback mode.
2. (**Height Adjustment**) Check to see if the tape is curling at the tape guide of the head. If it is curling, tighten screws Ⓐ , Ⓑ , and Ⓒ , respectively by the same angle, moving the head so that it remains at the same angle throughout the procedure. If it curls on the bottom side of the mirror cassette (actually the inner side), tighten all the screws equally ; but loosen them if the tape begins to curl on the top side (outer side).



3. (**Declination Adjustment**) While in the record/playback position, set the back tension to 0 (wind the supply reel with something thin like a pencil in a counterclockwise direction) and make sure there is no curling or shifting (shifting up/shifting down) at the guide of the record/playback head.

Because shifting can only occur due to a difference in the width of the tape and that of the tape guides (curling will otherwise occur), it is necessary to pay close attention since it can be easily overlooked. When there is a shift, tighten screws Ⓑ and Ⓒ equally and change the declination of the head. If the tape is shifting up, tighten the screws, and if it is shifting down, loosen them.

4. Repeat the adjustments in steps 2 and 3 and fine adjust the height and the declination.

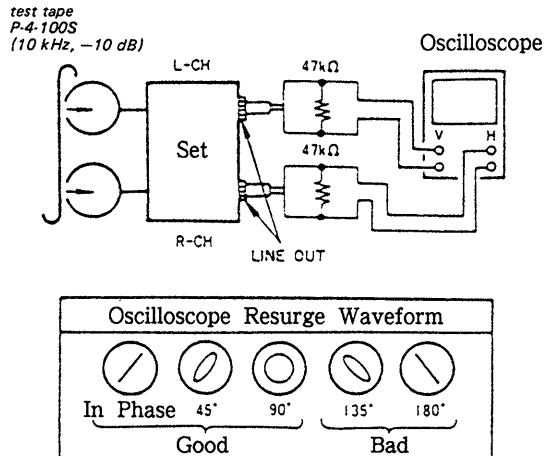
5. **(Preliminary Azimuth Adjustment)**

After demagnetizing and cleaning the adjustment head, play back WS-48B (3 kHz, 0 dB).

Turn screw ③ so that the reading on the level meter of the unit or that of the level meter connected to LINE OUT is maximized.

If the screw is turned at least half a revolution, repeat the adjustments from step 1.

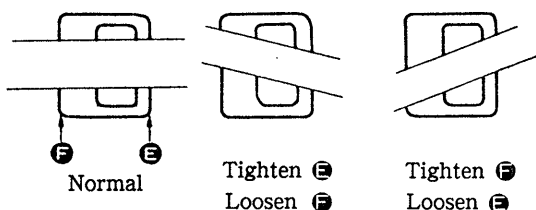
6. **(Tape Path Check)** Connect the oscilloscope to LINE OUT and play back P-4-A100 (10 kHz, -10 dB) to display a resurge waveform. After 20 seconds of record/playback (after the tension within the loop has been increased sufficiently), make sure the variation in the resurge is within ± 90 degrees (within ± 45 degrees is desired). If the variation is greater than this, it is because the declination and/or the height adjustment is not perfect. Repeat the adjustments from step 1.



Erasehead

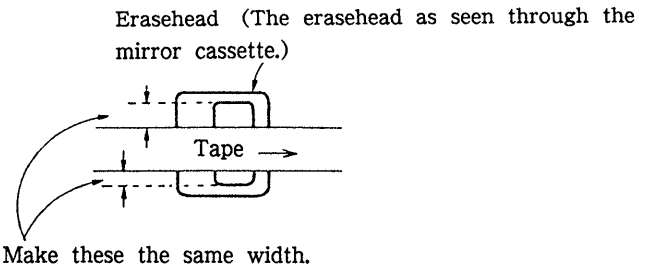
Note: Only perform this adjustment when the erasehead is to be replaced.

1. Insert the mirror cassette and put the unit in record/playback mode.
2. **(Azimuth Adjustment)** Adjust the azimuth of the erasehead by adjusting screws ④ and ⑤ so that the tape runs as evenly as possible.

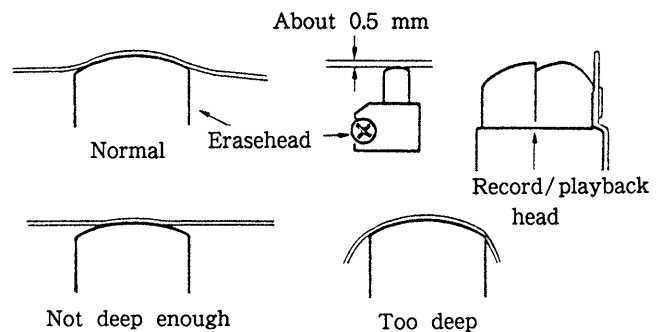


(The erasehead as seen when erasing the mirror cassette.)

3. **(Height adjustment)** Turn screws ⑥, ⑦, and ⑧ all by the same angle so that the portions of the erasehead visible at top and bottom are nearly of equal width. If the width at the top is greater, tighten the screws; if the width at the bottom is greater, loosen the screws.



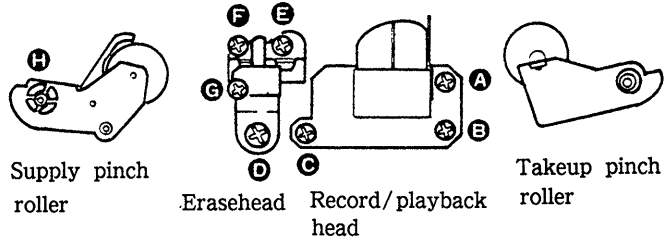
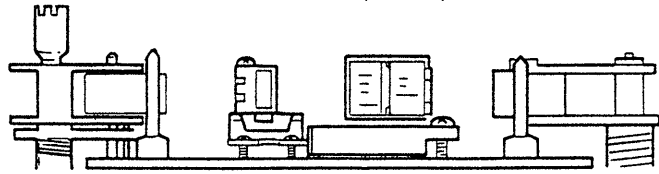
4. **(Declination Adjustment)** Leaving it in the playback position, put the back tension to 0 and make certain the erasehead part and supply pinch roller guide part do not shift. If there is a shift, turn the screw ⑨ and change the declination. Looking at it using the mirror cassette, if the tape shifts up, tighten the screw, and if it shifts down, loosen the screw.
5. Repeat the adjustments beginning with step 2 and fine adjust the height and declination. And make sure the tape does not curl up on the pinch roller guide or the guide part of the record/playback head.
6. **(Depth Adjustment)** In order to make the entire head play the tape smoothly, and to make sure the depth of the erasehead is neither too shallow nor too deep, loosen screw ⑩ a bit.



Check

1. Check to make sure that there are no curls or shifts throughout the whole tape path and that the tape runs smoothly.
2. Reapply the locking compound to the adjusted screws. (The locking compound should only be applied to screw ⑩ after the azimuth has been adjusted.)

Adjustment Position : As seen from the cassette, side (top) and MD as seen head on (bottom).



Supply pinch roller

Eraserhead Record/playback head

Takeup pinch roller

3-2. ELECTRICAL ADJUSTMENTS

Note: The adjustment should be performed in the order given in this service manual.

The adjustments should be performed for both L-CH and R-CH.

• Simultaneous REC/PB Mode:

Input the signals to LINE IN terminal and set to REC mode. Set the monitor switch to TAPE, and monitor the recorded signal from LINE OUT terminal.

• Switch Position:

- DOLBY NR..... OFF
- MPX FILTER OFF
- TIMER..... OFF
- MONITOR TAPE
- HX PRO OFF
- CALIBRATION..... OFF
- CD DIRECT..... OFF
- BIAS CENTER CLICK
- REC LEVEL CENTER CLICK
- BALANCE..... CENTER CLICK

• Standard Record:

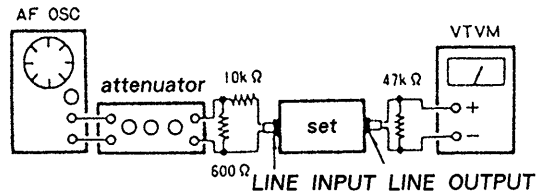
Deliver the standard input signal level to the input jack and set the REC LEVEL control to obtain the standard output signal level.

Standard Input Level

Input Terminal	LINE IN
source impedance	10 kΩ
input level	0.25 V (-10 dB)

Standard Output Level

Output Terminal	LINE OUT
load impedance	47 kΩ
output level	0.44 V (-5 dB)



Torque Adjustment and Measurement

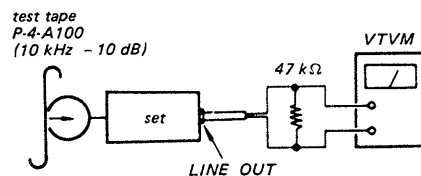
1. Load a torque meter cassette CQ-102C and push ► button.
2. Adjust RV803 so that the reading on the torque meter is 40 ± 3g · cm (0.56 ± 0.042oz · inch).
3. After the adjustment, apply suitable locking compound to RV803.

Torque	Torque Meter	Reading
FWD	CQ-102C	37 - 43g · cm (0.51 - 0.60oz · inch)
FWD Back tension	CQ-102C	8 - 10.5g · cm (0.11 - 0.15oz · inch)
FF/REW	CQ-201B	70 - 120g · cm (0.97 - 1.67oz · inch)

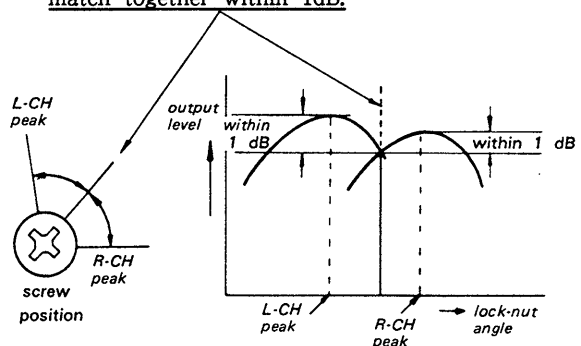
Playback Head Azimuth Adjustment

Procedure:

1. Mode: playback



2. Turn the adjustment screw for the maximum output levels. If these levels do not match, turn the adjustment screw until both of output levels match together within 1dB.

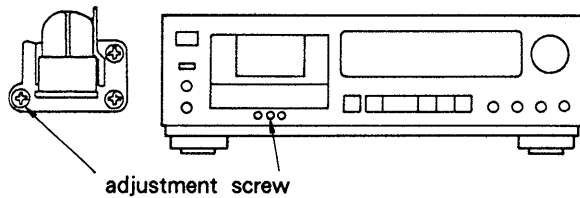


3. Phase check

By the means of 6. Tape Path check on page 9 confirm that phase difference is proper.

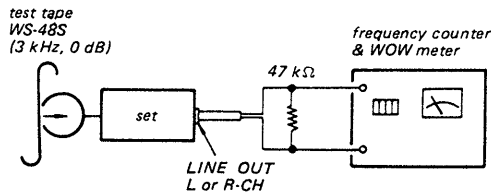
4. After the adjustment, lock the adjustment screw with locking compound.

Adjustment Location :



Tape Speed/WOW Check

Procedure:



1. Measure the output frequency and the WOW value while playing back the tape top of the test tape.
2. Turn over the test tape, measure the output frequency and the WOW value, and check the difference from the values of the step 1.

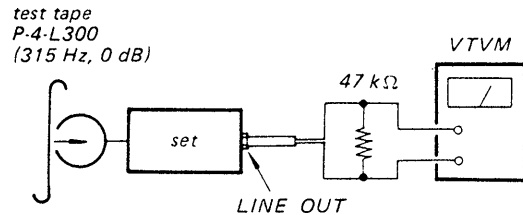
Adjustment Limits :

TAPE SPEED deviation:	within 2,990 to 3,010 Hz
TAPE SPEED fluctuating width:	within 2,990 to 3,010 Hz
WOW (WRMS):	0.04% or less

Playback Level Adjustment

Procedure:

Mode: playback



Adjust RV101 (L-CH) and RV201 (R-CH) to obtain the specified LINE OUT level.

Adjustment Limits :

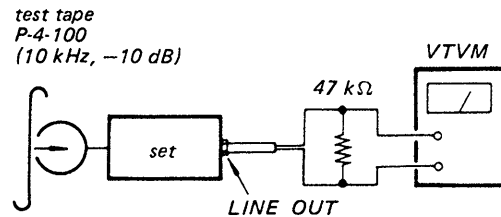
- LINE OUT level: 0.41 to 0.46 V (-5.5 to -4.5 dB)
- Level difference between channels: less than 0.5 dB

Check that the LINE OUT level does not change in playback mode while changing the mode from playback to stop several times.

PB DOLBY NR Check

Procedure:

1. Mode: playback



2. Make sure that the output levels are different in DOLBY NR OFF, B, and C.

Adjustment Limits :

- OFF → B level difference -1 to -3 dB
- B → C level difference 1 to 3 dB

Meter Level Check

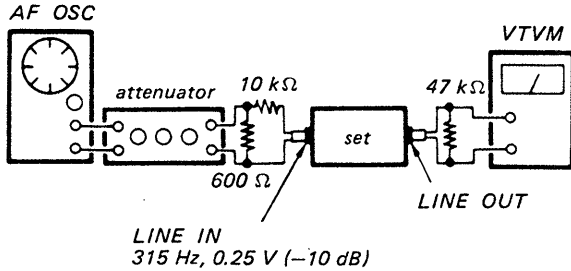
1. Apply 315 Hz 0.245V (-10dB) signal to LINE IN and adjust REC VOL so that LINE OUT level is 0.436V (-5dB), and then confirm that 0 VU segments in level meter light or flicker.
2. Adjust REC VOL to obtain 2.19V (9dB) output at LINE OUT and confirm that all segments in level meter light clearly.

MPX FILTER Check

Setting : DOLBY switch : OFF
MPX FILTER switch : OFF

Procedure :

1. Mode: stop



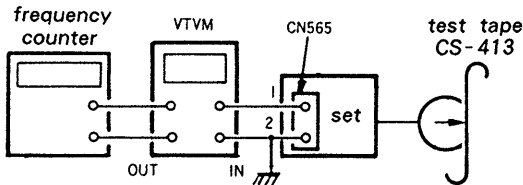
2. Apply 315 Hz, 0.25 V (-10 dB) signal and adjust REC LEVEL control so that the LINE OUT level is 0.44 V (-5 dB).
3. Set DOLBY switch to B or C and MPX FILTER switch ON. Confirm that the LINE OUT level is 0.39V to 0.49V (-5dB ± 1dB).
4. Apply 19kHz 0.25V (-10dB) signal and confirm that the LINE OUT level is 0.014V (-35dB) or less.

Adjustment Limits :

LINE OUT level	
315Hz	0.39V - 0.49V (-5dB ± 1dB)
19kHz	0.014V (-35dB)

Erase Current Adjustment

1. Mode : record



2. Adjust RV573 so that the reading on VTVM is 105mV (erase current=105mA).
3. And then confirm that the reading on the frequency counter is 160kHz.

Adjustment Limits :

Erase current :	105mA to 110mA
Frequency :	160 ± 6kHz

Bias Current Adjustment

Note : This adjustment should be made before Record Bias Adjustment.

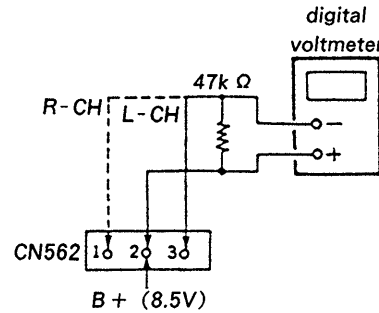
Setting : HX PRO switch : ON

Procedure :

1. Preset RV152 (L-CH), RV252 (R-CH) and RV574 in the center position, and record with no signal.
2. Adjust T151 (L-CH) and T251 (R-CH) for minimum readings on the digital voltmeter.

Adjustment Limits :

120mV or less.



Record Bias and Record Level Adjustment

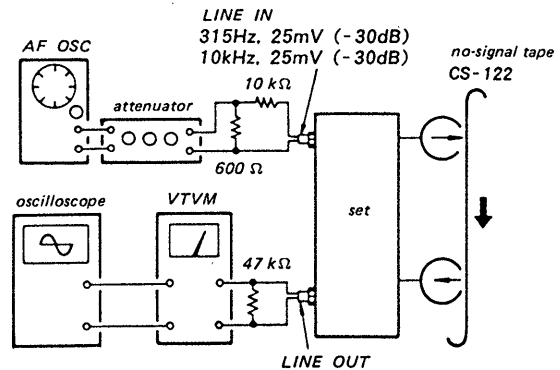
Setting:

REC LEVEL knob: standard record position
(See page 10.)

HX PRO switch : ON

Procedure:

1. Mode: simultaneous REC/PB



2. Adjust RV153 (L-CH) and RV253 (R-CH) so that the playback output level of 10kHz signal is 0.2dB to 0.8dB with respect to that of 315Hz. . . .Record Bias Adjustment.
3. Adjust RV151 (L-CH) and RV251 (R-CH) so that the playback output level of 315Hz is -25.3dB to -24.7dB. . . .Record Level Adjustment.

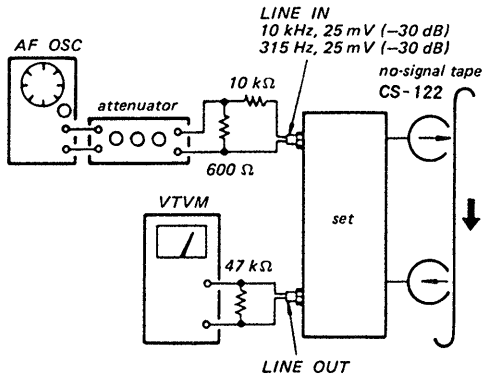
Normal Bias Adjustment

Setting:

REC LEVEL knob: standard record position
(See page 10.)

Procedure:

1. Mode: simultaneous REC/PB



2. Adjust RV152 (L-CH) and RV252 (R-CH) so that the output level of 10kHz is 0.2dB to 0.8dB with respect to that of 315Hz.

HX PRO Operation Check

Note: This check should be done after Normal Bias Adjustment in the same connection.

Procedure:

1. Mode: simultaneous REC/PB
2. Record and playback 10kHz 0.25V (-10dB) signal in both modes of HX PRO ON and OFF.
3. Confirm that the playback output level when ON is 1dB or more with respect to that when OFF.

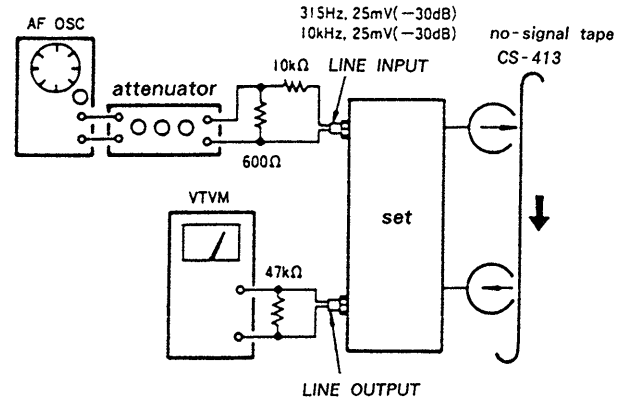
Metal Bias Adjustment

Setting:

REC LEVEL Knob: standard record position
(See page 10.)

Procedure:

1. Mode: simultaneous REC/PB



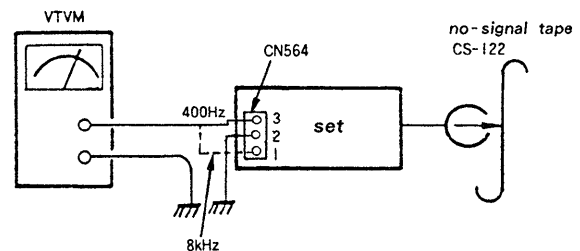
2. Adjust RV574 so that the playback output level of 10kHz in R-CH is 0.2dB to 0.8dB with respect to that of 315Hz.

Calibration Meter Adjustment

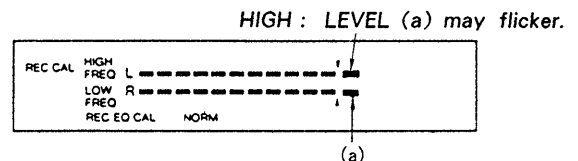
Setting: CALIBRATION switch: ON

Procedure:

1. Mode: stop



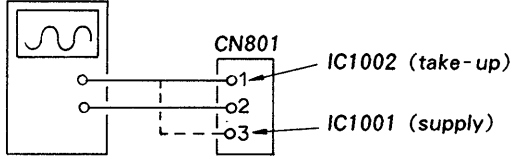
2. Adjust RV572 for 400Hz and RV571 for 8kHz to obtain oscillation level within 10 ± 0.5 dBs respectively.
3. Put the set in record mode and adjust RV131 (HIGH) so that HIGH FREQ segments in the CAL LEVEL meter light thoroughly up to 0 VU as shown in the figure below. Segment (a) may flicker.
4. Preset RV231 (LOW) so that segment (a) in LOW FREQ CAL LEVEL meter lights. Then adjust RV231 to the point where segment (a) goes out.



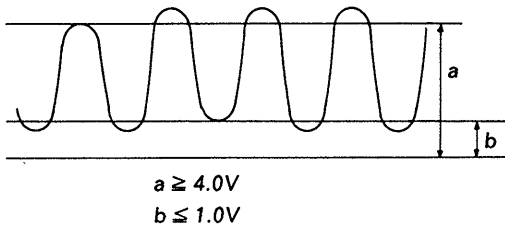
Rotation Detect Check

1. Mode : FF or REW

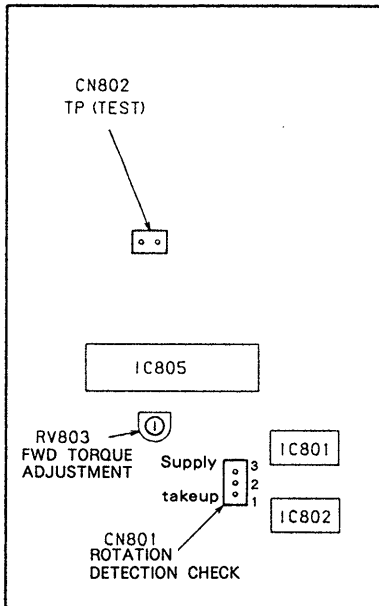
Oscilloscope



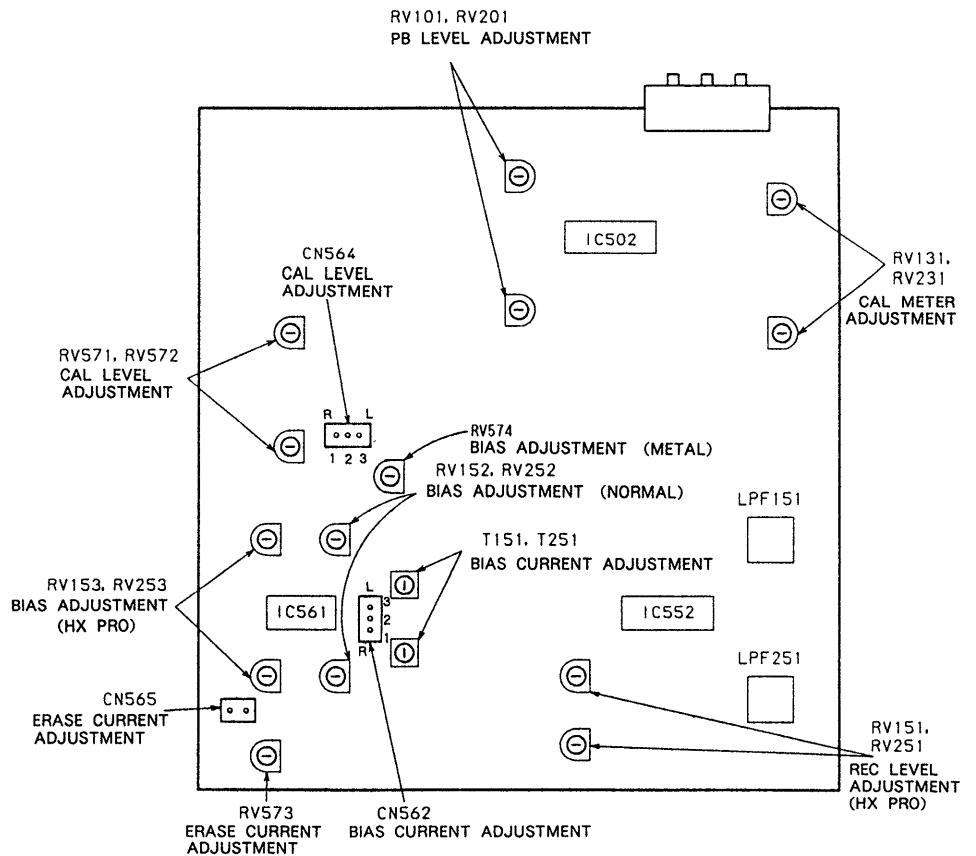
2. Waveform on the oscilloscope should be as shown below



Adjustment Parts Location :



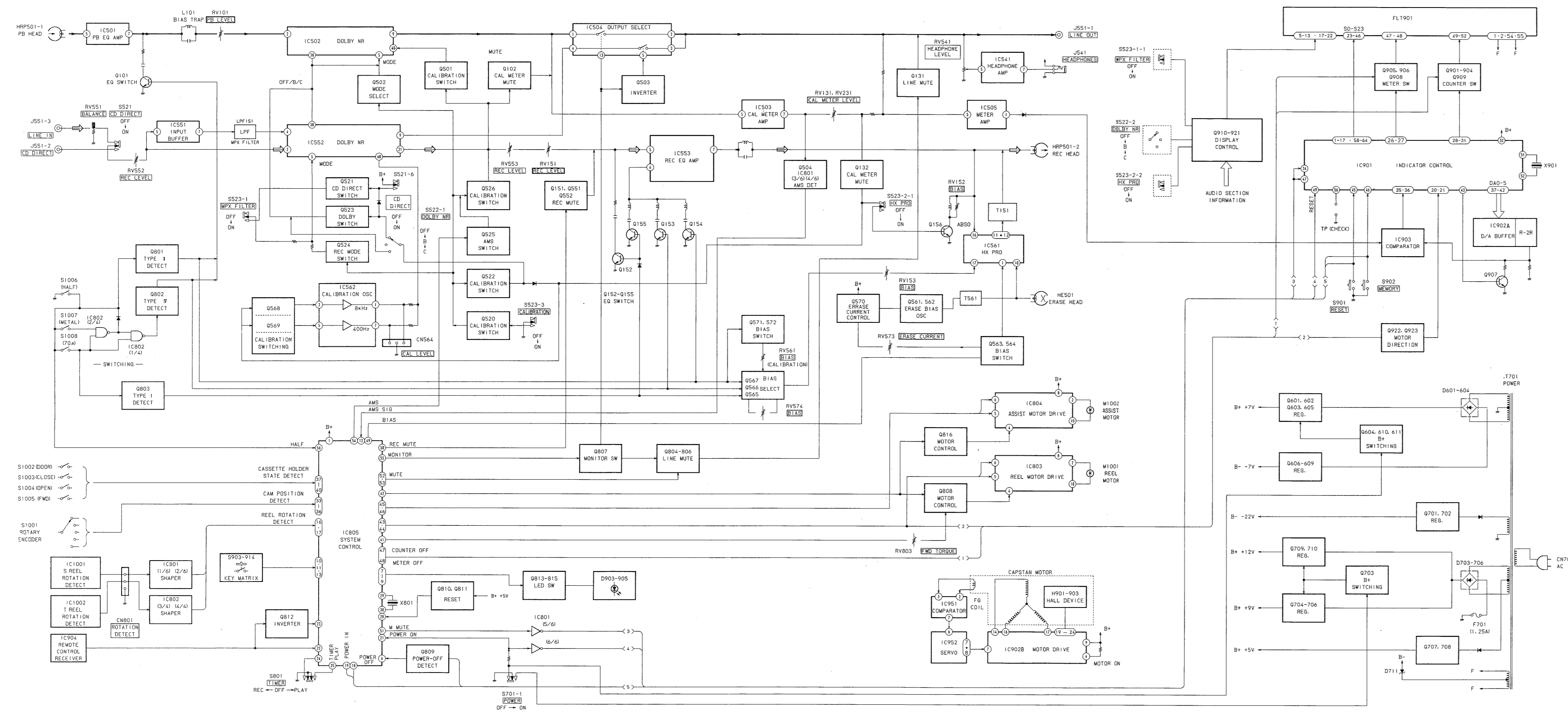
MAIN (B) BOARD
- COMPONENT SIDE -



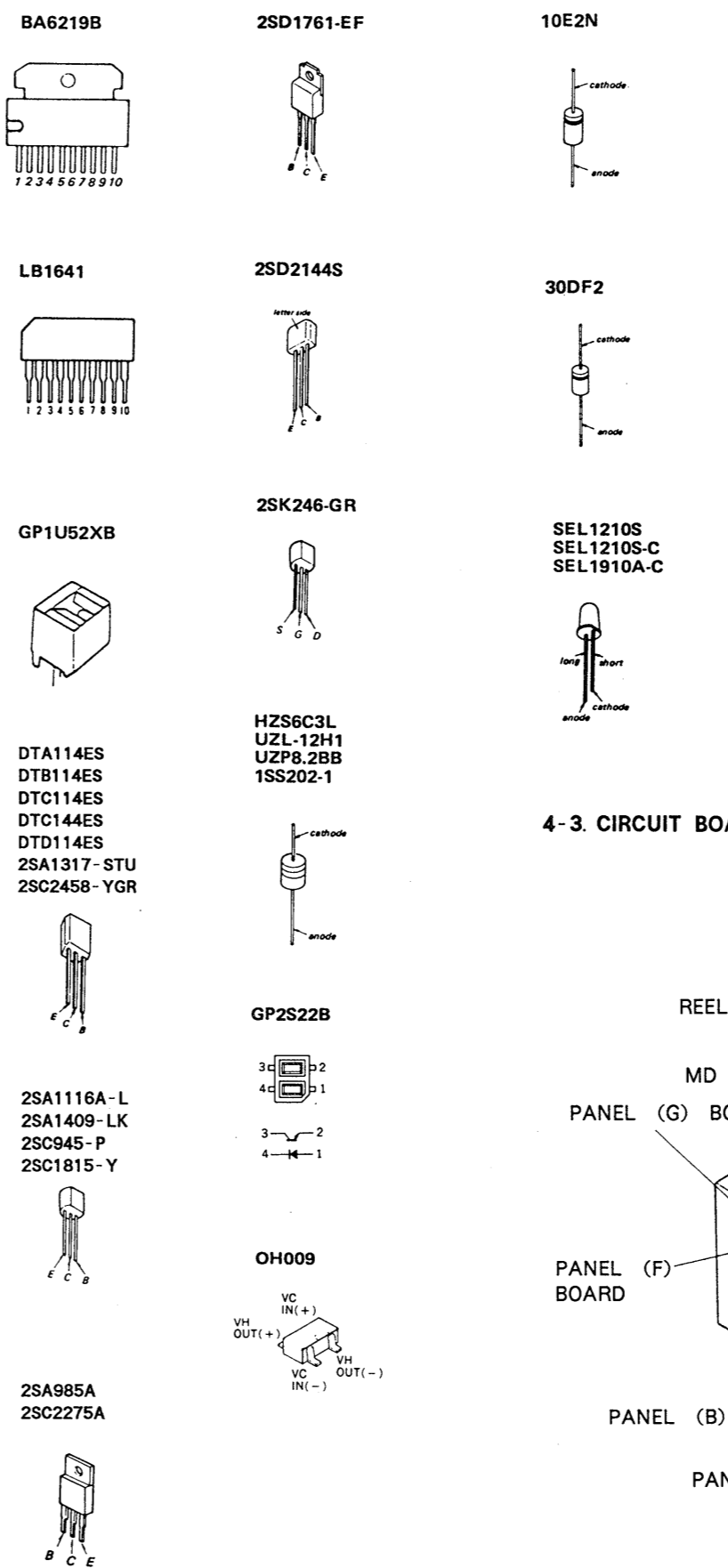
MAIN (A) BOARD - COMPONENT SIDE -

SECTION 4
DIAGRAMS

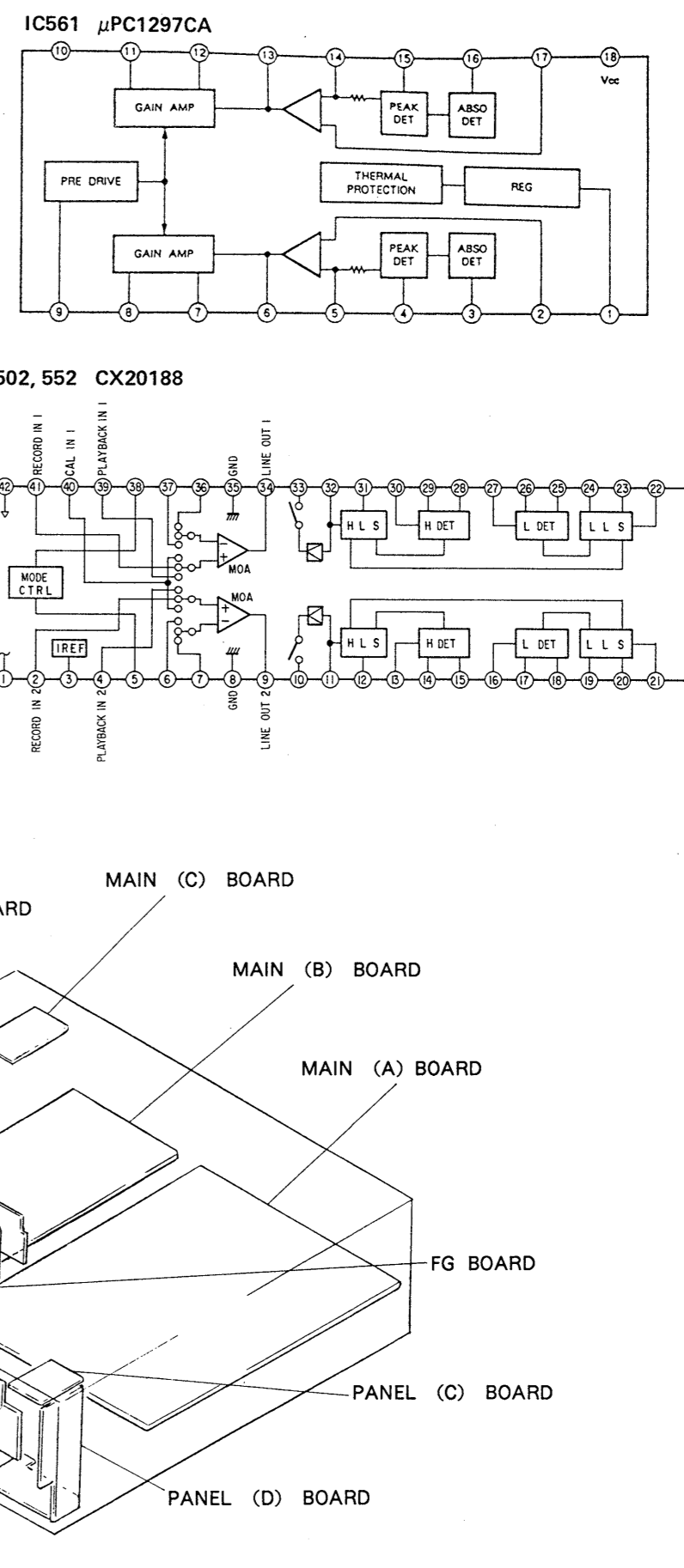
4-1. BLOCK DIAGRAM



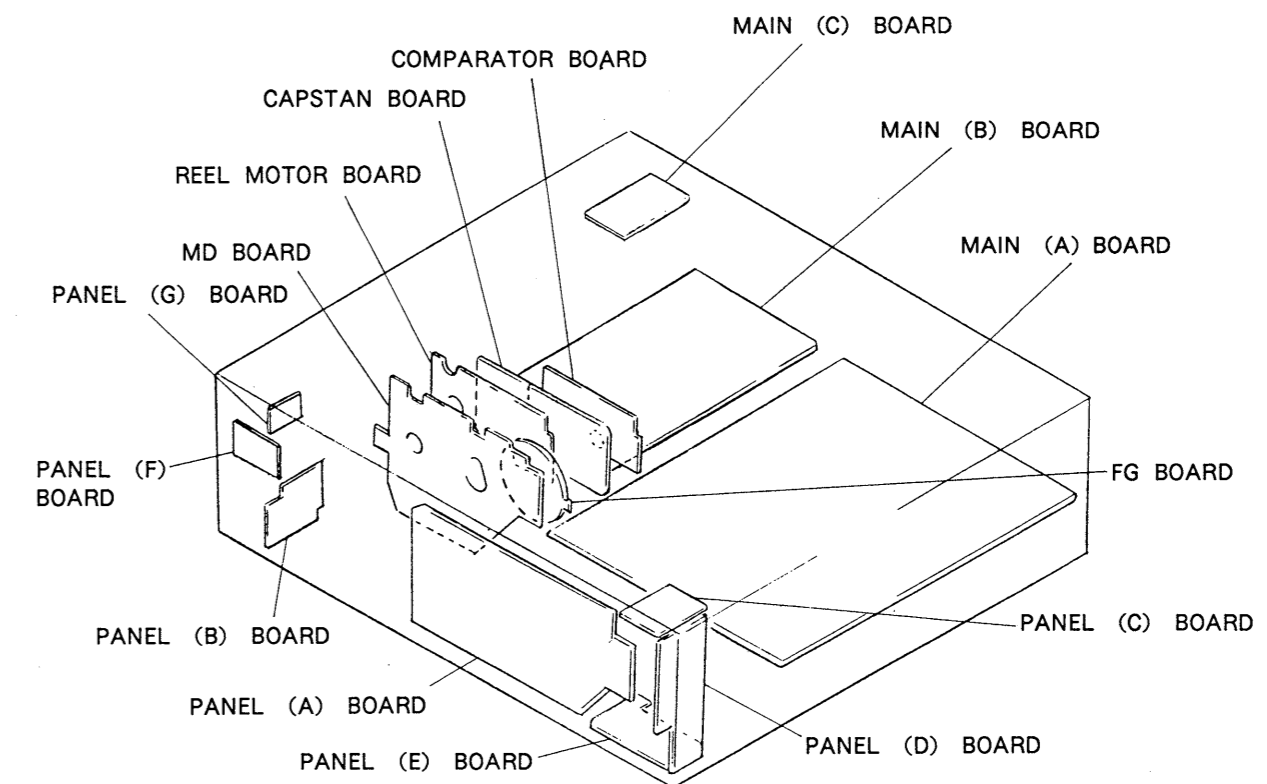
4-2. SEMICONDUCTOR LEAD LAYOUTS



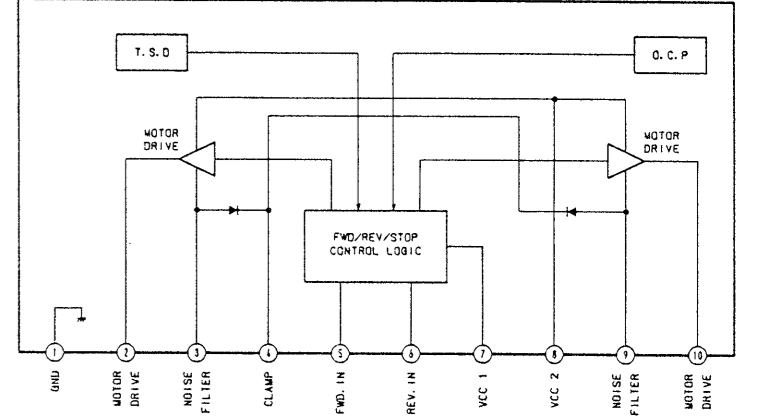
4-4. IC BLOCK DIAGRAMS



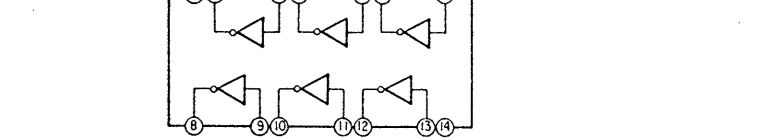
4-3. CIRCUIT BOARDS LOCATION



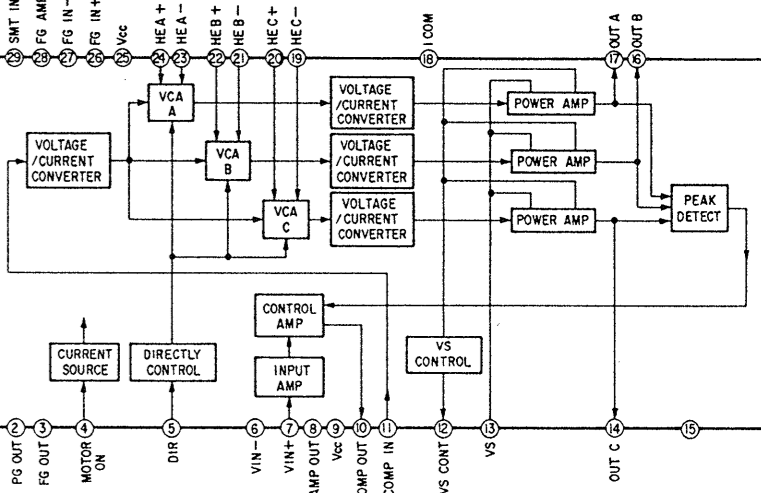
IC803 BA6219B
IC804 LB1641



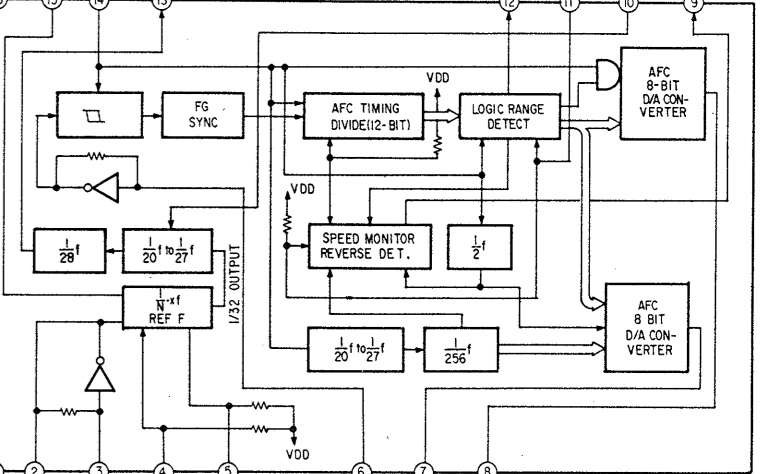
IC801, IC902A TC4069UBP



IC902B CX20174



IC952 TC9142P

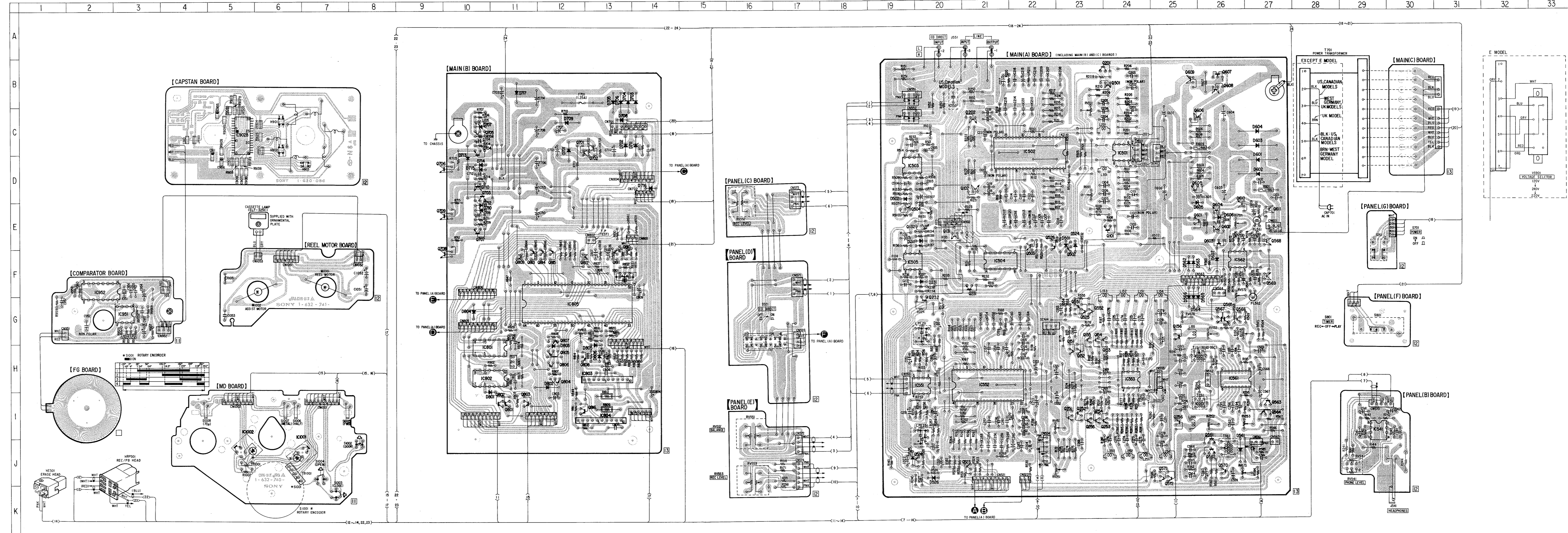


4-5. PRINTED WIRING BOARDS - MAIN SECTION -

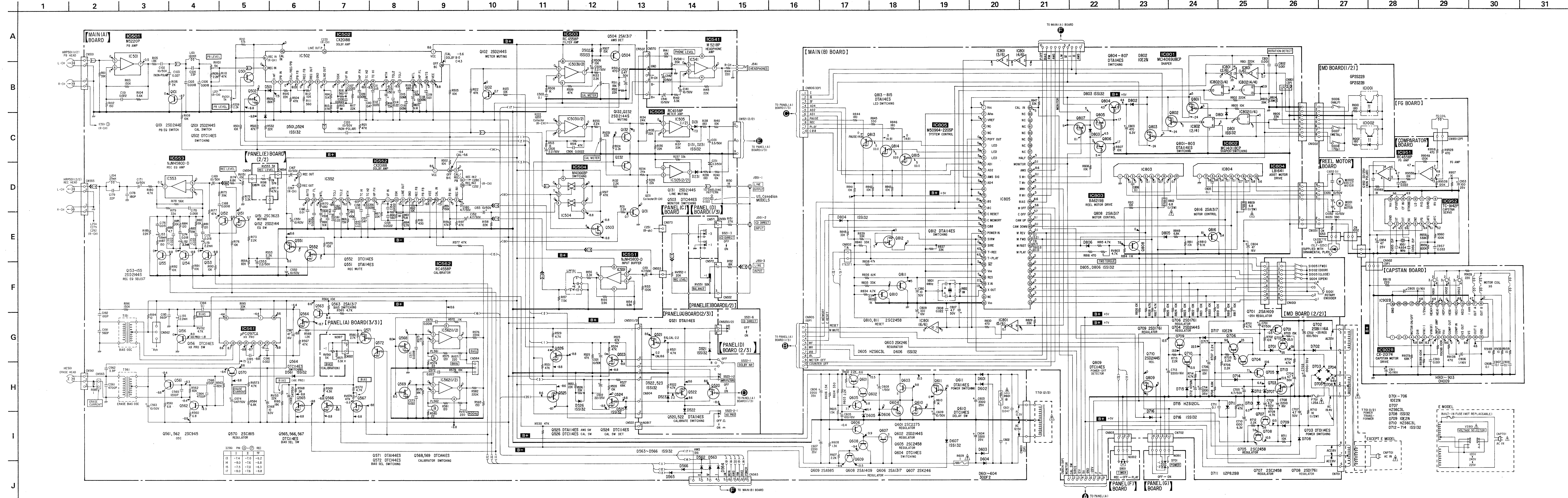
• Semiconductor Location

Ref. No.	Location	Ref. No.	Location	Ref. No.	Location
D131	E-19	IC541	I-29	0563	I-27
D231	F-20	IC551	H-20	0564	I-27
D501	E-23	IC552	H-21	0565	G-26
D502	D-19	IC553	H-24	0566	G-26
D524	E-23	IC561	H-26	0567	G-26
D525	J-19	IC562	F-26	0568	E-27
D526	J-20	IC801	H-10	0569	F-27
D561	J-26	IC802	H-10	0570	J-26
D562	F-25	IC803	H-13	0571	J-25
D563	F-25	IC804	I-13	0572	J-25
D564	G-25	IC805	G-12	0601	E-25
D565	G-25	IC9028	C-5	0602	E-26
D566	G-25	IC951	G-3	0603	E-26
D601	D-27	IC952	F-2	0604	E-26
D602	D-27	IC1001	J-6	0605	D-25
D603	C-27	IC1002	J-5	0606	C-25
D604	C-27			0607	B-26
D605	E-25	Q101	E-24	0608	B-26
D606	E-26	Q102	D-21	0609	B-25
D607	F-26	Q131	E-20	0610	E-26
D701	C-12	Q132	E-19	0611	E-27
D702	C-13	Q151	H-23	Q701	C-12
D703	B-14	Q152	H-23	Q702	C-13
D704	B-13	Q153	H-24	Q703	D-10
D705	B-13	Q154	G-23	Q704	C-10
D706	B-13	Q155	G-23	Q705	C-10
D707	C-10	Q156	G-25	Q706	D-10
D708	C-13	Q201	B-23	Q707	E-10
D709	C-12	Q202	C-21	Q708	E-9
D710	E-10	Q231	F-21	Q709	E-9
D711	C-13	Q232	G-20	Q710	D-10
D712	E-10	Q251	I-23	Q801	I-11
D713	D-10	Q252	I-23	Q802	I-11
D714	D-10	Q253	I-23	Q803	I-11
D715	D-10	Q254	I-23	Q804	H-12
D716	D-14	Q255	I-23	Q805	H-12
D717	B-11	Q256	I-25	Q806	H-12
D801	I-10	Q501	B-24	Q807	G-12
D802	H-12	Q502	F-23	Q808	H-12
D803	H-12	Q503	F-22	Q809	F-11
D804	G-10	Q504	E-19	Q810	F-13
D805	H-13	Q523	J-21	Q811	F-13
D806	H-13	Q524	J-19	Q812	F-12
		Q525	G-23	Q813	F-11
		Q526	E-22	Q814	F-12
		Q551	G-23	Q815	F-12
		Q552	J-26	Q816	I-13
		Q561	J-26		
		Q562	J-26		
IC501	C-24				
IC502	D-22				
IC503	D-19				
IC504	F-21				
IC505	F-19				

Note on Mounting Diagram:
 ● ○ — : parts extracted from the component side.



4-6. SCHEMATIC DIAGRAM - MAIN SECTION -



Note on Schematic Diagram:

- All capacitors are in μF unless otherwise noted. $\text{pF} = \mu\text{F} \times 10^{-6}$.
- All resistors are in Ω and $\frac{1}{2}W$ or less unless otherwise specified.
- Components for right channel have same values as for left channel. Reference numbers are coded from 201 to 299.
- Δ : internal component.
- \square : nonflammable resistor.
- $\text{---}/\text{---}$: fusible resistor.

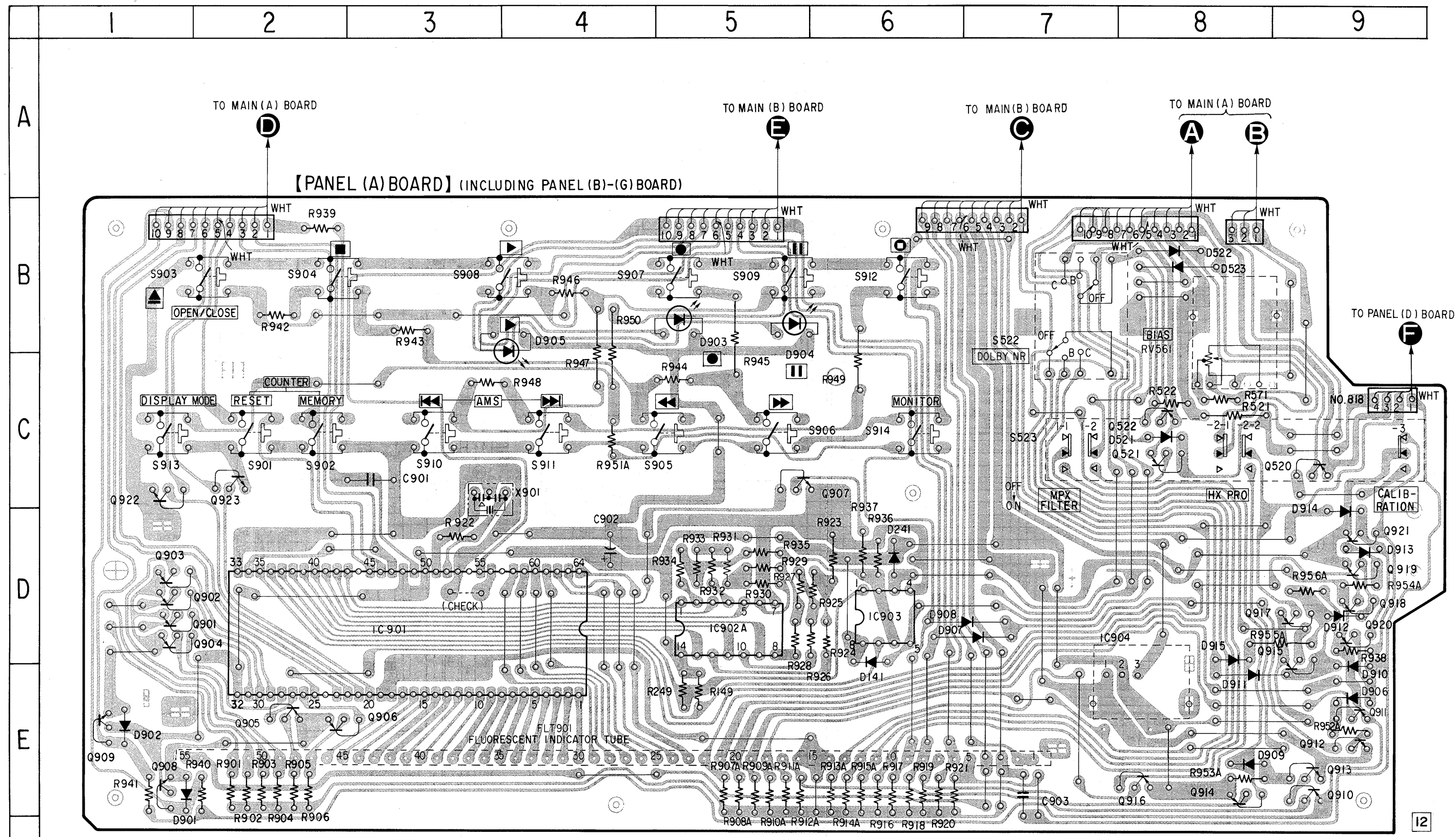
Note: The components identified by mark Δ or \square are critical for safety. Replace only with part number specified.

Note: Les composants identifiés par une marque Δ ou \square sont critiques pour la sécurité. Ne les remplacer que par une pièce portant le numéro spécifié.

- $B+$: B+ Line
- $B-$: B- Line
- \square : adjustment for repair
- Voltage and waveforms are dc with respect to ground under no signal (detuned) conditions.
- no mark: STOP
- (): PLAY
- (): REC
- Voltages are taken with a VOM (Input impedance 10 M Ω)
- Voltage variations may be noted due to normal production tolerances.
- Signal path:
 - --- : PB
 - --- : REC

• Semiconductor Location

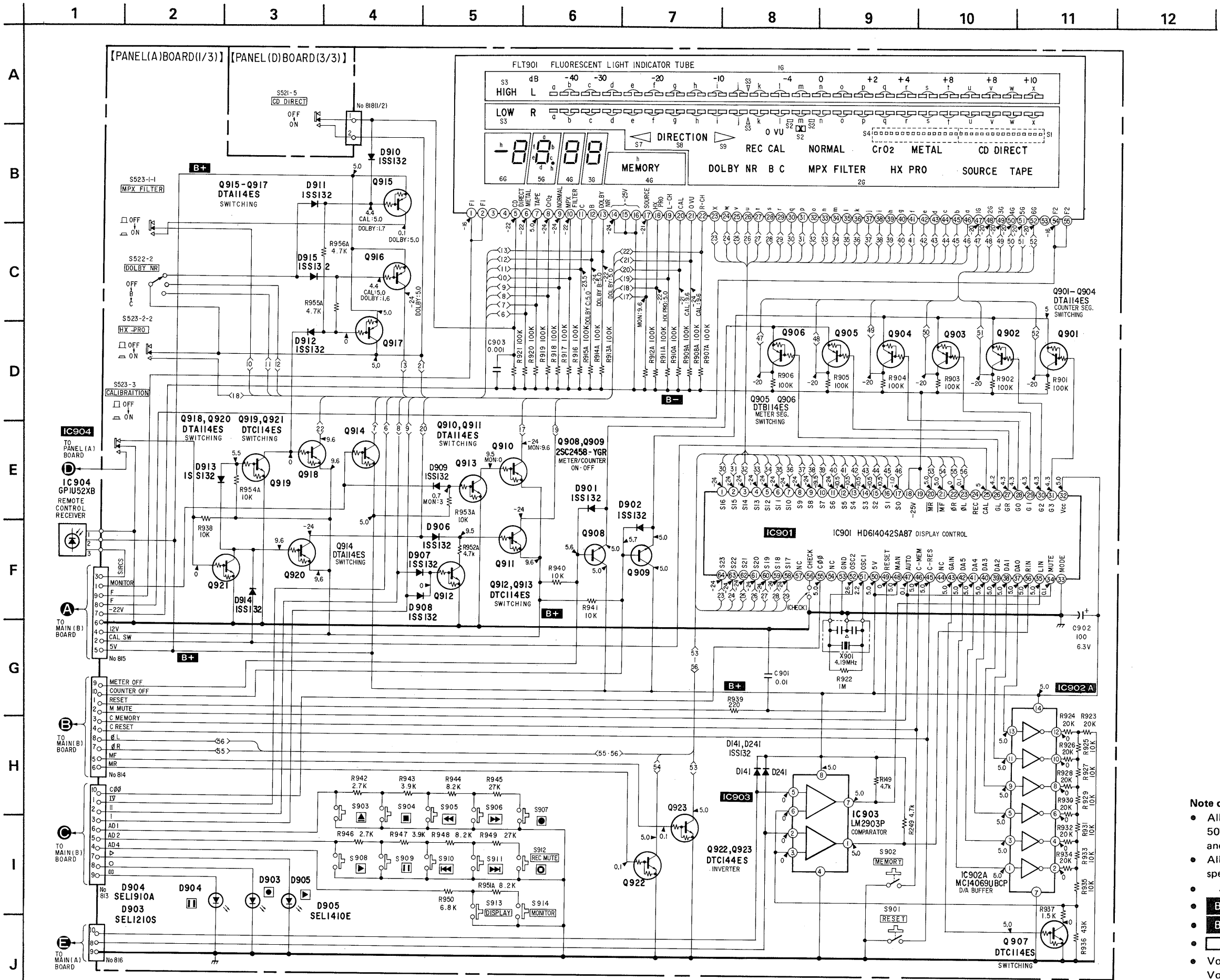
Ref. No.	Location
D141	E-6
D521	C-8
D522	B-8
D523	B-8
D901	E-1
D902	E-1
D903	B-5
D904	C-5
D905	B-4
D906	E-9
D907	D-6
D908	D-6
D909	E-8
D910	E-9
D911	E-8
D912	D-9
D913	D-9
D914	D-9
D915	D-8
IC901	D-3
IC902A	D-5
IC903	D-6
IC904	E-8
Q520	C-9
Q521	C-8
Q522	C-8
Q901	D-1
Q902	D-1
Q903	D-1
Q904	D-1
Q905	E-2
Q906	E-3
Q907	C-6
Q908	E-1
Q909	E-1
Q910	E-9
Q911	E-9
Q912	E-9
Q913	E-9
Q914	E-8
Q915	D-8
Q916	E-8
Q917	D-8
Q918	D-9
Q919	D-9
Q920	D-9
Q921	D-9
Q922	C-1
Q923	C-2



Note on Mounting Diagram:

● ○ — : parts extracted from the component side.

4-8. SCHEMATIC DIAGRAM - PANEL SECTION -



Note on Schematic Diagram:

- All capacitors are in μF unless otherwise noted. pF : μF 50WV or less are not indicated except for electrolytics and tantalums.
- All resistors are in Ω and $\frac{1}{4}\text{W}$ or less unless otherwise specified.
- \triangle : internal component.
- **B+** : B+ Line
- **B-** : B- Line
- \square : adjustment for repair
- Voltages are taken with a VOM (Input impedance 10 M Ω) Voltage variations may be noted due to normal production tolerances.

SECTION 5 EXPLODED VIEWS

NOTE:

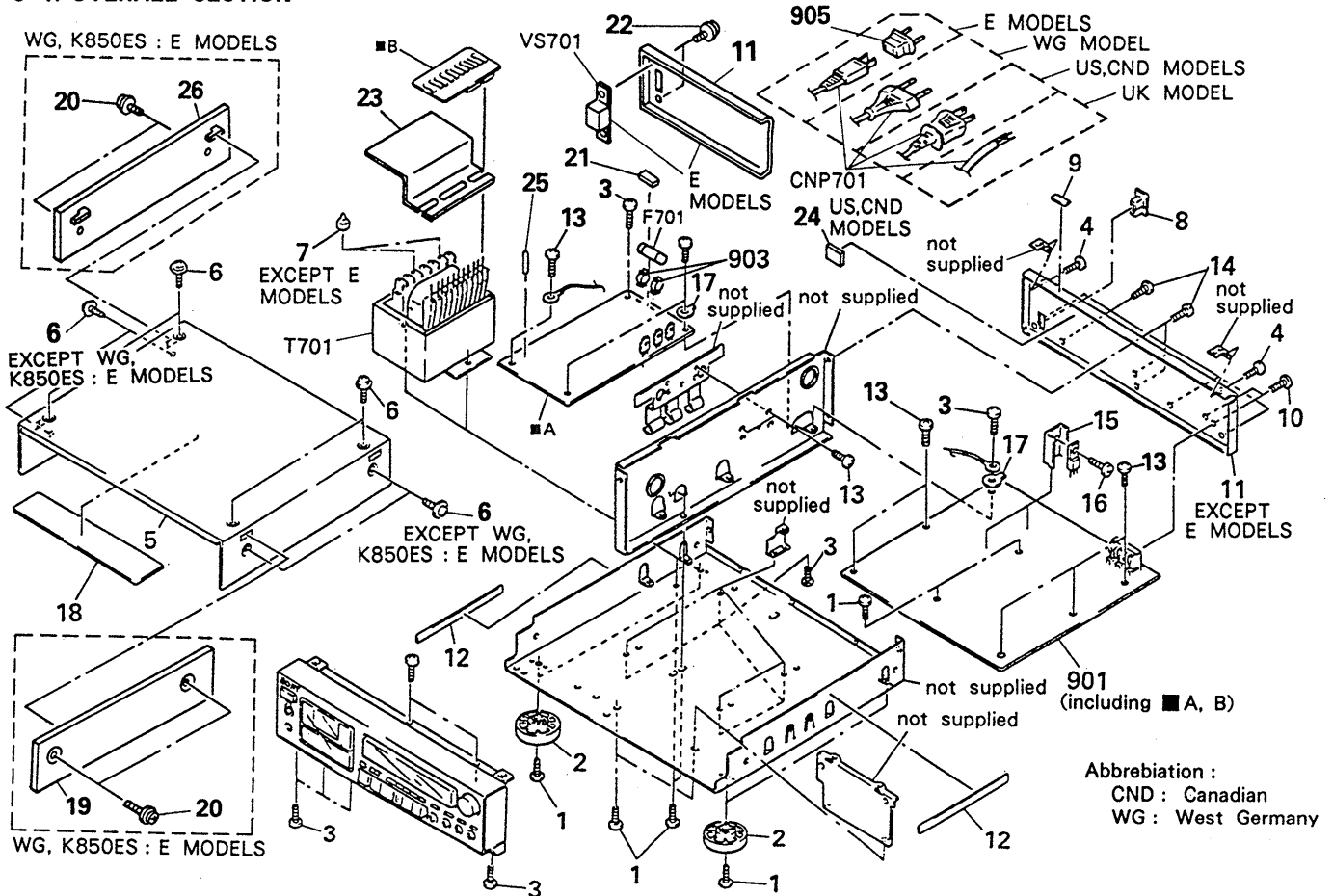
- The mechanical parts with no reference number in the exploded views are not supplied.
- The construction parts of an assembled part are indicated with a collation number in the remark column.
- Items marked "★" are not stocked since they are seldom required for routine service. Some delay should be anticipated when ordering these items.

- Due to standardization, parts with part number suffix -XX and -X may be different from the parts specified in the components used on the set.
- Color Indication of Appearance Parts Example:
(RED) ... KNOB, BALANCE (WHITE)
↑ Cabinet's Color ↑ Parts' Color

The components identified by mark or dotted line with mark are critical for safety. Replace only with part number specified.

Les composants identifiés par une marque sont critiques pour la sécurité. Ne les remplacer que par une pièce portant le numéro spécifié.

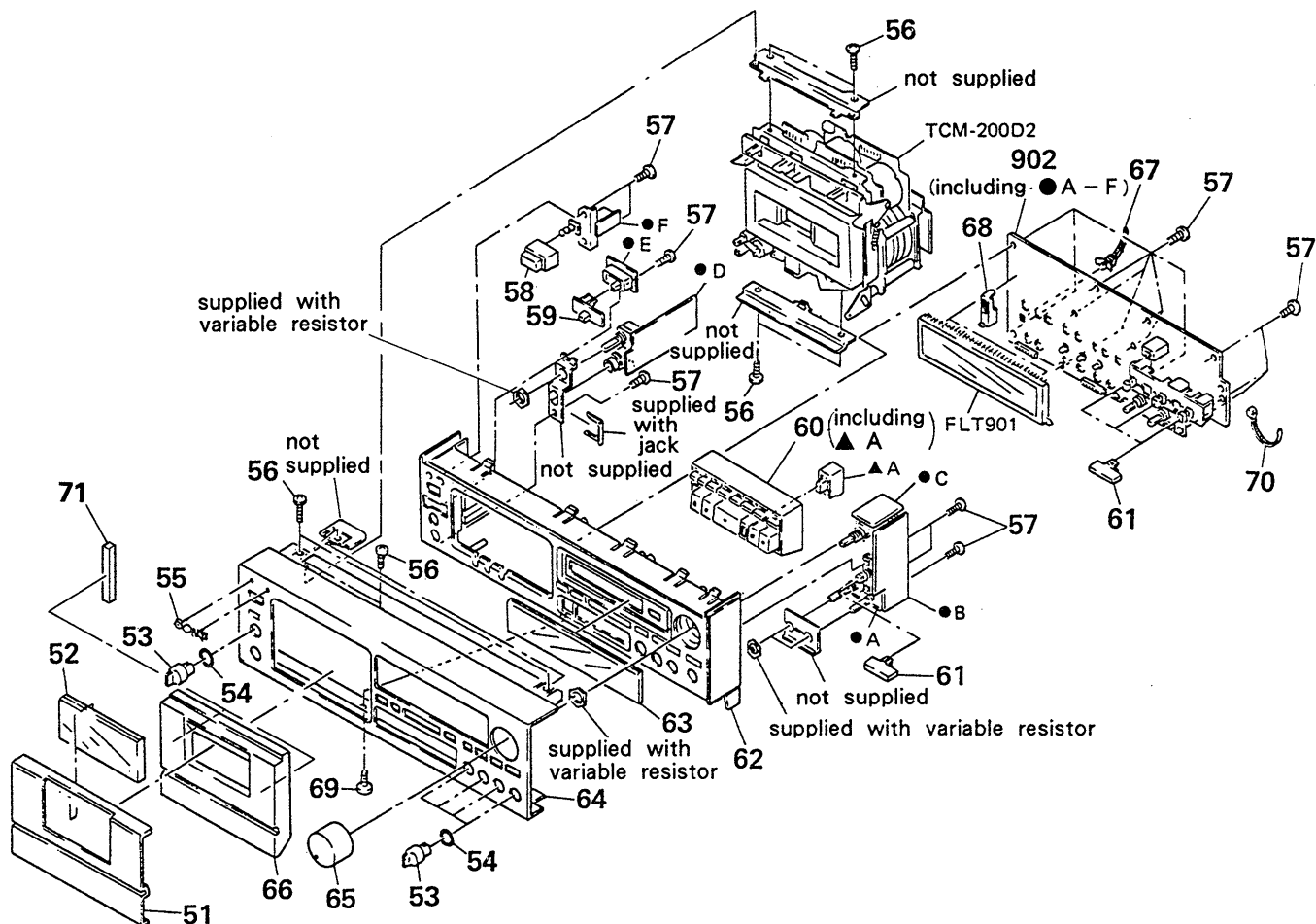
5-1. OVERALL SECTION



Abbreviation :
CND : Canadian
WG : West Germany

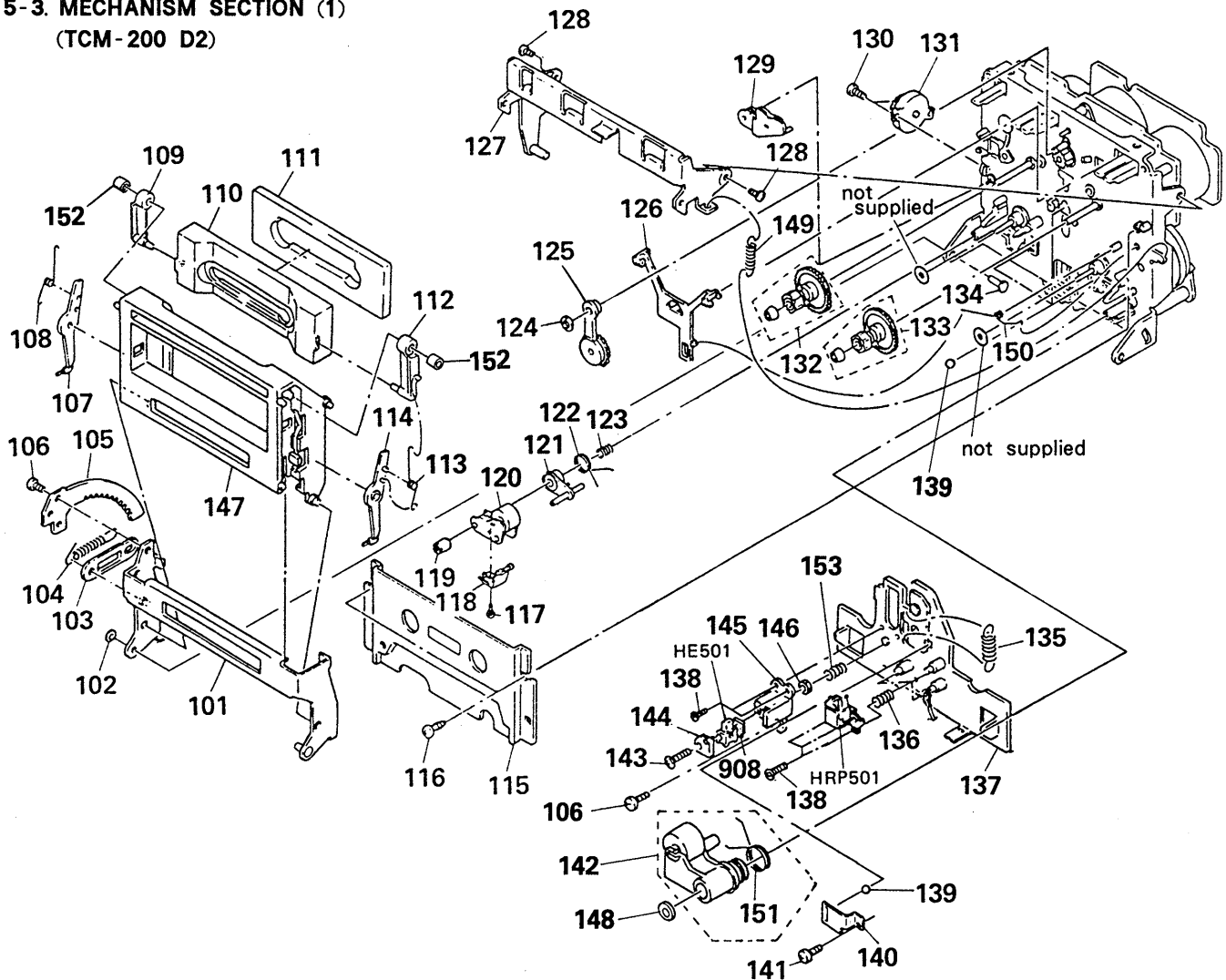
No.	Part No.	Description	Remarks	No.	Part No.	Description	Remarks
1	7-682-548-04	SCREW +BVTT 3X8 (S)		20	4-933-446-01	(WG,K850ES:E)...SCREW (SIDE PANEL)	
2	X-3304-944-1	FOOT ASSY		21	3-701-947-12	(WG,UK)...LABEL (T1.25A), FUSE	
3	3-703-685-21	SCREW (+BV 3X8)		22	7-685-133-19	(E)...SCREW +BTP 2.6X6 TYPE2 N-S	
4	7-682-547-09	SCREW +BVTT 3X6 (S)		23	3-356-961-01	(E)...COVER (TRANSFORMER)	
5	4-925-039-41	CASE		24	3-703-044-26	(US,Canadian)...LABEL,CAUTION	
6	3-704-366-01	SCREW (CASE)(M3X8)		25	*4-352-844-01	PIN, LEAD, COATING	
7	*4-912-962-01	(EXCEPT E)...COVER (1P), TERMINAL		26	X-3304-971-1	(WG,K850ES:E)...PANEL (L) ASSY, SIDE	
8	*3-703-244-00	(EXCEPT E)...BUSHING (2104), CORD		901	*A-2006-174-A	(WG,UK,E)...MOUNTED PCB, MAIN	
	3-703-571-11	(E).....BUSHING (S)(4516), CORD			*A-2006-276-A	(US,Canadian)...MOUNTED PCB, MAIN	
9	3-831-441-XX	CUSHION (B), CABINET		903	1-533-213-31	HOLDER, FUSE	
10	7-621-849-00	SCREW, TAPPING		905	1-526-565-00	(E)...AC PLUG ADAPTOR	
11	*3-350-460-11	(US,Canadian)...PANEL, BACK		CNP7011-551-188-XX	(E).....CORD, POWER		
	*3-350-460-21	(UK).....PANEL, BACK		CNP7011-555-465-00	(US,Canadian)...CORD, POWER		
	*3-350-460-31	(WG).....PANEL, BACK		CNP7011-555-795-00	(WG).....CORD, POWER		
	*3-350-460-61	(K222ESG).....PANEL, BACK		CNP7011-556-035-00	(UK).....CORD, POWER		
	*3-350-460-71	(K850ES:E).....PANEL, BACK		F701 1-532-285-00	(WG,UK,E)...FUSE, TIME-LAG (1.250A)		
12	*3-657-780-00	(EXCEPT US)...CUSHION		F701 1-532-741-11	(US,Canadian)...FUSE, GLASS TUBE (1.25A)		
13	7-682-547-04	SCREW +BVTT 3X6 (S)		T701 1-449-985-11	(US,Canadian)...TRANSFORMER, POWER		
14	7-682-548-09	SCREW +BVTT 3X8 (S)		T701 1-449-986-11	(WG,UK).....TRANSFORMER, POWER		
15	4-902-345-01	HEAT SINK		T701 1-450-065-11	(E).....TRANSFORMER, POWER		
16	7-682-147-15	SCREW, TR		VS701 1-570-307-11	(E)...SWITCH, VOLTAGE CHANGE		
17	4-870-539-00	PLATE, GROUND					
18	3-350-459-01	ABSORBENT (S), VIBRATION					
19	X-3304-972-1	(WG,K850ES:E)...PANEL (R) ASSY, SIDE					

5-2. PANEL SECTION



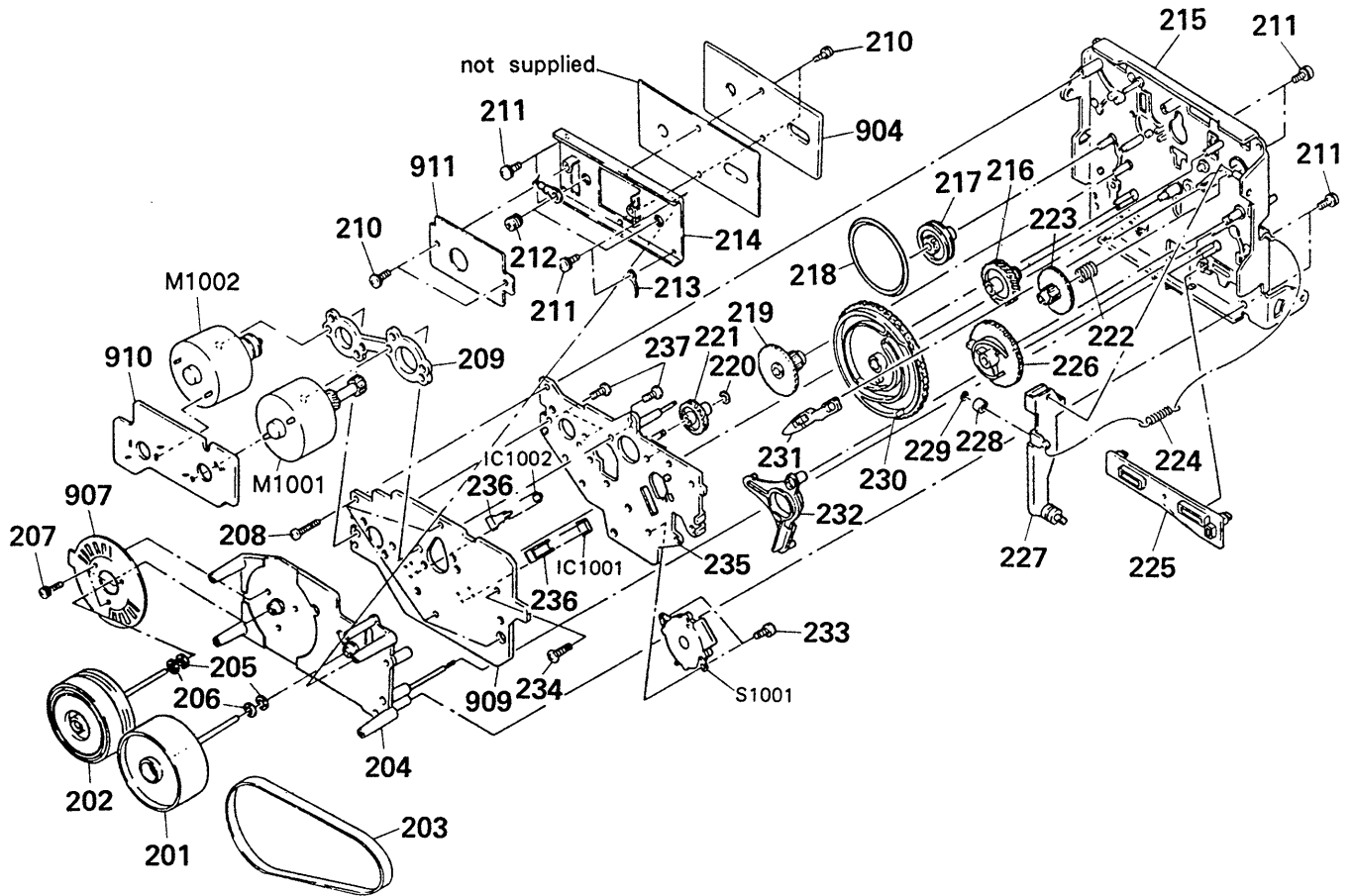
No.	Part No.	Description	Remarks	No.	Part No.	Description	Remarks
51	3-356-907-01	(K222ESG)...PLATE (C), ORNAMENTAL		63	3-356-909-01	(E).....WINDOW (METER)	
	3-356-907-11	(K850ES)...PLATE (C), ORNAMENTAL			3-356-909-11	(EXCEPT E)...WINDOW (METER)	
52	3-356-902-01	WINDOW (C)		64	3-356-914-11	(US,Canadian)...PANEL, FRONT	
53	3-350-495-01	KNOB (VOL)			3-356-914-21	(WG,K850ES:E)...PANEL, FRONT	
54	3-356-935-01	SPRING			3-356-914-31	(UK).....PANEL, FRONT	
55	4-908-848-01	EMBLEM, SONY			3-356-914-51	(K222ESG).....PANEL, FRONT	
56	7-682-547-04	SCREW +BVTT 3X6 (S)		65	X-3304-961-1	KNOB (VOL) ASSY	
57	4-928-635-01	SCREW, +BV (2.6X8) TAPPING		66	3-356-908-01	LID, CASSETTE	
58	3-354-912-01	KNOB, POWER (POWER)		67	3-704-208-01	BAND, BINDING	
59	3-307-538-21	KNOB, SWITCH, TIMER (TIMER)		68	*3-356-924-01	HOLDER (FL)	
60	X-3304-963-1	BUTTON ASSY		69	7-685-133-19	SCREW +BTP 2.6X6 TYPE2 N-S	
61	3-350-496-01	BUTTON		70	3-701-748-00	CLAMP	
62	3-356-915-01	PANEL (BASE)		71	9-911-840-XX	CUSHION	
				902	*A-2006-175-A	MOUNTED PCB, PANEL	

5-3. MECHANISM SECTION (1)
(TCM-200 D2)



No.	Part No.	Description	Remarks	No.	Part No.	Description	Remarks
101	X-3356-612-1	HOLDER (B) ASSY, CASSETTE		130	7-685-851-09	SCREW +BVTT 2X4 (S)	
102	3-558-708-21	WASHER, STOPPER		131	3-712-786-41	DAMPER, OIL	
103	*3-356-717-01	LEVER (JOINT)		132	X-3356-629-1	GEAR (S) ASSY	
104	3-356-626-01	SPRING, TENSION		133	X-3356-627-1	GEAR (T) ASSY	
105	3-356-708-01	GEAR (SOFT EJECT)		134	3-356-710-01	SHAFT (LEFT) (CASSETTE HOLDER)	
106	7-621-775-10	SCREW +B 2.6X4		135	3-356-658-01	SPRING (LIMITER H), TENSION	
107	3-356-932-01	LEVER (LA)		136	3-356-659-01	SPRING (RPH), COMPRESSION	
108	3-356-927-01	SPRING (LEFT), TORSION		137	*X-3356-617-1	SLIDER (HEAD PC BOARD) ASSY	
109	3-356-933-01	LEVER (LB)		138	7-621-255-20	SCREW +P 2X4	
110	3-356-928-01	PLATE (A), ORNAMENTAL		139	7-671-154-01	STAINLESS BALL	
111	*3-356-929-01	ABSORBENT, VIBRATION		140	3-356-656-01	SPRING (HEAD PC BOARD), LEAF	
112	3-356-931-01	LEVER (RB)		141	7-685-870-01	SCREW +BVTT 3X5 (S)	
113	3-356-926-01	SPRING (RIGHT), TORSION		142	X-3356-620-1	LEVER (PINCH LEVER T) ASSY	
114	3-356-930-01	LEVER (RA)		143	7-621-772-70	SCREW +B 2X14	
115	X-3356-613-1	PLATE ASSY, ORNAMENTAL		144	3-318-433-01	SPRING	
116	7-685-133-19	SCREW +BTP 2.6X6 TYPE2 N-S		145	*3-576-977-00	BRACKET, E. HEAD	
117	7-628-253-00	SCREW +PS 2X4		146	7-622-205-05	NUT M2 TYPE2	
118	3-564-138-00	GUIDE (S), TAPE		147	X-3356-611-1	HOLDER (A) ASSY, CASSETTE	
119	3-356-652-01	NUT (PINCH LEVER S)		148	3-669-596-00	WASHER (2,3), STOPPER	
120	X-3356-621-1	LEVER (PINCH LEVER S) ASSY		149	3-356-624-01	SPRING, TENSION	
121	3-356-660-01	LEVER (PS)		150	3-356-619-01	SPRING (B), TORSION	
122	3-356-661-01	SPRING (PINCH LEVER S), TORSION		151	3-356-672-01	SPRING (PINCH LEVER T), TORSION	
123	3-356-657-01	SPRING (PS), COMPRESSION		152	3-356-946-01	BUSHING	
124	3-669-465-00	WASHER (1.5), STOPPER		153	3-564-121-00	SPRING, COMPRESSION	
125	X-3356-641-1	LEVER (FR2) ASSY		908	*1-608-268-00	PC BOARD, ERASE HEAD	
126	3-356-614-01	SLIDER (BRAKE)		HE501	1-543-358-11	HEAD, MAGNETIC (ERASE)	
127	*X-3356-608-1	LEVER (LIFTER) ASSY		HRP501	1-543-679-11	HEAD, MAGNETIC (REC/PB)	
128	3-356-601-11	SCREW, STEP					
129	X-3356-623-1	LEVER (BT) ASSY					

5-4. MECHANISM SECTION (2)
(TCM-200 D2)



No.	Part No.	Description	Remarks	No.	Part No.	Description	Remarks
201	X-3356-626-1	FLYWHEEL (S) ASSY		224	3-356-625-01	SPRING, TENSION	
202	X-3356-619-1	FLYWHEEL (DT) ASSY		225	3-356-653-01	SLIDER (PAUSE)	
203	3-564-088-00	BELT (2), CAPSTAN		226	3-356-616-01	GEAR (LOADING CAM)	
204	*X-3356-614-1	DECK (D1) ASSY		227	*X-3356-606-1	LEVER (LOADING) ASSY	
205	3-356-705-31	WASHER (CAPSTAN)		228	3-356-630-01	ROLLER (LOADING)	
206	3-356-705-21	WASHER (CAPSTAN)		229	3-558-708-11	WASHER, STOPPER	
207	7-628-254-10	SCREW +PS 2.6X6		230	3-356-654-01	GEAR (MODE CAM C)	
208	3-355-801-01	SCREW (BTP 2X18)		231	3-356-617-01	LEVER (SELECTION)	
209	*3-356-628-01	SPACER (MOTOR)		232	3-356-613-01	LEVER (MODE)	
210	7-685-870-01	SCREW +BVT 3X5 (S)		233	7-621-772-20	SCREW +B 2X5	
211	7-682-648-09	SCREW +PS 3X8		234	3-356-707-01	SCREW (+PTPWH 2X25)	
212	3-489-073-00	SCREW, THRUST		235	*X-3356-616-1	BRACKET (MOTOR D) ASSY	
213	*3-701-822-00	HOLDER, WIRE		236	3-356-631-01	HOLDER (SENSOR)	
214	*X-3356-615-1	BRACKET (THRUST RETAINER D) ASSY		237	7-621-773-95	SCREW +B 2.6X6	
215	X-3356-622-1	CHASSIS (C) ASSY, MECHANICAL		904	A-2006-154-A	MOUNTED PCB, CAPSTAN C.O.C	
216	3-356-703-01	GEAR (COMMUNICATION C)		907	1-632-779-11	PC BOARD, FG	
217	3-356-607-01	PULLEY (MODE)		909	*1-632-740-11	PC BOARD, MD	
218	3-356-603-01	BELT (MODE)		910	*1-632-741-11	PC BOARD, REAL MOTOR	
219	3-356-606-01	GEAR (MODE)		911	*1-632-746-11	PC BOARD, COMPARATOR	
220	3-669-465-00	WASHER (1.5), STOPPER		M1001	X-3356-638-1	MOTOR (REEL R) ASSY	
221	3-356-702-01	GEAR (COMMUNICATION B)		M1002	X-3356-604-1	MOTOR (ASSIST) ASSY	
222	3-356-605-01	SPRING, COMPRESSION		S1001	1-466-238-11	ENCODER, ROTARY	
223	3-356-609-01	GEAR (LOADING)					

SECTION 6

ELECTRICAL PARTS LIST

NOTE:

- Due to standardization, replacements in the parts list may be different from the parts specified in the diagrams or the components used on the set.
- Items marked "*" are not stocked since they are seldom required for routine service. Some delay should be anticipated when ordering these items.
- If there are two or more same circuits in a set such as a stereophonic machine, only typical circuit parts may be indicated and capacitors and resistors in other same circuits may be omitted.

CAPACITORS:MF: μ F, PF: μ F.**RESISTORS**

- All resistors are in ohms.
- F: nonflammable



COILS

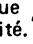
- MMH: mH, UH: μ H

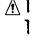
SEMICONDUCTORSIn each case, U: μ , for example:UA...: μ A..., UPA...: μ PA...,
UPC...: μ PC, UPD...: μ PD...**Abbreviation :**

CND : Canadian

WG : West Germany

The components identified by mark  or dotted line with mark  are critical for safety. Replace only with part number specified.

Les composants identifiés par une marque  sont critiques pour la sécurité. Ne les remplacer que par une pièce portant le numéro spécifié.

Ref.No.	Part No.	Description	Ref.No.	Part No.	Description
901	*A-2006-174-A	(WG,UK,E).....MOUNTED PCB, MAIN	C162	1-136-163-00	FILM 0.068MF 5% 50V
	*A-2006-276-A	(US,Canadian)...MOUNTED PCB, MAIN	C163	1-136-162-00	FILM 0.056MF 5% 50V
902	*A-2006-175-A	MOUNTED PCB, PANEL	C164	1-124-791-11	ELECT 1MF 20% 50V
903	1-533-213-31	HOLDER, FUSE	C165	1-130-480-00	MYLAR 0.0056MF 5% 50V
904	A-2006-154-A	MOUNTED PCB, CAPSTAN C.O.C	C166	1-136-153-00	FILM 0.01MF 5% 50V
905	 1-526-565-00	(E)...AC PLUG ADAPTOR	C167	1-126-059-11	ELECT 10MF 20% 50V
907	1-632-779-11	PC BOARD, FG	C168	1-130-474-00	MYLAR 0.0018MF 5% 50V
908	*1-608-268-00	PC BOARD, ERASE HEAD	C169	1-126-059-11	ELECT 10MF 20% 50V
909	*1-632-740-11	PC BOARD, MD	C170	1-136-163-00	FILM 0.068MF 5% 50V
910	*1-632-741-11	PC BOARD, REAL MOTOR	C171	1-126-059-11	ELECT 10MF 20% 50V
911	*1-632-746-11	PC BOARD, COMPARATOR	C172	1-136-156-00	FILM 0.018MF 5% 50V
C101	1-130-973-00	FILM 0.022MF 5% 100V	C173	1-136-157-00	FILM 0.022MF 5% 50V
C102	1-124-657-00	ELECT 10MF 20% 50V	C174	1-136-156-00	FILM 0.018MF 5% 50V
C103	1-136-158-00	FILM 0.027MF 5% 50V	C175	1-136-157-00	FILM 0.022MF 5% 50V
C104	1-107-159-00	MICA 33PF 5% 500V	C176	1-136-155-00	FILM 0.015MF 5% 50V
C105	1-130-474-00	MYLAR 0.0018MF 5% 50V	C178	1-109-619-00	MICA 180PF 5% 500V
C106	1-130-474-00	MYLAR 0.0018MF 5% 50V	C179	1-107-210-00	MICA 22PF 5% 500V
C107	1-130-475-00	MYLAR 0.0022MF 5% 50V	C180	1-123-369-00	ELECT 4.7MF 20% 50V
C108	1-130-475-00	MYLAR 0.0022MF 5% 50V	C191	1-136-803-11	FILM 560PF 5% 630V
C109	1-130-478-00	MYLAR 0.0039MF 5% 50V	C192	1-107-169-00	MICA 100PF 5% 500V
C110	1-136-173-00	FILM 0.47MF 5% 50V	C193	1-130-468-00	MYLAR 560PF 5% 50V
C111	1-136-167-00	FILM 0.15MF 5% 50V	C194	1-136-165-00	FILM 0.1MF 5% 50V
C112	1-136-155-00	FILM 0.015MF 5% 50V	C195	1-136-165-00	FILM 0.1MF 5% 50V
C113	1-124-791-11	ELECT 1MF 20% 50V	C196	1-136-157-00	FILM 0.022MF 5% 50V
C114	1-136-169-00	FILM 0.22MF 5% 50V	C201	1-130-973-00	FILM 0.022MF 5% 100V
C115	1-136-163-00	FILM 0.068MF 5% 50V	C202	1-124-657-00	ELECT 10MF 20% 50V
C116	1-136-162-00	FILM 0.056MF 5% 50V	C203	1-136-158-00	FILM 0.027MF 5% 50V
C117	1-124-791-11	ELECT 1MF 20% 50V	C204	1-107-159-00	MICA 33PF 5% 500V
C118	1-130-480-00	MYLAR 0.0056MF 5% 50V	C205	1-130-474-00	MYLAR 0.0018MF 5% 50V
C119	1-136-153-00	FILM 0.01MF 5% 50V	C206	1-130-474-00	MYLAR 0.0018MF 5% 50V
C120	1-124-657-00	ELECT 10MF 20% 50V	C207	1-130-475-00	MYLAR 0.0022MF 5% 50V
C131	1-123-382-00	ELECT 3.3MF 20% 50V	C208	1-130-475-00	MYLAR 0.0022MF 5% 50V
C141	1-126-059-11	ELECT 10MF 20% 50V	C209	1-130-478-00	MYLAR 0.0039MF 5% 50V
C151	1-123-369-00	ELECT 4.7MF 20% 50V	C210	1-136-173-00	FILM 0.47MF 5% 50V
C152	1-123-369-00	ELECT 4.7MF 20% 50V	C211	1-136-167-00	FILM 0.15MF 5% 50V
C153	1-126-059-11	ELECT 10MF 20% 50V	C212	1-136-155-00	FILM 0.015MF 5% 50V
C154	1-130-475-00	MYLAR 0.0022MF 5% 50V	C213	1-124-791-11	ELECT 1MF 20% 50V
C155	1-130-475-00	MYLAR 0.0022MF 5% 50V	C214	1-136-169-00	FILM 0.22MF 5% 50V
C156	1-130-478-00	MYLAR 0.0039MF 5% 50V	C215	1-136-163-00	FILM 0.068MF 5% 50V
C157	1-136-173-00	FILM 0.47MF 5% 50V	C216	1-136-162-00	FILM 0.056MF 5% 50V
C158	1-136-167-00	FILM 0.15MF 5% 50V	C217	1-124-791-11	ELECT 1MF 20% 50V
C159	1-136-155-00	FILM 0.015MF 5% 50V	C218	1-130-480-00	MYLAR 0.0056MF 5% 50V
C160	1-124-791-11	ELECT 1MF 20% 50V	C219	1-136-153-00	FILM 0.01MF 5% 50V
C161	1-136-169-00	FILM 0.22MF 5% 50V	C220	1-124-657-00	ELECT 10MF 20% 50V
			C231	1-123-382-00	ELECT 3.3MF 20% 50V

Ref.No.	Part No.	Description				
C241	1-126-059-11	ELECT	10MF	20%	50V	
C251	1-123-369-00	ELECT	4.7MF	20%	50V	
C252	1-123-369-00	ELECT	4.7MF	20%	50V	
C253	1-126-059-11	ELECT	10MF	20%	50V	
C254	1-130-475-00	MYLAR	0.0022MF	5%	50V	
C255	1-130-475-00	MYLAR	0.0022MF	5%	50V	
C256	1-130-478-00	MYLAR	0.0039MF	5%	50V	
C257	1-136-173-00	FILM	0.47MF	5%	50V	
C258	1-136-167-00	FILM	0.15MF	5%	50V	
C259	1-136-155-00	FILM	0.015MF	5%	50V	
C260	1-124-791-11	ELECT	1MF	20%	50V	
C261	1-136-169-00	FILM	0.22MF	5%	50V	
C262	1-136-163-00	FILM	0.068MF	5%	50V	
C263	1-136-162-00	FILM	0.056MF	5%	50V	
C264	1-124-791-11	ELECT	1MF	20%	50V	
C265	1-130-480-00	MYLAR	0.0056MF	5%	50V	
C266	1-136-153-00	FILM	0.01MF	5%	50V	
C267	1-126-059-11	ELECT	10MF	20%	50V	
C268	1-130-474-00	MYLAR	0.0018MF	5%	50V	
C269	1-126-059-11	ELECT	10MF	20%	50V	
C270	1-136-163-00	FILM	0.068MF	5%	50V	
C271	1-126-059-11	ELECT	10MF	20%	50V	
C272	1-136-156-00	FILM	0.018MF	5%	50V	
C273	1-136-157-00	FILM	0.022MF	5%	50V	
C274	1-136-156-00	FILM	0.018MF	5%	50V	
C275	1-136-157-00	FILM	0.022MF	5%	50V	
C276	1-136-155-00	FILM	0.015MF	5%	50V	
C278	1-109-619-00	MICA	180PF	5%	500V	
C279	1-107-210-00	MICA	22PF	5%	500V	
C280	1-123-369-00	ELECT	4.7MF	20%	50V	
C291	1-136-803-11	FILM	560PF	5%	630V	
C292	1-107-169-00	MICA	100PF	5%	500V	
C293	1-130-468-00	MYLAR	560PF	5%	50V	
C294	1-136-165-00	FILM	0.1MF	5%	50V	
C295	1-136-165-00	FILM	0.1MF	5%	50V	
C296	1-136-157-00	FILM	0.022MF	5%	50V	
C503	1-136-165-00	FILM	0.1MF	5%	50V	
C504	1-124-925-11	ELECT	2.2MF	20%	50V	
C505	1-124-925-11	ELECT	2.2MF	20%	50V	
C506	1-130-475-00	MYLAR	0.0022MF	5%	50V	
C507	1-124-902-00	ELECT	0.47MF	20%	50V	
C521	1-123-875-11	ELECT	10MF	20%	50V	
C522	1-126-233-11	ELECT	22MF	20%	25V	
C541	1-126-059-11	ELECT	10MF	20%	50V	
C542	1-126-059-11	ELECT	10MF	20%	50V	
C550	1-136-157-00	(US,Canadian)...FILM	0.022MF	5%	50V	
C551	1-124-915-11	ELECT	10MF	20%	63V	
C552	1-124-915-11	ELECT	10MF	20%	63V	
C553	1-124-925-11	ELECT	2.2MF	20%	50V	
C561	1-136-559-11	FILM	0.0047MF	5%	630V	
C562	1-107-045-00	MICA	3.9PF	0.5PF	500V	
C563	1-123-875-11	ELECT	10MF	20%	50V	
C564	1-136-233-11	FILM	0.0047MF	5%	100V	
C565	1-136-228-11	FILM	0.0012MF	5%	100V	
C566	1-136-228-11	FILM	0.0012MF	5%	100V	
C567	1-124-477-11	ELECT	47MF	20%	16V	
C568	1-124-915-11	ELECT	10MF	20%	63V	

Ref.No.	Part No.	Description				
C569	1-124-902-00	ELECT	0.47MF	20%	50V	
C570	1-130-474-00	MYLAR	0.0018MF	5%	50V	
C571	1-130-474-00	MYLAR	0.0018MF	5%	50V	
C572	1-136-157-00	FILM	0.022MF	5%	50V	
C573	1-136-157-00	FILM	0.022MF	5%	50V	
C574	1-124-902-00	ELECT	0.47MF	20%	50V	
C601	1-136-161-00	FILM	0.047MF	5%	50V	
C602	1-136-177-00	FILM	1MF	5%	50V	
C603	1-124-636-00	ELECT	3300MF	20%	25V	
C604	1-124-636-00	ELECT	3300MF	20%	25V	
C605	1-126-101-11	ELECT	100MF	20%	10V	
C606	1-124-602-00	ELECT	2200MF	20%	35V	
C607	1-124-602-00	ELECT	2200MF	20%	35V	
C608	1-124-791-11	ELECT	1MF	20%	50V	
C609	1-123-875-11	ELECT	10MF	20%	50V	
C701	1-124-910-11	ELECT	47MF	20%	50V	
C702	1-124-122-11	ELECT	100MF	20%	50V	
C703	1-126-105-11	ELECT	1000MF	20%	35V	
C704	1-124-927-11	ELECT	4.7MF	20%	50V	
C705	1-124-927-11	ELECT	4.7MF	20%	50V	
C706	1-124-473-11	ELECT	1000MF	20%	10V	
C707	1-124-927-11	ELECT	4.7MF	20%	50V	
C708	1-124-556-11	ELECT	2200MF	20%	16V	
C709	1-124-927-11	ELECT	4.7MF	20%	50V	
C710	1-124-471-00	ELECT	1000MF	20%	6.3V	
C711	1-136-165-00	FILM	0.1MF	5%	50V	
C712	1-124-927-11	ELECT	4.7MF	20%	50V	
C713	1-124-556-11	ELECT	2200MF	20%	16V	
C714	1-124-618-11	ELECT	2200MF	20%	35V	
C801	1-162-294-31	CERAMIC	0.001MF	10%	50V	
C802	1-162-294-31	CERAMIC	0.001MF	10%	50V	
C803	1-124-472-11	ELECT	470MF	20%	6.3V	
C804	1-124-477-11	ELECT	47MF	20%	16V	
C805	1-164-159-11	CERAMIC	0.1MF		50V	
C806	1-164-159-11	CERAMIC	0.1MF		50V	
C807	1-124-927-11	ELECT	4.7MF	20%	50V	
C808	1-161-494-00	CERAMIC	0.022MF		25V	
C809	1-124-443-00	ELECT	100MF	20%	10V	
C810	1-123-875-11	ELECT	10MF	20%	50V	
C901	1-161-379-00	CERAMIC	0.01MF	30%	16V	
C902	1-126-177-11	ELECT	100MF	20%	6.3V	
C903	1-162-294-31	CERAMIC	0.001MF	10%	50V	
C905	1-124-779-00	ELECT CHIP	10MF	20%	16V	
C906	1-135-091-00	TANTAL. CHIP	1MF	10%	16V	
C907	1-163-077-00	CERAMIC CHIP	0.1MF		50V	
C908	1-163-077-00	CERAMIC CHIP	0.1MF		50V	
C909	1-163-077-00	CERAMIC CHIP	0.1MF		50V	
C911	1-124-779-00	ELECT CHIP	10MF	20%	16V	
C910	1-163-205-00	CERAMIC CHIP	0.001MF	10%	50V	
C952	1-124-282-00	ELECT (NONPOLAR)	22MF	20%	25V	
C954	1-124-477-11	ELECT	47MF	20%	25V	
C953	1-124-478-11	ELECT	100MF	20%	25V	
C951	1-136-157-00	FILM	0.022MF	5%	50V	
C957	1-136-159-00	FILM	0.033MF	5%	50V	
C955	1-162-203-31	CERAMIC	15PF	5%	50V	
C956	1-162-203-31	CERAMIC	15PF	5%	50V	
C1051	1-123-875-11	ELECT	10MF	20%	50V	

Ref.No.	Part No.	Description			
C1052	1-123-875-11	ELECT	10MF	20%	50V
C1053	1-164-159-11	CERAMIC	0.1MF		50V
CN501	*1-560-062-00	PIN, CONNECTOR	4P		
CN502	*1-564-508-11	PLUG, CONNECTOR	5P		
CN521	*1-564-666-11	PIN, CONNECTOR	10P		
CN522	*1-564-337-00	PIN, CONNECTOR	3P		
CN523	*1-564-338-00	PIN, CONNECTOR	4P		
CN551	*1-564-507-11	PLUG, CONNECTOR	4P		
CN552	*1-564-507-11	PLUG, CONNECTOR	4P		
CN553	*1-564-507-11	PLUG, CONNECTOR	4P		
CN554	*1-564-509-11	PLUG, CONNECTOR	6P		
CN555	*1-560-062-00	PIN, CONNECTOR	4P		
CN561	*1-560-061-00	PIN, CONNECTOR	3P		
CN562	*1-564-506-11	PLUG, CONNECTOR	3P		
CN563	*1-564-666-11	PIN, CONNECTOR	10P		
CN564	*1-564-506-11	PLUG, CONNECTOR	3P		
CN565	*1-564-505-11	PLUG, CONNECTOR	2P		
CN570	*1-564-520-11	PLUG, CONNECTOR	5P		
CN571	*1-564-519-11	PLUG, CONNECTOR	4P		
CN572	*1-564-519-11	PLUG, CONNECTOR	4P		
CN573	*1-564-519-11	PLUG, CONNECTOR	4P		
CN574	*1-564-521-11	PLUG, CONNECTOR	6P		
CN601	*1-560-061-00	PIN, CONNECTOR	3P		
CN701	*1-564-511-11	PLUG, CONNECTOR	8P		
CN702	*1-564-339-00	PIN, CONNECTOR	5P		
CN801	*1-564-506-11	PLUG, CONNECTOR	3P		
CN802	*1-564-505-11	PLUG, CONNECTOR	2P		
CN803	*1-564-337-00	PIN, CONNECTOR	3P		
CN804	*1-506-503-11	PIN, CONNECTOR	9P		
CN805	*1-564-666-11	PIN, CONNECTOR	10P		
CN806	*1-564-666-11	PIN, CONNECTOR	10P		
CN951	*1-564-718-11	PIN, CONNECTOR (SMALL TYPE)	2P		
CN952	*1-564-518-11	PLUG, CONNECTOR	3P		
CN1001	1-506-615-11	PIN, CONNECTOR	9P		
CN1002	1-564-501-11	PIN, CONNECTOR	8P		
CN1051	*1-564-499-11	PIN, CONNECTOR	6P		
CN1052	*1-564-718-11	PIN, CONNECTOR (SMALL TYPE)	2P		
CN1053	*1-564-718-11	PIN, CONNECTOR (SMALL TYPE)	2P		
CNP701	△1-551-188-XX	(E).....CORD, POWER			
CNP701	△1-555-465-00	(US,Canadian)...CORD, POWER			
CNP701	△1-555-795-00	(WG).....CORD, POWER			
CNP701	△1-556-035-00	(UK).....CORD, POWER			
D131	8-719-107-94	DIODE 1SS202-1			
D141	8-719-107-94	DIODE 1SS202-1			
D231	8-719-107-94	DIODE 1SS202-1			
D241	8-719-107-94	DIODE 1SS202-1			
D501	8-719-107-94	DIODE 1SS202-1			
D502	8-719-107-94	DIODE 1SS202-1			
D521	8-719-107-94	DIODE 1SS202-1			
D522	8-719-107-94	DIODE 1SS202-1			
D523	8-719-107-94	DIODE 1SS202-1			
D524	8-719-107-94	DIODE 1SS202-1			
D525	8-719-107-94	DIODE 1SS202-1			
D526	8-719-107-94	DIODE 1SS202-1			

Ref.No.	Part No.	Description			
D561	8-719-107-94	DIODE 1SS202-1			
D562	8-719-107-94	DIODE 1SS202-1			
D563	8-719-107-94	DIODE 1SS202-1			
D564	8-719-107-94	DIODE 1SS202-1			
D565	8-719-107-94	DIODE 1SS202-1			
D566	8-719-107-94	DIODE 1SS202-1			
D601	8-719-230-02	DIODE 30DF2			
D602	8-719-230-02	DIODE 30DF2			
D603	8-719-230-02	DIODE 30DF2			
D604	8-719-230-02	DIODE 30DF2			
D605	8-719-933-41	DIODE HZS6C3L			
D606	8-719-107-94	DIODE 1SS202-1			
D607	8-719-107-94	DIODE 1SS202-1			
D701	8-719-200-77	DIODE 10E2N			
D702	8-719-200-77	DIODE 10E2N			
D703	8-719-200-77	DIODE 10E2N			
D704	8-719-200-77	DIODE 10E2N			
D705	8-719-200-77	DIODE 10E2N			
D706	8-719-200-77	DIODE 10E2N			
D707	8-719-933-41	DIODE HZS6C3L			
D708	8-719-107-94	DIODE 1SS202-1			
D709	8-719-200-77	DIODE 10E2N			
D710	8-719-933-41	DIODE HZS6C3L			
D711	8-719-015-02	DIODE UZP-8.2BB			
D712	8-719-107-94	DIODE 1SS202-1			
D713	8-719-107-94	DIODE 1SS202-1			
D714	8-719-107-94	DIODE 1SS202-1			
D715	8-719-001-79	DIODE UZL-12H1			
D716	8-719-107-94	DIODE 1SS202-1			
D717	8-719-200-77	DIODE 10E2N			
D801	8-719-107-94	DIODE 1SS202-1			
D802	8-719-200-77	DIODE 10E2N			
D803	8-719-107-94	DIODE 1SS202-1			
D804	8-719-107-94	DIODE 1SS202-1			
D805	8-719-107-94	DIODE 1SS202-1			
D806	8-719-107-94	DIODE 1SS202-1			
D901	8-719-107-94	DIODE 1SS202-1			
D902	8-719-107-94	DIODE 1SS202-1			
D903	8-719-302-46	LED SEL1210S-C			
D904	8-719-302-79	LED SEL1910A-C			
D905	8-719-302-45	LED SEL1210S			
D906	8-719-107-94	DIODE 1SS202-1			
D907	8-719-107-94	DIODE 1SS202-1			
D908	8-719-107-94	DIODE 1SS202-1			
D909	8-719-107-94	DIODE 1SS202-1			
D910	8-719-107-94	DIODE 1SS202-1			
D911	8-719-107-94	DIODE 1SS202-1			
D912	8-719-107-94	DIODE 1SS202-1			
D913	8-719-107-94	DIODE 1SS202-1			
D914	8-719-107-94	DIODE 1SS202-1			
D915	8-719-107-94	DIODE 1SS202-1			
F701	△1-532-285-00	(WG,UK,E)...FUSE, TIME-LAG (1.250A)			
F701	△1-532-741-11	(US,Canadian)...FUSE, GLASS TUBE (1.25A)			
FLT901	1-519-560-11	INDICATOR TUBE, FLUORESCENT			

Note:
The components identified by mark △ or dotted line with mark △ are critical for safety. Replace only with part number specified.

Note:
Les composants identifiés par une marque △ sont critiques pour la sécurité. Ne les remplacer que par une pièce portant le numéro spécifié.

Ref.No.	Part No.	Description
H901	8-719-403-79	HOLE ELEMENT OH009
H902	8-719-403-79	HOLE ELEMENT OH009
H903	8-719-403-79	HOLE ELEMENT OH009
HE501	1-543-358-11	HEAD, MAGNETIC (ERASE)
HRP501	1-543-679-11	HEAD, MAGNETIC (REC/PB)
IC501	8-759-602-01	IC M5220P
IC502	8-752-018-80	IC CX20188
IC503	8-759-945-58	IC RC4558P
IC504	8-759-208-14	IC TC4066BPHB
IC505	8-759-945-58	IC RC4558P
IC541	8-759-601-02	IC M5218P
IC551	8-759-710-59	IC NJM4580D-D
IC552	8-752-018-80	IC CX20188
IC553	8-759-710-59	IC NJM4580D-D
IC561	8-759-106-56	IC UPC1297CA
IC562	8-759-945-58	IC RC4558P
IC801	8-759-240-69	IC TC4069UBP
IC802	8-759-140-11	IC UPD4011BC
IC803	8-759-973-95	IC BA6219B
IC804	8-759-822-09	IC LB1641
IC805	8-759-634-78	IC M50964-222SP
IC901	8-759-302-98	IC HD614042SA87
IC902A	8-759-240-69	IC TC4069UBP
IC902B	8-752-017-40	IC CX20174
IC903	8-759-984-97	IC LM2903P
IC904	8-749-920-83	IC GP1U52XB
IC951	8-759-995-08	IC MC4558
IC952	8-759-201-58	IC TC9142P
IC1001	8-749-920-97	PHOTO REFLECTOR GP2S22B
IC1002	8-749-920-97	PHOTO REFLECTOR GP2S22B
J541	1-507-796-71	JACK (HEADPHONES)
J551	1-565-320-61	JACK, PIN 6P (LINE/CD DIRECT)
JR901	1-216-296-00	METAL GLAZE 0 5% 1/8W
JR902	1-216-296-00	METAL GLAZE 0 5% 1/8W
JR903	1-216-296-00	METAL GLAZE 0 5% 1/8W
JR904	1-216-296-00	METAL GLAZE 0 5% 1/8W
JR905	1-216-296-00	METAL GLAZE 0 5% 1/8W
L101	1-408-927-11	INDUCTOR 18MMH
L151	1-408-916-11	INDUCTOR 2.2MMH
L152	1-408-918-11	INDUCTOR 3.3MMH
L153	1-408-921-11	INDUCTOR 5.6MMH
L154	1-408-929-00	INDUCTOR 27MMH
L155	1-410-767-11	INDUCTOR 2.2MMH
L201	1-408-927-11	INDUCTOR 18MMH
L251	1-408-916-11	INDUCTOR 2.2MMH
L252	1-408-918-11	INDUCTOR 3.3MMH
L253	1-408-921-11	INDUCTOR 5.6MMH
L254	1-408-929-00	INDUCTOR 27MMH
L255	1-410-767-11	INDUCTOR 2.2MMH
LPF151	1-236-087-11	FILTER, LOW PASS
LPF251	1-236-087-11	FILTER, LOW PASS
M1001	X-3356-638-1	MOTOR (REEL R) ASSY
M1002	X-3356-604-1	MOTOR (ASSIST) ASSY
PL561	1-518-471-31	LAMP, PILOT
PL562	1-518-471-31	LAMP, PILOT

Ref.No.	Part No.	Description
Q101	8-729-922-37	TRANSISTOR 2SD2144S
Q102	8-729-922-37	TRANSISTOR 2SD2144S
Q131	8-729-922-37	TRANSISTOR 2SD2144S
Q132	8-729-922-37	TRANSISTOR 2SD2144S
Q151	8-729-141-30	TRANSISTOR 2SC3623A-LK
Q152	8-729-922-37	TRANSISTOR 2SD2144S
Q153	8-729-922-37	TRANSISTOR 2SD2144S
Q154	8-729-922-37	TRANSISTOR 2SD2144S
Q155	8-729-922-37	TRANSISTOR 2SD2144S
Q156	8-729-900-80	TRANSISTOR DTC114ES
Q201	8-729-922-37	TRANSISTOR 2SD2144S
Q202	8-729-922-37	TRANSISTOR 2SD2144S
Q231	8-729-922-37	TRANSISTOR 2SD2144S
Q232	8-729-922-37	TRANSISTOR 2SD2144S
Q251	8-729-141-30	TRANSISTOR 2SC3623A-LK
Q252	8-729-922-37	TRANSISTOR 2SD2144S
Q253	8-729-922-37	TRANSISTOR 2SD2144S
Q254	8-729-922-37	TRANSISTOR 2SD2144S
Q255	8-729-922-37	TRANSISTOR 2SD2144S
Q256	8-729-900-80	TRANSISTOR DTC114ES
Q501	8-729-922-37	TRANSISTOR 2SD2144S
Q502	8-729-900-80	TRANSISTOR DTC114ES
Q503	8-729-900-89	TRANSISTOR DTC144ES
Q504	8-729-821-04	TRANSISTOR 2SA1317-STU
Q520	8-729-900-61	TRANSISTOR DTA114ES
Q521	8-729-900-61	TRANSISTOR DTA114ES
Q522	8-729-900-61	TRANSISTOR DTA114ES
Q523	8-729-900-80	TRANSISTOR DTC114ES
Q524	8-729-900-80	TRANSISTOR DTC114ES
Q525	8-729-900-61	TRANSISTOR DTA114ES
Q526	8-729-900-80	TRANSISTOR DTC114ES
Q551	8-729-900-61	TRANSISTOR DTA114ES
Q552	8-729-900-80	TRANSISTOR DTC114ES
Q561	8-729-194-57	TRANSISTOR 2SC945-P
Q562	8-729-194-57	TRANSISTOR 2SC945-P
Q563	8-729-821-04	TRANSISTOR 2SA1317-STU
Q564	8-729-900-80	TRANSISTOR DTC114ES
Q565	8-729-900-80	TRANSISTOR DTC114ES
Q566	8-729-900-80	TRANSISTOR DTC114ES
Q567	8-729-900-80	TRANSISTOR DTC114ES
Q568	8-729-900-89	TRANSISTOR DTC144ES
Q569	8-729-900-89	TRANSISTOR DTC144ES
Q570	8-729-281-52	TRANSISTOR 2SC1815-Y
Q571	8-729-900-65	TRANSISTOR DTA144ES
Q572	8-729-900-89	TRANSISTOR DTC144ES
Q601	8-729-107-53	TRANSISTOR 2SC2275A
Q602	8-729-922-37	TRANSISTOR 2SD2144S
Q603	8-729-224-62	TRANSISTOR 2SK246-GR
Q604	8-729-900-80	TRANSISTOR DTC114ES
Q605	8-729-230-45	TRANSISTOR 2SC2458-YGR
Q606	8-729-821-04	TRANSISTOR 2SA1317-STU
Q607	8-729-224-62	TRANSISTOR 2SK246-GR
Q608	8-729-141-32	TRANSISTOR 2SA1409-LK
Q609	8-729-190-53	TRANSISTOR 2SA985
Q610	8-729-900-80	TRANSISTOR DTC114ES
Q611	8-729-900-61	TRANSISTOR 2SA1348-TP
Q701	8-729-141-32	TRANSISTOR 2SA1409-LK

Ref.No.	Part No.	Description	Ref.No.	Part No.	Description			
Q702	8-729-140-04	TRANSISTOR 2SB1116A-L	R110	1-249-465-11	CARBON	47K	5%	1/4W
Q703	8-729-920-24	TRANSISTOR DTD114ES	R111	1-247-710-11	CARBON	560	5%	1/4W
Q704	8-729-922-37	TRANSISTOR 2SD2144S	R112	1-247-725-11	CARBON	10K	5%	1/4W
Q705	8-729-230-45	TRANSISTOR 2SC2458-YGR	R113	1-247-718-11	CARBON	2.7K	5%	1/4W
Q706	8-729-920-98	TRANSISTOR 2SD1761-EF	R114	1-247-148-00	CARBON	5.1K	5%	1/4W
Q707	8-729-230-45	TRANSISTOR 2SC2458-YGR	R115	1-246-545-00	CARBON	1M	5%	1/4W
Q708	8-729-920-98	TRANSISTOR 2SD1761-EF	R116	1-247-710-11	CARBON	560	5%	1/4W
Q709	8-729-920-98	TRANSISTOR 2SD1761-EF	R117	1-249-462-11	CARBON	22K	5%	1/4W
Q710	8-729-922-37	TRANSISTOR 2SD2144S	R118	1-247-852-11	CARBON	7.5K	5%	1/4W
Q801	8-729-900-61	TRANSISTOR DTA114ES	R119	1-249-415-11	CARBON	680	5%	1/4W
Q802	8-729-900-61	TRANSISTOR DTA114ES	R120	1-247-854-11	CARBON	9.1K	5%	1/4W
Q803	8-729-900-61	TRANSISTOR DTA114ES	R121	1-249-465-11	CARBON	47K	5%	1/4W
Q804	8-729-900-61	TRANSISTOR DTA114ES	R122	1-249-465-11	CARBON	47K	5%	1/4W
Q805	8-729-900-61	TRANSISTOR DTA114ES	R123	1-249-429-11	CARBON	10K	5%	1/4W
Q806	8-729-900-61	TRANSISTOR DTA114ES	R124	1-249-421-11	CARBON	2.2K	5%	1/4W
Q807	8-729-900-61	TRANSISTOR DTA114ES	R131	1-249-421-11	CARBON	2.2K	5%	1/4W
Q808	8-729-821-04	TRANSISTOR 2SA1317-STU	R132	1-247-717-11	CARBON	2.2K	5%	1/4W
Q809	8-729-900-80	TRANSISTOR DTC114ES	R133	1-249-421-11	CARBON	2.2K	5%	1/4W
Q810	8-729-230-45	TRANSISTOR 2SC2458-YGR	R134	1-215-454-00	METAL	24K	1%	1/6W
Q811	8-729-230-45	TRANSISTOR 2SC2458-YGR	R135	1-249-462-11	CARBON	22K	5%	1/4W
Q812	8-729-900-61	TRANSISTOR DTA114ES	R136	1-215-453-00	METAL	22K	1%	1/6W
Q813	8-729-900-61	TRANSISTOR DTA114ES	R137	1-215-457-00	METAL	33K	1%	1/6W
Q814	8-729-900-61	TRANSISTOR DTA114ES	R138	1-249-408-11	CARBON	180	5%	1/4W
Q815	8-729-900-61	TRANSISTOR DTA114ES	R140	1-249-429-11	CARBON	10K	5%	1/4W
Q816	8-729-821-04	TRANSISTOR 2SA1317-STU	R141	1-259-452-11	CARBON	10K	5%	1/6W
Q901	8-729-900-61	TRANSISTOR DTA114ES	R142	1-259-440-11	CARBON	3.3K	5%	1/6W
Q902	8-729-900-61	TRANSISTOR DTA114ES	R143	1-259-460-11	CARBON	22K	5%	1/6W
Q903	8-729-900-61	TRANSISTOR DTA114ES	R144	1-247-704-11	CARBON	220	5%	1/4W
Q904	8-729-900-61	TRANSISTOR DTA114ES	R149	1-249-425-11	CARBON	4.7K	5%	1/4W
Q905	8-729-920-26	TRANSISTOR DTB114ES	R150	1-247-713-11	CARBON	1K	5%	1/4W
Q906	8-729-920-26	TRANSISTOR DTB114ES	R151	1-249-586-11	CARBON	27K	5%	1/4W
Q907	8-729-900-80	TRANSISTOR DTC114ES	R152	1-249-461-11	CARBON	18K	5%	1/4W
Q908	8-729-230-45	TRANSISTOR 2SC2458-YGR	R153	1-249-469-11	CARBON	100K	5%	1/4W
Q909	8-729-230-45	TRANSISTOR 2SC2458-YGR	R154	1-259-448-11	CARBON	6.8K	5%	1/6W
Q910	8-729-900-61	TRANSISTOR DTA114ES	R155	1-259-442-11	CARBON	3.9K	5%	1/6W
Q911	8-729-900-61	TRANSISTOR DTA114ES	R156	1-259-440-11	CARBON	3.3K	5%	1/6W
Q912	8-729-900-80	TRANSISTOR DTC114ES	R157	1-259-449-11	CARBON	7.5K	5%	1/6W
Q913	8-729-900-80	TRANSISTOR DTC114ES	R158	1-249-462-11	CARBON	22K	5%	1/4W
Q914	8-729-900-61	TRANSISTOR DTA114ES	R159	1-259-468-11	CARBON	47K	5%	1/6W
Q915	8-729-900-61	TRANSISTOR DTA114ES	R161	1-249-543-11	CARBON	430	5%	1/4W
Q916	8-729-900-61	TRANSISTOR DTA114ES	R162	1-247-725-11	CARBON	10K	5%	1/4W
Q917	8-729-900-61	TRANSISTOR DTA114ES	R163	1-247-148-00	CARBON	5.1K	5%	1/4W
Q918	8-729-900-61	TRANSISTOR DTA114ES	R164	1-247-718-11	CARBON	2.7K	5%	1/4W
Q919	8-729-900-80	TRANSISTOR DTC114ES	R165	1-246-545-00	CARBON	1M	5%	1/4W
Q920	8-729-900-61	TRANSISTOR DTA114ES	R166	1-247-710-11	CARBON	560	5%	1/4W
Q921	8-729-900-80	TRANSISTOR DTC114ES	R167	1-249-462-11	CARBON	22K	5%	1/4W
Q922	8-729-900-89	TRANSISTOR DTC144ES	R168	1-247-852-11	CARBON	7.5K	5%	1/4W
Q923	8-729-900-89	TRANSISTOR DTC144ES	R169	1-247-854-11	CARBON	9.1K	5%	1/4W
R001	1-247-752-11	CARBON	1K	5%	1/2W			
R101	1-249-590-11	CARBON	39K	5%	1/4W			
R102	1-247-702-11	CARBON	150	5%	1/4W			
R103	1-249-603-11	CARBON	130K	5%	1/4W			
R104	1-247-722-11	CARBON	5.6K	5%	1/4W			
R105	1-247-716-11	CARBON	1.8K	5%	1/4W			
R106	1-247-138-00	CARBON	2K	5%	1/4W			
R108	1-249-429-11	CARBON	10K	5%	1/4W			
R109	1-247-717-11	CARBON	2.2K	5%	1/4W			
R170	1-249-415-11	CARBON	680	5%	1/4W			
R171	1-247-721-11	CARBON	4.7K	5%	1/4W			
R172	1-247-719-11	CARBON	3.3K	5%	1/4W			
R173	1-249-421-11	CARBON	2.2K	5%	1/4W			
R174	1-247-723-11	CARBON	6.8K	5%	1/4W			
R175	1-249-590-11	CARBON	39K	5%	1/4W			
R176	1-249-429-11	CARBON	10K	5%	1/4W			
R177	1-259-468-11	CARBON	47K	5%	1/6W			
R178	1-259-470-11	CARBON	56K	5%	1/6W			

Ref.No.	Part No.	Description				Ref.No.	Part No.	Description			
R179	1-259-464-11	CARBON	33K	5%	1/6W	R251	1-249-586-11	CARBON	27K	5%	1/4W
R180	1-247-721-11	CARBON	4.7K	5%	1/4W	R252	1-249-461-11	CARBON	18K	5%	1/4W
R181	1-259-406-11	CARBON	120	5%	1/6W	R253	1-249-469-11	CARBON	100K	5%	1/4W
R182	1-259-452-11	CARBON	10K	5%	1/6W	R254	1-259-448-11	CARBON	6.8K	5%	1/6W
R183	1-259-442-11	CARBON	3.9K	5%	1/6W	R255	1-259-442-11	CARBON	3.9K	5%	1/6W
R184	1-259-406-11	CARBON	120	5%	1/6W	R256	1-259-440-11	CARBON	3.3K	5%	1/6W
R185	1-259-452-11	CARBON	10K	5%	1/6W	R257	1-259-449-11	CARBON	7.5K	5%	1/6W
R186	1-259-444-11	CARBON	4.7K	5%	1/6W	R258	1-249-462-11	CARBON	22K	5%	1/4W
R187	1-249-782-11	CARBON	150	5%	1/6W	R259	1-259-468-11	CARBON	47K	5%	1/6W
R189	1-259-436-11	CARBON	2.2K	5%	1/6W	R261	1-249-543-11	CARBON	430	5%	1/4W
R190	1-249-429-11	CARBON	10K	5%	1/4W	R262	1-247-725-11	CARBON	10K	5%	1/4W
R191	1-249-429-11	CARBON	10K	5%	1/4W	R263	1-247-148-00	CARBON	5.1K	5%	1/4W
R192	1-249-429-11	CARBON	10K	5%	1/4W	R264	1-247-718-11	CARBON	2.7K	5%	1/4W
R193	1-249-432-11	CARBON	18K	5%	1/4W	R265	1-246-545-00	CARBON	1M	5%	1/4W
R194	1-249-393-11	CARBON	10	5%	1/4W	R266	1-247-710-11	CARBON	560	5%	1/4W
R195	1-249-435-11	CARBON	33K	5%	1/4W	R267	1-249-462-11	CARBON	22K	5%	1/4W
R196	1-259-480-11	CARBON	150K	5%	1/6W	R268	1-247-852-11	CARBON	7.5K	5%	1/4W
R197	1-249-465-11	CARBON	47K	5%	1/4W	R269	1-247-854-11	CARBON	9.1K	5%	1/4W
R198	1-247-725-11	CARBON	10K	5%	1/4W	R270	1-249-415-11	CARBON	680	5%	1/4W
R201	1-249-590-11	CARBON	39K	5%	1/4W	R271	1-247-721-11	CARBON	4.7K	5%	1/4W
R202	1-247-702-11	CARBON	150	5%	1/4W	R272	1-247-719-11	CARBON	3.3K	5%	1/4W
R203	1-249-603-11	CARBON	130K	5%	1/4W	R273	1-249-421-11	CARBON	2.2K	5%	1/4W
R204	1-247-722-11	CARBON	5.6K	5%	1/4W	R274	1-247-723-11	CARBON	6.8K	5%	1/4W
R205	1-247-716-11	CARBON	1.8K	5%	1/4W	R275	1-249-590-11	CARBON	39K	5%	1/4W
R206	1-247-138-00	CARBON	2K	5%	1/4W	R276	1-249-429-11	CARBON	10K	5%	1/4W
R208	1-249-429-11	CARBON	10K	5%	1/4W	R277	1-259-468-11	CARBON	47K	5%	1/6W
R209	1-247-717-11	CARBON	2.2K	5%	1/4W	R278	1-259-470-11	CARBON	56K	5%	1/6W
R210	1-249-465-11	CARBON	47K	5%	1/4W	R279	1-259-464-11	CARBON	33K	5%	1/6W
R211	1-247-710-11	CARBON	560	5%	1/4W	R280	1-247-721-11	CARBON	4.7K	5%	1/4W
R212	1-247-725-11	CARBON	10K	5%	1/4W	R281	1-259-406-11	CARBON	120	5%	1/6W
R213	1-247-718-11	CARBON	2.7K	5%	1/4W	R282	1-259-452-11	CARBON	10K	5%	1/6W
R214	1-247-148-00	CARBON	5.1K	5%	1/4W	R283	1-259-442-11	CARBON	3.9K	5%	1/6W
R215	1-246-545-00	CARBON	1M	5%	1/4W	R284	1-259-406-11	CARBON	120	5%	1/6W
R216	1-247-710-11	CARBON	560	5%	1/4W	R285	1-259-452-11	CARBON	10K	5%	1/6W
R217	1-249-462-11	CARBON	22K	5%	1/4W	R286	1-259-444-11	CARBON	4.7K	5%	1/6W
R218	1-247-852-11	CARBON	7.5K	5%	1/4W	R287	1-249-782-11	CARBON	150	5%	1/6W
R219	1-249-415-11	CARBON	680	5%	1/4W	R289	1-259-436-11	CARBON	2.2K	5%	1/6W
R220	1-247-854-11	CARBON	9.1K	5%	1/4W	R290	1-249-429-11	CARBON	10K	5%	1/4W
R221	1-249-465-11	CARBON	47K	5%	1/4W	R291	1-249-429-11	CARBON	10K	5%	1/4W
R222	1-249-465-11	CARBON	47K	5%	1/4W	R292	1-249-429-11	CARBON	10K	5%	1/4W
R223	1-249-429-11	CARBON	10K	5%	1/4W	R293	1-249-432-11	CARBON	18K	5%	1/4W
R224	1-249-421-11	CARBON	2.2K	5%	1/4W	R294	1-249-393-11	CARBON	10	5%	1/4W
R231	1-249-421-11	CARBON	2.2K	5%	1/4W	R295	1-249-435-11	CARBON	33K	5%	1/4W
R232	1-247-717-11	CARBON	2.2K	5%	1/4W	R296	1-259-480-11	CARBON	150K	5%	1/6W
R233	1-249-421-11	CARBON	2.2K	5%	1/4W	R297	1-249-465-11	CARBON	47K	5%	1/4W
R234	1-215-454-00	METAL	24K	1%	1/6W	R298	1-247-725-11	CARBON	10K	5%	1/4W
R235	1-249-462-11	CARBON	22K	5%	1/4W	R501	1-249-429-11	CARBON	10K	5%	1/4W
R236	1-215-453-00	METAL	22K	1%	1/6W	R502	1-249-437-11	CARBON	47K	5%	1/4W
R237	1-215-457-00	METAL	33K	1%	1/6W	R503	1-215-472-00	METAL	130K	1%	1/6W
R238	1-249-408-11	CARBON	180	5%	1/4W	R504	1-249-437-11	CARBON	47K	5%	1/4W
R240	1-249-429-11	CARBON	10K	5%	1/4W	R505	1-249-429-11	CARBON	10K	5%	1/4W
R241	1-259-452-11	CARBON	10K	5%	1/6W	R506	1-249-429-11	CARBON	10K	5%	1/4W
R242	1-259-440-11	CARBON	3.3K	5%	1/6W	R507	1-249-431-11	CARBON	15K	5%	1/4W
R243	1-259-460-11	CARBON	22K	5%	1/6W	R508	1-249-417-11	CARBON	1K	5%	1/4W
R244	1-247-704-11	CARBON	220	5%	1/4W	R509	1-249-437-11	CARBON	47K	5%	1/4W
R249	1-249-425-11	CARBON	4.7K	5%	1/4W	R510	1-249-413-11	CARBON	470	5%	1/4W
R250	1-247-713-11	CARBON	1K	5%	1/4W	R511	1-249-432-11	CARBON	18K	5%	1/4W

Ref.No.	Part No.	Description			
R512	1-249-433-11	CARBON	22K	5%	1/4W
R513	1-249-417-11	CARBON	1K	5%	1/4W
R514	1-249-437-11	CARBON	47K	5%	1/4W
R516	1-249-433-11	CARBON	22K	5%	1/4W
R517	1-249-437-11	CARBON	47K	5%	1/4W
R521	1-249-425-11	CARBON	4.7K	5%	1/4W
R522	1-249-425-11	CARBON	4.7K	5%	1/4W
R523	1-249-437-11	CARBON	47K	5%	1/4W
R524	1-249-437-11	CARBON	47K	5%	1/4W
R525	1-249-437-11	CARBON	47K	5%	1/4W
R526	1-249-435-11	CARBON	33K	5%	1/4W
R527	1-249-439-11	CARBON	68K	5%	1/4W
R528	1-249-429-11	CARBON	10K	5%	1/4W
R529	1-249-425-11	CARBON	4.7K	5%	1/4W
R530	1-249-437-11	CARBON	47K	5%	1/4W
R531	1-249-437-11	CARBON	47K	5%	1/4W
R532	1-249-433-11	CARBON	22K	5%	1/4W
R533	1-249-433-11	CARBON	22K	5%	1/4W
R551	1-215-472-00	METAL	130K	1%	1/6W
R552	1-249-429-11	CARBON	10K	5%	1/4W
R553	1-249-421-11	CARBON	2.2K	5%	1/4W
R554	1-249-440-11	CARBON	82K	5%	1/4W
R555	1-249-429-11	CARBON	10K	5%	1/4W
R560	1-249-391-11	CARBON	6.8	5%	1/4W
R561	1-249-391-11	CARBON	6.8	5%	1/4W
R562	1-249-440-11	CARBON	82K	5%	1/4W
R563	1-249-440-11	CARBON	82K	5%	1/4W
R564	1-249-429-11	CARBON	10K	5%	1/4W
R565	1-249-425-11	CARBON	4.7K	5%	1/4W
R566	1-249-418-11	CARBON	1.2K	5%	1/4W
R567	1-249-437-11	CARBON	47K	5%	1/4W
R568	1-247-838-00	CARBON	2K	5%	1/4W
R569	1-247-846-11	CARBON	4.3K	5%	1/4W
R570	1-249-425-11	CARBON	4.7K	5%	1/4W
R571	1-249-423-11	CARBON	3.3K	5%	1/4W
R572	1-247-856-00	CARBON	11K	5%	1/4W
R573	1-247-856-00	CARBON	11K	5%	1/4W
R574	1-249-397-11	CARBON	22	5%	1/4W
R575	1-249-406-11	CARBON	120	5%	1/4W
R576	1-247-887-00	CARBON	220K	5%	1/4W
R577	1-249-437-11	CARBON	47K	5%	1/4W
R578	1-249-432-11	CARBON	18K	5%	1/4W
R579	1-249-432-11	CARBON	18K	5%	1/4W
R580	1-249-397-11	CARBON	22	5%	1/4W
R581	1-249-406-11	CARBON	120	5%	1/4W
R582	1-247-887-00	CARBON	220K	5%	1/4W
R583	1-249-407-11	CARBON	150	5%	1/4W
R584	1-249-427-11	CARBON	6.8K	5%	1/4W
R585	1-249-381-11	CARBON	1	5%	1/4W
R586	1-249-422-11	CARBON	2.7K	5%	1/4W
R601	△1-212-863-00	FUSIBLE	18	5%	1/4W F
R602	1-247-717-11	CARBON	2.2K	5%	1/4W
R603	1-247-717-11	CARBON	2.2K	5%	1/4W
R604	1-247-706-11	CARBON	330	5%	1/4W
R605	1-249-556-11	CARBON	1.5K	5%	1/4W
R606	1-249-556-11	CARBON	1.5K	5%	1/4W
R607	1-247-717-11	CARBON	2.2K	5%	1/4W

Ref.No.	Part No.	Description			
R608	1-249-926-11	CARBON	1.3K	5%	1/4W
R609	△1-217-637-00	FUSIBLE	1	5%	1/4W F
R610	1-249-417-11	CARBON	1K	5%	1/4W
R701	1-249-425-11	CARBON	4.7K	5%	1/4W
R702	1-249-429-11	CARBON	10K	5%	1/4W
R703	1-249-431-11	CARBON	15K	5%	1/4W
R704	1-249-425-11	CARBON	4.7K	5%	1/4W
R705	1-249-421-11	CARBON	2.2K	5%	1/4W
R706	1-249-421-11	CARBON	2.2K	5%	1/4W
R707	1-249-421-11	CARBON	2.2K	5%	1/4W
R708	1-249-427-11	CARBON	6.8K	5%	1/4W
R709	1-249-425-11	CARBON	4.7K	5%	1/4W
R710	1-247-752-11	CARBON	1K	5%	1/2W
R711	1-249-429-11	CARBON	10K	5%	1/4W
R712	1-249-421-11	CARBON	2.2K	5%	1/4W
R713	1-249-437-11	CARBON	47K	5%	1/4W
R714	1-249-425-11	CARBON	4.7K	5%	1/4W
R715	1-249-421-11	CARBON	2.2K	5%	1/4W
R801	1-247-887-00	CARBON	220K	5%	1/4W
R802	1-247-887-00	CARBON	220K	5%	1/4W
R803	1-249-436-11	CARBON	39K	5%	1/4W
R804	1-249-436-11	CARBON	39K	5%	1/4W
R805	1-249-429-11	CARBON	10K	5%	1/4W
R806	1-249-435-11	CARBON	33K	5%	1/4W
R807	1-249-429-11	CARBON	10K	5%	1/4W
R808	1-249-429-11	CARBON	10K	5%	1/4W
R809	△1-249-484-11	CARBON	6.8	5%	1/2W F
R810	1-247-854-11	CARBON	9.1K	5%	1/4W
R811	1-249-429-11	CARBON	10K	5%	1/4W
R812	△1-249-484-11	CARBON	6.8	5%	1/2W F
R813	1-249-429-11	CARBON	10K	5%	1/4W
R814	1-249-429-11	CARBON	10K	5%	1/4W
R815	1-249-425-11	CARBON	4.7K	5%	1/4W
R816	1-249-413-11	CARBON	470	5%	1/4W
R817	1-249-429-11	CARBON	10K	5%	1/4W
R818	1-249-429-11	CARBON	10K	5%	1/4W
R819	1-249-429-11	CARBON	10K	5%	1/4W
R820	1-249-429-11	CARBON	10K	5%	1/4W
R821	1-249-429-11	CARBON	10K	5%	1/4W
R822	1-249-429-11	CARBON	10K	5%	1/4W
R823	1-249-429-11	CARBON	10K	5%	1/4W
R824	1-249-429-11	CARBON	10K	5%	1/4W
R825	1-249-429-11	CARBON	10K	5%	1/4W
R826	1-249-429-11	CARBON	10K	5%	1/4W
R827	1-249-425-11	CARBON	4.7K	5%	1/4W
R828	1-249-425-11	CARBON	4.7K	5%	1/4W
R829	1-249-435-11	CARBON	33K	5%	1/4W
R830	1-249-413-11	CARBON	470	5%	1/4W
R832	1-247-903-00	CARBON	1M	5%	1/4W
R833	1-249-417-11	CARBON	1K	5%	1/4W
R834	1-249-425-11	CARBON	4.7K	5%	1/4W
R835	1-249-435-11	CARBON	33K	5%	1/4W
R836	1-249-440-11	CARBON	82K	5%	1/4W
R837	1-249-435-11	CARBON	33K	5%	1/4W
R838	1-249-437-11	CARBON	47K	5%	1/4W
R839	1-249-435-11	CARBON	33K	5%	1/4W
R840	1-249-435-11	CARBON	33K	5%	1/4W

Note:
The components identified by mark △ or dotted line with mark △ are critical for safety. Replace only with part number specified.

Note:
Les composants identifiés par une marque △ sont critiques pour la sécurité. Ne les remplacer que par une pièce portant le numéro spécifié.

Ref.No.	Part No.	Description				
R841	1-249-429-11	CARBON	10K	5%	1/4W	
R842	1-249-429-11	CARBON	10K	5%	1/4W	
R843	1-249-429-11	CARBON	10K	5%	1/4W	
R844	1-249-408-11	CARBON	180	5%	1/4W	
R845	1-249-411-11	CARBON	330	5%	1/4W	
R846	1-249-408-11	CARBON	180	5%	1/4W	
R847	1-249-435-11	CARBON	33K	5%	1/4W	
R848	1-249-435-11	CARBON	33K	5%	1/4W	
R849	1-249-427-11	CARBON	6.8K	5%	1/4W	
R901	1-249-441-11	CARBON	100K	5%	1/4W	
R902	1-249-441-11	CARBON	100K	5%	1/4W	
R903	1-249-441-11	CARBON	100K	5%	1/4W	
R904	1-249-441-11	CARBON	100K	5%	1/4W	
R905	1-249-441-11	CARBON	100K	5%	1/4W	
R906	1-249-441-11	CARBON	100K	5%	1/4W	
R907A	1-249-441-11	CARBON	100K	5%	1/4W	
R907B	1-216-242-00	METAL GLAZE	68K	5%	1/8W	
R908A	1-249-441-11	CARBON	100K	5%	1/4W	
R908B	1-216-246-00	METAL GLAZE	100K	5%	1/8W	
R909A	1-249-441-11	CARBON	100K	5%	1/4W	
R909B	1-216-246-00	METAL GLAZE	100K	5%	1/8W	
R910A	1-249-441-11	CARBON	100K	5%	1/4W	
R910B	1-216-238-00	METAL GLAZE	47K	5%	1/8W	
R911A	1-249-441-11	CARBON	100K	5%	1/4W	
R911B	1-216-182-00	METAL GLAZE	220	5%	1/8W	
R912A	1-249-441-11	CARBON	100K	5%	1/4W	
R912B	1-216-182-00	METAL GLAZE	220	5%	1/8W	
R913A	1-249-441-11	CARBON	100K	5%	1/4W	
R913B	1-216-150-00	METAL GLAZE	10	5%	1/8W	
R914A	1-249-441-11	CARBON	100K	5%	1/4W	
R914B	1-216-150-00	METAL GLAZE	10	5%	1/8W	
R915A	1-249-441-11	CARBON	100K	5%	1/4W	
R915B	1-216-150-00	METAL GLAZE	10	5%	1/8W	
R916	1-249-441-11	CARBON	100K	5%	1/4W	
R917	1-249-441-11	CARBON	100K	5%	1/4W	
R918	1-249-441-11	CARBON	100K	5%	1/4W	
R919	1-249-441-11	CARBON	100K	5%	1/4W	
R920	1-249-441-11	CARBON	100K	5%	1/4W	
R921	1-249-441-11	CARBON	100K	5%	1/4W	
R922	1-247-903-00	CARBON	1M	5%	1/4W	
R923	1-215-452-00	METAL	20K	1%	1/6W	
R924	1-215-452-00	METAL	20K	1%	1/6W	
R925	1-215-445-00	METAL	10K	1%	1/6W	
R926	1-215-452-00	METAL	20K	1%	1/6W	
R927	1-215-445-00	METAL	10K	1%	1/6W	
R928	1-215-452-00	METAL	20K	1%	1/6W	
R929	1-215-445-00	METAL	10K	1%	1/6W	
R930	1-215-452-00	METAL	20K	1%	1/6W	
R931	1-215-445-00	METAL	10K	1%	1/6W	
R932	1-215-452-00	METAL	20K	1%	1/6W	
R933	1-215-445-00	METAL	10K	1%	1/6W	
R934	1-215-452-00	METAL	20K	1%	1/6W	
R935	1-215-445-00	METAL	10K	1%	1/6W	
R936	1-215-460-00	METAL	43K	1%	1/6W	

Ref.No.	Part No.	Description				
R937	1-215-425-00	METAL	1.5K	1%	1/6W	
R938	1-249-429-11	CARBON	10K	5%	1/4W	
R939	1-249-409-11	CARBON	220	5%	1/4W	
R940	1-249-429-11	CARBON	10K	5%	1/4W	
R941	1-249-429-11	CARBON	10K	5%	1/4W	
R942	1-249-422-11	CARBON	2.7K	5%	1/4W	
R943	1-249-424-11	CARBON	3.9K	5%	1/4W	
R944	1-249-428-11	CARBON	8.2K	5%	1/4W	
R945	1-249-434-11	CARBON	27K	5%	1/4W	
R946	1-249-422-11	CARBON	2.7K	5%	1/4W	
R947	1-249-424-11	CARBON	3.9K	5%	1/4W	
R948	1-249-428-11	CARBON	8.2K	5%	1/4W	
R949	1-249-434-11	CARBON	27K	5%	1/4W	
R950	1-249-427-11	CARBON	6.8K	5%	1/4W	
R951A	1-249-428-11	CARBON	8.2K	5%	1/4W	
R951B	1-249-413-11	CARBON	470	5%	1/4W	
R952A	1-249-425-11	CARBON	4.7K	5%	1/4W	
R952B	1-249-413-11	CARBON	470	5%	1/4W	
R953A	1-249-429-11	CARBON	10K	5%	1/4W	
R953B	1-247-881-00	CARBON	120K	5%	1/4W	
R954A	1-249-429-11	CARBON	10K	5%	1/4W	
R954B	1-247-881-00	CARBON	120K	5%	1/4W	
R955A	1-249-425-11	CARBON	4.7K	5%	1/4W	
R955B	1-249-429-11	CARBON	10K	5%	1/4W	
R956A	1-249-425-11	CARBON	4.7K	5%	1/4W	
R956B	1-249-417-11	CARBON	1K	5%	1/4W	
R957	1-249-417-11	CARBON	1K	5%	1/4W	
R958	1-247-891-00	CARBON	330K	5%	1/4W	
R959	1-247-901-11	CARBON	820K	5%	1/4W	
R960	1-249-441-11	CARBON	100K	5%	1/4W	
R1001	1-249-408-11	CARBON	180	5%	1/4W	
R1002	1-249-408-11	CARBON	180	5%	1/4W	
R1051	1-249-412-11	CARBON	390	5%	1/4W	
RV101	1-228-993-00	RES, ADJ, CARBON	5K			
RV131	1-228-995-00	RES, ADJ, CARBON	22K			
RV151	1-228-994-00	RES, ADJ, CARBON	10K			
RV152	1-228-993-00	RES, ADJ, CARBON	4.7K			
RV153	1-228-995-00	RES, ADJ, CARBON	22K			
RV201	1-228-993-00	RES, ADJ, CARBON	5K			
RV231	1-228-995-00	RES, ADJ, CARBON	22K			
RV251	1-228-994-00	RES, ADJ, CARBON	10K			
RV252	1-228-993-00	RES, ADJ, CARBON	4.7K			
RV253	1-228-995-00	RES, ADJ, CARBON	22K			
RV541	1-238-085-11	REA, VAR, CARBON	20K/20K			(PHONE LEVEL)
RV551	1-238-687-11	RES, VAR, CARBON	50K/50K			(BALANCE)
RV552	1-238-833-21	RES, VAR, CARBON	20K/20K			(REC LEVEL)
RV553	1-238-832-11	RES, VAR, CARBON	5K/5K			(REC LEVEL)
RV561	1-238-834-11	RES, VAR, CARBON	5K/5K			(BIAS)
RV571	1-230-504-11	RES, ADJ, CARBON	220			
RV572	1-230-504-11	RES, ADJ, CARBON	220			
RV573	1-228-993-00	RES, ADJ, CARBON	4.7K			
RV574	1-228-996-00	RES, ADJ, CARBON	47K			
RV803	1-228-993-00	RES, ADJ, CARBON	4.7K			

Ref.No.	Part No.	Description
S521	1-572-153-11	SWITCH, PUSH (1 KEY)(CD DIRECT)
S522	1-572-154-11	SWITCH, ROTARY (DOLBY NR)
S523	1-572-152-11	SWITCH, PUSH (3 KEY) (MPX FILTER/HXPRO/CALIBRATION)
S701	△1-570-103-21	SWITCH, PUSH (1 KEY)(POWER)
S801	1-516-781-XX	SWITCH, SLIDE (TIMER)
S901	1-554-303-21	SWITCH, KEY BOARD (COUNTER RESET)
S902	1-554-303-21	SWITCH, KEY BOARD (COUNTER MEMORY)
S903	1-554-303-21	SWITCH, KEY BOARD (OPEN/CLOSE)
S904	1-554-303-21	SWITCH, KEY BOARD (■)
S905	1-554-303-21	SWITCH, KEY BOARD (◀◀)
S906	1-554-303-21	SWITCH, KEY BOARD (▶▶)
S907	1-554-303-21	SWITCH, KEY BOARD (•)
S908	1-554-303-21	SWITCH, KEY BOARD (▶)
S909	1-554-303-21	SWITCH, KEY BOARD (◻)
S910	1-554-303-21	SWITCH, KEY BOARD (◀◀)
S911	1-554-303-21	SWITCH, KEY BOARD (▶▶)
S912	1-554-303-21	SWITCH, KEY BOARD (○)
S913	1-554-303-21	SWITCH, KEY BOARD (DISPLAY)
S914	1-554-303-21	SWITCH, KEY BOARD (MONITOR)
S1001	1-466-238-11	ENCODER, ROTARY
S1002	1-570-953-11	SWITCH, PUSH (1 KEY)(DOOR)
S1003	1-571-958-11	SWITCH, PUSH (1 KEY)(CLOSE)
S1004	1-572-126-11	SWITCH, PUSH (1 KEY)(OPEN)
S1005	1-572-125-11	SWITCH, LEAF (FWD)
S1006	1-572-202-11	SWITCH, LEAF (HALF)
S1007	1-572-125-11	SWITCH, LEAF (METAL)
S1008	1-572-125-11	SWITCH, LEAF (70M)
T151	1-433-360-11	TRANSFORMER, BIAS OSCILLATION
T251	1-433-360-11	TRANSFORMER, BIAS OSCILLATION
T561	1-433-359-11	TRANSFORMER, BIAS OSCILLATION
T701	△1-449-985-11	(US,Canadian)...TRANSFORMER, POWER
T701	△1-449-986-11	(WG,UK).....TRANSFORMER, POWER
T701	△1-450-065-11	(E).....TRANSFORMER, POWER
TB1001	*1-569-066-11	PIN, CONNECTOR 5P (4.934MHz)
VS701	△1-570-307-11	(E)...SWITCH, VOLTAGE CHANGE
X801	1-577-358-21	VIBRATOR, CERAMIC (4MHz)
X901	1-577-101-11	VIBRATOR, CERAMIC (4.19MHz)
X951	1-577-615-11	VIBRATOR, CRYSTAL (4.934MHz)

ACCESSORY & PACKING MATERIAL

1-465-314-11	(E)...REMOTE COMMANDER (RM-J701)
2-181-754-01	(E)...COVER, BATTERY (FOR RM-J701)
1-551-734-11	CORD, CONNECTION (RK-74A)
3-703-450-01	(US)...INSTRUCTION
3-704-366-01	(WG,K850ES:E)...SCREW (CASE) (M3X8)
*3-350-463-01	(US,Canadian,UK,K222ESG)...CUSHION
*3-356-960-01	(WG,K850ES:E).....CUSHION
*3-350-464-31	(US,Canadian,UK)...INDIVIDUAL CARTON
*3-350-464-41	(K222ESG).....INDIVIDUAL CARTON
*3-354-919-11	(WG,K850ES:E).....INDIVIDUAL CARTON
3-751-089-11	(Canadian,WG,UK,E)...MANUAL, INSTRUCTION
3-751-089-21	(US).....MANUAL, INSTRUCTION
3-751-764-11	(E)...MANUAL, INSTRUCTION
*3-703-710-41	STICKER, SONY SYMBOL (12)

Note:
The components identified by mark △ or dotted line with mark △ are critical for safety. Replace only with part number specified.

Note:
Les composants identifiés par une marque △ sont critiques pour la sécurité. Ne les remplacer que par une pièce portant le numéro spécifié.

