

TC-K222ESL/K870ES

SERVICE MANUAL

E Model
TC-K222ESL

US Model

Canadian Model

UK Model

E Model
TC-K870ES

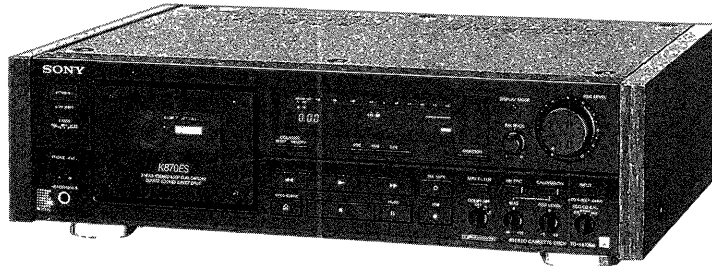


Photo : TC-K870ES

Dolby noise reduction manufactured under license from Dolby Laboratories Licensing Corporation. "DOLBY" and the double-D symbol $\square\square$ are trademarks of Dolby Laboratories Licensing Corporation.

Model Name Using Similar Mechanism	TC-K222ESG
Base Unit Name	TCM-200D4

SPECIFICATIONS

Recording system 4-track 2-channel stereo
Fast winding time Approx. 90 sec.
(with Sony C-60 cassette)
Bias AC bias
Heads Erasing head \times 1 (LA head)
Recording head \times 1 (LA head)
Playback head \times 1 (LA head)
Motors Capstan motor \times 1
(direct-drive linear torque BSL motor)
Reel motor \times 1 (DC motor)
DC motor \times 1
Wow and flutter \pm 0.04% W.Peak (IEC)
 \pm 0.024% WRMS (NAB)
 \pm 0.065% W.Peak (DIN)
Signal-to-noise ratio (NAB, at peak level)

Cassette	Dolby NR switch		
	OFF	B-Type ON	C-Type ON
Type IV (Sony METAL-S/SLT)	61 dB	70 dB	76 dB
Type II (Sony UX-S)	59 dB	68 dB	74 dB
Type I (Sony HF-S)	57 dB	66 dB	72 dB

Total harmonic distortion 1.0% (with Sony METAL-S/SLT cassette)
Frequency response (DOLBY NR OFF)

Type IV cassette (Sony METAL-S/SLT)	15 - 22,000 Hz (\pm 3 dB) 15 - 16,000 Hz (\pm 3 dB 0VU recording)
Type II cassette (Sony UX-S)	15 - 20,000 Hz (\pm 3 dB)
Type I cassette (Sony HF-S)	15 - 17,000 Hz (\pm 3 dB)

Inputs

Line inputs (phono jacks) CD DIRECT input (phono jacks)	Sensitivity	77.5 mV
	Input impedance	47 kohms

Outputs

Line outputs (phono jacks)	Rated output level	0.44 V at a load impedance of 47 kohms
	Load impedance	Over 10 kohms
Headphones (stereo phone jack)	Output level	0 - 2.5 mW at a load impedance of 32 ohms

General

Power requirements Model for European countries:
220 - 230 V AC, (or 240 V AC adjustable by Sony personnel), 50/60 Hz
Model for US, Canada:
120 V AC, 60 Hz
Model for the United Kingdom:
240 V AC (or 220 V AC adjustable by Sony personnel), 50/60 Hz
Model for other countries:
120, 220, or 240 V AC adjustable, 50/60 Hz
Power consumption 23 W

- Continued on next page -

STEREO CASSETTE DECK
SONY[®]

Dimensions Approx. 430 × 135 × 350 mm (w/h/d)
 (17 × 5³/₈ × 13⁷/₈ inches)
 Approx. 470 × 135 × 350 mm (w/h/d)*
 (18⁵/₈ × 5³/₈ × 13⁷/₈ inches)*

Weight Approx. 6.9 kg (15 lbs 4 oz)
 Approx. 7.9 kg (17 lbs 7 oz)*

* including projecting parts, controls and wooden side panels

Supplied accessories Audio connecting cord (2)
 Wireless remote commander J701 (1)**
 Sony size AA (R6) batteries (2)**

** Except for the United Kingdom, Canada and Germany model

Design and specifications subject to change without notice.

Note
 This appliance conforms with EEC Directive 87/308/EEC regarding interference suppression.

TABLE OF CONTENTS

<u>Section</u>	<u>Title</u>	<u>Page</u>	<u>Section</u>	<u>Title</u>	<u>Page</u>
1. GENERAL			4. ELECTRICAL ADJUSTMENTS		22
	Identification of Front Panel Parts	4	5. DIAGRAMS		
	Remote Commander	5	5-1. Block Diagram		26
	Playing Back	6	5-2. Semiconductor Lead Layouts		30
	Locating a Selection	7	5-3. Printing Wiring Board – Main Section –		31
	Playing Back Automatically after Rewinding	8	5-4. Schematic diagram – Main Section –		35
	Locating a Desired Position Using the Counter	9	5-5. Schematic diagram – Panel Section –		40
	Recording	10	5-6. Printing Wiring Board – Panel Section –		42
	Making an Optimum Recording According to the Tape Type	11	5-7. IC Block Diagrams		45
	Recording	13	5-8. Pin Function of IC801 and IC901		46
	Inserting a Blank Space during Recording	14	6. EXPLODED VIEWS		
	Synchronized Recording with a CD Player	15	(1) Chassis Section		49
	Time-Activated Playback and Recording	16	(2) Panel Section		50
2. DISASSEMBLY		17	(3) Mechanism Section 1 (TCM-200D4)		51
3. MECHANICAL ADJUSTMENTS		19	(4) Mechanism Section 2 (TCM-200D4)		52
			7. ELECTRICAL PARTS LIST		53

SAFETY-RELATED COMPONENT WARNING!!

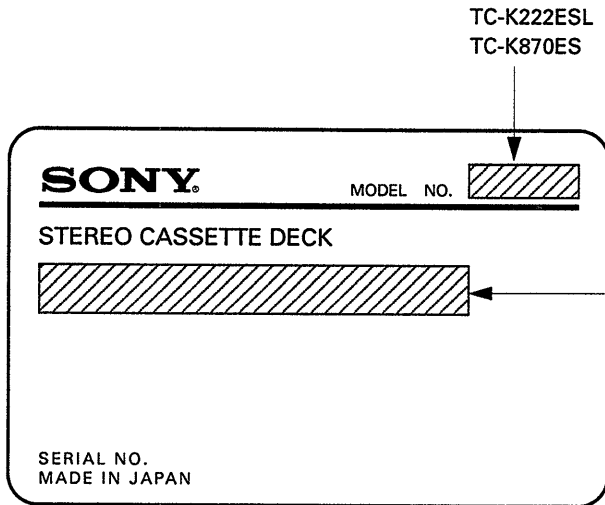
COMPONENTS IDENTIFIED BY MARK \triangle OR DOTTED LINE WITH MARK \triangle ON THE SCHEMATIC DIAGRAMS AND IN THE PARTS LIST ARE CRITICAL TO SAFE OPERATION. REPLACE THESE COMPONENTS WITH SONY PARTS WHOSE PART NUMBERS APPEAR AS SHOWN IN THIS MANUAL OR IN SUPPLEMENTS PUBLISHED BY SONY.

ATTENTION AU COMPOSANT AYANT RAPPORT À LA SÉCURITÉ!

LES COMPOSANTS IDENTIFIÉS PAR UNE MARQUE \triangle SUR LES DIAGRAMMES SCHÉMATIQUES ET LA LISTE DES PIÈCES SONT CRITIQUES POUR LA SÉCURITÉ DE FONCTIONNEMENT. NE REMPLACER CES COMPOSANTS QUE PAR DES PIÈCES SONY DONT LES NUMÉROS SONT DONNÉS DANS CE MANUEL OU DANS LES SUPPLÉMENTS PUBLIÉS PAR SONY.

MODEL IDENTIFICATION

- PANEL , BACK -



US, Canadian MODEL : AC 120V, 60Hz 23w
 UK MODEL : AC240V, 50/60Hz
 Germany MODEL : AC220-230V, 50/60Hz
 E MODEL : AC120, 220, 240V, 50/60Hz 23w

SAFETY CHECK-OUT

After correcting the original service problem, perform the following safety check before releasing the set to the customer: Check the antenna terminals, metal trim, "metallized" knobs, screws, and all other exposed metal parts for AC leakage. Check leakage as described below.

LEAKAGE TEST

The AC leakage from any exposed metal part to earth ground and from all exposed metal parts to any exposed metal part having a return to chassis, must not exceed 0.5mA (500 microamperes). Leakage current can be measured by any one of three methods.

1. A commercial leakage tester, such as the Simpson 229 or RCA WT-540A. Follow the manufacturers' instructions to use these instruments.
2. A battery-operated AC milliammeter. The Data Precision 245 digital multimeter is suitable for this job.

3. Measuring the voltage drop across a resistor by means of a VOM or battery-operated AC voltmeter. The "limit" indication is 0.75V, so analog meters must have an accurate low-voltage scale. The Simpson 250 and Sanwa SH-63Trd are examples of a passive VOM that is suitable. Nearly all battery operated digital multimeters that have a 2V AC range are suitable. (See Fig.A)

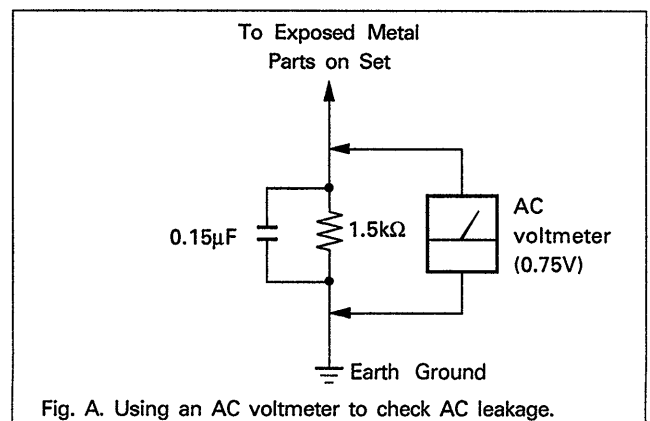
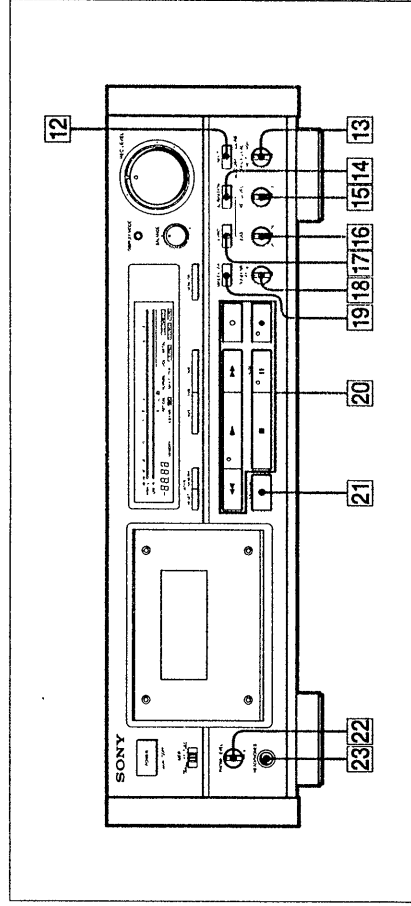
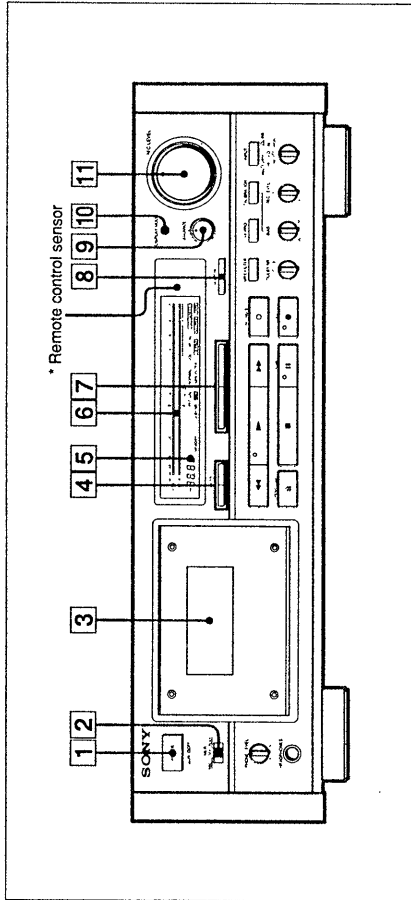


Fig. A. Using an AC voltmeter to check AC leakage.

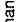
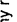
**SECTION 1
GENERAL**

This section is extracted from instruction manual.

**Identification of Front Panel
Parts**



For details, refer to the page number indicated in ●.

- 1 POWER switch
- 2 TIMER switch ●
- 3 Cassette holder
- 4 Counter buttons
- 5 RESET button ●
- 6 MEMORY button ●
- 7 LINEAR COUNTER ●
- 8 PEAK PROGRAM METER ●
- 9 Remote control sensor
You can remotely control this cassette deck with:
— A remote commander that came with a Sony amplifier or receiver if it has the  mark and cassette deck control capability.
— An optional Sony remote commander with the  mark and cassette deck control capability.
- 10 AMS (Automatic Music Sensor) buttons ●
- 11 MONITOR button ● ●
- 12 BALANCE control
- 13 DISPLAY MODE button ●
- 14 REC (recording) LEVEL control ● ●

(Continued on next page.)

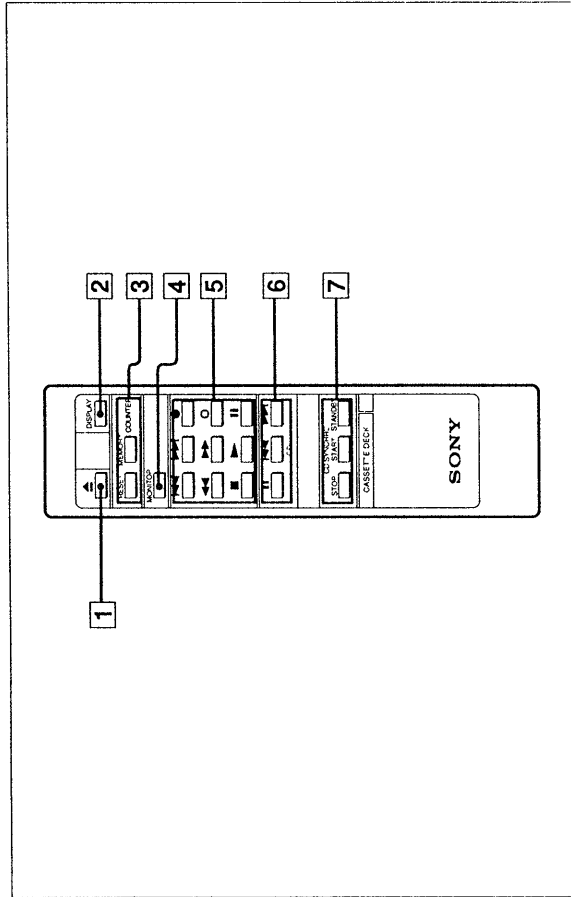
For details, refer to the page number indicated in ●.

(Continued from previous page.)

- 15 INPUT button ●
- 16 REC EQ CAL (recording equalizing calibration) switch (LOW, NORMAL, HIGH) ●
- 17 CALIBRATION button ●
- 18 REC (recording) LEVEL control for calibration ● ●
- 19 BIAS control ● ●
- 20 HX PRO button ● ●
- 21 DOLBY NR (noise reduction) switch ● ●
- 22 MPX FILTER button ●
- 23 Tape operation buttons and indicators
 - ◀◀ (rewind) button
 - (stop) button
 - ▶▶ (play) button and indicator
 - ▶ (fast-forward) button
 - REC (recording) button and indicator
 - || PAUSE button and indicator
 - REC MUTE (record muting) button ●
- 24 OPEN/CLOSE button
- 25 PHONE (headphones) LEVEL control
- 26 HEADPHONES jack (stereo phone jack) ●

Remote Commander

(Except for the United Kingdom, Canada and Germany mode)



The controls on the remote commander are identical in function and operation to those with the same name on the main unit.

For details, refer to the page number indicated in ●

- 1 ● OPEN/CLOSE button
- 2 ● DISPLAY button
- 3 ● Counter buttons
- 4 ● MONITOR button
- 5 ● Tape operation buttons
- 6 ● CD (Compact Disc) buttons for controlling Sony CD players
 - (pause) button
 - ◀▶ (locate) buttons for locating selections sequentially
- 7 ● CD SYNCHRO buttons for synchronized recording with a Sony CD player

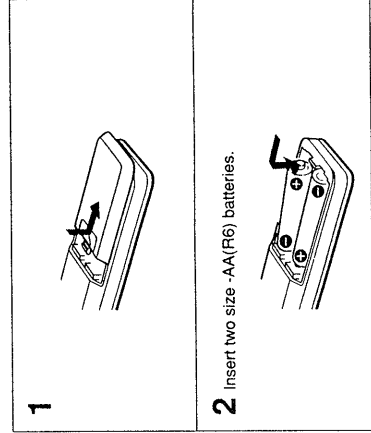
Installing Batteries

On battery life

- About half a year of normal operation can be expected when using the Sony SUM-3(NS) batteries.
- When the batteries are run down, the remote commander will not operate the unit. In this case, replace both batteries with new ones.

On handling

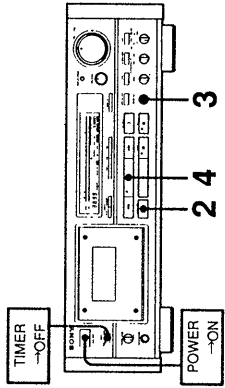
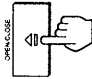
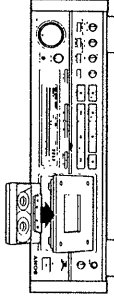
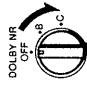
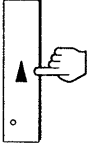
- Keep the commander away from extremely hot or humid places.
- Avoid dropping any foreign objects into the commander casing, particularly when replacing the batteries.
- Avoid exposing the remote sensor to direct sunlight or lighting apparatus. Such exposure can cause a malfunction.
- To avoid damage caused by battery leakage and corrosion, remove the batteries when the commander will not be used for a long time.

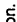






2 Insert two size-AA(R6) batteries.

Playing Back

Follow the procedure below to play back a cassette.

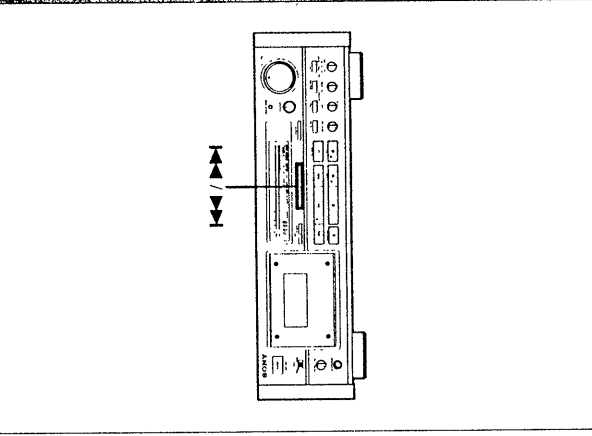
	<p>1 Turn on the amplifier and select the tape function.</p>	<p>2 Insert a cassette.</p>  
<p>3 Set DOLBY NR to the same position that was used when the cassette was recorded.</p> 	<p>4 Start playback.</p> 	

- To stop playback, press the  button.
- To stop playback momentarily, press the  button.
- To restart playback, press the  button.
- To fastwind a tape rightward, press the  button in stop mode.
- To fastwind the tape leftward, press the  button in stop mode.

Locating a Selection - Automatic Music Sensor (AMS)

Selecting the display mode
You may choose among three display modes by pressing the DISPLAY MODE button: (1) all indications are displayed; (2) only the counter is displayed; or (3) no display.

The AMS function detects the blank space between selections, allowing you to quickly locate the beginning of desired selections.



During playback, press ►►► or ◄◄◄ referring to the following table.

Desired selection	
Next selection	►►
Selection being played	◄◄

The PLAY indicator flashes while the AMS searches for the beginning of the selection. After locating the beginning of the selection, playback will start automatically.

The TIMER switch must be set to OFF
Otherwise, recording or playback will start automatically when the power is turned on.

Is it necessary to set the tape type being used?
No. The deck has an automatic tape type detection system.

To start operations while the cassette holder is open
Operations may be started while the cassette holder is open. For example, when the ► button is pressed while the cassette holder is open, the cassette holder will close and playback will start. Similarly, pressing the ◄, ►►, or ◄◄ buttons while the cassette holder is open will close the cassette holder and start the respective operation.

To change to recording mode during playback
Keeping the ► button pressed, press the ● button. The unit immediately switches from playback to recording without stopping the tape. This is useful when editing previously recorded material.

For headphones listening
Connect the headphone plug to the HEAD PHONES jack. The listening level can be controlled with the PHONE LEVEL control.

Is it necessary to set the MONITOR button for playback?
No. The TAPE mode is automatically selected and TAPE is displayed.

What is Dolby NR system?
The Dolby NR (noise reduction) system reduces tape hiss noise in low-level, high-frequency signals by boosting the signals during recording and lowering them during playback.

Note
The Dolby HX Pro system is effective only during recording, not during playback.

The AMS may skip a selection in the following cases:

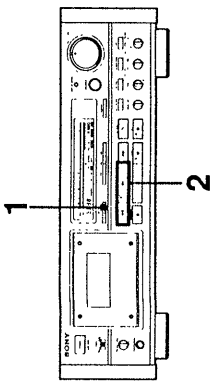
- If the ►►► (or ◄◄◄) button is pressed immediately before the following selection.
- If there is noise in the space between selections.
- If the space is less than four seconds long.

The AMS will treat the following as blanks:

- a long pause in the music
- a passage of low frequencies or very low volume
- a gradual increase or decrease in volume

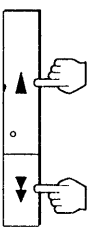
Playing Back Automatically after Rewinding – Auto Play



The Auto Play function automatically starts playing back a cassette after fast winding it to the beginning.



1

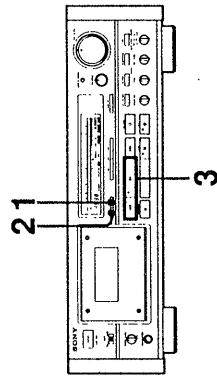
Make sure the MEMORY indicator is off.
If it is not, press MEMORY.



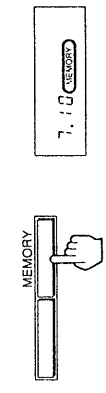
2 While pressing , press .

Locating a Desired Position Using the Counter – Memory Play

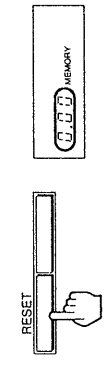
The Memory Play function allows you to use the counter to record a desired position on a cassette for fast relocation and automatic playback later.



1 Activate the Memory Play function.

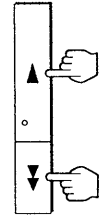


2 At the desired position, reset the counter.



The desired position is memorized.

3 To return to the desired position
While pressing ◀◀, press ▶▶.



Returning to the memorized position in stop mode

— Memory stop
If you press only the ◀◀ button when the MEMORY indicator is on in the stop mode, the tape rewinds and the unit stops when the counter reaches 0:00.

To deactivate the Memory Play function

Press the MEMORY button, turning off the MEMORY indicator.

The Accuracy of the Linear Counter

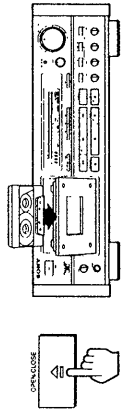
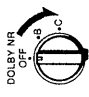
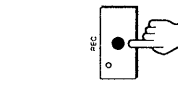


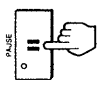
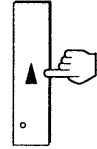
Since the counter is not a digital clock, the number will differ from the actual elapsed playback or recording time by a few minutes, depending on such factors as tape length and hub size.

Note on Memory Play/Stop
In actuality, the tape is rewound to slightly short of 0:00.

Do not turn off the power while using the counter
Turning the power off, then on again resets the counter to 0:00.

Recording

Follow the procedure below to record a source on a cassette.

<p>1 Insert a cassette.</p> 	<p>2 Select the Dolby NR setting.</p> 	<p>3 Place the unit into recording pause mode.</p> 	<p>4 To record the CD program source through the CD DIRECT input terminal, set INPUT to CD DIRECT.</p>	<p>5 Play the program source to be recorded.</p>
<p>6 Adjust the recording level.</p>  <p>See Adjusting the Recording Level on page 38.</p>	<p>7 Adjust the balance.</p> <p>(If CD DIRECT is selected in step 4, the BALANCE control is rendered inoperative.)</p> 	<p>8 Restart the program source, if required.</p>	<p>9 Start recording.</p>  <p>or</p> 	

To stop recording
Press the ■ button.

Regarding CD direct input

Connecting a CD player directly to the CD DIRECT terminals will result in a higher quality recording. However, when the INPUT button is set to CD DIRECT, the BALANCE control and MPX filter are rendered inoperative.

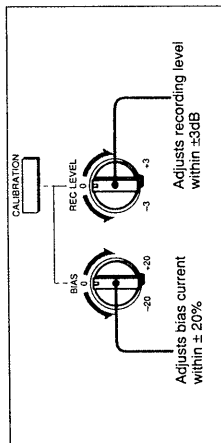
Recording with the Dolby HX Pro system

Press the HX PRO button to turn on the Dolby HX PRO function. Use the MONITOR switch to verify the effects of the function.

Making an Optimum Recording According to the Tape Type

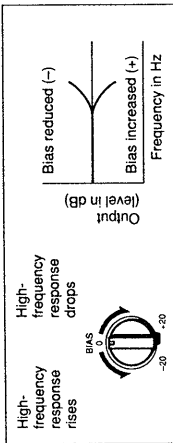
Bias and Recording Level Calibration

There are many different types of cassettes on the market, each with varying magnetic properties. Although your unit is equipped with the ATS (Automatic Tape Selection) system which sets the appropriate equalization characteristics and bias current for each tape type, an additional calibration adjustment can often produce even better results. Use the bias current and recording level calibration function to obtain the optimum recording conditions for your tape.



Bias calibration

Choosing the optimum bias current for a tape ensures minimum distortion and flat frequency response. Lowering the bias current boosts high-frequency response, but also results in higher distortion. Raising the bias, on the other hand, reduces distortion, but also dampens high-frequency responses. Optimum bias is thus obtained when the bias current and high-frequency response are well balanced.



- If the bias current is higher or lower than the optimum setting for a certain tape, the frequency response changes as shown in the chart above. Changing the bias can thus be used to tailor the response to your liking, for example by slightly emphasizing the upper or lower end.
- The frequency response of metal tapes is much less affected by changes in the bias current than other tape types. With some tapes, the adjustment range of this deck (±20%) may therefore not be sufficient to cover every possible requirement.

Recording level calibration

Even when the recording level is adjusted correctly, using a tape with low sensitivity will result in a low playback level. The REC LEVEL calibration control allows you to compensate for sensitivity differences among tapes to equalize both recording and playback levels. This is especially important when using the Dolby NR system, since it is most effective when recording and playback levels are the same.

Monitoring the Recorded Sound

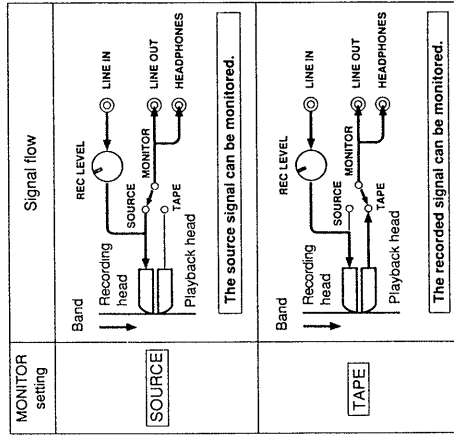
As this unit has three separate heads for recording, playback and erasure, you can check the quality of a recorded sound by comparing it with the input source signal.

To listen to the input source signal, set the MONITOR button to SOURCE.

To listen to the sound recorded on the tape, set the MONITOR button to TAPE.

While recording, use this monitoring function to check that there is no distortion due to excessive level settings or sound degradation due to head contamination.

MONITOR button setting and signal flow



Recording FM Broadcasts with the Dolby NR System

When recording FM broadcasts with the DOLBY NR system, set the MPX FILTER button to ON (the "FILTER" indicator appears).

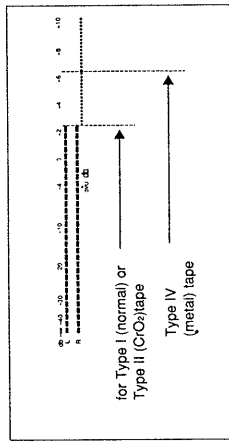
The MPX filter eliminates remnants of the 19-kHz stereo carrier and 38-kHz subcarrier signals which may impair the operation of the DOLBY NR system. Be sure that the Dolby NR switch is turned on since the MPX filter will not function otherwise. During recording with the Dolby NR system, use this button only if the tuner is not equipped with its own MPX filter or the equipped filter does not function effectively.

Adjusting the Recording Level

The optimum recording level, which differs according to the tape type, is indicated on the PEAK PROGRAM METER for each tape type.

Adjust the REC LEVEL control as high as possible without exceeding the recommended range for the tape type being used.

Recommended maximum PEAK PROGRAM METER reading



Tips on recording level adjustment

- If the recording level setting is too high, the recording will be distorted; if it is too low, the tape will produce a hissing sound. Therefore, the recording level should be set as high as possible without causing distortion.
- If the program source to be recorded has many high frequency signals, set the level to a relatively low position.

If playback starts instead of recording

The cassette tab has been removed. To record on this cassette, cover the hole with plastic tape. (See page 48)

The TIMER switch must be set to OFF

Otherwise, recording or playback will start automatically when the power is turned on.

Is it necessary to set the MONITOR button for recording?

No. The source mode is automatically selected and SOURCE is displayed. If you wish to monitor the recorded sound, press the MONITOR button to select the TAPE mode.

To start recording while the cassette holder is open

If you press the ● button while the cassette holder is open, the holder will close automatically and the unit will switch to recording pause mode. This function allows you to start recording at a moment's notice.

Checking the recording time on a tape

- To check the remaining recording time on a tape:
- 1 Press the RESET button to reset the counter to 0.00.
 - 2 Press ► to advance the tape to its end. The number on the counter shows the approximate recording time.

To check the total recording time of a tape, first rewind the tape to its beginning, then follow the same steps as above.

1 Insert the cassette to be used for recording.

2 Press CALIBRATION.

3 Activate the recording test tones:

Playback level for an 8-KHz signal

Playback level for a 400-Hz signal

4 Adjust BIAS until both meters indicate equal playback levels.

A high reading on the upper meter indicates a low bias current.

A low reading on the upper meter indicates a high bias current.

5 Adjust REC LEVEL CALIBRATION until both meters reach the recommended level (REC CAL).

Recommended level

The bias current is now adjusted to the optimum level and the tape sensitivity compensation has been set. Press **■**, then set CALIBRATION to OFF. Rewind the tape and start the actual recording.

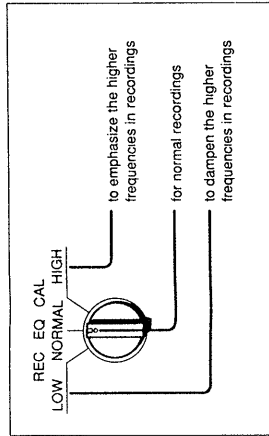
Note

- The sound cannot be monitored during the calibration operation.
- It takes 2 to 3 seconds to stabilize the test tone level.

Recording

Recording Equalization Calibration

Although bias current and equalization are automatically set by the Automatic Tape Selection (ATS) function for the tape being used, you can use the REC EQ CAL switch to change the recording characteristics according to the nature of the source material or to compensate for the particular characteristics of the tape.



Bias Calibration Recording

To modify bands of sound as required, use the REC EQ CAL switch in conjunction with bias calibration, which enables you to record according to the tape's characteristics.

- **When recording music which has strong middle and low frequencies**
Set the bias at flat with the REC EQ CAL switch set in the HIGH position to increase the bias current. Adjust BIAS so that the HIGH and LOW meters indicate equal readings.

- **When recording music which has strong high frequencies**
Set the bias at flat with the REC EQ CAL switch set in the LOW position to decrease the bias current. Adjust BIAS so that the HIGH and LOW meters indicate equal readings.

Note

With metal tape, because the amount of frequency characteristic modulation is not in proportion to that of the bias, the optimum bias current may not be obtained using the methods above.

Another use of the REC EQ CAL switch
When using a special tape, the BIAS control with the REC EQ CAL switch set in the NORMAL position may not cause the HIGH and LOW meters to indicate equal readings. If this occurs, adjust the BIAS control after setting the REC EQ CAL switch to HIGH or LOW.

To Protect a Recording

<p>To protect a recording on side A or B Break out the respective tab.</p> <p>Side A Tab for side B Tab for side A</p>	<p>To recover a cassette for recording Cover the respective slot with tape.</p>
<p>When using Type II (CrO₂) or Type IV (metal) cassettes Be careful not to cover the detector slots which are necessary for automatic tape detection.</p> <p>Type II (CrO₂) Detector slots</p>	<p>Type IV (metal) Detector slots</p>

Cassette care

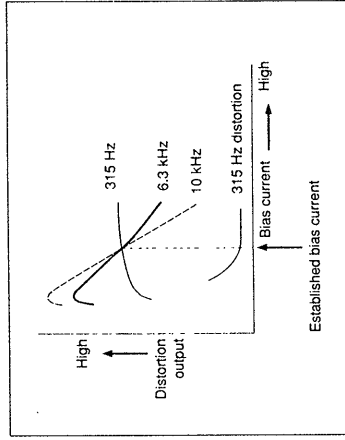
- Avoid touching the tape surface of a cassette to prevent contamination of the heads by dirt, dust, or oil on the skin.
- Keep cassettes away from equipment with magnets, such as speakers and amplifiers, as erasure or distortion on the recorded tape could occur.
- Do not expose cassettes to direct sunlight, extremely cold temperatures or moisture.

Note on cassettes longer than 90 minutes

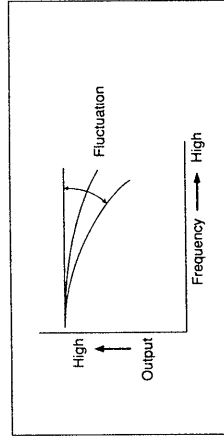
The use of cassettes longer than 90 minutes is not recommended except for long continuous playback.

What is the Dolby HX PRO System?

The Dolby HX PRO system provides improved linearity in high-range frequency response during recording. Tapes recorded with this system retain the same high quality even when played back on other tape decks.



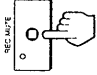
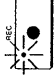
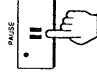
As shown above, characteristics such as output level and distortion differ widely according to the bias (high-frequency) current. In conventional systems, the bias current is susceptible to variations in certain recording signals (see diagram below) which may cause fluctuations in frequency response, distortion, or other unwanted characteristics.

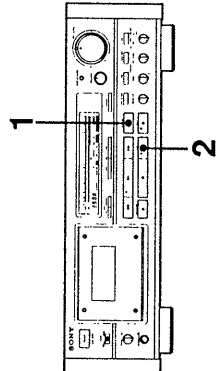


With the Dolby HX PRO system, the effective bias amount added to the bias current is controlled in millisecond units to greatly reduce distortion, improving linearity in high-range response and ensuring high-intensity recording with minimal distortion and noise.

Inserting a Blank Space during Recording – Recording Muting

The Record Muting function allows you to insert a four-second blank to enable proper AMS operation (see page 26), and to replace unwanted input with a blank of any desired length.

<p>1 While recording, press O and release it immediately.</p>  	<p>The REC indicator starts to blink. During this time, no incoming signals are recorded on the tape. After four seconds, the REC indicator lights up and the unit enters recording pause mode.</p>
<p>2 Resume recording.</p> 	<p></p>

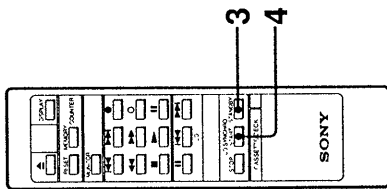


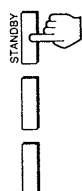
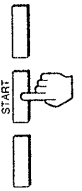
To create a blank longer than four seconds
 Press the **O** button for the desired length of time. After four seconds, the **REC** indicator blinks with greater rapidity. When you release the **O** button, the **REC** indicator lights up and the unit goes into recording pause mode. Press the **II** button to resume recording.

Synchronized Recording with a CD Player

(Except for the United Kingdom, Canada and Germany mode)

You can use your remote commander to perform synchronized recording operation on your cassette deck and a Sony CD player.



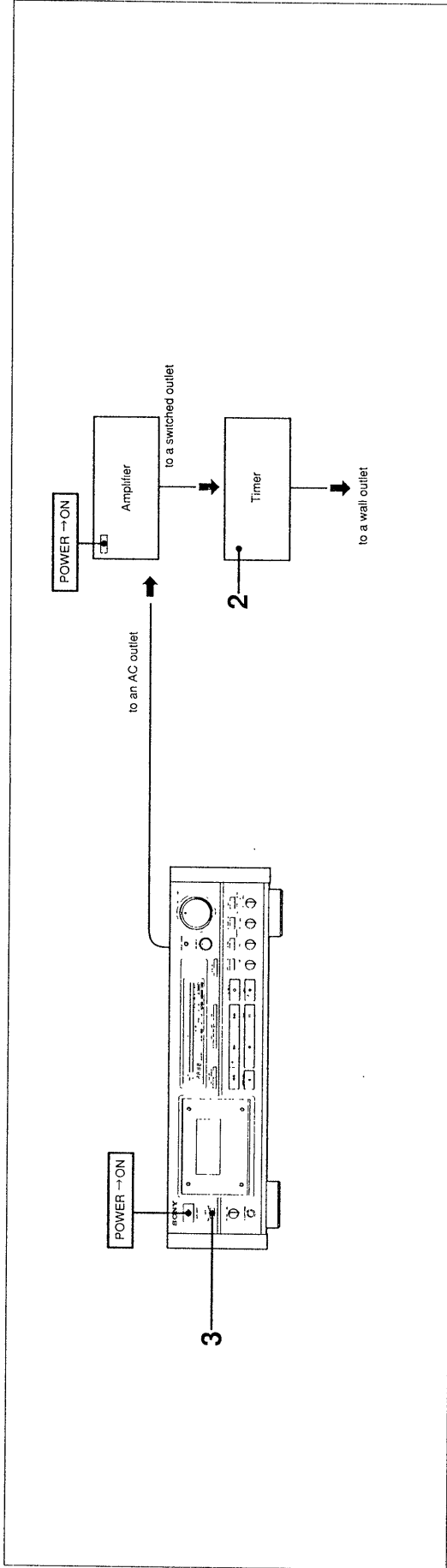
<p>1 Turn on CD player and set the amplifier source to CD.</p>	<p>2 Follow steps 2 to 7 on page 34.</p>
<p>3 Press STANDBY.</p>  <p>Return to the start of the CD or selection.</p>	<p>4 Start synchronized recording.</p> 

To stop synchronized recording
Press the STOP button on the remote commander.

- Notes on CD recording with the remote commander**
- Point the remote commander at the remote control sensor and operate the remote commander slowly.
 - Do not press the same button (for synchronized recording) repeatedly.

Time-Activated Playback and Recording

By connecting an optional timer, recording or playback can be performed automatically at a preset time.



1 Prepare the unit for playback or recording.

For playback	Follow steps 1 through 3 on page 22.
For recording	Follow steps 1 through 7 on page 34.

Close the holder completely.

2 Set the timer to the desired time.

Power to the tape deck will be cut off.

3 Set the deck's TIMER switch to PLAY or REC.

Playback or recording will start at the preset time.

Keep the POWER switch on the unit on

When the timer is set, the power to the unit will be cut off. However, the POWER switch must be on to start timer-activated operation.

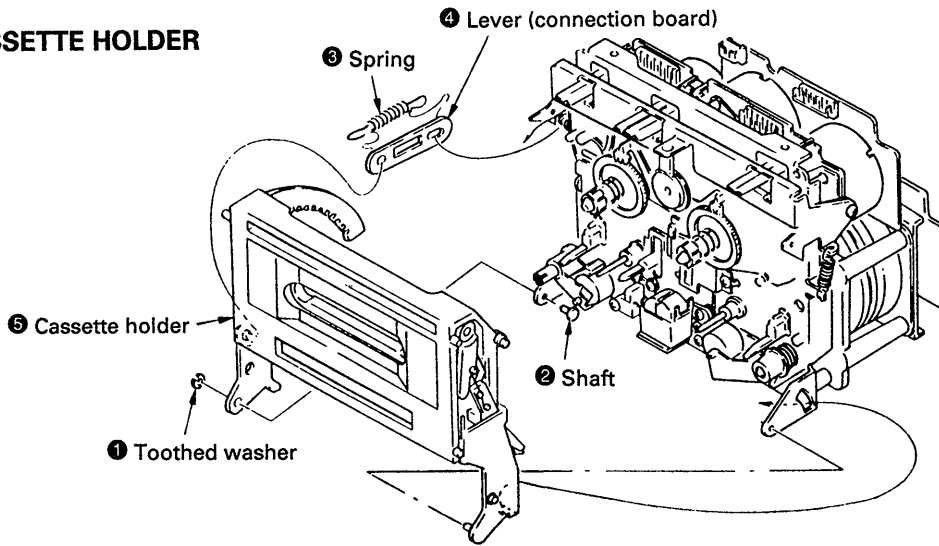
When the timer-activated operation is completed

Set the TIMER switch on the unit to OFF. If the TIMER switch is left at REC, the unit will automatically start recording the next time the power is turned on, and the previously recorded material may be erased.

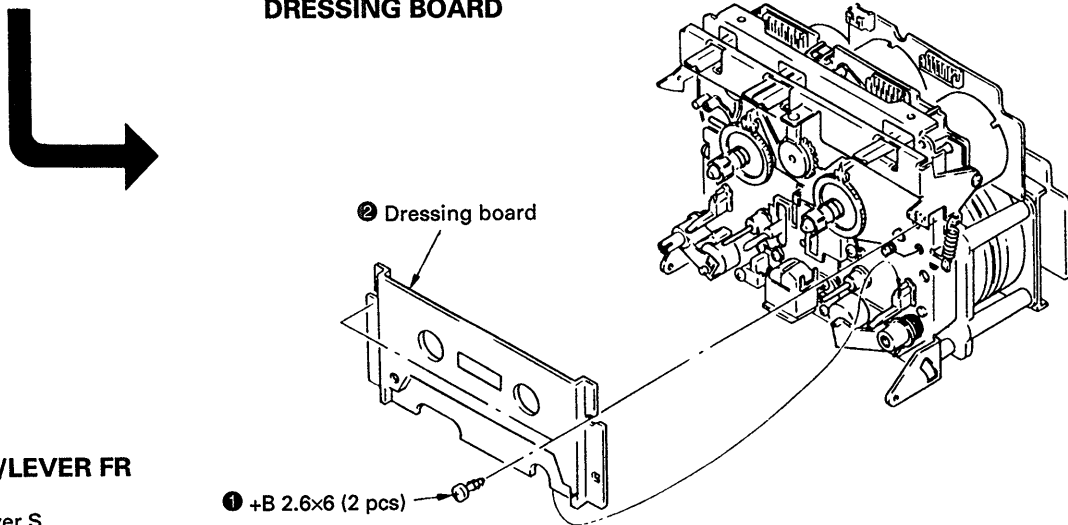
SECTION 2 DISASSEMBLY

- Remove the following devices shown by ❶, etc. in the order of the numbers.

CASSETTE HOLDER

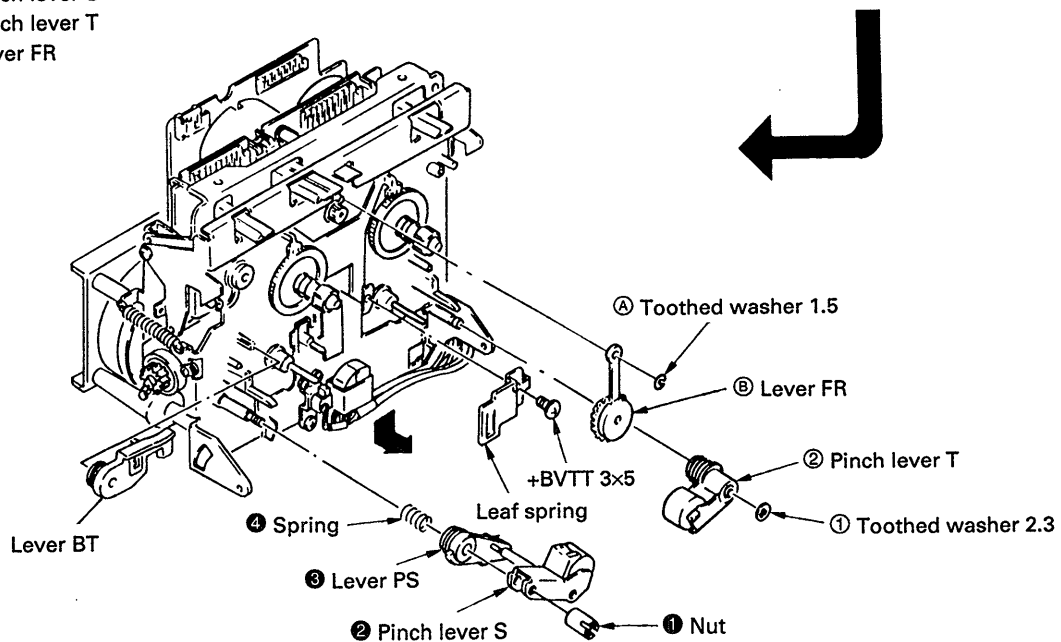


DRESSING BOARD

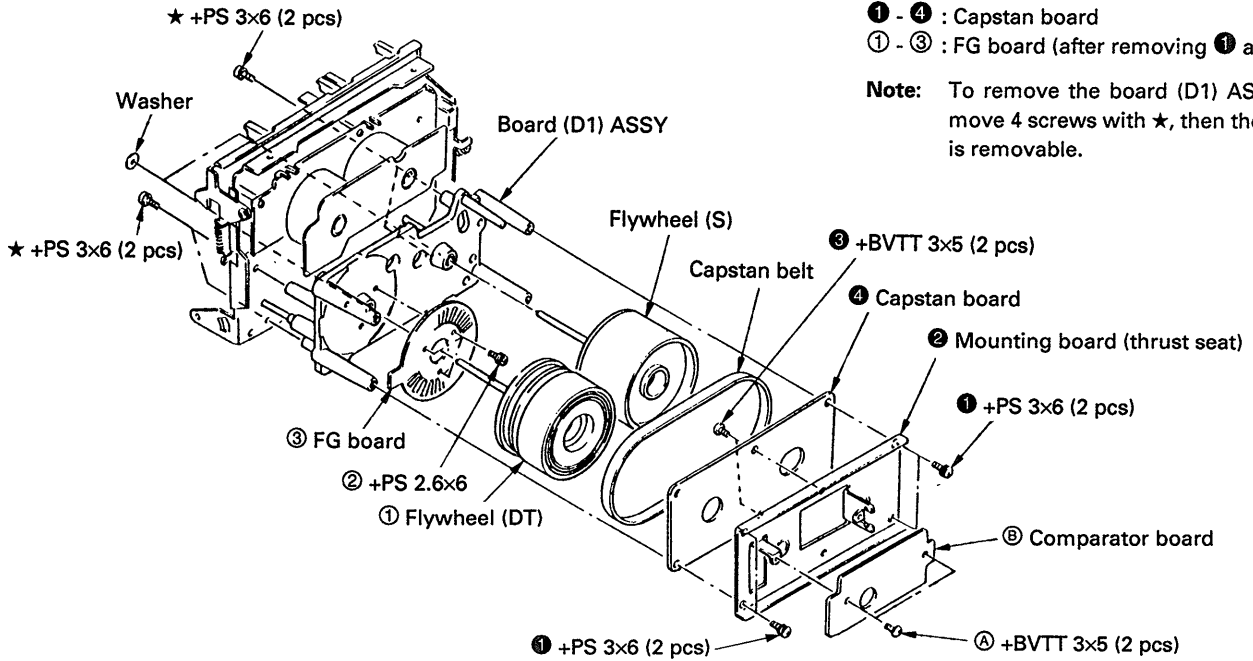


PINCH LEVER/LEVER FR

- ❶ - ❹ : Pinch lever S
- ❶, ❷ : Pinch lever T
- ❸, ❹ : Lever FR



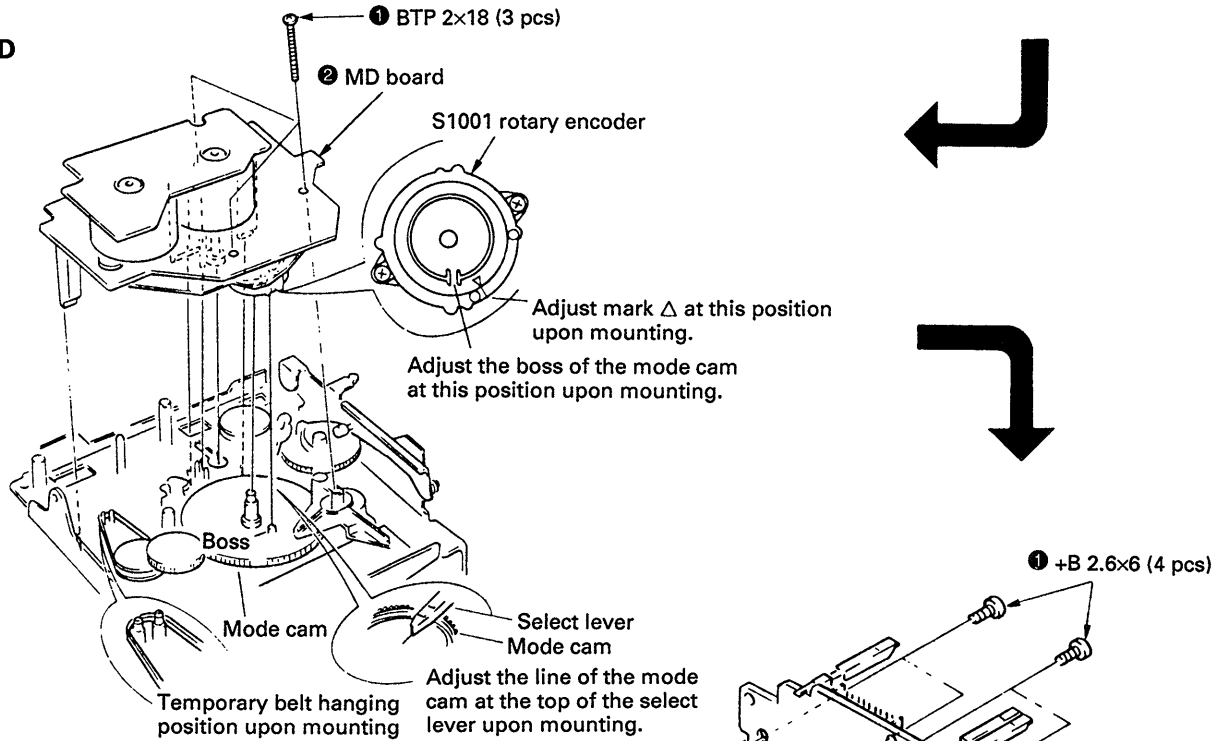
COMPARATOR BOARD/CAPSTAN BOARD/FLYWHEEL/FG BOARD



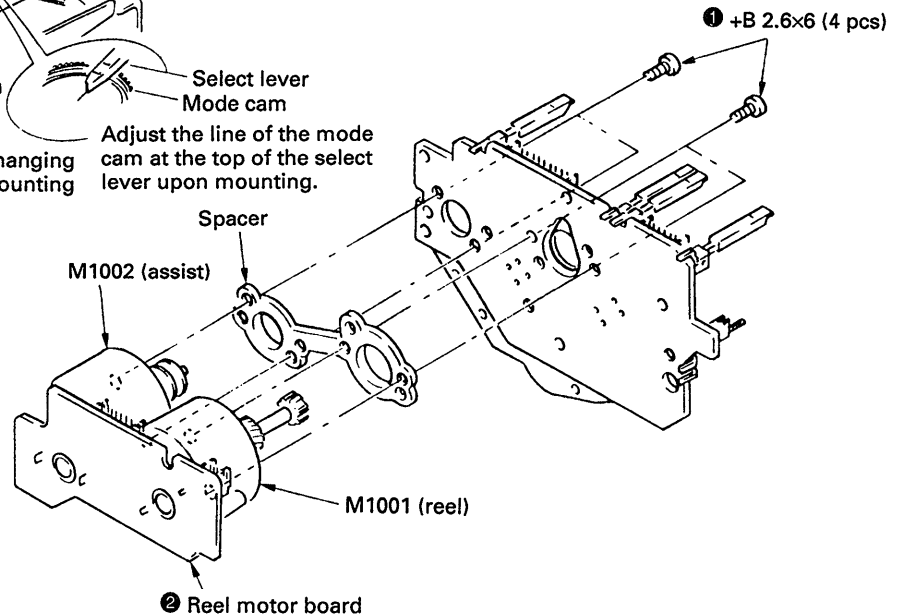
- Ⓐ, Ⓑ : Comparator board
- ① - ④ : Capstan board
- ① - ③ : FG board (after removing ① and ②)

Note: To remove the board (D1) ASSY, remove 4 screws with ★, then the ASSY is removable.

MD BOARD



REEL MOTOR BOARD



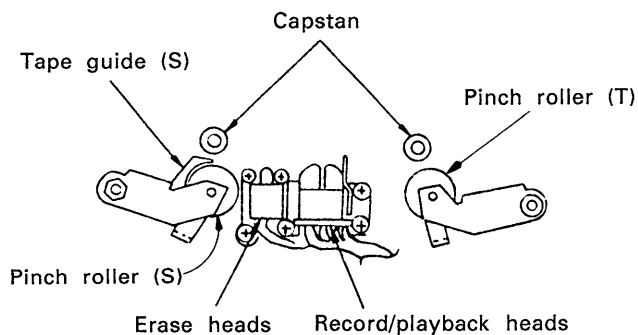
SECTION 3

MECHANICAL ADJUSTMENTS

• Refer to page 21 for Adjustment Location.

PRECAUTIONS

1. Clean the following parts with an alcohol-moistened swab. (tape sliding surface)
2. Demagnetize the record/playback heads, erase heads and the capstan using the head demagnetizer.
3. Do not use a magnetized screw driver for the adjustments.
4. After the adjustments, apply suitable locking compound to the parts adjusted.
5. The adjustment should be performed with the rated power supply voltage unless otherwise noted.



Tape Passing Adjustment

Note: For the following adjustments, use the jig as far as possible. Although the following methods are operable without using the jig, precise adjustment may not be completed, for example no compatibility to other decks is available even if self recording and playback is OK.

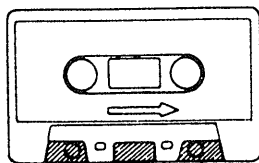
In these adjustments, either the pinch roller guide in the S side or the record/playback head guide is referred to for tape pass. Therefore, do not unnecessarily rotate the adjustment screws including those of the erase heads unless any one is replaced. When 2 or more heads or pinch rollers out of these 2 heads and pinch rollers are to be adjusted or replaced, use the jig for the adjustments or replace one at first and then take complete tape pass and then replace the second one.

Head height adjusting jig : apex

Preparation:

- Mirror cassette CQ009C 8-909-708-01
(Or CQ012C 8-909-708-02)

If it is not available, cut a part of the half of a 120 minute cassette tape and use.

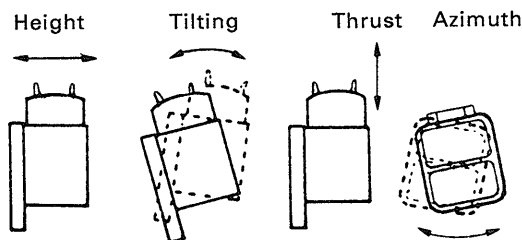


Cut and use.

- Plus screw driver
Medium sizeApply to the head adjusting screw.
Minus screw driver
Large sizeApply to the pinch roller adjusting screw in the S side.
- Pen light
- WS-48B (3kHz, 0dB)
- P-4-A100 (10kHz, -10dB)

Definition:

The following view relates to record/playback heads.



For the locations of the adjusting screws, see the view "adjustment location" in the lower right corner of Page 21.

Procedure:

Pinch roller in the S side

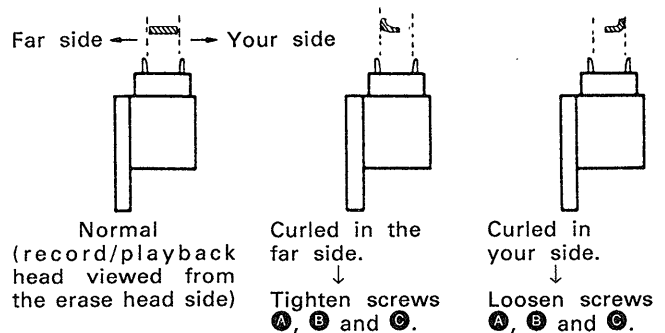
Note: It should be adjusted only when the pinch roller in the S side is replaced.

1. Mount the mirror cassette and set the equipment to playback state.
2. Check that the tape is curled in the pinch roller guide or the guide of the record/playback heads. If curled, remedy it by rotating the tape curl adjusting screw **H**. At that time, check that the tape runs near the center part of the erase heads.

Record/playback heads

Note: The heads should be adjusted only when the record/playback head is replaced.

1. Mount the mirror cassette and set the equipment to playback state.
2. (Height adjustment) Check that the tape is curled in the tape guide of the heads. If curled, rotate screws **A**, **B** and **C** in the same angle and move the entire heads parallel. Check the mirror cassette where there is curling and, when curling exists in the lower side (actually in the deep side), tighten all screws slightly. If curled in the upper (your) side, loosen them.

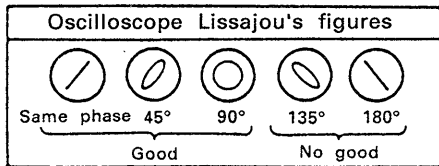
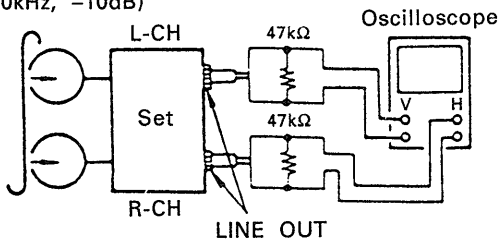


3. (Adjustment of tilting) Adjust back tension to 0 still in playback state (loosen the tape by rotating the reel in the S side using a small tip such as a pencil), and check that there is no curling or snaking (up or down) in the guide of the record/playback heads. Snaking of the tape may occur only within the range of a difference in the widths of the tape and the tape guide (it curls when tape slacks more than the range). Therefore, carefully check it because it may often be overlooked.

If the tape is snaking, rotate screws **B** and **C** in the same angle and change the tilting of the heads. Tighten or loosen the screws to remedy up or down snaking, respectively.

4. Repeat the adjustment 2 and 3 again and converge the height and tilting to suitable positions.
5. (Tentative adjustments of azimuth) Demagnetize and clean the heads and playback WS48B (3kHz, 0dB). Rotate the screw **C** so that the pointer of the level meter of the set or connected to LINE OUT becomes maximum. If the screw is rotated more than 1/2 turn, repeat the adjustments again from 1.
6. (Checking of tape pass) Connect an oscilloscope to LINE OUT, replay P-4-A100 (10kHz, -10dB) to describe Lissajou's figures. At about 20 seconds after beginning playback (the tension in the loop becomes stable), check that the variation of the Lissajou's figures occur within $\pm 90^\circ$ (more preferably within $\pm 45^\circ$). If beyond $\pm 90^\circ$, adjustments of tilting or height will not be complete, so finely adjust the equipment again from 1.

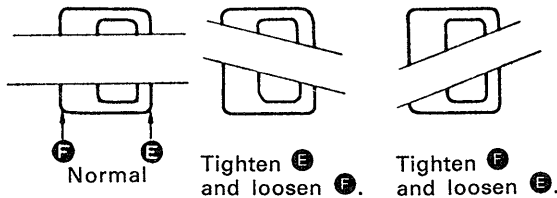
Standard adjustment tape
P-4-A100
(10kHz, -10dB)



Erase heads

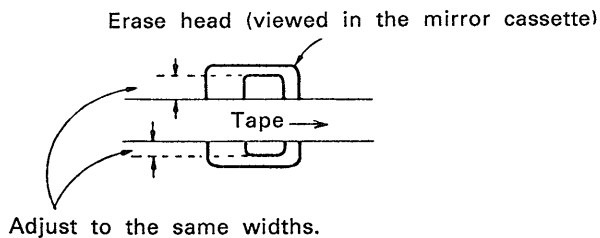
Note: The heads should be adjusted only when the erase head is replaced.

1. Mount the mirror cassette and set the equipment to playback state.
2. (Azimuth adjustments) Adjust screws **E** or **F** so that the tape runs as parallel to the erase heads as possible.



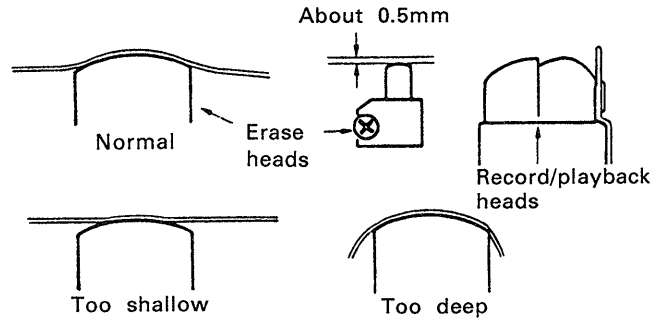
(Erase head viewed in the mirror cassette)

3. (Height adjustment) Rotate screws **D**, **E** and **F** in the same angle so that the widths of erase heads seen in the upper and lower sides of the tape become essentially the same. If the width in the upper or lower side is larger, tighten or loosen the screws, respectively.



4. (Adjustments of tilting) Adjust back tension to 0 still in playback state and check that there is no snaking in the erase heads and pinch roller guide in the S side. If there is, change tilting by rotating the screw **D**. When the tape moves up or down in the mirror tape, tighten or loosen the screw, respectively.

5. Repeat the adjustments again from 2. and converge the height and tilting to more suitable values. And, check that there are no tape curls in the pinch roller guide and the guide of the record/playback heads.
6. (Adjustments of thrust) Slightly loosen the screw **G** and finely adjust it so that the tape smoothly runs over the entire surfaces of the heads by adjusting the thrust of the erase heads to an optimum value relative to the tape.

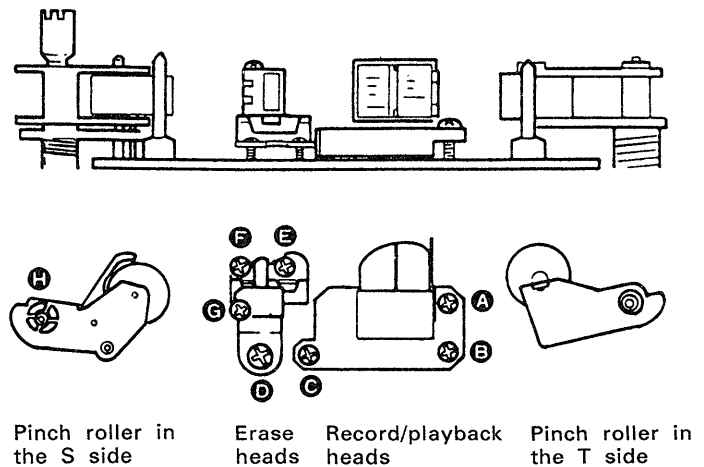


Checking

1. Check that the tape smoothly runs over the entire tape pass without curling or snaking.
2. After the adjustments, apply the locking compound to the screws adjusted (apply the compound to the screw **C** only after the final azimuth adjustments are completed).

Adjustment Location:

The following views relate to those in the mirror cassette (upper) and MD viewed from your side (lower).



SECTION 4

ELECTRICAL ADJUSTMENTS

• Refer to page 25 for Adjustment Location.

1. Adjust the following in the order of listing. (Adjust the recording system after completion of adjusting the playback system, in general.)
2. Adjustments and measurements should be performed for each channel unless otherwise noted.
3. For simultaneous recording/playback, input a signal into the line and set the equipment to recording state to change the monitor to the tape, immediately playback the recorded signal and issue it from the line output.

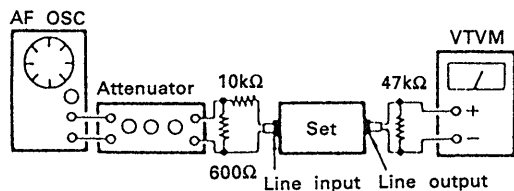
• Switch position

DOLBY NR.....	OFF
MPX FILTER.....	OFF
TIMER.....	OFF
MONITOR.....	TAPE
HX PRO.....	OFF
CALIBRATION.....	OFF
CD DIRECT.....	OFF
BIAS.....	CENTER CLICK
REC LEVEL.....	CENTER CLICK
BALANCE.....	CENTER CLICK

• Specified recording position

Adjust knobs REC LEVEL (RV591) and BALANCE (RV592) so that the following specified input/output signal level are obtained.

Recording state



Specified input level

Input terminal	LINE IN
Signal source impedance	10kΩ
Input signal level	0.25V (-10dB)

Specified output level

Output terminal	LINE OUT
Load impedance	47kΩ
Output signal level	0.44V (-5dB)

Torque Adjustment

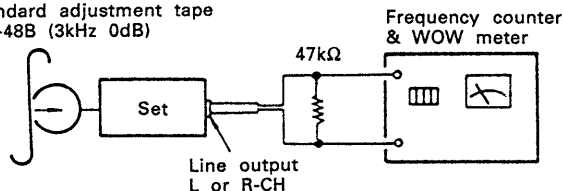
1. Set the torque measuring tape CQ-102C and set the equipment to playback state. Adjust RV801 so that the torque meter indicates 40 ± 3 g.cm.
2. After the completion of the adjustments, measure back tension and FF/REW torques and check that the following specifications are satisfied.

Torque	Torque meter	Meter reading
FWD	CQ-102C	37 - 43g·cm
FWD back tension	CQ-102C	8 - 10.5g·cm
FF/REW	CQ-201B	70 - 120g·cm

Tape Speeds/Wow Checking

Procedure:

Standard adjustment tape
WS-48B (3kHz 0dB)



1. Playback the top section of the standard tape and measure its output frequency and WOW value.
2. Turn the standard tape upside down, measure the same values and check differences between both measured values. (Difference between the top and the end of the tape)

Adjustable limits:

TAPE SPEED deviation	: 2,990 - 3,010 Hz or less
TAPE SPEED variation width	: 2,990 - 3,010 Hz or less
WOW (WRMS)	: 0.04% or less

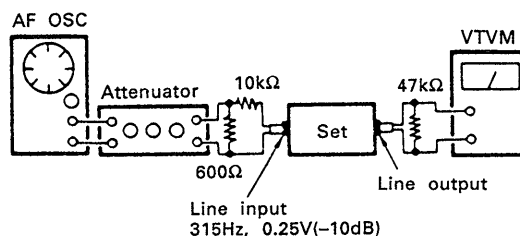
MPX Filter Checking

Conditions:

- DOLBY NR switch : OFF
- MPX FILTER switch : OFF

Procedure:

1. Mode: Stop state



2. Apply the signal of 315Hz, 0.25V (-10dB) and set REC LEVEL and BALANCE so that the line output level becomes 0.44V (-5dB).
3. Apply the signal of 19kHz, 0.25V (-10dB) and measure the line output level.

Adjustable limits:

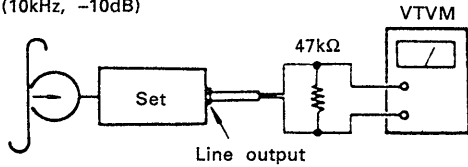
- DOLBY NR switch: B or C
- MPX FILTER switch: Line output level upon ON
- 315Hz: Within 0.39 - 0.49V (within -6dB - -4dB)
- 19kHz: 0.013V (-35dB) or less

Record/Playback Heads Vertical Adjustment

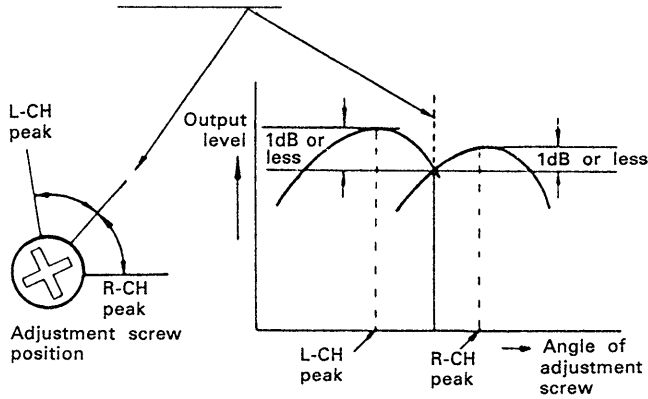
Procedure:

1. Mode: Playback

Standard adjustment tape
P-4-A100
(10kHz, -10dB)



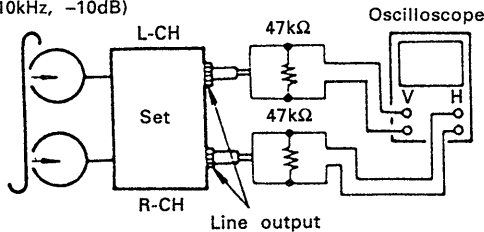
2. Adjust the adjustment screws so that L-CH and R-CH outputs become maximum. If the maximum output points of L-CH and R-CH do not coincide, adjust the screws so that the outputs agree with each other within 1dB from the maximum output value in each channel.



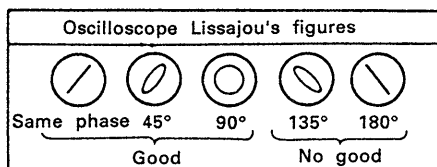
3. Checking of phases

- Playback state -

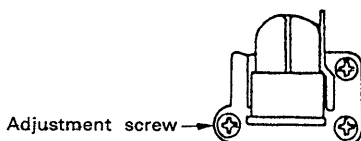
Standard adjustment tape
P-4-A100
(10kHz, -10dB)



4. Check that the difference between L-CH and R-CH phases is in the same phase - 90°.



Adjustment Location:

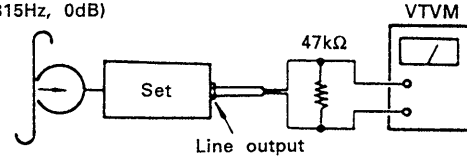


Playback Level Adjustment

Procedure:

1. Playback state

Standard adjustment tape
P-4-L300
(315Hz, 0dB)



Adjust RV101 (L-CH) and RV201 (R-CH) to satisfy the following specifications.

Adjustable limits:

Line output level: 0.42 - 0.46V
(-5.5 - -4.5dB)

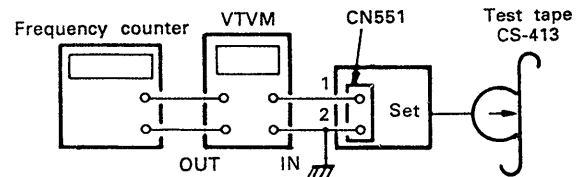
Level difference between channels: 0.5dB or less

Check that, by repeating playback and stop, the line output level does not change.

Erase Current Adjustment

Procedure:

1. Mode: record



2. Adjust RV553 so that VTVM indicates 110mA (erase current 110mA).
3. Check oscillation frequency at that time.

Adjustable limits:

Erase current: 110 ± 0.3 mA

Oscillation frequency: 160 ± 6kHz

Bias Consumption Current Adjustment

Precautions:

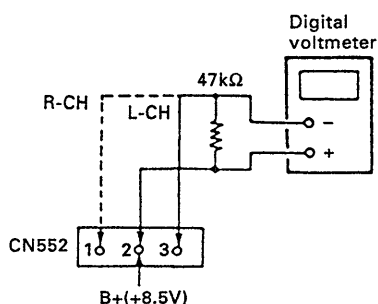
Be sure to adjust bias consumption currents before adjusting recording bias. After completion of adjusting bias consumption currents, again adjust recording bias.

Condition:

HX PRO switch: ON

Procedure:

1. Set the semi-fixed resistances RV303 (L-CH) and RV403 (R-CH) for the adjustment of recording bias and RV554 at a mechanical center and set the equipment to recording state without signals.
2. Adjust T301 (R-CH) and T401 (L-CH) so that the digital voltmeter indicates a minimum value.



Adjustable limits:

120mV or less

(When measured using CS-413 after completion of adjusting the bias)

Bias and Recording Level (HX PRO ON) Adjustment

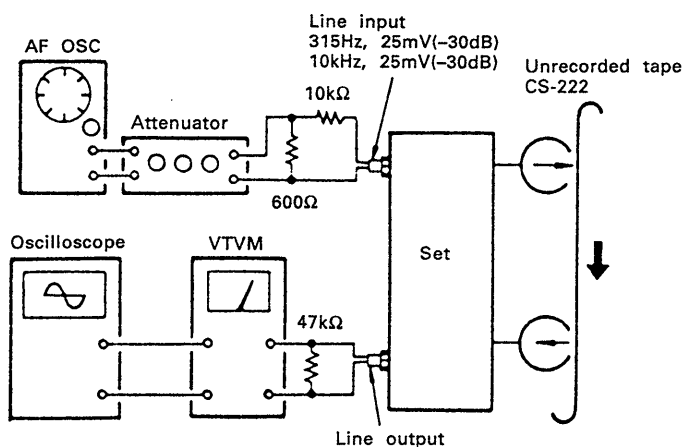
Conditions:

REC LEVEL knob: Specified recording position (see Page 22)

HX PRO switch: ON

Procedure:

1. Simultaneous record/playback state.



2. In order that the minimum output becomes the specified output level:
 - (1) Adjust RV303 (R-CH) and RV403 (L-CH).
.....Bias adjustment
 - (2) Adjust RV301 (R-CH) and RV403 (L-CH).
.....Recording level adjustment

Adjustable limits:

- (1) Difference of 10kHz level from 315Hz level: $\pm 0.3\text{dB}$
- (2) Level of 315Hz: $-25.3\text{dB} - -24.7\text{dB}$

Bias Adjustment (HX PRO ON)

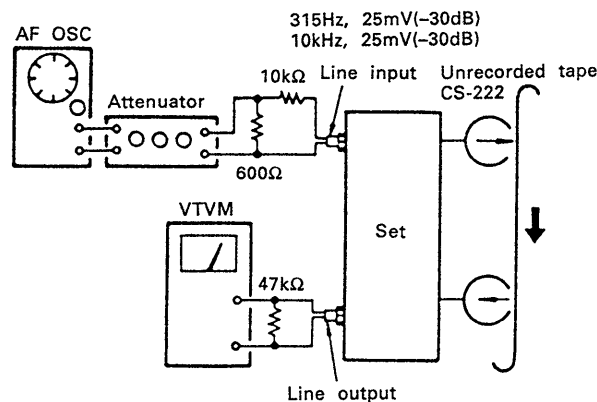
Conditions:

REC LEVEL knob: Specified recording position

HX PRO switch: OFF

Procedure:

1. Simultaneous record/playback state



2. Adjust RV302 (L-CH) and RV402 (R-CH) so that the difference between playback outputs of 10kHz and 315Hz becomes 0.2dB - 0.8dB.

METAL bias Adjustment

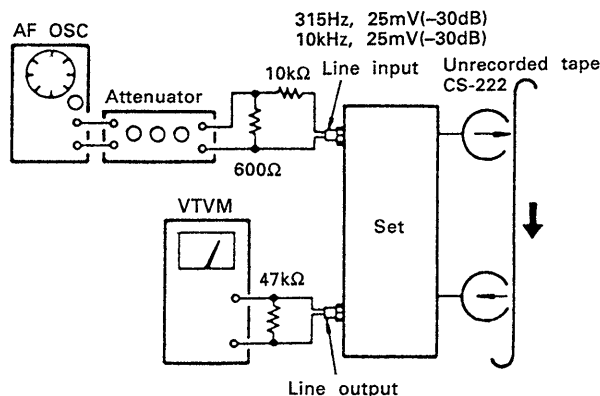
Conditions:

REC LEVEL knob: Specified recording position (see Page 22)

HX PRO switch: OFF

Procedure:

1. Simultaneous record/playback state



2. Adjust RV554 so that the difference of the playback output of 10kHz R-CH from the playback output of 315Hz becomes $\pm 0.3\text{dB}$.

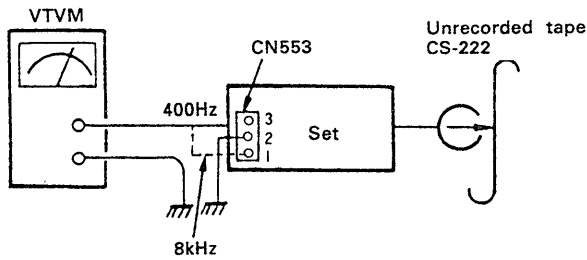
CALIBRATION and Level Meter Adjustment

Condition:

CALIBRATION switch: ON

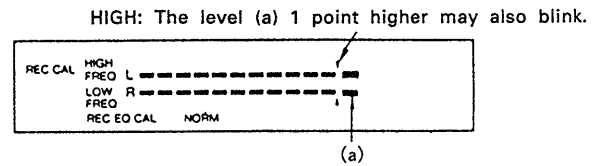
Procedure (oscillation output level):

1. Recording state (no line input signals)



Procedure (level meter adjustments):

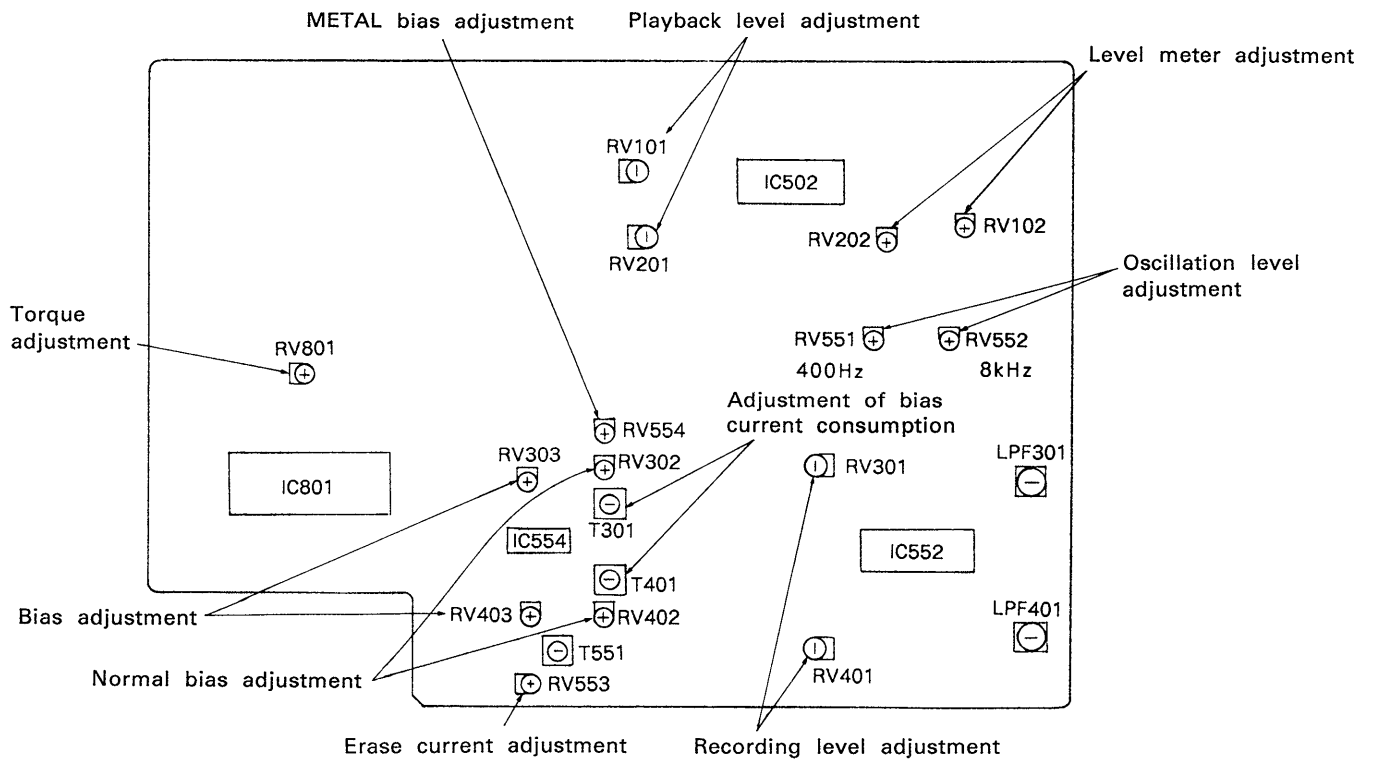
1. Recording state (no line input signals)
2. Set RV202 rather high and gradually decrease the level. Set the knob at a point where the level (a) 1 point higher than 0dB of the LOW FREQ segment (in the lower line) in the CAL level meter goes out.
3. Adjust RV102 so that HIGH FREQ segments (in the upper line) of the CAL level meter light up completely up to the 0dB position.



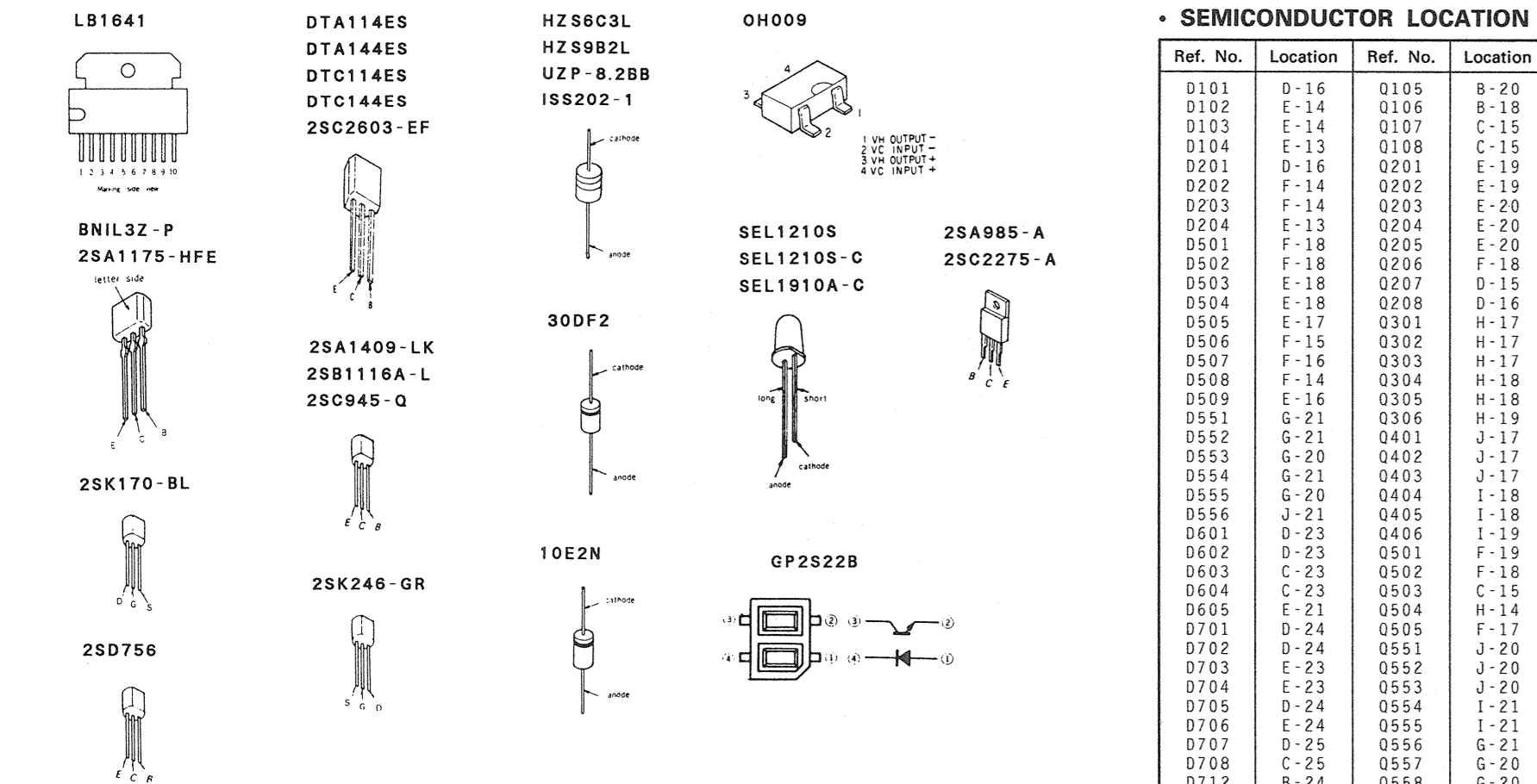
2. Adjust RV551 so that the level of the 400Hz check point becomes 9.5dB - 10.5dB.
3. Adjust RV552 so that the level of the 8kHz check point becomes 9.5dB - 10.5dB.

Adjustment Location:

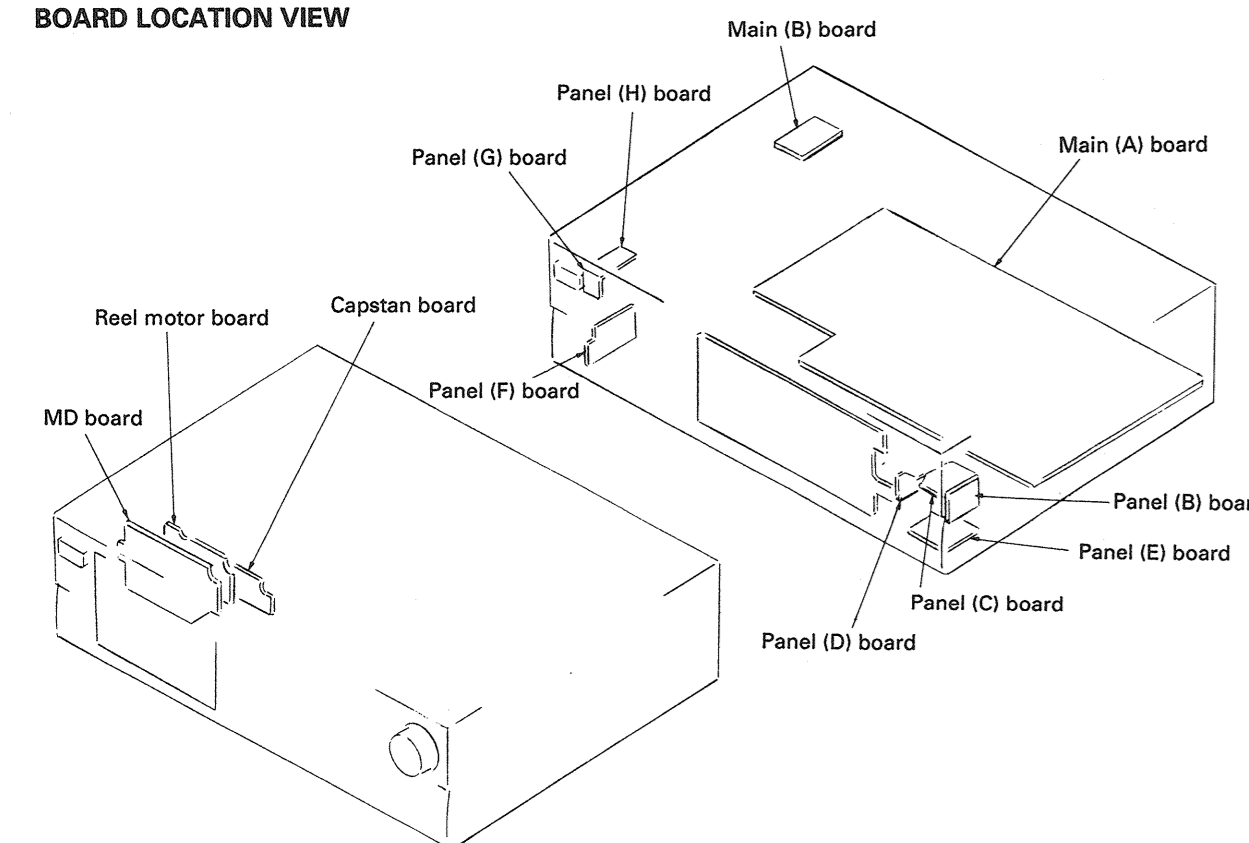
Main (A) PCB - Component side -



5-2. SEMICONDUCTOR LEAD LAYOUTS



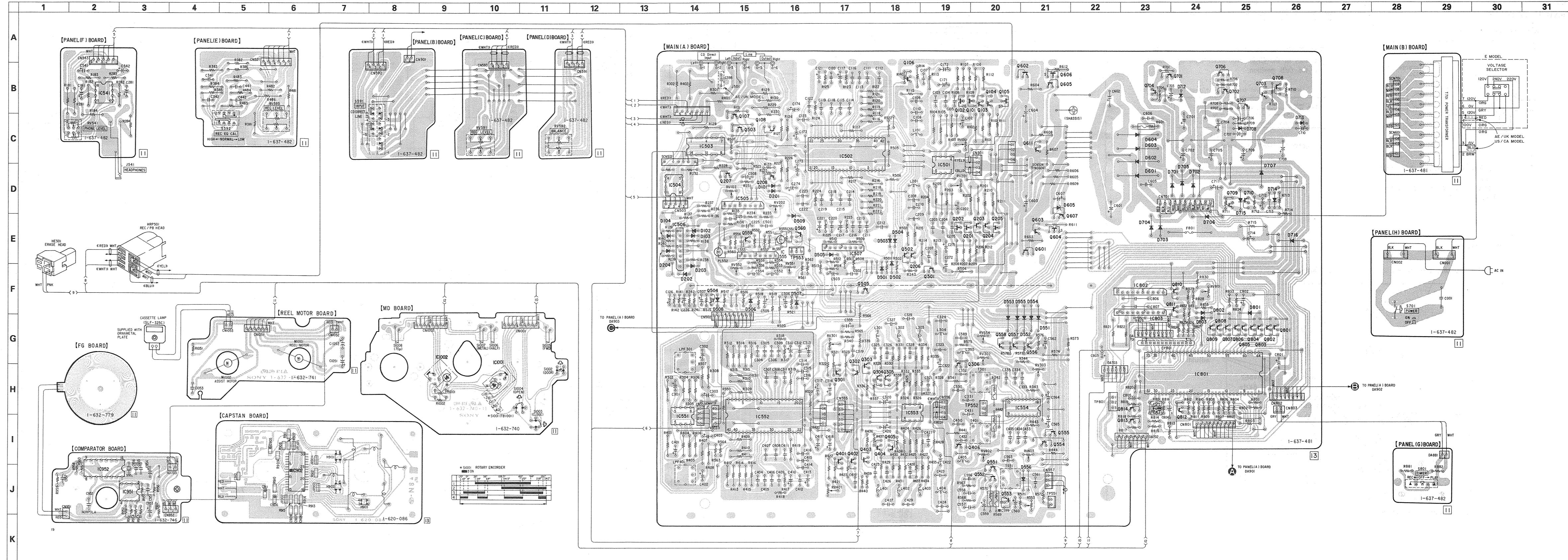
BOARD LOCATION VIEW



SEMICONDUCTOR LOCATION

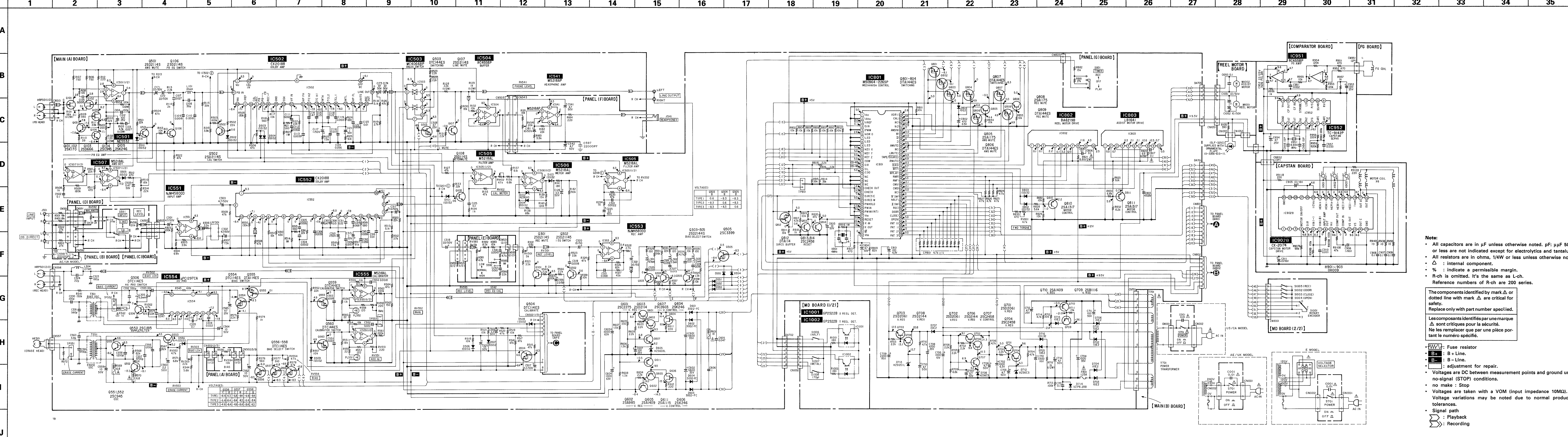
Ref. No.	Location	Ref. No.	Location
D101	D-16	Q105	B-20
D102	E-14	Q106	B-18
D103	E-14	Q107	C-15
D104	E-13	Q108	C-15
D201	D-16	Q201	E-19
D202	F-14	Q202	E-19
D203	F-14	Q203	E-20
D204	E-13	Q204	E-20
D501	F-18	Q205	E-20
D502	F-18	Q206	F-18
D503	E-18	Q207	D-15
D504	E-18	Q208	D-16
D505	E-17	Q301	H-17
D506	F-15	Q302	H-17
D507	F-16	Q303	H-17
D508	F-14	Q304	H-18
D509	E-16	Q305	H-18
D551	G-21	Q306	H-19
D552	G-21	Q401	J-17
D553	G-20	Q402	J-17
D554	G-21	Q403	J-17
D555	G-20	Q404	I-18
D556	J-21	Q405	I-18
D601	D-23	Q406	I-19
D602	D-23	Q501	F-19
D603	C-23	Q502	F-18
D604	C-23	Q503	C-15
D605	E-21	Q504	H-14
D701	D-24	Q505	F-17
D702	D-24	Q551	J-20
D703	E-23	Q552	J-20
D704	E-23	Q553	J-20
D705	D-24	Q554	I-21
D706	E-24	Q555	I-21
D707	D-25	Q556	G-21
D708	C-25	Q557	G-20
D712	B-24	Q558	G-20
D713	C-26	Q559	E-15
D714	D-26	Q560	E-16
D715	D-25	Q601	E-21
D716	E-26	Q602	B-21
D801	G-25	Q603	E-21
D802	G-24	Q604	E-21
D803	G-24	Q605	B-21
		Q606	B-21
		Q607	E-21
IC501	D-19	Q611	C-21
IC502	C-17	Q701	B-23
IC503	C-14	Q702	B-24
IC504	D-14	Q703	B-25
IC505	D-15	Q704	B-23
IC506	E-14	Q706	B-24
IC507	E-17	Q707	B-25
IC541	B-2	Q707	B-25
IC551	I-14	Q708	B-26
IC552	I-15	Q709	D-25
IC553	I-18	Q710	D-25
IC554	I-21	Q801	G-26
IC555	E-15	Q802	G-25
IC581	H-24	Q803	G-25
IC802	F-23	Q804	G-25
IC803	G-23	Q805	G-25
IC902	J-6	Q806	G-25
IC951	J-3	Q807	G-25
IC952	J-2	Q808	G-24
IC1001	H-10	Q809	G-24
IC1002	H-9	Q810	F-24
		Q811	G-24
Q101	B-20	Q812	I-24
Q102	B-19	Q813	I-23
Q103	B-20	Q814	I-23
Q104	B-20	Q814	I-23

5-3. PRINTED WIRING BOARD - MAIN SECTION -



Note:
 ○ — : indicated a lead wire mounted on the component side.
 ■ : parts mounted on the conductor side.

5-4. SCHEMATIC DIAGRAM - MAIN SECTION -



VOLTAGES:

Q503	Q504	Q505
TYPE1 -0.6 -8.3 -8.3		
TYPE2 -8.3 0.6 -8.3		
TYPE3 -8.3 -8.3 0.6		

VOLTAGES:

Q556-558	Q557	Q558
TYPE1 -8.4 1.7 -8.8 -8.4 -8.8		
TYPE2 -8.4 8.4 -8.4 4.3 -8.4 -8.4		
TYPE3 -4.9 -8.4 -8.4 -8.4 -8.4 4.3		

Note:

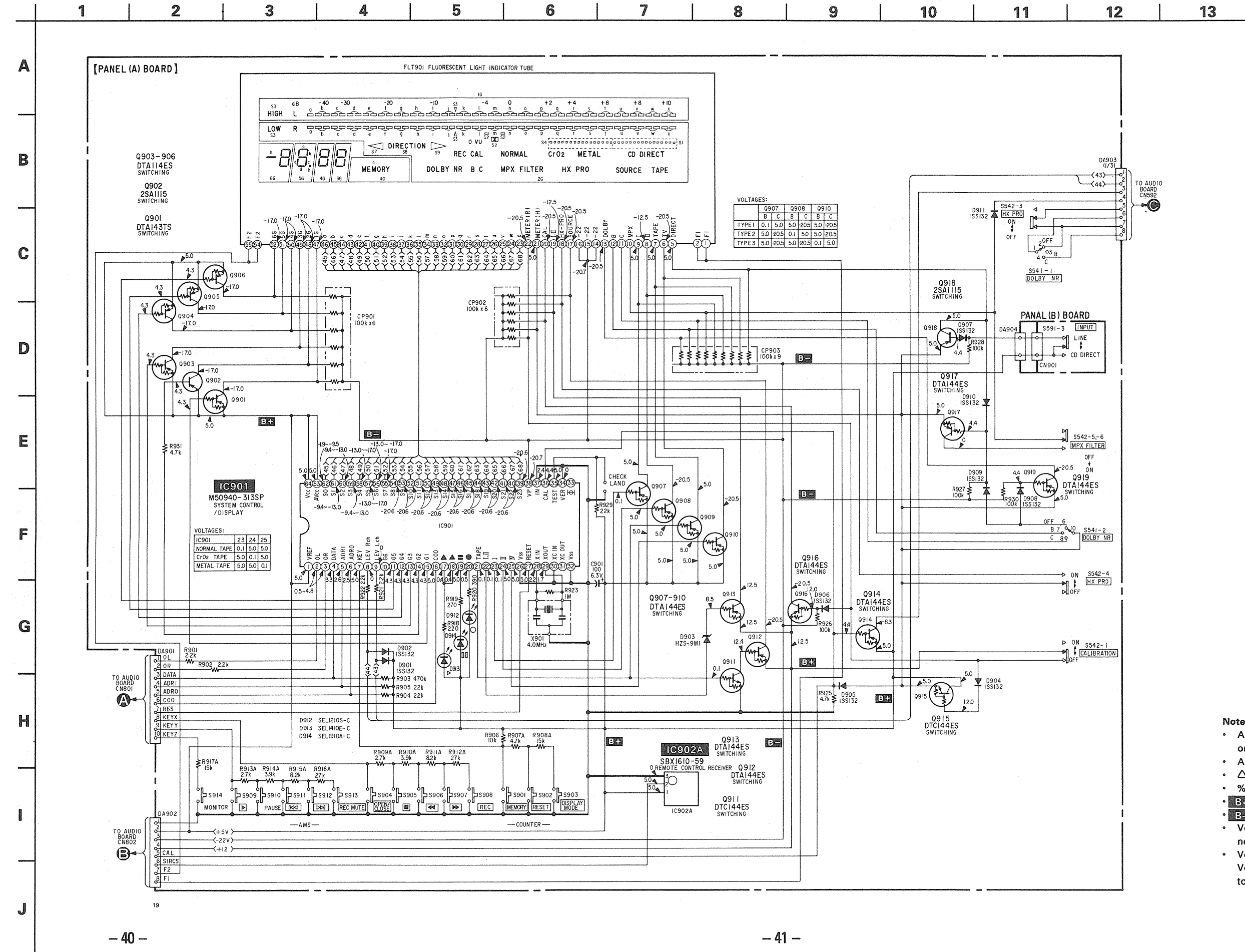
- All capacitors are in μF unless otherwise noted. pF : μF 50VW or less are not indicated except for electrolytics and tantalums.
- All resistors are in ohms, 1/4W or less unless otherwise noted.
- Δ : internal component.
- %: indicate a permissible margin.
- R-ch is omitted. It's the same as L-ch. Reference numbers of R-ch are 200 series.

The components identified by mark Δ or dotted line with mark Δ are critical for safety. Replace only with part number specified.

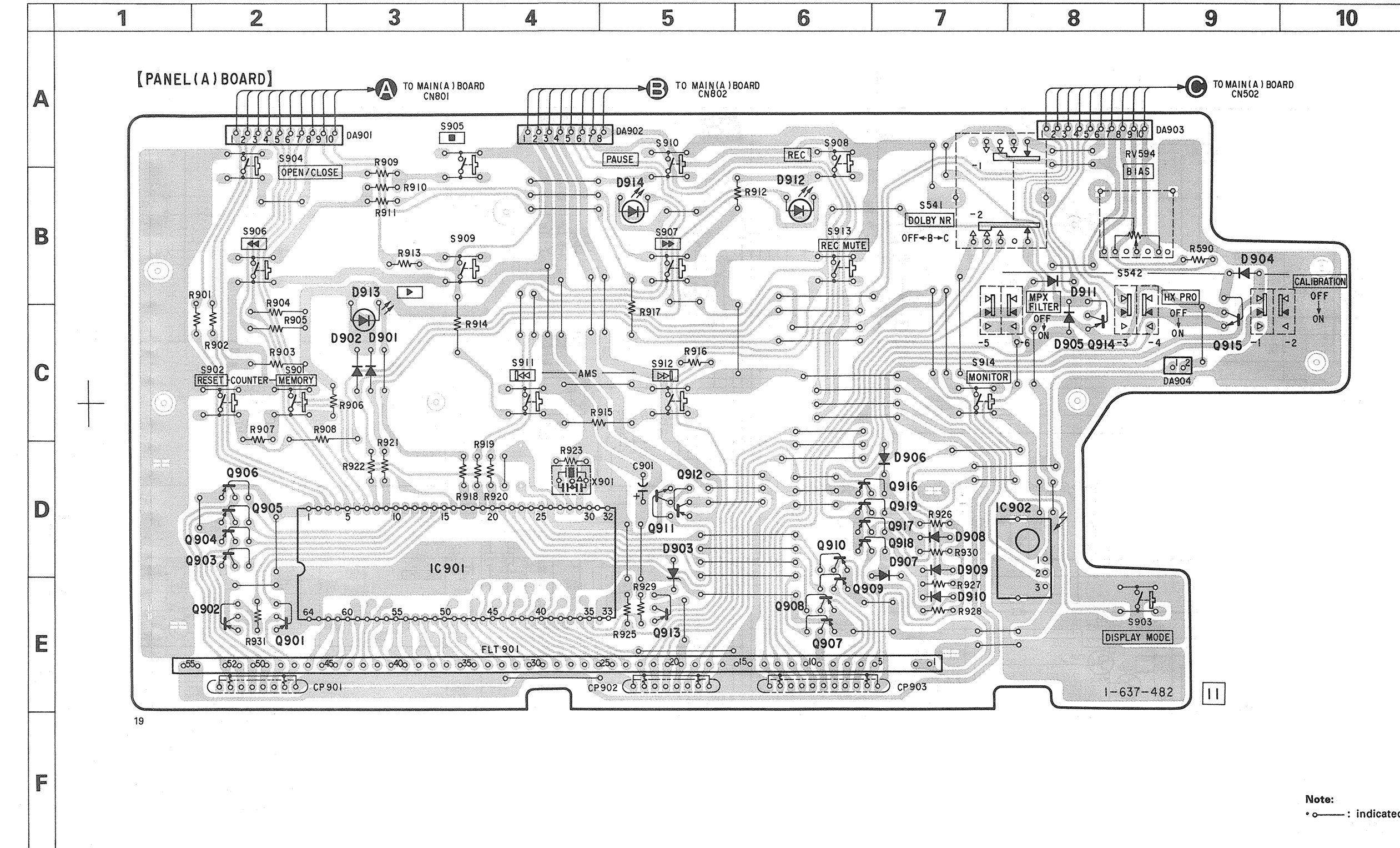
Les composants identifiés par une marque Δ sont critiques pour la sécurité. Ne les remplacer que par une pièce portant le numéro spécifié.

- Fuse resistor
- B+**: B-Line.
- B-**: B-Line.
- Δ : adjustment for repair.
- Volts are DC between measurement points and ground under no-signal (STOP) conditions.
- no make : Stop
- Volts are taken with a VOM (input impedance 10M Ω). Voltage variations may be noted due to normal production tolerances.
- Signal path
- Playback
- Recording

5-5. SCHEMATIC DIAGRAM - PANEL SECTION -



5-6. PRINTED WIRING BOARD - PANEL SECTION -



19

11

Note:

- All capacitors are in μF unless otherwise noted. pF: μF 50WV or less are not indicated except for electrolytics and tantalums.
- All resistors are in ohms, 1/4W or less unless otherwise noted.
- Δ : internal component.
- % : indicate a permissible margin.
- B+ : B + Line.
- B- : B - Line.
- Voltages are DC between measurement points and ground under no-signal (STOP) conditions.
- Voltages are taken with a VOM (input impedance 10M Ω). Voltage variations may be noted due to normal production tolerances.

• SEMICONDUCTOR LOCATION

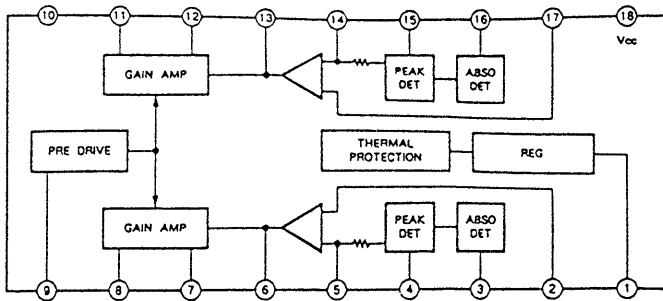
Ref. No.	Location
D901	C-3
D902	C-3
D903	D-5
D904	B-9
D905	C-8
D906	D-7
D907	D-7
D908	D-7
D909	D-7
D910	E-7
D911	B-8
D912	B-6
D913	C-3
D914	B-5
IC901	D-3
IC902	D-8
Q901	E-2
Q902	E-2
Q903	D-2
Q904	D-2
Q905	D-2
Q906	D-2
Q907	E-6
Q908	E-6
Q909	E-6
Q910	D-6
Q911	D-5
Q912	D-5
Q913	D-5
Q914	C-8
Q915	C-9
Q916	D-7
Q917	D-7
Q918	D-7
Q919	D-7

Note:

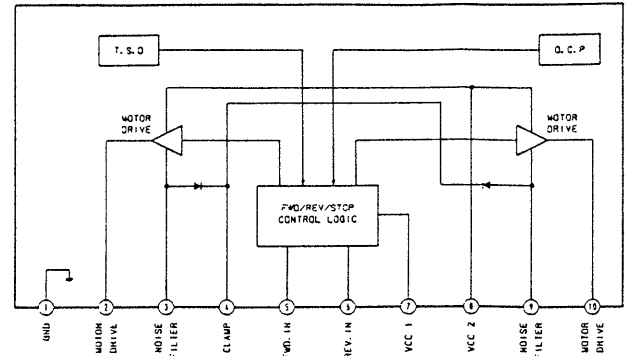
- --- : indicated a lead wire mounted on the component side.

5-7. IC BLOCK DIAGRAMS

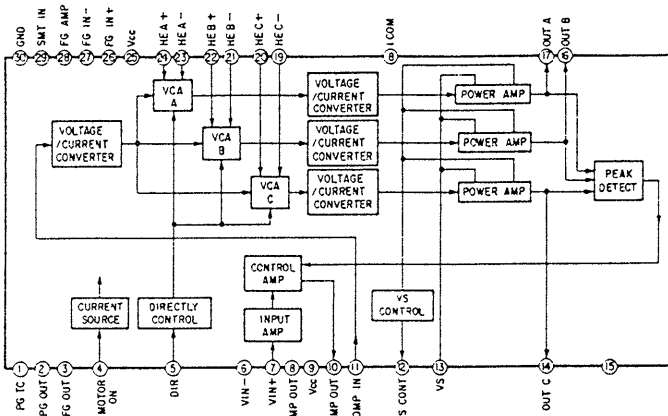
IC554 μ PC1297CA



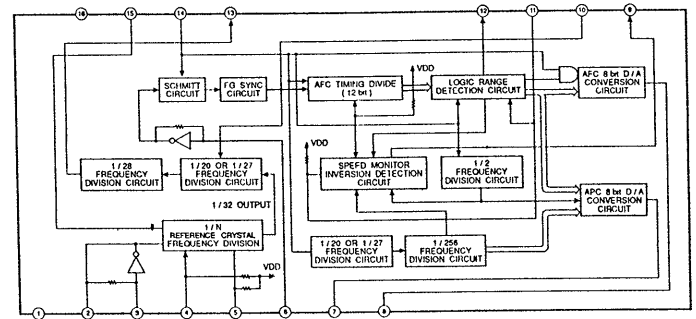
IC803 BA6219B
IC804 LB1641



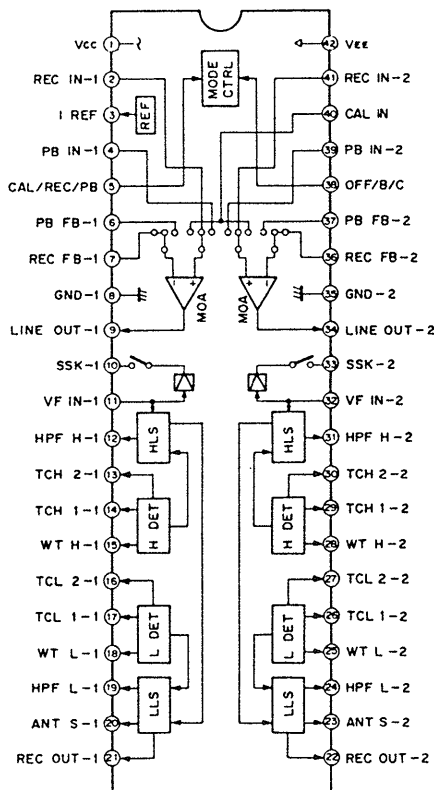
IC902B CX20174



IC952 TC9142P



IC502,552 CX20188



PIN FUNCTION

Pin. No.	Pin. Name	Description
1	Vcc	Positive power terminal
2, 41	REC IN	Recording input terminal
3	I REF	Reference current input terminal
4, 39	PB IN	Playback input terminal
5	CAL/REC/PB	Calibration/recording/playback COS terminal
6, 37	PB FB	Playback feedback terminal
7, 36	REC FB	Recording feedback terminal
8, 35	GND	With 2 power supplies in operation : GND terminal With 1 power supply in operation : Vcc/2 terminal
9, 34	LINE OUT	Line output (decode output) terminal
10, 33	SSK	Spectral skewing switch terminal
11, 32	VF IN	Encode circuit input terminal
12, 31	HPF H	HLS highpass filter terminal
13, 30	TCH 2	HLS detector time constant terminal 2
14, 29	TCH 1	HLS detector time constant terminal 1
15, 28	WT H	HLS weighing terminal
16, 27	TCL 2	LLS detector time constant terminal 2
17, 26	TCL 1	LLS detector time constant terminal 1
18, 25	WT L	LLS weighing terminal
19, 24	HPF L	LLS highpass filter terminal
20, 23	ANT S	Anti-saturation terminal
21, 22	REC OUT	Recording output (encode output) terminal
38	OFF/B/C	Dolby NR off/B type/C type COS terminal
40	CAL IN	Calibration input terminal
42	VEE	With 2 power supplies in operation: negative power terminal With 1 power supply in operation: GND terminal

5-8. PIN FUNCTIONS OF IC801 AND IC901

IC801 Master Micon (M50964-226SP)

By entering various switch signals and remote control signals, the mechanical deck is controlled while switching equalizer, mute and other audio signals and transferring data to the display micon.

Pin No.	Pin Name	I/O	Description																																			
1	Vcc	—	Power terminal (+5V)																																			
2	A Vss	—	Power terminal (GND)																																			
3	Vref	I	Reference voltage input (+5V) to the A/D input port																																			
4	DATA	O	Data output (analog) to the display micon (IC901)																																			
5	PWM	—	Not in use with the equipment.																																			
6	ADR0	O	Data output to the display micon (IC901)																																			
7	REC	O	} Not in use with the equipment. (Connect to GND.)																																			
8	PAUSE	O																																				
9	PLAY	O																																				
10	AD7	I		Key switch input (analog). 0V: "▲", 1V: "■", 2V: "◀", 3V: "▶", 4V: "●"																																		
11	AD6	I	Key switch input (analog). 0V: "▶", 1V: "■", 2V: "◀", 3V: "▶", 4V: "○"																																			
12	AD5	I	Key switch input (analog). 0V: "RESET", 1V: "MEMORY", 2V: "DISPLAY MODE"																																			
13	TIMER SW	I	Key switch input (analog). 3V: "REC", 4V: "PLAY", 5V: "OFF"																																			
14	T-PULSE	I	Pulse input to the reel stand sensor in the mechanical deck take-up side.																																			
15	S-PULSE	I	Pulse input to the reel stand sensor in the mechanical deck supply side.																																			
16	COUNT0	I	Negative pulse enters when the counter becomes 0.																																			
17	—	—	Not in use with the equipment.																																			
18	RSTOUT	O	} Not in use with the equipment (Connect to GND).																																			
19	S-CLOCK	O																																				
20	S-OUT	O																																				
21	S-IN	I		Not in use with the equipment. (Pull-up)																																		
22	SIRCS-L	I	Positive phase input of SIRCS signal (remote control).																																			
23	SIRCS-E	I	Reverse phase input of SIRCS signal (remote control). SIRCS-L is inverted and entered.																																			
24	POW-OUT	O	Not in use with the equipment. (Open)																																			
25	POWER IN	I	Power down detection input																																			
26	INTI	I	Power down detection input																																			
27	CN Vss	—	Power terminal (GND)																																			
28	RESET	I	Reset input																																			
29	XIN	I	Clock input (4MHz)																																			
30	XOUT	O	Clock output																																			
31	φ	—	Not in use with the equipment.																																			
32	Vss	—	Power terminal (GND)																																			
33~36	PAT3-PAT0	I	Inputs to the rotary encoder for the detection of mechanical deck head base position. <table border="1" style="margin-left: auto; margin-right: auto;"> <thead> <tr> <th></th> <th>PAUSE</th> <th>AMS</th> <th>FF/REW</th> <th>STOP</th> <th>PLAY</th> <th>EJECT</th> </tr> </thead> <tbody> <tr> <td>PAT3</td> <td>L</td> <td>L</td> <td>L</td> <td>L</td> <td>H</td> <td>H</td> </tr> <tr> <td>PAT2</td> <td>L</td> <td>L</td> <td>H</td> <td>H</td> <td>L</td> <td>H</td> </tr> <tr> <td>PAT1</td> <td>L</td> <td>H</td> <td>L</td> <td>H</td> <td>L</td> <td>H</td> </tr> <tr> <td>PAT0</td> <td>L</td> <td>H</td> <td>H</td> <td>L</td> <td>L</td> <td>L</td> </tr> </tbody> </table>		PAUSE	AMS	FF/REW	STOP	PLAY	EJECT	PAT3	L	L	L	L	H	H	PAT2	L	L	H	H	L	H	PAT1	L	H	L	H	L	H	PAT0	L	H	H	L	L	L
	PAUSE	AMS	FF/REW	STOP	PLAY	EJECT																																
PAT3	L	L	L	L	H	H																																
PAT2	L	L	H	H	L	H																																
PAT1	L	H	L	H	L	H																																
PAT0	L	H	H	L	L	L																																
37	OPEN SW	I	Input to the mechanical deck OPEN switch (S1004). "L": When the cassette holder completely opens.																																			
38	CLOSE SW	I	Input to the mechanical deck CLOSE switch (S1003). "L": When the cassette holder completely closed.																																			
39	DOOR SW	I	Input to the mechanical deck DOOR switch (S1002). "L": When the cassette holder is driven from open to close states.																																			
40	REC SW	I	Input to the mechanical deck REC switch (S1001). "H": When REC claw is broken.																																			

Pin No.	Pin Name	I/O	Description															
41	$\overline{70\mu SW}$	I	Input to the mechanical deck 70 μ switch (S1008). "H": 70 μ S, "L": 120 μ S (time constant of playback EQ)															
42	$\overline{HALF SW}$	I	Input to the mechanical deck HALF switch (S1006). "L": When a tape is mounted Input to the mechanical deck METAL switch (S1007). "H": METAL tape, "L": NORMAL or CrO2 tape															
43	$\overline{METAL SW}$	I																
44	—	—		Not in use with the equipment.														
45	$\overline{CAM UP}$	O	Output of the mechanical deck head base UP. Output of the mechanical deck head base DOWN.															
46	$\overline{CAM DOWN}$	O																
			<table border="1"> <thead> <tr> <th></th> <th>STOP</th> <th>DOWN</th> <th>UP</th> <th>STOP</th> </tr> </thead> <tbody> <tr> <td>$\overline{CAM UP}$</td> <td>L</td> <td>H</td> <td>L</td> <td>H</td> </tr> <tr> <td>$\overline{CAM DOWN}$</td> <td>L</td> <td>L</td> <td>H</td> <td>H</td> </tr> </tbody> </table>		STOP	DOWN	UP	STOP	$\overline{CAM UP}$	L	H	L	H	$\overline{CAM DOWN}$	L	L	H	H
	STOP	DOWN	UP	STOP														
$\overline{CAM UP}$	L	H	L	H														
$\overline{CAM DOWN}$	L	L	H	H														
47	$\overline{M-FWD}$	O	The reel motor rotated forwardly. The reel motor rotated Reversely.															
48	$\overline{M-REV}$	O																
			<table border="1"> <thead> <tr> <th></th> <th>STOP</th> <th>FWD/ CLOSE</th> <th>REV/ OPEN</th> <th>BRAKE</th> </tr> </thead> <tbody> <tr> <td>$\overline{M-FWD}$</td> <td>L</td> <td>L</td> <td>H</td> <td>H</td> </tr> <tr> <td>$\overline{M-REV}$</td> <td>L</td> <td>H</td> <td>L</td> <td>H</td> </tr> </tbody> </table>		STOP	FWD/ CLOSE	REV/ OPEN	BRAKE	$\overline{M-FWD}$	L	L	H	H	$\overline{M-REV}$	L	H	L	H
	STOP	FWD/ CLOSE	REV/ OPEN	BRAKE														
$\overline{M-FWD}$	L	L	H	H														
$\overline{M-REV}$	L	H	L	H														
49	$\overline{M-PLAY}$	O	"L" When the reel motor is rotated at the PLAY speed. "L" When the reel motor is rotated at the FF/REW speed. Bias oscillation control output. "L": Oscillation, "H": OFF REC mute control output. "H": Mute Monitor switch output. "H": Tape, "L": Source															
50	$\overline{M-FAST}$	O																
51	\overline{BIAS}	O																
52	$\overline{REC MUTE}$	O																
53	$\overline{MONITER}$	O																
54	$\overline{LINE MUTE}$	O	Line mute control output. "H": Mute															
55	—	—	Not in use with the equipment (Connect to $\overline{AMS MODE}$).															
56	$\overline{AMS MODE}$	O	Output of the AMS switch. It becomes "L" in AMS.															
57	$\overline{TYPE I}$	O	REC equalizer switching output. With NORMAL tape: "L"															
58	$\overline{TYPE II}$	O	REC equalizer switching output. With CrO2 tape: "L"															
59	$\overline{TYPE IV}$	O	REC equalizer switching output. With METAL tape: "L"															
60	$\overline{AMS SIG}$	I	AMS signal input. No music: "L," with music: "H" } Not in use with the equipment (Connect to +5V).															
61	$\overline{SOURCE SW}$	I																
62	$\overline{TAPE SW}$	I																
63	$\overline{CAL SW}$	I		Input to the calibration switch (S602). "L": CAL mode, "H": Normal mode														
64	ADDR1	O	Data output to the display micon (IC901)															

IC 901 Display Micon (M50940-313SP)

The captioned micon controls the indications of the 24 segment level meter, counter, etc. according to the instruction of the master micon IC801).

Pin No.	Pin Name	I/O	Description
1	Vref	I	A/D input port reference voltage input (+ 5V)
2	øL	I	Reel base sensor pulse input in the supply side of the mechanical deck
3	øR	I	Reel base sensor pulse input in the take up side of the mechanical deck
4	DATA	I	Data input (analog) from the master micon (IC801)
5, 6	ADR1-ADRO	I	Data input (analog) from the master micon (IC801)
7	KEY	I	Key switch input (analog) 0V : MEMORY, 1.6V : RESET, 3.1V : DISPLAY
8	LEVEL L	I	Level meter Lch input (analog) from the meter amplifier (IC514)
9	LEVEL R	I	Level meter Rch input (analog) from the meter amplifier (IC514)
10-15	GRID6-GRID1	O	FL tube grid output
16	C00	O	Issues negative pulse when the counter becomes 00.
17	PLAY	O	PLAY LED output. Upon "L" it lights up
18	PLAY	O	PLAY LED output. Upon "L" it lights up
19	PAUSE	O	PAUSE LED output. Upon "L" it lights up
20	REC	O	REC LED output. Upon "L" it lights up
21	TAPE	O	FL tube segment output (L: TAPE H: SOURCE indication)
22	OVER LEVEL	O	FL tube segment output ("OVER LEVEL" indication)
23	TYPE I	O	FL tube segment output ("TYPE I" indication)
24	TYPE II	O	FL tube segment output ("TYPE II" indication)
25	TYPE IV	O	FL tube segment output ("TYPE IV" indication)
26	CNVss	-	Power terminal (GND)
27	RESET	I	Reset input
28	XIN	I	Clock input (4 MHz)
29	XOUT	O	Clock output
30	XCIN	-	Not in use with the equipment. (always "L")
31	XCOUT	-	Not in use with the equipment.
32	Vss	-	Power terminal (GND)
33	ø	O	Not in use with the equipment.
34	VER	I	Version changeover input (always "L")
35	TEST	I	Test mode input Upon "L" all meters light up
36	CAL	I	Calibration switch (S602) input Upon "L" CAL mode, Upon "H" normal mode
37	IN	I	Not in use with the equipmnet.
38	VP	I	Power terminal (-22V) to pull down FL tube segment output
39-62	S23-S0	O	FL tube segment output (meter, counter indication)
63	AVcc	-	Power terminal (+ 5V)
64	Vcc	-	Power terminal (+ 5V)

SECTION 6 EXPLODED VIEW

NOTE:

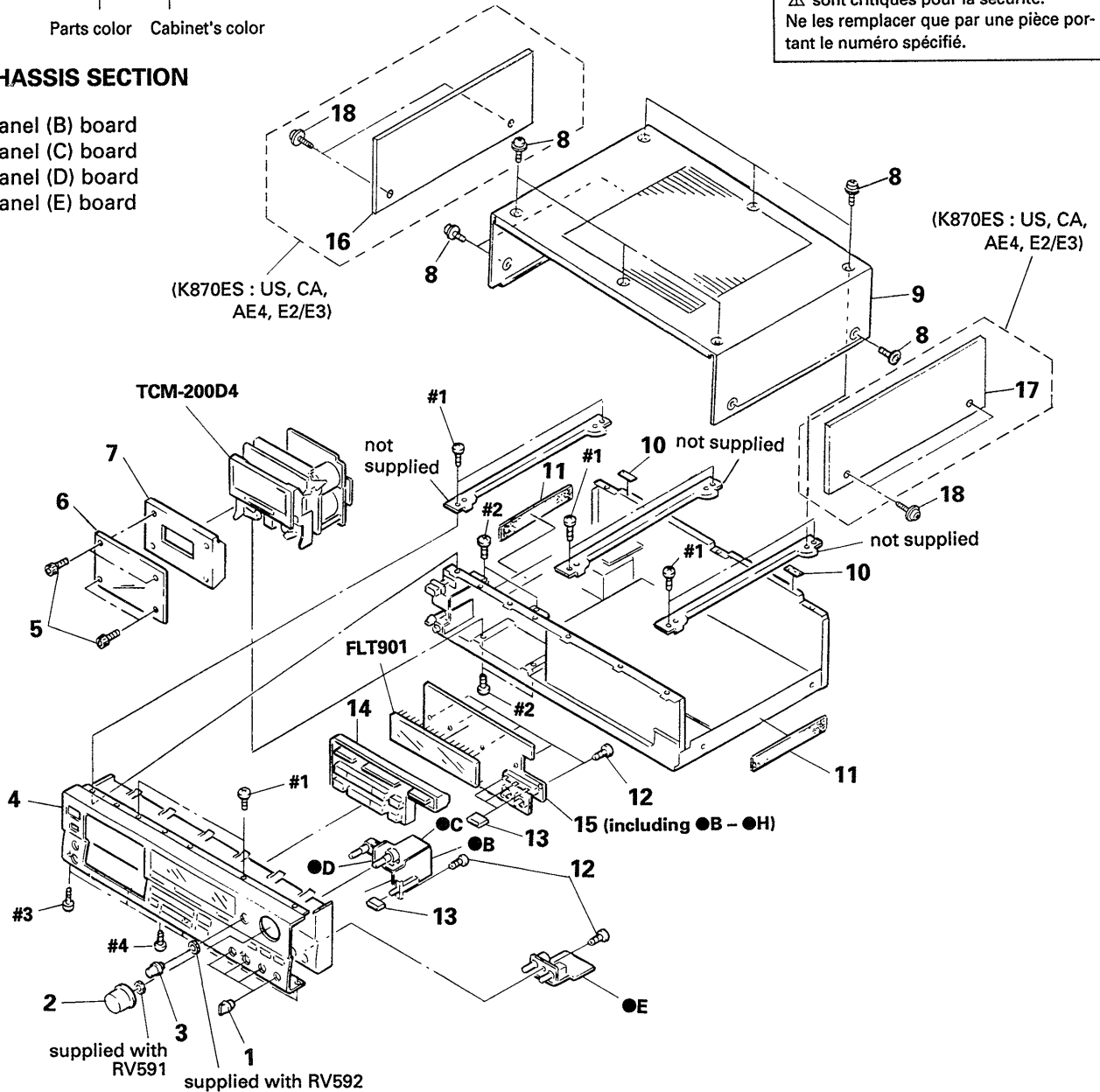
- -XX, -X mean standardized parts, so they may have some differences from the original one.
- Color Indication of Appearance Parts
Example:
KNOB,BALANCE(WHITE)...(RED)
 ↑ ↑
 Parts color Cabinet's color
- Items marked "*" are not stocked since they are seldom required for routine service. Some delay should be anticipated when ordering these items.
- The mechanical parts with no reference number in the exploded views are not supplied.

The components identified by mark Δ or dotted line with mark Δ are critical for safety.
Replace only with part number specified.

Les composants identifiés par une marque Δ sont critiques pour la sécurité.
Ne les remplacer que par une pièce portant le numéro spécifié.

(1) CHASSIS SECTION

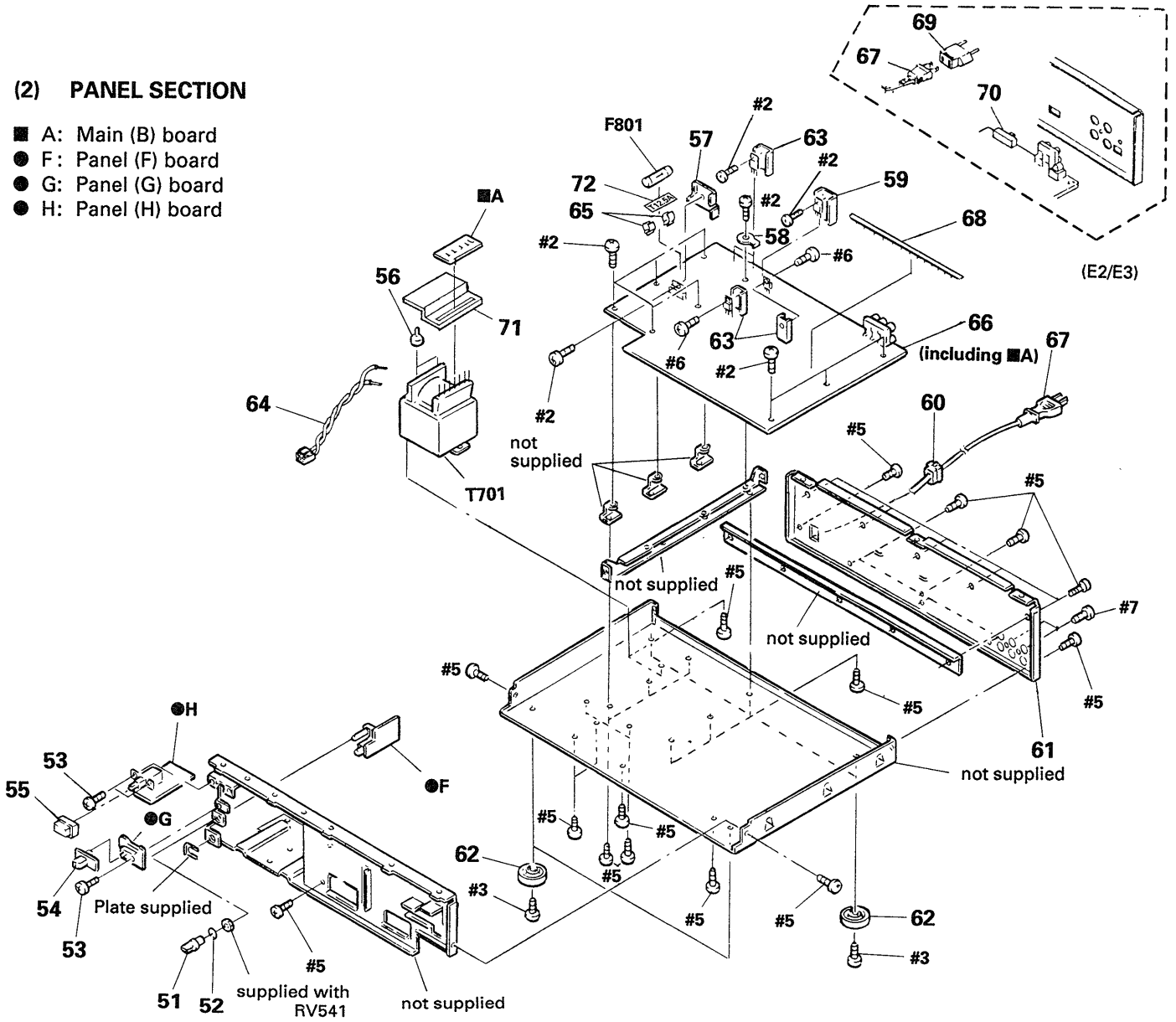
- B: Panel (B) board
- C: Panel (C) board
- D: Panel (D) board
- E: Panel (E) board



Ref. No.	Part No.	Description	Remarks	Ref. No.	Part No.	Description	Remarks
1	X-3362-818-1	KNOB (DIA. 12) ASSY (B), SQUARE		9	* 3-364-366-01	CASE	
2	X-3362-289-1	KNOB (VOL.) ASSY		10	3-645-258-00	CLOTH, GUIDE, C	
3	3-364-173-01	KNOB (BAL.)		11	9-911-844-XX	CUSHION (50X20)	
4	A-2003-813-A	PANEL ASSY, FRONT (K870ES; US, CA, UK)		12	4-928-635-01	SCREW, +BV (2.6X8) TAPPING	
	A-2003-815-A	PANEL ASSY, FRONT (K870ES; AE4)		13	3-364-165-01	BUTTON (14X5)	
	A-2003-816-A	PANEL ASSY, FRONT (K870ES; E2/E3)		14	X-3362-290-1	BUTTON (BLOCK) ASSY	
	A-2003-681-A	PANEL ASSY, FRONT (K222ESL; E2/E3)		15	* A-2006-551-A	PANEL BOARD, COMPLETE	
5	3-356-942-01	SCREW (2.6X6), TAPPING		16	X-3340-188-1	PANEL (R) ASSY, SIDE	(K870ES; US, CA, AE4, E2/E3)
6	3-364-177-11	WINDOW (CASSETTE) (K870ES)		17	X-3340-187-1	PANEL (L) ASSY, SIDE	(K870ES; US, CA, AE4, E2/E3)
	3-364-177-01	WINDOW (CASSETTE) (K222ESL)		18	4-933-446-01	SCREW (SIDE PANEL)	(K870ES; US, CA, AE4, E2/E3)
7	3-356-923-01	LID, CASSETTE					
8	3-704-366-01	SCREW (CASE) (M3X8)					

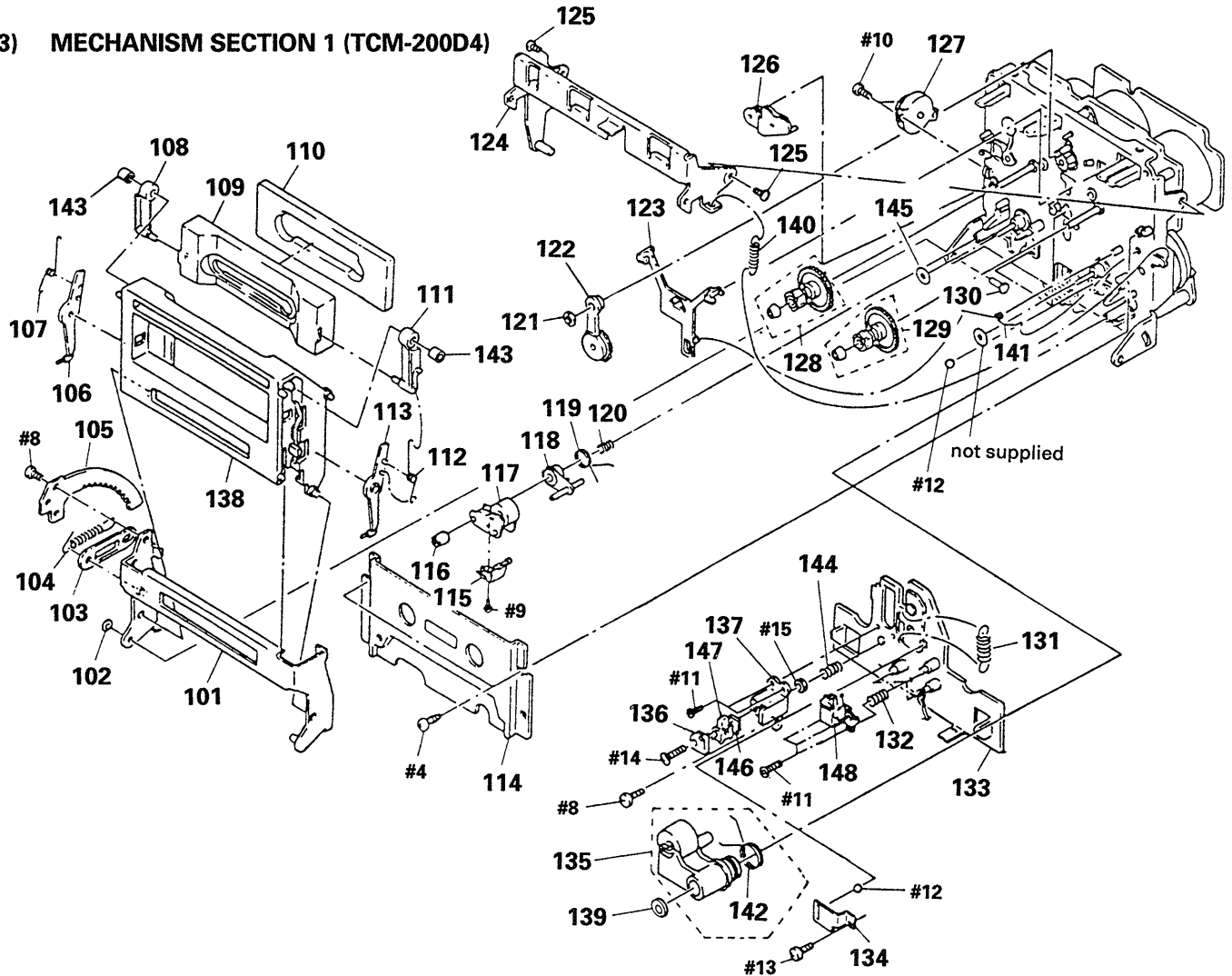
(2) PANEL SECTION

- A: Main (B) board
- F: Panel (F) board
- G: Panel (G) board
- H: Panel (H) board



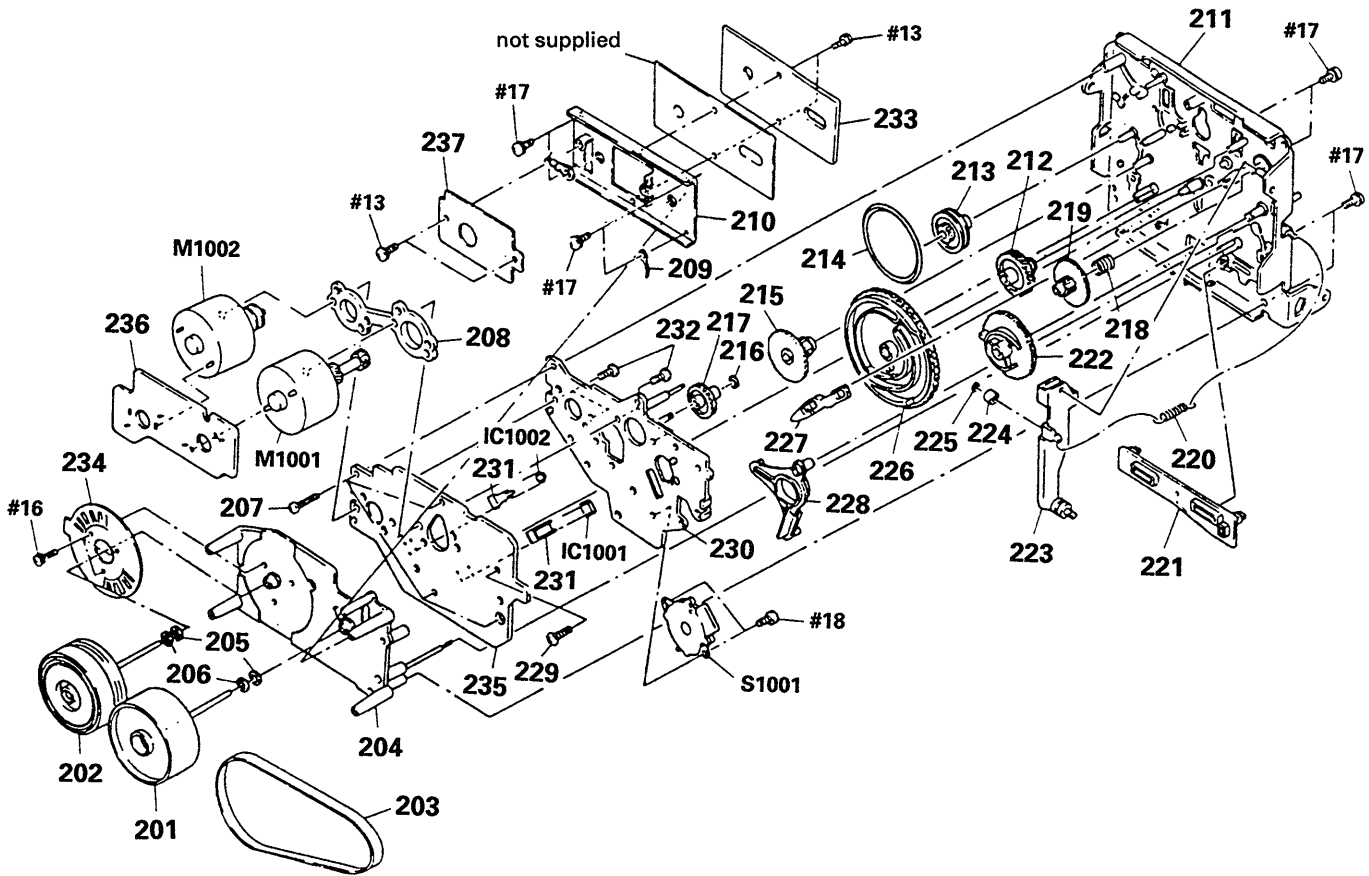
Ref. No.	Part No.	Description	Remarks	Ref. No.	Part No.	Description	Remarks
51	3-354-931-01	KNOB (DIA.10)		65	* 1-533-213-31	HOLDER, FUSE	
52	3-354-981-01	SPRING (SUS), RING		66	* A-2006-507-A	MAIN BOARD, COMPLETE (K870ES; US, CA, E2/E3 K222ESL; E2/E3)	
53	4-928-635-01	SCREW, +BV (2. 6X8) TAPPING			* A-2006-552-A	MAIN BOARD, COMPLET1 (K870E1; UK, AE4)	
54	4-922-518-01	KNOB (TIMER)		67	△ 1-575-975-11	CORD, POWER (K870ES; US, CA)	
55	3-354-912-01	KNOB, POWER			△ 1-575-651-11	CORD, POWER (K870ES; AE4)	
56	* 4-912-962-01	COVER (1P), TERMINAL (K870ES; US, CA, UK, AE4)			△ 1-575-652-11	CORD, POWER (K870ES; UK)	
57	* 3-356-925-01	HEAT SINK			△ 1-575-653-11	CORD, POWER (E2/E3)	
58	4-870-539-00	PLATE, GROUND		68	* 1-560-242-91	BUS BAR 10P	
59	4-902-345-01	HEAT SINK		69	1-569-007-11	ADAPTER, CONVERSION 2P (K222ESL; E2/E3)	
60	* 3-703-244-00	BUSHING (2104), CORD (K870ES; US, CA, UK, AE4)		70	1-570-307-11	SWITCH, VOLTAG CHANGE (E2/E3)	
61	* 3-703-571-11	BUSHING (S) (4516), CORD (E2/E3)		71	* 3-356-961-02	COVER (TRANSFORMER) (E2/E3)	
	* 3-362-485-11	PANEL, BACK (K870ES; US, CA)		72	3-701-947-12	LABEL (T1.25A), FUSE (K870ES; UK, AE4, E2/E3 K222ESL; E2/E3)	
	* 3-362-485-21	PANEL, BACK (K870ES; UK)		F801	△ 1-532-741-11	FUSE, GLASS TUBE (1.25A) (K870ES; US, CA)	
	* 3-362-485-31	PANEL, BACK (K870ES; AE4)			△ 1-532-285-11	FUSE, TIME-LAG (1.25A) (K870ES; UK, AE4, E2/E3 K222ESL; E2/E3)	
	* 3-362-485-61	PANEL, BACK (K870ES; E2/E3)		T701	△ 1-450-511-11	TRANSFORMER, POWER (K870ES; US, CA)	
	* 3-362-485-71	PANEL, BACK (K222ESL; E2/E3)			△ 1-450-512-11	TRANSFORMER, POWER (K870ES; UK, AE4)	
62	X-3304-944-1	FOOT ASSY			△ 1-450-513-11	TRANSFORMER, POWER (E2/E3)	
63	* 4-880-403-21	HEAT SINK					
64	* 1-590-321-51	LEAD (WITH CONNECTOR)					

(3) MECHANISM SECTION 1 (TCM-200D4)



Ref. No.	Part No.	Description	Remarks	Ref. No.	Part No.	Description	Remarks
101	X-3362-671-1	HOLDER (BG) ASSY, CASSETTE		125	3-356-601-11	SCREW, STEP	
102	3-558-708-11	WASHER, STOPPER		126	X-3356-623-1	LEVER (BT) ASSY	
103	* 3-356-717-01	LEVER (JOINT)		127	3-319-224-31	DAMPER, SMALL	
104	3-356-626-01	SPRING, TENSION		128	X-3356-629-1	GEAR (S) ASSY	
105	3-356-708-01	GEAR (S), EJECT		129	X-3356-627-1	GEAR (T) ASSY	
106	3-356-932-01	LEVER (LA)		130	3-356-710-01	SHAFT (LEFT) (CASSETTE HOLDER)	
107	3-356-927-01	SPRING (LEFT), TORSION		131	3-356-658-01	SPRING (LIMITER H), TENSION	
108	3-356-933-01	LEVER (LB)		132	3-356-659-01	SPRING (RPH), COMPRESSION	
109	3-356-928-01	PLATE (A), ORNAMENTAL		133	* X-3362-199-1	SLIDER (HEAD CHASSIS D) ASSY	
110	* 3-356-929-01	ABSORBENT, VIBRATION		134	3-356-656-01	SPRING (HEAD PC BOARD), LEAF	
111	3-356-931-01	LEVER (RB)		135	X-3356-620-1	LEVER (PINCH LEVER T) ASSY	
112	3-356-926-01	SPRING (RIGHT), TORSION		136	3-318-433-01	SPRING	
113	3-356-930-01	LEVER (RA)		137	* 3-576-977-00	BRACKET, E. HEAD	
114	X-3356-613-1	PLATE ASSY, ORNAMENTAL		138	X-3356-611-1	HOLDER (A) ASSY, CASSETTE	
115	3-564-138-00	GUIDE (S), TAPE		139	3-669-596-00	WASHER (2. 3), STOPPER	
116	3-356-652-01	NUT (PINCH LEVER S)		140	3-356-624-01	SPRING, TENSION	
117	X-3356-621-1	LEVER (PINCH LEVER S) ASSY		141	3-356-619-01	SPRING (B), TORSION	
118	3-356-660-01	LEVER (PS)		142	3-356-672-01	SPRING (PINCH LEVER T), TORSION	
119	3-356-661-01	SPRING (PINCH LEVER S), TORSION		143	3-356-946-01	BUSHING	
120	3-356-657-01	SPRING (PS), COMPRESSION		144	3-564-121-00	SPRING, COMPRESSION	
121	3-669-465-00	WASHER (1.5), STOPPER		145	3-356-713-01	WASHER	
122	X-3356-641-1	LEVER (FR2) ASSY		146	* 1-608-268-00	PC BOARD, ERASE HEAD	
123	3-356-614-01	SLIDER (BRAKE)		147	1-543-358-11	HEAD, MAGNETIC (ERASE)	
124	* X-3356-608-1	LEVER (LIFTER) ASSY		148	1-543-684-11	HEAD, MAGNETIC (REC/PB)	

(4) MECHANISM SECTION 2 (TCM-200D4)



Ref. No.	Part No.	Description	Remarks	Ref. No.	Part No.	Description	Remarks
201	X-3362-284-1	FLYWHEEL (S2.3) ASSY		221	3-356-653-01	SLIDER (PAUSE)	
202	X-3356-619-1	FLYWHEEL (DT) ASSY		222	3-356-616-01	GEAR (LOADING CAM)	
203	3-364-600-01	BELT (CAPSTAN)		223	* X-3356-606-1	LEVER (LOADING) ASSY	
204	X-3362-281-1	CHASSIS (D2.3) ASSY		224	3-356-630-01	ROLLER (LOADING)	
205	3-356-705-31	WASHER (CAPSTAN)		225	3-558-708-21	WASHER, STOPPER	
206	3-356-705-21	WASHER (CAPSTAN)		226	3-356-654-01	GEAR (MODE CAM C)	
207	3-355-801-01	SCREW (BTP 2X18)		227	3-356-617-01	LEVER (SELECTION)	
208	* 3-356-628-01	SPACER (MOTOR)		228	3-356-613-01	LEVER (MODE)	
209	* 3-701-822-00	HOLDER, WIRE		229	3-356-707-01	SCREW (+PTPWH 2X25)	
210	* X-3362-282-1	BRACKET (THRUST RETAINER) ASSY		230	* X-3356-616-4	BRACKET (MOTOR D) ASSY	
211	X-3356-622-1	CHASSIS (C) ASSY, MECHANICAL		231	3-356-631-01	HOLDER (SENSOR)	
212	3-356-703-01	GEAR (COMMUNICATION C)		232	3-363-804-01	SCREW (+P 2.6X6.5)	
213	3-356-607-01	PULLEY (MODE)		233	A-2006-154-A	CAPSTAN C. O. C BOARD, COMPLETE	
214	3-356-603-01	BELT (MODE)		234	1-632-779-11	PC BOARD, FG	
215	3-356-606-01	GEAR (MODE)		235	* 1-632-740-11	MD BOARD	
216	3-669-465-00	WASHER (1.5), STOPPER		236	* 1-632-741-11	REAL MOTOR BOARD	
217	3-356-702-01	GEAR (COMMUNICATION B)		237	* 1-632-746-11	COMPARATOR BOARD	
218	3-356-605-01	SPRING, COMPRESSION		M1001	X-3356-638-1	MOTOR (REEL R) ASSY	
219	3-356-609-01	GEAR (LOADING)		M1002	X-3356-604-1	MOTOR (ASSIST) ASSY	
220	3-356-625-01	SPRING, TENSION		S1001	1-466-238-11	ENCODER, ROTARY	

SECTION 8
ELECTRICAL PARTS LIST

CAPSTAN C.O.C

COMPARATOR

NOTE:

The components identified by mark Δ or dotted line with mark Δ are critical for safety.
Replace only with part number specified.

Les composants identifiés par une marque Δ sont critiques pour la sécurité.
Ne les remplacer que par une pièce portant le numéro spécifié.

When indicating parts by reference number, please include the board name.

- Due to standardization, replacements in the parts list may be different from the parts specified in the diagrams or the components used on the set.
- -XX, -X mean standardized parts, so they may have some difference from the original one.
- RESISTORS
All resistors are in ohms
METAL : Metal-film resistor
METAL OXIDE : Metal Oxide-film resistor
F : nonflammable

- Items marked "*" are not stocked since they are seldom required for routine service. Some delay should be anticipated when ordering these items.
- SEMICONDUCTORS
In each case, u : μ , for example :
uA...: μ A..., uPA...: μ PA...,
uPB...: μ PB..., uPC...: μ PC...,
uPD...: μ PD...
- CAPACITORS
uF : μ F
- COILS
uH : μ H

Ref. No.	Part No.	Description	Remarks	Ref. No.	Part No.	Description	Remarks
	A-2006-154-A	CAPSTAN C. O. C BOARD, COMPLETE *****			* 1-632-746-11	COMPARATOR BOARD *****	
		< CAPACITOR >				< CAPACITOR >	
C905	1-124-779-00	ELECT CHIP 10uF 20% 16v		C951	1-136-157-00	FILM 0.022uF 5% 50V	
C906	1-135-091-00	TANTALUM CHIP 1uF 20% 16V		C952	1-124-282-00	ELECT 22uF 20% 25V	
C907	1-163-077-00	CERAMIC CHIP 0.1uF 10% 25V		C953	1-124-478-11	ELECT 100uF 20% 25V	
C908	1-163-077-00	CERAMIC CHIP 0.1uF 10% 25V		C954	1-124-477-11	ELECT 47uF 20% 25V	
C909	1-163-077-00	CERAMIC CHIP 0.1uF 10% 25V		C955	1-162-203-31	CERAMIC 15PF 5% 50V	
C910	1-163-205-00	CERAMIC CHIP 0.001uF 5% 50V		C956	1-162-203-31	CERAMIC 15PF 5% 50V	
C911	1-124-779-00	ELECT CHIP 10uF 20% 16v		C957	1-136-159-00	FILM 0.033uF 5% 50V	
		< HOLE ELEMENT >				< CONNECTOR >	
H901	8-719-403-79	OH009-TW		CN951	* 1-564-718-11	PIN, CONNECTOR (SMALL TYPE) 2P	
H902	8-719-403-79	OH009-TW		CN952	* 1-564-518-11	PLUG, CONNECTOR 3P	
H903	8-719-403-79	OH009-TW				< IC >	
		< IC >		IC951	8-759-945-58	IC RC4558P	
IC902	8-752-017-40	IC CX20174-T1		IC952	8-759-201-58	IC TC9142P	
		< RESISTOR >				< RESISTOR >	
R907	1-216-242-00	METAL GLAZE 68K 5% 1/8W		R951	1-249-413-11	CARBON 470 5% 1/4W	
R908	1-216-246-00	METAL GLAZE 100K 5% 1/8W		R952	1-249-413-11	CARBON 470 5% 1/4W	
R909	1-216-246-00	METAL GLAZE 100K 5% 1/8W		R953	1-247-881-00	CARBON 120K 5% 1/4W	
R910	1-216-238-00	METAL GLAZE 47K 5% 1/8W		R954	1-247-881-00	CARBON 120K 5% 1/4W	
R911	1-216-182-00	METAL GLAZE 220 5% 1/8W		R955	1-249-429-11	CARBON 10K 5% 1/4W	
R912	1-216-182-00	METAL GLAZE 220 5% 1/8W		R956	1-249-417-11	CARBON 1K 5% 1/4W	
R913	1-216-150-00	METAL GLAZE 10 5% 1/8W		R957	1-249-417-11	CARBON 1K 5% 1/4W	
R914	1-216-150-00	METAL GLAZE 10 5% 1/8W		R958	1-247-891-00	CARBON 330K 5% 1/4W	
R915	1-216-150-00	METAL GLAZE 10 5% 1/8W		R959	1-247-901-11	CARBON 820K 5% 1/4W	
		*****		R960	1-249-441-11	CARBON 100K 5% 1/4W	
		*****				< CRYSTAL >	
		*****		X951	1-577-615-11	VIBRATOR, CRYSTAL (4.934MHz)	
		*****				*****	

MD **MAIN**

Ref. No.	Part No.	Description	Remarks	Ref. No.	Part No.	Description	Remarks
* 1-632-740-11	MD BOARD	*****		C104	1-107-169-00	MICA	100PF 5% 500V
3-356-631-01	HOLDER (SENSOR)			C105	1-136-252-00	FILM	0.0015uF 5% 100V
	< CONNECTOR >			C107	1-136-158-00	FILM	0.027uF 5% 50V
CN1001	1-506-615-11	PIN, CONNECTOR 9P		C108	1-107-161-00	MICA	39PF 5% 500V
CN1002	1-564-501-11	PIN, CONNECTOR 8P		C109	1-136-253-11	FILM	0.0018uF 5% 100V
	< IC >			C110	1-136-253-11	FILM	0.0018uF 5% 100V
IC1001	8-749-920-97	IC PHOTO REFLECTOR GP2S22B		C111	1-130-475-00	MYLAR	0.0022uF 5% 50V
IC1002	8-749-920-97	IC PHOTO REFLECTOR GP2S22B		C112	1-130-475-00	MYLAR	0.0022uF 5% 50V
	< RESISTOR >			C113	1-130-478-00	MYLAR	0.0039uF 5% 50V
R1001	1-249-408-11	CARBON 180 5% 1/4W		C114	1-136-173-00	FILM	0.47uF 5% 50V
R1002	1-249-408-11	CARBON 180 5% 1/4W		C115	1-136-167-00	FILM	0.15uF 5% 50V
	< SWITCH >			C116	1-136-155-00	FILM	0.015uF 5% 50V
S1001	1-466-238-11	ENCODER, ROTARY		C117	1-124-903-11	ELECT	1uF 20% 50V
S1002	1-570-953-11	SWITCH, PUSH (1 KEY)		C118	1-136-169-00	FILM	0.22uF 5% 50V
S1003	1-571-958-11	SWITCH, PUSH (1 KEY)		C119	1-136-163-00	FILM	0.068uF 5% 50V
S1004	1-572-126-11	SWITCH, PUSH (1 KEY)		C120	1-136-162-00	FILM	0.056uF 5% 50V
S1005	1-572-125-11	SWITCH, LEAF		C121	1-124-903-11	ELECT	1uF 20% 50V
S1006	1-572-202-11	SWITCH, LEAF		C122	1-130-480-00	MYLAR	0.0056uF 5% 50V
S1007	1-572-125-11	SWITCH, LEAF		C123	1-136-153-00	FILM	0.01uF 5% 50V
S1008	1-572-125-11	SWITCH, LEAF		C125	1-136-165-00	FILM	0.1uF 5% 50V
	< CONNECTOR PIN >			C126	1-123-382-00	ELECT	3.3uF 20% 100V
TB1001	* 1-569-066-11	PIN, CONNECTOR 5P		C171	1-123-357-00	ELECT	22uF 20% 50V
*****				C172	1-123-357-00	ELECT	22uF 20% 50V
* A-2006-507-A	MAIN BOARD, COMPLETE (K870ES; US, CA, E2/E3)	***** K222ESL; E2/E3		C173	1-123-357-00	ELECT	22uF 20% 50V
* A-2006-552-A	MAIN BOARD, COMPLETE (K870ES; UK, AE4)	*****		C174	1-123-357-00	ELECT	22uF 20% 50V
* 1-533-213-31	HOLDER, FUSE			C202	1-124-122-11	ELECT	100uF 20% 50V
* 1-533-213-31	HOLDER, FUSE			C203	1-130-893-00	FILM	0.027uF 5% 100V
* 1-560-242-91	BUS BAR 10P			C204	1-107-169-00	MICA	100PF 5% 500V
4-902-345-01	HEAT SINK (K870ES; US, CA, E2/E3)			C205	1-136-252-00	FILM	0.0015uF 5% 100V
4-870-273-00	HEAT SINK (E) (K870ES; UK, AE4)			C207	1-136-158-00	FILM	0.027uF 5% 50V
* 3-309-144-21	HEAT SINK			C208	1-107-161-00	MICA	39PF 5% 500V
* 3-356-925-01	HEAT SINK			C209	1-136-253-11	FILM	0.0018uF 5% 100V
4-870-539-00	PLATE, GROUND			C210	1-136-253-11	FILM	0.0018uF 5% 100V
* 4-880-403-11	HEAT SINK			C211	1-130-475-00	MYLAR	0.0022uF 5% 50V
	< CAPACITOR >			C212	1-130-475-00	MYLAR	0.0022uF 5% 50V
C102	1-124-122-11	ELECT 100uF 20% 50V		C213	1-130-478-00	MYLAR	0.0039uF 5% 50V
C103	1-130-893-00	FILM 0.027uF 5% 100V		C214	1-136-173-00	FILM	0.47uF 5% 50V
				C215	1-136-167-00	FILM	0.15uF 5% 50V
				C216	1-136-155-00	FILM	0.015uF 5% 50V
				C217	1-124-903-11	ELECT	1uF 20% 50V
				C218	1-136-169-00	FILM	0.22uF 5% 50V
				C219	1-136-163-00	FILM	0.068uF 5% 50V
				C220	1-136-162-00	FILM	0.056uF 5% 50V
				C221	1-124-903-11	ELECT	1uF 20% 50V
				C222	1-130-480-00	MYLAR	0.0056uF 5% 50V
				C223	1-136-153-00	FILM	0.01uF 5% 50V
				C225	1-124-925-11	ELECT	2.2uF 20% 100V
				C226	1-123-382-00	ELECT	3.3uF 20% 100V
				C271	1-123-357-00	ELECT	22uF 20% 50V
				C272	1-123-357-00	ELECT	22uF 20% 50V

When indicating parts by reference number, please include the board name.

MAIN

Ref. No.	Part No.	Description	Remarks			Ref. No.	Part No.	Description	Remarks		
C273	1-123-357-00	ELECT	22uF	20%	50V	C414	1-136-163-00	FILM	0.068uF	5%	50V
C274	1-123-357-00	ELECT	22uF	20%	50V	C415	1-130-480-00	MYLAR	0.0056uF	5%	50V
C301	1-123-369-00	ELECT	4.7uF	20%	50V	C416	1-136-153-00	FILM	0.01uF	5%	50V
C302	1-123-369-00	ELECT	4.7uF	20%	50V	C417	1-126-059-11	ELECT	10uF	20%	50V
C303	1-123-369-00	ELECT	4.7uF	20%	50V	C418	1-123-357-00	ELECT	22uF	20%	50V
C304	1-130-475-00	MYLAR	0.0022uF	5%	50V	C419	1-130-474-00	MYLAR	0.0018uF	5%	50V
C305	1-130-475-00	MYLAR	0.0022uF	5%	50V	C420	1-126-059-11	ELECT	10uF	20%	50V
C306	1-130-478-00	MYLAR	0.0039uF	5%	50V	C421	1-136-163-00	FILM	0.068uF	5%	50V
C307	1-136-173-00	FILM	0.47uF	5%	50V	C422	1-126-059-11	ELECT	10uF	20%	50V
C308	1-136-167-00	FILM	0.15uF	5%	50V	C423	1-109-619-00	MICA	180PF	1%	500V
C309	1-136-155-00	FILM	0.015uF	5%	50V	C424	1-107-210-00	MICA	22PF	5%	500V
C310	1-124-903-11	ELECT	1uF	20%	50V	C425	1-136-155-00	FILM	0.015uF	5%	50V
C311	1-136-169-00	FILM	0.22uF	5%	50V	C426	1-136-160-00	FILM	0.039uF	5%	50V
C312	1-136-162-00	FILM	0.056uF	5%	50V	C427	1-136-155-00	FILM	0.015uF	5%	50V
C313	1-124-903-11	ELECT	1uF	20%	50V	C428	1-136-153-00	FILM	0.01uF	5%	50V
C314	1-136-163-00	FILM	0.068uF	5%	50V	C429	1-136-156-00	FILM	0.018uF	5%	50V
C315	1-130-480-00	MYLAR	0.0056uF	5%	50V	C430	1-107-169-00	MICA	100PF	5%	500V
C316	1-136-153-00	FILM	0.01uF	5%	50V	C431	1-136-803-11	FILM	560PF	5%	630V
C317	1-126-059-11	ELECT	10uF	20%	50V	C432	1-110-341-11	MYLAR	330PF	5%	50V
C318	1-123-357-00	ELECT	22uF	20%	50V	C433	1-136-153-00	FILM	0.01uF	5%	50V
C319	1-130-474-00	MYLAR	0.0018uF	5%	50V	C434	1-136-157-00	FILM	0.022uF	5%	50V
C320	1-126-059-11	ELECT	10uF	20%	50V	C435	1-136-165-00	FILM	0.1uF	5%	50V
C321	1-136-163-00	FILM	0.068uF	5%	50V	C501	1-130-475-00	MYLAR	0.0022uF	5%	50V
C322	1-126-059-11	ELECT	10uF	20%	50V	C502	1-136-165-00	FILM	0.1uF	5%	50V
C323	1-109-619-00	MICA	180PF	1%	500V	C503	1-124-902-00	ELECT	0.47uF	20%	50V
C324	1-107-210-00	MICA	22PF	5%	500V	C505	1-124-907-11	ELECT	10uF	20%	50V
C325	1-136-155-00	FILM	0.015uF	5%	50V	C506	1-124-925-11	ELECT	2.2uF	20%	100V
C326	1-136-160-00	FILM	0.039uF	5%	50V	C507	1-124-925-11	ELECT	2.2uF	20%	100V
C327	1-136-155-00	FILM	0.015uF	5%	50V	C508	1-124-477-11	ELECT	47uF	20%	25V
C328	1-136-153-00	FILM	0.01uF	5%	50V	C551	1-136-157-00	FILM	0.022uF	5%	50V
C329	1-136-156-00	FILM	0.018uF	5%	50V	C552	1-136-157-00	FILM	0.022uF	5%	50V
C330	1-107-169-00	MICA	100PF	5%	500V	C553	1-130-474-00	MYLAR	0.0018uF	5%	50V
C331	1-136-803-11	FILM	560PF	5%	630V	C554	1-130-474-00	MYLAR	0.0018uF	5%	50V
C332	1-110-341-11	MYLAR	330PF	5%	50V	C555	1-124-925-11	ELECT	2.2uF	20%	100V
C333	1-136-153-00	FILM	0.01uF	5%	50V	C556	1-136-228-11	FILM	0.0012uF	5%	100V
C334	1-136-157-00	FILM	0.022uF	5%	50V	C557	1-136-233-11	FILM	0.0047uF	5%	100V
C335	1-136-165-00	FILM	0.1uF	5%	50V	C558	1-136-228-11	FILM	0.0012uF	5%	100V
C401	1-123-369-00	ELECT	4.7uF	20%	50V	C559	1-124-907-11	ELECT	10uF	20%	50V
C402	1-123-369-00	ELECT	4.7uF	20%	50V	C560	1-124-925-11	ELECT	2.2uF	20%	100V
C403	1-123-369-00	ELECT	4.7uF	20%	50V	C561	1-136-559-11	FILM	0.0047uF	5%	630V
C404	1-130-475-00	MYLAR	0.0022uF	5%	50V	C562	1-124-907-11	ELECT	10uF	20%	50V
C405	1-130-475-00	MYLAR	0.0022uF	5%	50V	C563	1-107-045-00	MICA	3.9PF	5%	500V
C406	1-130-478-00	MYLAR	0.0039uF	5%	50V	C564	1-126-059-11	ELECT	10uF	20%	50V
C407	1-136-173-00	FILM	0.47uF	5%	50V	C565	1-124-477-11	ELECT	47uF	20%	25V
C408	1-136-167-00	FILM	0.15uF	5%	50V	C589	1-136-161-00	FILM	0.047uF	5%	50V
C409	1-136-155-00	FILM	0.015uF	5%	50V	C591	1-162-282-31	CERAMIC	100PF	10%	50V
C410	1-124-903-11	ELECT	1uF	20%	50V	C598	1-161-494-00	CERAMIC	0.022uF		25V
C411	1-136-169-00	FILM	0.22uF	5%	50V	C601	1-126-982-11	ELECT	5600uF	20%	0
C412	1-136-162-00	FILM	0.056uF	5%	50V	C602	1-126-982-11	ELECT	5600uF	20%	0
C413	1-124-903-11	ELECT	1uF	20%	50V	C603	1-124-922-11	ELECT	1000uF	20%	63V

When indicating parts by reference number, please include the board name.

MAIN

Ref. No.	Part No.	Description	Remarks	Ref. No.	Part No.	Description	Remarks
C604	1-124-922-11	ELECT	1000uF 20% 63V	D203	8-719-912-20	DIODE 1SS120	
C605	1-136-161-00	FILM	0.047uF 5% 50V	D204	8-719-912-20	DIODE 1SS120	
C606	1-136-177-00	FILM	1uF 5% 50V	D501	8-719-912-20	DIODE 1SS120	
C607	1-124-122-11	ELECT	100uF 20% 50V	D502	8-719-912-20	DIODE 1SS120	
C701	1-124-887-00	ELECT	3300uF 20% 16V	D503	8-719-912-20	DIODE 1SS120	
C702	1-124-471-00	ELECT	1000uF 20% 6.3V	D504	8-719-912-20	DIODE 1SS120	
C703	1-124-927-11	ELECT	4.7uF 20% 100V	D505	8-719-912-20	DIODE 1SS120	
C704	1-126-105-11	ELECT	1000uF 20% 35V	D506	8-719-912-20	DIODE 1SS120	
C705	1-124-473-11	ELECT	1000uF 20% 10V	D507	8-719-912-20	DIODE 1SS120	
C706	1-124-927-11	ELECT	4.7uF 20% 100V	D508	8-719-912-20	DIODE 1SS120	
C707	1-124-927-11	ELECT	4.7uF 20% 100V	D509	8-719-912-20	DIODE 1SS120	
C708	1-126-955-11	ELECT	4700uF 20% 35V	D551	8-719-912-20	DIODE 1SS120	
C709	1-124-556-11	ELECT	2200uF 20% 16V	D552	8-719-912-20	DIODE 1SS120	
C710	1-124-927-11	ELECT	4.7uF 20% 100V	D553	8-719-912-20	DIODE 1SS120	
C711	1-124-122-11	ELECT	100uF 20% 50V	D554	8-719-912-20	DIODE 1SS120	
C712	1-124-477-11	ELECT	47uF 20% 25V	D555	8-719-912-20	DIODE 1SS120	
C713	1-164-159-11	CERAMIC	0.1uF 50V	D556	8-719-912-20	DIODE 1SS120	
C714	1-124-927-11	ELECT	4.7uF 20% 100V	D601	8-719-230-02	DIODE 30DF2	
C801	1-124-443-00	ELECT	100uF 20% 10V	D602	8-719-230-02	DIODE 30DF2	
C802	1-124-472-11	ELECT	470uF 20% 10V	D603	8-719-230-02	DIODE 30DF2	
C803	1-124-477-11	ELECT	47uF 20% 25V	D604	8-719-230-02	DIODE 30DF2	
C804	1-124-927-11	ELECT	4.7uF 20% 100V	D605	8-719-933-41	DIODE HZS6C3L	
C805	1-126-059-11	ELECT	10uF 20% 50V	D701	8-719-200-77	DIODE 10E2N	
C806	1-164-159-11	CERAMIC	0.1uF 50V	D702	8-719-200-77	DIODE 10E2N	
C807	1-164-159-11	CERAMIC	0.1uF 50V	D703	8-719-200-77	DIODE 10E2N	
< CONNECTOR >				D704	8-719-200-77	DIODE 10E2N	
CN501	* 1-560-062-00	PIN, CONNECTOR 4P		D705	8-719-200-77	DIODE 10E2N	
CN502	* 1-564-666-11	PIN, CONNECTOR 10P		D706	8-719-200-77	DIODE 10E2N	
CN503	* 1-560-063-00	PIN, CONNECTOR 5P		D707	8-719-200-77	DIODE 10E2N	
CN551	* 1-564-510-11	PLUG, CONNECTOR 7P		D708	8-719-933-41	DIODE HZS6C3L	
CN553	* 1-564-507-11	PLUG, CONNECTOR 4P		D712	8-719-933-41	DIODE HZS6C3L	
CN555	* 1-564-509-11	PLUG, CONNECTOR 6P		D713	8-719-001-79	DIODE UZL-12H1	
CN556	* 1-560-062-00	PIN, CONNECTOR 4P		D714	8-719-015-02	DIODE UZP-8.2B8	
CN557	* 1-560-061-00	PIN, CONNECTOR 3P		D715	8-719-200-77	DIODE 10E2N	
CN701	* 1-564-514-11	PLUG, CONNECTOR 11P		D716	8-719-912-20	DIODE 1SS120	
CN801	* 1-564-666-11	PIN, CONNECTOR 10P		D801	8-719-200-77	DIODE 10E2N	
CN802	* 1-564-342-11	PIN, CONNECTOR 8P		D802	8-719-912-20	DIODE 1SS120	
CN803	* 1-564-336-00	PIN, CONNECTOR 2P		D803	8-719-912-20	DIODE 1SS120	
< COMPOSITION CIRCUIT BLOCK >				< FUSE >			
CP801	1-236-984-11	COMPOSITION CIRCUIT BLOCK		F801	△ 1-532-741-11	FUSE, GLASS TUBE (1.25A) (K870ES; US, CA)	
					△ 1-532-285-11	FUSE, TIME-LAG (1.25A) (K870ES; UK, AE4, E2/E3 K222ESL; E2/E3)	
< DIODE >				< IC >			
D101	8-719-912-20	DIODE 1SS120		IC501	8-759-900-72	IC NE5532P	
D102	8-719-000-54	DIODE UZL-6L3		IC502	8-752-018-80	IC CX20188	
D103	8-719-912-20	DIODE 1SS120		IC503	8-759-630-43	IC M4066BPK	
D104	8-719-912-20	DIODE 1SS120		IC504	8-759-945-58	IC RC4558P	
D201	8-719-912-20	DIODE 1SS120		IC505	8-759-634-50	IC M5218AL	
D202	8-719-000-54	DIODE UZL-6L3					

The components identified by mark △ or dotted line with mark △ are critical for safety.
Replace only with part number specified.

Les composants identifiés par une marque △ sont critiques pour la sécurité.
Ne les remplacer que par une pièce portant le numéro spécifié.

When indicating parts by reference number, please include the board name.

MAIN

Ref. No.	Part No.	Description	Remarks	Ref. No.	Part No.	Description	Remarks
IC506	8-759-634-50	IC M5218AL		Q205	8-729-224-62	TRANSISTOR	2SK246-GR
IC507	8-759-634-50	IC M5218AL		Q206	8-729-922-37	TRANSISTOR	2SD2144S-UVW
IC551	8-759-710-59	IC NJM4580D-D		Q207	8-729-922-37	TRANSISTOR	2SD2144S-UVW
IC552	8-752-018-80	IC CX20188		Q208	8-729-922-37	TRANSISTOR	2SD2144S-UVW
IC553	8-759-710-59	IC NJM4580D-D		Q301	8-729-922-37	TRANSISTOR	2SD2144S-UVW
IC554	8-759-106-56	IC μ PC1297CA		Q302	8-729-922-37	TRANSISTOR	2SD2144S-UVW
IC555	8-759-634-50	IC M5218AL		Q303	8-729-922-37	TRANSISTOR	2SD2144S-UVW
IC801	8-759-635-69	IC M50964-226SP		Q304	8-729-922-37	TRANSISTOR	2SD2144S-UVW
IC802	8-759-973-95	IC BA6219B		Q305	8-729-922-37	TRANSISTOR	2SD2144S-UVW
IC803	8-759-822-09	IC LB1641		Q306	8-729-900-80	TRANSISTOR	DTC114ES
		< JACK >		Q401	8-729-922-37	TRANSISTOR	2SD2144S-UVW
J501	1-565-320-61	JACK, PIN 6P		Q402	8-729-922-37	TRANSISTOR	2SD2144S-UVW
		< COIL >		Q403	8-729-922-37	TRANSISTOR	2SD2144S-UVW
L101	1-408-927-11	INDUCTOR	18mH	Q404	8-729-922-37	TRANSISTOR	2SD2144S-UVW
L201	1-408-927-11	INDUCTOR	18mH	Q405	8-729-922-37	TRANSISTOR	2SD2144S-UVW
L301	1-408-920-00	INDUCTOR	4. 7mH	Q406	8-729-900-80	TRANSISTOR	DTC114ES
L302	1-408-918-11	INDUCTOR	3. 3mH	Q501	8-729-922-37	TRANSISTOR	2SD2144S-UVW
L303	1-408-916-11	INDUCTOR	2. 2mH	Q502	8-729-922-37	TRANSISTOR	2SD2144S-UVW
L304	1-408-929-00	INDUCTOR	27mH	Q503	8-729-900-89	TRANSISTOR	DTC144ES
L305	1-410-769-31	INDUCTOR	3. 3mH	Q504	8-729-900-80	TRANSISTOR	DTC114ES
L401	1-408-920-00	INDUCTOR	4. 7mH	Q505	8-729-900-89	TRANSISTOR	DTC144ES
L402	1-408-918-11	INDUCTOR	3. 3mH	Q551	8-729-194-57	TRANSISTOR	2SC945-P
L403	1-408-916-11	INDUCTOR	2. 2mH	Q552	8-729-194-57	TRANSISTOR	2SC945-P
L404	1-408-929-00	INDUCTOR	27mH	Q553	8-729-281-52	TRANSISTOR	2SC1815-Y
L405	1-410-769-31	INDUCTOR	3. 3mH	Q554	8-729-900-80	TRANSISTOR	DTC114ES
		< LOW PASS FILTER >		Q555	8-729-900-61	TRANSISTOR	DTA114ES
LPF301	1-236-087-11	FILTER, LOW PASS		Q556	8-729-900-80	TRANSISTOR	DTC114ES
LPF401	1-236-087-11	FILTER, LOW PASS		Q557	8-729-900-80	TRANSISTOR	DTC114ES
		< PILOT LAMP >		Q558	8-729-900-80	TRANSISTOR	DTC114ES
PL551	1-518-471-31	LAMP, PILOT		Q559	8-729-900-89	TRANSISTOR	DTC144ES
PL552	1-518-471-31	LAMP, PILOT		Q560	8-729-900-89	TRANSISTOR	DTC144ES
		< TRANSISTOR >		Q601	8-729-107-53	TRANSISTOR	2SC2275A-P
Q101	8-729-217-03	TRANSISTOR	2SK170-BL	Q602	8-729-190-53	TRANSISTOR	2SA985A-P
Q102	8-729-217-03	TRANSISTOR	2SK170-BL	Q603	8-729-922-37	TRANSISTOR	2SD2144S-UVW
Q103	8-729-375-61	TRANSISTOR	2SD756-D	Q604	8-729-224-62	TRANSISTOR	2SK246-GR
Q104	8-729-194-57	TRANSISTOR	2SC945-P	Q605	8-729-141-32	TRANSISTOR	2SA1409-LK
Q105	8-729-224-62	TRANSISTOR	2SK246-GR	Q606	8-729-224-62	TRANSISTOR	2SK246-GR
Q106	8-729-922-37	TRANSISTOR	2SD2144S-UVW	Q607	8-729-620-05	TRANSISTOR	2SC2603-EF
Q107	8-729-922-37	TRANSISTOR	2SD2144S-UVW	Q611	8-729-119-76	TRANSISTOR	2SA1175-HFE
Q108	8-729-922-37	TRANSISTOR	2SD2144S-UVW	Q701	8-729-111-55	TRANSISTOR	2SD1312-K
Q201	8-729-217-03	TRANSISTOR	2SK170-BL	Q702	8-729-111-55	TRANSISTOR	2SD1312-K
Q202	8-729-217-03	TRANSISTOR	2SK170-BL	Q703	8-729-111-55	TRANSISTOR	2SD1312-K
Q203	8-729-375-61	TRANSISTOR	2SD756-D	Q704	8-729-620-05	TRANSISTOR	2SC2603-EF
Q204	8-729-194-57	TRANSISTOR	2SC945-P	Q706	8-729-922-37	TRANSISTOR	2SD2144S-UVW
				Q707	8-729-620-05	TRANSISTOR	2SC2603-EF
				Q708	8-729-922-37	TRANSISTOR	2SD2144S-UVW
				Q709	8-729-140-04	TRANSISTOR	2SB1116A-L
				Q710	8-729-141-32	TRANSISTOR	2SA1409-LK
				Q801	8-729-900-65	TRANSISTOR	DTA144ES
				Q802	8-729-900-65	TRANSISTOR	DTA144ES

When indicating parts by reference number, please include the board name.

MAIN

Ref. No.	Part No.	Description	Remarks	Ref. No.	Part No.	Description	Remarks
Q803	8-729-900-65	TRANSISTOR	DTA144ES	R137	1-215-444-00	METAL	9.1K 1% 1/6W
Q804	8-729-900-65	TRANSISTOR	DTA144ES	R138	1-215-465-00	METAL	68K 1% 1/6W
Q805	8-729-119-76	TRANSISTOR	2SA1175-HFE	R139	1-215-448-00	METAL	13K 1% 1/6W
Q806	8-729-900-65	TRANSISTOR	DTA144ES	R140	1-215-471-00	METAL	120K 1% 1/6W
Q807	8-729-900-65	TRANSISTOR	DTA144ES	R141	1-249-408-11	CARBON	180 5% 1/4W
Q808	8-729-119-76	TRANSISTOR	2SA1175-HFE	R142	1-247-883-00	CARBON	150K 5% 1/4W
Q809	8-729-900-65	TRANSISTOR	DTA144ES	R143	1-249-429-11	CARBON	10K 5% 1/4W
Q810	8-729-119-76	TRANSISTOR	2SA1175-HFE	R201	1-249-844-11	CARBON	56K 5% 1/2W
Q811	8-729-119-76	TRANSISTOR	2SA1175-HFE	R202	1-247-740-11	CARBON	120 5% 1/2W
Q812	8-729-900-61	TRANSISTOR	DTA114ES	R203	1-249-462-11	CARBON	22K 5% 1/4W
Q813	8-729-620-05	TRANSISTOR	2SC2603-EF	R204	1-249-723-11	CARBON	120K 5% 1/2W
Q814	8-729-620-05	TRANSISTOR	2SC2603-EF	R205	1-247-255-00	CARBON	4.3K 5% 1/2W
		(RESISTOR)		R206	1-247-128-00	CARBON	750 5% 1/4W
R101	1-249-844-11	CARBON	56K 5% 1/2W	R207	1-247-128-00	CARBON	750 5% 1/4W
R102	1-247-740-11	CARBON	120 5% 1/2W	R208	1-247-700-11	CARBON	100 5% 1/4W
R103	1-249-462-11	CARBON	22K 5% 1/4W	R209	1-249-542-11	CARBON	390 5% 1/4W
R104	1-249-723-11	CARBON	120K 5% 1/2W	R210	1-249-518-11	CARBON	39 5% 1/4W
R105	1-247-255-00	CARBON	4.3K 5% 1/2W	R211	1-247-720-11	CARBON	3.9K 5% 1/4W
R106	1-247-128-00	CARBON	750 5% 1/4W	R212	1-247-704-11	CARBON	220 5% 1/4W
R107	1-247-128-00	CARBON	750 5% 1/4W	R213	1-247-717-11	CARBON	2.2K 5% 1/4W
R108	1-247-700-11	CARBON	100 5% 1/4W	R214	1-247-138-00	CARBON	2K 5% 1/4W
R109	1-249-542-11	CARBON	390 5% 1/4W	R215	1-247-720-11	CARBON	3.9K 5% 1/4W
R110	1-249-518-11	CARBON	39 5% 1/4W	R216	1-247-710-11	CARBON	560 5% 1/4W
R111	1-247-720-11	CARBON	3.9K 5% 1/4W	R217	1-247-725-11	CARBON	10K 5% 1/4W
R112	1-247-704-11	CARBON	220 5% 1/4W	R218	1-247-148-00	CARBON	5.1K 5% 1/4W
R113	1-247-717-11	CARBON	2.2K 5% 1/4W	R219	1-247-718-11	CARBON	2.7K 5% 1/4W
R114	1-247-138-00	CARBON	2K 5% 1/4W	R220	1-246-545-00	CARBON	1.0M 5% 1/4W
R115	1-247-720-11	CARBON	3.9K 5% 1/4W	R221	1-247-710-11	CARBON	560 5% 1/4W
R116	1-247-710-11	CARBON	560 5% 1/4W	R222	1-249-462-11	CARBON	22K 5% 1/4W
R117	1-247-725-11	CARBON	10K 5% 1/4W	R223	1-247-852-11	CARBON	7.5K 5% 1/4W
R118	1-247-148-00	CARBON	5.1K 5% 1/4W	R224	1-249-415-11	CARBON	680 5% 1/4W
R119	1-247-718-11	CARBON	2.7K 5% 1/4W	R225	1-247-854-11	CARBON	9.1K 5% 1/4W
R120	1-246-545-00	CARBON	1.0M 5% 1/4W	R226	1-249-465-11	CARBON	47K 5% 1/4W
R121	1-247-710-11	CARBON	560 5% 1/4W	R227	1-249-465-11	CARBON	47K 5% 1/4W
R122	1-249-462-11	CARBON	22K 5% 1/4W	R228	1-249-681-11	CARBON	2.2K 5% 1/2W
R123	1-247-852-11	CARBON	7.5K 5% 1/4W	R229	1-249-673-11	CARBON	1K 5% 1/2W
R124	1-249-415-11	CARBON	680 5% 1/4W	R230	1-249-461-11	CARBON	18K 5% 1/4W
R125	1-247-854-11	CARBON	9.1K 5% 1/4W	R231	1-249-421-11	CARBON	2.2K 5% 1/4W
R126	1-249-465-11	CARBON	47K 5% 1/4W	R232	1-249-429-11	CARBON	10K 5% 1/4W
R127	1-249-465-11	CARBON	47K 5% 1/4W	R233	1-249-433-11	CARBON	22K 5% 1/4W
R128	1-249-681-11	CARBON	2.2K 5% 1/2W	R234	1-249-417-11	CARBON	1K 5% 1/4W
R129	1-249-673-11	CARBON	1K 5% 1/2W	R235	1-249-437-11	CARBON	47K 5% 1/4W
R130	1-249-461-11	CARBON	18K 5% 1/4W	R236	1-249-427-11	CARBON	6.8K 5% 1/4W
R131	1-249-421-11	CARBON	2.2K 5% 1/4W	R237	1-215-444-00	METAL	9.1K 1% 1/6W
R132	1-249-429-11	CARBON	10K 5% 1/4W	R238	1-215-465-00	METAL	68K 1% 1/6W
R133	1-249-433-11	CARBON	22K 5% 1/4W	R239	1-215-448-00	METAL	13K 1% 1/6W
R134	1-249-417-11	CARBON	1K 5% 1/4W	R240	1-215-471-00	METAL	120K 1% 1/6W
R135	1-249-437-11	CARBON	47K 5% 1/4W	R241	1-249-408-11	CARBON	180 5% 1/4W
R136	1-249-427-11	CARBON	6.8K 5% 1/4W	R242	1-247-883-00	CARBON	150K 5% 1/4W
				R243	1-249-429-11	CARBON	10K 5% 1/4W

When indicating parts by reference number, please include the board name.

MAIN

Ref. No.	Part No.	Description	Quantity	Remarks	Ref. No.	Part No.	Description	Quantity	Remarks
R301	1-249-703-11	CARBON	18K	5% 1/2W	R407	1-247-152-00	CARBON	7.5K	5% 1/4W
R302	1-249-490-11	CARBON	27K	5% 1/2W	R408	1-249-465-11	CARBON	47K	5% 1/4W
R303	1-249-469-11	CARBON	100K	5% 1/4W	R409	1-249-465-11	CARBON	47K	5% 1/4W
R304	1-247-723-11	CARBON	6.8K	5% 1/4W	R410	1-249-543-11	CARBON	430	5% 1/4W
R305	1-247-720-11	CARBON	3.9K	5% 1/4W	R411	1-247-725-11	CARBON	10K	5% 1/4W
R306	1-247-719-11	CARBON	3.3K	5% 1/4W	R412	1-247-718-11	CARBON	2.7K	5% 1/4W
R307	1-247-152-00	CARBON	7.5K	5% 1/4W	R413	1-247-148-00	CARBON	5.1K	5% 1/4W
R308	1-249-465-11	CARBON	47K	5% 1/4W	R414	1-246-545-00	CARBON	1.0M	5% 1/4W
R309	1-249-465-11	CARBON	47K	5% 1/4W	R415	1-247-710-11	CARBON	560	5% 1/4W
R310	1-249-543-11	CARBON	430	5% 1/4W	R416	1-249-462-11	CARBON	22K	5% 1/4W
R311	1-247-725-11	CARBON	10K	5% 1/4W	R417	1-247-854-11	CARBON	9.1K	5% 1/4W
R312	1-247-718-11	CARBON	2.7K	5% 1/4W	R418	1-247-852-11	CARBON	7.5K	5% 1/4W
R313	1-247-148-00	CARBON	5.1K	5% 1/4W	R419	1-249-415-11	CARBON	680	5% 1/4W
R314	1-246-545-00	CARBON	1.0M	5% 1/4W	R420	1-249-462-11	CARBON	22K	5% 1/4W
R315	1-247-710-11	CARBON	560	5% 1/4W	R421	1-247-719-11	CARBON	3.3K	5% 1/4W
R316	1-249-462-11	CARBON	22K	5% 1/4W	R422	1-247-723-11	CARBON	6.8K	5% 1/4W
R317	1-247-854-11	CARBON	9.1K	5% 1/4W	R423	1-249-497-11	CARBON	33K	5% 1/4W
R318	1-247-852-11	CARBON	7.5K	5% 1/4W	R424	1-249-465-11	CARBON	47K	5% 1/4W
R319	1-249-415-11	CARBON	680	5% 1/4W	R425	1-249-556-11	CARBON	1.5K	5% 1/4W
R320	1-249-462-11	CARBON	22K	5% 1/4W	R426	1-249-598-11	CARBON	82K	5% 1/4W
R321	1-247-719-11	CARBON	3.3K	5% 1/4W	R427	1-259-467-11	CARBON	43K	5% 1/4W
R322	1-247-723-11	CARBON	6.8K	5% 1/4W	R428	1-247-718-11	CARBON	2.7K	5% 1/4W
R323	1-249-497-11	CARBON	33K	5% 1/4W	R429	1-247-702-11	CARBON	150	5% 1/4W
R324	1-249-465-11	CARBON	47K	5% 1/4W	R430	1-249-462-11	CARBON	22K	5% 1/4W
R325	1-249-556-11	CARBON	1.5K	5% 1/4W	R431	1-247-722-11	CARBON	5.6K	5% 1/4W
R326	1-249-598-11	CARBON	82K	5% 1/4W	R432	1-247-701-11	CARBON	120	5% 1/4W
R327	1-259-467-11	CARBON	43K	5% 1/4W	R433	1-247-725-11	CARBON	10K	5% 1/4W
R328	1-247-718-11	CARBON	2.7K	5% 1/4W	R434	1-247-721-11	CARBON	4.7K	5% 1/4W
R329	1-247-702-11	CARBON	150	5% 1/4W	R435	1-247-700-11	CARBON	100	5% 1/4W
R330	1-249-462-11	CARBON	22K	5% 1/4W	R436	1-249-429-11	CARBON	10K	5% 1/4W
R331	1-247-722-11	CARBON	5.6K	5% 1/4W	R437	1-249-429-11	CARBON	10K	5% 1/4W
R332	1-247-701-11	CARBON	120	5% 1/4W	R438	1-249-429-11	CARBON	10K	5% 1/4W
R333	1-247-725-11	CARBON	10K	5% 1/4W	R439	1-249-429-11	CARBON	10K	5% 1/4W
R334	1-247-721-11	CARBON	4.7K	5% 1/4W	R440	1-249-421-11	CARBON	2.2K	5% 1/4W
R335	1-247-700-11	CARBON	100	5% 1/4W	R441	1-249-604-11	CARBON	150K	5% 1/4W
R336	1-249-429-11	CARBON	10K	5% 1/4W	R442	△ 1-212-857-00	FUSIBLE	10	5% 1/4W F
R337	1-249-429-11	CARBON	10K	5% 1/4W	R443	1-249-439-11	CARBON	68K	5% 1/4W
R338	1-249-429-11	CARBON	10K	5% 1/4W	R444	1-249-426-11	CARBON	5.6K	5% 1/4W
R339	1-249-429-11	CARBON	10K	5% 1/4W	R501	1-249-433-11	CARBON	22K	5% 1/4W
R340	1-249-421-11	CARBON	2.2K	5% 1/4W	R502	1-249-433-11	CARBON	22K	5% 1/4W
R341	1-249-604-11	CARBON	150K	5% 1/4W	R503	1-249-469-11	CARBON	100K	5% 1/4W
R342	△ 1-212-857-00	FUSIBLE	10	5% 1/4W F	R504	1-249-465-11	CARBON	47K	5% 1/4W
R343	1-249-439-11	CARBON	68K	5% 1/4W	R505	1-215-472-00	METAL	130K	1% 1/6W
R344	1-249-426-11	CARBON	5.6K	5% 1/4W	R506	1-249-437-11	CARBON	47K	5% 1/4W
R401	1-249-703-11	CARBON	18K	5% 1/2W	R507	1-249-433-11	CARBON	22K	5% 1/4W
R402	1-249-490-11	CARBON	27K	5% 1/2W	R508	1-249-417-11	CARBON	1K	5% 1/4W
R403	1-249-469-11	CARBON	100K	5% 1/4W	R509	1-247-885-00	CARBON	180K	5% 1/4W
R404	1-247-723-11	CARBON	6.8K	5% 1/4W	R510	1-249-433-11	CARBON	22K	5% 1/4W
R405	1-247-720-11	CARBON	3.9K	5% 1/4W	R511	1-249-413-11	CARBON	470	5% 1/4W
R406	1-247-719-11	CARBON	3.3K	5% 1/4W	R512	1-249-413-11	CARBON	470	5% 1/4W

Les composants identifiés par une marque
△ sont critiques pour la sécurité.
Ne les remplacer que par une pièce portant
le numéro spécifié.

The components identified by mark △ or
dotted line with mark △ are critical for
safety.
Replace only with part number specified.

When indicating parts by reference
number, please include the board name.

MAIN

Ref. No.	Part No.	Description	Remarks	Ref. No.	Part No.	Description	Remarks
R513	1-249-432-11	CARBON	18K 5% 1/4W	R701	1-249-421-11	CARBON	2.2K 5% 1/4W
R514	1-249-433-11	CARBON	22K 5% 1/4W	R702	1-249-421-11	CARBON	2.2K 5% 1/4W
R515	1-249-437-11	CARBON	47K 5% 1/4W	R703	1-249-421-11	CARBON	2.2K 5% 1/4W
R516	1-249-437-11	CARBON	47K 5% 1/4W	R704	1-249-425-11	CARBON	4.7K 5% 1/4W
R517	1-249-437-11	CARBON	47K 5% 1/4W	R706	1-249-425-11	CARBON	4.7K 5% 1/4W
R518	1-249-429-11	CARBON	10K 5% 1/4W	R707	1-249-421-11	CARBON	2.2K 5% 1/4W
R519	1-249-429-11	CARBON	10K 5% 1/4W	R708	1-249-421-11	CARBON	2.2K 5% 1/4W
R520	1-249-437-11	CARBON	47K 5% 1/4W	R709	1-249-427-11	CARBON	6.8K 5% 1/4W
R521	1-249-429-11	CARBON	10K 5% 1/4W	R710	1-249-425-11	CARBON	4.7K 5% 1/4W
R522	1-249-437-11	CARBON	47K 5% 1/4W	R711	1-249-431-11	CARBON	15K 5% 1/4W
R523	1-249-421-11	CARBON	2.2K 5% 1/4W	R712	1-249-429-11	CARBON	10K 5% 1/4W
R550	1-215-472-00	METAL	130K 1% 1/6W	R713	1-249-441-11	CARBON	100K 5% 1/4W
R551	1-249-432-11	CARBON	18K 5% 1/4W	R714	1-249-425-11	CARBON	4.7K 5% 1/4W
R552	1-249-433-11	CARBON	22K 5% 1/4W	R715	1-247-752-11	CARBON	1K 5% 1/2W
R553	1-249-406-11	CARBON	120 5% 1/4W	R801	1-249-429-11	CARBON	10K 5% 1/4W
R554	1-249-432-11	CARBON	18K 5% 1/4W	R802	1-249-429-11	CARBON	10K 5% 1/4W
R555	1-249-397-11	CARBON	22 5% 1/4W	R803	1-249-440-11	CARBON	82K 5% 1/4W
R556	1-247-856-00	CARBON	11K 5% 1/4W	R804	1-249-429-11	CARBON	10K 5% 1/4W
R557	1-249-429-11	CARBON	10K 5% 1/4W	R805	1-249-429-11	CARBON	10K 5% 1/4W
R558	1-249-406-11	CARBON	120 5% 1/4W	R806	1-249-429-11	CARBON	10K 5% 1/4W
R559	1-247-856-00	CARBON	11K 5% 1/4W	R807	1-249-429-11	CARBON	10K 5% 1/4W
R560	1-249-397-11	CARBON	22 5% 1/4W	R808	1-249-421-11	CARBON	2.2K 5% 1/4W
R561	1-247-887-00	CARBON	220K 5% 1/4W	R809	1-249-421-11	CARBON	2.2K 5% 1/4W
R562	1-247-887-00	CARBON	220K 5% 1/4W	R810	1-249-429-11	CARBON	10K 5% 1/4W
R563	1-249-407-11	CARBON	150 5% 1/4W	R811	1-249-435-11	CARBON	33K 5% 1/4W
R564	1-249-437-11	CARBON	47K 5% 1/4W	R812	1-249-429-11	CARBON	10K 5% 1/4W
R565	1-249-441-11	CARBON	100K 5% 1/4W	R813	1-249-413-11	CARBON	470 5% 1/4W
R566	1-249-421-11	CARBON	2.2K 5% 1/4W	R814	1-249-436-11	CARBON	39K 5% 1/4W
R567	1-249-440-11	CARBON	82K 5% 1/4W	R815	1-249-436-11	CARBON	39K 5% 1/4W
R568	1-249-440-11	CARBON	82K 5% 1/4W	R816	1-247-903-00	CARBON	1M 5% 1/4W
R569 \triangle	1-212-853-00	FUSIBLE	6.8 5% 1/4W F	R817	1-249-425-11	CARBON	4.7K 5% 1/4W
R570 \triangle	1-212-853-00	FUSIBLE	6.8 5% 1/4W F	R818	1-249-417-11	CARBON	1K 5% 1/4W
R571	1-249-427-11	CARBON	6.8K 5% 1/4W	R819	1-249-435-11	CARBON	33K 5% 1/4W
R572	1-249-381-11	CARBON	1 5% 1/4W	R820	1-249-437-11	CARBON	47K 5% 1/4W
R573	1-249-421-11	CARBON	2.2K 5% 1/4W	R821	1-249-484-11	CARBON	6.8 5% 1/2W
R574	1-249-417-11	CARBON	1K 5% 1/4W	R822	1-249-484-11	CARBON	6.8 5% 1/2W
R575	1-249-433-11	CARBON	22K 5% 1/4W	R823	1-247-854-11	CARBON	9.1K 5% 1/4W
R576	1-249-414-11	CARBON	560 5% 1/4W	R824	1-249-425-11	CARBON	4.7K 5% 1/4W
R577	1-247-830-11	CARBON	910 5% 1/4W	R825	1-249-425-11	CARBON	4.7K 5% 1/4W
R578	1-249-425-11	CARBON	4.7K 5% 1/4W	R826	1-249-425-11	CARBON	4.7K 5% 1/4W
R601 \triangle	1-212-863-00	FUSIBLE	18 5% 1/4W F	R827	1-249-425-11	CARBON	4.7K 5% 1/4W
R603	1-247-717-11	CARBON	2.2K 5% 1/4W	R828	1-249-426-11	CARBON	5.6K 5% 1/4W
R604	1-247-717-11	CARBON	2.2K 5% 1/4W	R829	1-249-429-11	CARBON	10K 5% 1/4W
R605	1-247-706-11	CARBON	330 5% 1/4W	R830	1-249-429-11	CARBON	10K 5% 1/4W
R606	1-249-556-11	CARBON	1.5K 5% 1/4W	R831	1-249-427-11	CARBON	6.8K 5% 1/4W
R607	1-249-556-11	CARBON	1.5K 5% 1/4W	R832	1-249-428-11	CARBON	8.2K 5% 1/4W
R608	1-249-926-11	CARBON	1.3K 5% 1/4W	R833	1-249-429-11	CARBON	10K 5% 1/4W
R609	1-247-717-11	CARBON	2.2K 5% 1/4W	R834	1-249-429-11	CARBON	10K 5% 1/4W
R611	1-247-704-11	CARBON	220 5% 1/4W	R835	1-249-413-11	CARBON	470 5% 1/4W
R612	1-247-704-11	CARBON	220 5% 1/4W				

The components identified by mark \triangle or dotted line with mark \triangle are critical for safety.
Replace only with part number specified.

Les composants identifiés par une marque \triangle sont critiques pour la sécurité.
Ne les remplacer que par une pièce portant le numéro spécifié.

When indicating parts by reference number, please include the board name.

MAIN

REAL MOTOR

PANEL

Ref. No.	Part No.	Description	Remarks
< VARIABLE RESISTOR >			
RV101	1-241-338-11	RES, ADJ, CARBON 200 (PB LEVEL L)	
RV102	1-238-602-11	RES, ADJ, CARBON 47K (CA METER L)	
RV201	1-241-338-11	RES, ADJ, CARBON 200 (PB LEVEL R)	
RV202	1-238-602-11	RES, ADJ, CARBON 47K (CA METER R)	
RV301	1-228-993-00	RES, ADJ, METAL4. 7K (REC LEVEL L)	
RV302	1-238-599-11	RES, ADJ, CARBON 4. 7K (BIAS L CH)	
RV303	1-238-601-11	RES, ADJ, CARBON 22K (BIAS L CH)	
RV401	1-228-993-00	RES, ADJ, METAL4. 7K (REC LEVEL R)	
RV402	1-238-599-11	RES, ADJ, CARBON 4. 7K (BIAS R CH)	
RV403	1-238-601-11	RES, ADJ, CARBON 22K (BIAS R CH)	
RV551	1-238-595-11	RES, ADJ, CARBON 220 (400Hz)	
RV552	1-238-595-11	RES, ADJ, CARBON 220 (8kHz)	
RV553	1-238-599-11	RES, ADJ, CARBON 4. 7K (ERASE CURRENT)	
RV554	1-238-602-11	RES, ADJ, CARBON 47K (BIAS)	
RV801	1-238-599-11	RES, ADJ, CARBON 4. 7K (FWD TORQUE)	
< BIAS OSCILLATOR >			
T301	1-433-379-11	TRANSFORMER, BIAS OSCILLATOR	
T401	1-433-379-11	TRANSFORMER, BIAS OSCILLATOR	
T551	1-433-359-11	TRANSFORMER, BIAS OSCILLATION	
< CONNECTOR PLUG >			
TP551	* 1-564-505-11	PLUG, CONNECTOR 2P	
TP552	* 1-564-506-11	PLUG, CONNECTOR 3P	
TP553	* 1-564-506-11	PLUG, CONNECTOR 3P	
TP801	* 1-564-506-11	PLUG, CONNECTOR 3P	
< CRYSTAL >			
X801	1-577-358-21	VIBRATOR, CERAMIC (4. 0MHz)	

	* 1-632-741-11	REAL MOTOR BOARD	*****
< CAPACITOR >			
C1051	1-124-907-11	ELECT 10uF 20% 50V	
C1052	1-124-907-11	ELECT 10uF 20% 50V	
C1053	1-164-159-11	CERAMIC 0. 1uF 50V	
< CONNECTOR >			
CN1051	* 1-564-499-11	PIN, CONNECTOR 6P	
CN1052	* 1-564-718-11	PIN, CONNECTOR (SMALL TYPE) 2P	
CN1053	* 1-564-718-11	PIN, CONNECTOR (SMALL TYPE) 2P	
< MOTOR >			
M1001	X-3356-638-1	MOTOR (REEL R) ASSY	
M1002	X-3356-604-1	MOTOR (ASSIST) ASSY	

Ref. No.	Part No.	Description	Remarks
< RESISTOR >			
R1051	1-249-412-11	CARBON 390 5% 1/4W	

	* A-2006-551-A	PANEL BOARD, COMPLETE	*****
< CAPACITOR >			
C001	1-161-744-00	CERAMIC 0. 01uF 400V	
C181	1-126-059-11	ELECT 10uF 20% 50V	
C281	1-126-059-11	ELECT 10uF 20% 50V	
C341	1-130-473-00	MYLAR 0. 0015uF 5% 50V	
C342	1-130-471-00	MYLAR 0. 001uF 5% 50V	
C441	1-130-473-00	MYLAR 0. 0015uF 5% 50V	
C442	1-130-471-00	MYLAR 0. 001uF 5% 50V	
C541	1-123-369-00	ELECT 4. 7uF 20% 50V	
C542	1-123-369-00	ELECT 4. 7uF 20% 50V	
C597	1-162-598-11	CERAMIC 0. 001uF 10% 1KV	
C901	1-126-177-11	ELECT 100uF 20% 10V	
< CONNECTOR >			
CN001	* 1-568-226-11	PIN, CONNECTOR 2P	
CN002	1-568-226-11	PIN, CONNECTOR 2P	
CN521	* 1-564-521-11	PLUG, CONNECTOR 6P	
CN543	* 1-560-070-00	BASE POST 5P	
CN591	* 1-564-519-11	PLUG, CONNECTOR 4P	
CN592	* 1-564-519-11	PLUG, CONNECTOR 4P	
CN593	* 1-564-519-11	PLUG, CONNECTOR 4P	
CN901	* 1-564-336-00	PIN, CONNECTOR 2P	
< COMPOSITION CIRCUIT BLOCK >			
CP901	1-232-881-11	COMPOSITION CIRCUIT BLOCK	
CP902	1-232-881-11	COMPOSITION CIRCUIT BLOCK	
CP903	1-236-985-11	COMPOSITION CIRCUIT BLOCK	
< DIODE >			
D901	8-719-912-20	DIODE 1SS120	
D902	8-719-912-20	DIODE 1SS120	
D903	8-719-933-57	DIODE HZS9B2L	
D904	8-719-912-20	DIODE 1SS120	
D905	8-719-912-20	DIODE 1SS120	
D906	8-719-912-20	DIODE 1SS120	
D907	8-719-912-20	DIODE 1SS120	
D908	8-719-912-20	DIODE 1SS120	
D909	8-719-912-20	DIODE 1SS120	
D910	8-719-912-20	DIODE 1SS120	
D911	8-719-912-20	DIODE 1SS120	
D912	8-719-302-46	DIODE SEL1210S-C	
D913	8-719-302-45	DIODE SEL1210S-C	

When indicating parts by reference number, please include the board name.

PANEL

Ref. No.	Part No.	Description	Remarks	Ref. No.	Part No.	Description	Remarks
D914	8-719-302-79	DIODE SEL1910A-C		R386	1-249-462-11	CARBON 22K 5%	1/4W
		< INDICATOR TUBE >		R481	1-247-721-11	CARBON 4.7K 5%	1/4W
FLT901	1-519-560-11	INDICATOR TUBE, FLUORESCENT		R482	1-247-152-00	CARBON 8.2K 5%	1/4W
		< IC >		R483	1-247-725-11	CARBON 10K 5%	1/4W
IC541	8-759-634-51	IC M5218AP		R484	1-247-721-11	CARBON 4.7K 5%	1/4W
IC901	8-759-635-68	IC M50940-313SP		R485	1-246-545-00	CARBON 1.0M 5%	1/4W
IC902	8-741-100-48	IC SBX1610-59		R486	1-249-462-11	CARBON 22K 5%	1/4W
		< JACK >		R590	1-249-429-11	CARBON 10K 5%	1/4W
J541	1-507-796-71	JACK		R881	1-249-434-11	CARBON 27K 5%	1/4W
		< TRANSISTOR >		R882	1-249-431-11	CARBON 15K 5%	1/4W
Q901	8-729-115-28	TRANSISTOR 2SA1511		R901	1-249-421-11	CARBON 2.2K 5%	1/4W
Q902	8-729-119-76	TRANSISTOR 2SA1175-HFE		R902	1-249-421-11	CARBON 2.2K 5%	1/4W
Q903	8-729-900-61	TRANSISTOR DTA114ES		R903	1-247-895-00	CARBON 470K 5%	1/4W
Q904	8-729-900-61	TRANSISTOR DTA114ES		R904	1-249-433-11	CARBON 22K 5%	1/4W
Q905	8-729-900-61	TRANSISTOR DTA114ES		R905	1-249-433-11	CARBON 22K 5%	1/4W
Q906	8-729-900-61	TRANSISTOR DTA114ES		R906	1-249-429-11	CARBON 10K 5%	1/4W
Q907	8-729-900-65	TRANSISTOR DTA144ES		R907	1-249-425-11	CARBON 4.7K 5%	1/4W
Q908	8-729-900-65	TRANSISTOR DTA144ES		R908	1-249-431-11	CARBON 15K 5%	1/4W
Q909	8-729-900-65	TRANSISTOR DTA144ES		R909	1-249-422-11	CARBON 2.7K 5%	1/4W
Q910	8-729-900-65	TRANSISTOR DTA144ES		R910	1-249-424-11	CARBON 3.9K 5%	1/4W
Q911	8-729-900-89	TRANSISTOR DTC144ES		R911	1-249-428-11	CARBON 8.2K 5%	1/4W
Q912	8-729-900-65	TRANSISTOR DTA144ES		R912	1-249-434-11	CARBON 27K 5%	1/4W
Q913	8-729-900-65	TRANSISTOR DTA144ES		R913	1-249-422-11	CARBON 2.7K 5%	1/4W
Q914	8-729-900-65	TRANSISTOR DTA144ES		R914	1-249-424-11	CARBON 3.9K 5%	1/4W
Q915	8-729-900-89	TRANSISTOR DTC144ES		R915	1-249-428-11	CARBON 8.2K 5%	1/4W
Q916	8-729-900-65	TRANSISTOR DTA144ES		R916	1-249-434-11	CARBON 27K 5%	1/4W
Q917	8-729-900-65	TRANSISTOR DTA144ES		R917	1-249-431-11	CARBON 15K 5%	1/4W
Q918	8-729-119-76	TRANSISTOR 2SA1175-HFE		R918	1-249-409-11	CARBON 220 5%	1/4W
Q919	8-729-900-65	TRANSISTOR DTA144ES		R919	1-249-410-11	CARBON 270 5%	1/4W
		< RESISTOR >		R920	1-249-412-11	CARBON 390 5%	1/4W
R001	1-247-752-11	CARBON 1K 5%	1/2W	R921	1-249-421-11	CARBON 2.2K 5%	1/4W
R181	1-249-429-11	CARBON 10K 5%	1/4W	R922	1-249-421-11	CARBON 2.2K 5%	1/4W
R182	1-249-433-11	CARBON 22K 5%	1/4W	R923	1-247-903-00	CARBON 1M 5%	1/4W
R183	1-249-423-11	CARBON 3.3K 5%	1/4W	R925	1-249-425-11	CARBON 4.7K 5%	1/4W
R184	1-247-704-11	CARBON 220 5%	1/4W	R926	1-249-441-11	CARBON 100K 5%	1/4W
R281	1-249-429-11	CARBON 10K 5%	1/4W	R927	1-249-441-11	CARBON 100K 5%	1/4W
R282	1-249-433-11	CARBON 22K 5%	1/4W	R928	1-249-441-11	CARBON 100K 5%	1/4W
R283	1-249-423-11	CARBON 3.3K 5%	1/4W	R929	1-249-433-11	CARBON 22K 5%	1/4W
R284	1-247-704-11	CARBON 220 5%	1/4W	R930	1-249-441-11	CARBON 100K 5%	1/4W
R381	1-247-721-11	CARBON 4.7K 5%	1/4W	R931	1-249-425-11	CARBON 4.7K 5%	1/4W
R382	1-247-152-00	CARBON 8.2K 5%	1/4W			< VARIABLE RESISTOR >	
R383	1-247-725-11	CARBON 10K 5%	1/4W	RV541	1-241-330-11	RES. VAR, CARBON 20K/20K	(PHONE LEVEL)
R384	1-247-721-11	CARBON 4.7K 5%	1/4W	RV591	1-238-833-21	RES. VAR, CARBON 20K/20K	(REC LEVEL)
R385	1-246-545-00	CARBON 1.0M 5%	1/4W	RV592	1-238-687-11	RES. VAR, CARBON 50K/50K	(BALANCE)
				RV593	1-241-329-11	RES. VAR, CARBON 5K/5K	(REC LEVEL)
				RV594	1-241-328-11	RES. VAR, CARBON 10K/10K	(BIAS)
						< SWITCH >	
				S541	1-572-583-11	SWITCH, ROTARY	(DOLBY NR)

When indicating parts by reference number, please include the board name.

PANEL

Ref. No.	Part No.	Description	Remarks	Ref. No.	Part No.	Description	Remarks
S542	1-572-152-11	SWITCH, PUSH (3 KEY) (CALIBRATION/HX PRO/MPX FILTER)					
S591	1-572-153-11	SWITCH, PUSH (1 KEY) (INPUT)					
S592	1-572-582-11	SWITCH, ROTARY (REC EQ CAL)					
S701	1-572-267-51	SWITCH, PUSH (AC POWER) (1 KEY) (POWER)					
S801	1-572-268-11	SWITCH, SLIDE (TIMER)					
S901	1-554-303-21	SWITCH, TACTILE (COUNTER. MEMORY)					
S902	1-554-303-21	SWITCH, TACTILE (COUNTER. RESET)					
S903	1-554-303-21	SWITCH, TACTILE (COUNTER. DISPLAY MODE)					
S904	1-554-303-21	SWITCH, TACTILE (OPEN/CLOSE)					
S905	1-554-303-21	SWITCH, TACTILE (■)					
S906	1-554-303-21	SWITCH, TACTILE (◀◀)					
S907	1-554-303-21	SWITCH, TACTILE (▶▶)					
S908	1-554-303-21	SWITCH, TACTILE (REC)					
S909	1-554-303-21	SWITCH, TACTILE (▶)					
S910	1-554-303-21	SWITCH, TACTILE (PAUSE)					
S911	1-554-303-21	SWITCH, TACTILE (◀◀◀)					
S912	1-554-303-21	SWITCH, TACTILE (▶▶▶)					
S913	1-554-303-21	SWITCH, TACTILE (REC MUTE)					
S914	1-554-303-21	SWITCH, TACTILE (MON/TOR)					
		< CRYSTAL >					
X901	1-577-358-21	VIBRATOR, CERAMIC (4.0MHz)					

		MISCELLANEOUS					

64	* 1-590-321-51	LEAD (WITH CONNECTOR)					
67	△ 1-575-975-11	CORD, POWER (K870ES; US, CA)					
	△ 1-575-651-11	CORD, POWER (K870ES; AE4)					
	△ 1-575-652-11	CORD, POWER (K870ES; UK)					
	△ 1-575-653-11	CORD, POWER (E2/E3)					
146	* 1-608-268-00	PC BOARD, ERASE HEAD					
147	1-543-358-11	HEAD, MAGNETIC (ERASE)					
148	1-543-684-11	HEAD, MAGNETIC (REC/PB)					
234	1-632-779-11	PC BOARD, FG					
T701	△ 1-450-511-11	TRANSFORMER, POWER (K870ES; US, CA)					
	△ 1-450-512-11	TRANSFORMER, POWER (K870ES; UK, AE4)					
	△ 1-450-513-11	TRANSFORMER, POWER (E2/E3)					

ACCESSORY & PACKING MATERIAL

- 1-558-787-51 CORD, CONNECTION
- * 3-354-919-31 INDIVIDUAL CARTON
(K870ES; US, CA, AE4, E2/E3)
- * 3-350-464-71 INDIVIDUAL CARTON (K870ES; UK)
- * 3-350-464-81 INDIVIDUAL CARTON (K222ESL; E2/E3)
- * 3-366-547-01 CUSHION (K870ES; US, CA, AE4, E2/E3)
- * 3-363-900-01 CUSHION (K870ES; UK K222ESL; E2/E3)
- 3-703-450-01 INSTRUCTION (K870ES; US)
- 3-752-575-21 MANUAL, INSTRUCTION (ENGLISH)
- 3-752-575-11 MANUAL, INSTRUCTION
(ENGLISH/FRENCH/DUTCH/SPANISH)

HARDWARE LIST

- # 1 7-682-548-04 SCREW +BVTT 3X8 (S)
- # 2 7-682-547-04 SCREW +BVTT 3X6 (S)
- # 3 7-682-548-09 SCREW +BVTT 3X8 (S)
- # 4 7-685-133-19 SCREW +BTP 2.6X6 TYPE2 N-S
- # 5 7-682-547-09 SCREW +BV 3X6, S TIGHT
- # 6 7-682-147-15 SCREW, TR
- # 7 7-621-849-00 SCREW (BV/RING)
- # 8 7-621-775-10 SCREW +B 2.6X4
- # 9 7-628-253-00 SCREW +PS 2X4
- #10 7-621-255-20 SCREW +BVTT 2X4 (S)
- #11 7-621-772-10 SCREW +B 2X4
- #12 7-671-154-01 STENLESS BALL
- #13 7-685-870-01 SCREW +BVTT 3X5 (S)
- #14 7-621-772-70 SCREW +B 2X14
- #15 7-622-205-05 NUT M2 TYPE2
- #16 7-628-254-10 SCREW +PS 2.6X6
- #17 7-682-648-09 SCREW +PS 3X8
- #18 7-621-255-35 SCREW +BVTT 2X5 (S)

The components identified by mark △ or dotted line with mark △ are critical for safety.
Replace only with part number specified.

Les composants identifiés par une marque △ sont critiques pour la sécurité.
Ne les remplacer que par une pièce portant le numéro spécifié.

When indicating parts by reference number, please include the board name.

